

# VITO Oiltester Spec sheet

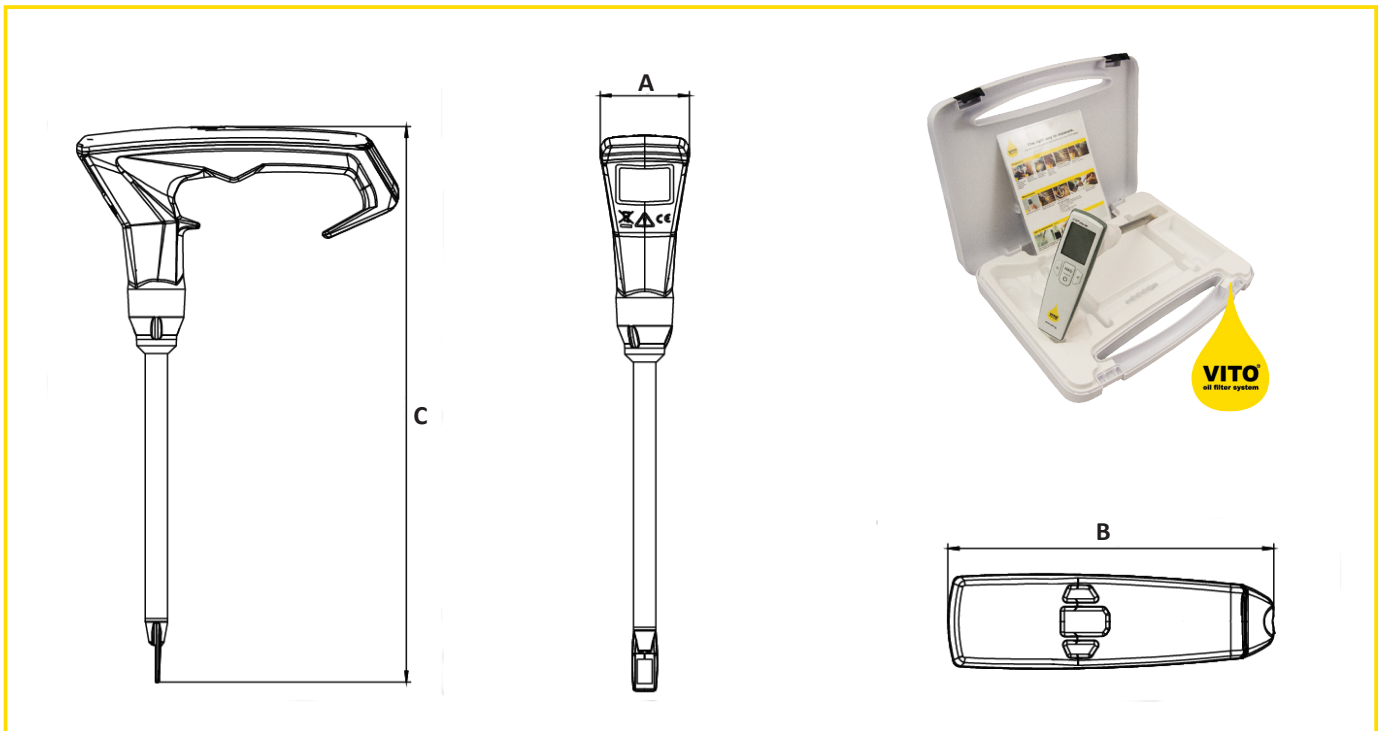


## Functionality:

VITO Oiltester determines the quality of frying oil in an easily, quick and reliable way. It measures the “Total Polar Material” (TPM) content in the oil and shows its value as a percentage. The 3-coloured display makes it even easier to evaluate the quality of the oil.

## Features:

- ▲ Measures the quality and temperature of your oil
- ▲ Quick and reliable measurement
- ▲ Clear alarms via 3-coloured display
- ▲ Ergonomic and sturdy design
- ▲ Exchangeable AAA batteries
- ▲ Robust case for storing the VITO Oiltester
- ▲ Supports HACCP standards



## VITO Oiltester technical data:

Dimensions:	Width A	Depth B	Height C	Case Dimensions:	Width	Depth	Height	
	48 mm 1.9 in	173 mm 6.8 in	298 mm 11.7 in		340 mm 13.4 in	60 mm 2.4 in	266 mm 10.5 in	
Parameter	Resolution	Measuring range TPM	Measuring range °C/°F	Accuracy	Battery	IP format	Alarm function	Weight (with case)
% TPM °C / °F	0.5 % TPM 0.1 °C / °F	0 ... 40 % TPM	40°C ... 200°C 122°F ... 392°F	± 2.0 % TPM ± 1.5 °C / °F	2x AAA	IP 65	3-coloured traffic light function	255 g (1.15 kg) 0.56 lbs (2.5 lbs)

