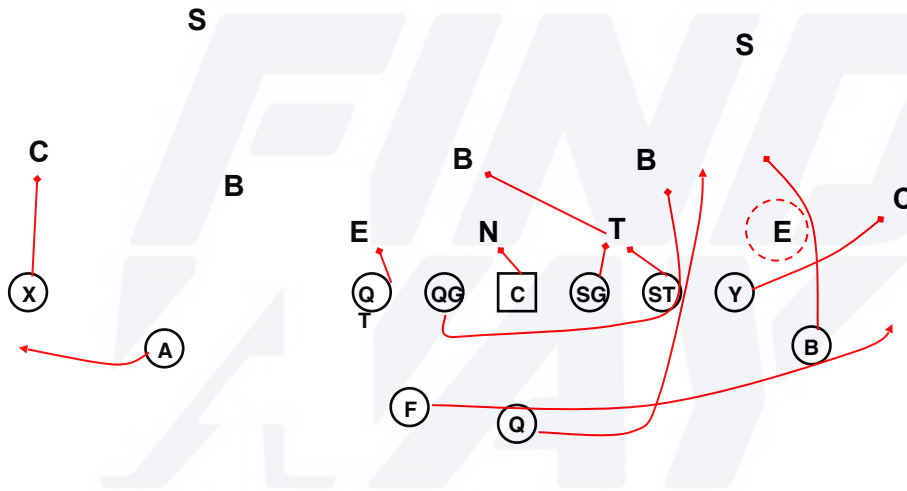


Belly Read



Belly Read Base Rules



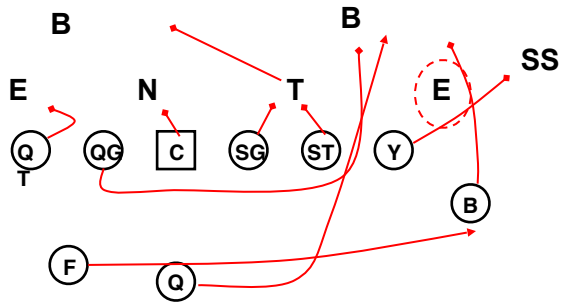
Position	Job Description
X	RPO or Screen
A	RPO or Screen
F	Run flat to edge and follow the Y/B blocks
Y	Block first edge outside read man, try to seal
B	Outside Release and look to seal any alley player
QT	Step Hinge or Cut
QG	Pull Wrap
C	On/Backside
SG	Pull Kick
ST	Gap/Down/Backer
Q	Shuffle 2 steps and read the 1st DL head up the ST to outside



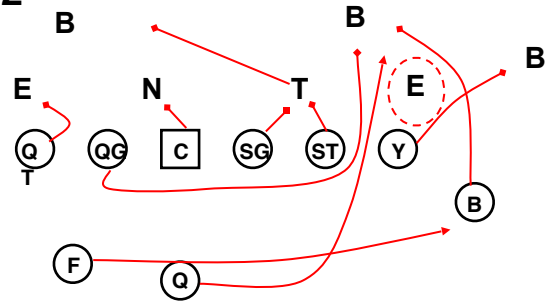
Belly Read



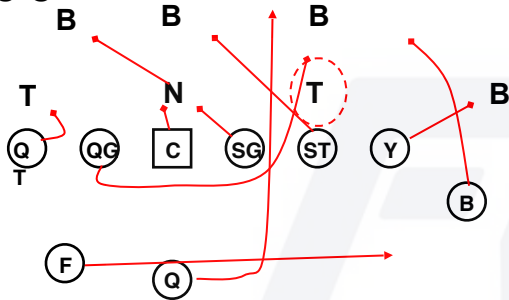
4-3



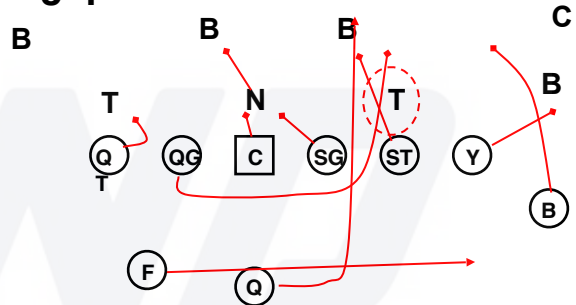
4-2



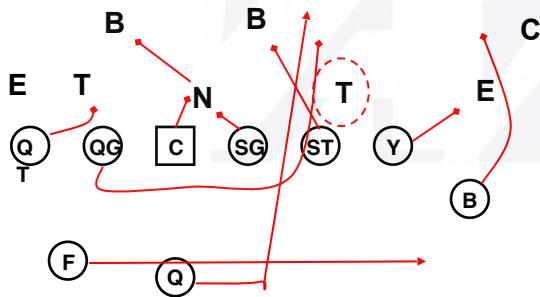
3-3



3-4



5-2





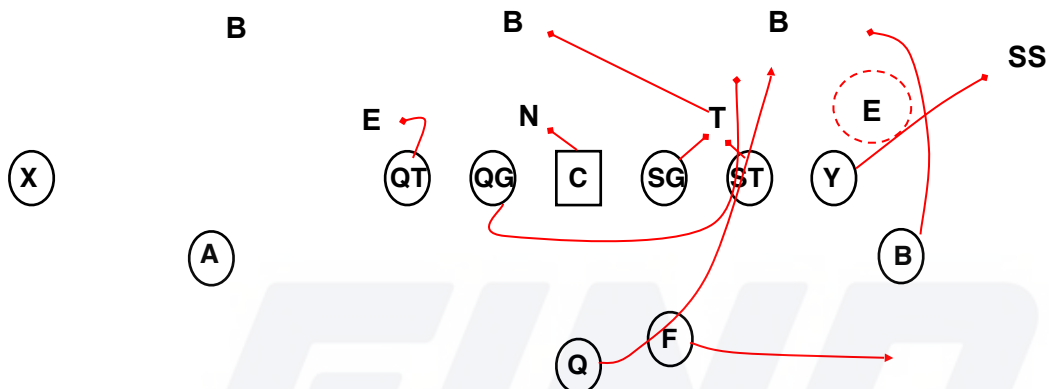
Belly Read Adjustments



Red-Strong-Belly-Toss-Read

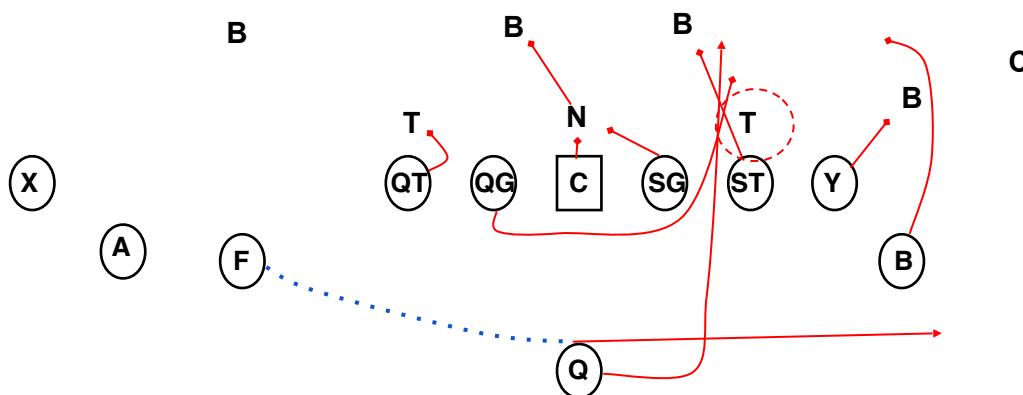
F gets wide fast

Q shuffle as read, toss ball if read squeezes



Red-Empty-Fly-Belly-Read

F fly motion to sweep



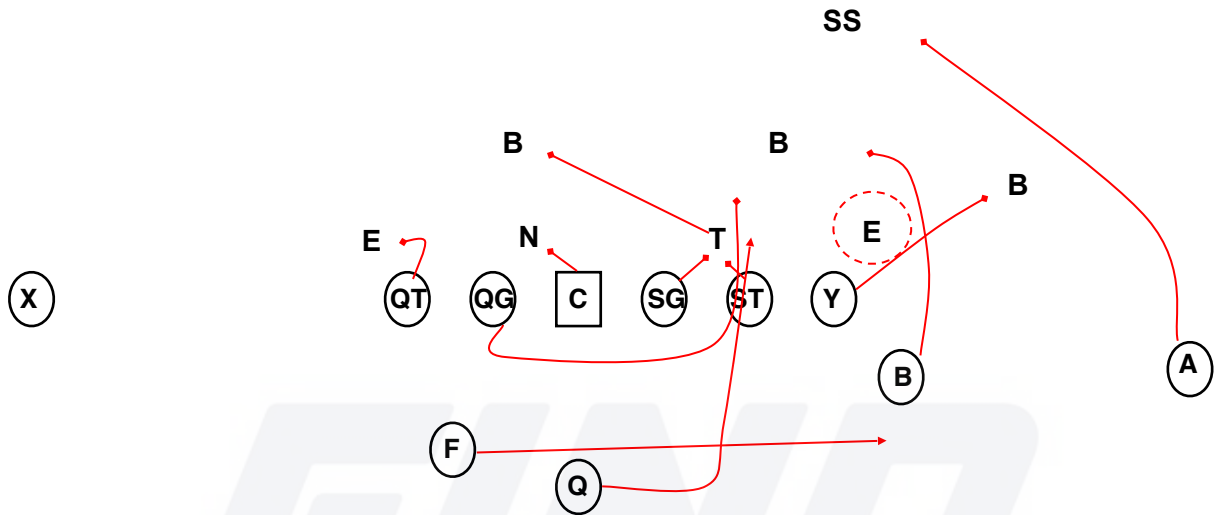


Belly Read Adjustments



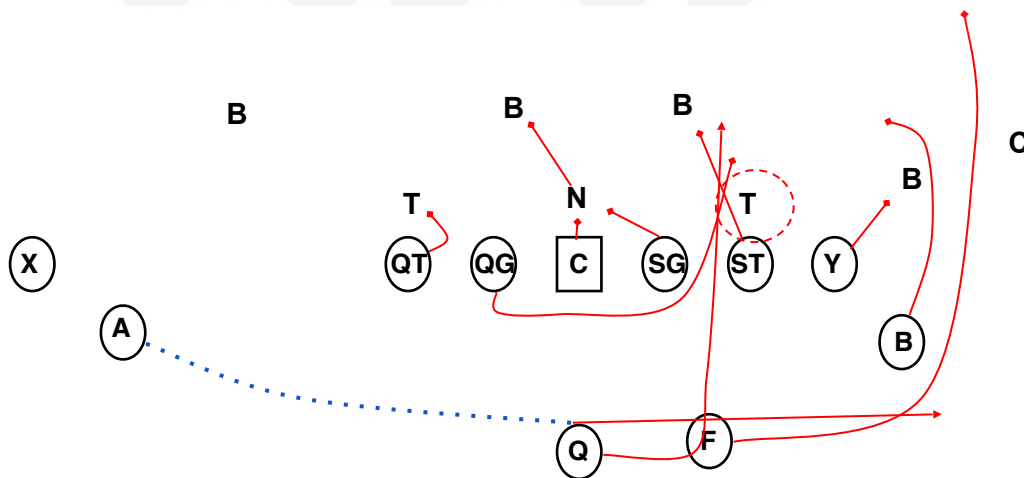
Red-Flop-Belly Read

A cracks the Safety



Red-Strong-Train-Belly Read

A train motion to sweep F outside to safety





Belly Read Adjustments



Red-Lion-Strong-Bus-Belly

Read

B bus motion to jet
F outside to alley then safety
X and A RPO or screen

