

RESTRICTED
(FOR OFFICIAL USE ONLY)

AIR PUBLICATION 101B-1902-3A

BOOK 1

JUNE, 1960

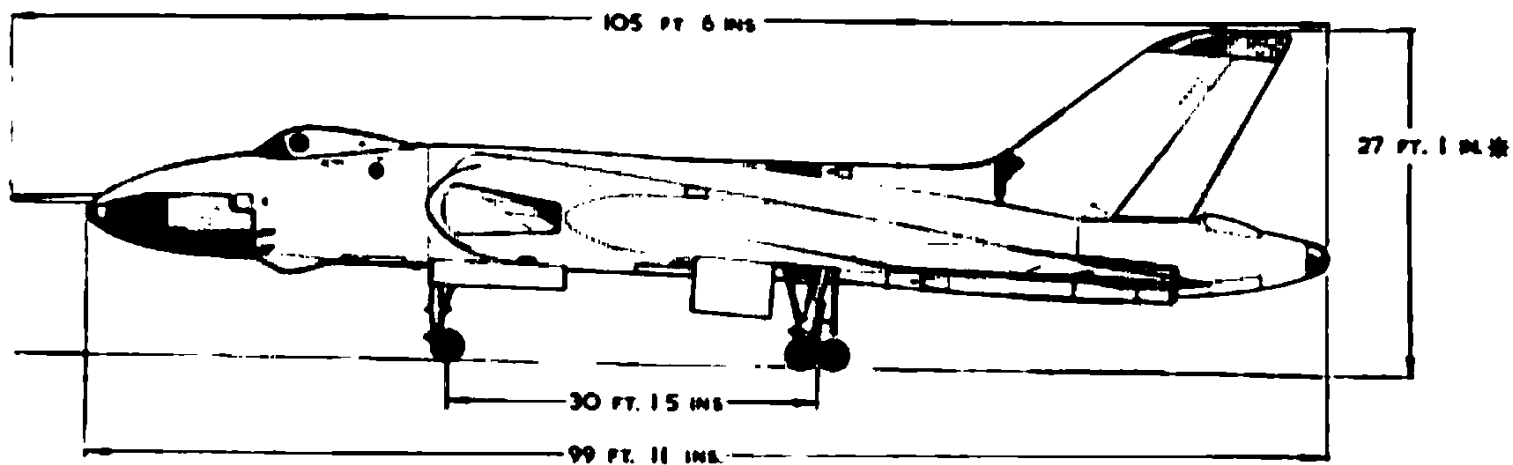
1st EDITION

VULCAN B/K MK. 2 AIRCRAFT

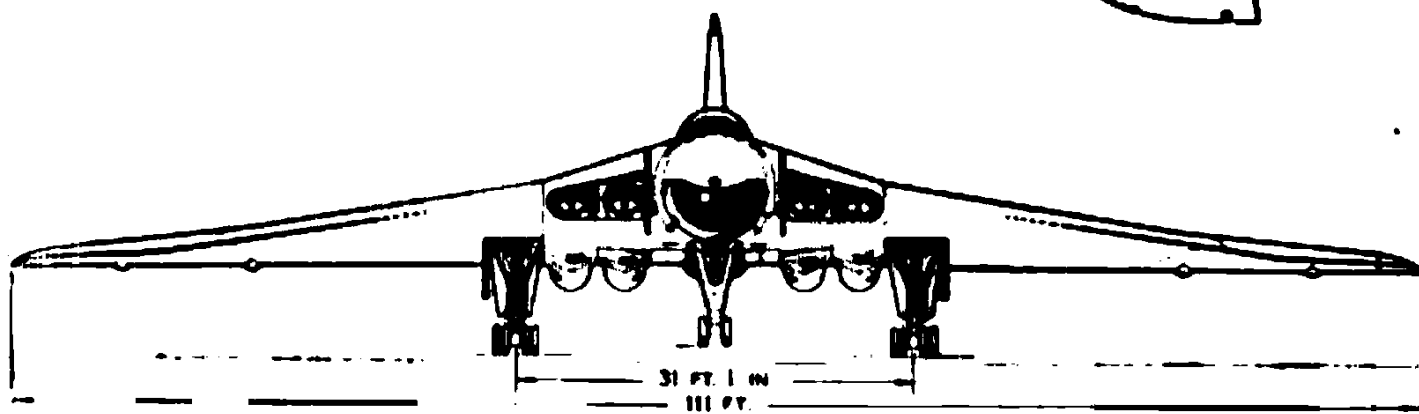
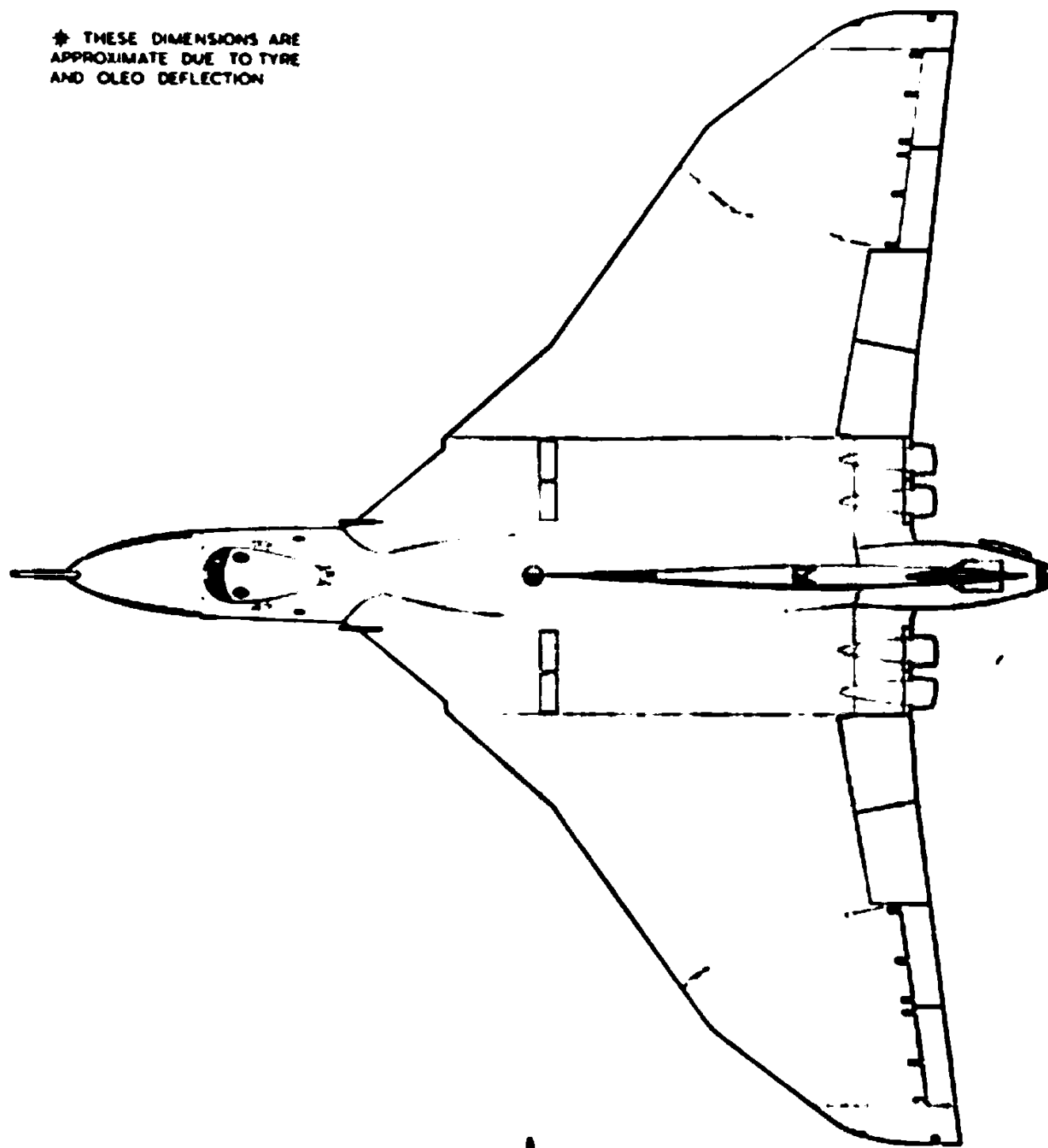
**SCHEDULE OF
SPARE PARTS**

AIR MINISTRY

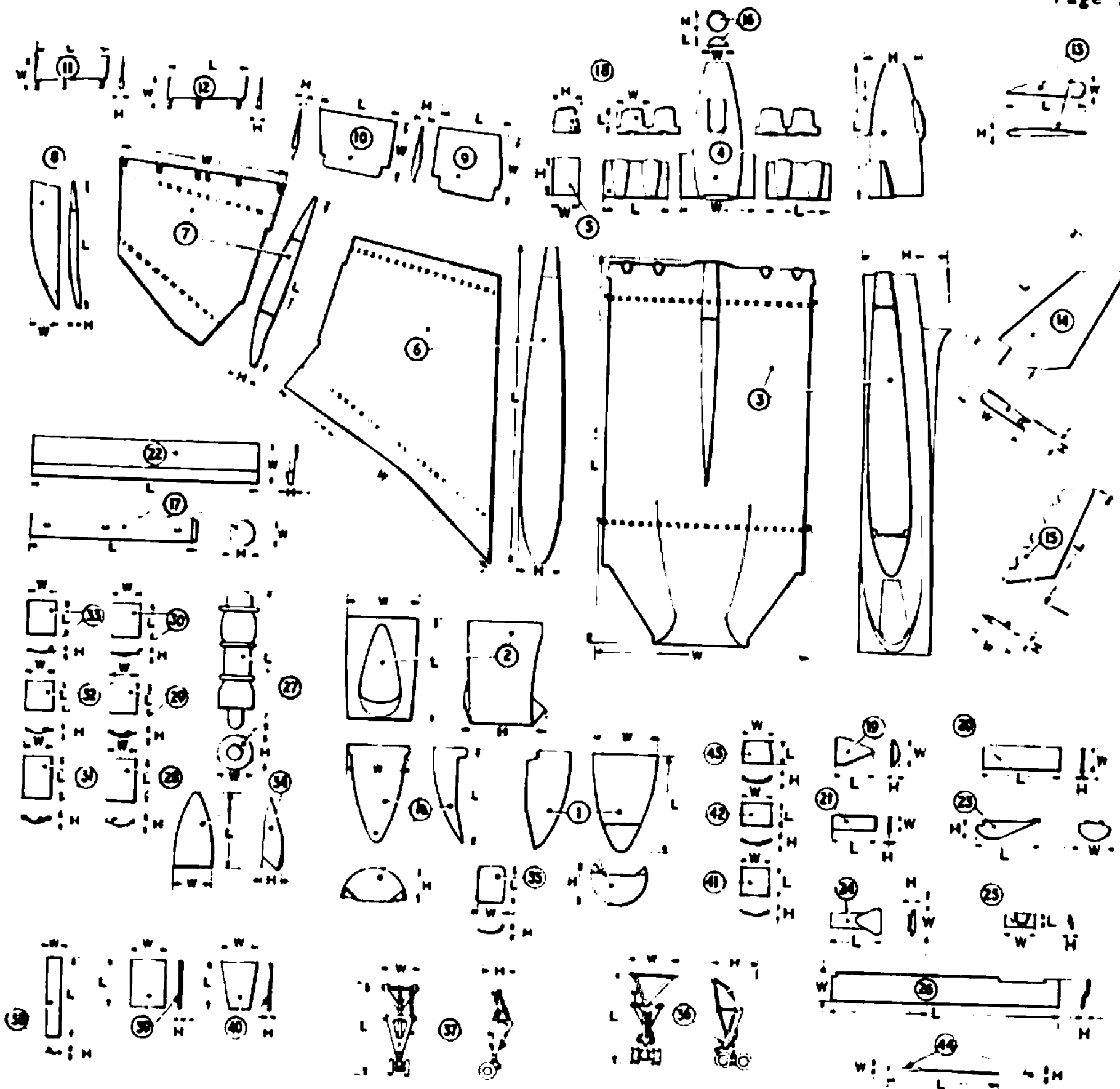
RESTRICTED



* THESE DIMENSIONS ARE APPROXIMATE DUE TO TYRE AND OLEO DEFLECTION



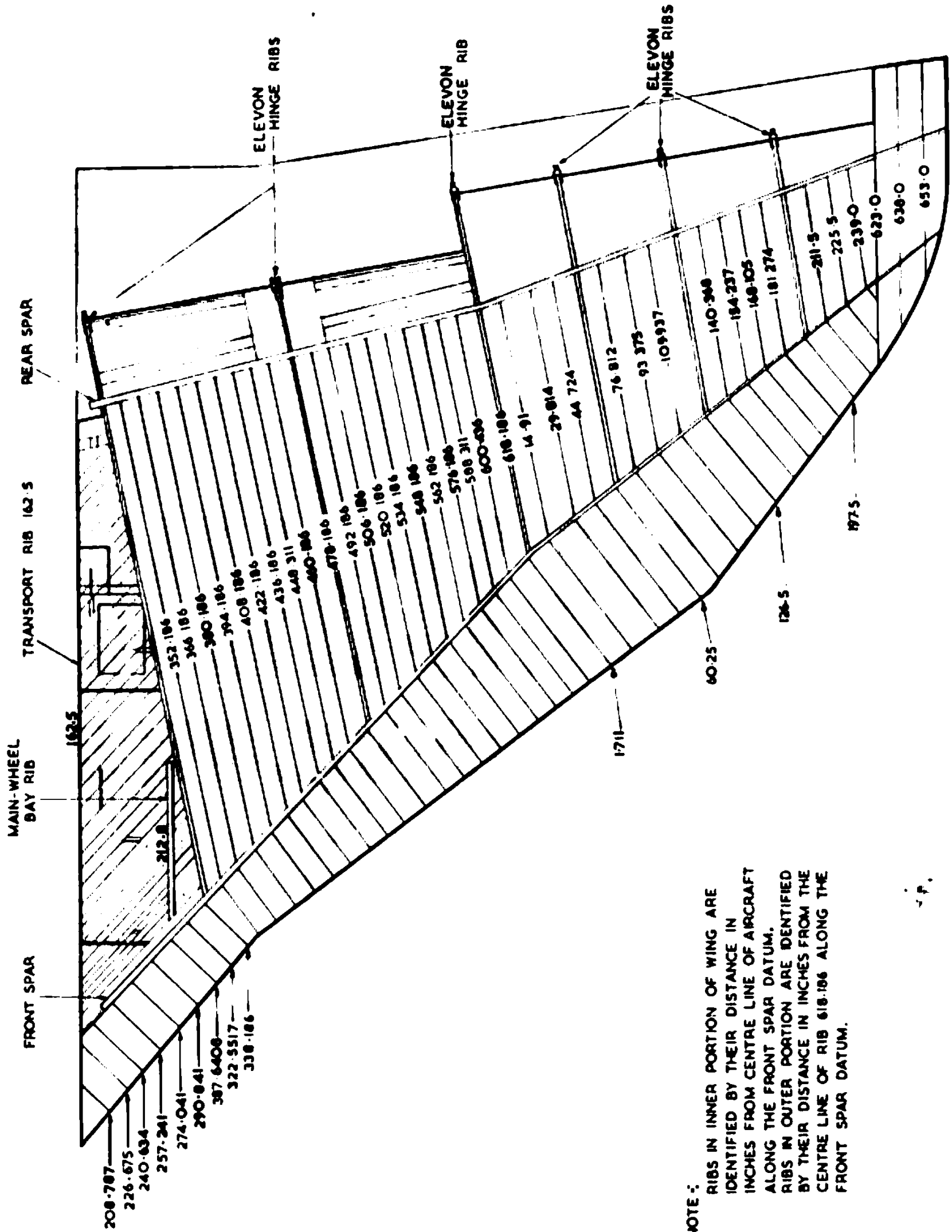
VULCAN B/K MK.2 GENERAL ARRANGEMENT



DIMENSIONS IN FT. L - LENGTH W - WIDTH H - HEIGHT

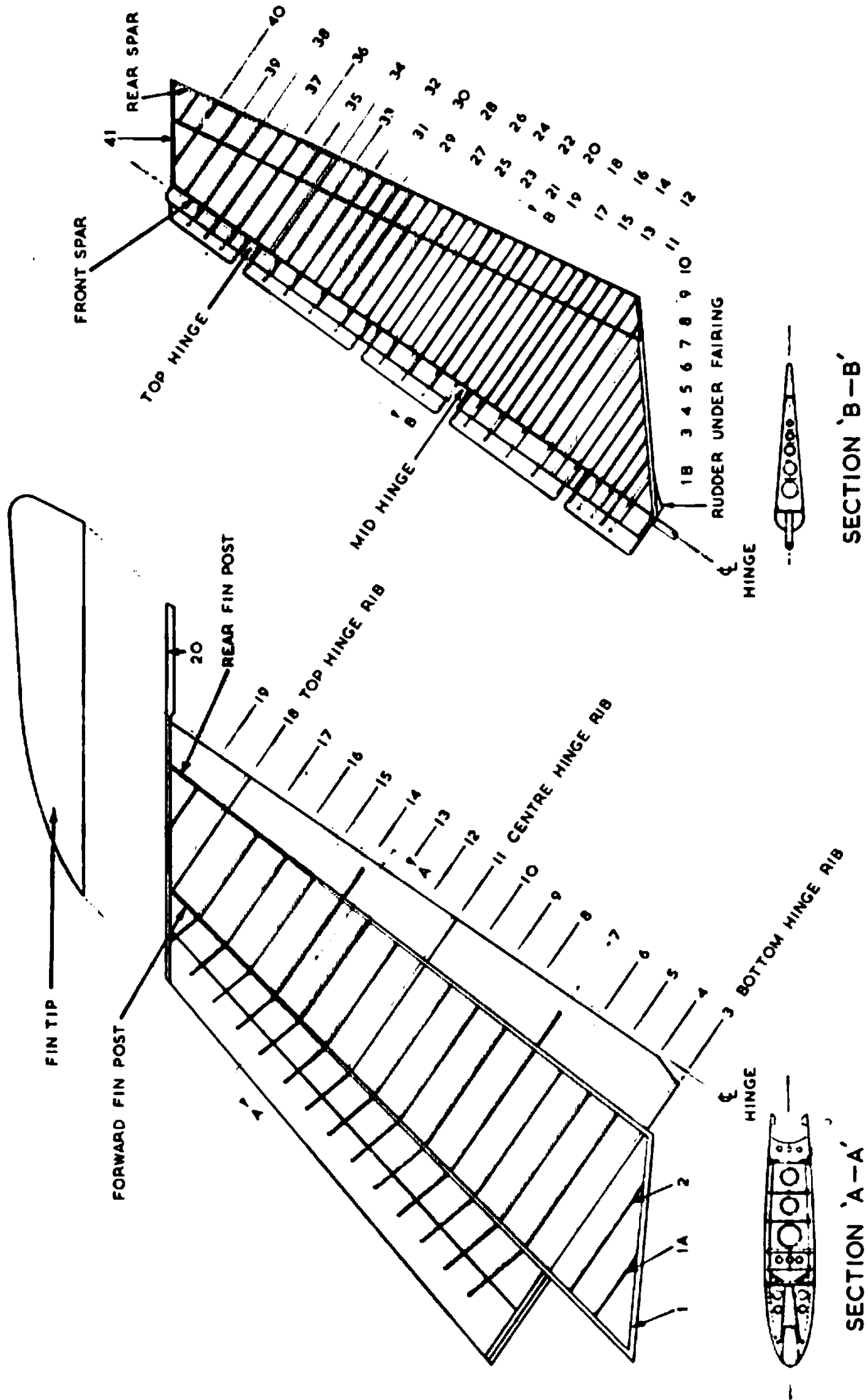
ITEM	COMPONENT	L	W	H	FARE WEIGHT lb.	ITEM	COMPONENT	L	W	H	FARE WEIGHT lb.
1	NOSE (lower portion, composite)	13.5	8.75	5.5	290	22	BOMB BAY DOORS (each)	24.25	5.2	0.64	713
1a	NOSE (upper portion, metal)	13.5	8.7	4.25	230	23	EXPENDABLE FAIRING	7.5	3.75	1.0	60
2	FRONT FUSELAGE	16.75	7.2	10.25	2,081	24	BOMB BAY FAIRING, REAR	6.33	3.25	1.0	23
3	CENTRE SECTION	52.85	28.85	12.0	17,979	25	BOMB BAY FAIRING, FRONT	6.0	7.0	0.75	4.8
4	REAR FUSELAGE	10.5	10.6	6.33	962	26	BOMB BAY FAIRING, PORT	29.0	4.75	1.5	444
5	REAR FUSELAGE FAIRING	8.25	5.0	3.33	258	26	BOMB BAY FAIRING, STBD.	29.0	5.75	1.6	520
6	WING, INNER (each)	50.0	35.5	5.0	6,457	27	ENGINE (Olympus 20101) (including oil and starter)	13.68	3.75	4.35	4,761
7	WING, OUTER (each)	24.5	20.5	2.5	1,708	28	ENGINE DOOR, FORWARD (in-board)	5.29	4.08	0.5	54
8	WING TIP (each)	14.8	3.75	0.79	107	29	ENGINE DOOR, CENTRE (in-board)	1.85	4.04	1.33	80
9	ELEVON INNER - inboard	9.75	10.6	1.66	326	30	ENGINE DOOR, REAR	5.83	4.79	1.25	68
10	ELEVON INNER - outboard	10.25	8.75	1.5	323	31	ENGINE DOOR, FORWARD (out-board)	5.29	4.08	0.5	52
11	ELEVON OUTER - inboard	9.75	4.25	1.6	210	32	ENGINE DOOR, CENTRE (in-board)	1.83	4.08	1.33	82
12	ELEVON OUTER - outboard	9.75	4.255	1.6	203	33	ENGINE DOOR, REAR	5.83	4.79	1.25	71
13	FIN CAP	11.33	2.25	1.41	80	34	CANOPY	10.5	4.66	1.4	284
14	FIN	21.0	10.0	1.87	919	35	MAIN ENTRANCE DOOR	5.0	2.75	1.0	100
15	RUDDER	19.25	6.0	1.0	305	36	MAIN WHEEL UNIT (each)	12.75	5.0	6.0	2,485
16	TAIL RADOME	2.47	2.47	1.54	14	37	NOSE WHEEL UNIT	13.5	3.5	3.08	990
17	JET PIPE	22.98	2.63	2.63	492	38	NOSE WHEEL DOOR (each)	10.75	1.75	0.33	48
18	JET PIPE CAP	3.25	4.25	2.87	97	39	MAIN WHEEL DOOR	6.5	4.75	0.75	164
19	FAIRING (counterpoise plate, each)	4.0	3.58	0.5	17	40	MAIN WHEEL FAIRING	5.25	4.0	0.41	32
20	COUNTERPOISE PLATE, FRONT (each)	7.6	3.08	0.08	39	41	REAR FUSELAGE ACCESS DOOR (front)	4.27	4.08	0.79	27
20	COUNTERPOISE PLATE, REAR (each)	5.75	3.25	0.08	31	42	REAR FUSELAGE ACCESS DOOR (centre)	3.29	4.08	0.79	23
21	SPLITTER PLATE, FRONT (each)	3.87	1.75	0.16	10	43	REAR FUSELAGE ACCESS DOOR (rear)	1.25	4.0	0.87	22
21	SPLITTER PLATE, REAR (each)	5.75	2.54	0.16	23	44	REFUELLING PROBE	0.7	0.5	0.5	18

VULCAN B/K MK.2
MAJOR ASSEMBLIES DIMENSIONS AND WEIGHTS



NOTE :-
 RIBS IN INNER PORTION OF WING ARE IDENTIFIED BY THEIR DISTANCE IN INCHES FROM CENTRE LINE OF AIRCRAFT ALONG THE FRONT SPAR DATUM.
 RIBS IN OUTER PORTION ARE IDENTIFIED BY THEIR DISTANCE IN INCHES FROM THE CENTRE LINE OF RIB 618.186 ALONG THE FRONT SPAR DATUM.

VULCAN B/K MK.2 MAIN PLANE



VULCAN B/K MK.2 FIN AND RUDDER

MEMORANDUM OF INSTRUCTIONS

- 1. CONTENTS** This Schedule contains a list of the Airframe Spare Parts embodied in A.P. 101B-1902 3A, which have been allocated Vocabulary Section 26DC.
- 2. DEMANDS** Units are to prepare their demands for spare parts strictly in accordance with A.P. 830, Vol. 1. Demands for the parts required to make an airframe serviceable are invariably to quote the Serial Number of the Aircraft. Units are to demand parts for this airframe under Vocabulary Section 26DC except where the schedule states otherwise. Where the schedule states that a part is held under another Vocabulary Section the demand should quote that section after reference to the appropriate publication.
- Unreferenced airframe items are not normally provisioned as spares. Demands for these items are to be submitted only when required to replace parts which have become unserviceable in use, to meet anticipated requirements where previous consumption has been recorded. Such demands are to quote Makers Part No.
- Parts qualified by the symbol "LM" are to be manufactured by consumer units. If it is found that manufacture is beyond the capacity of the unit and that the requirement cannot be economically met by fitting an assembly bearing a reference number then the Unit should demand the part required under its part number and endorse demand "Unable to manufacture Locally".
- When a Unit requires an unreferenced item which is beyond the Unit's capacity to manufacture or when a referenced part cannot be obtained consideration should be given to fitting the assembly of which this item is a part, if that assembly bears a reference number.
- Certain items are annotated "MR". These are normally provisioned for issue only to Units and Contractors authorised to undertake the major repair of VULCAN B/K MK. 2 airframes.
- 3. MODIFICATIONS (CLASSES 1 OR 2)** When an item is introduced by a modification the modification number is shown after the description of the item. Redundant items are deleted from the text.
- 4. MODIFICATIONS (CLASSES 3 AND 4) AND AMENDMENTS** When an item is introduced by this authority the No. is shown after the description. Parts rendered redundant are not to be deleted from the publication, but the description of these items must include the additional words "(PRE-MOD.)". New items added must include, in the description, the words "(MOD.)".
- 5. OBSOLESCENT STOCK** An asterisk (*) shown in the Part No. column of an item indicates that no further purchase of the item will be made but that stocks will be issued until they are exhausted.
- 6. NUMBERS OFF** The figure in the Number Off column indicates :—
- (a) The quantity required per airframe when the description is NOT indented.
- (b) The quantity required per assembly or sub assembly when the description IS indented.

MEMORANDUM OF INSTRUCTIONS

- 7. COMPILATION OF TEXT**
- The multi-indentation system has been used in which the main assemblies, sub-assemblies, groups and detail items indicate their relationship by the indentation of the descriptive titles. The indentation is in accordance with the following outline :—
- (a) The Main Assembly starts at the left hand margin and is printed in capital letters.
 - (b) First division :—
Sub-assemblies, groups or detail parts of the Main Assembly are indented one space.
 - (c) Second division :—
Groups or detail parts which are components of a Sub-assembly or group are each indented a further space.
 - (d) Third and subsequent divisions :—
In sequence.
- 8. MAIN ASSEMBLY DRAWINGS**
- Where for description or identification purposes only a Main Assembly drawing is shown, that drawing number is shown in brackets at the end of the description.
- 9. PIPE LINES, ELECTRICAL AND FLEXIBLE CABLES**
- Local manufacture of these items is intended wherever possible. Charts showing the various materials and parts required are included as appendices at the end of the schedule.
- 10. AMENDMENT LISTS**
- Amendments are to be correctly inserted and entered in the Amendment Certificate which is to be found in front of the schedule. Manuscript amendments are to be made in ink.
- Amendment Lists are numbered consecutively and will be issued at regular intervals. This schedule is to be checked with the statement of Amendment Lists issued, which is published periodically by A.M.O.s.
- 11. ASSOCIATED PUBLICATIONS**
- The following associated Schedules of Spare Parts for Airframe Accessory Equipment are to be used in conjunction with this schedule :—
- | | | | |
|--------------------|-----|-----|---|
| Dunlop Parts | ... | ... | A.P. 4515C, Vol. 3, Part 1, Sect. 2, Chap. 5. |
| Dowty Parts | ... | ... | A.P. 4515B, Vol. 3, Part 1, Sect. 2, Chap. 18 |
| Boulton Paul Parts | ... | ... | A.P. 4515Q, Vol. 3, Part 1, Chap. 2 |

MEMORANDUM OF INSTRUCTIONS

12. CLASSIFICATION OF EQUIPMENT

The letters denoting the Class of Store are defined as follows:—

CLASS "A"—Class "A" items are those items of equipment which remain on charge and cannot be replaced except on return to store. Repairable items which are beyond the capacity or authority of the unit to repair are to be returned to the appropriate Maintenance Unit categorised R/D.

CLASS "B"—Class "B" items are those items of equipment which remain on charge and cannot be replaced except on return to store. Items which are beyond the capacity of the unit to repair, or which for technical reasons are not capable of being repaired whatever the defect are to be disposed of locally by units.

CLASS "C"—Class "C" items are items of equipment other than Class "A" or "B" which are consumable in use, or are incapable of being economically repaired and are not of a nature which would necessitate detailed accounting as Class "A" or "B" equipment.

- R 13. Commencing at Amendment List No. 33 the Classification of this Catalogue will be changed from 'RESTRICTED' to 'UNCLASSIFIED'. Pages will only be amended to show the above change when they are affected by normal amendment action.

THE AMENDMENTS PROMULGATED IN THE UNDERMENTIONED AMENDMENT LISTS HAVE BEEN MADE IN THIS SCHEDULE

Amendment List		Amendments made by	Date
Number	Date		
1-6		INCORPORATED BY H S A MANCHESTER.	
7	SEPT 65	E. M. Elliott	19-5-66.
8	AUG 66	E. M. Elliott	10-7-67.
9	AUG 67	E. M. Elliott	20-8-68.
10	NOV 67	E. M. Elliott	10-10-68.
11	MAR 68	E. M. Elliott	19-6-69
12	APRIL 68	E. M. Elliott	19-6-69
13	APRIL 69	Shane	} APRIL 70
14	APRIL 69	Shane	
15	APRIL 69	Shane	} MAY 70
16	JUNE 69	Shane	
17	AUGUST 69	Shane	
18			
19			
20	JAN. 71	Shane	11-10-71
21	MARCH 71	Shane	27-3-72.
22			
23	MAY 72	X S Bunt	24-11-72
24	SEPT 72	X S Bunt	5-3-73
25	NOV 72	X S Bunt	8-3-73
26	DEC 73	X S Bunt	11-3-74
27	JUNE 74	X S Bunt	6-8-74
28	JUNE 75	X S Bunt	10-10-75
29		Halley	27-3-76
30	JUNE 76	X S Bunt	7-7-76
31		X S Bunt	16-11-77
32		FOUND INCORPORATED REWOS.	10/3/81
33		Cap. L. J. S.	11.3.81
34		E. K. Tallis	17.3.81.

THE AMENDMENTS PROMULGATED IN THE UNDERMENTIONED
AMENDMENT LISTS HAVE BEEN MADE IN THIS SCHEDULE

Amendment List		Amendments made by	Date
Number	Date		
35		Jhaokenti	23 7.81

PERIODICAL INSPECTION OF SPARE PARTS
STORAGE CATEGORIES

For details of different storage categories see A.P. 1086, Book 1, Second Edition, Memorandum of Instructions, Part 3.

A.P. 101B-1902-3A

Aircraft :

Aircraft : VULCAN B/K. MK. 2
Section : 26DC

NOTE :—Items which are shown in this Publication with an A.P. 1086 reference number are not included below. Details of categories and periodicity are stated in the relevant sub-section of A.P. 1086.

General Heading	Category	Periodicity of Inspection in *Temperate Climates	
		Packaged	Unpackaged

* For the method of calculating periodicity of inspection in tropical climates see A.P. 1086, Book 1, Second Edition Memorandum of Instructions, Part 3.

MODIFICATION AND AMENDMENT SHEET

Mod. No.	A.L. No.	Mod. No.	A.L. No.	Mod. No.	A.L. No.	Mod. No.	A.L. No.	Mod. No.	A.L. No.	Mod. No.	A.L. No.
1	†	53	NA	105	†	157	†	209	NA	261	†
2	†	54	†	106	†	158	†	210	†	262	†
3	C.	55	NA.	107	NA.	159	NA.	211	†	263	†
4	C.	56	NA.	108	NA.	160	†	212	NA.	264	†
5	C.	57	†	109	C.	161	C.	213	NA.	265	NA
6	C.	58	†	110	†	162	NA	214	NA	266	†
7	C.	59	†	111	C.	163	C.	215	NA.	267	C.
8	C.	60	†	112	†	164	†	216	NA	268	†
9	C.	61	NA.	113	†	165	†	217	†	269	C
10	†	62	†	114	†	166	NA	218	†	270	C.
11	†	63	†	115	NA	167	†	219	†	271	†
12	†	64	NA.	116	†	168	†	220	NA	272	†
13	C.	65	†	117	NA.	169	NA.	221	NA.	273	†
14	C.	66	†	118	C.	170	†	222	NA	274	†
15	C.	67	C.	119	C.	171	†	223	NA	275	†
16	C.	68	NA	120	NA.	172	C.	224	NA.	276	†
17	†	69	†	121	†	173	NA	225	NA	277	C.
18	C.	70	†	122	C.	174	NA	226	NA	278	NA
19	†	71	C	123	†	175	NA	227	†	279	NA
20	NA.	72	†	124	NA.	176	†	228	NA	280	†
21	NA.	73	†	125	†	177	†	229	NA	281	†
22	NA.	74	C.	126	†	178	NA.	230	NA.	282	NA
23	NA.	75	†	127	†	179	C.	231	NA	283	C.
24	†	76	NA.	128	†	180	†	232	NA	284	†
25	†	77	C.	129	NA	181	†	233	NA.	285	†
26	NA.	78	†	130	†	182	†	234	†	286	NA.
27	C.	79	†	131	†	183	†	235	†	287	NA.
28	†	80	NA.	132	†	184	†	236	C.	288	†
29	NA.	81	†	133	NA	185	†	237	†	289	†
30	†	82	†	134	†	186	†	238	NA	290	NA
31	†	83	NA	135	†	187	†	239	NA	291	NA.
32	†	84	NA.	136	†	188	†	240	C.	292	NA.
33	NA.	85	NA.	137	†	189	†	241	†	293	NA.
34	†	86	NA.	138	†	190	C	242	†	294	NA.
35	NA.	87	NA.	139	C.	191	C.	243	†	295	†
36	NA.	88	NA.	140	†	192	NA.	244	†	296	NA.
37	C.	89	†	141	C.	193	†	245	†	297	C.
38	†	90	†	142	NA.	194	NA	246	NA	298	NA.
39	†	91	†	143	†	195	NA.	247	†	299	NA
40	†	92	†	144	†	196	NA	248	C	300	NA.
41	NA.	93	†	145	†	197	†	249	NA.	301	C.
42	NA.	94	†	146	†	198	†	250	†	302	NA.
43	†	95	†	147	†	199	†	251	†	303	†
44	NA.	96	†	148	†	200	†	252	†	304	†
45	NA.	97	†	149	†	201	†	253	C.	305	C.
46	NA.	98	C	150	†	202	†	254	†	306	C.
47	†	99	†	151	†	203	NA	255	NA.	307	†
48	†	100	†	152	†	204	NA.	256	†	308	†
49	†	101	NA.	153	†	205	NA	257	†	309	NA.
50	†	102	†	154	†	206	NA	258	†	310	†
51	†	103	NA.	155	†	207	†	259	†	311	NA.
52	NA.	104	†	156	†	208	†	260	†	312	NA.

† Incorporated in initial issue of Schedule.
 NA. Modification/Amendment not applicable to this Schedule.
 C. Modification/Amendment cancelled.

MODIFICATION AND AMENDMENT SHEET

Mod. No.	A.L. No.	Mod. No.	A.L. No.	Mod. No.	A.L. No.	Mod. No.	A.L. No.	Mod. No.	A.L. No.	Mod. No.	A.L. No.
313	†	365	†	417	†	469	†	521	†	573	C.
314	N.A.	366	N.A.	418	NA	470	NA	522	N.A.	574	C.
315	N.A.	367	†	419	NA	471	NA	523	†	575	N.A.
316	†	368	†	420	N.A.	472	N.A.	524	†	576	N.A.
317	N.A.	369	NA	421	†	473	N.A.	525	†	577	†
318	†	370	†	422	N.A.	474	N.A.	526	†	578	†
319	N.A.	371	†	423	NA	475	NA	527	†	579	†
320	N.A.	372	N.A.	424	NA	476	†	528	†	580	C.
321	N.A.	373	†	425	†	477	†	529	N.A.	581	N.A.
322	†	374	N.A.	426	N.A.	478	†	530	†	582	†
323	N.A.	375	†	427	†	479	†	531	†	583	N.A.
324	N.A.	376	NA	428	NA	480	N.A.	532	N.A.	584	†
325	C.	377	N.A.	429	†	481	†	533	†	585	†
326	†	378	N.A.	430	N.A.	482	†	534	†	586	†
327	†	379	†	431	†	483	N.A.	535	†	587	N.A.
328	†	380	†	432	NA	484	†	536	†	588	N.A.
329	†	381	N.A.	433	NA	485	†	537	C.	589	†
330	N.A.	382	†	434	NA	486	†	538	†	590	N.A.
331	†	383	†	435	N.A.	487	NA	539	N.A.	591	†
332	†	384	NA	436	NA	488	†	540	N.A.	592	†
333	N.A.	385	NA	437	†	489	†	541	†	593	NA
334	†	386	NA	438	NA	490	NA	542	†	594	NA
335	N.A.	387	N.A.	439	†	491	†	543	C.	595	†
336	N.A.	388	†	440	NA	492	N.A.	544	N.A.	596	†
337	N.A.	389	†	441	NA	493	NA	545	†	597	†
338	NA	390	N.A.	442	NA	494	C.	546	†	598	C.
339	NA	391	N.A.	443	C.	495	†	547	†	599	†
340	NA	392	†	444	†	496	C.	548	†	600	†
341	†	393	NA	445	†	497	NA	549	†	601	NA
342	NA	394	†	446	†	498	NA	550	†	602	N.A.
343	NA	395	NA	447	†	499	N.A.	551	†	603	†
344	†	396	NA	448	NA	500	†	552	†	604	†
345	†	397	†	449	†	501	†	553	C.	605	†
346	NA	398	†	450	C.	502	†	554	†	606	N.A.
347	NA	399	†	451	†	503	†	555	†	607	N.A.
348	NA	400	†	452	†	504	†	556	†	608	†
349	†	401	†	453	NA	505	NA	557	N.A.	609	†
350	†	402	†	454	NA	506	†	558	†	610	†
351	NA	403	N.A.	455	C.	507	NA	559	N.A.	611	†
352	†	404	†	456	†	508	N.A.	560	†	612	†
353	N.A.	405	†	457	†	509	†	561	†	613	NA
354	†	406	NA	458	NA	510	NA	562	†	614	†
355	†	407	N.A.	459	†	511	†	563	†	615	N.A.
356	NA	408	NA	460	†	512	†	564	†	616	†
357	NA	409	†	461	†	513	†	565	†	617	†
358	†	410	N.A.	462	NA	514	†	566	†	618	N.A.
359	†	411	NA	463	C.	515	NA	567	C.	619	†
360	3	412	N.A.	464	†	516	†	568	N.A.	620	N.A.
361	†	413	N.A.	465	NA	517	†	569	†	621	N.A.
362	†	414	†	466	NA	518	†	570	N.A.	622	N.A.
363	†	415	†	467	NA	519	N.A.	571	†	623	N.A.
364	†	416	†	468	†	520	C.	572	N.A.	624	†

† Incorporated in initial issue of Schedule
 N.A. Modification/Amendment not applicable to this Schedule.
 C. Modification/Amendment cancelled.

MODIFICATION AND AMENDMENT SHEET

Mod. No.	A.L. No.	Mod. No.	A.L. No.	Mod. No.	A.L. No.	Mod. No.	A.L. No.	Mod. No.	A.L. No.	Mod. No.	A.L. No.
625	†	677	N.A.	729	4	781	C.	833	†	885	1
626	†	678	†	730	3	782	C.	834	†	886	†
627	N.A.	679	†	731	1	783	C.	835	†	887	†
628	†	680	C.	732	1	784	C.	836	†	888	C.
629	N.A.	681	N.A.	733	3	785	1	837	N.A.	889	1
630	†	682	N.A.	734	3	786	C.	838	†	890	†
631	C.	683	N.A.	735	2	787	C.	839	†	891	2
632	N.A.	684	C.	736	3	788	C.	840	†	892	1
633	N.A.	685	C.	737	2	789	1	841	†	893	3
634	N.A.	686	N.A.	738	3	790	C.	842	6	894	3
635	†	687	†	739	N.A.	791	C.	843	†	895	8
636	†	688	†	740	N.A.	792	C.	844	N.A.	896	†
637	†	689	4	741	1	793	C.	845	N.A.	897	†
638	†	690	3	742	2	794	C.	846	†	898	†
639	3	691	†	743	3	795	C.	847	4	899	†
640	†	692	1	744	3	796	C.	848	†	900	4
641	N.A.	693	†	745	N.A.	797	C.	849	†	901	3
642	†	694	†	746	N.A.	798	†	850	N.A.	902	†
643	†	695	†	747	3	799	C.	851	†	903	N.A.
644	†	696	N.A.	748	2	800	†	852	C.	904	N.A.
645	†	697	N.A.	749	C.	801	†	853	4	905	8
646	†	698	3	750	C.	802	†	854	†	906	3
647	†	699	N.A.	751	N.A.	803	N.A.	855	2	907	C.
648	C.	700	N.A.	752	N.A.	804	C.	856	†	908	2
649	†	701	N.A.	753	4	805	3	857	N.A.	909	N.A.
650	†	702	3	754	N.A.	806	4	858	N.A.	910	C.
651	N.A.	703	N.A.	755	†	807	2	859	†	911	N.A.
652	N.A.	704	†	756	7	808	1	860	†	912	†
653	†	705	†	757	†	809	†	861	†	913	N.A.
654	C.	706	C.	758	N.A.	810	1	862	2	914	C.
655	†	707	2	759	C.	811	C.	863	3	915	3
656	†	708	2	760	†	812	†	864	N.A.	916	4
657	N.A.	709	†	761	4	813	N.A.	865	N.A.	917	†
658	1	710	N.A.	762	N.A.	814	N.A.	866	C.	918	C.
659	N.A.	711	†	763	7	815	N.A.	867	†	919	4
660	2	712	2	764	C.	816	N.A.	868	†	920	N.A.
661	†	713	†	765	†	817	N.A.	869	6	921	†
662	†	714	†	766	3	818	N.A.	870	†	922	†
663	†	715	3	767	†	819	3	871	N.A.	923	3
664	N.A.	716	N.A.	768	C.	820	N.A.	872	C.	924	4
665	C.	717	†	769	†	821	3	873	1	925	3
666	N.A.	718	N.A.	770	2	822	†	874	N.A.	926	†
667	†	719	N.A.	771	†	823	†	875	†	927	N.A.
668	3	720	†	772	2	824	N.A.	876	C.	928	N.A.
669	†	721	†	773	3	825	3	877	†	929	†
670	N.A.	722	N.A.	774	2	826	N.A.	878	†	930	N.A.
671	N.A.	723	N.A.	775	†	827	N.A.	879	†	931	2
672	3	724	†	776	†	828	N.A.	880	4	932	C.
673	†	725	†	777	N.A.	829	N.A.	881	†	933	C.
674	N.A.	726	†	778	3	830	†	882	†	934	1
675	N.A.	727	N.A.	779	N.A.	831	N.A.	883	†	935	N.A.
676	C.	728	4	780	N.A.	832	C.	884	†	936	N.A.

† Incorporated in initial issue of Schedule.
 N.A. Modification/Amendment not applicable to this Schedule.
 C. Modification/Amendment cancelled.

MODIFICATION AND AMENDMENT SHEET

Mod. No.	A.L. No.	Mod. No.	A.L. No.	Mod. No.	A.L. No.	Mod. No.	A.L. No.	Mod. No.	A.L. No.	Mod. No.	A.L. No.
937	7	989	N.A.	1041	2	1093	16	1145	N.A.	1197	3
938	†	990	C.	1042	N.A.	1094	C.	1146	N.A.	1198	7
939	†	991	†	1043	17	1095	8	1147	N.A.	1199	†
940	8	992	N.A.	1044	N.A.	1096	N.A.	1148	†	1200	8
941	†	993	3	1045	3	1097	8	1149	8	1201	N.A.
942	3	994	†	1046	†	1098	3	1150	†	1202	†
943	3	995	C.	1047	†	1099	N.A.	1151	19	1203	4
944	†	996	8	1048	2	1100	1	1152	N.A.	1204	10
945	N.A.	997	N.A.	1049	†	1101	N.A.	1153	6	1205	†
946	N.A.	998	N.A.	1050	15	1102	8	1154	4	1206	†
947	N.A.	999	C.	1051	15	1103	2	1155	17	1207	15
948	C.	1000	2	1052	†	1104	†	1156	8	1208	N.A.
949	6	1001	N.A.	1053	N.A.	1105	†	1157	7	1209	†
950	3	1002	13	1054	†	1106	3	1158	15	1210	†
951	N.A.	1003	2	1055	†	1107	†	1159	19	1211	N.A.
952	2	1004	†	1056	N.A.	1108	8	1160	1	1212	5
953	†	1005	N.A.	1057	15	1109		1161	C.	1213	5
954	†	1006	N.A.	1058	3	1110	†	1162	17	1214	11
955	†	1007	N.A.	1059	†	1111	N.A.	1163	†	1215	5
956	2	1008	†	1060	†	1112	C.	1164	16	1216	16
957	N.A.	1009	C.	1061	†	1113	C.	1165	4	1217	16
958	N.A.	1010	2	1062	†	1114	2	1166	16	1218	4
959	N.A.	1011	3	1063	N.A.	1115	C.	1167	†	1219	3
960	C.	1012	N.A.	1064	4	1116	N.A.	1168	17	1220	8
961	†	1013	N.A.	1065	N.A.	1117	†	1169	17	1221	3
962	†	1014	N.A.	1066	N.A.	1118	N.A.	1170	†	1222	3
963	†	1015	†	1067	C.	1119	†	1171	†	1223	13
964	†	1016	N.A.	1068	2	1120	N.A.	1172	†	1224	5
965	†	1017	5	1069	C.	1121	8	1173	C.	1225	16
966	†	1018	7	1070	N.A.	1122	N.A.	1174	2	1226	5
967	8	1019	4	1071	4	1123	N.A.	1175	2	1227	†
968	†	1020	N.A.	1072	3	1124	N.A.	1176	†	1228	N.A.
969	3	1021	†	1073	1	1125	C.	1177	4	1229	C.
970	†	1022	3	1074	2	1126	†	1178	C.	1230	†
971	†	1023	N.A.	1075	8	1127	†	1179	C.	1231	†
972	3	1024	N.A.	1076	2	1128	3	1180	†	1232	3
973	7	1025	N.A.	1077	5	1129	†	1181	†	1233	3
974	2	1026	N.A.	1078	3	1130	†	1182	C.	1234	†
975	2	1027	C.	1079	†	1131	16	1183	†	1235	†
976	†	1028	†	1080	5	1132	†	1184	N.A.	1236	N.A.
977	†	1029	N.A.	1081	13	1133	8	1185	†	1237	15
978	N.A.	1030	N.A.	1082	5	1134	N.A.	1186	N.A.	1238	†
979	N.A.	1031	†	1083	5	1135	2	1187	†	1239	†
980	1	1032	†	1084	13	1136	3	1188	†	1240	N.A.
981	5	1033	8	1085	5	1137	4	1189	N.A.	1241	15
982	N.A.	1034		1086	5	1138	N.A.	1190	†	1242	15
983	2	1035	C.	1087	5	1139	2	1191	N.A.	1243	N.A.
984	†	1036	N.A.	1088	5	1140	C.	1192	C.	1244	11
985	4	1037	C.	1089	†	1141	C.	1193	†	1245	3
986	†	1038	4	1090	†	1142	7	1194	15	1246	N.A.
987	N.A.	1039	5	1091	N.A.	1143	†	1195	15	1247	16
988	N.A.	1040	C.	1092	2	1144	†	1196	N.A.	1248	15

† Incorporated in initial issue of Schedule.
 N.A. Modification/Amendment not applicable to this Schedule.
 C. Modification/Amendment cancelled.

MODIFICATION AND AMENDMENT SHEET

Mod. No.	A.L. No.	Mod. No.	A.L. No.	Mod. No.	A.L. No.	Mod. No.	A.L. No.	Mod. No.	A.L. No.	Mod. No.	A.L. No.
1249	NA	1301	†	1353	5	1405	†	1457	NA	1509	2
1250	4	1302	13	1354	5	1406	4	1458	8	1510	†
1251	†	1303	5	1355	NA	1407	3	1459	†	1511	†
1252	NA	1304	5	1356	10	1408	16	1460	NA	1512	†
1253	NA	1305	C.	1357	6	1409	†	1461	†	1513	9
1254	†	1306	15	1358	3	1410	NA	1462	15	1514	†
1255	NA	1307	5	1359	NA	1411	†	1463	17	1515	†
1256	†	1308	C	1360	C	1412	15	1464	15	1516	†
1257	C.	1309	†	1361	16	1413	C	1465	NA	1517	†
1258	†	1310	†	1362	C.	1414	15	1466	13	1518	NA
1259	6	1311	†	1363	2	1415	C.	1467	C.	1519	C.
1260	†	1312	NA	1364	17	1416	NA	1468	NA	1520	C.
1261	C.	1313	†	1365	15	1417	3	1469	3	1521	C.
1262	4	1314	NA	1366	6	1418	8	1470	†	1522	C.
1263	4	1315	9	1367	†	1419	†	1471	C.	1523	C.
1264	C.	1316	†	1368	†	1420	5	1472	C	1524	C.
1265	C.	1317	†	1369	C.	1421	NA	1473	16	1525	C.
1266	NA	1318	C	1370	13	1422	6	1474	13	1526	C.
1267	C.	1319	5	1371	16	1423	†	1475	16	1527	C.
1268	†	1320	2	1372	NA	1424	3	1476	NA	1528	C.
1269	†	1321	13	1373	†	1425	†	1477	†	1529	C.
1270	6	1322	C	1374	11	1426	NA	1478	4	1530	C.
1271	3	1323	†	1375	5	1427	2	1479	NA	1531	†
1272	†	1324	16	1376	5	1428	4	1480	NA	1532	NA
1273	†	1325	8	1377	NA	1429	NA	1481	4	1533	†
1274	†	1326	†	1378	2	1430	2	1482	4	1534	†
1275	†	1327	C	1379	C.	1431	7	1483	7	1535	†
1276	†	1328	†	1380	†	1432	16	1484	4	1536	13
1277	4	1329	C	1381	NA	1433	3	1485	†	1537	17
1278	NA	1330	C.	1382	4	1434	3	1486	16	1538	C.
1279	†	1331	C	1383	10	1435	†	1487	C	1539	C.
1280	†	1332	3	1384	8	1436	NA	1488	†	1540	16
1281	†	1333	C.	1385	†	1437	†	1489	†	1541	C.
1282	†	1334	†	1386	†	1438	NA	1490	C.	1542	NA
1283	7	1335	17	1387	15	1439	4	1491	8	1543	7
1284	3	1336	16	1388	3	1440	NA	1492	5	1544	10
1285	†	1337	†	1389	NA	1441	7	1493	†	1545	9
1286	†	1338	†	1390	NA	1442	†	1494	NA	1546	C.
1287	†	1339	C.	1391	C.	1443	†	1495	NA	1547	C.
1288	6	1340	2	1392	8	1444	†	1496	C.	1548	NA
1289	8	1341	†	1393	4	1445	†	1497	5	1549	NA
1290	17	1342	7	1394	†	1446	4	1498	NA	1550	†
1291	8	1343	C.	1395	C.	1447	†	1499	2	1551	3
1292	†	1344	NA	1396	C.	1448	7	1500	†	1552	2
1293	13	1345	†	1397	C	1449	†	1501	†	1553	3
1294	†	1346	4	1398	C.	1450	NA	1502	C.	1554	C.
1295	C.	1347	†	1399	6	1451	3	1503	†	1555	NA
1296	19	1348	8	1400	C.	1452	16	1504	2	1556	†
1297	3	1349	†	1401	NA	1453	†	1505	3	1557	3
1298	C.	1350	†	1402	NA	1454	NA	1506	†	1558	†
1299	C.	1351	5	1403	NA	1455	C.	1507	†	1559	C.
1300	11	1352	C.	1404	8	1456	13	1508	2	1560	6

† Incorporated in initial issue of Schedule.
 N.A. Modification/Amendment not applicable to this Schedule.
 C Modification/Amendment cancelled.

MODIFICATION AND AMENDMENT SHEET

Mod. No.	A.L. No.	Mod. No.	A.L. No.	Mod. No.	A.L. No.	Mod. No.	A.L. No.	Mod. No.	A.L. No.	Mod. No.	A.L. No.
1561	C.	1613	C.	1665	11	1717	†	1769	†	1821	15
1562	5	1614	C.	1666	11	1718	†	1770	C.	1822	C.
1563	†	1615	3	1667	C.	1719	†	1771	10	1823	13
1564	C.	1616	N.A.	1668	C.	1720	†	1772	C.	1824	C.
1565	†	1617	17	1669	†	1721	†	1773	C.	1825	C.
1566	N.A.	1618	C.	1670	†	1722	15	1774	N.A.	1826	C.
1567	C.	1619	11	1671	13	1723	13	1775	N.A.	1827	†
1568	†	1620	N.A.	1672	C.	1724	13	1776	N.A.	1828	C.
1569	†	1621	4	1673	C.	1725	11	1777	19	1829	†
1570	C.	1622	†	1674	C.	1726	†	1778	†	1830	†
1571	†	1623	16	1675	C.	1727	†	1779	17	1831	16
1572	16	1624	†	1676	C.	1728	13	1780	11	1832	13
1573	C.	1625	C.	1677	C.	1729	10	1781	11	1833	21
1574	N.A.	1626	5	1678	13	1730	16	1782	†	1834	C.
1575	C.	1627	†	1679	C.	1731	C.	1783	C.	1835	C.
1576	N.A.	1628	†	1680	N.A.	1732	C.	1784	C.	1836	8
1577	N.A.	1629	†	1681	†	1733	†	1785	C.	1837	†
1578	C.	1630	N.A.	1682	8	1734	†	1786	C.	1838	†
1579	16	1631	19	1683	C.	1735	C.	1787	†	1839	19
1580	2	1632	†	1684	C.	1736	C.	1788	C.	1840	N.A.
1581	11	1633	5	1685	C.	1737	8	1789	11	1841	15
1582	C.	1634	C.	1686	C.	1738	13	1790	13	1842	16
1583	15	1635	N.A.	1687	4	1739	13	1791	8	1843	11
1584	C.	1636	N.A.	1688	C.	1740	13	1792	†	1844	13
1585	13	1637	C.	1689	C.	1741	†	1793	†	1845	†
1586	19	1638	N.A.	1690	C.	1742	†	1794	C.	1846	13
1587	16	1639	9	1691	10	1743	C.	1795	†	1847	†
1588	†	1640	16	1692	14	1744	10	1796	10	1848	13
1589	13	1641	C.	1693	14	1745	15	1797	N.A.	1849	C.
1590	†	1642	†	1694	14	1746	C.	1798	N.A.	1850	C.
1591	C.	1643	13	1695	†	1747	N.A.	1799	N.A.	1851	13
1592	13	1644	17	1696	19	1748	N.A.	1800	10	1852	C.
1593	†	1645	C.	1697	19	1749	N.A.	1801	19	1853	N.A.
1594	C.	1646	C.	1698	11	1750	†	1802	N.A.	1854	†
1595	C.	1647	C.	1699	13	1751	C.	1803	†	1855	C.
1596	N.A.	1648	N.A.	1700	N.A.	1752	C.	1804	16	1856	10
1597	N.A.	1649	16	1701	N.A.	1753	†	1805	10	1857	15
1598	N.A.	1650	C.	1702	†	1754	†	1806	10	1858	†
1599	N.A.	1651	C.	1703	C.	1755	C.	1807	N.A.	1859	C.
1600	†	1652	C.	1704	15	1756	15	1808	15	1860	†
1601	†	1653	C.	1705	C.	1757	C.	1809	C.	1861	C.
1602	†	1654	C.	1706	N.A.	1758	C.	1810	†	1862	C.
1603	5	1655	C.	1707	†	1759	C.	1811	C.	1863	N.A.
1604	C.	1656	C.	1708	C.	1760	†	1812	C.	1864	3
1605	C.	1657	15	1709	16	1761	C.	1813	C.	1865	18
1606	C.	1658	C.	1710	11	1762	N.A.	1814	16	1866	C.
1607	C.	1659	13	1711	†	1763	†	1815	N.A.	1867	11
1608	†	1660	C.	1712	13	1764	†	1816	13	1868	8
1609	†	1661	C.	1713	11	1765	†	1817	†	1869	†
1610	6	1662	C.	1714	13	1766	†	1818	C.	1870	C.
1611	†	1663	†	1715	†	1767	†	1819	C.	1871	C.
1612	†	1664	C.	1716	11	1768	16	1820	C.	1872	13

† Incorporated in initial issue of Schedule.
N.A. Modification/Amendment not applicable to this Schedule.
C. Modification/Amendment cancelled.

MODIFICATION AND AMENDMENT SHEET

Mod. No.	A.L. No.	Mod. No.	A.L. No.	Mod. No.	A.L. No.	Mod. No.	A.L. No.	Mod. No.	A.L. No.	Mod. No.	A.L. No.
1837	C.	1925	N.A.	1977	11	2029	N.A.	2081	13	2123	C.
1874	C.	1926	13	1978	11	2030	C.	2082	20	2134	C.
1875	C.	1927	N.A.	1979	†	2031	C.	2083	†	2135	19
1876	†	1928	15	1980	15	2032	16	2084	9	2136	C.
1877	7	1929	†	1981	8	2033	20	2085	N.A.	2137	13
1873	19	1930	C.	1982	8	2034	17	2086	10	2138	21
1879	†	1931	N.A.	1983	20	2035	16	2087	13	2139	19
1880	16	1932	N.A.	1984	C.	2036	C.	2088	13	2140	16
1881	13	1933	16	1985	C.	2037	13	2089	13	2141	C.
1882	N.A.	1934	†	1986	C.	2038	C.	2090	N.A.	2142	16
1883	C.	1935	15	1987	†	2039	N.A.	2091	17	2143	17
1884	N.A.	1936	21	1988	†	2040	N.A.	2092	19	2144	17
1885	†	1937	C.	1989	C.	2041	N.A.	2093	C.	2145	17
1886	C.	1938	13	1990	C.	2042	C.	2094	13	2146	†
1887	8	1939	13	1991	C.	2043	†	2095	C.	2147	19
1888	11	1940	16	1992	C.	2044	N.A.	2096	19	2148	†
1889	†	1941	C.	1993	†	2045	15	2097	13	2149	10
1890	†	1942	15	1994	C.	2046	C.	2098	C.	2150	10
1891	10	1943	7	1995	C.	2047	13	2099	10	2151	15
1892	15	1944	13	1996	15	2048	C.	2100	13	2152	11
1893	C.	1945	N.A.	1997	C.	2049	21	2101	N.A.	2153	C.
1894	11	1946	†	1998	N.A.	2050	16	2102	13	2154	21
1895	C.	1947	N.A.	1999	C.	2051	C.	2103	C.	2155	25
1896	13	1948	C.	2000	21	2052	16	2104	C.	2156	20
1897	13	1949	C.	2001	C.	2053	13	2105	17	2157	20
1898	9	1950	C.	2002	C.	2054	15	2106	C.	2158	C.
1899	N.A.	1951	C.	2003	N.A.	2055	11	2107	13	2159	C.
1900	15	1952	†	2004	C.	2056	13	2108	13	2160	19
1901	†	1953	C.	2005	10	2057	21	2109	9	2161	C.
1902	9	1954	C.	2006	N.A.	2058	†	2110	19	2162	C.
1903	C.	1955	C.	2007	15	2059	13	2111	13	2163	16
1904	†	1956	C.	2008	20	2060	16	2112	N.A.	2164	10
1905	†	1957	†	2009	11	2061	13	2113	7	2165	17
1906	16	1958	7	2010	†	2062	†	2114	C.	2166	N.A.
1907	17	1959	†	2011	10	2063	15	2115	C.	2167	24
1908	†	1960	13	2012	10	2064	13	2116	21	2168	17
1909	†	1961	19	2013	7	2065	13	2117	17	2169	N.A.
1910	8	1962	11	2014	13	2066	C.	2118	16	2170	20
1911	C.	1963	16	2015	20	2067	16	2119	10	2171	15
1912	N.A.	1964	†	2016	20	2068	C.	2120	13	2172	21
1913	†	1965	N.A.	2017	17	2069	13	2121	17	2173	17
1914	13	1966	†	2018	C.	2070	C.	2122	17	2174	22
1915	†	1967	8	2019	C.	2071	C.	2123	17	2175	16
1916	†	1968	19	2020	7	2072	20	2124	†	2176	C.
1917	†	1969	11	2021	13	2073	13	2125	17	2177	17
1918	N.A.	1970	13	2022	C.	2074	15	2126	9	2178	22
1919	†	1971	13	2023	19	2075	11	2127	15	2179	N.A.
1920	C.	1972	†	2024	22	2076	10	2128	N.A.	2180	15
1921	†	1973	N.A.	2025	8	2077	11	2129	16	2181	21
1922	16	1974	N.A.	2026	N.A.	2078	13	2130	13	2182	20
1923	C.	1975	10	2027	C.	2079	10	2131	9	2183	21
1924	†	1976	16	2028	†	2080	15	2132	20	2184	22

† Incorporated in initial issue of Schedule.
N.A. Modification/Amendment not applicable to this Schedule.
C. Modification/Amendment cancelled.

MODIFICATION AND AMENDMENT SHEET

Mod. No.	A.L. No.	Mod. No.	A.L. No.	Mod. No.	A.L. No.	Mod. No.	A.L. No.	Mod. No.	A.L. No.	Mod. No.	A.L. No.
2185	21	2237	C.	2289	25	2341	N.A.	2393	32	2445	
2186	15	2238	C.	2290	24	2342	C.	2934	C.	2246	
2187	N.A.	2239	19	2291	N.A.	2343	C.	2395	29	2447	32
2188	17	2240	25	2292	30	2344	C.	2396	30	2448	33
2189	21	2241	C.	2293	N.A.	2345	C.	2397	30	2449	33
2190	21	2242	21	2294	25	2346	C.	2398	32	2450	C.
2191	15	2243	21	2295	25	2347		2399	N.A.	2451	33
2192	C.	2244	21	2296	N.A.	2348	25	2400	30	2452	33
2193	22	2245	21	2297	21	2349	26	2401	29	2453	34
2194	N.A.	2246	21	2298	N.A.	2350	32	2402	28	2454	33
2195	20	2247	C.	2299	25	2351		2403	N.A.	2455	
2196	†	2248	21	2300	25	2352	30	2404	N.A.	2456	33
2197	21	2249	C.	2301	21	2353	C.	2405	N.A.	2457	33
2198	21	2250	21	2302	25	2354	C.	2406	30	2458	33
2199	22	2251		2303	24	2355	27	2407	C.	2459	33
2200	21	2252	C.	2304	28	2356	26	2408	C.	2460	C.
2201	20	2253	22	2305	25	2357	26	2409	N.A.	2461	N.A.
2202	21	2254	21	2306	25	2358	N.A.	2410	30	2462	C.
2203	21	2255	25	2307	21	2359	C.	2411	32	2463	
2204	C.	2256	25	2308	28	2360	26	2412	31	2464	
2205	N.A.	2257	25	2309	24	2361	N.A.	2413		2465	N.A.
2206	20	2258	25	2310	25	2362	28	2414	C.	2466	N.A.
2207	21	2259	N.A.	2311	25	2363	29	2415		2467	35
2208	C.	2260	N.A.	2312	C.	2364	C.	2416	31	2468	34
2209	C.	2261	25	2313	24	2365	27	2417	N.A.	2469	C.
2210	N.A.	2262	†	2314	25	2366		2418	34	2470	
2211	22	2263	21	2315	25	2367	32	2419		2471	
2212	N.A.	2264	21	2316	25	2368	28	2420	31	2472	
2213	21	2265	27	2317	24	2369	30	2421		2473	
2214	N.A.	2266	N.A.	2318	27	2370	29	2422	31	2474	
2215	C.	2267	21	2319	24	2371	27	2423		2475	35
2216	C.	2268	C.	2320	24	2372	28	2424	C.	2476	35
2217	C.	2269	25	2321	25	2373	28	2425	C.	2477	33
2218	25	2270	21	2322	C.	2374	30	2426	C.	2478	
2219	21	2271	25	2323	25	2375	30	2427	32	2479	35
2220	21	2272	26	2324	C.	2376	N.A.	2428	32	2480	N.A.
2221	22	2273	21	2325	C.	2377	N.A.	2429		2481	34
2222	N.A.	2274	C.	2326	24	2378	30	2430		2482	
2223	22	2275	25	2327	N.A.	2379	C.	2431	32	2483	
2224	21	2276	C.	2328	C.	2380	N.A.	2432	31	2484	33
2225	N.A.	2277	N.A.	2329	25	2381	N.A.	2433	32	2485	
2226	21	2278	21	2330	25	2382	N.A.	2434	32	2486	N.A.
2227	20	2279	N.A.	2331	25	2383	C.	2435		2487	
2228	21	2280	25	2332	C.	2384	28	2436	32	2488	35
2229	N.A.	2281	22	2333	25	2385	29	2437	32	2489	
2230	N.A.	2282	21	2334	C.	2386	28	2438	32	2490	
2231	N.A.	2283	25	2335	25	2387	C.	2439	33	2491	35
2232	19	2284	25	2336	25	2388	32	2440		2492	
2233	21	2285	25	2337	25	2389	N.A.	2441	35	2493	
2234	N.A.	2286	N.A.	2338	25	2390	31	2442	32	2494	
2235	C.	2287	22	2339	C.	2391	29	2443	N.A.	2495	
2236	24	2288	N.A.	2340	25	2392	34	2444	35	2496	

† Incorporated in Initial issue of Schedule
 N.A. Modification/Amendment not applicable to this Schedule.
 C. Modification/Amendment cancelled.

MODIFICATION AND AMENDMENT SHEET

Mod. No.	A.L. No.	Mod. No.	A.L. No.	Mod. No.	A.L. No.	Mod. No.	A.L. No.	Mod. No.	A.L. No.	Mod. No.	A.L. No.
2497	NA										
2498											
2499											
2500											
2501											
2502											
2503											
2504											
2505											
2506											
2507											
2508											
2509											
2510											
2511											
2512											
2513	35										
2514											
2515	NA										
2516											
2517											
2518											
2519											
2520											
2521											
2522											
2523											
2524											
2525											
2526											
2527											
2528											
2529											
2530											
2531											
2532											
2533											
2534											
2535											
2536											
2537											
2538											
2539											
2540											
2541											
2542											
2543											
2544											
2545											
2546											
2547											
2548											

† Incorporated in initial issue of Schedule
N.A. Modification/Amendment not applicable to this Schedule.
C. Modification/Amendment cancelled.

VULCAN Mk. 2

INDEX OF ASSEMBLIES

Page 31

Assembly	Drawing No.	Page No.	Plate No.	Follows Page No.
AIRFRAME COMPONENTS	—	B1	—	—
ALIGHTING GEAR				
Undercarriage, main, with wheels, port and starboard	1 & 2K2751	CA1	—	—
Undercarriage, nosewheel and mounting	10K2725	CB1	—	—
ARMAMENT				
Bombsight Installation, T4	W1128	DA1	—	—
Pyrotechnics	—	DB1	—	—
CONTROLS				
Auto-pilot	V9091	EA1	—	—
Auto-stabiliser equipment	R4446, R4411 & S2398	EB1	—	—
Engine, in crew's nacelle	100.O.3948	EC1	—	—
Engine, forward front spar, centre portion	3 & 4.O.3948	ED1	—	—
fuselage, port and starboard				
Engine, aft front spar, in centre portion	3 & 4.O.3948	EE1	—	—
fuselage, port and starboard				
Flying, in crew's nacelle	1R4206	EF1	—	—
Flying, in centre portion fuselage	1R4188	EG1	—	—
Flying, in rear portion fuselage aft former	20R4207	EH1	—	—
428A				
Flying, in mainplane inner, P & S	1 & 2R4417	EJ1	—	—
Flying, in mainplane outer, P & S	1 & 2R4187	EK1	—	—
Ram air turbine, crew's nacelle	Z9642	EM1	—	—
Steering, nosewheel	R3634	EN1	—	—
ELECTRICAL INSTALLATION				
Bomb bay	V8222 & V11319	FA1	—	—
Centre portion fuselage	V8494 & V11124	FB1	—	—

INDEX OF ASSEMBLIES

Assembly	Drawing No.	Page No.	Plate No.	Follows Page No.
ELECTRICAL INSTALLATION (Cont'd)				
Centre portion fuselage, below air intakes	1 & 2V8495 and 6 & 7V8495	FC1	-	-
Compartment, aft undercarriage bay, port	V8491	FD1	-	-
Console and mounting, port, in crew's nacelle ..	1V9145 & 19V9145	FE1	-	-
Console and mounting, starboard, in crew's	V9043	FF1	-	-
nacelle				
Crew's nacelle	V9592 & V11179	FG1	-	-
Engine bays	V9194 & 1V10787	FH1	-	-
Mainplane, port and starboard	V8061	FJ1	-	-
Nose portion	V8215 & V8490	FK1	-	-
Nosewheel bay	V9472 & V11301	FM1	-	-
Power compartment	V9488 & V11150	FN1	-	-
Rear portion	V8624	FP1	-	-
Undercarriage bay, port and starboard	V8223	FQ1	-	-
EQUIPMENT				
A A.P.P. Installation	50F10364	GA1	-	-
Brake parachute	-	GB1	-	-
Compass installation	-	GC1	-	-
Curtains and Visors	-	GD1	-	-
Dinghy Installation	1Z7578	GE1	-	-
Fireproofing and Soundproofing	-	GF1	-	-
Instrument panels	-	GG1	-	-
Ladders	-	GH1	-	-
Periscope Installation, nav's station	24Z8684	GJ1	-	-
Seats and fittings	-	GK1	-	-
Sextant Stowage and mounting tray	1Z7973 & 1Z9705	GM1	-	-

VULCAN Mk. 2

INDEX OF ASSEMBLIES

Page 33

Assembly	Drawing No.	Page No.	Plate No.	Follows Page No.
EQUIPMENT (Cont'd)				
Spectre nacelle installation, R.A.T.O.	16.O.3733	GN1	-	-
Trimming and floor covering	-	GP1	-	-
Ventilated suit system	Z9303 & Z9926	GQ1	-	-
EQUIPMENT SPECIAL OPERATIONAL				
Ballast & Socket plates (when special airborne canisters are not fitted)	Z9980	HA1	-	-
Cradles, removable, for type A, B & C	-	HB1	-	-
Flight refuelling, in nose (Removable fittings) ..	P3160	HC1	-	-
Panels, alternative, and E.Y. mounting control ..	V9365 & V13200	HD1	-	-
Panel, alternative, bombing	7V8963	HE1	-	-
Attachment of spectre nacelle (removable equipment)	O.3478	HF1	-	-
Window launching installation (removable	22 & 23Z8277	HG1	-	-
FUSELAGE				
Crew's nacelle	10D9580	JA1	-	-
Centre portion (Mod. 360)	11D9581	JB1	-	-
Doors, bomb, inner, port and starboard	1 & 2D8901 & 1 & 2D3802	JC1	-	-
Doors, bomb, outer, port and starboard	1 & 2D8900	JD1	-	-
Doors, main undercarriage, port and starboard ..	113 & 114F10167	JE1	-	-
Fairings, main undercarriage	1 & 2F8773 1 & 2F10802	JF1	-	-
Nose portion	10D9579	JG1	-	-
Rear portion	1D11106	JH1	-	-
GROUND EQUIPMENT				
Aircraft tool kit	Z9626	KA1	-	-
Flight tool kit	Z9625	KB1	-	-

INDEX OF ASSEMBLIES

Assembly	Drawing No.	Page No.	Plate No.	Follows Page No.
GROUND EQUIPMENT (Cont'd)				
Handling and storage	-	KC1	-	-
Jacking	-	KD1	-	-
Rigging	-	KE1	-	-
Testing and servicing	-	KF1	-	-
Towing and steering	-	KG1	-	-
Testing and Slings	-	KH1	-	-
S.O.O. (4,000 lb Bomb Bay Pannier)	-	KJ1	-	-
MAINPLANES				
Aileron, inboard, port and starboard	1 & 2F9725	MA1	-	-
Aileron, outboard, port and starboard	1 & 2F9726	MA5	-	-
Elevator, inboard, port and starboard	85 & 86F7851, 89 & 90F7851	MB1	-	-
Elevator, outboard, port and starboard	1 & 2F9724, 111 & 112F9724	MB5	-	-
Mainplane and equipment, inner and outer, port and starboard	9 & 10F9700	MC1	-	-
Mainplane, inner, port and starboard	21 & 22F9701	MC1	-	-
Mainplane, outer, port and starboard	1 & 2F9702	MD1	-	-
Tip, mainplane detachable, port and starboard	230 & 231F9910	ME1	-	-
POWER INSTALLATION				
Engine bulkheads	D10631	NA1	-	-
Engine installation	5, 6, 7, 8.O.3942 & O.3987	NB1	-	-
Engine mounting and hoisting	-	NC1	-	-

VULCAN Mk. 2

INDEX OF ASSEMBLIES

Page 35

Assembly	Drawing No.	Page No.	Plate No.	Follows Page No.
RADIO AND RADAR INSTALLATION				
Centre section	3T4292	PA1	-	-
Crew's nacelle	2T4292	PB1	-	-
In Wing	5 & 6T4292	PC1	-	-
Nose portion, fuselage	1T4292	PD1	-	-
Rear fuselage and fin	15 & 16T4292	PE1	-	-
SERVICES				
Air conditioning	-	QA1	-	-
Air speed indicator	S2165, S2167, Q2211 & Q2212	QB1	-	-
Cooling, power units and radar equipment	-	QC1	-	-
Emergency, air	Q1875, Q1876, Q2079, Q2080 & 1879	QD1	-	-
Fire protection, explosion suppressor	Z9615	QE1	-	-
Fire protection, Firewire detector	Z9236	QF1	-	-
Fire protection, hand extinguisher	-	QG1	-	-
Fire protection, Methyl Bromide	-	QH1	-	-
Fuel system, aft front spar	100 & 101P3164	QJ1	-	-
Fuel system, bomb bay tanks, port and starboard	9 & 10P3584	QK1	-	-
Fuel system, recuperator and hydraulics,	25 & 26P3291	QL1	-	-
air supply lines to fuel tanks				
Fuel system, mainplane, port and starboard	1 & 2P3277	QM1	-	-
Fuel system, flight refuelling in nose portion, port and starboard	1 & 2P3180	QN1	-	-
Hydraulics	-	QP1	-	-
Pressurisation, fuel tank	-	QR1	-	-
Oxygen	Z9197 & Z9198	QS1	-	-

INDEX OF ASSEMBLIES

Assembly	Drawing No.	Page No.	Plate No.	Follows Page No.
SERVICES (Cont'd)				
Pneumatic	-	QT1	-	-
Ram air turbine	F10875	QU1	-	-
Bomb aimer's window, de-icing	21Q2245	QV1	-	-
Windscreen wiper installation	22Q2058	QW1	-	-
TAIL UNIT				
Fin	400H2230, 1H3030	RA1	-	-
Rudder	1H2760, 1H2952	RB1	-	-
TANKS				
De-icing	1Q2244	SA1	-	-
Fuel, A.A.P.P.	28F9809	SB1	-	-
Fuel	-	SC1	-	-
SCHEDULES				
Cable chart (Electrical)	-	T1	-	-
Cable chart (Wire)	-	U1	-	-
Pipe chart	-	V1	-	-

INDEX OF REFERENCE NUMBERS

Ref. No.	Page No.	Ref. No.	Page No.	Ref. No.	Page No.	Ref. No.	Page No.
SECTION 1B		SECTION 2A (Cont'd.)		SECTION 2A (Cont'd.)		SECTION 2A (Cont'd.)	
4467	KB. 2	9500413 (Cont'd.)	EF. 4 EF. 8 EF. 12 EG. 3 EG. 18	9500465 (Cont'd.)	EG. 12 EG. 14 EG. 16 EG. 18 EG. 19 EG. 20 EG. 21 EG. 22 EG. 24 EG. 25 EG. 26 EG. 27 EG. 28 EG. 29 EG. 30 EG. 31 EG. 32 EG. 33	9501379 (Cont'd.) 9501524	MA. 2 MA. 5 EJ. 7 MA. 2 MA. 5 MB. 1 MB. 2 MB. 5 MB. 6
SECTION 1L							
24	KB. 4		EH. 1 EH. 3				
25	KB. 4		EJ. 3				
26	KB. 4		EJ. 4				
28	KB. 4	9500415	EC. 1				
49	KB. 1		EF. 8				
50	KB. 1		EF. 12				
59	KB. 4		EN. 1				
73	KB. 4	9500418	EF. 3			SECTION 3A	
154	KB. 4		EF. 4 EF. 6 EG. 4 EG. 14			3304	KB. 8
SECTION 2A		9500419	EC. 11 EJ. 8 EJ. 9 EJ. 10			SECTION 4G	
9500383	EF. 3		EJ. 10			2451	KC. 2 KC. 3 KC. 4
9500409	EG. 16		JA. 50			2457	KC. 3
9500410	EG. 8 EG. 9 EG. 10 JB. 52	9500420	JB. 17 EF. 7 EF. 8			2460	KC. 3
9500411	EC. 9 EG. 3 EG. 4 EG. 15 EH. 1 EH. 2 EN. 1 EN. 2 QU. 3 QU. 6	9500422	EC. 11 EF. 4 JB. 17	9500466	EJ. 9 EK. 4 EK. 5 EG. 10 EG. 11 EG. 12 EG. 13 EG. 15 EJ. 1 EJ. 2 EJ. 4	4131 4282 5874 5967 5970 6103 6214 6219 6246	KB. 1 KC. 2 KB. 2 KH. 4 KB. 2 KF. 4 KB. 4 KB. 1 KB. 1
9500412	EE. 2 EG. 10 EG. 11 EG. 12 EG. 14 EG. 23 EJ. 1 EJ. 2 EJ. 3 EJ. 4 EK. 1 EK. 2 JB. 7 JB. 9	9500427	EF. 4 EF. 12 JB. 16 JB. 18 JB. 19 JB. 20	9500467	JE. 1 JE. 2 JB. 7 JB. 10 JE. 1	4409944	KB. 1 KG. 2 KG. 4 KF. 7 KB. 1
9500413	ED. 2 EE. 2	9500463	EF. 3 EG. 5 EG. 6 EH. 4 EJ. 8 EK. 3 EK. 4 EK. 5 EG. 5 EG. 21 EH. 3 EF. 3 EF. 12 EG. 5 EG. 7	9500468	EE. 3 EE. 8 EE. 9 EE. 10 KH. 3 KH. 3 KH. 3 KH. 4 JB. 23 JE. 1 KH. 2 EK. 2 MA. 1	4421159 8062584	
		9500464	EG. 5 EG. 21 EH. 3 EF. 3 EF. 12 EG. 5 EG. 7	9501177	EE. 3 EE. 8 EE. 9 EE. 10 KH. 3 KH. 3 KH. 3 KH. 4 JB. 23 JE. 1 KH. 2 EK. 2 MA. 1	SECTION 4GA	
		9500465	EF. 3 EF. 12 EG. 5 EG. 7	9501180 9501181 9501182 9501243 9501298 9501325 9501342 9501379	SECTION 4GB	4409698 4409699	KH. 8 KH. 8
						15890 4398926 4398927 4398928 4398929 4421168	KC. 1 KC. 1 KC. 1 KC. 1 KC. 1 KE. 1

INDEX OF REFERENCE NUMBERS

Ref. No.	Page No.	Ref. No.	Page No.	Ref. No.	Page No.	Ref. No.	Page No.
SECTION 5CY (Cont'd.)		SECTION 5CZ (Cont'd.)		SECTION 5CZ (Cont'd.)		SECTION 5CZ (Cont'd.)	
4376487	FM. 31	1044107	FG. 66	4337458	FF. 1	6213358	GG. 27
4376489	FG. 62	1046402	FC. 4	4337462	GG. 6		GG. 31
	FM. 31	1053233	FA. 1		GG. 16	6282265	FM. 34
	FM. 32		FM. 1	4337488	FM. 30	6282266	FM. 34
	FN. 21	1053794	GG. 2	4337562	FP. 1	6285995	FA. 1
4376514	PB. 12		GG. 27	4337577	GF. 6	7001127	JB. 31
4376509	HD. 1		PA. 2		GF. 7		QF. 1
7001363	FG. 65		PA. 5		GF. 9	7001128	JB. 31
9516978	DA. 6		PA. 12		GF. 11		JB. 102
9550804	HE. 1		PB. 13		NA. 3		QF. 1
9992777	HD. 1		PE. 1		NA. 4	7001751	JB. 32
	HE. 1	1053795	GA. 2	4337596	JB. 98		QF. 1
			PE. 1		QA. 58	9546256	PB. 1
		1057758	FM. 1	4337642	GG. 25		
		1084613	QF. 1	4337643	GG. 25		
		1092268	GG. 21	4337688	FE. 5		
		2206255	FM. 27		GQ. 3		
			FM. 34	4337689	GQ. 2	SECTION 5D	
		4329774	FJ. 20		GQ. 7		
		4329775	FM. 1		JA. 18	1420	FG. 52
			FM. 34	4337690	GQ. 1	1987615	FB. 13
		4329961	GG. 27		GQ. 2	4341033	FB. 13
		4335518	FG. 7		GQ. 3	4341044	FB. 9
		4335526	FM. 1		GQ. 4	4341047	GG. 26
		4335548	FF. 2	4337692	FQ. 59	4341051	GG. 26
		4335558	QA. 51	4340007	FJ. 6	4341104	FG. 66
		4335563	QA. 49		FJ. 13	4700443	FG. 66
		4335567	FA. 1		FJ. 20		
			FB. 8		FJ. 34		
			FC. 1	4340011	GG. 6		
			QA. 5	4340050	QF. 1		
		4335568	QA. 51	4340150	GG. 7	SECTION 5E	
		4335570	GG. 16	4340381	GG. 6		
		4335581	GA. 2		PE. 1	0151682	FQ. 14
		4335585	QF. 1	4340430	FF. 1	1116723	PE. 1
		4335587	GG. 25		GG. 6	1118763	GG. 18
		4335600	FQ. 11		GG. 13	9467424	FB. 8
		4335636	FA. 33B		GG. 16		FG. 51
			FG. 54B		GG. 24	9138823	GD. 4
		4335637	FQ. 15		QS. 1		
		4335639	FP. 12	4340651	FP. 11		
		4335646	FJ. 19	4350489	JB. 74		
		4335672	GG. 14		KF. 6		
			GG. 27	4379230	FM. 30	SECTION 5J	
		4335750	FN. 24	4400288	FM. 1		
		4335756	FG. 1	4661137	GA. 2	1057003	FM. 26
			FG. 66	4663271	FM. 29	9499955	FM. 1
		4335788	GG. 29	4663620	FM. 29		
		4335793	FE. 1	4663621	FM. 29		
		4335794	FA. 30B	4706398	QA. 47		
			FJ. 5	4706917	QA. 23		
			FJ. 12		QA. 37		
			FP. 8		QA. 41		
SECTION 5CZ							
1961	FG. 47						
5073	FF. 2						
	FM. 1	4329961	GG. 27				
5097	QA. 48	4335518	FG. 7				
5140	QA. 6	4335526	FM. 1				
5672	QA. 22	4335548	FF. 2	4337692	FQ. 59		
5838	QF. 1	4335558	QA. 51	4340007	FJ. 6		
6159	FG. 50	4335563	QA. 49		FJ. 13		
6168	FP. 11	4335567	FA. 1		FJ. 20		
6229	FM. 29		FB. 8		FJ. 34		
6354	JB. 31		FC. 1	4340011	GG. 6		
	JB. 102		QA. 5	4340050	QF. 1		
	QF. 1	4335568	QA. 51	4340150	GG. 7		
6424	PB. 18B	4335570	GG. 16	4340381	GG. 6		
6589	PB. 1	4335581	GA. 2		PE. 1		
6658	JB. 32	4335585	QF. 1		FF. 1	0151682	FQ. 14
	QF. 1	4335587	GG. 25		GG. 6	1116723	PE. 1
6892	GG. 21	4335600	FQ. 11		GG. 13	1118763	GG. 18
7199	GG. 21	4335636	FA. 33B		GG. 16	9467424	FB. 8
8781	FM. 29		FG. 54B		GG. 24		FG. 51
8998	FM. 27	4335637	FQ. 15		QS. 1	9138823	GD. 4
1027621	FJ. 1	4335639	FP. 12	4340651	FP. 11		
	FJ. 7	4335646	FJ. 19	4350489	JB. 74		
	FJ. 15	4335672	GG. 14		KF. 6		
	FM. 1		GG. 27	4379230	FM. 30		
1031243	GG. 11	4335750	FN. 24	4400288	FM. 1		
1034035	JB. 32	4335756	FG. 1	4661137	GA. 2	1057003	FM. 26
	QF. 1		FG. 66	4663271	FM. 29	9499955	FM. 1
1035015	PB. 18A	4335788	GG. 29	4663620	FM. 29		
1035016	PB. 18A	4335793	FE. 1	4663621	FM. 29		
1035034	PB. 18A	4335794	FA. 30B	4706398	QA. 47		
1037737	PB. 18B		FJ. 5	4706917	QA. 23		
1040248	JB. 32		FJ. 12		QA. 37		
	QF. 1		FP. 8		QA. 41		

INDEX OF REFERENCE NUMBERS

Ref. No.	Page No.	Ref. No.	Page No.	Ref. No.	Page No.	Ref. No.	Page No.
SECTION 5K		SECTION 5K (Cont'd.)		SECTION 5L		SECTION 5L (Cont'd.)	
2631	GG. 34	7000517	EF. 3	1928	KF. 6	9959118	JA. 18
3409	EG. 6	7001266	QS. 3	9951254	JA. 9	9959122	FE. 1
	EG. 12	9013958	GQ. 12	9951263	JA. 17	9959182	GG. 9
5789	FA. 36	9144249	FG. 46C	9951271	DA. 4		GG. 11
	FA. 36A		FK. 2		JA. 5		GG. 13
1011510	FG. 46C		QC. 12		JA. 6		GG. 14
1037287	QS. 1	9325185	FC. 46C	9951272	EC. 5		GG. 17
	QS. 4		FK. 2		FG. 5		GG. 22B
1037291	QP. 39	9325186	FG. 46C	9951273	FG. 54		PB. 11
1037441	PB. 18A		FK. 2		FG. 55	9959801	MD. 8
1037443	EF. 11		HL. 6		FP. 8	9962110	FG. 59
	EF. 12		HL. 13		FQ. 8	9962236	FG. 67
	PB. 13		HM. 3		GG. 24	9962237	FG. 48
1037444	EF. 7		MC. 3		GG. 30		
	EF. 8	9325188	FG. 46C		JA. 10		
1058168	JB. 40		FK. 2		JA. 18		
	JB. 43	9325189	FG. 46C		JA. 27		
	MC. 5	9325192	FA. 36		PB. 16	SECTION 5Q	
1058169	QF. 1		FA. 36A		PB. 18		
1058171	FB. 9		FG. 46C	9951282	FG. 5	22519	GG. 32
	JH. 38	9326334	FG. 46C		FK. 2	22659	FG. 47
1201351	RA. 4		FK. 2	9951283	FG. 54		GG. 31
1955957	PE. 1		HL. 6		FG. 55	25660	FG. 31
2207951	JA. 11		HL. 13		FG. 58	4347724	GG. 27
2231767	GQ. 12	9436899	FG. 46C	9951286	GG. 6	4348328	FA. 35
	QS. 1		HL. 17	9952261	FG. 6	4348344	FA. 35
	QS. 4	9483755	JA. 18	9952276	FP. 8	4348349	GG. 31
4329286	GG. 34	9483758	JA. 27	9952295	FG. 51	4348434	GG. 20
4329298	QW. 2		PB. 17	9952431	FJ. 7	6345930	GG. 27
4329335	GG. 34		PB. 18A		FJ. 14		
4329348	PC. 3	9504964	JH. 15	9952604	FP. 8		
4329533	GG. 34	9512072	MC. 5	9953202	FM. 26		
4345963	QS. 4	9517020	PB. 17		FQ. 7		
4345989	FB. 9	9517023	HF. 1	9953271	FG. 6	SECTION 5UA	
4345990	FB. 9		JA. 2A		FG. 7		
	FG. 49	9518243	HF. 1		FG. 47	6670	NB. 1
	GG. 3	9518404	PB. 17		FG. 60	1984849	NB. 1
4345991	FB. 9	9520210	PE. 1		FG. 66	4357532	NB. 1
4346015	EF. 13	9525234	FG. 46C		FP. 8	4357538	QU. 4
	EG. 5	9525275	JB. 117	9953278	FA. 31		QU. 8
4346706	QF. 1		PB. 17		FN. 17	4357543	GA. 2
4691289	EF. 12	9560937	JA. 9		FP. 8		
	EG. 5	9712745	FH. 2	9953721	FK. 2		
6428047	FH. 2		FH. 4	9959118	FE. 2		
	FH. 7		FH. 7		FM. 1		
	FH. 11		FH. 11		GG. 6	SECTION 5UB	
7000230	EE. 3		FM. 25		GG. 14		
	EF. 10		FP. 12		GG. 16	1988448	FG. 65
	EF. 11	9717191	JA. 6		GG. 18	4342573	FB. 13
	EF. 12				GG. 20	4342717	FM. 30
7000231	EF. 10				GG. 24	4342763	FC. 6
	EF. 11				GG. 31	4342772	FH. 10
7000235	EG. 7				JA. 10		FN. 23

VULCAN Mh 2

Page AA. 11

INDEX OF REFERENCE NUMBERS

Ref. No.	Page No.	Ref. No.	Page No.	Ref. No.	Page No.	Ref. No.	Page No.
SECTION 6A (Cont'd.)		SECTION 6A (Cont'd)		SECTION 6D (Cont'd.)		SECTION 6D (Cont'd.)	
4333676	QM. 19	6201976	GG. 8	796	JG. 10	9429890	HC. 1
	QM. 20	6203321	FG. 47A		QR. 8		QA. 23
	QM. 26	6204138	GG. 9	797	JG. 9	9429900	QS. 2
	QM. 29		GG. 10		QR. 8		QS. 3
	SC. 5	6208550	GG. 14	1417	QS. 3		
4333678	QK. 6A	6208551	GG. 14	1502	GA. 2		
	SC. 1	6208619	FA. 47	1647	QS. 3		
4333679	QK. 6A	6424233	GG. 15	1648	QS. 1		
	SC. 1	7002023	QA. 49	1825	QA. 52	SECTION 6F	
	SC. 3			1851	GE. 3		
4333680	QK. 6A			1852	GE. 2	245	HJ. 2
	SC. 1			1872	MC. 4		
	SC. 3			1892	QS. 2		
4333681	QM. 29	SECTION 6B		2118	QA. 53		
4333682	FJ. 5			2237	GG. 16		
4333685	QA. 22	471	GG. 25		JA. 11	SECTION 6S	
4333686	GG. 11	1048857	GC. 1		MC. 3		
4333687	FM. 27	1054118	GG. 24		QS. 1	4551392	EB. 2
4333716	GG. 10		JA. 27	2313	HC. 20	4551410	EB. 2
4333759	GG. 18	4343585	GG. 24		QS. 2	4551411	EB. 2
4333777	FM. 27	4343645	PB. 1	2344	QS. 6	4551412	EB. 2
4333820	FB. 14	4343721	JA. 20		QS. 16	4551478	EB. 2
	FB. 15		GM. 1	2383	FE. 4	4551508	EB. 1
4337743	GG. 7	4343781	GM. 1		FF. 4	4551509	EB. 1
4337745	FJ. 20	4343851	FM. 1		GG. 21	4551510	EB. 1
	FP. 11	4343892	GM. 1		GG. 22	4551519	EJ. 10
4337747	FP. 11	6341559	GG. 25		GG. 28	4551520	EH. 2
4337771	GG. 24	6349756	PB. 19		JA. 11	4551661	EB. 1
4337774	GG. 24	6349772	PB. 3		JA. 12	6340962	EB. 2
4337780	GG. 5				QS. 4		
4337782	FG. 52				QS. 6		
4337865	GG. 7			2454	GK. 8		
4337916	GG. 7				QS. 16		
	QP. 18	SECTION 6CZ		2517	GK. 2	SECTION 6TB	
4338220	QK. 13			2526	GK. 1		
4338295	FB. 14	4340651	FP. 11	2671	FE. 4	302	EA. 1
	FB. 15				FF. 4	303	EA. 1
4338339	GG. 6				QS. 4	304	EA. 1
4338501	FB. 14				QS. 16	1411	GC. 1
	FB. 15			2859	GK. 6	1415	GC. 1
4338503	GG. 15	SECTION 6D		3450	GK. 3	1468	JA. 64
4338521	GG. 24			4239	QS. 1	1502	GC. 1
4338811	GG. 19	425	QS. 2	1422220	GQ. 2	1503	GC. 1
4338993	GG. 20	427	QS. 6	2008678	NB. 9	1504	GC. 1
4339081	GG. 24		QS. 16	2244774	MC. 4	1515	GC. 1
4339082	GG. 24		QT. 18		QS. 2	1518	GC. 1
4339152	FG. 60	487	GA. 2	2244775	QS. 6	1558	GG. 19
4339155	GG. 9	574	QS. 1	9429881	QA. 52	1623	JA. 6
	GG. 11	575	QS. 16		QT. 6A	1676	GG. 7
4339378	QM. 26	603	QS. 6	9429887	QA. 51	1680	EA. 1
4344737	HM. 3		QS. 16		QD. 1	1688	FA. 35
4344788	HM. 2	641	QS. 2		QT. 2	1692	EE. 3
4364327	GG. 29	642	QS. 4		QT. 6A	1831	FA. 35
			QS. 2				

INDEX OF REFERENCE NUMBERS

Ref. No.	Page No.	Ref. No.	Page No.	Ref. No.	Page No.	Ref. No.	Page No.
SECTION 6TB (Cont'd.)		SECTION 6TB (Cont'd.)		SECTION 9CA (Cont'd.)		SECTION 10AE	
2068	EA. 1	4549620	GG. 11	1497	PB. 20	1959461	EC. 5
2197	JA. 64	6345912	JA. 64	4491981	PB. 20		
2243	GC. 1	6345913	JA. 64				
2292	GC. 1						
2298	GG. 1						
2681	EG. 18						
2682	EG. 13						
4545187	JA. 6	SECTION 6TD		SECTION 9CD			
4545190	EG. 19			1117244	PB. 20	73	PA. 14
4545192	EG. 19	2654	FJ. 7			121	PB. 17
4545256	DA. 2	4550849	FJ. 14			130	QB. 4
4545258	EA. 1					135	FG. 61
4545306	GC. 1					136	PB. 14
4545307	GG. 19					137	FQ. 12
4545309	GC. 1			SECTION 9D			JB. 34
4545310	GC. 1	SECTION 7B		2	PA. 1	138	PB. 14
4545348	GG. 19			11	PA. 15	143	GG. 25
4545355	GG. 10	1784	DB. 1	12	PB. 14	144	PB. 14
	GG. 12	1785	DB. 1	756	PB. 20	147	JA. 9
	GG. 13	1941	DB. 1	757	PB. 23	148	JA. 9
4545362	GG. 9			1140	PB. 1	149	PA. 3
	GG. 10			1373	PB. 1	150	JA. 9
4545394	GG. 19			1399	PB. 14		PE. 7
4545405	EA. 1			1566	JA. 11		PE. 8
4545408	EA. 1	SECTION 9		4414905	GG. 24	153	FG. 50
4545409	EA. 1						FJ. 20
4545449	JA. 6	3350	DA. 1				FM. 27
4545450	GG. 16	3572	DA. 6			154	PB. 17
4545451	GG. 13	4380	QA. 1				PB. 18
4545452	FG. 66	4566	DA. 4	SECTION 10A		157	PA. 2
4545455	FG. 66	4578	DA. 5			158	PA. 2
4545466	EA. 1	4579	DA. 1	17930	DA. 7	160	PA. 2
4545471	FA. 35	4581	DA. 7		JA. 14	169	GG. 5
4545472	FA. 35	4584	DA. 4		JG. 2		PA. 2
4545473	FA. 35	4723	DA. 2		PA. 4	213	PA. 15
4545474	FA. 35	4816	DA. 7		PB. 14	216	PA. 1
4545548	GG. 9				PB. 18	220	GG. 25
4545553	EA. 1	SECTION 9CA		19421	FG. 61	221	GG. 25
4545567	EE. 3			19429	QB. 4	249	PA. 14
4545610	EA. 1					251	PA. 2
4545617	FA. 35					258	PA. 2
4545618	FA. 35					278	PE. 9
4545619	FA. 35	101	PB. 3			698	PA. 13
4545620	EA. 1	103	PB. 20	SECTION 10AD		699	PA. 2
4545621	EA. 1	105	PB. 1			728	JG. 2
4545646	EA. 1	154	PB. 20	153	PE. 6	756	PB. 15
4545647	EA. 1	155	PB. 20	3917	HN. 1	1979	JG. 2
4545648	EA. 1	173	QC. 14	9326361	PA. 1	17618	PA. 3
4545686	FA. 35		QC. 14A		PA. 2	1201980	GG. 17
4545687	FA. 35	304	QC. 14	9472371	GK. 13	1201982	GG. 17
4549618	JA. 64	305	QC. 14A				PA. 3
4549620	GG. 9						

INDEX OF REFERENCE NUMBERS

Ref. No.	Page No.	Ref. No.	Page No.	Ref. No.	Page No.	Ref. No.	Page No.
SECTION 10A (Cont'd.)		SECTION 10B		SECTION 10CV		SECTION 10D (Cont'd)	
9433711	PA. 3	16446	PA. 1	0005100	FA. 32	4096712	PB. 20
9451643	PB. 14	16706	PA. 1		FB. 11	4096716	PA. 15
9487904	PB. 16	16903	PD. 1		FB. 12	4418427	PB. 15
9556305	PB. 18C	17446	JA. 14		FB. 14	4419522	PD. 1
9556585	PE. 18C	18265	PA. 1		FG. 50		PE. 8
9700790	PE. 6A	18937	PE. 6		FG. 57	4419525	PD. 1
		19090	PD. 3		FG. 62	4419527	PD. 1
		19122	PA. 1		FG. 65		PB. 15
		19418	JG. 1	0005101	FA. 33B	4423787	PB. 1
		19435	PA. 1		FG. 47	4426540	PE. 8
		19515	PC. 1		FG. 54A	4427341	PB. 19
		20391	HN. 1		FG. 57	4687810	PA. 16
SECTION 10AK		0326363	PA. 1		FN. 22	4418427	PB. 15
0970175	JA. 10	1053822	PE. 9		FQ. 11	4427341	PB. 20
		1432780	PE. 10	0372038	FJ. 20	4696712	PB. 19
		1953822	PE. 10	0372039	FA. 30B	4709927	PB. 18
		1953823	PE. 10		FA. 31		PB. 17
SECTION 10AL		1953824	PE. 10		FA. 33A	4709928	PB. 18
		1953825	QA. 24		FG. 54		PB. 17
0563009	FQ. 15	1953826	QA. 24		FM. 26	4709929	PB. 15
1042521	JB. 32	1953827	QA. 24		FM. 27	6191979	PD. 3
	JG. 8	4443927	PE. 1		FM. 29	6192118	PA. 16
		4443928	PE. 1		FM. 30	6352825	PB. 20
		4697309	PC. 1		FM. 34	6352827	PB. 20
		4700374	PA. 15	0373571	FG. 54A		
		4707634	PA. 15		FG. 56		
		4709699	PC. 1				
SECTION 10AR							
1026	PA. 13			SECTION 10D		SECTION 10DE	
1992	PB. 19					8111	PA. 15
3026	PA. 2						
0970231	FQ. 15	SECTION 10C		17818	PB. 19		
	HK. 1	0115508	FQ. 8	19066	PB. 14		
1949036	PB. 3	0115563	PB. 17	19067	PB. 20		
4427350	PB. 19	0115567	FQ. 14	19525	PA. 13		
4702283	PB. 19	0115572	FB. 15	19598	PA. 13		
4702284	PB. 19	0115591	FQ. 14	19604	PB. 20	SECTION 10F	
4702285	PB. 19	0115592	FQ. 14	19806	PA. 15	23066	PB. 13
4702287	PB. 19	0115592	FQ. 14	20525	PE. 8	0530108	FQ. 10
6196851	PB. 19	0116115	FQ. 14	20570	PD. 1	0530110	FQ. 10
9561688	PB. 16	0116408	FQ. 14	20817	PB. 15	0530158	FG. 15
		0110238	FM. 29	20968	PA. 1	0530250	FG. 62
			FM. 30	20974	PE. 9		FQ. 12
			FQ. 10	21506	PE. 9	0530289	FQ. 10
		0120137	HK. 1	21798	PB. 15	0530290	FQ. 12
SECTION 10AS		0124719	FQ. 14	22437	PA. 2	0530473	FG. 50
				22819	JG. 2	1073841	PA. 15
460	HG. 4			22920	PA. 13	9561624	GG. 16
0970231	FB. 13			23333	HN. 1		HD. 1
	FQ. 10			1138724	PE. 8		PB. 11
				4042156	PB. 1		

INDEX OF REFERENCE NUMBERS

Ref. No.	Page No.	Ref. No.	Page No.	Ref. No.	Page No.	Ref. No.	Page No.
SECTION 10H		SECTION 10H (Cont'd.)		SECTION 10H (Cont'd.)		SECTION 10H (Cont'd.)	
2206	JB. 75 PA. 12 PE. 2	0119027 0119925	FN. 17 FA. 30B FJ. 5	0560878 0590100	FE. 3 FA. 30B FJ. 5	1043043 (Cont'd.)	FG. 56 FJ. 18 FM. 26
3145	HN. 2 HN. 5		FJ. 12 FN. 17 FP. 7B		FJ. 12 FP. 7B FQ. 15	1043045	FN. 1 HD. 1 FA. 31
10991	PE. 1	0120061	FA. 31	0590109	FB. 15		FG. 47
18830	PB. 11	0139177	PB. 17		FG. 64		FG. 56
19102	HA. 2 HA. 3	0540015	JA. 21 JA. 22		FN. 17 FN. 24		FJ. 18 FM. 26
19273	PE. 6		JA. 37	0590111	FG. 47		FN. 17
19439	JA. 24		PE. 2		FG. 49		HE. 1
19444	JA. 24	0540019	JA. 24		FN. 17	1043046	FA. 31
19445	JA. 2		HA. 3		FQ. 15	1066013	JA. 23
19451	JA. 24 JA. 37	0560013	FG. 5 GG. 1	0590112	FG. 47 FN. 17 FP. 8	1066798 1123441	JA. 24 FB. 8 GG. 19
19457	JA. 24 JA. 38	0560031	FQ. 15		FG. 47	1560140	HA. 3
19458	JA. 38	0580060	DA. 5	0590113	FN. 17	4307918	FA. 31
19460	JA. 11 PB. 11	0560070 0560127	PB. 15 FQ. 15		FP. 8	5801774	PC. 4
19463	JA. 38	0560131	FQ. 15	0590115	FM. 26	9002887	FH. 31
19481	JA. 24	0560140	FB. 7	0590122	FN. 17	9116804	JA. 25
19482	PA. 12		HA. 2		FP. 8	9144107	JA. 25
19493	JA. 38		HA. 3	0590124	FN. 17	9147042	HA. 3
19610	JA. 24 PA. 12 PC. 2	0560150	DA. 5 HA. 3 PA. 1	0590125	FM. 26 FM. 31 FN. 17	9322405 9321486 9402802	PA. 4 JA. 24 FM. 1
20297	PB. 11	0560151	DA. 5	0590126	FM. 26	9438818	JA. 23
20298	GQ. 15	0560152	DA. 5		FN. 17	9512755	HG. 1
20416	JA. 24	0560153	DA. 5	0590127	FN. 17	9525571	JA. 24
20417	JA. 24	0560190	DA. 5	0970055	FB. 6	9560042	JA. 24
21788	FB. 11 FN. 19 FN. 21 FN. 23 FN. 24 FP. 9	0560200 0560240 0560250 0560260 0560265	HA. 3 HA. 3 PB. 16 PA. 1 GG. 18		FG. 5 FK. 2 GG. 18 GG. 30 PA. 6	9718191	JA. 37 FG. 47 FJ. 18 FM. 16 FN. 17
23860	FG. 47 FM. 26 HE. 1	0560330 0560331 0560332	HA. 3 DA. 5 DA. 5	0970056	FB. 6 PB. 17		HD. 1 HE. 1
23862	FG. 44 HD. 1	0560370 0560380 0560381	PA. 1 HA. 3 HA. 3	0970057	FB. 6 PA. 6 PB. 17	9718192	FA. 31 FD. 2 FG. 47
23863	FG. 47 FM. 26	0560541 0560552	FB. 7 DA. 5	0970065 0970099	FB. 8 GG. 34		FJ. 18 FJ. 19
23864	HD. 1	0560553	DA. 5	0970105	GG. 34		FM. 26
23925	FM. 31	0560581	PA. 1	0970111	GG. 34		FN. 17
23929	FM. 33	0560582	PA. 1	0970115	GG. 34		HD. 1
24209	FN. 24	0560585	GG. 18	0970175	HD. 1		HE. 1
24210	FM. 33	0560700	GG. 19	0970183	JA. 9	9997877	JA. 24
24212	FN. 17	0560760	FB. 8	0970184	HD. 1	9997879	JA. 23
050140	HA. 3		GG. 19	1000711	HD. 1	9997881	JA. 23
056730	FA. 35	0560790 0560877	DA. 6 FE. 3	1043043	FQ. 15 FA. 31 FG. 47	9997883 9997884 9997886	JA. 24 JA. 24 JA. 24

INDEX OF REFERENCE NUMBERS

Ref. No	Page No.	Ref. No.	Page No	Ref. No.	Page No.	Ref. No.	Page No
SECTION 10HA		SECTION 10HB		SECTION 10HC (Cont'd.)		SECTION 10HD (Cont'd.)	
6878	PB. 7	98	PA. 9	1940934	PB. 7	1957448	PC. 2
9326	JB. 75	1370	PB. 10	1940975	PB. 7	1957449	PE. 3
	PA. 12	1631	PB. 6	1940976	PB. 7	1957450	PE. 3
	PF. 2	3001	PA. 8	1940977	PB. 7	1957451	PE. 3
14205	PB. 5B	3002	PA. 8	1940978	PA. 10	1957453	PE. 3
14206	PB. 5B	3003	PA. 8	1940981	PA. 11	1957454	PE. 3
15339	PB. 6	3004	PA. 8	1940982	PA. 11	1957455	PE. 3
0013468	PB. 6	3005	PA. 8	1940983	PB. 11A	1957457	PE. 3
0013469	PB. 8	3006	PA. 8	1940990	PB. 10	1957458	PE. 3
0013470	PB. 7	3011	PA. 8	1940993	PC. 2	1957459	PE. 3
0013471	PB. 6	3201	PA. 8	1940994	PA. 11	1957464	PE. 4
0013472	PB. 7	3212	PA. 9	1940998	PE. 5	1957465	PD. 2
0013473	PB. 6	3213	PA. 9	1941006	PA. 10	1957467	PD. 2
0013474	PB. 6	6687	PB. 8	1941007	PA. 10		PE. 2
0013476	PB. 6	6688	PB. 8	1941013	PC. 2	1957468	PE. 5
0013477	PB. 6	6689	PB. 9	1941015	PC. 3	1957470	PE. 5
0013479	PB. 7	6690	PD. 2	1941016	PA. 10	1957471	PE. 5
0013480	PB. 7	7461	PB. 8	1941018	PB. 6	1957472	PE. 5
0013481	PB. 7	7765	PB. 8	1941019	PA. 8	1957473	PE. 5
0013482	PA. 9	7770	PB. 9	1941020	PB. 6	1957474	PE. 4
	PB. 9	7775	PB. 9	1941021	PB. 6	1957475	PD. 2
0013483	PA. 9	7834	PB. 7	1941022	PA. 8	1957476	PB. 8
0013485	PB. 7	7836	PC. 2	1941023	PB. 6	1957477	PB. 8
0013489	PA. 9	7837	PC. 2	1941024	PA. 8	1957478	PA. 10
0013490	PA. 9	7844	PB. 10	1941025	PB. 6	1957479	PD. 2
0013492	PA. 9	8392	PB. 7	1941026	PA. 8	1957480	PE. 4
0013493	PA. 9	10253	PA. 11	1941027	PB. 6	1957481	PE. 4
1940911	PB. 6	11425	PD. 2	1941028	PB. 6	1957482	PE. 4
1940915	PB. 6	12081	PE. 4	1941029	PB. 6	1957483	PE. 4
1940916	PB. 6	12182	PD. 2	1941030	PB. 6	1957484	PC. 2
1940918	PD. 1	12184	PD. 2	1941031	PB. 6	1957485	PE. 10
1940920	PB. 6	13492	PA. 9	1941032	PB. 6	1957486	PA. 11
1940921	PB. 6	17271	PB. 10	1941033	PB. 6	1957487	PA. 8
1940923	PB. 6	17420	PB. 10A	1941034	PB. 6	1957490	PA. 8
1940924	PD. 2	17559	PB. 11	1951035	PB. 6	1957494	PE. 10
1940925	PD. 2	1069348	PE. 5	1941036	PB. 6	1957495	PB. 10
1940926	PD. 2	1069429	PB. 10B	1941037	PB. 6	1957496	PB. 10
1940927	PB. 6	1115384	PB. 10B	1941038	PA. 8	1957497	PA. 6
1940970	PB. 6	1115385	PB. 10B	1941039	PA. 8		PB. 6
1941018	PB. 6	1115386	PB. 10B	1941040	PA. 8	1957498	PA. 11
1941020	PB. 6	1115387	PB. 10B	1941043	PA. 8		PB. 6
1941021	PB. 6	1115862	PB. 10B	1947572	PE. 5	1957500	PA. 11
1941023	PB. 6	1176576	PA. 11	1950996	PE. 5	1957501	PA. 11
1941025	PB. 6	1176577	PA. 11	1957436	PC. 2	1957505	PA. 9
1941027	PB. 6	1940910	PA. 8	1957437	PD. 2	1957506	PE. 5
1941028	PB. 6	1940913	PA. 8	1057438	HN. 1	1957507	PE. 5
1941029	PB. 6	1940917	PB. 6	1957440	HN. 1	1957508	PE. 5
1941030	PB. 6	1940928	PB. 6	1957441	HN. 1	1957509	PE. 4
1941031	PB. 6	1940929	PA. 8	1957443	HN. 1	1957511	PE. 4
1941032	PB. 6	1940930	PA. 8	1957444	PE. 3	1957512	PE. 4
1941033	PB. 6	1940931	PB. 6	1957445	PE. 3	1957513	PE. 4
1941034	PB. 6	1940932	PB. 7	1957446	PC. 2	1957514	PE. 4
1941042	PD. 1	1940933	PB. 7	1957447	PC. 2	1957517	PA. 9
1957488	PD. 2						
1957489	PD. 1						

INDEX OF REFERENCE NUMBERS

Ref. No.	Page No.	Ref. No.	Page No.	Ref. No.	Page No.	Ref. No.	Page No.
SECTION 10HB (Cont'd.)		SECTION 10HB (Cont'd.)		SECTION 10HB (Cont'd.)		SECTION 10HB (Cont'd.)	
1957518	PA. 10	1957586	PE. 5	1957673	PB. 10	4443933	PD. 1
1957520	PB. 9	1957587	PA. 11	1957676	PB. 10	6208582	PE. 2
1957521	PB. 9	1957588	PA. 9	1957681	PB. 10	6208583	PE. 2
1957522	PB. 9	1957589	PB. 7	1957682	PA. 10	6240341	PB. 7
1957523	PB. 9	1957590	PA. 9		PE. 4	6240372	PB. 7
1957524	PB. 9	1957592	PA. 10	1957684	PB. 9	6240375	PA. 10
1957525	PB. 9	1957593	PD. 2	1957685	PE. 4	6265114	PE. 5
1957526	PB. 9	1957594	PB. 8	1957686	PE. 4	6265115	PB. 10A
1957527	PB. 9	1957595	PB. 8	1957687	PE. 4	6265116	PB. 10A
1957528	PB. 9	1957597	PB. 8	1957688	PA. 10	6265134	PB. 10A
1957529	PB. 9	1957598	PD. 2	1957689	PA. 10	6265135	PB. 11
1957530	PB. 9	1957599	PD. 2	1957692	PB. 10A	6265136	PB. 11
1957531	PB. 9	1957600	PE. 4	1957693	PA. 11	6265137	PB. 11
1957532	PB. 9	1957602	PE. 4	1957694	PA. 11	6265142	PA. 10
1957533	PB. 9	1957605	PD. 2	1957696	PB. 8	6265143	PA. 10
1957535	PB. 9	1957606	PB. 8	1957697	PE. 4	6379337	PE. 4
1957536	PB. 9	1957608	PB. 10A	1957700	PB. 8		
1957537	PB. 9	1957609	PB. 8	1957702	PB. 8		
1957538	PB. 9	1957610	PE. 4	1957703	PA. 9		
1957539	PB. 9	1957612	PE. 4	1957704	PE. 3		
1957543	PB. 9	1957614	PE. 4	1957705	PE. 3	SECTION 10J	
1957544	PB. 9	1957616	PB. 8	1957706	PB. 8		
1957545	PB. 9	1957617	PD. 2	1957707	PB. 8	214	GG. 32
1957546	PB. 9	1957619	PE. 4	1957708	PB. 8	13152	JA. 11
1957547	PB. 9	1957621	PE. 4	1957709	PA. 9		
1957548	PB. 10	1957622	PB. 8	1957710	PA. 9		
1957549	PB. 10	1957623	PD. 2	1957718	PB. 8		
1957550	PB. 10	1957625	PA. 10	1957719	PA. 9		
1957551	PB. 10	1957626	PE. 4	1959629	PB. 10A	SECTION 10K	
1957552	PB. 10	1957630	PA. 11	1984051	PB. 10B		
1957555	PB. 10	1957631	PA. 11	2224027	PA. 9	16244	PA. 13
1957556	PB. 10	1957632	PA. 11	2224028	PB. 7	18225	PA. 13
1957557	PB. 10	1957633	PA. 11	2228936	PB. 7	4093084	PE. 8
1957558	PB. 5B	1957634	PA. 11	2228937	PB. 7		
1957559	PB. 10A	1957635	PA. 11	2228938	PB. 7		
1957563	PB. 10A	1957640	PA. 10	2228939	PB. 7		
1957564	PA. 10	1957648	PB. 10	4101631	PB. 10A		
1957566	PA. 10	1957649	PB. 10	4101632	PB. 10A	SECTION 10L	
1957567	PB. 10	1957651	PB. 10	4101633	PB. 10A		
1957568	PA. 10	1957653	PB. 10	4108339	PB. 10A	263	PB. 16
1957569	PB. 10	1957654	PB. 10	4108340	PB. 10A	291	GG. 19
1957573	PE. 4	1957655	PB. 10	4108341	PB. 10	293	GG. 22A
1957574	PE. 4	1957656	PB. 10	4108342	PB. 10A	10204	GG. 22A
1957575	PE. 4	1957657	PB. 10	4108344	PB. 10A	16073	JA. 11
1957577	PE. 5	1957658	PB. 10	4108345	PB. 10	16204	GG. 22
1957578	PA. 10	1957659	PB. 10	4108346	PB. 10A	16310	JA. 11
1957579	PE. 5	1957661	PB. 10	4108347	PB. 10	16320	FE. 5
1957580	PB. 8	1957662	PB. 10	4113002	PB. 10A		JA. 11
1957581	PE. 5	1957663	PB. 10	4113683	PB. 10A	16346	GG. 22A
1957582	PE. 5	1957667	PB. 10	4115428	PB. 6	16349	GG. 22A
1957583	PE. 5	1957668	PB. 10	4129545	PA. 10	16429	PB. 18
1957584	PE. 5	1957669	PB. 10	4129546	PA. 10	16485	PB. 20
1957585	PE. 5	1957670	PB. 10	4129547	PA. 10	16493	PB. 20

INDEX OF REFERENCE NUMBERS

Ref. No.	Page No.	Ref. No.	Page No.	Ref. No.	Page No.	Ref. No.	Page No.
SECTION 10L (Cont'd.)		SECTION 10Q		SECTION 10W (Cont'd.)		SECTION 12G (Cont'd.)	
16716	GG. 18	6192099	PB. 19	0216003	FQ. 15	1430	QE. 10
16720	FE. 5			0216038	FQ. 15	(Cont'd.)	QE. 11
16836	PB. 16			0216065	FQ. 15		QE. 12
	PB. 17			0216082	FQ. 15		QE. 13
16856	FE. 5			0216069	FB. 12		QE. 14
	PB. 16	SECTION 10S			FN. 24		QE. 15
	PB. 17			0216123	FQ. 15		QE. 16
	PB. 20	1073942	KB. 1	0216129	FB. 9		QE. 17
	JA. 11			0216658	FQ. 15		QE. 18
16857	GG. 22A			0221069	FQ. 15		QE. 19
1948320	FE. 5			0243105	FQ. 10		
4427344	PB. 20	SECTION 10U		0271401	HK. 1		
4706907	PB. 16			0271755	FQ. 10		
6192066	PB. 20			9243002	FQ. 14		
6193340	PB. 20	16596	PB. 17	9243349	FQ. 14	SECTION 12K	
6215709	PB. 20	16761	PD. 1	9244074	FQ. 14		
9455739	PB. 17	16964	PA. 1	9244225	FQ. 10	1277	DB. 1
9465125	GG. 22A	6282943	PB. 17	9244241	FQ. 10		JA. 30
	PB. 20			9244242	FQ. 10	1314	DB. 1
9514615	GG. 22			9262141	FQ. 15		GK. 1
	GG. 22A			9272410	FQ. 15	1316	GA. 2
		SECTION 10V					MC. 5
							QH. 5
		6197654	PB. 20	SECTION 11A			QH. 8
SECTION 10LB						1317	QH. 8
6197633	PB. 20					1352	DB. 1
6197634	PB. 20	SECTION 10VE					GK. 1
				4082	HF. 1		
				4404	HF. 1		
				5327	HM. 1		
		6250	PA. 4	1082747	HF. 1		
				1993642	PC. 4	SECTION 15A	
				4487060	FB. 13		
SECTION 10P						83	GK. 6
16712	PE. 6B			SECTION 12D			GK. 13
16713	PE. 6B	SECTION 10W					
		9490	FB. 15	SECTION 12G			
SECTION 10Q		0113272	FQ. 10				
		0113296	FQ. 14	1211	DB. 1	SECTION 22G	
		0113300	FB. 1				
		0113308	HK. 1			404	JG. 1
		0113336	FB. 14				
89	GG. 3	0113342	FQ. 10				
16314	GG. 10	0113346	FQ. 10	SECTION 12G			
	GG. 15	0113349	FQ. 14				
16355	GG. 6	0113415	FQ. 14	1430	QE. 1	SECTION 26D	
	JA. 10	0113465	FB. 15		QE. 2		
16420	PB. 20	0117894	FB. 15		QE. 3	1	B. 3
16459	GG. 17	0119851	FB. 15		QE. 6	27	B. 5
4706366	PB. 20	0212089	FQ. 15		QE. 7		JF. 1
9537439	PB. 20	0215287	FQ. 15		QE. 8	28	B. 5
					QE. 9		JF. 1

INDEX OF REFERENCE NUMBERS

Ref. No.	Page No.	Ref. No.	Page No.	Ref. No.	Page No.	Ref. No.	Page No.
SECTION 26DC (Cont'd.)		SECTION 26DC (Cont'd.)		SECTION 26DC (Cont'd.)		SECTION 26DC (Cont'd.)	
33	B. 2 JC. 1	521	B. 4	587	B. 6	1387	JB. 22
34	B. 2 JC. 1	530	B. 1	588	HL. 5	1388	JB. 22
35	B. 2 JD. 1	-	JB. 37A	705	B. 6	1389	JB. 22
36	B. 2 JD. 1	531	B. 1	716	HL. 12	1393	JB. 27
64	B. 2 JA. 39	532	JB. 37A	717	MA. 1	1394	JB. 27
84	B. 2 JB. 6	533	B. 1	1005	ME. 1	1409	JB. 96
85	B. 2 JB. 6	534	JB. 36	1006	ME. 1	1410	JB. 97
86	B. 2 JB. 6	535	B. 1	1007	JA. 37	1411	JB. 97
87	B. 2 JB. 6	536	JB. 36	1010	JA. 37	1416	JB. 99
88	B. 3	537	B. 6	1017	JA. 37	1417	JB. 99
106	B. 5 QK. 13 SC. 1	538	CA. 1	1018	JA. 27	1418	JB. 99
107	B. 5 QK. 13	539	B. 6	1019	JA. 26	1420	JB. 99
110	B. 5 QM. 19 SC. 5	545	CA. 1	1045	JA. 40	1422	QA. 58
111	B. 5 QM. 19 SC. 5	546	B. 6	1059	JB. 80	1426	QA. 57
112	B. 5 QM. 22 SC. 7	547	CA. 1	1060	JB. 85	1436	QA. 23
113	B. 5 QM. 22 SC. 7	548	B. 6	1064	JB. 80	1449	QA. 37
114	B. 6 QM. 25 SC. 9	554	CA. 1	1065	JB. 69	1452	JA. 55
116	B. 6 QM. 28 SC. 11	555	B. 2	1072	JB. 70	1453	JB. 19
117	B. 6 QM. 28 SC. 11	558	B. 2	1076	MC. 9	1454	JB. 21
118	B. 6 QM. 32 SC. 13	559	JB. 51	1090	MC. 10	1460	JB. 18
119	B. 6 QM. 32 SC. 13	561	B. 5	1091	JB. 127	1461	JB. 18
120	B. 2	562	QK. 13	1121	JB. 71	1462	JB. 17
160	B. 3	563	SC. 3	1132	JB. 72	1465	JB. 18
517	B. 2 JB. 6A	564	B. 5	1133	JB. 72	1466	JB. 18
518	B. 2 JB. 7	565	SC. 3	1134	JE. 3	1467	JB. 19
		566	B. 2	1146	JE. 3	1468	JB. 17
		567	JE. 1	1150	JE. 4	1478	JB. 18
		568	JE. 1	1158	MC. 13	1482	JB. 19
		569	JH. 30	1160	MC. 13	1488	JB. 17
		570	JH. 31	1220	MC. 12	1492	JB. 21
		571	B. 1	1222	MC. 12	1498	JB. 16
		572	JB. 36	1227	FP. 9	1500	JB. 17
		573	B. 1	1236	MC. 63	1508	QM. 4
		574	JB. 37A	1237	NC. 1	1509	QM. 4
		575	B. 1	1239	NC. 1	1510	QM. 4
		576	JB. 37	1240	JB. 59	1511	QM. 4
		577	B. 5	1246	JB. 59	1513	QM. 4
		578	B. 5	1295	JB. 63	1515	QM. 4
		579	B. 1	1296	JB. 63	1518	QM. 4
		580	JB. 42	1297	JB. 58	1537	QM. 1
			B. 1	1301	CA. 1	1546	QM. 9
			JB. 42	1312	CA. 1	1547	QK. 7
			B. 1	1318	CA. 1	1551	QK. 7
			JB. 39	1320	CA. 2	1560	QK. 7
			B. 1	1322	EC. 2	1568	QJ. 6
			JB. 39	1323	EC. 10		QK. 6A
			B. 1	1324	EC. 10		QK. 12
			JB. 44	1327	ED. 3	1569	QK. 14
			B. 1	1334	ED. 3	1570	QK. 14
			JB. 47	1337	EE. 4	1571	QK. 8
			B. 1	1365	ED. 3	1572	QK. 7
			JB. 47		ED. 4	1573	QK. 7
					EC. 8	1577	QK. 7
					QD. 7	1578	QK. 5
					EE. 4	1583	QJ. 6
					JB. 6		

INDEX OF REFERENCE NUMBERS

Ref. No.	Page No.	Ref. No.	Page No.	Ref. No.	Page No.	Ref. No.	Page No.
SECTION 26DC (Cont'd.)		SECTION 26DC (Cont'd.)		SECTION 26DC (Cont'd.)		SECTION 26DC (Cont'd.)	
1585	QJ. 4	1910	JB. 107	2149	JG. 11	2361	JB. 89
1587	QJ. 4	1913	JA. 49	2151	QA. 4	2362	JB. 89
1592	QJ. 6	1939	JF. 2	2153	QA. 5	2365	JB. 89
1593	QJ. 4	1941	JF. 3	2160	QA. 40	2366	JB. 89
1594	QJ. 4	1947	MC. 21	2163	QA. 23	2367	JB. 87
1599	QJ. 4	1948	MC. 21		QA. 37	2368	JB. 87
1620	QJ. 1	1954	MC. 20	2164	QA. 23	2369	JB. 87
1622	QJ. 1	1978	JH. 35		QA. 37	2372	JB. 87
1626	QJ. 1	1980	JH. 35	2170	QA. 41	2374	JB. 85
1634	QJ. 1		JH. 37	2180	QA. 33		JB. 87
	QM. 10	1981	JH. 37	2181	QA. 33	2376	JB. 88
1635	QK. 5	1982	JH. 37	2184	QA. 15	2378	JA. 36
	QK. 10	1999	JB. 59		QA. 36	2379	JA. 36
1647	EF. 1		PA. 13	2186	QA. 15	2380	JA. 36
1649	EF. 3	2000	PA. 13		QA. 18	2381	JA. 36
1655	EF. 3	2008	QL. 1	2188	QA. 18	2382	JA. 36
1657	EF. 8	2012	JB. 35	2201	FQ. 13	2384	JA. 36
1658	EF. 8	2013	QL. 1	2203	FQ. 13	2390	JA. 57
	EF. 11	2019	JB. 35	2226	FQ. 13	2399	JA. 56
	EF. 12	2020	JB. 35	2255	JB. 58	2412	JA. 53
1660	EF. 9	2021	JB. 35		JB. 62		JA. 57
	EF. 10	2024	JB. 35	2256	JB. 58	2418	JA. 54
	EG. 24	2026	JB. 82		JB. 62	2420	JA. 54
1664	EF. 10	2027	JB. 82	2257	JB. 61	2435	JA. 57
	EF. 12	2028	JB. 82	2258	JB. 61	2436	JA. 39
	EG. 27	2029	JB. 82	2263	JB. 51	2438	JA. 38
	EG. 28	2030	JB. 82		JB. 105	2448	JA. 45
1666	EF. 10	2031	JB. 82	2279	JB. 108	2455	JA. 51A
	EG. 27	2036	JB. 47	2280	JB. 108	2458	JA. 51A
	EG. 28	2038	JB. 47	2283	JB. 108	2460	JA. 51A
1669	EG. 24	2039	JB. 47	2284	JB. 108	2462	JA. 51A
1674	EG. 25	2040	JB. 47	2286	JB. 108	2465	JA. 51A
	EG. 28	2045	QA. 21	2287	JB. 108	2466	JA. 51A
	EG. 29		QA. 22	2288	JB. 108	2467	QA. 23
	EG. 30	2051	QA. 28	2289	JB. 108		QA. 37
	EG. 31	2054	QA. 28	2290	JB. 108	2476	JA. 3
	EH. 4	2059	QA. 45	2291	JB. 108	2491	HC. 4
1685	QA. 18	2067	GE. 1	2298	JB. 109		SA. 1
	QA. 36	2070	RA. 8	2299	JB. 109	2496	HC. 4
1695	EH. 5	2071	RA. 8	2300	JB. 110	2498	QV. 2
1727	JB. 6	2072	JB. 103	2301	JB. 110	2499	QV. 2
1728	JB. 6		RA. 8	2304	JB. 110	2507	QA. 15
1735	JA. 40	2075	RA. 3	2310	JB. 109	2508	QA. 15
1738	JA. 40	2076	RA. 3	2311	JB. 109	2512	QD. 7
1739	JA. 40	2081	RB. 1	2313	JB. 110	2513	QD. 7
1740	JA. 40	2082	RB. 1	2316	JB. 110	2514	QD. 7
1741	JA. 40	2083	RB. 1	2317	JB. 110	2515	QD. 6
1743	JH. 4		RB. 2	2318	JB. 107	2516	QE. 2
1747	JH. 30	2086	RB. 4	2319	JB. 107		JH. 1
1787	EH. 5	2088	RB. 2	2332	JB. 116		QD. 6
	JB. 68	2112	JC. 2	2350	JB. 89	2517	RB. 5
1801	JA. 22		JC. 3	2351	JB. 89		QD. 6
1802	JA. 22	2147	JG. 11	2353	JB. 89	2518	QP. 23
1805	JA. 22			2354	JB. 89	2519	QP. 23
1806	JA. 22			2355	JB. 89	2521	QP. 23
1846	QH. 1			2358	JB. 89	2522	QP. 22
				2359	JB. 89		

INDEX OF REFERENCE NUMBERS

Ref. No.	Page No.	Ref. No.	Page No.	Ref. No.	Page No.	Ref. No.	Page No.
SECTION 26DC (Cont'd.)		SECTION 26DC (Cont'd.)		SECTION 26DC (Cont'd.)		SECTION 26DC (Cont'd.)	
2523	QP. 21	2833	JA. 51	2992	EF. 6	3470	QP. 7
2524	QP. 21	2834	JA. 48	3106	DA. 4	3474	QP. 9
2549	QA. 11	2835	JA. 48	3124	QS. 14	3476	QP. 9
2566	QA. 51	2836	JA. 48	3125	QS. 14	3488	QP. 16
2577	JA. 49	2837	JA. 48	3127	QS. 15	3488	QP. 16
2579	JA. 51	2838	JA. 48	3132	QS. 15	3490	QP. 16
2580	JA. 51	2839	JA. 48	3134	QS. 15	3513	JF. 1
2581	JA. 51		QK. 11	3136	QS. 14	3516	JF. 1
2582	JA. 51	2840	GG. 24	3147	QP. 71	3520	JF. 4
2583	JA. 51	2845	FG. 60	3154	QD. 3	3521	JF. 4
2584	JA. 50	2848	GG. 34	3156	QP. 69	3523	FG. 58
2588	GH. 1	2849	GG. 34	3160	QT. 7	3535	PB. 12
2593	GH. 1	2855	EF. 13	3161	QT. 7	3541	PB. 12
2596	GH. 1	2856	EF. 13	3162	QT. 7	3605	JA. 7
2616	QM. 17	2866	EG. 17	3167	QP. 28	3606	JA. 7
2622	QM. 26	2867	EG. 13	3168	QP. 28	3619	EJ. 8
2625	QM. 29		EG. 17	3169	QP. 28		EK. 3
2645	CA. 4	2876	QT. 12	3170	QP. 29	3627	EH. 5
2651	CA. 4	2881	QP. 50C	3171	QP. 29	3630	QP. 42B
2656	CA. 4	2882	QP. 22	3172	QP. 29	3644	JB. 60
2657	CA. 4	2892	PA. 3	3174	QP. 29		JB. 62
2659	RA. 1	2893	PA. 3	3181	QP. 71	3645	JB. 31
2660	RA. 1	2894	PA. 3	3183	QP. 71		JB. 58
	RA. 2	2895	PA. 3	3185	QP. 72	3646	JB. 31
2662	RA. 2	2896	PA. 3	3186	QP. 71		JB. 58
2664	RA. 2	2903	JA. 33	3187	QP. 72	3647	JH. 32
2668	QT. 12	2905	JA. 33	3190	QD. 2	3648	JH. 32
2671	QT. 10	2915	JA. 31	3193	QD. 4	3649	JH. 32
2674	QT. 10	2919	JA. 34	3205	QD. 3	3650	JH. 32
2686	JB. 20	2920	JA. 34	3206	QD. 3	3651	JH. 32
2687	JB. 20	2921	JA. 34	3211	QP. 68	3652	JH. 32
2688	JB. 20	2925	JA. 32	3212	QP. 68	3654	JH. 32
2698	JA. 29	2929	JA. 28	3214	QP. 63	3655	JH. 32
2699	JA. 29	2930	JA. 28	3217	QP. 64A	3656	JH. 32
2701	GC. 1	2932	JA. 35	3220	QP. 64B	3659	JH. 32
2703	QP. 14	2934	EC. 4	3221	QP. 64B	3669	JH. 33
2704	QP. 14	2940	EC. 2	3227	QP. 63B		JH. 34
2728	JB. 14	2955	EC. 6	3232	QP. 63B	3670	JH. 33
2734	JB. 7	2958	EC. 2	3246	QD. 5		JH. 34
2737	JB. 8		JB. 22	3279	QP. 59	3671	JH. 33
2742	JB. 13	2959	JB. 22	3280	QP. 59		JH. 34
2744	JB. 14	2961	JB. 22	3290	QP. 39	3673	JH. 33
2750	QJ. 5	2963	JB. 24	3297	QP. 43		JH. 34
2751	QM. 10	2967	JB. 27	3300	QD. 1	3674	JH. 33
2754	JA. 58	2969	JB. 27	3301	QP. 22		JH. 34
2773	QS. 10	2973	GH. 1	3302	QP. 64B	3675	JH. 33
2786	QS. 10	2976	EF. 2	3306	QP. 63		JH. 34
2790	QS. 10	2978	EF. 2	3307	QP. 63	3684	JH. 36
2792	QS. 10	2979	EF. 2	3320	QP. 65	3714	JH. 31
2794	QS. 10	2981	EF. 7	3327	QP. 65	3715	JH. 31
2801	QS. 10	2982	EF. 7	3412	QP. 38	3741	MC. 30
2822	FB. 10	2985	EF. 5	3430	QD. 1B	3795	MC. 25
2823	JE. 2	2986	EF. 5	3437	QP. 37	3805	MC. 28
2826	JE. 2	2987	EF. 5		QT. 6A	3822	MC. 28
2832	JA. 51					3823	MC. 28

INDEX OF REFERENCE NUMBERS

Ref. No.	Page No.	Ref. No.	Page No.	Ref. No.	Page No.	Ref. No.	Page No.
SECTION 26DC (Cont'd.)		SECTION 26DC (Cont'd.)		SECTION 26DC (Cont'd.)		SECTION 26DC (Cont'd.)	
4864	QA. 2	5332	RB. 3	5719	QA. 4	5869	EF. 1
4865	QA. 2	5333	RB. 3	5720	QA. 4	5874	RB. 2
4867	QA. 2	5334	RB. 3	5721	QA. 4	5897	MC. 24
4868	QA. 2	5336	RB. 3	5722	QA. 4	5968	QA. 16
4869	QA. 2	5337	RB. 3	5727	QT. 11	5974	QA. 16
4870	QA. 2	5416	SC. 1	5735	QA. 17	5980	JB. 96
4878	QA. 3	5470	JA. 61	5737	QA. 17	6041	GG. 3
4880	QA. 3	5496	JA. 60	5738	QA. 17		JB. 91
4882	QA. 3	5497	JA. 60	5740	QA. 17		JB. 92
4883	QA. 3	5498	JA. 60	5741	QA. 17	6071	JA. 41
4886	QA. 4	5499	JA. 59	5746	QA. 18	6072	JA. 41
4895	QA. 6	5503	QA. 11	5747	QA. 18	6073	GJ. 1
4896	QA. 7	5506	QA. 12	5748	QA. 18	6074	GJ. 1
4898	QA. 7	5507	QA. 12	5749	QA. 18	6075	GJ. 1
4899	QA. 7	5509	QA. 12	5750	QA. 19	6076	GJ. 1
4900	QA. 7	5528	EC. 2	5751	QA. 19	6078	GJ. 2
4923	QA. 9	5531	EC. 2	5752	QA. 19	6086	JA. 45
4925	QA. 9	5532	EC. 4	5753	QA. 19	6088	JA. 45
4926	QA. 9	5533	EC. 4	5754	QA. 19	6090	JA. 46
4928	QA. 9	5534	EC. 3	5756	QA. 19	6091	JA. 45
4932	QA. 10	5571	MC. 29	5759	QA. 19	6118	JB. 54
4938	QA. 10	5572	JB. 16	5760	QA. 20	6133	GN. 1
4956	QA. 36	5573	JB. 16	5763	QA. 18	6138	GN. 2
4958	QA. 22	5574	GN. 2	5764	QA. 18	6139	GN. 2
4963	QA. 40	5576	HF. 1	5765	QA. 19		JB. 76
4964	QA. 40	5584	EB. 2	5766	QA. 19	6145	JB. 110
4968	QA. 41	5585	QA. 45	5771	QA. 20	6147	QN. 10
4972	QA. 41	5587	QA. 44	5777	QA. 20	6148	QA. 45
4973	QA. 41	5588	QA. 45	5778	QA. 20	6149	QA. 45
4999	QA. 50	5597	QV. 1	5779	QA. 20	6150	QA. 45
5000	QA. 46	5650	JB. 95		QA. 37	6151	QA. 45
5001	QA. 46	5671	JB. 95	5789	QA. 21	6152	QA. 45
5003	QA. 47	5653	JB. 29	5793	QA. 22	6153	QA. 46
5009	QA. 47	5656	JB. 30	5794	QA. 22	6154	QA. 46
5012	QA. 47	5663	QJ. 6	5795	QA. 22	6155	QA. 46
5018	QA. 48	5667	QJ. 3	5796	QA. 22	6157	CQ. 11
5027	QA. 51	5668	QJ. 3	5801	QC. 12		QN. 11
5030	JB. 99	5673	QC. 13	5802	QC. 12	6158	CQ. 11
	QA. 58	5674	QC. 12	5804	QC. 12	6159	QA. 40
5052	QJ. 7	5677	QC. 12	5806	QC. 12	6161	QA. 47
5130	QR. 2	5678	QC. 13	5809	QC. 12	6163	RB. 5
5142	QR. 2	5679	JA. 17	5812	QC. 12	6164	JA. 37
5175	QR. 14	5680	JA. 17	5813	QC. 12	6165	JA. 37
5239	QR. 8	5681	JA. 17	5814	QC. 13	6166	JA. 15
5245	QR. 9	5682	JA. 17	5815	QC. 13	6167	JA. 15
5246	QR. 9	5683	JA. 17	5842	QJ. 6	6172	JB. 101
5320	JH. 29	5684	JA. 17	5844	QK. 13	6194	JA. 60
5321	JH. 29	5685	JA. 17	5845	QK. 13	6195	JA. 60
5329	RB. 3	5702	EG. 7	5846	QM. 7		
5331	RB. 3	5718	QA. 4	5862	EF. 6		

INDEX OF REFERENCE NUMBERS

Ref. No.	Page No.	Ref. No.	Page No.	Ref. No.	Page No.	Ref. No.	Page No.
SECTION 26DC (Cont'd.)		SECTION 26DC (Cont'd.)		SECTION 26DC (Cont'd.)		SECTION 26DC (Cont'd.)	
6229	JB. 90	6467	QR. 5	6556	MA. 1	6600	EJ. 3
6244	QA. 4	6475	MC. 77		MA. 2	(Cont'd.)	EJ. 4
6247	JA. 34	6476	MC. 77		MA. 5		EK. 1
6250	QA. 49	6477	MC. 77	6558	MA. 2		EK. 2
6251	JB. 54	6478	MC. 77		MA. 5	6603	EG. 10
6254	JA. 37	6479	MC. 11	6559	MA. 2		EG. 13
6281	JB. 114	6481	MC. 9A		MA. 5		EJ. 1
6282	JB. 114	6482	MC. 77	6560	MB. 1	6604	EJ. 3
6285	JB. 115	6483	MC. 77		MB. 5	6605	EJ. 3
6286	JB. 115	6484	MC. 77	6561	MA. 6		EJ. 4
6302	JA. 28	6485	MC. 77	6562	MA. 6	6606	EH. 10
6305	JA. 30	6486	MC. 77	6563	MA. 6		EK. 3
6306	JA. 31	6487	MC. 17	6564	MA. 6	6607	EJ. 8
6310	JA. 31	6508	MD. 11	6565	MA. 6	6608	EJ. 8
6312	JA. 31	6509	MD. 11	6566	MA. 6	6609	EJ. 7
6313	JA. 31	6510	MA. 2	6567	MA. 6	6610	EJ. 8
6316	JA. 31	6511	MA. 2	6568	MA. 6	6611	EJ. 8
6317	JA. 32	6512	MD. 12	6569	MA. 6	6612	EJ. 9
6319	JA. 30	6513	MD. 12	6570	MA. 2	6613	EJ. 9
6320	JA. 30	6514	MD. 12	6571	MA. 1	6614	EK. 3
6322	JA. 32	6515	MD. 12	6572	MA. 2	6615	EK. 2
6323	JA. 33	6516	MA. 5	6573	MA. 2	6617	EJ. 9
6324	JA. 33	6517	MA. 5	6574	MA. 2	6618	EK. 4
6325	JA. 33	6518	MC. 13	6575	MA. 2	6619	EK. 4
6326	JA. 34	6519	MC. 13	6576	MA. 2	6620	EK. 4
6327	JA. 32	6522	MC. 13	6577	MA. 3	6621	EK. 3
6328	JA. 34	6523	MC. 13	6578	MA. 2	6622	EK. 3
6385	JA. 31	6524	MC. 13	6579	MA. 2	6623	EK. 4
6387	JA. 32	6525	MC. 13	6580	MA. 2	6624	EK. 4
6388	JA. 31	6526	MC. 13	6581	MA. 2	6625	EK. 4
6395	OS. 11	6527	MD. 2	6582	MA. 6	6626	EK. 4
6400	OS. 14		MD. 6	6583	MB. 5	6630	EK. 1
6403	FB. 13	6528	MD. 6	6584	MB. 1	6631	EK. 2
	FB. 15	6529	MD. 6		MB. 5	6632	EF. 2
	FQ. 10	6530	MD. 11	6586	MB. 1	6633	EF. 2
	FQ. 15	6531	MD. 11	6587	CA. 1	6634	EF. 12
	HK. 1	6536	ME. 3	6588	CA. 2	6635	EF. 12
6414	QB. 17	6537	ME. 3	6589	CA. 1	6636	EF. 12
6417	GG. 5	6543	JE. 3		MC. 25	6637	EG. 30
6418	GG. 13		JE. 4	6590	CA. 2	6638	EG. 29
6419	JA. 27	6544	JE. 3	6591	EJ. 5	6639	EG. 30
6422	JB. 55	6545	JE. 3	6592	EJ. 5	6640	EG. 31
6423	JB. 51		JE. 5	6595	EJ. 6	6641	EG. 33
6431	MC. 24	6546	JE. 4	6596	EJ. 6	6642	EG. 31
	MC. 25	6547	JE. 4	6597	EJ. 7	6643	EG. 32
	MC. 6		JE. 5	6598	EJ. 7	6644	EG. 33
6432	QP. 25	6548	JE. 4	6599	EJ. 2	6645	EG. 12
	QP. 27	6549	JE. 5	6600	EG. 10	6646	EG. 12
6441	JB. 55	6552	MC. 78		EG. 11	6647	EG. 12
6443	JB. 38	6554	MC. 78		EJ. 1	6648	EG. 11
6445	QV. 1	6555	MA. 5		EJ. 2		

INDEX OF REFERENCE NUMBERS

Ref. No.	Page No.	Ref. No.	Page No.	Ref. No.	Page No.	Ref. No.	Page No.
SECTION 26DC (Cont'd.)		SECTION 26DC (Cont'd.)		SECTION 26DC (Cont'd.)		SECTION 26DC (Cont'd.)	
6649	EG. 11	6758	JA. 49	6991	QA. 44	7231	QK. 8A
6650	EG. 12		JA. 50	6995	MC. 6	7236	NB. 4
6653	EG. 13	6758	JG. 4	7002	JG. 3	7239	NB. 3
6654	EG. 13	6784	QP. 42A	7005	JG. 1	7243	NB. 4
6655	EG. 14	6786	EF. 7	7007	HC. 1	7245	NB. 3
6661	QM. 7	6809	FG. 5	7008	HC. 1	7246	NB. 3
6662	QM. 7	6813	FG. 5	7009	HC. 1	7259	NB. 8
6663	QM. 7	6814	GE. 2		JB. 59	7260	NB. 9
6669	QM. 8	6815	GE. 2		NB. 12	7269	NB. 9
6672	QM. 8	6816	GE. 2		QS. 2	7272	NB. 2
6684	QP. 54	6817	GE. 1		QS. 10	7273	NB. 2
6687	QP. 54	6818	GE. 3	7021	HC. 3	7278	NB. 2
6688	QP. 54	6819	GE. 3	7035	JB. 97	7282	NB. 3
6689	QP. 54A	6820	JA. 28	7038	QN. 4	7283	NB. 2
6690	QP. 54A	6821	JA. 26		QN. 7		NB. 4
6691	QP. 54A	6829	QR. 3	7089	GG. 12	7284	NB. 2
6704	QP. 66	6830	HL. 19		GG. 19	7288	NB. 1
6705	QP. 66		QR. 7	7092	PA. 3	7290	NB. 1
6706	QP. 66	6831	HL. 19	7100	GA. 2	7293	NB. 3
6707	QP. 66A		QR. 7		SB. 1	7295	NB. 2
6708	QP. 66A	6832	QR. 7	7113	GA. 1	7296	JB. 55A
6709	QP. 66A	6833	QR. 7	7119	GA. 1	7297	GA. 4
6710	QP. 35	6834	QR. 7	7121	GA. 2	7298	GA. 4A
6711	QP. 35	6838	QS. 5	7123	GA. 2	7334	QP. 25
6712	QP. 35	6843	QT. 17	7124	GA. 1	7337	QP. 23
6713	QP. 35A	6844	QT. 17	7126	QM. 6	7338	QP. 23
6714	QP. 35A	6845	QT. 17	7127	QM. 6	7339	QP. 22
6715	QP. 38A	6847	JB. 95	7128	QM. 6	7357	JA. 10
6716	QP. 48	6848	JB. 95	7129	QM. 6	7376	QT. 3
6717	QP. 48B	6869	QK. 5	7131	QM. 5	7379	JB. 93
6718	QP. 48		QN. 1	7152	GA. 1	7386	JB. 7
6720	QP. 48		QN. 4	7153	GA. 1	7392	JB. 37
6721	QP. 48	6876	QN. 1	7155	GA. 1		JB. 38
6722	QP. 49A	6877	QN. 1	7160	MC. 72		JB. 40
6724	QP. 49A	6880	QN. 2	7161	MC. 72		JB. 43
6725	QP. 48A	6884	QN. 2	7163	MC. 73		JB. 45
6726	QP. 48	6892	QN. 3	7167	MC. 73		JB. 48
6728	QP. 48A	6903	QN. 4	7173	MC. 73	7395	JB. 54
6735	QP. 50	6904	QN. 4	7183	EM. 2	7398	EJ. 5
6736	QP. 50	6914	QK. 8	7198	MD. 9	7399	EJ. 6
6739	QP. 50B	6919	QK. 8	7209	QK. 11	7400	EF. 5
6740	QP. 6	6930	QJ. 2	7211	QM. 18	7401	HC. 4
	QP. 50B	6931	QJ. 2	7219	QM. 31		SA. 1
6741	QP. 48B	6935	QM. 11	7220	QK. 8	7418	QM. 27
6743	QP. 50B	6937	QM. 1	7221	QK. 8	7422	JG. 9
6744	QP. 49A	6938	QK. 5	7222	QK. 8A	7425	GJ. 2
6748	QP. 38A		QM. 1	7223	QK. 8A	7428	QK. 9
6750	QP. 48B	6948	QM. 3	7224	QK. 8A	7429	QK. 9
6751	QP. 50C	6950	QM. 3	7225	QK. 8A	7450	EF. 12
6752	QP. 38A	6951	QM. 3	7226	QK. 8	7453	EH. 2
6757	JG. 4	6961	PB. 12	7227	QK. 8	7454	EH. 1
				7230	QK. 8A		

INDEX OF REFERENCE NUMBERS

Ref. No.	Page No.	Ref. No.	Page No.	Ref. No.	Page No.	Ref. No.	Page No.
SECTION 26DC (Cont'd.)		SECTION 26DC (Cont'd.)		SECTION 26DC (Cont'd.)		SECTION 26DC (Cont'd.)	
7456	EH. 1	7528	JF. 2	7643	FN. 21	7792	QB. 5
7457	EH. 1	7529	JF. 2	(Cont'd.)	FN. 23	7793	QB. 4
	EH. 2	7537	JB. 46		FN. 24	7801	MC. 19
7458	EG. 4		JB. 49	7645	FB. 9	7802	MC. 19
	EH. 1	7556	EE. 5	7646	FB. 9	7808	JB. 80
	EH. 2	7558	EC. 8	7647	FB. 9	7809	JB. 80
7459	EH. 2	7559	EM. 3	7651	FM. 29	7810	JB. 80
7462	EG. 3	7567	QA. 32	7652	FM. 30	7811	JB. 80
7473	EG. 30	7568	QA. 32	7654	FM. 25	7820	EF. 12
	EG. 31	7570	QA. 32	7655	FM. 25	7826	NC. 2
	EG. 32	7571	QA. 32	7659	FM. 25	7829	JB. 72
	EJ. 6	7573	QA. 32	7660	FJ. 19	7831	GB. 1
	EJ. 7	7575	QA. 44	7662	FQ. 7	7832	JH. 3
7479	EG. 19	7585	JB. 89	7663	FQ. 7	7833	GB. 1
7480	EG. 19	7586	JB. 89	7664	FQ. 7	7834	GB. 3
7481	EG. 20	7587	JB. 89	7666	FQ. 7	7835	GB. 3
7488	EK. 2	7588	JB. 89	7667	FQ. 7	7836	GB. 1
7491	EK. 2	7591	JB. 90	7670	FQ. 7	7838	JH. 3
7492	QU. 2	7592	JB. 90	7671	FQ. 7	7839	JH. 3
7495	QU. 2	7596	JB. 89	7679	FH. 1	7849	JH. 3
	QU. 5	7597	JB. 89	7681	FH. 11	7850	JH. 3
7496	QU. 2	7607	JB. 21	7682	FH. 11	7855	JH. 30
7498	QU. 2	7608	JB. 21	7683	PE. 5	7856	JH. 30
	QU. 5	7610	JB. 21	7684	FH. 1	7857	JH. 4
7500	QU. 1	7611	JB. 21		FH. 11	7863	JH. 4A
	QU. 4	7612	JB. 21	7685	FH. 4	7864	JH. 4A
7501	QU. 3	7613	JB. 21		HL. 13	7867	JH. 29
	QU. 7	7616	JB. 99	7686	FH. 7	7868	JH. 24
7504	QU. 1		QA. 58	7687	FH. 1	7869	JH. 24
7505	QU. 1	7617	JB. 99		FH. 7	7881	JH. 103
	QU. 5		QA. 58	7691	FH. 4	7882	JB. 103
7507	QU. 1	7618	JB. 99	7692	FH. 4	7892	JB. 105
	QU. 4		QA. 57		JB. 122		JB. 107
7508	FM. 32	7619	JB. 99	7694	FN. 23	7895	EG. 6
	QU. 1		QA. 57	7695	FN. 23		EH. 4
	QU. 4	7620	JB. 97	7697	FN. 23	7897	EG. 31
7509	QU. 1	7621	JB. 97	7699	FN. 23		EG. 33
	QU. 4	7624	FE. 3	7701	FN. 23		EJ. 5
7512	QU. 2	7625	FE. 3	7710	GG. 10		EJ. 6
	QU. 6	7626	FE. 3	7725	QW. 1		EK. 5
7513	QU. 2	7627	FE. 3	7730	JA. 4	7898	EG. 5
	QU. 6	7628	FG. 63	7737	QT. 5		EG. 31
7515	QU. 2	7629	FG. 63	7742	QT. 4		EG. 32
	QU. 6	7630	FG. 7	7784	EE. 5		EG. 33
7516	QU. 1	7631	FG. 61	7785	EE. 8		EH. 4
	QU. 5	7633	FG. 49		EE. 9		EJ. 5
7519	QU. 4	7636	FG. 64		EE. 10		EJ. 6
7521	B. 5	7637	FB. 12	7787	EE. 3		EJ. 7
	JF. 1	7638	FB. 12		EE. 8		EK. 5
7522	B. 5	7642	FB. 11		EE. 9	7899	EG. 30
	JF. 1	7643	FB. 11		EE. 10	7900	EK. 8
7526	JF. 3		FM. 32	7789	EE. 9	7901	EK. 4
7527	JF. 2					7902	EK. 5

INDEX OF REFERENCE NUMBERS

Ref. No.	Page No.	Ref. No.	Page No.	Ref. No.	Page No.	Ref. No.	Page No.
SECTION 26DC (Cont'd.)		SECTION 26DC (Cont'd.)		SECTION 26DC (Cont'd.)		SECTION 26DC (Cont'd.)	
7903	EG. 6	7962	QK. 5	8184	QU. 4	8434	JH. 21
7904	EG. 12	7963	QM. 1		QU. 7	(Cont'd.)	JH. 22
	EK. 5	7964	QM. 1	8191	FM. 33	8438	JH. 22
7910	EJ. 1	7965	QM. 1		GG. 38	8439	JH. 20
7911	EG. 3	7967	QM. 3	8194	QP. 54A	8440	JH. 20
	EJ. 1	7969	QM. 17	8209	JA. 37	8441	JH. 20
	HL. 9	7970	QM. 17	8211	JB. 73		JH. 21
7913	EG. 3	7971	QM. 20	8213	QA. 48	8443	JH. 20
7914	EK. 1	7972	QM. 20	8216	GF. 4	8444	JH. 20
7915	EJ. 3	7973	QM. 23		GF. 5	8445	JH. 20
	EK. 1	7974	QM. 23	8226	JB. 32	8446	JH. 21
	HL. 1	7975	QM. 26	8230	JB. 32	8450	JH. 21
7917	EK. 1	7976	QM. 25	8246	EF. 1	8451	JH. 21
	HL. 9	7978	QM. 30	8250	JB. 25	8458	JH. 18
7918	EF. 2	7980	QM. 20	8264	MC. 9A	8459	JH. 18
7919	EF. 9	7981	QM. 23	8268	MC. 9A	8460	JH. 18
7920	EF. 11	7982	QM. 26	8278	JB. 87	8461	JH. 19
7922	EF. 9	7983	QM. 30	8296	RA. 5	8462	JH. 19
7923	EF. 9	7987	QN. 4	8323	FN. 18	8463	JH. 19
	EF. 10	7990	QK. 8	8326	GP. 1	8464	JH. 19
7924	EF. 10	8024	QA. 11	8329	JB. 30C	8465	JH. 19
7925	EF. 11	8027	QA. 11	8333	JC. 2	8466	JH. 19
7926	EF. 11	8028	QA. 11	8353	MC. 73	8467	JH. 19
7927	EF. 8	8031	QA. 11	8377	JH. 9	8468	JH. 19
7928	EG. 26	8032	QS. 1	8378	JH. 9	8469	JH. 19
7929	EG. 27	8033	JB. 58	8380	JH. 9	8470	JH. 22
7930	EG. 29		QS. 2	8381	JH. 6	8471	JH. 22
7931	EH. 5	8034	JB. 59	8383	JH. 10	8472	JH. 22
7932	EH. 4		QS. 2	8385	JH. 10	8473	JH. 22
	EH. 5	8035	JB. 97	8386	JH. 10	8474	JH. 22
7933	EJ. 8	8049	EF. 4	8388	JH. 10	8475	JH. 23
7934	QJ. 3	8052	B. 4	8389	JH. 10	8476	JH. 23
7935	QJ. 3	8053	B. 4	8390	JH. 10	8481	GQ. 4
7936	QJ. 3	8054	QA. 41	8401	GB. 4	8483	GQ. 5
7937	QJ. 3	8055	QA. 1	8403	QC. 5	8484	GQ. 4
7938	QJ. 4	8060	MC. 70	8404	QC. 4A	8488	GQ. 5
7947	QJ. 6	8061	MC. 70		QC. 4B	8489	GQ. 4
7950	QM. 1	8064	QA. 7	8408	QC. 9	8490	GQ. 4
	QT. 6A	8068	EG. 6	8410	QC. 9	8491	GQ. 5
7951	QK. 5	8070	EK. 5	8411	QC. 9	8492	GQ. 5
	QM. 1	8131	EF. 6	8414	QC. 9	8493	GQ. 5
7952	QK. 5	8143	JA. 22	8415	QC. 9	8494	GQ. 5
7953	QM. 1	8144	JA. 22	8416	QC. 9	8495	GQ. 5
7955	CQ. 2	8145	JG. 7	8421	QC. 3	8496	GQ. 4
	PB. 13	8146	JG. 7	8424	QC. 7	8502	GQ. 1
	QC. 14A	8152	JA. 25	8425	QC. 7	8503	GQ. 1
	OG. 1	8153	JA. 25	8426	QC. 7		GQ. 2
	QM. 1	8170	FM. 33	8427	JH. 19	8504	GQ. 2
	QR. 1	8172	EC. 4	8428	JH. 19		GQ. 3
7956	PB. 13	8173	EC. 4		JH. 22		GQ. 4
	QM. 1	8174	EC. 4	8429	JH. 19	8506	GQ. 1
7958	QM. 1	8183	QU. 4	8433	JH. 20		GQ. 4
7961	QK. 5		QU. 7		JH. 21	8507	GQ. 1
				8434	JH. 7		
					JH. 20		

INDEX OF REFERENCE NUMBERS

Ref. No.	Page No.	Ref. No.	Page No.	Ref. No.	Page No.	Ref. No.	Page No.
SECTION 26DC (Cont'd.)		SECTION 26DC (Cont'd.)		SECTION 26DC (Cont'd.)		SECTION 26DC (Cont'd.)	
8507 (Cont'd.)	GQ. 2 GQ. 3 GQ. 4	8564 (Cont'd.)	JB. 41 QC. 11 QC. 11	8645	QM. 10	8729	EK. 2
8508	GQ. 1	8565	QC. 11	8646	QM. 10	8730	QM. 7
8509	GQ. 2	8566	QC. 11	8647	QM. 10	8733	EM. 2
8510	GQ. 2	8567	QC. 11	8649	QM. 31	8734	EE. 6
8511	QB. 5A	8574	MC. 67	8650	GB. 1	8735	EE. 3
8512	QB. 5A	8575	MC. 67	8651	GB. 2	8738	EE. 5
8513	QB. 5A	8576	MC. 67	8652	GB. 2	8739	NB. 2
8518	FM. 25	8577	MC. 68	8653	GB. 3	8740	NB. 2
8521	QA. 16	8580	MC. 68	8654	GB. 3	8743	NB. 1
8522	QA. 16	8581	MC. 68	8655	GB. 1	8744	QM. 8
8523	QA. 16	8582	MC. 68	8656	GB. 2	8745	QM. 8
8525	FG. 54	8583	MC. 68	8657	GB. 3	8746	QM. 8
8526	FG. 55	8585	QH. 1	8658	GB. 3	8749	QP. 54B
8527	FG. 54	8586	QH. 1	8660	GB. 2	8750	QP. 55
8528	FG. 55	8587	QH. 1	8662	GB. 2	8751	QP. 54B
8537	NC. 3	8589	QH. 2	8663	GB. 3	8752	QP. 54B
	NC. 4	8591	QH. 2	8664	GB. 3	8754	QP. 48A
	NC. 5	8592	QH. 2	8666	GB. 2	8758	JB. 54
8539	NC. 4	8593	QH. 2	8667	GB. 2	8760	PA. 5
	NC. 5	8594	QH. 2	8668	GB. 2		PA. 14
	NC. 6	8597	QH. 2	8669	GB. 2	8765	OS. 2
8540	NC. 4	8601	QH. 2	8670	GB. 2	8766	JB. 37
	NC. 5	8602	QH. 3	8671	GB. 3	8767	JB. 37
	NC. 6	8603	QH. 3	8672	GB. 2	8768	JB. 37
8541	NC. 4	8605	QH. 3	8673	GB. 2	8770	JB. 117
	NC. 5	8606	QH. 3	8678	GA. 3	8774	GM. 18
8542	NC. 6	8608	QH. 3	8679	GA. 3		QM. 21
8543	NC. 4	8611	QH. 3	8680	GA. 3	8775	QM. 18
8544	NC. 4	8612	QH. 3	8681	GA. 3		QM. 21
8545	NC. 4	8613	QH. 4	8682	GA. 3	8780	QT. 12
8546	NC. 4	8614	QH. 4	8683	GA. 3	8781	QT. 12
8547	NC. 4	8615	QH. 4	8685	GA. 3	8783	JB. 54
	NC. 5	8616	QH. 4	8686	GA. 4	8784	HJ. 2
	NC. 6	8617	QH. 4	8687	GA. 3	8787	MD. 11
8549	QC. 13	8620	QH. 4		MD. 11	8791	JB. 45
8550	QC. 13	8623	QC. 1	8688	GA. 3	8799	EF. 4
8551	QC. 13	8624	QC. 1	8689	QC. 1	8803	OR. 5
8552	QC. 13	8625	QC. 1	8697	JA. 28	8810	EC. 2
8553	QC. 13	8626	QC. 1	8699	JA. 32	8811	QB. 4
8554	QC. 13	8627	QC. 1	8700	JA. 31	8814	JB. 7
8555	QC. 13	8632	QC. 2	8710	FQ. 14		JB. 9
8556	QC. 13	8635	EJ. 3	8711	JA. 39		JB. 10
8557	QC. 12	8636	EG. 11	8712	ME. 2		JB. 11
	QC. 13		EJ. 2	8713	ME. 2		JB. 13
8558	QC. 12	8637	JB. 41	8714	ME. 2		JB. 14
8559	QC. 12	8638	JB. 41	8721	NC. 3	8818	JF. 2
8560	QC. 12	8639	JB. 44	8722	MN. 3	8819	JF. 2
8561	QC. 12	8640	JB. 44	8726	QV. 2	8820	JB. 80
8562	QC. 12	8641	JB. 39		SA. 1	8823	GG. 30
8563	QC. 11		JB. 42	8727	QM. 7		HD. 1
8564	JB. 38	8642	JB. 39	8728	QM. 8	8832	JB. 54
			JB. 42			8837	JC. 4

INDEX OF REFERENCE NUMBERS

Ref. No.	Page No.	Ref. No.	Page No.	Ref. No.	Page No.	Ref. No.	Page No.
SECTION 26DC (Cont'd.)		SECTION 26DC (Cont'd.)		SECTION 26DC (Cont'd.)		SECTION 26DC (Cont'd.)	
8858	EF. 5	9006	QM. 17	9182	QM. 7	9373	EG. 16
8861	JA. 22		QM. 21	9183	QM. 7	9378	EK. 3
8862	JA. 22	9007	QA. 25	9184	QK. 8	9385	HJ. 2
8864	MD. 4		QB. 1	9185	JH. 21	9386	HJ. 2
8868	QU. 2		QB. 3	9187	JB. 75	9387	HJ. 1
	QU. 6		QC. 2	9190	JB. 24	9389	QS. 5
8871	QU. 4	9012	GB. 2	9191	JB. 24	9390	GJ. 3
	QU. 7	9013	GB. 4	9193	QC. 3	9402	JB. 94
8872	QK. 3	9019	QH. 2		QH. 6	9405	QJ. 2
	QK. 8	9021	GD. 2		QH. 8	9411	JA. 49
8873	PA. 14	9022	GD. 2		QN. 1	9423	QM. 6
8874	PA. 14	9025	GD. 1		QP. 22	9428	GK. 6
8876	QU. 5	9028	GD. 1		QP. 39	9438	JB. 75
8878	QU. 5	9033	QT. 7		QP. 40	9439	JB. 75
8879	QU. 5	9044	JB. 55		QP. 52	9440	JB. 75
8880	QU. 5	9047	JB. 55		QP. 53	9454	EC. 3
8881	QU. 5	9061	JB. 91		QP. 59	9476	PA. 15
8882	QU. 5	9062	JB. 91		QT. 6A	9483	QN. 2
8884	QU. 7	9063	JB. 91		QT. 12	9484	QK. 2
8886	QU. 7	9066	JB. 95		QV. 1	9485	QK. 2
8887	QU. 8	9067	JB. 95	9221	JB. 20	9490	FP. 1
8888	QK. 5	9068	JB. 95	9222	JB. 20	9491	FP. 1
8889	QK. 5	9069	JB. 95	9224	EB. 1	9492	FP. 1
8893	QU. 5	9070	JB. 95	9229	QP. 17	9505	QR. 1
8894	GG. 9	9072	JB. 30	9232	JA. 29	9527	QA. 36
	GG. 11	9078	QR. 4	9233	JA. 30	9538	QU. 6
8911	EC. 3	9085	JF. 2	9238	EJ. 2	9539	JH. 3
8912	EC. 3	9086	JF. 2		GD. 3	9555	JH. 4
8917	EG. 18	9088	JB. 7	9243	GD. 4	9556	EC. 2
8928	GF. 4		JB. 9	9246	QA. 12	9560	JA. 21'
	GF. 5		JB. 10	9247	QA. 12	9561	JB. 31
8929	JA. 20		JB. 11	9281	NB. 4	9562	JB. 31
8941	GQ. 9		JB. 13	9282	NB. 4	9571	GG. 10
8945	GQ. 8		JB. 14	9285	JH. 8	9572	GG. 8
8946	GQ. 1	9089	JB. 30	9286	JH. 9	9574	PA. 14
	GQ. 7	9097	JB. 17	9289	JH. 9	9579	FP. 1
	GQ. 8		JB. 19	9290	JH. 9	9580	FP. 1
8947	GQ. 8	9098	JB. 56	9292	GB. 3	9604	GB. 4
8957	GQ. 7	9099	JB. 56	9295	GB. 3	9618	QN. 1
	GQ. 8	9101	JC. 1	9298	EH. 4	9636	FB. 8
8958	GQ. 7	9102	JC. 1	9299	EH. 4	9643	EG. 23
	GQ. 8	9103	JB. 17	9302	GA. 4	9644	EG. 23
8959	GQ. 8	9160	JB. 22	9303	GA. 4	9709	GD. 1
8982	QA. 48	9161	JB. 22	9304	GA. 4	9710	GD. 1
8983	QA. 47	9162	JB. 17	9306	FA. 36	9734	FA. 33
8984	QA. 48	9163	HL. 20	9309	JG. 1	9738	QP. 23
8985	QA. 48		QR. 7	9324	QB. 10	9744	JA. 36
8987	QT. 16	9164	JG. 7		QB. 12	9755	QA. 4
8988	QT. 16	9173	JA. 26	9328	PA. 14	9764	PE. 8
8990	GG. 30	9176	JE. 4	9335	SC. 5	9766	PE. 8
9005	QM. 17		JE. 5	9343	QT. 5	9774	QT. 3
	QM. 21	9181	QR. 6	9347	QC. 1	9777	MC. 71

INDEX OF REFERENCE NUMBERS

Ref. No.	Page No.	Ref. No.	Page No.	Ref. No.	Page No.	Ref. No.	Page No.
SECTION 26DC (Cont'd.)		SECTION 26DC (Cont'd.)		SECTION 26DC (Cont'd.)		SECTION 26DC (Cont'd.)	
9781	JA. 58	10113	JH. 33	10315	JA. 60	10424	QC. 1
9790	PE. 8		JH. 34	10318	QA. 37	10425	QC. 1
9809	JA. 15	10114	JB. 77	10321	GP. 1	10426	QC. 1
9811	JA. 15		JH. 33	10322	GP. 1	10427	QC. 1
9813	JH. 1		JH. 34	10331	GP. 3	10438	QA. 52
	RB. 5	10120	JH. 1	10343	GP. 3	10439	QA. 52
9822	GG. 15		RB. 4	10347	PA. 4	10440	QA. 54
9854	QM. 1	10124	JH. 3	10348	JB. 31	10441	QA. 54
	QM. 28		MC. 32	10349	JB. 31	10446	QA. 53
9858	GK. 1	10141	OK. 8	10351	JA. 24	10447	QA. 55
9859	GK. 5	10156	QM. 18	10352	JA. 34	10448	QA. 53
	QS. 1		QM. 24	10360	JA. 24	10451	QC. 3
	QS. 3	10163	QW. 2	10364	JH. 6		QC. 4
9868	GG. 25	10168	FQ. 10	10365	JH. 16	10454	QC. 11
9871	JG. 9	10169	FG. 13	10371	JH. 18	10455	QC. 11
9874	FP. 6	10175	PB. 4	10372	JH. 18	10457	QC. 11
9875	FP. 6	10181	EG. 19	10373	JH. 18	10459	QC. 9
9876	FP. 6	10183	QA. 21	10374	JH. 18	10460	QC. 11
9877	FP. 6	10185	MC. 30	10376	JH. 18	10461	QC. 11
9896	JA. 27	10187	JH. 30	10378	JH. 7	10462	QC. 11
9926	QT. 4	10196	JA. 5	10379	JH. 7	10463	QC. 11
9927	QT. 4	10223	FM. 25	10381	JH. 8	10464	QC. 10
9929	CA. 3	10224	MC. 4	10382	JH. 8	10465	QC. 3
9930	GG. 7	10229	JG. 6	10384	JH. 9	10466	QC. 11
9936	JA. 40	10235	JB. 28	10385	JH. 9	10467	QC. 2
9945	JA. 4	10250	OK. 1	10386	JH. 9	10469	QA. 5
9947	JA. 4	10262	QA. 50	10387	JH. 9	10470	QA. 55
9948	JA. 4	10263	QA. 50	10388	JH. 10	10500	PE. 1
9949	JA. 4	10268	QA. 47	10389	JH. 10	10510	FP. 1
9973	QA. 38	10274	PA. 4	10390	JH. 11	10538	QC. 2
9983	HC. 1	10276	JB. 118	10391	JH. 10	10540	JH. 34
9984	QC. 5	10277	JB. 118	10393	JH. 10	10541	JH. 34
9986	WP. 68	10278	MC. 66	10394	JH. 10	10542	JH. 34
9991	QC. 7	10279	MC. 66	10395	JH. 11	10543	JH. 34
9994	GJ. 3	10280	MC. 66	10396	JH. 24	10544	JH. 34
9996	EG. 7	10282	MC. 78	10397	JH. 24	10547	JH. 35
9998	JB. 83	10283	MC. 66	10398	JH. 24	10548	JH. 35
9999	QW. 1	10284	MC. 67	10404	JH. 25	10550	ME. 2
10002	FJ. 6	10285	MC. 67	10407	JH. 25	10557	FA. 35
	FJ. 13	10286	MC. 69	10408	JH. 25	10558	FA. 35
	FJ. 19	10287	MC. 69	10410	JH. 29	10561	OS. 11
	FM. 26	10291	JB. 18	10411	JH. 29	10562	OS. 11
	FQ. 7	10299	GQ. 9	10412	JH. 29	10564	OS. 14
10013	JB. 95	10300	GQ. 9	10413	JH. 30	10565	OS. 12
10016	EG. 4	10301	JB. 8	10414	JH. 30	10567	OS. 5
10017	EG. 4		JB. 9	10415	JH. 30	10584	CA. 4
10018	EG. 7		JB. 11	10416	JH. 30	10585	CA. 4
10025	HC. 2		JB. 12	10417	JH. 18	10590	GG. 15
10035	OU. 4		JB. 13		JH. 20	10591	GG. 15
10045	JH. 34	10303	JC. 2	10418	JA. 22	10596	JH. 12
10087	GP. 1	10305	GD. 3	10419	JA. 22	10598	JA. 21
10105	JH. 38	10312	JA. 36	10421	JH. 26	10603	QA. 31
10110	QA. 3	10313	JA. 36	10422	QC. 1	10616	JA. 34
10112	PA. 1	10314	JA. 60				

INDEX OF REFERENCE NUMBERS

Ref. No.	Page No.	Ref. No.	Page No.	Ref. No.	Page No.	Ref. No.	Page No.
SECTION 26DC (Cont'd.)		SECTION 26DC (Cont'd.)		SECTION 26DC (Cont'd.)		SECTION 26DC (Cont'd.)	
10630	EG. 23	10852	JD. 4	11076	PB. 5	11418	QP. 17A
10634	DA. 4	10856	QK. 4	11077	PB. 5	11419	QP. 17A
10635	DA. 4	10863	PB. 12	11078	PB. 5	11422	FN. 17
10638	DA. 4	10867	GD. 2	11081	PB. 5		GG. 14
10641	FF. 3	10868	GD. 2	11082	PB. 4		JA. 18
10644	FM. 25	10869	GD. 2	11102	QT. 3	11423	QS. 8
	FP. 9	10870	GD. 2	11111	QP. 7	11424	QS. 7
10661	QW. 1	10871	GD. 2	11112	QP. 10A	11425	QS. 8
10662	QW. 1	10886	EG. 12	11114	QP. 8	11426	QS. 8
10664	QA. 12	10887	EG. 20	11115	QP. 10A	11430	QC. 3
10672	JB. 101	10889	QR. 18	11120	QP. 27	11431	QC. 4
10673	JB. 101	10906	JB. 32		QP. 58	11432	QC. 4A
10681	PB. 18	10907	QB. 12	11124	GP. 2	11435	QT. 7
	QC. 14	10911	GA. 2	11135	QA. 16	11436	QC. 3
	QC. 14A	10912	GA. 2	11137	QP. 24	11449	QM. 12
10682	PB. 18	10915	PA. 7	11144	FO. 3	11462	GB. 1
	QC. 14	10919	JA. 8	11151	OB. 3	11468	FN. 2
	QC. 14A	10941	JB. 76	11152	JA. 18	11475	QS. 7
10687	JB. 91	10946	JH. 13	11163	JB. 97	11476	QS. 7
	JB. 92	10950	GK. 6	11182	HD. 1	11477	QS. 7
	JB. 95	10961	QM. 15	11185	EG. 25	11481	QK. 4
10697	QR. 4	10972	QM. 14	11191	DB. 1	11487	GQ. 8
10702	JA. 37	10985	JA. 5	11204	JA. 47	11489	FG. 6
10706	QB. 13	10986	JA. 5	11213	JH. 10		FG. 7
10710	GQ. 3	11000	HN. 3	11219	JB. 38	11490	FG. 6
10713	QS. 4		HN. 5	11220	JH. 27A	11491	FG. 54A
10716	QS. 5	11003	FH. 19	11228	DA. 3		FG. 56
10722	FK. 2	11019	JB. 78	11229	DA. 3	11492	FG. 54A
10732	JA. 22	11022	HE. 1	11266	QM. 27		FG. 56
10739	QT. 5	11024	JH. 3	11279	QU. 5	11506	QT. 15
10748	JB. 84	11025	QA. 10	11296	GH. 1	11513	PE. 2
10749	JB. 84	11028	RA. 7	11301	QW. 1	11520	NB. 4
10752	EF. 6	11029	RA. 7	11302	QS. 12	11531	QM. 20
10772	QN. 2	11033	QV. 2	11303	QM. 14		QM. 23
10781	JG. 6	11040	RA. 3	11304	QM. 14		QM. 26
10785	QR. 10	11044	JB. 31	11307	QR. 20	11540	QP. 42B
10786	QR. 10	11045	JB. 31	11316	QS. 13	11543	JB. 93
10787	QR. 11	11047	JB. 31	11328	HJ. 1	11544	FE. 2
10788	QR. 11	11053	JG. 6	11329	MC. 20	11546	QB. 8
10792	QB. 16	11055	JE. 2	11333	QC. 12		QB. 9
10793	QB. 12	11059	PA. 5	11338	JH. 27A		QB. 15
	QB. 16		PB. 3	11341	JA. 31	11555	JB. 21
10812	GD. 3		PE. 1	11352	DA. 2	11559	FG. 6
	HC. 2	11060	PB. 4	11355	FN. 16	11564	JG. 8
10816	QC. 8	11061	PB. 4	11357	PB. 15	11566	JG. 8
10817	QC. 2	11062	PB. 4	11370	MC. 69	11569	JA. 59
10818	QC. 8	11063	PB. 4	11373	JB. 85	11570	JA. 60
10820	JH. 12	11064	PB. 4	11378	QA. 18	11571	JA. 60
10833	MC. 1	11068	PB. 4	11380	JA. 41	11572	JA. 60
10835	QT. 4	11069	PB. 5	11385	JA. 59	11582	QA. 12
10840	QP. 40	11073	PB. 5	11396	GB. 1	11583	QA. 12
10846	JH. 25	11074	PB. 5	11401	GK. 6	11584	CQ. 5
10849	FB. 7	11075	PB. 5	11409	QP. 23	11592	FE. 2

INDEX OF REFERENCE NUMBERS

Ref. No.	Page No.	Ref. No.	Page No.	Ref. No.	Page No.	Ref. No.	Page No.
SECTION 26DC (Cont'd.)		SECTION 26DC (Cont'd.)		SECTION 26DC (Cont'd.)		SECTION 26DC (Cont'd.)	
11602	FM. 30	11762	B. 4	11923	QR. 3	12131	JA. 39
11604	FM. 25		NB. 6	11925	JA. 49	12132	JA. 39
11605	FM. 25	11770	QA. 43	11926	QH. 11	12133	JA. 39
11607	FM. 25	11771	B. 3	11931	SA. 1	12134	JA. 39
11608	MC. 69		JH. 31	11934	QP. 49		JB. 15
11609	MC. 69	11772	B. 3	11935	QP. 48B	12135	JH. 7
11619	FG. 53		JH. 31	11936	QP. 49	12137	HA. 2
11622	JA. 51A	11773	B. 3	11937	NB. 4D	12150	JA. 21
11623	JA. 51A		JH. 31	11941	EG. 17	12156	JB. 40
11624	JA. 51A	11774	B. 3	11943	QD. 2		JB. 43
11632	FN. 25		JH. 32		QD. 4	12157	MC. 9A
	JB. 74	11775	HN. 2	11944	QP. 1	12158	MC. 9A
11633	JB. 74	11782	QJ. 7	11946	JB. 83A	12159	SC. 2
11637	FN. 25	11787	JB. 118	11952	JB. 84		SC. 4
	JB. 75	11790	QA. 31	11954	JB. 84	12160	MC. 66
11643	GG. 14	11792	QA. 30	11955	JB. 84	12161	MC. 66
11648	GG. 18	11793	QA. 30	11976	SC. 4	12162	MC. 66
11650	FP. 8	11797	QA. 21	11977	MD. 8	12164	FB. 12
11652	FM. 3	11802	QP. 50	11978	MD. 8	12176	QA. 49
11653	FM. 31	11806	GB. 1	11979	MD. 8	12182	JA. 13
11660	FN. 19	11807	JH. 3	11980	MD. 8	12190	FM. 11
	FN. 21	11808	GB. 3	11981	MD. 8	12199	FQ. 1
	FP. 9	11809	GB. 1	11986	GB. 2	12201	QM. 17
11661	QR. 18	11810	GB. 3		QR. 5	12202	QM. 20
11663	QR. 3	11811	QB. 15	11990	JH. 16	12207	JB. 100A
11689	QR. 11	11821	QA. 16	11996	FP. 4	12208	JH. 31
11690	QR. 11	11824	JH. 12	11997	QA. 49	12209	JH. 31
11691	QR. 11	11825	JH. 12	12001	JH. 38	12210	JH. 31
11692	QR. 11	11833	FM. 32	12006	QA. 49	12211	JH. 31
11695	JC. 5	11835	FM. 31	12010	QS. 12	12213	FA. 1
11697	JA. 20	11836	FM. 31	12026	EG. 1		JB. 57
11698	MC. 63	11839	FM. 32	12043	JB. 122	12215	NB. 5
11700	MC. 20	11842	QK. 11	12047	JB. 94	12218	NB. 6
11704	QB. 1	11845	QA. 21	12048	JB. 94	12223	NB. 9
11710	GQ. 3	11846	FN. 16	12049	JB. 94	12224	NB. 11
	GQ. 10	11855	QV. 1	12058	JB. 114	12231	NB. 9
11711	GQ. 10	11856	QV. 1	12059	FE. 1	12232	NB. 9
11716	HN. 1	11862	JH. 34	12060	JB. 94	12239	NB. 11
11719	HN. 2	11867	JG. 5	12061	JB. 94	12244	NB. 10
11720	HN. 3	11872	QM. 12	12062	NB. 2	12245	NB. 11
	QS. 1	11877	QP. 24	12064	QS. 6	12246	NB. 10
11722	HN. 2	11888	PA. 14	12065	QS. 6	12247	NB. 11
11731	HN. 4	11901	JA. 21	12073	QS. 6	12248	NB. 10
11733	HN. 4	11903	JA. 21	12079	JH. 7	12251	NB. 12
11736	HN. 4	11911	MC. 38	12082	QM. 16	12256	NB. 12
11737	HN. 4	11912	QR. 5	12084	GK. 2	12257	NB. 9
11743	NB. 8	11913	QR. 6	12097	QA. 55	12259	NB. 12
11744	NB. 8	11914	QR. 6		QT. 11	12261	QH. 2
11751	NB. 1	11916	QR. 6	12103	MC. 33	12262	FG. 53
11753	NB. 1	11917	QR. 3	12115	GP. 1	12263	FG. 54
11761	B. 4	11919	QR. 3	12116	GP. 1	12274	QA. 23
	NB. 5	11920	QR. 4	12120	JB. 94		QA. 38
		11921	QR. 5			12280	PE. 6B

INDEX OF REFERENCE NUMBERS

Ref. No.	Page No.	Ref. No.	Page No.	Ref. No.	Page No.	Ref. No.	Page No.
SECTION 26DC (Cont'd.)		SECTION 26DC (Cont'd.)		SECTION 26DC (Cont'd.)		SECTION 26DC (Cont'd.)	
12281	PE. 6B	12524	JB. 76	12648	MC. 69	12931	FG. 16
12282	PE. 6B	12525	JB. 76	12647	MC. 68	12932	GJ. 3
12285	JF. 1	12528	JB. 79	12648	MC. 68	12936	MC. 73
12294	EC. 3	12527	JB. 79	12651	EE. 2	12945	EC. 11
12296	JB. 30	12528	JB. 79	12675	PC. 1	12952	EC. 7
12299	JA. 21	12529	JB. 79	12699	JE. 4	12953	EC. 6
12305	PA. 5	12530	JB. 79	12709	ME. 3	12954	EC. 7
12311	JB. 16	12531	JB. 94	12710	ME. 3	12955	EC. 6
12327	QT. 15	12533	JB. 94	12711	ME. 3	12956	EC. 6
12330	JH. 14	12534	JB. 94	12713	ME. 3	12958	EC. 1
12349	QA. 29	12536	NB. 13		ME. 4	12959	ED. 2
12350	QR. 9	12564	QA. 47	12717	QC. 14A	12960	ED. 2
12365	JB. 47	12568	JA. 62A	12719	DA. 3	12962	ED. 2
12368	GE. 3	12574	FH. 3	12720	DA. 4	12965	ED. 2
12369	FG. 2	12578	JB. 80	12726	QS. 10	12967	ED. 1
12377	JB. 55	12579	JB. 80	12734	QS. 2	12981	PA. 14
12397	JB. 93	12580	JG. 7	12735	FM. 3	12984	QM. 30
12398	JB. 93	12583	JB. 104	12736	FM. 3	12985	QM. 30
12399	JB. 93	12584	JB. 104	12739	QB. 15	13062	QC. 9
12409	QT. 17	12585	JB. 104	12743	JB. 94	13063	JB. 102
12429	JB. 100A	12588	JB. 104	12745	JB. 94		JH. 15
12434	ME. 3	12591	JB. 22	12749	QR. 14	13064	QC. 9
12436	JA. 50		JB. 25	12751	JA. 43	13065	QC. 10
12439	QB. 1		JB. 27	12752	JA. 43	13066	QC. 10
12441	JB. 104	12594	DA. 1	12755	QN. 11	13068	QC. 14A
12443	JB. 104	12595	NA. 2	12757	FH. 9	13069	QC. 14A
12444	JB. 104	12610	JA. 10	12761	EF. 5	13087	JG. 6
12445	JB. 104	12612	JA. 10	12764	JB. 57	13094	QA. 15
12446	JB. 104	12616	QU. 7	12765	JB. 57	13095	JH. 11
12447	JB. 104	12617	EM. 3	12774	QH. 7	13098	JA. 57
12459	JA. 34	12619	QU. 6	12775	JB. 29	13101	HG. 3
12460	GF. 4	12620	QU. 6	12776	JB. 29	13106	FB. 1
	GF. 5	12621	QU. 6	12791	FH. 9	13110	EE. 10
12462	GG. 16	12622	QU. 6	12792	FH. 9	13118	FQ. 2
12476	NC. 2	12623	QU. 6	12793	JA. 55	13119	OP. 54B
12479	NC. 2	12624	QU. 6	12794	QC. 4B	13126	MC. 2
12481	NC. 2	12625	JB. 90	12795	QC. 6	13138	JB. 30A
12485	QP. 50	12626	JB. 90	12802	QH. 7	13144	PE. 2
12499	QP. 38A	12627	JB. 90	12835	FM. 27	13149	HC. 2
12502	QP. 50B	12628	JB. 90	12859	JA. 60	13150	HC. 2
12509	QP. 42B	12633	QA. 52	12869	QA. 48	13151	JH. 4
12512	QL. 1	12635	JB. 74	12870	QA. 48	13152	GP. 1
12513	QL. 1	12636	JB. 74	12874	JH. 17	13155	QT. 1
12514	QL. 1	12637	JB. 74	12880	NB. 9	13163	QJ. 5
12515	QA. 41	12638	JB. 74	12884	QC. 14	13164	JA. 48
12516	JB. 75	12639	MC. 69	12898	FN. 25	13169	PA. 4
12517	JB. 75	12640	MC. 69		JB. 74	13170	PA. 4
12518	JB. 75	12641	MC. 67	12907	FH. 8	13184	EF. 6
12519	JB. 75	12642	MC. 67	12911	MC. 19	13187	JA. 30
12520	JB. 75	12643	MC. 67	12912	MC. 19	13188	MC. 23
12521	JB. 76	12644	MC. 67	12914	FD. 1	13189	FQ. 13
12522	JB. 76	12645	MC. 69	12918	JA. 50	13196	QP. 14
12523	JB. 76			12920	MC. 19	13217	EF. 7

INDEX OF REFERENCE NUMBERS

Ref. No.	Page No.	Ref. No.	Page No.	Ref. No.	Page No.	Ref. No.	Page No.
SECTION 26DC (Cont'd.)		SECTION 26DC (Cont'd.)		SECTION 26DC (Cont'd.)		SECTION 26DC (Cont'd.)	
13218	EF. 7	13553	PA. 15	13819	HL. 11	14204	QA. 34
13223	QC. 2	13560	MC. 30	13820	HL. 1	14206	QA. 34
13233	QC. 5	13561	MC. 31		HL. 9	14207	QA. 34
13240	JG. 10	13562	MC. 31	13821	EG. 1	14208	QA. 34
13254	RA. 2	13563	MC. 32	13822	JH. 9	14209	QA. 34
13256	QP. 46	13571	FQ. 13	13826	GE. 2	14210	QA. 33A
13262	FC. 5	13583	MC. 75	13834	QA. 47		QP. 14
13283	NC. 4	13588	FH. 11	13849	QD. 7	14215	QA. 34
	NC. 5	13590	SB. 1	13851	GE. 1	14216	QA. 34
	NC. 6	13594	JB. 80	13894	JH. 3	14218	QA. 34
13286	QC. 4B	13609	EF. 3	13895	QA. 41	14219	QA. 34
13287	QC. 4A	13610	EF. 3	13896	QA. 41	14221	QA. 35
13288	QC. 4	13615	MC. 19	13897	FH. 12	14222	QA. 35
13300	GK. 3	13617	QA. 36	13963	HL. 2	14223	QA. 19
13341	EG. 10	13619	PA. 7	13968	HL. 1	14227	QP. 6
13352	GB. 3		QH. 1	13975	HL. 3	14232	QP. 5
13361	JA. 38	13623	FM. 33	13976	HL. 4	14237	QP. 5
13366	HG. 3	13651	MC. 29	13981	HL. 5	14238	QP. 5
13369	HG. 2	13653	MC. 74	13983	HL. 5	14598	QA. 21
13370	JA. 47	13654	MC. 75	13984	HL. 10	14705	JA. 16
13373	QA. 36	13655	MC. 2	13990	HL. 10	14706	JA. 16
13379	JB. 55A	13665	GA. 2	13991	HL. 10	14708	JA. 16
13391	JB. 55A	13668	QR. 17	13993	HL. 11	14709	JA. 16
13392	JH. 6	13669	QR. 17	13997	HL. 11	14737	JA. 22
13407	MC. 24	13673	QR. 18	13999	HL. 11	14754	JB. 101
13409	JH. 14	13677	MC. 13	14153	JA. 16	14769	QP. 13
13412	QT. 15	13678	MC. 13	14156	JA. 16	14771	QP. 13
13414	PA. 2	13701	HG. 1	14157	JA. 16	14778	QP. 52
13415	PA. 2		HG. 3	14158	JA. 16	14837	HN. 1
13419	GP. 2	13703	JH. 8	14159	JA. 16	16113	QT. 8
13430	JH. 3	13704	QB. 4	14160	JA. 16	16114	QT. 8
13438	QM. 19	13705	QB. 4	14161	JA. 16	16115	QT. 8
	QM. 22	13710	FE. 2	14162	JB. 4	16116	QT. 5
13444	JE. 1	13711	QP. 42A	14163	JB. 3	16117	QT. 5
13446	JE. 2	13715	GQ. 8	14164	JB. 3	16118	QT. 5
13447	JC. 1	13728	EC. 3	14166	JB. 3	16119	QT. 5
13448	JE. 1	13742	GG. 32	14167	JB. 3	16120	QT. 5
13451	FQ. 13	13744	MC. 69	14168	JB. 3	16122	FG. 65
13455	NB. 4	13745	MC. 69	14169	JB. 3	16123	PB. 18
13456	NB. 4	13746	MC. 69	14179	QP. 10D	16124	PB. 18
13460	QC. 1	13753	MC. 66		QP. 37	17003	HL. 11
13469	ME. 2	13754	MC. 67	14180	QP. 37	17005	HL. 10
13474	JH. 29	13756	MC. 69	14182	QP. 39	17008	HL. 9
13475	JH. 29		MC. 78	14184	QP. 13	17011	HL. 10
13479	QR. 4	13762	QA. 18	14190	QK. 3	17012	HL. 10
13495	FF. 1	13767	EF. 7	14194	QS. 11	17013	HL. 10
13507	JB. 77	13772	FH. 10		QS. 13	17014	HL. 10
13524	GF. 8	13774	QM. 2	14197	JB. 116	17015	HL. 16
13532	JB. 76	13776	QR. 13	14198	QP. 14	17025	EC. 3
13535	JB. 77	13780	QC. 3	14199	QP. 14	17027	JE. 1
13538	PB. 5A	13786	QP. 47	14200	QP. 14	17028	JE. 1
13539	FQ. 13	13793	CA. 4	14202	JA. 8		
13540	QF. 9	13817	JH. 12	14203	JA. 8		
		13818	JH. 12				

INDEX OF REFERENCE NUMBERS

Ref. No.	Page No.	Ref. No.	Page No.	Ref. No.	Page No.	Ref. No.	Page No.
SECTION 26DC (Cont'd.)		SECTION 26DC (Cont'd.)		SECTION 26DC (Cont'd.)		SECTION 26DC (Cont'd.)	
17785	JB. 94	17942	EG. 29	20020	QB. 1	20188	QT. 6A
17796	JA. 93	(Cont'd.)	EG. 30	20021	QB. 1	20189	QT. 9
17806	QR. 14		EG. 31	20023	QB. 2	20190	QT. 9
17834	FG. 55		EG. 32	20024	QB. 2	20191	QT. 9
17839	HM. 3		EG. 33	20026	QB. 17	20192	QT. 8
17844	JH. 32		EH. 1	20033	QJ. 5	20193	QT. 8
17845	JH. 32		EH. 2	20035	QJ. 5	20194	QT. 9
17893	GK. 3		EH. 3	20036	QJ. 5	20195	QT. 9
17899	QM. 30		EH. 4	20037	QJ. 2	20196	QT. 9
17914	FA. 36		EJ. 1	20038	QV. 1	20199	QT. 9
17915	FA. 36		EJ. 2	20075	QK. 1	20200	QT. 9
17916	FA. 36A		EJ. 3	20076	QK. 1	20203	QA. 26
17940	EF. 3		EJ. 4	20077	QK. 1	20204	QA. 26
	EG. 5		EJ. 5	20079	QK. 1	20205	QA. 26
	EG. 6		EJ. 6	20080	QK. 1	20206	QA. 26
	EH. 4		EJ. 7	20083	QK. 1	20207	QA. 26
	EJ. 8		EJ. 9	20084	QK. 1	20209	QA. 25
	EK. 3		EK. 1	20085	QK. 1	20211	QA. 25
	EK. 4		EK. 2	20088	QK. 3	20212	QA. 25
	EK. 5		EK. 4	20089	QK. 4	20214	QA. 25
17941	GP. 1		EK. 5	20090	QK. 3	20215	QT. 11
17942	ED. 2	17943	JB. 8	20091	QK. 3	20217	QT. 11
	EF. 3		JB. 9	20093	QK. 4	20218	QT. 11
	EF. 5		JB. 11	20094	QK. 4	20220	QT. 16
	EF. 6		JB. 13	20095	QK. 4	20221	QT. 16
	EF. 8		JB. 14	20105	QM. 12	20222	QT. 16
	EF. 9	17944	EC. 9	20109	QM. 13	20223	QT. 16
	EF. 10		EG. 4	20110	QM. 14	20224	QT. 16
	EF. 11		EG. 9	20112	QM. 14	20225	QT. 16
	EF. 12		EG. 10	20128	JA. 63	20226	QT. 16
	EF. 13		EG. 15	20129	FA. 8	20227	QT. 16
	EG. 3		EH. 1	20130	FA. 8	20228	QT. 16
	EG. 5		EH. 2	20133	QN. 1	20229	QT. 16
	EG. 6		EN. 2	20134	QN. 2	20230	QT. 17
	EG. 7		JB. 52	20136	QN. 2	20231	QT. 17
	EG. 8		QU. 2	20137	QN. 4	20232	QT. 17
	EG. 10		QU. 5	20138	HC. 1	20233	QT. 17
	EG. 11	17945	EF. 6	20139	HC. 1	20240	QA. 15
	EG. 12		EH. 3		QT. 9	20241	QA. 15
	EG. 13	17946	EC. 11	20140	HC. 1	20242	QA. 15
	EG. 14		EJ. 9	20141	HC. 1	20243	QA. 15
	EG. 15		EJ. 10	20142	HC. 1	20244	QA. 15
	EG. 16		JA. 50	20162	QP. 668	20245	QA. 15
	EG. 18	17947	EF. 7	20173	QN. 6	20250	JG. 3
	EG. 19		EF. 8	20176	QT. 4	20251	EF. 2
	EG. 20	17948	EC. 1	20178	QT. 1	20252	EF. 2
	EG. 21		EN. 1	20182	QT. 1	20253	EF. 9
	EG. 23	20004	QP. 19	20183	QT. 1	20255	EF. 5
	EG. 24	20007	QV. 2	20184	HC. 1	20256	EH. 1
	EG. 25	20009	QV. 1		QT. 6A	20258	EH. 3
	EG. 26	20014	QV. 2	20185	HC. 1	20260	QM. 8
	EG. 27	20016	QV. 1		QT. 6A	20261	QM. 8
	EG. 28	20019	QB. 1	20186	QT. 6A	20262	QM. 8
				20187	QT. 6A		

INDEX OF REFERENCE NUMBERS

Ref. No.	Page No.	Ref. No.	Page No.	Ref. No.	Page No.	Ref. No.	Page No.
SECTION 26DC (Cont'd.)		SECTION 26DC (Cont'd.)		SECTION 26DC (Cont'd.)		SECTION 26DC (Cont'd.)	
20264	QM. 1	20818	JB. 55	21021	MD. 11	21429	EM. 2
20265	QM. 1	20822	JB. 55	21022	MD. 11	21430	EM. 2
	QM. 8	20845	MD. 3	21024	MD. 11	21449	JB. 94
20266	QM. 1		MD. 4	21025	MD. 11	21452	JB. 94
20271	QM. 1	20846	MD. 5	21026	MD. 11	21453	JB. 94
20311	QP. 43	20847	MD. 5	21027	MD. 11	21501	QA. 56
20319	QP. 43	20848	MD. 5	21028	MD. 11	21522	JB. 100
20321	QP. 46	20849	MD. 5	21029	MD. 11	21523	JB. 100
20322	QP. 46	20850	MD. 5	21030	MD. 12	21526	JB. 100
20323	QP. 46	20851	MD. 5	21031	MD. 12	21538	JB. 100
20324	QP. 46	20852	MD. 5	21032	MD. 12	21539	JB. 100
20325	QP. 43	20853	MD. 5	21034	MD. 12		QA. 58
20329	QP. 43	20854	MD. 3	21035	MD. 12	21541	QA. 58
20330	QP. 43	20855	MD. 3	21036	MD. 12	21542	JB. 99
20331	QP. 43	20856	MD. 3	21039	JB. 79		QA. 58
20333	QP. 43	20857	MD. 3	21040	JB. 79	21543	JB. 99
20334	QU. 4	20858	MD. 3	21041	JB. 78		QA. 58
20339	QU. 1		MD. 4	21042	JB. 78	21545	QA. 56
20340	QU. 1	20859	MD. 3	21043	JB. 78	21546	QA. 59
	QU. 5	20860	MD. 3	21044	JB. 78	21547	QA. 59
20342	QU. 1	20861	MD. 3	21045	JB. 78	21548	QA. 59
	QU. 5	20872	MC. 41	21047	JB. 79	21549	QA. 59
20343	QU. 1	20873	MC. 41	21048	JB. 79	21550	QA. 56
	QU. 5	20874	MC. 41	21049	JB. 79	21551	QA. 57
20347	QU. 7	20875	MC. 41	21050	JB. 79	21552	QA. 57
20350	QU. 6	20876	MC. 41	21051	JB. 79	21553	QA. 57
20351	QU. 6	20877	MC. 41	21052	JB. 79	21554	QA. 57
20353	QU. 6	20878	NC. 2	21053	JB. 79	21555	QA. 57
20354	QU. 6	20879	NC. 2	21054	JB. 79	21556	QA. 57
20355	QU. 2	20880	NC. 2	21055	JB. 79	21558	JB. 98
	QU. 5	20881	NC. 2	21056	JB. 79		QA. 56
20361	QU. 5	20884	NC. 3	21057	JB. 79	21559	QA. 56
20362	QU. 5	20885	NC. 2	21058	JB. 81	21560	QA. 56
20363	QU. 5	20886	NC. 2	21094	QA. 27	21562	QA. 56
20364	QU. 5	20887	MD. 2	21410	QS. 4	21563	QA. 56
20365	QU. 5	20904	FG. 6	21411	QS. 4	21564	QA. 56
20368	QU. 5	20905	EG. 6	21412	QS. 4	21565	QA. 56
20381	EK. 5	20906	EG. 3	21413	QS. 4	21566	QA. 56
20401	JA. 25	20908	EG. 4	21414	QS. 4	21567	QA. 56
20722	JB. 86	20909	EG. 7	21415	QS. 3	21568	QA. 56
20724	JB. 86	20911	EG. 7	21416	QS. 3	21569	QA. 59
20753	MC. 12	20912	EG. 4	21417	GQ. 2	21570	QA. 59
20781	MC. 70A		EG. 7	21418	GQ. 3	21571	QA. 57
20785	MC. 73	20913	EG. 7	21419	GQ. 2	21572	QA. 57
20804	MD. 1	20914	NC. 1	21420	GQ. 2	21573	QA. 56
20805	MD. 1	20915	NC. 1	21421	GD. 2	21575	QA. 56
20806	MD. 2	20916	NC. 1	21422	QS. 15	21576	QA. 56
20807	MD. 2	20917	NC. 1	21423	QS. 16	21577	QA. 56
20809	MD. 2	20918	NC. 1	21424	QS. 16	21578	JB. 100
20810	GA. 1	20919	NC. 1	21425	QS. 14	21579	JB. 100
20811	MC. 70	21018	MD. 11	21426	GQ. 3	21582	GQ. 6
20812	JB. 55A	21019	MD. 11	21427	GQ. 2	21583	GQ. 5
	MC. 70	21020	MD. 11	21428	EM. 2		

INDEX OF REFERENCE NUMBERS

Ref. No.	Page No.	Ref. No.	Page No.	Ref. No.	Page No.	Ref. No.	Page No.
SECTION 26DC (Cont'd.)		SECTION 26DC (Cont'd.)		SECTION 28DC (Cont'd.)		SECTION 26DC (Cont'd.)	
21584	GQ. 6	21711	QD. 6	21800	NA. 4	21870	QH. 12
21585	GQ. 6	21715	JB. 32	21801	NA. 3	21871	QH. 12
21586	GQ. 6	21745	QA. 17		NA. 4	21879	QH. 12
21587	GQ. 4	21746	QA. 17	21802	NA. 2	21880	QA. 29
21588	GQ. 4	21747	QA. 17		NA. 3	21881	QA. 28
21589	GQ. 6	21748	QA. 18	21803	NA. 2	21882	QA. 32
21590	GQ. 6	21749	QA. 17	21804	NA. 3	21883	QA. 32
21591	GQ. 6	21753	QA. 20		NA. 4	21884	QA. 29
21592	GQ. 5	21751	QA. 18	21805	NA. 3	21885	QA. 29
21595	GQ. 6	21755	QA. 21		NA. 4	21886	QA. 29
	NA. 2		QA. 38	21806	NA. 3	21887	QA. 43
21598	GE. 2	21756	MC. 28	21807	NA. 4	21888	QA. 26
21599	GE. 2	21758	MC. 28	21809	NA. 4	21889	QA. 26
21605	QS. 4	21759	MC. 28	21810	NA. 4	21890	QA. 26
21606	QG. 1	21760	MC. 28	21811	NA. 3	21891	QA. 26
21624	GG. 28	21761	MC. 28	21812	NA. 3	21892	QA. 26
21626	GG. 28	21763	MC. 27		NA. 4	21893	QA. 26
21627	GG. 28	21764	JB. 83	21813	NA. 4	21894	QA. 27
21628	GG. 28	21765	JB. 82	21814	NA. 4	21895	QA. 27
21629	GG. 28	21766	JB. 89	21815	NA. 4	21896	QA. 27
21630	QS. 5	21771	JB. 117	21816	NA. 4	21897	QA. 28
21631	QS. 5	21772	JB. 117	21817	NA. 4	21898	QA. 28
21632	QS. 5	21773	JB. 117	21818	NA. 4	21900	QA. 27
21633	QS. 6	21774	JB. 117	21819	NA. 2	21901	QA. 27
21634	QS. 6	21775	JB. 117	21824	NA. 2	21902	QA. 44
21635	GG. 28	21776	JB. 117	21825	NA. 4	21903	QA. 27
21637	QS. 3	21777	NA. 3	21826	NA. 2	21905	QA. 27
21638	JB. 73	21779	NA. 4	21828	NA. 2	21906	QA. 27
21640	JA. 16	21780	NA. 3	21830	NA. 2	21907	QA. 27
21641	JA. 16		NA. 4		NA. 4	21908	QA. 27
21643	JA. 16	21781	NA. 3	21831	NA. 3	21910	QA. 31
21647	QC. 12		NA. 4	21832	NA. 2	21911	QA. 27
21648	QC. 13	21782	NA. 2	21833	NA. 3	21912	QA. 27
21649	QC. 12	21783	NA. 3	21834	NA. 1	21913	QA. 27
21690	MC. 2	21784	NA. 3	21835	NA. 2	21914	QA. 27
21692	JB. 71	21785	NA. 3	21837	NA. 1	21915	QA. 27
21694	JB. 30A	21786	NA. 4	21853	QH. 12	21916	QA. 27
21695	JB. 30A	21787	NA. 4	21854	QH. 12	21917	QA. 26
21696	JB. 30A	21788	NA. 3	21855	QH. 12	21918	QA. 27
21698	JB. 30A		NA. 4	21856	QH. 12	21919	QA. 27
21699	JB. 30C	21790	NA. 2	21857	QH. 13	21920	QA. 27
21700	JB. 30A	21791	NA. 3	21858	QH. 13	21921	QA. 27
21701	QD. 7	21792	NA. 3	21859	QH. 13	21922	QA. 27
21703	QD. 6	21793	NA. 3	21860	QH. 13	21923	QA. 27
	QD. 7	21794	NA. 3	21861	QH. 13	21925	QA. 30
21704	QD. 6		NA. 4	21862	QH. 13	21928	QA. 31
21705	QD. 6	21795	NA. 3	21863	QH. 13	21929	QA. 43
	QD. 7		NA. 4	21864	QH. 11	21930	QA. 27
21706	QD. 6	21796	NA. 2	21865	QH. 11	21931	QA. 27
21707	QD. 6		NA. 3	21866	QH. 11	21932	QA. 27
21709	QD. 7	21797	NA. 2	21867	QH. 11	21933	QA. 27
21710	QD. 6	21798	NA. 3	21868	QH. 13	21934	QA. 43
		21799	NA. 2	21869	QH. 13	21935	QA. 31

INDEX OF REFERENCE NUMBERS

Ref. No.	Page No.	Ref. No.	Page No.	Ref. No.	Page No.	Ref. No.	Page No.
SECTION 26DC (Cont'd.)		SECTION 26DC (Cont'd.)		SECTION 26DC (Cont'd.)		SECTION 26DC (Cont'd.)	
21936	QA. 43	22049	QH. 2	22252	JH. 16	22609	JA. 9
21938	QA. 32	22050	QH. 2	22253	JH. 16	22615	FG. 50
21939	QA. 33	22051	QH. 2	22255	JH. 15	22616	JA. 12
21940	QA. 33A	22054	QH. 3	22256	JH. 3	22619	JA. 12
21941	QA. 28	22056	QH. 3	22257	JH. 3	22620	JA. 13
21942	QA. 28	22059	QH. 4	22291	JH. 6	22621	JA. 12
21943	QA. 33A	22060	QK. 9	22303	JH. 9	22633	NB. 8
21944	QA. 33	22061	QK. 8	22304	JH. 9	22643	JB. 5
21945	QA. 39	22147	MC. 54	22305	JH. 29	22644	JB. 6
21947	QA. 40	22150	QB. 3	22306	JH. 29	22652	GP. 5
21950	QA. 40	22151	QB. 3	22307	JH. 29	22659	GP. 5
21952	QA. 39	22152	QP. 32	22311	JH. 29	22664	GG. 5
21953	QA. 39	22153	QG. 1	22317	JH. 29	22665	GG. 5
21954	QA. 39	22157	QF. 1	22318	JH. 29	22669	FG. 54
21955	QA. 39	22161	NB. 4A	22319	JH. 29	22670	FG. 54
21956	QA. 33		NB. 4B	22320	JH. 29	22671	FG. 54
21957	QA. 33	22164	NB. 4B	22321	JH. 29		FG. 56
21958	QA. 33	22169	QR. 11	22322	JH. 29	22672	FG. 59
21959	QA. 33	22170	QR. 11	22323	EC. 6	22673	FG. 61
21961	QA. 51	22196	EC. 3		EE. 5	22676	MC. 37
21962	QA. 45	22201	QM. 30	22324	EE. 6	22678	MC. 40
21963	QA. 30	22204	QM. 18	22325	ED. 3	22682	MC. 24
21964	QA. 31		QM. 21	22326	GQ. 9	22688	MC. 24
21965	QA. 35		QM. 27	22327	GQ. 9	22689	MC. 24
21970	FN. 25	22205	QM. 18	22328	GQ. 10	22690	MC. 24
21976	GF. 6		QM. 21	22329	GQ. 9	22691	FA. 32
	GF. 9		QM. 24	22330	GQ. 8		FG. 51
21977	GF. 5		QM. 27	22331	GQ. 8	22695	FA. 33B
	GF. 7	22206	QM. 24	22332	GQ. 10	22696	FA. 33B
	GF. 10	22207	QM. 24	22333	GQ. 10	22697	FA. 33B
21978	GF. 4	22208	QM. 5	22334	GQ. 8	22698	FA. 33B
21979	GF. 4	22210	QM. 3	22337	GQ. 9	22699	FA. 33B
21980	GF. 6	22212	SB. 1	22338	GQ. 8	22700	FA. 33B
	GF. 9	22213	SB. 1	22339	GQ. 10	22709	JB. 120
21983	GF. 7	22214	QH. 9	22342	JA. 35	22713	FH. 11
21992	JB. 82	22215	QH. 7	22343	JA. 35	22716	FH. 5
22015	QA. 3	22216	QH. 7	22421	QA. 52	22718	FH. 2
22016	QA. 3	22217	QH. 7	22422	EM. 3	22719	FH. 5
22017	QA. 3	22218	QH. 7	22423	EM. 3	22720	FH. 9
22019	QA. 4	22219	QH. 7	22424	EM. 3	22722	FH. 1
22021	QA. 4	22221	QH. 7	22425	EM. 3	22723	FH. 4
22022	QA. 12	22222	QH. 7	22426	EM. 3	22724	FH. 7
22023	QA. 10	22223	QT. 18	22427	EM. 4	22726	PB. 17
22024	QA. 10	22224	QT. 18	22428	EM. 3	22728	HG. 3
22025	QA. 10	22226	QT. 18	22429	EM. 3	22730	PB. 12
22026	QA. 10	22227	QT. 18	22559	QP. 14	22731	PB. 12
22027	QA. 10	22228	QT. 18	22562	QP. 13	22732	PB. 12
22031	QP. 7	22229	QT. 18	22563	QP. 13	22742	PB. 12
22032	QP. 7	22231	QT. 15	22577	JH. 33	22743	PA. 3
22034	QB. 2	22249	JH. 16	22578	JH. 33		PA. 4
22039	QP. 2	22250	JH. 16	22586	JH. 35	22747	PB. 14
	QP. 31			22599	JH. 32	22748	PB. 14
22040	QP. 2			22608	JA. 9	22749	PB. 14
						22758	PA. 15

INDEX OF REFERENCE NUMBERS

Ref. No.	Page No.	Ref. No.	Page No.	Ref. No.	Page No.	Ref. No.	Page No.
SECTION 26DC (Cont'd.)		SECTION 26DC (Cont'd.)		SECTION 26DC (Cont'd.)		SECTION 26DC (Cont'd.)	
22773	HN. 4	23020	JB. 83	95126	KB. 5	95266	KH. 2
22775	HN. 1	23021	JB. 83	95127	KB. 5	95267	KA. 1
22777	PA. 5	23022	JB. 83	95128	KB. 5	95275	KH. 6
22780	PA. 14	23023	JB. 83	95129	KB. 5	95290	KH. 12
22781	PA. 14	23024	JB. 83	95130	KB. 5	95291	KH. 11
22782	PA. 14	23025	JB. 83A	95131	KB. 5	95292	KH. 10
22783	PA. 14	23026	JB. 83A	95132	KB. 5	95294	KF. 8
22784	PA. 14	23027	JB. 83A	95133	KB. 5	95295	KF. 2
22785	PA. 14	23028	JB. 83A	95141	KB. 5	95299	KB. 7
22786	PA. 14	23029	JB. 83A	95142	KB. 6	95300	KB. 2
22787	FE. 3	23030	JB. 83A	95143	KB. 6	95302	KB. 2
22788	FE. 2	23031	JB. 83A	95144	KB. 5	95303	KB. 2
22798	FD. 1	23032	JB. 83A	95145	KB. 5	95304	KB. 2
22799	FD. 1	23033	JA. 23A	95147	KH. 15	95305	KB. 2
22800	FD. 1	23034	JA. 23A	95148	KH. 16	95306	KB. 2
22801	FD. 1	23035	JA. 23A	95149	KC. 3	95307	KB. 2
22802	PE. 5	23036	MC. 9	95150	KC. 3	95308	KB. 2
22803	PE. 5		MC. 10	95151	KB. 1	95309	KB. 2
22804	PE. 5	23037	MC. 9	95156	KH. 1	95310	KB. 2
22805	PE. 5	23050	GP. 1	95159	KF. 1	95311	KB. 2
22806	PE. 5	23051	GP. 1	95160	KB. 4	95312	KB. 2
22807	PE. 9	23053	JB. 32	95161	KB. 7	95313	KB. 2
22808	PB. 16	95005	KD. 1	95162	KB. 1	95314	KB. 2
22809	PE. 7	95006	KA. 2	95167	KF. 4	95315	KB. 2
22816	FP. 1	95007	KH. 8	95174	KA. 1	95316	KB. 2
22821	GG. 18	95011	KH. 13	95175	KD. 1	95317	KB. 2
22822	FP. 7B	95016	KC. 1	95176	KD. 1	95318	KB. 2
22824	FQ. 13	95028	KE. 1	95177	KH. 1	95319	KB. 2
22825	FQ. 13	95033	KE. 1	95178	KF. 2	95320	KB. 2
22826	FQ. 14	95036	KE. 1	95179	KF. 2	95321	KB. 3
22827	FQ. 15	95039	KF. 9	95180	KF. 2	95322	KB. 3
22828	FM. 28	95045	KF. 8	95181	KF. 4	95323	KB. 3
22829	FM. 28	95054	KA. 1	95183	KH. 9	95324	KB. 3
22830	FM. 28	95058	KB. 2	95184	KH. 11	95325	KB. 3
22832	FB. 8	95059	KB. 4	95185	KH. 13	95326	KB. 3
	JB. 100A	95063	KA. 1	95186	KH. 14	95327	KB. 3
22836	FB. 8		KD. 1	95187	KH. 14	95328	KB. 3
22839	FB. 1	95070	KH. 15	95188	KH. 14	95329	KB. 3
22840	FC. 4	95073	KH. 17	95189	KF. 1	95330	KB. 3
	JB. 122	95082	KC. 1	95191	KG. 1	95331	KB. 3
22842	JB. 44	95083	KH. 1	95192	KG. 5	95332	KB. 3
22851	JB. 78		KH. 2	95193	KG. 5	95333	KB. 3
22869	RA. 3	95084	KA. 1	95195	KC. 1	95334	KB. 3
22904	GA. 1	95090	KH. 4	95196	KC. 3	95335	KB. 3
22905	GA. 2	95091	KH. 1	95198	KF. 9	95336	KB. 3
22906	HL. 10	95093	KH. 16	95200	KF. 9	95339	KB. 3
22907	HL. 10	95094	KH. 17	95206	KF. 6	95340	KB. 3
22908	HL. 1	95095	KC. 3	95215	KF. 8	95341	KB. 3
22909	QC. 6	95096	KF. 2	95217	KF. 8	95342	KB. 2
22911	QC. 4	95100	KC. 2	95218	KF. 8	95343	KB. 2
23012	JA. 54	95101	KC. 1	95228	KH. 16	95348	KC. 4
23013	JA. 54	95114	KB. 4	95230	KC. 2	95350	KF. 7
23017	JB. 83	95118	KB. 1	95235	KC. 2	95352	KB. 6
23018	JB. 83	95121	KH. 16	95249	KF. 1	95353	KB. 6
23019	JB. 83	95123	KB. 1	95250	KF. 5	95354	KB. 2

INDEX OF REFERENCE NUMBERS

Ref. No.	Page No.	Ref. No.	Page No.	Ref. No.	Page No.	Ref. No.	Page No.
SECTION 26DC (Cont'd.)		SECTION 26DC (Cont'd.)		SECTION 26DC (Cont'd.)		SECTION 26DC (Cont'd.)	
95355	KB. 4	95594	KF. 3	96185	KG. 1	1432656	HM. 6
95356	KB. 1	95595	KF. 3	96189	KH. 5	1432659	MC. 14
95357	KH. 6	95614	KH. 15	96191	KG. 4	1432671	JB. 54
95358	KC. 1	95616	KG. 3	96194	KF. 7	1432672	JB. 54
95359	KF. 4	95627	KA. 1	96195	KB. 1	1432678	EC. 1
95361	KC. 4	95634	KH. 1	96197	KH. 1	1432694	HM. 4
95362	KF. 2	95640	KH. 13	96198	KH. 2	1432695	FP. 9
95363	KF. 2		KH. 14	96201	KC. 3	1432697	KB. 1
95364	KA. 2	95645	KH. 16	96205	KF. 8	1432698	MC. 32
95365	KH. 17	95646	KH. 16	96207	KG. 2	1432700	SC. 8
95366	KH. 18	95679	KC. 3	96215	KK. 2		SC. 10
95371	KA. 1	95680	KC. 2	96216	KK. 2		SC. 12
95372	KH. 18	95695	KG. 4	96217	KK. 2	1432701	GP. 1
95374	KH. 7	95697	KG. 5	96218	KF. 5	1432702	GB. 1
95382	KH. 19	95700	KD. 1	96219	KK. 2	1432703	GB. 1
95388	KA. 1	95701	KH. 4	96220	KK. 2	1432715	FG. 53
95391	KH. 8	95702	KG. 3	96226	KG. 3	1432716	FG. 53
95393	KF. 2	95703	KE. 1	96227	KF. 8	1432731	HM. 4
95394	KH. 7	95704	KE. 1	96228	KG. 3	1432736	KG. 3
95395	KH. 7	95705	KH. 2	96231	KF. 7	1432738	GB. 1
95396	KF. 8	95709	KG. 1	96232	KF. 6	1432741	KH. 5
95397	KG. 4	95710	KG. 1	96241	KH. 3	1432742	KH. 5
95398	KH. 18	95711	KG. 2	97005	KA. 1	1432743	KH. 5
95399	KB. 1	95713	KC. 3	1432615	QP. 8	1432744	KH. 5
95400	KC. 2	95715	KG. 2	1432616	QP. 8	1432745	HG. 1
95401	KF. 2	95717	KH. 1	1432617	QT. 14	1432746	HG. 1
95403	KF. 1	95718	KD. 1	1432618	QS. 8	1432751	JH. 27A
95404	KC. 2	95722	KG. 3	1432619	QS. 7	1432752	JH. 27A
95405	KB. 4	95725	KC. 3	1432620	QS. 8	1432753	JH. 27A
95406	KB. 4	96097	KG. 4	1432621	QS. 8	1432754	EF. 7
95407	KB. 4	96099	KE. 1	1432632	QK. 2		EF. 8
95408	KB. 4	96100	KC. 3	1432633	HL. 17	1432755	PE. 2
95409	KB. 4	96101	KG. 3	1432634	HM. 3	1432780	PE. 9
95410	KB. 4	96102	KG. 4	1432635	HM. 1	1432783	PE. 10
95411	KB. 4	96103	KF. 5	1432636	HM. 3	1432784	JH. 6
95412	KB. 4	96104	KG. 3	1432637	HM. 7	1432785	JH. 5
95413	KB. 4	96105	KG. 1	1432638	HM. 3	1432786	JH. 5
95414	KB. 2	96106	KG. 3	1432639	HM. 7	1432788	QC. 10
95415	KB. 2	96107	KG. 1	1432640	HL. 10	1432789	QC. 10
95420	KB. 1	96111	KC. 2		HM. 7	1432790	QC. 10
95481	KE. 1	96112	KC. 1	1432641	HM. 4	1432791	QC. 10
95504	KB. 6	96122	KD. 1	1432642	HM. 4	1432792	QC. 10
95508	KB. 2	96129	KG. 2	1432643	HM. 4	1432793	QC. 10
95512	KA. 1	96157	KG. 2	1432644	HM. 4	1432794	QC. 11
95513	KA. 1	96158	KG. 1	1432645	HM. 5	1432795	QC. 11
95531	KK. 1	96166	KD. 1	1432646	HM. 5	1432796	QC. 11
95535	KK. 2	96167	KD. 1	1432647	HM. 5	1432797	QC. 9
95536	KK. 1	96168	KD. 1	1432648	HM. 4	1432798	QC. 7
95560	KK. 1	96170	KD. 1	1432649	HM. 4	1432799	QC. 7
95566	KC. 1	96171	KD. 1		JH. 1	1432800	QC. 6
95567	KA. 2	96174	KG. 1	1432650	HM. 5	1432801	QC. 6
	KB. 8	96175	KD. 1	1432651	HM. 4	1432802	QC. 10
95573	KK. 2	96180	KG. 2	1432653	HM. 6	1432806	QA. 25
95574	KK. 2	96183	KG. 3	1432654	HM. 6	1432808	EG. 21
95576	KB. 2	96184	KG. 2	1432655	HM. 6	1432810	EC. 3

INDEX OF REFERENCE NUMBERS

Ref. No.	Page No.	Ref. No.	Page No.	Ref. No.	Page No.	Ref. No.	Page No.
SECTION 26DC (Cont'd.)		SECTION 26DC (Cont'd.)		SECTION DC26 (Cont'd.)		SECTION 26DC (Cont'd.)	
1432811	GG. 26	1432923	KG. 3	1433113	QP. 24	1433320	FA. 1
1432818	MC. 32	1432924	KG. 3	1433114	QP. 30		FM. 26
1432819	MC. 32	1432932	JB. 108	1433115	QP. 31	1433321	FM. 26
1432820	MC. 32	1432936	QP. 56A	1433116	ME. 1	1433322	JG. 3
1432825	JB. 116	1432937	QP. 56A	1433117	ME. 1	1433323	JG. 9
1432826	JB. 116	1432939	QP. 56A	1433119	HL. 9	1433324	JG. 7
1432832	FH. 1	1432940	QP. 56A		OK. 3	1433325	JG. 7
	FH. 4	1432953	MC. 6	1433121	QP. 27	1433326	JG. 9
	FH. 7	1432954	MC. 6		QP. 70	1433327	JG. 9
	FH. 10	1432974	GB. 2	1433122	QP. 26	1433330	JA. 41
1432833	KC. 3	1432975	GB. 2		QP. 57	1433333	JA. 41
1432842	JG. 5	1432978	PD. 3	1433132	RA. 1	1433334	JA. 41
1432843	GP. 5	1432979	PD. 3	1433135	MC. 73	1433335	JA. 41
1432844	GP. 5	1432981	PD. 3	1433136	KH. 4	1433336	JB. 6
1432847	JA. 47	1432982	PD. 3	1433137	KH. 4	1433337	JB. 6
1432848	MA. 1	1432983	PD. 3	1433138	HC. 2	1433338	JB. 6
1432849	MA. 1	1432984	PD. 3	1433139	NB. 4	1433339	JB. 6
1432850	MA. 5	1432988	QB. 6	1433143	PD. 3	1433344	JH. 24
1432851	MA. 5	1432989	QB. 6	1433158	JH. 1	1433345	JH. 24
1432852	MB. 1	1432990	QB. 6	1433165	QP. 27	1433346	JH. 17
1432853	MB. 1	1432991	JG. 3		QP. 72	1433347	JH. 13
1432854	MB. 5	1432992	JB. 111	1433166	GK. 4	1433348	JH. 9
1432855	MB. 5		JB. 112	1433167	GK. 4	1433349	JH. 17
1432857	RB. 1	1432993	JB. 112	1433176	QB. 5	1433350	JH. 12
1432859	JB. 34	1432994	JB. 111	1433180	FH. 3	1433359	MC. 6
1432861	SC. 2		JB. 112	1433184	FG. 12	1433360	MC. 6
1432862	SC. 2	1432995	JB. 112	1433185	EG. 16	1433361	RA. 2
	SC. 4	1432996	MC. 7	1433187	FG. 64	1433362	RA. 2
1432863	SC. 2	1432997	MC. 7	1433195	EE. 2	1433363	RA. 1
1432864	SC. 4	1432998	MC. 7	1433196	QA. 40	1433364	RA. 3
1432867	SC. 2	1432999	MC. 7	1433205	JB. 63A	1433365	RA. 3
	SC. 4	1433000	MC. 7	1433206	QA. 30	1433367	RA. 3
	SC. 6	1433001	MC. 7	1433211	GG. 13	1433368	RB. 2
	SC. 8	1433002	HM. 3	1433213	QP. 23	1433369	JB. 63A
	SC. 10	1433003	JH. 4A	1433218	JH. 17	1433370	JB. 63A
	SC. 11	1433004	ME. 3	1433219	GK. 2	1433371	JB. 63A
	SC. 13	1433005	ME. 3	1433227	JB. 57	1433372	JB. 63A
1432868	SC. 5	1433006	QP. 72		JB. 58	1433374	JB. 63A
	SC. 6	1433007	EF. 5	1433230	FA. 33	1433375	HC. 3
	SC. 7	1433008	EF. 5	1433240	OH. 7	1433376	FG. 65
	SC. 9	1433015	QA. 16	1433243	EF. 4	1433378	QP. 32
	SC. 11	1433022	JA. 62A	1433249	HJ. 1	1433379	QP. 32
	SC. 13	1433028	FC. 4	1433253	JA. 6	1433380	QP. 51
	SC. 14		NB. 5	1433263	QP. 51	1433385	QD. 4
1432869	MC. 75	1433031	QA. 41	1433264	QP. 51	1433391	JA. 25
1432875	FG. 20	1433036	MC. 67	1433272	QP. 16	1433396	FO. 11
1432890	JB. 32	1433099	EG. 21	1433274	FB. 2		QR. 8
1432905	MC. 7	1433100	EG. 21	1433275	FB. 3	1433407	KG. 2
1432906	MC. 7	1433101	EG. 21	1433276	FB. 3	1433409	FP. 4
1432913	JA. 35	1433102	EG. 14	1433277	FB. 3	1433410	FP. 4
1432914	JA. 35	1433105	QA. 18	1433278	QP. 29	1433411	QM. 28
1432915	JA. 36	1433108	PB. 18B	1433279	QP. 29	1433418	CA. 2
1432916	JA. 36	1433110	QP. 24	1433316	JB. 78		
1432921	FD. 1	1433111	QP. 24	1433317	JB. 81		
1432922	KG. 3	1433112	QP. 24				

INDEX OF REFERENCE NUMBERS

Ref. No.	Page No.	Ref. No.	Page No.	Ref. No.	Page No.	Ref. No.	Page No.
SECTION 26DC (Cont'd.)		SECTION 26DC (Cont'd.)		SECTION 26DC (Cont'd.)		SECTION 26DC (Cont'd.)	
1433427	JA. 49	1433740	QA. 29	1433871	QA. 14	1433994	GK. 5
1433428	QP. 46	1433741	PA. 6		QA. 15	1433997	QB. 5
1433430	FG. 13	1433745	QP. 56B	1433872	QA. 14	1505001	JA. 39
1433433	JB. 87	1433746	QP. 67	1433873	QA. 14	1505003	EJ. 10
	PC. 4	1433747	QP. 56B		QA. 15	1505005	JB. 107
1433458	QC. 10	1433748	QP. 56B	1433874	HM. 4	1505006	JB. 107
1433459	QC. 10	1433749	QP. 67	1433876	FM. 34	1505007	JA. 55
1433472	FG. 49	1433750	EG. 8	1433877	FM. 34	1505008	JA. 55
1433473	GA. 4	1433751	EG. 9	1433883	FG. 47	1505009	JA. 55
1433477	GG. 13	1433752	EG. 8	1433884	JA. 30	1505015	KC. 3
1433483	KB. 8	1433755	HL. 9	1433885	JA. 29	1505026	FG. 49
1433484	JH. 30	1433758	QA. 53	1433886	JB. 15	1505028	JB. 108
1433485	JH. 30	1433760	JB. 101	1433887	JB. 15	1505035	JA. 35
1433486	CA. 6	1433761	JA. 4	1433890	HM. 3	1505036	JA. 35
1433492	QP. 51	1433762	MC. 67	1433891	GP. 1	1505048	GH. 1
1433494	FH. 8		MC. 69	1433897	JB. 18	1505051	PE. 2
1433504	QP. 33		MD. 8	1433898	JB. 16	1505056	HJ. 1
1433517	HL. 7		MD. 9	1433899	JB. 20	1505062	JB. 18
	HL. 14	1433768	JB. 51	1433900	JB. 20	1505064	EC. 3
1433520	EF. 12	1433769	JA. 39	1433901	QB. 4	1505065	FP. 4
1433530	MC. 75	1433774	RA. 7	1433911	HL. 8	1505066	FP. 4
1433531	MC. 75	1433778	PD. 2		HL. 16	1505073	QS. 10
1433553	NB. 4	1433786	QR. 14		HM. 7	1505089	EA. 1
1433554	JA. 42	1433795	JA. 55		QM. 19	1505097	JH. 27A
1433591	HM. 5	1433801	EE. 2		QM. 22	1505098	FH. 5
1433601	EG. 8	1433802	EF. 2		QM. 25	1505100	QS. 16
1433602	EG. 9	1433803	JB. 18		QM. 29	1505135	FH. 3
1433603	EG. 9	1433804	JB. 19		QM. 32	1505136	GK. 5
1433606	GG. 29		JB. 21	1433913	JB. 22	1505139	JB. 81
1433612	JA. 61	1433805	JB. 18		JB. 25	1505140	JB. 81
1433613	JA. 61	1433808	EJ. 8		JB. 27	1505142	QD. 3
1433614	JA. 61	1433809	EJ. 8	1433915	HM. 1	1505143	QA. 8
1433643	QP. 40	1433810	EJ. 8	1433916	JB. 56	1505160	QM. 3
1433648	FG. 12	1433811	EJ. 3	1433917	QP. 70	1505162	FH. 4
1433650	GE. 2		EJ. 8	1433919	HM. 2		FH. 7
1433662	HA. 1	1433814	EJ. 8	1433920	HM. 1	1505164	QD. 1
	HA. 2	1433815	EK. 3		HM. 2	1505183	HM. 1
1433664	HM. 6	1433819	QA. 28	1433921	JB. 63B	1505184	HM. 1
1433665	GG. 8	1433822	FJ. 12	1433924	JA. 58	1505185	HM. 1
1433666	CA. 3	1433824	GP. 5	1433932	EE. 8	1505202	JB. 55A
1433669	JH. 17	1433854	QB. 5		QP. 8	1505205	EC. 1
1433671	EC. 7	1433855	EH. 3	1433936	FG. 43	1505206	EC. 1
1433672	EC. 8	1433856	EJ. 2	1433937	JB. 81	1505208	FH. 10
1433673	EC. 1	1433857	EJ. 1	1433940	GF. 6	1505211	QD. 5
1433675	KF. 3A	1433858	EJ. 1		GF. 9	1505215	QD. 5A
1433682	FJ. 16	1433859	EG. 11		GF. 10	1505217	QD. 5
1433683	JB. 57	1433865	EG. 14	1433946	JG. 8	1505220	QD. 1A
1433686	JB. 57	1433866	EG. 14	1433947	JG. 8	1505224	QD. 1
	JB. 58	1433867	EJ. 4	1433954	JB. 30A	1505231	QP. 54
1433688	JB. 58	1433868	EJ. 4	1433966	EG. 16	1505239	QP. 56
1433690	JB. 57	1433869	QA. 14	1433967	EG. 16	1505251	GA. 4
	JB. 58		QA. 15	1433990	HM. 4	1505252	QP. 54B
1433735	PC. 2	1433870	QA. 14		QJ. 1	1505253	QP. 54B

INDEX OF REFERENCE NUMBERS

Ref. No.	Page No.	Ref. No.	Page No.	Ref. No.	Page No.	Ref. No.	Page No.
SECTION 26DC (Cont'd.)		SECTION 26DC (Cont'd.)		SECTION 26DC (Cont'd.)		SECTION 26DC (Cont'd.)	
1505254	QP. 56A	1510083	HM. 2	1510394	PA. 11	1510490	GQ. 13
1505258	QP. 56A	1510089	GK. 4	1510395	PA. 11	1510491	GQ. 14
1505267	GA. 3	1510094	QA. 48		PB. 11	1510492	GQ. 14
1505269	QP. 67	1510095	FG. 48	1510400	JH. 27A	1510493	GQ. 14
1505272	QP. 63B	1510098	KH. 13	1510403	JH. 27	1510494	GQ. 14
1505280	QP. 64A	1510099	JA. 59	1510404	JH. 27	1510495	GQ. 14
1505291	QP. 66B	1510106	EH. 5	1510405	PB. 11	1510496	GQ. 14
1505293	QP. 63	1510107	EK. 3	1510406	PA. 11	1510497	GQ. 14
1505301	QP. 64	1510109	EJ. 8	1510407	PA. 6	1510498	GQ. 14
1505306	QP. 64	1510115	HN. 2	1510408	PA. 11	1510499	GQ. 13
1505307	QP. 64A	1510117	KG. 2	1510409	MC. 72	1510500	GQ. 13
1505310	QP. 66A	1510118	QA. 29	1510415	QP. 16	1510501	GQ. 13
1505326	QP. 35	1510168	QA. 45	1510416	QP. 17	1510502	GQ. 15
1505330	QP. 35B	1510179	QP. 52	1510417	QP. 17	1510503	FA. 33A
1505332	QP. 35	1510180	QP. 52	1510418	QP. 49	1510504	FM. 28
1505333	QP. 35	1510181	QP. 52	1510419	QP. 49	1510505	FM. 28
1505349	QP. 42B	1510182	JA. 6	1510420	QP. 49	1510506	FJ. 19
1505357	MC. 4	1510183	JA. 6	1510421	QP. 49B	1510507	FJ. 19
1505359	MC. 4	1510184	FG. 55	1510422	QP. 49B	1510508	FD. 2
1505360	MC. 4	1510280	JH. 8	1510423	QP. 49B		FJ. 15
1505361	MC. 4	1510285	JB. 81	1510424	QP. 50B		FQ. 7
1505362	MC. 4	1510287	QM. 9	1510425	QP. 50B	1510509	FQ. 7
1505363	FP. 4	1510289	QA. 57	1510427	QP. 49B	1510510	PA. 15
1505364	FP. 4	1510295	NB. 6	1510428	QP. 49B	1510511	PA. 14
1505366	FP. 4	1510311	JA. 56	1510429	QP. 49B	1510512	PA. 14
1505371	JB. 94	1510320	FH. 9	1510430	QP. 38	1510513	PA. 14
1505372	MC. 14	1510321	GP. 5	1510431	QP. 38A	1510514	PA. 14
1505373	MC. 14	1510326	JA. 28	1510432	QP. 50	1510515	PA. 14
1505374	RA. 7	1510327	FH. 6	1510435	QP. 38	1510519	QP. 40
1505375	RA. 7	1510328	QP. 43	1510436	QP. 38A	1510520	QP. 40
1505376	RA. 7	1510342	GG. 29	1510438	QP. 49A	1510521	QP. 40
1505387	HL. 9	1510344	JB. 45	1510439	QP. 49	1510522	JB. 99
	QK. 3	1510346	EF. 5	1510440	QK. 4		QA. 58
1505388	HL. 10	1510347	EF. 7	1510442	QP. 19	1510523	JB. 99
1505410	PD. 1	1510348	GJ. 1	1510445	QB. 10		QA. 58
1505423	QK. 1	1510349	GJ. 1	1510450	EF. 5	1510524	GG. 5
1505424	QK. 1	1510350	QJ. 5	1510461	JB. 46	1510526	PB. 10A
1505429	QS. 6	1510355	JB. 42	1510462	QP. 8	1510532	SA. 1
1505435	JA. 25	1510378	EG. 5	1510464	QT. 17	1510536	MC. 70
1505441	JA. 6	1510381	EG. 19	1510470	JB. 124	1510537	MC. 70
1505444	QM. 8	1510382	EG. 19		JB. 125	1510538	MC. 70
1505446	QS. 16	1510383	EG. 19	1510471	GQ. 13	1510539	MC. 70
1505448	JC. 1	1510384	EG. 20	1510472	GQ. 13	1510541	JB. 81
1505449	QA. 39	1510386	EG. 19	1510473	GQ. 13	1510542	JB. 57
1505474	EE. 9	1510389	QR. 17	1510474	GQ. 13	1510543	JB. 57
	EE. 10	1510391	MC. 63	1510477	GQ. 13	1510552	EF. 7
1505475	EE. 9	1510393	MC. 41	1510482	CQ. 15	1510555	FP. 7B
1505476	EE. 10		MC. 42	1510483	CQ. 15	1510556	GD. 1
1505495	QA. 8		MC. 43	1510484	CQ. 15	1510558	GD. 1
1510072	FA. 10		MC. 44	1510485	GQ. 15	1510559	GD. 1
1510074	FE. 3		MC. 45	1510486	GQ. 16	1510561	GD. 3
1510075	FE. 3		MC. 47	1510487	GQ. 16	1510562	FP. 7B
1510080	JA. 20		MC. 59	1510488	GQ. 12	1510563	FP. 6
1510082	HM. 2		MC. 61				

INDEX OF REFERENCE NUMBERS

Ref. No.	Page No.	Ref. No.	Page No.	Ref. No.	Page No.	Ref. No.	Page No.
SECTION 26DC (Cont'd.)		SECTION 26DC (Cont'd.)		SECTION 26DC (Cont'd.)		SECTION 26FP (Cont'd.)	
1510565	FP. 6	1510737	JB. 55	6116215	QR. 14	1999	QS. 1
1510569	EE. 2	1510744	JA. 22	6116216	QR. 1	(Cont'd.)	QS. 3
1510573	JB. 29	1510746	JA. 61	6116218	GD. 1		QT. 2
	JB. 30	1510747	JA. 61	6116219	GD. 1		QT. 17
1510622	JH. 25	1510752	PA. 15	6116220	GD. 1	2001	NB. 12
1510625	FG. 5	1510753	HG. 3	6116221	GD. 1		QA. 11
1510648	JA. 45	1510754	HG. 3	6116222	GD. 2		QA. 40
	JA. 48	1510755	HG. 1	6116223	GD. 3		QA. 41
1510649	JA. 45	1510756	HG. 1	6116226	JH. 11	2005	DA. 6A
1510650	JA. 45	1510757	MC. 75				HC. 1
1510651	JA. 46	1510758	MC. 74				NB. 12
1510652	JA. 46	1510761	FH. 4				QA. 40
1510653	PE. 6B	1510765	FH. 1				DA. 41
1510654	RA. 7A		FH. 7	SECTION 26DL			QS. 2
1510655	RA. 7A	1510770	NB. 9				QS. 3
	RA. 7B	1510775	JB. 39	6007676	PE. 6A		QT. 2
1510656	RA. 7A	1510780	JB. 121	6009006	PE. 6A		QT. 17
1510657	RA. 7A	1510782	JH. 4A	6009505	FN. 20	2249	QP. 40A
1510658	RA. 7A	6116001	HM. 1	6010020	FP. 1	2451	KE. 2
1510659	RA. 7A	6116002	HM. 1	6010527	KC. 2	2453	JB. 98
1510660	RA. 7B	6116007	JA. 26	6010613	QH. 11		GO. 1
1510661	FP. 11	6116009	HM. 1	6010606	JE. 2		GO. 10
1510662	PB. 18A	6116051	JA. 31	6011395	KE. 3		QA. 57
1510663	PB. 18B	6116053	JA. 5	6011717	KE. 2		QM. 11
1510664	PB. 18B	6116055	JA. 47	6011743	KE. 3		QP. 1
1510665	PB. 18B	6116062	FH. 4	6011744	KE. 3		QP. 22
1510666	PB. 18B	6116077	JA. 40				QP. 40
1510670	EC. 9	6116078	JA. 49				QP. 54
1510675	EC. 9	6116173	QS. 1				QP. 56
1510678	EC. 9	6116174	QS. 1				QR. 1
1510681	NB. 6	6116175	QS. 1	SECTION 26DN			QR. 8
1510699	JB. 45	6116176	OS. 1				QR. 67
1510705	FH. 5	6116179	OC. 5	6714			QT. 1
1510708	FH. 12	6116180	OC. 6				QT. 12
1510711	FG. 5	6116182	OC. 5				QT. 15
1510714	GQ. 14	6116183	OC. 5				QT. 16
1510715	MC. 75	6116184	OC. 3				QT. 18
1510721	FH. 1	6116185	OC. 3	SECTION 26FP			QV. 1
1510722	JB. 55	6116186	OC. 3			2483	QP. 39
1510723	JB. 55	6116188	JB. 120	692	JG. 7		QP. 52
1510724	JB. 55A	6116189	FH. 1	1052	GE. 1	2721	GA. 3
1510725	JB. 55A		JB. 120	1056	JA. 42		GJ. 1
1510726	JB. 55A	6116190	JB. 120	1581	FM. 25		JA. 23
1510727	JB. 55A	6116191	FH. 1	1685	QA. 18		JH. 27
1510728	JB. 55A		FH. 7		QA. 36		QA. 8
1510729	JB. 55A	6116194	JB. 120	1714	QH. 1		QA. 54
1510730	JB. 55	6116201	FP. 10	1727	QA. 52		OB. 1
1510731	JB. 55	6116202	FP. 10	1771	FM. 25		OC. 3
1510732	JB. 55	6116204	MC. 4	1837	QT. 11		OP. 1
1510733	JB. 55A	6116211	QK. 7		QV. 3		OP. 40
1510734	JB. 55A	6116214	QK. 3	1840	QR. 1		OP. 52
1510735	JB. 55A		QR. 8	1999	QT. 6A		OP. 53
1510736	JB. 5		QR. 14		NB. 12		QR. 1

INDEX OF REFERENCE NUMBERS

Ref. No.	Page No.	Ref. No.	Page No.	Ref. No.	Page No.	Ref. No.	Page No.
SECTION 26FP (Cont'd.)		SECTION 26FP (Cont'd.)		SECTION 26FP (Cont'd.)		SECTION 26FP (Cont'd.)	
2721 (Cont'd.)	QT. 1 QT. 6A QT. 11 QT. 16 QT. 18 QV. 1	13043 (Cont'd.)	MA. 2 MA. 6 MB. 2 MB. 3 MB. 6 MB. 7	13092	EM. 2 FG. 46C JB. 32 OM. 10	13611 13637 13644 13687 13689	JA. 3 PA. 7 OR. 1 FG. 46C JH. 17
2722	JA. 44 QS. 1		MC. 1 MC. 11	13093	FG. 46C GG. 20 JH. 27	13726 13780	RB. 2 PA. 7 OC. 3
2724	QT. 6A		MC. 14		PE. 1 PE. 5	13797	PC. 1
2945	JA. 42		MC. 18		QA. 11	13806	GE. 2
3255	JG. 7		MC. 27	13107	FG. 46C	13898	FG. 46C
3305	QH. 6 OR. 13		MC. 33 MC. 36	13108	FG. 46C PE. 5		GQ. 8 OM. 2
4763	MB. 2 MB. 4		MC. 39 MD. 2	13109	JB. 32 PE. 5	13899 13905	GQ. 8 FP. 7B
5008	FG. 58 GG. 34		QR. 1 RB. 3	13112	FG. 46C QA. 1	13924	FN. 20 PE. 5
6535	GQ. 12	13044	EF. 5	13135	FP. 7B		OM. 10
6536	QP. 40A		JA. 23		PE. 1	13928	FG. 46C
6946	JH. 25 MC. 74 MD. 2		JA. 26 JB. 37 JB. 38	13161 13163 13183	JA. 37 JA. 37 FG. 46C	13930	FA. 32 FG. 51 FM. 27
7914	OS. 3		JB. 53		HL. 13	13942	JB. 102
10114	JA. 25 JB. 32 JB. 118 NA. 1 NA. 2 QP. 23		JB. 58 JB. 75 JB. 77 JB. 81	13265 13270	QC. 12 MC. 20 QC. 1		PB. 18C QH. 6 QH. 8
10135	JB. 104 JD. 2 JD. 3 JH. 34 JH. 36 JH. 37		JC. 2 JD. 2 JG. 9 MA. 6 MB. 2 MB. 3 MB. 6 MB. 7	13337 13372 13420	QQ. 1 QP. 21 JH. 7 MC. 5		OP. 33 OP. 34 OP. 35 OP. 45
10702	QR. 1		MA. 6	13421	GQ. 1		OP. 53
13003	JB. 99 QA. 58		MB. 2 MB. 3 MB. 6 MB. 7 MC. 1		JH. 7 JH. 11 MC. 5 QC. 3 QH. 11		OP. 60 OP. 61 OP. 62 OT. 12 QV. 1
13004	GD. 1 JE. 2		MC. 11 MC. 14 MC. 18 MC. 27	13457	OM. 11 QN. 1 OS. 1 GA. 3	13993 14408 14665	GG. 16 FG. 44 GB. 1 JH. 11
13018	JB. 127		MC. 33 MC. 36 MC. 39 MD. 2		JB. 31 JB. 102 OH. 8 OP. 59	14845	JB. 41 JB. 43 JB. 46 JB. 48
13043	JA. 23 JA. 36 JB. 37 JB. 38 JB. 53 JB. 58 JB. 75 JB. 77 KB. 81 JC. 2 JD. 2 JG. 9	13062 13069 13084 13091	QR. 1 RB. 3 FG. 46C QM. 10 JB. 33 FG. 46C FG. 46C QJ. 1	13461 13568 13570 13607 13610	QV. 1 PE. 5 JA. 20 OS. 2 MC. 4 QA. 44 QA. 45 JA. 5 ME. 1 PC. 1	14890 15023 15025 15120 15124 15243	JB. 64 JB. 86 JG. 5 OS. 1 JH. 36 JB. 98 QA. 15 QF. 1 QA. 11

INDEX OF REFERENCE NUMBERS

Ref. No.	Page No.	Ref. No.	Page No.	Ref. No.	Page No.	Ref. No.	Page No.
SECTION 27FR		SECTION 27FS (Cont'd.)		SECTION 27J		SECTION 27KD (Cont'd.)	
2230	HL. 12	1444049	HM. 5	1503260	EF. 5	4631737	QA. 5
	HM. 4	4524636	QJ. 7			4631762	QA. 1
2763	NC. 21	4524637	QM. 22			4631807	GQ. 8
2781	QP. 27					4631809	QA. 46
3323	QN. 4					4631817	GQ. 9
3401	CA. 5			SECTION 27K		4631826	QA. 4
3402	CA. 5			747	QA. 8	4631827	QA. 5
3403	CA. 5	SECTION 27G		796	GJ. 1	4631828	QA. 5
3404	CA. 5	2781	QP. 27	1062	GJ. 1	4631829	QA. 12
3473	QM. 18	3401	CA. 5	1063	GJ. 2	4631849	QA. 51
	QM. 21	3402	CA. 5	1064	GJ. 1	4631868	QA. 38
	QM. 27	3403	CA. 5	1236	GJ. 1	4631869	QA. 12
3474	QM. 18	3404	CA. 5	1400	GJ. 1	4631870	GQ. 10
	QM. 21	3404	CA. 5	1402	GJ. 2	4631874	QA. 12
	QM. 24	4168	CA. 3	4611011	QA. 9	4631879	QA. 46
	QM. 27	4169	CA. 3	4611023	QA. 8	4631885	QA. 6
3479	QM. 24	4219	CA. 3	4611187	QA. 8	4631886	QA. 5
	QM. 31	4220	CA. 3	4690895	GJ. 1	4631895	GQ. 10
3480	QM. 31	4251	KB. 7		GJ. 2	4665802	GQ. 10
3486	QK. 12	6212	KB. 2		QA. 11		GQ. 11
3487	HM. 5	4618587	KB. 2	4700436	QA. 8		
33324	HM. 6	4618588	KB. 2				
	QK. 11	4618589	KB. 7				
1040683	MC. 21	4618590	KB. 7				
1041067	QK. 1	4618591	KB. 7				
1056583	QJ. 1	4618594	KB. 1				
	QK. 1			SECTION 27KC			
	QM. 2					1123	JA. 31
	QM. 7			4677308	KB. 1	1300	KB. 7
	QM. 11					5052	JA. 28
1056586	QK. 10	SECTION 27H				50091	GK. 2
1056588	QJ. 1	93	FG. 58			50093	GK. 2
1057698	HL. 1	2776	KJ. 1	SECTION 27KD		50165	GK. 2
	HL. 6	4605566	JA. 7			50166	GK. 2
	HL. 9	4605567	JA. 7	972	GQ. 7	50168	GK. 2
	QK. 1	4605582	JA. 7	980	GQ. 7	50169	GK. 2
	QK. 10	4605621	KJ.1	4360426	GQ. 3	1031936	KB. 7
	QM. 2			4631315	FE. 5	1046816	KB. 7
	QM. 7				FF. 4	1046822	KB. 7
1444901	QN. 3				OS. 4	1046823	KB. 7
4384519	QT. 6			4631534	CQ. 8	1046905	KB. 2
4679991	SB. 1	SECTION 27HS		4631731	QA. 6	1046921	KB. 7
4692826	QM. 24			4631732	QA. 6	4527546	KB. 7
	QM. 31	20078	GK. 4			4527551	KB. 1
		20099	GK. 4			4527725	KB. 4
		4527251	GK. 4			4527762	KB. 8
		4527262	GK. 4			4541132	JA. 35
		4527288	GK. 4			4541133	JA. 35
		4527317	GK. 4			4665807	KB. 7
		4527318	GK. 6				
SECTION 27FS							
5364	QM. 16						
5563	QK. 2						
6321	QR. 13						

INDEX OF REFERENCE NUMBERS

Ref. No.	Page No.	Ref. No.	Page No.	Ref. No.	Page No.	Ref. No.	Page No.
SECTION 27M		SECTION 27N (Cont'd.)		SECTION 27N (Cont'd.)		SECTION 27N (Cont'd.)	
8782	KB. 4	181	QE. 1	185	QE. 6	203	QE. 1
10764	KH. 4		QE. 2	(Cont'd.)	QE. 7		QE. 2
1500263	QP. 15		QE. 3		QE. 8	205	QE. 2
	QP. 46		QE. 4		QE. 9		QE. 5
1500264	QP. 15		QE. 6		QE. 10		QE. 7
	QP. 46		QE. 7		QE. 11		QE. 10
1500265	QP. 15		QE. 9		QE. 12		QE. 13
	QP. 46		QE. 10		QE. 13		QE. 15
1500266	QP. 15		QE. 11		QE. 14		QE. 18
	QP. 46		QE. 12		QE. 15		QE. 19
			QE. 13		QE. 16	1027627	QE. 17
			QE. 14		QE. 17	1027545	QE. 1
			QE. 15		QE. 18		QE. 2
			QE. 17		QE. 19		QE. 3
			QE. 18	186	QE. 1		QE. 4
			QE. 19		QE. 2		QE. 6
SECTION 27N			QE. 1		QE. 3		QE. 7
99	MC. 5	182	QE. 2		QE. 6		QE. 9
	QH. 1		QE. 3		QE. 7		QE. 10
	QH. 5		QE. 4		QE. 8		QE. 11
	QH. 11		QE. 6		QE. 9		QE. 12
100	GA. 2		QE. 7		QE. 10		QE. 13
	QH. 1		QE. 8		QE. 11		QE. 14
102	QH. 6		QE. 9		QE. 12		QE. 15
167	QE. 2		QE. 10		QE. 13		QE. 17
	QE. 5		QE. 11		QE. 14		QE. 18
	QE. 8		QE. 12		QE. 15		QE. 19
	QE. 10		QE. 13		QE. 16	1027837	QE. 5
	QE. 13		QE. 14		QE. 17		QE. 8
	QE. 16		QE. 15		QE. 18		QE. 10
	QE. 19		QE. 16		QE. 19		QE. 13
176	QE. 5		QE. 17		QE. 19		QE. 16
178	QE. 2		QE. 18	188	QE. 18		QE. 19
	QE. 8		QE. 19	189	QE. 18		QE. 19
	QE. 10		QE. 1	191	QE. 12	4526448	JB. 102
	QE. 13	184	QE. 3		QE. 14	4526494	QE. 2
	QE. 16		QE. 6	196	QE. 9		QE. 5
	QE. 20		QE. 7		QE. 13		QE. 8
180	QE. 1		QE. 8	197	QE. 2		QE. 10
	QE. 2		QE. 9	199	QE. 1		QE. 14
	QE. 3		QE. 11		QE. 3		QE. 16
	QE. 4		QE. 12		QE. 6	4526513	QE. 20
	QE. 6		QE. 13		QE. 7		QE. 6
	QE. 7		QE. 14		QE. 8		QE. 9
	QE. 8		QE. 15		QE. 9		QE. 10
	QE. 9		QE. 16		QE. 11		QE. 18
	QE. 10		QE. 17		QE. 12	4526516	FQ. 7
	QE. 11		QE. 18		QE. 13		QE. 2
	QE. 12		QE. 19		QE. 14	4526547	GA. 2
	QE. 13		QE. 1		QE. 15	4670513	JG. 1
	QE. 14	185	QE. 2		QE. 16		
	QE. 15		QE. 3		QE. 17		
	QE. 16		QE. 4		QE. 18		
	QE. 18				QE. 19		
	QE. 19						

INDEX OF REFERENCE NUMBERS

Ref. No.	Page No.	Ref. No.	Page No.	Ref. No.	Page No.	Ref. No.	Page No.
SECTION 27VA (Cont'd.)		SECTION 27WW		SECTION 29Q		SECTION 37J	
4625826	QP. 40A	4607692	QW. 1	2172	DA. 2	6082423	QP. 46
4625827	QT. 14	4607693	QW. 1			6092159	QP. 46
	QT. 12	4607694	QW. 1			9722704	JA. 3
4625828	QT. 13	4607695	QW. 1				
	QT. 12	4607766	QW. 1	SECTION 32C			
	QT. 13	4607975	QW. 1	4669356	GK. 1		
4625829	JA. 51				OS. 1	SECTION 37L	
	QT. 10				OS. 3	4521229	NB. 1
4652910	QP. 21	SECTION 29G				4521707	NB. 13
4625914	QP. 18	4216	QN. 10	SECTION 37A			
4625915	QP. 22	1050239	GD. 4				
4625934	QT. 16	1034153	DA. 2	4387626	FH. 2	SECTION 40B	
4625936	HC. 4		DA. 3		FH. 5	1255	KC. 2
	QT. 18		DA. 4		FH. 8	1268	KC. 2
4625937	QT. 18		DA. 4		FH. 11		
4625938	QP. 23		QN. 10	4387755	FJ. 20		
4625951	QP. 27	1034156	QN. 10		FH. 2		
	QP. 52		DA. 6		FH. 5		
4625952	QV. 3		QN. 10		FH. 8	SECTION 109JB	
4625953	QB. 22	4658453	DA. 2		FH. 11		
4625960	JA. 32	4658456	DA. 6		FJ. 20	271	QT. 9
	QT. 2	4658556	DA. 6			295	QT. 9
4626238	QA. 14	4658558	DA. 2				
	QA. 15	8089528	DA. 6	SECTION 37F			
4626244	JA. 49			19247	NB. 12	SECTION 110D	
4626245	JA. 51	SECTION 29H		19255	NB. 13		
4626246	QT. 2	4105	JA. 48	19876	NB. 1	6043307	PB. 20
4626337	QV. 3	4290	HJ. 1	4382371	NB. 2	6277718	PD. 3
4626439	QV. 1		PA. 2		FH. 2		
5446036	QA. 52		JA. 48		FH. 5		
6115901	QP. 70	1250084	JA. 29		FH. 8		
6115902	QP. 70	1250107	JA. 30		FH. 11		
6115903	QP. 70		FN. 16	4382745	FH. 2	SECTION 110F	
6115904	QD. 1		JA. 29		FH. 5		
	QP. 70		JA. 30		FH. 8	68809	PE. 6A
6115905	QP. 70	1250109	JA. 30	4382746	NB. 13		
6115979	QT. 2	1250113	JA. 29	4382747	NB. 13		
6325595	QT. 15	1250121	JA. 29	4382748	NB. 13		
SECTION 27VB		1250155	JA. 29	4675255	NB. 1	N.A.T.O.	
5300	HC. 1		JA. 30	6080871	NB. 9		
6042	NB. 12	1374601	GE. 3	6080872	NB. 1		
6241	NB. 12	8006529	JA. 48			2995-99-	
4497218	QT. 10	9990758	JA. 29			4382371	FH. 2
4497298	QM. 16		JA. 30				FH. 5
4497484	QT. 10	9990759	JA. 29				FH. 8
			JA. 30				FH. 11
		9990760	JA. 48			4210-99-	JG. 7
			JA. 48			1041642	QG. 1

INDEX OF REFERENCE NUMBERS

Ref. No.	Page No.	Ref. No.	Page No.	Ref. No.	Page No.	Ref. No.	Page No.
N.A.T.O. (Cont'd.)		N.A.T.O. (Cont'd.)					
4210-99-1042111	JG. 7 QG. 1	5895-99-9563379	GG. 22 GG. 22A				
4820-99-4117455	QP. 27 QP. 28	5905-99-0117487	FB. 14				
4820-99-4140000	QP. 55B	5920-99-4526534	FB. 9				
4820-99-4153922	QP. 50C	5920-99-4526578	FB. 9				
4820-99-6200080	GD. 16	5930-99-4706418	EC. 3				
5120-99-4118956	KB. 1	5930-99-6198752	FG. 7 FM. 1				
5310-99-9436077	GG. 14	5960-99-0372110	FA. 36 FA. 36A FN. 18				
5340-99-9467416	GG. 22	5960-99-9133505	FA. 36 FA. 36A				
5820-99-1075637	PA. 3	5961-99-0374675	FA. 36 FA. 36A FN. 18				
5821-99-9148966	PB. 20	5961-99-1183224	FA. 36 FA. 36A				
5821-99-9428543	FE. 5	5961-99-1184804	FA. 36 FA. 36A				
5841-99-9546361	PA. 1	5995-99-6379339	PB. 4				
5841-99-9547727	PB. 18B	6130-99-9514613	GG. 22 GG. 22A				
5841-99-9547760	PE. 9	6130-99-1102609	FQ. 16				
5895-99-0830053	PE. 10	6220-99-4330201	FG. 5				
5895-99-0839009	QA. 24	6240-99-9951272	FG. 5				
5895-99-1071521	PA. 16	6240-99-9951282	FG. 5				
5895-99-9452053	PE. 7	9505-99-9514613	GG. 22 GG. 22A				
5895-99-9455345	QA. 24	6MT14/2610-99-5093267	KG. 2				
5895-99-9455355	QA. 24	6MT14/2610-99-8093256	FG. 2				
5895-99-9455359	QA. 23						
5895-99-9455394	QA. 24						
5895-99-9455536	PE. 6						
5895-99-9465121	PE. 6A						
5895-99-9529685	QA. 24						
5895-99-9563378	PA. 16						

VULCAN No. 2

AIRFRAME COMPONENTS

Page B. 1

Ref. No.	Part No.	Description	No. off	Matl. Spec.	Cl. of	Plate and Illust'n No.
					St. M.R.	
		1 2 3 4				
AIRFRAME COMPONENT ASSEMBLIES (A3096)						
Spares for:—						
DOORS, ENGINE ACCESS, PORT AND STARBOARD (1 & 2F10671)						
Consisting of:—						
530	1F10672	DOOR, ENGINE, INBOARD FORWARD, PORT, GROUP (Pre-Mod. 906)	1	—	A	B1/1
563	1F11807	DOOR, ENGINE, INBOARD FORWARD, PORT, GROUP (Mod. 906)	1	—	A	B1/1
531	2F10672	DOOR, ENGINE, INBOARD FORWARD, STARBOARD, GROUP (Pre-Mod. 906)	1	—	A	B1/2
564	2F11807	DOOR, ENGINE, INBOARD FORWARD, STARBOARD, GROUP (Mod. 906)	1	—	A	B1/2
577	117F10676	DOOR, ENGINE, INBOARD REAR, PORT, GROUP (Mod. 1821)	1	—	A	B1/3
578	118F10676	DOOR, ENGINE, INBOARD REAR, STARBOARD, GROUP (Mod. 1821)	1	—	A	B1/4
575	178F10674	DOOR, ENGINE, INBOARD CENTRE, PORT, GROUP (Mod. 1320)	1	—	A	B1/5
576	179F10674	DOOR, ENGINE, INBOARD CENTRE, STARBOARD, GROUP (Mod. 1320)	1	—	A	B1/6
532	1F10673	DOOR, ENGINE, OUTBOARD FORWARD, PORT, GROUP (Pre-Mod. 906)	1	—	A	B1/7
561	1F11808	DOOR, ENGINE, OUTBOARD FORWARD, PORT, GROUP (Mod. 906)	1	—	A	B1/7
533	2F10673	DOOR, ENGINE, OUTBOARD FORWARD, STARBOARD, GROUP (Pre-Mod. 906)	1	—	A	B1/8
562	2F11808	DOOR, ENGINE, OUTBOARD FORWARD, STARBOARD, GROUP (Mod. 906)	1	—	A	B1/8
573	314F10675	DOOR, ENGINE, OUTBOARD CENTRE, PORT GROUP (Mod. 1320)	1	—	A	B1/9
574	315F10675	DOOR, ENGINE, OUTBOARD CENTRE, STARBOARD, GROUP (Mod. 1320)	1	—	A	B1/10
579	123F10677	DOOR, ENGINE, OUTBOARD REAR, PORT, GROUP (Mod. 1821)	1	—	A	B1/11
580	124F10677	DOOR, ENGINE, OUTBOARD REAR, STARBOARD, GROUP (Mod. 1821)	1	—	A	B1/12

AIRFRAME COMPONENTS

Ref. No.	Part No.	Description	No. off	Matl. Spec.	Cl. of	Plate and Illust'n No.
					St.	
		1 2 3 4			M.R.	
64	1D8818	DOOR, MAIN ENTRANCE, AND ESCAPE CHUTE, GROUP	1	—	A	B1/13
		DOORS, UNDERCARRIAGE				
		Consisting of:—				
554	113F10167	DOOR, MAIN UNDERCARRIAGE, PORT, GROUP (Mod. 1289)	1	—	A	B1/14
555	114F10167	DOOR, MAIN UNDERCARRIAGE, STARBOARD, GROUP (Mod. 1289)	1	—	A	B1/15
538	84D9455	DOOR, NOSE UNDERCARRIAGE, PORT, GROUP	1	—	A	B1/16
539	85D9455	DOOR, NOSE UNDERCARRIAGE, STARBOARD, GROUP	1	—	A	B1/17
33	1D8901	DOOR, BOMB, INNER, PORT, GROUP (Pre-Mod. 2281)	1	—	A	B1/69
	1D13802	DOOR, BOMB, INNER, PORT, GROUP (Mod. 2281)	1	—		
34	2D8901	DOOR, BOMB, INNER, STARBOARD, GROUP (Pre-Mod 2281)	1	—	A	B1/70
	2D13802	DOOR, BOMB, INNER, STARBOARD, GROUP (Mod. 2281)	1	—		
35	1D8900	DOOR, BOMB, OUTER, PORT, GROUP	1	—	A	B1/71
36	2D8900	DOOR, BOMB, OUTER, STARBOARD, GROUP	1	—	A	B1/72
		FUSELAGE ASSEMBLIES				
		Spares for:—				
		AIRBRAKES, PORT & STARBOARD, IN FUSELAGE, CENTRE PORTION (F9574)				
		Spares for:—				
84	1F9581	FLAP, INBOARD TOP, PORT, GROUP	1	—	A	B1/18
85	2F9581	FLAP, INBOARD TOP, STARBOARD, GROUP	1	—	A	B1/19
86	3F9581	FLAP, OUTBOARD TOP, PORT, GROUP	1	—	A	B1/20
87	4F9581	FLAP, OUTBOARD TOP, STARBOARD, .	1	—	A	B1/21
517	31F9582	FLAP, INBOARD BOTTOM, PORT, GROUP	1	—	A	B1/22
518	30F9582	FLAP, INBOARD BOTTOM, STARBOARD, GROUP	1	—	A	B1/23
120	360D8626	CANOPY, PILOT'S, GROUP	1	—	A	B1/24

VULCAN Mk 2						
AIRFRAME COMPONENTS						
Page B.3						
Ref. No.	Part No.	Description	No. off	Matl. Spec.	Cl. of St.	Plate and Illust'n No.
					M.R.	
		1 2 3 4				
		FUSELAGE ASSEMBLIES (Cont'd)				
	11D9581	CENTRE PORTION FUSELAGE GROUP	1	—		B1/25
	10D9580	CREW'S NACELLE FRONT CENTRE PORTION FUSELAGE	1	—		B1/26
	10D9579	NOSE FUSELAGE COMPLETE WITH EQUIPMENT, GROUP				
1		Spares for:—				
		RADOME, COMPOSITE, NOSE GROUP (D9501)	1	—	A	B1/27
88		STRUCTURE, NOSE, TOP PORTION GROUP (D9502)	1	—		B1/28
160	10P3698	PROBE, REFUELLING, GROUP (Mod 1422)	1	—	A	
	1D11106	REAR PORTION FUSELAGE, GROUP (INCLUDES TRAILING EDGE FAIRING, AND JET PIPE CAPS)	1	—		B1/73
		Spares for:—				
	1D10906	CAP, JET PIPE, INBOARD, PORT GROUP (Pre-Mod. 906)	1	—		
11771	1D11459	CAP, JET PIPE, INBOARD, PORT GROUP (Mod. 906)	1	—	A	B1/29
	2D10906	CAP, JET PIPE, INBOARD, STARBOARD GROUP (Pre-Mod. 906)	1	—		
11772	2D11459	CAP, JET PIPE, INBOARD, STARBOARD GROUP (Mod. 906)	1	—	A	B1/30
	1D10907	CAP, JET PIPE, OUTBOARD, PORT GROUP (Pre-Mod. 906)	1	—		
11773	1D11460	CAP, JET PIPE, OUTBOARD, PORT GROUP (Mod. 906)	1	—	A	B1/31
	2D10907	CAP, JET PIPE, OUTBOARD, STARBOARD GROUP (Pre-Mod. 906)	1	—		
11774	2D11460	CAP, JET PIPE, OUTBOARD, STARBOARD GROUP (Mod. 906)	1	—	A	B1/32
7869	1D10785	RADOME ASSEMBLY, COMPLETE WITH MOUNTING RING, GROUP	1	—	C	B1/33

AIRFRAME COMPONENTS

Ref. No.	Part No.	Description	No. off	Matl. Spec.	Cl. of St.	Plate and Illust'n No.
					M.R.	
		1 2 3 4				
		INTAKES AIR, 0.3942 (Pre-Mod. 906)				
		INTAKES AIR, 0.4096 (Mod. 906)				
521	1.0.3774	Spares for:— AIR INTAKE, REMOVABLE, GROUP (Pre-Mod. 360)	4	—	A	B1/34
8052	2.0.3951	AIR INTAKE, TOP HALF (REMOVABLE), GROUP (Mod. 360) (Pre-Mod. 906)	4	—	A	
11761	2.0.4096	AIR INTAKE, TOP HALF (REMOVABLE), GROUP (Mod. 906)	4	—	A	
8053	3.0.3951	AIR INTAKE, BOTTOM HALF (REMOVABLE), GROUP (Mod. 360) (Pre-Mod. 906)	4	—	A	
11762	3.0.4096	AIR INTAKE, BOTTOM HALF (REMOVABLE), GROUP (Mod. 906)	4	—	A	
		MAINPLANE, PORT & STARBOARD (5 & 6F9700)				
		Spares for:—				
	1F9725	AILERON (ELEVON), INBOARD OUTER, PORT GROUP	1	—		B1/35
	2F9725	AILERON (ELEVON), INBOARD OUTER, STARBOARD GROUP	1	—		B1/36
	1F9726	AILERON (ELEVON), OUTBOARD OUTER, PORT GROUP	1	—		B1/37
	2F9726	AILERON (ELEVON), OUTBOARD OUTER, STARBOARD GROUP	1	—		B1/38
	85F7851	ELEVATOR, INBOARD, PORT GROUP (Pre-Mod. 891)	1	—		
	89F7851	ELEVATOR, INBOARD, PORT GROUP (Mod. 891)	1	—		B1/39
	86F7851	ELEVATOR, INBOARD, STARBOARD GROUP (Pre-Mod. 891)	1	—		
	90F7851	ELEVATOR, INBOARD, STARBOARD GROUP (Mod. 891)	1	—		B1/40
	1F9724	ELEVATOR, OUTBOARD, PORT GROUP (Pre-Mod. 891)	1	—		
	111F9724	ELEVATOR, OUTBOARD, PORT GROUP (Mod. 891)	1	—		B1/41

VULCAN Mk 2

AIRFRAME COMPONENTS

Page B.5

Ref. No.	Part No.	Description	No. off	Matl. Spec.	Cl. of St.	Plate and Illust'n No.
					M.R.	
		1 2 3 4				
		MAINPLANE, PORT AND STARBOARD (Cont'd)				
	2F9724	ELEVATOR, OUTBOARD, STARBOARD GROUP (Pre-Mod. 891)	1	—		
	112F9724	ELEVATOR, OUTBOARD, STARBOARD GROUP (Mod. 891)	1	—		B1/42
27	1F8773	FAIRING, HINGED, MAIN UNDERCARRIAGE BAY, PORT GROUP	1	—	A	
28	2F8773	FAIRING, HINGED, MAIN UNDERCARRIAGE BAY, STARBOARD GROUP	1	—	A	
7521	1F10802	FAIRING, REMOVABLE, UNDERCARRIAGE INBOARD, PORT GROUP	1	—	B	B1/43
7522	2F10802	FAIRING, REMOVABLE, UNDERCARRIAGE INBOARD, STARBOARD GROUP	1	—	B	B1/44
	1F9702	MAINPLANE, OUTER PORTION, PORT GROUP	1	—		B1/45
	2F9702	MAINPLANE, OUTER PORTION, STARBOARD GROUP	1	—		B1/46
	21F9701	MAINPLANE, INNER PORTION, PORT GROUP	1	—		B1/47
	22F9701	MAINPLANE, INNER PORTION, STARBOARD GROUP	1	—		B1/48
571	230F9910	TIP, MAINPLANE, DETACHABLE, PORT GROUP	1	—	A	B1/49
572	231F9910	TIP, MAINPLANE, DETACHABLE, STARBOARD GROUP	1	—	A	B1/50
		TAIL UNIT ASSEMBLIES				
		Spares for:—				
	400H2230	FIN ASSEMBLY, GROUP	1	—		B1/51
	10H2586	FIN TIP, ASSEMBLY, GROUP	1	—		B1/52
	1H2760	RUDDER ASSEMBLY, GROUP	1	—		B1/53
106	1P3247	TANK FUEL, No. 1, PORT GROUP	1	—	A	B1/54
107	2P3247	TANK FUEL, No. 1, STARBOARD GROUP	1	—	A	B1/55
545	1P3229	TANK FUEL, No. 2, PORT GROUP	1	—	A	B1/56
546	2P3229	TANK FUEL, No. 2, STARBOARD GROUP	1	—	A	B1/57

AIRFRAME COMPONENTS

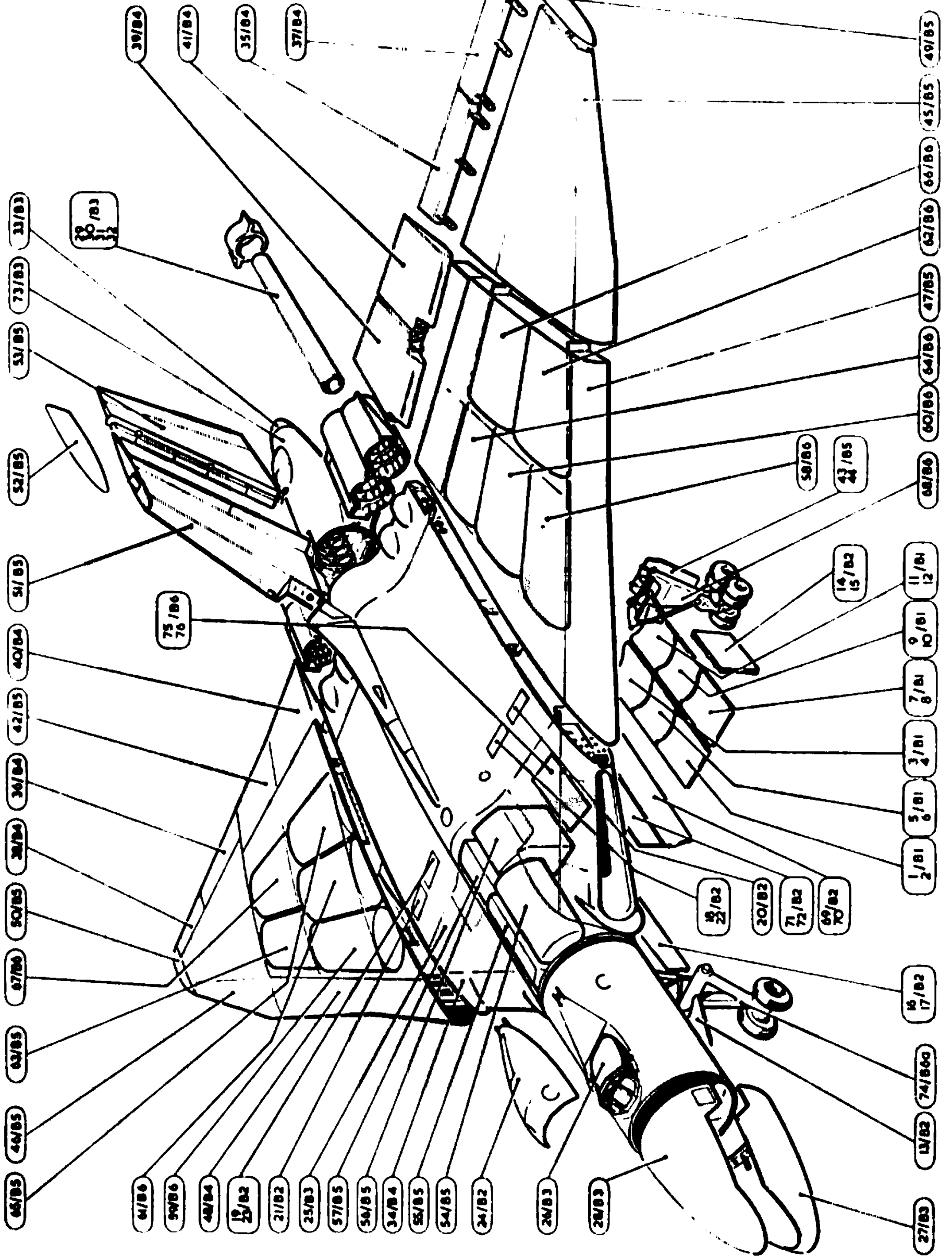
Ref. No.	Part No.	Description	No. off	Matl. Spec.	Cl. of St.	Plate and Illust'n No.
					M.R.	
		1 2 3 4				
110	1P3249	TANK FUEL, No. 3, PORT GROUP	1	—	A	B1/52
111	2P3249	TANK FUEL, No. 3, STARBOARD GROUP	1	—	A	B1/59
112	1P3250	TANK FUEL, No. 4, PORT GROUP	1	—	A	B1/60
113	2P3250	TANK FUEL, No. 4, STARBOARD GROUP	1	—	A	B1/61
114	1P3251	TANK FUEL, No. 5, PORT GROUP	1	—	A	B1/62
	2P3251	TANK FUEL, No. 5, STARBOARD GROUP	1	—		B1/63
116	1P3252	TANK FUEL, No. 6 PORT GROUP	1	—	A	B1/64
117	2P3252	TANK FUEL, No. 6, STARBOARD GROUP	1	—	A	B1/65
118	1P3253	TANK FUEL, No. 7, PORT GROUP	1	—	A	B1/66
119	2P3253	TANK FUEL, No. 7, STARBOARD GROUP	1	—	A	B1/67
587	1P3391	TANK FUEL, long range (Mod. 527)	1	—	A	B1/75
588	1P3376	TANK FUEL, long range (Mod. 528)	1	—	A	B1/76
		UNDERCARRIAGE MAIN (1 & 2FK2751)				B1/68
		Spares for:—				
534	25F9987	BEAM AND BEARING, OUTBOARD,	1	—	A	
		PORT GROUP				
535	27F9987	BEAM AND BEARING, OUTBOARD,	1	—	A	
		STARBOARD GROUP				
4573	28F8703	BEAM BEARING, DRAG LINK,	1	—	A	
		OUTBOARD, PORT GROUP				
4574	31F8703	BEAM BEARING, DRAG LINK,	1	—	A	
		OUTBOARD, STARBOARD GROUP				
536	7K2751	BEAM AND BEARING, INBOARD,	1	—	A	
		PORT GROUP				
537	8K2751	BEAM AND BEARING, INBOARD,	1	—	A	
		STARBOARD GROUP				
4575	11K2751	BEAM AND BEARING, DRAG LINK AND	1	—	A	
		CAP, INBOARD, PORT GROUP				
4576	12K2751	BEAM AND BEARING, DRAG LINK	1	—	A	
		AND CAP, INBOARD, STARBOARD				
		GROUP				

VULCAN 116 2

AIRFRAME COMPONENTS

Page B. 6A

Ref. No.	Part No.	Description				No. off	Matl. Spec.	Cl. of St.	Plate and Illust'n No.
		1	2	3	4			M.R.	
		UNDERCARRIAGE, NOSEWHEEL AND MOUNTING (K2725 & D9460) (See Alighting Gear)							B1/74



AIRFRAME COMPONENTS

ALIGHTING GEAR
MAIN UNDERCARRIAGE

Ref. No.	Part No.	Description	No. off	Matl. Spec.	Cl. of St.	Plate and Illust'n No.
					M.R.	
		1 2 3 4				
		UNDERCARRIAGE, ASSEMBLIES, MAIN, PORT AND STARBOARD (1 & 2K2751) Spares for:—				
27QM/71119	DOWTY 2.00211.006	Absorber, shock (Mod. 1967)	1	—	A	CA2/1
536	7K2751	BEAM, BEARING AND CAP, MAIN	1	—	A	CA1/2
537	8K2751	GROUP : BEAM, BEARING AND CAP, MAIN	1	—	A	CA1/3
		UNDERCARRIAGE, INBOARD, STARBOARD, GROUP : Spares for:—				
6587	3K2751	Bolt, cap	4	S96	C	CA1/4
	17K2751	Bolt, stud, for cap	2	—	MR	CA1/4A
	16K2751	Nut, special	4	S94	MR	CA1/5
	15K2751	Washer	4	L72	MR	CA1/6
4591	4K2718	Bolt, special for cap	5	S96	MR	CA1/7
4592	10K2718	Bolt, 3/8" BSF	26	S96	C	CA1/8
28M/4095808	11K2718	Bolt, 3/8" BSF	22	S96	C	CA1/9
28M/4095892	AGS2001/J1	Nut, stiff, 3/8" BSF	48	—	C	
28P/1202572	A27/NS	Nut, slotted	5	—	C	
28W/9419477	SP90/E9	Pin, split (SP9/E10)	5	—	C	
28W/9419489	SP15/J	Washer	26	—	C	
28W/9419479	SP16/J	Washer	33	—	C	
4599	SP15/N	Washer	5	—	C	
	9K2718	Washer (Make from SP16/N)	5	—	C	CA1/10
534	25F9987	BEAM, BEARING AND CAP, MAIN	1	—	A	CA1/11
		UNDERCARRIAGE, OUTBOARD, PORT, GROUP				
535	27F9987	BEAM, BEARING AND CAP, MAIN	1	—	A	CA1/12
		UNDERCARRIAGE, OUTBOARD, STARBOARD, GROUP Spares for:—				
6689	15F9987	Bolt, for cap	4	S99	C	CA1/13
1297	5K2718	Bolt, stud, for cap	2	—	C	CA1/14
1296	97F7584	Bush, bearing	1	BSS/218	C	CA1/15
28N/9156370	SP/21	Nipple, grease	1	—	C	CA1/16
28M/4199609	A27/QC	Nut	4	—	C	
28P/1220820	SP90/G10	Pin, split (SP9/G12)	4	—	C	
1296	37F7584	Spigot	1	S1	C	CA1/17
28W/9419481	SP15/Q	Washer	4	—	C	CA1/18
		Attachments—Beams (25 & 27F9987)				
28D/1213447	A59/6J	Bolt	17	—	C	
28D/20184	A59/7J	Bolt	23	—	C	
28D/9435053	A59/8J	Bolt	1	—	C	
	8F9987	Bolt	1	S96		CA1/19
	13F9987	Bolt	1	S96		CA1/20
	21F8702	Bolt (Make from A59/7J)	3	—		CA1/21
	35F9987	Bolt (Make from A59/8J)	1	—		CA1/22
	30F9987	Bolt	1	S96		CA1/23
	8JSS4167	Bolt, csk.	2	—		CA1/24

ALIGHTING GEAR
MAIN UNDERCARRIAGE

Ref. No.	Part No.	Description	No. off	Matl. Spec.	Cl. of St.	Plate and Illust'n No.
					M.R.	
		1 2 3 4				
BEAM, BEARING AND CAP, PORT AND STARBOARD (25 & 27F9987) (Cont'd.)						
Attachments--Beams (25 & 27F9987) (Cont'd)						
	37F9987	Bracket, attachment, port	1	L72		CA1/25
	38F9987	Bracket, attachment, starboard	1	L72		CA1/26
28M/4095932	A24/PC	Nut, castle	3	-	C	
28W/9419477	SP15/J	Washer, for bolts (A59/7J and 21F8702) ...	26	-	C	
28W/9419489	SP16/J	Washer	2	-	C	
28W/9419492	SP16/P	Washer	1	-	C	
	10F9587	Washer, chamfered	3	-		CA1/27
	14F8702	Washer	2	L72		CA1/28
	24F8702	Washer, for bolts A59/6J & A59/8J)	18	L72		CA1/29
	31F9987	Washer, shim, 1.06" dia. x 0.02"	1	L72		CA1/30
4575	11K2751	BEAM, BEARING, DRAG LINK, INBOARD, ..	1	-	A	CA1/31
PORT, GROUP						
4576	12K2751	BEAM, BEARING, DRAG LINK, INBOARD, ..	1	-	A	CA1/32
STARBOARD, GROUP						
Spares for:--						
6588	4K2751	Bolt, cap	4	S96	C	CA1/33
28M/4199609	A27/QC	Nut	4	-	C	
28W/9419481	SP15/Q	Washer	4	-	C	
Attachments--Beams (11 & 12K2751)						
	12K2718	Bolt	12	S96	MR	CA1/34
	13K2718	Bolt	17	S96	MR	CA1/35
	18K2751	Bolt (May be made from 18K2718)	3	S96		CA1/36
	18K2718	Bolt	3	S96	MR	CA1/37
	19K2718	Bolt	3	S96	MR	CA1/38
	24K2718	Bolt	2	S96	C	CA1/39
1433418	AGS2001/G1	Nut, stiff	31	-	C	
28M/1202770	A27/LS	Nut, slotted	4	-	C	
28M/9129449	SP90/E9	Pin, split (SP9/E10)	9	-	C	
28P/1202592	SP15/G	Washer	4	-	C	
28W/9419476	SP15/J	Washer	29	-	C	
28W/9419477	SP15/L	Washer	26	-	C	
28W/9419478	SP15/L	Washer	26	-	C	
4600	17K2718	Washer (Make from SP16/L)	4	-	C	CA1/40
4573	28F8703	BEAM, BEARING, DRAG LINK, OUTBOARD, ..	1	-	A	CA1/41
PORT, GROUP						
4574	31F8703	BEAM, BEARING, DRAG LINK, OUTBOARD, ..	1	-	A	CA1/42
STARBOARD, GROUP						
Spares for:--						
6590	27F8703	Bolt, cap	4	S99	C	CA1/43
	6K2718	Bolt, stud	2	S96	MR	CA1/44
1301	99F7564	Bush, bearing	1	BSS/369	C	CA1/45
28N/9156370	SP/21	Nipple, grease	1	-	C	CA1/46
28M/4095949	A27/NC	Nut	4	-	C	
28W/9419479	SP15/N	Washer	4	-	C	
Attachments--Beams (28 & 31F8703)						
28D/1213760	A30/5G	Bolt	13	-	C	
28D/1213761	A30/6G	Bolt	10	-	C	
	18F8703	Bolt (Make from A30/4J)	3	-		CA1/47
	37F8703	Bolt	3	S96		CA1/48

VULCAN MR 2

ALIGHTING GEAR
MAIN UNDERCARRIAGE

Page CA. 3

Ref. No.	Part No.	Description	No. off	Matl. Spec.	Cl. of St	Plate and Illust'n No
					M.R.	
		1 2 3 4				
		BEAM, BEARING, DRAG LINK, OUTBOARD (28 & 31F8703) (Cont'd)				
		Attachments—Beams (28 & 31F8703) (Cont'd)				
28P/1202572	SP90/E9	Pin, split	3	—	C	
28M/4095892	A27/NS	Nut	3	—	C	
28W/9419476	SP15/G	Washer	23	—	C	
28W/9419489	SP16/J	Washer	3	—	C	
28W/9419479	SP15/N	Washer	3	—	C	
	19F8703	Washer (Make from SP16/N)	3	—		CA1/49
	19K2751	Bolt, shear, u/c side load strut	2	S99		CA2/50
	32F9987	Bush, for side load strut	1	S96		CA2/51
	24K2702	Brush, bearing, main beam, inboard, 6-3/4" x ... 4-1/4" long	1	BSS/369	MR	CA1/52
1305	25K2702	Bush, bearing, drag link, inboard, 3-3/4" dia. x ... 3-3/4" long	1	BSS/369	C	CA1/53
27G/4168	DUNLOP AH.50723	Brake, front, port, inner and starboard outer	1	—	A	CA2/54
27G/4169	DUNLOP AH.50724	Brake, front, port, outer and starboard inner	1	—	A	CA2/55
27G/4219	DUNLOP AH.51711	Brake, rear, port inner and starboard outer	1	—	A	CA2/56
		(Mod. 1121)				
27G/4220	DUNLOP AH.51712	Brake, rear, port outer and starboard inner	1	—	A	CA2/57
		(Mod. 1121)				
9929	1Q2251	GUARD, STONE, FOR MAXARET, GROUP	1	—	B	CA2/58
		Spares for:—				
1433666	1SS4650	Bolt, for brackets (3 & 4Q2251)	2	S94	MR	
	6Q2251	Bolt, for top bracket (5Q2251)	2	—	C	
	3Q2251	Bracket, bottom	1	L72		
	4Q2251	Bracker, bottom	2	L72		
	5Q2251	BRACKET, TOP, GROUP	1	—	MR	
		Spares for:—				
28FP/9425767	S5/200	Spring, dzus	2	—	C	
	2Q2251	GUARD, GROUP	1	—		
		Spares for:—				
28FP/9425770	AJ4/35	Fastener, dzus	2	—	C	
28FP/9425771	GA5/312	Grommet, dzus	2	—	C	
	2dQ2251	Hinge (Make from S53525 x 10")	1	—		
	DOWTY					
27QM/4703290	1.03024.010	Jack, main undercarriage, port (Mod. 2109)	1	—	A	CA2/59
	DOWTY					
27QM/4698554	1.03025.010	Jack, main undercarriage, starboard (Mod. 2109)	1	—	A	CA2/60
	1F11725	LINK, SPRING LOADED U/C LEG TO	2	—	MR	CA2/61
		FAIRING, GROUP (MOD. 1108)				
		Spares for:—				
	3F8798	BEARING, END, GROUP	1	—	MR	CA2/62
		Spares for:—				
	HOFFMAN GJ/5	Bearing, self-aligning	1	—		CA2/63
	5SS5880	Plate, securing	1	—		

ALIGHTING GEAR
MAIN UNDERCARRIAGE

Ref. No.	Part No.	Description	No. off	Matl. Spec.	Cl. of St.	Plate and Illust'n No.
					M.R.	
		1 2 3 4				
		LINK, SPRING LOADED, U/C LEG TO FAIRING (1F11725) (Cont'd)				
	10F8798	BEARING, LINK GROUP	1	—		CA2/64
		Spares for:—				
28N/9156370	SP/21	Nipple, grease	1	—	C	
	8F8798	Bush, for end bearing	2	S1	MR	CA2/65
	11F8798	Bush, for link bearing	1	BSS/369	MR	CA2/66
10585	14F8798	Disc	1	DTD130	C	CA2/67
10584	13F8798	Spring	1	—	C	CA2/68
		MOUNTING, UNDERCARRIAGE, ONE WAY RESTRICTOR VALVE AND P.U. LIMIT SWITCH, PORT AND STARBOARD (1 & 2Z7470)				
		Spares for:—				
	17Z470	Cam, valve, u/c one way restrictor, port	1	BSS/668	MR	CA2/69
	18Z470	Cam, valve, u/c one way restrictor, starboard	1	BSS/668	MR	CA2/70
	19Z470	Cam, u/c P.U. switch, port	1	BSS/668	MR	CA2/71
	20Z470	Cam, u/c S.U switch, starboard	1	BSS/668	MR	CA2/72
		Attachments—Cams (17, 18, 19, 20.Z7470)				
28D/9436920	A25/1C	Bolt	3	—	C	
28W/9419402	SP13/C	Washer	3	—	C	
2656	12Z7470	CLIP, HALF, FRAME TO SIDE LOAD, STRUT, GROUP	2	—	C	CA2/73
2645	3Z7470	FRAME, MOUNTING, PORT, GROUP	1	—	C	CA2/74
	4Z7470	FRAME, MOUNTINGS, STARBOARD, GROUP	1	—	MR	CA2/75
		Attachments—Frames (3 & 4Z7470)				
28D/1212595	A25/34E	Bolt	1	—	C	
28D/1212598	A25/38E	Bolt	1	—	C	
	16Z7470	Ferrule	2	S1		
28M/9480017	AGS2001/E1/66	Nut	2	—	C	
28W/9418921	SP13/E	Washer	2	—	C	
2651	9Z7470	LEVER, OPERATING, GROUP	2	—	C	CA2/76
		Spares for:—				
	9cZ7470	Rivet, shouldered	1	S1	MR	
	9bZ7470	Roller	1	L65	MR	CA2/77
		Attachments—Lever (9Z7470)				
28M/1012015	10Z7470	Bolt, shouldered	2	S96	MR	CA2/78
	AGS2001/C1/66	Nut, stiff, 2 BA	2	—	C	
	11Z7470	Spring	2	—	MR	CA2/79
13793	14Z7470	Tube, distance, 17G x 3/8" o/d x 0.28"	4	DTD464A	C	CA2/80
28W/9419402	SP13/C	Washer	2	—	C	
2657	13Z7470	Screw, adjusting, for valve	2	S96	C	CA2/81
5CW/1084481	DOWTY C.1831Y	Switch, limit (Downmic) (Pre Mod. 1906)	1	—	B	
5CW/4400578	HONEYWELL 402/EN.N3	Switch, micro (Mod. 1906)	1	—	B	CA2/82
27QM/4173583	DOWTY C.6771Y Mk. A	Valve, one way restrictor	1	—	A	CA2/82A

VULCAN No. 2		ALIGHTING GEAR					Page CA. 5
		MAIN UNDERCARRIAGE					
Ref. No.	Part No.	Description	No. off	Matl. Spec.	Cl. of St.	Plate and Illust'n No.	
					M.R.		
		1 2 3 4					
	DUNLOP AH51365	Piping, maxaret, front, R.H. (Mod. 967)	1	—		CA2/83	
	DUNLOP AH51366	Piping, maxaret, front, L.H. (Mod. 967)	1	—		CA2/84	
	DUNLOP AH51367	Piping, maxaret, rear, R.H. (Mod. 967)	1	—		CA2/85	
	DUNLOP AH51368	Piping, maxaret, rear, L.H. (Mod. 967)	1	—		CA2/86	
		(See AP4515C, Vol. 3, Part 1, Section 2, Chapter 55)					
27QM/ 4174916	DOWTY 2.00176.001	Strut, retracting, port (Mod. 1261)	1	—	A	CA2/87	
27QM/ 4174917	DOWTY 2.00176.002	Strut, retracting, starboard (Mod. 1261)	1	—	A	CA2/88	
	1K2719	STRUT, SIDE LOAD, GROUP	1	—	MR	CA2/89	
27A/6471491		Tyre (Air Ministry Free Issue) (Mod. 2084)	8	—	B	CA2/90	
	DOWTY 2.00441.042	Unit, main undercarriage, port (Mod. 2090)	1	—	A		
27QM/71323	DOWTY 2.00441.043	Unit, main undercarriage, port (Mod. 2119)	1	—	A		
27QM/71354	DOWTY 2.00421.044	Unit, main undercarriage, port (Mod. 2090)	1	—	A		
27QM/71358		(Pre-Mod. 2232)					
27QM/ 1448649	DOWTY 2.00421.045	Unit, main undercarriage, port (Mod. 2232)	1	—	A		
27QM/ 1448659	DOWTY 2.00421.046	Unit, main undercarriage, port (Pre-Mod. 2167)	1	—	A		
27QM/ 1490232	DOWTY 2.00421.047	Unit, main undercarriage, port (Mod. 2167)	1	—	A	CA2/91	
		(Pre-Mod. 2401)					
27QM/ 1491211	DOWTY 2.00421.048	Unit, main undercarriage, port (Mod. 2401)	1	—	A		
	DOWTY 2.00442.042	Unit, main undercarriage, starboard (Mod. 2099)	1	—	A		
27QM/71324	DOWTY 2.00442.043	Unit, main undercarriage, starboard (Mod. 2119)	1	—	A		
27QM/71326	DOWTY 2.00422.044	Unit, main undercarriage, starboard (Mod. 2090)	1	—	A		
27QM/71364	DOWTY 2.00422.045	Unit, main undercarriage, starboard (Mod. 2232)	1	—	A		
27QM/ 1448653	DOWTY 2.00422.046	Unit, main undercarriage, starboard	1	—	A	CA2/92	
27QM/ 1448661		(Pre-Mod. 2167)					
27QM/ 1490233	DOWTY 2.00422.047	Unit, main undercarriage, starboard (Mod. 2167)	1	—	A		
		(Pre-Mod. 2401)					
27QM/ 1491212	DOWTY 2.00422.048	Unit, main undercarriage, starboard (Mod. 2401)	1	—	A		
27G/3401	DUNLOP AC61676	Unit, maxaret, front, port outer, starboard inner	1	—	A	CA2/93	
27G/3402	DUNLOP AC61678	Unit, maxaret, rear, port outer, starboard inner	1	—	A	CA2/94	
27G/3403	DUNLOP AC61680	Unit, maxaret, rear, port inner, starboard, outer	1	—	A	CA2/95	
27G/3404	DUNLOP AC61682	Unit, maxaret, front, port inner, starboard outer	1	—	A	CA2/96	
		(See AP4515C, Vol. 3, Pt. 1, Sec. 2, Chap. 55)					

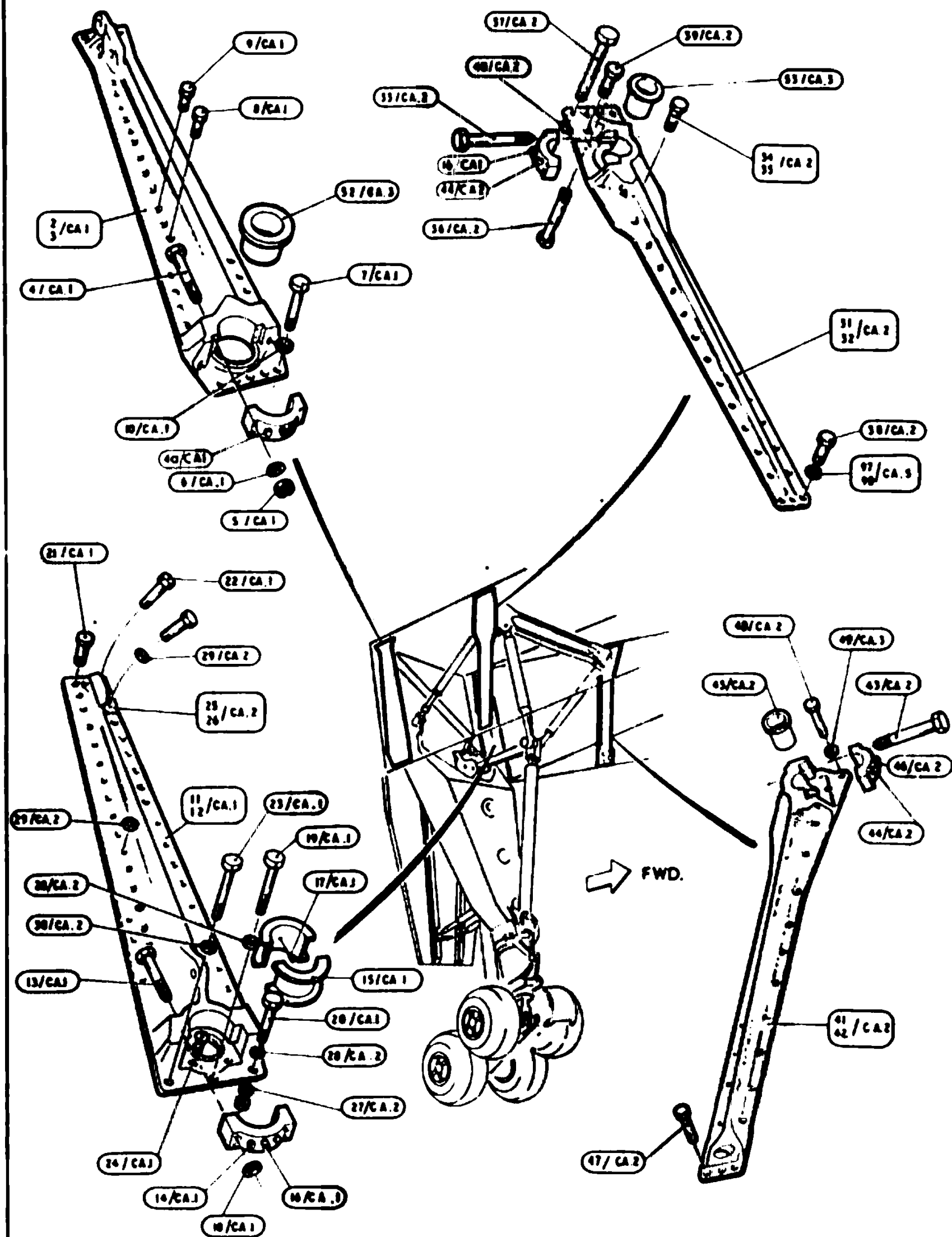
ALIGHTING GEAR
MAIN UNDERCARRIAGE

Ref. No.	Part No.	Description	No. off	Matl. Spec.	Cl. of St.	Plate and Illust'n No.
					M.R.	
		1 2 3 4				
1433486	5K2751	Washer, for bolt (19K2718) (Make from SP16/U)	2	-	C	CA1/97
	22K2718	Washer, for bolt (19K2718)	2	S1	MR	CA1/98
	DUNLOP					
27A/6324324	AH.50722	Wheel, main undercarriage (Pre Mod. 2084)	4	-	A	CA2/99
	DUNLOP					
27A/6324360	AH.52235	Wheel, main undercarriage (Mod. 2084)	4	-	A	

VULCAN No. 2

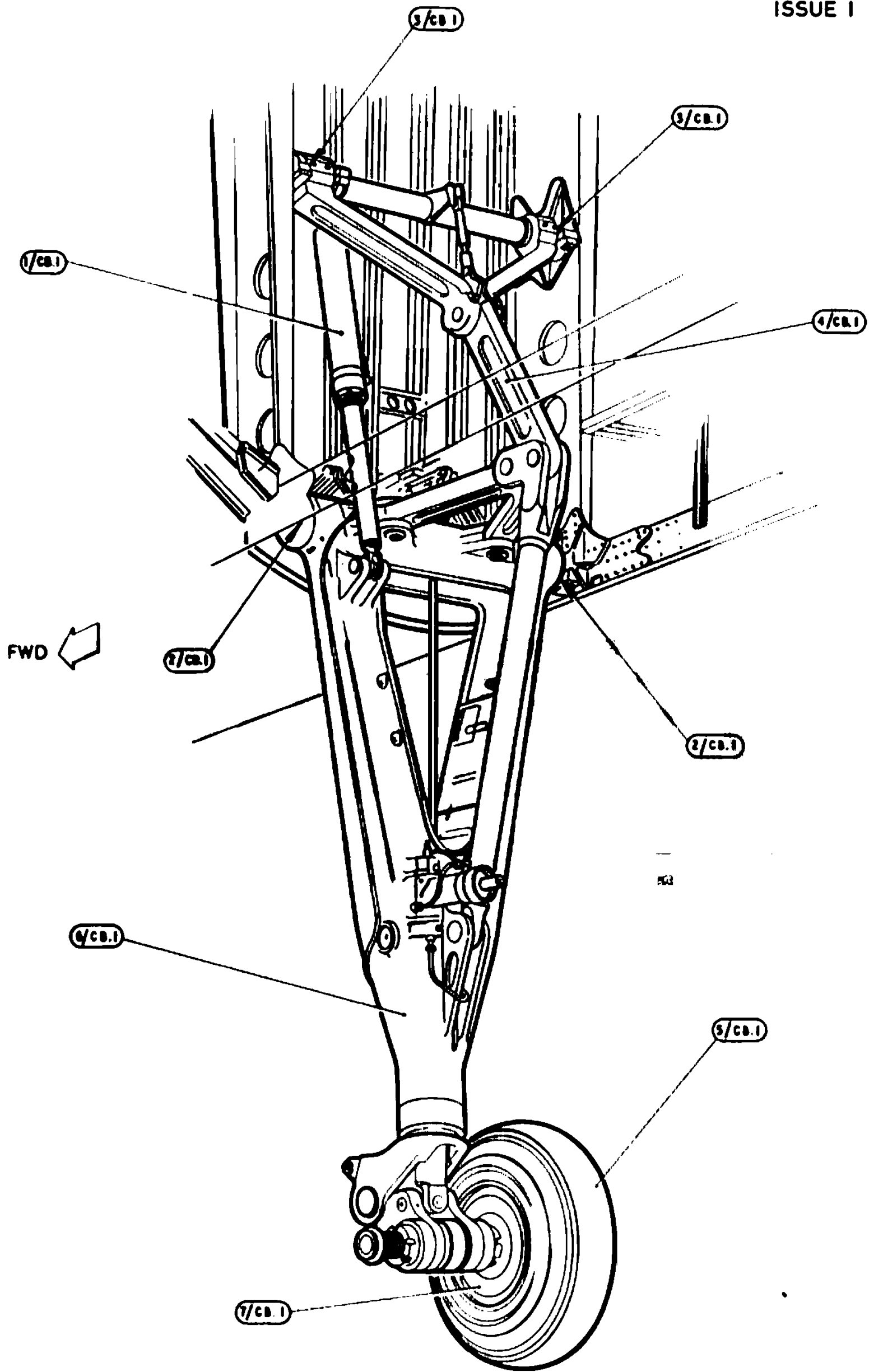
ALIGHTING GEAR
 MAIN UNDERCARRIAGE
 SUMMARY OF STANDARD ITEMS

Stores Ref.		No. off	Stores Ref.		No. off	Stores Ref.		No. off
Section	Ref. No.		Section	Ref. No.		Section	Ref. No.	
27A	4776	1						
28D	1212595	1						
28D	1212598	1						
28D	1213760	13						
28D	1213761	10						
28D	1213447	17						
28D	20184	23						
28D	9435053	1						
28D	9436920	3						
28FP	1201748	2						
28FP	9425770	2						
28FP	9425771	2						
28M	10291	31						
28M	10292	48						
28M	13259	8						
28M	13606	3						
28M	14015	4						
28M	14622	8						
28M	1278190	1						
28M	9129449	4						
28M	9480017	2						
28N	9156370	3						
28P	19157	4						
28P	20343	17						
28W	9418921	2						
28W	9419402	4						
28W	9419476	27						
28W	9419477	81						
28W	9419478	26						
28W	9419479	12						
28W	9419481	8						
28W	9419489	38						
28W	9419492	1						



ALIGHTING GEAR
MAIN UNDERCARRIAGE

VULCAN No. 2		ALIGHTING GEAR				Page CB. 1			
		NOSEWHEEL UNDERCARRIAGE							
Ref. No.	Part No.	Description				No. off	Matl. Spec.	Cl. of St.	Plate and Illust'n No.
		1	2	3	4			M.R.	
		UNDERCARRIAGE, NOSEWHEEL MOUNTING (10K2725)							
		Spares for:—							
27QM/71124	DOWTY 1.01299.013	Jack, nosewheel undercarriage (Pre-Mod. 2126)				1	—	A	CB1/1
27QM/ 4704652	1.01299.014	Jack, nosewheel undercarriage (Mod. 2126) ..				1	—	A	
		SHIM, U/C BEARING (12K2725)				—	—		CB1/2
		Consisting of:—							
	11aK2725	Shim, 4" dia. x 0.005" thick				4	Steel	MR	
	11cK2725	Shim 4" dia. x 0.015" thick				2	Steel	MR	
	11eK2725	Shim, 23G x 4" dia.				2	L72	MR	
	11gK2725	Shim, 18G x 4" dia.				2	L72	MR	
	11JK2725	Shim 15G x 4" dia.				4	L72	MR	
		SHIM, RETRACTING, STRUT BEARING ... (13K2725)							CB1/3
		Consisting of:—							
	11bK2725	Shim 4" dia. x 0.005" thick				4	Steel	MR	
	11dK2725	Shim 4" dia. x 0.015" thick				2	Steel	MR	
	11fK2725	Shim, 23G x 4" dia.				2	L72	MR	
	11hK2725	Shim, 18G x 4" dia.				2	L72	MR	
	11kK2725	Shim 15G x 4" dia.				4	L72	MR	
27QM/70844	DOWTY 2.00051.002	Strut, retracting (Pre-Mod. 1887)				1	—	A	
27QM/ 4697057	DOWTY 2.00051.003	Strut, retracting (Mod. 1887)				1	—	A	CB1/4
27A/4560766	DUNLOP DC.4984.T	Tyre, 30 x 9.00-15				2	—	A	CB1/5
27QM/71161	DOWTY 2.00065.007	Unit, undercarriage (Pre-Mod. 2131)				1	—	A	CB1/6
27A/6324325	DUNLOP AH.50734	Wheel, nose undercarriage				2	—	A	CB1/7
		NOTE:—FOR ATTACHMENT BRACKETS, NOSEWHEEL U/C (9 & 10D9303) AND (1 & 2D9304)							
		(See—Fuselage—Crew's Nacelle)							
27QM/1490728	DOWTY 2.00065.022	Unit, nose undercarriage (Mod. 2357)				1	—	A	
27QM/1490727	2.00065.203	Spares for:— Blank, body and pin				1	—	A	



ALIGHTING GEAR
NOSEWHEEL UNDERCARRIAGE

VULCAN Mk. 2

ARMAMENT

Page DA. 1

INSTALLATION OF T/4 BOMBSIGHT

Ref. No.	Part No.	Description	No. off	Matl. Spec.	Cl. of	Place and Illust'n No.
					St. M.R.	
		1 2 3 4				
		BOMBSIGHT INSTALLATION T/4 (W1128)				
		Spares for:-				
9/4579	—	Amplifier	1	—	A	DA1/1
28D/1215334	AS1246/BE	Bolt, at mounting tray for amplifier	4	—	C	
28D/9140644	A25/9C	Bolt, at bracket arrangement Part No. 17W1128	4	—	C	
	6V7561	BOX JUNCTION, GROUP	1	—		DA1/2
		Spares for:-				
5X/6200370	7V7561	BOX JUNCTION (Less Loom), GROUP				
	1V5650	Block, terminal	3	—	C	
	636V6374	Label, TB636	1	—		
	637V6374	Label, TB637	1	—		
	638V6374	Label, TB638	1	—		
	5V7561	LID, GROUP	1	—		DA1/3
		Spares for:-				
28FP/1014631	A3/25	Fastener, Dzus	4	—	C	
28FP/9434075	GA3/175	Grommet, Dzus	4	—	C	
	1V7591	LOOM, GROUP	1	—		
28FP/9434091	S3/175	Spring, Dzus	4	—	C	
		Attachments For—Part No. 6V7561				
28D/9436920	A25/1C	Bolt	4	—	C	
28M/1012015	AGS2001/C1/66	Nut	4	—	C	
28W/9419402	SP13/C	Washer	4	—	C	
9/4380	—	BOX, right angle gear	2	—	A	DA1/4
	2W989	BRACKET BASE MOUNTING	1	—		DA1/5
		Attachments For—Part No. 2W989				
28D/9710453	AS1246/4C	Bolt	4	—	C	
17406	3W989	Bracket, support	1	—	C	DA1/6
		Attachments For—Part No. 3W989				
28D/1011019	A25/8C	Bolt	2	—	C	
28D/1007978	A25/7C	Bolt	2	—	C	
	2SS4114	Washer, special	4	—	MR	
9/3350	—	Bracket, Mounting for bombsight	1	—	B	DA1/7
		Attachments For—Ref. No. 9/3350				
28D/9446996	A25/8J	Bolt	3	—	C	
28M/4095808	AGS2001/J1	Nut	3	—	C	
28W/9419477	SP15/J	Washer	3	—	C	
	20W1027	BRACKET, GROUP	2	—	MR	DA1/8
		Consisting of:-				
	3W1027	Bracket, saddle	1	—		
28D/9133012	A25/3C	Bolt	2	—	C	
12594	4W1027	Strap	1	—	C	
28M/1012015	AGS2001/C1/66	Nut	2	—	C	
28W/9419475	SP15/C	Washer	2	—	C	

ARMAMENT

INSTALLATION OF T/4 BOMBSIGHT

Ref. No.	Part No.	Description	No. off	Matl. Spec.	Cl. of St.	Plate and Illust'n No.
					M.R.	
		1 2 3 4				
11352	18W1128	BRACKET, GROUP	2	—	C	DA1/9
		Consisting of:—				
	17W1128	Bracket, saddle	1	—		
	16W1128	Strap	1	—		
	1Z9661	CONTROLLER BOMB AIMERS AZIMUTH, ... STARBOARD, GROUP	1	—		DA1/10
		Spares for:—				
	2Z9661	BOX MOUNTING, GROUP	1	—		DA1/11
		Spares for:—				
	11SS4204	Bush, ring lock	1	—	MR	DA1/12
	585SS6004	Label, cut-out switch	1	—		DA1/13
6TB/4545256	—	Controller	1	—	A	DA1/14
28S/1200080	A32/B8	Screw, Rd. Hd., 4 BA	2	—	C	
5CW/4405759	ROTAX N136931	Plate, blanking	1	—	C	
	ROTAX N135390	Shroud	1	—		
5CW/1047695	—	Switch, toggle	1	—	B	
28W/1206041	AGS2035/B	Washer	2	—	C	
9/4723	—	Computer	1	—	A	DA1/15
		COVER FOR BOMBSIGHT (Z8600)				DA1/16
		Spares for:—				
28D/1212800	AS1248/5C	Bolt	9	—	C	
	6Z8600	Bracket, pivot	2	—		DA1/17
28S/9435717	A33/C20	Attachments For—Part No. 6Z8600				
		Screw	2	—	C	
	16Z8600	CURTAIN BLACKOUT, PORT, GROUP	1	—		DA1/18
	17Z8600	CURTAIN BLACKOUT, STARBOARD,	1	—		
		GROUP				
		Consisting of:—				
	16aZ8600	Curtain, port	1	—		
	17aZ8600	Curtain, starboard	1	—		
29G/1034153	N708A	Plate, clinch	3	—	C	
29G/1034156	N608	Socket	3	—	C	
	18Z8600	Tab	3	—		
	7Z8600	Hinge, forward (undrilled) made from	1	L72	LM	DA1/19
		AS/1880/25 (Ref. 28N/9486785)				
	8Z8600	Hinge, aft (undrilled) made from AS/1880/25 (Ref. 28N/9486785)	1	L72	LM	DA1/20
	2Z8600	PANEL, AFT, GROUP	1	—		DA1/21
		Spares for:—				
29G/8089528	CARR No. 248	Fastener	6	—	C	
	4Z8600	PANEL, FORWARD, GROUP				DA1/22
	3Z8600	PANEL, TOP, GROUP				DA1/23

VULCAN No. 2

ARMAMENT

Page DA. 3

INSTALLATION OF T/4 BOMBSIGHT

Ref. No.	Part No.	Description	No. off	Matl. Spec.	Cl. of St.	Plate and Illust'n No.
					M.R.	
		1 2 3 4				
		COVER FOR BOMBSIGHT (Z8600) (Continued)				
28P/9709828	SP4Y/H7	Pin	2	-	C	DA1/24
28P/1202571	SP90/E7	Pin, split, 1/16" dia.	4	-	C	DA1/25
	10Z8600	Strip, sponge rubber	1	DTD384B		DA1/26
	5Z8600	Strut	2	-		
28W/9419466	SP13/J	Washer	4	-	C	
	-	CUSHIONING, CREW'S, IN BOMB AIMER'S .. BUISTER (1Z9442) (MOD. 97)	-	-	-	DA1/27
	2Z9442	Spares for:- CUSHION BODY, C/W ARM REST, GROUP . (MOD. 97)	1	-	MR	DA1/28
	2aZ9442	Spares for:- Moulding, interior	1	-		
29G/1034153	N708A	Plate, clinch	8	-	C	
29G/1034156	N608	Socket	8	-	C	
11228	5Z9442	CUSHION, SIDE, PORT, GROUP	1	-	B	DA1/29
11229	6Z9442	CUSHION, SIDE, STARBOARD, GROUP ...	1	-	B	DA1/30
	5aZ9442	Spares for:- Moulding, interior	1	-		
	6aZ9442	Moulding, interior	1	-		
29G/1034153	N708A	Plate, clinch	8	-	C	
29G/1034156	N608	Socket	8	-	C	
	7Z9442	STRAP, FASTENER, GROUP	5	-		DA1/31
	7aZ9442	Consisting of:- Leather, black, 3/16" thick	1	-		
29G/1034153	N708A	Plate, clinch	1	-	C	
29G/1034156	N608	Socket	1	-	C	
	9Z9442	CUSHION, BODY, REAR END, GROUP	1	-	MR	DA1/32
	9aZ9442	Spares for:- Moulding, interior	1	-		
12719	11Z9442	CUSHION, FORWARD, GROUP	1	-	B	
	11aZ9442	Spares for:- Moulding, interior	1	-		
29G/1034153	N708A	Plate, clinch	4	-	C	
29G/1034156	N608	Socket	4	-	C	

ARMAMENT
INSTALLATION OF T/4 BOMBSIGHT

Ref. No.	Part No.	Description	No. off	Matl. Spec.	Cl. of	Plate and Illust'n No.
					St.	
					M.R.	
		1 2 3 4				
		CUSHIONING BOMB AIMER (1Z9442) (Continued)				
12720	12Z9442	CUSHION, AFT BODY, GROUP	1	-	B	
		Spares for:-				
	LATEX UPHOLSTERY					
	12aZ9442	Moulding, interior	1	-		
29G/1034153	N708A	Plate, clinch	12	-	C	
29G/1034156	N608	Socket	12	-	C	
	8Z9442	Hinge, leather strap, black, 1/16" thick x 2" wide x 13" long	1	-	MR	DA1/33
10638	3Z9442	REST ELBOW, PORT, GROUP	1	-	B	DA1/34
	4Z9442	REST ELBOW, STARBOARD, GROUP	1	-	MR	DA1/35
		Spares for:-				
	LATEX UPHOLSTERY					
	3aZ9442	Moulding, interior, port	1	-		
	4aZ9442	Moulding, interior, starboard	1	-		
29G/1034153	N708A	Plate, clinch	4	-	C	
29G/1034156	N608	Socket	4	-	C	
3106	8Z7910	Strip, clamp, starboard, side, aft	1	L72	C	
	12Z7910	Strip, clamp, starboard, forward	1	L72	MR	
	11Z7910	Strip, clamp, port, forward	1	L72	MR	
	9Z7910	Strip, clamp, port side, aft	1	L72	MR	
	13Z7910	Strip, clamp, port	1	L72	MR	
	17Z7910	Strip, clamp, port	1	L72	MR	
9/4585	-	Drive, flexible	2	-	C	DA1/36
5L/9951271	-	Holder, lamp	1	-	C	DA1/37
5CX/4671876	-	Holder, lamp	1	-	B	
9/4566	-	Head, sighting	1	-	A	DA1/38

VULCAN Mk. 2

ARMAMENT

Page DA. 5

INSTALLATION OF T/4 BOMBSIGHT

Ref. No.	Part No.	Description	No. off	Matl. Spec.	Cl. of	Plate and Illust'n No.
					St. M.R.	
		1 2 3 4				
9/4578	-	Panel, Control	1	-	A	DA1/39
28S/1007443	A32/C18	Attachments For—Ref. No. 9/4578				
28W/9419402	SP13/C	Screw	3	-	C	
		Washer	3	-	C	
	2W1128	PANEL FOR CONTROL UNIT AND SUPPRESSOR, GROUP	1	-		DA1/40
		Spares for:—				
	120SS6005	Label	1	-		
	735SS6005	Label	1	-		
28D/9436920	A25/1C	Attachments For—Part No. 2W1128				
28M/1012015	AGS2001/C1/66	Bolt	4	-	C	
28W/9419402	SP13/C	Nut	4	-	C	
		Washer	4	-	C	
	12W1128	PANEL AMPLIFIER, GROUP	1	-		DA1/41
		Spares for:—				
	70SS6005	Label, 12-way, socket	2	L59		
	69SS6005	Label, 2-way, socket	1	L59		
10H/0560151	-	Plug, 12-way, fixed	1	-	B	
10H/0560553	-	Plug, 2-way, fixed	1	-	B	
10H/0560152	-	Plug, 12-way, fixed	1	-	B	
28D/1212792	AS1248/8C	Attachments For—Part No. 12W1128				
28M/1012015	AGS2001/C1/66	Bolt	2	-	C	
26TA/16397	AS2811/5/075	Nut	2	-	C	
28W/9419402	SP13/C	Tube, distance	2	-	C	
		Washer	2	-	C	
	8W/1128	PANEL GYRO AND COMPUTOR STOWAGE, GROUP	1	-	MR	DA1/42
		Spares for:—				
	102SS6004	Label, supply	1	L59		
	140SS6004	Label, gyro load	1	L59		
	78SS6005	Label, amplifier	2	L59		
	79SS6005	Label, junction box	1	L59		
10H/0560552	-	Plug, 2-way	1	-	B	
10H/0560150	-	Plug, 12-way	1	-	B	
10H/0560331	-	Socket, 12-way	1	-	B	
10H/0560332	-	Socket, 12-way	1	-	B	
10H/0560153	-	Plug, 12-way	1	-	B	
28D/9436920	A25/1C	Attachments For—Part No. 8W1128				
28M/1012015	AGS2001/C1/66	Bolt	6	-	C	
28W/9419402	SP13/C	Nut	6	-	C	
		Washer	6	-	C	
10H/0560190	-	Plug, 18-way	1	-	B	
10H/0560060	-	Plug, 3-way	1	-	B	
	18W1027	Plate, mounting, dimmer	1	-		
28M/9418829	AGS2002/A1	Attachments For—Part No. 18W1027				
28S/9419437	A31/A16	Nut	3	-	C	
28W/9128181	SP/10A	Screw	3	-	C	
		Washer	3	-	C	

ARMAMENT

INSTALLATION OF T/4 BOMBSIGHT

Ref. No.	Part No.	Description	No. off	Matl. Spec.	Cl. of	Plate and Illust'n No.
					St. M.R.	
		1 2 3 4				
	13W1128	STOWAGE FLEX DRIVE, GROUP	1	-		DA1/43
		Spares for:-				
28D/1010658 9/3572	A25/1B	Bolt	4	-	C	
	-	Connector	2	-	B	
	139SS6004	Label (flex drive)	1	L50	C	
28W/9419474	SP15/B	Washer	4	-	C	
		Attachments For-Part No. 13W1128				
28D/9133011	A25/2C	Bolt	2	-	C	
28M/1012015	AGS2001/C1/66	Nut	2	-	C	
28W/9419402	SP13/C	Washer	4	-	C	
		(Washer can also be used as packing between frame and vertical channel for crate)				
	19W1128	STOWAGE DRIFT CUT-OUT, GROUP	1	-		DA1/44
		Consisting of:-				
	19aW1128	Mounting	1	L72		
	25bW1027	Piece, blanking	1	BSS972		
10H/0560790	-	Socket, coupler	1	-	B	
		Attachments For-Part No. 19W1128				
28D/9436920	A25/1C	Bolt	2	-	C	
28M/1012015	AGS2001/C1/66	Nut	2	-	C	
28W/9419402	SP13/C	Washer	2	-	C	
5CY/9516978	-	Suppressor, type "P"	2	-	B	DA1/45
	29Z9012	STRUCTURE FOR BOMB AIMER'S CUSHIONING SUPPORT, GROUP (Pre-Mod. 2202)				DA1/46
	1212216	STRUCTURE, FOR BOMB AIMER'S CUSHIONING SUPPORT, GROUP (Mod. 2202)				
		Spares for:-				
	19Z9012	Angle, Attachment (Pre-Mod. 2202)	2	L72	MR	
	21Z12216	Angle, attachment (Mod. 2202)	2	L72	MR	
	27Z9012	Angle, cushion retaining	1	L72	MR	
	22Z9012	Beam, support (Pre-Mod. 2202)	1	L72	MR	
	18Z12216	Beam, support (Mod. 2202)	1	L72	MR	
	23Z9012	Beam, support (Pre-Mod. 2202)	1	L72	MR	
	19Z12216	Beam, support (Mod. 2202)	1	L72	MR	
	25Z9012	Clip	1	-		
28FP/9491457	AJ4/30	Fastener, Dzus	4	-	C	
	CARR					
28G/8089528	No. 248	Fastener	14	-	C	
	CARR					
29G/4658556	No. 249	Fastener	2	-	C	
	28Z/9012	Former (Pre-Mod. 2202)	1	L72	MR	
	15Z/12216	Former (Mod. 2202)	1	L72	MR	
	6Z9012	Former, side (Pre-Mod. 2202)	1	L72	MR	
	9Z12216	Former, side (Mod. 2202)	1	L72	MR	
	7Z9012	Former, side (Pre-Mod. 2202)	1	L72	MR	
	10Z12216	Former, side (Mod. 2202)	1	L72	MR	

VULCAN ML 2

ARMAMENT

INSTALLATION OF T/4 BOMBSIGHT

Ref. No.	Part No.	Description	No. off	Matl. Spec.	Cl. of St.	Plate and Illust'n No.
					M.R.	
		1 2 3 4 STRUCTURE FOR BOMB AIMER'S CUSHIONING SUPPORT (29Z9012) (Cont'd)				
	8Z9012	Former, centre (Pre-Mod. 2202)	1	L72	MR	
	17Z12216	Former, centre (Mod. 2202)	1	L72	MR	
	9Z9012	Former, side (Pre Mod. 2202)	1	L72	MR	
	7Z12216	Former, side (Mod. 2202)	1	L72	MR	
	10Z9012	Former, side (Pre-Mod. 2202)	1	L72	MR	
	8Z12216	Former, side (Mod. 2202)	1	L72	MR	
	11Z9012	Former, centre (Pre-Mod. 2202)	1	L72	MR	
	16Z12216	Former, centre (Mod. 2202)	1	L72	MR	
	12Z9012	Former, side (Pre-Mod. 2202)	1	L72	MR	
	5Z12216	Former, side (Mod. 2202)	1	L72	MR	
	13Z9012	Former, side (Pre-Mod. 2202)	1	L72	MR	
	6Z12216	Former, side (Mod. 2202)	1	L72	MR	
	14Z9012	Former, centre (Pre-Mod. 2202)	1	L72	MR	
	14Z12216	Former, centre (Mod. 2202)	1	L72	MR	
	15Z9012	Former, side (Pre-Mod. 2202)	1	L72	MR	
	11Z12216	Former, side (Mod. 2202)	1	L72	MR	
	16Z9012	Former, side (Pre-Mod. 2202)	1	L72	MR	
	12Z12216	Former, side (Mod. 2202)	1	L72	MR	
	17Z9012	Former, centre (Pre-Mod. 2202)	1	L72	MR	
	13Z12216	Former, centre (Mod. 2202)	1	L72	MR	
	18Z9012	Former, at station 302	1	L72	MR	
28FP/ 9430915	GA4/250	Grommet	4	-	C	
	3Z9012	Member, side, port	1	L72	MR	
	4Z9012	Member, side, starboard	1	L72	MR	
	24Z9012	Member, side	1	L72	MR	
	20Z9012	Skin (Pre-Mod. 2202)	1	L72	MR	
	20Z12216	Skin (Mod. 2202)	1	L72	MR	
	26Z9012	Stiffener	1	L72	MR	
	21Z9012	Strip, rubber, 1/16" x 5/8" x 21.0" long (Shore hardness 40.45)	-	-		
5CW/724	-	Switch, dimmer	1	-	B	DA1/47
9/4581	-	TRAY, mounting for amplifier	1	-	A	DA1/48
	21W1128	Tube, flexible drive protection	1	-	MR	DA1/49
	22W1128	Tube, flexible drive protection, bottom	1	-	MR	DA1/50
9/4816	-	Unit, control	1	-	A	SA1/51
10A/17930	-	Washer, cheek at mounting tray for amplifier	4	-	C	

ARMAMENT
INSTALLATION OF T/4 BOMBSIGHT

Ref. No.	Part No.	Description	No. off	Matl. Spec.	Cl. of St. M.R.	Plate and Illust'n No.

VULCAN MR. 2

ARMAMENTS

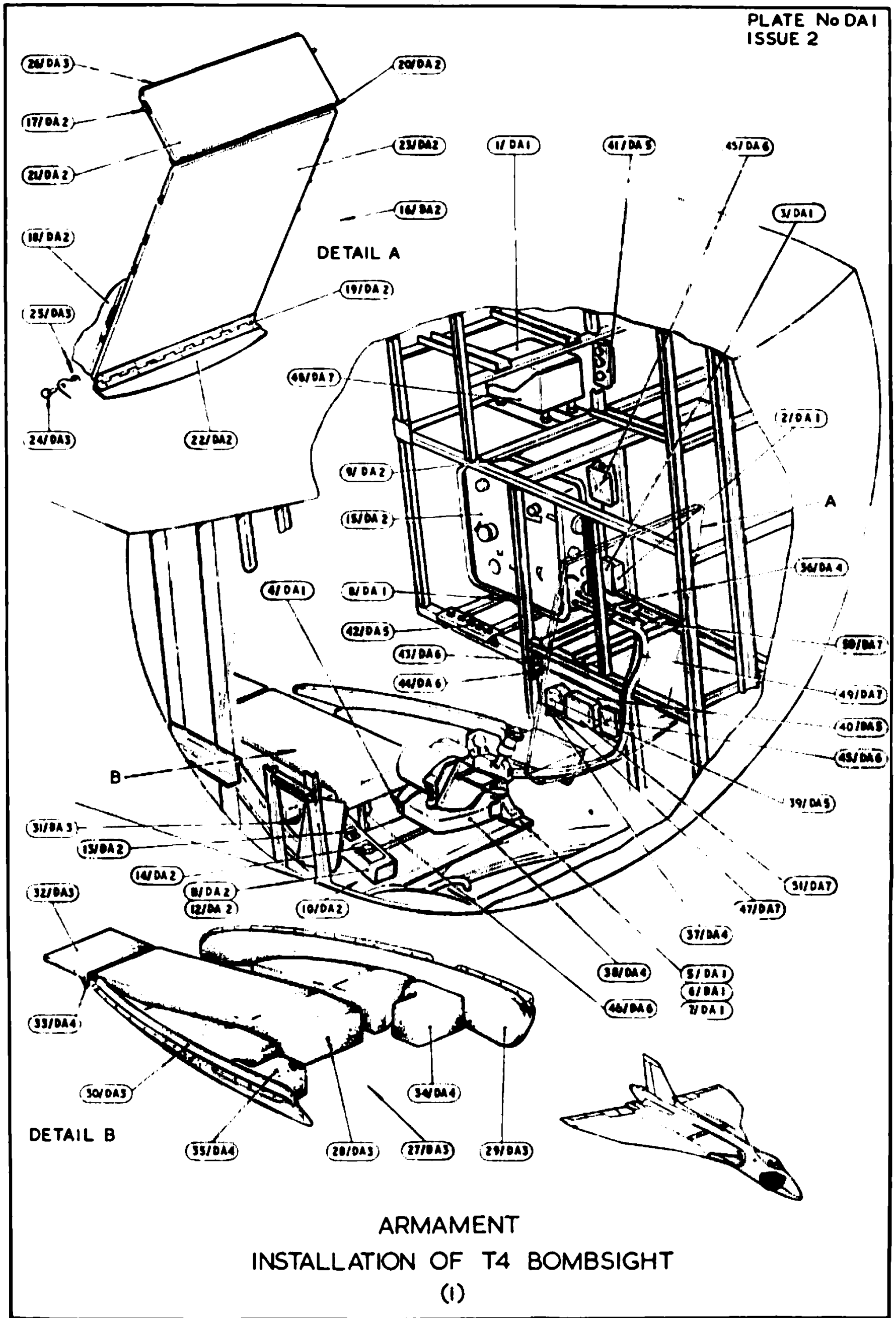
INSTALLATION OF T/4 BOMBSIGHT

SUMMARY OF STANDARD ITEMS

Stores Ref.		No. off	Stores Ref.		No. off	Stores Ref.		No. off
Section	Ref. No.		Section	Ref. No.		Section	Ref. No.	
28D	1215334	4	28S	9435717	2			
28D	9140644	4	28S	94119437	3			
28D	9436920	18	28S	1007443	3			
28D	9710453	4						
28D	1011019	2						
28D	1007978	2	28W	9419402	27			
28D	9446996	3	28W	9419477	3			
28D	1212800	9	28W	9419466	4			
28D	8346	2	28W	9128181	3			
28D	1010658	4	28W	9419475	2			
28D	9133011	2	28W	1206041	2			
28D	9133012	2	28W	9419474	4			
28FP	9491457	4						
28FP	1014681	4						
28FP	9434075	4						
28FP	9434091	4						
28FP	9430915							
28M	10292	3						
28M	10326	3						
28M	1278190	22						
28P	20243	4						
28P	928	2						

RESTRICTED

PLATE No DA1
ISSUE 2



ARMAMENT
INSTALLATION OF T4 BOMBSIGHT
(1)

RESTRICTED

VULCAN Mk. 2		ARMAMENT			Page DB 1				
		PYRO TECHNIC							
Ref. No.	Part No.	Description				No. off	Matl. Spec.	Cl. of St. M.R.	Plate and Illust'n No
		1	2	3	4				
		PYRO TECHNIC ASSEMBLIES							
		Consisting of:-							
12D/1211	-					3	-	C	
		Cartridge No 1, Mk. 1, signal radar-echo . . . warning							
12K/1277	-					1	-	C	
		Cartridge No 3, Mk 1, cockpit canopy . . . jettison							
		MOUNTING PISTOL SIGNAL DISCHARGER IN PRESSURE CABIN (Z8483)							DB1.1
		Spares for:-							
	3Z8483					1	-		
	4Z8483					1	BSS668		
11191	2Z8483					1	L121	C	
28D/1011019	A25/7C					3	-	C	
7B/1941	-					1	-	C	
7B/1785	-					1	-	C	
28M/1278190	AGS2001/C1					1	-	B	
7B/1784	-					3	-	C	
28W/9419475	SP15/C					1	-	A	
						3	-	C	
		MOUNTING 1st AND 2nd PILOTS EJECTION SEAT (1 AND 2 N1433) (Mod. 1789)							DB1.2
		Spares for:-							
12K/1314	-					1	-	A	DB1/3
		CARTRIDGE SET No 3, Mk 3							
12K/1352	-					1	-	A	DB1/4
		CARTRIDGE, GUILLOTINE No 2 Mk 1							DB1/5
		STOWAGE SIGNAL CARTRIDGE IN PRESSURE CABIN BETWEEN FORMERS 260 AND 274 (Z7447)							
		Spares for:-							
	2Z7058					1	-		
		PANEL, GROUP							
		Spares for:-							
28FP/1433398	5Z742					12	-	C	
28FP/9425773	AJW350					1	-	C	
	2Z7058					1	-		
						1	-		
	700SS6004					1	-		
						1	-		
						1	-		
						1	-		

ARMAMENT
PYRO TECHNICS

Ref. No.	Part No.	Description				No. off	Matl. Spec.	Cl. of St.	Plate and Illust'n No.
		1	2	3	4			M.R.	

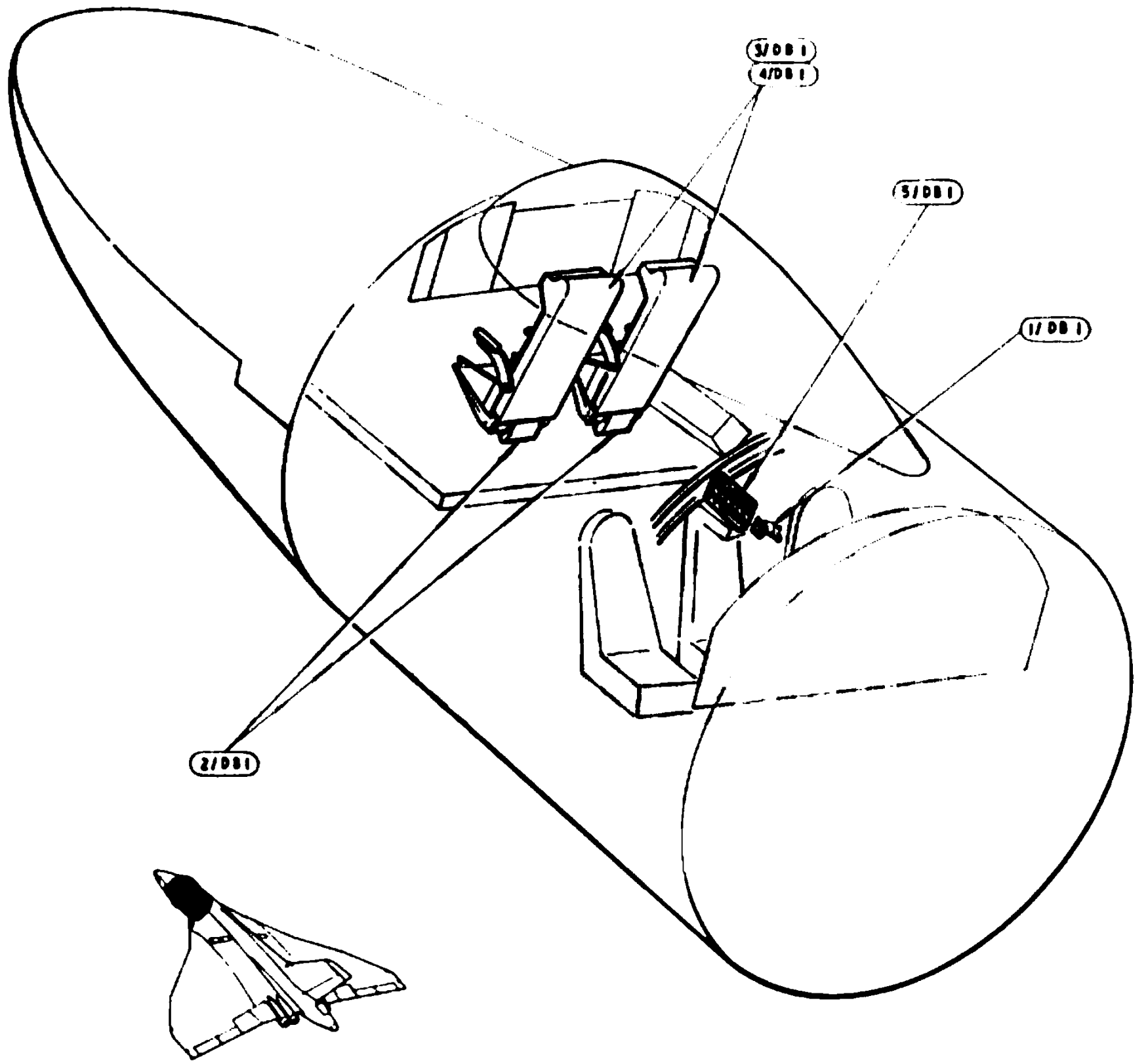
VULCAN No. 2

ARMAMENTS
PYROTECHNICS
SUMMARY OF STANDARD ITEMS

Stores Ref.		No. off	Stores Ref.		No. off	Stores Ref.		No. off
Section	Ref. No.		Section	Ref. No.		Section	Ref. No.	
28D	1011019	3						
28FP	9425773	1						
28M	1278190	3						
28W	9419475	3						
28FP	9425773	1						

RESTRICTED

PLATE NoDBI
ISSUE 1



ARMAMENT
PYROTECHNICS
(1)

RESTRICTED

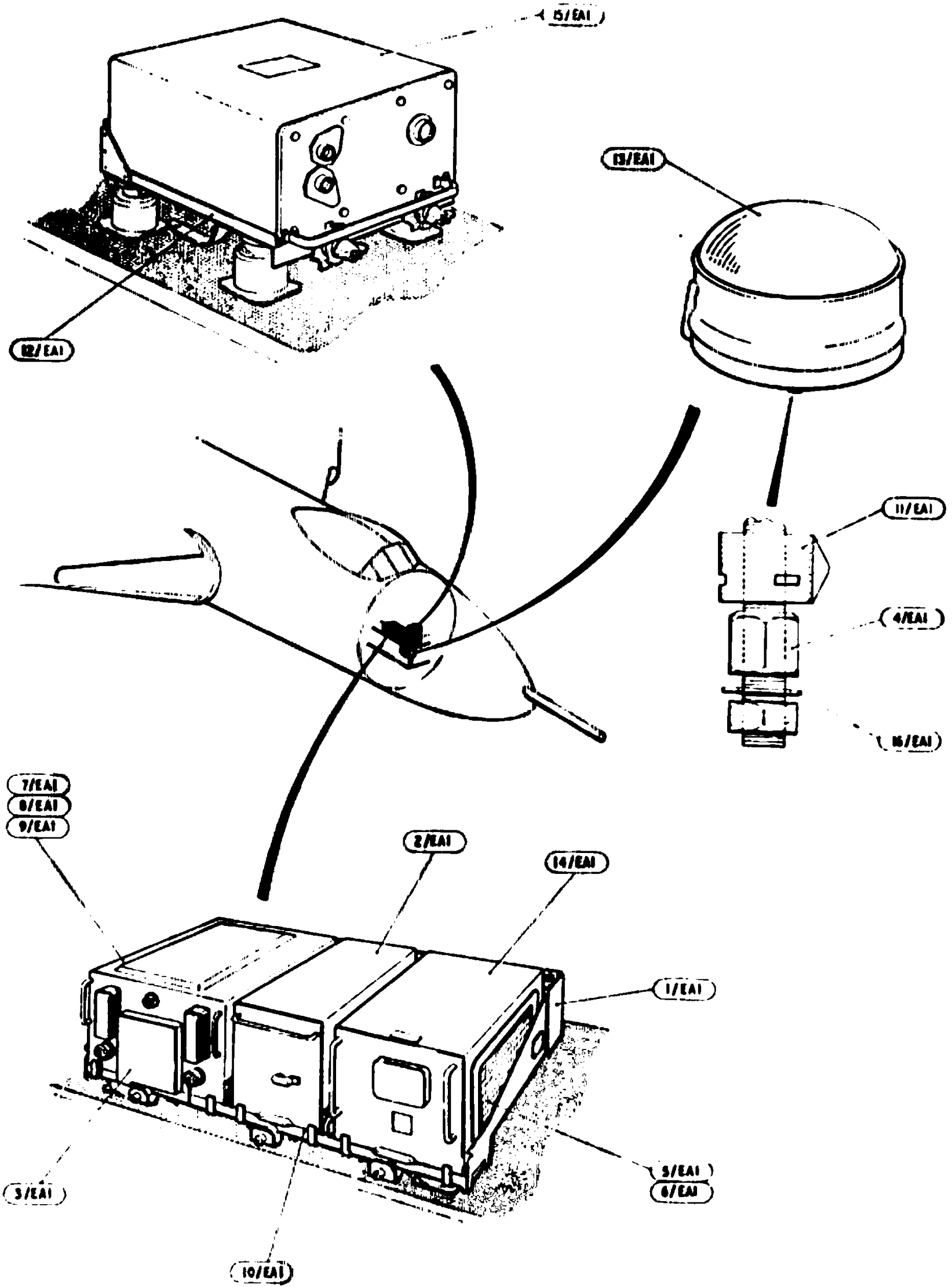
VULCAN ML 2

CONTROLS

Page EA. 1

AUTO PILOT

Ref. No.	Part No.	Description	No. off	Matl. Spec.	Cl. of	Plate and Illust'n No.
					St. M.R.	
		1 2 3 4				
<p>AUTO-PILOT EQUIPMENT Spares for:— AUTO-PILOT EQUIPMENT UNDER PILOT'S FLOOR, PORT (V9091) Mods. 1160, 1204, 1691, 1771, 1856, 2076, 2149 & 2150 Spares for:—</p>						
6TB/1988	—	Box, junction, Type "F" (Mod. 1856) (Pre Mod. 2149)	1	—	A	EA1/1
6TB/4549663	—	Box, junction, Type "H" (Mod. 2149)	1	—	A	
6TB/4545405	148.EAP	Control, platform (Pre Mod. 1204)	1	—	A	EA1/2
6TB/1680	160/1.EAP	Control, platform, Type "B" (Mod. 1204) . . .	1	—	A	
6TB/4545610	166/4.EAP	Control, servo, Type "D" (Mod. 1691)	1	—	A	EA1/3
6TB/302	EAP.5658	Nut, levelling	1	—	B	EA1/4
6TB/4545647	—	Pad, gearing, locking, No. 1, Type "M" (Mod. 1856)	1	—	B	EA1/5
6TB/4545648	—	Pad, gearing, locking, No. 2, Type "M" (Mod. 1856)	1	—	B	EA1/6
6TB/4545620	197/2.EAP	Pad, gearing, servo, No. 1, Type "M" (Mod. 1771)	1	—	B	EA1/7
6TB/4545621	198/1.EAP	Pad, gearing, servo, No. 2, Type "M" (Mod. 1771)	1	—	B	EA1/8
6TB/4545408	154/1.EAP	Pad, sense, servo (Pre Mod. 1204)	1	—	B	EA1/9
6TB/4545553	169/2.EAP	Pad, sense, servo (Mod. 1204)	1	—	B	
6TB/4545409	152.EAP	Rack, mounting	1	—	A	EA1/10
6TB/304	EAP.5680	Strip, sealing	1	—	C	EA1/11
6TB/4545258	143.EAP	Tray, mounting	1	—	A	EA1/12
6TB/	112.EAP	Unit, gyro, Type "A"	1	—	A	EA1/13
6TB/4545046	—	Unit, locking, Type "F" (Mod. 1856) (Pre Mod. 2076)	1	—	A	EA1/14
6TB/2068	—	Unit, locking, Type "G" (Mod. 2076) (S.O.O. to 26 A/C only) (Pre Mod. 2150)	1	—	A	
6TB/4549706	—	Unit, locking, Type "H" (Mod. 2150)	1	—	A	
6TB/	151/1.EAP	Unit, pressure (Pre Mod. 1160)	1	—	A	EA1/15
6TB/4545466	144/1.EAP	Unit, pressure (Mod. 1160)	1	—	A	
6TB/303	EAP.5659	Washer, torque	1	—	C	EA1/16



CONTROLS
AUTO PILOT

VULCAN No. 2		CONTROLS				Page EB. 1	
		AUTO STABILISER					
Ref. No.	Part No.	Description	No. off	Matl. Spec.	Cl. of St.	Plate and Illust'n No.	
					M.R.		
		1 2 3 4					
		AUTO-MACH, TRIMMER EQUIPMENT Spares for:— AUTO-MACH, TRIM EQUIPMENT INSTAL- LATION, PITCH AND YAW GYROS, UNDER 2nd PILOT'S FLOOR (S2398) (Mod. 690) Spares for:—					
	15S2398	Bolt, special, gyro mounting	4	—	MR	EB1/1	
	NEWMARK 866	GYRO, PITCH, ASSEMBLY	1	—		EB1/3	
6S/4551509	NDN869	Consisting of:— Amplifier, gyro	4	—	A		
6S/4551661	NDN867	MOUNTING, GYRO, PITCH, ASSEMBLY	1	—	A		
6S/4551508	NDN868	Unit, gyro	4	—	A		
	NEWMARK 872	GYRO, YAW, ASSEMBLY	1	—		EB1/4	
6S/4551509	NDN869	Consisting of:— Amplifier, gyro	2	—	A		
6S/4551510	NDN873	MOUNTING, YAW, GYRO, ASSEMBLY	1	—	A		
6S/4551508	NDN868	Unit, gyro	2	—	A		
	1S2396	MOUNTING, PITCH GYRO, GROUP	1	—		EB1/5	
9224	46SS4700	Spring, for special bolt	4	—	C	EB1/6	
		AUTO-STABILISER EQUIPMENT IN BOMB BAY, PORT AND STARBOARD, GROUP (1 & 2R4411) Spares for:—					
	NEWMARK 1353	AMPLIFIER, AUTO-MACH TRIM,	1	—		EB1/7	
	NEWMARK 1223	AMPLIFIER, PITCH AND YAW,	1	—		EB1/8	
	NEWMARK 897	Unit, pitch, slave relay, starboard	1	—		EB1/9	
		MOUNTING, GYRO UNIT, FOR YAW DAMPER SYSTEM (S2144) Spares for:—					
	3S2144	CARRIER, GYRO UNIT, GROUP.....	—	—		EB1/10	
		ATTACHMENTS—CARRIER PART No. 3S2144					
28D/9436920	A25/1C	Bolt, 2 BA	4	—	C	EB1/11	
28M/1012015	AGS2001/C1/66	Nut, stiff, 2 BA.....	4	—	C		
28W/9419402	SP13/C	Washer, 2 BA	4	—	C		

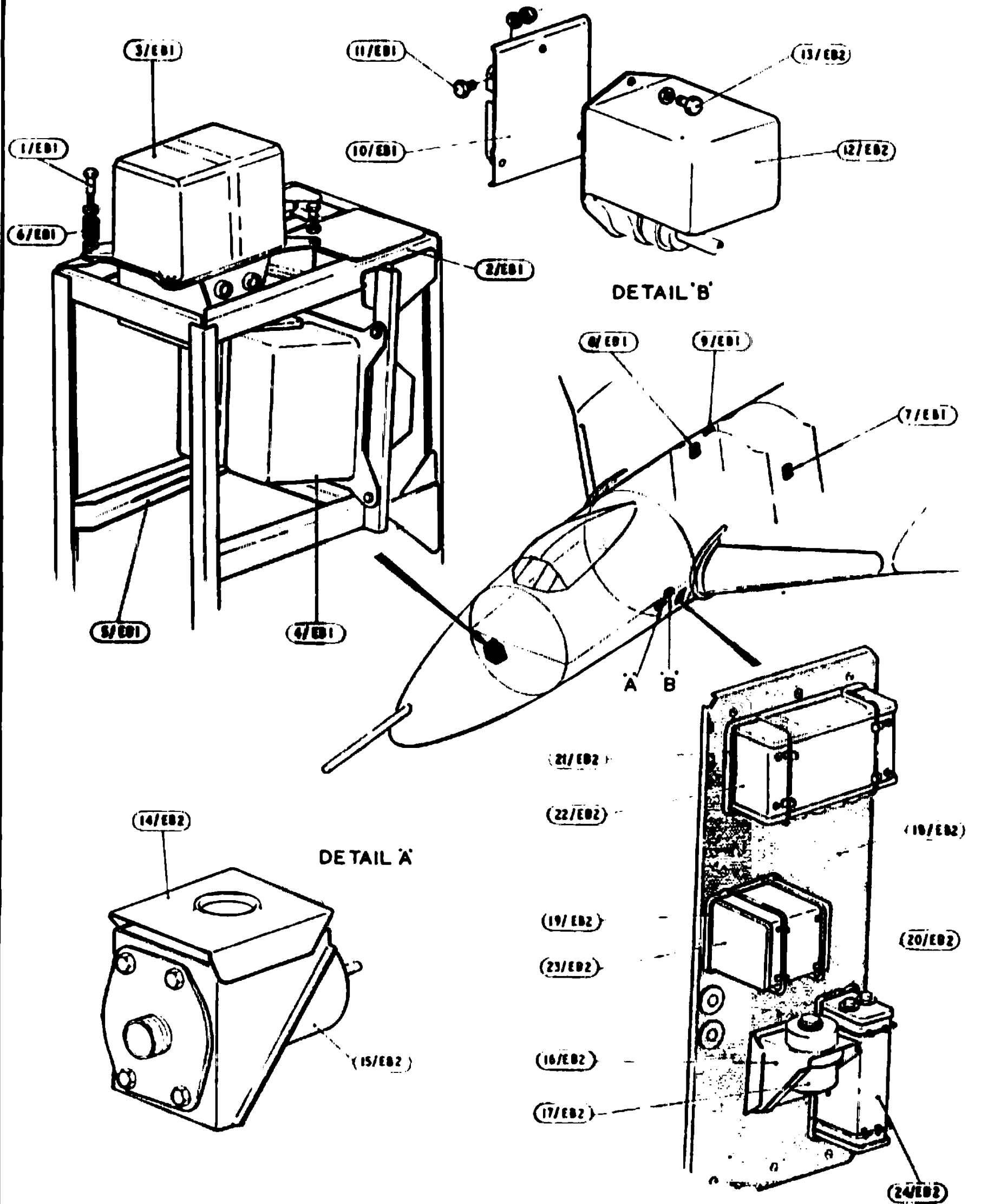
CONTROLS
AUTO STABILISER

Ref. No.	Part No.	Description	No. off	Matl. Spec.	Cl. of St.	Plate and Illust'n No.
					M.R.	
		1 2 3 4				
		MOUNTING, GYRO UNIT, FOR YAW DAMPER SYSTEM (S2144) (Cont'd)				
6S/4551392	IN20322	Unit, gyro	1	—	A	EB1/12
		ATTACHMENTS—GYRO UNIT REF. No. 6S/1				
28D/1010658	A25/1B	Bolt, 4 BA	3	—	C	EB1/13
28W/9419465	SP13/B	Washer, 4 BA	3	—	C	
		MOUNTING, MACH-METER, FOR AUTO-TRIM SERVO (S2152)				
		Spares for:—				
	1S2148	BRACKET, MACH-METER, ANTI-VIBRATION, MOUNTING, GROUP	1	—		EB1/14
		MACH-METER				
6S/4551478	NEWMARK 186-M38	Mach-meter	1	—	A	EB1/15
		PANEL, AUTO-STABILISER INSTALLATION, IN CREW'S COMPARTMENT (S2038)				
		Spares for:—				
	1S2148	Bracket, mounting	1	—		EB1/16
	NEWMARK 186-M8	Monitor, air speed	1	—		EB1/17
	2aS2038	Panel	1	—		EB1/18
6S/4551410	NEWMARK NDN654	Tray	1	—	B	EB1/19
6S/4551411	NEWMARK NDN655	Tray	1	—	B	EB1/20
6S/4551412	NEWMARK NDN653	Tray	1	—	B	EB1/21
	NEWMARK 186-M1	Unit, amplifier	1	—		EB1/22
	NEWMARK 186-M5	Unit, phase advance, yaw damper	1	—		EB1/23
6S/6340962	NEWMARK NDN459	Unit, slave relay	1	—	A	EB1/24

VULCAN ME. 2

CONTROLS
AUTO-STABILISER
SUMMARY OF STANDARD ITEMS

Stores Ref.		No. off	Stores Ref.		No. off	Stores Ref.		No. off
Section	Ref. No.		Section	Ref. No.		Section	Ref. No.	
28D	1010658	3	28M	1278190	4	28W	9419402	4
28D	9436920	4				28W	9419465	3



CONTROLS
AUTO STABILISER

VULCAN MR 2

CONTROLS

Page EC. 1

ENGINE IN CREW'S NACELLE FUSELAGE

Ref. No.	Part No.	Description	No. off	Matl. Spec.	Cl. of St.	Plate and Illust'n No.
					M.R.	
		1 2 3 4				
		CONTROLS, ENGINE, ASSEMBLIES IN CREW'S NACELLE (100.O.3948) (Mod. 889) Spares for:—				
	1.O.3964	BEARING, PRESSURE SEAL, GROUP	4	—		EC5/1
	HOFFMANN CJ/7L	Bearing	1	—		
	GLACIER 06/DU/08	Bush	1	—	MR	EC5/2
	4.O.3964	Bush, special	1	—	MR	EC5/3
28N/2001541	AGS2031/6	Circlip	1	—	C	EC5/4
	6.O.3964	Circlip	1	—	MR	EC5/5
1505205	2.O.3964	Housing, bearing	1	—	C	
1505206	3.O.3964	Plate, end	1	—	C	
1433673	5.O.3964	Seal	1	—	C	
		CONSOLE, PILOT'S ENGINE, CENTRE (3503762) (Pre Mod. 980)				
		CONSOLE, PILOT'S ENGINE, CENTRE (4603762) (Mod. 980) Spares for:—				
	1V13894	BOX, SWITCH, MOUNTING, GROUP	1	—		EC1/6
		(Mod. 1977) Spares for:—				
17496	2V13894	Box, switch mounting	1	—	C	
1432678	2V14310	Cover (Mod. 2087)	1	—	C	
5CW/9438526	—	Switch	1	—	B	
12958	58.O.3662	COUNTERSHAFT AND LEVERS, GROUP	1	—	A	
		Spares for:—				
	56.O.3662	Bolt, attachment, connecting rods to levers	8	K. MONEL	MR	EC2/7
	43.O.3662	Collar, for connecting rods to levers	16	—	MR	EC2/8
	37.O.3662	LEVER, L.H. INNER, GROUP	1	—	MR	EC2/9
	38.O.3662	LEVER, R.H. INNER, GROUP	1	—	MR	EC2/10
	39.O.3662	LEVER, L.H. OUTER, GROUP	1	—	MR	EC2/11
	40.O.3662	LEVER, R.H. OUTER, GROUP	1	—	MR	EC2/12
		Spares for:—				
2A/9500415	R. & M. CK-1/2" A	Bearing	2	—	C	
17948	14SS5880	Plate, securing	1	—	C	
	29.O.3662	ROD, CONNECTING, COUNTER-SHAFT LEVERS TO THROTTLE LEVERS, GROUP	4	—	MR	EC2/13
	30.O.3662	ROD, CONNECTING, COUNTER-SHAFT TO OUTER LEVERS, PILOT'S FLOOR, GROUP	2	—	MR	EC2/14

CONTROLS

ENGINE, IN CREW'S NACELLE, FUSELAGE

Ref. No.	Part No.	Description	No. off	Matl. Spec.	Cl. of St.	Plate and Illust'n No.
					M.R.	
		1 2 3 4				
		COUNTERSHAFT AND LEVERS, GROUP (58.O.3662) (Cont'd)				
	31.O.3662	ROD, CONNECTING, COUNTERSHAFT TO INNER LEVERS, PILOT'S FLOOR, GROUP	2	—	MR	EC2/15
1312	68.O.3662	Spares for:— END-FITTING, C/W BEARING, GROUP Consisting of:—	2	—	C	EC2/16
	ROSE BROS. R.B.J.6	Bearing, roller	1	—		
	ROSE BROS. R.B.J.4	Housing, roller	1	—		
2940	45.O.3662	Spindle, for countershaft levers	1	K. MONEL	C	EC2/1
	41.O.3662	SUPPORT, SPINDLE, R.H., GROUP	1	—	MR	EC2/18
	42.O.3662	SUPPORT, SPINDLE, L.H., GROUP	1	—	MR	EC2/14
	46.O.3662	Washer, spacer, between countershaft levers	3	L65	MR	
	3S2042	Guard, switch	1	—		EC1/20
5528	1Z7675	HANDLE, OPERATING, EMERGENCY AIR CONTROL, GROUP	1	—	MR	EC2/21
9556	1Z7757	HANDLE, OPERATING, PARKING BRAKE CONTROL, GROUP	1	—	MR	EC2/22
	2Z7757	Spares for:— FORK-END, GROUP	1	—	MR	
	1SS4084	Spares for:— Bush	2	HTS	MR	
	9Z7757	Handle	1	DTD298		
	8Z7757	Spring	1	—	MR	
	43.O.3762	HOUSING, SWITCH, GROUP	1	—		EC1/23
		(Mod. 980) Spares for:—				
4645	22SS4204	Bush	1	—	C	
	231SS6006	Label	1	—		EC1/24
	232SS6006	Label	1	—		EC1/25
8810	23.O.3762	LEVERS, THROTTLE AND STOPS, GROUP (Pre-Mod. 980)	1	—	A	EC3/26
	65.O.3762	LEVERS, THROTTLE AND STOPS, GROUP (Mod. 980) Spares for:—	1	—		
	56.O.3662	Bolt, attachment, rods to levers	4	K. MONEL	MR	EC3/8
5531	12.O.3762	CAM, DAMPER, GROUP	1	—	C	EC3/27
	10.O.2762	CAM, DAMPER, GROUP	1	—	MR	EC3/28
		Spares for:—				
	10b.O.3762	Bush (Oilite—CT.51 x 3/4" long)	1	—		
	10a.O.3762	Cam	1	L65		
	43.O.3662	Collar, for connecting rods to levers	8	—	MR	EC3/9

CONTROLS

ENGINE, IN CREW'S NACELLE, FUSELAGE

Ref. No.	Part No.	Description	No. off	Matl. Spec.	Cl. of	Plate and Illust'n No.
					St. M.R.	
		1 2 3 4				
		LEVERS, THROTTLE AND STOPS, GROUP (23.O.3762) (Pre Mod. 980) (65.O.3762) (Mod. 980) (Cont'd)				
	7.O.3762	PLATE, SIDE, PORT THROTTLE	1	-	MR	EC3/40
	8.O.3762	LEVERS, GROUP PLATE, SIDE, STARBOARD THROTTLE, GROUP	1	-	MR	EC3/41
	17.O.3762	Plate, stop, levers, port	2	DTD171B	MR	EC1/42
8172	18.O.3762	Plate, stop, levers, starboard	2	DTD171B	C	EC1/43
8173	25.O.3762	Plate, stop, levers, port	2	DTD171B	C	EC1/44
8174	26.O.3762	Plate, stop, levers, starboard	1	DTD171B	C	EC1/45
	137.O.3662	Shim, for spindle at locking lever	1	-	MR	EC3/46
	157.O.3662	(if required) Shim, for spindle, between port outer	1	-	MR	EC3/47
	174.O.3662	throttle and dumper cam (if required) Shim, for spindle at dumper cam	1	-		EC3/48
	9.O.3762	(if required)	1	L. MONEL	MR	EC3/49
5532	19.O.3762	Spindle, throttle, lever	2	-	C	EC1/50
5533	22.O.3762	STRIP, SLIDING, INNER, GROUP	2	-	C	EC1/51
	15.O.3662	STRIP, SLIDING, OUTER, GROUP	2	-	C	EC1/51
		Washer, for spindle	1	DTD.364B	MR	
		PANELS, FUEL CONTENTS, GROUP (9S2150)				
		(See: - Equipment - Instrument Panels)				
	2SS4098	Pin, special, for attachment of parking brake ..	1	S96	MR	
	132.O.3662	handle ROD, CONNECTING, FROM EMERGENCY .	2	-		EC2/52
		AIR CONTROL AND PARKING BRAKE HANDLES, GROUP				
	25.O.3506	Spares for:- ROD, END, ADJUSTABLE, GROUP	1	-	MR	EC2/53
	R. & M. CM.3/16"B	Spares for:- Bearing, rod-end	1	-	C	
28R/4665592	44.O.3506	ROD, END, FIXED, GROUP	1	-	MR	EC2/54
	R. & M. CM.3/16"B	Spares for:- Bearing, rod-end	1	-	C	
28R/4665592		STRUCTURE, CONSOLE (59.O.3662)				
	1S2026	Spares for:- CONTAINER, FUEL CONTENTS	1	-		EC1/55
	10.O.3662	GAUGE, GROUP PANEL, ACCESS, TO ENGINE	1	-	C	EC1/58
2934		CONTROL COUNTERSHAFT, GROUP				
		ATTACHMENTS-PANEL, PART No. 10 O.3662				
28S/9446545	A45/C16	Screw, csk. hd , 2 BA	24	-	C	EC1/57
5CW/4405040	-	Switch, toggle, fuel contents panel	1	-	A	EC1/58

VULCAN No. 2

CONTROLS

Page EC. 5

ENGINE, IN CREW'S NACELLE, FUSELAGE

Ref. No.	Part No.	Description	No. off	Matl. Spec.	Cl. of St.	Plate and Illust'n No.
					M.R.	
		1 2 3 4				
		CONSOLE, PILOT'S ENGINE, CENTRE (35.O.3762) (Pre-Mod. 980) (46.O.3762) (Mod. 980) (Cont'd)				
		SWITCHES AND MOUNTING, ENGINE CONSOLE (1V9386)	—			EC1/59
		Spares for:—				
		Bush, ring lock	1	—	MR	
5CW 1039506	31SS4204 ENG. ELECTRIC ZA2402/1	Guard, for switch	2	—	A	
	3V9386	HOLDER, SWITCH, GROUP	1	—		
		Spares for:—				
	86SS6005	Label, "R P.M. Governor, J.P.T. limiter"	1	L59		
	87SS6005	Label, "J.P.T. limiter, on-off"	1	L59		
	88SS6005	Label, "Take of cruise"	1	L59		
5CW/4405757	ROTAX N 135531	Plate, shroud	4	—	C	
5CW/4405756	ROTAX N.135530	Shroud	2	—	C	
5CW/1047697	—	Switch (Pre-Mod. 692)	2	—	A	
	—	Switch (Mod. 692)	2	—	A	
	1V6768	SWITCH, COMBINED AIR BRAKE AND COCKPIT LIGHTING, GROUP	1	—	MR	EC1/60
		Spares for:—				
	16V6768	FAIRING, GROUP	1	—		
5L/9951272	—	Filament, 28V., 35W. clear	2	—	C	
	11V6768	Gate, safety	1	DTD171B		
	8V6768	Guard, L.H.	1	L72	MR	
	9V6768	Guard, R.H.	1	L72		
	1V7020	HANDLE, OPERATING, WITH SAFETY PLUNGER, GROUP	1			EC1/61
		Consisting of:—				
	2V7020	HANDLE, GROUP	1	—		
	3V7020	Peg, locating	1	DTD176		
	6V7020	Plunger	1	DTD176		
	AT30211	Spring, helical	1	—		
	310SS6004	Label, "Air brake operation"	1	DTD213		
	10V6768	Plate, cover	1	L72		
10AE/1959461	LP.183328	Socket, lamp	2	—	C	
28W/1097257	1906/1	Washer, shakeproof, 4 BA	8	—	C	
17616	17V6768	Window (Red Celestoid)	1	—	C	
		ATTACHMENTS—SWITCH, PART No.				
		1V6768				
28D/1220032	AS2923/28	Bolt, mush. hd., 4 BA	2	—	C	
28M/1278189	AGS2001/B/1	Nut, stiff, 4 BA	2	—	C	
28W/9128924	SP14/C	Washer, 2 BA	2	—	C	
28W/9419465	SP13/B	Washer, 4 BA	2	—	C	
5CW/4182	—	Switch	1	—	A	EC1/62
5CW/9438526	—	Switch (Mod. 980) (Pre-Mod. 2375)	1	—	A	EC1/63
5CW/5058	C5162—YMK4	Switch (Mod. 2375)	1	—	B	

CONTROLS

ENGINE, IN CREW'S NACELLE, FUSELAGE

Ref. No.	Part No.	Description	No. off	Matl. Spec.	Cl. of	Plate and Illust'n No.
					St. M.R.	
		1 2 3 4				
		CONSOLE, PILOT'S ENGINE CENTRE (35.O.3762) (Pre Mod. 980) (46.O.3762) (Mod. 980) (Cont'd)				
		SWITCH, EMERGENCY AIR CONTROL, GROUP (1Z7674)	—			EC2/64
	4Z7647	Spares for:— FAIRLEAD, GROUP	1	—		
	6Z7674	Pawl	1	S1 or S3		
	9Z7674	Plate, top	1	L72		
2955	7Z7674	Spring (18G Piano wire)	1	—	C	
5CW/4368	—	Switch, micro	1	—	A	
12953	83.O.3948	FAIRLEAD, AT FORMER 218, FOR CONTROL RODS, PORT, GROUP		—	C	EC5/66
		Spares for:—				
	58b.Z.9642	Fairlead	1	BSS972		EC5/66
	58c.Z.9642	Fairlead	1	BSS972		EC5/67
	1.O.3520	FAIRLEAD, ROLLER, GROUP	1	—	MR	EC5/68
		Spares for:—				
	4.O.3520	ROLLER, GROUP	3	—	MR	EC5/69
	77.O.3948	FAIRLEAD, ROLLER, GROUP	2	—	MR	EC5/70
		Spares for:—				
	77a.O.3948	ROLLER, GROUP	3	—	MR	EC5/71
	89.O.3948	FAIRLEAD, AT FORMER 218, FOR CONTROL RODS, STARBOARD, GROUP	1	—		EC5/72
		Spares for:—				
	77.O.3948	FAIRLEAD, ROLLER, GROUP	2	—	MR	EC5/70
		Spares for:—				
	77a.O.3948	ROLLER, GROUP	3	—	MR	EC5/71
12955	85.O.3948	FAIRLEAD, AT FORMER 246, FOR CONTROL RODS, PORT, GROUP	1	—	C	EC5/73
		Spares for:—				
	56b.Z.9642	Fairlead	1	BSS972		EC5/73a
	1.O.3520	FAIRLEAD, ROLLER, GROUP	1	—	MR	EC5/68
		Spares for:—				
	4.O.3520	ROLLER, GROUP	3	—	MR	EC5/69
	77.O.3948	FAIRLEAD, ROLLER, GROUP	2	—	MR	EC5/70
		Spares for:—				
	77a.O.3948	ROLLER, GROUP	3	—	MR	EC5/71
12956	94.O.3948	FAIRLEAD, AT FORMER 246, FOR CONTROL RODS, STARBOARD, GROUP	1	—	C	EC5/74
		Spares for:—				
	77.O.3948	FAIRLEAD, ROLLER, GROUP	2	—	MR	EC5/70
		Spares for:—				
	77a.O.3948	ROLLER, GROUP	3	—	MR	EC5/71

VULCAN ML. 2

CONTROLS

Page EC. 7

ENGINE, IN CREW'S NACELLE, FUSELAGE

Ref. No.	Part No.	Description	No. off	Matl. Spec.	Cl. of St.	Plate and Illust'n No.
					M.R.	
		<u>1</u> <u>2</u> <u>3</u> <u>4</u>				
12954	84.O.3948	FAIRLEAD, AT FORMER 274, FOR CONTROL RODS, PORT, GROUP Spares for:—	1	—	C	EC5/75
	55bZ9642	Fairlead	1	BSS972		EC5/76
	1.O.3520	FAIRLEAD, ROLLER, GROUP Spares for:—	1	—	MR	EC5/68
	4.O.3520	ROLLER, GROUP	3	—	MR	EC5/69
	77.O.3948	FAIRLEAD, ROLLER, GROUP Spares for:—	2	—	MR	EC5/70
	77a.O.3948	ROLLER, GROUP	3	—	MR	EC5/71
	93.O.3948	FAIRLEAD, AT FORMER 274, FOR CONTROL RODS, STARBOARD, GROUP Spares for:—	1	—		EC5/77
	77.O.3948	FAIRLEAD, ROLLER, GROUP Spares for:—	2	—	MR	EC5/70
	77a.O.3948	ROLLER, GROUP	3	—	MR	EC5/71
12952	82.O.3948	FAIRLEAD, AT FORMER 302, FOR CONTROL RODS, PORT, GROUP Spares for:—	1	—	C	EC4/78
	54bZ9642	Fairlead	1	—		EC4/79
	1.O.3520	FAIRLEAD, ROLLER, GROUP Spares for:—	1	—	MR	EC4/68
	4.O.3520	ROLLER, GROUP	3	—	MR	EC4/69
	77.O.3948	FAIRLEAD, ROLLER, GROUP Spares for:—	2	—	MR	EC4/70
	77a.O.3948	ROLLER, GROUP	3	—	MR	EC4/71
	90.O.3948	FAIRLEAD, AT FORMER 302, FOR CONTROL RODS, STARBOARD, GROUP Spares for:—	1	—		EC4/80
	77.O.3948	FAIRLEAD, ROLLER, GROUP Spares for:—	2	—	MR	EC4/70
	77a.O.3948	ROLLER, GROUP	3	—	MR	EC4/71
1433671	78.O.3948	FAIRLEAD, AT FORMER 316, FOR CONTROL RODS, PORT, GROUP Spares for:—	1	—	C	EC4/81
	78E.O.3948	Bearing	2	—		EC4/82
28D/9453970	A25/15C	Bolt, 2 BA	3	—	C	
28D/1010029	A25/6B	Bolt, 4 BA	4	—	C	
	78a.O.3948	Fairlead	1	—		EC4/83
	27b.O.3506	Fairlead	1	—		EC4/84
28M/1012015	AGS2001/C1/66	Nut, stiff, 2 BA	3	—	C	
28M/1278189	AGS2001/B/1	Nut, stiff, 4 BA	4	—	C	
28W/9419402	SP13/C	Washer, 4 BA	3	—	C	
28W/9419465	SP13/B	Washer, 4 BA	4	—	C	

CONTROLS

ENGINE, IN CREW'S NACELLE, FUSELAGE

Ref. No.	Part No.	Description	No. off	Matl. Spec.	Cl. of St.	Plate and Illust'n No.
					M.R.	
		1 2 3 4				
1433672	95.O.3948	FAIRLEAD, AT FORMER 316, FOR CONTROL RODS, STARBOARD, GROUP	1	-	C	EC4/85
		Spares for:-				
	78e.O.3948	Bearing	2	-		EC4/82
28D/9453970	A25/15C	Bolt, 2 BA	3	-	C	
28D/1010029	A25/6B	Bolt, 4 BA	4	-	C	
	95a.O.3948	Fairlead	1	-		EC4/86
	27b.O.3506	Fairlead	1	-		EC4/84
28M/1012015	AGS2001/C1/66	Nut, stiff, 2 BA	3	-	C	
28M/1278189	AGS2001/B/1	Nut, stiff, 4 BA	4	-	C	
28W/9419402	SP13/C	Washer, 2 BA	3	-	C	
28W/9419465	SP13/B	Washer, 4 BA	4	-	C	
		ATTACHMENTS-ROLLER, PART Nos. 4.O.3520 & 77a.O.3948				
28P/7132521	SP/4/Y/B7	Pin	60	-	C	
28P/9710567	SP90/C4	Pin, split, 1/16" dia. (SP9/C5)	60	-	C	
28W/9419454	SP10/C	Washer, 2 BA	60	-	C	
		ATTACHMENTS-FAIRLEAD, ROLLER PART Nos. 58bZ, 58bZ & 58bZ9642, 1.O.3520 and 77.O.3948				
28D/9436920	A25/1C	Bolt, 2 BA	60	-	C	
28D/9133011	A25/2C	Bolt, 2 BA	6	-	C	
28D/1008149	A25/2B	Bolt, 4 BA	2	-	C	
28M/1012015	AGS2001/C1/66	Nut, stiff, 2 BA	66	-	C	
28M/1278189	AGS2001/B/1	Nut, stiff, 4 BA	2	-	C	
28W/9419454	SP10/C	Washer, 2 BA	66	-	C	
28W/9419401	SP10/B	Washer, 4 BA	2	-	C	
		ATTACHMENTS-FAIRLEAD, PART Nos. 78, 82, 83, 84, 85, 89, 90, 93, 94 and 95.O.3948				
28D/9436920	A25/1C	Bolt, 2 BA	42	-	C	
28D/7002428	A25/6C	Bolt, 2 BA	4	-	C	
28M/1012015	AGS2001/C1/66	Nut, stiff, 2 BA	46	-	C	
28W/9419475	SP15/C	Washer, 2 BA	12	-	C	
28W/9419402	SP15/C	Washer, 2 BA	34	-	C	
		LEVER, CONTROL, UNDER PILOT'S FLOOR, PORT AND STARBOARD				
	1.O.3659	LEVER, CONTROL, PORT, GROUP	1	-		
	2.O.3659	LEVER, CONTROL, STARBOARD, GROUP ...	1	-		
		Spares for:-				
	17.O.3659	BRACKET, COMPLETE WITH LEVERS, PORT, GROUP	1	-	MR	EC2/87
	18.O.3659	BRACKET, COMPLETE WITH LEVERS, STARBOARD, GROUP				
		Spares for:-				
	23.O.3659	Bolt, csk. hd., 2 BA	2	-		
	3.O.3659	BRACKET, LEVER, PORT, GROUP	1	-	MR	EC2/88
	4.O.3659	BRACKET, LEVER, STARBOARD, GROUP	1	-		

VULCAN No. 2		CONTROLS				Page EC. 9			
ENGINE, IN CREW'S NACELLE, FUSELAGE									
Ref. No.	Part No.	Description				No. off	Matl. Spec.	Cl. of St.	Plate and Illust'n No.
		1	2	3	4			M.R.	
		BRACKET, COMPLETE WITH LEVERS, PORT AND STARBOARD, GROUPS (17 & 18.O.3659) (Cont'd)							
1510670	11.O.3659	LEVER, PORT, GROUP				1	—	B	EC2/89
1510678	14.O.3659	LEVER, PORT, GROUP				1	—	B	EC2/90
	12.O.2659	LEVER, STARBOARD, GROUP				1	—	MR	EC2/91
1510675	13.O.3659	LEVER, STARBOARD, GROUP				1	—	B	EC2/92
		Spares for:—							
2A/9500411	R & M CK1/4"C W & S No. 10 or	Bearing				2	—	C	
5882	PP33844/54/10 AS2806/5/113 AS2806/5/025	Plate, securing				1	—	C	
		Tube, distance				1	—		EC2/93
		Tube, distance				2	—		EC2/94
		ATTACHMENTS—LEVER, PART Nos. 11, 12, 13 & 14.O.3659							
28D/1212213	A57/13E	Bolt, 1/4" BSF				2	—	C	EC2/95
28D/1212221	A57/24E	Bolt, 1/4" BSF				2	—	C	EC2/96
28M/4095947	A58/ES	Nut, slotted, 1/4" BSF				4	—	C	
28P/9527619	SP90/C7	Pin, split, 1/6" dia.				4	—	C	
28W/9418921	SP13/E	Washer, 1/4"				4	—	C	
		ATTACHMENTS—BRACKET, PART Nos. 17 & 18.O.3659							
28D/9436920	A25/1C	Bolt, 2 BA				16	—	C	EC2/97
28M/1012015	AGS2001/C1/68	Nut, stiff, 2 BA				16	—	C	
28W/9419402	SP13/C	Washer, 2 BA				16	—	C	
	100.O.4310	MECHANISM, FLIGHT IDLING DETENT, PORT, GROUP (Mod. 1649)				1	—		EC4/98
	101.O.4310	MECHANISM, FLIGHT IDLING DETENT, STARBOARD, GROUP (Mod. 1649)				1	—		EC4/99
	87.O.3948	Plate, seal, at rear pressure bulkhead, port				1	—		EC5/100
	94D9460	Plate, seal, at rear pressure bulkhead, starboard				1	—		EC5/101
1314	12.O.3651	ROD, CONTROL, TOP, FROM LEVER BELOW PILOT'S CONSOLE TO LEVER ON TORQUE SHAFT, GROUP				2	—	B	EC4/102
1315	13.O.3651	ROD, CONTROL, BOTTOM, FROM LEVER BELOW PILOT'S CONSOLE, TO LEVER ON TORQUE SHAFT, GROUP				2	—	B	EC4/103
		Spares for:—							
1316	25.O.3506	ROD, END, ADJUSTABLE, GROUP				1	—	C	EC4/53
		Spares for:—							
28R/4665592	R & M CM3/16"B	Bearing, rod, end				1	—	C	
1317	27.O.3516	ROD, END, FIXED, GROUP				1	—	C	EC4/104
		Spares for:—							
28R/4665592	R & M CM3/16"B	Bearing, rod end				1	—	C	

CONTROLS

ENGINE, IN CREW'S NACELLE, FUSELAGE

Ref. No.	Part No.	Description	No. off	Matl. Spec.	Cl. of St.	Plate and Illust'n No.
					M.R.	
		1 2 3 4				
1318	16.O.3506	ROD, CONTROL, TOP AND BOTTOM, FROM LEVER ON TORQUE SHAFT BELOW PILOT'S FLOOR, TO JOINT BETWEEN FORMERS 302 AND 316, GROUP Spares for:—	4	—	B	EC4/105
1316	25.O.3506	ROD, END, ADJUSTABLE, GROUP Spares for:—	1	—	C	EC4/53
28R/4665592	R. & M. CM3/16"B	Bearing, rod end	1	—	C	
1319	44.O.3506	ROD, END, FIXED GROUP Spares for:—	1	—	C	EC4/54
28R/4665592	R. & M. CM3/16"B	Bearing, rod end	1	—	C	
	183.O.3948	ROD, CONTROL, TOP, BETWEEN FORMER 316 AND REAR PRESSURE BULKHEAD, GROUP Spares for:—	2	—		EC5/106
	30.O.4310	ADJUSTER, GROUP Spares for:—	1	—		EC5/107
	29.O.4310	Bracket	1	—		
	28.O.4310	Screw, adjusting	1	—		
	51.O.4310	Rod, control	1	—		EC5/108
1316	25.O.3506	ROD, END, ADJUSTABLE, GROUP Spares for:—	1	—	C	EC5/53
28R/4665592	R. & M. CM3/16"B	Bearing, rod end	1	—	C	
1320	18.O.3506	ROD, CONTROL, BOTTOM, BETWEEN FORMER 316 AND REAR PRESSURE BULKHEAD, GROUP Spares for:—	2	—	B	EC5/109
1316	25.O.3506	ROD, END, ADJUSTABLE, GROUP Spares for:—	1	—	C	EC5/53
28R/4665592	R. & M. CM3/16"B	Bearing, rod end ATTACHMENTS—CONTROL RODS, PART Nos. 16 & 18.O.3506, 12 & 13.O.3651 and 183.O.3948	1	—	C	
9606	71.O.3506	Bolt, csk. hd., 2 BA	4	S94, 95 or 96	C	
7557	72.O.3506	Bolt, 2 BA	16	—	C	
28M/5808573	A27/CS	Nut, slotted, 2 BA	20	—	C	
28P/9527619	SP90/C7	Pin, split, 1/16" dia.	20	—	C	
28W/9419402	SP13/C	Washer, 2 BA	12	—	C	
28W/9419404	SP16/C	Washer, 2 BA	8	—	C	
22184	75.O.3948	Seal, at rear pressure bulkhead	2	DTD5509	C	EC5/110
22185	76.O.3948	Seal, at rear pressure bulkhead	2	DTD5509	C	EC5/111
	88.O.3948	Seal, at rear pressure bulkhead, port	1	BS1154/213		EC5/112
22186	112D9640	Seal, at rear pressure bulkhead, starboard	1	BS1154/213	C	

VULCAN M4 2

CONTROLS

Page EC. 11

ENGINE, IN CREW'S NACELLE, FUSELAGE

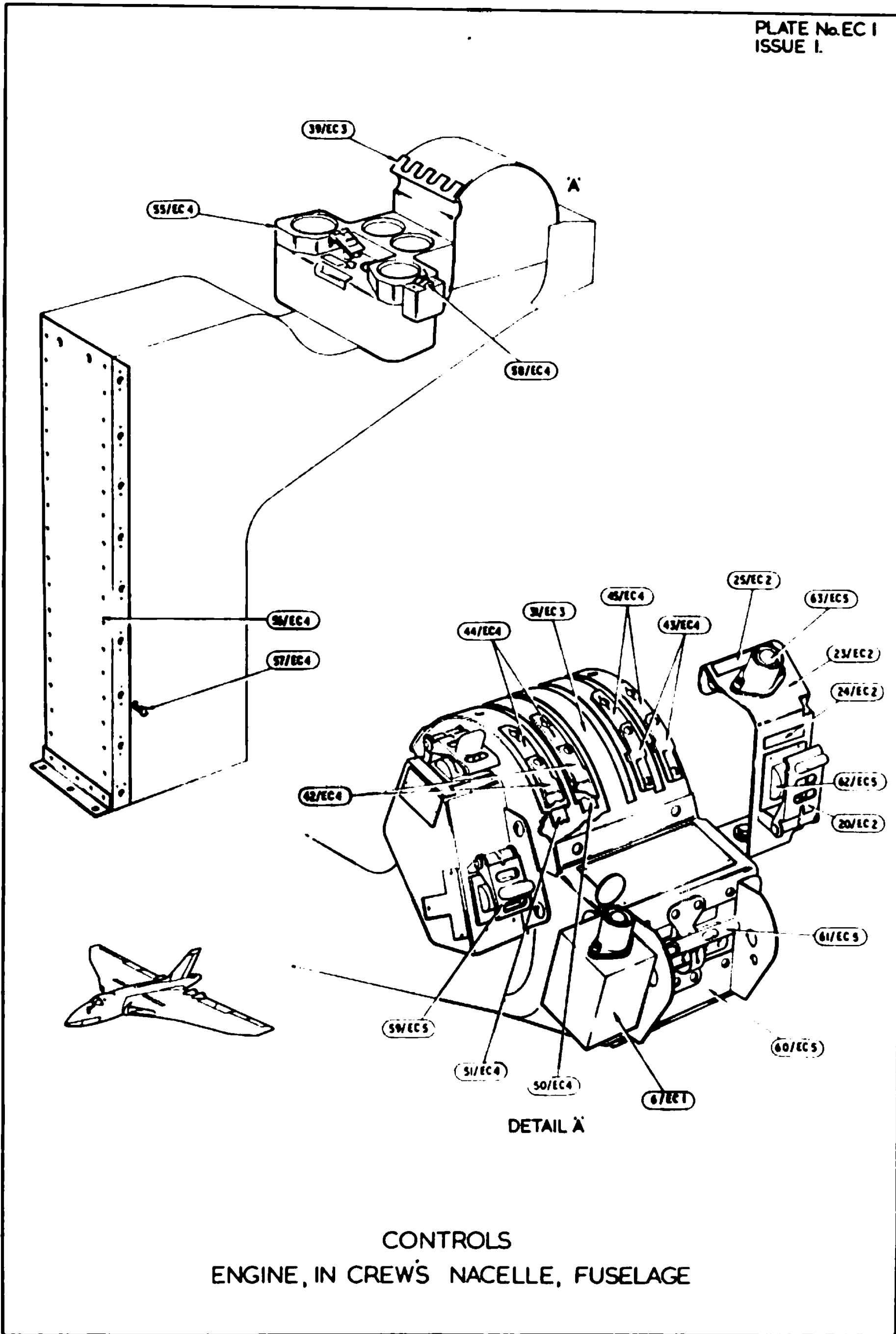
Ref. No.	Part No.	Description	No off	Matl. Spec.	Cl. of St.	Plate and Illust'n No.
					M.R.	
		1 2 3 4				
12945	1.O.3661	SHAFT, TORQUE, PORT, GROUP	1	—	A	
	2.O.3661	SHAFT, TORQUE, STARBOARD, GROUP	1	—		
	9.O.3661	Spares for:— SHAFT, TORQUE, PORT, GROUP	1	—	MR	EC4/113
	10.O.3661	SHAFT, TORQUE, STBD., GROUP	1	—	MR	EC4/114
	6.O.3661	Consisting of:— BEARING, PEDESTAL, GROUP	1	—	MR	EC4/115
	14.O.3515	BEARING, PEDESTAL, GROUP	1	—		EC4/116
	Spares for:—					
2A/9500419	R. & M. CA1-1/16"	Bearing	1	—	C	
17946	12SS5880	Washer, sealing	1	—	C	
	9.O.3515	Lever, top	1	DTD683 or 364B	MR	EC4/117
	10.O.3515	Lever, bottom	1	DTD683 or 364B	MR	EC4/118
	3.O.3661	SHAFT, OUTER, PORT, GROUP	1	—		EC4/119
	4.O.3661	SHAFT, OUTER, STBD., GROUP	1	—		
	5.O.3661	Consisting of:— BEARING, PEDESTAL, GROUP	1	—	MR	EC4/120
	13.O.3515	BEARING, PEDESTAL, GROUP	1	—	MR	EC4/121
	Spares for:—					
2A/9500422	R. & M. CA1-9/16"	Bearing	1	—	C	
	15SS5880	Plate, securing	1	—		
	5.O.3515	Lever, inner, top	1	DTD683 or 364B	MR	EC4/122
	6.O.3515	Lever, inner, bottom	1	DTD683 or 364B	MR	EC4/123
	8.O.3661	Tube, 1-1/2" o/d x 20G x 5-1/8"	1	T45	MR	
	7.O.3661	Tube, 1" o/d x 20G x 8-5/8"	1	T45	MR	
		ATTACHMENTS—TORQUE SHAFT, PART Nos. 9 & 10.O.3661				
28D/1011030	A25/2E	Bolt, 1/4" BSF	32	—	C	EC4/124
28M/9480017	AGS2001/E1/66	Nut, stiff, 1/4" BSF	32	—	C	
28W/9418920	SP10E	Washer, 1/4"	32	—	C	

VULCAN No. 2

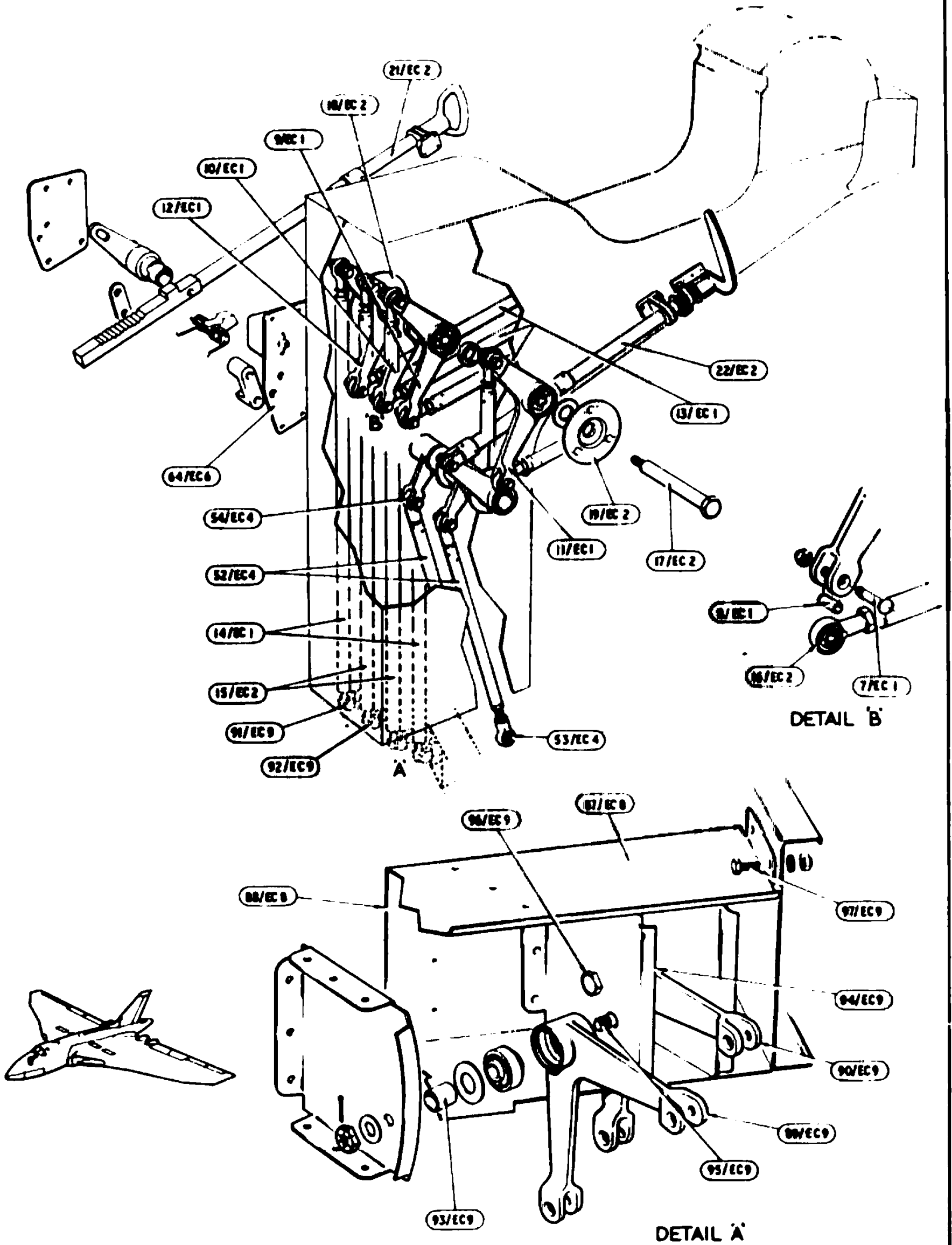
CONTROLS

ENGINE, IN CREW'S NACELLE
SUMMARY OF STANDARD ITEMS

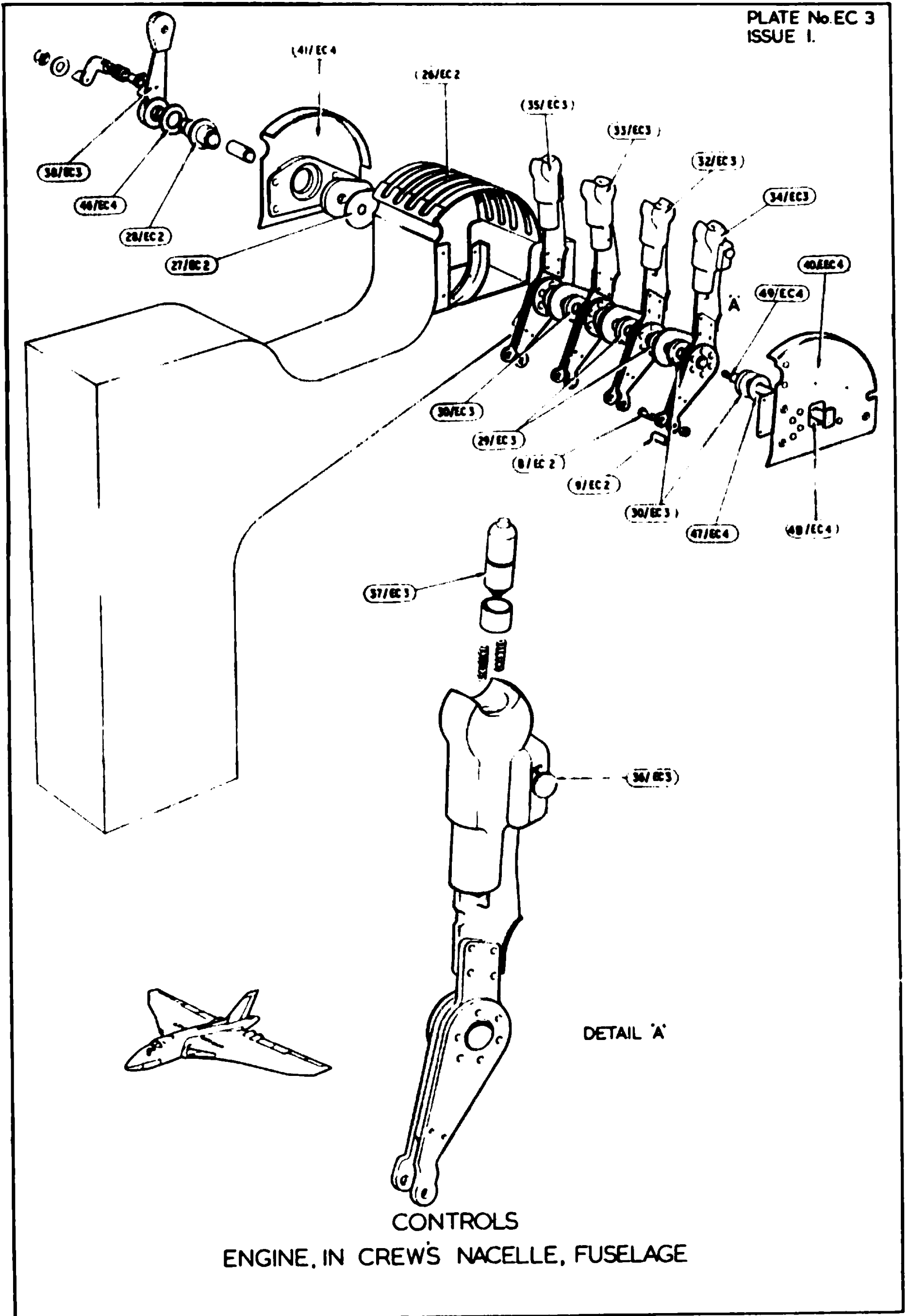
Stores Ref.		No. off	Stores Ref.		No. off	Stores Ref.		No. off
Section	Ref. No.		Section	Ref. No.		Section	Ref. No.	
28D	1008149	2	28N	2001541	4	28W	9128924	2
28D	1010029	8				28W	9418920	32
28D	1011033	32				28W	9418921	4
28D	1212213	2	28P	833	60	28W	9419401	2
28D	1212221	2	28P	9429619	60	28W	9419402	68
28D	1220032	2	28P	9527619	24	28W	9419404	8
28D	7002428	4				28W	9419454	126
28D	9133011	6	28R	13504	24	28W	9419465	10
28D	9436920	118				28W	9419475	12
28D	9453976	6	28S	9446545	24			
28M	13935	4						
28M	1278189	12						
28M	1278190	134						
28M	5808573	20						
28M	9480017	32						

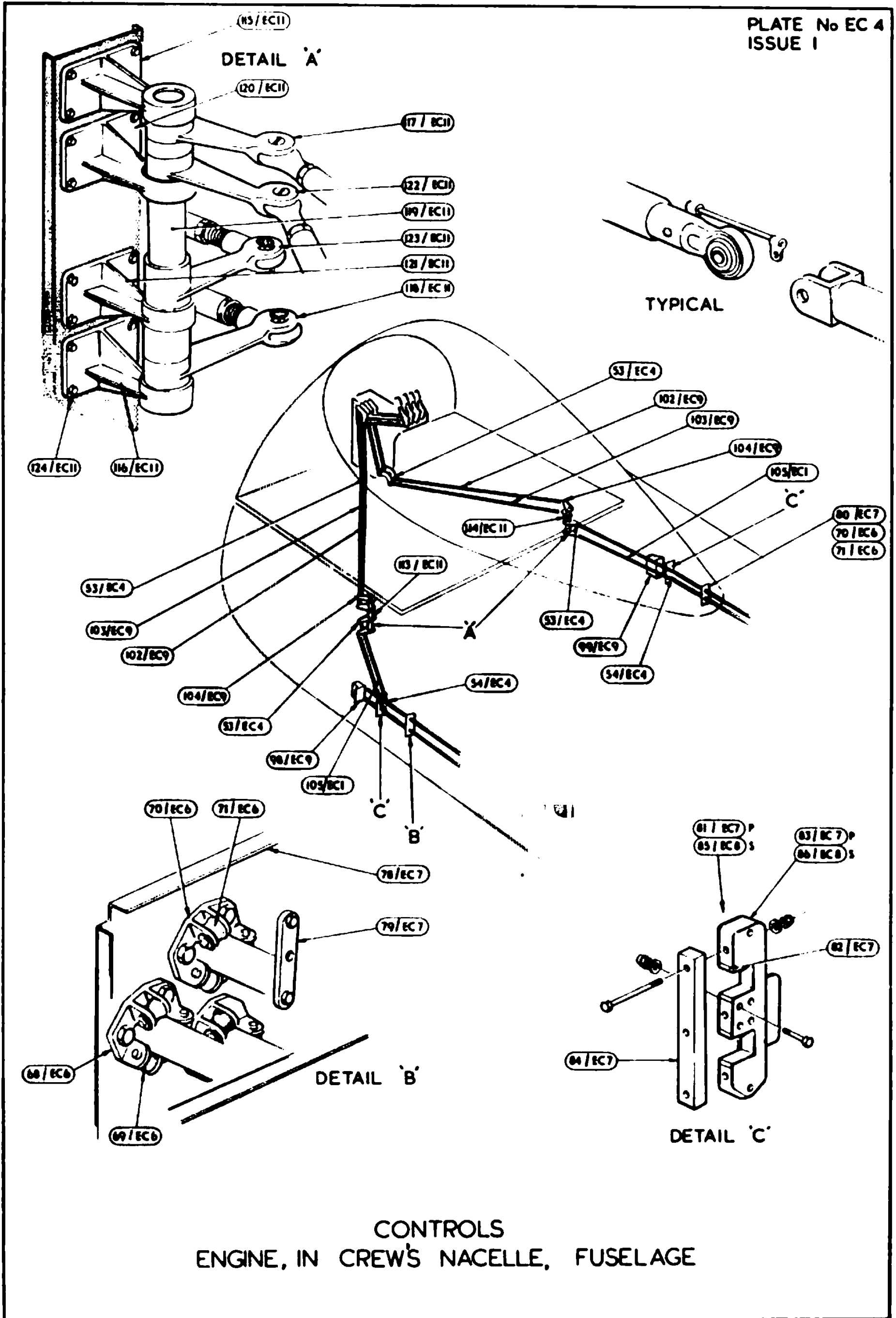


CONTROLS
ENGINE, IN CREW'S NACELLE, FUSELAGE

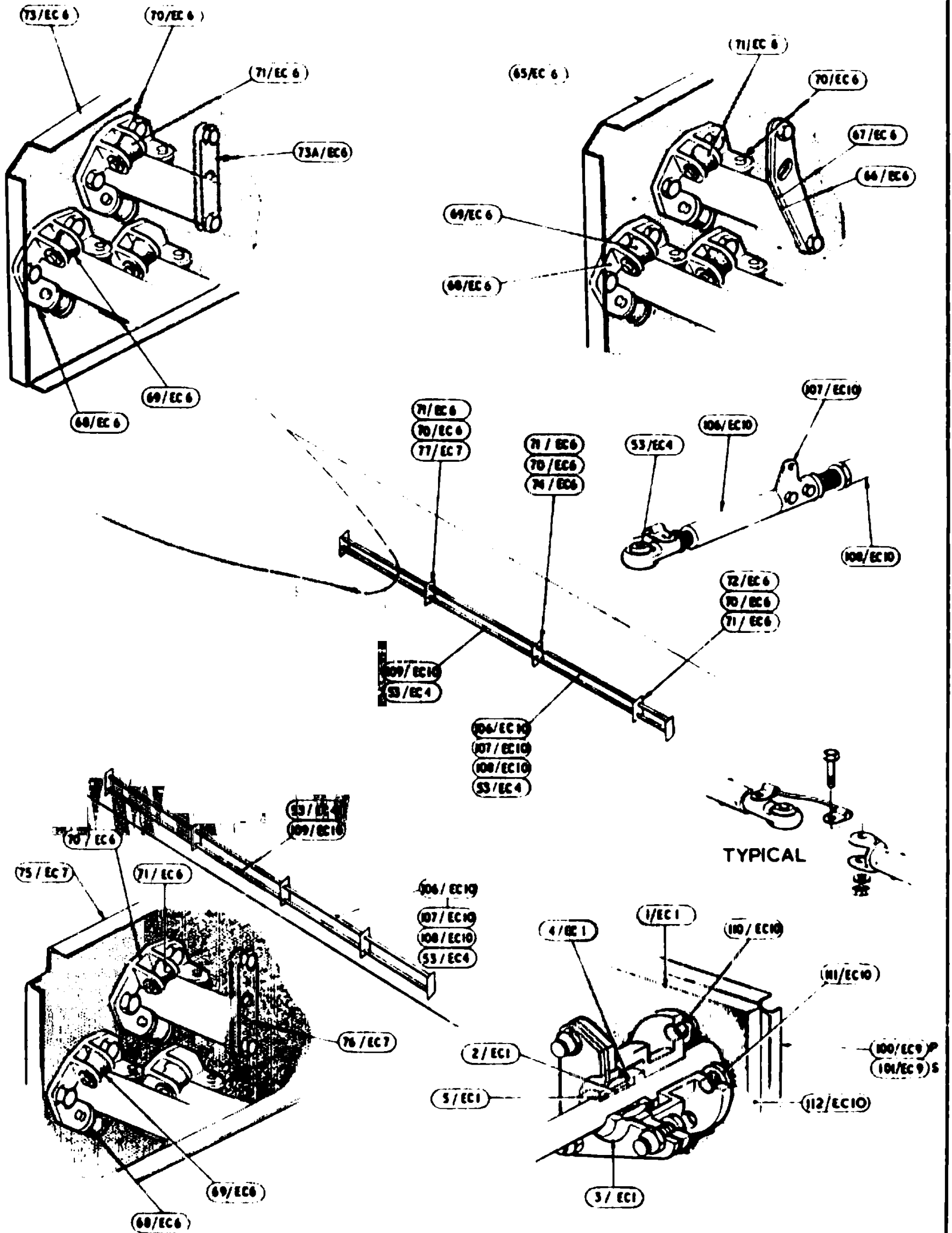


CONTROLS
ENGINE, IN CREW'S NACELLE, FUSELAGE





CONTROLS
ENGINE, IN CREW'S NACELLE, FUSELAGE



CONTROLS
ENGINE IN CREW'S NACELLE FUSELAGE

VULCAN ML. 2

CONTROLS

Page ED. 1

ENGINE, FORWARD OF FRONT SPAR, CENTRE PORTION FUSELAGE

Ref. No.	Part No.	Description	No. off	Matl. Spec.	Cl. of	Plate and Illust'n No.
					St. M.R.	
		1 2 3 4 CONTROLS, ASSEMBLIES, ENGINE FORWARD OF FRONT SPAR, IN CENTRE PORT FUSELAGE, PORT AND STARBOARD (3 & 4.O.3948) (Mod. 889)				
	5.O.3651	Spares for:- BRACKET, FOR LEVER, AT FORMER 115.5, . PORT, GROUP	1	-	MR	ED1/1
	6.O.3651	BRACKET, FOR LEVER, AT FORMER 115.5, . STARBOARD, GROUP	1	-	MR	ED1/2
		ATTACHMENTS-BRACKET, PART No. 5 & 6.O.3651				
28D/9436920	A25/1C	Bolt, 2 BA	12	-	C	
28M/1012015	AGS2001/C1/66	Nut, stiff, 2 BA	12	-	C	
28W/9419402	SP13/C	Washer, 2 BA	12	-	C	
	1 O.4297	FAIRLEAD, AT RIB 63.5, PORT, GROUP	4	-		ED1/3
	2.O.4297	FAIRLEAD, AT RIB 63.5, STARBOARD, GROUP	4	-		ED1/4
		Spares for:-				
	77.O.3948	FAIRLEAD, ROLLER, GROUP	2	-	MR	ED1/5
		Spares for:-				
	77a.O.3948	ROLLER, GROUP	3	-	MR	
	86.O.3948	FAIRLEAD, AT DIAPHRAGM, 93.75, PORT .. AND STARBOARD, GROUP	1	-		ED1/6
		Spares for:-				
	77.O.3948	FAIRLEAD, ROLLER, GROUP	2	-	MR	ED1/5
		Spares for:-				
	77a.O.3948	ROLLER, GROUP	3	-	MR	
12967	35a.O.3506	Plate, tapered	1	DTD130	C	
	77.O.3948	FAIRLEAD, ROLLER, AT FORMERS 189.5, .. 160-5 AND 145.25, PORT AND STARBOARD, GROUP	6	-	MR	ED1/7
		Spares for:-				
	77a.O.3948	ROLLER, GROUP	3	-	MR	
		ATTACHMENTS-ROLLER, PART No. 77a.O.3948				
28P/7132521	SP/4/Y/B7	Pin	96	-	C	
28P/9710567	SP90/CA	Pin, split, 1/16" dia. (SP9/C5)	96	-	C	
28W/1009699	SP10/C	Washer, 2 BA	96	-	C	
		ATTACHMENTS-FAIRLEAD, PART No. 77.O.3948				
28D/1214091	AS1242/2C	Bolt, csk hd., 2 BA	12	-	C	
28D/9436920	A25/1C	Bolt, 2 BA	84	-	C	
28M/1012015	AGS2001/C1/66	Nut, stiff, 2BA	48	-	C	
28W/9419402	SP13/C	Washer, 2 BA	96	-	C	
		ATTACHMENTS-FAIRLEAD, PART No. 86.O.3948				
28D/9436920	A25/1C	Bolt, 2 BA	8	-	C	
28W/9419402	SP13/C	Washer, 2 BA	8	-	C	

CONTROLS

ENGINE, FORWARD OF FRONT SPAR, CENTRE PORTION FUSELAGE

Ref. No.	Part No.	Description	No. off	Matl. Spec.	Cl. of St.	Plate and Illust'n No.
					M.R.	
		1 2 3 4				
	26.O.3651	LEVER AND BRACKET, LOWER AT FORMER 115.5, PORT, GROUP	1	—	MR	ED1/8
	20.O.3651	Spares for:— Bolt, lever attachment	1	S94, 95 or 96	MR	
12962	11.O.3506	BRACKET, GROUP	1	—		
	61.O.3506	LEVER, R.H., GROUP	1	—	MR	ED1/9
	64.O.3506	LEVER, L.H., GROUP	1	—	B	ED1/10
		Spares for:—				
2A/9500413	R. & M. CK3/8"C	Bearing	2	—	C	
12959	61a.O.3506	Lever, R.H.	1	DTD683 or 364B	C	
	64a.O.3506	Lever, L.H.	1	DTD683 or 364B		
17942	2SS5880	Plate, securing	1	—	C	
	AS.2808/7/05	Tube, distance	1	—		
	27.O.3651	LEVER AND BRACKET, LOWER AT FORMER 115.5, STARBOARD, GROUP	1	—	MR	ED1/11
		Spares for:—				
	20.O.3651	Bolt, lever attachment	1	S94, 95 or 96	MR	
	11.O.3506	BRACKET, GROUP	1	—		
12960	63.O.3506	LEVER, L.H., GROUP	1	—	MR	ED1/12
	62.O.3506	LEVER, R.H., GROUP	1	—	B	ED1/13
		Spares for:—				
2A/9500413	R. & M. CK3/8"C	Bearing	2	—	C	
17942	2SS5880	Plate, securing	1	—	C	
		ATTACHMENTS—LEVER & BRACKET, PART Nos. 26 & 27.O.3651				
28D/9436920	A25/1C	Bolt, 2 BA	4	—	C	
28D/1011024	A25/21C	Bolt, 2 BA	6	—	C	
28D/1212305	A25/21E	Bolt, 1/4" BSF	2	—	C	
28M/1012015	AGS2001/C1/66	Nut, stiff, 2 BA	10	—	C	
28M/9480017	AGS2001/E1/66	Nut, stiff, 1/4" BSF	2	—	C	
28W/9419402	SP13/C	Washer, 2 BA	10	—	C	
28W/9418921	SP13/E	Washer, 1/4"	2	—	C	
	65.O.3506	LEVER, UPPER, AT FORMER 115.5 L.H., PORT, GROUP	1	—	MR	ED1/14
	68.O.3506	LEVER, UPPER, AT FORMER 115.5 R.H., PORT, GROUP	1	—	MR	ED1/15
	66.O.3506	LEVER, UPPER, AT FORMER 115.5 L.H., STARBOARD, GROUP	1	—	MR	ED1/16
12965	67.O.3506	LEVER, UPPER, AT FORMER 115.5 R.H., STARBOARD, GROUP	1	—	B	ED1/17
		Spares for:—				
2A/9500413	R. & M. CK3/8"C	Bearing	2	—	C	
17942	2SS5880	Plate, securing	1	—	C	

VULCAN No. 2

CONTROLS

Page ED 3

ENGINE, FORWARD OF FRONT SPAR, CENTRE PORTION FUSELAGE

Ref. No.	Part No.	Description	No. off	Matl. Spec.	Cl. of	Plate and Illust'n No.
					St.	
		1 2 3 4			M.R.	
28D/1212168 28M/4199616 28P/9527619 28W/9419466	A57/34J A58/JS SP90/C7 SP13/J	ATTACHMENTS-LEVER, PART Nos. 65, 66, 67 & 68 O 3508 Bolt, 3/8" BSF Nut, slotted, 3/8" BSF Pin, split, 1/16" dia. WASHER, 3/8"	2 2 2 2	- - - -	C C C C	
22325	1.O.3965	ROD, CONTROL, TOP AND BOTTOM FROM REAR PRESSURE BULKHEAD TO JOINT, BETWEEN FORMERS 145.25 AND 130 PORT AND STARBOARD, GROUP Spares for:-	2	-	B	ED1/18
	3.O.3965	Fork end, adjustable	1	-		
	25.O.3506	ROD END, ADJUSTABLE, GROUP Spares for:-	1	-	MR	
28R/4665592	R. & M. CM.3/16" B	Bearing, rod end	1	-	C	
1322	21.O.3506	ROD, CONTROL, TOP, FROM JOINT BETWEEN FORMERS 130 & 145.25 TO LEVERS AT 115.5 PORT AND STAR- BOARD, GROUP	1	-	B	ED1/19
1323	22.O.3506	ROD, CONTROL, BOTTOM, FROM JOINT BETWEEN FORMERS 130 AND 145.25, TO LEVERS AT 115.5 PORT AND STAR- BOARD, GROUP Spares for:-	1	-	B	ED1/20
	44.O.3506	ROD-END, FIXED, GROUP Spares for:-	1	-	MR	
28R/4665592	R. & M. CM.3/16" B	Bearing, rod end	1	-	C	
1324	9.O.3651	ROD, CONTROL, LEVER TO LEVER, BETWEEN FORMERS 115.5 & 130, PORT AND STARBOARD, GROUP Spares for:-	2	-	B	ED1/21
	25.O.3506	ROD END, ADJUSTABLE, GROUP Spares for:-	1	-	MR	
28R/4665592	R. & M. CM.3/16" B	Bearing, rod end	1	-	C	
	44.O.3506	ROD-END, FIXED, GROUP Spares for:-	1	-	MR	
28R/4665592	R. & M. CM.3/16" B	Bearing, rod end	1	-	C	
	59.O.3506	ROD, CONTROL, TOP, FROM LEVER AT FORMER 115.5, TO JOINT AFT OF FORMER 101, PORT AND STARBOARD, GROUP	1	-	MR	ED1/22

CONTROLS

ENGINE, FORWARD OF FRONT SPAR, CENTRE PORTION FUSELAGE

Ref. No.	Part No.	Description	No. off	Matl. Spec.	Cl. of St.	Plate and Illust'n No.
					M.R.	
		1 2 3 4				
	60.O.3506	ROD, CONTROL, BOTTOM, FROM LEVER AT FORMER 115.5 TO JOINT AFT OF FORMER 101, PORT AND STAR- BOARD, GROUP	1	-	MR	ED1/23
	44.O.3506	ROD-END, FIXED, GROUP Spares for:-	1	-	MR	
28R/4665592	R. & M. CM.3/16"B	Bearing, rod-end	1	-	C	
1327	20.O.3506	ROD, CONTROL, TOP AND BOTTOM, FROM FORMER 101 TO JOINT AFT OF FRONT SPAR, PORT AND STARBOARD, GROUP :	2	-	B	ED1/24
	25.O.3506	ROD-END, ADJUSTABLE, GROUP Spares for:-	1	-	MR	
28R/4665592	R. & M. CM.3/16"B	Bearing, rod end	1	-	C	
		ATTACHMENTS - CONTROL RODS, PART Nos. 20, 21, 22, 59 & 60.O.3506, 9.O.3651 and 1.O.3965				
	71.O.3506	Bolt, csk. hd., 2 BA, rod to lever	16	S94, 95 or 96	MR	ED1/25
	72.O.3506	Bolt, 2 BA, rod joint	12	-	MR	ED1/26
28M/5808573	A27/CS	Nut, slotted, 2 BA	28	-	C	
28P/9527619	SP90/C7	Pin, split, 1/16" dia.	28	-	C	
28W/9419402	SP13/C	Washer, 2 BA	16	-	C	
28W/9419404	SP16/C	Washer, 2 BA	12	-	C	

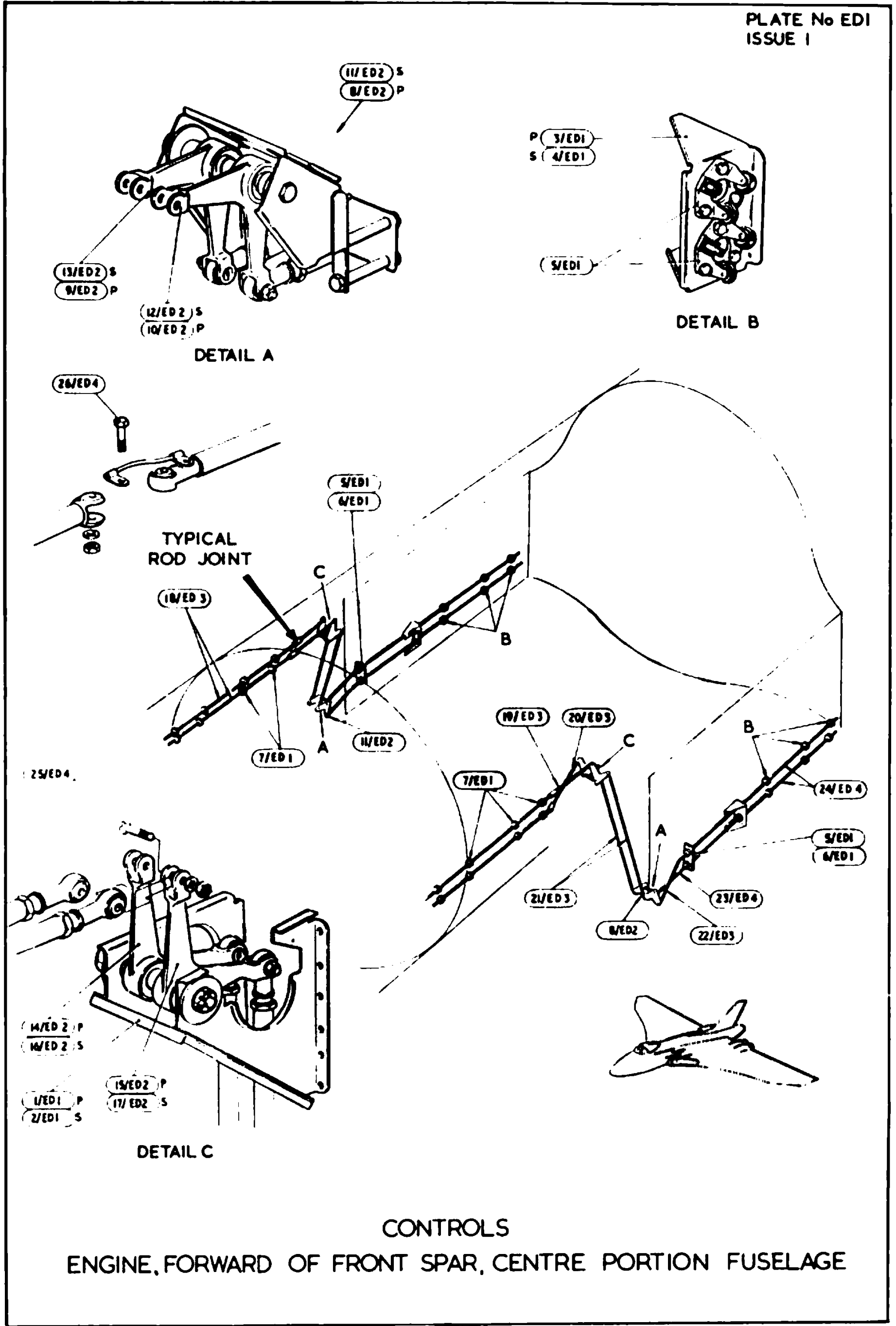
VULCAN Mk. 2

CONTROLS

ENGINE, FORWARD OF FRONT SPAR, CENTRE PORTION FUSELAGE

SUMMARY OF STANDARD ITEMS

Stores Ref.		No. off	Stores Ref.		No. off	Stores Ref.		No. off
Section	Ref. No.		Section	Ref. No.		Section	Ref. No.	
28D	12571	2	28P	833	96	28W	1009699	96
28D	1011024	6	28P	9527619	30	28W	9418921	2
28D	1212168	2	28P	9710567	96	28W	9419402	142
28D	1214091	12				28W	9419404	12
28D	9436920	108	28R	13504	12	28W	9419466	2
28M	14833	2						
28M	1278190	70						
28M	5808573	28						
28M	9480017	2						



VULCAN Mk. 2

CONTROLS

Page EE.1

ENGINE, AFT OF FRONT SPAR, IN CENTRE PORTION FUSELAGE

Ref. No.	Part No.	Description	No. off	Matl. Spec.	Cl. of	Plate and Illust'n No.
					St. M.R.	
		1 2 3 4 CONTROLS, ENGINE, AFT OF FRONT SPAR, IN CENTRE PORTION FUSELAGE, PORT AND STARBOARD (3 & 4.O.3948) (Mods. 120 & 1544) Spares for:—				
	HONEYWELL MDH3211Q/N1 101.O.3948	Actuator, port and starboard	4	—		EE1/1
		Bracket, limit switch mounting, port and starboard	1	—		EE1/2
	102.O.3948	Bracket, limit switch mounting, port	1	—		EE2/3
	103.O.3948	Bracket, limit switch mounting, starboard	1	—		EE1/4
		ATTACHMENTS—BRACKET, PART Nos. 101, 102 & 103.O.3948				
28D/9133012	A25/3C	Bolt, 2 BA	12	—	C	
28W/9419402	SP13/C	Washer, 2 BA	12	—	C	
	HONEYWELL 5PA/3	Cover, terminal, port and starboard (Mod. 1856)	4	—		EE1/5
		ATTACHMENTS—COVER, PART No. 5PA/3				
28DU/9480231	A116/8B	Bolt, pan hd., No. 6 UNC 2A	16	—	C	
28W/9157971	SP126/B	Washer, No. 6	16	—	C	
	23.O.3518	FAIRLEAD, BRACKET, AT RIB 63.5, PORT, ... GROUP	1	—		EE2/6
	24.O.3518	FAIRLEAD, BRACKET, AT RIB 63.5, STARBOARD, GROUP	2	—		EE1/7
		Spares for:—				
	77.O.3948	FAIRLEAD, ROLLER, GROUP	2	—	MR	
		Spares for:—				
	77a.O.3948	ROLLER, GROUP	3	—	MR	
	42.O.3948	FAIRLEAD, BRACKET, AT BULKHEAD 63.19, STARBOARD, GROUP	1	—		EE1/8
		Spares for:—				
	77.O.3948	FAIRLEAD, ROLLER, GROUP	1	—	MR	
		Spares for:—				
	77a.O.3948	ROLLER, GROUP	3	—	MR	
		ATTACHMENTS—ROLLER, PART No. 77a.O.3948				
28P/7132521	SP/4/Y/B7	Pin	21	—	C	
28P/9710567	SP90/C4	Pin, split, 1/16" dia. (SP9/C5)	27	—	C	
28W/9419454	SP10/C	Washer, 2 BA	27	—	C	
		ATTACHMENTS—FAIRLEAD, PART No. 77.O.3948				
28D/9436920	A25/1C	Bolt, 2 BA	27	—	C	
28M/1012015	AGS2001/C1/66	Nut, stiff, 2 BA	27	—	C	
28W/9419402	SP13/C	Washer, 2 BA	27	—	C	

CONTROLS

ENGINE, AFT OF FRONT SPAR, IN CENTRE PORTION FUSELAGE

Ref. No.	Part No.	Description	No. off	Matl. Spec.	Cl. of	Plate and Illust'n No.
					St.	
		1 2 3 4			M.R.	
		LEVER, FOR CONTROL RODS ON RIB 63.5 AND FRONT ENGINE BULKHEAD 63.19, PORT AND STARBOARD (1 & 2.O.3949)		-		EE1/9
1433802	3.O.3652	Spares for:- BRACKET, TOP, PORT, GROUP	1	-	C	
	4.O.3652	BRACKET, TOP, STBD., GROUP	1	-	MR	
	5.O.3652	BRACKET, CENTRE, PORT, GROUP	1	-	MR	
	6.O.3652	BRACKET, CENTRE, STBD., GROUP	1	-	MR	
	7.O.3652	BRACKET, BOTTOM, PORT, GROUP	1	-	MR	
	8.O.3652	BRACKET, BOTTOM, STBD., GROUP	1	-	MR	
		ATTACHMENTS-BRACKET, PART Nos. 3, 4, 5, 6, 7 & 8.O.3652				
28D/9436920	A25/1C	Bolt, 2 BA	42	-	C	
28M/1012015	AGS2001/C1/66	Nut, stiff, 2 BA	42	-	C	
28W/9419402	SP13/C	Washer, 2 BA	42	-	C	
1433801	3.O.3949	LEVER, CONTROL, C/W BEARING, PORT, GROUP	2	-	C	
1433195	4.O.3949	LEVER, CONTROL, BOTTOM, C/W BEARING, STARBOARD, GROUP	1	-	C	
1510569	5.O.3949	LEVER, CONTROL, TOP, C/W BEARING, STARBOARD, GROUP	1	-	C	
		Spares for:-				
2A/9500413	R. & M. CK.3/8"C	Bearing	2	-	C	
		ATTACHMENTS-LEVER, PART Nos. 3, 4 & 5.O.3949				
28D/1214459	AS2504/38J	Bolt, 3/8" BSF	2	-	C	
28M/4199616	A58/JS	Nut, slotted, 3/8" BSF	2	-	C	
28P/9527619	SP90/C7	Pin, split, 1/16" dia.	2	-	C	
28W/9419466	SP13/J	Washer, 3/8"	2	-	C	
12651	70.O.3948	LEVER, AT RIB 113.3, INBOARD ENGINE BAY, PORT AND STARBOARD, GROUP	1	-	B	EE1/10
		Spares for:-				
2A/9500412	SKEFCO CBS.3	Bearing	2	-	C	
	7F8532	Bush	2	S1		EE1/11
	71.O.3948	Bush	4	S1		EE1/12
28N/2001688	AGS2030/22	Circlip	1	-	C	
	2F.8733	LEVER, GROUP				
		ATTACHMENTS-LEVER, PART No. 70.O.3948				
28D/9434880	A59/13G	Bolt, 5/16" BSF	2	-	C	
28M/4095895	A24/GS	Nut, slotted, 5/16" BSF	2	-	C	
28P/9527619	SP90/C7	Pin, split, 1/16" dia.	2	-	C	
28W/9419403	SP13/G	Washer, 5/16"	2	-	C	
28W/9419488	SP16/G	Washer, 5/16"	2	-	C	

VULCAN Mk. 2

CONTROLS

Page EE. 3

ENGINE, AFT OF FRONT SPAR, IN CENTRE PORTION FUSELAGE

Ref. No.	Part No.	Description	No. off	Matl. Spec.	Cl. of	Plate and Illust'n No.
					St. M.R.	
		1 2 3 4				
	128.O.3948	LEVER, INTERMEDIATE, AFT FRONT	1	—		EE1/13
		ENGINE BULKHEAD, OUTBOARD ENGINE BAY, STARBOARD, GROUP				
		Spares for:—				
	61.O.3948	BOX, BEARING, GROUP	1	—	MR	
		Spares for:—				
2A/9501177	R. & M. KLNJ.1/2"	Bearing	2	—	C	
	23.O.3948	Housing, bearing	2	DTD130		
	25.O.3948	Tube, distance	1	DTD133		
	107.O.3948	Lever	1	DTD130		
28M/4095917	A24/JS	Nut, slotted, 3/8" BSF	1	—	C	
28P/9527619	SP90/C7	Pin, split, 1/16" dia.	1	—	C	
	20.O.3948	Spindle	1	S96	MR	
7787	24.O.3948	Washer, cup	1	S1	C	
		ATTACHMENTS—LEVER PART No.				
		128.O.3948				
28D/9133011	A25/2C	Bolt, 2 BA	4	—	C	
28W/9419402	SP13/C	Washer, 2 BA	4	—	C	
		MOUNTING, SERVO MOTORS, AFT FRONT .				EE1/14
		ENGINE BULKHEAD, INBOARD AND OUTBOARD ENGINE BAYS, PORT AND STBD. (1 & 2.O.4143 AND 1 & 2.O.4142)				
		Spares for:—				
5K/7000230	AS3360/B3B	Lead, bonding	1	—	C	
		ATTACHMENTS—BONDING LEAD PART No. AS.3360/B3B				
28D/1010658	A25/1B	Bolt, 4 BA	4	—	C	
28M/1278189	AGS2001/B/1	Nut, stiff, 4 BA	4	—	C	
28W/9419465	SP13/B	Washer, 4 BA	4	—	C	
	120.O.3948	Lever, port (Pre-Mod. 2263)	1	—	MR	
	119.O.3948	Lever, starboard (Pre-Mod. 2263)	1	—	MR	
		ATTACHMENTS—LEVER, PART Nos. 119 & 120.O.3948				
28D/1010030	A25/7C	Bolt, 2 BA	4	—	C	
28M/5808573	A27/CS	Nut, slotted, 2 BA	4	—	C	
28P/9710567	SP90/C4	Pin, split, 1/16" dia. (SP9/C5)	4	—	C	
28W/9419402	SP13/C	Washer, 2 BA	4	—	C	
6TB/1692	—	Motor, servo, type "B" (Pre-Mod. 2263)	1	—	A	
6T/1873	—	Mounting, servo motor (Pre-Mod. 2263)	1	—	A	
		ATTACHMENTS—MOUNTING REF. No.				
		6T/1873				
28M/1011467	A27/ES	Nut, slotted, 1/4" BSF	24	—	C	
28P/9527619	SP90/C7	Pin, split, 1/16" dia.	24	—	C	
	143.O.3948	Stud (Pre-Mod. 2263)	8	—	MR	
	144.O.3948	Stud (Pre-Mod. 2263)	4	—	MR	
28W/9428921	SP13/E	Washer, 1/4"	12	—	C	
28W/1007777	AGS2034/E	Washer, shakeproof	12	—	C	

CONTROLS

ENGINE, AFT OF FRONT SPAR, IN CENTRE PORTION FUSELAGE

Ref. No.	Part No.	Description	No. off	Matl. Spec.	Cl. of	Plate and Illust'n No.
					St. M.R.	
		1 2 3 4				
28R/4665592	22.O.3506	ROD, CONTROL, TOP AND BOTTOM, OUTBOARD OF RIB 63.5, FROM JOINT AFT OF FRONT SPAR TO JOINT FORWARD FAIRLEAD BRACKET, PORT AND STARBOARD, GROUP Spares for:—	2	—		EE1/15
	44.O.3506	ROD, END, FIXED, GROUP	1	—	MR	
	R & M CM.3/16"B	Bearing, rod end	1	—	C	
28R/4665592	3.O.3516	ROD, CONTROL, TOP AND BOTTOM, OUTBOARD OF RIB 63.5, FROM JOINT FORWARD FAIRLEAD BRACKET, TO JOINT FORWARD FRONT ENGINE BULKHEAD, PORT AND STARBOARD, GROUP Spares for:—	2	—	MR	EE1/16
	25.O.3506	ROD, END, ADJUSTABLE, GROUP	1	—	MR	
	R & M CM3/16"B	Bearing, rod end	1	—	C	
28R/4665592	44.O.3506	ROD, END, FIXED, GROUP	1	—	MR	
28R/4665592	R & M CM3/16"B	Bearing, rod end	1	—	C	
1337	21 O.3518	ROD, CONTROL, TOP AND BOTTOM	2	—	B	EE1/17
28R/4665592	44.O.3506	OUTBOARD RIB 63.5, FROM LEVER AFT FRONT ENGINE BULKHEAD TO JOINT FORWARD FRONT ENGINE BULKHEAD, PORT AND STBD., GROUP Spares for:—	1	—	MR	
	R & M CM3/16"B	Bearing, rod end	1	—	C	
	5.O.3948	ROD, CONTROL, TOP, FROM LEVER RIB ... 63.5 TO CONTROL SPINDLE INBOARD ENGINE BAY, PORT, GROUP	1	—	MR	EE2/18
28R/4665593	6.O.3948	ROD, CONTROL, TOP, FROM LEVER RIB ... 63.5 TO CONTROL SPINDLE INBOARD ENGINE BAY, STARBOARD, GROUP Spares for:—	1	—	MR	EE1/19
	14.O.3948	ROD-END, ADJUSTABLE, GROUP	1	—	MR	
	R & M CM3/16"BL	Bearing, rod end	1	—	C	
28R/4665592	33.O.3518	ROD, END, ADJUSTABLE, GROUP	1	—	MR	
	R & M CM3/16"B	Bearing, rod end	1	—	C	

VULCAN Ms 2

CONTROLS

Page EE.5

ENGINE, AFT OF FRONT SPAR, IN CENTRE PORTION FUSELAGE

Ref. No.	Part No.	Description	No. off	Matl. Spec.	Cl. of St.	Plate and Illust'n No.
					M.R.	
		1 2 3 4				
22324	196.O.3948	ROD, CONTROL, SPINDLE TO INTER-MEDIATE LEVER INBOARD ENGINE BAY, PORT, GROUP (Pre Mod. 2452)	1	—	B	EE2/20
	106a.O.3948	ROD, END, FIXED, GROUP	1	—		
28R/4665592	R & M CM3/16"B	Bearing rod-end	1	—	C	
	25.O.3506	ROD, END, ADJUSTABLE, GROUP	1	—	MR	
28R/4665592	R & M CM3/16"B	Bearing, rod-end	1	—	C	
	125.O.3948	ROD, CONTROL, FROM INTERMEDIATE LEVERS TO SERVO MOTOR, INBOARD ENGINE BAY, PORT, GROUP (Pre Mod. 2263)	1	—		EE2/21
	126.O.3948	ROD, CONTROL, FROM INTERMEDIATE LEVERS TO SERVO MOTOR, INBOARD ENGINE BAY, STARBOARD, GROUP (Pre Mod. 2263)	1	—		EE1/22
	33.O.3518	ROD, END, ADJUSTABLE, GROUP	1	—	MR	
28R/4665592	R & M CM3/16"B	Bearing rod-end	1	—	C	
	14.O.3948	ROD, END, ADJUSTABLE, GROUP	1	—	MR	
28R/4665592	R & M CM3/16"B	Bearing, rod-end	1	—	C	
	171.O.3948	ROD, CONTROL, BOTTOM, FROM JOINT INBOARD ENGINE BAY TO LEVER RIB 113.3 PORT GROUP (Mod. 1544)	1	—	MR	EE2/23
	44.O.3506	ROD, END FIXED, GROUP	1	—	MR	
28R/4665592	R & M CM3/16"B	Bearing, rod-end	1	—	C	
7556	18.O.3948	ROD, CONTROL, BOTTOM, FROM LEVER RIB 63.5 TO JOINT INBOARD ENGINE BAY, STARBOARD, GROUP	1	—	B	EE1/24
	33.O.3518	ROD, END, ADJUSTABLE, GROUP	1	—	MR	
28R/4665592	R & M CM3/16"B	Bearing, rod-end	1	—	C	
8735	63.O.3948	ROD, CONTROL, BOTTOM, FROM JOINT INBOARD ENGINE BAY, TO LEVER RIB 311.3 STARBOARD GROUP	1	—	B	EE1/25
	44.O.3506	ROD, END, FIXED, GROUP	1	—	MR	
28R/4665592	R & M CM3/16"B	Bearing, rod-end	1	—	C	

CONTROLS

ENGINE, AFT OF FRONT SPAR, IN CENTRE PORTION FUSELAGE

Ref. No.	Part No.	Description	No. off	Matl. Spec.	Cl. of St.	Plate and Illust'n No.		
					M.R.			
		1 2 3 4						
28R/4665592	172.O.3948	ROD, CONTROL, FROM LEVER RIB 113.3 TO INTERMEDIATE LEVER OUTBOARD ENGINE BAY, PORT, GROUP Spares for:—	1	—	MR	EE2/26		
	33.O.3518	ROD, END, ADJUSTABLE, GROUP Spares for:—	1	—	MR			
	R & M CM3/16''B	Bearing, rod-end	1	—	C			
8734	64.O.3948	ROD, CONTROL, FROM LEVER RIB 113.3 TO CONTROL SPINDLE OUTBOARD ENGINE BAY, STARBOARD, GROUP Spares for:—	1	—	B	EE1/27		
28R/4665592	33.O.3518	ROD, END, ADJUSTABLE, GROUP Spares for:—	1	—	MR			
	R & M CM3/16''B	Bearing, rod-end	1	—	C			
	22323	123.O.3948	ROD, CONTROL, FROM INTERMEDIATE LEVERS TO CONTROL SPINDLES OUTB'D ENGINE BAY, PORT, GROUP Spares for:—	1	—		B	EE2/28
28R/4665592	33.O.3518	ROD, END, ADJUSTABLE, GROUP Spares for:—	1	—	MR			
	R & M CM3/16''B	Bearing, rod-end	1	—	C			
	28R/4665593	14.O.3948	ROD, END, ADJUSTABLE, GROUP Spares for:—	1	—		MR	
28R/4665593	R & M CM3/16'BL	Bearing, rod-end	1	—	C			
	22324	106.O.3948	ROD, CONTROL, FROM CONTROL SPINDLE, . TO INTERMEDIATE LEVERS, OUTB'D ENGINE BAY, STARBOARD, GROUP (Pre Mod. 2452) Spares for:—	1	—		B	EE1/20
	28R/4665592	106a.O.3948	ROD, END, FIXED, GROUP Spares for:—	1	—		C	
28R/4665592	25.O.3506	ROD, END, ADJUSTABLE, GROUP (Pre Mod. 2452) Spares for:—	1	—	MR			
	R & M CM3/16''B	Bearing, rod-end	1	—	C			
	28R/4665592	124.O.3948	ROD, CONTROL, FROM CONTROL SPINDLE .. TO SERVO MOTOR OUTB'D ENGINE BAY PORT, GROUP (Pre Mod. 2263)	1	—		MR	EE2/29

VULCAN Mk 2

CONTROLS

Page EE.7

ENGINE, AFT OF FRONT SPAR, IN CENTRE PORTION FUSELAGE

Ref. No.	Part No.	Description	No. off	Matl. Spec.	Cl. of St.	Plate and Illust'n No.
					M.R.	
		1 2 3 4				
	127.O.3948	ROD, CONTROL, FROM INTERMEDIATE LEVERS TO SERVO MOTOR, OUTBD ENGINE BAY, STARBOARD, GROUP (Pre-Mod. 2263)	1	—	MR	EE1/30
	33.O.3518	ROD, END, ADJUSTABLE, GROUP Spares for:—	1	—	MR	
28R/4665592	R & M CM3/16"B	Bearing, rod-end	1	—	C	
	14.O.3948	ROD, END, ADJUSTABLE, GROUP Spares for:—	1	—	MR	
28R/4665593	R & M CM3/16"BL	Bearing, rod-end	1	—	C	
		ATTACHMENTS—CONTROL RODS, PART Nos. 5, 6, 18, 63, 64, 108, 123, 124, 125, 126, 127, 171 & 172.O.3948, 21.O.3518, 22.O.3506 & 3.O.3518				
	71.O.3506	Bolt, cs'k. h'd., rod to lever	26	—	MR	
	72.O.3506	Bolt, rod joint	13	—	MR	
28D/1213609	A58/9G	Bolt, 5/16" BSF, rod to lever	4	—	C	
28M/5808573	A27/CS	Nut, slotted, 2BA	39	—	C	
28M/4095895	A24/GS	Nut, slotted, 5/16" BSF	4	—	C	
28P/9527619	SP90/C7	Pin, split, 1/16" dia.	43	—	C	
28W/9419402	SP13/G	Washer, 2 BA	39	—	C	
28W/9419403	SP13/G	Washer, 5/16"	4	—	C	
	191.O.3948	SHAFT, TORQUE, FROM CONTROL SPINDLE, AFT FRONT ENGINE BULKHEAD, TO INBOARD AND OUTB'D ENGINES, PORT AND STBD. (Mod. 1544)	2	—	MR	EE1/31
		Spares for:—				
28D/1214256	A59/2C	Bolt, 2 BA	4	—	C	
	186.O.3948	COUPLING, TORQUE, GROUP Spares for:—	1	—		
17080	162.O.3948	Coupling, torque	1	—	C	
	165.O.3948	End, attachment	1	S96		
17080	162.O.3948	Coupling, torque	1	—	C	
28M/5808573	A27/CS	Nut, slotted, 2BA	4	—	C	
28P/9527619	SP90/C7	Pin, split, 1/16" dia.	4	—	C	
	164.O.3948	Plate, coupling	2	S513	MR	
28W/9419402	SP13/C	Washer, 2BA	12	—	C	
		ATTACHMENTS—TORQUE SHAFT, PART No. 191.O.3948				
	184.O.3948	Bolt, special	4	—	MR	
28M/1011467	A27/ES	Nut, slotted, 1/4" BSF	4	—	C	
28P/9527619	SP90/C7	Pin, split, 1/16" dia.	4	—	C	
28W/9418921	SP13/E	Washer, 1/4"	4	—	C	

CONTROLS

ENGINE, AFT OF FRONT SPAR, IN CENTRE PORTION FUSELAGE

Ref. No.	Part No.	Description	No. off	Matl. Spec.	Cl. of St.	Plate and Illust'n No.
					M.R.	
		1 2 3 4				
		SPINDLE, CONTROL, AFT FRONT ENGINE ... BULKHEAD, INB'D ENGINE BAY, PORT (177.O.3948) (Pre Mod. 2452)	—	—	—	EE2.32
		SPINDLE CONTROL AND SUPPORTS, AFT ... FRONT ENGINE BULKHEAD, IN'BD ENGINE BAY, PORT (193.O.3948) (Mod. 2452)	—	—		
	47.O.3948 150.O.3948	Spares for:— Bracket, reinforcing (Pre Mod. 980) Bracket, reinforcing (Mod. 980)	1 1	— —		
		ATTACHMENTS—BRACKET, PART No. 47.O.3948 OR 150.O.3948				
28D/9436920 28W/9419402	A25/1C SP13/C	Bolt, 2 BA Washer, 2 BA	9 9	— —	C C	
17550	129.O.3948 192.O.3948	LEVER, INTERMEDIATE, GROUP (Pre Mod. 2452)	1	—	B	EE2/33
		PILLAR, INTERMEDIATE, GROUP (Mod. 2452)	1	—	MR	
	61.O.3948	Spares for:— BOX, BEARING, GROUP	1	—		
		Spares for:—				
2A/9501177	R & M KLNJ1/2 23.O.3948 25.O.3948 139.O.3948	Bearing Housing, bearing Tube, distance	2 2 1	— DTD130 DTD133	C	
28M/4095917 28P/9527619	A24/JS SP90/C8 20.O.3948	Lever (Pre Mod. 2452) Nut, slotted, 3/8" BSF	1 1	DTD130 —	C C	
7787	24.O.3948	Pin, split, 1/16" dia Spindle Washer, cup	1 1 1	— S96 S1	C C	
		ATTACHMENTS—LEVER, PART No. 129.O.3948				
28D/9133011 28W/9419402	A25/2C SP13/C	Bolt, 2 BA Washer, 2 BA	4 4	— —	C C	
	1.O.4312	SPINDLE, CONTROL, GROUP (Mod. 1544) ..	1	—		EE2/34
		Spares for:—				
1433932	9.O.4150	BOX, BEARING, GROUP	1	—	B	
		Spares for:—				
2A/9501177	R & M KLNJ1/2" 23.O.3948 141.O.3948	Bearing Housing, bearing Lever	2 2 1	— DTD130 S95	C	
28M/4095917 28P/9527619 7785 1505474 7787	A24/JS SP90/C7 36.O.3948 173.O.3948 24.O.3948 163.O.3948 26.O.3948	Nut, slotted, 3/8" BSF Pin, split, 1/16" dia Spindle Spinning Washer, cup Coupling, torque Fork-end, control arm	1 1 1 1 1 1 1	— — S96 L72 S1 — S96	C C C C C MR MR	
		ATTACHMENTS—CONTROL SPINDLE PART No. 1.O.4312				
28D/9436920 28W/9419402	A25/1C SP13/C	Bolt, 2 BA Washer, 2 BA	3 3	— —	C C	

VULCAN Mk 2

CONTROLS

Page EE. 9

ENGINE, AFT OF FRONT SPAR, IN CENTRE PORTION FUSELAGE

Ref. No.	Part No.	Description	No. off	Matl. Spec.	Cl. of St.	Plate and Illust'n No.
					M.R.	
		1 2 3 4				
		SPINDLE, CONTROL, AFT FRONT ENGINE BULKHEAD, OUTB'D ENGINE BAY, PORT (179.O.3948)				
	130.O.3948	Spares for:— Bracket, reinforcing	1	—		
		ATTACHMENTS—BRACKET, PART No. 130.O.3948				
28D/9436920 28W/9419402	A25/1C SP13/C	Bolt, 2 BA	7	—	C	
		Washer, 2 BA	7	—	C	
	13.O.3948	LEVER, INTERMEDIATE, GROUP	1	—	MR	EE2/36
		Spares for:—				
	61.O.3948	BOX, BEARING, GROUP	1	—	MR	
		Spares for:—				
2A/9501177	R & M KLNJ.1/2"	Bearing	2	—	C	
	23.O.3948	Housing, bearing	2	DTD130		
	25.O.3948	Tube, distance	1	DTD133		
7789 28M/4095917 28P/9527619	19.O.3948 A24/JS SP90/C7	Lever	1	DTD688	C	
		Nut, slotted, 3/8" BSF	1	—	C	
		Pin, split, 1/16" dia.	1	—	C	
	20.O.3948	Spindle	1	S96		
7787	24.O.3948	Washer, cup	1	S1	C	
		ATTACHMENTS—LEVER, PART No. 13.O.3948				
28D/9436920 28W/9419402	A25/1C SP13/C	Bolt, 2 BA	4	—	C	
		Washer, 2 BA	4	—	C	
	3.O.4312	SPINDLE, CONTROL, GROUP (Mod. 1544)	1	—		EE2/37
		Spares for:—				
1432732	7.O.4150	BOX, BEARING, GROUP	1	—	B	
		Spares for:—				
2A/9501177	R & M KLNJ1/2"	Bearing	2	—	C	
	23.O.3948	Housing, bearing	2	DTD130		
	133.O.3948	Lever	1	S95		
28M/4095917 28P/9527619	A24/JS SP90/C7	Nut, slotted, 3/8" BSF	1	—	C	
		Pin, split, 1/16" dia.	1	—	C	
7785	36.O.3948	Spindle	1	S96	C	
1505475	174.O.3948	Spinning	1	L72	C	
7787	24.O.3948	Washer, cup	1	S1	C	
	163.O.3948	Coupling, torque	1	—	MR	
	26.O.3948	Fork-end, control arm	1	S96	MR	
		ATTACHMENTS—CONTROL SPINDLE PART No. 3.O.4312				
28D/9436920 28M/1012015 28W/9419402	A25/1C AGS2001/C1/66 SP13/C	Bolt, 2 BA	2	—	C	
		Nut, stiff, 2 BA	2	—	C	
		Washer, 2 BA	2	—	C	

CONTROLS

ENGINE, AFT OF FRONT SPAR, IN CENTRE PORTION FUSELAGE

Ref. No.	Part No.	Description	No. off	Matl. Spec.	Cl. of	Plate and Illust'n No.
					St. M.R.	
		1 2 3 4				
		SPINDLE, CONTROL, AFT FRONT ENGINE .. BULKHEAD, INBOARD ENGINE BAY, STBD. (178.O.3948)	-	-		EE1/38
	153.O.3948	Spares for:- Bracket, reinforcing	1	-		
		ATTACHMENTS-BRACKET, PART No. 153.O.3948				
28D/9436920 28W/9419402	A25/1C SP13/C	Bolt, 2 BA	10	-	C	
		Washer, 2 BA	10	-	C	
	2.O.4312	SPINDLE, CONTROL, GROUP (Mod. 1544) .	1	-		
	6.O.4150	Spares for:- BOX, BEARING, GROUP	1	-	C	
		Spares for:-				
2A/9501177	R & M KLNJ.1/2"	Bearing	2	-	C	
	23.O.3948	Housing, bearing	2	DTD130		
	134 O.3948	Lever	1	S95		
28M/4095917 28P/9527619 7785	A24/JS SP90/C7	Nut, slotted, 3/8" BSF	1	-	C	
	36.O.3948	Pin, split, 1/16" dia.	1	-	C	
1505474 7787	173.O.3948 24.O.3948	Spindle	1	S96	C	
	163.O.3948	Spinning	1	L72	C	
	26.O.3948	Washer, Cup	1	S1	C	
		Coupling, torque	1	-	MR	
		Fork-end, control arm	1	S96	MR	
		ATTACHMENTS-CONTROL SPINDLE, PART No. 2.O.4312				
28D/9436920 28W/9419402	A25/1C SP13/C	Bolt, 2 BA	2	-	C	
		Washer, 2 BA	2	-	C	
		SPINDLE, CONTROL, AFT FRONT ENGINE .. BULKHEAD, OUTB'D ENGINE BAY, STARBOARD (178.O.3948)	-	-		EE1/39
	148.O.3948	Spares for:- Bracket, reinforcing	1	-		
		ATTACHMENT-BRACKET, PART No. 148.O.3948				
28D/9436920 28W/9419402	A25/1C SP13/C	Bolt, 2 BA	5	-	C	
		Washer, 2 BA	5	-	C	
	4.O.4312	SPINDLE, CONTROL, GROUP (Mod. 1544) .	1	-		
	8.O.4150	Spares for:- BOX, BEARING, GROUP	1	-	C	
		Spares for:-				
2A/9501177	R & M KLNJ.1/2"	Bearing	2	-	C	
	23.O.3948	Housing, bearing	2	DTD130		
	105.O.3948	Lever	1	S95		
28M/4095917 28P/9527619 7785	A24/JS SP90/C7	Nut, slotted, 3/8" BSF	1	-	C	
	36.O.3948	Pin, split, 1/16" dia.	1	-	C	
7787	175.O.3948 24.O.3948	Spindle	1	S96	C	
		Spinning	1	L72	C	
		Washer, cup	1	S1	C	

VULCAN No. 2

CONTROLS

ENGINE, AFT OF FRONT SPAR, IN CENTRE PORTION FUSELAGE

Ref. No.	Part No.	Description	No. off	Matl. Spec.	Cl. of St.	Plate and Illust'n No.
					M.R.	
		1 2 3 4				
		SPINDLE, CONTROL, GROUP (4.O.4312) (Mod. 1544) (Cont'd)				
	163.O.3948	Coupling, torque	1	—	MR	
	26.O.3948	Fork-end, control arm	1	S96	MR	
		ATTACHMENTS—CONTROL SPINDLE, PART No. 4.O.4312				
28D/9436920	A25/1C	Bolt, 2 BA	2	—	C	
28W/9419402	SP13/C	Washer, 2 BA	2	—	C	
5CW/7889	HONEYWELL 1/HS/N2	Switch, Limit	4	—	B	EE1/40

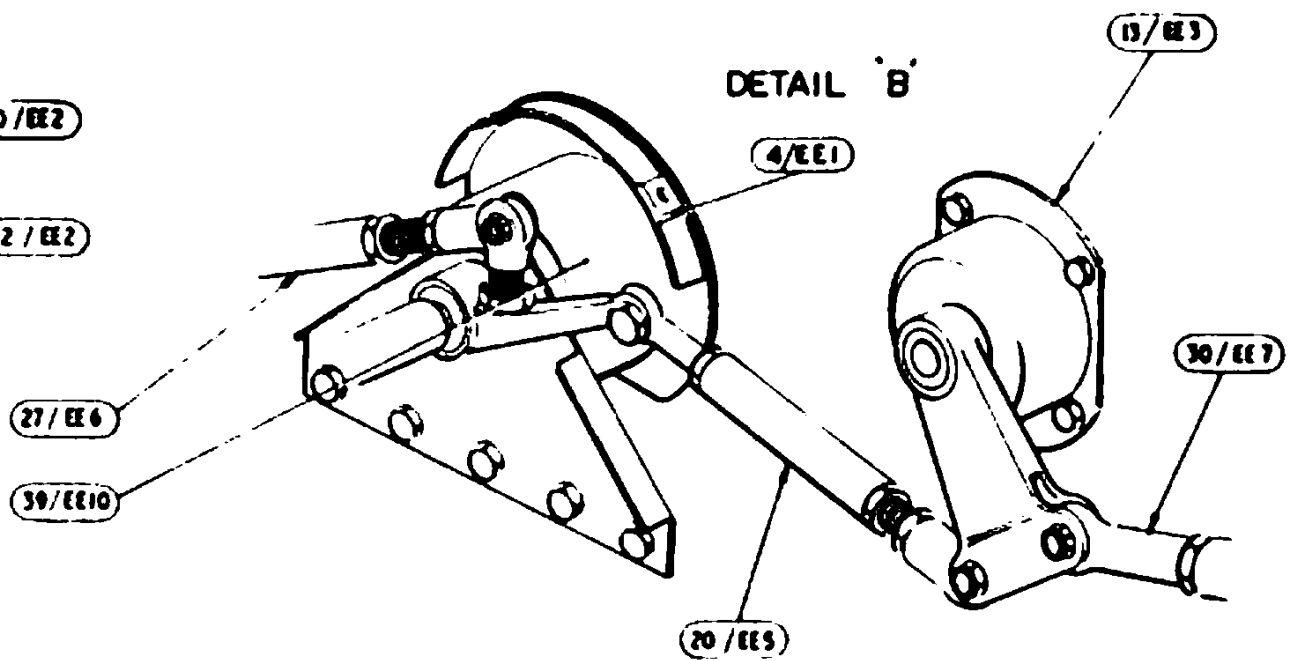
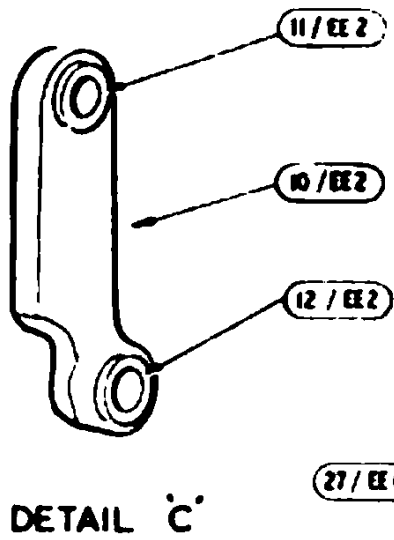
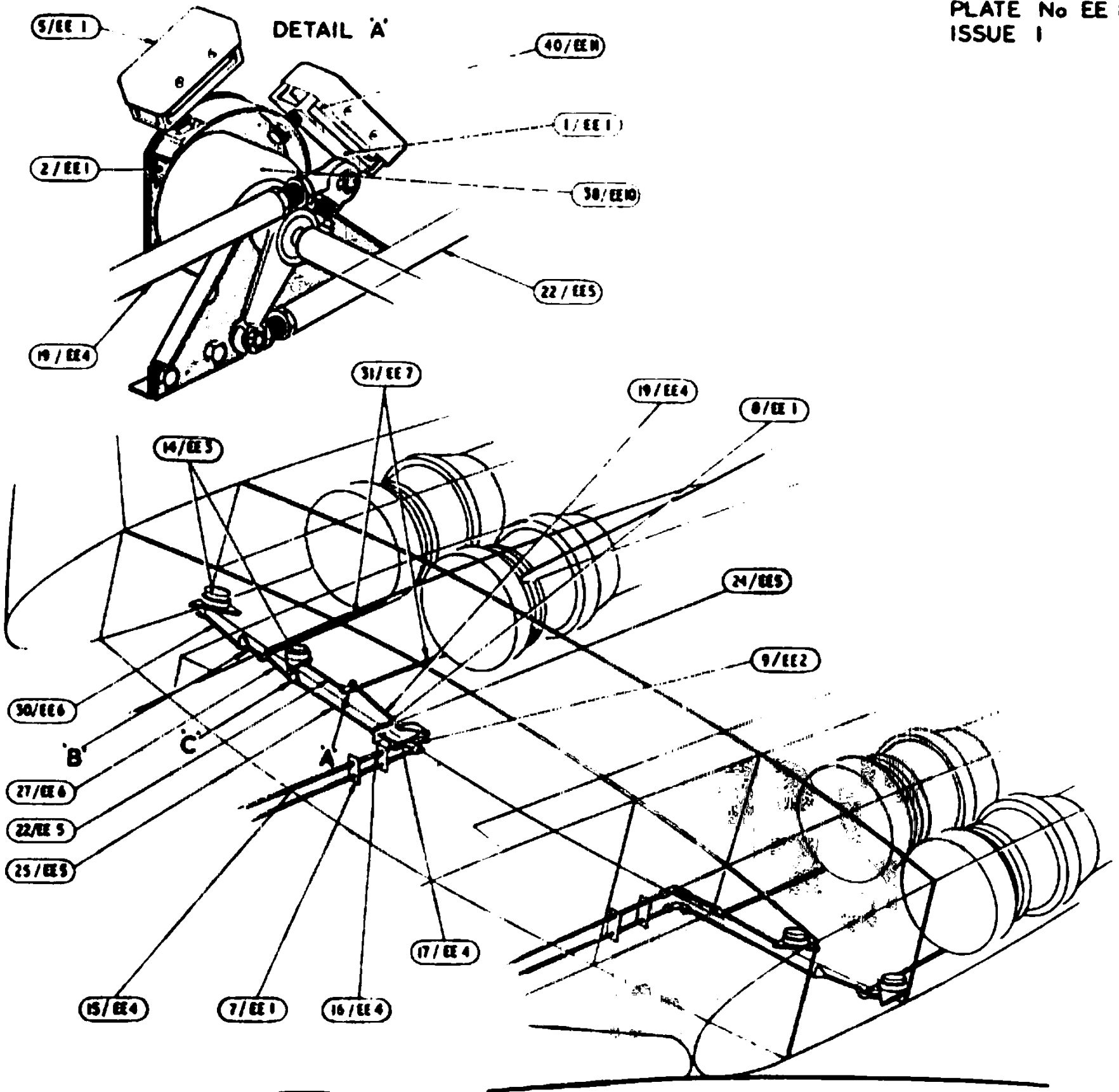
VULCAN Mk. 1

CONTROLS

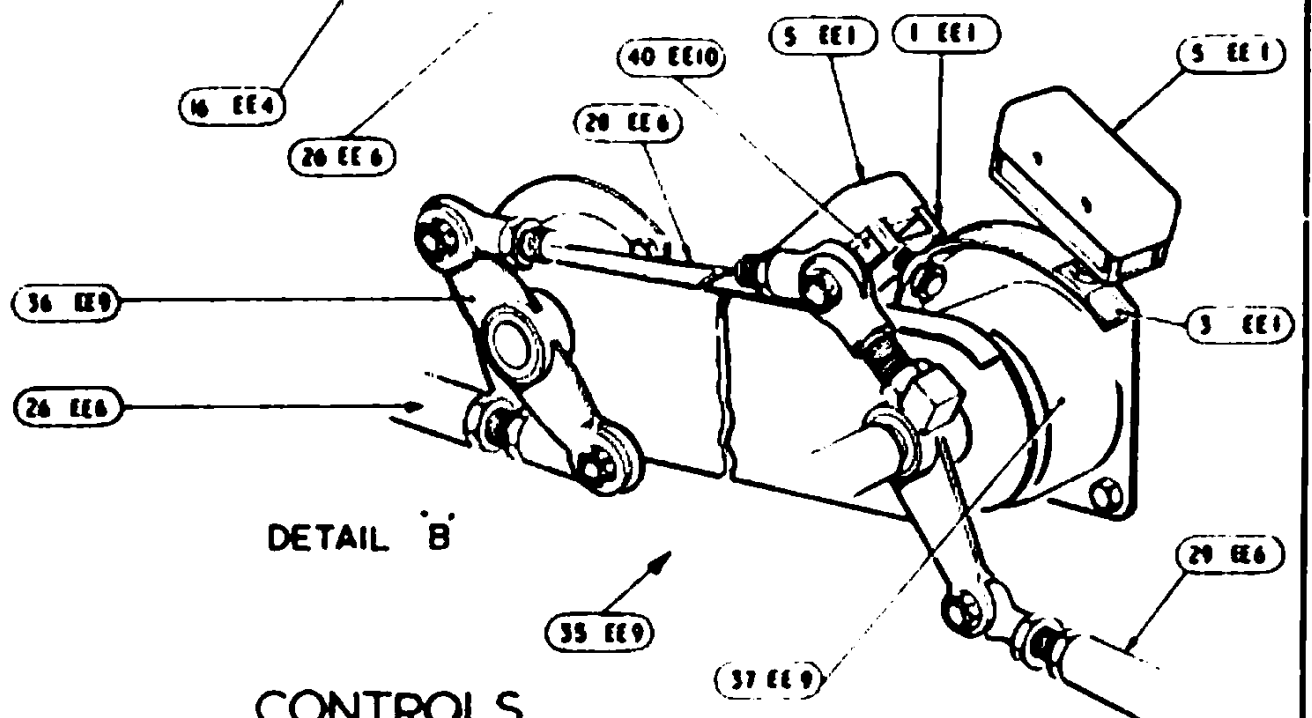
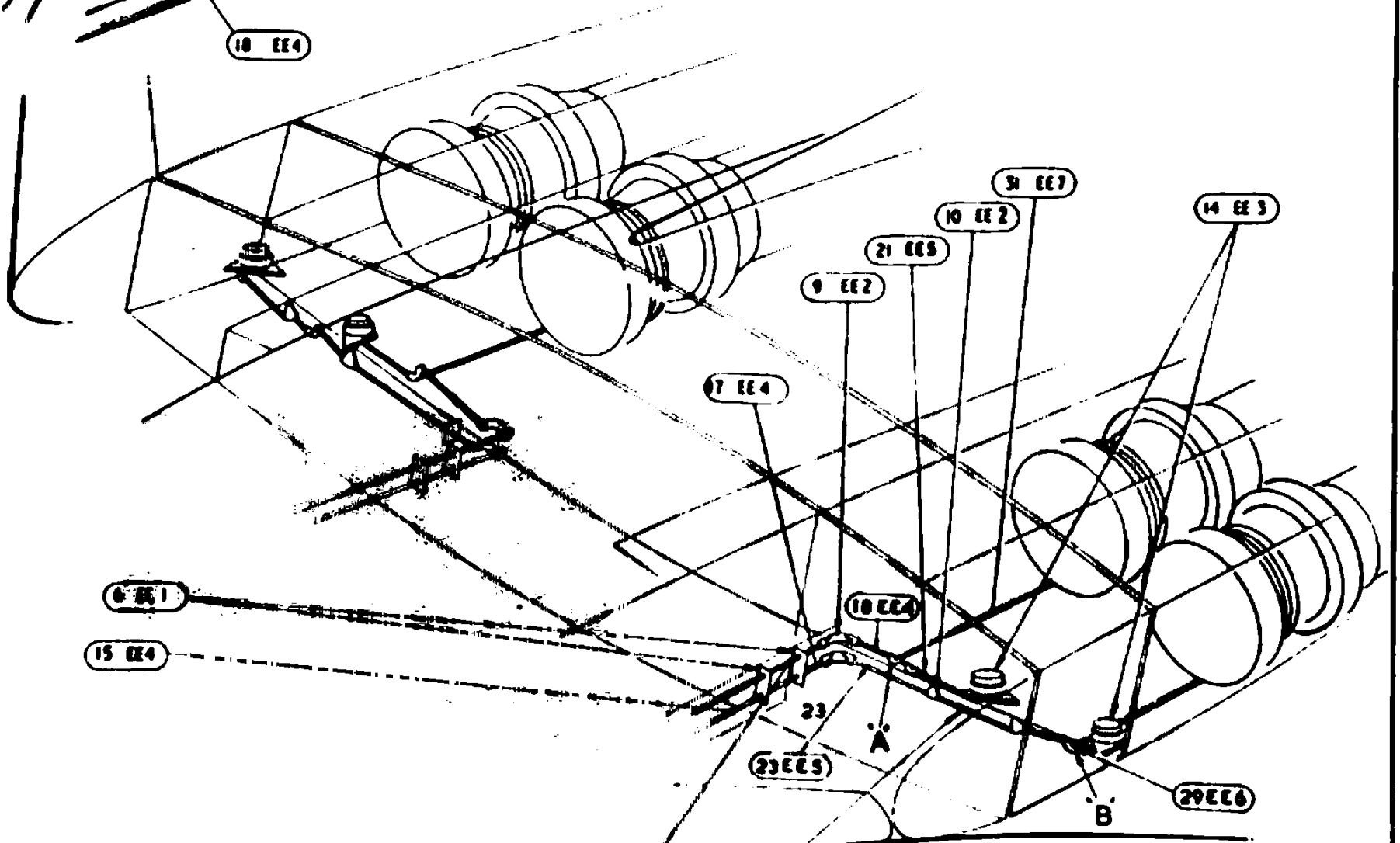
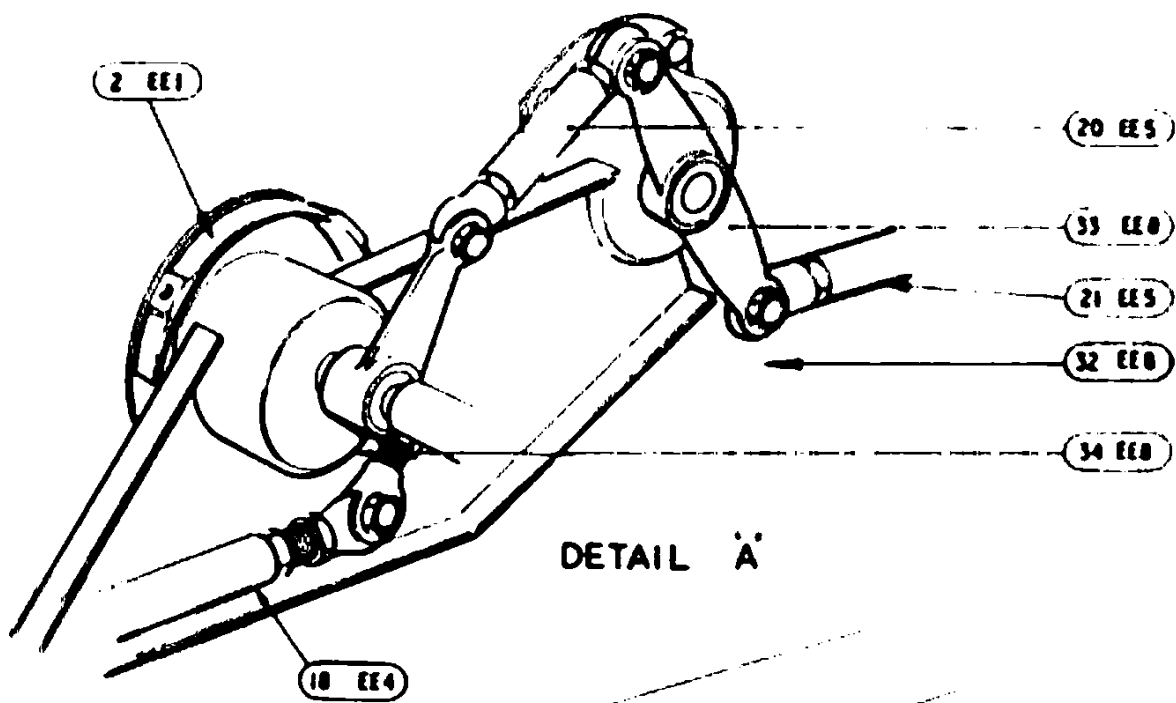
ENGINE, AFT OF FRONT SPAR, IN CENTRE PORTION FUSELAGE

SUMMARY OF STANDARD ITEMS

Stores Ref.		No. off	Stores Ref.		No. off	Stores Ref.		No. off
Section	Ref. No.		Section	Ref. No.		Section	Ref. No.	
28D	13412	5	28N	2001688	2	28W	9157971	16
28D	1010030	4				28W	9418921	16
28D	1010658	4				28W	9419402	224
28D	1213609	4	28P	833	27	28W	9419403	6
28D	1214459	2	28P	9419488	2	28W	9419454	27
28D	1214526	16	28P	9527619	98	28W	9419465	4
28D	9133011	8	28P	9710567	31	28W	9419466	2
28D	9133012	2				28W	9419488	2
28D	9434880	2						
28D	9436920	113	28R	13504	31			
		.	28R	13505	6			
28DU	9480231	16						
28M	13267	6						
28M	13412	7						
28M	14833	2						
28M	1011467	28						
28M	1278189	4						
28M	1278190	71						
28M	5808573	59						



CONTROLS
ENGINE, AFT OF FRONT SPAR, IN CENTRE PORTION FUSELAGE



CONTROLS
ENGINE, AFT OF FRONT SPAR, IN CENTRE PORTION FUSELAGE

VULCAN No 2

CONTROLS

Page EF. 1

FLYING, IN CREW'S NACELLE

Ref. No.	Part No.	Description	No. off	Matl. Spec.	Cl. of St.	Plate and Illust'n No.
					M.R.	
		1 2 3 4				
		CONTROL'S FLYING, ASSEMBLIES IN CREW'S NACELLE (1R4206) Spares for:— BEARING AT FORMER 316, PORT AND STARBOARD (1 & 2R3626) Spares for:—				EF2/1
	1R3460	Base, bearing	2P 1S	DTD271	MR	EF2/2
	3R3626	Packing, piece, tapered	2P 1S	DTD142A	MR	
	4R3626	Packing, port	1	L72		
	1R4410	Roller, bearing, special	6P 3S	—	MR	EF2/3
	DSS2811	Washer, tapered	6P 3S	—		EF2/4
		ATTACHMENTS—BEARING, PART Nos. 1 & 2R3626				
28D/9709461	AS1242/3C	Bolt, 2 BA, csk. hd.	3	—	C	
28D/1007976	AS1242/4C	Bolt, 2 BA, csk. hd.	3	—	C	
28D/1013172	AS1242/5C	Bolt, 2 BA, csk. hd.	3	—	C	
28D/1008145	A25/6E	Bolt, 1/4" BSF, hex. hd.	9	—	C	
28M/9433473	AGS2002/C/1	Nut, 2 BA	9	—	C	
28M/9480017	AGS2001/E/66	Nut, 1/4" BSF	9	—	C	
	1R4422	BEARING, AT FORMER 260, RUDDER, AND ELEVATOR, GROUP	2	—	MR	EF2/5
	2R4422	BEARING, AT FORMER 260, AILERON, GROUP	1	—	MR	EF2/6
		Spares for:—				
	1R4410	Roller, bearing, special	3	—	MR	EF2/7
		ATTACHMENTS—ROLLER, PART No. 1R4410				
28D/1008145	A25/6E	Bolt, 1/4" BSF	3	—	C	EF2/8
28M/9480017	AGS2001/E1/66	Nut, 1/4" BSF	3	—	C	
		ATTACHMENTS—BEARING, PART Nos. 1 & 2R4422				
28D/9133011	A25/2C	Bolt, 2 BA	3	—	C	
28D/9133012	A25/3C	Bolt, 2 BA	6	—	C	
28M/1012015	AGS2001/C1/66	Nut, 2 BA	9	—	C	
28W/9419402	SP13/C	Washer, 2 BA	9	—	C	
8246	GROUP	BEARING AND SEALING, ON REAR PRESSURE BULKHEAD AT FORMER 204 (R4089)	1	—	B	
		Spares for:—				
28N/4186899	HOFFMAN CJ8 or ROSE BROS. RBJ208 GLACIER LTD. 08.DU.10	Bearing	3	—	C	EF2/9
5869	3R4089	Bearing, dry	3	—	MR	EF2/10
	6R4089	Bush, special	3	DTD130	C	EF2/11
	8R4089	Cap, end	3	S1		EF2/12
	2R4089	Circlip	3	—	MR	EF2/13
	91R3577	Housing, bearing	3	DTD130		EF2/14
	ANGUS LTD. 90R3577	Packing, taper	3	DTD130		EF2/15
		Seal, "Gaco" 3/32" thick x 1-3/4"	3	—	MR	EF2/16

VULCAN Mk 2						
Page EF. 2		CONTROLS				
FLYING, IN CREW'S NACELLE						
Ref. No.	Part No.	Description	No. off	Matl Spec.	Cl. of St.	Plate and Illust'n No.
					M.R.	
		1 2 3 4				
		BEARING AND SEALING, ON REAR PRESSURE BULKHEAD AT FORMER 204 (R4089) (Cont'd.)				
	4R4089	Washer, special	3	L32 or DTD130	MR	EF2/17
	5R4089	Washer, special	3	DTD552A	MR	EF2/18
		ATTACHMENTS—BEARING, PART No. 1R4089				
28D/1200119	A25/4C	Bolt, 2 BA	12	—	C	
28M/5808573	A27/CS	Nut, 2 BA	12	—	C	
28P/9527619	SP90/C7	Pin, split (SP9/C8)	12	—	C	
28W/9419402	SP13/C	Washer	12	—	C	
	87R3577	Bolt, special, rod attachment, formers 246-260	3	—	MR	EF2/19
	4SS4645	Bush, fork-end, 13/32" o/d x 5/16" l/d x .14" .. long	3	S93	MR	EF2/20
	5SS4645	Bush, fork-end, 13/32" o/d x 5/16" l/d x .18" .. long	5	S93	MR	EF1/21
	6SS4654	Bush, fork-end, 13/32" o/d x 5/16" l/d x .2" long	1	S93	MR	EF3/22
7918	5SS4646	Bush, fork-end, 11/32" o/d x 1/4" l/d x .18" long	2	S93	C	EF1/23
6632	4R4206	Bush, for rudder connecting link at pilot's control units, 1-5/16" dia. x .2" long	4	DTD130	C	EF1/24
6633	5R4206	Bush, for rudder connecting link at pilot's control units, 1-5/16" dia. x .25" long	6	DTD130	C	EF1/25
	86R3577	Eye-end adjustable, at rear pressure bulkhead, for control rods	3	S1		EF2/26
		INSTALLATION, PILOT'S CONTROL UNIT, COCKPIT (31R3563)				
		Spares for:—				
4604	25R3563	Bolt, special, for mounting brackets	24	—	C	EF1/27
4605	26R3563	Bolt, special, for mounting brackets	14	—	C	EF1/28
4606	27R3563	Bolt, special, for mounting brackets	4	—	C	EF1/29
		CONTROL, ASSEMBLY, PORT, AND STARBOARD (32 & 33R3563)				
		Spares for:—				
2978	14R3563	Bolt, special, attachment pedal link at link arm	2	S96	C	EF1/30
2979	15R3563	Bolt, special, attachment pedal link at link arm	2	S96	C	EF1/31
	16aR3662	Bracket, mounting, starboard	1	DTD683		EF1/32
	17aR3662	Bracket, mounting, port	1	DTD683		EF1/33
	23R3563	Bracket, mounting	1	DTD410		EF1/34
20251	6R3563	Housing, for socket	1	DTD298	C	EF1/35
20252	7R3563	Housing, for socket	1	DTD298	C	EF1/36
	12R3563	Lever, arm	2	DTD130		EF1/37
2976	13R3563	LINK, PEDAL, GROUP	2	—	C	EF1/38
		Spares for:—				
	13bR3563	Bush, "Oilite", 9/16" dia. x 3/16" long	2	—	MR	EF1/38a
	16R3563	Piece, distance, 3/8" o/d x 1/4" long	4	S96	MR	EF1/39

VULCAN MR 2

CONTROLS
FLYING, IN CREW'S NACELLE

Page EF. 3

Ref. No.	Part No.	Description	No. off	Matl. Spec.	Cl. of St.	Plate and Illust'n No.
					M.R.	
		1 2 3 4				
		CONTROL, ASSEMBLY, PORT AND STARBOARD (32 & 33R3563)(Cont'd)				
		UNIT, CONTROL, PILOT'S, PORT AND STARBOARD (50 & 51R3574)				
1649	1R3603	Spares for:— ADJUSTER, RUDDER PEDALS, GROUP	1	—	C	EF1/40
	16R3574	Spares for:— Collar	1	DTD130	MR	
	6R3603	Handle	1	L65		
13609	55R3574	Screw, adjusting	1	S96	MR	
	1R3602	ARM, PIVOT, CONTROL COLUMN PORT, GROUP	1	—	A	EF1/41
13610	2R3602	ARM, PIVOT, CONTROL COLUMN, STARBOARD, GROUP	1	—	A	EF1/42
		Spares for:—				
2A/9500418	HOFFMAN T.13	Bearing	1	—	C.	EF1/43
2A/9500383	HOFFMAN LS7.ACD	Bearing	2	—	C	EF1/44
28N/2001716	AGS2030/26	Circlip	1	—	C	EF1/45
1655	11R3574	Gear, bevel	1	K.Monel	C	EF1/46
	6R3602	Housing	1	DTD364B		EF1/47
	14R3602	LEVER, PORT, GROUP Spares for:—	1	—		EF1/48
	SKEFCO CBA2	Bearing	1	—	C	
2A/9500463	AS3360/C3E	Lead, bonding	1	—	C	
5K/7000517	1SS5880	Plate, securing	1	—	C	
17940	15R3602	LEVER, STARBOARD, GROUP Spares for:—	1	—		EF1/49
2A/9500465	SKEFCO I.132498	Bearing	1	—	C	EF1/50
2A/9500463	SKEFCO CBA2	Bearing	1	—	C	EF1/51
5K/7000517	AS3360/3CE	Lead, bonding	1	—	C	
17940	1SS5880	Plate, securing	1	—	C	
17942	2SS5880	Plate, securing	1	—	C	
	7R3602	Locknut	1	DTD364B		EF1/52
28N/9156370	SP.21	Nipple, grease	1	—	C	EF1/53
	8R3602	Ring, clamp	1	DTD364B		EF1/54
	11R3602	Stud	2	S96	MR	EF1/55
	55R3574	Screw, adjusting	1	S96	MR	EF1/56
	9R3602	Tube, distance, 1" dia. x 2-1/8"	1	DTD364B		EF1/57

CONTROLS
FLYING, IN CREW'S NACELLE

Ref. No.	Part No.	Description	No. off	Mati. Spec.	Cl. of	Place and Illust'n No.
					St.	
					M.R.	
		UNIT, CONTROL, PILOT'S, PORT AND STARBOARD (50 & 51R3574) (Cont'd)				
8799	45R3574	BEARING, GROUP	1	-	B	EF3/58
		Spares for:-				
	HOFFMAN CJ13 or ROSE BROS. RBJ213 GLACIER 20DU16	Bearing	1	-		
28N/2001547	45dR3574 AGS2031/29 45aR3574 HOFFMAN T13	Bush	1	-		
		Circlip	1	-		
2A/9500418	SKEFCO 400015	Circlip	1	-	C	
2A/9500413	SKEFCO I.132246	Housing	1	DTD130		
2A/9500422	SKEFCO I.132627	Bearing, at spigot, port	1	-	C	EF1/59
2A/9500427		Bearing, port	1	-	C	EF3/60
		Bearing	3	-	C	EF1/61
		Bearing	4	-	C	EF3/62
	41R3574	BLOCK, TOE BRAKE, R.H. GRP.	1	-		EF1/63
	42R3574	BLOCK, TOE BRAKE, L.H. GRP.	1	-		EF1/64
		Consisting of:-				
28F/9439106	104SS3553	Adaptor, special	2	DTD3648	MR	EF1/65
28F/9423236	AGS1105/A	Adaptor	2	-	C	EF1/66
	AGS1132/A	Banjo	2	-	C	EF1/67
	41bR3574	Block, junction, R.H.	1	-	MR	EF1/68
	42bR3574	Block, junction, L.H.	1	-	MR	EF1/69
28F/4051723	AGS1173/A	Bolt, banjo	2	-	C	EF1/70
28F/9128952	AGS1174	Screw, bleed	2	-	C	EF1/71
1433243	27R3574	Bolt, special, through spool	2	DTD130	C	EF1/72
	32R3574	BRACKET, FORK MOUNTING, PORT, .. GROUP	1	-		EF1/73
		Spares for:-				
	20R3574	Bush, 7/8" dia. x 1/4" long	2	S1	MR	
	19Q1903	Bracket, foot motor pipes (Make from .. 352SS3075, Ref. 26DC/8049)	1	DTD3648		EF1/74
	20Q1903	Bracket, foot motor pipes (Make from .. 352SS3075, Ref. 26DC/8049)	1	DTD3648		EF1/75

VULCAN MA 2

CONTROLS
FLYING, IN CREW'S NACELLE

Page EF. 5

Ref. No.	Part No.	Description	No. off	Matl. Spec.	Cl. of St.	Plate and Illust'n No.
					M.R.	
		1 2 3 4				
		UNIT, CONTROL, PILOT'S, PORT AND STARBOARD (50 & 51R3574) (Cont'd)				
	6R3574	CAP, HOUSING, STARBOARD, GROUP	1	—		EF1/77
26FP/13044 1510450	1SS3260 17R3574	Spares for:— Plate, serial number	1	—	C	
		Collar, for bevel gear on forward mounting rail	3	DTD142A	C	EF1/78
	16R3574	Collar, for trunnion on pedal adjuster	1	DTD130	MR	EF1/79
	38R3574	Collar, screwed, for pedal adjuster	1	DTD130		EF1/80
12761	1R4425	COLUMN, AILERON CONTROL, GROUP	1	—	B	EF1/81
8858	56R3574	COVER, DUST, GROUP	2	—	C	EF1/82
	2R3646	Cover, control unit, top	1	Rubber	MR	EF1/83
	3R3646	Cover, control unit, bottom	1	Rubber	MR	EF1/84
27VA/5165 1433008 1433007	DUNLOP AC13812 10R3574 14R3574	Cylinder, master	2	—	A	EF1/85
		Gear, bevel	1	K. Monel	C	EF1/86
		Gear, bevel	1	K. Monel	C	EF1/87
27J/1503260 1510346	DUNLOP AC61320 GROUP	Handgrip (Mod. 2338)	1	—	B	EF1/88
		Housing, c/w cap. port (3 & 5.R.3574)	1	DTD721	C	EF1/89
	4R3574	HOUSING, STARBOARD, GROUP	1	—		EF1/90
		Spares for:—				
	20R3574	Bush	2	S1	MR	
20255	1R4357	LEVER, AILERON, AND SUPPORT FOR CONTROL UNIT, PORT, GROUP	1	—	B	
	1R3566	LEVER, AILERON, AND SUPPORT FOR CONTROL UNIT, STARBOARD, GROUP	1	—		
		Spares for:—				
2A/9500427	SKEFCO TTS18-1/2	Bearing	1	—	B	EF3/91
2A/9500410 2986 2987	SKEFCO CBS2 6R3566 5R3566	Bearing on levers	6	—	B	EF3/92
		Bolt, special, 1/4" BSF x 0.6875" long	1	S96	C	EF3/93
		Bolt, special, 1/4" BSF x 1.4375" long	1	S96	C	EF4/94
		Bolt, adjustment, 2" long	1	S96	MR	EF3/95
2985	12R3566 AS3360/C3G	Bolt, adjustment, 1-1/4" long	1	S96	C	EF3/96
		Lead, bonding	1	—		
	3R4357	LEVER, PORT, GROUP	1	—		EF3/97
	3R3566	LEVER, STARBOARD, GROUP	1	—		EF3/98
		Spares for:—				
2A/9500465 17942	SKEFCO I.132498 2SS5880	Bearing	1	—	B	
		Plate, securing	1	—	C	
	7R3566	Tube, distance	2	T4		EF3/99

CONTROLS
FLYING, IN CREW'S NACELLE

Ref. No.	Part No.	Description	No. off	Matl. Spec.	Cl. of St.	Plate and Illust'n No.
					M.R.	
		1 2 3 4				
		UNIT, CONTROL, PILOT'S, PORT AND STARBOARD (50 & 51R3574) (Cont'd)				
13184	13R3574	LEVER, AILERON LINKAGE, STARBOARD, GROUP Spares for:—	1	—	B	EF3/100
2A/9500465	SKEFCO I.132498	Bearing	2	—	C	EF3/101
2A/9500413	SKEFCO 400015	Bearing	1	—	C	EF3/102
17942	AS3360/C3G 2SS5880	Lead, bonding	2	—	C	
		Plate, securing	3	—	C	
10752	60R3574	LEVER, RUDDER, INTERMEDIATE, PORT, GROUP (Mod. 808) Spares for:—	1	—	B	EF1/103
2A/9500465	SKEFCO I.132498	Bearing	2	—	C	EF1/104
2A/9500418	HOFFMAN T13	Bearing	1	—	C	EF1/105
17942	2SS5880	Plate, securing	2	—	C	
17945	11SS5880	Plate, securing	1	—	C	
28N/9156370	SP21	Nipple, grease	2	—	C	
8131	57R3574 58R3574	PLATFORM, PEDAL, L.H., GROUP PLATFORM, PEDAL, R.H., GROUP	1 1	— —	MR B	EF1/107 EF1/108
	8cR3574	Spares for:— Bush, "Oilite"	2	—	MR	
		PLATE, COVER FOR CONTROL COLUMN HOUSING, PORT AND STARBOARD (1R3649) (1R3650) Spares for:—				
2992	3R3649	Plate, cover, bottom, port	1	L72	MR	EF1/109
	3R3650	Plate, cover, bottom, starboard	1	L72	MR	EF1/110
	2R3649	Plate, cover, top, port	1	L72	C	EF1/111
	2R3650	Plate, cover, top, starboard	1	L72	MR	EF1/112
4608	21R3574	Screw, shouldered, for trunnion	2	S96	MR	EF1/113
	31R3574	Screw, grub, 3/8" long, for pivot arm	1	S96	C	EF1/114
	33R3574	Spigot, port	1	S96		EF1/115
5862	46R3574	SPOOL, PEDAL, GROUP	2	—	B	EF1/116
		Spares for:—				
	46aR3574	Bush, 1-3/4" x 1-1/8" x 5/8"	1	DTD130		
	46bR3574	Bush, 1-1/8" dia. x 5/8" long	1	DTD130		
	46dR3574	Bush, Oilite, 3/4" dia. x 5/16" long	2	—		
17239	7R3574	STIRRUP, RUDDER PEDAL, GROUP	2	—	C	EF1/117
4061	7bR3574	Spares for:— Bush, 3/4" dia. x 1/4" long	2	S96	C	

VULCAN ML 2

CONTROLS
FLYING, IN CREW'S NACELLE

Page EF. 7

Ref. No.	Part No.	Description	No. off	Matl. Spec.	Cl. of	Plate and Illust'n No.
					St. M.R.	
		1 2 3 4				
		UNIT, CONTROL, PILOT'S, PORT AND STARBOARD (50 & 51R3574) (Cont'd)				
	AS4568	Strap, toe	2	-	MR	EF1/118
1647	15R3323	TREAD, TOE BRAKE, GROUP	2	-	C	EF1/119
	19R3574	TRUNNION, PEDAL ADJUSTER, GROUP	1	-	MR	EF1/120
		Spares for:-				
28N/9156370	SP21	Nipple, grease	1	-	C	
28W/4674500	AS1905/E10	Washer, saddle	2	-	C	
13767	61R3574	Tube, distance, 1.2" long, port	1	L62	C	EF1/121
1510552	62R3574	Tube, distance, 0.2" long, port	1	DTD130	C	EF1/122
6786	28R3574	Tube, distance, for bolt through pedal ... spool	2	T35	C	EF1/123
13218	26R3574	Tube, distance, for linkage lever attachment	1	L63	C	EF3/124
	39R3574	Tube, torque	1	S110		EF1/125
13217	25R3574	Washer, laminated, for linkage lever attachment	2	-	C	EF3/126
	35R3574	Washer, special, for spigot, port	1	DTD130		EF1/127
2982	17R3563	Eyebolt, lower	2	S96	C	EF1/128
2981	18R3563	Eyebolt, upper	2	S96	C	EF1/129
1510347	19R3563	STRUT, TUBULAR, GROUP	2	-	MR	EF1/130
	1R4356	LEVER, AILERON AND MOUNTING BRACKET, GROUP	1	-	MR	EF2/131
		Spares for:-				
2A/9500420	SKEFCO I.132626	Bearing	1	-	C	EF2/132
	1R4092	BRACKET, MOUNTING, GROUP	1	-	MR	EF2/133
		Spares for:-				
	11R4085	Shaft, 1-3/8" o/d x 5"	1	DTD464A		
	5R3568	Collar, 1-3/4" dia. x 7/8" long	1	DTD142A		EF2/134
5K/1037444	AS3360/C4C	Lead, bonding	1	-	C	
	1R4355	LEVER, AILERON, GROUP	1	-		EF2/135
		Spares for:-				
	5R4087	BOSS, CENTRE, GROUP	1	-		
		Spares for:-				
2A/9500420	SKEFCO I.132626	Bearing	1	-	C	EF2/136
	13SS5880	Plate, securing	1	-	C	
17947	4R4087	Weight, balance, 3-3/8" dia. x 1-1/4"	1	S1	MR	EF2/137
	4R3568	Tube, distance, 1-1/2" o/d x 1" long	1	T4		EF2/138
28W/9536512	AS103/C12	Washer, saddle	2	-	C	EF2/139

CONTROLS
FLYING, IN CREW'S NACELLE

Ref. No.	Part No.	Description	No. off	Matl. Spec.	Cl. of St.	Plate and Illust'n No.
					M.R.	
7927	1R4434	LINK, INTERCONNECTING, BETWEEN CONTROL COLUMN AND ELEVATOR LEVER, GROUP	2	—	B	EF4/140
	2SS2819	Spares for:— Clip, bonding lead (Make from Ref. 9611198)	1	L70	LM	
	AS3360/C3G	Lead, bonding	1	—		
	A3GSS4222	Lead, bonding	1	—		
1657	2R3605	LINK, EYE-END, SWIVEL, GROUP	1	—	B	EF3/141
	SKEFCO	Spares for:—				
2A/9500415	CBS4	Bearing	1	—	C	EF4/142
2A/9500413	400015	Bearing	1	—	C	EF4/143
	4R3605	Cap, screwed	1	DTD130		
	8R3605	EYE-END, GROUP	1	—		EF4/144
	SKEFCO	Spares for:—				
2A9500485	I.132498	Bearing	1	—	C	
17942	2SS5880	Plate, securing	1	—	C	
	3R3605	Piece, distance	1	DTD130		EF4/145
1658	7R3605	Screw, grub	1	S1	C	EF4/146
		MOUNTING, RUDDER AND ELEVATOR LEVERS, PORT (1R3568)				
	SKEFCO	Spares for:—				
2A/9500420	I.132626	Bearing	2	—	C	EF4/147
28D/1011021	A25/16C	Bolt, hex. hd., 2 BA	2	—	C	EF4/148
	5R3568	Collar, bearing, retaining	2	DTD142A		EF4/149
5K/1037444	AS3360/C4C	Lead, bonding	1	—	C	EF4/150
	1R3570	LEVER, ELEVATOR, GROUP	1	—		EF4/151
	1R3571	LEVER, RUDDER, GROUP	1	—		
	4R3570	Spares for:— BOSS, CENTRE, GROUP	1	—		
	SKEFCO	Spares for:—				
2A/9500420	I.132626	Bearing	1	—	C	EF4/153
17947	13SS5880	Plate, securing	1	—	C	
	5R3570	Bush, spacing	3	—		EF4/154
		LEVER, BALANCE, FOR RUDDER LEVER (7R3570)				
	SKEFCO	Spares for:—				
4612	6R3570	Weight, balance	2	Lead	C	EF4/155
28W/9536512	AS1903/C12	Washer, saddle	2	—	C	EF4/156
26FP/15393	CSS157	Washer, taper	1	—	C	EF4/157
	12R3577	Plate, link, aileron connecting rod and lever on elevator torque shaft	2	L72	MR	EF3/158

VULCAN No 2

CONTROLS

Page EF. 9

FLYING, IN CREW'S NACELLE

Ref. No.	Part No.	Description	No. off	Matl. Spec.	Cl. of St.	Plate and Illust'n No.
					M.R.	
		1 2 3 4				
7922	1R4431	ROD, CONTROL, ADJUSTABLE RUDDER, AT PILOT'S CONTROL UNIT, GROUP	1	—	B	EF2/159
		Spares for:—				
	55SS1973	Clip, bonding	2	—		
5K/3403	AS3360/C6C	Lead, bonding	1	—	C	
	AS3360/B3G	Lead, bonding	1	—		
4099	77R3577	Locknut, R.H. thread	1	DTD364B	C	EF4/160
4100	78R3577	Locknut, L.H. thread	1	DTD364B	C	EF4/161
7923	95R3577	EYE-END, ADJUSTABLE, GROUP	1	—	B	EF4/162
		Spares for:—				
	SKEFCO	Bearing	1	—	C	
2A/9500465	I.132498	Plate, securing	1	—	C	
17942	2SS5880					
4101	79R3577	Screw, adjustment	1	T45	C	EF4/163
4130	128R3577	ROD, CONTROL, ELEVATOR, LEVER	1	—	B	EF2/164
		BELOW PILOT'S FLOOR TO JOINT BETWEEN FORMERS 316 & 330, PORT, GROUP				
4131	129R3577	ROD, CONTROL, ELEVATOR, LEVER	1	—	B	EF2/165
		BELOW PILOT'S FLOOR TO JOINT BETWEEN FORMERS 316 & 330, STARBOARD, GROUP				
		Spares for:—				
	123R3577	EYE-END, GROUP	1	—		EF2/166
		Spares for:—				
	SKEFCO	Bearing	1	—	C	
2A/9500465	I.132498	Plate, securing	1	—	C	
17942	2SS5880					
4179	126R3577	FORK-END, GROUP	1	—	B	EF2/167
		Spares for:—				
1660	102R3577	Bush, 9/16" o/d x 3/16" long	1	—	C	
	AS3360/B3G	Lead, bonding	1	—		
7919	1R4429	ROD, AILERON CONTROL, ADJUSTABLE, GROUP	1	—	B	EF3/106
		Spares for:—				
20253	2R4429	Fork, end, screwed	1	DTD364B	C	
4099	77R3577	Locknut, R.H. thread	1	DTD364B	C	EF4/160
4100	78R3577	Locknut, L.H. thread	1	DTD364B	C	EF4/161
4101	79R3577	Screw, adjusting	1	S1	C	EF4/163
	130R3577	ROD, CONTROL, BETWEEN FORMERS	2	—	MR	EF2/168
		316F & 330F TO JOINT BETWEEN FORMERS 204F & 218F, GROUP				
		Spares for:—				
4150	121R3577	EYE-END, GROUP	1	—	B	EF2/169
		Spares for:—				
	SKEFCO	Bearing	1	—	C	
2A/9500465	I.132498	Plate, securing	1	—	C	
17942	2SS5880					

CONTROLS
FLYING, IN CREW'S NACELLE

Ref. No.	Part No.	Description	No. off	Matl. Spec.	Cl. of St.	Plate and Illust'n No.
					M.R.	
		1 2 3 4				
		ROD CONTROL, BETWEEN FORMERS 316F & 330F TO JOINT BETWEEN FORMERS 204F & 218F (130R35 & 77) (Cont'd)				
	124R3577	EYE-END, GROUP	1	—		EF2/170
1664	103bR3577	Spares for:— Bush, 1/2" dia. x 5/16" long	1	S96	C	
5K/7000230	AS3360/B3B AS3360/B3G	Lead, bonding	2	—	C	
		Lead, bonding	2	—		
	87R3296	NUT, ADJUSTMENT, GROUP	2	—		EF2/171
4133	131R3577	ROD, CONTROL, AILERON, BETWEEN	1	—	B	EF2/172
		FORMERS 246F & 260F TO JOINT BETWEEN FORMERS 204F & 218F, GROUP Spares for:—				
	125R3577	FORK-END, GROUP	2	—		EF2/173
1666	107R3577	Spares for:— Bush, 5/8" dia. x 3/16" long	2	S96	C	
5K/7000230	AS3360/B3B	Lead, bonding	1	—	C	
5K/7000231	AS3360/B3C	Lead, bonding	1	—	C	
7924	1R4433	ROD, CONTROL, ELEVATOR TORQUE	1	—	B	EF2/174
		SHAFT TO LEVER BELOW FLOOR, PORT, GROUP Spares for:—				
	123R3577	EYE-END, GROUP	1	—		EF2/175
		Spares for:—				
2A/9500465	SKEFCO	Bearing	1	—	C	
17942	I.132498	Plate, securing	1	—	C	
	2SS5880	Lead, bonding	1	—		
	3SS4181	Lead, bonding	1	—		
	AS3360/B3G					
4178	177R3577	ROD, CONTROL, ADJUSTABLE,	1	—	B	EF2/176
		STARBOARD, GROUP Spares for:—				
	21SS1973	Clip, bonding	2	—		
7923	95R3577	EYE-END, GROUP	1	—	B	EF2/177
		Spares for:—				
2A/9500465	SKEFCO	Bearing	1	—	C	
17942	I.132498	Plate, securing	1	—	C	
	2SS5880					
	126R3577	FORK, END, GROUP	1	—		EF2/178
		Spares for:—				
1660	102R3577	Bush, 9/16" dia. x 3/16" long	2	S96	C	

VULCAN No 2

CONTROLS
FLYING, IN CREW'S NACELLE

Page EF.11

Ref. No.	Part No.	Description	No. off	Matl. Spec.	Cl. of St.	Plate and Illust'n No.
					M.R.	
		1 2 3 4				
5K/1037443	AS3360/C6C	ROD, CONTROL, ADJUSTABLE, STARBOARD (177R3577) (Cont'd)				
	AS3360/B3G	Lead, bonding	1	—	C	
4099	3SS4210	Lead, bonding	1	—		
4100	77R3577	Locknut, R.H. thread	1	DTD364B	C	EF4/160
4101	78R3577	Locknut, L.H. thread	1	DTD364B	C	EF4/161
	79R3577	Screw, adjusting	1	S1	C	EF4/163
7925	1R4432	ROD, RUDDER CONNECTING, ADJUSTABLE, GROUP	1	—	B	
		Spares for:—				
	2SS2819	Clip, cover (Make from Ref. 9611198)	1	L70	LM	
	55SS1973	Clip, bonding	2	—		
7926	2R4432	FORK-END, SWIVEL, GROUP	1	—	B	EF1/183
		Spares for:—				
2A/9500415	SKEFCO	Bearing	1	—	C	EF4/184
	CBS4					
2A/9500413	SKEFCO	Bearing	1	—	C	EF4/185
	40015	Cap, screwed	1	DTD130		EF4/186
	4R3605	Fork-end, swivel	1	S96		EF4/187
	3R4432	Piece, distance	1	DTD130		EF4/188
	3R3605					
5K/1037443	4R4432	Fork, end	1	DTD364B		EF4/189
5K/1051839	AS3360/C6C	Lead, bonding	1	—	C	
4099	AS3360/B6E	Lead, bonding	1	—	C	
4100	77R3577	Locknut, R.H. thread	1	DTD364	C	EF4/160
4101	78R3577	Locknut, L.H. thread	1	DTD364B	C	EF4/161
1658	79R3577	Screw, adjustment	1	S1	C	EF4/163
	7R3605	Screw, grub	1	S1	C	EF4/146
	100R3577	Sleeve, screwed	1	DTD364B		EF4/194
7920	1R4430	ROD, AILERON CONTROL, STARBOARD, GROUP	—	—	B	EF2/195
		Spares for:—				
	123R3577	EYE-END, GROUP	1	—		EF2/196
		Spares for:—				
2A/9500465	SKEFCO	Bearing	1	—	C	
17942	I.132498	Plate, securing	1	—	C	
	2SS5880	Lead, bonding	2	—		
	AS3360/B3G					
4150	1R4116	ROD, ELEVATOR AND RUDDER CONTROL, GROUP	2	—	B	EF2/197
		Spares for:—				
	125R3577	EYE-END, GROUP	1	—		EF4/198
		Spares for:—				
2A/9500465	SKEFCO	Bearing	1	—	C	
17942	I.132498	Plate, securing	1	—	C	
	2SS5880					
5K/7000230	AS3360/B3B	Lead, bonding	1	—	C	
5K/7000231	AS3360/B3C	Lead, bonding	1	—	C	

CONTROLS

FLYING, IN CREW'S NACELLE

Ref. No.	Part No.	Description	No. off	Matl. Spec.	Cl. of St.	Plate and Illust'n No.
					M.R.	
		1 2 3 4				
7450	6R4206	ROD, ELEVATOR CONTROL, GROUP	1	—	B	EF2/199
		Spares for:—				
7820	121R3577	EYE-END, GROUP	1	—		EF2/200
		Spares for:—				
2A/9500465 17942	SKEFCO 1.132498 2SS5880	Bearing	1	—	C	
		Plate, securing	1	—	C	
	124R3577	EYE-END, GROUP	1	—		EF4/201
		Spares For:—				
1664 5K/7000230	103bR3577 AS3360/B3B AS3360/B3G	Bush, 1/2" dia. x 5/16" long	1	S96	C	
		Lead, bonding	1	—	C	
		Lead, bonding	1	—		
6634	1R4359	ROD, RUDDER CONTROL, ADJUSTABLE, GROUP	1	—	B	EF1/202
		Spares for:—				
	2SS2819	Clip, cover (Make from Ref. 9611198)	1	L70	LM	
	2R4359	FORK, END, SWIVEL, GROUP	1	—		EF1/203
		Spares for:—				
2A/9500415	SKEFCO CBS4	Bearing	1	—	C	EF4/184
2A/9500413	SKEFCO 400015	Bearing	1	—	C	EF4/185
	4R3605	Cap, screwed	1	DTD130		EF4/186
6636	3R4359	Fork-end, swivel	1	S96	C	EF4/207
	3R3605	Piece, distance	—	DTD130		EF4/188
6635	5R4359	Fork-end	1	DTD130	C	EF1/209
	AS3360/B6G	Lead, bonding	1	—		
5K/1037443	AS3360/C6C	Lead, bonding	1	—	C	
5K/4691289	AS3360/C4G	Lead, bonding	1	—		
4099	77R3577	Locknut, R.H. thread	1	DTD364B	C	EF4/160
4100	78R3577	Locknut, L.H. thread	1	DTD364B	C	EF4/161
4101	79R3577	Screw, adjustment	1	S1	C	EF4/163
1658	7R3605	Screw, grub	1	S1	C	EF4/146
	100R3577	Sleeve, screwed	1	DTD364B		EF4/194
1433520	1R4969	SHAFT, TORQUE, ELEVATOR (Mod. 2183)	1	—	C	EF1/216
		Spares for:—				
4614	14R3575	Bolt, 1/4" BSF, attachment of shaft to floor	18	—	C	EF1/215
	2R4969	SHAFT, TORQUE, ELEVATOR, GROUP	1	—	MR/B	EF1/216
		(Mod. 2183)				
		Spares for:—				
	5R4352	Arm, balance	1	S510	MR	EF1/217
	8R4352	Arm, balance	1	S510	MR	EF1/218
	3R3575	BEARING, GROUP	3	—	MR	EF1/219
		Spares for:—				
2A/9500427	SKEFCO TTS18 1/2	Bearing	1	—	C	
	9R3575	Cap, bearing	1	L72		
	5R3575	Housing, bearing	1	DTD721		

VULCAN No. 2		CONTROLS			Page EF. 13	
FLYING, IN CREW'S NACELLE						
Ref. No.	Part No.	Description	No. off	Matl. Spec.	Cl. of St.	Plate and Illust'n No.
					M.R.	
		1 2:3 4				
		SHAFT, TORQUE, ELEVATOR (2R4969) (Cont'd)				
5K4346015	36SS1973 AS3360/C6E	Clip, bonding	1	—		
		Lead, bonding	1	—	C	
	4R4969	LEVER, GROUP	1	—	MR	EF1/220
		Spares for:—				
2A/9500465	SKEFCO I.132498	Bearing	1	—	C	
17942	AS3360/C3G 2SS5880	Lead, bonding	1	—	C	
		Plate, securing	1	—	C	
	3R4969	LEVER, GROUP	2	—	MR	EF1/221
		Spares for:—				
2A/9500465	SKEFCO I.132498	Bearing	1	—	C	
17942	AS3360/C3G 2SS5880	Lead, bonding	1	—	C	
		Plate, securing	1	—	C	
	5R4969	Shaft	1	T45		
	10R3575	Sleeve, retaining	1	DTD142A	MR	EF1/222
	11R3575	Sleeve, retaining	1	DTD142A		EF1/223
	12R3575	Sleeve, retaining	1	DTD142A		EF1/224
	3R4352	Sleeve, retaining	1	DTD410		EF1/225
	4R4352	Sleeve, retaining	1	DTD410		EF1/226
	AS2808/5/213	Tube, distance	2	—		EF1/227
	6R4352	Weight, balance	1	S1		EF1/228
		Attachments—Balance Weight, Part No. - 6R4352				
28D/1012995	A25/22C	Bolt, hex. hd. 2 BA	3	—	C	
28M/1012015	AGS2001/C1/66	Nut, stiff, 2 BA	3	—	C	
28W/9419402	SP13/C	Washer, 2 BA	3	—	C	
		STOPS, FOR CONTROLS BETWEEN FORMERS 274F & 316F, FORT AND STAR- BOARD (1 & 2R4408)				
		Spares for:—				
2855	1R3952	GUARD, PORT, GROUP	1	—	B	EF2/229
2856	2R3952	GUARD, STARBOARD, GROUP	1	—	B	EF2/230
		Spares for:—				
	3R3952	Guard, formers 274F to 302F, port	1	L72		EF2/231
	4R3952	Guard, formers 274F to 302F, starboard	1	L72		EF2/232
	5R3952	GUARD, FORMER 274F TO 302F, PORT, GROUP	1	—		EF2/233
	6R3952	GUARD, FORMER 274F TO 316F, STAR- BOARD, GROUP	1	—		EF2/234
		ATTACHMENTS, GUARDS, PART NOS. 1 & 2R3952				
28D/1007982	AS1248/1C	Bolt, mush. hd., 2 BA	12	—	C	

CONTROLS
FLYING, IN CREW'S NACELLE

Ref. No.	Part No.	Description	No. off	Mati. Spec.	Cl. of St.	Plate and Illust'n No.
					M.R.	

VULCAN Mk. 2

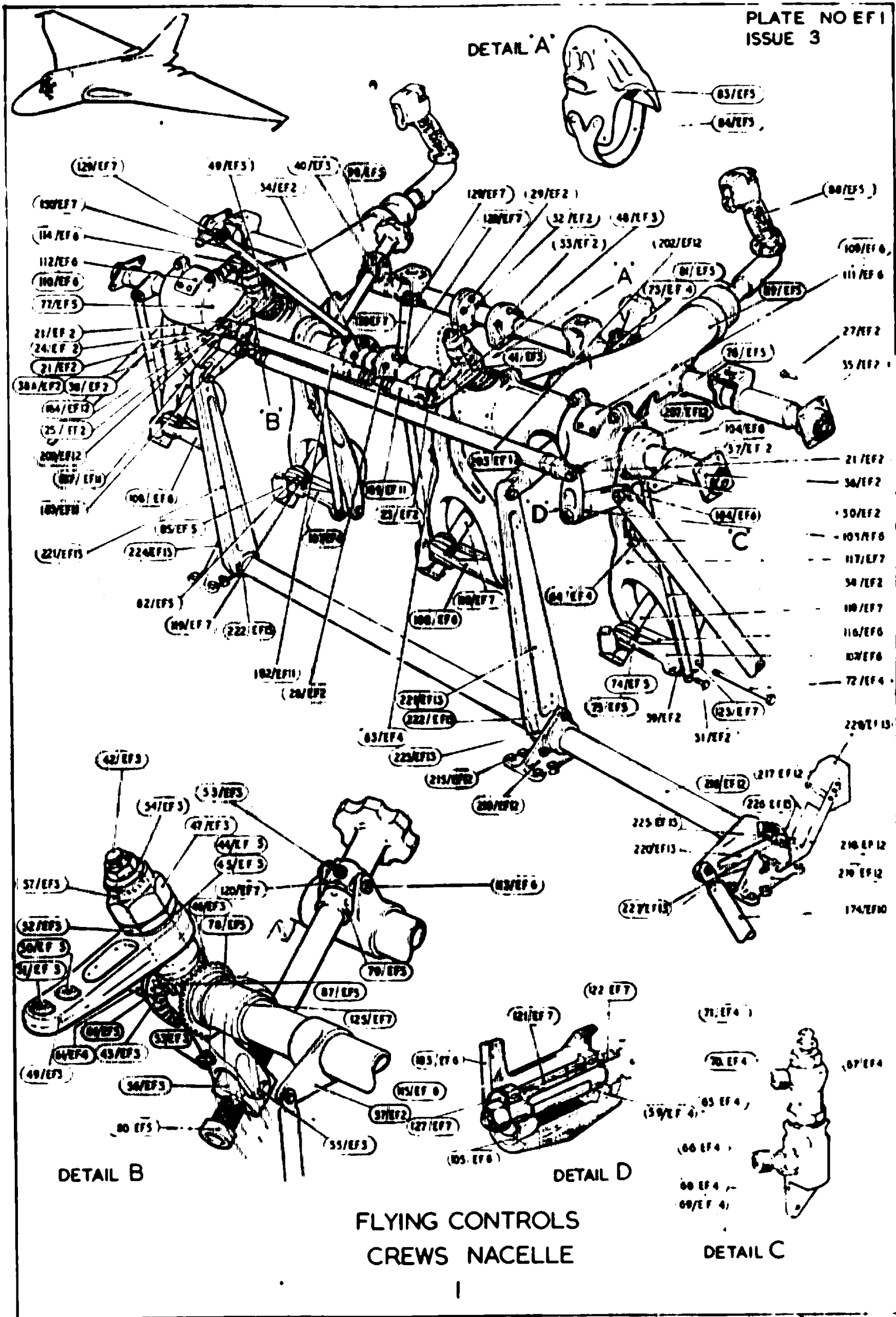
CONTROLS

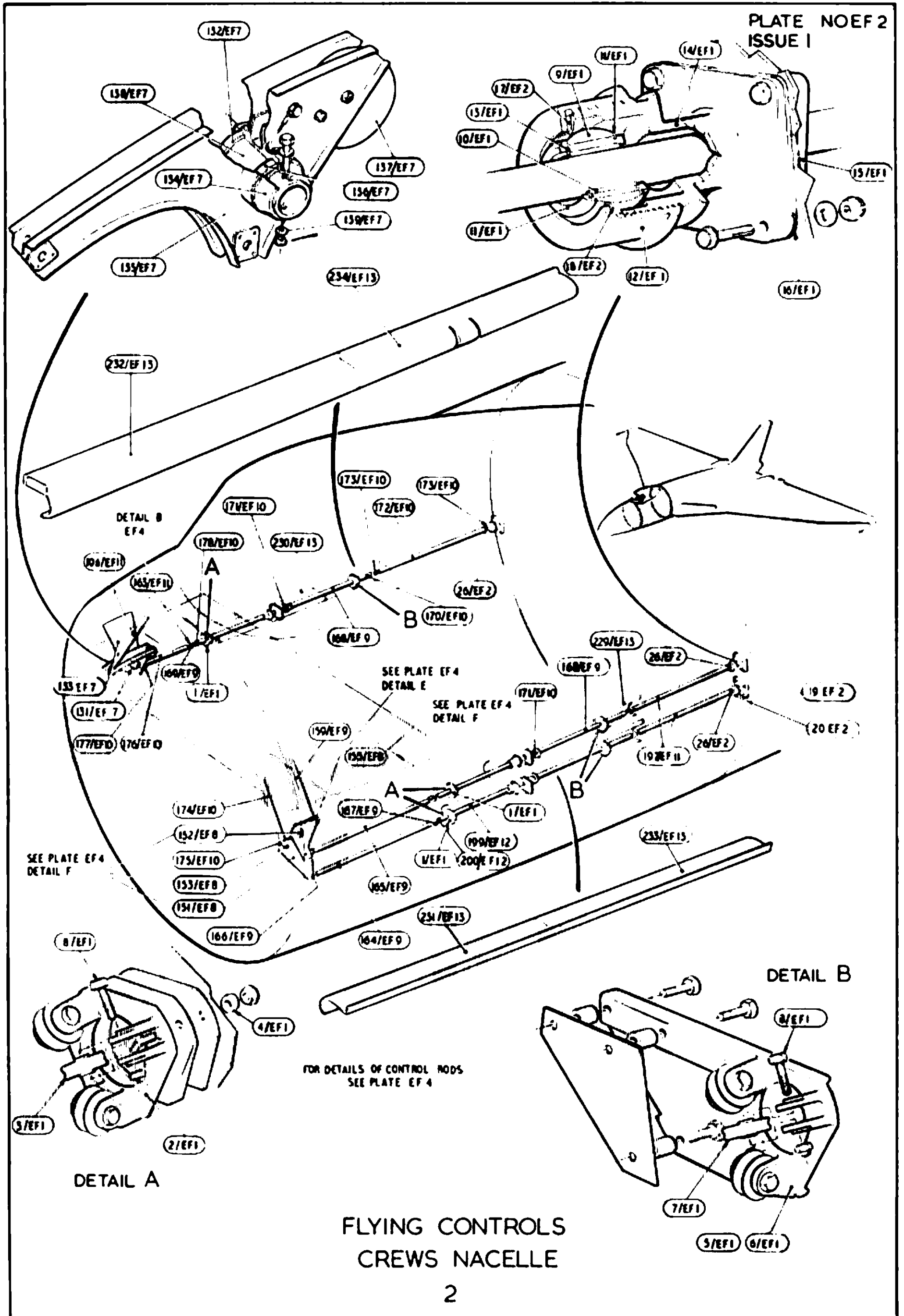
Page EF. 15

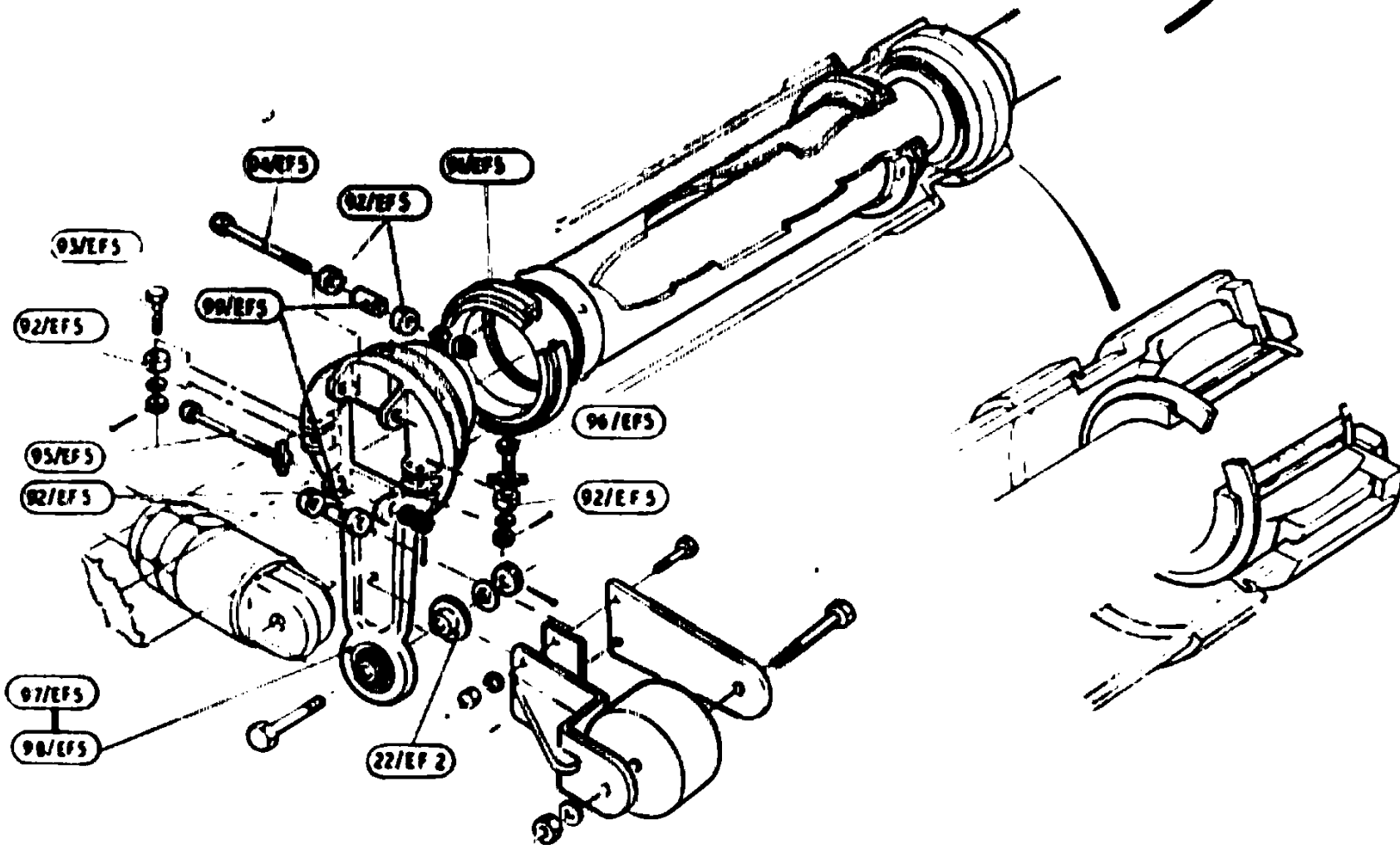
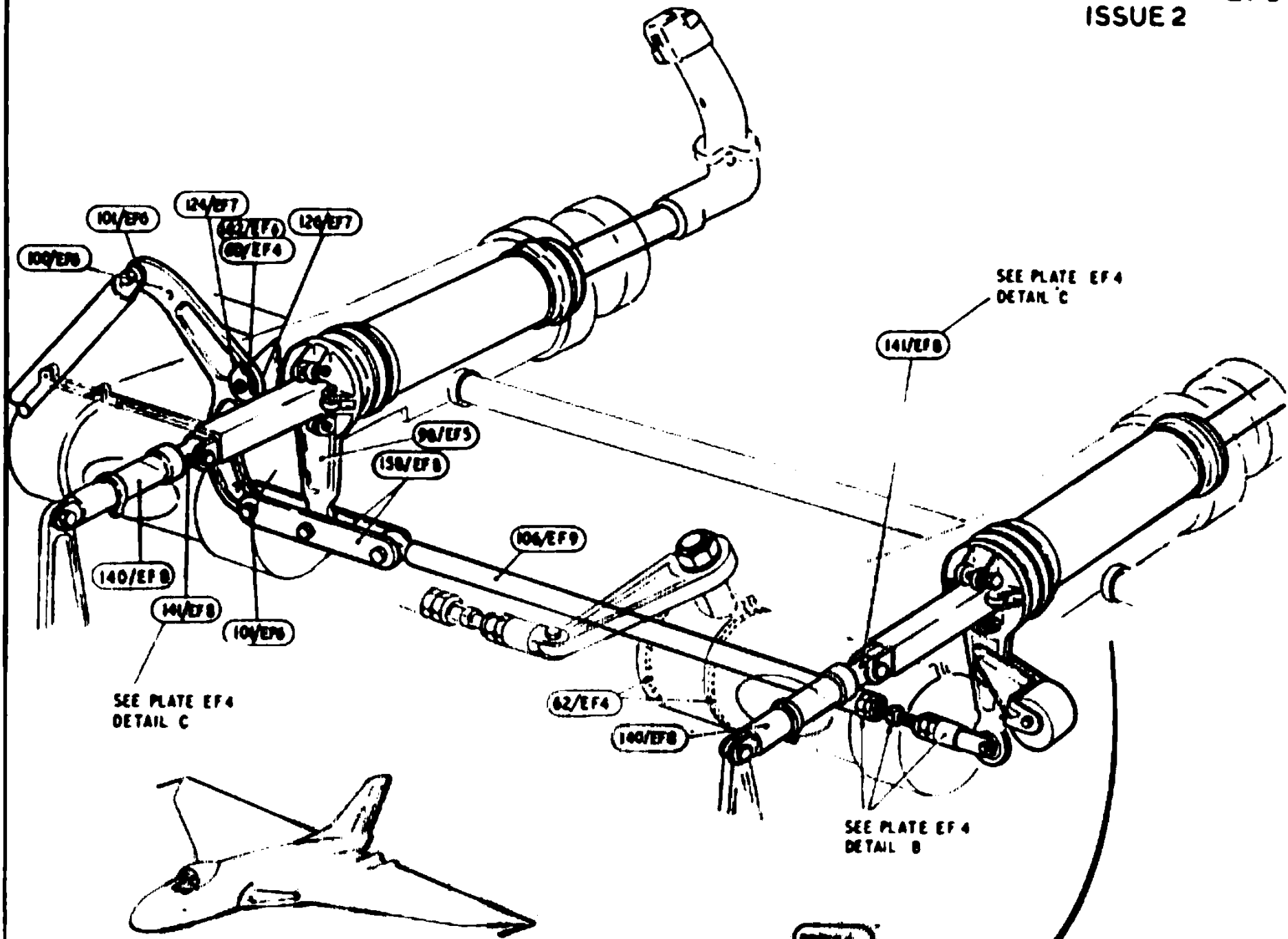
FLYING, IN CREW'S NACELLE

SUMMARY OF STANDARD ITEMS

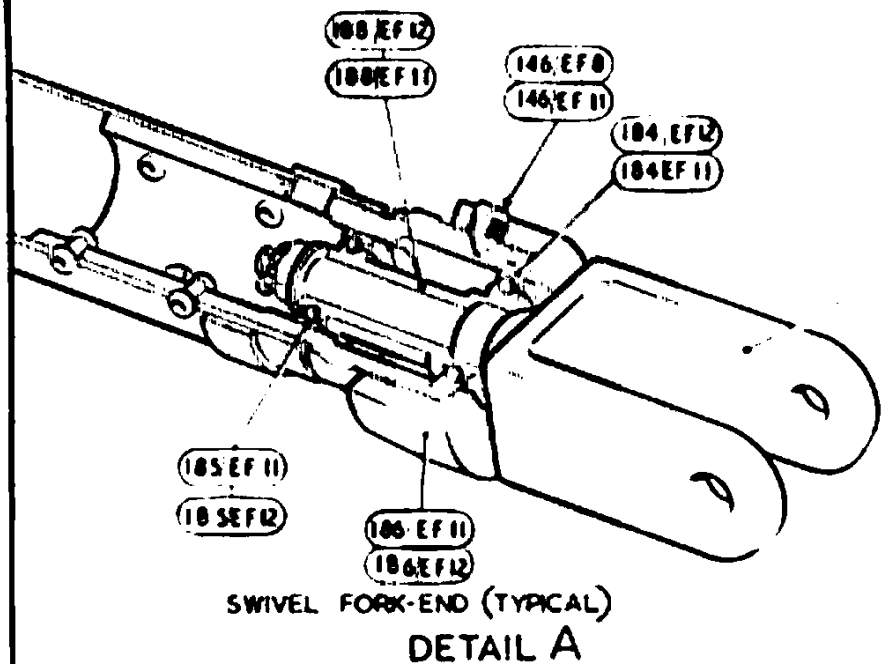
Stores Ref.		No. off	Stores Ref.		No. off	Stores Ref.		No. off
Section	Ref. No.		Section	Ref. No.		Section	Ref. No.	
2A	9500383	2	28F	4051723	2			
2A	9500410	6	28F	9128952	2			
2A	9500413	5	28F	9423236	2			
2A	9500415	3	28F	9439106	2			
2A	9500418	3						
2A	9500420	5						
2A	9500422	3	28M	1278190	12			
2A	9500427	6	28M	5808573	12			
2A	9500463	2	28M	9433473	9			
2A	9500465	17	28M	9480017	12			
5K	3370	1	28N	19532	3			
5K	1037444	2	28N	2001547	1			
5K	7000230	5	28N	2001716	1			
5K	1051839	1	28N	9156370	4			
5K	1037443	4						
5K	7000231	2						
5K	7000517	2	28P	9527619	12			
5K	5884	1						
			28W	18967	1			
27J	667	1	28W	9419402	21			
			28W	9536512	4			
27VA	5165	2						
28D	1007976	3						
28D	1007982	12						
28D	1008145	12						
28D	1011021	2						
28D	1012995	3						
28D	1013172	3						
28D	1200119	12						
28D	9133011	3						
28D	9133012	6						
28D	9709461	3						



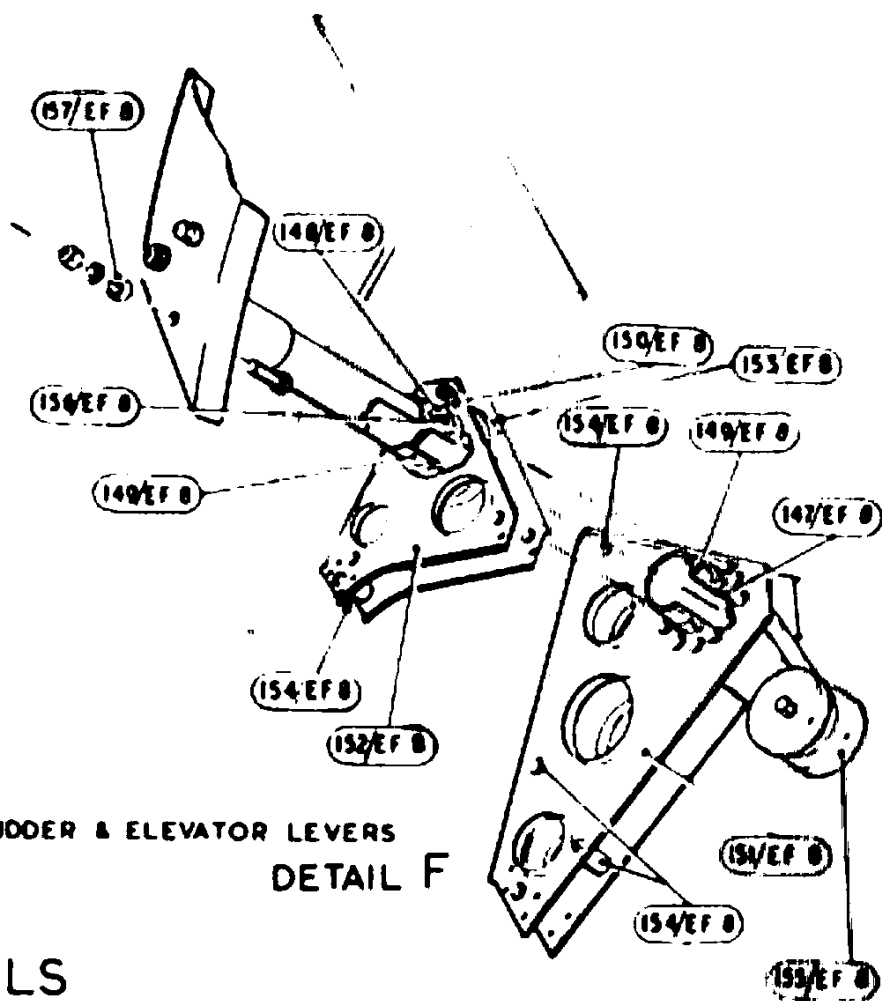
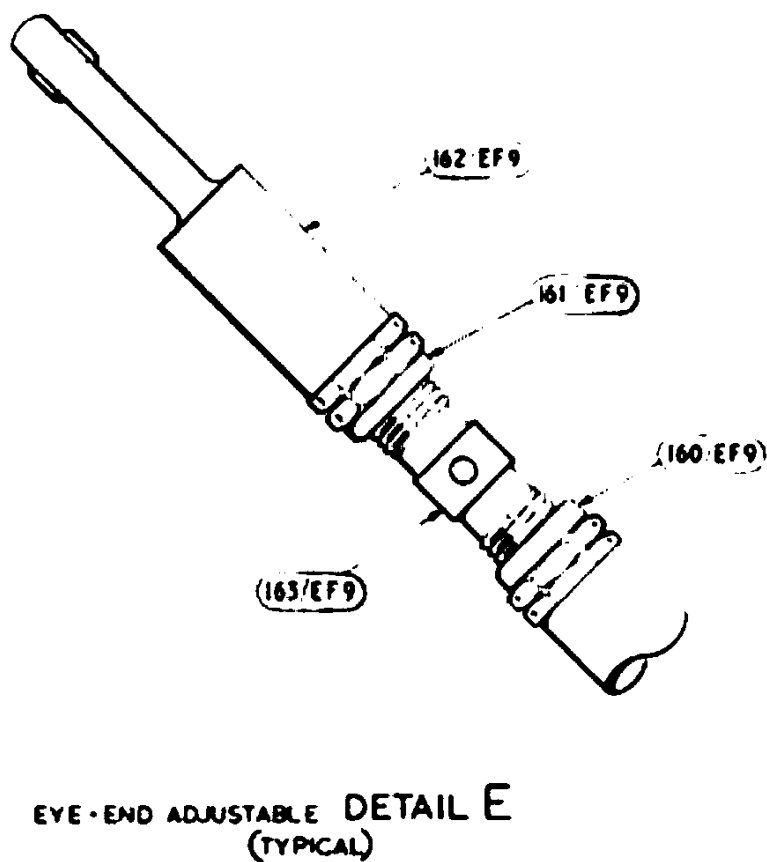
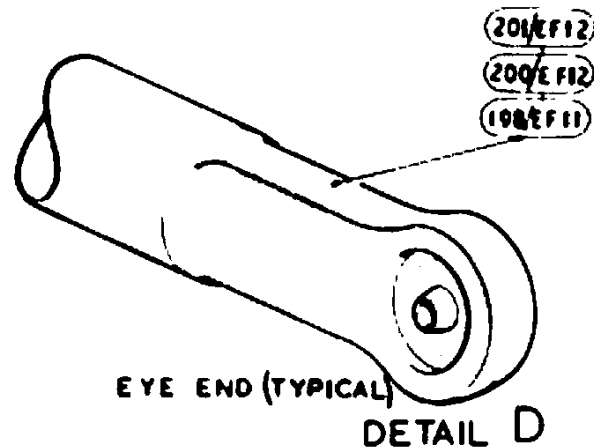
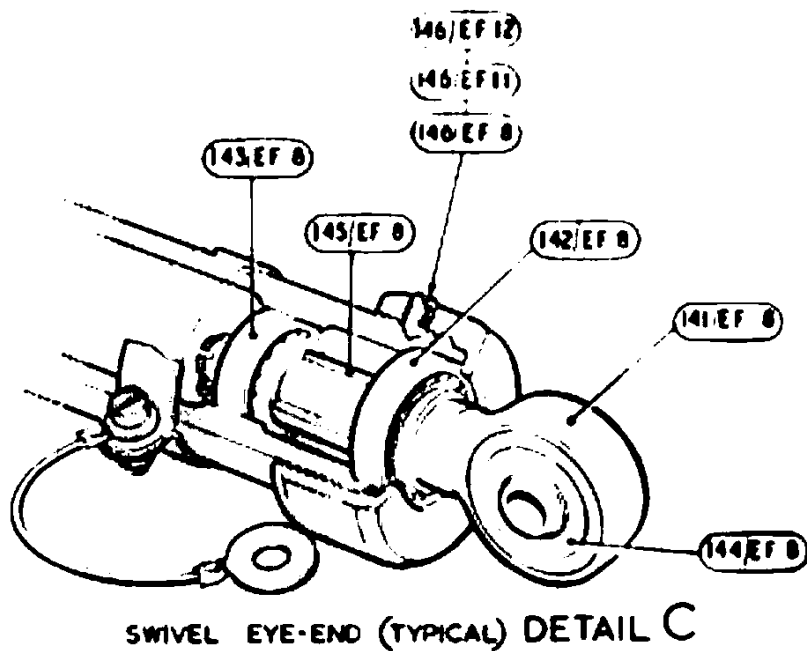
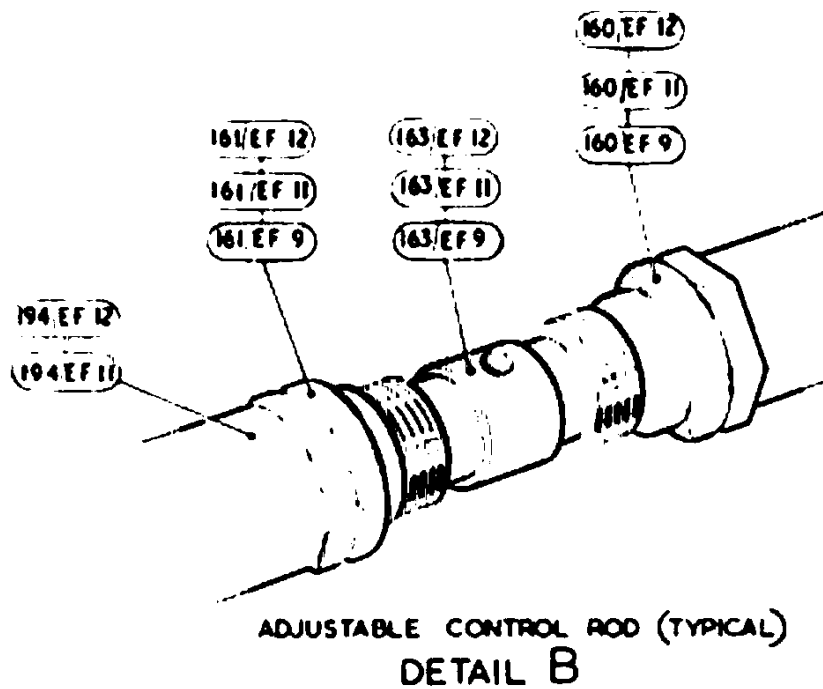




FLYING CONTROLS
CREWS NACELLE



107/EF11
207/EF12



DETAILS
FLYING CONTROLS CREWS NACELLE

VULCAN MR 2

CONTROLS

Page EG. 1

FLYING, IN CENTRE PORTION FUSELAGE

Ref. No.	Part No.	Description	No. off	Matl. Spec.	Cl. of St.	Plate and Illust'n No.
					M.R.	
		1 2 3 4				
13821		CONTROLS, FLYING, ASSEMBLIES, IN CENTRE PORTION FUSELAGE (I.R.4188) Spares for:— BEARING, FOR CONTROL RODS AT FORMER 175F. (I.R.3978) Spares for:— BRACKET, BEARING, PORT, GROUP BRACKET, BEARING, STARBOARD, GROUP Spares for:— Base, bearing Bracket, mounting, port Bracket, mounting, starboard Plate, packing Roller, special	2 1 1 1 1 1 3	— — L40 L72 L72 DTD130 —	 C MR	EG1/1 EG1/2 EG1/3 EG1/4
	7R3978 8R3978					
	1R2856 5R3978 6R3978 4R3978 1R4410					
		BEARING, FOR CONTROL RODS AT FORMER 130F (1R3977) Spares for:— BRACKET, BEARING, UPPER, PORT GROUP BRACKET, BEARING, LOWER, PORT, GROUP BRACKET, BEARING, STARBOARD, GROUP Spares for:— Base, bearing Bracket, mounting, upper, port Bracket, mounting, lower, port Bracket, mounting, starboard Plate, packing, upper, port Plate, packing, lower, port and starboard Roller, special	1 1 1 1 1 1 3	— — — — — — —	 C MR	EG1/5 EG1/6 EG1/7 EG1/3 EG1/4
	7R3977 9R3977 8R3977					
	1R2856 5R3977 5R3978 6R3978 4R3977 4R3978 1R4410					
		BEARING, FOR CONTROL RODS, AT FORMER 27F (1R3401) Spares for:— Base, bearing Plate, packing Plate, packing Roller, special	3 2 2 9	DTD721 DTD142A DTD142A —	MR C MR	EG1/8 EG1/9 EG1/4
	1R3460 2R3401 3R3401 1R4410					
		BEARING FOR CONTROL RODS ON FRONT SPAR (1R3268) Spares for:— Base, bearing Plate, packing Roller, special	1 2 3	DTD721 DTD142A —	MR MR	EG1/9 EG1/4
	1R3460 2R3268 1R4410					

CONTROLS

FLYING, IN CENTRE PORTION FUSELAGE

Ref. No.	Part No.	Description	No. off	Mati. Spec.	Cl. of St.	Plate and Illust'n No.
					M.R.	
		BEARING, FOR CONTROL RODS, AT FORMER 21.717A (1R3616) Spares for:—	—	—		EG1/11
	1R3460	Base, bearing	2	DTD721	MR	EG1/9
	1R4410	Roller, special	6	—		EG1/4
		BEARING, FOR CONTROL RODS, AT FORMER 64.592A (1R3419) Spares for:—	—	—		EG1/12
	1R3460	Base, bearing	3	DTD721	MR	EG1/9
	2R3425	Plate, packing	3	DTD142A		
	1R4410	Roller, special	9	—	MR	EG1/4
		BEARING, FOR CONTROL RODS, AT FORMER 108.687A (1R3582) Spares for:—	—	—		EG1/13
	1R3460	Base, bearing	3	DTD721	MR	EG1/9
	2R3425	Plate, packing	3	DTD142A		
	1R4410	Roller, special	9	—	MR	EG1/4
		BEARING, FOR CONTROLS RODS, AT FORMER 151.919A (1R3583) Spares for:—	—	—		EG1/14
	1R3460	Base, bearing	3	DTD721	MR	EG1/9
	2R3425	Plate, bearing	1	DTD142A		
	2R3583	Plate, packing	1	DTD142A		
	1R4410	Roller, special	9	—	MR	EG1/4
		BEARING, FOR CONTROL RODS, AT FORMER 201.367A (1R3584) Spares for:—	—	—		EG1/15
	1R3460	Base, bearing	3	DTD721	MR	EG1/9
	2R3584	Plate, packing	2	DTD142A		
	3R3584	Plate, packing	1	DTD142A		
	1R4410	Roller, special	9	—	MR	EG1/4
		BEARING, FOR CONTROL RODS, AT FORMER 243.127A (1R3585) Spares for:—	—	—		EG1/16
	1R3460	Base, bearing	2	DTD721	MR	EG1/9
	2R3425	Plate, packing	1	DTD142A		
	2R3585	Plate, packing	1	DTD142A		
	1R4410	Roller, special	6	—	MR	EG1/4
		BEARING, FOR CONTROL RODS, AT FORMER 279.092A (1R3622) Spares for:—	—	—		EG1/17
	1R3460	Base, bearing	2	DTD721	MR	EG1/9
	2R3419	Plate, packing	2	DTD142A		
	1R4410	Roller, special	6	—	MR	EG1/4
		BEARING, FOR CONTROL RODS, AT FORMER 300.954A (1R4721) Spares for:—	—	—		EG1/18
	1R3460	Base, bearing	1	DTD721	MR	EG1/9
	1R4410	Roller, special	3	—	MR	EG1/4

VULCAN No. 2

CONTROLS

Page EG. 3

FLYING, IN CENTRE PORTION FUSELAGE

Ref. No.	Part No.	Description	No. off	Matl. Spec.	Cl. of St.	Plate and Illust'n No.
					M.R.	
		BEARING, FOR CONTROL RODS, AT FORMER 370A (1R3619) Spares for:—				EG1/19
	1R3460	Base, bearing	1	DTD721	MR	EG1/9
	3R3619	Plate, packing	1	DTD142A		
	1R4410	ROLLER, SPECIAL	3	—	MR	EG1/4
		ATTACHMENTS—BEARINGS FOR CONTROL RODS				
28D/9133011	A25/2C	Bolt, 2 BA	18	—	C	
28D/1008145	A25/6E	Bolt, 1/4" BSF	90	—	C	
28D/1214091	AS1242/2C	Bolt, csk. hd., 2 BA	7	—	C	
28D/9709461	AS1242/3C	Bolt, csk. hd., 2 BA	27	—	C	
28D/1007976	AS1242/4C	Bolt, csk. hd., 2 BA	29	—	C	
28D/1013172	AS1242/5C	Bolt, csk. hd., 2 BA	15	—	C	
28D/1204937	AS1242/6C	Bolt, csk. hd., 2 BA	12	—	C	
28M/1012015	AGS2001/C1/6E	Nut, stiff, 2 BA	87	—	C	
28M/9480017	AGS2001/E1/6E	Nut, stiff, 1/4" BSF	18	—	C	
28M/7002430	AGS2002/E/1	Nut, stiff, 1/4" BSF	72	—	C	
28W/9419402	SP13/C	Washer, 2 BA	18	—	C	
28W/9418921	SP13/E	Washer, 1/4"	18	—	C	
	DSS157	Washer, tapered	18	—	MR	
	3SS4114	Washer, tapered	57	—		
	5SS4645	Bush, fork-end, 13/32" o/d x 5/16" i/d x .18" long	6	S93	MR	
	6SS4645	Bush, fork-end, 13/32" o/d x 5/16" i/d x .2" long	5	S93	MR	
7909	7SS4645	Bush, fork-end, 13/32" o/d x 5/16" i/d x .22" long	2	S93	C	
7911	9SS4645	Bush, fork-end, 13/32" o/d x 5/16" i/d x .26" long	14	S93	C	
	10SS4645	Bush, fork-end, 13/32" o/d x 5/16" i/d x .28" long	1	S93	MR	
7913	11SS4645	Bush, fork-end, 13/32" o/d x 5/16" i/d x .3" long	1	S93	C	
		CONTROLS, FOR AUTO-MACH TRIM AFT OF REAR SPAR (1R4446) (Mod. 761) Spares for:—				EG2/20
7462	20R4374	Arm, contact, micro switch	1	S1	C	EG2/21
	SKEFCO					
2A/9500411	400014	Bearing	2	—	C	
20906	16R4446	Bolt, special	2	—	C	
	6SS4645	Bush	5	—	MR	
7454	6R4374	HOUSING, BEARING, GROUP Spares for:—	4	—	B	EG2/22
	SKEFCO					
2A/9500413	400015	Bearing	1	—	C	
17942	2SS5880	Plate, securing	1	—	C	
	17R4446	HOUSING, BEARING, GROUP	1	—		EG2/23
	SKEFCO	Spares for:—				
2A/9500413	400015	Bearing	1	—	C	
	17bR4446	Plate, securing	1	—		

CONTROLS

FLYING, IN CENTRE PORTION FUSELAGE

Ref. No.	Part No.	Description	No. off	Matl. Spec.	Cl. of St.	Plate and Illust'n No.
					M.R.	
		1 2 3 4				
		CONTROLS, FOR AUTO-MACH TRIM AFT OF REAR SPAR (1R4446) (Mod. 761) (Cont'd)				
10016	18R4446	HOUSING, BEARING, GROUP	1	—		EG2/24
		Spares for:—				
2A/9500418	HOFFMANN T13	Bearing	1	—	C	
	18bR4446	Plate, securing	1	—		
		Attachments—Bearing Housing				
28D/9133011	A25/2C	Bolt, 2 BA	16	—	C	
28D/9133012	A25/3C	Bolt, 2 BA	8	—	C	
28M/1013107	A24/CS	Nut, slotted, 2 BA	24	—	C	
28P/9527619	SP90/C7	Pin, split, 1/16" dia.	24	—	C	
28W/9419402	SP13/C	Washer, 2 BA	24	—	C	
	AS3360/E6G	Lead, bonding	1	—		
20908	1R4453	LEVER, MOUNTING, AUTO-MACH TRIM, GROUP (Mod. 761)	1	—	B	EG2/25
		Spares for:—				
	2R4444	LEVER, GROUP	1	—		EG2/26
		Spares for:—				
2A/9500411	SKEFCO 400014	Bearing	1	—	C	
17944	10SS5880	Plate, securing	1	—	C	
	3R4444	Lever	1	—		EG2/27
	3R4453	Spigot, plain	1	—		EG2/28
	2R4453	Spigot, screwed	1	—		EG2/29
	8R4446	LEVER, OPERATING, AT MICRO	1	—		EG2/30
		SWITCHES, GROUP				
		Spares for:—				
	3R4446	LEVER, GROUP	2	—		
		Spares for:—				
	3bR4446	Bush	1	—		
	10R4446	Trunnion	2	—		
10017	1R4452	LEVER, MOUNTING, AUTO-MACH TRIM, GROUP	1	—	B	EG2/31
		Spares for:—				
	2R4375	LEVER, GROUP	1	—		EG2/32
		Spares for:—				
2A/9500411	SKEFCO 400014	Bearing	1	—	C	
17944	10SS5880	Plate, securing	1	—	C	
	3R4375	Lever	1	—		EG2/33
	2R4452	Spigot, plain	1	—		EG2/34
	3R4452	Spigot, screwed	1	—		EG2/35
20912	12R4179	Locknut	1	—	C	

VULCAN Mk 2

CONTROLS

Page EG.5

FLYING, IN CENTRE PORTION FUSELAGE

Ref. No.	Part No.	Description	No. off	Matl. Spec.	Cl. of St.		Plate and Illust'n No.
					M	R	
		1 2 3 4					
		CONTROLS, FOR AUTO-MACH TRIM AFT OF REAR SPAR (1R4446) (Mod. 761) (Cont'd.)					
	87R3296	NUT, ADJUSTING, CONTROL ROD, GROUP	2	—		MR	EG2/36
		Consisting of:—					
	87aR3296	Nut	1	—			
	87bR3296	Ring, buffer	1	—			
	5R4374	Plate, link	2	—			EG2/37
	3R4378	ROD, CONTROL, FROM LEVER AT REAR SPAR, TO LINK PLATE, GROUP	1	—			EG2/38
		Spares for:—					
	4R4378	Adjuster	1	—			EG2/39
	4R4348	EYE-END, GROUP	1	—		MR	EG2/40
		Spares for:—					
2A/9500465	SKEFCO I.132498	Bearing	1	—		C	
17942	2SS5880	Plate, securing	1	—		C	
7898	14R4186	EYE-END, GROUP	1	—		C	EG2/41
		Spares for:—					
2A/9500465	SKEFCO I.132498	Bearing	1	—		C	
17942	2SS5880	Plate, securing	1	—		C	
	5R4348	Locknut, special	1	S114 or 117		MR	EG2/42
	9R3666	Locknut (Made from A27/JT)	1	—		MR	EG2/43
1510378	7R4446	ROD, CONTROL, LEVER TO TORQUE SHAFT, GROUP	1	—		B	EG2/44
		Spares for:—					
2A/9500464	SKEFCO CBA2-1/2	Bearing	2	—		C	
28D/1200119	A25/4C	Bolt, 2 BA	2	—		C	
	7bR4446	Bush, 1/2" dia. x 4"	2	S94		C	
5K/4691289	AS3360/C4G	Lead, bonding	2	—		C	
28M/1012015	AGS2001/C1/66	Nut, stiff, 2 BA	2	—		C	
17940	ISS5880	Plate, securing	2	—		C	
	6R4446	ROD, CONTROL, TORQUE SHAFT TO LINK PLATE, GROUP	1	—		B	EG2/45
		Spares for:—					
2A/9500463	SKEFCO CBA2	Bearing	1	—		C	EG2/46
2A/9500465	SKEFCO I.132498	Bearing	1	—		C	EG2/47
28D/1200119	A25/4C	Bolt, 2 BA	2	—		C	
5K/4346015	AS3360/C6E	Lead, bonding	1	—		C	EG2/48

CONTROLS

FLYING, IN CENTRE PORTION FUSELAGE

Ref. No.	Part No.	Description	No. off	Matl. Spec.	Cl. of St.	Plate and Illust'n No.
					M.R.	
		1 2 3 4				
		ROD, CONTROL, TORQUE SHAFT TO LINK PLATE, GROUP (6R4446) (Cont'd.)				
5K/3409	AS3360/C6G	Lead, bonding	1	—	C	EG2/49
28M/1012015	AGS2001/C1/66	Nut, stiff, 2 BA	2	—	C	
17940	ISS5880	Plate, securing	1	—	C	EG2/50
17942	2SS5880	Plate, securing	1	—	C	EG2/51
	3R4379	ROD, CONTROL, FROM LEVER TO MIXER UNIT, GROUP	1	—		EG2/52
	9R4348	Spares for:— Adjuster	1	S95	MR	EG2/53
7895	2R4393	EYE-END, GROUP	1	—	C	EG2/54
	SKEFCO	Spares for:—				
2A/9500463	CBA2	Bearing	1	—	C	
17940	ISS5880	Plate, securing	1	—	C	
7903	11R4188	EYE-END, GROUP	1	—	C	EG2/55
	SKEFCO	Spares for:—				
2A/9500463	CBA2	Bearing	1	—	C	
17940	ISS5880	Plate, securing	1	—	C	
	5R4348	Locking, special	1	—	MR	EG2/42
	9R3666	Locknut (Made from A27/JT)	1	S114 or 117	MR	EG2/43
		Attachments—Control Rods Part Nos. 3R4378, 3R4379 and 6 & 7R4446				
20905	19R4446	Bolt, special	1	S94	C	
8068	24R4374	Bolt, special (Made from A59/10E)	1	—	C	
28D/1213556	A60/11G	Bolt, 5/16" BSF	1	—	C	
28D/1213559	A60/11G	Bolt, 5/16" BSF	1	—	C	
28D/1213610	A59/10G	Bolt, 5/16" BSF	2	—	C	
28D/1213599	A59/22E	Bolt, 1/4" BSF	1	—	C	
28D/1213600	A59/23E	Bolt, 1/4" BSF	1	—	C	
28M/4199604	A58/GS	Nut, slotted, 5/16" BSF	5	—	C	
28M/4095947	A58/ES	Nut, slotted, 1/4" BSF	3	—	C	
28P/9527619	SP90/C7	Pin, split, 1/16" dia.	8	—	C	
28W/9419455	SP10/G	Washer, 5/16"	1	—	C	
28W/9419403	SP13/G	Washer, 5/16"	1	—	C	
28W/9418921	SP13/E	Washer, 1/4"	3	—	C	
	19R4374	Screw, contact, micro switch	1	S1		EG2/56

VULCAN Mk 2

CONTROLS

Page EG. 7

FLYING, IN CENTRE PORTION FUSELAGE

Ref. No.	Part No.	Description	No. off	Matl. Spec.	Cl. of St.	Plate and Illust'n No.
					M.R.	
		1 2 3 4				
		CONTROLS, FOR AUTO-MACH TRIM AFT OF REAR SPAR (I.R.4446) (Mod. 761) (Cont'd)				
10018	1R4447	SHAFT, TORQUE, GROUP	1	—	B	EG2/57
		Spares for:—				
	2R4447	Lever	1	DTD130		EG2/58
	3R4447	Lever	1	DTD130		EG2/59
5CW/9438275	BZ.38H	Switch, micro	1	—	A	EG2/60
5CW/4742	C1831 Mk. 1	Switch, micro	2	—	A	EG2/61
		Attachments—Micro Switches, Ref. Nos. 5CW/9438275 and 5CW/4742				
28D/1011011	A25/8B	Bolt, 4 BA	2	—	C	
28D/9419397	A25/12C	Bolt, 2 BA	6	—	C	
28M/9433473	AGS2002/C/1	Nut, stiff, 2 BA	6	—	C	
28W/9419454	SP10/C	Washer, 2 BA	6	—	C	
	1R4450	UNIT, SERVO, GROUP	1	—		EG2/62
	2R4450	UNIT, SERVO, GROUP	1	—		EG2/63
		Spares for:—				
20910	11R4450	Bracket	1	—	C	EG2/64
		Attachments—Bracket, Part No. 11R4450				
28D/1215666	A59/10C	Bolt, 2 BA	1	—	C	
28M/5808573	A27/CS	Nut, slotted, 2 BA	1	—	C	
28P/9486478	SP90/C6	Pin, split, 1/16" dia.	1	—	C	
28W/9419454	SP10/C	Washer, 2 BA	1	—	C	
20913	9R4450	BRACKET, GROUP	1	—	C	EG2/65
		Spares for:—				
20912	12R4179	Locknut	2	—	C	
9996	10R4450	Screw, contact, micro switch	1	—	C	EG2/66
	4bR4450	Screw, contact, micro switch	1	—		EG2/67
20909	8R4450	EYE-END, GROUP	1	—	B	EG2/68
		Spares for:—				
2A/9500465	SKEFCO	Bearing	1	—	C	
17942	I.132498	Plate, securing	1	—	C	
		Attachments—Eye-end, Part No. 8R4450				
20912	12R4179	Locknut	4	—	C	
28W/9419402	SP13/C	Washer, 2 BA	4	—	C	
20911	6R4450	Fork-end	1	—	C	EG2/69
5K/7000235	AS3360/C5C	Lead, bonding	1	—	C	
		Attachment—Bonding Lead, Part No. AS.3360/C5C				
28D/1011019	A25/8C	Bolt, 2 BA	1	—	C	
20912	12R4179	Locknut	1	—	C	
28W/9419402	SP13/C	Washer, 2 BA	1	—	C	
5702	7R4179	Locknut	1	—	C	

CONTROLS

FLYING, IN CENTRE PORTION FUSELAGE

Ref. No.	Part No.	Description	No. off	Matl. Spec.	Cl. of St.	Plate and Illust'n No.
					M.R.	
		1 2 3 4				
		UNIT, SERVO, GROUP (1 & 2R4450) (Cont'd)				
5CW/9438275	BURGESS BZ.38H	Switch, micro	1	—	A	EG2/60
		Attachments—Micro switch, Ref. No. 5CW/4638				
28D/1010142	A25/9B	Bolt, 4 BA	2	—	C	
28M/1278189	AGS2001/B/1	Nut, stiff, 4 BA	2	—	C	
28W/9419401	SP10/B NEWMARK 1350/A	Washer, 4 BA	2	—	C	
		Unit, Auto-servo	1	—		EG2/70
		Attachments—Servo Unit, Part Nos. 1 & 2R4450				
28D/1213610	A59/10G	Bolt, 5/16" BSF	2	—	C	
28M/4199604	A58/GS	Nut, slotted, 5/16" BSF	2	—	C	
28P/9527619	SP90/C7	Pin, split, 1/16" dia.	2	—	C	
		LEVER, AT FORMER 75F, PORT AND STBD. (21 & 22R4426) (Mod. 2239)				
		Spares for:—				
	23R4426	LEVER, RUDDER, GROUP (Mod. 22391)	1	—	MR	EG1/71
		Spares for:—				
2A/9500410	HOFFMAN CS.1	Bearing	1	—	C	
1433750	18R4426	BRACKET, BEARING, GROUP (Mod. 2239)	1	—	C	
		Spares for:—				
2A/9500410	HOFFMAN CS.1	Bearing	1	—	C	
17944	10SS5880	Plate, retaining	1	—	C	
		Attachments—Bracket, Part No. 3R3550				
28D/1202771	A25/4G	Bolt, 5/16" BSF	4	—	C	
28W/9419403	SP13/G	Washer, 5/16"	4	—	C	
1433601	12R4426	LEVER, GROUP (Mod. 2239)	1	—	C	
		Attachments—Lever, Part No. 5R4426				
28D/1213745	A30/19E	Bolt, 1/4" BSF	1	—	C	
28M/1011467	A27/ES	Nut, slotted, 1/4" BSF	1	—	C	
28P/9527619	SP90/C7	Pin, split, 1/16" dia.	1	—	C	
28W/9418921	SP13/E	Washer, 1/4"	4	—	C	
	24R4426	LEVER, ELEVATOR, GROUP (Mod. 2239)	1	—	MR	EG1/72
		Spares for:—				
2A/9500410	HOFFMAN CS.1	Bearing	1	—	C	
1433752	20R4426	BRACKET, BEARING, GROUP (Mod. 2239)	1	—	C	
		Spares for:—				
2A/9500410	HOFFMAN CS.1	Bearing	1	—	C	
17944	10SS5880	Plate, securing	1	—	C	

VULCAN No. 2

CONTROLS

FLYING, IN CENTRE PORTION FUSELAGE

Ref. No.	Part No.	Description	No. off	Matl. Spec.	Cl. of St.	Plate and Illust'n No.
					M.R.	
		1 2 3 4				
		LEVER, ELEVATOR, GROUP (24R4426) (Cont'd)				
		Attachments—Bracket, Part No. 7R3550				
28D/1202771	A25/4G	Bolt, 5/16" BSF	4	—	C	
28W/9419403	SP13/G	Washer, 5/16"	4	—	C	
1433603	14R4426	LEVER, GROUP (Mod. 2239)	1	—	C	
		Attachment—Lever, Part No. 8R4426				
28D/1213746	A30/20E	Bolt, 1/4" BSF	1	—	C	
28M/1011467	A27/ES	Nut, slotted, 1/4" BSF	1	—	C	
28P/9527619	SP90/C7	Pin, split, 1/16" dia.	1	—	C	
28W/9418921	SP13/E	Washer, 1/4"	4	—	C	
	25R4426	LEVER, AILERON, GROUP (Mod. 2239)	1	—	MR	EG1/73
		Spares for:—				
2A/9500410	HOFFMAN CS.1	Bearing	1	—	C	
1433751	19R4426	BRACKET, BEARING, GROUP (Mod. 2239)	1	—	C	
		Spares for:—				
2A/9500410	HOFFMAN CS.1	Bearing	1	—	C	
17944	10SS5880	Plate, securing	1	—	C	
		Attachments—Bracket, Part No. 4R3550				
28D/1202771	A25/4G	Bolt, 5/16" BSF	4	—	C	
28W/9419403	SP13/G	Washer, 5/16"	4	—	C	
1433602	13R4426	LEVER, GROUP (Mod. 2239)	1	—	C	
		Attachment—Lever, Part No. 6R4426				
28D/1213745	A30/19E	Bolt, 1/4" BSF	1	—	C	
28M/1011467	A27/ES	Nut, slotted, 1/4" BSF	1	—	C	
28P/9527619	SP90/C7	Pin, split, 1/16" dia.	1	—	C	
28W/9418921	SP13/E	Washer, 1/4"	4	—	C	
		LEVER, BETWEEN FORMERS 21.717 AND 44.592 (I.R.4427)				
		Spares for:—				
		BAG, LEATHER, FOR LEVER (R.3555)				
		Spares for:—				
	2R3555	BAG, LEATHER, GROUP	1	—	MR	EG1/74
		Spares for:—				
4615	6R3555	Clip, half	2	L72	C	
	7R3555	Strip, beading	1	L72		
	8R3555	Strip, beading	1	L72		

CONTROLS

FLYING, IN CENTRE PORTION FUSELAGE

Ref. No.	Part No.	Description	No. off	Matl Spec.	Cl. of St.	Plate and Illust'n No.
					M.R.	
		1 2:3 4				
		LEVER BETWEEN FORMER 21.717 AND 44.582 (1R4427) (Cont'd)				
	2R4427	LEVER, CONNECTING, GROUP	1	—		EG1/75
		Spares for:—				
	3R3466	FORK-END, GROUP	1	—	MR	EG1/76
		Spares for:—				
2A/9500410 17944	SKEFCO I.132628 10SS5880 3R4427	Bearing	2	—	C	
		Plate, securing	2	—	C	
		Fork-end	1	DTD364B	MR	EG1/77
		Attachments—Lever, Part No. 1R4427				
13341 28M/5808573 28P/9527619 28W/9419402	5R3466 A27/CS SP90/C7 SP13/C	Bolt, shoulder	1	S96	C	
		Nut, slotted, 2BA	1	—	C	
		Pin, split, 1/16" dia.	1	—	C	
		Washer, 2 BA	1	—	C	
		LEVER, IDLER, FLYING CONTROL AT RIB 112.38, AFT REAR SPAR, PORT AND STBD. (1 & 2R4194)				EG3/78
		Spares for:—				
2A/9500412	SKEFCO CBS.3 6R4194	Bearing	1	—	C	
		LEVER, GROUP	1	—	MR	
		Spares for:—				
2A9500412 17942	SKEFCO CBS.3 2SS5880 AS.2811/8/068	Bearing	1	—	C	
		Plate, securing	1	—	C	
		Tube, distance	1	—		
6600	5R4164	Washer, special lever bearing	2	L65	C	
		Attachments—lever, Part No. 6R4194				
28D/9435058 28M/1011476 28P/9527619 28W/9419489	A59/17J A27/JS SP90/C7 SP16/J	Bolt, 3/8" BSF	1	—	C	
		Nut, slotted, 3/8" BSF	1	—	C	
		Pin, split, 1/16" dia.	1	—	C	
		Washer, 3/8"	1	—	C	
		MOUNTING, TORQUE SHAFT, AILERON, AT REAR SPAR (1R4192)				EG3/79
		Spares for:—				
2A/9500412	SKEFCO CBS.3	Bearing	1	—	B	
6603	4R4185	HOUSING, C/W BEARING, GROUP	1	—	C	EG3/80
		Spares for:—				
2A/9500466 17942	SKEFCO I.132499 2SS5880	Bearing	1	—	C	
		Plate, securing	1	—	C	

CONTROLS

FLYING, IN CENTRE PORTION FUSELAGE

Ref. No.	Part No.	Description	No. off	Matl. Spec.	Cl. of St.	Plate and Illust'n No.
					M.R.	
		1 2 3 4				
8636	8R4420	MOUNTING, TORQUE SHAFT, AILERON AT REAR SPAR (1.R.4192) (Cont'd)	1	—	C	EG3/81
		HOUSING, C/W BEARING, GROUP				
		Spares for:—				
2A/9500466 17942	SKEFCO I.132499 2SS5880	Bearing	1	—	C	
		Plate, securing	1	—	C	
		Attachments—Housing, Part Nos. 4R4185 & 8R4420				
28D/9436920 28M/1013107 28P/9527619 28W/9419402	A25/1C A24/CS SP90/C7 SP13/C	Bolt, 2 BA	8	—	C	
		Nut, slotted, 2 BA	8	—	C	
		Pin, split, 1/16" dia.	8	—	C	
		Washer, 2 BA	8	—	C	
	7R4192	LEVER, GROUP	1	—		EG3/82
		Spares for:—				
2A/9500412 17942	SKEFCO CBS.3 2SS5880	Bearing	1	—	C	
		Plate, securing	1	—	C	
		Attachments—Lever, Part No. 7R4192				
28D/9435058 28M/1011476 28P/9527619 28W/9419466	A59/17J A27/JS SP90/C7 SP13/J	Bolt, 3/8" BSF	1	—	C	
		Nut, slotted, 3/8" BSF	1	—	C	
		Pin, split, 1/16" dia.	1	—	C	
		Washer, 3/8"	1	—	C	
1433859	1R4963	TUBE, TORQUE, GROUP (Mod. 2183)	1	—	B	EG3/83
		Spares for:—				
	7R4963	Lever	1	DTD304	MR	EG3/84
	9R4963	Lever	1	DTD304	MR	EG3/85
	3R4963	Lever	1	DTD304	MR	EG3/86
17693	15R4421	Socket, end	1	S96	C	EG3/87
	12R4963	Socket, end	1	S96	MR	EG3/88
6600	5R4164	Washer, special, lever bearing	2	L65	C	
		MOUNTING, ELEVON MIXER UNIT, AT REAR SPAR (1R4184)				EG3/89
		Spares for:—				
2A/9500412	SKEFCO CBS.3	Bearing	3	—	C	
6648 6649	2R4184 16R4184	LEVER, GROUP	1	—	C	EG3/90
		LEVER, C/W BEARING, GROUP	1	—	C	EG3/91
		Spares for:—				
2A/9500412 17942	SKEFCO CBS.3 2SS5880	Bearing	1	—	C	
		Plate, securing	1	—	C	

CONTROLS
FLYING, IN CENTRE PORTION FUSELAGE

Ref. No.	Part No.	Description	No. off	Matl. Spec.	Cl. of St.	Plate and Illust'n No.
					M.R.	
		1 2 3 4				
6646	4R4184	MOUNTING, ELEVON MIXER UNIT, AT REAR SPAR (1R4184) (Cont'd)				
		LEVER, C/W BEARING, TOP, GROUP	1	—	C	EG3/92
		Spares for:—				
2A/9500412 17942	SKEFCO CBS.3 2SS5880	Bearing	1	—	C	
		Plate, securing	1	—	C	
6647	10R4184	LEVER, C/W BEARING, BOTTOM, GROUP	1	—	C	EG3/93
		Spares for:—				
2A/9500412 17942	SKEFCO CBS.3 2SS5880	Bearing	1	—	C	
		Plate, securing	1	—	C	
		Attachments—Lever, Part No. 2, 4, 10 & 16R4184				
6650	7R4184	Bolt, special	1	—	C	
	A59/29J	Bolt, 3/8" BSF	1	—	C	
28M/1011476	A27/JS	Nut, slotted, 3/8" BSF	2	—	C	
28P/9527619	SP90/C7	Pin, split, 1/16" dia.	2	—	C	
28W/9419466	SP13/J	Washer, 3/8"	2	—	C	
6645	5R4184	ROD, CONTROL, GROUP	1	—	C	EG3/94
		Spares for:—				
7904	9R4184	EYE-END C/W BEARING, GROUP	2	—	C	
		Spares for:—				
2A/9500465 17942	SKEFCO I.32498 2SS5880	Bearing	1	—	C	
		Plate, securing	1	—	C	
		Attachment—Control Rod, Part No. 5R4184				
28D/1213610	A59/10G	Bolt, 5/16" BSF	2	—	C	
28M/5880857	A27/GS	Nut, slotted, 5/16" BSF	2	—	C	
28P/9527619	SP90/C7	Pin, split, 1/16" dia.	2	—	C	
		MOUNTING, AUTO-PILOT SERVO MOTORS, FIN POST AND AFT FACE OF REAR SPAR (2R4198)				EG3/95
		Spares for:—				
5K/3409	AS.3360/C6G	Lead, bonding	1	—	C	
10886	1R4653	LEVER, GROUP (Mod. 1073)	1	—	B	EG3/96
		Attachments—Lever, Part No. 1R4853				
28M/1013107	9R4350	Bolt, special (Mod. 1073)	6	S96	MR	
28P/9527619	A24/CS	Nut, slotted, 2 BA	6	—	C	
28W/9419402	SP90/C7	Pin, split, 1/16" dia.	6	—	C	
	SP13/C	Washer, 2 BA	6	—	C	

VULCAN Mk 2

CONTROLS

Page EG. 13

FLYING, IN CENTRE PORTION FUSELAGE

Ref. No.	Part No.	Description	No. off	Matl. Spec.	Cl. of St.	Plate and Illust'n No.
					M.R.	
		1 2 3 4				
MOUNTING, AUTO-PILOT SERVO MOTORS, FIN POST AND AFT FACE OF REAR SPAR (2R4198) (Cont'd.)						
6TB/2682	SMITH 385EAP	Motor, servo, type "C" (Mod.2432)	1	—	A	EG3/97
6TB/232	SMITH 111EAP	Mounting, servo motor	1	—	A	EG3/98
		Attachments—Servo Motor and Mounting, Ref. Nos. 6T/232 and 307				
2867	11R3594	Bolt, special	6	—	C	
28M/1011467	A27/ES	Nut, slotted, 1/4" BSF	6	—	C	
28P/9527619	SP90/C7	Pin, split, 1/16" dia.	6	—	C	
28W/9418921	SP13/E	Washer, 1/4"	6	—	C	
MOUNTING, ELEVATOR, TORQUE SHAFT, AT REAR SPAR, PORT (1R4448) (Mod. 761)						
		Spares for:—				
	14R4448	Bracket, auto servo unit mounting	1	—		EG3/99
		Attachments—Bracket, Part No. 14R4448				
28D/1200119	A25/4C	Bolt, 2 BA	2	—	C	
28D/1010030	A25/7C	Bolt, 2 BA	2	—	C	
28M/5808573	A27/CS	Nut, slotted, 2 BA	4	—	C	
28P/9527619	SP90/C7	Pin, split, 1/16" dia.	4	—	C	
28W/9419402	SP13/C	Washer, 2 BA	4	—	C	
6603	4R4185	HOUSING, BEARING, GROUP	3	—	C	EG3/101
		Spares for:—				
2A/9500466	SKEFCO I.132499	Bearing	1	—	C	
17942	2SS5880	Plate, securing	1	—	C	
6653	11R4195	HOUSING, BEARING, GROUP	1	—	C	EG3/102
		Spares for:—				
2A/9500466	SKEFCO I.132499	Bearing	1	—	C	
17942	2SS5880	Plate, securing	1	—	C	
		Attachments—Bearing Housing Part Nos. 4R4185 and 11R4195				
10169	39D9085	Bolt, special	2	—	C	
	25R4195	Bolt, special	2	—	C	
28D/9436920	A25/1C	Bolt, 2 BA	7	—	C	
28D/9133011	A25/2C	Bolt, 2 BA	5	—	C	
28M/5808573	A27/CS	Nut, slotted, 2 BA	12	—	C	
28P/9527619	SP90/C7	Pin, split, 1/16" dia.	12	—	C	
28W/9419402	S3/C	Washer, 2 BA	12	—	C	
6654	12R4195	Packing, tapered for bearing housing 1R4195	1	—	C	

CONTROLS

FLYING, IN CENTRE PORTION FUSELAGE

Ref. No.	Part No.	Description	No. off	Matl. Spec.	Cl. of St.	Plate and Illust'n No.
					M.R.	
		1 2 3 4				
		MOUNTING, ELEVATOR TORQUE SHAFT AT REAR SPAR, PORT (1R4448) (Mod. 761) (Cont'd)				
1433866	1R4967	SHAFT, TORQUE, ELEVATOR, GROUP	1	—	B	EG3/103
		Spares for:—				
	2R4967	Lever, bell crank (Mod. 2183)	1	—	MR	EG3/104
	4R4967	Socket, end (Mod. 2183)	1	—	MR	EG3/87
	12R4963	Socket, end (Mod. 2183)	1	—	MR	EG3/88
1433865	1R4966	SHAFT, TORQUE, GROUP (Mod. 2183)	1	—	B	EG3/105
		Spares for:—				
	2R4966	Lever (Mod. 2183)	1	—	MR	EG3/106
	3R4966	Lever (Mod. 2183)	1	—	MR	EG3/107
17693	15R4421	Socket, end	1	—	C	
17694	16R4421	Socket, end	1	—	C	
		Attachments—Torque Shafts Part Nos. 4R4372 and 29R4195				
28M/1011467	A27/ES	Nut, slotted, 1/4" BSF	2	—	C	
28P/9527619	SP90/C7	Pin, split, 1/16" dia.	2	—	C	
28W/9418921	SP13/E	Washer, 1/4"	2	—	C	
1433102	26R4188	MOUNTING, ARTIFICIAL FEET UNIT, AILERON, GROUP (Mod. 2075)	1	—	B	EG4/108
		Spares for:—				
	51R4156	UNIT, ARTIFICIAL FEET, GROUP	1	—		EG4/109
		Spares for:—				
	20R4155	BAR, TORSION, GROUP	1	—	MR	EG4/110
		Spares for:—				
	21R4155	Bar, torsion	2	—		
2A/9500418	HOFFMAN T13	Bearing	2	—	C	
28R/4665592	R. & M. CM3/16"B	Bearing, rod-end	1	—	B	EG4/111
28R/4665593	R. & M. CM3/16" BL	Bearing, rod-end	2	—	B	EG4/112
	2R4155	BRACKET, MOUNTING, GROUP	1	—		
		Spares for:—				
2A/9500412	R. & M. CK3/8"A	Bearing	1	—	C	
17942	2SS5880	Plate, securing	1	—	C	
	15R4155	Clamp	2	—		
	13R4155	EYE-END, C/W BEARING, GROUP	1	—		EG4/113
		Spares for:—				
2A/9500465	SKEFCO I.132498	Bearing	2	—	C	
17942	2SS5880	Plate, securing	2	—	C	

VULCAN No. 2

CONTROLS

Page EG. 15

FLYING, IN CENTRE PORTION FUSELAGE

Ref. No	Part No.	Description	No. off	Matl. Spec.	Cl. of St.	Plate and Illust'n No.
					M.R.	
		BAR, TORSION, GROUP (20R4155) (Cont'd)				
	5R4155	LEVER, C/W BEARING, GROUP	2	—		EG4/114
	R. & M. CK1/4"C	Spares for:— Bearing	1	—	C	
2A/9500411						
17944	10SS5880 8R4155	Plate, securing	1	—	C	
		Lever	2	—		EG4/115
		Attachments—Lever, Part Nos. 5 & 8R4155				
28D/1011246	A25/11E	Bolt, 1/4" BSF	8	—	C	
28M/1011467	A27/ES	Nut, slotted, 1/4" BSF	8	—	C	
28P/9527619	SP90/C7	Pin, split	8	—	C	
28W/9418920	SP10/E	Washer, 1/4"	8	—	C	
28W/9418921	SP13/E	Washer, 1/4"	8	—	C	
	7R4155	LINK, C/W BEARING, GROUP	1	—		EG4/116
		Spares for:—				
2A/9500466	SKEFCO I.132499	Bearing	2	—	C	
17942	2SS5880	Plate, securing	2	—	C	
		Attachments—Link, Part No. 7R4155				
28M/1011467	A27/ES	Nut, slotted, 1/4" BSF	2	—	C	
28P/9527619	SP90/C7	Pin, split, 1/16" Dia.	2	—	C	
28W/9418921	SP13/E	Washer, 1/4"	2	—	C	
	16R4155	Locknut (Make from A27/JT)	2	—		EG4/117
	17R4155	Locknut	2	—		EG4/118
	3R4155	Plate, Link	2	—		EG4/119
	4R4155	Plate, Link	2	—		EG4/120
		Attachments—Link plate Part Nos. 3 & 4R4155				
28D/1215685	A59/6E	Bolt, 1/4" BSF	1	—	C	
28D/1215687	A59/8E	Bolt, 1/4" BSF	1	—	C	
28M/1011467	A27/ES	Nut, slotted, 1/4" BSF	2	—	C	
28P/9527619	SP90/C7	Pin, split	2	—	C	
26TA/3457	1SS4665	Washer	2	—	C	
	14R4155	Washer, special	2	—		
28W/9418921	SP13/E	Washer, 1/4"	2	—	C	
	9R4155	Roller	1	—		EG4/121
	10R4155	Roller	1	—		EG4/122
	11R4155	Stop	1	—		
	12R4155	Turnbuckle	2	—		
		Attachments—Torsion Bar, Part No. 20R4155				
28D/1215659	A59/3C	Bolt, 2 BA	6	—	C	
28M/5808573	A27/CS	Nut, slotted, 2 BA	6	—	C	
28P/9486478	SP90/C5	Pin, split, 1/16" dia.	5	—	C	
28W/9419402	SP13/C	Washer, 2 BA	6	—	C	

CONTROLS

FLYING, IN CENTRE PORTION FUSELAGE

Ref. No.	Part No.	Description	No. off	Matl. Spec.	Cl. of St.	Plate and Illust'n No.
					M.R.	
		1 2 3 4				
		UNIT, ARTIFICIAL, FEEL, GROUP (51R4156) (Cont'd)				
5X/6200370	1V5650	Block, terminal	1	—	C	EG4/123
	35R4156	Cam	1	L83	MR	
1433967	46R4156	COVER, CAM LEVER, GROUP	1	—		EG4/124
	3R4156	Lever, actuating from Control rod	1	L65	C	EG4/125
	34R4156	Lever, to actuating rod below mounting	1	L65	MR	EG4/126
	41R4156	Pin, striker	1	—		
	28R4156	Plate, cover, cam lever	1	L72		
	37R4156	ROLLER, GROUP	1	—	MR	EG4/127
		Spares for:—				
	37aR4156	Arm, lever	1	DTD130		
2A/9500409	HOFFMAN	Bearing	1	—	C	
1433966	CSO	Extension, lever	1	L72		
	36R4156					
	1R4169	ROD, ACTUATOR, GROUP	1	—		EG4/128
		Spares for:—				
5W/2847	ROTAX	Actuator	1	—	A	
	A1708	Bolt, special	4	S94 or 95	MR	
	8R3666					
1433185	2R4169	EYE-END, adjustable C/W	1	—	C	EG4/129
		BEARING, GROUP				
		Spares for:—				
2A/9500465	SKEFCO	Bearing	1	—	C	
	I.32498					
17942	2SS5880	Plate, securing	1	—	C	
	3R4169	EYE-END, FIXED, C/W BEARING, GROUP	1	—	MR	EG4/130
		Spares for:—				
2A/9500465	SKEFCO	Bearing	1	—	C	
	I.132498					
17942	2SS5880	Plate, securing	1	—	C	
	9R3666	Locknut (Make from A27/JT)	1	—	MR	
9373	5R4358	ROD, TRIM, ACTUATOR, GROUP	1	—	A	EG4/131
		Spares for:—				
5W/3718	ROTAX	Actuator	1	—	A	
	A1711	Adjuster	1	—	MR	
	9R4348	Bolt, special	4	S94 or 95	MR	
	8R3666					
	4R4358	EYE-END, ADJUSTABLE, GROUP	1	—	MR	EG4/132
		Spares for:—				
2A/9500465	SKEFCO	Bearing	1	—	C	
	I.132498					
17942	2SS5880	Plate, securing	1	—	C	

VULCAN MR 2

CONTROLS

FLYING, IN CENTRE PORTION FUSELAGE

Ref. No.	Part No.	Description	No. off	Matl. Spec	Cl. of St.	Plate and Illust'n No.	
					M.R.		
		1 2 3 4					
11941	2R4358 5R4348 9R3666 12R4156	ROD, TRIM ACTUATOR, GROUP (5R4358) (Cont'd)					
		Eye-end, fixed	1	L65	MR	EG4/133	
		Locknut, special	1	S114 or 117	MR	EG4/42	
		Locknut (Make from A27/JT).....	1	—	C	EG4/43	
	49R4156	Shaft, Cam, 875 dia. x 4" long.....	1	S89	MR		
		SPRING AND LUGS, GROUP	1	—		EG4/134	
		Spares for:—					
	50R/4156 264SS4700	Lug	2	—			
		Spring	1	—			
	5CW/6865	42R4156	SWITCH, MICRO AND CABLE, GROUP	1	—		EG4/135
Spares for:—							
HONEYWELL I.EN.N.14 SMITHS INST. 914.FL		Switch, micro	1	—	B		
		Transmitter, "Follow Up"	1	—			
28D/1215682 28D/1215683 28D/9436920 28M/1011467 28P/9527619 28W/9418921		A59/3E A59/4E A25/1C A27/ES SP90/C7 SP13/E	Attachments—Unit, Part No. 51R4156				
			Bolt, 1/4" BSF	5	—	C	
			Bolt, 1/4" BSF	3	—	C	
			Bolt, 2 BA	8	—	C	
			Nut, slotted, 1/4" BSF	6	—	C	
			Pin, split, 1/16" dia.	6	—	C	
	Washer, 1/4"		6	—	C		
2867	21V8400	UNIT, ELECTRICAL, AILERON, GROUP	1	—		EG4/136	
		(For breakdown see:— Electrical Installation)					
	10R4349	MOUNTING, ARTIFICIAL FEEL UNIT,				EG5/137	
		RUDDER TRIM ACTUATOR AND SERVO MOTOR (R4349) (Mod. 2075)					
	11R3594 12R3594 12R3594 14R3594 9R/4350	MOUNTING, ARTIFICIAL FEEL UNIT,	—	—		EG5/138	
		ELEVATOR, TRIM ACTUATOR AND SERVO MOTOR (R4350) (Mod. 2075)					
		Spares for:—					
		Bolt, special, attachment lever to cover plate, rudder and elevator	1	S96	C		
		Bolt, special, servo mounting, elevator	4	—	C		
		Bolt, special, servo mounting, elevator	2	—	MR		
2995 2866	12R3594 14R3594	Bolt, special, servo mounting, rudder	6	—	C		
		Bolt, special, lever attachment, rudder	6	—	C		
2866	9R/4350	Bolt, special, lever attachment, elevator	6	—	MR		

CONTROLS

FLYING, IN CENTRE PORTION FUSELAGE

Ref. No.	Part No.	Description	No. off	Matl. Spec.	Cl. of St.	Plate and Illust'n No.
					M.R.	
		1 2 3 4				
		MOUNTING, ARTIFICIAL FEEL UNIT, RUDDER TRIM ACTUATOR AND SERVO MOTOR (R4349) (Mod. 2075) (Cont'd.) MOUNTING, ARTIFICIAL FEEL UNIT, ELEVATOR TRIM ACTUATOR AND SERVO MOTOR (R4350) (Mod. 2075) (Cont'd.)				
	1R4101	LEVER, OPERATING RUDDER, GROUP	1	—	MR	EG5/139
		Spares for:—				
	2R4101	BEARING, CENTRE, GROUP	1	—	MR	EG5/140
		Spares for:—				
2A/9500413 17942	SKEFCO 400015 2SS5880	Bearing	1	—	C	
		Plate, securing	1	—	C	
	3R4101	EYE-END, C/W BEARING, GROUP	1	—	MR	EG5/141
		Spares for:—				
2A/9500465 17942	SKEFCO 1.132498 2SS5880 6R3631	Bearing	2	—	C	
		Plate, securing	2	—	C	
		Fork-end	1	DTD130	MR	EG5/142
	1R4102	LEVER, OPERATING, ELEVATOR, GROUP.....	1	—	MR	EG5/143
		Spares for:—				
	2R4102	BEARING, CENTRE, GROUP	1	—	MR	EG5/144
		Spares for:—				
2A9500413 17942	SKEFCO 400015 2SS5880	BEARING	1	—	C	
		Plate, securing	1	—	C	
	3R4102	EYE-END, C/W BEARING, GROUP	1	—	MR	EG5/145
		Spares for:—				
2A/9500465 17942	SKEFCO 1.132498 2SS5880 5R3632	Bearing	2	—	C	
		Plate, securing	2	—	C	
		Fork-end	1	DTD130	MR	EG5/146
8917	37R3625	LEVER, SERVO MOTOR, RUDDER,	1	—	C	EG5/147
		MOUNTING, GROUP				
	7R4350	LEVER, SERVO MOTOR, ELEVATOR	1	—		EG5/148
		MOUNTING, GROUP				
6TB/2681	104EAP	Motor, servo, type "B", auto-pilot, rudder	1	—	A	EG5/149

VULCAN Mk 2

CONTROLS

Page EG.19

FLYING, IN CENTRE PORTION FUSELAGE

Ref. No.	Part No.	Description	No. off	Matl. Spec.	Cl. of St.	Plate and Illust'n No.
					M.R.	
		1 2 3 4				
		MOUNTING, ARTIFICIAL, FEEL UNIT, RUDDER TRIM ACTUATOR AND SERVO MOTOR (R4349) (Mod. 2075) (Cont'd.)				
6TB/4545190	103EAP	Motor, servo, type "A", auto-pilot, Elevator	1	—	A	EG5/150
6TB/4545192	111EAP	Mounting, servo motor, Rudder and Elevator	1	—	A	EG5/151
	12R4348	ROD, TRIM AND ACTUATOR, RUDDER, GROUP	1	—		EG5/152
	1R4460	ROD, TRIM AND ACTUATOR, ELEVATOR, .. GROUP	1	—	MR	EG5/153
		Spares for:—				
5W/2847	ROTAX A1708	Actuator, trim, Rudder	1	—	A	
5W/2848	A1709	Actuator, trim, Elevator	1	—	A	
	9R4348	Adjuster	1	DTD130	MR	
	8R3666	Bolt, special	1	S94 or 95	MR	
	4R4348	EYE-END, C/W BEARING, GROUP	1	—	MR	EG5/154
		Spares for:—				
2A/9500465	SKEFCO I.132498	Bearing	1	—	C	
17942	2SS5880	Plate, securing	1	—	C	
	4R4101	EYE-END, C/W BEARING, GROUP	1	—		EG5/155
		Spares for:—				
2A/9500465	SKEFCO I.132498	Bearing	1	—	C	
17942	2SS5880	Plate, securing	1	—	C	
	5R4348	Locknut, special	1	S114 or 117	MR	EG5/42
	9R3666	Locknut, special (Make from A27/JT)	1	—	MR	EG5/43
7480	7R4348	ROD, ACTUATING, RUDDER, GROUP	1	—	C	
7479	7R4348	ROD, ACTUATING, ELEVATOR, GROUP ..	1	—	C	
10181	2R4460	STRUT, SPRING, FEEL, RELIEF, GROUP ..	1	—	A	EG5/235
		Spares for:—				
1510381	6R4451	Adjuster	1	S96	C	EG5/236
	3R4460	Case, outer	1	DTD130		EG5/237
	4R4460	Case, inner	1	DTD130		EG5/238
1510382	10R4451	Circlip	1	DTD215	C	EG5/239
	AGS1000/1	Clip, Jubilee	1	—		EG5/240
1510386	6R4460	Collar	2	S96	C	EG5/241
	8R4460	Collar	1	S96	MR	EG5/242
1510383	11R4451	Nut, locking	1	—	C	EG5/243

VULCAN Mk 2		CONTROLS					FLYING, IN CENTRE PORTION FUSELAGE	
Page EG.20								
Ref. No.	Part No.	Description	No. off	Matl. Spec.	Cl. of St.	Plate and Illust'n No.		
					M.R.			
		1 2 3 4						
		STRUT, SPRING, FEEL, RELIEF, GROUP (2R4460) (Cont'd.)						
1510384	12R4451	: Nut, locking	1	—		EG5/244		
	AS455/311	: Rivet	1	—		EG5/245		
	5R4460	SPINDLE, GROUP	1	—	MR	EG5/246		
		: Consisting of:—						
2A/9500465	1.132498	Ballrace	1	—	C			
17942	2SS5880	Plate, securing	1	—	C			
	5aR4460	Rod	1	S96				
	9R4460	Washer, Belleville	66	Terry 1383/B	MR	EG5/247		
7481	1R4360	ROD, CONTROL, ADJUSTABLE, LEVER TO LEVER ON RUDDER MOUNTING, GROUP	1	—	B	EG5/156		
		Spares for:—						
	3R4360	Adjuster	1	DTD130				
	97R3298	EYE-END, C/W BEARING, GROUP	1	—	MR	EG5/157		
		Spares for:—						
2A/9500465	SKEFCO	Bearing	1	—	C			
	1.132498							
17942	2SS5880	Plate, securing	1	—	C			
	4R4348	EYE-END, C/W BEARING, GROUP	1	—	MR	EG5/154		
		Spares for:—						
2A/9500465	SKEFCO	Bearing	1	—	C			
	1.132498							
17942	2SS5880	Plate, securing	1	—	C			
10887	11R4734	STRUT, SPRING, AUTO-PILOT, GROUP	1	—	A	EG5/158		
		Spares for:—						
	4R4734	Adjuster	1	S93				
	3R4346	Case	1	—				
	7R4346	Circlip	1	DTD5A or 215				
	5R4346	Collar	2	DTD265A or BS369				
	2R4734	EYE-END, C/W BEARING, GROUP	1	—		EG5/159		
		Spares for:—						
2A/9500465	R & M	Bearing	1	—	C			
17942	CA2-1	Plate, securing	1	—	C			
	2SS5880							

VULCAN No. 2

CONTROLS

Page EG. 21

FLYING, IN CENTRE PORTION FUSELAGE

Ref. No.	Part No.	Description				No. off	Matl. Spec.	Cl. of St.	Plate and Illust'n No.
		1	2	3	4			M.R.	
		STRUT, SPRING, AUTO-PILOT, GROUP (11R4734) (Cont'd)							
	3R4371	EYE-END, C/W BEARING, GROUP				1	—		EG5/160
	R. & M. CA2-1	Spares for:—							
2A/9500465		Bearing				1	—	C	
17942	2SS5880	Plate, securing				1	—	C	
	AS3360/B3G	Lead, bonding				1	—		
	4R4346	Locknut				1	—		EG5/161
	5SS5025	Locknut				1	—		EG5/162
	5R4734	Plate, locking				2	—		
	6R4734	Plate, mounting				1	—		EG5/163
	7R4734	Plate, mounting				1	—		EG5/164
		Attachments—Plate, Part No. 6 & 7R4734							
28D/1010142	A25/9B	Bolt, 4 BA				3	—	C	
28M/1278189	AGS2001/B/1	Nut, stiff, 4 BA				3	—	C	
28W/9419401	SP10/B	Washer, 4 BA				3	—	C	
	9R4734	Spindle				1	S93		
	2R4731	Spring				1	DTD215		
5CW/1043134	HONEYWELL 1/HS/N3	Switch, micro				1	—	B	
		Attachments—Micro switch Part No. 1/HS/N3							
28D/1010142	A25/9B	Bolt, 4 BA				2	—	C	
28M/1278189	AGS2001/B/1	Nut, stiff, 4 BA				2	—	C	
28W/9419401	SP10/B	Washer, 4 BA				2	—	C	
	AS2808/10/250	Tube, distance				1	T45		
1433101	18R4349	UNIT, ARTIFICIAL FEEL, RUDDER,				1	—	A	EG5/165
		GROUP							
1433099	29R4350	UNIT, ARTIFICIAL FEEL, ELEVATOR, ...				1	—	A	EG5/166
		GROUP (For a/c fitted with Mod. 1856)							
1433100	30R4350	UNIT, ARTIFICIAL FEEL, ELEVATOR, ...				1	—	A	
		GROUP (For a/c not fitted with Mod. 1856)							
		Spares for:—							
	50R3625	Bolt, special, attachment electrical unit to ...				6	—		
		artificial fuel unit							
	34R4097	UNIT, ARTIFICIAL, FEEL, RUDDER, ...				1	—		EG5/170
		GROUP							
	7R4361	UNIT, ARTIFICIAL, FEEL, ELEVATOR, .				1	—		EG5/171
		GROUP							
		Spares for:—							
	BURGESS & Co. V.L.R.1	Actuator, auxiliary				2	—		EG5/172
5W/4511955	ROTAX A0117/A	Actuator, main, rudder				1	—	MR/A	EG5/173
5W/4520698	ROTAX A0117/D	Actuator, main elevator				1	—	MR/A	EG5/174
5W/4511914	ROTAX A0904	Actuator, relief				1	—	MR/A	EG5/175

CONTROLS

FLYING, IN CENTRE PORTION FUSELAGE

Ref. No.	Part No.	Description	No. off	Matl. Spec.	Cl. of St.	Plate and Illust'n No.
					M.R.	
		1 2 3 4				
		UNIT, ARTIFICIAL FEEL, RUDDER, GROUP (34R4097) (Cont'd)				
		UNIT, ARTIFICIAL FEEL, ELEVATOR, GROUP (7R4351) (Cont'd)				
	33R3659	ARM, ADJUSTABLE, GROUP	1	—	MR	
	28R/4097	Arm, trigger	1	DTD124A	MR	
	27R3659	Block, terminal	1	—		
		Attachments—Terminal Block, Part No. 27R3659				
28M/1987493	AGS.2001/A/1	Nut, stiff, 6 BA	2	—	C	
28S/1011484	A32/A20	Screw, roundhead, 6 BA	2	—	C	
28W/9419446	SP10/A	Washer, 6BA	2	—	C	
	11R3502	Bolt, special, for attachment fuel spring Unit to bracket	2	S94 or S95	MR	
	32R3598	Bolt, shouldered, main actuator	1	S1	MR	
	45R3598	Bolt, special, slotted lever	1	S96	MR	
	3R3661	BOX, STRUCTURE, RUDDER, GROUP	1	—	MR	EG5/176
	2R3661	BOX, STRUCTURE, ELEVATOR, GROUP	1	—	MR	EG5/177
		Spares for:—				
	35R3659	Bolt, for lid	4	—	C	
	36R3661	Lid	1	L72	MR	
	8R4097	CAM, RUDDER, GROUP	1	—	MR	
	7R4097	CAM, ELEVATOR, GROUP	1	—	MR	
	25R3548	Circlip, for input shaft	1	Steel wire	MR	
	21R4097	LEVER, ARM, GROUP	1	—	C	EG5/178
	50R3598	LEVER, SLOTTED, GROUP	1	—		EG5/179
		Spares for:—				
	HOFFMAN N3112	Bearing	1	—	C	
	101R3598	Pin	1	—		
17942	2SS5880	Plate, securing	1	—	C	
	1R3601	LEVER, SHAFT, GROUP	1	—		EG5/180
	1R3853	RACE, NEEDLE ROLLER, GROUP	1	—		EG5/181
	13R3657	ROLLER, GROUP	2	—	MR	EG5/182
		Spares for:—				
	13b3657	Bush, "Oilite, 3/4" x 1/2"	1	—	MR	
	30R3659	Seal, sorbo sponge, 2-1/4" x 2" x 5/8" ..	1	Rubber	MR	EG5/183
	42R3659	Seal, 2-1/4" x 2-1/4" x 1/8"	1	DTD590	MR	EG5/184
	1R4675	SHAFT, INPUT, RUDDER, GROUP	1	—		EG5/185
	2R4675	SHAFT, INPUT, ELEVATOR, GROUP	1	—		EG5/186
		Spares for:—				
	3R4675	Bush, sliding	2	—		
	19R3502	End, adjustable	1	—		

VULCAN No. 2

CONTROLS

Page EG. 23

FLYING, IN CENTRE PORTION FUSELAGE

Ref. No.	Part No.	Description	No. off	Matl. Spec.	Cl. of St.	Plate and Illust'n No.
					M.R.	
		1 2 3 4				
		SHAFT, INPUT, RUDDER, GROUP (1R4675)				
		SHAFT, INPUT, ELEVATOR, GROUP (2R4675) (Cont'd)				
9643	4R4675	Housing, spring	1	—	C	EG5/187
9644	5R4675	Housing, spring	1	—	C	EG5/188
28F/4051601	AGS1148/G	Nut, thin	1	—	C	
	6R4095	Spring, rudder	1	—		
	2R4461	Spring, elevator	1	—	MR	
	4R3600	Rod, control	1	—		EG5/189
	5R3600	Rod, control	1	—		EG5/190
	33R4097	SPRING AND LUGS, GROUP	1	—		EG5/191
		Spares for:—				
	5SS4358	Lug	2	—		
	263SS4700	Spring	1	—	MR	
5CW/1083334	BURGESS MS.1557A	Switch, limit	2	—	A	
	SMITHS INST. 914.FL	Transmitter, follow up	1	—	MR	
10630	1R4676	UNIT, FEEL, SPRING, RUDDER AND ELEVATOR, GROUP	1	—	B	EG5/192
		Spares for:—				
	2R4676	BODY, HALF, GROUP	1	—		EG5/193
		Spares for:—				
2A/9500412	SKEFCO	Bearing	2	—	C	
17942	CBS.3	Plate, securing	2	—	C	
	2SS5880	Body, half	1	—		EG5/194
	3R4676	Circlip	1	—	MR	
	12R3598	Collar, sliding	2	Steel wire L65 or DTD130		
	10R4096					
4078	8R3596	Fork-end	1	S1	C	
	6R4096	ROD	1	S1		
	7R3596	Rod-end	1	S1		
	7R4096	Spring	1	—	MR	
	22V8400	UNIT, ELECTRICAL, RUDDER, GROUP	1	—	MR	EG5/195
	23V8400	UNIT, ELECTRICAL, ELEVATOR, GROUP (For A/c fitted with Mod. 1856)	1	—	MR	EG5/196
	24V8400	UNIT, ELECTRICAL, ELEVATOR, GROUP (For A/c not fitted with Mod. 1856) (For breakdown see:— Electrical installation)	1	—	MR	
		Attachments—Feel units, Part Nos. 18R4349 and 29 or 30R4350				
28D/1213765	A30/2E	Bolt, 1/4" BSF	5	—	C	
28D/1213766	A30/3E	Bolt, 1/4" BSF	7	—	C	
28D/1212231	A57/8G	Bolt, 5/16" BSF	2	—	C	

CONTROLS

FLYING, IN CENTRE PORTION FUSELAGE

Ref. No.	Part No.	Description	No. off	Matl. Spec.	Cl. of St.	Plate and Illust'n No.
					M.R.	
		Attachment—Feel units, Part Nos. 18R4349 and 29 or 30R4350 (Cont'd)				
28M/4199604	A58/GS	Nut, slotted, 5/16" BSF	2	—	C	
28W/9418921	SP13/E	Washer, 1/4"	12	—	C	
28W/9419403	SP13/G	Washer, 5/16"	2	—	C	
4146	132R3577	ROD, CONTROL, AILERON AND ELEVATOR, FROM JOINT BETWEEN FORMERS 218F AND 204E TO JOINT BETWEEN FORMERS 130F AND 115.5F, GROUP	2	—	B	EG1/197
	126R3577	Spares for:— FORK-END, GROUP	1	—	MR	
1660	102R3577	Spares for:— Bush, 9/16" dia. x 3/16" long	2	S96	C	
4147	133R3577	ROD, CONTROL, RUDDER, FROM JOINT BETWEEN FORMERS 218F and 204F, TO JOINT BETWEEN FORMERS 130F AND 115.5F, GROUP	1	—	B	EG1/198
	126R3577	Spares for:— FORK-END, GROUP	1	—	MR	
1660	102R3577	Spares for:— Bush, 9/16" dia. x 3/16" long	2	S96	C	
	6R3592	LEVER, GROUP	1	—		
1669	6bR3592	Spares for:— Spigot	1	S1	C	
4149	156R3577	ROD, CONTROL, AILERON, FROM JOINT BETWEEN FORMERS 130F AND 115.5, TO AILERON LEVER BETWEEN FORMERS 86.5F AND 75F, STARBOARD, GROUP	1	—	B	EG1/199
7820	121R3577	Spares for:— EYE-END, C/W BEARING, GROUP	2	—	C	
	SKEFCO	Spares for:— Bearing	1	—	C	
2A/9500465	I.132498	Plate, securing	1	—	C	
17942	2SS5880					
4149	158R3577	ROD, CONTROL, ADJUSTABLE, ELEVATOR AND RUDDER, FROM JOINT BETWEEN FORMERS 130F AND 115.5F TO LEVERS BETWEEN FORMERS 86.5F AND 75F, PORT, GROUP	2	—	B	EG1/200
7820	121R3577	Spares for:— EYE-END, C/W BEARING, GROUP	1	—	C	EG1/201
	SKEFCO	Spares for:— Bearing	1	—	C	
2A/9500465	I.132498	Plate, securing	1	—	C	
17942	2SS5880					

VULCAN No. 2

CONTROLS

FLYING, IN CENTRE PORTION FUSELAGE

Ref. No.	Part No.	Description	No. off	Matl. Spec.	Cl. of St.	Plate and Illust'n No.
					M.R.	
		1 2 3 4				
11185	38R3577	ROD, CONTROL, ADJUSTABLE ELEVATOR AND RUDDER, FROM JOINT BETWEEN FORMERS 130F AND 115.5F TO LEVERS BETWEEN FORMERS 86.5 AND 75F PORT, GROUP (158R3577) Cont'd) EYE-END, ADJUSTABLE, GROUP	1	—	C	EG1/202
		Spares for:—				
2A/9500465 17942	SKEFCO I.132498	Bearing	1	—	C	
4099	2SS5880	Plate, securing	1	—	C	
4100	77R3577	Locknut, R.H. Thread	1	DTD364B	C	
4101	78R3577	Locknut, L.H. Thread	1	DTD364B	C	
	79R3577	Screw, adjusting	1	T45 or S1	C	
	100R3577	Sleeve, screwed	1	DTD364B		
	134R3577	ROD, CONTROL, AILERON, ELEVATOR AND RUDDER, FROM LEVER BETWEEN FORMERS 86.5F AND 75F, TO JOINT BETWEEN FORMERS 42F AND 27F, GROUP Spares for:—	3	—		EG1/203
7820	121R3577	EYE-END, C/W BEARING, GROUP Spares for:—	2	—	C	
2A/9500465 17942	SKEFCO I.132498	Bearing	1	—	C	
	2SS5880	Plate, securing	1	—	C	
4144	137R3577	ROD, CONTROL, AILERON AND RUDDER FROM JOINT BETWEEN FORMERS 42F AND 27F; TO JOINT AFT FRONT SPAR, BETWEEN FORMERS 21.717A AND 44.592A, GROUP Spares for:—	2	—	B	EG1/204
	122R3577	FORK-END, GROUP	2	—	MR	
1674	101R3577	Spares for:— Bush, 9/16" dia. x 1/4" long	2	S96	C	
4143	136R3577	ROD, CONTROL, ELEVATOR, FROM JOINT BETWEEN FORMERS 42F AND 27F, TO JOINT AFT OF FRONT SPAR, PORT; GROUP Spares for:—	1	—	B	EG1/205
	122R3577	FORK-END, GROUP	2	—	MR	
1674	101R3577	Spares for:— Bush, 9/16" dia. x 1/4" long	2	S96	C	

CONTROLS

FLYING, IN CENTRE PORTION FUSELAGE

Ref. No.	Part No.	Description	No. off	Matl. Spec.	Cl. of St.	Plate and Illust'n No.
					M.R.	
4151	138R3577	ROD, CONTROL, ADJUSTABLE, ELEVATOR, FROM JOINT AFT OF FRONT SPAR TO LEVER BETWEEN FORMERS 21.717A AND 44.592A, PORT, GROUP	1	—	B	EG1/206
7820	121R3577	EYE-END, C/W BEARING, GROUP Spares for:—	1	—	C	EG1/201
2A/9500465 17942	SKEFCO I.132498 2SS5880	Bearing Plate, securing	1 1	— —	C C	
11185	38R3577	EYE-END, ADJUSTABLE, GROUP Spares for:—	1	—	MR/C	EG1/202
2A/9500465 17942	SKEFCO I.132498 2SS5880	Bearing Plate, securing	1 1	— —	C C	
4099	77R3577	Locknut, R.H. Thread	1	DTD364B	C	
4100	78R3577	Locknut, L.H. Thread	1	DTD364B	C	
4101	79R3577	Screw, adjusting	1	T45 or S1	C	
	100R3577	Sleeve, screwed	1	DTD364B		
7928	1R4436	ROD, CONTROL, ADJUSTABLE, AILERON AND RUDDER FROM JOINT BETWEEN FORMERS 21. 717A & 44.592A TO JOINT BETWEEN FORMERS 44.592A & 64.592A, GROUP	2	B		EG1/207
	121R3577	EYE-END, C/W BEARING, GROUP Spares for:—	1	—	MR	
2A/9500465 17942	SKEFCO I.132498 2SS5880	Bearing Plate, securing	1 1	— —	C C	
4099	2R4435	Fork-end, adjustable	1	DTD364B	MR	
4100	77R3577	Locknut, R.H., thread	1	DTD364B	C	
4101	78R3577	Locknut, L.H., thread	1	DTD364B	C	
	79R3577	Screw, adjusting	1	T45 or S1	C	
	100R3577	Sleeve, screwed	1	DTD364B		

VULCAN Mk 2

CONTROLS

Page EG. 27

FLYING, IN CENTRE PORTION FUSELAGE

Ref. No.	Part No.	Description	No. off	Matl. Spec.	Cl. of St.	Plate and Illust'n No.
					M.R.	
		1 2 3 4				
7929	1R4435	ROD, CONTROL, ADJUSTABLE ELEVATOR, FROM LEVER BETWEEN FORMERS 21.717A & 44.592A, TO JOINT BETWEEN FORMERS 44.592A & 64.592A, GROUP	1	—	B	EG1/208
7820	121R3577	Spares for:— EYE-END, C/W BEARING, GROUP	1	—	C	
	SKEFCO	Spares for:—				
2A/9500465	I.132498	Bearing	1	—	C	
17942	2SS5880	Plate, securing	1	—	C	
	2R4435	Fork-end, adjustable	1	DTD364B	MR	
4099	77R3577	Locknut, R.H., thread	1	DTD364B	C	
4100	78R3577	Locknut, L.H., thread	1	DTD364B	C	
4101	79R3577	Screw, adjusting	1	T45 or S1	C	
	100R3577	Sleeve, screwed	1	DTD364B		
	141R3577	ROD, CONTROL, AILERON, ELEVATOR & RUDDER, FROM JOINT BETWEEN FORMERS 44.592A & 64.592A TO JOINT BETWEEN FORMERS 108.687A & 123.015A, GROUP	3	—	MR	EG1/208
7820	121R3577	Spares for:— EYE-END, C/W BEARING, GROUP	1	—	C	EG1/209
	SKEFCO	Spares for:—				
2A/9500465	I.132498	Bearing	1	—	C	
17942	2SS5880	Plate, securing	1	—	C	
	124R3577	EYE-END, GROUP	1	—	MR	EG1/210
1664	103bR3577	Spares for:— Bush, 1/2" dia. x 5/16" long	1	—	C	
4157	144R3577	ROD, CONTROL, AILERON, ELEVATOR & RUDDER, FROM JOINT BETWEEN FORMERS 108.687A & 123.015A TO JOINT BETWEEN FORMERS 123.015A & 151.919A, GROUP	3	—	B	EG1/211
	125R3577	Spares for:— FORK-END, GROUP	2	—	MR	
1666	107R3577	Spares for:— Bush, 5/8" dia. x 3/16" long	2	—	C	
	149R3577	ROD, CONTROL, AILERON & ELEVATOR JOINT BETWEEN FORMERS 123.015A & 151.919A, TO JOINT BETWEEN FORMERS 201.367A & 225.227A, GROUP	2	—	MR	EG1/212
	124R3577	Spares for:— EYE-END, GROUP	2	—	MR	
1664	103bR3577	Spares for:— Bush, 1/2" dia. x 5/16" long	1	S96	C	

CONTROLS

FLYING, IN CENTRE PORTION FUSELAGE

Ref. No.	Part No.	Description	No. off	Matl. Spec.	Cl. of St.	Plate and Illust'n No.
					M.R.	
		1 2 3 4				
	142R3577	ROD, CONTROL, RUDDER, FROM JOINT BETWEEN FORMERS 123.015A AND 151.919A, TO JOINT BETWEEN FORMERS 201.367A AND 225.227A, GROUP	1	—	MR	EG1/213
7820	121R3577	Spares for:— EYE-END, C/W BEARING, GROUP	1	—	C	EG1/201
	SKEFCO	Spares for:—				
2A/9500465	I.132498	Bearing	1	—	C	
17942	2SS5880	Plate, securing	1	—	C	
	124R3577	EYE-END, GROUP	1	—	MR	EG1/210
1664	103bR3577	Spares for:— Bush, 1/2" dia. x 5/16" long	1	—	C	
4158	145R3577	ROD, CONTROL, AILERON AND ELEVATOR FROM JOINT BETWEEN FORMERS 201.367A AND 225.227A, TO JOINT BETWEEN 225.227A AND 243.127A, GROUP	2	—	B	EG1/214
	125R3577	Spares for:— FORK-END, GROUP	2	—	MR	
1666	107R3577	Spares for:— Bush, 5/8" dia. x 3/16" long	2	—	C	
	147R3577	ROD, CONTROL, RUDDER, FROM JOINT BETWEEN FORMERS 201.367A & 225.227A TO LEVER ON ARTIFICIAL FEEL UNIT, GROUP	1	—	MR	EG1/215
	122R3577	Spares for:— FORK-END, GROUP	2	—	MR	
1674	101R3577	Spares for:— Bush, 9/16" dia. x 1/4" long	2	S96	C	
	143R3577	ROD, CONTROL, AILERON AND ELEVATOR FROM JOINT BETWEEN FORMERS 225.227A AND 243.127A, TO JOINT BETWEEN FORMERS 279.092A AND 300.954A, GROUP	2	—	MR	EG1/216
7820	121R3577	Spares for:— EYE-END, C/W BEARING, GROUP	1	—	MR	EG1/201
	SKEFCO	Spares for:—				
2A/9500465	I.132498	Bearing	1	—	C	
17942	2SS5880	Plate, securing	1	—	C	
	124R3577	EYE-END, GROUP	1	—	MR	EG1/210
1664	103bR3577	Spares for:— Bush, 1/2" dia. x 5/16" long	1	S96	C	

VULCAN No 2

CONTROLS

Page EG. 29

FLYING, IN CENTRE PORTION FUSELAGE

Ref. No.	Part No.	Description	No. off	Matl. Spec.	Cl. of St.	Plate and Illust'n No.
					M.R.	
		1 2 3 4				
7930	1R4437	ROD, CONTROL, ADJUSTABLE, RUDDER, FROM LEVER ARTIFICIAL FEEL UNIT TO JOINT BETWEEN FORMERS 279.092A AND 300.954A, GROUP	1	—	B	EG1/217
	122R3577	Spares for:— FORK-END, GROUP	1	—	MR	EG1/218
1674	101R3577	Spares for:— Bush, 9/16" dia. x 1/4" long	2	S96	C	EG1/219
	2R4435	Fork-end, adjustable	1	DTD364B	MR	
4099	77R3577	Locknut, R.H. thread	1	DTD364B	C	
4100	78R3577	Locknut, L.H. thread	1	DTD364B	C	
4101	79R3577	Screw, adjusting	1	T45 or S1	C	
	100R3577	Sleeve, screwed	1	DTD364B		
6638	1R4178	ROD, CONTROL, AILERON, BETWEEN FORMERS 279.092A & 300.954A, GROUP	1	—	B	EG1/220
	122R3577	Spares for:— FORK-END, GROUP	2	—	MR	
1674	101R3577	Spares for:— Bush, 9/16" dia. x 1/4" long	2	—	C	
	148R3577	ROD, CONTROL, ELEVATOR, FROM JOINT BETWEEN FORMERS 279.092A AND 300.954A, TO LEVER ARTIFICIAL FEEL UNIT, GROUP	1	—	MR	EG1/221
	122R3577	Spares for:— FORK-END, GROUP	2	—	MR	
1674	101R3577	Spares for:— Bush, 9/16" dia. x 1/4" long	2	—	C	
	1R4112	ROD, CONTROL, RUDDER, FROM JOINT BETWEEN FORMERS 279.092A AND 300.954A, TO JOINT BETWEEN FORMERS 370A AND 384.5A, PORT, GROUP	1	—	MR	EG1/222
	3R4112	Spares for:— EYE-END, C/W GEARING, GROUP	2	—	MR	
2A/9500465 17942	SKEFCO I.132498 2SS5880	Spares for:— Bearing	1	—	C	
		Plate, securing	1	—	C	

CONTROLS

FLYING, IN CENTRE PORTION FUSELAGE

Ref. No.	Part No.	Description	No off	Matl. Spec.	Cl. of St.	Plate and Illust'n No.
					M.R.	
6639	8R4188	ROD, CONTROL, ADJUSTABLE, AILERON, FROM JOINT BETWEEN FORMERS 279.092A AND 300.954A, TO LEVER AFT OF REAR SPAR, STBD., GROUP	1	—	B	EG1/223
7899	3R4177	Spares for:— EYE-END, DOUBLE, GROUP	1	—	C	EG1/224
2A/9500465 17942	SKEFCO I.132498 2SS5880	Bearing	2	—	C	
		Plate, securing	2	—	C	
7473	4R4186	EYE-END, GROUP	1	—	C	EG1/225
		Spares for:—				
2A/9500465 17942	SKEFCO I.132498 2SS5880	Bearing	1	—	C	
		Plate, securing	1	—	C	
4099	77R3577	Locknut, R.H. thread	1	DTD364B	C	
4100	78R3577	Locknut, L.H. thread	1	DTD364B	C	
	16R4186	Screw, adjusting	1	S1		
	100R3577	Sleeve, screwed	1	DTD364B		
6637	9R4188	ROD, CONTROL, ADJUSTABLE, ELEVATOR, FROM LEVER ARTIFICIAL FEEL UNIT, TO TORQUE SHAFT LEVER AFT REAR SPAR, PORT, GROUP	1	—	B	EG1/226
		Spares for:—				
7473	4R4186	EYE-END, GROUP	1	—	C	
		Spares for:—				
2A/9500465 17942	SKEFCO I.132498 2SS5880	Bearing	1	—	C	
		Plate, securing	1	—	C	
	122R3577	FORK-END, GROUP	1	—		
		Spares for:—				
1674	101R3577	Bush, 9/16" dia. x 1/4" long	2	—	C	
4099	77R3577	Locknut, R.H. thread	1	DTD364B	C	
4100	78R3577	Locknut, L.H. thread	1	DTD364B	C	
	16R4186	Screw, adjusting	1	S1		
	100R3577	Sleeve, screwed	1	DTD364B		

VULCAN No. 2

CONTROLS

FLYING, IN CENTRE PORTION FUSELAGE

Ref. No.	Part No.	Description	No. off	Matl. Spec.	Cl. of St.	Plate and Illust'n No.
					M.R.	
		1 2 3 4				
	1R4113	ROD, CONTROL, RUDDER, FROM JOINT BETWEEN FORMERS 370A AND 384.5A, TO LEVERS ON TORQUE TUBE, PORT, GROUP	1	—	MR	EG1/227
	3R4112	EYE-END, C/W BEARING, GROUP	1	—	MR	
	SKEFCO I.132498	Bearing	1	—	C	
2A/9500465 17942	2SS5880	Plate, securing	1	—	C	
	122R3577	FORK-END, GROUP	1	—	MR	
1674	101R3577	Bush, 9/16" dia. x 1/4" long	1	S96	C	
6640	2R4188	ROD, CONTROL, AILERON AND ELEVATOR FROM LEVER INBOARD RIB 63.5, TO IDLER LEVER AFT REAR SPAR, STARBOARD, GROUP	1	—	B	EG3/228
7897	12R4186	EYE-END, GROUP	1	—	C	EG3/229
	SKEFCO I.132498	Bearing	2	—	C	
2A/9500465 17942	2SS5880	Plate, securing	2	—	C	
7898	14R4186	EYE-END, GROUP	1	—	C	EG3/41
	SKEFCO I.132498	Bearing	1	—	C	
2A/9500465 17942	2SS5880	Plate, securing	1	—	C	
6642	5R4188	ROD, CONTROL, ADJUSTABLE. AILERON & ELEVATOR, FROM LEVER AT MIXER UNIT, TO AILERON TORQUE SHAFT LEVER INBD. RIB 63.5, AFT REAR SPAR, STBD. GROUP	2	—	B	EG3/230
7473	4R4186	EYE-END, GROUP	1	—	C	EG3/225
	SKEFCO I.132498	Bearing	1	—	C	
2A/9500465 17942	2SS5880	Plate, securing	1	—	C	

CONTROLS

FLYING, IN CENTRE PORTION FUSELAGE

Ref. No.	Part No.	Description	No. off	Matl. Spec.	Cl. of St.	Plate and Illust'n No.
					M.R.	
		1 2 3 4				
7898	14R4186	ROD, CONTROL, ADJUSTABLE, AILERON & ELEVATOR, FROM LEVER AT MIXER UNIT, TO AILERON TORQUE SHAFT LEVER, INBD. RIB 63.5, AFT REAR SPAR, STBD., GROUP (6R4188) (Cont'd) EYE-END, GROUP	1	—	C	EG3/41
		Spares for:—				
2A/9500465 17942 4099 4100	SKEFCO I.132498 2SS5880 77R3577 78R3577 16R4186 100R3577	Bearing	1	—	C	
		Plate, securing	1	—	C	
		Locknut, R.H. thread	1	DTD364B	C	
		Locknut, L.H. thread	1	DTD364B	C	
		Sleeve, adjusting	1	S1		
		Sleeve, screwed	1	DTD364B	MR	
	3R4458	ROD, CONTROL, FROM AILERON TORQUE SHAFT, TO AUTO-PILOT SERVO MOTOR, FIN POST AND AFT FACE OF REAR SPAR, GROUP	1	—		EG3/231
		Spares for:—				
7898	14R4186	EYE-END, GROUP	1	—	C	EG3/41
		Spares for:—				
2A/9500465 17942	SKEFCO I.132498 2SS5880	Bearing	1	—	C	
		Plate, securing	1	—	C	
	4R4358	EYE-END, GROUP	1	—	MR	EG3/40
		Spares for:—				
2A/9500465 17942	SKEFCO I.132498 2SS5880 9R3666	Bearing	1	—	C	
		Plate, securing	1	—	C	
		Locknut (Make from A27/JT)	1	—	MR	
6643	6R4188	ROD, CONTROL, ADJUSTABLE, AILERON & ELEVATOR, FROM MIXER UNIT LEVER TO ELEVATOR TORQUE SHAFT, INBD. OF RIB 63.5, AFT FACE OF REAR SPAR, PORT, GROUP	1	—	B	EG3/232
		Spares for:—				
7473	4R4186	EYE-END, GROUP	1	—	C	EG3/225
		Spares for:—				
2A/9500465 17942	SKEFCO I.132498 2SS5880	Bearing	1	—	C	
		Plate, securing	1	—	C	

VULCAN MR 2		CONTROLS				Page EG. 33	
FLYING, IN CENTRE PORTION FUSELAGE							
Ref. No.	Part No.	Description	No. off	Matl. Spec.	Cl. of St.	Plate and Illust'n No.	
					M.R.		
		1 2 3 4					
7898	14R4186	ROD, CONTROL, ADJUSTABLE, AILERON & ELEVATOR, FROM MIXER UNIT LEVER, TO ELEVATOR TORQUE SHAFT, INBD. OF RIB 63.5, AFT FACE OR REAR SPAR, PORT, GROUP (6R4188) (Cont'd) EYE-END, GROUP	1	—	C	EG3/41	
		Spares for:—					
2A/9500465	SKEFCO	Bearing	1	—	C		
17942	I.132498	Plate, securing	1	—	C		
4099	2SS5880	Locknut, R.H. thread	1	DTD364B	MR/C		
4100	77R3577	Locknut, L.H. thread	1	DTD364B	MR/C		
	78R3577	Screw, adjusting	1	S1			
	16R4186	Sleeve, screwed	1	DTD364B			
	100R3577						
6644	3R4188	ROD, CONTROL, AILERON AND ELEVATOR FROM LEVER INBD. RIB 63.5 TO IDLER LEVER INBD. RIB 112.38, AFT REAR SPAR, PORT, GROUP Spares for:—	1	—	B	EG3/233	
7897	12R4186	EYE-END, GROUP	1	—	C	EG3/229	
		Spares for:—					
2A/9500465	SKEFCO	Bearing	2	—	C		
17942	I.132498	Plate, securing	2	—	C		
2SS5880							
7898	14R4186	EYE-END, GROUP	1	—	C	EG3/41	
		Spares for:—					
2A/9500465	SKEFCO	Bearing	1	—	C		
17942	I.132498	Plate, securing	1	—	C		
2SS5880							
6641	4R4188	ROD, CONTROL, AILERON AND ELEVATOR.... FROM LEVER AT RIB 112.38 TO TORQUE SHAFT, OUTBD. RIB 162.5 AFT REAR SPAR, GROUP Spares for:—	2	—	B	EG3/234	
7898	14R4186	EYE-END, GROUP	1	—	C		
		Spares for:—					
2A/9500465	SKEFCO	Bearing	1	—	C		
17942	I.132498	Plate, securing	1	—	C		
	2SS5880	Fork-end	1	L65	MR		
	11R4186	Bush, fork-end, 13/32" o/d x 5/16" i/d	2	—	MR		
	7SS4645	x .22" long					

CONTROLS

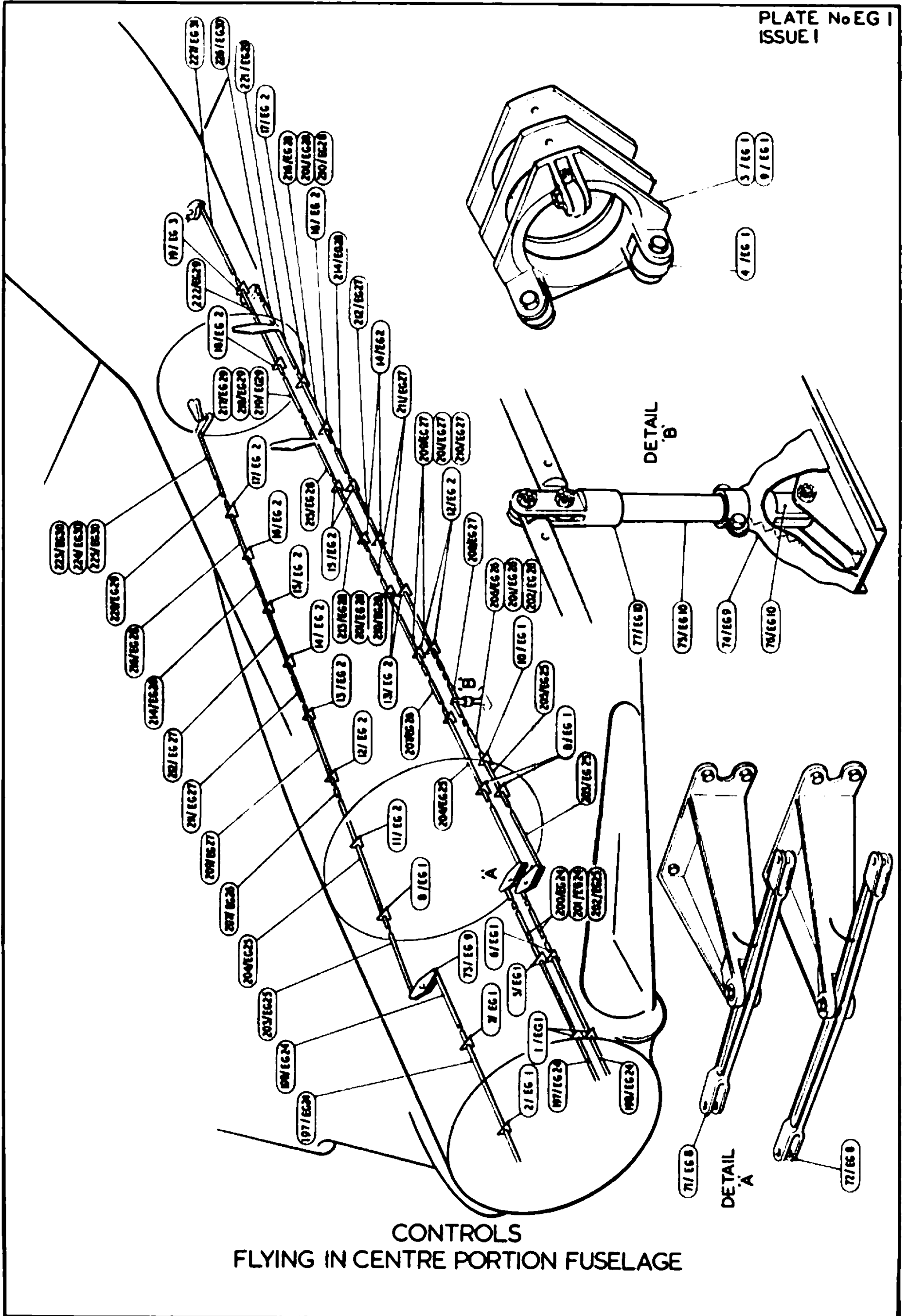
FLYING, IN CENTRE PORTION FUSELAGE

Ref. No.	Part No.	Description	No. off	Matl. Spec.	Cl. of St.	Plate and Illust'n No.
					M.R.	
		1 2 3 4				
Attachments—Control Rods						
	87R3577	Bolt, special	10	HTS	MR	
28D/1213610	A59/10G	Bolt, 5/16" BSF	2	—	C	
28D/1213553	A60/8G	Bolt, 5/16" BSF	2	—	C	
28D/1213554	A60/9G	Bolt, 5/16" BSF	6	—	C	
28D/1213555	A60/10G	Bolt, 5/16" BSF	10	—	C	
28D/1213556	A60/11G	Bolt, 5/16" BSF	28	—	C	
28D/1213557	A60/12G	Bolt, 5/16" BSF	2	—	C	
28M/4095947	A58/ES	Nut, slotted, 1/4" BSF	10	—	C	
28M/4199604	A58/GS	Nut, slotted, 5/16" BSF	48	—	C	
28M/5808571	A27/GS	Nut, slotted, 5/16" BSF	2	—	C	
28P/9527619	SP90/C7	Pin, split, 1/16" dia.	60	—	C	
28W/9419403	SP13/G	Washer, 5/16"	43	—	C	
28W/9419455	SP10/G	Washer, 5/16"	7	—	C	

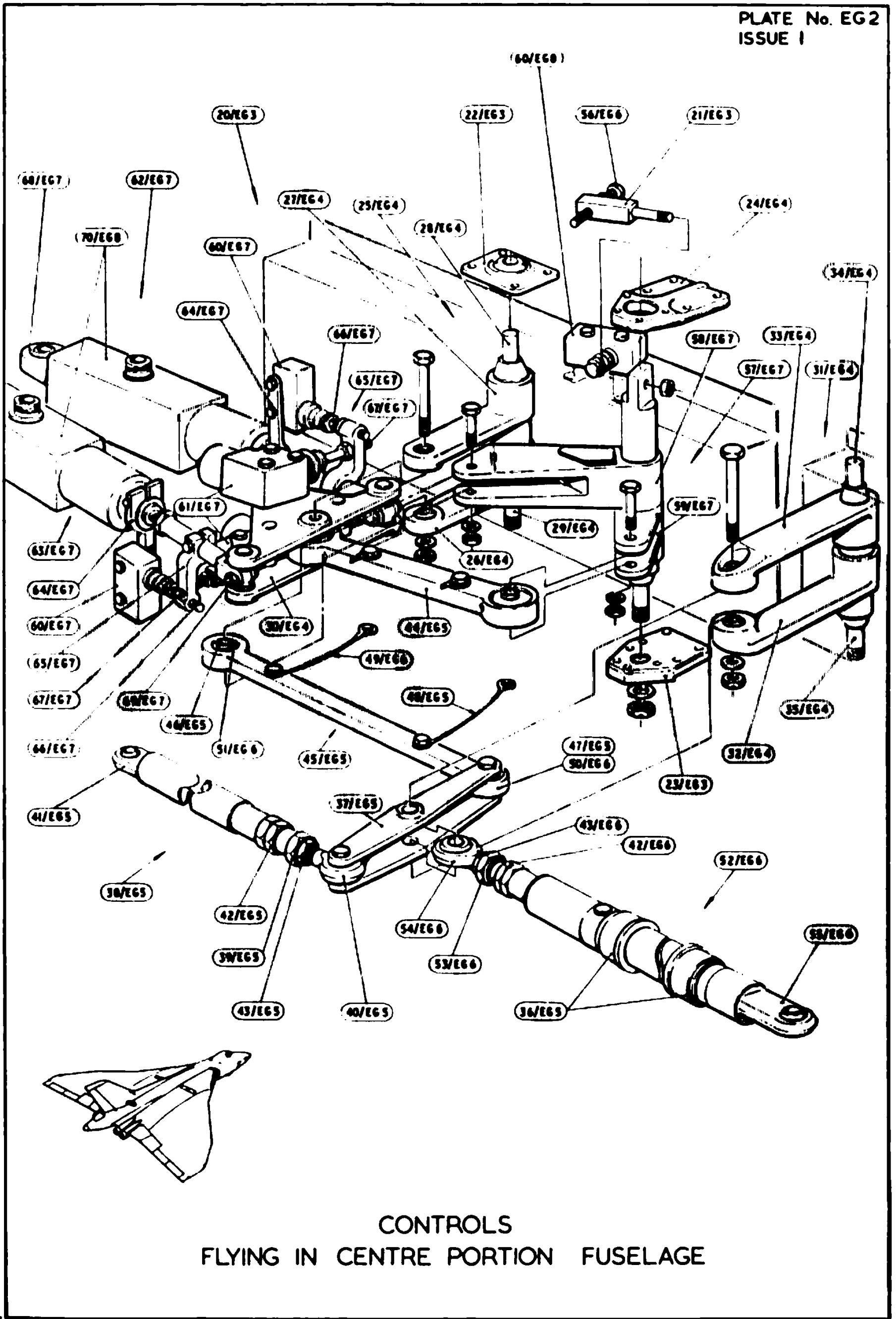
VULCAN No. 2

CONTROLS
FLYING, IN CENTRE PORTION FUSELAGE
SUMMARY OF STANDARD ITEMS

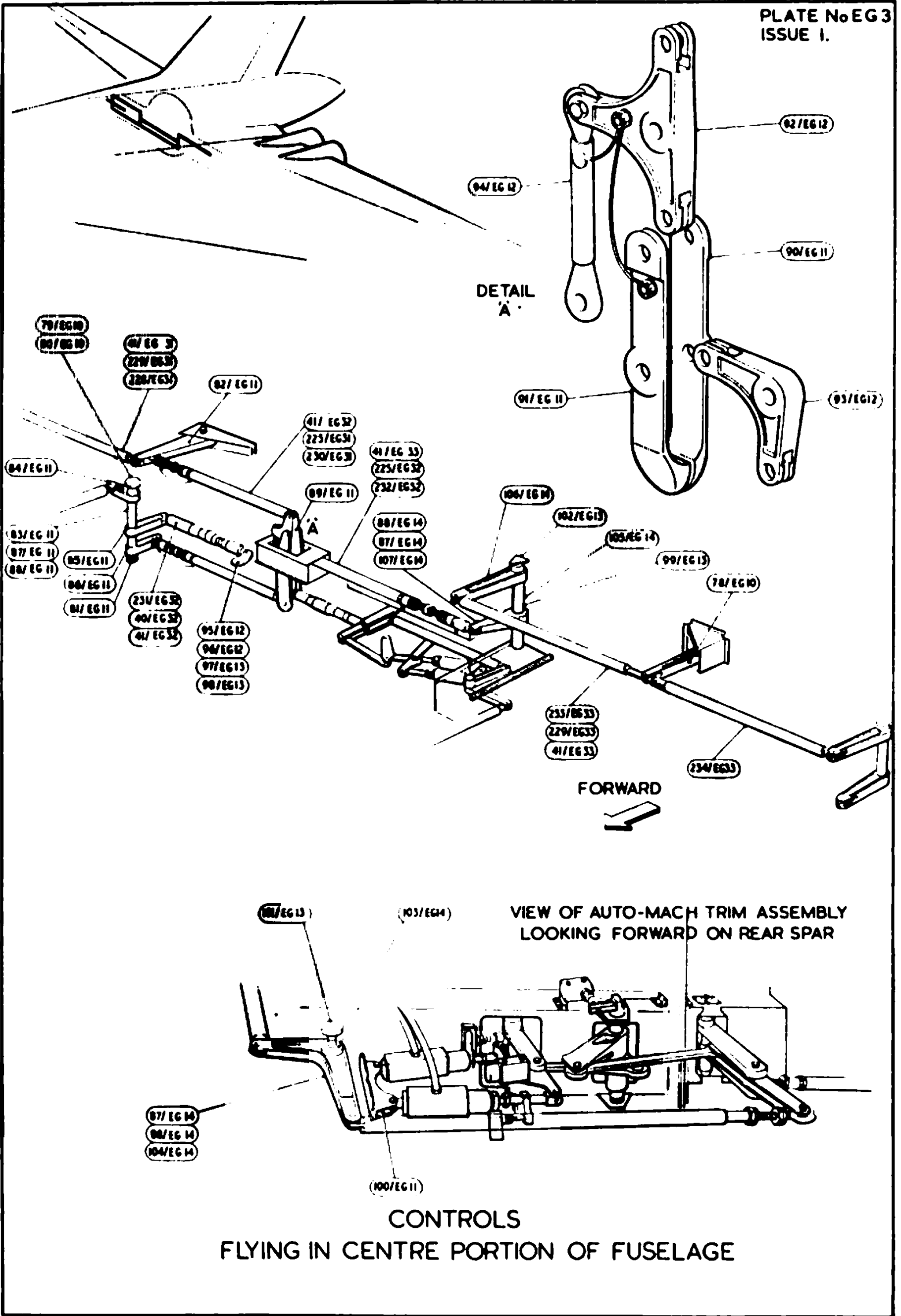
Stores Ref.		No. off	Stores Ref.		No. off	Stores Ref.		No. off
Section	Ref. No.		Section	Ref. No.		Section	Ref. No.	
28D	1007976	29	28F	11098	2	28W	9418920	8
28D	1008145	90				28W	9418921	71
28D	1010030	2				28W	9419401	7
28D	1010142	7	28M	10286	2	28W	9419402	84
28D	1011011	2	28M	13935	13	28W	9419403	58
28D	1011019	1	28M	14537	57	28W	9419454	7
28D	1011246	8	28M	1011467	29	28W	9419455	8
28D	1013172	15	28M	1011476	4	28W	9419466	5
28D	1200119	6	28M	1013107	38	28W	9419489	1
28D	1202771	12	28M	1278189	7			
28D	1204937	12	28M	1278190	91			
28D	1212231	2	28M	5808571	4			
28D	1213553	2	28M	5808573	24			
28D	1213554	6	28M	7002430	72			
28D	1213555	10	28M	9433473	6			
28D	1213556	29	28M	9480017	18			
28D	1213557	2						
28D	1213558	1						
28D	1213599	1	28P	9486478	7			
28D	1213600	1	28P	9527619	160			
28D	1213610	8						
28D	1213745	2						
28D	1213746	1	28R	13504	1			
28D	1213765	5	28R	13505	2			
28D	1213766	7						
28D	1214091	7						
28D	1215659	6	28S	1011484	2			
28D	1215666	1						
28D	1215682	5						
28D	1215683	3						
28D	1215685	1						
28D	1215687	1						
28D	9133011	39						
28D	9133012	8						
28D	9419397	6						
28D	9435058	2						
28D	9436920	23						
28D	9709461	27						



CONTROLS
FLYING IN CENTRE PORTION FUSELAGE



CONTROLS
FLYING IN CENTRE PORTION FUSELAGE



CONTROLS
FLYING IN CENTRE PORTION OF FUSELAGE

VULCAN Mk 2		CONTROLS				Page EH.1	
FLYING, IN REAR PORTION FUSELAGE							
Ref. No.	Part No.	Description	No. off	Matl. Spec.	Cl. of St.	Plate and Illust'n No.	
					M.R.		
		1 2 3 4					
		CONTROLS, FLYING, RUDDER, REAR PORTION FUSELAGE AFT FORMER 428A (20R4207)					
		Spares for:—					
2A/9500411	SKEFCO 400014	Bearing	2	—	C	EH1/1	
	112R3577	BOLT, SPECIAL, ATTACHMENT POWER UNIT TO RUDDER HINGE, GROUP	2	—	MR	EH1/2	
		Consisting of:—					
28N/9156370	112aR3577 SP21	Bolt	1	S96			
		Nipple, grease	1	—	C		
	179.R.3577	BOLT, SPECIAL, ATTACHMENT POWER UNIT TO SUPPORT BEAM, GROUP	2	—	MR	EH1/3	
		Consisting of:—					
28N/9156370	179aR3577 SP21	Bolt	1	S96			
		Nipple, grease	1	—	C		
	4SS4645	Bush, fork-end, 13/32" o/d x 5/16" l/d x .14" long	2	S93	MR	EH1/4	
	7SS4645	Bush, fork-end, 13/32" o/d x 5/16" l/d x .22" long	1	S93	MR	EH1/5	
	17R3484	Gasket, between power unit and rotax motor	2	DTD776	MR	EH1/6	
7454	6R4374	HOUSING, C/W BEARING, AUTO-STABILISER, MOUNTING, GROUP	4	—	MR/C	EH1/7	
		Spares for:—					
2A/9500413	SKEFCO 400015	Bearing	1	—	C		
17942	2SS5880	Plate, securing	1	—	C		
		Attachments—Housing, Part No. 6R4374					
28D/9436920	A25/1C	Bolt, 2 BA	16	—	C		
28M/5808573	A27/CS	Nut, slotted, 2 BA	16	—	C		
28P/9527619	SP90/C7	Pin, split, 1/16" dia.	16	—	C		
28W/9419402	SP13/C	Washer, 2 BA	16	—	C		
20256	4R4207	Lever, control rod	2	L65	C	EH1/8	
7456	1R4391	LEVER, AUTO-STABILISER MOTOR, GROUP	1		B	EH1/9	
		Spares for:—					
	3R4391	Lever, bottom	1	DTD130		EH1/10	
	2R4391	LEVER, TOP, GROUP	1	—		EH1/11	
		Spares for:—					
2A/9500411	SKEFCO 400014	Bearing	1	—	C		
17944	10SS5880	Plate, securing	1	—	C		
7457	5R4391	Spigot, screwed	1	S1	C	EH1/12	
7458	4R4375	Spigot, plain	1	DTD130	C	EH1/13	
	4R4391	Tube, torque	1	T45			

CONTROLS

FLYING, IN REAR PORTION FUSELAGE

Ref. No.	Part No.	Description	No. off	Matl. Spec.	Cl. of St.	Plate and Illust'n No.
					M.R.	
7459	1R4409	LEVER, AUTO-STABILISER MOTOR, GROUP	1	—	MR/B	EH1/14
		Spares for:—				
	3R4409	Lever, bottom	1	—		EH1/15
	2R4409	LEVER, TOP, GROUP	1	—		EH1/16
		Spares for:—				
2A 9500411	SKEFCO 400014	Bearing	1	—	C	
17944	10SS5880	Plate, securing	1	—	C	
7457	5R4391	Spigot, screwed	1	S1	C	EH1/17
7458	4R4375	Spigot, plain	1	DTD130	C	EH1/18
	4R4391	Tube, torque	1	T45		
7453	7R4207	LINK, CONNECTING, C/W BEARING, CONTROL LEVER TO AUTO-STABILISER MOTOR, GROUP	1	—	B	EH1/19
		Spares for:—				
2A/9500465	SKEFCO I.132498	Bearing	1	—	C	
17942	2SS5880	Plate, securing	1	—	C	
		Attachments—Connecting Link Part No. 7R4207				
28D/1213609	A59/9G	Bolt, 5/16" BSF	1	—	C	
28D/1213554	A60/9G	Bolt, 5/16" BSF	1	—	C	
28M/14537	A58/GS	Nut, slotted, 5/16" BSF	2	—	C	
28P/9527619	SP90/C7	Pin, split, 1/16" dia.	2	—	C	
28W/9419403	SP13/G	Washer, 5/16"	2	—	C	
	ROTAX CA.1203	Motor (Pre-Mod. 1311)	2	—		EH1/20
5UD/4390817	ROTAX CA.1203/1	Motor (Mod. 1311)	2	—	A	
6S/4551520	NEWMARK NDN895	Motor, servo	1	—		EH1/21
		Attachments—Servo Motor, Part No. 895				
28D/9434879	A59/11G	Bolt, 5/16" BSF	1	—	C	
	A59/27E	Bolt, 1/4" BSF	1	—	C	
28M/4199604	A58/GS	Nut, slotted, 5/16" BSF	1	—	C	
28M/1011467	A27/ES	Nut, slotted, 1/4" BSF	1	—	C	

VULCAN No 2

CONTROLS

Page EH. 3

FLYING, IN REAR PORTION FUSELAGE

Ref. No.	Part No.	Description	No. off	Matl. Spec.	Cl. of St.	Plate and Illust'n No.
					M.R.	
		MOUNTING, RUDDER LEVER (1R3612) (Cont'd)				
	1R4105	LEVER, RUDDER, GROUP	1	—	MR	EH1/24
	5R4105	Spares for:— EYE-END, C/W BEARING, GROUP	2	—	MR	EH1/25
	SKEFCO	Spares for:—				
2A/9500465	I.132498	Bearing	1	—	C	
17942	2SS5880	Plate, securing	1	—	C	
20258	6R4105	EYE-END, C/W BEARING, GROUP	1	—		EH1/26
	SKEFCO	Spares for:—				
2A/9500465	I.132498	Bearing	1	—	C	
17942	2SS5880	Plate, securing	1	—	C	
	7R4105	HOUSING, FLANGED, GROUP	1	—		EH1/27
	SKEFCO	Spares for:—				
2A/9500413	400015	Bearing	1	—	C	
17942	2SS5880	Plate, securing	1	—	C	
	17R3503	Attachments—Lever, Part No. 1R4105				
28M/5808571	A27/GS	Bolt, shouldered	1	S96	MR	
28P/9527619	SP90/C7	Nut, slotted, 5/16" BSF	1	—	C	
28W/9419403	SP13/G	Pin, split, 1/16" dia.	1	—	C	
		Washer, 5/16"	1	—	C	
		MOUNTING, RUDDER TORQUE TUBE				EH1/28
		(1R4241)				
		Spares for:—				
17691	2R3614	HOUSING, BEARING, LOWER, GROUP	1	—	C	EH1/29
	SKEFCO	Spares for:—				
2A/9500464	CBA.2.1/2	Bearing	1	—	C	
17945	I.132895	Plate, securing	1	—	C	
	11SS5880	Housing, bearing, upper	1	DTD364B		EH1/30
	3R3614					
1433855	1R4960	TUBE, TORQUE, GROUP (Mod. 2183)	1	—	B	EH1/31
	SKEFCO	Spares for:—				
2A/9500464	CBA.2—1/2	Bearing	1	—	C	
17705	I.132895	Pivot-end	2	—	C	
	3R3504	Lever, bell crank	1	—		
	2R4960	Tube, torque	1	—		
	3R4960	Jo-bolt	4	—	MR	
	404SS4837					

CONTROLS

FLYING, IN REAR PORTION FUSELAGE

Ref. No.	Part No.	Description	No. off	Matl. Spec.	Cl. of St.	Plate and Illust'n No.
					M.R.	
		1 2 3 4				
9298	3R4392	ROD, CONTROL, ADJUSTABLE, RUDDER, FROM AUTO-STABILISER LEVER TO RUDDER LEVER, GROUP Spares for:—	1	—	B	EH1/32
	9R4348	Adjuster	1	S95		EH1/33
	4R4348	EYE-END, C/W BEARING, GROUP Spares for:—	1	—	MR	EH1/34
2A/9500465 17942	SKEFCO I.132498 2SS5880	Bearing	1	—	C	
		Plate, securing	1	—	C	
7898	14R4186	EYE-END, C/W BEARING, GROUP Spares for:—	1	—	C	EH1/35
2A/9500465 17942	SKEFCO I.132498 2SS5880	Bearing	1	—	C	
		Plate, securing	1	—	C	
	5R4348	Locknut	1	S96	MR	EH1/36
	9R3666	Locknut (Make from A27/JT)	1	—	MR	EH1/37
9299	4R4393	ROD, CONTROL, ADJUSTABLE, RUDDER, FROM AUTO-STABILISER LEVER TO RUDDER LEVER, CENTRE FORMER 428A, GROUP Spares for:—	1	—	B	EH1/38
	9R4348	Adjuster	1	—		EH1/33
7895	2R4393	EYE-END, C/W BEARING, GROUP Spares for:—	1	—	C	EH1/39
2A/9500463 17940	SKEFCO CBA2 1SS5880	Bearing	1	—	C	
		Plate, securing	1	—	C	
	122R3577	FORK-END, GROUP Spares for:—	1	—	MR	EH1/40
1674	101R3577	Bush	2	S96	C	
	5R4348	Locknut	1	S96	MR	EH1/36
	9R3666	Locknut (Make from A27/JT)	1	—	MR	EH1/37
		Attachments—Control Rods, Part Nos. 3R4392 & 4R4393				
28D/9434875	A59/20E	Bolt, 1/4" BSF	1	—	C	
28D/1213554	A60/9G	Bolt, 5/16" BSF	1	—	C	
28D/1213558	A60/11G	Bolt, 5/16" BSF	2	—	C	
28M/1011467	A27/ES	Nut, slotted, 1/4" BSF	3	—	C	
28M/4199604	A58/GS	Nut, slotted, 5/16" BSF	3	—	C	
28P/9527619	SP90/C7	Pln, split, 1/16" dia.	4	—	C	
28W/9418921	SP13/E	Washer, 1/4"	1	—	C	
28W/9419403	SP13/G	Washer, 5/16"	3	—	C	

VULCAN Mk. 2

CONTROLS

Page EH. 5

FLYING, IN REAR PORTION FUSELAGE

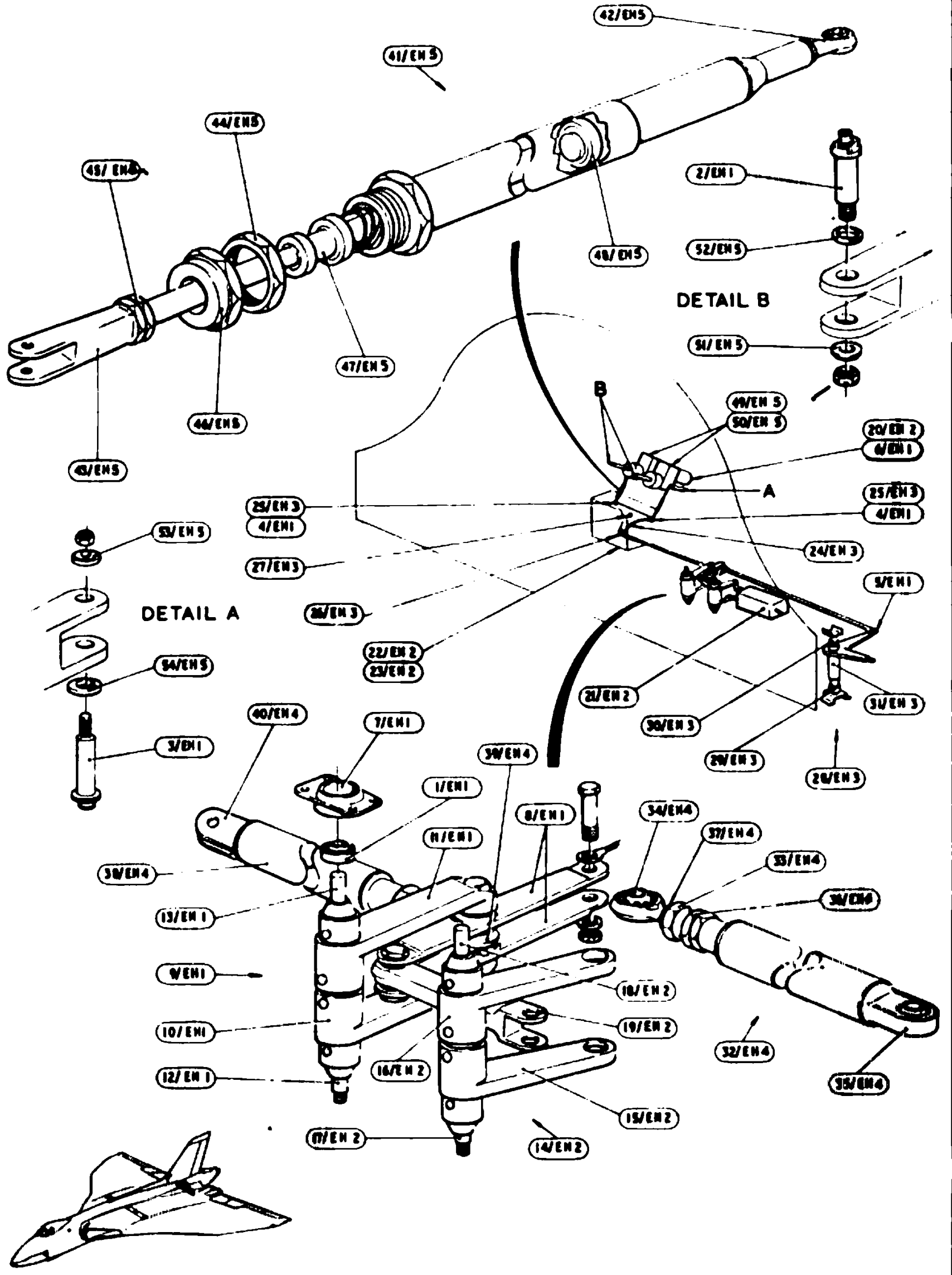
Ref. No.	Part No.	Description	No. off	Matl. Spec.	Cl. of	Plate and Illust'n No.
					St. M.R.	
		1 2 3 4				
7931	1R4439	ROD, SPRING, CONTROL, POWER UNITS ... TO RUDDER LEVER, GROUP (Pre-Mod. 2311)	2		A	
1510106	15R4439	ROD, SPRING, CONTROL, POWER UNITS ... TO RUDDER LEVER, GROUP (Mod. 2311)	2		B	EH1/41
7932	5R3611	Spares for:- END, SOCKET, C/W BEARING, GROUP Spares for:-	1	-	C	EH1/42
28R/8158748	HOFFMANN CM 2B	Bearing, rod-end	1	-	B	
3627	2R4439	Fork-end	1	DTD3648		EH1/43
	6R3996	Locknut	1	L65	C	EH1/44
	10R3540	Locknut, fork-end	1	DTD3648		EH1/45
	5R3996	Nut, cap	1	L65	MR	EH1/46
	8R3996	Plunger, 1-1/4" dia. x 1-3/4" long	1	Oilite Bar	MR	EH1/47
1695	9R3996	Plunger, 1-1/4" dia. x 1/2" long	1	Oilite Bar	MR	EH1/48
	12R3540	Spring (Pre-Mod. 2311)	1	DTD904	C	
	16R4439	Spring (Mod. 2311)	1		MR	
		Attachments for- Spring Control Rod Part No. and 15R4439				
28D/1213554	A60/9G	Bolt, 5/16" BSF ...	2	-	C	
28M/4199604	A58/GS	Nut, slotted, 5/16" BSF	2	-	C	
28P/9527619	SP90/C7	Pin, split, 1/16" dia.	2	-	C	
		BOULTON PAUL P.138L BOULTON PAUL P.138R 27F7761				
		Unit, power, main, port	1	-		EH1/49
		BOULTON PAUL P.138R 27F7761				
		Unit, power, auxiliary, starboard	1	-		EH1/50
1787	27F7761	Washer, for bolt under nut, power unit to rudder hinge bracket	2	DTD3648	MR	EH1/51
	30F7761	Washer, for bolt under head, power unit to	2	DTD3648	C	EH1/52
	34R3503	Washer, for bolt under nut, power unit to lug ... support beam	2	DTD3648	MR	EH1/53
	119R3577	Washer, for bolt under head, power unit to lug .. support beam	2	DTD423	MR	EH1/54

VULCAN Mk 2

**CONTROLS
FLYING, IN REAR PORTION FUSELAGE
SUMMARY OF STANDARD ITEMS**

Page EH. 7

Stores Ref.		No. off	Stores Ref.		No. off	Stores Ref.		No. off
Section	Ref. No.		Section	Ref. No.		Section	Ref. No.	
			28N	9156370	4			
28D	1213554	4						
28D	1213556	2						
28D	1213609	1						
28D	9434879	1	28P	9527619	27			
28D	9435875	1						
28D	9436920	16						
			28R	13509	2			
28M	14537	8						
28M	1011467	2						
28M	5808571	1	28W	9418921	2			
28M	5808573	16	28W	9419402	16			
			28W	9419403	7			



CONTROLS
FLYING IN REAR PORTION, FUSELAGE.

VULCAN No. 2		CONTROLS				Page EJ. 1	
		FLYING, MAINPLANE, INNER					
Ref. No.	Part No.	Description	No. off	Matl. Spec.	Cl. of St.	Plate and Illust'n No.	
					M.R.		
		CONTROLS, FLYING AT REAR SPAR MAINPLANE, INNER, PORT AND STARBOARD (1 & 2R4417) Spares for:—					
	7SS4645	Bush, fork-end, 13/32" o/d x 5/16" i/d x .14" long	5	S93	MR	EJ1/1	
7910	8SS4645	Brush, fork-end, 13/32" o/d x 5/16" i/d x .24" long	1	S93	C	EJ1/2	
7911	9SS4645	Bush, fork-end, 13/32" o/d x 5/16" i/d x .26" long	7	S93	C	EJ1/3	
		LEVER, IDLER, RIB 380.186, PORT AND STARBOARD (1 & 2R4415) Spares for:—				EJ1/4	
2A/9500412	SKEFCO CBS3	Bearing	1	—	C		
6599	7R4189	LEVER, C/W BEARING, GROUP	1	—	C		
		Spares for:—					
2A/9500412	SKEFCO CBS.3	Bearing	1	—	C		
17942	2SS5880	Plate, securing	1	—	C		
28D/19748	A59/25J	Attachments—Lever, Part No. 7R4189					
28M/1011478	A27/JS	Bolt, 3/8" BSF	2	—	C		
28P/9527619	SP90/C7	Nut, slotted, 3/8" BSF	2	—	C		
28W/9419477	SP15/J	Pin, split, 1/16" dia.	2	—	C		
	AS2811/8/169	Washer, 3/8"	2	—	C		
6600	5R4164	Tube, distance	1	—			
		Washer, distance	2	L65	C		
		LEVER, ELEVATOR, RIB 436.186, PORT AND STARBOARD (1 & 2R4421) Spares for:—				EJ1/5	
6603	4R4185	HOUSING, BEARING, GROUP	2	—	C		
		Spares for:—					
2A/9500466	SKEFCO I.132499	Bearing	1	—	C		
17942	2SS5880	Plate, securing	1	—	C		
28D/9436920	A25/1C	Attachments—Housing, Part No. 4R4185					
28M/5808573	A27/CS	Bolt, 2 BA	16	—	C		
28P/9527619	SP90/C7	Nut, slotted, 2 BA	16	—	C		
28W/9419475	SP15C	Pin, split, 1/16" dia.	16	—	C		
		Washer, 2 BA	16	—	C		
1433857	1R4962	LEVER, PORT, GROUP (Mod. 2183)	1	—	B		
1433858	2R4962	LEVER, STARBOARD, GROUP (Mod. 2183)	1	—	B		
		Spares for:—					
17693	2R4961	Lever	2	DTD304			
17694	15R4421	Socket, end, plain	1	S96	C		
	16R4421	Socket, end, screwed	1	S96	C		
	3R4962	Tube	1	—			
1433021	40SS4837	Jo-bolt	8	—	C		

CONTROLS
FLYING, MAINPLANE, INNER

Ref. No.	Part No.	Description	No. off	Mtl. Spec.	Cl. of St.	Plate and Illust'n No.
					M.R.	
		1 2 3 4				
28M/1011467 28P/9527619 28W/9419405	A27/ES SP90/C7 SP15/E	LEVER, ELEVATOR, RIB 436.186, PORT AND STARBOARD (1 & 2R4421) (Cont'd) Attachments—Lever, Part No. 1 & 2R4962 Nut, slotted, 1/4" BSF Pin, split, 1/16" dia. Washer, 1/4"	2 2 2	— — —	C C C	
8636	8R4420	LEVER, DOUBLE, AT RIB 520.186, PORT AND STARBOARD (1 & 2R4420) Spares for:— HOUSING, BEARING, GROUP	— 2	— —	C	EJ1/6
2A/9500466 17942	SKEFCO I.132499 2SS5880	Spares for:— Bearing Plate, securing	1 1	— —	C C	
28D/9133011 28M/5808573 28P/9527619 28W/9419475	A25/2C A27/CS SP90/C7 SP15/C	Attachments—Housing, Part No. 8R4420 Bolt, 2 BA Nut, slotted, 2 BA Pin, split, 1/16" dia. Washer, 2 BA	16 16 16 16	— — — —	C C C C	
1433856	1R4961	LEVER, GROUP (Mod. 2183)	1	—	B	
17693 17694	2R4961 15R4421 16R4421	Spares for:— Lever Socket, end, plain Socket, end, screwed	2 1 1	— S96 S96	C C C	
1433021	3R4961 404SS4839	Tube Jo-bolt	1 8	— —	C C	
28M/1011467 28P/9527619 28W/9419405	A27/ES SP90/C7 SP15/E	Attachments—Lever Part No. 1R4962 Nut, slotted, 1/4" BSF Pin, split, 1/16" dia. Washer, 1/4"	2 2 2	— — —	C C C	
2A/9500412	SKEFCO CBS3	LEVER, IDLER, RIB 562.186, PORT AND STARBOARD (1 & 2R4190) Spares for:— Bearing	1	—	C	EJ1/7
6599	7R4189	LEVER, C/W BEARING, GROUP	1	—	C	
2A/9500412 17942	SKEFCO CBS.3 2SS5880	Spares for:— Bearing Plate, securing	1 1	— —	C C	
28D/19748 28M/1011476 28P/9527619 28W/9419477	A59/25J A27/JS SP90/C7 SP15/J	Attachments—Lever, Part No. 7R4189 Bolt, 3/8" BSF Nut, slotted, 3/8" BSF Pin, split, 1/16" dia. Washer, 3/8"	2 2 2 2	— — — —	C C C C	
6600	AS2811/8/169 5R4164	Tube, distance Washer, distance	2 2	— L65	C C	

VULCAN No. 2		CONTROLS				Page EJ. 3	
FLYING, MAINPLANE, INNER							
Ref. No.	Part No.	Description	No. off	Matl. Spec.	Cl. of St.	Plate and Illust'n No.	
					M.R.		
		1	2	3	4		
		LEVER, AILERON, RIB 618.186, PORT AND STARBOARD (1 & 2R4160) Spares for:—					EJ1/8
2A/9500412	SKEFCO CBS.3 4R160	Bearing	1	—		C	
		Bracket	1	L65		MR	
		Attachments—Bracket, Part No. 4R4160					
7915	6R4160 8SS4647	Bolt (Make from A25/2C)	4	—			
		Bush	1	S93		C	
6604	3R4160	LEVER, C/W BEARING, GROUP	1	—		C	
		Spares for:—					
2A/9500412 17942	SKEFCO CBS3 2SS5880	Bearing	1	—		C	
		Plate, securing	1	—		C	
		Attachments—Lever, Part No. 3R4160					
28D/1219748	A59/19J	Bolt, 3/8" BSF	2	—		C	
28M/1011476	A27/JS	Nut, slotted, 3/8" BSF	2	—		C	
28P/9527619	SP90/C7	Pin, split, 1/16" dia.	2	—		C	
	AS2811/8/081	Tube, distance	1	—			
6600	5R4164	Washer, distance	1	L65		C	
		LEVER, RIB 618.186, PORT (1R4157)					EJ1/9
		Spares for:—					
2A/9500413	SKEFCO 40015 3R4157	Bearing	1	—		C	
		Bracket	1	L65 or DTD364B			EJ1/10
		Bracket	1	DTD410			EJ1/11
		Attachments—Bracket, Part No. 3 & 8R4157					
26TA/8651	6R4158 5SS4647	Bolt (Make from A25/2E)	4	—			
		Bush	1	—		C	
6605	2R4157	LEVER, C/W BEARING, GROUP	1	—		B	
		Spares for:—					
2A/9500412 17492	SKEFCO CBS.3 2SS5880	Bearing	1	—		C	
		Plate, securing	1	—		C	
		Attachments—Lever, Part No. 2R4157					
28D/18973	A59/30J	Bolt, 3/8" BSF	1	—		C	
28M/1011476	A27/JS	Nut, slotted, 3/8" BSF	1	—		C	
28P/9527619	SP90/C7	Pin, split, 1/16" dia.	1	—		C	
	AS2811/8/175	Tube, distance	1	—			
6600	5R4164	Washer, distance	1	L65		C	

CONTROLS
FLYING, MAINPLANE, INNER

Ref. No.	Part No.	Description	No. off	Matl. Spec.	Cl. of St.	Plate and Illust'n No.
					M.R.	
		1 2 3 4				
		LEVER, RIB 618.186, STARBOARD (1R4158)				EJ1/12
		Spares for:—				
2A/9500413	SKEFCO 400015	Bearing	1	—	C	
	2R4158	Bracket	1	—		EJ1/13
	3R4158	Bracket	1	—		EJ1/14
		Attachments—Bracket, Part No. 2 & 3R4158				
26TA/8651	6R4158	Bolt (Make from A25/2E)	4	—		
	5SS4647	Bush	1	—	C	
6805	2R4157	LEVER, C/W BEARING, GROUP	1	—	C	
		Spares for:—				
2A/9500412	SKEFCO	Bearing	1	—	C	
17942	CBS3	Plate, securing	1	—	C	
	2SS5880	Attachments—Lever, Part No. 2R4157				
28D/18973	A59/30J	Bolt, 3/8" BSF	1	—	C	
28M/1011476	A27/JS	Nut, slotted, 3/8" BSF	1	—	C	
28P/9527619	SP90/C7	Pin, split, 1/16" dia.	1	—	C	
	AS2811/8/175	Tube, distance	1	—		
6600	5R4164	Washer, distance	1	L65	C	
		MOUNTING, TORQUE SHAFT, AT RIB 338.186, PORT & STARBOARD (1 & 2R4419)				EJ1/15
		Spares for:—				
17638	6R4193	BRACKET, BEARING, GROUP	1	—	B	EJ1/16
17700	7R4193	BRACKET, BEARING, GROUP	1	—	B	EJ1/17
		Spares for:—				
2A/9500466	SKEFCO	Bearing	1	—	C	
17942	I.132499	Plate, securing	1	—	C	
	2SS5880	Attachments—Bracket, Part No. 6 & 7R4193				
28D/9133012	A25/3C	Bolt, 2 BA	16	—	C	
28D/9133011	A25/2C	Bolt, 2 BA	8	—	C	
28M/5808573	A27/CS	Nut, slotted, 2 BA	24	—	C	
28P/9527619	SP90/C7	Pin, split, 1/16" dia.	24	—	C	
28W/9419475	SP15/C	Washer, 2 BA	24	—	C	
1433868	2R4968	SHAFT, TORQUE, PORT, GROUP	1	—	B	
		(Mod. 2183)				
1433867	1R4968	SHAFT, TORQUE, STARBOARD, GROUP	1	—	B	
		(Mod. 2183)				
		Spares for:—				
	10R4963	Lever (Mod. 2183)	2	DTD304		
	9R4963	Lever (Mod. 2183)	2	DTD304		
	4R4968	Socket, end, plain (Mod. 2183)	1	S96		
	12R4968	Socket, end, screwed (Mod. 2183)	1	S96		
		Attachments—Torque Shaft, Part No. 23 & 24R4419				
28M/1011467	A27/ES	Nut, slotted, 1/4" BSF	2	—	C	
28P/9527619	SP90/C7	Pin, split, 1/16" dia.	2	—	C	
28W/9419405	SP15/E	Washer, 1/4"	2	—	C	

VULCAN No 2

CONTROLS
FLYING, MAINPLANE INNER

Page EJ. 5

Ref. No.	Part No.	Description	No. off	Matl. Spec.	Cl. of St.	Plate and Illust'n No.
					M.R.	
		1 2 3 4				
6591	3R4186	ROD, CONTROL, ELEVATOR, FROM TORQUE SHAFT, WING ROOT TO LEVER, RIB 380. 186, PORT & STBD., GROUP	1	—	B	EJ1/18
7897	12R4186	Spares for:— EYE-END, GROUP	1	—	C	EJ1/19
		Spares for:—				
2A/9500465 17942	SKEFCO I.132498 2SS5880	Bearing	2	—	C	
		Plate, retaining	2	—	C	
7898	14R4186	EYE-END, GROUP	1	—	C	EJ1/20
		Spares for:—				
2A/9500465 17942	SKEFCO I.132498 2SS5880	Bearing	1	—	C	
		Plate, securing	1	—	C	
6592	5R4186	ROD, CONTROL, ELEVATOR, FROM LEVER, RIB 380.186 TO LEVER, RIB 436.186, PORT & STBD., GROUP	1	—	B	EJ1/21
		Spares for:—				
7897	12R4186	EYE-END, GROUP	1	—	C	
		Spares for:—				
2A/9500465 17942	SKEFCO I.132498 2SS5880	Bearing	2	—	C	
		Plate, securing	2	—	C	
	11R4186	Fork-end	1	L65	MR	
7398	3R4417	ROD, CONTROL, AILERON, FROM LEVER, RIB 436.186 TO LEVER, RIB 520.186, PORT & STBD., GROUP	1	—	B	EJ1/22
		Spares for:—				
	3bR4417	EYE-END, GROUP	1	—	C	
		Spares for:—				
2A/9500465 17942	SKEFCO I.132498 2SS5880	Bearing	1	—	C	
		Plate, securing	1	—	C	
	11R4186	Fork-end	1	L65	MR	

CONTROLS
FLYING, MAINPLANE, INNER

Ref. No.	Part No.	Description	No. off	Mati. Spec.	Cl. of St.	Plate and Illust'n No.
					M.R.	
6595	8R4186	ROD, CONTROL, ADJUSTABLE, FROM LEVER, RIB 436.186 TO ELEVATOR POWER UNIT, PORT AND STBD., GROUP	1	—	B	EJ1/23
7898	14R4186	Spares for:— EYE-END, GROUP	1	—	C	EJ1/20
2A/9500465 17942 7473	SKEFCO I.132498 2SS5880 4R4186	Bearing Plate, securing EYE-END, GROUP	1 1 1	— — —	C C C	EJ1/24
2A/9500465 17942 4099 4100	SKEFCO I.132498 2SS5880 77R3577 78R3577 16R4186 100R3577	Bearing Plate, securing Locknut, R.H. thread Locknut, L.H. thread Screw, adjusting Sleeve, screwed	1 1 1 1 1 1	— — DTD364B DTD364B S1 DTD364B	C C C C	
7399	4R4417	ROD, CONTROL, AILERON, FROM LEVER, RIB 520.186, TO LEVER, RIB 562.186, PORT AND STARBOARD, GROUP	1	—	B	EJ1/25
7897	12R4186	Spares for:— EYE-END, GROUP	1	—	C	EJ1/19
2A/9500465 17942	SKEFCO I.132498 2SS5880	Bearing Plate, securing	2 2	— —	C C	
7898	14R4186	EYE-END, GROUP	1	—	C	EJ1/20
2A/9500465 17942	SKEFCO I.132498 2SS5880	Spares for:— Bearing Plate, securing	1 1	— —	C C	
6596	13R4186	ROD, CONTROL, ADJUSTABLE, AILERON, FROM LEVER, RIB 562.186 TO LEVER, RIB 618.186 PORT AND STARBOARD, GROUP	1	—	B	EJ1/26
7898	14R4186	Spares for:— EYE-END, GROUP	1	—	C	
2A/9500465 17942	SKEFCO I.132498 2SS5880	Spares for:— Bearing Plate, securing	1 1	— —	C C	

VULCAN No. 2

CONTROLS
FLYING, MAINPLANE, INNER

Page EJ. 7

Ref. No.	Part No.	Description	No off	Matl. Spec.	Cl. of St.	Plate and Illust'n No.
					M.R.	
		1 2 3 4				
		ROD, CONTROL, ADJUSTABLE, AILERON FROM LEVER, RIB 562.186 TO LEVER, RIB 618.186, PORT AND STARBOARD, GROUP (13R186) (Cont'd)				
4099	2R4435	Fork-end	1	DTD364B	MR	
4100	77R3577	Locknut, R.H. thread	1	DTD364B	C	
	78R3577	Locknut, L.H. thread	1	DTD364B	C	
	18R4186	Screw, adjusting	1	S1		
	100R3577	Sleeve, screwed	1	DTD364B		
6597	9R4186	ROD, CONTROL, ADJUSTABLE, AILERON, FROM LEVER TO LEVER, RIB 618.186, PORT, GROUP	1	—	B	EJ1/27
6598	10R4186	ROD, CONTROL, ADJUSTABLE, AILERON, FROM LEVER TO LEVER, RIB 618.186, STARBOARD, GROUP	1	—	B	
		Spares for:—				
7898	14R4186	EYE-END, GROUP	1	—	C	EJ1/20
		Spares for:—				
2A/9500465	SKEFCO					
17942	I.132498	Bearing	1	—	C	
	2SS5880	Plate, securing	1	—	C	
7473	4R4186	EYE-END, GROUP	1	—	C	EJ1/24
		Spares for:—				
2A/9500465	SKEFCO					
17942	I.132498	Bearing	1	—	C	
4099	2SS5880	Plate, securing	1	—	C	
4100	77R3577	Locking, R.H. thread	1	DTD364B	C	
4101	78R3577	Locknut, L.H. thread	1	DTD364B	C	
	79R3577	Screw, adjusting, port	1	T45 or S1	C	
	16R4186	Screw, adjusting, starboard	1	S1		
	100R3577	Sleeve, screwed	1	DTD364B		
		Attachments—Control Rods				
28D/1213555	A60/10G	Bolt, 5/16" BSF	12	—	C	
28D/1213556	A60/11G	Bolt, 5/16" BSF	14	—	C	
28M/4199604	A58/GS	Nut, slotted, 5/16" BSF	26	—	C	
28P/9527619	SP90/C7	Pin, split, 1/16" dia.	26	—	C	
28W/9419403	SP13/G	Washer, 5/16"	26	—	C	
		UNIT, POWER, ELEVATOR, PORT AND STARBOARD (1 & 2R4152)				EJ1/28
		Spares for:—				
	6R3484	Bolt, special, attachment lever to centre signalling rod	2	S96	MR	EJ1/29
	23R3485	Bolt, special, attachment, trunnion to power unit	2	S96	MR	EJ1/30
6609	6R4152	Bolt, special, attachment, power unit to lever	2	S99	C	EJ1/31
2A/9501524	SKEFCO					
28N/2001670	22206	Bearing, roller	2	—	B	
	AGS2031/25	Circlip	2	—	C	EJ1/32

CONTROLS
FLYING, MAINPLANE, INNER

Ref. No.	Part No.	Description	No. off	Matl. Spec.	Cl. of St.	Plate and Illust'n No.
					M.R.	
		1 2 3 4				
7933	1R4438	UNIT, POWER, ELEVATOR, PORT AND STARBOARD (1 & 2R4152) (Cont'd)				
		ROD, CENTRE, SIGNALLING, GROUP	1	—	B	EJ1/33
		Spares for:—				
	2R4438	Fork-end	2	—		
6607	1R4166	ROD, SPRING, CONTROL, INBOARD,	1	—	B	EJ1/34
		GROUP (Pre-Mod. 2311)				
	21R4166	ROD, SPRING, CONTROL, INBOARD,	1	—	MR	
		GROUP (Mod. 2311)				
6608	2R4166	ROD, SPRING, CONTROL, OUTBOARD,	1		B	
		GROUP (Pre-Mod. 2311)				
1510109	22R4166	ROD, SPRING, CONTROL, OUTBOARD,	1		B	EJ1/35
		GROUP (Mod. 2311)				
		Spares for:—				
1433808	15R4166	Fork-end, outboard	1	S1	C	
1433809	16R4166	Fork-end, inboard	1	S1	C	
3619	6R3997	Locknut	1	L65	C	EJ1/36
1433810	18R4166	Locknut (Make from A27/JT)	1	—	C	EJ1/37
1433811	6R4166	Nut, cap	1	L65	C	
	7R4166	Plunger, guide, "Oilite"	1	—	MR	EJ1/38
	8R4166	Plunger, guide, "Oilite"	1	—	MR	EJ1/39
1433814	13R4166	Rod, piston	1	T35	C	
	3R4166	SOCKET, END, GROUP	1	—		
		Spares for:—				
2A/9500463	HOFFMAN	Bearing	1	—	C	
17940	CA.1	Plate, securing	1	—	C	
	1SS5880	Spring (Pre-Mod. 2311)	1	—	MR	
	5R3541	Spring (Mod. 2311)	1	—	MR	
	23R4166	Attachments—Spring Rods, Part Nos. 1 & 2R4166				
28D/1215686	A59/7E	Bolt, 1/4" BSF	4	—	C	
28D/1213609	A59/9G	Bolt, 5/16" BSF	4	—	C	
28M/1011467	A27/ES	Nut, slotted, 1/4" BSF	4	—	C	
28M/5808571	A27/GS	Nut, slotted, 5/16" BSF	4	—	C	
28P/9527619	SP90/C7	Pin, split, 1/16" dia.	8	—	C	
28W/9418921	SP13/E	Washer, 1/4"	4	—	C	
28W/9419403	SP13/G	Washer, 5/16"	4	—	C	
6610	1R4154	TRUNNION AND LEVER, OUTBOARD,	1	—	B	EJ1/40
		PORT, GROUP				
6611	2R4154	TRUNNION AND LEVER, OUTBOARD,	1	—	B	
		STARBOARD, GROUP				
		Spares for:—				
2A/9500419	SKEFCO	Bearing	1	—	C	
	I.132358					
2A/9501524	SKEFCO	Bearing, roller	1	—	C	
	22206	Cap	1	L65	MR	
28N/2001719	10R3512	Circlip	1	—	C	EJ1/41
28N/2001670	AGS2030/94	Circlip	1	—	C	EJ1/42
	AGS2031/25					

VULCAN Mk 2

CONTROLS
FLYING, MAINPLANE, INNER

Page EJ.9

Ref. No.	Part No.	Description	No. off	Matl. Spec.	Cl. of St.	Plate and Illust'n No.
					M.R.	
		<u>1 2 3 4</u>				
6617	7R4154 8R4154	TRUNNION AND LEVER, OUTBOARD, PORT AND STARBOARD, GROUP (1 & 2R4154) (Cont'd) LEVER, PORT, GROUP LEVER, STARBOARD, GROUP	1 1	— —	B MR	
2A/9500419	SKEFCO I.132358	Bearing	1	—	C	EJ1/43
2A/9500465	SKEFCO I.132498	Bearing	2	—	C	EJ1/44
17942	2SS5880	Plate, securing	1	—	C	EJ1/45
17946	12SS5880	Washer, sealing	2	—	C	EJ1/46
	3R4154 4R4154	TRUNNION, PORT, GROUP TRUNNION, STARBOARD, GROUP	1 1	— —		EJ1/47
	5R3512	Spares for:— Bush, 1-1/2" dia x 1/2" long	2	S96	MR	
	1R4964	TRUNNION AND LEVER, INBOARD	1	—	MR	EJ1/48
	2R4964	TRUNNION AND LEVER, INBOARD	1	—	MR	
2A/9500419	HOFFMANN T17	Spares for:— Bearing	1	—	C	
2A/9501524 17061	SKEFCO 22206	Bearing, roller	1	—	C	
28N/2001719	10R4153	Bolt, special, lever to trunnion	1	S96	C	EJ1/49
28N/2001670	AGS2030/94	Circlip	1	—	C	EJ1/41
	AGS2031/25	Circlip	1	—	C	EJ1/42
	4R4964	LEVER, C/W BEARING, PORT, GROUP ... (Mod. 2183)	1	—	MR	EJ1/50
	5R4964	LEVER, C/W BEARING, STARBOARD, GROUP (Mod. 2183)	1	—	MR	
2A/9500465	SKEFCO I.132498	Spares for:— Bearing	2	—	C	
17942	2SS5880	Plate, securing	2	—	C	
	3R/4964	Lever, arm (Mod. 2183)	1	DTD5094	MR	EJ1/51
	407SS4837	Jo-bolt	1	—	MR	
	405SS4837	Jo-bolt	3	—	MR	

CONTROLS
FLYING, MAINPLANE, INNER

Ref. No.	Part No.	Description	No. off	Matl. Spec.	Cl. of St.	Plate and Illust'n No.
					M.R.	
		1 2 3 4				
		TRUNNION AND LEVER, INBOARD, PORT AND STARBOARD (1 & 2R4153) (Cont'd.)				
	3R4153	TRUNNION, PORT, GROUP	1	—		EJ1/52
	4R4153	TRUNNION, STARBOARD, GROUP	1	—		
		Spares for:—				
2A 9500419	HOFFMANN T17	Bearing	1	—	C	
	5R3512	Bush	2	S96	MR	
17946	12SS5880	Washer, sealing	1	—	C	
	9R4153	Tube	1	T45	MR	
1505003	AS2808—19—116	Tube, distance	1	T45		
		UNIT, POWER, R.H. PORT (3R4152)	—	—		EJ1/53
		UNIT, POWER, L.H. PORT (5R4152)	—	—		EJ1/54
		UNIT, POWER, R.H. STARBOARD (6R4152)	—	—		
		UNIT, POWER, L.H. STARBOARD (4R4152)	—	—		
		Spares for:—				
6606	16R4145	CLIP, MANACLE, GROUP	1	—	C	
5UD:4390818	ROTAX CA1201	MOTOR (Pre-Mod. 810-1311)	1	—	A	EJ1/55
	ROTAX CA1201/1	MOTOR (Mod. 810-1311)	1	—	A	
	ROTAX CA1201/1	MOTOR, with Rotax Mod. 7084 embodied (Mod. 2287)	1	—	A	
	BOULTON PAUL P132/L	Unit, power, L.H. Port and Starboard	1	—		EJ1/56
	BOULTON PAUL P132/R	Unit, power, R.H. Port and Starboard	1	—		EJ1/57
6S/4551519	NEWMARK 894	Unit, power	1	—	A	EJ1/58
	8R3485	Washer, special, attachment trunnion to power unit	2	DTD364B	MR	EJ1/59
	10R3485	Washer, special attachment, power unit to elevator	2	DTD364B	MR	EJ1/60
	16R3485	Washer, special, attachment trunnion to power unit	2	DTD364B	MR	EJ1/61

VULCAN Mk 2

**CONTROLS
FLYING, MAINPLANE, INNER
SUMMARY OF STANDARD ITEMS**

Stores Ref.		No. off	Stores Ref.		No. off	Stores Ref.		No. off
Section	Ref. No.		Section	Ref. No.		Section	Ref. No.	
28D	18973	2	28M	14537	26	28P	9527619	104
28D	19748	4	28M	1011467	10			
28D	1213555	12	28M	1011476	8			
28D	1213556	14	28M	5808571	4			
28D	1213609	4	28M	5808573	56	28W	9418921	4
28D	1215686	4				28W	9419403	30
28D	1219748	2				28W	9419405	6
28D	9133011	24				28W	9419475	56
28D	9133012	16	28N	2001670	4	28W	9419477	4
28D	9436920	16	28N	2001719	2			

VULCAN Mk 2		CONTROLS				Page EK. 1	
FLYING, MAINPLANE, OUTER							
Ref. No.	Part No.	Description	No. off	Matl. Spec.	Cl. of St.	Plate and Illust'n No.	
					M.R.		
		1 2 3 4					
		CONTROLS, FLYING, AT REAR SPAR, MAINPLANE, OUTER, PORT AND STARBOARD (1 & 2R4187)					
		Spares for:—					
	6SS4645	Bush, fork-end, 13/32" o/d x 5/16" i/d x .2" long	1	S93	MR	EK1/1	
	7SS4645	Bush, fork-end, 13/32" o/d x 5/16" i/d x .22" long	1	S93	MR	EK1/2	
7911	9SS4645	Bush, fork-end, 13/32" o/d x 5/16" i/d x .26" long	1	S93	C	EK1/3	
7914	14SS4645	Bush, fork-end, 13/32" o/d x 5/16" i/d x .36" long	1	S93	C	EK1/4	
		LEVER, AILERON, RIB 126.5, PORT AND STARBOARD (1 & 2R4159)				EK1/5	
		Spares for:—					
2A/9500412	SKEFCO CBS3 3R4159	Bearing Bracket, mounting	1 1	— L53	C MR		
		Attachments—Bracket Part No. 3R4159					
7917	5R4159 15SS4647	Bolt (Make from A25/5C) Bush, 15/32" o/d x 3/8" i/d x .38" long	8 1	— S93	C C		
6630	4R4159	LEVER, C/W BEARING, GROUP Spares for:—	1	—	C		
2A/9500412 17942	SKEFCO CBS3 2SS5880	Bearing Plate, retaining	1 1	— —	C C		
		Attachments—Lever, Part No. 4R4159					
28D/1219748 28M/1011476 28P/9527619	A59/19J A27/JS SP90/C7 AS2811/8/057	Bolt, 3/8" BSF Nut, slotted, 3/8" BSF Pin, split, 1/16" dia.	2 2 2	— — —	C C C		
6600	5R4164	Tube, distance Washer, distance	1 1	— L65	C C		
		LEVER, AILERON, RIB 181.974, PORT AND STARBOARD (1 & 2R4164)				EK1/6	
		Spares for:—					
2A/9500412	SKEFCO CBS3 8R4164	Bearing Bracket, mounting	1 1	— L65	C C		
		Attachments—Bracket Part No. 8R4164					
28D/9133012 28M/5808573 28P/9527619 28W/9419402 7915	A25/3C A27/CS SP90/C7 SP13/C 8SS4647	Bolt, 2 BA Nut, slotted, 2 BA Pin, split, 1/16" dia. Washer, 2 BA Bush, 15/32" o/d x 3/8" i/d x .24" long	8 8 8 8 1	— — — — S93	C C C C C		

CONTROLS
FLYING, MAINPLANE, OUTER

Ref. No.	Part No.	Description	No. off	Matl. Spec.	Cl. of St.	Plate and Illust'n No.
					M.R.	
		1 2 3 4				
6631	4R4164 or 10R4164	LEVER, AILERON, RIB 181.974, PORT AND STARBOARD (1 & 2R4164) (Cont'd) LEVER, C/W BEARING, GROUP	1	—	C	
		LEVER, C/W BEARING, GROUP	1	—	C	
	Spares for:—					
2A/9500412 17942	SKEFCO CBS3 2SS5880	Bearing	1	—	C	
		Plate, securing	1	—	C	
		Attachments—Lever, Part No. 4 or 10R4164				
28M/1011476 28P/9527619	7R4164 A27/JS SP90/C7	Bolt (Make from A59/22J)	2	—		
		Nut, slotted, 3/8" BSF	2	—	C	
		Pin, split, 1/16" dia.	2	—	C	
6600	AS2811/8/113 5R4164	Tube, distance	1	—		
		Washer, distance	1	L65	C	
		MOUNTING, POWER UNIT AILERON INBOARD BETWEEN RIBS 44.5 & 60.25 PORT AND STARBOARD (4 & 5R4144)				EK1/7
		MOUNTING, POWER, UNIT, AILERON OUTBOARD, BETWEEN RIBS 181.974 & 197.5, PORT AND STARBOARD (13 & 14R4145)				EK1/8
		Spares for:—				
2A/9501379	SKEFCO 22205	Bearing, roller, forward and aft attachment	3	—	C	EK1/9
6615	3R4145	Bush, outboard attachments, power unit to	1	L65	C	EK1/10
7488	18R4145	Aileron				
		Bush, inboard attachment power unit to	1	L65	C	EK1/11
28N/2001718	AGS2030/58	Aileron				
		Circlip	2	—	C	EK1/12
		MOUNTING, TRANSMITTER, FOR AILERON CONTROL, SURFACES (Z.9598)				EK1/13
		Spares for:—				
7491	3Z9598 5Z9598	Collar	1	S96	C	
		Lever	1	DTD683	MR	
8729	7Z9598	ROD, CONTROL, GROUP	1	—	C	
		Spares for:—				
2516	6Z9598 1SS4091	Eye-end	1	S98		
		Fork-end	1	S96	C	
6A/4102	SANGAMO WESTON S132	Transmitter	1	—	A	
		Attachments—Mounting, Part No. Z9598				
28D/1011019	A25/8C	Bolt, 2 BA, transmitter	8	—	C	
28D/9133013	A25/5C	Bolt, 2 BA, lever	4	—	C	
28M/5808573	A27/CS	Nut, slotted, 2 BA	4	—	C	
28M/1012015	AGS2001/C1/66	Nut, stiff, 2 BA	8	—	C	
28P/9486478	SP90/C5	Pin, split, 1/16" dia.	4	—	C	
28W/9419402	SP13/C	Washer, 2 BA	12	—	C	

VULCAN MR 2

CONTROLS

Page EK. 3

FLYING, MAINPLANE, OUTER

Ref. No.	Part No.	Description	No off	Matl. Spec.	Cl. of St.	Plate and Illust'n No.
					M.R.	
		1 2 3 4				
		MOUNTING, POWER UNIT, AILERON, INBOARD, BETWEEN RIBS 44.5 & 60.25, (4 & 5R4144) AND OUTBOARD BETWEEN RIBS 181.974 & 197.5 (13 & 14R4145) PORT AND STARBOARD (Cont'd)				
9378	18R4145	Pin, forward attachment, power unit	1	S96	C	EK1/14
	20R4145	Pin, attachment, power unit to aileron	1	S96	MR	EK1/15
6614	1R4167	ROD, SPRING, CONTROL, GROUP	1	—	A	
		(Pre-Mod. 2311)				
1510107	14R4167	ROD, SPRING, CONTROL, GROUP	1	—	A	EK1/16
		(Mod. 2311)				
		Spares for:—				
1433815	12R4167	Coupling	1	L65	C	
7900	2R4167	EYE-END, C/W BEARING, GROUP	1	—	C	EK1/17
		Spares for:—				
	HOFFMAN					
2A/9500463	CA1	Bearing	1	—	C	
17940	1SS5880	Plate, securing	1	—	C	
	11R4167	EYE-END, ADJUSTABLE, C/W BEARING, GROUP	1	—	MR	EK1/18
		Spares for:—				
	HOFFMAN					
2A/9500463	CA1	Bearing	1	—	C	
17940	1SS5880	Plate, securing	1	—	C	
	13R4167	Locknut (Make from A27/GT)	1	—		
3619	6R3997	Nut	1	L65	C	
1433811	6R4166	Nut, cap	1	L65	C	
1433812	7R4166	Plunger, guide, "Oilite"	1	—	C	EK1/19
	8R4166	Plunger, guide	1	S1	MR	EK1/20
	8R4167	Rod, piston	1	T35		
	6R4167	Spring (Pre-Mod. 2311)	1	—	MR	
	15R4167	Spring (Mod. 2311)	1	—	MR	
		Attachments for Spring Control Rod, Part No. 1R4167 or 14R4167				
28D/1215687	A59/8E	Bolt, 1/4" BSF	4	—	C	
	6R4144	Bolt, 1/4" BSF inboard power unit only	1	—		
28M/1011467	A27/ES	Nut, slotted, 1/4" BSF	4	—	C	
28P/9527619	SP90/C7	Pin, split, 1/16" dia.	4	—	C	
28W/9418920	SP10/E	Washer, 1/4"	4	—	C	
6621	3R4144	Trunnion, inboard power unit	1	S96	C	EK1/21
6622	4R4145	Trunnion, outboard power unit	1	S96	C	EK1/22
		UNIT, POWER AND MOTOR (11R3145)				EK1/23
		Spares for:—				
6606	16R4145 or 21R4145	CLIP, MANACLE, GROUP	1	—	C	
		CLIP, MANACLE, GROUP	1	—		

CONTROLS
FLYING, MAINPLANE, OUTER

Ref. No.	Part No.	Description	No. off	Matl. Spec.	Cl. of St.	Plate and Illust'n No.
					M.R.	
		1 2 3 4				
		UNIT, POWER AND MOTOR (11R3145) (Cont'd)				
5UD/4390818	ROTAX CA1201 CA1201/1	MOTOR, A.C. (Pre-Mod. 810 & 1311)	1	—	A	EK1/24
		MOTOR, A.C. (Mod. 810 & 1311)	1			
		(Mod. 2287 with Rotax Mod. 7084 embodied)				
	BOULTON PAUL P135/45/350	Unit, power	1			EK1/25
6619	8R4145	Washer, trunnion, outboard	2	L65	C	EK1/26
6620	9R4145	Washer, trunnion, inboard	2	L65	C	EK1/27
6618	17R4145	Washer, under nut, forward	2	L65	C	EK1/28
6623	3R4187	ROD, CONTROL, FROM LEVER, RIB	1	—	B	EK1/29
		618.186 TO LEVER INBOARD POWER UNIT, PORT, GROUP				
6624	4R4187	ROD, CONTROL, FROM LEVER, RIB	1	—	B	
		618.188 TO LEVER INBOARD POWER UNIT, STARBOARD, GROUP				
		Spares for:—				
7901	12R4187	EYE-END, C/W BEARING, GROUP	1	—	B	EK1/30
		Spares for:—				
2A/9500463	SKEFCO CBA2	Bearing	1	—	C	
2A/9500465	SKEFCO I.132498	Bearing	1	—	C	
17940	1SS5880	Plate, securing	1	—	C	
17942	2SS5880	Plate, securing	1	—	C	
7898	14R4186	EYE-END, C/W BEARING, GROUP	1	—	C	EK1/31
		Spares for:—				
2A/9500465	SKEFCO I.132498	Bearing	1	—	C	
17942	2SS5880	Plate, securing	1	—	C	
6625	5R4187	ROD, CONTROL, FROM LEVER, INBOARD	1	—	B	EK1/32
		POWER UNIT TO LEVER, RIB 126.5, PORT, GROUP				
6626	6R4187	ROD, CONTROL, FROM LEVER, INBOARD	1	—	B	
		POWER UNIT TO LEVER, RIB 126.5, STARBOARD, GROUP				
		Spares for:—				
	11R4186	Fork-end	2	L65	MR	

VULCAN No. 2		CONTROLS				Page EK. 5	
FLYING, MAINPLANE, OUTER							
Ref. No.	Part No.	Description	No. off	Matl. Spec.	Cl. of St.	Plate and Illust'n No.	
					M.R.		
		1 2 3 4					
	17R4187	ROD, CONTROL, FROM LEVER, RIB 126.5 TO LEVER, RIB 181.974, PORT AND STARBOARD, GROUP	1	—		EK1/33	
7897	12R4186	Spares for:— EYE-END, C/W BEARING, GROUP	1	—	C	EK1/34	
	SKEFCO	Bearing	2	—	C		
2A/9500465 17942	I.132498 2SS5880	Plate, securing	2	—	C		
7898	14R4186	EYE-END, C/W BEARING, GROUP	1	—	C	EK1/31	
	SKEFCO	Spares for:— Bearing	1	—	C		
2A/9500465 17942	I.132498 2SS5880	Plate, securing	1	—	C		
4099	77R3577	Locknut, R.H. thread	1	DTD3648	C		
4100	78R3577	Locknut, L.H. thread	1	DTD3648	C		
4101	79R3577	Screw, adjusting	1	T45 or S1	C		
	100R3577	Sleeve, screwed	1	DTD3648		EK1/35	
	18R4187	Sleeve, screwed	1	DTD130		EK1/36	
	14R4187	ROD, CONTROL, FROM LEVER, RIB 181.974 TO LEVER OUTBOARD POWER UNIT, PORT, GROUP	1	—	MR	EK1/37	
8070	15R4187	ROD, CONTROL, FROM LEVER, RIB 181.974 TO LEVER OUTBOARD POWER UNIT, STARBOARD, GROUP	1	—	B		
	9R4184	Spares for:— EYE-END, C/W BEARING, GROUP	1	—		EK1/38	
	SKEFCO	Bearing	1	—	C		
2A/9500465 17942	I.132498 2SS5880	Plate, securing	1	—	C		
7902	11R4187	EYE-END, C/W BEARING, GROUP	1	—	C	EK1/39	
	SKEFCO	Spares for:— Bearing	1	—	C		
2A/9500463 17940	CBA2 1SS5880	Plate, retaining	1	—	C		
28D/1212321	A60/8E	Attachments—Control Rods Bolt, 1/4" BSF	4	—	C		
28D/1213555	A60/10G	Bolt, 5/16" BSF	4	—	C		
28D/1213556	A60/11G	Bolt, 5/16" BSF	2	—	C		
20381	19R4187 or A60/26G	Bolt, special	2	S96	C		
		Bolt, 5/16" BSF	2	—			

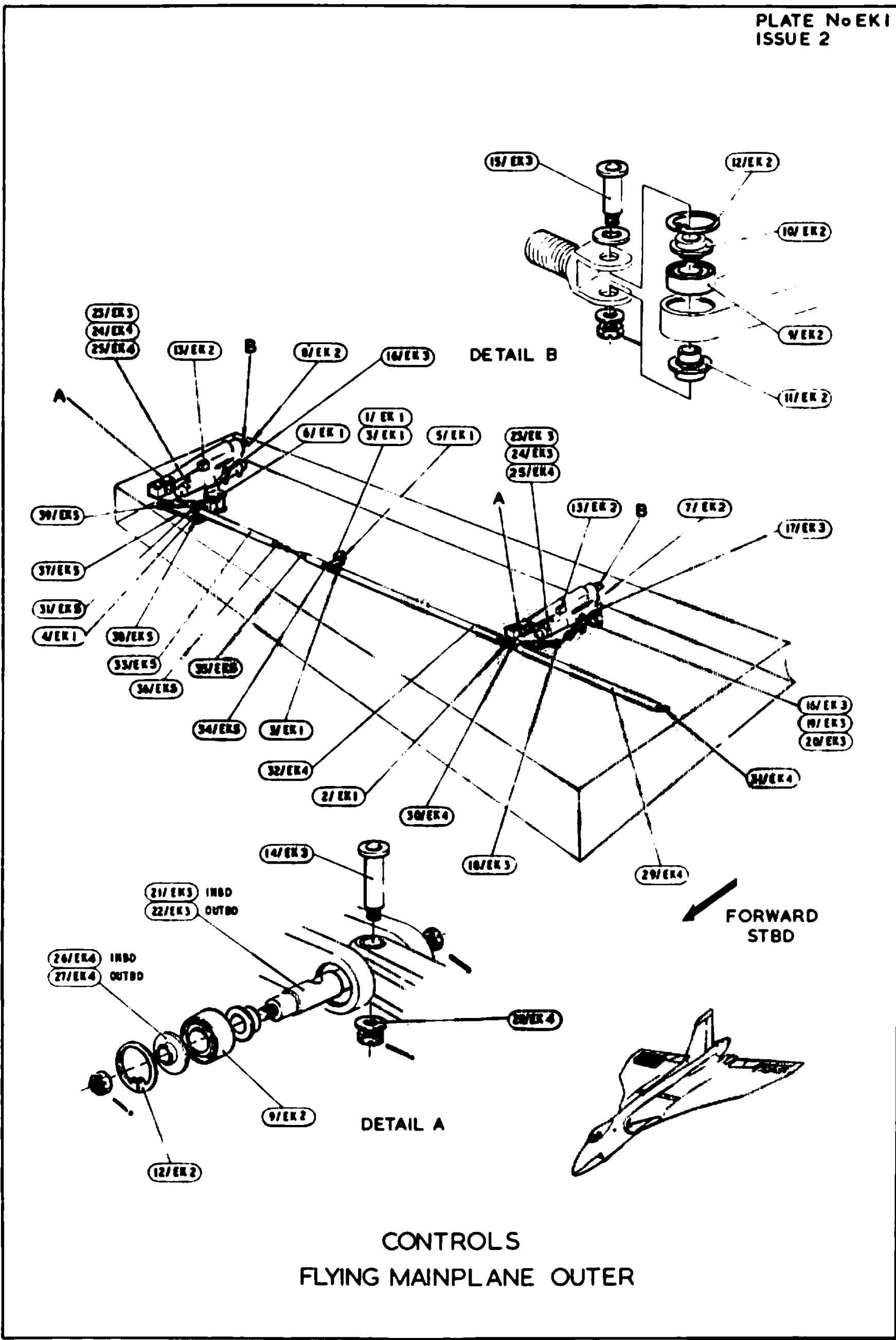
CONTROLS
FLYING, MAINPLANE, OUTER

Ref. No.	Part No.	Description	No. off	Matl. Spec.	Cl. of St.	Plate and Illust'n No.
					M.R.	
		1 2 3 4				
		Attachments—Control Rods (Cont'd)				
28M/4095947	A58/ES	Nut, slotted, 1/4" BSF	4	—	C	
28M/4199604	A58/GS	Nut, slotted, 5/16" BSF	8	—	C	
28P/9527619	SP90/C7	Pin, split, 1/6" dia.	12	—	C	
28W/9418921	SP13/E	Washer, 1/4"	4	—	C	
28W/9419403	SP13/G	Washer, 5/16"	8	—	C	

VULCAN No. 2

CONTROLS
FLYING, MAINPLANE, OUTER
SUMMARY OF STANDARD ITEMS

Stores Ref.		No. off	Stores Ref.		No. off	Stores Ref.		No. off
Section	Ref. No.		Section	Ref. No.		Section	Ref. No.	
28D	1011019	8	28M	1278190	8	28P	9486478	4
28D	1212321	4	28M	13935	4	28P	9527619	28
28D	1213555	4	28M	14537	8			
28D	1213556	2	28M	1011467	4			
28D	1215687	4	28M	1011476	4	28W	9418920	4
28D	1219748	2	28M	5808573	12	28W	9418921	4
28D	9133012	8				28W	9419402	20
28D	9133013	4				28W	9419403	8
			28N	2001718	2			



VULCAN No. 2

CONTROLS
RAM AIR TURBINE

Page EM. 1

Ref. No.	Part No.	Description	No. off	Matl. Spec.	Cl. of	Plate and Illust'n No.
					St. M.R.	
		1 2 3 4				
		CONTROLS, RAM AIR TURBINE Consisting of:-- CONTROL, RAM AIR TURBINE IN CREW'S NACELLE (1Z9642) (Mod. 885) Spares for:--				
	33Z9642	Bracket, pulley mounting, L.H. below pilot's windscreen former 372	1	L72		EM1/1
	34Z9642	Bracket, pulley mounting, R.H. below pilot's windscreen, former 372	1	L72		EM1/2
	23Z9642	Bracket, pulley mounting, R.H. forward pilot's floor member	1	L72		EM1/3
	24Z9642	Bracket, pulley mounting L.H. forward pilot's floor member	1	L72		EM1/4
	75Z9642	Bracket, pulley mounting, at former 344F, centre, R.H. at pilot's floor	1	L72		EM1/5
	74Z9642	Bracket, pulley mounting, at former 344F, centre, L.H. at pilot's floor	1	L72		EM1/6
	42Z9642	Bracket, pulley mounting, at former 344F, port at pilot's floor	1	L72		EM1/7
	73Z9642	Bracket, pulley mounting, at former 344F, port at pilot's floor	1	L72		EM1/8
	43Z9642	Bracket, pulley mounting, at stringer 14, former 344F, port	1	L72		EM1/9
	44Z9642	Bracket, pulley mounting, at stringer 14, former 344F, port	1	L72		EM1/10
	96Z9642	Bracket, pulley mounting, at rear pressure bulkhead (Make from 43SS3076)	1			EM1/11
		Attachments - Bracket, Part Nos. 23, 24, 33, 34 and 96Z9642				
28D/9133012	A25/3C	Bolt, 2 BA	6	-	C	
28D/1200119	A25/4C	Bolt, 2 BA	6	-	C	
28D/7002428	A25/6C	Bolt, 2 BA	6	-	C	
28M/1012015	AGS2001/C1/66	Nut, stiff, 2 BA	18	-	C	
28W/9419475	SP15/C	Washer, 2 BA	18	-	C	
	31Z9642	CABLE, CONTROL, FROM HANDLE PILOT'S STATION TO JOINT ABOVE PILOT'S FLOOR, GROUP Consisting of:--	1	-	MR	EM1/12
	31aZ9642	Cable, 5 Cwt. x 4' 2" long	1	W11/2PNC		
28U/18824	SP34/C5	End, screwed	1	-	C	
28U/16264	SP37/A	Eye-end	1	-	C	
	47Z9642	CABLE, CONTROL, FROM JOINT ABOVE PILOT'S FLOOR TO JOINT FORWARD FORMER 316, GROUP Consisting of:--	1	-	MR	EM1/13
	47aZ9642	Cable, 5 cwt. x 10' long	1	W11/2PNC		
28U/15283	SP34/C5L	End, screwed	2	-	C	

CONTROLS
RAM AIR TURBINE

Ref. No.	Part No.	Description	No. off	Matl. Spec.	Cl. of	Plate and Illust'n No.
					St.	
					M.R.	
		CONTROL, RAM AIR TURBINE IN CREW'S NACELLE (1Z9642) (Mod. 885) (Cont'd)				
	99Z9642	CABLE, CONTROL, FROM JOINT FORWARD OF REAR PRESSURE BULKHEAD TO JOINT AFT OF FORMER 189.5, GROUP	1	-	MR	EM1/14
	99bZ9642	Consisting of:- Cable, 10 cwt. x 16" long	1	W11/5PNC		
	99aZ9642	Eye-end	1	S94		
28U/4707611	SP37/B	Eye-end	1	-	C	
	95Z9642	Fairlead	1	BS2572		
		Attachments Cable Part No. 99Z9642				
28D/9140644	A25/9C	Bolt, 2 BA	3	-	C	
28M/1012015	AGS2001/C1/66	Nut, stiff, 2 BA	3	-	C	
28W/9419475	SP15/C	Washer, 2 BA	3	-	C	
	4SS3264	Clip, 1/2" o/d, attachment tube covers	11	-	MR	EM1/15
28E/2236061	SP.91/A	Clip, attachment, tube covers	4	-	C	EM1/16
21428	36Z9642	Collar	1	-	C	EM1/17
	25Z9642	Fairlead, pipe pulley mounting	4	BSS972 or BSS668		EM1/18
	78Z9642	Fairlead, cable, former 330	2	BSS972 or BSS668		EM1/19
7183	30Z9642	Handle	1	-	C	EM1/20
28P/1207864	SP/4/Y/B4	Pin, solid attachment, control rod and cable forward rear pressure bulkhead	1	-	C	
28R/1038190	AS1151	Pulley, single	7	-	B	EM1/21
		Attachments--Pulley, Part No. AS1151				
28D/1008145	A25/6E	Bolt, 1/4" BSF	3	-	C	
28D/1011242	A25/7E	Bolt, 1/4" BSF	3	-	C	
28D/1011247	A25/13E	Bolt, 1/4" BSF	1	-	C	
28M/7002430	AGS2002/E/1	Nut, stiff, 1/4" BSF	7	-	C	
28W/9419405	SP15/E	Washer, 1/4"	7	-	C	
	92Z9642	Rod, control, between joint at former station 316F and joint forward of rear pressure bulkhead 3/16" dia. x 9' 1" long	1	S93		EM1/22
21430	104Z9642	Spring, compression at cover tube between pulley mountings, former 372F (Make from 25SS4700)	1	-	C	EM1/23
21429	100Z9642	Stop, cable, at compression spring	1	DTD410	C	EM1/24
8733	90Z9642	Screw, special, attachment fork end to R.A.T. Handle, pilot's station	1	S93	C	
	102Z9642	Tube, cover at top pulley mounting former 372F, 9/16" o/d x 22G x 9.0" long	1	L58		EM1/25
	101Z9642	Tube, cover at bottom pulley mounting, pilot's floor 7/16" o/d x 22G x 5.4" long	1	L58		EM1/26

VULCAN Mk 2

CONTROLS
RAM AIR TURBINE

Page EM. 3

Ref. No.	Part No.	Description	No. off	Matl. Spec.	Cl. of St.	Plate and Illust'n No.
					M.R.	
		1 2 3 4				
		CONTROL, RAM AIR TURBINE IN CREW'S NACELLE (1Z9642) (Mod 885) (Cont'd)				
	103Z9642	Tube, cover, connecting, upper, between cover tubes, 11/16" o/d x 22G x 19.6" long	1	L56		EM1/27
	105Z9642	Tube, cover, connecting, lower between cover tubes, 9/16" o/d x 22G x 4.0" long	1	L56		EM1/28
	13Z9642	Tube, cover, between formers 372F and 344F, 1/2" o/d x 22G x 11.9" long	1	L56		EM1/29
	14Z9642	Tube, cover, at top pulley mounting, aft of former 344F, 1/2" o/d x 22G x 8.87" long	1	L56		EM1/30
	15Z9642	Tube, cover, between pulley mounting, aft of former 344F, 1/2" o/d x 22G x 20.3" long	1	L56		EM1/31
	16Z9642	Tube, cover at lower pulley mounting aft of former 344F, 1/2" o/d x 22G x 11.7" long	1	L56		EM1/32
26TA/17674	AS2811/6/025	Tube, distance at pulley mounting bracket at rear pressure bulkhead	1	—	C	EM1/33
	AS2811/6/015	Tube, distance, at pulley mounting bracket at rear pressure bulkhead	1	—		EM1/34
28U/4664859	SP33/C	Turnbarrel	2	—	C	
	28Z/9642	Washer, special pulley mounting	18	—		
		CONTROL, RAM AIR TURBINE FORWARD OF FRONT SPAR, PORT (Z9697) (Mod. 514 & 885) Spares for:—	—	—		EM1/35
22429	16Z9697	Adjuster	1	—	C	EM1/36
22425	6Z9619	Bracket	1	—	C	EM1/37
22426	7Z9619	Bracket	1	—	C	EM1/38
22422	3Z9697	Bracket	1	—	C	EM1/39
22428	13Z9697	Bracket	1	—	C	EM1/40
22423	8Z9697	Bracket	1	—	C	EM1/41
22424	9Z9697	Bracket	1	—	C	EM1/42
		Attachments—Bracket, Part Nos. 3, 6, 7, 13 & 16Z9697				
28D/9133011	A25/2C	Bolt, 2 BA	5	—	C	
28D/9436920	A25/1C	Bolt, 2 BA	7	—	C	
28M/1012015	AGS2001/C1/66	Nut, stiff, 2 BA	12	—	C	
28W/9419402	SP13/C	Washer, 2 BA	8	—	C	
28W/9419454	SP10/C	Washer, 2 BA	1	—	C	
28W/9419475	SP15/C	Washer, 2 BA	4	—	C	
	17Z9697	Bush	1	—		EM1/43
12617	35Z9619	CABLE, CONTROL, FROM JOINT AT FORMERS 189.5 TO JOINT BETWEEN FORMERS 130 & 115.5, GROUP	1	—	C	EM1/44
	12Z9697	CABLE, CONTROL, FROM JOINT BETWEEN FORMER 130 AND 115.5 TO JOINT AT LEVER UNIT, FORMER 72, GROUP	—	—	MR	EM1/45

CONTROLS
RAM AIR TURBINE

Ref. No.	Part No.	Description	No. off	Matl. Spec.	Cl. of St.	Plate and Illust'n No.
					M.R.	
		1 2 3 4				
22427	1129619	CONTROL, RAM AIR TURBINE FORWARD OF FRONT SPAR, PORT (Z9697) (Mod. 514 & 885) (Cont'd)				
		Fairlead, at formers 175, 160.5 and 145.25 ... and diaphragm 93.75	8	-	C	EM1/46
		Attachments—Fairlead, Part No. 1129619				
28D/9133012	A25/3C	Bolt, 2 BA	4	-	C	
28D/1200119	A25/4C	Bolt, 2 BA	3	-	C	
28D/7002428	A25/6C	Bolt, 2 BA	1	-	C	
28M/1012015	AGS2001/C1/66	Nut, stiff, 2 BA	8	-	C	
28W/9419445	SP10/C	Washer, 2 BA	8	-	C	
	15Z9697	Plate, side	2	-		EM1/47
28R/1038190	AS.1151	Pulley, at formers 189.5 and 130.5 and diaphragms 115.5 and 93.75	5	-	B	EM1/2
		Attachments—Pulley, Part No. AS.1151				
28D/1212321	A60/8E	Bolt, 1/4" BSF	4	-	C	
28D/1212320	A60/7E	Bolt, 1/4" BSF	1	-	C	
28M/1011467	A27/ES	Nut, stiff, 1/4" BSF	5	-	C	
28P/9527619	SP90/C7	Pin, split, 1/16" dia.	5	-	C	
28W/9418921	SP13/E	Washer, 1/4"	5	-	C	
28U/14789	SP35/C	Rod, tension	1	-	C	EM1/48
26TA/12671	AS2811/5/032	Tube, distance	1	-	C	EM1/49
	AS2811/7/030	Tube, distance	1	-		EM1/50

VULCAN ML. 2

CONTROLS
RAM AIR TURBINE
SUMMARY OF STANDARD ITEMS

Stores Ref.		No. off	Stores Ref.		No. off	Stores Ref.		No. off
Section	Ref. No.		Section	Ref. No.		Section	Ref. No.	
28D	1008145	3	28M	1011467	5	28R	1038190	12
28D	1011242	3	28M	1278190	41			
28D	1011247	1	28M	7002430	7			
28D	1200119	9				28U	14789	1
28D	1212320	1				28U	14790	2
28D	1212321	4	28P	9527619	5	28U	15283	2
28D	7002428	7				28U	15286	1
28D	9133011	5				28U	16264	1
28D	9133012	10	28W	9418921	5	28U	18824	1
28D	9140644	3	28W	9419402	8			
28D	9436920	7	28W	9419405	7			
			28W	9419454	9			
			28W	9419475	25			
28E	2236061	4						

VULCAN MR 2		CONTROLS				Page EN. 1	
		STEERING, NOSEWHEEL					
Ref. No.	Part No.	Description	No. off	Matl. Spec.	Cl. of St.	Plate and Illust'n No.	
					M.R.		
		CONTROLS, NOSEWHEEL STEERING (1R3634)					
		Spares for:—					
2A/9500415	SKEFCO I.132630	Bearing, at housing	1	—	C	EN1/1	
2A/9500411	R. & M. CK1/4"C	Bearing, at mounting torque levers	1	—	C	EN1/2	
	31R3634	Bolt, special, mounting torque lever at former ... 189.5	1	S96		EN1/3	
	19R3543	Bolt, for lever	1	DTD364B		EN1/4	
	32R3634	BRACKET, MOUNTING DRUM SWITCH, GROUP	1	—	MR	EN1/5	
		Spares for:—					
4335	32cR3634	Bush	2	BSS369	C		
		Attachments—Bracket, Part No. 32R3634					
28D/1214003	AS2504/5C	Bolt, 2 BA	6	—	C		
28M/9403520	A27/CP	Nut, 2 BA	6	—	C		
28W/9419402	SP13/C	Washer, 2 BA	6	—	C		
	43R3634	BRACKET, MOUNTING, TORQUE LEVER, GROUP	1	—		EN1/6	
	42R3634	BRACKET, MOUNTING, TORQUE LEVER, BOTTOM, GROUP	1	—		EN1/7	
		Consisting of:—					
	42aR3634	Bracket	1	L72			
	18R3634	HOUSING, BEARING, GROUP	1	—			
		Spares for:—					
	28R3634	Bush	1	Oilite			
		Attachments—Bracket, Part No. 42 & 43R3634					
28D/9133011	A25/2C	Bolt, 2 BA	8	—	C		
28M/1012015	AGS2001/C1/68	Nut, stiff, 2 BA	8	—	C		
28W/9419402	SP13/C	Washer, 2 BA	8	—	C		
	24R3543	Bush, 3/4" o/d x 3/8" long.....	1	S96		EN1/8	
4352	23R3543	Eye-bolt	1	S96	C	EN1/9	
	25R3543	EYE-END, GROUP	1	—	MR	EN1/10	
		Spares for:—					
	CT4	Bush, 1/2" o/d x 3/8" i/d x 1" long	1	Oilite	MR		
	17R3543	HOUSING, BEARING, GROUP	1	—		EN1/11	
		Spares for:—					
2A/9500415	SKEFCO I.132630	Bearing	1	—	C		
17948	14SS5880	Plate, securing	1	—	C		
	18R3543	Housing, bearing	2	DTD364B	MR	EN1/12	
		Attachment—Housing, Part No. 17 & 18R3543					
28D/9133011	A25/2C	Bolt, 2 BA	8	—	C		
28M/5808573	A27/CS	Nut, slotted, 2 BA	8	—	C		
28P/9486478	SP90/C5	Pin, split, 1/16" dia.	9	—	C		
28W/9419402	SP13/C	Washer, 2 BA.....	8	—	C		

CONTROLS
STEERING, NOSEWHEEL

Ref. No.	Part No.	Description	No. off	Matl. Spec.	Cl. of St.	Plate and Illust'n No.
					M.R.	
		1 2 3 4				
	33R3634	Lever, at drum switch	1	DTD130	MR	EN1/13
	38R3634	Lever, at drum switch (Alternative)	1	DTD683	MR	
	34R3634	Lever, at drum switch	1	DTD130	MR	EN1/14
	39R3634	Lever, at drum switch (Alternative)	1	DTD683		
	11R3634	LEVER, FOR CONNECTING RODS, GROUP	1	—		EN1/15
		Spares for:—				
	24R3634	HOUSING, BEARING, GROUP	1	—		
		Spares for:—				
2A/9500411 17944	R. & M. CK1/4"C 10SS5880 29R3592	Bearing	1	—	C	
		Plate, securing	1	—	C	
		Lever	2	—		
4348	21R3543	LEVER, GROUP	1	—	B	EN1/16
		Spares for:—				
4350	21bR3543	Bush, 5/8" o/d x 1/2" i/d x 1/4"	2	Oilite	C	
4349	22R3543	LVER, GROUP	1	—	B	EN1/17
		Spares for:—				
4351	22bR3543	Bush, 469" o/d x .375" i/d x 1" long	1	Oilite	C	
		Attachments—Lever, Part No. 21 & 22R3543				
4353	26R3543	Bolt, social	2	S96	C	
28M/1011467	A27/ES	Nut, slotted, 1/4" BSF	2	—	C	
28P/9486478	SP90/C5	Pln, split, 1/16" dia.	2	—	C	
28W/9418921	SP13/E	Washer, 1/4"	2	—	C	
4340	2R3634	ROD, CONNECTING, TORQUE TUBE TO	1	—	B	EN1/18
		LEVER, GROUP				
		Spares for:—				
	44.O.3506	ROD, END, FIXED, GROUP	1	—	MR	
		Spares for:—				
28R/4665592	R. & M. CM3/16"B	Bearing, rod end	1	—	C	
	25.O.3506	ROD, END, ADJUSTABLE, GROUP	1	—	MR	
		Spares for:—				
28R/4665592	R. & M. CM3/16"B	Bearing, rod end	1	—	C	
4341	3R3634	ROD, CONNECTING, DRUM SWITCH	1	—	B	EN1/16
		LEVER TO TORQUE TUBE, GROUP				
		Spares for:—				
4342	25R3634	Fork-end	1	—		
	26R3634	Fork-end, adjustable	1	—	C	
4343	16R3634	ROD, CONNECTING, FROM TORQUE	1	—	B	EN1/20
		TUBE, LEVER, GROUP				
		Spares for:—				
	17R3634	Fork-end	2	—		

VULCAN Mk 2

CONTROLS
STEERING, NOSEWHEEL

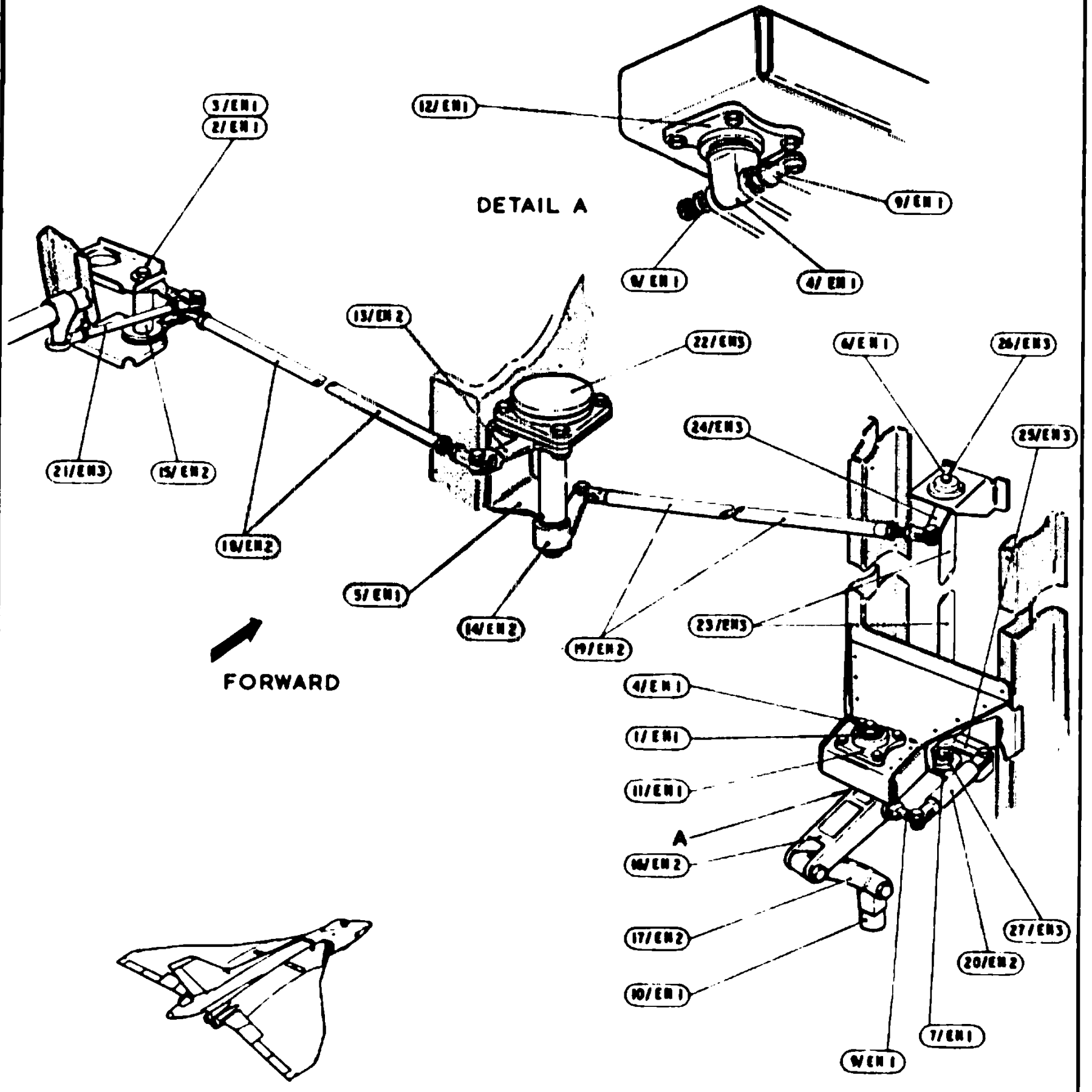
Page EN.3

Ref. No.	Part No.	Description	No. off	Matl. Spec.	Cl. of St.	Plate and Illust'n No.
					M.R.	
		1 2 3 4				
	14R3592	ROD, CONNECTING, TORQUE LEVER TO RUDDER CONTROL ROD, GROUP	1	—	MR	EN1/21
	8.O.3427	Spares for:— ROD, END, GROUP	2	—		
	R & M	Spares for:—				
28R/4665592	CM3/16"B	Bearing, rod end	1	—	C	
		Attachments—Connecting rods, Part No. 2, 3 and 16R3634 and 14R3592				
28D/1214005	AS2504/7C	Bolt, 2 BA	3	—	C	
28N/1045680	AGS899/2	Collar	4	—	C	
28M/5808573	A27/C5	Nut, slotted, 2 BA	3	—	C	
28P/9486478	SP90/C5	Pin, split, 1/16" dia	3	—	C	
28P/9710567	SP90/C4	Pin, split, 1/16" dia	4	—	C	
28P/7132526	SP14/Y/B7	Pin	4	—	C	
28W/9419402	SP13/C	Washer, 2 BA	3	—	C	
	DOWTY					
5CW/4400104	C1200Y Mk. 107	Switch, drum	1	—	A	EN1/22
		Attachments—Switch, Part No. C1220Y Mk. 107				
28D/9140644	A25/9C	Bolt, 2 BA	4	—	C	
28M/1012015	AGS2001/C1/66	Nut, stiff, 2 BA	4	—	C	
28W/9419402	SP13/C	Washer, 2 BA	4	—	C	
4345	15R3634	TUBE, TORQUE, WITH LEVER, GROUP Consisting of:—	1	—	B	EN1/23
	20R3634	Lever	1	DTD130		EN1/24
	21R3634	Lever	1	DTD130		EN1/25
4346	22R3634	Spigot	1	S1	C	EN1/26
4347	23R3634	Spigot	1	S1	C	EN1/27
	15aR3634	Tube, 3/4" o/d x 17G x 18.30" long	1	DTD464B		
		Attachments—Torque tube, Part No. 15R3634				
28M/5808573	A27/CS	Nut, slotted, 2BA	1	—	C	
28P/9527619	SP90/C7	Pin, split, 1/16" dia.	1	—	C	
28W/9419402	SP13/C	Washer, 2 BA	1	—	C	

VULCAN No. 2

CONTROLS
STEERING, NOSEWHEEL
SUMMARY OF STANDARD ITEMS

Stores Ref.		No. off	Stores Ref.		No. off	Stores Ref.		No. off
Section	Ref. No.		Section	Ref. No.		Section	Ref. No.	
28D	1214003	6	28N	1045680	4	28R	13504	4
28D	1214005	3						
28D	9133011	16						
28D	9140644	4	28P	833	4	28W	9418921	2
			28P	9486478	13	28W	9419402	30
			28P	9527619	1			
28M	1278190	12	28P	9710567	4			
28M	1011467	2						
28M	5808573	12						
28M	9403520	6						



CONTROLS
STEERING NOSEWHEEL

VULCAN Mk 2

ELECTRICAL INSTALLATION

Page FA. 1

BOMB BAY

Ref. No.	Part No.	Description	No. off	Matl. Spec.	Cl. of St.	Plate and Illust'n No.
					M.R.	
		1 2 3 4				
		ELECTRICAL INSTALLATION IN BOMB BAY (V8222) (V11319) Spares for:—				
5CZ/4335567 1433320 5X/4491769 5X/6200370 5X/9064	TEDDINGTON FLM/A/14 14V8222 1V7870 1V5650 AS2786 49V6352 10V6354 29V6354	Amplifier, magnetic, bomb arch 243.127 Angle, mounting (Mod. 2467) Block, terminal, bomb arch 108.637 Block, terminal Block, connector, heavy duty Bracket, clip Bracket, clip Bracket, clip	1 1 1 45 5 9 4 1	— — — — — L72 L72 L72	A C C C	FA1/1 FA1/2 FA1/3 FA1/4
12213	8V7723 ROTAX	BRACKET, MOUNTING, GROUP	1	—	C	FA1/5
5CZ/1053233	16936 12V11319	Syn. rubber, cable nipple Elect. Busbar (Mod. 1856)	8 1	— —	C	FA3/6 FA1/7
	11V11319	BRACKET, MOUNTING TB. AND RESISTOR, GROUP (Mod. 1340) (Pre-Mod. 2352) Consisting of:—	1	—		FA1/8
5CZ/6285995	BELLING LEE L744/NI	Block, terminal, 12-way	1	—	C	FA1/9
28M/9418829	26aV6354 AGS2002/A1 BERCO	Bracket Nut, stiff, 6 BA	1 3	BSS972 —	C	FA1/10
5CZ/8369 28S/9992531 28W/9419446	LW/25 A33/A24 SP10/A	Resistor, 33 ohms (Pre-Mod. 2352) Screw, 6 BA Washer, 6 BA	2 3 3	— — —	C C C	FA1/11
6A/1047909	SANGAMO WESTON FD751 SANGAMO WESTON FD119/20	Cable, temperature bulb, 6' 0" Cable, head comp., Type C, 7 metres	9 1	— —	 C	
	241V7909	CABLE (F241), 2J TO 26P, GROUP	1	—		
	354V7909	CABLE (F354), TB.89 TO CB. No. 1, GROUP	1	—		
	975V7909	CABLE (F536), GROUP (Mod. 2047)	1	—		
	7376V7909	CABLE (F424), 2J TO TB.811, GROUP	1	—		
	427V7909	CABLE (F427), TB.818 TO TB.819, GROUP	1	—		
	428V7909	CABLE (F428), TB.815 TO TB.816, GROUP	1	—		
	430V7909	CABLE (F430), TB.811 TO TB.812, GROUP	1	—		
	431V7909	CABLE (F431), TB.814 TO TB.815, GROUP	1	—		
	432V7909	CABLE (F432), TB.817 TO TB.818, GROUP	1	—		

ELECTRICAL INSTALLATION

BOMB BAY

Ref. No.	Part No.	Description	No. off	Matl. Spec.	Cl. of St.	Plate and Illust'n No.
					M.R.	
		<u>1 2 3 4</u>				
	433V7909	CABLE (F433), TB.814 TO RB.817, GROUP	1	—		
	434V7909	CABLE (F434), TB.811 TO TB.814, GROUP	1	—		
	435V7909	CABLE (F435), 21P TO 38P, GROUP	1	—		
	436V7909	CABLE (F436), 21P TO 39P, GROUP	1	—		
	454V7909	CABLE (F454), 21P TO EARTH, GROUP	1	—		
	512V7909	CABLE (F512), ACTUATOR TO TB.723,	1	—		
		GROUP				
	7272V7909	CABLE (F513), ACTUATOR TO TB.s 722	1	—		
		AND 892, GROUP				
	7273V7909	CABLE (F515), ACTUATOR TO TB.s 722	1	—		
		AND 893, GROUP				
	7072V7909	CABLE (F519), RELAY 254 TO TB.557,	1	—		
		GROUP				
	9756V7909	CABLE (F536), GROUP (Mod. 2047)	1	—		
	537V7909	CABLE (F537), 43P TO HOT AIR ACTUATOR	1	—		
		AND No. 1 MICRO SWITCH, GROUP				
	9755V7909	CABLE (F538), GROUP (Mod. 2047)	1	—		
	7324V7909	CABLE (F540), 43P TO AMPLIFIER AND	1	—		
		EARTH, GROUP				
	542V7909	CABLE (F542), AFT SENSING ELEMENTS	1	—		
		TO TB.852, GROUP				
	543V7909	CABLE (F543), AFT SENSING ELEMENTS	1	—		
		TO TB.852, GROUP				
	544V7909	CABLE (F544), FORWARD SENSING	1	—		
		ELEMENTS TO TB.851, GROUP				
	545V7909	CABLE (F545), FORWARD SENSING	1	—		
		ELEMENTS TO TB.851, GROUP				
	546V7909	CABLE (F546), 23P TO 2J, GROUP	1	—		
	547V7909	CABLE (F547), 23P TO FIN OVER HEAT	1	—		
		SWITCH AND ICE DETECTOR, GROUP				

VULCAN 14b. 2

ELECTRICAL INSTALLATION
BOMB BAY

Page FA. 3

Ref. No.	Part No.	Description	No. off	Matl. Spec.	Cl. of St.	Plate and Illust'n No.
					M.R.	
		1 2 3 4				
	548V7909	CABLE, (F548) 23P TO TB. 773, GROUP	1	—		
	550V7909	CABLE, (F550) 23P TO AMPLIFIER AND EARTH, GROUP	1	—		
	602V7909	CABLE, (F602) 2J TO 28P, GROUP ...	1	—		
	7259V7909	CABLE, (F551) 23P TO HOT AIR ACTUATOR AND TB, 1523, GROUP	1	—		
	7217V7909	CABLE, (F552) 1J TO 26P, GROUP ...	1	—		
	7304V7909	CABLE (F553) 34P TO 15P, 19P, 21P AND 2J GROUP	1	—		
	683V7909	CABLE, (F683) RELAY 419 TO 39P, GRP.	1	—		
	7234V7909	CABLE, (F735) 27P TO 28P, GROUP ...	1	—		
	767V7909	CABLE, (F767) CROSS FEED FUELCOCK ACTUATOR TO 1J, GROUP	1	—		
	859V7909	CABLE, (F859) 56P TO EARTH, GROUP	1	—		
	941V7909	CABLE, (F941) TB. 747 TO EARTH, GRP.	1	—		
	1186V7909	CABLE, (F1186) 21P TO 39P, GROUP ...	1	—		
	1201V909	CABLE, (F1201) 2J TO 65P, GROUP ...	1	—		
	1202V7909	CABLE, (F1202) 65P TO FORWARD BOMB BAY MICRO. SWITCH, GROUP	1	—		
	1203V7909	CABLE, (F1203) 65P TO AFT BOMB BAY MICRO SWITCH, GROUP	1	—		
	1204V7909	CABLE, (F1204) FORWARD TO AFT MICRO SWITCH, GROUP	1	—		
	1205V7909	CABLE, (F1205) PORT TO STARBOARD AFT, MICRO SWITCHES, GROUP	1	—		
	1206V7909	CABLE, (F1206) PORT TO STARBOARD FORWARD MICRO SWITCHES, GROUP	1	—		
	2654V7909	CABLE, (F2654) PORT TO STARBOARD FORWARD MICRO SWITCHES, GROUP (Mod. 660)	1	—		
	1254V7909	CABLE, (F1254) TB. 620 TO STARBOARD AFT MICRO SWITCH, GROUP	1	—		

VULCAN No. 2

Page FA. 4

ELECTRICAL INSTALLATION
BOMB BAY

Ref. No.	Part No.	Description	No. off	Matl. Spec.	Cl. of	Plate and Illust'n No.
					St. M.R.	
		1 2 3 4				
	1255V7909	CABLE, (F1255) TB. 620 TO PORT AFT MICRP SWITCH, GROUP	1	—		
	1256V7909	CABLE, (F1256) TB. 620 TO STARBOARD FORWARD MICRO SWITCH, GROUP	1	—		
	1257V7909	CABLE, (F1257) TB. 620 TO PORT FORWARD MICRO SWITCH, GROUP	1	—		
	1258V7909	CABLE, (F1258) PORT FORWARD MICRO SWITCH, TO PORT AFT MICRO SWITCH, GROUP	1	—		
	1259V7909	CABLE, (F1259) STARBOARD FORWARD MICRO SWITCH TO PORT FORWARD MICRO SWITCH, GROUP	1	—		
	1260V7909	CABLE, (F1260) STARBOARD AFT MICRO SWITCH TO PORT AFT MICRO SWITCH, GROUP	1	—		
	1305V7909	CABLE, (F1305) RELAY 419 TO 2J, GRP.	1	—		
	7279V7909	CABLE, (F1315) RELAY 419 TO TB. 621, GROUP	1	—		
	1319V7909	CABLE, (F1319) TB. 89 TO 26P, GROUP	1	—		
	1320V7909	CABLE, (F1320) TB. 90 TO 26P, GROUP	1	—		
	1323V7909	CABLE, (F1323) 1J TO 26P, GROUP ...	1	—		
	1400V7909	CABLE, (F1400) RELAY 254 TO TB. 49, GROUP	1	—		
	7074V7909	CABLE, (F1402) ACCUMULATOR TO RELAY 256 AND TB. 49, GROUP	1	—		
	1403V7909	CABLE, (F1403) ACCUMULATOR TO RELAY, 257 GROUP	1	—		
	1404V7909	CABLE, (F1404) ACCUMULATOR TO RELAY 257, GROUP	1	—		
	1407V7909	CABLE, (F1407) TB. 605 AND TB. 612, GRP.	1	—		
	1408V7909	CABLE, (F1408) TB. 605 AND TB. 612, GRP.	1	—		
	1410V7909	CABLE, (F1410) RESISTOR TO TB. 849, GROUP	1	—		
	1411V7909	CABLE, (F1411) RELAY 254 TO RESISTOR, GROUP	1	—		

VULCAN Mk 2

ELECTRICAL INSTALLATION

Page FA. 5

BOMB BAY

Ref. No.	Part No.	Description	No. off	Matl. Spec.	Cl. of St.	Plate and Illust'n No.
					M.R.	
		1 2 3 4				
	1412V7909	CABLE, (F1412) RELAY 251 TO RELAY 257 ... GROUP	1	—		
	1421V7909	CABLE, (F1421) TB. 849 TO EARTH, GRP.	1	—		
	1534V7909	CABLE, (F1534) TB. 721 TO EARTH, GRP.	1	—		
	1541V7909	CABLE, (F1541) TB. 633 TO TB. 893, GRP.	1	—		
	1629V7909	CABLE, (F1629) 61P TO RELAY, GROUP	1	—		
	1630V7909	CABLE, (F1630) 59P TO RELAY, GROUP	1	—		
	1631V7909	CABLE, (F1631) 2J TO TB. 166 AND SWITCH, GROUP	1	—		
	1641V7909	CABLE, (F1641) RESISTOR TO SWITCH, GROUP	1	—		
	1642V7909	CABLE, (F1642) TB. 166 TO SWITCH, GROUP	1	—		
	1643V7909	CABLE, (F1643) TB. 166 TO RELAY, GROUP	1	—		
	1645V7909	CABLE, (F1645) TB. 166 TO SWITCH, GROUP	1	—		
	1646V7909	CABLE, (F1646) TB. 166 TO SWITCH, GROUP	1	—		
	1648V7909	CABLE, (F1648) TB. 166 TO SWITCH, GROUP	1	—		
	7401V7909	CABLE, (F425) TB. 813 TO TB. 816, GROUP ...	1	—		
	426V7909	CABLE, (F426) TB. 816 TO TB. 819, GROUP ...	1	—		
	1488V7909	CABLE, (F1488) 28P TO EARTH, GROUP	1	—		
	1489V7909	CABLE, (F1489) 28P TO EARTH, GROUP	1	—		
	1542V7909	CABLE, (F1542) 28P TO EARTH, GROUP	1	—		
	1543V7909	CABLE, (F1543) 28P TO EARTH, GROUP	1	—		
	1442V7909	CABLE, (F1442) 2J TO 28P, GROUP	1	—		
	1495V7909	CABLE, (F1495) 27P TO EARTH, GROUP	1	—		
	1496V7909	CABLE, (F1496) 27P TO EARTH, GROUP	1	—		
	1497V7909	CABLE, (F1497) 27P TO EARTH, GROUP	1	—		
	1486V7909	CABLE, (F1486; TB. 653 TO EARTH, GROUP ..	1	—		
	1487V7909	CABLE, (F1497) 27P TO EARTH, GROUP	1	—		
	7369V7909	CABLE, (F1432) FIREWALL BREAK 571 TO 18J, 2J AND VOLTAGE REGULATOR 14J TO 18J, GROUP	1	—		
	7375V7909	CABLE, (F1350) ENGINE BREAK, 572 TO 21J, 17J TO 21J, GROUP	1	—		
	1676V7909	CABLE, (F1676) TB. 457 TO EARTH, GROUP ..	1	—		
	1677V7909	CABLE, (F1677) TB. 726 TO EARTH, GROUP ..	1	—		
	2285V7907	CABLE, (F2285) TB. 586 TO RELAY 491, GROUP	1	—		
	2286V7909	CABLE, (F2286) 2J TO RELAY 492, GROUP ...	1	—		
	1500V7909	CABLE, (F1500) TB. 656 TO 460, GROUP (Pre Mod. 1744)	1	—		
	1501V7909	CABLE, (F1501) TB. 462 TO TB. 666, GROUP .. (Pre Mod. 1744)	1	—		
	1503V7909	CABLE, (F1503) TB. 2036 TO TB. 459, GROUP (Pre Mod. 1744)	1	—		

ELECTRICAL INSTALLATION

BOMB BAY

Ref. No.	Part No.	Description	No. off	Matl. Spec.	Cl. of St.	Plate and Illust'n No.
					M.R.	
		1 2 3 4				
	1504V7909	CABLE, (F1504) TB. 2036 TO TB. 464, GROUP (Pre Mod. 1744)	1	—		
	1507V7909	CABLE, (F1507) TB. 2138 TO TB. 464, GROUP (Pre Mod. 1744)	1	—		
	1508V7909	CABLE, (F1508) TB. 2138 TO TB. 463, GROUP (Pre Mod. 1744)	1	—		
	7370V7909	CABLE, (F1333) 19J TO ENGINE BREAK 572 AND 15J, GROUP	1	—		
	2076V7909	CABLE, (F2076) FATIGUE METER TO TB. 520, GROUP (Pre Mod. 2388)	1	—		
	2075V7909	CABLE, (F2075) AS SWITCH TO TB. 520 GROUP	1	—		
	980V7909	CABLE, (F980) TB. 1176 TO RESISTOR, GROUP	1	—		
	981V7909	CABLE, (F981) FIREWALL BULKHEAD PLUG 739 TO RESISTOR, GROUP	1	—		
	982V7909	CABLE, (F982) FIREWALL BULKHEAD PLUG 740 TO RESISTOR, GROUP	1	—		
	983V7909	CABLE, (F983) RESISTOR TO TB. 1180 GROUP	1	—		
	2077V7909	CABLE, (F0277) TB. 520 TO EARTH, GRP.	1	—		
	1948V7909	CABLE, (F1948) TB. 723 TO EARTH, GRP.	1	—		
	2124V7909	CABLE, (F2124) TB. 465 TO TB. 463, GROUP .. (Pre Mod. 1744)	1	—		
	2125V7909	CABLE, (F2125) TB. 459 TO TB. 464, GROUP .. (Pre Mod. 1744)	1	—		
	2126V7907	CABLE, (F2126) AT TB. 465, GROUP (Pre Mod. 1744)	1	—		
	2127V7909	CABLE, (F2127) AT TB. 464, GROUP (Pre Mod. 1744)	1	—		
	7142V7909	CABLE, (F2080) 27P TO T.R.U., GROUP	1	—		
	1970V7909	CABLE, (F1970) DISTRIBUTION BOX (PY12) TO RELAY SUPPRESSOR UNIT P4, GROUP	1	—		
	1971V7909	CABLE, (F1971) DISTRIBUTION BOX (PY13) TO RELAY SUPPRESSOR UNIT GROUP	1	—		
	1972V7909	CABLE, (F1972) DISTRIBUTION BOX (PY14) TO RELAY SUPPRESSOR UNIT (Y2), GROUP	1	—		
	7220V7909	CABLE, (F1973) RELAY SUPPRESSOR P.1 TO SERVO P.1, GROUP	1	—		
	7221V7909	CABLE, (F1974) RELAY SUPPRESSOR P2 TO SERVO P2, GROUP	1	—		
	1985V7909	CABLE, (F1985) 10J TO 28P, GROUP	1	—		

VULCAN ME. 2

ELECTRICAL INSTALLATION
BOMB BAY

Page FA. 7

Ref. No.	Part No.	Description				No. off	Matl. Spec.	Cl. of St.	Plate and Illust'n No.
		1	2	3	4			M.R.	
	1975V7909	CABLE (F1975), RELAY SUPPRESSOR P3 TO SERVO P3, GROUP				1	-		
	1976V7909	CABLE (F1976), RELAY SUPPRESSOR P4 ... TO SERVO P4, GROUP				1	-		
	1899V7909	CABLE (F1899), DATUM UNIT TO M.T. DISTRIBUTION BOX (M.I.), GROUP				1	-		
	1967V7909	CABLE (F1967), DISTRIBUTION BOX TO RELAY, SUPPRESSOR, GROUP				1	-		
	1968V7909	CABLE (1968), DISTRIBUTION BOX TO RELAY SUPPRESSOR, GROUP				1	-		
	1969V7909	CABLE (F1969), DISTRIBUTION BOX (PY 11) TO RELAY SUPPRESSOR UNIT, GROUP				1	-		
	1986V7909	CABLE (F1986), 10J TO 27P, GROUP				1	-		
	1988V7909	CABLE (F1988), 10J TO DISTRIBUTION BOXES, GROUP				1	-		
	7191V7909	CABLE (F1989), 10J TO DISTRIBUTION BOXES, GROUP				1	-		
	2123Y7909	CABLE (2189), H.D. CONNECTORS TO POWER COMPARTMENT, GROUP				1	-		
	2189V7909	CABLE (F2189), M.T. DISTRIBUTION (M12) TO RELAY SUPPRESSOR, GROUP				1	-		
	2190V7909	CABLE (F2190), M.T. DISTRIBUTION (M12) TO RELAY SUPPRESSOR, GROUP				1	-		
	2191V7909	CABLE (F2191), M.T. DISTRIBUTION BOX (M12) TO RELAY SUPPRESSOR, GROUP				1	-		
	2063V7909	CABLE (F2063), 20P H.D. CONNECTOR TO TB's 430 AND 431, GROUP				1	-		
	2066V7909	CABLE (F2066), 27P TO 74P, GROUP				1	-		
	2477V7909	CABLE (F2477), POWER PACK TO TB's 460 .. AND 461 (Pre Mod. 1744)				1	-		
	2478V7909	CABLE (F2478), POWER PACK TO TB.462 ... GROUP (Pre Mod. 1744)				1	-		
	2481V7909	CABLE (F2481), POWER PACK TO TB.462, ... GROUP (Pre Mod. 1744)				1	-		
	2490V7909	CABLE (F2490), TEST SOCKET TO No. 2 TANK, PORT, GROUP				1	-		

VULCAN Mk. 2	ELECTRICAL INSTALLATION BOMB BAY
--------------	-------------------------------------

Ref. No.	Part No.	Description	No. off	Matl. Spec.	Cl. of St.	Plate and Illust'n No.
					M.R.	
	7083V7909	CABLE (F2101), TB's 460, 461 AND 462, GROUP (Pre Mod. 1744)	1	-		
	7084V7909	CABLE (F2103), POWER PACK TO TB.460, ... GROUP (Pre Mod. 1744)	1	-		
	7085V7909	CABLE (F2105), 76P TO TB.462, GROUP GROUP (Pre Mod. 1744)	1	-		
	2104V7909	CABLE (F2104), CONTROL BOX TO TB.460, . GROUP (Pre Mod. 608)	1	-		
	7086V7909	CABLE (F2104), 76P TO TB.460, GROUP (Pre Mod. 1744)	1	-		
	7088V7909	CABLE (F2102), CONTROL BOX TO POWER . PACK, GROUP (Pre Mod. 1744)	1	-		
	2487V7909	CABLE (F2487), TEST SOCKET TO No. 2 TANK, STARBOARD, GROUP	1	-		
	2647V7909	CABLE (F2647), AIR BRAKE ACTUATOR "A" TO T.R.U., GROUP (Mod. 645)	1	-		
	7648V7909	CABLE (F2648), T.R.U. TO LOWER CONDENSER, GROUP (Mod. 645)	1	-		
	2649V7909	CABLE (F2649), UPPER CONDENSER TO RELAY 244, GROUP (Mod. 645)	1	-		
	2651V7909	CABLE (F2651), T.R.U. LOWER CONDENSER, GROUP (Mod. 645)	1	-		
17264	2652V7909	CABLE (F2652), UPPER CONDENSER TO RELAY, GROUP (Mod. 645)	1	-	B	
	7932V7909	CABLE (F1441), 14J TO No. 1 CONDENSER, . GROUP (Mod. 772)	1	-		
	7935V7909	CABLE (F1388), 16J TO No. 3 CONDENSER, . GROUP (Mod. 772)	1	-		
	3828V7909	CABLE (F3828), GROUP	1	-		
	3829V7909	CABLE (F3829), GROUP	1	-		
	3832V7909	CABLE (F3832), GROUP	1	-		
	3833V7909	CABLE (F3833), GROUP	1	-		
	3834V7909	CABLE (F3834), GROUP	1	-		
	3835V7909	CABLE (F3835), GROUP	1	-		
	3838V7909	CABLE (F3838), GROUP	1	-		
	3851V7909	CABLE (F3851), GROUP	1	-		
20129	3852V7909	CABLE (F3853), GROUP	1	-	C	
20130	3853V7909	CABLE (F3853), GROUP	1	-	C	

VULCAN No. 2

ELECTRICAL INSTALLATION
BOMB BAY

Page FA. 9

Ref. No.	Part No.	Description				No. off	Matl. Spec.	Cl. of St. M.R.	Plate and Illust'n No.
		1	2	3	4				
	7938V7909	CABLE, (F1389) 16J TO No. 3 CONDENSER, . GROUP (Mod. 772)				1	-		
	7937V7909	CABLE, (F1360) 17J TO No. 4 CONDENSER, . GROUP (Mod. 772)				1	-		
	7938V7909	CABLE, (F1381) 17J TO No. 4 CONDENSER, . GROUP (Mod. 772)				1	-		
	7947V7909	CABLE, (F1452) 14J TO No. 1 CONDENSER, . GROUP				1	-		
	7130V7909	CABLE, (F1644) TB.603 TO RELAY 244, GROUP (Mod. 636)				1	-		
	7131V7909	CABLE, (F1655) STARBOARD MICRO SWITCH TO TB.603, GROUP (Mod. 636)				1	-		
	2513V7909	CABLE, (F2513) RELAY 244 TO TB.603, GROUP (Mod. 636)				1	-		
	2514V7909	CABLE, (F2514) RELAY 243 TO TB.604, GROUP (Mod. 636)				1	-		
	2515V7909	CABLE, (F2515) TB.603 TO EARTH, GROUP . (Mod. 636)				1	-		
	2516V7909	CABLE, (F2516) TB.604 TO EARTH, GROUP . (Mod. 636)				1	-		
	2517V7909	CABLE, (F2517) TB.604 TO EARTH, GROUP (Mod. 636)				1	-		
	2518V7909	CABLE, (F2518) TB.603 TO EARTH, GROUP . (Mod. 636)				1	-		
	7660V7909	CABLE, (F2519) TIME DELAY TO TB.603 AND RELAY 244, GROUP				1	-		
	7661V7909	CABLE, (F2520) TIME DELAY TO T.R.604 ... AND RELAY 243, GROUP (Mod. 636)				1	-		
	2523V7909	CABLE, (F2523) TB.166 TO TB.603, GROUP .. (Mod. 636)				1	-		
	3900V7909	CABLE, (F3900), GROUP (Mod. 2009)				1	-		
	7531V7909	CABLE, (F544), GROUP				1	-		
	9681V7909	CABLE, (2/F3809), 56P TO FATIGUE METER (Mod. 2223)				1	-		

ELECTRICAL INSTALLATION
BOMB BAY

Ref. No.	Part No.	Description	No. off	Matl. Spec.	Cl. of St.	Plate and Illust'n No.
					M.R.	
		1 2 3 4				
	2524V7909	CABLE, (F2524) TB 604 TO RELAY 243, GROUP (Mod. 636)	1	-		
	2641V7909	CABLE, (F2641) TB.592 TO SWITCH No. 2, ... GROUP	1	-		
	2642V7909	CABLE, (F2642) TB.592 TO SWITCH No. 3, ... GROUP	1	-		
	352V7909	CABLE, (F352) THROTTLE BOX TO 3P, GROUP	1	-		
	521V7909	CABLE, (F521) 1J TO 27P, GROUP	1	-		
	522V7909	CABLE, (F522), GROUP (Pre-Mod. 2253)	1	-		
	9888V7909	CABLE, (F522) 1J TO 26P, GROUP	1	-		
	685V7909	CABLE, (F685) RELAY 415 TO 38P, GROUP ..	1	-		
	4116V7909	CABLE, (F4116) 28P TO DOPPLER BAY RELAY 339, GROUP (Mod. 2256)	1	-		
	739V7909	CABLE, (F739) 1J TO RELAY 339, GROUP ...	1	-		
	900V7909	CABLE, (F900) RELAY 416 TO EARTH, GROUP	1	-		
	942V7909	CABLE, (F942) 21P TO 38P, GROUP	1	-		
	1115V7909	CABLE, (F1115) 21P TO TB's.543 AND 607, .. GROUP	1	-		
	3007V7909	CABLE, (F3307) 1J TO 74P, GROUP	1	-		
	1125V7909	CABLE, (F1125) 2J TO EARTH, GROUP	1	-		
	7232V7909	CABLE, (F1159) 2J TO 18J, GROUP	1	-		
	1174V7909	CABLE, (F1174) 27P TO 58P, GROUP	1	-		
	1175V7909	CABLE, (F1175) 27P TO 58P, GROUP	1	-		
1510072	1176V7909	CABLE, (F1176) 27P TO 58P, GROUP	1	-		
	1177V7909	CABLE, (F1177) 27P TO 59P, GROUP	1	-		
	1178V7909	CABLE, (F1178) 27P TO 59P, GROUP	1	-		
	1179V7909	CABLE, (F1179) 27P TO 59P, GROUP	1	-		
	1180V7909	CABLE, (F1180) 28P TO 60P, GROUP	1	-		

VULCAN Mk. 2		ELECTRICAL INSTALLATION				Page FA. 11			
		BOMB BAY							
Ref. No.	Part No.	Description				No. off	Matl. Spec.	Cl. of St.	Plate and Illust'n No.
		1	2	3	4			M.R.	
1433227	1181V7909	CABLE (F1181), 28P TO 60P, GROUP				1	-		
	1182V7909	CABLE (F1182), 28P TO 60P, GROUP				1	-		
	1183P7909	CABLE (F1183), 28P TO 61P, GROUP				1	-		
	1184V7909	CABLE (F1184), 28P TO 61P, GROUP				1	-		
	1185V7909	CABLE (F1185), 28P TO 61P, GROUP				1	-	C	
	7258V7909	CABLE (F1295), 2J TO 26P, GROUP				1	-		
	1302V7909	CABLE (F1302), 1J TO TB.621, GROUP				1	-		
	1324V7909	CABLE (F1324), 1J TO 26P, GROUP				1	-		
	1336V7909	CABLE (F1336), TB's 621, 622 AND 623 TO .. 21J, GROUP				1	-		
	1367V7909	CABLE (F1367), TB's 623, 624 AND 625 TO .. 20J, GROUP				1	-		
	7372V7909	CABLE (F1381), FIREWALL BREAK 574 TO .. 20J, TB.623, VOLTAGE REGULATOR, 16J AND 20J, GROUP				1	-		
	1406V7909	CABLE (F1406), 21P TO MICRO SWITCH, GROUP				1	-		
	1416V7909	CABLE (F1416), TB.849 TO RELAY 257,				1	-		
	1445V7909	CABLE (F1445), TB's 630, 632, AND 633 TO .. 19J, GROUP				1	-		
	1450V7909	CABLE (F1450), 26P TO 2J, GROUP				1	-		
	7128V7909	CABLE (F1491), 2J TO 26P, GROUP				1	-		
	1498V7909	CABLE (F1498), 27P TO TB.460, GROUP				1	-		
	1499V7909	CABLE (F1499), 28P TO TB.462, GROUP				1	-		
	1515V7909	CABLE (F1515), TB.459 TO TB.159, GROUP .. (Pre-Mod. 1744)				1	-		
	1516V7909	CABLE (F1516), TB.459 TO TB.160, GROUP .. (Pre-Mod. 1744)				1	-		
1517V7909	CABLE (F1517), TB.459 TO TB.160, GROUP .. (Pre-Mod. 1744)				1	-			
1518V7909	CABLE (F1518), TB.463 TO TB.161, GROUP .. (Pre-Mod. 1744)				1	-			

VULCAN ML 2

Page FA. 12

ELECTRICAL INSTALLATION

BOMB BAY

Ref. No.	Part No.	Description	No. off	Matl. Spec.	Cl. of	Plate and Illust'n No.
					St. M.R.	
		1 2 3 4				
	1519V7909	CABLE (F1519), TB.463 TO TB.161, GROUP .. (Pre-Mod. 1744)	1	-		
	1520V7909	CABLE (F1520), TB.463 TO TB.162, GROUP .. (Pre-Mod. 1744)	1	-		
	1521V7909	CABLE (F1521), TB.463 TO TB.162, GROUP .. (Pre-Mod. 1744)	1	-		
	1522V7909	CABLE (F1522), TB.459 TO TB.159, GROUP .. (Pre-Mod. 1744)	1	-		
	1523V7909	CABLE (F1523), TB.461 TO TB.462, GROUP ..	1	-		
	1524V7909	CABLE (F1524), TB.460 TO TB.461, GROUP ..	1	-		
	1544V7909	CABLE (F1544), 28P TO EARTH, GROUP	1	-		
	1582V7909	CABLE (F1582), TB.630 TO RELAY 257, GROUP	1	-		
	1633V7909	CABLE (F1633), 2J TO RELAY 240 AND RESISTOR, GROUP	1	-		
	1637V7909	CABLE (F1637), RELAY 240 TO PORT SWITCH, GROUP	1	-		
	1638V7909	CABLE (F1638), RELAY 240 TO PORT SWITCH, GROUP	1	-		
	1640V7909	CABLE (F1640), RESISTOR TO PORT SWITCH, GROUP	1	-		
	1649V7909	CABLE (F1649), BETWEEN PORT SWITCHES, GROUP	1	-		
	1650V7909	CABLE (F1650), BETWEEN PORT SWITCHES, GROUP	1	-		
	1651V7909	CABLE (F1651), BETWEEN PORT SWITCHES, GROUP	1	-		
	1652V7909	CABLE (F1652), BETWEEN PORT SWITCHES, GROUP	1	-		
	1656V7909	CABLE (F1656), AT RELAY 244, GROUP	1	-		
	1657V7909	CABLE (F1657), AT RELAY 243, GROUP	1	-		
	2723V7909	CABLE (F2723), GROUP (Mod. 1499)	1	-		
	2724V7909	CABLE (F2724), GROUP (Mod. 1499)	1	-		
	2725V7909	CABLE (F2725), GROUP (Mod. 1499)	1	-		

VULCAN 114 2

ELECTRICAL INSTALLATION

Page FA. 13

BOMB BAY

Ref. No.	Part No.	Description	No. off	Matl. Spec.	Cl. of	Plate and Illust'n No.
					St. M.R.	
		1 2 3 4				
	1671V7909	CABLE, (F1671) RELAY 240 TO EARTH, GROUP	1	—		
	7327V9114	CABLE, (F1885) 4P TO AILERON ACTUATOR, GROUP (Pre-Mod. 1174)	1	—		
	7315V9114	CABLE, (F1886) 4P TO RUDDER ACTUATOR, GROUP (Pre-Mod. 1174)	1	—		
	7316V9114	CABLE, (F1887) 4P TO ELEVATOR ACTUATOR, GROUP (Pre-Mod. 1174)	1	—		
	7298V9114	CABLE, (F1891) 3P TO RUDDER TRIM ACTUATOR, GROUP (Pre-Mod. 1174)	1	—		
	7297V9114	CABLE, (F1892) 3P TO AILERON TRIM ACTUATOR, GROUP (Pre-Mod. 1174)	1	—		
	1895V9114	CABLE, (F1895) DATUM UNIT TO DISTRIBUTION BOX, GROUP (Pre-Mod. 1174)	1	—		
	1896V9114	CABLE, (F1896) DATUM UNIT TO DISTRIBUTION BOX, GROUP (Pre-Mod. 1174)	1	—		
	1897V9114	CABLE, (F1897) DATUM UNIT TO DISTRIBUTION BOX, GROUP (Pre-Mod. 1174)	1	—		
	1898V9114	CABLE, (F1898) DATUM UNIT TO DISTRIBUTION BOX, GROUP (Pre-Mod. 1174)	1	—		
	1900V9114	CABLE, (F1900) DATUM UNIT TO DISTRIBUTION BOX, GROUP (Pre-Mod. 1174)	1	—		
	7295V9114	CABLE, (F1907) RELAY 173 TO TB. 766, GROUP (Pre-Mod. 1174)	1	—		
	7296V9114	CABLE, (F1908) RELAY 172 TO TB. 766, GROUP (Pre-Mod. 1174)	1	—		
	7294V9114	CABLE, (F1890) 3P TO ELEVATOR TRIM ACTUATOR, GROUP (Pre-Mod. 1174)	1	—		
	2008V7909	CABLE, (F2008) 21P TO 39P, GROUP ...	1	—		
	2073V7909	CABLE, (F2073) RELAY 259 TO TB. 849, GROUP	1	—		

VULCAN Mk 2

Page FA. 14

**ELECTRICAL INSTALLATION
BOMB BAY**

Ref. No.	Part No.	Description				No. off	Matl. Spec.	Cl. of St.	Plate and Illust'n No.
		1	2	3	4			M.R.	
	2111V7909	CABLE, (F2111) TB. 632 TO V.G. RECORDER, GROUP				1	—		
	2112V7909	CABLE, (F2112) V.G. RECORDER TO EARTH, GROUP				1	—		
	2117V7909	CABLE, (F2117) RELAY SUPPRESSOR TO MACH. TRIM SERVO, GROUP				1	—		
	2118V7909	CABLE, (F2118) RELAY SUPPRESSOR TO MACH. TRIM SERVO, GROUP				1	—		
	2129V7909	CABLE, (F2129) AT REALY 254, GROUP				1	—		
	2132V7909	CABLE, (F2132) RELAY 257, GROUP ...				1	—		
	2364V7909	CABLE, (F2364) TB. 895 TO EARTH, GRP.				1	—		
	2449V7909	CABLE, (F2449) 1J TO 19J, GROUP ...				1	—		
	2450V7909	CABLE, (F2450) 1J TO 18J, GROUP ...				1	—		
	2453V7909	CABLE, (F2453) 2J TO 21J, GROUP ...				1	—		
	2456V7909	CABLE, (F2456) 1J AND 2J TO 20J, GROUP (Pre-Mod. 1174)				1	—		
	7777V7909	CABLE, (F2482), GROUP				1	—		
	2484V7909	CABLE, (F2484) RELAY 254 TO RELAY 257, GROUP				1	—		
	2504V7909	CABLE, (F2504) 29P TO 27P, GROUP (Pre-Mod. 1174)				1	—		
	2510V7909	CABLE, (F2510) 82P TO 27P, GROUP ...				1	—		
	2571V7909	CABLE, (F2571) 28P TO 39P, GROUP ...				1	—		
	2572V7909	CABLE, (F2572) 27P TO 38P, GROUP ...				1	—		
	2573V7909	CABLE, (F2573) 27P TO 15J, GROUP ...				1	—		
	2574V7909	CABLE, (F2574) 28P TO 17J, GROUP ...				1	—		
	2575V7909	CABLE, (F2575) 27P TO 14J, GROUP ...				1	—		
	2576V7909	CABLE, (F2576) 28P TO 16J, GROUP ...				1	—		

VULCAN 14b 2

ELECTRICAL INSTALLATION
BOMB BAY

Page FA. 15

Ref. No.	Part No.	Description				No. off	Matl. Spec.	Cl. of St.	Plate and Illust'n No.
		1	2	3	4			M.R.	
	8042V7909	CABLE, (F1647) RELAY 203 TO TB. 166, GROUP				1	—		
	8043V7909	CABLE, (F1645) RELAY 203 TO PORT MICRO SWITCH, GROUP				1	—		
	8041V7909	CABLE, (F1653) SWITCH J TO SWITCH K, GROUP				1	—		
	7781V7909	CABLE, (F2646) 1J TO 26P, GROUP ...				1	—		
	2753V7909	CABLE, (F2753) TANK "D" TEST PLUG TO TB. 316, GROUP				1	—		
	2754V7909	CABLE, (F2754), GROUP				1	—		
	2755V7909	CABLE, (F2755), GROUP				1	—		
	2756V7909	CABLE, (F2756) TB. 675 TO RELAY 548, GROUP				1	—		
	2580V7909	CABLE, (F2580) TB. 591 TO TB. 813, GRP.				1	—		
	7933V7909	CABLE, (F1468) 15J TO No. 2 CON., GROUP (Mod. 772)				1	—		
	7934V7909	CABLE, (F1469) 15J TO No. 2 CON., GROUP (Mod. 772)				1	—		
	1909V7909	CABLE, (F1909) RELAY 173 TO EARTH, GROUP				1	—		
	1910V7909	CABLE, (F1910) RELAY 173 TO EARTH, GROUP				1	—		
	1911V7909	CABLE, (F1911) RELAY 172 TO EARTH, GROUP				1	—		
	1912V7909	CABLE, (F1912) RELAY 172 TO EARTH, GROUP				1	—		
	1913V7909	CABLE, (F1913) AT RELAY 172, GROUP ...				1	—		
	1914V7909	CABLE, (F1914) AT RELAY 173, GROUP				1	—		
	1915V7909	CABLE, (F1915) AT RELAY 173, GROUP				1	—		
	1916V7909	CABLE, (F1916) AT RELAY 173, GROUP				1	—		

VULCAN No. 2

Page FA. 16

ELECTRICAL INSTALLATION

BOMB BAY

Ref. No.	Part No.	Description	No. off	Matl. Spec.	Cl. of	Plate and Illust'n No.
					St.	
		1 2 3 4				
	2653V7909	CABLE, (F2653) RELAY 257 TO STARBOARD FORWARD MICRO SWITCH, GROUP (Mod. 660)	1	—		
	7806V7909	CABLE, (F857) 56P TO TB's 725, 726 AND 727, GROUP (Mod. 707)	1	—		
	7807V7909	CABLE, (F858) 56P TO TB's 725, 726 AND 727, GROUP (Mod. 707)	1	—		
	2865V7909	CABLE, (F2865) 27P TO TB. 456, GROUP (Mod. 707)	1	—		
	2866V7909	CABLE, (F2866) 28P TO TB. 725, GROUP (Mod. 707)	1	—		
	3030V7909	CABLE, (F3030) RELAY 203 TO EARTH, GROUP	1	—		
	3033V7909	CABLE, (F3033) STARBOARD MICRO SWITCH TO TB. 521, GROUP (Pre-Mod. 1174)	1	—		
	3034V7909	CABLE, (F3034) STARBOARD MICRO SWITCH TO TB. 521, GROUP (Pre-Mod. 1174)	1	—		
	3026V7909	CABLE, (F3026) RELAY 203 TO TB. 604, GROUP	1	—		
	2991V7909	CABLE, (F2991) 15P TO 21P, GROUP (Mod. 774)	1	—		
	2292V7909	CABLE, (F2292) 16P TO 21P, GROUP (Mod. 774)	1	—		
	7943V7909	CABLE, (F453) No. 1 FIRE BOTTLE TO 21P, GROUP (Mod. 774)	1	—		
	7944V7909	CABLE, (F455) No. 2 FIRE BOTTLE TO 21P, GROUP (Mod. 774)	1	—		
	7945V7909	CABLE, (F456) No. 3 FIRE BOTTLE TO 21P, GROUP (Mod. 774)	1	—		
	7946V7909	CABLE, (F457) No. 4 FIRE BOTTLE TO 21P, GROUP (Mod. 774)	1	—		
	2824V7909	CABLE, (F2824) RELAY 254 TO RECTIFIER, GROUP	1	—		
	7942V7909	CABLE, (F1413) RELAY 254 TO RELAY 255 AND RECTIFIER, GROUP	1	—		
	7302V9114	CABLE, (F72) R.P.B. 113 TO 1J, 2J AND 26J, GROUP (Pre-Mod. 1174)	1	—		

VULCAN Mk 2

**ELECTRICAL INSTALLATION
BOMB BAY**

Page FA. 17

Ref. No.	Part No.	Description 1 2 3 4	No. off	Matl. Spec.	Cl. of	Plate and Illust'n No.
					St. M.R.	
	7406V9114	CABLE, (F71) R.P.B. 111 TO 26P AND 63P, GROUP (Pre-Mod. 1174)	1	—		
	7407V9114	CABLE, (F114) R.P.B. 138 TO 2J AND 26P, GROUP (Pre-Mod. 1174)	1	—		
	7434V7909	CABLE, (F1977) RELAY SUPPRESSOR (Y1) TO SERVO (Y1), GROUP (Mod. 569)	1	—		
	7435V7909	CABLE, (F1978) RELAY SUPPRESSOR (Y2) TO SERVO (Y2), GROUP	1	—		
	7453B7909	CABLE, (F980) TB. 1176 TO RESISTOR, GROUP (Mod. 569)	1	—		
	7458V7909	CABLE, (F981) FIREWALL BULKHEAD PLUG 739 TO RESISTOR, GROUP (Mod. 569)	1	—		
	7464V7909	CABLE, (F982) FIREWALL BULKHEAD PLUG 740 TO RESISTOR, GRP. (Mod. 569)	1	—		
	7469V7909	CABLE, (F983) RESISTOR TO TB. 1180, GROUP (Mod. 569)	1	—		
	3105V7909	CABLE, (F3105) RELAY 255 TO RECTIFIER, GROUP (Mod. 901)	1	—		
	3106V7909	CABLE, (F3106) RECTIFIER GJ3 M TO RELAY 255, GROUP (Mod. 901)	1	—		
	3107V7909	CABLE, (F3107) RELAY 255 TO RELAY 257, GROUP (Mod. 901)	1	—		
	3104V7909	CABLE, (F3104) AT RELAY 255, GROUP (Mod. 901) (Pre-Mod. 1174)	1	—		
	8092V7909	CABLE, (F2349) 27P TO 78P, GROUP (Pre-Mod. 1174)	1	—		
	2352V7909	CABLE, (F2352) AFT TANK BRK. 926 TO 80P, GROUP	1	—		
	2391V7909	CABLE, (F2391) 80P TO EARTH, GROUP	1	—		
	2392V7909	CABLE, (F2392) 80P TO EARTH, GROUP	1	—		
	2412V7909	CABLE, (F2412) No. 1 FIRE EXT. TO 78P, GROUP	1	—		
	2413V7909	CABLE, (F2413) No. 2 FIRE EXT. TO 78P, GROUP	1	—		
	2414V7909	CABLE, (F2414) No. 3 FIRE EXT. TO 78P, GROUP	1	—		

VULCAN Mk. 2

Page FA. 18

ELECTRICAL INSTALLATION
BOMB BAY

Ref. No.	Part No.	Description	No. off	Matl. Spec.	Cl. of	Plate and Illust'n No.
					St. M.R.	
		1 2 3 4				
	2415V7909	CABLE, (F2415) No. 4 FIRE EXT. TO 78P, GROUP	1	—		
	2416V7909	CABLE, (F2416) No. 5 FIRE EXT. TO 78P, GROUP	1	—		
	2417V7909	CABLE, (F2417) No. 6 FIRE EXT. TO 78P, GROUP	1	—		
	2418V7909	CABLE, (F2418) No. 7 FIRE EXT. TO 78P, GROUP	1	—		
	2419V7909	CABLE, (F2419) No. 8 FIRE EXT. TO 78P, GROUP	1	—		
	8091V7909	CABLE, (F2421) 78P TO 2J, GROUP ...	1	—		
	2440V7909	CABLE, (F2440) 2J TO 26P, GROUP ...	1	—		
	2779V7909	CABLE, (F2779) 36P TO 21P, GROUP ...	1	—		
	2675V7909	CABLE, (F2675) TB. 164 TO TB. 463, GRP. (Pre-Mod. 1744)	1	—		
	2697V7909	CABLE, (F2697) PLUG 920 TO TB. 164, GROUP (Pre-Mod. 1744)	1	—		
	8221V7909	CABLE, (F549) 23P TO FOLLOW UP RESISTOR, COLD AIR ACTUATOR No. 2 MICRO SWITCH AND INCH CONTROLLER, GROUP (Mod. 862)	1	—		
	2420V7909	CABLE, (F2420) 78P TO EARTH, GROUP	1	—		
	8151V7909	CABLE, (F3058) 27P TO TB. 1575, GROUP	1	—		
	8152V7909	CABLE, (F3059) 27P TO TB. 1573, GROUP	1	—		
	8153V7909	CABLE, (F3060) 28P TO TB. 1573, GROUP	1	—		
	8154V7909	CABLE, (F3061) 28P TO TB. 1573, GROUP	1	—		
	8155V7909	CABLE, (F3062) 27P TO TB. 1572, GROUP (Pre-Mod. 1174)	1	—		
	8156V7909	CABLE, (F3063) 28P TO TB. 1572, GROUP (Pre-Mod. 1174)	1	—		
	8157V7909	CABLE, (F3064) 28P TO TB. 1574, GROUP (Pre-Mod. 1174)	1	—		

VULCAN No. 2

ELECTRICAL INSTALLATION

BOMB BAY

Ref. No.	Part No.	Description	No. off	Matl. Spec.	Cl. of	Plate and Illust'n No.
					St. M.R.	
		1 2 3 4				
	8158V7909	CABLE, (F3065) 27P TO TB.1574, GROUP (Pre-Mod. 1174)	1	-		
	8214V7909	CABLE, (F2338) FORWARD PLUG 919 TO ... EARTH, 21P AND 36P, GROUP	1	-		
	8266V7909	CABLE, (F2340) AFT PLUG 927 TO EARTH, . 21P AND 36P, GROUP	1	-		
	8138V7909	CABLE, (F2341) 15P TO 36P, GROUP	1	-		
	8212V7909	CABLE, (F2353) AFT TANK BRK. 925 TO 78P, GROUP	1	-		
	8136V7909	CABLE, (F2355) 28P TO 78P, GROUP	1	-		
	8133V7909	CABLE, (F2357) 28P TO 78P, GROUP	1	-		
	8132V7909	CABLE, (F2360) TANK BRK. 918 TO 80P, GROUP	1	-		
	8137V7909	CABLE, (F2361) TANK BRK. 917 TO 78P, GROUP	1	-		
	8135V7909	CABLE, (F2378) 28P TO 78P, GROUP	1	-		
	1264V7909	CABLE, (F1264), GROUP (Pre-Mod. 748)	1	-		
	8096V7909	CABLE, (F1264) 26P TO STARBOARD AFT .. MICRO SWITCH, GROUP (Mod. 748) (Pre-Mod. 1174)	1	-		
	2643V7909	CABLE, (F2643), GROUP (Pre-Mod. 748)	1	-		
	8098V7909	CABLE, (F2643) STARBOARD FORWARD ... MICRO SWITCH TO PORT FORWARD MICRO SWITCH, GROUP (Mod. 748)	1	-		
	2644V7909	CABLE, (F2644), GROUP (Pre-Mod. 748)	1	-		
	8099V7909	CABLE, (F2644) STARBOARD FORWARD ... MICRO SWITCH TO PORT AFT MICRO SWITCH, GROUP (Mod. 748)	1	-		
	2676V7909	CABLE, (F2676), GROUP (Pre-Mod. 748)	1	-		
	8100V7909	CABLE, (F2676) STARBOARD AFT MICRO .. SWITCH TO PORT AFT MICRO SWITCH, GROUP (Mod. 748)	1	-		
	2890V7909	CABLE, (F2890) No. 2 PT. FORWARD TO 2J, GROUP (Mod. 748)	1	-		
	8346V7909	CABLE, (F918) 2J TO 39P, GROUP	1	-		
	8334V7909	CABLE, (F682) 1J TO 39P, GROUP	1	-		
	8337V7909	CABLE, (F913) RELAY 415 TO TB's. 553, 559 AND 566, GROUP (Mod. 952)	1	-		
	3187V7909	CABLE, (F3187) 1J TO 2J, GROUP	1	-		

ELECTRICAL INSTALLATION

BOMB BAY

Ref. No.	Part No.	Description	No. off	Matl. Spec.	Cl. of	Plate and Illust'n No.
					St. M.R.	
		1 : 2 3 . 4				
	3194V7909	CABLE, (F3194) AT RELAY 416, GROUP (Mod. 952)	1	-		
	3195V7909	CABLE, (F3195) AT RELAY 416, GROUP (Mod. 952)	1	-		
	8572V7909	CABLE, (F3112) RELIEF VALVE TO RELAY . 574 AND EARTH, GROUP (Mod. 748) (Pre-Mod. 1174)	1	-		
	3201V7909	CABLE, (F3201) AT RELAY 416, GROUP	1	-		
	3202V7909	CABLE, (F3202) AT RELAY 416, GROUP	1	-		
	3203V7909	CABLE, (F3203) AT RELAY 416, GROUP	1	-		
	3204V7909	CABLE, (F3204) AT RELAY 416, GROUP	1	-		
	8163V7909	CABLE, (F2390) 80P TO 1J, GROUP	1	-		
	8139V7909	CABLE, (F2442) 1J TO 26P, GROUP	1	-		
	8167V7909	CABLE, (F2461) 78P TO 1J, GROUP	1	-		
	8200V7909	CABLE, (F2688) PLUG 928 TO TB.163, GROUP (Pre-Mod. 1744)	1	-		
	8164V7909	CABLE, (F2776) 26P TO 1J, GROUP	1	-		
	8161V7909	CABLE, (F2777) 26P TO 1J, GROUP	1	-		
	8228V7909	CABLE, (F603) GROUP, (Pre-Mod. 2253)	1	-		
	9889V7909	CABLE, (F603) 26P TO 2J, GROUP	1	-		
		(Mod. 2253)				
	8184V7909	CABLE, (F3029) RELAY 203 TO MICRO SWITCH, GROUP (Pre-Mod. 1174)	1	-		
	8177V7909	CABLE, (F2362) PORT FORWARD MICRO ... SWITCH TO 65P, GROUP	1	-		
	8383V7909	CABLE, (F2095) TB.638 TO RELAY 392, GROUP (Mod. 1000)	1	-		
	8382V7909	CABLE, (F2182) 1J TO 74P, GROUP	1	-		
		(Mod. 1000)				
	8116V7909	CABLE, (F2087) 1J TO 29P, GROUP	1	-		
		(Pre-Mod. 975)				
	8416V7909	CABLE, (F2087) 1J TO 29J, GROUP	1	-		
		(Mod. 975)				
	8271V7909	CABLE, (F2392), GROUP	1	-		

VULCAN Mk 2

ELECTRICAL INSTALLATION
BOMB BAY

Page FA. 21

Ref. No.	Part No.	Description				No. off	Matl. Spec.	Cl. of	Plate and Illust'n No.
		1	2	3	4			St. M.R.	
	2511V7909	CABLE, (F2511) RECTIFIER TO TB. 603, GROUP (Mod. 636)				1	—		
	2512V7909	CABLE, (F2512) RECTIFIER TO TB. 604, GROUP (Mod. 636)				1	—		
	3533V7909	CABLE, (F3533) RELAY 255 TO RELAY 760, GROUP (Mod. 1363)				1	—		
	3534V7909	CABLE, (F3523) RELAY 760 TO TB. 13, GROUP (Mod. 1363)				1	—		
	3535V7909	CABLE, (F3535) RELAY 760 TO EARTH, GROUP (Mod. 1363)				1	—		
	8778V7909	CABLE, (F2838) RELAYS 255, 574, 760 TO TB. 849, GROUP (Mod. 1363)				1	—		
	8780V7909	CABLE, (F1401) RELAY 255 TO PRESSURE SWITCH, GROUP (Mod. 1363)				1	—		
	8371V7909	CABLE, (F511) AILERON ACTUATOR TO TB. 724, GROUP (Mod. 1003)				1	—		
	8372V7909	CABLE, (F514) ACTUATOR TO TB. 722, GROUP (Mod. 1003)				1	—		
	8373V7909	CABLE, (F1944) ELECT. COMP. BOX TO 19P, EARTH, GROUP (Mod. 1003)				1	—		
	8374V7909	CABLE, (F1945) ELECT. COMP. BOX TO 19P EARTH, GROUP (Mod. 1003)				1	—		
	8375V7909	CABLE, (F1946) RELAY 130 TO EARTH, GROUP (Mod. 1003)				1	—		
	8378V7909	CABLE, (F1536) 26P TO EARTH AND 66P, GROUP (Mod. 1003)				1	—		
	8290V7909	CABLE, (F2156) RELAY 259 TO 28P, GROUP (Mod. 1074)				1	—		
	3215V7909	CABLE, (F3215) RESISTOR TO TB. 603, GROUP				1	—		
	3216V7909	CABLE, (F3216) TB. 604 TO AIR BRAKE ACTUATOR, GROUP				1	—		
	8438V7909	CABLE, (F2511) RECTIFIER TO TB. 603 AND RESISTOR, GROUP				1	—		
	8439V7909	CABLE, (F2512) RECTIFIER TO TB. 604 AND RESISTOR, GROUP				1	—		
	9302V7909	CABLE, (F3534), GROUP				1	—		
	9312V7909	CABLE, (F542), GROUP				1	—		

VULCAN Mk. 2

Page FA. 22

ELECTRICAL INSTALLATION

BOMB BAY

Ref. No.	Part No.	Description 1 2 3 4	No. off	Matl. Spec.	Cl. of St.	Plate and Illust'n No.
					M.R.	
17063	8291V7909	CABLE, (F2157) RELAY 259 TO HYD. MOTOR, GROUP (Mod. 1074) (Pre-Mod. 1174)	1	—		
	8560V7909	CABLE, (F2483) RELAY 259 TO EARTH, GROUP (Mod. 1074) (Pre-Mod. 1174)	1	—		
	3171V7909	CABLE, (F3171) AT RELAY 255, GROUP (Mod. 1074)	1	—		
	7870V7909	CABLE, (F2064) PLUG 14 TO 26P, GROUP (Pre-Mod. 1194)	1	—		
	8853V7909	CABLE, (F2064) PLUG 14 TO TB. 433, GROUP (Mod. 1194)	1	—	B	
	8711V7909	CABLE, (F2482) RELAY 255 TO RELAY 574, GROUP	1	—		
	3643V7909	CABLE, (F3643) 1J TO 26P, GROUP (Mod. 1451)	1	—		
	3127V7909	CABLE, (F3127) J.B. TO P.O. SERVO, GROUP	1	—		
	3128V7909	CABLE, (F3128) J.B. TO No. 1 ENGINE EQUIP., GROUP	1	—		
	3129V7909	CABLE, (F3129) J.B. TO P.I. SERVO, GROUP	1	—		
	3130V7909	CABLE, (F3130) J.B. TO No. 2 ENGINE EQUIP., GROUP	1	—		
	3131V7909	CABLE, (F3131) J.B. TO S.I. SERVO, GROUP	1	—		
	3132V7909	CABLE, (F3132) J.B. TO No. 3 ENGINE EQUIP., GROUP	1	—		
	3133V7909	CABLE, (F3133) RELAY 250 TO EARTH, GROUP	1	—		
	3134V7909	CABLE, (F3134) RELAY 251 TO EARTH, GROUP	1	—		
	3135V7909	CABLE, (F3135) J.B. TO 27P, GROUP ...	1	—		
	3136V7909	CABLE, (F3136) J.B. TO S.O. SERVO, GROUP	1	—		
	3137V7909	CABLE, (F3137) J.B. TO No. 4 ENGINE EQUIP., GROUP	1	—		
	3142V7909	CABLE, (F3142) RELAY 250 TO RELAY 251, GROUP	1	—		

VULCAN No. 2

ELECTRICAL INSTALLATION

Page FA. 23

BOMB BAY

Ref. No.	Part No.	Description	No. off	Matl. Spec.	Cl. of St.	Plate and Illust'n No.
					M.R.	
		1 2 3 4				
	3143V7909	CABLE, (F3134) RELAY 250 TO RELAY 251, . GROUP	1	-		
	3265V7909	CABLE, (F3265) 27P TO RELAY 719, GROUP .	1	-		
	3270V7909	CABLE, (F3270) RELAY 719 TO EARTH, GROUP	1	-		
	8680V7909	CABLE, (F3366) 83P TO AILERON COMP. ... BOX, GROUP (Mod. 1073) (Pre-Mod. 1174)	1	-		
	8738V7909	CABLE, (F1639) RELAY 240 TO STAR- BOARD SWITCHES, GROUP (Pre-Mod. 1174)	1	-		
	9754V7909	CABLE, (F541) 43P TO INCH CONTROLLER, . FOLLOW UP RESISTOR AND COLD AIR ACTUATOR, GROUP (Mod. 2074)	1	-		
	8533V7909	CABLE, (F2650) AIRBRAKE ACTUATOR TO . T.R.U., GROUP	1	-		
	8537V7909	CABLE, (F539) 43P TO TB's 851 AND 852, ... GROUP	1	-		
	8538V7909	CABLE, (F429) TB.812 TO TB.813, GROUP ...	1	-		
	8539V7909	CABLE, (F2674) TB 163 TO TB.459, GROUP .. (Pre-Mod. 1744)	1	-		
	8621V7909	CABLE, (F2359) 1J TO STARBOARD AFT ... PRESSURE SWITCH, GROUP	1	-		
	8622V7909	CABLE, (F2380) 1J TO PORT AFT PRESSURE SWITCH, GROUP	1	-		
	8540V9114	CABLE, (F1905) TB.724 TO RELAY 130, GROUP (Pre-Mod. 1174)	1	-		
	8541V9114	CABLE, (F1903) TB.8 TO TB's 891, 892 AND 893, GROUP (Pre-Mod 1174)	1	-		
	8544V9114	CABLE, (F1904) RELAYS 132 AND 133 TO .. TB's 722 AND 723, GROUP (Pre-Mod. 1174)	1	-		
	3363V7909	CABLE, (F3363) TB.818 TO RELAY 423, GROUP (Mod. 1073)	1	-		
	3364V7909	CABLE, (F3364) TB 818 TO TB.1210, GROUP (Mod. 1073)	1	-		
	3367V7909	CABLE, (F3367) 83P TO 2J AND 66P, GROUP (Mod. 1073)	1	-		
	3770V7909	CABLE, (F3770) TB.515 TO J1, GROUP GROUP	1	-		

ELECTRICAL INSTALLATION

BOMB BAY

Ref. No.	Part No.	Description	No. off	Matl. Spec.	Cl. of	Plate and Illust'n No.
					St. M.R.	
		1 2 3 4:				
	3368V7909	CABLE, (F3368) TB.1150 TO TB.721,..... GROUP (Mod. 1073)	1	—		
	3369V7909	CABLE, (F3369) TIME DELAY UNIT TO TB.1150, GROUP (Mod. 1073)	1	—		
	3370V7909	CABLE, (F3370) 66P TO TB.1150, GROUP (Mod. 1073)	1	—		
	2852V7909	CABLE, (F2852) RELAY 423 TO EARTH, GROUP (Mod. 1073)	1	—		
	2853V7909	CABLE, (F2853) RELAY 423 LINK, GROUP .. (Mod. 1073)	1	—		
	2857V7909	CABLE, (F2857) RELAY 423 TO MICRO SWITCH, GROUP (Mod. 1073)	1	—		
	2861V7909	CABLE, (F2861) MACH. TRIM AMPLIFIER ... RACK TO RELAY 423, GROUP (Mod. 1073)	1	—		
	8618V7909	CABLE, (F1533) TB's 816, 891 AND 893 TO .. 66P, GROUP (Mod. 1073)	1	—		
	8614V7909	CABLE, (F2664) MACH. TRIM AMPLIFIER ... TO TB's 818, 1210 AND 1218, GROUP (Mod. 1073)	1	—		
	8623V7909	CABLE, (F2525) ELECT. COMP. BOX TO ART. FEEL ACTUATOR AND AILERON ELECT. UNIT, GROUP	1	—		
	3606V7909	CABLE, (F3606) AT RELAY 877, GROUP (Mod. 1340)	1	—		
	7918V7909	CABLE (F2838), GROUP (Pre-Mod. 748)	1	—		
	8781V7909	CABLE, (F2838) TIME DELAY UNIT TO RELAYS 255, 760, TB.849 AND RELIEF VALVE, GROUP (Mod. 1363)	1	—		
	8874V7909	CABLE, (F1985) 10J TO 28P, GROUP (Mod. 1320)	1	—		
	9945V7909	CABLE, (F1986) 10J TO 27P, GROUP (Mod. 1320)	1	—		
	8846V7909	CABLE, (F2456) 20J TO 1J AND 2J, GROUP .. (Mod. 1320)	1	—		
	8975V7909	CABLE, (F3062) 27P TO TB.1572, GROUP (Mod. 1320)	1	—		
	8874V7909	CABLE, (F3364), GROUP	1	—		

VULCAN No. 2

ELECTRICAL INSTALLATION
BOMB BAY

Page FA. 25

Ref. No.	Part No.	Description	No. off	Matl. Spec.	Cl. of St.	Plate and Illust'n No.
					M.R.	
		1 2 3 4				
	8976V7909	CABLE (F3063), 28P TO TB.1572, GROUP (Mod. 1320)	1	-		
	8977V7909	CABLE (F3064), 28P TO TB.1574, GROUP (Mod. 1320)	1	-		
	8978V7909	CABLE (F3065), 27P TO TB.1574, GROUP (Mod. 1320)	1	-		
	3516V7909	CABLE (F3516), AT RELAY 318, GROUP (Mod. 1320)	1	-		
	3517V7909	CABLE (F3517), AT RELAY 318, GROUP (Mod. 1320)	1	-		
	3518V7909	CABLE (F3518), AT RELAY 318 TO EARTH, . GROUP (Mod. 1320)	1	-		
	9505V7909	CABLE (F3519), RELAY 318 TO 27P, GROUP . (Mod. 1800)	1	-		
	9506V7909	CABLE (F3530), RELAY 318 TO 28P, GROUP . (Mod. 1800)	1	-		
	9507V7909	CABLE (F3531), 27P TO 28P, GROUP (Mod. 1800)	1	-		
	3556V7909	CABLE (F3556), TB.414 TO No. 1 RECTIFIER, GROUP (Mod. 1504)	1	-		
	3557V7909	CABLE (F3557), No. 1 RECTIFIER TO TB.553, GROUP (Mod. 1504)	1	-		
	3558V7909	CABLE (F3558), No. 2 RECTIFIER TO TB.553, GROUP (Mod. 1504)	1	-		
	3559V7909	CABLE (F3559), TB.415 TO No. 2 RECTIFIER, GROUP	1	-		
	3560V7909	CABLE (F3560), 78P TO TB.414, GROUP (Mod. 1504)	1	-		
	3561V7909	CABLE (F3561), 78P TO TB.415, GROUP (Mod. 1504)	1	-		
	3562V7909	CABLE (F3562), 78P TO 80P, GROUP (Mod. 1504)	1	-		
	3563V7909	CABLE (F3563), 78P TO 80P, GROUP (Mod. 1504)	1	-		
	3564V7909	CABLE (F3564), 78P TO 80P, GROUP (Mod. 1504)	1	-		
	7302V7909	CABLE (F72), R.P.B. 113 TO 26P AND 63P, ... GROUP	1	-		

VULCAN ML 2

Page FA. 26

ELECTRICAL INSTALLATION

BOMB BAY

Ref. No.	Part No.	Description	No. off	Matl. Spec.	Cl. of St.	Plate and Illust'n No.
					M.R.	
		1 2 3 4				
	3565V7909	CABLE (F3565), 78P TO 80P, GROUP (Mod. 1504)	1	-		
	3566V7909	CABLE (F3566), 78P TO TB.1675 AND RELAY 766, GROUP (Mod. 1504)	1	-		
	3570V7909	CABLE (F3570), TB.1675 TO EARTH, GROUP (Mod. 1504)	1	-		
	3572V7909	CABLE (F3572), 78P TO TB.1675, GROUP (Mod. 1504)	1	-		
	3573V7909	CABLE (F3573), 78P TO TB.1675, GROUP (Mod. 1504)	1	-		
	8926V7909	CABLE (F2359), STARBOARD PRESSURE ... SWITCH TO 1J AND 78P, GROUP (Mod. 1504)	1	-		
	9526V7909	CABLE (F2380), PORT PRESSURE SWITCH .. TO 1J AND 78P, GROUP (Mod. 1504)	1	-		
	3567V7909	CABLE (F3567), RELAY 763 TO TB.1676, GROUP (Mod. 1504)	1	-		
	3571V7909	CABLE (F3571), TB.1676 TO EARTH, GROUP (Mod. 1504)	1	-		
	3574V7909	CABLE (F3574), 78P TO TB.1676, GROUP (Mod. 1504)	1	-		
	3575V7909	CABLE (F3575), 78P TO TB.1676, GROUP (Mod. 1504)	1	-		
14-3506	8494V7909	CABLE (F1639), RELAY 240 TO STARBOARD MICRO SWITCH, GROUP (Mod. 1340)	1	-	C	
	3607V7909	CABLE (F3607), 2J TO RELAYS 243, 244, 677 AND PORT MICRO SWITCH, GROUP (Mod. 1340)	1	-		
	3608V7909	CABLE (F3608), RELAY 244 TO PORT MICRO SWITCH, GROUP (Mod. 1340)	1	-		
	3609V7909	CABLE (F3609), TB.1679 TO RELAY 244, GROUP (Mod. 1340)	1	-		
	3610V7909	CABLE (F3610), RELAY 243 TO PORT MICRO SWITCH, GROUP (Mod. 1340)	1	-		
		:				

VULCAN HL. 2

ELECTRICAL INSTALLATION

Page FA. 27

BOMB BAY

Ref. No.	Part No.	Description	No. off	Matl. Spec.	Cl. of St.	Plate and Illust'n No.
					M.R.	
		1 2 3 4				
	3611V7909	CABLE (F3611), TB.1679 TO PORT MICRO ... SWITCH, GROUP (Mod. 1340)	1	-		
	3612V7909	CABLE (F3612), TB.1678 TO PORT MICRO ... SWITCH, GROUP (Mod. 1340)	1	-		
	3613V7909	CABLE (F3613), TB.1677 TO PORT MICRO ... SWITCH, GROUP (Mod. 1340)	1	-		
	3614V7909	CABLE (F3614), RESISTOR TO RELAYS 243, 244, GROUP (Mod. 1340)	1	-		
	3615V7909	CABLE (F3615), TB.1680 TO RELAY 677, GROUP (Mod. 1340)	1	-		
	3616V7909	CABLE (F3616), RELAY 240 TO RELAYS 243, 244, GROUP (Mod. 1340)	1	-		
	3617V7909	CABLE (F3617), RELAY 243 TO PORT MICRO SWITCH, GROUP (Mod. 1340)	1	-		
	3618V7909	CABLE (F3618), RB.166 TO STARBOARD ... MICRO SWITCH, GROUP (Mod. 1340)	1	-		
	3620V7909	CABLE (F3620), TB.1679 TO STARBOARD ... MICRO SWITCH, GROUP (Mod. 1340)	1	-		
	3621V7909	CABLE (F3621), TN.1677 TO STARBOARD .. MICRO SWITCH, GROUP (Mod. 1340)	1	-		
	3624V7909	CABLE (F3624), TB.1680 TO STARBOARD ... MICRO SWITCH, GROUP (Mod. 1340)	1	-		
	3625V7909	CABLE (F3625), TB.1678 TO STARBOARD ... MICRO SWITCH, GROUP (Mod. 1340)	1	-		
	3626V7909	CABLE (F3626), TB.1678 TO RELAY 243, GROUP (Mod. 1340)	1	-		
	3627V7909	CABLE (F3627), STARBOARD MICRO SWITCH TO TB's 521 AND 1680, GROUP (Mod. 1340)	1	-		
	3628V7909	CABLE (F3628), TB.1677 TO RELAY 678, GROUP (Mod. 1340)	1	-		
	3630V7909	CABLE (F3630), TB.1679 TO TB.1680, GROUP (Mod. 1340)	1	-		
	3631V7909	CABLE (F3631), RELAY 677 TO RELAY 244, . GROUP (Mod. 1340)	1	-		
	3948V7909	CABLE (F3948), RELAYS 47 TO RELAY 554, . GROUP (Mod. 2087)	1	-		
	3976V7909	CABLE (F3976), GROUP (Mod. 2082)	1	-		

ELECTRICAL INSTALLATION

BOMB BAY

Ref. No.	Part No.	Description	No. off	Matl. Spec.	Cl. of St.	Plate and Illust'n No.
					M.R.	
		1 2 3 4				
	3632V7909	CABLE (F3632), RELAY 678 TO RELAY 243, GROUP (Mod 1340)	1	-		
	3633V7909	CABLE (F3633), RELAY 677 TO RELAY 678, GROUP (Mod. 1340)	1	-		
	3634V7909	CABLE (F3634), RELAY 244 TO EARTH, GROUP (Mod 1340)	1	-		
	3635V7909	CABLE (F3635), RELAY 243 TO EARTH, GROUP (Mod. 1340)	1	-		
	3636V7909	CABLE (F3636), PORT TEST SOCKET TO TB. 1678, GROUP (Mod 1340)	1	-		
	3637V7909	CABLE (F3637), STARBOARD TEST SOCKET TO TB. 1679, GROUP (Mod. 1340)	1	-		
	3638V7909	CABLE (F3638), AT RELAY 678, GROUP (Mod. 1340)	1	-		
	8952V7909	CABLE (F1650), BETWEEN MICRO SWITCHES, GROUP (Mod. 1340)	1	-		
	8965V7909	CABLE (F2519), TIME DELAY UNIT TO TB 603 AND RELAY 677, GROUP (Mod. 1340)	1	-		
	8966V7909	CABLE (F2520), TIME DELAY UNIT TO TB 604 AND RELAY 678, GROUP (Mod 1340)	1	-		
	8968V7909	CABLE (F1633), 2J TO RELAYS 240 AND 678, GROUP (Mod. 1340) (Pre-Mod. 2352)	1	-		
	8954V7909	CABLE (F1638), RELAY 240 TO PORT MICRO SWITCH, GROUP (Mod. 1340)	1	-		
	8943V7909	CABLE (F1631), 2J TO TB 166 AND PORT . . . MICRO SWITCH, GROUP (Mod. 1340) (Pre-Mod. 2352)	1	-		
	8945V7909	CABLE (F1642), TB. 166 TO PORT MICRO SWITCH, GROUP (Mod. 1340) (Pre-Mod. 2352)	1	-		
	8963V7909	CABLE (F1640), RESISTOR TO PORT MICRO SWITCH, GROUP (Mod. 1340) (Pre-Mod. 2352)	1	-		
	8961V7909	CABLE (F1654), PORT MICRO SWITCH TO RELAY 230, GROUP (Mod. 1340)	1	-		
	8957V7909	CABLE (F3034), STARBOARD MICRO SWITCH TO TB 521, GROUP (Mod. 1340)	1	-		
	8034V7909	CABLE (F8034), GROUP	1	-		
	8065V7909	CABLE (F1159), GROUP	1	-		

VULCAN No. 2

ELECTRICAL INSTALLATION
BOMB BAY

Ref. No.	Part No.	Description	No. off	Matl. Spec.	Cl. of	Plate and Illust'n No.
					St. M.R.	
		1 2 3 4				
	8944V7909	CABLE (F1637), RELAY 240 TO PORT MICRO SWITCH, GROUP (Mod. 1340)	1	-		
	8948V7909	CABLE (F1643), TB.166 TO PORT MICRO SWITCH, GROUP (Mod. 1340)	1	-		
	8964V7909	CABLE (F1641), RESISTOR TO STARBOARD MICRO SWITCH, GROUP (Mod. 1340) (Pre-Mod. 2352)	1	-		
	8960V7909	CABLE (F3029), RELAY 203 TO STARBOARD MICRO SWITCH, GROUP (Mod. 1340)	1	-		
	8962V7909	CABLE (F1655), TB.603 TO STARBOARD MICRO SWITCH, GROUP (Mod. 1340)	1	-		
	8965V7909	CABLE (F3033), TB.521 TO STARBOARD MICRO SWITCH, GROUP (Mod. 1340)	1	-		
	8953V7909	CABLE (F1652), AT MICRO SWITCHES GROUP (Mod. 1340)	1	-		
	8951V7909	CABLE (F1630), TO RELAY 678, GROUP (Mod. 1340)	1	-		
	8946V7909	CABLE (F1648), TB.166 TO STARBOARD MICRO SWITCH, GROUP (Mod. 1340) (Pre-Mod. 2352)	1	-		
	8947V7909	CABLE (F1645), TB.166 TO STARBOARD MICRO SWITCH, GROUP (Mod. 1340)	1	-		
	8959V7909	CABLE (F3024), TB.1678 TO STARBOARD MICRO SWITCH, GROUP (Mod. 1340)	1	-		
	8955V7909	CABLE (F3032), TB.521 TO PORT MICRO SWITCH, GROUP (Mod. 1340)	1	-		
	8958V7909	CABLE (F3025), TB.521 TO PORT MICRO SWITCH, GROUP (Mod. 1340)	1	-		
	3798V7909	CABLE (F3798), TB.1325 TO 66P, GROUP (Mod. 1806)	1	-		
	9508V7909	CABLE (F2525), GROUP (Mod. 1806)	1	-		
	3839V7909	CABLE (F3839), TB.1150 TO 66P, GROUP (Mod. 1856)	1	-		
	3840V7909	CABLE (F3540), RECTIFIER GJ5M TO TB.1150, GROUP (Mod. 1856)	1	-		
	3841V7909	CABLE (F3841), RECTIFIER GJ5M TO 66P, GROUP (Mod. 1856)	1	-		
	9128V7909	CABLE (F1946), GROUP	1	-		
	9192V7909	CABLE (F1629), GROUP (Mod. 7552)	1	-		

ELECTRICAL INSTALLATION

BOMB BAY

Ref. No.	Part No.	Description	No. off	Matl. Spec.	Cl. of St.	Plate and Illust'n No.
					M.R.	
		1 2 3 4				
	9465V7909	CABLE (F2349), GROUP	1	-		
	9848V7909	CABLE (F2378), GROUP	1	-		
	9487V7909	CABLE (F264), GROUP	1	-		
	9583V7909	CABLE (F1944), GROUP	1	-		
	9584V7909	CABLE (F1945), GROUP	1	-		
	9585V7909	CABLE (F514), GROUP	1	-		
	9586V7909	CABLE (F1948), GROUP	1	-		
	9591V7909	CABLE (F1533), GROUP	1	-		
	9592V7909	CABLE (F1536), GROUP	1	-		
	9601V7909	CABLE (F3369), GROUP (Mod. 1856)	1	-		
	9602V7909	CABLE (F3370), GROUP (Mod. 1856)	1	-		
	9603V7909	CABLE (F515), GROUP (Mod. 1856)	1	-		
	9604V7909	CABLE (F3367), GROUP (Mod. 1856)	1	-		
	9606V7909	CABLE (F3366), GROUP (Mod. 1856)	1	-		
	9609V7909	CABLE (F3128), GROUP (Mod. 1856)	1	-		
	9611V7909	CABLE (F3130), GROUP (Mod. 1856)	1	-		
	9613V7909	CABLE (F3132), GROUP (Mod. 1856)	1	-		
	9615V7909	CABLE (F3137), GROUP (Mod. 1856)	1	-		
	9617V7909	CABLE (F2857), GROUP (Mod. 1856)	1	-		
	9630V7909	CABLE (F511), GROUP	1	-		
	9631V7909	CABLE (F2726), GROUP	1	-		
	9715V7909	CABLE (F2612), GROUP (Mod. 2005)	1	-		
	9788V7909	CABLE (F1206), GROUP (Mod. 2082)	1	-		

VULCAN Mk 2

ELECTRICAL INSTALLATION

BOMB BAY

Ref. No.	Part No.	Description	No. off	Matl. Spec.	Cl. of St.	Plate and Illust'n No.
					M.R.	
		1 2 3 4				
	4189V7909	CABLE (F4189), GROUP (Mod. 2352) (Pre Mod. 2388)	1	—		
	4190V7909	CABLE (F4190), GROUP (Mod. 2352) (Pre Mod. 2388)	1	—		
	5191V7909	CABLE (F4191), GROUP (Mod. 2352) (Pre Mod. 2388)	1	—		
	4192V7909	CABLE (F4192), GROUP (Mod. 2352) (Pre Mod. 2388)	1	—		
	4193V7909	CABLE (F4193), GROUP (Mod. 2352) (Pre Mod. 2388)	1	—		
	4194V7909	CABLE (F4194), GROUP (Mod. 2352) (Pre Mod. 2388)	1	—		
	4195V7909	CABLE (F4195), GROUP (Mod. 2352) (Pre Mod. 2388)	1	—		
	4196V7909	CABLE (F4196), GROUP (Mod. 2352) (Pre Mod. 2388)	1	—		
	4197V7909	CABLE (F4197), GROUP (Mod. 2352) (Pre Mod. 2388)	1	—		
	4198V7909	CABLE (F4198), GROUP (Mod. 2352) (Pre Mod. 2388)	1	—		
	4199V7909	CABLE (F4199), GROUP (Mod. 2352) (Pre Mod. 2388)	1	—		
	4241V7909	CABLE (F4241), GROUP (Mod. 2467) (Pre Mod. 2388)	1	—		
	9938V7909	CABLE (F9938), GROUP (Mod. 2352) (Pre Mod. 2388)	1	—		
	9939V7909	CABLE (F9939), GROUP (Mod. 2352) (Pre Mod. 2388)	1	—		
	9940V7909	CABLE (F9940), GROUP (Mod. 2352) (Pre Mod. 2388)	1	—		
	9941V7909	CABLE (F9941), GROUP (Mod. 2352) (Pre Mod. 2388)	1	—		
	9942V7909	CABLE (F9942), GROUP (Mod. 2352) (Pre Mod. 2388)	1	—		
	9943V7909	CABLE (F9943), GROUP (Mod. 2352) (Pre Mod. 2388)	1	—		
	9944V7909	CABLE (F9944), GROUP (Mod. 2352) (Pre Mod. 2388)	1	—		
	9945V7909	CABLE (F9945), GROUP (Mod. 2352) (Pre Mod. 2388)	1	—		
	9976V7909	CABLE (F1648), GROUP (Mod. 2467) (Pre Mod. 2388)	1	—		
	9959V7909	CABLE (F9959), GROUP (Mod. 2388) (Pre Mod. 2388)	1	—		
	9960V7909	CABLE (F9960), GROUP (Mod. 2388) (Pre Mod. 2388)	1	—		

ELECTRICAL INSTALLATION

BOMB BAY

Ref. No.	Part No.	Description	No. off	Matl. Spec.	Cl. of St.	Plate and Illust'n No.
					M.R.	
		1 2 3 4				
		ELECTRICAL INSTALLATION IN BOMB BAY (V8222 AND V11319) (Cont'd)				
	9946V7909	CABLE (F9946), GROUP (Mod. 2352)	1	—		
	9951V7909	CABLE (F9951), GROUP (Mod. 2352)	1	—		
5UD/4388977	CX170465	Capacitor (Mod. 2398)	6	—	C	FA1/12
5CZ/4335794	ROTAX ZA/7801	Condenser (Pre Mod. 2398)	4	—	A	FA1/12
	HELLERMANN SR5128	Connector, rubber	2	—		
5CW/4405179	B.T.H. LDG. 100Y10	Contactor (Mod. 1340)	2	—	A	FA1/13
5CW/4405319	B.T.H. LDK.35Y3/2	Contactor	3	—	A	FA1/14
	51V8061	CONTAINER, CAPACITOR, GROUP (Mod. 2398)	2	—	—	FA1/12A
		Spares for:—				
	51bV8061	Box, mounting	1	—	—	
10H/0119925	—	Fuse, 10 amp.	3	—	C	
10H/0590100	—	Holder, fuse	3	—	C	
28M/1278189	AGS2001/B1	Nut, stiff	4	—	C	
28M/1012015	AGS2001/C1/68	Nut, stiff	8	—	C	
1936	4SS4199	Screw, 2 BA	8	—	C	
28S/1011479	A31/B48	Screw	4	—	C	
28S/1200040	A31/B20	Screw	4	—	C	
	51aV8061	Tray	1	—	—	
	51cV8061	Tray, top	1	—	—	
	51dV8061	Tray, lld, racking	1	—	—	
	16V6354	COVER, RESISTOR, GROUP	1	—		FA1/15
	4V8222	Cover, B.T.H. Rectifier	1	L72		FA1/16
5X/4500068	AS2791	Cover, Stud	10	—	C	FA1/17
	30V8222	Fairlead half	4	BS2966/3B		FA1/18
	1V17314	DIODE PLATE AND RELAY MOUNTING GROUP (Mod. 2352)	1	—		
		Consisting of:—				
	3V17314	Bracket, diode mounting	2	—		
10CV/0372039	GJ/5M	Diode	2	—	C	
	863SS6065	Label	1	—		
	864SS6065	Label	1	—		
	870SS6065	Label	1	—		
28M/1278189	AGS2001/B1	Nut, stiff	2	—	C	
	2V17314	Plate, mounting	1	—		
	PLESSEY					
5CW/4400162	7CZ103739/2	Relay, type 2PDT	1	—		
28S/1200034	A31/B16	Screw, ch. hd.	4	—	C	
28W/9419465	SP13/B	Washer	2	—	C	
28W/9419474	SP15/B	Washer	2	—	C	

VULCAN No. 2

ELECTRICAL INSTALLATION

BOMB BAY

Ref. No.	Part No.	Description	No. off	Matl. Spec.	Cl. of St.	Plate and Illust'n No.
					M.R.	
		1 2 3 4				
		ELECTRICAL INSTALLATION IN BOMB BAY (V8222) (V11319) (Continued)				
	GJ5M	DIODE, VOLTAGE FEED PREVENTION BETWEEN NON-ESSENTIAL BUS-BARS FUSES IN BOMB BAY, GROUP (3V9851)	1 —	— —	—	
	ENG. ELECTRIC	Spares for:—				
10H/1043043	AS2.5	Fuse, 2.5 amp., type "S"	43	—	C	
10H/9718192	AS5	Fuse, 5 amp., type "S"	5	—	C	
10H/4307918	AS7.5	Fuse, 7.5 amp., type "S"	2	—	C	
10H/1043045	AS15	Fuse, 15 amp., type "S"	4	—	C	
10H/1043046	AS20	Fuse, 20 amp., type "S"	4	—	C	
	BRUSH					
10H/0590123	15 IIT	Fuse, 15 amp., size 2	3	—	C	
10H/0590124	20 IIT	Fuse, 20 amp., size 2	3	—	C	
10H/0590125	30 IIT	Fuse, 30 amp., size 2	17	—	C	
10H/0120061	40 IIT	Fuse, 40 amp., size 2	24	—	C	
10H/0119127	50 IIT	Fuse, 50 amp., size 2	12	—	C	
	ENG. ELECTRIC					
10H/0590111	—	Fuse, 3 amp., "End on"	22	—	C	
10H/0590112	—	Fuse, 5 amp., "End on"	11	—	C	
10H/0590113	—	Fuse, 7 amp., "End on"	30	—	C	
10H/0119925	—	Fuse, 10 amp., "End on"	3	—	C	
10H/0119926	—	Fuse, 15 amp., "End on"	3	—	C	
	2169V7729	Label (Mod. 2292)	—	—		
	3V6354	Ring, Packing, for Block Connector (Pre Mod. 2454)	4	—	C	FA1/19
FA1/19	23V8222	Spacer	1	BS2996/38		FA1/20
	24V8222	Spacer	3	BS2996/38		FA1/21
	7V6354	Shield	4	—		FA1/22
		LIGHTING, GROUND SERVICE IN BOMB BAY (V9399)				
		Spares for:—				
	1562V7909	CABLE (F1562), No. 5 LAMP TO No. 11 LAMP, GROUP	1	—		
	1563V7909	CABLE (F1563), No. 7 LAMP TO No. 8 LAMP, GROUP	1	—		
	1109V7909	CABLE (F1109), No. 9 LAMP TO 21P, GROUP	1	—		
	1110V7909	CABLE (F1110), No. 4 LAMP TO 21P, GROUP	1	—		

ELECTRICAL INSTALLATION

BOMB BAY

Ref. No.	Part No.	Description	No. off	Matl. Spec.	Cl. of St.	Plate and Illust'n No.
					M.R.	
		1 2 3 4				
		LIGHTING, GROUND SERVICE IN BOMB BAY (V9399) (Continued)				
	1103V7909	CABLE (F1103), No. 9 LAMP TO No. 8 LAMP, GROUP	1	—		
	1104V7909	CABLE (F1104), No. 6 LAMP TO No. 7 LAMP, GROUP	1	—		
	1100V7909	CABLE (F1100), No. 10 LAMP TO No. 11 ... LAMP, GROUP	1	—		
	1101V7909	CABLE (F1101), No. 11 LAMP TO INSPECTION SOCKET, GROUP	1	—		
	1102V7909	CABLE (F1102), BETWEEN FWD. AND AFT . INSPECTION SOCKETS, GROUP	1	—		
	1105V7909	CABLE (F1105), No. 10 LAMP TO 21P, GROUP	1	—		
	1106V7909	CABLE (F1106), HYDRAULIC RESERVOIR ... LAMP TO 21P, GROUP	1	—		
	1107V7909	CABLE (F1107), No. LAMP TO 21P, GROUP	1	—		
	1111V7909	CABLE (F1111), No. 6 LAMP TO 21P, GROUP	1	—		
	1112V7909	CABLE (F1112), INSPECTION SOCKET TO No. 7 LAMP, GROUP	1	—		
	1099V7909	CABLE (F1099), No. 4 LAMP TO No. 5 LAMP, GROUP	1	—		
5CX/4330015	—	Domeglass	9	—	C	FA2/23
5L/9953278	—	Filament, 28V., 18W.	8	—	C	FA2/24
	1V6798	LAMPHOLDER, GROUP	5	—		FA2/25
		Consisting of:—				
	2V6798	Cable, unipren 6, 2" long	1	—		FA2/26
5CX/4330014	—	Lamp, cabin	1	—	C	FA2/27
22691	21V4650	LAMPHOLDER, GROUP	4	—	B	FA2/28
		Consisting of:—				
	21aV4650	Cable, unipren 6, 12" long	1	—		FA2/29
26FP/13930	135S3529	Grommet	1	—	C	FA2/30
5CX/4330014	—	Lamp, cabin	1	—	C	FA2/31
	—	Socket, inspection lamp	2	—		FA2/32
	33V8222	LINK, RECTIFIER, GROUP (Mod. 1073)	1	—		FA2/33
		Spares for:—				
10CV/0005100	A.E.I LTD. GJ/3M	Rectifier	1	—	B	FA2/34

VULCAN Mk 2						
ELECTRICAL INSTALLATION						
BOMB BAY						
Page FA. 33						
Ref. No.	Part No.	Description	No. off	Matl. Spec.	Cl. of St.	Plate and Illust'n No.
					M.R.	
		1 2 3 4				
		ELECTRICAL INSTALLATION IN BOMB BAY (V8222 AND V11319) (Cont'd)				
	5V9770	PANEL, BOMB BAY RELAY 80P, GROUP (Pre Mod. 2170)	1			
	7V9770	PANEL, BOMB BAY RELAY 80P, GROUP (Mod. 2170)	1	—		FA2/35
	4V9770	Spares for:— COVER, panel (Mod. 1983)	1	—		FA2/36
	1V11612	LOOM, CABLE, GROUP	1	—		
1433230	2V9770	PANEL, LESS WIRING, GROUP	1	—	C	FA2/37
5CW/4400161	PLESSEY 7CZ/105411/1	Relay, 4 pole	4	—	A	FA2/38
	1V14098	Spacer	4	—	A	FA2/39
	1V9724	PANEL, TANKS RELAY 78P, GROUP (Mod. 526)	1	—		FA2/40
		Spares for:—				
5X/6200370	1V5650	Block, terminal	2	—	C	FA2/41
5X/7498	1V7870	Block, earthing	1	—	C	FA2/42
	4V/9724	Cover, panel	1	—		FA2/43
	1V11611	LOOM, CABLE, GROUP	1	—		
	2V9724	PANEL, LESS WIRING AND EQUIPMENT, .. GROUP	—	—		FA2/44
5CW/4400162	PLESSEY 7CZ/103739/1	Relay, 2 pole	2	—	A	FA2/45
5CW/4400161	PLESSEY 7CZ/105411/1	Relay, 4 pole	6	—	A	FA2/46
5X/4491487	14V5650	Socket, double	4	—	C	FA2/47
6A/6485	—	METER, FATIGUE, GROUP, BOMB ARCH 151.919 (Pre Mod. 2388)	1	—	A	FA2/47A
6A/1105619	—	METER, FATIGUE, GROUP, BOMB ARCH 151.919 (Mod. 2388)	1	—	A	FA2/47A
	1V17323	MOUNTING, T.B. MOUNTING PLATE, .. GROUP (Mod. 2352)	1	—		FA2/47A
		Spares for:—				
5X/6200370	1V5650	Block, terminal	1	—	C	
28D/9706373	A25/2A	Attachments for (1V5650):— Bolt, 6 BA	2	—	C	
	3V17314	Bracket, diode mounting	2	—		
28S/1200034	A31/B16	Attachments for (3V17314):— Screw, 4 BA	4	—	C	
	MULLARD 04.211	Diode	2	—		
	865SS6065	Label	1	—		
	866SS6065	Label	1	—		
	2165V7728	Label, T.B.	1	—		
	2V17323	Plate, mounting	1	—		
28D/1007972	A25/ 1/2C	Attachments for (2V17323):— Bolt, 6 BA	4	—	C	
5X/4491488	15V5650	Socket, single	4	—	C	

ELECTRICAL INSTALLATION

BOMB BAY

Ref. No.	Part No.	Description				No. off	Matl. Spec.	Cl. of St.	Plate and Illust'n No.
		1	2	3	4			M.R.	
		ELECTRICAL INSTALLATION IN BOMB BAY (V8222 AND V11319) (Cont'd)							
	1V17324	MOUNTING, PLATE SWITCH, GROUP				1	-		FA2/47B
		(Mod. 2352)							
		Spares for:-							
	2V17324	Plate, mounting				1	-		
		Attachments for (2V17324):-							
28D/1007972	A25/ 1/2C	Bolt, 2 BA				4	-	C	
28M/1278190	AGS2001/C/1	Nut, stiff, 2 BA				4	-	C	
		CWC							
5CW/1047693	XD778	Switch				1	-	C	
	1V17454	MOUNTING, DIODE PLATE, GROUP				1	-		FA2/47C
		(Mod. 2352)							
		Spares for:-							
	A.E.I.	Diode				2	-	C	
10CV/0372039	GJ/5M	Label				1	-		
	868SS8065	Label				1	-		
	869SS8065	Plate, mounting				1	-		
	2V17454	Attachments for (2V17454):-							
28M/1278189	AGS2001/B1	Nut, stiff, 4 BA				2	-	C	
28S/1200034	A31/B16	Screw, 4 BA				2	-	C	
28W/9419474	SP15/B	Washer, 4 BA				2	-	C	
		MOUNTING, AMPLIFIER AND RELAY				-	-		
		BOX, BOMB ARCH 108.687							
		(V11319 Sht. 39) (Mod. 1509)							
		Spares for:-							
6A/4333081	SMITHS KA5	Amplifier (Mod. 2253)				1	-	A	FA2/48
6A/1141865	SMITHS BT22/33	BOX, cable connection (Mod. 2283)				1	-	A	FA2/49
	3V16111	BRACKET, MOUNTING, GROUP				1	-	C	FA2/50
		(Mod. 2283)							
		Spares for:-							
1510503	8V16111	Bracket				1	-	C	
		Attachments for:- Bracket, Part No.							
		3V16111							
28D/1007982	AS1248/1C	Bolt, mush. head, 2 BA				7	-	C	
28W/9419475	SP15/C	Washer, 2 BA				3	-	C	

VULCAN Mk. 2

ELECTRICAL INSTALLATION

Page FA. 33B

BOMB BAY

Ref. No.	Part No.	Description	No. off	Matl. Spec.	Cl. of	Plate and Illust'n No.
					St.	
		1 2 3 4				
		MOUNTING MICRO SWITCH, BOMB DOORS OPEN, AFT, PORT AND STARBOARD (1 & 2V8372)				
22697	12V8372	Bracket, bottom	1	L72	MR	FA3/51
22698	15V8372	Bracket, long, port	1	L72	C	FA3/52
22695	16V8372	Bracket, long, starboard	1	L72	C	FA3/53
22696	13V8372	Bracket, short, port	1	L72	C	FA3/54
	14V8372	Bracket, short, starboard	1	L72	C	FA3/55
	18V8372	Pin, striking (Mod. 1580)	2	S80	MR	FA3/56
5CW/4400327	DOWTY C1831Y Mk. 101	Switch, sequence	2	-	A	FA3/57
		MOUNTING, MICRO SWITCH, BOMB DOORS, OPEN, FORWARD, PORT AND STARBOARD (1 & 2V8373)				
		Spares for:-				
22699	7V8373	Bracket, mounting, group	1	L72	C	FA3/58
22700	8V8373	Bracket, micro switch	1	L72	C	FA3/59
	9V8373	Bracket, micro switch	1	-	C	FA3/60
	18V8372	Pin, striking (Mod. 1580)	2	S80	MR	FA3/61
5CW/4400327	DOWTY C1831Y Mk. 101	Switch, sequence	2	-	A	FA3/62
	11V8372	Packing	1	L72		FA3/63
		MOUNTING, MICRO SWITCH, BOMB DOORS, CLOSED, FORWARD AND AFT (V6639) (V6866)				
		Spares for:-				
	4V6219	Block	1	L65	MR	FA3/64
	4V6640	Pin, striking	2	S80	MR	FA3/65
5CW/4742	DOWTY C1831Y GREAVES	Switch, sequence	2	-	A	FA3/66
	E483	Pack, power (Pre-Mod. 1744)	2	-		FA3/67
10CV/0005100	A.E.I. GJ/3M	Rectifier	2	-	B	FA1/68
10CV/0005101	GJ/5M	Rectifier (Mod. 1856)	2	-	B	FA1/69
5CW/4400161	PLESSEY 7CZ105411/1	Relay	6	-	A	FA3/70
5CW/4400162	PLESSEY 7CZ103739/1	Relay	3	-	A	FA3/71
5CZ/4335636	BERCO RAH/KO	Resistor, 12 ohms., 20W.	1	-	C	FA1/72
5X/4491487	14V5650	Socket, double, for T.B's	9	-	C	FA3/73
5X/4491488	15V5650	Socket, single, for T.B's	122	-	C	FA3/74
5CW/4402888	ROTAX D6704	Switch, type 3Y, No. 2	1	-	A	FA3/75

VULCAN No 2

ELECTRICAL INSTALLATION

Page FA. 35

BOMB BAY

Ref. No.	Part No.	Description	No. off	Matl. Spec.	Cl. of St.	Plate and Illust'n No.
					M.R.	
		1 2 3 4				
		STOWAGE, PLUG, FORWARD OF BOMB ARCH 243.172 (V8222 SHT.38) (Mod. 748)				
		Spares for:—				
	26B8222 PLESSEY	Angle, plug stowage mounting	1	L72		FA3/76
	CZ51538	Cap. protective	1	—	C	FA3/77
	15V8494	Cover, blanking	1	BSS2966/38	C	FA3/78
	17V6850	Insulator	2	BSS2966/38		FA3/79
	21V8222	Insulator	1	BSS2966/38		FA3/80
	28V8222 PLESSEY	Plate, plug stowage mounting	1	—		FA3/81
10H/056730	CZ56733 PLESSEY	Plug, coupler	1	—	C	FA3/82
5X/4501288	Z25003	Shell, plug, size B	2	—	C	FA3/83
5X/4499717	Z27880	Shell, plug, size A	2	—	C	FA3/84
5Q/4348328	—	TRANSFORMER, CURRENT, GROUP	1	—	A	
		Spares for:—				
	SANGAMO WESTON	Transformer, current (10 sets A/C only)	4	—	A	FA3/85
5Q/4348344 5Q/4348344	S117/1/97 —	Transformer, current (Less 10 A/C sets)	4	—	A	FA3/86
		TROUGHING IN BOMB BAY, PORT, STARBOARD (1 & 2V8031) (For Breakdown See:—Fuselage—Centre Section)				
		UNITS, AMPLIFIER, CONTROL AND INTEGRATOR (V10452) (Mod. 1204)				
		Consisting of:—				
6TB/4545619	101 JBU/2	Box, junction type "B" (Mod. 1692)	1	—	A	FA3/87
6TB/4545471	107 SUE/2	Pad, gearing, pre amp	2	—	A	FA3/88
6TB/4545472	108 SUE/2	Pad, gearing, flare	2	—	A	FA3/89
6TB/4545473	106 SUE/2	Pad, gearing, function	2	—	A	FA3/90
6TB/1831	109 SUE/2	Pad, gearing (Pre-Mod. 2011)	2	—	A	FA3/91
6TB/4545687	109 SUE/3	Pad, gearing (Pre-Mod. 2263)	2	—	A	FA3/93
6TB/4545474	101/MTG/1	Tray, mounting, type "A"	1	—	B	FA3/93
6TB/4545617	—	Unit, amplifier, type "C" (Pre-Mod. 2263) ...	2	—	A	FA3/94
6TB/1688	101/1 SUE	Unit, control, type "A" (Pre-Mod. 2012)	1	—	A	FA3/95
6TB/4545686	—	Unit, control, type "B" (Pre-Mod. 2263)	1	—	A	FA3/96
6TB/4545618	105/1 SUE	Unit, Integrator, type "B" (Pre-Mod. 2263) ..	1	—	A	FA3/97

ELECTRICAL INSTALLATION

BOMB BAY

Ref. No.	Part No.	Description	No. off	Matl. Spec.	Cl. of St.	Plate and Illust'n No.
					M.R.	
		1 2 3 4				
	7V8282	UNIT, VOLTAGE TRIP, PORT, GROUP (Pre-Mod. 1744)	1	—		FA3/98
	8V8282	UNIT, VOLTAGE TRIP, STARBOARD GROUP (Pre-Mod. 1744)	1	—		FA3/99
5UC/4374849	ROTAX U520/1	Unit, Transformer, Rectifier (Mod. 956)	2	—	A	FA3/100
9306	1V9303	UNIT, TIME DELAY, GROUP (Pre-Mod. 2451)	1	—	A	FA3/101
		Consisting of:—				
5960-99- 0372110 or 5960-99- 9133505	2S004	Transistor	1	—	C	
	—	Transistor	1	—	C	
17914	30V9303	UNIT, TIME DELAY, GROUP (Mod. 2451) Consisting of:—	1	—	A	
5K/9325192	NX3	Clip	1	—	C	
28M/9145394	A51/B	Nut	1	—	C	
28S/9132919	A41/B14	Screw	1	—	C	
5961-99- 0374675 or 5961-99- 1183224 or 5961-99- 1184804	BFY50	Transistor	1	—	C	
	—	Transistor	1	—	C	
28W/9419474	SP15/B	Transistor	1	—	C	
		Washer	1	—	C	
	18V9303	UNIT, TIME DELAY, GROUP, (Pre-Mod. 2451)	1	—	MR	FA3/102
		Consisting of:—				
5960-99- 0372110 or 5960-99- 9133505	2S004	Transistor	1	—	C	
	—	Transistor	1	—	C	
17915	33V9303	UNIT, TIME DELAY, GROUP, (Mod. 2451) Consisting of:—	1	—	A	
5K/9325192	NX3	Clip	1	—	C	
28M/9145394	A51/B	Nut	1	—	C	
28S/9132919	A41/B14	Screw	1	—	C	
5961-99- 0374675 or 5961-99- 1183224 or 5961-99- 1184804	BFY50	Transistor	1	—	C	
	—	Transistor	1	—	C	
28W/9419474	SP15/B	Transistor	1	—	C	
		Washer	1	—	C	

VULCAN Mb 2

ELECTRICAL INSTALLATION
BOMB BAY

Ref. No.	Part No.	Description	No. off	Mati. Spec.	Cl. of St.	Plate and Illust'n No.
					M.R.	
		1 2 3 4				
	19V9303	UNIT, TIME DELAY, GROUP (Pre-Mod. 2451) Consisting of:—	1	—	MR	FA3/103
5960-99-0372110 or 5960-99-9133505	2S004	Transistor	1	—	C	
	—	Transistor	1	—	C	
17916	34V9303	UNIT, TIME DELAY, GROUP (Mod. 2451) Consisting of:—	1	—	A	
5K/9325192	NX3	Clip	1	—	C	
28M/9145394	A51/B	Nut	1	—	C	
28S/9132919	A41/B14	Screw	1	—	C	
5961-99-0374675 or 5961-99-1183224 or 5961-99-1184804	BFY50	Transistor	1	—	C	
	—	Transistor	1	—	C	
	—	Transistor	1	—	C	

ELECTRICAL INSTALLATION

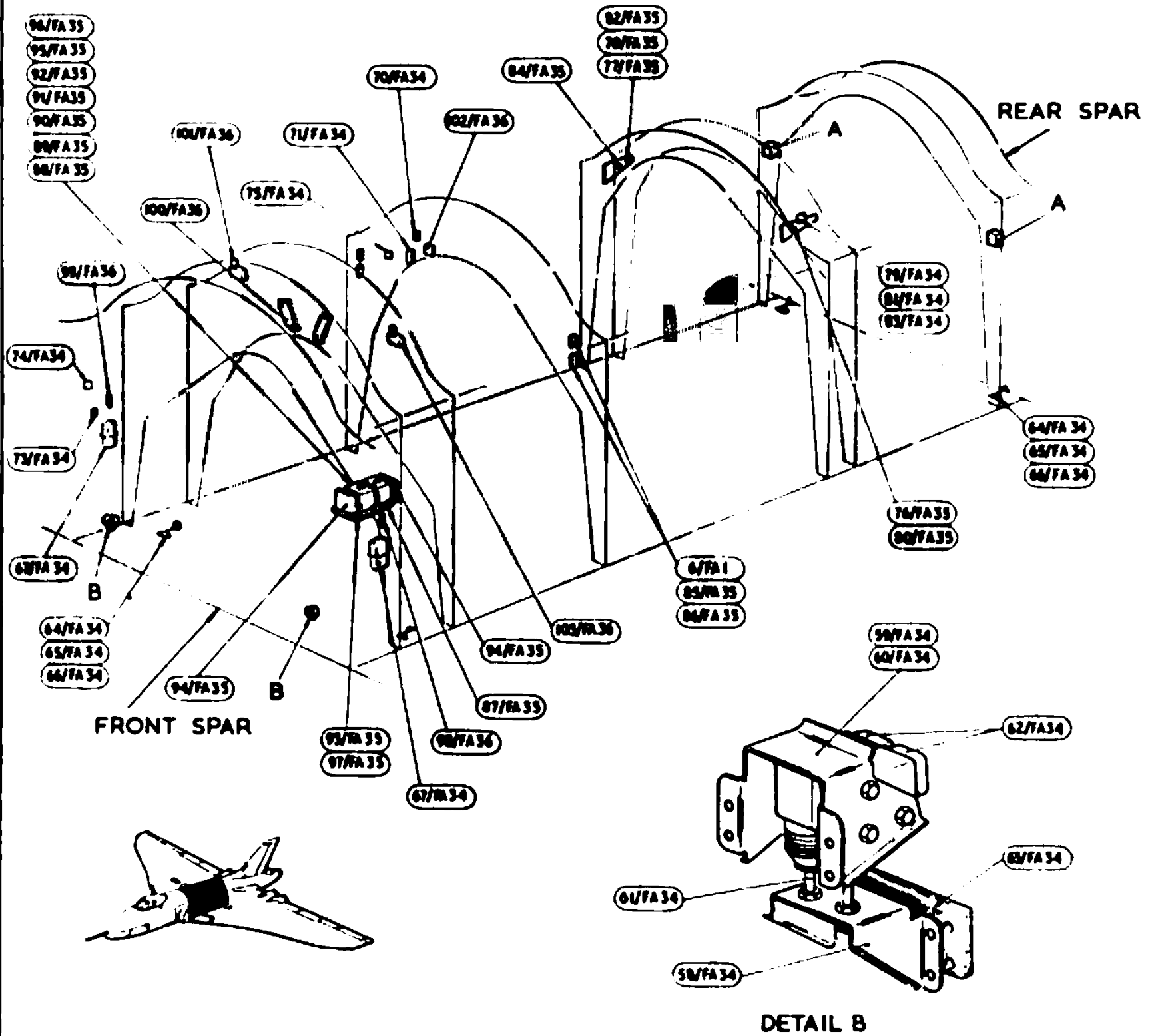
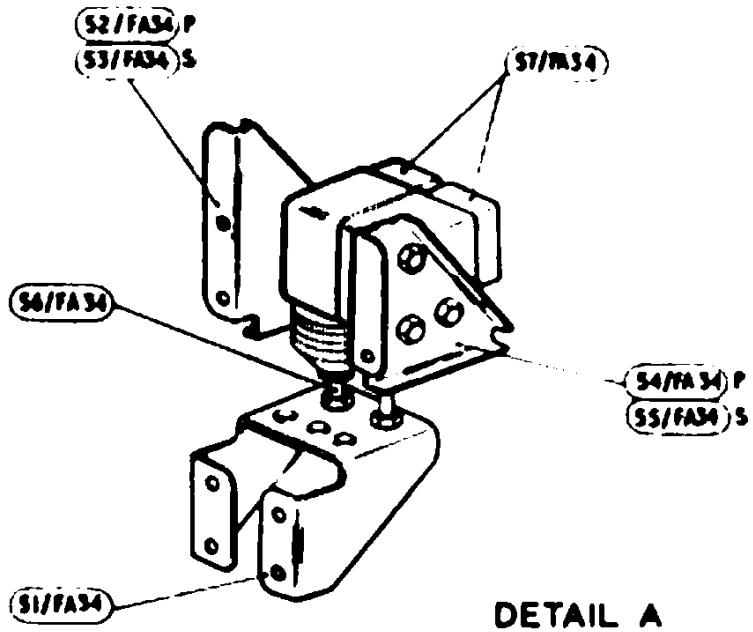
BOMB BAY

Ref. No.	Part No.	Description	No. off	Mati. Spec.	Cl. of St.	Plate and Illust'n No.
					M.R.	
		1 2 3 4				

VULCAN HL 2

ELECTRICAL INSTALLATION
SUMMARY OF STANDARD ITEMS

Stores Ref.		No. off	Stores Ref.		No. off	Stores Ref.		No. off
Section	Ref. No.		Section	Ref. No.		Section	Ref. No.	
28D	1008147	6	28S	1005622	13			
28D	1010658	17	28S	9140642	6			
28D	1010142	1	28S	9435912	9			
28D	1011013	7	28S	9437020	2			
28D	1212276	2	28S	9992997	18			
28D	9436920	43	28S	9435713	119			
28D	9133011	47	28S	9446549	1			
28D	9133012	20	28S	1006948	5			
28D	1010030	25	28S	9992533	10			
28D	9419397	5	28S	9992531	3			
28D	9133014	8	28S	1200066	10			
28D	9140647	4	28S	1214620	3			
28D	1011021	3	28S	1012356	12			
28D	9140649	18	28S	9473255	2			
28D	1212406	12						
28D	1212407	24						
28D	1008149	33	28W	9419446	121			
28D	1214876	2	28W	9419401	427			
28D	9008191	6	28W	9419454	242			
28D	1214878	6	28W	9419455	8			
28D	1214882	1	28W	9436805	3			
28D	9128739	4	28W	9419464	6			
			28W	9419465	18			
			28W	9419402	190			
28M	1006504	12	28W	9419403	6			
28M	1006473	2	28W	9419473	6			
28M	1278190	92	28W	9419486	17			
28M	10326	44	28W	1200073	26			
28M	1086618	268	28W	1206041	6			
28M	9434253	19						
28M	11957	41						
28M	9435066	1						
28M	9434251	38						
28M	9435067	10						
28M	9149459	8						
28S	9436892	4						
28S	1200049	14						
28S	1200044	6						
28S	9419437	7						
28S	1200041	6						
28S	9156769	2						
28S	9140641	2						
28S	1201448	1						
28S	9419435	3						
28S	9419453	16						
28S	1200034	34						
28S	1200036	90						
28S	1200040	85						
28S	1200033	18						



ELECTRICAL INSTALLATION
BOMB BAY
(3)

VULCAN No. 2

ELECTRICAL INSTALLATION
CENTRAL PORTION-FUSELAGE

Page FB. 1

Ref. No.	Part No.	Description	No. off	Matl. Spec.	Cl. of	Plate and Illust'n No.
					St. M.R.	
		1 2 3 4				
		ELECTRICAL SERVICES FOR BOMB GEAR IN FUSELAGE CENTRE PORTION (V8494) (V11124)				
		Spares for:-				
	13V8494	Angle, clip mounting	1			
	4V6850	Angle	2			
	5V6358	Angle	6			
	10V6354	Angle	8			
5X/9015491	-	Adaptor, lug, 4-way	10	-	C	FB1/1
	-	Adaptor, plug, 2-way	1	-		FB1/2
5X/6200370	1V5650	Amplifier, at former 151-919	1	-		FB1/3
	17V6850	Block, terminal	3	-	C	FB1/4
28E/4062106	AS4671	Block, insulator	2	BS.2966/38		
		Bush	12		C	
	10V6099	BOX, JUNCTION 38J, GROUP	1	-		FB1/5
		(Mod. 748) (without Blue Steel)				
	16V6099	BOX, JUNCTION, 38J, GROUP	1	-		
		(Mod. 748) (with Blue Steel)				
5X/6200370	1V5650	Spares for:-				
		Block, terminal	3	-	C	FB1/6
	7V6098	BOX, GROUP	1	-		FB1/7
	9V6098	BOX, GROUP (with Blue Steel)	1	-		
22839	11V6099	LID, 38J, GROUP	1	-	C	FB1/8
		Spares for:-				
28FP/1014631	A3/25	Fastener, Dzus	4	-	C	FB1/9
28FP/9434075	GA3/175	Grommet, Dzus	4	-	C	FB1/10
	553SS6065	Label (Mod. 2299)	1	-		
	554SS6065	Label (Mod. 2299)	1	-		
5X/4491488	15V5650	Socket, single	12	-	C	FB1/11
5X/4491487	14V5650	Socket, double	2	-	C	FB1/12
		BOX, RELAY UNIT (V9198)	-	-		FB1/13
		Spares for:-				
	4V9198	BOARD, RESISTOR MOUNTING, GROUP	1	-		FB1/14
		Spares for:-				
10W/0113300	PAINTON 393	Resistor, RWV4J	1	-	C	FB1/15
		Tag, terminal	2	-		FB1/16
	2V9198	BOX, LESS EQUIPMENT, GROUP	1	-		
		Spares for:-				
	7V9131	COVER, GROUP	1	-	MR	FB1/17
	1V9596	LOOM, CABLE, GROUP	1	-		
5CW/1050498	PLESSEY 7CZ/97225/4	Relay	1	-	A	FB1/18
	17V8494	Bracket, stowage	2	-		FB1/19
13106	18V6354	Bracket, mounting	1	-	C	FB1/20
	28V8494	Bracket, plug stowage	1	-		FB1/21
	26V8494	Bracket, plug stowage	1	-		FB1/22
	24V8494	Bracket, plug stowage	1	-		FB1/23
	16V6850	Bracket, stowage	1	-		FB1/24
	16V11124	Bracket, stowage (Mod. 2285)	1	L72		FB1/24A

ELECTRICAL INSTALLATION
CENTRE PORTION-FUSELAGE

Ref. No.	Part No.	Description 1 2 3 4	No. off	Mach. Spec.	Cl. of	Plate and Illust'n No.
					St. M.R.	
	1189V7909	CABLE (F1189), FRONT SPAR BREAK 482, TO R.C.U., GROUP	1	-		
	1190V7909	CABLE (F1190), FRONT SPAR BREAK 483, TO R.C.U., GROUP	1			
	1083V7909	CABLE (F1083) R.C.U. TO 16P AND EARTH, GROUP	1	-		
	1027V7909	CABLE (F1027), REMOTE CONTROL UNIT TO 2J AND 65P, GROUP	1	-		
	406V7909	CABLE (F406), POWER UNIT TO RELAY .. UNIT, GROUP	1	.		
	516V7909	CABLE (F516), 20P TO BUTT CON- TROLLER FWD. CARRIER, GROUP	1	.		
	1527V7909	CABLE (F1527), 20P TO FWD. CARRIER .. GROUP	1			
	1528V7909	CABLE (F1528), 20P TO CENTRE CARRIER, GROUP	1	-		
	517V7909	CABLE (F517), 20P TO AFT CARRIER, GROUP	1	-		
	384V7909	CABLE (F384), AMPLIFIER TO 20P, GROUP	1	-		
	404V7909	CABLE (F404), 20P TO 65P, GROUP GROUP	1	.		
	396V7909	CABLE (F396), TYPE 12 BOMB DISTRIBUTOR TO PRE-SELECTOR, GROUP	1			
	397V7909	CABLE (F397), TYPE 12 BOMB DISTRIBUTOR TO PRE-SELECTOR, GROUP	1	-		
	398V7909	CABLE (F398), TYPE 12 BOMB DISTRIBUTOR TO PRE-SELECTOR, GROUP	1	.		
	399V7909	CABLE (F399), TYPE 12 BOMB DISTRIBUTOR TO PRE-SELECTOR, GROUP	1	-		
	1030V7909	CABLE (F1030), R.C.U. TO BOMB BAY BREAK, GROUP	1			
	389V7909	CABLE (F389), BOMB DISTRIBUTOR TYPE 12 TO 65P, GROUP	1	-		
	390V7909	CABLE (F390), BOMB DISTRIBUTOR TYPE 12 TO 65P, GROUP	1	-		
1433274	392V7909	CABLE (F392), BOMB DISTRIBUTOR TYPE 11 TO BOMB DISTRIBUTOR TYPE 12, GROUP	1	.	C	

VULCAN No. 2

ELECTRICAL INSTALLATION
CENTRE PORTION-FUSELAGE

Ref. No.	Part No.	Description				No. off	Matl. Spec.	Cl. of St.	Plate and Illust'n No.
		1	2	3	4			M.R.	
1433275	393V7909	CABLE, (F393) BOMB DISTRIBUTOR TYPE 11 TO BOMB DISTRIBUTOR TYPE 12, GROUP				1	-	C	
1433277	395V7909	CABLE, (F395) BOMB DISTRIBUTOR TYPE 11 TO BOMB DISTRIBUTOR TYPE 12, GROUP				1	-	C	
1433276	394V7909	CABLE, (F394) BOMB DISTRIBUTOR TYPE 11 TO BOMB DISTRIBUTOR TYPE 12, GROUP				1	-	C	
	388V7909	CABLE, (F388) BOMB DISTRIBUTOR TYPE 11 TO 65P, GROUP				1	-		
	405V7909	CABLE, (F405) PROTECTED RELAY TO . . . 28P AND 65P, GROUP				1	-		
	385V7909	CABLE, (F385) PILOT SWITCH TO TB.895, . GROUP				1	-		
	391V7909	CABLE, (F391) TB.896 AT 65P TO EARTH, . GROUP				1	-		
	411V7909	CABLE, (F411) FWD. CARRIER No. 10 TO . 65P AND EARTH, GROUP				1	-		
	412V7909	CABLE, (F412) FWD. CARRIER TO 65P . . . AND EARTH, GROUP				1	-		
	1028V7909	CABLE, (F1028) PORT CARRIER TO 16P .. AND 65P, GROUP				1	-		
	382V7909	CABLE, (F382) TB.634 TO TB.635, GROUP				1	-		
	371V7909	CABLE, (F371) TB.634 TO TB's 635 AND 876, GROUP				1	-		
	370V7909	CABLE, (F370) TB.634 TO TB's 635 AND 877, GROUP				1	-		
	379V7909	CABLE, (F379) AT TB.877, GROUP				1	-		
	376V7909	CABLE, (F376) AT TB.876, GROUP				1	-		
	1055V7909	CABLE, (F1055) R.C.U. TO BOMB BAY BREAK, GROUP				1	-		
	378V7909	CABLE, (F378) AT TB.876, GROUP				1	-		

ELECTRICAL INSTALLATION
CENTRE PORTION-FUSELAGE

Ref. No.	Part No.	Description	No. off	Matl. Spec.	Cl. of	Plate and Illust'n No.
					St. M.R.	
		1 2 3 4				
	1035V7909	CABLE, (F1035) R.C.U. TO BOMB BAY BREAK, GROUP	1	-		
	1036V7909	CABLE, (F1036) R C.U. TO 65P, GROUP ...	1	-		
	413V7909	CABLE, (F413) CENTRE CARRIER TO 65P AND EARTH, GROUP	1	-		
	1034V7909	CABLE, (F1034) R.C.U. TO BOMB BAY BREAK, GROUP	1	-		
	1031V7909	CABLE, (F1031) R.C.U. TO BOMB BAY BREAK, GROUP	1	-		
	1033V7909	CABLE, (F1033) R.C.U. TO BOMB BAY BREAK, GROUP	1	-		
	2232V7909	CABLE, (F2232) 65P TO BOMB GEAR EARTH, GROUP (Mod. 521)	1	-		
	2566V7909	CABLE, (F2566), GROUP (Pre-Mod. 748) ...	1	-		
	2630V7909	CABLE, (F2630) FUSING CHARGING UNIT TO PROTECTED RELAY UNIT, GROUP (Mod. 533)	1	-		
	2835V7909	CABLE, (F2835) No. 1 FUSING UNIT, STBD. TO 38J AND EARTH, GROUP	1	-		
	2834V7909	CABLE, (F2834) No. 2 FUSING UNIT, STBD. TO 38J AND EARTH, GROUP	1	-		
	2836V7909	CABLE, (F2836) No. 2 FUSING UNIT, PORT TO 38J AND EARTH, GROUP	1	-		
	2837V7909	CABLE, (F2837) No. 1 FUSING UNIT, PORT TO 38J AND EARTH, GROUP	1	-		
	2963V7909	CABLE, (F2963) RELAY 547 TO EARTH, .. GROUP	1	-		
	2964V7909	CABLE, (F2964) RELAY 547 TO EARTH, .. GROUP	1	-		
	2965V7909	CABLE, (F2965) CENTRE PLUG 815 TO ... 38J, GROUP	1	-		
	2966V7909	CABLE, (F2966) CENTRE PLUG 815 TO ... 38J, GROUP	1	-		
	2631V7909	CABLE, (F2631) FUSING CHARGING UNIT TO 38J, GROUP (Mod. 533)	1	-		

VULCAN No. 2

ELECTRICAL INSTALLATION
CENTRE PORTION-FUSELAGE

Page FB. 5

Ref. No.	Part No.	Description	No. off	Mati. Spec.	Cl. of	Plate and Illust'n No.
					St. M.R.	
		1 2 3 4				
	2632V7909	CABLE (F2632), FUSING CHARGING UNIT TO 38J, GROUP (Mod. 533)	1	-		
	7883V7909	CABLE (F380), AT TB.877, GROUP	1	-		
	7599V7909	CABLE (F400), PRE SELECTOR TO 20P, ... GROUP	1	-		
	7560V7909	CABLE (F401), GROUP	1	-		
	7561V7909	CABLE (F402), GROUP	1	-		
	7426V7909	CABLE (F403), 65P TO 20P, GROUP	1	-		
	7527V7909	CABLE (F415), AFT CARRIER TO 65P AND EARTH, GROUP	1	-		
	7427V7909	CABLE (F1032), R.C.U. TO BOMB BAY BREAK, GROUP	1	-		
	7528V7909	CABLE (F2059), FRONT SPAR BREAK . . . TO FUSE UNIT, GROUP	1	-		
	7541V7909	CABLE (F2060), FRONT SPAR BREAK TO BOMB DISTRIBUTOR TYPE 11, GROUP	1	-		
	2677V7909	CABLE (F2677), RELAY 544 TO EARTH, .. GROUP	1	-		
	8038V7909	CABLE (F3566), PROTECTED RELAY TO E.P. TEST SOCKET, GROUP	1	-		
	2670V7909	CABLE (F2670), E.O. TEST SOCKET TO 38J, GROUP	1	-		
	2812V7909	CABLE (F2812), F.S.B. 971 TO 27P, GROUP	1	-		
	2935V7909	CABLE (F2935), 93P TO 27P, GROUP . . .	1	-	MR	
	3036V7909	CABLE (F3036), RELAY 574 TO EARTH, .. GROUP	1	-		
	8329V7909	CABLE (F3072), FRONT SPAR BREAK 868 TO 65P, GROUP	1	-		
	8543V7909	CABLE (F2936), 92P TO 58P, GROUP	1	-		
	4167V7909	CABLE (F4167), PLUG 896, BOMB BAY ... TO 65P, GROUP (Mod. 2285)	1	-		

ELECTRICAL INSTALLATION
CENTRE PORTION-FUSELAGE

Ref. No.	Part No.	Description 1 2 3 4	No. off	Matl. Spec.	Cl. of	Plate and Illust'n No.
					St. M.R.	
	3807V7909	CABLE (F3807), GROUP	1	-		
	3165V7909	CABLE (F3165), 19P TO RELAY 574,	1	-		
	3166V7909	CABLE (F3166), AT RELAY 574, GROUP ..	1	-		
	3167V7909	CABLE (F3167), RELAY 254 TO RELAY ...	1	-		
	3168V7909	CABLE (F3168), RELAY 259 TO	1	-		
	8573V7909	CABLE (F3039), PLUG 992 TO TB.1558, ...	1	-		
	3371V7909	CABLE (F3371), TB.1576 TO EARTH,	1	-		
	8712V7909	CABLE (F3037), HOIST TEST PLUG	1	-		
	8670V7909	CABLE (F3169), RELAY 259 TO RELAY ...	1	-		
	3039V7909	CABLE (F3039), GROUP	1	-		
	3113V7909	CABLE (F3113), GROUP	1	-		
	3170V7909	CABLE (F3170), GROUND SUPPLY	1	-		
	PLESSEY 508/1/03444/001	Cap, blanking (Mod 2285) .. .	3	-		
10H/0970056	PLESSEY CZ51539	CAP, protective .. .	12	-	C	
10H/0970055	PLESSEY CZ.51538	CAP, protective .. .	2	-	C	
10H/0970057	PLESSEY CZ.51540	CAP, protective .. .	5	-	C	
5X/9997864	CANNON 2209/4	CAP, protective .. .	1	-		
5X/9402099	CANNON 2209/10	CAP, protective .. .	1	-		
5X/4500442	CANNON 2322/6	CAP, protective .. .	3	-		
5X/5192400	CANNON 2322/7	CAP, protective .. .	1	-		
	CANNON 2322/8	CAP, protective .. .	4	-		
5X/8535	CANNON 2322/9	CAP, protective .. .	1	-		
5X/9997860	CANNON 2322/10	CAP, protective .. .	6	-		
	15V5887	Clamp (Mod. 553) .. .	2	-		FB1/24A
	30V8494	Clamp, cable .. .	1	-		FB1/24B
	11SS3970	Cleat .. .	5	-		FB1/24C

VULCAN No. 2

ELECTRICAL INSTALLATION
CENTRE PORTION—FUSELAGE

Page FB 7

Ref. No.	Part No.	Description	No. off	Matl Spec	Cl. of St.	Plate and Illust'n No
					M.R	
		ELECTRICAL SERVICES FOR BOMB GEAR IN FUSELAGE CENTRE PORTION (V8494) (11124) (Continued)				
		CONNECTORS BUTTING IN BOMB BAY (V7197)				
	AT62599	Spares for:— CONNECTOR, BUTTING, 20-WAY AFT OF BOMB ARCHES 44.592", 151.919" AND 259.002", STARBOARD, GROUP	3	—	MR	FB1 25
10849	AT62615	CONNECTOR, BUTTING, 2-WAY AFT OF BOMB ARCHES 44.592" 151.919" AND 259.092", PORT, GROUP	3	—	B	FB1 26 FB1 27
		MOUNTING PLUG STOWAGE AT CENTRE BOMB STATION (5V9036)				
	6V9036	Spares for:— PANEL, REMOVABLE, GROUP (Mod. 748)	1	—		FB1 28
10H/0560140 10H 0560541	—	Plug	1	—	C	FB1 29
	—	Plug	1	—	C	
	CANNON 2182/10	Receptacle, dummy	2	—		FB1 30
5X 8044274	CANNON 2182 11	Receptacle, dummy	4	—		FB1 31
		MOUNTING, BOMB GEAR DISTRIBUTION PANEL, 20P (V6844)				
		Spares for:—				
	2V6331	PANEL, DISTRIBUTION, 20P (Pre-Mod. 2157)	1	—		FB1/32
	2V14869	PANEL, DISTRIBUTION, 20P (Mod. 2157)	1	—		
		Spares for:—				
5X/6200370	1V5650	Block, terminal	10	—	C	FB1/33
	791V6374	Label, TB.791	1	L59		
	792V6374	Label, TB.792	1	L59		
	793V6374	Label, TB.793	1	L59		
	794V6374	Label, TB.794	1	L59		
	795V6374	Label, TB.795	1	L59		
	796V6374	Label, TB.796	1	L59		
	797V6374	Label, TB.797	1	L59		
	798V6374	Label, TB.798	1	L59		
	799V6374	Label, TB.799	1	L59		
	800V6374	Label, TB.800	1	L59		
	3V6331	LID, GROUP	1	—		FB1 34
		Spares for:—				
28FP 9542167	A5/30	Fastener	6	—	C	FB1/35
28FP/9425771	GA5/312	Grommet	6	—	C	FB1/36
	1V14870	LOOM, CABLE, GROUP (Mod. 2157)	1	—		
	1V14861	PANEL, LESS EQUIPMENT, GROUP (Mod. 2157)	1	—		
5CW/1057583	—	Switch, magnetic relay, type 20B, No. 3 .. (Mod. 2157)	1	—	A	FB1/37
5X/4491487	14V5650	Socket, double	12	—	C	FB1/38
5X/4491488	15V5650	Socket, single	26	—	C	FB1/39
	—	Plug, on bomb arch 95.967	4	—		FB1/40

VULCAN Mk 7		ELECTRICAL INSTALLATION					CENTRE PORTION -- FUSELAGE	
Page FB 8								
Ref. No	Part No.	Description	No off	Matl Spec	Cl of St	Plate and Illust'n No		
					M.R			
		1 2 3 4						
		ELECTRICAL SERVICES FOR BOMB GEAR IN FUSELAGE CENTRE PORTION (V8494) (11124) (Cont'd)						
	12V8494	PLUG AT FRONT SPAR, GROUP	1			FB1 41		
		Consisting of -						
	11V8494	Cover, dust	1	BSS977				
5E 9467424	10V8394	Link, cable, unipren 6 x 1" long	1		C			
	PLESSEY							
10H 0970065	CZ49182	Outlet	1		C			
	PLESSEY							
10H 0560760	CZ56735	Plug, stowage	1		C	FB1 42		
	CANNON							
10H 1123441	CA2182 5	Receptacle, dummy	3			FB1 43		
	CANNON							
	CA2182 6	Receptacle, dummy	1			FB1 43A		
	CANNON							
	CA2182 7	Receptacle, dummy	1			FB1 43B		
	CANNON							
	CA2182 18	Receptacle, dummy	1			FB1 43B		
5CW/4405591		Relay, Type "T", No 1	1		B	FB1 44		
5CW/9499152		Relay, Type 10B, No 1	1		B	FB1 45		
	PLESSEY							
5CW 4400161	7CZ 105411/1	Relay	1		A	FB1 46		
	18SS395	Rod, screwed, for vertical cleats	10			FB1 47		
22836	2V6850	Shield, nut	10		C	FB1 47A		
	18V6850	Spacer	2			FB1 47B		
5X/4491488	15V5650	Socket, single	9		C			
	10SS4294	Strip, cable	86		MR			
	AS2809 5 260	Tube, distance	10					
	ISS4088	Terminal, earth	4		MR	FB1 48		
		Tray, mounting amplifier	1			FB1 47		
		MOUNTING ELECTRICAL EQUIPMENT ON AFT FACE OF FRONT SPAR (V8604)						
		Spares for:—						
5CZ/4335567	TEDDINGTON FLM A 14 5H/5	Amplifier, magnetic	1		A	FB2 50		
		Block, terminal (E.L.)	2					
		BOX, JUNCTION J1 AND J2 (3 AND 4V6349)						
		Spares for:—						
5X/6200370	1V5650	Block, terminal	21		C	FB2 52		
5X/4491769	1V7870	Block, earthing	1		C	FB2 53		
	15V6350	BOX, JUNCTION 1J, GROUP	1			FB2 54		
9636	16V6350	BOX, JUNCTION 2J, GROUP	1		C	FB2 55		
		Spares for:—						
4263	4V6350	COVER, BOX, GROUP	1		C			
		Spares for:—						
	541SS6065	Label (Mod. 2299)	1					
	553SS6065	Label (Mod. 2299)	1					
28FP/9144248	A4/25	Fastener, Dzus	6		C	FB2 56		
28FP/9430916	S4/200	Spring, Dzus	6		C	FB2 52		
	B.T H							
10CV/ 0005101	GJ5M	Rectifier	3		B	FB2 58		

VULCAN Mk 2

ELECTRICAL INSTALLATION
CENTRE PORTION—FUSELAGE

Page FB 9

Ref. No.	Part No.	Description	No. off	Matl. Spec.	Cl. of St.	Plate and Illust'n No
					M.R.	
		1 2 3 4				
		MOUNTING, ELECTRICAL EQUIPMENT ON AFT FACE OF FRONT SPAR (VB804) (Cont'd)				
	1V9139	BOX JUNCTION 10J, GROUP	1	—		FB2/53
5X 6200370	1V5650	Spares for:— Block, terminal	5	—	A	FB2/60
7645	3V9139	COVER, 10 J, GROUP	1	—	C	FB2/61
		Spares for:—				
5K 4345989	HELLERMANN HV3112	Grommet, sealing, 7-way	3	—	C	FB2/62
5K 4345990	HELLERMANN HV3113	Grommet, sealing, 14-way	1	—	C	FB2/63
5K 4345991	HELLERMANN HV3114	Grommet, sealing, 26-way	1	—	C	FB2/64
5X 4491487	14V5650	Socket, double	2	—	C	FB2/65
5X 4491498	15V5650	Socket, single	23	—	C	FB2/66
	5H/11	Cover	2	—		FB2/67
	—	Distributor, bomb, type 1	1	—		FB2/68
5D 4341044	—	Distributor, bomb, type 12	1	—	A	FB2/69
		MOUNTING, BOMB-BAY FIRE EXTINGUISHERS DISCHARGE INDICATORS (V13650) (Mod. 2009)				
		Spares for:—				
5920-99-4526534	2V13650	BRACKET, MOUNTING, GROUP	1	—		FB2/70
5920-99-4526578	—	Fuseholder	2	—	C	FB2/71
	—	Fuse, indicator	2	—	C	FB2/72
		PANEL, EXPLOSION SUPPRESSOR RELAY, 76P (V9158) (Pre-Mod. 1744)				FB2/73
		Spares for:—				
5X 6200370	1V5650	Block, terminal	1	—	C	FB2/74
	3V9158	BOARD, RESISTOR, GROUP	1	—	C	FB2/75
10W/0216129	—	Spares for:— Resistor, RCS.112/2 120K	2	—	C	FB2/76
7646	5V9158	BOX, MOULDED, GROUP	1	—	B	
		Spares for:—				
7647	6V7450	COVER, BOX, GROUP	1	—	C	FB2/77
	2V9158	BRACKET, MOUNTING, RELAY, GROUP	1	L72		FB2/78
		Spares for:—				
5CW/4400265	HART MANUF'G CO. R210/C3/P1	Relay	2	—	A	FB2/79
5CW/5191808	HART MANUF'G CO R/101/P/S	Socket, ceramic	2	—	B	FB2/80
5X/4491488	1V9157	LOOM, CABLE, GROUP	1	—		
5K/1058171	15V5650	Socket, single	4	—	C	
	SP40/A12	Grommet	2	—	C	

ELECTRICAL INSTALLATION
CENTRE PORTION—FUSELAGE

Ref. No.	Part No.	Description	No. off	Matl. Spec.	Cl. of St.	Plate and Illust'n No.
					M.R.	
		1 2 3 4				
		MOUNTING, ELECTRICAL EQUIPMENT ON AFT FACE OF FRONT SPAR (VB604) (Cont'd.)				
		PANEL, 43P, BOMB BAY HEATING (4V8786)	—	—		GB2/81
5X/6200370	1V5650	Spares for:— Block, terminal	3	—	C	FB2/82
2822	8V6335	COVER, PANEL, GROUP	1	—	B	FB2/83
28FP/9144248	A4-25	Spares for:— Fastener	6	—	C	FB2/84
28FP/9430915	GA4-250	Grommet	6	—	C	FB2/85
	1V8090	LOOM, CABLE, GROUP	1	—		
	1V13897	(Pre-Mod. 2074)				
	8V7687	LOOM, CABLE, GROUP (Mod. 2074)	1	—		
	PLESSEY	PANEL, GROUP	1	—		
5CW/4400162	7CZ/103739/1	Relay, type CH/2CO/28/10	2	—	A	FB2/86
5CW/4400161	7CZ/105411/1	Relay, type CH/4CO/28/10	3	—	A	FB2/87
	10V5857	RETAINER, VALVE, GROUP	1	—	MR	FB2/88
	10bV5857	Spares for:— Retainer, valve	1	—		FB2/89
	TERRY & SONS	Spring, extension	2	—		
	EX5	Stud, special	1	—		
	10aV5857					
	SUNVIC					
	CONTROLS					
	LTD.					
5CW/4400081	601/V	Switch, hot wire vacuum	1	—	A	FB2/90
		PANEL, MOUNTING RELAY (V9473)	—	—	A	FB2/91
		Spares for:—				
5CW/4400162	PLESSEY 7CZ/103739/1	Relay	2	—	A	FB2/92
5CW/4400161	PLESSEY 7CZ/105411/1	Relay	1	—	A	FB2/93
		PANEL, BOMB GEAR, TB.65P (V8180)	—	—		FB2/94
		Spares for:—				
	1V8283	LOOM, CABLE, GROUP	1	—		
	6V8180	PANEL, LESS WIRING, GROUP	1	—		
		Spares for:—				
5X/6200370	1V5650	Block, terminal	7	—	C	FB2/95
5X/4491775	1V7871	Block, terminal and cover	1	—	C	FB2/96
	2V8180	COVER, PANEL, GROUP	1	—	MR	FB2/97
		Spares for:—				
28FP/9144248	DZUS A4-25	Fastener, Dzus	4	—	C	FB2/98
28FP/9430915	GA4250	Grommet	4	—	C	FB2/99
	541SS6065	Label (Mod. 2299)	1	—		
	553SS6065	Label (Mod. 2299)	1	—		

VULCAN Mk 2

ELECTRICAL INSTALLATION
CENTRE PORTION—FUSELAGE

Page FB. 11

Ref. No.	Part No.	Description	No. off	Matl. Spec.	Cl. of St.	Plate and Illust'n No.
					M.R	
		1 2 3 4				
		PANEL, BOMB GEAR TB 65P (V8180)				
		(Cont'd.)				
	894V7728	Label, "TB.894"	1	—		
	895V7728	Label, "TB.895"	1	—		
	896V7728	Label, "TB.896"	1	—		
	897V7728	Label, "TB.897"	1	—		
	898V7728	Label, "TB.898"	1	—		
	899V7728	Label, "TB.899"	1	—		
	900V7728	Label, "TB.900"	1	—		
	901V7728	Label, "TB.901"	1	—		
	1V8181	PANEL, GROUP	1	—		
	B.T.H.					
10CV/ 0005100	GJ3M	Rectifier	1	—	B	FB2/100
	PLESSEY					
5CW/1051607	7CZ/97225/4	Relay	1	—	A	FB2/101
5X/4491488	15V5650	Socket	7	—	B	FB2/102
	—	PANEL, DISTRIBUTOR, 27P AND 28P	—	—		FB4/103
		(1 & 2V7713)				
		Spares for:—				
5X/6200370	1V5650	Block, terminal	6	—	A	FB4/104
5X/4491769	1V7870	Block, terminal	2	—	C	FB4/105
5X/4500051	—	Block, fuse, 12-way	4	—	C	FB4/106
5X/4491775	1V7871	Block, terminal	2	—	C	FB4/107
	1V7715	BOARD, FUSE, 27P, RED, GROUP	1	—		FB4/108
	2V7715	BOARD, FUSE, 27P, YELLOW, GROUP ...	1	—		FB4/109
	3V7715	BOARD, FUSE, 27P, BLUE, GROUP	1	—		FB4/110
	11V7715	BOARD, FUSE, 28P, RED, GROUP	1	—		FB4/111
	12V7715	BOARD, FUSE, 28P, YELLOW, GROUP ...	1	—		FB4/112
	13V7715	BOARD, FUSE, 28P, BLUE, GROUP	1	—		FB4/113
		Spares for:—				
7642	5V7715	Busbar	1	BSS899	C	FB4/114
	6V7715	Busbar	1	—		FB4/115
7643	INSULOID					
	PROD. No. 1	Capnut	14	—	C	FB4/116
	ENG & LIGHT					
10H/21788	2444A	End, fuse carrier	12	—	C	FB4/117
	14V7357	Holder, fuse	14	—	MR	FB4/118
	15V7357	Pedestal	1	BSS899	MR	FB4/119
	10V7713	BRACKET, LAMPHOLDER, P27, GROUP ..	1	—		FB4/120
	11V7713	BRACKET, LAMPHOLDER, P28, GROUP ..	1	—		FB4/121
	41SS4204	Bush, ringlock	2	—		FB4/122
	61SS4204	Bush, ringlock	3	—	MR	FB4/123
	71SS4204	Bush, ringlock	8	—		FB4/124
28E/4062106	AS4671	Bush	2	—		FB4/125
28E/9995932	AS4580/4	Clip	2	—		

ELECTRICAL INSTALLATION
CENTRE PORTION—FUSELAGE

Ref. No	Part No	Description	No. off	Matl. Spec	Cl. of St	Plate and Illust'n No
					M.R	
		1 2 3 4				
PANEL DISTRIBUTOR, 27P AND 28P (1 & 2V7713) (Cont'd.)						
5CW/4405079	—	Contactor, type D6703, 3 phase	1	—	A	FB4/126
5CW/4402888	—	Contactor, type D6704, for P28 only	1	—	A	FB4/127
	—	Contactor, type D6704, for P27 only	2	—	A	FB4/128
7637	1V7716	COVER, PANEL, 27P, GROUP	1	—	C	FB4/129
7638	2V7716	COVER, PANEL, 28P, GROUP	1	—	C	FB4/130
		Spares for:—				
28FP/4062413	A5-50	Fastener, Dzus	8	—	C	FB4/131
28FP/9438813	AW5-30	Fastener, Dzus, for P28 only	2	—	C	FB4/132
28FP/9425771	GA5-312	Grommet, Dzus	8	—	C	FB4/133
	541SS6065	Label (Mod 2299)	1	—		
	553SS6065	Label (Mod. 2299)	1	—		
		HIVAC				
	CC10L	Filament	2	—		FB4/134
	4V7713	Insulator, fibreglass	1	—		
	5V7713	Insulator, large base, fibreglass	1	—		
	13V7713	Insulator, small base, fibreglass	1	—		
	18bV8032	Lampholder, make from 5C/1556	2	—		FB4/135
5X/1059338	—	Link, commoning	2	—	C	
5X/4500063	—	Link, commoning	2	—	C	
5X/1059340	—	Link, commoning	4	—	C	
	1V12585	LOOM, CABLE, 27P, GROUP	1	—		
		(Mod. 1800)				
	1V12586	LOOM, CABLE, 28P, GROUP	1	—		
		(Mod 1800)				
	12V7713	MOUNTING, RESISTANCE, GROUP	1	—		FB4/136
		Spares for:—				
	12aV7713	Board, base	1	—		FB4/137
	WELWYN					
10W/0216096	—	Resistor, 62K11	2	—	C	FB4/138
	ROSS COURTNEY 397	Tag. Terminal	2	—		
	B T H					
10CV/0005100	GJ3M	Rectifier	1	—	B	FB4/139
	PLESSEY					
5CW/4400161	7CZ/105411/2	Relay, 4 pole, P27 only	6	—	A	FB4/140
5CW/4400161	7CZ/105411/2	Relay, 4 pole, P28 only	7	—	A	FB4/141
12164	7V7713	Spacer	18	—	C	
5X/4491487	14V5650	Socket, double	4	—	B	FB4/142
5X/4491488	15V5650	Socket, single	24	—	B	FB4/143
5CW/4405677	—	Switch, magnetic, type 16B, No. 1	1	—	A	FB4/144
	SMITHS					
5CW/5907	EAP2340	Switch, torque	1	—	A	FB4/145
	SMITHS 213MV	Transformer, auto 115/26V	2	—		FB4/146

VULCAN No 2

ELECTRICAL INSTALLATION
CENTRE PORTION—FUSELAGE

Page FB. 13

Ref. No.	Part No.	Description	No. off	Matl. Spec.	Cl. of St.	Plate and Illust'n No.
					M.R.	
		1 2 3 4				
		MOUNTING, ELECTRICAL EQUIPMENT ON AFT OF FRONT SPAR (V8604) (Continued)				
		PLATE, MOUNTING, TERMINAL BLOCK, PORT AND STARBOARD (1 & 2V9581)	—	—		FB2/147
		Spares for:—				
5X 6200370	1V5650	Block, terminal	6	—	C	FB2/148
5X/4491487	14V5650	Socket, double	30	—	C	FB2/149
5X/4491488	15V5650	Socket, single	30	—	C	FB2/150
5D/1987615	—	Pre-Selector, type "C"	1	—	A	FB2/151
	5H/17	Socket, single	2	—		FB2/152
	—	Tray, AV mounting	1	—		FB2/153
5D/4341023	—	Tray, AV mounting	1	—	B	FB2/154
	FERRANTI					
5UB/4342575	RD5678	Transformer (EL)	2	—	A	FB2/156
		PANEL, ARTIFICIAL FEEL FAILURE WARNING, 66P AND AIRSPEED TRANSMITTERS (V9041)	—	—		FB3/157
		Spares for:—				
	16V6622	Bush	9	—	MR	FB3/158
	1V9038	Cover	1	—		FB3/159
	1V8783	PANEL, ARTIFICIAL FEEL FAILURE WARNING, GROUP	1	—		FB3/160
		Spares for:—				
	2V8783	BACKPLATE, PANEL, GROUP	1	—		FB3/161
	12V6161	Bolt, special	6	—	MR	FB3/162
	5V6080	Bush, rubber	12	—	MR	FB3/163
4645	22SS4204	Bush	2	—	C	FB3/164
	23SS4204	Bush	1	—	MR	FB3/165
	4V8783	Plate, cable support (Mod. 1073)	1	—		FB3/166
		PANEL, BOTTOM HALF AND INSTRUMENT (V9037)	—	—		FB3/167
		Spares for:—				
	4V9037	BAR, TERMINAL, GROUP	1	—	MR	FB3/168
11A/4487060	AT36932	Block, terminal, 7-way	3	—	C	FB3/169
	62SS4204	Bush	1	—		FB3/170
4645	22SS4204	Bush	1	—	C	FB3/171
	DIAMOND "H"					
5CW/5191808	R101/PS COLVERN LTD.	Holder, relay	6	—	B	FB3/172
6403	N602 COLVERN LTD.	Locknut, for spindle	9	—	C	FB3/173
10AS/097023	RC0223	Lock, potentiometer	9	—	A	FB3/174
	1V13415	LOOM, CABLE, GROUP	1			

ELECTRICAL INSTALLATION
CENTRE PORTION—FUSELAGE

Ref. No.	Part No.	Description	No. off	Matl. Spec.	Cl. of St.	Plate and Illust'n No.
					M.R.	
		1 2 3 4				
PANEL BOTTOM HALF AND INSTRUMENTS (V9037) (Continued)						
5905-99-0117487	1V9040	PANEL, LESS INSTRUMENTS, GROUP .	1	—		
	RVW13	Potentiometer, 2—250 ohms	6	—	C	FB3/175
10CV/0005100	COLVERN	Potentiometer, 0—10,000 ohms	3	—		FB3/176
	CLR/1501/263	Rectifier	3	—	B	FB3/177
5CW/4400265	B.T.H. LTD.	Relay	6	—	B	FB3/178
	GJ3M	RESISTOR, GROUP	1	—		FB3/179
10W/0113336	DIAMOND H	Spares for:—				
	R210/C3P/1	Resistor, 5.7Ω	6	—	C	FB3/180
5CW/5060	2V9037	Tagboard	1	—		FB3/181
	5CW/6362390	Shroud	3	—	C	FB3/182
5CW/4400149	LABGEAR LTD.	Switch, button	3	—	B	FB3/183
	WESTON LTD.	Relay, moving coil	3	—	A	FB3/184
6A/4338501	S54/1/568	Washer, special	6	—	MR	
	10V8400	Socket (Mod. 2285)	1	—		FB1/24B
6A/4338295	PLESSEY	Socket (Mod. 2285)	1	—		FB1/24C
	1081PG	Socket (Mod. 2285)	1	—		FB1/24D
6A/433820	102PG	Spacer	9	—	MR	FB3/185
	728PG	Transmitter, for aileron	1	—	A	FB3/186
UNIT, ELECTRICAL, FOR ARTIFICIAL FEEL UNITS, AILERON ELEVATOR AND RUDDER (21, 22 & 23V8400 OR 24V8400)			—	—		FB3/190
Spares for:—						
18V6622	25R3659	Angle, attachment	1	—		FB3/191
	22R3659	Block, mounting, plug on aileron and Elevator units	1	DTD130	MR	FB3/192
5V6080	16V6622	Bolt, special	2	—		FB3/193
	8V6622	Bush	1	Rubber	MR	FB3/194
9V6622	26V8400	Bush	3	Rubber	MR	FB3/195
		BRACKET, POTENTIOMETER BOTTOM, GROUP	1	—		FB3/196
		BRACKET, POTENTIOMETER TOP, GROUP	1	—		FB3/197
		Bracket	1	—		

VULCAN No. 2

ELECTRICAL INSTALLATION
CENTRE PORTION-FUSELAGE

Page FB. 15

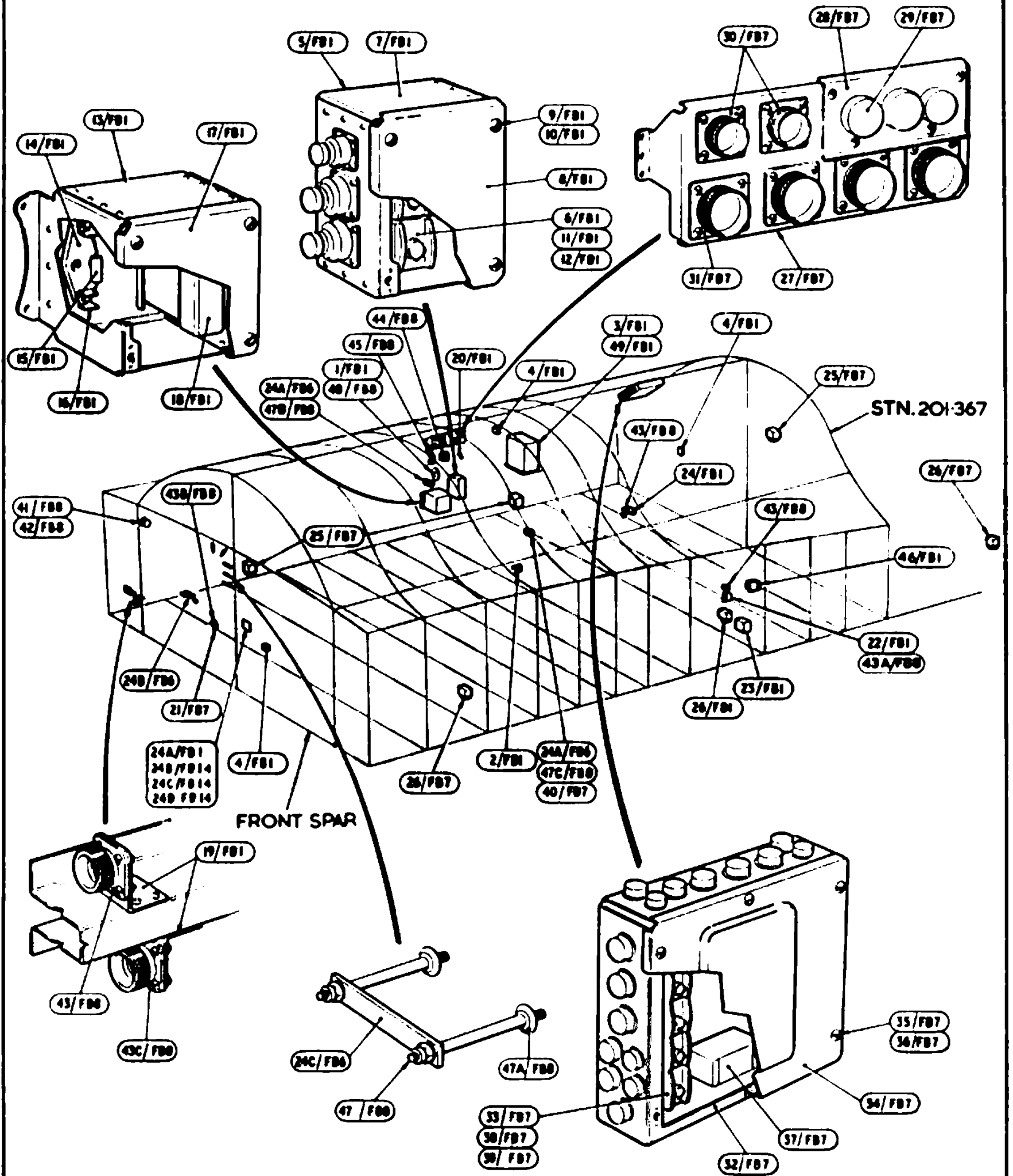
Ref. No.	Part No.	Description	No. off	Matl. Spec.	Cl. of	Plate and Illust'n No.
					St. M.R.	
		1 2 3 4				
		UNIT, ELECTRICAL, FOR ARTIFICIAL FEEL UNIT, AILERON, ELEVATOR AND RUDDER (21, 22 & 23V8400 or 24V8400) (Continued)	-	-		
	4V6848	CONTAINER, AILERON UNIT, GROUP	1	-		FB3/198
	1V9869	CONTAINER, ELEVATOR, GROUP	1	-		FB3/199
	2V9869	CONTAINER, RUDDER, GROUP	1	-		FB3/200
10H/0590109	ENGLISH ELECT.	Fuse, HRC, 4 amp.	1	-	C	FB3/201
5CW/5191808	HART MANUF'G R101/PS BELLING LEE L1382	Holder, relay	2	-	B	FB3/202
	618SS6004	Holder, fuse, sealed panel	1	-		FB3/203
	619SS6004	Label, "fuse 1008," for aileron	1	-		
	620SS6004	Label, "fuse 1009," for elevator	1	-		
6403	COLVERN LTD. N602	Label, "fuse 1010," for rudder	1	-		
		Locknut, for spindle	1	-	C	
	1V13100	LOOM, CABLE, FOR AILERON AND RUDDER, GROUP (Mod. 2075)	1	-		
	1V13101	LOOM, CABLE, FOR ELEVATOR, GROUP	1	-		
	1V13400	LOOM, CABLE, FOR ELEVATOR, GROUP (Mod 2075)	1	-		
	25V8400	PANEL, MOUNTING CONDENSER, GROUP (Mod 2075)	1	-		
		Spares for:-				
10C/0115572	-	Capacitor	4	-	C	FB3/204
10W/0113465	-	Resistor	2	-	C	FB3/205
10W/0117894	-	Resistor	2	-	C	FB3/206
	COLVERN LTD.	Potentiometer (p-230 ohms)	2	-	C	FB3/207
10W/9490	COLVERN LTD. CLR.1232/268	Potentiometer, 2,500 ohms (Mod. 2206)	1	-	C	FB3/208
	4V6622	PLATE, COVER, BOTTOM, GROUP	1	-	MR	FB3/209
5CW/4400149	SANGAMO WESTON S54/568	Relay, moving coil	1	-	A	FB3/210
5CW/4400265	HART MANUF'G R210/C3P/1	Relay	2	-		FB3/211
10W/0119851	-	Resistor, 10,000 Ω	1	-	C	FB3/212
	-	Spindle, cock	3	-		FB3/213
6A/4338501	SMITHS 1081PG	Transmitter, A.S.I., for aileron	1	-	A	FB3/214
6A/4338295	SMITHS 1082PG	Transmitter, A.S.I., for elevator	1	-	A	FB3/215
6A/4333820	SMITHS 728PG or DSS800	Transmitter, A.S.I., for rudder	1	-	A	FB3/216

VULCAN MA 2

ELECTRICAL INSTALLATION
SUMMARY OF STANDARD ITEMS

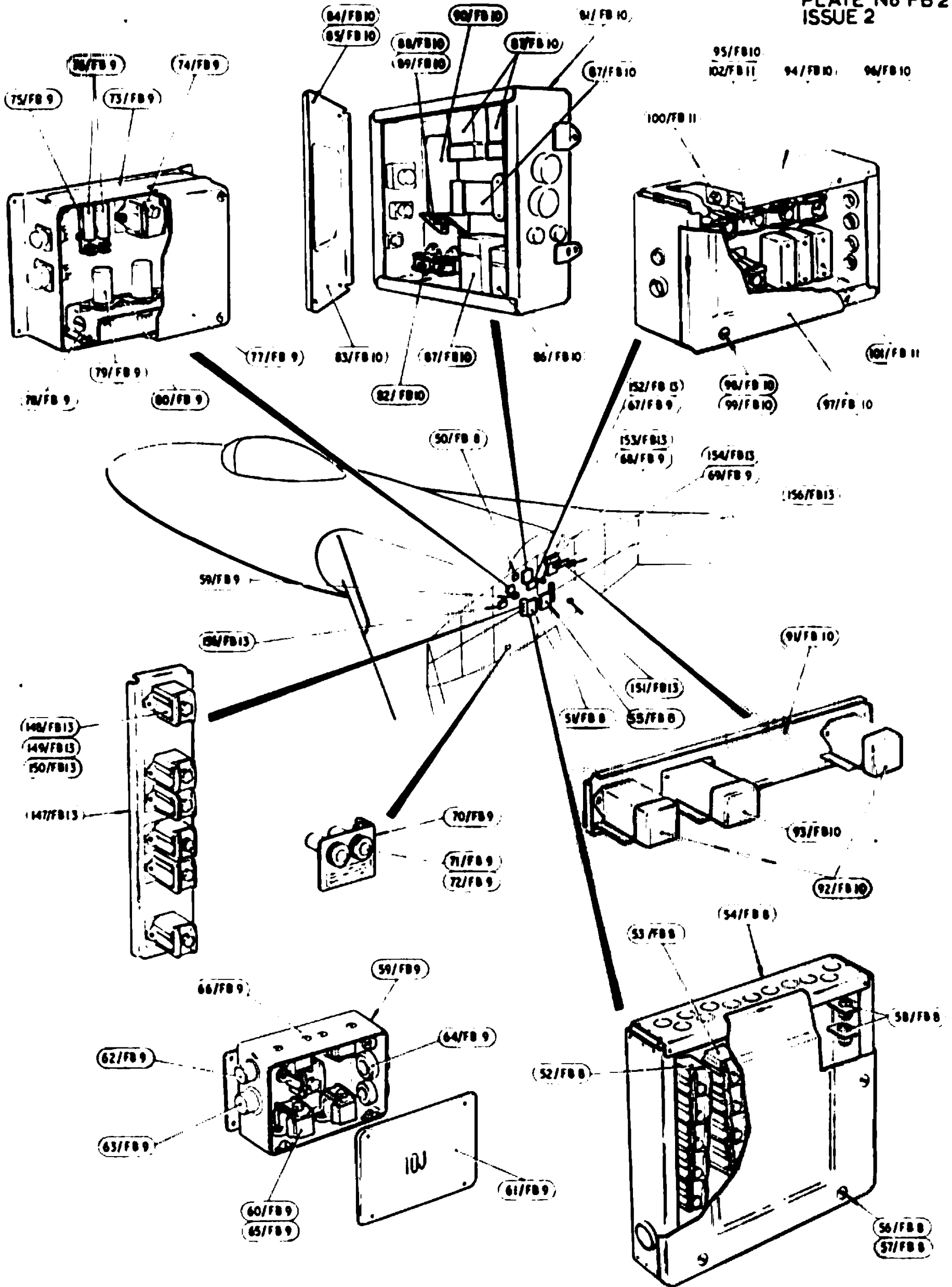
Page FB.17

Stores Ref.		No. off	Stores Ref.		No. off	Stores Ref.		No. off
Section	Ref. No.		Section	Ref. No.		Section	Ref. No.	
28D	9706373	60	28M	7002430	18	28W	9419446	123
28D	9140635	6	28M	7002431	2	28W	9419401	129
28D	1010658	10	28M	9435066	13	28W	9419454	134
28D	1011006	8	28M	9434251	12	28W	9419455	1
28D	1010029	4	28M	9435067	21	28W	9419402	11
28D	1009984	6	28M	4095866	1	28W	9419403	1
28D	1011011	3	28M	9132600	6	28W	9419473	6
28D	9132448	1	28M	1007946	26	28W	9419474	4
28D	9015170	1				28W	9419475	32
28D	9436920	46				28W	9419405	33
28D	9133011	27	28S	1200049	88	28W	9419404	5
28D	9133012	3	28S	1200044	14	28W	1010733	2
28D	1010030	2	28S	9419437	55	28W	1200073	7
28D	9133014	1	28S	1200043	1	28W	1200071	34
28D	9453970	1	28S	1200050	22	28W	9416641	34
28D	1010031	4	28S	9419435	1	28W	1206041	25
28D	1011254	18	28S	9419453	9	28W	9419185	8
28D	1202771	1	28S	1200034	14	28W	1006946	12
28D	1214035	1	28S	1200040	13			
28D	9137408	12	28S	1200033	5			
28D	1007979	2	28S	1200035	1			
28D	1214876	6	28S	9131095	9			
28D	9137409	6	28S	9997545	9			
28D	1215086	1	28S	9435713	26			
28D	9128739	54	28S	1200047	20			
28D	1218384	4	28S	1007752	9			
28D	1007981	2	28S	1007753	2			
28D	1007982	14	28S	1006979	24			
28D	1212792	4	28S	1006948	32			
28D	1213476	12	28S	1017747	30			
			28S	9995324	4			
28FP	1014631	4	28S	1011486	3			
28FP	9434075	4	28S	1008327	3			
28FP	9542167	14	28S	9992522	2			
28FP	9425771	14	28S	1007405	4			
			28S	1007443	4			
28M	9403518	34	28S	1213423	6			
28M	1006504	16						
28M	1006473	4						
28M	1007403	10						
28M	9403517	6						
28M	1987493	57						
28M	10287	8						
28M	10288	44						
28M	10290	4						
28M	10326	107						
28M	10327	44						
28M	10328	73						

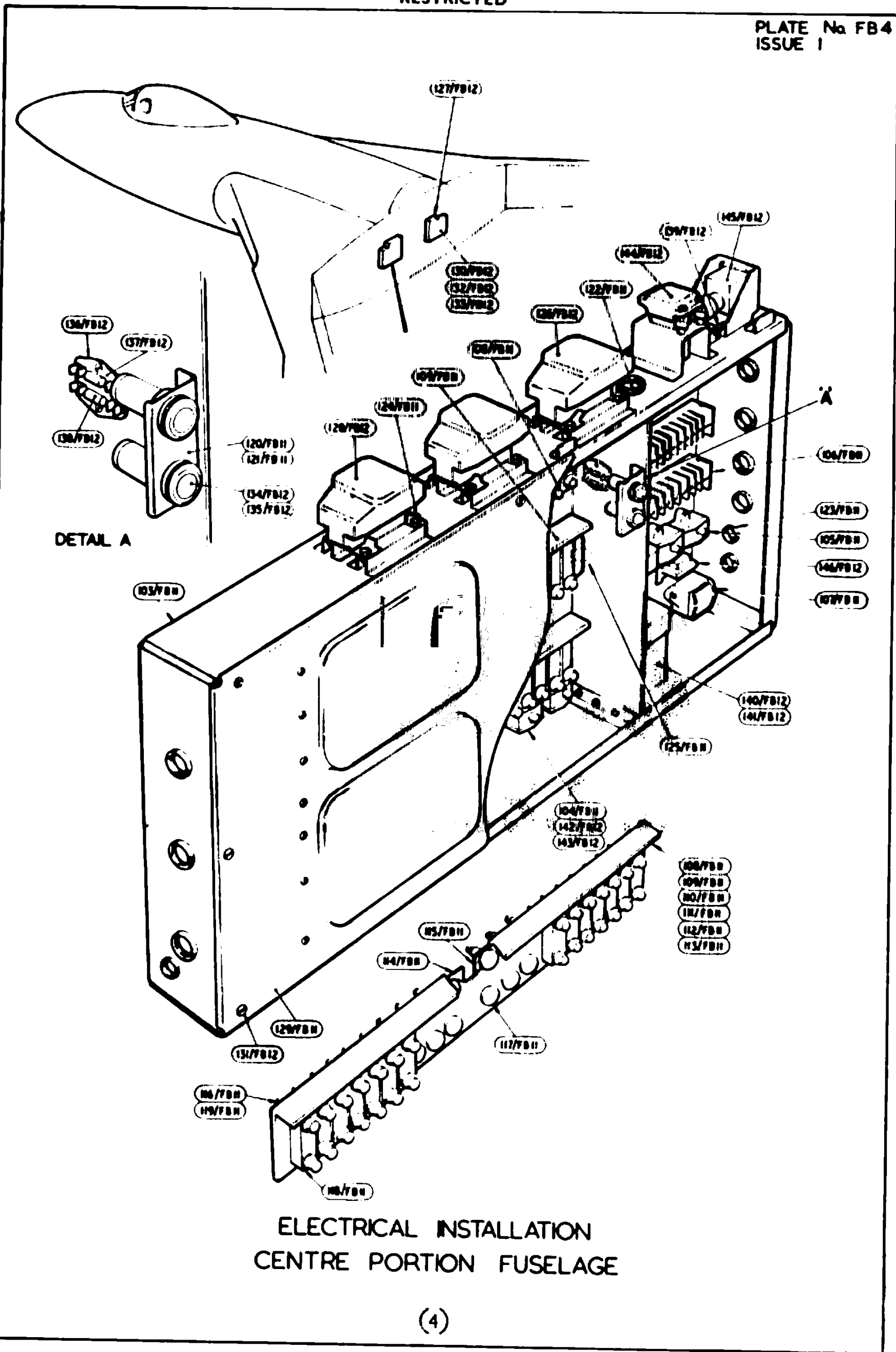


ELECTRICAL INSTALLATION
CENTRE PORTION - FUSELAGE

(1)



ELECTRICAL INSTALLATION
FUSELAGE CENTRE PORTION



VULCAN No 2

ELECTRICAL INSTALLATION
FUSELAGE CENTRE PORTION—BELOW AIR INTAKES

Ref. No.	Part No.	Description	No. off	Matl. Spec.	Cl. of St.	Plate and Illust'n No.
					M.R.	
		1 2 3 4				
		ELECTRICAL INSTALLATION IN CENTRE PORTION BELOW AIR INTAKES, PORT AND STARBOARD (1 & 2V8495 Pre-Mod. 360) (6 & 7V8495 Mod. 360) Spares for:—				
5CZ/4335567	TEDDINGTON FLM/A/14	Amplifier, magnetic	1	—	A	FC1/1
	1V6691	Block, terminal, 2-way	2	—	MR	FC1/2
6A/4705	SANGAMO WESTON FD751/10	Cable, 10'—0" long	1	—	C	
	694V7909	CABLE, (F694) TB.703 TO MICRO SWITCH, GROUP	1	—		
	695V7909	CABLE, (F695) OVERHEAT SWITCH TO TB.710, GROUP	1	—		
	696V7909	CABLE, (F696) TO TB. 702, GROUP	1	—		
	697V7909	CABLE, (F697) TB. 703 TO TB. 711, GROUP	1	—		
	698V7909	CABLE, (F698) TO TB. 703, GROUP	1	—		
	699V7909	CABLE, (F699) TB. 711 TO TB. 703, GROUP	1	—		
	700V7909	CABLE, (F700) TB. 706 TO TB. 711, GROUP	1	—		
	701V7909	CABLE, (F701) TB.703 TO TB'S 706 & 711, GROUP	1	—		
	702V7909	CABLE, (F702) TB. 703 TO MICRO SWITCH	1	—		
	705V7909	CABLE, (F705) TB. 708 TO MICRO SWITCH, GROUP	1	—		
	707V7909	CABLE, (F707) FOLLOW UP RESISTOR TO TB. 707, GROUP	1	—		
	708V7909	CABLE, (F708) TB. 691 TO TB. 708, GROUP	1	—		
	709V7909	CABLE, (F709) TB.708 TO INCHING CONTROL, GROUP	1	—		
	710V7909	CABLE, (F710) TB. 691 TO TB. 709, GROUP	1	—		
	711V7909	CABLE, (711) TB. 691 TO TB's 708 AND 709, GROUP	1	—		

ELECTRICAL INSTALLATION
FUSELAGE CENTRE PORTION—BELOW AIR INTAKES

Ref. No.	Part No.	Description	No. off	Matl. Spec.	Cl. of	Plate and Illust'n No.
					St. M.R.	
		1 2 3 4				
	712V7909	CABLE, (F712) ACTUATORS TO TB's 691 AND 708, GROUP	1	—		
	713V7909	CABLE, (F713) TB. 712 TO OVERHEAT SWITCH, GROUP	1	—		
	715V7909	CABLE, (F715) TB. 708 TO MICRO SWITCH, GROUP	1	—		
	764V7909	CABLE, (F764) CROSS FEED COCK ACTUATOR TO 32P, GROUP	1	—		
	765V7909	CABLE, (F765) TB. TO EARTH, GROUP	1	—		
	766V7909	CABLE, (F766) TB. 475 TO TB's 477 AND 480, GROUP	1	—		
	768V7909	CABLE, (F768) TB. 745 TO EARTH, GRP.	1	—		
	770V7909	CABLE, (F770) TB. 467 TO EARTH, GRP.	1	—		
	771V7909	CABLE, (F771) TB. 491 TO EARTH, GRP.	1	—		
	1080V7909	CABLE, (F1080) 30P TO EARTH, GROUP	1	—		
	1081V7909	CABLE, (F1081) No. 1 FUEL COCK TO 30P, GROUP	1	—		
	1086V7909	CABLE, (F1086) 33P TO EARTH, GROUP	1	—		
	1087V7909	CABLE, (F1087) No. 4 FUEL COCK TO 33P, GROUP	1	—		
	2061V7909	CABLE, (F2061) TB. 432 TO H.D. CONNECTORS, GROUP	1	—		
	2248V7909	CABLE, (F2248) TRANSFORMER TO EARTH, GROUP (Pre-Mod. 885)	1	—		
	2249V7909	CABLE, (2249) TB. 432 TO TB. 433 TRANSFORMER AND EARTH, GROUP (Pre-Mod. 885)	1	—		
	7869V7909	CABLE, (F2249) TB. 432 TO TB. 433 TRANSFORMER & EARTH, GROUP (Mod. 885) (Pre-Mod. 360)	1	—		
	2537V7909	CABLE, (F2537) TB. 710 TO 17P, GROUP	1	—		

VULCAN No. 2

ELECTRICAL INSTALLATION
FUSELAGE CENTRE PORTION-BELOW AIR INTAKES

Page FC. 3

Ref. No.	Part No.	Description	No. off	Matl. Spec.	Cl. of St.	Plate and Illust'n No.
					M.R.	
		<u>1:2:3:4</u>				
	2841V7909	CABLE, (F2841) POWER PACK TO TB. 462, .. GROUP	1	-		
	2842V7909	CABLE, (F2842) RELAY 255 TO RELAY 259, GROUP	1	-		
	2846V7909	CABLE, (F2846) TEST SOCKET TO No. 1 TANK, STARBOARD, GROUP	1	-		
	2896V7909	CABLE, (F2896) MICRO SWITCH TO RESISTOR, GROUP (Pre-Mod. 360)	1	-		
	2897V7909	CABLE, (F2897) AT RESISTORS 1 & 2, GROUP	1	-		
	2898V7909	CABLE, (F2898) AT RESISTORS 2 & 3, GROUP	2	-		
	2899V7909	CABLE, (F2899) AT RESISTORS 2 & 3, GROUP	1	-		
	2900V7909	CABLE, (F2900) AT RESISTORS 1 & 2, GROUP	1	-		
	3038V7909	CABLE, (F3038) TRANSFORMER TO EARTH, GROUP (Pre-Mod. 360)	1	-		
	7866V7909	CABLE, (F2062) TRANSFORMER TO TB. 433 & RESISTOR, GROUP (Pre-Mod. 360)	1	-		
	8143V7909	CABLE, (F2896) MICRO SWITCH TO RESISTOR, GROUP (Mod. 360)	1	-		
	8222V7909	CABLE, (F691) TB. 702 TO TB's 703 AND 706, GROUP (Mod. 862)	1	-		
	8223V7909	CABLE, (F703) TB. 707 TO TB's 708 AND 709, GROUP (Mod. 862)	1	-		
	8732V7909	CABLE, (F692) 17P TO AMPLIFIER AND EARTH, GROUP	1	-		
	8733V7909	CABLE, (F704) 18P TO AMPLIFIER AND EARTH, GROUP	1	-		
	8742V7909	CABLE, (F1082) 31P TO EARTH, GROUP	1	-		
	8743V7909	CABLE, (F1084) 32P TO EARTH, GROUP	1	-		
	8851V7909	CABLE, (F2249) TB. 432 TO TB. 433 AND EARTH, GROUP (Mod. 1194)	1	-		
	8870V7909	CABLE, (F1083) No. 2 FUEL COCK TO 31P, GROUP (Mod. 1320)	1	-		
	8871V7909	CABLE, (F1085) TB. 487 TO TB. 488, GROUP (Mod. 1320)	1	-		

ELECTRICAL INSTALLATION
FUSELAGE CENTRE PORTION—BELOW AIR INTAKES

Ref. No.	Part No.	Description	No. off	Matl Spec.	Cl. of St.	Plate and Illust'n No.	
					M.R.		
		1 2 3 4					
1433028	8892V7909	CABLE, (F2021) No. 1 ENG. SEAL BULKHEAD PLUG 742 TO 30P, GROUP (Mod. 1320)	1	—			
	8893V7909	CABLE, (F2022) No. 2 ENG. SEALING BULKHEAD PLUG 743 TO 31P, GROUP (Mod. 1320) (Pre Mod. 2481)	1	—			
	9973V7909	CABLE, (F2022) No. 2 ENG. SEALING BULKHEAD PLUG 743 TO 31P, GROUP (Mod. 2481)	1	—			
	8894V7909	CABLE, (F2023) No. 3 ENG. SEALING BULKHEAD PLUG 744 TO 32P, GROUP (Pre Mod. 2481)	1	—	C		
	9974V7909	CABLE, (F2023) No. 3 ENG. SEALING BULKHEAD PLUG 744 TO 32P, GROUP (Mod. 2481)	1	—			
	8895V7909	CABLE, (F202A) No. 4 ENG. SEALING BULKHEAD PLUG 745 TO 33P, GROUP (Mod. 1320) (Pre Mod. 2481)	1	—			
	9975V7909	CABLE, (F202A) No. 4 ENG. SEALING BULKHEAD PLUG 745 TO 33P, GROUP (Mod. 2481)	1	—			
22840	9752V7909	CABLE, (F3225), GROUP (Mod. 2032)	1	—			
	9780V7909	CABLE, (F3226), GROUP (Mod. 2032)	1	—			
	AS4799	Clip, spring	4	—	MR	FC1/3	
	AS8671/35	Capping, duct, 35" long	1	—			
	AS8671/21	Capping, duct, 21" long	2	—			
	AS8671/19	Capping, duct, 19" long	2	—			
	21SS4623	Duct, cable, 21" long, port	2	—	C	FC1/4	
	355SS4623	Duct, cable, 35" long	1	—	MR	FC1/5	
	19SS4623	Duct, cable, 19" long, starboard	2	—	MR	FC1/6	
	11V8495	Fairlead, half	4	—		FC1/7	
	13V8495	Fairlead	4	—		FC1/8	
	14V8495	MOUNTING RESISTOR, GROUP	1	—		FC1/9	
	5CZ/1046402	5V8495	Spares for:— Channel, mounting	2	—		FC1/10
BERCO LTD. SA22		Mounting, insulator	6	—	C	FC1/11	
9V6359		Insulator	6	—		FC1/12	
10V6359		Insulator	6	—		FC1/13	
BERCO LTD. K6/VP 6.8Ω		Resistor, 180 watt, c/w spring mounting	3	—		FC1/14	
1V6680		PANEL, TERMINAL BLOCK, PORT, GROUP	1	—		FC1/15	
2V6680		PANEL, TERMINAL BLOCK, STARBOARD,	1	—		FC1/16	
5X/6200370		1V5650	Spares for:— Block, terminal	8	—	C	FC1/17
		3V6680	PANEL, LESSEQUIPMENT, GROUP	1	—		FC1/18
5X/4491487 5X/4491488		14V5650	Socket, double	3	—	C	FC1/19
	15V5650	Socket, single	22P 20S	—	C	FC1/20	

VULCAN MI 2

ELECTRICAL INSTALLATION
FUSELAGE CENTRE PORTION--BELOW AIR INTAKES

Page FC 5

Ref. No.	Part No.	Description	No. off	Matl Spec.	Cl. of St.	Plate and Illust'n No.
					M.R.	
		<u>1 2 3 4</u>				
		ELECTRICAL INSTALLATION IN CENTRE PORTION BELOW AIR INTAKES PORT AND STARBOARD (1 & 2 V8495 Pre-Mod 360) (6 & 7 V8495 Mod. 360) (Cont'd.)				
	1V6339	PANEL, 30P, PORT, GROUP	1	—		FC1/21
	1V6340	PANEL, 31P, PORT, GROUP	1	—		FC1/22
		Spares for:—				
5X/6200370	1V5650	Block, terminal	6	—	C	FC1/23
	22V5650	Jumper, for 30P	2	—	MR	
		Jumper, for 31P	1	—		
	2V6339	PANEL, 30P, LESS EQUIPMENT, PORT, GROUP	1	—		FC1/24
	2V6340	PANEL, 31P, LESS EQUIPMENT, PORT, GROUP	1	—		FC1/25
5X/4491487	14V5650	Socket, double, for 30P	3	—	C	FC1/26
		Socket, double, for 31P	1	—		
5X/4491488	15V5650	Socket, single, for 30P	11	—	C	FC1/27
		Socket, single, for 31P	15	—		
	1V6341	PANEL, 32P, STARBOARD, GROUP	1	—		FC1/28
	1V6342	PANEL, 33P, STARBOARD, GROUP	1	—		FC1/29
		Spares for:—				
5X/6200370	1V5650	Block, terminal	6	—	C	FC1/30
	22V5650	Jumper, for 32P	1	—	MR	
		Jumper, for 33P	2	—		
	2V6341	PANEL, 32P, LESS EQUIPMENT, STARBOARD, GROUP	1	—		FC1/31
	2V6342	PANEL, 33P, LESS EQUIPMENT, STARBOARD, GROUP	1	—		FC1/32
5X/4491487	14V5650	Socket, double, for 32P	1	—	C	FC1/33
		Socket, double, for 33P	3	—		
5X/4491488	15V5650	Socket, single, for 32P	15	—	C	FC1/34
		Socket, single, for 33P	11	—		
	1V7686	PANEL, DE-ICING, 17P, PORT, GROUP	1	—		FC1/35
	2V7686	PANEL, DE-ICING 18P, STARBOARD, GROUP	1	—		FC1/36
		Spares for:—				
5X/6200370	1V5650	Block, terminal	3	—	C	FC1/37
	9V7686	COVER, 17P, GROUP	1	—		FC1/38
13262	10V7686	COVER, 18P, GROUP	1	—	C	FC1/39
		Spares for:—				
28FP/9144248	A4/25	Fastener, Dzus	6	—	C	FC1/40
28FP/9430915	GA4/250	Grommet	6	—	C	FC1/41
10H/0560013	—	Holder, valve	1	—	C	FC1/42
	9V5857	Insulator	2	BSS972		FC1/43

ELECTRICAL INSTALLATION
FUSELAGE CENTRE PORTION—BELOW AIR INTAKES

Ref. No.	Part No.	Description 1 2 3 4	No. off	Matl. Spec.	Cl. of St.	Plate and Illust'n No.
					M.R.	
		PANEL, DE-ICING, 17P, PORT AND 18P, STARBOARD (1 & 2V7686) (Cont'd.)				
	1V10225	LOOM, CABLE, 17P, GROUP	1	—		
	1V10226	LOOM, CABLE, 18P, GROUP	1	—		
	1V7687	PANEL, 17P, LESS EQUIPMENT, GROUP ...	1	—		FC1/44
	6V7687	PANEL, 18P, LESS EQUIPMENT, GROUP ...	1	—		FC1/45
	PLESSEY					
5CW/4400162	7CZ/103739/2	Relay, Type 2 P.D.T.	1	—	A	FC1/46
5CW/4400161	7CZ/105411/2	Relay, Type 4 P.D.T.	3	—	B	FC1/47
	10V5857	RETAINER, VALVE, GROUP	1	—	MR	FC1/48
		Consisting of:—				
28M/1987493	AGS2001/A1	Nut, stiff, 6 BA	2	—	C	
28M/1200096	A27/AT	Nut, thin, 6 BA	2	—	C	
	10bV5857	Retainer, valve	1	BSS972		
	TERRY					
	EX5	Spring, extension	2	—		
	10aV5857	Stud, special	2	S1		
28W/9419473	SP15/A	Washer, 6 BA	4	—	C	
	6V6335	SUPPORT, RESISTOR, GROUP	2	—		FC1/49
		Consisting of:—				
	6aV6335	Bolt, special (Made from A35/4B)	2	—		
28M/1006504	A27/BT	Nut, thin, 4 BA	2	—	C	
	8V5857	Support, resistor	2	BSS972		
28W/9419401	SP10/B	Washer, 4 BA	2	—	C	
28W/1010155	AGS162/B	Washer, spring, 4 BA	2	—	C	
	SUNVIC					
	CONTROLS					
5CW/4400081	601V	Switch, hot wire vacuum, c/w resistor ...	1	—	B	
	ROTAX					
5UB/4342763	P6601	Transformer (Pre-Mod. 360)	1	—	C	FC1/50
	4V6360	Tube, conduit	1	—		FC1/51

VULCAN ML 2

ELECTRICAL INSTALLATION
SUMMARY OF STANDARD ITEMS

Stores Ref.		No. off	Stores Ref.		No. off	Stores Ref.		No. off
Section	Ref. No.		Section	Ref. No.		Section	Ref. No.	
28D	1010658	73	28S	1200044	13			
28D	1008149	4	28S	9419437	4			
28D	1010142	4	28S	1200043	48			
28D	9435711	4	28S	9140640	1			
28D	9140639	2	28S	9419453	54			
28D	9132449	2	28S	1200034	56			
28D	9436920	67	28S	1200040	5			
28D	9133011	57	28S	9140642	8			
28D	7002428	6	28S	9997545	8			
28D	1010030	14	28S	9435713	4			
28D	1011019	18	28S	1200047	12			
28D	9140644	4	28S	1200042	4			
28D	9435710	2						
28D	9410397	1						
28D	1007973	10	28W	1007983	12			
28D	1007468	16	28W	1010155	4			
28D	1212800	4	28W	9419446	4			
			28W	9419401	173			
			28W	9419454	57			
28FP	9144248	12	28W	9419464	4			
28FP	9430915	12	28W	9419465	56			
			28W	9419402	73			
			28W	9419473	16			
28M	1200096	8						
28M	10286	10						
28M	10328	43						
28M	10327	155						
28M	9435559	48						
28M	9434253	2						
28M	11957	2						

VULCAN No. 2

ELECTRICAL INSTALLATION
COMPARTMENT, AFT OF UNDERCARRIAGE BAY

Page FD 1

Ref. No.	Part No.	Description	No. off	Matl. Spec.	Cl. of	Plate and Illust'n No.
					St. M.R.	
		1 2 3 4				
		ELECTRICAL INSTALLATION IN COMPARTMENT, AFT OF UNDERCARRIAGE BAY, PORT (V8491) (Mods. 608 & 743)				
		Spares for:—				
5X/6200370	1V5650	Block, terminal	1	—	C	FD1/1
	5H/74	Block, fuse	1	—	C	FD1/2
	337V8100	CABLE, (P337) No. 4 AMPLIFIER TO TB.2040 AND CABLE BOX, GROUP (Mod 2283)	1	—		
	338V8100	CABLE, (P192) No 6 AMPLIFIER TO TB.2040, AND CABLE BOX, GROUP (Mod. 2283)	1	—		
	7881V8100	CABLE, (P202), GROUP (Pre-Mod 1744) . . .	1	—		
12914	207V8100	CABLE, (P207), GROUP (Pre-Mod. 1744) . . .	1	—		
	242V8100	CABLE, (P242), PLUG BREAK TO FUSES, GROUP	1	—	C	
	243V8100	CABLE, (P243), PLUG BREAK TO FUSE, GROUP	1	—		
	274V8100	CABLE, (P274), TRANSFORMER TO FUSE . . . AND TB 2045, GROUP	1	—		
	9151V7909	CABLE, (F1210), GROUP (Mod 1414)	1	—		
	283V8100	CABLE, (P283) BULKHEAD CONNECTOR TO FUSE, GROUP (Pre-Mod. 1744)	1	—		
	7860V8100	CABLE, (P283) BULKHEAD CONNECTOR TO FUSE, GROUP (Pre-Mod 1744)	1	—		
	292V8100	CABLE, (P292), GROUP (Pre-Mod. 1744)	1	—		
	293V8100	CABLE, (P293), GROUP (Pre-Mod 1744)	1	—		
	740V7909	CABLE, (F740), RELAY 339 TO EARTH, GROUP	1	—		
17370	1209V7909	CABLE, (F1209), STRIPPER UNIT TO SUPPRESSOR, GROUP	1	—	C	
	1510V7909	CABLE, (F1510), NITROGEN PANEL TO 38P, . GROUP	1	—		
1432921	2978V7909	CABLE, (F2978), STRIPPER UNIT TO SUPPRESSOR, GROUP (Mod 743)	1	—	C	
	2779V7909	CABLE, (F2979), SUPPRESSOR TO 26P AND . EARTH, GROUP (Mod. 743)	1	—		
	7861V8100	CABLE, (P285), GROUP (Pre-Mod. 1744)	1	—		
17413	9553V7909	CABLE, (F3483), GROUP (Mod. 1300)	1	—		
	9537V7909	CABLE, (F1207), GROUP (Mod 1300)	1	—		
	9540V7909	CABLE, (F2763), GROUP (Mod. 1300)	1	—		
	9541V7909	CABLE, (F2764), GROUP (Mod. 1300)	1	—		
	9544V7909	CABLE, (F2769), GROUP (Mod 1300)	1	—		
	9545V7909	CABLE, (F2770), GROUP (Mod. 1300)	1	—		
5CW/4405094	D6311	Contactor, Type 5Y, No. 2	1	—	A	FD1/3
22798	8V8491	Fairlead	1	—		FD1/4
22799	5V8491	Fairlead, half	2	BSS2966		FD1/5
22800	6V8491	Fairlead, half	1	BSS2966		FD1/6
22801	7V8491	Fairlead, half	1	BSS2966		FD1/7

ELECTRICAL INSTALLATION
COMPARTMENT, AFT OF UNDERCARRIAGE BAY

Ref. No.	Part No.	Description	No. off	Matl. Spec.	Cl. of St.	Plate and Illust'n No.
					M.R.	
		1 2 3 4				
		ELECTRICAL INSTALLATION IN COMPARTMENT, AFT OF UNDERCARRIAGE BAY, PORT (V8491) (Cont'd.)				
		FUSES IN GREEN SATIN BAY, GROUP (7V9851)				
		Spares for:—				
10H/9718192	ENG ELEC. AS 5	Fuse, 5 amp., 'S' type	4	—	C	FD1/8
5X/4500058	AS.2765	Link, commoning, 2-way	2	—	C	FD1/9
		MOUNTING, FUSE HOLDER, GROUP 1	1	—		FD1/10
		(V9546) (Pre-Mod. 1744)				
		MOUNTING, AMPLIFIERS FOR No. 4 AND ... No. 6 TANK (V16483) (Mod. 2283)				
		Spares for:—				
6A/1141864	SMITHS KA5	Amplifier, bridge type 7	2	—	A	FD1/11
5X/6200370	1V5650	Block, terminal	1	—	A	FD1/12
6A/1142877	SMITHS KC.6	Box, cable	1	—	C	FD1/13
6A/1142875	SMITHS KC 4	Box, cable	1	—	C	FD1/14
	6V16111	BRACKET, MOUNTING, GROUP	2	—	C	FD1/15
		Spares for:—				
1510508	11V16111	Bracket	1	—	C	FD1/16
5X/4491488	15V5650	Socket, single	5	—	C	FD1/17
		MOUNTING, PLUG STOWAGE AND PLUG ... MOUNTING FOR R.B.W. PORT, (1V15407) STARBOARD (2V11772) (Mod. 2177)	—	—		FD1/18
		Spares for:—				
	CANNON CA2182/6	Receptacle, dummy	4	—		FD1/19
	CANNON CA2182/7	Receptacle, dummy	3	—		FD1/20
	6V11772	Tube, plug protector	1	—		FD1/21
5X/4491487	14V5650	Socket, double	1	—	C	FD1/22
5X/4491488	15V5650	Socket, single	OR	—	C	
5CY/4376390	GA.EL.26317	Suppressor, type O, No. 2	1	—	A	FD1/23
5UB/6427	—	Transformer, type AE.5702	1	—	A	FD1/24
	GRAVINER 162D	Unit, control	1	—		FD1/25

VULCAN ME. 2

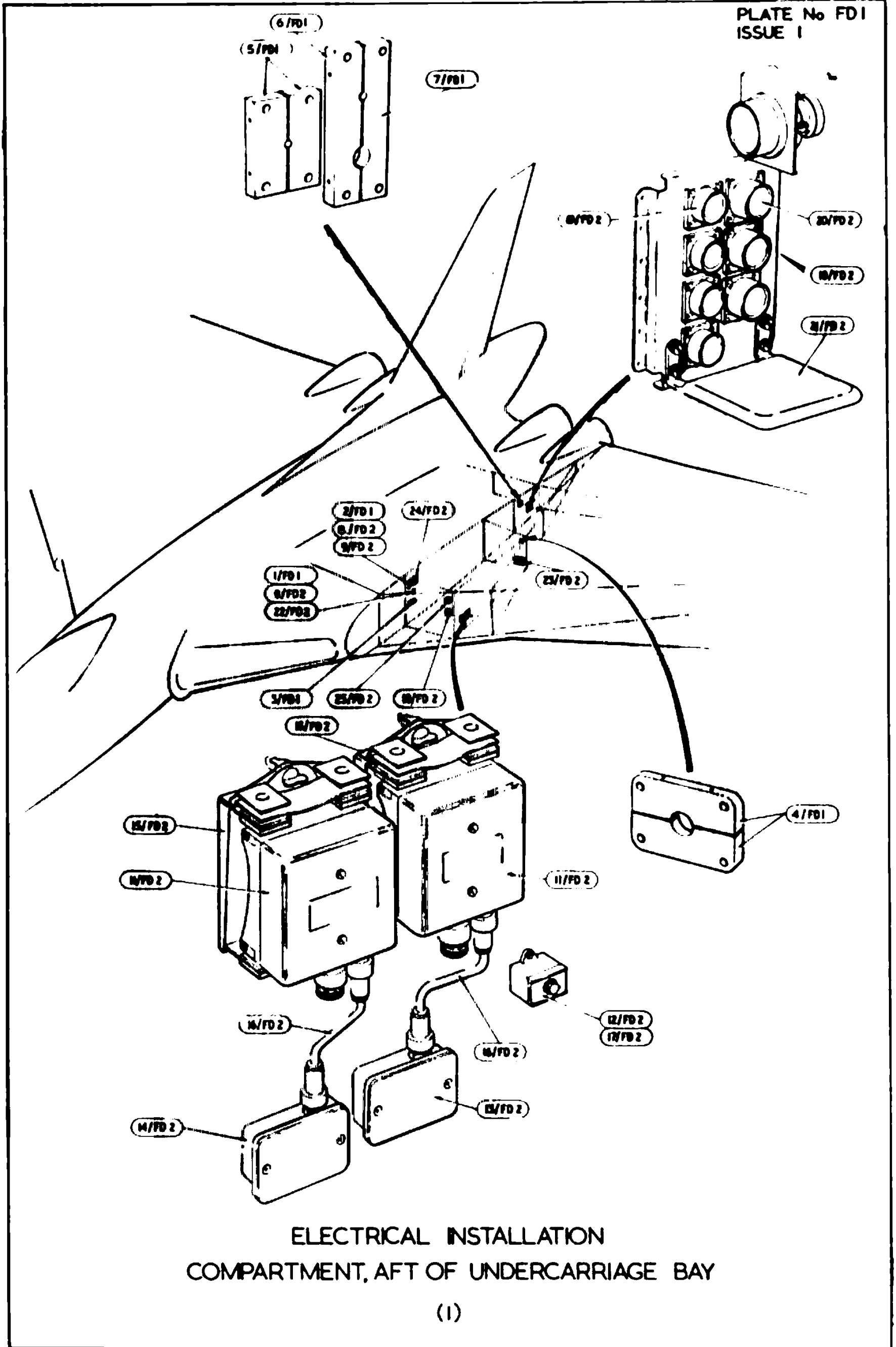
**ELECTRICAL INSTALLATION
SUMMARY OF STANDARD ITEMS**

Page FD. 3

Stores Ref.		No. off	Stores Ref.		No. off	Stores Ref.		No. off
Section	Ref. No.		Section	Ref. No.		Section	Ref. No.	
28D	9140638	8	28W	9419446	61			
28D	1212280	2	28W	9419401	17			
28D	7002428	4	28W	9419454	42			
28D	1011019	8	28W	9419465	24			
28D	9140644	1	28W	9419402	8			
28D	9140645	3						
28D	1011024	5						
28D	1011254	4						
28D	1007975	8						
28D	1007979	9						
28D	9140202	4						
28M	10288	5						
28M	10326	1						
28M	10327	6						
28M	10328	4						
28M	9435559	1						
28M	11957	10						
28M	9435066	30						
28M	9132600	26						
28M	9144673	8						
28S	1200044	57						
28S	9419437	2						
28S	9419453	6						
28S	1200036	2						
28S	1200040	7						
28S	9997545	1						
28S	9435713	35						
28S	9436921	7						

RESTRICTED

PLATE No FDI
ISSUE 1



ELECTRICAL INSTALLATION
COMPARTMENT, AFT OF UNDERCARRIAGE BAY

(1)

RESTRICTED

VULCAN Mk 2

ELECTRICAL INSTALLATION
CONSOLE, PORT, IN CREW'S NACELLE

Ref. No.	Part No.	Description	No. off	Matl. Spec.	Cl. of St.	Plate and Illust'n No.
					M.R.	
		1 2 3 4				
12059	1V11481	CONSOLE, AND MOUNTING, PORT, IN CREW'S NACELLE (1V9145) AND (19V9145) WITH BLUE STEEL Spares for:— BOX, ENGINE STARTING CONTROL, GROUP (Mod. 1320)	1	—	C	FE1/1
5X/6200370	1V5650	Block, terminal	3	—	C	FE1/2
5L 9959122	PAGE A260	Bulb	4	—	C	FE1/3
5CW/6386317	PAGE B186	Connector, socket	4	—	C	
	13V11481	COVER, BOX, GROUP	1	—		FE1/4
	DOWTY D7617Y	Flap, safety	1	—		FE1/5
	PAGE A223	Guard, switch	1	—		FE1/6
5CZ/4335793	DOWTY C5175Y MK58	Indicator, magnetic	2	—	C	FE1/7
	22V5650	Jumper	4	—	MR	FE1/8
	1V11419	LOOM, CABLE, GROUP	1	—		
	2V11481	PANEL, LESS EQUIPMENT, GROUP	1	—		
		Spares for:—				
	347SS6030	Label, off	1	—		
	348SS6030	Label, air, cross feed	1	—		
	350SS6030	Label, OFF ignition	1	—		
	351SS6030	Label, ON	2	—		
	352SS6030	Label, normal	1	—		
	353SS6030	Label, rapid	1	—		
	436SS6030	Label, rapid start	1	—		
	437SS6030	Label, gyro, hold off	1	—		
	873SS6004	Label, engine start	1	—		
	7V11481	Plate, mounting	1	—		FE1/9
5X/4491487	5V11481	Plate, plug	1	L52		FE1/10
5X/4491488	14V5650	Socket, double	5	—	C	
	15V5650	Socket, single	2	—	C	
	DOWTY DN1260.1A	Switch, single pole	1	—		FE1/11
	1.1.B					
5CW/4408083	DOWTY DN1260.2N	Switch	2	—	C	FE1/12
	3.1.B OR					
	DN1260.2N	Switch	2	—		
	3.1.C					

ELECTRICAL INSTALLATION
CONSOLE, PORT, IN CREW'S NACELLE

Ref. No.	Part No.	Description 1 2 3 4	No. off	Matl. Spec.	Cl. of St.	Plate and Illust'n No.
					M.R.	
		BOX, ENGINE STARTING CONTROL, GROUP (1V11481) (Mod. 1320) (Continued)				
5CW/2007871	C5162Y Mk. 2	Switch, button, type A	1	—	B	FE1/13
5CW/9438526	C5162Y Mk. 3	Switch, button, type B	1	—	B	FE1/14
		⋮				
5CW/4400278	PAGE C180A2	Switch	4	—	B	FE1/15
		⋮				
5CW/6386300	A258	Sleeve, cable	1	—	C	
5CW/5060	D5194Y	Shroud	1	—	C	FE1/16
22788	34V6569	Case, map	1	—	C	FE1/17
5L/9959118	—	Filament, for indicators, bomb door panel	2	—	C	FE1/18
5CW/4222	ZA2401	Guard, switch, fin folding	1	—	C	
	286SS6065	Label (Mod. 2144)	2	—		
	1V9301	PANEL, BOMB DOOR JETTISON, GROUP, (Pre-Mod. 748)	1	—		
	1V11134	PANEL, BOMB DOOR JETTISON, GROUP (Mod. 1139) WITHOUT BLUE STEEL	1	—		FE1/19
13710	2V11134	PANEL, BOMB DOOR JETTISON, GROUP, (Mod. 1139) WITH BLUE STEEL	1	—	C	
		Spares for:—				
5CW/4405620	HV3710	Cap, helvyn	2	—	C	FE1/20
	9S2042	Cap, helvyn	1	—		
5CW/1039506	ZA2402/1	Guard, switch	2	—	C	FE1/21
11544	7V10911	GUARD, SWITCH, GROUP	1	—		FE1/22
		⋮				
5CX/1050488	C500/B7	Lamp, indicator, green	1	—	C	FE1/23
		⋮				
5CX/1038082	C500/C7	Lamp, indicator, amber	1	—	C	FE1/24
		⋮				
	1V9127	LOOM, CABLE, GROUP (Pre-Mod. 748)	1	—		
	1V11112	LOOM, CABLE, GROUP	1	—		
		(use only with item 1V11134)				
	1V11113	LOOM, CABLE, GROUP	1	—		
		(use only with item 2V11134)				
	3V9301	PANEL, LESS LOOM, GROUP	1	—		
		(Pre-Mod. 748)				
11592	1V11133	PANEL, LESS EQUIPMENT, GROUP	1	—	C	
		Spares for:—				
8897	26SS6002	Label, open auto closed	1	—		
8914	29SS6002	Label, bomb door control	1	—		
	30SS6002	Label, normal	1	—		
	283SS6030	Label, bomb release safety lock	1	—		
	453SS6002	Label, override	1	—		
	454SS6002	Label, jettison	1	—		
	887SS6001	Label, emergency bomb jettison	1	—		
		⋮				
5CW/4405757	ROTAX N135531/1	Plate, shroud, fixing	2	—	C	FE1/25
		⋮				
5CW/4405756	ROTAX N135530	Shroud	1	—	C	FE1/26

VULCAN Mk 2

ELECTRICAL INSTALLATION
CONSOLE, PORT, IN CREW'S NACELLE

Page FE 3

Ref No.	Part No.	Description	No off	Matl. Spec.	Cl of St		Plate and Illust'n No
					M	R	
		1 2 3 4					
		PANEL, BOMB DOOR JETTISON, GROUP (1 & 2V11134) (Mod. 1139) (Cont'd.)					
	4V6570	SWITCH, GROUP	1	—			FE 1/27
		Spares for:—					
	890SS6001	Label	1	—			
	891SS6001	Label	1	—			
5CW 1047696	—	Switch, double pole	1	—			FE 1/28
5CW 936	E.I.7857	Switch, type "B"	1	—	C		FE 1/29
5CW/4861	D10002	Switch, single pole	1	—	B		FE 1/30
	N.S.F. LTD						
5CW/4400052	8373/B3	Switch, two pole	1	—	B		FE 1/31
		PANEL, P.F.C., GROUP (V8795)	—	—			FE 1/32
		Spares for:—					
	PAGE	Filament	21	—			
	A259						
	PAGE	Indicator, lamp (Mod. 1928)	1	—	C		FE 1/33
5CX/1050488	C500/B.7						
	1V13051	LOOM, CABLE, GROUP (Mod 1928)	1	—			
7624	1V9030	PANEL, LESS EQUIPMENT, GROUP	1	—	C		
		Spares for:—					
7625	5V8796	COVER, INSPECTION, GROUP	1	—	C		FE 1/34
		Spares for:—					
28FP/9488815	A4/30	Fastener, Dzus	9	—	C		
28FP/9430915	GA4/250	Grommet, Dzus	9	—	C		
	11V8795	Panel, top	1	L72			FE 1 35
7626	5V8795	SHROUD, CENTRE SWITCH, GROUP	1	—	C		FE 1 36
7627	6V8795	SHROUD, BOTTOM, SWITCH, GROUP	4	—	C		FE 1/37
22787	13V8795	SHROUD, SWITCH, GROUP	1	—	C		FE 1/38
		(Mod. 1073)					
5CW/5060	D5194Y	Shroud, re-set switches	4	—	C		FE 1/39
	WINGROVE & ROGERS						
1510074	TS1/06	Strip, terminal	2	—	C		
	WINGROVE & ROGERS						
1510075	TS1/08	Strip, terminal	2	—	C		
	PAGE						
5CW/1095293	C181/C5	Switch	7	—	B		FE 1 40
	PAGE						
5CW/4400277	C750/C5	Switch	10	—	B		FE 1.41
5CW/9348526	C5162Y Mk. 3	Switch, type "B"	3	—	B		FE 1/42
5CW/6362390	C5162Y Mk. 4	Switch, type "C"	1	—	B		FE 1/43

ELECTRICAL INSTALLATION
CONSOLE, PORT, IN CREW'S NACELLE

Ref No.	Part No.	Description	No. off	Matl. Spec	Cl. of St.	Plate and Illust'n No
					M.R	
		1 2 3 4				
		PANEL, P.F.C., GROUP (V8795) (Cont'd.)				
5CW/7223	N.S.F. LTD. 8820/B106	Switch, yaw damper	1	—	C	FE1/44
5CW 4400297	PAGE C675/C5	Switch	1	—	C	FE1/45
5CW/4400253	PAGE C180/E5	Switch	2	—	C	FE1/46
5CW/4408124	DOWTY D 2	Switch (Mod. 1928)	1	—	B	FE1/47
	1V13167	PANEL, ABANDON AIRCRAFT SWITCH, GROUP (Mod. 2007)	—	—		FE1/48
		Spares for:—				
	9S2042	Cap, helvyn	1	—		
	285SS6065	Label (Mod. 2144)	1	—		
	1V13637	LOOM, CABLE, GROUP	1	—		
	2SS4624	Plate, shroud fixing	1	—		FE1/49
	2SS4625	Plate, shroud fixing	1	—		FE1/50
	ROTAX					
5CW/4405758	N136930	Shroud	1	—	C	FE1/51
5CW/1047692	—	Switch	1	—	C	FE1/52
	DOWTY					
5CW 4408132	E.1	Switch	1	—	B	FE1/53
	N.S.F. LTD.					
5CW/4400085	8295/B109	Switch	1	—	C	FE1/54
	DOWTY					
5CW 4408108	AS10512B.3	Switch	1	—	B	FE1/55
	DOWTY					
5CW 4408124	D.2	Switch	1	—	B	FE1/56
	15V9145	Plate, cover	1	—		FE1/57
	12V9145	Plate, mounting	1	—		FE1/58
	13V9145	Plate, mounting	1	—		FE1/59
6D 2383	OP5290	Regulator, oxygen, Mk. 21B (Mod. 1387)	1	—	A	FE1/60
6D 2671	OP6450	Regulator, oxygen, Mk. 17F	1	—	A	FE1/61
		(Mod. 1961 S.O.O.)				

VULCAN Mk 2

ELECTRICAL INSTALLATION
CONSOLE, PORT, IN CREW'S NACELLE

Ref. No.	Part No.	Description	No. off	Matl. Spec.	Cl. of St.	Plate and Illust'n No
					M.R.	
		1 2 3 4				
5CZ/4337688	PLESSEY 7CZ/107201	Selector, temperature	1	—	B	FE1/62
5CW/4405514	—	Switch, dimmer	1	—	C	FE1/63
5CW/4705121	THORN 01-0063	Switch, push button (Mod. 1900)	1	—	B	FE1/64
5CW/4405072	A.E.I. X2251569/1	Switch, dimmer, with Blue Steel	1	—	A	FE1/65
5CW/1047695	—	Switch, fin folding, with Blue Steel	1	—	C	FE1/66
5CW/4408104	A-6	Switch, RT/1 tone (Mod. 2057)	1	—	B	FE1/67
10L/1948320	1T6654	Unit, T.F.R. control (Mods. 2057, 2375)	1	—	A	FE1/68
		(Pre Mod. 2422)				
5CW/4408715	2TL1-70N	Switch (Honeywell)	1	—	B	
	8T6654	Unit, T.F.R. control (Mod. 2422)	1	—		
5CW/6344143	126-2TOTC	Switch (Dowty)	1	—	B	
10L/16320	—	Unit, intercom, control, type 7681	1	—	A	FE1/69
		(Pre-Mod. 2304)				
10L/16856	—	Unit, intercom, control, type 7681B	1	—	A	
		(Mod. 2304)				
10L/16720	—	Unit, Mk. VII, radio altimeter, type 16095	1	—	A	FE1/70
5821-99-	—					
942-8543	—	Unit, U.H.F. control (Mod. 2007)	1	—	A	FE1/71
27KD/4631315	NORMALAIR 513390	Valve, manual control	1	—	B	FE1/72

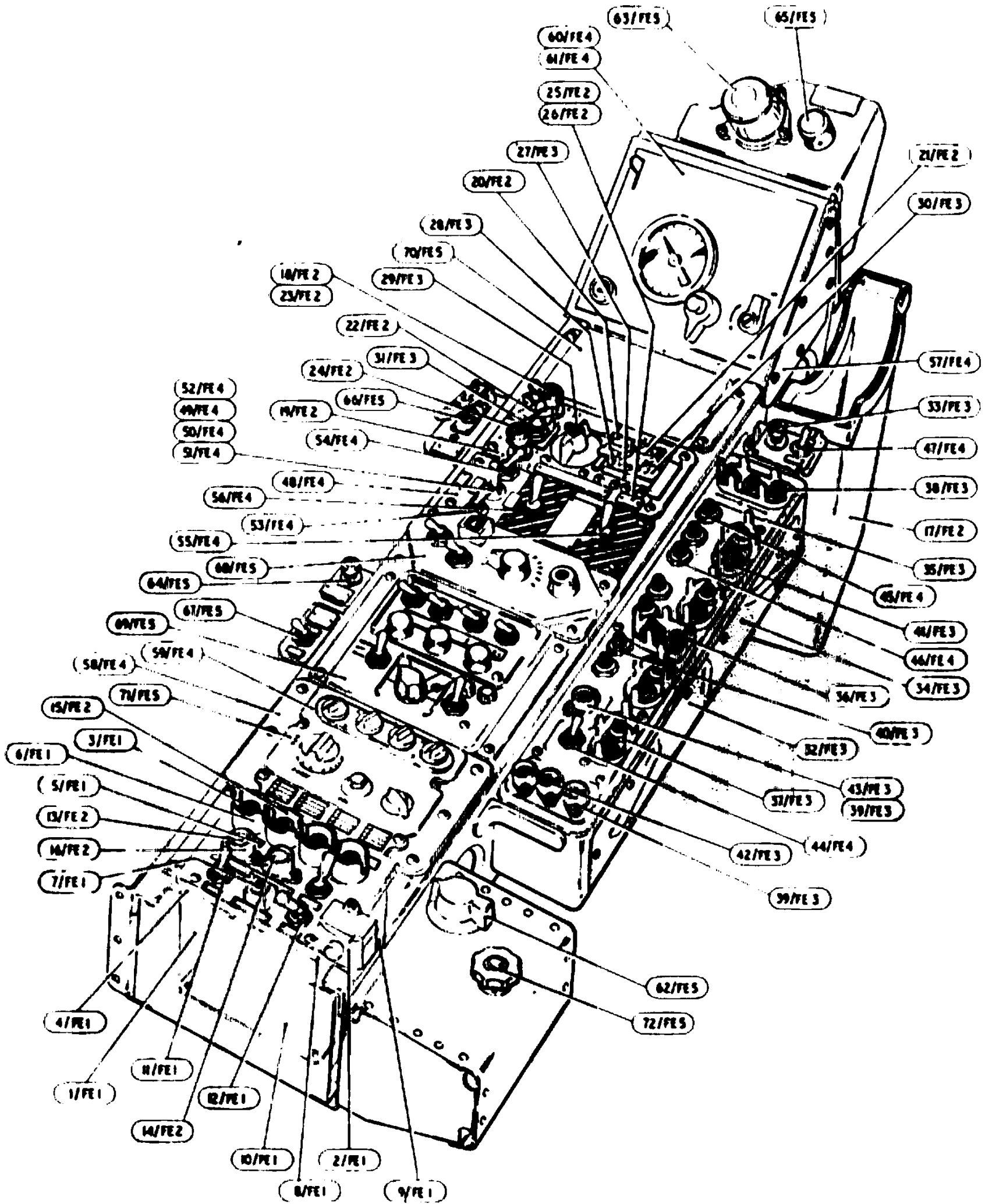
ELECTRICAL INSTALLATION
SUMMARY OF STANDARD ITEMS

Ref. No.	Part No.	Description	No. off	Matl. Spec.	Cl. of St.	Plate and Illust'n No.
					M.R.	

VULCAN No. 2

ELECTRICAL INSTALLATION
SUMMARY OF STANDARD ITEMS

Ref. No.	Part No.	Description				No. off	Matl. Spec.	Cl. of St.	Plate and Illust'n No.
		1	2	3	4			M.R.	
28D	9436920	15				28S	9419453	8	
28D	1007979	8				28S	1200049	4	
28D	1214865	4				28S	9419437	8	
28D	1214880	8				28S	1006960	4	
28D	9128739	36				28S	1200080	1	
28D	8337	23				28S	1012450	4	
28D	1218385	4				28S	1017747	6	
28D	9142406	2				28S	1008327	7	
28D	1212793	2				28S	1200055	4	
28D	1213052	2				28S	1200053	1	
						28S	1011783	3	
28FP	9488815	9				28S	1214163	16	
28FP	9430915	9				28S	9994993	4	
28M	9403517	10				28W	9419446	84	
28M	10286	56				28W	9419401	35	
28M	10287	19				28W	9419454	5	
28M	10288	15				28W	9419465	11	
28M	10281	2				28W	9419402	15	
28M	10328	2				28W	9419473	3	
28M	9435559	6				28W	9419486	4	
28M	9434253	18				28W	9419186	4	
28M	9434251	8				28W	9419185	4	
28M	9435067	1				28W	120641	44	
28M	9434252	16							
28M	12421	1							
28M	13774	4							



ELECTRICAL INSTALLATION
CONSOLE, PORT, IN CREW'S NACELLE

(1)

VULCAN Mk 2

ELECTRICAL INSTALLATION
CONSOLE, STARBOARD, IN CREW'S NACELLE

Page FF. 1

Ref. No.	Part No.	Description	No. off	Matl. Spec.	Cl. of St.	Plate and Illust'n No.
					M.R.	
		1 2 3 4 CONSOLE AND MOUNTING, STARBOARD, IN CREW'S NACELLE (V9043) Spares for:—				
	3V8522	BAR, COUPLING, PRESSURE HEAD	1	—		FF1/1
5CW/4222	ZA2401/1 DOWTY	HEATER SWITCHES, GROUP Guard	1	—	C	FF1/2
5CZ/4337458	C5175Y MK55	Indicator (Mod. 1942)	3	—	C	FF1/3
	1V10810	LOOM, CABLE, GROUP	1	—		
		PANEL, FLIGHT REFUELLING RECEIVER	—	—		FF1/4
		(1V11896) (Mod. 1430) Spares for:—				
5CX/4330367	FLIGHT REFUELLING C4507000/21	Indicator, refuelling	1	—	A	FF1/5
5CZ/4340430	—	Indicator, magnetic	4	—	C	FF1/6
13495	359SS6001	Label, "OFF"	1	—	MR	
	758SS6002	Label, master switch	1	L59	C	
	824SS6002	Label, flight refuelling panel	1	L59		
	883SS6004	Label, tank pressurisation	1	L59		
	307SS6005	Label, probe lighting	1	L59		
	225SS6006	Label, "ON"	2	—		
	638SS6030	Label, nitrogen purge	1	L59		
	639SS6030	Label, tank pressure indicator	1	L59		
	657SS6030	Label, "ON"	1	L59		
	1V11898	LOOM, CABLE, GROUP (Pre-Mod. 2255)	1	—		
	1V15487	LOOM, CABLE, GROUP (Mod. 2255)	1	—		
	3V11896	MOUNTING, PLUG, GROUP	1	—		FF1/7
	2V11896	PANEL, LESSEQUIPMENT, GROUP	1	—		
		Spares for:—				
28FP/9507911	A4/50	Fastener	4	—	C	
28FP/9430915	GA4/250	Grommet	4	—	C	
	6V7461 A.E.I.	Plate, plug	1	—		FF1/8
5CW/4408361	LHA1/BG/205/ D1 A.E.I.	Switch, nitrogen purge	1	—	C	FF1/9
5CW/1082938	LHA1/BG/205	Switch, tank pressurisation	1	—	C	FF1/10
5CW/4405520	—	Switch, dimmer	2	—	C	FF1/11
5CW/1047693	—	Switch, master	2	—	C	FF1/12
	—	Strap, master switches	2	DTD364B DTD130		
28W/1097257	BARBER & COLMAN 1906/1	Washer, locking	8	—	C	

ELECTRICAL INSTALLATION
CONSOLE, STARBOARD, IN CREW'S NACELLE

Ref. No.	Part No.	Description				No. off	Mati. Spec.	Cl. of	Plate and Illust'n No.
		1	2	3	4			St. M.R.	
		CONSOLE AND MOUNTING, STARBOARD, IN CREW'S NACELLE (V9043) (Cont'd.)							
		PANEL, HEATING AND VENTILATING CONTROL (C9051)				-	-		FF1/13
		Spares for:-							
6A/3823	-	Clamp, at pressure gauge				1	-	C	FF1/14
6A/6173	S149/1/55	Gauge, pressure				1	-		FF1/15
5CW/4222	ZA2401/1	Guard, switch				2	-	C	FF1/16
6A/4333494	SMITH'S 422/FL	Indicator, ram air valve				1	-		FF1/17
6A/3931	SMITH'S 423/FL	Indicator, temperature control				1	-		FF1/18
5CZ/4335793	DOWTY C5175Y.MK58	Indicator				1	-	C	FF1/19
5CZ/5073	-	Indicator, dolls-eye				1	-	C	FF1/20
	1V11789	LOOM, CABLE, GROUP (Mod. 1508)				1	-		
	5V9051	PANEL, LESS EQUIPMENT, GROUP				1	-		
		Spares for:-							
28FP/9507911	A4/50	Fastener				4	-	C	
28FP/9430915	GA4/250	Grommet				4	-	C	
5CW/4405759	ROTAX N136931	Plate, fixing, reset switch				1	-	C	FF1/21
	8SS4624	Plate, fixing				6	-		FF1/22
	12SS4624	Plate, fixing				2	-		FF1/23
	13SS4624	Plate, fixing				1	-		FF1/24
	9SS4625	Plate, fixing				6	-		FF1/25
	13SS4625	Plate, fixing				2	-		FF1/26
5CZ/4335548	TEDDINGTON'S FHK/A7	Selector, temperature				1	-	A	FF1/27
5CW/4405758	ROTAX N136930	Shroud, switch				9	-	C	FF1/28
5CW/4402830	-	Switch, 3 way auto-manual				1	-	B	FF1/29
5CW/4407828	-	Switch				1	-	B	FF1/30
5CW/4400325	DOWTY C5148.MK5	Switch, lever				1	-	A	FF1/31
5CW/6209279	-	Switch, open-shut				3	-	C	FF1/32
5CW/1047695	-	Switch, reset				1	-	C	FF1/33
5CW/6209280	-	Switch, engine air				4	-	C	FF1/34
5CW/4405072	B.T.H. LTD. X2251569	Switch, dimmer				1	-	A	FF1/35
28W/1097257	BARBER & COLMAN 1906/1	Washer, locking				22	-	C	

VULCAN No. 2

ELECTRICAL INSTALLATION
CONSOLE, STARBOARD, IN CREW'S NACELLE

Ref. No.	Part No.	Description				No. off	Matl. Spec.	Cl. of St.	Place and Illust'n No.
		1	2	3	4			M.R.	
		CONSOLE AND MOUNTING, STARBOARD IN CREW'S NACELLE (V9043) (Cont'd)							
		PANEL, THERMO, ANTI-ICING CONTROL ... (V9044) (Mod. 1092)					-		FF1/36
		Spares for:							
5CW/4222	ZA2401/1 SANGAMO WESTON S63/4/482	Guard, switch				2		C	FF1/37
	1V10950	Indicator, temperature				3	-		FF1/38
10641	4V7608	LOOM, CABLE, GROUP				1			
		PANEL, LESS EQUIPMENT, GROUP				1			
	2SS4491	Plate, fixing				3			FF1/39
	2SS4492	Plate, fixing				3			FF1/40
	14SS4624	Plate, fixing				3			FF1/41
	14SS4625	Plate, fixing				3			FF1/42
5CW/4405758	ROTAX N135530	Shroud, auto-manual switches				3		C	FF1/43
5CW/4405758	ROTAX N136930	Shroud, bottom switches				3		C	FF1/44
5CW/4407828	-	Switches, single pole				3		B	FF1/45
5CW/1047696	-	Switches, double pole				3		C	FF1/46
5CW/6209280	-	Switch				2		C	FF1/47
28W/1097257	BARBER & COLMAN 1906/1	Washer, locking				30	-	C	
	3SS4491	Plate, fixing				2	-		FF1/48
	4SS4492	Plate, fixing				2	-		FF1/49
	4SS4491	Plate, fixing				1			FF1/50
	5SS4492	Plate, fixing				1			FF1/51
	8SS4624	Plate, fixing				1			FF1/52
	8SS4625	Plate, fixing				1			FF1/53
	11SS4624	Plate, fixing				1			FF1/54
	12SS4625	Plate, fixing				1			FF1/55
5CW/4405759	ROTAX N136931	Plate, fixing				5	-	C	FF1/56

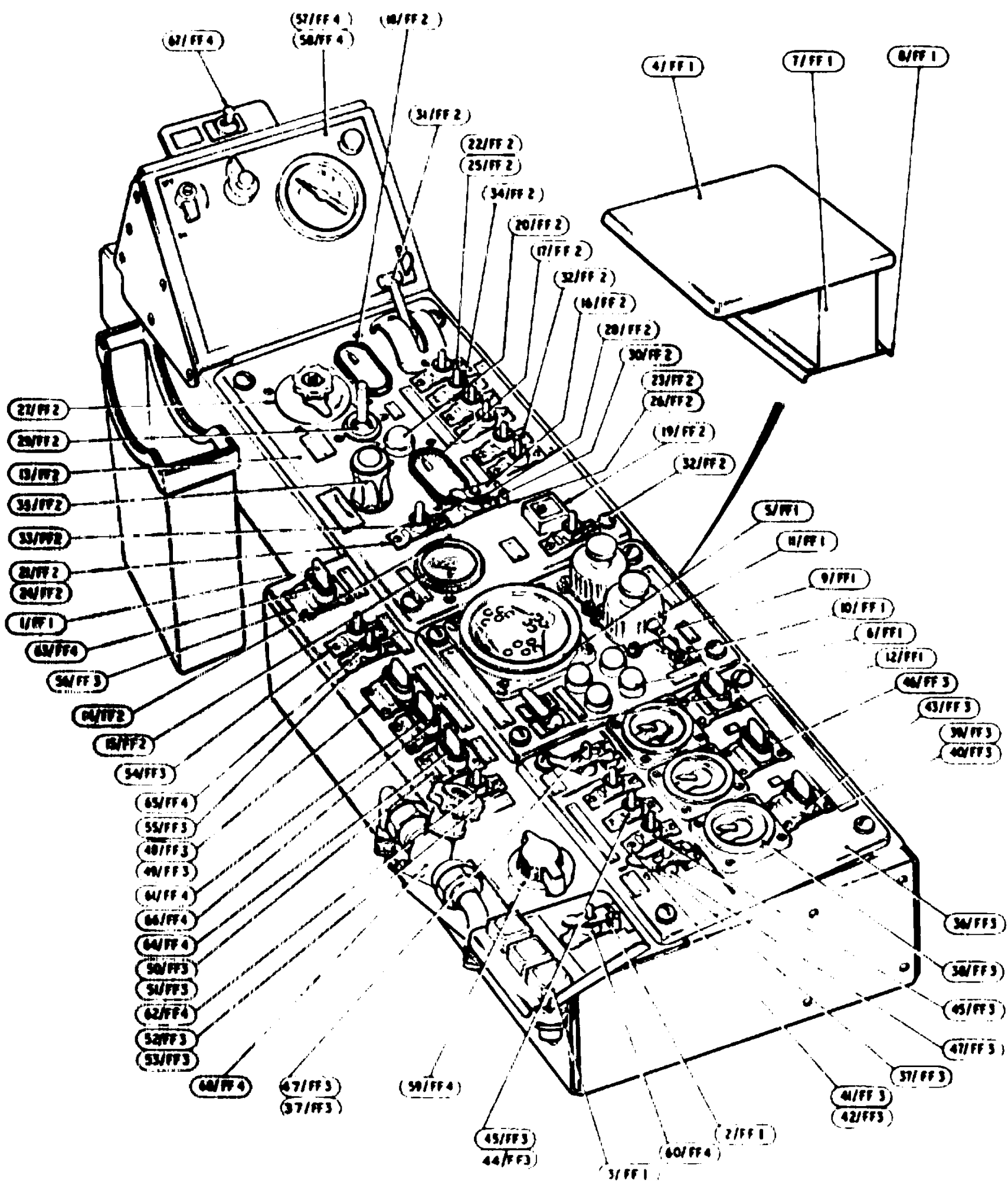
ELECTRICAL INSTALLATION
CONSOLE, STARBOARD, IN CREW'S NACELLE

Ref. No.	Part No.	Description	No. off	Man. Spec.	Cl. of	Plate and Illust'n No.
					St. M.R.	
		1 2 3 4				
CONSOLE AND MOUNTING, STARBOARD IN CREW'S NACELLE (V9043) (Cont'd.)						
6D/2383	MK21B	Regulator, oxygen	1		A	FF1/57
6D/2671	MK17F	Regulator, oxygen (Mod. 1961 S.O.O.)	1		A	FF1/58
5CZ/4337688	PLESSEY 7CZ/107201	Selector, temperature	1	--	A	FF1/59
5CW/4405758	ROTAX N136930	Shroud, heater and lights switches	6	--	C	FF1/60
5CW/4405756	ROTAX N135530	Shroud, landing lights	3	--	C	FF1/61
5CW/6209279	--	Switch	2	--	C	FF1/62
5CW/6209280	--	Switch, external light and heaters	3	--	C	FF1/63
5CW/1047696	--	Switch, navigation light	1	--	C	FF1/64
5CW/1047691	--	Switch, I/D light	1	--	B	FF1/65
5CW/4402872	--	Switch, landing lights	2	--	B	FF1/66
5CW/1047692	--	Switch, test throttle	1	--	C	FF1/67
27KD/4631315	NORMALAIR 513390	Valve, manual control	1	--	B	FF1/68

VULCAN Mk 2

ELECTRICAL INSTALLATION
SUMMARY OF STANDARD ITEMS

Stores Ref.		No. off	Stores Ref.		No. off	Stores Ref.		No. off
Section	Ref. No.		Section	Ref. No.		Section	Ref. No.	
28D	9436920	8	28S	1011484	6			
28D	1007980	2	28S	1008327	7			
28D	9128739	8	28S	1011490	5			
28D	1007982	6	28S	1200058	2			
			28S	1214163	74			
			28S	9145185	4			
			28S	1214165	5			
			28S	1013430	12			
28FP	151	12	28S	1214166	1			
28FP	9430915	12	28S	9473255	2			
			28W	9419454	17			
			28W	9419465	7			
28M	9995181	4	28W	9419473	6			
28M	10286	6	28W	9419475	2			
28M	10287	8	28W	9419185	4			
28M	10288	10	28W	1206041	4			
28M	10281	2						
28M	10328	2						
28M	9434253	3						
28M	11957	11						
28M	9434252	4						



CONSOLE AND MOUNTING
STARBOARD IN CREW'S NACELLE

(1)

ELECTRICAL INSTALLATION
CREW'S NACELLE

Ref. No.	Part No.	Description	No. off	Matl. Spec.	Cl. of	Plate and Illust'n No.
					St. M.R.	
		1 2 3 4				
		ELECTRICAL INSTALLATION IN CREW'S NACELLE (V9592) (V11179) Spares for:— ARRANGEMENT OF U/V AND COCKPIT LIGHTING (V9186) Spares for:—				
5X/6200370	1V5650 B.T.H.	Block, terminal, in coaming	2	—	C	FG1/1
5CZ/4335756	X2126730	Box, gear control	2	—	A	FG1/2
	213V7909	CABLE, (F213), DIMMER SWITCH TO FUSE 628, GROUP	1	—		
	214V7909	CABLE, (F214), DIMMER SWITCH TO LAMP, GROUP	1	—		
	217V7909	CABLE, (F217), DIMMER SWITCH TO FUSE 629, GROUP	1	—		
	220V7909	CABLE, (F220), PORT LAMP, GROUP	1	—		
	222V7909	CABLE, (F222), DIMMER SWITCH TO LAMP, GROUP	1	—		
	228V7909	CABLE, (F228), LAMP, GROUP	1	—		
	229V7909	CABLE, (F229), SWITCH TO LAMP, GROUP	1	—		
	230V7909	CABLE, (F230), SWITCH TO LAMP, GROUP	1	—		
	458V7909	CABLE, (F458), LAMP TO EARTH, GROUP	1	—		
	459V7909	CABLE, (F459), LAMP TO EARTH, GROUP	1	—		
	884V7909	CABLE, (884), No. 2 CONTROL UNIT TO CENTRE LAMP, GROUP ..	1	—		
	889V7909	CABLE, (F889), No. 1 CONTROL UNIT TO THROTTLE BOX LAMP, GROUP	1	—	MR	
	890V7909	CABLE, (F890), DIMMER SWITCH TO No. 1 CONTROL UNIT, GROUP	1	—		
	891V7909	CABLE, (F891), No. 2 CONTROL UNIT TO TB. 99, GROUP	1	—		
	892V7909	CABLE, (F892), No. 1 CONTROL UNIT TO TB. 893, GROUP	1	—		
	895V7909	CABLE, (F895), PORT OXYGEN PANEL LAMP TO DIMMER SWITCH, GROUP	1	—		
	896V7909	CABLE, (F896), SWITCH TO TB. 267, GROUP	1	—		
	897V7909	CABLE, (F897), STARBOARD, OXYGEN PANEL LAMP TO DIMMER SWITCH, GROUP	1	—		

ELECTRICAL INSTALLATION
CREW'S NACELLE

Ref. No.	Part No.	Description	No. off	Matl. Spec.	Cl. of	Plate and Illust'n No.
					St. M.R.	
		1 2 3 4 ARRANGEMENT OF U/V AND COCKPIT LIGHTNING (V9186) (Cont'd)				
	1392V7909	CABLE, (F1392), 6P LAMP, GROUP	1	-		
	1393V7909	CABLE, (F1393), 7P LAMP, GROUP	1	-		
	2049V7909	CABLE, (F2049), TB. 104 TO TB. 764, GROUP	1	-		
	2050V7909	CABLE, (F2050), No. 1 RESISTOR TO TB. 764, GROUP	1	-		
	2051V7909	CABLE, (F2051), PORT LAMP TO TB. 764, GROUP	1	-		
	2052V7909	CABLE, (F2052), No. 1 RESISTOR TO No. 2 RESISTOR, GROUP	1	-		
	2053V7909	CABLE, (F2053), STARBOARD LAMP TO .. TB. 764, GROUP	1	-		
	2054V7909	CABLE, (F2054), No. 2 RESISTOR TO TB. 764, GROUP	1	-		
	2055V7909	CABLE, (F2055), PILOT'S SWITCH TO TB. 764, GROUP	1	-		
	2174V7909	CABLE, (F2174), TB. 2148 TO EARTH, GROUP	1	-		
	2175V7909	CABLE, (F2175), TB. 2148 TO EARTH, GROUP	1	-		
	2176V7909	CABLE, (F2176), TB. 2148 TO PORT DIMMER SWITCH, GROUP	1	-		
	2177V7909	CABLE, (F2177), TB. 2148 TO STARBOARD DIMMER SWITCH, GROUP	1	-		
12389	2462V7909	CABLE, (F2462), WANDER LAMP TO 4P ... PANEL AND PILOT'S FLOOR, GROUP	1	-		
	2463V7909	CABLE, (F2463), PANEL 4P TO COCKPIT .. RAIL STARBOARD, GROUP	1	-		
	2464V7909	CABLE, (F2464), PANEL 4P TO COCKPIT .. RAIL STARBOARD, GROUP	1	-		
	2465V7909	CABLE, (F2465), PANEL 4P TO COCKPIT .. RAIL STARBOARD, GROUP	1	-		
	2466V7909	CABLE, (F2466), PANEL 4P TO COCKPIT .. RAIL STARBOARD, GROUP	1	-		
	2467V7909	CABLE, (F2467), PANEL 4P TO COCKPIT .. RAIL STARBOARD, GROUP	1	-		

VULCAN 11b 2

**ELECTRICAL INSTALLATION
CREW'S NACELLE**

Page FG. 3

Ref. No.	Part No.	Description 1 2 3 4	No. off	Matl. Spec.	Cl. of	Plate and Illust'n No.
					St. M.R.	
		ARRANGEMENT OF U/V AND COCK- PIT LIGHTING (V9186) (Cont'd)				
	2468V7909	CABLE, (F2468), COCKPIT RAIL TO PILOT'S FLOOR STARBOARD, GRP.	1	—		
	2469V7909	CABLE, (F2469), AT COAMING PORT, GROUP	1	—		
	2470V7909	CABLE, (F2470), AT COAMING STAR- BOARD, GROUP	1	—		
	2471V7909	CABLE, (F2471), COCKPIT RAIL 2ND PILOT TO LAMP STARBOARD, GRP.	1	—		
	2472V7909	CABLE, (F2472), COCKPIT RAIL TO SP, GROUP	1	—		
	2473V7909	CABLE, (F2473), COCKPIT RAIL PORT TO ADJACENT PANEL 1P BREAK, GROUP	1	—		
	2474V7909	CABLE, (F2474), COCKPIT RAIL STAR- BOARD TO THROTTLE BOX, GRP.	1	—		
	2475V7909	CABLE, (F2475), COCKPIT RAIL STAR- BOARD TO THROTTLE BOX, GRP.	1	—		
	2476V7909	CABLE, (F2476), ADJACENT PANEL 1P BREAK TO PILOT'S FLOOR, GRP.	1	—		
	2840V7909	CABLE, (F2840), DIMMER SWITCH TO TB. 1168, GROUP	1	—		
	2876V7909	CABLE, (F2876), LAMP AT PORT COAMING, GROUP (Mod. 747)	1	—		
	2877V7909	CABLE, (F2877), LAMP ABOVE 6P, GROUP (Mod. 747)	1	—		
	2878V7909	CABLE, (F2878), LAMP ABOVE 6P, GROUP (Mod. 747)	1	—		
	2879V7909	CABLE, (F2879), LAMP ABOVE 6P, GROUP (Mod. 747)	1	—		
	2880V7909	CABLE, (F2880), LAMP ABOVE 7P, GROUP (Mod. 747)	1	—		
	2881V7909	CABLE, (F2881), LAMP ABOVE 7P, GROUP (Mod. 747)	1	—		
	2882V7909	CABLE, (F2882), LAMP ABOVE 7P, GROUP (Mod. 747)	1	—		
	2883V7909	CABLE, (F2883), LAMP AT COAMING STARBOARD, GROUP (Mod. 747)	1	—		
		⋮				

VULCAN Mk 2

Page FG. 4

**ELECTRICAL INSTALLATION
CREW'S NACELLE**

Ref. No.	Part No.	Description 1 2 3 4	No. off	Matl. Spec.	Cl. of	Plate and Illust'n No.
					St. M.R.	
		ARRANGEMENT OF U/V AND COCK- PIT LIGHTING (V9186) (Cont'd)				
	3536V7909	CABLE, (F3536), SWITCH TO LAMP AT 1ST PILOTS STATION, GROUP (Mod. 1358)	1	—		
	3537V7909	CABLE, (F3537), SWITCH TO EARTH AT 1ST PILOTS STATION, GROUP (Mod. 1358)	1	—		
	3538V7909	CABLE, (F3538), SWITCH AT 1ST PILOTS STATION, GRP. (Mod. 1358)	1	—		
	7038V7909	CABLE, (F2172), ADJACENT PANEL 3P COCKPIT RAIL PORT, GROUP	1	—		
	7039V7909	CABLE, (F2173), ADJACENT PANEL 4P TO COCKPIT RAIL STARBOARD, GROUP	1	—		
	7054V7909	CABLE, (F218), DIMMER SWITCH TO LAMP, GROUP	1	—		
	7055V7909	CABLE, (F226), COCKPIT RAIL STAR- BOARD TO 7P, GROUP	1	—		
	7057V7909	CABLE, (F313), COAMING, PORT TO PILOTS FLOOR, GROUP	1	—		
	7059V7909	CABLE, (F314), COAMING, STAR- BOARD TO PILOTS FLOOR, GROUP	1	—		
	7069V7909	CABLE, (F1861), PILOTS SELECTOR TO 4P AND EARTH, GROUP	1	—		
	7070V7909	CABLE, (F221), 4P TO COCKPIT RAIL STARBOARD, GROUP	1	—		
	7071V7909	CABLE, (F225), 4P TO COCKPIT RAIL STARBOARD, GROUP	1	—		
	7496V7909	CABLE, (F1395), COAMING PORT, TO PILOTS FLOOR, GROUP	1	—		
	7683V7909	CABLE, (F893), PILOTS FLOOR TO TB. 99 AND EARTH, GROUP	1	—		
	7744V7909	CABLE, (F883), No. 2 CONTROL UNIT TO DIMMER SWITCH, GRP. (Mod. 446)	1	—		
	7792V7909	CABLE, (F1396), COAMING STAR- BOARD SIDE TO PILOTS FLOOR, GROUP	1	—		

VULCAN Mk 2

ELECTRICAL INSTALLATION

CREW'S NACELLE

Ref. No.	Part No.	Description	No. off	Matl. Spec.	Cl. of St.	Plate and Illust'n No.
					M.R.	
		1 2 3 4				
15107:1	7813V7909	ARRANGEMENT OF U/V AND COCKPIT LIGHTING (V9186) (Cont'd) CABLE, (F885) No. 2 CONTROL UNIT TO ... COAMING STARBOARD OUTER, GROUP (Mod. 747)	1	—	C	FG1/4 FG1/5 FG1/6 FG1/7 FG1/8 FG1/9 FG1/10 FG1/11 FG1/12 FG1/13 FG1/14 FG1/15 FG1/16 FG1/17 FG1/18 FG1/19 FG1/20 FG1/21 FG1/22 FG1/23 FG1/24 FG1/25 FG1/26
	7814V7909	CABLE, (F886) No. 2 CONTROL UNIT TO COAMING STARBOARD INNER, GROUP (Mod. 747)	1	—	C	
1510625	7815V7909	CABLE, (F887) No. 1 CONTROL UNIT TO COAMING PORT INNER, GROUP (Mod. 747)	1	—	C	
	7816V7909	CABLE, (F888) No. 1 CONTROL UNIT TO COAMING PORT OUTER, GROUP (Mod. 747)	1	—	C	
10H/0970055 6813	7840V7909	CABLE, (F2048) 3P TO NAVIGATION PANEL, GROUP (Mod. 734)	1	—	C	
	7841V7909	CABLE, (F2056) FUSE 910 TO PILOT'S SWITCH, GROUP (Mod. 734)	1	—	C	
6240-99- 9951272	1V7649	Cap. protective LAMPHOLDER, DOUBLE RED FLOOD GROUP (Mod. 747)	2 6	— —	C B	
	3V7649	Spares for:— BODY, C/W SCREEN FLOOD, GROUP	1	—	B	
5A/4345258	—	Filament	2	—	C	
	2V7649	HOUSING, LAMP, GROUP	2	—	C	
6240-99- 9951282	2aV7649	Spares for:— CAP, END, GROUP	1	—	C	
	—	Lampholder	1	—	C	
6220-99- 4330201 6813	2fV7649	Washer, special	1	BSS668	C	
	17V7726	LIGHTING, U/V AND RED FLOOD INSTRUMENT IN COCKPIT (V9575) Spares for:— Bracket	1	L59	C	
6240-99- 9951282	8V7726	Bracket	1	L59	C	
	—	Filament	2	—	C	
6240-99- 9951272	—	Lamp, high intensity	2	—	B	
	1V7649	Lampholder, red flood	4	—	B	
6240-99- 9951272	3V7649	Spares for:— BODY, C/W SCREEN, GROUP	1	—	C	
	—	Filament	2	—	C	
5A/4345258	2V7649	HOUSING, LAMP, GROUP	2	—	C	
	22V7649	Spares for:— CAP, END, GROUP	2	—	C	
6809	—	Lampholder	1	—	C	
	2fV7649	Washer, special	2	BS668	C	
6809	1V7619	LAMPHOLDER, U/V, GROUP	6	—	B	
	2V7619	Spares for:— Housing, group	1	—	MR	
6809	B.T.H.	Lamp, 4 watt discharge	1	—	MR	
	3V7619	Plate, clamping	1	—	MR	
6809	4V7619	Window	1	DTD846	MR	

ELECTRICAL INSTALLATION

CREW'S NACELLE

Ref. No.	Part No.	Description	No. off	Matl. Spec.	Cl. of St.	Plate and Illust'n No.
					M.R.	
		LIGHTING, U/V AND RED FLOOD INSTRUMENT IN COCKPIT (V9575) (Cont'd.)				
	1V6655	Loom	1	—		
	16V7726	Seal, rubber	2	—		FG1/27
	6V7726	Trough, cable, port	1	L72		FG1/28
	7V7726	Trough, cable, starboard	1	L72		FG1/29
	10V7726	Trough, cable, port	1	L72		FG1/30
	11V7726	Trough, cable, starboard	1	L72		FG1/31
	12V7726	Trough, cable, port	1	L72		FG1/32
	13V7726	Trough, cable, starboard	1	L72		FG1/33
	14V7726	Trough, cable, port	1	L72		FG1/34
	15V7726	Trough, cable, starboard	1	L72		FG1/35
	—	MOUNTING, U/V LAMP, PORT AND STARBOARD, GROUP (1 & 2V7847)				
	—	Spares for:—				
	5V/7847	Bracket, angle, port	1	L72		FG1/36
	6V7847	Bracket, angle, starboard	1	L72	C	FG1/37
	—	Filament	1	—	C	FG1/38
	—	Lamp, ultra violet	1	—	B	FG1/39
	—	Mounting of Dimmer Switch on Cockpit Rail, Port (1S2366)				
	—	Spares for:—				
	2S2366	PANEL, GROUP	1	—		FG1/40
	—	Spares for:—				
	112SS6004	Label, "Console, Red flood"	1	—		FG1/41
	113SS6004	Label, "Panel Red flood"	1	—		FG1/42
	—	Switch, dimmer	1	—	A	FG1/43
	—	Switch, dimmer	1	—	A	FG1/44
	—	PANEL, LAMP AND SWITCH, GROUP (S2369) (Mod. 1358)				
	—	Spares for:—				
	4S2369	BRACKET, MOUNTING, GROUP	1	—		FG1/45
	6eS2369	Block (Mod. 1358)	1	DTD130	C	FG1/46
	23SS4204	Bush, ring lock	1	—	MR	FG1/47
	24SS5302	Bush, ring lock	1	—	MR	FG1/48
	2S2369	Panel, group	1	—		FG1/48
	—	(Supplied less Switches & Lamps)				
	—	Spares for:—				
	6aS2369	Bracket, group (Mod. 1358)	1	—		FG1/49
	—	Filament, lamp	1	—	B	FG1/49
	5S2369	LAMP, GROUP (Pre-Mod. 1358)	1	—		FG1/50
	6S2369	LAMP, GROUP (Mod. 1358)	1	—		FG1/50
	—	Consisting of:—				
	—	Lamp (Pre-Mod. 1358)	1	—	B	FG1/51
	—	Lamp (Mod. 1358)	1	—	B	FG1/52
	5CS2369	PLATE, BASE AND FORK, GROUP	1	—		FG1/53
	—	(Pre-Mod. 1358)				
	—	Spares for:—				
	6dS2369	Washer, friction (Mod. 1358)	4	Ferodo	C	FG1/54

VULCAN MA 2

ELECTRICAL INSTALLATION
CREW'S NACELLE

Page FG.7

Ref. No.	Part No.	Description	No off	Matl. Spec	Cl. of St.	Plate and Illust'n No
					M.R	
		1 2 3 4				
		PANEL, LAMP AND SWITCH (S2369) GROUP (Mod 1358) (Continued)				
5CW 4405520		Switch, dimmer (Mod. 747)	1	—	B	FG1/55
5CW 4405515		Switch, dimmer	3	—	B	FG1/56
5930-99- 6198752		Switch, dimmer	1	—	B	FG1/57
5CW 724		Switch, dimmer	1	—	B	FG1/68
		PANEL, SWITCH, FOR EB2 COMPASS AND PILOT'S PILLAR LIGHTS (7V9476) (Mod. 1894)				
		Spares for:—				
11489	6aS2369	Block	1	DTD130	C	FG1/59
	8V9476	BRACKET, GROUP (Mod. 1894)	1	—		FG1/60
		Spares for:—				
	218SS6005	Label, pilot's panel pillar light	1	—		FG1/61
	578SS6004	Label, E2B compass	1	—		FG1/62
5L 9953271	—	Filament	1	—	C	FG1/63
5CX. 366	—	Lamp, cockpit	1	—	B	FG1/64
5CW 4405521	—	Switch, dimmer	1	—	B	FG1/65
5930-99- 6198752	—	Switch, dimmer	1	—	B	FG1/66
5CW/724	—	Switch, dimmer	1	—	B	FG1/67
5X 4491488	15V5650	Socket, single tier	10	—	C	
11088	1SS4052	Terminal, earth	1	—	C	
5CZ. 4335518	—	Unit, resistance, type "A", No. 3	2	—	B	
		AUTO PILOT EQUIPMENT UNDER PILOT'S FLOOR (See: CONTROLS AUTO PILOT)				
5X 6200370	1V5650	Block, terminal	14	—	C	
5X 4491775	1V7871	Block, connector (Mod. 1300)	1	—	C	
	5V8023	Block, mounting, terminal	1	BSS972		
	20Z11270	Block, attachment for temperature selector ... (Mod. 1696)	2	—		
	15V11179	Bracket, support (Mod. 2201)	1	—	MR	FG1/67A
7630	3V7713	BRACKET, TORQUE SWITCH COVER, GROUP	1	—	C	
	5V7719	Bracket, negative terminal	1	BSS889		
	6V8023	Bracket, positive terminal	1	BSS899		
	5V9592	BRACKET, PLUG MOUNTING, GROUP	2	—		
	9035V7909	CABLE (F8), RPB. 108 TO 3P, GROUP (Mod. 1300)	1	—		
	49V7909	CABLE (F49), RPB. 164 TO 4P, GROUP	1	—		
	52V7909	CABLE (F52), RPB. 167 TO 4P, GROUP	1	—		
	54V7909	CABLE (F54), RPB. 169 TO 11P, GROUP (Mod. 1716)	1	—		

ELECTRICAL INSTALLATION

CREW'S NACELLE

Ref. No.	Part No.	Description	No. off	Matl. Spec.	Cl. of	Plate and Illust'n No.
					St. M.R.	
		1 2 3 4				
	56V7909	CABLE (F56), RPB.135 TO 4P, GROUP	1	—		
	197V7909	CABLE (F197), RPB.132 TO 9P, GROUP	1	—		
		(Pre-Mod. 748)				
	215V7909	CABLE (F215), STARBOARD CONTROL	1	—		
		UNIT TO SUPP. CABIN, GROUP				
	232V7909	CABLE (F232), HORN SWITCHES TO	1	—		
		TB.190 AND RELAY 125, GROUP				
		(Pre-Mod. 2333)				
	233V7909	CABLE (F233), RELAY 125 TO ABANDON ...	1	—		
		A/C AND DECOMPRESSION WARNING				
		LAMP, GROUP				
	234V7909	CABLE (F234), ABANDON A/C AND	1	—		
		DECOMPRESSION WARNING LAMPS, GROUP				
	235V7909	CABLE (F235), ABANDON A/C AND	1	—		
		DECOMPRESSION WARNING LAMPS, GROUP				
	236V7909	CABLE (F236), 3P TO 4P AND 5P, GROUP ...	1	—		
	247V7909	CABLE (F247), SECTION SWITCH C/BOX	1	—		
		TO TB.253 C/BOX, GROUP				
	284V7909	CABLE (F248), 4P TO C/BOX, GROUP	1	—		
	250V7909	CABLE (F250), 4P TO 8P, GROUP	1	—		
	251V7909	CABLE (F251), AT TB.101, GROUP	1	—		
	252V7909	CABLE (F252), 4P TO 7P/292, GROUP	1	—		
	255V7909	CABLE (F255), PRESSURE CONTROLLER ...	1	—		
		TO 4P, CABLE				
	257V7909	CABLE (F257), HORN TB.189 TO HORN	1	—		
		TB.190, GROUP				
	259V7909	CABLE (F259), TB.178 TO TB.179, GROUP ...	1	—		
	260V7909	CABLE (F260), VALVES "A" AND "B"	1	—		
		TO ABANDON A/C AND DECOMPRESSION				
		WARNING, GROUP				
	261V7909	CABLE (F261), PORT CONTROL UNIT	1	—		
		TO SUPP. CABIN EQUIPMENT, GROUP				
	265V7909	CABLE (F265), 1P TO 3P AND 4P, GROUP ...	1	—		
	267V7909	CABLE (F267), AT TB.197, GROUP	1	—		
	268V7909	CABLE (F268), 4P TO EARTH, GROUP	1	—		
	270V7909	CABLE (F270), CABIN TEMPERATURE	1	—		
		SENSING ELEMENT TO 4P, GROUP				
	271V7909	CABLE (F271), CABIN TEMPERATURE	1	—		
		SENSING ELEMENT TO 4P, GROUP				
	274V7909	CABLE (F274), GREEN SATIN BAY	1	—		
		EQUIPMENT, GROUP				
	275V7909	CABLE (F275), 7P/301 TO 4P, GROUP	1	—		

VULCAN Mk. 2

ELECTRICAL INSTALLATION
CREW'S NACELLE

Page FG. 9

Ref. No.	Part No.	Description	No. off	Matl. Spec.	Cl. of St.	Plate and Illust'n No.
					M.R.	
		1 2 3 4				
	276V7909	CABLE, (F276), 4P TO MAIN ENTRANCE DOOR, GROUP	1	-		
	277V7909	CABLE, (F277), PILOT'S CANOPY TO 4P, GROUP	1	-		
	282V7909	CABLE, (F282), 5P/248 TO 4P, GROUP	1	-		
	284V7909	CABLE, (F284), 12P TO NAVIGATOR'S STATION, GROUP	1	-		
	286V7909	CABLE, (F286), 3P TO EARTH, GROUP	1	-		
	288V7909	CABLE, (F288), ABANDON A/C WARNING LAMP TO 3P, GROUP	1	-		
	289V7909	CABLE, (F289), ABANDON A/C WARNING LAMP TO TB.254, GROUP	1	-		
	308V7909	CABLE, (F308), AT TB.101, GROUP	1	-		
	315V7909	CABLE, (F315), ABANDON A/C WARNING LAMP TO TB.189, GROUP	1	-		
	332V7909	CABLE, (F332), THROTTLE BOX TO PILOT'S PANEL BREAK, GROUP	1	-		
	333V7909	CABLE, (F333), THROTTLE BOX TO 3P, GROUP	1	-		
	334V7909	CABLE, (F334), PILOT'S PANEL BREAK TO 3P, GROUP	1	-		
	338V7909	CABLE, (F338), 5P/312 TO 3P, GROUP	1	-		
	343V7909	CABLE, (F343), 9P/473 TO 4P, GROUP	1	-		
	344V7909	CABLE, (F344), 4P TO SWITCH SELECTOR AND INDICATOR 9P, GROUP	1	-		
	346V7909	CABLE, (F346), 4P TO BOMB SPACING UNIT 9P, GROUP	1	-		
	347V7909	CABLE, (F347), TB.185 TO EARTH, GROUP	1	-		
	350V7909	CABLE, (F350), 3P TO 4P, GROUP	1	-		
	355V7909	CABLE, (F355), GROUP	1	-		
	416V7909	CABLE, (F416), FUSE 593 TO No. 6 CRASH SWITCH, GROUP	1	-		
	450V7909	CABLE, (F450), CABIN LAMP TO SWITCH, GROUP	1	-		
	506V7909	CABLE, (F506), TB.264 TO No. 6 CRASH SWITCH, GROUP	1	-		

ELECTRICAL INSTALLATION
CREW'S NACELLE

Ref. No.	Part No.	Description	No. off	Matl. Spec.	Cl. of St.	Plate and Illust'n No.
					M.R.	
		1 2 3 4				
	510V7909	CABLE, (F510), 4P TO CONTROL COLUMN, GROUP	1	-		
	640V7909	CABLE, (F640), CONTROL UNIT LAMP No. 1. TO PORT LAMPS, GROUP	1	-		
	641V7909	CABLE, (F641), CONTROL UNIT LAMP No. 2. TO PORT CENTRE LAMPS, GROUP	1	-		
	642V7909	CABLE, (F642), CONTROL UNIT LAMP No. 3. TO STARBOARD CENTRE LAMPS, GROUP	1	-		
	643V7909	CABLE, (F643), CONTROL UNIT LAMP No. 4. TO STARBOARD LAMPS, GROUP	1	-		
	644V7909	CABLE, (F644), CONTROL UNIT DIMMER SWITCHES TO NAV. PANEL, GROUP	1	-		
	645V7909	CABLE, (F645), CONTROL UNIT DIMMER SWITCHES TO NAV. PANEL, GROUP	1	-		
	646V7909	CABLE, (F646), 25P/341 TO CONTROL UNIT, BOMB SPACING UNIT AND 4P, GROUP	1	-		
	654V7909	CABLE, (F654), 25P/345 TO CONTROL UNIT, GROUP	1	-		
	666V7909	CABLE, (F666), RELAY 301 TO FAN MOTORS, GROUP	1	-		
	668V7909	CABLE, (F668), RELAY 302 TO EARTH, GROUP	1	-		
	674V7909	CABLE, (F674), RELAY 301 TO EARTH, GROUP	1	-		
	675V7909	CABLE, (F675), RELAY 302 TO EARTH, GROUP	1	-		
	689V7909	CABLE, (F689), 4P TO 7P AND SETTING POTENTIOMETER, GROUP	1	-		
	690V7909	CABLE, (F690), SETTING POTENTIOMETER 7P TO 4P, GROUP	1	-		
	721V7909	CABLE, (F721), TB.91 TO STABILISER SWITCH, GROUP	1	-		
	724V7909	CABLE, (F724), RELAY 295 TO TOP AUTO-PILOT SWITCH, GROUP (Pre-Mod. 2305 AND 2306)	1	-		
	725V7909	CABLE, (F725), RELAY 295 TO EARTH, GROUP	1	-		

VULCAN Mk. 2

ELECTRICAL INSTALLATION
CREW'S NACELLE

Page FG. 11

Ref. No.	Part No.	Description	No. off	Matl. Spec.	Cl. of St.	Plate and Illust'n No.
					M.R.	
		1 2 3 4				
	507V7909	CABLE (F507), R.P.B.182 TO 48P, GROUP ... (Mod. 778)	1	-		
	509V7909	CABLE (F509), R.P.B.161 TO 48P, GROUP ... (Mod. 778)	1	-		
	777V7909	CABLE (F777), 7P/305 TO 4P, GROUP	1	-		
	828V7909	CABLE (F828), 4P TO CABIN ENTRANCE DOOR, GROUP	1	-		
	829V7909	CABLE (F829), 4P TO CABIN ROOF, GROUP	1	-		
	820V7909	CABLE (F830), 4P TO DIMMER SWITCH AT NAVIGATOR'S PANEL, GROUP	1	-		
	831V7909	CABLE (F831), 4P TO NAVIGATOR'S PANEL, GROUP (Mod. 1174)	1	-		
	832V7909	CABLE (F832), 4P TO NAVIGATOR'S TABLE, GROUP	1	-		
	833V7909	CABLE (F833), TB's 220 AND 224 TO INSPECTION LAMP, GROUP	1	-		
	834V7909	CABLE (F834), TB 220 TO SWITCH, GROUP ..	1	-		
	835V7909	CABLE (F835), 4P TO STARBOARD SEXTANT, GROUP	1	-		
	836V7909	CABLE (F836), TB.224 TO INSPECTION LAMP, GROUP	1	-		
	838V7909	CABLE (F838), 4P TO EARTH, GROUP	1	-		
	839V7909	CABLE (F839), TB.220 TO SWITCH, GROUP ..	1	-		
	840V7909	CABLE (F840), 8P TO NAVIGATOR'S PANEL, GROUP	1	-		
	841V7909	CABLE (F841), LAMP TO SWITCH AT 8P, GROUP	1	-		
	842V7909	CABLE (F842), 4P TO STARBOARD SEXTANT, GROUP	1	-		
	843V7909	CABLE (F843), 3P TO PORT SEXTANT, GROUP	1	-		
	846V7909	CABLE (F846), ENTRANCE DOOR TO NAVIGATOR'S PANEL, GROUP	1	-		
	847V7909	CABLE (F847), SWITCHES AT NAVIGATOR'S PANEL, GROUP	1	-		

ELECTRICAL INSTALLATION
CREW'S NACELLE

Ref. No.	Part No.	Description	No. off	Matl. Spec.	Cl. of	Plate and Illust'n No.
					St. M.R.	
		1 2 3 4				
	848V7909	CABLE, (F848), NAVIGATOR'S PANEL TO ... NAVIGATOR'S TABLE, GROUP	1	-		
	850V7909	CABLE, (F850), TB.875 AND SWITCH AT NAVIGATOR'S PANEL, GROUP	1	-		
	894V7909	CABLE, (F894), PERISCOPE HEATING TOP .. AND BOTTOM, GROUP (Mod. 1174)	1	-		
	898V7909	CABLE, (F898), STARBOARD OXYGEN PANEL TO 4P, GROUP	1	-		
	899V7909	CABLE, (F899), TB 266 TO EARTH, GROUP ..	1	-		
	912V7909	CABLE, (F912), SWITCH TO LAMP, ADJ. PORT SEXTANT, GROUP	1	-		
	925V7909	CABLE, (F925), 4P TO NAVIGATOR'S PANEL, GROUP	1	-		
	926V7909	CABLE, (F926), 4P TO NAVIGATOR'S PANEL, GROUP	1	-		
	930V7909	CABLE, (F930), CRASH SWITCH TO FUSE, ... 594, GROUP	1	-		
	999V7909	CABLE, (F999), SUPPRESSOR TO TB's 266 ... AND 276, GROUP	1	-		
	1000V7909	CABLE, (F1000), SUPPRESSOR TO TB.276 ... AND FUSE 666, GROUP	1	-		
	1001V7909	CABLE, (F1001), COMP. A AND B TO SUPPRESSOR, GROUP	1	-		
1433184	1004V7909	CABLE, (F1004), 26J/486 TO BOMB AIMER'S. POSITION, GROUP	1	-		
	1005V7909	CABLE, (F1005), COMPUTER TO CONTROL . UNIT GYRO, GROUP	1	-		
1433648	1006V7909	CABLE, (F1006), CONTROL UNIT GYRO TO . SIGHTING HEAD, GROUP	1	-		
	1007V7909	CABLE, (F1007), CONTROL PANEL TO SIGHTING HEAD, GROUP	1	-		
	1008V7909	CABLE, (F1008), CONTROL UNIT GYRO 3P .. AND 4P, GROUP	1	-		
	1009V7909	CABLE, (F1009), CONTROL PANEL TO 3P, .. GROUP	1	-		

ELECTRICAL INSTALLATION
CREW'S NACELLE

Ref. No.	Part No.	Description	No. off	Matl. Spec.	Cl. of St.	Plate and Illust'n No.
					M.R.	
		1 2 3 4				
17731 1433430	101V7909	CABLE, (F1010), TB.276 TO EARTH, GROUP .	1	-	C	
	1011V7909	CABLE, (F1011), CONTROL UNITS TO SUPPRESSOR, GROUP	1	-		
	1012V7909	CABLE, (F1012), 26J/630 TO GREEN SATIN . INDICATORS, GROUP	1	-		
	1013V7909	CABLE, (F1013), 26J/631 TO GREEN SATIN . INDICATORS, GROUP	1	-		
	1014V7909	CABLE, (F1014), 3P TO 4P, GROUP	1	-		
	1016V7909	CABLE, (F1016), 1P/610 TO 4P, GROUP	1	-		
	1023V7909	CABLE, (F1023), DIMMER SWITCH TO LAMP, GROUP	1	-		
	1077V7909	CABLE, (F1077), 9P/471 TO RPB. 477, GROUP	1	-		
	1079V7909	CABLE, (F1079), 9P/472 TO RPB. 476, GROUP	1	-		
	1089V7909	CABLE, (F1089), TB.225 TO EARTH AND 4P, GROUP	1	-		
	1091V7909	CABLE, (F1091), 9P/470 TO RPB. 478, GROUP	1	-		
	1093V7909	CABLE, (F1093), SPACING UNIT 9P TO RPB. 145, GROUP	1	-		
	1124V7909	CABLE, (F1124), 3P TO CONTROL COLUMN . PORT, GROUP	1	-		
	1127V7909	CABLE, (F1127), 4P TO CONTROL COLUMN . STARBOARD, GROUP	1	-		
	1128V7909	CABLE, (F1128), MICRO SWITCHES TO TB.277 AND FUSE 627, GROUP	1	-		
	1129V7909	CABLE, (F1129), 3P TO CONTROL COLUMN . PORT, GROUP	1	-		
	1149V7909	CABLE, (F1149), PORT CONSOLE RATION .. HEATER TO 3P, GROUP	1	-		
1150V7909	CABLE, (F1150), STARBOARD CONSOLE ... RATION HEATER TO 3P, GROUP	1	-			
1151V7909	CABLE, (F1151), PORT CONSOLE RATION .. HEATER TO EARTH, GROUP	1	-			

ELECTRICAL INSTALLATION
CREW'S NACELLE

Ref. No.	Part No.	Description	No. off	Matl. Spec.	Cl. of	Plate and Illust'n No.
					St. M.R.	
		1 2 3 4				
	1152V7909	CABLE, (F1152), STARBOARD CONSOLE ... RATION HEATER TO EARTH, GROUP	1	-		
	1153V7909	CABLE, (F1153), 27P/9 TO 10P, GROUP	1	-		
	1156V7909	CABLE, (F1156), SIGNALLER'S RATION HEATER TO NAVIGATOR'S RATION HEATER, GROUP	1	-		
	1157V7909	CABLE, (F1157), NAVIGATOR'S RATION ... HEATER TO BOMB AIMER'S RATION HEATER, GROUP	1	-		
	1158V7909	CABLE, (F1158), BOMB AIMER'S RATION ... HEATER TO EARTH, GROUP	1	-		
	1162V7909	CABLE, (F1162), TB.274 TO EARTH, GROUP .	1	-		
	1193V7909	CABLE, (F1193), PORT CONTROL UNIT	1	-		
	1197V7909	CABLE, (F1197), STARBOARD CONTROL ... UNIT TO RPB.516, GROUP	1	-		
	1235V7909	CABLE, (F1235), FUEL FLOW TRANS-	1	-		
	1364V7909	CABLE, (F1364), CRASH SWITCH TO FUSE .. 497, GROUP	1	-		
	1443V7909	CABLE, (F1443), CRASH SWITCH TO FUSE .. 595, GROUP	1	-		
	1552V7909	CABLE, (F1552), GROUP (Pre-Mod. 748)	1	-		
	1554V7909	CABLE, (F1554), FPB. 288 TO 11P/425,	1	-		
	1555V/7909	CABLE, (F1555), FPB. 281 to 8P, GROUP (Mod. 1716)	1	-		
	1556V7909	CABLE, (F1556), 3P TO EARTH, GROUP	1	-		
	1558V7909	CABLE, (F1558), TB.91 TO SWITCH AT	1	-		
	1559V7909	CABLE, (F1559), TIME DELAY UNITS TO ... TB's 278 AND 280 AND RELAY 155, GROUP	1	-		
	1575V7909	CABLE, (F1575), 3P TO 4P, GROUP	1	-		

ELECTRICAL INSTALLATION
CREW'S NACELLE

Ref. No.	Part No.	Description	No. off	Matl. Spec.	Cl. of St.	Plate and Illust'n No.
					M.R.	
		1:2 3:4				
	1590V7909	CABLE (F1590), 3P TO 4P, GROUP	1	-		
	1591V7909	CABLE (F1591), 24P/338 TO TORQUE SWITCH, GROUP (P:e-Mod. 1581)	1	-		
	1609V7909	CABLE (F1609), ABANDON A/C RED LAMP TO TB.189, GROUP	1	-		
	1610V7909	CABLE (F1610), MICRO SWITCHES AT MAIN DOOR, GROUP	1	-		
	1611V7909	CABLE (F1611), MICRO SWITCH AND RED LAMP, MAIN DOOR EQUIPMENT, GROUP	1	-		
	1612V7909	CABLE (F1612), RED LAMP AND GREEN LAMP, MAIN DOOR EQUIPMENT, GROUP	1	-		
	1613V7909	CABLE (F1613), DOOR MICRO SWITCH TO GREEN WARNING LAMP, GROUP	1	-		
	1635V7909	CABLE (F1635), THROTTLE BOX PEDESTAL TO 4P, GROUP	1	-		
	1636V7909	CABLE (F1636), THROTTLE BOX PEDESTAL TO 3P, GROUP (Pre-Mod. 2305 AND 2306)	1	-		
	1672V7909	CABLE (F1672), TORQUE SWITCH TO RECTIFIER, GROUP	1	-		
	1673V7909	CABLE (F1673), RECTIFIER TO EARTH, GROUP	1	-		
	1714V7909	CABLE (F1714), 4P TO MANUAL DECOMPRESSION LEVER MICRO SWITCH, GROUP	1	-		
	1715V7909	CABLE (F1715), SCANNER ROTATION SWITCH TO TB.91, GROUP	1	-		
	1723V7909	CABLE (F1723), FUSE 901 TO No. 6 TRANSFORMER, GROUP	1	-		
	1724V7909	CABLE (F1724), FUSE 902 TO No. 2 TRANSFORMER, GROUP	1	-		
	1726V7909	CABLE (F1726), FUSE 904 TO No. 1 TRANSFORMER, GROUP	1	-		
	1728V7909	CABLE (F1728), RELAY 136 TO RELAY 177, GROUP	1	-		
	1730V7909	CABLE (F1730), HEATERS TO No. 6 TRANSFORMER, GROUP	1	-		

VULCAN HL 2

Page FG. 16

ELECTRICAL INSTALLATION

CREW'S NACELLE

Ref. No.	Part No.	Description	No. off	Matl. Spec.	Cl. of	Plate and Illust'n No.
					St. M.R.	
		1 2 3 4				
	1731V7909	CABLE (F1731), HEATERS TO No. 2 TRANSFORMER, GROUP	1	-		
	1733V7909	CABLE (F1733), HEATERS TO No. 1 TRANSFORMER, GROUP	1	-		
	1762V7909	CABLE (F1762), No. 1 JET PIPE TEMP. INDICATOR TO 3P, GROUP	1	-		
	1763V7909	CABLE (F1763), No. 2 JET PIPE TEMP. INDICATOR TO 3P, GROUP	1	-		
	1764V7909	CABLE (F1764), No. 3 JET PIPE TEMP. INDICATOR TO 4P, GROUP	1	-		
	1765V7909	CABLE (F1765), No. 4 JET PIPE TEMP. INDICATOR TO 4P, GROUP (Pre-Mod. 1174)	1	-		
	1773V7909	CABLE (F1773), RELAY 177 TO EARTH, GROUP (Pre-Mod. 1174)	1	-		
	1774V7909	CABLE (F1774), RELAY 177 TO FUSE 206, GROUP (Pre-Mod. 1174)	2	-		
	1776V7909	CABLE (F1776), RELAY 177 TO B/B RED, YELLOW AND BLUE, GROUP	1	-		
	1778V7909	CABLE (F1778), CUT-OUT SWITCHES 2 AND 3 TO COMP. A AND B, GROUP	1	-		
	1779V7909	CABLE (F1779), 25P/344 TO 72P/654, GROUP	1	-		
	1780V7909	CABLE (F1780), 24P/344 TO 71P/650, GROUP (Pre-Mods. 1174 and 1320)	1	-		
	1781V7909	CABLE (F1781), 12P TO 3P AND 4P, GROUP	1	-		
12931	1786V7909	CABLE (F1786), 71P/652 TO TB.1164 AND MONITOR UNIT, GROUP (Mod. 1716)	1	-	C	
	1787V7909	CABLE (F1787), 72P/656 TO TB.1163, JUNCTION BOX, AND MONITOR UNIT, GROUP	1	-		
	1788V7909	CABLE (F1788), 72P/657 TO JUNCTION BOX, GROUP	1	-		
	1789V7909	CABLE (F1789), 71P/653 TO JUNCTION BOX, GROUP (Pre-Mod. 2214)	1	-		
	1809V7909	CABLE (F1809), No. 1 TRANSFORMER EARTH, GROUP	1	-		

VULCAN Mk. 2

ELECTRICAL INSTALLATION

Page FG. 17

CREW'S NACELLE

Ref. No.	Part No.	Description				No. off	Matl. Spec.	Cl. of St. M.R.	Plate and Illust'n No.
		1	2	3	4				
	1810V7909	CABLE, (F1810), No. 2 TRANSFORMER TO EARTH, GROUP				1	—		
	1811V7909	CABLE, (F1811), No. 6 TRANSFORMER TO EARTH, GROUP				1	—		
	1815V7909	CABLE, (F1815), No. 1 TRANSFORMER TO FUSE 994, GROUP				1	—		
	1816V7909	CABLE, (F1816), No. 2 TRANSFORMER TO FUSE 992, GROUP				1	—		
	1817V7909	CABLE, (F1817), No. 6 TRANSFORMER TO FUSE 991, GROUP				1	—		
	1819V7909	CABLE, (F1819), RACK MOUNTING R19 TO EARTH, 25P AND 48P, GROUP				1	—		
	1820V7909	CABLE, (F1820), RACK MOUNTING R10 TO TORQUE SWITCH, RELAY 295 AND EARTH, GROUP				1	—		
	1822V7909	CABLE, (F1822), BOMB AIMER'S CONTROL TO TB. 854, GROUP				1	—		
	1843V7909	CABLE, (F1843), RELAY 301 TO RELAY 302, GROUP				1	—		
	1851V7909	CABLE, (F1851), HEATER SWITCH TO RELAY 302, GROUP				1	—		
	1855V7909	CABLE, (F1855), AT HEATER DUCT, GROUP				1	—		
	1856V7909	CABLE, (F1856), HEATER DUCT TO 3P, GROUP				1	—		
	1857V7909	CABLE, (F1857), TB. 271 TO RELAY 301, GROUP				1	—		
	1859V7909	CABLE, (F1859), TB. 257 TO No 1 CRASH SWITCH, GROUP				1	—		
	1863V7909	CABLE, (F1863), RELAY 302 TO RECTIFIER, GROUP				1	—		
	1864V7909	CABLE, (F1864), RELAY 302 TO RECTIFIER, GROUP				1	—		
	1869V7909	CABLE, (F1869), RELAYS 147, 148, 149 AND 150 TO TB's 285, 286, 288 AND FUSE 929, GROUP				1	—		
	1870V7909	CABLE, (F1870), No. 1 CRASH SWITCH TO EARTH, GROUP				1	—		

VULCAN No. 2

Page FG. 18

**ELECTRICAL INSTALLATION
CREW'S NACELLE**

Ref. No.	Part No.	Description				No. off	Mati. Spec.	Cl. of	Plate
		1	2	3	4			St. M.R.	and Illust'n No.
1880V7909		CABLE, (F1880), 9P TO 4P, GROUP ...				1	—		
1881V7909		CABLE, (F1881), 9P TO 4P, GROUP ...				1	—		
1882V7909		CABLE, (F1882), RED INDICATOR LAMP TO EARTH, GROUP				1	—		
1883V7909		CABLE, (F1883), TB. 185 TO TB's 176 AND 187, GROUP				1	—		
1888V7909		CABLE, (F1888), TRIM SWITCH TO 4P, GROUP				1	—		
1889V7909		CABLE, (F1889), RELAY 360 TO RELAYS 361 AND 362, GROUP				1	—		
1893V7909		CABLE, (F1893), RELAY 360 TO RELAY 361, GROUP				1	—		
1894V7909		CABLE, (F1894), RELAY 361 TO RELAY 362, GROUP				1	—		
1934V7909		CABLE, (F1934), AT RELAY 360, GROUP				1	—		
1935V7909		CABLE, (F1935), AT RELAY 361, GROUP				1	—		
1936V7909		CABLE, (F1936), AT RELAY 362, GROUP				1	—		
1937V7909		CABLE, (F1937), RELAY 360 TO EARTH, GROUP				1	—		
1938V7909		CABLE, (F1938), AT RELAY 360, GROUP				1	—		
1939V7909		CABLE, (F1939), RELAY 361 TO EARTH, GROUP				1	—		
1940V7909		CABLE, (F1940), AT RELAY 362, GROUP				1	—		
1960V7909		CABLE, (F1960), MONITOR UNIT TO DATUM UNIT, GROUP				1	—		
1961V7909		CABLE, (F1961), MONITOR UNIT TO DATUM UNIT, GROUP				1	—		
1962V7909		CABLE, (F1962), MONITOR UNIT TO DATUM UNIT, GROUP				1	—		
1963V7909		CABLE, (F1963), MONITOR UNIT TO DATUM UNIT, GROUP				1	—		
1964V7909		CABLE, (F1964), TRANSMITTING MACH. UNIT TO DATUM UNIT, GROUP				1	—		

VULCAN No. 2		ELECTRICAL INSTALLATION		Page FG. 19					
		CREW'S NACELLE							
Ref. No.	Part No.	Description				No. off	Matl. Spec.	Cl. of St. M.R.	Plate and Illust'n No.
		1	2	3	4				
	1965V7909	CABLE (F1965), TRANSMITTER MACH. UNIT TO DATUM UNIT, GROUP				1	-		
	1998V7909	CABLE (F1998), 11P/3 TO EARTH, GROUP :				1	-		
	1999V7909	CABLE (F1999), 11P/3 TO EARTH, GROUP ..				1	-		
	2001V7909	CABLE (F2001), 11P/2 TO EARTH, GROUP ..				1	-		
	2002V7909	CABLE (F2002), 11P/2 TO EARTH, GROUP ..				1	-		
	2038V7909	CABLE (F2038), RELAY 147 TO RELAY 148, GROUP				1	-		
	2039V7909	CABLE (F2039), RELAY 147 TO RELAY 148, GROUP				1	-		
	2040V7909	CABLE (F2040), RELAY 147 TO RELAY 148, GROUP				1	-		
	2041V7909	CABLE (F2041), RELAY 147 TO RELAY 148, GROUP				1	-		
	2042V7909	CABLE (F2042), RELAY 148 TO RELAY 149, GROUP				1	-		
	2043V7909	CABLE (F2043), RELAY 148 TO RELAY 149, GROUP				1	-		
	2044V7909	CABLE (F2044), RELAY 149 TO RELAY 150, GROUP				1	-		
	2045V7909	CABLE (F2045), RELAY 149 TO RELAY 150, GROUP				1	-		
	2046V7909	CABLE (F2046), RELAY 149 TO RELAY 150, GROUP				1	-		
22524	2047V7909	CABLE (F2047), RELAY 149 TO RELAY 150, GROUP				1	-	C	
	2093V7909	CABLE (F2093), AT ALTIMETER TYPE 'A', .. GROUP				1	-		
	2096V7909	CABLE (F2096), SYNCHRONIZED MONITOR UNIT TO 3P, GROUP				1	-		
	2163V7909	CABLE (F2163), TB.1163 TO TB.1164, GROUP				1	-		
	2165V7909	CABLE (F2165), 34J/660 TO TB.1163. GROUP				1	-		

VULCAN Mk. 2

Page FG. 20

ELECTRICAL INSTALLATION

CREW'S NACELLE

Ref. No.	Part No.	Description	No. off	Matl. Spec.	Cl. of	Plate and Illust'n No.
					St. M.R.	
		1 2 3 4				
1432875	2171V7909	CABLE (F2171), I.L.S. JUNCTION BOX TO COMPUTOR UNIT, GROUP	1	-		
	2183V7909	CABLE (F2183), MONITOR UNIT TO JUNCTION BOX, GROUP	1	-		
	2184V7909	CABLE (F2184), MONITOR UNIT TO JUNCTION BOX, GROUP	1	-		
	2198V7909	CABLE (F2198), PLUG 'A' TO TB.764 AND EARTH, GROUP (Pre-Mod. 908)	1	-		
	2199V7909	CABLE (F2199), RELAY 197 TO EARTH, GROUP	1	-		
	2201V7909	CABLE (F2201), TB.595 TO RELAY 198, GROUP	1	-		
	2202V7909	CABLE (F2202), PLUG 'A' TO TB.595 AND EARTH, GROUP	1	-		
	2203V7909	CABLE (F2203), RELAY 198 TO EARTH, GROUP	1	-		
	2204V7909	CABLE (F2204), RELAY 197 TO CB.30-2 AT 3P, GROUP	1	-		
	2205V7909	CABLE (F2205), RELAY 198 TO CB.18 2 AT 4P, GROUP	1	-		
	2206V7909	CABLE (F2206), RELAY 198 TO SUP- PRESSOR, GROUP	1	-		
	2208V7909	CABLE (F2208), RELAY A2 TO SUPPRESSOR, GROUP	1	-		
	2209V7909	CABLE (F2209), SUPPRESSOR TO EARTH, .. GROUP	1	-		
	2210V7909	CABLE (F2210), TB.182 TO TB.255, GROUP ..	1	-		
	2214V7909	CABLE (F2214), 7P TO 4P, GROUP	1	-		
	2215V7909	CABLE (F2215), 7P TO EARTH, GROUP	1	-		
	2217V7909	CABLE (F2217), 8P TO EARTH, GROUP	1	-		
	2222V7909	CABLE (F2222), 6P TO 3P, GROUP	1	-		
	2223V7909	CABLE (F2223), 6P TO EARTH, GROUP	1	-		
	2226V7909	CABLE (F2226), TP.595 TO FUSE 531 AT 4P, GROUP	1	-		

VULCAN Mk 2

ELECTRICAL INSTALLATION
CREW'S NACELLE

Ref. No.	Part No.	Description	No. off	Matl. Spec.	Cl. of St.	Plate and Illust'n No.
					M.R.	
		1 2 3 4				
	2235V7909	CABLE, (F2235), DIMMER SWITCH TO TB. 298, GROUP	1	—		
	2236V7909	CABLE, (F2236), TB. 298 TO EARTH, GRP.	1	—		
	2239V7909	CABLE, (F2239), TB. 1520 TO EARTH, GRP.	1	—		
	2289V909	CABLE, (F2289), AT OVER-RIDE SWITCHES, GROUP	1	—		
	2290V7909	CABLE, (F2290), OVER-RIDE SWITCH TO GOVERNOR SWITCH, GROUP	1	—		
	2291V7909	CABLE, (F2291), THROTTLE PEDESTAL TO 4P, GROUP	1	—		
	2296V7909	CABLE, (F2296), WATT METER TO RESISTOR BOX, GROUP	1	—		
	2297V7909	CABLE, (F2297), VARS. SWITCH TO RESISTOR BOX, GROUP	1	—		
	2299V7909	CABLE, (F2299), GROUP	1	—		
	2304V7909	CABLE, (F2304), AT RESISTOR BOXES, GROUP	1	—		
	2305V7909	CABLE, (F2305), AT RESISTORBOXES, ADJ. 10P, GROUP	1	—		
	2306V7909	CABLE, (F2306), AT RESISTOR BOXES, ADJ. 10P, GROUP	1	—		
	2307V7909	CABLE, (F2307), AT RESISTOR BOXES, ADJ. 10P, GROUP	1	—		
	2308V7909	CABLE, (F2308), AT RESISTOR BOXES, ADJ. 10P, GROUP	1	—		
	2309V7909	CABLE, (F2309), AT RESISTOR BOXES, ADJ. 10P, GROUP	1	—		
	2310V7909	CABLE, (F2310), AT RESISTOR BOXES, ADJ. 10P, GROUP	1	—		
	2311V7909	CABLE, (F2311), AT RESISTOR BOXES, ADJ. 20P, GROUP	1	—		
	2312V7909	CABLE, (F2312), AT RESISTOR BOXES, ADJ. 10P, GROUP	1	—		
	2313V7909	CABLE, (F2313), WATT METER TO RESISTOR BOX ADJ. 10P, GROUP	1	—		
	2314V7909	CABLE, (F2314), WATT METER TO RESISTOR BOX ADJ. 10P, GROUP	1	—		

ELECTRICAL INSTALLATION

CREW'S NACELLE

Ref. No.	Part No.	Description	No. off	Matl. Spec.	Cl. of	Plate and Illust'n No.
					St. M.R.	
		1 2 3 4				
	2315V7909	CABLE, (F2315), RESISTOR BOX TO TB.253, GROUP	1	—		
	2318V7909	CABLE, (F2318), TB.1518 TO TB.1524, GROUP	1	—		
	2319V7909	CABLE, (F2319), TB.1520 TO TB.1524, GROUP	1	—		
	2365V7909	CABLE, (F2365), 24P/332 TO 4P, GROUP	1	—		
	2374V7909	CABLE, (F2374), BOMB SIGHT AMPLIFIER .. TO INDICATOR, GROUP (Mod. 766)	1	—	MR	
	2394V7909	CABLE, (F2394), 75P TO RELAY 631, GROUP (Mod. 569) (Pre-Mod. 2304)	1	—		
	2396V7909	CABLE, (F2396), RELAY 631 TO 81P, GROUP (Mod. 569) (Pre Mod. 2304)	1	—		
	2397V7909	CABLE, (F2397), AT RELAY 631, GROUP (Mod. 569) (Pre-Mod. 2304)	1	—		
	2426V7909	CABLE, (F2426), 81P TO EARTH, GROUP (Mod. 569)	1	—		
	2427V7909	CABLE, (F2427), 3P TO TB.681, GROUP (Mod. 569)	1	—		
	2437V7909	CABLE, (F2437), RELAY 631 TO EARTH, GROUP (Mod. 569) (Pre-Mod. 2304)	1	—		
	2438V7909	CABLE, (F2438), 4P TO TB.681, GROUP (Mod. 569)	1	—		
	2461V7909	CABLE, (F2461), 87P TO IJ/13, GROUP	1	—		
	2492V7909	CABLE, (F2492), CONTROL COLUMN, PORT TO 3P, GROUP	1	—		
	2493V7909	CABLE, (F2493), CONTROL COLUMN, PORT TO CONTROL COLUMN, STARBOARD, GROUP	1	—		
	2498V7909	CABLE, (F2498), SWITCH TO TB.810, GROUP	1	—		
	2499V7909	CABLE, (F2499), DIMMER SWITCH TO TB.207, GROUP	1	—		
	2500V7909	CABLE, (F2500), DIMMER SWITCH TO LAMP, GROUP	1	—		
	2501V7909	CABLE, (F2501), DIMMER SWITCH TO EARTH, GROUP	1	—		

VULCAN No. 2

ELECTRICAL INSTALLATION

Page FG. 23

CREW'S NACELLE

Ref. No.	Part No.	Description	No. off	Matl. Spec.	Cl. of	Plate and Illust'n No.
					St. M.R.	
		1 2 3 4				
	2507V7909	CABLE, (F2507), PLUG BREAK TO TB.1525, . GROUP	1	-		
	2508V7909	CABLE, (F2508), R.M 10 TO TB.1525, GROUP	1	-		
	2509V7909	CABLE, (F2509), TB.1525 TO EARTH, GROUP	1	-		
	2534V7909	CABLE, (F2534), 1st PILOT'S SEAT TO THERMISTOR HEAT DUCT, GROUP	1	-		
	2535V7909	CABLE, (F2535), 2nd PILOT'S SEAT TO THERMISTOR HEAT DUCT, GROUP	1	-		
	2536V7909	CABLE, (F2536), No. 6 TRANSFORMER AT .. THERMISTOR HEAT DUCT, GROUP	1	-		
	2564V7909	CABLE, (F2564), A M.U. TO SUPPRESSOR, ... GROUP	1	-		
	2565V7909	CABLE, (F2565), A M.I. TO SUPPRESSOR, ... GROUP	1	-		
	2577V7909	CABLE, (F2577), ENTRANCE DOOR TO EMERGENCY DOOR SWITCH, GROUP (Mod 624)	1	-		
	2578V7909	CABLE, (F2578), EMERGENCY DOOR SWITCH TO 3P, GROUP (Mod. 624)	1	-		
	2579V7909	CABLE, (F2597), A.A.P.P. BAY TO 16P, GROUP	1	-		
	2605V7909	CABLE, (F2605), PLUG 532 TO NAVI- GATOR'S SEAT HEATER, GROUP	1	-		
	2609V7909	CABLE, (F2609), PLUG 534 TO BOMB AIMER'S SEAT HEATER, GROUP	1	-		
	2617V7909	CABLE, (F2617), 9P/804 TO R.P.B. 805, GROUP	1	-		
	2619V7909	CABLE, (F2619), 9P/802 TO R.P.B. 801 AND .. R.P.B. 824, GROUP	1	-		
	2620V7909	CABLE, (F2620), 9P/800 TO R.P.B. 799, GROUP	1	-		
	2621V7909	CABLE, (F2621), 9P/798 TO R.P.B. 797, GROUP	1	-		
	2622V7909	CABLE, (F2622), 9P/795 TO R.P.B. 796, GROUP	1	-		
	2623V7909	CABLE, (F2623) 9P/808 TO R.P.B. GROUP ...	1	-		
	2624V7909	CABLE, (F2624) 9P/810 TO 24P/337, GROUP .	1	-		

ELECTRICAL INSTALLATION
CREW'S NACELLE

Ref. No.	Part No.	Description	No. off	Matl. Spec.	Cl. of	Plate and Illust'n No.
					St. M.R.	
		1 2 3 4				
	2625V7909	CABLE, (F2625) 9P/811 TO 25P/347, GROUP (Pre-Mod. 2300)	1	-		
	9937V7909	CABLE, GROUP (Mod. 2300)	1	-		
	2689V7909	CABLE, (F2689), TB 875 TO BOMB AIMER'S DIMMER SWITCH, GROUP	1	-		
	2690V7909	CABLE, (F2690), 4P TO NAV. PLOTTER'S ... DIMMER SWITCH, GROUP	1	-		
	2693V7909	CABLE, (F2693), 4P TO TB.1569, GROUP (Mod. 628)	1	-		
	2694V7909	CABLE, (F2694), TB.1569 TO EARTH,..... GROUP (Mod. 628)	1	-		
	2695V7909	CABLE, (F2695), 3P TO TB.1568, GROUP (Mod. 628)	1	-		
	2696V7909	CABLE, (F2696), TB.1568 TO EARTH,..... GROUP (Mod. 628)	1	-		
	2704V7909	CABLE, (F2704), THROTTLE TEST SWITCH .. TO EARTH, GROUP (Mod. 1649)	1	-		
	2712V7909	CABLE, (F2712), TB.1714 TO RECTIFIER, ... GROUP (Mod 1649)	1	-		
	2715V7909	CABLE, (F2715), TB.1716 TO TB.1715, GROUP (Mod 1649)	1	-		
	2716V7909	CABLE, (F2716), TB.1714 TO EARTH,..... GROUP (Mod. 1649)	1	-		
	2757V7909	CABLE, (F2757), AT RELAY 548, GROUP	1	-		
	2759V7909	CABLE, (F2759) E.Y. CONTROL, T. DELIVERY TO PORT T. DELIVERY, GROUP	1	-		
	2760V7909	CABLE, (F2760) E.Y. CONTROL T. DELIVERY TO STARBOARD T. DELIVERY, GROUP	1	-		
	2786V7909	CABLE, (F2786) 4P TO TB.1533, GROUP (Mod. 687)	1	-		
	2787V7909	CABLE, (F2787), TB.1533 TO EARTH,..... GROUP (Mod. 687)	1	-		
	2788V7909	CABLE, (F2788), 4P TO TB.1534, GROUP (Mod. 687)	1	-		
	2789V7909	CABLE, (F2789), TB.1534 TO 4P, GROUP (Mod. 687)	1	-		
	2790V7909	CABLE, (F2790), OXYGEN INDICATOR TO EARTH, GROUP (Mod. 687)	1	-		
	2791V7909	CABLE, (F2791), 3P TO TB.1570, GROUP (Mod. 687)	1	-		
	2792V7909	CABLE, (F2792), 3P TO TB.1570, GROUP (Mod. 687)	1	-		
	2793V7909	CABLE, (F2793), SEXTON, PORT SIDE TO TB.1570, GROUP (MOD. 687)	1	-		
	2794V7909	CABLE, (F2794), SEXTON, PORT SIDE TO TB.1570, GROUP (Mod. 687)	1	-		
	2795V7909	CABLE, (F2795), AT SWITCHES, GROUP (Mod. 748)	1	-		

ELECTRICAL INSTALLATION

CREW'S NACELLE

Ref. No.	Part No.	Description	No. off	Matl. Spec.	Cl. of	Plate and Illust'n No.
					St. M.R.	
		1 2 3 4				
	2796V7909	CABLE (F2796), 3P TO FIN GAP DOORS, GROUP (Mod. 748)	1	-		
	2797V7909	CABLE (F2797), 3P TO EMERGENCY FIN GAP DOORS, GROUP (Mod. 748)	1	-		
	2821V7909	CABLE (F2821), FIN GAP DOOR INDICATOR TO DECOMPRESSION WARNING LAMP, GROUP (Mod. 748)	1	-		
	2823V7909	CABLE (F2823), N.C.B. INDICATOR TO N.C.B. SWITCH, GROUP (Mod. 715)	1	-		
	2825V7909	CABLE (F2825), REFRIGERATION STOP AND START, GROUP (Mod. 748)	1	-		
	2843V7909	CABLE (F2843), SCANNER STABILISER SWITCH, GROUP	1	-		
	2844V7909	CABLE (F2844), SCANNER STABILISER SWITCH, GROUP	1	-		
	2845V7909	CABLE (F2845), SCANNER STABILISER SWITCH, GROUP	1	-		
	2122V7909	CABLE (F2122), PILOT'S PANEL BREAK 233 TO CONTROL PANEL, GROUP (Pre-Mod. 730)	1	-		
	2851V7909	CABLE (F2851), PILOT'S PANEL BREAK 233 TO CONTROL PANEL, GROUP (Mod. 730)	1	-		
	2886V7909	CABLE (F2886), AT TB 875, GROUP (Mod. 734)	1	-		
	2887V7909	CABLE (F2887), NAV. PLOTTER'S DIMMER . SWITCH, GROUP (Mod. 734)	1	-		
	2888V7909	CABLE (F2888), NAV. PLOTTER TO A.E.O.'s POSITION, GROUP (Mod. 734)	1	-		
	2889V7909	CABLE (F2889), A.E.O.'s POSITION TO TB.875, GROUP (Mod. 734)	1	-		
	2913V7909	CABLE (F2913), SCANNER SWITCH LINK, GROUP (Mod. 715)	1	-		
	2924V7909	CABLE (F2924), N.B.S. INDICATOR TO EARTH, GROUP (Mod. 715)	1	-		
	2925V7909	CABLE (F2925), H.2S INDICATOR TO EARTH, GROUP (Mod. 715)	1	-		
	2932V7909	CABLE (F2932), RESET SWITCH TO MASTER SWITCH, GROUP (Mod. 748)	1	-		
	2933V7909	CABLE (F2933), AT MASTER SWITCH GROUP (Mod. 748)	1	-		
	2944V7909	CABLE (F2944), JUNCTION BOX TO INERTIA NAV. CONTROL UNIT, GROUP (Mod. 748)	1	-		
	2952V7909	CABLE (F2952), 12P TO 11P/2, GROUP (Mod. 748)	1	-		
	2975V7909	CABLE (F2975), 3P TO T.C.U. DIMMER SWITCH, GROUP (Mod. 805)	1	-		
	2976V7909	CABLE (F2976), T.C.U.10 TO TB.1160 AND . . T.C.U. DIMMER SWITCH, GROUP (Pre-Mod. 980)	1	-		

ELECTRICAL INSTALLATION

CREW'S NACELLE

Ref. No.	Part No.	Description				No. off	Matl. Spec.	Cl. of St. M.R.	Plate and Illust'n No.
		1	2	3	4				
	3011V7909	CABLE (F3011), 48P/467 TO TB's 716 AND ... 1525, GROUP (Mod 778)				1	-		
	3023V7909	CABLE (F3023), 4P TO THROTTLE BOX, .. GROUP				1	-		
	3095V7909	CABLE (F3095), NAV PLOTTER'S INDICA- TOR TO EARTH, GROUP (Mod 748)				1	-		
	3096V7909	CABLE (F3096), A E O's INDICATOR TO ... EARTH, GROUP (Mod 748)				1	-		
	3097V7909	CABLE (F3097), RADAR NAV INDICATOR .. TO EARTH, GROUP (Mod 748)				1	-		
	3109V7909	CABLE (F3109), HEATER, 1st PILOT to ... CONTROL UNIT No 1, GROUP (Mod. 923)				1	-		
	3110V7909	CABLE (F3110), HEATER, 2nd PILOT TO ... CONTROL UNIT No. 2, GROUP (Mod. 923)				1	-		
	3111V7909	CABLE (F3111), HEATER, PILOT'S FLOOR . TO CONTROL UNIT No 6, GROUP (Mod. 923)				1	-		
	3114V7909	CABLE (F3114), 24P/335 TO T A U. CONTROL PANEL. GROUP (Mod 863)				1	-		
	3117V7909	CABLE (F3117), 7P/299 TO 4P, GROUP . . . (Mod 825)				1	-		
	3121V7909	CABLE (F3121), CONTROL COLUMN BREAK STARBOARD TO 4P, GROUP				1	-		
	3122V7909	CABLE (F3122), CONTROL COLUMN BREAK PORT TO 3P, GROUP (Mod. 980)				1	-		
	3124V7909	CABLE (F3124), R P B 272 TO GYRO, 3P, AIRSPEED DETECTION INDICATOR CONTROL BREAK, PORT, GROUP (Mod 980)				1	-		
	3125V7909	CABLE (F3125), R P B 274 TO GYRO, 3P, AIRSPEED DETECTION INDICATOR AND CONTROL BREAK, STARBOARD, GROUP (Mod 980)				1	-		
	3126V7909	CABLE (F3126), 3P TO A.E O's POSITION, ... GROUP (Mod 980)				-	-		
	3138V7909	CABLE (F3138), NAVIGATOR'S STATION ... TO EARTH, GROUP (Mod. 980)				1	-		
	3139V7909	CABLE (F3139), T C U. DIMMER SWITCH TO TB.1158, GROUP (Mod. 980)				1	-		
	3140V7909	CABLE (F3140), TEST METER TO TB.1158, .. GROUP (Pre Mod 2263)				1	-		

VULCAN Mk. 2

ELECTRICAL INSTALLATION
CREW'S NACELLE

Ref. No.	Part No.	Description	No. off	Matl. Spec.	Cl. of St.	Plate and Illust'n No.
					M.R.	
		1 2 3 4				
	3152V7909	CABLE (F3152), CONTROL COLUMN BREAK, PORT TO 3P, GROUP (Mod. 908)	1	-		
	3153V7909	CABLE (F3153), CONTROL COLUMN BREAK, PORT TO 1P, PORT, GROUP (Mod. 908)	1	-		
	3172V7909	CABLE (F3172), 3P TO INTERCOM. R/T PANEL, GROUP (Mod. 950)	1	-		
	3173V7909	CABLE (F3173), HEATER, 1st PILOT'S TO EARTH, GROUP (Mod. 923)	1	-		
	3174V7909	CABLE (F3174), HEATER, 2nd PILOT'S TO EARTH, GROUP (Mod. 923)	1	-		
	3175V7909	CABLE (F3175), HEATER, PILOT'S FLOOR .. TO EARTH, GROUP (Mod. 923)	1	-		
	3176V7909	CABLE (F3176), HEATER, A.E.O's TO EARTH, GROUP (Mod. 923)	1	-		
	3177V7909	CABLE (F3177), HEATER, NAVIGATOR'S ... TO EARTH, GROUP	1	-		
	3178V7909	CABLE (F3178), HEATER, BOMB AIMER'S ... TO EARTH, GROUP (Mod. 923)	1	-		
	3189V7909	CABLE (F3189), JUNCTION BOX RM.23 TO R.P.B.273, GROUP (Mod. 980)	1	-		
	3198V7909	CABLE (F3198), E.P.C.U. SWITCH TO HOME INDICATOR, GROUP (Pre-Mod. 1174)	1	-		
	3214V7909	CABLE (F3214), 12P TO 11P, GROUP (Mod. 972)	1	-		
	3220V7909	CABLE (F3220), 75P TO 11P, GROUP (Mod. 972)	1	-		
	3228V7909	CABLE (F3228), THROTTLE BOX TO CONTROL COLUMN BREAK, PORT, GROUP (Mod. 980) (Pre-Mod. 2375)	1	-		
	3229V7909	CABLE (F3229), THROTTLE BOX TO CONTROL COLUMN BREAK, STARBOARD, GROUP (Mod. 980) (Pre-Mod. 2375)	1	-		
	3258V7909	CABLE (F3258), 100P TO TB's 1183 AND 1184, GROUP (Pre-Mod. 2143)	1	-		
	3259V7909	CABLE (F3259), 100P TO TB's 1183 AND 1184, GROUP (Mod. 969)	1	-		
	3260V7909	CABLE (F3260), 100P TO TB's 1181, 1182, ... GROUP (Pre-Mod. 2143)	1	-		
	3261V7909	CABLE (F3261), 100P TO TB's 1181, 1182, ... GROUP (Mod. 969)	1	-		

ELECTRICAL INSTALLATION
CREW'S NACELLE

Ref. No.	Part No.	Description	No. off	Matl. Spec.	Cl. of	Plate and Illust'n No.
					St. M.R.	
		1 2 3 4				
	3262V7909	CABLE (F3262), 100P TO 4P AND CABIN, GROUP (Mod. 969)	1	-		
	3263V7909	CABLE (F3263), 100P TO TB's 1185 AND 1186, GROUP (Mod. 969)	1	-		
	3264V7909	CABLE (F3264), 100P TO TB's 1185 AND 1186, GROUP (Pre-Mod. 2143)	1	-		
	3266V7909	CABLE (F3266), 48P TO 100P, GROUP (Mod. 969) (Pre-Mod. 2294)	1	-		
	3268V7909	CABLE (F3268), 48P TO 100P, GROUP (Mod. 969) (Pre-Mod. 2294)	1	-		
	3269V7909	CABLE (F3269), 48P TO 100P, GROUP (Mod. 969) (Pre-Mod. 2294)	1	-		
	3271V7909	CABLE (F3271), HYDRAULIC START SWITCH TO STOP SWITCH, GROUP (Mod. 1078)	1	-		
	3281V7909	CABLE (F3281), 4P TO ENTRANCE DOOR, .. GROUP (Mod. 969) (Pre-Mod. 2374)	1	-		
	3284V7909	CABLE (F3284), BOMB DOOR TEST PLUG ... TO 3P, GROUP (Mod. 1232)	1	-		
	3286V7909	CABLE (F3286), DIMMER SWITCH TO TB. 1620, GROUP (Mod. 1219)	1	-		
	3287V7909	CABLE (F3287), NAV. RADAR PANEL TO ... EARTH, GROUP (Mod. 1219)	1	-		
	3310V7909	CABLE (F3310), DIMMER SWITCH, AFT TO DIMMER SWITCH, FWD., GROUP (Mod. 1219)	1	-		
	3311V7909	CABLE (F3311), DIMMER SWITCH, FWD., ... TO LAMP, FWD., GROUP (Mod. 1219)	1	-		
	3357V7909	CABLE (F3357), TB.890 TO TB.864, GROUP .. (Mod. 1073)	1	-		
	3358V7909	CABLE (F3358), TB.890 TO TB.687, GROUP .. (Mod. 1073)	1	-		
	3359V7909	CABLE (F3359), 6P/596 TO R.P.B.597, GROUP (Mod. 1139)	1	-		
	3362V7909	CABLE (F3362), 12P TO 11P, GROUP (Mod. 1433)	1	-		
	3497V7909	CABLE (F3497), OIL TEMP. PANEL ABOVE TOP, GROUP (Mod. 1248)	1	-		
	3498V7909	CABLE (F3498), OIL TEMP. PANEL ABOVE TOP, GROUP (Mod. 1284)	1	-		
	3499V7909	CABLE (F3499), OIL TEMP. PANEL ABOVE TOP, GROUP (Mod. 1284)	1	-		
	3500V7909	CABLE (F3500), OIL TEMP. PANEL ABOVE TOP, GROUP (Mod. 1284)	1	-		
	3501V7909	CABLE (F3501), OIL TEMP. PANEL ABOVE TOP, GROUP (Mod. 1284)	1	-		
	3502V7909	CABLE (F3502), OIL TEMP. PANEL ABOVE TOP, GROUP (Mod. 1284)	1	-		

ELECTRICAL INSTALLATION

CREW'S NACELLE

Ref. No.	Part No.	Description				No. off	Matl. Spec.	Cl. of St.	Plate and Illust'n No.
		1	2	3	4			M.R.	
	3503V7909	CABLE (F3503), OIL TEMP. PANEL ABOVE TOP, GROUP (Mod. 1284)				1	-		
	3512V7909	CABLE (F3512), 6P/194 TO 3P, GROUP (Mod 1320)				1	-		
	3540V7909	CABLE (F3504), 3P TO 4P, GROUP (Mod 1320)				1	-		
	3548V7909	CABLE (F3548), G.S.R. BLOWER TO TB.1637, GROUP (Mod. 1434)				1	-		
	3549V7909	CABLE (F3549), G.P.I. BLOWER TO NAV. STATION, GROUP (Mod. 1434)				1	-		
	3550V7909	CABLE (F3550), TB.1673 TO NAV. STATION, GROUP (Mod 1434)				1	-		
	3551V7909	CABLE (F3551), RELAY 781 TO 75P, GROUP (Mod 1434)				1	-		
	3552V7909	CABLE (F3552), RELAY 781 TO NAV. STATION, GROUP (Mod. 1434)				1	-		
	3553V7909	CABLE (F3553), RELAY 781 TO 11P, GROUP (Mod 1434)				1	-		
	3596V7909	CABLE (F3596), TB.875 TO DIMMER SWITCH (Mod. 1078)				1	-		
	3597V7909	CABLE (F3597), LAMPS AT NAVIGATORS' TABLE, GROUP (Mod. 1233)				1	-		
	3604V7909	CABLE (F3604), 12P TO 11P, GROUP (Mod. 1433)				1	-		
	3605V7909	CABLE (F3605), 12P TO 11P, GROUP (Mod. 1433)				1	-		
	3641V7909	CABLE (F3641), 48P TO NAV. STATION TEMP INDICATOR, GROUP (Mod. 1451)				1	-		
	3642V7909	CABLE (F3642), E.C.M. TEMP. INDICATOR TO EARTH, GROUP (Mod. 1451)				1	-		
	3724V7909	CABLE (F3724), 8P TO 9P, GROUP (Mod. 1439)				1	-		
	3753V7909	CABLE (F3753), TB.1696-A TO CABIN LAMP, GROUP (Mod. 756)				1	-		
	3754V7909	CABLE (F3754), TB.1697-A TO CABIN LAMP, GROUP (Mod. 756)				1	-		
	3755V7909	CABLE (F3755), TB.1698-A TO CABIN LAMP, GROUP (Mod. 756)				1	-		
	3768V7909	CABLE (F3768), No. 1 WARNING LAMP TO EARTH, GROUP (Mod. 1583)				1	-		
	3769V7909	CABLE (F3769), No. 2 WARNING LAMP TO EARTH, GROUP (Mod. 1583)				1	-		
	3794V7909	CABLE (F3794), OIL TEMP. PANEL TO EARTH, GROUP (Mod. 1284)				1	-		
	3795V7909	CABLE (F3795), GROUP				1	-		
	3802V7909	CABLE (F3802), GROUP (Mod. 1856)				1	-		

RESTRICTED

VULCAN NR. 2

Page FG. 30

ELECTRICAL INSTALLATION

CREW'S NACELLE

Ref. No.	Part No.	Description	No. off	Matl. Spec.	Cl. of St.	Plate and Illust'n No.
					M.R.	
		1 2 3 4				
	3804V7909	CABLE (F3804), GROUP	1	—		
	3805V7909	CABLE (F3805), GROUP	1	—		
	3821V7909	CABLE (F3821), 1P TO TB's 1533, 1535, 1536 AND 1537, GROUP (Mod. 1696)	1	—		
	3822V7909	CABLE (F3822), TB.1314 TO A.E.O., GROUP (Mod. 1696)	1	—		
	3823V7909	CABLE (F3823), A.E.O. CT.UN No. 5 TO EARTH, GROUP (Mod. 1696)	1	—		
	3824V7909	CABLE (F3824), A.E.O. CTL. UN. No. 5 TO 4P, GROUP (Mod. 1696)	1	—		
	3825V7909	CABLE (F3825), TB.1315 to B/A CTL UNIT No. 3, GROUP (Mod. 1696)	1	—		
	3826V7909	CABLE (F3826), B/A CTL, UNIT No. 3 TO EARTH, GROUP (Mod. 1696)	1	—		
	3827V7909	CABLE (F3827), B/A CTL, UNIT No. 3 TO 4P, GROUP (Mod. 1696)	1	—		
	3842V7909	CABLE (F3842), 3P TO RELAY 722, GROUP (Mod. 1856)	1	—		
	3844V7909	CABLE (F3844), TB.890 TO RELAY 722, GROUP (Mod. 1856)	1	—		
	3846V7909	CABLE (F3846), RELAY 722 TO EARTH, GROUP (Mod. 1856)	1	—		
	3847V7909	CABLE (3847), I.P.617 TO CTL. COL. BREAK AND 4P, GROUP (Mod. 1856)	1	—		
	3898V7909	CABLE (F3898), NAV. STATION TO 3P, GROUP (Mod. 1978)	1	—		
	3889V7909	CABLE (F3899), 8P TO THROTTLE PEDESTAL, GROUP (Mod. 1977)	1	—		
	3901V7909	CABLE (F3901), AIR TEMP. PROBE TO TB.716, GROUP (Mod. 2020)	1	—		
	3902V7909	CABLE (F3902), TB.716 TO RELAY 811, GROUP (Mod. 2020)	1	—		
	3903V7909	CABLE (F3903), RELAY 811 TO 75P, GROUP (Mod. 2020)	1	—		
	3904V7909	CABLE (F3904), TB.1524 TO RELAY 811, GROUP (Mod. 2020)	1	—		
	3905V7909	CABLE (F3905), RELAY 811 TO EARTH, GROUP (Mod. 2020)	1	—		
	3906V7909	CABLE (F3906), M.F.S. JB. (Mod. 2033)	1	—		
	3921V7909	CABLE (F3921), CABIN J/BOX TO 1st P.I.P. AND 2nd P.I.P., GROUP (Mod. 2057)	1	—		
	3922V7909	CABLE (F3922), CABIN J/B P1 TO 75P, GROUP (Mod. 2057)	1	—		
	3932V7909	CABLE (F3932), GROUP (Pre Mod. 2420)	1	—		
	3933V7909	CABLE (F3933), GROUP (Pre Mod. 2420)	1	—		

RESTRICTED

VULCAN No. 2

ELECTRICAL INSTALLATION
CREW'S NACELLE

Page FG. 31

Ref. No.	Part No.	Description	No. off	Matl. Spec.	Cl. of	Plate and
					St.	
		1 2 3 4			M.R.	No.
	3949V7909	CABLE (F3949), 3P TO 4P, GROUP (Mod. 2087)	1	-		
	3952V7909	CABLE (F3952), CABIN EQUIPMENT TO 4P, . GROUP (Mod. 2057)	1	-		
	3969V7909	CABLE (F3969), 4P TO CONTROL UNIT PLUG 1219 AND EARTH, GROUP (Mod. 2072)	1	-		
	3971V7909	CABLE (F3971), 9P TO CONTROL UNIT, GROUP (Mod. 2072)	1	-		
	4018V7909	CABLE (F4018), RELAY 820 TO TB.15240, ... GROUP (Mod. 2156)	1	-		
	4019V7909	CABLE (F4019), RELAY 819 TO TB.1524, GROUP (Mod. 2156)	1	-		
	4020V7909	CABLE (F4020), RELAY 819 TO EARTH, GROUP (Mod. 2156)	1	-		
	4021V7909	CABLE (F4021), RELAY 820 TO EARTH, GROUP (Mod. 2156)	1	-		
	4022V7909	CABLE (F4022), RELAY 820 TO 75P, GROUP (Mod. 2156)	1	-		
	4048V7909	CABLE (F4048), NAVIGATOR'S PANEL TO .. EARTH, GROUP (Mod. 2177)	1	-		
	4059V7909	CABLE (F4059), RELAY 825 TO FAIL INDICATOR, GROUP (Mod. 2188)	1	-		
	4060V7909	CABLE (F4060), FAIL INDICATOR TO ISOLATION SWITCH	1	-		
	4061V7909	CABLE (F4061), RECTIFIER A.F.O's POSITION TO EARTH, GROUP (Mod. 2188)	1	-		
	4062V7909	CABLE (F.4062), RECTIFIER, RELAY 825 ... TO TB.1844, GROUP (Mod. 2188)	1	-		
	4063V7909	CABLE (F4063), RELAY 825 TO RECTIFIER, GROUP (Mod. 2188)	1	-		
	4064V7909	CABLE (F4064), FAIL INDICATOR TO TB.1844, GROUP (Mod. 2188)	1	-		
	4065V7909	CABLE (F4065), FAIL INDICATOR TO EARTH, GROUP (Mod. 2188)	1	-		
	4066V7909	CABLE (F4066), TB.1844 TO ISOLATION SWITCH, GROUP (Mod. 2188)	1	-		
	4067V7909	CABLE (F4067), TB.1844, TO ISOLATION ... SWITCH, GROUP (Mod. 2188)	1	-		

ELECTRICAL INSTALLATION

CREW'S NACELLE

Ref. No.	Part No.	Description	No. off	Matl. Spec.	Cl. of St.	Plate and Illust'n No.
					M.R.	
		1 2 3 4				
	4077V7909	CABLE (F4077), TIME DELAY UNIT TO BOMB GEAR AND EARTH, GROUP (Mod. 2201)	1	-		
	4078V7909	CABLE (F4078), TIME DELAY UNIT TO TB.1845, GROUP (Mod. 2201)	1	-		
	4101V7909	CABLE (F4101), SELECTOR TO ADAPTOR .. BREAK, GROUP (Mod. 1300)	1	-		
	4102V7909	CABLE (F4102), SELECTOR TO ADAPTOR .. BREAK, GROUP (Mod. 1300)	1	-		
	4103V7909	CABLE (F4103), TRANSFORMER TO 75P, ... GROUP (Mod. 2182)	1	-		
	4106V7909	CABLE (F4106), FAIL INDICATOR, GROUP (Mod. 2188)	1	-		
	4107V7909	CABLE (F4107), TB.1844 TO ISOLATION SWITCH, GROUP (Mod. 2188)	1	-		
	4127V7909	CABLE, GROUP (Mod. 2263)	1	-		
	4129V7909	CABLE (F4129), AUX. AIR VENTILATED SUITS, FUSE 976 TO SWITCH, GROUP (Mod. 2275)	1	-		
	4130V7909	CABLE (F4130), AUX. AIR VENTILATED SUITS, C/O SWITCH TO FUSE 652, GROUP (Mod. 2275)	1	-		
	4131V7909	CABLE (F4131), AUX. AIR VENTILATED SUITS, C/O SWITCH TO FUSE 583, GROUP (Mod. 2275)	1	-		
	4132V7909	CABLE (F4132), AUX. AIR VENTILATED SUITS, FUSE 733 TO REL.827, GROUP (Mod. 2275)	1	-		
	4133V7909	CABLE (F4133), AUX. AIR VENTILATED SUITS, 1st PILOTS VALVE TO 6p, GROUP (Mod. 2275)	1	-		
	4134V7909	CABLE (F4134), AUX. AIR VENTILATED SUITS, 2nd PILOTS VALVE TO 7P, GROUP (Mod. 2275)	1	-		
	4135V7909	CABLE (F4135), AUX. AIR VENTILATED SUITS, FUSE 741 TO REL.828, GROUP (Mod. 2275)	1	-		

VULCAN Mk. 2

ELECTRICAL INSTALLATION
CREW'S NACELLE

Page FG. 32A

Ref. No.	Part No.	Description	No. off	Matl. Spec.	Cl. of	Plate and Illust'n No.
					St. M.R.	
		1 : 2 3 : 4 :				
	4136V7909	CABLE (F4136), AUX. AIR VENTILATED SUITS, FUSE 546 TO SWITCH, GROUP (Mod. 2275)	1	-		
	4137V7909	CABLE (F4139), AUX. AIR VENTILATED SUITS, SWITCH TO REL.827, GROUP (Mod. 2275)	1	-		
	4138V7909	CABLE (F4138), AUX. AIR VENTILATED SUITS, SWITCH TO REL.828, GROUP (Mod. 2275)	1	-		
	4139V7909	CABLE (F4139), AUX. AIR VENTILATED SUITS, REL.828 TO EARTH, GROUP (Mod. 2275)	1	-		
	4140V7909	CABLE (F4140), AUX. AIR VENTILATED SUITS, REL.828 TO FACE BLOWER MOTOR, GROUP (Mod. 2275)	1	-		
	4141V7909	CABLE (F4141), AUX. AIR VENTILATED SUITS, REL.827 TO EARTH, GROUP (Mod. 2275)	1	-		
	4148V7909	CABLE (F4148), 100P TO SWITCH BOX AT 4P, GROUP (Mod. 2294)	1	-		
	4149V7909	CABLE (F4149), 100P TO SWITCH BOX, GROUP (Mod. 2294)	1	-		
	4150V7909	CABLE (F4150), 100P TO SWITCH BOX, GROUP (Mod. 2294)	1	-		
	4161V7909	CABLE (F4161), Mk. 10 AUTO PILOT, REL.925 TO PANEL 7P, GROUP (Mods. 2305 AND 2306)	1	-		
	4162V7909	CABLE (F4162), Mk. 10 AUTO PILOT TB 890 TO TORQUE SWITCH, GROUP (Mods. 2305 AND 2306)	1	-		
	4163V7909	CABLE (F4163), Mk. 10 AUTO PILOT TB 890 TO REL.925, GROUP (Mods. 2305 AND 2306)	1	-		
	4164V7909	CABLE (F4164), EMERGENCY DOOR OPENING SWITCH, GROUP (Mod. 2295)	1	-		
	4168V7909	CABLE (F4168), Mk. 10 AUTO PILOT REL.925, GROUP (Mods. 2305 AND 2306)	1	-		

ELECTRICAL INSTALLATION
CREW'S NACELLE

Ref. No.	Part No.	Description	No. off	Matl. Spec.	Cl. of	Plate and Illust'n No.
					St. M.R.	
		1 2 3 4				
	4169V7909	CABLE (F4169), Mk. 10 AUTO PILOT REL 925 TO RECTIFIER, GROUP (Mods. 2305 and 2306)	1	—		
	4174V7909	CABLE (F4174), GROUP (Mod. 2292)	1	—		
	4180V7909	CABLE (F4180), EMERGENCY DOOR OPENING SWITCH, GROUP (Mod. 2295)	1	—		
	4181V7909	CABLE (F4181), EMERGENCY DOOR OPENING SWITCH, GROUP (Mod. 2295)	1	—		
	4185V7909	CABLE (F4185), VERTICAL GYRO, STARBOARD, TO VERTICAL GYRO TEST PLUG, GROUP (Mod. 2349)	1	—		
	4186V7909	CABLE (F4186), GROUP (Mod. 2292)	1	—		
	4188V7909	CABLE (F4188), GROUP (Mod. 2352)	1	—		
	4202V7909	CABLE (F4202), GROUP (Mod. 2292)	1	—		
	4204V7909	CABLE (F4204), GROUP (Mod. 2374)	1	—		
	4216V7909	CABLE (F4216), GROUP (Mod. 2396)	1	—		
	4222V7909	CABLE (F4222), GROUP (Mod. 2396)	1	—		
	4225V7909	CABLE (F4225), GROUP (Mod. 2397)	1	—		
	7087V7909	CABLE (F2098), A.E.O.'s POSITION TO S.P., GROUP (Pre-Mod. 1744)	1	—		
	7166V7909	CABLE (F263), PLUG 228 TO 4P, GROUP	1	—		
	7167V7909	CABLE (F47), R.P.B.163 TO 4P AND 7P, GROUP	1	—		
	7223V7909	CABLE (F508), CONTROL COLUMN PORT ... TO CONTROL COLUMN STARBOARD, GROUP	1	—		
	7224V7909	CABLE (F1867), CONTROL COLUMN PORT .. TO 3P, GROUP	1	—		
	7225V7909	CABLE (F1668), TB.288 TO RELAYS 147, 150 AND FUSE 929, GROUP	1	—		
	7228V7909	CABLE (F45), 75P TO R.P.B.160, GROUP (Pre-Mod. 2214)	1	—		
	7241V7909	CABLE (F53) R.P.B.168 TO NAVIGATOR'S... STATION AND 12P, GROUP (Mod. 1716)	1	—		
	7262V7909	CABLE (F2618), PORT, E.Y. CONTROLS..... TO R.P.B.803, GROUP	1	—		
	7263V7909	CABLE (F2636), STARBOARD E.Y. CONTROLS TO R.P.B.823, GROUP	1	—		

ELECTRICAL INSTALLATION

CREW'S NACELLE

Ref. No.	Part No.	Description	No. off	Matl. Spec.	Cl. of St.	Plate and Illust'n No.
					M.R.	
		1 2 3 4				
	7301V7909	CABLE (F13), R.P.B.113 TO 3P AND 81P, GROUP (Mod. 569) (Pre-Mod. 2304)	1	-		
	7332V7909	CABLE (F272), CABIN TEMPERATURE CONTROLLER TO 4P, GROUP	1	-		
	7336V7909	CABLE (F2293), R.P.B.876 TO 10P, GROUP ..	1	-		
	7338V7909	CABLE (F2302), R.P.B.877 TO 10P, GROUP ..	1	-		
	7350V7909	CABLE (F2005), 7P TO 4P, GROUP	1	-		
	7359V7909	CABLE (F2006), 3P TO 4P, GROUP	1	-		
	7367V7909	CABLE (F290), 6P TO 3P AND 4P, GROUP ...	1	-		
	7408V7909	CABLE (F12), R.P.B.111 TO 3P, GROUP (Mod. 569)	1	-		
	7514V7909	CABLE (F1589), RAM AIR VALVE TO TB.699, GROUP	1	-		
	7518V7909	CABLE (F1823), AT TB.854, GROUP	1	-		
	7520V7909	CABLE (F2479), PORT NEON TO EARTH, ... GROUP (Pre-Mod. 1744)	1	-		
	7521V7909	CABLE (F2480), STARBOARD NEON TO EARTH, GROUP (Pre-Mod. 1744)	1	-		
	7522V7909	CABLE (F278), S.P.313 TO 4P, GROUP	1	-		
	7524V7909	CABLE (F2298), 3P TO 10P, GROUP	1	-		
	7537V7909	CABLE (F998), DIMMER SWITCH TO TB.276 AND FUSE 667, GROUP	1	-		
	7538V7909	CABLE (F988), 3P TO NAVIGATOR'S PANEL, GROUP	1	-		
	7539V7909	CABLE (F2169), GROUP (Pre-Mod. 748)	1	-		
	7546V7909	CABLE (F256), 7P TO 4P, GROUP	1	-		
	7552V7909	CABLE (F2207), SUPPRESSOR TO RELAY ... 197, GROUP	1	-		
	7569V7909	CABLE (F237), CABIN TEMP. CONTROL TO . 4P, GROUP	1	-		
	9934V7909	CABLE (F13), GROUP (Mod. 2304)	-	-		

ELECTRICAL INSTALLATION

CREW'S NACELLE

Ref. No.	Part No.	Description	No. off	Matl. Spec.	Cl. of	Plate and Illust'n No.
					St. M.R.	
		1 2 3 4				
	7576V7909	CABLE (F655), 24P TO CONTROL BOX AND EARTH, GROUP	1	-		
	7631V7909	CABLE (F1721), THERMO TO 4P, GROUP	1	-		
	7632V7909	CABLE (F43), R.P.B.156 TO 4P, GROUP	1	-		
	7633V7909	CABLE (F938), 3P TO NAVIGATOR'S PANEL, GROUP :	1	-		
	7635V7909	CABLE (F1148), 10P TO EARTH, GROUP	1	-		
	7665V7909	CABLE (F2240), TB.1519 TO EARTH, GROUP	1	-		
	7688V7909	CABLE (F2616), 9P TO CONTROL SOCKETS . 792 AND 794, GROUP	1	-		
	7687V7909	CABLE (F775), 25P TO THERM., CONTROL . . BOX AND EARTH, GROUP	1	-		
	7700V7909	CABLE (F1954), PITCH GYRO P1 TO DATUM UNIT PD2, GROUP (Mod. 690)	1	-		
	7701V7909	CABLE (F1955), PITCH GYRO TO DATUM . . . UNIT PD2, GROUP (Mod. 690)	1	-		
	7702V7909	CABLE (F1956), PITCH GYRO TO DATUM . . . UNIT PD4, GROUP (Mod. 690)	1	-		
	7703V7909	CABLE (F1957), PITCH GYRO P4 TO DATUM UNIT PD4, GROUP (Mod. 690)	1	-		
	7704V7909	CABLE (F1958), YAW GYRO Y1 TO DATUM . UNIT YD1, GROUP (Mod. 690)	1	-		
	7705V7909	CABLE (F1959), YAW GYRO Y2 TO DATUM . UNIT YD2, GROUP (Mod. 690)	1	-		
	7742V7909	CABLE (F1002), COMPUTOR TO AMPLIFIER, GROUP	1	-		
	7743V7909	CABLE (F1003), COMPUTOR TO AMPLIFIER, GROUP	1	-		
	7753V7909	CABLE (F2221), SEXTANT, STARBOARD . . . SIDE TO TB.534, GROUP (Mod. 687)	1	-		
	7754V7909	CABLE (F2216), OXYGEN REGULATOR TO INDICATOR AND TB.1533, GROUP (Mod. 687)	1	-		
	7756V7909	CABLE (F2218), GROUP (Pre-Mod. 748)	1	-		
	7764V7909	CABLE (F2687), 3P TO A.E.O's DIMMER SWITCH, GROUP	1	-		

VULCAN No. 2

ELECTRICAL INSTALLATION
CREW'S NACELLE

Page FG. 35

Ref. No.	Part No.	Description	No. off	Matl. Spec.	Cl. of St.	Plate and Illust'n No.
					M.R.	
		1 2 3 4				
	7767V7909	CABLE (F28), R.P.B.139 AND TRANSFORMER TO 3P, 26P AND TOTAL FLOW INDICATOR, GROUP	1	-		
	7783V7909	CABLE (F248), GROUP	1	-		
	7802V7909	CABLE (F29), R.P.B.510 TO 1P AND 3P, GROUP	1	-		
	7803V7909	CABLE (F5), R.P.B.105 TO 3P, GROUP (Pre-Mod. 2223)	1	-		
	9849V7909	CABLE (F5), R.P.B.105 TO 3P, GROUP (Mod. 2223)	1	-		
	7810V7909	CABLE (F273), 2P, 4P AND 5P TO R.P.B.159, 3P AND 4P, GROUP	1	-		
	7830V7909	CABLE (F2220), SEXTANT, STARBOARD ... SIDE TO TB.1534, GROUP	1	-		
	7832V7909	CABLE (F21), R.P.B.116 TO 11P, GROUP	1	-		
	7835V7909	CABLE (F2692), BOMB AIMER'S DIMMER ... SWITCH TO BOMB AIMER'S LAMP, GROUP (Mod. 1718)	1	-		
	7836V7909	CABLE (F2691), NAV. PLOTTER'S DIMMER . SWITCH TO PLOTTER'S LAMP, GROUP (Mod. 734)	1	-		
	7837V7909	CABLE (F2688), A.E.O.'s DIMMER SWITCH ... TO A.E.O.'s LAMP, GROUP (Mod. 734)	1	-		
	7843V7909	CABLE (F281), 1P TO 3P, 4P PILOT'S PANEL BREAK AND CONTROLLER, GROUP (Mod. 738)	1	-		
	7845V7909	CABLE (F935), R.P.B.119 AND 3P to 2P AND COAMING, GROUP (Mod. 738)	1	-		
	7856V7909	CABLE (F837), 4P TO NAVIGATOR'S PANEL, GROUP (Mod. 734)	1	-		
	7857V7909	CABLE (F844), 3P TO PORT SEXTANT, GROUP (Mod. 734)	1	-		
	7889V7909	CABLE (F50), R.P.B.165 TO 4P AND PILOT'S COAMING, GROUP (Mod. 526)	1	-		
	7892V7909	CABLE (F439), 3P TO 4P, GROUP	1	-		

ELECTRICAL INSTALLATION
CREW'S NACELLE

Ref. No.	Part No.	Description	No. off	Matl. Spec.	Cl. of	Plate and Illust'n No.
					St. M.R.	
		1 2 3 4				
	7901V7909	CABLE (F1484), F.P.B.566 TO AIR VALVES, . . GROUP (Mod 715)	1	-		
	7231V7909	CABLE (F1827) GROUP (Pre-Mod. 748)	1	-		
	7904V7909	CABLE (F2237), DIMMER SWITCHES TO TB's 1159 AND 1160, GROUP (Mod 715)	1	-		
	7914V7909	CABLE (F1828), AZIMUTH REPEATER TO 34J, GROUP (Mod. 805)	1	-		
	7916V7909	CABLE (F1831), VAR SETTING UNIT TO 34J, GROUP (Mod 305)	1	-		
	7925V7909	CABLE (F2231), 6P AND 3P TO D.S.U. 3P AND 4P, GROUP	1	-		
	7926V7909	CABLE (F2229), 6P AND 3P TO D.S.U. 68P, GROUP	1	-		
	7927V7909	CABLE (F2230), 6P TO 3P, D.S.U. AND 68P, GROUP	1	-		
	7928V7909	CABLE (F2227), 68P TO 3P, GROUP	1	-		
	7929V7909	CABLE (F2228), 6P TO 3P, GROUP	1	-		
	7954V7909	CABLE (F34), 10P TO R.P.B.140 AND EARTH, GROUP (Mod 770)	1	-		
	7957V7909	CABLE (F2188), GROUP (Pre-Mod. 748)	1	-		
	7961V7909	CABLE (F196), TEMP. INDICATOR AIR TEMP. INDICATOR DIMMER SWITCH AND TB.198, GROUP (Mod. 778)	1	-		
	7962V7909	CABLE (F507), R.P.B.182 TO 48P, GROUP (Mod. 778)	1	-		
	7963V7909	CABLE (F509), R.P B.181 TO 48P, GROUP (Mod. 778)	1	-		
	7978V7909	CABLE (F18), 24P TO R.P.B.117, TB.99, 11P, AMPLIFIER AND SWITCH, GROUP (Mod. 715)	1	-		
	8024V7909	CABLE (F2398), 48P TO 81P AND INTERCOM., R/T PANEL, GROUP (Mod. 743)	1	-		
	8052V7909	CABLE (F34), 10P No. 4 CRASH SWITCH AND 3P TO R.P.B.140, 3P AND EARTH, GROUP	1	-		
	8078V7909	CABLE (F2427), 3P TO TB.681, GROUP	1	-		
	8079V7909	CABLE (F2225), GROUP (Pre-Mod. 748)	1	-		
	8097V7909	CABLE (F264), 1P To 4P, GROUP (Mod. 748)	1	-		
	264V7909	CABLE (F264), GROUP (Pre-Mod. 748)	1	-		

VULCAN Mk. 2

ELECTRICAL INSTALLATION
CREW'S NACELLE

Page FG. 37

Ref. No.	Part No.	Description	No. off	Matl. Spec.	Cl. of St.	Plate and Illust'n No.
					M.R.	
		1 2 3 4				
	8120V7909	CABLE (F2226), OXYGEN REGULATOR TO INDICATOR AND TB 285, GROUP (Mod. 748)	1	-		
	7785V7909	CABLE (F2213), GROUP (Pre-Mod. 748)	1	-		
	8122V7909	CABLE (F2213), OXYGEN REGULATOR TO EARTH, GROUP (Mod. 748)	1	-		
	7511V7909	CABLE (F2219), GROUP (Pre-Mod. 748)	1	-		
	8123V7909	CABLE (F2219), OXYGEN REGULATOR TO EARTH, GROUP (Mod. 748)	1	-		
	7662V7909	CABLE (F2224), GROUP (Pre-Mod. 748)	1	-		
	8124V7909	CABLE (F2224), OXYGEN REGULATOR TO EARTH, GROUP (Mod. 748)	1	-		
	8186V7909	CABLE (F2699), PLUG 531 TO 3P, 4P EARTH AND A.E.O.'s THERMISTOR AND HEATER, GROUP (Mod. 923)	1	-		
	8188V7909	CABLE (F2607), PLUG 533 TO 3P, 4P, 48P, EARTH, NAV's. HEATER AND THERMISTOR, GROUP (Mod. 923)	1	-		
	8190V7909	CABLE (F2611), PLUG 535 TO 4P, 48P, EARTH, BOMB AIMER'S HEATER AND THERMISTOR, GROUP (Mod. 923)	1	-		
	8203V7909	CABLE (F799), R.P.B.124 TO 3P AND TOP, GROUP (Mod. 916)	1	-		
	8231V7909	CABLE (F2099), 4P TO E.A.O.'s POSITION, GROUP (Pre-Mod. 1744)	1	-		
	8235V7909	CABLE (F35), R.P.B.143 TO T.A.U. CONTROL PANEL AND V.A. UNIT, GROUP (Mod. 863)	1	-		
	8238V7909	CABLE, GROUP (Pre-Mod. 2253)	1	-		
	9885V7909	CABLE (F55), R.P.B.138 TO 4P, GROUP (Mod. 2253)	1	-		
	9581V7909	CABLE, GROUP (Pre-Mod. 2253)	1	-		
	9886V7909	CABLE (F20), (Mod. 2253)	1	-		
	8239V7909	CABLE (F775), 25P TO 4P AND EARTH, GROUP	1	-		
	8269V7909	CABLE (E22), R.P.B.138 TO 3P CRASH SWITCH, 6P, 10P, GROUP (Mod. 526)	1	-		
	8277V7909	CABLE (F2889), A.E.O.'s POSITION TO TB.875, GROUP	1	-		
	8281V7909	CABLE (F2198), PORT BOX TO EARTH, GROUP (Mod. 908)	1	-		

ELECTRICAL INSTALLATION

CREW'S NACELLE

Ref. No.	Part No.	Description	No. off	Matl. Spec.	Cl. of	Plate and Illust'n No.
					St. M.R.	
		1 2 3 4				
	8316V7909	CABLE (F2976), T.C.U.10 TO TB.1158 AND .. 1160, GROUP (Mod 980)	1	-		
	8332V7909	CABLE (F280), 5P TO 3P, GROUP (Mod. 952)	1	-		
	8338V7909	CABLE (F915), 3P TO 4P, GROUP (Mod. 952)	1	-		
	8350V7909	CABLE (F440), 7P TO 4P AND PILOT'S FLOOR, STARBOARD, GROUP (Pre-Mod. 2255)	1	-		
	8377V7909	CABLE (F1830), TRACK CONTROL UNIT TO34J, GROUP	1	-		
	8391V7909	CABLE (F348), 4P TO 8P, GROUP (Mod. 973)	1	-		
	8434V7909	CABLE (F3019), R.P.B.962 TO 3P AND 4P, ... GROUP (Mod. 1078)	1	-		
	8478V7909	CABLE (F2928), R.P.B 960 TO SCANNER STARBOARD SWITCH AND ADAPTOR BOX TO 3P, 11P, 94P AND EMERGENCY FIN GAP DOOR, GROUP (Mod 1078)	1	-		
	8479V7909	CABLE (F2909), PLUG 958 TO PANEL 94P, .. PLUG BREAK, GROUP (Mod. 1078)	1	-		
	3010V7909	CABLE (F3010), GROUP (Pre-Mod. 748)	1	-		
	8480V7909	CABLE (F3010), 84P TO SUPPRESSOR AND EARTH, GROUP (Mod. 748)	1	-		
	8503V7909	CABLE (F268), CABIN ALT. SWITCH TO 4P AND EARTH, GROUP (Mod 819)	1	-		
	8504V7909	CABLE (F269), AMBIENT ALT. SWITCH TO .. 4P AND EARTH, GROUP (Mod. 819)	1	-		
	8524V7909	CABLE (F2940), JUNCTION BOX 30A TO 12P AND EARTH, GROUP (Mod. 748)	1	-		
	8552V7909	CABLE (F30), R.P.B.133 TO 4P, NAVS. POSITION AND SET POTENTIOMETER, GROUP (Mod. 983)	1	-		
	8555V7909	CABLE (F2494), FLASHER TO 4P, GROUP ... (Pre-Mod. 2032)	1	-		
	8558V7909	CABLE (F41), R.P.B.152 TO 4P, GROUP (Mod. 969)	1	-		

VULCAN No. 2

ELECTRICAL INSTALLATION

CREW'S NACELLE

Ref. No.	Part No.	Description	No. off	Matl. Spec.	Cl. of	Plate and
					St.	
		1 2 3 4			M.R.	No.
	8587V7909	CABLE (F17), R.P.B.118, 3P AND EARTH TO 5P, GROUP (Mod. 1045)	1	-		
	8594V7909	CABLE (F46), R.P.B.162 TO 3P, DOOR MICRO SWITCH AND DOOR LAMP, GREEN, GROUP (Mod. 1092)	1	-		
	8595V7909	CABLE (F776), R.P.B.144 AND 4P TO 7P AND 4P, GROUP (Mod. 1092)	1	-		
	8605V7909	CABLE (F42), R.P.B.153 TO 4P, GROUP (Mod. 1092)	1	-		
	8608V7909	CABLE (F831), 4P TO NAV. RADAR, GROUP (Mod. 1219)	1	-		
	8609V7909	CABLE (F6), 10P TO 6P, 3P AND R.P.B.106, GROUP (Mod. 1073)	1	-		
	8612V7909	CABLE (F717), R.P.B.555 TO 4P AND 7P, GROUP (Mod. 969)	1	-		
	8616V7909	CABLE (F15), R.P.B.115 TO 3P, GROUP (Mod. 1073)	1	-		
	8628V7909	CABLE (F2798), 6P TO 3P, FIN TEST SWITCH AND EMERGENCY FIN GAP DOOR, GROUP	1	-		
	8634V7909	CABLE (F1821), TEST PLUG R11 TO TB.890, GROUP (Mod. 1073)	1	-		
	8639V7909	CABLE (F1917), RACK MOUNTING, RM 1P TO 3P AND 4P, GROUP (Mod. 1204)	1	-		
	8640V7909	CABLE (F266), 1P TO 3P AND ADJ 1P BREAK, GROUP (Mod. 1139)	1	-		
	8641V7909	CABLE (F1577), 6P TO 3P, GROUP (Mod. 1139)	1	-		
	8682V7909	CABLE (F1334), 4P TO CRASH SWITCH, GROUP	1	-		
	8683V7909	CABLE (F3266), 48P TO 100P, GROUP (Mod. 969)	1	-		
	8685V7909	CABLE (F3269), 48P TO 100P, GROUP (Mod. 969)	1	-		
	8686V7909	CABLE (F2885), OIL TEMPERATURE PANEL TO 3P, GROUP (Mod. 1284)	1	-		

ELECTRICAL INSTALLATION

CREW'S NACELLE

Ref. No.	Part No.	Description	No. off	Matl. Spec.	Cl. of	Plate and Illust'n No.
					St. M.R.	
		1 2 3 4				
	8687V7909	CABLE (F2884), OIL TEMPERATURE PANEL ABOVE 70P, GROUP (Mod. 1284)	1	-		
	8688V7909	CABLE (F3209), I.L.S. AND AUTO THROTTLE PANEL TO OIL TEMPERATURE PANEL, GROUP (Mod. 1248)	1	-		
	8691V7909	CABLE (F3209), R.P.B.959 TO 94P, INDICATORS AND SWITCHES' GROUP (Mod. 1374)	1	-		
	8693V7909	CABLE (F32), R.P.B.137 TO 4P, 5P, 3P, AND PANEL ABOVE 70P, GROUP (Mod. 1284)	1	-		
	87006V7909	CABLE (F31), R.P.B.136 TO 4P, TEMPERATURE INDICATOR PANEL ABOVE 70P, GROUP (Mod. 1284)	1	-		
	8707V7909	CABLE (F3), R.P.B.103 TO 3P, A.E.O's POSITION AND PANEL ABOVE 70P, GROUP (Mod. 1284)	1	-		
	8709V7909	CABLE (F2211), 1P TO 3P, 4P, PILOT'S BREAK AND CONTROL COLUMN BREAK, STARBOARD, GROUP	1	-		
	8710V7909	CABLE (F2197), TB.765 TO RELAY, GROUP	1	-		
	8713V7909	CABLE (F38), R.P.B.147 AND 3P TO 10P AND CRASH SWITCH, GROUP (Mod. 1843)	1	-		
	8735V7909	CABLE (F2823), N.B.C. INDICATOR TO N.B.C. SWITCH, GROUP (Mod. 1843)	1	-		
	8746V7909	CABLE (F196), A8P TO TB.298 DIMMER SWITCH, TEMPERATURE INDICATOR AND AIR TEMPERATURE INDICATOR, GROUP (Mod. 1843)	1	-		
	8749V7909	CABLE (F1781), 3P, 4P, TO 12P, GROUP (Mod. 1843)	1	-		
	8750V7909	CABLE (F1782), 72P TO 4P, 12P AND EARTH (Mod. 1843)	1	-		
	8754V7909	CABLE (F2924), N.B.S. INDICATOR TO EARTH, GROUP (Mod. 1843)	1	-		
	8755V7909	CABLE (F2888), NAV. PLOTTER'S TO A.E.O's POSITION, GROUP (Mod. 1843)	1	-		

VULCAN No. 2

ELECTRICAL INSTALLATION
CREW'S NACELLE

Ref. No.	Part No.	Description	No. off	Matl. Spec.	Cl. of St.	Plate and Illust'n No.
					M.R.	
		1 2 3 4				
17063	8756V7909	CABLE (F2925), H.2.S. INDICATOR TO EARTH, GROUP (Mod. 1843)	1	-		
	8762V7909	CABLE (F2938), JUNCTION BOX 31A TO 11P, GROUP (Mod 1433)	1	-		
	8785V7909	CABLE (F736), 50P AND NAV's. STATION ... TO 48P, 3P, 4P, AND TB.1600, GROUP (Mod. 1407)	1	-		
	8795V7909	CABLE (F263), 1P TO 4P AND CABIN, GROUP (Mod. 1418)	1	-		
	8841V7909	CABLE (F1789), 71P TO CONTROL BOX AND JUNCTION BOX, GROUP (Pre-Mod. 2214)	1	-		
	8842V7909	CABLE (F655), 24P TO EARTH, GROUP (Mod. 1320)	1	-		
	8855V7909	CABLE (F45), R.P.B.160 TO 25P AND 72P, GROUP (Pre-Mod. 2214)	1	-	C	
	8865V7909	CABLE (F2005), 7P TO 4P AND EARTH, GROUP (Mod. 1320)	1	-		
	8876V7909	CABLE (F1821), TEST PLUG R11 TO TB.890, GROUP (Pre-Mod. 2305 and 2306)	1	-		
	8877V7909	CABLE (F22), R.P.B.123 TO 10P, 6P, AND 3, GROUP (Mod. 1320)	1	-		
	8880V7909	CABLE (F3284), BOMB DOOR TEST PLUG TO 3P, GROUP	1	-		
	8890V7909	CABLE (F264), 1P TO 4P, GROUP	1	-		
	8921V7909	CABLE (F273), 2P TO R.P.B.159, 3P, 4P AND 5P, GROUP (Mod. 1696)	1	-		
	8928V7909	CABLE (F3138), NAV's. STATION TO EARTH, GROUP	1	-		
	8967V7909	CABLE (F265), GROUP	1	-		
	8969V7909	CABLE (F46), GROUP (Mod. 1340)	1	-		
8980V7909	CABLE (F2), R.P.B.102 TO 3P, 5P, 11P AND 12P, GROUP (Mod. 1451)	1	-			

ELECTRICAL INSTALLATION
CREW'S NACELLE

Ref. No.	Part No.	Description	No. off	Matl. Spec.	Cl. of St.	Plate and Illust'n No.
					M.R.	
		1 2 3 4				
	9193V7909	CABLE (F2756), GROUP (Mod. 1439)	1	-		
	9195V7909	CABLE (F2633), GROUP (Mod. 1439)	1	-		
	9196V7909	CABLE (F345), GROUP (Mod. 1439)	1	-		
	9197V7909	CABLE (F2758), GROUP (Mod. 1439)	1	-		
	9320V7909	CABLE (F2692), DIMMER SWITCH TO TB.1896, GROUP (Mod. 756)	1	-		
	9321V7909	CABLE (F2691), NAV's. PLOTTER DIMMER SWITCH TO TB.1697, GROUP (Mod. 756)	1	-		
	9322V7909	CABLE (F2688), A.E.O's DIMMER SWITCH TO TB.1698, GROUP (Mod. 756)	1	-		
	9363V7909	CABLE (F39), R.P.B.148 TO 3P, 4P, 1P AND 7P, GROUP (Mod. 1631)	1	-		
	9370V7909	CABLE (F2), R.P.B.102 TO 3P, 4P, 5P, 11P AND 12P, GROUP (Pre-Mod. 1744)	1	-		
	9372V7909	CABLE (F717), F.P.B.555 AND 4P TO 7P AND TB.1714, GROUP (Mod. 1649)	1	-		
	9374V7909	CABLE (F3549), G.P.I. BLOWER TO NAVIGATOR STATION, GROUP	1	-		
	9393V7909	CABLE (F3641), 48P TO NAV's. STATION AND TEMPERATURE INDICATOR, GROUP	1	-		
	9394V7909	CABLE (F3642), E.C.M. TEMP. INDICATOR TO EARTH, GROUP	1	-		
	9399V7909	CABLE (F3641), 48P TO NAV's. STATION AND TEMPERATURE INDICATOR, GROUP (Mod. 1451)	1	-		
	9400V7909	CABLE (F3642), E.C.M. TEMP. INDICATOR TO EARTH, GROUP (Mod. 1451)	1	-		

VULCAN No. 2

ELECTRICAL INSTALLATION
CREW'S NACELLE

Page FG. 43

Ref. No.	Part No.	Description	No. off	Matl. Spec.	Cl. of St.	Plate and Illust'n No.
					M.R.	
		1 2 3 4				
	9472V7909	CABLE (F2928), R.P.B.960 TO SCANNER, STARBOARD SWITCH TO 94P, 11P, 3P, EMERGENCY FIN GAP DOOR, GROUP (Mod. 1698)	1	-		
	9480V7909	CABLE (F1557), 11P, TO 12P, 48P, NAV'S. STATION AND BOMB AIMER'S POSITION, GROUP (Mod. 1780)	1	-		
	9481V7909	CABLE (F1557), 11P TO 12P BOMB AIMER'S . 48P, 101P AND NAV'S. STATION, GROUP (Mod. 1780)	1	-		
	9483V7909	CABLE (F3757), TB.1200 TO DIMMER SWITCH, GROUP (Mod. 1631)	1	-		
	9485V7909	CABLE (F2825), GROUP	1	-		
	9486V7909	CABLE (F3044), 9P, 3P, A.E.O's. PANEL TO TEMPERATURE INDICATORS R.P.B.961 AND SWITCHES, GROUP (Mod. 1713)	1	-		
	9516V7909	CABLE (F3045), 9P TO 94P AND 4P, GROUP (Mod. 1710)	1	-		
	9528V7909	CABLE (F96), R.P.B.142 TO 4P, 7P PILOT'S .. COAMING AND TB'S 1524 AND 1690, GROUP (Mod. 1300)	1	-		
	9533V7909	CABLE (F2), R.P.B.102, 4P, 3P, 12P AND PERISCOPE HEATER SWITCH TO 5P, 3P AND 11P, GROUP (Mod. 1300)	1	-		
	9534V7909	CABLE (F1194), R.P.B.513 TO ADAPTOR BREAK, GROUP (Mod. 1300)	1	-		
	9536V7909	CABLE (F1198), R.P.B.515 TO ADAPTOR BREAK, GROUP (Mod. 1300)	1	-		
1433936	9546V7909	CABLE (F2771), STARBOARD CONTROL UNIT-1 TO ADAPTOR BREAK, GROUP (Mod. 1300)	1	-	C	
	9547V7909	CABLE (F2772), STARBOARD CONTROL UNIT-2 TO ADAPTOR BREAK, GROUP (Mod. 1300)	1	-		
	9555V7909	CABLE (F3762)	1	-		

ELECTRICAL INSTALLATION

CREW'S NACELLE

Ref. No.	Part No.	Description	No. off	Matl. Spec.	Cl. of	Plate and Illust'n No.
					St. M.R.	
		1 2 3 4				
	9559V7909	CABLE (F2607), PLUG 533 TO 4P, THERMISTOR HEATER, NAV. AND EARTH, GROUP (Mod. 1801)	1	-		
	9571V7909	CABLE (F2611), CONTROL UNIT-3 TO 69P, . GROUP (Mod. 1696)	1	-		
	9573V7909	CABLE (F2609), HEATER TO CONTROL UNIT-3, GROUP (Mod. 1696)	1	-		
	9575V7909	CABLE (F2605), PLUG 532 TO HEATER NAV's. SEAT AND 69P, GROUP (Mod. 1696)	1	-		
	9577V7909	CABLE (F2596), A.E.O. CONTROL UNIT-5 .. TO 69P, GROUP (Mod. 1696)	1	-		
	9578V7909	CABLE (F2957), A.E.O. HEATER TO CONTROL UNIT-5, GROUP (Mod. 1696)	1	-		
	9579V7909	CABLE (F2599), A.E.O. CONTROL UNIT-5 .. TO THERMISTOR, GROUP (Mod. 1696)	1	-		
	9593V7909	CABLE (F6), 10P, 6P, 3P, TB.890, RELAY 722 TO R.P.B.106, GROUP (Mod. 1856)	1	-		
	9596V7909	CABLE (F15), R.P.B.115 TO 3P AND RELAY 722, GROUP (Mod. 1856)	1	-		
	9600V7909	CABLE (F2227), 68P TO 3P AND RELAY 722, GROUP	1	-		
	9605V7909	CABLE (F1917), RACK MOUNTING RM 13 TO 3P, 4P AND RELAY 722, GROUP	1	-		
	9607V7909	CABLE (F3125), R.P.B.274 TO RATE GYRO, AIRSPEED INDICATOR, TEST PANEL 1196, CONTROL COLUMN BREAK, STARBOARD AND 3P, GROUP (Mod. 1856)	1	-		
	9618V7909	CABLE (F3357), TB.890 TO TB.684, GROUP .. (Pre-Mod. 2305 and 2306)	1	-		
	9619V7909	CABLE (F3358), TB.890 TO TB.687, GROUP .. (Pre-Mod. 2305 and 2306)	1	-		
	9629V7909	CABLE (F2731), 24P, 3P, RELAY 722 AND ... EARTH TO TORQUE SWITCH, CABIN EQUIPMENT TEST SOCKET 1197, GROUP (Mod. 1856)	1	-		

VULCAN No. 2

ELECTRICAL INSTALLATION

Page FG. 45

CREW'S NACELLE

Ref. No.	Part No.	Description	No. off	Matl. Spec.	Cl. of St.	Plate and Illust'n No.
					M.R.	
		1 2 3 4				
	9633V7909	CABLE (F263), 1P TO 4P, GROUP (Mod. 1888)	1	-		
	9634V7909	CABLE (F1730), GROUP (Mod. 1696)	1	-		
	9635V7909	CABLE (F1731), 2nd PILOT'S SEAT, GROUP . (Mod. 1696)	1	-		
	9636V7909	CABLE (F1733), 1st PILOT'S SEAT, GROUP .. (Mod. 1696)	1	-		
	9640V7909	CABLE (F3817), TB.1533 TO 4P, GROUP	1	-		
	9641V7909	CABLE (F3818), TB.1536 TO 4P, GROUP	1	-		
	9642V7909	CABLE (F3819), TB.1535 TO 4P, GROUP	1	-		
	9643V7909	CABLE (F3820), TB.1537 TO 4P, GROUP	1	-		
	9684V7909	CABLE (F11), 1P TO 3P, R P.B.110 AND	1	-		
	7556V7909	CABLE (F316), GROUP (Pre-Mod. 748)	1	-		
	9685V7909	CABLE (F316), 1P TO 3P AND TB's. 596	1	-		
	9686V7909	CABLE (F316), 1P TO 3P AND TB's. 596	1	-		
	7992V7909	CABLE (F2593), GROUP (Pre-Mod. 748)	1	-		
	9687V7909	CABLE (F2593), 1P TO 4P, GROUP	1	-		
	9700V7909	CABLE (F3808), 3P TO NAV. PLOTTER'S	1	-		
	9710V7909	CABLE (F3376), 3P TO FIN TEST, GROUP ...	1	-		
	9711V7909	CABLE (F3477), SEL.5 TO R P.B.134,	1	-		
	9712V7909	CABLE (F42), R.P.B.153 TO 4P, GROUP	1	-		
	9713V7909	CABLE (F256), 7P TO 4P, GROUP	1	-		
	9740V7909	CABLE (F1197), CONTROL UNIT 1 TO	1	-		
	9741V7909	CABLE (F3478), GROUP (Mod. 2055)	1	-		

ELECTRICAL INSTALLATION
CREW'S NACELLE

Ref. No.	Part No.	Description	No. off	Matl. Spec.	Cl. of	Plate and Illust'n No.
					St. M.R.	
		1 2 3 4				
	9747V7909	CABLE (F2211), 1P TO 4P, 3P, PILOT'S BRAKE AND PITCH COMPASS, OP.3, GROUP (Mod. 2057)	1	-		
	9774V7909	CABLE (F3443), 3P TO 4P, GROUP (Mod. 2082)	1	-		
	9775V7909	CABLE (F2614), GROUP (Mod. 2087)	1	-		
	9779V7909	CABLE (F30), GROUP (Mod. 2032)	1	-		
	9781V7909	CABLE (F3920), CABIN J/BOX PL2 TO 4P AND UNDER PILOT'S FLOOR, GROUP (Mod. 2057)	1	-		
	9783V7909	CABLE (F2616), GROUP (Mod. 2087)	1	-		
	9789V7909	CABLE (F3923), CABIN J/BOX TO VERT GYRO, GROUP (Mod. 2123)	1	-		
	9817V7909	CABLE (F3258), GROUP (Mod. 2143)	1	-		
	9818V7909	CABLE (F3260), GROUP (Mod. 2143)	1	-		
	9819V7909	CABLE (F3264), GROUP (Mod. 2143)	1	-		
	9822V7909	CABLE (F262), 7P, 4P, TO CABIN EQUIPMENT AND 3P, GROUP (Mod. 2156)	1	-		
	9823V7909	CABLE (F19), R.P.B.122, TO 11P, 12P AND RELAY 819, GROUP (Mod. 2156)	1	-		
	9848V7909	CABLE (F1789), GROUP (Mod. 2214)	1	-		
	9854V7909	CABLE (F9), 50P TO 3P AND R.P.B.109, GROUP (Mod. 2195)	1	-		
	9855V7909	CABLE (F736), 50P TO 3P, GROUP (Mod. 2195)	1	-		
	9856V7909	CABLE (F4), TB's 247, 254, 1672 TO R.P.B.104, GROUP (Mod. 2195)	1	-		
	7079V7909	CABLE (F7), GROUP (Pre-Mod. 748)	1	-		
	9857V7909	CABLE (F7), GROUP (Mod. 2195)	1	-		
	9858V7909	CABLE (F7), GROUP (Mod. 2195)	1	-		
	9859V7909	CABLE (F7), 3P TO R.P.B.107, GROUP (Mod. 2195)	1	-		
	9860V7909	CABLE (F7), GROUP (Mod. 2195)	1	-		
	9869V7909	CABLE (F45), R.P.B.160 TO 25P, 72P AND TRANSFORMER, GROUP (Mod. 2182)	1	-		

VULCAN Mk. 2

ELECTRICAL INSTALLATION
CREW'S NACELLE

Page FG. 46A

Ref. No.	Part No.	Description	No. off	Matl. Spec.	Cl. of St.	Plate and Illust'n No.
					M.R.	
		1 2 3 4				
	9864V7909	CABLE (F440), GROUP (Mod. 2255)	1	-		
	9872V7909	CABLE (F722), GROUP (Mod. 2155)	1	-		
	9873V7909	CABLE (F722), GROUP (Mod. 2155)	1	-		
	9874V7909	CABLE (F53), GROUP (Mod. 2155)	1	-		
	9892V7909	CABLE (F42), R.P.B.154 TO 4P, GROUP (Mod. 2255)	1	-		
	9895V7909	CABLE (F990), THROTTLE PED, TO 4P, GROUP (Mod. 2258)	1	-		
	9921V7909	CABLE (F3266), 48P TO SWITCH BOX AT 4P, GROUP (Mod. 2294)	1	-		
	9922V7909	CABLE (F3268), 48P TO SWITCH BOX AT 4P, GROUP (Mod. 2294)	1	-		
	9923V7909	CABLE (F3269), 48P TO SWITCH BOX AT 4P, GROUP (Mod. 2294)	1	-		
	9900V7909	CABLE (F944), THROTTLE BOX PED. TO 3P, GROUP (Mod. 2258)	1	-		
	9933V7909	CABLE (F1836), THROTTLE BOX PED. TO 3P, GROUP (Mod. 2318)	1	-		
	9927V7909	CABLE (F3357), AUTO PILOT, TB.890 TO TB.684, GROUP (Mods. 2305 and 2306)	1	-		
	9928V7909	CABLE (F3358), AUTO PILOT, TB.890, TO TB.687, GROUP (Mod. 2305 and 2306)	1	-		
	9929V7909	CABLE (F1821), AUTO PILOT TEST PANEL R.11 TO TB.890, GROUP (Mods. 2035 and 2306)	1	-		
	9930V7909	CABLE (F724), A.O.J TO 24P, GROUP (Mods. 2305 and 2306)	1	-		
	9891V7909	CABLE (F3443) AUTO PILOT 3/4P TB.286-B TP REL.110-C2, GROUP (Mod. 2272)	1	-		
	9947V7909	CABLE (F3281), PANEL P1, TO TB.1849 GROUP (Mod. 2374)	1	-		
	9949V7909	CABLE (F9949), GROUP (Mod. 2292)	1	-		
	9950V7909	CABLE (F9950), GROUP (Mod. 2292)	1	-		

RESTRICTED

VULCAN Mk 2 Page FG. 468	ELECTRICAL INSTALLATION CREW'S NACELLE
-----------------------------	---

Ref. No.	Part No.	Description	No. off	Matl. Spec.	Cl. of St.	Plate and Illust'n No.
					M.R.	
		1 2 3 4 CABLE INSTALLATION, AIR MONITORING ... SYSTEM (1V17613) (Mod. 2390 S.O.O.) Spares for:—				
	4205V7909	CABLE, (F4205), GROUP	1	—		
	4206V7909	CABLE, (F4206), GROUP	1	—		
	4207V7909	CABLE, (F4207), GROUP	1	—		
	4208V7909	CABLE, (F4208), GROUP	1	—		
	4209V7909	CABLE, (F4209), GROUP	1	—		
	4210V7909	CABLE, (F4210), GROUP	1	—		
	4211V7909	CABLE, (F4211), GROUP	1	—		
	4212V7909	CABLE, (F4212), GROUP	1	—		
	4213V7909	CABLE, (F4213), GROUP	1	—		
	9953V7909	CABLE, (F9953), GROUP	1	—		
	9954V7909	CABLE, (F9954), GROUP	1	—		

RESTRICTED

VULCAN No 2

ELECTRICAL INSTALLATION

CREW'S NACELLE

Ref. No.	Part No.	Description	No. off	Matl. Spec.	Cl. of St.	Plate and Illust'n No
					M.R.	
		1 2 3 4				
		ELECTRICAL INSTALLATION IN CREW'S NACELLE (V9592) (V11179) (Continued)				
	AS8671/40	Capping, duct (Make from 26DC/4304)	3	—		
	AS8671/47	Capping, duct (Make from 26DC/11225)	3	—		
	AS4799	Clip, spring	33	—	MR	
	AS4822	Clip, spring	13	—	MR	
26FP/13062	1SS3264	Clip	9	—	C	
26FP/13091	2SS3264	Clip	7	—	C	
26FP/13107	3SS3264	Clip	12	—	C	
26FP/13092	4SS3264	Clip	6	—	C	
26FP/13093	8SS3264	Clip	3	—	C	
26FP/13108	9SS3264	Clip	2	—	C	
26FP/13112	12SS3264	Clip	9	—	C	
26FP/13687	13SS3264	Clip	3	—	C	
26FP/13898	15SS3264	Clip	10	—	C	
26FP/13084	20SS3264	Clip	5	—	C	
26TA/8857	22SS3264	Clip	1	—	C	
26FP/13928	23SS3264	Clip	24	—	C	
26FP/13183	24SS3264	Clip	1	—	C	
	25SS3264	Clip	1	—		
	27SS3264	Clip	1	—		
	31SS3264	Clip	1	—		
	39SS3264	Clip	1	—		
	49SS3264	Clip	4	—		
	50SS3264	Clip	2	—		
	51SS3264	Clip	1	—		
	52SS3264	Clip	4	—		
	53SS3264	Clip	1	—		
26TA/4722	6SS4935	Clip	2	—	C	
26TA/4718	1SS4935	Cradle	2	—	C	
5K/9436899	NX0	Clip, insuloid	26	—	C	
5K/9325186	NX1	Clip, insuloid	46	—	C	
5K/9144249	NX1A	Clip, insuloid	23	—	C	
5K/9326334	NX2A	Clip, insuloid	1	—	C	
5K/9325192	NX3	Clip, insuloid	24	—	C	
5K/9325185	NX4	Clip, insuloid	40	—	C	
5K/9325188	NX5	Clip, insuloid	45	—	C	
5K/9325189	NX6	Clip, insuloid	43	—	C	
5K/9525234	NX8	Clip, insuloid	4	—	C	
5K/1011510	NX11	Clip, insuloid	6	—	C	
	NX14	Clip, insuloid	3	—	C	

VULCAN Mk. 2

ELECTRICAL INSTALLATION
CREW'S NACELLE

Page FG. 47

Ref. No.	Part No.	Description	No. off	Matl. Spec.	Cl. of	Plate and Illust'n No.
					St. M.R.	
		1 2 3 4				
ELECTRICAL INSTALLATION IN CREW'S NACELLE (V9592) (V11179) (Continued)						
5CY/5311	LGA.12/B1/1	Circuit, breaker (Mod. 1300)	3	—	B	FG2/68
	CX.119950	Cover, trip (Mod. 1300)	1	—		
	A.E.I.					
10CV/0005101	GJ/5M	Diode (Mod. 2188)	1	—	B	FG2/68A
	40SS4374	Duct, cable (Pre-Mod. 980)	3	—		
	45SS4374	Duct, cable (Make from 26DC/6340)	1	—		
	40SS4623	Duct, cable (Mod. 980)	3	—		
	47SS4623	Duct, cable (Mod. 969)	3	—		
5L/9953271	—	Filament	3	—	C	
FUSES, IN CABIN, GROUP (1V9851)						
Spares for:—						
10H/1043043	AS.2.5	Fuse, 2.5 amp., Type "S"	153	—	C	
10H/9718192	AS.5	Fuse, 5 amp., Type "S"	203	—	C	
10H/23863	AS.7.5	Fuse, 7.5 amp., Type "S"	4	—	C	
10H/9718191	AS.10	Fuse, 10 amp., Type "S"	15	—	C	
10H/1043045	AS.15	Fuse, 15 amp., Type "S"	6	—	C	
10H/23860	AS.20	Fuse, 20 amp., Type "S"	14	—	C	
10H/0590113	—	Fuse, 7 amp., end on type	6	—	C	
10H/0590111	—	Fuse, 3 amp., end on type	23	—	C	
10H/0590112	—	Fuse, 5 amp., end on type	3	—	C	
HOLDER, SWITCH, GROUP (Mod. 2201)						
Spares for:—						
28D/1212956	A61/24C	Bolt, 2 BA	1	—	C	
	2Z12045	BRACKET, MOUNTING, GROUP	1	—	—	FG7/68B
1433883	3Z12045	CAP, GROUP	1	—	C	FG7/68C
	10Z7720	Holder, button switch	1	—	MR	FG7/68D
	AS2809/4/212	Tube, distance	1	—		
5CZ/1961	—	Horn, warning	1	—	A	FG2/69
5Q/25659	—	Indicator	1	—	A	
INSTALLATION OF PRESSURE ERROR CORRECTION UNIT (S3788) (Mod. 2292)						
Spares for:—						
28F/4051888	B/AS6693	Adaptor	1	—	C	
28F/4051954	BB/AS6693	Adaptor	1	—	C	
	2S3788	Bracket	1	—		
28F/9475201	AGS952/BB	Collar	1	—	C	
28F/9439531	AGS952/B	Collar	1	—	C	
	5S3788	CLAMP, HALF, GROUP	1	—		
	9S3788	Gauge, 961 mm.	1	—		
	10S3788	Gauge, 961 mm.	1	—		
6A/6208619	KOLLSMAN L84340-00-091	Module, correction	1	—	A	FG7/68E

ELECTRICAL INSTALLATION

CREW'S NACELLE

Ref. No.	Part No.	Description				No. off	Matl. Spec.	Cl. of St.	Plate and Illust'n No.
		1	2	3	4			M.R.	
		INSTALLATION OF PRESSURE ERROR CORRECTION UNIT (S3788) (Mod. 2292) (Cont'd)							
	3S3788	Spares for:— PLATE, SUPPORT, GROUP				1	—		
		Attachments for:— (3S3788)							
28D/1010658	A25/1B	Bolt, 4 BA				2	—	C	
28D/1008149	A25/2B	Bolt, 4 BA				2	—	C	
28W/9419465	SP13/B	Washer				4	—	C	
	AGS3098	Ring, "O"				1	—		
	AGS3099	Ring, "O"				1	—		
28F/9717654	AGS2111	Sleeve				1	—	C	
28F/1015879	AGS904/BB	Sleeve				1	—	C	
	AS2811/5/284	Tube, distance				2	—		
6A/6203321	KOLLSMAN L83271-00-000	Unit, pressure error correction				1	—	A	FG7/68F
		Attachments for:— (L83271-00-000)							
28D/1212401	A25/C30	Bolt, 2 BA				2	—	C	
28M/9419542	A103/BP	Nut				3	—	C	
	A205/B20	Screw				3	—	C	
28W/9419475	SP15/C	Washer				2	—	C	
28W/9129655	SP122/B	Washer				3	—	C	

ELECTRICAL INSTALLATION
CREW'S NACELLE

Ref. No.	Part No.	Description				No. off	Matl. Spec.	Cl. of	Plate and Illust'n No.
		1	2	3	4			St. M.R.	
		INSTALLATION OF JUNCTION AND RELAY BOX, AFT OF NAV'S. STATION (V15396) (Mod. 2177)							
	7V15396	Spares for:— Angle				1	-		
	2V15396	BOX, JUNCTION, LESS WIRING AND EQUIPMENT, GROUP				1	-		FG69A
	CANNON MC.14E.8.3SN	Connector				1	-	-	FG7/69B
	6V15396	Fairlead, half				2	-	-	FG7/69C
5X/12952	CANNON CA2182/9	Receptacle				1	-	C	FG7/69D
	DIAMOND 'H' LTD.								
5CW/1144843	BS.115.B1B.1C3	Relay				3	-	B	FG7/69E
	9920V7909	CABLE (F3476), RELAY 822, GROUP (Mod. 2284) 1 off				1	-		
	4044V7909	CABLE (F4044), RELAY 822 TO SELECTOR, GROUP				1	-		
	4045V7909	CABLE (F4045), J/B STOWAGE SOCKET TO R.B.W. SELECTOR, GROUP				1	-		
	4049V7909	CABLE (F4049), RELAY 824 TO EARTH, GROUP				1	-		
	4050V7909	CABLE (F4050), NAVIGATOR'S PANEL, GROUP				1	-		
	4051V7909	CABLE (F4051), NAVIGATOR'S PANEL, GROUP				1	-		
	4052V7909	CABLE (F4052), NAVIGATOR'S PANEL TO EARTH, GROUP				1	-		
	4053V7909	CABLE (F4053), NAVIGATOR'S PANEL, GROUP				1	-		

VULCAN Mk 2		ELECTRICAL INSTALLATION					Plate and Illust'n No.	
Page FG.48		CREW'S NACELLE						
Ref. No	Part No.	Description				No. off		Matl. Spec.
		1	2	3	4		M.R.	
		INSTALLATION OF JUNCTION AND RELAY BOX, AFT OF NAV's. STATION (V15396) (Mod. 2177) (Continued)						
	4054V7909	CABLE (F4054), NAVIGATOR'S PANEL TO J/B STOWAGE SOCKET, GROUP				1	—	
	4055V7909	CABLE (F4055), NAVIGATOR'S PANEL, GROUP				1	—	
	4056V7909	CABLE (F4056), NAVIGATOR'S PANEL, GROUP				1	—	
	10V15396	Plate				1	L72	
	9V15396	Spigot				2	S96	
5CX/4330002	—	Lamp, cockpit				3	—	B
5CX/1059365	—	Lamp, warning				1	—	C
5L/9962237	—	Lamp, fluorescent, red, 115V, 4W				4	—	C
	553SS6065	Label (Mod. 2299)				1	—	

FG2/70

ELECTRICAL INSTALLATION

CREW'S NACELLE

Ref. No.	Part No.	Description	No. off	Matl. Spec.	Cl. of St.	Plate and Illust'n No.
					M.R.	
		1 2 3 4				
		MOUNTING, PANEL 75P, BELOW FLOOR, STARBOARD (V9166)				
	1V9164	Spares for:— PANEL, FUSE 75P, GROUP	1	—		FG2/71
7633	2V9164	Spares for:— COVER, GROUP	1	—	C	FG2/72
	3V9164	FUSEBOARD, RED, GROUP	1	—		FG2/73
	4V9164	FUSEBOARD, YELLOW, GROUP	1	—		FG2/74
	5V9164	FUSEBOARD, BLUE, GROUP	1	—		FG2/75
5K/4345990	HELLERMANN HV3113	Grommet, 14 way	4	—	C	FG2/76
	9V11946	Label, stick on type (Mod. 2156)	1	—		
	1V9165	PANEL, GROUP	1	—		FG2/77
1433472	15SS5302	Bush, ring lock (Mod. 2182)	1	—	C	
1505026	5V9166	Cover, for transformer (Mod. 2182)	1	—	C	FG2/77A
	407/8/2199/002	Transformer (Mod. 2182)	1	—		FG2/77B
		MOUNTING OF EQUIPMENT STOWAGE FOR AIR MONITORING SYSTEM (1V17789) (Mod. 2390 S.O.O.)				
	2V17789	Spares for:— BRACKET, MOUNTING, GROUP	1	—		
28D/1007972	A125 1/2 C	Attachments for (2V17789) Bolt:	4	—	C	
28M/1012015	AGS2001/C1/68	Nut, stiff	4	—	C	
28W/9419475	SP15/C	Washer	4	—	C	
28M/1987493	AGS2001/A1	Nut, stiff	36	—	C	
	25BNC75-4-9C	Panel, jack	6	—		
	HELLERMANN					
5X/2224276	418618/12	Receptacle, dummy	1	—	C	
5X/2221822	418618/14	Receptacle, dummy	2	—	C	
5X/2221821	418618/16	Receptacle, dummy	1	—	C	
28S/1006948	A32/A12	Screw	36	—	C	
28W/9419464	SP13/A	Washer	36	—	C	
		MOUNTING, 68P (V9120)				
	1V9326	Spares for:— PANEL, 68P, GROUP	1	—		FG2/78
5X/6200370	1V5650	Spares for:— Block, terminal	2	—	C	FG2/79
5X/4491769	1V7870	Block, earth	1	—	C	FG2/80
	3V8538	COVER, PANEL, GROUP	1	—	MR	FG2/81

ELECTRICAL INSTALLATION

CREW'S NACELLE

Ref. No.	Part No.	Description	No. off	Matl. Spec.	Cl. of St.	Plate and Illust'n No.
					M.R.	
		1 2 3 4				
		MOUNTING, 68P (V9120) (Continued)				
	4V9326	Guard, resistor	1	L.72	C	FG2/82
	100V7728	Label, "TB.100"	1	DTD213		FG2/83
	101V7728	Label, "TB.101"	1	DTD213		FG2/84
	102V7728	Label, "TB.102"	1	DTD213		FG2/85
10AJ/153	1V9336	LOOM, CABLE, GROUP	1	—		
	—	Mounting, A.V. (Mod. 1669)	4	—	B	
	1V8539	PANEL, 68P, GROUP	1	—		FG2/86
	S.T.C.					
	LP733615	Plate	19	—		FG2/87
10CV/0005100	A.E.I.					
	GJ/3M	Rectifier	19	—	B	FG2/88
	S.T.C.					
5CZ/6159	RS20A	Rectifier	7	—	B	FG2/89
10F/0530473	—	Relay, type 4190HD	19	—	B	FG2/90
	BERCO					
	VO40	Resistor, 68 ohms	1	—		FG2/91
	S.T.C.					
	LP736720	Socket	19	—		FG2/92
	S.T.C.					
	LP733614	Spring	19	—		FG2/93
		MOUNTING PANELS, 50P AND 70P IN CABIN (V9288)				
		Spares for:—				
	2V9288	MOUNTING, 50P AND 70P, GROUP	1	—		FG2/94
	1V10230	PANEL, A.A.P.P., 70P, GROUP	1	—		
		(Mod. 916) (See:—Equipment Aircraft Instrument Panels)				
	1V8035	PANEL, 50P, GROUP (See:— Equipment Aircraft Instrument Panels)	1	—		
		MOUNTING, 69P, VENTILATED SUIT CONTROL PANEL (V9138)				FG2/95
		Spares for:—				
	4V9138	MEMBER, SUPPORT, GROUP	1	—		
	1V8786	PANEL, 69P, GROUP	1	—		FG2/96
		Spares for:—				
	3V8786	BOARD, FUSE, RED, GROUP	1	—		
	4V8786	BOARD, FUSE, YELLOW, GROUP	1	—		
	5V8786	BOARD, FUSE, BLUE, GROUP	1	—		
22615	2V8786	COVER, PANEL, GROUP	1	—	C	FG2/97

VULCAN No 2

ELECTRICAL INSTALLATION
CREW'S NACELLE

Ref. No.	Part No.	Description	No. off	Matl. Spec.	Cl. of St.	Plate and Illust'n No.
					M.R.	
		1 2 3 4				
		ELECTRICAL INSTALLATION IN CREW'S NACELLE (V9592) (V11179) (Continued)				
5V/4378627	—	MOUNTING, RATION HEATER ON CONSOLE, PORT AND STARBOARD (128424 AND 128425) Spares for:— Heater, ration	1	—	A	FG2/98
5V/4378627	—	MOUNTING, RATION HEATERS AT NAVIGATOR'S TABLE (V9372) Spares for:— Heater, ration	3	—	A	FG2/99
5CX/4330015 5L/9952295	— — 488SS6001	MOUNTING, CABIN LAMP AND SWITCH, GROUP Spares for:— Dome, glass	1	—	C	FG2/100
		Filament, 24V, 12 watt	1	—	C	FG2/101
		Label, cabin light	1	DTD213		
22691	21V4650	LAMP, CABIN, GROUP	1	—	A	FG2/102
		Consisting of:—				
26FP/13930	21aV4650	Cable, unirubber	1	—		
5CX/4330014	13SS3529	Grommet	1	—	C	FG2/103
	—	Lamp	1	—	A	
5CW/6209279	ROTAX D5406	Switch	1	—	A	FG2/104
	—	MOUNTING PANEL, 9P, STARBOARD SIDE .. (1V6317) (Pre-Mod. 748) (25V6317) (Mod. 748) Spares for:—	—	—		
	12V6317	MEMBER, PANEL MOUNTING, GROUP	1	—	—	FG2/105
	—	PANEL, FIXED, TOP PORTION, 9P .. (1V6581) (See:—Equipment—Aircraft—Instrument Panels)			Ref.	
	—	PANEL, HINGED PORTION, 9P .. (1V8966) (Mod. 532) (See:—Equipment—Aircraft—Instrument Panels)			Ref.	
	—	MOUNTING, CENTRE CONSOLE BREAK, PORT AND STARBOARD (9 AND 10V6912) Spares for:—				
	11V6912	GUARD, PLUG BREAK, PORT, GROUP	1	—	—	FG2/106
	12V6912	GUARD, PLUG BREAK, STARBOARD, GROUP	1	—	—	FG2/107
28FP/9491457	AJ4/30	Spares for:— Fastener, Dzus	6	—	C	FG2/108
28FP/9430915	GA/4250	Grommet	6	—	C	FG2/109

ELECTRICAL INSTALLATION

CREW'S NACELLE

Ref. No.	Part No.	Description	No. off	Matl. Spec.	Cl. of St.	Plate and Illust'n No.
					M.R.	
		1 2 3 4				
28D/1010658	A25/18 2V9206 FERRANTI	MOUNTING, CONTROL UNIT, FOR ARTIFICIAL HORIZON ON PILOT'S FLOOR (V9206) Consisting of:— Bolt, 4 BA	2	—	C	FG2/110
		Bracket, attachment	1	S521	—	FG2/111
6A/4337782	—	Unit, control	1	—	A	FG2/112
28W/9419401	SP10/B	Washer, 4 BA	2	—	C	FG2/113
		MOUNTING, AMPLIFIER, FOR 100,000 FT., ALTIMETER (V9339) Spares for:—				
6A/4834	—	Amplifier	1	—	A	FG2/114
6A/5326	—	Tray, mounting	1	—	B	FG2/115
		MOUNTING, TIME DELAY UNIT, FORWARD OF FORMER 260, PORT (V8419) Spares for:—				
	5V6838	COVER, TIME DELAY UNIT, GROUP	1	—	—	FG2/116
		Spares for:—				
28FP/9520205	A3/20	Fastener, Dzus	1	—	C	FG2/117
28FP/1200486	S3/150	Spring	1	—	C	FG2/118
5D/1420	—	Unit, time delay	1	—	A	FG2/119
		MOUNTING, FOR CONTROL UNIT, TYPE ... 551 (1Z11672) (Mod. 2072) Spares for:—				
	2Z11672	BRACKET, MOUNTING, GROUP	1	—	—	FG5/119A
	3Z11672	BRACKET, MOUNTING, GROUP	1	—	—	
	5Z11672	PLATE, BLANKING, GROUP	1	—	—	
		Spares for:—				
	5aZ11672	Plate	1	—	—	
5X/1056133	CANNON CA-2182-16	Receptacle	1	—	—	
5X/9998066	CANNON CA-2182-7	Receptacle	1	—	—	
		MOUNTING OF PLUG BREAK 1219	—	—	—	FG5/119B
		(1Z11676) (Mod. 2072) Spares for:—				
	2Z11676	Bracket, mounting	1	—	—	
5X/9472622	PLESSEY 508/1/04865/100 1219SS6039	Cap, dust	1	—	—	
		Label	1	—	—	
		MOUNTING OF PLUG BREAK 1245, 1246	—	—	—	
		(1R5015) (Mod. 2292) Spares for:—				
	4R5015	Bracket, L.H.	1	—	—	
	5R5015	Bracket, R.H.	1	—	—	
		Attachments for:— (4 & 5R5015)				
28D/9133012	3R5015	Bolt (Make from A25/3C)	3	—	C	
28W/9419402	SP13/C	Washer, 2 BA	3	—	C	
28W/9419454	SP10/C	Washer, 2 BA	3	—	C	
	866SS6065	Label	4	—	—	

VULCAN No 2

ELECTRICAL INSTALLATION

CREW'S NACELLE

Ref. No.	Part No.	Description	No. off	Matl. Spec.	Cl. of St.	Plate and Illust'n No.
					M.R.	
		MOUNTING, 3P PORT AND 4P, STARBOARD (56 AND 26V6565) (Mod. 1388)				
		Spares for:—				
	50V6565	BOX, SWITCH, GROUP (Mod. 2294)	1	—		FG4/119G
		Spares for:—				
	51V6565	BOX, GROUP	1	—		
	52V6565	PLATE, SWITCH, GROUP	1	—		
		Spares for:—				
	66SS6039	Label	1	—		
	67SS6039	Label	1	—		
1432715	68SS6039	Label	1	—	C	
1432716	69SS6039	Label	1	—	C	
		Attachments for:—Switch Plate, Part No. 52V6565				
	28D/1010658	Bolt, 4 BA	4	—	C	
	28W/9419465	Washer, 4 BA	4	—	C	
	53V6565	Plate, packing, 22G x 2-1/4" x 2-5/8"	1	L72		
5CW/4408110	—	Switch, single pole	3	—	C	
		Attachments for:—Switch Box, Part No. 50V6565				
	28D/1218384	Bolt, 4 BA	8	—	C	
	28W/9419465	Washer, 4 BA	8	—	C	
11619	35V6565	COVER, FORWARD, TROUGH, PORT, GROUP	1	—	C	FG3/120
	5V6565	COVER, FORWARD, TROUGH, STARBOARD, GROUP	1	—	MR	FG3/121
		Spares for:—				
	28FP/9488815	Fastener, dzus	8	—	C	FG3/122
	28FP/9430915	Grommet	8	—	C	FG3/123
	6V5962	Nut, knurled, for troughs	3	S1	MR	FG3/124
	21V7911	PANEL, MAIN FUSE AND TB.3P, PORT, GROUP (Pre-Mod. 702)	1	—		
	30V7911	PANEL, MAIN FUSE AND TB.3P, PORT, GROUP (Mod. 702)	1	—		FG3/125
		Spares for:—				
	10AK/0519005	BURGESS V.L.R.1 Actuator, for V3 micro switch	2	—	C	
	8V6312	BASE, SPARE STOWAGE PANEL, 3P, GROUP	1	—	MR	FG3/126
	5X/4491769	Block, earthing	5	—	C	FG3/127
	5X/4491775	Block, connector	2	—	C	FG3/128
	5X/6200370	Block, terminal	41	—	C	FG3/129
	5X/4500057	Block, fuse, 12 way, type "S"	12	—	C	FG3/130
	2V7911	Bracket, rectifier mounting	1	—	—	FG3/131
12262	33V7911	Bracket, rectifier mounting	1	—	C	FG3/132

ELECTRICAL INSTALLATION

CREW'S NACELLE

Ref. No.	Part No.	Description	No. off	Matl. Spec.	Cl. of	Plate and Illust'n No.
					St. M.R.	
		1 2 3 4				
		PANEL, MAIN FUSE AND TB.3P, PORT, GROUP (Mod. 702 and 1388) (Continued)				
	1SS4204	Bush, ring lock	2	—		FG3/133
	11SS4204	Bush, ring lock	1	—	MR	FG3/134
	5V7911	Connector	12	—		FG3/135
	12V6312	CASE, STOWAGE, LANYARD, GROUP ..	1	—		FG3/136
	6V7911	CABLE, GROUP	1	—		
5CY/4520	—	Cover, circuit breaker	12	—	C	FG3/137
5CX/4330056	—	Cover, terminal	6	—	C	FG3/138
	9V6312	Cover, fuse, stowage (Pre-Mod. 702)	1	—	MR	
	9V7911	Cover, fuse, stowage (Mod. 702)	1	—		FG3/139
8525	3V7911	COVER, PANEL, L.H., GROUP	1	—	C	
		(Pre-Mod. 702)				
22669	8V7911	COVER, PANEL, L.H., GROUP	1	—	C	FG3/140
		(Mod. 702)				
8527	4V7911	COVER, PANEL, R.H., GROUP	1	—	C	
		(Pre-Mod. 702)				
22670	12V7911	COVER, PANEL, R.H., GROUP	1	—		FG3/141
		Spares for:—				
28FP/9425770	AJ5/35	Fastener, dzus	10	—	C	
28FP/9425771	GA5/312	Grommet	10	—	C	
5CY/5311	B.T.H. LGA.12/B1/1	Circuit, breaker	3	—	B	FG3/142
5CY/4376481	B.T.H. LGA.24/B1	Circuit, breaker	9	—	B	FG3/143
10CV/0372039	A.E.I. GJ5M	Diode (Mod. 2352)	1	—		FG3/143A
	7V7912	Fairlead	6	—		FG3/144
	10V6314	Fairlead	2	—		FG3/145
5L/9951273	—	Filament, 28V, 2.5 watt	1	—	C	FG3/146
5L/9951283	—	Filament, red	6	—	C	FG3/147
5CW/4222	ZA2401/1	Guard, switch	1	—	C	FG3/148
22671	3SS2877	Grommet	1	—	C	
26TA/14746	1SS2877	Grommet	1	—	C	
5CW/4408701	DN.1320.Z1	Grommet (Mod. 2316)	1	—	C	
	28V8455	Label (Mod. 2156)	1	—		
	867SS6066	Label (Mod. 2352)	1	—		
	14V6312	Lanyard	1	—		FG3/149
5CX/1085825	—	Lampholder	6	—	B	FG3/150
5CX/6362199	—	Lampholder, warning	1	—	B	FG3/151
5X/4500058	AS2765	Link, commoning, 2 way (Mod. 2292)	1	—	—	
5X/1059339	AS2766	Link, commoning, 3 way	2	—	C	
5X/4500061	AS2768	Link, commoning, 5 way (Mod. 2258)	3	—	C	
5X/4500063	AS2770	Link, commoning, 7 way (Mod. 2258)	2	—	C	
		(Mod. 2292)				
5X/1042903	AS2771	Link, commoning, 8 way	1	—	C	
5X/4500066	AS2774	Link, commoning, 11 way	1	—	C	
5X/1059340	AS2775	Link, commoning, 12 way	6	—	C	
	7V7911	Link, commoning	1	—		FG3/152
12263	34V7911	Link, commoning	1	—		FG3/153

VULCAN No 2

ELECTRICAL INSTALLATION
CREW'S NACELLE

Page FG.54A

Ref. No.	Part No.	Description	No. off	Matl. Spec	Cl. of St.	Plate and Illust'n No.
					M.R	
		1 2 3 4				
		PANEL, MAIN FUSE AND TB. 3P, PORT GROUP (Mod. 702 and 1388) (Continued)				
11491	32V7911	LINK, RECTIFIER, GROUP	1	—	C	
	1V17405	LOOM, CABLE, GROUP (Pre-Mod. 2374) ..	1	—		
	1V17535	LOOM, CABLE, GROUP (Mod. 2374)	1	—		
	1V17406	LOOM, CABLE, GROUP (Pre-Mod. 2374) ..	1	—		
	1V17536	LOOM, CABLE, GROUP (Mod. 2374)	1	—		
11492	12V7912	MOUNTING, RECTIFIER, GROUP	1	—	C	FG3/154
		(Mod. 1407) Spares for:—				
	13V7912	Bracket	1	—		FG3/155
10CV 0373571	FERRANTI ZR22	Rectifier	2	—	B	FG3/156
	31V8199	PANEL, 3P, GROUP (Pre-Mod. 702)	1	—		
	39V8199	PANEL, 3P, GROUP (Mod. 702)	1	—		
		Spares for:—				
	571SS6065	Label (Mod. 2316)	1	—		
	572SS6065	Label (Mod. 2316)	1	—		
	573SS6065	Label (Mod. 2316)	1	—		
5CW/4405759	ROTAX N136931	Plate, shroud fixing	3	—	C	FG3/157
	2SS4624	Plate, shroud fixing	1	—		FG3/158
10CV/ 0005101	B.T.H. GJ/5M	Rectifier (Mod. 1781)	7	—	B	FG3/159
5CW/4400162	PLESSEY 7CZ/103739/1	Relay, 2 pole	5	—	B	FG3/160
5CW/4400161	PLESSEY 7CZ/105411/1	Relay, 4 pole	7	—	B	FG3/161

VULCAN Mk 2
 Page FG. 54B
 ELECTRICAL INSTALLATION
 CREW'S NACELLE

Ref. No.	Part No.	Description	No. off	Matl. Spec.	Cl. of St.	Plate and Illust'n No.
					M.R.	
		1 2 3 4				
		PANEL, MAIN FUSE AND TB. 3P, PORT (21 and 30V7911) (Continued)				
5CZ/4335636	BERCO RAH K0	Resistor, 12 ohms	1	—	C	
5X/4500053	—	Socket, terminal	148	—	C	
5X/4491487	14V5650	Socket, double	9	—	C	FG3/162
5X/4491488	15V5650	Socket, single	188	—	C	FG3/163
	ROTAX					
5CW/6209280	D5404	Switch	1	—	B	FG3/164
5CW/1047695	D5407	Switch	2	—	B	FG3/165
	BURGESS					
5CW/1083934	V3	Switch, micro	2	—	B	FG3/166
	CWC					
	EQUIPMENT					
5CW/6209279	XD778	Switch	1	—	B	FG3/167
	ROTAX					
5CW/4405758	N136930	Shroud, single pole	3	—	C	FG3/168
	13V6312	Stud, special, for case	2	—		
	DOWTY					
5CW/4408107	AS10512/B2	Switch (Mod. 2316)	1	—	C	

VULCAN No. 2

ELECTRICAL INSTALLATION

Page FG. 55

CREW'S NACELLE

Ref. No.	Part No.	Description	No. off	Matl. Spec.	Cl. of St.	Plate and Illust'n No.
					M.R.	
		1 2 3 4				
	1V7912	PANEL, MAIN FUSE AND REPLAY 4P, STARBOARD, GROUP (Pre-Mod. 702)	1	—		
	9V7912	PANEL, MAIN FUSE AND REPLAY 4P, STARBOARD, GROUP (Mod. 702)	1	—	—	FG4/169
	BURGESS V.L.R. 1	Spares for:— Actuator, for micro switch	2	—	C	FG4/170
10AR/ 0519005	1V7871	Block, connector	3	—	C	FG4/711
5X/4491775	1V7870	Block, earthing	4	—	C	FG4/172
5X/4491769	1V5650	Block, terminal	41	—	C	FG4/173
5X/8200370	AS2739	Block, fuse, 12-way	10	—	C	FG4/174
5X/4500057	AS2736	Block, fuse, 6-way	1	—	C	FG4/165
5X/4500051	—	Block, fuse, 12-way	1	—	C	FG4/176
5X/4500052	41SS5302	Bush, ring lock	1	—	MR	FG4/177
26TA/60040	31SS5302	Bush, ring lock	1	—	C	FG4/178
	11SS4204	Bush, ring lock	2	—	MR	FG4/179
	5V7911	Connector, copper	12	—	—	FG4/180
	12V6312	CASE, STOWAGE, LANYARD, GROUP	1	—	—	FG4/181
	6V7912	Cable, assy., unipren 12, 4'—0" long	1	—	—	
5CY/4520	—	Cover, circuit breaker	12	—	C	FG4/182
5CX/4330056	—	Cover, terminal	6	—	C	
	9V6312	Cover, spare fuse stowage (Pre-Mod. 702)	1	—	MR	
	9V7911	Cover, spare fuse stowage (Mod. 702) ...	1	—	—	FG4/183
8526	3V7912	COVER, PANEL, L.H., GROUP	1	—	C	FG4/184
		(Pre-Mod. 702)				
8528	4V7912	COVER, PANEL, R.H., GROUP	1	—	C	FG4/185
		(Pre-Mod. 702)				
17834	8V7912	COVER, PANEL, R.H., GROUP	1	—	C	
		(Mod. 702)				
1510184	11V7912	COVER, PANEL, L.H., GROUP	1	—	C	
		(Mod. 702)				
		Spares for:—				
28FP/9425770	AJ5/35	Fastener, dzus	18	—	C	
28FP/9425771	GA5/312	Grommet, dzus	18	—	C	
	11V11794	Label (Mod. 2258)	1	—	—	
	1V11794	Label	1	—	—	
	B.T.H.					
5CY/5311	L.G.A.12/81/1	Circuit-breaker	3	—	A	FG4/186
5CY/4376481	L.G.A.24/8/1	Circuit-breaker	9	—	A	FG4/187
	7V7912	Fairlead	2	—	—	FG4/188
	10V6314	Fairlead	6	—	—	FG4/189
5L/9951273	—	Filament, 28V, 3.5 watt	1	—	C	
5L/9951283	—	Filament, red	6	—	C	FG4/190

ELECTRICAL INSTALLATION

CREW'S NACELLE

Ref. No.	Part No.	Description	No. off	Matl. Spec.	Cl. of St.	Plate and Illust'n No.
					M.R.	
		1 2 3 4				
		PANEL, MAIN FUSE AND RELAY 4P, STARBOARD (V7912) (Continued)				
26TA/14746 22671	1SS2877 3SS2877 28V8455 542SS8065 645SS8065 14V6312	Grommet Grommet Label (Mod. 2156) Label (Mod. 2299) Label (Mod. 2299)	1 1 1 1 1	— — — — —	C C	
5CX/108525 5CX/63262199	— —	Lanyard Lampholder	1 6	— —	MR B	FG4/191
5X/4500058 5X/1059339 5X/1059338 5X/4500061 5X/4500062 5X/4500063 5X/4500066 5X/1059340	AS2765 AS2766 AS2767 AS2768 AS2769 AS2770 AS2771 AS2775	Lampholder, warning Link, commoning, 2-way Link, commoning, 3-way Link, commoning, 4-way Link, commoning, 5-way Link, commoning, 6-way Link, commoning, 7-way Link, commoning, 11-way	1 2 1 2 2 2 1 6	— — — — — — — —	B C C C C C C C	
	16V7912	Link, commoning, 12-way Link, commoning	6 1	— —	C —	FG4/192
11491	32V7911	LINK, RECTIFIER, GROUP	1	—	C	FG4/193
	1V9879 1V14183 1V15488 1V17088 1V14182 1V15840 1V17089	LOOM, CABLE, GROUP (Pre-Mod. 748) LOOM, CABLE, GROUP (Pre-Mod. 2255) LOOM, CABLE, GROUP (Mod. 2255) LOOM, CABLE, GROUP (Mod. 2333) LOOM, CABLE, GROUP (Pre-Mod. 2255) LOOM, CABLE, GROUP (Mod. 2255) LOOM, CABLE, GROUP (Mod.2333)	1 1 1 1 1 1 1	— — — — — — —		
11492	12V7912	MOUNTING, RECTIFIER, GROUP (Mod. 1407) Spares for:— Bracket	1 1	— —	B	FG4/194
10CV/0373571	13V7812 FERRANTI ZR22	Rectifier	2	—	B	FG4/195
	1V8200 19V8200	PANEL, 4P, GROUP (Pre-Mod. 702) PANEL, 4P, GROUP (Mod. 702)	1 1	— —		FG4/196
	1V17788	MOUNTING, FUSE BLOCK, FOR AIR MONITORING SYSTEM (Mod. 2390 S.O.O.) Spares for:— Block, fuse	1	—	C	
5X/4500050	5H/73	Attachment for 5H/73 Screw	2	—	C	
28S/1200033 28M/1278189 28W/9419401	A31/B24 AGS2001/B1 SP10/B	Nut, stiff	2	—	C	
		Washer	2	—	C	
10H/1043045 10H/1043043 5X/1059339	ENG. ELEC. AS15 AS2.5 —	Fuse, S, type 15 amp Fuse, S, type 2.5 amp Link, commoning	1 1 1	— — —	C C C	

VULCAN ML. 2

ELECTRICAL INSTALLATION

Page FG. 57

CREW'S NACELLE

Ref. No.	Part No.	Description	No. off	Matl. Spec.	Cl. of	Plate and Illust'n No.
					St. M.R.	
		1 2 3 4				
PANEL, MAIN FUSE AND RELAY 4P, STARBOARD, (V7912) (Continued)						
5CW/4405759	ROTAX N136931	Plate, shroud, fixing	2	—	C	FG4/197
	2SS4624	Plate, shroud, fixing	1	—		FG4/198
	16SS4624	Plate, shroud, fixing	1	—		
	B.T.H.					
10CV/0005100	GJ/3M	Rectifier	3	—	B	FG4/199
10CV/0005101	GJ/5M	Rectifier (Mod. 1781)	3	—	B	FG4/200
	PLESSEY					
5CW/4400162	7CZ/103739/1	Relay, type CH2/C028/10	10	—	A	FG4/201
5CW/4400161	7CZ/105411/1	Relay, type CH4/C028/10	4	—	A	FG4/202
	DIAMOND 'H'					
5CW/4400546	BR150/C3P/1C	Relay (Mod. 1686)	1	—	B	FG4/203
5CW/4400265	BR210/C3P/1	Relay	2	—	B	FG4/204
5CW/5191808	BR101/PS	Socket, ceramic	3	—	B	FG4/205
5X/9522351	—	Socket, terminal	148	—	C	
5X/4491487	14V5650	Socket, double	9	—	C	FG4/206
5X/4491488	15V5650	Socket, single	188	—	C	FG4/207
5CX/1057503	EL31772	Screen, lamp	6	—	C	FG4/208
	ROTAX					
5CW/4405758	N136930	Shroud	2	—	C	FG4/209
	13V6312	Stud, for case	2	—		
	ROTAX					
5CW/6209280	D5404	Switch	1	—	B	FG4/210
5CW/1047695	D5407	Switch	1	—	B	FG4/211
	BURGESS					
5CW/1083834	V3	Switch, micro, type V3	2	—	A	FG4/212
	13Z7384	SWITCH, GROUP (Mod. 2333)	1	—		
	299SS6002	Spares for:—				
		Label	1	—		
5CW/4407828		Switch	1	—	B	
	15V6565	Strip, clamping, for troughs	3	L.72	MR	FG4/213
	49V6565	TROUGH, CABLE, FORWARD, PORT	1	—		FG4/214
	4V6565	GROUP (Mod. 1388)				
		TROUGH, CABLE, FORWARD, STAR-	1	—		FG4/215
		BOARD, GROUP				
		Spares for:—				
3523	9V5897	Bolt	3	L.40	C	FG4/216
		TROUGH, CABLE, AFT, 3P, PORT,	1	—		
		(38V6566) (Mod. 1388)				
		TROUGH, CABLE, AFT 4P, STAR-	1	—		
		BOARD (12V6566)				
		Spares for:—				
	5V6566	COVER, AFT, GROUP	1	—	MR	FG4/217
	11V6566	COVER, AFT, GROUP	1	—		FG4/218
	18V6566	COVER, AFT, GROUP	2	—		
		Spares for:—				
28FP/9144248	A4/25	: Fastener, dzus	6	—	C	
28FP/9430915	GA4/250	Grommet	6	—	C	

VULCAN MA 7		ELECTRICAL INSTALLATION				
Page FG. 58		CREW'S NACELLE				
Ref. No.	Part No.	Description	No. off	Matl. Spec.	Cl. of St.	Plate and Illust'n No.
					M.R.	
		1 2 3 4				
		TROUGH, CABLE, AFT 3P, PORT AND 4P, STARBOARD (12 AND 38V6566) (Continued)				
	6V5962	Nut, knurled	4	—	MR	
	35V6566	TROUGH, AFT, PORT, GROUP (Mod. 1388)	1	—	—	FG4/219
	15V6566	TROUGH, AFT, STARBOARD, GROUP	1	—	—	FG4/220
		Spares for:—				
4690	27V6565	Clamp, spring	10	—		
	8V6566	Bolt, for fairlead	16	S11	C	
	27V6566	Bolt, special	1	L83		
3523	9V5897	Bolt, special	4	L40	C	
	36V6566	Fairlead, half	2	BSS2372		
	20V6566	Fairlead, half, starboard	2	BSS2966/38		
	4cV6566	Fairlead, half, starboard	2	BSS972		
	4dV6566	Fairlead, half, starboard	2	BSS972		
	13V6566	Fairlead, port	1	BS2572		
	16V6566	Fairlead, half, port	2	BS2572		
28FP/5008	21SS4204	Grommet	1	—	C	
28FP/9430918	S4/200	Spring, dzus	12	—	C	
		MOUNTING, PANEL, 34J, GROUP (1V9121)				
		Spares for:—				
	1V9104	BOX, JUNCTION, GROUP	1	—	—	FG5/221
		Spares for:—				
5X/6200370	1V5650	Block, terminal	2	—	C	FG5/222
	8V6099	LID, 34J, GROUP	1	—	—	FG5/223
		Spares for:—				
28FP/101431	A3/25	Fastener, Dzus	4	—	C	FG5/224
28FP/9434075	GA3/175	Grommet, Dzus	4	—	C	FG5/225
5X/4491487	14V5650	Socket, double	3	—	C	FG5/226
5X/4491488	15V5650	Socket, single	4	—	C	FG5/227
28FP/9434091	S4/175	Spring, Dzus	4	—	C	FG5/228
		MOUNTING, GYRO UNIT (YAW DAMPER) (S2144) (See Controls—Auto Stabilizer)				
		MOUNTING, I.L.S. AND POWER SWITCHES (1V10566) (Mod. 908)				
		Spares for:—				
	1V10552	BRACKET, MOUNTING, GROUP (Pre-Mod. 1204)	1	—	—	FG5/229
	1V10307	BRACKET, MOUNTING, GROUP (Mod. 1204)	1	—	—	FG5/230
5L/9951283	—	Filament	1	C		

VULCAN No 2

ELECTRICAL INSTALLATION
CREW'S NACELLE

Ref. No.	Part No.	Description	No. off	Matl. Spec.	Cl. of St.		Plate and Illust'n No.
					M	R	
		1 2 3 4					
		ELECTRICAL INSTALLATION IN CREW'S NACELLE (V9592) (V11179) (Continued)					
		MOUNTING, R.C.M. POWER SUPPLIES AND EXPLOSION SUPPRESSION PANEL (1T4758) (Mod. 569)					
		Spares for:—					
	3T4758	BRACKET, GROUP	1	—	—	—	FG5/231
5X/6200370 22672	1V5650	Block, terminal	1	—	C	—	FG5/232
	5T4758	Collar, indicator mounting	1	DTD130	—	—	FG5/233
	PLESSEY						
5CZ/4337692	7CZ/107626/32	Indicator, 3 position, drum type	1	—	B	—	FG5/234
	9V6329	LAMP, GROUP	2	—	—	—	FG5/235
		Consisting of:—					
5CX/6362199	—	Lampholder	2	—	—	—	FG5/236
	HIVAC						
5L/9962110	CC5L	Lamp	2	—	C	—	FG5/237
	2T4758	PANEL, GROUP	1	—	—	—	FG5/238
5CW 5060	—	Shroud	12	—	C	—	FG5/239
5X/4491488	15V5650	Socket	5	—	B	—	FG5/240
	DOWTY						
5CW 9438526	C5162Y Mk 3	Switch	7	—	B	—	FG5/241
5CW/6362390	C5162Y Mk 4	Switch	6	—	B	—	FG5/242
	1V6663	MOUNTING, PLUG AND TERMINAL BLOCK BREAK, PORT, GROUP	1	—	—	—	FG5/243
	2V6663	MOUNTING, PLUG AND TERMINAL BLOCK BREAK, STARBOARD, GROUP	1	—	—	—	FG5/244
		MOUNTING, SYNCHRONIZED MONITORY UNIT (1V9199)					
		Spares for:—					
	2V9199	RAIL, MOUNTING, GROUP	1	—	—	—	FG5/245
	3V9199	RAIL, MOUNTING, GROUP	1	—	—	—	FG5/246
5UC/1177380	ENG. ELECT. AE7508103 MK2	Unit, monitoring	1	—	A	—	FG5/247
		MOUNTING, RESISTANCE UNIT FOR WINDSCREEN WIPER MOTOR, PORT AND STARBOARD (9610V6814)					
		Spares for:—					
	1V9375	UNIT, RESISTANCE, PORT, GROUP	1	—	—	—	FG5/248
	2V9375	UNIT, RESISTANCE, STARBOARD GROUP	1	—	—	—	FG5/249
	1V6775	Spares for:— BOX, STRUCTURE, PORT, GROUP	1	—	—	—	

ELECTRICAL INSTALLATION

CREW'S NACELLE

Ref. No.	Part No.	Description	No. off	Matl. Spec.	Cl. of St.	Plate and Illust'n No.
					M.R.	
		1 2 3 4				
		UNIT, RESISTANCE, PORT AND STARBOARD, GROUP (1 and 2V9375) (Continued)				
	5V6775	BOX, STRUCTURE, STARBOARD, GROUP				
2845	4V6772	LID, PANEL, GROUP	1	-	-	FG5/249A
		Spares for:-				
28FP/9144248	A4/25	Fastener, Dzus	4	-	C	
28FP/9430915	GA4/250	Grommet	4	-	C	
	4V9375	RESISTANCE, GROUP	1	-	-	FG5/249B
		Consisting of:-				
	3aV6772	Angle, mounting	2	L72		
	3bV6772	Bush	2	BSS972		
	3dV6772	Bush	2	BSS972		
28M/1990760	AGS2002/C/4	Nut, st. ff, 2 BA	4	-	C	
28M/9129528	A54/C	Nut, th.n, 2 BA	5	-	C	
	BERCO					
	C60/3	Resistor, 60 watt, 3.0 ohms	2	-		
	3iV6772	Rod, screwed	1	BSS249		
	3jV6772	Rod, screwed	1	BSS249		
	3kV6772	Tube, distance	2	BSS886		
	3cV6772	Washer, special	4	BSS972		
	AGS1582/13	Washer, 4 BA	8	-		
	V9361	LOOM, CABLE, GROUP	1	-		
	PLESSEY					
5CW/4400162	7CZ/103739/1	Relay	1	-	A	FG5/249C
		MOUNTING, ALTERNATOR CONTROL SWITCH PANEL, 10P, GROUP (See:-Equipment Aircraft Instrument Panel)				
		MOUNTING, OIL TEMP GAUGES AND LAMP ABOVE 70P PANEL, AT FORMER 246, GROUP (V11249) (Mod. 1284) Spares for:-				
5L/9953271	-	Filament	5	-	B	FG5/250
	SANGAMO WESTON					
6A/4339152	S127/FORM5/75	Gauge, temperature	2	-	-	FG5/251
5CX/366	-	Lamp, red	2	-	B	FG5/252
	2V11249	PANEL, GROUP	1	-	-	FG5/253
5CW/2531	-	Switch, dimmer	1	-	A	FG5/254
		MOUNTING, RESISTANCE BOXES ON PORT SIDE (1V9463) (Mod. 517) Spares for:-				
	SANGAMO WESTON					
	FD521/2	BOX, accessory (10 sets only)	4	-	-	FG5/255

VULCAN No. 2

ELECTRICAL INSTALLATION
CREW'S NACELLE

Page FG. 81

Ref. No.	Part No.	Description	No. off	Matl. Spec.	Cl. of	Plate and Illust'n No.
					St. M.R.	
		1 2 3 4				
		MOUNTING, RESISTANCE BOXES ON PORT SIDE (1V9463) (Mod. 517) (Continued)				
5Q/25660	-	BOX, accessory (less 10 sets)	4	-	A	FG5/256
22673	10V9463	COVER, GROUP	1	-	C	FG5/257
		Spares for:-				
28FP/ 9434075	GA3/175	Grommet	4	-	C	FG5/258
10AJ/135	-	Mounting, anti-vibration	4	-	B	FG5/259
10A/19429	-	Washer, check	4	-	C	FG5/260
	1V7720	PANEL, RADIO AND RADAR SUPPLY 11P, .. GROUP (Pre-Mod. 702)	1	-		FG5/261
	13V7720	PANEL, RADIO AND RADAR SUPPLY 11P, .. GROUP (Mod 702)	1	-		FG6/262
		Spares for:-				
5X/6200370	1V5650	Block, terminal	6	-	C	FG6/263
5X/4491775	1V7871	Block, terminal	1	-	C	FG6/264
5X/4500051	-	Block, fuse, 6-way	5	-	C	FG6/265
5X/4500052	-	Block, fuse, 12-way	1	-	C	FG6/266
	8V7720	Bracket, mounting, relay	1	L72		FG6/267
	2V7720	BRACKET, MOUNTING, TORQUE SWITCH, GROUP	1	-		FG6/268
	5V7720	Busbar	3	-		FG6/269
	6V7720	Busbar	1	-		FG6/270
7631	7V7720	COVER, PANEL, GROUP (Pre-Mod. 702) ...	1	-	C	FG7/271
	12V7720	COVER, PANEL, GROUP (Mod. 702)	1	-		FG6/272
		Spares for:-				
28FP/ 9425770	AJ5/35	Fastener	14	-	C	FG6/273
28FP/9425771	GA5/312	Grommet	14	-	C	FG6/274
	115V6375	Label, 853 to 858	1	L72		
	135V6375	Label, 320 to 338	1	L59		
	136V6375	Label, 342 to 347	1	L59		
	137V6375	Label, 339 to 341	1	L59		
	167V6375	Label, 350R to 355R	1	L59		
	168V6375	Label, 350B to 355B	1	L59		
	406V7728	Label, "TB.406"	1	L72		
	497V7728	Label, "TB.407"	1	L72		
	408V7728	Label, "TB.408"	1	L72		
	409V7728	Label, "TB.409"	1	L72		
	410V7728	Label, "TB.410"	1	L72		
	411V7728	Label, "TB.411"	1	L72		
	1589V7728	Label, "TB.1589"	1	L72		
	1590V7728	Label, "TB.1590"	1	L72		
5X/4500058	AS2765	Link, commoning, 2-way	5	-	C	
5X/1059339	AS2766	Link, commoning, 3-way	2	-	C	

ELECTRICAL INSTALLATION
CREW'S NACELLE

Ref. No.	Part No.	Description	No. off	Matl. Spec.	Cl. of St.	Plate and Illust'n No.
					M.R.	
		1 2 3 4				
		PANEL, RADIO AND RADAR SUPPLY, 11P, GROUP (1V7720) (Pre-Mod. 702) (13V7720) (Mod. 702) (Continued)				
5X/4500061	AS2768	Link, commoning, 5-way	1	—	C	
5X/4500062	AS2769	Link, commoning, 6-way	2	—	C	
5X/1042903	AS2771	Link, commoning, 8-way	1	—	C	
	1V10026	LOOM, CABLE, GROUP (Pre-Mod. 748)	1	—		
	1V12059	LOOM, CABLE, GROUP (Mod. 1522)	1	—		
	1V18246	LOOM, CABLE (Mod. 2396)	1	—		
	1V7723	PANEL, GROUP (Pre Mod. 702)	1	—		
	10V7723	PANEL, GROUP (Mod. 702)	1	—		
10CV/ 0005100	B.T.H. GJ/3M	Rectifier, germanium	2	—	B	
10F/0530250	—	Relay	1	—	B	FG6/275
5CW/4400162	PLESSEY 7CZ/103739/2	Relay, 2-pole	4	—	A	FG6/276
5CW/4400161	PLESSEY 7CZ/105411/2	Relay, 4-pole	1	—	A	FG6/277
5CW/3943	—	Relay, type S2	2	—	A	FG6/278
5CW/4400265	DIAMOND 'H' R210/C3P/1	Relay (Mod. 748)	1	—	A	FG6/279
5CW/5191808	DIAMOND 'H' BR101/PS	Socket, ceramic	1	—	B	FG6/280
5X/4500053	—	Socket	44	—	C	
5X/4491779	5V7871	Socket, single	3	—	C	FG6/281
5X/4491488	15V5650	Socket, single	24	—	C	FG6/282
5X/4491487	14V5650	Socket, double	4	—	C	FG6/283
5CY/4376390	—	Suppressor, "02"	1	—	A	FG6/284
5CY/5177 4692	V6826	Suppressor	1	—	A	FG6/285
	V6790	Suppressor	1	—	A	FG6/286
5CW/5907	SMITH'S E.A.P.2340	Switch, torque	2	—	A	FG6/287
	ENGLISH ELECTRIC AE5600	UNIT, under voltage sequence (Mod. 2396) ..	1	—	A	FG6/287A
	12V6757	Washer, insulating	8	—		FG6/288
	1V8038	PANEL, 28V, DISTRIBUTION, 48P, GROUP ..	1	—		FG6/289
		Spares for:—				
5X/6200370	1V5650	Block, terminal, TB.297	1	—	C	FG6/290
5X/4491769	1V7870	Block, terminal, TB.296	1	—	C	FG6/291
	2V8038	COVER, PANEL, GROUP	1	—	MR	FG6/292
		Spares for:—				
28FP/ 9425770	AJ5/35	Fastener	4	—	C	FG6/293
28FP/ 9425771	GA5/312	Grommet	4	—	C	FG6/294
	1V8469	Label	1	—		FG6/295
5X/4500057	AS2739	Block, fuse, 12-way	4	—	C	FG6/296
	B.T.H.					
5CY/4376489	L.G.A.35/B1	Circuit, breaker	6	—	A	FG6/297
	B.T.H.					
5CY/4376481	L.G.A.24/B1	Circuit, breaker	1	—	A	FG6/298

ELECTRICAL INSTALLATION
CREW'S NACELLE

Ref. No.	Part No.	Description	No. off	Matl. Spec.	Cl. of St.	Plate and Illust'n No.
					M.R.	
		1 2 3 4				
		PANEL, 28V DISTRIBUTION, 48P, GROUP (1V8098) (Continued)				
	108V6375	Label, 685 to 696	1	L72		
	109V6375	Label, 695 to 708	1	L72		
	110V6375	Label, 709 to 720	1	L72		
	111V6375	Label, 721 to 732	1	L72		
	296V7728	Label, "TB.296"	1	L72		
	297V7728	Label, "TB.297"	1	L72		
5X/4500058	AS2765	Link, commoning, 2-way (Mod. 1900)	1	—	C	
5X/4500065	AS2773	Link, commoning, 10-way (Mod. 1900)	1	—	C	
5X/4500066	AS2774	Link, commoning, 11-way	1	—	C	FG6/299
5X/1059340	AS2775	Link, commoning, 12-way	3	—	C	FG6/300
	1V13767	LOOM, CABLE, GROUP (Mod. 1900) (Pre-Mod. 2396)	1	—		
	1V18516	LOOM, CABLE, GROUP (Mod. 748) (Mod. 2396)	1	—		
	1V18517	LOOM, CABLE, GROUP (Pre-Mod. 748) (Mod. 2396)	1	—		
	1V8039	PANEL, GROUP	1	—		FG3/301
5CW/1050498	PLESSEY					
5X/4500053	7CZ/97225/1	Relay, single pole	1	—	A	FG6/302
	—	Socket, terminal	56	—	C	
	3V8038	Strip, connector	1	—		FG6/303
	1V8021	PANEL, DISTRIBUTION, 24P, GROUP	1	—		FG6/304
	2V8021	PANEL, DISTRIBUTION, 25P, GROUP	1	—		FG6/305
		Spares for:—				
5X/4491769	1V7870	Block, earth	1	—	C	FG6/306
5X/6200370	1V5650	Block, terminal	5	—	C	FG6/307
5X/4500057	AS2739	Block, fuse, 12-way	2	—	C	FG6/308
7628	3V8021	COVER, REMOVABLE, 24P, GROUP	1	—	C	FG6/309
7629	4V8021	COVER, REMOVABLE, 25P, GROUP	1	—	C	FG6/310
	542SS6065	Label (Mod. 5299)	1	—		
	645SS6065	Label (Mod. 2299)	1	—		
	1V17421	LOOM, CABLE, 24P, GROUP (Mod. 2292) ...	1	—		
	1V12089	LOOM, CABLE, 25P, GROUP	1	—		
	7V8022	PANEL, LESS EQUIPMENT, 24P, GROUP ...	1	—		
	1V8022	PANEL, LESS EQUIPMENT, 25P, GROUP ...	1	—	MR	
5X/4500053	—	Socket, terminal	28	—	C	
		PANEL, 71P, PORT AND 72P, STARBOARD (1V and 2V9074)				
		Spares for:—				
5X/4491769	1V7870	Block, earth	1	—	C	FG7/311
5X/4500051	AS2736	Block, fuse, 6-way	3	—	C	FG7/312
	3V9074	BOX, 71P, GROUP	1	—		FG7/313

ELECTRICAL INSTALLATION

CREW'S NACELLE

Ref. No.	Part No.	Description	No. off	Matl. Spec.	Cl. of	Plate and Illust'n No.
					St. M.R.	
		1:2:3:4:				
		PANEL, 81P, PORT AND 72P, STARBOARD (1 and 2V9074) (Continued)				
	10V9074	BOX, 72P, GROUP	1	-	-	FG7/314
	7V9074	BRACKET, RELAY, 71P, GROUP	1	-	-	FG7/315
	8V9074	BRACKET, RELAY, 72P, GROUP	1	-	-	FG7/316
7636	5V9074	LID, BOX, 71P, GROUP	1	-	C	FG7/317
	6V9074	LID, BOX, 72P, GROUP	1	-	MR	FG7/318
5X/4500061	AS2768	Link, commoning, 5-way, 72P (Mod. 2182) ..	2	-	C	FG7/319
5X/4500062	AS2769	Link, commoning, 6-way	1	-	C	
	1V11903	LOOM, CABLE, 71P, GROUP (Pre-Mod. 2214)	1	-		
	1V17422	LOOM, CABLE, 71P, GROUP (Mod. 2292) ..	1	-		
	1V15173	LOOM, CABLE, 72P, GROUP (Mod. 2182) ..	1	-		
5CW/4400265	R210/C3P/1	Relay	1	-	A	FG7/320
5CW/5191808	DIAMOND 'H' BR101/PS	SOCKET, ceramic	1	-	B	FG7/321
	1V11167	PANEL, MOUNTING, PISTON INERTIA	1	-	-	FG7/322
	1V11168	PANEL, MOUNTING, PISTON INERTIA	1	-	-	FG7/323
		PANEL, 100P, GROUP (1V10722) (Mod. 969)				
		Spares for:-				
	4V10758	BOX, JUNCTION, 100P, GROUP	1	-		FG7/324
1433187	14V10758	(Pre-Mod. 2143) BOX, JUNCTION, 100P, GROUP	1	-	A	
		(Mod. 2143) Spares for:-				
5X/6200370	1V5650	Block, terminal	7	-	C	FG7/325
5X/4491769	1V7870	Block, earth	1	-	B	FG7/326
17491	10V10758	Busbar	1	-	C	FG7/327
17492	11V10758	Busbar	2	-	C	FG7/328
17493	12V10758	Busbar	2	-	C	FG7/329
17494	13V10758	Busbar	1	-	C	FG7/330
5UC/4375029	7CZ/106800/11	Controller, Mk. 3, type 4 (Pre-Mod. 2077) .	3	-	A	FG7/331
5UC/4374989	7CZ/106800/9	Controller, type H (Mod. 2077)	3	-	A	FG7/332
10H/0590109	GRAVINER -	Fuse, 1 amp.	3	-	C	FG7/333

VULCAN No 2

ELECTRICAL INSTALLATION

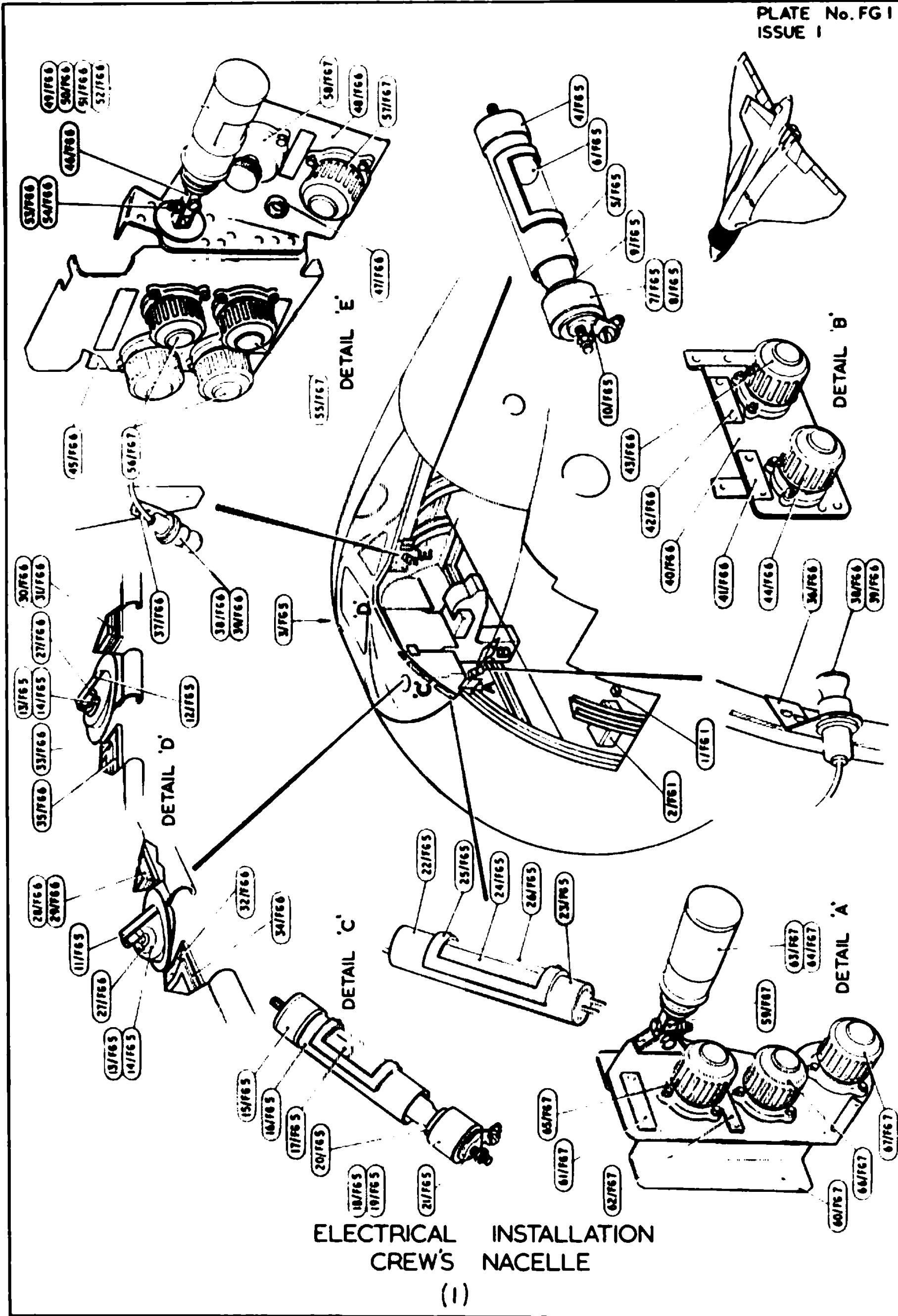
Page FG. 65

CREW'S NACELLE

Ref. No.	Part No.	Description	No. off	Matl. Spec.	Cl. of St.	Plate and Illust'n No.
					M.R.	
		1 2 3 4				
		BOX, JUNCTION, 100P, GROUP (4V10758) (Pre-Mod. 2143) (14V10758) (Mod. 2143) (Continued)				
	GRAVINER L1382	Holder, fuse	3	—		FG7/334
	6V10758	LID, BOX, GROUP	1	—	MR	FG7/335
28FP/ 9144248	A4/25	Spares for:— Fastener, Dzus	8	—	C	FG7/336
28FP/ 9430915	GAA/250	Grommet, Dzus	8	—	C	FG7/337
	1V13371	LOOM, CABLE, GROUP (Pre-Mod. 2143)	1	—		
	1V14899	LOOM, CABLE, GROUP (Mod. 2143)	1	—		
	1V16562	LOOM, CABLE, GROUP (Mod. 2294)	1	—		
1433376	15V10758	MOUNTING, RESISTOR (Mod. 2143)	1	—	C	FG7/338
5CW/4400161	PLESSEY 7CZ/105411/1	Relay	5	—	A	FG7/339
5CW/4405094	ROTAX D6311	Switch, magnetic, type 5Y, No. 2	3	—	A	FG7/340
5CW/4408110	—	Switch, changeover, single pole	1	—	B	FG7/341
5UB/4343072	PLESSEY 407/1/90113	Transformer, 3 phase	1	—	A	FG7/342
	SUHNER 25BNC-75-4-9C	Panel, jack (Mod. 2390 S.O.O.)	1	—		
16122	55V9592	Panel, inspection	1	—	C	
5X/4491601	—	Plug, shell	1	—	C	
	1V17787	Plug, group on R.P. bulkhead (Mod. 2390 S.O.O.)	1	—	—	FG7/342B
10CV/5100	GJ/3M	Rectifier	2	—	B	FG7/343
5CW/4400162	7CZ/103729/1	Relay	13	—	A	
5CW/4400161	7CZ/105411/1	Relay	4	—	A	
	HELLERMANN HDS8-S-F2-L06	Relay (Mod. 2188)	1	—	—	FG7/343A
5X/1992912	418618/10	Receptacle (Mod. 2390 S.O.O.)	1	—	C	FG7/343B
	56V6352	Rectifier, assy.	2	L72		
	41Z11270	Selector, temperature (Mod. 1669)	1	—	—	FG7/344
	42Z11720	Selector, temperature (Mod. 1696)	1	—	—	FG7/345
5X/4491776	4V7871	Socket, double	1	—	C	
5X/4491779	5V7871	Socket, single	1	—	C	
5X/4491487	14V5650	Socket, double (Mod. 2201)	2	—	C	
5X/4491488	15V5650	Socket, single (Mod. 2292)	5	—	C	
	HELLERMANN No. 4223	Socket (Mod. 2188)	1	—		
5CY/7001363	—	Suppressor, type B4	3	—	A	FG7/346
5CW/5907	SMITH'S EAP2340	Switch, torque	1	—	A	FG7/347
5CW/4405094	ROTAX D6311	Switch, magnetic, type 5Y, No. 2	1	—	A	FG7/348
5X/7296	—	Tag, terminal, 4 BA	2	—	C	
	1SS4052	Terminal, earth	9	—	MR	
5UB/1988448	ELLIOT —	Transformer, type 38/933	1	—	A	FG7/349
	7V8023	Tube, spacer, for terminal mountings	4	—		

VULCAN Mk 2		ELECTRICAL INSTALLATION					CREW'S NACELLE	
Page FG. 66								
Ref. No.	Part No.	Description	No. off	Matl. Spec.	Cl. of St.	Plate and Illust'n No.		
					M.R.			
		1 2 3 4						
		ELECTRICAL INSTALLATION IN CREW'S NACELLE (V9592) (V11179) (Continued)						
		TROUGH, ELECTRICS CABLE, BEHIND PILOT'S PANEL (2V11178) (Mod. 1241) Spares for:—						
	8V7546	TROUGH, GROUP (Pre-Mod. 1241)	1					
	19V7546	TROUGH, GROUP (Mod. 1241)	1	—				
	B.T.H.							
5CZ/4335756	X2126730	Unit, lighting control	1	—	A	FG7/350		
6TB/4545452	107RGS/1	Unit, rate gyro, auto throttle, type A	1	—	A	FG7/351		
		(Pre Mod. 2263)						
6TB/4545455	101/1RGU	Unit, mounting, rate gyro, auto throttle, type A	1	—	B	FG7/352		
		(Pre Mod. 2263)						
5CZ/1044107	—	Unit, flasher (Pre-Mod. 2032)	1	—	—	FG7/353		
5D/4700443	—	Unit, time delay (Mod. 2201)	1	—	—	FG5/353A		
		V.H.F. SETS, LIGHT SERVICING (1V11215), GROUP (Mod. 1233) Spares for:—						
	2V11215	BRACKET, MOUNTING, GROUP	1	—	—	FG5/354		
5L/9953271	—	Filament, lamp	1	—	C	FG5/355		
	38V6355	LAMP, GROUP	1	—	—	FG5/356		
		Spares for:—						
5CX/4330002	—	Lamp	1	—	B	FG5/357		
29C/1097257	1906/1	Washer, shakeproof	1	—	C	FG5/358		
	1V15393	WANDER BUTTON, GROUP (Mod. 2201)	1	—	—	FG7/358A		
		Spares for:—						
5X.4491486	10V5650	Ferrule	4	—	C			
	DOWTY							
5D/4341104	DN1204/2/A/04/Y	Switch, wander button	1	—	C			
		WHITE, FLUORESCENT LIGHTING CONSOLE (1V9304) (Mod. 733) Spares for:—						
5CZ/4335756	B.T.H. X2126730	BOX, gear control unit	1	—	A	FG5/359		
	647V7909	CABLE (F647), CONTROL BOX TO PORT ... LAMP, GROUP	1					
	648V7909	CABLE (F648), CONTROL BOX TO PORT ... LAMP, GROUP	1					
	649V7909	CABLE (F649), CONTROL BOX TO ... STARBOARD LAMP, GROUP	1	—				
	650V7909	CABLE (F650), CONTROL BOX TO ... STARBOARD LAMP, GROUP	1	—				

VULCAN HL 2		ELECTRICAL INSTALLATION			Page FG. 67				
CREW'S NACELLE									
Ref. No.	Part No.	Description				No. off	Mati. Spec.	Cl. of St. M.R.	Plate and Illust'n No.
		1	2	3	4				
5L/9962236		WHITE FLUORESCENT LIGHTING CONSOLE (1V9304) (Mod. 733) (Continued)							
	651V7909	CABLE (F651), CONTROL BOX TO PORT SWITCH, GROUP				1	-		
	B.T.H.	Lamp, fluorescent, white, 115V, 4W				4	-	C	
	-	MOUNTING, LAMP, GROUP				2	-		FG5/360
	2V9304	MOUNTING, LAMP, GROUP				1	-	-	FG5/361
	4V9304	MOUNTING, LAMP, GROUP				1	-	-	FG5/362
	6V9304	Spares for:-							
	3V9304	COVER, GROUP				1	-		
	SUPERFLEXIT	Zipper tubing, for cables to 5P, 18" long				1	-		
74V9592	Zipper tubing, for cables to 5P, 19" long				1	-			
75V9592	(Mod. 2227)								

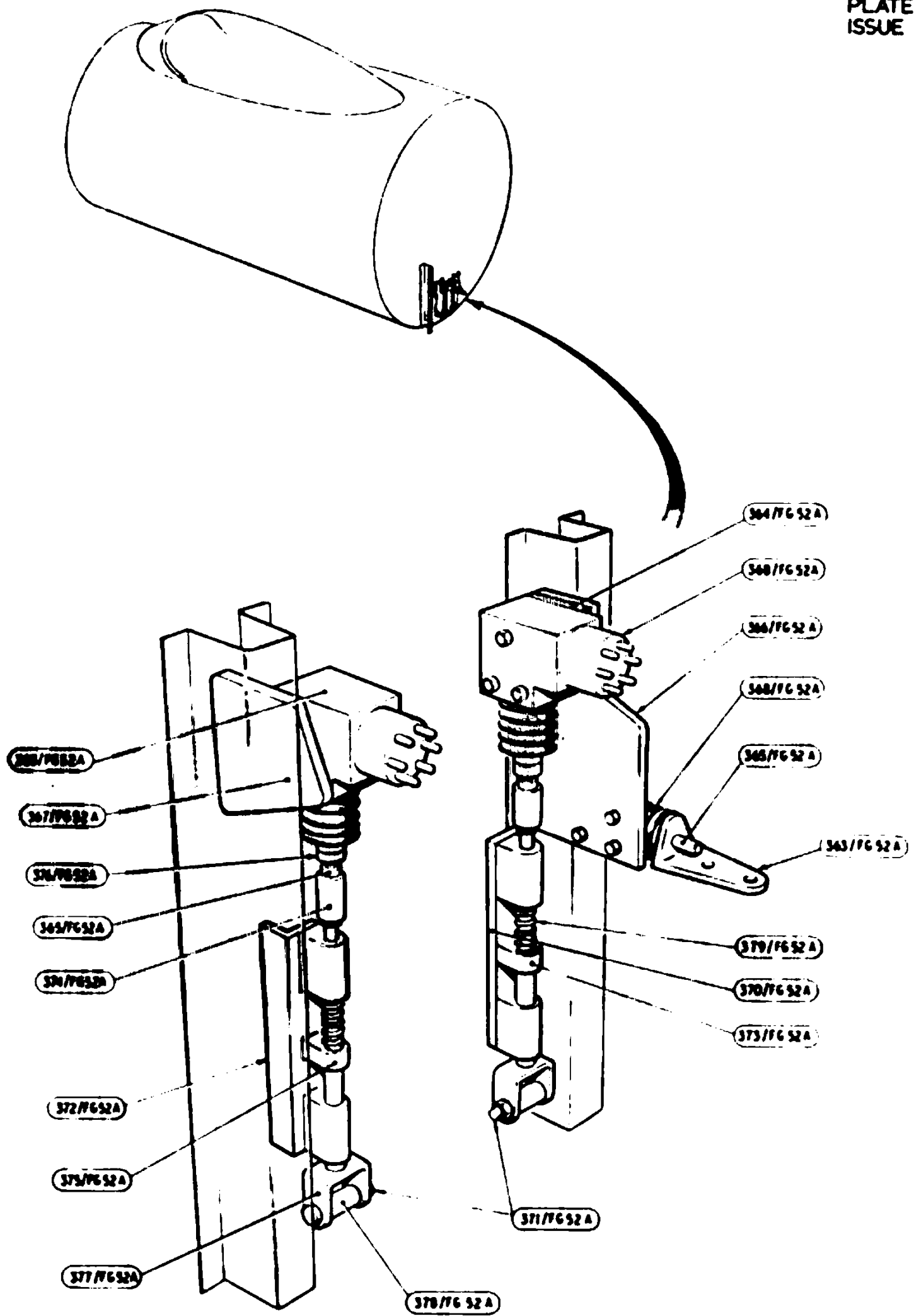


ELECTRICAL INSTALLATION
CREW'S NACELLE

(1)

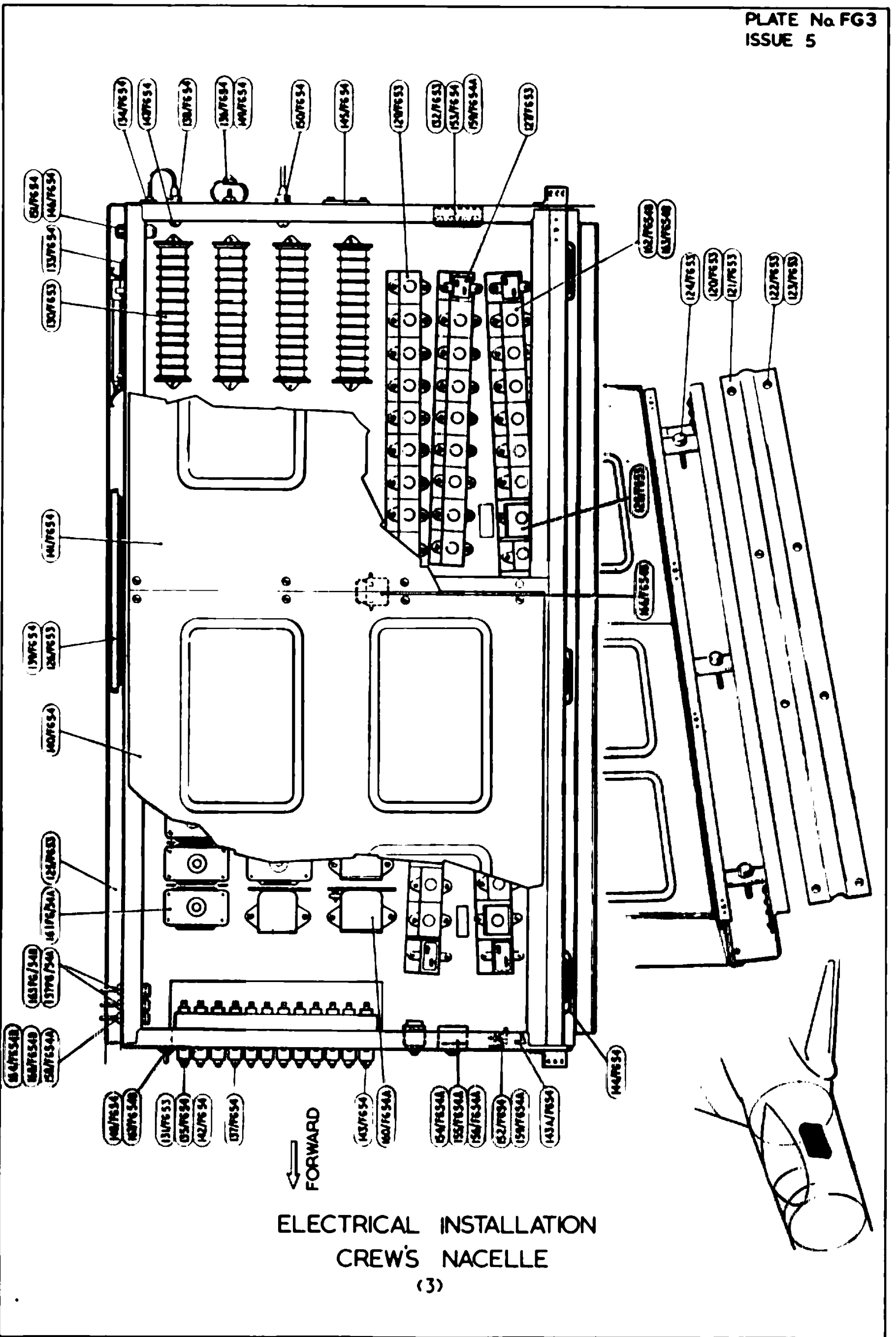
RESTRICTED

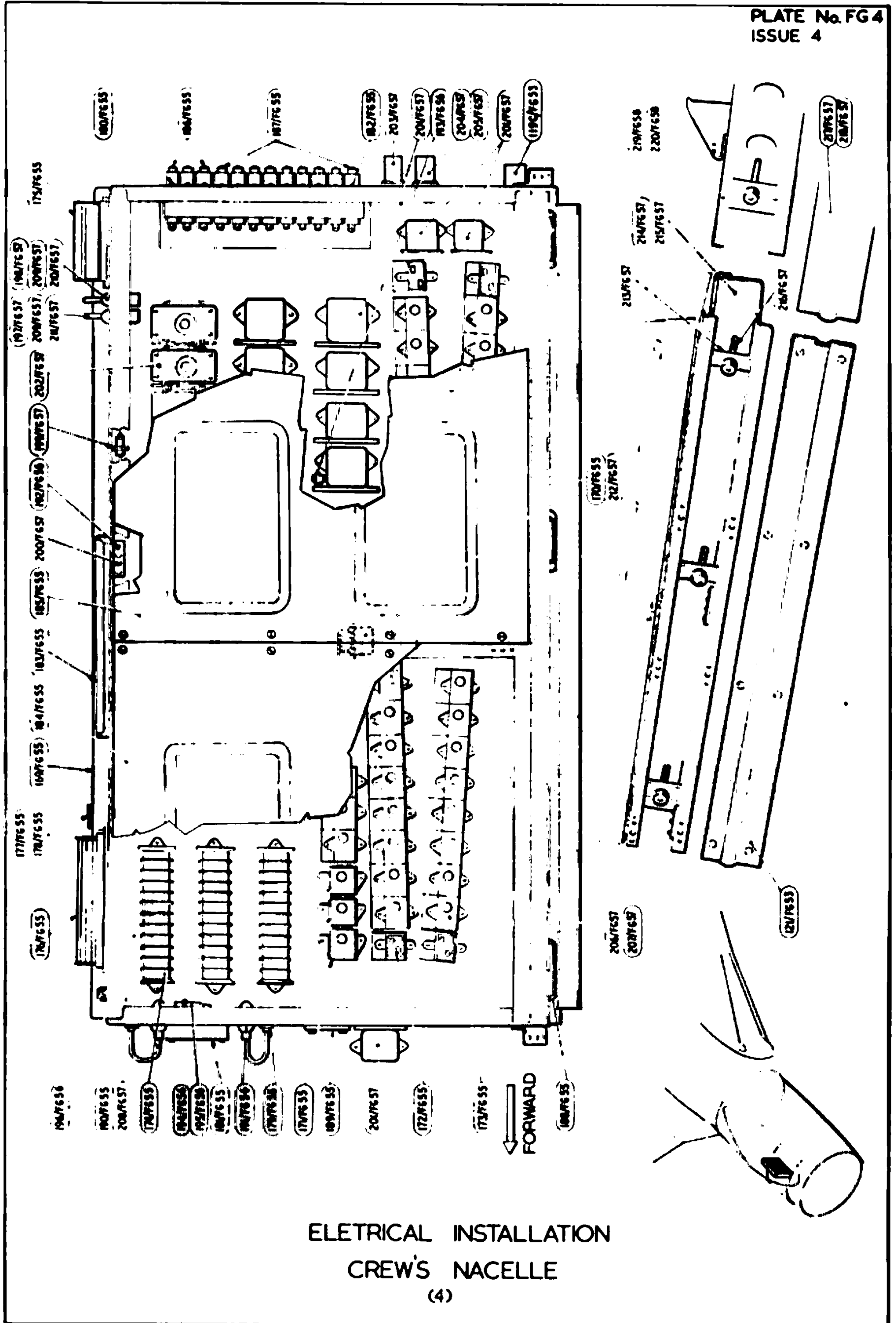
PLATE N° FG2A
ISSUE 1



ELECTRICAL INSTALLATION CREWS NACELLE

RESTRICTED



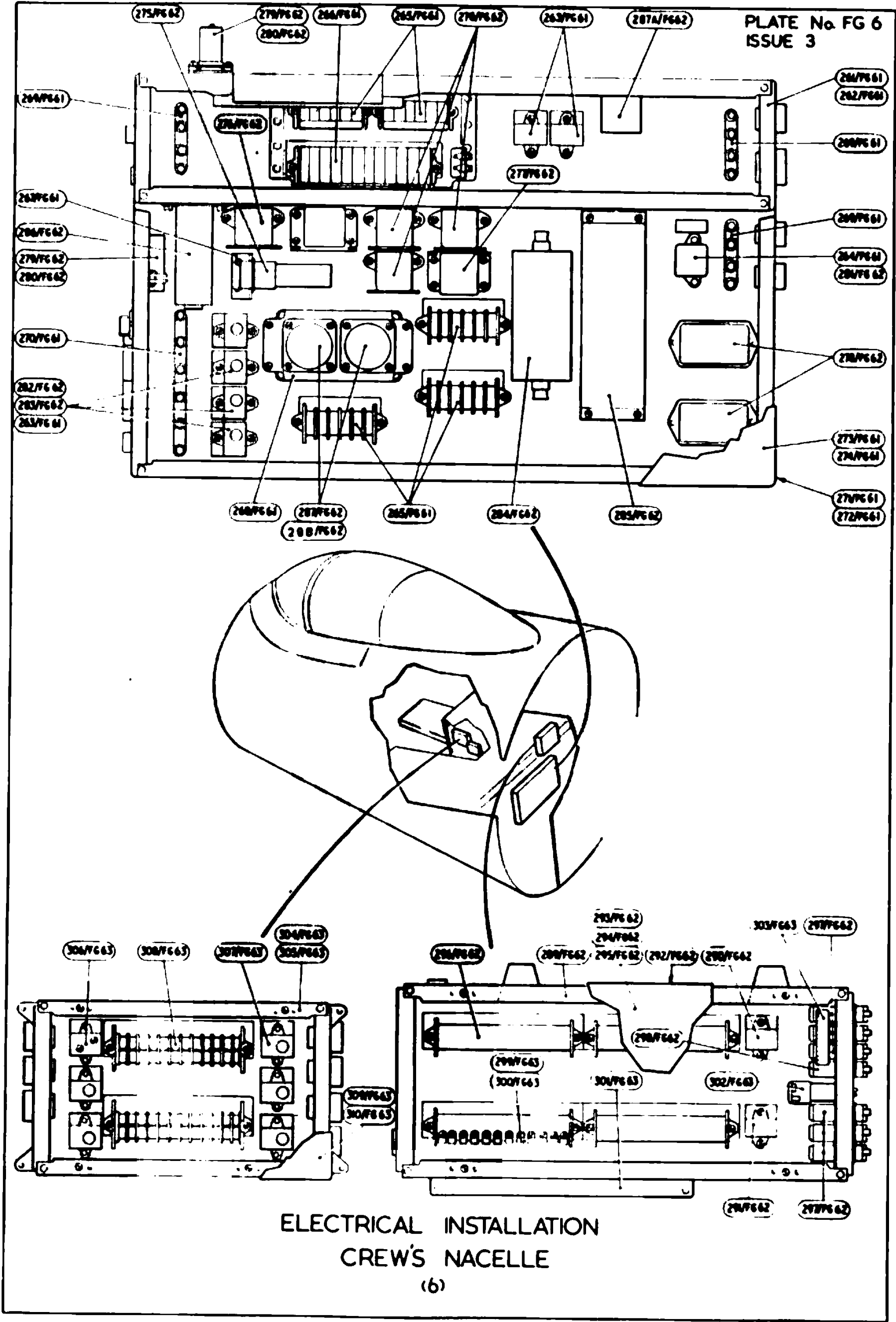


ELETRICAL INSTALLATION
CREW'S NACELLE

(4)

RESTRICTED

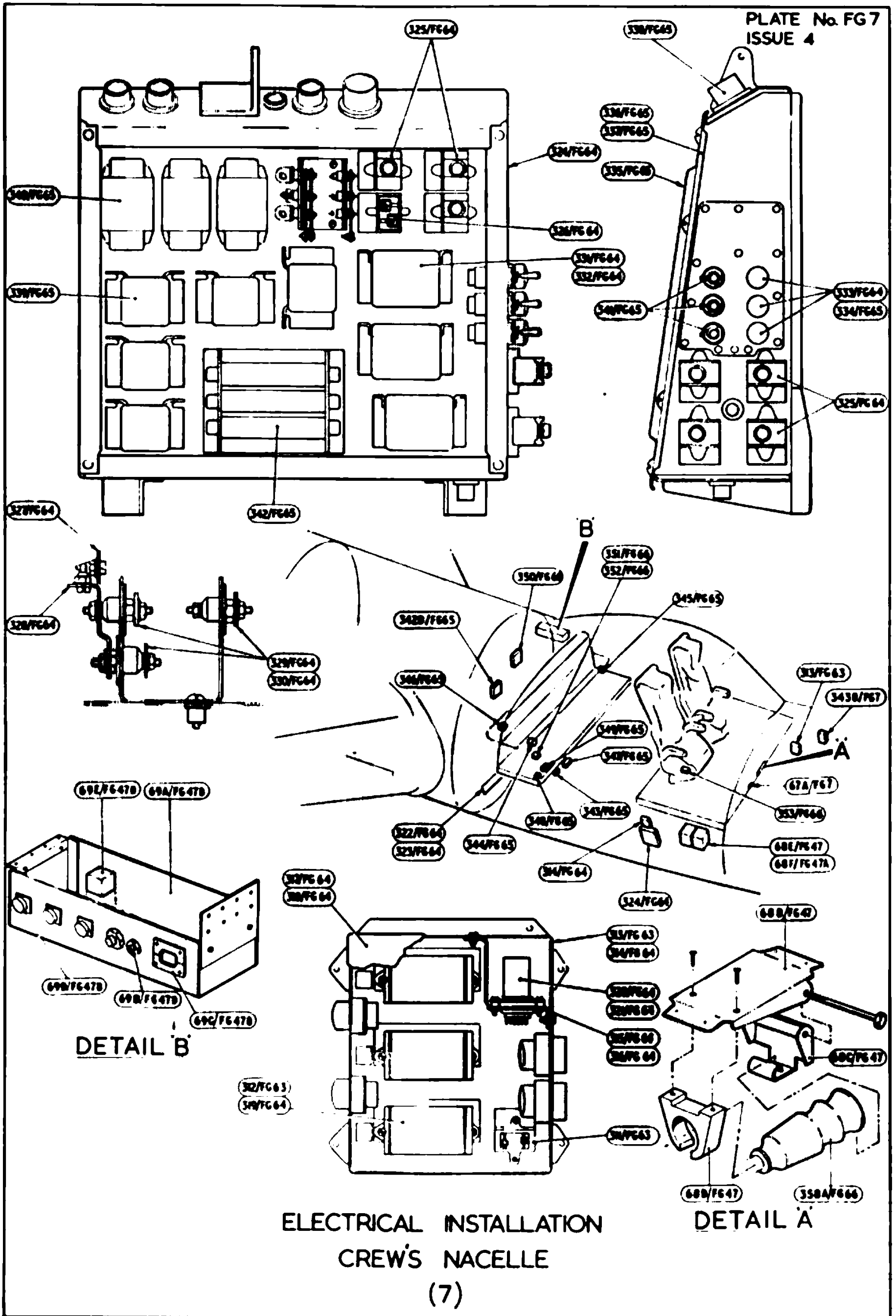
PLATE No. FG 6
ISSUE 3



ELECTRICAL INSTALLATION
CREW'S NACELLE

(6)

RESTRICTED



ELECTRICAL INSTALLATION
CREW'S NACELLE

VULCAN ML 2

ELECTRICAL INSTALLATION
IN ENGINE BAYS

Page FH. 1

Ref. No.	Part No.	Description	No. off	Matl Spec.	Cl. of St.	Plate and Illust'n No.
					M.R.	
		1 2 3 4				
5X/6200370	1V5650	ELECTRICAL INSTALLATION, No. 1 ENGINE BAY, E.C.U.B.O.L. 301 AND E.C.U. 200 INSTALLATION (1V9194) (Pre-Mod. 906) (1V10787) (Mod. 906) Spares for:— Block, terminal (Mod. 1320)	2	—	C	FH1/1
	—	BOX, TRANSFORMER, MERZ-PRICE, 22J (1V7863) Spares for:—	—	—	—	
22722	9V7453	BOX, TRANSFORMER, GROUP	1	—	A	FH1/2
1432832	7V7452	Spares for:— PILLAR, GROUP	6	—	C	FH1/3
		Consisting of:—				
	7aV7452	Stud	1	—		
	7bV7452	Base	1	—		
28P/9429654	SP28/E4	Pin, taper, 1/16" dia.	1	—		
	5V/7863	Bus-Bar	1	—		FH1/4
	6V/7863	Bus-Bar	3	—		FH1/5
	1V8133	LOOM, CABLE, GROUP (Pre-Mod. 712)	1	—		
	1V9936	LOOM, CABLE, GROUP (Mod. 712)	1	—		
	13V7862	Plate, packing	3	—		FH1/6
	ENGLISH ELEC.	Transformer, current (Pre-Mod. 712)	3	—	A	
SUB/4342773	—	Transformer, current (Mod. 712)	3	—	C	FH1/7
6116191	AS8671/27	Capping, 27" long (Pre-Mod. 906)	1	—	C	
6116189	AS8671/31	Capping, 31" long (Pre-Mod. 906)	1	—	C	
	AS8674/8	Capping, 8" long (Pre-Mod. 906)	1	—	C	
1510765	AS8674/16	Capping, 16" long (Pre-Mod. 906)	1	—		
	AS8674/19	Capping, 19" long	1	—		FH1/8
	AS8674/27	Capping, 27" long (Pre-Mod. 906)	1	—	MR	
1510721	AS4799	Clip, spring	3	—	MR	FH1/9
	AS4825	Clip, spring (9 off Pre-Mod. 906)	11	—		FH1/10
	1V5969	CONNECTOR, HEAVY DUTY, GROUP	1	—	MR	FH1/11
	K.L.G.					
	B4823	Connector, type BBH/1	2	—	MR	FH1/12
4697	29V5889	Cover, heavy duty connector	2	BSS972	C	FH1/13
7679	8SS4622	Duct, cable 8" long (Pre-Mod. 906)	1	—	C	
7684	16SS4622	Duct, cable, 16" long (Pre-Mod. 906)	1	—	C	
	19SS4622	Duct, cable, 19" long	1	—		FH1/14
7687	27SS4622	Duct, cable, 27" long (Pre-Mod. 906)	1	—	C	
	31SS4622	Duct, cable 31" long (Pre-Mod. 906)	1	—	MR	
	19SS4623	Duct, cable 19" long	1	—	MR	FH1/15
	27SS4623	Duct, cable 27" long (Pre-Mod. 906)	1	—	MR	
	K.L.G.					
	B606	Locknut, for connector	4	—	MR	FH1/16
5X/9472952	HC/302	Lug	5	—	C	
5X/9462745	HC/304	Lug	5	—	C	

ELECTRICAL INSTALLATION

IN ENGINE BAYS

Ref. No.	Part No.	Description 1 2 3 4	No. off	Matl. Spec.	Cl. of St.	Plate and Illust'n No.
					M.R.	
		ELECTRICAL INSTALLATION, No. 1 ENGINE BAY, E.C.U.B.O.L. 301 AND E.C.U. 200 INSTALLATION (1V9194) (Pre-Mod. 906) (1V10787) (Mod. 906) (Cont'd.)				
5K/6428047	—	Sleeve, insulating	2	—	C	
5K/9712745	—	Sleeve, insulating	7	—	C	
5X/4491488	15V5650	Socket, single (Mod. 1320)	7	—		
	34V10787	Stowage, earthing	1	—	C	FH1/17
5X/9709497	—	Splice, inline	3	—	C	
5X/9465014	—	Splice, inline	6	—	C	
	1SS4052	Terminal, earth	2	—	MR	FH1/18
	7V9194	Tube, conduit	2	L56		FH1/19
37A/4387755	NB253					
or	or					
37A/8387626	C10TS3	Unit, H.E. ignition	2	—	A	FH1/20
2995-99-						
4382371	NB6103	Unit, H.E. ignition (Mod. 1320)	1	—	A	FH1/21
37F/4382745	D15201	Unit, time delay (Mod. 1320)	1	—	A	FH1/22
	—	WIRING No. 1 ENGINE BAY	—	—	—	
		Spares for:—				
	2009V7909	CABLE, (F2009), IGNITION BREAK TO L.H.	1	—	MR	
		IGNITOR, GROUP				
	2010V7909	CABLE, (F2010), IGNITION BREAK TO R.H. ...	1	—	MR	
		IGNITER, GROUP				
	3504V7909	CABLE, (F3504), No. 1 H.E. UNIT TO	1	—	MR	
		IGNITOR BREAK, GROUP (Mod. 1320)				
	3505V7909	CABLE, (F3505), No. 1 H.E. UNIT TO	1	—	MR	
		TB.1668, GROUP (Mod. 1320)				
	3726V7909	CABLE, (F3726), INTER BULKHEAD TO	1	—		
		TB.1708, GROUP (Mod. 1615)				
17458	3731V7909	CABLE, (F3731), AIR SOL. VALVE TO	1	—	C	
		TB.1708, GROUP (Mod. 1615)				
	441V7909	CABLE, (F441), GROUP (Pre-Mod. 906)	1	—		
22718	8440V7909	CABLE, (F441), BULKHEAD 546 TO	1	—	C	
		ENGINE BREAK, GROUP				
	1435V7909	CABLE, (F1435), GROUP (Pre-Mod. 906)	1	—		
	8442V7909	CABLE, (F1435), No. 1 ALTERNATOR TO	1	—		
		EARTH, GROUP				
	7278V7909	CABLE, (F1437), GROUP (Pre-Mod. 906)	1	—		
	8443V7909	CABLE, (F1437) 22J TO EARTH, GROUP	1	—		
	480V7909	CABLE, (F480), GROUP (Pre-Mod. 906)	1	—	MR	
	8451V7909	CABLE, (F480), R.H. H.E. UNIT TO IGNITION ..	1	—	MR	
		BREAK, GROUP				
	1438V7909	CABLE, (F1438), GROUP (Pre-Mod. 906)	1	—		
17400	8452V7909	CABLE, (F1438), No. 1 ENGINE H.D.C. TO	1	—	C	
		No. 1 ALTERNATOR, GROUP				
	1436V7909	CABLE, (F1436), GROUP (Pre-Mod. 906)	1	—		
17401	8453V7909	CABLE, (F1436), 22J TO No. 1	1	—	C	
		ALTERNATOR, GROUP				

VULCAN No 2

ELECTRICAL INSTALLATION

ENGINE BAY

Ref. No.	Part No.	Description	No. off	Matl. Spec.	Cl. of St.	Plate and Illust'n No.
					M.R.	
		1 2 3 4				
12574	1434V7909	CABLE, (F1434), GROUP (Pre-Mod. 906)	1	—	C	
	8454V7909	CABLE, (F1434), PLUG 570 TO No. 1	1	—		
		ALTERNATOR, 22J, EXCITER AND C.S.D., GROUP				
	479V7909	CABLE, (F479), GROUP (Pre-Mod. 906)	1	—	MR	
	8455V7909	CABLE, (F479), IGNITION BREAK TO L.H. H.E. UNIT, GROUP	1	—		
	8768V7909	CABLE, (F2017), GROUP (Pre-Mod. 906)	1	—		
	8720V7909	CABLE, (F2017), BULKHEAD PLUG 742 TO INNER BULKHEAD, GROUP (Mod. 1284)	1	—		
	8554V7909	CABLE, (F638), GROUP (Pre-Mod. 906)	1	—		
	8448V7909	CABLE, (F638), GROUP (Mod. 1745)	1	—		
	9055V7909	CABLE, (F155), DETECTOR SWITCH 4R TO 5B, GROUP (Pre-Mod. 2045)	1	—		
	9718V7909	CABLE, (F155), GROUP (Mod. 2045)	1	—		
	9056V7909	CABLE, (F157), DETECTOR SWITCH 6R TO 7B, GROUP (Pre-Mod. 2054)	1	—		
	9714V7909	CABLE, (F157), GROUP (Mod. 2054)	1	—		
	9057V7909	CABLE, (F158), DETECTOR SWITCH TR TO 8B, GROUP (Pre-Mod. 2054)	1	—		
	9720V7909	CABLE, (F158), GROUP (Mod. 2054)	1	—		
	9058V7909	CABLE, (F159), AT DETECTOR SWITCH 4B, GROUP (Pre-Mod. 2054)	1	—		
	9721V7909	CABLE, (F159), GROUP (Mod. 2054)	1	—		
	9072V7909	CABLE, (F154), AT DETECTOR SWITCH 8R, GROUP (Pre-Mod. 2054)	1	—		
	9717V7909	CABLE, (F154), GROUP (Mod. 2054)	1	—		
	9073V7909	CABLE, (F156) AT DETECTOR SWITCHES 5R AND 6B, GROUP (Pre-Mod. 2054)	1	—		
9719V7909	CABLE, (F156), GROUP (Mod. 2054)	1	—			
1505135	9522V7909	CABLE, (F2017), GROUP	1	—		C
	3148V7909	CABLE, (F3148), GROUP (Pre-Mod. 906)	1	—		
1433180	9610V7909	CABLE, (F3148), GROUP (Mod. 1856)	1	—		C
	2017V9114	CABLE, (F2017), BULKHEAD 742 TO C.S.D.U. THERMOMETER, GROUP (Mod. 1284)	1	—		
	7177V9114	CABLE, (F1434), No. 1 ALTERNATOR AND C.S.D. TO FORWARD BREAK 570, GROUP	1	—	MR	

ELECTRICAL INSTALLATION

ENGINE BAY

Ref. No.	Part No.	Description	No. off	Mati. Spec.	Cl. of St.	Plate and Illust'n No.
					M.R.	
		1 2 3 4				
5X/6200370	1V5650	ELECTRICAL INSTALLATION No. 2 ENGINE BAY, E.C.U. B.O.L. 301 AND E.C.U. 200 INSTALLATION (2V9194) (Pre-Mod. 906) (2V10787) (Mod. 906) Spares for:— BLOCK, terminal (Mod. 1360)	2	—	C	FH1/23
22723	10V7453	BOX, TRANSFORMER, MERZ-PRICE 23J (2V7863) Spares for:— BOX, TRANSFORMER, GROUP	1	—	C	FH1/24
1432832	7V7452	Spares for:— PILLAR, GROUP	6	—	C	FH1/25
28P/9429654	7aV7452	Consisting of:— Stud	1	—	C	FH1/26 FH1/27
	7bV7452	Base	1	—		
	SP28/E4	Pin, taper, 1/16" dia.	1	—		
	5V/7863	Bus-Bar	1	—		
	6V/7863	Bus-Bar	3	—		
1505162	1V9926	LOOM, CABLE, GROUP (Pre-Mod. 712)	1	—	C	
5UB/4342773	13V7862	Plate, packing	3	—		FH1/28
5UB/4342773	—	Transformer, current (Pre-Mod. 712)	3	—	A	
1510761	—	Transformer, current (Mod. 712)	3	—	A	FH1/29
6116062	AS8674/10	Capping, 10" long (2 off Pre-Mod. 906)	3	—	C	FH1/30
	AS8674/11	Capping, 11" long (Pre-Mod. 906)	1	—		
	AS8674/12	Capping, 12" long (Pre-Mod. 906)	1	—		
	AS8674/22	Capping, 22" long	1	—		FH1/31
	AS8674/31	Capping, 31" long	1	—	C	
	8V8993	Clamp, half	4	—		FH1/32
	AS4799	Clip, spring (1 off Pre-Mod. 906)	4	—	MR	FH1/33
	AS4825	Clip, spring (7 off Pre-Mod. 906)	12	—	MR	FH1/34
	K.L.G.	Connector, type BBH/1	2	—	MR	FH1/35
	B4823	Duct, cable 10" long (2 off Pre-Mod. 906)	3	—	MR	FH1/36
7685	10SS4622	Duct, cable 19" long (Pre-Mod. 906)	1	—		
	19SS4622	Duct, cable 22" long	1	—	C	FH1/37
	29SS4622	Duct, cable, 29" long (Pre-Mod. 906)	1	—	MR	
7692	11SS4623	Duct, cable 11" long (Pre-Mod. 906)	1	—	C	
7691	12SS4623	Duct, cable 12" long (Pre-Mod. 906)	1	—	C	
	19SS4623	Duct, cable 19" long	1	—	MR	FH1/38
5X/9462952	29V10787	Fairlead	2	—		
5X/9462745	K.L.G.	Locknut, for connector	4	—	MR	FH1/39
5K/9459253	B606	Lug	5	—	C	
5K/9712745	HC/302	Lug	5	—	C	
5X/4491488	HC/304	Sleeve, insulating (Mod. 1284)	2	—	C	
5X/9709497	—	Sleeve, insulating	7	—	C	
5X/9465014	—	Socket, single (Mod. 1320)	7	—	C	
	15V5650	Splice, inline	3	—	C	
	—	Splice, inline	6	—	C	

VULCAN Mk 2

ELECTRICAL INSTALLATION

ENGINE BAYS

Ref. No.	Part No.	Description	No. off	Matl. Spec.	Cl. of St	Plate and Illust'n No
					M.R.	
		1 2 3 4				
37A/4387755 37A/4387626 2995-99- 4382371 37F/4382745	34V10787	ELECTRICAL INSTALLATION No. 2 ENGINE BAY, E.C.U. B.O.L. 301 AND E.C.U. 200				
	1SS4052	INSTALLATION (2V9194) (Pre-Mod. 906)				
	7V9194	(2V10787) (Mod. 906) (Cont'd.)				
	NB253 or	Stowage, earthing	2	—	MR	FH1/40
	C10TS3	Terminal, earth	2	—	MR	FH1/41
		Tube, conduit	2	L56		FH1/42
		Unit, H.E. ignition	2	—	A	FH1/43
	NB6103	Unit, H.E. ignition (Mod. 1320)	1	—	A	FH1/44
	D15201	Unit, time delay (Mod. 1320)	1	—	A	FH1/45
		WIRING, No. 2 ENGINE BAY	—	—	—	
	Spares for:—					
	861V7909	CABLE, (F861), PORT ROCKET RELEASE UNIT TO BOMB BAY, GROUP	1	—		
	826V7909	CABLE, (F862), PORT COCKING TEST PLUG TO BOMB BAY, GROUP	1	—		
	1433V7909	CABLE, (F1433), FIREWALL BREAK 571 TO FIREWALL BREAK 570, GROUP	1	—	MR	
17574	1439V7909	CABLE, (F1439), FIREWALL BREAK TO ALTERNATOR, GROUP	1	—	C	
17575	1440V7909	CABLE, (F1440), FIREWALL BREAK TO ALTERNATOR, GROUP	1	—	C	
	2011V7909	CABLE, (F2011), IGNITION BREAK TO No. 2 L.H. IGNITOR, GROUP	1	—	MR	
	2012V7909	CABLE, (F2012), IGNITION BREAK TO No. 2 R.H. IGNITOR, GROUP	1	—	MR	
	3506V7909	CABLE, (F3506), IGNITION BREAK TO No. 2 H.E. UNIT, GROUP (Mod. 1320)	1	—	MR	
22716	3507V7909	CABLE, (F3507), No. 2 H.E. UNIT TO TB.1669, GROUP (Mod. 1320)	1	—	C	
	3727V7909	CABLE, (F3727), INTER BULKHEAD TO TB.1709, GROUP (Mod. 1615)	1	—		
17424	3732V7909	CABLE, (F3732), AIR. SOL. VALVE TO TB.1709, GROUP (Mod. 1615)	1	—	C	
	7808V7909	CABLE, (F860), PORT SNATCH PLUG TO TB.'s 456, 457 AND 458, GROUP	1	—		
	8548V7909	CABLE, (F853), GROUP (Pre-Mod. 906)	1	—		
	8445V7909	CABLE, (F853), GROUP	1	—		
	442V7909	CABLE, (F442), GROUP (Pre-Mod. 906)	1	—		
22719	8446V7909	CABLE, (F442), BULKHEAD PLUG 547 TO ENGINE BREAK, GROUP	1	—	C	
	1466V7909	CABLE, (F1466), GROUP (Pre-Mod. 906)	1	—		
	8447V7909	CABLE, (F1466), 23P TO EARTH, GROUP	1	—		
	1464V7909	CABLE, (F1464), GROUP (Pre-Mod. 906)	1	—		
	8449V7909	CABLE, (F1464), No. 2 ALTERNATOR TO EARTH, GROUP	1	—		
	985V7909	CABLE, (F985), GROUP (Pre-Mod. 906)	1	—		
	8450V7909	CABLE, (F985), ENGINE PLUG 739 TO ENGINE BREAK, GROUP	1	—		
1510705	482V7909	CABLE, (F482), GROUP (Pre-Mod. 906)	1	—	C	
1505098	8456V7909	CABLE, (F482), IGNITION BREAK TO No. 2 R.H. H.E. UNIT, GROUP	1	—	C	

ELECTRICAL INSTALLATION

ENGINE BAYS

Ref. No.	Part No.	Description	No. off	Matl. Spec.	Cl. of St.	Plate and Illust'n No.
					M.R	
		1 2 3 4				
1510327	7334V7909	CABLE, (F1463), GROUP (Pre-Mod. 906)	1	—	C	
	8457V7909	CABLE, (F1463), ENGINE PLUG 572 TO 23J C.S.D. AND ALTERNATOR, GROUP	1	—		
	1467V7909	CABLE, (F1467), GROUP (Pre-Mod. 906)	1	—	MR	
	8458V7909	CABLE, (F1467), No. 2 H.D.C. TO No. 2 ALTERNATOR, GROUP	1	—		
	1465V7909	CABLE, (F1465), GROUP (Pre-Mod. 906)	1	—		
	8459V7909	CABLE, (F1465), 23J TO No. 2 ALTERNATOR, GROUP	1	—		
	481V7909	CABLE, (F481), GROUP (Pre-Mod. 906)	1	—		
	8460V7909	CABLE, (F481), IGNITION BREAK TO No. 2 L.H. H.E. UNIT, GROUP	1	—		
	8769V7909	CABLE, (F2018), GROUP (Pre-Mod. 906)	1	—		
	8703V7909	CABLE, (F2018), BULKHEAD PLUG 743 TO INTER BULKHEAD, GROUP (Mod. 1284)	1	—		
	9059V7909	CABLE, (F166), DETECTOR SWITCH 4R TO 5B, GROUP (Pre-Mod. 2054)	1	—		
	9723V7909	CABLE, (F166), GROUP (Mod. 2054)	1	—		
	9060V7909	CABLE, (F168), DETECTOR SWITCH 6R TO 7B, GROUP (Pre-Mod. 2054)	1	—		
	9725V7909	CABLE, (F168), GROUP (Mod. 2054)	1	—		
	9061V7909	CABLE, (F169), DETECTOR SWITCH 7R TO 8B, GROUP (Pre-Mod. 2054)	1	—		
	9726V7909	CABLE, (F169), GROUP (Mod. 2054)	1	—		
	9074V7909	CABLE, (F165) AT DETECTOR SWITCH 8R, GROUP (Pre-Mod. 2054)	1	—		
	9722V7909	CABLE, (F165), GROUP (Mod. 2054)	1	—		
	9078V7909	CABLE, (F167), DETECTOR SWITCHES 5R, TO 8B, GROUP (Pre-Mod. 2054)	1	—		
	9724V7909	CABLE, (F167), GROUP (Mod. 2054)	1	—		
	9062V7909	CABLE, (F170), AT DETECTOR SWITCH 4B, GROUP (Pre-Mod. 2054)	1	—		
	9727V7909	CABLE, (F170), GROUP (Mod. 2054)	1	—		
	9223V7909	CABLE, (F2018), GROUP (Pre-Mod. 906)	1	—	MR	
9523V7909	CABLE, (F2018), GROUP	1	—			
3149V7909	CABLE, (F3149), GROUP (Pre-Mod. 906)	1	—			
9612V7909	CABLE, (F3149), GROUP (Mod. 1856)	1	—	MR		
2018V9114	CABLE, (F2018), BULKHEAD PLUG 743 TO C.S.U. THERMOMETER, GROUP (Mod. 1284)	1	—			
7178V9114	CABLE, (F1463), No. 2 ALTERNATOR AND C.S.D. TO FIREWALL PLUG 572, GROUP	1	—	MR		

ELECTRICAL INSTALLATION
ENGINE BAYS

Ref. No.	Part No.	Description	No. off	Matl. Spec.	Cl. of St.	Plate and Illust'n No.
					M.R.	
		1 2 3 4				
5X/6200370	1V5650	ELECTRICAL INSTALLATION No. 3 ENGINE BAY, E.C.U.B.O.L. 301 AND E.C.U. 200 INSTALLATION (3V9194) (Pre-Mod. 906) (3V10787) (Mod. 906) Spares for:— Block, terminal (Mod. 1320)	2	—	C	FH2/46
		BOX, TRANSFORMER, MERZ-PRICE, 24J	—	—		
	11V7453	Spares for:— BOX, TRANSFORMER, GROUP	1	—	MR	FH2/47
1432832	7V7452	Spares for:— PILLAR, GROUP	6	—	C	FH2/48
		Consisting of:—				
	7aV7452	Stud	1	—		
	7bV7452	Base	1	—		
28P/9429654	SP28/E4	Pin, taper, 1/16" dia.	1	—	C	
	5V7863	Bus-Bar (Make from 30B/961877)	1	—	LM	FH2/49
	6V7863	Bus-Bar (Make from 30B/961877)	3	—	LM	FH2/50
	1V8133	LOOM, CABLE, GROUP (Pre-Mod. 712)	1	—		
1505162	1V9936	LOOM, CABLE, GROUP (Mod. 712)	1	—	C	
	13V7862	Plate, packing	3	—		FH2/51
	ENGLISH ELEC.	Transformer, current (Mod. 712)	3	—	B	FH2/52
5UB/4342773	—	Capping, 27" long (Pre-Mod. 906)	1	—	C	
6116191	AS8671/27	Capping, 13" long (Pre-Mod. 906)	1	—		
	AS8674/13	Capping, 16" long (Pre-Mod. 906)	1	—	C	
1510765	AS8674/16	Capping, 19" long (Pre-Mod. 906)	1	—		
	AS8674/19	Capping, 19" long	1	—	C	FH2/53
	AS8674/26	Capping, 26" long (Pre-Mod. 906)	1	—		
	AS8674/27	Capping, 27" long (Pre-Mod. 906)	1	—		
	8V8993	Clamp, half	4	—		
	AS4799	Clip, spring	3	—	MR	FH2/54
	AS4825	Clip, spring (9 off Pre-Mod. 906)	11	—	MR	FH2/55
	K.L.G.	Connector, type BBH/1	2	—	MR	FH2/56
	84823	Duct, cable, 13" long (Pre-Mod. 906)	1	—		
7684	13SS4622	Duct, cable, 16" long (Pre-Mod. 906)	1	—	C	
	16SS4622	Duct, cable, 19" long	1	—		
7686	19SS4622	Duct, cable, 19" long	1	—	C	FH2/57
	26SS4622	Duct, cable, 26" long (Pre-Mod. 906)	1	—	C	
7687	27SS4622	Duct, cable, 27" long (Pre-Mod. 906)	1	—	C	
	19SS4623	Duct, cable, 19" long	1	—	MR	FH2/58
	27SS4623	Duct, cable, 27" long (Pre Mod. 906)	1	—	MR	
	12V8993	Fairlead	4	—		
	K.L.G.	Locknut, for connector	4	—	MR	FH2/59
5X/9462952	B606	Lug	5	—	C	
5X/9462745	HC/302	Lug	5	—	C	
5K/9712745	HC/304	Sleeve, insulating	7	—	C	
5K/6428047	—	Sleeve, insulating	2	—	C	

VULCAN Mk 2		ELECTRICAL INSTALLATION					Cl. of St.	Plate and Illust'n No.
Page FH. 8		ENGINE BAYS						
Ref. No.	Part No.	Description	No. off	Matl. Spec.	Cl. of St.			
					M.R.			
		1 2 3 4						
5X/4491488 5X/9709497 5X/9465014	15V5650	ELECTRICAL INSTALLATION No. 3 ENGINE BAY, E.C.U. B.O.L.301 AND E.C.U.200 INSTALLATION (3V9194) (Pre-Mod. 906) (3V10787) (Mod. 906) (Cont'd.) Socket, single (Mod. 1320)	7	—	C	FH2/60		
	—	Splice, inline	3	—	C			
	—	Splice, inline	6	—	C			
	34V10787	Stowage, earthing	2	—	MR	FH2/61		
	1SS4052	Terminal, earth	2	—	MR	FH2/62		
	7V9194	Tube, conduit	2	L56		FH2/63		
	37A/4387755	NB253	Unit, H.E. ignition	2	—	A	FH2/64	
	37A/4387626	C10TS3	Unit, H.E. ignition (Mod. 1320)	1	—	A	FH2/65	
	2995-99-	NB6103	Unit, time delay (Mod. 1320)	1	—	A	FH2/66	
	4382371	D15201	WIRING, No. 3 ENGINE BAY	—	—			
	37F/4382745		Spares for:—					
	12907	864V7909	CABLE, (F864), ROCKET RELEASE UNIT	1	—			
865V7909		TO BOMB BAY, GROUP						
865V7909		CABLE, (F865), COCKING TEST PLUG,	1	—				
1358V7909		STARBOARD TO BOMB BAY, GROUP						
1358V7909		CABLE, (F1358), No. 4 CON. TO FIREWALL ...	1	—				
1359V7909		BULKHEAD, GROUP						
1359V7909		CABLE, (F1359), No. 4 CON. TO FIREWALL ...	1	—				
1359V7909		BULKHEAD, GROUP						
2013V7909		CABLE, (F2013), IGNITION, BREAK, LH,	1	—	MR			
2013V7909		IGNITOR, GROUP						
2014V7909		CABLE, (F2014), IGNITION BREAK TO RH,	1	—	MR			
2014V7909		IGNITOR, GROUP						
3508V7909	CABLE, (F3508), IGNITION BREAK TO	1	—	MR				
3508V7909	No. 3 H.E. UNIT, GROUP (Mod. 1320)							
3509V7909	CABLE, (F3509), No. 3 H.E. UNIT TO	1	—	C				
3509V7909	TB.1670, GROUP (Mod. 1320)							
3728V7909	CABLE, (F3728), INTER BULKHEAD TO	1	—					
3728V7909	TB.1710, GROUP (Mod. 1615)							
3733V7909	CABLE, (F3733), AIR SOL. VALVE TO	1	—					
3733V7909	TB.1710, GROUP (Mod. 1615)							
7489V7909	CABLE, (F1351), PLUG 573 TO PLUG 575,	1	—					
7489V7909	GROUP							
7809V7909	CABLE, (F863), SNATCH PLUG,	1	—					
7809V7909	STARBOARD TO TB's 725, 726							
7809V7909	AND 727, GROUP							
504V7909	CABLE, (F504), GROUP (Pre-Mod. 906)	1	—	MR				
8462V7909	CABLE, (F504), IGNITION BREAK TO No.	1	—	MR				
8462V7909	3 RH, H.E. UNIT, GROUP							
1387V7909	CABLE, (F1387), GROUP (Pre-Mod. 906)	1	—					
8436V7909	CABLE, (F1387), H.D. BREAK TO No. 3	1	—					
8436V7909	ALTERNATOR, GROUP							
7333V7909	CABLE, (F1382), GROUP (Pre-Mod. 906)	1	—					
1433494	8464V7909	CABLE, (F1382), ENGINE PLUG 576 TO 24J ...	1	—	C			
1433494	8464V7909	C.S.D. AND No. 3 ALTERNATOR, GROUP						

VULCAN No 2

ELECTRICAL INSTALLATION
ENGINE BAYS

Page FH. 9

Ref. No.	Part No.	Description	No. off	Matl. Spec.	Cl. of St.	Plate and Illust'n No
					M.R.	
		1 2 3 4				
	1384V7909	CABLE, (F1384), GROUP (Pre-Mod. 906)	1	—		
	8465V7909	CABLE, (F1384), 24J TO No. 3 ALTERNATOR, GROUP	1	—		
	1385V7909	CABLE, (F1385), GROUP (Pre-Mod. 906)	1	—		
	8466V7909	CABLE, (F1385), 24J TO EARTH, GROUP	1	—		
	1383V7909	CABLE, (F1383), GROUP (Pre-Mod. 906)	1	—		
	8467V7909	CABLE, (F1383), No. 3 ALTERNATOR TO EARTH, GROUP	1	—		
12757	503V7909	CABLE, (F503), GROUP (Pre-Mod. 906)	1	—	C	
	8468V7909	CABLE, (F503), IGNITION BREAK TO L.H. H.E. UNIT, GROUP	1	—	MR	
12791	8550V7909	CABLE, (F652), GROUP (Pre-Mod. 906)	1	—	C	
	8469V7909	CABLE, (F652), GROUP (Mod. 1745)	1	—		
	443V7909	CABLE, (F443), GROUP (Pre-Mod. 906)	1	—		
22720	8470V7909	CABLE, (F443), BULKHEAD PLUG 548 TO ENGINE BREAK, GROUP	1	—	C	
12792	986V7909	CABLE, (F986), GROUP (Pre-Mod. 906)	1	—	C	
	8486V7909	CABLE, (F986), ENGINE PLUG 740 TO ENGINE BREAK, GROUP	1	—		
	2019V7909	CABLE, (F2019), GROUP (Pre-Mod. 906)	1	—		
1510320	8704V7909	CABLE, (F2019), BULKHEAD PLUG 744 TO INTER BULKHEAD, GROUP (Mod. 1284)	1	—	C	
	9063V7909	CABLE, (F177), DETECTOR SWITCHES 4R TO 5B, GROUP (Pre-Mod. 2054)	1	—		
	9729V7909	CABLE, (F177), GROUP (Mod. 2054)	1	—		
	9064V7909	CABLE, (F179), DETECTOR SWITCHES, R TO 7B, GROUP (Pre-Mod. 2054)	1	—		
	9731V7909	CABLE, (F1179), GROUP (Mod. 2054)	1	—		
	9065V7909	CABLE, (F180), DETECTOR SWITCHES 7R TO 8B, GROUP (Pre-Mod. 2054)	1	—		
	9732V7909	CABLE, (F180), GROUP (Mod. 2054)	1	—		
	9066V7909	CABLE, (F181), AT DETECTOR SWITCH, 4B, GROUP (Pre-Mod. 2054)	1	—		
	9733V7909	CABLE, (F181), GROUP (Mod. 2054)	1	—		
	9075V7909	CABLE, (F176), AT DETECTOR SWITCH, 8R, GROUP (Pre-Mod. 2054)	1	—		
	9728V7909	CABLE, (F176), GROUP (Mod. 2054)	1	—		

ELECTRICAL INSTALLATION
ENGINE BAYS

Ref. No.	Part No.	Description 1 2 3 4	No. off	Matl. Spec.	Cl. of St.	Plate and Illust'n No.
					M.R.	
1505208	9077V7909	CABLE, (F178), DETECTOR SWITCHES 5R TO 6B, GROUP (Pre-Mod. 2054)	1	—	MR	
	9730V7909	CABLE, (F178), GROUP (Mod. 2954)	1	—	C	
	9524V7909	CABLE, (F2019), GROUP	1	—		
	3150V7909	CABLE, (F3150), GROUP (Pre-Mod. 906)	1	—		
	9614V7909	CABLE, (F3150), GROUP (Mod. 1856)	1	—		
	2019V9114	CABLE, (F2019), BULKHEAD PLUG 744 TO C.S.D.U. THERMOMETER, GROUP (Mod. 1284)	1	—	MR	
13772	7180V9114	CABLE, (F1382), No. 3 ALTERNATOR AND C.S.D. TO FIREWALL BREAK, GROUP.	1	—	C	
5X/6200370	1V5650	ELECTRICAL INSTALLATION NO. 4 ENGINE BAY E.C.U. B.O.L.301 AND E.C.U. 200 INSTALLATION, (4V9194) (Pre-Mod. 906) (4V10787) (Mod. 906) Spares for:—	—	—		
		Block, terminal (Mod. 1320)	2	—	C	FH2/67
1432832	2V10723	BOX TRANSFORMER, MERZ-PRICE 25J (4V7863) (Pre-Mod. 906) (1V10723) (Mod. 906) Spares for:—	—	—		
	7V7452	BOX, TRANSFORMER, GROUP	1	—		FH2/68
28P/9429654	SP28/E4	PILLAR, GROUP	6	—	C	FH2/69
		Consisting of:— Stud	1	—		
5UB/4342772	7aV7452	Base	1	—		
	7bV7452	Pin, taper, 1/16" dia.	1	—	C	
	5V7863	Bus-Bar	1	—		FH2/70
	6V7863	Bus-Bar	3	—		FH2/71
	1V9936	LOOM, CABLE, GROUP	1	—		
	13V7862	Plate, packing	3	—		FH2/72
	ENGLISH ELEC.	Transformer, current	3	—	A	FH2/73
	AS8671/19	Capping, 19" long	1	—		FH2/74
	AS8674/11	Capping, 11" long (Pre-Mod. 906)	1	—		
	AS8674/25	Capping, 25" long (Pre-Mod. 906)	1	—		
AS8674/44	Capping, 44" long (Pre-Mod. 906)	1	—			
4697	AS4825	Clip, spring (Pre-Mod. 906)	10	—	MR	
	AS4799	Clip, spring	3	—	MR	
	1V5969	CONNECTOR, HEAVY DUTY, GROUP	1	—	MR	FH2/75
	K.L.G.	Connector, type BBH/1	2	—	MR	FH2/76
	B4823	Cover, heavy duty connector	2	BS972	C	FH2/77
	29V5889					

VULCAN Mk 2

ELECTRICAL INSTALLATION

Page FH. 11

ENGINE BAYS

Ref. No.	Part No.	Description	No. off	Matl. Spec.	Cl. of St.	Plate and Illust'n No.
					M.R.	
		1 2 3 4				
		ELECTRICAL INSTALLATION No. 4 ENGINE BAY, E.C.U. B.O.L.301 AND E.C.U.200 INSTALLATION (4V9194) (Pre-Mod. 906) (4V10787) (Mod. 906) (Cont'd.)				
7681	11SS4622	Duct, cable 11" long (Pre-Mod. 906)	1	—	C	
7682	13SS4622	Duct, cable 13" long (Pre-Mod. 906)	1	—	C	
	25SS4622	Duct, cable 25" long (Pre-Mod. 906)	1	—		
22713	44SS4622	Duct, cable 44" long (Pre-Mod. 906)	1	—	C	
	19SS4623	Duct, cable 19" long	1	—	MR	FH2/78
	K.L.G. B606	Locknut, for connector	4	—	MR	FH2/79
5X/9462952	HC/302	Lug (Mod. 1469)	5	—	C	
5X/9462745	HC/304	Lug (Mod. 1469)	5	—	C	
5K/6428047	—	Sleeve, insulating	7	—	C	
5K/9712745	—	Sleeve, insulating	7	—	C	
5X/4491488	15V5650	Socket, connector (Mod. 1320)	7	—	C	FH2/80
5X/9709497	—	Splice, inline	3	—	C	
5X/9465014	—	Splice, inline	6	—	C	
	34V10787	Stowage, earthing	1	—	MR	FH2/81
	1SS4052	Terminal, earth	2	—	MR	FH2/82
	7V9194	Tube, conduit	2	L56		FH2/83
37A/4387755	NB253 or	Unit, H.E. ignition	2	—	A	FH2/84
37A/4387626	C10TS3					
2995-99-						
4382371	NB6103	Unit, H.E. ignition (Mod. 1320)	1	—	A	FH2/85
37F/4382745	D15201	Unit, time delay (Mod. 1320)	1	—	A	FH2/86
		WIRING No. 4 ENGINE BAY	—	—		
		Spares for:—				
	2015V7909	CABLE, (F2015), IGNITION BREAK TO L.H. IGNITOR, GROUP	1	—	MR	
	2016V7909	CABLE, (F2016), IGNITION BREAK TO R.H. IGNITOR, GROUP	1	—	MR	
	3510V7909	CABLE, (F3510), IGNITION BREAK TO No. 4 .. H.E. UNIT, GROUP (Mod. 1320)	1	—	MR	
	3511V7909	CABLE, (F3511), No. 4 H.E. UNIT TO	1	—	MR	
	3729V7909	TB.1671, GROUP (Mod. 1320)				
	3729V7909	CABLE, (F3729), INTER BULKHEAD TO	1	—		
		TB.1711, GROUP				
	3734V7909	CABLE, (F3734), AIR SOL. VALVE TO	1	—	MR	
		TB.1711, GROUP (Mod. 1615)				
	7318V7909	CABLE, (F502), GROUP (Pre-Mod. 906)	1	—	MR	
	8488V7909	CABLE, (F502), IGNITION BREAK TO No. 4 ... H.E. UNIT, GROUP	1	—	MR	
13588	1357V7909	CABLE, (F1357), GROUP (Pre-Mod. 906)	1	—	C	
	8489V7909	CABLE, (F1357), No. 4 ALTERNATOR TO	1	—	MR	
		ENGINE H.D.C, GROUP				

ELECTRICAL INSTALLATION
ENGINE BAYS

Ref. No.	Part No.	Description	No. off	Matl. Spec.	Cl. of St.	Plate and Illust'n No.
					M.R.	
		1 2 3 4				
13897	1354V7909	CABLE, (F1354), GROUP (Pre-Mod. 906)	1	—		
	8490V7909	CABLE, (F1354), No. 4 ALTERNATOR TO 25J, GROUP	1	—	MR	
	1352V7909	CABLE, (F1352), GROUP (Pre-Mod. 906)	1	—	MR	
	8491V7909	CABLE, (F1352), PLUG 575 TO 25J C.S.D. AND ALTERNATOR, GROUP	1	—	C	
1510706	1355V7909	CABLE, (F1355), GROUP (Pre-Mod. 906)	1	—		
	8492V7909	CABLE, (F1355), 25J TO EARTH, GROUP	1	—		
	1353V7909	CABLE, (F1353), GROUP (Pre-Mod. 906)	1	—		
	8493V7909	CABLE, (F1353), No. 4 ALTERNATOR TO EARTH, GROUP	1	—		
	7317V7909	CABLE, (F501), GROUP (Pre-Mod. 906)	1	—	C	
	8494V7909	CABLE, (F501), IGNITION BREAK TO No. 4 L.H. H.E. UNIT, GROUP	1	—	MR	
	444V7909	CABLE, (F444), GROUP (Pre-Mod. 906)	1	—		
	8496V7909	CABLE, (F444), BULKHEAD PLUG 549 TO ENGINE BREAK, GROUP	1	—	MR	
	8771V7909	CABLE, (F2020), GROUP (Pre-Mod. 906)	1	—		
	8701V7909	CABLE, (F2020), BULKHEAD PLUG 745 TO INTER BULKHEAD, GROUP (Mod. 1284)	1	—		
	8495V7909	CABLE, (F639), BULKHEAD PLUG 257 TO ENGINE BREAK AND INTER BULKHEAD, GROUP (Mod. 1745)	1	—		
	3151V7909	CABLE, (F3151), GROUP (Pre-Mod. 906)	1	—		
	9016V7909	CABLE, (F3151), GROUP (Mod. 1856)	1	—		
	9067V7909	CABLE, (F188), DETECTOR SWITCHES 5R TO 6B, GROUP (Pre-Mod. 2054)	1	—		
9735V7909	CABLE, (F188), GROUP (Mod. 2054)	1	—			
9068V7909	CABLE, (F190), DETECTOR SWITCHES 6R TO 7B, GROUP (Pre-Mod. 2054)	1	—			
9737V7909	CABLE, (F190), GROUP (Mod. 2054)	1	—			
9069V7909	CABLE, (F191), DETECTOR SWITCHES 7R TO 8B, GROUP (Pre-Mod. 2054)	1	—			
9738V7909	CABLE, (F191), GROUP (Mod. 2054)	1	—			
9070V7909	CABLE, (F192), AT DETECTOR SWITCH 4B, GROUP (Pre-Mod. 2054)	1	—			
9739V7909	CABLE, (F192), GROUP (Mod. 2054)	1	—			

ELECTRICAL INSTALLATION
ENGINE BAYS

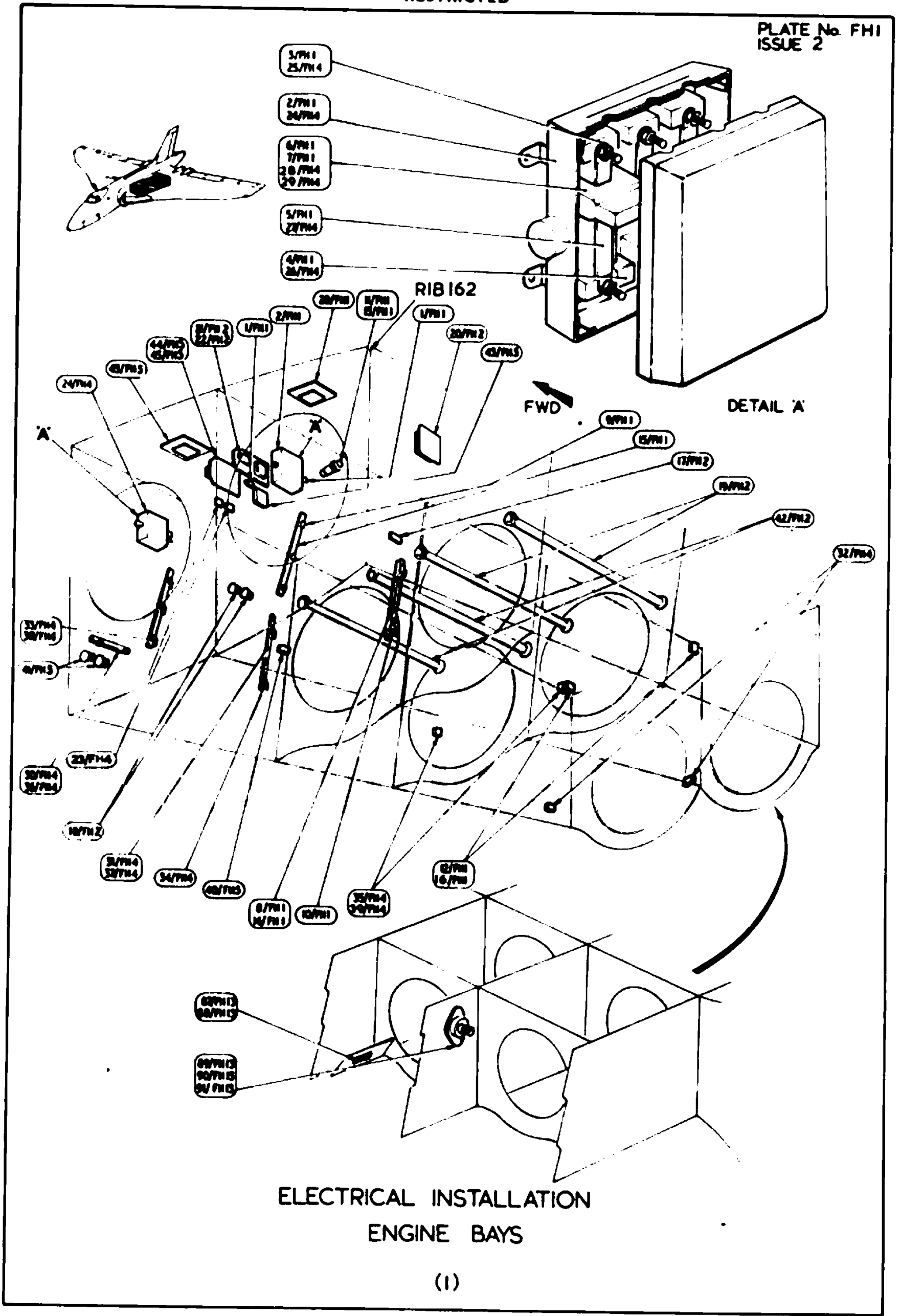
Ref. No.	Part No.	Description	No. off	Matl. Spec.	Cl. of St.	Plate and Illust'n No.
					M.R.	
		1 2 3 4				
	9071V7909	CABLE, (F189), DETECTOR SWITCHES 5R ... TO 6B, GROUP (Pre-Mod. 2054)	1	-		
	9736V7909	CABLE, (F189), GROUP (Mod. 2054)	1	-		
	9076V7909	CABLE, (F187), AT DETECTOR SWITCH 8R, . GROUP (Pre-Mod. 2054)	1	-		
	9734V7909	CABLE, (F187), GROUP (Mod. 2954)	1	-		
	9525V7909	CABLE, (F2020), GROUP	1	-		
	2020V9114	CABLE, (F2020), BULKHEAD PLUG 745 TO .. C.S.D.U. THERMOMETER, GROUP (Mod. 1284)	1	-	MR	
	7179V9114	CABLE, (F1352), No. 4 ALTERNATOR AND .. C.S.D. TO FIREWALL BREAK, GROUP	1	-	MR	
		WIRING AFT OF REAR ENGINE BULKHEAD, PORT AND STARBOARD, E.C.U. B.O.L. 301 AND E.C.U. 200 INSTALLATION (5 & 6V9194) (Pre-Mod 906) (5 & 6V10787) (Mod. 906)				
		Spares for:-				
	38V6357	Base, clamp	1	BSS972		FH1/87 FH2/87
	34V6357	Clamp	1	L72		FH1/88 FH2/88
	33V6357	Dishing, plug stowage	1	L59		FH1/89 FH2/89
	37V/6357	Insulator	1	Fibreglass		FH1/90 FH2/90
	PLESSEY CZ48995	Plug	1	-		FH1/91 FH2/91

VULCAN No. 2

ELECTRICAL INSTALLATION
SUMMARY OF STANDARD ITEMS

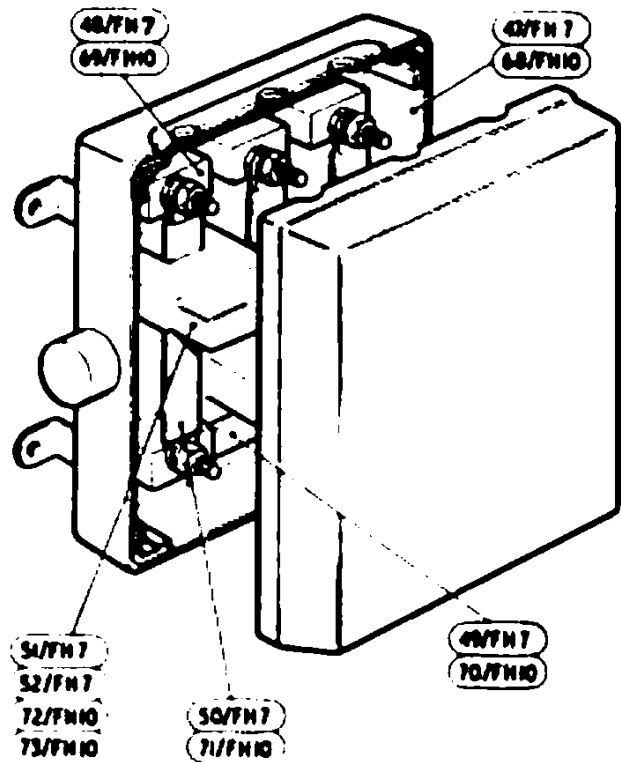
Page FH. 15

Stores Ref.		No. off	Stores Ref.		No. off	Stores Ref.		No. off
Section	Ref. No.		Section	Ref. No.		Section	Ref. No.	
28D	1010658	264	28S	1200044	14	28W	9419446	2
28D	1008149	14	28S	9419437	2	28W	9419401	105
28D	9140638	8	28S	9156769	4	28W	9419454	48
28D	1011006	3	28S	1201448	4	28W	9418920	5
28D	1009984	6	28S	1200034	32	28W	9132080	24
28D	9435711	8	28S	1200036	5	28W	9419402	16
28D	9140639	9	28S	1200033	10	28W	9418921	8
28D	1010029	1	28S	9437020	4	28W	9419474	2
28D	9015170	3	28S	9131095	4	28W	9128182	16
28D	1007972	4	28S	9419411	2	28W	1206041	8
28D	9436920	109	28S	1200066	8			
28D	9133011	5	28S	9992521	5			
28D	9133012	2						
28D	7002428	5						
28D	1011019	5						
28D	9140647	1						
28D	1011244	4						
28D	1011246	4						
28D	1011247	24						
28D	7002413	1						
28D	1007973	9						
28M	1010992	6						
28M	10288	29						
28M	10327	106						
28M	10328	36						

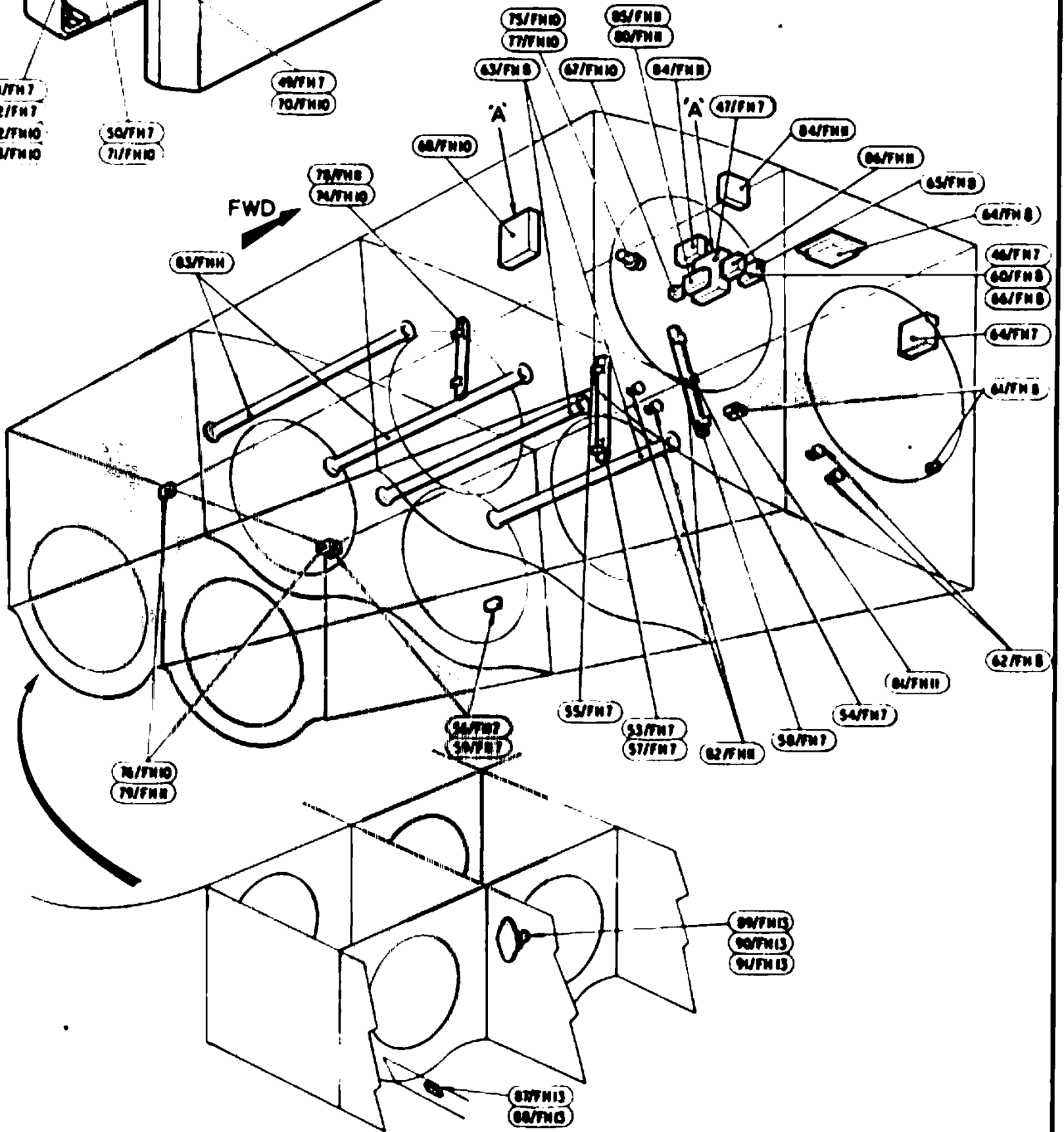
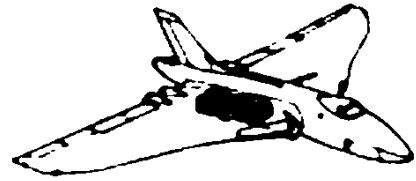


ELECTRICAL INSTALLATION
ENGINE BAYS

(1)



DETAIL 'A'



ELECTRICAL INSTALLATION
ENGINE BAYS

VULCAN No 2

ELECTRICAL INSTALLATION
MAINPLANE

Ref. No.	Part No.	Description	No off	Matl. Spec.	Cl. of St.	Plate and Illust'n No.
					M.R.	
		1 2 3 4				
		ELECTRICAL INSTALLATION, OUTER WING, INNER PORTION, PORT (1V8061) Spares for:—				
5CZ/1027621 5X/6200370 5X/4491775	GRAVINER D2240	Base, for relay	1	—	A	FJ1/1
	1V5650	Block, terminal (Avro type)	10	—	C	FJ1/2
	1V7871	Block, terminal	4	—	C	FJ1/13
	50V8061	Bracket, terminal mounting (Mod. 2398)	2	—		
	17V8061	BRACKET, MOUNTING, EXPLOSION SUPPRESSION TEST EQUIPMENT, No. 5 TANK, PORT, GROUP (Pre-Mod. 1744)	1	—		FJ1/4
	18V8061	Bracket, MOUNTING, EXPLOSION SUPPRESSION TANK EQUIPMENT, No. 7 TANK, PORT, GROUP (Pre-Mod. 1744)	1	—		FJ1/5
	6V8100	CABLE, (P6) TRANSPORT BREAK 37 TO No. 4 ELEVON BAY AND No. 4 TANK SECONDARY FUEL PUMP, GROUP	1	—		
	7V8100	CABLE, (P7) TRANSPORT BREAK 42 TO RELAYS 226, 227, 228 AND 230 GRP.	1	—		
	12V8100	CABLE, (P12) TRANSPORT BREAK 44 TO ELEVATOR PRESSURE SWITCH AND TB.2041, GROUP	1	—		
	23V8100	CABLE, (P23) CONDENSER TO No. 3 ELEVON MOTOR, GROUP	1	—		
	43V8100	CABLE, (P43), TRANSPORT BREAK 38 TO RELAY 229, TB.2007 AND No. 5 SECONDARY FUEL PUMP, GROUP	1	—		
	79V8100	CABLE, (P79), RELAYS 2 AND 3 TO TB's 528 AND 529, GROUP	1	—		
	109V8100	CABLE, (P109), RELAY 226 TO EARTH, GROUP	1	—		
110V8100	CABLE, (P110), RELAY 226 TO RELAY 227, GROUP	1	—			
111V8100	CABLE, (P111), RELAY 227 TO RELAY 228, GROUP	1	—			

ELECTRICAL INSTALLATION
MAINPLANE

Ref. No.	Part No.	Description	No. off	Matl. Spec.	Cl. of St.	Plate and Illust'n No.
					M.R.	
		1 2 3 4 ELECTRICAL INSTALLATION, OUTER WING, INNER PORTION, PORT (1V8061) (Cont'd)				
	112V8100	CABLE, (P112), RELAY 229 TO RELAY 230, GROUP	1	—		
	122V8100	CABLE, (P122), TO TB.2020, GROUP	1	—		
	123V8100	CABLE, (P123), TB. 2020 TO EARTH, GROUP	1	—		
	124V8100	CABLE, (P124), TB. 2015 AND EARTH, GROUP	1	—		
	134V8100	CABLE, (P134), TB. 2012 AND EARTH, GROUP	1	—		
	137V8100	CABLE, (P137), TB. 2016 AND EARTH, GROUP	1	—		
	139V8100	CABLE, (P139), TRANSPORT BREAK 43 TO PORT ELEVATORS AND TB's 2041 AND 2042, GROUP	1	—		
	149V8100	CABLE, (P149), TO TB. 2020, GROUP	1	—		
	159V8100	CABLE, (P159), 36P, PLUG 448 TO TB's 2012, 2016, 528, 534 and 2040, GROUP	—	—		
	161V8100	CABLE, (P161), 36P, PLUG, 450 TO TB's 2010, 2011 AND 2020, GROUP	1	—		
	162V8100	CABLE, (P162), 36P, PLUG 451 TO TB's 2015 AND 2039, GROUP	1	—		
	164V8100	CABLE, (P164), TB. 2011 TO T.B. 2010, GROUP	1	—		
	175V8100	CABLE, (P175), TRANSPORT BREAK 39 TO TB. 2001 AND RELAY 227, GROUP	1	—		
	177V8100	CABLE, (P177), TO TB. 2004 AND RELAY 226, GROUP	1	—		
	179V8100	CABLE, (P179), TB. 2004 AND RELAY 227 TO No. 6 TANK, GROUP	1	—		
	194V8100	CABLE, (P194), TB. 803 TO TB. 2015, GROUP	1	—		
	195V8100	CABLE, (P195), TB. 803 TO TB. 2012, GROUP	1	—		
	196V8100	CABLE, (P196), TB. 803 TO TB. 2010, GROUP	1	—		
	197V8100	CABLE, (P197), TB. 803 TO TB. 2016, GROUP	1	—		
	198V8100	CABLE, (P198), TB. 803 TO TB. 2011, GROUP	1	—		

VULCAN Mk. 2

**ELECTRICAL INSTALLATION
MAINPLANE**

Page FJ. 3

Ref. No.	Part No.	Description	No. off	Matl. Spec.	Cl. of	Plate and Illust'n No.
					St. M.R.	
		1 2 3 4				
		ELECTRICAL INSTALLATION, OUTER WING, INNER PORTION, PORT (1V8061) (Cont'd)				
	209V8100	CABLE, (P209), TB. 2021 TO TB. 2023, GROUP (Pre-Mod. 1744)	1	—		
	219V8100	CABLE, (P219), FUSE TO TB. 2024, GRP. (Pre-Mod. 1744)	1	—		
	221V8100	CABLE, (P221), TRANSPORT BREAK 40 TO RELAY 230, TB. 2007 AND No. 7 SECONDARY FUEL PUMP MOTOR, GROUP	1	—		
	224V8100	CABLE, (P224), RELAY 230 TO EARTH, GROUP	1	—		
	225V8100	CABLE, (P225), No. 4 TANK TO RELAY 228 & TB. 229, GROUP	1	—		
	227V8100	CABLE, (P227), No. 5 TANK TO RELAY 229 AND TB. 2007, GROUP	1	—		
	230V8100	CABLE, (P230), No. 7 TANK TO RELAY 230 AND TB. 2007, GROUP	1	—		
	233V8100	CABLE, (P233), TRANSPORT BREAK 41 TO No. 7 TANK, GROUP	1	—		
	247V8100	CABLE, (P247), FUSE TO TB. 2022, No. 7 TANK, GROUP (Pre-Mod. 1744)	1	—		
	250V8100	CABLE, (P250), TB. 2022 TO EARTH, GROUP	1	—		
	261V8100	CABLE, (P261), RELAY UNIT TO FIRE-WIRE AND EARTH, GROUP	1	—		
	262V8100	CABLE, (P262), RELAY UNIT TO FIRE-WIRE, GROUP	1	—		
	277V8100	CABLE, (P277), TEST LAMP TO TB. 2024, GROUP (Pre-Mod. 1744)	2	—		
	280V8100	CABLE, (P280), TEST LAMP TO TB. 2022, GROUP (Pre-Mod. 1744)	2	—		
	297V8100	CABLE, (P297), TEST LAMP TO EARTH AND TB. 2024, GROUP (Pre-Mod. 1744)	1	—		
	298V8100	CABLE, (P298), TEST LAMP TO EARTH AND TB. 2022, GROUP (Pre-Mod. 1744)	1	—		
	7100V8100	CABLE, (P205), TB. 2030 TO TB. 2021, GROUP (Pre-Mod. 1744)	1	—		

**ELECTRICAL INSTALLATION
MAINPLANE**

Ref. No.	Part No.	Description 1 2 3 4	No. off	Matl. Spec.	Cl. of St.	Plate and Illust'n No.
					M.R.	
		ELECTRICAL INSTALLATION, OUTER WING, INNER PORTION, PORT (1V8061) (Cont'd)				
	7101V8100	CABLE, (P206), TB. 2031 TO TB. 2023, GROUP (Pre-Mod. 1744)	1	—		
	7152V8100	CABLE, (P27), TB. 145 TO CON- DENSER, GROUP (Mod. 644)	1	—		
	7269V8100	CABLE, (P128), TB. 2010 TO EARTH, GROUP	1	—		
	7313V8100	CABLE, (P22), CONDENSER TO No. 4 ELEVON MOTOR, GROUP (Mod. 644)	1	—		
	7562V8100	CABLE, (P257), 34P, PLUG 213 TO RELAY, GROUP	1	—		
	7625V8100	CABLE, (P13), TRANSPORT BREAK 45 TO ELEVATOR PRESSURE SWITCH AND TB. 2042, GROUP	1	—		
	7707V8100	CABLE, (P2), WING BREAK 250 TO TB's 2002, 2003 AND WING ELEMENTS, GROUP	1	—		
	7708V8100	CABLE, (P62), No. 1 BOTTLE TO TB's 2000 AND 2001, GROUP	1	—		
	7709V8100	CABLE, (P63), No. 1 BOTTLE TO TB's 2000 AND 2001, GROUP	1	—		
	7710V8100	CABLE, (P64), No. 2 BOTTLE TO TB's 2000 AND 2001, GROUP	1	—		
	7711V8100	CABLE, (P65), No. 2 BOTTLE TO TB's 2000 AND 2001, GROUP	1	—		
	7712V8100	CABLE, (P66), No. 3 BOTTLE TO TB's 2000 AND 2001, GROUP	1	—		
	7713V8100	CABLE, (P67), No. 3 BOTTLE TO TB's 2000 AND 2001, GROUP	1	—		
	7714V8100	CABLE, (P68), No. 4 BOTTLE TO TB's 2000 AND 2001, GROUP	1	—		
	7715V8100	CABLE, (P69), No. 4 BOTTLE TO TB's 2000 AND 2001, GROUP	1	—		
	7716V8100	CABLE, (P70), No. 5 BOTTLE TO TB's 2000 AND 2001, GROUP	1	—		
	7717V8100	CABLE, (P71), No. 5 BOTTLE TO TB's 2000 AND 2001, GROUP	1	—		

VULCAN No. 2

ELECTRICAL INSTALLATION
MAINPLANE

Ref. No.	Part No.	Description	No. off	Matl. Spec.	Cl. of St.	Plate and Illust'n No.
					M.R.	
		1 2 3 4				
		ELECTRICAL INSTALLATION, OUTER WING, INNER PORTION, PORT (1V8061) (Cont'd.)				
	7719V8100	CABLE, (P73), No. 6 BOTTLE TO TB's 2000 AND 2001, GROUP	1	—		
	7720V8100	CABLE, (74), TB. 2001 TO EARTH, GROUP	1	—		
	7721V8100	CABLE, (P75), TB. 2001 TO EARTH, GROUP	1	—		
	7723V8100	CABLE, (P142), TB. 2003 TO EARTH, GROUP	1	—		
	7775V8100	CABLE, (P30), CONDENSER TO TB. 143, GROUP	1	—		
	7789V8100	CABLE, (P26), CONDENSER TO TB. 146, GROUP	1	—		
	7842V8100	CABLE, (P31), CONDENSER TO TB. 144, GROUP	1	—		
	7939V8100	CABLE, (P76), 34P, 211 TO TB. 2000, GROUP (Mod. 774)	1	—		
	8082V8100	CABLE, (P72), No. 6 BOTTLE TO TB's 2000 AND 2001, GROUP	1	—		
	8357V8100	CABLE, (P131), TB. 2001 AND EARTH, GROUP (Mod. 952)	1	—		
	8567V8100	CABLE, (P10), WING BREAK 601 TO 3J, GROUP (Mod. 1072)	1	—		
	9291V8100	CABLE, (P174), TRANSPORT BREAK 36 TO TB. 2004, RELAY 226 AND No. 3 SECONDARY FUEL PUMP MOTOR, GROUP (Mod. 1587)	1	—		
6A/4333588	SMITH'S CR42	Cable, co-axial, 42" long	1	—	A	
6A/4333590	SMITH'S CR52	Cable, co-axial, 52" long	1	—	A	
6A/4333589	SMITH'S CR66	Cable, co-axial, 66" long	1	—	A	
6A/4333591	SMITH'S CR108	Cable, co-axial, 108" long	1	—	A	
6A/4333682	SMITH'S CZ50	Cable, co-axial, 42" long	1	—	A	
5UD/4388977	CX170465	Capacitor (Mod. 2398)	12	—	A	FJ1/9
	AS8674/29	Capping, duct, 29" long	1	—	C	FJ1/6
	51V8061	CONTAINER, CAPACITOR, GROUP (Mod. 2398)	4	—	—	FJ1/9A
	51bV8061	Spares for:—				
10H/0119925	—	Box, mounting	1	—	—	
10H/0590100	—	Fuse, 10 amp.	3	—	C	
		Holder, fuse	3	—	C	

ELECTRICAL INSTALLATION

MAINPLANE

Ref. No.	Part No.	Description	No. off	Mater. Spec.	Cl. of St.	Plate and Illust'n No.
					M.R.	
		1 2 3 4				
ELECTRICAL INSTALLATION, OUTER WING, INNER PORTION, PORT (1V8061) (Cont'd.)						
28M/1278189	AGS2001/B1	Nut, stiff	4	—	C	
28M/1012015	AGS2001/C1/66	Nut, stiff	8	—	C	
	4SS4199	Screw, 2 BA	8	—	MR	
28S/1011479	A31/B48	Screw, 4 BA	4	—	C	
28S/1290040	A31/B20	Screw, 4 BA	4	—	C	
	51aV8061	Tray	1	—	—	
	51cV8061	Tray, top	1	—	—	
	51dV8061	Tray, lid, racking	1	—	—	
5CZ/4335794	ROTAX					
5X/4491777	ZA7801	Condenser, 3 phase (Pre-Mod. 2398)	8	—	A	FJ1/9
	3V7871	Cover, terminal block	5	—	C	
	29SS4622	Duct	1	—	MR	
	22V5650	Jumper	5	—	MR	
	21V8061	Link, cable	2	—		
	22V8061	Link, cable	2	—		
	23V8061	Link, cable	2	—		
10002	2V9472	LINK, PLUG, GROUP (Pre-Mod. 1744)	2	—	C	
5CZ/4340007	GRAVINER					
	D1740	Relay, firewire (Pre-Mod. 1842)	1	—	A	FJ1/10
	PLESSEY					
5CW/4400162	7CZ103739/2	Relay, type CH2/CO28/10	5	—	A	FJ1/11
	1SS4052	Terminal, earth	6	—	MR	FJ1/12
5X/4491779	5V7871	Socket, single tier	12	—	C	FJ1/13
5X/4491488	15V5650	Socket, single	45	—	C	FJ1/14
5CZ/4340007	GRAVINER					
	162D	Unit Control (Mod. 1842)	1	—	A	FJ1/15
ELECTRICAL INSTALLATION, OUTER WING, OUTER PORTION, PORT (3V8061)						
Spares for:—						
5X/4491775	1V7871	Block, terminal	2	—	C	FJ1/16
5X/9402803	AS2635	Block, terminal, 5-way	3	—	C	FJ1/17
	4V8100	CABLE, (P4), TB. 2002 TO EARTH, GROUP	1	—		
	16V8100	CABLE, (P16), TB. 2043 TO No. 2 ELEVON MOTOR, GROUP	1	—		
	140V8100	CABLE, (P140), PLUG 511 TO TB. 2003, GROUP	1	—		
	141V8100	CABLE (P141), PLUG 511 TO LANDING LAMP, GROUP	1	—		
	235V8100	CABLE, (P235), TB. 2042 TO AILERON, GROUP	1	—		
	237V8100	CABLE, (P237), AILERON PRESSURE SWITCH, TO TB. 2042, GROUP	1	—		
	239V8100	CABLE, (P239), AILERON PRESSURE SWITCH TO TB. 2041, GROUP	1	—		

VULCAN Mk 2		ELECTRICAL INSTALLATION				Page FJ. 7	
		MAINPLANE					
Ref. No.	Part No.	Description	No. off	Matl. Spec.	Cl. of St.	Plate and Illust'n No	
					M.R.		
		ELECTRICAL INSTALLATION, OUTER WING, OUTER PORTION, PORT (3V8061) (Cont'd)					
	240V8100	CABLE, (P240), AILERON TO TB. 2041, GROUP	1	—			
	7153V8100	CABLE, (P17), TB. 601 TO No. 1 ELEVON MOTOR, GROUP (Mod. 644)	1	—			
	7790V8100	CABLE, (P238), CONDENSER TO TB. 2043, GROUP	1	—			
5X/9402794	AS2603	Cover, 5 way Terminal Block	3	—	C	FJ1/18	
5X/9402800	—	Link, commoning	3	—	C		
5X/4491779	5V7871	Socket, single tier	6	—	C	FJ1/19	
5X/9994577	—	Socket, single tier, 19 amp.	5	—	C	FJ1/20	
5X/9402799	—	Socket, double tier, 19 amp.	10	—	C	FJ1/21	
	1SS4052	Terminal, earth	1	—	MR	FJ1/22	
	—	ELECTRICAL INSTALLATION, WING TIP, PORT (15V8061) (Mod. 569)	—	—	—		
		Spares for:—					
5X/6200370	1V5650	Block, terminal	2	—	C	FJ1/23	
	15V6099	BOX, JUNCTION, 3J, GROUP	1	—		FJ1/24	
		Spares for:—					
5X/6200370	1V5650	Block, terminal	3	—	C	FJ1/25	
	1V6098	BOX, GROUP	1	—		FJ1/26	
4249	3V6099	LID, 3J, GROUP	1	—	B	FJ1/27	
		Spares for:—					
28FP/1014631	A3/25	Fastener, "Dzus"	4	—	C	FJ1/28	
28FP/9434075	GA3/175	Grommet, "Dzus"	4	—	C	FJ1/29	
5X/4491488	15V5650	Socket, single	15	—	C	FJ1/30	
	290V8100	CABLE, (P290), TEST LAMP TO TB. 2050, GROUP	1	—			
	8306V8100	CABLE, (P3), TB. 2002 TO TB. 2050, GROUP	1	—			
	9638V8100	CABLE, (P11), GROUP (Mod. 1963)	1	—			
5L/9952431	—	Filament, navigation light	1	—	C	FJ1/31	
5CX/4330018	—	Light, navigation	1	—	C	FJ1/32	
5X/4491488	15V5650	Socket, single	10	—	C	FJ1/33	
6TD/2654	—	Unit, detector	1	—	A	FJ1/34	
		ELECTRICAL INSTALLATION, OUTER WING, INNER PORTION, STARBOARD (2V8061)					
		Spares for:—					
5CZ/1027621	GRAVINER D2240	Base, for relay	1	—	A	FJ1/35	
5X/6200370	1V5650	Block, terminal (Avro type)	10	—	C	FJ1/36	

ELECTRICAL INSTALLATION

MAINPLANE

Ref. No.	Part No.	Description	No. off	Matl. Spec.	Cl. of St.	Plate and Illust'n No.
					M.R.	
		1 2 3 4				
		ELECTRICAL INSTALLATION, OUTER WING, INNER PORTION, STARBOARD (2V8061) (Cont'd)				
	19V8061	BRACKET, MOUNTING, EXPLOSION SUPPRESSION TEST EQUIPMENT, No. 5 TANK, STARBOARD, GROUP (Pre-Mod. 1744)	1	—		FJ1/37
	20V8061	BRACKET, MOUNTING, EXPLOSION SUPPRESSION TEST EQUIPMENT No. 7 TANK, STARBOARD, GROUP (Pre-Mod. 1744)	1	—		FJ1/38
	6V8101	CABLE, (S6), TRANSPORT BREAK 47 TO TB. 2105, RELAY 233 AND No. 4 TANK, GROUP	1	—		
	7V8101	CABLE, (S7), TRANSPORT BREAK 52 TO RELAYS 231, 232, 234 AND 235, GROUP	1	—		
	9V8101	CABLE, (S9), TRANSPORT BREAK 54 TO ELEVATOR PRESSURE SWITCH AND TB 2121, GROUP	1	—		
	19V8101	CABLE, (S19), CONDENSER TO MOTOR, GROUP	1	—		
	76V8101	CABLE, (S76), 39P AND TB. 807 TO RELAY UNIT, GROUP	1	—		
	86V8101	CABLE, (S86), TRANSPORT BREAK 48 TO TB. 2108, RELAY 234 AND No. 5 SECONDARY FUEL PUMP, GROUP	1	—		
	98V8101	CABLE, (S98), RELAY 231 TO EARTH, GROUP	1	—		
	100V8101	CABLE, (S100), RELAY 231 TO RELAY 232, GROUP	1	—		
	105V8101	CABLE, (S105) RELAY 232 TO RELAY 233, GROUP	1	—		
	106V8101	CABLE, (S106), RELAY 234 TO RELAY 235, GROUP	1	—		
	107V8101	CABLE, (S107), RELAY 235 TO EARTH, GROUP	1	—		

VULCAN Mk. 2

ELECTRICAL INSTALLATION
MAINPLANE

Ref. No.	Part No.	Description	No. off	Matl. Spec.	Cl. of	Plate and Illust'n No.
					St. M.R.	
		1 2 3 4				
		ELECTRICAL INSTALLATION, OUTER WING, INNER PORTION, STARBOARD (2V8061) (Cont'd.)				
	119V8101	CABLE, (S119), No. 3 TANK SOLENOID ... TO TB.2112 AND EARTH, GROUP	1	-		
	128V8101	CABLE, (S128), TB.2115 TO EARTH, GROUP	1	-		
	131V8101	CABLE, (S131), No. 6 TANK TO TB.2116 ... AND EARTH, GROUP	1	-		
	135V8101	CABLE, (S135), TRANSPORT BREAK 53 ... TO ELEVATOR AND TB's 2120, 2122, GROUP	1	-		
	337V8101	CABLE, (S337), No. 5 AMPLIFIER TO TB.2117 AND CABLE BOX, GROUP (Mod. 2283)	1	-		
	338V8101	CABLE, (S338), No. 7 AMPLIFIER TO TB.2117 AND CABLE BOX, GROUP (Mod. 2283)	1	-		
	154V8101	CABLE, (S154), TB.2117 TO EARTH, GROUP	1	-		
	157V8101	CABLE, (S157), TB.2114 TO TB.2113, GROUP	1	-		
	160V8101	CABLE, (S160), 37P TO TB's 2114 AND 2117, GROUP	1	-		
	180V8101	CABLE, (S180), TRANSPORT BREAK 49 ... TO TB.2105, RELAY 232 AND No. 6 SECONDARY FUEL PUMP, GROUP	1	-		
	183V8101	CABLE, (S183), No. 3 MAIN PUMP TO RELAY 231 AND TB.2106, GROUP	1	-		
	185V8101	CABLE, (S185), No. 6 MAIN PUMP TO RELAY 232 AND TB.2106, GROUP	1	-		
	190V8101	CABLE, (S190), TB.544 TO TB.2112, GROUP	1	-		
	191V8101	CABLE, (S191), TB.544 TO TB.2115, GROUP	1	-		
	192V8101	CABLE, (S192), TB.544 TO TB.2113, GROUP	1	-		
	193V8101	CABLE, (S193), TB.544 TO TB.2116, GROUP	1	-		
	194V8101	CABLE, (S194), TB.544 TO TB.2114, GROUP	1	-		

**ELECTRICAL INSTALLATION
MAINPLANE**

Ref. No.	Part No.	Description	No. off	Matl. Spec.	Cl. of	Place and Illust'n No.
					St. M.R.	
		1 2 3 4				
		ELECTRICAL INSTALLATION, OUTER WING, INNER PORTION, STARBOARD (2V8061) (Cont'd)				
	204V8101	CABLE, (S204), TB. 2125 TO TB. 2127, GROUP (Pre-Mod. 1744)	1	—		
	207V8101	CABLE, (S207), TRANSPORT BREAK PLUG 50 TO TB. 2108, RELAY 235 AND No. 7 SECONDARY FUEL PUMP, GROUP	1	—		
	210V8101	CABLE, (S210), No. 4 TANK TO RELAY 233 AND TB. 2105, GROUP	1	—		
	212V8101	CABLE, (S212), No. 5 TANK TO RELAY 234 AND TB. 2108, GROUP	1	—		
	215V8101	CABLE, (S215), No. 7 TANK TO RELAY 235 AND TB. 2108, GROUP	1	—		
	218V8101	CABLE, (S218), TRANSPORT BREAK 51 TO No. 7 TANK, GROUP	1	—		
	225V8101	CABLE, (S225), TB. 2126 TO FUSE, GRP. (Pre-Mod. 1744)	1	—		
	240V8101	CABLE, (S240), TB. 2128 TO FUSE, GRP. (Pre-Mod. 1744)	1	—		
	253V8101	CABLE, (S253), RELAY UNITS TO FIREWIRE AND EARTH, GROUP	1	—		
	254V8101	CABLE, (S254), RELAY UNITS TO FIREWIRE, GROUP	1	—		
	265V8101	CABLE, (S265), TEST LAMP TO TB. 2126, GROUP (Pre-Mod. 1744)	2	—		
	268V8101	CABLE, (S268), TEST LAMP TO TB. 2128, GROUP (Pre-Mod. 1744)	2	—		
	279V8101	CABLE, (S279), TEST SOCKET TO TB. 2126 AND EARTH, GROUP (Pre-Mod. 1744)	1	—		
	280V8101	CABLE, (S280), TEST SOCKET TO TB. 2128 AND EARTH, GROUP (Pre-Mod. 1744)	1	—		
	7102V8101	CABLE, (S201), TB. 2134 AND SWITCH TO TB. 2125 AND SWITCH, GROUP (Pre-Mod. 1744)	1	—		
	7103V8101	CABLE, (S202), TB. 2133 AND SWITCH TO TB. 2127 AND SWITCH, GROUP (Pre-Mod. 1744)	1	—		
	7155V8101	CABLE, (S22), CONDENSER TO TB. 149, GROUP (Mod. 644)	1	—		

VULCAN No. 2

ELECTRICAL INSTALLATION
MAINPLANE

Page FJ. 11

Ref. No.	Part No.	Description	No. off	Matl. Spec.	Cl. of	Plate and Illust'n No.
					St. M.R.	
		<u>1 2 3 4</u> ELECTRICAL INSTALLATION, OUTER WING, INNER PORTION, STARBOARD (2V8081) (Cont'd)				
	7246V8101	CABLE, (S28), CONDENSER TO TB. 148, GROUP (Mod. 644)	1	-		
	7267V8101	CABLE, (S122), TB. 2155 TO LAMP, GROUP	1	-		
	7560V8101	CABLE, (S249), 35P/222 TO RELAY UNITS, GROUP	1	-		
	7626V8101	CABLE, (S10), TRANSPORT BREAK 555 ... TO TB. 2120 AND SWITCH, GROUP	1	-		
	7652V8101	CABLE, (S252), RELAY UNIT TO FIRE. ... WIRE, GROUP	1	-		
	7697V8101	CABLE, (S2), WING BREAK 252 TO TB's 2103 AND 2104 AND WING ELEMENTS, GROUP	1	-		
	7724V8101	CABLE, (S81), No. 1 BOTTLE TO TB's 2101 AND 2102, GROUP	1	-		
	7725V8101	CABLE, (S62), No. 1 BOTTLE TO TB's 2101 AND 2102, GROUP	1	-		
	7726V8101	CABLE, (S63), No. 2 BOTTLE TO TB's 2101 AND 2102, GROUP	1	-		
	7727V8101	CABLE, (S64), No. 2 BOTTLE TO TB's 2101 AND 2102, GROUP	1	-		
	7728V8101	CABLE, (S65), No. 3 BOTTLE TO TB's 2101 AND 2102, GROUP	1	-		
	7729V8101	CABLE, (S66), No. 3 BOTTLE TO TB's 2101 AND 2102, GROUP	1	-		
	7730V8101	CABLE, (S67), No. 4 BOTTLE TO TB's 2101 AND 2102, GROUP	1	-		
	7731V8101	CABLE, (S68), No. 4 BOTTLE TO TB's 2101 AND 2102, GROUP	1	-		
	7732V8101	CABLE, (S69), No. 5 BOTTLE TO TB's 2101 AND 2102, GROUP	1	-		
	7733V8101	CABLE, (S70), No. 5 BOTTLE TO TB's 2101 AND 2102, GROUP	1	-		
	7734V8101	CABLE, (S71), No. 6 BOTTLE TO TB's 2101 AND 2102, GROUP	1	-		

ELECTRICAL INSTALLATION

MAINPLANE

Ref. No.	Part No.	Description	No. off	Matl. Spec.	Cl. of St.	Plate and Illust'n No.
					M.R.	
		1 2 3 4				
		ELECTRICAL INSTALLATION, OUTER WING, INNER PORTION, STARBOARD (2V8061) (Cont'd)				
	7735V8101	CABLE, (S72), No. 6 BOTTLE TO TB's 2101 AND 2102, GROUP	1	—		
	7736V8101	CABLE, (S73), TB. 2102 TO EARTH, GROUP	1	—		
	7737V8101	CABLE, (S74), TB. 2102 TO EARTH, GROUP	1	—		
	7739V8101	CABLE, (S138), TB. 2104 TO EARTH, GROUP	1	—		
	7788V8101	CABLE, (S24), CONDENSER TO TB. 150, GROUP	1	—		
	7791V8101	CABLE, (S26), CONDENSER TO TB. 147, GROUP	1	—		
	7940V8101	CABLE, (S29) 35P/220 TO TB. 2101, GROUP (Mod. 774)	1	—		
	8361V8101	CABLE, (S125), TB. 2114 TO EARTH AND No. 7 TANK, GROUP (Mod. 952)	1	—		
	8366V8101	CABLE, (S20), CONDENSER TO No. 6 ELEVON MOTOR, GROUP	1	—		
1433822	8569V8101	CABLE, (S426), WING BREAK 643 TO 35J, GROUP (Mod. 1072)	1	—	B	
	9292V8101	CABLE, (S177), TRANSPORT BREAK 46 TO TB. 2105 AND RELAY 231, GROUP (Mod. 1587)	1	—		
6A/4081	SMITH'S CR52	Cable, co-axial, 52" long	1	—	A	
6A/8288	SMITH'S CR60	Cable, co-axial, 60" long	1	—	A	
6A/4080	SMITH'S CR66	Cable, co-axial, 66" long	1	—	A	
6A/8289	SMITH'S CR140	Cable, co-axial, 140" long	1	—	A	
6A/4241	SMITH'S CZ50	Cable, co-axial, 42" long	1	—	A	
5UD/4388977	CX170465	Capactor (Mod. 2398)	12	—	C	FJ1/40
	AS8674/29	Capping, duct 25" long	1	—		FJ1/39
	51V8061	CONTAINER, CAPACITOR, GROUP (Mod. 2398)	4	—	—	FJ1/40A
		Spares for:—				
10H/0119925	51bV8061	Box, mounting	1	—	—	
10H/0590100	—	Fuse, 10 amp.	3	—	C	
28M/1278189	—	Holder, fuse	3	—	C	
28M/1012015	AGS2001/B1	Nut, stiff	4	—	C	
	AGS2001/C1/66	Nut, stiff	8	—	C	
	4SS4199	Screw, 2 BA	8	—	MR	
28S/1011479	A31/B48	Screw, 4 BA	4	—	C	

VULCAN MA 2

ELECTRICAL INSTALLATION

Page FJ. 13

MAINPLANE

Ref. No.	Part No.	Description	No. off	Matl. Spec	Cl. of St.		Plate and Illust'n No
					M	R	
		1 2 3 4					
		ELECTRICAL INSTALLATION, OUTER WING, INNER PORTION, STARBOARD (2V8061) (Cont'd)					
28S/1200040	A31/B20	Screw, 4 BA	4	—		C	FJ1/3
	51aV8061	Tray	1	—		—	
	51cV8061	Tray, top	1	—		—	
	51dV8061	Tray, lid, racking	1	—		—	
	ROTAX						
5CZ/4335794	ZA7801	Condenser, 3 phase (Pre-Mod. 2398)	8	—		B	FJ1/40
5X/4491777	3V7871	Cover, terminal block, 24 amp.	5	—		C	FJ1/41
	29SS4622	Duct, cable	1	—		MR	FJ1/42
	22V5650	Jumper	5	—		MR	FJ1/43
	21V8061	Link, cable	2	—			
	22V8061	Link, cable	2	—			
	23V8061	Link, cable	2	—			
10002	2V9472	LINK, PLUG. GROUP (Pre-Mod. 1744)	2	—		B	
	PLESSEY						
5CW/4400162	7CZ103739/1	Relay, type CH2/CO28/10	5	—		A	FJ1/44
	GRAVINER						
5CZ/4340007	D1740	Relay, firewire (Pre-Mod 1842)	1	—		A	FJ1/45
5X/4419488	15V5650	Socket, single	45	—		C	FJ1/46
5X/4491779	5V7871	Socket, single tier, 24 amp.	12	—		C	FJ1/47
	1SS4052	Terminal, earth	6	—		MR	FJ1/48
5CZ/4340007	162D	Unit, control (Mod 1842)	1	—			FJ1/49
		ELECTRICAL INSTALLATION, OUTER WING, OUTER PORTION, STARBOARD (4V8061)					
		Spares for:—					
5X/4491775	1V7871	Block, terminal	2	—		C	FJ1/50
5X/9402803	AS2635	Block, terminal, 5 way, 19 amp.	3	—		C	FJ1/51
	4V8101	CABLE, (S4), TB 2103 TO EARTH, GRP.	3	—		C	
	13V8101	CABLE, (S13), TB. 2122 TO No. 7	1	—			
	136V8101	MOTOR, GROUP					
	137V8101	CABLE, (S136), PLUG 512 TO TB. 2104,	1	—			
	234V9101	GROUP					
	235V8101	CABLE, (S137), PLUG 512 TO LANDING	1	—			
	237V8101	LAMP, GROUP					
	239V8101	CABLE, (S234), TB. 2121 TO AILERON,	1	—			
	235V8101	GROUP					
	237V8101	CABLE, (S235), TB. 2120 TO AILERON,	1	—			
	239V8101	GROUP					
	237V8101	CABLE, (S237), AILERON PRESSURE	1	—			
	239V8101	SWITCH, TO T.B. 2120 GROUP					
	239V8101	CABLE, (S239), AILERON PRESSURE	1	—			
	239V8101	SWITCH TO TB. 2121, GROUP					

ELECTRICAL INSTALLATION

MAINPLANE

Ref. No.	Part No.	Description	No. off	Matl. Spec.	Cl. of St.	Plate and Illust'n No.
					M.R.	
		1 2 3 4				
ELECTRICAL INSTALLATION, OUTER WING, OUTER PORTION, STARBOARD (4V8061) (Cont'd)						
	7157V8101	CABLE, (S14), TB. 602 TO No. 8 ELEVON MOTOR, GROUP	1	—	MR	
	7776V8101	CABLE, (S238), CONDENSER TO TB. 2122, GROUP (Mod. 644)	1	—		
5X/9402794	—	Cover, 5 way terminal block	3	—	C	FJ1/52
5X/9402800	—	Link, commoning, 19 amp.	3	—	C	
5X/9402799	—	Socket, double tier, 19 amp.	10	—	C	FJ1/53
5X/9994577	—	Socket, single tier, 19 amp.	5	—	C	FJ1/54
5X/4491779	5V7871	Socket, single tier	6	—	C	FJ1/55
	1SS4052	Terminal, earth	1	—	MR	FJ1/56
ELECTRICAL INSTALLATION, WING TIP, STARBOARD (16V8061) (Mod. 569)						
Spares for:—						
5X/6200370	1V5650	Block, terminal	2	—	C	FJ1/57
	9V6099	BOX, JUNCTION, 35J, GROUP	1	—		FJ1/58
Spares for:—						
5X/6200370	1V5650	Block, terminal	3	—	C	FJ1/59
	1V6098	BOX, GROUP	1	—		FJ1/60
	7V6099	LID, 35J, GROUP	1	—		FJ1/61
Spares for:—						
28FP/ 1014631	A3/25	Fastener, dzus	4	—	C	FJ1/62
28FP/9434075	GA3/175	Grommet, dzus	4	—	C	FJ1/63
5X/4491488	15V5650	Socket, single	15	—	C	FJ1/64
	278V8101	CABLE, (S278), TB. 2155 TO LAMP, GROUP	1	—		
	8126V8101	CABLE, (S3), TB. 2103 TO TB.2115, GROUP	1	—		
	9639V8101	CABLE, (S247), GROUP (Mod. 1963)	1	—	MR	
5L/9952431	—	Filament	1	—	C	FJ1/65
5CX/1043420	—	Light, navigation	1	—	B	FJ1/66
5X/4491488	15V5650	Socket, single	10	—	C	FJ1/67
6TD/4550849	—	Unit, detector, Type A	1	—	A	FJ1/68
ELECTRICAL INSTALLATION IN UNDERCARRIAGE BAY, PORT AND STARBOARD (1 and 2V8223) (For spares—See Page FQ. 1)						
ELECTRICAL INSTALLATION, AFT OF UNDERCARRIAGE BAY, PORT (1V8491) (For spares—See Page FD. 1)						

VULCAN Mk. 2

ELECTRICAL INSTALLATION
MAINPLANE

Page FJ. 15

Ref. No.	Part No.	Description	No. off	Matl. Spec.	Cl. of	Plate and Illust'n No.
					St. M.R.	
		1 2 3 4				
		ELECTRICAL INSTALLATION, AFT OF UNDERCARRIAGE BAY, STARBOARD, (1V8611)				
		Spares for:—				
5X/9015490	—	Adaptor, lug, 2 way	1	—	C	FJ2/69
5X/9015491	—	Adaptor, lug, 4 way	1	—	C	FJ2/70
6A/1141864	SMITH'S KA 5	Amplifier, bridge type 7 (Mod. 2283)	1	—	A	FJ2/71
5CZ/1027621	GRAVINER D2240	Base, for relay	1	—	C	FJ2/72
5X/6200370	1V5650	Block, terminal	2	—	A	FJ2/73
	1V6691	Block, terminal	2	—	MR	FJ2/74
6A/1142880	SMITH'S KC9	Box, cable (Mod. 2283)	1	—	A	FJ2/82
6A/1142881	SMITH'S KC10	Box, cable (Mod. 2283)	1	—	A	FJ2/83
	6V16111	BRACKET, MOUNTING, GROUP	2	—		FJ2/75
		(Mod. 2283)				
		Spares for:—				
1510508	11V16111	Bracket	1	—	C	
	SANGAMO WESTON 171886	Bracket, servo potentiometer	1	—		FJ2/76
	1V8613	BRACKET, MOUNTING, FIRE DETECTOR, UNIT TRAY, GROUP	1	—		
	5V8611	Bracket, mounting, time switch	2	—		
	51V7909	CABLE (F51), H.E IGNITION UNIT TO A A P P. PACK, GROUP	1	—	MR	
	8985V7909	CABLE, (F1212), GROUP (Mod. 1414)	1	—		
	1511V7909	CABLE, (F1511), TB.542 TO TB.545,	1	—		
	1615V7909	CABLE, (F1615), TRANSFORMER TO EARTH, GROUP	1	—		
	2121V7909	CABLE, (F2121), AT TB's 467, 468, 469, ... 470, 471 AND 472, GROUP	1	—	MR	
	2141V7909	CABLE, (F2141), STARTER PANEL TO SEQUENCE SWITCH, GROUP	1	—		
	2143V7909	CABLE, (F2143), CARTRIDGE HEATER TO EARTH, GROUP	1	—		
	2144V7909	CABLE, (F2144), RECTIFIER UNIT TO TRANSFORMER, GROUP	1	—		
	2560V7909	CABLE, (F2560), RECTIFIER UNIT TO ALTERNATOR, GROUP	1	—		
	2561V7909	CABLE, (F2561), AT TB's 1528, 1529, 1530, AND 1531, GROUP	1	—	MR	

ELECTRICAL INSTALLATION

MAINPLANE

Ref. No.	Part No.	Description	No. off	Matl. Spec.	Cl. of	Plate and Illust'n No.
					St. M.R.	
		1 2 3 4				
		ELECTRICAL INSTALLATION, AFT OF UNDERCARRIAGE BAY, STARBOARD, (1V8611) (Cont'd.)				
17264	2562V7909	CABLE, (F2562), ALTERNATOR TO TB's .. 1530 AND 1531, GROUP	1	-		
	2681V7909	CABLE, (F2681), H.E. UNIT TO RELAY ... 545 AND EARTH, GROUP	1	-		
	2682V7909	CABLE, (F2682), RELAY 545 TO EARTH, ... GROUP	1	-		
	2683V7909	CABLE, (F2683), STARTER PANEL TO RELAY 545, GROUP	1	-		
	2685V7909	CABLE, (F2685), STARTER PANEL TO RELAY 511, GROUP	1	-		
	2969V7909	CABLE, (F2969), STARTER PANEL TO RELAY 511, GROUP	1	-		
	9515V7909	CABLE, (F2982), GROUP (Mod. 1414)	1	-		
	2983V7909	CABLE, (F2983), SUPPRESSOR TO FUSE .. 466 AND EARTH, GROUP (Mod. 743)	1	-		
	3147V7909	CABLE, (F3147), AT CARTRIDGE	1	-		
	3207V7909	CABLE, (F3207), A.A.P.P. PACK TO TEMP. . INDICATOR, GROUP (Mod. 942)	1	-		
	3208V7909	CABLE, (F3208), TEMP. INDICATOR TO ... EARTH, GROUP (Mod. 942)	1	-		
	3719V7909	CABLE, (F3719), A.A.P.P. TO TB.2150, RELAY 545 AND EARTH, GROUP (Mod. 1557)	1	-		
	7345V7909	CABLE, (F807), STARTER PANEL TO	1	-		
	7379V7909	CABLE, (F2342), TB.2150, GROUP	1	-		
	7532V7909	CABLE, (F810), A.A.P.P. PACKAGE TO EARTH, GROUP	1	-		
	7879V7909	CABLE, (F2684), AT RELAY 511, GROUP ..	1	-		
	7887V7909	CABLE, (F817), TRANSFORMER TO	1	-		
	7896V7909	CABLE, (F2686), RELAY 511 TO TB.2150, . GROUP	1	-		
	4023V7909	CABLE, (F4023), GROUP (Mod. 2163)	-	-		
1433682	4025V7909	CABLE, (F4025), GROUP (Mod. 2163)	1	-	C	

ELECTRICAL INSTALLATION
MAINPLANE

Ref. No.	Part No.	Description	No. off	Matl. Spec.	Cl. of St.	Plate and Illust'n No.
					M.R.	
		1 2 3 4 ELECTRICAL INSTALLATION, AFT OF UNDERCARRIAGE BAY, STARBOARD, (1V8611) (Cont'd)				
	7897V7909	CABLE, (F2089), A.A.P.P. PACK TO RELAYS 489, 455 AND EARTH, GROUP	1	-		
	8984V7909	CABLE, (F1211), GROUP (Mod. 1414)	1	-		
	8237V7909	CABLE, (F2092), TB.510 TO EARTH, GROUP (Pre Mod. 942)	1	-		
	8379V7909	CABLE, (F2092), TB.510 to TEMP. INDICATOR AND EARTH, GROUP (Mod. 942)	1	-		
	2142V7909	CABLE, (F2142), OXYGEN SOLENOID VALVE TO TB.2150, GROUP (Pre-Mod. 993)	1	-		
	8436V7909	CABLE, (F2142), OXYGEN SOLENOID VALVE TO TB.2150, GROUP (Mod. 993)	1	-		
	8121V7909	CABLE, (F2090), 62P/591 TO SWITCHES, RELAY 511, TB.2150 AND STARTER PANEL, GROUP (Pre-Mod. 993)	1	-		
	8437V7909	CABLE, (F2090), 26P/591 TO SWITCHES, RELAY 511, TB.2150 AND STARTER PANEL, GROUP (Mod. 993)	1	-		
	8861V7909	CABLE, (F802), AT TB's 913, 914, 918, 919, 920, 959 AND 970, GROUP (Mod. 1320)	1	-		
	8862V7909	CABLE, (F796), AT FUSE 837, TB.921 AND TB.922, GROUP (Mod. 1320)	1	-		
	8912V7909	CABLE, (F806), TB.904 TO FUSE 77, GROUP (Mod. 1552)	1	-		
	9191V7909	CABLE, (F2091), A.A.P.P. PACK TO TB.2150, SERVO POTENTIOMETER AND EARTH, GROUP (Mod. 1557)	1	-		
	336V8101	CABLE, (S336), No. 4 AMPLIFIER TO TB.2119, AND CABLE BOX, GROUP (Mod. 2283)	1	-		
	339V8101	CABLE, (S339), No. 6 AMPLIFIER TO TB.2119, AND CABLE BOX, GROUP (Mod. 2283)	1	-		
	251V8101	CABLE, (S251), RELAY UNIT TO FIREWIRE AND EARTH, GROUP	1	-		
	252V8101	CABLE, (S252), RELAY UNIT TO FIREWIRE, GROUP	1	-		
	282V8101	CABLE, (S282), TEST LAMP TO FUSE 2123, AND EARTH, GROUP (Pre-Mod. 1744)	1	-		

ELECTRICAL INSTALLATION

MAINPLANE

Ref. No.	Part No.	Description	No. off	Matl Spec.	Cl. of	Plate and Illust'n No.
					St. M.R.	
		1 : 2 3 : 4				
		ELECTRICAL INSTALLATION, AFT OF UNDERCARRIAGE BAY, STARBOARD, (1V8611) (Cont'd)				
	283V8101	CABLE, (S283), TEST LAMP TO TB.2132 ... AND EARTH, GROUP (Pre-Mod. 1744)	1	—		
	7111V8101	CABLE, (S198), TB.2132 TO TB.2133, GROUP (Pre-Mod. 1744)	1	—		
	7628V8101	CABLE, (S205), TB.162 TO TB.2132, GROUP (Pre-Mod. 1744)	1	—		
	7746V8101	CABLE, (S117), TB.2119 TO EARTH, GROUP	1	—		
	7880V8101	CABLE, (S273), BULKHEAD CONNECTOR . TO FUSE, No. 6 TANK, GROUP (Pre-Mod. 1744)	1	—		
	7885V8101	CABLE, (S271), BULKHEAD CONNECTOR . TO FUSE, No. 4 TANK, GROUP (Pre-Mod. 1744)	1	—		
17414	9538V7909	CABLE, (F1208), GROUP (Mod. 1300)	1	—	B	
	9539V7909	CABLE, (F2761), GROUP (Mod. 1300)	1	—		
	9542V7909	CABLE, (F2767), GROUP (Mod. 1300)	1	—		
	9543V7909	CABLE, (F2768), GROUP (Mod. 1300)	1	—		
	9554V7909	CABLE, (F3487), GROUP (Mod. 1300)	1	—		
6A/8288	SMITH'S CR60	Cable, co-axial	1	—	B	
6A/8289	SMITH'S CR140	Cable, co-axial	1	—	B	
	4V8611	Fairlead, half	2	—		FJ2/77
	7V8611	Fairlead, half	1	—		FJ2/78
	8V8611	Fairlead, half	1	—		FJ2/79
	9V8611	Fairlead, half	2	—		FJ2/80
		FUSES IN A.A.P.P. COMPARTMENT, GROUP (4V9851) Spares for:—				FJ2/81
10H/1043043	ENGLISH ELEC. AS2.5	Fuse, 2.5 amp., S type	1	—	C	
10H/9718192	ENGLISH ELEC. AS5	Fuse, 5 amp., S type	6	—	C	
10H/9718191	ENGLISH ELEC. AS10	Fuse, 10 amp., S type	3	—	C	
10H/1043045	ENGLISH ELEC. AS15	Fuse, 15 amp., S type	4	—	C	

VULCAN No 2

ELECTRICAL INSTALLATION
MAINPLANE

Page FJ. 19

Ref. No.	Part No.	Description	No. off	Matl. Spec.	Cl. of St.	Plate and Illust'n No.
					M.R.	
		1 2 3 4				
11003	1Z9655	INSTALLATION, FUSE-HOLDERS TANKS Nos. 4 AND 6, GROUP (1V9546) (Pre-Mod. 1744) Spares for:— FUSE HOLDER, GROUP	2	—	C	FJ2/84
10002	2V9472	LINK, PLUG, GROUP	2	—	B	
MOUNTING OF AMPLIFIERS FOR Nos. 5 AND 7 FUEL TANKS AT TANK RIB 492.186, PORT (V16112) AND STARBOARD (V16482) GROUP (Mod. 2283) Spares for:—						
6A/1141864	SMITHS KA5	Amplifier, bridge type 7	2	—	A	
6A/1142876	SMITHS KC5	Box, cable	1	—	A	
6A/1142878	SMITHS KC7	Box, cable	1	—	A	
	2V16112	BRACKET, MOUNTING, GROUP	1	—		
	1V16111	BRACKET, MOUNTING, GROUP	1	—		
	2V16111	BRACKET, MOUNTING, GROUP	1	—		
1510506	12V16111	Spares for:— Bracket, port	1	—	C	
1510507	7V16111	Bracket, starboard	1	—	C	
5CZ/4335646	ROTAX U4201	Panel, starter	1	—	A	FJ2/85
	1V8182	PANEL, FUSE AND RELAY, 62P, GROUP ... Spares for:—	1	—		FJ2/86
5X/4500057	—	Block, fuse	1	—	C	FJ2/87
5X/6200370	1V5650	Block, terminal	2	—	C	FJ2/88
5X/4491769	1V7870	Block, terminal, 12 way	2	—	C	FJ2/89
5X/4491775	1V7871	Block, terminal	1	—	C	FJ2/90
7660	2V8182	COVER, PANEL, GROUP	1	—	C	FJ2/91
28FP/9144248	A4/25	Spares for:— Fastener, dzus	8	—	C	FJ2/92
28FP/9430915	G4/250	Grommet, dzus	8	—	C	FJ2/93
5CW/4405094	—	Contactor	2	—	A	FJ2/94
10H/9718192	ENGLISH ELEC. AS5	Fuse, 5 amp	7	—	C	FJ2/95
10H/1043045	ENGLISH ELEC. AS15	Fuse, 15 amp	3	—	C	FJ2/96
5X/4500061	—	Link, commoning, 5 way	1	—	C	FJ2/97
5X/4500063	—	Link, commoning, 7 way	1	—	C	FJ2/98
	1V11365	LOOM, CABLE, GROUP (Mod. 1332) (Pre-Mod. 1505)	1			

ELECTRICAL INSTALLATION

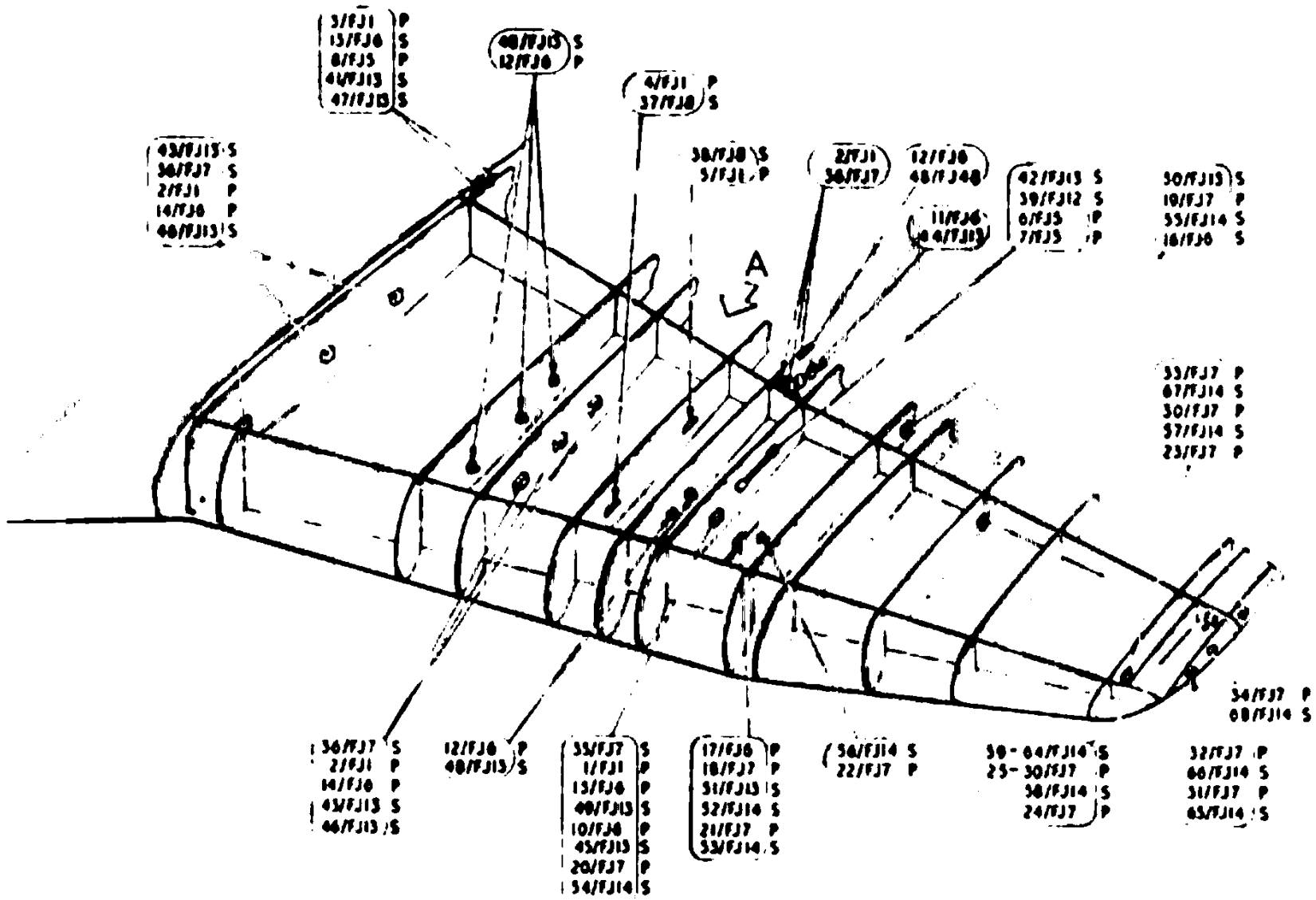
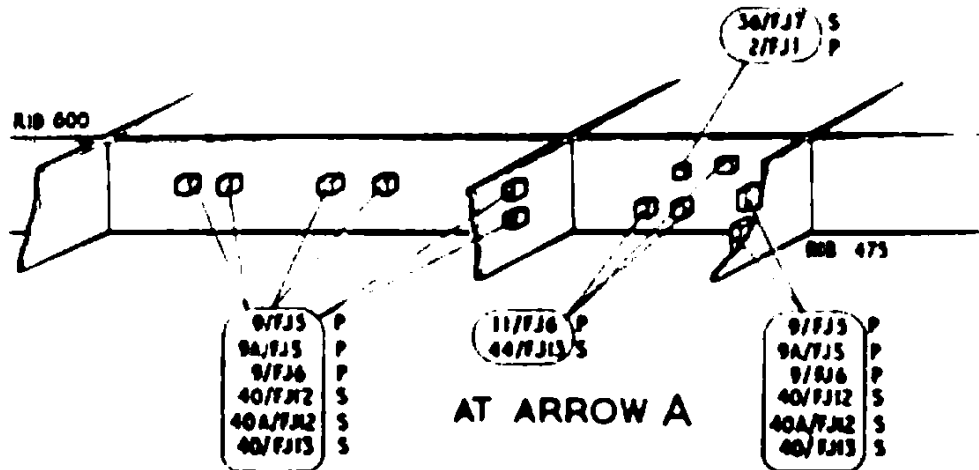
MAINPLANE

Ref. No.	Part No.	Description 1 2 3 4	No. off	Mati. Spec.	Cl. of St.	Plate and Illust'n No.
					M.R.	
		PANEL, FUSE AND RELAY 62P (1V8182) Cont'd.)				
	1V11795	LOOM, CABLE, GROUP (Mod. 1505)	1	—		
	—	PANEL, LESS EQUIPMENT, GROUP	1	—		
10CV/0372038	B.T.H. GJ3/M PLESSEY	Rectifier	3	—	B	FJ2/99
5CW/4400162	7CZ103739/1	Relay, 2 pole	2	—	A	FJ2/100
5CW/4400161	7CZ105411/1	Relay, 4 pole	3	—	A	FJ2/101
5X/4500051	—	Socket	14	—	C	FJ2/102
5X/4491487	14V5650	Socket, double	2	—	C	FJ2/103
5X/4491488	15V5650 PLESSEY	Socket, single	13	—	C	FJ2/104
5CW/4400161	7CZ/105411/1 GRAVINER	Relay, 4 pole	2	—	A	FJ2/105
5CZ/5917	D1740	Relay, fire wire (Pre-Mod. 1842)	1	—	A	FJ2/107
	1V16309 SANGAMO WESTON	Resistor (Mod. 2254)	1	—	MR	
6A/4337745	S144/3/43	Servo, potentiometer (Pre-Mod. 2254)	1	—	A	FJ2/108
5X/4491488	15V5650 PLESSEY	Socket, single	14	—	C	FJ2/109
5CW/1050498	7CZ97225/4	Switch, magnetic relay (Mod. 2163)	1	—	B	FJ2/106
5X/7039	2CZ84873	Socket, hours and start counter (Mod. 1557) .	1	—	C	FJ2/110
5CY/4376390	— TEDDINGTON	Suppressor, type O2	2	—	A	FJ2/111
5CW/4405052	FJB/A/6 ROTAX	Switch, selector	1	—	A	FJ2/112
5CW/6656	D8164 1SS4052 ROTAX P4501	Switch, time	1	—	A	FJ2/113
		Terminal, earth	1	—	MR	FJ2/114
		Transformer, current	1	—		FJ2/115
	9F9808	TRAY, MOUNTING, FIRE DETECTOR	1	—		FJ2/116
		UNIT, GROUP Spares for:—				
	4V6756	Bolt, wing	2	—	MR	
10AJ/153	—	Mounting, anti-vibration	4	—	B	
	5V6756	Nut, knurled	2	—		
37A/4387755	NB253 or	Unit, high energy ignition	1	—	A	FJ2/117
37A/4387626	C10TS3	Unit, fire detector	1	—	A	FJ2/118
5CZ/4329774	NB6103	Unit, control (Mod. 1842)	1	—	A	FJ2/119
5CZ/4340007	D15201					

VULCAN Mk 2

ELECTRICAL INSTALLATION
SUMMARY OF STANDARD ITEMS

Stores Ref.		No. off	Stores Ref.		No. off	Stores Ref.		No. off
Section	Ref. No.		Section	Ref. No.		Section	Ref. No.	
28D	1008147	24	28S	9436892	1	28W	9419446	36
28D	1010658	57	28S	1200044	10	28W	9419401	187
28D	1008149	114	28S	9419437	48	28W	9419454	175
28D	9419452	15	28S	1200050	4	28W	9418720	4
28D	1011011	4	28S	9435712	4	28W	9419464	4
28D	9436920	56	28S	9419453	29	28W	9419465	84
28D	9133011	35	28S	1200034	123	28W	9419402	87
28D	9133012	4	28S	1200036	2	28W	9418741	3
28D	1200119	3	28S	1200040	98	28W	9419403	1
28D	1011019	8	28S	9140642	4	28W	9419473	4
28D	9140644	1	28S	9131095	1	28W	9419474	8
28D	9140645	9	28S	9997545	39	28W	9419475	1
28D	9140647	4	28S	9435713	69	28W	9419404	8
28D	1011024	5	28S	1200047	16	28W	1200071	60
28D	1011240	4	28S	9419411	1	28W	1200073	4
28D	1010132	3	28S	1007752	8	28W	1009752	6
28D	1212406	24	28S	1012450	2	28W	1206041	23
28D	1212407	18	28S	9992522	2			
28D	1007285	4	28S	9997425	10			
28D	1007975	8	28S	9473865	8			
28D	1007979	59	28S	9464989	6			
28D	9140202	12						
28D	1007982	1						
28D	1013284	4						
28D	1212794	4						
28D	1213051	16						
28FP	144	8						
28FP	146	8						
28FP	307	8						
28FP	9430915	8						
28M	1006504	7						
28M	10286	2						
28M	10273	2						
28M	10287	24						
28M	10288	31						
28M	10291	1						
28M	10326	16						
28M	10327	92						
28M	10328	81						
28M	9435067	8						
28M	1015951	8						



ELECTRICAL INSTALLATION WING OUTER-INNER
PORT AND STARBOARD

(1)

VULCAN No. 2

ELECTRICAL INSTALLATION
NOSE PORTION, FUSELAGE

Page FK. 1

Ref No.	Part No.	Description	No. off	Matl. Spec.	Cl. of St.	Plate and Illust'n No.
					M.R.	
		1 2 3 4				
		ELECTRICAL INSTALLATION IN NOSE PORTION, FUSELAGE (V8215 AND V8490)				
		Spares for:—				
5X/6200370 5X/9402803	5V8490	Block, lamp packing, former 386	1	BSS668		
	1V5650	Block, terminal	3	—	C	FK1/1
	AS2635	Block, terminal, 5-way	1	—	C	FK1/2
	47V6352	BRACKET, TEST PLUG, GROUP	1	—	—	FK1/3
		Spares for:—				
	712SS6002	Label	1	—		
	30V6352	Bracket, lamp, former 428	1	DTD610A	—	FK1/4
	11V8490	Bracket, lamp, former 386	1	L72		FK1/5
	14SS4202	Bush, ring lock (Mod. 825)	1	—		
	52SS4204	Bush, ring lock	3	—	MR	
	54SS4204	Bush, ring lock, at former 442	1	—		
	12SS5302	Bush, ring lock	1	—		
	826V7909	CABLE (F826), CABIN LAMPS TO EARTH, GROUP	1	—		
	827V7909	CABLE (F827), CABIN LAMPS AND INSPECTION SOCKETS, GROUP	1	—		
	1188V7909	CABLE (F1188), TB.992 TO EARTH GROUP	1	—		
	1191V7909	CABLE (F1191), RELAY 356 TO TB.992, GROUP	1	—		
	1192V7909	CABLE (F1192), ACTUATOR TO RELAY 356, GROUP	1	—		
	1245V7909	CABLE (F1245), RELAY 353 TO EARTH, GROUP	1	—		
	1546V7909	CABLE (F1546), RELAY 352 TO TRANSMITTER, GROUP	1	—		
	1547V7909	CABLE (F1547), RELAY 352 TO TB.785, GROUP	1	—		
	1548V7909	CABLE (F1548), TB.785 TO EARTH GROUP	1	—		
	1549V7909	CABLE (F1549), TRANSMITTER TO TB.785, Group	1	—		
	1552V7909	CABLE (F1552), 4J TO TB's 783 AND 784, GROUP	1	—		
	1592V7909	CABLE (F1592), RELAY 353 TO MOTOR, GROUP	1	—		

ELECTRICAL INSTALLATION
NOSE PORTION, FUSELAGE

Ref. No.	Part No.	Description	No. off	Matl. Spec.	Cl. of St.	Plate and Illust'n No.
					M.R.	
		1 2 3 4				
		ELECTRICAL INSTALLATION IN NOSE PORTION, FUSELAGE (V8215 AND V8490) (Continued)				
	1593V7909	CABLE (F1593), RELAY 354 TO TB.785 ... AND RELAY 353, GROUP	1	-		
	3116V7909	CABLE (F3116), TB 49 TO EARTH, GROUP (Mod. 825)	1	-		
	3146V7909	CABLE (F3146), FUEL TRANSMITTER TO TB.49, GROUP (Mod. 825)	1	-		
	7239V7909	CABLE (F1553), F.P.B. 281 to DE-ICING ... VALVE, LAMP, SUPPRESSOR AND RELAY 354, GROUP (Mod. 549)	1	-		
	7516V7909	CABLE (F1614), N.B.S. TEST 594 TO 4J, GROUP	1	-		
	7900V7909	CABLE (F1485), F.P.B. 556 AND EARTH ... TO H.2.S. AND N.B.S. AIR VALVES, GROUP (Mod. 715)	1	-		
	9373V7909	CABLE (F718), GROUP (Mod. 1649)	1	-		
	2700V7909	CABLE (F2700), GROUP (Mod. 1649)	1	-		
	2703V7909	CABLE (F2703), GROUP (Mod. 1649)	1	-		
10H/0970055	-	Cap, protective, for test plug	1	-	C	FK1/6
10722	10bSS4211	Clip	8	-	C	
5K/9436899	NX0	Clip	3	-	C	
5K/9325186	NX1	Clip	15	-	C	
5K/9144249	NX1A	Clip	12	-	C	
5K/9325187	NX2	Clip	10	-	C	
5K/9326334	NX2A	Clip	6	-	C	
5K/9325185	NX4	Clip	18	-	C	
5K/9325188	NX5	Clip	5	-	C	
	NX9	Clip	3	-		
	10V8490	Conduit, 1/2" o/d x 24-1/2" long	1	L57	-	FK1/7
5X/9402794	AS2603	Cover, at TB.785	1	-	C	FK1/8
	7V9472	Cover, relay	4	P.V.C.	MR	FK1/9
5L/9951282	-	Filament, probe lamps	2	-	C	FK1/10
5L/9953721	-	Filament, cabin lamps	2	-	C	FK1/11
	49V7728	Label, at TB.49	1	-		
	352SS6003	Label, at relay 352	1	-		
	353SS6003	Label, at relay 353	1	-		
	354SS6003	Label, at relay 354	1	-		
	356SS6003	Label, No. 356	1	-		
	961SS6004	Label, "D.C."	1	-		
	785V6374	Label, TB.785	1	-		
	992V6374	Label, TB.992	1	-		
5CX/4330002	-	Lamp, cabin, at Formers 386 and 428	2	-	B	FK1/12

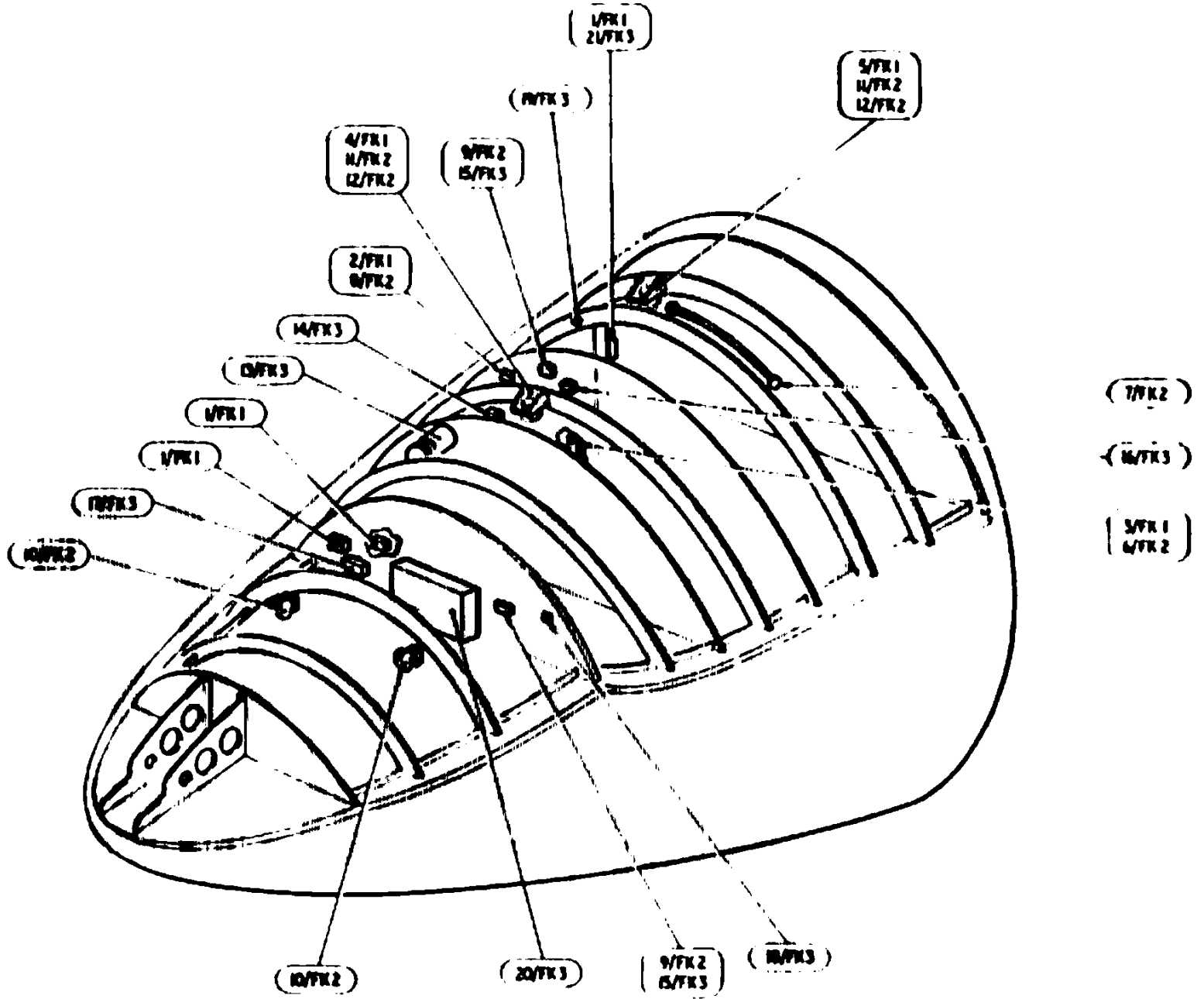
ELECTRICAL INSTALLATION
NOSE PORTION, FUSELAGE

Ref. No.	Part No.	Description	No. off	Matl. Spec.	Cl. of St.	Plate and Illust'n No.
		<u>1 2 3 4</u>			M.R.	

VULCAN Mk 2

ELECTRICAL INSTALLATION
SUMMARY OF STANDARD ITEMS

Stores Ref.		No. off	Stores Ref.		No. off	Stores Ref.		No. off
Section	Ref. No.		Section	Ref. No.		Section	Ref. No.	
28D	1008147	17						
28D	1010658	23						
28D	1008149	2						
28D	9436920	3						
28D	9133011	2						
28D	1218388	4						
28M	10326	28						
28M	10327	65						
28M	10328	6						
28S	1200045	1						
28S	1200049	8						
28S	1200044	10						
28S	9419435	19						
28S	9419453	19						
28S	1200034	7						
28S	9435713	2						
28S	9419411	12						
28S	15036	1						
28W	9419446	54						
28W	9419401	96						
28W	9419454	31						
28W	1200071	2						



ELECTRICAL INSTALLATION
NOSE PORTION, FUSELAGE

1)

VULCAN Mk 2

ELECTRICAL INSTALLATION

Page FM. 1

NOSEWHEEL BAY

Ref. No.	Part No.	Description	No. off	Matl. Spec.	Cl. of St.	Plate and Illust'n No.
					M.R.	
		1 2 3 4				
		ELECTRICAL INSTALLATION IN NOSEWHEEL BAY (V9472, Pre-Mod. 1174) (V11301, Mod. 1174)				
		Spares for:—				
5X/9015491	—	Adaptor, 4-way	9	—	C	
5CZ/4329775	—	Amplifier, fire detector (with Blue Steel)	1	—	A	FM2/1
6A/1141864	SMITH'S KA5	Amplifier, bridge type 7 (Mod. 2283)	2	—	A	FM2/2
	12V9472	Angle, mounting	1	L72		
	13V9472	Angle, mounting	1	L72		
	14V9472	Angle, mounting	1	L72		
	15V9472	Angle, mounting	1	L72		
5J/3364	—	Battery, S.A.F.T.	1	—	B	FM2/3
	GRAVINER D2240	Base, relay	3	—	B	FM2/4
5CZ/1027621	—	Block, terminal (Pre-Mod. 1522)	1	—	C	
5X/9402802	—	Block, terminal, 3-way	1	—	C	
5X/9402147	—	Block, terminal	8	—	C	FM1/5
5CZ/1057758	16337/1 ROTAX	Boot, rubber, at Panels 15P and 16P	2	—	C	
5CZ/1053233	16936/1	Boot, rubber, at Panels 15P and 16P	4	—	C	
5CZ/4335526	—	Boot, rubber	4	—	C	
6A/1142872	SMITH'S KC.1	Box, cable, connector (Mod. 2283)	1	—	B	FM2/6
6A/1142879	SMITH'S KC.8	Box, cable, connector (Mod. 2283)	1	—	B	FM2/7
	1V9360	BRACKET, SWITCH, MOUNTING, GROUP	1	—		FM3/9
		Spares for:—				
5CW/4222	ZA2401/1	Guard, switch	2	—	C	FM3/10
5930-99-	—	Switch	1	—	C	FM3/11
6198752	—	Label, on	1	—	C	FM3/12
5CW/1055544	—					
	2V9360	BRACKET, LESS INSTRUMENTS, GROUP ..	1	—		
		Spares for:—				
5L/9959118	PAGE ENG. A259	Filament	1	—	C	
	852SS6002	Label, door, locked	1	DTD213		
	853SS6002	Label, decompress	1	DTD213		
	854SS6002	Label, cabin pressurisation	1	DTD213		
	875SS6002	Label, air brake, ground test	1	DTD213		
	876SS6002	Label, mach 55	1	DTD213		
	91SS6005	Label, ground service lighting	1	DTD213		
	758SS6005	Label, Bomb Bay detector switch	1	L59		
5CZ/4400288	PAGE ENG. C180/A8	Switch, push button	1	—	A	FM3/13
5CW/1047695	—	Switch	1	—	A	FM3/14
5CW/1047700	—	Switch	1	—	A	FM3/15
5CW/6209280	—	Switch	1	—	A	FM3/16
5CZ/4340430	—	Unit, magnetic indicator	1	—	A	FM3/17
6B/4343851	—	Bulb, temperature	1	—	B	FM1/18

ELECTRICAL INSTALLATION

NOSEWHEEL BAY

Ref. No.	Part No.	Description	No. off	Matl. Spec.	Cl. of	Plate and Illust'n No.
					St. M.R.	
		1 : 2 3:4				
	48V7909	CABLE, (F48), 38P TO 64P, GROUP	1	-		
	64V7909	CABLE, (F64), R.P.B. 105 TO 56P, GROUP ...	1	-		
	67V7909	CABLE, (F67), R.P.B. 108 TO 19P, GROUP ...	1	-		
	87V7909	CABLE, (F87), R.P.B. 130 TO 7J, GROUP	1	-		
	102V7909	CABLE, (F102), R.P.B. 156 TO 16P, GROUP ..	1	-		
	106V7909	CABLE, (F106), R.P.B. 163 TO 2J/15, GROUP .	1	-		
	108V7909	CABLE, (F108), R.P.B. 164 TO TB.692,	1	-		
		GROUP				
	111V7909	CABLE, (F111), R.P.B. 167 TO RELAY 419 ...	1	-		
		AND TB 621, GROUP				
	113V7909	CABLE, (F113), R.P.B. 169 TO TB 676,	1	-		
		GROUP (Pre-Mod. 1522)				
	116V7909	CABLE, (F116), R.P.B. 161 TO PLUG 876,	1	-		
		GROUP				
	121V7909	CABLE, (F121), 7.5 KW. TR UNIT TO FAN, ...	1	-		
		GROUP				
	122V7909	CABLE, (F122), RELAY 477 TO EARTH,	1	-		
		GROUP				
	239V7909	CABLE, (F239), 15P TO 19P, GROUP	1	-		
	243V7909	CABLE, (243), 16P TO 19P, GROUP	1	-		
	351V7909	CABLE, (F351), TB.598 TO TB.564, GROUP ..	1	-		
	356V7909	CABLE, (F356), TB's 554 AND 555 TO	1	-		
		TB's 237 AND 238, GROUP				
	410V7909	CABLE, (F410), 16P TO 65P, GROUP	1	-		
	445V7909	CABLE, (445), 7J/540 TO No. 1 ENGINE	1	-		
		BULKHEAD PLUG 546, GROUP				
	446V7909	CABLE, (F446), 7J/541 TO No. 2 ENGINE	1	-		
		BULKHEAD PLUG 547, GROUP				

VULCAN Mk. 2

ELECTRICAL INSTALLATION
NOSEWHEEL BAY

Page FM. 3

Ref. No.	Part No.	Description	No. off	Matl. Spec.	Cl. of	Plate and Illust'n No.
					St. M.R.	
		1 2 3 4				
	447V7909	CABLE, (F447), 7J/542 TO No. 4 ENGINE BULKHEAD PLUG 548, GROUP	1	-		
	448V7909	CABLE, (F448), 7J/543 TO No. 3 ENGINE BULKHEAD PLUG 548, GROUP	1	-		
	449V7909	CABLE, (F449), 7J/544 TO AMPLIFIER, GROUP	1	-		
	533V7909	CABLE, (F533), 13P TO 21P, GROUP	1	-		
	534V7909	CABLE, (F534), R.P.B. 182 TO 15P AND 19P, . GROUP	1	-		
	565V7909	CABLE, (F565), 13P TO PORT FORWARD SWITCHES, GROUP	1	-		
	566V7909	CABLE, (F566), 13P TO PORT AFT SWITCHES, GROUP	1	-		
	567V7909	CABLE, (F567), 13P TO STARBOARD AFT ... SWITCHES, GROUP	1	-		
	568V7909	CABLE, (F568), 13P TO STARBOARD FORWARD SWITCHES, GROUP	1	-		
	570V7909	CABLE, (F570), 16P TO 19P AND 65P, GROUP	1	-		
	590V7909	CABLE, (F590), 27P TO No. 1 TANK FUEL ... PUMP, GROUP	1	-		
	629V7909	CABLE, (F629), 28P TO No. 1 TANK FUEL ... PUMP, GROUP	1	-		
	686V7909	CABLE, (F686), 16P TO RELAYS 343 AND ... 348, GROUP	1	-		
	687V7909	CABLE, (F687), RELAY 342 TO EARTH, GROUP	1	-		
	688V7909	CABLE, (F688), RELAY 343 TO EARTH, GROUP	1	-		
	716V7909	CABLE, (F716), TB.646 TO EARTH, GROUP ..	1	-		
12735	729V7909	CABLE, (F729), No. 1 CONTROL PANEL TO .. No. 1 FREQUENCY CHANGER, GROUP	1	-	C	
11652	730V7909	CABLE, (F730), No. 1 CONTROL PANEL TO .. No. 1 FREQUENCY CHANGER, GROUP	1	-	C	
1510110	731V7909	CABLE, (F731), No. 2 CONTROL PANEL TO .. No. 2 RECTIFIER BOX, GROUP	1	-	C	
12738	732V7909	CABLE, (F732), No. 2 CONTROL PANEL TO .. No. 2 RECTIFIER BOX, GROUP	1	-	C	

ELECTRICAL INSTALLATION
NOSEWHEEL BAY

Ref. No.	Part No.	Description	No. off	Matl. Spec.	Cl. of St.	Plate and Illust'n No.
					M.R.	
		1 2 3 4				
	762V7909	CABLE, (F762), TB.241 TO EARTH, GROUP ..	1	-		
	794V7909	CABLE, (F794), 13P TO EARTH, GROUP	1	-		
	801V7909	CABLE, (F801), 19P TO 64P, GROUP	1	-		
	866V7909	CABLE, (F866), 64P TO EARTH, GROUP	1	-		
	874V7909	CABLE, (F874), RELAY 347 TO 64P, GROUP .	1	-		
	875V7909	CABLE, (F875), RELAY 346 TO 64P, GROUP .	1	-		
	876V7909	CABLE, (F876), RELAY 346 TO RELAY 347, . GROUP	1	-		
	877V7909	CABLE, (F877), RELAY 346 TO RELAY 349, . GROUP	1	-		
	878V7909	CABLE, (F878), RELAY 347 TO RELAY 348, . GROUP	1	-		
	879V7909	CABLE, (F879), RELAY 347 TO RELAY 348, . GROUP	1	-		
	880V7909	CABLE, (F880), RELAY 348 TO RELAY 349, . GROUP	1	-		
	881V7909	CABLE, (F881), RELAY 349 TO EARTH,	1	-		
	901V7909	CABLE, (F901), TB.717 TO TB's 536 AND 537, GROUP (Pre-Mod. 1527)	1	-		
	927V7909	CABLE, (F927), TB.729 TO TB.807, GROUP ..	1	-		
	928V7909	CABLE, (F298), TB.729 TO EARTH, GROUP ..	1	-		
	936V7909	CABLE, (F936), TB.747 TO TB.536, GROUP .. (Pre-Mod. 1527)	1	-		
	941V7909	CABLE, (F941), TB.747 TO EARTH, GROUP .. (Pre-Mod. 1527)	1	-		
	976V7909	CABLE, (F976), TB.741 TO TB.547, GROUP ..	1	-		
	1042V7909	CABLE, (F1042), 28P TO RELAY 454, GROUP (Pre-Mod. 1552)	1	-		

ELECTRICAL INSTALLATION
NOSEWHEEL BAY

Ref. No.	Part No.	Description	No. off	Matl. Spec.	Cl. of	Plate and Illust'n No.
					St. M.R.	
		1 : 2 3 : 4				
	1044V7909	CABLE, (F1044), RELAY 454 TO EARTH, GROUP	1	-		
	1047V7909	CABLE, (F1047), T.R.U TO FAN, GROUP . . .	1	-		
	9852V7909	CABLE, (F1048), T R.U. TO EARTH, GROUP . (Mod 2195)	1	-		
	1066V7909	CABLE, (F1066), SWITCH TO FUSE, GROUP .	1	-		
	1076V7909	CABLE, (F1076), R.P.B. 477 TO AIR BURST .. UNIT, GROUP	1	-		
	1078V7909	CABLE, (F1078), R P.B 478 TO FRONT SPAR BREAK 475, GROUP	1	-		
	1090V7909	CABLE, (F1090), R.P.B 478 TO FRONT SPAR BREAK 474, GROUP	1	-		
	1092V7909	CABLE, (F1092), DISTRIBUTOR TO R.P.B. . . . 145, GROUP	1	-		
	1095V7909	CABLE, (F1095), No 13 TO No. 14 LAMP, GROUP	1	-		
	1096V7909	CABLE, (F1096), No 14 LAMP TO EARTH, . . . GROUP	1	-		
	1114V7909	CABLE, (F1114), TB.911 TO TB. 706, GROUP .	1	-		
	1117V7909	CABLE, (F1117), TB.557 TO SWITCHES, GROUP	1	-		
	1131V7909	CABLE, (F1131), SWITCH TO TB.210, GROUP	1	-		
	1132V7909	CABLE, (F1132), STEERING VALVE TO 13P, . GROUP	1	-		
	1133V7909	CABLE, (F1133), SWITCHES TO TB's 208, 211 AND 214, GROUP,	1	-		
	1134V7909	CABLE, (F1134), UNDERCARRIAGE VALVE . TO 13P, GROUP	1	-		
	1135V7909	CABLE, (F1135), DOOR VALVE TO 13P, GROUP	1	-		
	1137V7909	CABLE, (F1137), SWITCHES TO TB's 210 AND 214, GROUP	1	-		
	1138V7909	CABLE, (F1138), SWITCH TO TB.214, GROUP	1	-		

ELECTRICAL INSTALLATION
NOSEWHEEL BAY

Ref. No.	Part No.	Description	No. off	Matl. Spec.	Cl. of St.	Plate and Illust'n No.
					M.R.	
		1 2 3 4:				
	1139V7909	CABLE, (F1139), DOOR SWITCH TO TB.211, . GROUP	1	-		
	1140V7909	CABLE, (F1140), STEERING VALVE TO DRUM SWITCH, GROUP	1	-		
	1141V7909	CABLE, (F1141), 13P TO 21P, GROUP	1	-		
	1196V7909	CABLE, (F1196), PORT WING BREAK 517 . . . TO R.P.B.513, GROUP	1	-		
	1199V7909	CABLE, (F1199), STARBOARD WING BREAK 518 TO R.P.B.516, GROUP	1	-		
	1297V7909	CABLE, (F1297), TO 19P, GROUP	1	-		
	9853V7909	CABLE, (F1301), 7.5 KW. T.R.U. TO EARTH, . GROUP (Mod. 2195)	1	-		
	1304V7909	CABLE (F1304), 27P TO No. 1 TANK FUEL . . PUMP, GROUP	1	-		
	1310V7909	CABLE, (F1310), 28P TO No. 1 TANK FUEL . . PUMP, GROUP	1	-		
	1316V7909	CABLE, (F1316), TB.89 TO C.B.58, GROUP . . .	1	-		
	1317V7909	CABLE, (F1317), TB.89 TO C.B.59, GROUP . . .	1	-		
	1318V7909	CABLE, (F1318), TB.90 TO C.B.60, GROUP . . .	1	-		
	1321V7909	CABLE, (F1321), 1J/13 TO 19P, GROUP	1	-		
	1322V7909	CABLE, (F1322), 1J/13 TO 19P, GROUP	1	-		
	1325V7909	CABLE, (F1325), 19P TO EARTH, GROUP	1	-		
	1328V7909	CABLE, (F1328), 1J/13 TO 19P, GROUP	1	-		
	1330V7909	CABLE, (F1330), 19P TO No. 13 LAMP AND SWITCH, GROUP	1	-		
	1503V7909	CABLE, (F1503), TB.2036 TO TB.459, GROUP	1	-		
	1504V7909	CABLE, (F1504), TB.2036 TO TB.464, GROUP	1	-		
	1507V7909	CABLE, (F1507), TB.2138 TO TB.463, GROUP	1	-		
	1508V7909	CABLE, (F1508), TB.2138 TO TB.463, GROUP	1	-		

VULCAN Mk 2

ELECTRICAL INSTALLATION
NOSEWHEEL BAY

Page FM. 7

Ref. No.	Part No.	Description	No. off	Matl. Spec.	Cl. of St.	Plate and Illust'n No.
					M.R.	
		1 2 3 4				
	1588V7909	CABLE, (F 1588), 19 P TO TB 699, GROUP	1	-		
	1594V7909	CABLE, (F 1594), 15P TO INTERNAL GROUND SUPPLY FUSES, GROUP	1	-		
	1595V7909	CABLE, (F 1595), 16P TO INTERNAL GROUND SUPPLY FUSES, GROUP	1	-		
12737	1623V7909	CABLE, (F 1623), No 1 CONTROL PANEL TO RECTIFIER UNIT, GROUP	1	-		
1510111	1624V7909	CABLE, (F 1624), No 2 CONTROL PANEL TO RECTIFIER UNIT, GROUP	1	-		
	1632V7909	CABLE, (F 1632), TEST SWITCH TO RELAY .. 240, GROUP	1	-		
	1634V7909	CABLE, (F 1634), TEST SWITCH TO TB 212, .. GROUP	1	-		
	1682V7909	CABLE, (F 1682), 64P TO RELAY 337, GROUP	1	-		
	1712V7909	CABLE, (F 1712), DOOR INDICATOR TO EARTH, GROUP	1	-		
	1713V7909	CABLE, (F 1713), SWITCH PANEL TO EARTH, GROUP	1	-		
	1752V7909	CABLE, (F 1752), RELAY 480 TO TB 214, GROUP	1	-		
	1753V7909	CABLE, (F 1753), RELAY 447 TO TB 214, GROUP	1	-		
	1775V7909	CABLE, (F 1775), 63P TO TB's 916 AND 919, .. GROUP	1	-		
	1918V7909	CABLE, (F 1918), 64P TO RELAYS 1, 2 AND .. 357, GROUP	1	-		
	1919V7909	CABLE, (F 1919), RELAY 357 TO 2J, GROUP .	1	-		
	1920V7909	CABLE, (F 1920), No 4 FIRE EXT. TO 63P ... AND RELAY 359, GROUP	1	-		
	1921V7909	CABLE, (F 1921), No 2 FIRE BOTTLE TO TB 912 AND RELAY 359, GROUP	1	-		
	1922V7909	CABLE, (F 1922), No 3 FIRE EXT. TO 63P ... AND RELAY 358, GROUP	1	-		

ELECTRICAL INSTALLATION
NOSEWHEEL BAY

Ref. No.	Part No.	Description	No. off	Matl. Spec.	Cl. of St.	Plate and Illust'n No.
					M.R.	
		1 2 3 4				
	1923V7909	CABLE, (F1923), No. 1 FIRE BOTTLE TO TB 213 AND RELAY 358, GROUP	1	-		
	1924V7909	CABLE, (F1924), RELAY 357 TO RELAY 358, GROUP	1	-		
	1925V7909	CABLE, (F1925), RELAY 357 TO RELAY 359, GROUP	1	-		
	1926V7909	CABLE, (F1926), RELAY 358 TO No 1 RELAY UNIT, GROUP	1	-		
	1927V7909	CABLE, (F1927), RELAY 359 TO No 2 RELAY UNIT, GROUP	1	-		
	1928V7909	CABLE, (F1928), RELAY UNIT No. 1 TO PORT FIREWIRE, GROUP	1	-		
	1929V7909	CABLE, (F1929), RELAY UNIT No 1 TO PORT FIREWIRE, GROUP	1	-		
	1930V7909	CABLE, (F1930), RELAY UNIT No 2 TO STARBOARD FIREWIRE, GROUP	1	-		
	1931V7909	CABLE, (F1931), RELAY UNIT No 2 TO STARBOARD FIREWIRE, GROUP	1	-		
	1932V7909	CABLE, (F1932), RELAY UNIT No 1 TO 27P, GROUP	1	-		
	1933V7909	CABLE, (F1933), RELAY UNIT No 2 TO 27P, GROUP	1	-		
	2004V7909	CABLE, (F2004), 73P TO 30P, 31P, 32P AND 33P, GROUP (Pre Mod 1320)	1	-		
	2078V7909	CABLE, (F2078), TB 520 TO FUSE 761, GROUP	1	-		
	2128V7909	CABLE, (F2128), HYDRAULIC POWER PACK SWITCH TO RELAY 254, GROUP	1	-		
	2133V7909	CABLE, (F2133), AT RELAY 337, GROUP	1	-		
	2145V7909	CABLE, (F2145), 15P TO 30P, GROUP	1	-		
	2146V7909	CABLE, (F2146), 15P TO 31P, GROUP	1	-		
	2147V7909	CABLE, (F2147), 16P TO 32P, GROUP	1	-		
	2148V7909	CABLE, (F2148), 16P TO 33P, GROUP	1	-		
	2150V7909	CABLE, (F2150), BATTERY (+) TO FUSE 859, GROUP	1	-		

VULCAN Mk. 2

**ELECTRICAL INSTALLATION
NOSEWHEEL BAY**

Page FM. 9

Ref. No.	Part No.	Description	No. off	Matl. Spec.	Cl. of	Plate and Illust'n No.
					St. M.R.	
		1 2 3 4				
	2151V7909	CABLE, (F2151), BATTERY (—) TO EARTH, GROUP	1	—		
	2185V7909	CABLE, (F2185), 15P TO 31P, GROUP ...	1	—		
	2186V7909	CABLE, (F2186), 15P TO 30P, GROUP ...	1	—		
	2187V7909	CABLE, (F2187), 16P TO 32P, GROUP ...	1	—		
	2188V7909	CABLE, (F2188), 16P TO 33P, GROUP ...	1	—		
	2241V7909	CABLE, (F2241), 19P TO 65P, GROUP ...	1	—		
	2294V7909	CABLE, (F2294), R.P.B. 876 TO 58P, GRP.	1	—		
	2303V7909	CABLE, (F2303), R.P.B. 877 TO 28P, GRP.	1	—		
	2345V7909	CABLE, (F2345), FIRE EXT. TEST SWITCH TO EARTH, GROUP (Mod. 526)	1	—		
	2377V7909	CABLE, (F2377), FIRE EXT. TEST SWITCH TO 78P, GROUP (Mod. 526)	1	—		
	2407V7909	CABLE, (F2407), FIRE EXT. TEST SWITCH TO 19P, GROUP (Mod. 526)	1	—		
	2408V7909	CABLE, (F2408), RELAY BOX TO FIRE-WIRE, GROUP (Mod. 526)	1	—		
	2409V7909	CABLE, (F2409), RELAY BOX TO 28P, (Mod. 526)	1	—		
	2410V7909	CABLE, (F2410), 19P TO 78P, GROUP (Mod. 526)	1	—		
	2411V7909	CABLE, (F2411), 19P TO 78P, GROUP (Mod. 526)	1	—		
	2459V7909	CABLE, (F2459), HYDRAULIC PRESSURE No. 2 TO 63P, GROUP	1	—		
	2460V7909	CABLE, (F2460), HYDRAULIC PRESSURE No. 1 TO 63P, GROUP	1	—		
	2485V7909	CABLE, (F2485), GROUND SERVICING PLUG + TO TB. 598, GROUP (Pre-Mod. 1417)	1	—		
	2486V7909	CABLE, (F2486), TEST SOCKET TO TB. 2137 AND EARTH, GROUP (Pre-Mod. 1744)	1	—		
	2489V7909	CABLE, (F2489), TEST SOCKET TO TB. 2138 AND EARTH, GROUP (Pre-Mod. 1744)	1	—		

**ELECTRICAL INSTALLATION
NOSEWHEEL BAY**

Ref. No.	Part No.	Description 1 2 3 4	No. off	Matl. Spec.	Cl. of	Plate and Illust'n No.
					St. M.R.	
	2569V7909	CABLE, (F2569), RELAY 349 AND SWITCH TO FUSES 749 AND 764, GROUP (Mod. 1174)	1	—		
	2579V7909	CABLE, (F2579), STARTER PANEL TO FUSE 859, GROUP	1	—		
	2627V7909	CABLE, (F2627), R.P.B. 806 TO 2J 15, 15P AND 65P, GROUP (Pre-Mod. 1553)	1	—		
	2628V7909	CABLE, (F2628), R.P.B. 809 TO 16P, GRP. (Pre-Mod. 1174)	1	—		
	2629V7909	CABLE, (F2629), R.P.B. 796 TO ADJ. 15P, GROUP	1	—		
	2645V7909	CABLE, (F2645), RELAY 351 TO EARTH, GROUP	1	—		
	2678V7909	CABLE, (F2678), 15P TO EARTH, GROUP	1	—		
	2727V7909	CABLE, (F2727), No. 1 GROUP PRESSURE SWITCH TO 15P, GROUP (Mod. 1430)	1	—		
	2728V7909	CABLE, (F2728), No. 2 GROUP PRESSURE SWITCH TO 15P, GROUP (Mod. 1430)	1	—		
	2729V7909	CABLE, (F2729), No. 3 GROUP PRESSURE SWITCH TO 15P, GROUP (Mod. 1430)	1	—		
	2730V7909	CABLE, (F2730), No. 4 GROUP PRESSURE SWITCH TO 15P, GROUP (Mod. 1430)	1	—		
	2737V7909	CABLE, (F2737), 64P TO 16P, GROUP (Mod. 1631)	1	—		
	2738V7909	CABLE, (F2738), 64P TO 28P, GROUP (Mod. 1631)	1	—		
	2781V7909	CABLE, (F2781), RELAY BOX TO FIRE-WIRE, GROUP (Mod. 526)	1	—		
	2782V7909	CABLE, (F2782), AT EXT. TEST SWITCH, GROUP (Mod. 526)	1	—		
	2783V7909	CABLE, (F2783), FIRE EXT. TEST SWITCH TO RELAY BOX, GROUP (Mod. 526)	1	—		
	2802V7909	CABLE, (F2802), 19P TO TB. 1060, GROUP (Mod. 689)	1	—		
	2803V7909	CABLE, (F2803), 27P TO TB. 1054, GROUP (Mod. 689) (Pre-Mod. 1552)	1	—		
	2804V7909	CABLE, (F2804), PORT T.R.U. TO RELAY 477, GROUP	1	—		

VULCAN No. 2

ELECTRICAL INSTALLATION
NOSEWHEEL BAY

Page FM. 11

Ref. No.	Part No.	Description	No. off	Matl. Spec.	Cl. of St.	Plate and Illust'n No.
					M.R.	
		1 2 3 4				
	2805V7909	CABLE, (F2805), STARBOARD T.R.U. TO RELAY 454, GROUP	1	-		
	2806V7909	CABLE, (F2806), RELAY 454 TO 16P, GROUP	1	-		
	2813V7909	CABLE, (F2813), LINK, RELAY 358, GROUP . (Mod. 738)	1	-		
	2814V7909	CABLE, (F2814), LINK, RELAY 359 GROUP .. (Mod. 738) (Pre-Mod. 1174)	1	-		
	2815V7909	CABLE, (F2815), 63P TO RELAYS 358 AND .. 359, GROUP (Mod. 738)	1	-		
	2816V7909	CABLE, (F2816), 63P TO 1J/4, GROUP	1	-		
	2864V7909	CABLE, (F2864), 16P TO 56P, GROUP	1	-		
	2907V7909	CABLE, (F2907), RELAY 567 TO TB.916, GROUP (Mod. 885)	1	-		
	2910V7909	CABLE, (F2910) R.P.B.958 TO FRONT SPAR . BREAK 965, GROUP (Mod. 748) (Pre-Mod. 1174)	1	-		
	2960V7909	CABLE, (F2960), R.P.B.973 TO FRONT SPAR . BREAK 981, GROUP (Mod. 748) (Pre-Mod. 1174)	1	-		
	2962V7909	CABLE, (F2962), R.P.B.975 TO FRONT SPAR . BREAK 983, GROUP (Mod. 748) (Pre-Mod. 1174)	1	-		
12190	2972V7909	CABLE, (F2972), R.P.B.976 TO FRONT SPAR . BREAK 984, GROUP (Mod. 748) (Pre-Mod. 1174)	1	-	C	
	2973V7909	CABLE, (F2973), 15P TO RELAY 342, GROUP	1	-		
	2974V7909	CABLE, (F2974), 16P TO RELAY 343, GROUP	1	-		
	2981V7909	CABLE, (F2981), PORT WING BREAK 519 TO R.P.B.514, GROUP (Mod. 743)	1	-		
	2988V7909	CABLE, (F2988), R.P.B.972 TO FRONT SPAR . BREAK 980, GROUP (Mod. 748) (Pre-Mod. 1174)	1	-		
	2990V7909	CABLE, (F2990), RELAY BOX TO FIREWIRE, GROUP (Mod. 526)	1	-		
	2991V7909	CABLE, (F2991), 15P TO 21P, GROUP	1	-		

ELECTRICAL INSTALLATION

NOSEWHEEL BAY

Ref. No.	Part No.	Description	No. off	Matl. Spec.	Cl. of St.	Plate and Illust'n No.
					M.R.	
		1 2 3 4				
	2992V7909	CABLE, (F2992), 16P TO 21P, GROUP (Mod. 774)	1	-		
	2996V7909	CABLE, (F2996), R.P.B 974 TO FRONT SPAR . BREAK 982, GROUP (Mod. 748) (Pre Mod. 1174)	1	-		
	2998V7909	CABLE, (F2998), R P B 978 TO FRONT SPAR . BREAK 986, GROUP (Mod. 748) (Pre-Mod 1174)	1	-		
	2999V7909	CABLE, (F2999), 73P TO 63P, GROUP (Mod. 773) (Pre-Mod. 1320)	1	-		
	3002V7909	CABLE, (F3002), 63P TO 39P, GROUP (Mod. 773) (Pre Mod. 1320)	1	-		
	3004V7909	CABLE, (F3004), LINK RELAY 634, GROUP .. (Mod. 773) (Pre-Mod. 1320)	1	-		
	3005V7909	CABLE, (F3005), RELAY 634 TO TB 916, GROUP (Mod. 773)	1	-		
	3008V7909	CABLE, (F3008), RELAY 559 TO TB 556, GROUP (Mod. 770)	1	-		
	3009V7909	CABLE, (F3009), RELAY 559 TO TB 584, GROUP (Mod. 770)	1	-		
	3012V7909	CABLE, (F3012), 28P TO RELAY 202 GROUP . (Mod. 715) (Pre-Mod. 1552)	1	-		
	3013V7909	CABLE, (F3013), RELAY 351 TO RELAY 202, GROUP (Mod. 715)	1	-		
	3014V7909	CABLE, (F3014), RELAY 202 TO EARTH, GROUP (Mod. 715)	1	-		
	3115V7909	CABLE, (F3115), TEMPERATURE BULB TO .. TRUE AIRSPEED UNIT, GROUP (Mod. 863)	1	-		
	3118V7909	CABLE, (F3118), TB.920 TO TB.922, GROUP . (Mod. 916) (Pre-Mod. 1174)	1	-		
	3141V7909	CABLE, (F3141), AUTO-THROTTLE J/BOX .. TO R.P.B.273, GROUP (Mod. 980)	1	-		
	3144V7909	CABLE, (F3144), R P B.272, 73P AND RELAY'S 250 AND 251 TO AUTO-THROTTLE J/BOX, GROUP (Mod. 980)	1	-		
	3145V7909	CABLE, (F3145), R.P.B.274, 73P AND RELAY'S 250 AND 251 TO AUTO-THROTTLE J/BOX, GROUP (Mod. 980)	1	-		

VULCAN HL 2

ELECTRICAL INSTALLATION

Page FM. 13

NOSEWHEEL BAY

Ref. No.	Part No.	Description	No. off	Matl. Spec.	Cl. of St.	Plate and Illust'n No.
					M.R.	
		1 2 3 4				
	3157V7909	CABLE, (F3157), No. 1 FREQUENCY P.U. UNIT TO 19P, TB. 29 AND EARTH, GROUP (Mod. 915)	1	-		
	3158V7909	CABLE (F3158), No. 1 FREQUENCY CHANGER TO 15P AND TB. 29, GROUP (Mod. 915)	1	-		
	3159V7909	CABLE, (F3159), No. 1 FREQUENCY CHANGER TO TB. 29, GROUP (Mod. 915)	1	-		
	3160V7909	CABLE, (F3160), TB. 29 TO EARTH, GROUP . (Mod. 915)	1	-		
	3161V7909	CABLE, (F3161), No. 2 FREQUENCY P.U. UNIT TO TB. 30 AND EARTH, GROUP (Mod. 915)	1	-		
	3162V7909	CABLE, (F3162), No. 2 FREQUENCY CHANGER TO TB. 30 AND 15P, GROUP (Mod. 915)	1	-		
	3163V7909	CABLE, (F3163), No. 2 FREQUENCY CHANGER TO TB. 30, GROUP (Mod. 915)	1	-		
	3164V7909	CABLE, (F3164), TB. 30 TO EARTH, GROUP . (Mod. 915)	1	-		
	3184V7909	CABLE, (F3184), 16P TO 39P, GROUP (Mod. 952)	1	-		
	3185V7909	CABLE, (F3185), 16P TO 1J/4, GROUP (Mod. 952)	1	-		
	3186V7909	CABLE, (F3186), 16P TO 38P, GROUP (Mod. 952)	1	-		
	3188V7909	CABLE, (F3188), 16P TO 16P, GROUP (Mod. 952)	1	-		
	3192V7909	CABLE, (F3192), AT TB. 971, GROUP (Mod. 952)	1	-		
	3193V7909	CABLE, (F3193), TB. 971 TO TB. 972, GROUP (Mod. 952)	1	-		
	3199V7909	CABLE, (F3199), RELAY 70 ^A TO EARTH, GROUP (Mod. 952)	1	-		
	3200V7909	CABLE, (F3200), RELAY 707 TO EARTH, GROUP (Mod. 952)	1	-		
	3206V7909	CABLE, (F3206), TB. 1088 TO TB. 655 AND .. FUSE 282, GROUP (Mod. 908)	1	-		
	3221V7909	CABLE, (F3221), 16P TO 15P, GROUP (Mod. 983)	1	-		

ELECTRICAL INSTALLATION
NOSEWHEEL BAY

Ref. No.	Part No.	Description	No. off	Matl. Spec.	Cl. of	Plate and
					St.	
		1 2 3 4			M.R.	No.
	3222V7909	CABLE, (F3222) 18P TO STARBOARD ANTI-COLLISION LAMP, GROUP	1	-		
	3223V7909	CABLE, (F3223) 15P TO PORT ANTI-COLLISION LAMP, GROUP	1	-		
	3227V7909	CABLE, (F3227) UPPER ANTI-COLLISION ... LAMP TO EARTH, GROUP	1	-		
	3360V7909	CABLE, (F3360), PLUG 598 TO R.P.B. 597 ... AND EARTH, GROUP	1	-		
	3532V7909	CABLE, (F3532) RECTIFIER TO FUSE 983, .. GROUP	1	-		
	3539V7909	CABLE, (F3539) 73P TO 39P, GROUP GROUP	1	-		
	3541V7909	CABLE, (F3541) RECTIFIER TO REFUELLING GROUND PLUG, GROUP	1	-		
	3543V7909	CABLE, (F3543) 73P TO 30P, 31P, 32P AND .. 33P, GROUP	1	-		
	3546V7909	CABLE, (F3546) 19P TO 63P, GROUP GROUP	1	-		
	3547V7909	CABLE, (F3547) 63P TO 64P, GROUP GROUP	1	-		
	4108V7909	CABLE, (F4108) I.F.F. SUPPLIES, FUSE 828 .. TO TB.678, GROUP (Mod. 2155)	1	-		
	4109V7909	CABLE, (F4109) I.F.F. TEST SOCKET 1233 ... TO 19P AND EARTH, GROUP (Mod. 2155)	1	-		
	4110V7409	CABLE, (F4110) 1 AND 2 J.P.T. RESISTORS .. TO 63P, GROUP (Mod. 2253)	1	-		
	4111V7909	CABLE, (F4111) 63P TO 1P, GROUP (Mod. 2253)	1	-		
	4112V7909	CABLE, (F4112) 3 AND 4 J.P.T. RESISTORS .. TO TB.2161 (Mod. 2253)	1	-		
	4113V7909	CABLE, (F4113) 63P TO 1P, GROUP (Mod. 2253)	1	-		
	4114V7909	CABLE, (F4114) 63P TO J.P.T. RESISTOR, ... GROUP (Mod. 2254)	1	-		
	4128V7909	CABLE, (F4128) 63P TO J.P.T. INDICATOR, .. GROUP (Mod. 2254)	1	-		

VULCAN Mk. 2

ELECTRICAL INSTALLATION
NOSEWHEEL BAY

Page FM.14a

Ref. No.	Part No.	Description	No. off	Matl. Spec.	Cl. of St.	Plate and Illust'n No.	
					M.R.		
		1	2	3	4		
	4142V7909	CABLE, (F4142) I.F.F. SUPPLIES RELAY 337 TO TB.646, GROUP (Mod. 2155)	1	-			
	4157V7909	CABLE, (F4157) ENGINE FIRE WARNING, ... No. 1 STARBOARD CONTROL UNIT TO 15P AND 16P, GROUP (Mod. 2271)	1	-			
	4158V7909	CABLE, (F4158) ENGINE FIRE WARNING, ... No. 2 PORT CONTROL UNIT TO 15P, GROUP (Mod. 2271)	1	-			
	4159V7909	CABLE, (F4159) ENGINE FIRE WARNING, ... No. 3 PORT CONTROL UNIT TO 15P, GROUP (Mod. 2271)	1	-			
	460V7909	CABLE, (F4160) ENGINE FIRE WARNING, ... No. 4 STARBOARD CONTROL UNIT TO 16P, GROUP (Mod. 2271)	1	-			
	4165V7909	CABLE, (F4165) No. 2 AMPLIFIER TO TB.747 AND CABLE BOX, GROUP (Mod. 2283)	1	-			
	4166V7909	CABLE, (F4166) No. 2 AMPLIFIER TO TB.729 AND CABLE BOX, GROUP (Mod. 2283)	1	-			
	4175V7909	CABLE (F4175) GROUP (Mod. 2292)	1	-			

ELECTRICAL INSTALLATION
NOSEWHEEL BAY

Ref. No.	Part No.	Description				No. off	Matl. Spec.	Cl. of St.	Plate and Illust'n No.
		1	2	3	4			M.R.	

VULCAN HL 2

ELECTRICAL INSTALLATION

Page FM. 15

NOSEWHEEL BAY

Ref. No.	Part No.	Description	No. off	Matl. Spec.	Cl. of St.	Plate and Illust'n No.
					M.R.	
		1 2 3 4				
	7006V7909	CABLE, (F954), TB.912 TO TB.1144, GROUP (Mod. 545)	1	-		
	7007V7909	CABLE, (F955), TB 912 TO TB.1144, GROUP (Mod. 545)	1	-		
	7027V7909	CABLE, (F917), ADJ 19P TO 39P, GROUP	1	-		
	7032V7909	CABLE, (F908), 19P TO 38P, GROUP	1	-		
	7033V7909	CABLE, (F98), R P B 148 TO 16P, 32P, 33P, .. 64 AND 2J/17, GROUP	1	-		
	7082V7909	CABLE, (F908), R P B. 107 TO 65P, 1J AND 2J/15, GROUP (Mod. 1174)	1	-		
	7108V7909	CABLE, (F2149), GROUND SERVICING PLUG TO REFUELLING PLUG, GROUP	1	-		
	7109V7909	CABLE, (F1606), GROUND REFUELLING PLUG TO FUSES 982 AND 983, GROUP	1	-		
	7110V7909	CABLE, (F1299), GROUND SERVICING PLUG TO EARTH, GROUP	1	-		
	7120V7909	CABLE, (F726), No. 1 FREQUENCY CHANGER TO 27P, GROUP	1	-		
	7121V7909	CABLE, (F727), No. 2 FREQUENCY CHANGER TO 27P, GROUP	1	-		
	7123V7909	CABLE, (F1884), TB. 926 TO RELAYS 358 AND 359, GROUP	1	-		
	7170V7909	CABLE, (F1987), 10J TO 19P, GROUP	1	-		
	2109V7909	CABLE, (F2109), TB. 2137 TO TB. 2138, GROUP (Pre-Mod. 1744)	1	-		
	7185V7909	CABLE, (F2109), TB. 2137 TO TB.2138, GROUP (Mod. 608)	1	-		
	7186V7909	CABLE, (F2107), TB. 2035 TO TB. 2036, GROUP (Mod. 608)	1	-		
	7187V7909	CABLE, (F1506), TB. 2137 TO TB. 463, GROUP (Pre-Mod. 1744)	1	-		
	7188V7909	CABLE, (F1509), TB. 2137 TO TB. 463, GROUP (Pre-Mod. 1744)	1	-		
	7189V7909	CABLE, (F1502), TB. 2135 TO TB. 459, GROUP (Pre-Mod. 1744)	1	-		
	7190V7909	CABLE, (F1505), TB. 2035 TO TB. 459, GROUP (Pre-Mod. 1744)	1	-		

ELECTRICAL INSTALLATION

NOSEWHEEL BAY

Ref. No.	Part No.	Description	No. off	Matl. Spec.	Cl. of St.	Plate and Illust'n No.
					M.R.	
		1 2 3 4				
	7240V7909	CABLE, (F112), R.P.B. 168 TO 64P, GROUP ..	1	-		
	7252V7909	CABLE, (F75), R P.B. 117 TO 27P AND 2J/15, . GROUP	1	-		
	7253V7909	CABLE, (F104), R.P.B. 160 TO 28P/11, GROUP	1	-		
	7255V7909	CABLE, (F684), No. 1 FUEL TANK VALVE TO TB's 971 AND 972, GROUP	1	-		
	7256V7909	CABLE, (F906), No. 1 FUEL TANK VALVE TO TB.'s 971 AND 972, GROUP	1	-		
	7282V7909	CABLE, (F1687), RELAY 337 TO EARTH, GROUP	1	-		
	7284V7909	CABLE, (F528), STARBOARD CONTROL UNIT TO 16P AND RELAY 340, GROUP	1	-		
	7286V7909	CABLE, (F1296), GROUND SERVICE PLUG TO G.S. CONTACTOR, GROUP	1	-		
	7287V7909	CABLE, (F1685), RELAY 337 TO RELAY 646, GROUP	1	-		
	7300V7909	CABLE, (F933), No. 1, AMPLIFIER TO 16P, .. 39P AND EARTH, GROUP	1	-		
	7321V7909	CABLE, (F124), 27P TO 15P, GROUP	1	-		
	7326V7909	CABLE, (F940), No. 1, AMPLIFIER TO 15P, .. 39P AND EARTH, GROUP	1	-		
	7330V7909	CABLE, (F103), R.P.B. 159 AND 19P TO 39P .. AND CABIN AIR CONDITIONING UNIT, GROUP	1	-		
	7339V7909	CABLE, (F2303), R.P.B. 877 TO 28P AND No. . 3, AND No. 4 ALTERNATORS, GROUP	1	-		
	7340V7909	CABLE, (F882), TB. 916 TO EARTH, GROUP .	1	-		
	7341V7909	CABLE, (F1551), TRANS. TO RELAY 351, ... GROUP	1	-		
	7351V7909	CABLE, (F2003), 73P TO 19P AND 64P, GROUP	1	-		
	7584V7909	CABLE, (F2637), R.P.B. 788 TO PLUG 812, ... GROUP	1	-		
	7585V7909	CABLE, (F2638), R.P.B. 789 TO PLUG 813, ... GROUP	1	-		

VULCAN MR 2

ELECTRICAL INSTALLATION

Page FM. 17

NOSEWHEEL BAY

Ref. No.	Part No.	Description	No. off	Matl. Spec.	Cl. of St.	Plate and Illust'n No.
					M.R.	
		1 2 3 4				
	7586V7909	CABLE, (F2639), R.P.B.79C AND EARTH TO PLUG 814, GROUP	1	—		
	7587V7909	CABLE, (F2679), R.P.B.803, 823, 824 AND 876 TO PLUG 817 AND 819, GROUP	1	—		
	7589V7909	CABLE, (F2634), R.P.B.797 AND 805 TO RELAY UNIT, GROUP	1	—		
	7590V7909	CABLE, (F2635), R.P.B.799 AND EARTH TO RELAY UNIT, GROUP	1	—		
	7613V7909	CABLE, (F2970), STARTER PANEL TO 64P, GROUP	1	—		
	7616V7909	CABLE, (F93), R.P.B.140 TO 63P AND 2J, GROUP	1	—		
	7618V7909	CABLE, (F2971), STARTER PANEL TO 63P, GROUP	1	—		
	9861V7909	CABLE, (F83), R.P.B.104 TO 13P, 15P AND RELAY 477, GROUP (Mod. 2195)	1	—		
	7762V7909	CABLE, (F1040), 15P/5 to PORT T.R.U., GROUP	1	—		
	7763V7909	CABLE, (F1043), 16P/5 TO STARBOARD T.R.U., GROUP	1	—		
	7805V7909	CABLE, (F88), R.P.B.510 TO 56P, GROUP (Mod. 707)	1	—		
	7827V7909	CABLE, (F2807), RELAY 477 TO 15P/5, GROUP	1	—		
	7834V7909	CABLE, (F80), R.P.B.116 TO No. 1, CONTROL PANEL, GROUP	1	—		
	7844V7909	CABLE, (F77), R.P.B.119 TO 15P/7, 38P, AND 63P, GROUP (Mod. 738)	1	—		
	7865V7909	CABLE, (F1088), 2J/8 TO 19P, GROUP GROUP	1	—		
	7867V7907	CABLE, (F2067), TB.632 TO FUSE 760, GROUP (Mod. 885)	1	—		
	7886V7909	CABLE, (F119), R.P.B.135 AND 33P TO 28P AND No. 4 ENGINE BULKHEAD PLUG 257, GROUP (Mod. 1745)	1	—		
	7890V7909	CABLE, (F109), R.P.B.165 TO 15P, 16PEXT TEST SWITCH AND LOW RATE ACTUATOR, GROUP (Mod. 526)	1	—		

ELECTRICAL INSTALLATION

NOSEWHEEL BAY

Ref. No.	Part No.	Description	No. off	Matl. Spec.	Cl. of	Plate and Illust'n No.
					St. M.R.	
		1 2 3 4				
	7906V7909	CABLE, (F2895), TO R.A.T. COMPARTMENT, GROUP	1	—		
	7911V7909	CABLE, (F95), R.P.B.144 AND RELAYS 342 .. AND 343 TO 17P, 18P, 39P, 63P AND TEST SWITCH, GROUP	1	—		
	7948V7909	CABLE, (F905), No. 2 TANK SOLENOID TO .. RELAYS 416 AND EARTH, GROUP	1	—		
	7951V7909	CABLE, (F71), R.P.B.111 TO 26P AND 63P, ... GROUP (Mod. 569)	1	—		
	7952V7909	CABLE, (F114), GROUP (Pre-Mod. 2253)	1	—		
	9887V7909	CABLE, (F114), R.P.B.138 TO 26P AND 2J/15, GROUP (Mod. 2253)	1	—		
	7969V7909	CABLE, (F1494), RELAY 202 TO FUSE 200, .. GROUP (Mod. 715)	1	—		
	7975V7909	CABLE, (F72), R.P.B.113 TO 1J/13, 2J/15 AND 26P, GROUP (Mod. 569) (Pre-Mod. 2304)	1	—		
	7980V7909	CABLE, (F2115), RELAY 337 TO 28P/12, GROUP (Mod. 715)	1	—		
	8025V7909	CABLE, (F291), No. 2 TANK SOLENOID TO .. RELAY 416 AND EARTH, GROUP	1	—		
	8026V7909	CABLE, (F615), No. 2 TANK MOTOR TO 28P, .. GROUP	1	—		
	8027V7909	CABLE, (F601), No. 2 TANK MOTOR TO 27P, .. GROUP	1	—		
	8071V7909	CABLE, (F79), R.P.B.120 TO 1J/13 AND 26P, .. GROUP (Mod. 569)	1	—		
	8236V7909	CABLE, (F94), R.P.B.142 TO T.A.U., GROUP .. (Mod. 863)	1	—		
	8284V7909	CABLE, (F78), R.P.B.122 TO No. 2 FREQUENCY CHANGER, TB.29 AND TB.30, GROUP (Mod. 915)	1	—		
	8297V7909	CABLE, (F81), R.P.B.123 TO 2J/15, 63P AND .. 73P, GROUP (Mod. 950)	1	—		
	8300V7909	CABLE, (F438), 15P TO 2J/15, 13P, 16P, 19P .. AND 39P, GROUP (Mod. 950)	1	—		
	374V7909	CABLE, (F374), GROUP (Pre-Mod. 748)	1	—		
	8331V7909	CABLE, (F374), R.P.B.132 TO 19P AND 65P, .. GROUP (Mod. 1078)	1	—		
	9935V7909	CABLE, (F72), GROUP (Mod. 2304) (Pre-Mod. 2352)	1	—		

VULCAN No. 2

ELECTRICAL INSTALLATION
NOSEWHEEL BAY

Page FM. 19

Ref. No.	Part No.	Description 1 2 3 4	No. off	Matl. Spec.	Cl. of St.	Plate and Illust'n No.
					M.R.	
	8335V7909	CABLE, (F902), No. 2 TANK LEVEL SWITCH TO TB. 717, GROUP (Mod. 952)	1	—		
	8339V7909	CABLE, (F919), No. 2 TANK LEVEL SWITCH TO TB. 741, GROUP (Mod. 952)	1	—		
	8342V7909	CABLE, (F910), No. 1 TANK LEVEL SWITCH TO ADJ. 19P, GROUP (Mod. 952)	1	—		
	8344V7909	CABLE, (F907), No. 1 TANK LEVEL SWITCH TO ADJ. 19P, GROUP (Mod. 952)	1	—		
	8345V7909	CABLE, (F680), 16P TO 39P, GROUP (Mod. 952)	1	—		
	8347V7909	CABLE, (F523), 15P TO 38P, GROUP (Mod. 952)	1	—		
	8369V7909	CABLE, (F101), R.P.B. 153 TO 16P AND AIR COND. UNIT 374, GROUP (Mod. 952)	1	—		
	8433V7909	CABLE, (F3018), R.P.B. 962 TO FRONT SPAR BREAK 966, GROUP (Mod. 1078)	1	—		
	8435V7909	CABLE, (F2985), STARBOARD WING BREAK 520 TO R.P.B. 515, GROUP (Mod. 743)	1	—	MR	
	8482V7909	CABLE, (F2811), FRONT SPAR BREAK 970 TO 15P, GROUP (Mod. 748)	1	—		
	8500V7909	CABLE, (F2366), AT No. 1 TANK, PORT, GROUP (Pre-Mod. 1744)	1	—		
	8501V7909	CABLE, (F2370), AT No. 1 TANK, STARBOARD, GROUP (Pre-Mod. 1744)	1	—		
	8553V7909	CABLE, (F89), R.P.B. 133 TO 16P, 19P, 63P AND 64P, GROUP (Mod. 983)	1	—		
	8559V7909	CABLE, (F100), R.P.B. 152 TO 2J/15 AND RELAY 719, GROUP (Mod. 969)	1	—		
	8565V7909	CABLE, (F60), R.P.B. 101 TO PORT WING BREAK 601, GROUP (Mod. 1072)	1	—		
	8566V7909	CABLE, (F1784), R.P.B. 642 TO STARBOARD WING BREAK 643, GROUP (Mod. 1072)	1	—		
	8574V7909	CABLE, (F2569), 15P TO RELAYS 349 AND 574, GROUP (Mod. 1074)	1	—		
	8576V7909	CABLE, (F3022), FRONT SPAR BREAK 969 TO R.P.B. 961, GROUP (Mod. 1078)	1	—		

ELECTRICAL INSTALLATION
NOSEWHEEL BAY

Ref. No.	Part No.	Description	No. off	Matl. Spec.	Cl. of	Plate and Illust'n No.
					St.	
		1 2 3 4			M.R.	
	8582V7909	CABLE, (F2997), R.P.B. 1026 TO FRONT SPAR BREAK 985, GROUP (Mod. 12)	1	—		
	8586V7909	CABLE, (F76), R.P.B. 118 TO 1J/13, 15P, 80P AND RELAY 415, GROUP (Mod. 1045)	1	—		
	8610V7909	CABLE, (F65), R.P.B. 106 TO 1J, 63P, RELAY 423 AND AIR CONT. FEED COCK, GROUP (Mod. 1073)	1	—		
	8617V7909	CABLE, (F74), R.P.B. 115 TO 2J, 13P, 15P AND 38P, GROUP (Mod.)	1	—		
	8629V7909	CABLE, (F105), R.P.B. 162 TO 2J/17, 1J/13 AND TEST SWITCH PANEL, GROUP	1	—		
	8631V7909	CABLE, (F2916), R.P.B. 959 TO FRONT SPAR BREAK 967, GROUP (Mod. 1225)	1	—		
	8671V7909	CABLE, (F3224), 15P TO UPPER ANTI-COLLISION LAMP, GROUP (Mod. 983)	1	—		
	8694V7909	CABLE, (F70), R.P.B. 110, 30P AND 63P TO 1J, 2J AND No. 1 ENGINE BULK-HEAD, GROUP (Mod. 1284)	1	—		
	8696V7909	CABLE, (F90), R.P.B. 136, 32P AND 63P TO 19P, 2J AND No. 3 ENGINE BULK-HEAD 256, GROUP (Mod. 1284)	1	—		
	8697V7909	CABLE, (F91), R.P.B. 137 TO 1J/13, 2J, 32P, 33P, 78P AND 80P, GROUP (Mod. 1284)	1	—		
	8714V7909	CABLE, (F97), R.P.B. 147 TO 16P, 64P AND 2J, GROUP (Mod. 1271)	1	—		
	8715V7909	CABLE, (F800), R.P.B. 124 TO 15P AND 63P, GROUP (Mod. 1271)	1	—		
	8720V7909	CABLE, (F2902), 19P TO 63P, GROUP (Mod. 1271)	1	—		
	8721V7909	CABLE, (F2903), TB. 913 TO MICRO SWITCHES, GROUP (Mod. 1271)	1	—		
	8722V7909	CABLE, (F2904), 19P TO 63P, GROUP (Mod. 1271)	1	—		
	8723V7909	CABLE, (F2905), TB.'s 911 AND 912 TO MICRO SWITCHES, GROUP (Mod. 1271)	1	—		
	8724V7909	CABLE, (F2906), 15P TO 63P, GROUP (Mod. 1271)	1	—		

VULCAN No. 2

ELECTRICAL INSTALLATION

Page FM. 21

NOSEWHEEL BAY

Ref No.	Part No.	Description	No. off	Matl. Spec.	Cl. of St.	Plate and Illust'n No.
					M.R.	
		1 2 3 4				
	8725V7909	CABLE, (F2908), 63P TO 64P, GROUP (Mod. 1271)	1	—		
	8802V7909	CABLE, (F1296), GROUND SUPPLY PLUG TO 19P/9, GROUP (Mod. 1417)	1	—		
	8804V7909	CABLE, (F2149), REFUELLING PLUG TO EARTH, GROUP (Mod. 1417)	1	—		
	8805V7909	CABLE, (F2485) GROUND SUPPLY PLUG TO 19P/4, GROUP (Mod. 1417)	1	—		
	8840V7909	CABLE, (F1606), G.S. FUSES TO REFUEL GROUND PLUG AND RECTIFIER, GROUP (Mod. 1320)	1	—		
	8849V7909	CABLE, (F75), R.P.B. 117 TO 27P AND 2J/15, GROUP (Mod. 1320)	1	—		
	8850V7909	CABLE, (F104), R.P.B. 160 TO 28P/11, GROUP (Mod. 1320)	1	—		
	8858V7909	CABLE, (F2003), 73P/3 TO 19P, GROUP (Mod. 1320)	1	—		
	8859V7909	CABLE, (F89), R.P.B. 133 TO 16P, 19P, 63P AND 64P, GROUND (Mod. 1320)	1	—		
	8873V7909	CABLE, (F90), GROUP (Mod. 1745) (Pre Mod. 1553)	1	—		
	9054V7909	CABLE, (F90) GROUP (Post Mod. 1553) (Pre Mod. 2481)	1	—		
	9972V7909	CABLE, (F90) GROUP (Mod. 2481)	1	—		
	8878V7909	CABLE, (F81), R.P.B. 123 AND 63P TO 2J AND 73P, GROUP (Mod. 1320)	1	—		
	8879V7909	CABLE, (F2004), 73P to 30P, 31P, 32P AND 33P, GROUP (Mod. 1320)	1	—		
	8898V7909	CABLE, (F726), No. 1 FREQUENCY CHANGER TO 28P, GROUP (Mod. 1552)	1	—		
	8899V7909	CABLE, (F727), No. 2 FREQUENCY CHANGER TO 27P, GROUP (Mod. 1552)	1	—		
	8903V7909	CABLE, (F2803), TB. 1054 TO 28P, GROUP (Mod. 1552)	1	—		
	8905V7909	CABLE, (F1494), RELAY 202 TO FUSE 197, GROUP (Mod. 1552)	1	—		
	8907V7909	CABLE, (F3012), 28P TO RELAY 202, GROUP (Mod. 1552)	1	—		

ELECTRICAL INSTALLATION

NOSEWHEEL BAY

Ref. No.	Part No.	Description	No. off	Matl. Spec.	Cl. of St.	Plate and Illust'n No.
					M.R.	
		1 2 3 4				
	8909V7909	CABLE, (F1042), RELAY 454 TO FUSE 220, GROUP (Mod. 1552)	1	—		
	8970V7909	CABLE, (F105), R.P.B. 162 TO 1J/13, 2J AND TEST SWITCH PANEL, GROUP (Mod. 1340)	1	—		
	8797V7909	CABLE, (F61), R.P.B. 102 TO 1J/16, 28P AND 31P, GROUP (Mod. 1451)	1	—		
	9004V7909	CABLE, (F535), R.P.B. 167 TO 15P AND 19P, GROUP (Mod. 1424)	1	—		
	9005V7909	CABLE, (F62), R.P.B. 104, 31P AND 63P TO 27P, 30P, No. 2 ENGINE BULKHEAD 255 AND AUTO THROTTLE J/BOX, GROUP (Mod. 1424) (Pre Mod. 2481)	1	—		
	9971V7909	CABLE, (F62) R.P.B. 104, 31P AND 63P TO 27P, 30P No. 2 ENGINE BULKHEAD 255 AND AUTO THROTTLE J/BOX, GROUP (Mod. 2481)	1	—		
	9865V7909	CABLE, (F68), GROUP (Mod. 2195)	1	—		
	3934V7909	CABLE, (F3934), GROUP (Mod. 2067)	1	—		
	3979V7909	CABLE, (F3979), GROUP (Mod. 2118)	1	—		
	3981V7909	CABLE, (F3981), (GROUP (Mod. 2118)	1	—		
	3982V7909	CABLE, (F3982), GROUP (Mod. 2118)	1	—		
	3983V7909	CABLE, (F2983), GROUP (Mod. 2118)	1	—		
	4016V7909	CABLE, (F4016), GROUP (Mod, 2118)	1	—		
	4017V7909	CABLE, (F4017), GROUP (Mod. 2118)	1	—		
	4040V7909	CABLE, (F4040), GROUP (Mod. 2180)	1	—		
	8718V7909	CABLE, (F101), GROUP (Mod. 1969)	1	—		
	8920V7909	CABLE, (F103), GROUP (Mod. 1969)	1	—		
	9038V7909	CABLE, (F67), GROUP (Mod. 1300)	1	—		
	9470V7909	CABLE, (F240), GROUP (Mod. 1583)	1	—		
	9471V7909	CABLE, (F2927), GROUP	1	—		
	9494V7909	CABLE, (F91), GROUP (Mod. 1744)	1	—		
	9503V7909	CABLE, (F3514), GROUP (Mod. 1800)	1	—		
	9504V7909	CABLE, (F3515), GROUP (Mod. 1800)	1	—		

VULCAN ML 2

ELECTRICAL INSTALLATION

NOSEWHEEL BAY

Ref. No.	Part No.	Description	No. off	Matl. Spec.	Cl. of St.	Plate and Illust'n No.
					M.R.	
		<u>1 2 3 4</u>				
17253	9530V7909	CABLE, (F204), GROUP (Mod. 1300)	1	—	B	
	9535V7909	CABLE, (F1176), GROUP (Mod. 1300)	1	—		
	9548V7909	CABLE, (F2985), GROUP (Mod. 1300)	1	—		
	9551V7909	CABLE, (F3479), GROUP (Mod. 1300)	1	—		
	9552V7909	CABLE, (F3480), GROUP (Mod. 1300)	1	—		
	9580V7909	CABLE, (F1688), GROUP	1	—		
	9582V7909	CABLE, GROUP (Pre-Mod. 2253)	1	—		
	9884V7909	CABLE, (F79), GROUP (Mod. 2253)	1	—		
	9594V7909	CABLE, (F65), GROUP (Mod. 1856)	1	—		
	9597V7909	CABLE, (F74), GROUP (Mod. 1856)	1	—		
	9599V7909	CABLE, (F70), GROUP (Mod. 1856)	1	—		
	9608V7909	CABLE, (F3145), GROUP (Mod. 1856)	1	—		
	9647V7909	CABLE, (F1131), GROUP (Mod. 1906)	1	—		
	9648V7909	CABLE, (F1137), GROUP (Mod. 1906)	1	—		
	9649V7909	CABLE, (F1138), GROUP (Mod. 1906)	1	—		
	9650V7909	CABLE, (F1133), GROUP (Mod. 1906)	1	—		
	9651V7909	CABLE, (F565), GROUP (Mod. 1906)	1	—		
	9652V7909	CABLE, (F568), GROUP (Mod. 1906)	1	—		
	9653V7909	CABLE, (F567), GROUP (Mod. 1906)	1	—		
	9654V7909	CABLE, (F566), GROUP (Mod. 1906)	1	—		
	9655V7909	CABLE, (F2627), GROUP (Mod. 1906)	1	—		
	9683V7909	CABLE, (F1688), GROUP	1	—		
	9690V7909	CABLE, (F100), GROUP (Mod. 1942)	1	—		
	9702V7909	CABLE, (F61), GROUP (Mod. 1976)	1	—		
	9745V7909	CABLE, (F527), GROUP (Pre-Mod. 2271)	1	—		
9746V7909	CABLE, (F528), GROUP (Pre-Mod. 2271)	1	—			
9749V7909	CABLE, (F3222), GROUP (Mod. 2032)	1	—			
9750V7909	CABLE, (F3223), GROUP (Mod. 2032)	1	—			
9751V7909	CABLE, (F3224), GROUP (Mod. 2032)	1	—			

ELECTRICAL INSTALLATION

NOSEWHEEL BAY

Ref. No.	Part No.	Description	No. off	Matl. Spec.	Cl. of St.	Plate and Illust'n No.
					M.R.	
		1 2 3 4				
	9753V7909	CABLE, (F3227), GROUP (Mod. 2032)	1	—		
	9792V7909	CABLE, (F2783), GROUP (Mod. 2118)	1	—		
	9896V7909	CABLE, (F940), GROUP (Mod. 2283)	1	—		
	9897V7909	CABLE, (F933), GROUP (Mod. 2283)	1	—		
	9898V7909	CABLE, (F66), GROUP (Mod. 2283)	1	—		
	9899V7909	CABLE, (F66), GROUP (Mod. 2283)	1	—		
	9924V7909	CABLE, (F438), GROUP (Mod. 2271)	1	—		
	9925V7909	CABLE, (F109), GROUP (Mod. 2271)	1	—		
6A/4079	SMITHS CR42	Cable, Co-axial	2	—	A	
6A/4333593	SMITHS CR57	Cable, Co-axial	1	—	A	
6A/4085	SMITHS CR87	Cable, Co-axial	1	—	A	
5X/1116375	0003-038-000	Cap, dust for plug break 1245 (Mod. 2292) ...	1	—		
5X/1942392	0003-035-000	Cap, dust for plug break 1248 (Mod. 2292) ...	1	—		
5X/4683253	0003-033-000	Cap, dust for plug break 1246 (Mod. 2292) ...	1	—		
	PLESSEY					
5X/1017409	Z22164	Cap, plug sealing, size, "A"	2	—	A	
	PLESSEY					
5X/4491325	Z22166	Cap, plug sealing, size "B"	3	—	C	
	PLESSEY					
5X/4491326	Z22167	Cap, plug sealing, size "C"	2	—	C	
	CANNON					
	CA2322/6	Cap, plug sealing	5	—		
	CANNON					
	CA2322/8	Cap, plug sealing	4	—		
	CANNON					
	CA2322/9	Cap, plug sealing (Mod. 1217)	1	—		
5935-99- 9997860	CANNON					
	CA2322/10	Cap, plug sealing (Mod. 1174)	4	—	C	
	CANNON					
	CA2322/12	Cap, plug sealing	4	—		
	HELLERMANN					
	416125/10	Cap, protective (Mod. 2155)	1	—		
	AS8671/19	Capping, 19" long	4	—		
	AS8671/22	Capping, 22" long	2	—		
	AS8671/45	Capping, 45" long	8	—		FM1/19
	AS8671/48	Capping, 48" long	2	—		FM1/20
5SUB/4357500	—	Changer, frequency	2	—	A	FM1/21
	10V9472	Clip, Spring	4	—	MR	
	10V/6353	Conduit, 3" o/d x 9' 3" long	1	—	MR	FM1/22
	15V6353	Conduit, 3" o/d x 2' 9" long	1	—	MR	FM1/23
	16V6353	Conduit, 3" o/d x 6' 3-1/2" long	1	—	MR	FM1/24
	26V6353	Conduit, 5/8" o/d x 36" long	2	—	MR	FM1/25
	27V6353	Conduit, 5/8" o/d x 14" long	2	—	MR	FM1/26
	32V6353	Conduit, 2-1/2" o/d x 2' 7" long	1	—	MR	
	9V8612	Conduit, 2" o/d x 2' 9" long	1	—	MR	FM1/27
	10V8612	Conduit, 2" o/d x 6' 3-1/2" long	1	—	MR	FM1/28
	9V9472	Conduit, 7/8" o/d x 20" long	2	—	MR	
5CW/4402888	—	Contact or	2	—	A	FM2/29

VULCAN No. 2

ELECTRICAL INSTALLATION

Page FM. 25

NOSEWHEEL BAY

Ref. No.	Part No.	Description	No. off	Matl. Spec.	Cl. of	Plate and Illust'n No.
					St.	
		1 2 3 4				
ELECTRICAL INSTALLATION IN NOSEWHEEL BAY (V9472 & V11301)						
5X/7310	HELLERMANN HC1290	Connector, inline	180	-	C	
5X/9709497	-	Connector, inline (Pre-Mod. 1744)	4	-	C	
7654	1V9230	CONTAINER, BATTERY, GROUP	1	-	B	FM2/30
		(Mod. 1297)				
		Spares for:-				
	1V9232	BASE, CONTAINER, GROUP	1	-		FM2/31
		Spares for:-				
7655	8V9232	Bolt, cranked	2	-	C	FM2/32
	8V8187	Plate, packing (Pre-Mod. 1297)	2	L72		
	10V9232	Plate, packing (Mod. 1297)	2	L72		
	WILMOT BREEDON					
	7/1405	Plate, hook (Pre-Mod. 1297)	2	-		
11607	9V9232	Plate, hook (Mod. 1297)	2	-	C	FM2/33
7659	1Z9646	BLANKETS, THERMAL BATTERY	1	-	C	FM2/34
		CONTAINER, GROUP				
		Consisting of:-				
	2Z9646	Blanket, 36" x 3"	1	-		
	3Z9646	Blanket, 66" x 12"	1	-		
11604	4V9230	Bracket, channel	1	-	C	FM2/35
11605	5V9230	Bracket, channel	1	-	C	FM2/36
	2V8186	Bracket, bottom hinge	2	DTD363A		
	WILMOT BREEDON					
	7/1285	Catch, throw over	2	-	C	FM2/37
10223	1V9231	COVER, CONTAINER, GROUP	1	-	C	FM2/38
	3V8186	Nut, knurled	2	-	MR	FM2/39
28FP/9469299	A409	Pin, pip, quick release (Mod. 1297)	2	-	C	
	8V9230	Plate, clamp (Mod. 1297)	2	S510	MR	FM2/40
10644	6V9472	Cover, contactor	2	Y227/T5	C	FM2/41
	7V9472	Cover, P.V.C.	2	P.V.C.	MR	FM1/42
		Cover, insulating	4	-	C	
		Cover, terminal block	1	-	C	
		Cover, terminal block	1	-	C	
		Dome, glass	2	-	B	FM1/43
	19SS4623	Duct, cable, 19" long	4	-	MR	FM1/44
	22SS4623	Duct, cable, 22" long	2	-		
8518	45SS4623	Duct, cable, 45" long	8	-	C	FM1/45
	48SS4623	Duct, cable, 48" long	2	-	MR	FM1/46

ELECTRICAL INSTALLATION

NOSEWHEEL BAY

Ref. No.	Part No.	Description	No. off	Matl. Spec.	Cl. of	Plate and Illust'n No.
					St.	
		1 2 3 4			M.R.	
		ELECTRICAL INSTALLATION IN NOSEWHEEL BAY (V9472 AND 6V11301) (Cont'd)				
	14V5884	Fairlead	2	BSS972		FM1/47
	14V6353	Fairlead	1	BSS972		
	29V6353	Fairlead	1	BSS972		
	37V6353	Fairlead	1	BSS972		
	39V6353	Fairlead	1	BSS972		FM1/48
5X/4491486	10V5850	Ferrule (Mod. 608) (Pre-Mod. 1744)	6	-	C	
5L/9953202	-	Filament, 28V, 15W	2	-	B	
5J/1057003	-	Fitting, battery connection	1	-	B	FM2/49
		FUSES IN NOSEWHEEL BAY, GROUP (2V9851)				
		Spares for:-				
10H/1043043	AS2.5	Fuse, 2.5 amp., "S" type	31	-	C	
10H/9718192	AS5	Fuse, 5 amp., "S" type	37	-	C	
10H/23863	AS7.5	Fuse, 7.5 amp., "S" type	11	-	C	
10H/9718191	AS10	Fuse, 10 amp., "S" type	21	-	C	
10H/1043045	AS15	Fuse, 15 amp., "S" type	11	-	C	
10H/23860	AS20	Fuse, 20 amp., "S" type	8	-	C	
	BRUSH					
10H/0580125	30.11.T	Fuse, 30 amp., size 2	1	-	C	
10H/0580115	-	Fuse, 1 amp., size 1	1	-	C	
10H/0580126	40. 1.T	Fuse, 40 amp., size 2	1	-	C	
	1V9543	FUSEHOLDERS No. 1 TANK, GROUP	1	-		
		(Pre-Mod. 1744)				
5CW/4222	-	Guard, switch	1	-	C	
10002	2V9472	LINK, PLUG, GROUP (Pre-Mod. 1744)	2	-	C	
1433321	34V8222	LINK, RECTIFIER, GROUP (Mod. 2118)	1	-	B	FM2/50
		Spares for:-				
	34aV8222	Bus-bar (Copper)	1	-	C	
	34bV8222	Bus-bar (Copper)	1	-	C	
10CV/0372039	GJ5M	Rectifier	1	-	B	FM2/51
1433320	14V8222	Mounting, angle	1	-	C	FM2/52
	1V8608	MOUNTING BRACKET, 4 POLE RELAY	1	-		FM3/53
		AND FUSE, GROUP				
		Spares for:-				
	E.L.E. CO. LTD. 2055B	Base, fuse 982	1	-		FM3/54
	E.L.E. CO. LTD. 2054B	Base, fuse 983	1	-		FM3/55
	2V8608	BRACKET, MOUNTING, GROUP	1	-		FM3/56
		Spares for:-				
	337SS6003	Label, relay 337	1	L59		
	982SS6003	Label, fuse 982	1	L59		
	983SS6003	Label, fuse 983	1	L59		

VULCAN Mk 2

ELECTRICAL INSTALLATION

Page FM. 27

NOSEWHEEL BAY

Ref. No.	Part No.	Description	No. off	Matl. Spec.	Cl. of St.	Plate and Illust'n No.
					M.R.	
		1 2 3 4				
		MOUNTING BRACKET, 4 POLE RELAY AND FUSE, GROUP (Cont'd.)				
	E.L.E. CO. LTD. AP19273	Carrier, fuse 983	1	—		FM3/57
	E.L.E. CO. LTD. AP19274	Carrier, fuse 982	1	—		FM3/58
5CW/4400161	PLESSEY 7CZ/105411/1	Relay, 4 pole	1	—	A	FM3/59
10CV/ 0372039	B.T.H. GJ5M	Rectifier, germanium	2	—	B	FM3/60
	1V6618	MOUNTING, N.D. MICRO SWITCH, GROUP ... Spares for:—	1	—		FM5/61
	6V6618	Bolt, pin	1	S96	MR	FM5/62
12835	2V6618	Bracket	1	—	C	FM5/63
	4V6618	Lever, hinged	1	L33	MR	FM5/64
	4V6640	Pln, striking	1	S80	MR	FM5/65
	HONEYWELL LTD.					
5CW/4400578	402.EN.N3	Switch, micro (Mod. 1906)	1	—	C	FM5/66
5CW/4742	C1831/Y	Unit, sequence switch (Pre-Mod. 1906)	1	—	B	FM5/67
		MOUNTING, FIRE DETECTOR, PORT	1	—		FM4/68
		(V6901) (Pre-Mod. 2271) (1Z12502) (Mod. 2271)				
		Spares for:—				
	2V6901	BRACKET, MOUNTING, GROUP	1	—		FM4/69
4634	1V6897	MOUNTING, TRAY, GROUP	1	—	B	FM4/70
		(Pre-Mod. 2271) Spares for:—				
	4V6756	Bolt, wing	2	—	MR	FM4/71
10AJ/153	—	Mounting, anti-vibration	4	—	B	FM4/72
	5V6756	Nut, knurled	2	S1		FM4/73
	3Z12502	PLATE, MOUNTING, GROUP (Mod. 2271) ..	1	L72		
5CZ/4329775	TP5902	Unit, fire control (Pre-Mod. 2271)	1	—	A	FM4/74
5CZ/2206255	TP77020 Mk.4	Unit, fire control (Mod. 2271)	1	—	A	
5CZ/8998	TP77056	Unit, fire control (Mod. 2416)	4	—	A	
		MOUNTING FUEL FLOW METER, GROUP	—	—		FM4/75
		(V7397) Spares for:—				
	2V7379	BRACKET, MOUNTING, GROUP	1	—		FM4/76
6A/4333687	ELLIOT BROS. 3D122	Flowmeter, amplifier	1	—	A	FM4/77
6A/4333777	3B1031	Tray, mounting	1	—	B	FM4/78
	1V6798	MOUNTING, LAMP, GROUP	2	—		FM1/79
		Spares for:—				
5CX/4330014	—	Lamp	1	—	B	FM1/80

VULCAN Mk 2						
Page FM. 28		ELECTRICAL INSTALLATION				
NOSEWHEEL BAY						
Ref. No.	Part No.	Description	No. off	Matl. Spec.	Cl. of St.	Plate and Illust'n No.
					M.R.	
		1 2 3 4				
ELECTRICAL INSTALLATION IN NOSEWHEEL (V9471 AND V11301) (Cont'd.)						
		MOUNTING, MICRO SWITCH, PORT AND STARBOARD (13 AND 14V6621)	—	—		FM5/81
		Spares for:—				
	15V6621	Angle, attachment, port	1	L72		FM5/82
	16V6621	Angle, attachment, starboard	1	L72		FM5/83
22828	6V6621	BRACKET, PORT, GROUP	1	—		FM5/84
22829	7V6621	BRACKET, STARBOARD, GROUP	1	—		FM5/85
		Spares for:—				
	5V6106	Label	1	L59		
22832	8V6621	Bearing	1	S1		FM5/86
	4V6640	Pin, striking	1	—	MR	FM5/87
	5V6621	Rocker	1	DTD683	MR	FM5/88
	11V6106	Roller	1	S1	MR	FM5/89
5CW/4400578	HONEYWELL 402.EN.N3	Switch, micro (Mod. 1906)	1	—	A	FM5/90
5CW/4742	C1831Y MK1	Unit, sequence switch (Pre-Mod. 1906)	1	—	A	FM5/91
MOUNTING, FUEL CONTENTS GAUGE, AND AMPLIFIER, No. 2 TANK, PORT AND STARBOARD (19V AND 20V6170) (Mod. 2283)						
		Spares for:—				
6A/1141864	SMITHS KA5	Amplifier, bridge type 7	1	—	A	FM5/92
1510504	5V16111	BRACKET, MOUNTING, PORT	1	—	C	FM3/93
1510505	4V16111	BRACKET, MOUNTING, STARBOARD	1	—	C	
5X/6200370	1V5650	Block, connector	2	—	C	FM3/94
6A/1142873	SMITHS KC2	Box, cable	1	—	A	FM3/95
	5V6170	Channel, forward, port	1	DTD670A		
	6V6170	Channel, forward, starboard	1	DTD670A		
	7V6170	Channel, aft, port	1	DTD670A		
	8V6170	Channel, aft, starboard	1	DTD670A		
5X/4491488	15V5650	Socket, single	2	—	C	FM3/96
		MOUNTING, PANEL 7J (V8597)	—	—		
		Spares for:—				
	4V7371	BOX, JUNCTION, 7J, GROUP	1	—		FM5/97
		Spares for:—				
5X/6200370	1V5650	Block, terminal	3	—	C	FM5/98
	5V7372	BOX, LESS WIRING, GROUP	1	—		
		Spares for:—				
4625	2V7371	COVER, GROUP	1	—	C	FM5/99
		Spares for:—				
28FP/9144248	A4/25	Fastener, Dzus	6	—	C	
28FP/9430915	GA4/250	Grommet	6	—	C	

VULCAN No. 2		ELECTRICAL INSTALLATION			Page FM 29	
NOSEWHEEL BAY						
Ref. No.	Part No.	Description	No. off	Matl. Spec.	Cl. of St.	Plate and Illust'n No.
					M.R.	
		MOUNTING PANEL 7J (V8597) (Cont'd)				
	1V7363	LOOM, CABLE, GROUP	1			
5X/4491487	14V5650	Socket, double	4	—	C	FM5/100
5X/4491488	15V5650	Socket, single	1	—	C	FM5/101
	N.S.F.					
5CW/4400157	LX/S/11218/DM4	Switch, "Ledex"	1	—	B	FM5/202
		MOUNTING PANELS 63P AND 73P (1V9447)				
		Spares for:—				
	1V9135	PANEL, STARTER, RELAY, 73P, GROUP	1	—		FM5/103
		Spares for:—				
5X/6200370	1V5650	Block, terminal	2	—	C	FM5/104
5X/4491769	1V7870	Block, earthing	1	—	C	FM5/105
7651	3V9135	COVER, 73P, GROUP	1	—	C	FM5/106
		Spares for:—				
28FP/9144248	A4/25	Fastener, dzus	6	—	C	
28FP/9430915	GA4/250	Grommet	6	—	C	
	1V11416	LOOM, CABLE, GROUP (Pre Mod. 2418)	1			
	1V18703	LOOM, CABLE, GROUP (Mod. 2418)	1	—		
	2V9135	PANEL, LESS WIRING, GROUP	1	—		
	PLESSEY					
5CW/4400161	7CZ/105411/2	Relay, type CH/4CO/28/10	10	—	B	FM5/107
	7CZ/103739/1	Relay, type CH/2CO/28/10 (Mod. 2418)	1	—		FM5/107A
	BERCO					
5CZ/6229	K1-VGH	Resistor	1	—	B	FM5/108
	B.T.H.					
10CV/0372039	GJ5M	Rectifier (1 off added - Mod. 2418)	5	—	B	FM5/109
5X/4491487	14V5650	Socket, double	2	—	C	FM5/110
5X/4491488	15V5650	Socket, single	8	—	C	FM5/111
28FP/9430916	S4/200	Spring, dzus	6	—	C	
		PANEL, JUNCTION BOX, 63P (1V8436)				
		(Mod. 2253) (10V8436) (Mod. 2253)				
		Spares for:—				
5X/6200370	1V5650	Block, terminal	16	—	C	FM3/113
5X/4491769	1V7870	Block, earthing	1	—	C	FM3/114
5X/4491775	1V7871	Block, terminal	1	—	C	FM3/115
	WARD-BROOKE					
5CZ/4663621	WB1118/S/4	Block, terminal (Mod. 2253)	1	—	C	
5CZ/4663620	WB1118/S/2	Block, terminal (Mod. 2254)	1	—	C	
5CZ/8781	WB1118/B/9	Cover, terminal block (Mod. 2253)	1	—	C	
5CZ/4663271	WB1118/B/2	Cover, terminal block (Mod. 2254)	1	—	C	
10C/0120138		Capacitor, pellet type	4	—	C	FM3/116
	6V8436	COVER, PANEL, GROUP	1	—		FM3/117
		Spares for:—				
28FP/9542167	A5/30	Fastener, dzus	4	—	C	
28FP/9425771	GA5/312	Grommet, dzus	4	—	C	
	5V8436	Fairlead	2	BSS972		

ELECTRICAL INSTALLATION
NOSEWHEEL BAY

Ref. No.	Part No.	Description	No. off	Mtl. Spec.	Cl. of	Place and Illust'n No.
					St. M.R.	
		1 2 3 4				
		PANEL, JUNCTION BOX 63P (1V8436) (10V5436) (Cont'd)				
	2160V7728	Label, TB (Mod. 2253)	1	-		
	1V11373	LOOM, CABLE, GROUP	1	-		
11602	8V8436	MOUNTING, RESISTOR, GROUP	1	-	B	FM3/118
		Spares for:-				
5CZ/4337488	BERCO CLW6	Resistor, 33 ohms.	1	-	B	FM3/119
	1V8437	PANEL, LESS INSTRUMENT, GROUP ...	1	-		FM3/120
		Spares for:-				
28FP/1201748	S5/200 B.T.H.	Spring, dzus	4	-	C	
10CV/0372039	GJ5M	Rectifier	1	-	B	FM3/121
5X/4491487	14V5650	Socket, double	2	-	C	FM3/122
5X/4491488	15V5650	Socket, single	35	-	C	
5X/4491779	5V7871	Socket, single	3	-	C	FM3/123
5UB/4342717	-	Outlet, air	2	-	A	FM1/124
5CZ/4379230	-	Panel, control	2	-	A	FM1/125
		PANEL, JUNCTION BOX 64P (2V8436) (Mod. 1271)				FM3/126
		Spares for:-				
10C/0120138	-	Capacitor, pellet type	4	-	C	FM3/127
7652	7V8436	COVER, 64P, GROUP	1	-	C	FM3/128
		Spares for:-				
28FP/9452167	A5/30	Fastener, dzus	4	-	C	
28FP/9425771	GA5/312	Grommet, dzus ..	4	-	C	
	5V8436	Fairlead, half	2	BSS972		
	1V11374	LOOM, CABLE, GROUP	1	-		
11602	8V8436	MOUNTING, RESISTOR, GROUP	1	-	B	FM3/129
		Spares for:-				
5CZ/4337488	BERCO CLW6	Resistor, 33 ohms.	1	-	B	FM3/130
	4V8436	PANEL, LESS WIRING, GROUP	1	-		
		Spares for:-				
5X/8200370	1V5650	Block, terminal	16	-	C	FM3/131
5X/4491769	1V7870	Block	1	-	C	FM3/132
5X/4491775	1V7871	Block, terminal	1	-	C	FM3/133
	B.T.H.	Rectifier	1	-	B	FM3/134
10CV/0372039	GJ5M	Socket, single	23	-	C	
5X/4491488	15V5650	Socket, single	3	-	C	FM3/135
5X/4491779	5V7871	Socket, single	3	-	C	
		PANEL, 28V D.C. VITAL SUPPLY, 19P				FM4/136
		(1V8024) (Mod. 1424)				
		Spares for:-				
5X/4500052	-	Block, fuse type "S", 12-way	4	-	C	FM4/137
5X/6200370	1V5650	Block, terminal	1	-	C	FM4/138

VULCAN Mk. 2

ELECTRICAL INSTALLATION

Page FM. 31

NOSEWHEEL BAY

Ref. No.	Part No.	Description	No. off	Matl. Spec.	Cl. of St.	Plate and Illust'n No.
					M.R.	
		1 2 3 4				
		PANEL 28V D.C. VITAL SUPPLY, 19P (1V8024) (Mod. 1424) (Cont'd)				
5X/4491775	1V7871	Block, terminal	1	-	C	FM4/139
5X/4491769	1V7870	Block, earthing	1	-	C	FM4/140
	21V8493	BLOCK, TERMINAL, GROUP	1	-	MR	FM4/141
	12V8493	Spares for:- Block, terminal	1	-		FM4/142
	19V8024	Bolt, special, 5/16" (may be made from 48.SS.1375)	1	Brass		
	5V8024	Bus-Bar	1	BSS899		
	15V8024	Bus-Bar	2	-		
	17V8024	Bus-Bar	1	-		
11835	21V8024	Bus-Bar	1	BSS899	C	FM4/143
11836	22V8024	Bus-Bar	1	BSS879	C	FM4/144
	27V8024	Bus-bar	1	BSS879	MR	FM4/145
	ROTAX					
5CY/5542	D6684	Contacto	1	-	A	FM4/143
	ROTAX					
5CY/4376487	D6548	Contacto, inner	1	-	A	FM4/147
5CY/4520	-	Cover, circuit breaker	26	-	C	
11653	28V8024	COVER, 19P, GROUP	1	-	C	FM4/148
		Spares for:-				
28FP/9425770	AJ5/35	Fastener, dzus	10	-	C	
28FP/9425771	GA5/312	Grommet, dzus	10	-	C	
	1V11767	Label	1	-		
	B.T.H.					
5CY/5311	LGA12/B1/1	Circuit, breaker, 12 amp.	9	-	A	FM4/149
	B.T.H.					
5CY/4376481	LGA24/B1/1	Circuit, breaker, 24 amp.	6	-	A	FM4/150
	B.T.H.					
5CY/4376489	LGA35/B1	Circuit, breaker, 35 amp.	11	-	A	FM4/151
	11V8024	Fairlead	1	BSS868		
	14V7357	Fuseholder	2	-	MR	FM4/152
	BRUSH					
10H/23925	125.111.T	Fuse, 125 amp.	2	-	C	
	or					
10H/9002887	-	Fuse, 30 amp.	2	-	C	
10H/0590125	-	Link, commoning, 2 way	1	-	C	
5X/4500058	-	Link, commoning, 3 way	1	-	C	
5X/1059339	-	Link, commoning, 4 way	1	-	C	
5X/1059338	-	Link, commoning, 6 way	1	-	C	
5X/4500062	-	Link, commoning, 8 way	1	-	C	
5X/4048	-	Link, commoning, 9 way	1	-	C	
5X/4500065	-	Link, commoning, 10 way	1	-	C	
5X/1059340	-	Link, commoning, 12 way	1	-	C	
	1V12870	LOOM, CABLE, GROUP (Mod. 1709)	1	-		
	1V8025	PANEL, C/W LABELS, GROUP	1	-		

ELECTRICAL INSTALLATION

NOSEWHEEL BAY

Ref. No.	Part No.	Description	No. off	Matl. Spec.	Cl. of	Plate and Illust'n No.
					St. M.R.	
		1 2 3 4				
		PANEL, 28V D.C. VITAL SUPPLY 19P (1V8024) (Mod. 1424) (Cont'd)				
	7V8024	PILLAR-BUSBAR, GROUP	5	-		FM4/153
11833	25V8024	PILLAR, FUSEBLOCK, GROUP	1	-	C	FM4/154
11839	26V8024	PILLAR, FUSEBLOCK, GROUP	3	-	C	FM4/155
		Spares for:-				
	5cV5832	Stud	1	-	MR	FM4/158
	106V8024	Stud, for 25V8024 only	1	-		
	FERRANTI ZR32/C	Rectifier	2	-	B	FM4/157
5X/4500053	-	Socket, cable (Mod. 1271)	3	-	C	FM4/158
5X/4491487	14V5650	Socket, double	1	-	C	FM4/158
5X/4491488	15V5650	Socket, single	1	-	C	FM4/159
5X/4491779	5V7871	Socket, single	3	-	C	FM4/159
	4V8024	Strip, connector	2	-		
		PANEL, 28V D.C. DISTRIBUTION, 15P AND 16P (1 AND 2V9421) (Mod. 1320)				FM6/160
		Spares for:-				
5X/4500057	-	Block, fuse, 12 way	3	-	C	FM6/161
5X/6200370	1V5650	Block, terminal	6	-	C	FM6/162
5X/4491769	1V7870	Block, earthing	1	-	C	FM6/163
	26V9421	Bolt, special	2	S94		
	9V9921	Bolt, special (Made from A25/3E)	2	-		
	10V9421	Bolt, special (Made from A25/3C)	1	-		
	15V9421	Bolt, special, at 15P	1	-		
	14V9421	Bolt, special, at 16P	1	-		
	17V9421	Bracket, bus-bar	1	BSS2966		FM6/164
				Type 3A		
	7V9421	Bus-Bar	1	BSS899		FM6/165
	12V9421	Bus-Bar	1	BSS899		FM6/166
	13V9421	Bus-Bar, at 16P	1	BSS899		FM6/167
	19V9421	Bus-Bar	1	BSS899		FM6/168
	20V9421	Bus-Bar, at 16P	1	BSS899		FM6/169
	24V9421	Bus-Bar, at 15P	1	BSS899		FM6/170
	29V9421	Bus-Bar (Mod. 1843)	1	BSS899		FM6/171
7643	INSULOID No. 1	Cap, insuloid	2	-	C	FM6/172
	B.T.H.					
5CY/4376481	LGA24/B1	Circuit, breaker, 24 amp.	3	-	A	FM6/173
	B.T.H.					
5CY/4376489	LGA35/B1	Circuit, breaker, 35 amp.	8	-	A	FM6/174
	ROTAX					
5CY/5542	D6684	Contact, breaker (Mod. 1271)	1	-	A	FM6/175
	ROTAX					
5CY/4376080	D6544 OR	Contact, breaker, at 15P	1	-	A	FM6/176
	ROTAX					
5CY/4376081	D6545	Contact, breaker	1	-	A	FM6/177
	14V8026	Connector, strip, 6 way	1	-		FM6/178
	15V8026	Connector, strip, 5 way	1	-		FM6/179
	18V9421	Connector	4	-		FM6/180
	21V9421	Connector	1	-		FM6/181
	22V9421	Connector	1	-		FM6/182

VULCAN Mk 2

ELECTRICAL INSTALLATION
NOSEWHEEL BAY

Ref. No.	Part No.	Description	No. off	Matl. Spec.	Cl. of St.		Plate and Illust'n No.
					M	R	
		1 2 3 4					
		PANEL, 28V. D.C. DISTRIBUTION, 15P AND 16P (1 AND 2V9421) (Mod. 1320) (Cont'd)					
5CY/4520	—	Cover, circuit, breaker	11	—		C	FM6/183
	5V9421	COVER, 15P, GROUP	1	—		MR	FM6/184
8191	6V9421	COVER, 16P, GROUP	1	—		C	FM6/185
		Spares for:—					
28FP/9542167	A5/30	Fastener, dzus	6	—		C	
28FP/9425777	GA5/312	Grommet, dzus	6	—		C	
	ROTAX						
5CY/4376083	F2203/2	Cut-out, differential	1	—		A	
	8V/9421	Fairlead, half, at 16P	2	BSS2966			FM6/186
	16V9421	Fairlead, half	2	BSS2966			
	25V9421	Fairlead, half, at 15P	2	BSS2966			
	32V9421	Fairlead, half, at 15P	2	—			
	14V7357	Fuse, holder, at 16P (Mod. 2007)	1	—		MR	FM6/187
	BRUSH						
10H/23929	60-111-T	Fuse, 60 amp., at 16P	2	—		C	
	BRUSH						
10H/24210	150.111.T	Fuse, 150 amp., at 16P	1	—		C	
5X/1059339	—	Link, commoning, at 15P	1	—		C	
5X/4500064	—	Link, commoning, at 15P	1	—		C	
5X/4500066	—	Link, commoning, at 15P (Mod. 1843)	1	—		C	
5X/1059340	—	Link, commoning, 12 way	3	—		C	
	1V9729	LOOM, CABLE, GROUP (Pre-Mod. 748)	1	—			
	1V11594	LOOM, CABLE, 15P, GROUP	1	—			
		(Pre-Mod. 2255)					
	1V15489	LOOM, CABLE, 15P, GROUP (Mod. 2255) ...	1	—			
	1V15641	LOOM, CABLE, 16P, GROUP	1	—			
		(Pre-Mod. 2255)					
	1V15642	LOOM, CABLE, 16P, GROUP	1	—			
		(Pre-Mod. 2255)					
	1V18806	LOOM, CABLE, 16P, GROUP	1	—			
		(Mod. 2436) (Blue Steel A/C only)					
	1V18807	LOOM, CABLE, 16P, GROUP	1	—			
		(Mod.:2436)					
	11V9421	Mounting, fuse, at 16P	2	—			FM6/188
	23V9421	Mounting, fuse, at 16P	1	—			FM6/189
	2V13381	Mounting, fuse block, at 16P (Mod. 2007) ..	1	—			FM6/190
	1V9422	PANEL, C/W LABELS, 15P, GROUP	1	—			FM6/191
13623	2V9422	PANEL, C/W LABELS, 16P, GROUP	1	—		C	FM6/192

ELECTRICAL INSTALLATION

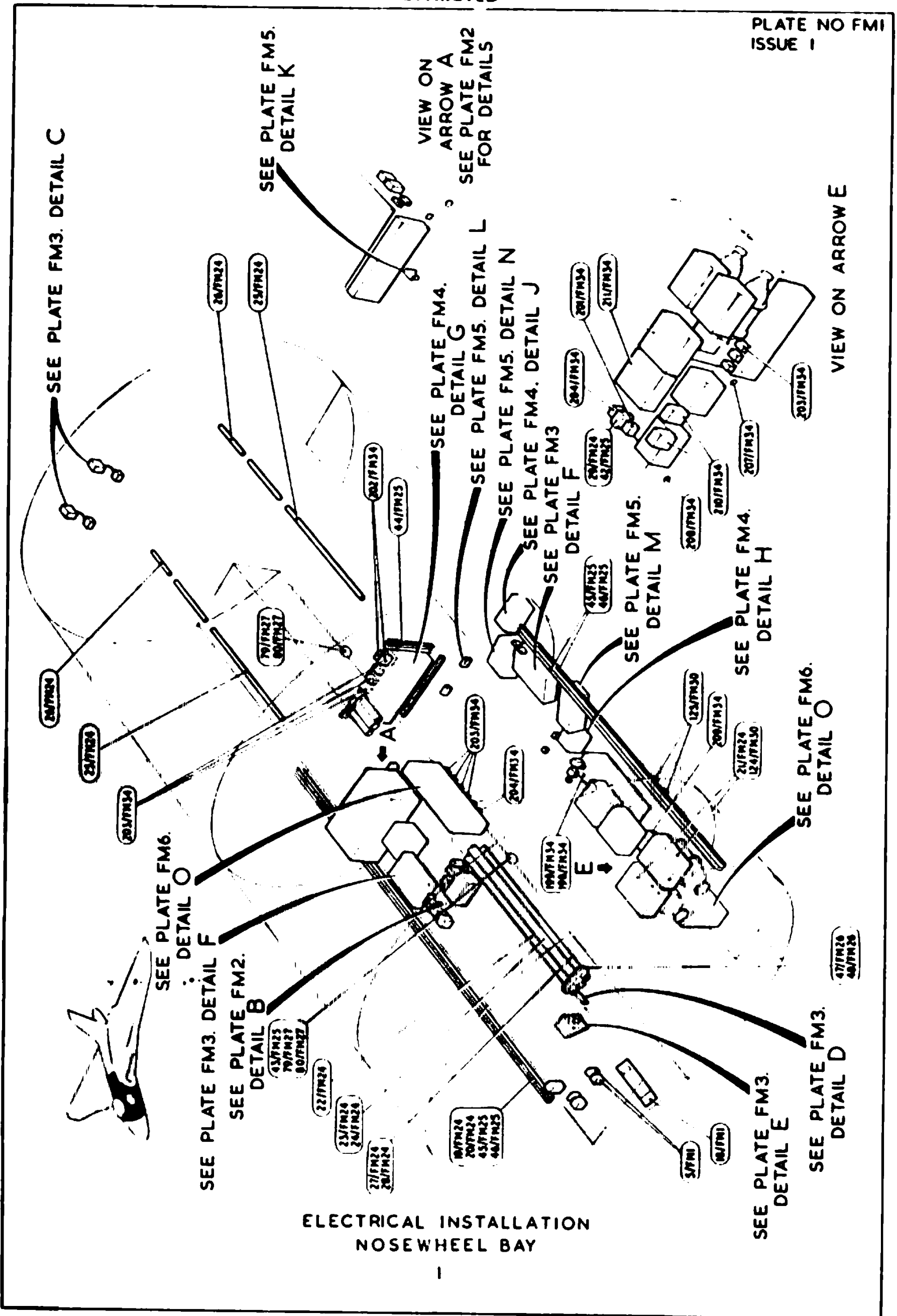
NOSEWHEEL BAY

Ref. No.	Part No.	Description	No. off	Matl. Spec.	Cl. of St.	Plate and Illust'n No.
					M.R.	
		1 2 3 4				
		ELECTRICAL INSTALLATION IN NOSEWHEEL BAY (V9472 AND V11301) (Cont'd)				
10CV/0372039	B.T.H. GJ5/M	Rectifier	1	—	B	FM6/193
5X/4491487	14V5650	Socket, double, at 15P	1	—	C	FM6/194
5X/4491488	15V5650	Socket, single	32	—	C	
5X/4500053	—	Socket, terminal	39	—	C	
	—	Socket, battery test, at 16P	1	—		FM6/195
	15SS4624	Plate, fixing, upper	1	—		FM2/196
	4SS4625	Plate, fixing, lower	1	—		FM2/197
5UB/4395948	—	Rectifier, transformer (with Blue Steel)	2	—	A	FM1/198
5UC/4395968	—	Rectifier, transformer (without Blue Steel)	2	—		FM1/199
5CW/1050498	7CZ/97225/1	Relay, type AH/1M/28/30	2	—	A	FM2/200
	ROTAX					
5CW/4405094	D6311	Relay, type 5Y, No. 2	1	—	A	FM1/201
	GRAVINER					
5CZ/4340007	D1740	Relay, box, single way (Pre-Mod. 1842)	3	—	A	FM1/202
	PLESSEY					
5CW/4400162	7CZ/103739	Relay, type 2PDT	15	—	C	FM1/200 FM2/200
	PLESSEY					
5CW/4400161	7CZ/105411/1	Relay, type 4 PDT	4	—	A	FM1/204
1433876	1V12971	RESISTANCE, SHUNT, GROUP (Mod. 2195) ..	1	—		
		Spares for:—				
	3V6647	Link, connection	1	—		
1433877	2V12971	Resistor	1	—		
	ROTAX					
5CW/4405758	N136930	Shroud, hydraulic power pack switch	1	—	C	FM2/205
	C.10770/300	Shunt (Mod. 2195)	2	—		
	HELLERMANN					
	NL8140	Sleeve, insulating	180	—		
5X/9994577	—	Socket, single, 19 amp.	5	—	C	
5X/4491488	15V5650	Socket, single	30	—	C	
5CW/4407828	—	Switch, hydraulic power pack	1	—	A	FM2/206
	1SS4052	Terminal, earth (Mod. 915)	1	—	MR	FM1/207
	1SS4088	Terminal, earth	3	—	MR	FM1/208
5UB/9487206	—	Transformer	1	—	A	FM1/209
5UC/4375145	—	Unit, frequency pick-up	2	—	A	FM1/210
5UC/4379231	—	Unit, rectifier	2	—	A	FM1/211
	GRAVINER					
5CZ/4340007	162D	Unit, control (Mod. 1842)	3	—	A	FM2/212
5CZ/4329775	TP5902	Unit, fire control (Mod. 2067) (Pre-Mod. 2271)	1	—	A	FM2/213
5CZ/2206255	TP77020	Unit, fire control, Mk. 4 (Mod. 2271)	4	—	A	
		(Pre-Mod. 2367)				
5CZ/6282266	TP77051	Unit, fire control (Mod. 2367)	4	—	A	
	OR					
5CZ/6282265	TP77052	Unit, fire control (Mod. 2367)	4	—	A	
—	100V9472	Plate, mounting, amplifiers (Mod. 2283)	1	—		FM2/8

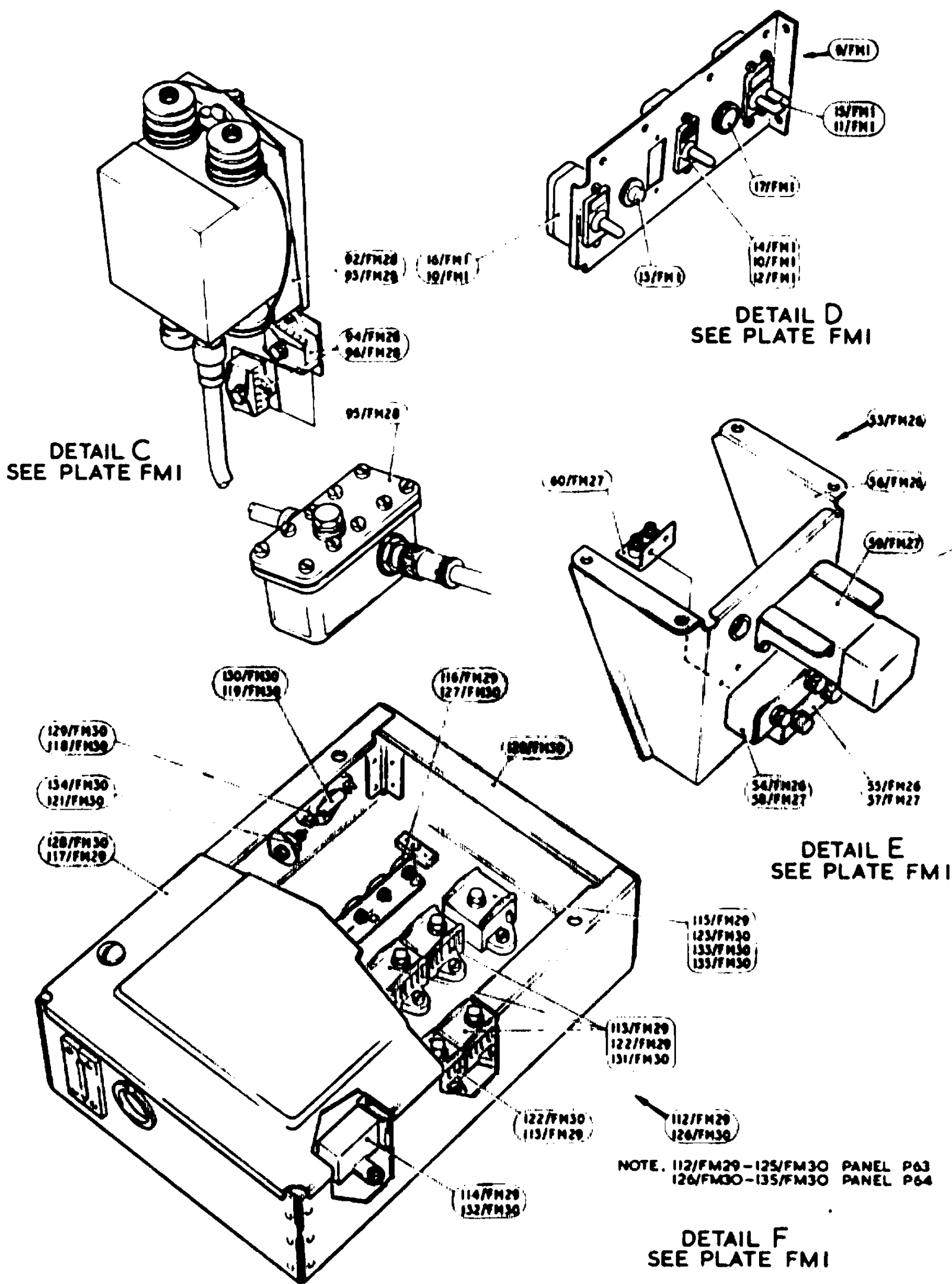
VULCAN Mk 2

ELECTRICAL INSTALLATION
SUMMARY OF STANDARD ITEMS

Stores Ref.		No. off	Stores Ref.		No. off	Stores Ref.		No. off
Section	Ref. No.		Section	Ref. No.		Section	Ref. No.	
28D	1008147	3	28M	5238	8	28S	1200047	11
28D	1007971	12	28M	1010995	2	28S	9436921	15
28D	1010658	74	28M	1010997	3	28S	9419411	14
28D	1008149	22	28M	1007704	9	28S	1007753	2
28D	9419452	8	28M	1006504	20	28S	9446549	2
28D	1011006	4	28M	1006473	4	28S	1009109	66
28D	1011013	7	28M	1011470	6	28S	1006948	2
28D	1007972	8	28M	9129528	15	28S	1200081	4
28D	9436920	46	28M	9416046	5	28S	1012450	8
28D	9133011	54	28M	9416947	1	28S	1008327	4
28D	9133012	13	28M	10286	8	28S	1007443	4
28D	1200119	19	28M	1278189	11	28S	9995329	52
28D	9133013	6	28M	1279190	36	28S	1007469	4
28D	7002428	4	28M	10275	5	28S	9435715	4
28D	9140644	2	28M	10290	2	28S	9992519	1
28D	9140645	9	28M	10326	22	28S	9997425	44
28D	9133014	6	28M	10327	198	28S	9464989	2
28D	9140647	4	28M	10309	4			
28D	9453970	4	28M	9433473	137			
28D	1011030	4	28M	7002430	27	28W	9419446	33
28D	1011240	8	28M	7002431	12	28W	9419401	350
28D	1011244	8	28M	9435559	72	28W	9419454	274
28D	7002426	2	28M	9434253	16	28W	9418920	42
28D	1007285	32	28M	11957	20	28W	9419455	1
28D	1007973	4	28M	9434251	14	28W	9419464	7
28D	9130080	6	28M	9435067	5	28W	9419465	122
28D	1007975	16	28M	9434252	4	28W	9419402	25
28D	9137409	9	28M	13774	8	28W	9418921	2
28D	9140203	4	28M	9144673	4	28W	9419403	13
28D	1007979	30				28W	9419473	8
28D	1215081	1				28W	9419475	40
28D	1007981	6	28P	19227	5	28W	9419405	2
28D	1013284	12	28P	1007781	2	28W	9419486	16
						28W	9419404	10
						28W	9419487	5
28FP	9144248	6	28S	9419436	52	28W	1200073	1
28FP	9542167	20	28S	1200049	38	28W	1200071	4
28FP	9425770	4	28S	1200044	83	28W	1009752	24
28FP	9430915	6	28S	9419437	21	28W	9416643	3
28FP	9425771	20	28S	1200043	2	28W	9416644	9
28FP	1200136	4	28S	1008152	4	28W	9416645	9
28FP	1201748	8	28S	9435712	14	28W	9128188	2
28FP	9469299	2	28S	1201448	8	28W	7002438	1
			28S	9419435	119	28W	1009149	2
			28S	9419453	18	28W	9459071	1
			28S	1200034	39	28W	1206041	208
			28S	1200036	90	28W	1006945	5
			28S	1200040	41	28W	1010187	1
			28S	1200033	8			
			28S	9435912	2			
			28S	9131095	6			
			28S	9997545	35			
			28S	9435713	47			

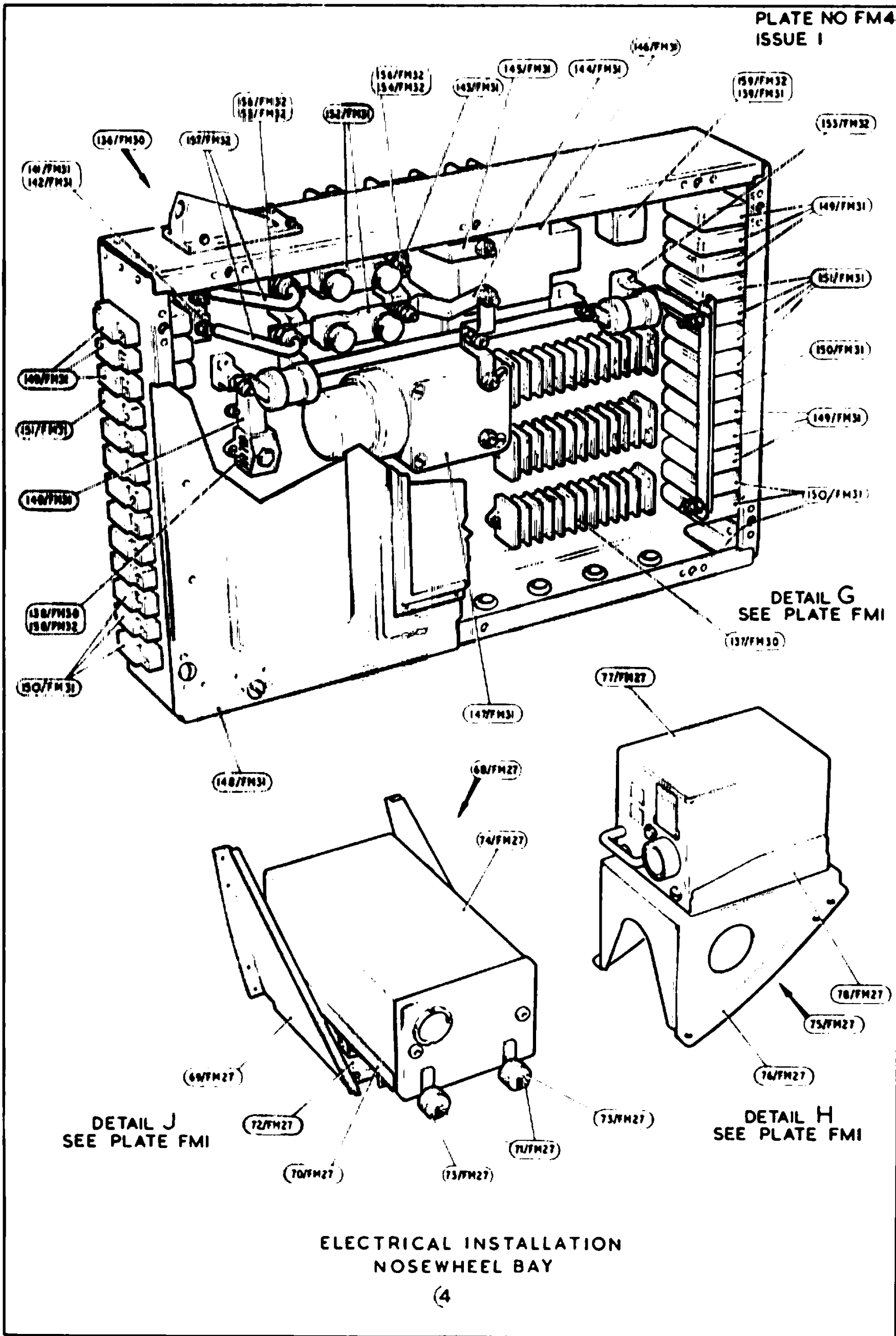


ELECTRICAL INSTALLATION
NOSEWHEEL BAY

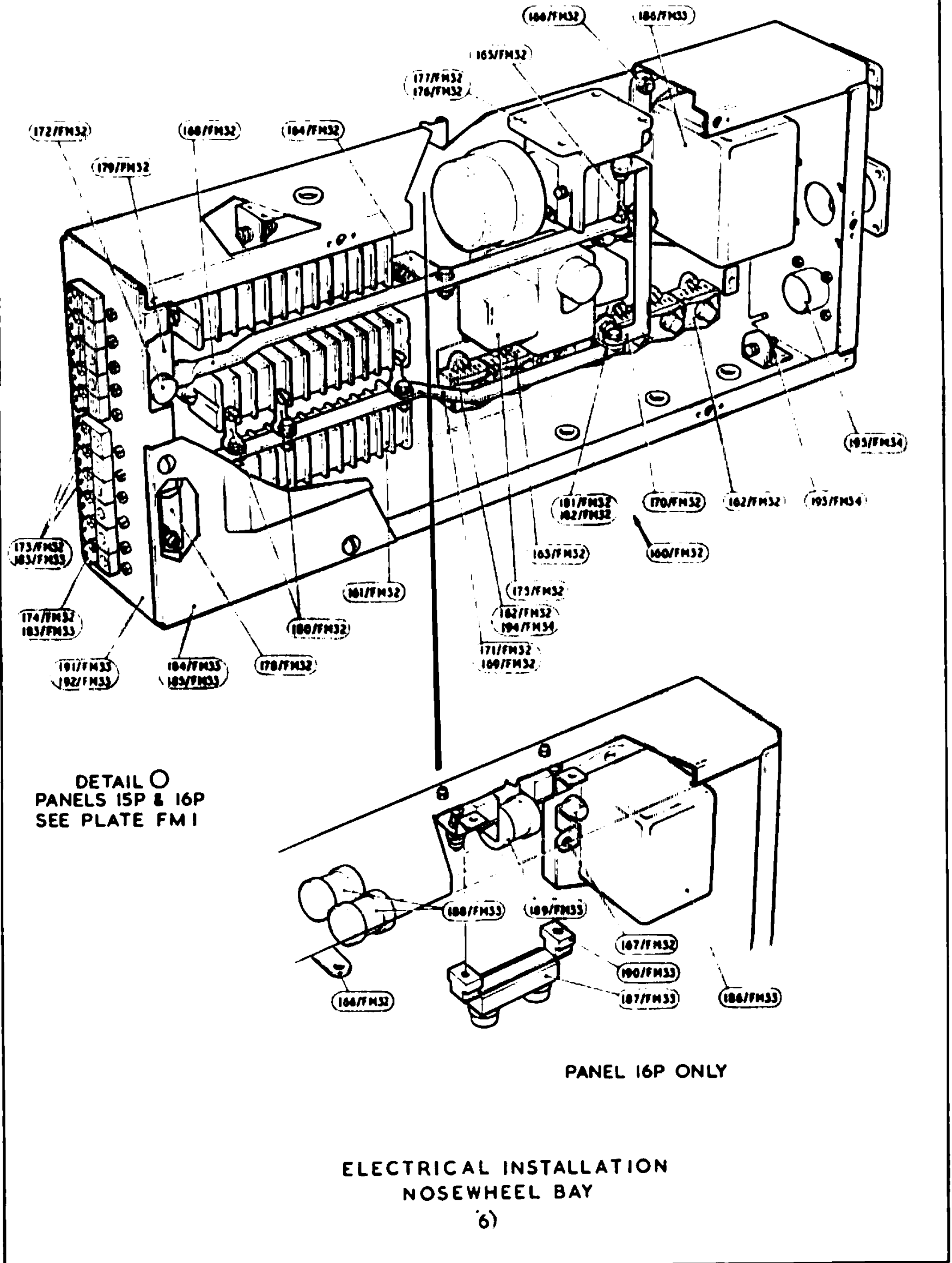


ELECTRICAL INSTALLATION
NOSEWHEEL BAY

(3)



ELECTRICAL INSTALLATION
NOSEWHEEL BAY



VULCAN Mk 2

**ELECTRICAL INSTALLATION
POWER COMPARTMENT**

Page FN. 1

Ref. No.	Part No.	Description 1 2 3 4	No. off	Matl. Spec.	Cl. of	Plate and Illust'n No.
					St. M.R.	
5X/6200370		ELECTRICAL INSTALLATION IN POWER COMPARTMENT (V9488) (Pre- Mod. 1174) (V11150) (Mod. 1174) Spares for :—				
	1V5650	Block, terminal	14	—	C	FN1/1
	1V6691	Block, terminal	4	—	MR	FN3/2
	1V9562	BOX, JUNCTION, 82P, GROUP ... (For spares, see equipment, A/C., instrument panels)	1	—		FN3/3
	15V9488	BRACKET, LAMP, GROUP	3	—		
	559V7909	CABLE, (F559), TB. 775 TO TB. 777, GRP.	1	—		
	576V7909	CABLE, (F576), 40P TO 26P, GROUP ...	1	—		
	578V7909	CABLE, (F578), 40P TO 58P, GROUP ...	1	—		
	579V7909	CABLE, (F579), 40P TO 58P, GROUP	1	—		
	580V7909	CABLE, (F580), 40P, TO 58P GROUP ...	1	—		
	581V7909	CABLE, (F581), 40P TO 58P, GROUP ...	1	—		
	582V7909	CABLE, (F582), 40P TO 58P, GROUP ...	1	—		
	584V7909	CABLE, (F584), TRANSPORT BREAK 37 TO 40P, GROUP (Mod. 1174)	1	—		
	586V7909	CABLE, (F586), TRANSPORT BREAK 38 TO 40P, GROUP (Mod. 1174)	1	—		
	588V7909	CABLE, (F588), TRANSPORT BREAK 40 TO 40P, GROUP (Mod. 1174)	1	—		
	589V7909	CABLE, (F589), TRANSPORT BREAK 42 TP 40P, GROUP	1	—		
	592V7909	CABLE, (F592), 40P TO 59P, GROUP ...	1	—		
	593V7909	CABLE, (F593), 40P TO 59P, GROUP ...	1	—		
	594V7909	CABLE, (F594), 40P TO 59P, GROUP ...	1	—		
	595V7909	CABLE, (F595), 40P TO 59P, GROUP ...	1	—		

**ELECTRICAL INSTALLATION
POWER COMPARTMENT**

Ref. No.	Part No.	Description 1 2 3 4	No. off	Marl. Spec.	Cl. of	Place and Illust'n No.
					St. M.R.	
	600V7909	CABLE, (F600), TB. 108 TO EARTH, GRP.	1	—		
	604V7909	CABLE, (F604), 60P TO 41P, GROUP ...	1	—		
	605V7909	CABLE, (F605), 60P TO 41P, GROUP ...	1	—		
	606V7909	CABLE, (F606), 60P TO 41P, GROUP ...	1	—		
	607V7909	CABLE, (F607), 60P TO 41P, GROUP ...	1	—		
	609V7909	CABLE, (F609), TRANSPORT BREAK 46 TO 41P, GROUP (Mod. 1174)	1	—		
	611V7909	CABLE, (F611), TRANSPORT BREAK 49 TO 41P, GROUP (Mod. 1174)	1	—		
	613V7909	CABLE, (F613), TRANSPORT BREAK 52 TO 41P, GROUP	1	—		
	614V7909	CABLE, (F614), TB. 114 TO EARTH, GRP.	1	—		
	616V7909	CABLE, (F616), 41P TO 61P, GROUP ...	1	—		
	617V7909	CABLE, (F617), 41P TO 61P, GROUP ...	1	—		
	618V7909	CABLE, (F618), 41P TO 61P, GROUP ...	1	—		
	619V7909	CABLE, (F619), 41P TO 61P, GROUP ...	1	—		
	620V7909	CABLE, (F620), 41P TO 61P, GROUP ...	1	—		
	621V7909	CABLE, (F621), 41P TO 61P, GROUP ...	1	—		
	666V7909	CABLE, (F656), 58P TO 59P, GROUP ...	1	—		
	657V7909	CABLE, (F657), 58P TO 61P, GROUP ...	1	—		
11468	658V7909	CABLE, (F658), 58P TO 20P, GROUP ...	1	—	C	
	659V7909	CABLE, (F659), 59P TO 60P, GROUP ...	1	—		
	719V7909	CABLE, (F719), TB. 776 TO VOLTAGE REGULATOR, GROUP	1	—		
	772V7909	CABLE, (F772), STARBOARD TRANS- PORT BREAK 53 TO 26P, GROUP	1	—		
	773V7909	CABLE, (F773), PORT TRANSPORT BREAK 43 TO 26P, GROUP	1	—		
	806V7909	CABLE, (F806), 61P TO 62P, GROUP ...	1	—		
	813V7909	CABLE, (F813), TRANS. RECTIFIER UNIT TO BLOWER MOTOR, GROUP	1	—		
	1070V7909	CABLE, (F1070), GROUND SUPPLY PLUG TO RELAY 14, GROUP (Pre-Mod. 1417)	1	—		

VULCAN No. 2

ELECTRICAL INSTALLATION
POWER COMPARTMENT

Page FN. 3

Ref. No.	Part No.	Description	No. off	Matl. Spec.	Cl. of	Plate and Illust'n No.
					St. M.R.	
		1 2 3 4				
	1118V7909	CABLE, (F1118), TB 778 TO VOLTAGE REGULATOR, GROUP	1	-		
	1120V7909	CABLE, (F1120), No. 1 LAMP TO No. 2 LAMP, GROUP	1	-		
	1214V7909	CABLE, (F1214), TB.4 TO EARTH, GROUP	1	-		
	1230V7909	CABLE, (F1230), TB.779 TO TB.781, GROUP	1	-		
	1234V7909	CABLE, (F1234), TB.782 TO VOLTAGE REGULATOR, GROUP	1	-		
	1266V7909	CABLE, (F1266), 40P TO 59P, GROUP	1	-		
	1267V7909	CABLE, (F1267), 40P TO 58P, GROUP (Pre-Mod. 1552)	1	-		
	1272V7909	CABLE, (F1272), 40P TO 60P, GROUP	1	-		
	1273V7909	CABLE, (F1273), 41P TO 60P, GROUP	1	-		
	1274V7909	CABLE, (F1274), 41P TO 59P, GROUP	1	-		
	1275V7909	CABLE, (F1275), RELAY 23 TO TB.144, GROUP	1	-		
	1276V7909	CABLE, (F1276), RELAY 24 TO TB.143, GROUP	1	-		
	1277V7909	CABLE, (F1277), RELAY 52 TO TB.147, GROUP	1	-		
	1278V7909	CABLE, (F1278), RELAY 49 TO TB.148, GROUP	1	-		
	1279V7909	CABLE, (F1279), 40P TO 58P, GROUP	1	-		
	1280V7909	CABLE, (F1280), 40P TO 61P, GROUP	1	-		
	1281V7909	CABLE, (F1281), 41P TO 61P, GROUP	1	-		
	1282V7909	CABLE, (F1282), 41P TO 58P, GROUP	1	-		
	1283V7909	CABLE, (F1283), RELAY 21 TO TB.146, GROUP	1	-		
	1284V7909	CABLE, (F1284), RELAY 22 TO TB.145, GROUP	1	-		
	1285V7909	CABLE, (F1285), RELAY 50 TO TB.149, GROUP	1	-		
	1286V7909	CABLE, (F1286), RELAY 51 TO TB.150, GROUP	1	-		

ELECTRICAL INSTALLATION
POWER COMPARTMENT

Ref. No.	Part No.	Description	No. off	Matl. Spec.	Cl. of	Plate and Illust'n No.
					St. M.R.	
		1 2 3 4				
	1306V7909	CABLE, (F1306), 40P TO 58P, GROUP (Pre-Mod 1552)	1	-		
	1308V7909	CABLE, (F1308), 40P TO 59P, GROUP :	1	-		
	1311V7909	CABLE, (F1311), 41P TO 61P, GROUP (Pre-Mod. 1552)	1	-		
	1313V7909	CABLE, (F1313), 41P TO 60P, GROUP :	1	-		
	1331V7909	CABLE, (F1331), TB.103 TO EARTH, GROUP .	1	-		
	1337V7909	CABLE, (F1337), No. 4 ALTERNATOR CONTROL PANEL TO 21J AND 26P, GROUP	1	-		
	1345V7909	CABLE, (F1345), VOLT TRIMMER TO VOLTAGE REGULATOR, GROUP (Pre-Mod 1174)	1	-		
	1362V7909	CABLE, (F1362), 61P TO 17J, GROUP :	1	-		
	1376V7909	CABLE, (F1376), VOLT TRIMMER TO VOLTAGE REGULATOR, GROUP (Pre-Mod 1174)	1	-		
	1390V7909	CABLE, (F1390), 60P TO 16J, GROUP :	1	-		
	1427V7909	CABLE, (F1427), VOLT TRIMMER TO VOLTAGE REGULATOR, GROUP (Pre Mod. 1174)	1	-		
	1431V7909	CABLE, (F1431), 58P TO 14J, GROUP :	1	-		
	1448V7909	CABLE, (F1448), No. 2 ALTERNATOR CONTROL PANEL TO 19J AND 26P, GROUP	1	-		
	1458V7909	CABLE, (F1458), VOLT TRIMMER TO VOLTAGE REGULATOR, GROUP (Pre-Mod 1174)	1	-		
	1459V7909	CABLE, (F1459), VOLTAGE REGULATOR TO EARTH, GROUP	1	-		
	1574V7909	CABLE, (F1574), 59P TO 15J, GROUP :	1	-		
	1702V7909	CABLE, (F1702), 14J TO TB's 775 AND 776, .. GROUP	1	-		
	1703V7909	CABLE, (F1073), 15J TO TB's 777 AND 778, .. GROUP	1	-		
	1704V7909	CABLE, (F1704), 16J TO TB's 779 AND 780, .. GROUP	1	-		
	1705V7909	CABLE, (F1705), 17J TO TB's 781 AND 782, .. GROUP : : :	1	-		

VULCAN PM. 2

ELECTRICAL INSTALLATION
POWER COMPARTMENT

Page FN. 5

Ref. No.	Part No.	Description 1 2 3 4	No. off	Matl. Spec.	Cl. of	Plate and Illust'n No.
					St. M.R.	
	1709V7909	CABLE, (F1709), VOLTAGE REGULATOR TO EARTH, GROUP	1	—		
	1710V7909	CABLE, (F1710), VOLTAGE REGULATOR TO EARTH, GROUP	1	—		
	1716V7909	CABLE, (F1716), TB. 786 TO No. 1 V METER TEST, GROUP	1	—		
	1717V7909	CABLE, (F1717), TB. 787 TO No. 2 V METER TEST, GROUP	1	—		
	1718V7909	CABLE, (F1718), TB. 788 TO No. 3 V METER TEST, GROUP	1	—		
	1719V7909	CABLE, (F1719), TB. 789 TO No. 4 V METER TEST, GROUP	1	—		
	1790V7909	CABLE, (F1790), 61P TO EARTH, GRP. ...	1	—		
	1800V7909	CABLE, (F1800), 59P TO EARTH, GRP. ...	1	—		
	1802V7909	CABLE, (F1802), 58P TO EARTH, GRP. ...	1	—		
	1805V7909	CABLE, (F1805), 60P TO EARTH, GRP. ...	1	—		
	2084V7909	CABLE, (F2804), 74P TO EARTH, GRP. ...	1	—		
	2086V7909	CABLE, (F2086), T.R.U. TO RELAY 393, GROUP	1	—		
	2134V7909	CABLE, (F2134), T.R.U. TO RELAY 13, GROUP	1	—		
	2348V7909	CABLE, (F2348), 59P TO 80P, GROUP (Mod. 526)	1	—		
	2354V7909	CABLE, (F2354), 59P TO 80P, GROUP (Mod. 526) (Pre-Mod. 1552)	1	—		
	2356V7909	CABLE, (F2356), 59P TO 80P, GROUP (Mod. 526) (Pre-Mod. 1552)	1	—		
	2441V7909	CABLE, (F2441), 26P TO 41P, GROUP (Mod. 526)	1	—		
	2443V7909	CABLE, (F2443), 26P TO 40P, GROUP (Mod. 526)	1	—		

**ELECTRICAL INSTALLATION
POWER COMPARTMENT**

Ref. No.	Part No.	Description	No. off	Matl. Spec.	Cl. of	Place and Illust'n No.
					St. M.R.	
		1 2 3 4				
	2445V7909	CABLE, (F2745), 15J TO 19J, GROUP ..	1	—		
	2446V7909	CABLE, (F2446), 16J TO 20J, GROUP ...	1	—		
	2448V7909	CABLE, (F2448), 19J TO 20J, GROUP ...	1	—		
	2451V7909	CABLE, (F2451), 14J TO 18J, GROUP ...	1	—		
	2452V7909	CABLE, (F2452), 18J TO 19J, GROUP ...	1	—		
	2454V7909	CABLE, (F2454), 17J TO 21J, GROUP ...	1	—		
	2455V7909	CABLE, (F2455), 20J TO 21J, GROUP ...	1	—		
	2502V7909	CABLE, (F2502), 29P TO 82P, GROUP ...	1	—		
	2521V7909	CABLE, (F2521), T.R.U. TO TB. 1526, GRP.	1	—		
	2522V7909	CABLE, (F2522), TEST SOCKET TO TB. 1528, GROUP	1	—		
	2563V7909	CABLE, (F2563), T.R.U. TO TB's 1528 AND 1529, GROUP	1	—		
	2570V7909	CABLE, (F2570), T.R.U. TO EARTH, GRP.	1	—		
	2665V7909	CABLE, (F2665), MACH. TRIM ACTU- ATOR TO TB's 1210 AND 1218, GROUP	1	—		
	2666V7909	CABLE, (F2666), MACH. TRIM ACTU- ATOR, TO TB's 1210 AND 1218, GROUP	1	—		
	2667V7909	CABLE, (F2667), MACH. TRIM ACTU- ATOR TO TB's 1210 AND 1218, GROUP	1	—		
	2668V7909	CABLE, (F2668), MACH. TRIM ACTU- ATOR TO TB's 1210 AND 1218, GROUP	1	—		
	2669V7909	CABLE, (F2669), MACH. TRIM ACTU- ATOR TO TB. 1218, GROUP	1	—		
	2891V7909	CABLE, (F2891), 58P TO EARTH, GROUP (Mod. 736)	1	—		
	2892V7909	CABLE, (F2892), 59P TO EARTH, GROUP (Mod. 736)	1	—		
	2893V7909	CABLE, (F2893), 60P TO EARTH, GROUP (Mod. 736)	1	—		
	3073V7909	CABLE, (F3073), 26P TO 74P, GROUP ...	1	—		
	3248V7909	CABLE, (F3428), 58P TO RELAY 262, GRP. (Mod. 1164)	1	—		

ELECTRICAL INSTALLATION
POWER COMPARTMENT

Ref. No.	Part No.	Description	No. off	Matl. Spec.	Cl. of	Plate and Illust'n No.
					St. M.R.	
		1 2 3 4				
	3429V7909	CABLE, (F3429), RELAY 262 TO R.T A. BLOWER, GROUP (Mod 1164)	1	-		
	3430V7909	CABLE, (F3430), RELAY 262 TO EARTH, GROUP (Mod 1164)	1	-		
	3431V7909	CABLE, (F3431), RELAY 262 TO 26P, GROUP (Mod 1164)	1	-		
	4087V7909	CABLE, (F4087), TB's 786, 787, 788 & 789 TO No 1, 2, 3 & 4 ALTERNATOR CONTROL PANELS (Mod 2211)		-		
	7044V7909	CABLE, (F560), 18J TO 26P, 40P AND PORT TRANSPORT BREAK 45, GROUP	1	-		
	7052V7909	CABLE, (F1369), No 3 ALT, CONTROL PANEL TO 20J AND 26P, GROUP	1	-		
	7184V7909	CABLE, (F628), TB 109 TO EARTH, GROUP	1	-		
	7194V7909	CABLE, (F2246), CONTROL UNIT TO TB's 430, 431 AND EARTH, GROUP (Mod. 513)	1	-		
	7307V7909	CABLE, (1451), VOLTAGE REGULATOR AND TB 787 TO FUSES 4 AND 5, GROUP	1	-		
	7308V7909	CABLE, (F1343), VOLTAGE REGULATOR AND TB 789 TO FUSES 10 AND 11, GROUP	1	-		
	7309V7909	CABLE, (F1166), VOLTAGE REGULATOR AND TB 786 TO FUSES 1 AND 2, GROUP	1	-		
	7310V7909	CABLE, (F1374), VOLTAGE REGULATOR AND TB 788 TO FUSES 7 AND 8, GROUP	1	-		
	7362V7909	CABLE, (F780), No 1 VOLTAGE REGU- LATOR TO No 4 VOLTAGE REGULATOR, GROUP	1	-		
	7363V7909	CABLE, (F1171), No 3 VOLTAGE REGU- LATOR TO No 4 VOLTAGE REGULATOR, GROUP	1	-		
	7364V7909	CABLE, (F1136), No 2 VOLTAGE REGU- LATOR TO No 3 VOLTAGE REGULATOR, GROUP	1	-		
	7365V7909	CABLE, (F720), No 1 VOLTAGE REGU- LATOR TO No 2 VOLTAGE REGULATOR, GROUP	1	-		

ELECTRICAL INSTALLATION
POWER COMPARTMENT

Ref. No.	Part No.	Description	No. off	Matl. Spec.	Cl. of St.	Plate and Illust'n No.
					M.R.	
		1 2 3 4				
	7430V7909	CABLE, (F1426), No 1 VOLTAGE REGU LATOR TO EARTH, GROUP	1	-		
	7438V7909	CABLE, (F2447), 19J TO TB 750, GROUP (Mod 569)	1	-		
	7439V7909	CABLE, (F2457), 20J TO TB 750, GROUP (Mod 569)	1	-		
	7497V7909	CABLE, (F584), TRANSPORT BREAK 37 TO 40P, GROUP (Pre Mod 1174)	1	-		
	7498V7909	CABLE, (F586), TRANSPORT BREAK 38 TO 40P, GROUP (Pre Mod 1174)	1	-		
	7499V7909	CABLE, (F588), TRANSPORT BREAK 40 TO 40P, GROUP (Pre Mod. 1174)	1	-		
	7500V7909	CABLE, (596), TRANSPORT BREAK 36 TO 40P, GROUP	1	-		
	7501V7909	CABLE, (F598), TRANSPORT BREAK 39 TO 40P, GROUP	1	-		
	7504V7909	CABLE, (F622), TRANSPORT BREAK 47 TO 41P, GROUP	1	-		
	7505V7909	CABLE, (F624), TRANSPORT BREAK 48 TO 41P, GROUP	1	-		
	7506V7909	CABLE, (F626), TRANSPORT BREAK 50 TO 41P, GROUP	1	-		
	7507V7909	CABLE, (F1307), TRANSPORT BREAK 41 TO 40P, GROUP	1	-		
	7529V7909	CABLE, (F1289), GROUND SUPPLY PLUG TO EARTH, GROUP (Pre-Mod. 1417)	1	-		
	7565V7909	CABLE, (F660), 60P TO 61P, GROUP	1	-		
	7577V7909	CABLE, (F609), TRANSPORT BREAK 46 TO 41P, GROUP (Pre-Mod 1174)	1	-		
	7578V7909	CABLE, (F611), TRANSPORT BREAK 49 TO 41P, GROUP (Pre-Mod 1174)	1	-		
	7579V7909	CABLE, (F1312), TRANSPORT BREAK 51 TO 41P, GROUP	1	-		
	7581V7909	CABLE, (F1570), TIME SWITCH TO 26P, 40P, AND 41P, GROUP (Pre-Mod. 1320)	1	-		
	7582V7909	CABLE, (F1564), TIME SWITCH TO 26P, 40P AND 41P, GROUP	1	-		

VULCAN Mk. 2

ELECTRICAL INSTALLATION
POWER COMPARTMENT

Page FN. 9

Ref. No.	Part No.	Description				No. off	Matl. Spec.	Cl. of	Plate and Illust'n No.
		1	2	3	4			St. M.R.	
	7602V7909	CABLE, (F558), 20J TO 26P, 41P AND TRANSPORT BREAK 54, GROUP (Pre-Mod. 1320)				1	—		
	7637V7909	CABLE, (F1268), 41P TO 60P, GROUP ...				1	—		
	7638V7909	CABLE, (F1172), VOLTAGE REGULATOR TO TB. 780, GROUP				1	—		
	7640V7909	CABLE, (F989), TB. 779 TO TB. 777, GRP.				1	—		
	7654V7909	CABLE, (F2503), TB. 1527 TO EARTH, GRP.				1	—		
	7658V7909	CABLE, (F556), TB. 775 TO TB. 781, GRP.				1	—		
	7659V7909	CABLE, (F614), TB. 114 TO EARTH, GRP. (Pre-Mod. 1174)				1	—		
	7671V7909	CABLE, (F2082), 29P TO 74P, GROUP ...				1	—		
	7672V7909	CABLE, (F663), 29P TO 59P, GROUP ...				1	—		
	7673V7909	CABLE, (F661), 29P TO 61P, GROUP ...				1	—		
	7674V7909	CABLE, (F662), 26P TO 60P, GROUP ..				1	—		
	7675V7909	CABLE, (F2968), T.R.U. TO FUSE 484, GROUP				1	—		
	7864V7909	CABLE, (F856), 26P TO LAMP No. 1 AND EARTH, GROUP (Mod. 569)				1	—		
	8028V7909	CABLE, (F1215), 26P TO DOWNWARD IDENT LAMP AND TB. 617, GROUP (Mod. 743)				1	—		
	8088V7909	CABLE, (F1163), No. 1 ALTERNATOR CONTROL PANEL AND 21J TO 18J AND 26P, GROUP				1	—		
	8112V7909	CABLE, (F1565), TIME SWITCH TO 26P, 40P AND 41P, GROUP				1	—		
	8113V7909	CABLE, (F563), 21J TO STARBOARD TRANSPORT BREAK 55 AND 21P, GRP.				1	—		
	8140V7909	CABLE, (F2381), 59P TO 80P, GROUP (Mod. 526) (Pre-Mod. 1552)				1	—		
	8183V7909	CABLE, (F2894), 61P TO EARTH, GROUP				1	—		
	8234V7909	CABLE, (F3006), FLASHER UNIT TO 14P, 18J, 26P, 44P, 58P, 59P, 60P, 61P AND 74P, GROUP (Mod. 1745)				1	—		
		:							

ELECTRICAL INSTALLATION
POWER COMPARTMENT

Ref. No.	Part No.	Description				No. off	Matl. Spec.	Cl. of St. M.R.	Plate and Illust'n No.
		1	2	3	4				
	2762V7909	CABLE, (F2762),	GROUP (Mod. 1300)	...	1	—			
	2766V7909	CABLE, (F2766),	GROUP (Mod. 1300)	...	1	—			
	3576V7909	CABLE, (F3576),	GROUP (Mod. 1300)	...	1	—			
	3735V7909	CABLE, (F3735),	GROUP (Mod. 1976)	...	1	—			
	3736V7909	CABPE, (F3736),	GROUP (Mod. 1976)	...	1	—			
	3737V7909	CABLE, (F3737),	GROUP (Mod. 1976)	...	1	—			
	3738V7909	CABLE, (F3738),	GROUP (Mod. 1976)	...	1	—			
	3739V7909	CABLE, (F3739),	GROUP (Mod. 1976)	...	1	—			
	3740V7909	CABLE, (F3740),	GROUP (Mod. 1976)	...	1	—			
	3741V7909	CABLE, (F3741),	GROUP (Mod. 1976)	...	1	—			
	3742V7909	CABLE, (F3742),	GROUP (Mod. 1976)	...	1	—			
	3743V7909	CABLE, (F3743),	GROUP (Mod. 1976)	...	1	—			
	3744V7909	CABLE, (F3744),	GROUP (Mod. 1976)	...	1	—			
	3745V7909	CABLE, (F3745),	GROUP (Mod. 1976)	...	1	—			
	3746V7909	CABLE, (F3746),	GROUP (Mod. 1976)	...	1	—			
	3760V7909	CABLE, (F3760),	GROUP (Mod. 1745)	...	1	—			
	3765V7909	CABLE, (F3765),	GROUP (Mod. 1300)	...	1	—			
	3861V7909	CABLE, (F3861),	GROUP (Mod. 2061)	...	1	—			
	3862V7909	CABLE, (F3862),	GROUP (Mod. 2061)	...	1	—			
	3863V7909	CABLE, (F3863),	GROUP (Mod. 2061)	...	1	—			

VULCAN Mk 2

ELECTRICAL INSTALLATION
POWER COMPARTMENT

Ref. No.	Part No.	Description	No. off	Matl. Spec.	Cl. of St.	Plate and Illust'n No.
					M.R.	
		1 2 3 4				
	3864V7909	CABLE, (F3864), GROUP (Mod. 2061)	1	—		
	3874V7909	CABLE, (F3874), GROUP (Mod. 2061)	1	—		
	3875V7909	CABLE, (F3875), GROUP (Mod. 2061)	1	—		
	3876V7909	CABLE, (F3876), GROUP (Mod. 2061)	1	—		
	3877V7909	CABLE, (F3877), GROUP (Mod. 2061)	1	—		
	3878V7909	CABLE, (F3878), GROUP (Mod. 2061)	1	—		
	3879V7909	CABLE, (F3879), GROUP (Mod. 2061)	1	—		
	3880V7909	CABLE, (F3880), GROUP (Mod. 2061)	1	—		
	3881V7909	CABLE, (F3881), GROUP (Mod. 2061)	1	—		
	3882V7909	CABLE, (F3882), GROUP (Mod. 2061)	1	—		
	3886V7909	CABLE, (F3886), GROUP (Mod. 2061)	1	—		
	3947V7909	CABLE, (F3947), GROUP	1	—		
	4217V7909	CABLE, (F4217), GROUP (Mod. 2378)	1	—		
	4218V7909	CABLE, (F4218), GROUP (Mod. 2378)	1	—		
	4237V7909	CABLE, (F4237), JB14 AND 74P TO SWITCHED EARTH ON FMR.370"A., GROUP (Mod. 2428)	1	—		
	8036V7909	CABLE, (F608), GROUP (Mod. 1745)	1	—		
	8380V7909	CABLE, (F2068, PROTECTION CONTROL UNIT TO 26P, 74P AND EARTH, GROUP (Mod. 1000)	1	—		
	8381V7909	CABLE, (F557), 19J TO TRANSPORT BREAK 44, 40P AND 74P, GROUP (Mod. 1000)	1	—		
	8385V7909	CABLE, (F1580), 29P TO 74P, GROUP (Mod. 1000)	1	—		
	8386V7909	CABLE, (F1290), GROUND SUPPLY PLUG TO 74P, GROUP (Mod. 1000)	1	—		

**ELECTRICAL INSTALLATION
POWER COMPARTMENT**

Ref. No.	Part No.	Description 1 2 3 4	No. off	Maul. Spec.	Cl. of	Place and Illust'n No.
					St. M.R.	
	8392V7909	CABLE, (F1173), TB.780 TO 60P GROUP (Mod. 975)	1	—		
	8393V7909	CABLE, (F1231), TB.779 TO GB.96, GROUP (Mod. 975)	1	—		
	8394V7909	CABLE, (F1380), 20J TO 60P, GROUP (Mod. 975)	1	—		
	8249V7909	CABLE, (F1370), No. 3 CONTROL PANEL TO No. 3 VOLTAGE REGULATOR, 20J, 60P, TB.779 AND EARTH, GROUP (Mod. 975)	1	—		
	8395V7909	CABLE, (F1370), No. 3 CONTROL PANEL TO No. 3 VOLTAGE REGULATOR, 20J 60P, TB.779 AND EARTH, GROUP (Mod. 975)	1	—		
	8396V7909	CABLE, (F1372) No. 3 FREQUENCY AND LOAD CONTROL TO 16J, 20J AND 60P, GROUP (Mod. 975)	1	—		
	8397V7909	CABLE, (F1569), 60P TO EARTH, GROUP (Mod. 975)	1	—		
	8398V7909	CABLE, (F1568), 60P TO 61P, GROUP (Mod. 975)	1	—		
	7977V7909	CABLE, (F1566), 59P TO 60P, GROUP (Pre-Mod. 975)	1	—		
	8399V7909	CABLE, (F1566) 59P TO 60P, GROUP (Mod. 975)	1	—		
	8400V7909	CABLE, (F1233), TB.782 TO 61P, GROUP (Mod. 975)	1	—		
	8401V7909	CABLE, (F1232), TB.781 TO 61P, GROUP (Mod. 975)	1	—		
	8402V7909	CABLE, (F1349), 21J TO 61P, GROUP (Mod. 975)	1	—		
	8403V7909	CABLE, (F1339), No. 4 CONTROL PANEL TO No. 4 VOLTAGE REGULATOR, 21J, 61P, AND EARTH, GROUP (Mod. 975)	1	—		

VULCAN No. 2

**ELECTRICAL INSTALLATION
POWER COMPARTMENT**

Page FN. 13

Ref. No.	Part No.	Description	No. off	Matl. Spec.	Cl. of	Plate and Illust'n No.
					St.	
		1 2 3 4			M.R.	
	8240V7909	CABLE, (F1341), No. 4 FREQUENCY AND LOAD CONTROL TO 17J, 21J AND 61P, GROUP (Pre-Mod. 975)	1	—		
	8404V7909	CABLE, (F1341), No. 4 FREQUENCY AND LOAD CONTROL TO 17J, 21J AND 61P, GROUP (Mod. 975)	1	—		
	8405V7909	CABLE, (F1570), 61P TO EARTH, GROUP (Mod. 975)	1	—		
	8406V7909	CABLE, (F1573), 58P TO 61P, GROUP (Mod. 975)	1	—		
	8407V7909	CABLE, (F1470), 19J TO 59P, GROUP (Mod. 975)	1	—		
	8408V7909	CABLE, (F3205), 59P TO 74P, GROUP (Mod. 975)	1	—		
	8409V7909	CABLE, (F1567), 59P TO EARTH, GROUP (Mod. 975)	1	—		
	8410V7909	CABLE, (F1449) No. 2 CONTROL PANEL TO No. 2 VOLTAGE REGULATOR, 19J, 59P, TB.777 AND EARTH, GROUP (Mod. 975)	1	—		
	8411V7909	CABLE, (F1572), 58P TO 59P, GROUP (Mod. 975)	1	—		
	8412V7909	CABLE, (F1154), TB.778 TO C.B.98, GROUP (Mod. 975)	1	—		
	8413V7909	CABLE, (F1155), TB.777 TO 59P, GROUP (Mod. 975)	1	—		
	8414V7909	CABLE, (F1453), No. 2 FREQUENCY AND LOAD CONTROL TO 15J, 19J AND 59P, GROUP (Mod. 975)	1	—		
	8415V7909	CABLE, (F2326), 29P TO 74P, GROUP (Mod. 975)	1	—		
	8418V7909	CABLE, (F2081), 29P TO 74P, GROUP (Mod. 975)	1	—		
	8419V7909	CABLE, (F2094), 29P TO EARTH, GROUP (Mod. 975)	1	—		

ELECTRICAL INSTALLATION
POWER COMPARTMENT

Ref. No.	Part No.	Description				No. off	Matl. Spec.	Cl. of St.	Plate and Illust'n No.
		1	2	3	4			M.R.	
	8420V7909	CABLE, (F3016), 26P TO 29P, GROUP (Mod. 975)				1	-		
	8422V7909	CABLE, (F3035), GROUND SUPPLY PLUG ... TO 29P, GROUP (Mod. 975)				1	-		
	8423V7909	CABLE, (F1429), 18J TO 58P, GROUP (Mod. 975)				1	-		
	8424V7909	CABLE, (F1571), 58P TO EARTH, GROUP (Mod. 975)				1	-		
	8425V7909	CABLE, (F1164), No. 1 CONTROL PANEL TO No. 1 VOLTAGE REGULATOR, 18J 58P, TB.775 AND EARTH, GROUP (Mod. 975)				1	-		
	8426V7909	CABLE, (F460), TB.776 TO RELAY 101, GROUP (Mod. 975)				1	-		
	8427V7909	CABLE, (F439), TB.775 TO 58P, GROUP (Mod. 975)				1	-		
	8429V7909	CABLE, (F2327) 29P TO 74P, GROUP (Mod. 975)				1	-		
	8799V7909	CABLE, (F1070) GROUND SUPPLY PLUG TO 29P, GROUP (Mod. 1417)				1	-		
	8800V7909	CABLE, (F1289), GROUND SUPPLY PLUG ... TO EARTH, GROUP (Mod. 1417)				1	-		
	8801V7909	CABLE, (F1290), GROUND SUPPLY PLUG ... TO 74P, GROUP (Mod. 1417) (Pre-Mod. 2378)				1	-		
	8803V7909	CABLE, (F1299), GROUND SUPPLY PLUG ... TO EARTH, GROUP (Mod. 1417)				1	-		
	8806V7909	CABLE, (F3085), GROUND SUPPLY PLUG ... TO 29P, GROUP (Mod. 1417)				1	-		
	8847V7909	CABLE, (F558), 20J TO STARBOARD TRANSPORT BREAK 54, 26P AND 41P, GROUP (Mod. 1320)				1	-		
	8852V7909	CABLE, (F2243), PROTECTION CONTROL ... UNIT TO 29P, GROUP (Mod. 1194)				1	-		
	8897V7909	CABLE, (F1267), 40P TO 59P, GROUP (Mod. 1552)				1	-		

ELECTRICAL INSTALLATION
POWER COMPARTMENT

Ref. No.	Part No.	Description	No. off	Matl. Spec.	Cl. of	Plate and Illust'n No.
					St. M.R.	
		1 2 3 4				
	8910V7909	CABLE, (F1306), 40P TO 59P, GROUP (Mod. 1552)	1	-		
	8913V7909	CABLE, (F1311), 41P TO 60P, GROUP (Mod. 1552)	1	-		
	9079V7909	CABLE, (F2356), 60P TO 80P, GROUP (Mod. 1552)	1	-		
	9081V7909	CABLE, (F2381), 61P TO 80P, GROUP (Mod. 1552)	1	-		
	9083V7909	CABLE, (F2354), 60P TO 80P, GROUP (Mod. 1552)	1	-		
	9246V7909	CABLE, (F460), GROUP (Mod. 1976)	1	-		
	9247V7909	CABLE, (F556), GROUP (Mod. 1976)	1	-		
	9248V7909	CABLE, (F719), GROUP (Mod. 1976)	1	-		
	9249V7909	CABLE, (F989), GROUP (Mod. 1976)	1	-		
	9250V7909	CABLE, (F1118), GROUP (Mod. 1976)	1	-		
	9251V7909	CABLE, (F1154), GROUP (Mod. 1976)	1	-		
	9460V7909	CABLE, (F1560), GROUP (Mod. 1768)	1	-		
	9468V7909	CABLE, (F1564), GROUP	1	-		
	9498V7909	CABLE, (F2086), GROUP	1	-		
	9499V7909	CABLE, (F658), GROUP	1	-		
	9500V7909	CABLE, (F1163), GROUP	1	-		
	9501V7909	CABLE, (F1370), GROUP	1	-		
	9695V7909	CABLE, (F3487), GROUP (Mod. 2061)	1	-		
	9696V7909	CABLE, (F2761), GROUP (Mod. 2061)	1	-		
	9697V7909	CABLE, (F2763), GROUP (Mod. 2061)	1	-		
	9698V7909	CABLE, (F2744), GROUP (Mod. 2061)	1	-		
	9699V7909	CABLE, GROUP (Mod. 2061)	1	-		
	9956V7909	CABLE, (F1290), GROUP (Mod. 2378)	1	-		

ELECTRICAL INSTALLATION
POWER COMPARTMENT

Ref. No.	Part No.	Description	No. off	Matl. Spec.	Cl. of St.	Plate and Illust'n No.
					M.R.	
		1 2 3 4				
29H/1250109	18V9488	CHAIN, CHECK, GROUP	2	—		FN3/4
	18dV9488	Spares for:— Chain, (Baxendale, Ref. No. 290)	2	—		
	TERRY	Ring, Terry, 3/4" i/d.	4	—	C	
	CAT. No. 169					
28FP/9438813 28FP/9425771		COVER AND FUSE LABELS, GROUP (1V10642) (Mod. 1552) Spares for:—				
	1V10643	COVER, FOR FUSE LABELS 29P, 58P, 59P, 60P AND 61P, GROUP	1	—	MR	FN1/5
	2V10643	Spares for:— COVER, GROUP	1	—		FN1/6
	AW5/30	Spares for:— Fastener, Dzus	2	—	C	
	GA5/312	Grommet, Dzus	2	—	C	
	650SS6005	Label	1	—		
	5V10643	Block, upper hinge	1	BSS2966		
	6V10643	Block, lower hinge	1	BSS2966		
	3V10643	Hinge, (make from AS1877/170)	1	—		
		1V10644	LABEL, 29P, GROUP	1	—	
	1V11938	LABEL, 60P, GROUP (Mod. 1552)	1	—		
	1V11939	LABEL, 61P, GROUP (Mod. 1552)	1	—		
	1V11942	LABEL, 59P, GROUP (Mod. 1552)	1	—		
	1V11945	LABEL, 58P, GROUP (Mod. 1552)	1	—		
11355	1V10657	PANEL, DOOR, GROUP		—	B	FN1/7
28FP/9438813 28FP/9425771	A5/30	Spares for:— Fastener, Dzus	5	—	C	
	GA5/312	Grommet, Dzus	5	—	C	
	650SS6005	Label	1	—		
	1V11936	LABEL 26P, GROUP (Mod. 1552)	1	—		
28FP/9425767 5CX/4330015	S5/200	Spring, Dzus	2	—	C	
	7V9472	Cover, PVC	2	P.V.C.	MR	FN3/8
		Dome, glass	3	—	B	FN4/9
11846	1V11847	DUCT, DEFLECTOR, GROUP (Mod. 1245)	1	—	C	FN3/10
		Spares for:—				
	6V11847	Seal, sponge rubber 4-3/8" dia. x 1/2"	1	CS2240B	MR	
	7V11847	Seal, neoprene 1/32" x 4-5/8"	1	BS2752/C3	MR	
	9V9488	Fairlead, half	2	BSS2996/3B		
	10V9488	Fairlead, half	2	BSS2996/3B		
	12V9488	Fairlead, top	2	BSS2996/3B		FN1/11
13V9488	Fairlead, bottom	2	BSS2996/3B		FN1/12	

VULCAN Mk 2

ELECTRICAL INSTALLATION
POWER COMPARTMENT

Page FN. 17

Ref. No.	Part No.	Description	No. off	Matl. Spec.	Cl. of St.	Plate and Illust'n No.
					M.R.	
5X/4491486 5L/9953278	10V5650 —	Ferrule Filament, 28V, 18W	2 3	— —	C C	FN4/13
		FUSES IN POWER COMPARTMENT, GROUP (5V9851) Spares for:—				
10H/0590122	10.II.T	Fuse, 10 amp., Size 2	3	—	C	
10H/0590124	20.II.T	Fuse, 20 amp., Size 2	9	—	C	
10H/0590125	30.II.T	Fuse, 30 amp., Size 2	28	—	C	
10H/0590126	40.II.T	Fuse, 40 amp., Size 2	42	—	C	
10H/0119027	50.II.T	Fuse, 50 amp., Size 2	108	—	C	
10H/0590127	60.II.T	Fuse, 60 amp., Brush, Size 2	3	—	C	
10H/0590113	—	Fuse, 7 amp., end on	42	—	C	
10H/0950111	—	Fuse, 3 amp., end on	43	—	C	
10H/0590112	—	Fuse, 5 amp., end on	72	—	C	
10H/0119925	—	Fuse, 10 amp., end on	6	—	C	
10H/1043043	AS2.5	Fuse, 2.5 amp., "S" type	18	—	C	
10H/9718192	AS5	Fuse, 5 amp., "S" type	4	—	C	
10H/9718191	AS10	Fuse, 10 amp., "S" type	12	—	C	
10H/1043045	AS15	Fuse, 15 amp., "S" type	1	—	C	
5CW/4222	—	Guard, locking switch (Mod. 2428)	1	—	C	FN4/13A
		Spares for:—				
28S/9150582	A43/B16	Screw, 4 BA	2	—	C	
	1V6798	LAMPHOLDER, GROUP	3	—		
		Spares for:—				
	2V6798	Cable, unipren, 6 amp. x 2" long	3	—		
5CX/4330014	—	Lamp	3	—	B	FN4/14
		MOUNTING, VOLTAGE REGULATORS ON AFT FACE OF REAR SPAR, PORT AND STARBOARD (1 AND 2V9437) Spares for:—				
	PLESSEY CZ64520/6	Lead, bonding	4	—		
5UC/4396019	—	Regulator, voltage (Pre-Mod. 2197)	4	—	A	FN1/15
5UC/1984075	AE7306 Mk. 3	Regulator, Type 129 (Mod. 2197)	4	—	A	
		(Mod. 2329) (incorporating Rotax Mod. EE6/60864)				
		MOUNTING OF FREQUENCY AND LOAD CONTROLLERS AND J/BOXES 18J, 19J, 20J AND 21J, GROUP (V9517) Spares for:—				
	1V7717	BOX, JUNCTION 18J, GROUP	1	—		FN1/16
	2V7717	BOX, JUNCTION 19J, GROUP	1	—		FN1/17
	3V7717	BOX, JUNCTION 20J, GROUP	1	—		FN1/18
	4V7717	BOX, JUNCTION 21J, GROUP	1	—		FN1/19
		Spares for:—				
5X/6200370	1V5650	Block, terminal	8	—	C	FN1/20
	52SS4204	Bush, ring lock, Box 18J and 19J	2	—	MR	FN1/21
11422	62SS4204	Bush, ring lock, Box 20J and 21J	2	—	C	FN1/22
5X/4491245	—	Shroud	8	—	C	FN1/23
5UC/6204982	—	Controller, frequency and load (Mod 1579)	4	—	A	FN1/24

ELECTRICAL INSTALLATION
POWER COMPARTMENT

Ref. No.	Part No.	Description	No. off	Matl. Spec.	Cl. of St.	Plate and Illust'n No.
					M.R.	
		1 2 3 4				
	1V9266	MOUNTING OF ALTERNATOR CONTROL UNITS, PORT (1V9265) Spares for:— SHELF, CONTROL UNIT, GROUP	1	—		FN1/26
	1V9276	MOUNTING OF ALTERNATOR CONTROL UNITS, STARBOARD (1V9274) Spares for:— SHELF, CONTROL UNIT, GROUP	1	—		FN1/27
8323	PLESSEY CZ6632 1aSS4205	MOUNTING OF VOLTAGE TRIM AND TEST PANEL (1V9470) (Mod. 1551) Spares for:— Cap. protective	5	—	C	FN1/28
		Clip	5	—		
	2V9470	PANEL, TRIMMER, GROUP	1	—		FN1/28
	225SS6004	Spares for:— Label	1	—		
	226SS6004	Label	1	—		
	473SS6004	Label	1	—		
	474SS6004	Label	1	—		
	186SS6005	Label	1	—		
	187SS6005	Label	1	—		
	1V9181	MOUNTING OF EXTRA SUPPLIES PANEL 74P (1V9180) Spares for:— PANEL, RELAY, 74P, GROUP	1	—		FN3/29
5X/6200370	1V5650	Spares for:— Block, terminal	3	—	C	FN3/30
5X/4491769	1V7870	Block, earth	1	—	B	FN3/31
5CW/4400291	ENG ELEC. AED7702	Box, A.C. frequency pick-up	1	—	A	FN3/32
5CW/4400379	ENG. ELEC. AED7723	Box, synch. voltage pick-up	1	—	A	FN3/33
	1V10560	LOOM, CABLE, GROUP (Pre-Mod. 2307) ..	1	—		
	1V16319	LOOM, CABLE, GROUP (Mod. 2307)	1	—		
5CW/4400162	7CZ103729/2 PLESSEY	Relay, type CH/2CO/28/10	2	—	A	FN3/34
5CW/4400161	7CZ105411/2	Relay, type CH/4CO/28/10	3	—	A	FN3/35
5X/4491487	14V5650	Socket	1	—	C	
5X/4491488	15V5650	Socket	13	—	C	
5UC/4375440	30V9900	UNIT, ALTERNATOR FAILURE WARNING, GROUP, (Mod. 1769) (Pre-Mod. 2451) Consisting of:—	1	—	A	
5960-99-0372110	2S004	Transistor	1	—	C	
5UC/6379225	31V9900	UNIT, ALTERNATOR FAILURE WARNING GROUP, (Mod. 2451) Consisting of:—	1	—	A	
5961-99-0374675	BFY50	Transistor	1	—	C	

VULCAN Mk. 2

ELECTRICAL INSTALLATION
POWER COMPARTMENT

Page FN. 19

Ref. No.	Part No.	Description	No. off	Matl. Spec.	Cl. of	Plate and Illust'n No.
					St. M.R.	
		1 2 3 4				
		MOUNTING OF LOAD SHARE BOXES 14J, 15J, 16J & 17J (1V9787)				
		Spares for:—				
	1V7862	BOX, 14J, LOAD SHARE, GROUP	1	—		FN2/36
	2V7862	BOX, 15J, LOAD SHARE, GROUP	1	—		FN2/37
	3V7862	BOX, 16J, LOAD SHARE, GROUP	1	—		FN2/38
	4V7862	BOX, 17J, LOAD SHARE, GROUP	1	—		FN2/39
		Spares for:—				
	9V7862	BOX, 14J, LESS WIRING, GROUP	1	—		
	10V7862	BOX, 15J, LESS WIRING, GROUP	1	—		
	11V7862	BOX, 16J, LESS WIRING, GROUP	1	—		
	12V7862	BOX, 17J, LESS WIRING, GROUP	1	—		
		Spares for:—				
	1V7801	LOOM, CABLE 14J, GROUP	1	—		
		(Pre-Mod 712)				
	1V9932	LOOM, CABLE, 14J, GROUP	1	—		
		(Mod. 712)				
	1V7802	LOOM, CABLE 15J, GROUP	1	—		
		(Pre-Mod 712)				
	1V9933	LOOM, CABLE 15J, GROUP	1	—		
		(Mod 712)				
	1V7803	LOOM, CABLE 16J, GROUP	1	—		
		(Pre-Mod. 712)				
	1V9934	LOOM, CABLE, 16J, GROUP	1	—		
		(Mod. 712)				
	1V7804	LOOM, CABLE 17J, GROUP	1	—		
		(Pre Mod. 712)				
	1V9936	LOOM, CABLE 17J, GROUP	1	—		
		(Mod 712)				
	5V7862	Bus Bar, Red	1	—		FN2/40
	6V7862	Bus Bar, Yellow	1	—		FN2/41
	7V7862	Bus Bar, Blue	1	—		FN2/42
5X/4491781	Z23196	Gasket, plug sealing, Plessey type	1	—	C	
	E.L.E. & Co.					
10H/21788	2444A	Holder, fuse	8	—	C	FN2/43
5X/1982789	—	Shroud, plug, "B" size	1	—	C	FN2/44
	ENG. ELEC.					
	AEA5703	Transformer, current (Pre-Mod. 712)	3	—		
5UB/4342773	AE 5703 Mk. 2	Transformer, current (Mod. 712)	3	—	A	FN2/45
11660	36V7357	Washer, nylon insulation	8	Maranyl 937	C	FN2/46

ELECTRICAL INSTALLATION
POWER COMPARTMENT

Ref. No.	Part No.	Description 1 2 3 4	No. off	Matl. Spec.	Cl. of St.	Plate and Illust'n No.
					M.R.	
		MOUNTING OF CONDUIT TUBES, PORT AND STARBOARD (1 & 3V9455) Spares for:—				
26DL/ 6009505 26FP/13924	13V6352	Bracket	3	L72		FN2/47
	14SS3264	Clip	3	—	C	FN2/48
	2V9455	Tube, conduit, 1-1/8" o/d x 60" long	1	L56		FN2/49
		MOUNTING OF CIRCUIT BREAKERS AND FUSE BLOCK AT FRAME 384.5 (V11897) Spares for:—				
5CY/5311 5X/4500051 5X/9402147	B.T.H. LGA12/B1 — —	Breaker, circuit	3	—		FN4/50
	13V11179	Block, fuse, 6-way	1	—		FN4/51
	—	Block, terminal, 3-way	1	—		FN4/52
5X/9402795	—	Bus-bar, for circuit breaker	1	—		FN4/53
	—	Cover	1	—		FN4/54
5X/4500062 5X/9402800	B.T.H. CY/119950 — —	Cover, trip	3	—		FN4/55
	—	Link, commoning, 6-way	1	—	C	
	—	Link	2	—	C	
5CW/4400161 5X/9402799	PLESSEY 7CZ/105411/1 —	Relay (Mod. 1976)	2	—	B	FN4/56
	—	Socket, double	3	—	C	
5UC/9723101	ENG. ELEC. Q.E.5601	Unit, Phase Sequence (Mod. 1976)	1	—		FN4/57
		MOUNTING OF T.R.U. FOR R.B.W. IN POWER COMPARTMENT (V12023) (Mod. 1976) Spares for:—				
5UC/4375426	2V12023 ROTAX U5502	Member, top hat	2	—		FN4/58
		Unit, transformer rectifier	1	—	A	FN4/59
		MOUNTING OF EQUIPMENT, AFT FACE OF FRAME 384.5, PORT (V13368) (Mod. 2061) Spares for:—				
5X/6200370	1V5650	Block, terminal	1	—	C	FN4/60
	4V13368	Block, packing	6	L65 or L83		
	2V13368	Bracket	1	—		FN4/61
5CW/4400161	PLESSEY 7CZ/105411/2	Relay	4	—	B	FN4/62
		MOUNTING OF FUSE PANEL 108P (V11707) Spares for:—				
	1V11782	PANEL, FUSE 108P, GROUP	1	—		FN4/63
	3V11782	Spares for:— Board, fuse	1	—		FN4/64
	4V11782	Board, fuse	1	—		FN4/65

VULCAN Mk. 3

ELECTRICAL INSTALLATION
POWER COMPARTMENT

Page FN. 21

Ref. No.	Part No.	Description	No. off	Matl. Spec.	Cl. of St.	Plate and Illust'n No.
					M.R.	
		1 2 3 4				
		MOUNTING OF FUSE PANEL 108P (V11707) (Cont'd)				
	5V11782	Bus-Bar	6	BSS899		FN4/66
	62/SS5302	Bush, ring lock	2	-		
10H/21788	ELECTRIC LTD. 2444A	Carrier, fuse	18		C	FN4/67
	6V11782	Spacer	8	D.E.F.5000 Grade 1		
11660	5/SS4188	Stud	8	S1		FN4/68
	36V7357	Washer, nylon insulation	18	-		
		PANEL, 26P, REAR SPAR, 28V, DISTRIBUTING (1V7685) (Mod. 1553)	1	-		FN1/69
		Spares for:-				
5X/4500057	-	Block, fuse	3	-	C	FN1/70
5X/6200370	1V5650	Block, terminal	20	-	C	FN1/71
	B.T.H.					
5CY/5311	LGA/12/B1	Circuit, breaker	3	-	A	FN1/72
	B.T.H					
5CY/4376489	LGA/35/B1	Circuit, breaker	3	-	A	FN1/73
		COVER, GROUP (V10642)				FN1/74
		(For spares-See page FN.16)				
	8V7685	FUSE, BOARD, GROUP	1	-		FN1/75
		Spares for:-				
	14V7685	Bus-Bar (Mod. 2047)	1	-		FN1/76
	15V7685	Bus-Bar (Mod. 2047)	1	-		FN1/77
	6V7685	Fuse, board	1	Y227		FN1/78
	14V7357	Holder, fuse	6	-	MR	FN1/79
	28SS6004	Label	1	DTD213		
7643	INSULOID No. 1	Nut, cap 1/4" U.N.F.	6	-	C	FN1/80
	15V7357	Pedestal	6	-	MR	FN1/81
	16V7357	Pedestal	6	-	MR	FN1/82
	1V11882	LOOM, CABLE, GROUP (Mod. 1745)	1	-		
5X/1059338	-	Link, 4 way (Mod. 1745)	1	-	C	
5X/1042903	-	Link, 8 way (Mod. 1745)	1	-	C	
5X/1059340	-	Link, 12 way	2	-	C	
	2V7685	PANEL, 26P, LESS EQUIPMENT, GRP.	1	-		FN1/83
		Spares for:-				
	11V7685	Label	1	-		
	12V7685	Label	1	-		
28FP/9425767	S5/200	Spring, Dzus	5	-	C	FN1/84
5X/4500053	-	Socket	50	-	C	
5X/4491487	14V5650	Socket, double	2	-	C	
5X/4491488	15V5650	Socket, single	45	-	C	FN1/85
28W/1097257	B & C 1908/1	Washer, shakeproof	27	-	C	

ELECTRICAL INSTALLATION
POWER COMPARTMENT

Ref. No.	Part No.	Description	No. off	Matl. Spec.	Cl. of	Plate and Illust'n No.
					St. M.R.	
		1 2 3 4				
		ELECTRICAL INSTALLATION IN POWER COMPARTMENT (V9488), (V11150) (Cont'd)				
		PANELS, P.F.C. CONTACTOR AND PUMP RELAY, 40P, PORT, 41P, STARBOARD (1 & 2V7719)		-		FN2/86
		Spares for:-				
	19V7719	Angle (Mod. 1452)	1	-		
5X/6200370	1V5650	Block, terminal	2	-	C	FN2/87
5X/4491769	1V7870	Block, terminal	2	-	C	FN2/88
	20V7719	Bus-Bar	1	-		FN2/89
	21V7719	Bus-Bar	1	-		FN2/90
	22V7719	Bus-Bar	1	-		FN2/91
	B.T.H. 5CW/6863	Contactor (Mod. 943)	5	-	A	FN2/92
	1V8001	LOOM, CABLE, 40P, GROUP	1	-		
	1V8003	LOOM, CABLE, 41P, GROUP	1	-		
	10V7719	PANEL, 40P, LESS WIRING, GROUP	1	-		FN2/93
	11V7719	PANEL, 41P, LESS WIRING, GROUP	1	-		
	3V7719	Spares for:- PANEL, 40P, C/W LABELS, GROUP	1	-		
	12V7719	PANEL, 41P, C/W LABELS, GROUP	1	-		
10CV/0005101	B.T.H. GJ5/M PLESSEY	Rectifier (Mod. 1452)	9	-	B	FN2/95
5CW/4400161	7CZ/105411/1	Relay, 4 pole	12	-	A	FN2/96
5CW/4405394	ROTAX D8186	Switch, time delay (Mod. 1320)	1	-	A	FN2/97
5CW/4405395	ROTAX D8187	Switch, time delay, port (Mod. 1320)	1	-	A	FN2/98
	ROTAX D10705	Timer, sequence (Mod. 1320)	1	-		FN2/99
	1V8032	PANEL, 58P, No. 1 ALTERNATOR POWER AND DISTRIBUTION, GROUP	1	-		FN2/100
	2V8032	PANEL, 59P, No. 2 ALTERNATOR POWER AND DISTRIBUTION, GROUP	1	-		FN2/101
	3V8032	PANEL, 60P, No. 3 ALTERNATOR POWER AND DISTRIBUTION, GROUP	1	-		FN2/102

VULCAN ML. 2

ELECTRICAL INSTALLATION
POWER COMPARTMENT

Page FN. 23

Ref. No.	Part No.	Description	No. off	Matl. Spec.	Cl. of St.	Plate and Illust'n No.
					M.R.	
		1 2 3 4				
		PANELS, 58P, 59P, 60P & 61P (Cont'd)				
	4V8032	PANEL, 61P, No. 4 ALTERNATOR POWER AND DISTRIBUTION, GROUP	1	—		FN2/103
		Spares for:—				
7694	6V8032	Connector, braid to bus-bars	1	—	C	
7695	7V8032	Connector, braid to bus-bars	1	—	C	
	8V8032	Connector, braid to bus-bars	1	—	MR	
7697	9V8032	Connector, braid to bus-bars	1	—	C	
	10V8032	Connector, braid to bus-bars	1	—	MR	
7699	11V8032	Connector, braid to bus-bars	1	—	C	
	17V8032	Cover (Mod. 1745)	1	—		FN2/106
	1V7357	FUSEBOARD, RED PHASE, No. 1, GRP. ...	1	—		FN2/107
	2V7357	FUSEBOARD, YELLOW PHASE, No. 1, GROUP	1	—		FN2/108
	3V7357	FUSEBOARD, BLUE PHASE, No. 1, GROUP	1	—		FN2/109
	4V7357	FUSEBOARD, RED PHASE, No. 2, GRP. ...	1	—		FN2/110
	5V7357	FUSEBOARD, YELLOW PHASE, No. 2, GROUP	1	—		FN2/111
	6V7357	FUSEBOARD, BLUE PHASE, No. 2, GROUP	1	—		FN2/112
	7V7357	FUSEBOARD, RED PHASE, No. 3, GRP. ...	1	—		FN2/113
	8V7357	FUSEBOARD, YELLOW PHASE, No. 3, GROUP	1	—		FN2/114
	9V7357	FUSEBOARD, BLUE PHASE, No. 3, GROUP	1	—		FN2/115
	10V7357	FUSEBOARD, RED PHASE, No. 4, GRP. ...	1	—		FN2/116
	11V7357	FUSEBOARD, YELLOW PHASE, No. 4, GROUP	1	—		FN2/117
	12V7357	FUSEBOARD, BLUE PHASE, No. 4, GROUP	1	—		FN2/118
		Spares for:—				
	17V7357	Bus-bar	2	—	MR	FN2/119
7701	18V7357	Bus-bar	1	—	C	FN2/120
	14V7357	Fuseholder	16	—	MR	FN2/121
10H/21788	E.L.E. Co. 2444A	Fuseholder	12	—	C	
7643	No. 1	Nut, cap, 1/4" U.N.F.	32	—	C	
	15V7357	Pedestal	30	—	MR	FN2/122
	16V7357	Pedestal	2	—	MR	FN2/123
5UB/4342772	—	Transformer, current	1	—	A	FN2/124
	—	Switch, magnetic (Pre-Mod. 975)	2	—		FN2/104
5CW/4400312	—	Switch, magnetic (Mod. 975)	2	—	B	FN2/105

ELECTRICAL INSTALLATION

POWER COMPARTMENT

Ref. No.	Part No.	Description	No. off	Matl. Spec.	Cl. of St.	Plate and Illust'n No.
					M.R.	
		1 2 3 4				
		PANELS, 58P, 59P, 60P AND 61P (1, 2, 3 AND 4V8032) (Cont'd.)				
7643	1V10623	LOOM, CABLE, 58P, GROUP (Mod. 1745) ...	1	—		
	1V10624	LOOM, CABLE, 59P, GROUP (Mod. 1745) ...	1	—		
	1V10625	LOOM, CABLE, 60P, GROUP (Mod. 1745) ...	1	—		
	1V10626	LOOM, CABLE, 61P, GROUP (Mod. 1745) ...	1	—		
	No. 1	NUT, cap. 1/4" U.N.F.	6	—	C	
	1V7864	PANEL, LESS EQUIPMENT, GROUP	1	—		FN2/125
	455SS6030	Spares for:— Label	1	—		
	18V8032	PANEL, NEON LAMP MOUNTING,	2	—		FN2/126
		GROUP (Mod. 736) Spares for:—				
	HIVAC	Filament	1	—	B	
	CC10L	Label, live bus bars	1	DTD213		
5CX/6362199	947SS6001	Lampholder	1	—	B	FN2/127
	18bV8032	Mounting, resistance	1	—		FN2/128
	14V6329	Resistor (Welwyn)	1	—	C	FN2/129
10W/0216096	—					
	ROSS	Tag, terminal	2	—		
	COURTNEY					
	397					
	BERCO	Resistor, 33 ohms	2	—	B	FN2/130
5CZ/4335750	VO/30/33					
	PLESSEY	Relay	2	—	A	FN2/131
5CW/4400612	7CZ103739/2					
		PANEL, A.P.U., G.P.U. FUSE PANEL 29P,	—	—		FN3/132
		A.C. SYSTEM (1V7704) Spares for:—				
	1V11486	LOOM, CABLE, GROUP (Mod. 1745)	1	—		
	2V7704	PANEL, 29P, LESS WIRING, GROUP	1	—		FN3/133
		Spares for:—				
	—	Circuit breaker (Pre-Mod. 975)	3	—		FN3/134
5CW/4400312	—	Circuit breaker (Mod. 975)	3	—	B	FN3/135
5CZ/4335526	—	Cover, terminal	6	—	C	FN3/136
5CZ/1057758	—	Cover, terminal "Rotax"	6	—	C	FN3/137
	1V6429	FUSEBOARD, RED, GROUP	1	—		FN3/138
	2V7429	FUSEBOARD, YELLOW, GROUP	1	—		FN3/139
	3V7429	FUSEBOARD, BLUE, GROUP	1	—		FN3/140
		Spares for:—				
	6V7429	Bus-bar, 3/4" x 1-3/4"	1	BSS899		FN3/141
	8V7429	Bus-bar, 10-1/4" x 3"	1	BSS899		FN3/142
	17V7357	Bus-bar, 3/4" x 2-3/4"	1	BSS899	MR	FN3/142A
10H/24209	50.II.T	Fuse, 50 amp. special, size 2	2	—	C	FN3/143
10H/0590109	—	Fuse, lamp	2	—	C	FN3/144
	E.L.E. Co.					
10H/21788	2444A	Fuseholder	2	—	C	FN3/145
	14V7357	Fuseholder, E.L.E. type	9	—	MR	FN3/146
	15V7357	Pedestal	15	—	MR	FN3/147
	16V7357	Pedestal	3	—	MR	FN3/148

VULCAN Mk 2

ELECTRICAL INSTALLATION
POWER COMPARTMENT

Page FN. 25

Ref. No.	Part No.	Description	No. off	Matl. Spec.	Cl. of St.	Plate and Illust'n No.
					M.R.	
		1 2 3 4: PANEL, 29P, LESS WIRING (2V7704) (Cont'd.)				
	947704	INSULATOR, GROUP	1	—		FN4/149
		Spares for:—				
	14SS6003	Label, "14"	1	L59		
	15SS6003	Label, "15"	1	L59		
	297SS6005	Label, "G.P.U."	1	L59		
	300SS6005	Label, "R.A.T."	1	L59		
		PANEL, GROUND CONNECTION,				FN4/150
		(1V11410) (Mod. 1417)				
		Spares for:—				
12898	20V11410	DOOR, GROUP (Mod. 1836)	1	—	B	FN4/151
		Spares for:—				
11632	23fD12159	Bolt, shoot	1	—	C	
	19aV11410	Bracket	1	S510		
	19bV11410	Bracket	1	S510		
	23eD12159	Housing	1	L65		
	23gD12159	Plate, operating	1	S96		
	147SS4700	Spring	1	—		
11637	17V11410	HOUSING, SPRING, GROUP	1	—	B	FN4/152
		Consisting of:—				
	17bV11410	Cap, end	1	S61		
	17dV11410	Collar	1	S61		
	17aV11410	Housing	1	S61		
	17eV11410	Nut, lock (make from A27/UT)	1	—	C	
28M/1006473	A27/CT	Nut	1	—	C	
	17cV11410	Plunger	1	S61		
	5Z7759	Spring	1	—		
21970	3V11410	PANEL, MOUNTING, GROUP	1	—	C	FN4/153
		Spares for:—				
	19SS6002	Label	1	—		
	285SS6004	Label	1	—		
	19V9387	Plug, external power, 28V	1	—		FN4/154
		(5CY/1054157)				
5CY/5371	—	Plug	1	—	C	FN4/155
5CY/4376232	RELIANCE	Plug	1	—	C	FN4/156
5CW/5060	2/0307	Shroud	1	—	C	FN4/157
5CW/9438526	—	Switch (Mod. 2074)	1	—		FN4/158

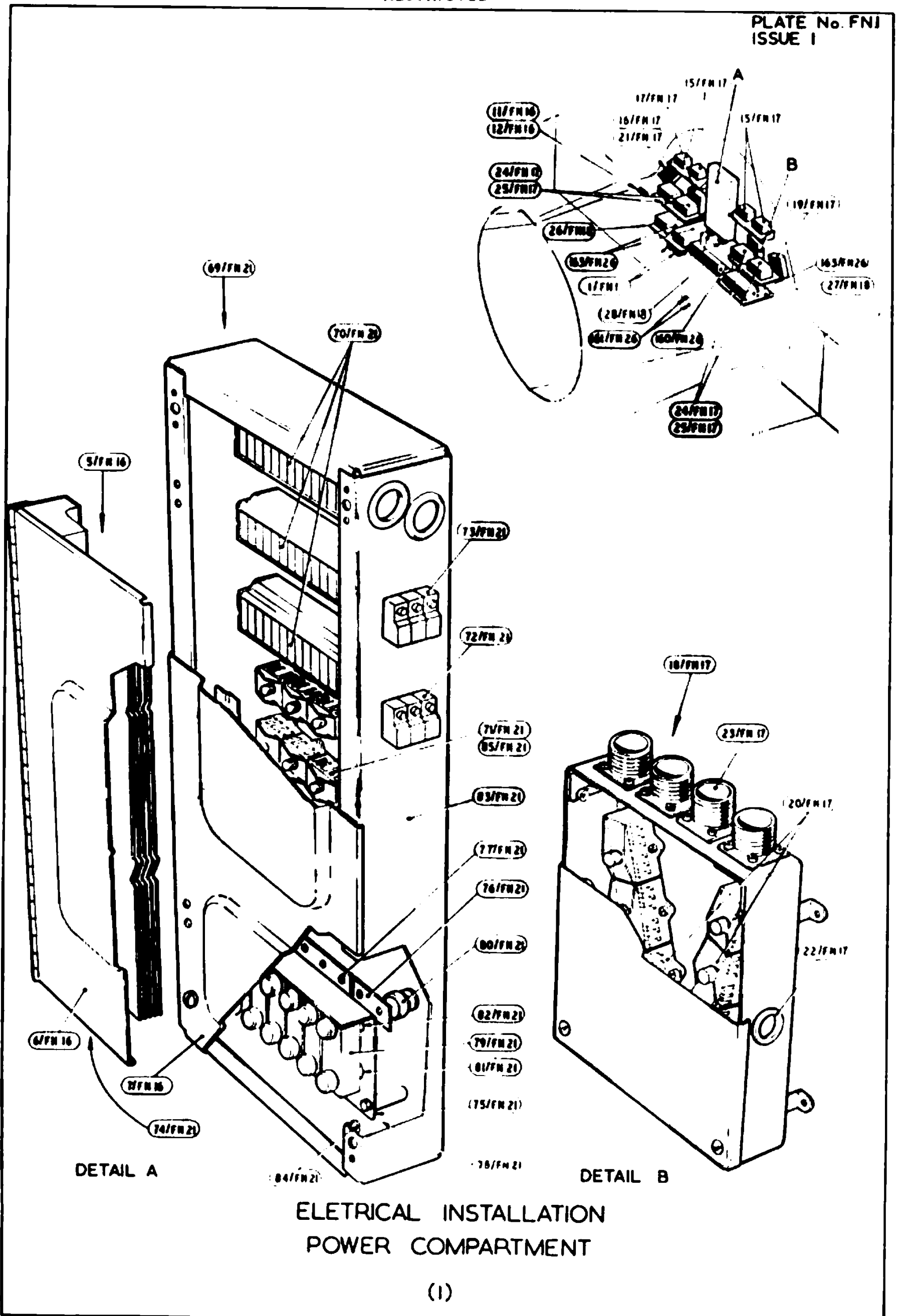
ELECTRICAL INSTALLATION
POWER COMPARTMENT

Ref. No.	Part No.	Description	No. off	Matl. Spec.	Cl. of St.	Plate and Illust'n No.
					M.R.	
		1 2 3 4				
	5V9488	PLATE, TB, MOUNTING	1	—		
	16V9488	Shroud, relay	24	Vynagel		
	17V9488	Shroud, relay	4	Vynagel		
5X/4491488	15V5650	Socket, single	66	—	C	
5X/4491487	14V5650	Socket, double	2	—	C	
	ROTAX					
5CW/4405094	D6311	Switch, magnetic, type SY No. 2	1	—	A	FN3/159
5CW/1047693	—	Switch, tumbler S/P, E.C.M. earth	1	—		FN4/159A
		(Mod. 2428)				
	1SS4052	Terminal, earth, 2 BA	4	—	MR	FN1/160
	SS4088	Terminal, earth, 5/16" BSF	2	—	MR	FN1/161
	ROTAX					
5UC/4395980	U3306	Unit, control T.R.U. (Mod. 1197)	1	—	A	FN3/162
5CW/1147747	—	Unit, alternator control, type 1Y (Mod. 2211) .	4	—	A	FN1/163
	ROTAX					
	U3702/1C	Unit, control (Pre-Mod. 2050)	1	—	A	
5UC/4396010	U3702-3C	Unit, control (Mod. 2050)	1	—	A	FN3/164
	ROTAX					
	U3702/2	Unit, control (Pre-Mod. 2050)	1	—		
5UC/4396010	U3702/3	Unit, control (Mod. 2050)	1	—	A	FN3/165
	ROTAX					
5UD/4390824	CA1301	Unit, blower	1	—	A	FN3/166
	PLANNAIR					
5UD/1095866	3PL182/27/1/ MK3	Unit, blower	1	—	A	FN3/167
5UC/9723101	AE5601	Unit, phase sequence (Mod. 2378)	1	—	A	FN3/168

VULCAN M6 2

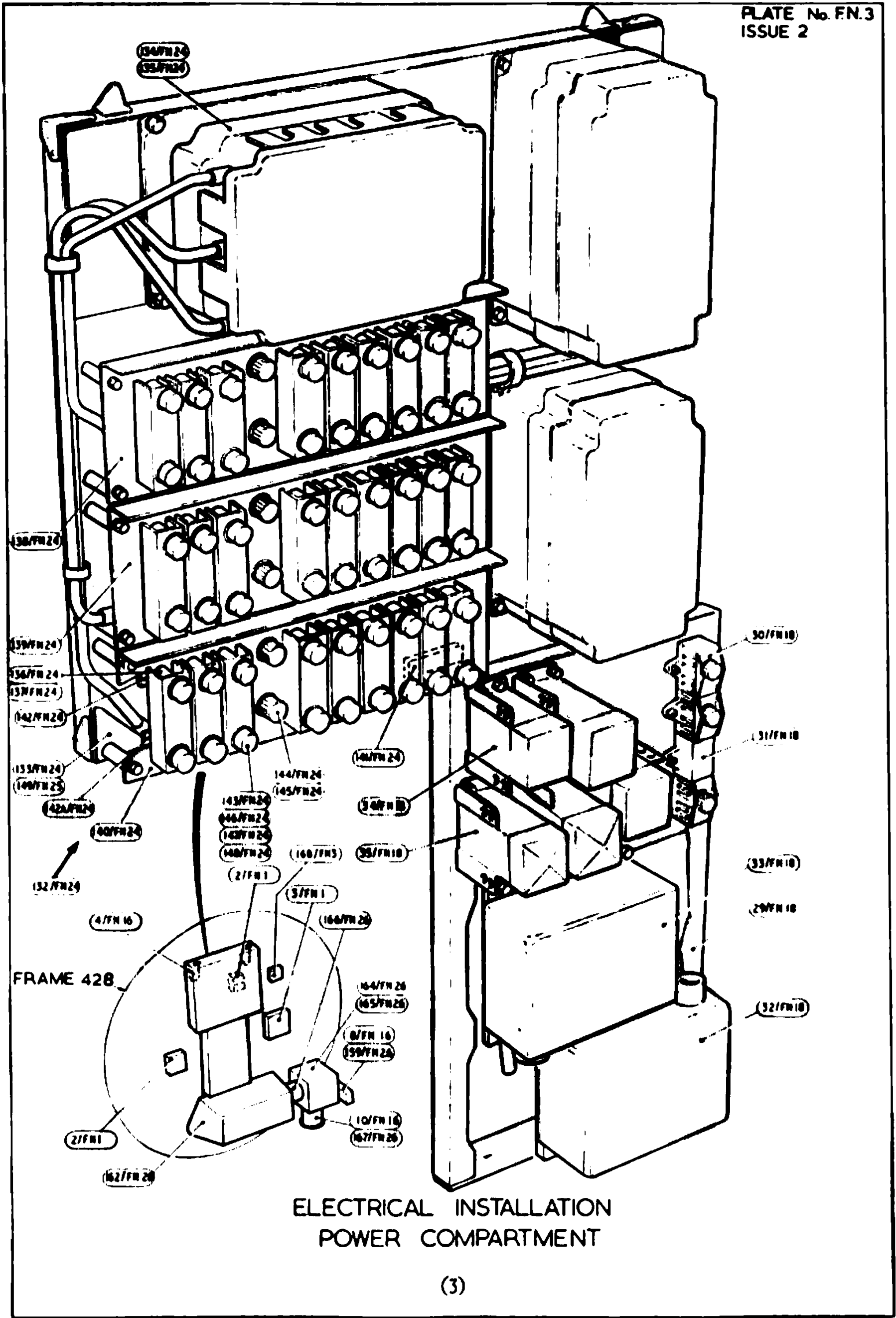
ELECTRICAL INSTALLATION
SUMMARY OF STANDARD ITEMS

Stores Ref.		No. off	Stores Ref.		No. off	Stores Ref.		No. off
Section	Ref. No.		Section	Ref. No.		Section	Ref. No.	
28D	1008147	8	28M	1006504	32	28S	9997545	102
28D	1010658	46	28M	9403517	2	28S	9992997	18
28D	9419452	4	28M	9416046	21	28S	9435713	181
28D	9140638	1	28M	9525224	68	28S	1200047	14
28D	1011006	2	28M	10286	2	28S	1007752	2
28D	1011011	2	28M	1278189	14	28S	1007753	16
28D	1010142	3	28M	1278190	50	28S	1006979	5
28D	9140639	5	28M	10290	6	28S	1006948	4
28D	1212276	40	28M	10326	42	28S	1012450	4
28D	9436920	210	28M	10327	146	28S	9133016	5
28D	9133011	57	28M	9433473	174	28S	9992533	6
28D	9133012	12	28M	7002430	6	28S	1011493	8
28D	1200119	2	28M	7002431	2	28S	9435716	8
28D	7002428	6	28M	9435559	21	28S	1007469	4
28D	1010030	2	28M	9434253	46	28S	1200066	16
28D	1011019	8	28M	11957	56			
28D	9140644	8	28M	9435560	8			
28D	9435710	2	28M	9435066	2			
28D	9419397	2	28M	9434251	39			
28D	9453970	4	28M	9435067	21	28W	9419446	71
28D	1011021	12	28M	9434252	96	28W	9419401	356
28D	1011024	24				28W	9419454	450
28D	1011029	12				28W	9418920	116
28D	1011030	35	28S	9436892	11	28W	9419455	2
28D	1011238	1	28S	1200044	57	28W	9419464	16
28D	1008145	4	28S	9419437	26	28W	9419465	102
28D	1013179	4	28S	1200043	2	28W	9419402	139
28D	1214869	12	28S	1200050	6	28W	9418921	48
28D	1215081	4	28S	1200042	3	28W	9419402	2
28D	1215328	4	28S	1201448	15	28W	9419473	2
28D	1215332	2	28S	9419435	18	28W	9419474	10
28D	9128739	4	28S	9419453	27	28W	9419475	14
28D	1007982	12	28S	1200034	177	28W	9419404	2
28D	1013284	8	28S	1200036	13	28W	1200073	2
28D	9142406	8	28S	1200040	51	28W	1200071	219
			28S	1200033	12	28W	1011232	2
			28S	1005622	2	28W	9128182	10
28FP	9438813	7	28S	1200039	2	28W	1009699	4
28FP	9425771	7	28S	9140642	11	28W	1206041	46
28FP	1201748	7	28S	1200035	5			
			28S	9435912	2			
			28S	9437020	2			
			28S	9131095	19			

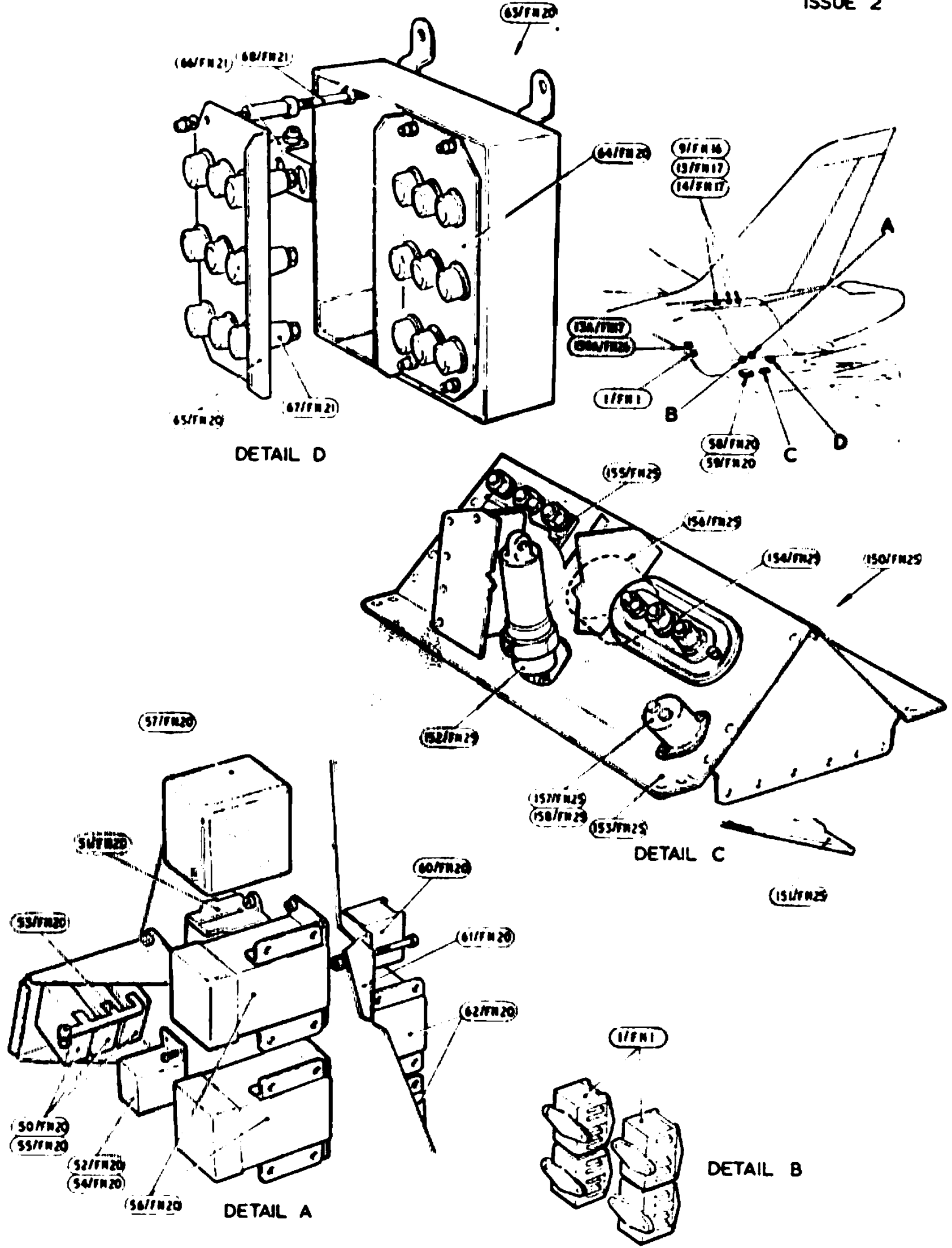


ELETRICAL INSTALLATION
POWER COMPARTMENT

(1)



ELECTRICAL INSTALLATION
POWER COMPARTMENT



ELECTRICAL INSTALLATION
POWER COMPARTMENT

(4)

VULCAN Mk 2						
ELECTRICAL INSTALLATION						
REAR PORTION, FUSELAGE						
Page FP. 1						
Ref No.	Part No.	Description	No. off	Matl. Spec.	Cl. of St.	Plate and Illust'n No.
					M.R.	
1 2 3 4						
		ELECTRICAL INSTALLATION IN REAR PORTION FUSELAGE (V8624) (Mod. 569) (Mod. 2304)				
		Spares for:—				
5X/9015491	—	Adaptor, lug, 4-way	6	—	C	
5CZ/4337562	—	Amplifier, type 206 (Mod. 853)	4	—	B	FP2/1
5X/4491775	1V7871	Block, connector	1	—	C	FP1/2
5X/4491769	1V7870	Block, earthing, 12 amp., 12-way	2	—	C	FP2/3
5X/6200370	1V5650	Block, terminal	10	—	C	FP2/4
	10V6354	Bracket	4	—		
22816	11V8493	BLOCK, TERMINAL, GROUP	4	—		FP2/5
		Consisting of:—				
	13V8493	Block, terminal, 2-1/2" x 1" x 1-1/8" d	1	BS2966		
9490	14V8493	Bolt, special	4	S96	C	
9491	15V8493	Connector, terminal, alumel	1	—	C	
9492	16V8493	Connector, terminal, chromel	1	—	C	
28M/1006473	A27/CT	Locknut, 2 BA d	4	—	C	
28M/9433473	AGS2002/C1	Nut, stiff, 2BA d	4	—	C	
28W/9419454	SP10/C	Washer, 2 BA	4	—	C	
	21V8493	BLOCK, TERMINAL, GROUP	4	—	MR	FP1/16
		Consisting of:—				
	12V8493	Block, terminal, 2" x 1" x 3/4"	2	BS2966		
28M/1006473	A27/CT	Locknut, 2 BA	2	—	C	
28M/9433473	AGS2002/C1	Nut, stiff, 2 BA	2	—	C	
28S/9436921	A31/C28	Screw, Ch. hd., 2 BA	4	—	C	
28W/9419454	SP10/C	Washer, 2 BA	4	—	C	
	1V9573	BOX, JUNCTION, AFT OF FORMER 442.5, PORT, GROUP	1	—		FP2/7
	2V9573	BOX, JUNCTION, AFT OF FORMER 442.5, STARBOARD, GROUP	1	—		FP2/8
		Spares for:—				
	31SS4204	Bush, ring lock, (Pre-Mod. 2449)	1	—		
26DL/6010020	51SS5302	Bush, ring lock, (Mod. 2449)	1	—	C	
9579	8V9573	LID, BOX, GROUP	1	—	B	FP2/9
		Spares for:—				
	A4/25	Fastener, dzus	2	—	C	
28FP/9144248	GA4/250	Grommet, dzus	2	—	C	
28FP/9430915	3V9573	Panel, fibreglass	1	—	C	
9580	S4/200	Spring, dzus	1	—	C	
	24V8493	BRACKET, MOUNTING, No. 3 & No. 4 AMPLIFIERS, ON AFT FACE OF FORMER 428", GROUP	1	—		FP2/10
	25V8493	BRACKET, MOUNTING, No. 2 AMPLIFIER, ON AFT FACE OF FORMER 428", GROUP	1	—		FP2/11
	26V8493	BRACKET, MOUNTING, No. 1 AMPLIFIER, ON AFT FACE OF FORMER 428", GROUP	1	—		FP2/12
	28V8624	Bracket (Mod. 2308)	3	DTD527		
	29V8624	Bracket (Mod. 2308)	1	DTD527		

ELECTRICAL INSTALLATION
REAR PORTION, FUSELAGE

Ref. No.	Part No.	Description	No. off	Matl. Spec.	Cl. of	Plate and Illust'n No.
					St. M.R.	
		1 2 3 4				
	994V7909	CABLE (F994), No. 1 AMPLIFIER TO TB's 1122 & 1144, GROUP	1	-		
	996V7909	CABLE (F996), No. 3 AMPLIFIER TO TB's 1144 & 1149, GROUP	1	-		
	997V7909	CABLE (F997), No. 4 AMPLIFIER TO TB's 1144 & 1149, GROUP	1	-		
	1706V7909	CABLE (F1706), CONDENSER TO AUX. RUDDER MOTOR, GROUP	1	-		
	1707V7900	CABLE (F1707), CONDENSER TO MAIN RUDDER MOTOR, GROUP	1	-		
	2287V7909	CABLE (F2287), RELAY 491 TO TB.1149, GROUP	1	-		
	2288V7909	CABLE (F2288), RELAY 492 TO TB.1149, GROUP	1	-		
	2401V7909	CABLE (F2401), 14P TO 58P, GROUP	1	-		
	2402V7909	CABLE (F2402), 14P TO 59P, GROUP	1	-		
	2403V7909	CABLE (F2403), 14P TO 16P, GROUP	1	-		
	2404V7909	CABLE (F2404), 44P TO 60P, GROUP	1	-		
	2430V7909	CABLE (F2430), 44P TO 60P, GROUP	1	-		
	2431V7909	CABLE (F2431), 44P TO 59P, GROUP	1	-		
	2592V7909	CABLE (F2592), 26P TO 84P, GROUP	1	-		
	2657V7909	CABLE (F2657), MAIN RUDDER MOTOR TO TB 750, GROUP	1	-		
	2808V7909	CABLE (F2808), 44P TO 59P, GROUP	1	-		
	2869V7909	CABLE (F2869), 14P TO 44P, GROUP	1	-		
	3351V7909	CABLE (F3351), LAMP 20 TO LAMP 21, GROUP	1	-		
	3352V7909	CABLE (F3352), LAMP 21 TO LAMP 22, GROUP	1	-		
	3353V7909	CABLE (F3353), LAMP 22 TO LAMP 23, GROUP	1	-		
	3355V7909	CABLE (F3355), LAMP 19 TO LAMP 20, GROUP	1	-		
	3377V7909	CABLE (F3377), LAMP 23 to LAMP 24, GROUP (Mod. 1137)	1	-		

VULCAN HL 2

ELECTRICAL INSTALLATION
REAR PORTION, FUSELAGE

Page FP. 3

Ref. No.	Part No.	Description	No. off	Matl. Spec.	Cl. of	Plate and Illust'n No.
					St. M.R.	
		1 2 3 4				
	3378V7909	CABLE (F3378), LAMP 24 TO EARTH, GROUP (Mod. 1137)	1	-		
	3393V7909	CABLE (F3393), TAIL SCANNER TO RELAY 546, GROUP	1	-		
	3394V7909	CABLE (F3394), ACTUATOR TO RELAY 546 & EARTH, GROUP	1	-		
	3395V7909	CABLE (F3395), 44P TO EARTH, GROUP	1	-		
	8475V7909	CABLE (F3397), 26P TO TB. 1137, GROUP ...	1	-		
	3424V7909	CABLE (F3424), TEMPERATURE BULB TO TB. 1337, GROUP (Mod. 1451)	1	-		
	3426V7909	CABLE (F3426), 44P TO LOW TEMP. SWITCH, GROUP	1	-		
	3427V7909	CABLE (F3427), FREON UNIT TO EARTH, ... GROUP (Mod. 900)	1	-		
	3435V7909	CABLE (F3435), 44P TO TB. 1336, GROUP ...	1	-		
	3578V7909	CABLE (F3578), COCKING SWITCH TO JETTISON HOOKS SWITCH, GROUP	1	-		
	3579V7909	CABLE (F3579), COCKING SWITCH TO DOOR SWITCH, GROUP	1	-		
	3580V7909	CABLE (F3580), COCKING SWITCH TO 84P, GROUP	1	-		
	3584V7909	CABLE (F3584), No. 2 JETT. ACTUATOR TO 84P AND DOOR SWITCH, GROUP	1	-		
	3587V7909	CABLE (F3587), DOOR MICRO SWITCH TO 84P, GROUP	1	-		
	3592V7909	CABLE (F3592), No. 1 ACTUATOR TO TB. 881, GROUP	1	-		
	3593V7909	CABLE (F3593), No. 2 ACTUATOR TO TB. 882, GROUP	1	-		
	3658V7909	CABLE (F3658), TB. 1337 TO EARTH, GROUP (Mod. 1451)	1	-		
	3766V7909	CABLE (F3766), P26 TO MICRO SWITCH, GROUP (Mod. 1583)	1	-		
	3767V7909	CABLE (F3767), P26 TO MICRO SWITCH, GROUP (Mod. 1583)	1	-		
	7432V7909	CABLE (F451), TB. 617 TO DOWNWARD IDENT LAMP, GROUP	1	-		
	7433V7909	CABLE (F452), TB. 617 TO UPPER IDENT ... LAMP, GROUP	1	-		

ELECTRICAL INSTALLATION
REAR PORTION, FUSELAGE

Ref. No.	Part No.	Description	No. off	Matl Spec.	Cl. of St.	Plate and Illust'n No.
					M.R.	
		1 2 3 4				
	7436V7909	CABLE (F1269), RELAY 54 TO CONDENSER, GROUP	1	-		
	7437V7909	CABLE (F1270), RELAY 53 TO CONDENSER, GROUP	1	-		
	7441V7909	CABLE (F1122), No. 3 LAMP TO No. 9 LAMP, GROUP	1	-		
	7442V7909	CABLE (F1123), No. 3 LAMP TO EARTH, GROUP	1	-		
1433410	7447V7909	CABLE (F1754), GROUP (Pre-Mod. 2253)	1	-	C	
1505363	9880V7909	CABLE (F1754), No. 1 J.P.T. RESISTOR TO . . J.B., GROUP (Mod. 2253)	1	-	C	
	7448V7909	CABLE (F1755), GROUP (Pre-Mod. 2253)	1	-	MR	
1505364	9881V7909	CABLE (F1755), No. 2 J.P.T. RESISTOR TO . . J.B., GROUP (Mod. 2253)	1	-	C	
1433409	7449V7909	CABLE (F1756), GROUP (Pre-Mod. 2253)	1	-	C	
	9882V7909	CABLE (F1756), No. 3 J.P.T. RESISTOR TO . . J.B., GROUP (Mod. 2253)	1	-		
11996	7450V7909	CABLE (F1757), GROUP (Pre-Mod. 2253)	1	-	C	
1505366	9883V7909	CABLE (F1757), No. 4 J.P.T. RESISTOR TO . . J.B., GROUP (Mod. 2253)	1	-	C	
	7451V7909	CABLE (F2552), TB.600 TO TB.1592, GROUP .	1	-		
	7452V7909	CABLE (F2556), J.B. TO TB. 1593, GROUP . . . (Pre-Mod. 2253)	1	-	MR	
	9916V7909	CABLE, GROUP (Mod. 2253)	1	-	MR	
1505065	7454V7909	CABLE (F965), No. 1 AMPLIFIER TO J.B., . . . GROUP	1	-	C	
	7456V7909	CABLE (F2553), TB. 600 TO TB. 1594, GROUP	1	-		
	7457V7909	CABLE (F2557), J.B. TO TB. 1595, GROUP . . . (Pre-Mod. 2253)	1	-	MR	
	9917V7909	CABLE, GROUP (Mod. 2253)	1	-	MR	
1505066	7459V7909	CABLE (F951), No. 2 AMPLIFIER TO J.B., . . . GROUP	1	-	C	
	7460V7909	CABLE (F1751), TB.22 TO EARTH, GROUP . .	1	-		

VULCAN Mk. 2

ELECTRICAL INSTALLATION
REAR PORTION, FUSELAGE

Page FP. 5

Ref. No.	Part No.	Description	No. off	Matl. Spec.	Cl. of	Plate and Illust'n No.
					St. M.R.	
		1 2 3 4				
	7462V7909	CABLE (F2554), TB.599 TO TB.1596, GROUP .	1	-		
	7463V7909	CABLE (F2558), J.B. TO TB.1597, GROUP (Pre-Mod. 2253)	1	-	MR	
	9918V7909	CABLE, GROUP (Mod. 2253)	1	-	MR	
	7465V7909	CABLE (F2120), No. 3 AMPLIFIER TO J.B., .. GROUP	1	-	MR	
	7467V7909	CABLE (F2555), TB.599 TO TB.1598, GROUP .	1	-		
	7468V7909	CABLE (F2559), J.B. TO TB.1599, GROUP (Pre-Mod. 2253)	1	-	MR	
	9919V7909	CABLE, GROUP (Mod. 2253)	1	-	MR	
	7470V7909	CABLE (F971), No. 4 AMPLIFIER TO J.B., ... GROUP	1	-	MR	
	7471V7909	CABLE (F2152), TB.1149 TO EARTH, GROUP	1	-		
	7474V7909	CABLE (F960), No. 3 AMPLIFIER TO No. 3 ... RESISTOR AND RELAY 492, GROUP	1	-		
	7475V7909	CABLE (F963), No. 1 AMPLIFIER TO No. 1 ... RESISTOR AND RELAY 491, GROUP	1	-		
	7476V7909	CABLE (F970), No. 4 AMPLIFIER TO No. 4 ... RESISTOR AND RELAY 491, GROUP	1	-		
	7478V7909	CABLE (F2272), TB.1148 TO No. 1	1	-		
	7479V7909	CABLE (F2273), No. 4 RESISTOR TO RELAY . 491, GROUP	1	-		
	7480V7909	CABLE (F2276), No. 4 RESISTOR TO TB.1148, GROUP	1	-		
	7482V7909	CABLE (F2280), No. 1 RESISTOR TO TB.1148, GROUP	1	-		
	7483V7909	CABLE (F2281), RELAY 492 TO No. 4	1	-		
	7484V7909	CABLE (F2284), TB.1148 TO No. 3	1	-		
	7485V7909	CABLE (F774), 26P TO RUDDER, GROUP	1	-		

ELECTRICAL INSTALLATION
REAR PORTION, FUSELAGE

Ref. No.	Part No.	Description	No. off	Matl. Spec.	Cl. of	Plate and Illust'n No.
					St. M.R.	
		1 2 3 4				
	7696V7909	CABLE (F952), No. 2 AMPLIFIER TO No. 2 ... RESISTOR AND RELAY 492, GROUP	1	-		
	7698V7909	CABLE (F995), No. 2 AMPLIFIER TO TB's ... 122 AND 1144, GROUP	1	-		
9874	7846V7909	CABLE (F2544), TB.1593 TO TB's AND 4 GROUP (Pre-Mod. 2308)	1	-	C	
1510563	4170V7909	CABLE (F4170), TB.1593, No. 1 JET PIPE BAY, GROUP (Mod. 2308)	1	-	C	
9875	7847V7909	CABLE (F2545), TB.1595 TO TB's 3 AND 4 ... GROUP (Pre-Mod. 2308)	1	-	C	
	4171V7909	CABLE (F4171), TB.1595, No. 2 JET PIPE BAY GROUP (Mod. 2308)	1	-	MR	
9876	7848V7909	CABLE (F2546), TB.1597 TO TB's 3 AND 4, .. GROUP (Pre-Mod 2308)	1	-	C	
1510565	4172V7909	CABLE (F4172), TB.1597, No. 3 JET PIPE BAY, GROUP (Mod. 2308)	1	-	C	
9877	7849V7909	CABLE (F2547), TB.1599 TO TB's 3 AND 4, .. GROUP (Pre-Mod. 2308)	1	-	C	
	4173V7909	CABLE (F4173), TB.1599, No. 4 JET PIPE BAY, GROUP (Mod. 2308)	1	-	MR	
	7950V7909	CABLE (F3583), TB.882 TO 84P, GROUP	1	-		
	7990V7909	CABLE (F3433), 44P TO TB.878, GROUP	1	-		
	7991V7909	CABLE (F3439), 44P TO TB.879, GROUP	1	-		
	7995V7909	CABLE (F2444), 23P TO TB.879, GROUP	1	-		
	8007V7909	CABLE (F3585), 84P TO EARTH, GROUP	1	-		
	8056V7909	CABLE (F1758), No. 1 SERVO POTENTIO- ... METER TO 26P, TB.1575 AND EARTH, GROUP	1	-		
	8057V7909	CABLE (F1759), No. 2 SERVO POTENTIO- ... METER TO 26P, TB.1575 AND EARTH, GROUP	1	-		
	8058V7909	CABLE (F1760), No. 3 SERVO POTENTIO- ... METER TO 26P, TB.1573 AND EARTH, GROUP	1	-		
	8059V7909	CABLE (F1761), No. 4 SERVO POTENTIO- ... METER TO 26P, TB.1573 AND EARTH, GROUP	1	-		

VULCAN No. 2

ELECTRICAL INSTALLATION
REAR PORTION, FUSELAGE

Page FP. 7

Ref. No.	Part No.	Description	No. off	Matl. Spec.	Cl. of	Plate and
					St.	
		1 2 3 4			M.R.	No.
	8061V7909	CABLE (F945), No. 2 AMPLIFIER TO TB's 122 AND 1572, GROUP	1	-		
	8063V7909	CABLE (F947), No. 4 AMPLIFIER TO TB's 1149 AND 1574, GROUP	1	-		
	8064V7909	CABLE (F948), No. 3 AMPLIFIER TO TB's 1149 AND 1574, GROUP	1	-		
	8145V7909	CABLE (F3356), RELAY 546 TO EARTH, GROUP	1	-		
	8146V7909	CABLE (F3581), TB.881 TO 84P, GROUP	1	-		
	8148V7909	CABLE (F3436), TB.1336 TO PRESSURE SWITCH, GROUP	1	-		
	8149V7909	CABLE (F3590), No. 2 DOOR MICRO-SWITCH TO 84P, GROUP	1	-		
	8150V7909	CABLE (F3591), SHACKLE MICRO-SWITCH TO 84P, GROUP	1	-		
	8159V7909	CABLE (F3588), DOOR HOOK MICRO-SWITCH TO JETT. HOOK MICRO-SWITCH, GROUP	1	-		
	8178V7909	CABLE (F966), No. 1 TEST PLUG TO RESISTOR, TB.600, J.B. AND EARTH, GROUP (Pre-Mod. 2253)	1	-		
	9912V7909	CABLE, GROUP (Mod. 2253)	1	-		
	8179V7909	CABLE (F953), No. 2 TEST PLUG TO RESISTOR, TB.700, J.B. AND EARTH, GROUP (Pre-Mod. 2253)	1	-		
	9913V7909	CABLE, GROUP (Mod. 2253)	1	-		
	8180V7909	CABLE (F959), No. 3 TEST PLUG TO RESISTOR, TB 599 AND J.B., GROUP (Pre-Mod. 2253)	1	-		
	9914V7909	CABLE, GROUP (Mod. 2253)	1	-		
	8181V7909	CABLE (F973), No. 4 TEST PLUG TO RESISTOR, TB.599, J.B. AND EARTH, GROUP (Pre-Mod. 2253)	1	-		
	9915V7909	CABLE, GROUP (Mod. 2253)	1	-		
	8211V7909	CABLE (F946), No. 1 AMPLIFIER TO TB's 122 AND 157, GROUP	1	-		
	8216V7909	CABLE (F2296), No. 1 RESISTOR TO RELAY. 491, GROUP	1	-		

ELECTRICAL INSTALLATION
REAR PORTION, FUSELAGE

Ref. No.	Part No.	Description	No. off	Matl. Spec.	Cl. of	Plate and Illust'n No.
					St. M.R.	
		1 2 3 4				
	8219V7909	CABLE, (F2277), No. 2 RESISTOR TO RELAY 492, GROUP	1	-		
	8243V7909	CABLE, (F3432), No. 2 PUMP TO 44P, GROUP	1	-		
	8244V7909	CABLE, (F3434), No. 1 PUMP TO 44P, GROUP	1	-		
	8248V7909	CABLE, (F3354), LAMP 23 TO EARTH, GROUP	1	-		
	8250V7909	CABLE, (F1121), No. 2 LAMP TO No. 3 LAMP, GROUP	1	-		
	8298V7909	CABLE, (F3586), DOOR MICRO-SWITCH No. 1 TO 84P, GROUP	1	-		
	8299V7909	CABLE, (F3589), JETT. HOOK MICRO-SWITCH TO 84P, GROUP	1	-		
	8430V7909	CABLE, (F3594), PARA. INDICATOR TO 84P, GROUP	1	-		
	9378V7909	CABLE, (F3426), 44P TO FREON UNIT, GROUP (Mod. 1617)	1	-		
	9365V7909	CABLE, (F2400), 26P TO 14P AND 44P, GROUP (Mod. 1617) (Pre-Mod. 2304)	1	-		
	8528V7909	CABLE, (F2658), AUXILIARY RUDDER MOTOR TO TB.750, GROUP	1	-		
	8911V7909	CABLE, (F2429), 59P TO 44P, GROUP (Mod. 1552)	1	-		
	9367V7909	CABLE, (F3442), 44P TO FREON MOTOR, ... GROUP (Mod. 1617)	1	-		
	9936V7909	CABLE, GROUP (Mod. 2304)	1	-		
	4176V7909	CABLE, (F4176), AFT FRAME 487.5" TO 14P EXTENSION PANEL (Mod. 2304)	1	-		
	4177V7909	CABLE, (F4177), AFT FRAME 487.5" TO EXTENSION PANEL (Mod. 2304)	1	-		
	4178V7909	CABLE, (F4178), AFT FRAME 487.5" TO 14P EXTENSION PANEL (Mod. 2304)	1	-		
	4184V7909	CABLE, (F4184), AFT FRAME 487.5" TO 14P EXTENSION PANEL (Mod. 2304)	1	-		

VULCAN No. 2

ELECTRICAL INSTALLATION
REAR PORTION, FUSELAGE

Ref. No.	Part No.	Description	No. off	Matl. Spec.	Cl. of St.	Plate and Illust'n No.
					M.R.	
		1 2 3 4				
5UD/4388977	CX170465 AS8672/25 AS8672/45	Capacitor (Mod. 2398) Capping, for trough 25" long Capping, for trough 45" long	6 6 4	— — —	C	FP1/18 FP/14 FP/15
1510555	22V8493 23V8493	CHANNEL, MOUNTING TEMP. CONTROL AMPLIFIERS 3 AND 4, GROUP CHANNEL, MOUNTING TEMP. CONTROL AMPLIFIERS 1 AND 2, GROUP	2 4	— —	C	FP2/16 FP2/17
1510562	1SS5816	Clip, elliptical (Mod. 2308)	7	—	C	
26TA/14858	3SS3264	Clip, cable (Pre-Mod. 2449)	2	—	C	
26TA/9765	4SS3264	Clip, cable (Mod. 2449)	2	—	C	
26FP/13135	5SS3264	Clip, cable (Pre-Mod. 2449)	2	—	C	
26FP/13905	7SS3264	Clip, cable (Mod. 2449)	2	—	C	
5CZ/4335794	ROTAX ZA7801	Condenser, between formers 472 and 487 (Pre-Mod. 2398) CONDUITS TO JET PIPES, PORT AND STARBOARD (1 & 2V8627) Spares for:—	4	—	A	FP/18
22822	9SS2868 13SS2868 3V9287 5V8639 7V8627	Clip Clip Conduit, 1" o/d x 24G x 54" long Conduit, 1-1/4" o/d x 24G x 32-1/2" long .. Conduit, 1-1/4" o/d x 24G x 7-1/2" long ...	3 4 1 1 1	— — L56 L56 L56	C MR	FP1/19 FP1/20 FP/21
5X/7310	— 51V8061	Connector, in-line CONTAINER, CAPACITOR, GROUP (Mod. 2398) Spares for:—	12 2	— —	C —	 FP1/18A
10H/0119925	51bV8061	Box, mounting	1	—	—	
10H/0590100	—	Fuse, 10 amp.	3	—	C	
28M/1278189	—	Holder, fuse	3	—	C	
28M/1278190	AGS2001/B1	Nut, stiff	4	—	C	
	AGS2001/C1	Nut, stiff	8	—	C	
	4SS4199	Screw, 2 BA	8	—	MR	
28S/1011479	A31/B48	Screw	4	—	C	
28S/1200040	A31/B20	Screw	4	—	C	
	51aV8061	Tray	1	—	—	
	51cV8061	Tray, top	1	—	—	
	51dV8061	Tray, lid, racking	1	—	—	

ELECTRICAL INSTALLATION
REAR PORTION, FUSELAGE

Ref. No.	Part No.	Description	No. off	Matl. Spec.	Cl. of St.	Plate and Illust'n No.
					M.R.	
		1 2 3 4				
5CX/4330015	— 21V8624 20V8493	Dome, glass for door lamps Duct, cable, 24G x 29.4" x 3.5" Fairlead, at former 461.5"	4 4 4	— AVR50 S521	C	FP1/22 FP1/23 FP1/24
		FUSES IN REAR PORTION FUSELAGE (6V9851) Spares for:—				
10H/0590122	BRUSH 1011T	Fuse, 10 amp, size 2	9	—	B	
10H/0590112	—	Fuse, 5 amp, end-on	15	—	B	
10H/0590113	—	Fuse, 7 amp, end-on	3	—	B	
5L/9952276	—	Filament, 24V, 10W, navigation lamp	2	—	B	FP1/26
5L/9952604	—	Filament, 24V, 8W, downward ident	1	—	B	FP1/27
5L/9953271	—	Filament, 24V, 6W, ground service	2	—	B	FP1/28
5L/9953278	—	Filament, 28V, 18W, door lamp	4	—	B	FP1/29
5CX/4330002	—	Lamp, servicing	2	—	B	FP1/30
		LAMPHOLDER FOR DOOR LAMPS (1V6798) Consisting of:—				
5CX/4330014	2V6798	Cable, unipren 6 x 2" long	1	—		
	—	Lamp	1	—	B	
		LIGHT, GROUND SERVICE AT WATER GLYCOL RESERVOIR (V11825) (Mod. 1137) Spares for:—				
11650	4V11825	Bracket	1	—	C	FP1/33
5CX/4059	—	Bracket, lamp	1	—	C	FP1/34
5CX/4330056	—	Cover	1	—	C	FP1/35
5L/9951273	—	Filament, 28V, 3.5W, M.E.S.	1	—	B	FP1/36
5CX/1085825	—	Lamp, instrument, type C	1	—	A	FP1/37
	3V11825	Screen (Made from 5CX/2280)	1	—		FP1/38

VULCAN Mk 2		ELECTRICAL INSTALLATION				Page FP. 9	
		REAR PORTION, FUSELAGE					
Ref. No.	Part No.	Description	No. off	Matl. Spec.	Cl. of St.	Plate and Illust'n No.	
					M.R.		
		1 2 3 4					
		MOUNTING, R.C.M. FUSE PANEL, 14P, PORT (1V8625)					
	1V8631	Spares for:— MOUNTING, PANEL, 14P, GROUP	1	—			
	1V8629	PANEL, FUSE, 14P, GROUP	1	—		FP2/39	
		Spares for:—					
5X/6200370 10510	1V5650	Block, terminal	1	—	C	FP2/40	
	3V8629	Busbar, 9" x 4.15" 10G	9	BSS899	C	FP2/41	
	ENG. ELECT. 2444	Carrier, end-on fuse	18	—		FP2/42	
5CW/6477 10644	ROTAX D6702/2	Contactor	3	—	A	FP2/43	
	6V9472	Cover, contactor	3	Y211	C	FP2/44	
	14V7357	Holder, fuse	9	—	MR	FP2/45	
	1V9479	LOOM, CABLE, GROUP	1	—			
	2V8629	PANEL, C/W LABELS, GROUP	1	—			
	15V7357	Pedestal, 200V., 1.65" long	9	—	MR	FP2/46	
	16V7357	Pedestal, 200V., 2" long	9	—	MR	FP2/47	
5X/4491488 11660	15V5650	Socket, single	3	—	C	FP2/48	
	36V7357	Washer, nylon insulation	18	A/100E	C	FP2/49	
		MOUNTING, R.C.M. CONTACTOR PANEL, 44P, STARBOARD (V8626)	—	—			
		Spares for:—					
	2V8631	MOUNTING, PANEL, 44P, GROUP	1	—			
	1V10081	PANEL, CONTACTOR, 44P, GROUP	1	—		FP2/50	
		Spares for:—					
5X/6200370	1V5650	Block, terminal	2	—	C	FP2/51	
	ROTAX						
5CW/6477 10644	D6702/2	Contactor 400 C.P.S.	1	—	A	FP2/52	
	6V9472	Cover, contactor	2	Y211	C	FP2/53	
	7V9472	Cover, P.V.C. (Vynatex)	6	Vynagel 577	MR	FP2/54	
	1V12112	LOOM, CABLE, GROUP (Mod. 1617)	1	—			
	4V10081	PANEL, C/W LABELS, GROUP	1	—			
5CW/4400162	PLESSEY 7CZ103739/1	Relay, type 2P.D.T.	2	—	A	FP2/55	
	PLESSEY						
5CW/4400161	7CZ105411/1	Relay, 4 P.D.T.	1	—	A	FP2/56	
5X/4491487	14V5650	Socket, double	3	—	C	FP2/57	
5X/4491488	15V5650	Socket, single	4	—	C	FP2/58	
	DOWTY						
5CW/2007871	C5162Y Mk. 2	Switch (Mod. 1071)	1	—	A	FP2/59	
5CW/4402888	—	Switch, magnetic, type 3Y, No. 2	1	—	A	FP2/60	
	ROTAX						
5CW/4405094	D6311	Switch, magnetic, type 5Y, No. 2	3	—	A	FP2/61	
	62V11313	Unit, motor overload (Pre-Mod. 2125)	1	—			
1432695	68V11313	Unit, motor overload (Mod. 2125)	1	—	A		
		alternative for:—					
	V18555-68	Unit, motor overload (Mod. 2125)	1	—			

ELECTRICAL INSTALLATION
REAR PORTION, FUSELAGE

Ref. No.	Part No.	Description	No. off	Matl. Spec.	Cl. of St.	Plate and Illust'n No.
					M.R.	
		1 2 3 4				
	1V9451	MOUNTING, RELAY, RESISTOR AND TERMINAL BLOCK, GROUP (Mod. 545)	1	—		FP2/63
5X/6200370	1V5650	Spares for:— Block, terminal	1	—	C	FP2/64
	2270V7909	CABLE (F2270), RELAY 491 TO RESISTOR, GROUP	1	—		
	2271V7909	CABLE (F2271), TB.1148 TO RESISTOR, GROUP	1	—		
	2274V7909	CABLE (F2274), RELAY 491 to RESISTOR, GROUP	1	—		
	2275V7909	CABLE (F2275), TB.1148 TO RESISTOR, GROUP	1	—		
	2278V7909	CABLE (F2278), RELAY 492 TO RESISTOR, GROUP	1	—		
	2279V7909	CABLE (F2279), TB.1148 TO RESISTOR, GROUP	1	—		
	2282V7909	CABLE (F2282), RELAY 492 TO RESISTOR, GROUP	1	—		
	2283V7909	CABLE (F2283), TB.1148 TO RESISTOR, GROUP	1	—		
	9916V7909	CABLE (F0000), PORT JUNCTION BOX (1V9573) TO No. 1 ENGINE, GROUP (Mod. 2449)	1	—	MR	
6116201	OR 9962V7909	CABLE (F0000), GROUP (Mod. 2449)	1	—	C	
	9919V7909	CABLE (F0000), STBD. JUNCTION BOX (2V9573) TO No. 4 ENGINE, GROUP (Mod. 2449)	1	—	MR	
6116202	OR 9963V7909	CABLE (F0000), GROUP (Mod. 2449)	1	—	C	
5CW/4400162	PLESSEY 7CZ103739/1	Relay, type CH2/CO 28/10	2	—	A	FP2/65
5X/4491488	11V8443	RESISTOR, BANK, GROUP	1	—		FP2/66
	15V5650	Socket, single, 3 tier	4	—	C	FP2/67
		MOUNTING, TERMINAL BLOCK 1572, 1573, 1574 AND 1575 (1 & 2V10013)				FP2/68
		Spares for:—				
5X/6200730	1V5650	Block, terminal	4	—	C	
	3V10013	Plate, mounting	2	—		
5X/4491488	15V5650	Socket, single	8	—	C	

VULCAN Mk 2

ELECTRICAL INSTALLATION
REAR PORTION, FUSELAGE

Page FP.11

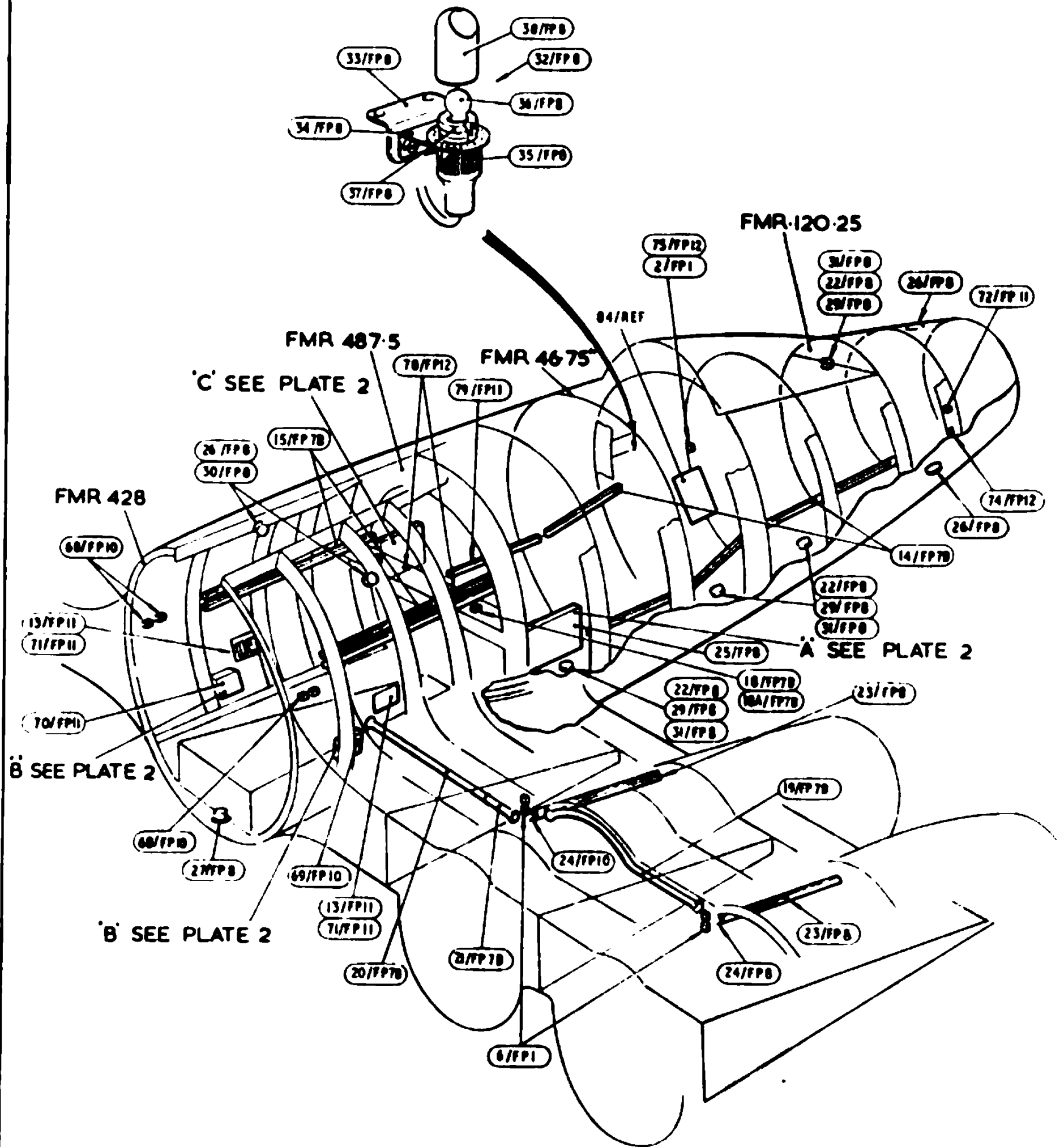
Ref. No.	Part No.	Description	No. off	Matl. Spec.	Cl. of St.	Plate and Illust'n No.
					M.R.	
		1 2 3 4				
	3V8624	PANEL, MOUNTING, RESISTORS AND TEST SOCKETS, PORT, GROUP	1	—		FP2/69
	4V8624	PANEL, MOUNTING, RESISTORS AND TEST SOCKETS, STARBOARD, GROUP	1	—		FP2/70
	BAXENDALE No. 287 TERRY No. 169 5BV8443	Spares for:— Chain, 7/16" pitch x 2-5/8" long	1	Brass		
		Ring, split	4	—		
		Ring, chain attachment	2	BS2966/3B		
	5V8624	PANEL, MOUNTING, J.P.T. RESISTORS, PORT, GROUP (Pre-Mod. 2253)	1	—		
	25V8624	PANEL, MOUNTING, J.P.T. RESISTORS, PORT, GROUP (Mod. 2253)	1	—		
	6V8624	PANEL MOUNTING J.P.T. RESISTORS, STARBOARD, GROUP (Pre-Mod. 2253)	1	—		
	26V8624	PANEL MOUNTING J.P.T. RESISTORS, STARBOARD, GROUP (Mod. 2253)	1	—		FP1, 13
		PANEL, PARACHUTE RELAY 84P (1V10106) (See Equipment Aircraft—Instrument Panels)				
	1V16831	PANEL, FUSE 14P, EXTENSION, GROUP (Mod. 2304)	1	—		FP2/79
		Spares for:—				
5X/6200370	1V5650	Block, terminals, Nos. TB.1847 and TB.1848	2	—	C	FP2/80
28D/1212803	AS1248/21C	Bolt, mush. hd.	4	—	C	FP2/81
28D/1008149	A25/2B	Bolt, 4 BA hex. hd.	4	—	C	FP2/82
28D/9706373	A25/2A	Bolt, 6 BA hex. hd.	4	—	C	FP2/83
26DL/6012235	1SS5729	Holder, fuse	3	—	C	FP2/84
	1847/V7728	Label	1	—		
	1848/V7728	Label	1	—		
	2V16831	PANEL, C/W LABELS, GROUP	1	—		FP2/85
1510661	3V16831	Panel	1	—	C	FP2/86
	PLESSEY					
5CW/4400161	7CZ105411/1	Relay, 4-pole, type CH4/C020/10	1	—	C	FP2/87
5X/4491487	14V5650	Socket, double	1	—	C	FP2/88
5X/4491488	15V5650	Socket, single	8	—	C	FP2/89
6A/4337745	S144/4/38	Potentiometer, A.C. System (Pre-Mod. 2253)	4	—	A	
		Spares for:—				
6A/4337747	FD1014	Bracket, mounting	1	—	C	
	22V8624	Plate, cover, 24G x 2.5" x 5.8" long	4	AVR50		
	PLESSEY					
5CW/4400162	7CZ/103739/1	Relay, No. 546 at former 141.5	1	—	A	FP1/72
5CZ/6168	—	Resistor, datum setting (Pre-Mod. 906)	4	—	B	
	ULTRA					
6CZ/4340651	ZR/86/CP	Resistor, datum setting (Mod. 2145)	4	—	B	FP2/73
	1V16309	Resistor, for pipe temperature (Mod. 2253) (Pre-Mod. 2473)	4	—	MR	FP1/71
6A/21210	1V19288	Resistor, for pipe temperature (Mod. 2477) ...	4	—	B	
	1V16358	Resistor, for pipe temperature (Mod. 2253) ...	4	—	MR	

VULCAN No 2		ELECTRICAL INSTALLATION					
Page FP.12		REAR PORTION, FUSELAGE					
Ref. No	Part No	Description	No. off	Matl. Spec.	Cl. of St.	Plate and Illust'n No.	
					M.R.		
		1 2 3 4					
		ELECTRICAL INSTALLATION IN REAR PORTION FUSELAGE (V8624) (Mod. 569) (Mod. 2304) (Continued)					
5K/9712745	—	Sleeve, insulating	12	—	C		
5X/4491487	14V5650	Socket, double	1	—	C	FP1/74	
5X/4491488	15V5650	Socket, single	24	—	C		
5X/4491779	5V7871	Socket	1	—	C	FP1/75	
	10V8493	SOCKET, BLANKING, GROUP	4	—		FP2/76	
		Consisting of:—					
	10aV8493	Disc, blanking	1	BS2966/ 213			
	9V8493	Link, cable, unipren	1	—			
5X/6745	PLESSEY 2CZ/83224	Socket, 9-hole	1	—	B	FP2/77	
	1SS4088	Terminal, earth, 5/8" BSF	2	—	MR	FP1/78	
		TROUGHES, CABLE, IN REAR PORTION (46V8628)					
		Spares for:—					
	9V8628	Cleat, 22G x 2.75" x 1.8", former 22.25"	2	L72			
	10V8628	Cleat, 22G x 2.75" x 1.8", former 22.25"	2	L72			
	11V8628	Cleat, 22G x 2.75" x 1.8", former 46.75"	2	L72			
	12V8628	Cleat, 22G x 2.75" x 1.8", former 46.75"	2	L72			
	15V8628	Cleat, 22G x 2.8" x 1.55", former 46.75"	2	L72			
	16V8628	Cleat, 22G x 2.8" x 1.55", former 46.75"	2	L72			
	17V8628	Cleat, 22G x 3.6" x 1.55", former 71.25"	1	L72			
	18V8628	Cleat, 22G x 3.6" x 1.55", former 71.25"	1	L72			
	19V8628	Cleat, 22G x 3.75" x 1.8", former 71.25"	1	L72			
	20V8628	Cleat, 22G x 3.75" x 1.8", former 71.25"	1	L72			
	21V8628	Cleat, 22G x 3.75" x 1.8", former 95.75"	1	L72			
	22V8628	Cleat, 22G x 3.75" x 1.8", former 71.25"	1	L72			
	23V8628	Cleat, 22G x 3.75" x 1.8", former 71.25"	1	L72			
	24V8628	Cleat, 22G x 3.75" x 1.8", former 95.75"	1	L72			
	25V8628	Cleat, 22G x 2.4" x 1.85", former 120.25" ..	1	L72			
	26V8628	Cleat, 22G x 2.55" x 2.35", former 120.25" .	1	L72			
	31V8628	Cleat, 20G x 3" x 3.25", former 487.5"	1	L72			
	32V8628	Cleat, 20G x 3" x 3.25", former 487.5"	1	L72			
	33V8628	Cleat, 20G x 4.3" x 2.85", former 472.5"	1	L72			
	34V8628	Cleat, 20G x 4.3" x 2.85", former 472.5"	1	L72			
	35V8628	Cleat, 20G x 3.7" x 2.85", former 461.5"	1	L72			
	36V8628	Cleat, 20G x 3.7" x 2.85", former 461.5"	1	L72			
	37V8628	Cleat, 20G x 2.75" x 2.95", former 442.5" ..	2	L72			
	38V8628	Cleat, 20G x 2.75" x 2.95", former 442.5" ..	1	L72			
	39V8628	Cleat, 20G x 3.25" x 3.6", former 461.5"	1	L72			
	40V8628	Cleat, 20G x 3.65" x 2.3", former 442.5"	1	L72			
	41V8628	Cleat, 20G x 3.9" x 2.95", former 472.5"	1	L72			
	42V8628	Cleat, 20G x 3.25 x 3.6", former 461.5"	1	L72			
	43V8628	Cleat, 20G x 3" x 3.2", former 487.5"	1	L72			
	44V8628	Cleat, 20G x 4.3" x 3", former 472.5"	1	L72			
	45V8628	Cleat, 20G x 3" x 3.2", former 487.5"	1	L72			
	25SS4620	Trough, cable, 25" long	2	—			
	27SS4620	Trough, cable, 27" long	2	—			
	47SS4620	Trough, cable, 47" long	4	—			
	48SS4620	Trough, cable, 48" long	1	—			
5CZ/4335639	ELECTRONIC COMPONENTS 22515	Unit, resistor, 1/2 ohm	4	—	B	FP2/90	

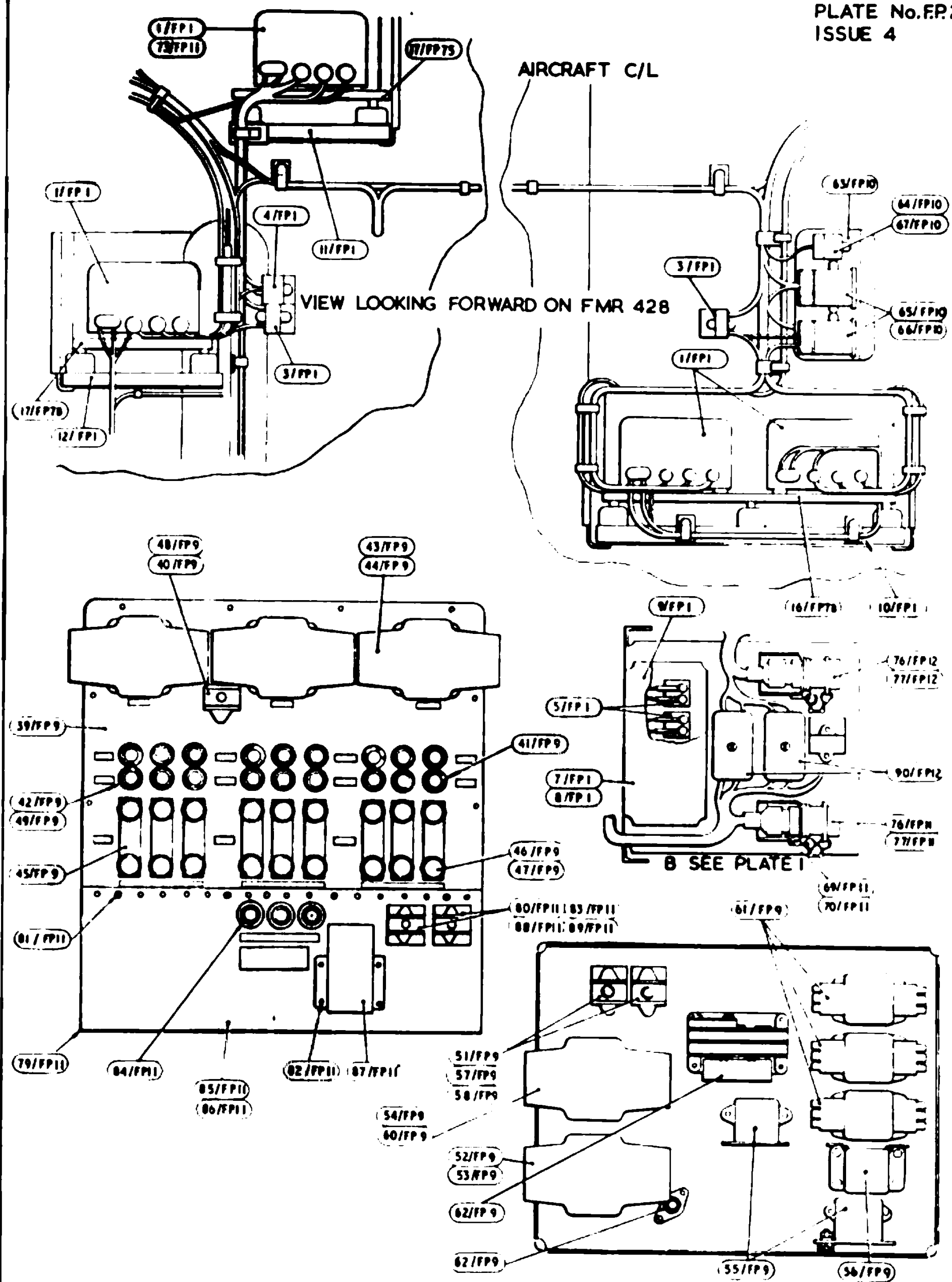
VULCAN MK 2

ELECTRICAL INSTALLATION
SUMMARY OF STANDARD ITEMS

Stores Ref.		No. off	Stores Ref.		No. off	Stores Ref.		No. off
Section	Ref. No.		Section	Ref. No.		Section	Ref. No.	
28D	9140635	2	28S	1200045	2			
28D	1010658	14	28S	1200049	2			
28D	9419452	2	28S	1200044	26			
28D	9140638	1	28S	9419437	9			
28D	9436920	72	28S	1200043	10			
28D	9133011	18	28S	1201448	6			
28D	1011019	12	28S	9419435	5			
28D	1212405	16	28S	9419453	38			
28D	1214302	12	28S	1200034	128			
28D	1215081	12	28S	1200036	2			
28D	1212798	12	28S	1200040	28			
28DU	9414340	12	28S	1200033	1			
28DU	9414357	4	28S	1005622	16			
28DU	1212626	14	28S	1200039	2			
			28S	1200035	2			
			28S	9131095	24			
			28S	9997545	52			
			28S	9992997	1			
			28S	9435713	24			
			28S	1200047	7			
28FP	146	4	28S	9436921	24			
28FP	9430915	4	28S	1007752	8			
28FP	9430916	2	28S	9446549	1			
			28S	1006960	8			
			28S	1007469	2			
			28S	9131731	7			
28M	1010997	32						
28M	9403517	2						
28M	10326	17	28W	9419446	30			
28M	10297	7	28W	9419401	171			
28M	10327	85	28W	9419454	219			
28M	1278190	70	28W	9418920	4			
28M	9433473	66	28W	9132080	14			
28M	7002430	8	28W	9419402	22			
28M	7002431	2	28W	9419403	2			
28M	9435066	5	28W	9419474	8			
28M	9434251	8	28W	9419475	32			
28M	9435067	18	28W	1200071	8			
28M	9435629	14	28W	9416643	14			
28M	9435630	32	28W	9416644	16			
28M	9419400	24	28W	1206039	2			
28M	9132600	1						
28M	13774	1						



ELECTRICAL INSTALLATION
REAR PORTION FUSELAGE



ELECTRICAL INSTALLATION
REAR PORTION FUSELAGE

VULCAN Mk. 2

**ELECTRICAL INSTALLATION
UNDERCARRIAGE BAY**

Page FQ. 1

Ref. No.	Part No.	Description 1 2 3 4	No. off	Matl. Spec.	Cl. of	Plate and Illust'n No.
					St. M.R.	
		ELECTRICAL INSTALLATION IN UNDERCARRIAGE BAY, PORT AND STARBOARD (V8223)				
		Spares for :—				
5X 6200370	1V5650	Block, terminal	2	—	C	FQ1/1
	2SS4173	Bolt, special, earthing at rib 212.5	1	—	MR	
6A 6812	SMITHS BW52	Box, fuel contents gauge, centre of gravity computer (Mod. 952)	1	—	A	FQ4/2
	3V6638	Bracket, refuel, power unit, mounting ...	1	—		
	9V6638	Bracket, refuel, power unit, mounting ...	1	—		
12199	13V8223	Bracket, plug. on pivot tube	2	L72	C	FQ1/3
	918V7909	CABLE (F918), 2J TO 39P, GROUP ...	1	—		
	1017V7909	CABLE (F1017), C. OF G. BOX TO 38P AND T.B.'s 2020, 2039 & 2040, GROUP	1	—		
	1019V7909	CABLE (F1019), C. OF G. BOX TO 36P 522, GROUP	1	—		
	1021V7909	CABLE (F1021), C. OF G. BOX TO 39P AND T.B.'s 2117, 2118 & 2119, GROUP	1	—		
	1022V7909	CABLE (F1022), C. OF G. BOX TO 37P/554, GROUP	1	—		
	1327V7909	CABLE (F1327), 36P TO 45P, GROUP ...	1	—		
17085	1332V7909	CABLE (F1332), 37P TO 46P, GROUP ...	1	—	C	
	1667V7909	CABLE (F1667), T.B. 923 TO EARTH, GRP.	1	—		
	1668V7909	CABLE (F1668), T.B. 132 TO EARTH, GRP.	1	—		
	1698V7909	CABLE (F1698), T.B. 532 TO EARTH, GRP.	1	—		
	1700V7909	CABLE (F1700), T.B. 545 TO EARTH, GRP.	1	—		
	2778V7909	CABLE (2778), 36P TO EARTH, GROUP (Mod. 526)	1	—		
	2780V7909	CABLE (F2780), 36P TO EARTH, GROUP (Mod. 526)	1	—		

**ELECTRICAL INSTALLATION
UNDERCARRIAGE BAY**

Ref. No.	Part No.	Description 1 2 3 4	No. off	Matl. Spec.	Cl. of St.	Plate and Illust'n No.
					M.R.	
13118	2980V7909	CABLE (F2980), STRIPPER UNIT TO PORT WING BREAK 519, GROUP (Mod. 743)	1	—		
	9034V7909	CABLE (F2984), GROUP (Mod. 1300) ...	1	—		
	3003V7909	CABLE (F3003), 39P TO PLUG 929, GROUP (Mod. 773)	1	—		
	7686V7909	CABLE (F693), TRANSPORT BREAK 250 TO 15P, 17P & 64P, GROUP	1	—		
	7826V7909	CABLE (F706), TRANSPORT BREAK 252 TO 16P, 18P & 64P, GROUP	1	—		
	7854V7909	CABLE (F553), 34P TO 1J, 2J, 15P, 19P & 21P, GROUP (Mod. 738)	1	—		
	8333V7909	CABLE (F573), 2J 15 TO 38P, GROUP (Mod. 952)	1	—		
	8336V7909	CABLE (F909), GROUP	1	—		
	8340V7909	CABLE (F1018), C. OF G., BOX TO 38P, GROUP (Mod. 952)	1	—		
	8341V7909	CABLE (F1020), C. OF G. BOX TO 39P, GROUP (Mod. 952)	1	—		
	9027V7909	CABLE (F554), 35P TO 2J, 16P, 17P, 19P AND 21P, GROUP (Mod. 1424)	1	—		
	32V8100	(The following cables in the series V8100 are for port side only) CABLE (P32), M.W.B. 327 TO 38P, GROUP	1	—		
	34V8100	CABLE (P34), DOOR VALVE TO 38P, GRP,	1	—		
	9662V8100	CABLE (P36), GROUP (Mod. 1906) ...	1	—		
	9663V8100	CABLE (P37), GROUP (Mod. 1906) ...	1	—		
	9661V8100	CABLE (P38), GROUP (Mod. 1906) ...	1	—		
	9660V8100	CABLE (P39), GROUP (Mod. 1906) ...	1	—		
	9658V8100	CABLE (P40), GROUP (Mod. 1906) ...	1	—		
	9657V8100	CABLE (P41), GROUP (Mod. 1906) ...	1	—		

VULCAN Mk. 2

ELECTRICAL INSTALLATION
UNDERCARRIAGE BAY

Page FQ. 3

Ref. No.	Part No.	Description	No. off	Matl. Spec.	Cl. of St.	Plate and Illust'n No.
					M.R.	
		1 2 3 4				
11144	9664V8100	CABLE (P42), GROUP (Mod. 1906)	1	-		
	87V8100	CABLE (P87), 36P/449 TO EARTH, GROUP ...	1	-		
	9656V8100	CABLE (P88), GROUP (Mod. 1906)	1	-		
	9659V8100	CABLE (P89), GROUP (Mod. 1906)	1	-		
	144V8100	CABLE (P144), No. 1 FIRE BOTTLE TO FORWARD U/C BULKHEAD, GROUP	1	-		
	145V8100	CABLE (P145), No. 2 FIRE BOTTLE TO FORWARD U/C BULKHEAD, GROUP	1	-		
	146V8100	CABLE (P146), No. 3 FIRE BOTTLE TO FORWARD U/C BULKHEAD, GROUP	1	-		
	150V8100	CABLE (P150), No. 16 LAMP TO T.B's 532 & 537, GROUP	1	-		
	151V8100	CABLE (P151), No. 15 LAMP TO T.B's 532 & 537, GROUP	1	-		
	157V8100	CABLE (P157), 36P TO 38P, GROUP	1	-		
	158V8100	CABLE (P158), 36P TO 38P, GROUP	1	-		
	163V8100	CABLE (P163), 36P/452 TO MICRO-HYPHEN . SWITCH, GROUP	1	-		
	165V8100	CABLE (P165), 38P TO POWER PACK, GROUP	1	-	C	
	166V8100	CABLE (P166), 38P TO MICRO-SWITCH, GROUP	1	-		
	195V8100	CABLE (P195), 38P TO No. 4 TANK, GROUP ..	1	-		
197V8100	CABLE (P197), 38P TO No. 6 TANK, PORT, ... GROUP	1	-			

ELECTRICAL INSTALLATION
UNDERCARRIAGE BAY

Ref. No.	Part No.	Description	No. off	Matl. Spec.	Cl. of St.	Plate and Illust'n No.
					M.R.	
		1 : 2 3 : 4				
	256V8100	CABLE (P256), 34P/12 TO RELAYS 4 & 5, GROUP	1	-		
	266V8100	CABLE (P266), AT No. 3 TANK, GROUP (Pre-Mod. 608)	1	-		
	287V8100	CABLE (P287), TB.528 TO RELAYS 2 & 3, . . . GROUP	1	-		
	291V8100	CABLE (P291), TEST SKT. TO No. 3 TANK, . . . PORT, GROUP (Pre-Mod. 1744)	1	-		
	339V8100	CABLE (P339), No. 3 AMPLIFIER TO TB.2039 AND CABLE BOX, GROUP (Mod. 2283)		-		
	7089V8100	CABLE (P281), AT No. 3 TANK, PORT, GROUP (Pre-Mod. 1744)	1	-		
	7106V8100	CABLE (P208), TB.160 TO TB 2031, GROUP (Pre-Mod. 1744)	1	-		
	8107V8100	CABLE (P33), 38P TO TB's 532, 804 & 805, . . . GROUP	1	-		
	8356V8100	CABLE (P159), 36P TO 38P AND Nos. 4 & 6 . . . TANK AMPLIFIERS AND SUMPS, GROUP (Mod. 952)	1	-		
	8563V8100	CABLE (P120), TB.2040 TO EARTH, GROUP .	1	-		
		(The following cables in the series V8101 are for starboard side only)				
	32V8101	CABLE (S32), PLUG BREAK IN M.W.B. TO . . . 38P, GROUP	1	-		
	34V8101	CABLE (S34), DOOR VALVE TO 39P, GROUP	1	-		
	9672V8101	CABLE (S36), GROUP (Mod. 1906)	1	-		
	9669V8101	CABLE (S37), GROUP (Mod. 1906)	1	-		
	9673V8101	CABLE (S39), GROUP (Mod. 1906)	1	-		

VULCAN No. 2

ELECTRICAL INSTALLATION
UNDERCARRIAGE BAY

Page FQ. 5

Ref. No.	Part No.	Description	No. off	Matl. Spec.	Cl. of	Plate and Illust'n No.
					St. M.R.	
		1 : 2 3 : 4				
	9674V8101	CABLE (S40), GROUP (Mod. 1906)	1	-		
	9668V8101	CABLE (S60), GROUP (Mod. 1906)	1	-		
	139V8101	CABLE (S139), No. 1 FIRE BOTTLE TO TB.132, GROUP	1	-		
	140V8101	CABLE (S140), No. 2 FIRE BOTTLE TO TB.132, GROUP	1	-		
	141V8101	CABLE (S141), No. 3 FIRE BOTTLE TO TB.132, GROUP	1	-		
	145V8101	CABLE (S145), No. 17 LAMP TO TB's 543 & 545, GROUP	1	-		
	151V8101	CABLE (S151), 37P/456 TO EARTH, GROUP ..	1	-		
	155V8101	CABLE (S155), 37P/453 TO 39P, GROUP	1	-		
	156V8101	CABLE (S156), 37P/454 TO 39P, GROUP	1	-		
	162V8101	CABLE (S162), 37P/459 TO 39P, GROUP	1	-		
	191V8101	CABLE (S191), 39P TO No. 4 TANK, GROUP ..	1	-		
	193V8101	CABLE (S193), 39P TO No. 6 TANK, GROUP ..	1	-		
	255V8101	CABLE (S255), TEST SWITCH TO TB.2134, ... GROUP (Pre-Mod. 608)	1	-		
	275V8101	CABLE (S275), TB.807 TO RELAYS 2 & 3, ... GROUP	1	-		
	281V8101	CABLE (S281), TEST SOCKET TO No. 3 TANK, GROUP (Pre-Mod. 1744)	1	-		
	340V8101	CABLE (S340), No. 3 AMPLIFIER TO TB.2118 AND CABLE BOX, GROUP (Mod. 2283)	1	-		
	7092V8101	CABLE (S269), AT No. 3 TANK, GROUP (Pre-Mod. 1744)	1	-		

ELECTRICAL INSTALLATION
UNDERCARRIAGE BAY

Ref. No.	Part No.	Description	No. off	Matl. Spec.	Cl. of St.	Plate and Illust'n No.
					M.R.	
		ELECTRICAL INSTALLATION IN UNDERCARRIAGE BAY, PORT AND STARBOARD (V8223) (Cont'd)				
	7105V8101	CABLE (S203), T.B. 161 TO T.B. 2134, GROUP (Pre-Mod. 1744)	1	—		
	9666V8101	CABLE (S41), GROUP (Mod. 1906) ...	1	—		
	9665V8101	CABLE (S84), GROUP (Mod. 1906) ...	1	—		
	9675V8101	CABLE (S85), GROUP (Mod. 1906) ...	1	—		
	7345V8101	CABLE (S144), No. 18 LAMP TO T.B.'s 543 & 545, GROUP	1	—		
	7561V8101	CABLE (S248), 35P/221 TO Nos. 3, 4 & 6 TANKS, GROUP	1	—		
	9667V8101	CABLE (S38), GROUP (Mod. 1906) ...	1	—		
	8108V8101	CABLE (S33), U/C VALVE TO 39P, GRP.	1	—		
	8364V8101	CABLE (S158), 37P/445 TO 39P AND Nos. 4 & 6 TANKS, GROUP (Mod. 952)	1	—		
	9670V8101	CABLE (S81), GROUP (Mod. 1906) ...	1	—		
	9671V8101	CABLE (S82)	1	—		
	AS4805/25	Capping, duct, 25" long	1	—		
	AS4805/42	Capping, duct, 42" long	1	—	MR	
	AS4807/10	Capping, duct, 10" long	1	—		
	AS4807/12	Capping, duct, 12" long	1	—		
	AS4807/14	Capping, duct, 14" long	1	—		
	AS4807/18	Capping, duct, 18" long	1	—		
	AS4807/24	Capping, duct, 24" long	1	—	MR	
	AS4807/31	Capping, duct, 31" long	1	—		
	AS4807/32	Capping, duct, 32" long	1	—		
	33V8223	Clamp, cable (Mod. 1300)	1	—		
	35V8223	Clamp, cable (Mod. 1300)	1	—		
	34V8223	Clamp, cable (Mod. 1300)	1	—		

VULCAN Mk. 2

ELECTRICAL INSTALLATION
UNDERCARRIAGE BAY

Page FQ. 7

Ref. No.	Part No.	Description	No. off	Matl. Spec.	Cl. of	Plate and Illust'n No.
					St. M.R.	
		1 2 3 4				
ELECTRICAL INSTALLATION IN UNDER-CARRIAGE BAY, PORT AND STARBOARD (V8223) (Cont'd.)						
5CX/4330015	-	Dome, glass, for cockpit lamps	2	-	B	FQ1/4
	42SS4619	Duct, cable, 42" long	1	-	MR	FQ1/5
7662	10SS4621	Duct, cable, 10" long	1	-	C	FQ4/6
7663	12SS4621	Duct, cable, 12" long	1	-	C	FQ4/7
7664	14SS4621	Duct, cable, 14" long	1	-	C	FQ4/8
7666	18SS4621	Duct, cable, 18" long	1	-	C	FQ4/9
7667	24SS4621	Duct, cable, 24" long	1	-	C	FQ4/10
7670	31SS4621	Duct, cable, 31" long	1	-	C	FQ4/11
7671	32SS4621	Duct, cable, 32" long	1	-	C	FQ1/12
	7V5888	Fairlead, at rib, 162.5, port	2	-		
	10V8223	Fairlead, at rib, 162.5, starboard	4	BSS2966		
5L/9953202	-	Filament, 24v., 16W.	2	-	C	FQ1/13
	1V6798	LAMPHOLDER, GROUP	2	-		FQ1/14
	2V6798	Consisting of:- Cable, unipren, 6 x 2" long	1	-		
5CX/4330014	-	Lamp, cockpit	1	-	B	
MOUNTING, AMPLIFIER, No. 3 TANK (V16114) (Mod. 2283) Spares for:-						
6A/1141864	SMITHS KA5	Amplifier, bridge type 7	1	-	A	FQ4/15
6A/1142874	SMITHS KC.3	Box, cable connection	1	-	A	FQ4/16
	6V16111	Bracket, mounting, group	1	-	B	FQ4/17
		Spares for:-				
1510508	11V16111	Bracket	1	-	C	
1510509	3V16114	Cover	1	-	C	FQ4/18
MOUNTING FUSEHOLDER (V9547)						
(Pre-Mod. 1744) Consisting of:-						
27N/4526516	GRAVINER E303	Fuse	1	-	C	
10002	2V9472	LINK, PLUG, GROUP (Pre-Mod. 1744)	1	-	C	

ELECTRICAL INSTALLATION
UNDERCARRIAGE BAY

Ref. No.	Part No.	Description	No. off	Matl. Spec.	Cl. of	Plate and Illust'n No.
					St. M.R.	
		1 2 3 4				
ELECTRICAL INSTALLATION IN UNDER-CARRIAGE BAY, PORT AND STARBOARD (V8223) (Cont'd)						
PANEL, 34P, PORT AND 35P, STARBOARD .. (1 & 2V8178)						
Spares for:-						
5X/6200370	1V5650	Block, terminal	2	-	C	FQ1/21
5X/4491769	1V7870	Block, terminal, 12 amp., 12 way	1	-	B	FQ1/22
4258	5V6343	COVER, 34P, GROUP	1	-	C	FQ1/23
4529	6V6343	COVER, 35P, GROUP	1	-	C	FQ1/24
	1V9898	LOOM, CABLE, 34P, GROUP	1	-		
	1V9899	LOOM, CABLE, 35P, GROUP	1	-		
	1V8179	PANEL, 34P, LESS EQUIPMENT, GROUP ..	1	-		FQ1/25
	2V8179	PANEL, 35P, LESS EQUIPMENT, GROUP ..	1	-		FQ1/26
Spares for:-						
	74SS6003	Label, "74", on 34P	1	L59		
	75SS6003	Label, "75", on 34P	1	L69		
	76SS6003	Label, "76", on 34P	1	L59		
	77SS6003	Label, "77", on 34P	1	L59		
	83SS6003	Label, "83", on 35P	1	L59		
	84SS6003	Label, "84", on 35P	1	L59		
	85SS6003	Label, "85", on 35P	1	L59		
	86SS6003	Label, "86", on 35P	1	L59		
	211SS6003	Label, "211", on 34P	1	-		
	212SS6003	Label, "212", on 34P	1	-		
	213SS6003	Label, "213", on 34P	1	L59		
	214SS6003	Label, "214", on 34P	1	L59		
	220SS6003	Label, "220", on 35P	1	L59		
	221SS6003	Label, "221", on 35P	1	L59		
	222SS6003	Label, "222", on 35P	1	L59		
	223SS6003	Label, "223", on 35P	1	L59		
	224SS6003	Label, "224", on 35P	1	L59		
5CW/4400161	7CZ/105411/1	Relay, 4 pole	4	-	A	FQ1/27
PANEL, 36P, PORT AND 37P, STARBOARD .. BOARD (8 & 10V6791) (Mod. 847)						
Spares for:-						
5X/6200370	1V5650	Block, terminal	4	-	C	FQ3/29
	13V6161	Block, slide	1	L1	MR	FQ3/30
	12V6161	Bolt, special (Made from A25/13C)	4	-	MR	FQ3/31
	5V6080	Bush, 1/2" dia. x 3/8" long	8	Rubber	MR	FQ3/32
10C/0115508	-	Capacitor, 1,000V., 1 uf.	2	-	C	FQ3/33
5L/9951273	-	Filament, 28V, 3-5W	14	-	C	FQ3/34
	17V6161	Guard, switch	2	-	MR	FQ3/35
5CW/4222	-	Guard, switch	2	-	C	FQ3/36
5CX/6362199	-	Lamp, warning	1	-	B	FQ3/37
5CX/1085815	-	Lamp, red, panel, 36P	2	-	B	FQ3/38
5CX/1059365	-	Lamp, green, panel, 36P	2	-	B	FQ3/39

VULCAN Mk 2

ELECTRICAL INSTALLATION
UNDERCARRIAGE BAY

Page FQ. 9

Ref. No.	Part No.	Description	No. off	Matl. Spec.	Cl. of St.	Plate and Illust'n No.
					M.R.	
		1 2 3 4				
		PANEL, 36P, PORT AND 37P, STARBOARD (8 & 10V6791) (Cont'd)				
	30V6161	LAMP, WARNING, "1," GROUP	1	—		FQ3/40
	30aV6161	Consisting of:—				
5CX/1059365	—	Disc, warning light screen "1"	1	—	MR	
		Lamp	1	—	B	
	31V6161	LAMP, WARNING, "2," GROUP	1	—		FQ3/41
	31aV6161	Consisting of:—				
5CX/1059365	—	Disc, warning light screen "2"	1	—	MR	
		Lamp	1	—	B	
	32V6161	LAMP, WARNING, "3", GROUP	1	—		FQ3/42
	32aV6161	Consisting of:—				
5CX/1059365	—	Disc, warning light screen "3"	1	—	MR	
		Lamp	1	—	B	
	33V6161	LAMP, WARNING, "4", GROUP	1	—		FQ3/43
	33aV6161	Consisting of:—				
5CX/1059365	—	Disc, warning light screen "4"	1	—	MR	
		Lamp	1	—	B	
	34V6161	LAMP, WARNING, "5", GROUP	1	—		FQ3/44
	34aV6161	Consisting of:—				
5CX/1059365	—	Disc, warning light screen "5"	1	—	MR	
		Lamp	1	—	B	
	35V6161	LAMP, WARNING, "6", GROUP	1	—		FQ3/45
	35aV6161	Consisting of:—				
5CX/1059365	—	Disc, warning light screen "6"	1	—	MR	
		Lamp	1	—	B	
	36V6161	LAMP, WARNING, "7", GROUP	1	—		FQ3/46
	36aV6161	Consisting of:—				
5CX/1059365	—	Disc, warning light screen "7"	1	—	MR	
		Lamp	1	—	B	
	37V6161	LAMP, WARNING, "1-ON," 36P, GROUP ...	1	—		FQ3/47
	37aV6161	Consisting of:—				
5CX/1059365	—	Disc, warning light screen "1-ON"	1	—	MR	
		Lamp	1	—	B	
	38V6161	LAMP, WARNING, "2-ON," 36P, GROUP ...	1	—		FQ3/48
	38aV6161	Consisting of:—				
5CX/1059365	—	Disc, warning light screen "2-ON"	1	—	MR	
		Lamp	1	—	B	
	39V6161	LAMP, WARNING, "3-ON," 37P, GROUP ...	1	—		FQ3/49
	39aV6161	Consisting of:—				
4662 5CX/1059365	—	Disc, warning light screen "3-ON"	1	—	C	
		Lamp	1	—	B	
	40V6161	LAMP, WARNING, "4-ON," 37P, GROUP ...	1	—		FQ3/50
	40aV6161	Consisting of:—				
4663 5CX/1059365	—	Disc, warning light screen "4-ON"	1	—	C	
		Lamp	1	—	B	

ELECTRICAL INSTALLATION

UNDERCARRIAGE BAY

Ref. No.	Part No.	Description	No. off	Matl. Spec.	Cl. of St.	Plate and Illust'n No.
					M.R.	
		1 2 3 4				
		PANEL, 36P, PORT AND 37P, STARBOARD (8 & 10V6791) (Cont'd)				
	5V6791	LID, PANEL, 36P, GROUP	1	—	MR	FQ3/51
	6V6791	LID, PANEL, 37P, GROUP	1	—	MR	FQ3/52
		Spares for:—				
28FP/154	A5/30	Fastener, dzus	12	—	C	
28FP/9425771	GA5/312	Grommet, dzus	12	—	C	
4664	42V6161	MOUNTING, CAPACITOR, GROUP	2	—	C	FQ3/53
	7V6791	MOUNTING, RESISTOR, GROUP	1	—	MR	FQ3/54
		Spares for:—				
10W/0243105	—	Resistor, 120 ohms	2	—	C	FQ3/55
	1V6793	MOUNTING, RELAY AND POTEN- TIOMETER, 36P, GROUP	1	—		FQ3/56
10168	2V6793	MOUNTING, RELAY AND POTEN- TIOMETER, 37P, GROUP	1	—	A	FQ3/57
		Spares for:—				
	10V6793	Bolt, special (Made from A25/33B)	4	—		
6403	N602	Locknut, 3/8" x 32 T.P.I.	7	Brass	C	FQ3/58
10AS/0970231	RCO.223	Lock. potentiometer	7	—	A	FQ3/59
10W/0271755	CLR4239/263	Potentiometer, 2500 ohms. R.A.C.	7	—	B	FQ3/60
10F/0530108	—	Relay, P.O. (SM3-HV-51)	2	—	A	FQ3/61
10F/0530110	—	Relay, P.O. (SM3-HV-56)	2	—	A	FQ3/62
	G.E.C.					
	W71R/0361D	Relay	11	—		FQ3/63
10F/0530289	—	Relay, P.O. (SM3-HV-52)	2	—	A	FQ3/64
	G.E.C.					
5CW/4400101	W68R/2123/B	Relay, P.O.	2	—	A	FQ3/65
10W/9244225	—	Resistor, 3.3 K ohms	1	—	C	FQ3/66
10W/9244241	—	Resistor, 10 K ohms	2	—	C	FQ3/67
10W/9244242	—	Resistor, 11 K ohms	1	—	C	FQ3/68
10W/0113342	—	Resistor, 8.2 K ohms	3	—	C	FQ3/69
10W/0113346	—	Resistor, 12 K ohms	1	—	C	FQ3/70
		PANEL, 90P, PORT AND 91P, STARBOARD (1 & 2V9890) (Mod. 847)				FQ4/71
		Spares for:—				
10C/0120138	PLESSEY	Capacitor (Mod. 1406)	6	—	C	FQ4/72
	8V9890	Insulator	1	BSS2966		FQ4/73
	1V11607	LOOM, CABLE, 90P, GROUP (Mod. 1406) .	1	—		
	1V11608	LOOM, CABLE, 91P, GROUP (Mod. 1406) .	1	—		
	9V9890	MOUNTING, RESISTOR, GROUP	1	—		FQ4/74
		Spares for:—				
10W/0113272	—	Resistor, 10 ohms	2	—	C	FQ4/75
	5V9890	PANEL, 90P, C/W LABELS, GROUP	1	—		FQ4/76
	6V9890	PANEL, 91P, C/W LABELS, GROUP	1	—		FQ4/77

VULCAN No 2

ELECTRICAL INSTALLATION
UNDERCARRIAGE BAY

Page FQ. 11

Ref. No.	Part No.	Description	No. off	Matl. Spec.	Cl. of St.	Plate and Illust'n No.
					M.R.	
		1 2 3 4				
		PANEL, 90P, PORT AND 91P, STARBOARD (1 & 2V9890) (Cont'd.)				
10CV/0005101	B.T.H. GJ5/M	Rectifier (Mod. 1406)	4	—	B	FQ4/78
5CW/4400265	DIAMOND "H" R210/C3P/1	Relay, series "R"	2	—	A	FQ4/79
5CW/5191808	DIAMOND "H" R101/PS	Socket, ceramic	2	—	B	FQ4/80
	15V6161	Pillar, spring	1	S1		FQ3/81
5CW/4400073	SMITHS EAP3169	Plate, shutter	4	—	B	FQ3/82
5CZ/4335600	WESTINGH'SE 5D/2	Rectifier	9	—	C	FQ3/83
	SANGAMO WESTON S54/1/393	Relay, moving coil	2	—		FQ3/84
4666	14V6161	Rod, engaging	1	L1	C	FQ3/85
4667	18V6161	Screw, grub	1	S1	C	FQ3/86
5X/4491487	14V5650	Socket, double	3	—	C	FQ3/87
5X/4491488	15V5650	Socket, single	14	—	C	FQ3/88
1433395	10F1499	Spring, 22G, 38 coils, 0.025" dia.	1	—	C	FQ3/89
		STRUCTURE, PANELS 36P and 27P (11 & 13V6792)				
		Spares for:—				
	23V6161	Label, Tank Groups 1-2, 36P	1	L72		
	24V6161	Label, Tank Groups 3-4, 37P	1	L72		
	25V6161	Label, "Master Switch Off"	1	L72		
	26V6161	Label, "Press and Release"	1	L72		
	131SS6000	Label, "ON"	1	L59		
	109SS6002	Label, "Commence Refuelling", 36P	1	—		
	136SS6002	Label, "Commence Refuelling", 37P	1	—		
28FP/9436920	S5/225	Spring, dzus	12	—	C	
	10V6792	Strip, sealing, 5/8" x 1/16" x 6' 4"	1	Rubber	MR	
5CW/4400060	SMITHS EAP142	Switch, main	2	—	A	FQ3/90
5CW/6209280	—	Switch, master, on 36P	1	—	A	FQ3/91
5CW/4400074	N.S.F. LX/CS1/10107/ DH3	Switch, selection, "Ledex"	2	—	B	FQ3/92
5CW/1047692	ROTAX D5405	Switch, single pole	2	—	B	FW3/93
5CW/1047700	ROTAX B. & C.	Switch, double pole	1	—	B	FQ3/94
28W/1097257	1906/1	Washer, shakeproof	8	—	C	FQ3/95
	1V9726	PANEL, 38P, PORT, GROUP	1	—		FQ1/96
	2V9726	PANEL, 36P, STARBOARD, GROUP	1	—		FQ1/97
		Spares for:—				
5X/6200370	1V5650	Block, terminal	16	—		FQ1/98

ELECTRICAL INSTALLATION

UNDERCARRIAGE BAY

Ref. No.	Part No.	Description	No. off	Matl. Spec.	Cl. of St.	Plate and Illust'n No.
					M.R.	
		1 2 3 4				
		PANEL, REFUELLING RELAY, 45P, PORT AND 46P, STARBOARD (7 & 8V7446)				
4254	4V7446	Spares for:— COVER, 45P, GROUP	1	—	C	FQ4/99
4255	5V7446	COVER, 46P, GROUP	1	—		FQ4/100
28FP/9703273	A3/30	Spares for:— Fastener, dzus	4	—	C	
28FP/9434075	GA3/175	Grommet, dzus	4	—	C	
	3V7446	Fairlead, half	2	—		FQ4/101
		MOUNTING RELAY ON 45P AND 46P (14 & 15V7445)				FQ4/102
		Spares for:—				
	16V7445	Bolt, special (Made from A25/33B)	2	—		FQ4/103
17085	1327V7909	CABLE (F1327), 45P, GROUP	1	—	C	
	1332V7909	CABLE (F1332), 46P, GROUP	1	—		
	3190V7909	CABLE (F3190), 45P, GROUP	1	—		
	3191V7909	(Mod. 952) CABLE (F3191), 46P, GROUP	1	—		
	5V7445	(Mod. 952) Channel, mounting, 45P	1	—		FQ4/104
	6V7445	Channel, mounting, 46P	1	L72		FQ4/105
	42SS4204	Grommet, insulated	1	—		
	1V10520	LOOM, CABLE, 45P, GROUP (Mod. 952)	1	—		
	1V10521	LOOM, CABLE, 46P, GROUP (Mod. 952)	1	—		
10F/0530290	—	Relay, P.O. (SM-3HV-53)	2	—		FQ4/106
10F/0530289	—	Relay, P.O. (SM-3HV-52)	7	—		FQ4/107
	1V7433	PANEL, 45P, GROUP	1	—		FQ4/108
	2V7433	PANEL, 46P, GROUP	1	—		FQ4/109
		Spares for:—				
28FP/1200486	S3/150	Spring, dzus	4	—	C	
5X/4491487	14V5650	Socket, double	2	—	C	FQ1/110
5X/4491488	15V5650	Socket, single	13	—	C	FQ1/111
4674	1V6632	TRAY, MOUNTING REFUELLING POWER			C	FQ2/112
		UNIT CRATE, GROUP				
		Spares for:—				
26FP/11757	MARCONI	Device, locking	2	—		FQ2/113
10AJ/137	W14183/C/1/D	Mounting, anti-vibration	4	—	B	FQ2/114
	2V6578	Peg, locating	2	—	MR	FQ2/115
	2T3694	Plate, attachment for A.V. mountings	4	—		FQ2/116
	MARCONI	Washer	8	—		
	RID1012/3					

VULCAN Mk. 2

ELECTRICAL INSTALLATION
UNDERCARRIAGE BAY

Page FQ. 13

Ref. No.	Part No.	Description	No. off	Matl. Spec.	Cl. of	Plate and Illust'n No.
					St.	
					M.R.	
		1 2 3 4				
		SWITCH, FORWARD AND AFT UNDER-CARRIAGE DOOR, UP, PORT AND STARBOARD (1, 2, 3 & 4V6687)				
		Spares for:—				
2226	13V6687	Bracket, switch mounting	1	L72	C	FQ1/117
	5V6687	BRACKET, MOUNTING, FORWARD, PORT, GROUP	1	—	MR	
13189	6V6687	BRACKET, MOUNTING, FORWARD, STARBOARD, GROUP	1	—	MR/C	FQ1/118
	7V6687	BRACKET, MOUNTING, AFT, PORT, GROUP	1	—	MR	FQ1/119
13539	8V6687	BRACKET, MOUNTING, AFT, STAR- BOARD, GROUP	1	—	MR/C	FQ1/120
	10V6687	LEVER, PORT, GROUP	1	—	MR	FQ1/121
2203	11V6687	LEVER, STARBOARD, GROUP	1	—	C	FQ1/122
	14V6687	Pin, striking	1	S80	MR	FQ1/123
2201	7V6136	Roller	1	S1	C	FQ1/124
	12V6687	Stop, lever	1	L72		FQ1/125
5CW/4400578	HONEYWELL 402 EN.N3	Switch, micro (Mod. 1906)	1	—	B	FQ1/126
		SWITCH, MAIN UNDERCARRIAGE DOWN, PORT AND STARBOARD (9 & 10V6135)				
		Spares for:—				
	14V6135	BRACKET, SWITCH, PORT, GROUP	1	—	MR	FQ1/127
		Spares for:—				
	14bV6135	Label	1	L59		
13571	15V6135	BRACKET, SWITCH, STARBOARD, GROUP	1	—	MR	FQ1/128
		Spares for:—				
	15bV6135	Label	1	L59		
13451	16V6135	Lever, switch, operating (Mod. 1907)	1	S3	C	FQ1/129
2204	4V6640	Pin, striking	1	S80	C	FQ1/130
5CW/4400578	HONEYWELL 402 EN.N3	Switch, micro (Mod. 1906)	1	—	B	FQ1/131
		TROUGH, CONDUIT, PORT AND STAR- BOARD (1 & 2V9772)				
		Spares for:—				
22824	30V9772	TROUGH, FORWARD, PORT, GROUP	1	—		FQ1/132
		Spares for:—				
	34V9772	Cover, forward (Mod. 1300)	1	L59		FQ1/133
22825	31V9772	TROUGH, FORWARD, STARBOARD, GROUP	1	—		FQ1/134
		Spares for:—				
	35V9772	Cover (Mod. 1300)	1	L59		FQ1/135

ELECTRICAL INSTALLATION
UNDERCARRIAGE BAY

Ref. No.	Part No.	Description	No. off	Matl. Spec.	Cl. of St.	Plate and Illust'n No.
					M.R.	
		<u>1 2 3 4</u>				
		TROUGH, CONDUIT, PORT AND STARBOARD (1 & 2V9772) (Cont'd)				
22826	32V9772	TROUGH, AFT, PORT, GROUP	1	-		FQ1/136
		Spares for:-				
	36V9772	Cover, aft (Mod. 1300)	1	L59		FQ1/137
22827	33V9772	TROUGH, AFT, STARBOARD, GROUP	1	-		FQ1/138
		Spares for:-				
	37V9772	Cover, aft (Mod. 1300)	1	L59		FQ1/139
	49F9763	Tube, conduit, on u/c bay roof	2	-		FQ1/140
8710	40V6604	UNIT, POWER REFUELLING, GROUP (Mod 655)	1	-	A	FQ2/141
		Spares for:-				
	9V6640	BOARD, CAPACITOR, GROUP	1	-		FQ2/142
		Spares for:-				
	DUBILIER BR3530	Capacitor, 16MF, 500V	2	-		FQ2/143
10C/0115592	-	Capacitor	1	-	C	
10W/9243002	-	Resistor	1	-	C	FQ2/144
		or				
10W/0113349	-	Resistor	1	-	C	FQ2/145
10W/9244074	-	Resistor	1	-	C	FQ2/146
		or				
10W/0113415	-	Resistor	1	-	C	FQ2/147
10W/9243349	-	Resistor	1	-	C	FQ2/148
		or				
10W/0113296	-	RESISTOR	1	-	C	FQ2/149
		Cable, 2.5 W.T.P.V.C.	80 ft.	-	C	
5E/0151682	-	Cable, miniature, No. 1	6 ft.	-	C	
	Z112880	Capacitor, C2	1	-	C	FQ2/150
10C/0115567	-	Capacitor, C7-C10	2	-	C	FQ2/151
10C/0124719	-	Capacitor, C8-C9	2	-	C	FQ2/152
10C/0116115	-	Capacitor, .01MF, 400V	1	-	C	FQ2/153
		or				
10C/0116408	-	Capacitor	1	-	C	FQ2/154
	ENGLISH ELEC. LL1653Z/2602	Choke	1	-		FQ2/155
4672	4V6604	CLAMP, GROUP	3	-	C	FQ2/156
10C/0115591	-	Condenser, 0.5 MFD	1	-	B	FQ2/157
	2V6604	COVER, DUST, GROUP	2	-	MR	FQ2/158
	1V6605	CRATE, POWER REFUELLING UNIT GROUP	1	-		FQ2/159
		Spares for:-				
	MARCONI RID1007-1	Block, hinge	2	-		FQ2/160
	MARCONI RID1002-2	Handle (Ref. 2)	1	-		FQ2/161
	417SS6002	Label, Refuelling Power Unit	1	L59		

VULCAN No. 2

ELECTRICAL INSTALLATION
UNDERCARRIAGE BAY

Page FQ. 15

Ref. No.	Part No.	Description	No. off	Matl. Spec.	Cl. of	Plate and Illust'n No.
					St. M.R.	
		1 2 3 4				
		CRATE, POWER REFUELLING UNIT, GROUP (V6805) (Cont'd)				
	MARCONI RID1002-3	Nutplate	2	-		
	MARCONI RID1006-1	Plate, stop	2	-		FQ2/162
	MARCONI RID1007-2	Screw	3	-		FQ2/163
	MARCONI RID1007-3	Spring	2	-		FQ2/164
10H/1000711	BELLING LEE L338 500MA	Fuse	1	-	C	FQ2/165
10H/0590111	L693 (3.OA)	Fuse	1	-	C	
10H/0560031	-	Holder, (B.S.U.)	1	-	C	
10H/0590100	-	Holder, fuse	2	-	C	
10H/0560127	-	Holder, valve (XM7/UC1)	4	-	C	
10H/0560131	-	Holder, valve (XM9/UC1)	2	-	C	
10AR/0970231	-	Lock, potentiometer	6	-	A	FQ2/171
6403	COLVERN N602	Locknut, 3/8" x 32 T.P.I.	5	Brass	C	FQ2/172
10H/20298	PYE No. 734481	Plug, power	1	-	C	FQ2/173
5CW/4400080	G.E.C. W68M/0161D/2	Relay, slugged	1	-	A	FQ2/174
10F/9530158	-	Relay	1	-	A	FQ2/175
5CZ/4335637	S.E.I. CO. LTD. MDO 9003	Resistor, variable (10Kohms., R20)	1	-		FQ2/176
10W/0221069	-	Resistor, R2-R12	2	-	C	FQ2/177
10W/0212089	-	Resistor	1	-	C	FQ2/178
10W/0215287	-	Resistor (R16)	1	-	C	FQ2/179
10W/0216003	-	Resistor (R17, R19)	2	-	C	FQ2/180
10W/0216038	-	Resistor (R7, R15)	2	-	C	FQ2/181
10W/0216065	-	Resistor (R11)	1	-	C	FQ2/182
10W/0216082	-	Resistor (R5)	1	-	C	FQ2/183
10W/0216123	-	Resistor (R6)	1	-	C	FQ2/184
10W/0216658	-	Resistor, (R3, R13)	2	-	C	FQ2/185
10W/9272141	-	Resistor, variable (R9, R14, R18)	3	-	C	FQ2/186
10W/9272410	-	Resistor, variable (R4, R8)	2	-	C	FQ2/187
10AL/0563009	CARR VS3-C	Screen, valve (77/330A)	2	-		FQ2/188
	BELLING LEE V61-B	Screen, valve (L719)	4	-		FQ2/189
	or McMURDO 4/1	Screen, valve (4/1)	4	-		FQ2/190
	PYE 730604	Shroud	1	-		FQ2/191
	ENGLISH ELECTRIC LL1653Z/2609	Transformer	1	-		FQ2/192

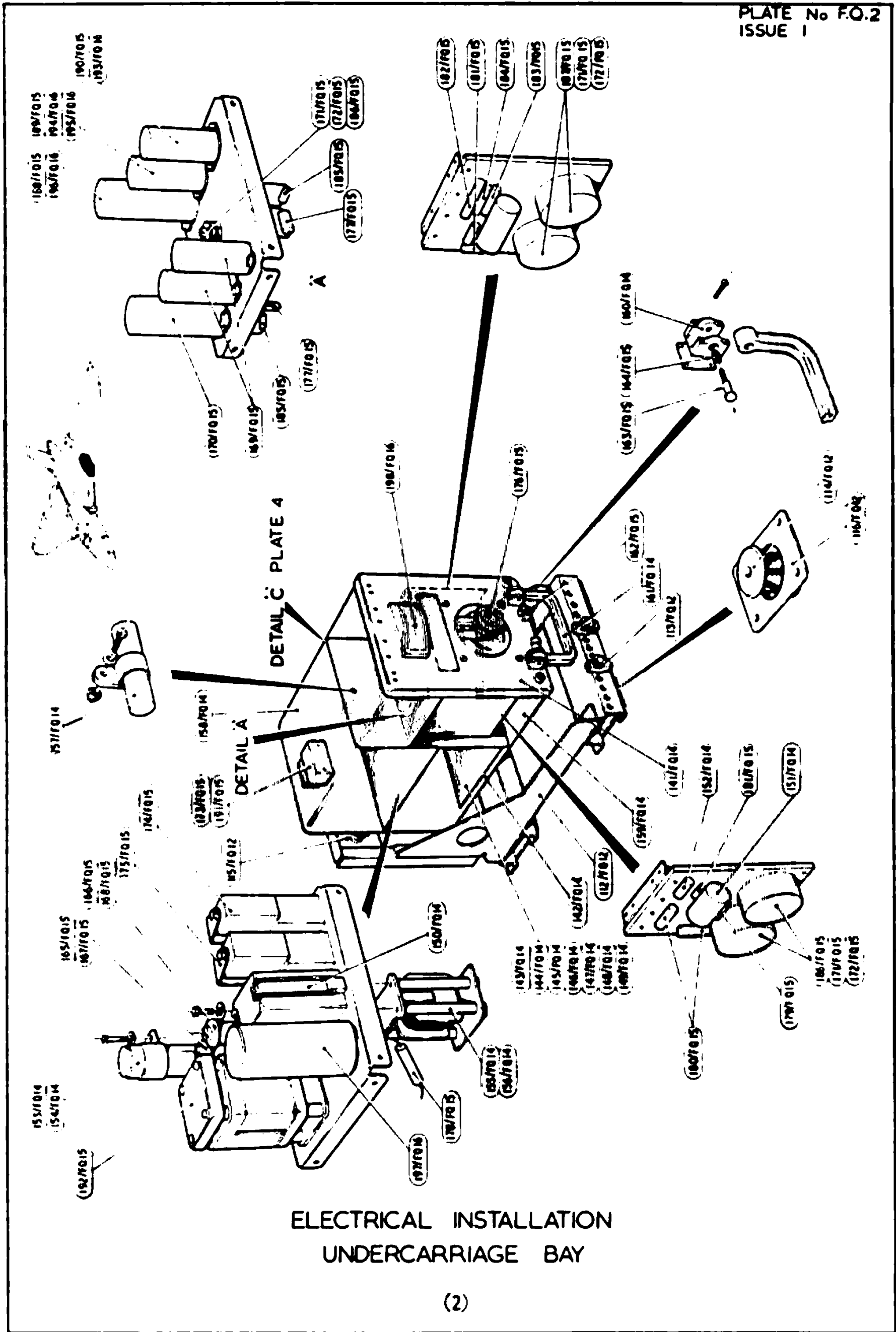
ELECTRICAL INSTALLATION
UNDERCARRIAGE BAY

Ref. No.	Part No.	Description	No. off	Matl. Spec.	Cl. of St.	Plate and Illust'n No.
					M.R.	
		1 2 3 4				
6130-99-1102609	MULLARD 85/A2 BRIMAR 6AM6 OR 6064 BRIMAR 6BW6 ERICSSON XC354 SANGAMO WESTON S32/1/221	UNIT, POWER REFUELLING (40V6604) (Cont'd)				
		Valve	2	—		FQ2/193
		Valve	2	—		FQ2/194
		Valve	2	—		FQ2/195
		Valve	2	—		FQ2/196
		Vibrator (Code No. X331C)	1	—		FQ2/197
		Voltmeter, 0-50V.	1	—		FQ2/198

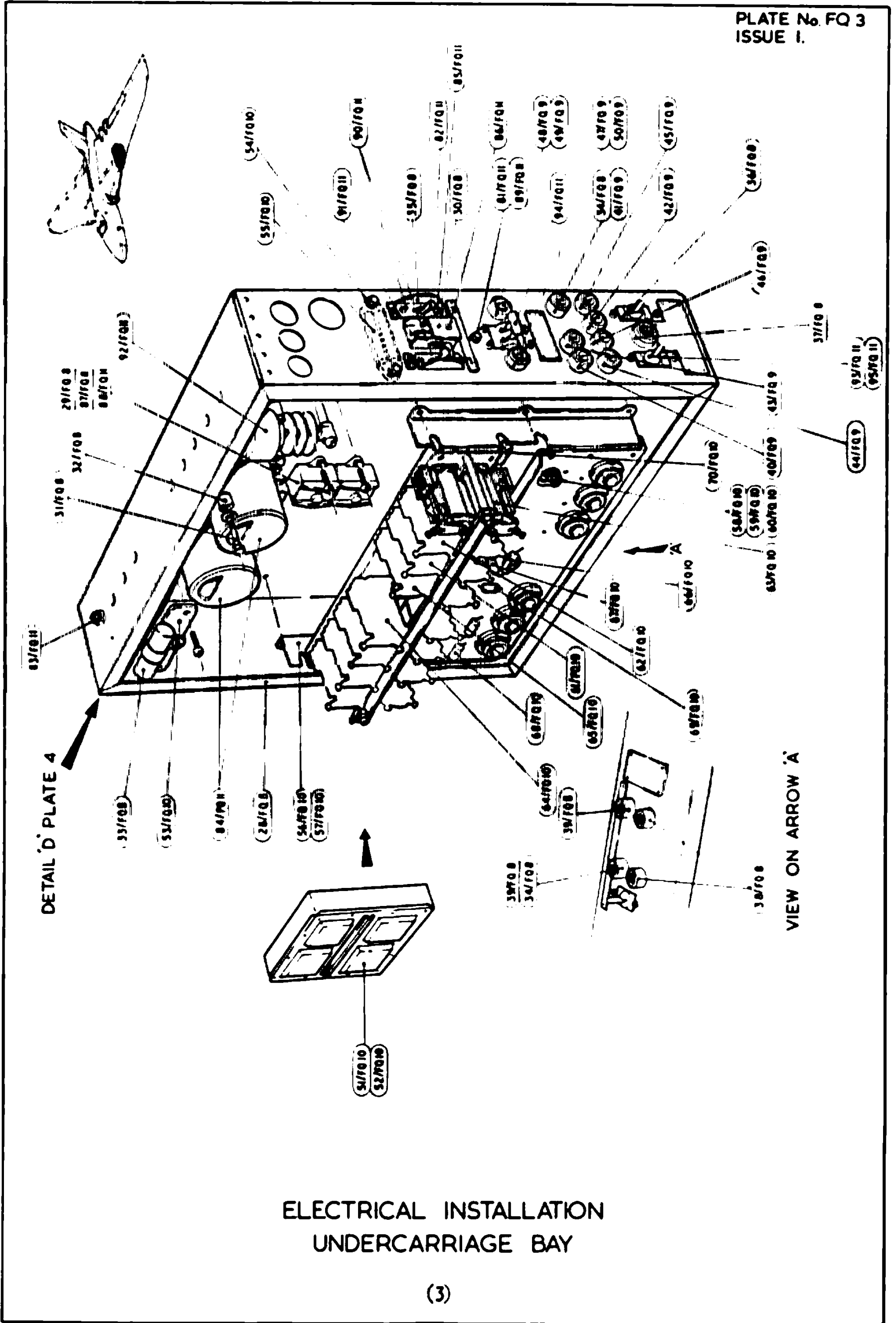
VULCAN No. 2

ELECTRICAL INSTALLATION
SUMMARY OF STANDARD ITEMS

Stores Ref.		No. off	Stores Ref.		No. off	Stores Ref.		No. off
Section	Ref. No.		Section	Ref. No.		Section	Ref. No.	
28D	1008147	5	28M	10308	80	28W	9419474	58
28D	1010658	26	28M	10327	188	28W	9419475	64
28D	1008149	40	28M	9433473	96	28W	9419486	2
28D	1011006	2	28M	10310	2	28W	9419404	12
28D	1212278	4	28M	11957	10	28W	1009752	8
28D	1007972	16	28M	9435066	40	28W	9416642	2
28D	9436920	36	28M	9434251	16	28W	6315	8
28D	9133011	2	28M	9435067	16	28W	1206040	4
28D	9133013	8				28W	1206041	2
28D	9133014	24				28W	1006966	8
28D	1012995	8						
28D	1010031	4						
28D	1007974	8						
28D	1007973	31	28S	1200045	34			
28D	1214302	12	28S	1200049	22			
28D	9137408	44	28S	1200044	40			
28D	1007980	5	28S	1200050	28			
28D	9128739	12	28S	1200051	64			
28D	8337	10	28S	1008152	2			
28D	1007981	43	28S	9435712	33			
28D	1007982	4	28S	9419435	36			
28D	1212800	4	28S	9419453	90			
28D	1212806	4	28S	1200034	40			
28D	10472	8	28S	1200040	20			
			28S	1200033	35			
			28S	9437020	2			
			28S	9131095	12			
			28S	9997545	11			
			28S	9435713	34			
28FP	145	8	28S	9133016	8			
28FP	154	56	28S	9992522	8			
28FP	307	8	28S	1200055	8			
28FP	9425771	56	28S	1200056	4			
28FP	1200486	12	28S	1200058	16			
			28S	1200062	16			
			28S	9435716	4			
			28S	9435715	18			
			28S	1008329	8			
			28S	9992521	21			
28M	1200096	4						
28M	5238	40	28W	9419446	80			
28M	9403519	20	28W	9419401	194			
28M	1010995	29	28W	9419454	133			
28M	5808573	8	28W	9419465	52			
28M	1006473	14	28W	9419402	26			
28M	9129527	2	28W	9419473	34			
28M	10286	14						
28M	1278189	70						
28M	1278190	26						
28M	10326	121						



ELECTRICAL INSTALLATION
UNDERCARRIAGE BAY



ELECTRICAL INSTALLATION
UNDERCARRIAGE BAY

VULCAN No 2		EQUIPMENT AIRCRAFT			Page GA.1		
		A.A.P.P. INSTALLATION					
Ref. No.	Part No.	Description	No. off	Matl. Spec	Cl. of St.	Plate and Illust'n No.	
					M.R.		
		1 2 3 4					
		INSTALLATION, AUXILIARY AIRBORNE POWER PLANT, INNER MAIN PLANE, STARBOARD (50F10364) (Mod. 649) Spares for:— A.A.P.P. FUEL SYSTEM, AFT OF REAR U/C BULKHEAD (SP3292) Spares for:—					
7124	15F9691	BRACKET, VALVE MOUNTING REAR, GROUP	1	—	MR	GA1/1	
	16F9691	BRACKET, VALVE MOUNTING FORWARD, GROUP	1	—	C	GA1/2	
	16P3292	Fairlead, half, A.A.P.P. bulkhead	2	BSS972		GA1/3	
	15P3002	Hose, P.R., 3/4" i/d x 1-1/8" o/d x 2-1/4" .. long	2	BSS6F.7		GA1/4	
	30P3292	Hose, impervex, 1/2" i/d x 3.0" long, Type 1	2	BSS67		GA1/5	
		MOUNTING, FUEL TANK, AFT A.A.P.P. BULKHEAD, INBOARD U/C RIB (F10372) Spares for:—				GA1/6	
7152	1F10437	SUPPORT, BOTTOM, GROUP	1	—	C	GA1/7	
7153	1F10438	SUPPORT, TOP, GROUP	1	—	C	GA1/8	
		Spares for:—					
20810	8F10437	Block, hinge	2	DTD130A			
7155	7F10437	Pin, hinge block	2	S1			
28U/4052	SP8/Y2	Rod, tension, 2 BA	1	—	C		
	AS242/9-1/2	Strap	2	—	MR		
	19F10437	Strip, 3/16" x 1" x 8" long	2	Neoprene SH50/60	MR		
	20F10437	Strip, extruded bottom 21" long	1	Neoprene SH50/60	MR		
	3F10438	Strip, top 3/16" x 1" x 21" long	—	Neoprene SH50/60	MR		
28U/13999	AS2427	Trunnion, R.H. thread	1	M/S	C		
28U/13997	AS2428	Trunnion, L.H. thread	1	M/S	C		
7113	4P3292	Pipe, from rear U/C, bulkhead to fuel tank intermediate bulkhead, 3/8" o/d x 20G x 5' 6" long approx.	1	L56	C	GA1/9	
	5P3292	Pipe, from fuel filter to aero valve 3/8" o/d x 20G x 5' 3" long approx.	1	T55	MR	GA1/10	
	6P3292	Pipe, vent, from joint at outboard U/C rib to fuel tank intermediate bulkhead, 3/4" o/d x 22G x 1' 8" long approx.	1	L56	MR	GA1/11	
	7P3292	Pipe, from union to fuel tank, 3/8 o/d x 20G x 1' 3" long approx.	1	L54 & L59	MR	GA1/12	
7119	8P3292	Pipe, vent, from union to joint at fuel tank . 3/8" o/d x 22G x 1' 3" long approx.	1	L56	C	GA1/13	
	19P3292	Pipe, drain, from fuel tank to drip tray, 1/4" o/d x 22G x 12" long approx. (Pre-Mod. 1300)	1	L56			
	33P3292	Pipe, gland, 1/4" o/d x 22G x 14" long approx. (Mod. 1300)	1	—	MR	GA1/14	
	20P3292	Pipe, flexible, from aero valve to fuel tank .. (Pre Mod. 2456)	1	—	MR	GA1/15	
22904	35P3292	Pipe, flexible, flylite (Mod. 2456)	1	—	C		

VULCAN Mk 2		EQUIPMENT AIRCRAFT				
Page GA. 2		A.A.P.P. INSTALLATION				
Ref. No.	Part No.	Description	No. off	Matl. Spec.	Cl. of St.	Plate and Illust'n No.
					M.R.	
		1 2 3 4				
A.A.P.P. FUEL SYSTEM AFT OF REAR U/C BULKHEAD (SP3292) (Cont'd)						
7123	21P3292	Pipe flexible, from fuel filter to A.A.P.P. (Pre-Mod. 2456)	1	—	B	GA1/16
22905	36P3292	Pipe, flexible, flylite, (Mod. 2456)	1	—	C	GA1/17
	23P3292	Pipe, drain, from A.A.P.P. to skin panel (Mod. 731) 1/2" o/d x 22G x 15" long approx.	1	L56	MR	
	25P3292	Pipe, drain, from A.P.U. bulkhead to drip tray, 3/16" o/d x 22G x 18" long approx. (Pre-Mod. 1277)	1	DTD743		
10911	31P3292	Pipe, drain, from A.P.U. bulkhead to drip tray, 1/4" o/d x 22G x 18" long approx. (Mod. 1277) (Pre-Mod. 1300)	1	DTD743	C	
13665	34P3292	PIPE, DRAIN, GROUP (Mod. 1300)	1	—	C	GA1/18
	26P3292	Pipe, drain, from A.P.U. to bulkhead, 3/16" o/d x 22G x 30" long approx. (Pre-Mod. 1277)	1	DTD743		
10912	32P3292	Pipe, drain, from A.P.U. to bulkhead, 1/4" o/d x 22G x 30" long approx. (Mod. 1277)	1	DTD743	C	GA1/19
7100	28F9809	TANK, FUEL, GROUP	1	—	A	
	SAUNDERS VALVE CO. 103/AB02/R34	(See:—Tanks, Fuel) Valve, aero, 3/8" B.S.P.	1	—		GA1/20
	—	AUXILIARY AIRBORNE POWER PLANT,	1	—		GA1/21
	—	GROUP Consisting of:—				
5UA/4357543	—	Alternator, Rotax	1	—	A	
5CZ/4661137	—	Block, thermocouple	1	—	B	
5CZ/1053795	—	Block, terminal	1	—	B	
27N/100	—	Bottle, methylbromide	1	—	A	
5CZ/1053794	—	Block, junction	2	—	B	
27N/4526547	—	Bracket (Alternative 27N/N87)	1	—	B	
12K/1316	—	Cartridge (Mod. 1346)	1	—	B	
5CZ/4335581	—	Detector, fire	4	—	A	
6D/1502	—	Nipple	2	—	C	
6D/487	—	Nut, union	2	—	C	
	ROVER CO. 420900	Plant, power	1	—		
5X/6001	—	Plug, single	2	—	B	
5X/9512504	—	Plug, bulkhead	1	—	B	
5X/6037	—	Plug, bulkhead	3	—	B	
6A/4332846	—	Switch, fuel pressure warning	1	—	A	
	—	(Note:—Items 5UA7017, 27N/152 and 27N/115 supplied by A.V. Roe to ROVER GAS TURBINES LTD. for fitment)				
	KING A/C Co. C4205/8-1/48	Clamp, pipe Mk. 3	1	—	MR	GA1/22

VULCAN No. 2

EQUIPMENT AIRCRAFT
A.A.P.P. INSTALLATION

Page GA. 3

Ref. No.	Part No.	Description	No. off	Matl. Spec.	Cl. of St.	Plate and Illust'n No.
					M.R.	
		1 2 3 4				
		HYDRAULIC SERVICES FOR A.A.P.P. SCOOP (1Q2247)				
		Spares for:—				
26FP/2721	2SS3859	Clip	14	—	C	GA1/23
26FP/13457	4SS3859	Clip	2	—	C	GA1/24
8681	94Q2101	PIPE, FEED, 1/4" o/d x 22G x 96" LONG ... FROM ADAPTOR FORWARD FACE U/C BULKHEAD, GROUP (Pre-Mod. 2236)	1	DTD323	C	
1505267	294Q2101	PIPE, FEED, 1/4" o/d x 22G x 96" LONG ... FROM ADAPTOR FORWARD FACE U/C BULKHEAD, GROUP (Mod. 2236)	1	DTD5016		GA1/25
8682	95Q2101	PIPE, FEED, 1/4" o/d x 22G x 24" LONG ... ADAPTOR TO PRESSURE REDUCING VALVE, AFT REAR U/C BULKHEAD, GROUP	1	DTD323	C	GA1/26
8683	96Q2101	PIPE, FEED, 3/16" o/d x 22G x 18" LONG TEE-PIECE TO PRESSURE REDUCING VALVE, AFT REAR U/C BULKHEAD, GROUP	1	L56	C	GA1/27
8684	97Q2101	PIPE, RETURN, 1/4" o/d x 22G x 13" LONG ADAPTOR TO TEE-PIECE, AFT REAR U/C BULKHEAD, GROUP	1	L56	C	GA1/28
	98Q2101	PIPE, RETURN, 1/4" o/d x 22G x 24" LONG TEE-PIECE TO SELECTOR VALVE, AFT REAR BULKHEAD, GROUP	1	L56		GA1/29
8686	99Q2101	PIPE, RETURN, 1/4" o/d x 22G x 18" LONG SELECTOR VALVE TO SCOOP HYDRAULIC JACK, AFT REAR U/C BULKHEAD, GROUP	1	L56	C	GA1/30
8687	100Q2101	PIPE, FEED, 1/4" o/d x 22G x 12" LONG PRESSURE REDUCING VALVE TO SELECTOR VALVE, AFT REAR U/C BULKHEAD, GROUP	1	DTD323	C	GA1/31
8688	101Q2101	PIPE, FEED, 1/4" o/d x 22G x 10" LONG ... SELECTOR VALVE TO SCOOP HYDRAULIC JACK, AFT REAR U/C BULKHEAD, GROUP	1	DTD323	C	GA1/32

EQUIPMENT AIRCRAFT
A.A.P.P. INSTALLATION

Ref. No.	Part No.	Description	No. off	Matl. Spec.	Cl. of	Plate and Illust'n No.
					St. M.R.	
		1 2 3 4				
		HYDRAULIC SERVICES FOR A.A.P.P. SCOOP (1Q2247)				
9302	137Q2101	PIPE, RETURN, 3/8" o/d x 20G x 60" LONG TEE-PIECE TO ADAPTOR, RIB 162.5 FORWARD REAR U/C BULKHEAD, GROUP (Pre-Mod. 2236)	1	L56	C	
	289Q2101	PIPE, RETURN, 3/8" o/d x 20G x 60" LONG TEE-PIECE TO ADAPTOR, RIB 162.5, FORWARD REAR U/C BULKHEAD, GROUP (Mod. 2236)	1	DTD5016	MR	GA1/33
9303	138Q2101	PIPE, 3/8" o/d x 22G x 12" LONG TEE-PIECE TO FILTER, FORWARD REAR U/C BULKHEAD, GROUP (Pre-Mod. 2236)	1	L56	C	
	282Q2101	PIPE, 3/8" o/d x 22G x 12" LONG TEE-PIECE TO FILTER, FORWARD REAR U/C BULKHEAD, GROUP (Mod. 2236)	1	DTD5016	MR	GA1/34
9304	139Q2101	PIPE, RETURN, 1/4" o/d x 22G x 66" LONG TEE-PIECE TO ADAPTOR, FORWARD FACE, REAR U/C BULKHEAD (Pre-Mod. 2236)	1	L56	C	
	295Q2101	PIPE, RETURN, 1/4" o/d x 22G x 66" LONG TEE-PIECE TO ADAPTOR, FORWARD FACE, REAR U/C BULKHEAD (Mod. 2236)	1	DTD5016	MR	GA1/35
	140Q2101	PIPE, 3/8" o/d x 20G FILTER TO CHARGING VALVE, GROUP (Pre-Mod. 2236)	1	L56	C	
1505251	278Q2101	PIPE, 3/8" o/d x 20G FILTER TO CHARGING VALVE, GROUP (Mod. 2236)	1	DTD5016		GA1/36
26TA/16673	150SS3557 DOWTY 1.00145.002 DOWTY	Tee-piece, 3/8" x 3/8" x 1/4" B.S.P. Valve, selector	1 1	- -	C	GA1/37 GA1/38
27QM/4173578	C4719Y.Mk.B DOWTY	Valve, pressure reducing	1	-	A	GA1/39
27QM/70112	12114Y.A01	Jack, hydraulic, scoop and exhaust	1	-	A	GA1/40
1433473	52F10364	Nut, thin, turnbuckle, R.H.	1	-	C	GA1/41
	53F10364	Nut, thin, turnbuckle, L.H.	1	-	MR	GA1/42
7297	1F10375	Pipe, jet for A.A.P.P.	1	S251	C	GA1/43

VULCAN No. 2

EQUIPMENT AIRCRAFT
A.A.P.P. INSTALLATION

Ref. No.	Part No.	Description	No. off	Matl. Spec.	Cl. of St.	Plate and Illust'n No.
					M.R.	
	19F10384	PIPE, EXHAUST, CARTRIDGE START, FORWARD, GROUP	1	-	MR	GA1/44
	20F10384	PIPE, EXHAUST, CARTRIDGE START, AFT, GROUP	1	-	MR	GA1/45
	22F10384	Spares for:- Ring, "O" rubber (60-70 shore hardness, resistant to E.E.L.3 and Kerosene)	1	Rubber	MR	
		PIPES, FUEL IN U/C WHEEL BAY A.A.P.P. (3P3292) (See:-Fuel system in mainplane)				
	11F10384	Ring, sealing, jet pipe shroud (Bestobell Silastic Asbestos)	1	-	MR	GA1/46
	ROSE BROS. R.M.6	Rod end, self aligning at third mounting point	1	-	MR	GA1/47
7298	1F10376	Shroud, jet pipe	1	-	C	GA1/48
17407	5F10237	Turnbuckle, attachment, power unit third mounting point	1	S94 or S95	C	GA1/49

EQUIPMENT AIRCRAFT

A.A.P.P. INSTALLATION

Ref. No.	Part No.	Description	No. off	Matl. Spec.	Cl. of St.	Plate and Illust'n No.
					M.R.	

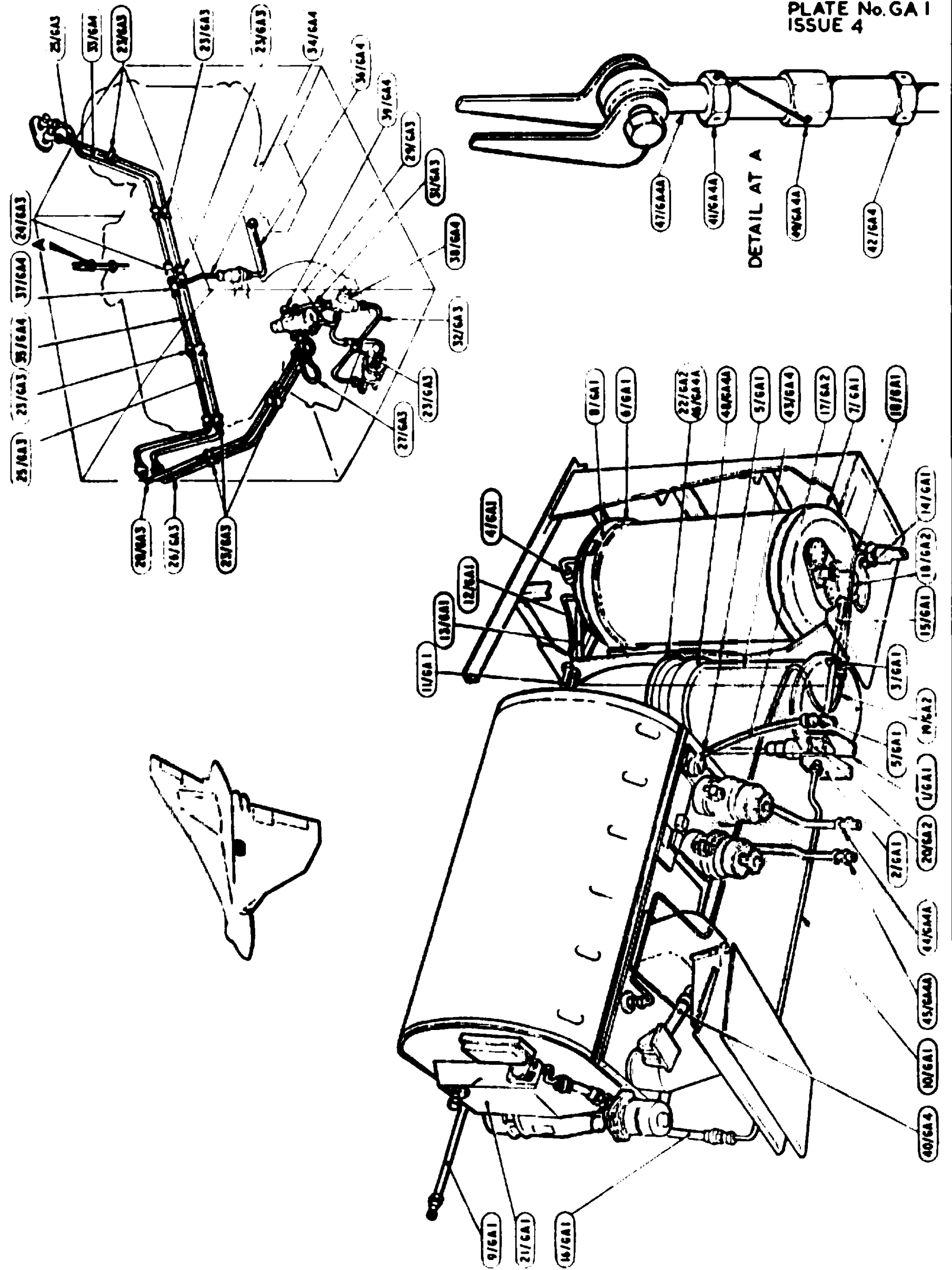
VULCAN Mk. 2

EQUIPMENT - AIRCRAFT

AAPP INSTALLATION

SUMMARY OF STANDARD ITEMS

Stores Ref.		No. off	Stores Ref.		No. off	Stores Ref.		No. off
Section	Ref. No.		Section	Ref. No.		Section	Ref. No.	
28U	13999	1						
28U	13997	1						
28U	4052	1						



AUXILIARY AIRBORNE POWER PLANT INSTALLATION
INNER MAINPLANE

VULCAN No. 2

EQUIPMENT AIRCRAFT
BRAKE PARACHUTE

Page GB. 1

Ref. No.	Part No.	Description	No. off	Matl. Spec.	Cl. of St.	Plate and Illust'n No.
					M.R.	
		BRAKE, PARACHUTE				
		Spares for:—				
		MECHANISM, PARACHUTE HOOK RELEASE (16D10782) (Mod. 1156)				
		Spares for:—				
8655	9D10782	Bolt, at stop link	1	S94	C	GB1/1
7833	17D10714	Bolt, at hook attachment	1	S97	C	GB1/2
11806	90D10714	Bolt, at release catch	1	S97	C	GB1/3
	13D10782	Boom, reinforcing, port (Made from : 544SS3075 x 6" long)	1	L65	MR	
	14D10782	Boom, reinforcing, starboard (Made from : 544SS3075 x 6" long)	1	L65	MR	
1432738	7D10782	Boom, jointing (Made from 343SS3075 x 12-1/2" long)	1	L65	C	
		Attachments for Boom Part No. (7D10782)				
28D/9133011	A25/2C	Bolt, 2 BA	5	—	C	
28M/5808573	A27/CS	Nut, 2 BA	5	—	C	
28P/1007741	SP9/C8	Pin, split	5	—	C	
28W/9419475	SP15/C	Washer, 2 BA	5	—	C	
7836	34D10714	Push, at hook attachment bolt	1	S94	C	GB1/4
11462	98D10784	CATCH, RELEASE, GROUP	1	—	B	GB1/5
		Spares for:—				
	70cD10784	Bush	1	S99		
	98bD10784	Catch (Alternative 98aD10784)	1	S97		GB1/6
	70bD10784	Link, sliding	1	S514	MR	GB1/7
26FP/14665	TECALEMIT N85951	Nipple, grease (Miniature type)	1	—	C	GB1/8
11809	95D10784	Eye-bolt, for release catch spring	1	S96	C	GB1/9
	80D10784	Guard, rubber, at hook release catch	1	DTD2572/C4	MR	GB1/10
	1D12015	HOOK, JETTISON, GROUP (Pre-Mod. 1898) .	1	—		
1432702	10D12015	HOOK, JETTISON, GROUP (Mod. 1898)	1	—	A	GB1/11
		Spares for:—				
	5D10786	Bush	1	—	MR	
	3D12015	Block	1	—	MR	
	7D10786	Pin	1	—	MR	
	2D10786	Strut, link	1	—	MR	
8650	8D10782	Lever, cam	1	L51	C	GB1/12
11396	73D10784	LEVER, GROUP	1	—	B	GB1/13
		Spares for:—				
	73bD10784	Block	1	BSS2572/F8		
	S974-4-1/2	Screw, P.K. (for attachment 73bD10784) ..	2	—		
	1D10784	MECHANISM, RELEASE FOR PARACHUTE, GROUP	1	—		
1432703	101D10784	MECHANISM, RELEASE, SUB. ASSY., FOR PARACHUTE, GROUP (Mod. 1898)	1	—	A	GB1/14
		Spares for:—				
5W/5961	500/1/02042/001	Actuator, forward and aft (Mod., 569)	2	—	A	GB1/15

EQUIPMENT AIRCRAFT

BRAKE PARACHUTE

Ref. No.	Part No.	Description	No. off	Matl Spec.	Cl. of St.	Plate and Illust'n No.
					M.R.	
		1 2 3 4				
		MECHANISM, RELEASE FOR PARACHUTE (D10784) (Cont'd.)				
	8D10784	Boss, at spring box	2	DTD410		GB1/16
8667	11D10784	BOX, SPRING, GROUP	1	—	B	GB1/17
		Consisting of:—				
8668	11dD10784	Bolt	1	S95	C	
	11bD10784	Collar, forward	1	S94		
	11eD10784	Collar, aft	1	S94		
28M/1007403	A27/E/T	Nut, lock	1	—	C	
8669	31SS4700	Spring	1	DTD215	C	
	11aD10784	Trunnion	1	S94		
	18SS3703	Washer, saddle	2	S1		
	69D10784	BUSH, ROLLER, GROUP (Mod. 1019)	2	—	MR	GB1/18
		Consisting of:—				
	69bD10784	Bush, oilite	2	—		
	69aD10784	Roller	2	S96		
28N/1007951	AGS2031/2	Circlip, external, at stop link	2	—	C	GB1/19
11465	1D10783	HOUSING FOR LEVERS, GROUP	1	—	C	GB1/20
	50D10784	LEVER, CAM, FOR AFT LEVER, GROUP	1	—		GB1/21
		Spares for:—				
8662	06/DU/12	Bush, 3/8" i/d x .75" long	2	—	C	
8660	2D10784	Lever, cam	1	—	C	
	51D10784	LEVER, IDLER, GROUP	1	—		GB1/22
		Spares for:—				
8662	06/DU/12	Bush, 3/8" i/d x .75" long	2	—	C	
9012	55D10784	Lever, idler	1	DTD130	C	
8666	4D10784	LEVER, spring box	1	Steel	C	GB1/23
	53D10784	LEVER, MICRO SWITCH, GROUP	1	—	MR	GB1/24
		Spares for:—				
8651	17D10784	Bolt, stop, for switch	1	S94	C	GB1/25
8670	16D10784	Lever, micro switch	1	Steel	C	
8672	54D10784	LINK, STOP, GROUP (Pre-Mod. 1898)	1	—	C	
1432974	100D10784	LINK, STOP, GROUP (Mod. 1898)	1	—	C	GB1/26
		Spares for:—				
8673	19D10784	Bush, .875" dia. x 2.03" long	1	BS369	C	
11986	18D10784	Link, stop for lever (Pre-Mod. 1898)	1	Steel	C	
1432975	4D13151	Link, stop for lever (Mod. 1898)	1	—		
	68D10784	MOUNTING, MICRO SWITCH, GROUP	1	—		
	DOWTY					
5CW/4400329	C1831/Y	Micro-switch, Mk. 102/D	1	—	A	GB1/27
8656	4D10782	Pln. pivot at stop link	1	L65	C	GB1/28

VULCAN Mk 2

EQUIPMENT AIRCRAFT

Page GB. 3

BRAKE PARACHUTE

Ref. No.	Part No.	Description	No. off	Matl. Spec.	Cl. of St.	Plate and Illust'n No.
					M.R.	
		MECHANISM, RELEASE FOR PARACHUTE (D10784) (Cont'd.)				
8663	5D10784	Pin, at cam lever and idler lever	2	S94	C	GB1/29
	57D10784	Pin, thro housing spring box	1	S94	MR	GB1/30
9295	58D10784	Pin, thro lever spring box lever	1	S94	C	GB1/31
	59D10784	Pin, at cam lever	1	S94	MR	GB1/32
9292	60D10784	Pin, at micro switch and actuator bracket	2	S94	C	GB1/33
	61D10784	Pin, actuators to idler lever	3	S94	MR	GB1/34
	52D10784	ROLLER, ASSY, GROUP	1	—	MR	GB1/35
		Consisting of:—				
	GLACIER 06/DU/06	Bush, 3/8" i/d x 375" long	1	—	MR	
8662	GLACIER 06/DU/12	Bush, 3/8" i/d x .75" long	1	—	C	
8664	10D10784	Roller, cam lever	1	S94	C	
8658	32SS4700 TECALEMIT SP21	Spring, at lever micro switch	1	DTD215	C	GB1/36
28N/9156370		Nipple, grease, at bolt (17D10714) and (9D10782)	2	—	C	
8657	10D10782	Pad, clamping	8	L72	C	GB1/37
		Attachments for Pad Part No. (10D10782)				
28D/9133012	A25/3C	Bolt, 2 BA	8	—	C	
28M/1012015	AGS2001/C1/66	Nut, 2 BA	8	—	C	
28W/9419475	SP15/C	Washer, 2 BA	8	—	C	
8654	6D10782	Plate, locking, at eccentric stop	1	L72	C	GB1/38
	81D10784	Plate, reinforcing, for rubber guard at hook release catch	1	L72	C	
11810	96D10784	Piece, distance, at release catch	1	L56	C	GB1/39
13352	17D10782	PIP PIN, GROUP	—	—	C	GB1/40
		Consisting of:—				
	AS2839	Collar	2	—		
	Z403/11	Pip-pin	1	—		
28W/9435073	AS4561/2	Tab, locking	1	—	C	
	17aD10782	Rope, steel wire, 8" long	1	6W2		
11808	4V6641	Pin, striking, at cam lever	1	S80	MR	GB1/41
8652	94D10784	Spring, at release catch	1	—	C	GB1/42
8653	36SS4700	Spring, torque cam lever	1	—	C	GB1/43
	5D10782	Stop, eccentric	1	L94	C	GB1/44
	DOWTY					
5CW/4400329	C1831/Y	Switch, micro Mk. 9	1	—	A	GB1/45
7834	24D10714	Washer, under head of bolt (34D10714)	1	L65	C	GB1/46
7835	25D10714	Washer, under nut for bolt (34D10714)	1	L65	C	GB1/47
	97D10784	Washer, at release catch	1	S511		GB1/48

EQUIPMENT AIRCRAFT

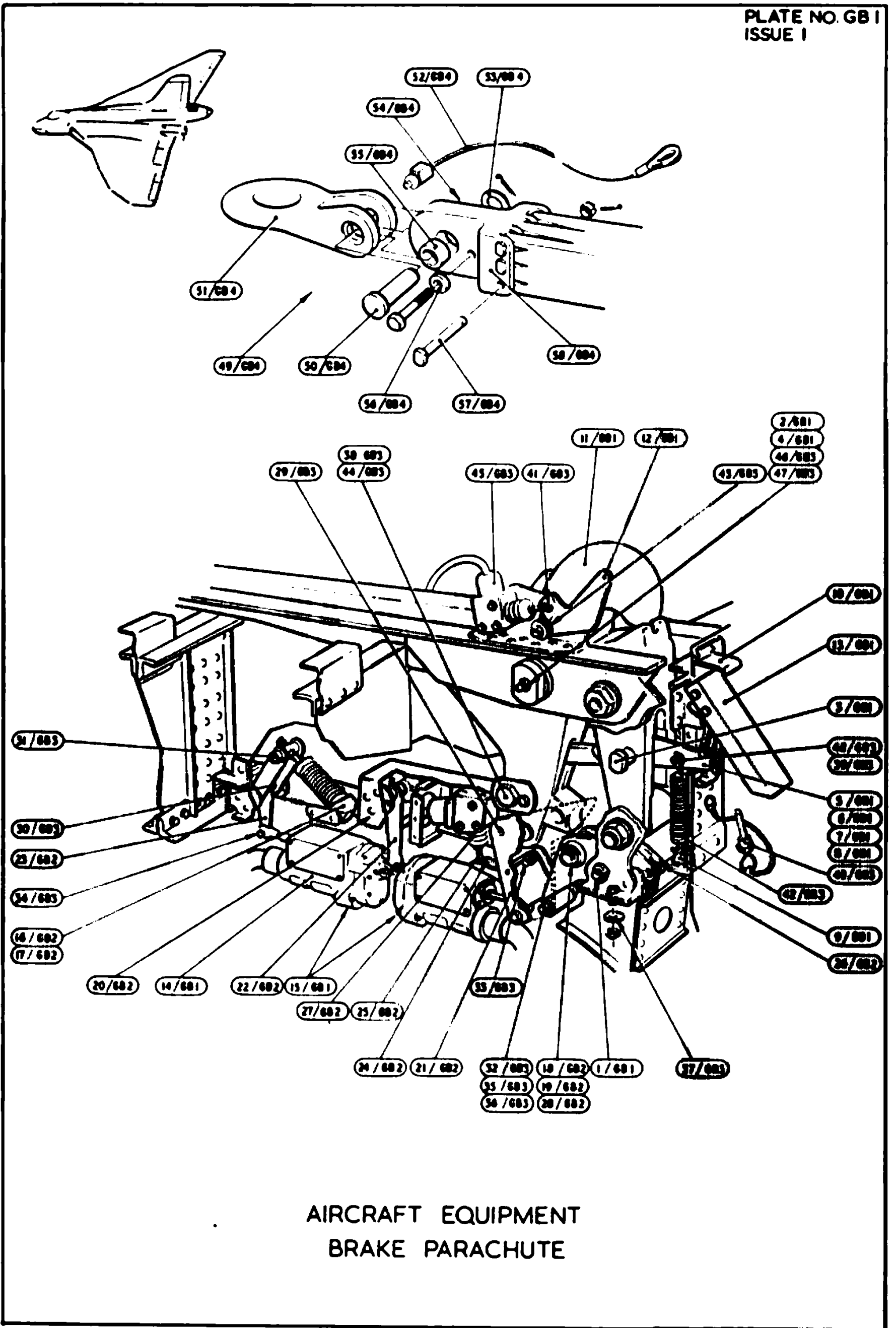
BRAKE PARACHUTE

Ref. No.	Part No.	Description	No. off	Matl Spec.	Cl. of St.	Plate and Illust'n No.
					M.R.	
		1 2 3 4				
15D/629	MR1/GQ/349	PARACHUTE, BRAKE, TYPE LB.4, Mk. 1	1	—	A	
		Spares for:—				
		SHACKLE, PARACHUTE, GROUP (1Z9321) ..				GB1/49
		Spares for				
28P/12366	9Z9321	Pin, shear	1	L65	MR	GB1/50
	SP9/K20	Pin, split	3	—	C	
	8Z9321	Shackle, ring	1	S97	MR	GB1/51
9604	6Z9321	STRAP, PARACHUTE RETAINING,	1	—	C	GB1/52
		GROUP				
	4Z9321	Washer, special (at shear pin 9Z9321)	1	—	MR	GB1/53
15D/659	1Z9322	SHACKLE, PARACHUTE, GROUP	1	—		GB1/54
		Consisting of:—				
28D/1011249	A25/28E	Bolt, 1/4" BSF	1	—	C	
	5Z9322	Bush	1	S96		GB1/55
	6Z9322	Bush	2	S94		GB1/56
28N/9513425	AGS899/12	Collar	3	—	C	
28M/9480017	AGS2001/E1/66	Nut, stiff, 1/4" BSF	1	—	C	
8401	5Z9321	Pin, special	3	S94	C	GB1/57
28P/9429653	SP9/G12	Pin, split	3	—	C	
	2Z9322	Shackle	1	L65		GB1/58
28W/9418920	SP10/E	Washer, thin, 1/4" BSF	1	—	C	

VULCAN Mk. 2

EQUIPMENT AIRCRAFT
BRAKE PARACHUTE
SUMMARY OF STANDARD ITEMS

Stores Ref.		No. off	Stores Ref.		No. off	Stores Ref.		No. off
Section	Ref. No.		Section	Ref. No.		Section	Ref. No.	
28D	12531	8	28P	12366	3	28W	9418920	1
28D	9133011	5	28P	1007741	5	28W	9419475	13
			28P	9429653	3	28W	9435073	1
28M	12088	8						
28M	10290	1						
28M	12931	1						
28M	13121	5						
28N	5559	3						
28N	13018	2						
28N	9156370	2						



AIRCRAFT EQUIPMENT
BRAKE PARACHUTE

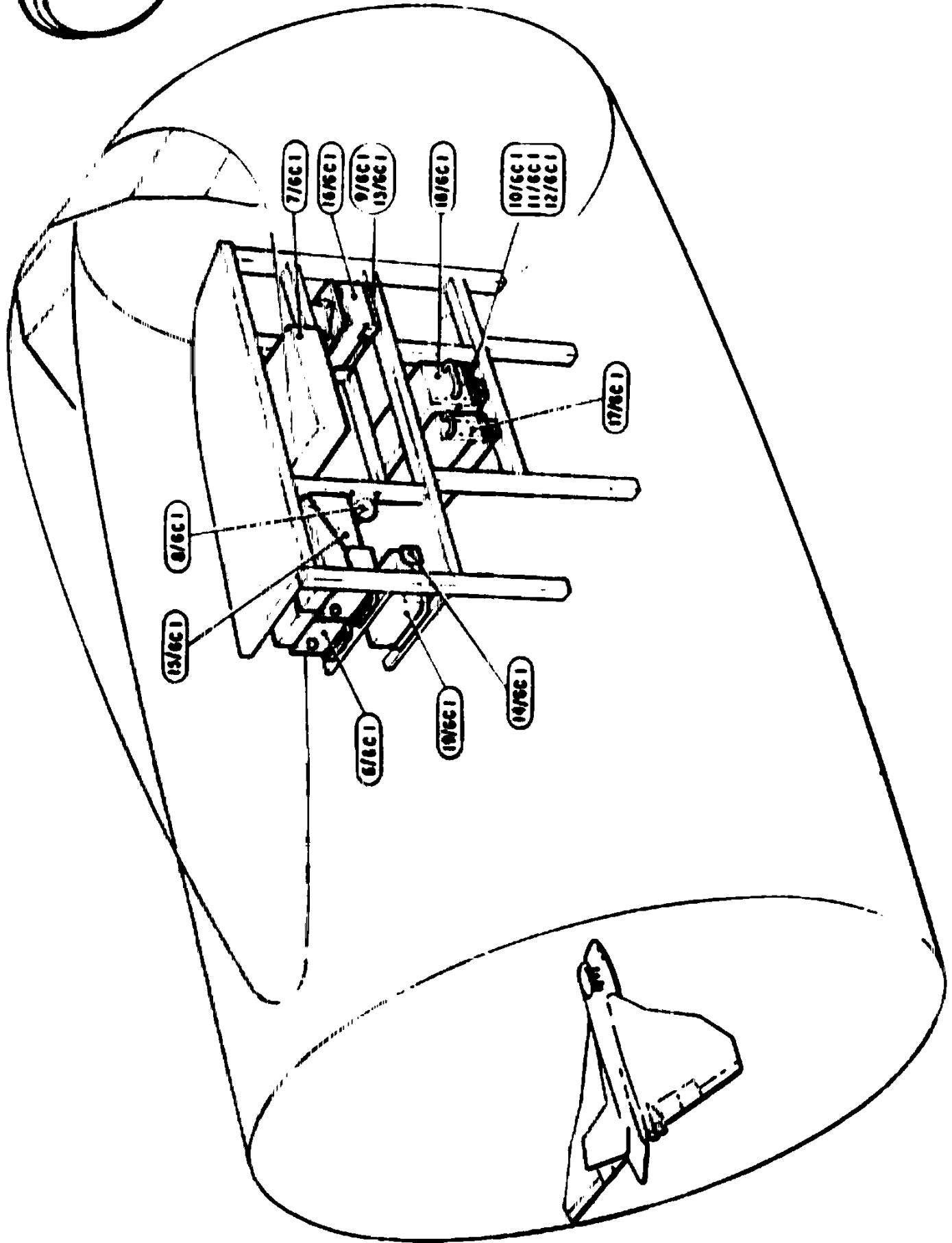
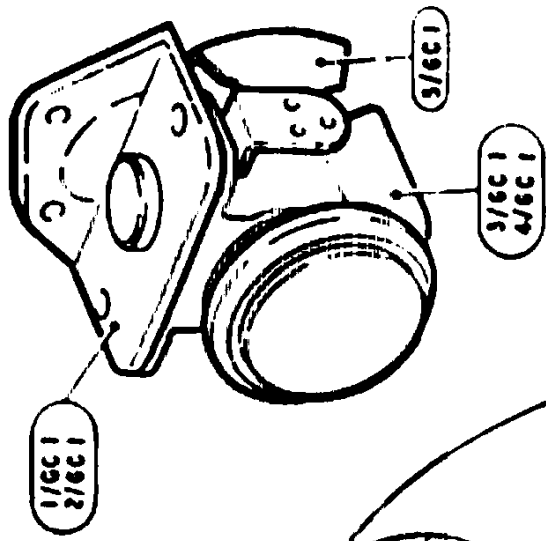
VULCAN Mk. 2		EQUIPMENT AIRCRAFT				Page GC. 1			
COMPASS									
Ref. No.	Part No.	Description				No. off	Matl. Spec.	Cl. of St.	Plate and Illust'n No.
		1	2	3	4			M.R.	
		COMPASS INSTALLATION							
		Spares for:—							
		MOUNTING, COMPASS, PILOT'S, AT WINDSCREEN, PORT AND STARBOARD (1 & 2Z8746) (Mod. 165)							
		MOUNTING, COMPASS, PILOT'S, AT WINDSCREEN, PORT AND STARBOARD (1 & 2V8941) (Mod. 383)							
		Spares for:—							
	3Z8746	Bracket, angle, starboard				1	L65	MR	GC1/1
	4Z8746	Bracket, angle, port				1	L65	MR	GC1/2
		Attachments for Brackets, Part No. 3 and 4Z8746							
28D/1218252	AS4563/3B	Bolt, 4 BA				2	—	C	
28M/1956039	AGS2001/B3	Nut, 4 BA				2	—	C	
28W/9419474	SP15/B	Washer, 4 BA				2	—	C	
6B/1048857	Type E2B	Compass (Mod. 383)				1	—	A	GC1/4
		Attachments 6B/405 & 6B/2754 to 7Z7901 and 3 & 4Z8746							
28D/1212964	A61/1B	Bolt				2	—	C	
28M/1956039	AGS2003/B3	Nut				2	—	C	
28W/9419474	SP15/B	Washer				2	—	C	
2701	7Z7901	COVER, GROUP (Pre-Mod. 383)				1	—	C	GC1/5
		Consisting of:—							
	3Z7901	Bracket, hinge, inboard				1	L72		
	4Z7901	Bracket, hinge, outboard				1	L72		
28Q/5944	6Z7901	Cover, compass (1/32" thick)				1	Cellastoid		
	AGS501/D105	Rivet, tubular				2	L.A.	C	
		UNITS (SMITHS) FLIGHT SYSTEM, IN PORT CRATE, CREW'S NACELLE (S2314)							
		Spares for:—							
6TB/4545358	—	Amplifier, compass				2	—	A	GC1/6
6TB/4549707	—	Box, junction Type "L" (Mod. 2057)				1	—	A	GC1/7
6TB/4545312	—	Monitor, single phase				2	—	A	GC1/8
6TB/1411	—	Mounting, for tray, azimuth gyro				1	—	A	GC1/9
6TB/4545360	—	Pad, gearing (Mod. 806)				1	—	A	GC1/10
6TB/1504	2S2314	Packing, at computer unit mounting				4	BSS668		GC1/11
6TB/4545310	—	Tray, mounting, computer units				1	—	A	GC1/12
6TB/4545258	—	Tray, mounting, azimuth gyro				1	—	A	GC1/13
6TB/4545351	—	Tray, mounting, manometric (Mod. 806)				1	—	A	GC1/14
6TB/4545309	—	Tray, mounting, compass amplifier				1	—	A	GC1/15
68/2873	—	Unit, azimuth gyro				2	—	A	GC1/16
6TB/2292	—	Unit, computer (Pitch) (Mod. 806)				1	—	A	
6TB/1503	—	Unit, computer (Pitch) (Mod. 2057)				1	—	A	GC1/17
68/3134	—	Unit, computer (Pre-Mod. 1204)				1	—	A	
6TB/2243	—	Unit, computer, Nav. type "C" (Mod. 1204) ..				1	—	A	
6TB/4545306	—	Unit, computer, Nav. type "G" (Mod. 2033) .				1	—	A	GC1/18
		Unit, manometric (Mod. 806)				1	—	A	GC1/19

VULCAN Mk. 2

EQUIPMENT AIRCRAFT
COMPASS
SUMMARY OF STANDARD ITEMS

Stores Ref.		No. off	Stores Ref.		No. off	Stores Ref.		No. off
Section	Ref. No.		Section	Ref. No.		Section	Ref. No.	
28D	16043	2	28Q	5944	2			
28D	16045	2						
28M	10280	4						
28W	9419474	4						

JM



COMPASS INSTALLATION
UNITS (SMITHS) FLIGHT SYSTEM PORT CREWS NACELLE

VULCAN No. 2

EQUIPMENT AIRCRAFT
CURTAINS AND VISORS

Page GD. 1

Ref. No.	Part No.	Description	No. off	Matl. Spec.	Cl. of St.	Plate and Illust'n No.
					M.R.	
		1 2 3 4				
		CURTAINS AND VISOR ASSEMBLIES Spares for:— CURTAINS ANTI-FLASH FOR PRESSURE CABIN WINDOWS, PORT AND STARBOARD (1 & 2 Z9775) (Mod. 432) Spares for:—				
9709	3Z9775	CURTAIN, PORT, GROUP (Pre-Mod. 1382)	1	—		
	9Z9775	CURTAIN, PORT, GROUP (Mod. 1382)	1	—	B	GD1/1
	4Z9775	CURTAIN, STARBOARD, GROUP	1	—		
9710	10Z9775	(Pre-Mod. 1382) CURTAIN, STARBOARD, GROUP	1	—	B	GD15/2
	7100/14/881	(Mod. 1382) Fastener, zip	1	—		
	5Z9775	Plate, retaining, aft, port	1	L72		GD1/3
	6Z9775	Plate, retaining, aft, starboard	1	L72		GD1/4
	7Z9775	Plate, retaining, forward, port	1	L72		GD1/5
	8Z9775	Plate, retaining, forward, starboard	1	L72		GD1/6
	6Z9710	Stud, retaining, top	1	—		GD1/7
29G/2172	248	Stud, dot fastener (Carr's)	2	—	C	GD1/8
		Attachments for Curtains Part Nos. (3-4Z9775 or 9-10Z0775)				
28D/1007285	AS1242/1B	Bolt, 4 BA	8	—	C	
28D/1007982	AS1248/1C	Bolt, 2 BA	34	—	C	
26FP/13004	5SS3158	Bolt, 2 BA (Starboard only)	2	—	C	
		CURTAINS AFT OF PILOT'S POSITION CREW'S STATION 129936 (Pre-Mod. 2355) 9Z9936 (Mod. 2355) (Pre-Mod. 2433) 24Z9936 (Mod. 2433) Spares for:—				
1510556	5Z9936	CURTAIN AFT AND ABOVE PILOT'S	1	—	MR	
	10Z9936	FLOOR, GROUP (Pre-Mod. 2355) CURTAIN AFT AND ABOVE PILOT'S	1	—	B	GD1/10
6116218	27Z9936	(Pre-Mod. 2433) CURTAIN AFT AND ABOVE PILOT'S	1	—	B	
9025	13Z9711	FLOOR, GROUP (Mod. 2433) CURTAIN BELOW PILOT'S FLOOR,	1	—	B	
1510558	11Z9936	(Pre-Mod. 2355) PORT, GROUP (Mod. 1177) CURTAIN BELOW PILOT'S FLOOR,	1	—	B	GD1/19
6116220	25Z9936	(Pre-Mod. 2355) PORT, GROUP (Mod. 2355) CURTAIN BELOW PILOT'S FLOOR	1	—	B	
9028	26Z9711	(Pre-Mod. 2433) PORT, GROUP (Mod. 2433) CURTAIN BELOW PILOT'S FLOOR,	1	—	B	
	12Z9936	STARBOARD, GROUP (Mod. 503) (Pre-Mod. 2355) CURTAIN BELOW PILOT'S FLOOR,	1	—		GD1/11
6116219	26Z9936	STARBOARD, GROUP (Mod. 2355, Pre-Mod. 2433) CURTAIN BELOW PILOT'S FLOOR,	1	—	B	
	2Z9936	STARBOARD, GROUP (Mod. 2433) CURTAIN CENTRAL BELOW PILOT'S	1	—		
1510559	13Z9936	FLOOR, GROUP (Pre-Mod. 2355) CURTAIN CENTRAL BELOW PILOT'S	1	—	B	GD1/12
6116221	28Z9936	FLOOR, GROUP (Mod. 2355) (Pre-Mod. 2433) CURTAIN CENTRAL BELOW PILOT'S	1	—	B	
		FLOOR, GROUP (Mod. 2433)				

EQUIPMENT AIRCRAFT
CURTAINS AND VISORS

Ref. No.	Part No.	Description	No. off	Matl. Spec.	Cl. of St.	Plate and Illust'n No.
					M.R.	
		1 2 3 4				
		CURTAINS AFT OF PILOT'S POSITION CREW'S STATIONS 1Z9936 (Pre-Mod. 2355) 8Z9936 (Mod. 2355, Pre-Mod. 2433) 24Z9936 (Mod. 2433) (Cont'd)				
21421	3Z9936	CURTAIN FLAP CENTRAL BELOW PILOT'S FLOOR, STARBOARD, GROUP (Pre-Mod. 2355)	1	—	B	
	14Z9936	CURTAIN FLAP CENTRAL BELOW PILOT'S FLOOR, STARBOARD, GROUP (Mod. 2355, Pre-Mod. 2433)	1	—	MR	GD1/13
6116222	29Z9936	CURTAIN FLAP CENTRAL BELOW PILOT'S FLOOR, STARBOARD, GROUP (Mod. 2433)	1	—	B	
	14SS3529	Grommet	1	—		GD1/14
	10Z7897	Strip, retaining, 20G x 18" x 2"	1	L72		GD1/15
	17Z7897	Strip, retaining, 20G x 5.5" x 1.25"	1	L72		GD1/16
10867	4Z9711	Strip, retaining, 20G x 7.2" x 1"	1	L72	C	GD1/17
10868	5Z9711	Strip, retaining, 20G x 1" x 1"	1	L72	C	GD1/18
	7Z9711	Strip, retaining, 20G x 7.75" x 1"	1	L72	—	GD1/19
10869	8Z9711	Strip, retaining, 20G x 2" x 1"	1	L72	C	GD1/20
10870	19Z9711	Strip, retaining, 20G x 15.25" x 1.25"	1	L72	X	GD1/21
10871	20Z9711	Strip, retaining, 20G x 15.25" x 1.25"	1	L72	C	GD1/22
	32Z9711	Strip, retaining, 20G x 15.25" x 1.25"	1	L72		GD1/23
	33Z9711	Strip, retaining, 20G x 16" x 1.25"	1	L72		GD1/24
	CARR					
29G/4074	680	Stud, 3/8" long dot fastener	AR	—	C	GD1/25
29G/2172	248	Stud, dot fastener	18	—	C	GD1/26
	CARR					
29G/4436	861	Stud, 5/8" long, dot fastener	3	—	C	GD1/27
		VISORS, ANTI-GLARE & BLACKOUT CURTAINS PILOT'S SIDE WINDOWS IN CANOPY, PORT & STARBOARD (D10094)				
		Spares for:—				
9021	49D10094	BLIND BLACKOUT, PORT, GROUP	1	—	C	GD1/28
9022	50D10094	BLIND BLACKOUT, STARBOARD, GROUP ..	1	—	C	GD1/29
	63D10094	BLIND SUN, PORT, GROUP	1	—	MR	GD1/30
	64D10094	BLIND SUB. STARBOARD, GROUP	1	—	MR	GD1/31
		Spares for:—				
	59D10094	Clamp	2	—	MR	GD1/32
	44D10094	Nut, knurled 3/4" dia. x 1/2"	2	S1	MR	GD1/33
	58D10094	Screw	2	—	MR	GD1/34
	45D10094	Spring, tension	2	—	MR	GD1/35
	25D10094	Rail, slide, upper forward, port	1	L72	C	
	26D10094	Rail, slide, upper forward, starboard	1	L72		
	27D10094	Rail, slide, aft upper, port	1	L72		
	28D/10094	Rail, slide, aft upper, starboard	1	L72		
	29D/10094	Rail, slide, forward centre, port	1	L72		
	30D/10094	Rail, slide, forward centre, starboard	1	L72		
	31D10094	Rail, slide, aft centre, port	1	L72		
	32D10094	Rail, slide, aft centre, starboard	1	L72		
	33D10094	Rail, slide, forward lower, port	1	L72		
	34D10094	Rail, slide, forward lower, starboard	1	L72		
	35D10094	Rail, slide, aft lower, port	1	L72		
	36D10094	Rail, slide, aft lower, starboard	1	L72		

VULCAN Mk 2

EQUIPMENT AIRCRAFT
CURTAINS AND VISORS

Page GD. 3

Ref. No.	Part No.	Description	No. off	Matl. Spec.	Cl. of St.	Plate and Illust'n No.
					M.R.	
		1 2 3 4				
		VISORS ANTI-GLARE & BLACKOUT CURTAINS, PILOT'S SIDE WINDOWS IN CANOPY, PORT & STARBOARD (D10094) (Cont'd)				
	51D10094	SHROUD, LOWER, PORT, GROUP	1	—		
	52D10094	SHROUD, LOWER, STARBOARD, GROUP ..	1	—		
	53D10094	SHROUD, UPPER, PORT, GROUP	1	—		
	54D10094	SHROUD, UPPER, STARBOARD, GROUP ...	1	—		
9238	1Z9770	SCREEN ANTI-FLASH FOR BOMB AIMER'S WINDOW, GROUP	1	—	B	GD1/36
28N/9486470	AS1877/175	Spares for:—				
	11Z9770	Hinge (undrilled)	1	—		
	7Z9770	Seal, rubber (Made from 1SS4293 or 1SS976 x 3' 2" long)	1	—	MR	GD1/37
	8Z9770	Strip, seal retaining, outboard, centre, port and starboard	2	L72	—	GD1/38
	12Z9770	Strip, sorbo rubber, 5/8" x 1/4" x 38" long	2	—		GD1/39
	13Z9770	Strip, seal retaining, aft port and starboard	2	L72		GD1/40
		Strip, seal retaining, forward, port and starboard	2	L72		GD1/41
10305	56Z9782	SCREEN ANTI-FLASH AT WINDSCREEN, GROUP (Mod. 1382) (Pre-Mod. 2355)	1	—		
1510561	57Z9782	SCREEN ANTI-FLASH AT WINDSCREEN, GROUP (Mod. 2355) (Pre-Mod. 2433)	1	—		
6116223	61Z9782	SCREEN ANTI-FLASH AT WINDSCREEN, GROUP (Mod. 2433)	1	—	B	
10812	25Z9782	Spares for:—				
	22Z9782	Block, moulded rubber (Mod. 432)	2	K9160		GD1/42
	1Z9846	Cap	2	—	MR	GD1/43
	34Z9782	POCKET, STOWAGE, GROUP	1	—	MR	GD1/44
	24Z9782	Ring	2	—	MR	GD1/45
	53Z9782	SCREEN, ANTI-FLASH, STARBOARD, GROUP (Pre-Mod. 1382)	1	—		
	59Z9782	SCREEN ANTI-FLASH, STARBOARD, GROUP (Mod. 1382) (Pre-Mod. 2355)	1	—		
	63Z9782	SCREEN ANTI-FLASH, STARBOARD, GROUP (Mod. 2355) (Pre-Mod. 2433)	1	—		GD1/46
	31Z9782	SCREEN ANTI-FLASH, STARBOARD, GROUP (Mod. 2433)	1	—	B	
	52Z9782	SCREEN ANTI-FLASH, PORT, GROUP (Pre-Mod. 1382)	1	—		
	58Z9782	SCREEN ANTI-FLASH, PORT, GROUP (Mod. 1382) (Pre-Mod. 2355)	—	—		
	62Z9782	SCREEN ANTI-FLASH, PORT, GROUP (Mod. 2355) (Pre-Mod. 2433)	—	—		GD1/47
		SCREEN ANTI-FLASH, PORT, GROUP (Mod. 2433)	1	—	B	

EQUIPMENT AIRCRAFT
CURTAINS AND VISORS

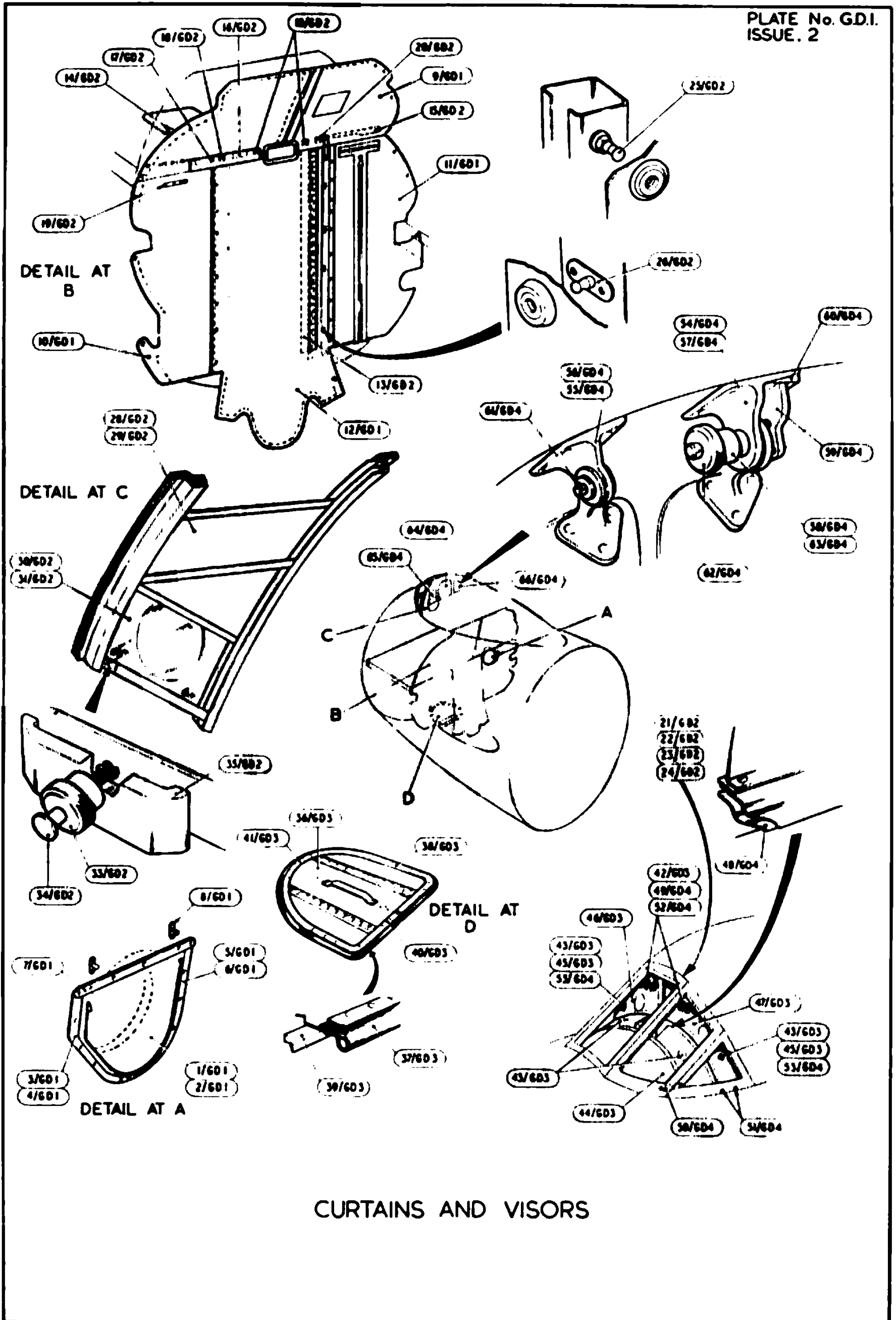
Ref. No.	Part No.	Description	No. off	Matl. Spec.	Cl. of St.	Plate and Illust'n No.
					M.R.	
		1 2 3 4				
		SCREEN ANTI-FLASH AT WINDSCREEN (56-57-6)Z9782) (Cont'd)				
9243	36Z9782 HELVIN	Seal	1	—	C	GD1/48
	HV3254	Strap, port and starboard, 10" long	2	—		GD1/49
	39Z9782 CARR	Strip, retaining, 20G x 5/8" x 5" long	2	L72		GD1/50
29G/1050239	759 HELVIN	Stud	8	—	C	GD1/51
5F/9138823 17521	NY3255 49Z9782	Stud	4	—	C	GD1/52
		Washer	2	—	C	GD1/53
		VISORS, ANTI-GLARE AT PILOT'S WINDSCREEN, PORT CENTRE AND STARBOARD (1Z7762)				
		Spares for:—				
	3Z7762	Bracket, hinge, port visor, L.H.,	2	DTD364B	MR	GD1/54
		starboard, visor, R.H.				
	4aZ7762	Bracket, hinge, port visor, R.H.	1	DTD364B	MR	GD1/55
	4bZ7762	Bracket, hinge, starboard visor, L.H.	1	DTD364B	MR	GD1/56
4399	5Z7762	Bracket, hinge, centre visor, L.H. and R.H. ..	2	DTD364B	C	GD1/57
	14Z7762	Bush, rubber through hinge bracket	2	BTR1851	MR	GD1/58
	9Z7762	CATCH, ASSEMBLY, GROUP	4	—	MR	GD1/59
	15Z7762	Packing, at hinge bracket	4	DTD364B	MR	GD1/60
28P/9143877 28P/1008915	SP9/C4 SP9/A4	Pin, split, port and starboard	2	—	C	
	17Z7763	Pin, split, port and starboard	2	—	C	
	2Z7762	Pin, split, port and starboard, L.H.	2	S110	MR	GD1/61
	19Z3413	Screw, knurled	4	DTD364B	MR	GD1/62
		Spring, tension	4	—	MR	GD1/63
	16Z7762	VISOR, ANTI-GLARE, CENTRE, GROUP	1	—	MR	GD1/64
	7Z7762	VISOR, ANTI-GLARE, PORT, GROUP	1	—	MR	GD1/65
	8Z7762	VISOR, ANTI-GLARE, STARBOARD,	1	—	MR	GD1/66
		GROUP				
	10Z7762	Washer, at catch, centre visor	2	Fibre	MR	

VULCAN ML. 2

EQUIPMENT AIRCRAFT
CURTAINS AND VISORS
SUMMARY OF STANDARD ITEMS

Page GD. 5

Stores Ref.		No. off	Stores Ref.		No. off	Stores Ref.		No. off
Section	Ref. No.		Section	Ref. No.		Section	Ref. No.	
28D	1007285	8	28N	9486470	1			
28D	1007982	34	28P	9143877	2			
			28P	1008915	2			



CURTAINS AND VISORS

VULCAN ML 2

EQUIPMENT AIRCRAFT
DINGHY INSTALLATION

Page GE. 1

Ref. No.	Part No.	Description	No. off	Matl. Spec.	Cl. of	Plate and Illust'n No.
					St. M.R.	
		<u>1 2 3 4</u>				
		DINGHY INSTALLATION				
		Spares for:—				
2087	1Z7578	DINGHY STOWAGE AND RELEASE Mk. 3 OPERATING HEAD TYPE "L" REAR OF CANOPY, GROUP	1	—	A	GE1/1
		Spares for:—				
	W. KIDDE K2849	Ball	1	—		
	1Z7585	BLOCK, CABLE, RELEASE, GROUP	1	—		GE1/2
		Spares for:—				
13851	3Z7585	Block, adjuster	1	DTD130	C	GE1/3
	7Z7585	Knob, for lock pin	1	DTD130	MR	GE1/4
	6Z7585	Pin, lock	1	DTD130		GE1/5
26FP/1052	4SS1237	Spring, 0.187" i/d x 3/4" long	—	—	C	GE1/6
	49Z7578	Block, support (Mod. 1878)	—	—		GE1/7
4190	29Z7578	CABLE ADJUSTER TO BOLT, GROUP	1	—	C	GE1/8
		(See Wire Cable Schedule)				
	33Z7578	CABLE BETWEEN BOLT, GROUP	1	—	MR	GE1/9
		Consisting of:—				
	33aZ7578	CABLE, GROUP	2	—		
		Locknut, 4 BA, RH	1	—	C	
28M/1006504 28M/4095884	A27/BT A27/BTL SP8/71	Locknut, 4 BA, LH	1	—	C	
		Rod, tension	1	—		
	22Z7578	Collar, front 3/4" dia. x 3/8"	1	DTD130	MR	GE1/10
	23Z7578	Collar, rear 5/8" dia. x 3/8"	1	DTD130	MR	GE1/11
6817	36Z7578	Coupling, high temp, discharge	1	—	C	GE1/12
	1Z7584	COVER DINGHY STOWAGE, GROUP	—	—	MR	GE1/13
		Spares for:—				
	19Z7584	Bracket, hinge, front, starboard	1	DTD130		GE1/14
	20Z7584	Bracket, hinge, rear, starboard	1	DTD130		GE1/15
	22Z7584	Bracket, hinge, front, port	1	DTD130		GE1/16
	23Z7584	Bracket, hinge, rear, port	1	DTD130		GE1/17
	9SS4299	Plug, rubber	8	DTD560		
	10SS4299	Plug, rubber	8	DTD560	MR	
	46Z7578	HANDLE, DINGHY, RELEASE, GROUP	1	—		
		(Pre-Mod. 1902)				
	59Z7578	HANDLE, DINGHY, RELEASE, GROUP	1	—	MR	
		(Mod. 1902) (Pre-Mod. 2154)				
	62Z7578	HANDLE, DINGHY, RELEASE, GROUP	1	—	MR	GE1/18
		(Mod. 2154)				

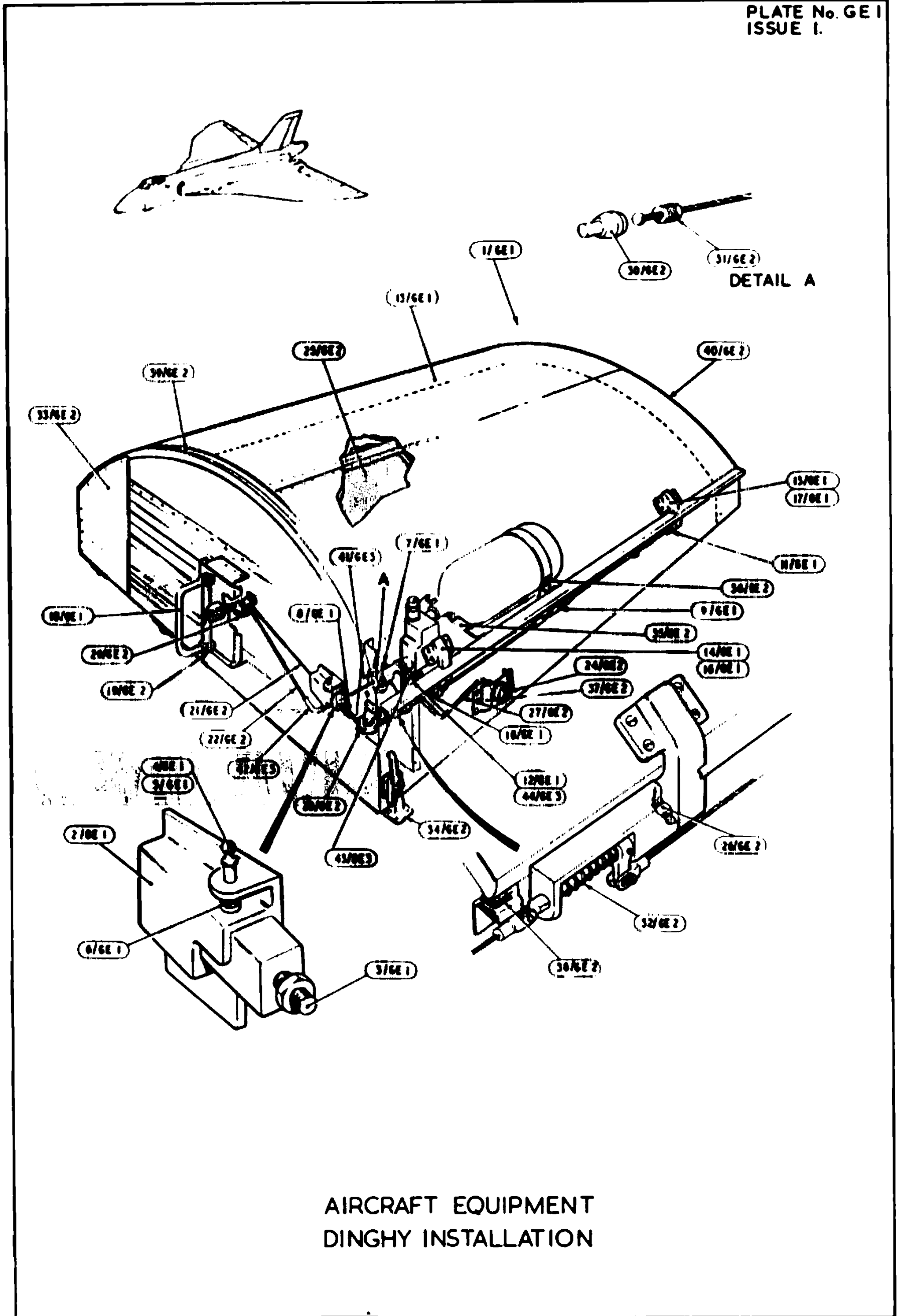
EQUIPMENT AIRCRAFT
DINGHY INSTALLATION

Ref. No.	Part No.	Description	No. off	Matl. Spec.	Cl. of St.	Plate and Illust'n No.
					M.R.	
		HANDLE, DINGHY, RELEASE, GROUP (46Z7578) (59Z7578) (62Z7578) (Cont'd)				
	32Z7578	Bolt, special	2	—	MR	GE1/19.
6816	45Z7578	HANDLE, C/W CABLES, GROUP	1	—	B	
13826	58Z7578	HANDLE, C/W CABLES, GROUP	1	—	B	
		(Mod. 1902) (Pre-Mod. 2154)				
1433650	61Z7578	HANDLE, C/W CABLES, GROUP	1	—	B	GE1/20
		(Mod. 2154)				
		Spares for:—				
	5Z7578	CABLE TO BRAKE, GROUP	1	—	MR	GE1/21
		(See Wire Cable Schedule)				
	40Z7578	CABLE TO BOTTLE, GROUP	1	—	MR	GE1/22
		(See Wire Cable Schedule)				
	30Z7578	HANDLE, GROUP (Pre-Mod. 1902).....	1	—		
	57Z7578	HANDLE, GROUP (Mod. 1902)	1	—		
		(Pre-Mod. 2154)				
	60Z7578	HANDLE, GROUP (Mod. 2154)	1	—		GE1/23
6D/1852	—	Indicator, discharge	1	—	B	GE1/24
26FP13806	62Z556	Pin, emergency	1	—	C	GE1/25
4586	20Z7578	Pin, release	2	S1	C	GE1/26
21598	38Z7578	PIPE, DISCHARGE, 20G x 3/16" DIA. x 10"	1	L56	C	GE1/27
		LONG APPROX., GROUP				
28R/1038190	AS1151	Pulley, single	1	—	B	GE1/28
28R/4694998	AS1152	Pulley, double	1	—	B	GE1/29
6814	W. KIDDE K13143	Slug, cable (female half)	1	—	B	GE1/30
6815	W. KIDDE K13142	Slug, cable (male half)	1	—	B	GE1/31
	21Z7578	Spring, 20G x 2-1/2" free length	2	Spring Steel	MR	GE1/32
	48Z7578	STRUCTURE BOX, GROUP	1	—		GE1/33
		Spares for:—				
21599	4Z7578	Bolt, spigot	2	—	C	GE1/34
	10Z7578	Bracket for bottle	1	—		GE1/35
	11Z7578	Bracket for bottle	1	—		GE1/36
	37Z7578	Bracket	1	—		GE1/37
	24Z7578	Seal, strip rubber	2	—	MR	GE1/38
	27Z7578	Seal, strip rubber	1	—	MR	GE1/39
	35Z7578	Seal, strip rubber	1	—	MR	GE1/40

VULCAN PL. 2

EQUIPMENT AIRCRAFT
DINGHY INSTALLATION

Ref. No.	Part No.	Description	No. off	Matl. Spec.	Cl. of St.	Plate and Illust'n No.
					M.R.	
		1 2 3 4				
		DINGHY STOWAGE AND RELEASE (1Z7578) (Cont'd)				
	47Z7578	BRACKET, GROUP	1	-		GE1/41
12368	47G7578	Spares for:-				
29H/1374601	TERRY No. 169	Clip	1	-	C	
		Ring, split, 1" o/d	1	-	C	
6818	44Z7578	Tube, cable, 20G x 9/16" o/d x 5"	1	DTD464A	C	GE1/42
6D/1851	-	Unit, piston, high temp., discharge	1	-	B	GE1/43
6819	39Z7578	Washer, seating	1	DTD762	C	GE1/44



VULCAN No. 2

EQUIPMENT AIRCRAFT
FIREPROOFING AND SOUNDPROOFING

Page GF. 1

Ref. No.	Part No.	Description	No. off	Matl. Spec.	Cl. of St.	Plate and Illust'n No.
					M.R.	
		1 2 3 4				
28D/1007981	AS1248/1/2C	FIREPROOFING AND SOUNDPROOFING Spares for:— FIREPROOFING, INBOARD AND OUTBOARD ENGINE BAYS, PORT AND STARBOARD (1 & 2E2931) Spares for:— Bolt, mush. head	340	—	C	
		FIREPROOFING, RIB 63.5", PORT AND STARBOARD (1 & 2E2935) (1 & 2E3550) (Mod 2218) Spares for:— Angle, for heat shield	1	S521	MR	
	83E2935	Angle, for heat shield	1	S521	MR	
	84E2935	Angle, for heat shield	1	S521	MR	
	45E2936	Angle, sealing, port	1	AVR50		
	47E2935	BRACKET, MOUNTING, GROUP	1	—	MR	GF2/1
		Attachments Bracket (47E2935)				
28D/9436920 28W/9419402	A25/1C	Bolt	4	—	C	
	SP13/C	Washer	4	—	C	
	7E2935	PANEL, FIREPROOF, PORT, GROUP	1	—	MR	GF2/4
	9E2935	PANEL, FIREPROOF, PORT, GROUP	1	—	MR	GF2/5
	10E2935	PANEL, FIREPROOF, STBD., GROUP	1	—	MR	GF3/6
	11E2935	PANEL, FIREPROOF, PORT, GROUP	1	—	MR	GF2/7
	12E2935	PANEL, FIREPROOF, STBD., GROUP	1	—	MR	GF3/8
	13E2935	PANEL, FIREPROOF, PORT, GROUP	1	—	MR	GF2/9
	14E2935	PANEL, FIREPROOF, STBD., GROUP	1	—	MR	GF3/10
	60E2935	PANEL, FIREPROOF, STBD., GROUP	1	—	MR	GF3/11
	64E2935	PANEL, FIREPROOF, PORT, GROUP	1	—	MR	GF2/12
	65E2935	PANEL, FIREPROOF, STBD., GROUP	1	—	MR	GF3/13
	66E2935	PANEL, FIREPROOF, PORT, GROUP	1	—	MR	GF2/14
	67E2935	PANEL, FIREPROOF, PORT, GROUP	1	—	MR	GF2/15
	74E2935	PANEL, FIREPROOF, STBD., GROUP	1	—	MR	GF3/16

EQUIPMENT AIRCRAFT
FIREPROOFING AND SOUNDPROOFING

Ref. No.	Part No.	Description	No. off	Matl. Spec.	Cl. of St.	Plate and Illust'n No.
					M.R.	
		1 2 3 4				
		FIREPROOFING, INBOARD AND OUTBOARD ENGINE BAYS, PORT AND STARBOARD (1 & 2E2931) (Cont'd)				
		FIREPROOFING, RIB 162.5", PORT AND STARBOARD (1 & 2E2937) (1 & 2E3551) (Mod. 2218)				
		Spares for:—				
	76E2937	BRACKET, MOUNTING, GROUP	1	—	MR	GF1/17
	83E2937	Cover, cable, starboard	1	DTD171B	MR	GF1/18
	50E2937	PANEL, DISHING, PORT, GROUP	1	—	MR	GF1/19
	25E2937	PANEL, FIREPROOF, PORT, GROUP	1	—	MR	GF1/20
	29E2937	PANEL, FIREPROOF, PORT, GROUP	1	—	MR	GF1/23
	30E2937	PANEL, FIREPROOF, STBD., GROUP	1	—	MR	GF4/24
	31E2937	PANEL, FIREPROOF, PORT GROUP	1	—	MR	GF1/25
	32E2937	PANEL, FIREPROOF, STBD., GROUP	1	—	MR	GF4/26
	48E2937	PANEL, FIREPROOF, PORT GROUP	1	—	MR	GF1/27
	68E2937	PANEL, FIREPROOF, PORT GROUP	1	—	MR	GF1/28
	47E2937	Panel, skin, fireproof, port	1	AVR50	MR	
	55E2937	Panel, skin, fireproof, starboard	1	AVR50	MR	
	72E2937	Panel, skin, fireproof, port	1	AVR50	MR	
	88E2937	Panel, skin, fireproof, port	1	AVR50	MR	
	95E2937	Panel, skin, fireproof, starboard	1	AVR50	MR	
	115E2937	Panel, skin, fireproof, starboard	1	AVR50	MR	
	116E2937	Panel, skin, fireproof, starboard	1	AVR50	MR	
		FIREPROOFING, RIB 113.3", INBOARD AND OUTBOARD, PORT AND STARBOARD (1 & 2E2936)				
		Spares for:—				
	45E2936	Angle, sealing, port outboard and starboard inboard	1	AVR50	MR	
17680	BRITISH REFRASIL LTD. BRF/59/325	Blanket, refrasil	1	—	C	GF1/29
	47E2935	BRACKET, MOUNTING, GROUP	1	—	MR	GF1/30
	12E2936	PANEL, FIREPROOF, PORT INBOARD, GROUP	1	—	MR	GF2/31

VULCAN No. 2

EQUIPMENT AIRCRAFT
FIREPROOFING AND SOUNDPROOFING

Page GF. 3

Ref. No.	Part No.	Description	No. off	Matl. Spec.	Cl. of St.	Plate and Illust'n No.
					M.R.	
		1 2 3 4				
		FIREPROOFING, RIB 113.3", INBOARD AND OUTBOARD, PORT AND STARBOARD (1 & 2E2936) (Cont'd)				
	13E2936	PANEL, FIREPROOF, PORT, OUTBOARD, STBD. INBOARD, GROUP	1	-	MR	GF1/32
	14E2936	PANEL, FIREPROOF, PORT INBOARD, . STBD OUTBOARD, GROUP	1	-	MR	GF2/33
	15E2936	PANEL, FIREPROOF, PORT OUTBOARD, STBD. INBOARD, GROUP	1	-	MR	GF1/34
	16E2936	PANEL, FIREPROOF, PORT INBOARD, . STBD OUTBOARD, GROUP	1	-	MR	GF2/35
	46E2936	PANEL, FIREPROOF, PORT OUTBOARD, STBD. INBOARD, GROUP	1	-	MR	GF1/36
	55E2936	PANEL, FIREPROOF, PORT INBOARD, . STBD OUTBOARD, GROUP	1	-	MR	GF2/37
	60E2936	PANEL, FIREPROOF, PORT INBOARD, . STBD. OUTBOARD, GROUP	1	-	MR	GF2/38
	66E2936	PANEL, FIREPROOF, PORT OUTBOARD, STBD. INBOARD, GROUP	1	-	MR	GF1/39
	70E2936	PANEL, FIREPROOF, PORT OUTBOARD, STBD. INBOARD, GROUP	1	-	MR	GF1/40
	75E2936	PANEL, FIREPROOF, STARBOARD OUTBOARD, GROUP	1	-	MR	GF4/41
	77E2936	PANEL, FIREPROOF, PORT OUTBOARD, STBD. INBOARD, GROUP	1	-	MR	GF1/42
	78E2936	PANEL, FIREPROOF, STARBOARD INBOARD, GROUP	1	-	MR	GF3/43
	79E2936	PANEL, FIREPROOF, PORT INBOARD, . GROUP	1	-	MR	GF2/44
	80E2936	PANEL, FIREPROOF, STARBOARD OUTBOARD, GROUP	1	-	MR	GF4/45
	81E2936	PANEL, FIREPROOF, PORT OUTBOARD, GROUP	1	-	MR	GF1/46
	82E2936	PANEL, FIREPROOF, STARBOARD INBOARD, GROUP	1	-	MR	GF3/47
	83E2936	PANEL, FIREPROOF, STARBOARD OUTBOARD, GROUP	1	-	MR	GF2/48

EQUIPMENT AIRCRAFT
FIREPROOFING AND SOUNDPROOFING

Ref. No.	Part No.	Description	No. off	Matl. Spec.	Cl. of St.	Plate and Illust'n No.
					M.R.	
		1 2 3 4				
		FIREPROOFING, RIB 113.3", INBOARD AND OUTBOARD, PORT AND STARBOARD (1 & 2E2936) (Cont'd)				
	84E2936	PANEL, FIREPROOF, STARBOARD OUTBOARD, GROUP	1	-	MR	GF4/49
	97E2936	PANEL, FIREPROOF, PORT INBOARD, . STBD. OUTBOARD, GROUP (Mod. 1320)	1	-	MR	GF1/50
	61E2936	Panel, skin, fireproof, port inboard, starboard, outboard	1	AVR50	MR	
	93E2936	Panel, skin, fireproof, port inboard, starboard outboard (Mod. 1320)	1	AVR50	MR	
	96E2936	Panel, skin, fireproof, port inboard, starboard outboard (Mod. 1320)	1	AVR50	MR	
	105E2938	Strip, insulation, 1/16" x 0.57" x 22"	2	DTD378A		
	111E2938	Strip, insulation, 1/16" x 0.57" x 4' 0"	1	DTD378A		
	113E2938	Strip, insulation, 1/16" x 0.57" x 2' 9"	1	DTD378A		
	115E2938	Strip, insulation, 1/16" x 0.57" x 14"	1	DTD378A		
		FIREPROOFING, ROOF SHROUD, PORT OUTER BAY (1E2938)				
		Spares for:-				
21978	5E2938	PANEL, L.H. FORWARD, GROUP	1	-	MR/C	GF1/51
		Spares for:-				
28D/1214418	AS2923/ 1/2C	Bolt	14	-	C	GF1/52
	5a.E2938	Panel, side	1	AVR50		
	5c.E2938	Panel, top	1	AVR50		
	77E2938	SEAL, SHROUD, GROUP	1	-		GF1/53
21979	11E2938	PANEL, L.H. REAR, GROUP	1	-	MR/C	GF1/54
		Spares for:-				
28D/1007981	AS1248/ 1/2C	Bolt	6	-	C	GF1/55
28D/1214418	AS2923/ 1/2C	Bolt	22	-	C	GF1/56
	56E2938	Bracket	1	DTD171B		
	6E3551	CANOPY, HOISTING BOX, GROUP (Mod. 2218) (1F3551) (Make from 67E2938)	1	-		GF1/57
		Spares for:-				
28D/1214418	AS2923/ 1/2C	Bolt	4	-	C	
	143E2938	SLEEVE, GROUP	1	-		GF1/58
	11a.E2938	Panel, skin, 28G x 1' 10" x 4' 0"	1	AVR50		
	11c.E2938	Panel, skin, 28G x 13" x 4' 0"	1	AVR50		
	11h.E2938	Panel, skin, 28G x 1' 10" x 2' 8"	1	AVR50		
	11j.E2938	Panel, skin, 28G x 13" x 2' 8"	1	AVR50		

EQUIPMENT AIRCRAFT
FIREPROOFING AND SOUNDPROOFING

Ref. No.	Part No.	Description	No. off	Matl. Spec.	Cl. of St.	Plate and Illust'n No.
					M.R.	
		1 2 3 4				
		FIREPROOFING, ROOF SHROUD, PORT OUTER BAY (1E2938) (Cont'd)				
	3E2933	SEAL, FIREPROOF ON TRUNNION, GROUP	1	—		GF1/71
21976	9E2933	Spares for:— COVER, GROUP	1	—	C	GF1/72
5CZ/4337577	—	Thermo-couple	2	—	B	GF1/73
		FIREPROOFING, ROOF SHROUD, PORT, INNER BAY (2E2938)				
		Spares for:—				
28D/1007981	AS1248/1/2C	Bolt	6	—	C	
21980	8E2938	PANEL, L.H. FORWARD, GROUP	1	—	MR/C	GF2/74
		Spares for:—				
28D/1214418	AS2923/1/2C	Bolt	14	—	C	
	8aE2938	Panel, skin, 28G x 1' 10" x 3' 9"	1	AVR 50		
	5cE2938	Panel, skin, 28G x 13" x 3' 9"	1	AVR 50		
	9E2938	PANEL, R.H. FORWARD, GROUP	1	—	MR	GF2/75
		Spares for:—				
28D/1214418	AS2923/1/2C	Bolt	8	—	C	
	9aE2938	Panel, skin, 28G x 1' 10" x 3' 9"	1	AVR 50		
	7cE2938	Panel, skin, 28G x 13" x 3' 9"	1	AVR 50		
	14E2938	PANEL, L.H. REAR, GROUP	1	—	MR	GF2/76
		Spares for:—				
28D/1007981	AS1248/1/2C	Bolt	6	—	C	
28D/1214418	AS2923/1/2C	Bolt	4	—	C	
	61E2849	CANOPY, HOISTING POINT, GROUP	1	—		GF2/77
		Spares for:—				
28D/1214418	AS2923/1/2C	Bolt	4	—	C	
	143E2797	SLEEVE, GROUP	1	—		GF2/78
	11cE2938	Panel, skin, 28G x 13" x 4' 0"	1	AVR 50		
	11jE2938	Panel, skin, 28G x 13" x 2' 8"	1	AVR 50		
	14aE2938	Panel, skin, 28G x 1' 10" x 4' 0"	1	AVR 50		
	14hE2938	Panel, skin, 28G x 1' 10" x 2' x 2' 8"	1	AVR 50		
	121E2938	PANEL, ACCESS, GROUP (Mod. 1320)	1	—		GF2/79
		Spares for:—				
28D/9140651	A26/5B	Bolt, for fairlead attachment	4	—	C	
	120E2938	FAIRLEAD, GROUP	1	—		GF2/80
	69E2938	Panel	1	S521		
	118E2938	POCKET, GROUP (Mod. 1320)	1	—	MR	
1433940	76E2938	SEAL, SHROUD, GROUP	1	—	C	GF2/81

VULCAN MR. 2

EQUIPMENT AIRCRAFT
FIREPROOFING AND SOUNDPROOFING

Page GF. 7

Ref. No.	Part No.	Description	No. off	Matl. Spec.	Cl. of St.	Plate and Illust'n No.
					M.R.	
		1 2 3 4				
FIREPROOFING, ROOF SHROUD, PORT INNER BAY (2E2938) (Cont'd.)						
21983	15E2938	PANEL, R.H. REAR, GROUP	1	—	MR/C	GF2/82
		Spares for:—				
28D/1007981	AS1248/1/2C	Bolt	6	—	C	
	8E3551	CANOPY, HOISTING POINT, GROUP	1	—		GF2/83
		(Mod. 2218) (1E3550) (Make from 65E2938)				
		Spares for:—				
28D/1214418	AS2923/1/2C	Bolt	4	—	C	
	143E2797	SLEEVE, GROUP	1	—		
	73E2938	COVER, PIPE, GROUP	1	—	MR	GF2/84
	13cE2938	Panel, skin, 28G x 13' x 4' 0"	1	AVR50		
	13jE2938	Panel, skin, 28G x 13' x 2' 8"	1	AVR50		
	15aE2938	Panel, skin, 28G x 1' 10" x 4' 0"	1	AVR50		
	15hE2938	Panel, skin, 28G x 1' 10" x 2' 8"	1	AVR50		
	45E2938	PANEL, ACCESS, GROUP	1	—		GF2/85
		Spares for:—				
28D/9140651	A26/5B	Bolt, for fairlead attachment	4	—	C	
	78E2938	FAIRLEAD, GROUP	1	—		
	69E2938	Panel	1	S521		
	80E2938	POCKET, GROUP	1	—		
	4E2933	SEAL, FIREPROOF ON TRUNNION,	1	—		GF2/86
		GROUP				
		Spares for:—				
21977	10E2933	COVER, GROUP	1	—	C	
5CZ/4337577	—	Thermo-couple	2	—	B	GF2/73
FIREPROOFING, ROOF SHROUD STARBOARD INNER BAY (3E2938)						
		Spares for:—				
	56E2938	Bracket	1	S521		
	7E2938	PANEL, R.H. FORWARD, GROUP	1	—		GF3/87
		Spares for:—				
28D/1214418	AS2923/1/2C	Bolt	8	—	C	
	7aE2938	Panel, skin, 28G x 1' 10" x 3' 9"	1	AVR50		
	7cE2938	Panel, skin, 28G x 13' x 3' 9"	1	AVR50		
	10E2938	PANEL, L.H. FORWARD, GROUP	1	—	MR	GF3/88
		Spares for:—				
28D/1214418	AS2923/1/2C	Bolt	18	—	C	
	10aE2938	Panel, skin, 28G x 1' 10" x 3' 9"	1	AVR50		
	5cE2938	Panel, skin, 28G x 13' x 3' 9"	1	AVR50		

EQUIPMENT AIRCRAFT
FIREPROOFING AND SOUNDPROOFING

Ref. No.	Part No.	Description	No. off	Matl. Spec.	Cl. of St.	Plate and Illust'n No.
					M.R.	
		1 2 3 4				
		PANEL, L.H. FORWARD (10E2938) (Cont'd.)				
	75E2938	SEAL, SHROUD, GROUP	1	—		GF3/89
	13E2938	PANEL, R.H. REAR, GROUP	1	—	MR	GF3/90
		Spares for:—				
28D/1007981	AS1248/1/2C	Bolt	6	—	C	
	62E2938	CANOPY, HOISTING POINT, GROUP	1	—		GF3/91
		Spares for:—				
28D/1214418	AS2923/1/2C	Bolt	4	—	C	
	143E2797	SLEEVE, GROUP	1	—		
	74E2938	COVER, PIPE, GROUP	1	—	MR	GF3/92
	13aE2938	Panel, skin, 28G x 1' 10" x 4' 0"	1	AVR50		
	13cE2938	Panel, skin, 28G x 13" x 4' 0"	1	AVR50		
	13hE2938	Panel, skin, 28G x 1' 10" x 2' 8"	1	AVR50		
	13jE2938	Panel, skin, 28G x 13" x 2' 8"	1	AVR50		
	121E2938	PANEL, ACCESS, GROUP (Mod. 1320)	1	—		GF3/93
		Spares for:—				
28D/9140651	A26/5B	Bolt, for fairlead attachment	4	—	C	
	120E2938	FAIRLEAD, GROUP	1	—		
	69E2938	Panel	1	S521		
	80E2938	PACKET, GROUP	1	—		
13524	16E2938	PANEL, L.H. REAR, GROUP	1	—	MR/C	GF3/94
		Spares for:—				
28D/1007981	AS1248/1/2C	Bolt	6	—	C	
28D/1214418	AS2923/1/2C	Bolt	22	—	C	
	56E2938	Bracket	1	S521		
	9E3550	CANOPY, HOISTING POINT, GROUP (Mod. 2218) (2E3550) (Make from 66E2938)	1	—		GF3/95
		Spares for:—				
	143E2797	SLEEVE, GROUP	1	—		
	11cE2938	Panel, skin, 28G x 13" x 4' 0"	1	AVR50		
	11jE2938	Panel, skin, 28G x 13" x 2' 8"	1	AVR50		
	16aE2938	Panel, skin, 28G x 1' 10" x 4' 0"	1	AVR50		
	16hE2938	Panel, skin, 28G x 1' 10" x 2' 8"	1	AVR50		
	45E2938	PANEL, ACCESS, GROUP	1	—		GF3/96
		Spares for:—				
28D/9140651	A26/5B	Bolt, for fairlead attachment	4	—	C	
	78E2938	FAIRLEAD, GROUP	1	—		
	69E2938	Panel	1	S521		

VULCAN Mk 2

EQUIPMENT AIRCRAFT
FIREPROOFING AND SOUNDPROOFING

Page GF. 9

Ref. No.	Part No.	Description	No. off	Matl. Spec.	Cl. of St.	Plate and Illust'n No.
					M.R.	
		1 2 3 4				
		PANEL, L.H. REAR (16E2938) (Cont'd)				
	119E2938	POCKET, GROUP (Mod. 1320)	1	—	MR	
	75E2938	SEAL, SHROUD, GROUP	1	—		GF3/97
	2E2933	SEAL, FIREPROOFING ON TRUNNION, GROUP	1	—		GF3/98
13540	8E2933	Spares for:— COVER, GROUP	1	—	C	
	3E2933	SEAL, FIREPROOF ON TRUNNION, GROUP	1	—		GF3/99
21976	9E2933	Spares for:— COVER, GROUP	1	—	C	
5CZ/4337577	—	Thermo-couple	2	—	B	GF3/73
		FIREPROOFING, ROOF SHROUD, STARBOARD OUTER BAY (4E2938) Spares for:—				
28D/1007981	AS1248/1/2C	Bolt	6	—	C	
21980	8E2938	PANEL, L.H. FORWARD, GROUP	1	—	C	GF4/100
		Spares for:—				
28D/1214418	AS2923 1/2C	Bolt	14	—	C	
	8aE2938	Panel, skin, 28G x 1' 10" x 3' 9"	1	AVR50		
	5cE2938	Panel, skin, 28G x 13" x 3' 9"	1	AVR50		
1433940	76E2938	SEAL, SHROUD, GROUP	1	—	C	
	14E2938	PANEL, L.H. REAR, GROUP	1	—	MR	GF4/101
		Spares for:—				
28D/1007981	AS1248 1/2C	Bolt	6	—	C	
28D/1214418	AS2923 1/2C	Bolt	4	—	C	
	61E2849	CANOPY, HOISTING POINT, GROUP	1	—		GF4/102
		Spares for:—				
28D/1214418	AS2923 1/2C	Bolt	4	—	C	
	143E2797	SLEEVE, GROUP	1	—		
	121E2938	PANEL, ACCESS, GROUP	1	—		GF4/103
		Spares for:—				
28D/9140651	A26/5B	Bolt, for fairlead attachment	4	—	C	
	120E2938	FAIRLEAD, GROUP	1	—		GF4/104
	69E2938	Panel	1	S521		
	11cE2938	Panel, skin, 28G x 13" x 4' 0"	1	AVR50		
	11jE2938	Panel, skin, 28G x 13" x 2' 8"	1	AVR50		

EQUIPMENT AIRCRAFT
FIREPROOFING AND SOUNDPROOFING

Ref. No.	Part No.	Description	No. off	Matl. Spec.	Cl. of St.	Plate and Illust'n No.
					M.R.	
		1 2 3 4				
		PANEL, L.H. REAR (14E2938) (Cont'd.)				
	14aE2938	Panel, skin, 28G x 1' 10" x 4' 0"	1	AVR50		
	14bE2938	Panel, skin, 28G x 1' 10" x 2' 8"	1	AVR50		
	118E2938	POCKET, GROUP (Mod. 1320)	1	—	MR	
1433940	76E2938	SEAL, SHROUD, GROUP	1	—	C	
	6E2938	PANEL, R.H. FORWARD, GROUP	1	—	MR	GF4/105
		Spares for:—				
	6aE2928	Panel, skin, 28G x 1' 10" x 3' 9"	1	AVR50		
	7cE2938	Panel, skin, 28G x 13" x 3' 9"	1	AVR50		
	12E2938	PANEL, R.H. REAR, GROUP	1	—	MR	GF4/106
		Spares for:—				
28D1007981	AS1248 1/2C	Bolt	6	—	C	
	7E3551	CANOPY, HOISTING BOX, GROUP	1	—		GF4/107
		(Mod. 2188) (2E3551) (Make from 68E2938)				
		Spares for:—				
28D/1214418	AS2923 1/2C	Bolt	4	—	C	
	143E2797	SLEEVE, GROUP	1	—		
	72E2938	COVER, PIPE, GROUP	1	—		
	—	DISHING, FIREPROOFING (1E2932)	1	—		
		Spares for:—				
	2E2932	Bracket	1	—		
	45E2938	PANEL, ACCESS, GROUP	1	—		GF4/108
		Spares for:—				
28D/9140651	A26/5B	Bolt	4	—	C	
	78E2938	FAIRLEAD, GROUP	1	—		
	69E2938	Panel	1	S521		
	12aE2938	Panel, skin, 28G x 1' 10" x 4' 0"	1	AVR50		
	12hE2938	Panel, skin, 28G x 1' 10" x 2' 8"	1	AVR50		
	13cE2938	Panel, skin, 28G x 13" x 4' 0"	1	AVR50		
	13jE2938	Panel, skin, 28G x 13" x 2' 8"	1	AVR50		
	80E2938	POCKET, GROUP	1	—		
	4E2933	SEAL, FIREPROOFING AT TRUNNION,	1	—		GF4/109
		GROUP				
		Spares for:—				
21977	10E2933	COVER, GROUP	1	—	C	

VULCAN Mk. 2

EQUIPMENT AIRCRAFT
FIREPROOFING AND SOUNDPROOFING

Ref. No.	Part No.	Description	No. off	Matl. Spec.	Cl. of	Plate and Illust'n No.
					St. M.R.	
		1 2 3 4				
5CZ/4337577		FIREPROOFING, ROOF SHROUD STARBOARD OUTER BAY (4E2938) (Cont'd)				
	6E2933	SEAL, FIREPROOFING AT TRUNNION, GROUP	1	-		GF4/110
	-	Thermo-couple	2	-	B	GF4/73
		FIREPROOFING, FORWARD INTER-MEDIATE B/HEAD, INBOARD, PORT AND STARBOARD (2 & 3E2939)				
		Spares for:-				
	30E2939	ARCH, SEALING, PORT INBOARD, GROUP	1	-	MR	GF2/111
	29E2939	ARCH, SEALING, STARBOARD, INBOARD, GROUP	1	-	MR	GF3/112
		Spares for:-				
	51E2939	BRACKET, CONDUIT, GROUP	1	-		
		FIREPROOFING, FORWARD INTER-MEDIATE B/HEAD, OUTBOARD, PORT AND STARBOARD (4 & 5E2939)				
		Spares for:-				
	31E2939	ARCH, SEALING, PORT OUTBOARD, GROUP	1	-	MR	GF1/113
	32E2939	ARCH, SEALING, STARBOARD OUTBOARD, GROUP	1	-	MR	GF4/114
		Spares for:-				
	51E2939	BRACKET, CONDUIT, GROUP	1	-		
	33E2939	MEMBER, SEALING, PORT, GROUP	1	-	MR	GF1/115
	15E2939	MEMBER, SEALING, STARBOARD, GROUP	1	-	MR	
	HEAT INSULATION, CREW'S NACELLE PORT AND STARBOARD (1Z9721) (Mod. 517)					
	Spares for:-					
30Z9721	Adhesive (I.C.I.Be. 311-9316)		QR	-		
29Z9721	Binding, septum strip, 5" wide		QR	-		
17Z9721	Blanket, between formers 344-353, 2' 7" x 22" port	1		-		
18Z9721	Blanket, between formers 344-358, 10" x 22" port	1		-		
19Z9721	Blanket, between formers 344-358, 2' 7" x 22" port	1		-		
20Z9721	Blanket, between formers 288-302, 3' 2" port	1		-		
21Z9721	Blanket, between formers 260-274, 5' 0" x 22" port	1		-		
23Z9721	Blanket, between formers 246-260, 10" x 18" port	1		-		
24Z9721	Blanket, between formers 232-246, 3' 6" x 22" port	1		-		
42Z9721	Blanket, between formers 316-330, and formers 344-358, 3' 6" x 22"	2		-		

EQUIPMENT—AIRCRAFT
FIREPROOFING AND SOUNDPROOFING

Ref. No.	Part No.	Description	No. off	Matl. Spec.	Cl. of St.	Plate and Illust'n No.
					M.R.	
		1 2 3 4				
		HEAT INSULATION, CREW'S NACELLE PORT AND STARBOARD (129721) (Cont'd)				
	43Z9721	Blanket, between formers 274-288, 288-302 .. and 302-316, 44" x 22"	1P 2S	—		
	44Z9721	Blanket, between formers 316-330 and	1P 2S	—		
		330-344, 5' 10" x 22"				
	4619721	Blanket, between formers 288-302, 21" x 22"	1	—		
	47Z9721	Blanket, between formers 246-260, 5. 4" x ... 22" starboard	1	—		
	48Z9721	Blanket, between formers 232-246, 6' 10" x .. 22" starboard	1	—		
	49Z9721	Blanket, between formers 288-302, 4" x	3P 1S	—		
		22"				
	50Z9721	Blanket, between formers 288-302, port, 344-358 starboard	1	—		
	51Z9721	Blanket, between formers 302-316, and	1P 2S	—		
		218-232, 4' x 22"				
	52Z9721	Blanket, between formers 260-288, and	1	—		
		232-246, 4' 6" x 22"				
	53Z9721	Blanket, between formers 246-260, at	2	—		
		cabin window 9" x 9"				
	54Z9721	Blanket, between formers 246-260, port, 23" x 14"	1	—		
	55Z9721	Blanket, between formers 232-246, and	1	—		
		246-260, port, 5' 8" x 22"				
	58Z9721	Blanket, trap at louvres, 13" x 20"	12	—		
	59Z9721	Blanket, between formers 330-344, 3' 6" x 22"	1	—		
	60Z9721	Blanket, between formers 218-232	1	—		
		starboard, 15" x 20"				
	80Z9721	Blanket, between formers 316-330	1	—		
		starboard, 3' 2" x 22"				
	91Z9721	Blanket, between formers 260-274 starboard, . 17" x 22" (Mod. 199)	1	—		
	92Z9721	Blanket, between formers 218-232 starboard, . 20" x 22" (Mod. 199)	1	—		
	96Z9721	Blanket, between formers 260-274 starboard, . 14" x 5" (Mod. 199)	1	—		
	97Z9721	Blanket, between formers 260-274 starboard, . 7" x 1" (Mod. 199)	1	—		
	99Z9721	Blanket, between formers 260-274 starboard, . 7" x 1" (Mod. 199)	1	—		
	100Z9721	Blanket, between formers 260-274 starboard, . 14" x 6" (Mod. 199)	1	—		
	103Z9721	Blanket, between formers 274-288, 3' 8" x 22"	1	—		
	108Z9721	Blanket, between formers 260-274 starboard, . 14" x 3"	2	—		
	113Z9721	Blanket, between formers 246-260 starboard, . 18" x 22" (Mods. 748 & 1291)	1	—		
	114Z9721	Blanket, between formers 246-260 starboard, . 18" x 22" (Mods. 748 & 1291)	1	—		

VULCAN Mk 2

EQUIPMENT—AIRCRAFT
FIREPROOFING AND SOUNDPROOFING

Page GF. 13

Ref. No.	Part No.	Description 1 2 3 4	No. off	Matl. Spec.	Cl. of St.	Plate and Illust'n No.
					M.R.	
		HEAT INSULATION, CREW'S NACELLE PORT AND STARBOARD (1Z9721) (Cont'd)				
	117Z9721	Blanket, between formers 218-232. 7' 4" x 22" (Mods. 748 & 1291)	1	—		
	120Z9721	Blanket, between formers 260-274 starboard. 6' 2" x 22" (Mods. 748 & 1291)	1	—		
	128Z9721	Blanket, between formers 246-260 starboard. 24" x 16" (Mods. 748 & 1291)	1	—		
	131Z9721	Blanket, between formers 218-232 port. 12" x 22" (Mods. 748 & 1291)	1	—		
	25K14505	Clip, spring (Ratcliffe)... ..	420	—		
	67Z9721	Lapping, former 288. 12" x 24"	1	Vynide		
	68Z9721	Lapping, former 302. 12" x 24"	1	Vynide		
	104Z9721	Lapping, former 274. 12" x 24" (Mod. 687)	1	Vynide		
	2Z9721	Pad, between formers 218-232, top. 18" x 18"	1	—		
	3Z9721	Pad, between formers 218-232, top. 18" x 14"	1	—		
	4Z9721	Pad, between formers 260-274, top. 22" x 14" (Pre-Mod. 446)	1P	—		
			2S	—		
	5Z9721	Pad, between formers 260-274, top. 22" x 14" (Pre-Mod. 446)	2P	—		
			1S	—		
	6Z9721	Pad, between formers 232-246, top. 21" x 14"	1	—		
	8Z9721	Pad, between formers 260-274, top. 23" x 13" (Pre-Mod. 446)	1	—		
	9Z9721	Pad, between formers 246-260, top. 14" x 4"	1	—		
	12Z9721	Pad, between formers 246-260, top. 17" x 13"	1	—		
	14Z9721	Pad, between formers 232-246, top. 21" x 14"	1	—		
	15Z9721	Pad, between formers 232-246, top. 17" x 14"	1	—		
	16Z9721	Pad, between formers 232-246, top. 14" x 21"	1	—		
	105Z9721	Pad, between formers 260-274, top. 23" x 13"	1	—		
	109Z9721	Pad, between formers 260-274, top. 22" x 14" (Mod. 446)	2P	—		
	110Z9721	Pad, between formers 260-274, top. 22" x 14" (Mod. 446)	2P	—		
			1S	—		
	111Z9721	Pad, between formers 260-274, top. 23" x 13" (Mod. 446)	1	—		
	112Z9721	Pad, between formers 232-246, top. 22" x 14" (Mod. 446)	1	—		
	121Z9721	Pad, between formers 246-260, top. 23" x 4" (Mods. 748 & 1291)	1	—		
	122Z9721	Pad, between formers 246-260, top. 16" x 6" (Mods. 748 & 1291)	1	—		
	123Z9721	Pad, between formers 246-260, top. 6" x 6" (Mods. 748 & 1291)	1	—		

VULCAN Mk 2

Page GF. 14

**EQUIPMENT—AIRCRAFT
FIREPROOFING AND SOUNDPROOFING**

Ref. No.	Part No.	Description 1 2 3 4	No. off	Matl. Spec.	Cl. of St.	Plate and Illust'n No.
					M.R.	
		HEAT INSULATION, CREW'S NACELLE PORT AND STARBOARD (1Z9721) (Cont'd)				
	124Z9721	Pad, between formers 246-260, top, 23" x 6" (Mods. 748 & 1291)	1	—		
	125Z9721	Pad, between formers 246-260, top 23" x 6" (Mods. 748 & 1291)	1	—		
	126Z9721	Pad, between formers 246-260, top, 21" x 15" (Mods. 748 & 1291)	1	—		
	127Z9721	Pad, between formers 246-260 top, 21" x 14" (Mods. 748 & 1291)	1	—		
	1SK15380	Tab, retaining (Ratcliffe)	1420	—		
	25Z9721	QUILT, BETWEEN FORMERS 232-246, 14' x 16', PORT, GROUP	1	—		
	26Z9721	QUILT, BETWEEN FORMERS 218-232, 17' x 2' 0', PORT, GROUP	1	—		
	38Z9721	QUILT, BETWEEN FORMERS, 302-316, 15' x 7', PORT, GROUP	1	—		
	39Z9721	QUILT, BETWEEN FORMERS 302-316, 15' x 7', STARBOARD, GROUP	1	—		
	61Z9721	QUILT, BETWEEN FORMERS 288-302, 21' x 14', GROUP	1	—		
	62Z9721	QUILT, BETWEEN FORMERS 260-274, 21' x 14', PORT, GROUP	1	—		
	64Z9721	QUILT, BETWEEN FORMERS 232-246, 9' x 2' 3', STARBOARD, GROUP	1	—		
	70Z9721	QUILT, BETWEEN FORMERS 204-218, 18' x 15', GROUP	1	—		
	71Z9721	QUILT, BETWEEN FORMERS 204-218, 17' x 6' 6', GROUP	1	—		
	72Z9721	QUILT, BETWEEN FORMERS 358-372, 17' x 3' 7', PORT, GROUP	1	—		
	73Z9721	QUILT, BETWEEN FORMERS 358-372, 18' x 5' 7', PORT, GROUP	1	—		
	79Z9721	QUILT, BETWEEN FORMERS 316-330, 17' x 2' 8', PORT, GROUP	1	—		
	83Z9721	QUILT, BETWEEN FORMERS 358-372, 18' x 2' 8', STARBOARD, GROUP	1	—		

VULCAN HL 2

EQUIPMENT-AIRCRAFT
FIREPROOFING AND SOUNDPROOFING

Page GF. 15

Ref. No.	Part No.	Description				No. off	Matl. Spec.	Cl. of St.	Plate and Illust'n No.
		1	2	3	4			M.R.	
		HEAT INSULATION, CREW'S NACELLE PORT AND STARBOARD (129721) (Cont'd)							
	84Z9721	QUILT, BETWEEN FORMERS 358-372 14" x 8", STARBOARD, GROUP				1	-		
	85Z9721	QUILT, BETWEEN FORMERS 358-372, 17" x 2' 10", STARBOARD, GROUP				1	-		
	86Z9721	QUILT, BETWEEN FORMERS 358-372, 17" x 3' 7", STARBOARD, GROUP				1	-		
	94Z9721	QUILT, BETWEEN FORMERS 260-274, GROUP (Mod. 199)				1	-		
	95Z9721	QUILT, BETWEEN FORMERS 260-274, STARBOARD, GROUP (Mod 199)				1	-		
	101Z9721	QUILT, BETWEEN FORMERS 274-288, 14" x 23", PORT, GROUP (Mod 687)				1	-		
	102Z9721	QUILT, BETWEEN FORMERS 274-288, 14" x 23", STBD., GROUP (Mod 687)				1	-		
	106Z9721	QUILT, BETWEEN FORMERS 246-260 4' 0" x 4" stbd., GROUP (Mod 199)				1	-		
	115Z9721	QUILT, BETWEEN FORMERS 246-260, 14" x 17", PORT, GROUP (Mods 748 & 1291)				1	-		
	116Z9721	QUILT, BETWEEN FORMERS 246-260, 17" x 14", PORT, GROUP (Mods. 748 & 1291)				1	-		
	118Z9721	QUILT, BETWEEN FORMERS 218-232, 4" x 4' 0", STARBOARD, GROUP (Mods 748 & 1291)				1	-		
	119Z9721	QUILT, BETWEEN FORMERS 232-246, 15" x 22", STARBOARD, GROUP (Mods: 748 & 1291)				1	-		
	129Z9721	QUILT, BETWEEN FORMERS 260-274, 44" x 22", STARBOARD, GROUP (Mods. 748 & 1291)				1	-		
	130Z9721	QUILT, BETWEEN FORMERS 218-232, 17" x 2' 10", PORT, GROUP (Mods: 748 & 1291)				1	-		

EQUIPMENT-AIRCRAFT
FIREPROOFING AND SOUNDPROOFING

Ref. No.	Part No.	Description	No. off	Matl. Spec.	Cl. of	Plate and
					St.	
		1 2 3 4			M.R.	No.
		HEAT INSULATION, CREW'S NACELLE PORT AND STARBOARD (1Z9721) (Cont'd)				
	132Z9721	QUILT, BETWEEN FORMERS 246-260, 14" x 2' 3", STARBOARD, GROUP	1	-		
	133Z9721	QUILT, BETWEEN FORMERS 344-358, 18" x 2' 4", STARBOARD, GROUP	1	-		
		HEAT INSULATION, BOMB AIMER'S BLISTER AND SURROUNDS (Z9983) (Mod 689)				
		Spares for:-				
	41Z7481	Binding, septum strip 5" wide	QR	-		
	4Z7481	Pad, between formers 367-372, 2' 6" x 14" ..	2	-		
	5Z7481	Pad, between formers 362-367, 2' 8" x 15" ..	2	-		
	6Z6481	Pad, between formers 358-362, 2' 4" x 13" ..	2	-		
	7Z7481	Pad, between formers 344-351 and 351-358, .. 2' 8" x 13"	4	-		
	8Z7481	Pad, between formers 337-344, 2' 8" x 14" ..	2	-		
	9Z7481	Pad, between formers 330-337, 2' 8" x 16" ..	2	-		
	10Z7481	Pad, between formers 323-330, 2' 8" x 17" ..	2	-		
	11Z7481	Pad, between formers 302-309.5, 316 and 323, 2' 8" x 18"	6	-		
	12Z7481	Pad, between formers 367-372, 2' 4" x 14" ..	2	-		
	13Z7481	Pad, between formers 302-309.5, 2' 10" x 17" (Pre Mod 2202)	1	-		
	14Z7481	Pad, between formers 316-323, 2' 8" x 12.5" .	2	-		
	15Z7481	Pad, between formers 309.5-316, 2' 9" x 16" ..	2	-		
	16Z7481	Pad, between formers 302-309.5, 2' 9" x 16.5" .	2	-		
	17Z7481	Pad, between formers 302-309.5, 2' 8" x 12" .	2	-		
	18Z7481	Pad, between formers 362-367, 2' 6" x 12" ..	2	-		
	19Z7481	Pad, between formers 358-362, 2' 10" x 10" .	2	-		
	20Z7481	Pad, between formers 351-358, 3' 2" x 20" .. (Pre Mod 2202)	2	-		
	21Z7481	Pad, between formers 344-351, 1' 10" x 12" . (Pre-Mod. 2202)	2	-		
	22Z7481	Pad, between formers 344-351, 3' 0" x 20" .. (Pre Mod 2202)	2	-		
	23Z7481	Pad, between formers 337-344, 2' 9" x 12" .. (Pre Mod. 2202)	2	-		
	24Z7481	Pad, between formers 330-337, 2' 4" x 11" .. (Pre Mod 2202)	2	-		
	25Z7481	Pad, between formers 232-330, 2' 2" x 11" .. (Pre Mod 2202)	2	-		
	26Z7481	Pad, between formers 316-323, 1' 2" x 11" .. (Pre Mod 2202)	2	-		
	27Z7481	Pad, between formers 309.5-316, 2' 4" x 13" . (Pre-Mod. 2202)	2	-		
	28Z7481	Pad, between formers 302-309.5, 1' 2" x 12" . (Pre Mod 2202)	2	-		
	29Z7481	Pad, between formers 351-358, 2' 3" x 12" .. (Pre Mod 2202)	2	-		
	30Z7481	Pad, between formers 344-351, 2' 6" x 12" .. (Pre Mod. 2202)	2	-		

VULCAN ML. 2

EQUIPMENT-AIRCRAFT
FIREPROOFING AND SOUNDPROOFING

Ref. No.	Part No.	Description	No. off	Matl. Spec.	Cl. of	Place and Illust'n No.
					St. M.R.	
		1 2 3 4				
		HEAT INSULATION, BOMB AIMER'S BLISTER AND SURROUNDS (Z9983) (Mod. 689) (Cont'd)				
	31Z7481	Pad, between formers 337 344, 2' 2" x 12" .. (Pre Mod. 2202)	2	-		
	32Z7481	Pad, between formers 330 337, 2' 0" x 12" .. (Pre-Mod. 2202)	2	-		
	33Z7481	Pad, between formers 323 330, 1' 10" x 12" . (Pre Mod. 2202)	2	-		
	34Z7481	Pad, between formers 337 344, 3' 0" x 17" .. (Pre Mod. 2202)	2	-		
	35Z7481	Pad, between formers 344 351, 2' 11-1/2" x .. 17" (Pre Mod. 2202)	2	-		
	36Z7481	Pad, between formers 337 344, 3' 0" x 17" .. (Pre Mod. 2202)	2	-		
	39Z7481	Pad, between formers 316 323, 3' 0" x 17.5" . (Pre Mod. 2202)	2	-		
	40Z7481	Pad, between formers 309 5 316, 2' 10" x 17"	2	-		
	45Z7481	Pad, between formers 358 362 367 372, 2' 4" x 15"	5	-		
	46Z7481	Pad, between formers 344 351 6" x 8" (Pre-Mod. 2202)	2	-		
	2Z9983	Pad, between formers 330 337 2' 9" x 17" ... (Pre Mod. 2202)	2	-		
	3Z9983	Pad, between formers 323-330 2' 8" x 17" ... (Pre Mod. 2202)	2	-		
	4Z9983	Pad, between formers 330 337 18" x 18" (Pre-Mod. 2202)	1	-		
	5Z9983	Pad, between formers 323 330 18" x 18" (Pre Mod 2202)	1	-		
	6Z9983	Pad, between formers 362 367, starboard, 2' 1.5 x 14 5"	1	-		
	7Z9983	Pad, between formers 351-358 3' 2.5" x 17" .	2	-		
	8Z9983	Pad, between formers 309.5-316-323-330- ... 337 and 344-351 3' 2.5" x 17"	10	-		
	9Z9983	Pad, between formers 337-344 3 25" x 17" ..	2	-		
	10Z9983	Pad, between formers 323 330, 3.25" x 17" ..	2	-		
	2Z12214	Panel, insulating (Mod. 2202)	2	-		
	3Z12214	Panel, insulating (Mod. 2202)	1	-		
	4Z12214	Panel, insulating (Mod. 2202)	1	-		
	5Z12214	Panel, insulating (Mod. 2202)	1	-		
	6Z12214	Panel, insulating (Mod. 2202)	1	-		
	7Z12214	Panel, insulating (Mod. 2202)	1	-		
	8Z12214	Panel, insulating (Mod. 2202)	1	-		
	9Z12214	Panel, insulating (Mod. 2202)	1	-		
	10Z12214	Panel, insulating (Mod. 2202)	1	-		
	11Z12214	Panel, insulating (Mod. 2202)	1	-		
	12Z12214	Panel, insulating (Mod. 2202)	1	-		
	13Z12214	Panel, insulating (Mod. 2202)	1	-		
	14Z12214	Panel, insulating (Mod. 2202)	1	-		
	15Z12214	Panel, insulating (Mod. 2202)	1	-		
	16Z12214	Panel, insulating (Mod. 2202)	1	-		
	17Z12214	Panel, insulating (Mod. 2202)	1	-		

EQUIPMENT-AIRCRAFT
FIREPROOFING AND SOUNDPROOFING

Ref. No.	Part No.	Description	No. off	Matl. Spec.	Cl. of	Plate and Illust'n No.
					St. M.R.	
		1 2 3 4				
		HEAT INSULATION OF CANOPY (D8626)				
		Spares for:-				
	201D8626	Adhesive (Pyrobell)	QR	-		
	184D8626	Pad, between formers 288 302, 17.5" x 23.5" ..	2	-		
	185D8626	Pad, between formers 302 316, 12.5" x 24" ..	2	-		
	186D8626	Pad, between formers 316 330, 15" x 24" ...	2	-		
	187D8626	Pad, between formers 330 344, 16" x 23" ...	2	-		
	188D8626	Pad, between formers 288 302, 17.5" x 23.5" ..	2	-		
	189D8626	Pad, between formers 302 316, 12.5" x 24" ..	2	-		
	190D8626	Pad, between formers 288 302, 17.5" x 22.5" ..	2	-		
	191D8626	Pad, between formers 302 316, 12.5" x 23" ..	2	-		
	192D8626	Pad, between formers 288 302, 17.5" x 6" ...	2	-		
	193D8626	Pad, between formers 302 316, 12.5" x 9" ...	2	-		
	194D8626	Pad, between formers 288 302, 14.25" x 8.5" ..	2	-		
	195D8626	Pad, between formers 302 316, 9" x 8.5"	2	-		
	196D8626	Pad, between formers 316 330, 12.25" x 8.5" ..	2	-		
	197D8626	Pad, between formers 330 344, 4.25" x 8.5" ..	2	-		
	198D8626	Pad, between formers 330 344, 30" x 30" ...	2	-		
	199D8626	Pad, between formers 330 344, 30" x 30" ...	2	-		
	200D8626	Strip, between window channels 75" x 2.5" ..	2	-		
		approx				
		HEAT INSULATION, FRONT PRESSURE BULKHEAD (129724)				
		Spares for:-				
	6Z9724	QUILT, AT ACCESS DOOR, 32" DIA, GROUP	1	-		
	7Z9724	QUILT, BOTTOM STEP, 25" x 70" APPROX, GROUP	1	-		
	10Z9724	QUILT, LOWER, 4' 6" x 3' 0" APPROX, ... STARBOARD, GROUP	1	-		
	11Z9724	QUILT, LOWER, 4' 6" x 3' 0" APPROX., ... PORT, GROUP (Pre-Mod. 980)	1	-		
	12Z9724	QUILT, LOWER, 4' 6" x 3' 0" APPROX, ... PORT, GROUP (Mod 980)	1	-		
	13Z9724	QUILT, UPPER, 5' 0" x 4' 6" APPROX., PORT, GROUP (Mod 969)	1	-		
	14Z9724	QUILT, UPPER, 5' 0" x 4' 6" APPROX, STARBOARD, GROUP (Mod. 969)	1	-		
		HEAT INSULATION, REAR PRESSURE BULKHEAD (129707)				
	5Z9707	QUILT, BETWEEN STIFFENERS 28 29 D9460, UPPER, PORT, GROUP	1	-		

VULCAN No. 2

EQUIPMENT-AIRCRAFT
FIREPROOFING AND SOUNDPROOFING

Ref. No.	Part No.	Description	No. off	Matl. Spec.	Cl. of	Plate and Illust'n No.
					St. M.R.	
		1 2 3 4				
		HEAT INSULATION, REAR PRESSURE BULKHEAD (1Z9707) (Cont'd)				
	7Z9707	QUILT, AT STIFFENER 29D9460 UPPER, PORT, GROUP	1	-		
	8Z9707	QUILT, BETWEEN STIFFENERS 29-30 D9460 UPPER, STBD, GROUP	1	-		
	9Z9707	QUILT, BETWEEN STIFFENERS 29-30 D9460, UPPER, PORT, GROUP	1	-		
	10Z9707	QUILT AT STIFFENER, 30D9460 UPPER, STARBOARD, GROUP	1	-		
	11Z9707	QUILT, AT STIFFENER 30D9460 UPPER, PORT, GROUP	1	-		
	12Z9707	QUILT, BETWEEN STIFFENERS 30-31, D9460, UPPER, STARBOARD, GROUP	1	-		
	13Z9707	QUILT, BETWEEN STIFFENERS 30-31 D9460, UPPER, PORT, GROUP	1	-		
	15Z9707	QUILT AT STIFFENER, 31D9460 UPPER, PORT, GROUP	1	-		
	16Z9707	QUILT, BETWEEN STIFFENERS 31D9460-10D9493, UPPER, STBD, GROUP	1	-		
	17Z9707	QUILT, BETWEEN STIFFENERS 31D9460-10D9493, UPPER, PORT, GROUP	1	-		
	19Z9707	QUILT, AT STIFFENER 10D9493 UPPER, PORT, GROUP	1	-		
	24Z9707	QUILT, BETWEEN STIFFENERS 32-33 D9460, UPPER, STBD, GROUP	1	-		
	26Z9707	QUILT, AT STIFFENER 33D9460, UPPER, STARBOARD, GROUP	1	-		
	29Z9707	QUILT, BETWEEN STIFFENERS 33-34 D9460, UPPER, PORT, GROUP	1	-		
	33Z9707	QUILT, BETWEEN STIFFENERS 33-34 D9460, CENTRE, LOWER, PORT, GROUP	1	-		
	35Z9707	QUILT, AT STIFFENER 34D9460 LOWER, PORT, GROUP	1	-		
	36Z9707	QUILT, BETWEEN STIFFENERS 33-34 D9460 LOWER STARBOARD, GROUP	1	-		

EQUIPMENT - AIRCRAFT
FIREPROOFING AND SOUNDPROOFING

Ref. No.	Part No.	Description	No. off	Matl. Spec.	Cl. of	Plate and Illust'n No.
					St. M.R.	
		1 2 3 4				
		HEATING INSULATION, REAR PRESSURE BULKHEAD (129707) (Cont'd)				
	37Z9707	QUILT, BETWEEN STIFFENERS 33-34 D9460, LOWER, PORT, GROUP	1	-		
	42Z9707	QUILT, AT STIFFENER, 32D9460 LOWER, . STARBOARD, GROUP	1	-		
	44Z9707	QUILT, BETWEEN STIFFENERS 32D9460 . 1D10331, LOWER STBD., GROUP	1	-		
	45Z9707	QUILT, BETWEEN STIFFENERS 32D9460 . 1D10331, LOWER, PORT, GROUP	1	-		
	46Z9707	QUILT, AT STIFFENER 1D10331, LOWER, . STARBOARD, GROUP	1	-		
	48Z9707	QUILT, BETWEEN STIFFENERS 1D10331 . 31D9460, LOWER STBD., GROUP	1	-		
	53Z9707	QUILT, BETWEEN STIFFENERS 31 30D9460, LOWER, PORT, GROUP	1	-		
	57Z9707	QUILT, BETWEEN STIFFENERS 30-29D9460, LOWER, PORT, GROUP	1	-		
	58Z9707	QUILT, AT STIFFENER 29D9460 LOWER, . STARBOARD, GROUP	1	-		
	62Z9707	QUILT, AT STIFFENER 114D9460 LOWER, STARBOARD, GROUP	1	-		
	68Z9707	QUILT, AT STIFFENER, 33D9460 UPPER, . CENTRE, GROUP	1	-		
	70Z9707	QUILT, BETWEEN STIFFENERS 1D10331 . 31D9460 LOWER, CENTRE, GROUP	1	-		
	71Z9707	QUILT, BETWEEN STIFFENERS 32-33D9460, UPPER, PORT, GROUP (Mod. 748)	1	-		
	81Z9707	QUILT, BETWEEN STIFFENERS 29D9460 . 114D9460, LOWER STBD., GROUP (Mod. 748)	1	-		
	82Z9707	QUILT, BETWEEN STIFFENERS 30 29D9460, LOWER STBD., GROUP (Mod. 748)	1	-		

VULCAN ML 2

EQUIPMENT-AIRCRAFT
FIREPROOFING AND SOUNDPROOFING

Ref. No.	Part No.	Description	No. off	Matl. Spec.	Cl. of St.	Plate and Illust'n No.
					M.R.	
		1 2 3 4				
		HEAT INSULATION, REAR PRESSURE BULKHEAD (129707) (Cont'd)				
	84Z9707	QUILT, BETWEEN STIFFENERS 32-33D9460, LOWER, PORT, GROUP (Mod. 1009)	1	-		
	85Z9707	QUILT, BETWEEN STIFFENERS 32-33D9460, LOWER, STBD., GROUP (Mod. 931)	1	-		
	87Z9707	QUILT, AT STIFFENER, 34D9460 LOWER, . STBD., GROUP (Mod 748)	1	-		
	38Z9707	QUILT, AT STIFFENER 33D9460 LOWER, . STBD., GROUP (Pre-Mod. 972)	1	-		
	88Z9707	QUILT, AT STIFFENER, 33D9460 LOWER, . STBD., GROUP (Mod. 972)	1	-		
	30Z9707	QUILT, AT STIFFENER 34D9460 CENTRE, UPPER, STBD, GROUP (Pre Mod. 980)	1	-		
	89Z9707	QUILT, AT STIFFENER 34D9460 CENTRE, UPPER, STBD., GROUP (Mod. 980)	1	-		
	69Z9707	QUILT, AT STIFFENER, 34D9460 UPPER, . CENTRE, GROUP (Pre-Mod. 980)	1	-		
	90Z9707	QUILT, AT STIFFENER 34D9460 UPPER, .. CENTRE, GROUP (Mod. 980)	1	-		
	32Z9707	QUILT, BETWEEN STIFFENERS 33-34D9460 CENTRE, LOWER, STBD., GROUP (Pre-Mod 980)	1	-		
	93Z9707	QUILT, BETWEEN STIFFENERS 33-34D9460 CENTRE, LOWER, STBD., GROUP (Mod. 980)	1	-		
	94Z9707	QUILT, AT STIFFENER, 1D10331 LOWER, . PORT, GROUP (Mod. 1222)	1	-		
	95Z9707	QUILT, AT STIFFENER 1D10331 LOWER, . CENTRE, GROUP (Mod. 1222)	1	-		
	97Z9707	QUILT, AT STIFFENER 114D9460 LOWER . PORT, GROUP (Mod. 1222)	1	-		
	98Z9707	QUILT, AT STIFFENER 114D9460 LOWER, PORT, GROUP (Mod. 1222)	1	-		

EQUIPMENT-AIRCRAFT
FIREPROOFING AND SOUNDPROOFING

Ref. No.	Part No.	Description	No. off	Matl. Spec.	Cl. of St.	Plate and Illust'n No.
					M.R.	
		1 2 3 4				
		HEAT INSULATION, REAR PRESSURE BULKHEAD (1Z9707) (Cont'd)				
	102Z9707	QUILT, BETWEEN STIFFENERS 29D9460-114D9460, LOWER, PORT, GROUP (Mod. 1222)	1	-		
	107Z9707	QUILT, BETWEEN STIFFENERS 32D9460-10D9493, UPPER STBD., GROUP (Mod. 1174)	1	-		
	28Z9707	QUILT, BETWEEN STIFFENERS 33-34D9460, UPPER, STBD., GROUP (Pre-Mod. 908)	1	-		
	108Z9707	QUILT, BETWEEN STIFFENERS 33-34D9460, UPPER STBD., GROUP (Mod. 908)	1	-		
	109Z9707	QUILT, BETWEEN STIFFENERS 30-31D9460, LOWER, STBD., GROUP (Mod. 1174)	1	-		
	110Z9707	QUILT, BETWEEN STIFFENERS 1D10331-31D9460, LOWER, PORT, GROUP (Mod. 1174)	1	-		
	111Z9707	QUILT, BETWEEN STIFFENERS 32D9460-1D9493, UPPER, PORT, GROUP (Mod. 1174)	1	-		
	112Z9707	QUILT, BETWEEN STIFFENERS 32-33D9460, UPPER, STBD., GROUP (Mod. 1291) (For use on First 26 A/C sets)	1	-		
	114Z9707	QUILT, AT STIFFENER 32D9460 UPPER, .. PORT, GROUP (Mod. 1174)	1	-		
	115Z9707	QUILT, AT STIFFENER 33D9460 UPPER, .. PORT, GROUP (Mod. 1174)	1	-		
	116Z9707	QUILT, AT STIFFENER 34D9460 CENTRE, UPPER, PORT, GROUP (Mod. 1174)	1	-		
	117Z9707	QUILT, AT STIFFENER 34D9460 LOWER, . CENTRE, GROUP (Mod. 1174)	1	-		
	118Z9707	QUILT, AT STIFFENER 33D9460 LOWER, . CENTRE, GROUP (Mod. 1174)	1	-		
	119Z9707	QUILT, AT STIFFENER 32D9460 LOWER, . CENTRE, GROUP (Mod. 1174)	1	-		

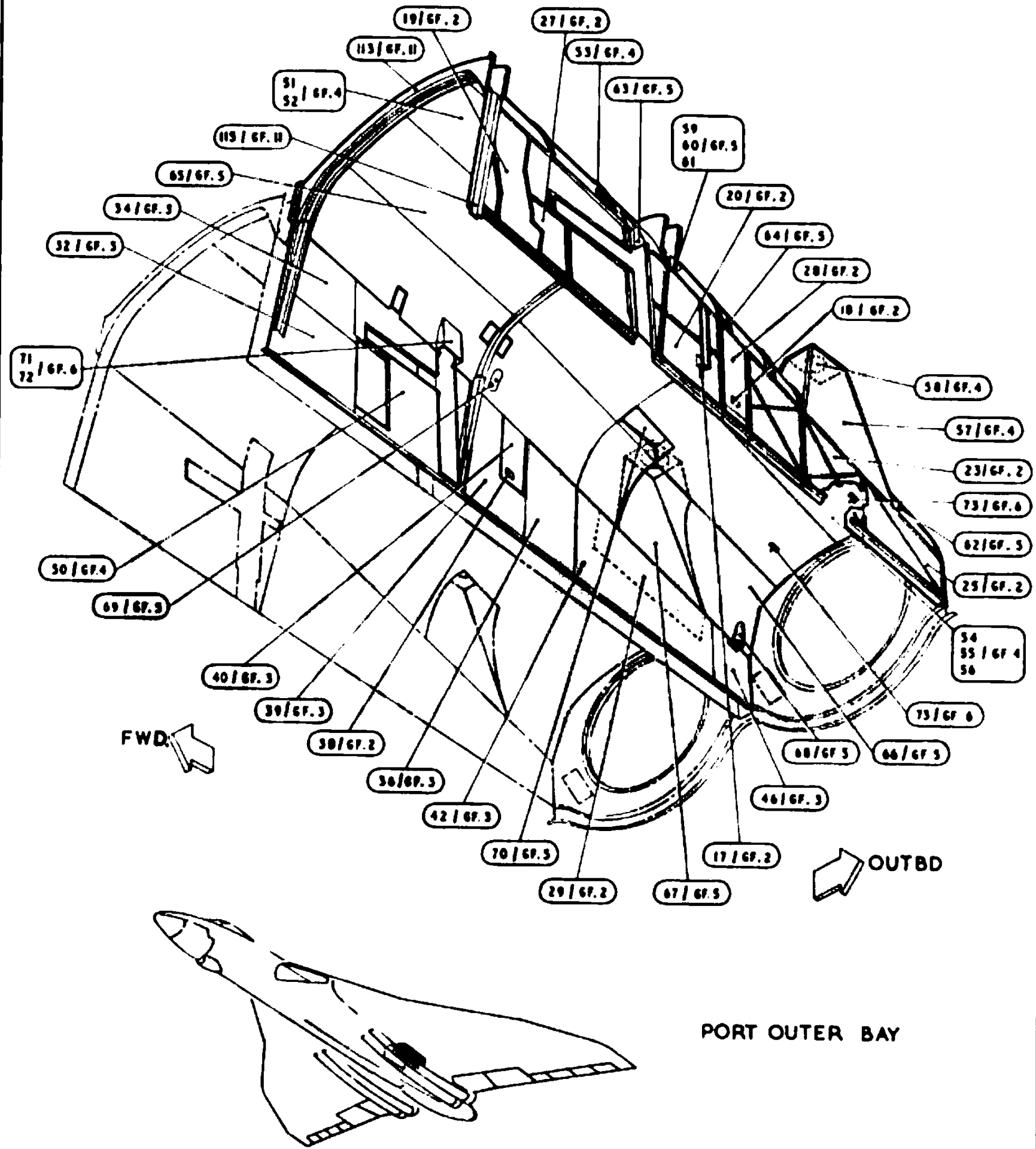
VULCAN ML. 2

EQUIPMENT - AIRCRAFT
FIREPROOFING AND SOUNDPROOFING

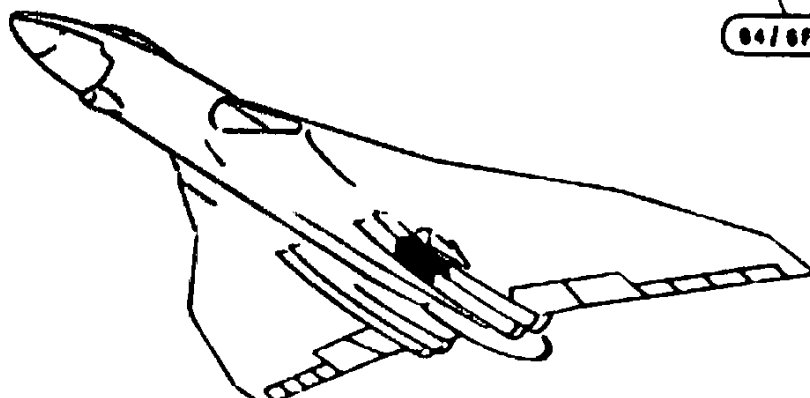
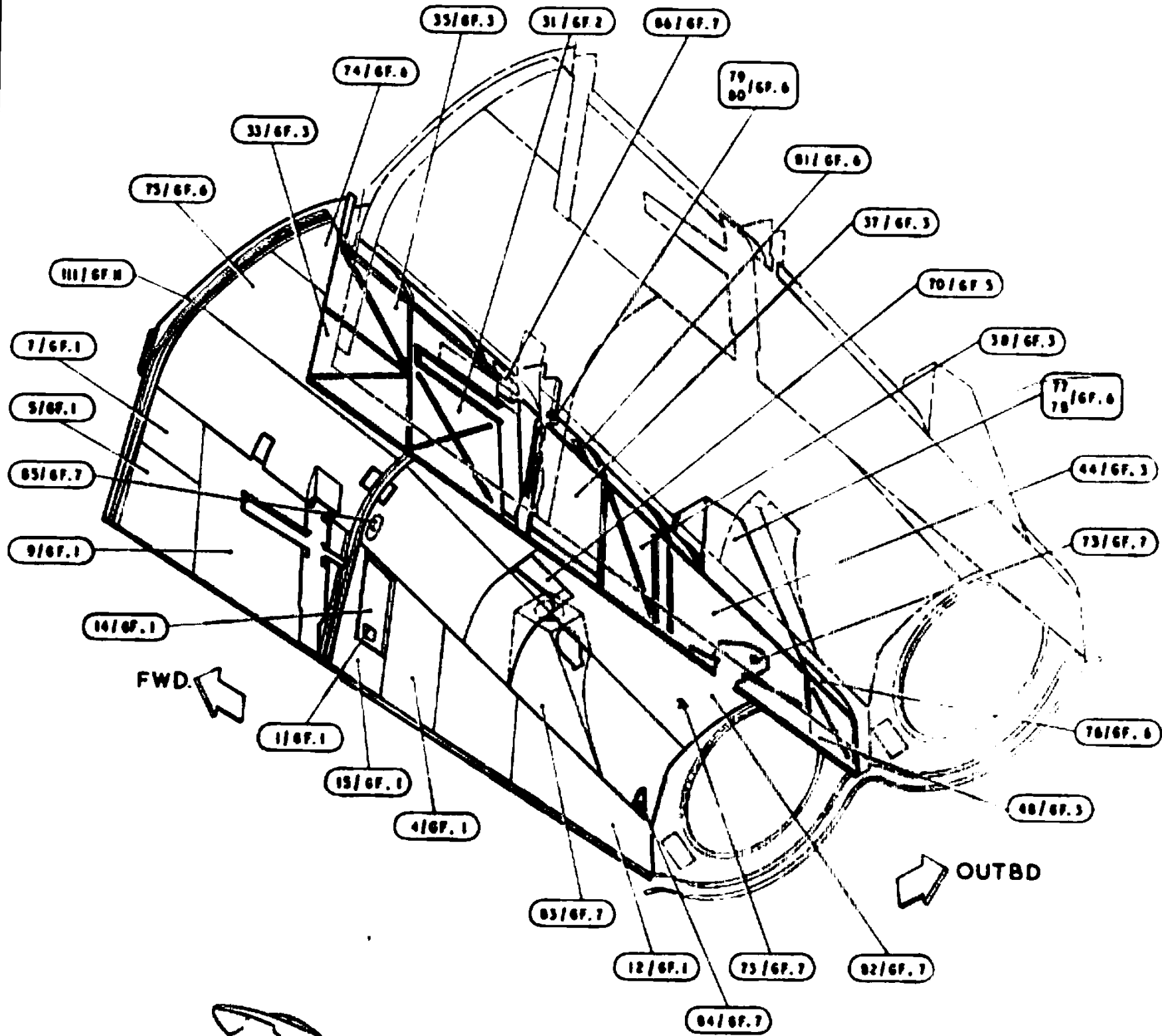
Ref. No.	Part No.	Description	No. off	Matl. Spec.	Cl. of St.	Plate and Illust'n No.
					M.R.	
		1 2 3 4				
		HEAT INSULATION, REAR, PRESSURE BULKHEAD (1Z9707) (Cont'd)				
	120Z9707	QUILT, AT STIFFENER 31D9460 LOWER, . STBD., GROUP (Mod. 1174)	1	-		
	121Z9707	QUILT, AT STIFFENER 31D9460 LOWER, . PORT, GROUP (Mod. 1174)	1	-		
	122Z9707	QUILT, AT STIFFENER 30D9460 LOWER, . STBD., GROUP (Mod. 1174)	1	-		
	123Z9707	QUILT, AT STIFFENER 30D9460 LOWER, . PORT, GROUP (Mod. 1174)	1	-		
	124Z9707	QUILT, BETWEEN STIFFENERS 28-29D9460, UPPER, STBD., GROUP (Mod. 1220)	1	-		
	125Z9707	QUILT, ABOVE STIFFENER 28D9460, UPPER, GROUP (Mod. 1220)	1	-		
	126Z9707	QUILT, AT STIFFENER 28D9460 UPPER, GROUP (Mod. 1220)	1	-		
	127Z9707	QUILT, AT STIFFENER 29D9460 UPPER, .. STBD., GROUP (Mod. 1220)	1	-		
	128Z9707	QUILT, AT STIFFENER 31D9460 UPPER, ... STBD., GROUP (Mod. 1174)	1	-		
	129Z9707	QUILT, AT STIFFENER 10D9493 UPPER, ... STBD., GROUP (Mod. 1220)	1	-		
	130Z9707	QUILT, AT STIFFENER 32D9460 UPPER, ... STBD., GROUP (Mod. 1174)	1	-		
	131Z9707	QUILT, AT STIFFENER 33D9460 LOWER, . PORT, GROUP (Mod. 1174)	1	-		
	132Z9707	QUILT, AT STIFFENER 32D9460 LOWER, . PORT, GROUP (Mod. 1174)	1	-		
	133Z9707	QUILT, AT STIFFENER 29D9460 LOWER, . PORT, GROUP (Mod. 1174)	1	-		
		HEAT INSULATION, REAR COCKPIT RAIL STRUCTURE (Drg. Ref. No. D8754 Sh. 5)				
	314D8754	Spares for:- Blanket, between formers 274-288 18" x 24"	6	-		
	315D8754	Blanket, between formers 274-288 15" x 24"	2	-		

EQUIPMENT-AIRCRAFT
FIREPROOFING AND SOUNDPROOFING

Ref. No.	Part No.	Description	No. off	Matl. Spec.	Cl. of	Plate and Illust'n No.
					St. M.R.	
		1 2 3 4				
		HEAT INSULATION, UNDERBELLY STRUCTURE (Drg. Ref. No. D9550 Sht. 2)				
		Spares for:-				
	25D9550	Adhesive, Pyrobel	QR	-		
	24D9550	Binding, Septum	QR	-		
	20Z7071	Pad, between former 302 station 294.45, 42" x 17"	2	-		
	2Z7072	Pad, between formers 204-218 45" x 15"	4	-		
	3Z7072	Pad, between former 302 & station 294.45, 32" x 15"	2	-		
	5Z7072	Pad, between former 302 & station 294.45, 32" x 14"	4	-		
	6Z7072	Pad, between former 218 & station 228.75, 38" x 15"	3	-		
	7Z7072	Pad, between former 218 & station 228.75, 38" x 14" (Pre-Mod. 2202)	2	-		
	8Z7072	Pad, between former 218 & station 228.75, 11.5" x 11" (Pre-Mod. 2202)	2	-		
	13Z7072	Pad, between former 218 & station 228.75, 22" x 15" (Pre-Mod. 2202)	1	-		
	84D8700	Pad, between former 288 & station 294.45, 16" x 26"	2	-		
	86D8700	Pad, between former 288 & station 294.45, 16" x 30"	2	-		
	87D8700	Pad, between formers 232-288, 22" x 28" ...	4	-		
	88D8700	Pad, centre, at door aperture, port and starboard, 22" x 24"	4	-		
	89D8700	Pad, between formers 232-288, 22" x 36" ...	8	-		
	90D8700	Pad, between former 288 & station 294.45, 15" x 36"	2	-		
	91D8700	Pad, between former 232 & station 228.75, 24" x 18"	4	-		
	92D8700	Pad, between former 232 & station 228.75, 10" x 5"	2	-		
	93D8700	Pad, between former 232 & station 228.75, 6" x 5"	2	-		
	22D9550	Pad, between former 302 & station 294.45, 20" x 16"	3	-		
	23D9550	Pad, between former 288 & station 294.45, 20" x 13"	1	-		
		NOTE:-PADS AND BLANKETS ARE MADE OF:- 1/2" THICK FINE FIBRE GLASS, CRAYTHERM COVERED ONE SIDE ONLY. (L/M from Ref. No. 32B/1288)				
		QUILTS ARE MADE OF:- TWO 1/2" THICK FIBREGLASS SHEETS COVERED ONE SIDE MADAPOLIN & THE OTHER SIDE WITH No. 232 GRAIN VYNIDE, SHADE 1012 OR 1006.				
		PANELS ARE MADE OF:- 1" THICK EXPANDED POLYTHENE.				



EQUIPMENT AIRCRAFT
FIREPROOFING AND SOUNDPROOFING

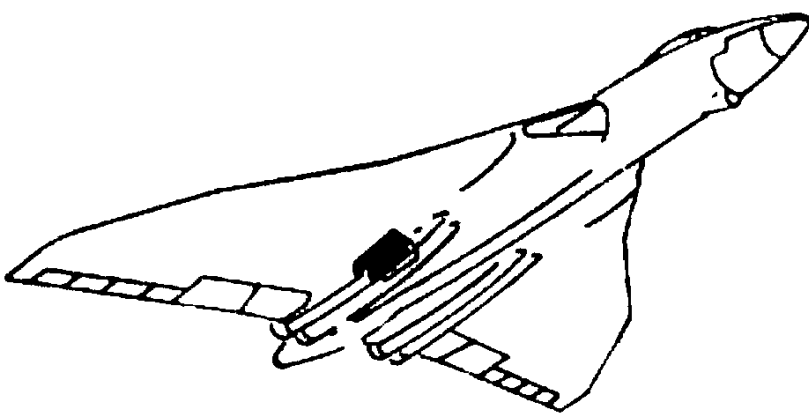
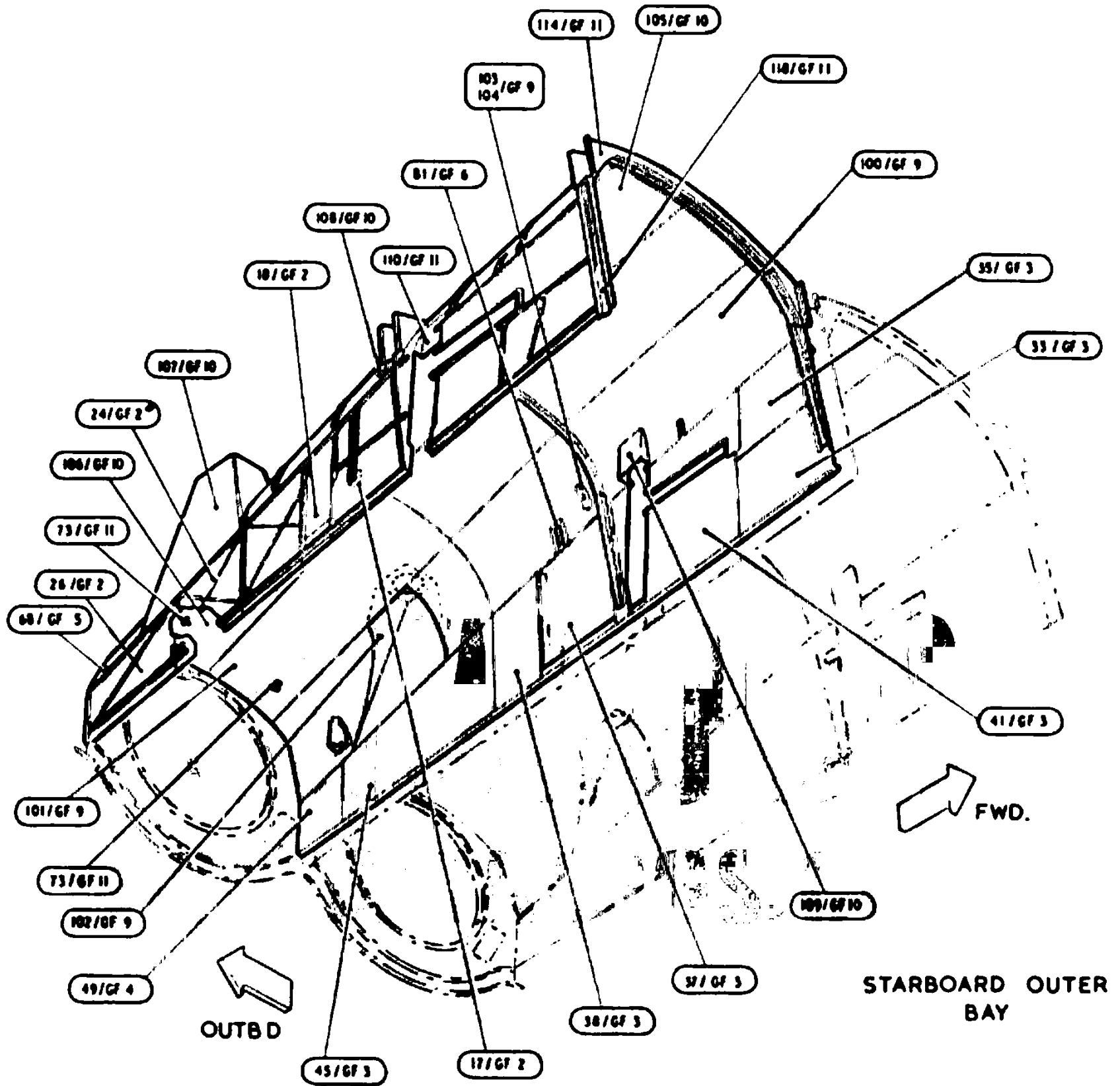


PORT INNER BAY

EQUIPMENT AIRCRAFT
FIREPROOFING AND SOUNDPROOFING

RESTRICTED

PLATE NO. GF 4
ISSUE 2



EQUIPMENT AIRCRAFT
FIREPROOFING AND SOUNDPROOFING

RESTRICTED

VULCAN Mk 2

EQUIPMENT—AIRCRAFT

Page GG. 1

INSTRUMENT PANELS

Ref. No.	Part No.	Description	No. off	Matl. Spec	Cl. of St.	Plate and Illust'n No.
					M.R.	
		1 2 3 4				
		PANELS, INSTRUMENT IN BOMB BAY CENTRE FUSELAGE AND MAIN PLANES				
		Spares for:—				
		PANEL, PORT WING DE-ICING, 17P (1V7686) (See Electrics, Below Air Intakes)				
		PANEL, STARBOARD WING DE-ICING 18P (2V7686) (See Electrics, Below Air Intakes)				
		PANEL, BOMB GEAR DISTRIBUTION, 20P (1V6331) (See Electrics, Centre Fuselage)				
	1V6333	PANEL, T.B. 21P AT BOMB ARCH STATION 151 919A, GROUP (Mod. 1377)	1	—	—	GG12/1
		Spares for:—				
5X/6200370	1V5650	Block, terminal	9	—	C	GG12/2
5X/9402803	—	Block, terminal, 5-way	1	—	C	GG12/3
5X/9402794	—	Cover	1	—	—	GG12/4
	605V6374	Label, "605"	1	L59		
	606V6374	Label, "606"	1	L59		
	607V6374	Label, "607"	1	L59		
	608V6374	Label, "608"	1	L59		
	609V6374	Label, "609"	1	L59		
	610V6374	Label, "610"	1	L59		
	611V6374	Label, "611"	1	L59		
	612V6374	Label, "612"	1	L59		
	613V6374	Label, "613"	1	L59		
	614V6374	Label, "614"	1	L59		
5X/9402800 4679	—	Link, commoning	5	—	C	GG12/5
	22V5650	Link, jumper (Pre-Mod. 1377)	1	—	C	
4680	2V6333	PANEL, LESS EQUIPMENT, GROUP	1	—	B	GG12/6
5X/9402799	—	Socket	5	—	C	GG12/7
5X/4491487	14V5650	Socket, double	5	—	C	GG12/8
5X/4491488	15V5650	Socket, single	26	—	C	GG12/9
		PANEL, FIN DE-ICING, 23P IN BOMB BAY, AFT (3V7686)	—	—	—	GG12/10
		Spares for:—				
5X/6200370	1V5650	Block, terminal	3	—	C	GG12/11
	1V10227	CABLE, LOOM, GROUP	1	—		
	2V6335	COVER, GROUP	1	—	MR	GG12/12
		Spares for:—				
28FP/ 9144248	A4/25	Fastener, Dzus	6	—	C	
28FP/ 9430915	GA4/250	Grommet, Dzus	6	—	C	
10H/0560013	—	Holder, valve, V.H.B.51	1	—	C	GG12/13
	9V5857	Insulator	2	BSS972	—	GG12/14
	844V7728	Label, "TB.844"	1	L72		
	845V7728	Label, "TB.845"	1	L72		
	846V7728	Label, "TB.846"	1	L72		

VULCAN Mk 2		EQUIPMENT—AIRCRAFT							
Page GG. 2		INSTRUMENT PANELS							
Ref. No.	Part No.	Description				No. off	Matl. Spec.	Cl. of St.	Plate and Illust'n No.
		1	2	3	4			M.R.	
		PANEL, FIN DE-ICING, 23P, IN BOMB BAY, AFT (3V7686) (Continued)							
	7V7687	PANEL ASSEMBLY, GROUP				1	—	—	GG12/15
		Spares for:—							
	461SS6003	Label, "461"				1	L59		
	462SS6003	Label, "462"				1	L59		
	463SS6003	Label, "463"				1	L59		
	464SS6003	Label, "464"				1	L59		
	501SS6003	Label, "501"				1	L59		
	502SS6003	Label, "502"				1	L59		
	503SS6003	Label, "503"				1	L59		
	504SS6003	Label, "504"				1	L59		
	505SS6003	Label, "505"				1	L59		
	506SS6003	Label, "506"				1	L59		
28FP/ 9430916	S4/200	Spring, Dzus				6	—	C	
	PLESSEY								
5CW/4400162	7CZ103739/2	Relay, type CH/2CO/28/10				1	—	A	GG12/16
	PLESSEY								
5CW/4400161	7CZ105411/2	Relay, type CH/4CO/28/10				3	—	B	GG12/17
	10V5857	RETAINER, VALVE, GROUP				1	—	MR	GG12/18
		Consisting of:—							
28M/1987493	AGS/2001/A1	Nut, stiff, 6 BA				2	—	C	
28M/1200096	A27/AT	Nut, thin, 6 BA				2	—	C	
	10bV5857	Retainer, valve				1	BSS972		
	TERRT EX 5	Spring, extension				2	—		
	10aV5857	Stud, special				2	S1		
28W/9419473	SP15/A	Washer, 6 BA				2	—	C	
	10aV5857	Stud, special				2	S1		GG12/19
	SUNVIC								
	CONTROLS								
5CW/4400081	601/V	Switch, hot wire vacuum (c/w resistor) ..				1	—	B	GG12/20
		PANEL, 28V, REAR SPAR DISTRIBUTION, 26P (1/V7685) (See Electrics, Power Compartment)							
		PANELS, 200/115V SUB DISTRIBUTION, PORT AND STARBOARD, 27P AND 28P (1 and 2V7713) (See Electrics, Centre Fuselage)							
		PANEL, No. 1 ENGINE TB, 30P (1V6339) (See Electrics, Below Air Intakes)							
		PANEL, No. 2 ENGINE TB, 31P (1V6340) (See Electrics, Below Air Intakes)							

VULCAN Mk 2

EQUIPMENT—AIRCRAFT
INSTRUMENT PANELS

Page GG. 3

Ref. No.	Part No.	Description 1 2 3 4	No. off	Matl. Spec.	Cl. of St.	Plate and Illust'n No.
					M.R.	
		PANEL, No. 3 ENGINE TB. 32P (1V6341) (See Electrics, Below Air Intakes)				
		PANEL, No. 4 ENGINE TB. 33P (1V6342) (See Electrics, Below Air Intakes)				
		PANELS, FIRE EXTINGUISHER, PORT AND STARBOARD, 34P AND 35P (1 and 2V8178) (See Electrics, Undercarriage Bay)				
		PANEL, REFUELLING CONTROL PORT AND STARBOARD, 36P AND 37P (1 AND 2V6891) (See Electrics, Undercarriage Bay)				
		PANEL, UNDERCARRIAGE, TB., PORT, 38P (1V9726) (See Electrics, Undercarriage Bay)				
		PANEL, UNDERCARRIAGE, TB., STARBOARD, 39P (2V9726) (See Electrics, Undercarriage Bay)				
		PANEL, BOMB BAY HEATING, 43P (4V7686) (See Electrics, Centre Fuselage)				
		PANEL, FLIGHT REFUELLING, 45P, PORT, 46P, STARBOARD (7 and 8V7446) (See Electrics, Undercarriage Bay)				
		PANEL, R.A.T.O.G. RELAY, 56P IN BOMB BAY, CENTRE PORTION (1V9781)	—	—	—	GG12/21
		Spares for:—				
5X/6200370	1V5650	Block, terminal	5	—	C	GG12/22
5X/4491769	1V7870	BLOCK, EARTHING, GROUP	1	—	C	GG12/23
		Consisting of:—				
5X/7499	3V7870	Screw, 4 BA, cheese head	2	BS249	C	
5X/7500	4V7870	Socket, double, 3 tier	2	Copper	C	
5X/4491778	5V7870	Washer, lock	2	—	C	
	HELLERMANN					
5K/4345990	HV3113	Bung	1	—	C	
	41SS5302	Bush, ringlock	1	—	MR	GG12/24
6141	3V7585	COVER, 56P, GROUP	1	—	C	GG12/25
		Spares for:—				
28FP/ 9144248	A4/25	Fastener, Dzus	6	—	C	
28FP/ 9430915	GA4/250	Grommet, Dzus	6	—	C	

EQUIPMENT—AIRCRAFT

INSTRUMENT PANELS

Ref. No.	Part No.	Description 1 2 3 4	No. off	Matl. Spec.	Cl. of St.	Plate and Illust'n No.
					M.R.	
		PANEL, R.A.T.O.G. RELAY, 56P, IN BOMB BAY, CENTRE PORTION (V9781) (Continued)				
	639V7728	Label, "TB.639"	1	L59		
	640V7728	Label, "TB.640"	1	L59		
	641V7728	Label, "TB.641"	1	L59		
	642V7728	Label, "TB.642"	1	L59		
	643V7728	Label, "TB.643"	1	L59		
	644V7728	Label, "TB.644"	1	L59		
	1V9778	LOOM, CABLE, GROUP	1	—		
	1V9782	PANEL, LESS EQUIPMENT, GROUP	1	—	—	GG12/26
		Spares for:—				
28FP/ 9425767	S4/200	Spring, Dzus	6	—	C	
	PLESSEY					
5CW/4400161	7CZ105411/1	Relay	2	—	A	GG12/27
5X/4491487	14V5650	Socket, double	2	—	C	GG12/28
5X/4491488	15V5650	Socket, single	26	—	C	GG12/29
		PANEL, A.P.U. FUSE AND RELAY, 62P (1V8182) (See Electrics, in Main Planes)				
		PANEL, BOMB GEAR DISTRIBUTION, 65P (1V8180) (See Electrics, Centre Fuselage)				
		PANEL, ARTIFICIAL FEEL FAILURE WARNING, 66P (1V8783) (See Electrics, Centre Fuselage)				
		PANEL, EXPLOSION SUPPRESSION RELAY, 76P (1V9158) (See Electrics, Centre Fuselage)				
		PANEL, BOMB BAY TANKS RELAY, 78P (1V9724) (See Electrics, Bomb Bay)				
		PANEL, BOMB BAY TANKS RELAY, 80P (1V9770) (See Electrics, Bomb Bay)				
		PANEL, TRACK AND GLIDE, 83P (1V11032) (Mod. 1259 only) (See Equipment, S.O.O.)				
		PANEL, REFUELLING TIME DELAY, 90P, PORT, 91P, STARBOARD (1 and 2V9890) (See Electrics, Undercarriage Bay)				

VULCAN Mk. 2

EQUIPMENT AIRCRAFT
INSTRUMENT PANELS

Page GG. 5

Ref. No.	Part No.	Description	No. off	Matl. Spec.	Cl. of	Plate and Illust'n No.
					St. M.R.	
		1 2 3 4				
		PANELS, INSTRUMENT, CREW'S COMPARTMENT				
		Spares for:—				
		PANEL, PILOT'S INSTRUMENT (16S2304) .	—	—	—	GG3/30
		(Mod. 2180)				
		Spares for:—				
6A/4337780 6417	— 7S2099	Accelerometer (Mk. 2 A) ,	1	—	A	GG3/31
		Bolt, special, 1/4" dia. for attachment centre panel to bottom bracket L.H. and R.H.	2	K. Monel	C	GG3/32
	7S2304	Bracket, at A/V mountings, top and bottom	5	L40	—	GG2/33
1510524	8S2304	Bracket, at A/V mounting, 1st pilot's panel, bottom, outboard	1	L40	C	GG2/34
	2S2099	BRACKET, A/V MOUNTING, OUTBOARD BOTTOM, PORT AND STARBOARD, GROUP	2	—	—	GG2/35
	3S2099	BRACKET, A/V MOUNTING, INBOARD . L.H. BOTTOM, GROUP	1	—	—	GG3/36
	4S2099	BRACKET, A/V MOUNTING, INBOARD . R.H. BOTTOM, GROUP	1	—	—	GG3/37
	5S2099	BRACKET, A/V MOUNTING, PORT AND STARBOARD, TOP, GROUP	2	—	MR	GG2/38
22665	11S2099	BRACKET, ATTACHMENT OF STAR- BOARD PANEL TO CENTRE PANEL, TOP, GROUP	1	—	C	GG3/39
22664	2S2304	BRACKET, ATTACHMENT OF PORT PANEL TO CENTRE PANEL, TOP, GROUP	1	—	C	GG3/40
	6S2304	BRACKET, STOP, GROUP	6	—	MR	GG2/41
		Consisting of:—				
	6aS2304	Bracket (Make from 42SS3075)	1	L40		
	6bS2304	Stop, natural rubber (Shore hardness 40-50)	1	—		
10AJ/169	—	Mounting, anti-vibration	12	—	B	GG2/42

EQUIPMENT AIRCRAFT
INSTRUMENT PANELS

Ref. No.	Part No.	Description	No. off	Matl. Spec.	Cl. of	Plate and Illust'n No.
					St.	
					M.R.	
		PANELS, PILOT'S INSTRUMENT (S2304) (Continued)				
	14S2667	PANEL, PILOT'S CENTRE, GROUP (Mod. 2180) (Free Fall)	1	-	-	GG3/43
	14S2294	PANEL, PILOT'S CENTRE, GROUP (Mod. 2180) (Blue Steel)	1	-	-	GG3/44
5X/6200370	1V5650	Spares for:- Block, terminal	4	-	C	GG4/45
	4S2741	BRACKET, CABLE SUPPORT, GROUP . (Mod. 1631)	1	-	-	GG3/46
	4S2116	BRACKET, U/C INDICATOR SUPPORT, GROUP (Pre-Mod. 2180)	1	-	-	
	7S2079	Bracket, fixing, for attachment of panel, . 1st and 2nd panels L.H. and R.H.	2	-	-	GG3/47
5L/9959118	PAGE A259	Bulb, for illuminated push button switches	3	-	C	GG3/48
6A/1037233	-	Clamp, for tachometers and temp., indicator (10 off Mod. 1888)	9	-	C	GG3/49
	11cSS4205	Clip, at cable support bracket	2	-	MR	
	12cSS4205	Clip, at cable support bracket	1	-	MR	
	17cSS4205	Clip, at cable support bracket	1	-		
5L/9951286	-	Filament	9	-	C	GG3/50
5L/9959118	-	Filament, for pillar light	6	-	C	GG3/51
6A/4338339	SMITHS 11ACR	Gauge, oil pressure	4	-	A	GG3/52
	16S2305	Guard, for jettison switch (Mod. 1888) ..	1	-	-	GG3/53
	SANGAMO WESTON S128/5/62	Indicator, C of G	1	-	A	GG3/54
6A/5821	-	Indicator, electro magnetic	5	-	C	GG3/55
5CZ/4340430	-	Indicator, electro magnetic	10	-	C	GG3/56
5CZ/4340381	-	Indicator, electro magnetic	1	-	B	GG3/57
5CX/4330226	-	Indicator, undercarriage	1	-	A	GG3/58
10Q/16355	-	Indicator (Mod. 1631)	1	-		
5CZ/4340011	DOWTY C5175Y	Indicator, electro magnetic, Mk. 163	1	-	C	GG3/59
5CZ/4337462	C5175Y	Indicator, electro magnetic, Mk. 15 (Mod. 748)	1	-	C	GG3/60

VULCAN Mk. 2

EQUIPMENT-AIRCRAFT
INSTRUMENT PANELS

Page GG. 7

Ref. No.	Part No.	Description				No. off	Matl. Spec.	Cl. of	Plate and Illust'n No.
		1	2	3	4			St. M.R.	
		PANEL, PILOT'S CENTRE (4, 6, 11 and 14S2294) (Cont'd)							
5CZ/4340150	PLESSEY 7CZ107626/75				Indicator, electro magnetic	1	-	C	GG3/61
6A/4337916	SANGAMO WESTON S214/1/11				Indicator, pressure	1	-	A	GG3/62
6A/4337743	SANGAMO WESTON S149/2/17				Indicator, jet pipe temperature	4	-	A	
6A/1105458	A196/1/65				(Pre-Mod. 2253) Indicator, jet pipe temperature	4	-	A	GG3/63
					(Mod. 2253)				
6A/4337865	SANGAMO WESTON S167/1/13				Indicator, control surface	1	-	A	GG3/64
6TB/4545448	-				Indicator, AP trim (Mod. 1888)	1	-		GG3/65
5CW/4405549	-				Label, electro magnetic	6	-	C	
5CW/4405550	-				Label, electro magnetic	1	-	C	
9930	859SS6001				Label, fuel pressure	2	-		
	106SS6002				Label, start	1	-	C	
	107SS6002				Label, stop	1	-		
	454SS6002				Label, jettison (Mod. 1888)	1	-		
	812SS6002				Label, C.G. check	1	L59		
	913SS6002				Label, engine control	1	DTD213		
	953SS6004				Label, Alt-fail	1	L59		
	963SS6004				Label, main warning	1	L59		
	964SS6004				Label, artificial feel	1	L59		
	965SS6004				Label, auto stabiliser	1	L59		
	966SS6004				Label, canopy unlocked	1	L59		
	967SS6004				Label, entrance door unlocked	1	L59		
	968SS6004				Label, pitot heater	1	L59		
	971SS6004				Label, air-brake	1	L59		
	144SS6005				Label, main warning PFC units	1	L59		
	391SS6005				Label, RATOG-master (Pre-Mod. 1631) .	1	L59		
	649SS6005				Label, bomb doors and fin position	1	L59		
	548SS6006				Label, HYD power pack	1	-		
	735V6374				Label, panel break	1	L59		
	738V6374				Label, panel break	1	L59		
	1166V7728				Label, red flood	1	DTD213		
	1571V7728				Label, panel lamp	1	DTD213		
	648SS6005				Label, bomb doors (Blue Steel)	1	-		
	970SS6004				Label, bomb doors (Free Fall)	1	-		
5CX/1143867	-				Lamp, pillar	6	-	C	GG3/68
	22V5650				Link	3	-	MR	GG3/67
	1V9916				LOOM, CABLE, GROUP (Pre-Mod. 748)	1	-		
	1V10025				LOOM, CABLE, GROUP (Mod. 748) ...	1	-		
	13S2294				PANEL, STRUCTURE, GROUP	1	-	-	GG3/68
					(Mod. 1888)				

EQUIPMENT—AIRCRAFT

INSTRUMENT PANELS

Ref. No.	Part No.	Description	No. off	Matl. Spec.	Cl. of St.	Plate and Illust'n No.
					M.R.	
		PANEL, PILOT'S CENTRE (4, 6, 11 and 14S2294) (Cont'd)				
	S3212	Plate, attachment (Mod. 2180)	1	—	—	GG3/69
	1SS4624	Plate, label fixing (Mod. 1888)	1	—	C	GG3/70
5CW/4405759	ROTAX N136931	Plate, switch fixing (Mod. 1888)	1	—	C	GG3/71
6A/5479	SMITHS 1125FS	Selector, M.F.S.	1	—	A	GG3/72
5CW/4405758	ROTAX N136930	Shroud, (Pre-Mod. 1631)	2	—	C	GG3/73
		(3 off Mod. 1888)				
5X/4491487	14V5650	Socket, double	6	—	C	GG3/74
5X/4491488	15V5650	Socket, single	4	—	C	GG3/75
5CW/4400113	N.S.F. 8450/B1	Switch, push button	1	—	C	GG3/70
5CW/6984	DOWTY C1514Y	Switch, U/C push button	1	—	A	
		(Pre-Mod. 1262)				
	DOWTY C2524Y/Mk.D	Switch, U/C push button (Mod. 1262)	1	—		GG3/77
5CW/4400230	PAGE ENG. C331/A/5	Switch, illuminated push button, centre	1	—	C	GG3/78
5CW/4400222	PAGE ENG. C331/C/5	Switch, illuminated push button, outer	1	—	C	GG3/79
5CW/4407828	—	Switch, (Mod. 1139)	1	—	C	GG3/80
5CW/4400280	DOWTY C5148/Mk. 35N	Switch (Pre-Mod. 1631)	1	—	B	
5CW/6209279	—	Switch (Mod. 1888)	1	—	C	GG3/81
6A/1054258	—	Tachometer	4	—	A	GG3/82
	—	PANEL, 1st PILOT'S INSTRUMENTS	—	—		
		(34S2305) (Mod. 2292) (Pre-Mod. 2374)				
	—	PANEL, 1st PILOT'S INSTRUMENTS	—	—		GG1/83
		(35S2305) (Mod. 2374)				
	—	PANEL, 1st PILOT'S INSTRUMENTS	—	—		
		(5S2835) (Mod. 2057, 2292)				
		(Pre-Mod. 2374)				
	—	PANEL, 1st PILOT'S INSTRUMENTS	—	—		
		(6S2835) (Mod. 2057, 2292, 2374)				
		Spares for:—				
6A/6201976	L82621-04-010	Altimeter (Mk.29B) (Mod. 2292)	1	—	A	GG1/84
5X/6200370	1V5650	Block, terminal	1	—	C	GG1/85
9572	24S2113	BRACKET, MANIFOLD, GROUP	1	—	C	GG1/86
6A/3823	—	Clamp, auto pilot trim indicator	2	—	C	GG1/87
1433665	KING A/C C16774	Clamp, radio altitude and autoland	1	—		GG1/88
		phase indicator (Mod. 1203)				
6A/2197	—	Clock (Mk.4)	1	—	A	GG1/89

VULCAN Mk. 2

EQUIPMENT-AIRCRAFT
INSTRUMENT PANELS

Page GG. 9

Ref. No.	Part No.	Description	No. off	Matl. Spec.	Cl. of	Plate and Illust'n No.
					St. M.R.	
		1 2 3 4				
PANEL, 1st PILOT'S INSTRUMENT (S2305) (S2835) (Continued)						
28F/4051943	AGS3095	Connector, pipe (Mod. 2292)	1	-		
6TB/4545362	-	Compass, beam type "D" (Mod. 1154)	1	-	A	GG1/90
28F/18958	AS6712	Elbow (Mod. 2292)	1	-	C	GG1/90A
5L/9959182	-	Filament, (5 off Mod. 1888)	7	-	C	GG1/91
6A/6004	-	Horizon, artificial (Pre-Mod. 2105)	1	-	A	GG1/92
6A/11139	-	Horizon, artificial (Mod. 2105)	1	-	A	
6A/6376	-	Horizon, director (Pre-Mod. 2116)	1	-	A	
6TB/4549620	-	Horizon, director (Mod. 2116)	1	-	A	GG1/93
6A/3360	-	Indicator, airspeed	1	-	A	GG1/94
6A/6762	-	Indicator, side slip (Mod. 985)	1	-	A	GG1/95
6A/4339155	-	Indicator, Mk. 3, climb and descent	1	-	A	GG1/96
6TB/4545548	-	Indicator, radio alt, and auto-land phase ... (Mod. 1203)	1	-	A	GG1/97
PAGE ENG.						
5CX/1038082	C500/C7	Indicator (Mod. 2057)	1	-	C	GG1/98
5CX/1050488	C500/B7	Indicator (Mod. 2057)	1	-	C	GG1/99
5CX/1038083	C500/A7	Indicator (Mod. 2057)	1	-	C	GG1/100
	20SS6005	Label, I.L.S. marker	1	L59		
	166SS6039	Label, T.F.R. warning	1	-		
	167SS6039	Label, T.F.R. fail	1	-		
	168SS6039	Label, T.F.R. video	-	-		
	10SS6006	Label, auto/th. failure (Mod. 908)	1	-		
	1165V7728	Label, TB.1165	1	DTD1213		
5CX/1085815	H2702	Lamp, warning, type "B" (Pre-Mod. 908) ..	1	-	C	
5CX/1143867	01-0495	Lamp, pillar (5 off Mod. 1888)	7	-	C	GG1/101
PAGE ENG.						
5CX/4330431	C500/E8	Lamp, warning (Mod. 908)	-	-	C	GG1/102
	22V5650	Link	1	-	MR	GG1/103
	1V13186	LOOM, CABLE, GROUP (Pre-Mod. 2374) .	1	-		
	or					
	1V13187	LOOM, CABLE, GROUP	1	-		
	1V17484	LOOM, CABLE, GROUP (Mod. 2374)	1	-		
	or					
	1V17485	LOOM, CABLE, GROUP	1	-		
6A/4333270	-	Machmeter	1	-	C	GG1/104
8894	11S2104	Manifold	2	DTD130	C	GG1/105
28F/1037452	AS8599	Nut, union (Mod. 2292)	2	-	C	GG1/105A
	33S2305	PANEL, GROUP (Mod. 2292)	1	-	-	GG1/106
	or					
	4S2835	PANEL, GROUP (Mod. 2292)	1	-		
	139S1980	Pipe, stub, static, 5/16" o/d x 22G at	1	L56	-	GG1/107
	37S2305	Pipe, stub, static, 5/16" o/d x 22G at	1	L56	-	
	140S1980	Pipe, stub, pressure, 5/16" o/d x 22G at ...	1	L56	-	GG1/108
	38S2305	Pipe, stub, pressure, 5/16" o/d x 22G at ...	1	L56	-	

ELECTRICAL INSTALLATION

INSTRUMENT PANELS

Ref. No	Part No.	Description	No. off	Matl Spec.	Cl. of St.	Plate and Illust'n No.
					M.R.	
		1 2 3 4				
		PANEL, 1st PILOT'S INSTRUMENT (S2305) (S2835) (Continued)				
7710	18S2113	Pipe, static, elbow to manifold 5/16" o/d x . 22G x 2-1/8"	1	L56	C	GG1/109
	23S2113	Pipe, pressure, elbow to manifold 5/16" . o/d x 22G x 2-1/8"	1	L56	MR	GG1/110
	8S2305	Pipe, pressure, machmeter to air speed .. indicator, 5/16" o/d x 22G	1	L56	—	GG1/111
	13S2305	Pipe, static, machmeter to air speed indicator, 5/16" o/d x 22G	1	L56	—	GG1/112
	21S2305	Pipe, static to tee piece at rate of climb .. indicator, 5/16" o/d x 22G	1	L56	—	GG1/113
	22S2305	Pipe, static, rate of climb indicator to machmeter 5/16" o/d x 22G	1	L56	—	GG1/114
	23S2305	Pipe, pressure, elbow to tee-piece at machmeter 5/16" o/d x 22G	1	L56	—	GG1/115
	38S2305	Pipe, static, altimeter to air speed indicator, 5/16" o/d x 22G (Mod. 2292)	1	L56	C	GG1/116
	26S2415	Pipe, static, altimeter to elbow 5/16" o/d x 22G x 1-1/4" long	1	L56	MR	GG1/117
	3SK53386	Plate, adaptor (Mod. 2292)	1	—		
6A/6204138	L84380-00-100 ROTAX	Plate, mooring (Mod. 2292)	1	—		GG1/117A
5CW/4405757 28F/19987	N135531/1 AGS3099 ROTAX	Plate, fixing (Mod. 1888)	1	—		GG1/118
		Ring, "O" (Mod. 2292)	1	—	C	GG1/118A
5CW/4405756 5X/4491987	N135530 14V5650	Shroud (Mod. 1888)	1	—	C	GG1/119
5CW/6209279	—	Socket, double	2	—	C	GG1/120
		Switch, tail parachute	2	—	C	
5CX/4330431	PAGE ENG. C500/E8 ROTAX	Switch, I.L.S. maker (Mod. 908)	1	—	C	GG1/121
5CW/6152	D10004	Switch, double pole (Mod. 1888)	1	—	B	GG1/122
5CW/4400288	C180/A8	Switch, push button (Mod. 768)	2	—	C	
6TB/4545355	—	Unit, annunciator (Pre-Mod. 908)	1	—	A	
6A/7041	—	Unit, vibrator (Mod. 1244)	1	—	A	GG1/123
	26S2306	PANEL, 2nd PILOT'S INSTRUMENT, GROUP (Mod. 2292)	1	—		
	5S2836	PANEL, 2nd PILOT'S INSTRUMENT, GROUP (Mod. 2292) Spares for:—	1	—	—	GG2/124
6A/1146374	—	Altimeter, Mk. 30A (Mod. 2292)	1	—	A	GG2/125
5X/6200370	1V5650	Block, terminal	1	—	C	GG2/126
9571	16S2114	BRACKET, MANIFOLD, GROUP ;	1	—	C	GG2/127
5CW/4405620	HV3710	Cap, helvyn, for windscreen wiper switch	1	—	C	GG2/128
6A/3823	—	Clamp, for fuel flow indicator	1	—	C	GG2/129
6A/4333716	—	Clamp, for total flow indicator	1	—	C	GG2/130
6TB/4545362	—	Compass, beam, type "D" (Mod. 1154) ...	1	—	A	GG2/131
28F/4051943	AGS3095	Connector, pipe (Mod. 2292)	1	—		GG2/131A
5X/6621	10V5650	Ferrule	3	—	C	GG2/132

VULCAN No. 2

EQUIPMENT—AIRCRAFT
INSTRUMENT PANELS

Page GG. 11

Ref. No.	Part No.	Description	No. off	Matl. Spec	Cl. of St.	Plate and Illust'n No.
					M.R.	
		1 2 3 4				
		PANEL, 2nd PILOT'S INSTRUMENT (S2306) (Continued)				
5L 9959182	—	Filament	7	—	C	GG2/133
5L 9959182	—	Filament (Mod. 2057)	3	—	C	GG2/134
6TB/4549620	—	Horizon, director (Mod. 2116)	1	—	A	GG2/135
6A/4339155	—	Indicator, Mk. 3Q, climb and descent	1	—	A	GG2/136
10Q/16314	—	Indicator, D.F. bearing, type 1630	1	—	A	GG2/137
	KELVIN & HUGHES					
6A 4378	KAB/505/6K	Indicator, air speed	1	—	A	GG2 138
6A 4254	—	Indicator, total fuel flow	1	—	A	GG2 139
6A/4333686	—	Indicator, fuel flow	1	—	A	GG2/140
6A/6762	—	Indicator, side slip, type K.S.L. 0301 (Mod. 985)	1	—	A	GG2/141
5CZ/1031243	DN1245Z MK. 14 PAGE	Indicator, magnetic	1	—	A	GG2/142
5CX/1038083	C500/A7	Indicator (Mod. 2057)	1	—	C	GG2 143
5CX/1050488	C500/B7	Indicator (Mod. 2057)	1	—	C	GG2/144
5CX/1038082	C500/C7	Indicator (Mod. 2057)	1	—	C	GG2/145
	995SS6002	Label, off-fast-slow	1	L59		
	661SS6004	Label, fuel flow-white flood	1	L59		
	166SS6039	Label, T.F.R. warning	1	L59		
	167SS6039	Label, T.F.R. fail (Mod. 2057)	1	L59		
	20SS6005	Label, I.L.S. marker	1	L59		
	284SS6005	Label, oxy. ind.	1	L59		
	577SS6005	Label, ON (Mod. 969)	1	L59		
	682SS6005	Label, fuel fire warning	1	L59		
	168SS6029	Label, T.R.F. video (Mod. 2057)	1	L59		
	169SS6039	Label, T.F.R. (Mod. 2057)	1	L59		
	295SS6039	Label, high (Mod. 2057)	—	—		
	1167V7728	Label, double socket	1	DTD213		
	616SS6033	Label, radio alt. (Mod. 1888)	1	—		
5CX/1143867	01-0495 PAGE ENG.	Lamp, pillar	4	—	C	GG2/146
5CX/4330404	C500/A8 22V5650	Lamp, warning	2	—	C	GG2/147
	—	Link	1	—	MR	GG2/148
6A/4333270	—	Machmeter	1	—	A	GG2/149
8894	11S2104	Manifold	2	DTD130A	C	GG2/150
28F/1037452	AS8599	Nut, union (Mod. 2292)	2	—	—	GG2/150A
	25S2306	PANEL, GROUP (Mod. 2292)	1	—	—	GG2/151
	or					
	6S2836	PANEL, GROUP	—	—		
	140S1980	Pipe, stub, pressure at manifold 5/16" o/d x 22G (Pre-Mod. 2370)	1	L56	—	GG2/152
	27S2306	Pipe, stub, pressure at manifold 5/16" o/d x 22G (Mod. 2370)	1	L56		
	95S2165	Pipe, stub, static at manifold 5/16" o/d x 22G (Pre-Mod. 2370)	1	L56	—	GG2/153
	28S2306	Pipe, stub, static at manifold 5/16" o/d x 22G (Mod. 2370)	1	L56		
	7S2386	Pipe, pressure, elbow to air speed indicator, 5/16" o/d x 22G x 10" long (Mod. 2292)	1	L56	—	GG2/154
	7S2306	Pipe, pressure, air speed indicator to machmeter, 5/16" o/d x 22G x 5-1/2" long	1	L56	—	GG2/155
	11S2306	Pipe, pressure, elbow to manifold 5/16" o/d x 22G x 2-1/8" long	1	L56	—	GG2/156

EQUIPMENT—AIRCRAFT
INSTRUMENT PANELS

Ref. No.	Part No.	Description 1 2 3 4:	No. off	Mati. Spec.	Cl. of St.	Plate and Illust'n No.
					M.R.	
		PANELS, 2nd PILOT'S INSTRUMENT (S2306) (Cont'd.)				
	12S2306	Pipe, static, elbow to manifold 5/16" o/d x 22G x 2-1/2" long	1	L56	—	GG2/157
	14S2306	Pipe, static, climb and descent indicator to machmeter, 5/16" o/d x 22G x 12" long 22G x 4-1/2" long	1	L56	—	GG2/158
	4S2836	Pipe, 5/16" o/d x 22G (Mod. 2292)	1	L56	—	GG2/159
	19S2306	Pipe, static, elbow to climb and descent .. indicator, 5/16" o/d x 22G x 11" long	1	L56	—	GG2/160
	8S2836	Pipe, static, elbow to air speed indicator, . 5/16" o/d x 22G x 10" long (Mod. 2292)	1	L56	—	GG2/161
	4SK53386	Plate, adaptor (Mod. 2292)	1	—		
5CW/4405759	ROTAX N136931	Plate, shroud fixing	3	—	C	GG2/162
	2SS4624	Plate, shroud fixing, "ON" (made from ... Rotax item N136931)	2	—		GG2/163
	13S4624	Plate, shroud fixing, "re-set" (made from Rotax item N136931)	1	—	—	GG2/164
28F/19987	AGS3099 ROTAX	Ring, "O" (Mod. 2292)	1	—	C	GG2/164A
5CW/4405756	N135530 ROTAX	Shroud, windscreen wiper switch	2	—	C	GG2/165
5CW/4405757	N135531/1	Plate, shroud fixing windscreen wiper ... switch	3	—	C	GG2/166
5CW/4405758	ROTAX N136930	Shroud, windscreen demist-fuel flow white flood	3	—	C	GG2/167
5X/4491487	14V5650	Socket, double	2	—	C	GG2/168
5X/4491488	15V5650	Socket, single	1	—	C	GG2/169
5CW/6152	ROTAX D10004	Switch, d/p windscreen wipers	2	—	B	GG2/170
5CW/6209280	—	Switch, de-mist—white flood	2	—	C	GG2/171
5CW/4408108	DOWTY AS10512B—3	Switch (Mod. 2057)	1	—	A	GG2/172
5CW/1047695	—	Switch, fuel flow	1	—	C	GG2/173
5CW/4408102	DOWTY AS10512A—4	Switch, windscreen de-ice (Mod. 1942) ...	1	—	—	GG2/174
5CX/4330431	PAGE ENG. C500E8	Switch, I.L.S. marker	1	—	C	GG2/175
7089	10S2104	Union, 3-way	2	DTD423	C	GG2/176
6TB/4545355	—	Unit, annunciator	1	—	A	GG2/177
	7S2106	PANEL, INSTRUMENT, PILOT'S PORT OUTER, GROUP (Pre-Mod. 908)	1	—		
	1S2597	PANEL, INSTRUMENT, PILOT'S PORT OUTER, GROUP (Mod. 908) (Pre-Mod. 1204)	1	—		
	4S2597	PANEL, INSTRUMENT, PILOT'S PORT OUTER, GROUP (Mod. 1204)	1	—	—	GG11/178
	3S2106	Spares for:— BRACKET, BOTTOM FIXING, GROUP	1	—	—	GG11/179
	4S2106	BRACKET, TOP FIXING, GROUP	1	—	—	GG11/180

VULCAN Mk 2

EQUIPMENT—AIRCRAFT
INSTRUMENT PANELS

Page GG. 13

Ref. No.	Part No.	Description	No. off	Matl. Spec.	Cl. of St.	Plate and Illust'n No.
					M.R.	
		PANEL, INSTRUMENT, PILOT'S PORT OUTER (S2106) (S2597) (Cont'd)				
5L/9959182	—	Filament	2	—	C	GG11/181
6TB/4545451	—	Indicator, airspeed detector (Mod. 1204) ..	1	—	A	GG11/182
5CZ/4340430	DN1245Z Mk. 1	Indicator, magnetic (Mod. 908)	1	—	C	GG11/183
5CX/1143867	284SS6005	Label, oxy ind. (Mod. 908)	1	L59	—	—
	01—0495	Lamp, pillar (Mod. 908)	1	—	C	GG11/184
	3S2597	PANEL, GROUP (Mod. 908)	1	—	—	—
		(Pre-Mod. 1204)				
	2S2597	PANEL, GROUP (Mod. 1204)	1	—	—	GG11/185
	5S2106	Piece, distance, 1/2" x 1/2" o/d	1	BSS972	—	GG11/186
	6S2106	Piece, distance, .5" x .44"	1	BSS972	—	GG11/187
	14S597	Plate, blanking (Mod. 2263)	1	—	—	—
	2SS6424	Plate, fixing, white flood switches	1	—	—	GG11/188
	2SS4625	Plate, fixing, white flood switches	1	—	—	GG11/189
	ROTAX					
5CW/4405758	N136930	Shroud, white flood switch	1	—	C	GG11/190
5CW/6209280	—	Switch, white flood	1	—	C	GG11/191
6TB/4545355	—	Unit, annunciator (Mod. 908)	1	—	A	GG11/192
	6S2099	Stud, special, for attaching centre panel to fuselage, 1/4" BSF	2	Monel	MR	GG2/193
6418	12S2099	Stud, special, for attaching panels to A/V .. mounting brackets, 1/4" BSF	6	Monel	C	GG3/194
	1S2491	PANEL, REAR, CENTRE CONSOLE,	1	—	—	GG4/195
		GROUP (Mod. 924)				
		Spares for:—				
5CW/4400860	HV4269	Cap, helvyn, black	7	—	C	—
5CZ/4340430	DN1245Z Mk. 1	Indicator, Mag. Dowty Type "A"	2	—	A	GG4/196
1433211	1V9534	LIGHT, RED FLOOD, GROUP	2	—	C	GG4/197
		Spares for:—				
	3V9534	Lampholder	1	—	—	—
1433477	4V9534	Screen (Red)	1	Cellastoid	C	—
	HELLERMANN					
5X/9462953	HC306	Lug	4	—	—	—
	2S2491	PANEL, GROUP	1	—	—	GG4/198
	3S2374	Plate, insulating	2	BS2966	—	GG4/199
	4S2374	Plate, retaining	2	BS2966	—	GG4/200
	5S2374	Plate, locking	2	BS2966	—	GG4/201
	6S2374	Screw, special (Made from A43/820)	2	Brass	—	GG4/202

EQUIPMENT—AIRCRAFT
INSTRUMENT PANELS

Ref. No.	Part No.	Description	No. off	Matl. Spec.	Cl. of St.	Plate and Illust'n No.
					M.R.	
		1 2 3 4				
		PANEL, REAR, CENTRE CONSOLE, GROUP (1S2491) (Cont'd.)				
5CW/6205224	N.S.F. Ltd. 26145/16	Switch	7	—	C	GG4/203
	1S2405	PANEL, CENTRE CONSOLE, GROUP	1	—	—	GG4/204
5CW/4400880	HV4269	Spares for:— Cap, helvyn, black	21	—	C	GG4/205
28E/4062094	6bSS4205	Clip (Pre-Mod. 2513)	1	—	MR	
	AS4689	Clip (Mod. 2513)	2	—	C	
	10cSS4205	Clip	1	—	MR	
11643	14cSS4211	Clip	1	—	MR	
5CW/4222	16cSS4211	Clip	1	—	C	
	—	Guard, switch, C of G transfer	2	—	C	GG4/206
5CZ/4335672	DOWTY C5175Y/Mk. 7	Indicator, magnetic	3	—	B	GG4/207
	2S2405	PANEL, LESSEOPT., GROUP	1	—	—	GG4/208
	3S2405	Spares for:— Hinge, (Made from AS1878/45)	1	—	—	
5CW/1047694	—	Switch, C of G transfer	2	—	C	GG4/209
5CW/4407828	—	Switch, receiver, C of G control	1	—	C	GG4/210
5CW/4400085	N.S.F. Ltd. 8295B109	Switch, push button, off	14	—	B	GG4/211
5CW/4400113	N.S.F. Ltd. 8450/B1	Switch, push button, off	18	—	B	GG4/212
5CW/4400082	N.S.F. Ltd. 8375/B104	Switch, open	3	—	B	GG4/213
5CW/6205224	N.S.F. Ltd. 26145/16	Switch, auto manual	4	—	C	GG4/214
5310-99- 9436077	1906/1	Washer, C-G transfer and receiver	6	—	C	GG4/215
	1S2395	PANEL, FUEL CONTENTS (BOMB BAY TANK), BEHIND 1st PILOT'S SEAT, GROUP	1	—	—	GG4/216
		Spares for:—				
26TA/17105	3SS5302	Bush, ring lock	2	—	—	
26TA/11135	12SS5302	Bush, ring lock	1	—	—	
11422	2SS4204	Grommet	1	—	C	
6A/6663	SMITHS AQ/60	Indicator, fuel contents (Pre-Mod. 2373)	1	—	A	
6A/6208550	AQ/78	Indicator, fuel contents (Mod. 2373, Part A)	1	—	A	GG4/217
6A/6208551	AO/79	Indicator, fuel (Mod. 2373, Part B)	1	—	A	GG4/217
	454SS6039	Label	1	L59	—	
5CX/1143214	—	Lampholder (Mod. 1509)	1	—	B	GG4/218
5L/9959182	—	Lamp, midget panel (Mod. 1509)	2	—	C	GG4/219
	2S2395	PANEL, LESSEOPT., GROUP	1	—	—	GG4/220
	10SS42499	Plug, rubber (Mod. 924) (Pre-Mod. 1509)	1	—	MR	
5CW/1092271	DOWTY C5162Y/Mk. 16	Switch, push button (Mod. 1509)	2	—	B	GG4/221
5CW/4405522	—	Switch, dimmer	1	—	A	GG4/222
	3S2395	Washer, special, attachment panel to seat	4	—	C	

VULCAN Mk. 2

EQUIPMENT-AIRCRAFT
INSTRUMENT PANELS

Page GG. 15

Ref. No.	Part No.	Description	No. off	Matl. Spec.	Cl. of	Plate and Illust'n No.
					St. M.R.	
		1 2 3 4				
		PANEL, FUEL CONTENTS (BOMB BAY, TANK BEHIND 1st PILOT'S SEAT) (1S2395) (Continued)				
		Attachments for Panel Part No. 1S2395				
28D/9133012	A25/3C	Bolt, 2 BA	4	-	C	
28M/1012015	AGS2001/C1/66	Nut, stiff, 2 BA	4	-	C	
28W/9419475	SP15/C	Washer, 2 BA	4	-	C	
	9S2150	PANEL, 2P FUEL CONTENTS AT PILOT'S ENGINE CONSOLE, GROUP	1	-	-	GG4/223
		Spares for:-				
6A/6424233	-	Altimeter cabin, Mk. 21A	1	-	A	GG4/224
6A/3823	-	Clamp, for 2" dia. inst-case	1	-	C	GG4/225
6A/6430	SMITH WEYMOUTH AO/69	Indicator, fuel contents	2	-	A	GG4/226
6A/4338503	SMITH WEYMOUTH AO/70	Indicator, fuel contents	2	-	A	GG4/227
	2S2150	LID, ASSEMBLY, GROUP	1	-		
		Spares for:-				
	89SS6002	Label, No. 1 engine	1	L59		
	70SS6002	Label, No. 4 engine	1	L59		
10590	877SS6001	Label, No. 2 engine	1	L59	C	
10591	878SS6001	Label, No. 3 engine	1	L59	C	
	232SS6002	Label, rudder trim p & s	1	L59		
	504SS6004	Label, rudder art-feel relief	1	L59		
	6S2150	LID, WELDED, GROUP	1	-	-	GG4/228
5CW/4405759	ROTAX N136931	PLATE, shroud fixing	4	-	C	GG4/229
5CW/4405758	ROTAX N136930	Shroud, rudder trim switch	2	-	C	GG4/230
5CW/5060	-	Shroud, push button switch	1	-	C	GG4/231
9822	8S2150	Tab, rudder trim switches	2	-	C	GG4/232
5CW/4407828	-	Switch, S/P, rudder trim (For A/C not fitted with Mod. 445)	2	-	A	
5CW/4178	-	Switch, S/P, rudder trim (For A/C fitted with Mod. 445)	2	-	B	GG4/233
5CW/6362390	-	Switch, push button	1	-	A	GG4/234
28W/1097257	B & C 1906/1	Washer, spring, at rudder trim switch	4	-	C	
28D/1213051	AS4566/ 1/2C	Attachments for Panel, Part No. 9S2150				
		Bolt	4	-	C	
	1V6984	PANEL, TEMP. SELECTOR, FIN AND WING, DE-ICING AT FORMER 316, PILOT'S FLOOR, STARBOARD	1	-		GG4/235
		Spares for:-				
	5V/6984	PANEL, SELECTOR, GROUP	1	-	-	GG4/236
		Spares for:-				
	265SS6002	Label, temp. select de-icing	1	DTD213		
	266SS6002	Label, fin	1	DTD213		

EQUIPMENT-AIRCRAFT
INSTRUMENT PANELS

Ref. No.	Part No.	Description	No. off	Matl. Spec.	Cl. of	Plate and Illust'n No.
					St. M.R.	
		1 2 3 4				
		PANEL, TEMP. SELECTOR, FIN AND WING DE-ICING AT FORMER 316, PILOT'S FLOOR STARBOARD (Continued)	1	-	A	
	267SS6002	Label, port wing	1	DTD213		
	268SS6002	Label, starboard wing	1	DTD213		
	2V6984	Panel	1	DTD118A		
5CZ/4335570	TEDDINGTON FHK/A/20	Selector, temperature	3	-	A	GG4/237
		Attachments for Panel Part No. 5V6984				
28D/1007982	AS1248/1C	Bolt	3	-	C	
		PANEL, NAVIGATOR, PLOTTER (1S2360) (Pre-Mod. 748)	-	-		
		PANEL, NAVIGATOR, PLOTTER (14S2360) (Mod 748)	-	-		
		PANEL, NAVIGATOR, PLOTTER (45S2360) (Mod 2177)	-	-		GG5/238
		Spares for:-				
5X/4500051	AS2736 OR S2148	Block, fuse (Mod 1300)	1	-	C	GG5/239
5X/6200370	1V5650	Block, terminal	1	-	C	GG5/240
26FP/13993	3SS1979	Bond, braid, flex copper	1	-	C	
	4V10252	Disc, blanking (Mod. 1078)	2	-	-	GG5/241
	3V10253	Disc, blanking (Mod. 1078)	1	-	-	GG5/242
5L/9959118	-	Filament (Mod. 1214)	1	-	C	GG5/243
5CW/1039506	-	Guard, fin door emergency switch	1	-	C	GG5/244
6D/2237	-	Gauge, oxygen (Pre-Mod. 748)	2	-	A	
	15SS4204	Grommet	3	-		
10F/9561624	PAGE ENG. C500/C8	Indicator, press to test (Mod. 1214)	1	-	-	GG5/245
5CZ/4337462	DOWTY C5175/MK. 15	Indicator, electro magnetic, 3 position (Mod. 748)	1	-	B	GG5/246
5CZ/4340430	DN1245/MK 1	Indicator, oxygen (Mod. 748)	1	-	A	GG5/247
6A/3682	-	Indicator, temperature (Mod. 1451)	1	-	A	GG5/248
	806SS6004	Label, chartboard light	1	L59		
	809SS6004	Label, loss of cabin pressure	1	L59		
	583SS6005	Label, oxygen (Mod. 748)	1	L59		
	622SS6005	Label, normal-emergency-fin doors (Mod. 748)	1	L59		
	241SS6006	Label, T.C.U. and auto landing inst. lights	1	L59		
	431SS6006	Label, start-stop-A/C hyd. unit (Mod. 1214)	1	L59		
	432SS6006	Label, start-stop-A/C refrign. unit (Mod. 1214)	1	L59		
	965SS6006	Label, start-home-E.P.C.U. (Mod. 1214)	1	L59		
	270SS6030	Label, refrigeration heaters (Mod. 1709)	1	L59		
12462	401SS6030	Label, F.C.M. coolant temp. (Mod. 1451)	1	L59	C	
	1158V7728	Label, terminal block	1	DTD213		
	172C6375	Label (Mod. 1300)	1	-		
5CX/1085815	H2702	Lamp, warning	1	-	A	GG5/249
10F/9561624	C500/C8	Lamp, warning (Mod. 1214)	1	-	C	
6TB/4545450	-	Meter, test (Pre-Mod. 2263)	1	-	A	GG5/250

VULCAN Mk 2

EQUIPMENT AIRCRAFT
INSTRUMENT PANELS

Ref. No.	Part No.	Description	No. off	Matl. Spec.	Cl. of St.	Plate and Illust'n No.
					M.R.	
		PANEL, NAVIGATOR'S, PLOTTER (S2360) (Continued)				
	1S2358	PANEL, FUEL, CONTENTS, GROUP	1	—	—	GG5/251
5L/9959182	—	Spares for:— Filament	1	—	C	
	3S2358	PANEL, LESS WIRING, GROUP	1	—		
		Spares for:—				
6A/4333554	AG14	Gauge, Smiths fuel contents	2	—	A	GG5/252
6A/4333555	AG15	Gauge, Smiths fuel contents	2	—	A	GG5/253
10Q/16314	—	Indicator, ADF-DF bearing	1	—	A	GG5/254
5CX/1143867	01-0495	Lamp, pillar	1	—	C	GG5/255
	2S2358	PANEL, ASSEMBLY, GROUP	1	—	—	GG5/256
		Spares for:—				
	846SS6004	Label, No. 1 engine	1	L59		
	847SS6004	Label, No. 2 engine	1	L59		
	848SS6004	Label, No. 3 engine	1	L59		
	849SS6004	Label, No. 4 engine	1	L59		
	43S2360	PANEL, STRUCTURE, GROUP	1			
		(Mod. 2177)				
		Spares for:—				
	41S2360	BRACKET, STOWAGE, GROUP	1	—		
	34S2360	Bracket, plug stowage	1	—		
28FP/4062758	FJ3/40	Fastener, Dzus (Pre-Mod. 748)	4	—	C	
28FP/9483308	FJ4/50	Fastener, Dzus (Mod. 748)	4	—	C	
28FP/9489248	121SS6065	Label	1	—		
	122SS6065	Label	1	—		
	123SS6065	Label	1	—		
	124SS6065	Label	1	—		
	125SS6065	Label	1	—		
	126SS6065	Label	1	—		
10AJ/1201980	—	Mounting, A/V, top (Mod. 715)	2	—	B	
10AJ/1201982	—	Mounting, A/V, bottom (Mod. 715)	2	—	B	
	33S2649	Panel	1	—	—	GG5/257
	30S2415	PANEL, NAV. PLOTTER'S INSTRUMENT, GROUP (BLUE STEEL) (Mod. 1888)	1	—		
	31S2415	PANEL, NAV. PLOTTER'S INSTRUMENT, GROUP (FREE FALL) (Mod. 1888)	1	—		GG5/258
		Spares for:—				
6A/82671	—	Altimeter, Mk. 19F (Mod. 1702)	1	—	A	GG5/259
10Q/16459	—	Altimeter, radio (Mod. 1888)	1	—	A	GG5/260

EQUIPMENT AIRCRAFT
INSTRUMENT PANELS

Ref. No.	Part No.	Description	No. off	Matl. Spec.	Cl. of St.	Plate and Illust'n No.
					M.R.	
		1 2 3 4				
		PANEL, NAV. PLOTTER'S INSTRUMENT (S2360) (Cont'd)				
5X/6200370	1V5650	Block, terminal	4	—	C	GG5/261
11648	1T4864	BOX, JUNCTION, GROUP	1	—	A	GG5/262
	2T4864	Spares for:— BOX, GROUP	1	—		
	933SS6003	Spares for:— LABEL, 933	1	L59		
	934SS6003	Label, 934	1	L59		
	3T4864	BOX, TOP, GROUP	1	—		
	4V9636	Spares for:— BLOCK, TERMINAL, GROUP	1	—		
5E/1118763	5T4864	Cable, black, type 2-16/0.2 mm x 1' 0" long	1	—	C	
5E/1118763	6T4864	Cable, black, type 2-16/0.2 mm x 3' 0" long	1	—	C	
10H/0970055	—	Cap, protective	1	—	C	
10H/0560585	—	Plug, fixed	2	—	B	
10H/0560265	—	Socket, fixed	1	—	B	
	3S2309	Bracket, attachment, top	2	L40	—	GG5/263
	20S2415	Bracket, attachment, bottom	2	—	—	GG5/264
5CX/1143214	01—0460	Bridge, pillar light (3 off Mod. 1888) ...	2	—	C	GG5/265
	AGS838/8	Bush, at pipe connections	11	—		
6A/1061012	—	Connector, static, and pressure	2	—	C	
	11S2415	Dowel	2	S1		
5L/9959118	—	Filament (8 off Mod. 1888)	7	—	C	
	5SS4204	Grommet	4	—		
6A/4333387	—	Gauge, air temperature	1	—	A	GG5/266
	KELVIN HUGHES					
6A/4333759	KAB/0505/K	Indicator, air speed	1	—	A	GG5/267
6A/1105620	Type M2372	Indicator, fatigue consumption	1	—	A	GG5/270A
	1159V7728	(Mod. 2388)				
	1160V7728	Label, TB.1159	1	DTD213		
	1163V7728	Label, TB.1160	1	DTD213		
	1164V7728	Label, TB.1163	1	DTD213		
5CX/1143867	01-0495	Label, TB.1164	1	DTD213		
	MARCONI	Lamp, pillar	3	—	C	GG5/268
	RID1004/C	LOCK, DEVICE, EDN-C	2	—	—	GG5/269
	AGS838/4	Nut, for pipe connections	9	—		
	29S2415	PANEL, ASSEMBLY, GROUP	1	—		
	15S2415	(Free Fall)				
	355SS6005	PANEL, ASSEMBLY, GROUP	1	—		
	626SS6005	(Blue Steel)				
	627SS6005	Spares for:— Label, steering signal test	1	L59		
	6S2309	Label, outside air temp.	1	L59		
		Label, true track-magnetic heading ..	1	L59		
		Pipe, A.S.I. to connector 5/16" o/d x 22G x 17" long	1	L54	MR	GG5/270

VULCAN MA 2

EQUIPMENT AIRCRAFT
INSTRUMENT PANELS

Page GG. 19

Ref. No.	Part No.	Description	No. off	Matl. Spec.	Cl. of St.	Plate and Illust'n No.
					M.R.	
		1 2 3 4				
		PANEL, NAV. PLOTTER'S INSTRUMENT (S2415) (Cont'd)				
	24S2415	Pipe, altimeter to connector 5/16" o/d x 22G (Mod. 1244)	1	L54	MR	GG5/271
	25S2415	Pipe, A.S.I. to altimeter, 5/16" o/d x 22G (Mod. 1244)	1	L54	MR	GG5/272
	26S2415	Pipe, altimeter to 3-way union 5/16" o/d x 22G x 1-1/4" long (Mod. 1244)	1	L54	MR	
	4S2309	Plate, union attachment	1	L72	—	GG5/273
6TB/4543394	—	Repeater, navigator's compass (Mod. 1851)	1	—	A	
6TB/1558	—	Repeater, navigator's compass (Mod. 1852)	1	—	A	GG5/274
5X/4491488	15V5650	Socket, single	20	—	C	GG5/275
28F/1046307	AGS838/1	Union, straight	2	—	C	
28F/1046309	AGS838/3	Union, elbow	1	—	C	
7089	10S2104	Union, 3-way	1	—	C	
6TB/4545307	—	Unit, track control (Mod. 925) (Pre-Mod. 1513)	1	—	A	
6TB/4545348	—	Unit, track control (Mod. 1513)	1	—	A	GG5/276
6A/4338811	—	Unit, vibrator (Mod. 1244)	1	—	A	GG5/277
10L/291	—	Panel, window launch control	2	—	A	GG5/278
	24S2360	Plate, blanking (Mod. 2263)	1	—		
	25S2360	Plate, blanking (Mod. 2263) (Pre-Mod. 2388)	1	—		GG5/278A
	9SS4491	Plate, fixing, at switch, fin doors emergency (Mod. 748)	1	—		
	10SS4492	Plate, fixing, at switch, fin doors emergency (Mod. 748)	1	—		
	2SS4624	Plate, fixing, at roof light—light under table and pen heater switches	5	—		
	8SS4624	Plate, fixing, at switch, normal fin door	1	—		
	8SS4625	Plate, fixing, at switch, normal fin door	1	—		
5CW/4405759	N13691	Plate, fixing, at switches	7	—	C	
10H/0560700	—	Plug, fixed (Mod. 1078)	1	—	B	GG5/279
10H/0560760	—	Plug, fixed (Mod. 1078)	2	—	B	GG5/280
10H/1123441	CANNON CA2182/5	Receptacle, dummy (Mod. 1078)	1	—	C	GG5/281
5X/9998066	CANNON CA2182/7	Receptacle, dummy (Mod. 1078)	1	—	C	GG5/282
5X/4491487	14V5650	Socket, double	2	—	C	GG5/283
5X/4491488	15V5650	Socket, single	1	—	C	GG5/284
5CW/5060	—	Shroud (Mod. 748)	5	—	C	
5CW/4405758	ROTAX N136930	Shroud, at switches	6	—	C	
5CW/4405756	ROTAX N135530	Shroud, at switch, fin door emergency	1	—	C	
5CW/4405520	—	Switch, dimmer	1	—	B	GG5/285
5CW/4405515	—	Switch, dimmer	1	—	B	GG5/286
5CW/2007871	C5162Y Mk.2	Switch, start (Mod. 1078)	1	—	B	GG5/287
5CW/9438526	C5162Y Mk.3	Switch, push button	2	—	B	GG5/288
5CW/6362390	C5162Y Mk.4	Switch, push burron	1	—	B	GG5/289
5CW/6209279	—	Switch, cabin light	1	—	C	GG5/290

EQUIPMENT AIRCRAFT

INSTRUMENT PANELS

Ref. No.	Part No.	Description	No. off	Matl. Spec.	Cl. of St.	Plate and Illust'n No.
					M.R.	
		1 2:3 4				
		PANEL, NAVIGATOR'S PLOTTER (S2360) (Cont'd)				
5CW/1047690	—	Switch	4	—	A	GG5/291
5CW/6209279	—	Switch, normal fin doors (Mod. 748)	1	—	C	GG5/292
5CW/1047697	—	Switch (Mod. 748)	1	—	B	GG5/293
10L/16716	—	Unit, control (Mod. 1204)	1	—	A	GG5/294
		PANEL, NAVIGATOR'S PORT, GROUP	—	—		GG6/295
		(WITH BLUE STEEL) (1T7785) (Mod. 2155 AND Pre-Mod. 2300) (1T8074) (Mod. 2300) AND 1S3710 (Mod. 2304, Part "B")				GG6B/523
		PANEL, NAVIGATOR'S PORT, GROUP	—	—		
		(WITHOUT BLUE STEEL) (1T7784) (Mod. 2155 AND Pre-Mod. 2300) (1T8075) (Mod. 2300) AND 1S3711 (Mod. 2304, Part "C")				GG6B/524
		Spares for:—				
	1S3554	PANEL, BLANK, GROUP (Mod. 2304,	1	—		GG6B/525
		Part "B")				
	1S3552	PLATE, ADAPTOR, GROUP (Mod. 2304, ..	1	—		GG6B/526
		Part "C")				
	1S2412	PANEL, OPERATING AND	1	—		
		MONITORING CONTROL, GROUP				
		(WITH BLUE STEEL) (Mod. 748)				
	1S3294	PANEL, MOUNTING, GROUP (WITH	1	—		
		BLUE STEEL) (Mod. 2155 AND				
		(Pre-Mod. 2300)				
	1S3430	PANEL, MOUNTING, GROUP (WITH	1	—		
		BLUE STEEL) (Mod. 2300) (Mod. 2304,				
		Part "C")				
	1S3295	PANEL, MOUNTING, GROUP	1	—		
		(WITHOUT BLUE STEEL) (Mod. 2155				
		AND Pre-Mod. 2300)				
	1S3431	PANEL, MOUNTING, GROUP	1	—		
		(WITHOUT BLUE STEEL) (Mod. 2300)				
		(Mod. 2304, Part "B")				
		Spares for:—				
5CW/4400860	HV.4629	Cap. helvin	9	—	C	GG6/297
	KING A/C					
	C12956	Clamp, instrument mounting	8	—		
26FP/13093	8SS3624	Clip	1	—	C	
	6S2412	Cover, painted red (Made from Dowty	1	—		GG6/298
		Pt. No. D7617Y)				
5L/9959118	—	Filament	20	—	C	
	SANGAMO					
	WESTON					
6A/6572	S149-1-133	Gauge, H.T.P. temp. fwd. top	1	—	A	GG6/299
6A/6573	S149-1-134	Gauge, H.T.P. temp. aft top	1	—	A	GG6/300
6A/6577	S149-1-136	Gauge, H.T.P. A.P.U. tank	1	—	A	GG6/301
	S149-2-242					
	OR					
5Q/4348434	S149-2-137	Gauge, alternator control	1	—	A	GG6/302
6A/8574	S216-1-21	Gauge, H.T.P. temp. fwd., bottom aft	1	—	A	GG6/303
		bottom				
6A/6578	S216-1-23	Gauge, steam, P.S.I.	1	—	A	GG6/304
6A/6571	S216-1-20	Gauge, start, fuel	1	—	A	GG6/305
6A/4338993	S216-1-27	Gauge, hyd. P.S.I. and temp.	1	—	A	GG6/306

VULCAN Mk. 2

EQUIPMENT AIRCRAFT
INSTRUMENT PANELS

Page GG. 21

Ref. No.	Part No.	Description	No. off	Matl. Spec.	Cl. of	Plate and Illust'n No.
					St. M.R.	
		1 2 3 4				
		PANEL (1S2412, 1S3294, 1S3295, 1S3430 AND 1S3431) (Cont'd)				
	8S2412	GUARD, SWITCH, GROUP	2	-	-	GG6/307
	5CS2412	Spares for:- Spring, torsion	1	-		
5CZ/7199	DOWTY C5165Y/MK1P	Indicator, electro magnetic 2 position ... (Mod. 1687)	1	-	B	GG6/308
5CZ/6892	DOWTY C5165Y/MK2P	Indicator, electro magnetic 2 position ...	7	-	B	GG6/309
5CZ/4337639	DOWTY C5175Y/MK15P	Indicator, electro magnetic 3 position ... (Mod. 1078)	3	-	B	GG6/310
	1552V7728	Label, TB.1552	1	DTD213		
	1553V7728	Label, TB.1553	1	DTD213		
	THORN 80/10/0055	Lamp, assy., 2 colour	19	-	-	GG6/311
	80/10/0317	Lamp, assy.	1	-		GG6/312
	1V11147	LOOM, CABLE, GROUP (Mod. 1225) ..	1	-		
	7S2412	PANEL, LESS WIRING, GROUP	1	-		
5X/4491769	1V7870	Spares for:- BLOCK, EARTHING, GROUP	2	-	C	GG6/296
	2V7870	Consisting of:- Block, earthing	1	L33		
5X/7499	3V7870	Screw, 4 BA, cheese head	2	-	C	
5X/7500	4V7870	Socket, double, 3 tier	2	Copper	C	
5X/4491778	5V7870	Washer, lock, shakeproof	2	-	C	
	THORN P1093	Panel, plasteck	1	-		GG6/313
	Q83	Plate, back	1	-		GG6/314
	80/10/0284	Receptacle	3	-		GG6/315
	80/10/0285	Receptacle	3	-		GG6/316
	80/10/0287	Receptacle	8	-		GG6/317
5CZ/1092268	80/10/0292	Receptacle	8	-	C	GG6/318
	80/10/2223	Spacer	19	-		GG6/319
	-	Switch, push button	1	-		GG6/320
5CW/4400506	N.S.F. 8834/B109	Switch, tumbler	2	-	C	GG6/321
5CW/8562	8372/B4	Switch (Mod. 1078)	7	-	C	GG6/322
5CW/4400082	8375/B104	Switch, double pole	6	-	B	GG6/323
	1S3555	PANEL, C.R.T., GROUP (Mod. 2304, Parts "B & C")	1	-		GG68/527
	7S3555	Spares for:- PANEL, GROUP	1	-		GG68/528
	3164-32/A2	Unit, control, type 17172	1	-		GG68/529
	3164-29/A1	Unit, indicator, type 17171	1	-		GG68/530
	1T8076	Plate, mounting (Mod. 2300)	1	-		
6D/2383	1T7786	Plate, blanking, 20G x 1-1/2" x 6"	1	-		GG6/330
	-	Regulator, oxygen (Pre-Mod. 748)	1	-	A	
	-	(Mod. 1378)				
10L/16204	-	Unit, control, type 4819 (Pre-Mod. 2300) ..	1	-	A	GG6/324
10L/9514615	-	Unit, antenna control (Mod. 2300)	1	-	A	

EQUIPMENT AIRCRAFT
INSTRUMENT PANELS

Ref. No.	Part No.	Description				No. off	Matl. Spec.	Cl. of	Plate and Illust'n No.
		1	2	3	4			St. M.R.	
		PANEL, NAVIGATOR'S, PORT (1T7784) 1T7785, 1T8074, 1T8075, 1S3710, 1S3711) (Cont'd)							
10L/293	-					1	-	A	GG6/325
10L/16857	-					1	-	A	GG6B/531
5905-99- 951-4613	-					1	-		GG6B/532
10L/16349	-					1	-	A	GG6/326 GG6B/533
5340-99- 946-7416	-					1	-	A	GG6/331
10L/16346	-					1	-	A	GG6/327 GG6B/534
10J/214	-					1	-	A	GG6/328
5895-99- 956-3379	-					1	-	A	GG6/329
10L/9514615	-					1	-		GG6B/535
	1T7783					1	-		GG6/332
	1T8408					1	-		
	WHITELEY 5355Z112990 PAGE A260 2T7783					2	-	B	GG6/333
						1	-		GG6/334
						1	-		GG6/334
						1	L59		
						1	L59		
						1	L59		
						1	L59		
						1	L59		
						1	L59		
						1	L59		
						1	L59		
						6	-		GG6/335
						6	-		GG6/336
						1	-		GG6/337
						1	-		GG6/338
						1	-		GG6/339
						1	-	C	GG6/340
						4	-	C	GG6/341
						1	-		GG6/341A
						1	-		
						1	-		
						2	-	B	GG6/342
						2	-	B	GG6/343
						10	-	B	GG6/344
						2	-	B	GG6/345
						7	-	B	GG6/346
						1	-	B	GG6/347
						1	-	B	GG6/348

VULCAN No. 2

EQUIPMENT AIRCRAFT
INSTRUMENT PANELS

Ref. No.	Part No.	Description	No. off	Matl. Spec.	Cl. of St.	Plate and Illust'n No.
					M.R.	
		PANEL, NAVIGATOR'S, PORT, GROUP Z11476 (Mod. 2024) (FOR A/C FITTED WITH X BAND AERIALS)				
	1S3300	Spares for:- PANEL, C/W INSTRUMENTS, GROUP ... (Mod. 2155) (Pre-Mod. 2300)	1	-		
	1S3428	PANEL, C/W INSTRUMENTS, GROUP ... (Mod. 2300) (Pre-Mod. 2304, Part "A")	1	-		GG6A/502
	1S3709	PANEL, C/W INSTRUMENTS, GROUP ... (Mod. 2304, Part "A")	1	-		GG6C/536
	1S3301	Spares for:- PANEL, MOUNTING, GROUP	1	-		
	1S3429	(Mod. 2155) (Pre-Mod. 2300) PANEL, MOUNTING, GROUP	1	-		GG6A/503
	1S3555	(Mod. 2300) (Mod. 2304, Part "A") PANEL, C.R.J., GROUP	1	-		GG6C/537 GG6C/538
	7S3555	(Mod. 2304, Part "A") Spares for:- PANEL, GROUP	1	-		GG6C/539
3164-32/A2	-	Unit, control, type 17172	1	-		GG6C/540
3164-29/A1	-	Unit, control, type 17171	1	-		GG6C/541
5895-99- 956-3379	-	Unit, I.F.F. control (Mod. 2155)	1	-		GG6A/504
10L/16349	-	Unit, control, type 9456 (Mod. 2155) ...	1	-		GG6A/505
10L/16346	-	Unit, control, type 13044 (Mod.) ..	1	-		GG6A/506
10L/9465125	-	(Mod. 2304, Part "A") Unit, control, type 13044 (Mod.) ..	1	-		GG6C/542 GG6A/507
10L/293	-	(Mod. 2304, Part "A") Unit, control (Pre-Mod. 2300)	1	-		GG6C/543 GG6A/508
10L/16857	-	Unit, control, trans./receiver, type	1	-		GG6A/509
10L/16204	-	M53 (Pre-Mod. 2300) (Mod. 2304, Part "A")	1	-		GG6C/544
10L/9514615	-	Unit, control (Pre Mod. 2300)	1	-		GG6A/510
5905-99- 951-4613	-	Unit, control, antenna (Mod. 2300)	1	-		GG6A/511
		(Mod. 2304, Part "A") Unit, matrix (Mod. 2300)	1	-		GG6C/545 GG6A/512
		(Mod. 2304, Part "A")	1	-		GG6C/546
	1ZR678	PANEL, C/W INSTRUMENTS, I.F.F. AND BLUE DIVER CONTROL UNITS, GROUP (Mod. 2304, Part "A")	1	-		GG6C/547
	7Z12678	Spares for:- PANEL, LESS EQUIPMENT, GROUP ..	1	-		GG6C/548
	4Z12678	Plate, mounting	1	-		
	5Z12678	Plate, mounting	1	-		
5L/9959187	-	Lamp	1	-		GG6C/549
	C1101/C7	Switch	1	-		GG6C/550
5095-99- 956-3379	-	Unit, I.F.F. control	-	-		GG6C/551
10L/16349	-	Unit, control, type 9422	1	-		GG6C/552

EQUIPMENT AIRCRAFT
INSTRUMENT PANELS

Ref. No.	Part No.	Description	No. off	Matl. Spec.	Cl. of	Plate and Illust'n No.
					St. M.R.	
		1 2 3 4				
		PANEL, NAVIGATOR'S, PORT, GROUP Z11476 (Mod. 2024) (Cont'd)				
	1Z12682	PANEL, I.F.F., C/W INSTRUMENTS, GROUP (Mod. 2304, Part "B")	1	-		GG6C/553
	6Z12682	Spares for:- PANEL, WITHOUT EQUIPMENT, GROUP	1	-		GG6C/554
5L/9959182	-	Lamp	1	-		GG6C/555
-	C1101/C7	Switch, P.B.	1	-		GG6C/556
5095-99- 956-3379	-	Unit, I.F.F. control	1	-		GG6C/557
	1Z12681	PANEL, I.F.F., C/W INSTRUMENTS, GROUP (Mod. 2304, Part "C") (Mod. 2396)	1	-		GG6C/558
	4Z12681	Spares for:- PANEL, WITHOUT EQUIPMENT, GROUP	1	-		GG6C/559
5CX/5800613	THORN 02/0094/Green	Cap, green (Mod. 2396)	1	-	C	GG6C/559A
5L/9959118	-	Filament (Mod. 2396)	1	-	C	
5L/9959182	-	Filament (Alternative)	2	-	C	GG6C/560
5CW/9999433	80/10/0695A	Holder, lamp (Mod. 2396)	1	-	C	GG6C/560A
5CX/5569	80/10/0300	Shroud (Mod. 2396)	1	-	C	GG6C/560B
-	C1101/C7	Switch, P.B.	1	-		GG6C/561
5095-99- 956-3379	-	Unit, I.F.F. control	1	-		GG6C/562
		PANEL, SWITCH, 101P AT NAVIGATOR'S STATION, GROUP (1S332)				
	1V12451	Spares for:- LOOM, CABLE, GROUP	1	-		
	2S3321	PANEL, LESS WIRING, GROUP	1	-		GG6A/513
	THORN 02/0094/Green	Spares for:- Cap, green (Mod. 2396)	1	-	C	GG6A/513A
5L/9959118	-	Filament (Mod. 2396)	1	-	C	
5L/9959182	-	Filament (Alternative) (Mod. 2396)	1	-	C	
5CW/9999433	80/10/0695A	Holder, lamp (Mod. 2396)	1	-	C	GG6A/513B
	3S3321	PANEL, GROUP	1	-		GG6A/514
	7S2633	Spares for:- BRACKET, GROUP	1	-		GG6A/515
	56SS6039	Label	1	-		
	319SS6055	Label	1	-		
	4S3321	PANEL, GROUP	1	-		GG6A/516
		Spares for:- Cup, dzus	4	-		
28FP/9434094	PC3-1/2	Spring, dzus	4	-		
28FP/9434095	PS3-1/2	Stud, dzus	4	-		
28FP/9434096	PF3-1/2/38					

VULCAN Mk 2		EQUIPMENT AIRCRAFT				Page GG. 23	
		INSTRUMENT PANELS					
Ref. No.	Part No.	Description	No. off	Matl. Spec.	Cl. of St.	Plate and Illust'n No.	
					M.R.		
		1 2 3 4					
		PANEL SWITCH, 101P AT NAVIGATOR'S STATION, GROUP (1S3321) (Mod. 2556) (Cont'd.)					
	5S2750	PLATE, BACK, GROUP	1	—		GG6A/517	
	PAGE C180/C/8	Switch	1	—		GG6A/518	
	2SS4624	Plate, fixing	1	—		GG6A/519	
5CW/4405759	ROTAX N136931	Plate, fixing	1	—		GG6A/520	
5CW/4405758	N136930	Shroud	1	—		GG6A/521	
	THORN 80/10/0300	Shroud (Mod. 2396)	1	—		GG6A/521A	
5CX/5569	—	Switch	1	—		GG6A/522	
5CW/6209280	—						
	1S2655	PANEL, SWITCH, AT NAVIGATOR'S STATION, GROUP (Mod. 2188)	1	—		GG7/349	
	4S2655	Spares for:— PANEL, LESS EQUIPMENT, GROUP (Mod. 2188)	1	—		GG7/350	
	C550/C8	Spares for:— Indicator, T.F.R.	1	—		GG7/351	
	75SS6005	Label, green satin	1	L59			
	126SS6005	Label, roof lights, starboard	1	L59			
	233SS6085	Label, T.F.R. "Add. Fail"	1	—			
	234SS6065	Label, T.F.R. "Redundant Circuit"	1	—			
	692SS6005	Label, comp. selector	1	—			
	2SS4624	Plate, fixing, comp. selector green satin- roof lights switches (Make from Rotax N136931)	5	—		GG7/352	
5CW/4405759	ROTAX N136931	Plate, fixing, comp. selector, green satin- roof light switches	5	—	C	GG7/353	
	5S2655	Plate, blanking (Mod. 2188)	1	—			
5CW/4405758	ROTAX N136930	Shroud, at comp. selector green satin- roof lights switches	1	—	C	GG7/354	
5CW/5060	—	Shroud (Mod. 1218)	1	—	C	GG7/355	
5CW/6209280	—	Switch, comp. selector green satin-roof lights switches	4	—	B	GG7/356	
5CW/6209280	—	Switch, recorder (Mod. 1218)	1	—	B	GG7/357	
5CW/5056	—	Switch, push (Mod. 1218)	1	—	B	GG7/358	
	PAGE C180/C8	Switch (Mod. 2188)	1	—		GG7/359	
	1S2313	PANEL, NAVIGATOR'S RADAR, GROUP (Pre-Mod. 748)	1	—	—		
	1S2411	PANEL, NAVIGATOR'S RADAR, GROUP (Mod. 748)	1	—	—	GG7/360	
		Spares for:—					
5X/4491769	1V7870	Block, earthing (Mod. 748)	1	—	C	GG7/361	
5X/6200370	1V5650	Block, terminal (Mod. 1219)	1	—	C	GG7/362	

EQUIPMENT—AIRCRAFT

INSTRUMENT PANELS

Ref. No.	Part No.	Description 1 2 3 4	No. off	Mati. Spec.	Cl. of St.	Plate and Illust'n No.
					M.R.	
		PANEL, NAVIGATOR'S RADAR (S2411, Mod. 748) (Continued)				
5L/9951273	5S2313	Fairlead, half, at air supply	2	BA2966		
	—	Filament, warning lamp	2	—	C	
6A/4337771	SANGAMO WESTON S63/5/802	Gauge, bomb bay temperature	1	—	A	GG7/363
6A/4339081	SANGAMO WESTON S63/4/1146	Gauge, temperature (Mod. 1078)	2	—		GG7/364
6A/4339082	SANGAMO WESTON S63/4/1147	Gauge, temperature (Mod. 1078)	1	—		GG7/365
6A/4338521	KELVIN HUGHES KPA/0102/C	Gauge, differential pressure, luminous ...	1	—	A	GG7/366
6A/4337774	KELVIN HUGHES KPD/0103/C	Gauge, absolute pressure, luminous	1	—	A	GG7/367
	5SS4204	Grommet (Mod. 1219)	4	—	MR	
	15SS4204	Grommet	5	—		
	25SS4204	Grommet (Mod. 748)	1	—		
5CW/4222	—	Guard, switch	2	—	B	
6B/1054118	—	Holder, compass deviation card	1	—	P	GG7/368
6B/4343585	—	Indicator, air mileage (Mk. 1)	1	—	A	GG7/369
5CZ/4340381	—	Indicator, dolls eye (Mod. 715)	2	—	B	GG7/370
5CZ/4340430	—	Indicator, oxygen (Mod. 748)	2	—	B	GG7/371
9D/4414905	—	Indicator, Pilots Direction	1	—		GG7/371A
		(Mod. 2439 Part A and B)				
	263SS6002	Label, inc-off-dec	1	L59		
	806SS6004	Label, chartboard light	1	L59		
	807SS6004	Label, manual heat control	1	L59		
	808SS6004	Label, bomb bay heating	1	L59		
	585SS6005	Label, master switch (Mod. 748)	1	L59		
	583SS6005	Label, oxygen (Mod. 748)	1	L59		
	579SS6005	Label, bomb bay temp.	1	L59		
	630SS6005	Label, bomb bay selector	1	L59		
	699SS6005	Label, supplies (Mod. 715)	1	L59		
	700SS6005	Label, N.B.C. (Mod. 715)	1	L59		
	701SS6005	Label, H.25 (Mod. 715)	1	L59		
	703SS6005	Label, loss of cabin pressure (Mod. 748) .	1	L59		
	717SS6005	Label, store heating control	1	L59		
	436SS6006	Label, store exchange outlet	2	L59		
	437SS6006	Label, store engine bay (Mod. 1219)	1	L59		
	438SS6006	Label, panel lights (Mod. 1219)	1	L59		
	439SS6006	Label, store bay (Mod. 1219)	1	L59		
	1612V7728	Label, terminal block (Mod. 1219)	1	—		
	1620V7728	Label, terminal block (Mod. 1219)	1	—		
	902SS/6033	Label (Mod. 1978)	1	—		
5L/9959118	—	Lamp, atlas (Mod. 748)	12	—	C	GG7/372
5CX/1085815	—	Lamp, warning	2	—	B	GG7/373
5CX/4330338	—	Lampholder (Mod. 1219)	5	—	B	GG7/374

VULCAN Mk 2

EQUIPMENT—AIRCRAFT

Page GG. 25

INSTRUMENT PANELS

Ref. No.	Part No.	Description 1 2 3 4	No. off	Matl. Spec.	Cl. of St.	Plate and Illust'n No.
					M.R.	
		PANEL, NAVIGATOR'S RADAR (S2411, Mod. 748) (Continued)				
	1S2365	Lampholder (Pre-Mod. 748)	1	—		
5CX/1143214	—	Lampholder (Mod. 748)	1	—	B	GG7/375
10AJ/138	—	Mounting, anti-vibration	2	—	B	
10AJ/143	—	Mounting, anti-vibration	2	—	B	
10AJ/220	—	Mounting, type 1038	1	—	B	
10AJ/221	—	Mounting, type 1040	1	—	B	
5CW/4408107	—	Switch (Mod. 1978)	1	—		
	2S2313	PANEL, LESS EQUIPMENT, GROUP (Pre-Mod. 748)	1	—		
	3S2411	PANEL, LESS EQUIPMENT, GROUP (Mod. 748)	1	—		
		Spares for:—				
28FP/ 4062382	FJ3/50	Fastener, Dzus	4	—	C	
28FP/ 9434075	GA3/175	Grommet, Dzus (Pre-Mod. 748)	4	—	C	
28FP/ 9489246	GH/4	Grommet, Dzus (Mod. 748)	4	—	C	
	804SS6004	Label, scanner emer. off	1	L59		
	805SS6004	Label, scan. rot	1	L59		
	681SS6005	Label, N.B.S. air supply	1	L59		
	738SS6002	Label, H25, pressurisation air	1	L59		
	2S2411	Panel (Mod. 748)	1	—		
9868	19S1970	PANEL, AUXILIARY, GROUP	1	—	B	GG7/376
		Spares for:—				
	SP40/D4	GROMMET	4	—		
68/471	—	Panel, A.M. control (Pre-Mod. 863)	1	—	A	
68/6341559	—	Panel, T.A.U. control (Mod. 863)	1	—	A	GG7/377
	1SS4491	Plate, fixing, on (Mod. 748)	1	—		
	2SS4624	Plate, fixing, on	3	—		
	2SS4625	Plate, fixing, off	3	—		
	ROTAX					
5CW/4405757	N135531	Plate, fixing	3	—	C	
	ROTAX					
5CW/4405759	N136931	Plate, fixing	3	—	C	
	TEDDINGTON					
5CZ/4335587	FHK/A/17	Selector, temperature	1	—	A	GG7/378
	TEDDINGTON					
5CZ/4337642	FHK/A/45	Selector, temperature (Mod. 748)	1	—	A	GG7/379
	TEDDINGTON					
5CZ/4337643	FHK/A/46	Selector, temperature (Mod. 748)	1	—		GG7/380
	32S1970	Screen, red (Pre-Mod. 748)	1	Cellastoid		
	ROTAX					
5CW/4405758	N135530	Shroud	2	—	C	
	ROTAX					
5CW/4405758	N136930	Shroud	4	—	C	
	1SS4881	Shroud	3	—		
5X/4491487	14V5650	Socket, double (Mod. 1219)	1	—	C	GG7/381
5X/4491488	15V5650	Socket, single (Mod. 1219)	2	—	C	GG7/382
	—	Suppressor, type F2	1	—		GG7/383
5CW/4402906	—	Switch	1	—	A	GG7/384
5CW/4407828	—	Switch, single pole	1	—	B	GG7/385

EQUIPMENT—AIRCRAFT

INSTRUMENT PANELS

Ref. No.	Part No.	Description 1, 2, 3, 4	No. off	Matl. Spec.	Cl. of St.	Plate and Illust'n No.
					M.R.	
		PANEL, NAVIGATOR'S PANEL (S2313, Pre-Mod. 748) (S2411, Mod. 748) (Continued)				
5CW/1047695	—	Switch	1	—	B	GG7/385A
5CW/6209279	—	Switch	2	—	B	GG7/386
5CW/1047697	—	Switch, double pole (Mod. 748)	1	—	B	GG7/387
5CW/6209280	—	Switch	1	—	B	GG7/388
5CW/1047696	—	Switch, double pole	1	—	B	GG7/389
5CW/724	—	Switch, dimmer (Pre-Mod. 1219)	1	—	B	
5CW/4405521	—	Switch, dimmer (Mod. 1219)	1	—	B	GG7/390
5CW/4405520	—	Switch, dimmer	1	—	B	GG7/391
	14S1970	Washer, tufnol	4	BS972	MR	
	18S1970	Washer, spacing	4	BS972	MR	
		PANEL, FIXED, TOP PORTION, IN CREW'S NACELLE, NAVIGATOR'S STATION, 9P (V6581)	—	—	—	GG9/392
	2V6581	Spares for:— PANEL, GROUP	1	—		
	2SS4213	Spares for:— Screw, captive	10	S1	MR	
	1SS4213	Washer, locking	10	S94	MR	
	12V6582	PANEL, HINGED PORTION, TOP, GROUP (Mod. 2132)	1	—	—	GG9/393
		Spares for:— Guard, locking	1	—	B	GG9/394
5CW/4222	—					
1432811	11V6582	PANEL, HINGE, LESS EQUIPMENT GROUP	1	—	B	GG9/395
		Spares for:— Fastener, Dzus	2	—	C	
28FP/192	AJ4/35	Grommet, Dzus	2	—	C	
28FP/ 9430915	GA4/250					
	10bV6582	Hinge, (Made from AS1878/55)	1	—		
	756SS6002	Label, fusing	1	L59		
	341SS6039	Label, EM, nose and tail	1	L59		
	3V6582	Label, live jettison	1	L59		
	10cV6582	Plate, blanking	1	—	—	GG9/396
5CW/6209280	—	Switch	1	—	B	GG9/397
	5V6582	SWITCH, GROUP	1	—	—	GG9/398
		Consisting of:— Label, on	1	L59		
5CW/1047692	—	Switch	1	—	B	
5D/4341051	—	Switch, selector and indicator, type 11 ...	1	—	A	GG9/399
5D/4341047	—	Unit, bomb spacing, type 11	1	—	A	GG9/400
28W/1097257	1906/1	Washer, spring	6	—	C	
	7V6517	LOOM, CABLE, GROUP	1	—		

VULCAN Mk. 2

EQUIPMENT - AIRCRAFT

Page GG. 27

INSTRUMENT PANELS

Ref. No.	Part No.	Description	No. off	Matl. Spec.	Cl. of	Plate and Illust'n No.
					St. M.R.	
		1 2 3 4				
	1V8035	PANEL, SECONDARY SUPPLY SWITCH, ... 50P, CREW'S NACELLE, GROUP	1	-		GG9/401
	1V15475	Spares for:- LOOM, CABLE, GROUP (Mod. 2195)	1	-		
	4V8035	PANEL, LESS WIRING, GROUP	1	-		
		Spares for:-				
5Q/6345930	PAGE ENG. B3300-0024	Ammeter (Mod. 2195)	2	-	A	GG9/402
	65-99-020	Clamp, fixing (Mod. 2195)	2	-		
	7V8035	Guard, locking (Mod. 1424)	1	-	MR	GG9/403
5CW/4222	-	Guard, locking (Mod. 1424)	2	-	C	GG9/404
	DOWTY					
5CZ/6213358	C5165Y/Mk. 3	Indicator	1	-	C	GG9/405
5CZ/4335672	C5175Y/Mk. 7	Indicator	2	-	C	GG9/406
5CZ/4329961	C5175Y/Mk. 179	Indicator (Mod. 1271)	2	-	C	GG9/407
	1SS4491	Label, fixing plate, on (Made from	2	-		
		Rotax N135531)				
	6SS4491	Label, fixing plate, couple (Made from ..	2	-		
		Rotax N135531)				
	2SS4624	Label, fixing plate, on	5	-		
	2SS4625	Label, fixing plate, off	1	-		
	11SS4625	Label, fixing plate, reset (Made from	2	-		
		Rotax N136931)				
	2V8035	PANEL, GROUP	1	-	-	GG9/408
		Spares for:-				
28FP/ 9156562	A15/40	Fastener, Dzus	4	-	C	
28FP/ 1200136	GA5/375	Grommet, Dzus	4	-	C	
	9V8035	Label (Mod. 2195)	1	-		
	ROTAX					
5CW/4405759	N136931	Plate, fixing	5	-	C	
	ROTAX					
5CW/4405758	N136930	Shroud	5	-	C	
	ROTAX					
5CW/4405756	N135530	Shroud	2	-	C	
5CW/4407828	-	Switch, single pole	1	-	C	GG9/409
5CW/6209280	-	Switch, single pole	2	-	C	GG9/410
5CW/1047691	-	Switch, single pole	2	-	C	GG9/411
	ROTAX					
5CW/4405367	D5511	Switch, double pole (Mod. 1428)	2	-	A	GG9/412
5Q/4347724	-	Voltmeter	1	-	A	GG9/413
	1Z9901	PANEL, BOMB AIMER'S I/C, OXYGEN	1	-	-	GG9/414
		AND SWITCHING 9P, GROUP (Mod. 446)				
		Spares for:-				
5X/6200730	1V5650	Block, terminal	1	-	C	GG9/415
5CZ/1053794	-	Block, terminal (Pre-Mod. 446)	1	-	MR	
	33SS5302	Bush, ring lock (Mod. 1439)	1	-		
	4Z7720	Cable, 6 amp, unipren x 7" long	1	-		
	5Z7720	Cable, 6 amp, unipren x 9" long	1	-		

EQUIPMENT—AIRCRAFT
INSTRUMENT PANELS

Ref. No.	Part No.	Description	No. off	Mati. Spec.	Cl. of St.	Plate and Illust'n No.
					M.R.	
		1 2 3 4				
		PANEL, BOMB AIMER'S I/C OXYGEN AND SWITCHING, 8P (Z9901, Mod. 446) (Continued)				
	2498V7909	CABLE (F2498), GROUP	1	—		
5CW/4222	—	Guard locking	1	—	C	GG9/416
	10Z7720	Holder, button switch (Mod. 1439)	1	—	MR	GG9/417
	810V6374	Label, TB.810	1	L59		
5CW/1055544	—	Label, on	1	—	C	
5CW/1055545	—	Label, off	1	—	C	
	SAUNDERS ROE and NUCLEAR ENTP' LTD. 036-A	Marker, Bacalite (Mod. 2154)	1	—	MR	GG9/418
	2Z9901	PANEL, GROUP (Mod. 446)	1	—	—	GG9/419
		Spares for:—				
21626	270SS6002	Label, normal-off-emergency	1	L59	C	
21627	693SS6005	Label, B.A. light (Mod. 446)	1	—	C	
21628	722SS6030	Label, bomb firing switch (Mod. 1439) .	1	—	C	
	3V6582	Label, live jettison	1	L59	C	
	219SS4000	Label, de-icing	1	L59		
	ROTAX					
5CW/4405757	N135531/1	Plate, fixing	2	—	C	
	ROTAX					
5CW/4405759	N136931	Plate, fixing	4	—	C	GG9/420
	17SS4624	Plate, fixing (Made from Rotax N136931) .	1	—		
	2SS4624	Plate, fixing, ON (Mod. 446)	1	—		
	2SS4625	Plate, fixing OFF (Mod. 446)	1	—		
6D/2383	—	Regulator, oxygen (Mk. 21B) (Mod. 1378)	1	—	A	GG9/421
	ROTAX					
5CW/4405758	N135530	Shroud, rubber, D/P	1	—	C	
	ROTAX					
5CW/4405758	N136930	Shroud, rubber, S/P	3	—	C	GG9/422
5X/4491488	15V5650	Socket, single	2	—		
	2Z9933	Strip, luminous (Pre-Mod. 2154)	1	—		
5CW/1047696	—	Switch, changeover (Mod. 446)	1	—	C	GG9/423
5CW/6209279	—	Switch, S/P (Mod. 446)	1	—	C	GG9/424
5CW/1047692	—	Switch, S/P (Mod. 687)	1	—	C	GG9/425
21629	2V11879	Unit, wander button (Mod. 1439)	1	—	C	GG9/426
	B. & C.					
28W/9419448	1206	Washer, shakeproof	10	—	C	

VULCAN Mk 2

EQUIPMENT—AIRCRAFT
INSTRUMENT PANELS

Page GG. 29

Ref. No.	Part No.	Description	No. off	Matl. Spec.	Cl. of St.	Plate and Illust'n No.
					M.R.	
		1 2 3 4				
	1V10230	PANEL, A.A.P.P. IN CREW'S NACELLE 70P, GROUP (Mod. 916)	1	—	—	GG9/427
	1V11379	Spares for:— LOOM, CABLE, GROUP (Mod. 1271) (Pre-Mod. 1505)	1	—		
	1V11797	LOOM, CABLE, GROUP (Mod. 1505) 3V10230	1	—		
	4V10230	PANEL, LESS WIRING, GROUP Spares for:— Guard, at firing switch	1	—	—	GG9/428
5CZ/4335788	DOWTY C5175Y/Mk 30	Indicator, fuel level	1	—	B	GG9/429
6A/4364327	SANGAMO WESTON S63/4/465	Indicator, oil pressure (Mod. 919)	1	—	A	GG9/430
	S78/3/478	Indicator, 0-800° C with flange	1	—		GG9/431
	S218/5/70	(Pre-Mod. 2254) Indicator (Mod. 2254)	1	—		
	8SS4624	Label, fixing plate	1	—		
	9SS4625	Label, fixing plate	2	—		
	10SS4625	Label, fixing plate	1	—		
1510342	5V10230	Packing, at start switch	1	BS2966		
	2V10230	PANEL, GROUP (Pre-Mod. 2254)	1	—	C	GG9/432
	6V10230	PANEL, GROUP (Mod. 2254)	1	—		
		Spares for:—				
28FP/ 9425770	AJ5/35	Fastener, Dzus, top	2	—	C	
28FP/ 9156562	AJ5/40	Fastener, Dzus, bottom	2	—	C	
28FP/ 9425771	GA5/312	Grommet, Dzus	4	—	C	
	1SS6005	Label, fuel level	1	L59		
	2SS6005	Label, L.P. cock-override—IGN. ISOL.	1	L59		
	3SS6005	Label, fire	1	L59		
	4SS6005	Label, A.A.P.P.	1	L59		
	868SS6005	Label, fire test-oxygen and relight- master switch	1	L59		
	870SS6005	Label, start	1	L59		
5CW/4405759	ROTAX N136931	Plate, fixing, H.P. cock override—Ign. .. isol.	2	—	C	GG9/433
	2SS4624	Plate, fixing-oxygen relight and	3	—		
	2SS4625	master switches Plate, fixing-oxygen relight and	3	—		
	ROTAX	master switches				
5CW/4405758	N136930	Shroud	6	—	C	GG9/434
5CW/5060	—	Shroud, fire test switch	1	—	C	
1433606	2aSK31289	Strap, at master switch	2	—	C	GG9/435
5CW/9438526	—	Switch, push, fire test	1	—	B	GG9/436
5CW/6209279	—	Switch, S/P, L.P. cock and master	3	—	B	GG9/437
		switches				
5CW/6209280	—	Switch, oxygen and relight	1	—	B	GG9/438
5CW/1047695	—	Switch, H.P. cock and ign. isol.	2	—	B	GG9/439
5CW/1103511	PAGE ENG. C180/A/3 B.T.H. XJ/F/G/1	Switch, press button, fire	1	—	B	GG9/440
		Switch, magnetically held push	1	—		GG9/441

VULCAN Ma 2		EQUIPMENT—AIRCRAFT					INSTRUMENT PANELS	
Page GG. 30								
Ref. No.	Part No.	Description	No. off	Matl. Spec.	Cl. of St.	Plate and Illust'n No.		
					M.R.			
		1 2 3 4						
		PANEL, 200V AUXILIARY FUSE 69P (1V8786) (See Electrical Installation, Crews' Nacelle)						
		PANEL, E.C.M. POWER SUPPLIES AND EXPLOSION SUPPRESSION (1T4758) (See Electrical Installation, Crews' Nacelle)						
8823	1V9365	PANEL, BOMBING, HINGED PORTION NAVS STATION, CREWS' NACELLE, 9P, GROUP	1	—	A	GG8/442		
	1V11887	Spares for:— LOOM, CABLE GROUP (Mod. 1439)	1	—				
	3V8965	PANEL, LESS WIRING, GROUP	1	—				
	33SS5302	Spares for:— Bush, ring, lock (Mod. 1439)	1	—	MR			
10H/0970055	—	Cap, protective	1	—	C			
5L/9951273	—	Filament	2	—	C			
5CW/1039506	—	Guard, switch (Mod. 1621)	1	—	C	GG8/443		
	10Z7720	Holder, button switch (Mod. 1439)	1	—	MR	GG8/444		
	802SS6004	Label, normal	1	DTD213				
	803SS6004	Label, isolate	1	DTD213				
5CX/4330033	—	Lamp, warning, type B, green	1	—	C	GG8/445		
5CX/1085815	—	Lamp, warning, type B, red	1	—	C	GG8/446		
	4V8965	Packing (Mod. 1631)	1	L72				
8990	2V8965	PANEL, GROUP	1	—	B	GG8/447		
	2bV8965	Spares for:— Hinge (Made from AS1878/80)	1	L72				
	95SS6005	Label, N.B.C. bomb gear isol.	1	L59				
	96SS6005	Label, bomb doors—bomb release ...	1	L59				
	97SS6005	Label, N.B.C. simulator	1	L59				
	693SS6005	Label, B.A. light	1	L59				
	920SS6001	Label, bomb firing switch	1	L59				
	540SS6065	Label (Mod. 2299)	1	—				
	553SS6065	Label (Mod. 2299)	1	—				
	2SS4213	Screw, captive	2	—	MR			
	1SS4213	Washer, locking	2	—	MR			
5CW/6209279	—	Switch, at B.A. light	1	—		GG8/448		
5CW/5824	—	Switch, at bomb release	1	—	B	GG8/449		
5CW/6209280	—	Switch, at bomb doors	1	—	B	GG8/450		

VULCAN No. 2

EQUIPMENT - AIRCRAFT
INSTRUMENT PANELS

Ref. No.	Part No.	Description	No. off	Matl. Spec.	Cl. of	Plate and Illust'n No.
					St. M.R.	
		1 2 3 4				
	1V10229	PANEL, 10P, ALTERNATOR CONTROL ... SWITCH, NAVS. STATION, PORT, GROUP (Mod. 916)	1	-	-	GG8/451
	1V11368	Spares for:- LOOM, CABLE, GROUP (Mod. 1271) (Pre-Mod 1505)	1	-		
	1V11796	LOOM, CABLE, GROUP (Mod. 1505)	1	-		
	3V10229	PANEL, LESS WIRING, GROUP	1	-		
	4V10229	Spares for:- Bolt, special, 2 BA	2	S94		
5L/9959118	PAGE ENG. A259	Bulb	1	-	C	
	5V8990	COVER, FOR RESISTOR, GROUP (Attachments for cover, 5V8990)	1	-	-	GG8/452
28S/1202768	A33/C16	Bolt	2	-	C	
28FP/9156662	AJ5/40	Fastener, Dzus	2	-	C	
5L/9959118	-	Filament	4	-	C	
28FP/1200138	GA5/375	Grommet	2	-	C	
5CW/1039506	-	Guard	4	-	C	GG8/453
	5V10229	Guard	1	-	-	GG8/454
5CZ/6213358	DOWTY C5165Y/Mk 3	Indicator, magnetic	6	-	B	GG8/455
	SANGAMO WESTON S104/3/120	Indicator (10 sets only)	4	-		
5Q/25659	-	Indicator (less 10 sets)	4	-	A	GG8/456
	PAGE ENG. A915/C/5 SANGAMO WESTON S109/6/43 S109/6/60	Light, warning	4	-		
5Q/4348349	-	Meter, frequency (Pre-Mod. 753)	2	-		
	2V10229	Meter, frequency (Mod 753)	2	-	A	GG8/457
	2bV10229	PANEL, GROUP	1	-	-	GG8/458
	865SS6004	Spares for:- Hinge (Made from AS1856 or AS1878 x 11.75" long)	1	-		
	856SS6005	Label, at rotary switch	1	L59		
	857SS6005	Label, busbar	1	L59		
	858SS6005	Label, synchronising	1	L59		
	859SS6005	Label, No. 4 busbar	1	L59		
	860SS6005	Label, No. 3 busbar	1	L59		
	861SS6005	Label, No. 2 busbar	1	L59		
	862SS6005	Label, No. 1 busbar	1	L59		
	863SS6005	Label, A.A.P.P. on	1	L59		
	864SS6005	Label, A.A.P.P. test	1	L59		
	865SS6005	Label, R.A.T. test	1	L59		
	866SS6005	Label, extra supplies trip	1	L59		
	867SS6005	Label, incoming alternator	2	L59		
	871SS6005	Label, push, for KVAR	1	L59		
	872SS6005	Label, isolate	4	L59		
	314SS6030	Label, reset	4	L59		
	315SS6030	Label, non essential supplies (Mod. 1271)	1	L59		
		Label, trip-reset (Mod. 1271)	1	L59		

VULCAN No 2

EQUIPMENT—AIRCRAFT
INSTRUMENT PANELS

Page GG. 33

Ref. No.	Part No.	Description	No. off	Matl. Spec.	Cl. of St.	Plate and Illust'n No.
					M.R.	
		1 2 3 4				
		PANEL, 12P (2S2684) & (Continued)				
	396SS6006	Label, G.P.1	1	L59		
	469SS6006	Label, radio altimeter high range (Mod. 1433)	1	L59		
	316SS6030	Label, N.B.S. trans.	1	L59		
	317SS6030	Label, gyro preheat (Mod. 1433)	1	L59		
5CW/4405757	ROTAX N135531	Plate, fixing (Mod. 1433)	3	—	C	GG8/472
5CW/4405759	ROTAX N136931	Plate, fixing	3	—	C	GG8/473
	2SS4624	Plate, fixing (made from Rotax item ... N136931)	1	—		
	1SS4491	Plate, fixing (made from Rotax item ... N135531)	3	—		GG8/474
	1SS4492	Plate, fixing (made from Rotax item ... N135531)	2	—		GG8/475
5CW/5060	—	Shroud	4	—	C	GG8/476
5CW/4405756	ROTAX N135530	Shroud	4	—	C	GG8/477
5CW/4405758	ROTAX N136930	Shroud	2	—	C	GG8/478
5CW/9438526	—	Switch, push, start	2	—	B	GG8/479
5CW/5058	—	Switch, push, stop	2	—	B	GG8/480
5CW/6209280	—	Switch, for G.P.1	1	—	B	GG8/481
5CW/1047694	—	Switch, for F.C. failure	1	—	B	GG8/482
5CW/1047699	—	Switch (Mod. 1433)	1	—	B	GG8/483
5CW/1047696	—	Switch, for NBC & H25	2	—	B	GG8/484
5CW/1047698	—	Switch, for 0 tuning (Mod. 1433)	1	—	B	GG8/485
5CW/6209280	—	Switch	3	—	B	GG8/486
		PANELS, INSTRUMENT IN NOSE WHEEL BAY				
	1V8040	Spares for:— PANEL, T.B., IN NOSE WHEEL BAY,	1	—		GG10/487
		13P, GROUP				
5X/6200370	1V5650	Spares for:— Block, terminal No. 214	1	—	C	GG10/488
	214V7728	Label, TB.214	1	DTD213		
	22V5650	Link	1	—	MR	
	4V8040	PANEL, 13P, GROUP	1	—		
5X/6200370	1V5650	Spares for:— Block, terminal	6	—	C	GG10/489
	208V7728	Label, TB.208	1	DTD213		
	209V7728	Label, TB.209	1	DTD213		
	210V7728	Label, TB.210	1	DTD213		
	211V7728	Label, TB.211	1	DTD213		
	212V7728	Label, TB.212	1	DTD213		
	213V7728	Label, TB.213	1	DTD213		
5X/4491487	2V6322	PLATE, MOUNTING, GROUP	1	—		GG10/490
5X/4491488	14V5650	Socket, double	6	—	C	GG10/491
	15V5650	Socket, single	19	—	C	GG10/492
5X/4491488	15V5650	Socket, single	1	—	C	
	3V8040	Tube, distance	4	DTD464A		

VULCAN No. 2		EQUIPMENT—AIRCRAFT				
Page GG. 34		INSTRUMENT PANELS				
Ref. No.	Part No.	Description	No. off	Matl. Spec.	Cl. of St.	Plate and Illust'n No.
					M.R.	
		1 2 3 4				
		PANEL, DISTRIBUTION, ASSEMBLY IN NOSE WHEEL BAY, 15P PORT AND 16P STARBOARD (1 & 2V9421) (See Electrical Installation—Nose wheel bay)				
		PANEL, 28V D.C. VITAL SUPPLY 19P, (V8024) (See Electrical Installation—Nose wheel bay)				
		PANEL, JUNCTION BOX 64P (2V8436) (See Electrical Installation—Nose wheel bay)				
		PANELS, JUNCTION BOX 63P & STARTER RELAY, 73P (1V9447) (See Electrical Installation—Nose wheel bay)				
		PANEL, JUNCTION BOX, 7J (V8597) (See Electrical Installation—Nose wheel bay)				
		PANEL, INSTRUMENT, NOSE PORTION, FUSELAGE				
		Spares for:—				
	1V6974	PANEL, 4J, BETWEEN FORMERS 414 & 440, NOSE PORTION, GROUP	1	—		GG10/493
		Spares for:—				
	2V6982	LOOM, CABLE, GROUP	1	—		
	2V6974	PANEL, LESS WIRING, GROUP	1	—		
		Spares for:—				
4685	4V6974	Adaptor, reducing	1	S1	C	
5X/6200370	1V5650	Block, terminal	1	—	C	GG10/494
2848	1V6973	BOX, STRUCTURE, GROUP	1	—	B	GG10/495
		Spares for:—				
5K/4329533	—	Gland, flanged	1	—	C	
5K/2631	—	Gland, flanged	1	—	C	
28FP/		Spring, Dzus	4	—	C	
1200486	S3/150	Grommet	1	Rubber	C	
26FP/5008	21SS4204	COVER, PANEL, GROUP	1	—	C	GG10/496
2849	3V6974	Spares for:—				
28FP/		Fastener, Dzus	4	—	C	
9520205	A3/20	Grommet, Dzus	4	—	C	
28FP/		Ferrule	1	—	C	
9434075	GA3/175	Gasket, union	1	—	C	
5K/4329286	—	Glandnut	1	—	C	
10H/0970111	—	Label, 783	1	—	C	
5K/4329335	—	Label, 784	1	—	C	
	783V6374	Ring, compression	1	—	C	
	784V6374	Ring, thrust	1	—	C	
10H/0970105	—	Sleeve, cable	1	—	C	
10H/0970099	—	Socket, double	2	—	C	
10H/0970115	—	Socket, single	5	—	C	
5X/4491487	14V5650	Suppressor, type F2	1	—	A	GG10/497
5X/4491488	15V5650					
5CY/1025934	—					

VULCAN No. 2

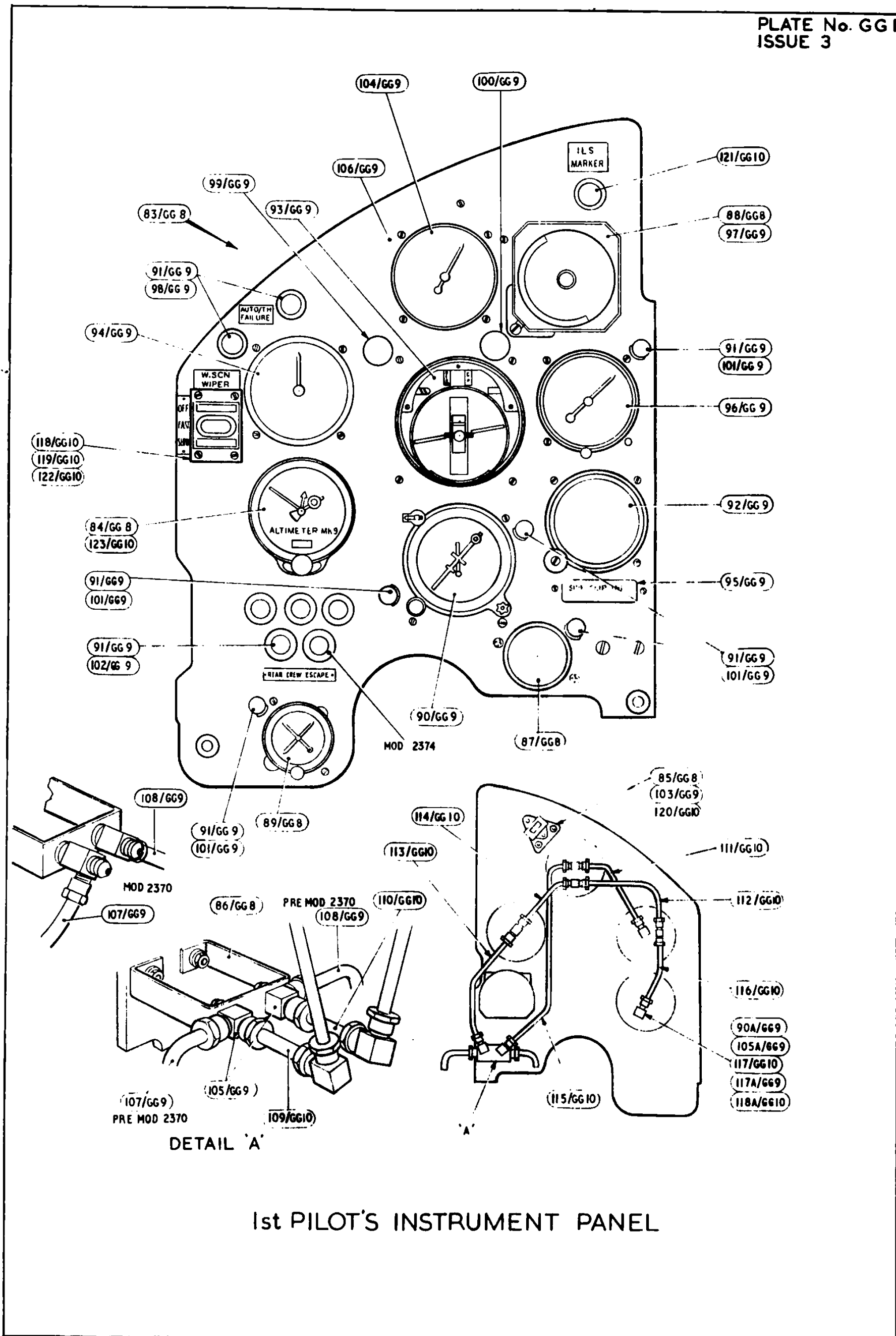
EQUIPMENT-AIRCRAFT
INSTRUMENT PANELS

Page GG. 35

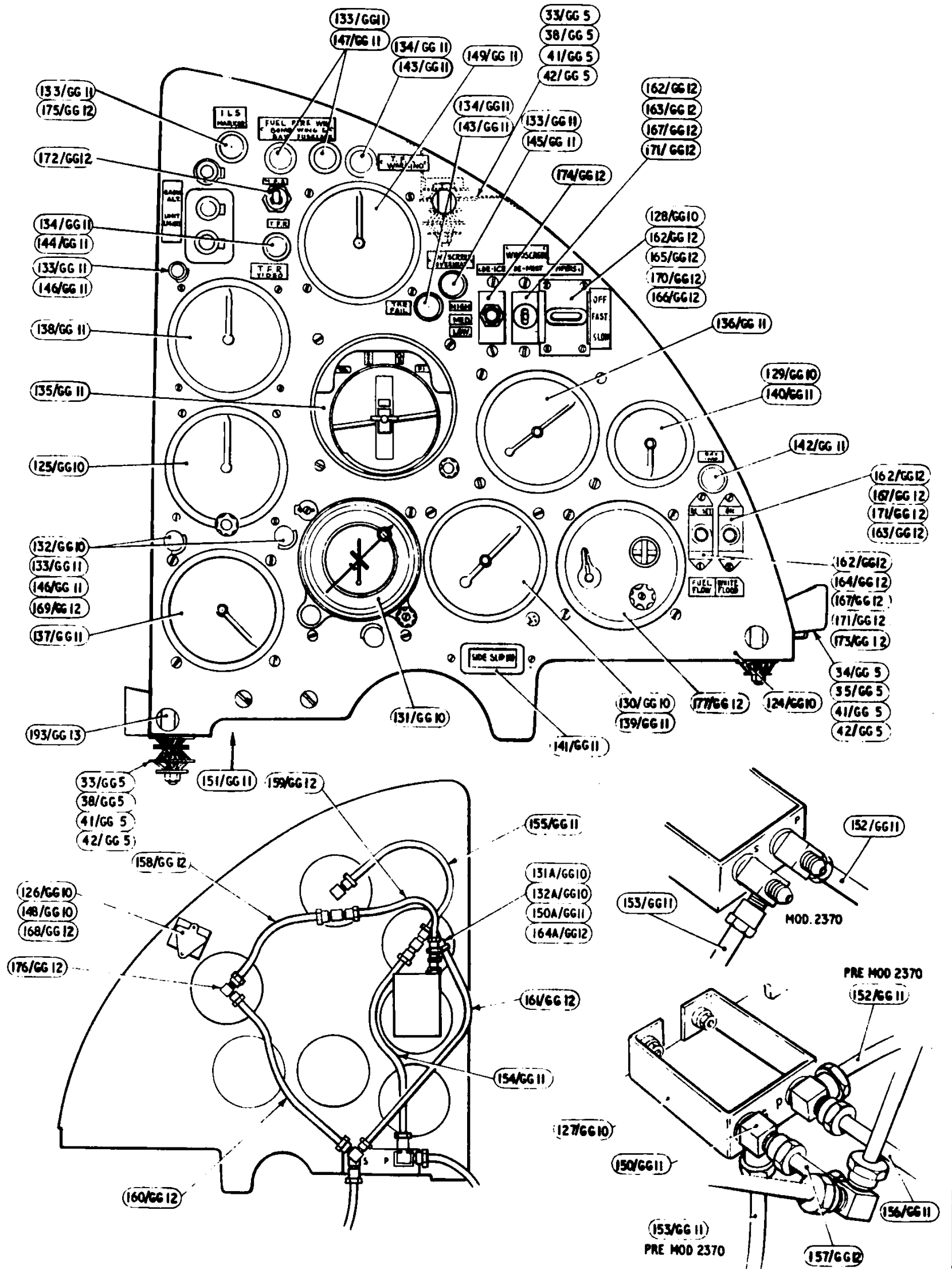
Ref. No.	Part No.	Description	No. off	Mati. Spec.	Cl. of	Plate and Illust'n No.
					St. M.R.	
		<p>PANEL, INSTRUMENT, IN POWER COMPARTMENT</p> <p>Spares for:—</p> <p>PANEL, 26P, REAR SPAR 28V DISTRIBUTING (1V7685) (See Electrical Installation—Power Compartment)</p> <p>PANEL, 29P, A.P.U., G.P.U., FUSE A.C. SYSTEM (1V7704) (See Electrical Installation—Power Compartment)</p> <p>PANELS, P.F.C. CONTACTOR AND FUEL PUMP RELAY, 40P PORT, 41P STARBOARD (1 & 2V7719) (See Electrical Installation—Power Compartment)</p> <p>PANELS, ALTERNATOR POWER & DISTRIBUTION, 58P, 59P, 60P, 61P (1-2-3-4V8032) (See Electrical Installation—Power Compartment)</p> <p>PANEL, 74P, EXTRA SUPPLIES RELAY (1V9181) (See Electrical Installation—Power Compartment)</p> <p>PANEL, JUNCTION BOX, 82P, FWD. FACE OF BULKHEAD 428A (1V9562)</p>				
	1V9554	LOOM, CABLE, GROUP	1	—		
	2V9562	BOX, JUNCTION, 82P, GROUP	1	—		
		Spares for:—				
5X/6200370	1V5650	Block, terminal	2	—	C	GG10/499
	1526V7728	Label, TB.1526	1	DTD213		
	1527V7728	Label, TB.1527	1	DTD213		
	3V9562	LID, ASSEMBLY, GROUP	1	—		
		Spares for:—				
28FP/9144248	A4/25	Fastener, Dzus	4	—	C	
28FP/9430915	GA4/250	Grommet, Dzus	4	—	C	
5X/4491487	14V5650	Socket, double	2	—	C	
5X/4491488	15V5650	Socket, single	6	—	C	
	1V9561	STRUCTURE, BOX, GROUP	1	—		GG10/500
		Spares for:—				
	2V9561	BOX, CHASSIS ASSY., GROUP	1	—		
		Spares for:—				
	61SS4204	Bush, ring lock	1	—	MR	
	272SS6005	Label, 1	1	DTD213		
	273SS6005	Label, 2	1	DTD213		
28FP/9430916	S4/200	Spring, Dzus	4	—	C	
	FERRANTI					
5UB/6505074	RD7146	Transformer, type 123	1	—	A	GG10/501

EQUIPMENT—AIRCRAFT
INSTRUMENT PANELS

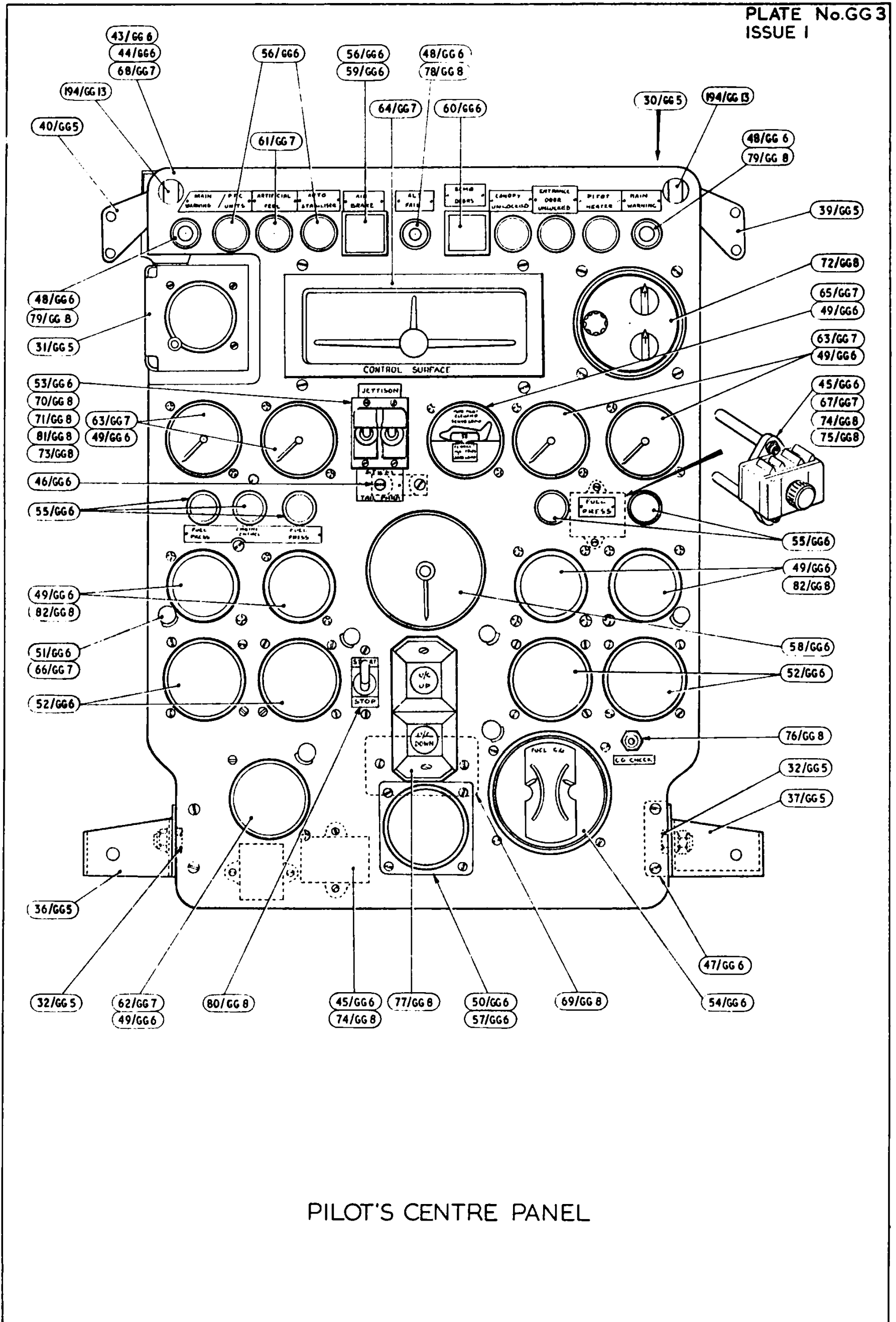
Ref. No.	Part No.	Description 1 2 3 4	No. off	Matl. Spec.	Cl. of St.	Plate and Illust'n No.
					M.R.	
		PANELS, INSTRUMENT, REAR PORTION FUSELAGE Spares for:— PANEL, R.C.M. FUSE 14P, REAR PORTION (1V8629) (See Electrical Installation—Rear Portion Fuselage) PANEL, CONTACTOR 44P IN REAR PORTION (1V10081) (See Electrical Installation—Rear Portion Fuselage) PANEL, RELAY, 84P, PARACHUTE RELEASE CIRCUIT, REAR SECTION (1V10106) Spares for:—				
	1V9597	LOOM CABLE, GROUP	1	—		
	2V10106	PANEL, LESS WIRING, GROUP	1	—		
5X/6200370	1V5650	Spares for:— Block, terminal	1	—	C	
	1335V7728	Label, TB.1335	1	DTD213		
	3V10106	PANEL, GROUP	1	—		
	649SS6003	Spares for:— Label, 649	1	L59		
	650SS6003	Label, 650	1	L59		
	651SS6003	Label, 651	1	L59		
	652SS6003	Label, 652	1	L59		
	653SS6003	Label, 653	1	L59		
	654SS6003	Label, 654	1	L59		
	655SS6003	Label, 655	1	L59		
	700SS6003	Label, 700	1	L59		
	701SS6003	Label, 701	1	L59		
5CW/4400162	PLESSEY 7CZ/103739/1	Relay	5	—	B	
5CW/4400161	PLESSEY 7CZ/105411/1	Relay	4	—	B	
5X/4491487	14V5650	Socket, double	2	—	C	
5X/4491488	15V5650	Socket, single	1	—	C	



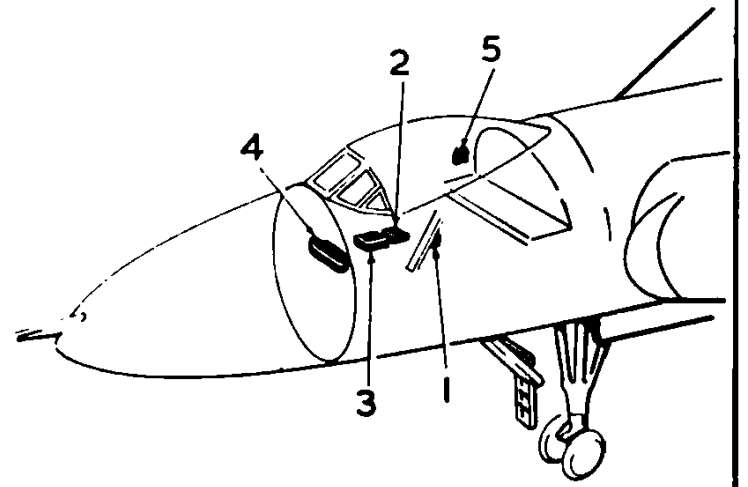
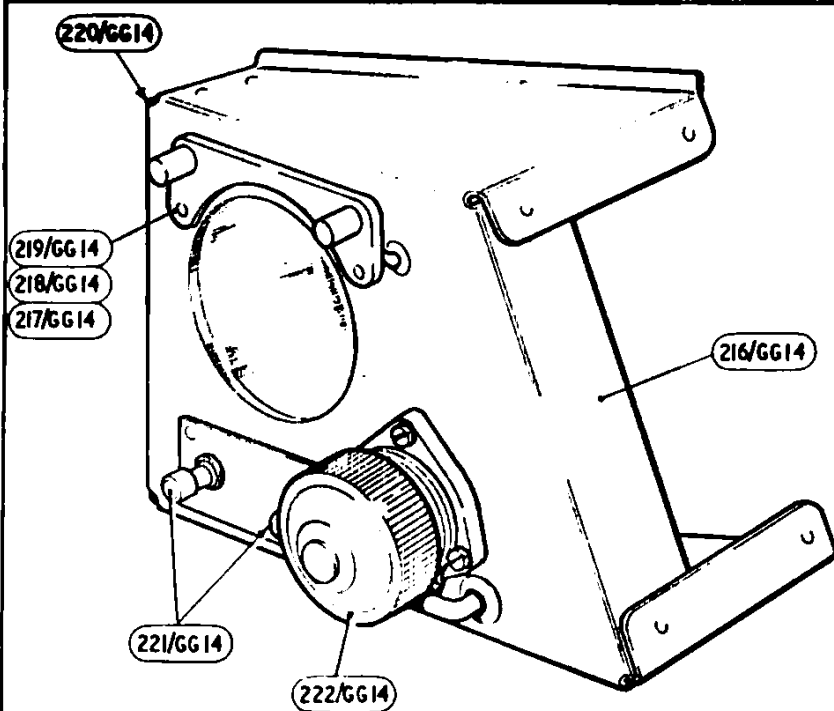
1st PILOT'S INSTRUMENT PANEL



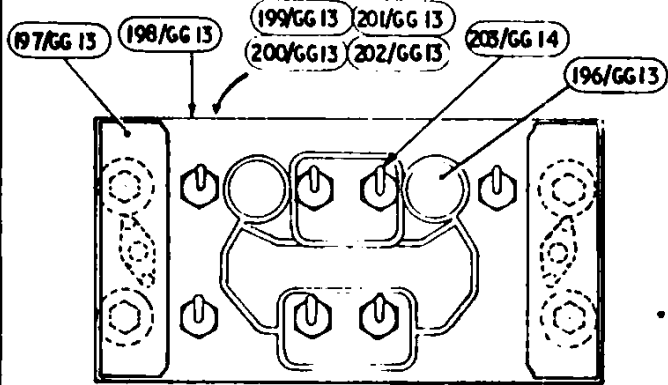
2ND PILOT'S INSTRUMENT PANEL



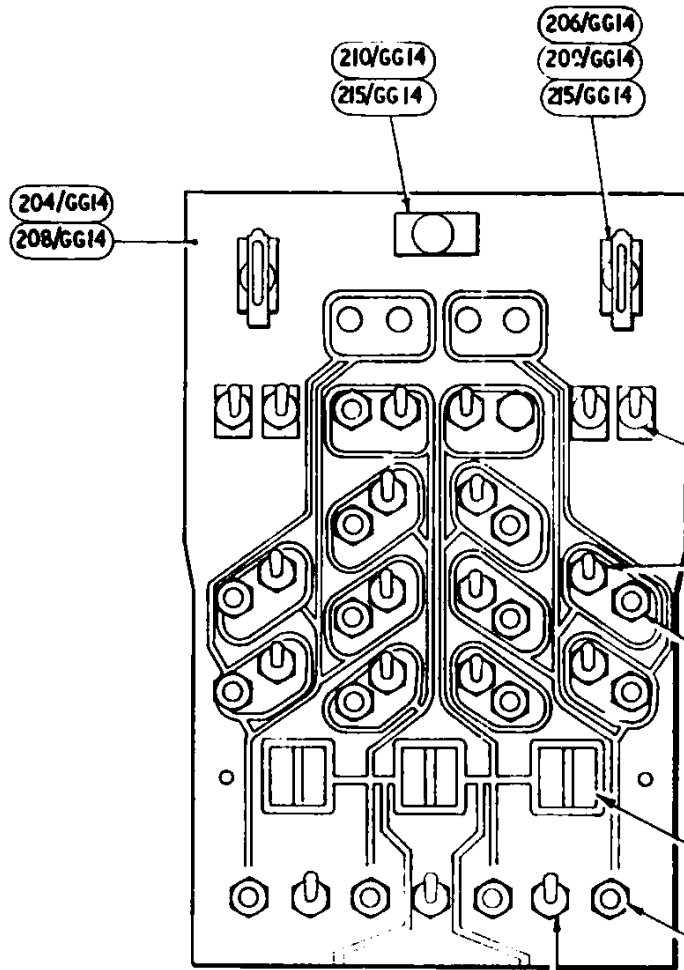
PILOT'S CENTRE PANEL



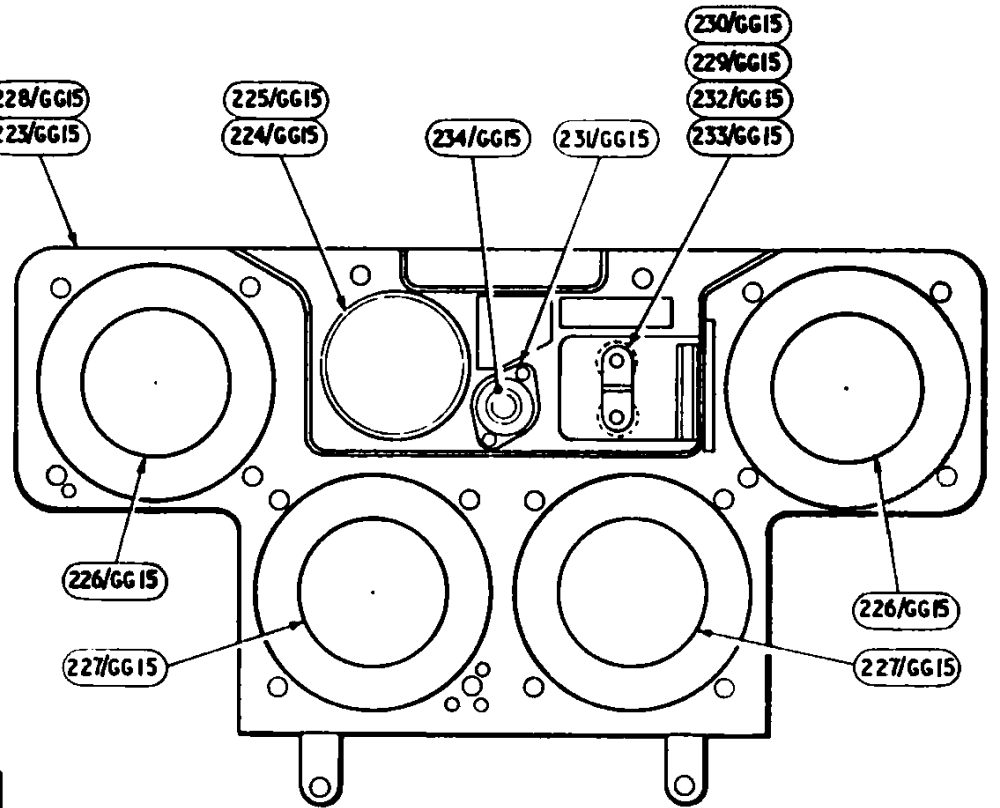
BOMB BAY TANKS
FUEL CONTENTS PANEL (1)



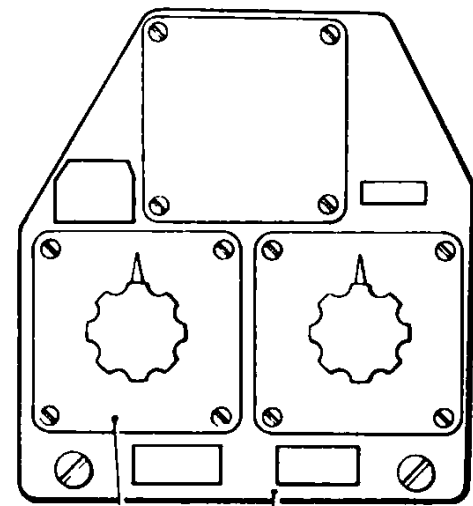
BOMB BAY TANKS
CONTROL PANEL (2)



MAIN FUEL SYSTEM
CONTROL PANEL (3)

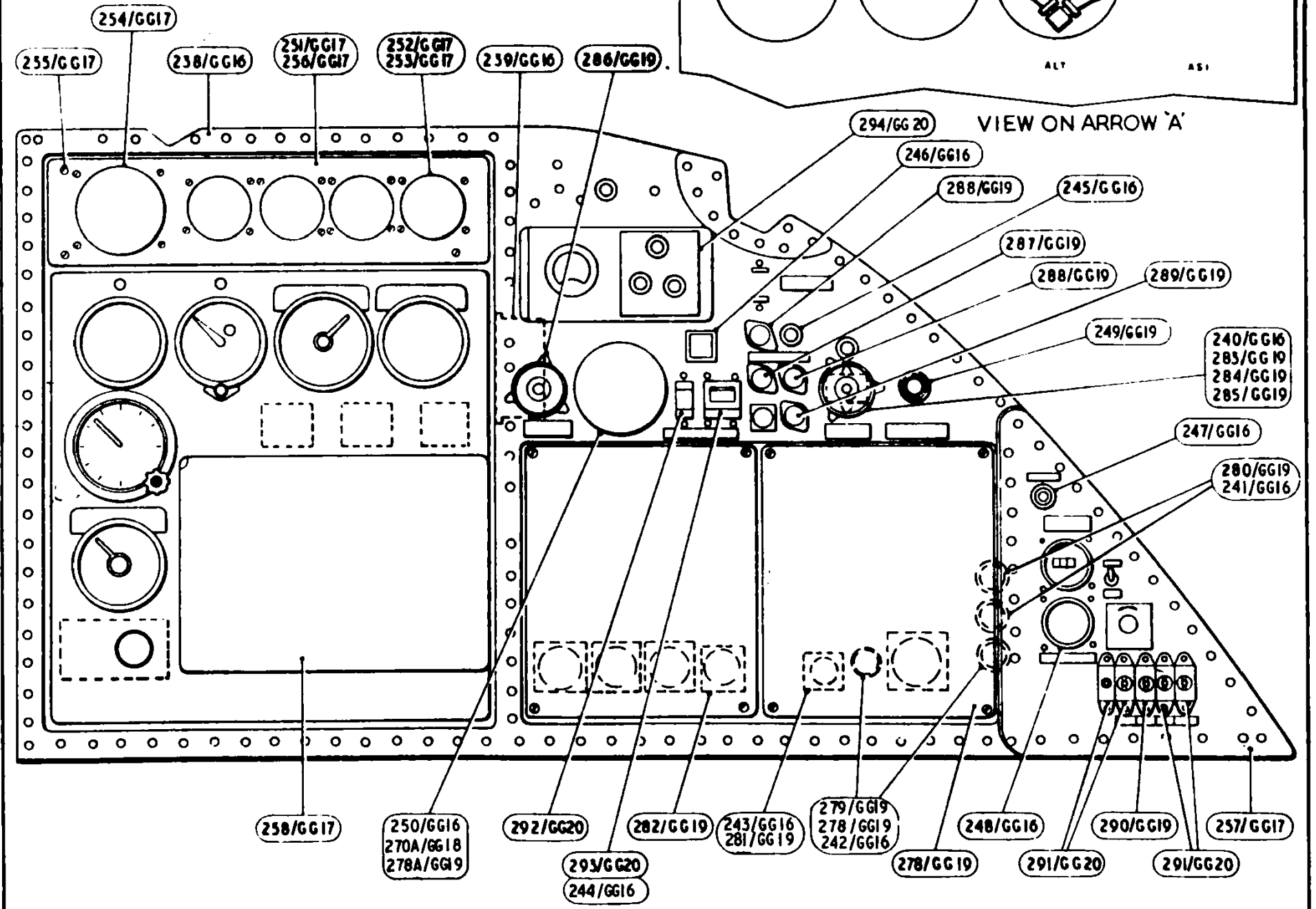
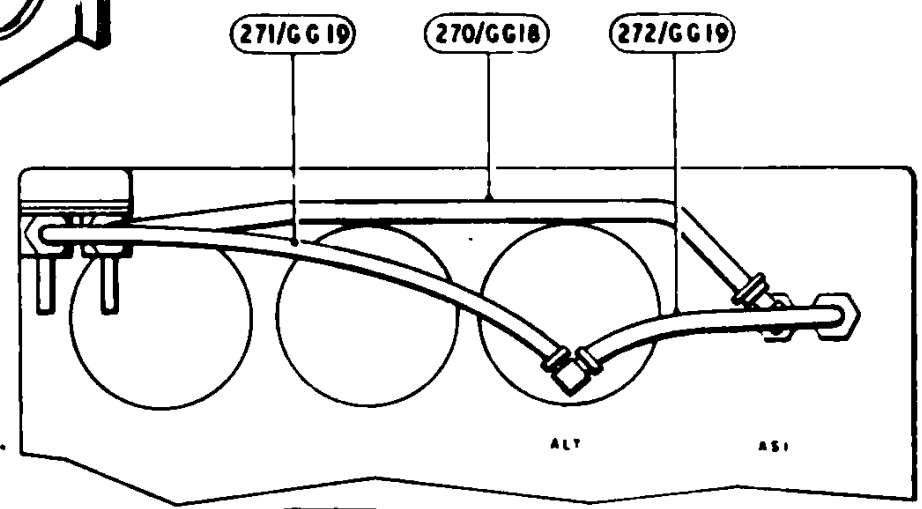
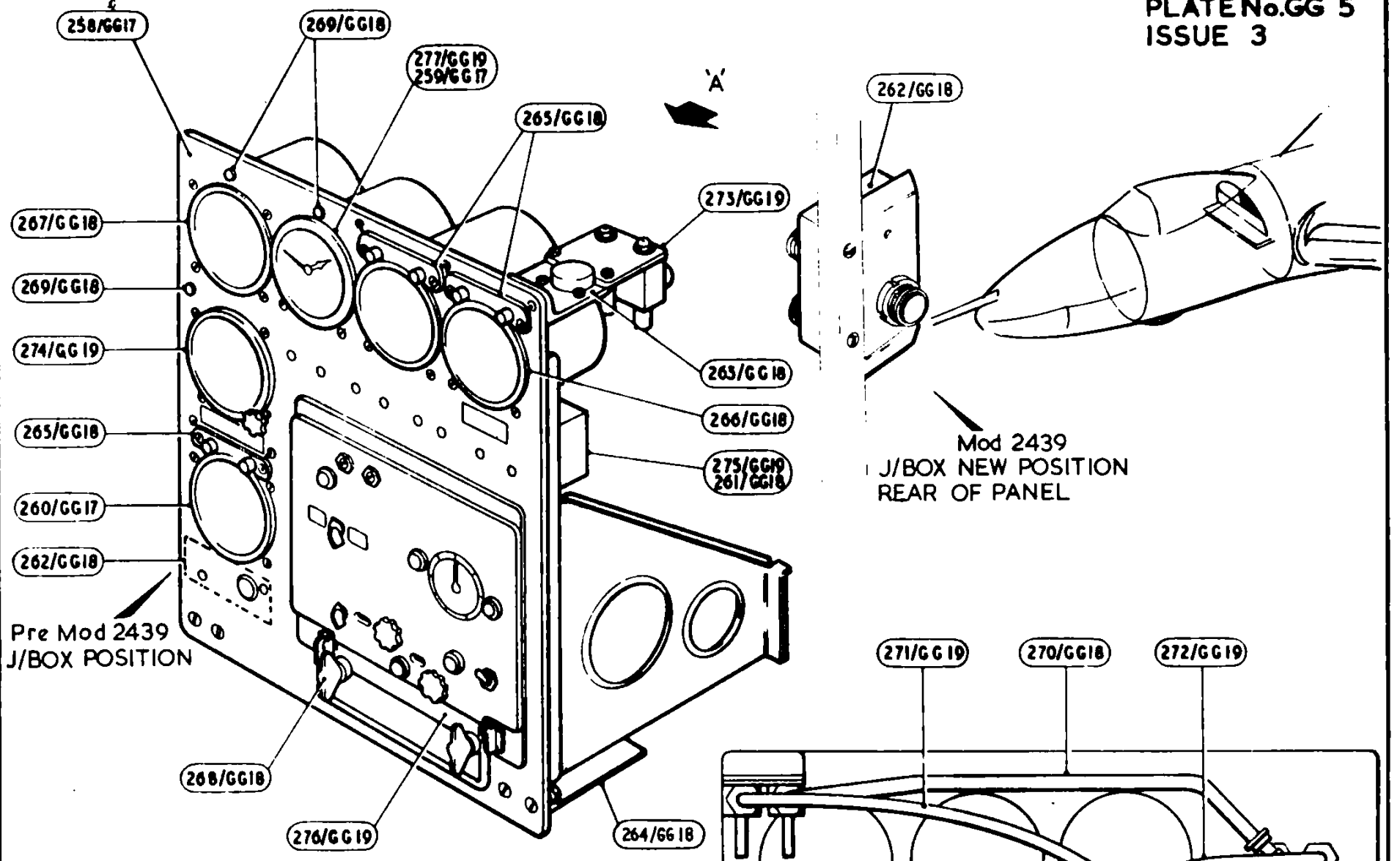


FUEL CONTENTS PANEL (4)

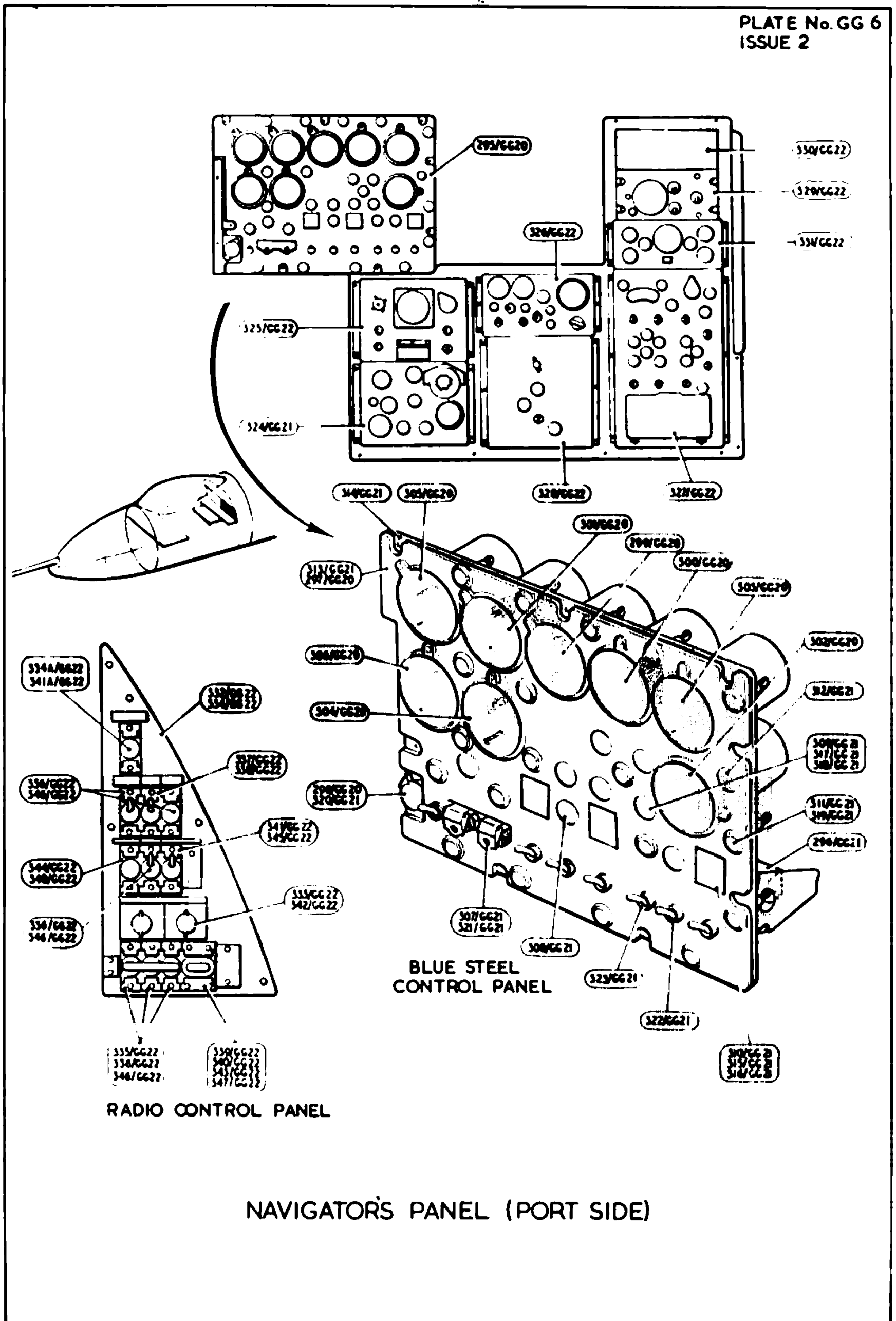


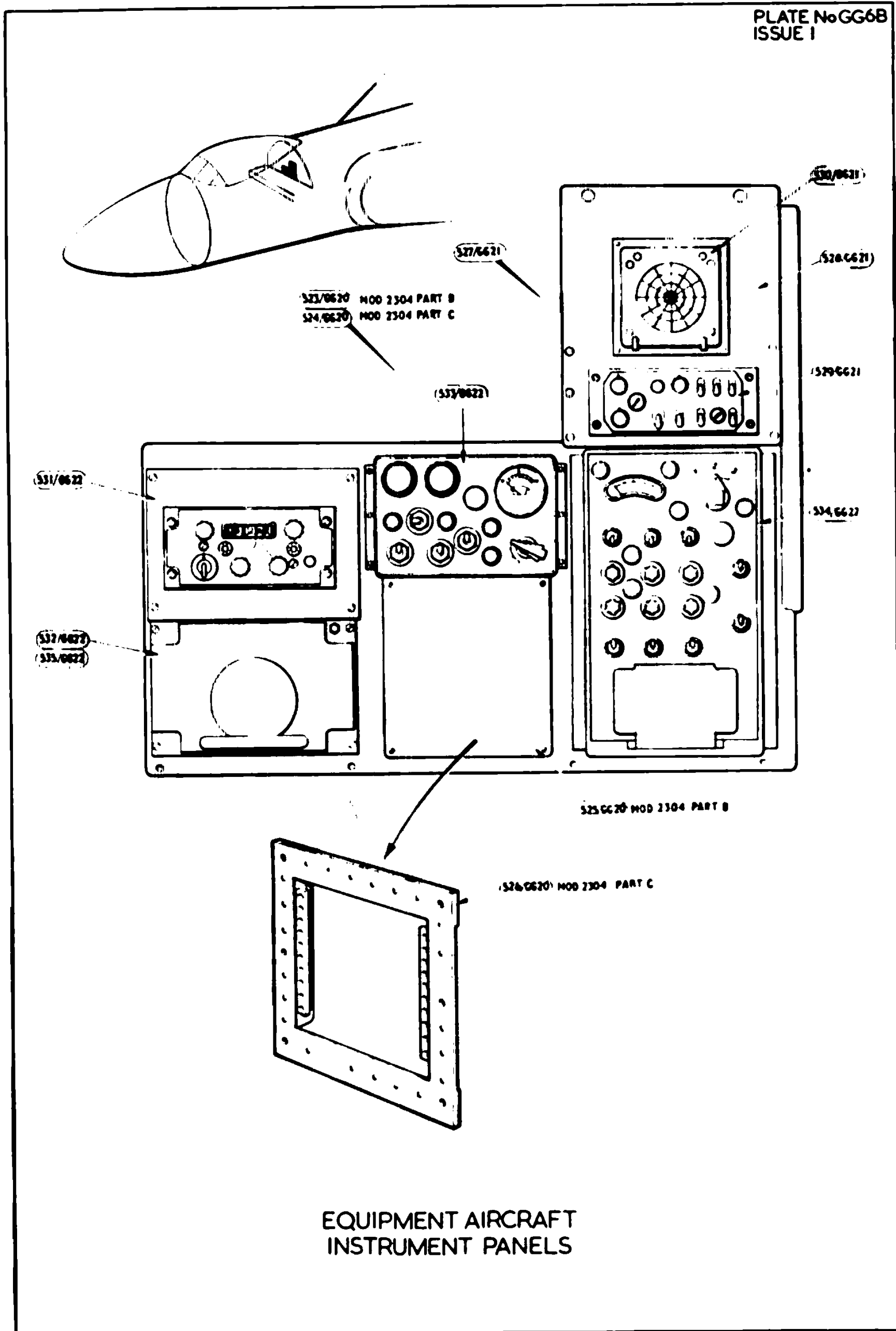
FIN AND WING DE-ICING
TEMPERATURE SELECTOR PANEL(5)

FUEL SYSTEM AND DE-ICING PANELS

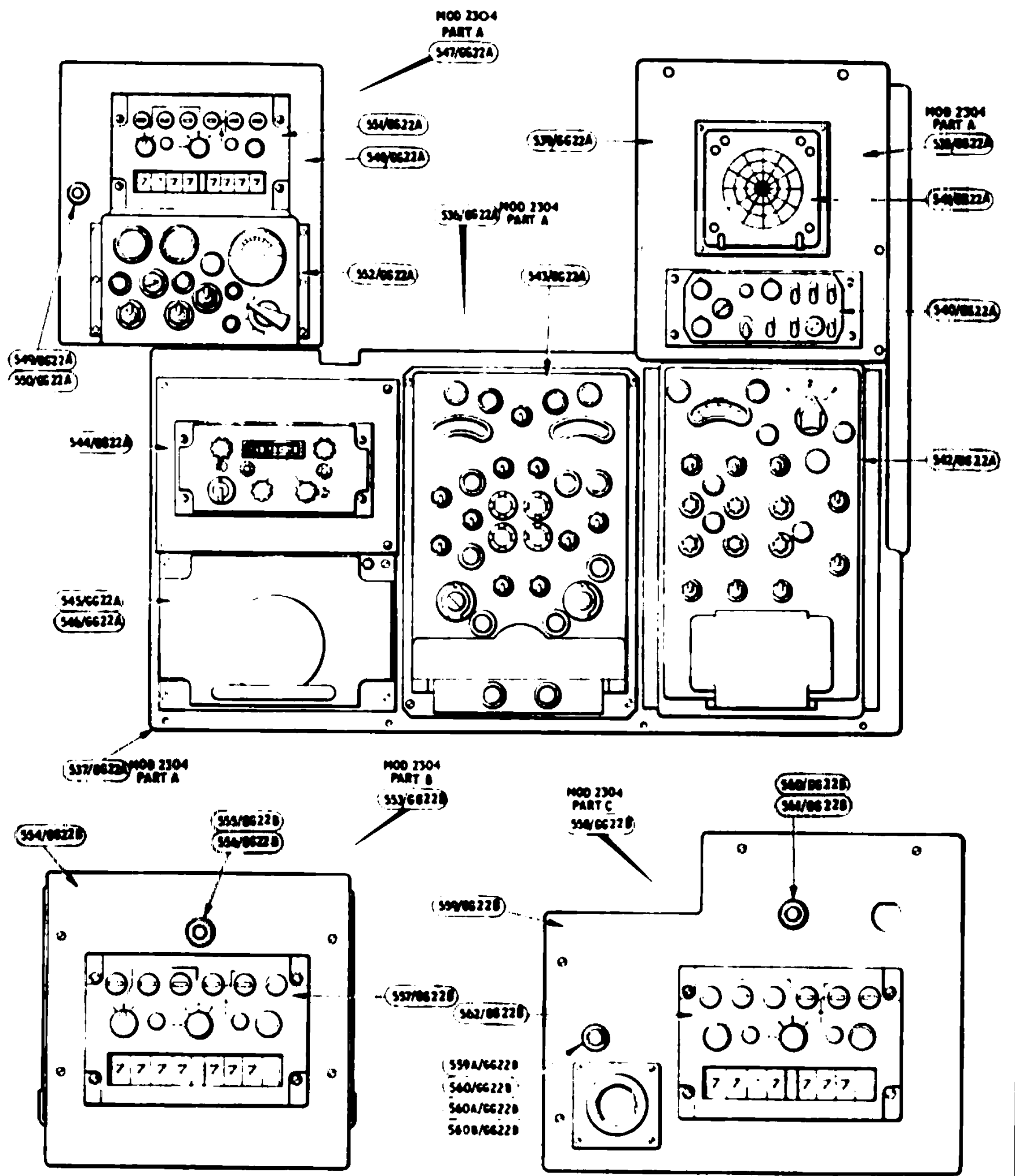
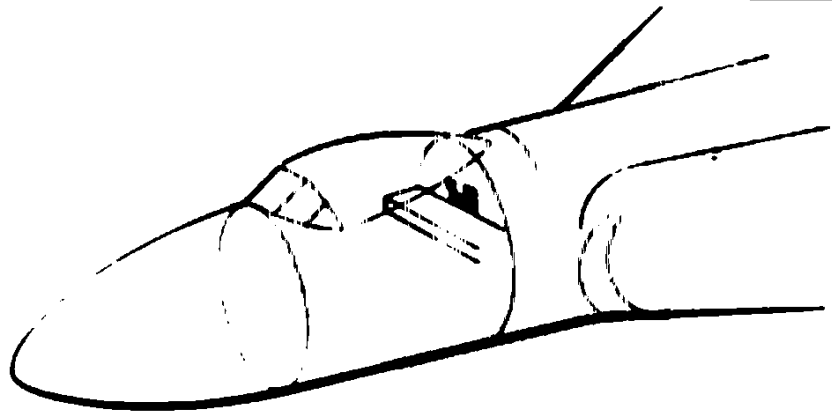


NAVIGATOR'S PLOTTING PANEL

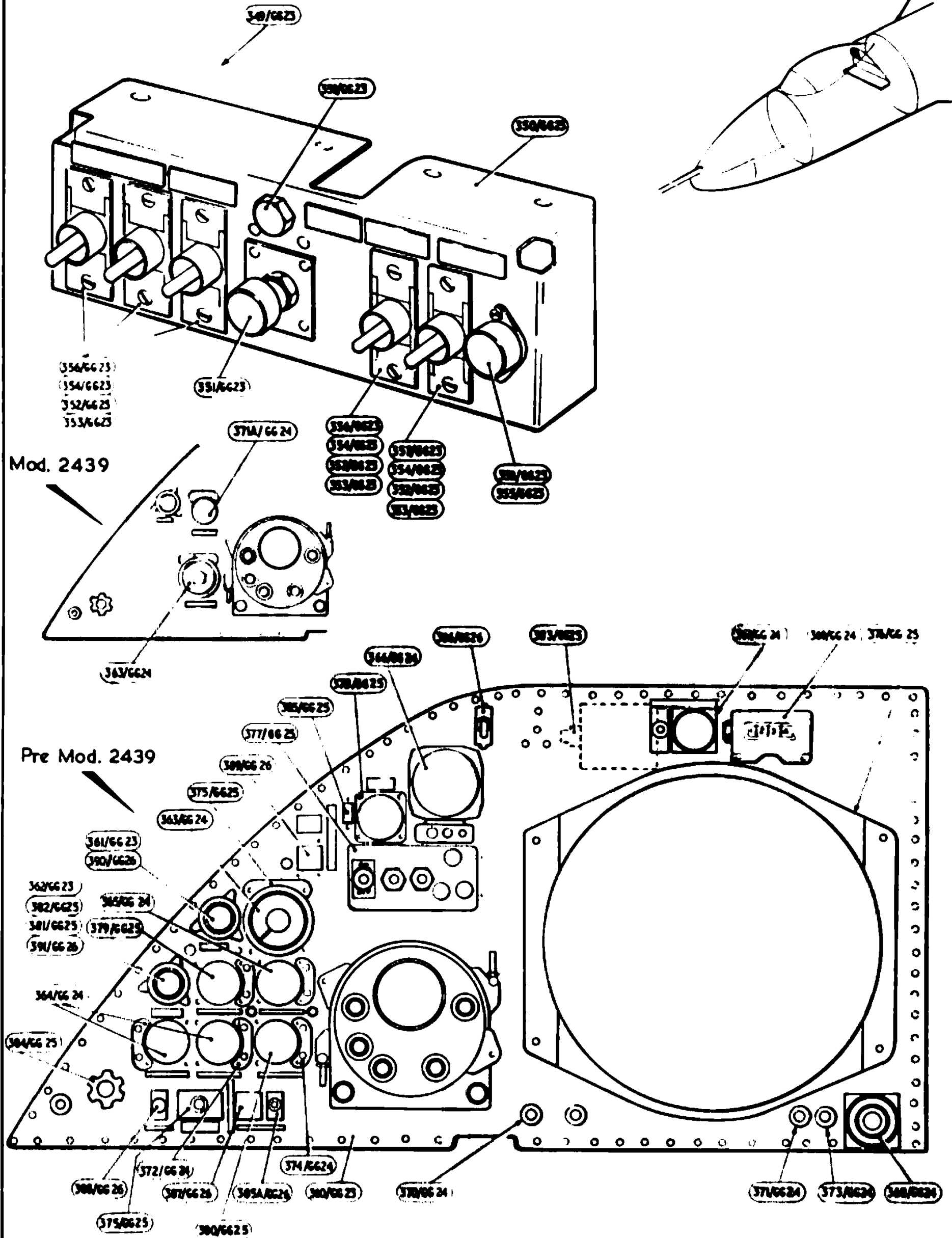


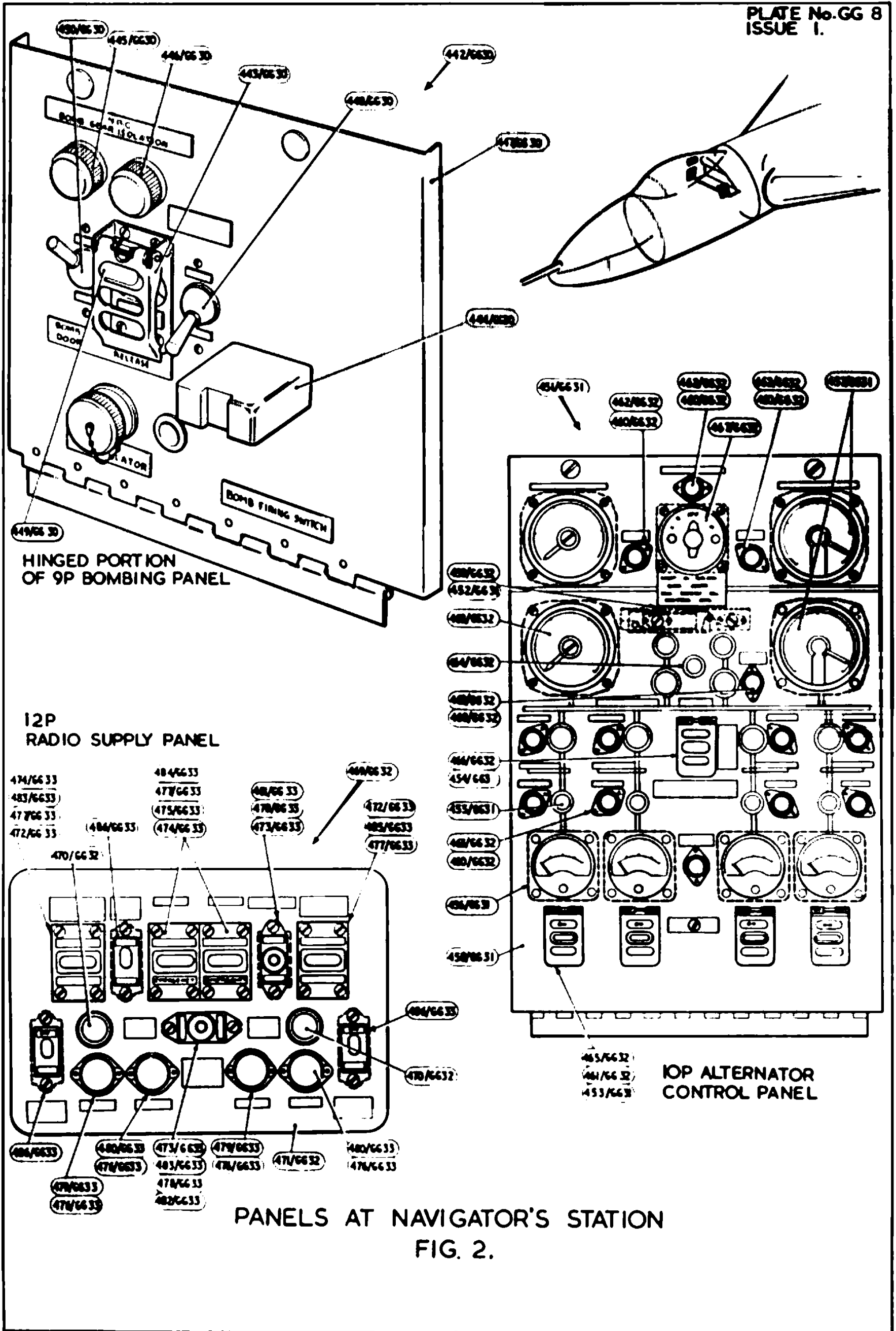


EQUIPMENT AIRCRAFT
INSTRUMENT PANELS



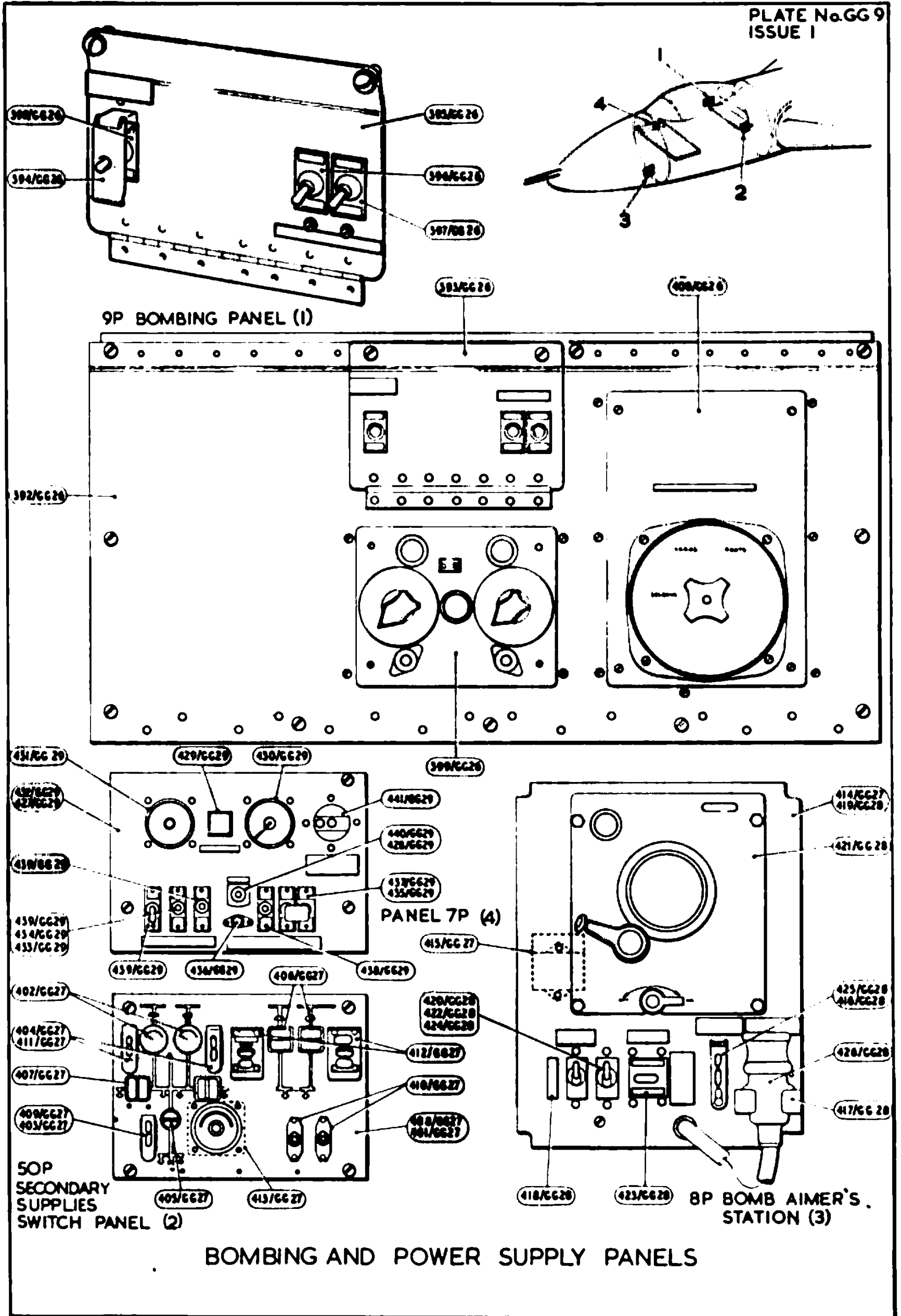
EQUIPMENT AIRCRAFT
INSTRUMENT PANELS





RESTRICTED

PLATE No.GG 9
ISSUE 1

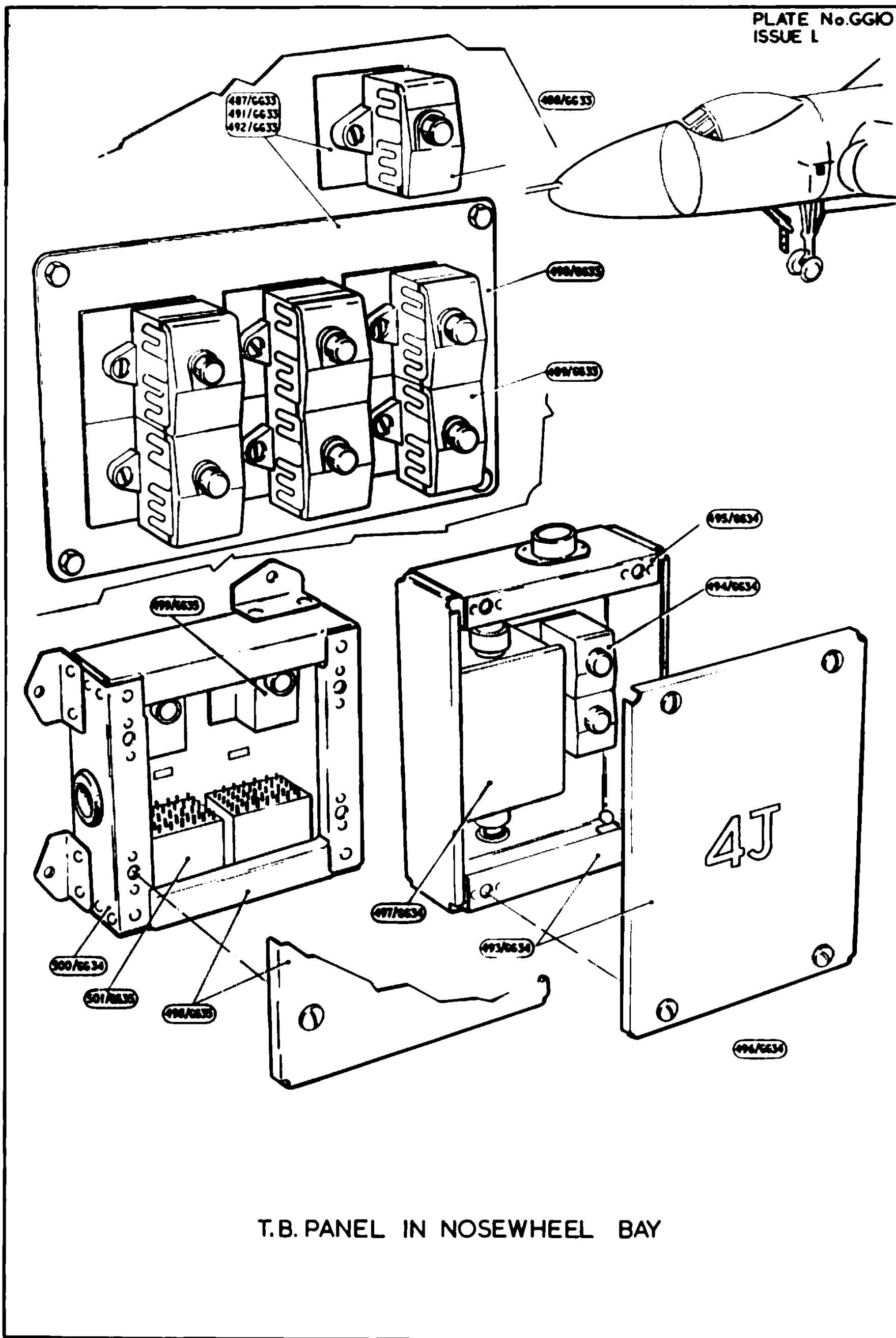


BOMBING AND POWER SUPPLY PANELS

RESTRICTED

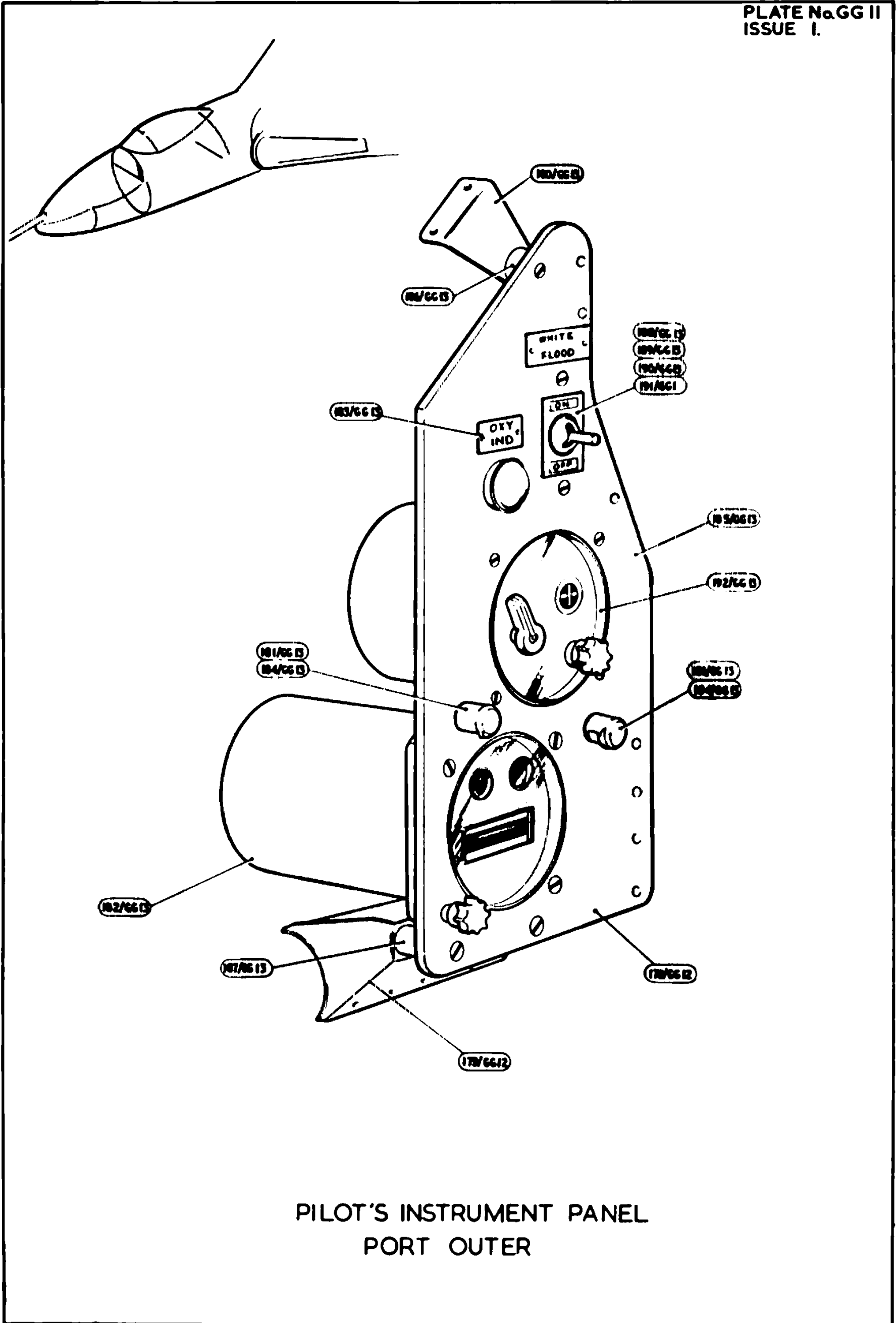
RESTRICTED

PLATE No.GG10
ISSUE 1

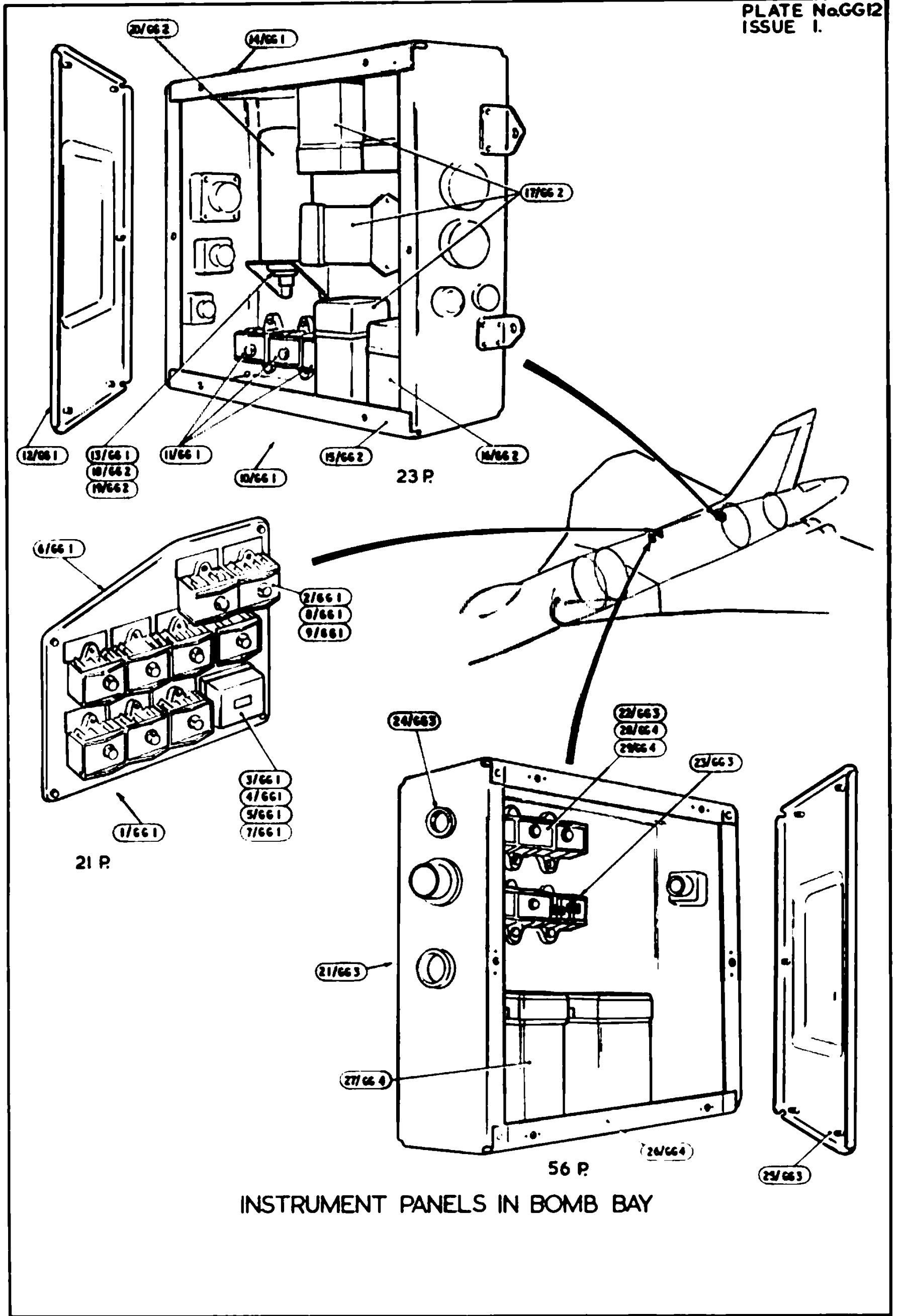


T.B. PANEL IN NOSEWHEEL BAY

RESTRICTED



PILOT'S INSTRUMENT PANEL
PORT OUTER



INSTRUMENT PANELS IN BOMB BAY

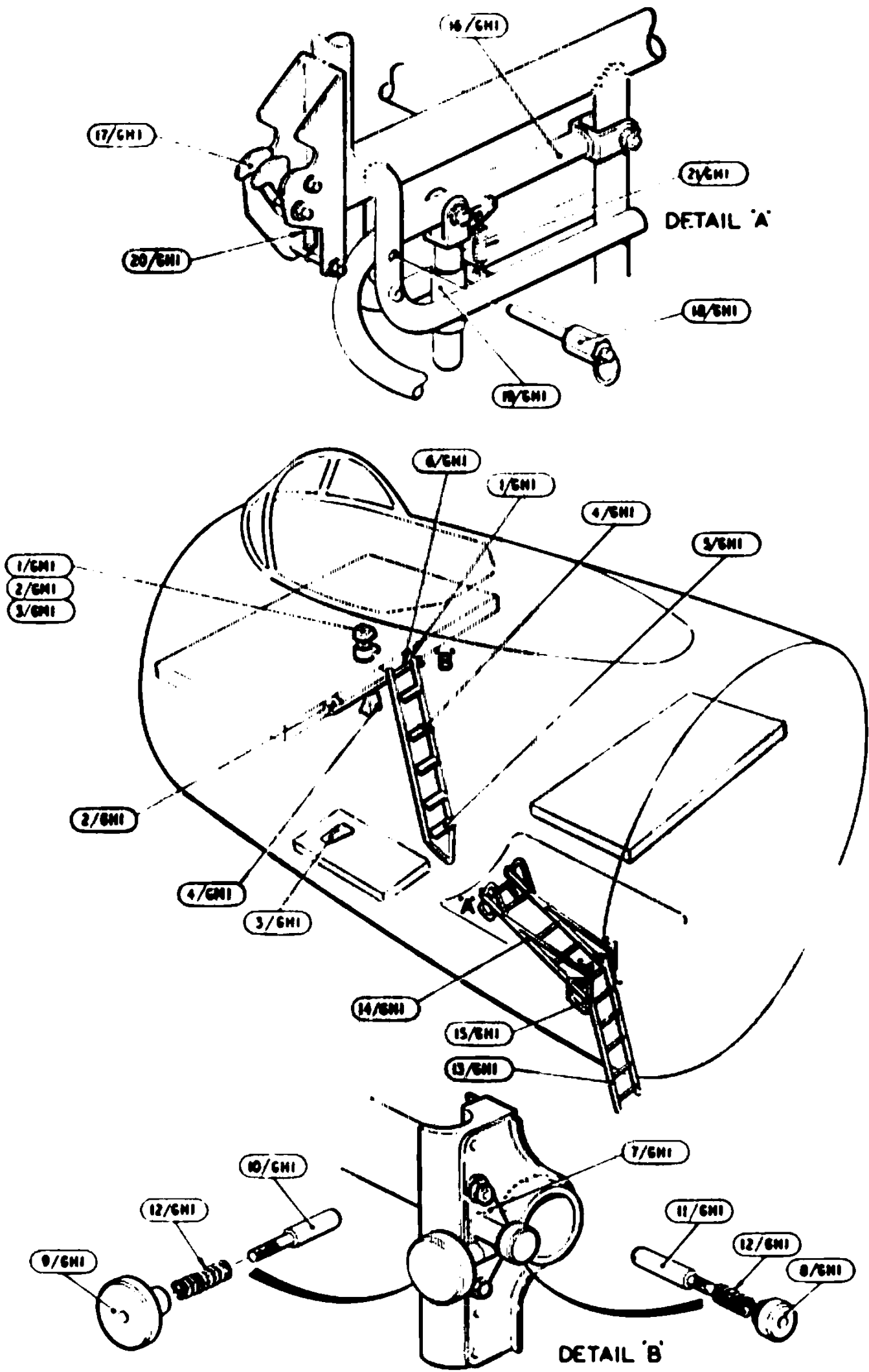
VULCAN Mk. 2

EQUIPMENT AIRCRAFT

Page GH. 1

LADDERS

Ref. No.	Part No.	Description	No. off	Matl. Spec.	Cl. of St.	Plate and Illust'n No.
					M.R.	
		1 2 3 4				
		LADDERS, ASSEMBLIES Consisting of:— LADDER, FLIGHT DECK, CREW'S NAZELLE . (Z7906)				
	1Z7907	Spares for:— BRACKET, SUPPORT, GROUP	1	—	MR	GH1/1
11296	3Z7906	Bracket, cross tube support	1	T45 & S3		GH1/2
	4Z7906	Guide, for ladder, in stowed position	1	—	C	GH1/3
2588	1Z7915	LADDER, FLIGHT DECK, GROUP	1	—	B	GH1/4
	2Z7915	Spares for:— Frame, ladder	1	T45 & S3		
	10Z7915	Plug, end	2	DTD364		
	9Z7915	STEP, GROUP	5	—	MR	GH1/5
	1Z7908	SLIDE, LADDER, GROUP	1	—		GH1/6
	3Z7908	Spares for:— Bush, 1.63" dia. x 1.25" long	2	B11		
	4Z7908	Guide, LH	1	DTD364		
	5Z7908	Guide, RH	1	DTD364		
	1Z7909	PLUNGER, SLIDE, GROUP	1	—	MR	GH1/7
	6Z7909	Spares for:— Knob, knurled, .75" dia.	1	DTD364		GH1/8
	7Z7909	Knob, knurled, 1.50" dia.	1	DTD364		GH1/9
	5Z7909	Plunger	1	S1		GH1/10
	9Z7909	Plunger	1	S1		GH1/11
	7Z3092	Spring	2	—	MR	GH1/12
		LADDER, MAIN ENTRANCE DOOR, CREW'S . NACELLE (Z7917)				
	1Z7919	Spares for:— LADDER, BOTTOM, MAIN ENTRANCE DOOR, GROUP	1	—		GH1/13
2596	2Z7919	Consisting of:— Ladder, bottom	1	—	C	
	3Z7919	Stop, assembly	2	—	MR	
28Q/9417246	AGS2051.424BS	Rivet	8	—	C	
2593	1Z7918	LADDER, TOP, MAIN ENTRANCE	1	—	B	GH1/14
	3Z7918	Spares for:— Guide, for lower ladder	2	S96		GH1/15
1505048	6Z7918	Handle	1	—	C	GH1/16
	10Z7918	Lever	2	—		GH1/17
28FP/10	AVIATION DEV A417	Pin, quick release	2	—	C	GH1/18
2973	16Z7918	PLUNGER, GROUP	2	—	C	GH1/19
	9Z7918	Spring, lever	2	—	MR	GH1/20
	17Z7918	Spring, handle	2	—	MR	GH1/21



AIRCRAFT EQUIPMENT
SEXTANT STORAGE MOUNTING TRAY-LADDERS

VULCAN Mk 2

EQUIPMENT AIRCRAFT
PERISCOPE INSTALLATION

Page GJ. 1

Ref. No.	Part No.	Description	No. off	Matl. Spec.	Cl. of St.	Plate and Illust'n No.
					M.R.	
		1 2 3 4				
		PERISCOPE INSTALLATION AT NAVIGATOR'S STATION (24Z8684) Spares for:—				
		CONDUIT AND CABLE RUN OPERATING MECHANISM FOR PERISCOPE (1Z9845) Spares for:—				
27K/1400	11Z8707 TELEFLEX B.42878	Bolt, special	3	—		GJ1/1
		Box, receiver	1	—	B	GJ1/2
		CABLE RUN AND LINKAGE TO UPPER AND LOWER SIGHTING HEAD (3 & 4Z9845) Spares for:—				
27K/1064	TELEFLEX C.36428	Cable, control, upper, 12" long	1	—	C	GJ1/3
27K/1063	TELEFLEX C36426	Cable, control lower, 10" long	1	—	C	GJ1/4
6073	8Z8707	CLIP, HALF, TOP, GROUP	1	—	C	GJ1/5
6074	9Z8707	CLIP, HALF, C/W BEARING, GROUP	1	—	C	GJ1/6
	9aZ8707	Spares for:— Bearing, flanged, 1.25" dia. x 5/16" long	1	—		
28FP/2721	2SS3859	Clip, cable for conduit	5	—	C	GJ1/7
28N/5549	AGS899/2	Collar, for lever pin	1	—	C	GJ1/8
	20Z8707	CONDUIT, CABLE, UPPER, FROM OPERATING MECHANISM TO CONNECTOR, 4' 6" LONG, GROUP	1	—		GJ1/9
	4Z8707	CONDUIT, CABLE, UPPER, FROM CONNECTOR TO SWIVEL UNIT, 7' 6" LONG, GROUP	1	—		GJ1/10
	3Z9845	CONDUIT, CABLE, LOWER, FROM OPERATING MECHANISM TO MOUNTING PANEL, 9' 0" LONG, GROUP	1	—		GJ1/11
27K/796	TELEFLEX B35340/B TELEFLEX C41021	Connector, conduit, upper	1		C	GJ1/12
		Fork end, sliding	1		C	GJ1/13
1510348	14Z8707	GUARD, HALF, STBD., GROUP	1	—	C	GJ1/14
1510349	15Z8707	GUARD, HALF, PORT, GROUP	1	—	C	GJ1/15
	14bZ8707	Spares for:— Strip, rubber, 1/32" x 6" x 5/8"	1	—		
6075	12Z8707	Lever	1	L53	C	GJ1/16
	2SS4089	Pin, joint, for lever	1			GJ1/17
6076	6Z8707	Spindle, extension, upper	1	L65	C	GJ1/18
	7Z8707	Spindle, extension, lower	1	L65	MR	GJ1/19
27K/4690395	TELEFLEX C24200/B	Unit, swivel	1	—	B	GJ1/20
27K/1236	TELEFLEX DS380	Cable, control, 7' 0" long	1	—	C	GJ1/21

EQUIPMENT AIRCRAFT
PERISCOPE INSTALLATION

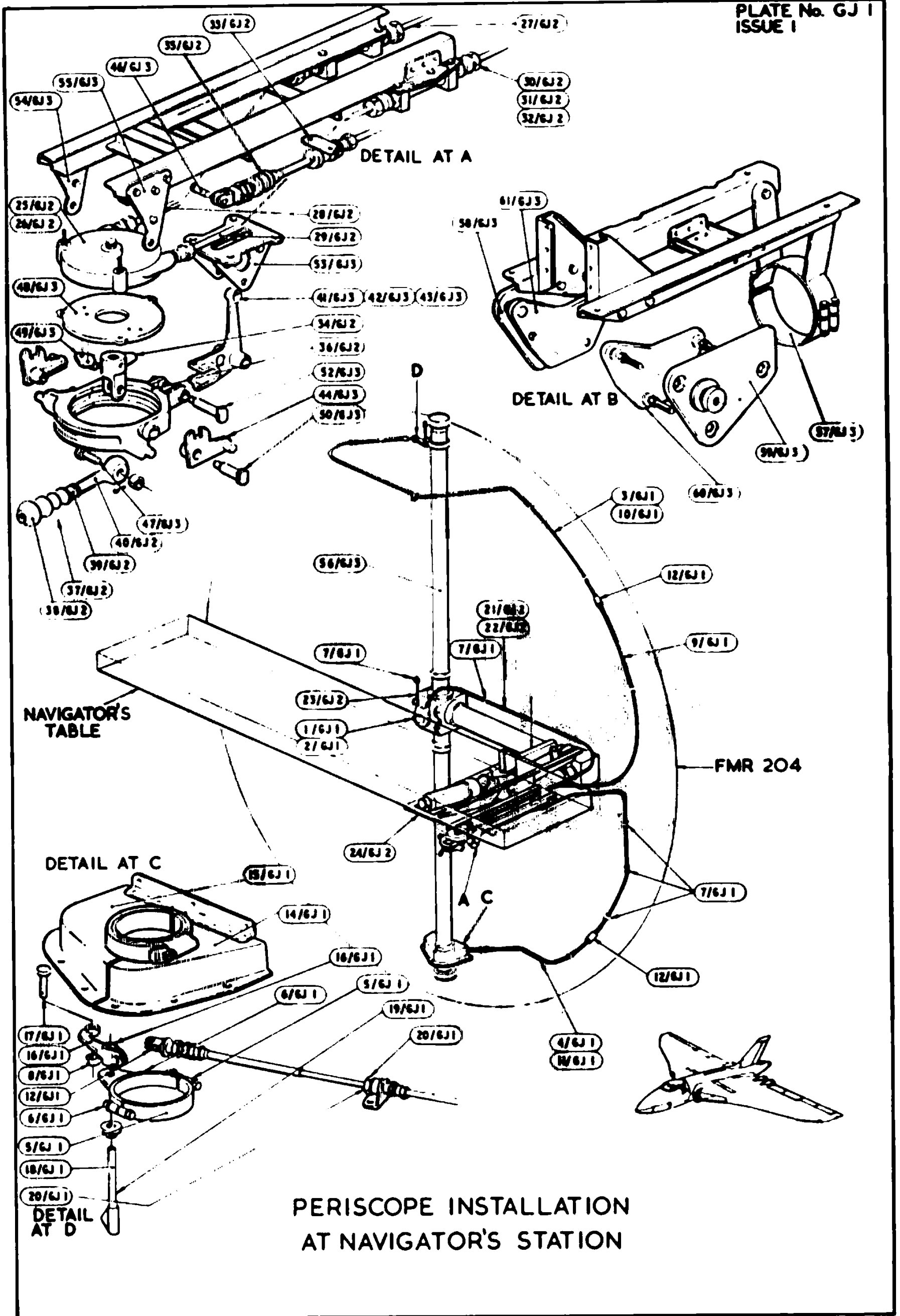
Ref. No.	Part No.	Description	No. off	Matl. Spec.	Cl. of St.	Plate and Illust'n No.
					M.R.	
		1 2 3 4				
	17Z8707	CONDUIT, CABLE, OPERATING MECHANISM TO RECEIVER BOX, GROUP	1	—		GJ1/22
	19Z8707	TUBE, SPENT TRAVEL, GROUP	1	—		GJ1/23
	6Z8684	GUARD, UNDER NAVIGATOR'S TABLE, GROUP	1	—	MR	GJ1/24
28D/1218386 28M/1278189	AS1248/3B AGS2001/B1	Attachments—Guard, Part No. 6Z8684 Bolt, 4 BA Nut, 2 BA	20 20	— —	C C	
		MECHANISM, OPERATING, FOR PERISCOPE (1Z8602)				
		Spares for:—				
	9Z8602	Bracket, fulcrum	1	—		GJ1/53
	24Z8602	Bracket, fulcrum RH	1	—		GJ1/54
	25Z8602	Bracket, fulcrum LH	1	—		GJ1/55
7425	18Z8602	BOX, RECEIVER AND CONDUIT, GROUP Spares for:—	1	—	B	GJ1/25
	TELEFLEX C42885/B	Box, receiver	1	—	B	GJ1/26
27K/1402 6078	18aZ8602	Cable, control	1	—	C	GJ1/27
	18bZ8602	CONDUIT, PORT, GROUP	1	—	B	GJ1/28
	18cZ8602	CONDUIT, STARBOARD, GROUP	1	—		GJ1/29
		Consisting of:—				
	18dZ8602	Conduit, DS. 307/2 x 13" long, port (Make from 27K/548)	1	—		
	18eZ8602	Conduit, DS. 307/2 x 13" long starboard (Make from 27K/548)	1	—		
	TELEFLEX A35336	Collar	2	—		GJ1/30
	TELEFLEX B35335	Sleeve, outer	2	—		GJ1/31
27K/1062	TELEFLEX C36706/B	Unit, break	1	—	B	GJ1/32
27K/4690895	TELEFLEX C24197	Coupling, swivel	1	—	B	GJ1/33
	10Z8602	Fork-end, at receiver bar	1	L53		GJ1/34
	TELEFLEX C41018	Fork-end sliding, for swivel (Make up from AP4515G, Vol. 3, Pt. 1)	1	—	C	GJ1/35
	5Z8602	Gate, lever oscillating	1	L53		GJ1/36
	4Z8602	LEVER, CONTROL, FOR OPERATING MECHANISM, GROUP	1		MR	GJ1/37
		Spares for:—				
	4cZ8602	Handle	1	DTD130		GJ1/38
	4bZ8602	Roller, .55" dia. x .5" long	1	S1		GJ1/39
	4aZ8602	Spindle, 1" dia. x 6" long	1	L65		GJ1/40

VULCAN No. 2

EQUIPMENT AIRCRAFT
PERISCOPE INSTALLATION

Page GJ. 3

Ref. No.	Part No.	Description	No. off	Matl. Spec.	Cl. of	Plate and Illust'n No.
					St. M.R.	
		<u>1 2 3 4</u>				
		MECHANISM, OPERATING, FOR PERISCOPE (128602) (Cont'd)				
9994	1128602	LEVER, BELL CRANK, GROUP	1	—	C	GJ1/41
	CT4	Consisting of:— Bush, oilite, 1/2" dia. x 1.03" long	1	—		GJ1/42
	11a28602	Lever	1	L53		GJ1/43
	628602	Lever, toggle, LH	1	L53		GJ1/44
	728602	Lever, toggle, RH	1	L53		GJ1/45
	2SS4098	Pin, fulcrum, for bell crank lever	1			GJ1/46
	2128602	Pin, fulcrum, for operating handle	1	S1	MR	GJ1/47
	1728602	RING, MOUNTING AND STOP BRACKETS, GROUP	1	—	MR	GJ1/48
		Spares for:— Screw, buffer, 0.5" dia. x 1" long	2	S1		GJ1/49
	1027032					
	1328602	Stud, shouldered, 0.5" dia. x 1.9" long	2	S1	MR	GJ1/50
	1428602	Stud, shouldered, 0.625" dia. x 2" long	1	S1	MR	GJ1/51
	1528602	Stud, shouldered, 0.625" dia. x 1" long	1	S1	MR	GJ1/52
		PERISCOPE, INSTALLATION (128683) Spares for:—				
	KELVIN HUGHES Z157-124	Locknut (Mod. 2289)	1	—		
9390	KELVIN HUGHES K.P.G.-0401	Periscope, rearward viewing	1	—	A	GJ1/56
	KELVIN HUGHES Z157-1192	Plate, pressure (Mod. 2289)	1	—		
	KELVIN HUGHES 30-781-1017-53	Seal, "O" ring (Mod. 2289)	1			
	KELVIN HUGHES Z157-125	Washer, tab (Mod. 2289)	1			
		STRUCTURE, SUPPORT, PERISCOPE, NAVIGATOR'S TABLE (129231) Spares for:—				
	929231	CLIP, ATTACHMENT, GROUP	1	—		GJ1/57
		Spares for:—				
12932	328737	Clip, half, bottom	1	—	C	
	9a29231	Clip, half, top	1	—		
	429231	PLATE, ADJUSTING, GROUP	1	—		GJ1/58
	529231	PLATE, ADJUSTING, GROUP	1	—		GJ1/59
	1529231	PLATE, SETTING, GROUP	1	—		GJ1/60
	1629231	PLATE, SETTING, GROUP	1	—		GJ1/61



PERISCOPE INSTALLATION
AT NAVIGATOR'S STATION

VULCAN Mk. 2

EQUIPMENT AIRCRAFT
SEATS AND FITTINGS

Page GK. 1

Ref. No.	Part No.	Description	No. off	Matl. Spec.	Cl. of	Plate and Illust'n No.
					St. M.R.	
		1 2 3 4				
		SEATS AND FITTINGS Spares for:— CUSHIONING BOMB AIMER'S BLISTER IN CREWS NACELLE (Z9442) (See Armaments—T4 Bombsight Inst.)				
		MOUNTING 1st AND 2nd PILOT'S EJECTION SEAT (1 & 2N1433) (Mod. 628) (Mod. 1789) Spares for:—				
9858	118Z9596	Adaptor	1	DTD130	C	GK1/1
5X/6200370	1V5650	Block, terminal	2	—	C	GK1/2
	37N1433	BLOCK, STOWAGE AT COCKPIT RAIL, ... GROUP (Mod. 2096)	1	—		GK1/3
6D/2214	—	Bottle, emergency oxygen (Pre-Mod. 1789) ...	1	—		GK1/4
6D/2881	—	Bottle, emergency oxygen, Mk. 3	1	—		GK1/4
	3N1268	Bracket, attachment guide rail 1st Pilot's	1	—		GK1/5
	4N1268	Bracket, attachment guide rail 2nd Pilot's	1	—		GK1/6
	5N1268	Bracket, attachment cockpit rail, port	1	—		GK1/7
	6N1268	Bracket, attachment cockpit rail, starboard ...	1	—		GK1/8
	18N1433	Bracket, rail attachment	1	DTD410		GK1/9
	3N1261	BRACKET ATTACHMENT, PORT, GROUP	1	—		GK1/10
	4N1261	BRACKET ATTACHMENT, STBD., GROUP	1	—		GK1/11
		Spares for:—				
	11N1261	Bearing	1	—		
	15N1261	Bush	1	—		
	27N1433	CABLE, GROUP (Mod. 1484)	1	—	MR	GK3/12
12K/1314	—	Cartridge Set No. 3, Mk. 3	—	—	C	
		(See Armaments—Pyrotechnics)				
12K/1352	—	Cartridge, Guillotine No. 2, Mk. 1	—	—	C	
		(See Armaments—Pyrotechnics)				
5X/4491486	10V5650	Ferrule	6	DTD527	C	
6D/2526	—	Gauge remote charging point and pressure ...	1	—		GK1/13
		(Mod. 1789)				
17242	10N1433	HOSE, FLEXIBLE, PORT, GROUP	1	—	C	GK1/14
	11N1433	HOSE, FLEXIBLE, STBD., GROUP	1	—	MR	GK1/15
	DUNLOP					
32C/4669356	DAS5231/G/38	Hose, flexible, starboard, 38" long	1	—	C	GK1/16
32C/4669356	DAS5231/G/50	Hose, flexible, port, 50" long	1	—	C	GK1/17
	311SS6005	Label, danger	1	—		GK1/18
	312SS6005	Label, stowage for safety pins	1	—		GK1/19
	1043T4323	Label, terminal block 5.9 amp.	1	—		GK1/20
	1044T3423	Label, terminal block 5.9 amp.	1	—		GK1/21

VULCAN Mk 2		EQUIPMENT AIRCRAFT					SEATS AND FITTINGS	
Page GK. 2								
Ref. No.	Part No.	Description	No. off	Matl. Spec.	Cl. of St.	Plate and Illust'n No.		
					M.R.			
		1 2 3 4						
	1568V7728	Label, terminal block	1	—		GK1/22		
	1569V7728	Label, terminal block	1	—		GK1/23		
		OXYGEN, EMERGENCY OPERATION, PORT & STBD. (1 & 2N1434) (Pre-Mod. 1789)						
		Spares for:—						
9484	5N1435	BRACKET, SUPPORT, PORT, GROUP	1	—	C			
9485	6N1435	BRACKET, SUPPORT, STBD., GROUP	1	—	C			
6D/1465	—	Cable, anchor socket operating	1	—	B			
	11N1434	CONDUIT, EMERGENCY OXYGEN, PORT, GROUP						
12084	12N1434	CONDUIT, EMERGENCY OXYGEN,	1	—	C			
		STARBOARD, GROUP						
		Spares for:—						
1433219	10N1434	Tube, conduit, port	1	—				
	3N1434	Tube, conduit, starboard	1	—				
	9N1434	KNOB, OPERATING, PORT, GROUP	1	—	MR			
	4N1434	KNOB, OPERATING, STBD., GROUP	1	—	MR			
		Spares for:—						
	9aN1434	Cable, 3 cwt. x 2' 0.5" long	1	W11/1PNC	C			
	4aN1434	Cable, 3 cwt. x 3' 2" long	1	W11/1PNC	C			
	3aZ6461	Knob, half	2	BSS668	C			
	10gN1435	Tube, 20G x 3/8" o/d x 7" long	1	T54				
	3GZ6461	Tube, 20G x 3/8" o/d x 5.5" long	1	DTD563				
	21N1433	RAIL, GUIDE, PORT, GRP. (Pre-Mod. 1789)	1	—		GK1/24		
	35N1433	RAIL, GUIDE, PORT, GRP. (Mod. 1789)	1	—				
	22N1433	RAIL, GUIDE, STBD., GRP.	1	—				
		(Pre-Mod. 1789)						
	36N1433	RAIL, GUIDE, STBD., GRP. (Mod. 1879)	1	—		GK1/25		
6D/2517	—	Regulator, demand emergency oxygen (Mod. 1789)	1	—	A	GK1/26		
	1N2371	ROD, TELESCOPIC, GROUP (Mod. 1489) ... Consisting of:—	1	—	MR	GK1/27		
	4N2371	Cover	1	L72				
	3N2371	Plunger	1	L83				
	2N2371	Tube	1	L83				
27L/50091	—	Seat ejector, 3KS-1, 1st Pilot	1	—	A			
		(Pre-Mod. 1789)						
27L/50165	—	Seat, ejector, 3KS-1 Mk. 3 1st Pilot	1	—	A	GK1/28		
		(Mod. 1789)						
or								
27L/50166	—	Seat, ejector, 3KS-1 Mk. 4 1st Pilot	1	—	A			
		(Mod. 1789)						
27L/50093	—	Seat, ejector, 3KS-2 2nd Pilot	1	—	A			
		(Pre-Mod. 1789)						
27L/50167	—	Seat, ejector, 3KS-2, Mk. 3 2nd Pilot	1	—	A	GK1/29		
		(Mod. 1789)						
or								
27L/50168	—	Seat, ejector, 3KS-2, Mk. 4 2nd Pilot	1	—	A			
		(Mod. 1789)						

VULCAN Mk 2

EQUIPMENT AIRCRAFT
SEATS AND FITTINGS

Page GK. 3

Ref. No.	Part No.	Description	No. off	Matl. Spec.	Cl. of St.	Plate and Illust'n No.
					M.R.	
		1 2 3 4				
		MOUNTING, 1st AND 2nd PILOT'S EJECTION SEAT (1 & 2N1433) (Mod. 628) (Mod. 1789) (Cont'd)				
5X/4491488	15V5650	Socket, single	6	—	C	GK1/30
		STOWAGE, FIRST AID ON 2nd PILOT'S GUIDE RAIL (1Z9735)				GK1/31
		Spares for:—				
	2Z9735	Bracket, attachment	1	—		GK1/32
	3Z9735	Bracket, attachment	1	—		GK1/33
13300	4Z9735	MOUNTING, FIRST AID STOWAGE, GROUP	1	—	C	GK1/34
		Spares for:—				
	6Z9735	Plate, mounting	1	—		GK1/35
	2Z7515	Stowage, first aid	1	—		GK1/36
6D/3450	DAS412G	PIPE, flexible	1	—		
	7N1268	TUBE, MAIN, GROUP	1	—		GK1/37
	8N1268	TUBE, SIDE, GROUP	1	—		GK1/38
	19N1433	Washer, special (at bracket 18N1433)	4	—		GK1/39
		MOUNTING, REAR CREW MEMBER'S SEATS (N3291)				
		Spares for:—				
17893	1N3288	SEAT, SLIDING, CENTRE CREW MEMBER'S, GROUP	1	—	A	GK2/40
	2N3291	SEAT, PORT, CREW MEMBER'S, GROUP	1	—		GK3/41
	3N3291	SEAT, STARBOARD, CREW MEMBER'S, GROUP	1	—		GK3/42
		Spares for:—				
	HANDLEY PAGE LTD. S1/003/1	ADAPTOR, GROUP, PORT	1	—		GK3/43
	HANDLEY PAGE LTD. S1/003/2	ADAPTOR, GROUP, STARBOARD	1	—	MR	GK3/44
	2N3139	Bracket, attachment	1	—		
	3N3139	Bracket, attachment	1	—		
	4N3288	CATCH, SUPPORT, GROUP	1	—		GK2/45
		Spares for:—				
17289	4bN3288	Lever, catch	2	—	C	
17290	240SS4700	Spring, leaf	2	—	C	
	5N3288	CATCH, SUPPORT, GROUP	1	—		GK2/46
		(Breakdown as item 4N3288)				
17278	5N3291	Guard	1	—	C	
17279	6N3291	Guard	1	—	C	

EQUIPMENT AIRCRAFT
SEATS AND FITTINGS

Ref. No.	Part No.	Description	No. off	Matl. Spec.	Cl. of St.	Plate and Illust'n No.
					M.R.	
		1 2 3 4				
		ADAPTOR, GROUP, PORT AND STARBOARD (S1/003/1 & 2) (Cont'd)				
28P/1011034	SP9/E12	Pin, split	4	—	C	
27HS/20099	892312C15	Rod	1	—	C	
27HS/4527317	S1/011/2	Roller	4	—	C	
27HS/4527251	S151/3/4 x 16G x N7	Spring	1	—	C	
27HS/20078	805172C16	TUBE, ASSEMBLY	1	—	C	
27HS/4527288	S1/002/3	Washer	4	—	C	
	S1/003/3	Washer (Make from 28W/9419478 by opening up to 1/2" dia.)	4	—		
	2N3139	Bracket, attachment	1	—		
	3N3139	Bracket, attachment	1	—		
	4N3288	CATCH, SUPPORT, GROUP	1	—		GK2/45
		Spares for:—				
17289	4bN3288	Lever, catch	2	—	C	
17290	240SS4700	Spring, leaf	2	—	C	
	5N3288	CATCH, SUPPORT, GROUP	1	—		GK2/46
		(Breakdown as item 4N3288)				
17278	5N3291	Guard	1	—		
17279	6N3291	Guard	1	—		
17292	23N3288	CUSHION, SEAT, GROUP	1	—	B	GK2/47
1510089	8N3288	Hook, support	2	—		GK2/48
	16N3288	HOSE, CENTRE SEAT, GROUP	1	—	MR	GK2/49
		Spares for:—				
	DUNLOP DAS412/E/18	Hose, 5/8" bore	1	—	MR	GK2/60
9203	43N1306	LINK, GROUP	2	—		GK2/51
17205	M.L. AVIATION TR4127/1E	PACK, ASSISTER AND HARNESS RELEASE, GROUP	1	—	A	GK2/52
		Spares for:—				
17332	TR4127/47A	Arm, lever	1	—		
17345	TR4127/6A	Adaptor	1	—	C	
27HS/4527262	TR4127/27	Bolt	1	—	C	
	MX2468-249B	Bottle, air	1	—	A	
	TR4127/40A	Block, lock	1	—		
	TR4127/27A	Bracket, pivot	1	—		
	TR4127/39C	BAG, ASSISTER, CUSHION, GROUP	1	—		
		Spares for:—				
1433166	TR4127/32D	Bladder	1	—	C	
1433167	TR4127/34B	Cover	1	—	C	

VULCAN Mk. 2

EQUIPMENT AIRCRAFT
SEATS AND FITTINGS

Page GK. 5

Ref. No.	Part No.	Description	No. off	Matl. Spec.	Cl. of	Plate and Illust'n No.
					St. M.R.	
		1 2 3 4				
		PACK, ASSISTER AND HARNESS RELEASE, GROUP (TR4127/1E) (Cont'd)				
17337	TR4127/29B	Cap, end	1	—	C	
	TR4127/64A	Collar	1	—		
	TR4127/67C	Cushion	1	—	MR	
	TR4127/58B	Guard	1	—		
	TR4127/45B	Handle, operating	1	—		
	TR4127/12A	LEVER GROUP	—	—		
	TR4127/55C	Lock, harness	1	—	MR	
	TR4127/56C	Lock, harness	1	—	MR	
	TR4127/65A	Pin	2	—		
	TR4127/66A	Pin	1	—		
	TR4127/44B	Pin, safety	1	—		
17340	28W2/101/8/9/12	Pipe, flexible	2	—	C	
17341	28W2/101/8/8/26	Pipe, flexible	1	—	C	
	28W2/101/8/9/19	Pipe, flexible	1	—	MR	
17346	TR4127/84A	Pipe, inlet	1	—	C	
	TR4127/23C	Plate, side (63rd Assy., onwards)	1	—		
	TR4127/91C	Plate, side (1st to 62nd Assy.)	1	—		
17334	TR4127/25A	SPRING, HANDLE RETURN, GROUP ...	1	—	C	
17335	TR4127/86A	Spring	1	—	C	
	TR4127/62A	Stop	1	—		
	TR4127/43A	Turnbuckle	1	—		
1505136	TR4127/96A	Union, cruciform	1	—	C	
	TR4127/88A	Washer, sealing	1	—		
1433994	TR4127/46A	Washer, special	1	—	MR	
27VA/4625590	DUNLOP ACM24792	Valve, sequence	1	—		
17291	6N3288	POCKET, HARNESS, CENTRE SEAT, GROUP	2	—	C	GK2/53
17293	18N3288	REST, HEAD CENTRE SEAT, GROUP	1	—	B	GK2/54
		SLIDE AND LOCKING MECHANISM, CENTRE SEAT (N3287) Spares for:—				
17298	12N3287	Bearing	4	—	C	GK2/86
17308	23N3287	Bolt, special	4	—	C	GK2/86
	25N3287	Bolt, special	2	—		GK2/87
	19N3287	BRACKET, LEVER, GROUP	1	—		GK2/88
17306	21N3287	Bush	8	—	C	CK2/89
17311	30N3287	CABLE GROUP	1	—	B	GK2/90
	26N3287	GUIDE, CABLE, GROUP	1	—		GK2/91

EQUIPMENT AIRCRAFT
SEATS AND FITTINGS

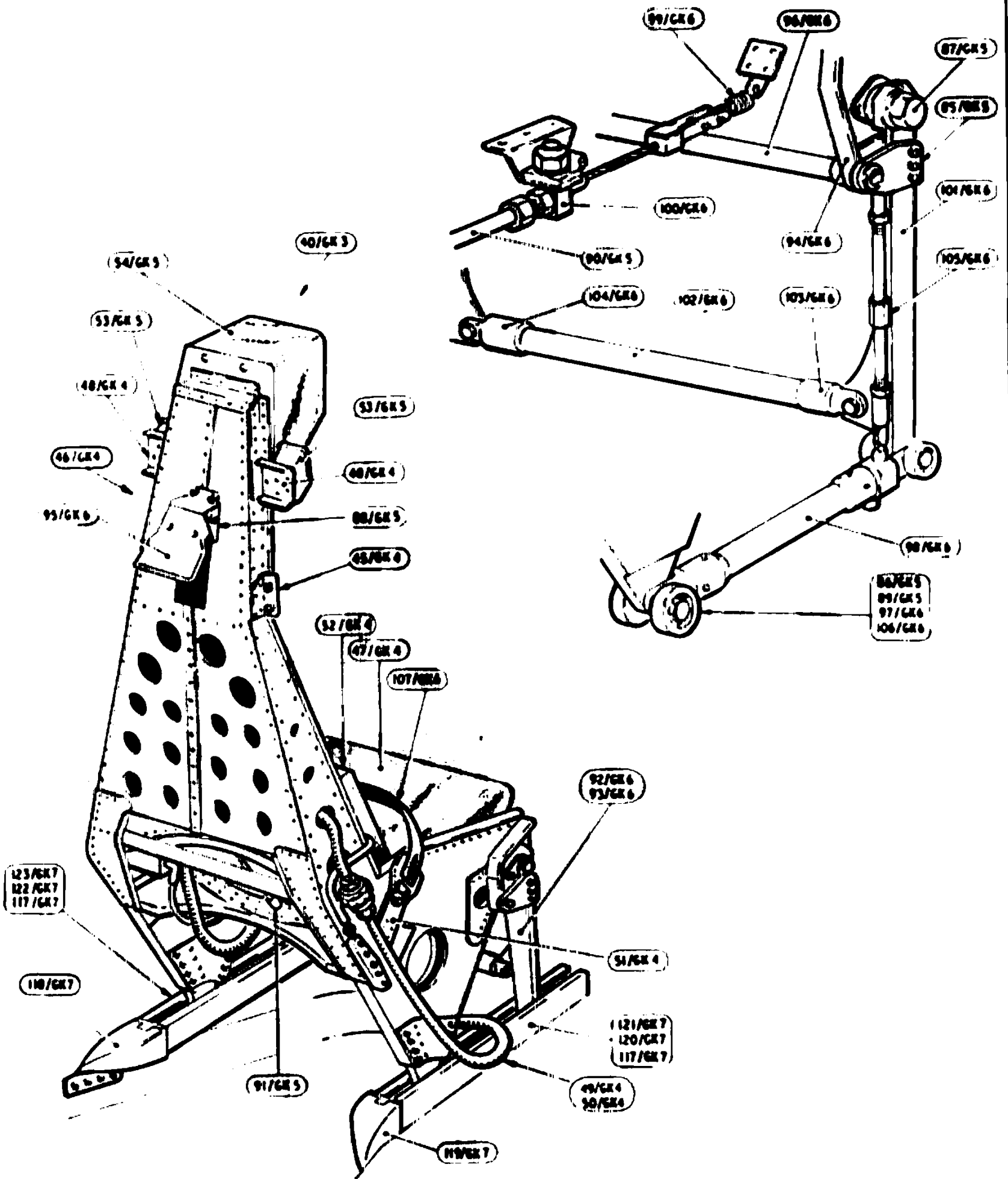
Ref. No.	Part No.	Description	No. off	Matl. Spec.	Cl. of	Plate and Illust'n No.
					St. M.R.	
		1 2 3 4				
SLIDE AND LOCKING MECHANISM CENTRE SEAT (1N3287) (Cont'd)						
17303	28N3287	GUARD GROUP	1	-	C	GK2/92
17304	29N3287	GUARD GROUP	1	-	C	GK2/93
17295	3N3287	Lever	1	-	C	GK2/94
17296	4N3287	Lever	1	-	C	GK2/95
	11N3287	LEVER GROUP	1	-		GK2/96
17309	24N3287	Nut, special	2	-	C	GK2/97
	13N3287	ROD, TIE, GROUP	2	-		GK2/98
		Spares for:-				
17299	13aN3287	Bolt, eye	1	-	C	
	13bN3287	Fitting, end	1	-		
17300	13cN3287	Plunger	1	-	C	
17301	239SS4700	Spring	1	-	C	
	238SS4700	Spring	1	-	MR	GK2/99
17302	18N3287	Strip, adjusting	1	-	C	GK2/100
	2N3287	Support, front	2	-		GK2/101
	5N3287	TUBE, CROSS, GROUP	1	-		GK2/102
		Consisting of:-				
	6N3287	Fitting, End	1	-		GK2/103
	7N3287	Fitting, End	1	-		GK2/104
17297	10N3287	TURNBARREL GROUP	2	-	C	GK2/105
17307	22N3287	Washer, thrust	8	-	C	GK2/106
	1AC3237	Strap, top	1	-		GK2/107
SLIDE RAIL MOUNTING FOR SWIVEL SEATS, PORT & STBD. (1 & 2N3289)						
		Spares for:-				
17286	11N3289	Bolt, special	2	-	C	GK2/108
17287	12N3289	Bolt, special	2	-	C	GK2/109
	HANDLEY PAGE					
17288	S1-008-2	RAIL, SLIDE, STARBOARD, GROUP	1	-	B	GK2/110
27HS/4527318	S1-008-1	RAIL, SLIDE, PORT, GROUP	1	-	B	GK2/111
		Spares for:-				
	S1-008-8	Block	2	-		
28D/1214091	AS.1242/2C	Bolt	8	-	C	
28D/8308	AS.1242/3C	Bolt	8	-	C	
28D/1007976	AS.1242/4C	Bolt	6	-	C	
28D/1013172	AS.1242/5C	Bolt	4	-	C	
28D/1204937	AS.1242/6C	Bolt	4	-	C	
28D/1007948	AS1242/7C	Bolt	6	-	C	

VULCAN Mk. 2

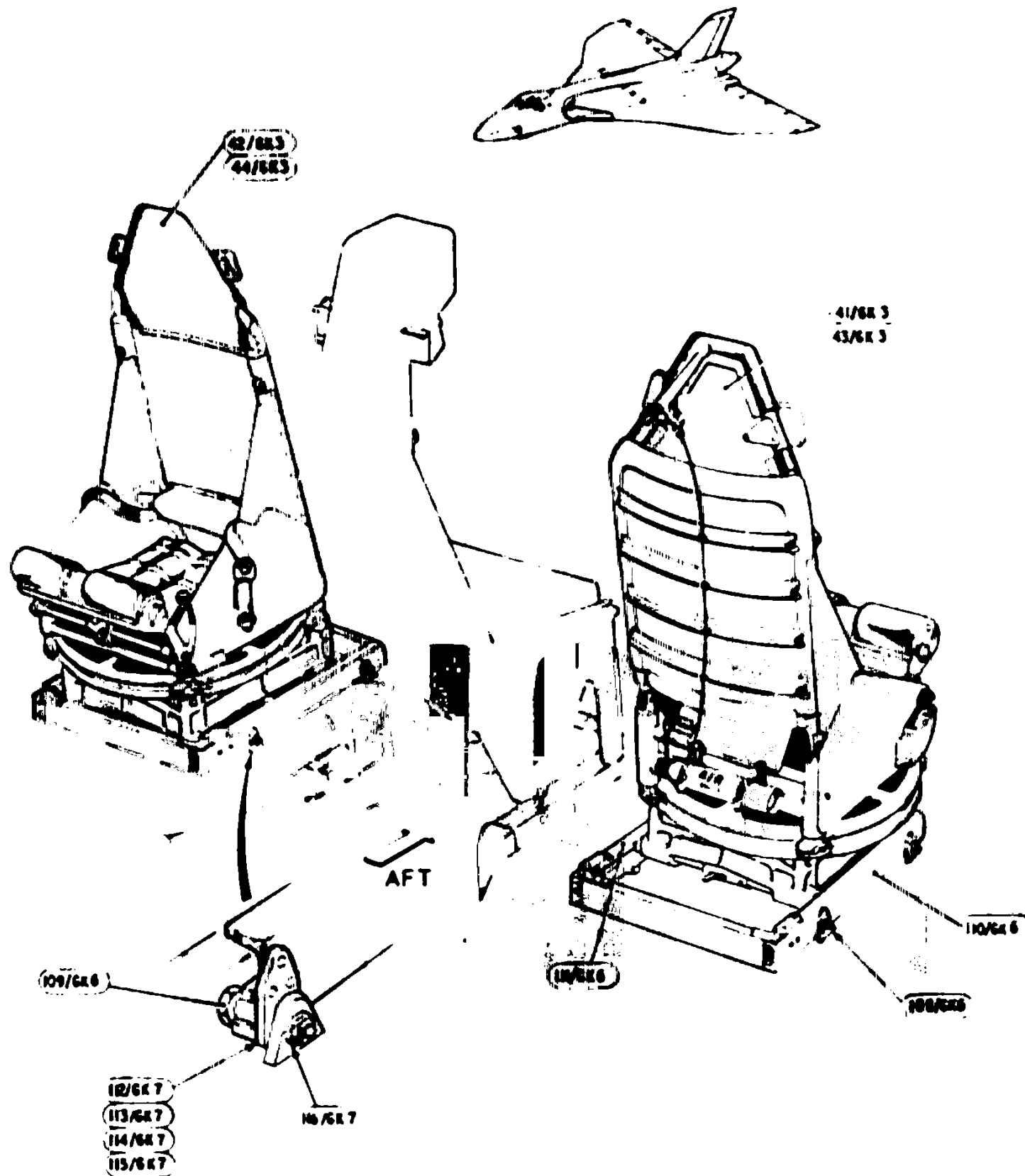
EQUIPMENT AIRCRAFT
SEATS AND FITTINGS

Page GK. 7

Ref. No.	Part No.	Description	No. off	Matl. Spec.	Cl. of	Plate and Illust'n No.
					St. M.R.	
		1 2 3 4				
		RAIL, SLIDE, PORT AND STARBOARD (S1-008-1 & 2) (Cont'd)				
28D/1013173	AS1242-10C	Bolt	8	-	C	
	S1-008-5	Cross member	1	-		
28M/1006473	A27/CT	Nut	40	-	C	
28M/10288	AGS2001/C1	Nut	40	-	C	
	S1-008/11	Plate	2	-		
	S1-008/3	Plate	2	-		
	S1-008/20	Rail, side, port	1	-		
	S1-008/22	Rail, side, port	1	-		
	S1-008/21	Rail, side, starboard	1	-		
	S1-008/23	Rail, side, starboard	1	-		
	S1-008/9	Stop	4	-		
	S1-008/10	Washer	8	-		
28W/9419475	SP15/C	Washer	40	-	C	
	6N3289	Shim	4	-		GK2/112
	7N3289	Shim	4	-		GK2/113
	8N3289	Shim	4	-		GK2/114
	9N3289	Shim	4	-		GK2/115
	13N3289	Spacer	2	-		GK2/116
		SLIDE RAIL MOUNTING FOR SWIVEL SEAT CENTRE (D12982) (Pre-Mod. 2147)				
		SLIDE RAIL MOUNTING FOR SWIVEL SEAT CENTRE (D13272) (Mod. 2147)				
		Spares for:-				
17284	6D12982	Bolt, special	8	-		GK2/117
	9D13272	FAIRING, CENTRE CREW'S POSITION GROUP (Mod. 2147)	1	-		GK2/118
	10D13272	FAIRING, CENTRE CREW'S POSITION, GROUP (Mod. 2147)	1	-		GK2/119
17280	2D12982	RAIL, SLIDE, GROUP (Pre-Mod. 2147)	-	-		GK2/120
	2D13272	RAIL, SLIDE, GROUP (Mod. 2147)	-	-		GK2/121
		Spares for:-				
17282	5D12982	Bolt, special	2	S96		
	6aD12982	Rail, slide	1	L65		
17281	4D12982	Stop	1	-		
17283	3D12982	RAIL, SLIDE, GROUP (Pre-Mod. 2147)	-	-		GK2/122
	3D13272	RAIL, SLIDE, GROUP (Mod. 2147)	-	-		GK2/123
		Spares for:-				
17282	5D12982	Bolt, special	2	S96		
	3aD12982	Rail, slide	1	-		
17281	4D12982	Stop	1	-		



CREW CENTRE SEAT
SEATS AND FITTINGS



CREW'S SEATS PORT & STBD.
SEATS AND FITTINGS

VULCAN Mk. 2

EQUIPMENT AIRCRAFT

Page GM.1

SEXTANT STOWAGE AND MOUNTING TRAY

Ref. No.	Part No.	Description	No. off	Matl. Spec.	Cl. of St.	Plate and Illust'n No.
					M.R.	
		1 2 3 4				
		SEXTANT, STOWAGE AND MOUNTING TRAY Spares for:— MOUNTING, SEXTANT ON COCKPIT RAIL (1Z7973) (Mod. 2335) Spares for:—				
6B/2777 11309 6B/2587	KELVIN HUGHES Z101-EX549 227973	Cable, extension	2	—	A	GH1/1
		Gasket (for use if required)	—	—	C	
6B/3470	—	Mounting, sextant Mk. 1B	1	—	A	GH1/2
		(Pre-Mod. 1445)				
6B/559	—	Mounting, sextant Mk. 1G	1	—	A	GH1/3
		Sextant, periscope (Services supply)	1	—	A	
6B/2643	—	STOWAGE, PERISCOPE SEXTANT BELOW PILOT'S FLOOR, STARBOARD (1Z9705) Spares for:— Tray, mounting	1	—	A	GH1/4

VULCAN No. 2

EQUIPMENT-AIRCRAFT
SPECTRE NACELLE R.A.T.O.
(FIXED FITTINGS)

Page GN. 1

Ref. No.	Part No.	Description	No. off	Matl. Spec.	Cl. of	Plate and Illust'n No.
					St. M.R.	
		1 2 3 4				
		SPECTRE, NACELLE INSTALLATION, R.A.T.O. (16.0.3733) (Mod. 729) Spares for:—				
		HOUSING, POWER SUPPLY SOCKET (15Z8992) Spares for:—				
	16Z8992	LEVER AND PRESSING ASSEMBLY, COMPLETE, GROUP	1	—		
	17Z8992	LEVER AND PLATE ASSEMBLY, GROUP	1	—		
	21Z8992	Block, adjustable	1	BSS972		
	22Z8992	LEVER, GROUP	1	—		
6133	6Z8992	Spring, for lever	1	Steel	C	
	5Z8992	Tube, distance, for levers	1	L54		
		MECHANISM, COCKING, FOR No. 12 RELEASE, PORT AND STARBOARD (15Z146) Spares for:—				
	5Z9146	Bracket, attachment, for spring	1	L65	MR	
	8Z9146	Bracket, attachment, forward	1	S510	MR	
	7Z9146	KNOB, OPERATING, GROUP	1	—	MR	
	11Z9146	LEVER AND BRACKET ASSEMBLY, GROUP	1	—		
	9Z9146	BRACKET, BEARING, GROUP	1	—	MR	
	9aZ9146	Consisting of:—				
	OILITE CT51/081008	Bracket	1	L53		
	14Z9146	Bush	2	—		
	3Z9146	Key, cocking	1	S99		
	3eZ9146	LEVER, ASSEMBLY, GROUP	1	—	MR	
	16Z9146	Bush	1	S1		
		PIN, QUICK RELEASE, GROUP	1	—		
28FP/9713920	A411	Spares for:— Pin, quick release	1	—	C	
	4Z9146	Spring, for lever	1	Steel	MR	
	6Z9146	TUBE, GROUP	1	—	MR	
		MECHANISM, GROUND OPERATED, RELEASE (Z8480) Spares for:—				
	31Z8480	Bearing, on mounting plate	1	—		
	5Z8480	Bolt, eye, at lever	1	S1	C	

EQUIPMENT-AIRCRAFT
SPECTRE NACELLE R.A.T.O.
(FIXED FITTINGS)

Ref. No.	Part No.	Description	No. off	Matl. Spec.	Cl. of St.	Plate and Illust'n No.
					M.R.	
		1 2 3 4				
		MECHANISM, GROUND OPERATED, RELEASE (Z8480) (Cont'd)				
	10Z8480	BRACKET, FOR LEVER, GROUP	1	-	MR	
	26Z8480	Bush, at lever, to bracket	1	BS369	MR	
	7Z8480	Collar, at bottom tube	1	DTD130		
	989/SS6002	Label, "Rocket cocking test"	1	DTD213		
	4Z8480	Lever	1	DTD130A	MR	
	29Z8480	PLUNGER, GROUP	1	-		
	17Z8480	Spacer, at lever and bracket	1	S1	MR	
	18Z8480	Spacer, at lever and eye bolt	1	BS369		
	28Z8480	Spring, helical	1	Steel		
	6Z8480	Tube, end	1	S1		
	33Z8480	Tube, 1/2" o/d x 20G x 20"	1	L65		
	30Z8480	TUBE, OUTER, 3.25" x .875", GROUP	1	Steel		
5574	8 O.3733	PANEL, ACCESS BETWEEN STRINGERS 31-32, GROUP Spares for:-	1	-	C	
		Fastener, dzus	10	-	C	
28FP/4062655	EF5/45B 325SS8004	Label, "Replace panel 1Z9147"	1	L59		
	3.O.3733	PIN, FORWARD RELEASE, GROUP	1	-	MR	
	4.O.3733	PIN, AFT RELEASE, GROUP	1	-	MR	
		Spares for:-				
	AS2435/34	Pin, quick release	1	-		
	7.O.3733	PIN, CENTRE RELEASE, GROUP	1	-	MR	
		Spares for:-				
	A1228	Pin, quick release	1	-		
6139	11.O.3733	PLATE, FORWARD, COVER, GROUP (F10005) (See also-Fuselage-Centre Portion)	1	-	C	
	9.O.3733	PLATE, COVER, PORT O/B, STARBOARD I/B, GROUP	2	-	MR	
6138	10 O.3733	PLATE, COVER, PORT I/B, STARBOARD O/B, GROUP	2	-	C	
	13.O.3733	Plug, for lifting point, forward, aft	2	-		

VULCAN MR 2

EQUIPMENT—AIRCRAFT
TRIMMING AND FLOOR COVERING

Page GP. 1

Ref. No.	Part No.	Description	No. off	Matl. Spec.	Cl. of St.	Plate and Illust'n No.
					M.R.	
		1 2 3 4				
		TRIMMING AND FLOOR COVERING Spares for:— COVERING, FLOORS IN CREW'S NACELLE (68Z9488) (Mod. 628) Spares for:—				
17941	2Z9488	Covering, floor, pilot's, 1/4" thick x 13" x 20"	2	Rubberite	MR	
12116	80Z9488	Covering, entrance door, 1/4" thick x 32" x 56"	1	Rubberite	MR	
	6Z9488	Covering, floor, side platform, 1/4" thick	1	Rubberite	C	
12115	10Z9488	28" x 20", starboard				
	29Z9488	Covering, step, forward bomb aimer's blister, 1/4" thick x 7" x 40"	1	Rubberite	C	
8326	32Z9488	Covering, floor, centre, pilot's 1/4" thick x 13" x 22"	1	Rubberite	MR	
	34Z9488	Covering, floor, crew's, 1/4" thick x 30" x 83"	1	Rubberite	C	
	57Z9488	Covering, floor, crew's, 1/4" thick x 26" x 35", starboard	1	Rubberite	MR	
13152	71Z9488	Covering, floor, crew's, 1/4" thick x 26" x 35", port	1	Rubberite	MR	
	72Z9488	Covering, floor, side bomb aimer's blister, 1/4" thick x 51" x 20", port	1	Rubberite	C	
23050	76Z7989	Covering, floor, side bomb aimer's blister, 1/4" thick x 51" x 20", starboard	1	Rubberite	MR	
	70Z9488	Covering, floor, pilot's, 1/4" thick x 30" x 31", starboard	1	Rubberite	MR	
23051	77Z7989	Covering, floor, rear bomb aimer's blister, 1/4" thick x 16" x 12"	1	Rubberite	MR	
	2Z10739	Covering, floor, pilot's, 1/4" thick x 30" x 31", port	1	Rubberite	MR	
		Covering, sextant step, 1/4" thick x 28" x 10.6", port (Mod. 1523)		—		
		Note:—Floor Coverings made of Hard Neoprene backed with Sponge Rubber.				
10087	30Z9488	Ring, retaining, crew's floor, starboard	1	L59	MR/C	
1432701	58Z9488	Ring, retaining, crew's floor, port	1	L59	MR/C	
	31Z9488	Ring, retaining, jack attachment points, entrance door	2	L72	MR	
	48Z9488	Ring, retaining, ladder attachment points, entrance door	2	L59	MR	
	49Z9488	Ring, retaining, seal valve, entrance door	1	L59	MR	
		STRIPS, RETAINING FOR COVERING, CREW'S FLOOR Spares for:—				
10321	11Z9488	Strip, retaining, angled, 22G x 1" x 29" long, 1/8" flange	2	L72	MR	
10322	12aZ9488	Strip, retaining, angled, top, 22G x 1" x 29.25" long, 1/8" flange	1	L72	MR/C	
11944	12bZ9488	Strip, retaining, angled, bottom, 22G x 1" x 29.5" long, 1/8" flange	1	L72	MR/C	
1433891	12cZ9488	Strip, retaining, radial, 22G x 1" x 17", 1/8" flange	1	L72	MR/C	
	74Z9488	Strip, retaining, 22G x 1" x 24", 1/8" flange (Mod. 1218)	2	L72	MR	

EQUIPMENT—AIRCRAFT
TRIMMING AND FLOOR COVERING

Ref. No.	Part No.	Description	No. off	Matl. Spec.	Cl. of St.	Plate and Illust'n No.
					M.R.	
		STRIPS, RETAINING, FOR COVERING CREW'S FLOOR (Cont'd)				
	73Z9488	Strip, retaining, 22G x 1" x 22" long (Mod. 1218)	2	L72	MR	
	14Z9488	Strip, retaining, flat, 22G x 1" x 83" long	1	L72	MR	
		STRIPS, RETAINING, FOR COVERING, PILOT'S FLOOR				
		Spares for:—				
	15Z9488	Strip, retaining, angled, 22G x 1" x 20" long, 1/8" flange	2	L72	MR	
	16Z9488	Strip, retaining, flat, 22G x 1" x 20" long	2	L72	MR	
	17Z9488	Strip, retaining, angled, 22G x 1" x 12" long 1/8" flange	2	L72	MR	
	19Z79488	Strip, retaining, centre pilot's floor (Made from SS4119) (7' long), cut to suit	1	L72	MR	
		STRIPS, RETAINING, FOR FLOOR COVERING, BOMB AIMER'S BLISTER AND SIDE PLATFORM				
		Spares for:—				
11124	20Z9488	Strip, retaining, flat, 22G x 1" x 28" long starboard	2	L72	MR/C	
	21Z9488	Strip, retaining, flat, 22G x 1" x 20" long	2	L72	MR	
	22Z9488	Strip, retaining, angled, 22G x 1" x 28" long 1/8" flange	1	L72	MR	
13419	23Z9488	Strip, retaining, angled, 22G x 1" x 24" long, 1/8" flange, port	1	L72	MR/C	
	25Z9488	Strip, retaining, angled, 22G x 1" x 46" long, 1/8" flange	1	L72	MR	
	26Z9488	Strip, retaining, flat, 22G x 1" x 12" long	2	L72	MR/C	
	27Z9488	Strip, retaining, flat, 22G x 1" x 32" long	2	L72	MR	
	29Z7989	Strip, retaining, flat, 24G x 3/4"	AR	L72	MR	
	19Z77989	Strip, retaining (Made from SS4119) (Cut to suit)	AR	L72	MR	
	33Z9488	Strip, retaining, flat, 22G x 1" x 18.5" long	1	L72	MR	
	3Z10739	Strip, retaining, flat 22G x 1.0" x 8.6" (Mod. 1523)	1	L72	MR	
	4Z10739	Strip, retaining, flat, 22G x 1.0" x 2.6" (Mod. 1523)	1	L72	MR	
		STRIPS, RETAINING, FOR FLOOR COVERING, CREW'S ENTRANCE DOOR:				
		Spares for:—				
	18aZ9488	Strip, retaining, angled, 22G x 1" x 26" long, 1/8" flange	2	L72	MR	
	18bZ9488	Strip, retaining, radial, 22G x 1" x 9" long, 1/8" flange	4	L72	MR	
	19Z9488	Strip, retaining, angled, 22G x 1" x 46" long, 1/8" flange	2	L72	MR	

VULCAN Mk 2

EQUIPMENT—AIRCRAFT
TRIMMING AND FLOOR COVERING

Page GP. 3

Ref. No.	Part No.	Description	No. off	Matl. Spec.	Cl. of St.	Plate and Illust'n No.
					M.R.	
		1 2 3 4				
10343	151Z7989	TRIMMING, CREW'S NACELLE, PORT AND STARBOARD (129726) Spares for:— Panel, trim, between formers 358-344, 16" x 15.5" port	1	Fibreglass	C	
	74Z7989	Panel, trim, between formers 358-344, 16" x 15.5", starboard	1	Fibreglass		
	152Z7989	Panel, trim, between formers 358-344, 10" x 15.5", port	1	Fibreglass		
	75Z7989	Panel, trim, between formers 358-344, 6" x 15.5, starboard	1	Fibreglass		
	34Z7989	Panel, trim, between formers 358-344, 6.5" x 15.5", port	1	Fibreglass		
	76Z7989	Panel, trim, between formers 358-344, 6.5" x 15.5", starboard	1	Fibreglass		
	208Z7989	Panel, trim, between formers 358-344, 2' 4" x 15", port	1	Fibreglass		
	206Z7989	PANEL, TRIM, BETWEEN FORMERS 358-344, STARBOARD, GROUP (Pre-Mod. 1393)	1	—		
	231Z7989	PANEL, TRIM, BETWEEN FORMERS 358-344, STARBOARD, GROUP (Mod. 1393)	1	—		
	209Z7989	PANEL, TRIM, BETWEEN FORMERS 358-344, PORT, GROUP	1	—		
10331	37Z7989	PANEL, TRIM, BETWEEN FORMERS 344-330, PORT, GROUP	1	—	C	
	229726	PANEL, TRIM, BETWEEN FORMERS 344-330, STARBOARD, GROUP	1	—		
	24Z9726	Panel, trim, between formers 344-330, 17" x 15.5", port	1	Fibreglass		
	17Z9726	Panel, trim, between formers 344-330, 11" x 15.5", port	1	Fibreglass		
	80Z7989	Panel, trim, between formers 344-330, 16" x 15.5", starboard	1	Fibreglass		
	192Z7989	Panel, trim, between formers 344-330, 12" ... x 16", starboard	1	Fibreglass		
	211Z7989	Panel, trim, between formers 344-330, 20" x 15", port	1	Fibreglass		
	188Z7989	Panel, trim, between formers 344-330, 19" x 16", starboard	1	Fibreglass		
	212Z7989	Panel, trim, between formers 344-330, 16" x 15", port	1	Fibreglass		
	82Z7989	Panel, trim, between formers 344-330, 2' 4" x 15.5", starboard	1	Fibreglass		
	40Z7989	PANEL, TRIM, BETWEEN FORMERS 330-316, PORT, GROUP	1	—		
	83Z7989	PANEL, TRIM, BETWEEN FORMERS 330-316, STARBOARD, GROUP	1	—		
	84Z7989	PANEL, TRIM, BETWEEN FORMERS 330-316, STARBOARD, GROUP (Pre- Mod. 1649)	1	—		

EQUIPMENT—AIRCRAFT
TRIMMING AND FLOOR COVERING

Ref. No.	Part No.	Description	No. off	Matl. Spec.	Cl. of St.	Plate and Illust'n No.
					M.R.	
		1 2 3 4				
		TRIMMING, CREW'S NACELLE, PORT AND STARBOARD (1Z9726) (Cont'd)				
	29Z9726	PANEL, GROUP	1	—		
	63Z7635	Spares for:— Seal, rubber, 1/16" thick x 3" dia.	1	DSR201		
	30Z9726	Panel, fibreglass, 15.0" x 10.5", port	1	—		
	35Z9726	Panel, fibreglass, 12.0" x 1.5", port	1	—		
	186Z7989	Panel, trim, between formers 330-316, 16" x 16", starboard	1	Fibreglass		
	214Z7989	Panel, trim, between formers 330-316, 12" x 15", port	1	Fibreglass		
	187Z7989	PANEL, TRIM, BETWEEN FORMERS 330-316, STARBOARD, GROUP	1	—		
	43Z7989	PANEL, TRIM, BETWEEN FORMERS 316-302, PORT, GROUP	1	—		
	44Z7989	PANEL, TRIM, BETWEEN FORMERS 316-302, PORT, GROUP	1	—		
	88Z7989	PANEL, TRIM, BETWEEN FORMERS 316-302, STARBOARD, GROUP	1	—		
	45Z7989	PANEL, TRIM, BETWEEN FORMERS 316-302, PORT, GROUP	1	—		
	191Z7989	Panel, trim, between formers 316-302, 9" x 16", starboard	1	Fibreglass		
	185Z7989	Panel, trim, between formers 316-302, 23" x 15", starboard	1	Fibreglass		
	46Z7989	Panel, trim, between formers 316-302, 14.5" x 15.5", port	1	Fibreglass		
	90Z7989	Panel, trim, between formers 316-302, 14.5" x 15.5", starboard	1	Fibreglass		
	47Z7989	Panel, trim, between formers 302-288, 15.5" x 15.5", port	1	Fibreglass		
	91Z7989	Panel, trim, between formers 302-288, 15.5" x 15.5", starboard	1	Fibreglass		
	48Z7989	Panel, trim, between formers 302-288, 2' 7" x 15.5", port	1	Fibreglass		
	92Z7989	Panel, trim, between formers 302-288, 2' 7" x 15.5", starboard	1	Fibreglass		
	49Z7989	Panel, trim, between formers 302-288, 13.5" x 15.5", port	1	Fibreglass		
	183Z7989	Panel, trim, between formers 302-288, 17" x 11", starboard	1	Fibreglass		
	6Z9726	PANEL, TRIM, BETWEEN FORMERS 302-288, PORT, GROUP	1	—		
	184Z7989	PANEL, TRIM, BETWEEN FORMERS 302-288, STARBOARD, GROUP	1	—		
	87Z7989	PANEL, TRIM, BETWEEN FORMERS 316-302, STARBOARD, GROUP	1	—		

VULCAN Mk. 2

EQUIPMENT-AIRCRAFT
TRIMMING AND FLOOR COVERING

Ref. No.	Part No.	Description	No. off	Matl. Spec.	Cl. of St.	Plate and Illust'n No.
					M.R.	
		<u>1:2:3:4</u>				
		TRIMMING, CREW'S NACELLE, PORT AND STARBOARD (129726) (Continued)				
22652	51Z7989	PANEL, TRIM, BETWEEN FORMERS 302-288, PORT, GROUP	1	-	C	
	95Z7989	PANEL, TRIM, BETWEEN FORMERS 302-288, PORT, GROUP	1	-		
1433824	49Z9726	PANEL, TRIM, BETWEEN FORMERS 288-274, PORT, GROUP (Mod. 687)	1	-	C	
17388	50Z9726	PANEL, TRIM, BETWEEN FORMERS 288-274, STARBOARD, GROUP (Mod. 687)	1	-	C	
1432843	53Z7989	Panel, trim, between formers 288-274, 2' 10" x 15.5", port	1	Fibreglass	C	
	97Z7989	Panel, trim, between formers 288-274, 2' 10" x 15.5", starboard	1	Fibreglass		
1432844	162Z7989	Panel, trim, between formers 288-274, 16" ... x 12", port	1	Fibreglass	C	
1432845	179Z7989	Panel, trim, between formers 288-274, 16" ... x 11", starboard	1	Fibreglass	C	
14732	83Z9726	Panel, trim, between formers 288-274, 16" ... x 13", starboard (Mod. 1218)	1	Fibreglass	C	
	85Z9726	Panel, trim, between formers 288-274, 16" ... x 13", starboard (Mod. 1173)	1	Fibreglass		
1510321	163Z7989	Panel, trim, between formers 288-274, 2' 1" .. x 16", port	1	Fibreglass	C	
	77Z9726	Panel, trim, between formers 288-274, 20" ... x 16", starboard (Mod. 748)	1	Fibreglass		
14731	82Z9726	Panel, trim, between formers 288-274, 20" ... x 16", starboard (Mod. 1218)	1	Fibreglass	C	
	56Z7989	Panel, trim, between formers 288-274, 12.5" . x 15.5", port	1	Fibreglass		
	78Z9726	Panel, trim, between formers 288-274, 12.5" . x 15.5", starboard	1	Fibreglass		
22659	81Z9726	Panel, trim, between formers 274-260, 2' 0" .. x 16", port	1	Fibreglass	C	
	26Z9726	PANEL, TRIM, BETWEEN FORMERS 274-260, PORT, GROUP	1	-		
	39Z9726	Panel, trim, between formers 274-260, 28.5" . x 15.5", starboard	1	Fibreglass		
	40Z9726	Panel, trim, between formers 274-260, 24" ... x 15.5", starboard (Mod. 689)	1	Fibreglass		
	43Z9726	Panel, trim, between formers 274-260, 24" ... x 15.5", starboard	1	Fibreglass		
	165Z7989	Panel, trim, between formers 274-260, 21" ... x 16", port	1	Fibreglass		
	176Z7989	Panel, trim, between formers 274-260, 16" ... x 14", starboard	1	Fibreglass		
	59Z9726	Panel, trim, between formers 274-260, 18" ... x 16", starboard (Mod. 687)	1	Fibreglass		
	166Z7989	Panel, trim, between formers 274-260, 21" ... x 16", port	1	Fibreglass		

EQUIPMENT - AIRCRAFT
TRIMMING AND FLOOR COVERING

Ref. No.	Part No.	Description	No. off	Matl. Spec.	Cl. of	Plate and Illust'n No.
					St. M.R.	
		1 2 3 4				
		TRIMMING, CREW'S NACELLE, PORT AND STARBOARD (129726) (Continued)				
	58Z9726	PANEL, TRIM, BETWEEN FORMERS 274-260, STARBOARD, GROUP (Mod. 687)	1	-		
	76Z9726	PANEL, TRIM, BETWEEN FORMERS 274-260, STARBOARD, GROUP (Mod. 748)	1	-		
	167Z7989	Panel, trim, between formers 274-260, 17" ... x 16", port	1	Fibreglass		
	73Z9726	Panel, trim, between formers 260-246, 28" ... x 21.5", port	1	Fibreglass		
	74Z9726	Panel, trim, between formers 260-246, 33" ... x 15.5", starboard	1	Fibreglass		
	63Z7989	Panel, trim, between formers 260-246, 13.5" ... x 15.5", port	1	Fibreglass		
	20Z9726	Panel, trim, between formers 260-246, 6.5" ... x 15.5", port	1	Fibreglass		
	174Z7989	PANEL, TRIM, BETWEEN FORMERS 260-246, STARBOARD, GROUP	1	-		
	181Z7989	Panel, trim, between formers 260-246, 15" ... x 14", starboard	1	Fibreglass		
	168Z7989	PANEL, TRIM, BETWEEN FORMERS 260-246, PORT, GROUP	1	-		
	175Z7989	Panel, trim, between formers 260-246, 18" ... x 15", starboard	1	Fibreglass		
	4Z9726	PANEL, TRIM, BETWEEN FORMERS 260-246, STARBOARD, GROUP	1	-		
	72Z9726	PANEL, TRIM, BETWEEN FORMERS 246-232, PORT, GROUP (Mod. 748)	1	-		
	84Z9726	PANEL, TRIM, BETWEEN FORMERS 246-232, PORT, GROUP (Mod. 1284)	1	-		
	76Z9726	PANEL, TRIM, BETWEEN FORMERS 246-232, STARBOARD, GROUP	1	-		
	22Z9726	Panel, trim, between formers 246-232, 18" ... x 7", port	1	Fibreglass		
	170Z7989	Panel, trim, between formers 246-232, 29" ... x 15", port	1	Fibreglass		
	62Z9726	Panel, trim, between formers 246-232, 18" ... x 16", starboard	1	Fibreglass		
	190Z7989	Panel, trim, between formers 246-232, 16" ... x 16", starboard	1	Fibreglass		
	5Z9726	Panel, trim, between formers 246-232, 32" ... x 16", port	1	Fibreglass		
	8Z9726	Panel, trim, between formers 246-232, 25" ... x 16", starboard	1	Fibreglass		
	10Z9726	Panel, trim, between formers 246-232, 14.5" ... x 15.5", starboard	1	Fibreglass		
	80Z9726	Panel, access, between formers 218-232, 8" ... x 6", starboard	1	Fibreglass		

EQUIPMENT-AIRCRAFT
TRIMMING AND FLOOR COVERING

Ref. No.	Part No.	Description	No. off	Matl. Spec.	Cl. of St.	Plate and Illust'n No.
					M.R.	
		1 2 3 4 TRIMMING, CREW'S NACELLE, PORT AND STARBOARD (1Z9726) (Cont'd)				
	51Z9726	Panel, trim, between formers 232-218, 21" ... x 15.5"	1	Fibreglass		
	60Z9726	PANEL, TRIM, BETWEEN FORMERS 232-218, PORT, GROUP	1	-		
	61Z9726	PANEL, TRIM, BETWEEN FORMERS 232-218, PORT, GROUP	1	-		
	18Z9726	Panel, trim, between formers 232-218, 19.75" x 16.25", starboard	1	Fibreglass		
	19Z9726	Panel, trim, between formers 232-218, 14.5" x 16.25"	1	Fibreglass		
	118Z7989	Panel, trim, between formers 232-218, 2' 9.5" x 16.5", starboard	1	Fibreglass	MR	
	38Z9726	Panel, trim, between formers 232-218, 19" ... x 16.25", port	1	Fibreglass		
	119Z7989	Panel, trim, between formers 232-218, 13" ... x 16.25", starboard	1	Fibreglass		
	120Z7989	Panel, trim, between formers 232-218, 9.5" .. x 16.25", starboard	1	Fibreglass		
	28Z9726	Panel, trim, between formers 232-218, 17" ... x 9", port	1	Fibreglass		
	27Z9726	Panel, trim, between formers 232-218, 17" ... x 8.5", port	1	Fibreglass		
	193Z7989	Panel, trim, between formers 232-218, 19" ... x 17", starboard	1	Fibreglass		
	155Z7989	Panel, trim, between formers 232 218, 9" x 16.25", starboard	1	Fibreglass		
	34Z9726	Panel, trim, between formers 246-232, 4' 5" .. x 4' 5", starboard	1	Fibreglass		
	44Z9726	Panel, former 260, 7' 0" x 8' 0"	1	Fibreglass		
	68Z9726	Panel, between formers 232-246, 19' 5" x 16' 5"	1	Fibreglass		

EQUIPMENT-AIRCRAFT
TRIMMING AND FLOOR COVERING

Ref. No.	Part No.	Description	No. off	Matl. Spec.	Cl. of	Plate and Illust'n No.
					St.	
		1 2 3 4				
		TRIMMING, CREW'S NACELLE, PORT AND STARBOARD (129726) (Cont'd)				
	729726	PANEL, TRIM, BETWEEN FORMERS 232-218, STARBOARD, GROUP	1	-		
	6629726	Panel, trim, between formers 232-246, 19.5" . x 16.5", port	1	Fibreglass		
	6729726	Panel, trim, between formers 232-246, 19.5" . x 16.5", starboard	1	Fibreglass		
	6929726	PANEL, TRIM, REAR CENTRE, BETWEEN . FORMERS 232-274, GROUP	1	-		
		ATTACHMENTS-TRIM PANELS				
28D/9128739	AS1248 1/2B	Bolt, mush. hd., 4 BA	871	-	C	
28D/1218384	AS1248/1B	Bolt, mush. hd., 4 BA	43	-	C	
28D/1218385	AS1248/2B	Bolt, mush. hd., 4 BA	11	-	C	
	22427989	Panel, perspex, (Pre-Mod 748)	1	-		
	22727989	Panel, perspex, at crew's station, 3/32" thick . x 4' 9" x 2' 0" (Mod. 748)	1	DTD838A	MR	
9943	13727989	Panel, perspex, at crew's station, 3/32" thick . x 4' 9" x 9 625"	2	DTD838A	C	
		Attachments-Panel, Part Nos. 136 and 13727989				
28D/1218384	AS1248/1B	Bolt, mush. hd., 4 BA	15	-	C	
28D/1218385	AS1248/2B	Bolt, mush. hd., 4 BA	5	-	C	
4707	2827989	Piping (cord-vynide covered) (supplied in 6 ft. lengths)	52 ft.	-	C	
	20727989	STRAP, JOINT, GROUP	2	-		
	12527989	STRAP, JOINT, GROUP	56	-		
	13527989	Strap, retaining	1	L72		
		NOTE:-Trim Panels are made of laminated material consisting of 3 layers of 7 mil. standard glass cloth bonded with polyester resin of "D" grade type, which is fireproofed and will stand 140°C. working temperature for at least 6 hours				

VULCAN Mk 2

EQUIPMENT AIRCRAFT
VENTILATED SUIT SYSTEM

Page GO. 1

Ref. No.	Part No.	Description	No. off	Matl. Spec.	Cl. of St	Plate and Illust'n No.
					M.R	
		1 2 3 4				
		VENTILATED SUIT SYSTEM (Z9303 & Z9926) Spare for:— VENTILATED SUIT SYSTEM CREW'S NACELLE (Z9926 (Mod. 687)) Spare for:—				
28F/4051569 28F/4051558	47Z11270 AGS1103/E AGS1103/H KING A/C	Adaptor Body, union, for heater pipes Body, union, for feed pipes	1 9 15	— — —	C	GO2/1 GO2/2 GO2/3
8946 26FP/2453 26FP/13421	C4205/1-3/4 2B 1SS3859 14SS3859 8SS3859 30SS3859 240SS4095 12SS1862 42Z9596	Clamp, at feed duct Clip, for pipes Clip, for pipes Clip, for pipes Clip, for pipes Clip, Fokker Clip, Fokker	2 2 19 7 2 1 1	— — — — — — —	C C C MR MR MR	GO2/4
8502	25Z9926	Duct, feed, rear pressure bulkhead to manifold FAIRLEAD, GROUP	1 1	— —	C	GO1/5
		HEATER, VENT SUIT UNDER CREW'S FLOOR, CENTRE CREW'S POSITION (8Z9926) Spare for:—				GO2 6
8506	63Z9596	Bracket	2	L72	C	
8503	7Z9596	DUCT, HEATER, GROUP	2	—	C	
	51Z9596	DUCT, HEATER, GROUP	1	—		
5UD/7359	15Z9596 PLANNAIR 1000-354H- Mod. 1	Gasket "Hallite" 1/16" x 4.38" dia. Heater	2 1	DTD378A —	MR A	
5CZ/4337690 8507	PLESSEY CZ107204 155Z9596	Thermister Washer, securing	1 1	— L72	A C	
		HEATER, VENT SUIT UNDER NAVIGATOR'S TABLE, CREW'S POSITION, PORT (9Z9926) Spare for:—				GO2/7
8506	63Z9596	Bracket	2	L72	C	
8503	7Z9596	DUCT, HEATER, GROUP	1	—	C	
	51Z9596	DUCT, INLET HEATER, GROUP	1	—		
5UD/7359	15Z9596 PLANNAIR 100-35H- Mod. 1	Gasket, "Hallite" 1/16" x 4.38" dia. Heater	1 1	DTD378A —	MR A	

EQUIPMENT - AIRCRAFT
VENTILATED SUIT SYSTEM

Ref. No.	Part No.	Description				No. off	Matl. Spec.	Cl. of	Plate and Illust'n No.
		1	2	3	4			St. M.R.	
		HEATER VENT SUIT UNDER NAVIGATOR'S TABLE, CREW'S POSITION, PORT (9Z9926) (Continued)							
5CZ/4337690 8507	PLESSEY CZ107204 155Z9596			Thermister	1	-	A		
				Washer, securing	1	L72	C		
	101Z9596			HEATER, VENT SUIT UNDER FLOOR, 1st PILOT'S, GROUP	1	-		GQ2/8	
	102Z9596			HEATER, VENT SUIT, UNDER FLOOR, ... 2nd PILOT'S, GROUP	1			GQ2/9	
8509	99Z9596			Spares for:- BRACKET, GROUP	2	L72	C		
8510	100Z9596			BRACKET, GROUP	2	L72	C		
8504	5Z9596			DUCT, INLET HEATER, GROUP	2	-	C		
8503	7Z9596			DUCT, HEATER, GROUP	-	-			
	15Z9596 PLANNAIR 1000-364H- Mod. 1			Gasket	4	DTD378A	MR		
5UD/4388637	PLESSEY CZ107204 155Z9596			Heater	2	-	A		
5CZ/4337690 8507				Thermister	2	-	A		
				Washer, securing	2	L72	C		
		HEATER & MULTI-SERVICE CONNECTOR, PERSONAL EQUIPMENT, AT BOMB AIMERS STATION (1Z9890)							
		Spares for:-							
6D/1422220 5X/6200370	M.L. AVIATION JC1669/178D 1V5650			Adaptor, special	1	-	C	GQ3/10	
				Block, terminal	2	-	C	GQ3/11	
	20Z9596			BRACKET, SWITCH, GROUP	1	-		GQ3/12	
	364SS6004			Spares for:- Label	1	L59			
7955 21419	AY5/SS4234			Clip, half, for controller	4	-	C	GQ3/13	
	AY11/SS4234			Clip, half, for controller	4	-	C	GQ3/14	
	AY7/SS4234			Clip, half	4	-		GQ3/15	
	AY3/SS4234			Clip, half	3	-		GQ3/16	
	33Z11270			Clip, half	2	-		GQ3/17	
21417	1SS4702			Clip, spring	1	-	C	GQ3/18	
5CZ/4337689	7CZ/107202			Controller, magnetic amplifier type 5	1	-	A	GQ3/19	
21427	5Z11273			End, fork	1	-	C	GQ3/20	

VULCAN Mk 2		EQUIPMENT AIRCRAFT				Page GQ. 3	
		VENTILATED SUIT SYSTEM					
Ref. No.	Part No.	Description	No. off	Matl. Spec.	Cl. of St.	Plate and Illust'n No.	
					M.R.		
		1 2 3 4					
		HEATER AND SERVICE CONNECTOR PERSONAL EQUIPMENT AT BOMB AIMER'S STATION (1Z9890) (Cont'd)					
	15Z9890	HEATER, ASSEMBLY, GROUP	1	—		GQ3/21	
		Spares for:—					
	31Z9596	Bracket	2	L72		GQ3/22	
	4SS4485	Clip, identification	1	—		GQ3/23	
8504	5Z9596	DUCT, HEATER, GROUP	1	—	C	GQ3/24	
21420	26Z9890	DUCT, HEATER, GROUP	1	—	C	GQ3/25	
	15Z9596	Gasket, "Hallite" 1/16" thick x 4.7" dia.	2	DTD387A Fibreglass	MR	GQ3/26 GQ3/27	
	11Z9890	Guard, for heater	1				
	PLANNAIR 1000-354H- Mod. 1	Heater	1	—	A	GQ3/28	
5UD/4388637	CZ107204	Thermister	1	—	A	GQ3/29	
5CZ/4337690	155Z9596	Washer, securing	1	—	C	GQ3/30	
8507	DUNLOP DAS412G/60	Hose, flex, 7/8" i/d (L/M from 26DC/9857)	1	—		GQ3/31	
	DUNLOP DAS412E/18	Hose, flex, 5/8" i/d	1	—		GQ3/32	
	21Z9197	Hose, rubber, 7/16" i/d x 1-1/4" o/d x 2.5"	1	—	MR	GQ3/33	
	10Z11295	LEAD, WANDER, GROUP	1	—	MR	GQ3/34	
	30Z9890	PANEL, SUPPORT, GROUP	1	—		GQ3/35	
	73Z9596	Piece, packing, 1" x 2.25" x .25"	2	BSS668		GQ3/36	
10710	9Z9890	PIPE, HOSE CONNECTION TO BOMB AIMER'S PANEL, GROUP	1	—	C	GQ3/37	
21418	25Z9890	PIPE, HEATER TO MANUAL CONTROL VALVE, GROUP	1	—	C	GQ3/38	
21426	4Z11273	Shackle	1	—	C	GQ3/39	
	DUNLOP	Socket, quick release (Mod. 1696)	1	—	B	GQ3/40	
27VA/2224239	AL06580	Socket, single	8	—	C	GQ3/41	
5X/4491488	15V5650	Socket, double	1	—	C	GQ3/42	
5X/4491487	14V5650	Strap, leather	1	—		GQ3/43	
	34Z11270	Switch	1	—	A	GQ3/44	
5CZ/4337688	PLESSEY 7CZ107201	Valve, manual control	1	—	A	GQ3/45	
	NORMALAIR	Washer	2	—		GQ3/46	
27KD/4630426	513390						
	35Z11270						

EQUIPMENT AIRCRAFT
VENTILATED SUIT SYSTEM

Ref. No.	Part No.	Description	No. off	Matl. Spec.	Cl. of St.	Plate and Illust'n No.
					M.R.	
		1 2 3 4				
		VENTILATED SUIT SYSTEM CREW'S NACELLE (Z9926) (Cont'd)				
		HEATER, VENT SUIT, UNDER NAVIGATOR'S TABLE, STARBOARD (1229926)				GQ2/47
		Spares for:—				
8506	63Z9596	Bracket	2	L72	C	
8504	5Z9596	DUCT, INLET HEATER, GROUP	1	—	C	
	14Z9926	DUCT, HEATER, GROUP	1	—		
	15Z9596 PLANNAIR 1000-354H— Mod. 1	Gasket, "Hallite" 1/16" x 4.38" dia.	1	—	MR	
5UD/4388637	PLESSEY CZ107204	Heater	1	—	A	
5CZ/4337690 8507	155Z9596	Thermister	1	—	A	
		Washer, securing	1	L72	C	
21587	2Z11270	HOSE, CONTROL VALVE TO UNION, GROUP (Mod. 1696)	2	—	C	GQ1/48
21588	6Z11270	HOSE TO PANEL, BETWEEN FORMER 274 & FORMER 288, GROUP (Mod. 1696)	2	—	C	GQ1/49
	108Z9596	PIPE, HEATER TO VALVE 2nd PILOT'S, 20G x 5/8" o/d x 2' 0" LONG APPROX., GROUP	—	L56		GQ1/50
8489	93Z9596	PIPE, FEED 2nd PILOT'S, 20G x 1" o/d x 5' 6" LONG APPROX., GROUP (Pre-Mod. 2275)	1	L56	C	GQ1/51
8484	94Z9596	PIPE, FEED AT FORMER 232 BOMB AIMER'S 20G x 1" o/d x 5' 0" LONG APPROX., GROUP	1	L56	C	GQ1/52
8490	95Z9596	PIPE, FEED 2nd PILOT'S 20G x 1" o/d x 4' 0" LONG APPROX., GROUP	1	L56	C	GQ1/53
9013	171Z9596	PIPE, STARBOARD, HEATER TO MANIFOLD, 1" o/d x 20G x 3' 6" LONG APPROX., GROUP	1	L56	C	GQ1/54
8496	97Z9596	PIPE, FROM PORT HEATER TO MANIFOLD, 1" o/d x 20G x 2' 0" LONG APPROX., GROUP	1	L56	C	GQ1/55
8481	83Z9596	PIPE, FEED, BOMB AIMER'S POSITION 20G x 1" o/d x 5' 0" LONG APPROX., GROUP	1	L56	C	GQ1/56

VULCAN HL 2

EQUIPMENT AIRCRAFT
VENTILATED SUIT SYSTEM

Page GQ. 5

Ref. No.	Part No.	Description	No. off	Matl. Spec.	Cl. of	Plate and Illust'n No.
					St. M.R.	
		<u>1 2 3 4</u>				
		VENTILATED SUIT SYSTEM, CREW'S NACELLE (Z9926) (Cont'd)				
11584	42Z9926	PIPE, 2nd PILOT'S BETWEEN FORMERS ... 330 & 316 O/B., 20G x 1" o/d x 5' 8" LONG APPROX., GROUP	1	L56	C	GQ1/57
	43Z9926	PIPE, FEED 2nd PILOT'S, 20G x 1" o/d x ... 2' 9" LONG APPROX., GROUP	1	L56	MR	GQ1/58
8493	123Z9596	PIPE, FEED 1st PILOT'S, STARBOARD, 20G x 1" o/d x 3' 6" LONG APPROX., GROUP	1	L56	C	GQ1/59
8483	90Z9596	PIPE, BETWEEN FORMERS 316 & 274 20G x 1" o/d x 5' 11" LONG APPROX., GROUP	1	L56	C	GQ1/60
8494	91Z9596	PIPE, BETWEEN FORMERS 330 & 302, PORT, 20G x 1" o/d x 6' 0" LONG APPROX., GROUP (Pre-Mod. 2275)	1	L56	C	GQ1/61
8495	92Z9596	PIPE, BETWEEN FORMERS 316 & 274, PORT, 20G x 1" o/d x 4' 0" LONG APPROX., GROUP (Pre-Mod. 2275)	1	L56	C	GQ1/62
8491	121Z9596	PIPE, FEED, 1st PILOT'S, 20G x 1" o/d x ... 5' 6" LONG APPROX., I/B, GROUP	1	L56	C	GQ1/63
8492	122Z9596	PIPE, FEED, 1st PILOT'S, 20G x 1" o/d x ... 5' 6" LONG APPROX., O/B, GROUP	1	L56	C	GQ1/64
	47Z9596	PIPE, ALONGSIDE FEED DUCT, BETWEEN FORMERS 216 & 232 I/B, 22G x 3/16" x 5' 6" LONG, GROUP	1	L56		GQ1/65
8488	125Z9596	PIPE, FEED TO 2nd PILOT'S, 20G x 1' 0" x 2' 0" LONG, GROUP	1	L56	C	GQ1/66
21583	48Z11270	PIPE, FEED, STBD. SIDE, BETWEEN FORMERS 246-260 5/8" o/d x 20G x 3' 6" LONG, GROUP	1	-	C	GQ1/67
21592	17Z9926	PIPE, FEED, PORT, JOINT AT FORMER ... 232 TO HEATER 5/8" o/d x 20G x 4' 6" LONG, GROUP	1	-	C	GQ1/68
	3Z11270	PIPE, CONTROL VALVE TO TEE-PIECE ... UNION, GROUP	1	-		GQ1/69

EQUIPMENT AIRCRAFT
VENTILATED SUIT SYSTEM

Ref. No.	Part No.	Description	No. off	Matl. Spec.	Cl. of	Place and Illust'n No.
					St. M.R.	
		1 2 3 4				
		VENTILATED SUIT SYSTEM, CREW'S NACELLE (Z9926) (Cont'd)				
	18Z9926	PIPE, FEED, PORT SIDE, FROM JOINT AT FORMER 232 TO COUPLING AT FORMER 260, 5/8" o/d x 20G x 4' 0" LONG, GROUP	1	-		GQ1/70
21584	20Z9926	PIPE, FEED, STARBOARD SIDE, FROM . . . ADAPTOR IN FLOOR TO COUPLING AT FORMER 232, 5/8" o/d x 20G x 3' 6" LONG, GROUP	1	-	C	GQ1/71
		PIPE, STUB, FOR FEED PIPES BETWEEN FORMERS 246-260, 5/8" o/d x 20G x 12" LONG, GROUP (Pre-Mod. 1696)	2	-		
21590	23Z9926	PIPE, FEED, PORT SIDE, MANIFOLD & HOSE CONNECTION, BETWEEN FORMERS 218-232, 1" o/d x 20G x 2' 6" LONG, GROUP	1	-	C	GQ1/72
21589	35Z9926	PIPE, FEED, STBD. SIDE, FROM TEE- PIECE AT FORMER 260, TO JOINT AT FORMER 274, GROUP	1	-	C	GQ1/73
21585	36Z9926	PIPE, FEED, STARBOARD SIDE, FROM . . . COUPLING TO COUPLING AT FORMER 274, GROUP	1	-	C	GQ1/74
21591	38Z9926	PIPE, FEED, PORT SIDE, FROM COUPLING, TO COUPLING AT FORMER 274, GROUP	1	-	C	GQ1/75
	29Z11270	PIPE, FEED, STARBOARD SIDE, FROM . . . ELBOW JOINT, TO JOINT AT FORMER 232, GROUP	1	-		GQ1/76
21582	40Z9926	PIPE, CENTRE, HEATER AT FORMER 232, 5/8" o/d x 20G x 3' 6" LONG, GROUP	1	-	C	GQ1/77
21595	41Z9926	PIPE, FEED, PORT SIDE, COUPLING TO . . . TEE PIECE, AT FORMER 274, GROUP	1	-	C	GQ1/78
21586	49Z11270	PIPE, CONTROL VALVE TO UNION AT . . FORMER 232, GROUP	1	L56	C	GQ1/79
	51Z9926	Pipe, feed 20G x 5/8" o/d (Mod. 2147)	1	L56		GQ1/80

VULCAN Mk. 2

EQUIPMENT AIRCRAFT
VENTILATED SUIT SYSTEM

Page GQ. 7

Ref. No.	Part No.	Description 1 2 3 4	No. off	Matl. Spec.	Cl. of	Place and Illust'n No.
					St. M.R.	
		VENTILATED SUIT SYSTEM, CREW'S NACELLE (Z9926) (Cont'd)				
5CZ/4337689	PLESSEY 7CZ107202	Regulator, current, under floor at former 330 . Attachments for regulator Part No. 7CZ/ 107202	2	—	A	GQ2/83
28D/9438920	A25/1C	Bolt	20	—	C	
28D/1011029	A25/1E	Bolt	15	—	C	
28W/9419405	SP15/E	Washer	15	—	C	
28W/9419475	SP15/C	Washer	20	—	C	
	J. WALKER 54866/3	Seal, at feed duct RPB to manifold ..	3	—	C	GQ2/84
27KD/972	NORMALAIR 513090	Unit, manifold (Pre-Mod. 880)	1	—	A	
	NORMALAIR 513090, Mod 9BY	Unit, manifold (Mod. 880) (Pre-Mod. 1263) ..	1	—		
	NORMALAIR 513090 Mod 13BY	Unit, manifold (Mod. 1263) (Pre-Mod 1829) .	1	—		
	NORMALAIR 527660 Mod 17BY	Unit, manifold (Mod 1829)	1	—		GQ2/85
		Attachments for Manifold Part No. 513090				
28D/9133012	A25/3C	Bolt	4	—	C	
28D/9133011	A25/2C	Bolt	4	—	C	
28M/1012015	AGS2001/C1/66	Nut	4	—	C	
28W/9419475	SP15/C	Washer	4	—	C	
28W/9419454	SP10/C	Washer	4	—	C	
	FAC102/006	Valve, flow control (Mod. 1696) . (Alternative D12814)	2	—		GQ2/86
		VENT, SUIT SYSTEM, AT REAR PRESSURE BULKHEAD (30Z9926)				
		Spares for:—				
	39Z9148	Adaptor, bulkhead	1	L65		GQ4/136
	40Z9148	Adaptor, bulkhead	1	L65		GQ4/136
	33SS3555	Adaptor, bulkhead	1	—		GQ4/137
	38Z9148	Adaptor, ram air valve	1	L65	MR	GQ4/138
8946	KING A/C C4205/1-3/4-2B	Clamp	2	—	C	GQ4/139
8957	41Z9148	Gasket, "Hallite" 1/16" thick x 4.6" dia. ..	1	DTD378A	C	GQ4/140
	120Z9148	Hose, connector 1" i/d x 1.25" x 2" long ..	6	DTD625		GQ4/141
8958	42Z9148	Seal, "Hallite" 1/16" thick x 3.3" dia.	2	DTD378A	C	GQ4/142
	BESTOBELL AS50403	Seal, for clamp	2	—	C	GQ4/143
	135Z9596	VALVE, NON-RETURN, GROUP	1	—		GQ4/144
		Spares for:—				
	269SS6005	Label	1	L59		
27KD/980	NORMALAIR 512990	Valve, non-return	1	—	A	

EQUIPMENT AIRCRAFT
VENTILATED SUIT SYSTEM

Ref. No.	Part No.	Description	No. off	Matl. Spec.	Cl. of	Plate and Illust'n No.
					St.	
		1 2 3 4			M.R.	
		VENTILATED SUIT SYSTEM, AFT REAR PRESSURE BULKHEAD (118Z9303) (Mod. 1315) Spares for:—				
27KD/4631807	NORMALAIR 515950/114FC TEDDINGTON CONTROLS	Augmentor flow (Mod. 2110)	1	—	A	GQ2/87
27V/5334 11487	SSBA461 116Z9303 34Z9148 114Z9303 115Z9303	Bellows	1	—	A	GQ2/85
		Bolt, special	4	—	C	GQ4/89
		Bush, for heat exchanger, 5/8" dia.	4	S1		GQ2/90
		Cap, for saddle bracket, fwd	1	—		GQ4/91
		Cap, for saddle bracket, aft	1	—		GQ4/92
13715	25Z9303	CHAMBER, EXHAUST BETWEEN EXHAUST DUCTS, GROUP	1	—	C	GQ2/93
8945	KING A/C C4205/1-1/4— 1-1/2B	Clamp, for 1-1/2" dia. duct	9	—	C	GQ4/94
8946	KING A/C C4205/1-3/4—2B	Clamp, for 2" dia. duct	10	—	C	GQ4/95
8947	KING A/C C4205/2-1/4— 2-1/2E	Clamp, for 2-1/2" dia. duct	1	—	C	GQ4/96
26FP/13898	15SS3264	Clip, for pipes, 1-1/8" dia. pipes	3	—	C	
26FP/13899	28SS3264	Clip, for pipes, 2" dia. pipes	1	—	C	
	1AS4525	Clip, for pipes, 3/16" dia. pipes	5	—		
	2AS4525	Clip, for pipes, 1-1/4" dia. pipes	1	—		
	30SS3859	Clip, for pipes, 2" dia. pipes	1	—	MR	
	2SS4485	Clip, at heat exchange elbow	2	—		
27KD/4631534	NORMALAIR 504300	Coupling, Ground Connection	1	—	A	GQ1/97
10300	16Z9303	DUCT, AIR INTAKE TO COOLING DUCT, ... GROUP	1	—	C	GQ4/98
	16dZ9303	Seal	1	—	MR	
22330	17Z9303	DUCT, DELIVERY FROM REAR PRESSURE BULKHEAD TO FILTER, GROUP	1	—	C	GQ1/99
22331	71Z9303	DUCT, DELIVERY FROM FILTER TO HEAT EXCHANGER, GROUP	1	—	C	GQ1/100
22338	72Z9303	DUCT, DELIVERY FROM HEAT EXCHANGER TO GROUND FEED AND BRANCH DUCT, GROUP	1	—	C	GQ1/101
22334	21Z9303	DUCT, FEED, FROM REAR OF AUGMENTOR FLOW TO BRANCH DUCT, GROUP	1	—	C	GQ1/102
	98Z9303	DUCT, FROM AUGMENTOR FLOW TO DUCT, WATER EXTRACTOR, GROUP	1	—	MR	GQ1/103

VULCAN Mk. 2

EQUIPMENT AIRCRAFT
VENTILATED SUIT SYSTEM

Page GQ 9

Ref. No.	Part No.	Description	No. off	Mati. Spec.	Cl. of	Plate and Illust'n No.
					St.	
		1 2 3 4				
		VENTILATED SUIT SYSTEM AFT REAR PRESSURE BULKHEAD, PORT (118Z9303) (Cont'd)				
22326	23Z9303	DUCT, EXHAUST FROM SHUT-OFF VALVE TO EXHAUST CHAMBER, GROUP	1	—	C	GQ1/109
22337	24Z9303	DUCT, EXHAUST FROM COOLER DUCT TO COOLER TURBINE, GROUP ATTACHMENTS EXHAUST DUCT, PART No 24Z9303	1	—	C	GQ2/105
28D/9133011 28M/1012015 28W/9419475	A25/2C AGS2001/C1/66 SP15/C	Bolt, 2 BA	26	—	C	
		Nut, 2 BA	26	—	C	
		Washer, 2 BA	26	—	C	
	26Z9303	DUCT, GROUND FEED TO GROUND CONNECTION COUPLING, GROUP	1	—	MR	GQ1/106
22327	34Z9303	DUCT, FEED, FROM BELLOWS TO SHUT OFF VALVE, GROUP	1	—	C	GQ1/107
22329	37Z9303	DUCT, BRANCH, FROM COOLING DUCT TO TURBINE COOLER, GROUP	1	—	C	GQ1/108
	43Z9303	DUCT, COOLING, GROUP	1	—		GQ2/109
10299	15Z9303 MARSTON EXCELSIOR	Spares for:— DUCT, AIR INTAKE, GROUP	1	—	C	GQ4/110
27UA/4612016	D721/1A	Cooler	1	—	A	GQ4/111
28F/1013746	AGS1167/F MARSTON EXCELSIOR	Elbow, for heat exchanger	2	—	C	GQ2/112
27UA/4612017 27UA/4612146	TD721/2A 518490/Mod.4CE NORMALAIR	Exchanger, heat Extractor, water	1 1	— —	A A	GQ2/113 GQ2/114
27KD/4631817	512930 24Z9148 25Z9148	Filter Gasket, "Hallite" 6.0" x 3.0" x 1/32" Gasket, "Hallite" 6.5" x 5.25" x 1/32"	1 1 1	— DTD378A DTD378A	A	GQ2/115 GQ4/116 GQ4/117
8941	46Z9148	Gasket, sealing for exhaust chamber, 1/32" thick x 2" i/d	2	DTD378A		GQ2/118
	80Z9148	Gasket, sealing, for air intake duct, 1/16" thick x 5' 1" x 5' 1"	1	DTD378A		GQ4/119
	8Z9303	Hose, for ground feed duct to ground connection coupling 2" 1/d x 2.5"	1	DTD625		GQ1/120
	111Z9303	DUCT, COOLING, GROUP (Mod. 1235) (See Equipment Aircraft—S O O.)				

EQUIPMENT AIRCRAFT
SPECIAL EQUIPMENT VENTILATED SUIT SYSTEM

Ref. No.	Part No.	Description	No. off	Matl. Spec.	Cl. of	Plate and Illust'n No.
					St. M.R.	
		1 2 3 4				
		VENTILATED SUIT SYSTEM, AFT REAR PRESSURE BULKHEAD, PORT (118Z9303) (Cont'd)				
	102Z9148	Hose, drain tube, 1/4" i/d x 1/2" o/d x 2.75" long	1	DTD625		GQ1/121
22328	32Z9303	Pipe, pneumatic air supply 20G x 3/16" o/d ..	1	DTD323		GQ1/122
22332	73Z9303	PIPE, FEED, FROM HEAT EXCHANGER ... TO EXHAUST CHAMBER, GROUP	1	-	C	GQ1/123
22333	74Z9303	PIPE, FEED FROM HEAT EXCHANGER TO TEMPERATURE CONTROL VALVE, GROUP	1	-	C	GQ1/124
22339	28Z9303	PIPE, FEED FROM TEMPERATURE CONTROL VALVE TO JOINT AT FEED DUCT, GROUP	1	-	C	GQ4/125
	44Z9303	Seal, turbine cooling, 1/16" thick x 2.75 x 2.75	1	DTD762	MR	GQ4/126
28F/4169558	BESTOBELL AS5402	Seal, for 1-1/2" dia. ducting	9	-	C	GQ4/127
28F/4051839	BESTOBELL AS5403	Seal for ducting 2" dia.	11	-	C	GQ4/128
28F/4051853	BESTOBELL AS5404	Seal, for 2-1/2" dia. ducting	1	-	C	GQ4/129
	30Z9303	Tube, drain, from cooling turbine 1/4" o/d x 20G	1	L56	MR	GQ1/130
27UA/780	NORMALAIR 201270-10	Turbine, cooling	1	-	A	GQ4/131
27KD/4665802	NORMALAIR 513010	Valve, temperature control	1	-	A	GQ2/132
27KD/4631895	NORMALAIR 512760	Valve, shut off	1	-	A	GQ4/133
27KD/4631870	NORMALAIR 512510	Valve non-return	1	-	A	GQ4/134
		UNDERHEAT CONTROL, VENT SUIT SYSTEM (8Z9783) Spares for:--				
26FP/2453	1SS3859	Clip, for pipe	2	-	C	GQ4/145
11710	6Z9783	DUCT, FEED, 1-1/2" CONTROL VALVE, .. TO COOLER INLET, GROUP	1	-	C	GQ4/146
11711	9Z9783	DUCT, FROM WATER EXTRACTOR, GROUP	1	-	C	GQ4/147

VULCAN No. 2

EQUIPMENT AIRCRAFT
SPECIAL EQUIPMENT VENTILATED SUIT SYSTEM

Ref. No.	Part No.	Description				No. off	Matl. Spec.	Cl. of St.	Plate and Illust'n No.
		1	2	3	4			M.R.	
27KD/4665802	NORMLAIR 517440 8SS4386 4Z9783 5Z9783 NORMLAIR 513010	UNDERHEAT CONTROL, VENT SUIT SYSTEM (8Z9783) (Cont'd)							
				Element, temperature sensing		1	-		GQ4/148
				Nipple		2	-		GQ4/149
				PIPE, FROM TEMPERATURE CONTROL VALVE, TO WATER EXTRACTOR, GROUP		1	-	MR	GQ4/150
				Pipe 3/16" o/d x 20G x 2' 6" long from temperature control valve to sensing element		1	-	MR	GQ4/151
		Valve, temperature control		1	-	A	GQ4/152		

EQUIPMENT AIRCRAFT
VENTILATED SUIT SYSTEM

Ref. No.	Part No.	Description	No. off	Matl. Spec.	Cl. of	Plate and Illust'n No.
					St. M.R.	
		1:2:3:4				
		VENTILATED SUIT, AUXILIARY AIR SYSTEM (Z12377) (Mod. 2275)				
	20Z12377	Spares for:- Bracket, face blower	1	L72		GQ5/1
28D/9133012	A25/1C	Attachments for Bracket Part No. 20Z12377 Bolt, hex. hd., 2 BA	3	-	C	GQ5/2
	25Z12377	CLIP, GROUP	1	-		
26FP/6535	32SS3264 36SS3860	Spares for:- Clip	1	-	C	
		Packing	1	-		
28E/1010245	AS3180/15B	Clip, pipe	6	-		
28E/9450596	AS3180/15C	Clip, pipe	41	-		
5K/2231767	AS4525/18	Clip, support	4	-	C	
5K/9013958	AS4525/18	Clip, support	2	-	C	
		Attachments for Clips Part Nos. 25Z12377, AS3180/15B, AS3180/15C, AS4525/18, AS4525/18				
28D/1218388	AS1248/68	Bolt, mush. hd., 4 BA	A/R	-	C	
28D/9436920	A25/1C	Bolt, hex. hd., 2 BA	A/R	-	C	
28D/9133011	A25/2C	Bolt, hex. hd., 2 BA	A/R	-	C	
28D/9133012	A25/3C	Bolt, hex. hd., 2 BA	A/R	-	C	
28D/9133013	A25/5C	Bolt, hex. hd., 2 BA	A/R	-	C	
28D/7002428	A25/6C	Bolt, hex. hd., 2 BA	A/R	-	C	
28D/1010030	A25/7C	Bolt, hex. hd., 2 BA	A/R	-	C	
28D/9419397	A25/12C	Bolt, hex. hd., 2 BA	A/R	-	C	
28D/9453970	A25/15C	Bolt, hex. hd., 2 BA	A/R	-	C	
28D/1011021	A25/16C	Bolt, hex. hd., 2 BA	A/R	-	C	
28M/1278189	AGS.2001/B/1	Nut, stiff, 4 BA	A/R	-	C	
28M/1012015	AGS2001/C1/66	Nut, stiff, 2 BA	A/R	-	C	
28W/9419465	SP15/B	Washer, 4 BA	A/R	-	C	
28W/9419475	SP15/C	Washer, 2 BA	A/R	-	C	
28W/9419402	SP13/C	Washer, 2 BA	A/R	-	C	
28E/20410	SP91/B	Clip, hose	3	-	C	GQ5/3
28E/9564061	SP91/D	Clip, hose	10	-	C	GQ5/4
28E/20104	SP91/F	Clip, hose	8	-	C	GQ5/5
28E/7102120	SP91/L	Clip, hose	3	-	C	GQ5/6
26FP/1432516	AK/4/SS4234 AK/19/SS4234	Clip, half, at change over valve	2	-	C	GQ5/7
		Clip, half at change over valve	2	-	C	GQ5/8
		Attachments for Half Clips Part Nos. AK/4/SS4234, AK/19/SS4234				
28D/1011025	A25/24C	Bolt, hex. hd., 2 BA	4	-	C	GQ5/9
28W/9419402	SP13/C	Washer, 2 BA	4	-	C	
1510488	19Z12377 27Z12377	Connector	1	-	C	GQ5/10
		Cover	1	L72		GQ5/11

VULCAN Mk 2		EQUIPMENT AIRCRAFT				Page GQ. 13	
VENTILATED SUIT SYSTEM							
Ref. No.	Part No.	Description	No. off	Matl. Spec.	Cl. of St.	Plate and Illust'n No.	
					M.R		
		VENTILATED SUIT, AUXILIARY AIR SYSTEM (Z12377) (Cont'd.)					
1510471	3Z12377	Hose, flexible	1	—	C	GQ5/12	
1510472	4Z12377	Hose, flexible	1	—	C	GQ5/13	
1510473	5Z12377	Hose, flexible	1	—	C	GQ5/14	
1510474	6Z12377	Hose, flexible	2	—	C	GQ5/15	
	7Z12377	Hose, flexible	1	—		GQ5/16	
	8Z12377	Hose, flexible	1	—	MR	GQ5/17	
1510477	9Z12377	Hose, flexible	1	—	C	GQ5/18	
	10Z12377	Hose, flexible	1	—	MR	GQ5/19	
	11Z12377	Hose, flexible	1	—	MR	GQ5/20	
	12Z12377	Hose, flexible	1	—	MR	GQ5/21	
	13Z12377	Hose, flexible	1	—	MR	GQ5/22	
		INSTALLATION, B.V.C. SUIT EXHAUSTER AND BLOWING UNIT (Z12378)					
		Spares for:—					
5CW/4405094	ROTAX D6311	Contactor	1	—	C	GQ6/1	
		Attachments for Contactor Part No. D6311 (Ref. No. 5CW/6182)					
28D/9133012	A25/3C	Bolt, hex. hd., 2 BA	4	—	C	GQ6/2	
28M/1012015	AGS2001/C1/66	Nut, 2 BA	4	—	C		
28W/9419402	SP13/C	Washer, 2 BA	4	—	C		
	7V9472	Cover, P.V.C.	2	—	MR	GQ6/3	
	416SS6065	Label, "Rel. 827"	1	—			
	417SS6065	Label, "Rel. 828"	1	—			
1510490	2Z12378	Plate, deflector	1	—	C	GQ6/4	
	1Z12380	UNIT, FACE BLOWING, GROUP	1	—			
		Spares for:—					
5UD/1095866	PLANNAIR 3PL182.271	Blower, Mk. 3	1	—	A	GQ6/5	
		Attachments for Blower (Ref. No. 5UD/1095866)					
28D/1007972	A25/-1/2C	Bolt	4	—	C	GQ6/6	
28W/9419402	SP13/C	Washer	4	—	C		
1510501	5Z12380	Bracket, angle	2	L72	C	GQ6/7	
28D/1013284	A25/2C	Bolt, hex. hd., 2 BA	16	—	C	GQ6/8	
1510499	3Z12380	Cover, exit	1	—	C	GQ6/9	
1510500	4Z12380	Cover, inlet	1	—	C	GQ6/10	
28M/1012015	AGS2001/C1/66	Nut, stiff, 2 BA	16	—	C		
28W/9419402	SP13/C	Washer 2 BA	16	—	C		
		UNIT, EXHAUSTER (Z12379)					
		Spares for:—					
28E/7102120	SP91/L	Clip, hose	1	—	C	GQ6/11	

EQUIPMENT AIRCRAFT
VENTILATED SUIT SYSTEM

Ref. No.	Part No.	Description	No. off	Matl. Spec.	Cl. of	Plate and Illust'n No.
					St. M.R.	
		1 2 3 4				
		UNIT, EXHAUSTER (Z12379) (Cont'd)				
5CW/4405094	ROTAX D6311	Contactor	1	—	C	G06/12
		Attachments for Contactor Part No. D6311 (Ref. No. 5CW/6182)				
28D/1007976	AS1242/4C	Bolt, csk. hd., 2 BA	2	—	C	G06/13
28D/1013301	AS1248/4C	Bolt, mush. hd., 2 BA	2	—	C	G06/14
28M/1012015	AGS2001/C1/66	Nut, stiff, 2 BA	4	—	C	
28W/9419402	SP13/C	Washer, 2 BA	4	—	C	
1510491	5Z12379	Coupling, flange	1	L65 or L85	C	G06/15
		Attachments for Coupling Part No. 5Z12379				
28D/1011019	A25/8C	Bolt, hex. hd., 2 BA	4	—	C	G06/16
28D/1011006	A25/5B	Bolt, hex. hd., 4 BA	6	—	C	G06/17
28M/1278189	AGS2001/B/1	Nut, stiff, 4 BA	6	—	C	
28W/9419402	SP13/C	Washer, 2 BA	4	—	C	
28W/9419465	SP13/B	Washer, 4 BA	6	—	C	
	1Z12514	COUPLING, FLEXIBLE SPIDER,	1	—		G06/18
		GROUP				
		Spares for:—				
1510494	2Z12514 RENOLD	Body, half	1	S92	C	G06/19
1510495	644432	Body, half	1	—	C	G06/20
1510496	644462	Spider, rubber	1	—	C	G06/21
	7V9472	Cover, P.V.C.	2	—	MR	G06/22
1510498	1400-1/4"	Circlip	1	—	C	G06/23
	3Z12379	Fitting, exhaust inlet	1	—		G06/24
	2Z12379	MOUNTING, BASE, GROUP	1	—		G06/25
		Attachments for Mounting Base Part No. 2Z12379				
28D/9133012	A25/3C	Bolt, hex. hd., 2 BA	4	—	C	G06/26
1510493	6Z12379 ROTAX	Key	1	S96	C	G06/27
5UD/6203197	CA9901.L	Motor	1	—	A	G06/28
1510492	4Z12379	Spacer	4	L85	C	G06/29
1510714	1Z12517	Unit, exhauster	1	—		G06/30
1510497	7Z12379	Washer	1	S96	C	G06/31
	28Z12377	LOUVRE, MOUNTING, GROUP	3	—		G05/23
26PJ/5449796	THERMO TANK CF/K1584/58/3	Louvre, punkah	3	—	C	G05/24
		Attachments for Louvre Part No. CF/K1584/58/3				
28D/1013172	AS1242/5C	Bolt, csk. hd., 2 BA	4	—	C	G05/25
28M/1012015	AGS2001/C1/66	Nut, stiff, 2 BA	4	—	C	
28W/9419402	SP13/C	Washer, 2 BA	4	—	C	

VULCAN No. 2

EQUIPMENT AIRCRAFT
VENTILATED SUIT SYSTEM

Page GO. 15

Ref. No.	Part No.	Description	No. off	Matl. Spec.	Cl. of St.	Plate and Illust'n No.
					M.R.	
		1 2 3 4				
		VENTILATED SUIT AUXILIARY AIR SYSTEM (Z12377) (Cont'd)				
		MOUNTING OF 1st PILOT'S CHANGEOVER SWITCH (V16021)				
		Spares for:—				
5CW/1089997	415SS6065 ROTAX D13086	Label	1	—		
		Switch, changeover	1	—	C	GO5/26
		MOUNTING OF START SWITCHES ON CREW MEMBERS TABLE (V16020)				
		Spares for:—				
	RAYCHEM 222A152-3	Cover, heat shrink	2	—		
	414SS6065 RAYCHEM NT1/4"	Label, "Aux. Air System"	1	—		
	NT3/8"	Sleeving, heat shrink	2	—		
5CW/13056	ROTAX D13087	Sleeving, heat shrink	2	—		
		Switch	2	—	C	GO5/27
		MOUNTING OF CHANGEOVER SWITCH AT 2nd PILOT'S POSITION (V16022)				
		Spares for:—				
	2V16022	BRACKET, SWITCH, GROUP	1	—		
1510502	2aV16022	Spares for:—				
	415SS6065	Bracket	1	L72	C	GO5/28
5CW/1089997	ROTAX D13086	Label	1	—		
		Switch, changeover	1	—	C	GO5/29
		Attachments for Bracket Part No. 2V16022				
28D/9436920	A25/1C	Bolt	2	—	C	GO5/30
28M/1012015	AGS2001/C1/66	Nut, stiff	2	—	C	
28W/9419402	SP13/C	Water	2	—	C	
	21Z12377	Piece, jointing	4	—	MR	GO5/31
1510482	22Z12428	PIPE, FEED, GROUP	1	L56	C	GO5/32
1510484	32Z12428	PIPE, FEED, GROUP	1	L56	C	GO5/33
1510483	33Z12428	PIPE, FEED, GROUP	1	L56	C	GO5/34
1510485	34Z12428	PIPE, FEED, GROUP	1	L56	C	GO5/35
	26Z11277	Plate, reinforcing	1	L72		GO5/36

EQUIPMENT AIRCRAFT
VENTILATED SUIT SYSTEM

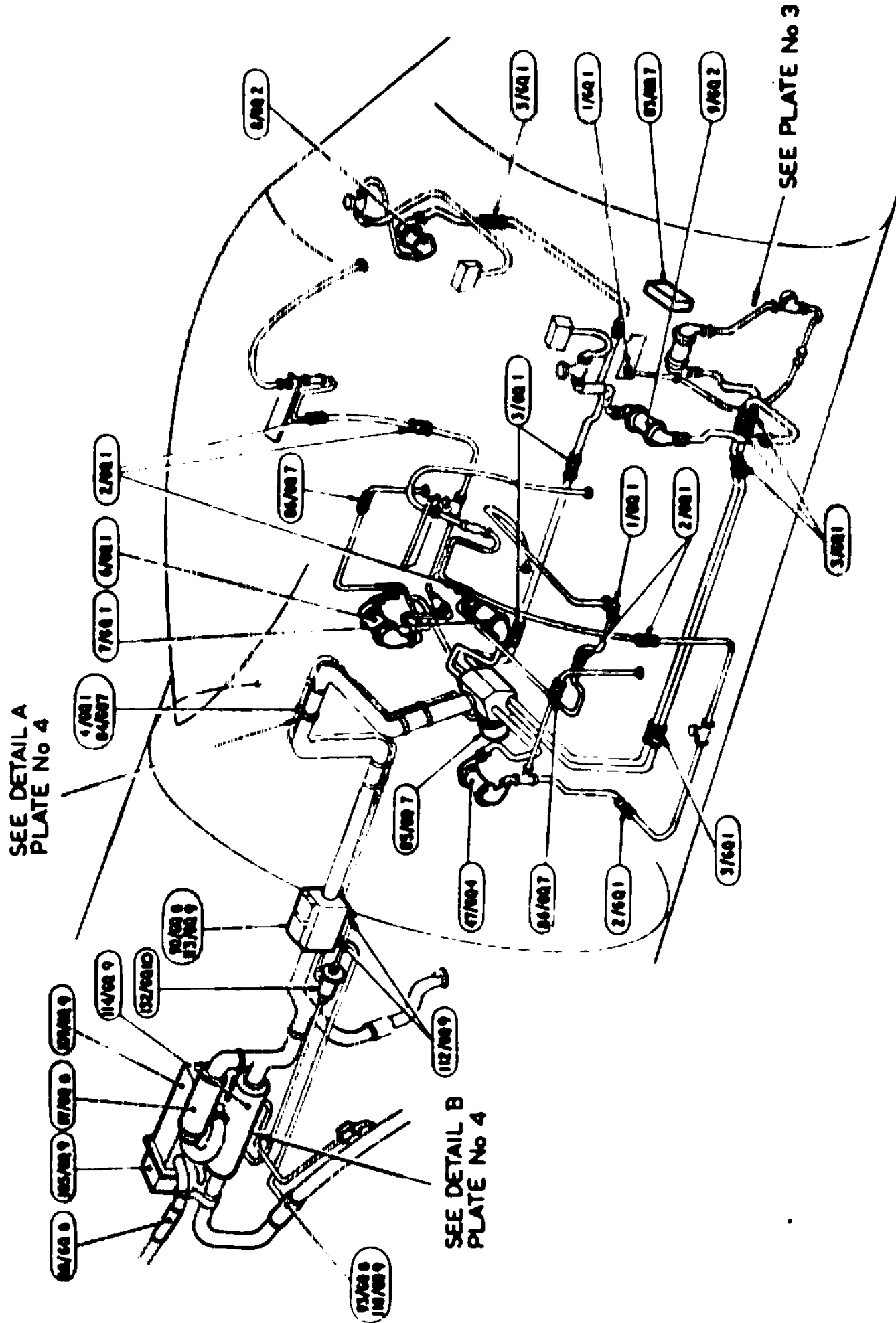
Ref. No.	Part No.	Description	No. off	Matl. Spec.	Cl. of	Plate and Illust'n No.
					St. M.R.	
		1 2 3 4				
VENTILATED SUIT, AUXILIARY AIR SYSTEM (Z12377) (Cont'd)						
27VA/2224239	DUNLOP ACO6580	Socket, release	3	-	C	GO5/37
1510486	17Z12377	Spacer	2	L85	C	GO5/38
1510487	18Z12377	Spacer	2	L85	C	GO5/39
26TA/1727	AS2809/4/040	Tube, distance	6	-	C	
	AS2811/5/100	Tube, distance	1	-	C	
	AS2811/5/125	Tube, distance	1	-	C	
26DL/6963	AS2811/5/138	Tube, distance	2	-	C	
27V/6200080 99 620 0080	TEDDINGTON 5114-002-000	Valve, shut off	3	-	A	GO5/40
27V/1509532	NORMALAIR 73028000	Valve, changeover	2	-	A	GO5/41

VULCAN Mk. 2

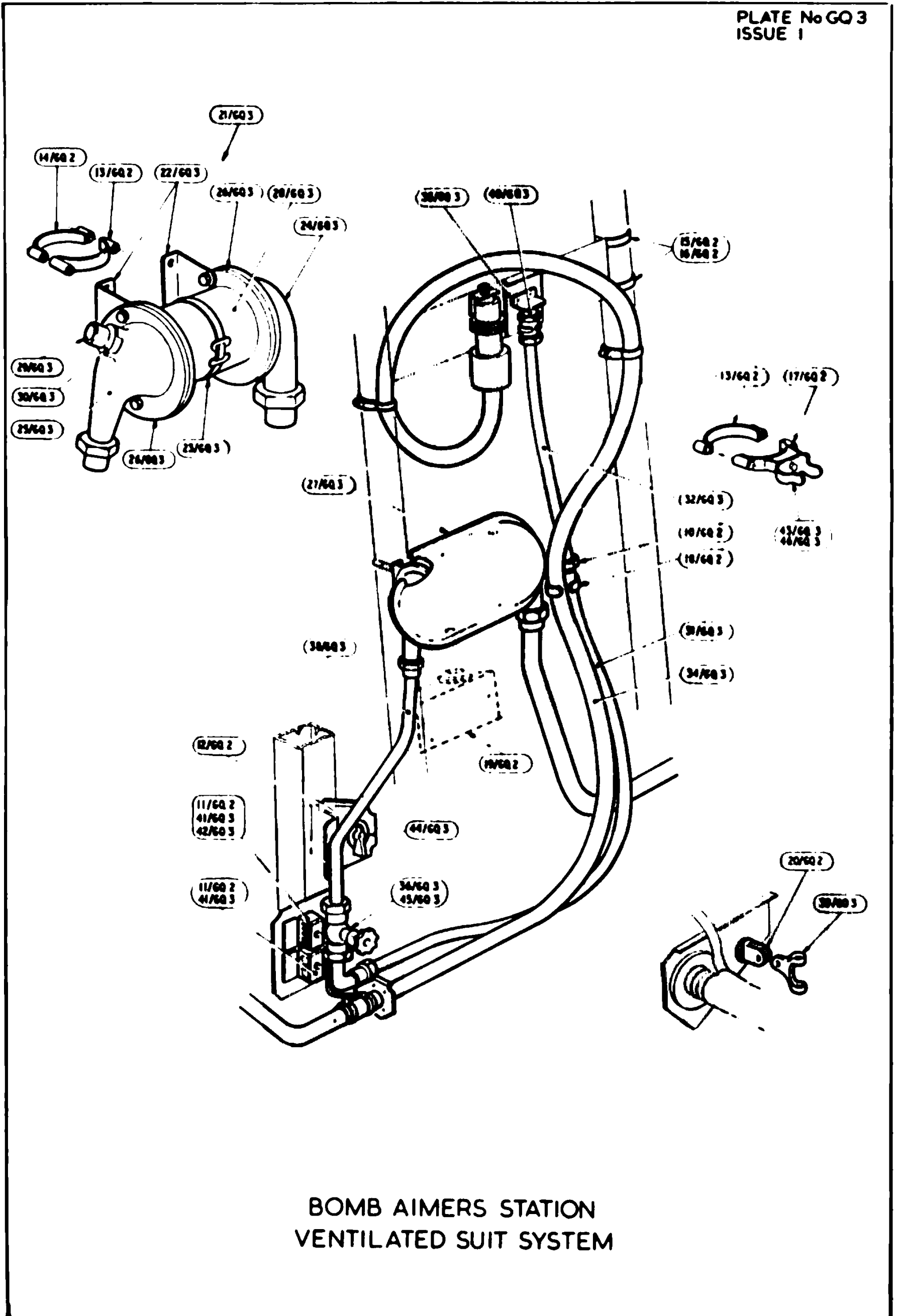
EQUIPMENT AIRCRAFT
SUMMARY OF STANDARD ITEMS

Page GQ 17

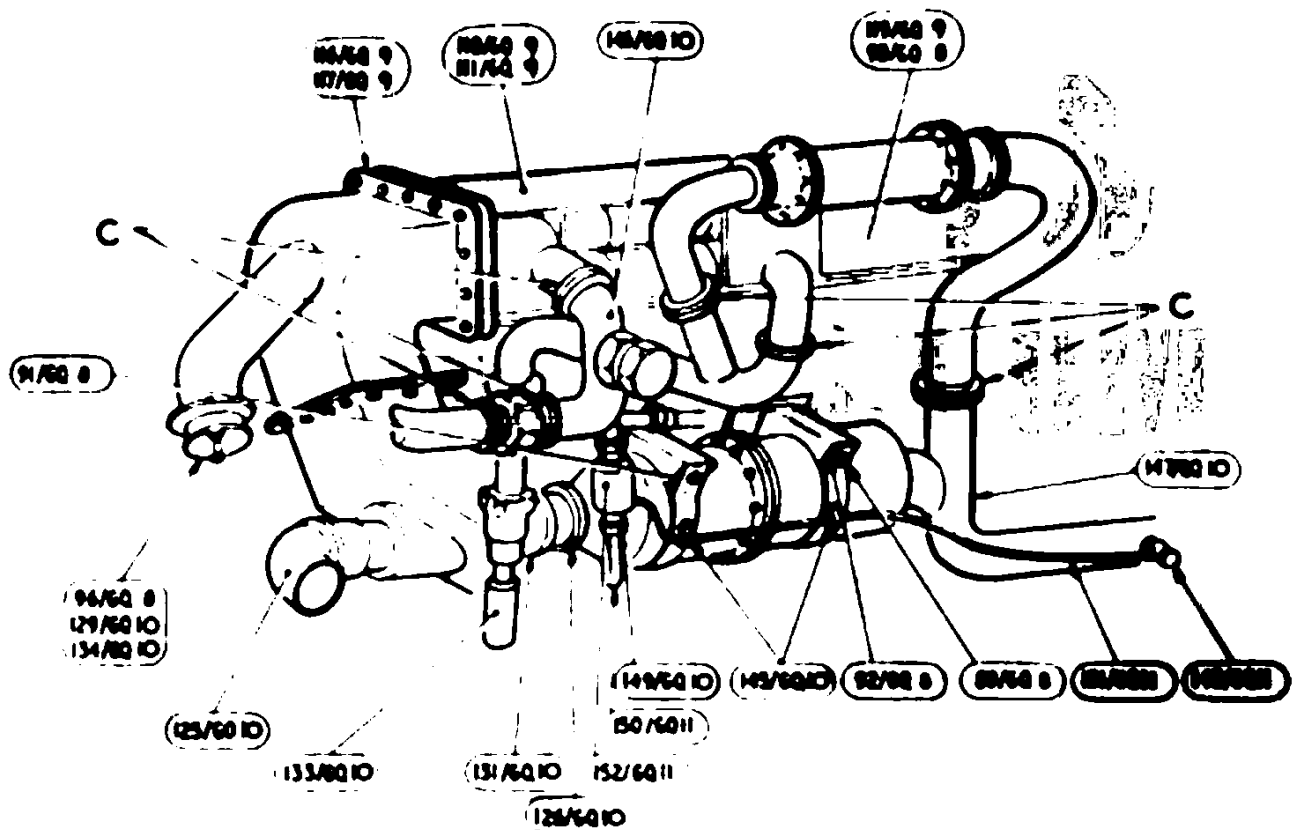
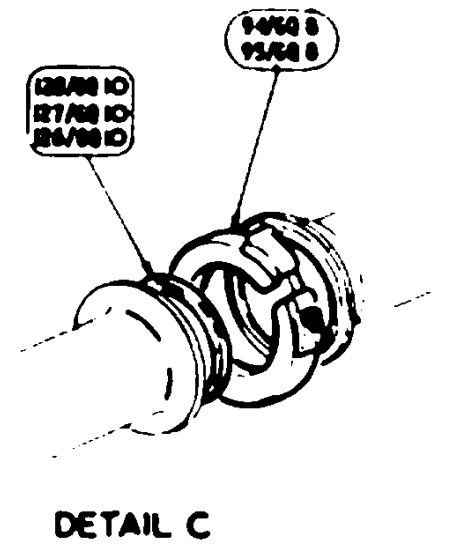
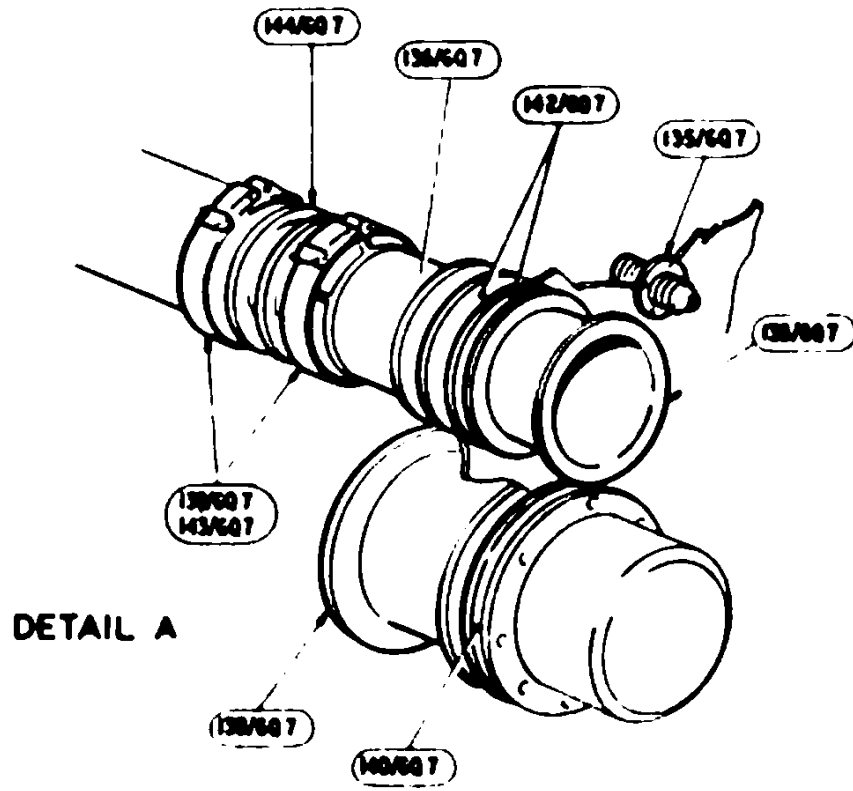
Stores Ref.		No. off	Stores Ref.		No. off	Stores Ref.		No. off
Section	Ref. No.		Section	Ref. No.		Section	Ref. No.	
28D	1933012	4	28W	9419405	15			
28D	1011029	15	28W	9419454	4			
28D	9133011	30	28W	9419475	50			
28D	9436920	20						
28F	9707	15						
28F	9877	9						
28F	1013746	2						
28M	1278190	30						



VENENTILATED SUIT SYSTEM
AIRCRAFT EQUIPMENT



BOMB AIMERS STATION
VENTILATED SUIT SYSTEM

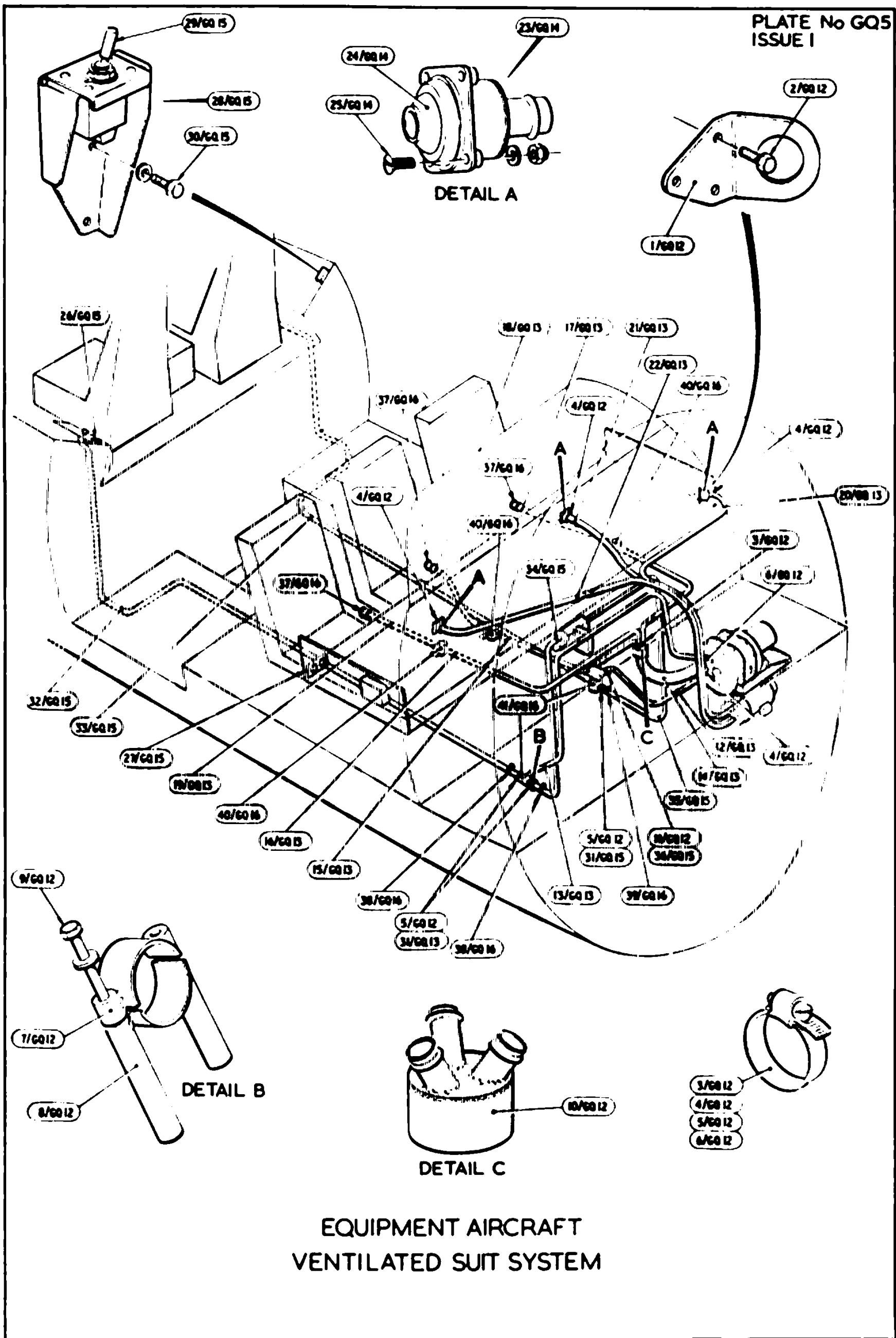


DETAIL B

DETAILS
VENTILATED SUIT SYSTEM

RESTRICTED

PLATE No GQ5
ISSUE I

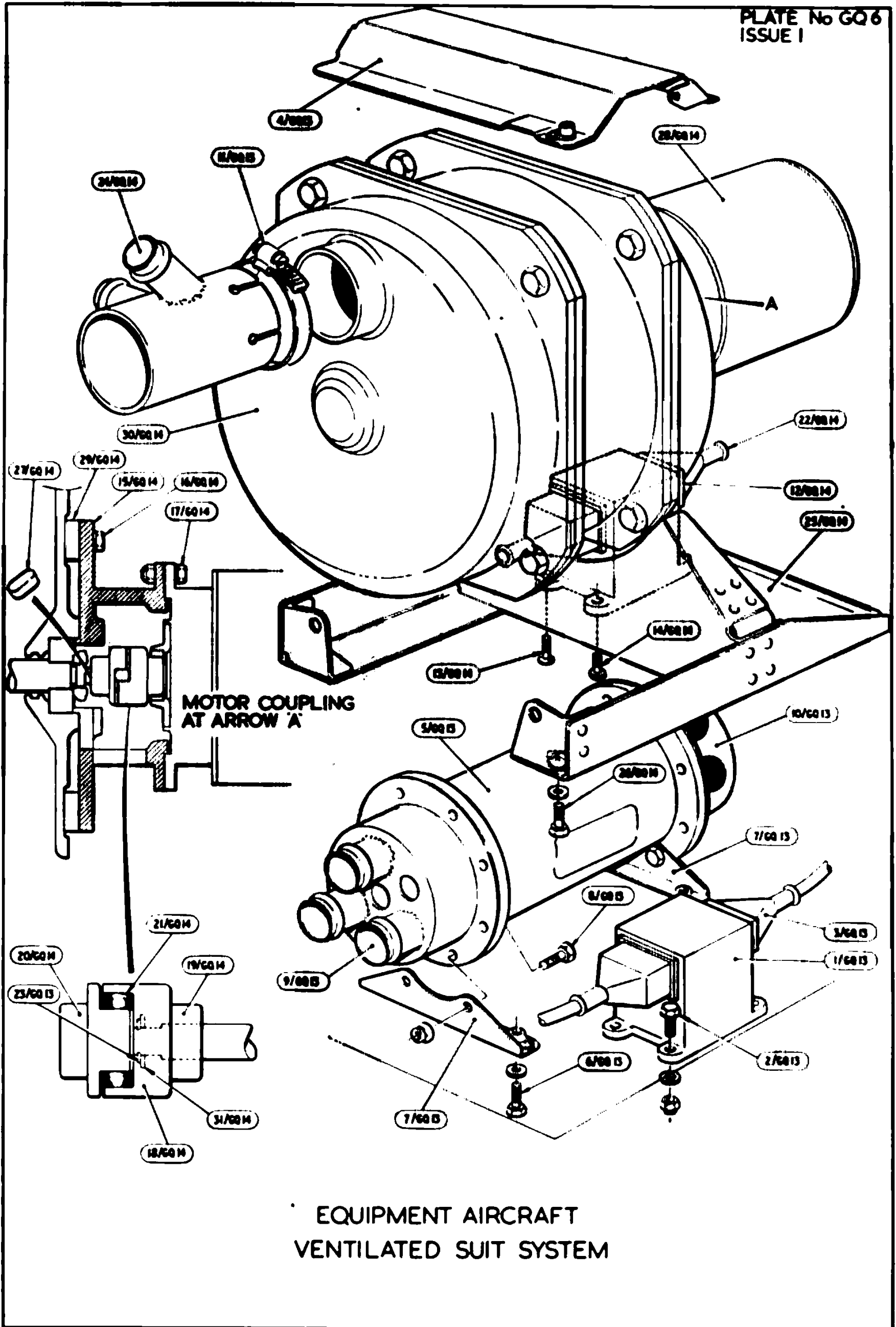


EQUIPMENT AIRCRAFT
VENTILATED SUIT SYSTEM

RESTRICTED

RESTRICTED

PLATE No GQ 6
ISSUE 1



EQUIPMENT AIRCRAFT
VENTILATED SUIT SYSTEM

RESTRICTED

EQUIPMENT, SPECIAL OPERATIONAL (S.O.O.)
MOUNTING, BALLAST AND SOCKET PLATES, WHEN
SPECIAL AIRBORNE EQUIPMENT IS NOT FITTED

Ref. No.	Part No.	Description	No. off	Matl. Spec.	Cl. of	Plate and Illust'n No.
					St. M.R.	
		1 2 3 4				
		MOUNTING OF BALLAST AND SOCKET PLATES, WHEN SPECIAL AIRBORNE EQUIPMENT IS NOT FITTED (Z9980)				
	1Z10109	Spares for: - PANEL, TRANSPORTATION, FOR INLET & OUTLET PIPES TO SCANNER COOLING, GROUP (Mod. 949)	1	-		HA2/1
	3Z10109	Spares for: - Boss	1	L85		HA2/2
	6Z10109	Backplate	1	-		HA2/3
	2Z10109	Panel, jablok, 1/2" thick	1	-		HA2/4
	5Z10109	Plate, cover	1	L72		HA2/5
	4bZ10109	Plate, retaining	3	L72		HA2/6
	7Z10109	STRAP, GROUP	3	-		HA2/7
	27Z9980	PLATES, BALLAST AND SOCKET, WITH BRIDGE, GROUP (Mods. 949 & 1288)	3	-		HA2/8
	5Z9980	Spares for: - BALLAST AND SOCKET, BETWEEN FORMERS 120.25" & 97.75", PORT & STARBOARD, GROUP (Mod. 949)	3	-		HA2/9
	4T4362	Spares for: - Bolt, eye, through centre of plate	1	S94		HA2/10
28M/4095808	AGS.2001/J1	Attachments for Part No. 4T4362				
28W/9419466	SP.13/J	Nut, 3/8" BSF	1	-	C	
28W/9156622	SP.18/J	Washer, 3/8" BSF	1	-	C	
		Washer, facing	1	-	C	
1433662	16Z9980	LEG, ASSEMBLY, GROUP	2	-	C	HA2/11
		Attachments for Part No. 16Z9980				
28D/1212309	A25/25E	Bolt, 1/4" BSF	8	-	C	
28D/1011246	A25/11E	Bolt, 1/4" BSF	16	-	C	
28M/9480017	AGS.2001/E1	Nut, 1/4" BSF	24	-	C	
28M/9418921	SP13/E	Washer, 1/4" BSF	24	-	C	
	13Z9980	Washer	24	S510		
	15Z9980	PLATE, BALLAST, GROUP	1	-		HA2/12
		Consisting of: -				
	15bZ9980	Ballast, 160 lbs.	1	Lead		HA2/13
28D/1212309	A25/25E	Bolt, 1/4" BSF	8	-	C	
28M/9480017	AGS.2001/E1	Nut, 1/4" BSF	8	-	C	
	15aZ9980	Plate, base	1	Steel		HA2/14
28W/9418921	SP13/E	Washer, 1/4" BSF	8	-	C	
28W/9994217	SP18/E	Washer, facing	8	-	C	

EQUIPMENT, SPECIAL OPERATIONAL (S.O.O.)
MOUNTING, BALLAST AND SOCKET PLATES, WHEN
SPECIAL AIRBORNE EQUIPMENT IS NOT FITTED

Ref. No.	Part No.	Description	No. off	Matl. Spec.	Cl. of	Plate and Illust'n No.
					St.	
		1 2 3 4			M.R.	
		BALLAST AND SOCKET PLATE (5Z9980) (Cont'd)				
10H/0580140	PLESSEY CZ50143	Plug, Mk. IV, 6-pole, forward, starboard, and aft, port	2	-	B	HA2/15
10H/19102	PLESSEY CZ49112	Plug, Mk. IV, 12-pole, aft, starboard and forward, port	2	-	B	HA2/16
	PLESSEY Z49120	Ring, locking, at socket	2	-		HA2/17
	PLESSEY 2Z84307	Shell, P.U. socket	2	-		HA2/18
	PLESSEY Z54103	Washer, locking, at socket	2	-		HA2/19
27BA/4110976	AVERY AVX2893	Coupling, half flanged (Mod. 949)	3	-	C	HA2/20
27BA/4110977	AVERY AVX2850	Coupling, half flanged (Mod. 949)	3	-	C	HA2/21
	26Z9980	PIECE, BRIDGE, GROUP	1	-		HA2/22
12137	29Z9980	PLATE, BALLAST, GROUP	6	-		HA2/23
	4T4362	Bolt, eye, through centre plate	1	-		HA2/24
	15Z9980	PLATE, BALLAST, GROUP	1	-		HA2/25
		(for breakdown see HA.1)				
1433662	16Z9980	LEG, ASSEMBLY, GROUP	2	-	B	HA2/26
		(for attachments see HA.1)				
	2Z9980	PLATE & SOCKET, BETWEEN FORMERS .. 48.75" & 22.25" PORT & STARBOARD & 22.25" & 46.75" PORT, GROUP	3	-		HA1/27
	3Z9980	PLATE & SOCKET, BETWEEN FORMERS .. 22.25" & 46.75" STB'D., GROUP	1	-		HA1/28
	4Z9980	PLATE & SOCKET, BETWEEN FORMERS .. 46.75" & 71.25" PORT AND STB'D., GROUP	2	-		HA2/29
		Spares for:-				
	10T4361 McMICHAEL RADIO X11242	Bolt, eye, through centre plate	1	S94		HA1/30
		Connector, bulkhead, on items 2 & 4	1	-		HA1/31
		Z9980				
27BA/4110977	AVERY AVX2850	Coupling, half flanged	1	-	C	HA1/32
27BA/4110976	AVERY AVX2893	Coupling, half flanged	1	-	C	HA1/33

VULCAN No. 2

EQUIPMENT, SPECIAL OPERATIONAL (S.O.O.)
MOUNTING, BALLAST AND SOCKET PLATES, WHEN
SPECIAL AIRBORNE EQUIPMENT IS NOT FITTED

Page HA. 3

Ref. No.	Part No.	Description				No. off	Matl. Spec.	Cl. of	Plate and Illust'n No.
		1	2	3	4			Sc.	
		PLATES AND SOCKETS (2 3 4Z9980) (Continued)							
	7Z9980	LEG, ASSEMBLY, GROUP				2	-		HA1/34
		Attachments for Part No. 7Z9980							
28D/1010030	A25/7C	Bolt, 2 BA				16	-	C	
28M/1012015	AGS2001/C1/66	Nut, 2 BA				16	-	C	
28W/9419402	SP13/C	Washer, 2 BA				16	-	C	
	14Z9980	Washer, facing				16	L72		
	23Z9980	PIECE, BRIDGE, GROUP (2Z9980)				3	-		HA1/35
	24Z9980	PIECE, BRIDGE, GROUP (3Z9980)				1	-		HA1/36
	25Z9980	PIECE, BRIDGE, GROUP (4Z9980)				2	-		HA2/37
	10Z9980	PLATE, SOCKET FOR (2Z9980), GROUP .				1	-		HA1/38
	11Z9980	PLATE, SOCKET FOR (3Z9980), GROUP .				1	-		HA1/39
	12Z9980	PLATE, SOCKET FOR (4Z9980), GROUP .				1	-		HA2/40
10H/0580200	CZ49061	Plug, type Mk. IV, 25 pole, for item 2Z9980				1	-	B	HA1/41
10H/0580150	CZ49112	Plug, type Mk. IV, 12 pole, for item 2Z9980				1	-	B	HA1/42
10H/0580140	CZ50143	Plug, type Mk. IV, 6-pole, for items 2 and .. 3Z9980				1	-	B	HA1/43
10H 914/042	PLESSEY CZ74866	Plug, fixed, 3 pole, for item 4Z9980				1	-	B	HA2/44
10H/0540019	-	Plug, fixed female shell, for item 3Z9980 ..				1	-	B	HA1/45
	PLESSEY Z49120	Ring, locking, for item 2Z9980				1	-		HA1/46
	PLESSEY 2284307	Socket, P.U. shell, for item 2Z9980				1	-		HA1/47
10H/0560240	CZ49219	Socket, 3-way, for item 3Z9980				1	-	B	HA1/48
10H/0580380	CZ49229	Socket, type Mk. IV, 25-pole, items 3 and .. 4Z9980				2	-	B	HA1/49
10H/0580330	CZ49459	Socket, type Mk. IV, 12 pole, for item 3Z9980				1	-	B	HA1/50
10H/0580381	CZ49229/1	Socket, type Mk. IV, 25-pole, for item 4Z9980				2	-	B	HA1/51
	PLESSEY Z54103	Washer, locking, for socket, for item 2Z9980				1	-		HA1/52

EQUIPMENT, SPECIAL OPERATIONAL (S.O.O.)
MOUNTING, BALLAST AND SOCKET PLATES, WHEN
SPECIAL AIRBORNE EQUIPMENT IS NOT FITTED

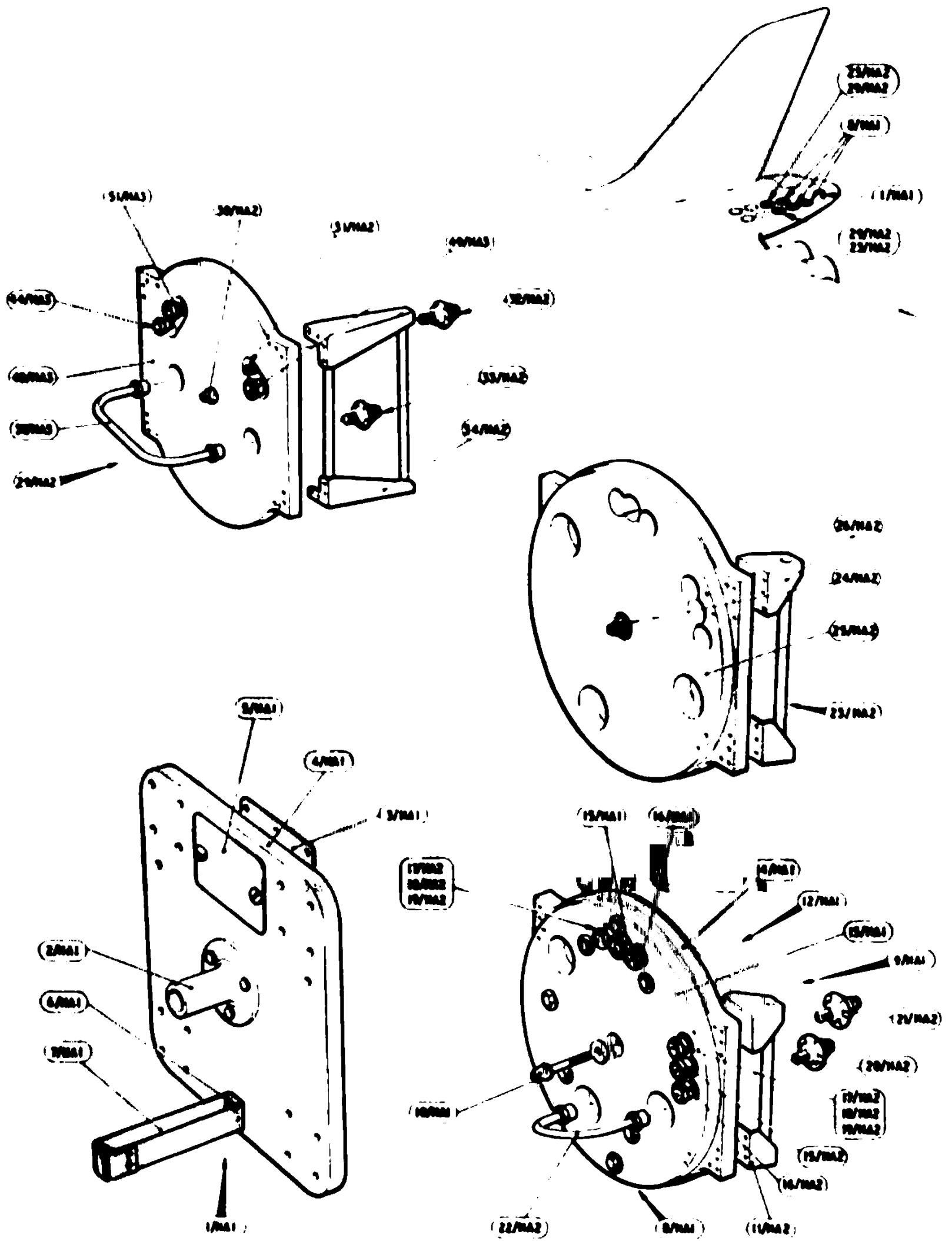
Ref. No.	Part No	Description	No. off	Matl. Spec.	Cl. of St.	Plate and Illust'n No
					M.R.	
		1 2 3 4				
28F/4051688	30Z9980	MOUNTING OF BALLAST AND SOCKET PLATES, WHEN SPECIAL AIRBORNE EQUIPMENT IS NOT FITTED (Z9980) (Cont'd.) Spares for:— PLUG, ASSEMBLY, GROUP	10	—		HA1/53
	30aZ9980	Consisting of:— Collar	1	DTD423	C	
	AGS1231/F	Nut, union	1	—		
	30bZ9980	Plug	1	DTD423		

VULCAN No. 2

MOUNTING, BALLAST AND SOCKET PLATES
SUMMARY OF STANDARD ITEMS

Page HA. 5

Stores Ref.		No. off	Stores Ref.		No. off	Stores Ref.		No. off
Section	Ref. No.		Section	Ref. No.		Section	Ref. No.	
28D	14522	8	28S	1214065	27			
28D	1010030	96	28S	9131096	6			
28D	1011246	48						
28F	12038	1	28W	13323	1			
			28W	1009699	48			
			28W	9418921	80			
			28W	9419402	48			
			28W	9419466	1			
			28W	9994217	8			
28M	1278190	96						
28M	10290	80						
28M	10291	48						



EQUIPMENT SPECIAL OPERATIONAL (S.O.)
MOUNTING BALLAST & SOCKET PLATES WHEN SPECIAL
AIRBORNE EQUIPMENT IS NOT FITTED

(2)

VULCAN No. 2

EQUIPMENT, SPECIAL OPERATIONAL (S.O.O.)
CRADLES, REMOVABLE, FOR TYPE A, B & C CONTAINERS

Page HB. 1

Ref. No.	Part No.	Description 1 2 3 4	No. off	Matl. Spec.	Cl. of	Place and Illust'n No.
					St. M.R.	
		CRADLES, ASSEMBLIES FOR TYPE A, B & C CONTAINERS				
	1Z9815	Spares for :— CRADLE, FOR TYPE A CONTAINER, GROUP (Mod. 630)	1	—		HB1/1
	21Z9815	Spares for :— BAR, SPREADER, GROUP	1	—		HB1/2
28P/1208367	AGS1551/4	Spares for :— Pin, locking, safety	1	—	C	
28E 1006928	SP54/1570/20	Cable, 15 cwt.	2	—		HB1/3
	AS2295/9	Clip	2	—	C	HB1/4
	4Z9814	LEVER, QUICK RELEASE CATCH, GROUP	2	—		HB1/5
28P 1208367 28FP 1039005	34Z9815	Link	4	S510		HB1/6
	AGS1551/4	Pin, locking, safety	2	—	C	HB1/7
	A408	Pin, pip	4	—	C	HB1/8
	6Z9814	Rod, screwed	2	S94		HB1/9
	35Z9815	STRAP, GROUP	1	—		HB1/10
	36Z9815	STRAP, GROUP	1	—		HB1/11
		ATTACHMENTS FOR PART Nos. 35 OR 36Z9815				
28D 1212305 28M 9480017	A25/21E	Bolt, 1/2" B.S.F.	1	—	C	
	AGS2001/E1	Nut, stiff, 1/2"	1	—	C	
	AS2808/6/180	Tube, distance	1	—	C	
	33Z9815	Washer, special	2	L72		HB1/12
	8Z9814	Strap, end	2	S510		HB1/13
	7Z9814	Trunnion	2	S94		HB1/14
	1Z9827	CRADLE, FOR TYPE B CONTAINER MOUNTING, GROUP (Mod. 630)	1	—		HB1/15
		Spares for :—				
28FP 4082768 28FP 9488299 28P 1208367	14Z9827	Peg, shear	1	S94 & S95		HB1/16
	A1234	Pin, pip	1	—	C	HB1/17
	A409	Pin, pip	1	—	C	HB1/18
	AGS1551/4	Pin, locking, safety	1	—	C	HB1/19
	16Z9827	STRAP, BOTTOM, AFT, GROUP ...	1	—		HB1/20
	43Z9827	STRAP, BOTTOM, FW'D, GROUP	1	—		HB1/21
		Spares for :—				
	4Z9814	LEVER, QUICK RELEASE CATCH, AFT, FOR 16Z9827, GROUP	1	—		HB1/22
	42Z9827	LEVER, QUICK RELEASE CATCH, FW'D, FOR 43Z9827, GROUP	1	—		HB1/23

**EQUIPMENT, SPECIAL OPERATIONAL (S.O.O.)
CRADLES, REMOVABLE, FOR TYPE A, B & C CONTAINERS**

Ref. No.	Part No.	Description	No. off	Matl. Spec.	Cl. of	Plate and Illust'n No.
					St.	
		1 2 3 4			M.R.	
		STRAPS, BOTTOM FORWARD AND AFT (16 & 43Z9827) (Cont'd)				
	6Z9814	Rod, screwed	1	S94		HB1/24
	7Z9814	Trunnion	1	S95		HB1/25
		ATTACHMENTS FOR PART Nos. 16 & 43Z9827				
28D 1212754	A25/17J	Bolt, $\frac{1}{2}$ " B.S.F.	1	—	C	
28M 4095808	AGS2001/J1	Nut, stiff. $\frac{1}{2}$ " B.S.F.	1	—	C	
28W 9419477	AS2808/8/155	Tube, distance	1	—	C	
	SP15/J	Washer, $\frac{1}{2}$ "	1	—	C	
	20Z9827	WHEEL, PULLEY, GROUP ...	1	—		HB1/26
		Spares for :—				
28N 4043821	AGS2031/22	Circlip	1	—	C	
	20cZ9827	WHEEL, PULLEY ASSEMBLY, GROUP	1	—		
	20aZ9827	Tube, $\frac{1}{2}$ " dia. x 2.50" long	1	S1		
	1Z10046	CRADLE & HOIST ARRANGEMENT FOR TYPE C CONTAINERS, GROUP (Mod. 842)	1	—		HB2/27
		Spares for :—				
	30Z10046	CRADLE, HOIST, GROUP	1	—		HB2/28
		Spares for :—				
	32Z10046	CHANNEL, HOISTING, GROUP	1	—		HB2/29
		Spares for :—				
28FP 9433676	32hZ10046	PEG, LOCATING, GROUP ...	1	—		HB2/30
	A421	Pin, release	1	—	C	HB2/31
28P 1208367	AGS1551/4	Pin, locking, safety	6	—	C	HB2/32
	33Z10046	STRAP, SIDE, GROUP	2	—		HB2/33
		Spares for :—				
	4Z9814	LEVER, QUICK RELEASE, CATCH, GROUP	2	—		HB2/34
	6Z9814	Rod, screwed	2	S94		HB2/35
	7Z9814	Trunnion	2	S94		HB2/36
		ATTACHMENTS FOR PART No. 33Z10046				
28D 1011307	A25.25J	Bolt, $\frac{1}{2}$ " B.S.F.	1	—	C	
28M 4095808	AGS2001/J1	Nut, stiff. $\frac{1}{2}$ " B.S.F.	1	—	C	
28W 9419477	AS2808/8/238	Tube, distance	1	—	C	
	SP15/J	Washer, $\frac{1}{2}$ "	1	—	C	
	2Z10046	CRADLE, STRUCTURE, TOP, LESS HOISTING CRADLE, GROUP	1	—		HB2/37
		Spares for :—				
28FP 768	14Z9827	Peg, shear	1	—		HB2/38
	A1234	Pin, pip. Type "A" Mk. 4	1	—	C	HB2/39

VULCAN PM 2

EQUIPMENT, SPECIAL OPERATIONAL (S.O.O.)
CRADLES, REMOVABLE, FOR TYPE A, B. & C. CONTAINERS

Page HB. 3

Ref. No.	Part No.	Description 1:2 3 4	No. off	Matl. Spec.	Cl. of St.	Plate and Illust'n No.
					M.R.	
		CRADLE, STRUCTURE, TOP, LESS HOISTING CRADLE (2Z10046) (Cont'd)				
	27Z10046	STRAP, SIDE, OUTBOARD, GROUP	2	—		HB2/40
	28Z10046	STRAP, SIDE, INBOARD, GROUP	2	—		HB2/41
	4Z9814	Spares for :— LEVER, QUICK RELEASE CATCH, GROUP	1	—		HB2/42
	6Z9814	Rod, screwed	1	S94		HB2/43
	7Z9814	Trunnion	1	S94		HB2/44
		ATTACHMENTS FOR PART NOS. 27 & 28Z10046				
28D 1212754	A25/17J	Bolt, 1/2" BSF for 27Z10046	1	—	C	
28D 1212753	A25/16J	Bolt, 1/2" BSF for 28Z10046	1	—	C	
28M 10292	AGS2001/21	Nut, stiff, 1/2" BSF	1	—	C	
	AS2808/8/155	Tube, distance, for 27Z10046	1	—		
	AS2808/8/145	Tube, distance, for 28Z10046	1	—		
28W 9419477	SP15J	Washer, 1/2"	1	—	C	
	20Z9827	WHEEL, PULLEY, GROUP ...	1	—		HB2/45
		Spares for :—				
28N 12455	AGS2031/22	Circlip	1	—	C	
	20cZ9827	WHEEL, PULLEY ASSEMBLY, GROUP ...	1	—		
	20aZ9827	Tube	1	S1		

(Issued with A.L.16)

VULCAN No. 3

Page HB. 4

EQUIPMENT, SPECIAL OPERATIONAL (S.O.O.)
CRADLES, REMOVABLE, FOR TYPE A., & B. C. CONTAINERS

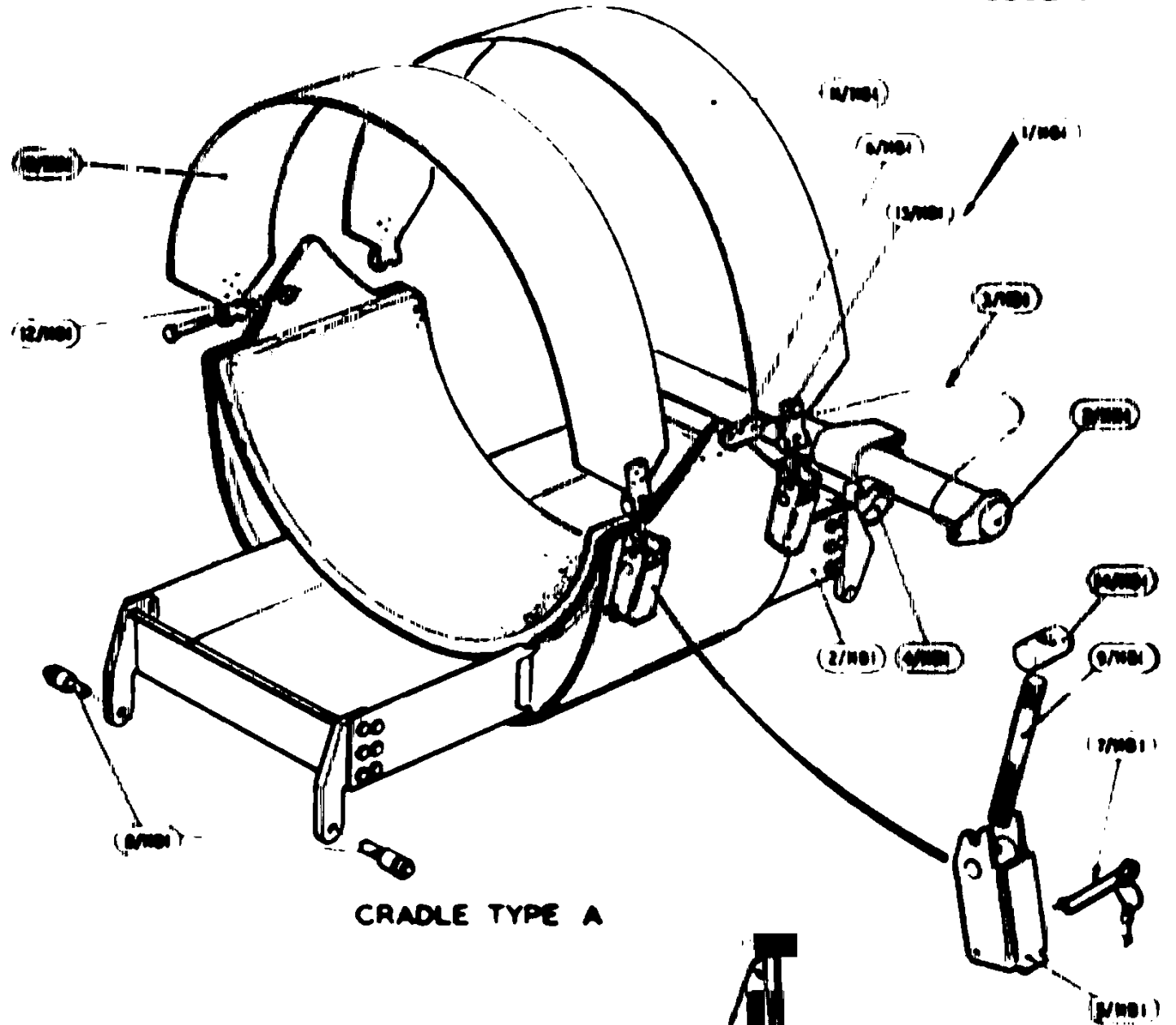
Ref. No.	Part No.	Description				No. off	Matl. Spec.	Cl. of	Plate and Illust'n No.
		1	2	3	4			St. M.R.	

VULCAN No. 2

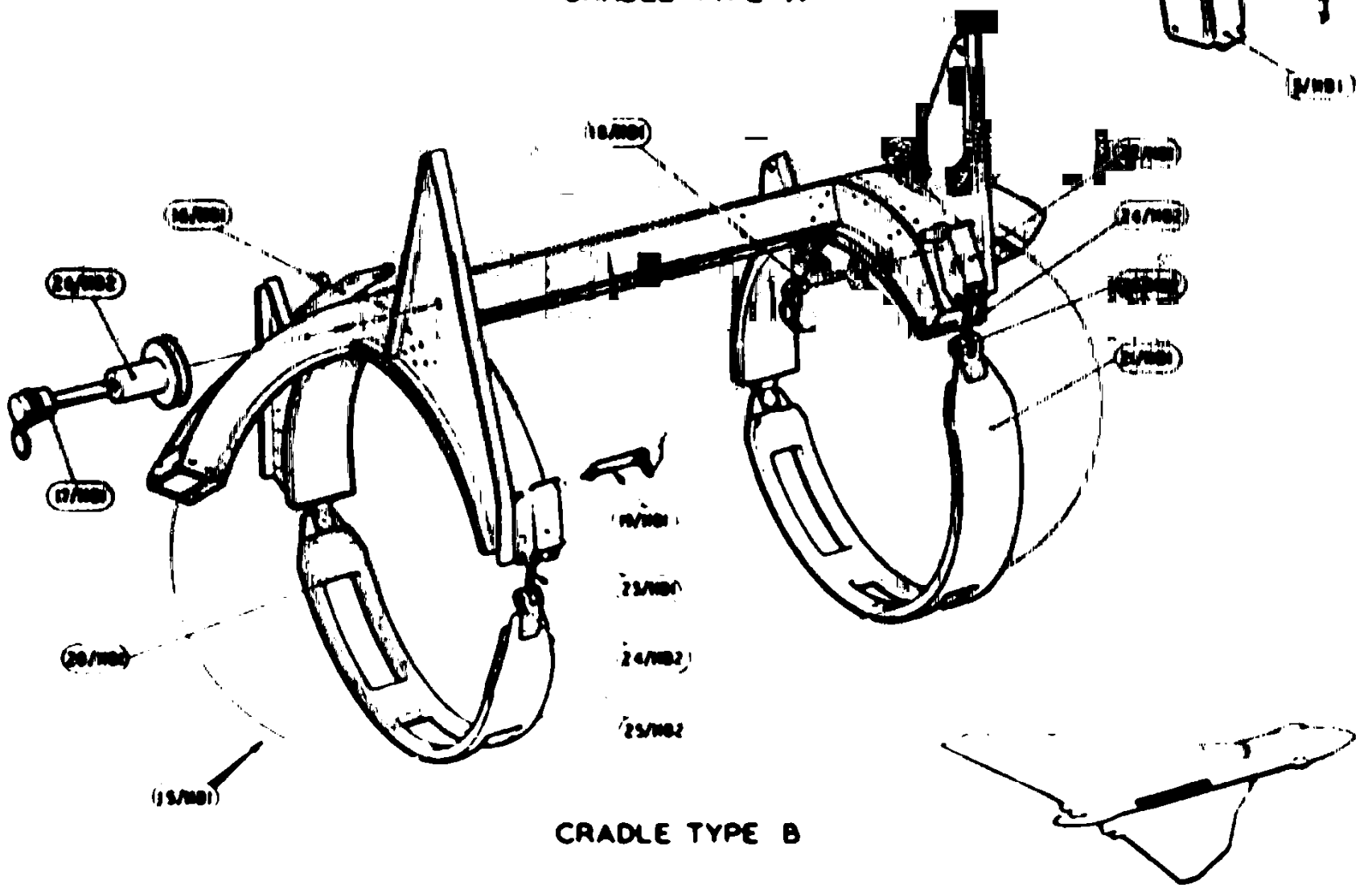
CRADLES, REMOVABLE, FOR TYPE A, B & C CONTAINERS

SUMMARY OF STANDARD ITEMS

Stores Ref.		No. off	Stores Ref.		No. off	Stores Ref.		No. off
Section	Ref. No.		Section	Ref. No.		Section	Ref. No.	
28D	12571	1	28M	10290	1	28W	9419477	3
28D	1011307	1	28M	10292	3			
28D	1212753	1						
28D	1212754	2						
28E	1006928	2	28N	12455	2			
			28P	1208367				
28FP	681	4						
28FP	768	2						
28FP	9433676	1						
28FP	9469299	1						

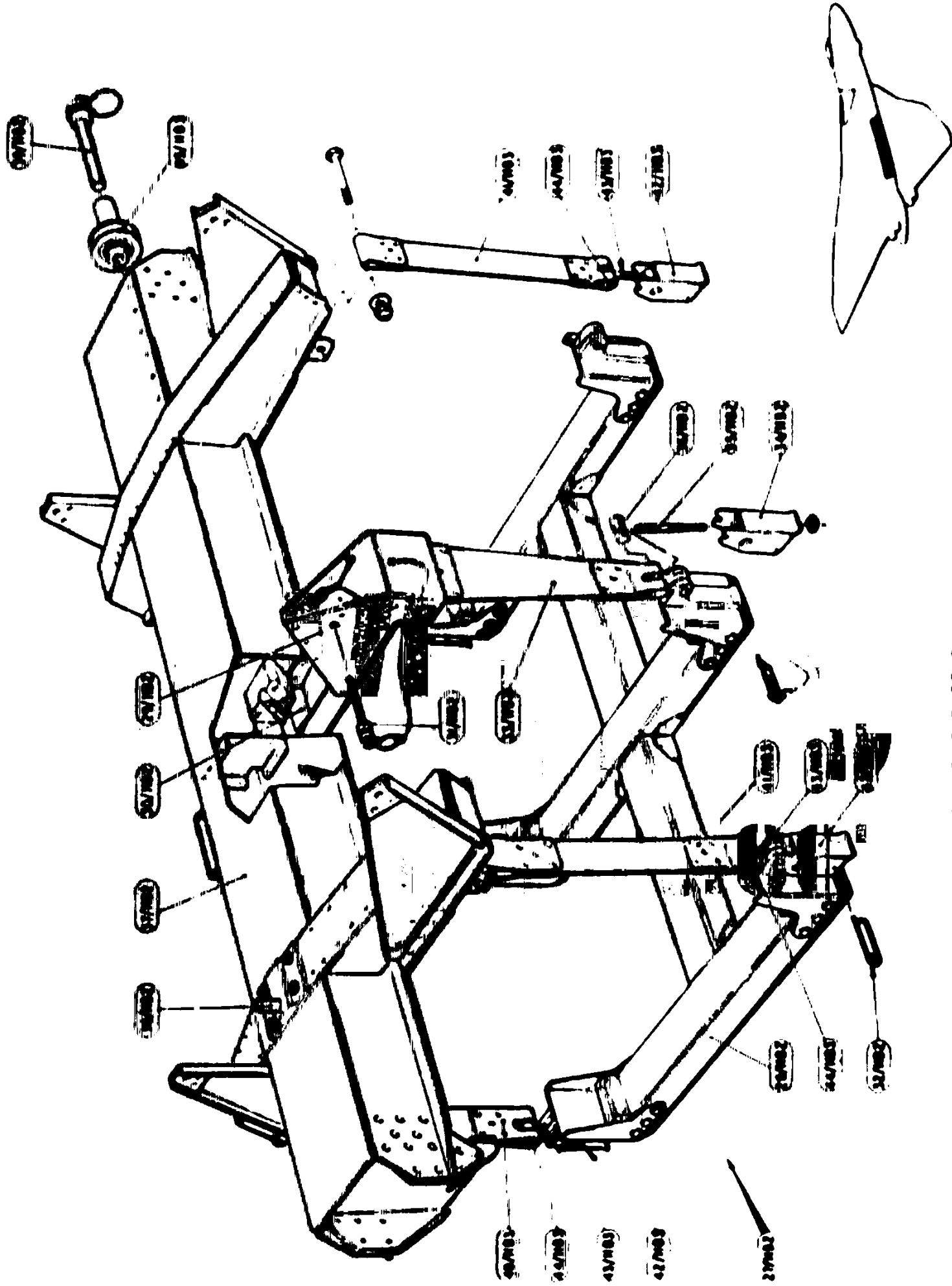


CRADLE TYPE A



CRADLE TYPE B

EQUIPMENT, SPECIAL OPERATIONAL (S.O.O.)
REMOVABLE CRADLES, FOR TYPE A, B & C CONTAINERS
(1)



CRADLE TYPE C

EQUIPMENT, SPECIAL OPERATIONAL (S.O.O)
REMOVABLE CRADLES FOR TYPE A, B & C CONTAINERS

VULCAN No. 2

EQUIPMENT, SPECIAL OPERATIONAL (S.O.O.)
FLIGHT REFUELLING IN NOSE (REMOVABLE FITTINGS)

Page HC. 1

Ref. No.	Part No.	Description 1 2 3 4	No. off	Matl. Spec.	Cl. of St.	Plate and Illust'n No.
					M.R.	
		FLIGHT REFUELLING EQUIPMENT IN NOSE (P1360) (Mod. 39)				
		Spares for :—				
		ARRANGEMENT OF NITROGEN BOTTLE AND VALVES, AFT FACE OF BULKHEAD 470, PORT SIDE (Z8477)				
		Spares for :—				
6D 9429890	—	Bottle, nitrogen	1	—	A	HC1/1
20142	16Z8477	Clip, half, for pressure relief valve ...	2	—	C	HC1/2
20184	BJ15SS6234	Clip, half, for reducing valve	1	—	C	HC1/3
20185	BJ4SS4234	Clip, half, for reducing valve	1	—	C	HC1/4
20141	14Z8477	Fairlead (Mod. 869)	2	BS2572	C	HC1/5
	1Z8476	MOUNTING, BOTTLE AND VALVE, GROUP	1	—		HC1/6
		Spares for :—				
7007	8Z8476	Crosshead	2	S1	C	HC1/7
7008	7Z8476	STRAP, GROUP	2	—	C	HC1/8
		Spares for :—				
26FP/2005	4SS1944	Crosshead	2	—	C	HC1/9
	1SS1945	Turnbuckle	2	—		HC1/10
	3Z8477	PIPE, 22G x 1/2" o/d x 8" LONG, GRP.	1	DTD323		HC1/11
20138	4Z8477	PIPE, 22G x 1/2" o/d x 3 1/2" LONG, GRP.	1	DTD323	C	HC1/12
	11Z8477	PIPE, 22G x 1/2" o/d x 11 1/2" LONG, GRP.	1	DTD323		HC1/13
20139	13Z8477	PIPE, 22G x 1/2" o/d x 13" LONG, GRP. (Mod. 869)	1	L56	C	HC1/14
20140	14Z8477	PIPE, 22G x 1/2" o/d x 10" LONG, GRP. (Mod. 869)	1	L56	C	HC1/15
26TA/16673	150SS3557	Tee-piece	1	—	C	HC1/16
27VB/4487484	HYMATIC RV31/5	Valve, pressure relief (Mod. 869) ...	1	—	A	HC1/17
	HYMATIC PS82/3	Valve, reducing	1	—		HC1/18
	SAUNDERS 903/ACO1/P8	Valve, on-off	1	—		HC1/19
9983	11P3160	Bolt, tension	1	S96	C	HC1/20
	35P3160	Bracket, retaining (Mod. 869)	1	Spring Steel		
	36P3160	Clip, probe seal, forward (Mod. 869) ...	1	L72	MR	HC1/21
	37P3160	Clip, probe seal, aft (Mod. 869)	1	L72	MR	HC1/22
28U 14132	AS2393	Collar, at probe retaining straps	2	—	C	

**EQUIPMENT, SPECIAL OPERATIONAL (S.O.O.)
FLIGHT REFUELLING IN NOSE (REMOVABLE FITTINGS)**

Ref. No.	Part No.	Description 1 2 3 4	No. off	Matl. Spec.	Cl. of	Plate and Illust'n No.
					St. M.R.	
		FLIGHT REFUELLING EQUIPMENT IN NOSE (P3160) (Cont'd)				
10025	39P3160	FAIRING, PROBE, GROUP (Mod. 869)	1	—	B	HC1/23
		ATTACHMENTS FOR FAIRING 39P3160				
28D 1013284	AS1248/2C	Bolt, mush. hd., 2BA	18	—	C	
28W 9436805	SP11/C	Washer, 2BA	18	—	C	
10012	25P3160	Filter, blow off valve, bulkhead 470 (Copper gauze 26G x 0.4" dia.)	2	—	C	HC1/24
	12P3160	GUARD, FUEL PROBE AT RETAINING STRAP, BULKHEAD 470, GROUP	1	—	MR	HC1/25
	2P3160	PIPE, 22G x 1/2" o.d x 20" LONG, FROM BLOW-OFF VALVE TO TEE-PIECE BELOW GROUND CHARGING RE- CESS, GROUP	1	DTD323		HC1/26
13149	3P3160	PIPE, 22G x 1/2" o.d x 18" LONG, FROM TEE-PIECE TO GROUND CHARGING RECESS, GROUP	1	L56	C	HC1/27
13150	19P3160	PIPE, 22G x 1/2" o.d x 10" LONG, FROM TEE-PIECE TO BLOW OFF-VALVE, GROUP	1	DTD323	C	HC1/28
	24P/3160	PIPE, 22G 1/2" o.d x 9" LONG, FROM FUEL PROBE TO TEE-PIECE, GROUP	1	L54	MR	HC1/29
	32P3160	PIPE, 22G 1/2" o.d x 12" LONG, DE- ICING DRAIN AT TEE-PIECE, GROUP	1	L54	MR	HC1/30
	34P3160	PIPE, 22G 1/2" o.d x 12" LONG, FROM N.R. VALVE TO TEE-PIECE, GROUP	1	L56	MR	HC1/31
	42P3160	PIPE, 22G 1/2" o.d x 12" LONG, FROM N.R. VALVE TO FUEL PROBE, GROUP (Mod. 1422)	1	L56	MR	HC1/32
1433138	21P3698	PROBE, FLIGHT REFUELLING, GROUP (Mod. 2142)	1	—	A	HC1/33
		Spares for :—				
	FLIGHT REFUELLING FRS325/R	Connector, pipe	1	—		HC1/34
	FRS325/V	Connector, pipe	1	—		HC1/35

VULCAN No. 2

EQUIPMENT, SPECIAL OPERATIONAL (S.O.O.)
FLIGHT REFUELLING IN NOSE (REMOVABLE FITTINGS)

Page HC. 3

Ref. No.	Part No.	Description	No. off	Matl. Spec.	Cl. of St.	Plate and Illust'n No.
					M.R.	
		1 2 3 4				
		PROBE, FLIGHT REFUELLING (21P3698) (Continued)				
	9P3698	CONNECTOR, PIPE, GROUP (Mod. 1422)	1	-	MR	HC1/36
		Spares for:-				
27QM/397	DOWTY SP910/7	Seal	1	-	C	
	13P3698	CONNECTOR, PIPE, GROUP	1	-	MR	HC1/37
		Spares for:-				
27QM/397	DOWTY SP910/7	Seal	1	-	C	
	FLIGHT REFUELLING 3408155 1SS4371	Nozzle, assembly, Mk. 8 (Mod. 2142)	1	-		HC1/38
		Screw, special, for bonding	1	-	MR	HC1/39
	9P3698	TUBE, PROBE, GROUP	1	F	MR	HC1/40
	9P3698	Spares for:-				
	9P3698	TUBE, PROBE, FORWARD,			MR	
	9P3698	GROUP II				
1433375	20P3698	TUBE, FUEL, FORWARD, GROUP	1	-	B	HC1/41
	11P3698	TUBE, FUEL, AFT, GROUP	1	-	MR	HC1/42
	7P3698	Spares for:-				
	7P3698	CLIP, SPACER, GROUP	7	-	MR	HC1/43
	8P3698	CLIP, SPACER, GROUP	1	-		HC1/44
	4P3698	PIPE, FUEL, GROUP	1	-		HC1/45
	7P3698	Seal, silicone rubber	1	-	MR	HC1/46
	1SS4147	Washer, "D," at bonding clips	3	-	MR	HC1/47
	27P3180	Seal, probe (Mod. 869)	1	Neoprene	MR	HC1/48
7021	10P3180	STRAP, RETAINING, FUEL PROBE	2	-	C	HC1/49
		BULKHEAD 470, GROUP ATTACHMENTS-FOR PART No. 10P3180				
28D/1011027	A25/27C	Bolt, 2 BA	2	-	C	
28M/1012015	AGS2001/C1/68	Nut, stiff, 2 BA	2	-	C	
	AS2811/5/261	Tube, distance	2	-	C	
28W/9419402	SP13/C	Washer, 2 BA	2	-	C	
	40P3180	Strip, sealing, for probe fairing (Mod. 869) ...	1	DTD762	MR	HC1/50

EQUIPMENT, SPECIAL OPERATIONAL (S.O.O.)
FLIGHT REFUELLING IN NOSE (REMOVABLE FITTINGS)

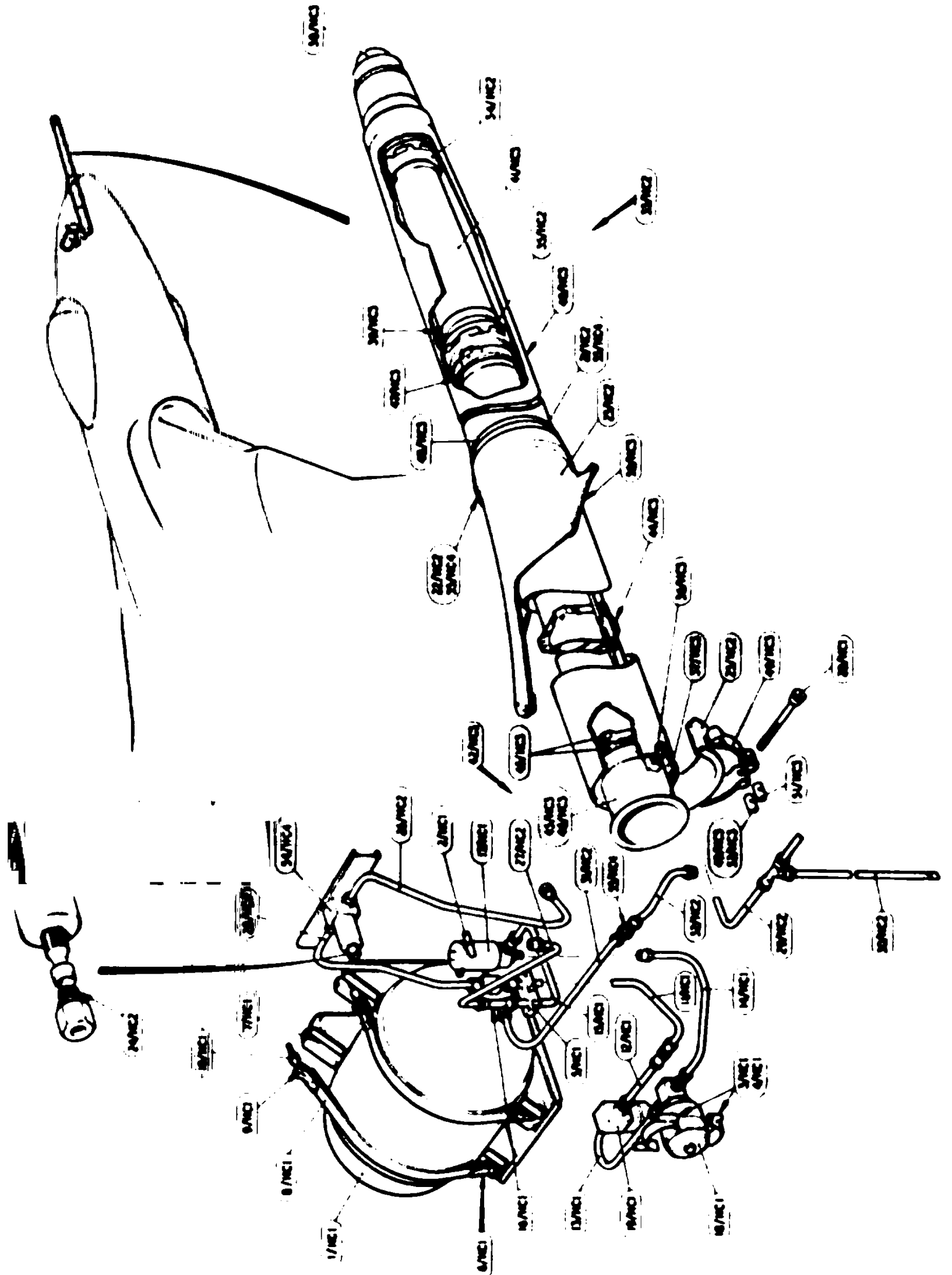
Ref. No.	Part No.	Description	No. off	Matl. Spec.	Cl. of	Plate and Illust'n No.
					St. M.R.	
		1 2 3 4				
		FLIGHT REFUELLING EQUIPMENT IN NOSE (P3160) (Continued)				
28U/13004	AS2390	Trunnion, for strap assembly	1	-	C	HC1/51
28U/13001	AS2384	Trunnion, for strap assembly	1	-	C	HC1/52
27QM/4173527	DOWTY D446Y	Valve, non-return	1	-	B	HC1/53
27VA/4625836	DUNLOP ACM15318	Valve, blow-off	1	-	A	HC1/54
	38P3180	Washer, "D," at probe seal clips	4	L72		HC1/55

VULCAN No. 2

FLIGHT REFUELLING IN NOSE
SUMMARY OF STANDARD ITEMS

Page HC. 5

Stores Ref.		No. off	Stores Ref.		No. off	Stores Ref.		No. off
Section	Ref. No.		Section	Ref. No.		Section	Ref. No.	
28D	1011027	2	28W	9419402	2			
28D	1013284	18	28W	9436805	18			
28M	1278190	2	28U	13991	1			
			28U	13994	1			
			28U	14132	2			



EQUIPMENT SPECIAL OPERATIONAL (S.O.)
FLIGHT REFUELLING IN NOSE. (REMOVABLE FITTINGS)

EQUIPMENT SPECIAL OPERATIONAL (S.O.O.)

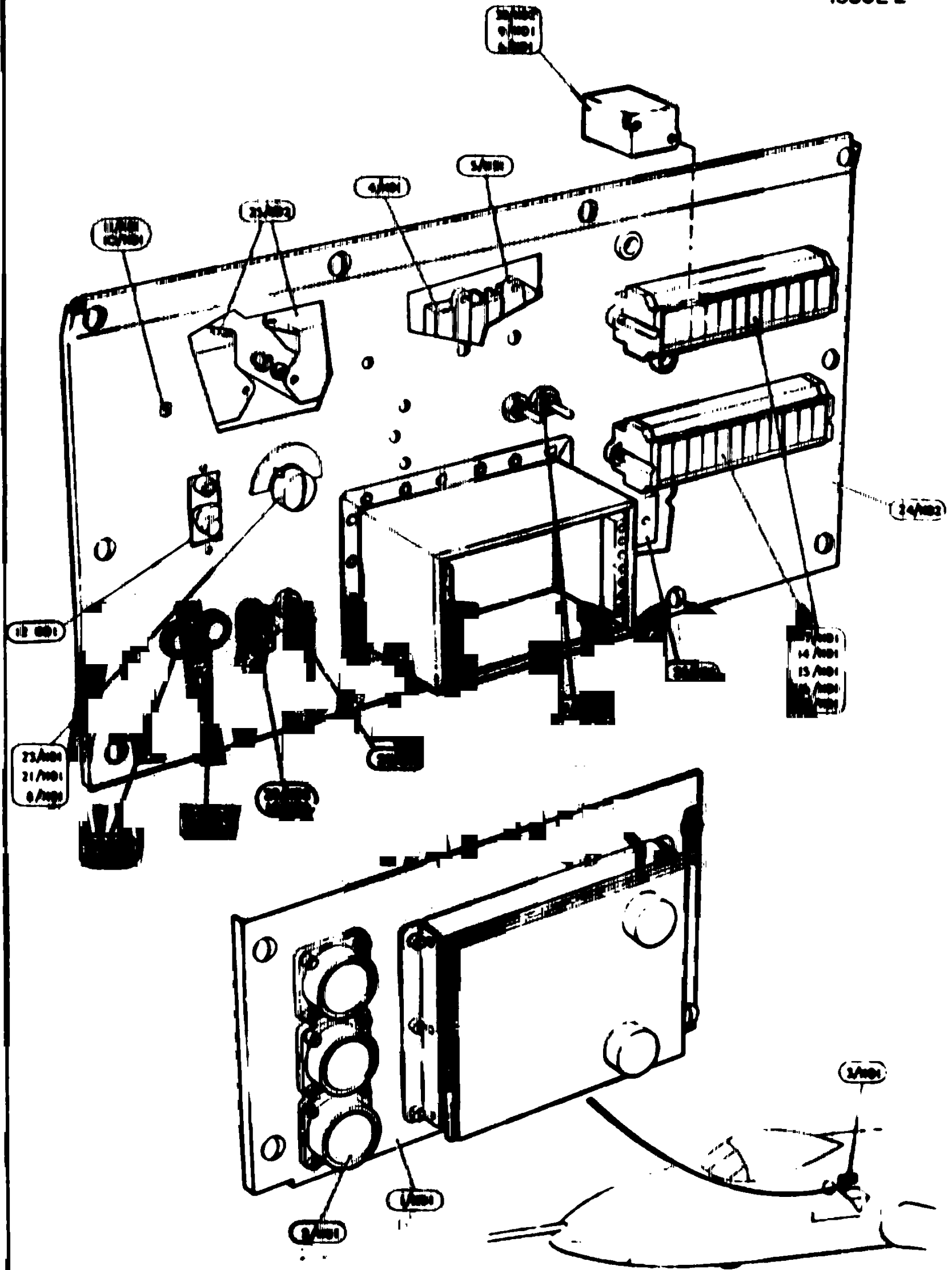
PANELS ALTERNATIVE

Ref. No.	Part No.	Description	No. off	Mater. Spec.	Cl. of	Place and Illust'n No.
					St. M.R.	
		1 2 3 4				
	-	PANELS, ALTERNATIVE, AND EY MOUNTING CONTROL (V9365, V13200)				
8823	1V9365	PANEL, FOR MOUNTING EY CONTROL ... UNIT, GROUP (Mod. 536) Spares for:-	1	-	C	HD1/1
	CANNON 2182/10	Receptacle, dummy	3	-		HD1/2
	10V13200	PANEL, ALTERNATIVE FOR 600/950 ROLE, GROUP (Mod. 2087) Spares for:-	-	-		HD1/3
5X/44914769	1V7870	Block, terminal	1	-	C	HD1/4
5X/6200370	1V5850	Block, terminal	2	-	C	HD1/5
5X/9402792	-	Block, terminal	1	-	C	HD1/6
5X/4500062	-	Block, fuse, 12-way	2	-	C	HD1/7
26TA/11136	12SS5302	Bush, ring lock	2	-	C	
26TA/4723	22SS5302	Bush, ring lock	2	-	C	
	32SS5302	Bush, ring lock	1	-		
	E. K. COLE					
10H/0970184	-	Cap, retaining	1	-	C	HD1/8
5X/9436997	-	Cover, terminal block	1	-	C	HD1/9
5CY/4520	-	Cover, trip button	1	-	C	HD1/10
	or					
5CY/4376509	-	Cover, trip button	1	-	C	
5CY/9992777	-	Circuit, breaker	1	-	C	HD1/11
	BERCO					
5CW/4400566	CD1502	Dimmer, R5 size	1	-	C	HD1/12
5X/9400068	-	Ferrule	1	-	C	
	PAG					
	A25	Filament, lamp	2	-		HD1/13
10H/1043043	AS2.5	Fuse, 2.5 amp.	1	-		HD1/14
10H/9718192	AS5	Fuse, 5 amp.	4	-	C	HD1/15
10H/9718191	AS10	Fuse, 10 amp.	1	-	C	HD1/16
10H/1043045	AS15	Fuse, 15 amp.	1	-		HD1/17
17069	6V13200	GUARD, SWITCH, GROUP	1	-	C	HD1/18
	PAGE					
5CX/4330404	C500/A/8	Lamp, warning	1	-	C	HD1/19
10F/9561624	C500/C/8	Lamp, warning	1	-	C	HD1/20
	E. K. COLE					
10H/0970175	-	Knob, dimmer	1	-	C	HD1/21
5X/1059340	-	Link, commoning, 12-way	2	-	C	HD1/22
	1V14015	LOOM, CABLE, GROUP	1	-		
	E. K. COLE					
10H/0970183	-	Mounting, metal	1	-	-	HD1/23

EQUIPMENT SPECIAL OPERATIONAL (S.O.O.)

PANELS ALTERNATIVE

Ref. No.	Part No.	Description	No. off	Matl. Spec.	Cl. of	Place and Illust'n No.
					St. M.R.	
		1 2 3 4				
		PANEL ALTERNATIVE FOR 800/1950 ROLE (10V13200) (Contd.)				
	11V13200	PANEL STRUCTURE, GROUP	1	-	-	HD1/24
		Spares for:-				
	800SS8003	Label	1	L50		
	801SS8003	Label	1	L50		
	806SS8033	Label	1	L50		
	807SS8033	Label	1	L50		
	808SS8033	Label	1	L50		
	686SS6004	Label	1	L50		
	708SS8004	Label	1	L50		
	68SS8039	Label	1	L50		
	69SS8039	Label	1	L50		
	352SS8039	Label	1	L50		
	353SS8039	Label	1	L50		
	354SS8039	Label	1	L50		
	1202SS8003	Label	1	L50		
5CW/4400162	PLESSEY					
6A/1200	7CZ10339/2	Relay	2	-	C	HD1/26
5CW/4408116	-	Resistance, unit	1	-	B	HD1/26
5CW/4408125	-	Switch, single pole	1	-	B	HD1/27
5CW/4408116	-	Switch, double pole	1	-	B	HD1/28
5X/9402798	-	Switch, toggle	2	-	B	HD1/29
		Socket, double tier	2	-	C	HD1/30



ALTERNATIVE PANELS. ALTERNATIVE PANEL FOR
600/950 ROLE AND MOUNTING PANEL FOR E.Y. UNIT
(1)

VULCAN No. 2

EQUIPMENT, SPECIAL OPERATIONAL (S.O.O.)
ALTERNATIVE PANEL FOR 6000 LB

Ref. No.	Part No.	Description 1 2 3 4	No. off	Matl. Spec.	Cl. of St.	Plate and Illust'n No.
					M.R.	
11022	7V8963	ALTERNATIVE BOMBING PANEL	1	-	A	
		(Mod. 537) (1339)				
		Spares for:-				
5X/4491769	1V7870	Block, earthing, 12 amp.	1	-	C	
5X/4500051	-	Block, fuse, 6 way	1	-	C	
	5V8963	BOARD, RESISTOR MOUNTING,	1	-		
		GROUP				
		Spares for:-				
10W/0218096	WELWYN	Resistor, 62K	1	-		
	-					
5CY/9992777	-	Breaker, circuit, 25 amp	1	-	B	
5CY/9550804	-	Breaker, circuit, 35 amp	1	-	B	
5CY/4376383	-	Breaker, circuit, 15 amp	1	-	B	
5CY/4376060	-	Breaker, circuit, 45 amp	1	-	B	
5L/9959122	A280	Bulb, 28V 2W	4	-	B	
	6V8963	Bus-bar	1	-		
	3884171	Connector, terminal	1	-		
5CY/4520	-	Cover, circuit breaker	4	-	C	
10H/9718192	AS5	Fuse, 5 amp.	1	-	C	
10H/9718191	AS10	Fuse, 10 amp.	1	-	C	
10H/23860	AS20	Fuse, 20 amp.	1	-	C	
5CW/5756	-	Guard, lock	1	-	C	
	PAGE					
	C5000	Indicator, "press to test" white lamp	1	-		
	PAGE					
	C500A	Indicator, "press to test" red lamp	1	-		
	PAGE					
	C5000A	Indicator, "press to test" amber lamp	1	-		
5CX/1645	-	Lamp, warning, clear	1	-	B	
5X/4500062	-	Link, commoning, 6-way	1	-	C	
	1V8932	LOOM, CABLE, GROUP		-		
	9V8963	PANEL, CW LABELS, GROUP	1	-		
	ROTAX					
5CW/4405757	N13531	Plate	2	-	C	
5CW/5014	-	Relay, type 9B, No. 1	1	-	B	
	ROTAX					
5CW/4405756	N135530	Shroud	1	-	C	
5CW/1085840	A257	Support, and cable sleeve	3	-	C	
5CW/1047699	-	Switch, double	1	-	B	
5CW/5823	-	Switch, single pole	1	-	B	
5CW/5825	-	Switch, single pole	1	-	B	
	FERRANTI					
	R132	Transformer		-		
	HIVAC					
5L/9962110	CC10L	Tube, neon	1	-	B	

VULCAN No. 2

EQUIPMENT, SPECIAL OPERATIONAL (S.O.O.)
ROCKET ASSISTED TAKE OFF (REMOVABLE EQUIPMENT)

Page HF. 1

Ref. No.	Part No.	Description	No. off	Matl. Spec.	Cl. of	Plate and Illust'n No.
					St.	
		1 2 3 4			M.R.	
		EQUIPMENT, REMOVABLE, FOR ATTACHMENT OF SPECTRE NACELLE, PORT AND STARBOARD (0 3740) (Mod. 2)				
		Spares for :—				
	BSS1425	Eyebolt, $\frac{1}{2}$ " BSF, drogue line attachment...	1	—		HF1/1
	1Z8325	HOUSING, RELEASE UNIT, L.H., GROUP	1	—		HF1/2
		Spares for :—				
	22Z8325	Block, terminal (made from G.E.C. Ltd. Ltd. Part. No. C7039P)	1	—		HF1/3
11A 1082747		Block, terminal contactor	2	—	C	HF1/4
	13Z8325	Bush, flanged, $1\frac{1}{2}$ " dia. x 1" long	1	DTD130		HF1/5
	12Z8325	Bush, flanged, $1\frac{1}{2}$ " dia. x $\frac{1}{2}$ " long	1	DTD130		HF1/6
5K 9517023	SP40C8	Grommet	1	—	C	HF1/7
5K 9518243	SP40C10	Grommet	1	—	C	HF1/8
	708SS6002	Label, "forward"	1	L59		HF1/9
	21Z8325	LOOM, CABLE, GROUP	1	—		HF1/10
	14Z8325	Plunger, $\frac{1}{2}$ " dia. x 4" long	1	S1		HF1/11
	15Z8325	Spring, 22G. spring wire	1	—		HF1/12
	VICKERS A1832/131	Strip, rubber	2	—		HF1/13
11A 4082	—	Unit, electrical mechanical jettison	1	—	A	HF1/14
5576	1Z9147	PANEL, ACCESS, INCORPORATING DOOR OVER R.A.T.O. NACELLE RELEASE, GROUP	1	—	A	HF1/15
		Spares for :—				
	12Z9147	Bearing, spigot, .625" x 2.25" x 1.0"	4	L65		HF1/16
28N 5548	AGS899/1	Collar, $\frac{1}{8}$ " I/dia. plunger and door connector	2	—	C	HF1/17
	7Z9147	DOOR, ACCESS, L.H., GROUP	1	—		HF1/18
	8Z9147	DOOR, ACCESS, R.H., GROUP	1	—		HF1/19
	9Z9147	Housing, plunger, $\frac{1}{2}$ " x $2\frac{1}{2}$ " long	2	L56		HF1/20
28N 9156370	SP21	Nipple, lubricating, $\frac{1}{8}$ " BSF	2	—	C	HF1/21
	3Z9147	PANEL, ACCESS, GROUP	1	—		HF1/22
		Spares for :—				
28FP/4002088	EFS/45B	Fastener, self ejecting	10	—	C	HF1/23
	14Z9147	Pin, eccentric, $\frac{1}{8}$ " dia. x $1\frac{1}{2}$ " long	2	S1		HF1/24
28P 2211515	SP4/Y/AS	Pin, solid, $\frac{1}{8}$ " dia.	2	—	C	HF1/25
28P 9710567	SP90/C4	Pin, split, $\frac{1}{8}$ " dia. x $\frac{1}{2}$ " long	2	—	C	HF1/26
	10Z9147	Plunger, $\frac{1}{2}$ " dia. x $2\frac{1}{2}$ " long	2	S1		HF1/27
	13Z9147	Shim, laminated	4	—		HF1/28
	11Z9147	Spring, 18G. spring wire	2	Spring steel		HF1/29

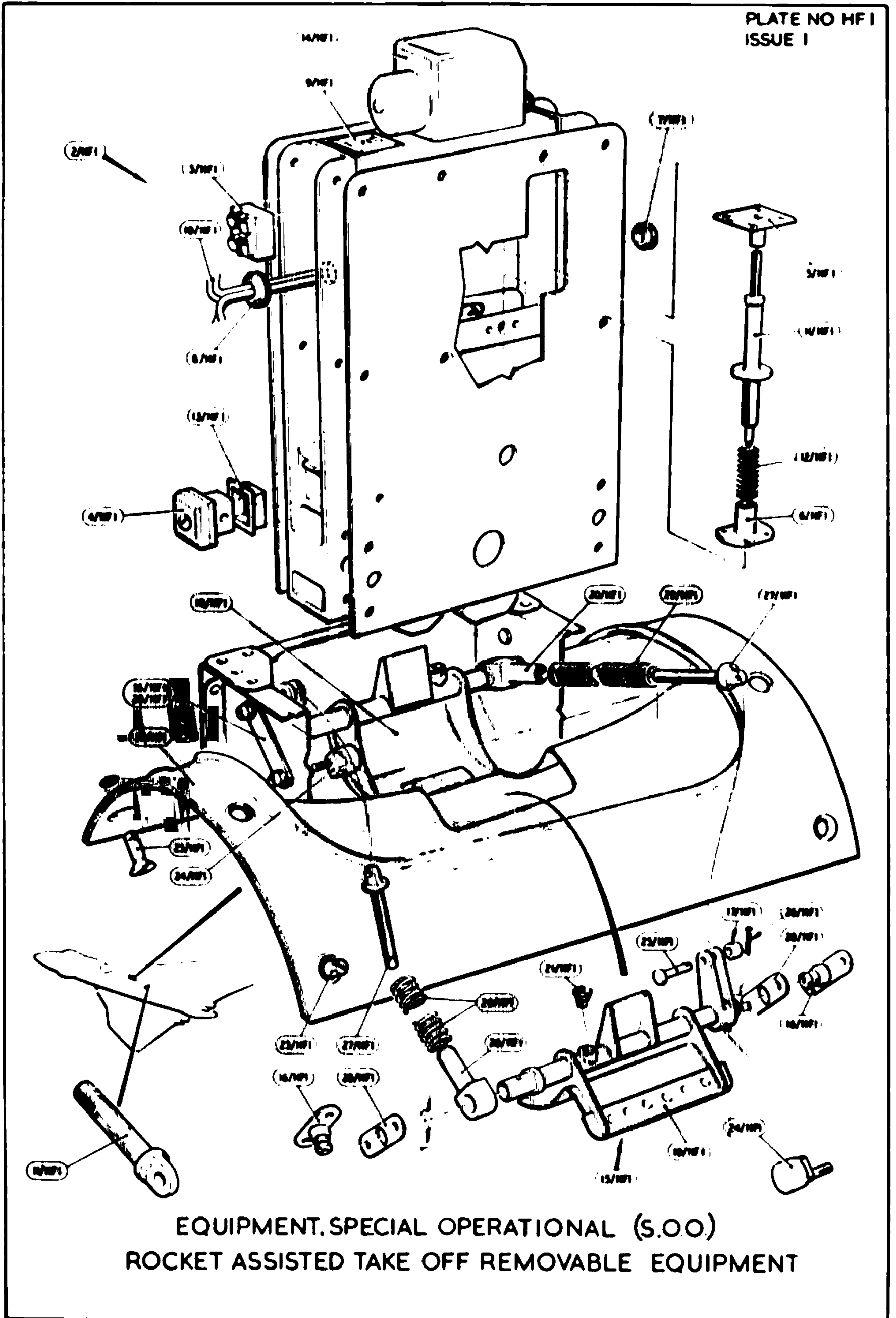
VULCAN No 2

ROCKET ASSISTED TAKE-OFF (REMOVABLE FITTINGS)
SUMMARY OF STANDARD ITEMS

Stores Ref.		No. off	Stores Ref.		No. off	Stores Ref.		No. off
Section	Ref. No.		Section	Ref. No.		Section	Ref. No.	
28N 28N	5548 9156370	2 2						

RESTRICTED

PLATE NO HF I
ISSUE I



EQUIPMENT, SPECIAL OPERATIONAL (S.O.O)
ROCKET ASSISTED TAKE OFF REMOVABLE EQUIPMENT

RESTRICTED

VULCAN No. 3

EQUIPMENT, SPECIAL OPERATIONAL (S.O.O.)

Page HG. 1

WINDOW LAUNCHING INSTALLATION, REMOVABLE FITTINGS

Ref. No.	Part No.	Description	No. off	Matl. Spec.	Cl. of	Plate and Illust'n No.
					St.	
		1;2 3 4			M.R.	
		WINDOW LAUNCHING, REMOVABLE FITTINGS IN MAIN PLANES, PORT AND STARBOARD (22 & 23Z8277) (Mod. 1922)				
1510755	44Z8277	Spares for:- CHUTE, PRIMARY, LAUNCHING, PORT, .. GROUP (Mod. 2372)	1	-	A	HG1/1
1510758	45Z8277	CHUTE, PRIMARY, LAUNCHING, STARBOARD, GROUP (Mod. 2372)	1	-	A	HG1/2
	63Z10617	Spares for:- PANEL, MOUNTING, THROAT RESTRICTOR, GROUP (Mod. 1831)	1	-	MR	HG1/3
13701	65Z10617	Spares for:- HINGE, GROUP	1	-	C	
	67Z10617	Spares for:- Hinge (Make from AS1878/105)	1	-	MR	
	42Z8277	Spigot	2	S96	MR	HG1/4
	3Z8277	STAY, FORWARD & REAR, GROUP	2	-	MR	HG1/5
		Consisting of:-				
28R/19659	CM2B	Bearing, rod-end, 5/16" BSF, R.H.	1	-	B	
28R/4709682	CM2LB	Bearing, rod-end, 5/16" BSF, L.H.	1	-	B	
28M/1011470	A27/GT	Nut, lock, 5/16" BSF, R.H.	1	-	C	
28M/4095924	A27/GTL	Nut, lock, 5/16" BSF, L.H.	1	-	C	
28U/15100	SP33G	Turnbuckle	1	-	C	
		UNIT, STRIPPER AND CONTAINER, PORT AND STARBOARD (15 & 16Z10031) (Mod. 2372)				
		Spares for:-				
4361	3Z8279	Block, mounting	4	S1	C	HG1/6
	10SS4353	Bolt, for attaching bracket, Part No. 9Z10031	2	HTS	MR	HG1/7
	12SS4353	Bolt, for attaching secondary container	14	HTS	MR	HG1/8
	9Z10031	BRACKET, STOWAGE, STARBOARD, ... GROUP	1	-		HG1/9
		Spares for:-				
10H/9512755	PLESSEY CZ56745	Socket, coupler	1	-	B	
5X/1109925	PLESSEY CZ56740	Socket, coupler	1	-	B	
1432745	3800V7909	CABLE, GROUP, STARBOARD	1	-	C	
1432748	3801V7909	CABLE, GROUP, STARBOARD	1	-	C	
26TA/4721	5SS4936	Clip, cable	2	-	C	HG1/10

EQUIPMENT, SPECIAL OPERATIONAL (S.O.O.)
WINDOW LAUNCHING INSTALLATION, REMOVABLE FITTINGS

Ref. No.	Part No.	Description	No. off	Matl. Spec.	Cl. of	Plate and Illust'n No.
					St. M.R.	
		1 2 3 4				
		UNIT, STRIPPER AND CONTAINER, PORT AND STARBOARD (7 & 8Z10031) (Cont'd)				
13369	98Z8226	CONTAINER, PRIMARY, WINDOW LAUNCHING, GROUP (Mod. 1922)	1	-	A	HG1/11
	67Z8226	Spares for:- BEAM, LIFTING, GROUP	1	-	MR	HG1/12
28FP/9429531	S4-226	Spares for:- Spring, Dzus	2	-	C	
	8Z8226	CHANNEL, GROUP	1	-	MR	HG1/13
	9Z8226	CHANNEL, GROUP	1	-		HG1/14
28FP/9434091	S3-175	Spares for:- Spring, Dzus	6	-	C	
	7Z8226	LID, BOX, HONEYCOMB SECTION, GROUP	1	-	MR	HG1/15
	7aZ8226	Spares for:- Hinge (Made from AS1877 x 7-1/2")	1	-		
	38Z8226	PIN, QUICK RELEASE, GROUP	2	-	MR	HG1/16
	38aZ8226	Consisting of:- Chain, chandelier, 3' long	1	-		
28FP/9713920	A411	Pin, pip	1	-	C	
	41bZ8226	Ring, split (Terry No. 169)	2	-		
	39Z8226	PIN, QUICK RELEASE, GROUP	1	-	MR	HG1/17
	39aZ8226	Consisting of:- Chain, chandelier, 3' long	1	Brass		
28FP/17	A512	Pin, pip	1	-	C	
	41bZ8226	Ring, split (Terry No. 169)	2	-		
	41Z8226	PIN, QUICK RELEASE, GROUP	1	-	MR	HG1/18
	41aZ8226	Consisting of:- Chain, chandelier, 3' long	1	Brass		
28FP/9507895	A608	Pin, pip	1	-	C	
	41bZ8226	Ring, split (Terry No. 169)	2	-		
	49Z8226	PIN, QUICK RELEASE, GROUP	2	-		HG1/19
	49aZ8226	Consisting of:- Chain, chandelier, 3' long	1	Brass		
28FP/1432	5266A/307	Pin, pip	1	-		
	41bZ8226	Ring, split (Terry No. 169)	1	-		
	12Z9871	CONTAINER, SECONDARY WINDOW LAUNCHING, PORT, GROUP (Mod. 1922)	1	-		HG1/20
	24Z9871	CONTAINER, SECONDARY WINDOW LAUNCHING, STARBOARD, GROUP (Mod. 2372)	1	-		HG1/21

EQUIPMENT, SPECIAL OPERATIONAL (S.O.O.)
WINDOW LAUNCHING INSTALLATION, REMOVABLE FITTINGS

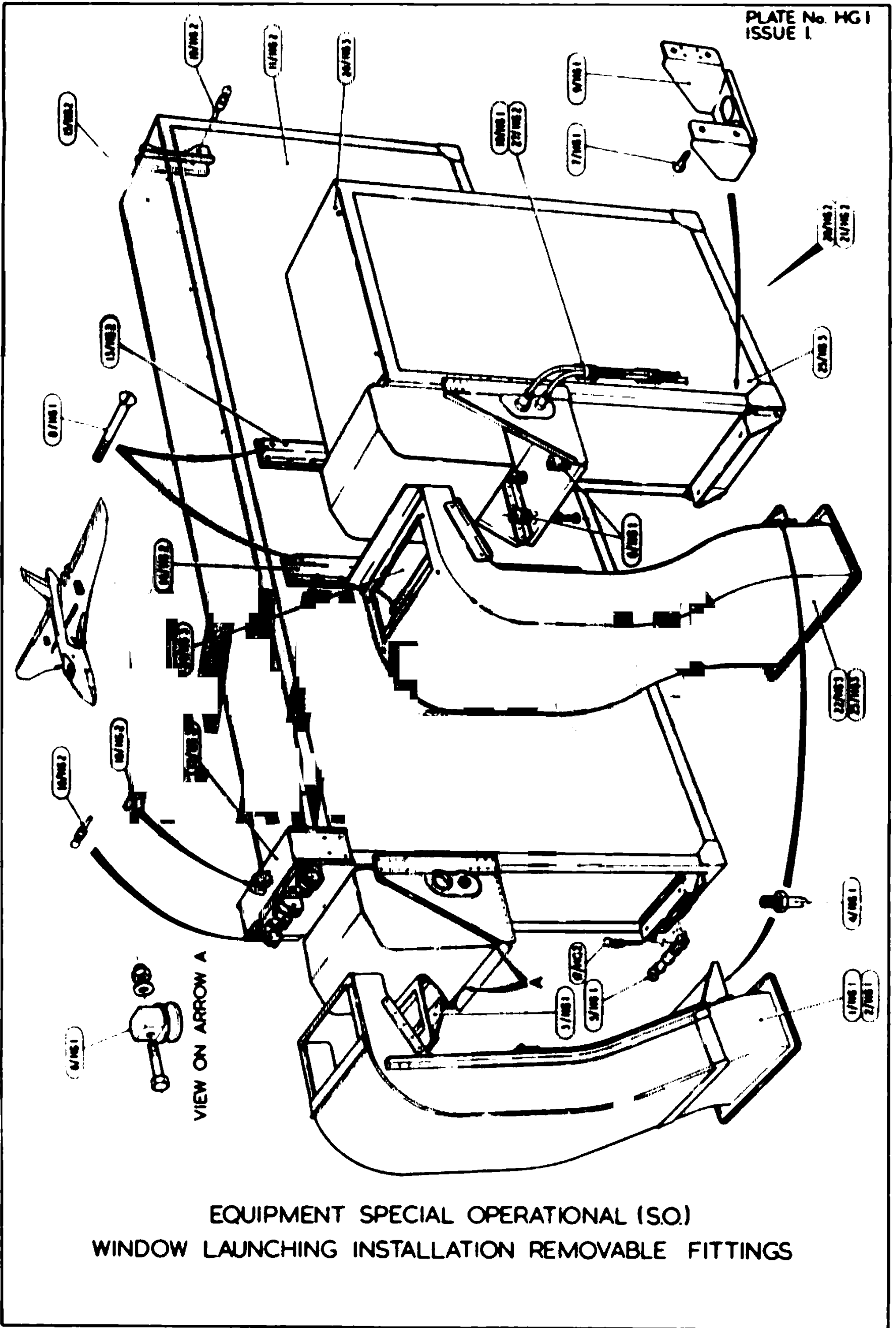
Ref. No.	Part No.	Description	No. of	Matl. Spec.	Cl. of	Plate and Illust'n No.
					St.	
					M.R.	
		1 2 3 4				
		CONTAINER, SECONDARY WINDOW ... LAUNCHING, PORT AND STARBOARD (1229871 & 2429871) (Cont'd)				
1510754	2329871	Spares for:- CHUTE, WINDOW LAUNCHING, STARBOARD, GROUP (Mod. 2372)	1	-	B	HG1/22
1510753	2229871	CHUTE, WINDOW, LAUNCHING, PORT, GROUP (Mod. 2372)	1	-	B	HG1/23
	63210617	Spares for:- PANEL, MOUNTING, THROAT RESTRICTOR, GROUP (Mod. 1831)	1	-	MR	HG1/24
13701	66210617	Spares for:- HINGE, GROUP	1	-	C	
	67210617	Spares for:- Hinge (Make from AS1878/106) .	1	-	MR	
13366	3329872	CONTAINER, GROUP (Mod. 1922)	1	-	A	HG1/25
	329872	Spares for:- LID, CONTAINER, GROUP	1	-	MR	HG1/26
22728	2SS4936	Cradle	2	-	C	HG1/27
		CONTAINER SUB-ASSEMBLY, D.A. WINDOW (2211388), PORT (Mod. 2372)				
		Spares for:-				
4361	728277	Angle	2	-	MR	
	328279	Block, mounting	4	-	C	
	828277	BRACKET, GROUP	2	-	MR	
13101	1529871	CHUTE, WINDOW LAUNCHING, GROUP .	1	-	B	
	1211053	CONTAINER, SECONDARY WINDOW ... LAUNCHING, GROUP	1	-		
		Spares for:-				
	6211053	Bracket, chute location	1	-		
	9211053	FAIRING, GROUP	1	-		
	3211053	LID, CONTAINER, GROUP	1	-		
	8211053	PANEL, AFT END, GROUP	1	-		
	2211053	PANEL, BOTTOM, GROUP	1	-		
	7211053	PANEL, FORWARD END, GROUP	1	-		
	4211053	PANEL, I/B SIDE, GROUP	1	-		

EQUIPMENT, SPECIAL OPERATIONAL (S.O.O.)
WINDOW LAUNCHING INSTALLATION, REMOVABLE FITTINGS

Ref. No.	Part No.	Description	No. off	Matl. Spec.	Cl. of	Place and Illust'n No.
					St. M.R.	
		1:2:3:4				
		CONTAINER, SECONDARY WINDOW ... LAUNCHING, GROUP (1Z11053) (Cont'd.)				
	5Z11053	PANEL, O/B SIDE, GROUP	1	-		
	17Z8226	PLATFORM, BASE, GROUP	1	-		
	15Z8226	PLATFORM, SIDE, GROUP	1	-		
	16Z8226	PLATFORM, SIDE, GROUP	1	-		
	10Z11053	Strap	2	-		
	11Z11053	Strap	2	-		
	12Z11053	Strap	2	-		
10AS/400	-	UNIT, STRIPPER	1	-	A	

WINDOW LAUNCHING INSTALLATION,
REMOVABLE FITTINGS
SUMMARY OF STANDARD ITEMS

Stores Ref.		No. off	Stores Ref.		No. off	Stores Ref.		No. off
Section	Ref. No.		Section	Ref. No.		Section	Ref. No.	
28FP	17	1	28R	13509	2			
28FP	1432	2	28R	14689	2			
28FP	9429531	2						
28FP	9434091	6						
28FP	9507895	1						
28FP	9713920	2						
			28U	15100	2			
28M	13464	2						
28M	1011470	2						



EQUIPMENT SPECIAL OPERATIONAL (SO.)
WINDOW LAUNCHING INSTALLATION REMOVABLE FITTINGS

VULCAN PB 2

EQUIPMENT, SPECIAL OPERATIONAL (S.O.O.)
NEW STORE INSTALLATION, REMOVABLE FITTINGS

Page HH.1

Ref. No.	Part No.	Description	No. off	Matl. Spec.	Cl. of	Plate and Illust'n No.
					St.	
		1 2 3 4			M.R.	
		NEW STORE INSTALLATION REMOVABLE FITTINGS (A3214) (Mod. 200) Spares for — BEAM, CARRIER, INSTALLATION (1Z10085) Spares for —				
	1D11230	BEAM, CARRIER, GROUP	1	—		HH1/1
14410	62D11230	Block, pulley, port	1	S94	C	HH1/2
14411	63D11230	Block, pulley, starboard	1	S94	C	HH1/3
14432	76D11230	BLOCK, PULLEY, GROUP	1	—	C	HH1/4
14407	25D11230	Bolt, adjusting, at suspension links ...	2	S94	C	HH1/5
14970	78D11230	BRACKET, GUARD MOUNTING, PORT, GROUP (Mod. 1872)	1	—	C	HH1/6
	79D11230	BRACKET, GUARD MOUNTING, STARBOARD, GROUP (Mod. 1872)	1	—	C	HH1/7
14927	71D11230	Collar, at pulley block	2	S94		HH1/8
14412	66D11230	Guard, pulley, port	1	S520	C	HH1/9
14413	67D11230	Guard, pulley, starboard	1	S520	C	HH1/10
11558	70D11230	Link, at pulley block, port	1	S94	C	HH1/11
14414	1D11236	LINK, CARRIER BEAM, PORT, GRP.	1	—	B	HH1/12
14415	2D11236	LINK, CARRIER BEAM, STBD., GRP.	1	—	B	HH1/13
		Spares for —				
	5D11236	Bush, bottom	2	S94		HH1/14
	6D11236	Bush, top	2	S94		HH1/15
	7D11236	Bush, top	2	S94		HH1/16
	AS4614 52	Insert, wire $\frac{1}{8}$ " BSF	1	—		
		Attachment items for 1 & 2D11236				
14404	22D11230	Bolt, shoulder, 4-25" long	2	S94	C	HH1/17
14405	23D11230	Bolt, shoulder, 4-50" long	2	S94	C	HH1/18
28M 13145	A27 QS	Nut, slotted	8	—	C	
28P 9429653	SP9 G12	Pin, split	8	—	C	
28P 5416	AGS 551 6	Pin, locking	4	—	C	HH1/24
14406	24D11230	Washer, special	8	S1	C	HH1/21
14408	35D11230	LUG, END FITTING, GROUP	1	—	B	HH1/22
14409	36D11230	LUG, END FITTING, GROUP	1	—	B	HH1/23
		Spares for —				
28N 13623	HOFFMAN CJ3	Bearing, self aligning	1	—	C	
	35bD11230	Bush	2	S95		
	36bD11230	Bush	2	S95		
5882	W. & S. N. 10	Washer	1	—	C	
		MECHANISM, FOR OPERATING BOX, NO. 14 RELEASE (45D11291) (Mod. 1353) Spares for :—				
	20D11291	BLOCK, GUIDE, GROUP	1	—		HH1/24
	29D11291	BLOCK, GUIDE, GROUP	1	—		HH1/25
		Spares for :—				
	14bD11291	Bush, $\frac{1}{2}$ " dia x .35" long	6	S94		

**EQUIPMENT, SPECIAL OPERATIONAL (S.O.O.)
NEW STORE INSTALLATION, REMOVABLE FITTINGS**

Ref. No.	Part No.	Description	No. off	Matl. Spec.	Cl. of	Place and Illust'n No.
					St.	
		1 2 3 4				
MECHANISM, FOR OPERATING BOX NO. 14 RELEASE (45D11291) (Mod. 1353) (Cont'd)						
14422	7D11291	Bolt, special, 3-10" long	1	S94	C	HH1 26
14801	42D11291	Bolt, special, 90" dia x 4-40" long...	1	S94		HH1 27
14426	1D11302	BOX, SPRING, GROUP	1	—	B	HH1 28
Consisting of:—						
	2D11302	Body, spring box	1	DTD130		
14429	5D11302	Cap, spring, retaining	1	S94	C	
14428	3D11302	Plunger, spring box	1	S94	C	
14427	4D11302	Spring, 14 SWG x 3-30" free length	1	DTD215 or DTD239	C	
14865	32D11291	Bracket, mounting, for actuator ...	1	L65	C	HH1 29
22520	43D11291	Collar	1	L83		HH1 30
	30D11291	Flange, for guide tube... ..	1	L65		HH1 31
14869	37D11291	Fork-end, at actuator	1	S93	C	HH1 32
14417	2D11291	LEVER, CONTROL, GROUP	1	—	C	HH1 33
14418	3D11291	LEVER, CONTROL, GROUP	1	—	C	HH1 34
14425	16D11291	LEVER, CONTROL, GROUP	1	—	C	HH1 35
14868	36D11291	Lever	1	S93	C	HH1 36
14430	26D11291	LINKAGE, STOP, PORT, GROUP	1	—	C	HH1 37
14431	27D11291	LINKAGE, STOP, STBD., GROUP	1	—	C	HH1 38
22518	25D11291	Mounting, hinge, for spring box ...	1	DTD130B	C	HH1 39
14866	33D11291	Pin, flanged, for actuator mounting ...	2	S93	C	HH1 40
14870	40D11291	Pin, special, for lever 36D1129 pivot attachment	1	S93	C	HH1 41
14423	12D11291	ROD, OPERATING, MANUAL CONTROL, GROUP	1	—	C	HH1 42
14800	39D11291	ROD, OPERATING, GROUP	1	—		HH1 43
14419	4D11291	Spring, torsion, port	1	DTD215	C	HH1 44
14420	5D11291	Spring, torsion, starboard	1	—	C	HH1 45
	31D11291	Tube, guide	1	L62		HH1 46
28P 9466633	AGS1551/5	Pin, safety, at pulley block on carrier beam	2	—	C	HH1 47
14398	3Z10005	Bolt, special, 1 1/4" dia bar x 5-05" long ...	1	S99	C	HH1 48
14978	10A3214	Bracket, pulley, port	1	DTD130		HH1 49
	11A3214	Bracket, pulley, starboard	1	DTD130		HH1 50
14847	9Z10005	CABLE, ASSY., PORT, GROUP	1	—		HH1 51
14848	10Z10005	CABLE, ASSY., STARBOARD, GROUP	1	—		HH1 52
14401	6Z10005	CABLE, ASSY., GROUP	2	—		HH1 156

VULCAN No. 2

EQUIPMENT, SPECIAL OPERATIONAL (S.O.O.)
NEW STORE INSTALLATION, REMOVABLE FITTINGS

Page HH.1

Ref. No.	Part No.	Description 1 2 3 4	No. off	Matl. Spec.	Cl. of	Plate and Illust'n No.
					St. M.R.	
		NEW STORE INSTALLATION REMOVABLE FITTINGS (A3214) (Mod. 200) Spares for :— BEAM, CARRIER, INSTALLATION (1Z10005) Spares for :—				
	1D11230	BEAM, CARRIER, GROUP	1	—		HH1/1
14410	62D11230	Block, pulley, port	1	S94	C	HH1/2
14411	63D11230	Block, pulley, starboard	1	S94	C	HH1/3
14432	76D11230	BLOCK, PULLEY, GROUP	1	—	C	HH1/4
14407	25D11230	Bolt, adjusting, at suspension links	2	S94	C	HH1/5
14970	78D11230	BRACKET, GUARD MOUNTING, PORT, GROUP (Mod. 1872)	1	—	C	HH1/6
	79D11230	BRACKET, GUARD MOUNTING, STARBOARD, GROUP (Mod. 1872)	1	—	C	HH1/7
14927	71D11230	Collar, at pulley block	2	S94		HH1/8
14412	66D11230	Guard, pulley, port	1	S520	C	HH1/9
14413	67D11230	Guard, pulley, starboard	1	S520	C	HH1/10
11558	70D11230	Link, at pulley block, port	1	S94	C	HH1/11
14414	1D11236	LINK, CARRIER BEAM, PORT, GRP.	1	—	B	HH1/12
14415	2D11236	LINK, CARRIER BEAM, STBD., GRP.	1	—	B	HH1/13
		Spares for :—				
	5D11236	Bush, bottom	2	S94		HH1/14
	6D11236	Bush, top	2	S94		HH1/15
	7D11236	Bush, top	2	S94		HH1/16
	AS4614 52	Insert, wire 1/8" BSF	1	—		
		Attachment items for 1 & 2D11236				
14404	22D11230	Bolt, shoulder, 4-25" long	2	S94	C	HH1/17
14405	23D11230	Bolt, shoulder, 4-50" long	2	S94	C	HH1/18
28M 13145	A27 QS	Nut, slotted	8	—	C	
28P 9429653	SP9 G12	Pin, split	8	—	C	
28P 5416	AGS 551 6	Pin, locking	4	—	C	HH1/24
14406	24D11230	Washer, special	8	S1	C	HH1/21
14408	35D11230	LUG, END FITTING, GROUP	1	—	B	HH1/22
14409	36D11230	LUG, END FITTING, GROUP	1	—	B	HH1/23
		Spares for :—				
28N 13623	HOFFMAN CJ3	Bearing, self aligning	1	—	C	
	35bD11230	Bush	2	S95		
	36bD11230	Bush	2	S95		
5882	W. & S. N. 10	Washer	1	—	C	
		MECHANISM, FOR OPERATING BOX, NO. 14 RELEASE (45D11291) (Mod. 1353) Spares for :—				
	20D11291	BLOCK, GUIDE, GROUP	1	—		HH1/24
	29D11291	BLOCK, GUIDE, GROUP	1	—		HH1/25
		Spares for :—				
	14bD11291	Bush, 1/2" dia x .35" long	6	S94		

VULCAN No. 2

EQUIPMENT, SPECIAL OPERATIONAL (S.O.O.)
NEW STORE INSTALLATION, REMOVABLE FITTINGS

Page HH.3

Ref. No.	Part No.	Description	No. off	Matl. Spec.	Cl. of	Plate and Illust'n No.
					St.	
		1 2 3 4			M.R.	
BEAM, CARRIER, INSTALLATION (Z10005) (Cont'd)						
HYDRAULIC INSTALLATION IN CARRIER BEAM (Q2260)						
Spares for :—						
14257	23Q2260	Block, clamp	1	—	C	HH2 53
	41Q2260	Block, clamp	1	—		HH2 54
14261	28Q2260	BLOCK, CLAMP, GROUP	4	—	C	HH3 55
14263	29Q2260	BLOCK, CLAMP, GROUP	1	—	C	HH3 56
14264	30Q2260	BLOCK, CLAMP, GROUP	2	—	C	HH3 57
14265	31Q2260	BLOCK, CLAMP, GROUP	1	—	C	HH2 58
14266	32Q2260	BLOCK, CLAMP, GROUP	2	—	C	HH3 59
22533	34Q2260	BLOCK, CLAMP, GROUP	1	—	C	HH3 60
	10Q2260	Bracket, flexible hose mounting	1	L72		HH2 61
	25Q2260	Bracket, strap attachment	1	L72		HH2 62
14254	8G2260	CLAMP, PIPE, GROUP	1	—	C	HH3 63
14255	14Q2260	CLAMP, PIPE, GROUP	12	—	C	HH2 64
14256	21Q2260	CLAMP, PIPE, GROUP	11	—	C	HH3 65
14258	15Q2263	CLAMP, PIPE, GROUP	5	—	C	HH2 66
22534	26Q2263	CLAMP, PIPE, GROUP	3	—	C	HH3 67
LOCKHEED						
AVERY						
27BA 8759	AVA57 B	Coupling, 1/2" BSP	5	—	B	HH2 68
AVERY						
HARDOLL						
	AVX3393	Coupling	2	—		HH2 69
AVERY						
HARDOLL						
27BA 8762	AVA58 C or AVA1150 C	Coupling, half	2	—	B	HH2 70
LOCKHEED						
AVERY						
27BA 8760	AVA57 C	Coupling, half union 1/2" BSP	2	—	B	HH2 71
LOCKHEED						
AVERY						
27BA 8816	AVA 57 D	Coupling, half union, 1/2" BSP	1	—	B	HH2 72
14740	47Q 1936	Fairlead (Mod. 1303)	1	—		HH2 73
14253	7Q2260	Guide, hoisting	1	DTD731	C	HH3 74
14259	24Q2260	HANDLE, HYD. PUMP, GROUP (Pre-Mod. 1303)	1	—	C	
14738	36Q2260	HANDLE, TELESCOPIC, HYD. PUMP, GROUP (Mod. 1303)	1	—	C	HH2 75
DUNLOP						
	6/W3 102 8 10 16-5	Hose, flexible, H.P., 1/2" BSP x 16-5" ...	1	—		HH3 76

**EQUIPMENT, SPECIAL OPERATIONAL (S.O.O.)
NEW STORE INSTALLATION, REMOVABLE FITTINGS**

Ref. No.	Part No.	Description	No. off	Matl. Spec.	Cl. of	Plate and Illust'n No.
					St.	
		1 2 3 4				
HYDRAULIC INSTALLATION IN CARRIER BEAM (Q2260) (Cont'd)						
27VA 6249	6 W3 102 8 8 17-9	Hose, flexible, high pressure, $\frac{3}{8}$ " BSP x 1.79" long	1	—	C	HH2 77
27VA 6247	6 W3 102 8 8 18 8	Hose, flexible, high pressure, $\frac{3}{8}$ " BSP x 18.8" long	1	—	C	HH3 78
27VA 6250	8 W3 121 8 8 20-7	Hose, flexible, medium pressure, $\frac{3}{8}$ " BSP x 20.7" long	1	—	C	HH2 79
27VA 6251	4 W3 102 8 8 26-0"	Hose, flexible, 26" long	5	—	C	HH2 80
27VA 6256	6 W3 102 8 8 24 8"	Hose, flexible, $\frac{3}{8}$ " BSP x 24-8" ...	1	—	C	HH2 81
27Q 70619	DOWTY 1.00411.004	Jack, hoisting, wire wound (Pre Mod. 2108)	1	—	A	
14251	DOWTY 1.00411.028	JACK, hoisting, wire wound (Mod. 2108)	1	—	C	HH2 82
14778	5Q2260	Link, centralising, for store hoist ...	1	S99	C	HH3 83
	68SS3568	Nipple, adaptor	2	—	C	HH2 84
27BA 9923	LOCKHEED AVERY AVA 65C	Nut, union, $\frac{3}{8}$ " BSP	2	—	C	HH2 85
27BA 9693	AVA 65D	Nut, union	1	—	C	HH2 86
PANEL, HYDRAULIC, ASSEMBLY (1Q2281)						
22539	4Q2281	Spares for — BRACKET, MOUNTING, FOR CONNECTOR, GROUP $\frac{1}{8}$ "	1	—		HH2 87
14295	3Q2281	CLAMP, PIPE, GROUP	1	—	C	HH2 88
	DUNLOP 2 W3 102 9 9 270 9-50	Hose, flexible, c/w 2 x 90° end fittings, 9.50" long	1	—		HH2 89
	3052V7909 SANGAMO WESTON	LOOM, CABLE, GROUP ...	1	—		HH2 90
	—	Mounting, anti-vibration, comprising of the following items	3	—		HH2 91
	170711	Bush	2	—		
	150164	Nut, 4 BA	2	—		
	150404	Washer, 4 BA	2	—		
	169948	Mounting, A/V	2	—		
14296	1Q2280	PANEL, STRUCTURE, GROUP	1	—	B	HH2 92
6A 4295	2Q2281	Plate, packing, for selector unit ...	1	L72		HH2 93
	—	Plate, pressure transmitter mounting	1	—	B	HH2 94
14297	31Q2262	PIPE, FROM SELECTOR UNIT TO RELIEF VALVE, $\frac{3}{8}$" O/D x 20G, GROUP	1	L56	C	HH2 95
14298	33Q2262	PIPE, FROM PRESSURE RELAY TO SELECTOR VALVE, $\frac{1}{4}$" O/D x 22G, GROUP	1	DTD743	C	HH2 96

VULCAN Pn 3

EQUIPMENT, SPECIAL OPERATIONAL (S.O.O.)
NEW STORE INSTALLATION, REMOVABLE FITTINGS

Page HH. 5

Ref. No.	Part No.	Description 1 2 3 4	No. off	Matl. Spec.	Cl. of	Place and Illust'n No.
					St. M.R.	
		PANEL, HYDRAULIC ASSEMBLY (1Q2281) (Cont'd)				
14300	35Q2262	PIPE, FROM SELECTOR VALVE TO ADJUSTABLE PRESSURE RELIEF VALVE, $\frac{1}{2}$ " O D x 20G, GRP.	1	DTD743	C	HH2 97
14301	36Q2262	PIPE, FROM SELECTOR UNIT TO ADJUSTABLE PRESSURE RELIEF VALVE, $\frac{1}{2}$ " O D x 20G, GRP.	1	L56	C	HA2 98
14785	193Q2262	PIPE, FROM PRESSURE RELIEF VALVE TO TEE PIECE $\frac{1}{2}$ " O D x 20G, GROUP	1	DTD743	C	HH2 99
14786	194Q2262	PIPE, FROM SELECTOR UNIT TO TEE PIECE $\frac{1}{2}$ " O D x 20G, GRP.	1	DTD743	C	HH2 100
27VA 5284 6A 4659	DUNLOP ACM18798	Relay, pressure	1	—	A	HH2 101
	—	Transmitter, pressure	1	—	A	HH2 102
27Q 70623	DOWTY 1.00051 026	Valve, adjustable pressure relief ..	1	—	A	HH2 103
27Q 70626	DOWTY 04641Y A43	Valve, pressure relief	1	—	A	HH2 104
27Q 70621	DOWTY 1.00199 002	VALVE, selector (with manual neutral selection) (Mod. 1039)	1	—	A	HH2 105
14252	6Q2260	Pin, check at centralising link	1	S94	C	HH3 106
14267	29Q2262	PIPE, FROM SELECTOR VALVE TO BRACKET (12Q2260) $\frac{1}{2}$ " O D x 20G, GROUP	1	DTD743	C	HH2 107
14280	37Q2262	PIPE, FROM ADJUSTABLE PRES- SURE RELIEF VALVE TO BRACKET (12Q2260) $\frac{1}{2}$ " O D x 20G, GROUP	1	DTD743	C	HH2 108
14273	100Q2262	PIPE, FROM TEE PIECE TO TEE PIECE, $\frac{1}{2}$ " O D x 20G, GROUP (Mod. 1039)	1	DTD743	C	HH3 109
14274	101Q2262	PIPE, FROM SELECTOR VALVE TO TEE PIECE, $\frac{1}{2}$ " O/D x 20G, GROUP (Mod. 1039)	1	DTD743	C	HH2 110
14275	102Q2262	PIPE, FROM TEE-PIECE TO UNION, FORWARD FACE OF CARRIER BEAM, PORT $\frac{1}{2}$ " O D x 20G, GROUP (Mod. 1039)	1	—	C	HH3 111
14276	103Q2262	PIPE, FROM N.R. VALVE TO UNION UNDER SURFACE OF CARRIER BEAM, $\frac{1}{2}$ " O D x 20G, GRP. (Mod. 1039)	1	DTD743	C	HH2 112

**EQUIPMENT, SPECIAL OPERATIONAL (S.O.O.)
NEW STORE INSTALLATION, REMOVABLE FITTINGS**

Ref. No.	Part No.	Description 1 2 3 4	No. off	Matl. Spec.	Cl. of	Place and Illust'n No.
					St. M.R.	
		HYDRAULIC INSTALLATION IN CARRIER BEAM (Q2260) (Cont'd)				
22536	104Q2262	PIPE, FROM HAND PUMP OUT- LET TO N.R. VALVE, $\frac{1}{2}$ " O D x 20G, GROUP (Mod. 1039)	1	DTD743	C	HH2 113
	106Q2262	PIPE, FROM HAND PUMP INLET TO N.R. VALVE, $\frac{1}{2}$ " O D x 20G, GRP. (Mod. 1039)	1	L56		HH2 114
22537	107Q2262	PIPE, FROM HAND PUMP INLET TO TEE PIECE, $\frac{1}{2}$ " O D x 20G, GRP. (Mod. 1039)	1	L56	C	HH2 115
22538	108Q2262	PIPE FROM SELECTOR VALVE TO TEE PIECE $\frac{1}{2}$ " O D x 20G, GROUP (Mod. 1039)	1	L56	C	HH2 116
14269	117Q2262	PIPE, FROM REDUCING UNION TO TEE PIECE $\frac{1}{2}$ " O D 20G, GROUP	1	DTD743	C	HA3 117
14270	118Q2262	PIPE, FROM REDUCING UNION TO BRACKET AT BEAM, TOP, PORT, 1" O D x 18G, GROUP	1	DTD743	C	HH3 118
14271	119Q2262	PIPE, FROM TEE PIECE TO BRACKET AT BEAM, TOP, PORT, $\frac{1}{2}$ " O D x 20G, GROUP	1	DTD743	C	HH3 119
14553	120Q2262	PIPE, FROM SHUTTLE VALVE TO BRACKET 18Q2260, PORT, $\frac{1}{2}$ " O D 22G, GROUP	1	DTD743	C	HH3 120
14281	121Q2262	PIPE, FROM BRACKET 18Q2262 PORT TO UNION ADAPTOR, STBD., TOP $\frac{1}{2}$ " O D x 22G, GROUP	1	DTD743	C	HH3 121
14282	122Q2262	PIPE, FROM BRACKET 18Q2262 TO UNION ADAPTOR, PORT TOP $\frac{1}{2}$ " O D x 22G, GROUP	1	DTD743	C	HH3 122
14285	125Q2262	PIPE, FROM SHUTTLE VALVE TO UNION ADAPTOR, STARBOARD, REAR FACE, $\frac{1}{2}$ " O D x 22G, GROUP	1	DTD743	C	HH3 123
14286	126Q2262	PIPE, FROM BRACKET 17Q2260 TO UNION ADAPTOR, STARBOARD $\frac{1}{2}$ " O D x 20G, GROUP	1	DTD743	C	HH2 124
14287	127Q2262	PIPE, FROM BRACKET 17Q2260 TO UNION ADAPTOR, STARBOARD $\frac{1}{2}$ " O D x 18G, GROUP	1	DTD743	C	HH2 125

VULCAN No. 2

EQUIPMENT, SPECIAL OPERATIONAL (S.O.O.)
NEW STORE INSTALLATION, REMOVABLE FITTINGS

Page HH. 7

Ref. No.	Part No.	Description 1 2 3 4	No. off	Matl. Spec.	Cl. of St.	Plate and Illust'n No.
					M.R.	
		HYDRAULIC INSTALLATION IN CARRIER BEAM (Q2260) (Cont'd)				
14293	135Q2262	PIPE, FROM TEE-PIECE TO TEE-PIECE STARBOARD, TOP, $\frac{1}{2}$ " O D x 20G, GROUP	1	L56	C	HH3 126
14294	136Q2262	PIPE FROM TEE-PIECE TO BRACKET 10Q2260, STARBOARD, $\frac{1}{2}$ " O D x 20G, GROUP	1	L56	C	HH3 127
14272	137Q2262	PIPE, FROM SHUTTLE VALVE NORMAL TO CLOSE POSITION TO TEE-PIECE $\frac{1}{2}$ " O D x 20G, GROUP	1	DTD743	C	HH3 128
14288	138Q2262	PIPE, FROM SHUTTLE VALVE EMERGENCY OPEN POSITION TO TEE-PIECE $\frac{1}{2}$ " x 20G, GROUP	1	DTD743	C	HH3 129
14289	139Q2262	PIPE, FROM OUTER THERMAL RELIEF VALVE TO TEE-PIECE, $\frac{1}{8}$ " O D x 22G, GROUP	1	DTD743	C	HH3 130
14290	140Q2262	PIPE FROM INNER THERMAL RELIEF VALVE TO TEE-PIECE $\frac{1}{8}$ " O/D x 22G, GROUP	1	DTD743	C	HH3 131
14291	141Q2262	PIPE, FROM OUTER THERMAL RELIEF VALVE TO TEE-PIECE REAR, TOP, $\frac{1}{8}$ " O D x 22G, GROUP	1	DTD743	C	HH3 132
14292	142Q2262	PIPE, FROM INNER THERMAL RELIEF VALVE TO TEE-PIECE REAR, TOP, $\frac{1}{8}$ " O D x 22G, GROUP	1	DTD743	C	HH3 133
14277	143Q2262	PIPE, FROM N.R. VALVE TO BRACKET, 10Q2260, $\frac{1}{2}$ " O D x 20G, GROUP (Mod. 1039)	1	DTD743	C	HH3 134
14278	144Q2262	PIPE, FROM TEE-PIECE TO TEE-PIECE TOP, FORWARD, PORT, $\frac{1}{2}$ " x 20G, GROUP (Mod. 1039)	1	L56	C	HH3 135
14552	183Q2262	PIPE, FROM UNION ADAPTOR PORT TO BRACKET 18Q2260 STARBOARD, $\frac{1}{2}$ " O D x 22G, GROUP	1	DTD743	C	HH2 136
14279	184Q2262	PIPE, FROM UNION ADAPTOR STARBOARD TO BRACKET 18Q2260 STARBOARD $\frac{1}{2}$ " O D x 22G GROUP	1	DTD743	C	HH2 137
14554	186Q2262	PIPE, FROM TEE-PIECE TO TEE-PIECE PORT, $\frac{1}{2}$ " O D x 20G, GROUP	1	L56	C	HH3 138

**EQUIPMENT, SPECIAL OPERATIONAL (S.O.O.)
NEW STORE INSTALLATION, REMOVABLE FITTINGS**

Ref. No.	Part No.	Description 1 2 3 4	No. off	Matl. Spec.	Cl. of St.	Plate and Illust'n No.
					M.R.	
		HYDRAULIC INSTALLATION IN CARRIER BEAM (Q2260) (Cont'd)				
14555	187Q2262	PIPE, FROM, N.R. VALVE TO TEE- PIECE PORT $\frac{1}{2}$ " O D x 20G, GROUP	1	DTD743	C	HH3 139
14556	188Q2262	PIPE, FROM THERMAL RELIEF VALVE TO TEE-PIECE $\frac{1}{2}$ " O D x 22G, GROUP	1	L56	C	HH3 140
14557	189Q2262	PIPE, FROM THERMAL RELIEF VALVE TO TEE-PIECE $\frac{1}{2}$ " O D x 22G, GROUP	1	DTD743	C	HH3 141
14782	190Q2262	PIPE, SHUTTLE VALVE EMER- GENCY CLOSE POSITION TO UNION ADAPTOR, STBD., $\frac{1}{2}$ " O D 20G, GROUP	1	DTD743	C	HH3 142
14783	191Q2262	PIPE, SHUTTLE VALVE CLOSE DOORS POSITION TO BRACKET 18Q2260 STBD., $\frac{1}{2}$ " O D x 20G, GRP.	1	DTD743	C	HH3 143
22535	195Q2262	PIPE, N.R. VALVE TO TEE-PIECE, $\frac{1}{2}$ " O D 20G, GROUP	1	DTD743	C	HH2 144
272 1	TURNER MANU'FG CO. 77C 1276	Pump, duplex hand (Mod. 1039) ... Less handle	1	—	A	HH2 145
14248	2Q2260	Ring, top housing store hoist ...	1	S99	C	HH3 146
14249	4Q2260	Ring, bottom housing store hoist ...	1	S99	C	HH3 147
27BA 9958	AVERY HARDOLL AVA65 B	Sleeve, flexible hoses, fairing doors, star- board and port	5	—	C	HH2 148
14250	3Q2260	Spacer, for store hoist ...	1	DTD731	C	HH3 149
14262	11Q2260	Spacer, at clamp blocks ...	2	DTD308	C	HH2 150
14260	26Q2260	STRAP, RETAINING, PUMP HANDLE, GROUP (Pre-Mod. 1303)	1	—	C	
14739	40Q2260	STRAP, RETAINING, PUMP HANDLE, GROUP (Mod. 1303)	1	—	C	HH2 151
14268	15Q2260	Union, flanged, at bracket 10Q2260, star- board	1	DTD130	C	HH2 152
27Q 15170	DOWTY D5230Y	Valve, non return (Mod. 1039) ...	3	—	A	HH3 153
27Q 70628	DOWTY 1.00465.002	Valve, shuttle ...	1	—	A	HH3 154
27Q 1661	DOWTY C4603YMk.B	Valve, thermal relief ...	3	—	A	HH3 155

VULCAN PR. 2

EQUIPMENT, SPECIAL OPERATIONAL (S.O.O.)
NEW STORE INSTALLATION, REMOVABLE FITTINGS

Page HH 9

Ref. No.	Part No.	Description	No. off	Matl. Spec.	Cl. of St.	Plate and Illust'n No.
					M.R.	
1 2 3 4						
		BEAM, CARRIER INSTALLATION (1Z10005) (Cont'd)				
		HOSE AIR CONTINUOUSLY CONNECTED & ELECTRICS TO RELEASE (1Z10698) (Mod. 2065)				
		Spares for —				
1433019	1Z11880	ARM, GUIDE, GROUP	1	—	C	HH4 157
14400	5Z10005	Bolt, banjo	1	S110	C	HH4 158
	1Z10699	BRACKET, GUIDE, L.H. SIDE ...	1			HH4 159
	2Z10699	BRACKET, GUIDE, R.H. SIDE ...	1			HH4 160
		Spares for :—				
14900	5Z10699	Roller	3		C	HH4 170
	4Z10698	BRACKET, GROUP	1			HH4 171
	7Z10698	BRACKET, GROUP	1			HH4 172
		Spares for :—				
14968	AF5554234	CLIP, GROUP	1	—	C	HH4 173
28N 9129579	AGS2031/6	Circlip	1		C	HH4 174
14966	1Z10701	CLIP, GUIDE, GROUP	1	—	C	HH4 175
14967	1Z10702	CLIP, GUIDE, GROUP	1	—	C	HH4 176
	9Z10698	CLIP, HOSE, GROUP	1	—	C	HH4 177
	DUNLOP	Hose, pneumatic flexible	1	—		HH4 178
	4 342 8 8 60	Packer, 10 SWG x 1-0" x .75" ...	8	L72		HH4 179
14965	2Z10698	Piece, distance	2	L65	C	HH4 180
14964	6Z10698	Pin	1	S99	C	HH4 181
1432912	1Q3827	PIPE, GROUP	1	—	C	HH4 182
14969	7Z10005	Shim, alum laminium 1.55" x 1.4" x .125" thick	1	—	C	HH4 183
14992	1D12709	LOCK, SAFETY RELEASE GROUP (Mod. 1956)	1	—	A	HH4 184
		Spares for :—				
SCW 7805	Burgess	Actuator, at microswitch	4	—		HH4 185
	JSS	Arm, striker	1	S96		HH4 186
	5D11986	Arm, striker	1	S96		HH4 187
	10D11986	Bolt, adjusting	1	S96		HH4 188
	4D11986	Bolt, adjusting	1	S96		HH4 189
	8D12709	Bolt, adjusting	1	S96		HH4 189

**EQUIPMENT, SPECIAL OPERATIONAL (S.O.O.)
NEW STORE INSTALLATION, REMOVABLE FITTINGS**

Ref. No.	Part No.	Description	No. off	Matl. Spec.	Cl. of	Plate and Illust'n No.
					St.	
		1 2 3 4				
		LOCK SAFETY RELEASE (1D12709) (Cont'd.)				
15031	18D12709	Bolt, shoulder, for striker arm	1	S96		HH4 190
	23D11293	Bolt, special, for casting joint	2	S96	C	HH4 191
	14D11293	Bracket, socket mounting	1	L65		HH4 192
	2D11986	Casting, rear portion	1	DTD304		HH4 193
	7D11293	Casting, front portion	1	DTD304		HH4 194
	14D12709	Collar	1	S93		HH4 195
	4D11293	Guide, for spindle	1	S94		HH4 196
	8D11986	Insulator, at microswitch	1	BS2966 3A		HH4 197
	9D11986	Insulator, at Microswitch	1	BS2966 3A		HH4 198
	17D11293	Label, warning	1	L72		HH4 199
	2D12709	Lever, safety	1	S97		HH4 200
	23D12709	LEVER, OPERATING, GROUP	1	—		HH4 201
		Spares for :—				
	19D12709	Lever, operating	1	S96		HH4 302
	20D12709	Link	1	S97		HH4 203
	22D12709	Pin	1	S96		HH4 204
	1V12441	LOOM, CABLE, GROUP ((Mod. 1626))	1	—		HH4 205
	Dunlop	Mat. heater	1	—		HH4 206
SCW/6775	SKM11664					
	Burgess	Microswitch	4	—	B	HH4 207
	11SM1T	Peg, locking	1	L83		HH4 208
	10D12709	Piece, distance	1	S93		HH4 209
	12D12709	Pin	1	S96		HH4 210
	11D12709	Plate, lock at microswitches	2	S510		HH4 211
	6D11986	Plate, lock, at microswitches	2	S510		HH4 212
	7D11986					
15015	Belling Lee	Plug, domino	1	—	C	HH4 213
	L1390P	Shim, track	1	S510		HH4 214
	7D12709					
15016	Belling Lee	Socket, domino	1	—	C	HH4 215
	L1390S	Spindle	1	S96		HH4 216
	13D12709	Spring	1	DTD215		HH4 217
	3D11293	Stop	1	S96		HH4 218
	9D12709					
	DUNLOP	Thermostat	1	—		HH4 219
	ACO24046	Track	1	S96		HH4 220
	6D12709					
14399	4Z10005	Nut, slotted, at control unit	1	S94	C	HH1 221
		PNEUMATIC SYSTEM TO CARRIER BEAM (162302)				
		Spares for :—				
14302	2Q2302	Block, fairlead, 90° x 50° x 2" long ...	2	L64	C	HH5 222

VULCAN No 2

EQUIPMENT, SPECIAL OPERATIONAL (S.O.O.)
NEW STORE INSTALLATION, REMOVABLE FITTINGS

Page HH.11

Ref. No.	Part No.	Description	No. off	Matl. Spec.	Cl. of	Plate and Illust'n No.
					St.	
		1 2 3 4			M.R.	
<p>PNEUMATIC SYSTEM TO CARRIER BEAM (1Q2302) (Cont'd)</p> <p>PNEUMATIC SYSTEM STORE RELEASE (1Q2264)</p> <p>Spares for :—</p>						
14310	16Q2264	Adaptor, at H.P. charging valve ...	1	L64	C	HHS 223
14312	18Q2264	Adaptor, at pressure switch ...	1	L64	C	HHS 224
27VA 4610	DUNLOP ACO.26591Q	Alumina, actuated (8 oz. tin) ...	1	—	C	HHS 225
27VA 6278	DUNLOP AC11798	Bottle, air	1	—	A	HHS 226
<p>BRACKET, MOUNTING, GROUP</p>						
	2Q2264	Bracket, valve mounting	1	—		HHS 227
	4Q2264	Bracket, valve mounting	1	L72		HHS 228
	10Q2264	Bracket, pressure switch	1	S510		HHS 229
	12Q2264	Bracket, isolating cock mounting ...	1	S510		HHS 230
14303	5Q2264	Clip, half, at Dehydrator	2	S510	C	HHS 231
14304	7Q2264	Clip, half, at Air Bottle	2	S510	C	HHS 232
	11Q2264	Clip, at pressure switch	1	S510		HHS 233
11A 5656	DUNLOP ACM19540	Cock, isolating	1	—	B	HHS 234
27VA 6280	DUNLOP ACO2823	Connectors, $\frac{1}{4}$ " x $\frac{1}{2}$ " B.S.P. at Air Bottles	3	—	B	HHS 235
11A 5072	DUNLOP ACM19534	Dehydrator	1	—	A	HHS 236
11A 5039	—	Gauge, pressure, 0-2000 P.S.I.	1	—	A	HHS 237
14309	15Q2264	Guard, vent	1	L56		HHS 238
	22Q2264	Label, at Charging Valve	1	L72		HHS 239
14318	ML AVIATION MLS 347D	Nipple, male adaptor, $\frac{1}{4}$ " pipe ...	3	—	C	HHS 240
14315	ML AVIATION MLS397D	Nipple, female adaptor, $\frac{1}{4}$ " pipe ...	1	—	C	HHS 241
14317	ML AVIATION MLS377D	Nipple, female adaptor, $\frac{3}{8}$ " pipe ...	7	—	C	HHS 262
14314	ML AVIATION MLS419D	Nipple, male adaptor, $\frac{1}{4}$ " pipe ...	2	—	C	HHS 243
14313	20Q2264	Pipe, flexible. (Dunlop rubber) ...	1	—	C	HHS 244
<p>PIPES PNEUMATIC SYSTEM STORE RELEASE (1Q2267)</p> <p>Spares for:—</p>						
14319	2Q2267	PIPE FROM AIR BOTTLE TO PNEUMATIC VALVE 20" LONG APPROX. GROUP (Pre Mod. 2037)	1	—	C	HHS 245

**EQUIPMENT, SPECIAL OPERATIONAL (S.O.O.)
NEW STORE INSTALLATION, REMOVABLE FITTINGS**

Ref. No.	Part No.	Description	No. off	Mater. Spec.	Cl. of	Plate and Illust'n No.
					St.	
		1 2 3 4			M.R.	
		PIPES, PNEUMATIC SYSTEM STORE RELEASE (1Q22671) (Cont'd)				
14997	12Q2267	PIPE, FROM AIR BOTTLE TO PNEUMATIC VALVE GROUP (Mod. 2037)	1	—	C	HHS 246
14320	3Q2267	PIPE, FROM AIR BOTTLE TO DEHYDRATOR, 16" LONG APPROX. GROUP (Pre Mod. 2037)	1	—	C	HHS 247
14998	13Q2267	PIPE, FROM AIR BOTTLE TO DEHYDRATOR, GROUP (Mod. 2037)	1	—	C	HHS 248
14321	4Q2267	PIPE, FROM PRESSURE SWITCH TO DEHYDRATOR 1/2" O D x 22G x 8" LONG, GROUP	1	DTD743	C	HHS 249
14322	5Q2267	PIPE, FROM PNEUMATIC RELIEF VALVE TO CHARGING VALVE, 1/2" O D x 22G x 10" LONG, GROUP	1	DTD743	C	HHS 250
14323	6Q2267	PIPE, CHARGING VALVE TO DEHYDRATOR, 1/2" O D x 22G x 19" LONG, GROUP	1	—	C	HHS 251
14324	7Q2267	PIPE, AIR BOTTLE TO ISOLATING COCK, 14" LONG APPROX. GROUP (Pre Mod. 2037)	1	—	C	HHS 252
14999	14Q2267	PIPE, AIR BOTTLE TO ISOLATING COCK, GROUP (Mod. 2037)	1	—	C	HHS 253
14308	14Q2264	Restrictor, vent	1	L64	C	HHS 254
14305	6Q2264	Strap, for Dehydrator Bottle... ..	2	S510	C	HHS 255
14306	8Q2264	Strap, for Air Bottle	1	S510	C	HHS 256
14307	9Q2264	Strap, for Air Bottle	1	S510	C	HHS 257
5CW 7089	DUNLOP ACM19070 H.P.C. A506	Switch, pressure	1	—	A	HHS 258
11A 5589	—	Valve, charging c/w standard sealing cap	1	—	A	HHS 259
		Valve, pneumatic	1	—	A	HHS 260
27VA 6281	DUNLOP ACM17730	Valve, pneumatic relief	1	—	A	HHS 261
27VA 6161	DUNLOP ACO27379	Washer, sealing at Air Bottle connections	3	—	C	HHS 262
28R 13514	AS103	Pulley, 2" dia.	2	—	B	HH1 263

VULCAN No. 2

EQUIPMENT, SPECIAL OPERATIONAL (S.O.O.)
NEW STORE INSTALLATION, REMOVABLE FITTINGS

Ref. No.	Part No.	Description	No. off	Matl. Spec.	Cl. of	Plate and Illust'n No.
					St. M.R.	
		1 2 3 4				
		BEAM CARRIER, INSTALLATION (1Z10005) (Cont'd)				
	1V14012	UNIT, RELEASE C W WIRING GROUP (Mod. 2065)	1	—		HH4 264
28E 1012876	AS3181 4C	Spares for :— Clip	1	—	C	HH4 265
14433	1V10465	LOOM, CABLE, GROUP	1	—	B	HH4 266
11A 5558	—	Unit, release, No. 14, Mk. 2	1	—	A	
	1D11208	BEAM, REAR CRUTCHING, GROUP	1	—		HH6 267
	1D11215	Spares for :— MEMBER, SIDE LOAD, GROUP	2	—		HH6 268
14522	13D11103	Spares for :— Clip, spring, for pin	1	—	C	HH6 269
	6D11215	Coupling, for fork-end	1	S94		HH6 270
	3D11215	End, fork	1	DTD1308		HH6 271
	7D11215	Nut, special	1	S94		HH6 272
	8D11215	Nut, special	1	S94		HH6 273
15036	11D11103	Pin	1	S94	C	HH6 274
		Attachments for Pin 11D11103				
	1bD11215	Chain, Baxendale No. 290	1	—		HH6 275
29G 4290	1aD11215	Ring, split, Terrys, No. 169 $\frac{1}{2}$ " o.d.	2	—	C	HH6 276
	1cD11215	Ring, split, Terrys, No. 169 $\frac{1}{4}$ " o.d.	1	—		HH6 277
	1D11213	PAD, CRUTCH, GROUP	2	—		HH6 278
		Consisting of :—				
	4D11213	Block	1	DTD1308		HH6 279
28D 1013173	AS1242 10C	Bolt, csk. 2 BA	4	S94	C	HH6 280
	2D11213	End, ball	1	S94		HH6 281
	6D11213	Nut, special	1	S94		HH6 282
28M 10328	AGS2002 C1	Nut, 2 BA	4	—	C	
	5D11213	Pad, friction (Teflon)	1	—		HH6 283
	3D11213	Strip, half, retaining	2	DTD1308		HH6 284
14858	13A3214	Bolt, shoulder, at carrier beam, aft	2	S94	C	HH1 20
14859	14A3214	Bolt, shoulder at carrier beam, fwd.	2	S94	C	HH1 20
14860	4A3214	BRACKET, REAR CRUTCH, ATTACHMENT, PORT, GROUP	1	—	B	HH6 285
14861	5A3214	BRACKET, REAR CRUTCH, ATTACHMENT	1	—	B	HH6 286
		Spares for :—				
28N 13513	CJ5	Bearing	1	—	C	HH6 287
14863	517bD11220	Bush	2	—	C	HH6 288
5887	W & S No. 4	Washer	2	—	C	HH6 289

**EQUIPMENT, SPECIAL OPERATIONAL (S.O.O.)
NEW STORE INSTALLATION, REMOVABLE FITTINGS**

Ref. No.	Part No.	Description 1 2 3 4	No. off	Matl. Spec.	Cl. of	Plate and Illust'n No.
					St. M.R.	
		BRACKET, REAR CRUTCH ATTACHMENT, PORT & STARBOARD (4 & 5 A3214) (Cont'd.)				
		Attachments for brackets 4 & 5 A3214				
28D 1011242	A25 7E	Bolt, 1/4" BSF	2	—	C	HH6 290
28D 1010031	A25 8E	Bolt, 1/4" BSF	2	—	C	HH6 291
28M 9512070	A27 EC	Nut, 1/4" BSF	4	—	C	
29P 1007741	SP9 C8	Pin, split	4	—	C	
28W 9418921	SP13 E	Washer, 1/4"	4	—	C	
14976	KING A/c C4370 2 1/2-2 1/2 A	Clamp, pipe Mk. 2	1	—	C	HH20 913
14977	KING A/c C4370 3 1/2 A	Clamp, pipe Mk. 2	1	—	C	HH20 924
		COVERS, DUST, FOR UMBILICAL CONNECTIONS (1Z10547)				
		Spares for :—				
14907	2Z10547	Cover, at Nos. 1, 2 & 4 pin plugs ...	3	P.V.C.	C	HH6 292
14909	4Z10547	Cover, at exactor freon couplings ...	2	P.V.C.	C	HH6 293
14910	5Z10547	Cover, at 18 pin butt connector ...	2	P.V.C.	C	HH6/294
14911	6Z10547	Cover, at warm air connection ...	1	P.V.C.	C	HH6 295
14912	7Z10547	Cover, at hydraulic couplings ...	2	P.V.C.	C	HH6/296
		Attaching items for covers 2, 4, 5, 6 & 7Z10547				
28E 9129562	AGS605 3	Clip, for items 4, 6 & 7Z10547 ...	1	—	C	HH6 297
28E 9130219	AGS605 4Y	Clip, for item 5Z10547 ...	1	—	C	HH6 298
149908	3Z10547	CLIP ATTACHMENT, FOR COVER 2Z10547, GROUP	1	—	C	HH6 299
		Spares for :—				
	3fZ10547	CLIP, HALF, GROUP	1	—		
	3gZ10547	CLIP, HALF, GROUP	1	—		
	8Z10547	Fairing, on fairing door D11220 ...	1	—		HH6 300
		Attaching items for fairing :—				
28D 1007975	AS1242 1C	Bolt, csk. 2 BA	11	—	C	HH6 301
	7D10539	DOOR, ACCESS FW'D OF FRONT SPAR PORT, GROUP (Pre Mod. 1017)	1	—		
22509	27D10539	DOOR, ACCESS, FW'D OF FRONT SPAR PORT, GROUP (Mod. 1017)	1	—	B	HH6 302
	8D10539	DOOR, ACCESS, FW'D OF FRONT SPAR STARBOARD, GROUP (Pre Mod. 1017)	1	—		
22510	28D10539	DOOR, ACCESS FW'D OF FRONT SPAR STARBOARD, GROUP (Mod. 1017)	1	—	B	HH6 303
		Spares for :—				
12601	TFR5 19M	Fastener, dzus	5	—	C	HH6 304
12602	TFR5 25M	Fastener, dzus	10	—	C	HH6 305
28FP	TFR5 31M	Fastener, dzus	5	—	C	HH6 306
28FP 1158	TFR5 1G	Grommet, dzus	20	—	C	HH6 307
11784	16F9207	Panel, access	1	—	C	HH7 308

VULCAN No. 2

EQUIPMENT, SPECIAL OPERATIONAL (S.O.O.)
NEW STORE INSTALLATION, REMOVABLE FITTINGS

Page HH. 13

Ref. No.	Part No.	Description				No. off	Matl. Spec.	Cl. of	Plate and Illust'n No.
		1	2	3	4			St. M.R.	
26FP 8735	1V5650	ELECTRICAL SERVICES FOR NEW STORE IN BOMB BAY (V9958) Spares for :— Block, terminal				2	—	C	HH7 309
	2809V7909	CABLE (F2809) 85P 990 TO FRONT SPAR BREAK 970, GROUP				1	—		
	2810V7909	CABLE (F2810) 85P 991 TO FRONT SPAR BREAK 971, GROUP				1	—		
	2911V7909	CABLE (F2911) 85P 843 TO FRONT SPAR BREAK 965, GROUP				1	—		
	3055V7909	CABLE (F3055) 97P 997 TO CARRIER BREAK, 865, GROUP				1	—		
	3068V7909	CABLE (F3068) 97P 996 TO CARRIER BREAK 886, GROUP				1	—		
	3373V7909	CABLE (F3373) TEMP. BULB TO T.B. 1645, GROUP				1	—		
	3542V7909	CABLE (F3542) 97P 1027, TO CARRIER BREAK 1028, GROUP (Mod. 1353)				1	—		
	8256V7909	CABLE (F2929) FRONT SPAR BREAK 969 & EARTH TO 85P 667 AND 93P 828 GROUP				1	—		
	8323V7909	CABLE (F3080) 97P 859 TO 85P 675, GROUP				1	—		
	8328V7909	CABLE (F3088) TELEMETRY UNIT AND 85P 840 TO 85P 667 AND FRONT BAR BREAK 868, GROUP				1	—		
	8476V7909	CABLE (F2926) 85P 841 TO FRONT SPAR BREAK 968 AND EARTH, GRP.				1	—		
	8530V7909	CABLE (F2931) 85P 844 AND HOT AIR VALVE TO F.S.B. 966, EARTH AND 93P 829, GROUP				1	—		
	8534V7909	CABLE (F3084) 92P 825 TO 85P 672 AND EARTH, GROUP				1	—		
	8632V7909	CABLE (F2915) 85P838 TO FRONT SPAR BREAK 967, GROUP (Mod. 1226)				1	—		
	8689V7909	CABLE (F2914) 85P 845 TO T.B.'s, COLD AIR—HOT AIR AND OVER-HEAT CONTROL VALVES, GROUP (Mod. 1375)				1	—		
	8863V7909	CABLE (F3046) 97P 818 TO PLUG BREAKS 598 and 818, GROUP (Mod. 1353)				1	—		

**EQUIPMENT, SPECIAL OPERATIONAL (S.O.O.)
NEW STORE INSTALLATION, REMOVABLE FITTINGS**

Ref. No.	Part No.	Description 1 2 3 4	No. off	Matl. Spec.	Cl. of	Plate and Illust'n No.
					St. M.R.	
		ELECTRICAL SERVICES FOR NEW STORE IN BOMB BAY (V9958) (Cont'd)				
	8864V7909	CABLE (F3069) 97P 994 TO CARRIER BREAK 867, GROUP (Mod. 1353)	1	—		
	8896V7909	CABLE (F3079) 85P 673 TO 97P 871, GROUP (Mod. 1353)	1	—		
	9126V7909	CABLE (F3217) 85P 944 TO 97P 943, GROUP (Mod. 1492)	1	—		
		INSTALLATION OF TELEMETRY SWITCHING RELAY UNIT (V11263) (Mod. 1088)				HH7 310
	3087V7909	Spares for :— CABLE (F3087) 85P 666 TO TELE- METRY UNIT, GROUP	1	—		
	3089V7909	CABLE (F3089) 85P 668 TO TELE- METRY UNIT, GROUP	1	—		
	3090V7909	CABLE (F3090) 85P 669 TO TELE- METRY UNIT, GROUP	1	—		
	A. V. ROE RA1/T94/40800	Unit, telemetry switching relay ...	1	—		HH7 311
	1567V7728	Label, TB1567	1	—		HH7 312
	1645V7728	Label, TB1645	1	—		HH7 313
	1V9950	MOUNTING, MAGNETIC AMPLIFIER, GROUP	1	—		HH7 314
		Spares for :—				
SCZ 5076	FLM A 14	Amplifier, magnetic	2	—	A	HH7 315
	1V9949	BRACKET, MOUNTING, GROUP...	1	—		HH7 316
	1V10102	PANEL, JUNCTION BOX 85P, GRP.	1	—		HH7 317
		Spares for —				
SCW 6742	HART BR101-PS	Base, relay, series BR	11	—	B	HH7 318
SCZ 5918	GRAVINER D2240	Base, relay unit	2	—	B	HH7 319
SX 9026	—	Block, fuse, 6-way	1	—	C	HH7 320
SX 9027	—	Block, fuse, 12-way	4	—	C	HH7 321
	2V10085	BRACKET, RELAY, MOUNTING GROUP	1	—		HH7 322
	7V10102	BRACKET, RELAY MOUNTING, GROUP (Mod. 1215)	1	—		HH7 323
SCY 5312	B.T.H. LGA24 B1	Breaker, circuit	3	—	A	HH7 324
10H	CANNON CA2209 5	Cap, dust, for plug No. 667 (Mod. 1086)	1	—		HH7 325
10H/	CANNON CA2209 6	Cap, dust, for plug No. 666	1	—		HH7 326
10H 9402099	CANNON CA2209 10	Cap, dust, for plugs No. 668-669 (Mod. 1086)	1	—	C	HH7 327

VULCAN No. 2

EQUIPMENT, SPECIAL OPERATIONAL (S.O.O.)
NEW STORE INSTALLATION, REMOVABLE FITTINGS

Ref. No.	Part No.	Description	No. off	Matl. Spec.	Cl. of	Plate and Illust'n No.
					St.	
		1 2 3 4			M.R.	
		PANEL, JUNCTION BOX, 8SP, GRP. (1V10102) (Cont'd)				
10H 23865	—	Fuse, 2.5 amp	12	—	B	HH7/328
10H 23864	—	Fuse, .5 amp	13	—	B	HH7/329
10H 23863	—	Fuse, 7.5 amp (Mod. 1589)	1	—	B	HH7/330
	7V10085	Label, for circuit breaker	1	—		HH7/331
	153V6375	Label, fuses 1157 to 1162	1	—		HH7/332
	154V6375	Label, fuses 1121 to 1132	1	—		HH7/333
	155V6375	Label, fuses 1133 to 1144	1	—		HH7/334
	156V6375	Label, fuses 1145R to 1156R	1	—		HH7/335
	157V6375	Label, fuses 1145B to 1156B	1	—		HH7/336
14464	1V9947	LID, 8SP, STRUCTURE, GROUP (Mod. 200)	1	—	B	HH7/337
		Spares for:—				
	6V9947	Cover, perspex 1/8" x 16" x 7" ...	1	DTD846		
28FP 9544313	AS 30	Fastener, dzus	10	—	C	
28FP 9425771	GAS 312	Grommet, dzus	10	—	C	
	1V11098	LABEL, FUSE, IDENTIFICATION, GROUP	1	—		
5X 9045	—	Link, commoning, 12-way... ..	3	—	C	HH7/338
5X 9042	—	Link, commoning, 9-way	1	—	C	HH7/339
5X 9036	—	Link, commoning, 3-way	1	—	C	HH7/340
5X 9039	—	Link, commoning, 6-way	1	—	C	HH7/341
	1V12105	LOOM, CABLE, GROUP (Mod. 1633)	1	—		
	1V10285	PANEL, 8SP, STRUCTURE, GROUP	1	—		HH7/342
		Spares for:—				
28FP/9436928	S5 225	Spring, dzus	10	—	C	
	1V10086	PANEL, TERMINAL, BLOCK, GRP.	1	—		HH7/343
		Spares for:—				
	2V10086	Baseplate	1	—		HH7/344
	3V10086	Spacer	24	—		HH7/345
	WINGROVE & ROGERS TS.1 -06	Strip, terminal	12	—		HH7/346
14726	6V10102	PANEL, RESISTOR, GROUP (Mod. 1215)	1	—	B	HH7/347
		Spares for:—				
10W 0113328	—	Resistor, 2.2K. ohms	1	—	C	HH7/348
5K 3758	—	Tag, 4 BA	2	—	C	HH7/349
14878	10V10102	PANEL, RESISTOR, GROUP (Mod. 1633)	1	—	A	HH7/350
		Spares for:—				
	11V10102	CABLE, GROUP	1	—		
	12V10102	RECTIFIER, GROUP	1	—		HH7/351
		Consisting of:—				
	FERRANTI ZR.21.R.	Rectifier	1	—		HH7/352
5K 1493	—	Tag, 4 BA	1	—	C	HH7/353
10W 0113288	—	Resistor, 47 ohms	1	—	C	HH7/354
5K 3758	—	Tag	2	—	C	HH7/355

**EQUIPMENT, SPECIAL OPERATIONAL (S.O.O.)
NEW STORE INSTALLATION, REMOVABLE FITTINGS**

Ref. No.	Part No.	Description 1 2 3 4	No. off	Matl. Spec.	Cl. of	Plate and Illust'n No.
					St. M.R.	
		PANEL, J.B., 85P (1V10102) (Cont'd)				
14724	3V10085	Pillar, support, for relay bracket ...	3	—	C	HH7 356
	5V10085	Pillar, support, for T.B. panel ...	4	—		HH7 357
	6V10085	Pillar, support, for fuse blocks ...	10	—		HH7 358
	4V10085	PLATE, RECTIFIER MOUNTING, GROUP (Mod. 1375)	1	—		HH7 359
SCZ 5627	B.T.H. GJ5M	Rectifier (Mod. 1375)	2	—	B	HH7 360
	HART BR115-CIP-1C	Relay, series BR, spec. No. 76 (Mod. 1215)	2	—		HH7 361
SCW 6736	HART R210-C3P-1	Relay, series BR, spec. No. 2	7	—	A	HH7 362
SCW8946	HART BR150-C3P-1C	Relay, series BR, spec. No. 132 (Mod. 1492)	2	—	A	HH7 363
10W 0113245	—	Resistor, RCS. 111,390 ohms, (Mod. 1375)	1	—	C	HH7 364
14840	8V10102	TRAY, OIL DRIP, GRP. (Mod. 1381)	1	—	C	HH7 365
14629	25V9303	UNIT, TIME DELAY, GROUP (Mod. 1086)	1	—	A	HH7 366
SCZ 5917	GRAVINER D1740	Unit, relay	2	—	A	HH7/367
14841	9V10102	Washer, sealing, for drip tray (Mod. 1351)	6	DTD378A	C	HH7 368
	4V10287	PANEL, JUNCTION BOX 97P, GRP. (Mod. 1782)	1	—	A	HH7 369
		Spares for:—				
26FP 8735	1V5650	Block, terminal	7	—	C	HH7 370
SX 7498	1V7870	Block, terminal	2	—	C	HH7 371
14465	1V10089	LID, PANEL, 97P, GRP. (Mod. 200)	1	—	B	HH7 372
		Spares for:—				
28FP 9144248	A4.25	Fastener, dzus	8	—	C	
28FP 9430915	GA4 250	Grommet, dzus	8	—	C	
	1V11869	LOOM, CABLE, GROUP (Mod. 1492)	1	—		
	1V10091	MOUNTING, RESISTOR & RECTI- FIER, GROUP (Mod. 200)	1	—		HH7 373
		Spares for:—				
	2V10091	PLATE, MOUNTING, GROUP	1	—		HH7 374
SCZ 5403	GJ3M	Rectifier	2	—	B	HH7 375
10W 0113373	—	Resistor	1	—	C	HH7 376
5K 3758	—	Tag, 4 BA (ROSS COURTNEY 393)	2	—	C	HH7 377

VULCAN No. 2

EQUIPMENT, SPECIAL OPERATIONAL (S.O.O.)
NEW STORE INSTALLATION, REMOVABLE FITTINGS

Ref. No.	Part No.	Description 1 2 3 4	No. off	Matl. Spec.	Cl. of	Plate and Illust'n No.
					St. M.R.	
		PANEL, JUNCTION BOX 97P (1V10287) (Cont'd)				
	1V10286	PANEL, STRUCTURE, GROUP ...	1	—		HH7 378
28FP 9430916	S4 200	Spares for :— Spring, dzus	8	—	C	
14756	1V10090	PANEL, RELAY, GROUP (Mod. 200)	1	—	A	HH7 379
	2V10090	Spares for :— PANEL, GROUP	1	—		HH7 380
SD 1937	—	Relay	2	—	A	HH7 381
26FP 13105	AVA2306	Rubber, A V mounting	4	—	C	HH7 382
	2V10087	Pillar, support, for resistor and rectifier mounting	4	BS1137		HH7 383
SX 6622	14V5650	Socket, double	3	—	C	HH7 384
SX 6623	15V5650	Socket, single	25	—	C	HH7 385
14842	3V10287	TRAY, OIL DRIP, GRP. (Mod. 1351)	1	—	C	HH7 386
14841	9V10102	Washer, sealing, for drip tray (Mod. 1351)	4	—	C	HH7 387
	1V10297	PLUG-BREAK, GROUP (Mod. 200) ...	1	—		HH7 388
22524	3047V7909	Spares for :— CABLE (F3047) PLUG BREAK 815 TO 97P 815, GROUP	1	—	C	
22525	3048V7909	CABLE (F3048) PLUG BREAK 816 TO 97P 816, GROUP	1	—	C	
22526	3049V7909	CABLE (F3049) PLUG BREAK 817 TO 97P 817, GROUP	1	—	C	
22527	3050V7909	CABLE (F3050) PLUG BREAK 819 TO 97P 819, GROUP	1	—	C	
22523	2V10297	PANEL, PLUG BREAK, GROUP ... (Mod. 200)	1	—	B	
SX 6623	15V5650	Socket, single	6	—	C	HH7 389

**EQUIPMENT, SPECIAL OPERATIONAL (S.O.O.)
NEW STORE INSTALLATION, REMOVABLE FITTINGS**

Ref. No.	Part No.	Description 1 2 3 4	No. off	Matl. Spec.	Cl. of	Plate and Illust'n No.	
					St. M.R.		
SW 5054	PLESSEY 500 1 01660 CANNON MS3100E 18 1P 3V9957 4V9957 5V9957 3053V7909 3067V7909 9472V7909	ELECTRICAL SERVICES ON CARRIER BEAM (1V9957) Spares for :— ACTUATOR, TWIN MOTOR JAGUAR, GROUP (1V11667) (Mod. 1353) Spares for :—					
		Actuator, twin motor, jaguar c/w electric cables ...	1	—	A	HH7/390	
		Plug, cannon ...	1	—			
		Bracket, plug mounting ...	1	L72		HH7/391	
		Bracket, clipping (Made from item 12B.SS1793) ...	1	L72		HH7/392	
		BRACKET, PLUG MOUNTING, GRP.	1	—		HH7/393	
		CABLE (F3053) TEST PLUG TO WEDGE HOME CARRIER BREAK, GROUP	1	—			
		CABLE (F3067) CARRIER BREAK 865 TO PRESSURE SWITCH RELIEF VALVE, GROUP	1	—			
		CABLE (2 & 3F3054) CARRIER BREAK 867 TO 98P 869 & 870, GROUP (Mod. 2065)	1	—			
		17456 1432920	2819V7909 8730V7909 3056V7909 3057V7909 8986V7909 3082V7909 8731V7909	ELECTRICAL SERVICES, FAIRING DOORS (V10101) Spares for :—			
CABLE (F2819) TB. 1567 TO STBD. CLOSE SWITCH, GROUP	1			—			
CABLE (F2820) TB. 1567 TO STBD. OPEN SWITCH, GROUP	1			—			
CABLE (F3056) 97P 857 TO SEPARATE SWITCH, GROUP	1			—	C		
CABLE (F3057) 97P 856 TO SEPARATE SWITCH, GROUP	1			—	C		
CABLE (F3081) 85P 674 TO PLUG 992 AND PORT OPEN AND CLOSED SWITCH, GROUP	1			—			
CABLE (F3082) TB. 1567 TO STBD., CLOSE SWITCH, GROUP	1			—			
CABLE (F3083) TB. 1567 TO STBD. OPEN SWITCH, GROUP	1			—			

VULCAN PM 2

EQUIPMENT, SPECIAL OPERATIONAL (S.O.O.)
NEW STORE INSTALLATION, REMOVABLE FITTINGS

Ref. No.	Part No.	Description 1 2 3 4	No. off	Matl. Spec.	Cl. of St.	Plate and Illust'n No.
					M.R.	
		ELECTRICAL SERVICES, FAIRING DOORS (1V10101) (Cont'd)				
	3196V7909	CABLE (F3196) 97P993 TO AIRLOG SAFETY UNIT, GROUP (Mod. 1080)	1	—		
	3097V7909	CABLE (F3197) 85P 839 TO AIRLOG SAFETY UNIT, GROUP (Mod. 1080)	1	—		
	8215V7909	CABLE (F3066) 79P 995 TO 96P987 DETONATOR LANYARD, BOMB GONE & STORE HEATER MICRO-SWITCHES, GROUP (Mod. 1087)	1	—		
15024	8376V7909 1V13965	CABLE (F3051) 97P 993 TO 95P 998, GRP. CABLES, No. 1 BUTT CONNECTOR, GROUP (Mod. 2064)	1 1	— —	A	
15025	1V13966	CABLES, No. 2 BUTT CONNECTOR, GROUP (Mod. 2064)	1	—	A	
15030	PT5142	CABLES, No. 4 BUTT CONNECTOR, Spares for :—	1	—	A	
	1V13952	CONNECTOR, BUTT No. 1, GRP.	1	—		HH8/394
	1V13953	CONNECTOR, BUTT No. 2, GRP.	1	—		HH8/395
	1V13954	CONNECTOR, BUTT No. 4, GRP.	1	—		HH8/396
		Spares for —				
	HELLERMAN B417706	Bung, pressure, 54-way, for item 1V13952	1			
	HELLERMAN SR5375	Bung, pressure, 77-way, for item 1V13953	1			
	HELLERMAN SR26623	Bung, pressure, 75-way, for item 1V13953	1			
	HELLERMAN B417703	Bung, pressure, 73-way, for item 1V13953	1			
	HELLERMAN B417704	Bung, pressure, 73-way, for item 1V13954	1			
	HELLERMAN B417705	Bung, pressure, 65-way, for item 1V13954	1			
	3V13952	Cover	1			
	5V13952	Gasket	1			
	HELLERMAN A417694	Housing, size D	2			
	4V13952	Nut, tensioning	1			
	HELLERMAN PC14028	Plug, filler for item 1V13952 ...	3			
		for item 1V13953 ...	4			
	HELLERMAN PC14021	Plug, filler, for item 1V13952 ...	3			
		for item 1V13953 ...	8			

EQUIPMENT, SPECIAL OPERATIONAL (S.O.O.)
NEW STORE INSTALLATION, REMOVABLE FITTINGS

Ref. No.	Part No.	Description	No. off	Matl. Spec.	Cl. of	Place and Illust'n No.
					St.	
		1 2 3 4			M.R.	
		CONNECTORS, BUTT No. 1 (1V13952) BUTT No. 2 (1V13953) BUTT No. 4 (9T5142) (Cont'd)				
	HELLERMAN PC14020	Plug, filler, for item 1V13953 ...	22			
	HELLERMAN PC14029	Plug, filler, for item 1V13953 ...	4			
	HELLERMAN PC14032	Plug, filler, for item 1V13953 ...	1			
27QA	SP900 12	Ring 'O'	1	—	C	
	2V13952	Seal, synthetic rubber	1			
	1V13957	SPINDLE, RELEASE, GROUP ...	1			
		Spares for —				
	4V13957	Collar	1			
	3V13957	Pin, $\frac{1}{8}$ " x 16 SWG	1			
	2V13957	Spindle, $\frac{1}{8}$ " dia. x 7.5" long ...	1			
15026	9772V7909	CABLE (F3071) 97P 855 TO No. 5 BUTT CONNECTOR, GROUP (Mod. 2064)	1	—	A	
15027	9771V7909	CABLE (F3070) 97P 855 TO No. 6 BUTT CONNECTOR, GROUP (Mod. 2064)...	1	—	A	
		Spares for —				
	1V13955	CONNECTOR, BUTT No. 5, GROUP	1			HH8/397
	1V13956	CONNECTOR, BUTT No. 6, GROUP	1			HH8 398
		Spares for —				
1432807	3V13955	Cover, protective	1			
	2V13955	Seal	1	Neoprene	C	
	4V13955	Washer, slotted	1			
14561	1D11295	CRADLE, PLUG MOUNTING ...	3		B	
		GROUP (Pre Mod. 1536)				
1432891	4D11295	CRADLE, PLUG MOUNTING, GROUP (Mod. 1536)	3	—	B	HH8.399
14562	1D11296	CRADLE, PLUG MOUNTING, GROUP (Pre Mod. 1536)	2	—	B	
1432892	3D11296	CRADLE, PLUG MOUNTING, GROUP (Mod. 1536)	2	—	B	HH8 400
		Spares for —				
14787	6D11297	CABLE, GROUP (Pre Mod. 1536) for items 1D11295 & 1D11296	1	—	C	
	2D11295	Cradle	1	—		HH8 401
	2D11296	Cradle	1	—		HH8 402
1433096	1D13425	LANYARD, GROUP (Mod. 1536) for item 4D11295	1	—	C	
1433097	2D13425	LANYARD, GROUP (Mod. 1536) for item 3D11296	1	—	C	
		Spares for —				
	5D11295	Cord, nylon $\frac{1}{8}$ " dia x 6" long ...	1			
	6D11295	Thread, nylon	AR			
28FP/977	5255/A 307	Pin, pip (Mod. 1354)	1		C	HH8 403

VULCAN No. 2

EQUIPMENT, SPECIAL OPERATIONAL (S.O.O.)
NEW STORE INSTALLATION, REMOVABLE FITTINGS

Ref. No.	Part No.	Description 1 2 3 4	No. off	Mater. Spec.	Cl. of St.	Plate and Illust'n No.
					M.R.	
ELECTRICAL SERVICES, FAIRING DOORS (1V10101) (Cont'd)						
14476 SCW 4638	1D11470	Fork-end, double for shuttered detonate ...	1	S80	C	HH8 404
	—	Microswitch, fin gap door ...	4	—	B	HH8 405
	1V9951	Packer, bomb gone switch (Mod. 1087)	2	L72		HH8 406
	2V10101	Packer, resin bonded fibre 625" x 6" x 2.8"	1	—		HH8 407
	1V9893	Plate, retaining. 10 pin plug ...	2	L72		HH8 408
14485	1V9892	Plate, retaining. 157 pin plug ...	3	L72	C	HH8 409
14477	1D11303	PLUNGER, BOMB GONE SWITCH, GROUP	1	—	B	HH8 410
		Spares for:—				
	5D11303	Plate, switch. 8 SWG x 3" dia. ...	1	S520		HH8 411
	6D11303	Plunger, 1" dia. x 8.6" long ...	1	S94		HH8 412
	4D11303	Spring, 10 SWG. H.T.S. wire ...	1	DTD215		HH8 413
14474	1V9952	Seal, plug for 18 pin plug ...	2	DSR501 W	C	HH8 414
14475	1V9953	Seal, plug for 157 pin plug ...	3	DSR501 W	C	HH8 415
14472	47D11278	Striker, fin gap microswitch ...	4	S94	C	HH8 416
SCW 4742	—	Switch, downmic. bomb gone ...	2	—	B	HH8 417
SWITCH, SEPARATION (1V10706) (Pre Mod. 1896) (11V10706) (Mod. 1896)						
		Spares for —				
	2V10706	BRACKET, MOUNTING, GROUP...	1	—		HH8 418
	3V10706	Channel ...	1	S520		
	5V10706	Pad ...	1	L72		
28P 5210	AGS1551/1	Pin, safety locking ...	1	—	C	
	4V10706	Plate, bolt assembly ...	1	—		
	6V10706	Plate, bearing ...	1	S520		HH8 420
	2V9954	Plate, attachment for switch ...	1	L72		HH8 421
14470	5V9954	PROBE, SWITCH ATTACHMENT, GROUP, (Pre Mod. 1896)	4	S94	B	
14928	10V9954	PROBE, SWITCH ATTACHMENT, GROUP (Mod. 1896)	4	—	B	HH8 422
14468	3V9954	Spring ...	4	DTD215	C	HH8 423
5D 2162	—	Switch, type EQ No. 2, Mk. 1 c/w connector assembly	1	—	A	HH8 424
14469	4V9954	Washer, bearing for spring ...	8	S3	C	HH8 425
14471	6V9954	Washer, under bolt head ...	4	L72	C	
SWITCHES, SAFETY LANYARD, 96P, (1V10103)						
		Spares for:—				
14979	1V12269	LANYARD, FIXED PULL OFF, GROUP (Mod. 1671)	1	—	B	HH8 427

**EQUIPMENT, SPECIAL OPERATIONAL (S.O.O.)
NEW STORE INSTALLATION, REMOVABLE FITTINGS**

Ref. No.	Part No.	Description 1 2 3 4	No. off	Matl. Spec.	Cl. of	Plate and Illust'n No.
					St. M.R.	
		LANYARD, FIXED PULL OFF, GROUP, (Mod. 1671) (Cont'd)				
	2V12269	Spares for:— CABLE, GROUP	1	—		
	3V12269	Fork-end	1	S96		
	4V12269	Fork-end, double	1	S96		
	2V10103	Fork-end, double	2	S96		
	2V10204	LOOM, CABLE, GROUP				
SD 1747		Socket,	2	—	B	HH8 428
	1D12602	TRAY, FUSE UNIT MOUNTING, GROUP, (Mod. 1617)	1	—		HH8 429
SD 2296	—	Unit, fusing (Mod. 1562)	3	—	A	HH8 430
	1V10468	UNIT, CLOCKWORK, GROUP (Mod. 1000)	1	—		HH8 431
SD 2296		Unit, fusing (Mod. 1562)	1	—		HH8 432
		EQUIPMENT, NEW STORE IN CREW'S NACELLE (2A214)				
		Spares for:—				
14779	A. V. ROE	Box, adaptor, monitoring (Pre Mod. 2056)	1	—	A	HH9 433
15028	R/A1/A02/35200	Box, adaptor, monitoring (Mod. 2056)	1	—	A	HH9 434
	R/A1/A02/35430					
	DOWTY					
	C5175Y, Mk. 154	Indicator, at pilots centre panel	1	—	B	
14482	1V9783	PANEL, 9P, NEW STORE, GROUP (Mod. 260)	1	—	A	
		Spares for:—				
	1V13611	LOOM, CABLE, GROUP (Mod. 2021)	1	—		
	2V9783	PANEL, LESS WIRING, GROUP ...	1	—		HH9 435
		Spares for:—				
SX 7498	1V7870	Block, earthing	1	—	C	HH9 436
SX 9026	—	Block, fuse, 6-way	4	—	C	HH9 437
SX 9027	—	Block, fuse, 12-way	3	—	C	HH9 348
26FP 8735	1V5650	Block, terminal	1	—	C	HH9 439
4247	1V6691	Block, terminal	1	—	C	HH9 440
SX 9402792	—	Block, terminal	1	—	C	HH9 441
	PAGE					
5L 9959122	A260	Bulb, 28V, 2W	5	—	C	HH9 442
14484	4U9783	Bus-bar	1	B55899	C	HH9 443
16100	33SS4204	Bush, ring lock	2	—	C	HH9 444
16099	63SS4204	Bush, ring lock	4	—	C	HH9 445
	PAGE					
SCW 6634	A257	Cable, sleeve and support	5	—	C	HH9 446
10H 0970184	—	Cover	1	—	C	HH9/447
	B.E.R.P.T.C.					
SCW 9035	CD1502.1	Dimmer, RS size	1	—	A	HH9 448
SX 940056	—	Ferrule	2	—	C	HH9 449

VULCAN No. 2

EQUIPMENT, SPECIAL OPERATIONAL (S.O.O.)
NEW STORE INSTALLATION, REMOVABLE FITTINGS

Ref. No.	Part No.	Description	No. off	Matl. Spec.	Cl. of	Plate and Illust'n No.
					St.	
		1 2 3 4				
		PANEL, LESS WIRING (2V9783) (Cont'd)				
SCW 4222	2SS5219	Guard, switch (Make from SCW/5765)	2	—		HH9 450
	—	Guard, switch (Mod. 1497)	1	—	B	HH9 451
	PAGE					
SCX 5384	C500 C7	Indicator, press to test (Amber)	2	—	B	HH9 452
SCX 5459	C500 A8	Indicator, press to test (Mod. 1086)	3	—	B	HH9 453
10H 0970175	—	Knob, for dimmer	1	—	C	HH9 454
5X 9039	—	Link, commoning. 6-way	4	—	C	HH9 455
5X 9045	—	Link, commoning. 12-way	4	—	C	HH9 456
10H 0970183	—	Mounting, metal, at dimmer	1	—	C	HH9 457
	3V9783	PANEL, STRUCTURE, GROUP	1	—	C	HH9 458
		Spares for —				
14625	8V9783	COVER, GROUP	1	—	C	HH9 459
		Consisting of:—				
	8aV9783	Cover	1	L72		
	8bV9783	Hinge, half	1	L72		
	287SS6006	Label	1	L59		
	8cV9783	Pin, hinge	1	—		
28Q 1012151	AS2230 203	Rivet	2	—	C	
10914	2SS4213	Screw, captive	11	—	C	
10913	1SS4213	Washer, locking	11	—	C	
	1SS4491	Plate, shroud, fixing "ON"	1	—		
	8SS4491	Plate, shroud fixing "POWER"	1	—		
	3SS4492	Plate, shroud fixing "OFF"	1	—		
	9SS4492	Plate, shroud fixing Ballistic	1	—		
10504	2SS4624	Plate, shroud fixing "ON"	2	—	C	
10505	2SS4635	Plate, shroud fixing "OFF"	1	—	C	
	ROTAX					
SCW 6640	N136931	Plate, fixing	1	—	C	HH9 460
	PLESSEY					
SCW 6099	7CZ103739/1	Relay	1	—	A	HH9 461
	HART					
SCW 6736	P1. SERIES R	Relay	4	—	A	HH9 462
	ROTAX					
SCW 6589	N135530	Shroud, for D pole switch	2	—	C	HH9 463
	ROTAX					
SCW 6659	N136930	Shroud, for S pole switch	2	—	C	HH9 464
5X 6623	15V5650	Socket, single	5	—	C	HH9 465
5X 9402798	—	Socket, double tier	2	—	C	HH9 466
	HART					
SCW 6742	R101 PS	Socket, ceramic	4	—	B	HH9 467
SCW 5827	—	Switch, double pole	1	—	B	HH9 468
SCW 6430	—	Switch, single pole	2	—	B	HH9 469
SCW 6437	—	Switch, double pole	1	—	B	HH9 470
14803	SV9802	PANEL, FIN FOLDING CONTROL, AT PORT CONSOLE, GRP. (Mod. 1353)	1	—	A	HH9 471
		Spares for —				
	1V11510	LOOM, CABLE, GROUP	1	—		
	8V9802	PANEL, LESS WIRING, GROUP	1	—		HH9 472
		Spares for:—				
11594	9S2042	Cap, helvin	1	—	C	HH9 473
SCW 4227	—	Guard, switch	1	—	C	HH9 474

**EQUIPMENT, SPECIAL OPERATIONAL (S.O.O.)
NEW STORE INSTALLATION, REMOVABLE FITTINGS**

Ref. No.	Part No.	Description	No. off	Matl. Spec.	Cl. of	Plate and Illust'n No.
					St.	
		1 2 3 4				
		PANEL, LESS WIRING (8V9802) (Cont'd)				
11544	7V10911	GUARD, SWITCH, GROUP ...	1	—	B	HH9.475
		Spares for :—				
	7aV10911	Bracket	1	S510		
	7bV10911	Lever	1	S510		
	ScS2412	Spring, torsion	1	DTD215		
SCX 5383	PAGE C500 B7	Indicator, warning, GREEN	1	—	C	HH9 476
SCX 5384	PAGE C500 C7	Indicator, warning, AMBER	1	—	C	HH9.477
	6V9802	PANEL, STRUCTURE, GROUP	1	—		
		Spares for :—				
	5V11133	PLATE, PLUG MOUNTING, GROUP	1	—		
	10SS4491	Plate, shroud fixing	1	—		
	11SS4492	Plate, shroud fixing	2	—		
SCW 6590	ROTAX N135531	Plate, shroud fixing (blank)	1	—	C	HH9 478
SCW 6589	ROTAX N135530	Shroud	2	—	C	HH9 479
SCW 5827	—	Switch, d pole	2	—	B	HH9 480
SCW 5251	N.S.F. 8375 B104	Switch, two pole	1	—	B	HH9 481
14755	1V10446	PANEL MOUNTING, E.G. CONTROL UNIT, GROUP (Mod. 200)	1	—		HH9 482
		Spares for :—				
	3V10446	Angle	2	L72		
	CANNON 2182 10	Receptacle, dummy	3	—		HH9 483
10914	2SS4213	Screw, captive	5	—	C	
10913	1SS4213	Washer, captive	5	—	C	
9C 104	—	Unit, inertia, navigator monitoring ...	1	—	A	
		FAIRING, DOOR, INSTALLATION AT BOMB BAY, PORT AND STARBOARD (1. & 2D11240)				
		Spares for :—				
14498	12D11240	Bolt, special, at fin gap door hinges, 2.25" long	2	S94		HH9 484
14499	13D11240	Bolt, special, at fin gap door hinges, 3.25" long	1	S94		HH9 485
14500	14D11240	Bolt, shoulder, at stations 7-47 to 258-109, 1" dia x 3.0" long	5	S94		HH9 486
14486	3D11240	Bracket, hinge, at station 43-61, port ...	1	DTD731		HH9 487
14487	4D11240	Bracket, hinge, at station 43-61, starboard	1	DTD731		HH9 488
14488	5D11240	Bracket, hinge, at stations 94-978 and 258-109, port	2	DTD731		HH9 489

VULCAN No. 2

EQUIPMENT, SPECIAL OPERATIONAL (S.O.O.)
NEW STORE INSTALLATION, REMOVABLE FITTINGS

Ref. No.	Part No.	Description 1 2 3 4	No. off	Matl. Spec.	Cl. of	Plate and Illust'n No.
					St.	
					M.R.	
FAIRING DOOR, INSTALLATION AT BOMB BAY, PORT AND STARBOARD (1 & 2D11240) (Cont'd)						
14489	6D11240	Bracket, hinge at stations 94-978 and 258-109, starboard	2	DTD731	E	HH11 490
14090	7D11240	Bracket, hinge at station 170-86, port (master hinge)	1	DTD731	C	HH11 941
14491	8D11240	Bracket, hinge at station 170-86, starboard (master hinge)	1	DTD731	C	HH11 492
14492	9D11240	Bracket, hinge at station 347-937, rear port	1	DTD731	C	HH11 493
14493	10D11240	Bracket, hinge, at station 347-937 rear, starboard	1	DTD731	C	HH11 494
14494	16D11240	Bracket, hinge, at station 7-47, port ...	1	DTD731	C	HH11 495
14495	17D11240	Bracket, hinge, at station 7-47, starboard	1	DTD731	C	HH11 496
17765	17D11101	Chain, Baxendales No. 290, 6" long ...	2	—	C	HH12 497
14504	10D 11102	Clip, spring, for locking pin 8D11102 ...	1	—	C	HH12 498
	1D11220	DOOR, FAIRING, PORT, GROUP (1st and 2nd a c sets)	1	—		
	2D11220	DOOR, FAIRING, STARBOARD, GROUP (1st and 2nd a c sets)	1	—		
14538	901D11220	DOOR, FAIRING, PORT, GROUP, (3rd and subs. a c sets)	1	—	A	HH10 499
14539	902D11220	DOOR, FAIRING, STARBOARD, GROUP, (3rd and subs. a c sets)	1	—	A	HH10,500
		Spares for:—				
22349	476D11220	Angle, deck support	1	L72		
	5D11220	BRACKET, DOOR HINGE AT STATIONS 95-07 AND 257-953, PORT GROUP	2	—		HH11 501
	6D11220	BRACKET, DOOR HINGE AT STATIONS, 95-07 AND 257-953, STARBOARD, GROUP	2	—		HH11 502
		Spares for:—				
28N 2001715	146D10945	Bush	2	BSS369		
28N 9156370	AGS2030 19	Circlip	2	—	C	
	SP21	Nipple, grease	2	—	C	
	7D11220	BRACKET, DOOR HINGE AT STATION, 170-86, PORT, GROUP	1	—		HH11 503
	8D11220	BRACKET, DOOR HINGE AT STATION 170-86, STARBOARD, GROUP	1	—		HH11 504
		Spares for:—				
28N 2001715	146D10945	Bush	1	BSS369		
28N 9156370	AGS.2030 19	Circlip	1	—	C	
	SP21	Nipple, grease	1	—	C	
22378	874D11220	BRACKET, FOR MICRO SWITCH,	1	—	C	
22377	875D11220	BRACKET, FOR MICRO SWITCH,	1	—	C	

**EQUIPMENT, SPECIAL OPERATIONAL (S.O.O.)
NEW STORE INSTALLATION, REMOVABLE FITTINGS**

Ref. No.	Part No.	Description 1 2 3 4	No. off	Matl. Spec.	Cl. of	Plate and Illust'n No.
					St. M.R.	
		DOORS, FAIRING, PORT AND STARBOARD. (901 AND 902D11220) (Cont'd)				
22380	780D11220	BRACKET, MOUNTING FUSE UNIT, GROUP	1	—	C	
22358	410D11220	Bracket, support, Actuator frame ...	2	DTD130B	C	
22384	1026D11220	Bracket, mounting, Bomb gone switch	1	L72	C	
22385	1027D11220	Bracket, mounting, Bomb gone switch	1	L72	C	
22381	1301D11220	BRACKET, MOUNTING, SHUTTER DETONATOR FUSING GROUP	1	—	C	
22386	1037D11220	Bracket, mounting fusing unit ...	1	—	C	
22387	1038D11220	BRACKET, MOUNTING, FUSING UNIT, GROUP	1	—	C	
14933	870D11220	Cap, end, for blanking off seals ...	14	Leoprene	C	HH10 505
22346	471D11220	CHANNEL, DECK SUPPORT, GRP.	1	—	C	
22352	494D11220	CHANNEL, TOP SEAL, GROUP ...	1	—	C	
22355	495D11220	CHANNEL, TOP SEAL, GROUP ...	1	—	C	
22353	496D11220	CHANNEL, TOP SEAL, GROUP ...	1	—	C	
23356	497D11220	CHANNEL, TOP SEAL, GROUP ...	1	—	C	
22363	498D11220	CHANNEL, SEAL, GROUP ...	1	—	C	
22364	499D11220	CHANNEL, SEAL, GROUP ...	1	—	C	
22382	1313D11220	Cleat	1	L72	C	
22383	1314D11220	Cleat	1	L72	C	
11616	1139D11220	CONE, MOUNTING AT STATIONS 198-65 TO 210-02, STB'D, GROUP (Mod. 1319)	1	—	B	HH21 506
22406	1113D11220	COVER, BOMB GONE SWITCH, (GROUP)	1	—	C	HH10 507
28FP 7002000	A403	Spares for:— Pin, type A	4	—	C	
	1333D11220	COVER & TRAY, CABLE, STB'D, GROUP	1	—		HH10 508
	1334D11220	COVER & TRAY, CABLE, STB'D, GROUP	1	—		HH10 509
	1335D11220	COVER & TRAY, CABLE, PORT, GROUP	1	—		HH10 510
	1336D11220	COVER & TRAY, CABLE, STB'D, GROUP	1	—		HH10 511
	1337D11220	COVER & TRAY, CABLE, PORT, GROUP	1	—		HH10 512
	1338D11220	COVER & TRAY, CABLE, STB'D, GROUP	1	—		HH10,513
	1349D11220	COVER & TRAY, CABLE, PORT, GROUP	1	—		HH10 514
	6D13148	Cover, anti-flash at hinge position ...	3	L72		HH10/515
22361	415D11220	DIAPHRAGM, CORNER SEALING RIB .13", GROUP	1	—	C	
22362	416D11220	DIAPHRAGM, CORNER SEALING RIB. 13", GROUP	1	—	C	

VULCAN No. 2

EQUIPMENT, SPECIAL OPERATIONAL (S.O.O.)
NEW STORE INSTALLATION, REMOVABLE FITTINGS

Ref. No.	Part No.	Description				No. off	Matl. Spec.	Cl. of St.	Plate and Illust'n No.
		1	2	3	4			M.R.	
14627	1D11305	DOORS, FAIRING, PORT & STARBOARD (901 & 902 D11220) (Cont'd)				1	—	B	HH10 516
14628	2D11305	DOOR, FORWARD ACCESS, PORT GROUP				1	—	B	HH10 517
28FP 1240	AST 15	Spares for :—				14	—	C	HH10 518
28FP 612	GH 5	Fastener, dzus				14	—	C	HH10 519
14540	1D11247	DOOR, REAR ACCESS, PORT GRP.				1	—	B	HH10 520
14541	2D11248	DOOR, REAR ACCESS, STARBOARD				1	—	B	HH10 521
28FP 1240	AST 5	Spares for :—				14	—	C	HH10 522
28FP 612	GH 5	Fastener, dzus				14	—	C	HH10 523
14542	1D11250	DOOR, CENTRE ACCESS, PORT GROUP				1	—	B	HH10 524
14543	2D11250	DOOR, CENTRE ACCESS, STBD., GROUP				1	—	B	HH10 525
28FP 1240	AST 5	Spares for :—				16	—	C	HH10 526
28FP 612	GH 5	Fastener, dzus				16	—	C	HH10 527
14525	1D11278	DOOR, SMALL FIN GAP, PORT GRP.				1	—	A	HH13 528
14532	1D11279	DOOR, LARGE FIN GAP, STBD., GROUP				1	—	A	HH13 529
22486	19D11278	Spares for :—				1	L65	C	
22492	19D11279	Angle, seal, forward				1	L65	C	
22487	20D11278	Angle, seal, aft				1	L65	C	
22493	20D11279	Angle, seal, aft				1	L65	C	
22495	45D11278	BRACKET, GROUP				1	—	C	
22491	46D11278	BRACKET, GROUP				1	—	C	
22496	46D11279	BRACKET, GROUP				1	—	C	
14526	1D11281	HINGE, FRONT, PORT GROUP				1	—	B	HH13 530
14533	2D11281	HINGE, FRONT, STBD., GRP.				1	—	B	HH13 531
14527	1D11282	HINGE, REAR, PORT GROUP ...				1	—	B	HH13 532
14534	2D11282	HINGE, REAR, STBD., GROUP ...				1	—	B	HH13 533
14528	3D11281	Spares for :—				1	S95	C	
		Bush, .5" dia. x .75" long ...				1	S95	C	
14529	21D11278	HINGE, CENTRE, PORT GROUP				1	—	B	HH13 534
14535	21D11279	HINGE, CENTRE, STARBOARD, GROUP				1	—	B	HH13 535
14530	21bD11278	Spares for :—				1	S95	C	
14531	21cD11278	Bush, 1/8" dia x 1 1/4" long, Port ...				1	S95	C	
14536	21bD11279	Bush, 1/8" dia x 1 1/4" long, Starboard ...				1	S95	C	
14537	21cD11279	Bush, 1/8" dia x 1 1/4" long, Starboard ...				1	S95	C	
22488	37D11278	Seal at hinge member, port				1	—	C	HH13 536
		(Made from 2554652)							

**EQUIPMENT, SPECIAL OPERATIONAL (S.O.O.)
NEW STORE INSTALLATION, REMOVABLE FITTINGS**

Ref. No.	Part No.	Description 1 2 3 4	No. off	Matl. Spec.	Cl. of	Plate and Illust'n No.
					St. M.R.	
		DOORS, FIN GAP, PORT AND STARBOARD (D11278, D11279) (Cont'd)				
22498	38D11278	Seal, at hinge member, starboard ... (Made from 2SS4652)	1	—	C	HH13/537
22497	37D11279	Seal, joint (Made from 1SS4652) ...	1	L72	C	HH13/538
	33D11278	Strip, seal, backing, forward, port 18G x 1-20" x 2'11" long	1	L72		
	34D11278	Strip, seal backing, forward, Starboard 18G x 1-20" x 2'11" long	1	L72		
	35D11278	Strip, seal backing, aft. port 18G x 1-20" x 2'11" long	1	L72		
	36D11278	Strip, seal backing, aft. Starboard 18G x 1-20" x 2'11" long	1	L72		
	38D11278	Strip, joint seal backing 18G x 1-3" 5'10" long	1	L72		
22490	42D11278	Trip, port on centre hinge ...	1	DTD130B	C	HH13/539
22491	45D11279	Trip, horn on centre hinge ...	1	DTD130B	C	HH13/540
22489	35D11279	Washer, pad at front and rear hinges	12	L72	C	
	868D11220	Elbow, at steel joints ...	1	Neoprene		
	869D11220	Elbow, at seal joints ...	3	Neoprene		
	3D11220	Fitting, forward hook, port ...	1	S98		HH11/541
	4D11220	Fitting, forward hook, Starboard ...	1	S98		HH11/542
	9D11220	Fitting, rear hook, station 347-94 ...	2	S98		HH11/543
22368	983D11220	Fitting, strut, at station 56-58 ...	1	S94	C	HH11/544
		FITTING, LUG END AT STATION 450" PORT & STARBOARD (422 & 423 D11220)				
		Spares for —				
	35bD11230	Bush ...	2	S95	C	HH12/545
28N 13623 5882	HOFFMAN CJ3 W&S No. 10	Joint, self aligning ...	1	—	C	HH12/546
		Washer ...	1	—	C	
11617	1140D11220	Gasket, cone mounting (Mod. 1319) ...	1	DTD378A	C	HH21/547
	1319D11220	GUARD, MAIN ELECTRIC CABLES, GROUP (Mod. 1037)	1	—		HH19/548
	1317D11220	GUARD, HYDRAULIC PIPES, PORT, GROUP (Mod. 1307)	1	—		HH10/549
	1318D11220	GUARD, HYDRAULIC PIPES, STBD., GROUP (Mod. 1307) ...	1	—		HH10/550
	1316D11220	GUARD, HYDRAULIC PIPES, STBD., GROUP (Mod. 1307)	1	—		HH10/551
	1315D11220	GUARD, HYDRAULIC PIPES, PORT, GROUP (Mod. 1307)	1	—		HH10/552
14894	1310D11220	Guide, rubber at station 127-82, Starboard (Mod. 1671)		B1S2757	C	HH10/553

VULCAN No. 2

EQUIPMENT, SPECIAL OPERATIONAL (S.O.O.)
NEW STORE INSTALLATION, REMOVABLE FITTINGS

Ref. No.	Part No.	Description 1 2 3 4	No. off	Matl. Spec.	Cl. of	Plate and Illust'n No.
					St.	
					M.R.	
		INSTALLATION, THROTTLE PULL OFF FUSING UNIT (D12417) (Mod. 1671)				
14895	9D12417	Spares for :— BLOCK, GUIDE, GROUP ...	1	L65	C	HH10 554
15014	1D12419	CABLE, PULL OFF, GROUP ...	1	—	C	HH10 555
5D 2296	—	Unit, fusing	1	—	A	HH10 556
		LANDINGS, ACCESS DOORS, PORT & STARBOARD (1060 & 1061 D11220) (504, 505, 506 & 507 D11220)				
28FP 611	R5	Spares for :— Receptacle, dzus	44	—	C	HH10 557
22376	655D11220	Landing, door at stations 94-822 and 257-953	1	—	C	
22354	517D11220	LUG, REAR SUPPORT, PORT, GRP.	1	—	C	HH12 558
22357	518D11220	LUG, REAR SUPPORT, STBD., GRP.	1	—	C	HH12 559
		Spares for :—				
28N 13513	CJ5	Joint, self aligning	1	—	C	HH12 560
14863	517bD11220	Bush	2	S95	C	HH12 561
5887	W&S No. 4	Washer	1	—	C	
22359	413D11220	MEMBER, TOP SEAL, AT STATION 13, PORT, GROUP	1	—	C	
22360	414D11220	MEMBER, TOP SEAL, AT STATION 13, STARBOARD, GROUP	1	—	C	
22347	472D11220	Member, deck support, 165-50" from station 'D', Starboard	1	L72	C	
22348	475D11220	Member, deck support, 170-704" from station 'D', Starboard	1	L72	C	
22350	479D11220	Member, edge, bottom corner, stbd. ...	1	L72	C	
22351	927D11220	Member, deck support, 179-14" from station 'O,' starboard	1	L72	C	
	795D11220	PANEL, ACCESS ON OUTER SKIN AT STATION 105 82, STARBOARD, GROUP	1			HH10 562
		Spares for :—				
28FP 73	F4 35	Fastener, dzus	12	—	C	
22379	1309D11220	Plate, rubber guide retaining at station 127 82 (Mod. 1671)	1	L72	C	HH10/563
	1149D11220	Plate, cover, at station 241-15 at 249-0 starboard inner skin (Mod. 1085)	1	L72	C	
	1D12598	PLATE, PATCH, 28 3 FROM STATION 'O', STARBOARD GROUP (Mod. 1699)	1	L72	C	HH10 564
		Spares for :—				
28FP 1118	A3 1/2 T17	Fastener, dzus	12	—	C	
28FP 1002561	GH/3 1/2	Grommet, dzus	12	—	C	

**EQUIPMENT, SPECIAL OPERATIONAL (S.O.O.)
NEW STORE INSTALLATION, REMOVABLE FITTINGS**

Ref. No.	Part No.	Description 1 2 3 4	No. off	Matl. Spec.	Cl. of	Plate and Illust'n No.
					St. M.R.	
		DOORS, FAIRING, PORT AND STARBOARD (D11220) (Cont'd)				
22366	435D11220	Plate, gusset, port station 240-207 ...	1	L72	C	
22367	436D11220	Plate, gusset, starboard, station 240-207	1	L72	C	
22369	229D11220	PLATFORM, SEAL, REAR FRAME, PORT, GROUP	1	—	C	
22370	300D11220	PLATFORM, SEAL, REAR FRAME, STARBOARD, GROUP	1	—	C	
22371	301D11220	PLATFORM, SEAL, REAR FRAME, PORT, GROUP	1	—	C	
22372	302D11220	PLATFORM, SEAL, REAR FRAME, STARBOARD, GROUP	1	—	C	
22373	303D11220	PLATFORM, SEAL, REAR FRAME, PORT, GROUP	1	—	C	
	304D11220	PLATFORM, SEAL, REAR FRAME, STARBOARD, GROUP	1	—		
22374	382D11220	PLATFORM, SEAL, REAR FRAME, PORT, GROUP	1	—	C	
22375	383D11220	PLATFORM, SEAL, REAR FRAME, STARBOARD, GROUP	1	—	C	
		RADIAL MEMBER AT STATION 249 0 TO 324 77 PORT AND STARBOARD (1 & 2D11275)				
22481	407D11220	Bracket, hinge, Port ...	1	S95	C	HH13/565
22484	408D11220	Bracket, hinge, Starboard ...	1	S95	C	HH13/566
22482	490D11220	Bracket, hinge, Port ...	1	DTD130B	C	HH13/567
22485	491D11220	Bracket, hinge, Starboard ...	1	DTD130B	C	HH13/568
22480	492D11220	Bracket, hinge, Port ...	1	DTD130B	C	HH13/579
22483	493D11220	Bracket, hinge, Starboard ...	1	DTD130B	C	HH13/570
	16D11220	Shim, laminated 1-60" x 6" x .030" ...	5	Brass		
	17D11220	Shim, laminated 1-80" x 1-25" x .030"	1	Brass		
28FP 9438596	R34	Receptacle dzus, at patch plate landing. 28.3" from Station 'O'	12	—	C	HH10/571
		RIB, OUTER PORTION AT STATION 240-207, PORT (111D11220) RIB, OUTER PORTION AT STATION 170-954, PORT AND STARBOARD (77D11220)				
		Spares for —				
14403	10D11221	Bush ...	2	S95	C	HH12/572
28N 15373	CJ7	Joint, self aligning ...	1	—	C	HH12/573
	W&S No. 14	Washer ...	1	—		
	1142D11220	Ring, insulating, at mounting cone (Mod. 1319)	1	Fibreglass		HH21/574
	1143D11220	Ring, insulating, at outlet pipe (Mod. 1319)	1	Fibreglass		HH21/575

VULCAN Pk 3

EQUIPMENT, SPECIAL OPERATIONAL (S.O.O.)
NEW STORE INSTALLATION, REMOVABLE FITTINGS

Ref. No.	Part No.	Description 1 2 3 4	No. off	Matl. Spec.	Cl. of St.	Plate and Illust'n No.
					M.R.	
		DOORS, FAIRING, PORT AND STARBOARD, (D11220) (Cont'd)				
13395	1SS4652	Seal, rubber	QR	Neoprene		HH10 576
	2SS4652	Seal, rubber	QR	Neoprene	C	HH10 577
22345	470D11220	SEALING, DECKING, INWAY OF CARRIER BEAM, GROUP	1	—	C	
	—	Strip, seal retaining 18G x 9-5" ...	QR	L72		
	—	Strip, seal retaining 18G x 6-5" ...	QR	L72		
	—	Strip, seal retaining 16G x 60" ...	QR	L72		
	—	Strip, seal retaining 14G x 65" ...	QR	L72		
	—	Strip, seal retaining 14G x 95" ...	QR	L72		
22389	477D11220	SEAL, CARRIER SLIP APERTURE GROUP	1	—	C	HH10 578
22365	982D11220	Tab, locking	1	—	C	
14545	1D10827	FAIRING, REMOVABLE, AFT, GROUP	1	—	B	HH10 579
		Spares for:—				
28FP 617	EF5 45B	Fastener, dzus	21	—	C	
14502	15D11101	Link, for chain attaching pin on support, D11226	2	L72	C	
14503	8D11102	Pin, at door support, D11226	2	S94	C	HH12 580
14497	15D11240	Pin, hinge at station, 347-937	1	S94	C	HH11 581
14496	11D11240	Pin, hinge	6	S82	C	HH11 582
28P 5413	AGS.1551/3	Pin, safety locking for pin, top attachment item D11226	2	—	C	
17230	16D11101	Ring, Terry No. 169 1/2" O'D	4	—	C	
	18D11101	Ring, Terrys No. 169 1/2" O'D	2	—		
1161	15S4140	Screw, for attaching removable fairing 1D10827	37	—	C	HH10 583
	1D11101	SUPPORT, FAIRING DOOR, FRONT, PORT, GROUP	1	—		HH12 583A
	2D11101	SUPPORT, FAIRING DOOR, FRONT, STB'D, GROUP	1	—		HH12 584
		Spares for:—				
17231	19D11101	CHAIN, GROUP	1	—	C	HH12 585
		Spares for:—				
14502	15D11101	Link	1	L72	C	
14971	14D11101	Pin, 1/2" dia. x 2" long	1	S94	C	HH12 586
14514	13D11101	Clip, spring	1	DTD215	C	HH12, 587
14509	4D11101	Fork-end	1	DTD1308	C	HH12 588
14512	20D11101	Locknut, R.H. thread	1	—	C	HH12 589
14513	21D11101	Locknut, L.H. thread	1	—	C	HH12, 590
14510	8D11101	Pin, attachment, port	1	S94	C	HH12, 591
14511	9D11101	Pin, attachment, stb'd	1	S94	C	HH12 592

**EQUIPMENT, SPECIAL OPERATIONAL (S.O.O.)
NEW STORE INSTALLATION, REMOVABLE FITTINGS**

Ref. No.	Part No.	Description	No. off	Matl. Spec.	Cl. of	Plate and Illust'n No.
					St.	
		1 2 3 4				
28P 9713016 14515	AGS1551.3	SUPPORT, FAIRING DOOR, FRONT PORT & STARBOARD, (D11101) (Cont'd)				
	6D11101	Pin, safety locking	1	—	C	
	11D11101	Screw, turnbuckle	1	DTD130B	C	HH12 593
14508	5D11101 3D11101	TUBE, GROUP	1	—		HH12 594
		Spares for:—				
		Block, attachment	1	DTD130B		
15038	1D11102	Fork-end	1	DTD130B	C	
		SUPPORT, FAIRING DOOR AT STATION 44592, PORT AND STARBOARD, GROUP	1	—	B	HH12 595
		Spares for:—				
14403 28N 15373	12D11102	BRACKET, SUPPORT, GROUP ...	1	—		HH12 596
		Spares for:—				
		10D11331	Bush	2	S95	C
14502 14503	CJ7 W. & S. No. 14	Joint, self aligning	1	—	C	
		Washer	1	—	C	
		11D11102	CHAIN, GROUP	1	—	
14504 14503	15D11101 8D11102	Spares for:—				
		Link, for chain attachment ...	1	L72	C	
		Pin, ½" O D x 3" long	1	S94	C	HH12 598
14504 14517 14512 14513 14519	10D11102 7D11102 20D11101 21D11101 13D11102	Clip, spring	1	DTD215	C	HH12 599
		Fork-end	1	DTD130B	C	HH12 600
		Locknut, R.H. thread	1	—	C	HH12 601
14519	5D11102	Locknut, L.H. thread	1	—	C	HH12 602
		Screw, turnbuckle	1	DTD130B	C	HH12 603
		TUBE, GROUP	1	—		HH12 604
14516	6D11102 3D11102	Spares for:—				
		Block, attachment	1	DTD130B		
		Fork-end	1	DTD130B	C	
17231	1D11103	SUPPORT, FAIRING DOOR, REAR, PORT & STARBOARD, GROUP	1	—		HH12 605
		Spares for:—				
		CHAIN, GROUP	1	—	C	HH12 606
14502 15036	15D11101 11D11103	Spares for:—				
		Link, for chain attachment ...	1	L72	C	
		Pin, ½" O D x 2" long	1	S94	C	HH12 607
14522 14521	13D11103 12D11103	Clip, spring	1	DTD215	C	HH12 608
		Fork-end	1	DTD130B	C	HH12 609
		Locknut, R.H. thread	1	—	C	HH12 610
14512 14513 14523	20D11101 21D11101 2D11103	Locknut, L.H. thread	1	—	C	HH12 611
		Pin, attachment	1	S94	C	HH12 612
		Pin, safety locking	1	—	C	
28P 5413 14515	AGS1551.3 6D11101	Screw, turnbuckle	1	DTD130B	C	HH12/613

VULCAN No. 2

EQUIPMENT, SPECIAL OPERATIONAL (S.O.O.)
NEW STORE INSTALLATION, REMOVABLE FITTINGS

Page HH. 33

Ref. No.	Part No.	Description 1 2 3 4	No. off	Matl. Spec.	Cl. of	Place and Illust'n No.
					St. M.R.	
		SUPPORT, FAIRING DOOR, REAR PORT & STARBOARD (1D11103) (Cont'd)				
	SD11103	TUBE, GROUP	1	—		HH12 614
		Spares for :—				
14508	SD11101	Block, attachment	1	DTD1308	C	
	3D11101	Fork-end	1	DTD1308		
	1D11226	SUPPORT, FAIRING DOOR AT CARRIER & REAR CRUTCH BEAMS, PORT & STARBOARD, GROUP	2	—		HH12 615
14505	2D11226	Barrel	1	S94	C	HH12,616
14506	3D11226	Fork-end, RH	1	S94	C	HH12/617
14507	SD11226	Fork-end, LH	1	S94	C	HH12/618
28M 9457500	A27 QT	Locknut, RH } BSF	1	—	C	HH12/619
28M 13810	A27 QT.LH	Locknut, LH } BSF	1	—	C	HH12 620
1238	13D9094	Washer, at hinge pins	20	—	C	HH11 621
14501	18D11240	Washer, thrust at hinge station 170-86 ...	4	S21	C	HH11 622
14565	1D11534	FAIRING, AUXILIARY, DETACHABLE, GROUP	1	—	C	HH10 623
		Attachments for Fairing 1D11534				
9806	SSS4353	Bolt	9	—	C	HH10,624
10076	BSS4353	Bolt	8	—	C	HH10 625
28D 9436920	A25 1C	Bolt, 2 BA	4	—	C	
28D 9133011	A25 2C	Bolt, 2 BA	12	—	C	
28D/9133012	A25/3C	Bolt, 2 BA	2	—	C	
28W 9419482	SP13 C	Washer, 2 BA	2	—	C	
		INSTALLATION, A.L.S.U. FAIRING AND SERVICES, PORT AND STARBOARD (D11952) (Mod. 1080)				
		Spares for :—				
		FAIRING, A.L.S.U. ON FAIRING DOORS, (240 & 241 D11952) (Mod. 1212)				
		Spares for :—				
22549	64D11952	Bracket, port	1	L72	C	
22550	65D11952	Bracket, starboard	1	L72	C	
14812	88D11952	BRACKET, MOUNTING, GROUP	1	—	C	
14815	99D11952	BRACKET, GROUP	2	—	C	
14824	191D11952	BRACKET, SEALING CAP ATTACHMENT, PORT, GROUP	1	—	C	
14825	192D11952	BRACKET, SEALING CAP ATTACHMENT, STARBOARD, GROUP	1	—	C	
14720	179D11952	CAP, SEALING, PORT, GROUP ...	1	—	C	HH17 626
		Spares for :—				
14722	177D11952	Spring	1	DTD215	C	HH17,627
	176D11952	Tube, distance	1	S110		HH17 628

**EQUIPMENT, SPECIAL OPERATIONAL (S.O.O.)
NEW STORE INSTALLATION, REMOVABLE FITTINGS**

Ref. No.	Part No.	Description 1 2 3 4	No. off	Matl. Spec.	Cl. of	Plate and Illust'n No.
					St. M.R.	
		FAIRING, A.L.S.U. ON FAIRING DOORS, (240 & 241 D11952) (Mod. 1212) (Cont'd)				
14721	180D11952	CAP, SEALING, STBD., GROUP ...	1	—	C	HH17 629
		Spares for :—				
14723	178D11952	Spring	1	DTD215	C	HH17 630
	176D11952	Tube, distance	1	S110		HH17 631
14718	141D11952	DOOR, ACCESS, GROUP	1	—	C	HH17 632
		Spares for —				
28FP 9144248	A4 25	Fastener, dzus	4	—	C	
14816	100D11952	FAIRING, PORT, GROUP	1	—	C	HH17 633
14817	101D11952	FAIRING, STBD., GROUP	1	—	C	HH17 634
		Spares for :—				
22554	216D11952	Louvre, port	2	S521	C	
22555	217D11952	Louvre, starboard	2	S521	C	
14719	186D11952	Panel, access	1	L72	C	
1433478	149D11952	SEAL, PORT, GROUP	1	Neoprene	C	HH17 635
14781	150D11952	SEAL, STARBOARD, GROUP	1	Neoprene	C	HH17 636
14831	183D11952	Shim, 24G. tinned steel	1	S510	C	HH17 637
14818	133D11952	SKIN, INNER AFT, OUTBOARD, PORT, GROUP	1	—	C	HH17 638
14819	134D11952	SKIN, INNER, AFT OUTBOARD, STARBOARD, GROUP	1	—	C	HH17 639
14820	137D11952	Skin, inner, outboard forward, port ...	1	L72	C	HH17 640
14821	138D11952	Skin, inner, outboard forward, starboard	1	L72	C	HH17 641
14822	238D11952	Skin, inner, inboard forward, port ...	1	L72	C	HH17 642
14823	239D11952	Skin, inner, inboard forward, starboard ...	1	L72	C	HH17 643
28FP 9430916	S4 200	Spring, dzus, at access door landing ...	4	—	C	HH17 644
30B 9611220	—	Strip, seal retaining, 20G x .6" ...	GR	L72	C	
		INSTALLATION A.L.S.U. HOT AIR SUPPLY, PORT & STARBOARD (40 & 41 D11952)				
		Spares for ...				
14853	305D11952	BLOCK, CLAMP, AT FORWARD END OF PIPE 96D11952, GROUP	1	—	C	HH17 645

VULCAN No. 2

EQUIPMENT, SPECIAL OPERATIONAL (S.O.O.)
NEW STORE INSTALLATION, REMOVABLE FITTINGS

Page HH. 35

Ref. No.	Part No.	Description	No. off	Matl. Spec.	Cl. of	Plate and Illust'n No.
					St.	
		1 2 3 4			M.R.	
		INSTALLATION, A.L.S.U. HOT AIR SUPPLY, PORT & STARBOARD, (40 & 41D 11952) (Cont'd)				
14854	306D11952	Block, clamp at lower position on carrier beam	2	DTD1308	C	HH17 646
14855	307D11952	Block, clamp at A.L.S.U. mounting bracket	4	DTD1308	C	HH17 647
14856	308D11952	Block, clamp, at pipe 42D11952 ...	4	DTD1308	C	HH17 648
14857	309D11952	BLOCK, CLAMP, AT UPPER POSITION ON CARRIER BEAM, GROUP	1	—	C	HH17 649
28E 9129090	AGS605 0	Clip, at cone attachment to pipe 218D11952	2	—	C	
14877	311D11952	Coupling, pipe, special, at A.L.S.U. mounting brackets pipe joint	1	S110	C	HH17 650
14814	92D11952	Link, connecting, for clamp blocks on falling doors	8	L72	C	HH17 651
14829	231D11952	Link, connecting, for lower clamp blocks on carrier beam	2	L72	C	HH17 562
14872	243D11952	MUFF, PIPE JOINT INSULATING AT ADAPTOR PIPE TO FLEXIBLE PIPE JOINT, ALSO AT LOWER FLEXIBLE PIPE JOINT TO PIPE 42D11952, GROUP	2	—	C	HH17 653
14873	245D11952	MUFF, PIPE JOINT INSULATING AT UPPER AND LOWER FLEXIBLE PIPES TO PIPES ON CARRIER BEAM, GROUP	2	—	C	HH17 656
14871	242D11952	MUFF, PIPE JOINT INSULATING AT ADAPTOR PIPE TO BOMB BAY DUCT JOINT, GROUP	1	—	C	HH17 655
14874	246D11952	MUFF, PIPE JOINT INSULATING AT CLAMP BLOCKS ON PIPE 42D11952, A.L.S.U. MOUNTING BRACKET AND CARRIER BEAM, GROUP	4	—	C	HH17 656
14875	247D11952	MUFF, PIPE JOINT INSULATING AT SPECIAL PIPE COUPLING, GROUP	1	—	C	HH17 657

**EQUIPMENT, SPECIAL OPERATIONAL (S.O.O.)
NEW STORE INSTALLATION, REMOVABLE FITTINGS**

Ref. No.	Part No.	Description 1:2 3 4	No. off	Matl. Spec.	Cl. of	Plate and Illust'n No.
					St. M.R.	
		INSTALLATION A.L.S.U. HOT AIR SUPPLY, PORT AND STARBOARD. (40 & 41D 11952) (Cont'd)				
14876	248D11952	MUFF, PIPE JOINT INSULATING AT JOINT OF PIPES 42 & 96D11952, GROUP	1	—	C	HH17 658
14616	42D11952	PIPE, LAGGED, FORWARD ON FAIRING DOORS, GROUP	1	—	C	HH17 659
14620	55D11952	PIPE, LAGGED, ON CARRIER BEAM, PORT, GROUP	1	—	C	HH17 660
14810	86D11952	PIPE, LAGGED, ON CARRIER BEAM, STARBOARD, GROUP	1	—	C	HH17 661
14712	96D11952	PIPE, LAGGED, FROM PIPE 42D11952 TO SPECIAL PIPE COUPLING, GROUP	1	—	C	HH17 662
22553	218D11952	PIPE, LAGGED, FROM SPECIAL PIPE COUPLING TO CONE, GROUP	1	—	C	HH17 663
14827	229D111952	PIPE, FLEXIBLE, LAGGED AT CARRIER BEAM, GROUP	2	—	C	HH17 664
14835	235D11952	PIPE, ADAPTOR, LAGGED FROM BOMB BAY DUCT TO FLEXIBLE PIPES, GROUP	1	—	C	HH17 665
22551	303D11952	PIPE, CW CONE, FROM A.L.S.U. FAIRING TO PIPE 218D11952, PORT, GROUP	1	—	C	HH17 666
22552	304D11952	PIPE, CW CONE, FROM A.L.S.U. FAIRING TO PIPE 218D11952 STAR- BOARD, GROUP	1	—	C	HH17 667
28F 17675	ASS402	Seal, at adaptor pipe and bomb bay duct joint, port and starboard	1	—	C	

VULCAN Mk 2

EQUIPMENT, SPECIAL OPERATIONAL (S.O.O.)
NEW STORE INSTALLATION, REMOVABLE FITTINGS

Ref. No.	Part No.	Description	No. off	Matl. Spec.	Cl. of	Plate and Illust'n No.
					St.	
		1 2 3 4			M.R.	
		MOUNTING, A.L.S.U. FUSING UNIT, PORT AND STARBOARD (17 & 18 D11952)				
		Spares for :—				
22545	72D11952	Bucket, forward, port	1	L72	C	
22546	73D11952	Bracket, aft. port	1	L72	C	
22547	74D11952	Bracket, forward, starboard	1	L72	C	
22548	75D11952	Bracket, aft. starboard	1	L72	C	
	23SS4204	Grommet, starboard	1	—		HH17 668
	315D11952	PLATE, MOUNTING, PORT AND STARBOARD, GROUP (Mod. 1846)	1	—		HH17 669
		Spares for :—				
14918	316D11952	ARM, PULLEY, GROUP	1	—	B	HH17 670
		Spares for :—				
	69dD11952	Bush, oilite, make from FCT 28	1	—		HH17 671
14610	69bD11952	Spaces, in fork end	2	DTD1308		HH17 672
14807	69cD11952	Spacer, under nut and washer	1	DTD1308		HH17 673
14809	82D11952	GUARD, CABLE, GROUP	1	—	C	HH17 674
14808	80D11952	GUIDE, CABLE, GROUP	1	—	C	HH17/675
14614	61D11952	PLATE, SOCKET ATTACHMENT, GROUP	1	—	B	HH17 676
		Consisting of :—				
28M 10286	AGS2001 A1	Nut, 6 BA	2	—	C	
	61bD11952	Packer	1	L72		
	61aD11952	Plate	1	L72		
28S 1200060	A33 A16	Screw, 6 BA	2	—	C	
5D 1747	—	Socket, 2 pole	1	—	B	
28W 9419464	SP13.A	Washer, 6 BA	2	—	C	
28R 13502	AS111	Pulley, single row bearing	1	—	B	HH17/677
14919	314D11952	Stop, cable (Mod. 1846)	1	S110	C	HH17 678
5D2342	—	Unit, fusing, No. 4 Mk. 1	1	—	A	HH17 679

**EQUIPMENT, SPECIAL OPERATIONAL (S.O.O.)
NEW STORE INSTALLATION, REMOVABLE FITTINGS**

Ref. No.	Part No.	Description 1 2 3 4	No. off	Matl. Spec.	Cl. of	Plate and Illust'n No.
					St. M.R.	
		INSTALLATION, REFRIGERATION PACK IN BOMB BAY (Z9955)				
		Spares for :—				
15008	29Z9955	Block, clamp, for flexible hoses at bracket 21Z9955 (Mod. 1083)	4	L64	C	HH14 680
15033	21Z9955	BRACKET, FLEXIBLE HOSE SUPPORT GROUP	1	—	C	HH14/681
22511	24Z9955	Bracket, clip	1	—		HH14.682
14352	KING A c	Clamp, pipe, at fairing door intake joint ...	1	—	C	HH14 683
14215	C4370/4 A	Clamp, half, at expansion joints (Mod. 1083)	4	S110	C	HH14 684
14881	27Z7648	Clamp, half, at insert and regulator valve joint	2	S110	C	HH14 685
14880	35Z9955	Clip, for half clamp at insert and regulator valve joint	1	S521	C	HH14 686
28E 8188	AGS605 6	Clip, at 4" dia coupling hose	2	—	C	
28E 9130219	AGS605 4	Clip, at 2½" dia coupling hose	2	—	C	
14349	DUNLOP	Coupling, hose	1	—	C	HH14 687
14350	DAS 582 80/4"	Coupling, hose	1	—	C	HH14 688
14882	DUNLOP	Insert, at regulator valve and expansion unit joint	1	S110	C	HH14 689
14355	31Z9955	PACK, REFRIGERATION, GROUP ...	1	—	A	HH14 690
		Spares for :—				
14935	1Z9954	Adaptor, special, at expansion valve ... (Mod. 1083)	1	B11	C	HH16 691
14378	62Z9954	Banjo, at pressure gauges (Mod. 1083) ...	2	B11	C	HH16 692
14371	46Z9954	Block, clamps, attaching pipes 62 and 67Z9978 (Mod. 1083)	1	L64	C	HH16/693
14372	40Z9954	Block, clamp, attaching pipes 62 and 67Z9978 (Mod. 1083)	1	L64	C	HH16 694
14373	41Z9954	Block, clamp at pressure gauges ... (Mod. 1083)	4	L64	C	HH16 695
26FP 8735	47Z9954	Block, terminal	1	—	C	HH16 696
14951	1VS650	Bolt, banjo at liquid trap	1	B11	C	HH16 697
14379	10Z10869	Bolt, banjo, at pressure gauge	1	B11	C	HH16 698
14759	49Z9954	Bolt, banjo, at pressure gauge (Mod. 1304)	1	B11	C	HH16 699
14953	65Z9954	Bolt, banjo, at liquid trap (Mod. 1376) ...	1	B11	C	HH16 700
14356	76Z9954	Bracket, mounting for jet pump	1	L65	C	HH14 701
14358	63Z 9954	Bracket, hinge, for platform	3	L64	C	HH16 702
	2Z9954	Bush, special, at intercooler to platform mounting	1	S1	C	HH14 703

VULCAN No. 2

EQUIPMENT, SPECIAL OPERATIONAL (S.O.O.)
NEW STORE INSTALLATION, REMOVABLE FITTINGS

Ref. No.	Part No.	Description 1 2 3 4	No. off	Matl. Spec.	Cl. of St.	Plate and Illust'n No.
					M.R.	
		PACK REFRIGERATION (1Z9954) (Cont'd)				
2046	3Z7648	Clamps, half. 1½" dia. pipe joint ...	8	S110	C	HH14 704
3594	11Z7648	Clamps, half. 4" dia. pipe joint ...	2	S110	C	HH14 705
14215	2Z7648	Clamp, half. at expansion unit and 2½" dia. pipe joints	6	S110	C	HH14 706
14572	1Z10462	CHAMBER, MIXING, GROUP, (Mod. 1304)	1	—	A	HH16 707
		Spares for:—				
14574	11Z10462	Banjo, special body	1	B11	C	HH16 708
14581	8Z10462	Bolt, special (made from A25 20) ...	8	—	C	HH16 709
14573	13Z10462	Bolt, special, for banjo	1	DTD130	C	HH16 710
14575	3Z10462	Cap, end	1	DTD130	C	HH16 711
14377	44Z9954	Clamp, at end cap	2	L64	C	HH16 712
14579	6Z10462	Coupling, special	1	BSS249	C	HH16 713
14580	7Z10462	Filter, (Knitmesh Ltd.)	1	Alum. Alloy	C	HH16 714
14583	15Z10462	Nut, cap, special for banjo	1	DTD130	C	HH16 715
14376	43Z9954	Nut, special, clamp retaining	1	L64	C	HH16 716
	OS39	Seal, "O" ring, for cap	1	Leoprene		HH16 717
14375	42Z9954	Washer, sealing in end cap	1	DTD568A	C	HH16 718
		The following items are used only when chamber is stored				
	DANFOSS					
	B1.8	Cap, copper seal	2	—		
	18Z9978	Nut, at special coupling	1	BSS249		
	12Z10462	Nut, special, at banjo	1	BSS249		
	9Z10462	Plug, blanking at end cap	1	DTD130		
28E 9129092	AGS605 2	Clip, jubilee	6	—	C	
28E 9129562	AGS605 3	Clip, jubilee, for 2½" pipes	4	—	C	
28E 9130219	AGS605 4	Clip, jubilee, for 2½" pipes	4	—	C	
28E 8188	AGS605,6	Clip, jubilee, for flexible duct and special flange joints	3	—	C	
28E 9713018	AS3181/6C	Clip, pipe, ½" dia.	2	—	C	
28E 9436728	AS3181 4B	Clip, pipe, ½" dia.	5	—	C	
28E 9488798	AS3181 6B	Clip, pipe, ½" dia.	2	—	C	
28E 14085	AS3181/15C	Clip, pipe, ½" dia.	1	—	C	
28E 9995929	AS4580 1	Clip, pipe, nylastic	3	—	C	
14381	55Z9954	Clip, special, at pressure switch (Mod. 1083)	1	L72	C	HH16 719
14382	56Z9954	Clip, special, at liquid receiver	2	S510	C	HH16 720
	75Z9954	COMPRESSOR, FREON, GROUP	1	—		HH16/721
		Spares for:—				
27UA 2711	DE HAVILLAND CR.02.02. 75DZ9954	Compressor, freon.	1	—	A	
		MUFF, HEATER, GROUP	1	—		
		Spares for:—				
5X 6621	10V5650	Ferrule	2	—	C	
5CZ 7771	DUNLOP ACM23 60 P20	Muff, heater	1	—	A	
		Sleeve, yellow, 3" long	2	—		

EQUIPMENT, SPECIAL OPERATIONAL (S.O.O.)
NEW STORE INSTALLATION, REMOVABLE FITTINGS

Ref. No.	Part No.	Description	No. off	Matl. Spec.	Cl. of	Plate and Illust'n No.
					St. M.R.	
		1 2 3 4				
	75CZ9954	COMPRESSOR, FREON, (Cont'd)				
		MUFF, HEATER, GROUP ...	1	—		
		Spares for:—				
5X 6621	10V5650	Ferrule	2	—	C	
	DUNLOP					
5CZ 7772	ACM23162	Muff, heater	1	—	A	
	P20	Sleeve, yellow, 3" long	2	—		
	NORMALAIR					
27KD	523000	Condenser, (Mod. 1083)	1	—		HH16 722
14374	51Z9954	Connection, special, at expansion valve (Mod. 1083)	1	—	C	HH16 723
14947	4Z10869	Connector, pressure gauge. (Mod. 1083)	1	—	B	HH16 724
27ZA 81	EXACTOR C19007	Coupling, freon. (Mod. 1083)	1	—	B	HH14 725
27ZA 95	EXACTOR C18915	Coupling, freon. (Mod. 1083)	1	—	B	HH14 726
27KD 2371	NORMALAIR 522610	Disc, bursting (Mod. 1083)	1	—	C	HH14 727
14363	AVICA BE7963	DUCTING, GROUP (Mod. 1083) ...	1	—	B	HH14 728
14368	AVICA FL13501	DUCT , flexible at compression to pipe 20Z9954 (Mod 1083) ...	1	—	B	HH14 729
27KD 2110	NORMALAIR 519240	Exchanger, heat	1	—		HH14 730
14758	66Z9954	Filter, fitted into pipe 62Z9918 (Mod. 1376)	1	—	C	HH16 731
27KD 2111	NORMALAIR 517630	Filter, and drier	1	—	B	HH16 732
14361	21Z9954	Flange, special at ducting BE7963. to intake joint	1	L34	C	HH15 733
14359	14Z9954	Gasket, at relief valve and support channel joint	2	DTD378A	C	HH14 734
14788	67Z9954	Gasket at relief valve and pipe 2Z9978 joint	1	DTD378A	C	HH15 735
14360	19Z9954	Gasket, at jet pump and intercooler joint	1	DTD378A	C	HH14 736
	REFRIGERATION COMPONENTS					
6A 7297	PG1 69Z9954	Gauge, pressure (Mod. 1083)	2	—	A	HH16 737
		LAGGING FOR CONDENSER, GROUP	1	—		HH16 738
		LAGGING FOR LIQUID RECEIVER, GROUP	1	—		HH16 739
1433118	71Z9954	LAGGING FOR DEHYDRATOR, GROUP	1	—	C	HH16 740
14945	72Z9954	Nutcap	1	—	C	HH16 741
14384	61Z9954	OUTLET, JET PUMP, GROUP (Mod. 1083)	1	—	B	HH15 742
		Spares for:—				
27KD	NORMALAIR 519260	Outlet	1	—		

VULCAN No 2

EQUIPMENT, SPECIAL OPERATIONAL (S.O.O.)
NEW STORE INSTALLATION, REMOVABLE FITTINGS

Page HH. 41

Ref. No.	Part No.	Description 1 2 3 4	No. off	Matl. Spec.	Cl. of	Plate and Illust'n No.
					St. M.R.	
14751	1V10291	PANEL, ELECTRICAL, 93P REFRIG- ERATION PACK (Mod. 1083)				HH15 743
	V12846	Spares for LOOM, CABLE, GRP. (Mod.1376)	1	—		
	2V10291	PANEL, LESS WIRING, GROUP	1	—		HH15 744
26FP 8735 5X 7498	1V5650	Spares for :— Block, terminal	1	—	C	HH15 745
	1V7870	Block, terminal	1	—	C	HH15 746
	5V10291	BRACKET, RELAY AND LAMP MOUNTING, GROUP	1	—		HH15 747
28E 9995933	AS4580 3	Clip, cable, nylastic	1	—	C	
28E 9995932	AS4580 4	Clip, cable, nylastic	2	—	C	
9598	7SS4657	Clip, cable (Mod. 1376)	1	P.V.C.	C	HH15 748
14385	3V10291	COVER PANEL, GROUP	1	—	C	HH15 749
		Spares for :—				
28FP 1	A403	Pin, pip	4	—	C	HH15 750
	PAGE					
5L 9959118	A259	Filament	1	—	B	HH15 751
	PAGE					
SCW 8326	C180/B6	Lamp, indicator	1	—	B	HH15 752
	HART					
SCW 6736	R210/CP3 1	Relay, series BR	2	—	A	HH15 753
	ROTAX					
SCW 4779	D6704 2	Relay, 3 phase contactor	1	—	A	HH15 754
	ROTAX					
SCW 6148	R4909 1	Relay, current balance	1	—	A	HH15 755
	PLESSEY					
SCW 6098	7CZ105411.2	Relay (Mod. 1376)	1	—	A	HH15 756
	PLESSEY					
SCW 6099	7CZ103739.2	Relay (Mod. 1376)	1	—	A	HH15 757
	PAGE					
SCW 6634	A257	Sleeve, cable	1	—	C	HH15 758
	HART					
SCW 6742	BR 101 PS	Socket, relay series BR	2	—	B	HH15 759
5X 6622	14V5650	Socket, double	1	—	C	HH15 760
14560	20Z9954	PIPE, HEAT EXCHANGER INLET GROUP	1	—	C	HH15 761
15013	22Z9954	PIPE, FLEXIBLE DUCTING, GROUP	1	—	C	HH14 762
		PIPING INSTALLATION FOR RE- FRIGERATION PACK (1Z9978)				
		Spares for :—				
14959	53Z9978	HOSE, LAGGED FLEXIBLE, GRP.	1	—	C	HH14 763
		Spares for :—				
14905	68Z9978	HOSE, FLEXIBLE, GROUP (Mod. 1823)	1	—	C	
		Spares for :—				
14370	AVICA					
	CE13467	Hose, flexible	1	—	C	
	68aZ9978	Sleeve, thumofite NT.32 . 6"	1	—		
	68bZ9978	Sleeve, thumofite NT.32 . 6"	1	—		
	15S4485	Clip, ident.	1	—		

**EQUIPMENT, SPECIAL OPERATIONAL, (S.O.O.)
NEW STORE INSTALLATION, REMOVABLE FITTINGS**

Ref. No.	Part No.	Description 1:2 3 4	No. off	Matl. Spec.	Cl. of	Plate and Illust'n No.
					St. M.R.	
		PIPING INSTALLATION FOR RE- FRIGERATION PACK (1Z9978) (Cont'd)				
14960	54Z9978	HOSE, LAGGED FLEXIBLE, GRP. Spares for :—	1	—	C	HH14 764
14906	69Z9978	HOSE, FLEXIBLE, GROUP (Mod. 1823) Spares for :—	1	—	C	
	AVICA CE13468 69aZ9978 69bZ9978	Hose, flexible Sleeve, thumofite, NT.32 x 6" Sleeve, thumofite, NT.32 x 6"	1 1 1	— — —		
14387	2Z9978	PIPE, EXPANSION UNIT TO RELIEF VALVE, GROUP	1	—	C	HH15/765
14388	3Z9978	PIPE, COMPRESSOR TO JOINT, GROUP	1	—	C	HH15/766
14389	4Z9978	PIPE, JET PUMP TO JOINT, GRP.	1	—	C	HH15/767
14390	5Z9978	PIPE, COMPRESSOR TO JOINT, GROUP	1	—	C	HH15 768
14391	6Z9978	PIPE, REGULATOR VALVE TO PRESSURE RELIEF VALVE, GRP.	1	—	C	HH14 769
14392	7Z9978	PIPE, COMPRESSOR TO JOINT, GROUP	1	—	C	HH15/770
14393	8Z9978	PIPE, HEAT EXCHANGER TO JOINT, GROUP	1	—	C	HH15.771
14394	9Z9978	PIPE, COMPRESSOR TO CON- DENSER, GROUP	1	—	C	HH15 772
14932	34Z9978	PIPE, PRESSURE GAUGE TO JOINT, GROUP	1	—	C	HH16 773
14983	36Z9978	PIPE, BACK PRESSURE VALVE TO N.R.V., GROUP	1	—	C	HH16 774
22513	38Z9978	PIPE, BURSTING DISC TO DISCHARGE OUTLET, GROUP	1	—	C	HH16 775
14760	41Z9978	PIPE, EXPANSION VALVE TO MIXING CHAMBER AND BACK PRESSURE VALVE, GROUP (Mod. 1304)	1	—	C	HH16 776

VULCAN No 2

EQUIPMENT, SPECIAL OPERATIONAL (S.O.O.)
NEW STORE INSTALLATION, REMOVABLE FITTINGS

Page HH. 43

Ref. No.	Part No.	Description 1 2 3 4	No. off	Matl. Spec.	Cl. of St.	Plate and Illust'n No.
					M.R.	
		PIPING, INSTALLATION FOR REFRIGERATION PACK (1Z9978) (Cont'd)				
14957	51Z9978	PIPE, COMPRESSOR TO JOINT GROUP (Mod. 1376)	1	—	C	HH16 777
14958	52Z9978	PIPE, CONDENSER TO BURSTING DISC, GROUP (Mod. 1376)	1	—	C	HH16 778
14961	55Z9978	PIPE, COMPRESSOR TO LIQUID TRAP, GROUP (Mod. 1376)	1	—	C	HH16 779
15002	57Z9978	PIPE, LIQUID TRAP TO PRESSURE GAUGE, GROUP (Mod. 1376)	1	—	C	HH16 780
14962	56Z9978	PIPE, LIQUID TRAP TO MIXING CHAMBER, GROUP (Mod. 1376)	1	—	C	HH16 781
14963	61Z9978	PIPE, LIQUID RECEIVER TO FILTER & DRIER, GROUP (Mod. 1376)	1	—	C	HH16 782
14929	62Z9978	PIPE, LIQUID TRAP TO FLEXIBLE HOSE JOINT, GROUP	1	—	C	HH16 783
14955	66Z9978	PIPE, CONDENSER TO LIQUID RECEIVER, GROUP (Mod. 1376)	1	—	C	HH16 784
14934	67Z9978	PIPE, FILTER & DRIER TO FLEXIBLE HOSE JOINT, GROUP (Mod. 1376)	1	—	C	HH16 785
14956	71Z9978	PIPE, LIQUID RECEIVER TO RELIEF VALVE, GROUP	1	—	C	HH16 786
	1Z9938	PLATFORM, REFRIGERATION PACK, GROUP	1	—		HH16 787
14380	50Z9954	Plug, banjo union at pressure gauges ...	2	B11	C	HH16 788
14383	60Z9954	PUMP, JET, GROUP (Mod. 1083) ... Spares for :—	1	—	A	HH14 789
27KD 2108	NORMALAIR 519250	Inlet, jet pump	1	—	C	HH14 780
14903	11Z9953	PYLON, REFRIGERATION PACK, GROUP (Mod. 1083)	1	—	B	HH16 791
27KD 2113	NORMALAIR 522630	Receiver, liquid (Mod. 1083)	1	—	A	HH16 792
28F 18039	18Z9954 A55403	Ring, backing at pipe 2Z9978 to valve joint Seal, at 1.75" dia pipe joints	4	—	C	HH15 793

**EQUIPMENT, SPECIAL OPERATIONAL (S.O.O.)
NEW STORE INSTALLATION, REMOVABLE FITTINGS**

Ref. No.	Part No.	Description	No. off	Matl. Spec.	Cl. of	Place and Illust'n No.
					St.	
		1 2 3 4			M.R.	
PACK, REFRIGERATION (1Z9954)						
(Cont'd)						
28F 18246	AS5404	Seal, at 2.5" dia pipe joints	4	—	C	
28F 17231	AS5408	Seal, at 4" dia pipe joint	1	—	C	
22512	79Z9954	Scale, indicator	1	L72		HH16 794
14366	DUNLOP DAS 582 40 2½"	Sleeve, joint	2	—	C	HH15 795
14364	DUNLOP DAS 582 44 2½"	Sleeve, joint	2	—	C	HH15 796
14365	DUNLOP DAS 582 28 3½"	Sleeve, joint	2	—	C	HH15 797
14448	11Z9954	Spigot, for jet pump and intercooler mounting	3	S1	C	HH14 798
	64Z9954	Stiffener, at jet pump mounting bracket	1	L7		
	54Z9954	Support, block for pressure switch ...	1	L64		HH16 799
5CW 8323	TEDDINGTON FRJ A 18	Switch, pressure (Mod. 1083)	1	—		HH16 800
14362	26Z9954	TIE-BAR, GROUP	2	—	C	HH14,801
14948	1Z11162	TRAP, LIQUID, GROUP (Mod. 1376)	1	—	A	HH16 802
		Spares for :—				
	2Z11162	Body	1	L65		
14949	8Z10869	Bolt, special (make from A25/3C) ...	12	—	C	
	3Z11162	Cover, end	1	L65		
14972	6Z11162	LAGGING, GROUP	1	—	C	
14973	8Z11162	LAGGING, GROUP	1	—	C	
14974	9Z11162	LAGGING, GROUP	1	—	C	
	4Z11162	Mesh, wire (made from Knitmesh Ltd. Standard Mesh.)	1	Alum. Alloy		
	10Z11162	MUFF, HEATER, GROUP	1	—		
		Spares for :—				
5CZ 7770	DUNLOP ACM23158	Muff, heater	1	—	B	
14950	PALMER 3C3R 21	Seal, 'O' ring	1	—	C	
14946	5Z10869	Union, half at sight glass (Mod. 1376) ...	1	BS249	C	HH16 803
27UA 2564	NORMALAIR 31-201160	Unit, cold air	1	—	A	HH15 804
27KD 2119	NORMALAIR 519220	Valve, regulator	1	—	A	HH14 805
27KD 2118	NORMALAIR 519230	Valve, relief (Mod. 1083)	1	—	A	HH15 806
27KD 2114	NORMALAIR 519280	Valve, pressure relief (Mod. 1083) ...	1	—	A	HH14 807
27KD 2855	NORMALAIR 525570 527180	Valve, line (Mod. 1376)	1	—	B	HH16 808
		Valve, line (used on a c XH539 only) ...	1	—		

VULCAN No. 2

EQUIPMENT, SPECIAL OPERATIONAL (S.O.O.)
NEW STORE INSTALLATION, REMOVABLE FITTINGS

Ref. No.	Part No.	Description 1 2 3 4	No. off	Matl. Spec.	Cl. of	Plate and Illust'n No.
					St. M.R.	
		PACK, REFRIGERATION (1Z9954) (Cont'd)				
27VA 2714	DE-HAVILLAND CV3401	Valve, back pressure (Mod. 1083) ...	1	—	A	HH16 809
14944	BRITISH OXYGEN 801370	Valve, non-return (Mod. 1376) ...	1	—	A	HH16,810
27UA 2715	DE-HAVILLAND 1DVC-19-04	Valve, expansion (Mod. 1304) ...	1	—	A	HH16 811
14952	11Z10869	Washer, sealing, at liquid trap, banjo ...	2	BS889	C	HH16 812
28F 9428454	AGS1186 CC	Washer, sealing at liquid trap ...	2	—	C	
28F 1000160	AGS1139:C	Washer, sealing at indicator scale ...	1	—	C	
28F 1000161	AGS1139/B	Washer, sealing at pressure gauges ...	4	—	C	
15021	33Z9955	Piece, distance at clip 34Z9955 ...	2	S110	C	HH14,813
28P 5210	AGS1551/1	Pin, locking, for platform strut bolts ...	2	—	C	
28P 5212	AGS1551,2	Pin, locking, at platform hinges and tie rod bolts	5	—	C	
14345	6Z9955	PIPE, AIR VENT ELBOW, GROUP	1	—	C	HH14 814
14346	7Z9955	PIPE, AIR VENT OUTLET, GROUP	1	—	C	HH14/815
14353	26Z9955	PIPE, AIR SUPPLY TO REFRIGERATION PACK, GROUP	1	—	C	HH14 816
14354	28Z9955	PIPE, PRESSURE SENSING, GROUP	1	—	C	HH14 817
14347	5Z9955	Ring, dished, attaching garter seal ...	1	S510		HH14 818
28F 18246	8Z9955	Seal, at air vent outlet joint to door ...	1	DTD378A	C	HH14 819
	AS5404	Seal, at expansion joints and insert to regulator valve joints	3	—	C	HH14 820
28F 18776	AS5410	Seal, at fairing door intake joint ...	1	—	C	HH14 821
	BELLS					
14348	ASBESTOS BAS35 6-5"	Seal, garter, at air vent elbow to air vent outlet pipe	1	—	C	HH14 822
14344	2Z9955	STRUT, PLATFORM SUPPORT FORWARD, GROUP	1	—	C	HH14 823
15004	36Z9955	STRUT, PLATFORM SUPPORT AFT, GROUP	1	—	C	HH14 824
14213	12Z7613	TIE-BAR, AT EXPANSION UNIT 10Z7478, GROUP	2	—	C	HH14,825
15020	32Z9955	Trunnion, at clips 34Z9955 ...	2	S110	C	HH14 826
15019	30Z9955	Tube, fairlead, at clamp blocks 29Z9955 ...	2	L16	C	HH14 827
14351	5Z7478	UNIT, EXPANSION, GROUP Spares for:—	1	—	B	HH14 828
3593	9Z7648	Clamp, half ...	4	—	C	
28F 18295	AS5407	Seal ...	2	—	C	
14212	10Z7478	UNIT, EXPANSION AT REGULATOR VALVE, GROUP	1	—	B	HH14 829

**EQUIPMENT, SPECIAL OPERATIONAL (S.O.O.)
NEW STORE INSTALLATION, REMOVABLE FITINGS**

Ref. No.	Part No.	Description	No. off	Matl. Spec.	Cl. of	Plate and Illust'n No.
					St.	
		1 2 3 4			M.R.	
		INSTALLATION, HYDRAULICS FOR NEW STORE (Drg. Ref. Q2211 SHT 4) Spares for:— CONNECTIONS, ALTERNATIVE HOSE, BOMB DOOR & FIN GAP DOOR, PORT & STARBOARD (1Q2321) (1Q2322) (Mod. 748) (See Services — Hydraulics)				
		HYDRAULICS, FOR FIN GAP DOORS (1Q2263) Spares for:—				
14327	24Q2263 7Q2263	Banjo, at jack attachment point, starboard	1	DTD130B		HH13 830
		Bolt, special, for hammer adjusting, port and starboard	1	S94	C	HH13 831
14258 22534	15Q2263 26Q2263	BLOCK, CLAMP, PORT, GROUP ...	9	—	C	HH13 832
		BLOCK, CLAMP, STARBOARD, GROUP	7	—	C	HH13 833
22540	2Q2263	BRACKET, PORT SEQUENCE VALVE, GROUP	1	—	C	HH13 834
22541 22541	3Q2263 3Q2263	BRACKET, STARBOARD	1	—	C	HH13 835
		BRACKET, STARBOARD SEQUENCE VALVE, GROUP	1	—	C	HH13 835
14325	4Q2263	Bush, for sequence valve hammer, port and starboard	1	S94	C	HH13 836
27BA 8899	LOCKHEED AVERY AVAS8B or AVA1150B LOCKHEED AVERY AVAS8C or AVA1150C	Coupling, half	3P 25	—	B	HH13 837
27BA 8762		Coupling, half, starboard	1	—	B	HH13 838
14326	6Q2263 5Q2263	Hammer, sequence valve	1	S94	C	HH13 839
		Packer, to centralise starboard sequence valve hammer	1	DTD130B		HH13 840
14328	8Q2263	Pin, release, for jack ram, port and starboard	1	S94	C	HH13,841
14558	39Q2262	PIPE, FROM SEQUENCE VALVE TO BANJO AT JACK, STARBOARD, GROUP	1	DTD743	C	HH13 842
14333	43Q2262	PIPE, FROM SEQUENCE VALVE TO BANJO AT JACK, PORT GROUP	1	DTD743	C	HH13 843
14559	94Q2262	PIPE, FROM COUPLING MOUNTING BRACKET TO BANJO AT JACK, PORT, GROUP	1	DTD743	C	HH13 844

VULCAN PM 2

EQUIPMENT, SPECIAL OPERATIONAL (S.O.O.)
NEW STORE INSTALLATION, REMOVABLE FITTINGS

Page HH. 47

Ref. No.	Part No.	Description 1 2 3 4	No. off	Matl. Spec.	Cl. of St.	Plate and Illust'n No.
					M.R.	
		HYDRAULICS FOR FIN GAP DOORS (1Q2263) (Cont'd)				
14330	95Q2262	PIPE, FROM COUPLING MOUNTING BRACKET TO SEQUENCE VALVE, PORT, GROUP	1	DTD743	C	HH13 845
14331	96Q2262	PIPE, FROM COUPLING MOUNTING BRACKET TO BANJO AT JACK, PORT, GROUP	1	DTD743	C	HH13 846
14334	98Q2262	PIPE, FROM COUPLING MOUNTING BRACKET TO SEQUENCE VALVE, STARBOARD, GROUP	1	DTD743	C	HH13 847
14335	99Q2262	PIPE, FROM COUPLING MOUNTING BRACKET TO BANJO AT JACK, STARBOARD, GROUP	1	DTD743	C	HH13 848
14784	192Q2262	PIPE, FROM COUPLING MOUNTING BRACKET TO BANJO AT JACK, STARBOARD, GROUP	1	DTD743	C	HH13 849
14329	27Q2263 20Q2263	Plate, packer for coupling, starboard ... Spacer, under clamp blocks at stations 210-02 & 282-75, port and starboard	4	L72 DTD1308	C	HH13 850
27Q 70620	DOWTY 1.00419.001	Unit, jack, port and starboard ...	1	—	A	HH13 851
27Q	DOWTY 11950 Y.A09	Valve, sequence, port and starboard ...	1	—	A	HH13 852
		HYDRAULICS ON REAR CRUTCHING BEAM (1Q2276)				
		Spares for :—				
	27Q2276	Angle, top aft runner for hydraulic couplings in falling door (Mod. 1085)	1	SS20		HH22 853
	28Q2276	Angle, top forward runner for hydraulic couplings in fairing door (Mod. 1085)	1	SS20		HH22 854
14340	21Q2276	BLOCK, CLAMP, GROUP ...	1	—	C	HH22 855
22571	6Q2276	BRACKET, LEVER, FULCRUM, GRP.	2	—	C	HH22 856
	20Q2276	Bracket, for hose unions ...	1	SS20		HH22 857
	BAXENDALES No. 290	Chain, 6" long ...	1	—		

**EQUIPMENT, SPECIAL OPERATIONAL (S.O.O.)
NEW STORE INSTALLATION, REMOVABLE FITTINGS**

Ref. No.	Part No.	Description	No. off	Matl. Spec.	Cl. of	Place and Illust'n No.
					St.	
		1 2 3 4				
HYDRAULICS ON REAR CRUTCHING BEAM (1Q2276) (Cont'd)						
22572	13Q 2276	Channel, spring mounting	1	L72	C	HH22 858
	26Q2276	CONNECTOR, GUIDE, GROUP (Mod. 1085)	1	—		HH22 859
27BA 8744	LOCKHEED AVERY AVA54 E	Coupling, half, 1/2" ESP at starboard outboard flexible hose	1	—	B	HH22 860
27BA 8816	LOCKHEED AVERY AVA57 D	Coupling, half, 1/2" BSP at starboard outboard flexible hose	1	—	B	HH22 861
14791	J. LUCAS B.S.C.V100	Coupling, half snap, 1/2" BSP	1	—	B	HH22 862
14792	J. LUCAS B.S.C.V.102	Coupling, half snap, 1/2" BSP	1	—	B	HH22 863
14336	9Q2276	Elbow, special, 1/2" BSP at pull off tube, starboard	1	DTD1308	C	HH22 864
14337	10Q2276	Elbow, special, 1/2" BSP at pull off tube, port	1	DTD1308	C	HH22 865
	DUNLOP 8 W3 102 8 8 32	Hose, high pressure, 1/2" BSP, outboard	1	—		HH22 866
	DUNLOP 8 W3 102 8 9/41-2	Hose, high pressure, 1/2" BSP, inboard ...	1	—		HH22 867
	DUNLOP 10 W3 121 8 8 33	Hose, medium pressure, 1/2" BSP, outboard	1	—		HH22 868
	DUNLOP 10 W3 121 8 9 33-6	Hose, medium pressure, 1/2" BSP, inboard	1	—		HH22 869
	14Q2276	Link, for spring mounting channel, starboard	1	L72		HH22 870
	15Q2276	Link, for spring mounting channel, port	1	L72		HH22 871
14805	24Q2276	MOUNTING, PULL OFF TUBE, GROUP (MOD. 981)	1	—	C	HH22 872
14806	25Q2276	MOUNTING, PULL OFF TUBE, GROUP (Mod. 981)	1	—	C	HH22 873
27BA 9693	AVERY AVA65 D	Nut, union, 1/2" BSP	1	—	C	HH22 874
27BA	AVERY AVA65 E	Nut, union, 1/2" BSP	1	—	C	HH22 875
	16Q2276	Packer, for conical spring	2	L72		HH22 876

VULCAN No. 2

EQUIPMENT, SPECIAL OPERATIONAL (S.O.O.)
NEW STORE INSTALLATION, REMOVABLE FITTINGS

Page HH. 49

Ref. No.	Part No.	Description 1 2 3 4	No. off	Matl. Spec.	Cl. of St.	Plate and Illust'n No.
					M.R.	
HYDRAULICS ON REAR CRUTCHING BEAM (1Q2276) (Cont'd)						
28FP 9713920	A411	Pin, pip. at spring mounting channel and link	1	—	C	HH22 877
14342	47Q2262	PIPE, HIGH PRESSURE, 1/2" O D x 18G. GROUP	1	DTD743	C	HH22 878
14343	48Q2262	PIPE, LOW PRESSURE, 1/2" O D x 20G. GROUP	1	L56	C	HH22 879
	17Q2276 29Q2276	Plate, conical spring retaining ... Plate, mounting, for hydraulic couplings (Mod. 1085)	2	L72 —		HH22 880 HH22 881
28E 9467497	TERRY No. 169 32Q2276	Ring, split key, 1/2" o d ... Sleeve, locking, warm air connection fastener	2 1	— S94	C	HH22 882
14341	30Q2276 50SS4700 31Q2276 33Q2276 7Q2276 8Q2276 2Q2276	Spigot, warm air connection fastener Spring, conical ... Spring, at warm air connection fastener Stop, at warm air connection fastener Strip, packing, for tray retaining strip Strip, retaining, for tray ... Tray, pull-off tube mounting ...	1 2 1 1 2 2 1	S94 — DTD215 S94 L72 L72 S520	C	HH22 883 HH22 884 HH22 885 HH22 886
14904	11Q2276	Tube, pull-off for 1/2" BSP ...	1	S95	C	HH22 887
14884	12Q2276	Tube, pull-off for 1/2" BSP coupling ...	1	S95	C	HH22 888
14338	18Q2276	Union, flanged, 1/2" BSP ... (Make from AGS1113 D)	1	—	C	HH22 889
14339	19Q2276	Union, flanged, 1/2" BSP ... (Make from AGS1112 E)	1	—	C	HH22/891
HYDRAULICS, REAR CRUTCHING BEAM TO HYDRAULIC UNIT (1Q2286) (Mod. 748) (See :—Services—Hydraulics)						
HYDRAULIC UNIT INSTALLATION (1Q2288)						
14638	1Q2422	Spares for :— PACK, HYDRAULIC UNIT, GROUP (Mod. 1082)	1	—	A	HH18 892
27Q 70633	DOWTY 1.01062.001	Spares for :— Accumulator (Mod. 1224) ...	1	—	A	HH18 893

**EQUIPMENT, SPECIAL OPERATIONAL (S.O.O.)
NEW STORE INSTALLATION, REMOVABLE FITTINGS**

Ref. No.	Part No.	Description	No. off	Matl. Spec.	Cl. of	Plate and Illust'n No.
					St.	
		1 2 3 4				
PACK, HYDRAULIC UNIT (1Q2422)						
(Cont'd)						
14639	35Q2422	Banjo, $\frac{1}{2}$ " x $\frac{1}{2}$ " BSP	1	DTD130B	C	HH18 894
14640	37Q2422	Banjo, $\frac{1}{2}$ " x $\frac{1}{2}$ " BSP	1	DTD130B	C	HH18 895
14694	49Q2422	Block, clamp for oil container ...	4	BSS668	C	HH18 896
BLOCK, FEED & RETURN GROUP			1		B	HH18 897
Spares for :—						
26FP 6581	36SS3567	Banjo, body (Mod. 1939)	1	S93	C	HH18 898
14990	7Q2270	Banjo, body (Mod. 1939)	2	S93		HH18 899
	2Q2270	Block, less fitting	1	—		
14692	5Q2270	Bolt, banjo, special	2	S94	C	HH18 900
SANGAMO WESTON						
6A 6842	S110G 3 200	Bulb, resistance	1	—	B	HH18 901
	4Q2270	Union, reducing at NRV valve ...	1	DTD130B		HH18/902
	6Q2270	Union, at resistance bulb	1	DTD130B		HH18 903
DOWTY						
27Q 70632	D5233Ymk.B	Valve, non-return	1	—	B	HH18 904
14641	38Q2422	Bolt, banjo, hydraulic reservoir ...	1	S94	C	HH18 905
14692	5Q2270	Bolt, banjo, at charging valves ...	2	S94	C	HH18 906
ELECTRO HYDRAULICS						
27Y 334	EH4094	Bottle, 1-600 P.S.I. (Mod. 1224) ...	1	—	B	HH18 907
14985	12Q2422	Bracket, support	1	L72		
14643	41Q2422	Cap, blanking, at motor	1	Rubber	C	HH18 908
14986	20Q2422	CHANNEL, GROUP	1	—		
14695	57Q2422	Clamp, end at oil cooler and feed pipe joint	1	BSS972	C	HH18/909
14696	80Q2422	Clamp, end at oil cooler and feed pipe joint	1	BSS972	C	HH18 910
KING A C						
14648	C6045 26	Clamp, at butterfly valves	4	—	C	HH20 911
14698	64Q2422	Cone, end piece	1	L34	C	HH20 912
DUNLOP						
14664	DAS 582 400/4-07	Connector, flexible pipe joint ...	1	—	C	HH20 914
14693	42Q2422	CONTAINER, OIL, GROUP	1	—	C	HH18 915
DELANEY GALLAY						
27B 2745	C4280	Cooler, oil	1	—	A	HH18 916
AVERY						
27BA 8744	AVA54 E	Coupling, $\frac{1}{2}$ " BSP	1	—	B	HH19 917
AVERY						
27BA 8816	AVA57 D	Coupling, $\frac{1}{2}$ " BSP	1	—	B	HH19 918
EXACTOR						
	CMB19226	Cover, dust, at oil filler	1	—		HH18 919

VULCAN No. 2

EQUIPMENT, SPECIAL OPERATIONAL (S.O.O.)
NEW STORE INSTALLATION REMOVABLE FITTINGS

Ref. No.	Part No.	Description	No. off	Matl. Spec.	Cl. of	Plate and Illust'n No.
					St.	
		1 2 3 4			M.R.	
		PACK, HYDRAULIC UNIT (1Q2422) (Cont'd)				
	71Q2422	DIPSTICK RETAINER, GROUP	1	—		
	ANDERTON 1200 25	Spares for :— Circlip	1	—		
14700	75Q2422	FAIRLEAD, GROUP	1	—	C	HH19 920
14701	76Q2422	FAIRLEAD, GROUP	1	—	C	
14749	EXACTOR GMB19210	Filler, oil	1	—	B	HH18 921
27Y 518	ELECTRO HYDRAULICS EH7957	Filter	1	—	B	HH18 922
14699	65Q2422	FLANGE, SPECIAL GROUP	1	—	A	HH20 923
		Spares for — Flange	1	L34		
	67Q2422	Retainer, valve	1	L34		
27KD 2369	6662422 NORMALAIR 522620	Valve, non-return	1	—	A	
6A 2691	—	Gauge, pressure, 0-3000 P.S.I. (Mod 1224)	2	—	A	HH18 925
27VA 6288	DUNLOP 10W3 101, 8, 10 30-0"	Hose, flexible. ½"	1	—	C	HH19 926
27VA 6287	DUNLOP 8W3 102 10 10 32-7"	Hose, flexible. ½"	1	—	C	HH19 927
		INSTALLATION ELECTRICAL EQUIPMENT, HYDRAULIC PACK (Q2422 Sheet 4) Spares for :—				
26FP 8735	1V5650	Block, terminal	1	—		HH20 928
	3444V7909	CABLE (F344) HYDRAULIC BY-PASS VALVE "A TO" TB1647, GROUP	1	—		
14938	8624V7909	CABLE (F3113) RESISTANCE BULB TO TB1576, GROUP	1	—		
10353	5V6358	Cleat	2	—	C	
15007	INSULOID R2	Clip	3	—	C	HH20 929
15006	INSULOID C1	Cradle	3	—	C	HH20 930

**EQUIPMENT, SPECIAL OPERATIONAL (S.O.O.)
NEW STORE INSTALLATION, REMOVABLE FITTINGS**

Ref. No.	Part No.	Description 1:2 3:4	No. off	Matl. Spec.	Cl. of	Plate and Illust'n No.
					St. M.R.	
INSTALLATION ELECTRICAL EQUIPMENT, HYDRAULIC PACK (Q2422) (Cont'd)						
14750	1V10719	PANEL, 92P, GROUP ...	1	—	A	HH20 931
		Spares for :—				
28FP 8735	1V5650	Block, terminal ...	2	—	C	HH20 932
5X 7498	1V7870	Block, terminal ...	2	—	C	HH20 933
	3V 9676	Bracket, relay mounting ...	1	—		HH20 934
	BTH					
5CW 6863	LDG.35Y4	Contactor ...	1	—	A	HH20 936
14670	1V10289	COVER, PANEL, GROUP	1	—		
		Spares for :—				
28FP 7002000	A403	Pin, pip ...	4	—	C	
	PAGE					
5L 9959118	A259	Filament ...	1	—	C	HH20 937
	PAGE					
5CW 8326	C180B6	Lamp, indicator ...	1	—	B	HH20/938
	IV20785	LOOM, CABLE, GROUP	1	—		
	HART					
5CW 6736	R210C3 P1	Relay ...	1	—		HH20/939
	PAGE					
5CW 6634	A257	Sleeve, cable ...	1	—	B	HH20 940
	HART					
5CW 6742	BR101PS	Socket, relay ...	1	—	B	HH20 941
5X 6622	14V5650	Socket, double ties ...	3	—	C	HH20 942
5X 6623	15V5650	Socket, single ties ...	3	—	C	HH20 943
	2V10719	STRUCTURE, PANEL GROUP	1	—		HH20 944
		Spares for :—				
	6V9677	Bracket, attachment ...	4	L73		
14704	20V10493	Unit, motor overload ... (Pre Mod. 2102)	1	—	A	
15039	32V11313	Unit, motor overload ... (Mod. 2102)	1	—	A	HH20 945
14703	1V10783	Unit, time delay ...	1	—	A	HH20 946
9305	18V9303	Unit, time delay ...	1	—	A	HH20/947
5X 6623	15V5650	Socket, single ties ...	1	—	C	HH20.947A
6A 2800	—	Label, at pressure gauges ...	1	—	C	HH18/948
37J 10025	COWTY 1.01262.004	Motor, 2-stage (Mod. 1003) ...	1	—	A	HH18 949
	AVERY					
27BA 9693	AVA65 D	Nut, union ...	1	—	C	HH19/950
27BA	AVA65 C	Nut, union ...	1	—	C	HH19/951
14686	55Q2422	PIPE, COOLING, INLET, GROUP	1	—	C	HH20 952
14687	58Q2422	PIPE, COOLING, MAIN FEED,	1	—	C	HH20 953
14688	59Q2422	PIPE, COOLING, BRANCH, GROUP	1	—	C	HH20 954

VULCAN No 2

EQUIPMENT, SPECIAL OPERATIONAL (S.O.O.)
NEW STORE INSTALLATION, REMOVABLE FITTINGS

Page HH. 53

Ref. No.	Part No.	Description	No. off	Matl. Spec.	Cl. of	Plate and Illust'n No.
					St. M.R.	
		1 2 3 4				
14689	60Q2422	PACK, HYDRAULIC UNIT (1Q2422) GROUP (Cont'd) PIPE, COOLING, STUB, GROUP	1	—	C	HH20 955
37J 8024	DOWTY 1.00655.002	PIPE, BREATHER, GROUP ... (Mod. 1891)	1	—	C	HH18 956
	FLEXIBLE DUCTINGS L1 28 17 1/2 CC	Pipe, flexible, at feed pipe ...	1	—		HH20 957
	FLEXIBLE DUCTINGS L1 20 8 1/2 C1 1/2 C1 1/2	Pipe, flexible, at branch pipe ...	1	—		HH20 958
	FLEXIBLE DUCTINGS L1 22 12 1/2 C1 1/2 C1 1/2	Pipe, flexible, motor to feed pipe ...	1	—		HH20 959
14649	147Q2262	PIPE, HYDRAULIC, TEE PIECE TO FEED AND RETURN BLOCK, 20G x 1/2" O D, GROUP	1	DTD743	C	HH19 960
14650	148Q2262	PIPE, HYDRAULIC, TEE PIECE TP SELECTOR VALVE, 22G 1/2" O D, GROUP	1	DTD743	C	HH19 961
14651	149Q2262	PIPE, HYDRAULIC PRESSURE RELIEF VALVE TO TEE PIECE, 22G 1/2" O D, GROUP	1	LS6	C	HH19 962
14652	150Q2262	PIPE, HYDRAULIC, THERMAL RELIEF VALVE TO 4 WAY SELECTOR VALVE, 22G x 1/2" O D, GROUP	1	LS6	C	HH19 963
14653	151Q2262	PIPE, HYDRAULIC, TEE-UNION TO THERMAL RELIEF VALVE, 22G x 1/2" O D, GROUP	1	LS6	C	HH19 964
14654	152Q2262	PIPE, HYDRAULIC, TEE-PIECE TO FLEXIBLE HOSE CONNECTION 22G, x 1/2" O D, GROUP	1	LS6	C	HH19 965
14655	153Q2262	PIPE, HYDRAULIC, THERMAL RELIEF VALVE TO TEE-PIECE, 22G x 1/2" O/D, GROUP	1	LS6	C	HH19 966

EQUIPMENT, SPECIAL OPERATIONAL (S.O.O.)
NEW STORE INSTALLATION, REMOVABLE FITTINGS

Ref. No.	Part No.	Description	No. off	Matl. Spec.	Cl. of St.	Plate and Illust'n No.
					M.R.	
		1 2 3 4				
14656	154Q2262	PACK, HYDRAULIC UNIT (1Q2262) (Cont'd) PIPE, HYDRAULIC, PRESSURE RELEASE VALVE TO 4 WAY SELECTOR VALVE, 22G x 1/8" O D, GROUP	1	LS6	C	HH19 967
14657	155Q2262	PIPE, NITROGEN, TEE-PIECE TO CHARGING VALVE, 22G x 1/8" O D, GROUP	1	DTD743	C	HH19 968
14658	156Q2262	PIPE, HYDRAULIC, FEED AND RETURN BLOCK TO ADJUSTABLE PRESSURE RELIEF VALVE, 20G x 1/8" O D, GROUP	1	LS6	C	HH19 969
14685	157Q2262	PIPE, HYDRAULIC, MOTOR PUMP DRAIN 22G x 1/8" O D, GROUP	1	LS6	C	HH19 970
14659	158Q2262	PIPE, HYDRAULIC, 4 WAY SELECTOR VALVE TO FEED AND RETURN BLOCK, 20G x 1/8" O D, GROUP	1	LS6	C	HH19 971
14660	159Q2262	PIPE, HYDRAULIC, 4 WAY SELECTOR VALVE TO FEED AND RETURN BLOCK 18G. x 1/8" O D, GROUP	1	DTD743	C	HH19 972
14661	160Q2262	PIPE, HYDRAULIC, FEED AND RETURN BLOCK TO PRESSURE RELEASE VALVE 22G x 1/8" O D, GROUP	1	DTD743	C	HH19 973
14662	161Q2262	PIPE, HYDRAULIC, PRESSURE RELIEF VALVE TO FEED AND RETURN BLOCK, 22G x 1/8" O D, GROUP (Pre Mod. 2111)	1	LS6	C	
	211Q2262	PIPE, HYDRAULIC, PRESSURE RELIEF VALVE TO FEED AND RETURN BLOCK, 22G x 1/8" O D, GROUP (Mod. 2111)	1	DTD5019	C	HH19 974
14663	162Q2262	PIPE, NITROGEN, ACCUMULATOR TO CHARGING VALVE 22G x 1/8" O D, GROUP	1	DTD743	C	HH19 975

VULCAN No. 2

EQUIPMENT, SPECIAL OPERATIONAL (S.O.O.)
NEW STORE INSTALLATION, REMOVABLE FITTINGS

Page HH. 55

Ref. No.	Part No.	Description	No. off	Matl. Spec.	Cl. of	Plate and Illust'n No.
					St. M.R.	
		1 2 3 4				
		PACK, HYDRAULIC UNIT (1Q2422) (Cont'd)				
14665	164Q2262	PIPE, HYDRAULIC, SELECTOR VALVE TO FEED AND RETURN BLOCK, 22G. x $\frac{1}{8}$ " O D, GROUP	1	L56	C	HH19 976
14666	165Q2262	PIPE, HYDRAULIC, SELECTOR VALVE TO FEED AND RETURN BLOCK, 22G x $\frac{1}{8}$ " O D, GROUP	1	L56	C	HH19 977
14667	166Q2262	PIPE, NITROGEN, PRESSURE GAUGE, TO CHARGING VALVE 22G. x $\frac{1}{8}$ ", GROUP	1	DTD743	C	HH19 978
14668	167Q2262	PIPE, NITROGEN, BOTTLE TO TEE-PIECE, 22G x $\frac{1}{8}$ " O D, GROUP	1	DTD743	C	HH19 979
14669	168Q2262	PIPE, NITROGEN, PRESSURE GUAGE TO CHARGING VALVE 22G $\frac{1}{8}$ " O D, GROUP	1	DTD743	C	HH19 980
14671	169Q2262	PIPE, HYDRAULIC, OIL COOLER TO RESERVOIR, 20G x $\frac{1}{8}$ " O D, GROUP	1	L56	C	HH19 981
14672	170Q2262	PIPE, HYDRAULIC, OIL COOLER TO TEE-PIECE, 20G $\frac{1}{8}$ " O D, GROUP	1	L56	C	HH19 982
14673	171Q2262	PIPE, HYDRAULIC, SELECTOR VALVE TO FEED AND RETURN BLOCK, 22G x $\frac{1}{8}$ " O D, GROUP	1	L56	C	HH19 983
16674	172Q2262	PIPE, HYDRAULIC, SELECTOR VALVE TO FEED AND RETURN BLOCK, 22G x $\frac{1}{8}$ " O D, GROUP	1	DTD743	C	HH19 984
14675	173Q2262	PIPE, HYDRAULIC, SELECTOR VALVE TO PRESSURE RELIEF VALVE, 22G x $\frac{1}{8}$ " O D, GROUP	1	DTD763	C	HH19 985
14677	175Q2262	PIPE, NITROGEN, RESERVOIR TO TEE-PIECE 22G x $\frac{1}{8}$ " O D, GROUP	1	DTD743	C	HH19 986
14680	178Q2262	PIPE, HYDRAULIC, RESERVOIR TO MOTOR PUMP, 20G x $\frac{1}{8}$ " O D, GROUP	1	L56	C	HH19 987
14681	179Q2262	PIPE, HYDRAULIC, ACCUMULATOR TO FEED AND RETURN BLOCK, 22G x $\frac{1}{8}$ " O D, GROUP	1	DTD743	C	HH19 988

**EQUIPMENT, SPECIAL OPERATIONAL (S.O.O.)
NEW STORE INSTALLATION, REMOVABLE FITTINGS**

Ref. No.	Part No.	Description	No. off	Matl. Spec.	Cl. of	Plate and Illust'n No.
					St. M.R.	
		1 2 3 4				
		PACK, HYDRAULIC UNIT (1Q2422) (Cont'd)				
14682	180Q2262	PIPE, HYDRAULIC, RESERVOIR TO TEE-PIECE, 20G x 1/2" O.D. GROUP	1	L56	C	HH19 989
14683	181Q2262	PIPE, HYDRAULIC, 4-WAY SELECTOR TO FLEXING HOSE, 20G x 1/2" O.D. GROUP	1	L56	C	HH19 990
14684	182Q2262	PIPE, HYDRAULIC, ADJUSTABLE PRESSURE RELIEF VALVE TO TEE-PIECE, 20G x 1/2" O.D. GROUP	1	L56	C	HH19 991
14690	185Q2262	PIPE, HYDRAULIC, MOTOR PUMP VENT, 22G x 1/8" O.D. GROUP	1	L56	C	HH19 992
14987	206Q2262	PIPE, HYDRAULIC, FILTER TO TEE-PIECE, 20G x 1/2" O.D. GROUP (Mod. 1938)	1	DTD5016	C	HH19 993
14939	207Q2262	PIPE, HYDRAULIC, FILTER TO MOTOR PUMP, 20G x 1/2" O.D. GROUP (Mod. 1938)	1	DTD5016	C	HH19 994
14988	208Q2262	PIPE, HYDRAULIC, PRESSURE RELIEF VALVE TO FEED AND RETURN BLOCK 22G x 1/2" O.D. GROUP (Pre Mod. 2111)	1	L56	C	
	210Q2262	PIPE, HYDRAULIC, PRESSURE RELIEF VALVE TO FEED AND RETURN BLOCK, 22G x 1/2" O.D. GROUP (Mod. 2111)	1	DTD5019	C	HH19 995
14989	209Q2262	PIPE, HYDRAULIC, PRESSURE RELIEF VALVE TO FEED AND RETURN BLOCK, 22G x 1/2" O.D. GROUP (Mod. 1939)	1	DTD5016	C	HH19 996
	3Q2266	Plate, valve mounting	2	L72		
	82Q2422	Plate, valve, support	1	L72		
	DOWTY					
27Q 70571	1.00656.001	Reservoir, hydraulic	1	—	A	HH18 997
14902	83Q2422	Ring, rubber, at air cooler	1	DTD458A	C	HH18 998
28F 18246	AS5404	Seal, at pipe joints	4	—	C	
14697	62Q 2422	Spacer, 1/2" dia. x .10"	5	S93	C	
22566	50Q2422	Strap, filter attachment, top	1	S520	C	HH18 999
22567	51Q2422	Strap, filter attachment, bottom	1	S520	C	HH18 1000

VULCAN No 2

EQUIPMENT, SPECIAL OPERATIONAL (S.O.O.)
NEW STORE INSTALLATION, REMOVABLE FITTINGS

Page HH. 57

Ref. No.	Part No.	Description 1 2 3 4	No. off	Matl. Spec.	Cl. of	Plate and Illust'n No.
					St. M.R.	
		PACK HYDRAULIC UNIT (1Q2422) (Cont'd)				
22568	52Q2422	Strap, oil cooler attachment	2	S520	C	HH18/1001
22569	53Q2422	Strap, accumulator attachment	2	S520	C	HH18/1002
	3Q2422	STRUCTURE, HYDRAULIC PACK, GROUP	1	—		
14642	40Q2422	Tee-piece, special, $\frac{1}{2}$ " x $\frac{1}{2}$ " x $\frac{1}{8}$ " at flexible hosepoint	1	DTD130A	C	HH19/1003
14804	81Q2422	Trap, oil, at reservoir	1	—	B	HH18/1004
	TEDDINGTON FMP A 5065	Valve, butterfly	2	—		HH20/1005
6D 2306	DAMIC DC24	Valve, charging (Mod. 1224)	2	—	A	HH18/1006
27C 1805	DOWTY D7375Y Mk.B	Valve, pressure release	2	—	A	HH18/1007
27Q 70627	DOWTY 1.00051.016	Valve, pressure, relief, adjustable ...	1	—	A	HH19/1008
27Q 70629	DOWTY 1.00051.021	Valve, pressure, relief (1.850 PSI) ...	1	—	A	HH18/1009
27Q 70630	DOWTY 1.00051.022	Valve, pressure release (2.460 PSI)	1	—	A	HH18/1010
27Q 70624	DOWTY 1.00144.014	Valve, selector, 4 way	1	—	A	HH18/1011
27Q	DOWTY 07437YA.16	Valve, selector	1	—	A	HH18/1012
27Q	DOWTY 07437YA.09	Valve, selector	1	—	A	HH18/1013
27Q 70569	DOWTY 1.00063.001	Valve, thermal relief	1	—	A	HH18/1014
22570	61Q2422	Washer, sealing at oil cooler	1	DTD458A	C	HH20/1015
		INSTALLATION, PIPES FROM HYDRAULIC UNIT ON BOMB DOOR JACK BEAM (1Q2287) (Mods, 748 & 1077) (See :—Services—Hydraulic)				
		INSTALLATION, STORE HEATING (Z10050)				
14440	14Z10050	Spares for :— Adaptor, for pipe 37Z10050 on bomb arch 225-227"	1	S1	C	HH21/1016
27V 5334	TEDDINGTON SS BA 461 16Z10050	Bellows, on bomb arch 201-367" (Mod. 1319) Block, clipping on bomb arch 225-227" ...	1 1	— BSS668	B	HH21/1017 HH21/1018

EQUIPMENT, SPECIAL OPERATIONAL (S.O.O.)

NEW STORE INSTALLATION, REMOVABLE FITTINGS

Ref. No.	Part No.	Description	No. off	Matl. Spec.	Cl. of	Plate and Illust'n No.
					St.	
		1 2 3 4			M.R.	
INSTALLATION, STORE HEATING (Z10050) (Cont'd)						
6A	SANGAMO WESTON	Bulb, thermometer, on pipe 37Z10050 ...	1	—	B	HH21 1019
14439	S110G-6-205 13Z10050	Bush, at pipe 61Z10050 attachment to crutching beam	2	S1	C	HH21 1020
8945	KING A.C C4205 1½ 1½ B	Clamp, at pipe 55Z10050 (Mod. 1319) ...	2	—	C	HH21 1021
14447	KING A.C C4370 1½ 2" A	Clamp, at reducing nick and warm air connection joint	1	—	C	HH21 1022
2047	4Z7648	Clamp, half at expansion unit ...	4	—	C	HH21/1023
2049	7Z7648	Clamp, half, at pipe 37Z10050 ...	4	—	C	HH21 1024
3593	9Z7648	Clamp, half, at relief valve ...	2	—	C	HH21 1025
28E 9130219	AGS605 4	Clip, hose, at flexflyte duct ..	2	—	C	HH21/1026
14441	15Z10050	Clip, pipe, at bomb arch 225-227" ...	1	L72	C	HH21/1026
14444	19Z10050	Clip, pipe, on pipe 54Z10050 near expansion unit	1	L72	C	HH21 1027
15011	59Z10050	Clip, at outlet duct ..	1	L72	C	HH21/1028
15010	BS 29SS4234	Clip, half, at support plate 62Z10050 ...	1	—	C	HH21 1029
	BS 5SS4234	Clip, half, at support plate 62Z10050 ...	1	—	C	HH21 1030
	G. GODFREY AC.4M.Mk2 151223	Connector, warm air ...	1	—		HH21 1031
14437	10Z10050	DUCT, INLET AT HEAT EXCHANGER, GROUP	1	—	C	HH21 1032
14789	50Z10050	DUCT, OUTLET, JOINING PIPE 13Z7723 & DUCT 57Z10050, GROUP	1	—	C	HH21/1033
14844	57Z10050	DUCT, OUTLET, FORWARD END HEAT EXCHANGER, GROUP (Mod. 1319)	1	—	C	HH21 1034
27V 5272	TEDDINGTON FHG A35 MARSTON EXCELSIOR	Duckstat, on pipe 57Z10050 ...	2	—	A	HH21 1035
27UA	D1418 20A	Exchanger, heat (Mod. 1319) ...	1	—		HH21 1036
14451	28Z10050	Fork-end, at link mechanism ...	1	S1		HH21 1037
14452	29Z10050	Fork-end, at link mechanism ...	1	S1		HH21 1038
14435	8Z10050	Gasket, at heat exchanger and duct joints	2	DTD378A		HH21 1039
	67Z10050	Gasket, at relief valve and cone mounting joint (Mod. 1319)	1	—		HH21 1040
14454	31Z10050	Lever, at follow-up resistor ...	1	S510	C	HH21 1041
14445	20Z10050	Link, support for clip 19Z10050 ...	1	S510	C	HH21 1042

VULCAN No. 2

EQUIPMENT, SPECIAL OPERATIONAL (S.O.O.)
NEW STORE INSTALLATION, REMOVABLE FITTINGS

Ref. No.	Part No.	Description	No. off	Matl. Spec.	Cl. of	Plate and Illust'n No.
					St. M.R.	
		1 2 3 4				
INSTALLATION, STORE HEATING (Z10050) (Cont'd)						
14799	56Z10050	MOUNTING, CONE, AT RELIEF VALVE, GROUP (Mod. 1319)	1	—	C	HH21/1043
14438	12Z10050	NECK, REDUCING, WARM AIR CONNECTION TO STORE, GROUP	1	—	C	HH21/1041
28M 1007403 28M 13454 26FP 4747 28P 5210	A27 ET A27 ETL SS2356 F AGS1151.1	Nut, 1/2" BSF, R.H., at fork-end Nut, 1/2" BSF, L.H., at fork-end Nut, blanking at pipe 13Z7723 Pin, safety at pipe clamps	1 1 1 12	— — B6 or B13 —	C C C C	HH21/1045
14456	37Z10050	PIPE, HEAT EXCHANGER TO PIPE 61Z10050, GROUP	1	—	C	HH21/1046
14797	54Z10050	PIPE, EXPANSION UNIT TO HOT AIR VALVE, GROUP (Mod. 1319)	1	—	C	HH21/1047
14798	55Z10050	PIPE, FROM BELLOWS TO CONE MTG ON RELIEF VALVE, GROUP (Mod. 1319)	1	—	C	HH21/1048
14931	61Z10050	PIPE, FLEXFLYTE DUCT TO PIPE 37Z10050, GROUP (Mod. 1926)	1	—	C	HH21/1049
14930	FLEXIBLE DUCTINGS EX111/24/36/CC	PIPE, FLEXIBLE TO WARM AIR CONNECTION, GROUP (Mod. 1926)	1	—	C	HH21/1050
15012	7Z10050 62Z10050 7Z10559	Plate, reinforcing PLATE, support at pipe 61Z10050... .. Plate, orifice at outlet of inboard hot air valve and feed duct (Mod. 1319)	4 1 1	S3 L72 S521		HH21/1051 HH21/1052 HH21/1053
5CZ 4901	TEDDINGTON FLJ A 12 18Z9954	Resistor, follow-up Ring, backing, cone mounting, to relief valve joint	1 1	— —	A	HH21/1054 HH21/1055
28F 18778 5780 14453 28F 17675	AS5413 78Z7723 30Z10050 AS5402	Ring, sealing, inlet duct joint (Mod. 1319) ... Ring, sealing, outlet duct to pipe 13Z7723 ... Rod, connecting Seal, at pipe 55Z10050 joints to bellows and cone mounting	1 1 1 2	— — S1 —	C C C C	HH21/1056 HH21/1057
28F 18039	AS5403	Seal, at reducing neck to warm air connection and expansion unit	3	—	C	

**EQUIPMENT, SPECIAL OPERATIONAL (S.O.O.)
NEW STORE INSTALLATION, REMOVABLE FITTINGS**

Ref. No.	Part No.	Description 1 2 3 4	No. off	Matl. Spec.	Cl. of	Plate and Illust'n No.
					St. M.R.	
INSTALLATION, STORE HEATING (Z10050) (Cont'd)						
28F 17516	ASS406	Seal, at pipe 37Z10050 joints	2	—	C	
28F 18295	ASS407	Seal, at relief valve (Mod. 1319)	1	—	C	
14448	11Z9954	Spigot, heat exchanger and ducts attaching	2	—	C	HH21 1058
SCW 5109	TEDDINGTON FHO A:97	Switch, overheat at pipe 13Z7723	1	—	A	HH21 1059
14458	42Z10050	TIE-BAR, GROUP	1	—	C	HH21/1060
14450	16Z7478	UNIT, EXPANSION, GROUP	1	—	B	HH21/1061
27KD 2367	NORMALAIR 522580	Valve, relief	1	—	B	HH21/1085
14449	8Z9954	Washer, saddle at clip, 15Z10050	2	—	C	HH21 1062
14442	17Z10050	Washer, sealing at duckstats on pipe 37Z10050	2	DTD378A	C	HH21/1063
14443	18Z10050	Washer, sealing at duckstats on pipe 37Z10050	1	DTD378A	C	HH21 1064
28F 9653	AGS1138 E	Washer, sealing, at blanking nut	1	—	C	
MOUNTING OF MISSILE FORE- PLANE SHOCK ABSORBERS, PORT AND STARBOARD (Z10317) (Mod. 1988)						
Spares for :—						
14942	21Z10317	ABSORBER, SHOCK, PORT, GROUP	1	—	B	HH10 1065
14943	22Z10317	ABSORBER, SHOCK, STB'D, GROUP	1	—	B	HH10 1066
Spares for :—						
14598	GLACIER 08 DU 06	Bush	1	—		
14599	GLACIER 12 DU 08	Bush	1	—		
14600	15Z10317	Circlip, $\frac{1}{8}$ " dia.	1	—	C	
14601	16Z10317	Circlip, $1\frac{1}{8}$ " dia.	1	—	C	
14591	19Z10317	Fitting-end	1	DTD410		
14593	5SS5025	Nut, lock	1	S96		HH10 1067
14996	6Z10317	PAD, GROUP	1	—	C	HH10/1068
14597	20Z10317	Rod, guide	1	S96		
14595	23Z10317	Rod, adjustment	1	S96		HH10 1069
14596	TERRY No 12	Washer (Bellville)	70	—		
14595	8Z10317	Washer	1	S96	C	
14596	9Z10317	Washer	1	S96	C	

VULCAN No. 2

EQUIPMENT, SPECIAL OPERATIONAL (S.O.O.)
NEW STORE INSTALLATION, REMOVABLE FITTINGS

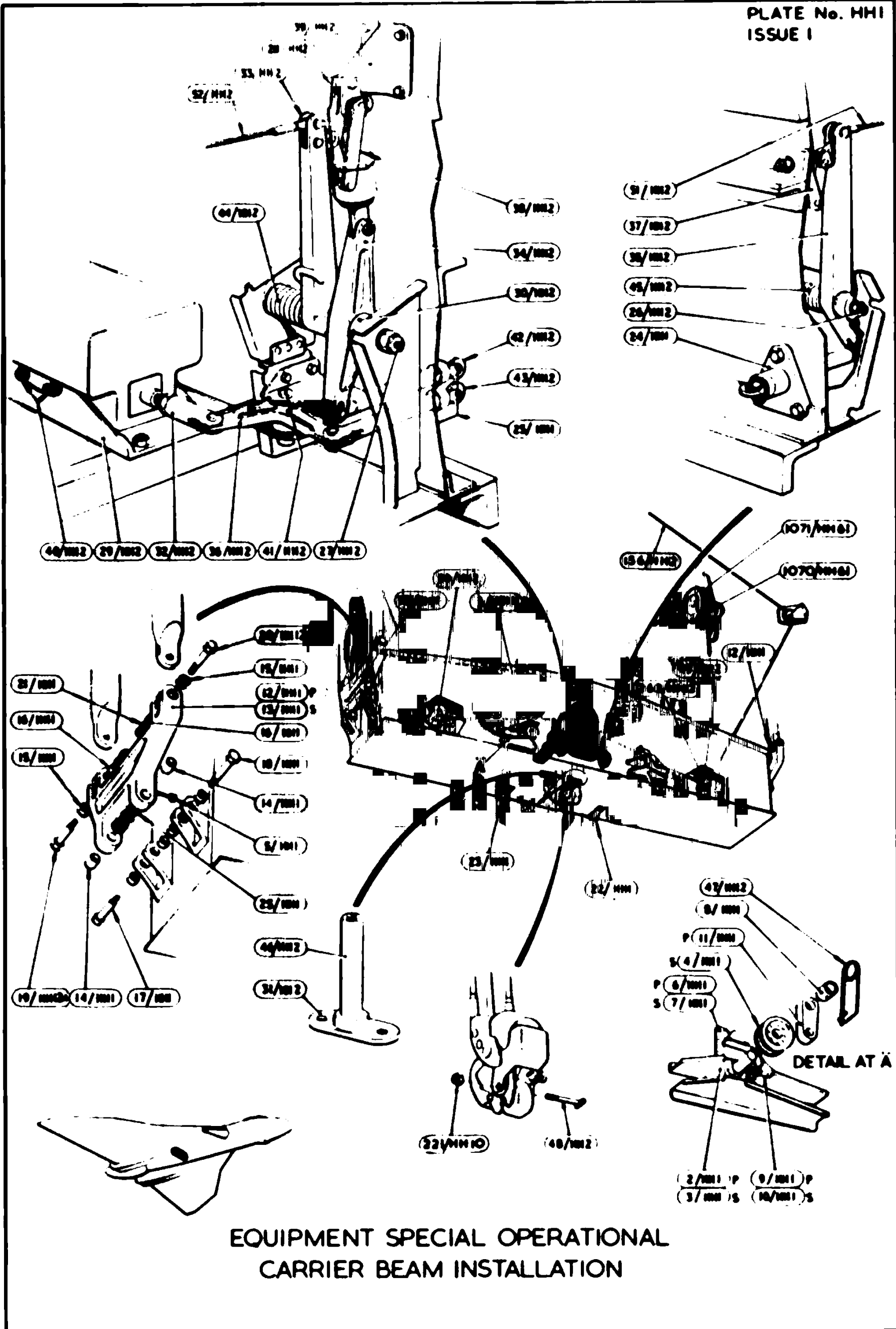
Page HH. 61

Ref. No.	Part No.	Description 1 2 3 4	No. off	Matl. Spec.	Cl. of	Plate and Illust'n No.
					St.	
					M.R.	
28FP 1069	5134 625	NEW STORE INSTALLATION RE-MOVABLE FITTINGS (A3214) (Cont'd) Pin, pip. push type at carrier beam hoisting pulley	1	—	C	HH1/1070
14862	12A3214	PULLEY, CARRIER BEAM HOISTING, GROUP Spaces for —	1	—	B	HH1/1071
2A 9501380 28W 2001688	SKEFCO 402266 AGS2030 22	Bearing, ball Circlip	1 1	— —	B C	
28F 18246 28F 18295	AS5404 AS5407	Seal, at condenser and cone 64Q2422... Seal, at special flange 65Q2422	1 1	— —	C C	HH20 1072 HH20 1073
STOWAGE, REMOTE CONTROL PANEL (D11982)						
Spares for —						
15018 22543 28N 5549 28N 5555 28P 1024	10D11982 12D11982 AGS899 2 AGS899 8 SP4YB22 19D11982	CLIP, CABLE STOWAGE, GROUP CLIP, CABLE STOWAGE, GROUP Collar, for pin SP4YB22 Collar, for pin 19D11982 Pin, at strap 15D11982 Pin, at strap 14D11982	4 1 1 1 1 1	— — — — — —	C C C C C	HH10.1074 HH10 1075
28U 9482591	CANNON CA2182 10 AS2426	Plug, dummy, stowage Screw, at strap 14D11982	1 1	— —	C	HH10/1077
22542 22544	14D11982 15D11982	STRAP, GROUP STRAP, GROUP	1 1	— —	C C	HH10 1078 HH10 1079
28U 13999	AS2427	Trunnion, at strap 14D11982	1	—	C	
	1D11219	STRUT, HORIZONTAL, BETWEEN ... CARRIER BEAM AND REAR CRUTCHING BEAM, GROUP Spares for —	2	—		HH22 1080
	D611215 2D11219 7D11215 8D11215	Coupling Fork-end Nut, special Nut, special	1 1 1 1	S94 DTD1308 S94 S94		HH22 1081 HH22 1082 HH22 1083 HH22/1084

VULCAN No. 2

EQUIPMENT, SPECIAL OPERATIONAL (S.O.O.)
 NEW STORE INSTALLATION, REMOVABLE FITTINGS
 SUMMARY OF STANDARD ITEMS

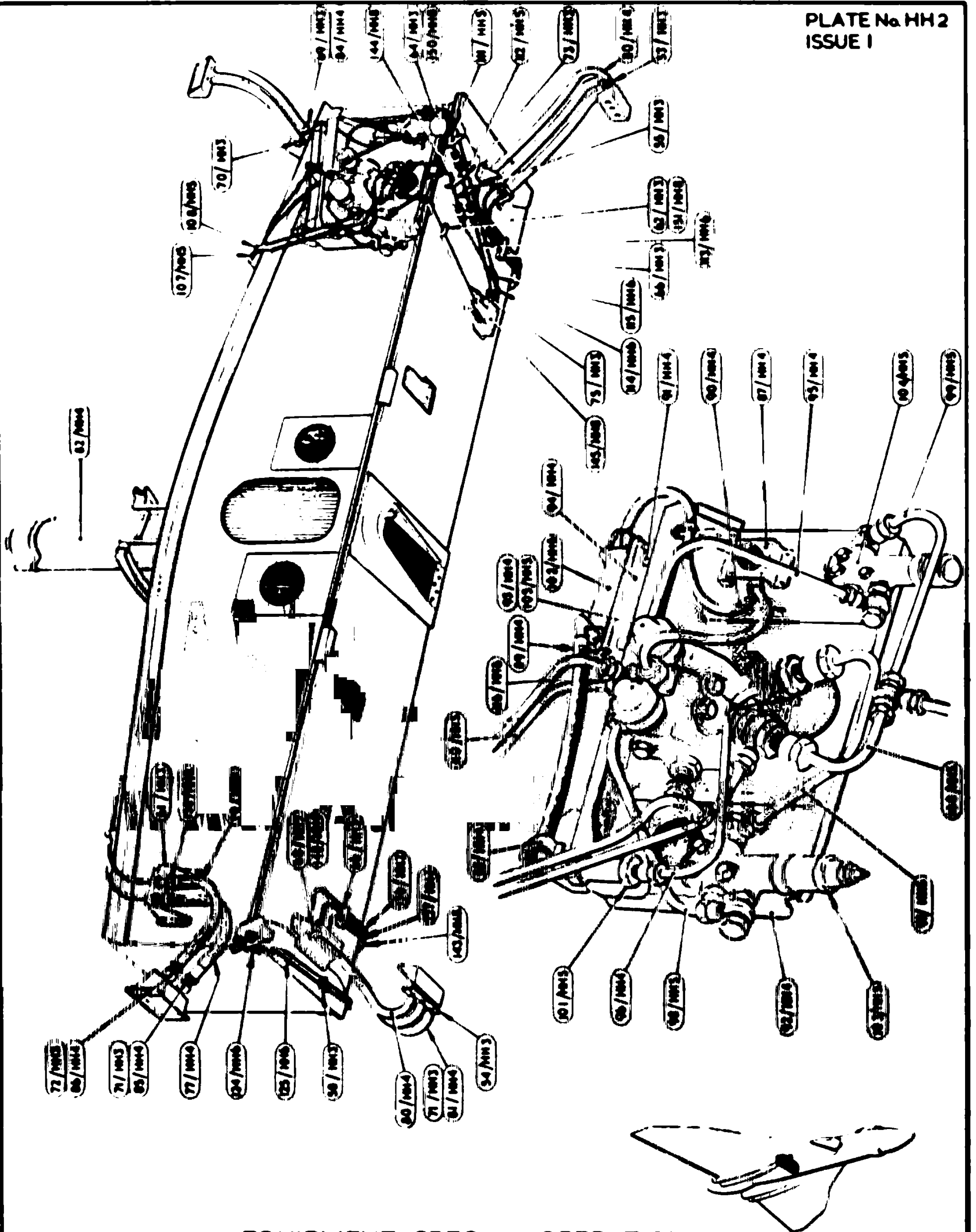
Stores Ref.		No. off	Stores Ref.		No. off	Stores Ref.		No. off
Section	Ref. No.		Section	Ref. No.		Section	Ref. No.	
28D	1007975	11	28FP	73	12	28P	1024	1
28D	1010031	2	28FP	611	44	28P	5210	15
28D	1011242	2	28FP	612	44	28P	5212	5
28D	1013173	4	28FP	617	21	28P	1007741	4
28D	9133011	12	28FP	977	1	28P	9429653	8
28D	9133012	2	28FP	1069	1	28P	9466633	2
28D	9436920	4	28FP	1118	12			
			28FP	1158	20			
			28FP	1240	44	28Q	1012151	2
			28FP	1002561	12			
			28FP	7002000	8			
28E	8188	5	28FP	9144248	12			
28E	14085	1	28FP	9425771	10			
28E	1012876	1	28FP	9430915	8	28R	13502	1
28E	9129090	2	28FP	9430916	12	28R	13514	2
28E	9129092	6	28FP	9433928	10			
28E	9129562	5	28FP	9438596	12			
28E	9130219	9	28FP	9544313	10			
28E	9436728	5	28FP	9713920	1	28S	1200060	2
28E	9488798	2						
28E	9713018	2						
28E	9995929	3						
28E	9995932	2	28M	10286	2			
28E	9995933	1	28M	10328	4	28U	13999	1
			28M	13145	8	28U	9482591	1
			28M	13454	1			
			28M	13534	4			
			28M	1007403	1			
28F	9653	1	28M	9457500	1			
28F	17231	1	28M	9512070	4	28W	9418921	4
28F	17516	2	28M	9517566	1	28W	9419402	6
28F	17675	3				28W	9419464	2
28F	18039	7						
28F	18246	8						
28F	18295	4	28N	5549	1			
28F	18776	1	28N	5555	1			
28F	18778	1	28N	13513	2			
28F	1000160	1	28N	13623	2			
28F	1000161	4	28N	15373	2			
28F	9428454	2	28N	2001688	1			
			28N	2001715	3			
			28N	9129579	1			
			28N	9156370	3			



EQUIPMENT SPECIAL OPERATIONAL
CARRIER BEAM INSTALLATION

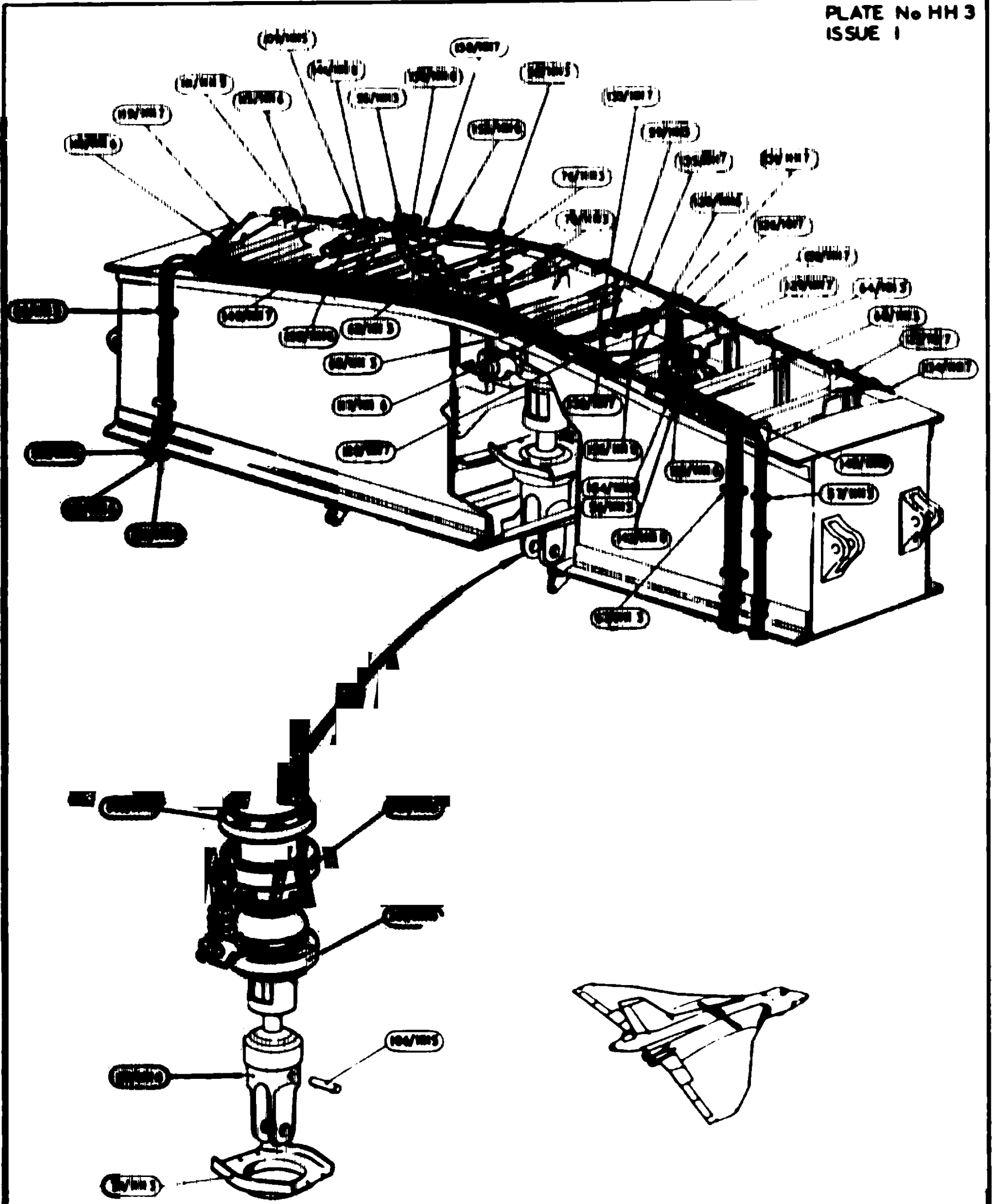
RESTRICTED

PLATE No HH2
ISSUE 1

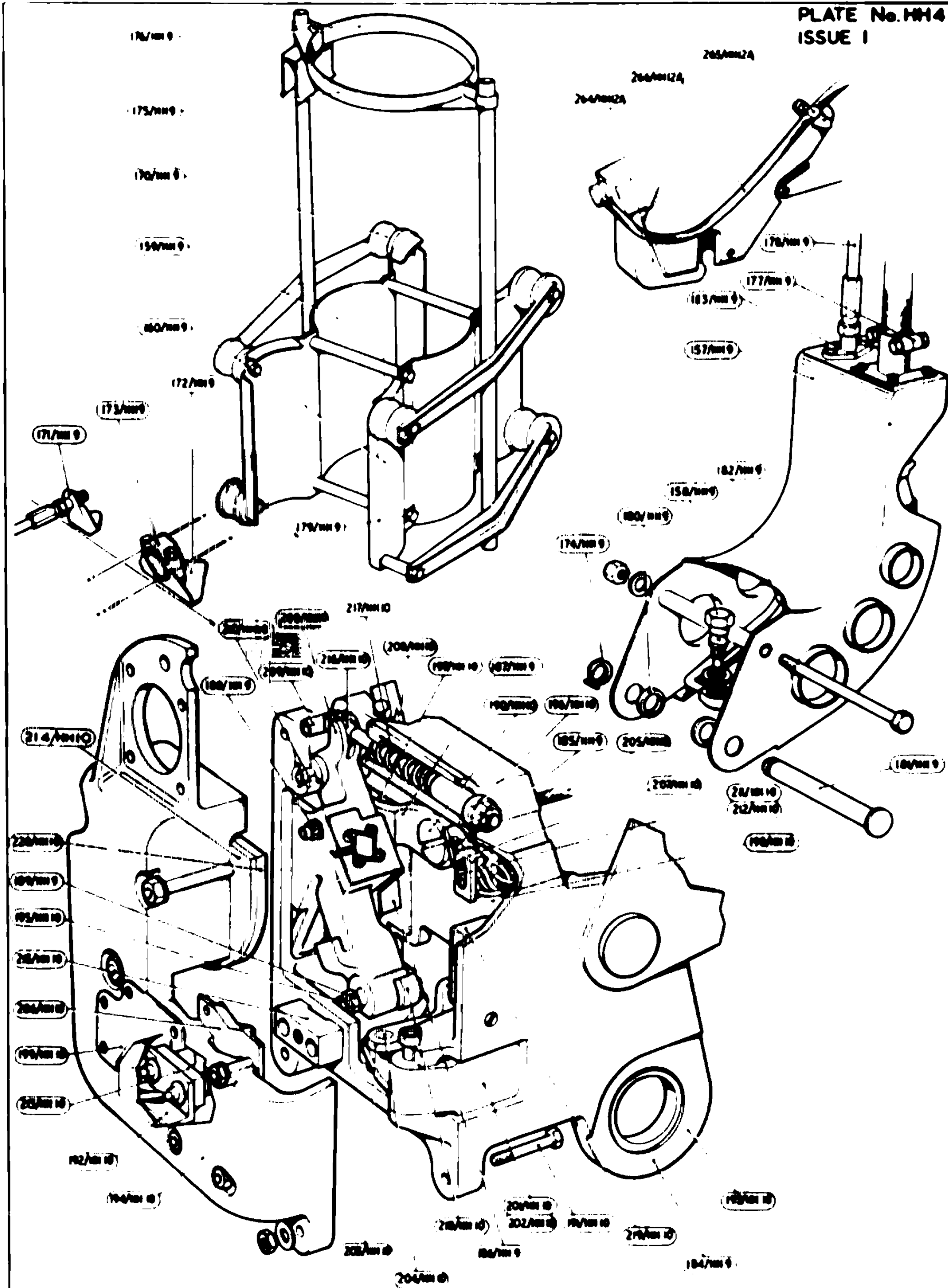


EQUIPMENT SPECIAL OPERATIONAL
HYDRAULIC INSTALLATION IN CARRIER BEAM

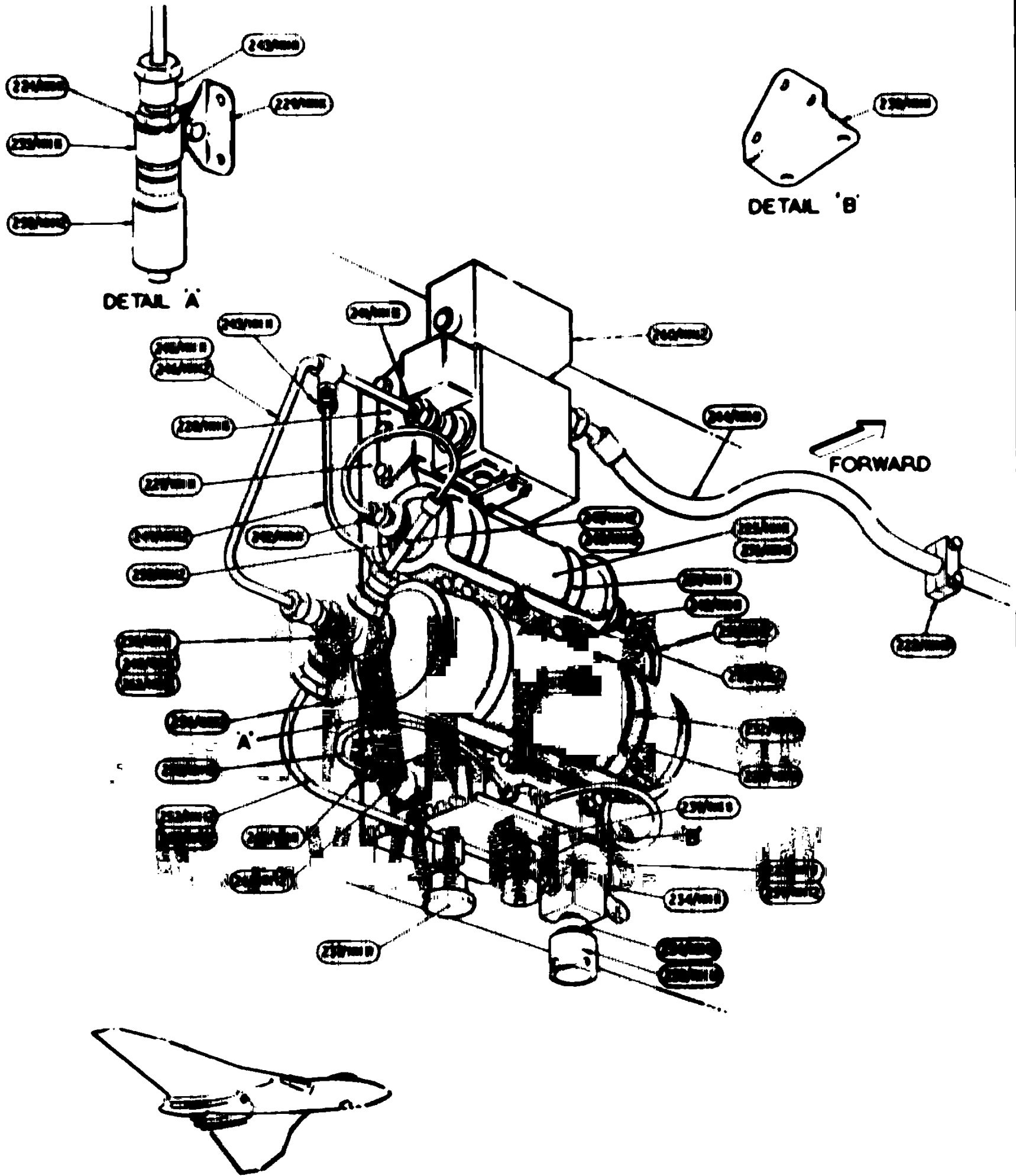
RESTRICTED



EQUIPMENT SPECIAL OPERATIONAL
HYDRAULIC INSTALLATION IN CARRIER BEAM



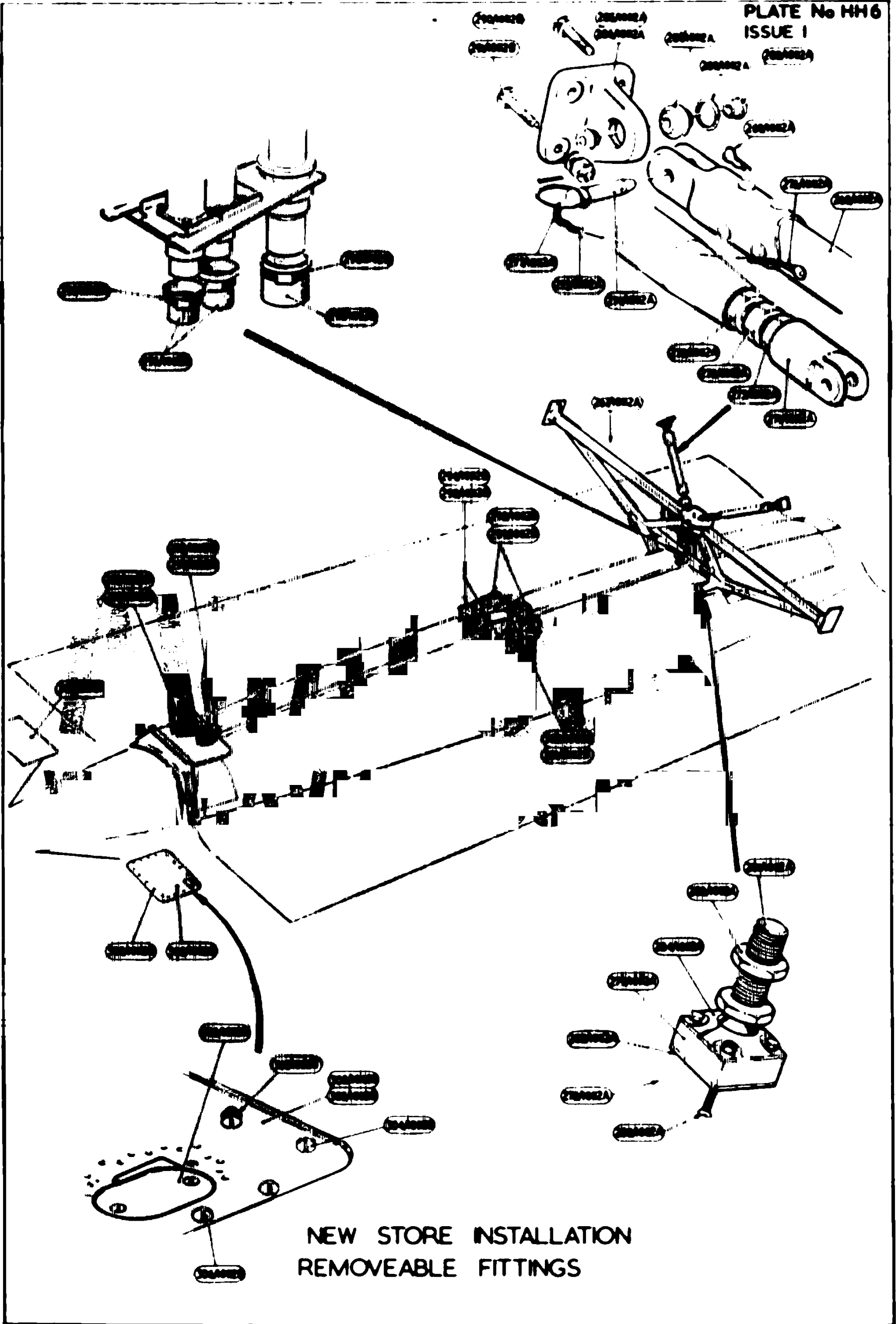
EQUIPMENT, SPECIAL OPERATIONAL
NEW STORE INSTALLATION REMOVABLE FITTINGS



EQUIPMENT SPECIAL OPERATIONAL (S.OO)
NEW STORE INSTALLATION, REMOVABLE FITTINGS

RESTRICTED

PLATE No HH6
ISSUE 1

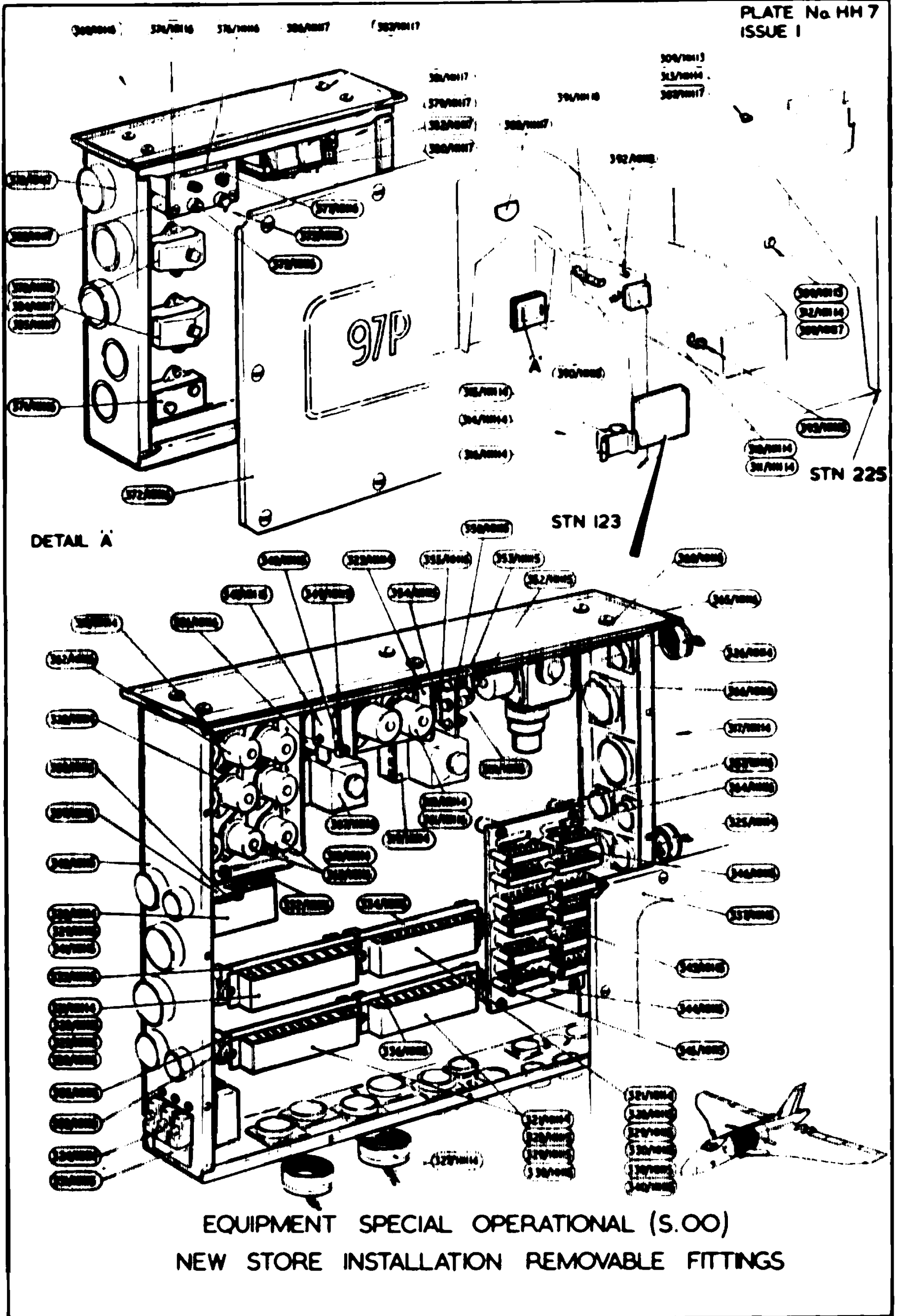


NEW STORE INSTALLATION
REMOVEABLE FITTINGS

RESTRICTED

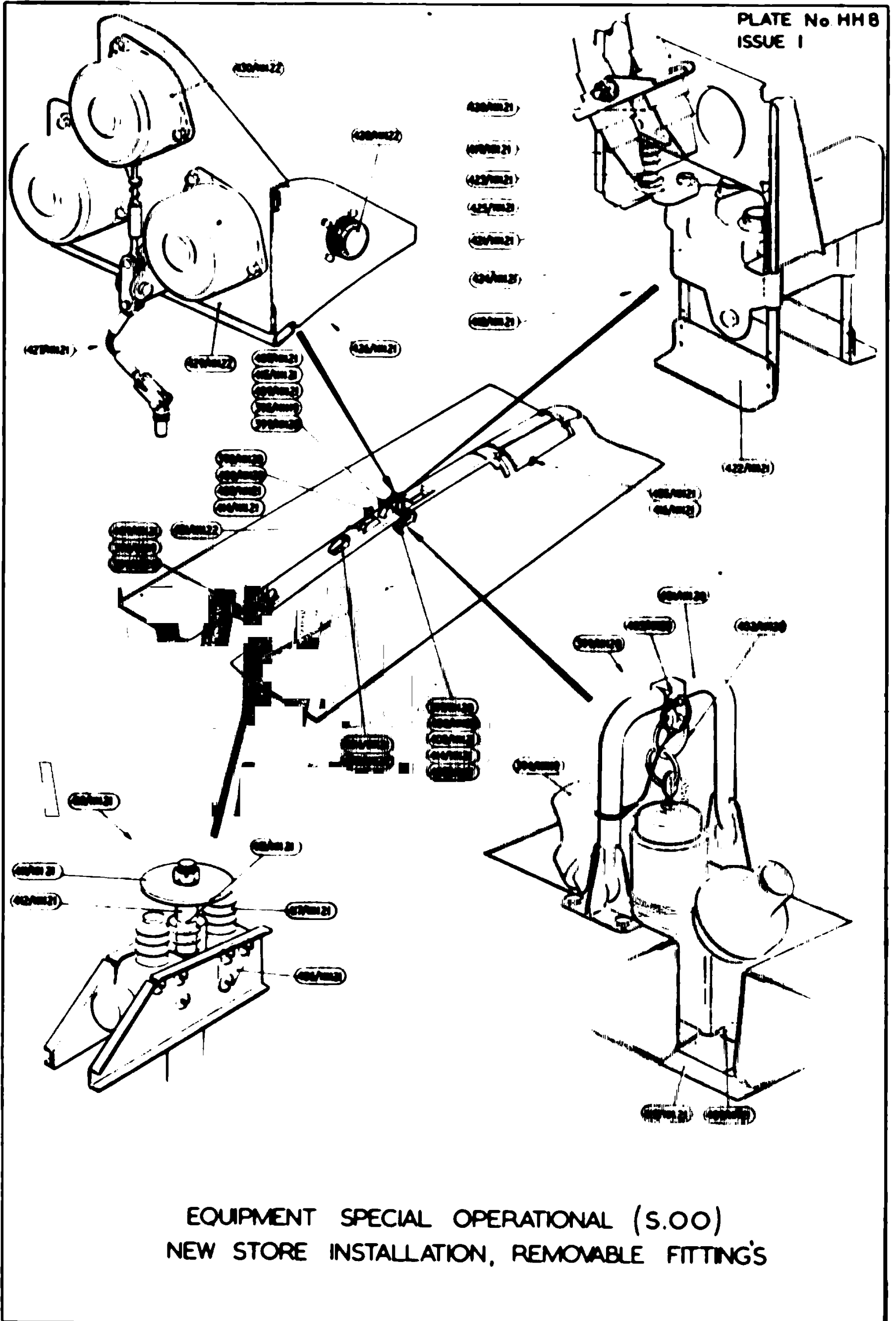
RESTRICTED

PLATE No HH 7
ISSUE I

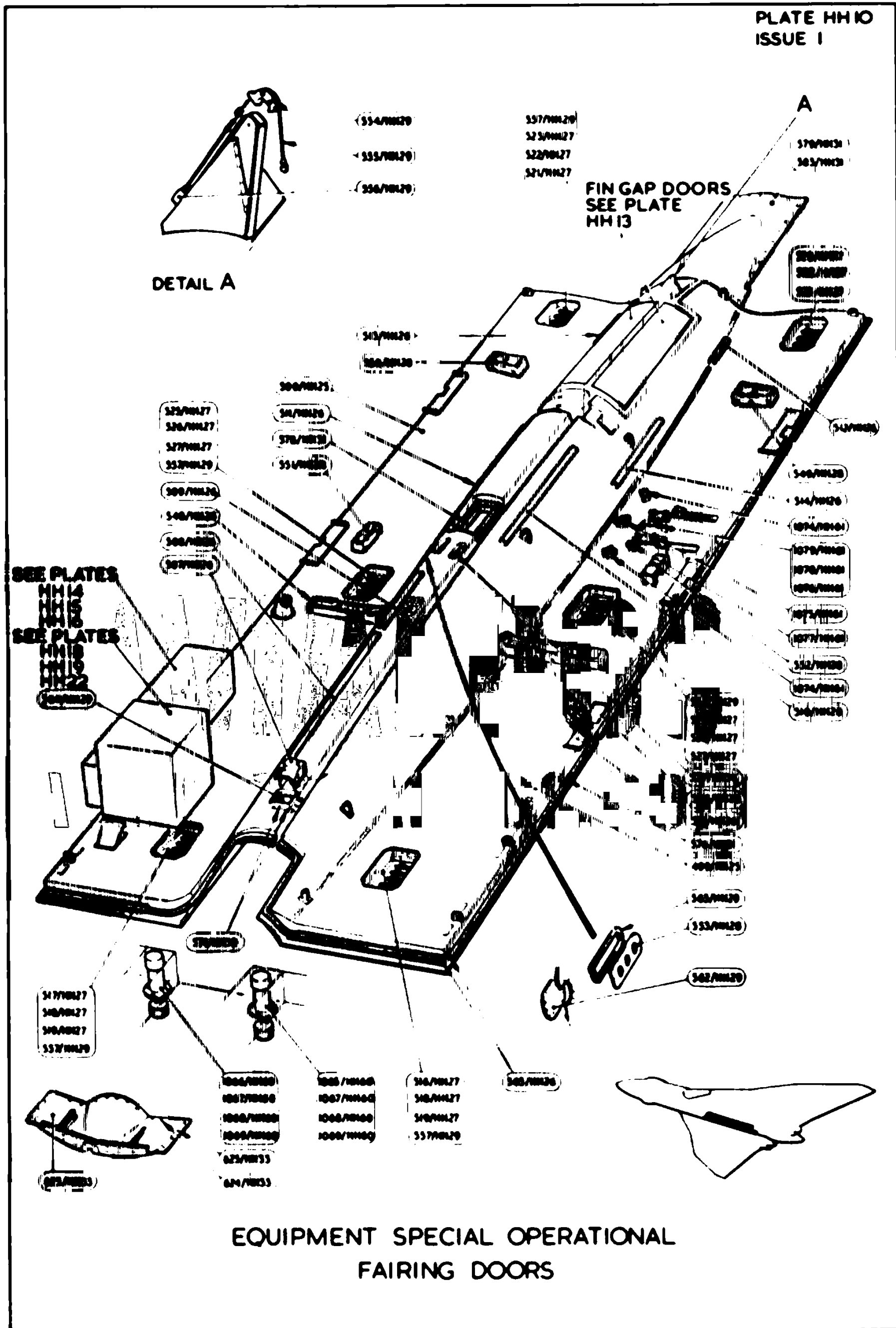


EQUIPMENT SPECIAL OPERATIONAL (S.OO)
NEW STORE INSTALLATION REMOVABLE FITTINGS

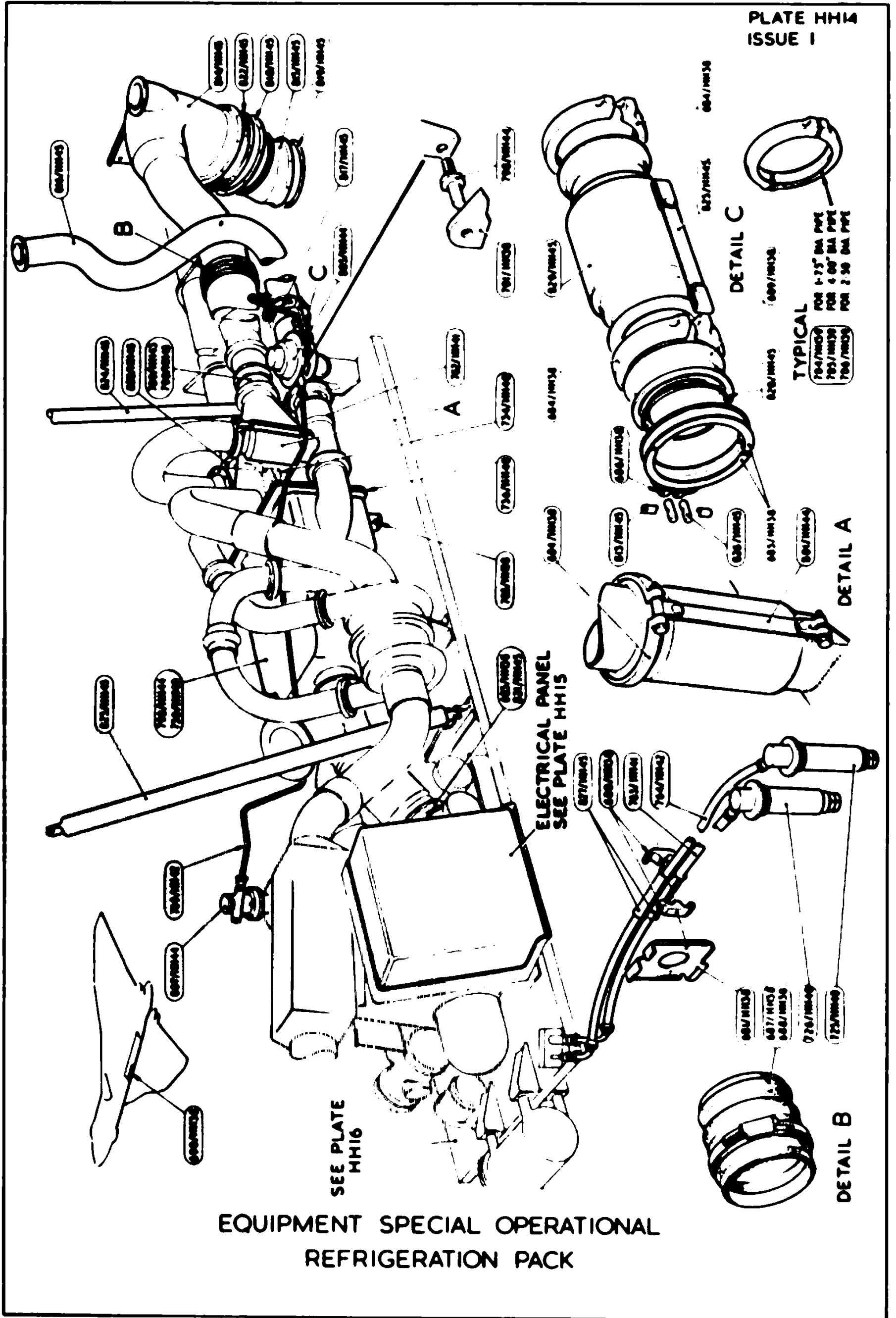
RESTRICTED



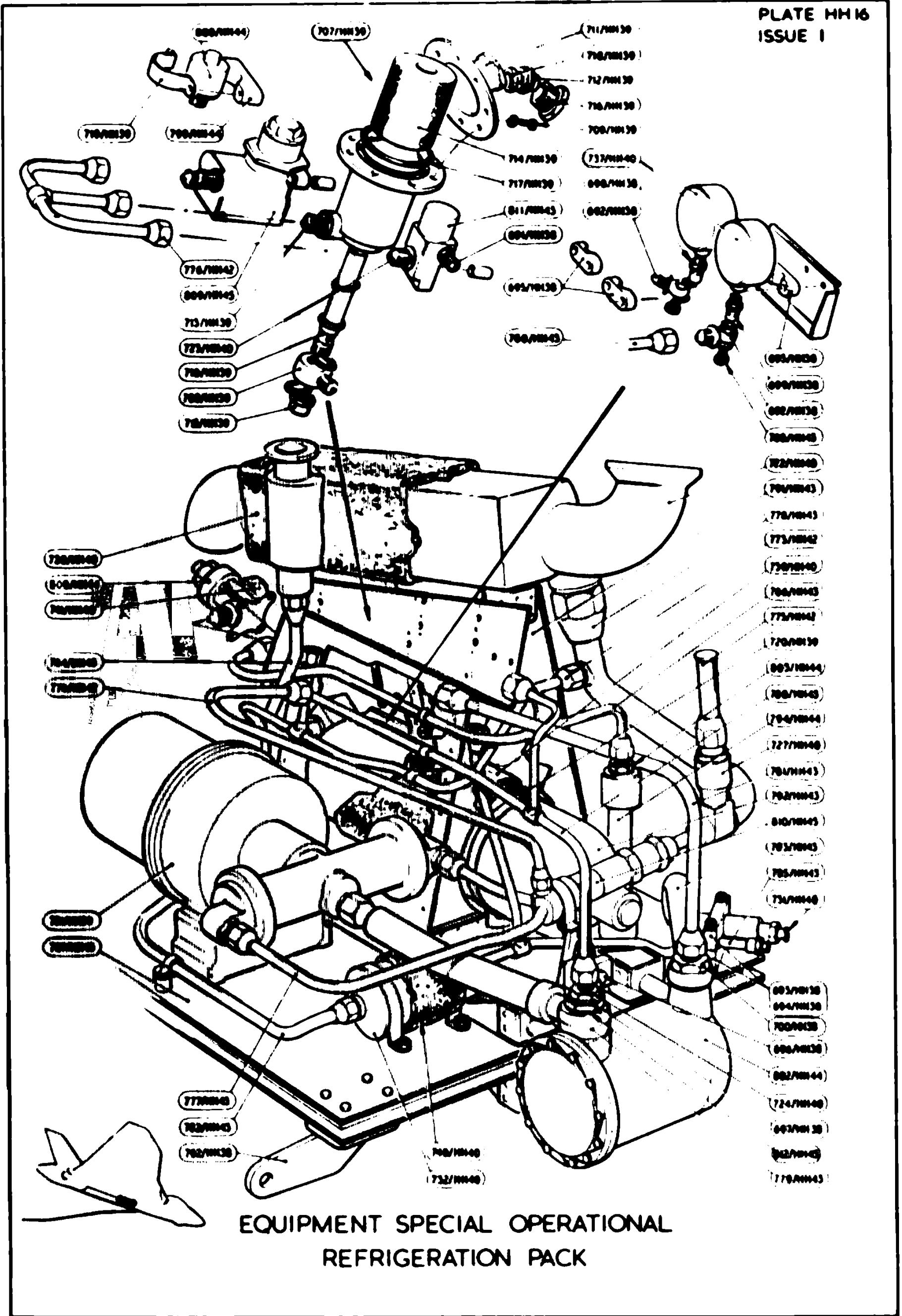
EQUIPMENT SPECIAL OPERATIONAL (S.OO)
NEW STORE INSTALLATION, REMOVABLE FITTINGS



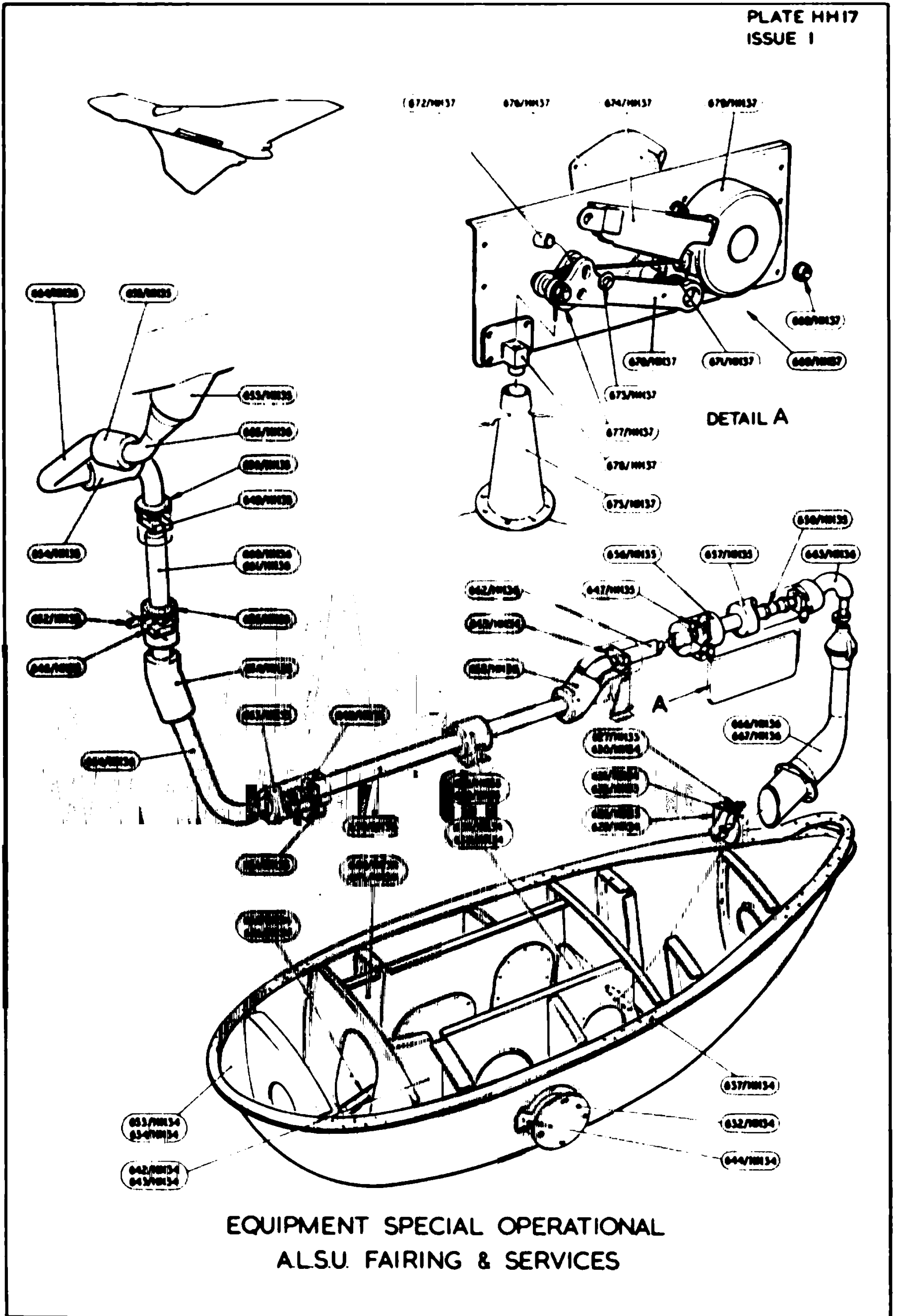
EQUIPMENT SPECIAL OPERATIONAL
FAIRING DOORS



EQUIPMENT SPECIAL OPERATIONAL
REFRIGERATION PACK



EQUIPMENT SPECIAL OPERATIONAL
REFRIGERATION PACK



VULCAN No. 2

EQUIPMENT, SPECIAL OPERATIONAL (S.O.O.)
INSTALLATION OF ADDITIONAL CREW SEAT

Page HJ. 1

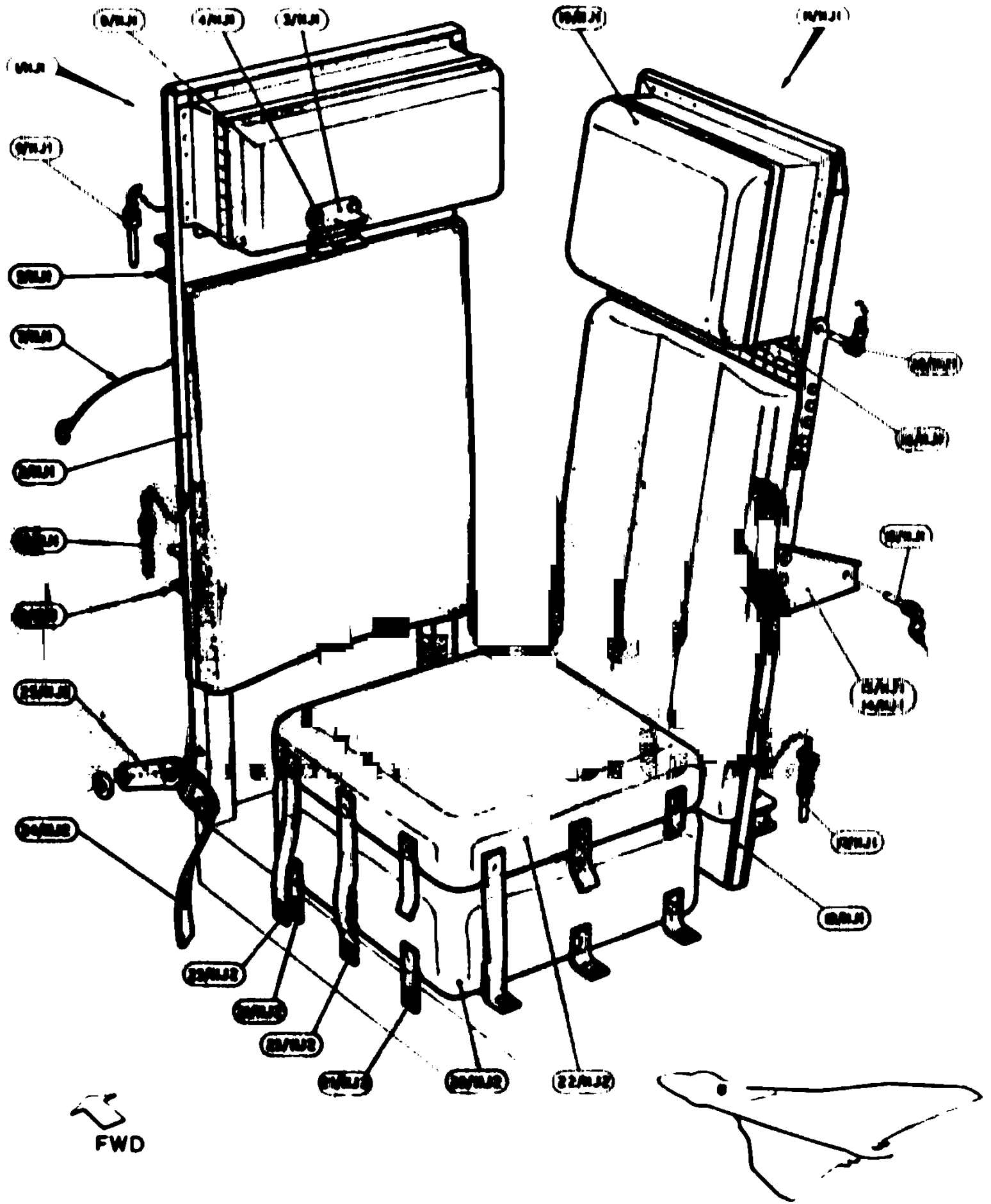
Ref. No	Part No	Description	No. off	Matl. Spec.	Cl. of St.	Plate and Illust'n No.
					M.R.	
		1 2 3 4				
		INSTALLATION OF ADDITIONAL CREW SEAT (1N1425) (Mod. 504)				
		Spares for:—				
	1N1426	BACKREST, HINGED, AFT FACING, GROUP	1	—		HJ1/1
		Spares for:—				
	3N1426	BACKREST, GROUP	1	—		HJ1/2
1433249	47N1426	Bracket, top, harness attachment	1	L72	C	HJ1/3
1505056	48N1426	Bracket, bottom, harness attachment	1	L72	C	HJ1/4
	4N1426	Bracket, hinge, top	1	L72		HJ1/5
	49N1426	Bracket, hinge, bottom	1	L72		HJ1/6
9387	50N1426	CABLE, GROUP	2	—	C	HJ1/7
	20N1426	Chain, Baxendale No. 287, 20 links	3	—		
17270	1N1431	HEADREST, AFT FACING, GROUP	1	—	C	HJ1/8
	AVIATION DEVELOPMENTS					
28FP/9433676	A421	Pin, pip	2	—	C	HJ1/9
28FP/1065	5194/423	Pin, pip	1	—	C	HJ1/10
29H/4290	TERRY No. 169	Ring, split, 1/2" dia.	3	—	C	
11328	3N1426	BACKREST, OUTBOARD, GROUP	1	—	B	HJ1/11
		Spares for:—				
	1N1427	BACKREST, GROUP	1	—		HJ1/12
		Spares for:—				
17364	5N1427	BRACKET, ATTACHMENT, GRP	1	—	C	HJ1/13
	6N1427	BRACKET, ATTACHMENT, GRP	1	—		HJ1/14
		Spares for:—				
	5bN1427	Chain, Baxendale, No. 287, 20 links	1	—		
	AVIATION DEVELOPMENTS					
28FP/9713920	A411	Pin, pip	1	—	C	HJ1/15
29H/4290	TERRY No. 169	Ring, split, 1/2" dia.	1	—	C	
	4bN1427	Chain, Baxendale, No. 287, 16 links	2	—		
	5bN1427	Chain, Baxendale, No. 287, 20 links	2	—		
	17N1427	Hinge (made from AS1879/160)	1	—		HJ1/16
	AVIATION DEVELOPMENTS					
28FP/4070085	A414	Pin, pip, for bottom attachment	2	—	C	HJ1/17
28FP/4068840	A404	Pin, pip, for headrest attachment	2	—	C	HJ1/18
29H/4290	TERRY No. 169	Ring, split, 1/2" dia.	4	—	C	
	1N1430	HEADREST, GROUP	1	—		HJ1/19

EQUIPMENT, SPECIAL OPERATIONAL (S.O.O)
INSTALLATION OF ADDITIONAL CREW SEAT

Ref. No.	Part No.	Description	No. off	Matl. Spec.	Cl. of	Plate and Illust'n No.
					St.	
		1 2 3 4			M.R.	
		INSTALLATION OF ADDITIONAL CREW SEAT (1N1425) (Cont'd)				
9385	1N1428	CUSHION, 6" DEEP, GROUP	1	-	B	HJ1/20
	2N1428	Spare for:- STRAP, GROUP	6	-		HJ1/21
9386	11N1428	CUSHION, 3" DEEP, GROUP	1	-	B	HJ1/22
	17N1428	Spare for:- STRAP, GROUP	6	-		HJ1/23
6F/245	-	Harness, safety, type ZB	1	-	A	HJ1/24
8784	4N1425	HARNESS, EXTENSION, GROUP	1	-	B	HJ1/25

RESTRICTED

PLATE NO HJI
ISSUE 1



EQUIPMENT SPECIAL OPERATIONAL (SOO)
ADDITIONAL CREW SEAT

RESTRICTED

VULCAN No. 2

EQUIPMENT, SPECIAL OPERATIONAL (S.O.O.)

Page HK. 1

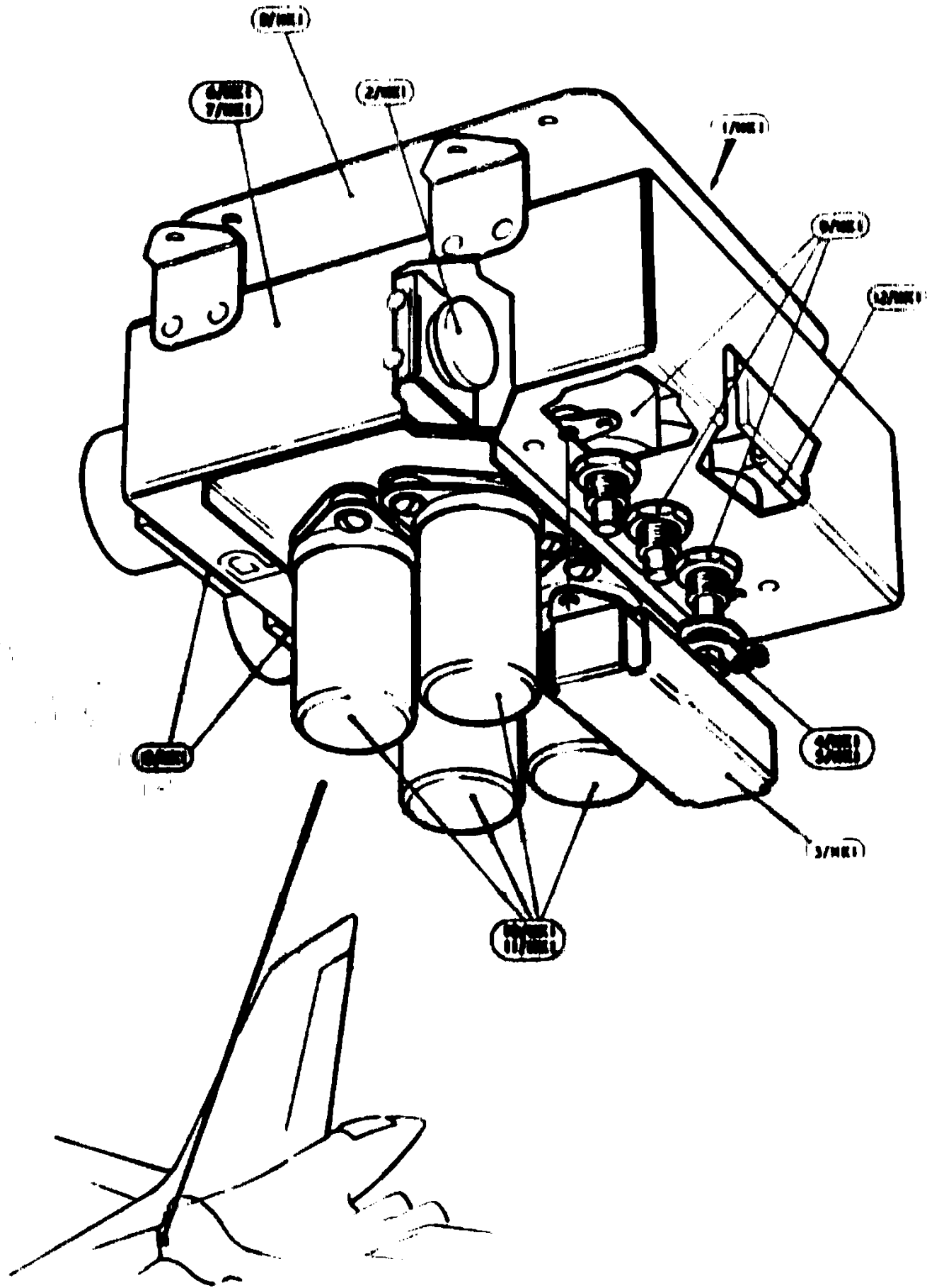
PANEL, TRACK AND GLIDE, 83P

Ref. No.	Part No.	Description	No. off	Matl. Spec.	Cl. of St.	Plate and Illust'n No.
					M.R.	
13424	6V11032	PANEL, TRACK AND GLIDE RELAY, 83P, GROUP (Mod. 1856) Spares for: -	1	-	A	HK1/1
5CZ/5844	PLESSEY CE51101	Condenser, 50 UF, 70V	1	-	A	HK1/2
10AR/0970231	2V11032	Cover, potentiometer	1	L72	B	HK1/3
6403	- COLVERN N602	Lock, potentiometer	3	-	B	HK1/4
		Locknut	3	-	C	HK1/5
	1V13120	LOOM, CABLE, GROUP	1	-		HK1/6
	7V11031	PANEL, C/W LABELS, GROUP	1	-		HK1/7
10W/0271401	4V11032	Plate, cover	1	L72		HK1/8
5CW/4400265	-	Potentiometer, type R.V.W.I. (Colvern)	3	-	B	HK1/9
5CW/5191808	BR210C3P1	Relay, series R	4	-	A	HK1/10
	BR101PS	Socket, ceramic	4	-	B	HK1/11
	6V11032	UNIT, RESISTANCE, GROUP	1	-		HK1/12
10W/0113308		Spares for: - Resistor, type R.V.W.4-J	2	-	C	
		Washer, panel packing	2	-		HK1/13

VULCAN MK 2

EQUIPMENT—SPECIAL OPERATIONAL
SUMMARY OF STANDARD ITEMS

Stores Ref.		No. off	Stores Ref.		No. off	Stores Ref.		No. off
Section	Ref. No.		Section	Ref. No.		Section	Ref. No.	
SCW	4198	1	10AK	Z970175	1	28N	5548	2
SCW	5014	2	10AK	Z970183	1	28N	5553	2
SCW	5064	1	10AK	Z970184	1	28N	9796	2
SCW	5765	1				28N	11403	1
SCW	5823	1				28N	11404	1
SCW	5825	2				28N	11405	3
SCW	5827	2	10W	Z216096	1			
SCW	6634	1						
			11A	3969	2	28P	815	2
SCX	1645	1	11A	4082	1	28P	1082	2
			11A	4404	1	28P	12531	2
						28P	12587	2
SCY	2561	1						
SCY	2562	1	27Q	607	1	28Q	1930	16
SCY	2563	1	27Q	1384	1			
SCY	2564	1						
SCY	4520	4						
			27VA	5218	1	28S	14546	48
SCZ	5215	14				28S	Part No. 101 No. 6	27
SCZ	5216	3						
SCZ	5218	3	28D	8341	18			
			28D	12512	8	28W	12298	8
			28D	12514	96	28W	13323	1
SD	1541	2	28D	12570	48	28W	14319	18
			28D	14522	32	28W	14886	48
						28W	9418921	80
SH	5	1	28FP	6	2	28W	9419402	48
SH	11	1	28FP	17	1	28W	9419466	1
SH	18	1	28FP	23	1	28W	9419475	8
SH	27	4	28FP	325	6			
SH	74	1	28FP	481	4			
SH	75	2	28FP	617	10			
SH	87	1	28FP	768	2			
SH	93	2	28FP	9429531	2			
			28FP	9433676	1			
			28FP	Part No. 5255A/307	2			
SL	9962110	1						
			28K	2899	1			
SX	6623	1	28K	2904	1			
SX	7498	2						
			28M	10288	104			
6D	9429890	1	28M	10290	80			
			28M	10292	1			



EQUIPMENT, SPECIAL OPERATIONAL (S.O.O)
PANEL, TRACK & GUIDE 83P

VULCAN No. 2

EQUIPMENT SPECIAL OPERATIONAL (S.O.O.)

LONG RANGE SADDLE TANKS IN BOMB BAY (REMOVABLE FITTINGS)

Ref No	Part No.	Description	No off	Matl Spec.	Cl. of St.	Plate and Illust'n No.
					M.R.	
		1 2 3 4				
		ARRANGEMENT OF TANKS IN BOMB BAY (1P3727) (Mod. 527 AND 528) Spares for:— INSTALLATION, FORWARD TANK (AFT POSITION) (1P3390) GROUP 100 (Mod. 527 PART C) INSTALLATION, FORWARD TANK (FORWARD POSITION) (2P3390) GROUP 101 (Mod. 527, PART B) Spares for:—				
7915	8SS4647 8P3390 19P3390 47SS4478 65SS4478	Bush Bush Bush Clip, half Clip, half	16 4 4 1 1	— S93 S93 — —	C MR MR MR MR	HL2/1 HL2/2 HL2/3 HL1/4 HL1/5
28D/1212402 28M/1012015 28W/9419475	25/C AGS2001/1000 P101	ATTACHMENTS—CLIP 47 & 65 SS 4478 Bolt, 2 BA Nut, 2 BA Washer, 2 BA	2 2 2	— — —	C C C	
28E/9130219	AGS805/4 FLIGHT REFUELLING FRS150/K AVIMO MR8610C/K	Clip, bonding Clip, pipe Clip hose	4 12 4	— — —	MR MR C	HL1/6 HL1/7 HL1/8
27FR/ 1057698	FLIGHT REFUELLING FRS150/K AVIMO MR8610C/K	Connector, pipe	3	—	C	HL1/9
		Connector (Less FRS.292/K)	2	—		HL1/10
		Coupling, flexible, c/w "O" rings Spares for:—	1	—	MR	HL1/11
13820	AVIMO MR.8609C/K 17P3390 12P3376 27P3290	Ring, "O" Gasket, vent valve Hose, rubber, 2-1/2" i/d x 4" long	2 1 1	— DTD762 DTD625A	C MR	HL1/12 HL1/13
22908	103P3390 131P2898	Pipe, Flyflex (Pre-Mod. 2459) Pipe, flexible, Flylite (Mod. 2459) Pipe, Flylite refuelling	2 2 1	— — —	MR C MR	HL1/14 HL1/15
	22P3390	PIPE, VENT, GROUP 100 (Mod. 527, PART C)	1	—	MR	HL1/16
	23P3390	PIPE, VENT, GROUP 101 (Mod. 527, Part B)	1	—	MR	HL1/17
13968	14P3390	PIPE, VENT, GROUP 100 (Mod 527, PART C)	1	—	C	HL1/18
28D/9436770 28W/9128914	A26/2C SP14/C	ATTACHMENTS—PIPE 14P3390 OR 23P3390 Bolt, 2 BA Washer, 2 BA	8 8	— —	C C	

EQUIPMENT SPECIAL OPERATIONAL (S.O.O.)

LONG RANGE SADDLE FUEL TANKS IN BOMB BAY (REMOVABLE FITTINGS)

Ref. No.	Part No.	Description	No. off	Matl Spec.	Cl. of St	Plate and Illust'n No
					M R	
		1 2 3 4				
	5P3390	STRUT, FORE & AFT, PORT, GROUP 100 ... (Mod 527 PART C)	1	—	MR	HL2/19
	6P3390	STRUT, FORE & AFT, STARBOARD, GROUP 100 (Mod 527 PART C) Spares for:—	1	—	MR	HL2/20
	ROSE BROS RMX6L	Bearing, rod-end, R.H.	1	—	MR	
	ROSE BROS RMXR6L	Bearing, rod-end, L.H.	1	—	MR	
	4SS5025	Nut, lock, R.H.	1	—	MR	
	9SS5025	Nut, lock, L.H.	1	—	MR	
		ATTACHMENTS—STRUTS (5 & 6P3390)				
28D/20184	A59/7J	Bolt, 3/8" BSF	1	—	C	
28D/1213448	A59/10J	Bolt, 3/8" BSF	1	—	C	
28M/1011476	A27/JS	Nut, slotted	2	—	C	
28P/9627619	SP90/C7	Pin, split	2	—	C	
28W/9419477	SP15/J	Washer, 3/8" BSF	2	—	C	
17228	3SS4667	Washer, special	2	—	C	HL2/21
13963	20P3390	STRUT, VERTICAL GROUPS 100 & 101 (Mod. 527, PARTS B & C) Spares for:—	1	—		HL2/22
	ROSE BROS RMX 6L	Bearing, rod-end, R.H.	1	—	MR	
	ROSE BROS RS6	Bearing, spherical	1	—	MR	
	4SS5025	Nut, lock, R.H.	1	—	MR	
	W & S Ltd. W.S.20	Washer, retaining	2	—		
		ATTACHMENTS—STRUT 20P3390				
28D/1213515	A59/16J	Bolt, 3/8" BSF	1	—	C	
28D/1213448	A59/10J	Bolt, 3/8" BSF	1	—	C	
28M/1011476	A27/JS	Nut, slotted, 3/8" BS	2	—	C	
28P/9627619	SP90/C7	Pin, split	2	—	C	
28W/9419477	SP15/J	Washer, 3/8" BSF	2	—	C	
17228	3SS4667	Washer, special	2	—	C	HL2/23
	8P3390	STRUT, SIDE, PORT, GROUPS 100 & 101 ... (Mod. 527, PARTS B & C) Spares for:—	1	—	MR	HL2/24
	ROSE BROS RMX 6L	Bearing, rod-end, R.H.	1	—	MR	
	ROSE BROS RMX R6L	Bearing, rod-end, L.H.	1	—	MR	
	4SS5025	Nut, lock, R.H.	1	—	MR	
	9SS5025	Nut, lock, L.H.	1	—	MR	
		ATTACHMENTS—STRUT 9P3390				
	3P3390	Bolt, special	1	—	MR	HL2/25
28D/1213448	A59/10J	Bolt, 3/8" BSF	1	—	C	
28M/1011476	A27/JS	Nut, slotted, 3/8" BSF	1	—	C	

VULCAN BR 2

EQUIPMENT SPECIAL OPERATIONAL

LONG RANGE SADDLE FUEL TANKS IN BOMB BAY (REMOVABLE FITTINGS)

Ref. No.	Part No.	Description	No. off	Mater. Spec	Cl. of St.		Plate and Illust'n No.
					M	R	
		1 2 3 4					
28M/1011467 28W/9419477 28W/9419406 17228	A27/ES SP15/J SP15/E 3SS4667	STRUT, SIDE, PORT (8P3390) (Cont'd) ATTACHMENTS—STRUT (8P3390) Nut, slotted, 1/4" BSF Washer, 3/8" BSF Washer, 1/4" BSF Washer, special	1 1 1 2	— — — —	C C C		HL2/26
	10P3390	STRUT, AFT SIDE, PORT, GROUP 100 (Mod. 527, PART C) Spares for:—	1	—			HL2/27
	ROSE BROS. RMXR6L ROSE BROS. RMXL6L 4SS5025 9SS5025	Bearing, rod-end, R.H. Bearing, rod-end, L.H. Nut, lock, R.H. Nut, lock, L.H.	1 1 1 1	— — — —	MR MR MR MR		
28D/9435055 28D/1213448 28M/1011476 28P/9527619 28W/9419477 17228	A59/11J A59/10J A27/JS SP90/C7 SP15/J 3SS4667	ATTACHMENTS—STRUT 10P3390 Bolt, 3/8" BSF Bolt, 3/8" BSF Nut, slotted, 3/8" BSF Pin, split Washer, 3/8" BSF Washer, special	1 1 2 2 2 2	— — — — — —	C C C C C C		HL2/28
	11P3390	STRUT, VERTICAL, PORT AND STARBOARD, GROUP 100 (Mod. 527, PRT C) Spares for:—	2	—	MR		HL2/29
	ROSE BROS. RMXR6L ROSE BROS. RMXL6L 4SS5025 9SS5025	Bearing, rod-end R.H. Bearing, rod-end, L.H. Nut, lock, R.H. Nut, lock, L.H.	1 1 1 1	— — — —	MR MR MR MR		
28D/1213448 28D/20153 28M/1011476 28P/9527619 28W/9419477 17228	A59/10J A59/20J A27/JS SP90/C7 SP15/J 3SS4667	ATTACHMENTS—STRUT 11P3390 Bolt, 3/8" BSF Bolt, 3/8" BSF Nut, slotted, 3/8" BSF Pin, split Washer, 3/8" BSF Washer, special	1 1 2 2 2 1	— — — — — —	C C C C C C		HL2/30
13975	12P3390	STRUT, VERTICAL, PORT AND STARBOARD, GROUP 101 (Mod. 527, PART B) Spares for:—	2	—	B		HL2/31
	ROSE BROS. RMXR6L ROSE BROS. RMXL6L 4SS5025 9SS5025	Bearing, rod-end, R.H. Bearing, rod-end, L.H. Nut, lock, R.H. Nut, lock, L.H.	1 1 1 1	— — — —	MR MR MR MR		

EQUIPMENT SPECIAL OPERATIONAL (S.O.O.)
LONG RANGE FUEL TANKS IN BOMB BAY (REMOVABLE FITTINGS)

Ref. No.	Part No.	Description	No. off	Matl. Spec.	Cl. of St.	Plate and Illust'n No.
					M.R.	
		1 2 3 4				
		STRUT, VERTICAL PORT & STBD. GROUP 101 (12P3390) (Cont'd.)				
		ATTACHMENTS—STRUT 12P3390				
	4P3390	Bolt, special	1	—	MR	HL2/32
28D/1213448	A59/10J	Bolt, 3/8" BSF	1	—	C	
28M/1011467	A27/ES	Nut, slotted, 1/4" BSF	1	—	C	
28M/1011476	A27/JS	Nut, slotted, 3/8" BSF	1	—	C	
28P/9527619	SP90/C7	Pin, split	2	—	C	
28W/9419405	SP15/E	Washer, 1/4" BSF	1	—	C	
28W/9419477	SP15/J	Washer, 3/8" BSF	1	—	C	
17228	3SS4667	Washer, special	2	—	C	HL2/33
13976	13P3390	STRUT, FWD. SIDE. PORT GROUP 101 (Mod. 527, PART B)	1	—	B	HL2/34
		Spares for:—				
	ROSE BROS. RMXR6L	Bearing, rod-end, R.H.	1	—	MR	
	ROSE BROS. RMXL6L	Bearing, rod-end, L.H.	1	—	MR	
	4SS5025	Nut, lock, R.H.	1	—	MR	
	9SS5025	Nut, lock, L.H.	1	—	MR	
		ATTACHMENTS—STRUT 13P3390				
	4P3390	Bolt, special	1	—	MR	HL2/35
28D/9435055	A59/11J	Bolt, 3/8" BSF	1	—	C	
28M/1011467	A27/ES	Nut, slotted, 1/4" BSF	1	—	C	
28M/1011476	A27/JS	Nut, slotted, 3/8" BSF	1	—	C	
28P/9527619	SP90/C7	Pin, split	2	—	C	
28W/9419477	SP15/J	Washer, 3/8" BSF	1	—	C	
28W/9419405	SP15/E	Washer, 1/4" BSF	1	—	C	
17228	3SS4667	Washer, special	2	—	C	HL2/36
	15P3390	STRUT, FWD. & AFT, PORT & STBD. GROUP 101 (Mod. 527, PART B)	2	—	MR	HL2/37
		Spares for:—				
	ROSE BROS. RMXR6L	Bearing, rod-end, R.H.	1	—	MR	
	ROSE BROS. RMXL6L	Bearing, rod-end, L.H.	1	—	MR	
	4SS5025	Nut, lock, R.H.	1	—	MR	
	9SS5025	Nut, lock, L.H.	1	—	MR	
		ATTACHMENTS—STRUT 15P3390				
	4P3390	Bolt, special	2	—	MR	HL2/38
28M/1011467	A27/ES	Nut, slotted	2	—	C	
28P/9527619	SP90/C7	Pin, split	2	—	C	
28W/9419405	SP15/E	Washer, 1/4" BSF	2	—	C	
17228	3SS4667	Washer, special	2	—	C	HL2/39

VULCAN No 2

EQUIPMENT SPECIAL OPERATIONAL

LONG RANGE SADDLE FUEL TANKS IN BOMB BAY (REMOVABLE FITTINGS)

Ref No	Part No	Description	No. off	Matl Spec.	Cl. of St.	Plate and Illust'n No.
					M.R	
		1 2 3 4				
		INSTALLATION, FWD. TANKS (FWD. & AFT POSITIONS (1 & 2P3380) GROUPS 100 & 101 (Mod. 527 & 528 PARTS B & C) (Cont'd.)				
	1P3595	SUPPORT STRUCTURE, FWD. STRUT, PORT, GROUP 101 (Mod 527 PART B)	1	—		
	2P3595	SUPPORT STRUCTURE, FWD. STRUT, STBD., GROUP 101 (Mod. 527 PART B)	1			
	3P3595	Spares for:— Bracket, port	1	—	MR	HL2/40
	4P3595	Bracket, starboard	1	—	MR	HL2/41
		ATTACHMENTS — BRACKET, 3 & 4P3595				
28D/9133012	A25/3C	Bolt, 2 BA	4	—	C	
28M/1012015	AGS2001/C1/66	Nut, 2 BA	4	—	C	
28W/9419475	SP15/C	Washer, 2 BA	4	—	C	
13981		STRUT, GROUP	1	—	B	HL2/42
		Spares for:—				
13983		Head	1	—	C	
28M/1007404		3/8" BSF	1	—	C	
		ATTACHMENTS—STRUT, SP3886				
28D/1215683		1/4" BSF	2	—	C	
28M/1011467		Nut, slotted, 1/4" BSF	2	—	C	
28P/9667619		Pin, split	2	—	C	
28W/9419403		Washer, 1/4" BSF	2	—	C	
587		TANK & EQUIPMENT FWD., GROUP (Mod. 527 PART A)	1	—	A	HL2/43
		Spares for:—				
6A/11283	SMITHS BT21/7	Box, cable (Pre-Mod. 2086)	1	—		
	BT21/31	Box, cable (Mod. 2086)	1	—	A	HL2/44
	50P3376	BOX, COLLECTOR, GROUP	2	—	MR	HL2/45
	33P3391	BOX, COLLECTOR, GROUP	2	—	MR	HL2/46
	40P3391	BRACKET, RETAINING, GROUP	4	—		HL2/47
	41P3391	BRACKET, RETAINING, GROUP	4	—		HL2/48
6A/4327943	SMITHS LG3	Clamp, mounting	2	—	C	HL2/49
	26SS4490	Clip, bonding	16	—	MR	HL1/50
	5aSS4478	Clip, half	4	—	MR	HL1/51
	62SS4478	Clip, half	4	—	MR	HL1/52
		ATTACHMENTS—CLIPS, 52 & 62SS4478				
28D/1213386	A26/2C	Bolt, 2 BA	2	—	C	
28W/9128914	SP14/C	Washer, 2 BA	2	—	C	
27F/4526669	VICKERS ARMSTRONG A5269 Mk. A	Cock, drain, 1/4" BSP	4	—	C	HL2/53

EQUIPMENT SPECIAL OPERATIONAL (S.O.O.)

LONG RANGE SADDLE FUEL TANKS IN BOMB BAY (REMOVABLE FITTINGS)

Ref. No.	Part No.	Description	No. off	Matl. Spec.	Cl. of	Plate and Illust'n No.
					St. M.R.	
		1 2 3 4				
		TANK & EQUIPMENT FWD., GROUP (1P3391) (Mod. 527 PART A) (Cont'd)				
27FR/1057698	FLIGHT REFUELLING FRS.110/K FLIGHT REFUELLING FRS.150/K SMITHS LF17	Connector, pipe	8	-	C	HL1/54
		Connector, pipe	2	-	-	HL1/56
		Connector, bulkhead	1	-	-	HL2/56
5X/6200370	1V6650	ELECTRICAL SERVICES FWD. TANK ... (1V8647), GROUP Spares for:- Block, terminal, TB, 311	1	-	C	HL2/57
	2713V7909	CABLE, (F2713) PUMPS TO PLUG 917, GROUP	1	-	-	
	2714V7909	CABLE, (F2714) PUMPS TO PLUG 918, GROUP	1	-	-	
	2717V7909 F/	CABLE, (F2717) REFUELLING VALVE TO TB., GROUP	1	-	-	
	2718V7909	CABLE, (F2718) FLOAT SWITCH TO TB., GROUP	1	-	-	
	2719V7909	CABLE, (F2719) TB. TO PLUG 919, ... GROUP	1	-	-	
5K/9438899	NX 0	Clip, cable	14	-	C	HL2/58
5K/9325186	NX 1	Clip, cable	7	-	C	HL2/59
5K/9325187	NX 2	Clip, cable	4	-	C	HL2/60
6A/4327939	SMITHS PA24	Connector, cable, contents gauge to TB. .	1	-	C	HL2/61
6A/4327940	SMITHS LUA10	Connector, cable, cable box to bulkhead . connector	1	-	C	HL2/62
6A/4327941	SMITHS LJ48	Connector, cable, cable box to fuel contents plug	1	-	C	HL2/63
6A/4327942	SMITHS PW62	Connector, cable, contents gauge to TB. .	1	-	C	HL2/64
	3V8647	Duct, cable	1	L72	-	HL2/65
	4V8647	Duct, cable	1	L72	-	HL2/66
	30SS4622	Duct, cable	1	L72	-	HL2/67
	311V7728	Label	1	-	-	HL2/68
	7V8647	Lid, duct	1	L72	-	HL2/69
	8V8647	Lid, duct	1	L72	-	HL2/70
	9V8647	Lid, duct	1	L72	-	HL2/71
5X/4491488	15V6650	Socket, single	1	-	C	HL2/72
	19P3376	Gasket	8	DTD762	MR	HL2/73
	28P3391	Gasket	4	DTD762	MR	HL2/74

VULCAN MR 2

EQUIPMENT SPECIAL OPERATIONAL (S.O.O.)

Page HL. 7

LONG RANGE SADDLE FUEL TANKS IN BOMB BAY (REMOVABLE FITTINGS)

Ref. No.	Part No.	Description	No. off	Matl Spec.	Cl. of St.	Plate and Illust'n No.
					M.R.	
		1 2 3 4				
		TANK & EQUIPMENT FWD., GROUP (1P3391) (Mod. 527 PART A) (Cont'd.)				
	13P3376	Gasket	1	DTD762	MR	HL2/75
	14P3376	Gasket	1	DTD762	MR	HL1/76
	29P3376	Gasket	1	DTD762	MR	HL2/77
	SAUNDERS VALVE CO. A101/8	Handle, assembly	2	—	—	HL1/79
	31P3391	PANEL, VENT, GROUP	1	—	—	HL1/80
	32P3391	Spares for:— Gasket	1	—	—	
28D/9133011	A25/2C	ATTACHMENTS—PANEL, 31P3391				
28F/9429636	AGS1186/3	Bolt, 2 BA	24	—	C	
		Seal, bonded	24	—	C	
	5P3424	Piece, distance	4	—	C	HL2/81
	7P3421	PIPE, FUEL BEND & ELBOW, GRP	2	—	MR	HL1/82
	7P3422	PIPE, FUEL BEND & ELBOW, GRP	2	—	MR	HL1/83
	30P3423	PIPE, FUEL JUNCTION, GROUP	1	—	MR	HL1/84
	30P3424	PIPE, FUEL JUNCTION, GROUP	1	—	MR	HL1/85
1433517	20P3378	PLATE, STUD, GROUP	1	—	C	HL2/86
		Spares for:—				
	20P3378	Stud	17	S110	MR	
28M/1010997	A24/CT	Nut, 2 BA	17	—	C	
	S.P.E. LTD. PAC1200 Mk. 3 or PAC1200 Mk. 4	Pump, fuel (not supplied with assembly .. spare)	4	—	—	HL2/87
5UE/4412045		Pump, fuel (not supplied with assembly .. spare)	4	—	A	
	8P2844	Ring, sealing	4	—	MR	HL2/88
	11P2831	STOP, VENT VALVE, GROUP	1	—	MR	HL1/89
5CW/4406247	FLIGHT REFUELLING 3510100/3	Switch, float Mk. 10 (not supplied with ... assembly spare)	1	—	A	HL2/90
	1P3392	TANK, STRUCTURE, FWD., GRP.	1	—	—	HL1/91
		Spares for:—				
		DIAPHRAGM, FWD. (1P3394)				
		Spares for:—				
28D/1011303	A25/13J	Bolt, 3/8" BSF	1	—	C	
26TA/19346	9P3380	Bracket, hoisting	1	S521	—	HL2/92
	AS2808/8/125	Tube, distance	1	—	C	
		DIAPHRAGM, AFT (1P3395)				
		Spares for:—				
28D/1011303	A25/13J	Bolt, 3/8" BSF	1	—	C	
26TA/19346	4P3396	Bracket, hoisting	1	S521	—	HL2/93
	AS2808/8/125	Tube, distance	1	—	C	

EQUIPMENT SPECIAL OPERATIONAL (S.O.O.)

LONG RANGE SADDLE FUEL TANKS IN BOMB BAY (REMOVABLE FITTINGS)

Ref No.	Part No.	Description	No. off	Matl Spec	Cl. of St.	Plate and Illust'n No.
					M.R.	
		1 2 3 4				
		TANK STRUCTURE, FWD., GROUP (1P3392) (Cont'd.)				
		FITTINGS, PICK UP (1P3396)				
		Spares for:—				
	3SS5288	Bolt, special	8	—	—	HL2/94
28D/9436770	A26/2C	Bolt, 2 BA	12	—	C	
28D/1011466	A26/3C	Bolt, 2 BA	88	—	C	
28D/9436769	A26/4C	Bolt, 2 BA	4	—	C	
28D 1011303	A25/13J	Bolt, 3/8" BSF	2	—	C	
	5P3396	Bracket, hoisting	2	S621	MR	HL2/96
	6P3396	Fitting, fore, aft and side	1	DTD5020	MR	HL2/96
	7P3396	Fitting, fore and aft	1	DTD5020	MR	HL2/97
		Spares for:—				
	6bP3396	Bush	4	S93	MR	
	37P3396	Fitting, fore and aft, port	1	DTD5020	MR	HL2/98
	38P3396	Fitting, fore and aft, starboard	1	DTD5020	MR	HL2/99
	34P3396	Fitting, side, port side only	1	DTD5020	MR	HL2/100
	3P3396	Fitting, vertical	1	DTD5020	MR	HL2/101
	4P3396	Fitting, vertical	1	DTD5020	MR	HL2/102
	74P3396	Fitting	1	DTD5020	MR	HL2/103
	65P3396	Fitting	2	DTD5020	MR	HL2/104
	66P3396	Fitting	1	DTD5020	MR	HL2/105
28P/9433484	AGS1186/3	Seal, bonded	80	—	C	
28F/9429636	AGS1186/4	Seal, bonded	8	—	C	
		SKINNING ARRANGMENT, FWD TANK (1P3393)				
		Spares for:—				
	94P3393	Panel, access	1	—	MR	HL1/106
		ATTACHMENTS—PANEL 94P3393				
28D/9436770	A26/2C	Bolt, 2 BA	48	—	C	
28F/9433484	AGS1186/3	Seal, bonded	48	—	C	
6A/9565	SMITHS 57NT	UNIT, TANK, FUEL CONTENTS	2	—	A	HL2/78
		(not supplied with assembly spare)				
	15P3012	VALVE, FLOAT, GROUP (Mod. 1356)	1	—	MR	HL1/107
		Spares for:—				
	2P3012	Body, valve	1	L59	MR	HL1/238
	4P3012	Float, cork	1	—	MR	HL1/239
	7P3012	Housing, spring	1	L59	MR	HL1/240
	9P3012	Housing, valve	1	L59	MR	HL1/241
1433911	12P3012	Packing, 1/32" thick x 2-3/16" dia.	1	—	C	HL1/242
	3P3012	Sleeve, float	1	L59	MR	HL1/243
	6P3012	Spring, valve, inward	1	—	MR	HL1/244
	13P3012	Spring, valve, outboard	1	—	MR	HL1/245
	14P3012	Plate, retaining	1	—	MR	HL1/246
	FLIGHT REFUELLING C1140125 Mk 40 SAUNDERS VALVE CO. 112AR60	Valve, refuelling (not supplied with assy spares for)	1	—	—	HL1/108
		Valve, 1-1/2" dia. (not supplied with assy spare)	1	—	—	HL1/109

VULCAN No. 2

EQUIPMENT SPECIAL OPERATIONAL (S.O.O.)

Page HL 9

LONG RANGE SADDLE FUEL TANKS IN BOMB BAY (REMOVABLE FITTINGS)

Ref. No.	Part No.	Description	No. off	Maxi. Spec.	Cl. of	Plate and Illust'n No.
					St.	
					M.R.	
		TANK & EQUIPMENT, FWD., GROUP (1P3391) (Mod. 527 PART A) (Cont'd)				
	FLIGHT REFUELLING 9807100/3	Valve, non return (not supplied with assy. ... spare)	4	-		HL1/110
		INSTALLATION OF AFT TANK (1P3375) ... (Mod 528)				
		Spares for:-				
1433755	11SS4647	Bush	1	-	C	HL4/111
7917	15SS4647	Bush	1	-	C	HL4/112
7911	9SS4645	Bush	4	-	C	HL4/113
12670	42SS4490	Clip, bonding	4	-	C	HL3/114
	68SS4478	Clip, half	1	-		HL3/115
	or					
1506387	46SS4478	Clip, half	1	-	C	
20092	47SS4478	Clip, half	2	-	C	HL3/116
1433119	54SS4478	Clip, half	1	-	C	HL3/117
		ATTACHMENTS-CLIPS, 42, 47, 54 & 68SS4478				
28D/1017157	A25/25C	Bolt, 2 BA, used with clip 68SS4478	2	-	C	
28D/1011025	A25/24C	Bolt, 2 BA	2	-	C	
28D/1011024	A25/21C	Bolt, 2 BA	2	-	C	
28M/1012015	AGS2001/C1/66	Nut, 2 BA	4	-	C	
28W/9419402	SP13/C	Washer, 2 BA	4	-	C	
28E/9130219	AGS805/4 FLIGHT REFUELLING	Clip, hose	8	-	C	HL3/118
27FR/1057698	FRS110/K FLIGHT REFUELLING	Connector	3	-	C	HL3/119
	FRS150/K AVIMO	Connector	2	-	C	HL3/120
17010	MR8610C/K	Coupling, flexible, c/w "O" rings	1	-	C	HL3/121
		Spares for:-				
13820	Avmo MR8609C/K	Ring, "O"	2	-	C	
	26P3375	Hose, rubber, 2-1/2" i/d x 13.5" long	1	DTD625A Type 5		HL3/122
	27P3375	Hose, rubber, 2-1/2" i/d x 27.5" long	2	DTD625A Type 3		HL3/123
	12P3376	Hose, rubber, 2-1/2" i/d x 40" long	1	DTD625A Type 3		HL3/124
17008	5P3594	LINK, GROUP	1	-	B	HL3/125
		Spares for:-				
17009	5bP3594	Bush	2	BS369	C	
		ATTACHMENTS-LINK, 5P3594				
28N/9513425	AGS899/12	Collar	1	-	C	
28P/1355803	SP4Z/M33	Pin, shackle	1	-	C	
28P/1221023	SP90/G12	Pin, split	1	-	C	

EQUIPMENT SPECIAL OPERATIONAL (S.O.O.)

LONG RANGE SADDLE FUEL TANKS IN BOMB BAY (REMOVABLE FITTINGS)

Ref. No.	Part No.	Description	No. off	Matl. Spec.	Cl. of	Plate and Illust'n No.
					St. M.R.	
		1 2 3 4				
INSTALLATION OF AFT TANK (1P3375) (Mod. 528) (Cont'd)						
1432640	25P3375	Pipe, vent elbow	2	-	C	HL3/126
17007	28P3375	Pipe, vent	1	L54	C	HL3/127
17012	130P2898	Pipe, flexible refuelling	1	-	C	HL3/128
17013	17P3375	PIPE, FLEXIBLE, PORT, GROUP	1	-	C	HL3/129
17014	18P3375	PIPE, FLEXIBLE, STBD., GROUP	1	-	C	HL3/130
		Spares for:-				
	BOORN FX150	Ferrule	2	-		
	17aP3375	Hose, 1-1/2" i/d x 13.25" long, port	1	-		
	18aP3375	Hose, 1-1/2" i/d x 12.3" long, starboard ...	1	-		
	BOORN TB1181	Tailpiece	1	-		
	21P3375	Tailpiece, special, port	1	-		
	22P3375	Tailpiece, special, starboard	1	-		
13984	3P3375	STRUT, FWD. VERTICAL, GROUP	2	-	B	HL4/131
		Spares for:-				
13985	ROSE BROS. RMFX10G	Bearing, spherical, rod-end R.H.	1	-	C	
13987	ROSE BROS. RMFXL10G	Bearing, spherical, rod-end L.H.	1	-	C	
13986	3SS5020	Nut, lock, R.H.	1	-	C	
13988	6SS5020	Nut, lock, L.H.	1	-	C	
		ATTACHMENTS-STRUT, 3P3375				
1505388	32P3586	Bolt, special	1	S94	C	HL4/132
17005	11P3375	Bolt, shouldered, 5/8" dia.	1	S94	C	
28M/1011001	A24/NS	Nut, slotted, 1/2" BSF	2	-	C	
28P/1202572	SP90/E9	Pin, split	2	-	C	
28W/9419479	SP15/N	Washer, 1/2"	2	-	C	
17011	18P3586	Washer, special	2	-	C	HL4/133
13989	4P3375	STRUT, FWD. SIDE, PORT, GROUP	1	-	B	HL4/134
		Spares for:-				
13990	ROSE BROS. RMX 6G	Bearing, spherical, rod-end R.H.	1	-	C	
13991	ROSE BROS. RMXL 6G	Bearing, spherical, rod-end L.H.	1	-	C	
13961	4SS5025	Nut, lock, R.H.	1	-	C	
13962	9SS5025	Nut, lock, L.H.	1	-	C	
		ATTACHMENTS-STRUT, 4P3375				
28D/1213449	A59/12J	Bolt, 3/8" BSF	2	-	C	
28M/4095917	A24/JS	Nut, slotted, 3/8" BSF	2	-	C	
28P/9527619	SP90/C7	Pin, split	2	-	C	
17228	3SS4667	Washer, special	1	-	C	HL4/135
28W/9419475	SP15/C	Washer, 2 BA	1	-	C	

EQUIPMENT SPECIAL OPERATIONAL (S.O.O.)

LONG RANGE SADDLE FUEL TANKS IN BOMB BAY (REMOVABLE FITTINGS)

Ref. No.	Part No.	Description	No. off	Matl. Spec.	Cl. of	Plate and Illust'n No.
					St. M.R.	
		1 2 3 4				
INSTALLATION OF AFT TANK (1P3375) (Mod. 528) (Cont'd)						
13993	5P3375	STRUT, FORE & AFT, GROUP	2	-	B	HL4/136
		Spares for:-				
	ROSE BROS. RMX5G	Bearing, spherical, rod-end R.H.	1	-	MR	
	ROSE BROS. RMXL5G	Bearing, spherical, rod-end L.H.	1	-	MR	
	BSS6025	Nut, lock, L.H.	1	-	MR	
	3SS5020	Nut, lock, R.H.	1	-	MR	
		ATTACHMENTS-STRUT, 5P3375				
	12P3375	Bolt, shouldered, 5/16" dia.	1	S94	MR	HL4/137
28D/1213609	A59/DG	Bolt, 5/16" BSF	1	-	C	
28M/4095894	A24/ES	Nut, slotted, 1/4" BSF	1	-	C	
28M/4095895	A24/GS	Nut, slotted, 5/16" BSF	1	-	C	
28P/9627619	SP90/C7	Pin, split	1	-	C	
28W/9419405	SP15/E	Washer, 1/4"	1	-	C	
	28840	Washer, 1/4"	1	-	C	HL4/138
13997	6P3375	STRUT, REAR GROUP	2	-	B	HL4/139
		Spares for:-				
	ROSE BROS. RMFX10G	Bearing, spherical, rod-end R.H.	1	-	MR	
	BSS6025	Nut, lock, L.H.	1	-	MR	
		ATTACHMENTS-STRUT, 6P3375				
	A59/33J	Bolt	1	-	C	
13819	11P3375	Bolt, shouldered, 5/8" dia.	1	S94	C	HL4/140
28M/4095917	A24/ES	Bolt, shouldered, 3/8" dia.	1	S94	C	HL4/141
28M/1011001	A24/GS	Nut, slotted, 3/8" BSF	1	-	C	
28P/1202572	SP90/E9	Nut, slotted, 1/2" BSF	1	-	C	
28P/9627619	SP90/C7	Pin, split	1	-	C	
28W/9419477	SP15/J	Pin, split	1	-	C	
28W/9419479	SP15/N	Washer, 3/8" BSF	1	-	C	
17228	3SS4667	Washer, 1/2" BSF	1	-	C	
		Washer, special	1	-	C	HL4/142
13999	7P3375	STRUT, REAR HORIZONTAL, GRP.	2	-	B	HL4/143
		Spares for:-				
	ROSE BROS. RMX 8G	Bearing, spherical, rod-end	1	-	MR	
	2SS5020	Nut	1	-	MR	
		ATTACHMENTS-STRUT, 7P3375				
	9P3375	Bolt, shouldered, 3/4" dia.	1	S94	MR	HL4/144
17003	8P3375	Bolt, shouldered, 1/2" dia.	1	S94	C	HL4/145
28M/4095894	A24/ES	Nut, slotted, 1/4" BSF	1	-	C	
28M/4095917	A24/JS	Nut, slotted, 3/8" BSF	1	-	C	
28P/9627619	SP90/C7	Pin, split	2	-	C	
28W/9419405	SP15/E	Washer, 1/4"	1	-	C	
28W/9419477	SP15/J	Washer, 3/8"	1	-	C	
17228	3SS4667	Washer, special	1	-	C	

EQUIPMENT SPECIAL OPERATIONAL (S.O.O.)

LONG RANGE SADDLE FUEL TANKS IN BOMB BAY (REMOVABLE FITTINGS)

Ref. No.	Part No.	Description				No. off	Matl. Spec.	Cl. of St.	Place and Illust'n No.
		1	2	3	4			M.R.	
588	1P3376	INSTALLATION OF AFT TANK (1P3376) (Mod. 528) (Cont'd) TANK & EQUIPMENT, AFT (Mod. 528), GROUP				1	-	A	HL3/146
		Spares for:-							
	SMITHS BT21/9	Box, cable				1	-		HL4/147
	50P3376	BOX, COLLECTOR, GROUP				4	-	MR	HL3/148
	60P3376	BRACKET, RETAINING, GROUP				8	-		HL3/140
	64P3376	BRACKET, VENT PIPE, GROUP				1	-	MR	HL3/150
6A/4327943	LG3	Clamp, mounting				4	-	C	HL4/151
	28SS4490	Clip, bonding				14	-	MR	HL3/152
	60SS4478	Clip, half				6	-	MR	HL3/153
	52SS4478	Clip, half				6	-	MR	HL3/154
		ATTACHMENTS-CLIPS, 52 & 60SS4478							
28D/1213092	A26/14C	Bolt, 2 BA				2	-	C	
28W/9438806	SP11/C	Washer, 2 BA				2	-	C	
28E/4710971	SP91/N	Clip, hose, type J				2	-	E	HL3/155
27F/4526669	VICKERS ARMSTRONG A5269 Mk. A	Cock, drain, 1/4" BSP				5	-	C	HL3/156
27F/2230	FLIGHT REFUELLING FRS110/K	Connector, pipe				1	-	C	HL3/157
	FLIGHT REFUELLING FRS150/K	Connector, pipe				2	-		HL3/158
	SMITHS LF17	Connector, bulkhead				1	-		HL4/159
	62P3376	COVER, VENT VALVE, GROUP				1	-		HL3/160
		ELECTRICAL SERVICES, AFT TANK . . . (1V8646), GROUP (Mod. 528)							
		Spares for:-							
5X/6200370	1V5850	BLOCK, TERMINAL TB. 307, GRP.				1	-	C	HL4/161
	2333V7909	CABLE, (F2333) TB. TO FLOAT SWITCH, GROUP				1	-		
	2334V7909	CABLE, (F2334) TB. TO REFUELLING VALVE, GROUP				1	-		
	2337V7909	CABLE, (F2337) TB. TO SOCKET 927, GROUP				1	-		
	2701V7909	CABLE, (F2701) TO SOCKET 925, PUMP MOTORS, GROUP				1	-		
	2702V7909	CABLE, (F2702) TO SOCKET 926, PUMP MOTORS, GROUP				1	-		

EQUIPMENT SPECIAL OPERATIONAL (S.O.O.)

LONG RANGE SADDLE FUEL TANKS IN BOMB BAY (REMOVABLE FITTINGS)

Ref. No.	Part No.	Description	No. off	Matl. Spec.	Cl. of	Plate and Illust'n No.
					St. M.R.	
		1 2 3 4				
ELECTRICAL SERVICES, AFT TANK (1V8646) (Cont'd)						
Spares for:—						
26FP/13183 5K/9436899 5K/9326186	24SS3264 NX 0 NX 1 SMITHS PW54	Clip, cable	6	-	C	HL4/162
		Clip, cable	27	-	C	HL4/163
		Clip, cable	18	-	C	HL4/164
		Connector, cable, bulkhead connector ... LF17 to contents gauges	1	-	-	HL4/165
	SMITHS PAL 49	Connector, cable, between contents gauges	1	-	-	HL4/166
	SMITHS PA80	Connector, cable, between contents gauges	1	-	-	HL4/167
6A/4327940	SMITHS LUA 10	Connector, cable, cable box to bulkhead . connector	1	-	C	HL4/168
	SMITHS LUA 10	Connector, cable, cable box to fuel contents gauge	1	-	-	HL4/169
	V8646	Duct, cable	1	L72	-	HL4/170
	V8646	Duct, cable	2	L72	-	HL4/171
	V8646	Duct, cable	1	L72	-	HL4/172
7885	V8646	Duct, cable	1	L72	C	HL4/173
	V8646	Duct, cable	1	L72	-	HL4/174
	V8646	Duct, cable	1	L72	MR	HL4/175
	V8646	Label, TB. 307	1	L72	-	HL4/176
	V8646	Lid, duct	1	L72	-	HL4/177
	V8646	Lid, duct	1	L72	-	HL4/178
	V8646	Lid, duct	1	L72	-	HL4/179
	18V8646	Lid, duct	1	L72	-	HL4/180
	19V8646	Lid, duct	1	L72	-	HL4/181
	21V8646	Lid, duct	2	L72	-	HL4/182
	22V8646	Lid, duct	2	L72	C	HL4/183
5X/4491488	15V8650	Socket, single	4	-	C	HL4/184
	8P3376	Gasket	1	DTD762	MR	HL3/185
	13P3376	Gasket	1	DTD762	MR	HL3/186
	14P3376	Gasket	1	DTD762	MR	HL3/187
	19P3376	Gasket	8	DTD762	MR	HL3/188
	29P3376	Gasket	1	DTD762	MR	HL4/189
	45P3376	Gasket	4	DTD762	MR	HL3/190

EQUIPMENT SPECIAL OPERATIONAL (S.O.O.)

LONG RANGE SADDLE FUEL TANKS IN BOMB BAY (REMOVABLE FITTINGS)

Ref. No.	Part No.	Description				No. off	Matl. Spec.	Cl. of	Plate and Illust'n No.
		1	2	3	4			St.	
		TANK & EQUIPMENT, AFT (1P3376) (Cont'd)							
	SAUNDERS VALVE A101/B 12P3376	Handle				2	-	-	HL3/193
		Hose, rubber, 2-1/2" i/d x 4.0" long				1	DTD026A	-	HL3/194
	40P3376	Mounting, connector				1	Type 3	MR	HL4/196
	5P3474	Piece, distance				4	S621	MR	HL3/196
	46P3376	PIPE, FUEL, GROUP				1	-	MR	HL3/197
	47P3376	PIPE, FUEL, GROUP				1	-	MR	HL3/198
	53P3376	PIPE, FUEL, GROUP				1	-	MR	HL3/199
	54P3376	PIPE, FUEL, GROUP				1	-	MR	HL3/200
	55P3376	PIPE, FUEL, GROUP				1	-	MR	HL3/201
	56P3376	PIPE, FUEL, GROUP				1	-	MR	HL3/202
	25P3376	Plate				4	S621	-	HL4/203
1433617	20P3376	PLATE, STUD, GROUP				8	-	C	HL3/204
		Spares for:-							
	20cP3376	Stud				17	-	MR	
28M/1010997	A24/CT	Nut, 2 BA				17	-	C	
	S.P.E. PAC1200 Mk. 3 or PAC1200 Mk. 4 8P2844	Pump, fuel (not supplied with assy. spare) ..				4	-	-	HL3/205
5UE/7518		Pump, fuel (not supplied with assy. spare) ..				4	-	A	
		Ring, sealing				4	-	MR	HL3/206
	11P2831 FLIGHT REFUELLING	STOP, VENT VALVE, GROUP				1	-	MR	HL3/207
5CW/4405247	3510100/3	Switch, float Mk. 10 (not supplied with assy. spare)				1	-	A	HL3/208
	1P3377	TANK, STRUCTURE, GROUP				1	-	-	HL4/209
		Spares for:-							
	1P3386	BEAM, FWD. HOISTING, GROUP				1	-	-	HL4/210
		Spares for:-							
28D/1011301	A26/BJ	Bolt, 3/8" BSF				1	-	C	
28M/1011476	A27/JS	Nut, slotted, 3/8" BSF				1	-	C	
28P/9527619	SP90/C7	Pin, split				1	-	C	
28W/9419486	AS2808/8/075	Tube, distance				1	-	C	
	SP13/J	Washer, 3/8"				1	-	C	
		ATTACHMENTS-BEAM, 1P3386							
28D/9140653	A26/1E	Bolt, 1/4" BSF				4	-	C	

EQUIPMENT SPECIAL OPERATIONAL (S.O.O.)

LONG RANGE SADDLE FUEL TANKS IN BOMB BAY (REMOVABLE FITTINGS)

Ref. No.	Part No.	Description	No. off	Matl. Spec	Cl. of St.	Plate and Illust'n No.
					M R.	
		TANK STRUCTURE, GROUP (1P3377) (Cont'd.)				
		DIAPHRAGM, AFT (1P3389)				
		Spares for:—				
	9P3380	Bracket, hoisting	1	—		HL4/211
28D/1011303	A25/13J	Bolt, 3/8" BSF	1	—	C	
28M/1011478	A27/JS	Nut, slotted, 3/8" BSF	1	—	C	
28P/9527619	SP90/C7	Pin, split	1	—	C	
26TA/19346	AS2808/8/125	Tube, distance	1	—		
28W/9419488	SP13/J	Washer, 3/8"	1	—	C	
		ATTACHMENTS—BRACKET 1P3389				
28D/9133011	A26/2C	Bolt, 2 BA	4	—	C	
28F/9429636	AGS1186/3	Seal, bonded	4	—	C	
		PICK UP FORMER STNS. 17.58 & 77.05 (1P3384 & 2P3385)				
		Spares for:—				
	11P3384	Tube, cross	2	—		HL4/212
		ATTACHMENTS—TUBE, 11P3384				
	12P3384	Bolt, special	2	—		
28M/1011478	A27/JS	Nut, slotted, 3/8" BSF	2	—	C	
28P/9496825	SP90/C9	Pin, split	2	—	C	
28W/9419488	SP13/J	Washer, 3/8"	2	—	C	
26TA/2627	5SS4667	Washer	2	—		
		SKINNING ARRANGEMENT, AFT				
		TANK (1P3378)				
		Spares for:—				
	37P3378	FITTING, FORE & AFT, PICK-UP,	1	—		HL4/213
		PORT, GROUP				
	38P3378	FITTING, FORE & AFT, PICK-UP,	1	—		HL4/214
		STBD., GROUP				
	43P3378	FITTING, FWD., PICK-UP, PORT,	1	—		HL4/215
		GROUP				
	44P3378	FITTING, FWD., PICK-UP, STBD.,	1	—		HL4/216
		GROUP				
		Spares for:—				
	47bP3378	Bush	2	S93	MR	
	45P3378	FITTING, AFT, PICK-UP, PORT,	1	—		HL4/217
		GROUP				
	46P3378	FITTING, AFT, PICK-UP, STBD.,	1	—		HL4/218
		GROUP				
		Spares for:—				
	45bP3378	Bush	2	S93	MR	
	47P3378	FITTING, AFT, PICK-UP, PORT,	1	—		HL4/219
		GROUP				
	48P3378	FITTING, AFT, PICK-UP, STBD.,	1	—		HL4/220
		GROUP				
		Spares for:—				
	47bP3378	Bush	2	S93	MR	

EQUIPMENT SPECIAL OPERATIONAL (S.O.O.)

LONG RANGE SADDLE FUEL TANKS IN BOMB BAY (REMOVABLE FITTINGS)

Ref. No	Part No.	Description	No. off	Matl. Spec	Cl. of St.	Plate and Illust'n No.
					M.R.	
		1 2 3 4				
		SKINNING ARRANGEMENT, AFT TANK (1P3378) (Cont'd.)				
		ATTACHMENTS—FITTINGS, 37, 38, 43, 44, 45, 46, 47 & 48P3378				
28D/1011466	A26/3C	Bolt, 2 BA	24	—	C	
28D/1007700	A26/3E	Bolt, 1/4" BSF	44	—	C	
27F/9429638	AGS1186/3	Seal, bonded	24	—	C	
27F/9428450	AGS1186/4	Seal, bonded	44	—	C	
17015	1P3733	Panel, access	1	—		HL4/221
		ATTACHMENTS—PANEL, 1P3733				
28D/9133011	A26/2C	Bolt, 2 BA	54	—	C	
27F/9429638	AGS1186/3	Seal, bonded	54	—	C	
28R/1052624	AS103	Pulley	2	—	B	HL4/222
		ATTACHMENTS—PULLEY, AS103				
28D/1212320	A80/7E	Bolt, 1/4" BSF	1	—	C	
28M/7002430	AGS2002/E1	Nut, 1/4" BSF	1	—	C	
	AS2808/B/049	Tube, distance	1	—		
28W/9418921	SP13/E1	Washer, 1/4"	1	—	C	
	60P3378	PIPE, VENT VALVE, GROUP	1	—		HL3/223
6A/10484	SMITHS 60TN	UNIT, TANK, FUEL CONTENTS, FWD. (not supplied with assy. spare)	2	—	A	HL4/191
6A/10485	SMITHS 60TN	UNIT, TANK, FUEL CONTENTS, AFT	2	—	A	HL4/182
	15P3012	VALVE, FUEL TANK, FORWARD	1	—	MR	HL3/224
	2P3012	Body, valve	1	L59	MR	HL3/225
	4P3012	Float, cork	1	—	MR	HL3/226
	7P3012	Housing, spring	1	L59	MR	HL3/227
	9P3012	Housing, valve	1	L59	MR	HL3/228
1433911	12P3012	Packing, 1/32" thick x 2-3/16" dia.	1	—	C	HL3/229
	3P3012	Sleeve, float	1	L59	MR	HL3/230
	6P3012	Spring, valve, inward	1	—	MR	HL3/231
	13P3012	Spring, valve, outward	1	—	MR	HL3/232
	14P3012	Plate, retaining	1	—	MR	HL3/233
	FLIGHT REFUELLING C1140130 SAUNDERS VALVE 112AR60 FLIGHT REFUELLING 9807100/3 28P3376	Valve, refuelling, Mk. 40	1	—		HL3/234
		Valve, 1-1/2" dia.	2	—		HL3/235
		Valve, non-return	4	—		HL3/236
		Washer	4	J26		HL4/237

VULCAN No 2

EQUIPMENT SPECIAL OPERATIONAL (S.O.O.)

Page HL. 17

LONG RANGE SADDLE TANKS IN BOMB BAY (REMOVABLE FITTINGS)

Ref. No.	Part No.	Description	No. off	Mati. Spec.	Cl. of	Plate and Illust'n No.
					St.	
		1 2 3 4				
	—	INSTALLATION OF PRESSURISATION				
		PANEL, BOMB BAY TANK				
		Spares for:—				
28F/2231741	AGS1145/A	Body, union	3	—	C	
28F/2231742	AGS1145/B	Body, union	1	—	C	HL5/230
	175SS3553	Body, union	1	—		HL5/231
1432633	32P3590	CAP, PLUG SEALING, GROUP	1	—	C	HL5/232
		Consisting of:—				
28D/1008147	A25/1A	Bolt	1	—	C	
	32aP3590	Cap, plug, sealing	1	—		
	BAXENDALE & Co. No. 287	Chain	1			
	AGS2002/N	Nut, stiff	1			
	AS2806/3/018	Piece, distance	1			
	TERRY LTD. No. 168	Ring, 3/8" o/d x 20G	1			
28W/9419448	SP10/A	Washer	2	—	C	
	3865V7909	CABLE, GROUP (F3865)	1			HL5/233
	8Z7364	CHAIN, GROUP	3	—	MR	HL5/234
		Consisting of:—				
	8aZ7364	Chain, chandler	3	Brass		
	8bZ7364	Ring, split	6			
5K/9436899	NXO	Clip	2	—		HL5/235
		Attachments for Clip, 1SS4657				
28D/1010658	A25/1B	Bolt, 4 UNC	1	—	C	HL5/236
28D/1008149	A25/2B	Bolt, 4 UNC	1	—	C	HL5/237
28W/9419401	SP10/B	Washer	2	—	C	
	TEDDINGTON CONTROLS LTD.					
27V/4604699	FOD/A/5	Drier, air	1	—	A	HL5/238
	2SS1585	Lug	1	—	MR	HL5/239
	1P3591	PANEL, C/W BRACKETS, GROUP	1			HL5/240

EQUIPMENT SPECIAL OPERATIONAL (S.O.O.)

LONG RANGE SADDLE TANKS IN BOMB BAY (REMOVABLE FITTINGS)

Ref. No	Part No.	Description	No. off	Matl. Spec.	Cl. of St.	Plate and Illustr'n No.
					M.R.	
		1 2 3 4				
		INSTALLATION OF PRESSURISATION PANEL BOMB BAY TANK (1P3590) (Cont'd.)				
28F/9440881	AGS1118/A	Piece, tee	2	—	C	HL5/241
28F/8011811	AGS1118/B	Piece, tee	1	—	C	HL5/242
28F/9463542	AGS1120/6	Piece, tee, unequal	2	—	C	HL5/243
28F/4051807	AGS1122/2	Piece, tee	1	—	C	HL5/244
	5P3590	PIPE, 1/4" o/d x 17" long x 22G, GROUP	1	L56	MR	HL5/245
	6P3590	PIPE, 3/16" o/d x 12" long x 22G, GROUP	1	L56	MR	HL5/246
	7P3590	PIPE, 3/16" o/d x 13" long x 22G, GROUP	1	L56	MR	HL5/247
	8P3590	PIPE, 1/2" o/d x 8" long x 22G, GROUP	1	DTD253	MR	HL5/248
	9P3590	PIPE, 3/16" o/d x 11" long x 22G, GROUP	1	L54	MR	HL5/249
	10P3590	PIPE, 3/16" o/d x 10 1/2" long x 22G, GROUP	1	L54	MR	HL5/250
	11P3590	PIPE, 3/16" o/d x 8 1/2" long x 22G, GROUP	1	L56	MR	HL5/251
	12P3590	PIPE, 3/16" o/d x 10 1/2" long x 22G, GROUP	1	L56	MR	HL5/252
	14P3590	PIPE, 1/4" o/d x 6" long x 22G, GROUP	1	L56	MR	HL5/253
	15P3590	PIPE, 1/4" o/d x 6" long x 22G, GROUP	1	L56	MR	HL5/254
	16P3590	PIPE, 3/16" o/d x 17" long x 22G, GROUP	1	L56	MR	HL5/255
	17P3590	PIPE, GROUP	1	—	MR	HL5/256
		Consisting of:—				
	17aP3590	Pipe, 1/2" o/d x 2" long x 22G	1	Tungam		
	17cP3590	Pipe, 5/8" o/d x 6" long x 22G	1	Tungam		
	17dP3590	Pipe, 1/4" o/d x 6" long	1	Tungam		
	18P3590	PIPE, 1/4" o/d x 8" long x 22G, GROUP	1	L56	MR	HL5/257

VULCAN No. 2

EQUIPMENT SPECIAL OPERATIONAL (S.O.O.)

Page HL. 19

LONG RANGE SADDLE TANKS IN BOMB BAY (REMOVABLE FITTINGS)

Ref No.	Part No.	Description	No. off	Matl. Spec.	Cl. of St.	Plate and Illust'n No.
					M.R.	
		1 2 3 4				
		INSTALLATION OF PRESSURISATION PANEL, BOMB BAY TANK (1P3590) (Cont'd.)				
13922	31P3590	PIPE, 1/4" o/d x 20" long x 22G, GROUP	1	L56	C	HL5/258
13915	19P3590	PIPE, 1/4" o/d x 16" long x 22G, GROUP	1	L56	C	HL5/259
13921	30P3590	PIPE, 3/16" o/d x — x 22G, GROUP	1	L56	C	HL5/260
13918	27P3590	PIPE, 3/16" o/d x 10" long x 22G, GROUP	1	L56	C	HL5/261
13917	28P3590	PIPE, 3/16" o/d x 10" long x 22G, GROUP	1	L56	C	HL5/262
13913	13P3590	PIPE, 1/2" o/d x 15" long x 22G, GROUP	1	DTD253	C	HL5/263
13916	23P3590	PIPE, 3/16" o/d x 15" long x 22G, GROUP	1	L56	C	HL5/264
13909	25P3590	PIPE, 1/4" o/d x 4" long x 22G, GROUP	1	L56	C	HL5/265
13919	28P3590	PIPE, 3/16" o/d x 16" long x 22G, GROUP	1	L56	C	HL5/266
13920	29P3590	PIPE, 3/16" o/d x — x 22G, GROUP	1	L56	C	HL5/267
	83Z7884	Plug (Make from AGS948C)	1	—		HL5/268
28R/8011888	AGS948A	Plug, flanged	1	—	C	HL5/269
	TEDDINGTON CONTROLS FLC/A/7	Restrictor, filter	1	—	C	HL5/270
27V/5076						
28F/9429532	AGS1186/C	Seal, bonded	1	—	C	HL5/271
6830	1Z9010	TRAP, FUEL, GROUP	1	—	C	HL5/272
		Consisting of:—				
6831	KING A/C C3991/3—1/2E	Clamp, Mk. 1	1	—	C	HL5/273
	4Z9010	Container	1	DTD171		HL5/274
	3Z9010	Mounting, flanged	1	L65		HL5/275
	4Z9214	Seal (J. Walker Part No. 59732)	1	—		HL5/276
		(Make from 26DC6832)				
	5Z9010	Tube, inlet	1	—		HL5/277
	60SS3553	Union, reducing	2	—		HL5/278
28F/9428453	AGS1186/B	Washer, sealing	2	—	C	HL5/279

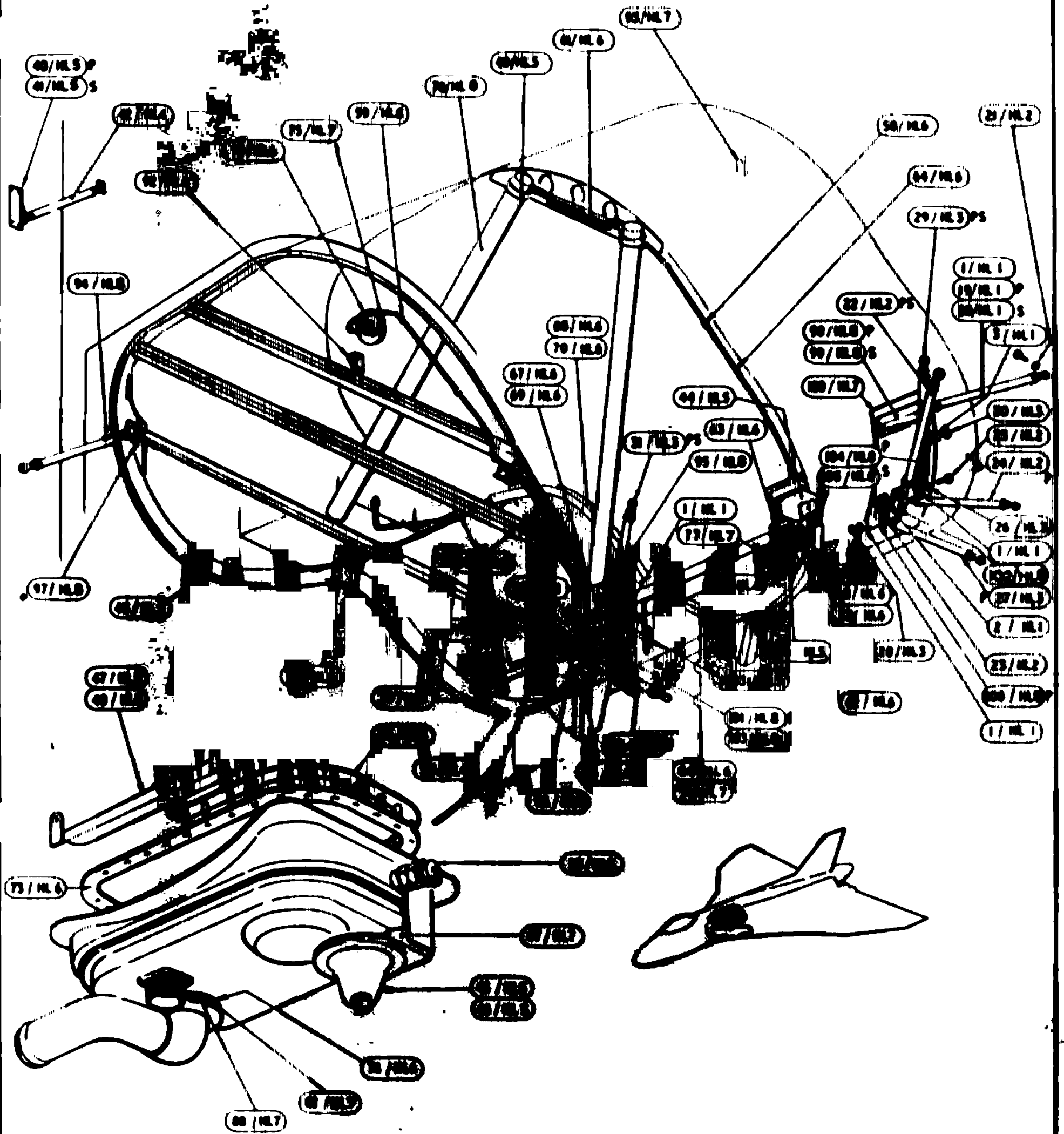
EQUIPMENT SPECIAL OPERATIONAL (S.O.O.)

LONG RANGE SADDLE TANKS IN BOMB (REMOVABLE FITTINGS)

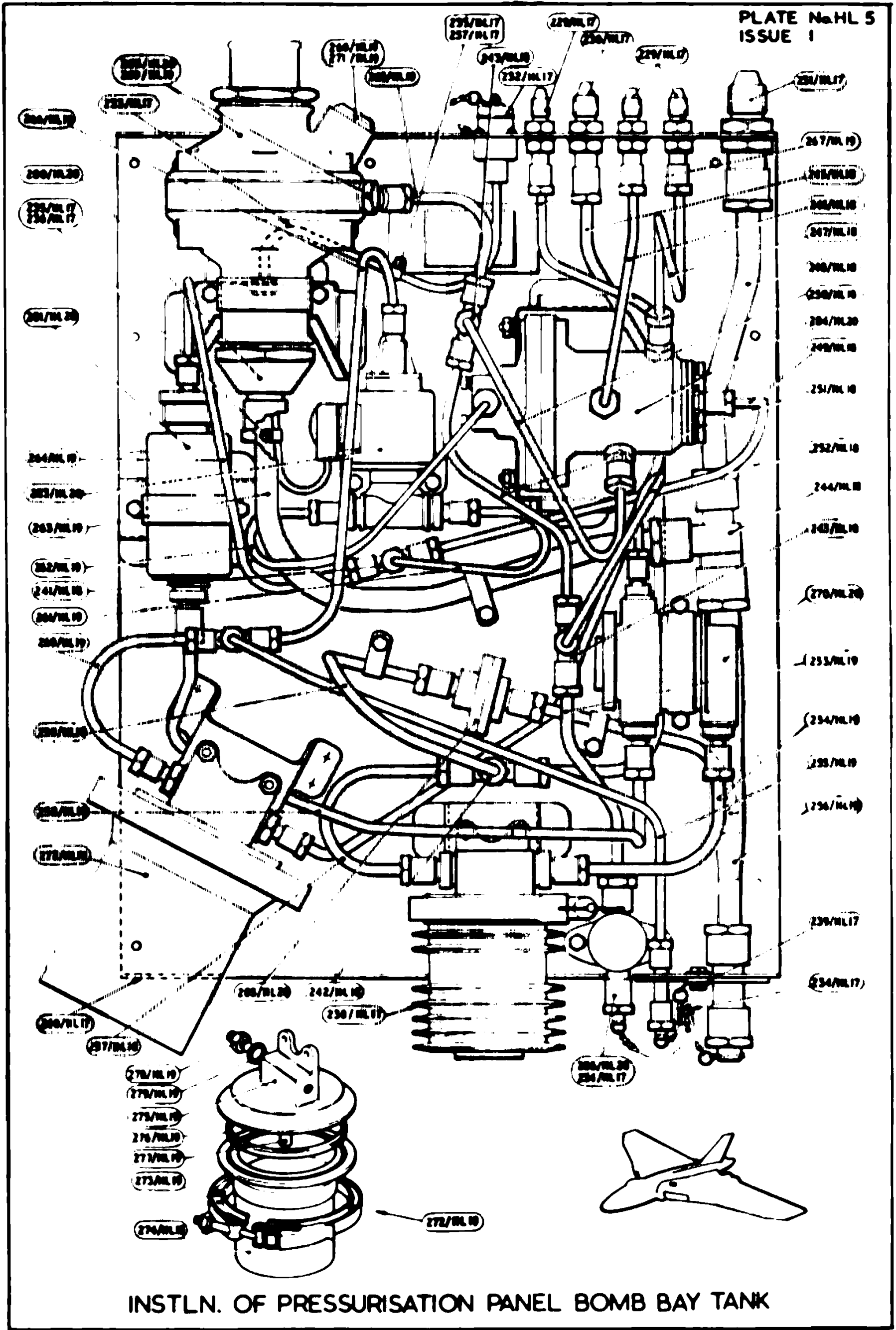
Ref. No.	Part No.	Description	No. off	Matl Spec.	Cl. of St.	Plate and Illust'n No.
					M.R.	
		1 2 3 4				
INSTALLATION OF PRESSURISATION PANEL, BOMB BAY TANK (1P3500) (Cont'd.)						
9163	66Z7684 TEDDINGTON CONTROLS LTD.	Union, reducing	1	DTD364B	C	HL5/280
27V/6574	FLD/A/14 TEDDINGTON CONTROLS LTD.	Valve, pressure reducing	1	—	C	HL5/281
27V/5073	FLA/A/4 TEDDINGTON CONTROLS LTD.	Valve, air	1	—	C	HL5/282
27V/1451024	ES/A/503 TEDDINGTON CONTROLS LTD.	Valve, air release	1	—	C	HL5/283
27V/1451025	FLE/A/5 SAUNDERS VALVE CO. LTD.	Valve, non, return	1	—	C	HL5/284
	702/AA/118 SAUNDERS VALVE CO. LTD.	Valve, non, return	1	—		HL5/285
	702/A/A06	Valve, non, return (Alternative to 702/AA/118)	1	—		
6D/2313	—	Valve, oxygen line, Mk. 10	1	—	C	HL5/286

EQUIPMENT SPECIAL OPERATIONAL
SUMMARY OF STANDARD ITEMS

Stores Ref.		No. off	Stores Ref.		No. off	Stores Ref.		No. off
Section	Ref. No.		Section	Ref. No.		Section	Ref. No.	
28D	20153	2	28F	9428450	45	28S	1200044	4
28D	20184	2	28F	9428453	4	28S	9131730	21
28D	1007700	44	28F	9429636	207	28S	9419453	12
28D	1011024	2	28F	9433484	128	28S	9436892	21
28D	1011025	2						
28D	1011029	4						
28D	1011301	1	28M	10288	54	28W	1009659	43
28D	1011303	4	28M	10326	20	28W	9128914	64
28D	1011466	148	28M	10337	43	28W	9418921	1
28D	1011471	6	28M	10339	161	28W	9419402	4
28D	1017157	2	28M	13266	6	28W	9419405	16
28D	1212320	2	28M	13267	3	28W	9419446	22
28D	1212402	2	28M	13412	10	28W	9419466	4
28D	1213088	12	28M	1007404	4	28W	9419475	56
28D	1213388	10	28M	1010997	34			
28D	1213448	13	28M	1011001	9			
28D	1213449	4	28M	1011467	12			
28D	1213515	4	28M	1011476	29			
28D	211808	4	28M	7002430	6			
28D	211883	2						
28D	911011	82						
28D	911012	4	28N	9513425	2			
28D	911052	9						
28D	943065	4						
28D	943065	2	28P	19129	1			
28D	9436770	113	28P	20343	6			
28D	9436796	4	28P	9527619	40			
28D	9436920	30						
28E	19826	8						



EQUIPMENT SPECIAL OPERATIONAL
INSTALLATION FORWARD TANK FORE AND AFT POSITIONS
(2)



INSTLN. OF PRESSURISATION PANEL BOMB BAY TANK

VULCAN No. 2

EQUIPMENT SPECIAL OPERATIONAL (S.O.O.)

LONG RANGE CYLINDRICAL FUEL TANKS IN BOMB BAY (REMOVABLE FITTINGS)

Ref. No.	Part No.	Description	No. off	Matl. Spec.	Cl. of	Plate and Illust'n No.
					St. M.R.	
		1 2 3 4				
<p>CYLINDRICAL TANK AND FITTINGS IN FWD. OR AFT POSITION (1P3918), GROUP (Mod. 2014)</p>						
1505184	1P3923	Spares for:- BEAM, SUPPORT, GROUP	2	-	B	HM1/1
28D/1212679	9P3923	Spares for:- BAG, STOWAGE, GROUP	1	-	-	-
26DL/6002821	A25/29L	Bolt, 7/16" BSF	2	-	C	-
28M/9129449	1SS4947	Chain, retaining	2	-	C	-
28FP/9703069	A27/LS	Nut, slotted, 7/16" BSF	2	-	C	-
28P/9500929	AGS2106/819	Pin, pip	2	-	C	-
28W/9419478	SP90/E8	Pin, split	2	-	C	-
	AS2808/8/250	Tube, distance	2	-	-	-
	SP15/L	Washer, 7/16"	2	-	C	-
1505183	9P3918	BLOCK, AND LINK, GROUP	4	-	B	HM1/2
11A/5327	AT63159	Spares for:- Block	1	L65	-	HM1/3
	AT38913	Bolt, special	1	S96	C	HM1/4
	1P3928	Link	1	L77 or DTD5020	-	HM1/5
28M/13145	A27OS	Nut, slotted, 5/8" BSF	1	-	C	-
28P/1221023	SP90/G12	Pin, split	1	-	C	-
28W/9419481	SP15/Q	Washer, 5/8"	1	-	C	-
28M/13145	AT37491	Attachments-Block and Link (9P3918)				
1432635	A27/OS	Bolt, special	1	S96	-	HM1/6
	10P3918	Nut, slotted, 5/8" BSF	1	-	C	-
28P/1221023	SP90/G12	Piece, distance, use at aft blocks, tank ... in aft position	1	L83	C	HM1/7
28W/9419481	SP15/Q	Pin, split	1	-	C	-
28W/9419483	SP16/Q	Washer, 5/8"	2	-	C	-
		Washer, 5/8"	1	-	C	-
28N/18394	SP121/N	Collar, 1/2"	8	-	C	HM1/8
<p>CRUTCHING, FOR ONE TANK IN FW'D OR AFT POSITION (1P3932)</p>						
1505185	6P3932	Spares for:- ADAPTOR, AFT STB'D, FW'D	1	-	C	HM1/9
6116001	or 2P3974	POSITION ONLY, GROUP				
1433915	7P3932	ADAPTOR, AFT STB'D, FW'D	1	-	C	HM1/10
6116002	or 1P3974	POSITION ONLY, GROUP				
6116009	2P3932	ADAPTOR, AFT PORT, FW'D	1	-	C	HM1/10
	or 2P3972	POSITION ONLY, GROUP				
1433920	2bP3932	CRUTCH, FW'D STB'D, GROUP	1	-	-	HM1/11
		CRUTCH, FW'D STB'D, GROUP	1	-	-	HM1/11
		Spares for:- Packing, natural rubber, 3/8" thick x ... 13.0" x 21.75"	1	BS/154 Grade Z11	C	-

EQUIPMENT SPECIAL OPERATIONAL (S.O.O.)

LONG RANGE CYLINDRICAL FUEL TANKS IN BOMB BAY (REMOVABLE FITTINGS)

Ref. No.	Part No.	Description				No. off	Matl. Spec.	Cl. of	Place and Illust'n No.
		1	2	3	4			St. M.R.	
		CRUTCHING, FOR ONE TANK IN FWD. OR AFT POSITION (1P3932) (Cont'd)							
6116008	3P3932 or 1P3972			CRUTCH, FWD. PORT, GROUP	1	-	-	HM1/12	
1433920	2bP3932			CRUTCH, FWD. PORT, GROUP	1	-	-		
				Spares for:- Packing, natural rubber, 3/8" thick x ... 13.0" x 21.75"	1	BS1154 Grade Z11	C		
1510082	4P3932 or 2P3973			CRUTCH, AFT STBD., GROUP	1	-	-	HM1/13	
1505473	2P3973			CRUTCH, AFT STBD., GROUP	1	-	-		
1433919	4bP33919			Spares for:- Packing, natural rubber, 3/8" thick x ... 12.0" x 25.0"	1	BS1154 Grade Z11	C		
1510083	5P3932 or 1P3973			CRUTCH, AFT PORT, GROUP	1	-	-	HM1/14	
1505472	1P3973			CRUTCH, AFT PORT, GROUP	1	-	-		
	4bP3932			Spares for:- Packing, natural rubber, 3/8" thick x ... 12.0" X 25.0"	1	BS1154 Grade Z11			
		ELECTRICAL INSTALLATION,							
		CYLINDRICAL TANK (1V13536) Spares for:-							
5X/6200370	8V13536 1V5660			Angle	4	-	-	HM2/15	
	SMITH'S BT21/33			BLOCK, TERMINAL	1	-	C	HM1/16	
6A/4344788	BT21/33			Box, cable	1	-	C	HM1/17	
	3915V7909			CABLE, (F3915), FWD. PUMP TO PLUG .. 917 FWD. POSITION OR PLUG 925 AFT POSITION, GROUP	1	-			
	3919V7909			CABLE, (2F3919), CENTRE PUMP TO ... PLUG 918 FWD. POSITION OR PLUG 928 AFT POSITION, GROUP	1	-			
	3917V7909			CABLE, (F3917), FLOAT SWITCH TO ... TERMINAL BLOCK, GROUP	1	-			
	3918V7909			CABLE, (F3918), REFUELLING VALVE . TO TERMINAL BLOCK, GROUP	1	-			
	3916V7909			CABLE, (F3916), TERMINAL BLOCK TO PLUG 919 FWD. POSITION OR PLUG 927, AFT POSITION, GROUP	1	-			
6A/11872	SMITH'S LJ72			Cable, connector, fuel contents gauges to .. cable box	2	-	C	HM1/18	

VULCAN No. 2

EQUIPMENT SPECIAL OPERATIONAL (S.O.O.)

LONG RANGE CYLINDRICAL FUEL TANKS IN BOMB BAY (REMOVABLE FITTINGS)

Ref. No.	Part No	Description	No. off	Matl. Spec	Cl. of St	Plate and Illust'n No.
					M.R.	
		1 2 3 4				
ELECTRICAL INSTALLATION CYLINDRICAL TANK (1V13536) (Continued)						
6A/4344737	SMITH'S LJJ92	Cable, connector, cable box to plug 938 fw'd position or plug 938 aft position	1	—	C	HM1/19
	AS8674	Capping duct	2	—		HM1/20
	AS8674/13	Capping, duct, 13" long	1	—	C	HM1/21
	AS8674/18	Capping, duct, 18" long	1	—		HM1/22
	AS8674/20	Capping, duct, 20" long	1	—		HM1/23
	AS8674/29	Capping, duct, 29" long	1	—		HM1/24
	AS8674/30	Capping, duct, 30" long	1	—		HM1/25
	AS4825/24	Capping, duct	1	—		HM1/26
28P/9995929	AS4580/1	Clip, cable	3	—	C	HM1/27
5K 9325186	2SS4657	Clip, cable	1	—	C	HM1/28
26TA/9765	4SS3264	Clip, cable	2	—	C	HM1/29
	8SS4657	Clip, cable	1	—	MR	HM1/30
	9V13536	Clip, special	1	—		HM1/31
	11V13536	Clip, special	2	—		HM1/32
	5V13536	Duct, cable	2	—		HM1/33
	6V13536	Duct, cable	1	—		HM1/34
	7V13536	Duct, cable	1	—		HM1/35
	18SS4622	Duct, cable	1	—		HM1/36
	20SS4622	Duct, cable	1	—		HM1/37
	29SS4622	Duct, cable	1	—	MR	HM1/38
	30SS4622	Duct, cable	1	—		HM1/39
	1638V7728	Label	1	—		HM1/40
5X/4491488	15V5650	Socket, single, three tier	1	—	C	HM1/41
	2V13536	Tube, conduit, 3/8" o/d, 22SWG	1	L54		HM1/42
	3V13536	Tube, conduit, 3/8" o/d, 22G	1	L54		HM1/43
	4V13536	Tube, conduit, 3/8" o/d, 22G	1	L54		HM1/44
1432636	3P3967	Eyebolt	4	S96	C	HM1/45
1432638	2P3967	Nut, special	4	S96	C	HM1/46
17839	16P3918	Pin, shear	4	—	C	HM1/47
1433890	17P3918	Pin, shear	4	—	C	HM1/48
28P/1220820	SP90/G10	Pin, split	8	—	C	
1432634	11P3918	STRUT, FORWARD AT FORWARD TANK, ... TOP AT AFT TANK, GROUP	2	—	C	HM1/49
		Spares for:—				
	AGS3084	Bearing, end, R.H.	1	—		
	AGS3085	Bearing, end, L.H.	1	—		
28M/9416052	A103/QT	Nut, lock, 5/8" BSF	1	—	C	
28M/9416074	A103/OTL	Nut, lock, 5/8" BSF	1	—	C	
1433002	65P3919	TANK WITH EQUIPMENT (Mod. 2152)	1	—	A	
		GROUP				
		Spares for:—				
	26SS4490	Clip, bonding	1	—	MR	HM1/51

EQUIPMENT SPECIAL OPERATIONAL (S.O.O.)

LONG RANGE CYLINDRICAL FUEL TANKS IN BOMB BAY (REMOVABLE FITTINGS)

Ref No	Part No.	Description	No. off	Matl. Spec.	Cl. of St.	Plate and Illust'n No.
					M.R.	
		1 2 3 4				
		TANK WITH EQUIPMENT (65P3919) (Mod. 2152) (Continued)				
		Spares for:—				
1433990	BG5SS4234	Clip, bonding	3	—		HM1/52
20E 4062141	BG18SS4234	Clip, half	3	—	C	HM1/53
	SP91/M	Clip, hose	4	—	C	HM1/54
	VICKERS ARMSTRONG A5269 Mk A	Cock, drain	1	—	A	HM1/56
1432642	43P3919	CUP, FUEL DRIP, GROUP	3	—	C	HM2/56
1432651	8P3919	Gasket, vent pipe	1	DTD762	C	HM1/57
1432643	35P3921	Gasket, float switch	1	DTD762	C	HM1/58
1432641	38P3919	Gasket, fuel pumps	3	DTD762	C	HM2/59
1432694	53P3919	Gasket, refuelling valve	1	DTD762	C	HM1/60
6A/11869	SMITHS 237TA	Gauge, fuel contents, c/w seal (Not ... supplied with the assembly spars) (65P3919)	1	—	A	HM1/61
6A/11870	SMITHS 238TA	Gauge, fuel contents, c/w seal (Not ... supplied with the assembly spars) (65P3919)	1	—	A	HM1/62
	42P3919	Hose, rubber, 2-1/2" o/d x 3.0" long	2	DTD625A Type 3		HM1/63
		PIPING, FUEL (18P3919)	—	—		
		Spares for:—				
	14P3919	BRACKET, VALVE MOUNTING,	1	—		HM2/64
		GROUP				
		Spares for:—				
1432649	342SS6000	Label	1	—		
1432648	617SS6000	Label	1	—		
1433874	AQ5SS4234	Clip, half	4	—	C	HM2/65
26FP/16223	AQ10SS4234	Clip, half	2	—	C	HM2/66
	AQ12SS4235	Clip, half	2	—	C	HM2/67
	AS4525/24	Clip, "P"	3	—		HM2/68
	26SS4490	Clip, bonding	21	—	MR	HM2/69
	34SS4490	Clip, bonding	2	—	MR	HM2/70
27FR/2230	FLIGHT REFUELLING FRS110/K	Connector, pipe	11	—	C	HM2/71
1432731	FLIGHT REFUELLING FRS150/M	Connector, pipe	2	—		HM2/72
	51P3919	Gasket, fuel pipes to sump	6	OTD762	C	HM2/73
	5P3474	Piece, distance	3	L72	MR	HM2/74
1432644	11P3919	PIPE, FUEL, NON-RETURN VALVES TO PUMPS, GROUP	3	—	C	HM2/75

VULCAN No. 2

EQUIPMENT SPECIAL OPERATIONAL (S.O.O.)

LONG RANGE CYLINDRICAL FUEL TANKS IN BOMB BAY (REMOVABLE FITTINGS)

Ref No.	Part No.	Description	No off	Matl. Spec	Cl. of St.	Plate and Illust'n No.
					M.R.	
		PIPING, FUEL (18P3919) (Cont'd.)				
1432646	13P3919	PIPE, FLEXIBLE, GROUP	2	—	C	HM2/76
1432647	16P3919	PIPE, FUEL, MANUALLY OPERATED ... VALVE TO FLEXIBLE PIPE, GROUP	1	—	C	HM2/77
1432645	17P3919	PIPE, FUEL, MANUALLY OPERATED ... VALVE TO NON-RETURN VALVES, GROUP	1	—	C	HM2/78
1433591	50P3919	PIPE, FLEXIBLE, TO REFUELLING	1	—	C	HM2/79
27FR/3487	FLIGHT REFUELLING 9807100/3	Valve, non-return (Not supplied with ... the Assembly Spare) (65P3919)	3	—	C	HM2/80
27FS/1444049	SAUNDERS VALVE 106AR80 Mk. 4	Valve, Aero S.P., 2' dia. (Not supplied with Assembly Spare)	1	—	—	HM2/81
1432650	2P3919	PIPE, VENT, FROM VENT VALVE	1	—	C	HM1/82
	50P3919	PIPE, VENT, FORMER 33.125 TO	1	—	—	HM1/83
	41P3919	FORMER 22.125, GROUP				
5UE/7518	PIPE E. 1200 Mk. 4	Pipe, Vent, Former 22.125 to Former 11.589	1	L56	—	HM1/84
	2P3919	Pump, fuel (Not supplied with the Assembly Spare) (65P3919)	3	—	A	HM2/85
		Ring, attachment	2	—	—	HM1/86
		STABILISATION OF FLEXIBLE FUEL				
		PIPES (1P3968)				
	5P3966	Spares for:— BRACKET, SUPPORT, AND PLUG	1	—	—	HM2/87
		STOWAGE, GROUP Spares for:—				
	SMITHS LF14	Plug, stowage	1	—	—	
	PLESSEY 22109909	Plug, stowage	2	—	—	
	22109908	Plug, stowage	1	—	—	
	11P3967	BRACKET, SUPPORT, PORT, GROUP ...	1	—	MR	HM2/88
	12P3967	BRACKET, SUPPORT, STARBOARD, ... GROUP	1	—	MR	HM2/89
	13P3967	BRACKET, CLIP, PORT, GROUP	1	—	MR	HM2/90
	14P3967	BRACKET, CLIP, STARBOARD,	1	—	MR	HM2/91
	BA5SS4234	GROUP				
	BA11SS4234	Clip, Fokker	8	—	MR	HM2/92
	BA12SS4234	Clip, Fokker	1	—	—	HM2/93
		Clip, Fokker	7	—	—	HM2/94

EQUIPMENT SPECIAL OPERATIONAL (S.O.O.)

LONG RANGE CYLINDRICAL FUEL TANKS IN BOMB BAY (REMOVABLE FITTINGS)

Ref No	Part No	Description	No off	Matl. Spec	Cl. of St.	Plate and Illust'n No
					M.R.	
		TANK WITH EQUIPMENT (65P3919) (Mod. 2152) (Continued)				
	11P2831	STOP, VENT VALVE, GROUP	1	—	MR	HM1/95
	74P3920	STRUCTURE, CYLINDRICAL FUEL TANK (165P3920) (Mod. 2152) BRACKET, ATTACHMENT, FORWARD, STRUT, GROUP	1	—	—	HM1/98
	74bP3920	Spares for:— Block, insert	1	L83	—	
	106P3920	BRACKET, TRANSPORT LEG MOUNTING, GROUP	2	S510	—	HM2/97
	107P3920	BRACKET, TRANSPORT LEG MOUNTING, GROUP	2	S510	—	HM2/98
1433664	148P3920 or 149P3920	BRACKET, ATTACHMENT STRUT, STRUT GROUP	2	S510	■	HM2/99
	20bP3920	Spares for:— Fork-end	1	—	—	
1432653	19P3920	Cover, vent valve	1	DTD762	■	HM1/100
1432656	44P3920	Gasket, pump and sump pressing	1	DTD762	C	HM2/101
	141P3920	Gasket, vent valve cover	1	DTD762	C	HM1/102
	1P3922	OUTRIGGER, PORT, FORWARD, STARBOARD, AFT, GROUP	1	—	—	HM2/103
	2P3922	OUTRIGGER, STARBOARD, FORWARD PORT, AFT, GROUP	2	—	—	HM2/104
	1P3943	PRESSING, PUMP MOUNTING, GROUP	1	—	—	HM2/105
1432654	4P3943	Spares for:— Adaptor, flanged	1	—	C	HM2/106
27F/4526689	VICKERS ARMSTRONG A5269 Mk A	Cock, drain	1	—	C	HM2/107
	3P3943	RING, STUD, GROUP	6	—	—	
	3cP3943	Spares for:— Stud	17	—	C	
1432655	AGS1186/B	Seal, bonded	1	—	C	
28F/9428953	AGS1186/2	Seal, bonded	6	—	C	
	18P3920	TRAY, VENT VALVE MOUNTING, GROUP	1	—	—	HM1/108
5CW/4405248	FLIGHT REFUELLING 3510100/4	Switch, float (Not supplied with assembly spare) (65P3919)	1	—	A	HM1/109
27FR/33324	FLIGHT REFUELLING 114011 Mk. 40	Valve, refuelling (Not supplied with spare) (65P3919)	1	—	A	HM1/110

VULCAN NR 2

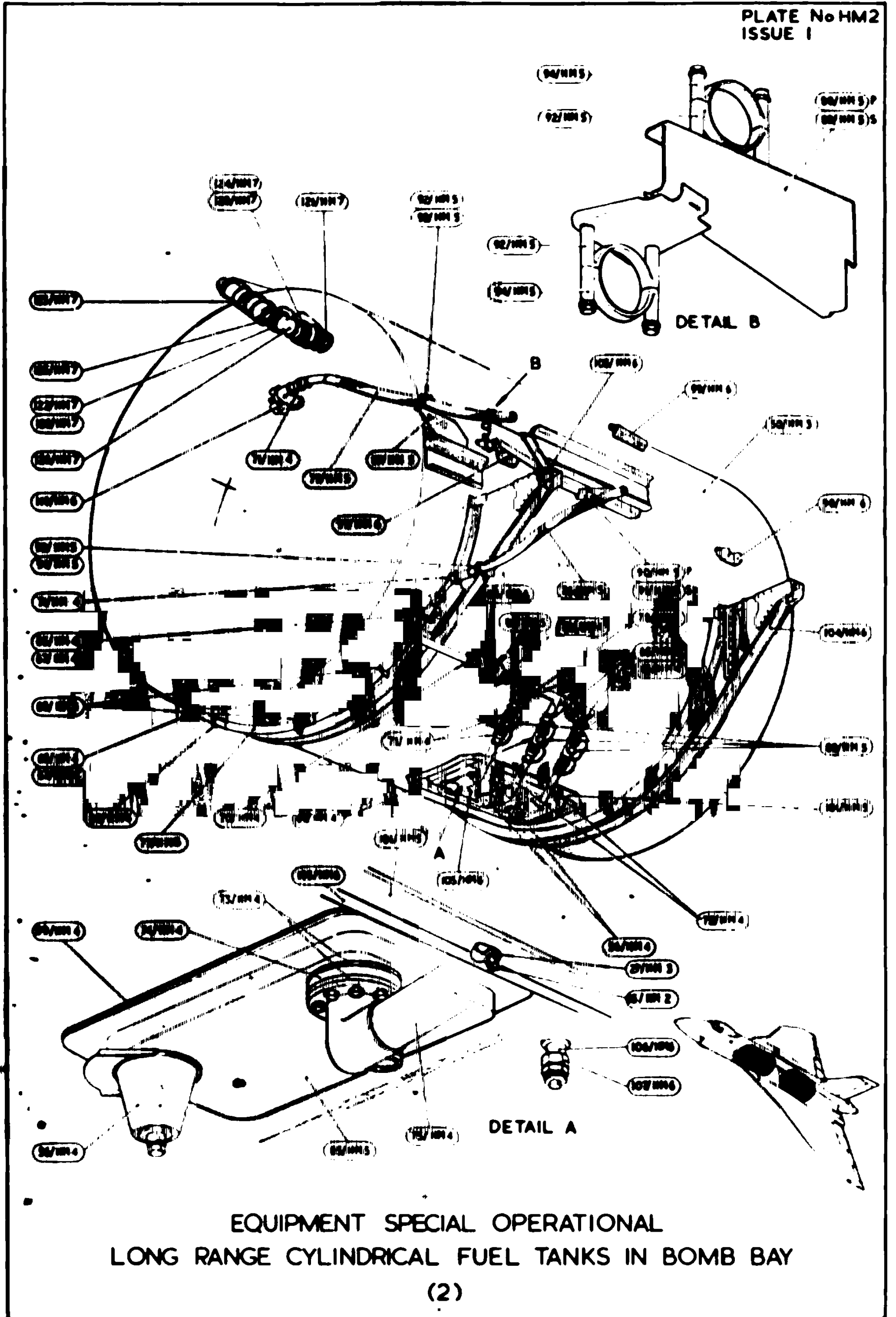
EQUIPMENT SPECIAL OPERATIONAL (S.O.O.)

LONG RANGE CYLINDRICAL FUEL TANKS IN BOMB BAY (REMOVABLE FITTINGS)

Ref. No.	Part No.	Description	No. off	Matl. Spec.	Cl. of St.	Plate and Illust'n No.
					M.R.	
		1 2 3 4				
		TANK WITH EQUIPMENT (65P3919) (Mod. 2152) (Continued)				
	15P3012	VALVE, FLOAT (Mod. 1356), GROUP	1	—	MR	HM1/111
		Spares for:—				
	2P3012	Body, valve	1	L59	MR	HM1/112
	4P3012	Float, cork	1	—	MR	HM1/113
	7P3012	Housing, spring	1	L59	MR	HM1/114
	9P3012	Housing, valve	1	L59	MR	HM1/115
	14P3012	Plate, retaining	1	—	MR	HM1/116
1433911	12P3012	Packing, 1/32" thick x 2-3/16" dia.	1	—	C	HM1/119A
	3P3012	Sleeve, float	1	L59	MR	HM1/117
	6P3012	Spring, valve, inward	1	—	MR	HM1/118
	13P3012	Spring, valve, outward	1	—	MR	HM1/119
		VENT SYSTEM, FOR ONE TANK IN FWD. OR AFT POSITION (14P3918)	—	—		
28E/4710971	SP91/N	Clp. hose	6	—	C	HM2/120
	42SS4490	Clp. bonding	4	—	MR	HM2/121
	12P3376	Hose, rubber, 2-1/2" Id x 4.0' long	1	DTD625A	—	HM2/122
	26P3375	Hose, rubber, 2-1/2" Id x 13' long	1	DTD625A	—	HM2/123
	27P3375	Hose, rubber, 2-1/2" Id x 2.7' long	1	DTD625A	—	HM2/124
1432639	15P3918	TEE, ELBOW, GROUP		L54	C	HM2/125
1432640	25P3375	TEE, ELBOW, GROUP		—	C	HM2/126
1432637	5P3918	WATER, SPECIAL		S96	C	HM1/127

EQUIPMENT, SPECIAL OPERATIONAL
SUMMARY OF STANDARD ITEMS

Stores Ref.		No. off	Stores Ref.		No. off	Stores Ref.		No. off
Section	Ref. No.		Section	Ref. No.		Section	Ref. No.	
28D	15406	6	28F	9428450	44	28W	9419401	4
28D	1008149	6	28F	9428453	1	28W	9419402	29
28D	1008151	10	28F	9428953	1	28W	9419404	6
28D	1010030	18	28F	9429636	336	28W	9419405	40
28D	1010858	2	28F	9433483	6	28W	9419446	1
28D	1011019	28				28W	9419454	3
28D	1011021	2				28W	9419474	22
28D	1011238	10	28M	10287	10	28W	9419475	202
28D	1011333	2	28M	10288	153	28W	9419478	4
28D	1017157	6	28M	10290	40	28W	9419481	4
28D	1200119	125	28M	13145	4			
28D	1212679	4	28M	14294	102			
28D	1213592	8	28M	9129449	4			
28D	1213593	8	28M	9416052	1			
28D	1213594	4	28M	9416074	1			
28D	1215659	15						
28D	1215667	3						
28D	1215682	1	28N	18394	B			
28D	1215686	24						
28D	7002028	18						
28D	9133011	9	28P	19129	B			
28D	9133012	109	28P	19157	B			
28D	9133013	10	28P	19234	B			
28D	9140644	18						
28D	9140645	8						
28D	9140647	4	28S	1200049	3			
28D	9140648	2	28S	9419437	2			
28D	9419452	16	28S	9435713	2			
28D	9436920	38						
28E	4062141	4						
28E	19826	6						
28FP	9703069	4						



EQUIPMENT SPECIAL OPERATIONAL
LONG RANGE CYLINDRICAL FUEL TANKS IN BOMB BAY

VULCAN No. 2

EQUIPMENT SPECIAL OPERATION (S.O.O.)

Page HN. 1

RADAR AND RADIO

Ref. No.	Part No.	Description 1 2 3 4	No. off	Matl. Spec.	Cl. of	Plate and Illust'n No.
					Sc. M.R.	
		INSTALLATION OF E.C.M GAP FILLER AERIALS, PORT (T4445) (Mod. 870) AND (T4446) (Mod. 1471)				
10B/20391	-	Spares for:- Aerial, type M44	2	-		HN1/1
28S/1214122	AS.2993/7C	Attachments Aerial Type M44 Screw, c'sk, 2 BA	12	-	C	
	4T4445	Block, distance, 25" x 2.0" x 3.70"	1	BS2572		HN1/2
10AD/3917	-	Box, interconnecting, type Mk. 2	2	-	A	
	AS 4525/12	(Pre Mod. 1471)				
	14SS3863	Clip, rubber covered	3	-		
		Clip, "P"	2	-	MR	
10HB/1957439	3T5730	CONNECTOR, GROUP	1	-		HN1/3
10HB/1957443	4T5730	CONNECTOR, GROUP	1	-		HN1/4
10HB/1957441	5T5730	CONNECTOR, GROUP	1	-		HN1/5
10HB/1957440	7T5730	CONNECTOR, GROUP	1	-		HN1/6
10D/23333	-	Divider, power (Mod. 1471)	2	-		HN1/7
28D/1212601	A25/41E	Attachments - Divider (Ref. No. 10D/23333)				
28W/9419405	SP.15/E	Bolt, 1/4" BSF	4	-	C	
		Washer, 1/4"	4	-	C	
	12D10770	FAIRLEAD, GROUP	1	-	MR	HN1/8
		Consisting of:-				
	12aD10770	Fairlead, half	2	BS2572		
	12bD10770	Slip, rubber, 1/32" x .80" x 7.5"	2	GACO		
11716	18T4445	FAIRLEAD, GROUP	1	-	C	HN1/9
		Consisting of:-				
	18aT4445	Fairlead, half	1	BS2572		
	18bT4445	Fairlead, half	1	BS2572		
	18cT4445	Lining, rubber, 1/32" x 8" x 1.80"	2	BS2752-C3		
	18dT4445	Lining, rubber, 1/32" x 8" x 1.20"	2	BS2752-C3		
14837	3T4446	Fairing (Mod. 1471)	2	DTD5518	B	HN1/10
28D/1213840	AS.3294/C1	Attachments - Fairing 3T4446				
28D/1213847	AS.3294/C8	Bolt, c'sk head, 2 BA	6	-	C	
		Bolt, c'sk head, 2 BA	12	-	C	
		INSTALLATION OF AFT COUNTERPOISE PLATE, PORT (1D12057) (Mod. 870)				
		Spares for:-				
	5D11568	Angle, attachment	1	L72	MR	
	4D12057	ANGLE, ATTACHMENT, GROUP	1	-	MR	HN1/11

EQUIPMENT SPECIAL OPERATIONAL (S.O.O.)

RADIO AND RADAR

Ref. No.	Part No.	Description	No. off	Matl. Spec.	Cl. of	Plate and Illust'n No.
					St.	
		1 2 3 4			M.R.	
		INSTALLATION OF AFT COUNTERPOISE PLATE, PORT (1D12057) (Mod. 870) (Cont'd)				
	3D12047	ANGLE, ATTACHMENT, GROUP				HN1/12
28D/9133012	A25/3C	Attachments Angle 3D12057				
28W/9419475	SP15/C	Bolt, 2 BA	14	-	C	
		Washer, 2 BA	14	-	C	
1510115	1D12060	FAIRING, OUTBOARD, GROUP	1	-	C	
		Spares for:-				
11722	8D12060	FAIRING, GROUP	1	-	C	HN1/13
	19D10993	Spacer	18	S93	MR	HN1/14
	16D10993	Strip, rubbing, 1/32" x 92" x 32.18" ...	1	Glassfibre	MR	
	17D10993	Strip, rubbing, 1/32" x 92" x 37.05" ...	1	Glassfibre	MR	
	2D12060	FAIRING, INBOARD, FORMERS 428.01" - 487.5", GROUP	1	-		HN1/15
	3D10993	FAIRING, INBOARD, AFT OF FORMER . 487.5", GROUP (Pre-Mod. 906)	1	-	MR	
11775	18D10993	FAIRING, INBOARD AFT OF FORMER . 487.5", GROUP (Mod. 906)	1	-	C	HN1/16
	6D10990	Hinge, half, make from	1	Noral	MR	HN1/17
	7D10990	Pin, hinge, 3/16" dia. x 4' 11.57" long ...	1	50 SWP 980	MR	HN1/18
11719	1D12058	PLATE, COUNTERPOISE, AFT, GROUP	1	-	C	HN1/19
	31F11062	Spares for:- FRAME, GROUP	1	-	MR	HN1/20
	KING A/C D7293	Spares for:- Fastener	10	-	MR	HN1/21
	10F10504	HINGE, GROUP	1	-		HN1/22
	13cF11489	Hinge, half, make from 332SS3075	1	-		HN1/23
	14D10992	PIN, HINGE, GROUP	1	-	MR	HN1/24
	26F11062	PLATE, BLANKING, GROUP	1	-	MR	HN1/25
	26cF11062	Spares for:- Cable, attachment	1	DTD130A		
	26aF11062	Plate	1	L72		
	26bF11062	Ring	1	BS2572		
10H/3145	-	Seal, rubber	1	-	C	
28D/9709461	AS.1242/3C	Attachments-Plate 26F11062 Bolt, c'sk. head, 2 BA	12	-	C	

VULCAN No. 2

EQUIPMENT SPECIAL OPERATIONAL (S.O.O.)

Page HN. 3

RADIO AND RADAR

Ref. No.	Part No.	Description	No. off	Matl. Spec.	Cl. of St.	Plate and Illust'n No.
					M.R.	
		1 2 3:4				
		PLATE, COUNTERPOISE, AFT, GROUP (1D12058) (Cont'd)				
11000	33F11062	PLATE, COVER, GROUP	1	-	C	HN1/26
	KING A/C C8485	Spares for:- Fastener	10	-	MR	HN1/27
	18F10504	RING, AERIAL MOUNTING, GROUP ..	1	-		HN1/28
11720	8D12058	Stop	1	L65	C	HN1/29
		Attachments-Counterpoise Plate 1D12058				
28D/1013284	AS1248/2C	Bolt, mush head, 2 BA	20	-	C	
28D/1214032	AS1242/9C	Bolt, c'sk head, 2 BA	21	-	C	
28W/9419454	SP10/C	Washer, 2 BA	20	-	C	
	1D12059	SPLITTER, AFT, GROUP	1	-		HN1/30
		Attachments-Splitter, 1D12059				
28D/9133011	A25/2C	Bolt, 2 BA	13	-	C	
28W/9419475	SP15/C	Washer, 2 BA	13	-	C	
		INSTALLATION OF FORWARD COUNTER- POISE PLATE, PORT (1F10503) (Mod 870)				
		Spares for:-				
	3F10503	ANGLE, ATTACHMENT, GROUP	1	-	MR	
	4F10503	ANGLE, ATTACHMENT, FORWARD, ... GROUP	1	-		HN1/31
	5F10503	ANGLE, ATTACHMENT, MIDDLE,	1	-		HN1/32
	7F11487	Angle, attachment, rear	1	L72	MR	
	8F11487	Angle, attachment, forward	1	L72	MR	
	29F10503	ANGLE, ATTACHMENT, L/EDGE	1	-		HN1/33
		FAIRING, GROUP				
		Spares for:-				
	10F11487	Angle, attachment	1	L72	MR	
	11F11487	Angle, attachment	1	L72	MR	
	12F11487	Angle, attachment	1	L72	MR	
	13F11487	Angle, attachment	1	L72	MR	
	26F11060	Angle, attachment	1	L72	MR	
	36F11060	Plate, joint	2	L72		
	14F11487	Strip, rubbing	1	Glassfibre	MR	
	15F11487	Strip, rubbing	1	Glassfibre	MR	
	5F11142	Strip, rubbing	1	Glassfibre		

EQUIPMENT SPECIAL OPERATIONAL (S.O.O.)

RADIO AND RADAR

Ref. No.	Part No.	Description	No. off	Matl. Spec.	Cl. of	Plate and Illust'n No.
					St.	
		1 2 3 4				
		INSTALLATION OF FORWARD COUNTER- POISE PLATE, PORT (1F10503) (Mod. 870) (Cont'd)				
11737	1F10506	FAIRING, LEADING EDGE, GROUP	-	-	B	HN1/34
	3F10506	Spares for:- LINING, GROUP	1	-		HN1/35
22773	1F12320	LINING, ECHO SUPPRESSION,	1	-		HN1/36
		GROUP (Mod. 1890)				
28S/9443432	A32/C18	Screw, round head, 2 BA	39	-	C	
	1F10507	FAIRING, OUTBOARD, FW'D, GROUP ..	1	-	MR	HN1/37
	3F10507	Spares for:- ATTACHMENT, GROUP	1	-		
28M/9435067	AGS.2008/C1	Spares for:- Nut, anchor, 2 BA	23	-	C	
	6F11491	Section "Z"	1	L72		
	4F10507	FAIRING, GROUP	1	-	MR	HN1/38
	19D10993	Spacer	23	S93	MR	HN1/39
	8F11063	Strip, rubbing, fwd. 1/32" x 1.12" x	1	Glassfibre	MR	
	11F11063	3' 7.18" long Strip, rubbing, rear, 1/32" x 1.12" x	1	Glassfibre	MR	
		3' 11.25" long				
28D/1007975	AS.1242/1C	Attachments-Fairing, 1F10507 Bolt, c'sk head, 2 BA	23	-	C	
	2F10507	FAIRING, INBOARD, GROUP	1	-	MR	
	5F11487	Hinge, half, fwd.	1	Noral 50 SWP	MR	HN1/40
11731	11F11060	Hinge, half rear	1	Noral 50 SWP	C	HN1/41
	24F11060	Pin, hinge, fwd. 3/16" x 2' 8.27"	1	S80	MR	HN1/42
	10F11060	Pin, hinge, rear, 3/16" x 4' 10"	1	S80	MR	HN1/43
11733	1F10504	PLATE, COUNTERPOISE, FORWARD, ... GROUP	1	-	A	HN1/44
	31F11062	Spares for:- FRAME, GROUP	2	-	MR	HN1/45
	KING A/C D7293	Spares for:- Fastener	10	-	MR	HN1/46
	8F10504	HINGE, FORWARD, GROUP	1	-	MR	HN1/47
11736	9F10504	HINGE, AFT, GROUP	1	-	C	HN1/48

EQUIPMENT SPECIAL OPERATIONAL (S.O.O.)

RADIO AND RADAR

Ref. No.	Part No.	Description 1 2 3 4	No. off	Matl. Spec.	Cl. of	Plate and Illust'n No.
					St. M.R.	
		PLATE, COUNTERPOISE, FORWARD, GROUP (1F10504) (Cont'd)				
	11cF11489	Hinge, half, 2' 8.25" long Make from 332SS3075	1	-		HN1/49
	12cF11489	Hinge, half, 4' 10" long Make from 332SS3075	1	-		HN1/50
11000	33F11062	PLATE, COVER, GROUP Spares for:-	2	-	C	HN1/51
	KING A/C C8486	Fastener	10	-	MR	HN1/52
	26F11062	PLATE, BLANKING, GROUP Spares for:-	2	-	MR	HN1/53
	26cF11062	Cable, attachment	1	DTD130A		
	26aF11062	Plate	1	L72		
	26bF11062	Ring	1	BS2572		
10H/3145		Seal, rubber	1			
28D/970948	A1242/	Attachments-Plate 26F11062 Bolt, c'sk head, 2 BA	2		C	
	16F1060	RING, AERIAL, GROUP	1			HN1/54
	16F11142	Spacer	1		MR	HN1/55
	1F10505	SPLITTER, FWD, GROUP	1			HN1/56
	17F10505	Spares for:- LEADING, EDGE, GROUP	1			
	18F10505	Spares for:- RIB, NOSE, UPPER, GROUP	1		MR	
	19F10505	RIB, NOSE, LOWER, GROUP	1		MR	
	20F10505	Skin	1	L72	MR	
28D/9133011	A25/2C	Attachments-Splitter 1F10505 Bolt, 2 BA	10	-	C	
28W/9419475	SP15/C	Washer, 2 BA	10	-	C	
	13T4292	PLATE, JOINT, INBOARD, GROUP	1	-		HN1/57
	14T4292	PLATE, JOINT, OUTBOARD, GROUP	1	-		HN1/58
	3T4445	STRAP, BUTT, GROUP	1	-		HN1/59
	6T4642	Washer, special	1	L72		HN1/60

VULCAN No. 2

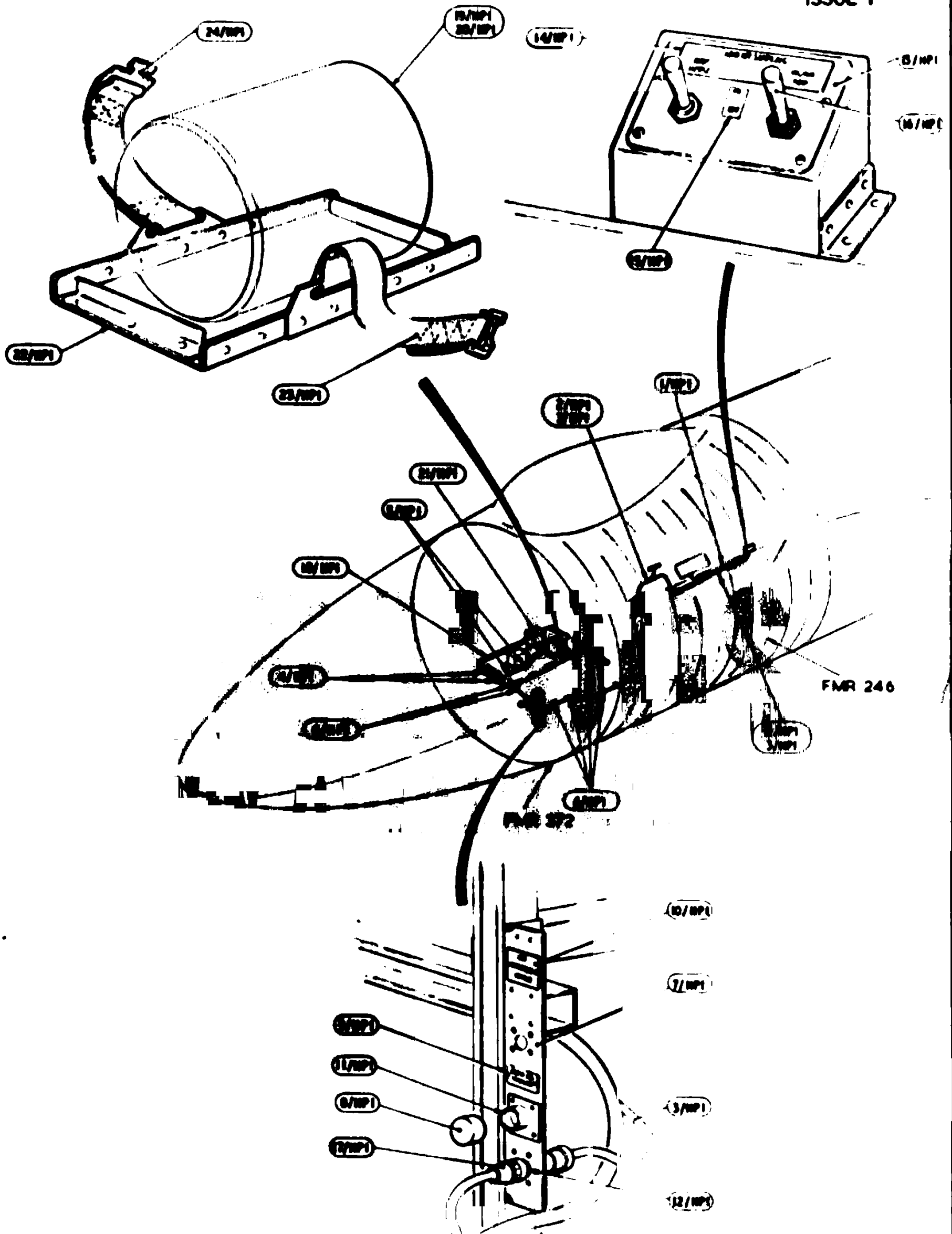
EQUIPMENT SPECIAL OPERATIONAL (S.O.O.)
AIR MONITORING SYSTEM (MOD. 2382)

Ref. No.	Part No.	Description	No. off	Matl. Spec	Cl. of St.	Plate and Must'n No.
					M.R.	
		CLIPS AND FIXING FOR AIR SAMPLING EQUIPMENT (V18358)				
28D/9438820 28D/9133011 28D/1212808	A25/1C A25/2C AS1248/6C	Bolt, 2 BA	8	—		
		Bolt, 2 BA	4	—		
		Bolt, 2 BA	4	—		
	4219V7909	CABLE (F4219), FUSES 664 AND 837 TO SAMPLING SWITCHES, GROUP	1	—		HP1/1
	4220V7909	CABLE (F4220), DUST SAMPLING SWITCH AND EARTH POINT 18 TO PUMP, GROUP	1	—		HP1/2
	4221V7909	CABLE (F4221), VAC/AIR SAMPLING SWITCH AND EARTH POINT 20 TO PLUG BREAK, GROUP	1	—		HP1/3
28M/1012015	35518/3	Clip, "P", cable	4	—		HP1/4
	3518/4	Clip, "P", cable	2	—		HP1/5
	3528/7	Clip, "P", cable	6	—		HP1/6
	35001/1	Washer, 2 BA	8	—		
	2V18358	PANEL, PLUG BREAK STORAGE, GROUP	1	—		HP1/7
28M/198745	HELLERMANN 0003-033-000	Cover, dust	1	—		HP1/8
	318S6098	Label, "Cabin Air Sampling"	1	—		HP1/9
	328S6098	Label, "Air Monitoring Station"	1	—		HP1/10
	AG 2301/1	Nut, steel 3 BA	8	—		
	2aV18358	Panel	1	—		
	HELLERMANN 418818/12	Receptacle, dummy	1	—		HP1/11
28S/1006948 28W/9419464	HELLERMANN SLPT06F-10-6S	Receptacle	1	—		HP1/12
	A32/A12	Screw	8	—		
	SP13/A	Washer	8	—		
	3V18358	PANEL, SWITCH, GROUP	1	—		HP1/13
		Spares for:—				
	36SS6098	Label, "Cabin Air Sampling"	1	—		HP1/14
	37SS6098	Label, "ON/OFF"	1	—		HP1/15
	3aV18358	Panel	1	—		
	LUCAS D13057	Switch, single pole	2	—		HP1/16
28S/1017747	HELLERMANN SLPT06F-10-6P A32/A14	Plug	1	—		HP1/17
		Screw, 6 BA	4	—		
		MOUNTING OF AIR SAMPLING EQUIPMENT (Z12758)				
28D/9438920 28D/1008145	A25/1C A25/6E	Bolt, 2 BA	4	—		
		Bolt, 1/4" UNF	4	—		

EQUIPMENT SPECIAL OPERATIONAL (S.O.O.)

AIR MONITORING SYSTEM (MOD. 2392)

Ref. No	Part No.	Description	No off	Matl. Spec.	Cl. of St.	Plate and Illust'n No.
					M.R.	
		1 2 3 4				
	4SS5681	Insert, 2 BA	4	—		
	4SS5682	Insert, 1/4" BSF	4	—		
	2Z12758	PANEL, BOMB AIMER'S, GROUP	1	—		HP1/18
		(Make from existing panel 180Z12726)				
	HELLERMANN SLPT08F-10-6P AEROSOL PRODUCTS Type SC1 ROTHEROE MITCHELL L60	Plug	1	—		HP1/19
		Pump, "Vacanair"	1	—		HP1/20
		Pump, dust sampling	1	—		HP1/21
	1Z12757	TRAY, MOUNTING, VACANAIR PUMP	1	—		HP1/22
		GROUP (Z12757)				
		Spares for:—				
28D/1007973	AS1242/28	Bolt, 4BA	6	—		
28M/1278189	AGS2001/01	Nut, stiff, 4BA	6	—		
	5Z12757	Strip Assy., hal	1	—		HP1/23
	10Z12757	Strip Assy., hal	1	—		HP1/24
28W/9419401	SP10	Washer, 4 BA	6	—		
28W/9419454	SP10/U	Washer, 2	4	—		
28W/9418920	SP10/E	Washer, 1/4" BSF	4	—		



EQUIPMENT SPECIAL OPERATIONAL (S.O.O.)
AIR MONITORING SYSTEM (MOD. 2392)

VULCAN No. 2

FUSELAGE
CREW'S NACELLE

Page JA. 1

Ref. No.	Part No.	Description	No. off	Matl. Spec.	Cl. of St. M.R.	Plate and Illust'n No.
		1.2.3.4				
	1009580	CREW'S NACELLE, COMPLETE WITH EQUIPMENT Complementary parts e.g.:— Intercomponents attachments listed at the end of this assembly will not be supplied with the assembly spare and must be demanded separately when required Spares for:— AIR, EMERGENCY RELEASE (127600) (See Services—Emergency Air) A.S.I. SYSTEM (S2167) (See Services, A.S.I. System) AXE MOUNTING, FIREMAN'S, AND ASBESTOS GLOVES ON BOMB SIGHT COVER (Z11323) (Mod. 1696) Spares for:—	1	—		
27N/4670513 22G/404	— —	Axe Gloves, asbestos (1 pair)	1 1	— —	B B	JA1/1
	2211323	PLATE, MOUNTING, GROUP	1	—	—	JA1/2
	4009278	CORD, GLOVE RETAINING, GROUP	1	—		JA1/3
	4009278	Consisting of:— Cord, elastic, 1/4" dia. x 4" long	1	—		
		(Make from 32C/9005616) Ferrule	2	—	C	
28H/4070284	AGS897/B					
	728600	GUARD, AXE BLADE, GROUP	1	—		JA1/4
		Attachments—Guard, Part No. 728600 Bolt, 4 BA	3	—	C	
28D/1213722 28M/1278189 28W/9419474	AS1248/98 AGS2001/B1 SP15/B	Nut, 4 BA	3	—	C	
		Washer, 4 BA	3	—	C	
	3Z11323	GUARD, AXE, PICK END, GROUP	1	—		JA1/5
		Attachments—Guard, Part No. 3Z11323 Bolt, 2 BA	2	—	C	
28D/1013172 28M/1278189 28W/9419454	AS1242/5C AGS2001/C1 SP10C	Nut, 2 BA	2	—	C	
		Washer, 2 BA	2	—	C	
	2211266	PLATE, MOUNTING, GROUP	1	—		JA1/6
	15Z3090	POCKET, AXE STOWAGE, GROUP	1	—		JA1/7
		Attachments—Pocket, Part No. 15Z3090 Bolt, 4 BA	4	—	C	
28D/1218384 28M/1278189 28W/9419474	AS1248/1B AGS2001/B1 SP15/B	Nut, 4 BA	4	—	C	
		Washer, 4 BA	4	—	C	
	227518	STRAP, AXE MOUNTING, GROUP	1	—	C	JA1/8
		Attachments—Strap, Part No. 227518 Bolt, 4 BA	2	—	C	
28D/1218384 28M/1278189 28W/9419474	AS1248/1B AGS2001/B1 SP15/B	Nut, 4 BA	2	—	C	
		Washer, 4 BA	2	—	C	

FUSELAGE
CREW'S NACELLE

Ref. No.	Part No.	Description	No. off	Matl. Spec.	Cl. of St.	Plate and Illust'n No.
					M.R.	
		1 2 3 4				
		AXE, MOUNTING, FIREMAN'S AND ASBESTOS GLOVES ON BOMB SIGHT COVER (Z11323) (Mod. 1696) (Cont'd)				
28D/9419397	A25/12C	Attachments—Mounting Plate Part No. 2211322				
28M/1012015	AGS2001/C1/66	Bolt, 2 BA	4	-	C	
26DL/6939	AS2811/5/065	Nut, 2 BA	4	-	C	
26TA/11123	24SS4327	Tube, distance	4	-	C	
		Ferrule	4	-	C	
		BOMB SIGHT INSTALLATION (W1128) (See—Armament—Bomb Sight)				
	12SK29656	BOX, BALLAST, ON SEXTANT STEP, PORT, . . GROUP	1	-		JA3/9
	1SK29656	BOX, BALLAST, ON SEXTANT STEP, STARBOARD, GROUP	1	-		JA3/10
		BRAKE, PARKING, INSTALLATION (227704)				
	1 O 3520	Spare for:— FAIRLEAD, ROLLER, PARKING BRAKE . . CONTROL RODS AT FORMERS 218"-246"-274"-302" PORT, GROUP	5	-	MR	JA2/11
	3 O 3520	Spare for:— Bracket	1	DTD721		
	4 O 3520	ROLLER ASSEMBLY	3	-	MR	JA2/12
	4a O 3520	Spare for:— Bush, oilite, CT419 x .29"	3	-		
	4b O 3520	Roller	3	Oil Resisting		
28D/9133011	A25/2C	Attachments—Fairlead (1.O 3520)				
28M/1012015	AGS2001/C1/66	Bolt, 2 BA	3	-	C	
28W/9419402	SP13/C	Nut, 2 BA	3	-	C	
	3Z7600	Washer, 2 BA	3	-	C	
		Lever, at former 358, inboard for controls rods	1	DTD298 or 300	MR	JA2/13
4713	25Z7704	LEVER, AT FORMER 358, FOR CONTROL . . RODS, GROUP	1	-	B	JA2/14
		Consisting of:—				
4714	CT51	Bush, oilite	1	-	C	JA2/15
	25aZ7704	Lever	1	DTD298 or 300		
	1Z9498	LEVER, AT FORMER 358, OUTBOARD, GROUP	1	-		JA2/16
4715	FBS54	Spare for:— Bush, oilite, .75 long	2	-	C	JA2/17
	7Z7737	Housing	1	DTD364		JA2/18
	10Z7737	Lever	2	DTD364	MR	

VULCAN No. 2

FUSELAGE
CREW'S NACELLE

Page JA. 3

Ref. No.	Part No.	Description	No. off	Matl. Spec.	Cl. of	Plate and Illust'n No.
					St. M.R.	
		1:234				
		BRAKE, PARKING INSTALLATION (30Z7704) (Cont'd)				
2476	3Z7704	ROD, CONNECTING, AT FORMER 358, ... INBOARD, GROUP	1	-	B	JA2/19
	4Z7704	ROD, CONNECTING, AT FORMER 358, ... OUTBOARD, GROUP	1	-	MR	JA2/20
28M/1007404	A27/JT	Spares for:- Nut, locking, at rod end	1	-	C	JA2/21
	25.O.3506	ROD, END, GROUP	1	-	MR	JA2/22
28R/4665592	CM3/16"B 25a.O.3506	Spares for:- Rod, end	1	-	B	
		Stud, 3/16" BSF	1	S1		
	44.O.3506	ROD, END, GROUP	1	-	MR	JA2/23
28R/4665592	CM3/16"B	Spares for:- Rod, end	1	-	B	
	6Z7704	ROD, CONNECTING, AFT OF FORMER ... 358 TO FORMER 344, OUTBOARD, GROUP	1	-	MR	JA2/24
	7Z7704	ROD, CONNECTING, AFT OF FORMER ... 344, OUTBOARD, GROUP	1	-	MR	JA2/25
28M/1007404	A27/JT	Spares for:- Nut, locking, at fork end	1	-	C	JA2/21
	25.O.3506	ROD, END, GROUP	1	-	MR	JA2/22
28R/4665592	CM3/16"B 25a.O.3506	Spares for:- Rod, end	1	-	B	
		Stud, 3/16" BSF	1	S1		
28D/1214006	AS2504/7C	Attachments - Rods (3-4-6-7Z7704)	8	-	C	
28M/5808573	A27/CS	Bolt, 2 BA	8	-	C	
28P/9527619	SP90/C7	Nut, 2 BA	8	-	C	
28W/9419402	SP13/C	Pin, split	8	-	C	
37J/9722704	52888	Washer, 2 BA	8	-	C	
	15D8481	Seal, Gaco, for rods	1	-	C	JA2/26
		Sleeve, sealing, for control rods at rear pressure bulkhead	1	-	MR	JA2/27
		BRAKE, PARKING, INSTALLATION (2Z7704) (See - Fuselage - Centre Section)				
		BRAKE, PARKING, PIPING FOR FOOT MOTOR (1Q1928) (See - Services - Hydraulics)				
		COAMING AND STRUCTURE, COCKPIT (9Z8946)				
	13Z8946	Spares for:- BRACKET, PLUG, GROUP (Mod. 806)	1	-		JA1/28
28FP/13611	7SS3160	Attachments - Plug Bracket (13Z8946)				
28W/9419475	SP15/C	Bolt, monel metal, 2 BA	4	-	C	
		Washer, 2 BA	4	-	C	

FUSELAGE
CREW'S NACELLE

Ref. No.	Part No.	Description	No off	Matl. Spec.	Cl. of St.	Plate and Illust'n No.
					M.R.	
		1 2 3 4 COAMING AND STRUCTURE, COCKPIT (928946) (Cont'd.)				
	1029476	COAMING, PILOT'S PANEL, GROUP	1	—		JA1/29
	728943	Spares for:— CLIP, SPRING, PORT, INBOARD.	1	—		JA1/30
	828943	INNER, GROUP CLIP, SPRING, STARBOARD.	1	—		JA1/31
9945	928943	INBOARD, INNER, GROUP CLIP, SPRING, PORT, INBOARD.	1	—	C	JA1/32
	1028943	OUTER, GROUP CLIP, SPRING, STARBOARD.	1	—	MR	JA1/33
9947	1128943	INBOARD, OUTER, GROUP CLIP, SPRING, PORT, OUTBOARD.	1	—	C	JA1/34
9948	1228943	OUTER, GROUP CLIP, SPRING, STARBOARD, OUT-	1	—	C	JA1/35
9949	1328943	BOARD, OUTER, GROUP CLIP, SPRING, PORT, OUTBOARD.	1	—	C	JA1/36
	1428943	INNER, GROUP CLIP, SPRING, STARBOARD, OUT-	1	—		JA1/37
	1428943	BOARD, INNER, GROUP Spares for:— SPRING, TOGGLE, GROUP	1	—		
	1433761	COVER, R.A.T. HANDLE ON COAMING (129970) Spares for:— BRACKET, CLAMPING, GROUP	1	—	C	JA1/38 JA1/39
	1429970	Insulating, fibreglass	4	Y227		
	3a29970	Plate, base, 20G x 2" x 8"	4	S520		
	1229970	PLATE, COVER, GROUP	1	—		JA1/40
	729970	Seal, rubber, 1/8" thick	1	Sponge Rubber		JA1/41
	1029970	Seal, rubber, 1/16" x 6" x 3"	1	Rubber		JA1/42
	829970	Strip, retaining, 20G x .7" x 2.5" L.H. .	1	L72		JA1/43
	929970	Strip, retaining, 20G x .7" x 2.5" R.H. ..	1	L72		JA1/44
	28D/1213053	Attachments for cover (129970) Bolt, mush. head, 2 BA	4	L65	C	
	28D/1213054	Bolt, mush. head, 2 BA	2	L65	C	
	729476	Covering, black neoprene, flock covered, . fibreglass coated one side only, 6' 6" x 2' 6"	1	Y360/B5		
	328943	Padding, rubber, to coaming, inboard port and starboard, 4' 5" long x 1/2" thick	1	Sponge		
	428943	Padding, rubber, to coaming outboard, .. port and starboard, 24" long x 1/8" thick	1	Sponge		

VULCAN No. 2

FUSELAGE
CREW'S NACELLE

Ref No.	Part No.	Description	No. off	Matl Spec	Cl. of St.		Plate and Illust'n No.
					M	R	
		COAMING, PILOT'S PANEL (10Z0476) (Cont'd.)					
	14Z9476	Panel, access, centre, top (Mod. 980)	1	L72			JA1/45
28D/1010658	A25/1B	Attachments—Panel (14Z9476)					
28W/9419465	SP13/B	Bolt, 4 BA	3	—		C	
	5Z9476	Washer, 4 BA	3	—		C	
	6Z9476	Panel, detachable, port	1	L72			JA1/46
		Panel, detachable, starboard	1	L72			JA1/47
		Attachments, Panels (5 & 6Z9476)					
26FP/13610	6SS3160	Bolt, 2 BA	6	—		C	
28W/9419475	SP15/C	Washer, 2 BA	6	—		C	
	1Z8801	PANEL, FIRE WARNING, GROUP	1	—			JA1/48
		Spares for:—					
10196	4Z8801	BOX, COVER, GROUP	1	—		C	JA1/49
		Attachments—Box Cover (4Z8801)					
28D/1213053	AS4566/2C	Bolt, 2 BA	2	—		C	
28M/9148806	AGS2002/C2	Nut, thin, 2 BA	2	—		C	
	AS2809/4/013	Tube, distance	2	—		C	
28W/9419475	SP15/C	Washer, thin, 2 BA	2	—		C	
28W/9419404	SP16/C	Washer, thick, 2 BA	2	—		C	
	3Z8801	Spring	2	—			HA1/50
	30Z8946	Disc, luminous (Pre-Mod. 2154)	4	—		MR	JA1/51
5L/9951271	—	Filament, fire warning	4	—		C	JA1/52
5CW/4222	—	Guard, locking, at Fuel Switch	4	—		C	JA1/53
		LIGHTING, U/V AND RED FLOOD INSTRUMENT, IN COCKPIT (V9575) (See—Electrical Installation—Crew's Nacelle)					
6116053	SAUNDERS ROE LTD. SR2—1816 N.S.F.	Marker, Betalite (Mod. 2154)	4	—		C	
5CW/4400082	8375/B104	Switch, fuel, low pressure	1	—		B	JA1/54
10985	21Z8946	Switch, fire warning	1	—		MR	JA1/55
10986	22Z8946	Switch, fire warning	1	—		A	JA1/56
	23Z8946	Switch, fire warning	1	—		A	JA1/57
	24Z8946	Switch, fire warning	1	—		MR	JA1/58
		CONSOLE, PORT (1V9145) (See—Electrical Installation)					
		CONSOLE, STARBOARD (1V9043) (See—Electrical Installation)					

FUSELAGE
CREW'S NACELLE

Ref. No.	Part No.	Description	No. off	Matl. Spec	Cl. of St	Plate and Illust'n No
					M.R.	
		1 2 3 4				
		CONSOLE, RETRACTABLE, CENTRE (1S2368)				
		Spares for:—				
		CONSOLE, RETRACTABLE (1S2373)				
		Spares for:—				
28D/8304	AS1242/68	Bolt, at handle	1	—	C	
6TB/4345187	—	Controller, pilot's	1	—	A	JA1/59
5L/9951271	—	Filament	4	—	C	JA1/60
	1V12060	LOOM, CABLE, GROUP (Mod. 1509)	1	—		
	17S2047	Nut, special, for bolt AS1248/68 at handle	1	S1		
		PANEL, CENTRE, CONSOLE (1S2405) (See—Equipment—Aircraft—Instrument) Panels)				
		PANEL, REAR, CENTRE CONSOLE				
		(1S2491) (See—Equipment—Aircraft—Instrument) Panels)				
		STRUCTURE, CONSOLE (2S2373)				
	6S2047	CABLE, GROUP	1	—		JA2/61
		Spares for:—				
	7S2047	Spring	1	—		JA2/62
5K/9717191	SP40/A20	Grommet, rubber	2	—		
	11S2047	Handle	1	L33		JA2/63
	10S2047	Trunnion, for cable	1	S96		JA2/64
		STRUCTURE, GROUP (1S2371)				
		Spares for:—				
1510182	30S2049	HOUSING, OILITE BUSH, PORT, GROUP	1	—	C	JA2/65
1510183	31S2049	HOUSING, OILITE BUSH, STARBOARD, GROUP	1	—	C	JA2/66
		Spares for:—				
1433253	17bS1983	Bush, oilite	2	—	C	JA2/67
1505441	30aS2049	Housing	2	L65		
	56S2049	Stop, red rubber	2	—		JA1/68
6TB/1623	—	Switch, auto-pilot unit (Pre-Mod. 1204)	1	—	A	
6TB/4545449	—	Switch, pilot's selector, type B (Mod. 1204)	1	—	A	JA1/69
		Switch, emergency trim, Mk. 14	1	—	A	JA1/70
		Washer, spring, at selector	4	—	C	

VULCAN No. 2

FUSELAGE
CREW'S NACELLE

Page JA. 7

Ref. No.	Part No.	Description 1 2 3 4	No. off	Mati. Spec.	Cl. of	Plate and Illust'n No.
					St. M.R.	
		CONSOLE, RETRACTABLE, CENTRE (1S2388) (Cont'd)				
	3S2388	COVER, UNDER PILOT'S FLOOR, GROUP	1	-		JA2/71
28FP/1013258	A4/35	Spares for:- Fastener, dzus	8	-	C	
28FP/9430015	GA4/250	Grommet, dzus	8	-	C	
3805	1S2048	DAMPER, GROUP	1	-	B	JA2/72
	7S2048	Spares for:- Bearing	1	L65		JA2/73
	5S2048	Bolt, special	1	H.T.S		JA2/74
	3S2048	COVER, GROUP	1	-		JA2/75
	G. ANGUS C087	Packing, cup	1	-		JA2/76
	2S2048	ROD, SLIDE, GROUP	1	-		JA2/77
	GACO R110	Seal, "O" ring	1	-		JA2/78
3806	4S2048	Spring	1	-	C	JA2/79
	5SS4188	Pin, taper, at bearing tube	2	H.T.S.	MR	JA2/80
	3S2048	Stop, at bearing tube	1	L65		JA2/81
	5S2048	Stop on pilot's floor	2	BS608		JA2/82
	2S2048	Tube bearing	1	T45		JA2/83
28W/1052068	AS1903/C8	Washer, saddle, for taper pins	2	-	C	JA2/83A
		CONTAINER, PILOT'S SANITARY (Z7804) Spares for:-				
	5Z9704	Clip, spring	1	-	MR	
28E/9128961	AGS606/1	Clip hose	1	-	C	
27H/4605582	-	Container, urine, Mk 2	1	-	B	JA1/84
27H/4605587	-	Funnel	1	-	C	
		CONTAINER, CREW'S SANITARY, AT NAVIGATOR'S TABLE (Z9609) Spares for:-				
27H/4605566	-	Clip	3	-	C	
27H/4605582	-	Container, urine, Mk 2	3	-	B	JA4/85
27H/4605587	-	Funnel	3	-	C	
		CONTROLS, ENGINE (10003948) (See-Controls-Engine-In Crew's Nacelle)				
		CONTROLS, FLYING, CREW'S NACELLE (1R4206) (See-Controls-Flying-Crew's Nacelle)				
		COVERING, FLOOR (68Z9488) (See-Equipment-Aircraft-Trimming and Floor Covering)				

FUSELAGE
CREW'S NACELLE

Ref. No.	Part No.	Description	No. off	Matl. Spec.	Cl. of	Plate and Illust'n No.	
					St. M.R.		
		1 2 3 4					
28D/9137409	AS1246/2C	COVER, ENTRANCE DOOR PNEUMATICS (1D12158) (Mod. 1222) Spares for:-					
		DOOR, PNEUMATIC COVER PLATE AND RAM ATTACHMENT, GROUP	1	-		JA8/86	
		Spares for:-					
		Bracket	1	L83	MR	JA8/87	
		Spring	1	S513		JA8/88	
		Attachments for door (2D12158)					
		Bolt	8	-	C		
		CURTAINS, PRESSURE CABIN WINDOWS, PORT AND STARBOARD (1 & 2Z9775) (See - Equipment Aircraft - Curtains and Visors)					
		CURTAINS, AT CREW'S STATION PORT AND STARBOARD (Z9936) (Z9711) (See - Equipment Aircraft - Curtains and Visors)					
		DINGHY STOWAGE AND RELEASE Mk. 3, REAR OF CANOPY (1Z7578) (See - Equipment Aircraft - Dinghy Installation)					
ELECTRICAL EQUIPMENT (V9592) (See - Electrical Installation - Crew's Nacelle)							
EQUIPMENT AT NAVIGATOR'S STATION (2Z9505) (Pre-Mod. 1177) (1Z10500) (Mod. 1177) Spares for:-							
4380	8Z7385	CABLE, SAFETY, PORT RADAR CRATE .. TO REAR PRESSURE BULKHEAD, 10" LONG, GROUP (Pre-Mod. 748)	1	-	B		
14202	6Z9596	CABLE, SAFETY, PORT RADAR CRATE .. TO REAR PRESSURE BULKHEAD 10" LONG, GROUP (Mod. 748)	1	-	B	JA3/89	
	5Z7385	CABLE, SAFETY, PORT RADAR CRATE .. TO REAR PRESSURE BULKHEAD, 7.75" LONG, GROUP (Pre-Mod. 748)	1	-			
14203	7Z9596	CABLE, SAFETY, PORT RADAR CRATE .. TO REAR PRESSURE BULKHEAD, 7.75" LONG, GROUP (Mod. 748)	1	-	B	JA3/90	
	9Z7385	CABLE, SAFETY, CONTROL UNIT TO REAR, PRESSURE BULKHEAD, GROUP	1	-	MR	JA3/91	
	10Z7385	CABLE, SAFETY, INDICATING UNIT TO REAR PRESSURE BULKHEAD, GROUP	1	-	MR	JA3/92	
	11Z7385	CABLE, CHECK, RADAR PLOTTER'S PANEL, R.H. AND L.H., GROUP	2	-	MR	JA3/93	
10919	23Z7385	Cover, emergency door open switch	1	-	C	JA4/94	

VULCAN No. 2		FUSELAGE				Page JA. 9	
		CREW'S NACELLE					
Ref No	Part No.	Description	No. off	Matl Spec	Cl. of St.	Plate and Illust'n No	
					M.R.		
		1 2 3 4					
		EQUIPMENT AT NAVIGATOR'S STATION (ZZ9595) (Cont'd.)					
	129691	CRATE, RADAR, PORT, GROUP	1	—			
	2829691	(Pre-Mod. 748) CRATE, RADAR, PORT, GROUP	1	—		JA3/95	
		(Mod. 748) Spares for:—					
	MARCONI 14183/C	Lock, device assy. RID1004/A/C	5	—		JA3/96	
10AJ/147	—	Mounting, A/V rear	3	—	B	JA3/97	
10AJ/148	—	Mounting, A/V forward	3	—	B	JA3/98	
	127371	CRATE, RADAR, STARBOARD, GROUP	1	—		JA3/99	
		Spares for:—					
10AJ/147	—	Mounting, A/V rear	3	—	B	JA3/100	
10AJ/150	—	Mounting, A/V forward	3	—	B	JA3/101	
4390	127371	SHIELD LIGHT, GROUP	1	—	C	JA3/102	
		(Item 6Z7371 to be used when stocks of item 5Z7371 Ref. 28DC/4390 are exhausted)					
	127519	TRAY, MOUNTING R.H., GROUP	1	—	B	JA3/103	
4384	127521	TRAY, MOUNTING CENTRE, GROUP	1	—	B	JA3/104	
4385	127521	TRAY, MOUNTING L.H., GROUP	1	—		JA3/105	
		Spares for:—					
	16Z7519	Box special for (127519)	1	S98	MR	JA3/106	
28E/1008744	127521	Clip, spring (for items 127520 and 127521)	1	—	C	JA3/107	
	12Z7519	Nut, knurled	2	S1	MR	JA3/108	
4388	13Z7519	Pin	2	S1	C	JA3/109	
	14Z7519	Screw, special	2	S1	MR	JA3/110	
	23SS4204	Grommet	1	—			
	1SS4701	Guard, switch (Make from 5CW/4222)	1	—			
22608	19Z7365	HINGE, RADAR, PANEL, GROUP	1	—	C	JA3/111	
22609	20Z7365	HINGE, RADAR, PANEL, GROUP	1	—	C	JA3/112	
		Spares for:—					
	19aZ7365	Hinge (Undrilled made from AS1879	1	L72			
		18.335" long)					
	20aZ7365	Hinge (Undrilled made from AS1879	1	—			
		18.582" long)					
6A/409	—	Holder, A.S.I. Corrector Card	1	—			
	24Z9595	Insulator at emergency door open switch ..	1	BS2966/3B		JA3/113	
	E.K. COLE						
10H/0970175	—	Knob at dimmer switches	3	—	C	JA4/114	
		LAMP, ABANDON AIRCRAFT WARNING ...				JA4/115	
		(1V9122) (Mod. 517) Spares for:—					
5L/9951254	—	Filament	4	—	B	JA4/116	
5K/9560937	SP40/A8	Grommet, rubber	1	—	C		

FUSELAGE
CREW'S NACELLE

Ref. No.	Part No.	Description	No off	Matl. Spec.	Cl. of St.	Plate and Illust'n No
					M.R.	
		1 2 3 4				
		LAMP, ABANDON AIRCRAFT WARNING ... (1V9122) (Cont'd.)	—			
	3V9122	HOLDER, LAMP, GROUP	1	—		JA4/117
	2V9122	HOLDER, LAMP, GROUP	1	—		JA4/118
	6V9122	LINK, CABLE 1" LONG, GROUP	1	—		
	7V9122	LINK, CABLE, 5" LONG, GROUP	1	—		
	4V9122	PLATE, SIGN, GROUP	1	—		JA4/119
		LAMPS, CHARTBOARD AT NAVIGATOR'S STATION Z7724 (Pre-Mod. 756)				
		LAMPS, CHARTBOARD AT NAVIGATOR'S STATION (Z10864) (Mod 756)				JA4/120
		Spares for:—				
5X/6200370	1V5850	Block, terminal (Mod 756)	3	—	C	
		Bush, ring lock (Mod. 756)	3	—	C	
5L/9951273	—	Filament (Mod. 756)	3	—	C	JA4/121
5CX/1982601	—	Lamp, Chartboard Type "D" (Pre-Mod. 756)	—	—		
12610	1V1222	LAMP, CHARTBOARD, GROUP	3	—	B	JA4/122
		(Mod. 756)				
		Spares for:—				
12612	11V9814	ARM, FLEXIBLE, GROUP	1	—	C	JA4/123
5X/4491486	10V5850	Ferrule	1	—	C	
5CX/1982600	—	Filter, yellow	1	—	C	JA4/128
5CX/4330153	—	Ring, bezel	1	—	B	JA4/125
	2V9591	SHADE, LAMP, GROUP	1	—	MR	JA4/126
5CX/4330154	—	Socket	1	—	C	JA4/127
	10V9591	Wire, unifersil 20 x 2' 6" long	1	—		
7357	18Z7385	LINK, EXTENSION, FOR CABLE, GROUP ...	1	—	C	JA3/128
	PLESSEY					
10AK/ 0970175	Z970183	Mounting metal, at dimmer switches	3	—	C	JA4/129
		MOUNTING STRUCTURE FOR CONTROL UNIT AND INDICATOR (1T5866) (Mod. 1631)				
		Spares for:—				
		MOUNTING WITH CONTROL UNIT AND INDICATOR (1T5859)				
		Spares for:—				
	5T5859	PANEL, C/W INSTRUMENTS, GROUP ..				JA4/131
		Spares for:—				
5X/6200370	1V5850	Block, terminal	1	—	C	
5X/4491486	10V5850	Ferrule	4	—	C	
5L/9959118	—	Filament	2	—	C	JA4/132
	3SS5302	Grommet	2	—		
5CX/1143214	—	Holder, bridge lamp	1	—	B	JA4/133
10Q/16355	—	Indicator, type 9547	1	—	A	JA4/134
	2T5859	PANEL, GROUP	1	—		JA4/135
		Spares for:—				
28FP/ 9492814	SX/560	Spring	4	—	C	

VULCAN PR. 2

FUSELAGE
CREW'S NACELLE

Page JA. 11

Ref. No.	Part No.	Description	No. off	Matl. Spec.	Cl. of St. M.R.	Plate and Illust'n No.
		1:2:3:4				
		PANEL, C/W INSTRUMENTS (5T5859) (Cont'd)				
5CW/6209279	-	Switch	1	-	B	JA4/136
10L/16310	-	Unit, control	1	-	A	JA4/137
	3T5859	PLATE, SIDE, GROUP	1	-		
	4T5859	PLATE, SIDE, GROUP	1	-		
		MOUNTING, 69P, VENTILATED SUIT CONTROL PANEL (V9158) (See Electrics-Crew's Nacelle)				
		PANEL, NAVIGATOR'S ROOF, INSTALLATION OF EQUIPMENT (Z10057) (Mod. 748)				
		Spares for:-				
10J/13152	-	Controller, loop, type 1342	1	-	A	JA4/138
10L/16073	-	Controller, receiver, type 1274	1	-	A	JA4/139
6D/2237	-	Gauge, oxygen, Mk. 4	2	-	A	JA4/140
6D/2383	-	Regulator, oxygen, Mk. 21B (Mod. 1378) ..	3	-	A	JA4/141
10L/16320	-	Unit, oxygen type 7881 (Pre-Mod. 2304) ..	1	-	A	JA4/142
9D/1586	-	Unit, oxygen A/S (Service fit)	1	-	A	JA4/143
10L/16836	-	Unit, oxygen type 7881B (Mod. 2304)	1	-		
		PANEL, NAVIGATOR'S STATION (Z16800) (Mod. 2024) (AIRCRAFT WITHOUT BLUE STEEL)				
		Spares for:-				
	Z16800	PANEL, GROUP (A/c without Mod. 2024) .	1	-		
	Z16800	PANEL, GROUP (A/c with Mod. 2024) ... (Mod. 2304, Part "B")	1	-		
		Spares for:-				
	PC3-1/2	Clip	2	-		
	PC3-1/2/38	Clip	2	-		
5K/2207951	SP.95/A10	Grommet	1	-	C	
10H/19480	-	Plug	1	-	C	
	PS3-1/2	Spring	2	-		
		PANEL, NAVIAGTOR'S, PORT (1S2413) (1S3710 and 1S3711) (See Equipment, Aircraft-Instrument Panels)				
		PANEL, NAVIGATOR'S INTERCOMM. (1S2394) (See Equipment, Aircraft-Instrument Panels)				
		PANEL, NAVIGATOR'S RADAR (1S2411) (See Equipment, Aircraft-Instrument Panels)				
		PANEL, NAVIGATOR'S PLOTTER (S2360) (See Equipment, Aircraft-Instrument Panels)				
		PANEL, SWITCH, AT NAVIGATOR'S STATION (1S2655) (Mod. 1218) (S3321) (Mod. 2256) (See Equipment, Aircraft-Instrument Panels)				
		PANEL, 12P, RADIO SUPPLY (1S2684) (See Equipment, Aircraft-Instrument Panels)				

FUSELAGE
CREW'S NACELLE

Ref No	Part No	Description	No. off	Matl. Spec.	Cl. of St.	Plate and Illust'n No
					M.R.	
		1 2 3 4				
		EQUIPMENT AT NAVIGATOR'S STATION (2Z9595) (Cont'd.)				
		REGULATOR, OXYGEN, FOR 2ND NAVIGATOR (7Z7523) (Mod 687) (Pre-Mod. 748)				
		i Spares for:—				
	2Z7523	GUSSET, GROUP	1	—		
	3Z7523	GUSSET, GROUP	1	—		
6D/2383	—	Regulator, oxygen, Mk. 21B (Mod. 1378) .	1	—	A	
		SEATS, CREW'S (N3291) (Mod. 1696) (See Equipment, Aircraft—Seats and fittings)				
		STRUCTURE, AT NAVIGATOR'S POSITION (1Z9686) (Pre-Mod. 1177)				
		i Spares for:—				
		TOP, NAVIGATOR'S TABLE				JA3/144
		(39Z9682) (Mod. 1010)				
		i Spares for:—				
22621	14Z968	Covering, table top, 1/8" thick black lino x 6" x 14.5" long	1	—		
	41Z968	Covering, 1/8" thick black lino x 8" x 8.5" long	—	—		
	50Z9682	Covering, 1/8" thick black lino .75" x 12.5" long	1	—		
	123Z7367	Covering, 1/8" thick black lino c 7" x 12.5" long	1	—		
	172Z7367	Covering, 1/8" thick black line x 9.4" x 14.75" long (Make from 26DC/22621)	1	—		
	93SS6005	Label, periscope	1	L50		JA4/145
	364SS6004	Label, vent suit	1	L59		
	124Z7367	LATCH, SLIDING PANEL, GROUP	2	—	MR	JA4/146
22616	1Z10329	LID, NAVIGATOR'S TABLE, CENTRE TOP, GROUP	1	—	C	JA3/147
		i Spares for:—				
	7Z10329	Covering, 1/8" thick black lino x 14.6" x 14.83" long (Make from 26DC/22621)	1	—		
	8Z10329	Hinge (Make from 28N/10786 x 14.48" long)	1	L72		JA3/148
22619	1Z10328	LID, NAVIGATOR'S TABLE, CENTRE LOWER, GROUP	1	—	C	JA3/149
		i Spares for:—				
	9Z10328	Base, fibre glass, 1/32" x 12.88" x 13.37"	1	—		
	11Z10328	Hinge (Make from 28B/10786 x 14.53" long)	1	L72		JA3/150
	8Z10328	Perspex, 1/16" x 11.4" x 12.12"	1	DTD864		JA3/151

FUSELAGE
CREW'S NACELLE

Ref. No.	Part No.	Description	No. off	Matl. Spec.	Cl. of	Plate and Illust'n No.
					St. M.R.	
		LID, NAVIGATOR'S TABLE, CENTRE LOWER (1Z10328) (Cont'd)				
	6Z10328	SECTION, ZED, PERSPEX RETAINING, GROUP	1	-		JA3/152
28FP/9434076	AJ3/30	Spares for:- Fastener, dzus	2	-	C	
28FP/9434075	GA3/175	Grommet, dzus	2	-	C	
28FP/9434091	S3/175	Spring	2	-	C	
22620	1Z10330	LID, NAVIGATOR'S TABLE, PORT, ... INNER, GROUP	1	-	C	JA3/153
	6Z10330	Spares for:- Covering, 1/8" thick black lino x 6.57" x 14.63" long	1	-		
	11Z10330	Hinge (Make from 28N/9511950 x ... 6.19" long)	1	L72	LM	JA3/154
	12Z742	LID, NAVIGATOR'S TABLE, PORT ... OUTER, GROUP	1	-	MR	JA3/155
	17Z742	Spares for:- Covering, 1/8" thick black lino x 8.35" x 14.65" long	1	-		
	17Z742	Hinge (Make from 28N/9511950 x ... 8.5" long)	1	-	LM	JA3/156
	1Z8743	LID, NAVIGATOR'S TABLE, PORT, ... CENTRE, GROUP	1	-	MR	JA3/157
	19Z8743	Spares for:- Chart, alternator	1	-		JA3/158
	19Z8743	Cover, alternator chart	1	-		JA3/159
	19Z8743	Covering, 1/8" thick black lino x 6.5" x 9" long	1	-		
	20Z8743	Covering, 1/8" thick black lino x 6.5" x 8.5" long	1	-		
	AS1878/40	Hinge (Make from 28N/9511950 x 4" long)	1	L72	LM	JA3/160
	AS1878/65	Hinge (Make from 28N/9511950 x 6.5" long)	1	L72	LM	JA3/161
	21Z8743	LID, FRONT, GROUP	1	-		JA3/162
	22Z8743	LID, REAR, GROUP	1	-		JA3/163
12182	25Z8743	Link	1	S3		
	26Z8743	Link	1	S3	C	
4726	1Z8766	LID, NAVIGATOR'S, STARBOARD, ... GROUP	1	-	B	JA3/164
	21Z8766	Spares for:- Covering, 1/8" thick black lino x 14.625" x 14.65" (Make from 26DC/2261)	1	-		
	AS1878/60	Hinge, L.H. (Make from 28N/9511950 x 6" long)	1	L72	LM	JA3/165
	AS1878/36	Hinge, R.H. (Make from 28N/9511950 x 3.5" long)	1	L72	LM	JA3/166

FUSELAGE
CREW'S NACELLE

Ref. No.	Part No.	Description	No. off	Matl. Spec.	Cl. of St.	Plate and Illust'n No.
					M.R.	
		1 2 3 4				
		TOP, NAVIGATOR'S TABLE (3929682) (Cont'd)				
	128599	PANEL, SLIDING, NAVIGATOR'S TABLE, GROUP	1	-	MR	JA3/167
	928599	Spares for:- Covering, 1/8" thick black lino x 12.5" x 12.65"	1	-	MR	
17046	5129682	Tube, distance, at top members hat in ... well	4	L65 on DTD130	C	
	17327367	Washer, special, at links, 22G x 5/8" x .. 3/16" dia. hole	2	S3		
	THORN					
5CW/4405520	-	Switch, dimmer (Pre-Mod. 748)	1	-	B	
5CW/11505	80/10/0941	Switch, dimmer (Mod. 748)	1	-	B	JA4/168
5CW/4405514	-	Switch, dimmer (Pre-Mod. 748)	1	-	B	
5CW/11519	80/10/1755	Switch, dimmer (Mod. 748)	1	-	B	JA4/169
	2227385	Switch (Made from N.F.S.8375/B104)	1	-		JA4/170
5CW/6209280	-	Switch, anti-dazzle	1	-	B	JA4/171
	DOWTY					
5CW/4408119	AS1051-3	Switch, emergency door (Mod. 2295)	1	-	B	JA4/171A
5CW/4405561	-	Transfer, "Bright"	1	-	C	
		TRAY, MOUNTING FOR INDICATOR	-	-	-	JA4/172
		UNIT (1T4712) Spares for:-				
10B/17448	-	Bolt, quick release	2	-	C	JA4/173
	12T4712	Pad, rubber vibrating (GACO)	2	BS45		JA4/174
	9T4712	Washer, packing, quick release box	4	DTD130		JA4/175
10A/17930	-	Washer, check, at indicator unit	4	-	C	
		EXTINGUISHER, FIRE, AT CREW'S SEAT PORT SIDE (128592-Pre Mod. 1943) (1211325-Mod. 1493) (See Services-Fire Extinguisher System)			REF	
		EXTINGUISHER, FIRE, AT CREW'S POSITION (1211315-Mod. 1896) (See Services-Fire Extinguisher System)			REF	
		EXTINGUISHER, FIRE, AT 1ST AND 2ND PILOT'S POSITION (127528) (See Services-Fire Extinguisher System)			REF	
		EXTINGUISHER, FIRE, UNDER PILOT'S FLOOR, PORT SIDE (129688) (See Services-Fire Extinguisher System)			REF	
		GYRO'S, PITCH AND YAW ON SHELF UNDER PILOT'S FLOOR (S2398) (See Controls-Auto-stabiliser)			REF	

VULCAN ML 2

FUSELAGE
CREW'S NACELLE

Page JA. 15

Ref. No.	Part No.	Description	No. off	Matl. Spec.	Cl. of	Plate and Illust'n No.
					St. M.R.	
		1 2 3 4				
		HANDLES, EMERGENCY AT 1ST AND 2ND PILOT'S SEATS AND PILOT'S FLOOR, PORT (Z98696) (Z7524)				
	2Z7524	Spares for:- HANDLE, GROUP	3	-		JA2/178
28D/1011029	A25/1E	Attachments-Handle (2Z7524)				
28D/1011030	A25/2E	Bolt, 1/4" BSF, pilot's floor	4	-	C	
28M/9480017	AGS2001/E1	Bolt, 1/4" BSF, pilot's seats	4	-	C	
28W/9419405	SP15/E	Nut, 1/4" BSF	4	-	C	
		Washer, 1/4" BSF	4	-	C	
		HANDGRIP AT PILOT'S FLOOR STBD., GROUP (4Z7524) (Mod. 635)				
	3Z7524	Spares for:- Bracket	1	DTD130		
	1Z9986	HANDGRIP, GROUP			MR	JA1/177
	4Z9985	Spares for:- Bush, retaining	1	-		
	5Z9986	Handgrip (Made from Player Mitchel & Breedon, Part No. 32472)	1	-		
9811	3Z9986	Stud, special	1	S94 or 95	C	
		Attachments-for Bracket (3Z7524) and Handgrip (1Z9986)				
28D/1011030	A25/2E	Bolt, 1/4" BSF	3	-		
28M/9480017	AGS2001/E1	Nut, 1/4" BSF	4	-		
28W/9419405	SP15/E	Washer, 1/4" BSF	4	-		
		HANDLE ACCESS ON FRONT PRESSURE DOME (Z8604)				
	1Z8613	Spares for:- HANDLE, GROUP	1	-	C	JA7/178
6167	2Z8604	Attachments-Handle (1Z8613)				
6166	AGS2001/C1.66	Bolt, special	1	H.T.S.		JA7/179
28M/1012015	SP13/C	Nut, 2 BA	1	-	C	
28W/9419402		Washer	1	-	C	
		HANDGRIPS, AT CREW'S STATION (Z9987) (Mod. 635)				
	1Z9985	Spares for:- HANDGRIPS, ON FORWARD FACE OF FORMERS 260" AND 288", GROUP	1	-	MR	JA5/180
	7Z9985	HANDGRIPS, ON AFT FACE OF FORMER 260", GROUP (Mod. 788)	1	-	B	JA5/181
	4Z9985	Spares for:- Bush, retaining	1	L65		
	5Z9985	Handgrip (Made from Player Mitchel & Breedon Part No. 32472)	1	-		
9809	2Z9985	Stud, special (Use on 1Z9985)	1	S94 or 95		
	6Z9985	Stud, special (Use on 7Z9985)	1	S94 or 95		
4376	1Z7913	HARNES, NAVIGATOR'S AT PERISCOPE SEXTANT STATION, PORT, GROUP	1	-	A	JA3/182

FUSELAGE
CREW'S NACELLE

Ref. No.	Part No.	Description	No. off	Matl. Spec.	Cl. of	Plate and Illust'n No.
					St. M.R.	
		1 2 3 4				
4377	2Z7913	HARNES, NAVIGATOR'S AT PERISCOPE ... SEXTANT STATION, STARBOARD, GROUP	-	-	A	JA3/183
	1Z7914	Spares for: - BELT, NAVIGATOR'S HARNES, GROUP ..	-	-		JA3/184
	5Z7914	Spares for: - CLIP, SPRING AT STRAP END, GROUP ..	-	-		JA3/185
		HEAT INSULATION, CREW'S NACELLE (1Z9721) (See Equipment-Aircraft-Fireproofing and Soundproofing)	-	-		
		INSTALLATION, G.P.1 Mk. 6 COOLING SYSTEM (Z10470) (See Services-Cooling System)	-	-		
		INSTALLATION, GROUND SPEED RESOLVER, COOLING SYSTEM (Z10471) (See Services-Cooling System)	-	-		
		JETTISON MECHANICAL FOR SPECIAL STORE (1Z9701)	-	-		
21643	12Z9701	Spares for: - BEARING FOR RODS AT REAR PRESSURE BULKHEAD, GROUP	-	-	C	JA5/186
	11Z9701 GLACIER 06DU08	Spares for: - Bracket, bearing	1	L65		JA5/187
		Bearing	1	-	MR	JA5/188
	15Z9701	BRACKET, PULLEY MOUNTING, GROUP ..	2	-		JA5/189
14160	20Z9701	CABLE, FORK END AND EYE END, GROUP	1	-	B	JA5/190
14161	21Z9701	CABLE WITH FORK ENDS, GROUP	1	-	B	JA5/191
14153	83Z9701	COVER HINGED MANUAL STORE RELEASE, GROUP	1	-	B	JA5/192
14706	89Z9701	COVER HINGED MANUAL STORE SAFETY LOCK REMOVAL, GROUP (Mod. 1219)	1	-	B	JA5/193
14158	13Z9701	Fairlead, half	4	BS2572	C	JA5/194
14159	14Z9701	Fairlead, half	4	BS2572	C	JA5/195
21640	87Z9701	HANDLE, RED, GROUP	1	-	C	JA5/196
21641	88Z9701 WILMOT BREEDON	HANDLE, BLACK AND YELLOW, GROUP ..	1	-	C	JA5/197
14706	7/1908	Lock, for covers	1	-	C	JA5/198
28R/1052624	AS103	Pulley, for cables	4	-	B	JA5/199
14156	10Z9701	Rod, at bearing, rear pressure, bulkhead	1	S1	C	JA5/200
14157	38Z9701	Rod, at bearing, rear pressure, bulkhead	1	S1	C	JA5/201
14708	91Z9701	Spacer, for lock	1	-	C	JA5/202
14709	92Z9701	Washer, tag, at lock	1	-	C	JA5/203

VULCAN No. 2

FUSELAGE
CREW'S NACELLE

Page JA. 17

Ref. No.	Part No.	Description				No. off	Matl. Spec.	Cl. of	Plate and Illust'n No.
		1	2	3	4			St. M.R.	
		LADDER, MAIN ENTRANCE (Z7917) (See Equipment-Aircraft-Ladders)							
		LIGHT, SEXTANT, LUBBER LINE, PORT AND STARBOARD (1 & Z29098) Spares for:-							
5X/6200370	1V5650			Block, terminal (Mod. 2374)	1	-	C	JA5/203A	
5681	5Z9098			CLAMP, PORT, GROUP	1	-	C	JA5/204	
5682	6Z9098			CLAMP, STARBOARD, GROUP	1	-	C	JA5/205	
	843SS6002			Label, "Sextant"	1	L59			
	1849V7728			Label, TB.1849 (Mod. 2374)	1	-			
	1V8010			LIGHT, SEXTANT, PORT, GROUP	1	-		JA5/206	
	2V8010			LIGHT, SEXTANT, STARBOARD, GROUP ..	1	-		JA5/207	
5684	3V8010			Spares for:- BRACKET, PORT, GROUP	1	-	C	JA5/208	
5685	4V8010			BRACKET, STARBOARD, GROUP	1	-	C	JA5/209	
5CX/4330056	-			Cover, terminal	1	-	C	JA5/210	
5L/9951263	-			Filament	1	-	C	JA5/211	
5CX/1085825	-			Holder, lamp	1	-	B	JA5/212	
5CX/1057503	-			Screen, lamp	1	-	C	JA5/213	
5683	7Z9098			SCREW, SPECIAL, GROUP	1	-	C	JA5/214	
5X/4491488	15V5650			Socket (Mod. 2374)	1	-		JA5/214A	
5679	4Z9098			STOWAGE, LAMP, PORT, GROUP	1	-	B	JA5/215	
5680	8Z9098			STOWAGE, LAMP, STARBOARD, GROUP ..	1	-	B	JA5/216	
	TERRY			Spares for:-					
28E/9428428	81/0			Clip	1	-	C	JA5/217	
	3Z9098			SWITCH, ASSEMBLY, GROUP	1	-		JA5/218	
	752SS6000			Spares for:-					
5CW 6209280	-			Label, "ON"	1	DTS213	MR		
				Switch	1	-	B		
		MOUNTING, COMPASS, PILOT'S, AT WINDSCREEN, PORT AND STARBOARD (Z8746) (V8941) (See Equipment-Aircraft-Compass)						REF	
		MOUNTING, OUTSIDE AIR TEMPERATURE PROBE (V13579) (Mod. 2020) Spares for:-							
28DU/9434472	AS173/2C			Bolt, No. 8 U.N.C. csk. hd.	6	-	C	JA11/219	
	84SS4204			Bush, ring lock, insulated	1	-	MR	JA11/220	
	RESEARCH & ENG. CONTROL								
	102U2K			Sensor, total temperature	1	-		JA11/221	
	2aV13579			Ring, half	2	L72			
	2V13579			RING, HALF, GROUP	2	-			

FUSELAGE
CREW'S NACELLE

Ref. No.	Part No.	Description	No. off	Matl. Spec.	Cl. of	Plate and Illust'n No.
					St. M.R.	
		1 2 3 4				
		MOUNTING, SEXTANT, ON COCKPIT RAIL (Z7973) (See Equipment—Aircraft—Sextant Stowage and Mounting tray)				
		MOUNTING TEMPERATURE CONTROL UNITS, UNDER NAVIGATOR'S TABLE (1Z11267) (Mod. 1696) Spares for:—				
5CZ/4337689	PLESSEY 7CZ/107202	Controller, magnetic amplifier, type 5 Attachments—Controller, Part No. 7CZ/107202	2	—	A	JA3/222
28D/1011029 28W/9418921	A25/1E SP13/E 5Z11267	Bolt, 1/4" BSF Washer, 1/4" Plate, controller mounting Attachments—Plate, Part No. 5CZ11267	6 6 1	— — —	C C	JA3/223
28D/9438920 28W/9419402	A25/1C SP13/C	Bolt, 2 BA Washer, 2 BA	6 6	— —	C C	JA4/224
		MOUNTING, BOMBING SELECTOR SWITCH, AND CONTROL UNIT, NAVIGATOR'S TABLE (Z9894) (Mod. 517) Spares for:—				
5X/6200370 5CX/1143214	1V5650 — 2235V7700	Block, terminal Bridge, type "C" (THORN) CABLE (F2236) TB298 TO DIMMER SWITCHES, GROUP	1 1 1	— — —	C B	JA4/225
5X/6621 5L/9959118 11422 5K/9483755 11152 5CX/1143869	10V5650 — 2SS4204 SP40/C4 1V11506 —	Ferrule Filament Grommet Grommet Guard, selector switch (Mod. 1431) Holder, lamp	10 5 1 2 1 3	— — — — L72 —	C C C C C B	JA4/226 JA4/227 JA4/228
6A/6912 5X/4491487 5X/4491488 5CW/4405516	SMITHS XAD282 14V5650 15V5650 —	Selector, type "A" Socket, double Socket, single Switch, dimmer, type "R"	1 2 1 1	— — — —	A C C B	JA4/229 JA4/230
		MOUNTING, M S.C. DUST COVER STOWAGE, ON PORT CREW'S SEAT (Z9995) (Mod. 687) (Pre-Mod. 1801) Spares for:—				
	5Z9995	STOWAGE, M S.C. DUST COVER, GROUP	1	—		JA3/231
		MOUNTING, PRESSURE CABIN PISTOL WITH SEALED MOUNTING (Z8483) (See Armament—Pyrotechnics)			REF	
		MOUNTING, DIMMER SWITCH ON COCKPIT RAIL (S2366) (See Electrics—Crew's Nacelle)			REF	
		MOUNTING, TAIL WARNING LIGHTS, TAIL BUMP INDICATOR (V13484, Mod. 1583) (T6663, Mod. 2057) Spares for:—				
5L/9951273 5CX/1085815	2V13484 — —	BRACKET, MOUNTING, GROUP Filament Light, warning	1 2 2	— — —	C B	JA1/232 JA1/233 JA1/234

VULCAN No. 2

FUSELAGE
CREW'S NACELLE

Page JA. 19

Ref. No.	Part No.	Description	No. off	Matl. Spec.	Cl. of	Plate and Illust'n No.
					St. M.R.	
		<p>1 : 2 3,4</p> <p>MOUNTING, TIMING UNIT AND R.A.E. RECORDER, UNDER PILOT'S FLOOR (T4292, Sheet 3) (See Radio and Radar Installation)</p> <p>OXYGEN INSTALLATION (Z9197) (See Services—Oxygen system)</p> <p>PANEL, AUTO STABILISER (S2038) (See Controls—Auto-stabiliser)</p> <p>PANEL, FUEL CONTENTS, BOMB BAY TANK (1S2395) (See Equipment—Aircraft—Instrument Panels)</p> <p>PANEL, LAMP AND SWITCH, U/V AND COCKPIT LIGHTING (S2389) (See Electrics—Crew's Nacelle)</p> <p>PANEL, MOUNTING, MACH UNIT (S2337) (See Services—Air speed Indicator)</p> <p>PANEL, SELECTOR, FIN AND WING DE-ICING (1V6994) (See Equipment—Aircraft—Instrument Panels)</p> <p>PANEL, PILOT'S INSTRUMENT (16S2304) (Mod. 2180) (See Equipment—Aircraft—Instrument Panels)</p> <p>PERISCOPE INSTALLATION, AT NAVIGATOR'S STATION (Z8883) (See Equipment—Aircraft Periscope Installation)</p> <p>PNEUMATIC SERVICES (Q1874) (See Services—Pneumatics)</p> <p>PNEUMATICS, N.B.S. Mk. 1A AND H.2.S SCANNER (2Q2258) (See Services—Pneumatics)</p> <p>PRESSURISATION, CREW'S NACELLE (Z7636) (See Services—Air Conditioning)</p> <p>RADIO AND RADAR EQUIPMENT (T4292) (See Radio and Radar Installation)</p> <p>RAM AIR TURBINE CONTROL (Z9642) (See Controls—Ram Air Turbine)</p> <p>REFUELLING, FLIGHT, PORT AND STARBOARD (72P3161 AND 2P3161) (See Services—Flight Refuelling)</p>				

FUSELAGE
CREW'S NACELLE

Ref. No.	Part No.	Description	No. off	Mach. Spec.	Cl. of	Place and Illust'n No.
					St.	
					M.R.	
		SEAL, DOOR AND CANOPY INFLATION (25Q1872) (See Services - Pneumatic)				
		SEAT, 1ST PILOT'S (1N1433) SEAT, 2ND PILOT'S (2N1433) (See Equipment - Aircraft - Seats and Fittings)				
		SCREEN, ANTI-FLASH AT BOMB AIMER'S WINDOW (1Z9770) (See Equipment - Aircraft - Curtains and Visors)				
		SCREEN, ANTI-FLASH, AT WINDSCREEN (Z9782) (See Equipment - Aircraft, Curtains and Visors)				
		SCREEN, CANVAS, AT MAIN ENTRANCE DOOR (Z10230) (Mod. 937) Spare for:-				
	15Z8653	Screen, canvas	1	DTD295	MR	JAB/235
	13Z8653	Strip, retaining, at door	1	L72		JAB/236
	17Z8653	Strip, retaining, at door frame	1	L72		JAB/237
		STOWAGE, COMPUTER, C. OF G. (Z9441) Spare for:-				
26FP/13568	3Z7879	Case, computer	1	-	C	JA5/238
	1Z9608	Computer, C. of G. (Mod. 570)	1	-		JA5/239
8929	1Z10090	Computer, C. of G. (Pre-Mod. 1958)	1	-	A	
11897	1Z10843	Computer, C. of G. (Mod. 1958) (For A/c fitted with Mods. 527/528)	1	-	A	
17530	1Z11685	Computer, C. of G. (Mod. 2113) (For A/c fitted with Mod. 2013)	1	-	A	
1510080	1Z12543	Computer, C. of G. (Mod. 2337)	1	-	A	
		STOWAGE, PERISCOPE SEXTANT, AT FORWARD TIE ROD, UNDER PILOT'S FLOOR (Z.9705) (Mod. 517) Spare for:-				
68/4343721	-	Tray, mounting	1	-	A	
		STOWAGE, FIRST AID, ON 2ND PILOT'S GUIDE RAIL (Z9735) (See Equipment - Aircraft - Seats and Fittings)				
		STOWAGE, SIGNAL CARTRIDGE (1Z7447) (See Armament - Pyrotechnics)				
		STOWAGE, ANTI-FLASH SCREEN BOMB AIMER'S WINDOW (Z9863) Spare for:-				
	4Z9863	STRAP, RETAINING, GROUP	1	-	MR	
	5Z9863	STRAP, RETAINING, GROUP	1	-	MR	

VULCAN MR 2		FUSELAGE				Page JA. 21			
		CREW'S NACELLE							
Ref. No.	Part No.	Description				No off	Matl. Spec	Cl. of St	Plate and Illust'n No.
								M R.	
		1	2	3	4				
		STRAP, SUPPORT, FOR REBECCA OPERATOR (1210487) (Mod. 1342)							
	5Z10487	Spares for:— Block, retaining				1	BSS2572		
	6Z10487	Block, retaining				1	BSS2572		
	3Z10487	STRAP, ANCHOR, GROUP				1	—		
	2Z10487	STRAP, BACK SUPPORT, GROUP				1	—		
	5Z7914	Spares for:— CLIP, SPRING, GROUP				1	—		
		STRUCTURE, CREW'S NACELLE (18609428)							
		Spares for:—							
	25D8623	Bracket, angle				9	L72	MR	
	26D8623	Bracket, angle				9	L72	MR	
11903	2D8653	Bracket, stringer attachment				2	DTD88C	MR/C	
	3D8653	Bracket, stringer attachment				2	DTD88C	MR	
11901	4D8653	Bracket, stringer attachment				2	DTD88C	MR/C	
	2D8654	Bracket, stringer attachment				10	DTD88C	MR	
	3D8654	Bracket, stringer attachment				6	DTD88C	MR	
	4D8654	Bracket, stringer attachment				4	DTD88C	MR	
	5D8654	Bracket, stringer attachment				4	DTD88C	MR	
12150	6D8654	Bracket, stringer attachment				6	DTD88C	MR/C	
10598	7D8654	Bracket, stringer attachment				6	DTD88C	MR/C	
9560	8D8654	Bracket, stringer attachment				2	DTD88C	MR/C	
	2D8655	Bracket, stringer attachment				2	DTD88C	MR	
	3D8655	Bracket, stringer attachment				2	DTD88C	MR	
	4D8655	Bracket, stringer attachment				2	DTD88C	MR	
	9D8656	Bracket, stringer attachment				4	DTD88C	MR	
	19D12624	Bracket, stringer attachment				6	DTD88C	MR	
	20D12624	Bracket, stringer attachment				4	DTD88C	MR	
	21D12624	Bracket, stringer attachment				2	DTD88C	MR	
	22D12624	Bracket, stringer attachment				6	DTD88C	MR	
	23D12624	Bracket, stringer attachment				6	DTD88C	MR	
		BULKHEAD, REAR PRESSURE (80D9460)							
		Spares for:—							
	18SS3555	Adaptor, bulkhead				1	—	MR	JA6/246
28F/1036556	AGS1111/A	Adaptor, bulkhead				4	—	C	JA6/247
28F/1013402	AGS1111/B	Adaptor, bulkhead				2	—	C	JA6/248
10H/0540015	—	Adaptor				2	—	C	JA6/249
4603	5D9303	Bolt, special, at top nosewheel attachment brackets (9 and 10D9303)				4	HTS	C	JA6/250
4601	7D9304	Bolt, special, at bottom nosewheel attachment brackets (1 and 2D9304)				10	HTS	C	JA6/251
	4SS3237	Bolt, special, at sealing strip				27	—	C	JA6/252
	6eSS4167	Bolt, special, at bottom nosewheel attachment brackets (1 and 2D9304)				8	HTS	MR	JA6/253
	78D9460	Block, eye-end cable attachment to bulkhead				4	L65		JA6/254
12299	111D9460	Block, eye-end, cable attachment to bulkhead (Mod. 748)				2	L65	C	JA6/255

FUSELAGE
CREW'S NACELLE

Ref No	Part No.	Description	No off	Matl Spec	Cl. of St.	Plate and Illust'n No.
					M.R.	
		1 2 3 4				
		BULKHEAD, REAR PRESSURE (80D9460) (Continued)				
		Spares for:—				
8143	9D9303	BRACKET, NOSEWHEEL ATTACHMENT, TOP, STARBOARD, GROUP (Mod. 609)	1	—	B	JA6/256
8144	10D9303	BRACKET, NOSEWHEEL ATTACHMENT TOP, PORT, GROUP (Mod. 609)	1	—	B	JA6/257
		Spares for:—				
	3D9198	Bolt, special	1	S99	MR	JA6/258
	8K2706	Bush, special	1	BSS369	MR	JA6/259
28N/9156370	SP21	Nipple, grease	1	—	C	
1801	4D9198	Nut, castle, special	1	S96	C	JA6/260
8861	8D9303	Nut, special	1	S96	C	JA6/261
1510744	6D9303	Peg, fouling	1	S1	C	
28P/15823	SP31/N14	Pin, split, taper	1	S114	C	
10732	10D9129	Spigot	1	S96	C	
8862	7D9303	Stud, special	1	S99	C	JA6/262
28W/9419471	SP13/S	Washer	3	—	C	
1802	5D9198	Washer, special	1	DTD364B	C	JA6/263
	1D9304	BRACKET, NOSEWHEEL ATTACHMENT BOTTOM, STARBOARD, GROUP	1	—	MR	JA6/264
1805	2D9304	BRACKET, NOSEWHEEL ATTACHMENT, BOTTOM, PORT, GROUP	1	—	B	JA6/265
		Spares for:—				
1806	5D9304	Bolt, special	2	S99	C	JA6/266
	6K2706	Bush, special	1	BSS369	MR	JA6/267
28N/9156370	SP21	Nipple, grease	1	—	C	
	6D9304	Nut, castle, special	2	S96	MR	JA6/268
	6D9303	Peg, fouling	1	S1		
10732	10D9129	Spigot	1	S96	C	
28W/9419429	SP13/U	Washer	2	—	C	
	9D9129	Washer, special	2	DTD364B	MR	JA6/269
10H/0540015	—	Connector, co-axial, bulkhead ref. 179 and 883	2	—	B	JA6/270
	1SS4631	Gasket, plug sealing, 1.343" x 1.343" x 1/16" thick, 1.031" dia. hole	2	DTD762		
	2SS4631	Gasket, plug sealing, 1.437" x 1.437" x 1/16" thick, 1.156" dia. hole	8	DTD762		
	3SS4631	Gasket, plug sealing, 1.562" x 1.562" x 1/16" thick, 1.281" dia. hole	2	DTD763		
14737	4SS4631	Gasket, plug sealing, 2.062" x 2.062" x 1/16" thick, 1.781" dia. hole	13	DTD762	C	
	5SS4631	Gasket, plug sealing, 2.312" x 2.312" x 1/16" thick, 2.031" dia. hole	1	DTD762		
	6SS4631	Gasket, plug sealing, 1.6875" x 1.6875" x 1/16" thick, 1.405" dia. hole	5	DTD762		
	7SS4631	Gasket, plug sealing, 1.8125" x 1.8125" x 1/16" thick, 1.531" dia. hole	2	DTD762		
	8SS4631	Gasket, plug sealing, 2.562" x 2.562" x 1/16" thick, 2.281" dia. hole	4	DTD762		
5K2975	SP40/C48	Grommet, for plug, bulkhead, ref. 104R	1	—	C	JA6/271

VULCAN No. 3		FUSELAGE				Page JA 23			
		CREW'S NACELLE							
Ref. No.	Part No.	Description				No. off	Mater. Spec.	Cl. of St.	Plate and Illust'n No.
		1	2	3	4			M.R.	
		BULKHEAD, REAR PRESSURE (8009460) (Cont'd.)							
5X/8882	HELLERMANN HV4402					1	-		JA6/272
	HV4413/1					1	-	C	JA6/273
	4652/1					2	-		JA6/274
	31SS3564					1	-	MR	JA6/275
	96D9460					1	BS2966		
	2V15989					1	-		
26FP/13043	1SS3259					1	-	C	
26FP/13044	1SS3260					1	-	C	
	32SS3664					1	-	MR	JA6/276
5X/6008	CZ28032					3	-	C	JA6/277
5X/6028	CZ28036					2	-	C	JA6/278
5X/6033	CZ28037					2	-	C	JA6/279
5X/6038	CZ28038					5	-	C	JA6/280
5X/6043	CZ28039					1	-	C	JA6/281
5X/6058	CZ28042					3	-	C	JA6/282
5X/6068	CZ28048					6	-	C	JA6/283
5X/6088	CZ28049					8	-	C	JA6/284
5X/6093	CX28051					2	-	C	JA6/285
5X/6103	CX28056					1	-	C	JA6/286
5X/6128	CZ28057					33	-	C	JA6/287
5X/6133	CZ57212					4	-	C	JA6/288
	CANNON ELECT								
	TBF 16-9PS					1	-		JA6/289
	CANNON ELECT								
	TBF 16-12PS					1	-		JA6/290
	CANNON ELECT								
	TBF 18-1PS					4	-		JA6/291
	CANNON ELECT								
	TBF 18-1PSW					2	-		JA6/292
	CANNON ELECT								
	TBF 18-8PS					1	-		JA6/293
	CANNON ELECT								
10H/1088013	TBF 18-12PS					1	-	B	JA6/294
	CANNON ELECT								
	TBF 20-1PS					1	-		JA6/295
	CANNON ELECT								
	TBF 20-19PS					1	-		JA6/296
	CANNON ELECT								
	TBF 22-11PS					2	-		JA6/297
	CANNON ELECT								
10H/9997879	TBF 22-14PS					2	-	B	JA6/298
	CANNON ELECT								
	TBF 22-17PS					1	-		JA6/299
	CANNON ELECT								
10H/9438818	TBF 22-19PS					1	-		JA6/300
	CANNON ELECT								
	TBF 24-21PS					1	-		JA6/301
	CANNON ELECT								
10H/9997881	TBF 24-28PS					1	-	B	JA6/302

FUSELAGE
CREW'S NACELLE

Ref. No.	Part No.	Description	No. off	Matl. Spec.	Cl. of	Plate and Illust'n No.
					St. M.R.	
		1 2 3 4				
		BULKHEAD, REAR PRESSURE (80D9460) (Cont'd)				
	CANNON ELECT TBF28-9PS	Plug, bulkhead, ref. 788	1	-		JA6/303
	CANNON ELECT TBF28-11PS	Plug, bulkhead, ref. 789	1	-		JA6/304
10H/9997883	CANNON ELECT TBF28-12PS	Plug, bulkhead, refs. 976 & 1026	2	-	B	JA6/305
10H/9997884	CANNON ELECT TBF28-12PSW	Plug, bulkhead, ref. 973	1	-	B	JA6/306
	CANNON ELECT TBF28-12PSX	Plug, bulkhead, ref. 975	1	-		JA6/307
	CANNON ELECT TBF28-15PS	Plug, bulkhead, ref. 959	1	-		JA6/308
	CANNON ELECT TBF28-20PS	Plug, bulkhead, refs. 597 & 790	2	-		JA6/309
10H/9997886	CANNON ELECT TBF28-21PS	Plug, bulkhead, refs. 274 & 958	2	-	B	JA6/310
10H/9997877	CANNON ELECT TBF28-21PSW	Plug, bulkhead, ref. 272	1	-	B	JA6/311
	CANNON ELECT TBF32-6PS	Plug, bulkhead, ref. 801	1	-		JA6/312
	CANNON ELECT TBF36-10PS	Plug, bulkhead, ref. 802	1	-		JA6/313
	CANNON ELECT TBF36-19PSW	Plug, bulkhead, ref. 609	1	-		JA6/314
	CANNON ELECT TBF36-10PSX	Plug, bulkhead, ref. 605	1	-		JA6/315
	CANNON ELECT TBF36-10PSY	Plug, bulkhead, ref. 606	1	-		JA6/316
	CANNON ELECT TBFH36-10PS-100	Plug, bulkhead, ref. 1232 (Mod. 2155)	1	-		JA6/316A
10H/19610	-	Plug, co-axial, single pole	8	-	B	JA6/317
10H/9560042	-	Plug, co-axial, single pole	3	-	B	JA6/318
10H/0540019	-	Socket, bulkhead, adaptor	1	-	C	JA6/319
10H/19444	-	Socket, plug, at bulkhead, ref. 799	1	-	B	JA6/320
10H/19439	-	Socket, plug, at bulkhead, ref. 797	1	-	B	JA6/321
10H/19481	-	Socket, plug, at bulkhead, ref. 806	1	-	B	JA6/322
10H/9321486	CZ61886/1	Socket, plug, at bulkhead, ref. 189	1	-	B	JA6/323
10H/20417	CZ61887/10	Socket, plug, at bulkhead, ref. 516	1	-	B	JA6/324
10H/9525571	CZ61887/1	Socket, plug, at bulkhead, ref. 100	1	-	B	JA6/325
	CZ61887/2	Socket, plug, at bulkhead, ref. 514	1	-		JA6/326
	CZ1887/3	Socket, plug, at bulkhead, ref. 513	1	-		JA6/327
		(Pre-Mod. 1300)				
	CZ1887/5	Socket, plug, at bulkhead, ref. 174	1	-		JA6/328
10H/20416	CZ1888/0	Socket, plug, at bulkhead, ref. 104R	1	-	B	JA6/329
	CZ61889/3	Socket, plug, at bulkhead, ref. 881	1	-		JA6/330
	CZ61889/4	Socket, plug, at bulkhead, ref. 200 & 646 ..	2	-		JA6/331
10H/19439	CZ62268/0	Socket, plug, at bulkhead, ref. 170	1	-	B	JA6/332
10H/19445	CZ62269	Socket, plug, at bulkhead, ref. 192	1	-	B	JA6/333
10H/19451	CZ62270/0	Socket, plug, at bulkhead, ref. 1016	1	-	B	JA6/334
10H/19457	CZ62271/0	Socket, plug, at bulkhead, refs.	5	-	B	JA6/335
		99-109R-190 & 882				
10H/1066798	CZ62271/1	Socket, plug, at bulkhead, ref. 100	1	-	B	JA6/336
	CZ62271/2	Socket, plug, at bulkhead, ref. 177	1	-		JA6/337
	CZ62271/3	Socket, plug, at bulkhead, ref. 130	1	-		JA6/338

VULCAN No. 3

FUSELAGE
CREW'S NACELLE

Page JA. 25

Ref. No.	Part No.	Description	No. off	Matl. Spec.	Cl. of	Plate and Illust'n No.
					St. M.R.	
		1 2 3 4				
		BULKHEAD, REAR PRESSURE (80D9460) (Cont'd)				
10H/19460	CZ62271/5	Socket, plug, at bulkhead, ref. 1015	1	-	B	JA6/339
10H/19463	CZ63372/0	Socket, plug, at bulkhead, ref. 107R	1	-	B	JA6/340
	CZ62274/1	Socket, plug, at bulkhead, ref. 932	1	-		JA6/341
	CZ62275/0	Socket, plug, at bulkhead, ref. 158-173 1034	3	-		JA6/342
10H/9144105	CZ62275/1	Socket, plug, at bulkhead, ref. 178	1	-	B	JA6/343
10H/9144106	CZ62275/2	Socket, plug, at bulkhead, refs. 157 & 172 .	2	-	B	JA6/344
10H/9144107	CZ62275/3	Socket, plug, at bulkhead, refs. 176 & 201 .	1	-	B	JA6/345
10H/9505644	CZ62275/4	Socket, plug, at bulkhead, ref. 171	1	-	B	JA6/346
10H/19487	CZ62276/0	Socket, plug, at bulkhead, ref. 1017	1	-	B	JA6/347
10H/9116804	CZ62277/0	Socket, plug, at bulkhead, refs. 1R-105R .. 478-878-1014	5	-	B	JA6/348
10H/9153420	CZ62277/1	Socket, plug, at bulkhead, refs. 6R-103R .. 477-489-879	5	-	B	JA6/349
10H/1984665	CZ62277/2	Socket, plug, at bulkhead, refs. 476 & 890 .	2	-	B	JA6/350
	CZ62277/3	Socket, plug, at bulkhead, refs. 5R & 129 ..	2	-		JA6/351
10H/1119925	CZ62277/5	Socket, plug, at bulkhead, ref. 191	1	-	B	JA6/352
	55D9460	STRIP, SEALING, GROUP	1	-	MR	JA6/353
27FP/10114	1SS1586	Tab, locking	3	-	C	JA6/354
	97D9460	Washer, clamping, for plug bulkhead, ref. .. 104R	1	-		
8152	47D8628	Washer, sealing, 1/16" thick x 1.13" o/d x . .69" hole dia.	8	Rubber	C	
20401	69D8628	Washer, sealing, 1/16" thick x 1.1" o/d x .. .57" hole dia.	5	Rubber	C	
8153	48D8628	Washer special, 16 SWG x 1.093" o/d x703" hole dia	9	L72	C	
	367D8626/W	CANOPY, PILOT'S, WHITE, GROUP	1	-		JA10/355
	367D8626/C	CANOPY, PILOT'S, CAMOUFLAGED	1	-	A	
1433391	367D8626/PC	GROUP (Mod. 1877) CANOPY, PILOT'S, POLYURATHANE	1	-	A	
		FINISH, GROUP (Mod. 2129) Spars for:-				
	176D8626	Block, 3-1/2" x 5/8" x 1-1/4"	1	DTD3468	MR	JA10/356
	302D8626	BRACKET, ATTACHMENT, FORWARD .. OF PRESSURE BULKHEAD, PORT, GROUP (Pre-Mod. 2301)	1	-	MR	JA10/357
	376D8626	BRACKET, ATTACHMENT FORWARD OF PRESSURE BULKHEAD, PORT, GROUP (Mod. 2301) Consisting of:-	1	-	MR	
28D/1007319	AS1242/48	Bolt, 4 BA	8	-	C	
	302AD8626	Bracket	1	L72		
	302bD8626	Connection, rubber (Pre Mod. 2301)	1	BS1154/Z13	MR	JA10/358
1505435	373U8626	Connection, rubber (Mod. 2301)	1	-	C	
28M/1278189	AGS2001/B1	Nut, stiff, 4 BA	1	L72	C	JA10/359
	215cD8626	Washer, special	1	L72	MR	JA10/359
	215eD8626	Washer, special	1	L72	MR	JA10/360
28W/9419474	SP15/B	Washer, 4 BA	8	-	C	

FUSELAGE
CREW'S NACELLE

Ref. No.	Part No.	Description	No. off	Matl. Spec.	Cl. of	Plate and Illust'n No.
					St. M.R.	
		1 2 3 4				
		CANOPY, PILOT'S (367D8626) (Cont'd)				
	34D9528	BULKHEAD, PRESSURE (62D9528) Spare for:— BRACKET, PLUNGER, FOR SEQUENCE VALVE, PORT, GROUP Consisting of:—	1	—		JA9/361
	34dD9528	Collar, 17G x .75" o/d x .5" long	1	T35		JA9/362
	34bD9528	Housing	1	L51		JA9/363
	34aD9528	Plunger, 1" dia. x 3.25" long	1	S1		JA9/364
28Q/9417267	AGS2060/424BS	Rivet, pop	2	—	C	
	34cD9528	Spring	1	Spring Steel		JA9/365
	61D9528	CABLE, SEAT RELEASE, GROUP	2	—	MR	JA9/366
	13SS6004	Label, 7" x 3.4"	1	L59		
	137SS6004	Label, 3" x 2.5"	1	L59		
	33D9528	Washer, special, for eye bolt at cable release	1	L72		
	10SS4095	CLIP, HALF, AT SEAL JOINT, GROUP	1	—	MR	JA10/368
	1SS1862	CLIP, HALF, AT SEAL JOINT, GROUP	1	—	MR	JA10/369
	7D10686	Dowel	4	S96	MR	JA10/370
1018	224D8626	HANDLE, ACCESS, PILOT'S, PORT AND STARBOARD, GROUP	2	—	C	JA10/371
	309D8626	HINGE, CANOPY, PORT, GROUP	1	—		JA10/372
	310D8626	HINGE, CANOPY, STARBOARD, GROUP	1	—	MR	JA10/373
	309D8626	Spare for:— Pin, hinge	1	S96	MR	
10H/19789 6A/387	—	Holder, card	2	—	C	
	—	Holder, pilot's deviation card	2	—	C	
9173	32D9043	INHIBITOR, WINDSCREEN, PORT AND STARBOARD, GROUP	2	—	C	JA10/374
26FP/13043	1SS3259	Plate, mod.	1	—	C	
26FP/13044	1S3280	Plate, serial	1	—	C	
	341D8626	Plate, base, L.H. (Pre-Mod. 2303)	1	—		
	370D8626	Plate, base, L.H. (Mod. 2303)	1	—	MR	
	342D8626	Plate, base, R.H. (Pre-Mod. 2303)	1	—	MR	
	371D8626	Plate, base, R.H. (Mod. 2303)	1	—	MR	
	6008626	Ring, window, retaining	2	L72	MR	JA10/375
	177D8626	Screw, plug, 3/8" dia. x 1-1/4" long	1	S1	MR	JA10/376
	261D8626	Seal, inflatable (Pre-Mod. 2301) (Pre-Mod. 2406)	1	—		JA9/377
	372D8626	Seal, inflatable (Mod. 2301) (Pre-Mod. 2386)	1	—		
6116007	381D8626	Seal, inflatable (Mod. 2406)	1	—	C	
	380D8626	Seal, inflatable (Mod. 2386)	1	—		
	337D8626	STRIP, RETAINING, PORT AND STARBOARD, GROUP	8	—	MR	JA9/378
	285D8626	Strip, sealing, rubber, 1/8" x 1-1/2" x 5' 3" long	2	DTD552	MR	JA9/379
	286D8626	Strip, sealing, rubber, 1/8" x 1" x 18" long	1	DTD552		JA9/380
6821	332D8626	Support, window, dinghy release	1	L72	C	

VULCAN No. 2

FUSELAGE
CREW'S NACELLE

Ref. No.	Part No.	Description	No off	Matl. Spec.	Cl. of St.	Plate and Illust'n No
					M.R.	
		1 2 3 4				
		CANOPY, PILOT'S (367D8626) (Cont'd.)				
		VISORS, NOTE STOWAGES ACCESS HANDLE & CARD HOLDERS ETC. IN CANOPY (Z7869)				
1017	223D8626	Spares for:— HANDLE, ACCESS, PILOT'S GROUP 1	1	—	C	JA10/381
	2Z7896	HOLDER, COMPASS CORRECTOR, GROUP	2	—	MR	JA10/382
6B/1054118	—	Spares for:— Holder, deviation card, Mk. 4	2	—	B	
	2Z7555	Plate	2	L72		
	28V7666	LIGHT, WANDER, GROUP	1	—	MR	JA10/383
	29V7666	Spares for:— CASE, GROUP	1	—		JA10/384
5K/9483758	26dV7666	Spares for:— Block, stop	1	BSS972		JA10/385
	SP40/B8	Grommet	1	Rubber	C	
	5V7666	Pulley, .75" dia. x .25"	1	DTD130		JA10/386
	15V7666	Screw, special, for pulley	1	L65		JA10/387
	13V7666	CORD, ELASTIC, GROUP	1	—	MR	JA10/388
5X/1383	17V7666	Cover, case	1	L72		JA10/389
	—	Ferrule	1		C	
	25V7666	LAMP, GROUP	1	—	MR	JA10/390
	1V7866	Spares for — DIMMER, MECHANICAL, GROUP	1	—	MR	JA10/391
9698	1V7867	HOUSING, LAMP & SWITCH, GROUP (LESS FILAMENT)	1	—	A	JA10/392
	5V7867	Spares for:— Clip, bottom half	1	L72	MR	JA10/1080
6419	6V7867	Clip, top half	1	L72	MR	JA10/1081
	23V7666	Cable, special	1	—	C	
	9V7867	Cable, unipren x 3' long	1	—		
5CX/4330058	—	Cover, terminal	1	—	C	JA10/1082
5L/9961273	—	Filament (not supplied as part of assembly spare)	1	—	C	
5CX/4330058	—	Lampholder	1	—	B	JA10/1083
5CW/4400159	N.S.F. 8295/B127	Switch	1	—	B	JA10/1084
	1V7866	UNIT, FOCUSING, GROUP	1	—	MR	JA10/393
4404	7V7666	MOUNTING, PULLEY, GROUP	1	—		JA10/394
	1Z8478	STOWAGE, PILOT'S NOTES, PORT, GROUP	1	—	C	JA10/395
	2Z8478	STOWAGE, PILOT'S NOTES, STARBOARD, GROUP	1	—	MR	JA10/396
		VISORS, ANTI-GLARE, AT PILOT'S WINDSCREEN (1Z7762) (See Equipment—Aircraft—Curtains and Visors)			REF	

FUSELAGE
CREW'S NACELLE

Ref. No.	Part No.	Description	No. off	Matl Spec	Cl. of St.		Plate and Illust'n No
					M	R	
		1 2 3 4					
		CANOPY, PILOT'S (367D8626) (Cont'd.)					
		VISORS, ANTI-GLARE AND BLACKOUT CURTAINS PILOT'S SIDE WINDOWS 1 & 2D10094 (See Equipment—Aircraft—Curtains and Visors)				REF	
	335D8626	Washer, sealing, at inspection window ...	2	DTD762			JA9/397
	318D8626	WINDOW, CANOPY, PORT AND STARBOARD, GROUP	2	—		MR	JA10/398
17075	283bD8626	Spares for:— Panel, perspex	1	—		C	
	283aD8626	Ring, sealing	1	Sorbo Rubber		C	
6820	334D8626	Window, inspection, dinghy release	1	DTD838		C	JA9/399
		CANOPY RELEASE AND SEAT EJECTION (100D10368)					
2929	21D9803	Spares for:— BLOCK, PULLEY FOR EXTERNAL RELEASE, CABLE, PORT, GROUP	1	—		MR	JA9/400
28R/1052624	AS103	Spares for:— Pulley, ball bearing, 2" dia.	1	—		B	JA9/401
2930	23D9803	Block, pulley, external release, aft	1	L65		C	JA9/402
	50D9803	Bolt, special, aft release unit, port and starboard	2	—		MR	JA9/403
	53D9803	Bolt, at forward release unit and forward of rear release unit, port and starboard (Made from A80/19G)	12	—		MR	JA9/404
	55D9803	Bolt, at rear release unit, port and starboard (Made from A80/19G)	4	—		MR	JA9/405
6302	53D10368	Bolt, eye, .625" dia. x 1.9" long	1	—		MR	JA9/406
	54D10368	Bolt, eye, .625" dia. x 2.4" long (Note:— eyebolt 54D10368 is an alternative for eyebolt 53D10368 when the dimension between lever 51D10368 and c/line of link 61D10368 exceeds 1.0")	1	—		C	JA9/407
1510326	3D9803	Boss, at handle, port and starboard	2	L65		C	JA9/408
8697	85D10368	BRACKET, PLUNGER MOUNTING ON UNIVALVE, GROUP (Pre-Mod. 2220)	1	—		C	JA9/409
	125D10368	BRACKET, ASSEMBLY (Mod. 2220)	1	—			
	3D10368	BRACKET, LEVER, GROUP	1	—		MR	JA9/410
	3aD10368	Consisting of:— Bracket	1	L53			
	36D10368	Bush	2	BS269			JA9/411
	16D9803	Bush, for handle, starboard	1	L65			JA9/412
	17D9803	Bush, for handle, port	1	L65			JA9/413
	MANG. B. 5CT/21	Bush, oilite, at bracket, centre of canopy bulkhead	1	—			JA9/414
27L.5052	MARTIN-BAKER MBCJ/338	Cable, face blind, at seal rails	2	—		B	JA9/415

VULCAN No 2

FUSELAGE
CREW'S NACELLE

Page JA. 29

Ref No.	Part No.	Description	No off	Matl Spec	Cl. of St	Plate and Illust'n No
					M.R.	
		1 2 3 4				
		CANOPY RELEASE AND SEAT EJECTION (100D10368) (Cont'd)				
2698	30D9803	CABLE, EXTERNAL RELEASE, TO OUTER SKIN, GROUP	1	—	B	JA9/416
2699	41D9803	CABLE, EXTERNAL RELEASE FROM PILOT'S HANDLE, GROUP	1	—	B	JA9/417
	103D10368	VALVE, OPERATING, FROM UNI-VALVE LEVER TO SEAT RAIL, PORT, GROUP (Pre-Mod. 763)	1	—		
	104D10368	CABLE, OPERATING, FROM UNI-VALVE LEVER TO SEAT RAIL, STARBOARD, GROUP (Pre-Mod. 763)	1	—		
9232	110D10368	CABLE, OPERATING, FROM UNI-VALVE LEVER TO SEAT RAIL, PORT, GROUP (Pre-Mod. 2220)	1	—	B	JA9/418
		Species for:—				
	BOWDEN PN989	Barrel, T	2	—		
29H/1250155	BOWDEN P19/2	Cable	1	—	C	
	110cD10368	CONDUIT, GROUP Consisting of:—	1	—		
29H/1250107	BOWDEN B.I.H.	Casing, outer	1	—	C	
29H/9990759	BOWDEN PN9798	Ferrule	2	—	C	
	BOWDEN WB3966	Lubricator	1	—		
28N/9156370	SP21	Nipple	1	—	C	
	113D10368	Fairlead	3	LFB82 or 80		
29H/1250121	BOWDEN PN2778	Nipple	1	—	C	
	BOWDEN PN3558	Nipple	1	—		
29H/1250113	BOWDEN PN23	Nut, brass	6	—	C	
29H/9980758	BOWDEN PN484	Stop, adjusting	2	—	C	
1433885	2D13671	CABLE, ASSEMBLY, OPERATING (Mod. 2220)	1	—	B	

FUSELAGE
CREW'S NACELLE

Ref No.	Part No	Description	No off	Matl Spec	Cl. of St.	Plate and Illust'n No
					M.R.	
		1 2 3 4				
9233	111D10368	CABLE, OPERATING, FROM UNI- VALVE LEVER, TO SEAT RAIL, STARBOARD, GROUP (Pre-Mod. 2220) Spares for:—	1	—	B	JA9/419
	BOWDEN PN999	Barrel, T	2	—		
29H/1250155	BOWDEN P19/2	Cable	1	—	C	
	111cD10368	CONDUIT, GROUP	1	—		
		Consisting of:—				
29H/1250107	BOWDEN B.I.H.	Casing, outer	1	—	C	
29H/9990759	BOWDEN PN979B	Ferrule	2	—	C	
	BOWDEN WB3966	Lubricator	1	—		
28N/9156370	SP21	Nipple	1	—		
	113D10368	Fairlead	3	LFB 82 or 89		
29H/1250121	BOWDEN PN2778	Nipple	1	—		
	BOWDEN PN3558	Nipple	1	—		
29H/1250113	BOWDEN PN23	Nut, brass	6	—	C	
29H/9990758	BOWDEN PN484	Stop, adjusting	2	—	C	
1433884	1D13671	CABLE, ASSEMBLY, OPERATING	1	—	B	
	(Mod. 2220)					
12K/1277	MARTIN-BAKER MBCJ/307	Cartridge	1	—	B	JA9/420
	114D10368	Clip, for time release gear on port and starboard seat rails (Pre-Mod 2220)	2	—	MR	JA9/421
6319	62D10368	CLIP, AT LEVER (51D10368), GROUP	1	—	C	JA9/422
		Spares for:—				
6320	62aD10368	Clip, spring	1	—	C	JA9/423
28FP/9703072	A615	Pin, pip	1	—	C	JA9/424
6305	129123	COVER, AFT BULKHEAD, FOR	1	—	B	JA9/425
		JETTISON, MECHANISM, GROUP Spares for:—				
	829123	Door, sliding, perspex	1	DTD339		JA9/426
13187	229123	GUARD, GROUP	1	—	C	JA9/427
	929123	Handle (make from 243SS3075)	1	L40		JA9/428
	136SS6004	Label	1	L59		
	137SS6004	Label	1	L59		

VULCAN No 2

FUSELAGE
CREW'S NACELLE

Page JA. 31

Ref No.	Part No.	Description	No. off	Matl Spec	Cl. of St.	Plate and Illust'n No.
					M.R.	
		1 2 3 4				
		CANOPY RELEASE AND SEAT EJECTION (100D10368) (Cont'd.)				
6385	25D10685	COVER, PERSPEX, FOR PNEUMATIC RAM, GROUP	1	—	C	JA9/429
27L/1123	MARTIN-BAKER A/MBEU/578/ AVR	Disc, warning, assy	1	—	C	JA9/430
11341	13Q1627	FAIRLEAD, FOR SUPPLY PIPE, GROUP	1	—		JA9/431
	65D10368	Filter, at univalve	1	—	C	JA9/432
6306	63D10368	Guard, rear cockpit rail, top	1	L72	MR	JA9/433
	64D10368	Guard, rear cockpit rail, bottom	1	L72	C	JA9/434
	67D10368	Guard, forward release unit on cockpit rail, port	1	L72	MR	JA9/435
	90D10368	Guard, forward release unit on cockpit rail, starboard	1	L72		JA9/436
28D/1007982	AS1248/1C	Attachments—Guard (63-64-67, and 90D10368) Bolt, mush. head, 2 BA	23	—	C	
4734	24D10031	GUARD, CONNECTING ROD, GROUP	1	—	C	JA9/437
	58D9803	HANDLE ASSEMBLY (Pre-Mod. 2154)	2	—		JA9/438
	57D9803	Ring, luminous (Pre-Mod. 2154)	4	—		
	133D10368	HANDLE ASSEMBLY (Mod. 2154)	2	—		
6116051	SAUNDERS ROE LTD. SR3-1820	Marker, Betalite (Mod. 2154)	4	—	C	
	631SS6004	Lever, on guard, starboard	1	—		
	632SS6004	Label, on guard, port	—	—		
2915	25D9488	Lever, on rear cockpit rail, starboard	1	L65	C	JA9/439
4736	12D9803	Lever, at forward release inboard, port	1	S96	C	JA9/440
4735	49D9803	Lever, at forward release, centre, port	1	S96	C	JA9/441
6312	8D10368	Lever, port cockpit rail aft, inner, port	1	L65	C	JA9/442
6313	9D10368	Lever, cockpit rail, aft, outer, port	1	L65	C	JA9/443
	12D10368	Lever, pivot, cockpit rail, aft upper, port	1	HTS		JA9/444
6388	24D10685	Lever, pivot, cockpit rail, aft lower, port	1	L96	C	JA9/445
6310	50D10368	LEVER, FORK, FOR CONTROL ROD (15D10386) AT BULKHEAD, PORT, GROUP	1	—	B	JA9/446
		Consisting of:—				
	50bD10368	Fork	1	S1	MR	JA9/447
	50aD10368	Lever	1	L65		
28M/4199614	A24/JT	Nut	1	—	C	
	51D10368	LEVER, TO LINK FOR PISTON GUN, GROUP	1	—	MR	JA9/448
		Consisting of:—				
	7bD10368	Bush	1	BS369		
	51aD10368	Lever	1	L65		
6316	61D10368	Link, lever to sear	1	L65	C	JA9/449
8700	89D10368	Pawl, at lever on univalve (Pre-Mod. 2220)	1	S510	C	JA9/450
	122D10368	Pawl, at lever on univalve (Mod. 2220)	1	—		

FUSELAGE
CREW'S NACELLE

Ref No.	Part No.	Description 1 2 3 4	No off	Matl Spec	Cl. of St.	Plate and Illust'n No
					M.R.	
		CANOPY RELEASE AND SEAT EJECTION (100D10368) (Cont'd)				
	56D10368	PIN, PIP, C/W CORD, GROUP	1	—		JA9/451
		Consisting of:—				
	56aD10368	Cord, balloon, 2 oz. x 3 strand x 8'	1	—		
28FP/1243707	A405	Pin, pip	1	—	C	JA9/452
	148D8618	Plate, attachment	1	—		
6322	57D10368	PIN, PIP, C/W CORD, GROUP	1	—	C	JA9/453
		Consisting of:—				
	57aD10368	Cord, balloon, 2 oz. x 3 strand x 8'	1	—		
28FP/9432063	A809	Pin, pip	1	—	C	JA9/454
	148D8618	Plate, attachment	1	—		
	51D9803	Pin, special, at rod connections	9	—	MR	JA9/455
	141D10368	Pin, solid for levers (8 and 9D 10368)	1	HTS	MR	JA9/456
6317	43D10368	Pin, special, at release gear on seat rails	2	S96	C	JA9/457
6387	27D10885	Pivot, cockpit rail, starboard aft	1	S96	C	JA9/458
	26Q2214	PIPE, UNIVALVE TO JACK, GROUP	1	—	MR	JA9/459
		(Mod. 687)				
	27Q2214	PIPE, SUPPLY TO VALVE, GROUP	1	—	MR	JA9/460
		(Mod. 687)				
2925	24D9803	Plate, gate, for handles	4	Spring Steel	C	JA9/461
8699	88D10368	Plunger at univalve (Pre-Mod. 2220)	1	S1	C	JA9/462
	123D10368	Plunger, at univalve (Mod. 2220)	1	—		
28R/1052624	AS103	Pulley, ball bearing, at pulley block	1	—	B	JA9/463
		23D9803)				
27VA/4625980	DUNLOP AC13324	Ram, pneumatic	1	—	A	JA9/464
6327	70D10368	RETAINER, HANDLE, LOCKING PIN,	2	—	C	JA9/465
		GROUP				
		Spares for:—				
28FP/1243707	A405	Pin, pip	1	—	C	JA9/466
	4D9488	ROD, CONNECTING, FROM PIVOT TO	1	—	MR	JA9/467
		LEVER AT SWITCH, STARBOARD, GROUP				
		Spares for:—				
28R/8158748	HOFFMAN CM2B	Bearing, rod end, R.H.	1	—	B	JA9/468
	HOFFMAN CM2LB	Bearing, rod end, L.H.	1	—	B	JA9/469
28R/4709682	A27/GT	Nut, lock, 5/16" B.S.F., R.H.	1	—	C	JA9/470
28M/1;11470	A27/GTL	Nut, lock, 5/16" B.S.F., L.H.	1	—	C	JA9/471
28M/4086924						

VULCAN No. 2

FUSELAGE
CREW'S NACELLE

Page JA. 33

Ref. No.	Part No.	Description	No. off	Matl. Spec.	Cl. of	Plate and Illust'n No
					Se. M.R.	
		1 2 3 4				
		CANOPY RELEASE AND SEAT EJECTION (100D10368) (Cont'd)				
	19D9803	ROD, CONNECTING, BETWEEN FORWARD AND AFT RELEASE UNITS, PORT AND STARBOARD, GROUP	2	-	MR	JA9/472
		Spares for:-				
28R/8158748	HOFFMAN CM2B	Bearing, rod end, R.H.	1	-	B	JA9/468
28R/4709882	HOFFMAN CM2LB	Bearing, rod end, L.H.	1	-	B	JA9/469
28M/1011470	A27/GT	Nut, lock, 5/16" BSF, R.H.	1	-	C	JA9/470
28M/4095924	A27/GTL	Nut, lock, 5/16" BSF, L.H.	1	-	C	JA9/471
2903	20D9803	ROD, CONNECTING, FROM FORWARD . RELEASE UNIT TO LEVER AT HANDLE, PORT & STARBOARD, GROUP	2	-	B	JA9/473
		Consisting of:-				
2905	7aD9488	End, fork	1	L65		JA9/474
28M/1007404	7bD9488	End, fork	1	L65	C	JA9/475
28M/4095942	A27/JT	Nut, lock, 3/8" BSF, R.H.	1	-	C	JA9/476
	A27/JTL	Nut, lock, 3/8" BSF, L.H.	1	-	C	JA9/477
	20aD9803	Rod	1	S96		
6323	15D10368	ROD, OPERATING, FROM GUN MOUNTING BRACKET TO LEVER ON PORT COCKPIT RAIL, GROUP	1	-	B	JA9/478
		Spares for:-				
	16gD10368	Nut, special, L.H. at rod joint	1	S113		
	17D10368	ROD, CONNECTING, GROUP	1	-		JA9/480
	16D10368	ROD, OPERATING, GROUP	1	-		JA9/481
		Spares for:-				
	16fD10368	End, fork	1	S96		JA9/482
	16eD10368	Nut, special, R.H. at fork end	1	S113		JA9/483
28N/9419477	SP15/J	Washer	2	-	C	JA9/484
6324	32D10368	ROD, OPERATING, FROM LEVER, REAR COCKPIT RAIL, STARBOARD, TO JOINT WITH ROD 48D10368, GROUP	1	-	B	JA9/485
		Spares for:-				
2905	7bD9488	End, fork	1	L65	C	JA9/474
28M/4095942	A27/JTL	Nut, locking	1	-	C	JA9/476
6325	48D10368	ROD, OPERATING, FROM LEVER, REAR COCKPIT RAIL, PORT, TO JOINT WITH ROD 32D10368, GROUP	1	-	B	JA9/486
		Spares for:-				
	7aD9488	End, fork	1	L65		JA9/473
	16eD10368	Nut, special, R.H.	1	S113		JA9/483

FUSELAGE
CREWS NACELLE

Ref. No.	Part No.	Description	No. off	Matl. Spec.	Cl. of	Place and Illust'n No.
					St. M.R.	
		<u>1 2 3 4</u>				
		CANOPY RELEASE AND SEAT EJECTION (100D10368) (Cont'd)				
6326	10D10368	Roller, at lever (9D10368)	1	L65	C	JA9/487
	60D10368	Sear, at gun and link (Prior to MARTIN ... BAKER supply)	1	DTD171		JA9/488
6328	21D10368	Shaft, at lever bracket (3D10368)	1	T45	C	JA9/489
	25D9803	Spacer, at gate plates	4	BSS972	MR	JA9/490
6247	5D10810	Spindle, for lever pivots	1	S96	C	JA9/491
10616	115D10368	Spring, for plunger at univalve	1	-	C	
	193SS4700	Spring, for plunger at univalve (Mod. 2220)	1	-	C	JA9/492
	DOWTY					
5CW/4742	C1831Y/Mk. 1	Switch, micro, cockpit rail, starboard	1	-	A	
		(Pre-Mod. 1906)				
5CW/4400578	402/EN/N/3	Switch, micro, cockpit rail, starboard	1	-	A	JA9/493
		(Mod. 1906)				
28DU/15099	SP33/E	Turnbuckle, for external release cables	1	-	C	JA9/494
2918	1D10021	UNIT, RELEASE, PORT, FORWARD,	1	-		JA9/495
		GROUP				
2919	4D10021	UNIT, RELEASE, STARBOARD,	1	-	A	JA9/496
		FORWARD, GROUP				
2920	5D10021	UNIT, RELEASE, PORT, AFT, GROUP ...	1	-	A	JA9/497
2921	6D10021	UNIT, RELEASE, STARBOARD, AFT, ...	1	-	A	JA9/498
		GROUP				
		Spares for:-				
	2D10021	Block, L.H.	1	DTD683		
	3D10021	Block, R.H.	1	DTD683		
	8D9487	Bolt, special, 5/16" dia. x 1.1/4" long ...	2	S1	MR	JA9/499
	37D9803	CAM, PORT, FORWARD, GROUP	1	-		JA9/500
	38D9803	CAM, STARBOARD, FORWARD,	1	-		JA9/501
		GROUP				
		Spares for:-				
	7D9803	Cam, for (37D9803)	1	S99		
	8D9803	Cam, for (38D9803)	1	S99		
	11D9803	Indicator	1	L65		JA9/502
	13D9803	Lever, for (37D9803)	1	S96		
	14D9803	Lever, for (48D9803)	1	S96		
12459	47D9803	Screw, grub, special	1	S96	C	
10351	39D9803	CAM, PORT, AFT, GROUP	1	-	B	JA9/503
10352	40D9803	CAM, STARBOARD, AFT, GROUP	1	-	B	JA9/504
		Spares for:-				
	44D9803	Adjuster, for (40D9803)	1	L65	MR	
	43D9803	Bolt, special, for (40D9803)	1	S94 or S95	MR	
	9D9803	Cam, for (39D9803)	1	S99		
	10D9803	Cam, for (40D9803)	1	S99		
	5D9803	Lever	1	L65	MR	
17212	6D9803	Lever	1	S96	C	
8180	13D9524	HOOK, GROUP	1	-	MR	JA9/505
	12D9524	Pin	1	S99		JA9/506
	10D9524	Seal, rubber	1	-	MR	JA9/507
	14D9524	Spring	2	DTD187	MR	JA9/508
	9D9524	Washer, special	1	-	MR	JA9/509

VULCAN No 2

FUSELAGE
CREW'S NACELLE

Page JA 35

Ref No	Part No.	Description	No off	Matl Spec	Cl. of St		Plate and Illust'n No
					M	R	
		CANOPY, RELEASE AND SEAT EJECTION (100D10388) (Cont'd.)					
	1D10022	UNIT, RELEASE, EXTERNAL GROUP	1	—			JA9/510
		Spares for:—					
	7D10022	Bush, for press catch	2	L65			
	9D10022	Bush, for handle	2	L65			
22342	6D10022	Catch, press	1	DTD443			JA9/511
	2D10022	COVER, GROUP	1	—			JA9/512
	3D10022	HANDLE, GROUP	1	—			JA9/513
22343	12D10022	Pin	1	S1	C		
	8D10022	Tube, distance, for handle	1	T35			
27L/4541132	C/MBCJ/305	Unit, jettison gun firing	1	—	A		JA9/514
27L/4541133	C/MBCJ/306	Unit, time delay, on pilot's seat	2	—	A		JA9/515
	DUNLOP						
27VA/ 1450833	AC61744	Univalve (Mod. 2220) (See AP4515C,	1	—	A		JA9/516
		Vol. 3, Part 1, Sect. 2, Chap. 55)					
	DUNLOP						
27VA/ 4619877	ACO1297	Valve, sequence (See AP4515C, Vol. 3, ...	1	—	A		JA9/517
		Part 1, Sect. 2, Chap. 55)					
	87D10388	Washer, saddle, for plunger at univalve ..	1	S1			JA9/518
		(Pre-Mod. 2220)					
	124D10388	Washer (Mod. 2220)	1	—			
	30D10388	Washer, special, for spindle at lever pivots	2	L72			JA9/519
	26D8803	Washer, tapered, at gate plates	4	—			JA9/520
	27D8803	Washer, tapered, at gate plates	4	L65	MR		JA9/521
	28D8803	Washer, tapered, at pulley block	1	L65	MR		JA9/522
		(23D9803)					
2932	29D8803	Washer, tapered, at pulley block	1	L65	C		JA9/523
		(23D9803)					
		COCKPIT, RAIL, FORWARD AND REAR (381D8754)					
		Spares for:—					
		ATTACHMENT OF STRONG POINTS FOR DINGHY STOWAGE PORT AND STARBOARD (290 & 291D8754)					
		Spares for:—					
	9D9936	Bolt, pin	2	S94-S95 or S96			JA10/524
				DTD383A			
	10D9936	Lever	1	—			JA10/525
	8D9936	Link, member	2	L72			JA10/526
	7D9936	Strip, holding, port and starboard	1	L72			JA10/527
	2D10368	Bracket, ejection jack foot	1	L65			JA9/528
1432913	69D8754	Bracket, attachment	4	L72	C		
1432914	70D8754	Bracket	4	L72	C		
1505035	251D8754	COVER, HINGE, PORT, GROUP	1	—	C		JA10/529
1505036	252D8754	COVER, HINGE, STARBOARD, GROUP ..	1	—	C		JA10/530
		Spares for:—					
	1D9068	UNIT, HINGE, GROUP	1	—	MR		JA10/531
		Consisting of:—					
	2D9068	Block	1	DTD176A			JA10/532
	3D9068	Hook	1	DTD176A			JA10/533
	4D9068	Link	2	DTD1668			JA10/534

FUSELAGE
CREW'S NACELLE

Ref. No.	Part No.	Description	No. off	Mtl Spec	Cl. of St.		Plate and Illust'n No
					M.R		
		<u>1 2 3 4</u>					
		UNIT, HINGE, GROUP (1D9068) (Continued)					
	9D9068	Pin, at links for spring	1	DTD176A			JA10/535
	10D9068	Pin, at links for hook	1	DTD176A			JA10/536
	12D9068	Pin, for hook	1	DTD176A			JA10/537
	5D9068	Rod, plunger	1	DTD176A			JA10/538
	8D9068	Spring, for link pin	1	DTD326			JA10/539
	11D9068	Spring, for rod	1	DTD326			JA10/540
	7D9068	Tube, distance, for links, top	1	DTD176A			JA10/541
	14D9068	Tube, distance, for links, bottom	1	DTD176A			JA10/542
1432915	205D8754	COVER, AFT, PORT, GROUP	1	—		C	JA9/543
1432916	206D8754	COVER, AFT, STARBOARD, GROUP	1	—		C	JA9/544
	203D8754	COVER, FORWARD, PORT, GROUP	1	—			JA9/545
	204D8754	COVER, FORWARD, STARBOARD,	1	—			JA9/546
		GROUP					
	37SS3221	DOOR, INSPECTION, FORWARD	2	—			
		AT FORMER 388°F, PORT AND STARBOARD, GROUP					
		Spares for:—					
	46SS3221	Door, inspection	1	L72		MR	JA9/547
		Attachment, door (46SS3221)					
28D/1007981	AS1248/1/2C	Bolt	6	—		C	
	12SS3221	FLANGE, GROUP	1	—			
	375D8754	Seal, foam rubber, 3/16" x 2-1/2" x 6-1/2"	1	—		MR	JA9/548
10312	3D10687	Socket, cockpit, rail, forward, port	1	L85		C	JA9/549
10313	4D10687	Socket, cockpit, rail, forward, starboard ..	1	L85		C	JA9/550
	5D10687	Socket, cockpit, rail, aft, port	1	L85		MR	JA9/551
	6D10687	Socket, cockpit, rail, aft, starboard	1	—		MR	JA9/552
9744	318D8754	Strip, rubber, rear cockpit rail, 1"	1	—		C	JA10/553
		x 1/4" x 2' 11-1/2" long					
2378	137D8623	DIAPHRAGM, OUTER, PORT, GROUP	1	—		C	JA11/554
2379	138D8623	DIAPHRAGM, OUTER, STARBOARD,	1	—		C	JA11/555
		GROUP					
2380	139D8623	DIAPHRAGM, OUTER, PORT, GROUP	1	—		C	JA11/556
2381	140D8623	DIAPHRAGM, OUTER, STARBOARD,	1	—		C	JA11/557
		GROUP					
2382	141D8623	DIAPHRAGM, OUTER, PORT, GROUP	1	—		C	JA11/558
	142D8623	DIAPHRAGM, OUTER, STARBOARD,	1	—			JA11/559
		GROUP					
2384	143D8623	DIAPHRAGM, OUTER, PORT, GROUP	1	—		C	JA11/560
	144D8623	DIAPHRAGM, OUTER, STARBOARD,	1	—			JA11/561
		GROUP					

VULCAN No. 3

FUSELAGE
CREWS NACELLE

Page JA. 37

Ref. No.	Part No.	Description	No. off	Matl. Spec.	Cl. of	Plate and Illust'n No.
					St. M.R.	
1 2 3 4						
		STRUCTURE, CREWS NACELLE (18609428) (Cont'd)				
	145D8623	DIAPHRAGM, OUTER, PORT, GROUP	1	-		JA11/562
	146D8623	DIAPHRAGM, OUTER, STARBOARD, GROUP	1	-		JA11/563
		DOME, PRESSURE, FORWARD, CREWS NACELLE (50D9383)				
		Spares for:-				
1006	27D8377	Bracket, at access door clamp	3	DTD364A		JA7/564
1006	33D8377	Bracket, hinge, port	1	DTD364B	C	JA7/565
	34D8377	Bracket, hinge, starboard	1	DTD364B	C	JA7/566
	54D9383	BRACKET, BOMB SIGHT COVER	1	-		JA7/567
	56D9383	STOWAGE, PORT, GROUP BRACKET, BOMB SIGHT COVER	1	-		JA7/568
		STOWAGE, STARBOARD, GROUP				
		Spares for:-				
26FP/7002000	A403	Pin, pip	1	-	C	JA7/569
6164	36D9383	Bracket, strap mounting, port	1	L65	C	JA7/570
6165	37D9383	Bracket, strap mounting, starboard	1	L65	C	JA7/571
10H/0540015	-	Connector, Co-axial	4	-	B	JA7/572
10H/9560042	-	Connector, Co axial	2	-	A	JA7/573
	2D8377	DOOR, ACCESS, CENTRE, GROUP	1	-	MR	JA7/574
		Spares for:-				
	2hD8377	Bracket, clamp	3	DTD364B	MR	JA7/575
	21D8377	Bracket, hinge, starboard	1	DTD364B		JA7/576
	2mD8377	Bracket, hinge, port	1	DTD364B		JA7/577
	2pD8377	Bracket, securing	1	DTD364B	MR	JA7/578
	2dD8377	Dish	1	L72		
6264	2gD8377	Ring, reinforcing	1	DTD89C	C	JA7/579
10702	2FD8377	Ring, sealing	1	Rubber	C	JA7/580
	2qD8377	Tube, spacing	1	L56	C	
26FP/13161	112D1944	HANDWHEEL, ACCESS DOOR, CLAMP, . GROUP	3	-	C	JA7/581
	HELLERMAN 4413	Housing, bung	1	-	B	JA7/582
5X/6737	26D8377	Link, hinge, top	2	DTD364A	C	JA7/583
1007	26D8377	Link, hinge, bottom	4	L72	MR	JA7/584
26FP/13163	114D1944	Nut, special, for handwheel	3	DTD176A		JA7/585
1010	14D5770	Pin, for handwheel	3	DTD176A	C	JA7/586
8209	40D9383	Screw, for handwheel (Made from	3	DTD176A	C	JA7/587
		113D9383)				
	23D9383	Sector, attachment ring, bottom	1	L72	MR	JA7/588
	24D9383	Sector, attachment ring, bottom	1	L72	MR	JA7/589
	7D9383	Segment, bottom, starboard	1	L72	MR	JA7/590
	8D9383	Segment, bottom, port	1	L72	MR	JA7/591
10H/19461	-	Socket, plug, at pressure dome Ref. 1006 ..	1	-	B	JA7/592

FUSELAGE
CREW'S NACELLE

Ref. No.	Part No.	Description	No. off	Matl. Spec.	Cl. of St.	Plate and Illust'n No.
					M.R.	
		1 2 3 4				
		DOME, PRESSURE, FORWARD, CREW'S NACELLE (50D9383) (Cont'd)				
	PLESSEY					
	CZ28032	Socket, plug at pressure dome Ref. 556 ...	1	--		JA7/593
5X/6038	CZ28038	Socket, plug at pressure dome Ref. 281	1	--	B	JA7/594
5X/6093	CZ28049	Socket, plug at pressure dome Ref. 556 ...	1	--	B	JA7/595
5X/6422	CZ57212	Socket, plug at pressure dome Ref. 288 ...	1	--	B	JA7/596
10H/19457	CZ62271/0	Socket, plug, at pressure dome, Refs. 884 . & 885	2	--	B	JA7/597
10H/19458	CZ62271/1	Socket, plug, at pressure dome Ref. 114R ..	1	--	B	JA7/598
	CZ62271/3	Socket, plug at pressure dome Ref. 1018 ..	1	--		JA7/599
10H/19463	CZ62272/0	Socket, plug, at pressure dome Ref. 113R ..	1	--	B	JA7/600
10H/19458	CZ62272/1	Socket, plug at pressure dome Ref. 139R ..	1	--	B	JA7/601
10H/19493	CZ62277/0	Socket, plug at pressure dome, Refs. 105R & 1019	2	--	B	JA7/602
	CZ62277/1	Socket, plug at pressure dome Ref. 114R ..	1	--		JA7/603
	15D9383	Strap, jointing, segments	1	L72	MR	JA7/604
	16D9383	Strap, jointing, segments	1	L72	MR	JA7/605
	17D9383	Strap, jointing segments	1	L72	MR	JA7/606
	69D8628	Washer, sealing	6	Rubber		
		DOOR, MAIN ENTRANCE & ESCAPE CHUTE STRUCTURE (1D9550)				
		Spare for -				
	33D8700	Angle attachment	1	L72	MR	JAB/607
	23D8700	Angle, clamping, port	1	L72	MR	JAB/608
	24D8700	Angle, clamping, starboard	1	L72	MR	JAB/609
13361	26D8700	Angle, clamping, rear	1	L72	C	JAB/610
	11D9550	Angle, clamping, forward corner, port	1	L72	MR	JAB/611
	12D9550	Angle, clamping, forward corner, starboard	1	L72	MR	JAB/612
	13D9550	Angle, clamping, rear corner, port	1	L72	MR	JAB/613
	14D9550	Angle, clamping, rear corner, starboard	1	L72	MR	JAB/614
	19D9550	Angle, clamping, front	1	L72	MR	JAB/615
	17D9550	ANGLE, INTERCOSTAL, PORT, GROUP ..	1	--	MR	JAB/616
	18D9550	ANGLE, INTERCOSTAL, STARBOARD, . GROUP	1	--	MR	JAB/617
	37D8700	ANGLE, REINFORCING, PORT, GROUP ..	1	--	MR	JAB/618
	38D8700	ANGLE, REINFORCING, STARBOARD, . GROUP	1	--	MR	JAB/619
	16D8700	Bracket, attachment, door frame rear, centre	1	L72	MR	JAB/620
2438	17D8700	Bracket, attachment, door frame rear, port ..	1	L72	C	JAB/621
	18D8700	Bracket, attachment, door frame rear, starboard	1	L72	MR	JAB/622
	55D8700	Bracket, attachment	2	L72	MR	JAB/623
	56D8700	Bracket, attachment	2	L72	MR	JAB/624
	3D8700	Bracket, hinge, port	1	DTD3648	MR	JAB/625
	4D8700	Bracket, hinge, starboard	1	DTD3648	MR	JAB/626
	5D9550	Channel	1	L72	MR	JAB/627
	6D9550	Channel	1	L72	MR	JAB/628

VULCAN No 7

FUSELAGE
CREW'S NACELLE

Page JA. 39

Ref. No.	Part No.	Description	No off	Mati. Spec.	Cl. of SL		Plate and Illust'n No
					M	R	
		1 2 3 4					
		DOOR, MAIN ENTRANCE AND ESCAPE CHUTE STRUCTURE (1D9550) (Cont'd)					
	9D8700	DIAPHRAGM, FRONT, PORT, GROUP	1	—	MR		JA8/629
	10D8700	DIAPHRAGM, REAR STARBOARD, GROUP	1	—	MR		JA8/630
	11D8700	DIAPHRAGM, REAR PORT, GROUP	1	—	MR		JA8/631
	12D8700	DIAPHRAGM, REAR STARBOARD, GROUP	1	—	MR		JA8/632
	47D8700	DIAPHRAGM, SIDE, GROUP	1	—	MR		JA8/633
	48D8700	DIAPHRAGM, SIDE, GROUP	1	—	MR		JA8/634
12131	49D8700	Diaphragm, hinge, i/b port	1	L72	MR/C		JA8/635
12132	50D8700	Diaphragm, hinge, i/b starboard	1	L72	MR/C		JA8/636
12123	51D8700	Diaphragm, hinge, o/b port	1	L72	MR/C		JA8/637
12134	52D8700	Diaphragm, hinge, o/b starboard	1	L72	MR/C		JA8/638
2436	6D8700	DOOR, ACCESS, GROUP	1	—	MR/C		JA8/639
		Spares for:—					
8711	3D8803	Seal	1	Rubber	C		
64	1D8818	DOOR, MAIN ENTRANCE AND ESCAPE	1	—	A		JA8/640
		CHUTE, HINGED PORTION, GROUP					
		Spares for —					
	13D8818	BRACKET, HINGE, PORT, GROUP	1	—	MR		JA8/641
1433769	14D8818	BRACKET, HINGE, STARBOARD	1	—	MR/C		JA8/642
		GROUP					
	13D8818	Bracket, jack attachment	2	DTD883	MR		JA8/643
1505001	15D8818	Bracket, striker, port	1	—			JA8/644
	90D8818	Bracket, striker, starboard	1	—	C		JA8/645
		Attachments (89 & 90D8818)					
28D/913301	A25/2C	Bolt, 2 BA	3	—	C		
28D/121409	AS1242/2C	Bolt, csk. head 2 BA	1	—	C		
28W/941940	SP13/C	Washer, 2 BA	3	—	C		
	22D8818	Bush, at hinge bracket, port and	2	2B/8	MR		JA8/646
		starboard					
	84D8818	Bush, at locking pin bracket	2	S80	MR		JA8/647
	92D8818	HOUSING, LADDER, GROUP	1	—	MR		JA8/648
		Consisting of:—					
	92cD8818	Cap, end	2	DTD124			
	92dD8818	Fairing	2	DTD124			
	92bD8818	Housing	2	DTD124			
	92eD8818	Housing, plunger	2	S1			
	92aD8818	Plate	2	DTD124			
	98D8700	STOP, DOOR, BOTTOM, HALF,	2	—	MR		JA8/649
		L.H. & R.H., GROUP					
		Attachments:— (98D8700)					
28D/1007973	AS1242/2B	Bolt, csk. head, 4 BA	6	—	C		

FUSELAGE
CREW'S NACELLE

Ref. No.	Part No.	Description	No. off	Matl. Spec.	Cl. of St.	Plate and Illustr'n No.
					M.R.	
		1 2 3 4				
		DOOR, MAIN ENTRANCE AND ESCAPE CHUTE, STRUCTURE (1D9550) (Cont'd)				
	39D8700	HOUSING, LOCKING PIN, PORT, GROUP	1	—	MR	JAB/650
	40D8700	HOUSING, LOCKING PIN, STARBOARD, GROUP	1	—	MR	JAB/651
	39bD8700	Consisting of:— Bush, port and starboard	1	DTD176A		
	39aD8700	Housing, port	1	DTD364B		
	40aD8700	Housing, starboard	1	DTD364B		
		INSULATION, UNDERBELLY STRUCTURE (21D9550) (See Equipment—Aircraft—Fireproofing and Soundproofing)				
	7D9550	INTERCOSTAL, PORT, GROUP	1	—	MR	JAB/652
	8D9550	INTERCOSTAL, STARBOARD, GROUP	1	—	MR	JAB/653
	15D9550	Intercostal, port	1	L72		JAB/654
	16D9550	Intercostal, starboard	1	L72		JAB/655
	AGS554	Nipple, grease, at hinges	2	—		
	28D8700	Packing, side	2	L72	MR	
9936	65D8700	Packing, hinge	2	L72	MR/C	
	66D8700	Packing, rear	1	L72	MR	
	68D8700	Packing, front, between hinges	1	L72	MR	
	71D8700	Packing, rear corner, port	1	L72	MR	
	72D8700	Packing, rear corner, starboard	1	L72	MR	
	73D8700	Packing, front corner, port	1	L72	MR	
	74D8700	Packing, front corner, starboard	1	L72	MR	
	5D8700	Pin, hinge	2	S98	MR	
	3D8698	PRESSING, DOOR FRAME, GROUP	1	—	MR	JAB/656
1045	1Z6492	Seal, inflatable, at door entrance	1	—	C	JAB/657
		(Pre-Mod. 2297)				
	1Z12388	Seal, inflatable, at door entrance	1	—	MR	
		(Mod. 2297) (Pre-Mod. 2427)				
6118077	1Z12813	Seal, inflatable, at door entrance	1	—	C	
		(Mod. 2427)				
	15Z8653	Screen canvas, 1/16" x 4-3/8" x 14.75" .. long	1	DTD295	MR	JAB/658
	20D9550	Skin, panel, forward	1	L72	MR	JAB/659
	1D9551	SKIN, INNER, AROUND MAIN ENTRANCE DOOR, GROUP	1	—	MR	JAB/660
	99D8700	Stop, door (top half)	2	DTD364B	MR	JAB/661
	17Z8653	Strip, retaining for canvas screen	1	L72		JAB/662
1735	76D8700	Strip, retaining, port and starboard	2	L72	C	JAB/663
	78D8700	Strip, retaining, rear	1	L72	MR	JAB/664
1738	79D8700	Strip, retaining, front port	1	L72	C	JAB/665
1739	80D8700	Strip, retaining, front starboard	1	L72	C	JAB/666
1740	81D8700	Strip, retaining, rear, port	1	L72	C	JAB/667
1741	82D8700	Strip, retaining, rear starboard	1	L72	C	JAB/668
4730	83D8700	Strip, sealing (Linatex tubular sealing K.O. 118 x 16" long	1	—	C	JAB/669
	36D8700	Washer, thrust, at hinges	4	DTD364B	MR	JAB/670

VULCAN No 2

FUSELAGE
CREW'S NACELLE

Page JA. 41

Ref. No	Part No	Description	No. off	Matl. Spec	Cl. of St.	Plate and Illust'n No.
					M.R.	
		1 2 3 4				
		STRUCTURE, CREW'S NACELLE (186D9428) (Cont'd)				
		FAIRINGS, ON CANOPY (D10492) Spares for:—				
	3D10492/W	FAIRING, INBOARD, PORT, WHITE, GROUP	1	—	MR	JA10/671
	3D10492/P	FAIRING, INBOARD, PORT, PRIMERED, GROUP (Mod. 1877)	1	—		
1433330	3D10492/EP	FAIRING, INBOARD, PORT, POLYURETHENE FINISH (Mod. 2129)	1	—	MR/C	
	4D10492/W	FAIRING, INBOARD, STARBOARD, WHITE, GROUP	1	—	MR	JA10/672
	4D10492/P	FAIRING, INBOARD, STARBOARD, PRIMERED, GROUP (Mod. 1877)	1	—		
	4D10492/EP	FAIRING, INBOARD, STARBOARD, POLYURETHENE FINISH (Mod. 2129)	1	—		
	5D10492/W	FAIRING, INTERMEDIATE, PORT, WHITE, GROUP	1	—	MR	JA10/673
	5D10492/P	FAIRING, INTERMEDIATE, PORT, PRIMERED, GROUP (Mod. 1877)	1	—		
	5D10492/EP	FAIRING, INTERMEDIATE, PORT, POLYURETHENE FINISH (Mod. 2129)	1	—		
	6D10492/W	FAIRING, INTERMEDIATE, STAR- BOARD, WHITE, GROUP	1	—	MR	JA10/674
	6D10492/P	FAIRING, INTERMEDIATE, STAR- BOARD, PRIMERED, GROUP (Mod. 1877)	1	—		
143333	6D10492/EP	FAIRING, INTERMEDIATE, STAR- BOARD, POLYURETHENE FINISH (Mod. 2129)	1	—	MR/C	
6071	7D10492/W	FAIRING, OUTBOARD, PORT, WHITE, GROUP	1	—	MR/C	JA10/675
	7D10492/P	FAIRING, OUTBOARD, PORT, PRIMERED, GROUP	1	—		
1433334	7D10492/EP	FAIRING, OUTBOARD, PORT, POLYURETHENE FINISH (Mod. 2129)	1	—	MR/C	
6072	8D10492/W	FAIRING, OUTBOARD, STARBOARD, WHITE, GROUP	1	—	MR/C	JA10/676
	8D10492/P	FAIRING, OUTBOARD, STARBOARD, PRIMERED, GROUP (Mod. 1877)	1	—		
1433335	8D10492/EP	FAIRING, OUTBOARD, STARBOARD, POLYURETHENE FINISH (Mod. 2129)	—	—		
28S/6833	S970	Screw, P.K. Type "Z" No. 2 x 3/16" long	14	—	C	
	147D8623	Fairing, canopy, rear	1	L121 or 721		JA10/677
		FAIRING, SEXTANT, ON COCKPIT RAIL (D10093) Spares for:—				
	1D10093	Fairing, port	1	L72	MR	JA12/678
	3D10093	Fairing, starboard	1	L72	MR	JA12/679
7730	19D8625	Fillet, front, at Windscreen	1	DTD142A	C	JA10/680

FUSELAGE
CREW'S NACELLE

Ref. No.	Part No.	Description	No. off	Mtrl. Spec.	Cl. of	Plate and Illust'n No.
					St.	
		1 2 3 4			M.R.	
		FLOOR ASSEMBLY, CREW'S (D10838)				
		Spares for:-				
	75D8708	Angle, support, at step, port, top	1	L72	MR	JA3/681
	76D8708	Angle, support, at step, starboard, top	1	L72	MR	JA3/682
	77D8708	Angle, support, for electrical shelf starboard	1	L72	MR	JA3/683
	80D8708	Bracket, angle, on floor support at former .. 232	2	L72	MR	JA3/684
	81D8708	Bracket, angle, on floor support at former .. 232	4	L72	MR	JA3/685
	82D8708	Bracket, angle, on floor support at former .. 232	4	L72	MR	JA3/686
	83D8708	Bracket, angle, on floor support at	4	L72	MR	JA3/687
	84D8708	Bracket, angle, on floor supports at	4	L72	MR	JA3/688
	85D8708	Bracket, angle, on floor support at	4	L72	MR	JA3/689
	86D8708	Bracket, angle, on floor supports at	4	L72	MR	JA3/690
	87D8708	Bracket, angle, on floor supports at	4	L72	MR	JA3/691
	151D8708	Bracket, angle, on floor support at	1	L72	MR	JA3/692
		FLOOR STRUCTURE, CREW'S (28D10838)				
		Spares for:-				
1433554	142D8708	Bracket, door jack attachment	2	DTD364B	C	JA3/693
	165D8708	DOOR, ACCESS, TO ENTRANCE DOOR, CLOSING HANDLE, GROUP	1	-	MR	JA3/694
		Spares for:-				
26FP/1156	1SS3888	CATCH, DOOR, GROUP	1	-	B	JA3/695
		Spares for:-				
	1SS3889	Catch	1	DTD443		JA3/696
	1SS3890	Catch, press	1	DTD443		JA3/697
	1SS3880	Frame	1	S3		JA3/698
26FP/2945	164D8708	Hinge (Made from 28N16453 x 3") ..	1	L72		JA3/699
	1SS4041	Spring	1	Spring Steel	C	JA3/700
	3SS3880	Washer	2	S3		JA3/701
	1D10037	HANDLE, ENTRANCE DOOR, CLOSING, GROUP	1	-	MR	JA3/702
		Spares for:-				
	6D10037	Handle	1	DTD364B		JA3/703
	2D10037	HOUSING, PULLEY, GROUP	1	-		JA3/704
	4D10037	HOUSING, PULLEY, GROUP	1	-		JA3/705
		Consisting of:-				
	MANG B & B.	Bush	1	BS1/1131		JA3/706
	060714	Housing, Pulley	1	DTD364B		JA3/707
	4aD10037	Rod, operating	1	S1		JA3/707
	3D10037	Tube, distance	1	S1		JA3/707
	5D10037	Plate, door	1	L72		JA3/708
	159D8708					

FUSELAGE
CREW'S NACELLE

Ref. No.	Part No.	Description	No. off	Matl. Spec.	Cl. of	Plate and Illust'n No.
					St. M.R.	
		1 2 3 4				
		FLOOR STRUCTURE, CREW'S (28D10838) (Cont'd)				
4731	144D8708	Nut, for sealing plug, port	1	DTD363	C	JA3/709
4732	145D8708	Nut, for sealing plug, starboard	1	DTD363	C	JA3/710
	146D8708	Plug, sealing, at levelling plate	2	DTD363	MR	JA3/711
	23D10838	Stud, mounting, 3/4" dia. x 2-1/4" long .	1	S96		JA3/712
	24D10838	Stud, mounting, 5/8" dia. x 4-1/2" long .	2	S96		JA3/713
12751	48D10838	Washer, bearing, for stud (24D10838) ...	2	DTD130	C	
12752	49D10838	Washer, bearing, for stud (23D10838) ...	1	L72	C	
	194D8708	Guard, foot, at step, starboard	1	L72		
	1V8037	SHELF, FOR ELECTRICAL EQUIP-	1	-	MR	
		MENT, STARBOARD, GROUP (Pre Mod 980)				
	19V8037	SHELF, FOR ELECTRICAL EQUIP-	1	-	MR	JA3/714
		MENT, STARBOARD, GROUP (Mod. 980)				
	18V8037	Spares for:- Stud	3	S94		JA3/715
		FLOOR, STRUCTURE, PILOTS' (182D9695)				
		Spares for:-				
	140D9695	BRACKET, RADAR MOUNTING,	1	-	MR	JA2/716
		GROUP				
	25D9558	CHANNEL, EJECTION SEAT RAIL	4	-	MR	JA1/717
		MOUNTING, L.H., GROUP				
	26D9558	CHANNEL, EJECTION SEAT RAIL	4	-	MR	JA1/718
		MOUNTING, R.H., GROUP				
	183D9695	Plate, blanking, starboard (Pre-Mod. 448) ..	1	L72		JA1/719
	183D9695	STRUCTURE, MOUNTING, FOR	1	-	MR	
		CENTRE CONSOLE, GROUP				
	1D9559	STRUT, FLOOR, SUPPORT, FORWARD, .	2	-		JA2/720
		GROUP				
	2D9559	STRUT, FLOOR SUPPORT, REAR,	2	-		JA2/721
		GROUP				
		Attachments for struts (1 & 2D9559)				
	54D8707	Bolt, bottom, forward and rear struts ...	4	-		
		(Make from A30/11N)				
	65D9558	Bolt, top, forward and rear struts	4	-		
		(Make from A30/5N)				
		Nut	8	-	C	
		Pin, split	8	-	C	
		Strip, insulation, top	4	Fibre glass		
		Washer, bottom	4	-	C	
		Washer, top and bottom	8	-	C	
		Washer, special, at ejection seat Channels ..	16	L72		JA1/722
		FORMER 218F (1D8589)				
		Spares for:-				
	10D8589	Former, 218F	1	L72	MR	JA5/723
	33Z7366	Member, cross	1	L72	MR	JA5/724

FUSELAGE
CREW'S NACELLE

Ref. No.	Part No.	Description	No. off	Matl. Spec.	Cl. of	Plate and Illust'n No.
					St. M.R.	
		1 2 3 4				
		STRUCTURE, CREW'S NACELLE (1B6D9420) (Cont'd)				
		FORMER 232F (1D8590)				
		Spares for:-				
	4D8590	Former 232F, port	1	L72	MR	JA5/726
	5D8590	Former 232F, starboard	1	L72	MR	JA5/726
		FORMER 246 (1D10971)				
		Spares for:-				
	3D10971	Former 246F, port	1	L72	MR	JA5/727
	6D8591	Former 246F, starboard	1	L72	MR	JA5/728
		FORMER 260F (1D8592)				
		Spares for:-				
	3D8592	Former 260F, port	1	L72	MR	JA5/729
	4D8592	Former 260F, starboard	1	L72	MR	JA5/730
		FORMER 274F (1D8593)				
		Spares for:-				
	3D8593	Former 274F, port	1	L72	MR	JA5/731
	4D8593	Former 274F, starboard	1	L72	MR	JA5/732
		FORMER 288F (1D8594)				
		Spares for:-				
	3D8594	Former 288F, port	1	L72	MR	JA5/733
	4D8594	Former 288F, starboard	1	L72	MR	JA5/734
		FORMER 302F (1D9426)				
		Spares for:-				
	3D9426	Former 302F, Port	1	L72	MR	JA5/735
	2D9526	Former 302F, starboard	1	L72	MR	JA5/736
	1D9426	FORMER 318F, PORT, GROUP	1	-	MR	JA5/737
	2D9426	FORMER 318F, STARBOARD, GROUP	1	-	MR	JA5/738
		Spares for:-				
26FP/2722	A/SS856	Adaptor, oxygen pipe, port	1	Brass	C	
	A/SS857	Washer, for adaptor	1	-		
		FORMER 330F (1D9424)				
		Spares for:-				
	2D9424	Former 330F, port	1	L72	MR	JA5/739
	3D9424	Former 330F, starboard	1	L72	MR	JA5/740
		FORMER 344F (1D9423)				
		Spares for:-				
	2D9423	Former 344F, port	1	L72	MR	JA5/741
	3D9423	Former 344F, starboard	1	L72	MR	JA5/742
		FORMER 358F (1D9422)				
		Spares for:-				
	2D9422	Former 358F, port	1	L72	MR	JA5/743
	3D9422	Former 358F, starboard	1	L72	MR	JA5/744

VULCAN No. 2		FUSELAGE					Page JA 45
CREW'S NACELLE							
Ref. No.	Part No.	Description	No. off	Matl Spec.	Cl. of St.	Plate and Illust'n No	
					M.R.		
		1 2 3 4					
STRUCTURE CREW'S NACELLE (186D9420) (Cont'd.)							
	1D9390	FORMER 372F	1	—			
		Spares for:—					
	5D9390	Plate, joint, bottom	3	S3	MR	JA5/745	
	6D9390	Plate, joint, top	2	S3	MR	JA5/746	
	2D9390	Sector, former, starboard	1	DTD364B	MR	JA5/747	
	3D9390	Sector, former, bottom	1	DTD364B	MR	JA5/748	
	4D9390	Sector, former, port	1	DTD364B	MR	JA5/749	
	7D9390	Sector, former, top	1	DTD364B	MR	JA5/750	
INSTALLATION OF PERISCOPE SIGHTING AND FAIRING, TOP AND BOTTOM (1-2D10442)							
		Spares for:—					
	10SS4353	Bolt, at sighting heads	68	—			
	5D10442	COVER, BOTTOM, INNER, GROUP	1	—		JA12/751	
		Attachments—Cover (5D10442)					
28D/1007982	AS1248/1C	Bolt	12	—	C		
28W/9419454	SP10/C	Washer	12	—	C		
6086	3D10442	Cover, fairing, bottom, forward	1	L59	C	JA12/752	
6088	10D10442:W	Cover, fairing, top, forward, white	—	L59	C		
	10D10442/C	Cover, fairing, top forward	1	L59			
		camouflaged (Mod. 1877)					
	10D10442/PC	Cover, fairing, top, forward polyurethane finish (Mod. 2129)	1	L59		JA12/753	
	KELVIN HUGHES Z157/EX16	HEAD SIGHTING TOP, GROUP	1	—			
		(Pre-Mod. 2265)					
		Comprising of:—					
		Baseplate	1	—			
	KELVIN HUGHES Z157-58	Fairing, upper	1	—			
	KELVIN HUGHES Z157-92	Window	1	—			
	KELVIN HUGHES						
		HEAD SIGHTING TOP, GROUP	—	—	—	JA12/754	
		(Mod. 2265)					
		Comprising of:—					
1510650	KELVIN HUGHES Z157-A246	Baseplate (Mod. 2265)	1	—	C		
1510649	KELVIN HUGHES Z157-A247	Fairing, upper (Mod. 2265)	1	—	C		
1510648	KELVIN HUGHES Z157-A224	Window (Mod. 2265)	1	—	B		
	Z157-1197	Label (Mod. 2265)	1	—			
	Z100-781	Label (Mod. 2265)	1	—			

FUSELAGE
CREW'S NACELLE

Ref. No.	Part No.	Description	No. off	Matl. Spec	Cl. of St.	Plate and Must'n No.
					M.R.	
		1 2 3 4				
		INSTALLATION OF PERISCOPE SIGHTING AND FAIRING, TOP AND BOTTOM (1-2D10442) (Cont'd.)				
6090	KELVIN HUGHES Z157/EX17	HEAD, SIGHTING, BOTTOM, GROUP (Pre-Mod. 2265) Comprising of:—	1	—	B	
	KELVIN HUGHES —	Baseplate (Pre-Mod 2265)	1	—		
	KELVIN HUGHES Z157/59	Fairing, lower (Pre-Mod. 2265)	1	—		
	KELVIN HUGHES Z157/92	Window (Pre-Mod. 2265)	1	—		
	KELVIN HUGHES —	HEAD, SIGHTING, BOTTOM, GROUP (Mod. 2265, Part B) Comprising of:—	1	—		JA12/755
1510651	KELVIN HUGHES Z157-A245	Baseplate (Mod 2265)	1	—	C	
1510652	KELVIN HUGHES Z157-A248	Fairing, lower (Mod. 2265)	1	—	C	
	KELVIN HUGHES Z157-1196	Label (Mod. 2265)	1	—		
	KELVIN HUGHES Z100-781	Label (Mod. 2265)	1	—		
1510648	KELVIN HUGHES Z157-A244	Window (Mod. 2265)	1	—	B	
	—	INSULATION, HEAT (129721) (See Equipment, Aircraft-Fireproofing and Soundproofing)	—	—		
27VA/ 4625765	DUNLOP AC11118	Jack, door, port	1	—	A	JAB/756
27VA/ 4625766	AC11116	Jack, door, starboard	1	—	A	JAB/757
28D/1213826	A30/9N	Attachments—Jacks (AC11116-AC11118)				
	A30/11N	Bolt, bottom	2	—	C	
28M/13759	A27/NS	Bolt, top	2	—	C	
28P/9429652	SP9/E10	Nut	4	—	C	
28W/9419491	SP16/N	Pin, split	4	—	C	
		Washer	4	—	C	
	1D8732	LONGERON, AFT, PORT, GROUP	1	—	MR	JA11/758
	2D8732	LONGERON, AFT, STARBOARD, GROUP	1	—	MR	JA11/759

VULCAN No. 2

FUSELAGE
CREW'S NACELLE

Ref No.	Part No.	Description	No. off	Matl. Spec.	Cl. of St.	Plate and Illust'n No.
					M.R.	
		1 2 3 4				
	—	MECHANISM, DOOR MAIN ENTRANCE (1D10033)	—	—		
	52D10033	Spares for:— BOX CONTROL, ASSEMBLY, MAIN ENTRANCE DOOR, STATION 247, GROUP (Mod. 624)	1	—	—	JAB760
2448	20D9022	Spares for:— BEARING, INBOARD, GROUP	2	—	B	JAB761
1432847	45D10033	COVER, CONTROL BOX, GROUP	1	—	C	
13370	86D10033	Handle	1	S520	C	JAB762
	95D10033	Knob, control (Pre-Mod. 2154)	1	—	MR	JAB763
	95bD10033	Strip, luminous (Pre-Mod. 2154)	1	—		
	98D10033	Knob, control (Mod. 2154)	1	—	MR	
6116055	SAUNDER'S ROE LTD. SR3-1819	Marker, Betalite (Mod. 2154)	1	—	C	
	66SS001	Label, emergency	1	DTD213		
	46SS001	Label, door safe—not safe	1	DTD213		
5CX/1085815	—	Lamp, red without night screen	1	—	B	JAB764
5CX/4330033	—	Lamp, green, with night screen	1	—	B	JAB765
	D10033	Lever (Item 1D11171 may be used as an alternative)	1	DTD130	—	JAB766
	R.R. 006-B	Marker, Betalite (Mod. 2154)	2	—	MR	
	63D9022	MOUNTING, LAMP, GROUP	1	—	MR	JAB767
	70D9022	PLATE INBOARD, GROUP	1	—	MR	JAB768
	27D9022	PRESSING, TOP, GROUP	1	—	MR	JAB769
	20D10033	Spring, for handle	2	—	MR	JAB770
11204	63D10033	SPRING, CATCH, GROUP (Mod. 1157)	1	—	B	JAB771
	75D10033	Spares for:— Catch	1	S14		
	64D10033	Housing, catch	1	—		
	66D10033	Pin	1	S21		
	138SS4700	Spring	1	Spring Steel		
17446	97D10033	Strip, luminous (Pre-Mod. 2154)	2	—	C	
	19D9022	Tube, torque, for lever	1	T45	—	JAB772
27VA/4625763	DUNLOP AC04578	Valve, sequenced (See AP.4515C, Vol. ... 3, Sect. 2, Chap. 55)	1	—	A	JAB773
	7D10033	Button, for closing valve	1	DTD364B	MR	JAB774

FUSELAGE
CREW'S NACELLE

Ref No	Part No	Description	No. off	Matl Spec	Cl of St.	Plate and Illust'n No.
					M.R.	
		1 2 3 4				
13164	44D10033	MECHANISM, DOOR MAIN ENTRANCE (1D10033) (Cont'd.)				
		CABLE, BOWDEN, DOOR CLOSING GROUP	1	—	C	JAB 775
		Consisting of:—				
29H/8006529	BOWDEN P19/1	Cable, inner, 7'.0" long	1	—	C	
29H 1250084	BOWDEN B1	Conduit, outer, Bowdenite x 6'.5"	1	—	C	
29H/9990759	BOWDEN PN9798	Ferrule, plain	2	—	C	
29H/4105	BOWDEN PM1399	Nipple (Plain type)	1	—	C	
29H/9990700	BOWDEN PM1588	Nipple (Trunnion type)	1	—	C	
28M/1007403	A27/ET BOWDEN PN484	Nut, 1/4" BSF, thin	2	—	C	
		Stop, plain adjustable	1	—		
	31D10033	GUARD, CABLE, GROUP	1	—	—	JAB 776
	1D10038	HOUSING, MICRO-SWITCH, GROUP	1	MR/B		JAB/777
		Spare for:—				
2834	4D10038 DOWTY	Spring	1	—	C	
5CW/4752	C1831Y Mk. 1	Switch	1	—	A	JAB/778
5CW/1124465	—	Switch, micro	1	—	B	JAB/779
	6D10033	Housing, for plunger	1	DTD364B	—	JAB/780
	—	MOUNTING, SEQUENCE VALVE FOR ENTRANCE DOOR SEAL INFLATION (1Q1896)	—	—		
		Spare for:—				
2835	2Q1896	BRACKET, MOUNTING, GROUP	1	—	MR	JAB/781
2839	3Q1896	Lever	1	S96	C	JAB/782
2836	7Q1896	Packing	1	BSS668	C	JAB/783
2837	4Q1896	Pin, fulcrum	1	S96 or S11	C	JAB/784
27VA/ 4619877	5Q1896 DUNLOP ACO1297	Pin, lever stop	1	S1	C	JAB/785
		Valve, sequence (See AP.4515C, Vol. 3, Part 1, Sect. 1, Chap. 55)	1	—	A	JAB/786
2838	6Q1896	Washer, spacer	1	S96 or S11	C	JAB/787
	9D9022	PIN, LOCKING, GROUP	2	—	MR	JAB/788
		Consisting of:—				
	9aD9022	Pin	1	K Monel		
	9bD9022	Washer	1	L72		
	28D9022	Washer, sealing (Gaco)	1	Rubber	—	JAB/789
	9D10033	PLUNGER AT DOOR CLOSING VALVE, GROUP	1	—	—	JAB/790
	9aD10033	Bar	—	DTD364B		
	9bD10033	Seal, rubber (Gaco)	—	G40 or P45	—	JAB/791

VULCAN MR 2		FUSELAGE				Page JA. 49	
		CREW'S NACELLE					
Ref. No.	Part No	Description	No. off	Mati. Spec	Cl. of St.	Plate and Illust'n No	
					M.R.		
		1 2 3 4					
		MECHANISM, DOOR MAIN ENTRANCE (1D10033) (Cont'd)					
	17D10033	Plunger, at micro switch	1	S1	MR	JA8/792	
27VA/4626244	DUNLOP AC60130	Rera, pneumatic (See AP.4515C, Vol. 3, ... Part 1, Sect. 2, Chap. 55)	1	—	A	JA8/793	
2577	11D10033	ROD, CONNECTING TO OUTSIDE	1	—	MR	JA8/794	
1913	47D9022	ROD, CONNECTING TORQUE SHAFT TO CONTROL BOX, GROUP	1	—	B	JA8/795	
	7D9022	Spares for:—					
	Fitting, end	1	S1			JA8/796	
28M/1011470	A27/GT	Nut, thin, 5/16" BSF	1	—	C	JA8/797	
	2D10033	SHAFT, TORQUE, FOR HANDLE,	1	—	MR		
		GROUP (Pre-Mod. 1283)					
		Spares for:—					
11925	6D9022	Bush	1	S1	C		
9411	5D10033	Collar	1	DTD3648	C		
	61D9022	HANDLE, OUTSIDE, GROUP	1	—	MR		
	2D9022	HOUSING, HANDLE, GROUP	1	—	MR		
	3D9022	Lever	1	S3	MR		
	4D10033	Lever	1	DTD3648			
	WILMOT BREEDON 7/5527/1RH	Lock	1	—	MR		
	75D9022	Lug	1	T45	MR		
6758	37D10033	Seal, rubber	1	DTD652	C		
	3D10033	Shaft, torque	1	T45			
	—	SHAFT, TORQUE AND HOUSING FOR ... HANDLE (72D10033) (Mod. 1283, Pre-Mod. 2350) AND (99D10033) (Mod. 2350)	1	—		JA8/798	
		Spares for:—					
1433427	70D10033	Block, stop (Mod. 1283, Pre-Mod. 2350)	1	L65	C		
	3D14393	Block, stop (Mod. 2350)	1				
11925	6D9022	Bush	1	S1	C		
	2D9022	HOUSING, HANDLE, GROUP	1	—	MR	JA8/799	
		(Mod. 1283, Pre-Mod. 2350)					
	2D14393	HOUSING, HANDLE, GROUP	1	—		JA8/799	
		(Mod. 2350)					
	—	SHAFT, TORQUE, GROUP (67D10033) .. (Mod. 1283, Pre-Mod. 2350) AND (1D13953) (Mod. 2350)	1	—		JA8/800	
		Spares for:—					
	61D9022	HANDLE, OUTSIDE, GROUP	1	—	MR	JA8/801	
		(Mod. 1283, Pre-Mod. 2350)					
6116078	2D13953	HANDLE, OUTSIDE, GROUP	1	—	C	JA8/801	
		(Mod. 2350)					
		Spares for:—					
	2aD13953	Cam (Made from G3) (Mod. 2350)	1	—			

FUSELAGE
CREW'S NACELLE

Ref No	Part No	Description	No off	Matl Spec	Cl of St.	Plate and Illust'n No.	
					M R		
		1 2 3 4					
12918	61aD9022	Handle (Mod. 1283, Pre-Mod. 2350)	1	—			
	3D13953	Handle (Mod. 2350)	1	—			
	68D10033	Lever (Mod. 1283, Pre-Mod. 2350)	1	DTD130	C	JAB/802	
	3D9022	Lever (Mod. 1283, Pre-Mod. 2350)	1	S3	MR	JAB/803	
	WILMOT BREEDEN 7/5527/1RH	Lock (Mod. 1283, Pre-Mod. 2350)	1	—	MR	JAB/804	
6758	WILMOT BREEDEN S362	Lock (Mod. 2350)	1	—		JAB/804	
	EATON, YALE & TOWN 75D9022	Lug	1	T45	MR		
	71D10033	Screw, special A31/C24 Mod. 1283	1	S93	MR	JAB/805	
	37D10033	Seal, rubber Pre-Mod.	1	DTD522	C	JAB/806	
	3D10033	Shaft, torque 2350	1	T43		JAB/807	
12436	69D10033	Stop, collar	1	S96	MR	JAB/808	
	1D12170	SHAFT, TORQUE, FORWARD, GROUP (Mod. 1543)	1	—	A	JAB/809	
		Consisting of:—					
	10D12170	Bolt, eye, 3/8" dia. x 2.75" long	1	S93	MR		
	11D12170	Bolt, eye, 1/2" dia. x 2.8" long	1	S96	MR		
	57D9022	Bolt, eye, 3/8" dia. x 2.5" long	1	S1			
	5D9026	BRACKET, SUPPORT, GROUP	2	—		JAB/810	
	6D9026	BRACKET, SUPPORT, GROUP	1	—		JAB/811	
		Consisting of:—					
	5aD9026	Forging for (5D9026)	1	DTD683			
6aD9026	Forging for (6D9026)	1	DTD683				
2A/9500419 17946	HOFFMANN T17	Race, ball	1	—	B		
	12SS5880	Washer, securing (No. 12)	1	—	C		
	6D12170	Collar	1	L62			
	3D12170	Lever	1	S96	MR	JAB/812	
	3D9026	Lever	1	DTD683	MR	JAB/813	
	9D12170	Lever, cam	1	S92		JAB/814	
	4D12170	Lever, dog	1	S96		JAB/815	
	5D12170	Lever, dog	1	S96		JAB/816	
	28N/9156370	SP21	Nipple, grease	2	—	C	
	28M/1012015	AGS2001/C1/66	Nut, 2 BA	3	—	C	
	28M/9480017	AGS2001/E1/66	Nut, 1/4" BSF	1	—	C	
	28P/4668992	SP31/L14	Pin, taper	4	—	C	
	28P/15823	SP31/N14	Pin, taper	6	—	C	
	28W/9419405	2D12170	Tube, 10G x 1-1/16" o/d x 2.2" long	1	T45		
		SP15/E	Washer	1	—	C	
6D10043		Washer (Made from AS1905/C8)	6	—			
8D10033		Spring for plunger (9D10033)	1	—	MR	JAB/817	
66D9022		Spring, tension	4	—	MR	JAB/818	
2584	1D10035	VALVE, ENTRANCE DOOR CLOSING, GROUP	1	—		JAB/819	
		Spares for:—					
	8D10035	Bolt, special	1	S96	C	JAB/820	
	9D10035	Block, guide	1	DTD364A		JAB/821	
	2D10035	BRACKET, MOUNTING, GROUP	1	—			

VULCAN No 3

FUSELAGE
CREW'S NACELLE

Page JA. 51

Ref. No.	Part No.	Description	No. off	Mater. Spec	Cl. of St.		Plate and Illust'n No.
					M	R	
		1 2 3 4					
		VALVE, ENTRANCE DOOR CLOSING, GROUP (Cont'd)					
2581	5D10035	LEVER, L.H., GROUP	1	—	C		JA8/822
2580	6D10035	LEVER, R.H., group	—	—	C		JA8/823
	6aD10035	Spares for:— Bush, oilite	2	BS1131			
2583	10D10035	Pin, special	1	S96	C		JA8/824
2582	7D10035	Spring	1	DTD215	C		JA8/825
2579	3D10035	VALVE, SEQUENCE, GROUP	1	—	A		JA8/826
	4D10035	Consisting of:— End, eye	1	S96			
27VA/4625825	DUNLOP ACO3297	Valve, sequence (See AP.4515C, Vol. 3, Part 1, Sect. 2, Chap. 55)	1	—	A		JA8/827
27VA/4625825	DUNLOP ACM7452	Valve, pressure reducing, 400-25-PSI (See AP.4515C, Vol 3, Part 1, Sect. 2, Chap. 55)	1	—	A		JA8/828
	1D12606	VALVE, SEAL INFLATION AND LEVER, GROUP (Mod. 1543)	1	—	MR		JA8/829
		Spares for:—					
2833	6D10036	Bolt, special	2	S96	C		JA8/830
2832	5D10036	Lever	1	S82	C		JA8/831
	7D10036	Plate, cover	1	L72	—		JA8/832
	2D12606	PLATE, FORWARD, GROUP	1	—			
	DUNLOP ACO1297	Valve, sequence (See AP.4515C, Vol. 3, Part 1, Sect. 2, Chap. 55)	1	—	A		JA8/833
27VA/4619877	ACO1297	Valve, unimatic (See AP.4515C, Vol. 3, Part 1, Sect. 2, Chap. 55)	1	—	A		JA8/834
27VA/4626245	AC60326						
	—	MEMBER, CROSS FOR BACK REST	—	—			
		SUPPORT (1D10974) (Mod. 503)					
		Spares for:—					
	3D10974	Angle	1	L72	—		JA12/835
	4D10974	Angle	1	L72	—		JA12/836
	2D10974	Channel	1	L72	MR		JA12/837
	—	MEMBER, CROSS AT STATIONS 212.75	—	—			
		& 294-45 (1D8784)					
		Spares for:—					
	5D8784	Bracket, port	1	DTD364B	MR		JA11/838
	6D8784	Bracket, starboard	1	DTD364B	MR		JA11/839
	7D8784	Bracket, port	1	DTD364B	MR		JA11/840
	8D8784	Bracket, starboard	1	DTD364B	MR		JA11/841
	1D8731	LONGERON INTERMEDIATE, PORT,	1	—	MR		JA11/842
	2D8731	GROUP LONGERON INTERMEDIATE, STAR-	1	—	MR		JA11/843
		BOARD, GROUP					
		Spares for:—					
	9D8731	Bracket, angle, port	5	L72	MR		
	10D8731	Bracket, angle, starboard	5	L72	MR		
	11D8731	Bracket, angle, port	5	L72	MR		
	12D8731	Bracket, angle, starboard	5	L72	MR		

FUSELAGE
CREW'S NACELLE

Ref. No.	Part No.	Description	No. off	Matl. Spec.	Cl. of	Plate and Must'n No.
					St. M.R.	
		1 2 3 4				
		LONGERON INTERMEDIATE, STARBOARD, GROUP (Cont'd)				
		Attachments, Brackets (9-10-11-12D8731)				
28D/1008151	A25.4E	Bolt	15	-	C	
28M/9480017	AGS2001-E1/66	Nut	15	-	C	
	13D8731	Washer, throat	15	L72		
	14D8731	Washer	15	L72		
	3D8784	MEMBER, CROSS AFT STATION 212.75", GROUP	-	-	-	JA11/844
	1D9674	MEMBER, CROSS FORWARD, STATION .294.55", GROUP	1	-	MR	JA11/845
	9D8784	Packing	2	-		
	10D8784	Packing	2	-		
	-	REPAIR, MATERIAL FOR STRUCTURE ...	-	-		
		Spares for:-				
	1SS4219	Sheet, corrugated	32	L72	MR	
	2SS4219	Sheet, corrugated	33	L72	MR	
	3SS4219	Sheet, corrugated	64	L72	MR	
2455	183SS1793	Stringer, section	100 ft.	L72	MR/C	
	211SS1793	Stringer, section	400 ft.	L72	MR	
	224SS1793	Stringer, section	100 ft.	L72	MR	
2458	244SS1793	Stringer, section	100 ft.	L72	MR/C	
	248SS1793	Stringer, section	100 ft.	L72		
2466	325SS1793	Stringer, section	300 ft.	L72	MR/C	
2465	337SS1793	Stringer, section	100 ft.	L72	MR/C	
	379SS1793	Stringer, section	200 ft.	L72	MR	
	413SS1793	Stringer, section	60 ft.	L72	MR	
2460	420SS1793	Stringer, section	150 ft.	L72	MR/C	
	582SS1793	Stringer, section	300 ft.	L72	MR	
2462	751SS1793	Stringer, section	100 ft.	L72	MR/C	
	-	SPINNING, CREW'S NACELLE (1D9644) ...	-	-		
		Spares for:-				
	12D9644	Cover, slinging points at rear pressure bulkhead	2	L72	-	JA12/846
	-	MOUNTING AIR CONDITIONING, GROUND CHARGING CONNECTION (1Z10586) (Mod. 1393)	-	-		
		Spares for:-				
28E/9129563	AGS806/5 NORMALAIR 525320	Clip, hose	2	-	C	JA12/847
		Connection, ground for cabin air 5" dia.	1	-	-	JA12/848
11622	4Z10586	DUCT, GROUP	1	-	C	JA12/849
11624	7Z10586	Gasket	1	DTD762	C	JA12/850
11623	5Z10586	HOLDER, VALVE, GROUP	1	-	A	JA12/851
		Spares for:-				
	8Z10586 NORMALAIR 525420 11Z10586	GUARD, GROUP	1	-	-	JA12/852
		Valve, 3.0" dia. non-return	1	-	-	JA12/853
		Shield, rubbing	1	S621	-	JA12/854

FUSELAGE
CREW'S NACELLE

Ref. No.	Part No.	Description	No. off	Mater. Spec.	Cl. of	Plate and Illust'n No.
					St. M.R.	
		1 2 3 4				
		SKINNING, CREW'S NACELLE (1D9544) (Cont'd)				
	13D9544	Panel, skin, stringers 1 to 7, port	1	L72		JA5/855
	14D9544	Panel, skin, stringers 7 to 14, port	1	L72		JA5/856
	15D9544	Panel, skin, stringers 14 to 21, port	1	L72		JA5/857
	16D9544	Panel, skin, stringers 21 to 27, port	1	L72		JA5/858
	17D9544	Panel, skin, stringers 27 to 33, starboard ...	1	L72		JA5/859
	18D9544	Panel, skin, stringers 33 to 40, starboard ...	1	L72		JA5/860
	19D9544	Panel, skin, stringers 40 to 47, starboard ...	1	L72		JA5/861
	20D9544	Panel, skin, stringers 47 to 1, starboard	1	L72		JA5/862
	21D9544	Panel, skin, stringers 6 to 7, port, forward ..	1	L72		JA5/863
	22D9544	Panel, skin, stringers 47 to 48, starboard, .. forward	1	L72		JA5/864
		SCHEME, REPAIR, FOR REINFORCING STRINGER BRACKETS AT FORMER 204, (1D12452) (See AP45058, Vol. 6)				
		SKINNING, AROUND PERISCOPE FAIRING BOTTOM, AND TOP (1 & 2D10408)				
		Spares for:-				
	9D10408	Bracket, attachment, bottom	1	L72		JA12/865
	8D10408	Intercostal, bottom	1	L72		JA12/866
	11D10408	Skin, pecking, top	1	L72		JA12/867
	13D10408	Skin, pecking, bottom	1	L72		JA12/868
	10D10408	Skin, reinforcing, top	1	L72		JA12/869
	12D10408	Skin, reinforcing, bottom	1	L72		JA12/870
		STRUCTURE, SECONDARY, BOMB AIMER'S BLISTER (188D9428)				
		Spares for:-				
	1D10688	BLISTER, BOMB AIMERS, GROUP	1	-		JA11/871
		Spares for:-				
	39D9462	ARM, SUPPORT, PORT, GROUP	1	-		
		(Pre-Mod. 1448)				
	9D10688	ARM, SUPPORT, PORT, GROUP	1	-		JA11/872
		(Mod. 1448)				
	40D/9462	ARM, SUPPORT, STARBOARD,	1	-		JA11/873
		GROUP				
		Spares for:-				
	CARR LTD. N248	Stud, single	3	-	C	
	1D9473	FORMER, 309, GROUP	1	-	MR	JA11/874
	1D9474	FORMER, 302, GROUP	1	-	MR	JA11/875
	1D9472	FORMER, 316, GROUP	1	-	MR	JA11/876
	1D9471	FORMER, 323, GROUP	1	-	MR	JA11/877
	1D11336	FORMER, 330, GROUP (Mod. 689)	1	-	MR	JA11/878

VULCAN No 2

FUSELAGE
CREW'S NACELLE

Ref No.	Part No	Description	No off	Matl Spec	Cl. of St.	Plate and Illust'n No
					M.R.	
		1 2 3 4				
		BLISTER, BOMB AIMER'S (1D10688) (Cont'd)				
	1D9469	FORMER, 337, GROUP	1	—	MR	JA11/879
	1D9468	FORMER, 344, GROUP	1	—	MR	JA11/880
	1D9466	FORMER, 351, GROUP	1	—	MR	JA11/881
	1D9465	FORMER, 358, GROUP	1	—	MR	JA11/882
	1D9464	FORMER, 362, GROUP	1	—	MR	JA11/883
	1D9463	FORMER, 367, GROUP	1	—	MR	JA11/884
	1D9467	FORMER, INCLINED, GROUP	1	—	MR	JA11/885
		JOINT, FRONT, OUTBOARD LONGERON PORT AND STAR- BOARD (D9546)				
		Spares for:—				
	3D9546	Bracket, front, outboard, port	1	DTD683	MR	JA11/886
	4D9546	Bracket, front, outboard, starboard ...	1	DTD683	MR	JA11/887
	5D9546	BRACKET, FRONT INBOARD,	1	—	MR	JA11/888
		GROUP				
		BRACKET, FRONT INBOARD,	1	—	MR	JA11/889
		GROUP				
		JOINT, FORWARD, INNER LONGERON, PORT AND STAR- BOARD (D9486)				
		Spares for:—				
	3D9486	Bracket, attachment, outer port	1	DTD683	MR	JA11/890
	4D9486	Bracket, attachment, outer	1	DTD683	MR	JA11/891
		starboard				
	7D9486	Bracket, inner, top, port	1	DTD546		JA11/892
	8D9486	Bracket, inner, top, starboard	1	DTD546		JA11/893
	9D9486	Bracket, outer, top, port	1	DTD546		JA11/894
	10D9486	Bracket, outer, top, starboard	1	DTD546		JA11/895
	11D9486	BRACKET, OUTER, TOP, PORT	1	—		JA11/896
		FORWARD, GROUP				
	12D9486	BRACKET, OUTER, TOP STAR-	1	—		JA11/897
		BOARD, FORWARD, GROUP				
2412	19D9486	BRACKET, FORWARD OF	1	—		JA11/898
		PRESSURE, DOME, PORT, GRP				
	20D9486	BRACKET, FORWARD OF	1	—		JA11/899
		PRESSURE, DOME, STAR- BOARD, GROUP				

FUSELAGE

CREW'S NACELLE

Ref. No	Part No.	Description	No. off	Matl Spec	Cl. of St.	Plate and Illust'n No.
					M.R.	
		1 2 3 4				
		BLISTER, BOMB AIMER'S (1D10688) (Cont'd.)				
		JOINT, FRONT CURVED MEMBER, PORT AND STARBOARD (D9573)				
		Spares for:—				
	33D9473	Angle, port	1	L72		JA11/900
	34D9573	Angle, starboard	1	L72		JA11/901
	38D9573	ANGLE, ATTACHMENT, PORT, GROUP	1	—	MR	JA11/902
	40D9573	ANGLE, ATTACHMENT, STARBOARD, GROUP	1	—	MR	JA11/903
	41D9573	ANGLE, ATTACHMENT, PORT, GROUP	1	—	MR	JA11/904
	42D9573	ANGLE, ATTACHMENT, STARBOARD, GROUP	1	—	MR	JA11/905
	43D9573	ANGLE, ATTACHMENT, PORT, GROUP	1	—	MR	JA11/905A
	44D9573	ANGLE, ATTACHMENT, STARBOARD, GROUP	1	—	MR	JA11/906
	45D9573	ANGLE, ATTACHMENT, PORT, GROUP	1	—	MR	JA11/907
	46D9573	ANGLE, ATTACHMENT, STARBOARD, GROUP	1	—	MR	JA11/908
23013	51D9573	Bracket, corner, window frame, starboard (Mod. 2484)	1	DTD683	C	JA11/909
23012	52D9573	Bracket, corner, window frame, port (Mod. 2484)	1	DTD683	C	JA11/910
2420	5D9573	Bracket, corner, curved frame, starboard	1	DTD683	C	JA11/911
2418	6D9573	Bracket, corner, curved frame, port	1	DTD683	C	JA11/912
	35D9573	DIAPHRAGM, FORWARD JOINT CURVED MEMBER, STARBOARD, GROUP	1	—		JA11/913
	36D9573	DIAPHRAGM, FORWARD JOINT, CURVED MEMBER, PORT, GROUP	1	—		JA11/914
	3D10688	MEMBER, CUSHION RETAINING, GROUP (Mod. 689) (Pre-Mod. 1448)	1	—	MR	
	8D10688	MEMBER, CUSHION RETAINING, GROUP (Mod. 1448)	1	—	MR	JA11/915
		Spares for:—				
	106SS6004	Label, flex, drive stowage	1	L59		
	107SS6004	Label, stowage, 18 pin	1	L59		
	108SS6004	Label, stowage, 3 pin	1	L59		
28FP/ 7002000	A403	Pin, pip, quick release	2	—	C	
28FP/ 9429531	S4/225	Spring, dzus	2	—	C	

VULCAN No. 2

FUSELAGE
CREW'S NACELLE

Page JA. 55

Ref. No.	Part No.	Description	No. off	Matl. Spec.	Cl. of St.	Plate and Illust'n No.
					M.R.	
		1 2 3 4				
		BLISTER, BOMB AIMER'S (1D10688) (Cont'd)				
	11T4379	PANEL, ACCESS, GROUP	1	-		JA11/916
	41D9462	PLATE, SUPPORT, PORT, GROUP (Pre-Mod. 1448)	1	-	MR	
	11D10688	PLATE, SUPPORT, PORT, GROUP (Mod. 1448)	1	-	MR	JA11/917
	42D9462	PLATE, SUPPORT, STARBOARD, GROUP	1	-	MR	JA11/918
		Spares for:-				
	CARR LTD. N248	Stud, single	3	-	C	
1426	1D9905	RING, WINDOW CLAMPING, GROUP .. Spares for:-	1	-	MR/B	JA11/919
	3D9905	Ring, sealing, 1/32" x .5" x 72"	1	Rubber	MR	JA11/920
1433795	2D9905	Section, clamping	1	DTD124A	C	
	4D9905	Strip, reinforcing, top	1	DTD124A		
	5D9905	Strip, reinforcing, port	1	DTD124A		
	6D9905	Strip, reinforcing, starboard	1	DTD124A		
	7D9905	Strip, reinforcing, bottom	1	DTD124A		
		SKINNING, INNER, O/B OF CURVED FRAME MEMBER, PORT AND STARBOARD (1 & 2D9482)				
		Spares for:-				
	8D9482	Seal, port and starboard	2	DSR201	MR	JA11/921
	3D9482	Skin, front, port	1	L72	MR	JA11/922
	4D9482	Skin, front, starboard	1	L72	MR	JA11/923
	5D9482	Skin, rear, port	1	L72	MR	JA11/924
	6D9482	Skin, rear, starboard	1	L72	MR	JA11/925
1505008	31D9462	Skin, inner, forward, port	1	L72	MR/C	JA11/926
1505009	32D9462	Skin, inner, forward, starboard	1	L72	C	JA11/927
1505007	43D9462	Skin, outside blister, forward former 344	1	L72	C	JA11/928
	4D10688	Skin, inner, aft of former 344	1	L72	MR	JA11/929
12793	5D10688	Skin, outer, aft of former 344	1	L72	C	JA11/930
26TA/4339	2210252	Valve, assembly, drain (Mod. 2202)	2	-	B	
	2212215	Wick, paraffin (Mod. 2202)	12	-		
		STRUCTURE, AT REAR OF BLISTER (D9548)				
		Spares for:-				
	17D9548	Angle, port	1	L72	MR	JA11/931
	18D9548	Angle, starboard	1	L72	MR	JA11/932
	13D9548	Angle, skin	2	L72	MR	JA11/933
	20D9548	Angle, skin	2	L72	MR	JA11/934
	21D9548	Channel	1	L72	MR	JA11/936
	22D9548	Channel	1	L72	MR	JA11/936
	23D9548	Channel, forward	1	L72	MR	JA11/937
	24D9548	Channel, aft	1	L72	MR	JA11/938

FUSELAGE
CREW'S NACELLE

Ref. No.	Part No.	Description	No. off	Mater. Spec.	Cl. of	Plate and Illust'n No.
					St.	
		1 2 3 4			M.R.	
		STRUCTURE, AT REAR OF BLISTER (D9648) (Cont'd)				
	25D9548	Channel, top	1	L72	MR	JA11/939
	26D9548	Channel, bottom	1	L72	MR	JA11/940
	3D9548	Intercostal, port	1	L72	MR	JA11/941
	4D9548	Intercostal, starboard	1	L72	MR	JA11/942
	5D9548	Intercostal, port	1	L72	MR	JA11/943
	6D9548	Intercostal, starboard	1	L72	MR	JA11/944
	7D9548	Intercostal, port	1	L72	MR	JA11/945
	8D9548	Intercostal, starboard	1	L72	MR	JA11/946
	9D9548	Intercostal, port	1	L72	MR	JA11/947
	10D9548	Intercostal, starboard	1	L72	MR	JA11/948
	11D9548	Intercostal, port	1	L72	MR	JA11/949
	12D9548	Intercostal, starboard	1	L72	MR	JA11/950
	13D9548	Intercostal, port	1	L72	MR	JA11/951
	14D9548	Intercostal, starboard	1	L72	MR	JA11/952
	28D9548	Packing, 6G x 2" x 2"	1	L72	MR	
	31D9548	Packing, 6G x 2" x 3/4"	4	L72	MR	
	32D9548	Packing, 6G x 2" x 3/4"	4	L72	MR	
	34D9548	Packing, 14G x 2" x 1-1/4"	1	L72	MR	
	36D9548	Packing, 22G x 5-1/2" x 3/4"	4	L72	MR	
	37D9548	Packing, 18G x 2" x 1-1/2"	1	L72	MR	
	39D9548	Packing, top, port	1	L72	MR	
	40D9548	Packing, top, starboard	1	L72	MR	
	41D9548	Packing, bottom, port	1	L72	MR	
	42D9548	Packing, bottom, starboard	1	L72	MR	
	33D9548	Plate, backing	4	L72	MR	JA11/953
	38D9548	Pressing, aft fairing	1	L72	MR	JA11/954
		STRUCTURE, CROSS BEAM (D9481)				
		Spares for:-				
	28D9481	Angle, attachment	2	L72	MR	JA7/955
	29D9481	Angle, attachment	2	L72	MR	JA7/956
	21D9481	Angle, forward, port	1	L72		JA7/957
	22D9481	Angle, forward, starboard	1	L72		JA7/958
	23D9481	Angle, aft, port	1	L72		JA7/959
2399	24D9481	Angle, aft, starboard	1	L72	MR/C	JA7/960
	4D9481	Angle, top horizontal	1	L72	MR	JA7/961
	5D9481	Angle, inner skin	1	L72	MR	JA7/962
	1D10105	ANGLE, RADOME ATTACHMENT, GROUP (Pre-Mod. 421)	1	-	MR	
	50D10105	ANGLE, RADOME ATTACHMENT, GROUP (Mod. 421)	1	-	MR	JA7/963
		Spares for:-				
1510311	13D10105	SHOE, ATTACHMENT, GROUP ..	6	-	C	JA7/964
	14D10105	SHOE, ATTACHMENT, PORT, GROUP	1	-		JA7/965
	15D10105	SHOE, ATTACHMENT, STARBOARD, GROUP	1	-		JA7/966
		Spares for:-				
	11D10105	Plate, wedge	1	S80	MR	
	13cD10105	Seal	1	DSR503/T	MR	

VULCAN No. 2

FUSELAGE
CREW'S NACELLE

Page JA. 57

Ref No.	Part No	Description	No. off	Matl Spec	Cl. of St	Plate and Illust'n No.
					M.R.	
		<u>1 2 3 4</u>				
		STRUCTURE, CROSS BEAM (D9481) (Cont'd)				
		BEAM, CROSS, FORWARD OF PRESSURE DOME (38D9481)				
		Spares for:—				
	1D9553	BEAM, LATERAL, GROUP	1	—		JA7/967
	7D9573	Bracket	1	DTD546A		JA11/968
	8D9573	Bracket, starboard	1	DTD546A		JA11/969
	11D9573	Bracket, port	1	DTD546A		JA11/970
2412	12D9573	Bracket, starboard	1	DTD546A		JA11/971
	19D9486	Bracket, port	1	DTD546A	MR/C	JA11/972
	20D9486	Bracket, starboard	1	DTD546		JA11/973
	6D9481	Diaphragm, o/b end port	1	L72		JA7/974
2390	7D9481	Diaphragm, o/b end, starboard	1	L72	MR/C	JA7/975
	17D9481	Diaphragm, 3.68", port	1	DTD546A		JA7/976
	18D9481	Diaphragm, 3.68", starboard	1	DTD546A		JA7/977
	5T4780	LUG, ATTACHMENT, PORT GROUP	1	—	MR	JA7/978
	6T4780	LUG, ATTACHMENT, STARBOARD, GROUP	1	—	MR	JA7/979
		BEAM, CROSS, AFT OF PRESSURE DOME (39D9481)				
		Spares for:—				
	9D9573	BRACKET, PORT, GROUP	1	—		JA11/980
	10D9573	BRACKET, STARBOARD, GROUP	1	—		JA11/981
	12D9486	BRACKET, STARBOARD, GROUP	1	—		JA11/982
	13D9573	DIAPHRAGM, JOINT, FORWARD PORT, GROUP	1	—		JA11/983
	14D9573	DIAPHRAGM, JOINT, FORWARD STARBOARD, GROUP	1	—		JA11/984
	15D9481	Diaphragm, port, at bomb sight	1	DTD546A		JA7/985
	16D9481	Diaphragm, starboard, at bomb sight	1	DTD546A		JA7/986
	29D9573	Packing	2	DTD546A	MR	
	30D9573	Packing	2	DTD546A	MR	
	25D9481	Packing	2	L72	MR	
13098	14D9481	Panel, vertical	1	L72	MR	JA7/987
	1SS4277	Bolt, special (Non-magnetic)	28	—	MR/C	JA7/988
	11D9481	CHANNEL, WINDOW, GROUP	1	—		JA7/989
	9D9481	DIAPHRAGM, WINDOW CHANNEL, GROUP	4	—		JA7/990
2435	10D9481	DIAPHRAGM, WINDOW CHANNEL, GROUP	4	—	MR/C	JA7/991

FUSELAGE
CREWS NACELLE

Ref. No.	Part No.	Description	No. off	Mater. Spec.	Cl. of	Plate and Illust'n No.
					St. M.R.	
		1 2 3 4				
		STRUCTURE, CROSS BEAM (D9481) (Cont'd)				
	33D9481	Member, forward window mounting ..	1	DTD364B		JA7/992
	20D9481	Packing, 16G x 1" x .75"	8	L72	MR	
	32D9481	Packing 16G x 1.6" x .75"	2	L72	MR	
	36D9481	Packing, 20G x 5" x .75"	1	L72	MR	
	13D9481	Skin, inner, inboard	1	L72	MR	JA11/993
	26D9481	Skin, inner, outboard, port	1	L72	MR	JA11/994
	27D9481	Skin, inner, outboard, starboard	1	L72	MR	JA11/995
	31D9481	Tee, section, lower	1	L40		JA7/996
	3D9481	Web, bottom	1	L72		JA7/997
	1D9880	Window, bomb aimer's (Pre-mod. 2270) ..	1	-		JA11/998
	1D13716	Window, bomb aimer's (Mod. 2270)	1	-	MR	
4471	1D10294	STRUT, TELESCOPIC, GROUP	1	-	B	JA10/999
		Spares for:-				
	5D10294	Bolt, swivel	1	S86		JA10/1000
	2D10294	Pivot	1	L66		JA10/1001
	6D10294	PLATE, BRACKET, GROUP	1	-		JA10/1002
		Spares for:-				
	5D10294	Bolt, swivel	1	S86		
28M/1011467	A27/ES	Nut, slotted, 1/4" BSF	1	-	C	
	6bD10294	Plate, bracket	1	L66		
28W/9419405	SP.15'E	Washer, 1/4" BSF	1	-	C	
9781	3D10294	STRUT, AFT, GROUP	1	-	B	JA10/1003
		Spares for:-				
	3aD10294	Knob	1	L66		
	3cD10294	Pin, locking	1	S86		
	3bD10294	Plug	1	S65		
	3aD10294	Spring	1	-		
	4D10294	Tube, assembly	1	Steel		
	7D10294	STRUT, FORWARD, GROUP	1	-		JA10/1004
1433924	182D9428	Tube, drain assy.	1	-	MR	JA12/1006
	191D9428	Tube, drain assy.	1	-	C	JA12/1006
	192D9428	Tube, drain assy.	1	-	MR	JA12/1007
	78D9428	Tube, drain assy. Canopy hinge box	2	-		JA12/1008
		WINDOW, CREWS, PORT AND STARBOARD (1 & 2D9043)				
		Spares for:-				
	AS1900/G	Clip	2	-	C	
	33D9043	INHIBITOR, GROUP	1	-	MR	JA4/1009
		Consisting of:-				
	44D8625	Inhibitor (Silica-gel) assy.	1	-		
	33bD9043	Plug, perspex, 7/8" dia. x 1-1/2" long ...	1	Perspex		
	33aD9043	Tube perspex 3/4" dia. x 4-1/2" long ..	1	Perspex		
2754	52D9043	Ring, retaining, window	1	L72	C	JA4/1010

VULCAN No. 2

FUSELAGE
CREW'S NACELLE

Page JA. 59

Ref. No.	Part No.	Description	No. off	Matl. Spec.	Cl. of	Plate and Illust'n No.
					St. M.R.	
		1 2 3 4				
		WINDOW, CREW'S, PORT AND STARBOARD (1 & 2D9043) (Cont'd)				
	53D9043	STRIP, RETAINING, GROUP	3	-		JA4/1011
	35D9043	Tube, rubber, 3/8" o/d x 1/4" i/d x 6" .. long	1	BS2752/C4		
	41D9043	WINDOW, DRY AIR SANDWICH, PORT .. AND STARBOARD, GROUP	2	-	MR	JA4/1012
	40D9043	Consisting of:- CONNECTOR, INHIBITOR, GROUP ...	1	-		
1510099	34bD9043 TRIPLEX LTD. 42D9043 34aD9043	Panel, window, inner	1	Perspex	C	
		Pane, window	1	-		
		Ring, sorbo, 1/2" x 3/16" x 9-3/4" dia. .	1	Rubber	MR	
		WINDSCREEN, GOLD FILM HEATED (77D10456) (Mod. 969)				
		Spares for:-				
11385	28Z9782	Angle, contour	1	L72	C	JA10/1013
	73D10456	BASE FORGING, GROUP	1	-		JA10/1014
		Consisting of:-				
	73aD10456	Base, forging	1	DTD731		
	43D10456	Insert, tapped	6	S1		
28N/16599 28S/6775	AS4801/27 8870	Insert, wire thread, 1/4" BSF	8	-	C	
		Screws, No. 4 P.K. x 1/2" long	12	-	C	
	36D10456	Block, catch, direct vision window, port ...	1	-		
	38D10456	Block, catch, direct vision window,	1	-		
		starboard				
5499	1D10697	DEFLECTOR, RAIN, GROUP	1	-	C	JA10/1015
	2D10456	Frame, centre window	1	DTD410		JA10/1016
	3D10456	Frame, side window, port	1	DTD410		JA10/1017
	4D10456	Frame, side window, starboard	1	DTD410		JA10/1018
	5D10456	Frame, direct vision window, port	1	DTD410		JA10/1019
	6D10456	Frame, direct vision window, starboard	1	DTD410		JA10/1020
	78D10456	FRAME, CLAMPING, CENTRE WINDOW, GROUP	1	-		JA10/1021
		Spares for:-				
28M/4095875	AGS2007/C2	Nut, anchor	24	-	C	
	79D10456	FRAME, CLAMPING, SIDE WINDOW, ... PORT, GROUP	1	-		JA10/1022
		Spares for:-				
28M/4095875	AGS2007/C2	Nut, anchor	21	-	C	
11569	80D10456	FRAME, CLAMPING, SIDE WINDOW, ... STARBOARD, GROUP	1	-	C	JA10/1023
		Spares for:-				
28M/4095875	AGS2007/C2	Nut, anchor	21	-	C	

FUSELAGE
CREWS NACELLE

Ref. No.	Part No.	Description	No. off	Matl. Spec.	Cl. of	Place and Illust'n No.
					St. M.R.	
		1 2 3 4				
		WINDSCREEN, GOLD FILM HEATED (77D10456) (Mod. 989) (Cont'd)				
11570	87D10456	FRAME, CLAMPING, CENTRE WINDOW, TOP, GROUP	1	-	C	JA10/1024
	334SS6006	Spares for:- Label, TB 1183	1	L59		
	335SS6006	Label, TB 1184	1	L59		
28M/4095875	AGS2007/C2	Nut, anchor	2	-	C	
11571	92D10456	FRAME, CLAMPING, SIDE WINDOW, ... PORT, TOP, GROUP	1	-	C	JA10/1025
	332SS6006	Spares for:- Label, TB 1181	1	L59		
	333SS6006	Label, TB 1182	1	L59		
28M/4095875	AGS/2007/C2	Nut, anchor	2	-	C	
11572	93D10456	FRAME, CLAMPING, SIDE WINDOW, ... STARBOARD, TOP, GROUP	1	-	C	JA10/1026
	336SS6006	Spares for:- Label, TB 1185	1	L59		
	337SS6006	Label, TB 1186	1	L59		
28M/4095875	AGS2007/C2	Nut, anchor	1	-	C	
	7SS3847	Screw, 2 BA, for windows	36	K. Monel	MR	
	8SS3847	Screw, 2 BA, for windows	42	K. Monel	MR	
	9SS3847	Screw, 2 BA, at wiper stops and terminal blocks	12	K. Monel	MR	
	10SS3847	Screw, 2 BA, at wiper stops	2	K. Monel	MR	
10314	51D10456	STOP, WIPER, PORT, GROUP	1	-	C	JA10/1027
10315	52D10456	STOP, WIPER, STARBOARD, GROUP	1	-	C	JA10/1028
	51bD10456	Spares for:- Stop, rubber, 1/2" dia. x 1-3/16"	1	Neoprene	MR	JA10/1029
12859	75D10456	STOP, WIPER, PORT, GROUP	1	-	C	JA10/1030
	76D10456	STOP, WIPER, STARBOARD, GROUP	1	-	C	JA10/1031
	76cD10456	Spares for:- Stop, rubber, 1/2" dia. x 3/4"	1	NEOPRENE	MR	JA10/1032
5496	33D10456	Strip, sealing	1	L72	C	JA10/1033
6194	53D10456	Strip, sealing, end, port	1	DTD118A	C	JA10/1034
6195	54D10456	Strip, sealing, end, starboard	1	DTD118A	C	JA10/1035
5497	37D10456	TUBE, GUIDE, FOR DIRECT VISION WINDOW, PORT, GROUP	1	-	C	JA10/1036
5498	38D10456	TUBE, GUIDE, FOR DIRECT VISION WINDOW, STARBOARD, GROUP	1	-	C	JA10/1037
	1D13249	WINDOW, GOLD FILM HEATED, CENTRE, GROUP (Pre-Mod. 2226)	1	-		JA10/1038
	4V10712	Spares for:- Block, terminal	1	-		
	4V10713	Block, terminal	1	-		

FUSELAGE
CREW'S NACELLE

Ref. No.	Part No.	Description	No. off	Mati. Spec.	Cl. of	Place and Illust'n No.
					St. M.R.	
		1 2 3 4				
		WINDSCREEN, GOLD FILM HEATED (77D10466) (Cont'd)				
1433612	1D13668	WINDSCREEN, GOLD FILM HEATED CENTRE, GROUP (Mod. 2226) (Pre-Mod. 2402)	1	-	B	
	ENGLISH ELECTRIC NF2116/21	WINDSCREEN, GOLD FILM HEATED CENTRE, GROUP (Mod. 2402)	1	-	MR	
	1D13250	WINDOW, SIDE, GOLD FILM HEATED, PORT, GROUP (Pre-Mod. 2226)	1	-		JA10/1039
	11V10710 7V10711	Spares for:- Block, terminal, port Block, terminal, port	1 1	- -		
1433613	1D13669	WINDOW, SIDE, GOLD FILM HEATED, PORT, GROUP (Mod. 2226) (Pre-Mod. 2402)	1	-	B	
1510746	ENGLISH ELECTRIC NF2116/18	WINDOW, SIDE, GOLD FILM HEATED, PORT, GROUP (Mod. 2402)	1	-	B	
	2D13250	WINDOW, SIDE, GOLD FILM HEATED, STARBOARD, GROUP (Pre-Mod. 2226)	1	-		
	12V10710 8V10711	Spares for:- Block, terminal, starboard Block, terminal, starboard	1 1	- -		
1433614	2D13669	WINDOW, SIDE, GOLD FILM HEATED, STARBOARD, GROUP (Mod. 2226) (Pre-Mod. 2264)	1	-	B	
	ENGLISH ELECTRIC NF2116/14	WINDOW, SIDE, GOLD FILM HEATED, STARBOARD, GROUP (Mod. 2264) (Pre-Mod. 2365)	1	-		
1510747	ENGLISH ELECTRIC NF2116/19	WINDOW, SIDE, GOLD FILM HEATED, STARBOARD, GROUP (Mod. 2365)	1	-	B	JA10/1040

FUSELAGE
CREW'S NACELLE

Ref. No.	Part No.	Description	No. off	Matl. Spec.	Cl. of	Plate and Illust'n No.
					St. M.R.	
		1 2 3 4				
5470	1D10458	WINDOW, DIRECT VISION, DRY	1	-	A	JA10/1041
	2D10458	AIR SANDWICH, PORT, GROUP WINDOW, DIRECT VISION, DRY	1	-	MR	JA10/1042
		AIR SANDWICH, STARBOARD, GROUP				
		Spares for:-				
	10D10458	Arm, lever, port and starboard	1	L65		JA10/1043
	9D10458	Bush, in frame for locking	2	S110		JA10/1044
	23D10458	Bush, for locking levers	2	S110		JA10/1045
	11D10458	Catch, window, port	1	L65	MR	JA10/1046
	12D10458	Catch, window, starboard	1	L65	MR	JA10/1047
	7D10458	Frame, window, port	1	L72		JA10/1048
	8D10458	Frame, window, starboard	1	L72		JA10/1049
	17D10458	HANDLE AND LEVER, PORT,	1	-	MR	JA10/1050
	18D10458	GROUP HANDLE AND LEVER, STARBOARD,	1	-	MR	JA10/1051
		GROUP				
		Spares for:-				
	17aD10458	Handle, port	1	L121		
	18aD10458	Handle, starboard	1	L121		
	17bD10458	Lever	1	L65		
	7D8961	Spring	1	-	MR	JA10/1052
	26D10458	Hinge, forward, port	1	DTD174A	MR	JA10/1053
	25D10458	Hinge, forward, starboard	1	DTD174A	MR	JA10/1054
		Attachments, Hinges (25 & 26D10458)				
	6SS4232	Bolt, 2 BA	2	-		
28M 9148806	AGS2002/C2	Nut, stiff	2	-	C	
28W 9419475	SP15/C	Washer	2	-	C	
	27D10458	Hinge, rear	1	DTD174A		JA10/1055
		Attachments, Hinges (27D10458)				
	9SS4232	Bolt, 2 BA	2	-		
28M 9148806	AGS.2002/C2	Nut, stiff	2	-	C	
28W/9419475	SP15/C	Washer	2	-	C	
	13D10458	Lever, locking, forward, port	1	L65	MR	JA10/1056
	14D10458	Lever, locking, forward, starboard	1	L65	MR	JA10/1057
	15D10458	Lever, locking, aft, port	1	L65	MR	JA10/1058
	16D10458	Lever, locking, aft, starboard	1	L65	MR	JA10/1059
	28D10458	Lever, ice breaker and locking	1	K. Monel	MR	JA10/1060
	24D10458	Mounting, lever	1			JA10/1061
	21D10458	ROD, TIE, FORWARD, GROUP	1	-	MR	JA10/1062
	22D104	ROD, TIE, AFT, GROUP	1	-	MR	JA10/1063
		Consisting of:-				
	216D10458	End, fork, R.H.	1	K. Monel		
	21cD10458	End, fork, L.H.	1	K. Monel		
28M/4095943	A24/ET	Nut, lock, R.H.	1	-	C	
28M/4095943	A24/ETL	Nut, lock, L.H.	1	-	C	
	21aD10458	Rod, tie, forward	1	S110		
	22aD10458	Rod, tie, aft	1	S110		

VULCAN GR 2

FUSELAGE
CREW'S NACELLE

Ref No.	Part No.	Description	No off	Matl Spec.	Cl. of St.	Plate and Illust'n No
					M R	
		1 2 3 4				
		WINDOW, DIRECT VISION, DRY AIR SANDWICH, PORT AND STARBOARD (1 & 2D10458) (Cont'd.)				
	19D10458	Seal, window, port (Make from Item ... SS4361)	1	Rubber	MR	JA10/1064
	20D10458	Seal, window, starboard (Make from ... Item SS4361)	1	Rubber	MR	JA10/1065
	33D10458	Stop, for covers	1	L65		JA10/1066
	31D10458	Strip, retaining, port	1	L72	MR	JA10/1067
	32D10458	Strip, retaining, starboard	1	L72	MR	JA10/1068
	5D10458	WINDOW, DIRECT VISION, DRY AIR SANDWICH, PORT, GROUP	1	—	MR	JA10/1069
	6D10458	WINDOW, DIRECT VISION, DRY AIR SANDWICH, STARBOARD, GROUP	1	—	MR	JA10/1070
	23D10458	Spares for:— DESICCATOR, PORT, GROUP	1	—	MR	JA10/1071
	30D10458	DESICCATOR, STARBOARD, GROUP	1	—	MR	JA10/1072
	44D10458	Spares for:— Grommet	1	—	C	
	44D10458	Inhibitor, assembly (Silica-gel)	1	—		JA10/1073
	5bD10458	Pane, perspex, port	1	DTD339		JA10/1074
	6bD10458	Pane, perspex, starboard	1	DTD339		JA10/1075
	TRIPLEX LTD. 3D10458	Pane, window	1	—	A	JA10/1076
1433022	6aD10458	Seal, sorbo, port, 1/2" wide x 3/16" thick	1	Rubber	C	JA10/1077
12568	6aD10458	Seal, sorbo, starboard, 1/2" wide x 3/16" thick	1	Rubber	C	JA10/1078

VULCAN No. 3

FUSELAGE
CREW'S NACELLE

Page JA. 63

Ref. No.	Part No.	Description	No. off	Mati. Spec.	Cl. of	Plate and Must'n No.
					St. M.R.	
		1 2 3 4				
		TRIMMING, CREW'S NACELLE, PORT AND STARBOARD (1Z9726) (See Equipment—Aircraft—Trimming and Floor Covering)				
		UNIT, VERTICAL GYRO, COMPARATOR AND SWITCHING (S2878) (Mod. 2116)				
		Spares for:—				
17564	19S2878	BRACKET, PLUG MOUNTING, GROUP Attachments—Bracket, Part No. 19S2878	1	—	C	JA3/242
28D/9438920	A25/1C	Bolt, 2 BA	4	—	C	
28W/9419402	SP13/C	Washer, 2 BA	4	—	C	
26TA/10902	10SS3886	Clip, Cable, for Gyro and switching unit	1	—	C	JA3/243
		Attachments—Clip, Part No. 10SS3886				
29D/9438920	A25/1C	Bolt, 2 BA	1	—	C	
28W/9419454	SP10/C	Washer, 2 BA	1	—	C	
6A/7902	—	Gyro, vertical	1	—	A	JA3/244
6A/6373	—	Mounting, Gyro and Comperator	1	—	A	JA3/245
6A/5499	—	Tray, mounting	1	—	A	JA3/1092
		Attachments—Tray, Part No. 6A4599				
28M/7002430	AGS2002/E1	Nut, 1/4" BSF, rear attachment	1	—	C	
28M/1011473	A27/JP	Nut, 3/8" BSF, under tray, front attachment	2	—	C	
20128	4S2317	Nut, lock, at top of tray, front attachment ..	2	M.S.	C	
28W/9418921	SP13/E	Washer, 1/4"	1	—	C	
28W/9419466	SP13/J	Washer	4	—	C	
17274	16S2878	Stud, vertical gyro support front attachment ..	2	—	C	
		Attachments—Stud, Part No. 16S2878				
28M/1011476	A27/JS	Nut, 3/8" BSF	2	—	C	
28P/9527619	SP90/C7	Pin, split	2	—	C	
	AS2808/8/170	Tube, distance	2	—	C	
17275	18S2878	Washer, taper	2	—	C	
	23D10838	Stud, vertical gyro support, rear attachment ..				
		Attachments—Stud, Part No. 23D10838				
28M/1011467	A27/ES	Nut, 1/4" BSF	1	—	C	
28P/9486478	SP90/C5	Pin, split	1	—	C	
28W/9419406	SP15/E	Washer, 1/4"	1	—	C	
	9S2878	Washer, bearing, under stud shoulder	1	—	C	

FUSELAGE
CREW'S NACELLE

Ref. No	Part No.	Description	No off	Matl. Spec	Cl. of	Plate and Illust'n No.
					St.	
		1 2 3 4			M.R.	
	2S2878	SUPPORT, VERTICAL GYRO. GROUP	1	—		JA3/1093
	7S2878	Spares for:— Channel, mounting for stud	1	—		
28D/9436920 28M/5808573 28P/9486478 28W/9419402	A25/1C A27/CS SP90/CS SP13/C	Attachments:—Channel, Part No. 7S2878 Bolt, 2 BA	2	—	C	
		Nut, 2 BA	2	—	C	
		Pin, split	2	—	C	
		Washer, 2 BA	4	—	C	
		ATTACHMENTS—SUPPORT PART No. 2S2878				
28D/9133011 28M/1012015 28W/9419402	A25/2C AGS.2001/C1/68 SP13/C	Bolt, 2 BA	12	—	C	
		Nut, 2 BA	12	—	C	
		Washer, 2 BA	12	—	C	
6TB/4549618 6TB/6345912 6TB/1468	104/2 104/3 —	Unit, comparator (Mod. 2116) (Pre-Mod. 2453)	1	—	A	JA3/1094
		Unit, comparator Type D (Mod. 2453)	1	—	A	JA3/1094
		Unit, switching, erection Type A	1	—	A	JA3/1095
		(Pre-Mod. 2453)				
6TB/6345913	—	Unit, switching, erection Type C (Mod. 2453)	1	—	A	JA3/1095
		Attachments—Switching Unit, Part No. 6A/7893				
28D/1212371 28W/9418921	AS1248/2E SP13/E	Bolt, mush. head, 1/4" BSF	4	—	C	
		Washer	4	—	C	
		UNITS, SMITH'S FLIGHT SYSTEM AND ALTIMETER AND AMPLIFIER IN PORT CRATE (1S2314) (See Equipment, Aircraft—Compass Installation)				
		VENTILATED SUIT SYSTEM (Z9926) (See Equipment, Aircraft)				
		WINDSCREEN WIPER INSTALLATION (Q2058) (See Services—Windscreen Wipers)				
		COMPLEMENTARY ITEMS				
		ATTACHMENT FITTINGS, NOSE PORTION FUSELAGE TO CREW'S NACELLE FUSELAGE (2A3096) Consisting of:—				
28D/1213735 28D/1213737 1433381	A30/9E A30/11E 4D9577 34D9577	Bolt, close tolerance	11	—	C	JA5/1088
		Bolt, close tolerance	15	—	C	JA5/1089
		Stud, special	4	S96	C	JA5/1090
28M/9480017 28W/9419405 28W/9419487	AGS2001/E1/66 SP15/E SP16/E	Bolt, special	17	S96	C	JA5/1091
		Nut, 1/4" BSF	94	—	C	
		Washer	47	—	C	
		Washer	94	—	C	
		ATTACHMENT FITTINGS, CREW'S NACELLE FUSELAGE TO CENTRE PORTION OF FUSELAGE (See Complementary items—Centre portion, Fuselage)				

VULCAN No. 2

FUSELAGE

CREW'S NACELLE

SUMMARY OF STANDARD ITEMS

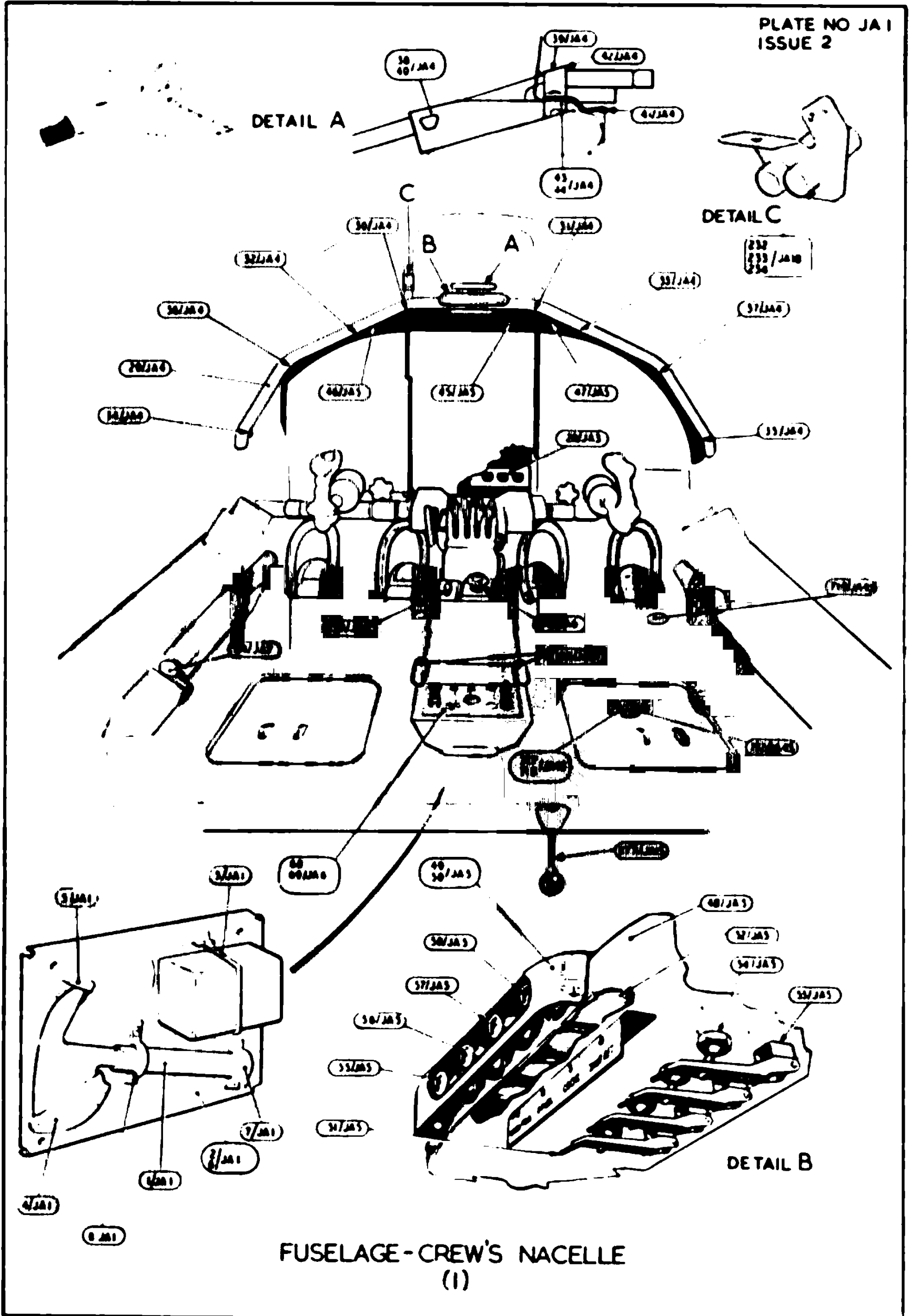
Stores Ref.		No. off	Stores Ref.		No. off	Stores Ref.		No. off
Section	Ref. No.		Section	Ref. No.		Section	Ref. No.	
2A	9500419	1	5X	1383	1	10AK	0970175	3
			5X	6008	3			
			5X	6028	2			
5CW	2453	1	5X	6033	2	10B	17448	2
5CW	4184	2	5X	6038	6			
5CW	4222	4	5X	6043	1			
5CW	4345	1	5X	6058	3	10H	19438	1
5CW	4742	2	5X	6088	6	10H	19439	2
5CW	5145	1	5X	6093	9	10H	19444	1
5CW	4400082	1	5X	6103	2	10H	19445	2
5CW	6375	1	5X	6128	1	10H	19451	2
5CW	6805	2	5X	6133	33	10H	19457	7
5CW	1047693	1	5X	6422	5	10H	19458	2
5CW	8324	1	5X	6621	15	10H	19458	2
5CW	9108	1	5X	6622	2	10H	19460	1
5CW	4400159	1	5X	6622	2	10H	19463	2
			5X	6623	1	10H	19481	1
			5X	6737	1	10H	19487	1
						10H	19493	7
5CX	1069	3				10H	19610	8
5CX	1552	1	6A	387	2	10H	19789	2
5CX	2279	1	6A	0409	1	10H	20416	2
5CX	2282	1	6A	5476	1	10H	10417	2
5CX	3430	1	6A	5499	1	10H	0540015	8
5CX	4856	3	6A	6373	1	10H	0540019	1
5CX	4858	1		or 6803		10H	Z970175	3
5CX	5012	1	6A	6912	1	10H	9560042	5
5CX	5013	1	6A	7902	1			
5CX	5352	2	6A	7903	1			
5CX	5384	3				10J	13152	1
			6B	556	2			
5CZ	6508	2	6B	2643	1	10L	16073	1
						10L	16310	1
						10L	16320	1
5K	2876	2	6D	2237	2			
5K	2975	1	6D	2383	4	10O	16355	1
5K	1200724	1						
5K	1201019	1	6T	214	1	12K	1277	1
5K	1201342	1	6T	1623	1			
5K	9452014	2	6T	1677	1	22G	404	1
5L	9951254	4	7B	1784	1			
5L	9951263	1	7B	1785	1	27H	2315	3
5L	9951271	8				27H	2316	4
5L	9951273	5				27H	3224	4
5L	9959118	7	9D	1566	1			
						27L	1123	1
			10A	17930	4	27L	5039	1
						27L	5040	1
						27L	5052	2
			10AJ	147	6			
			10AJ	148	6	27N	1	1

FUSELAGE
CREW'S NACELLE
SUMMARY OF STANDARD ITEMS

Stores Ref.		No. off	Stores Ref.		No. off	Stores Ref.		No. off
Section	Ref. No.		Section	Ref. No.		Section	Ref. No.	
27VA	2894	1	28FP	325	2	28Q	9417267	2
27VA	3392	3	28FP	1013258	8			
27VA	4493	1	28FP	7002000	3			
27VA	4495	1	28FP	9138002	2	28R	13504	3
27VA	4496	1	28FP	9425773	1	28R	13509	2
27VA	4818	1	28FP	9429531	2	28R	13514	6
27VA	4824	1	28FP	9430915	8	28R	14689	2
27VA	5308	1	28FP	9432083	1			
27VA	6028	1	28FP	9434076	2			
27VA	6029	1	28FP	9485292	2	28S	6775	12
			28FP	9492814	4	28S	6833	14
			28FP	9703072	1			
28D	8307	4				28U	15099	1
28D	8337	6						
28D	10640	4	28H	5564	2			
28D	11338	8						
28D	11799	3						
28D	13364	2	28M	1278189	17	28W	14180	2
28D	13442	15	28M	1278190	25	28W	9137412	4
28D	13711	11	28M	10290	114	28W	9418821	11
28D	14977	6	28M	10339	6	28W	9419402	37
28D	14978	2	28M	10339	6	28W	9419404	2
28D	1007319	8	28M	12340	71	28W	9419405	58
28D	1007973	6	28M	12931	2	28W	9419429	2
28D	1007981	6	28M	13017	1	28W	9419454	15
28D	1007982	35	28M	5808573	8	28W	9419465	3
28D	1008151	15	28M	13259	12	28W	9419466	4
28D	1010658	3	28M	13464	2	28W	9419468	4
28D	1011029	10	28M	13811	2	28W	9419471	3
28D	1011030	7	28M	13811	2	28W	9419474	17
28D	1013172	2	28M	13824	1	28W	9419475	16
28D	9133011	6	28M	14766	1	28W	9419477	2
28D	9419397	4	28M	1007404	3	28W	9419477	2
28D	9436020	13	28M	1011467	2	28W	9419479	4
			28M	1011470	3	28W	9419487	94
			28M	1011473	2	28W	9419491	12
			28M	1011476	2			
28DU	9434472	6	28M	7002430	1			
						29H	919	6
28E	1008744	1	28N	14391	1	29H	1870	1
28E	9128961	1	28N	16599	8	29H	1903	5
28E	9129563	2	28N	9156370	6	29H	4073	1
28E	9428426	1				29H	4076	2
			28P	14215	4	29H	4077	1
28F	11852	4	28P	14688	6	29H	4105	1
28F	1013402	2	28P	15823	1	29H	4110	12
			28P	19154	2	29H	4139	2
			28P	1007741	8	29H	4285	2
			28P	9429652	12			
			28P	9486478	1			

RESTRICTED

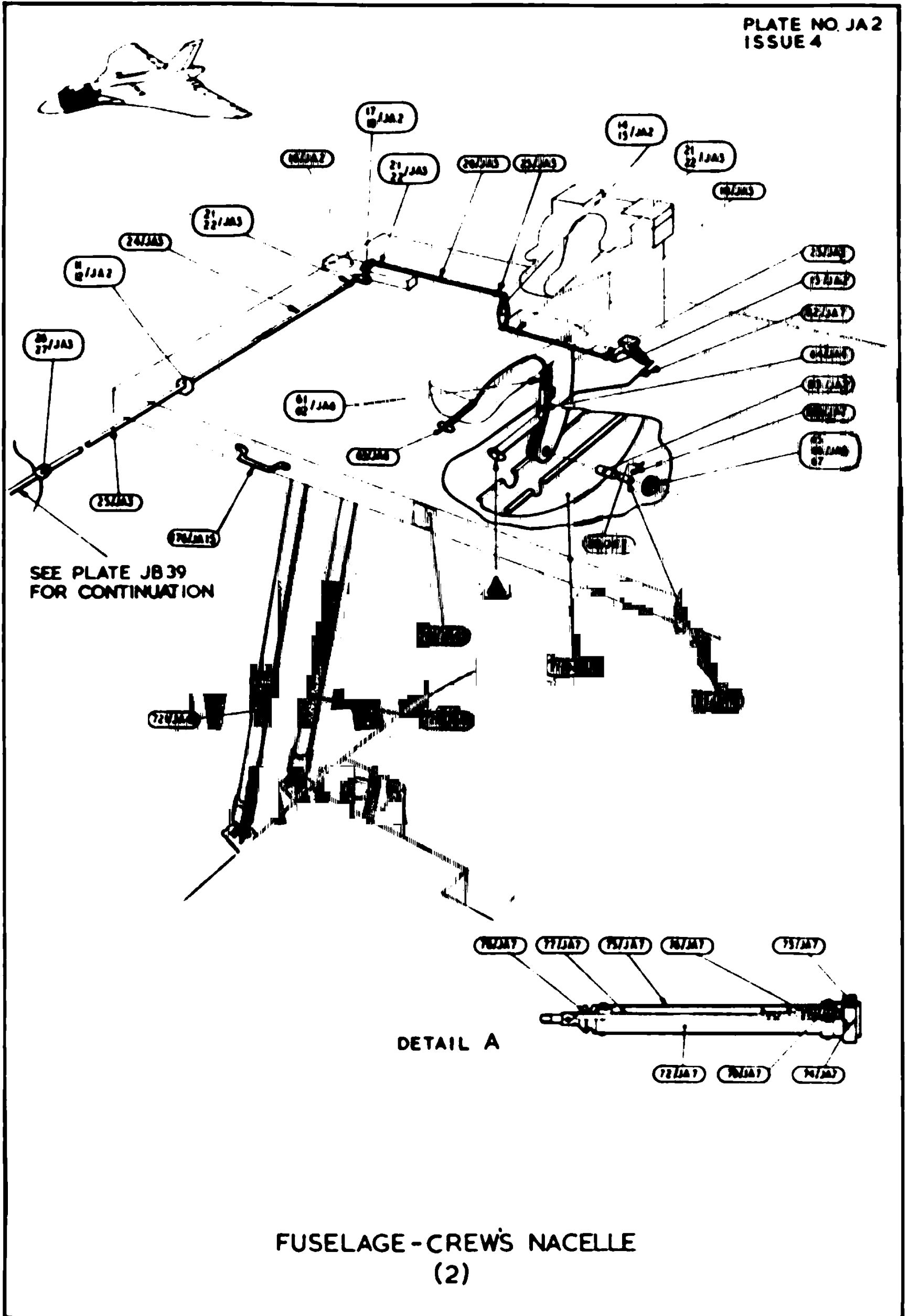
PLATE NO JA 1
ISSUE 2



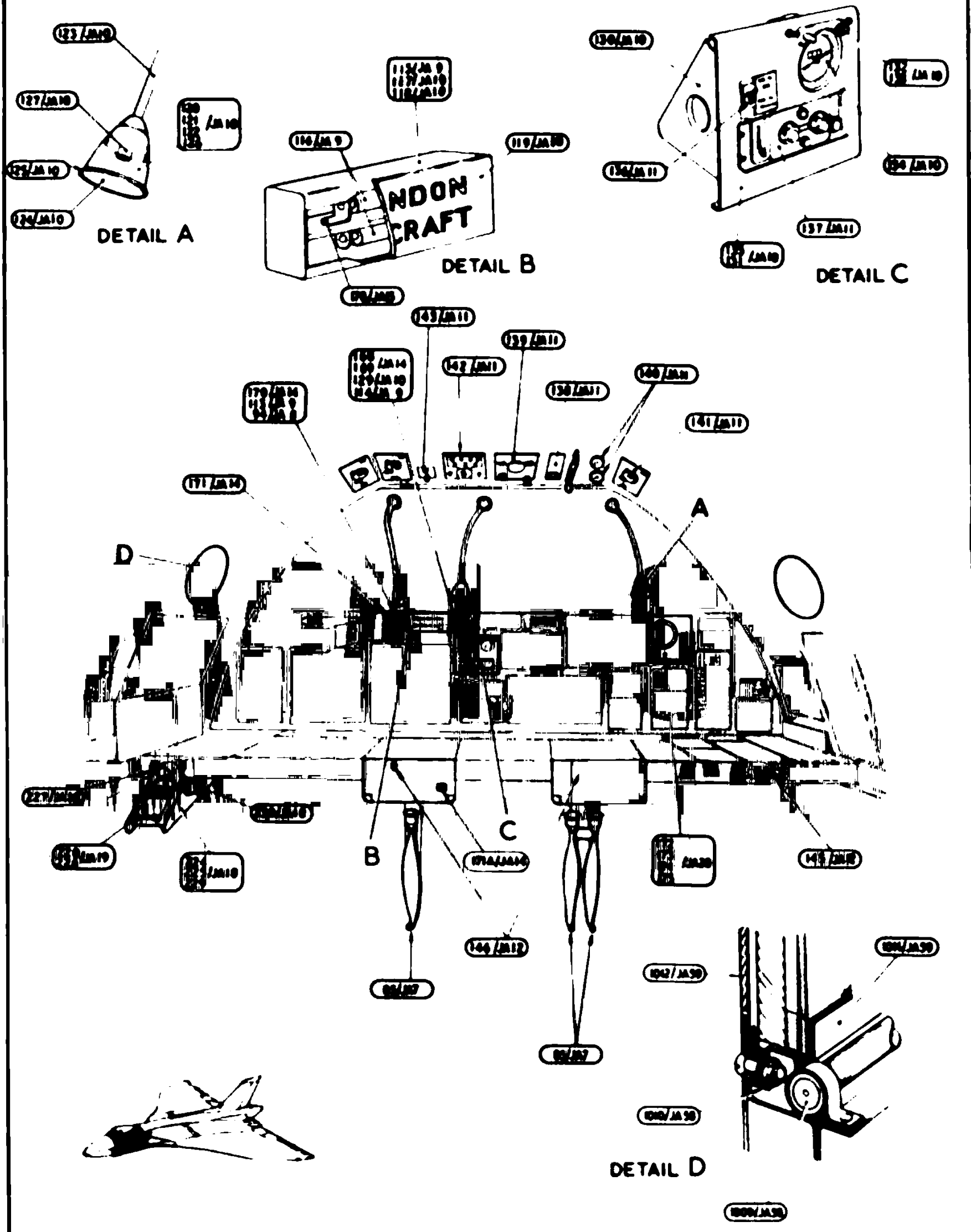
RESTRICTED

RESTRICTED

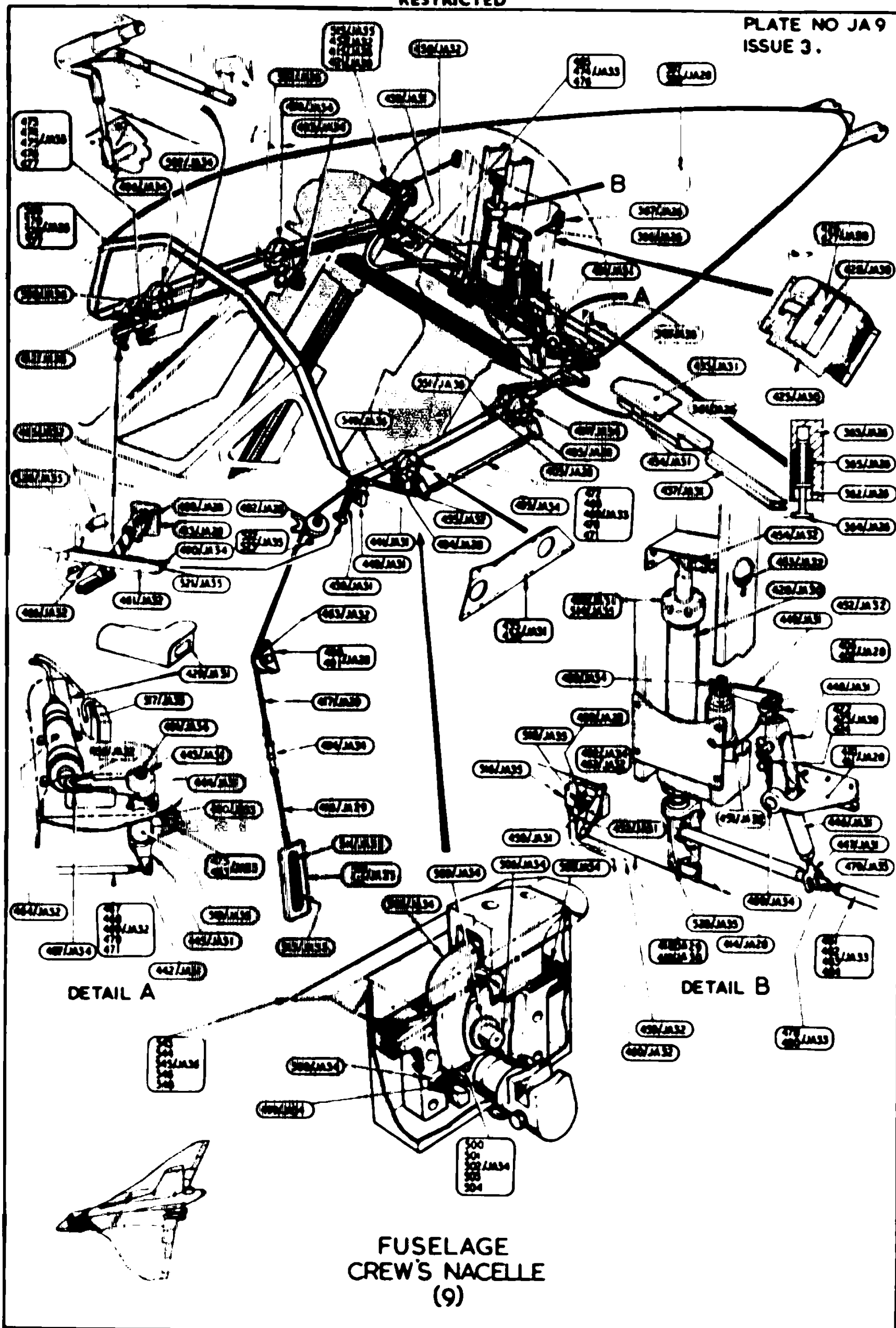
PLATE NO. JA2
ISSUE 4



RESTRICTED



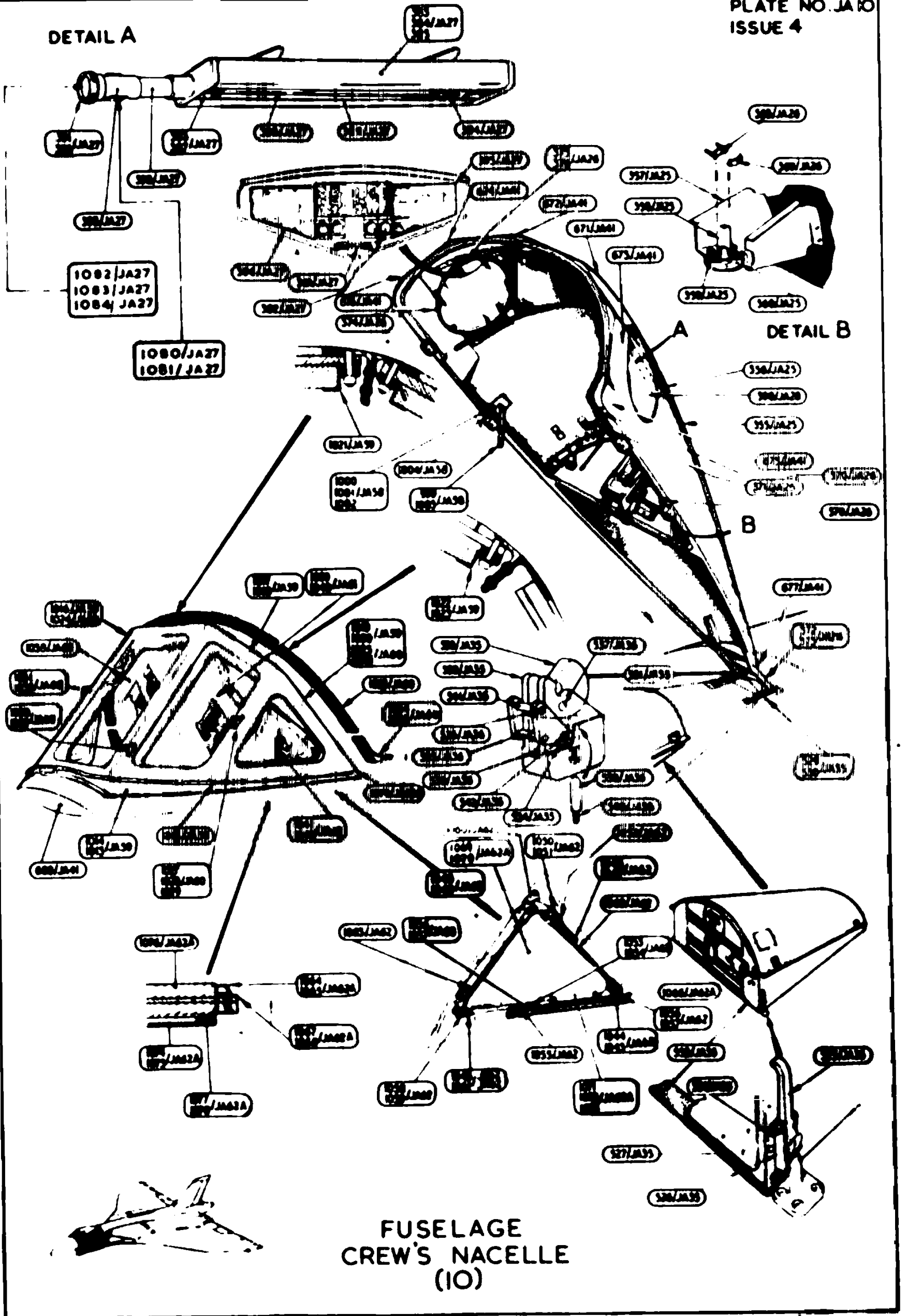
FUSELAGE
CREW'S NACELLE
(4)



RESTRICTED

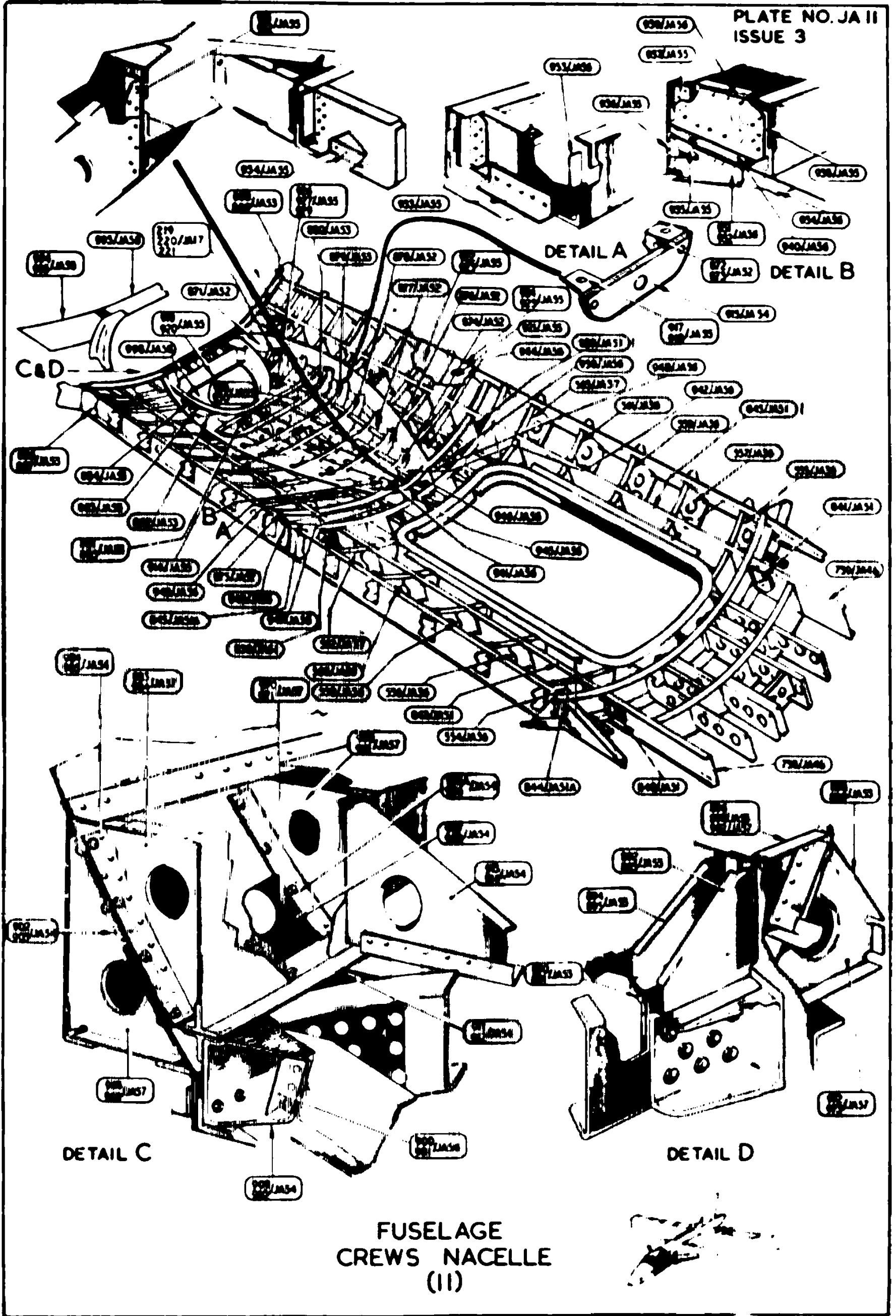
PLATE NO. JA 10
ISSUE 4

DETAIL A

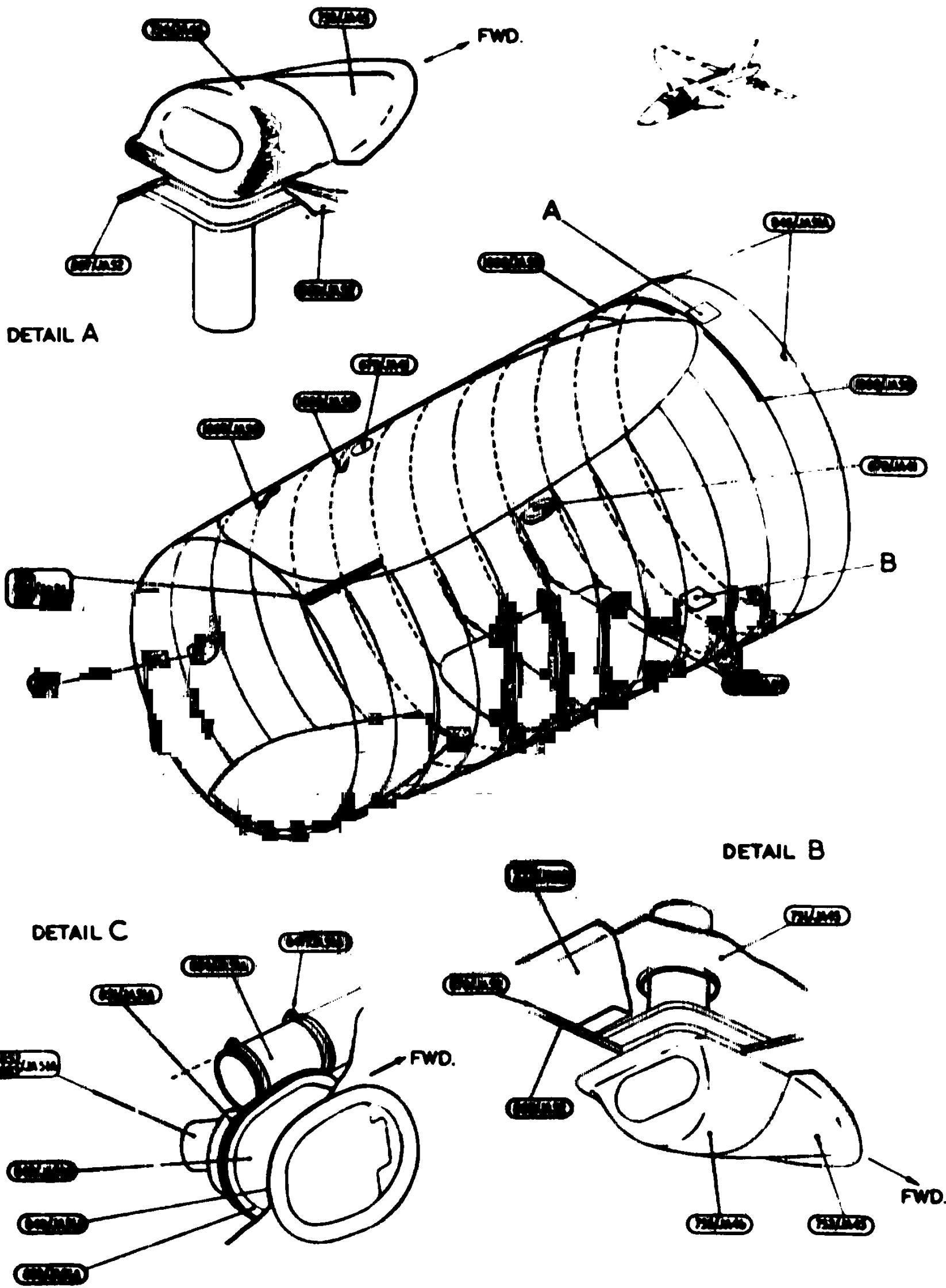


FUSELAGE
CREW'S NACELLE
(IO)

RESTRICTED



FUSELAGE
CREWS NACELLE
(II)



FUSELAGE
CREW'S NACELLE
(12)

FUSELAGE
CENTRE PORTION

Ref. No.	Part No.	Description 1 2 3 4	No. off	Matl. Spec.	Cl. of St. M.R.	Plate and Illust'n No.
		<p>CENTRE PORTION, FUSELAGE ASSEMBLY, COMPLETE (11D9581) (Mod. 300) (Complementary parts, e.g. intercomponent attachments listed at the end of this assembly will not be supplied with the assembly spare and must be demanded separately when required) Spare for:— A.S.I. SYSTEM (2S2167) (See Services—A.S.I. System)</p> <p>CONTROLS, ENGINE, PORT AND STARBOARD (3 & 4, O.3948) (See Controls—Engine)</p> <p>CONTROLS FLYING (R4188) (See Controls—Flying)</p> <p>CONTROLS, R.A.T. SYSTEM (Z9697) (See Controls—Ram Air Turbine)</p> <p>DUCTING INLET AND EXHAUST FOR T.R.U. IN POWER COMPARTMENT (Z9638) (See Services—Cooling System—Power Units and Radar Equipment)</p> <p>DUCTING INLET AND EXHAUST FOR T.R.U. AND FREQUENCY CHANGERS IN NOSE WHEEL BAY, PORT (Z9736) (See Services—Cooling System—Power Units and Radar Equipment)</p> <p>DUCTING, RADAR COOLING IN NOSE WHEEL BAY, STARBOARD (Z9247) (See Services—Cooling System—Power Units and Radar Equipment)</p> <p>DUCTING OVERBOARD DRAIN OUTLET OIL SEPARATOR O/B ENGINES 0.4164 (See Power Installation)</p> <p>ELECTRICAL INSTALLATION IN CENTRE PORTION (See Electrical Installation)</p> <p>ELECTRICAL INSTALLATION IN BOMB BAY (V8222) (See Electrical Installation)</p> <p>ELECTRICAL SERVICES FOR BOMB GEAR IN CENTRE PORTION (V8494) (See Electrical Installation)</p> <p>ELECTRICAL INSTALLATION IN ENGINE BAYS (V9194) (V10787) (See Electrical Installation)</p>				

FUSELAGE
CENTRE PORTION

Ref. No.	Part No.	Description	No. off	Matl. Spec.	Cl. of	Plate and Illust'n No.
					St. M.R.	
		1 2 3 4				
		ELECTRICAL INSTALLATION BELOW AIR INTAKES (V8496) (See Electrical Installation)				
		ELECTRICAL INSTALLATION IN NOSE WHEEL BAY (V9472) (See Electrical Installation)				
		ELECTRICAL INSTALLATION IN POWER COMPARTMENT (V9488) (See Electrical Installation)				
		ENGINE INSTALLATION, INNER AND OUTER, PORT AND STARBOARD (5-6-7-8.O 3942) (Pre Mod. 906)				
		ENGINE INSTALLATION, INNER AND OUTER, PORT AND STARBOARD (O 3987) (Mod. 906) (See Power Installation—Engine)				
		ENGINE, RAPID START SYSTEM (1 & 2Q3844) (Mod. 1320) (See Power Installation—Engine)				
		EXPLOSION SUPPRESSION INSTALLATION (4Z9815) ¹ (See Services—Fire Protection System)				
		EXTINGUISHER, FIRE SYSTEM, PORT AND STARBOARD (29 & 30Z9880) (See Services—Fire Protection)				
		EXTINGUISHER, FIRE SYSTEM IN BOMB BAY (Z9790) (See Services—Fire Protection)				
		EXTINGUISHER, FIRE SYSTEM, Nos. 1 & 2 TANKBAYS (Z7624) (See Services—Fire Protection)				
		FUEL SYSTEM, AFT OF FRONT SPAR, PORT AND STARBOARD (P3164) (See Services—Fuel System)				
		FUEL SYSTEM Nos 1 AND 2 FUEL TANKS, PORT AND STARBOARD (1 & 2P3481) (Mod. 360) (See Services—Fuel System)				
		HEATING INSTALLATION, BOMB BAY (Z7723) (See Services—Air Conditioning)				

VULCAN No 2

FUSELAGE
CENTRE PORTION

Ref. No.	Part No	Description	No off	Matl. Spec	Cl. of St.	Plate and Illust'n No.
					M R	
		1 2 3 4				
		INSTALLATION, AUTO-STABILISER EQUIPMENT IN BOMB BAY (R4411) (See Controls—Auto-Stabiliser)				
		INSTALLATION, TRUE AIRSPEED UNIT (1S2432) (See Services—Air Speed Indicator)				
		JETTISON, MECHANICAL, FOR SPECIAL STORE (2Z9701) Spares for:—				
	1SS4337	Bolt, csk. for pulley bracket and plate	2	—	MR	JB1/1
	4SS4337	Bolt, csk. for plates	5	—	MR	JB1/2
	60Z9701	Bracket, pulley	1	DTD130		JB1/3
	62Z9701	Bracket, pulley	1	DTD130		JB1/4
	77Z9701	Bracket, pulley	1	DTD130		JB1/5
	59Z9701	Bracket, rod attachment	1	L72		
	80Z9701	Bracket, rod attachment	1	L72		
	57Z9701	BRACKET, PULLEY, GROUP	1	—		JB1/6
		Consisting of:—				
	57aZ9701	Bracket	1	DTD130		
	57bZ9701	Guard	1	L72		
28Q/9129592	AS2Z9701	Rivet	2	—	C	
14166	29Z9701	CABLE, FORK END AND SCREWED END, FORWARD, GROUP	1	—	B	JB1/7
14167	30Z9701	CABLE, EYE END AND SCREWED END, FORWARD, GROUP	1	—	B	JB1/8
14168	55Z9701	CABLE, 17' 10 1/2" LONG, AFT GROUP	1	—	B	JB1/9
14169	56Z9701	CABLE, 13' 1-12" LONG, AFT, GROUP	1	—	B	JB1/10
28E/16520	AGS1000/00A	Clip, jubilee, for sockets	48	—	C	
14163	40Z9701	Fairlead, half, at front spar	2	BS2572	C	JB1/11
14164	52Z9701	FAIRLEAD	20	BS2572	C	JB1/12
	65Z9701	GUARD, 9-65" LONG, GROUP	1	—		JB1/13
	66Z9701	GUARD, 12-15" LONG, GROUP	1	—		JB1/14
	67Z9701	GUARD, 4-6" LONG, GROUP	1	—		JB1/15
	68Z9701	GUARD, 8-9" LONG, GROUP	1	—		JB1/16
	69Z9701	GUARD, 9-54" LONG, GROUP	1	—		JB1/17
	70Z9701	GUARD, 5-9" LONG, GROUP	1	—		JB1/18
	71Z9701	GUARD, 8-42" LONG, GROUP	1	—		JB1/19

FUSELAGE
CENTRE PORTION

Ref. No	Part No.	Description	No. off	Matl. Spec	Cl. of St.	Plate and Illust'n No.
					M.R.	
		JETTISON MECHANICAL (229701) (Cont'd)				
	7229701	GUARD, 10.34" LONG, GROUP	1	—		JB1/20
	7329701	GUARD, 11.10" LONG, GROUP	1	—		JB1/21
	7429701	GUARD, 10.42" LONG, GROUP	1	—		JB1/22
	7529701	GUARD, 20.6" LONG, GROUP	1	—		JB1/23
28M/1006473	A27/CT	Nut, lock, R.H.	12	—	C	
28M/4005891	A27/CTL	Nut, lock, L.H.	4	—	C	
	6129701	Plate, mounting, 16G x 3.68" x 3.72"	1	L72		
	6329701	Plate, mounting, 16G x 3.81" x 4"	1	L72		
	7829701	Plate, mounting, 16G x 8.55" x 3.3"	1	L72		
28R/1052624	AS103	Pulley, 2" dia.	5	—	B	
	5829701	Rod, 3/16" dia. x 6.9" long	2	S1	MR	JB1/24
14162	2429701	Socket, at tube joints	24	L62	C	JB1/25
	2329701	Tube, 20G x 0.5" o/d x 14.25" long	22	L62	C	JB1/26
	2829701	Tube, 20G x 0.5" o/d x 11.45" long	2	L62	C	JB1/27
28U/4064850	SP33/C	Tumbuckle	4	—	C	
		MOUNTING, OXYGEN BOTTLES IN BOMB BAY, PORT AND STARBOARD (1 & 229783) (See Services—Oxygen System)				
		MOUNTING, OXYGEN BOTTLES AFT, IN BOMB BAY, PORT AND STARBOARD (1 & 228745) (See Services—Oxygen System)				
		MOUNTING, OXYGEN BOTTLES IN POWER COMPARTMENT (129438) (29197) (Mod. 668) (See Services—Oxygen System)				
		MOUNTING, CAP FILLER AERIALS BETWEEN, JET PIPE TUNNELS, PORT (T4445) (Mod. 870) (See Equipment—Special Operational S.O.O.)				
		OXYGEN INSTALLATION (229197) (See Services—Oxygen System)				
		PIPE, PRESSURISATION, FOR TANK IN BOMB BAY (1P3293) (See Services—Fuel System—Flight Refuelling)				
		PIPING, HYDRAULIC IN BOMB BAY (1Q2211) (See Services—Hydraulics)				

VULCAN No. 2

FUSELAGE
CENTRE PORTION

Page JB. 5

Ref. No.	Part No.	Description	No. off	Matl. Spec.	Cl. of St.	Plate and Must'n No.
					M.R.	
		1. 2 3 4 : PIPING, HYDRAULIC, IN NOSE WHEEL BAY, PORT AND STARBOARD (Q2079) (Q2080) (See Services - Hydraulics) : : PIPING, HYDRAULIC, ENGINE BAY PORT AND STARBOARD (Q2081) (Q2082) (See Services - Hydraulics) : : PNEUMATICS, N.B.S. MK. 1A SERVICES (Q2258) (Mod. 715) (See Services - Pneumatic)				
		PRESSURISATION, TANK SYSTEM, PORT AND STARBOARD (265 & 266Z7516) (See Services - Pressurisation System)				
		PRESSURISATION AND ANTI-ICING INSTALLATION (1Z9446) (See Services - Air Conditioning)				
		PRESSURISATION SYSTEM FOR BOMB BAY TANK (1P3589) (See Services - Pressurisation System)				
		RADIO AND RADAR (3T4292) (See - Radio and Radar Installation)				
		RAM AIR TURBINE INSTALLATION, FORWARD FRONT SPAR (F11002) (See Services - Ram Air Turbine)				
		RECORDER, V.G. MOUNTING (S2301) (See Services - Air Speed Indicator)				
		REFUELLING SYSTEM, PORT AND STARBOARD (1 & 2P3162) (See Services, Fuel System)				
		STRUCTURE, CENTRE PORTION (D10631) (Mod. 360) Spares for. BRAKES AIR, PORT AND STARBOARD 7 & 6F9574 (Pre Mod 360) BRAKES AIR, PORT AND STARBOARD (8 & 9574) (Mod 360)				
22643	1F9409	BEARING, NEEDLE ROLLER, GROUP	6	-	MR	JB3/28
	2F9409	Consisting of -				
	3F9409	Race, inner	1	EN31		
	R & M	Race, outer	1	EN31		
	ZAEG.H	Roller, needle	24	-	B	
	4F9409	Washer, retaining	1	S110		

FUSELAGE
CENTRE PORTION

Ref. No.	Part No.	Description	No. off	Matl. Spec.	Cl. of	Plate and Illust'n No.
					St.	
		1 2 3 4			M.R.	
		BRAKES, AIR, PORT AND STARBOARD (8 & 9F9574) (Cont'd)				
22644	35F8706	BOLT, SPECIAL, GROUP	6	-	C	JB3/29
		Consisting of:-				
	350F8706	Bolt, 5/8" dia.	1	S96		
28N/9156370	SP.21	Nipple, grease	1	-	C	
	34F8706	Bolt, (Made from A30/7E)	12	-	MR	JB2/30
1365	1F8822	CHAIN, FOR AIRBRAKE, GROUP	8	-	B	JB4/31
		(Pre-Mod. 2360)				
	1F13026	CHAIN, FOR AIRBRAKE, GROUP	8	-	MR	
		(Mod. 2360)				
		Spares for:-				
	2F8222	CHAIN, C/W END LINKS, GROUP	1	-		
		(Pre-Mod. 2360)				
	2F13026	CHAIN C/W END LINKS, GROUP	1	-		
		(Mod. 2360)				
1727	8F8822	Block, chain end	1	S96	C	JB2/32
1728	9F8822	Block, chain end	1	S96	C	JB2/33
84	1F9581/W	FLAP, INBOARD, TOP, AIRBRAKE	1	-	A	JB2/34
		WHITE, PORT, GROUP (Mod. 1877)				
	1F9581/P	FLAP, INBOARD, TOP, AIRBRAKE	1	-		
		PRIMERED, PORT, GROUP (Mod. 1877)				
1433336	1F9581/EP	FLAP, INBOARD, TOP, AIRBRAKE,	1	-	A	
		POLYURATHANE FINISH, PORT, GROUP (Mod. 2129)				
85	2F9581/W	FLAP, INBOARD, TOP, AIRBRAKE	1	-	A	JB2/35
		WHITE, STARBOARD, GROUP (Mod. 1877)				
	2F9581/P	FLAP, INBOARD, TOP, AIRBRAKE	1	-		JB2/36A
		PRIMERED, STARBOARD, GROUP (Mod. 1877)				
1433337	2F9581/EP	FLAP, INBOARD, TOP, AIRBRAKE	1	-	A	
		POLYURATHANE FINISH, STARBOARD, GROUP (Mod. 2129)				
86	3F9581/W	FLAP, OUTBOARD, TOP, AIRBRAKE ...	1	-	A	JB2/36
		WHITE, PORT, GROUP (Mod. 1877)				
	3F9581/P	FLAP, OUTBOARD, TOP, AIRBRAKE ...	1	-		JB2/36A
		PRIMERED, PORT, GROUP (Mod. 1877)				
1433338	3F9581/EP	FLAP, OUTBOARD, TOP, AIRBRAKE, ...	1	-	A	
		POLYURATHANE FINISH, PORT, GROUP (Mod. 2129)				
87	4F9581/W	FLAP, OUTBOARD TO AIRBRAKE	1	-	A	JB2/37
		WHITE, STARBOARD, GROUP (Mod. 1877)				

VULCAN No. 2

FUSELAGE
CENTRE PORTION

Ref. No.	Part No.	Description	No. off	Matl. Spec.	Cl. of St. M.R.	Plate and Illust'n No.
		1 2 3 4				
		BRAKES, AIR, PORT AND STARBOARD (8 & 9F9574) (Cont'd)				
	4F9581/P	FLAP, OUTBOARD TOP AIRBRAKE PRIMERED, STARBOARD, GROUP (Mod. 1877)	1	-		JB2/37A
1433330	4F9581/EP	FLAP, OUTBOARD TOP AIRBRAKE POLYURATHANE FINISH, STARBOARD, GROUP (Mod. 2129)	1	-	A	
	5F9581	Spares for:- Bolt, special	4	-		
517	31F9582	FLAP, INBOARD BOTTOM AIRBRAKE, . PORT, GROUP	1	-	A	JB2/38
	1F12947	FLAP, INBOARD BOTTOM AIRBRAKE, . PORT, GROUP (S.O.O. Mod. 2314) (One A/C only)	1	-		

VULCAN No. 2

FUSELAGE
CENTRE PORTION

Page JB. 7

Ref. No.	Part No.	Description	No. off	Matl. Spec.	Cl. of	Plate and Illust'n No.
					St. M.R.	
		1 2 3 4				
		BRAKES, AIR, PORT AND STARBOARD (B & 9F9574) (Cont'd)				
518	30F9582	FLAP, INBOARD, BOTTOM AIRBRAKE, STARBOARD, GROUP	1	-	B	JB2/39
7386	50F9582	Spares for:- Bead, sealing (Make from 447SS3075) ..	2	DTD278	MR	JB2/40
	51F9582	Bead, sealing (Make from 447SS3075) ..	2	DTD278	C	JB2/41
2734	1F9421	LEG, TOP, AT RIB 63.5, PORT 1/B, BRAKE, GROUP	1	-	A	JB2/42
	42F9421	LEG, TOP, AT RIB 63.5, STARBOARD, 1/B, BRAKE, GROUP (Mod. 1340)	1	-	MR	JB2/43
	1F9410	Spares for:- ARM, FOLLOWER, L.H. PORT, GROUP	1	-	MR	JB3/44
	2F9410	ARM, FOLLOWER, R.H. STARBOARD, GROUP	1	-	MR	JB3/45
2A/9500468 28N/4043823	R & M CD 1/2 AGS2030/47	Spares for:- Bearing	2	-	B	JB3/46
		Circlip, 44 mm	1	-	C	
8814 9088	7F8708	Block, adjuster	1	S94, 95 or 96		JB3/47
	2F8534	Bolt, centre lever and adjustable rods ...	2	S94, 95 or 96	MR	JB3/48
	7F8534	Bolt, at follower arm and rod	1	S94, 95 or 96	MR	JB3/49
	33F9421	Bolt, at top lever and rod	1	S94, 95 or 96	MR/C	JB3/50
	9F8708	Bolt, csk. at adjuster block	4	S94, 95 or 96	C	JB3/51
	1F9423	LEG, TOP, AT RIB 63.5, PORT, GROUP	1	-		JB3/52
	32F9423	LEG, TOP, AT RIB 63.5, STARBOARD, GROUP (Mod. 1340)	1	-		JB3/53
	18F9421	Spares for:- Bolt, special, top lever	1	S99	MR	JB3/54
	20F9421	Bolt, special, follower arm	1	S99	MR	JB3/55
	11F9421	Bracket, bearing	1	DTD683	MR	JB3/56
	12F9421	Bracket, bearing	1	DTD683	MR	JB3/57
	1F8733	LEVER, CENTRE, GROUP	1	-	MR	JB3/58
2A/9500412 28N/2001688	SKEFCO CBS.3	Spares for:- Bearing	2	-	B	JB3/59
	8F8534	Bolt, special	1	S96		
	6F8532	Bracket	1	DTD683		
	7F8532	Bush	2	S1		
	10F8529	Bush	4	S1	MR	JB3/60
	AGS2030/22	Circlip, internal	1	-	C	
	2F8733	LEVER, GROUP	1	-		JB3/61
	16F9423	Strip, cam, 1/4" x 1/2" x 5-1/4" long .	1	L72		
	17F9423	Strip, cam, 1/4" x 1/2" x 6-1/4" long .	1	L72		
	20F9423	Strip, cam, 1/4" x 1/2" x 7.65" long ..	1	L72	MR	JB3/62
	21F9423	Strip, cam, 1/4" x 1/2" x 6-1/2" long .	1	L72	MR	JB3/63
	22F9423	Strip, cam, 1/4" x 1/2" x 2' 2" long ..	1	L72	MR	JB3/64

FUSELAGE
CENTRE POSITION

Ref. No.	Part No.	Description	No. off	Matl. Spec	Cl. of St.	Plate and Illust'n No.
					M.R.	
		1 2 3 4				
		LEG. TOP, AT RIB 63.5, PORT AND STARBOARD (1 & 42F9421) (Cont'd)				
28N/4186641 17943	13F9421	LEVER, TOP, GROUP	1	—	MR	JB3/66
		Spares for:—				
	17F8714	Bush	2	S1	MR	JB3/66
	22F8714	Bush	2	S96		
	HOFFMAN					
	CJ.5	Joint, spherical	2	—	C	JB3/67
	4SS5880	Plate, securing (No. 4)	2	—	C	JB3/68
	21F9421	Piece, distance	1	S1	MR	JB3/69
	32F9421	Plate, locking	1	S3	MR	JB3/70
	1F9418	ROD, ADJUSTABLE, OPERATING,	1	—	MR	JB3/71
	LEVER TO LEVER, GROUP					
	Spares for:—					
28M/9452621 28M/4095954	3F9418	End, fork, screwed	1	S96	MR	
	A27/NT	Nut, lock, R.H.	1	—	C	
	A27/NTL	Nut, lock, L.H.	1	—	C	
	12F8729	Turnbuckle	1	S96	MR	JB3/71A
	1F9443	POD, ADJUSTABLE, OPERATING,	1	—	MR	JB3/72
	LEVER TO FOLLOWER ARM, GROUP					
	Spares for:—					
10F8529	Bush	2	S1	MR	JB3/73	
11F8729	END, ROD, SCREWED, GROUP .	1	—		JB3/74	
	Spares for:—					
28N/4186641	HOFFMAN					
	CJ.5	Joint, spherical	1	—	C	JB3/75
	5SS5880	Plate, securing	1	S510		
28M/9452621 28M/4095954	A27/NT	Nut, lock, R.H.	1	—	C	
	A27/NTL	Nut, lock, L.H.	1	—	C	
	12F8729	Turnbuckle	1	S96	MR	JB3/75A
2737	3F9421	LEG. TOP, INBOARD SIDE RIB	1	—	MR	JB2/76
		113.3. PORT, GROUP				
	4F9421	LEG. TOP, INBOARD, SIDE RIB	1	—	A	JB2/77
		113.3. STARBOARD, GROUP				
		Spares for:—				
	1F9410	ARM, FOLLOWER, L.H., GROUP	1	—	MR	JB3/78
	2F9410	ARM, FOLLOWER, R.H., GROUP	1	—	MR	JB3/79
		Spares for:—				
2A/9500468 28N/4043823	R & M	Bearing	2	—	B	JB3/80
	CD.1/2 AGS2030/47	Circlip, 44 mm	1	—	C	JB3/81

RESTRICTED
(FOR OFFICIAL USE ONLY)

*Received from
Mitterwell 30/7/81*

AIR PUBLICATION 101B-1902-3A

BOOK 2

JUNE, 1960

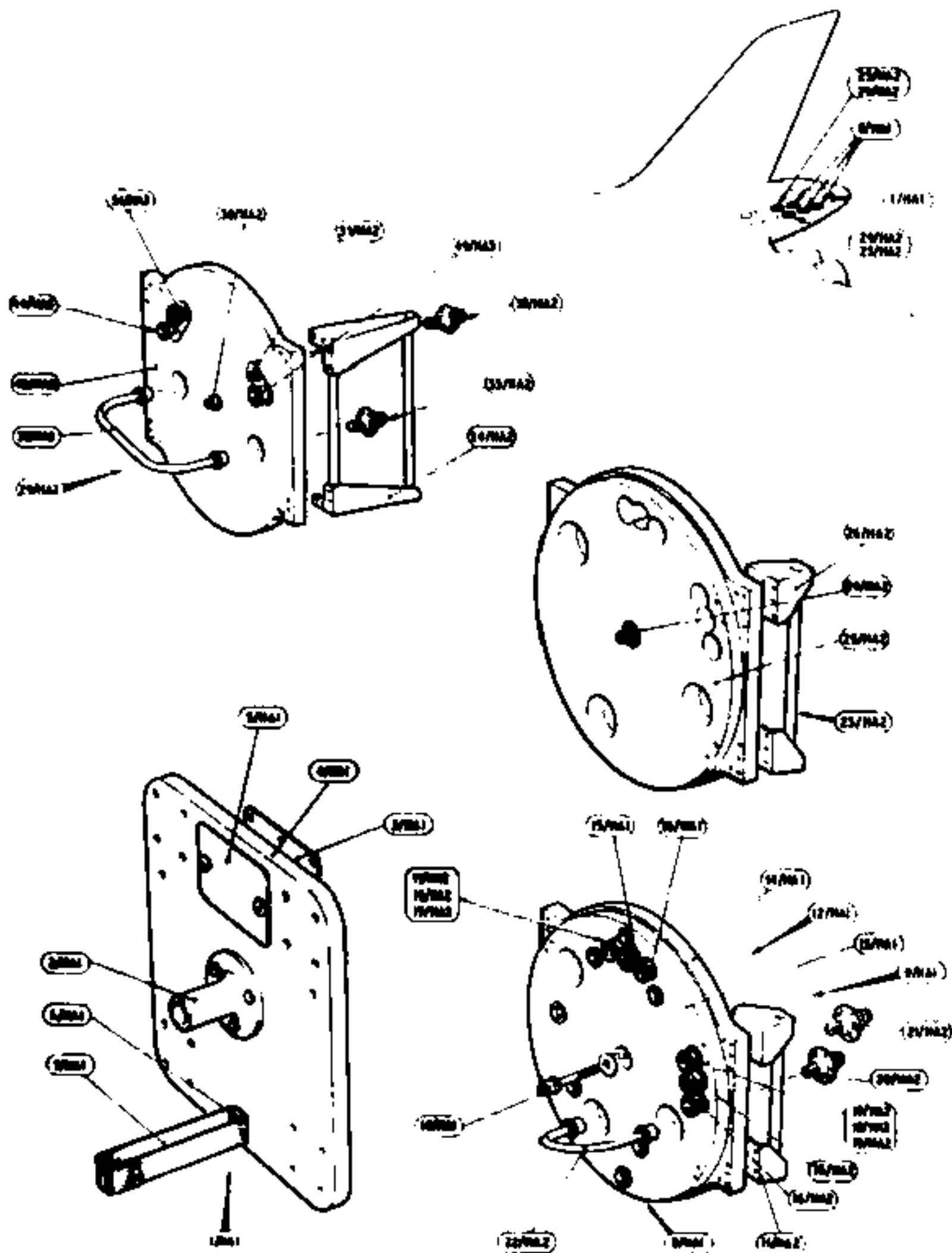
1st EDITION

VULCAN B/K MK. 2 AIRCRAFT

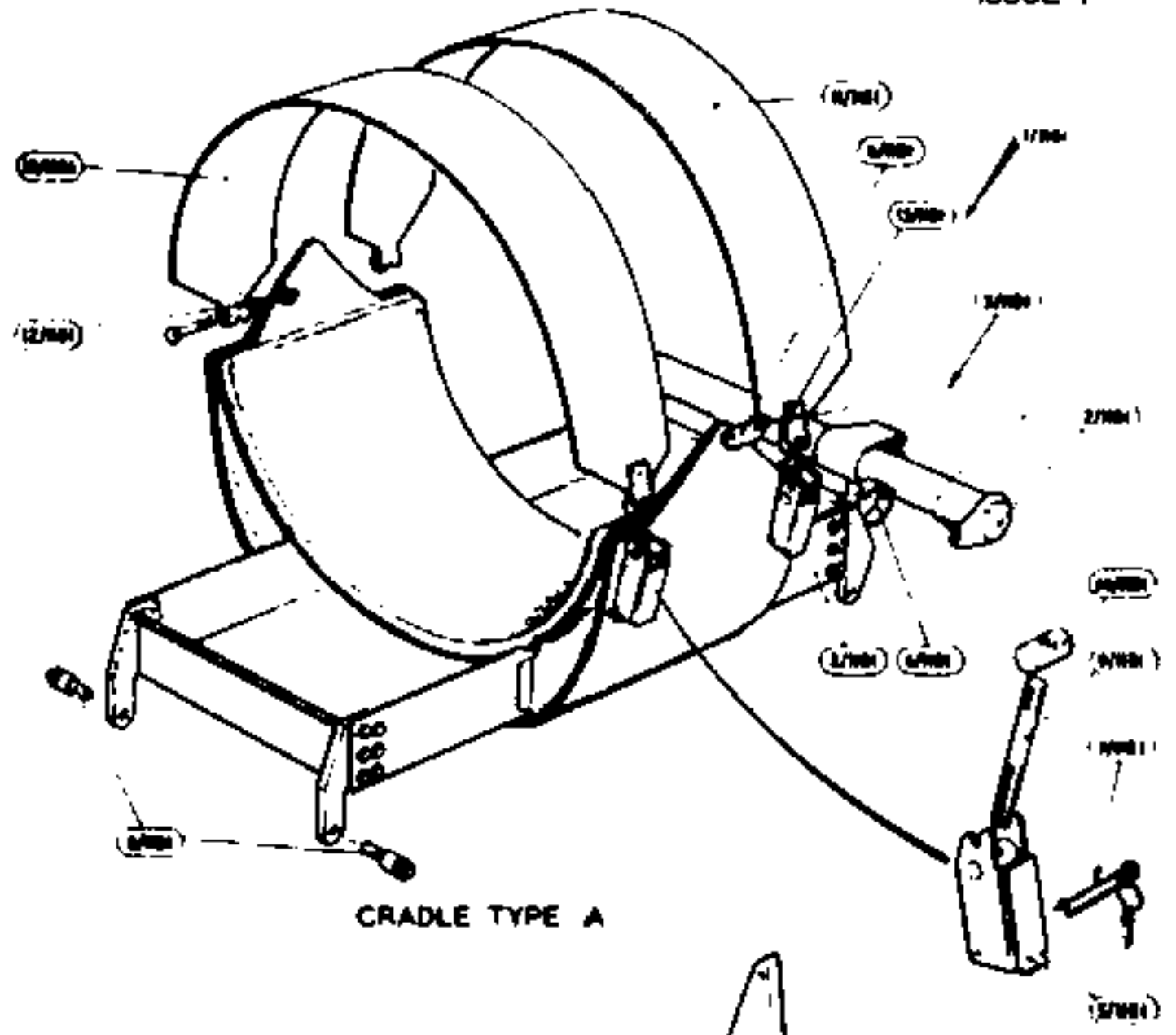
SCHEDULE OF SPARE PARTS

AIR MINISTRY

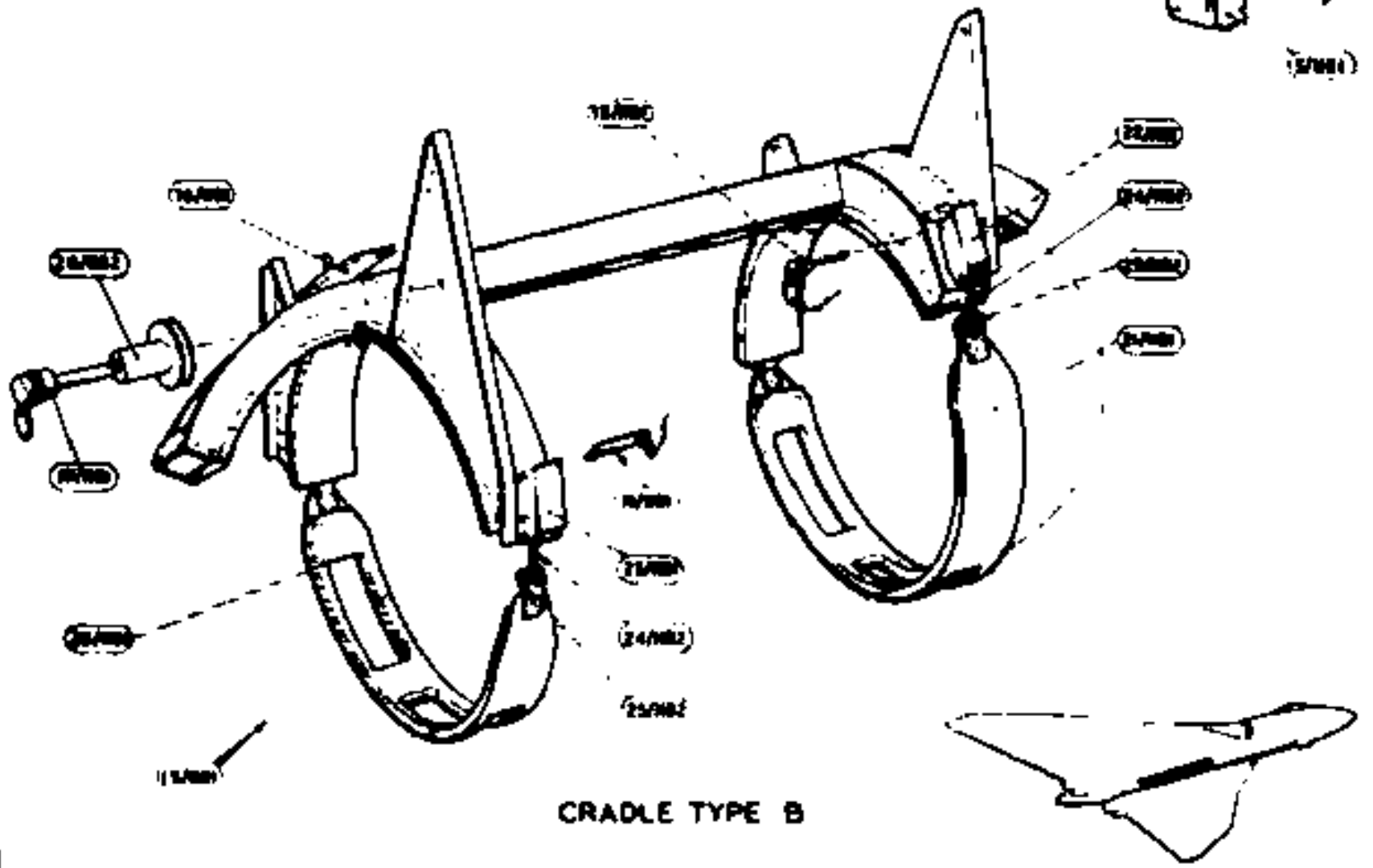
RESTRICTED



EQUIPMENT SPECIAL OPERATIONAL (S.O.)
MOUNTING BALLAST & SOCKET PLATES WHEN SPECIAL
AIRBORNE EQUIPMENT IS NOT FITTED

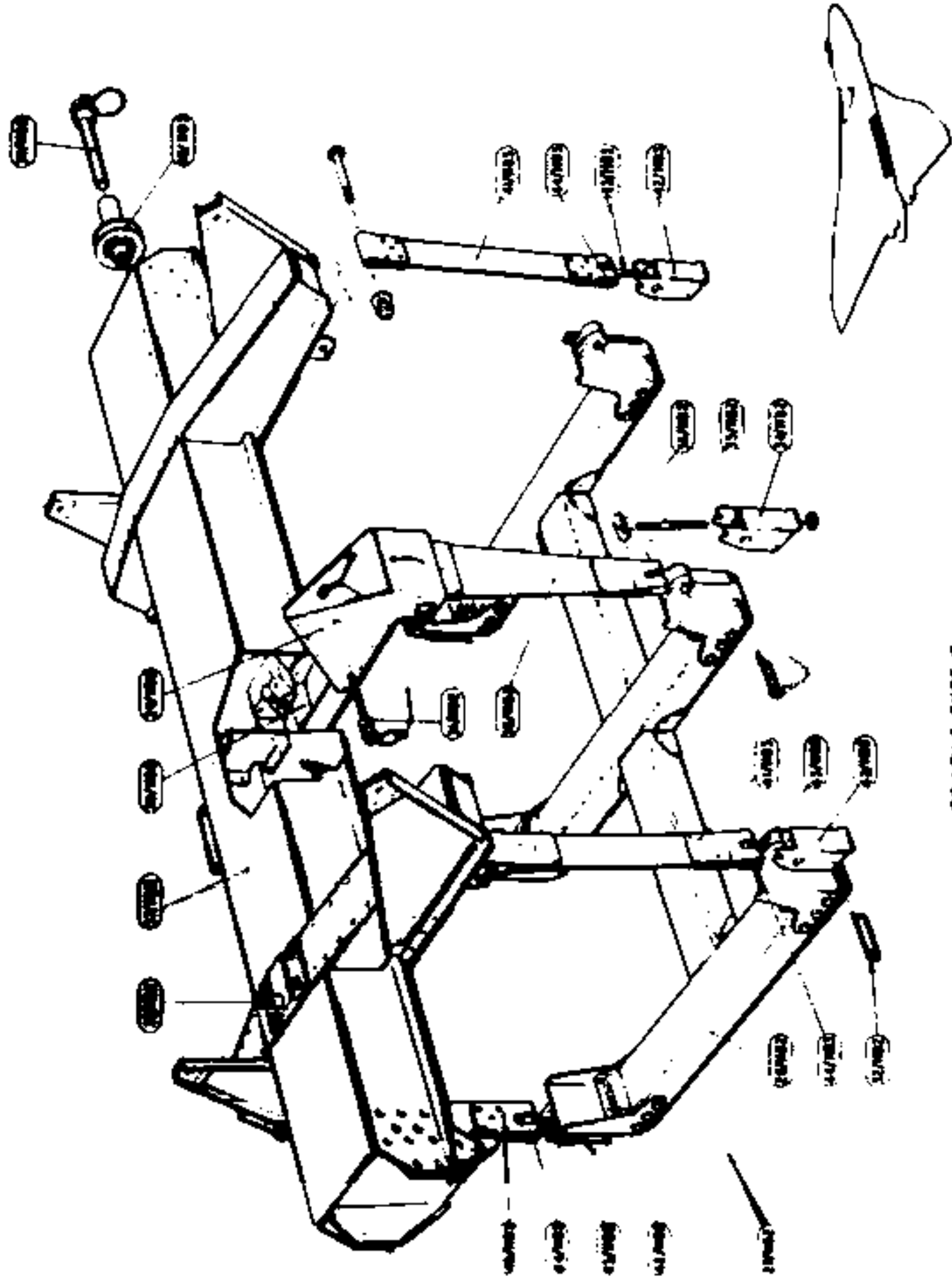


CRADLE TYPE A



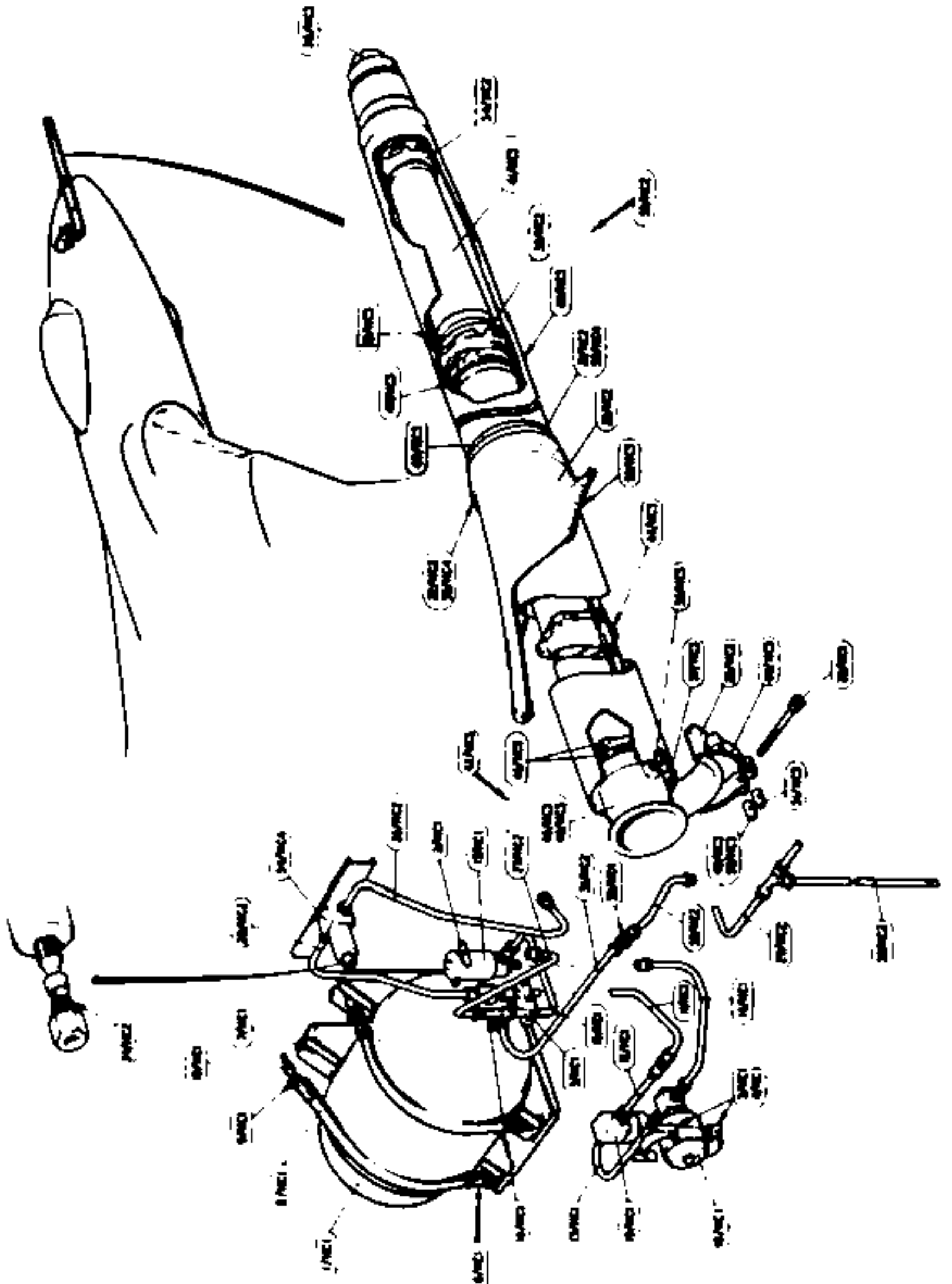
CRADLE TYPE B

EQUIPMENT, SPECIAL OPERATIONAL (S.O.O.)
REMOVABLE CRADLES, FOR TYPE A, B & C CONTAINERS
(1)

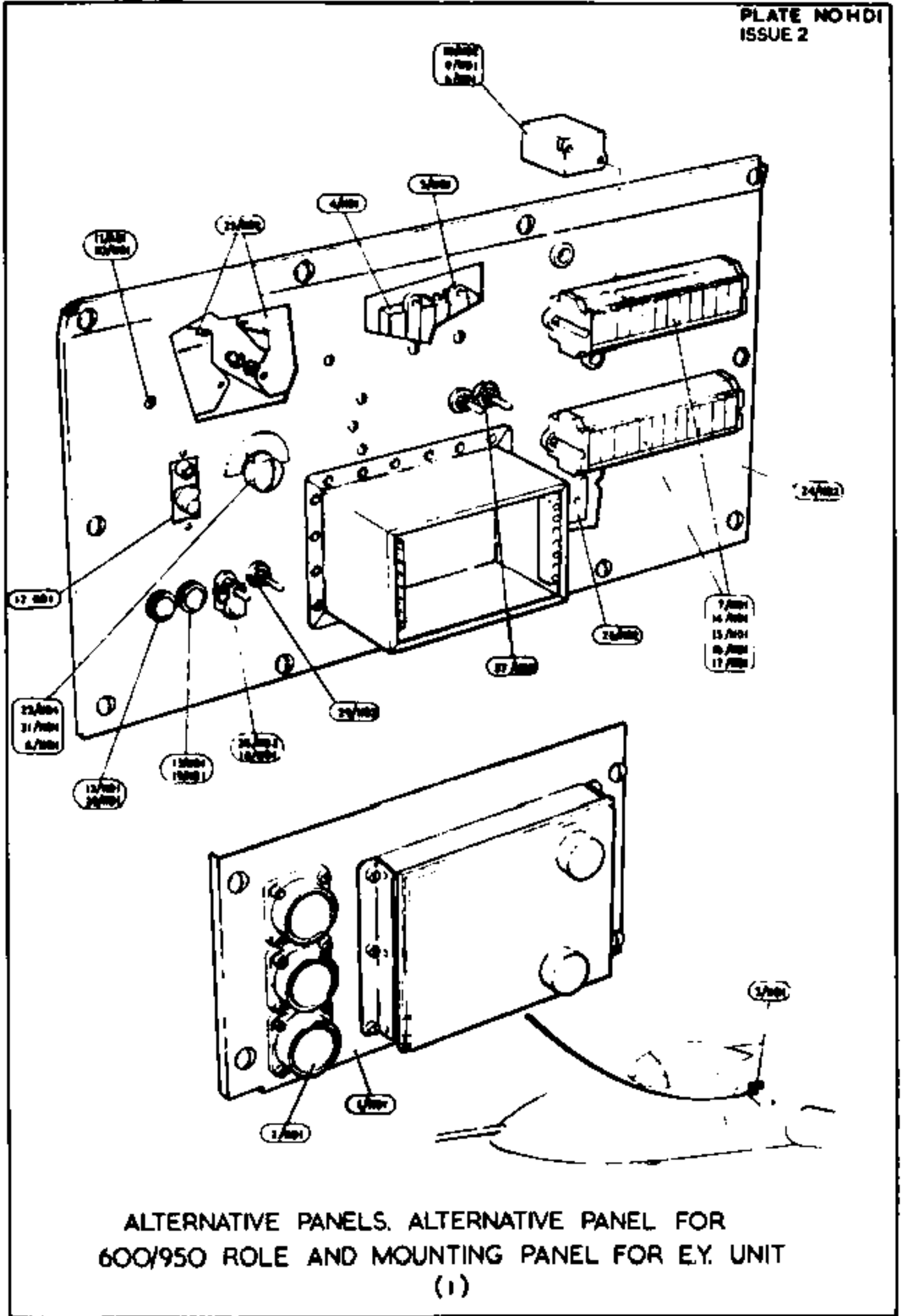


CRADLE TYPE C

EQUIPMENT, SPECIAL OPERATIONAL (S.O.O)
REMOVABLE CRADLES FOR TYPE A, B & C CONTAINERS



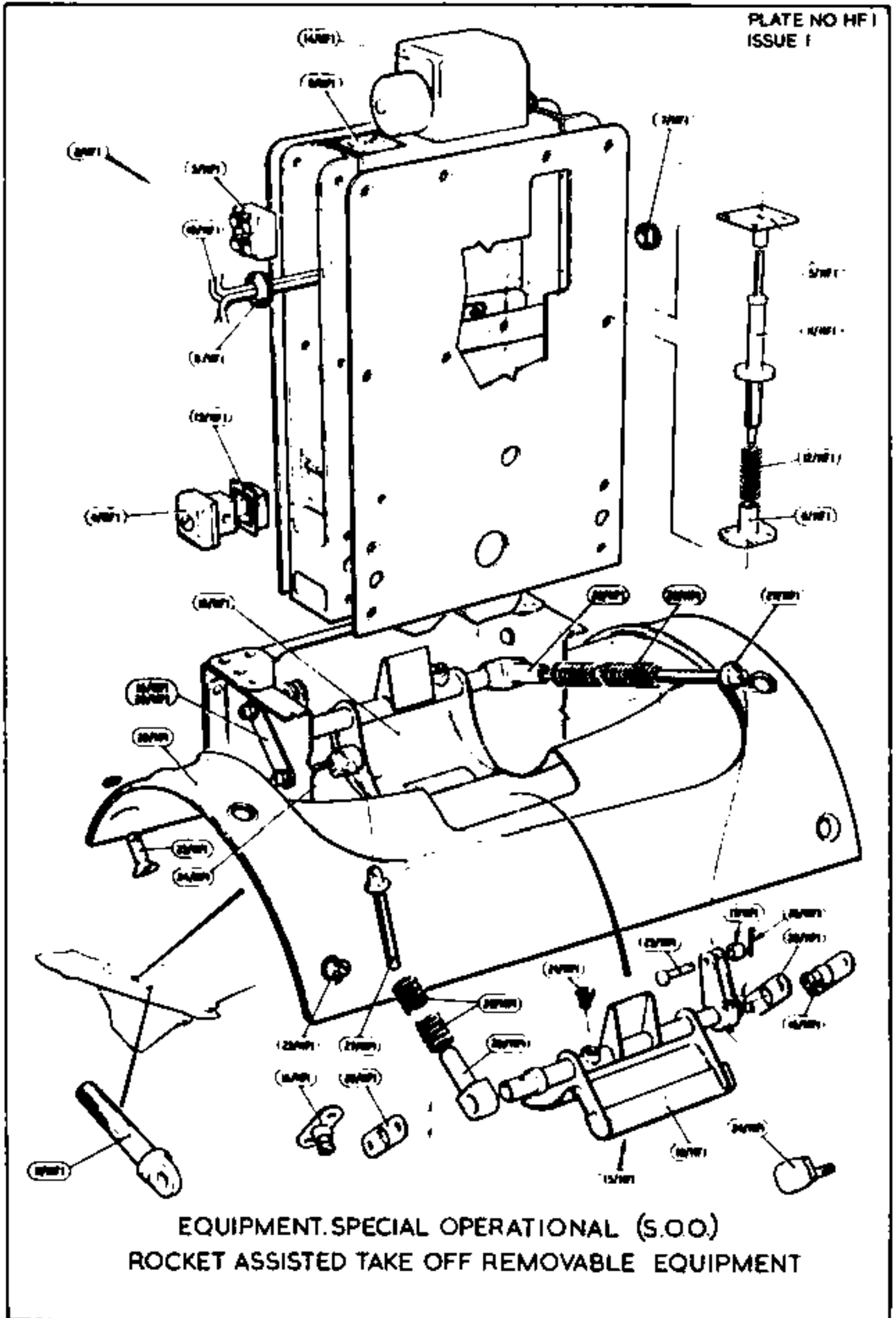
EQUIPMENT SPECIAL OPERATIONAL (S.O.O)
FLIGHT REFUELLING IN NOSE. (REMOVABLE FITTINGS)



ALTERNATIVE PANELS. ALTERNATIVE PANEL FOR
600/950 ROLE AND MOUNTING PANEL FOR E.Y. UNIT
(1)

RESTRICTED

PLATE NO HF I
ISSUE I

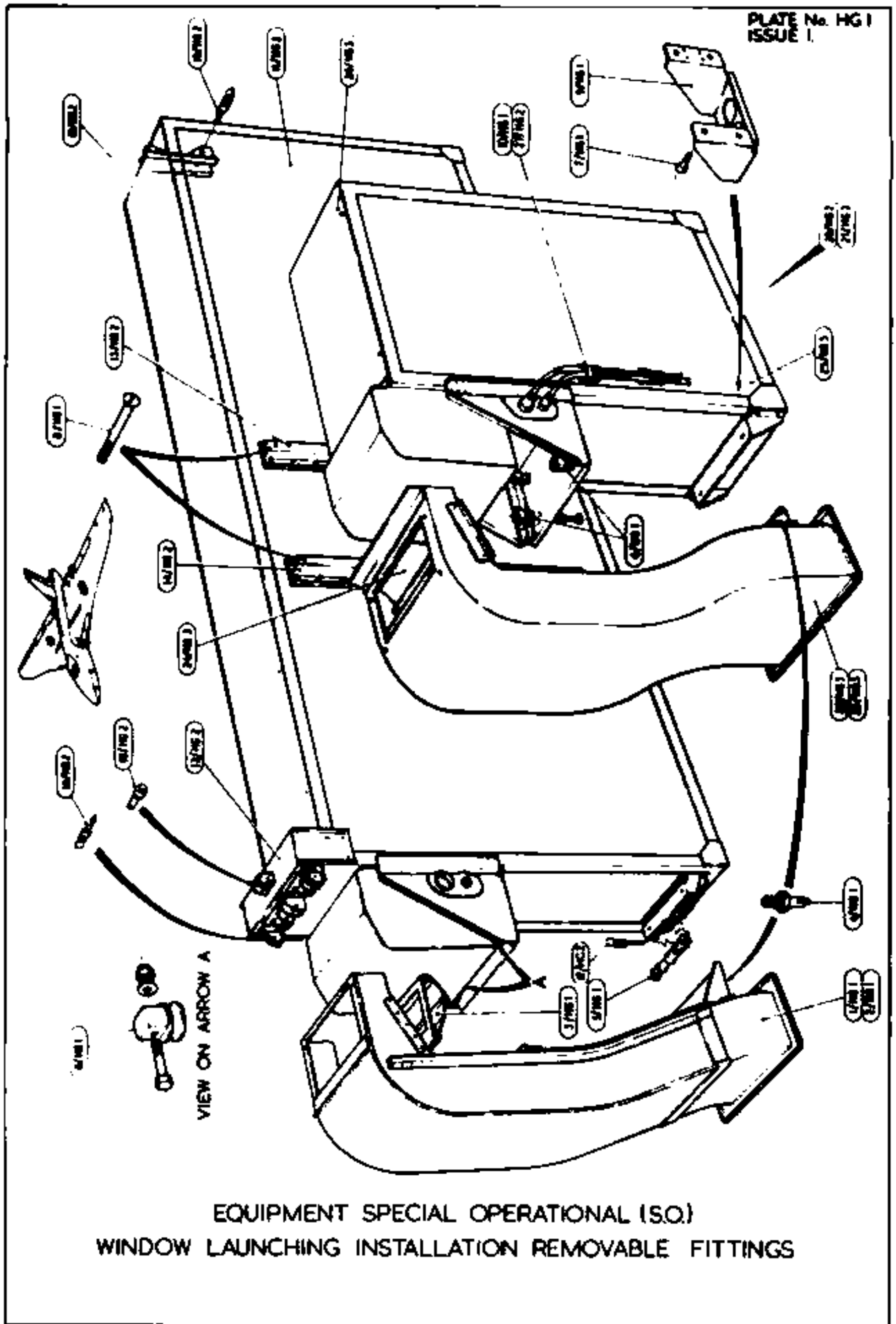


EQUIPMENT.SPECIAL OPERATIONAL (S.OO)
ROCKET ASSISTED TAKE OFF REMOVABLE EQUIPMENT

RESTRICTED

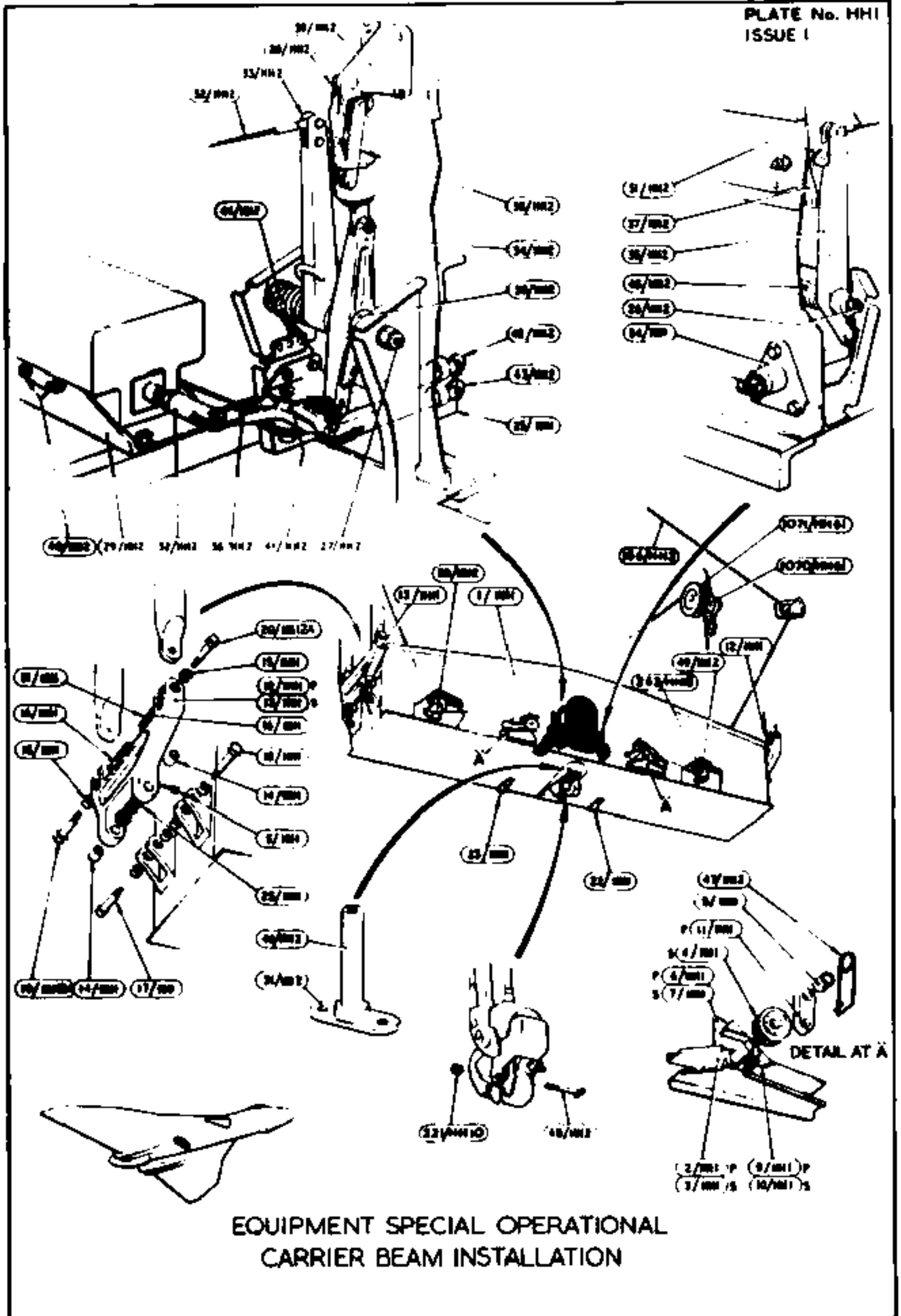
RESTRICTED

PLATE No. HG 1
ISSUE 1.



EQUIPMENT SPECIAL OPERATIONAL (SO)
WINDOW LAUNCHING INSTALLATION REMOVABLE FITTINGS

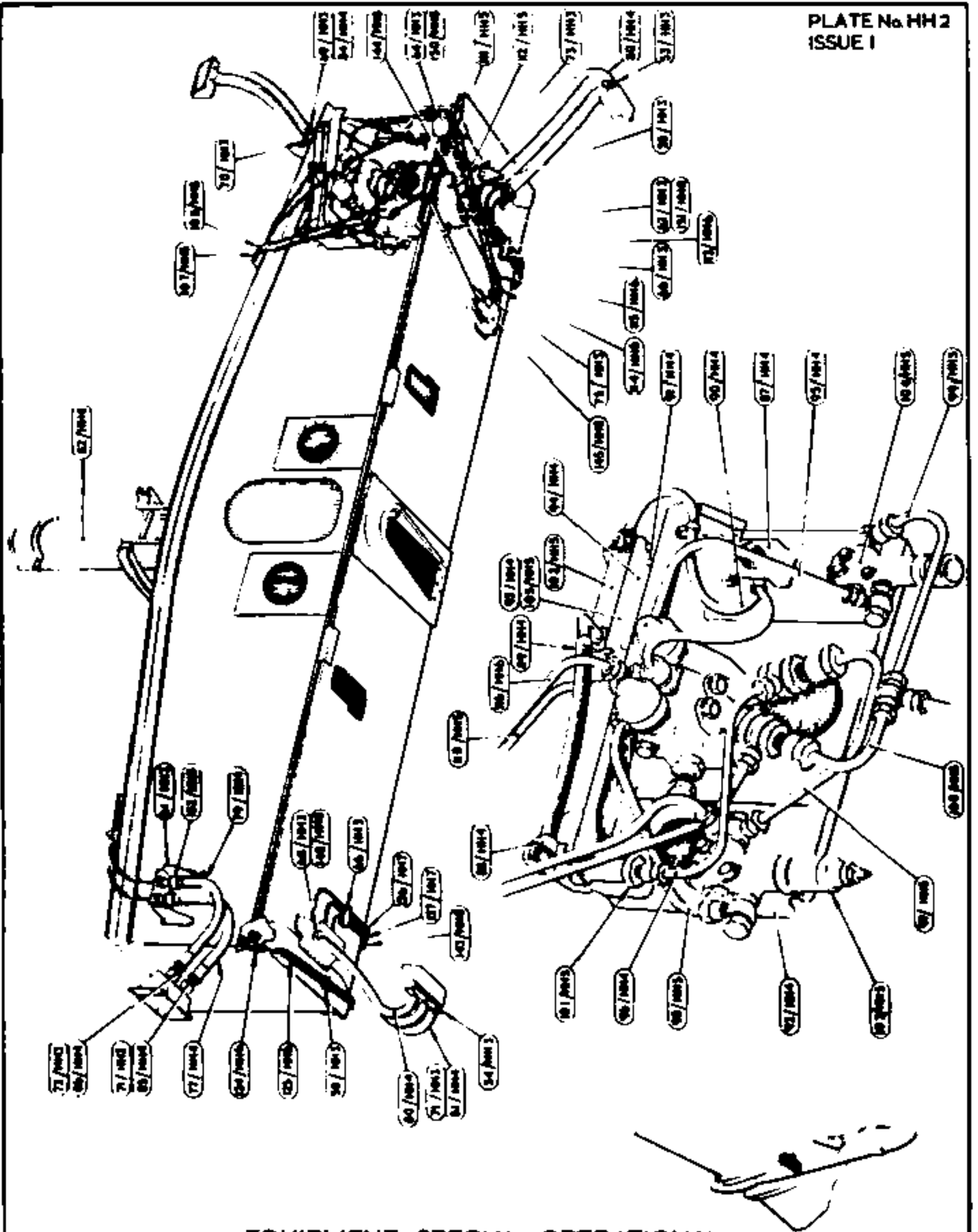
RESTRICTED



EQUIPMENT SPECIAL OPERATIONAL
CARRIER BEAM INSTALLATION

RESTRICTED

PLATE No HH2
ISSUE 1

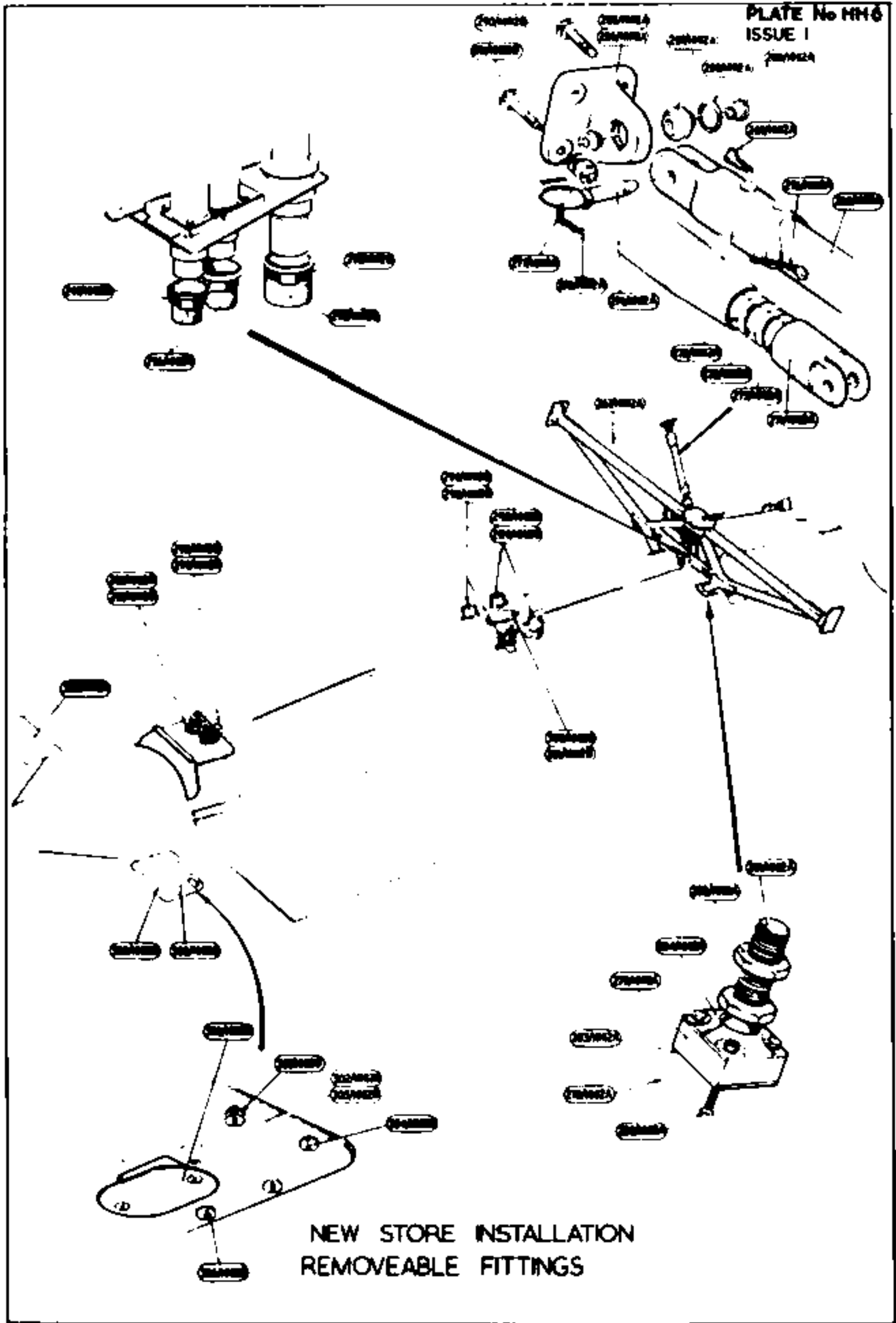


EQUIPMENT SPECIAL OPERATIONAL
HYDRAULIC INSTALLATION IN CARRIER BEAM

RESTRICTED

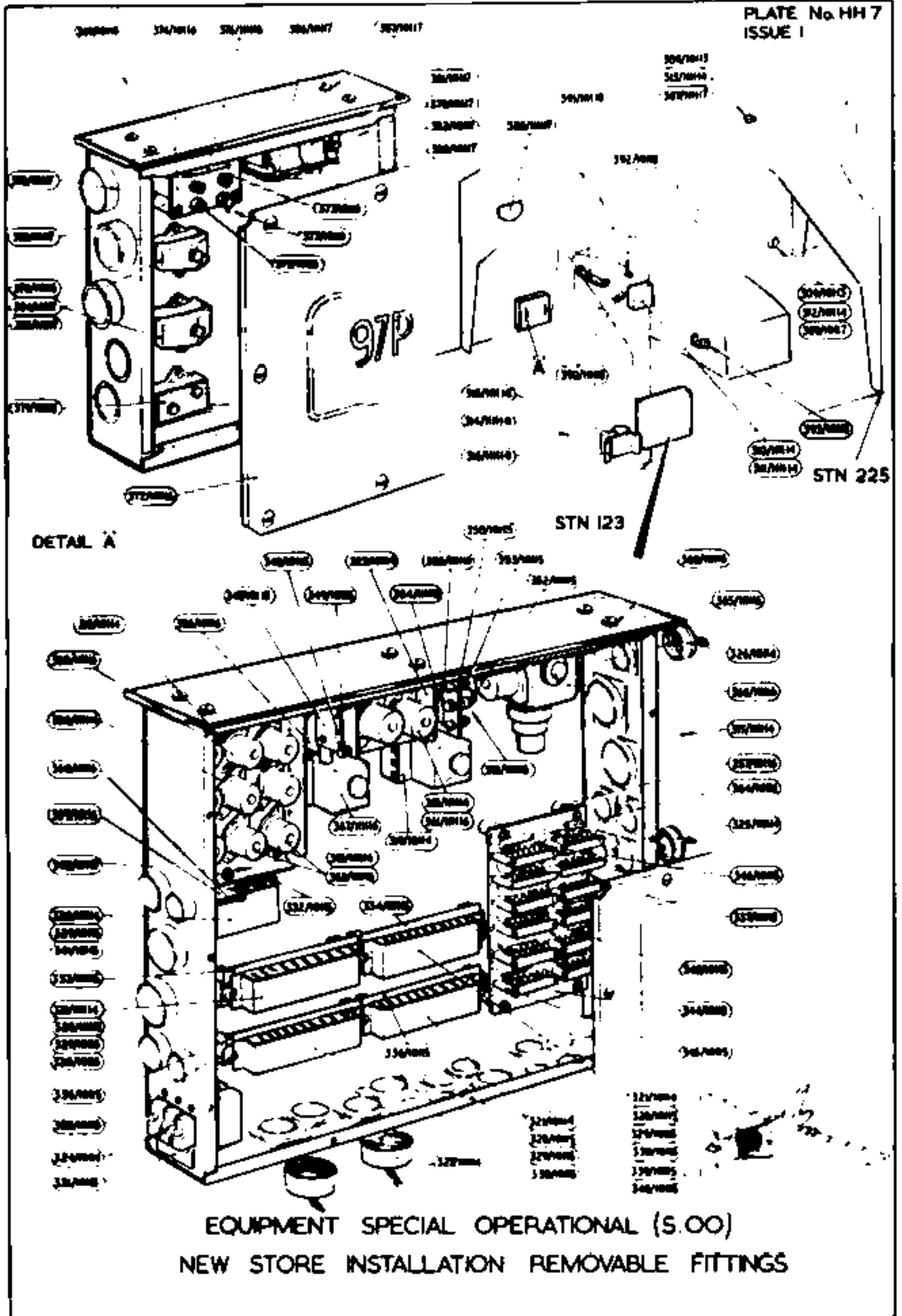
RESTRICTED

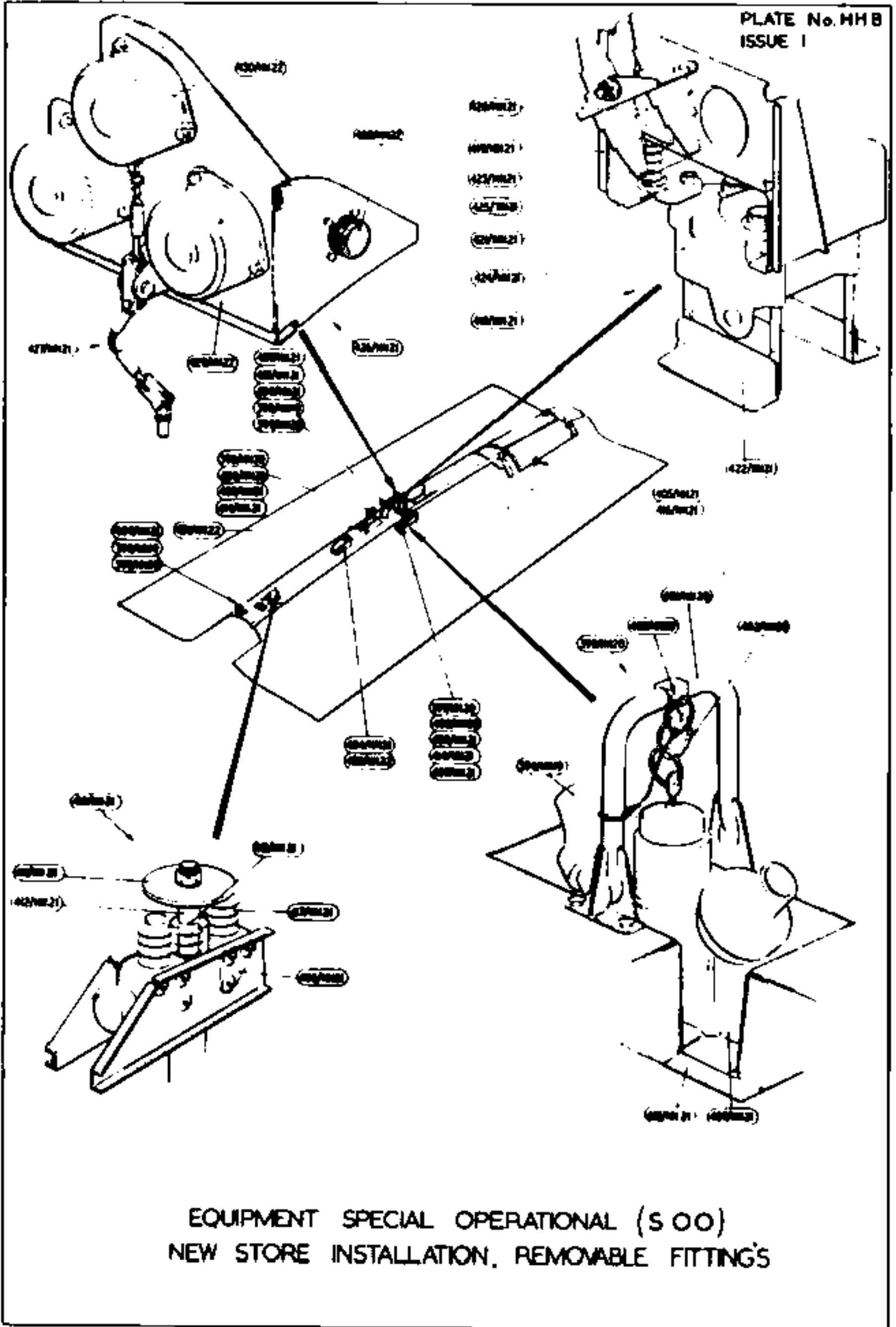
PLATE No HM6
ISSUE 1



NEW STORE INSTALLATION
REMOVEABLE FITTINGS

RESTRICTED

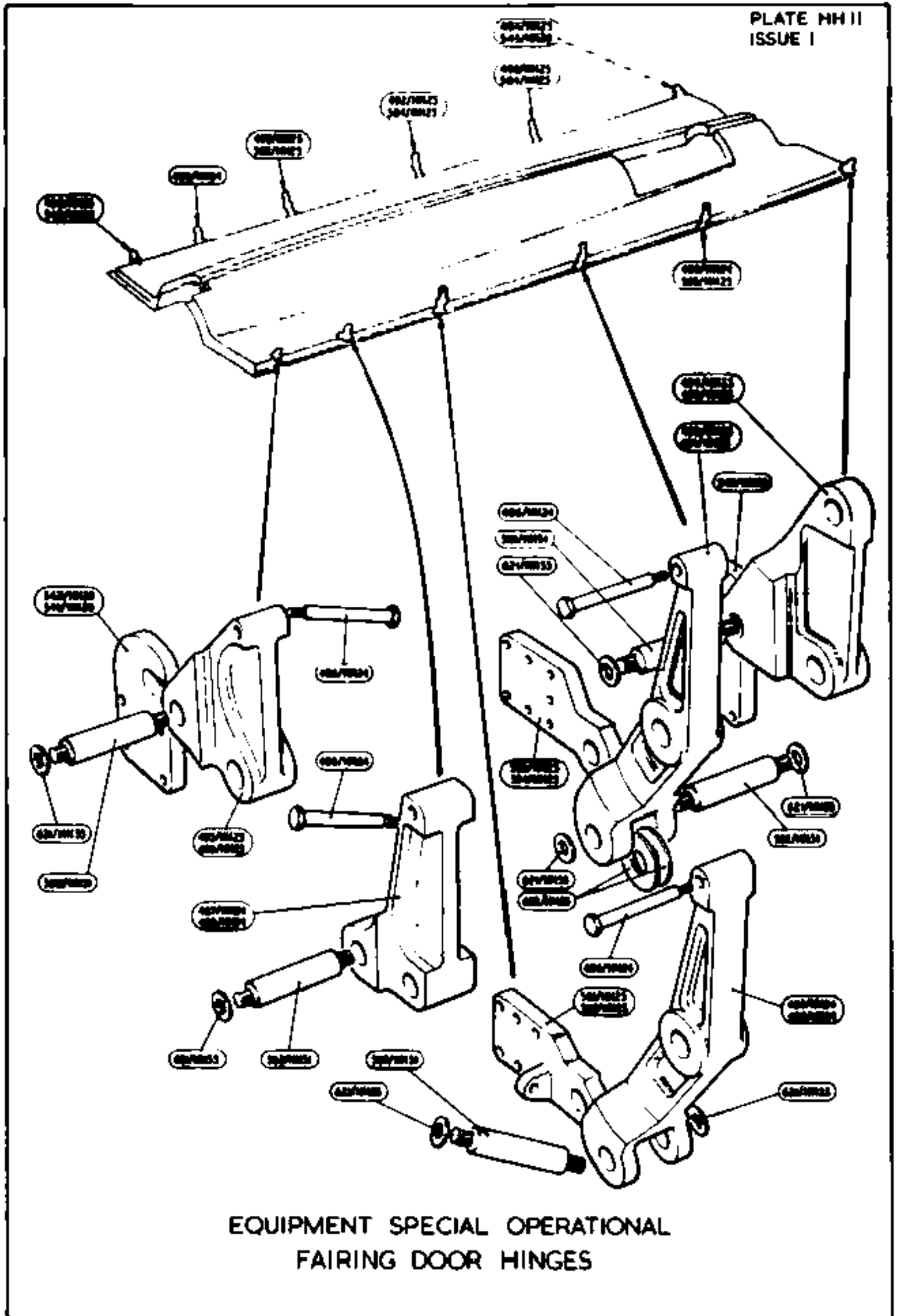




EQUIPMENT SPECIAL OPERATIONAL (S O O)
NEW STORE INSTALLATION, REMOVABLE FITTINGS

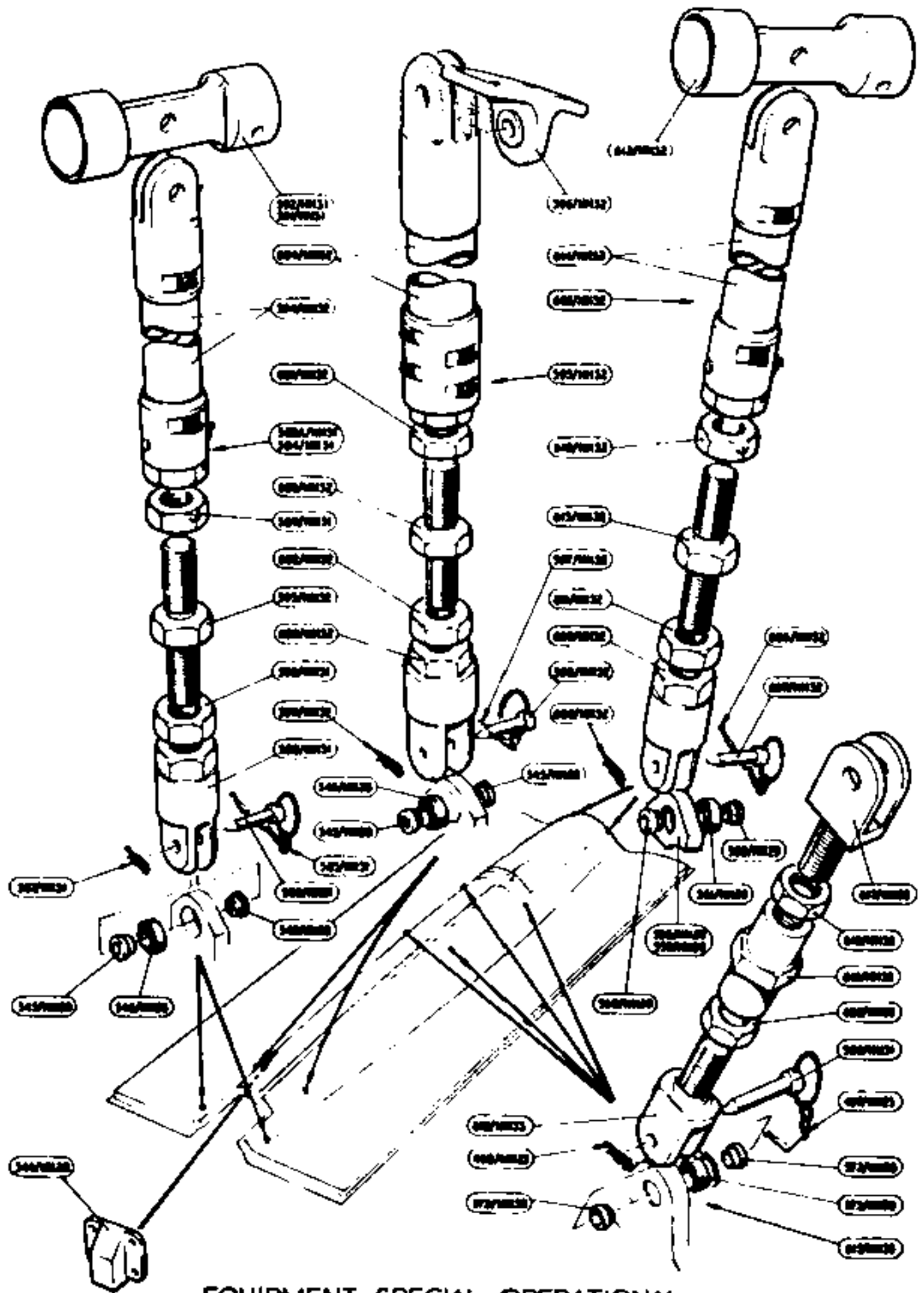
RESTRICTED

PLATE NH II
ISSUE I



EQUIPMENT SPECIAL OPERATIONAL
FAIRING DOOR HINGES

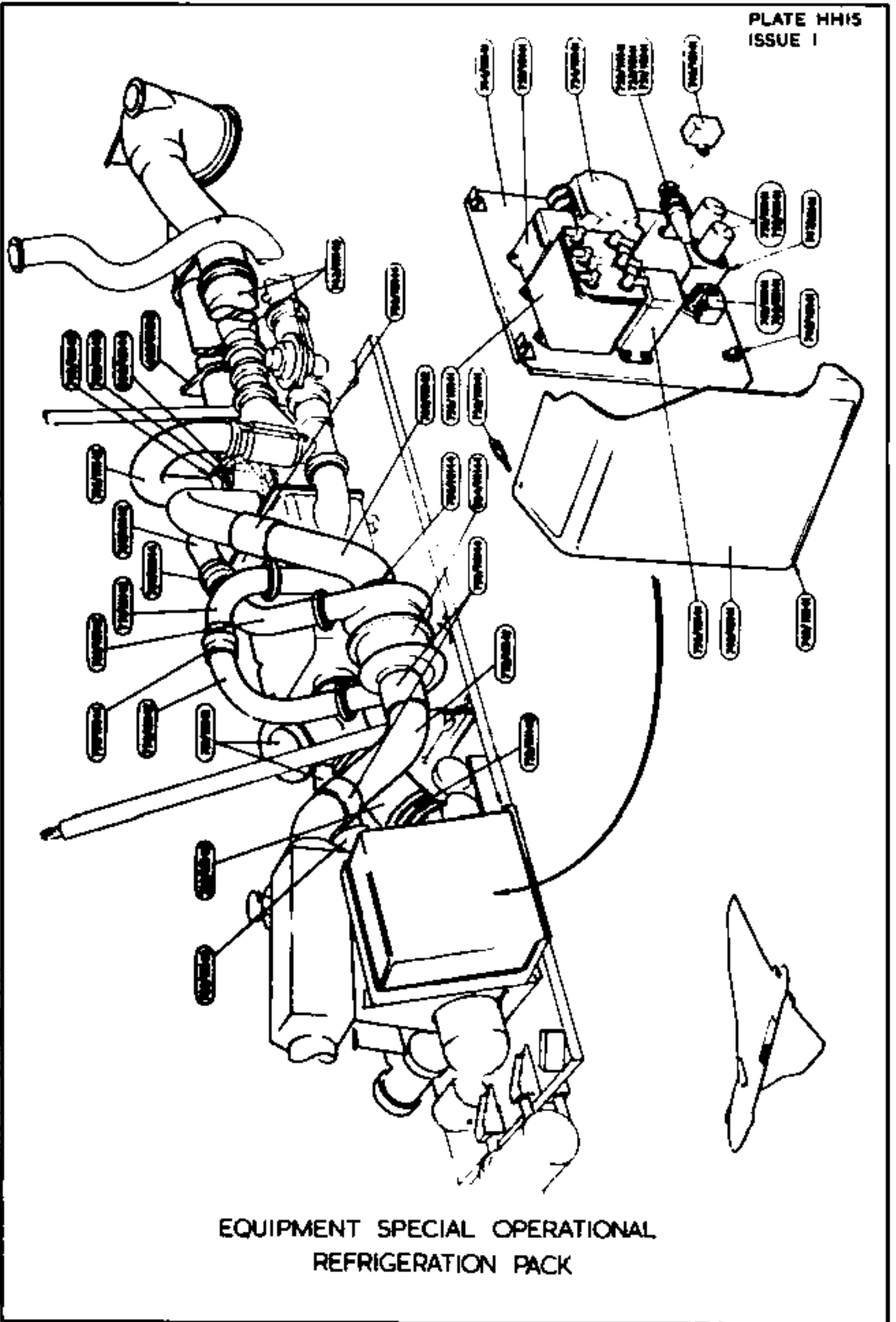
RESTRICTED



EQUIPMENT SPECIAL OPERATIONAL
FAIRING DOOR SUPPORTS

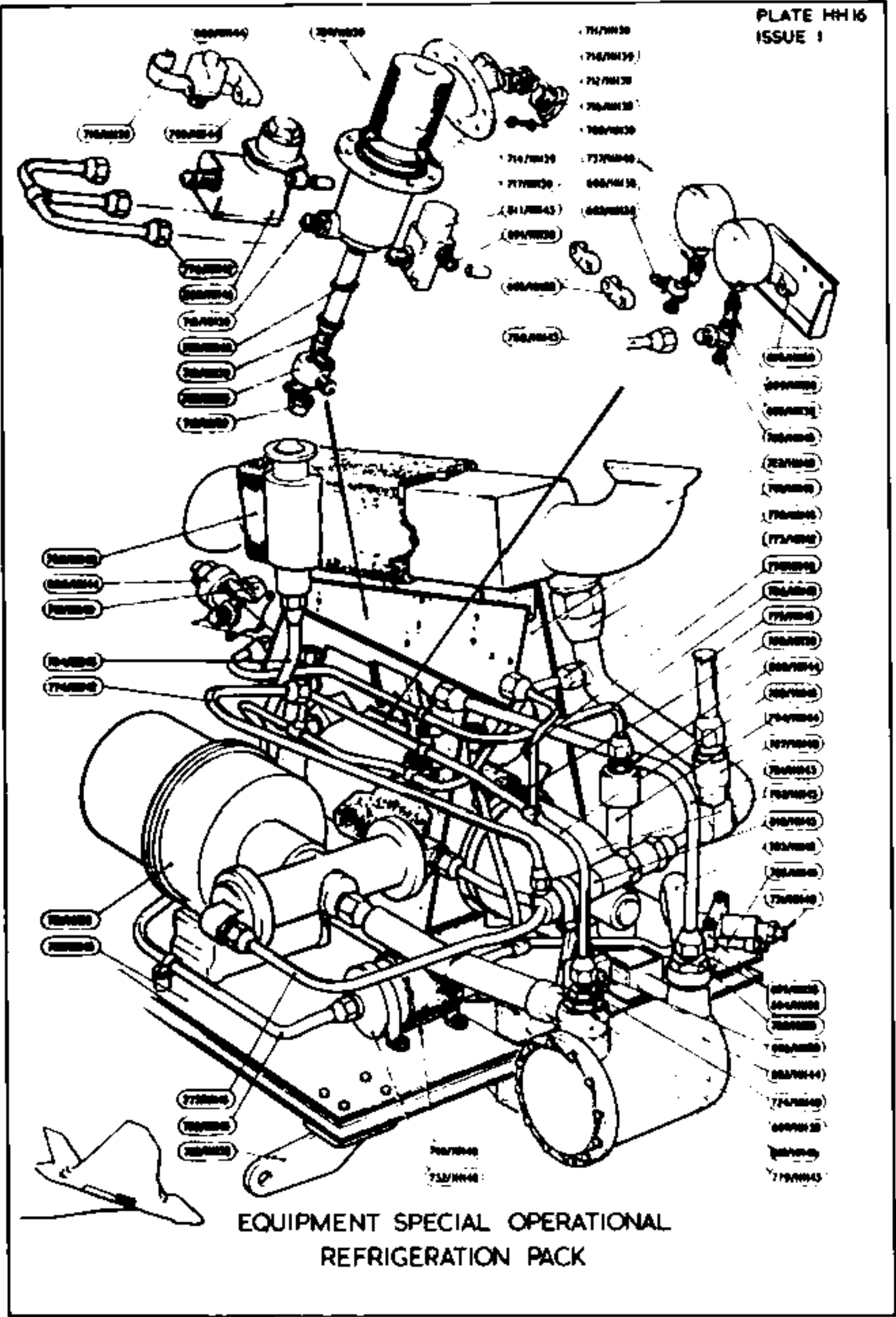
RESTRICTED

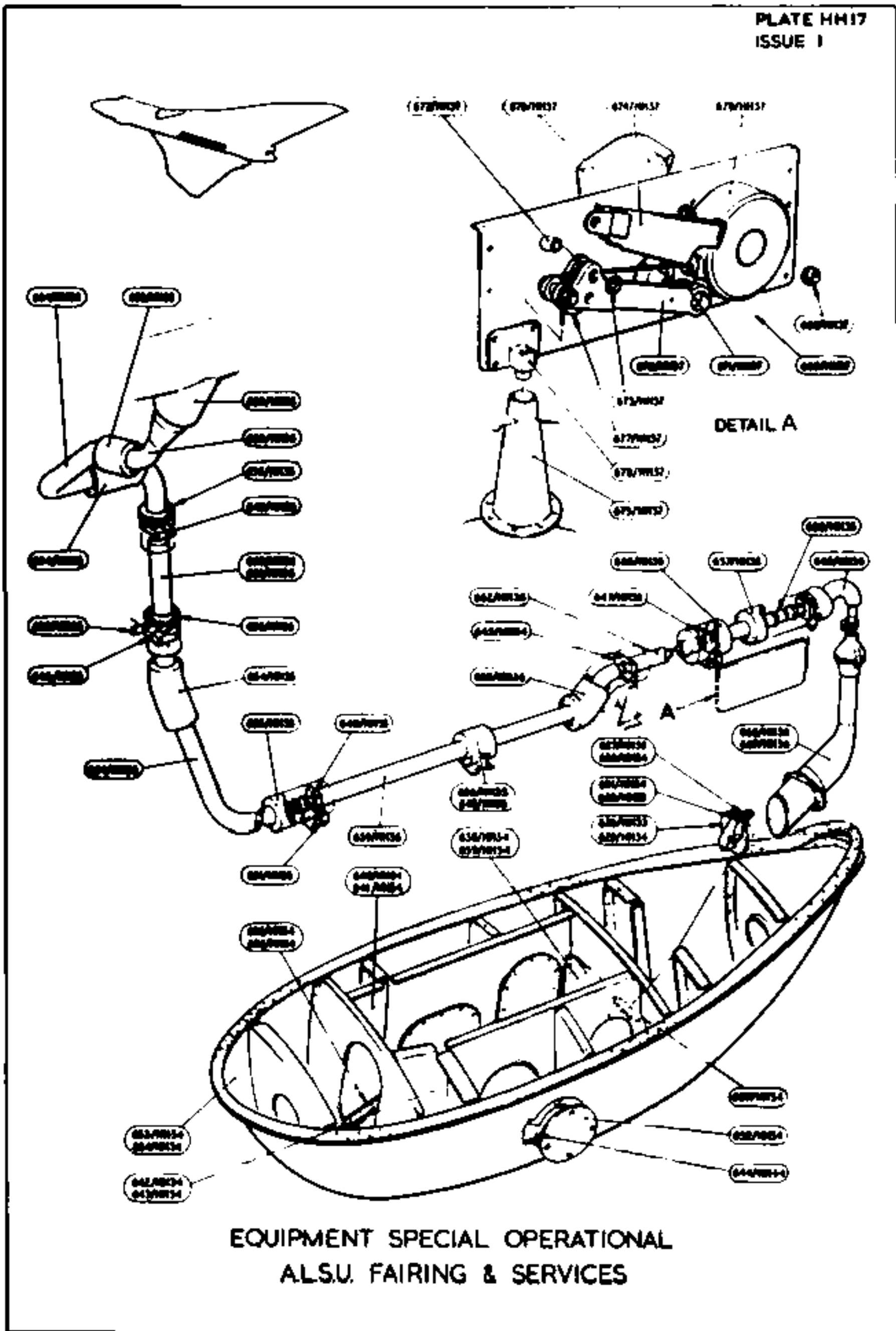
PLATE HH15
ISSUE 1

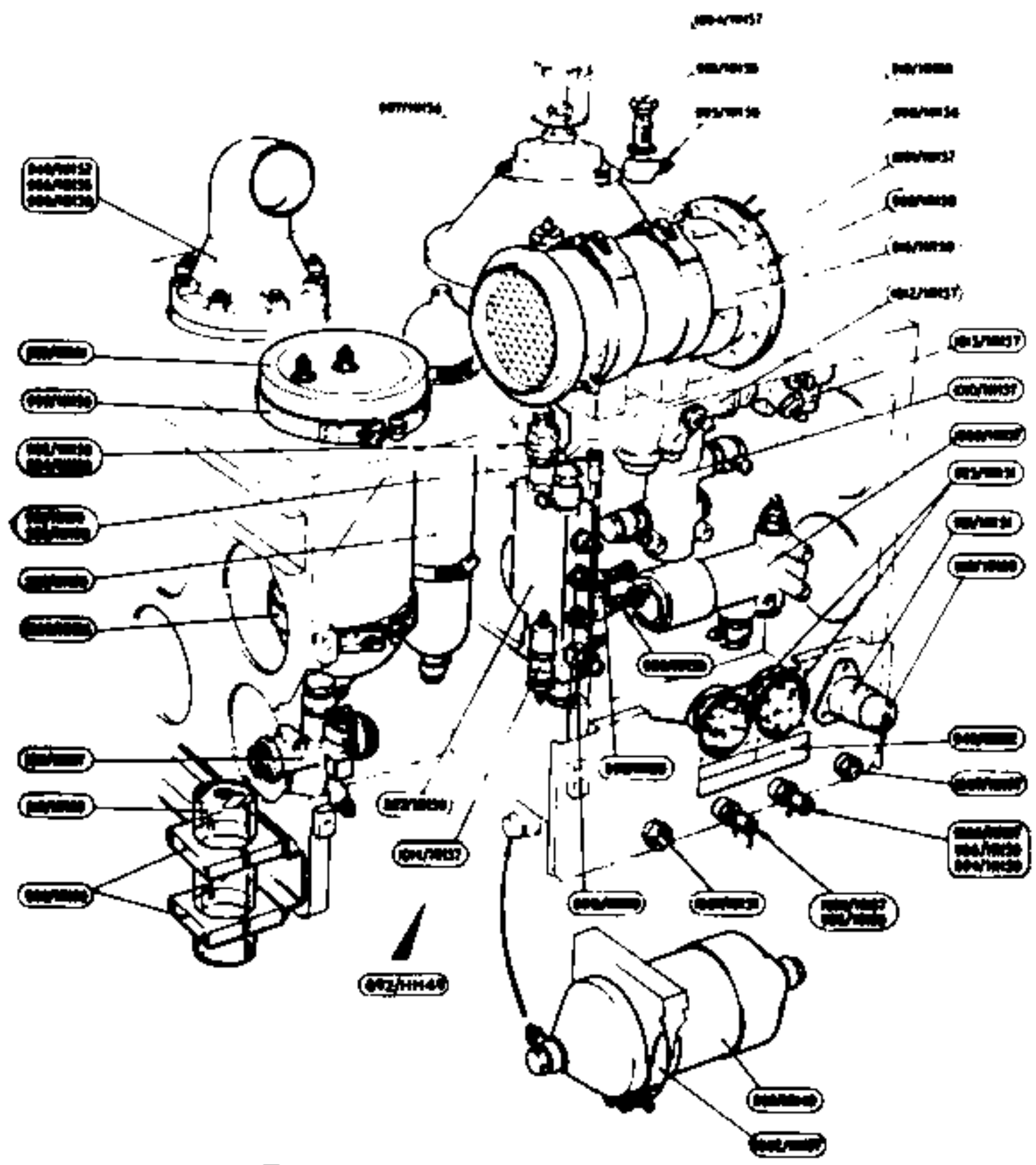


EQUIPMENT SPECIAL OPERATIONAL
REFRIGERATION PACK

RESTRICTED



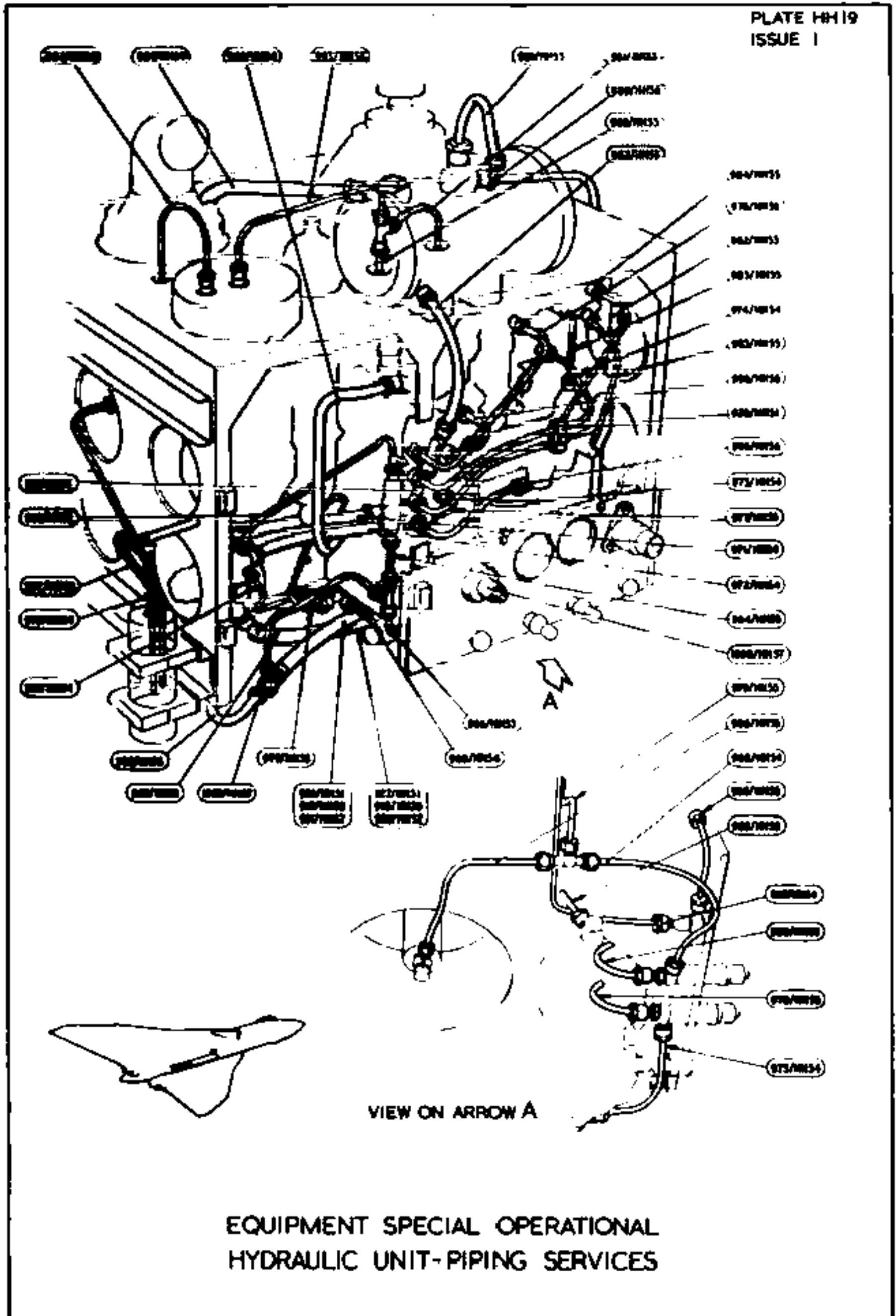




EQUIPMENT SPECIAL OPERATIONAL
HYDRAULIC UNIT

RESTRICTED

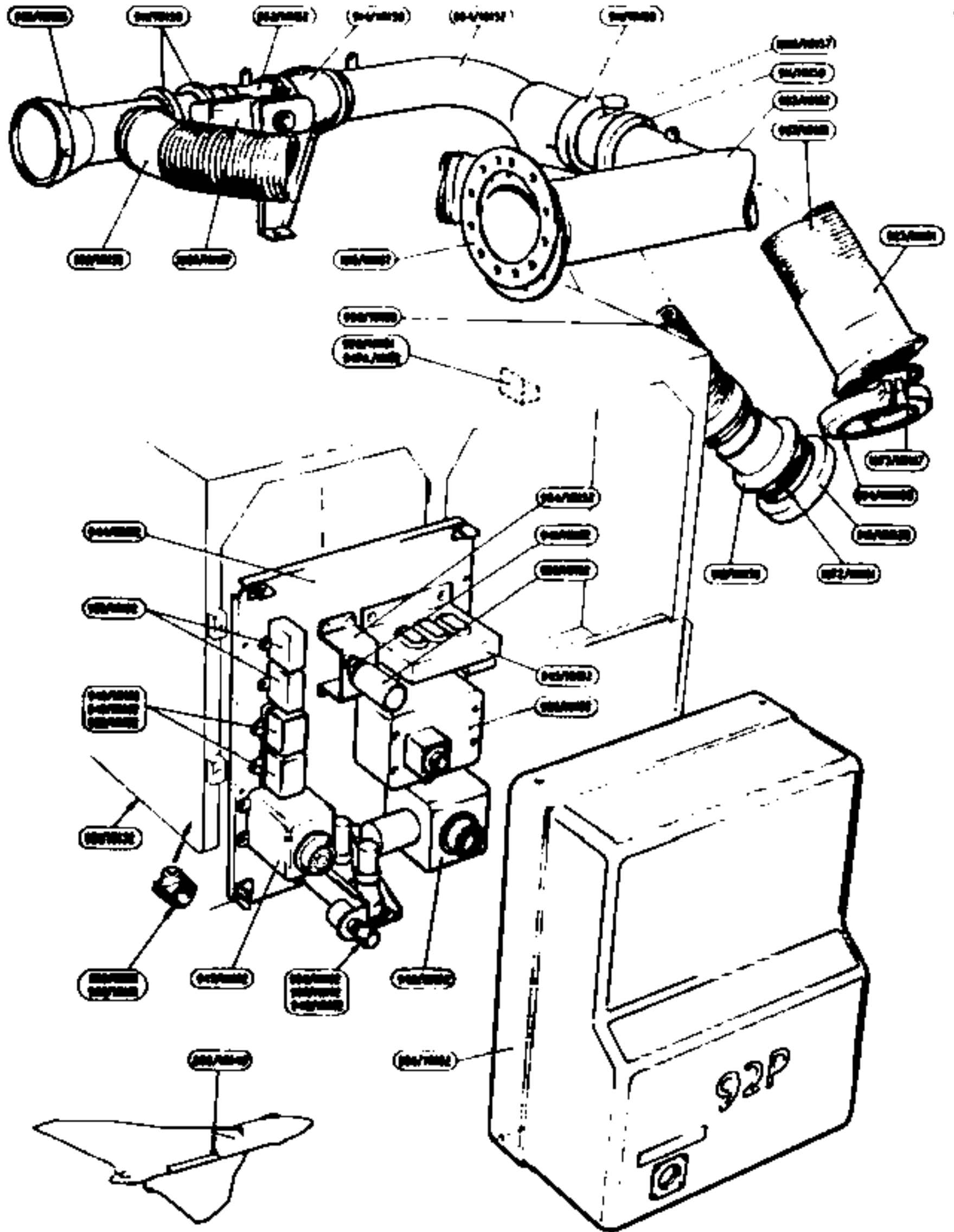
PLATE HH19
ISSUE 1



RESTRICTED

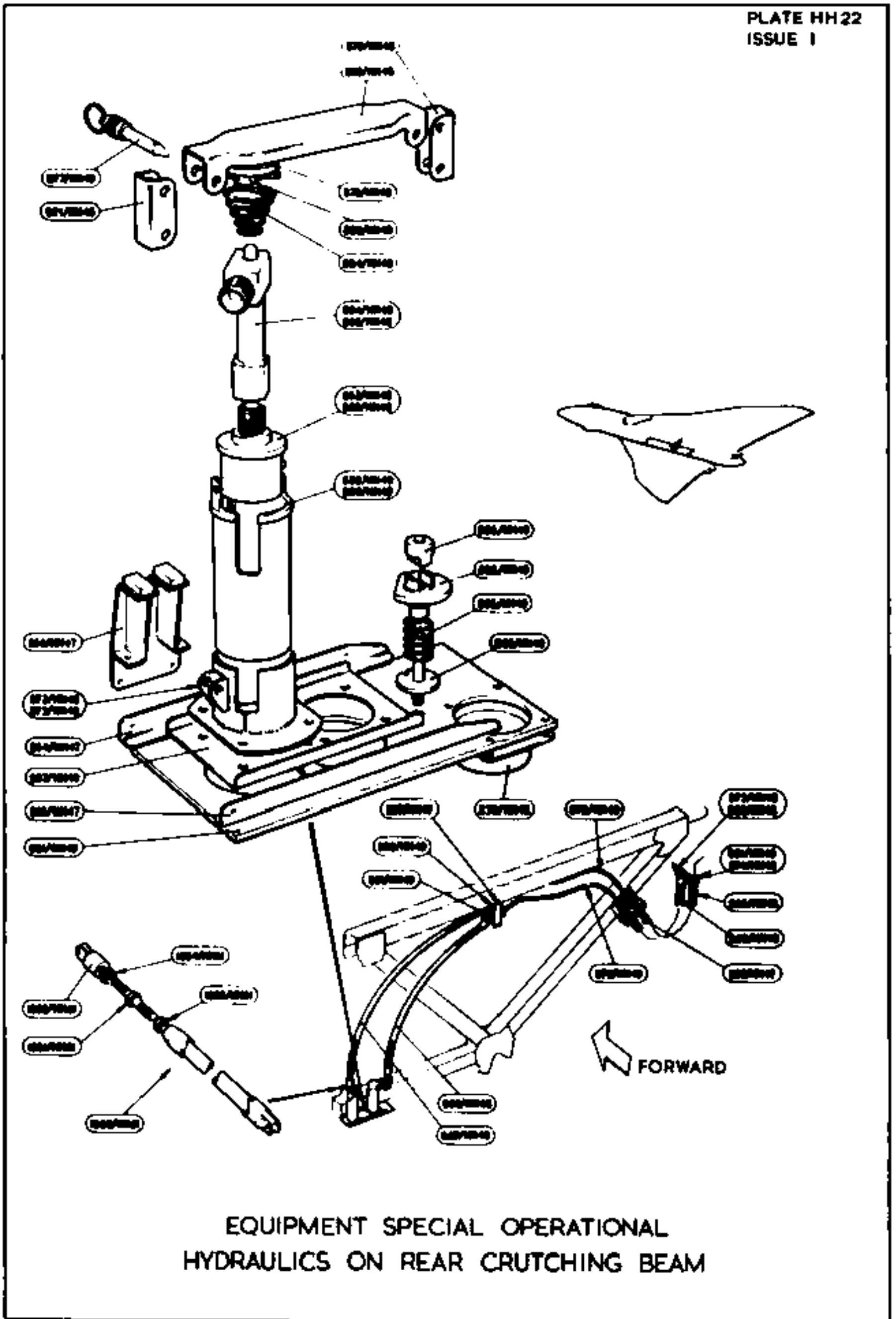
RESTRICTED

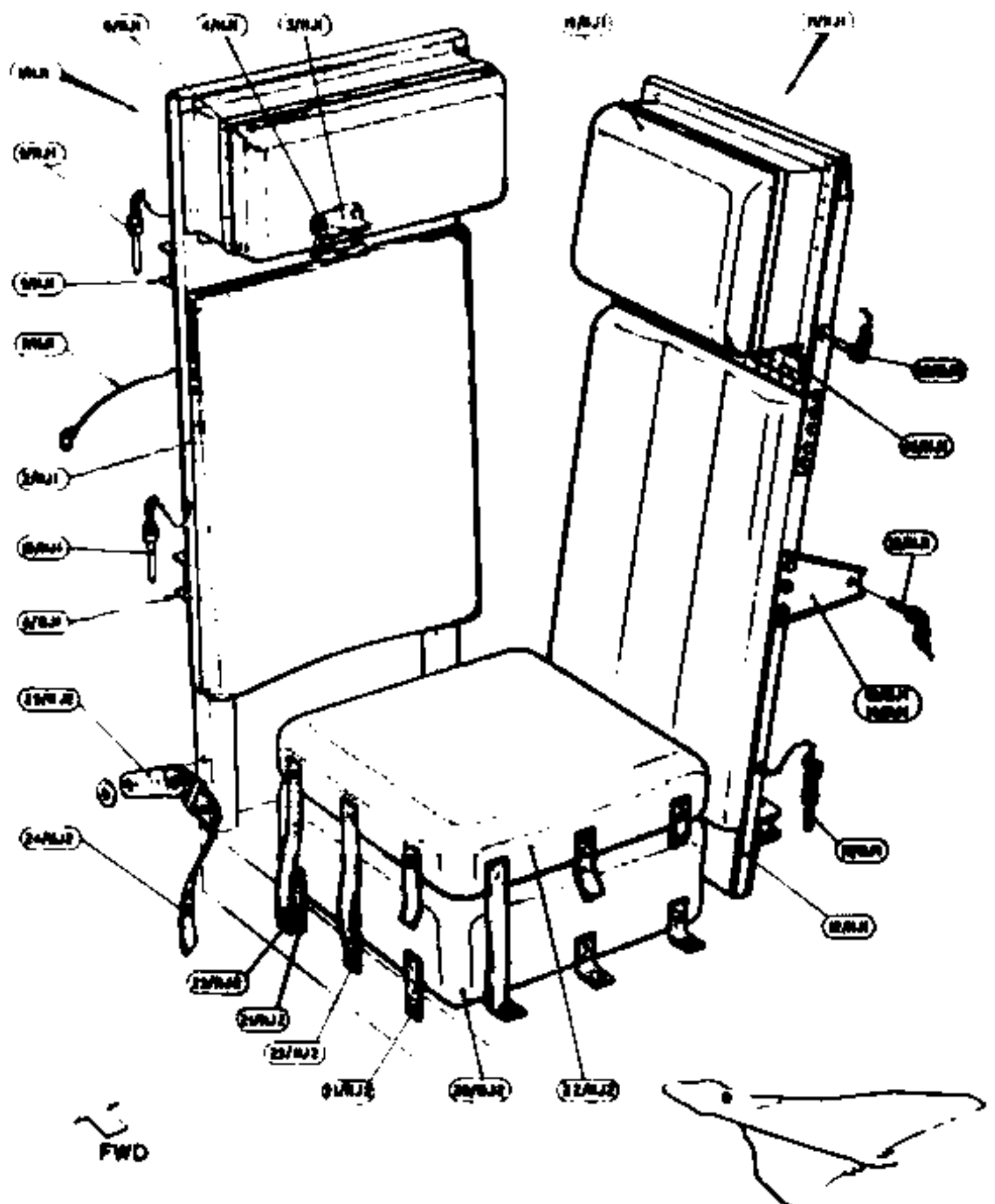
PLATE HH20
ISSUE 1



EQUIPMENT SPECIAL OPERATIONAL
HYDRAULIC UNIT-COOLING SYSTEM & PANEL 92.

RESTRICTED

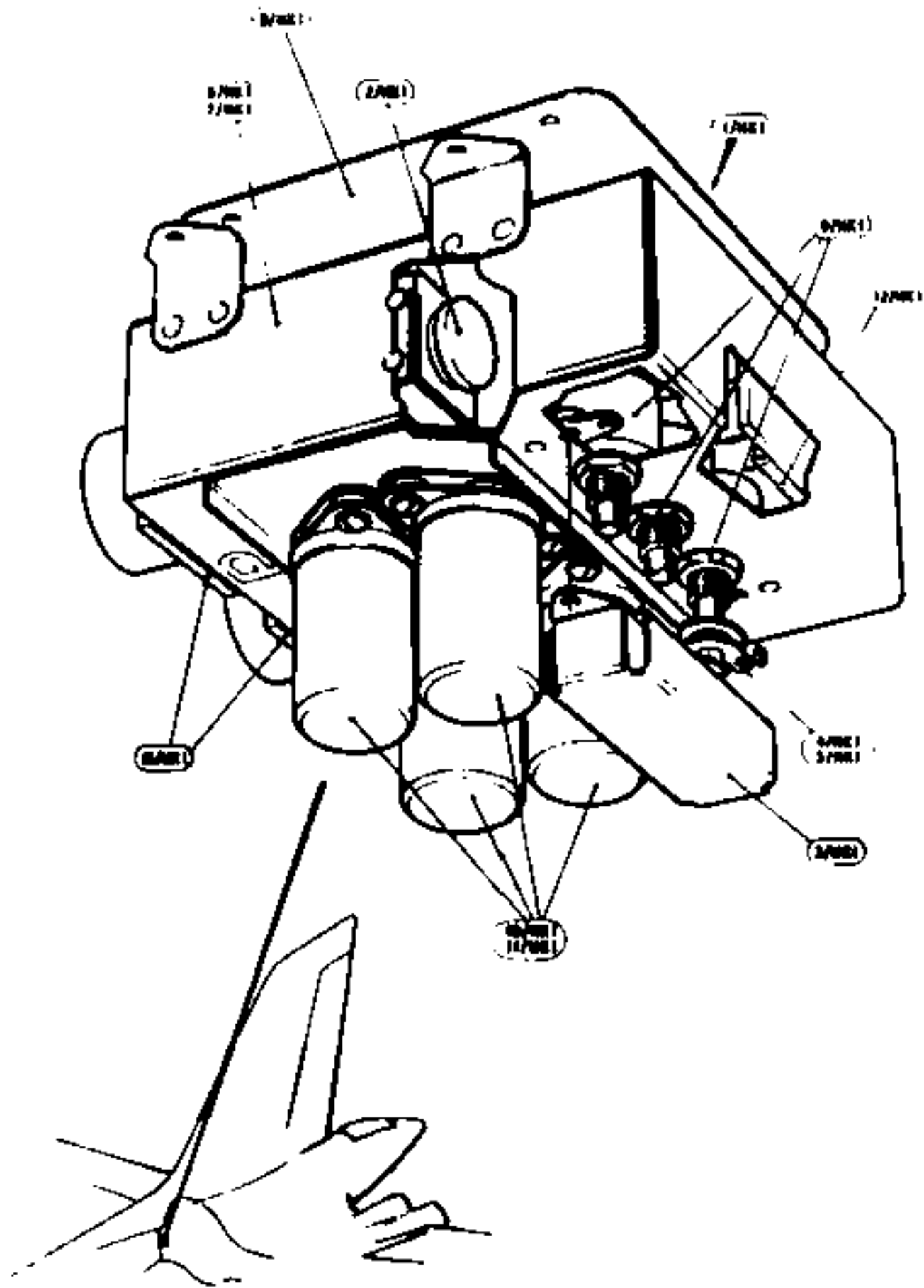




EQUIPMENT SPECIAL OPERATIONAL (S.O.O)
ADDITIONAL CREW SEAT

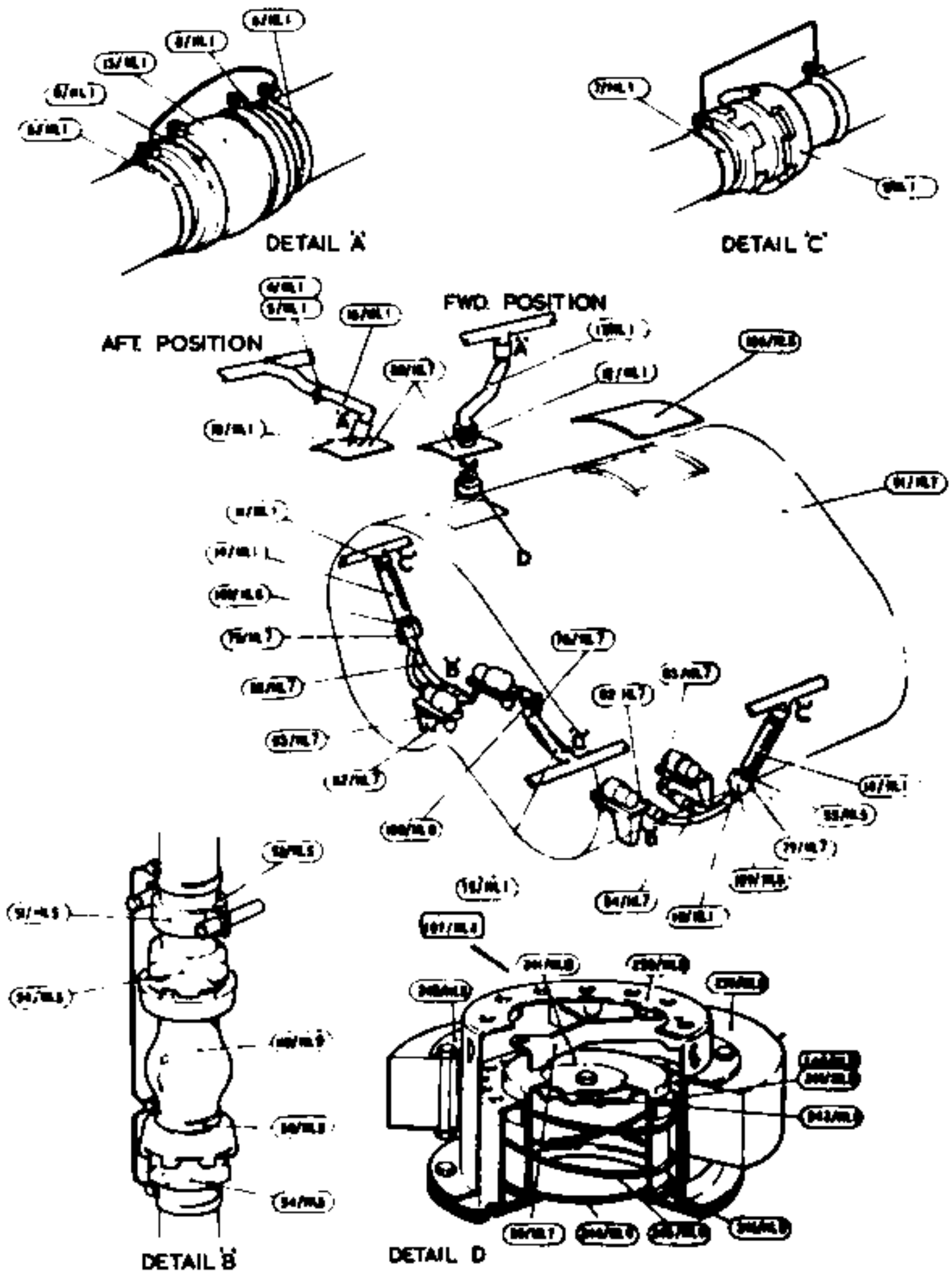
RESTRICTED

PLATE NO HKI
ISSUE 1



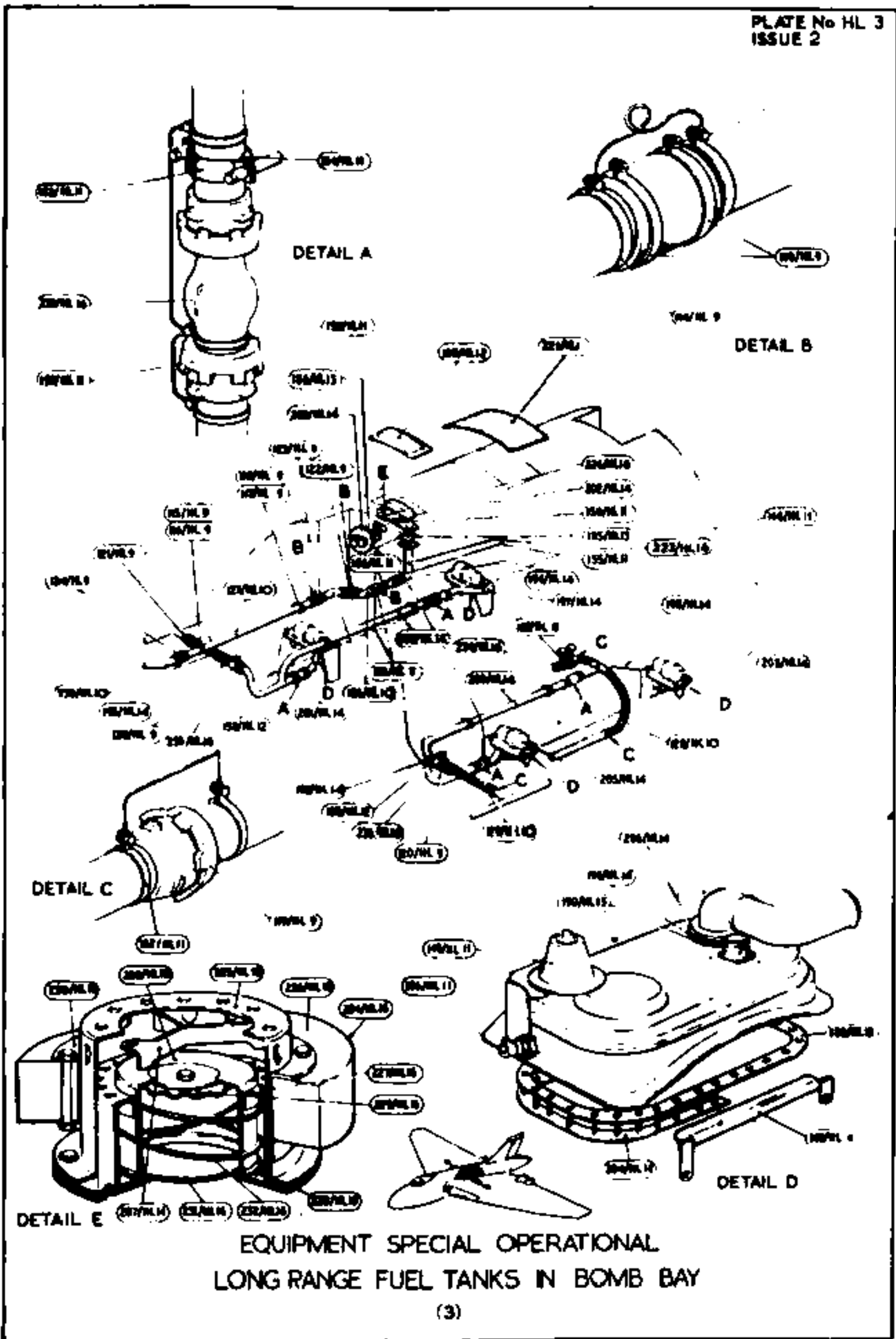
EQUIPMENT, SPECIAL OPERATIONAL (S.O.O)
PANEL TRACK & GUIDE 83P

RESTRICTED

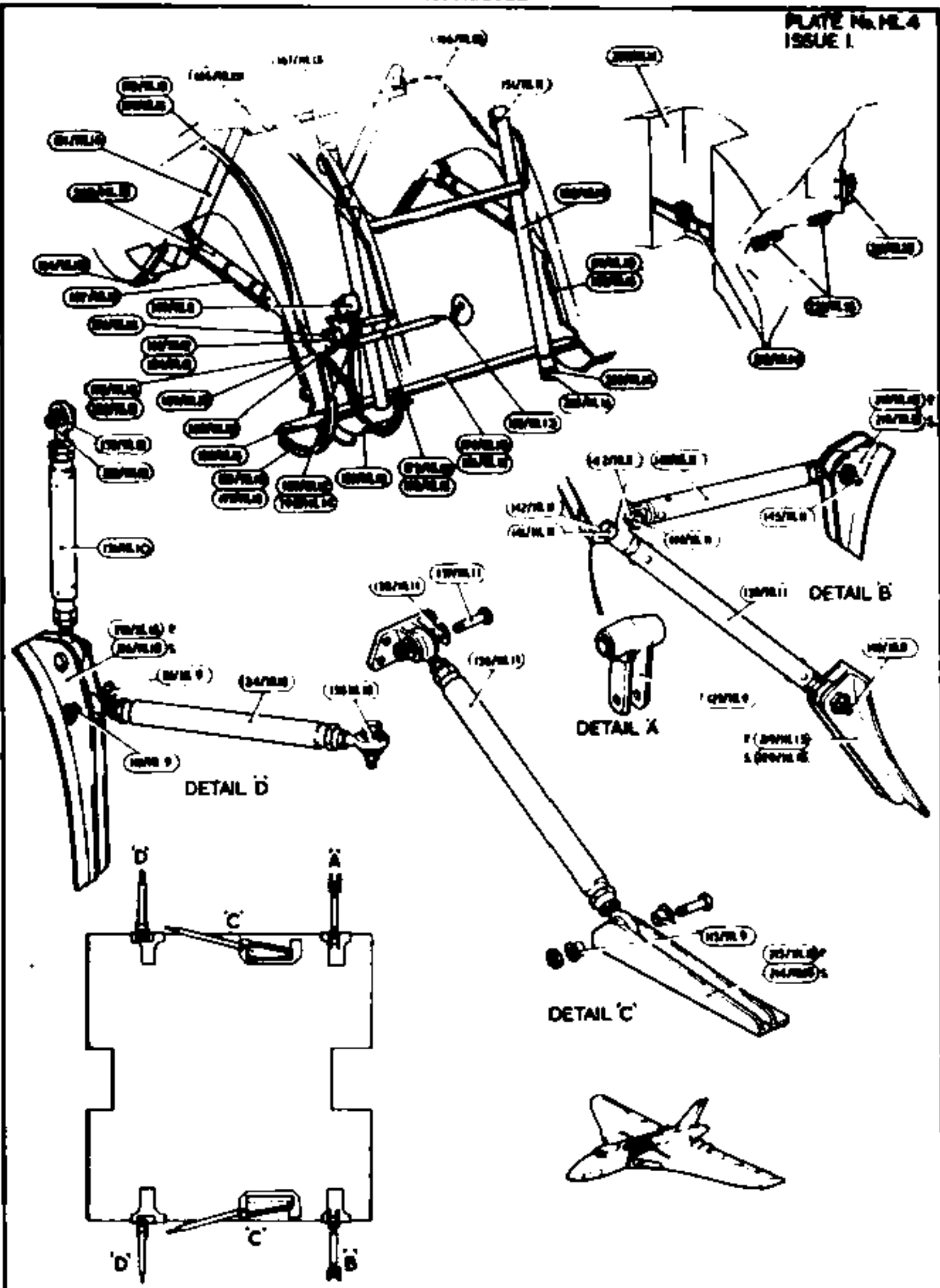


EQUIPMENT SPECIAL OPERATIONAL
INSTALLATION FORWARD TANK FORE AND AFT. POSITIONS

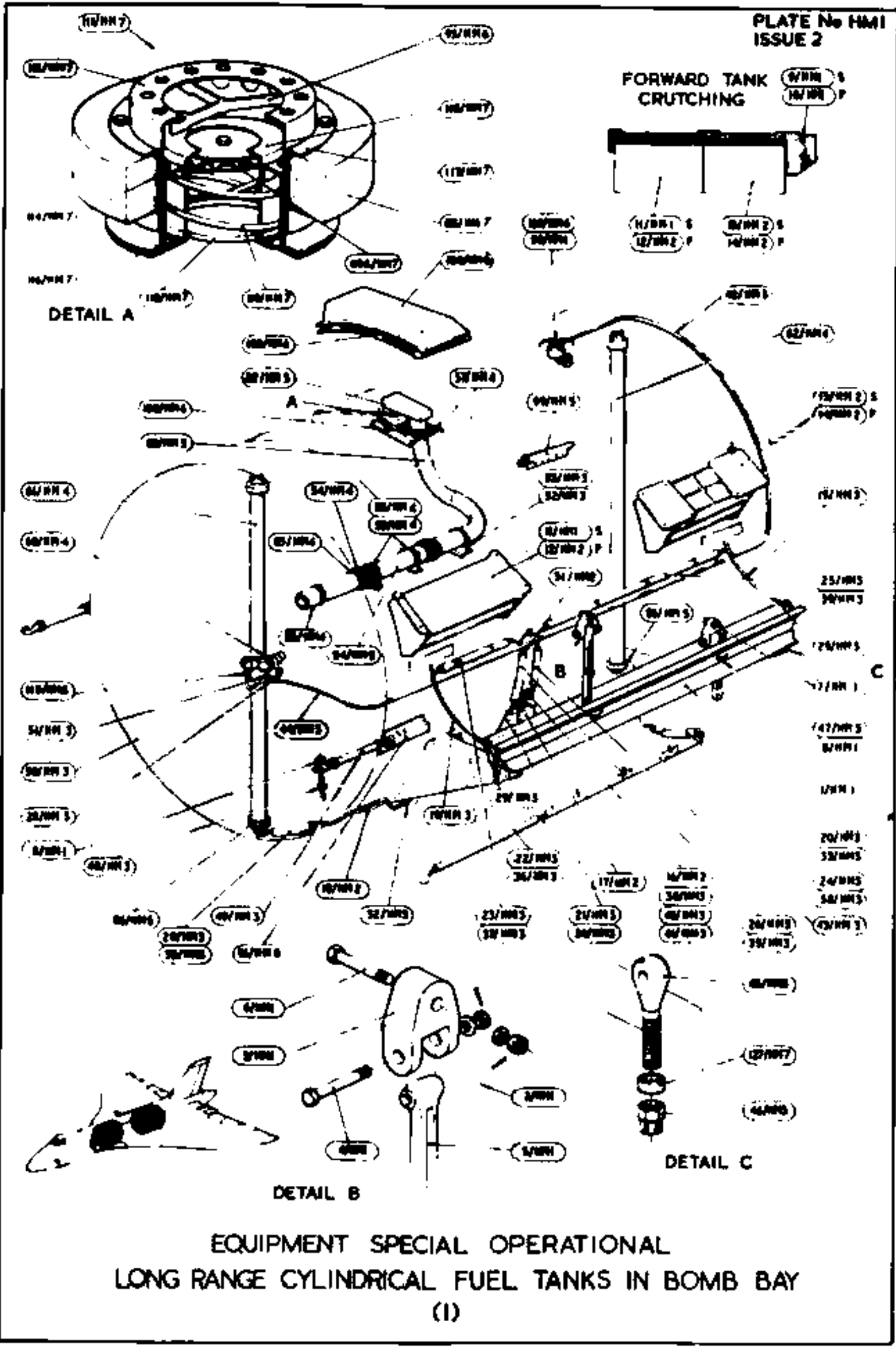
(1)



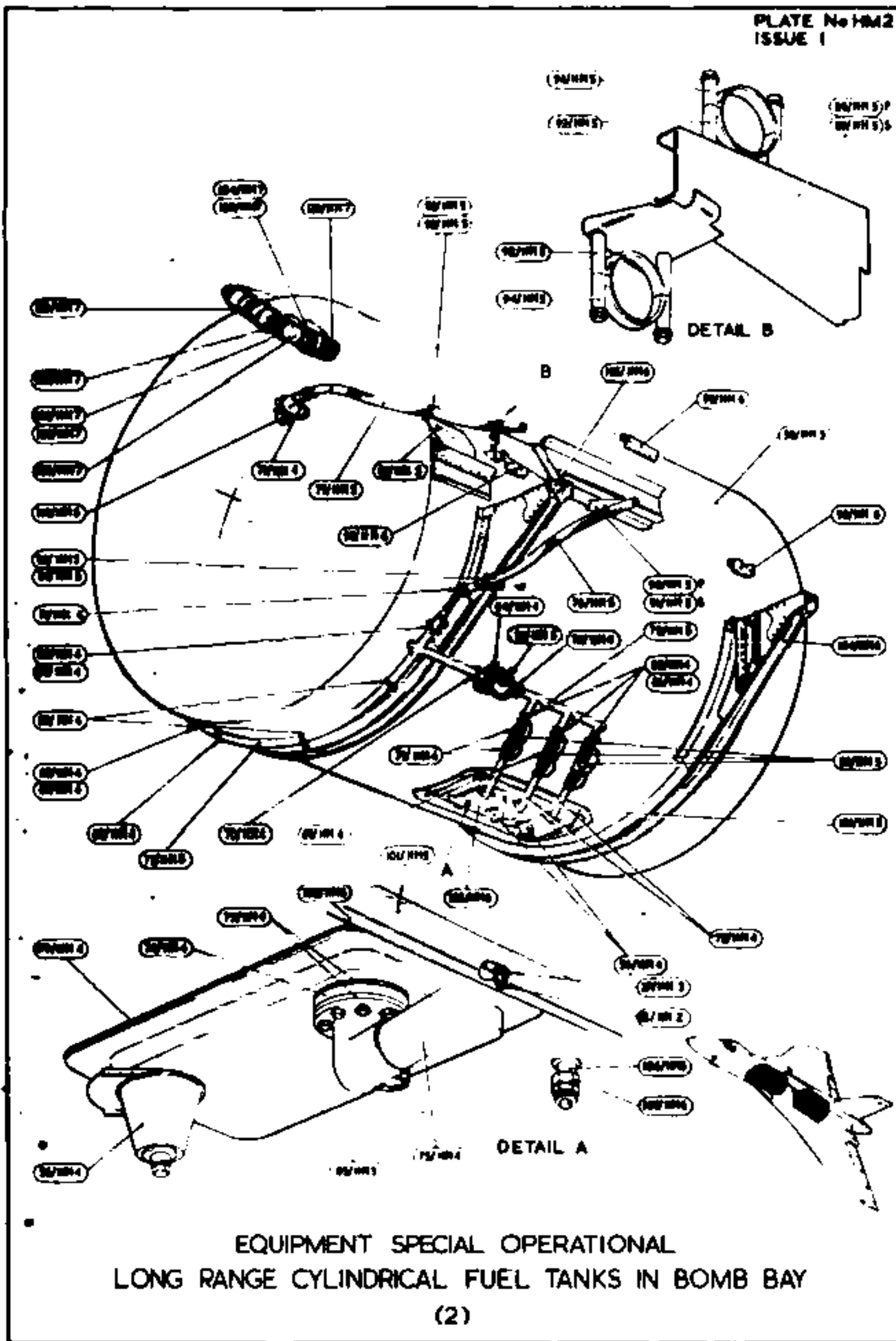
EQUIPMENT SPECIAL OPERATIONAL
LONG RANGE FUEL TANKS IN BOMB BAY



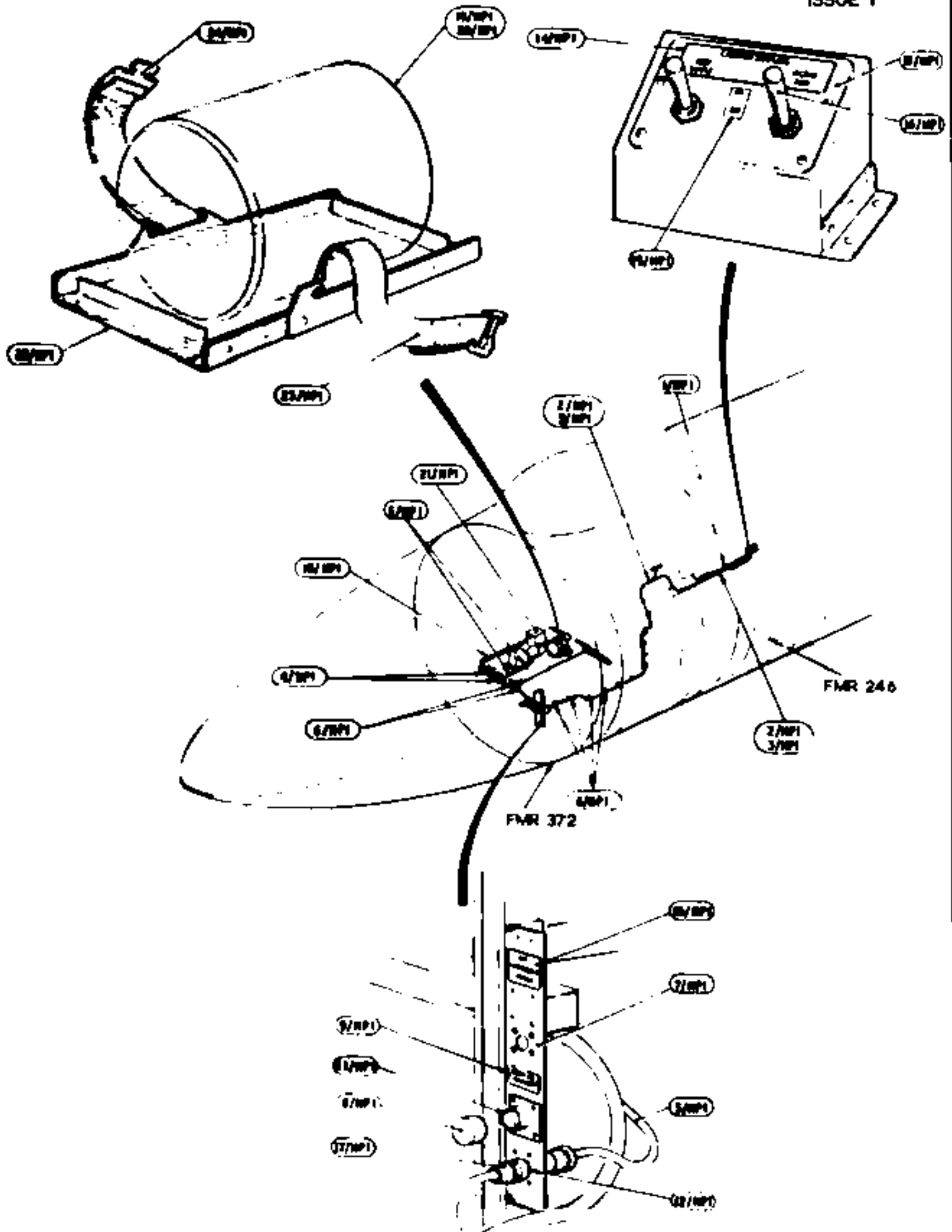
EQUIPMENT SPECIAL OPERATIONAL
LONG RANGE FUEL TANKS IN BOMB BAY
(4)



EQUIPMENT SPECIAL OPERATIONAL
 LONG RANGE CYLINDRICAL FUEL TANKS IN BOMB BAY
 (1)



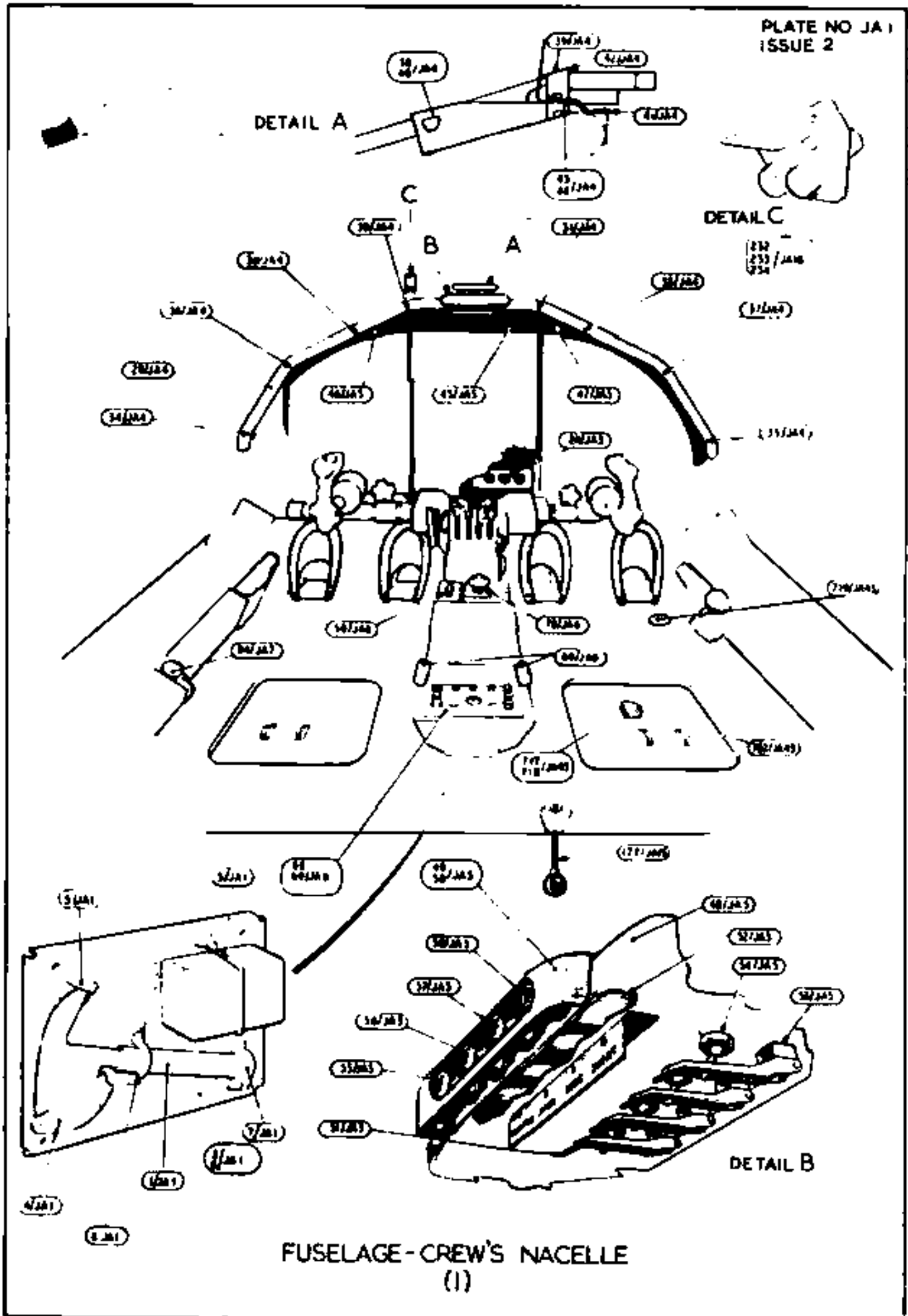
EQUIPMENT SPECIAL OPERATIONAL
LONG RANGE CYLINDRICAL FUEL TANKS IN BOMB BAY
(2)



EQUIPMENT SPECIAL OPERATIONAL (S.O.O.)
AIR MONITORING SYSTEM (MOD. 2392)

RESTRICTED

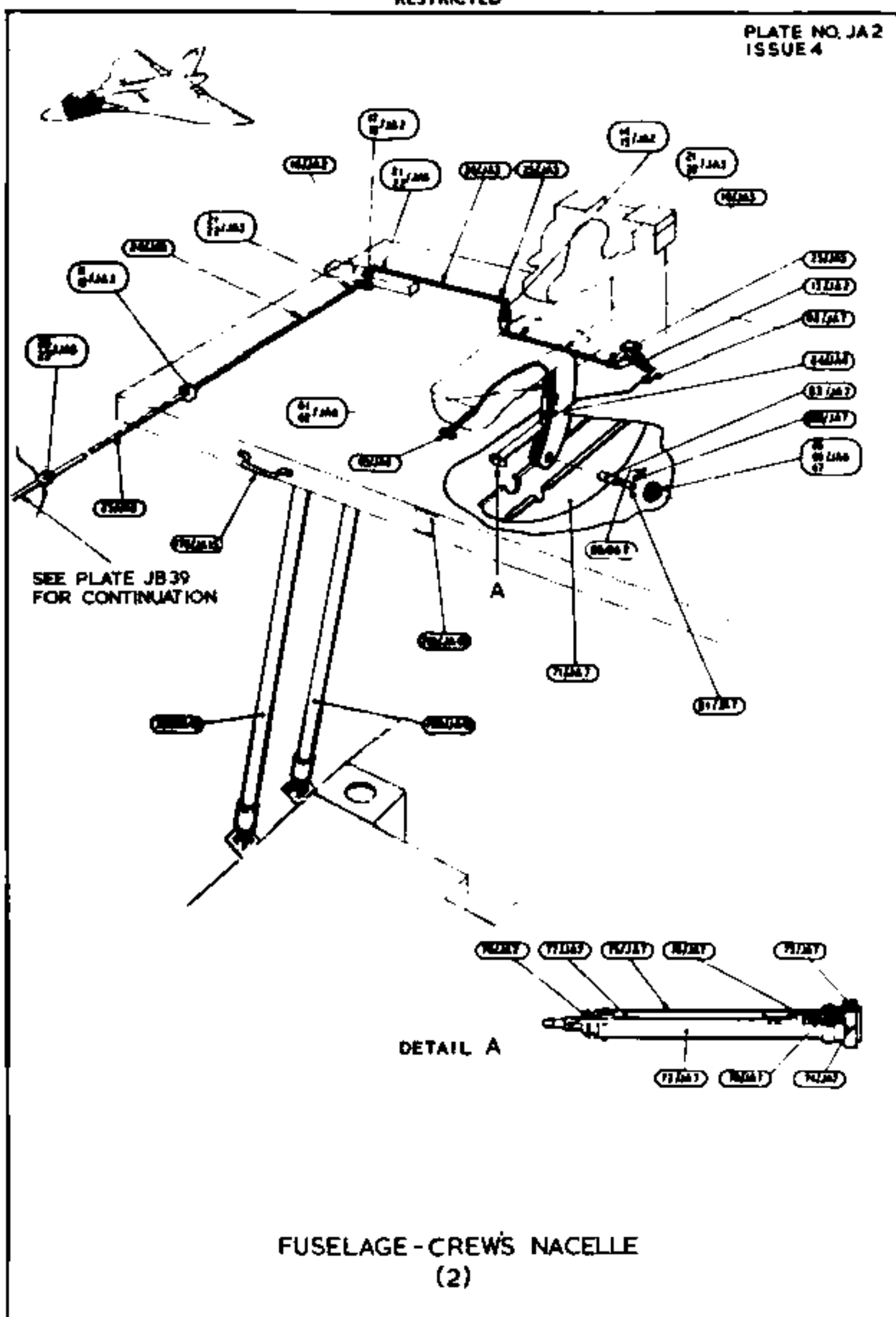
PLATE NO JA 1
ISSUE 2



RESTRICTED

RESTRICTED

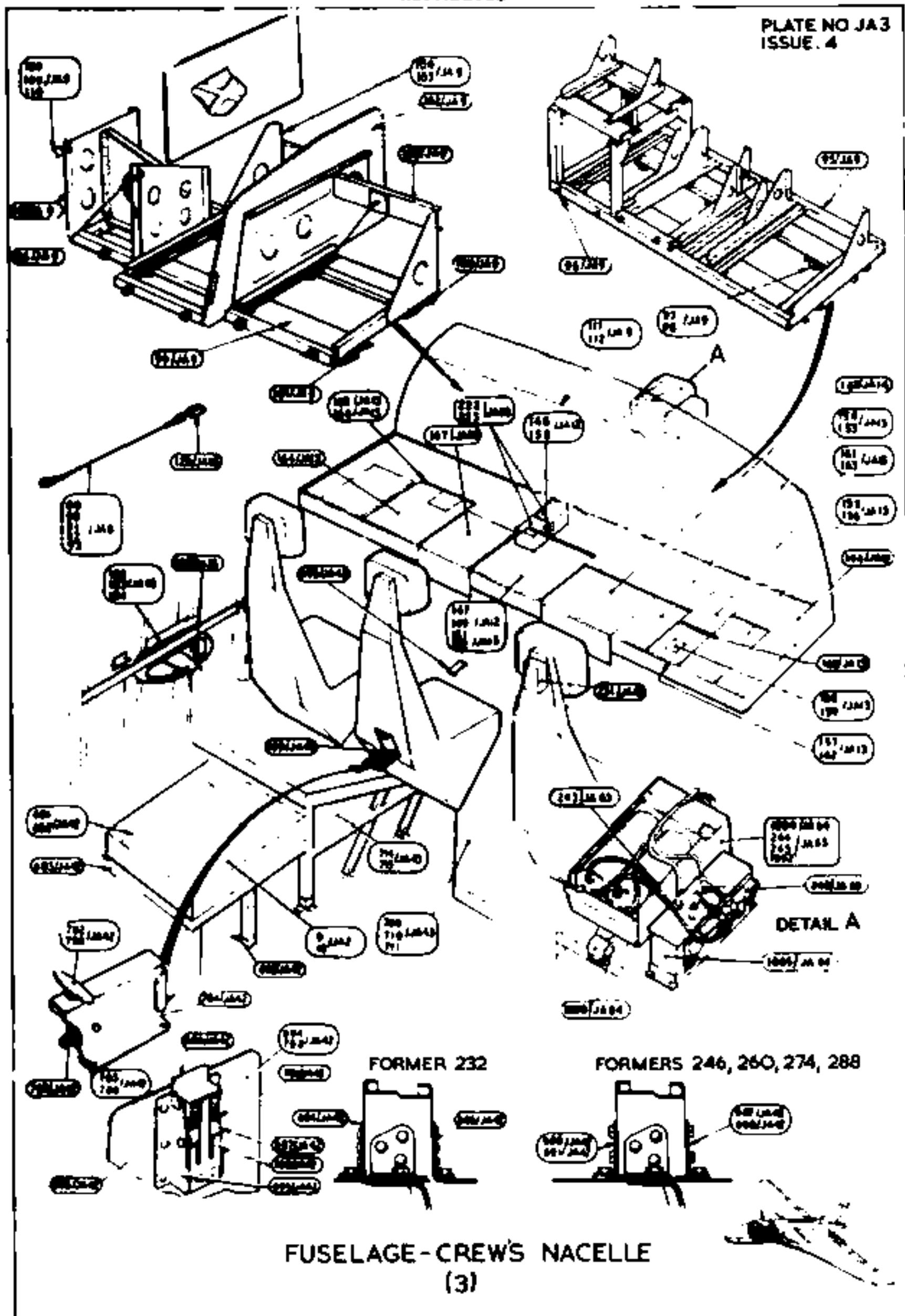
PLATE NO. JA2
ISSUE 4



RESTRICTED

RESTRICTED

PLATE NO JA3
ISSUE 4

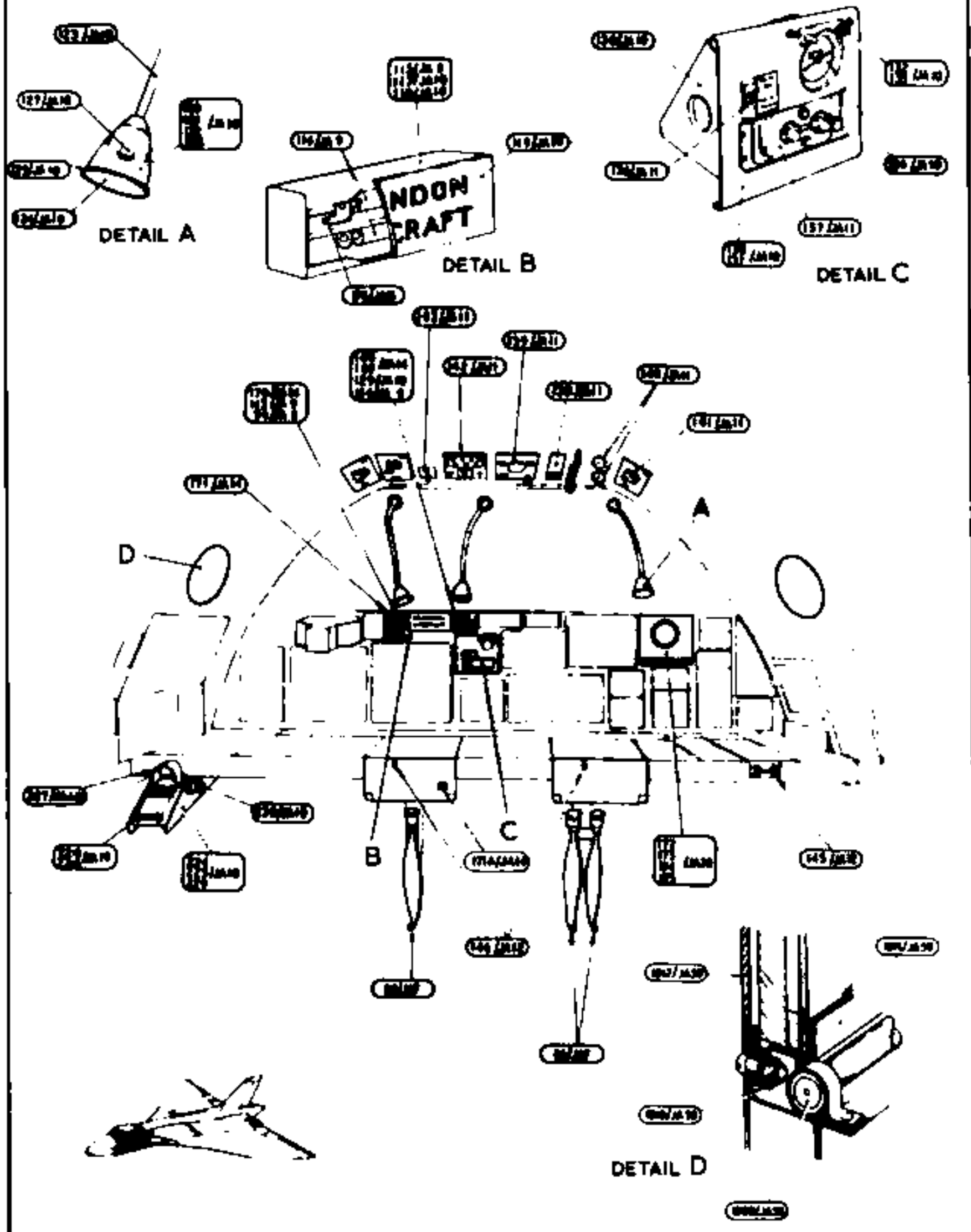


FUSELAGE-CREW'S NACELLE
(3)

RESTRICTED

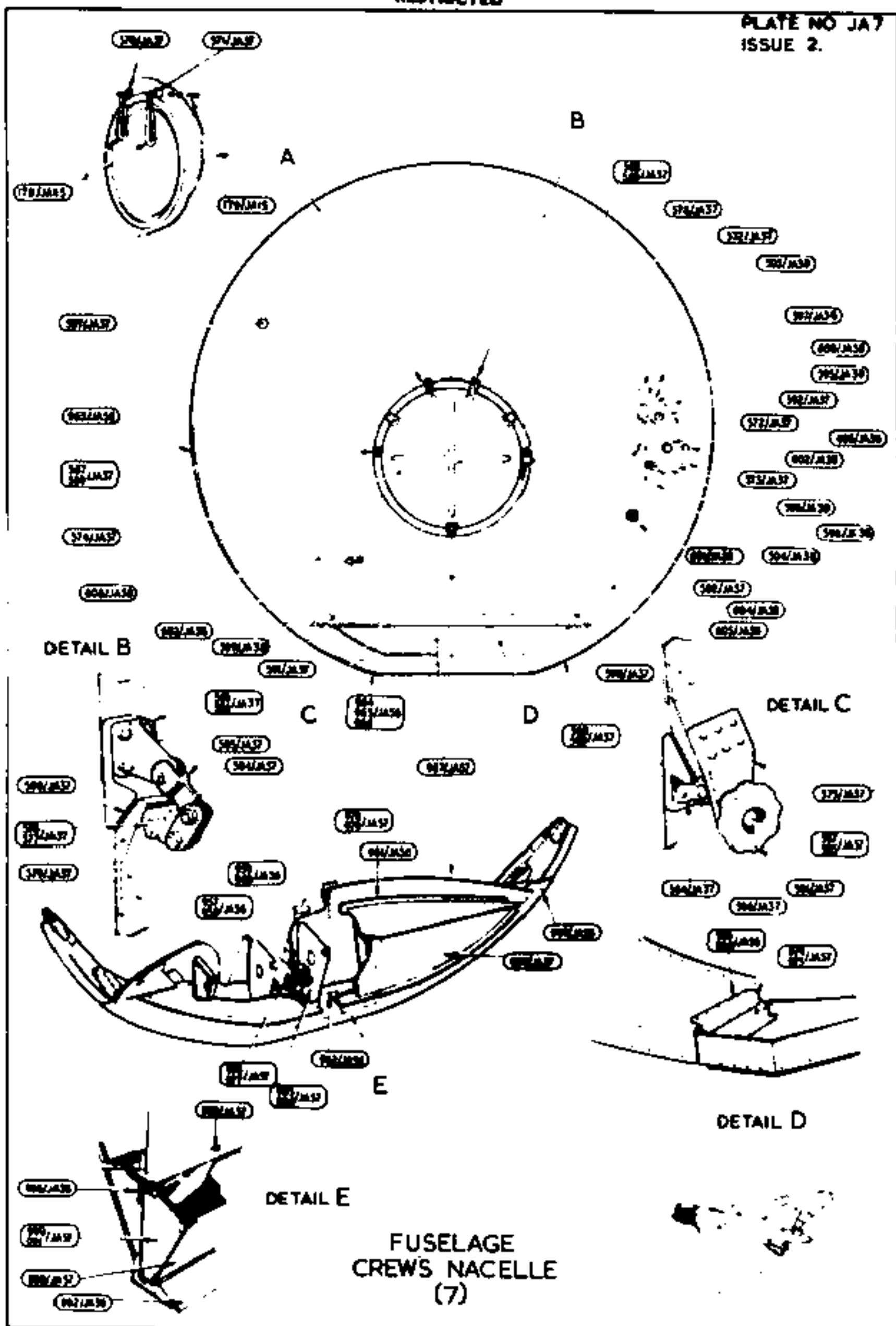
RESTRICTED

PLATE NO. JA 4
ISSUE 4



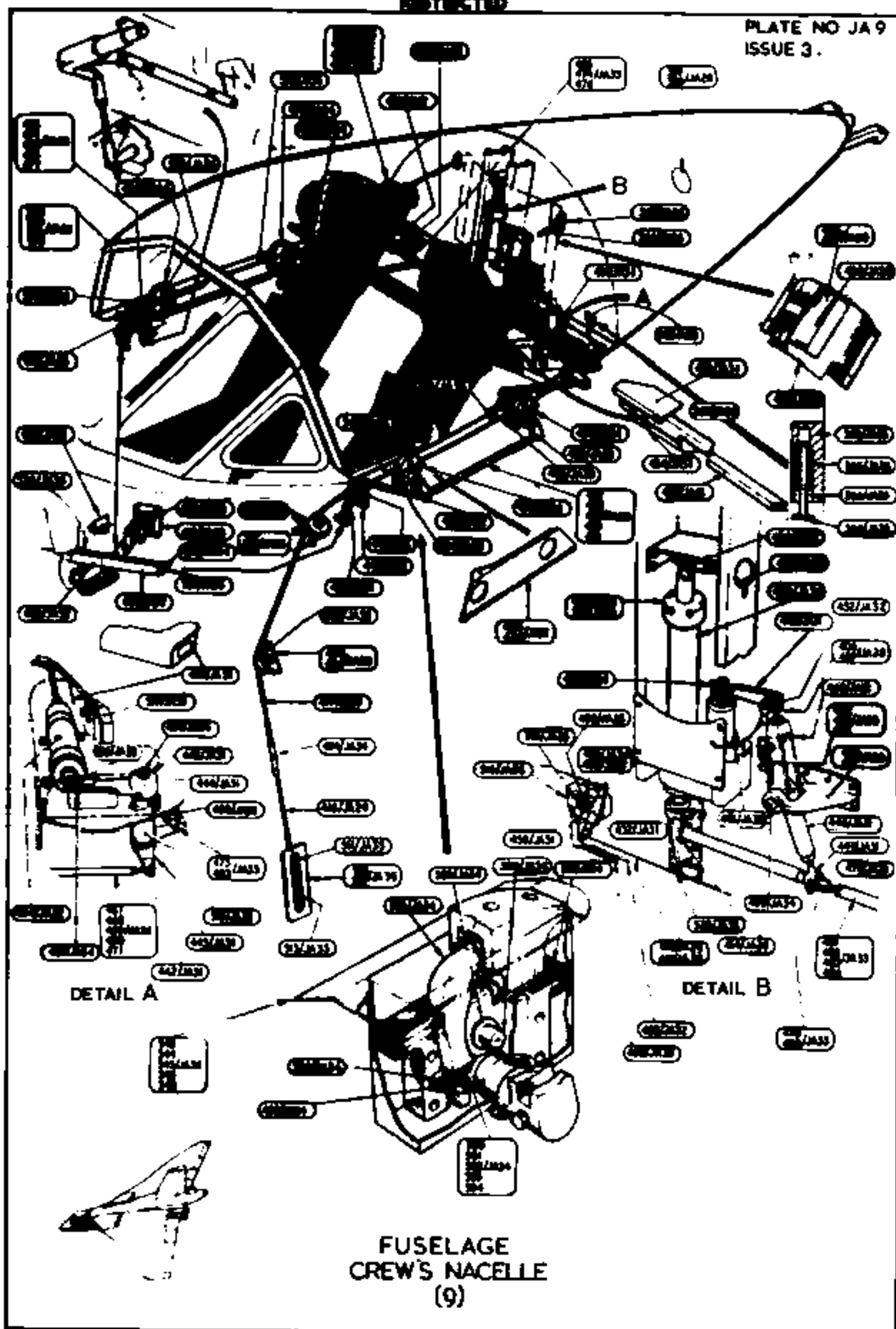
FUSELAGE
CREW'S NACELLE
(4)

RESTRICTED



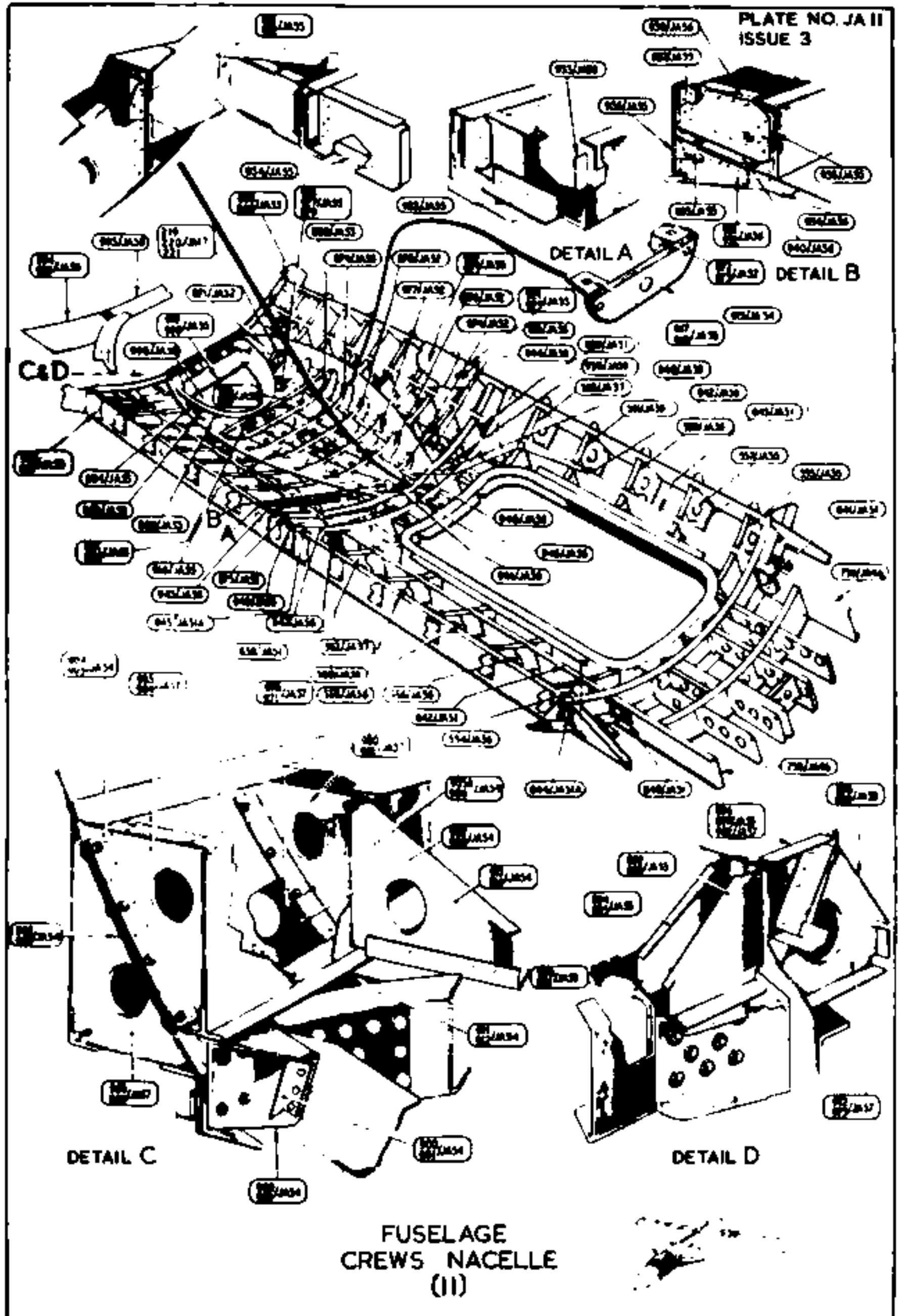
RESTRICTED

PLATE NO JA 9
ISSUE 3.



FUSELAGE
CREW'S NACELLE
(9)

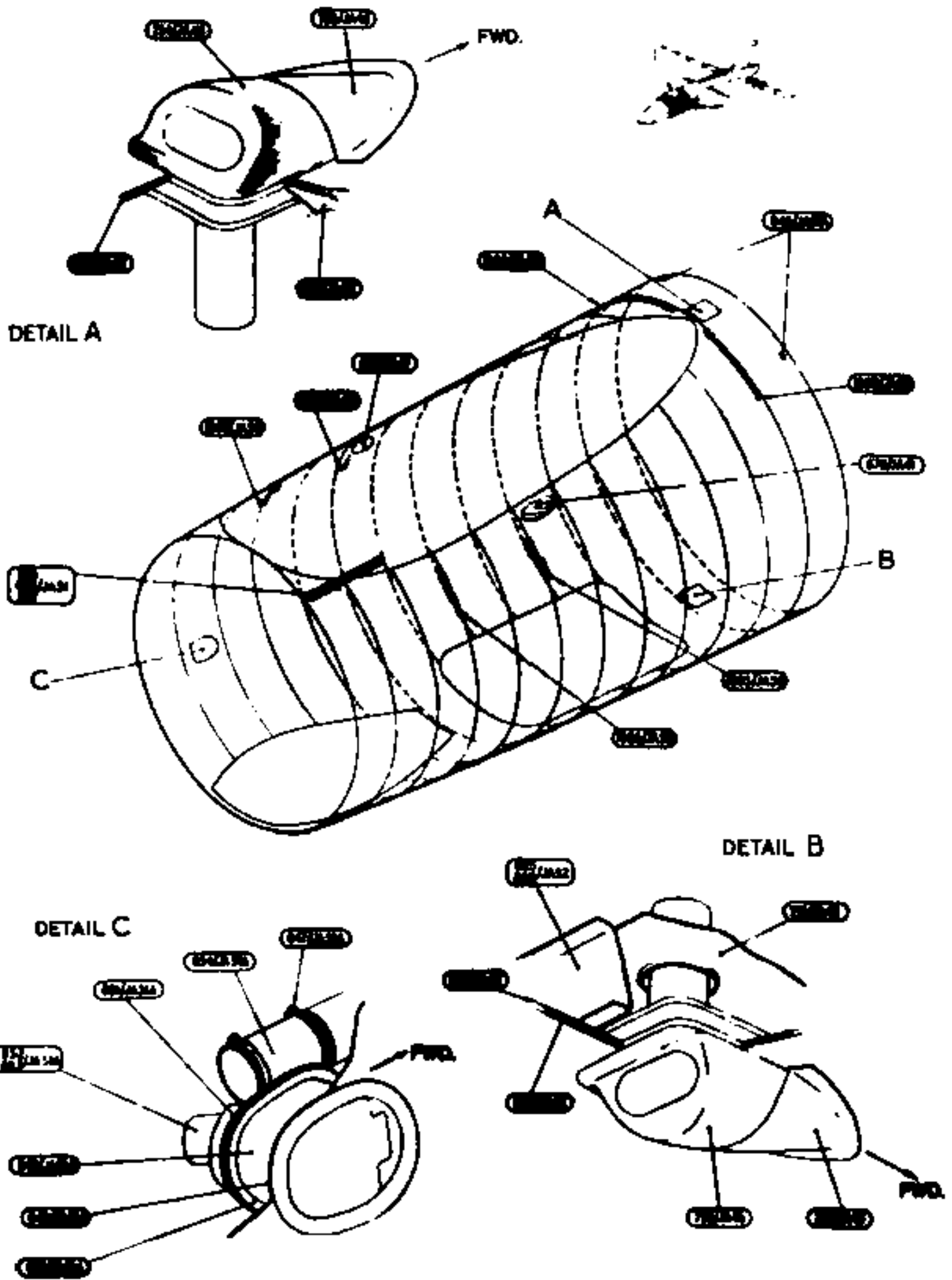
RESTRICTED



FUSELAGE
CREW'S NACELLE
(11)

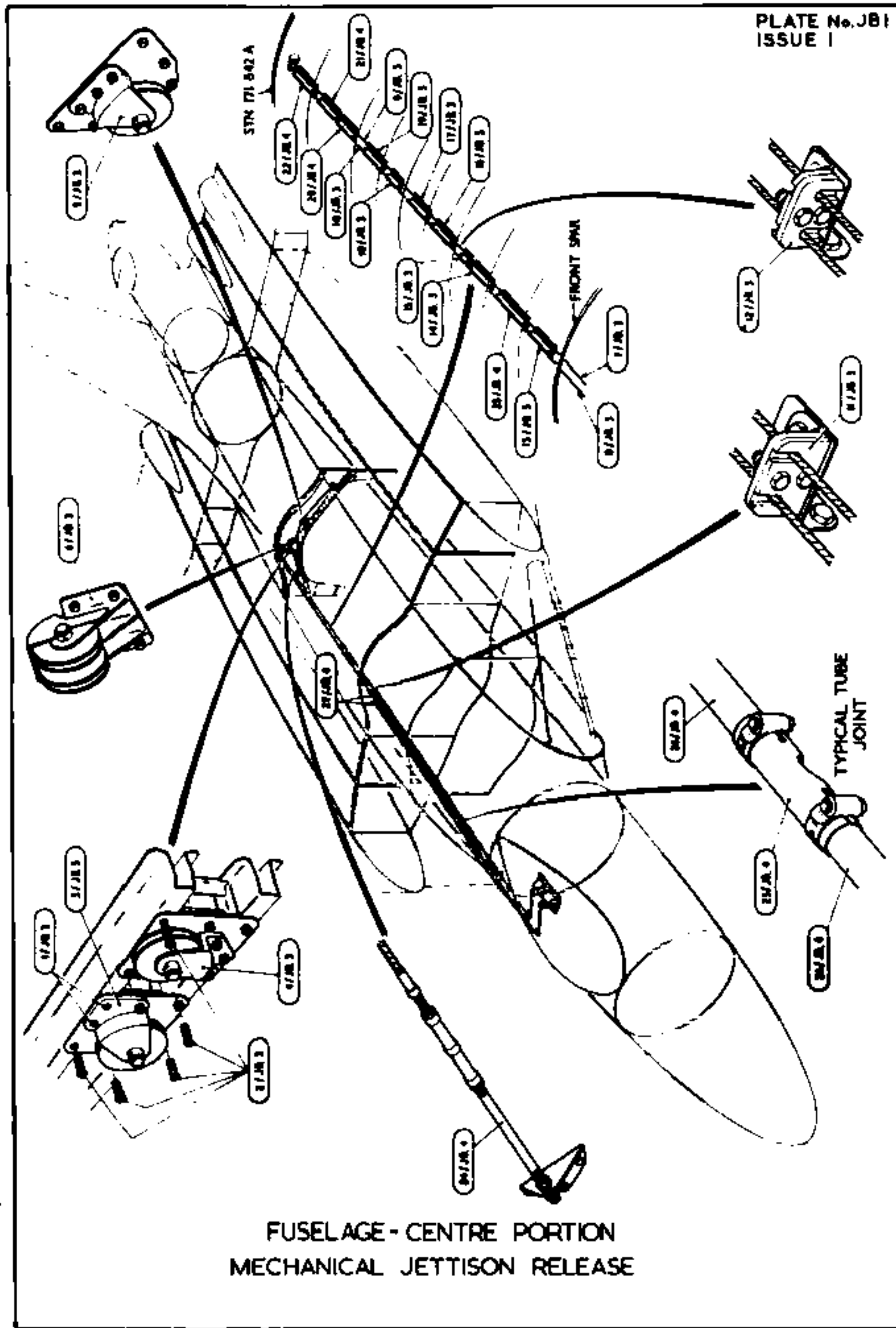
RESTRICTED

PLATE NO. JA 12
ISSUE 2.



FUSELAGE
CREW'S NACELLE
(12)

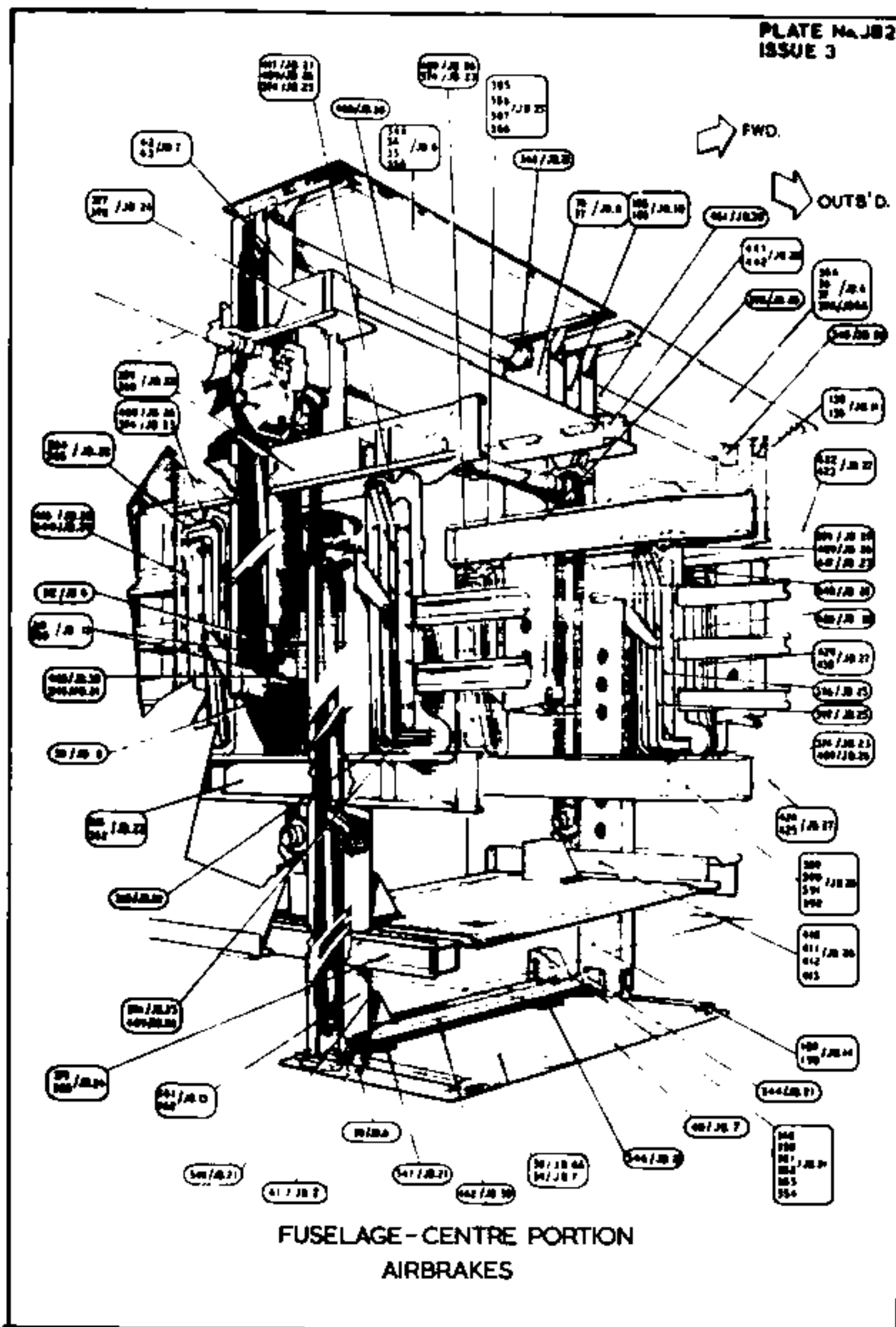
RESTRICTED



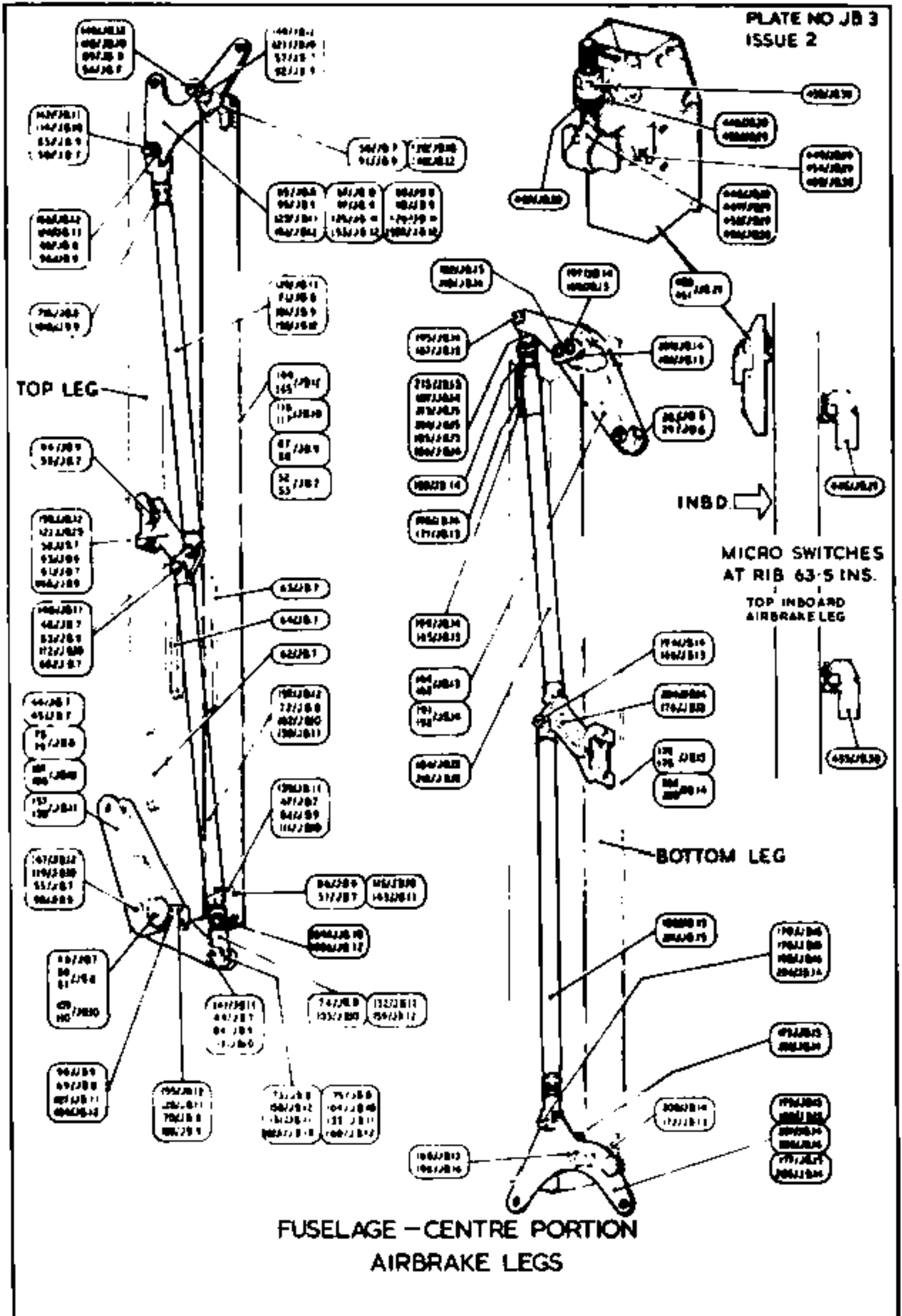
FUSELAGE - CENTRE PORTION
MECHANICAL JETTISON RELEASE

RESTRICTED

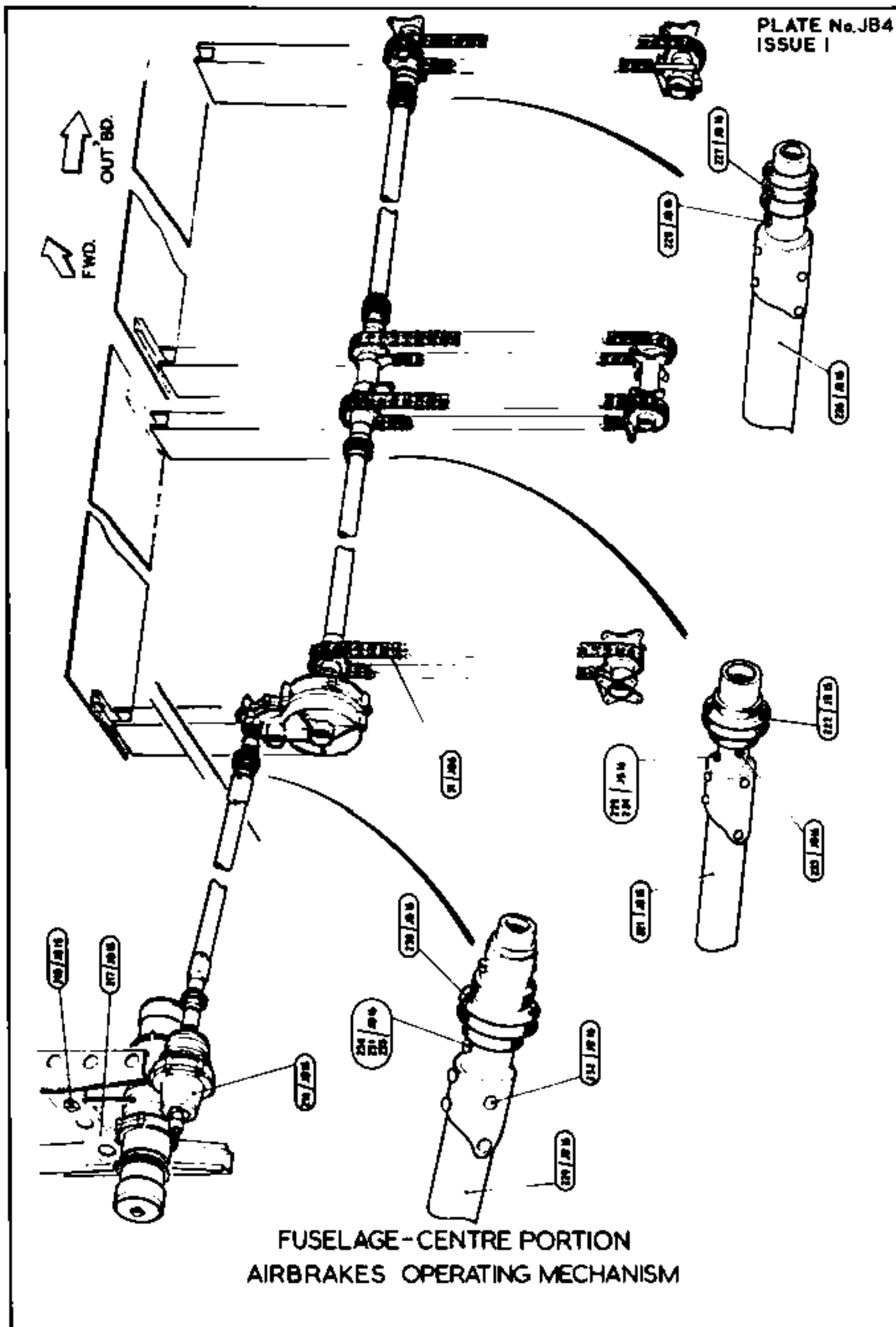
PLATE No. JB2
ISSUE 3



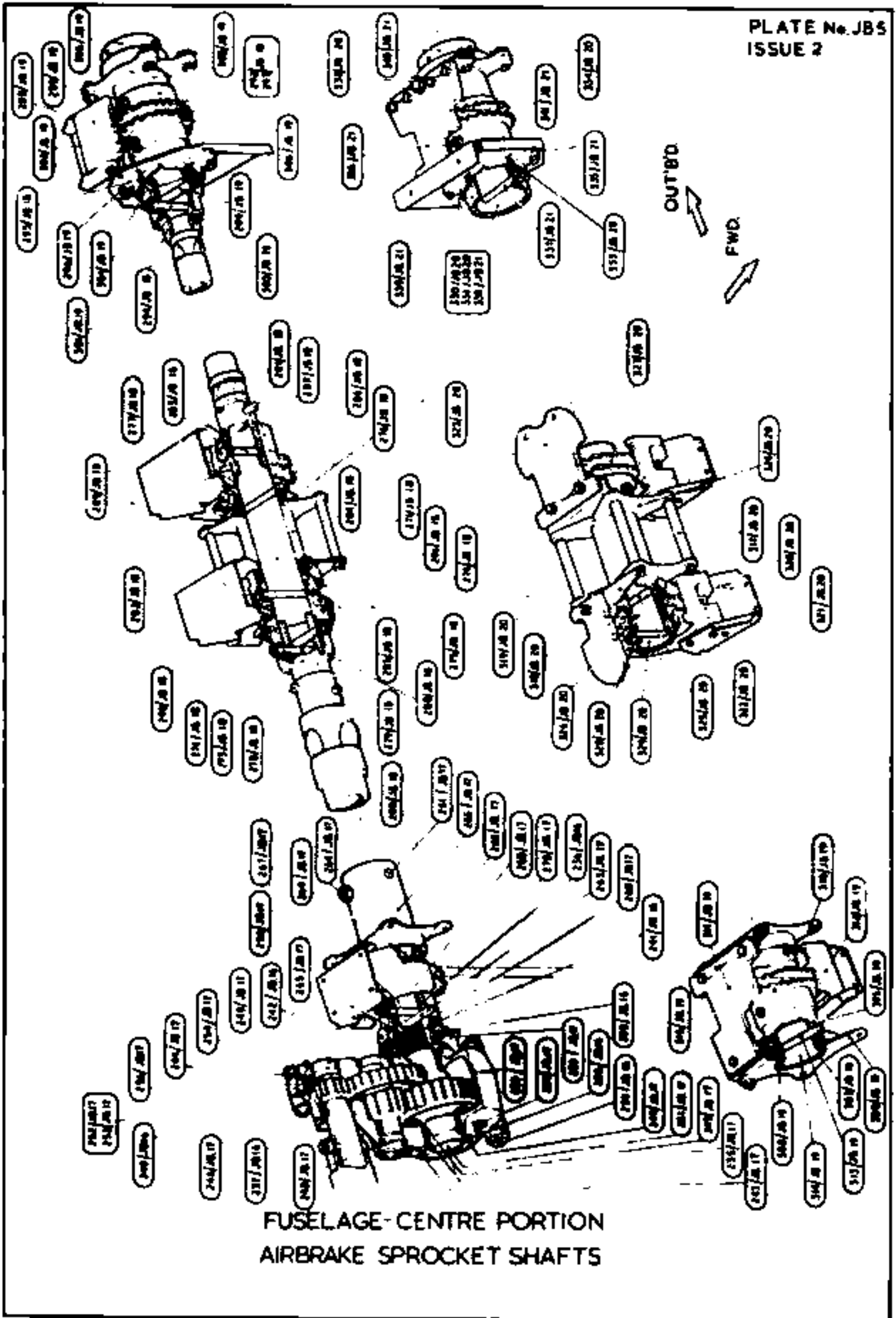
RESTRICTED

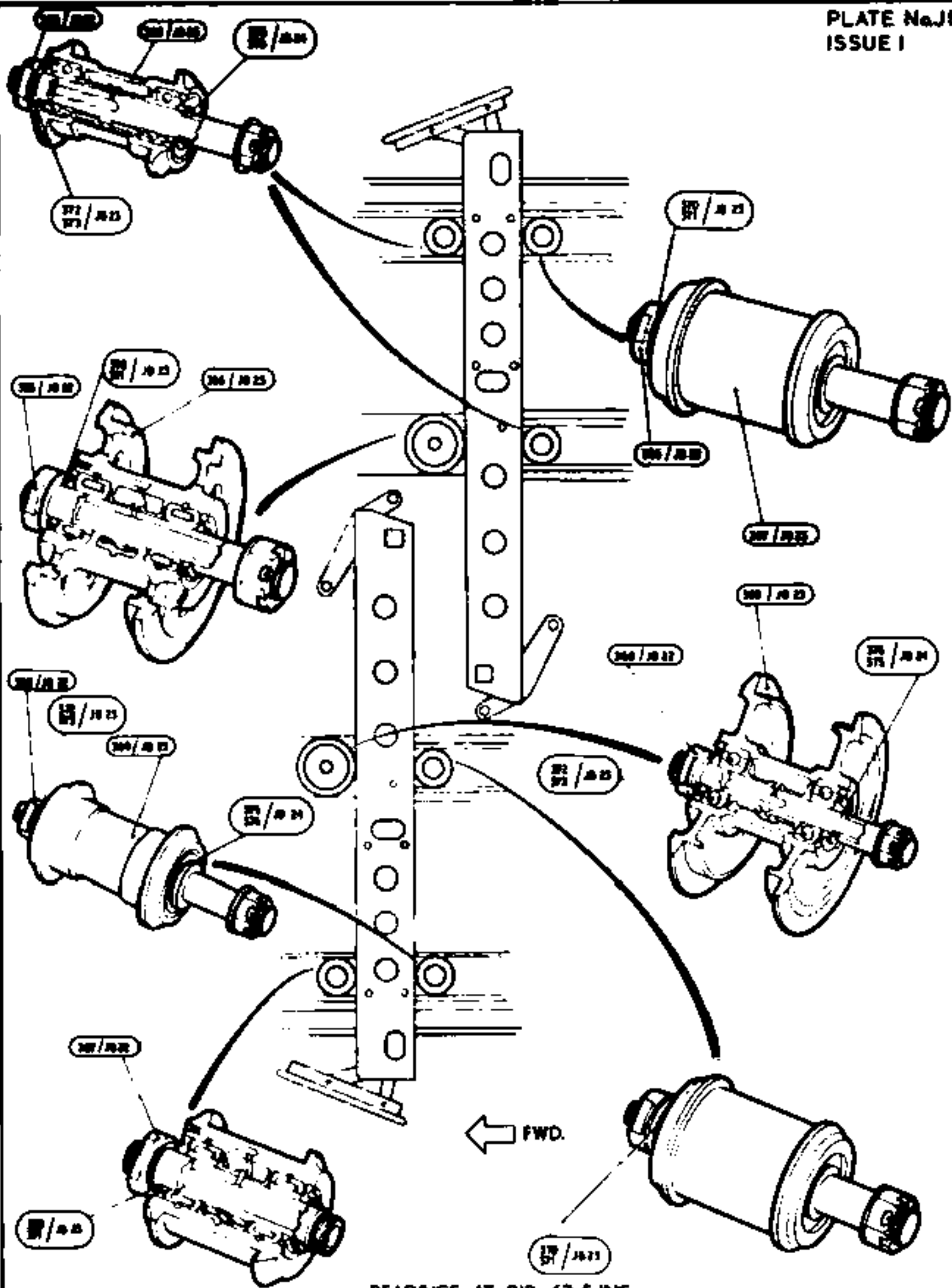


RESTRICTED



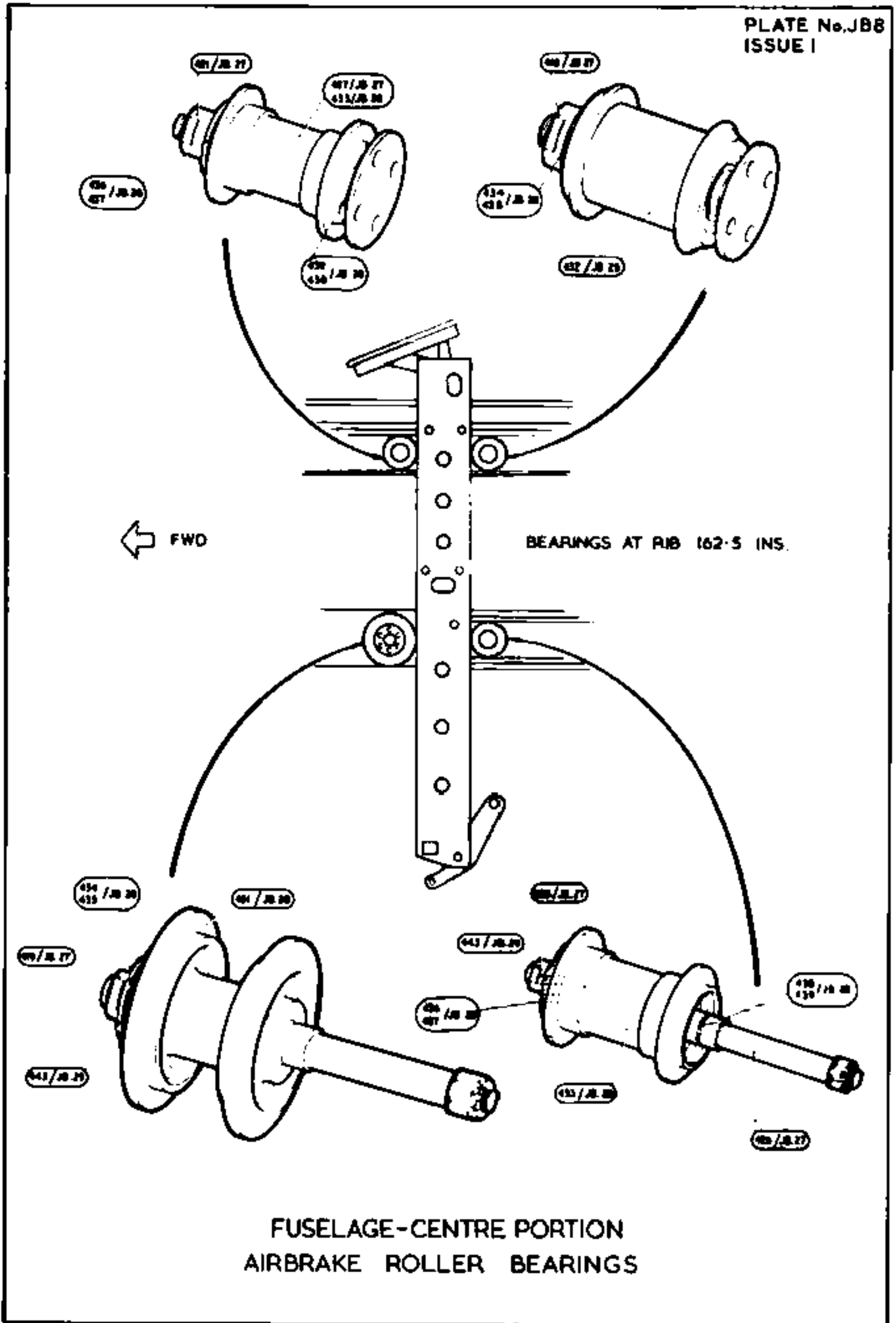
RESTRICTED



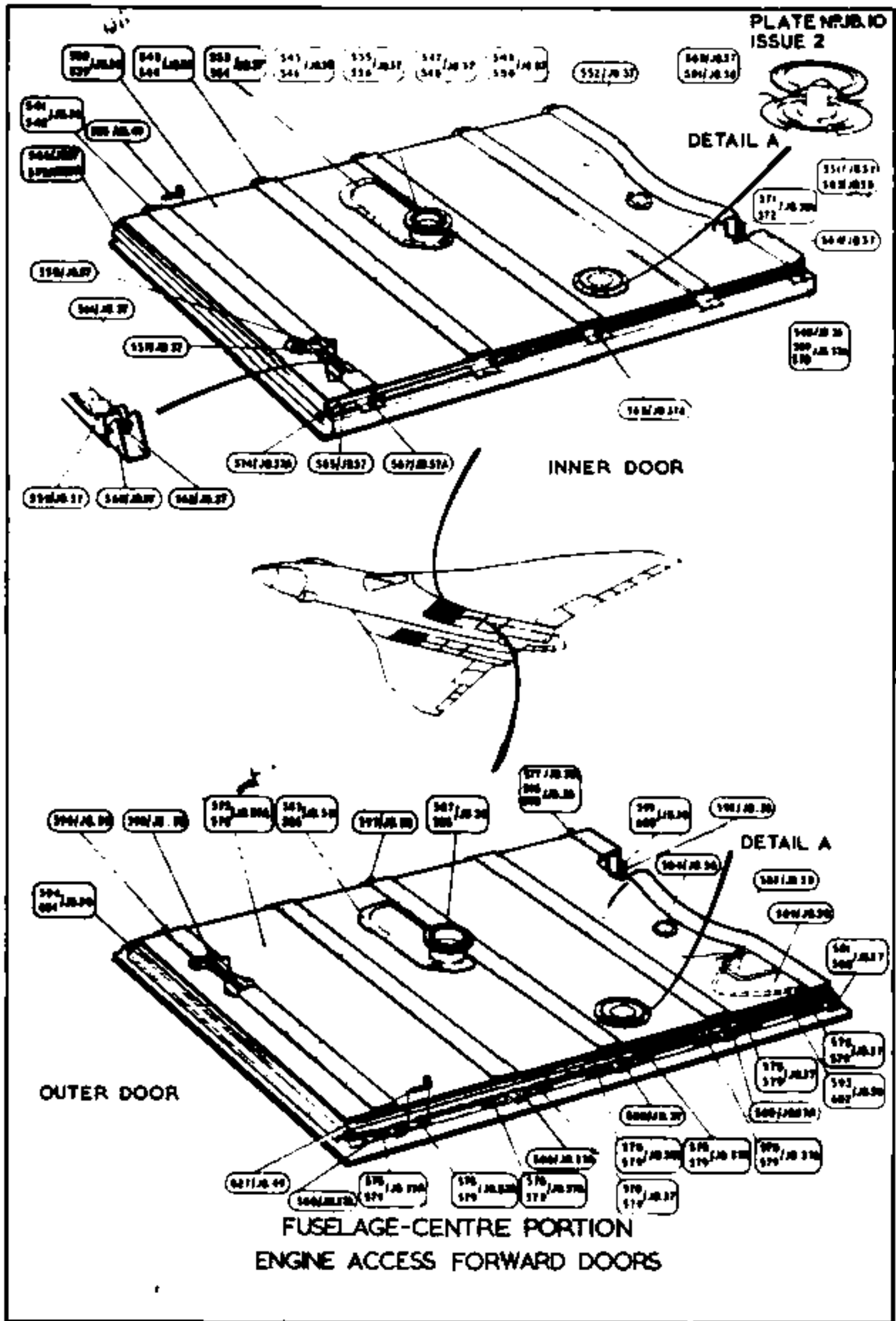


BEARINGS AT RIB 63.5 INS.

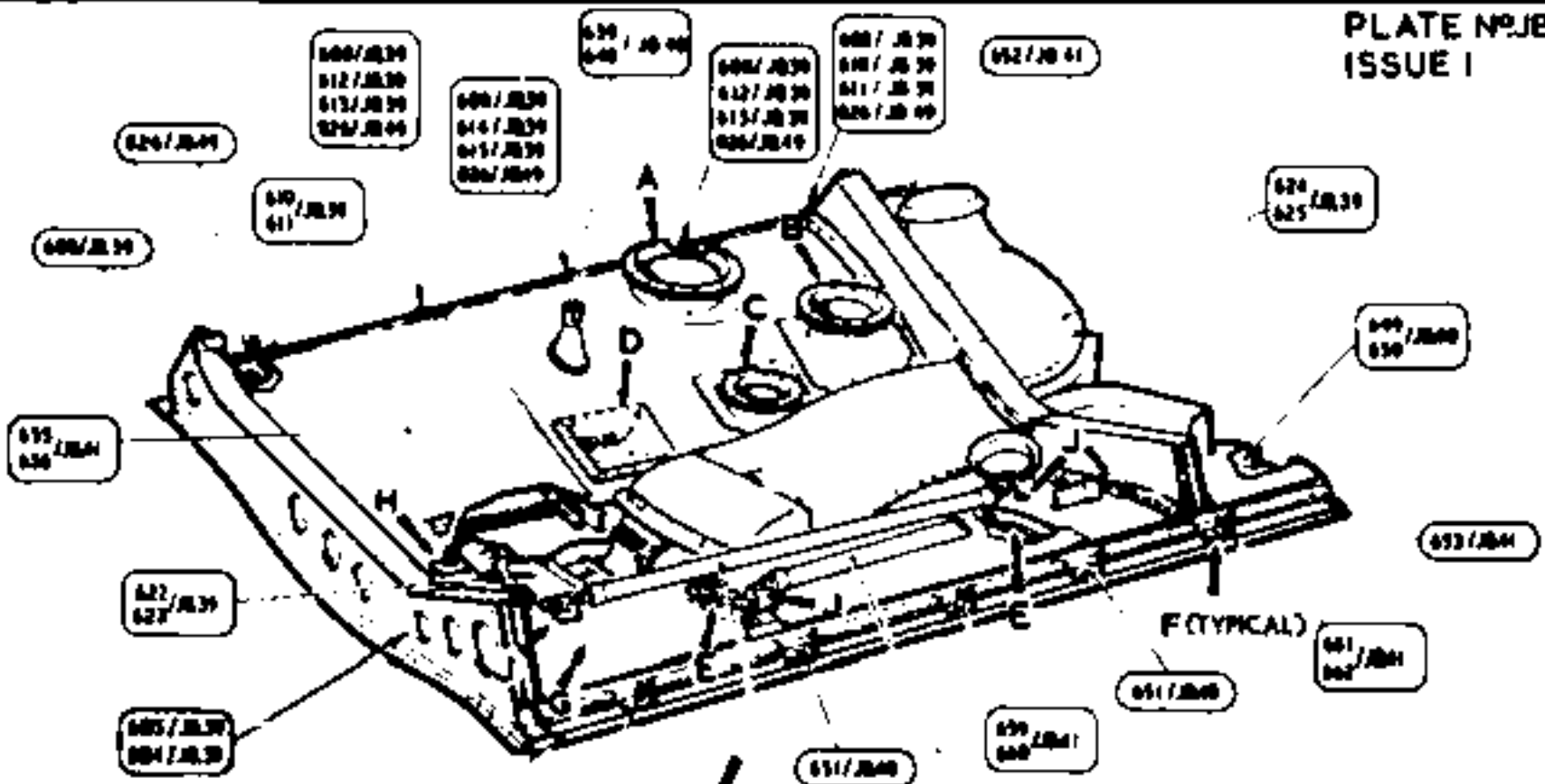
FUSELAGE - CENTRE PORTION
AIRBRAKE ROLLER BEARINGS



RESTRICTED



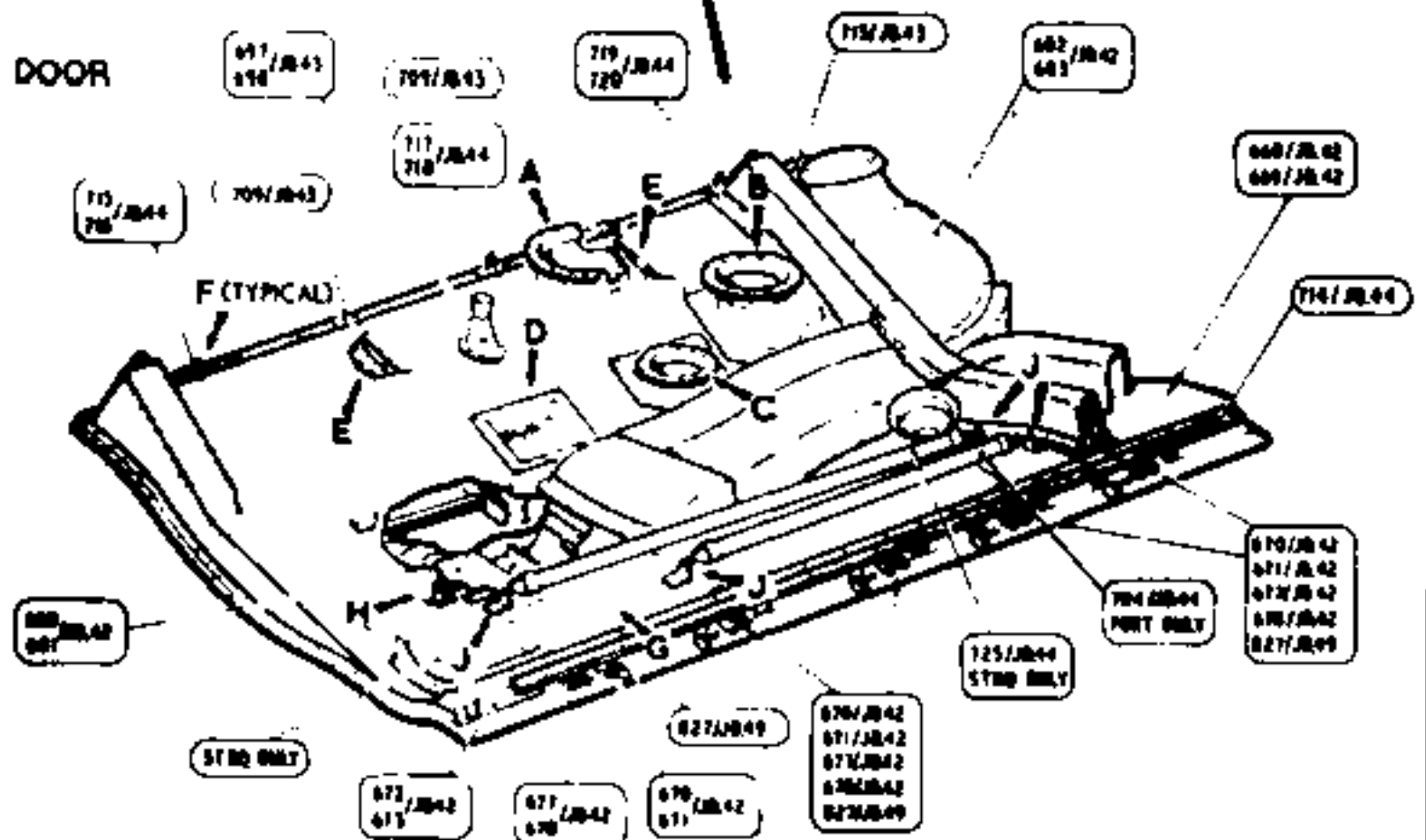
RESTRICTED



INNER DOOR

FOR DETAILS A,B,C,D,E,F,
G,H AND J SEE PLATE NO JB 12

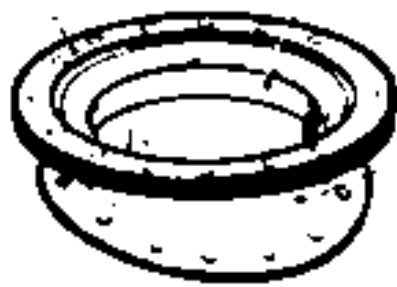
OUTER DOOR



FUSELAGE - CENTRE PORTION
ENGINE ACCESS CENTRE DOORS

641/JB 40
699/JB 43

642/JB 40
700/JB 43



DETAIL AT 'A'

637/JB 40
638/JB 40
696/JB 43
697/JB 43

693/JB 40
695/JB 43

656/JB 40
694/JB 43

695/JB 40
694/JB 40
697/JB 43
698/JB 43



DETAIL AT 'B'

712/JB 43

630/JB 40
631/JB 40
690/JB 40
689

652/JB 40
690/JB 43



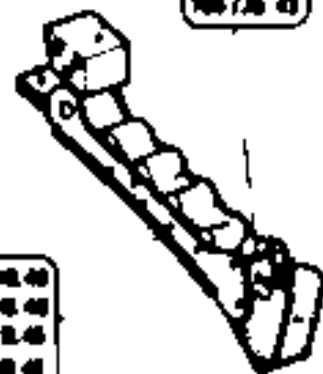
DETAIL AT 'C'

688/JB 40
679/JB 40
690/JB 42
687/JB 42

640/JB 40
700/JB 43

687/JB 40

646/JB 40
700/JB 43



DETAIL AT 'E'

648/JB 40
707/JB 40

649/JB 40
706/JB 40

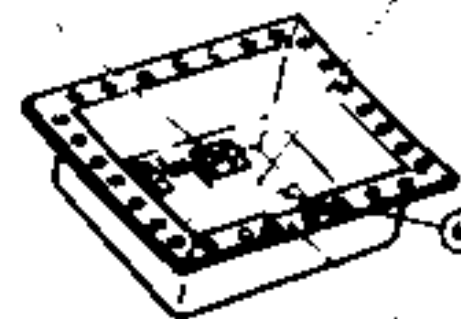
643/JB 40
644/JB 40
701/JB 40
702/JB 40
703/JB 43
704/JB 43

708/JB 40

685/JB 39
679/JB 42

681/JB 39

679/JB 39



DETAIL AT 'D'

680/JB 39

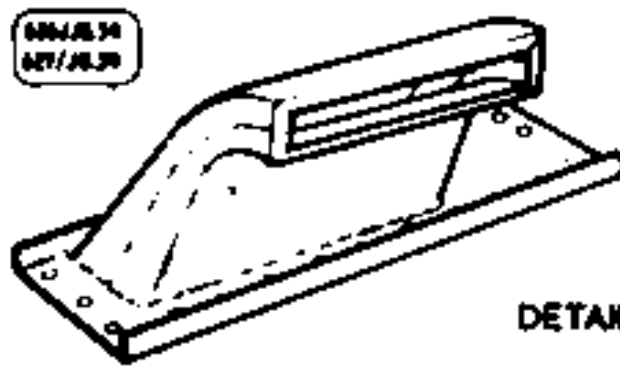
654/JB 41
702/JB 43



DETAIL AT 'F'

682/JB 41
721/JB 40

686/JB 39
627/JB 39



DETAIL AT 'G'

688/JB 39
678/JB 40

666/JB 39
675/JB 47

DETAIL AT 'H'



PORT OUTBD
STBD INBD

684/JB 42
683/JB 42



PORT INBD
STBD OUTBD

685/JB 39
646/JB 40
679/JB 42
723/JB 44

684/JB 41
722/JB 40

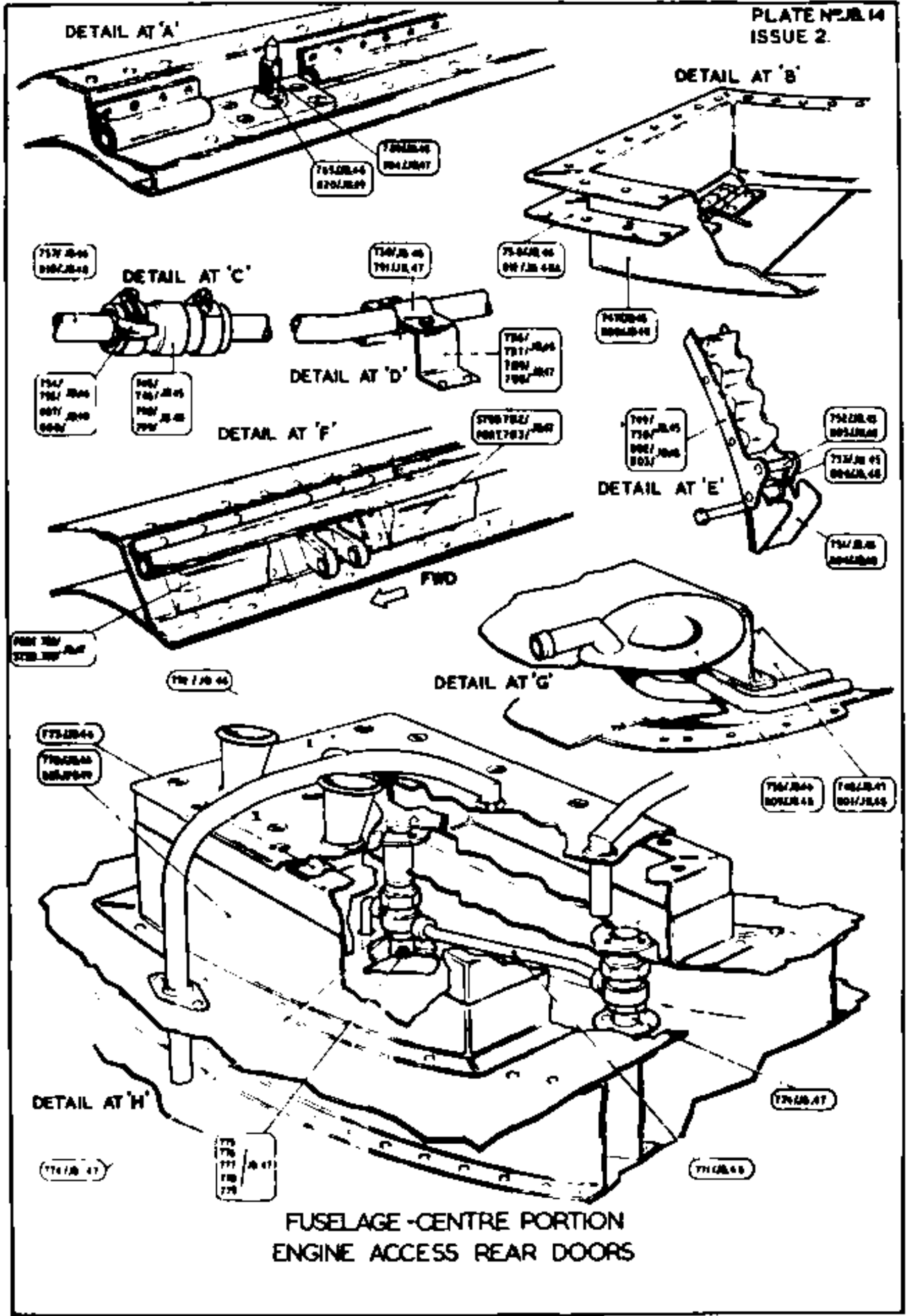


DETAIL AT 'J'

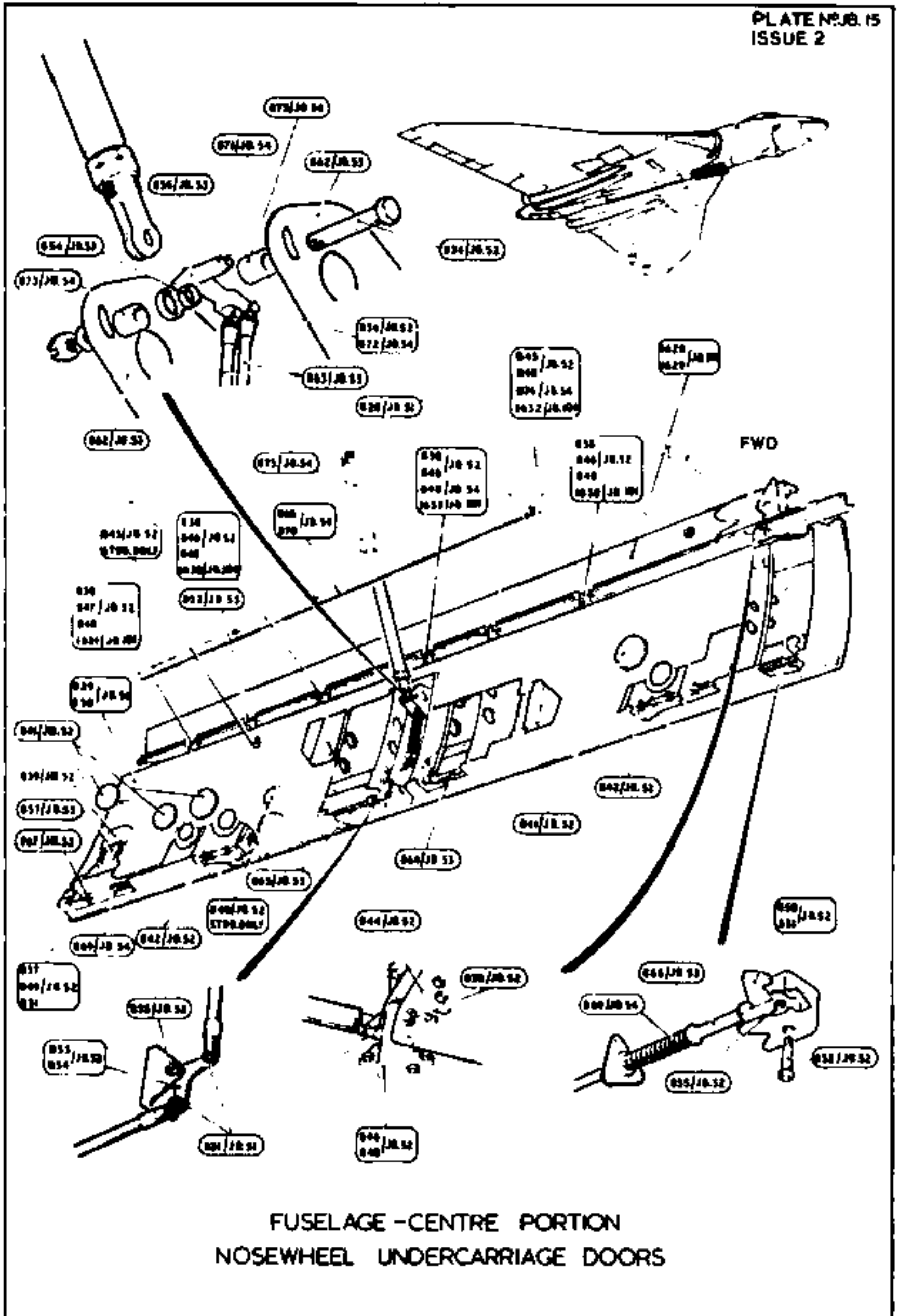
FUSELAGE-CENTRE PORTION
ENGINE ACCESS CENTRE DOORS

RESTRICTED

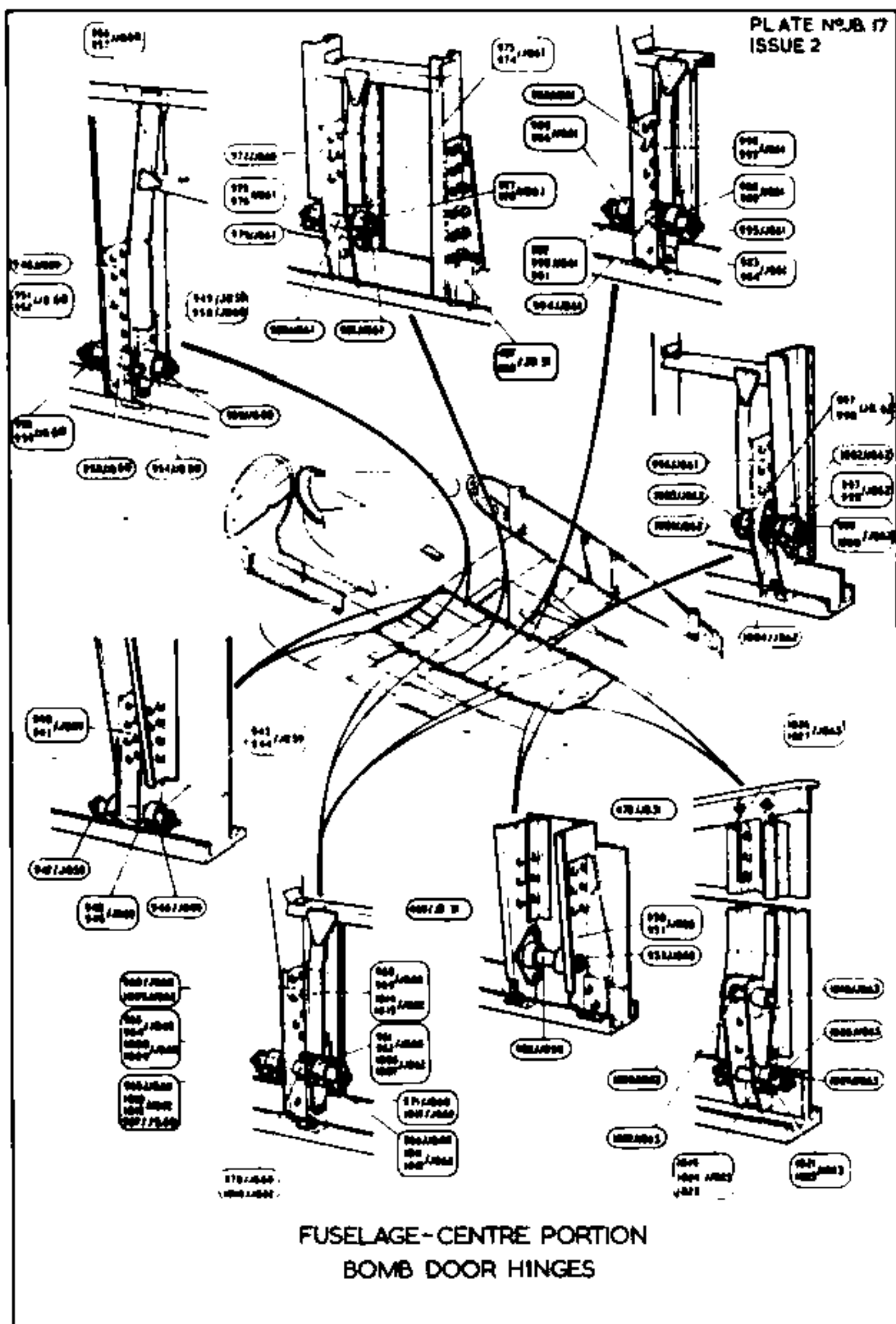
PLATE NO. 14
ISSUE 2.



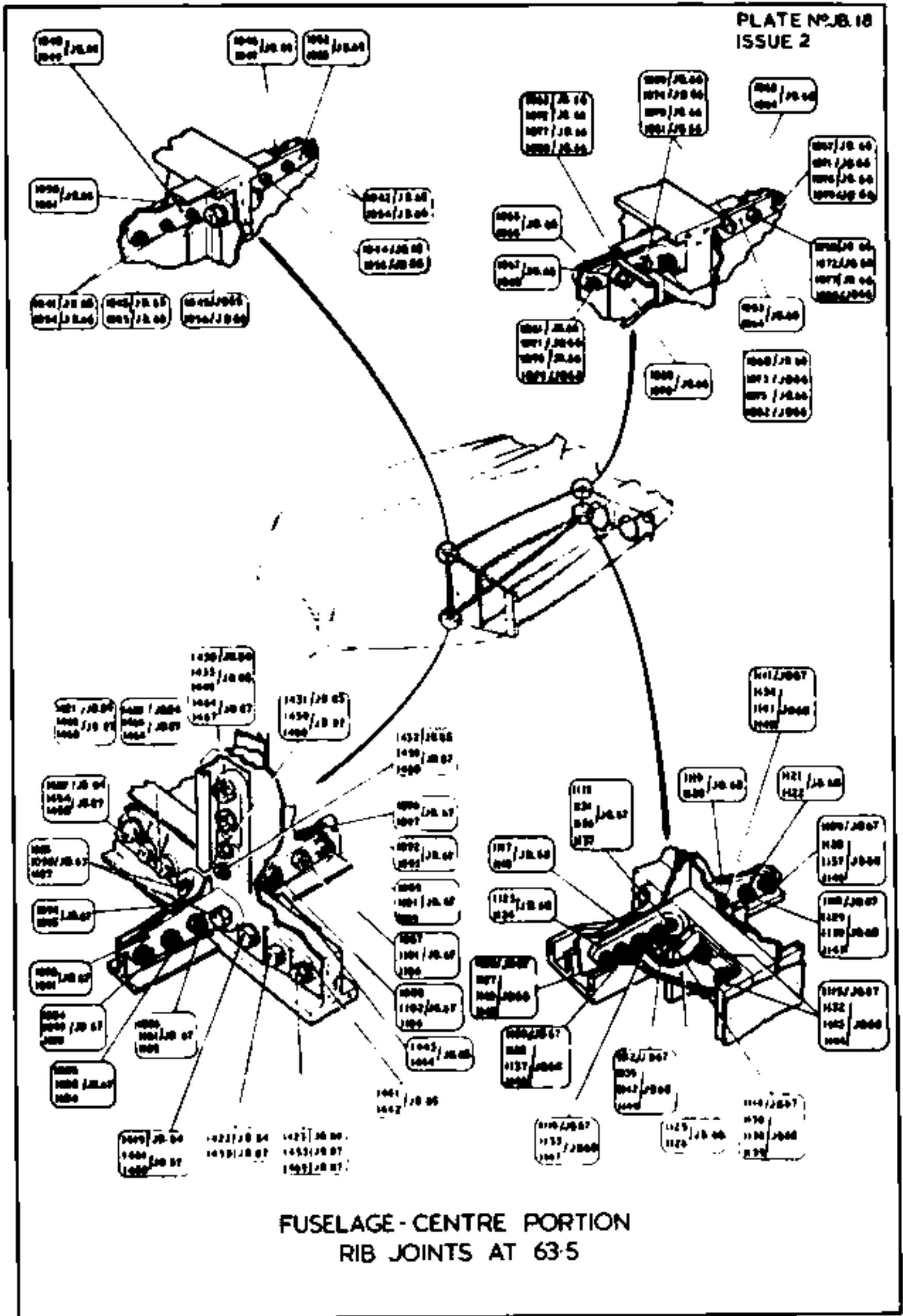
RESTRICTED



FUSELAGE - CENTRE PORTION
NOSEWHEEL UNDERCARRIAGE DOORS



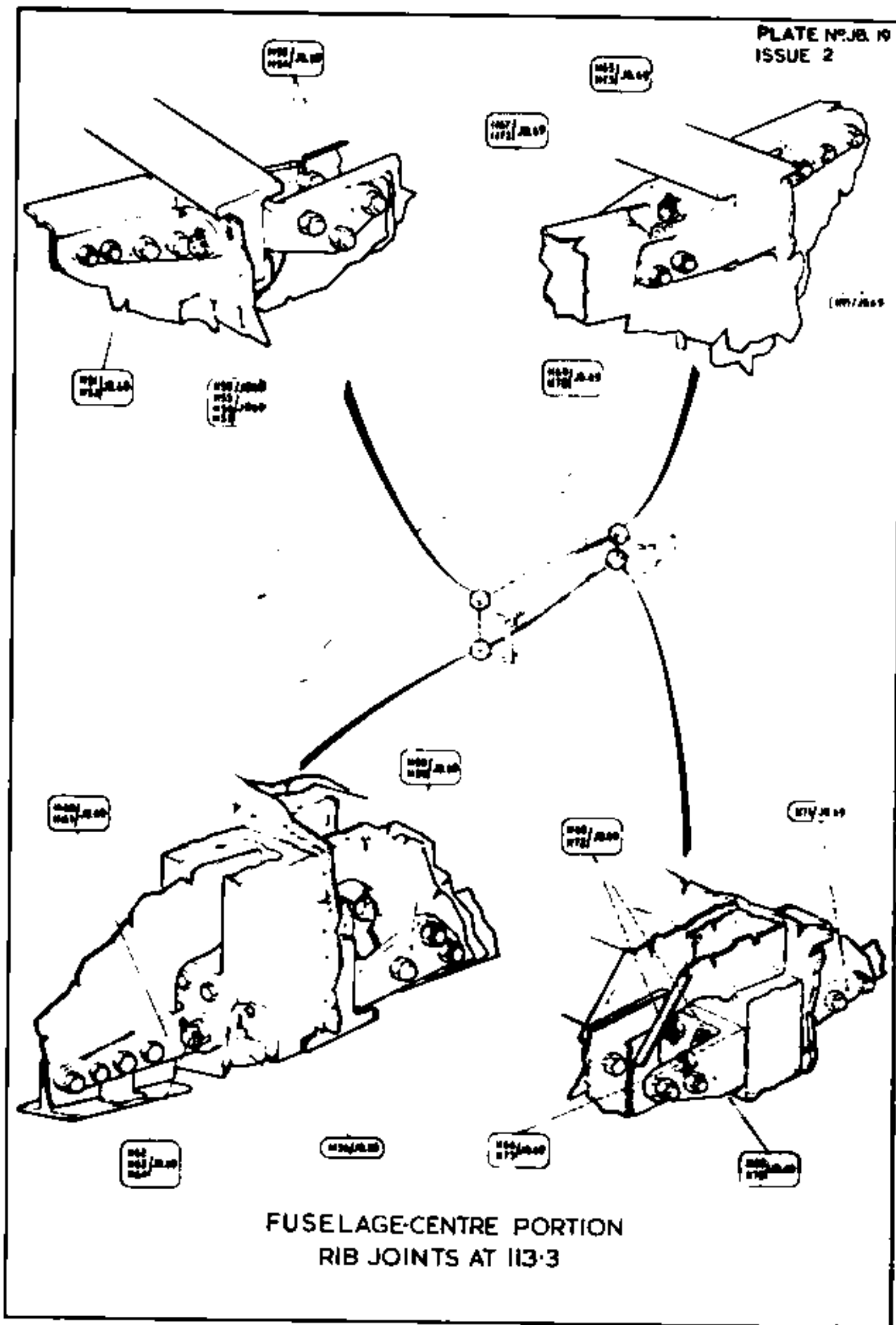
FUSELAGE-CENTRE PORTION
BOMB DOOR HINGES



FUSELAGE-CENTRE PORTION
RIB JOINTS AT 63.5

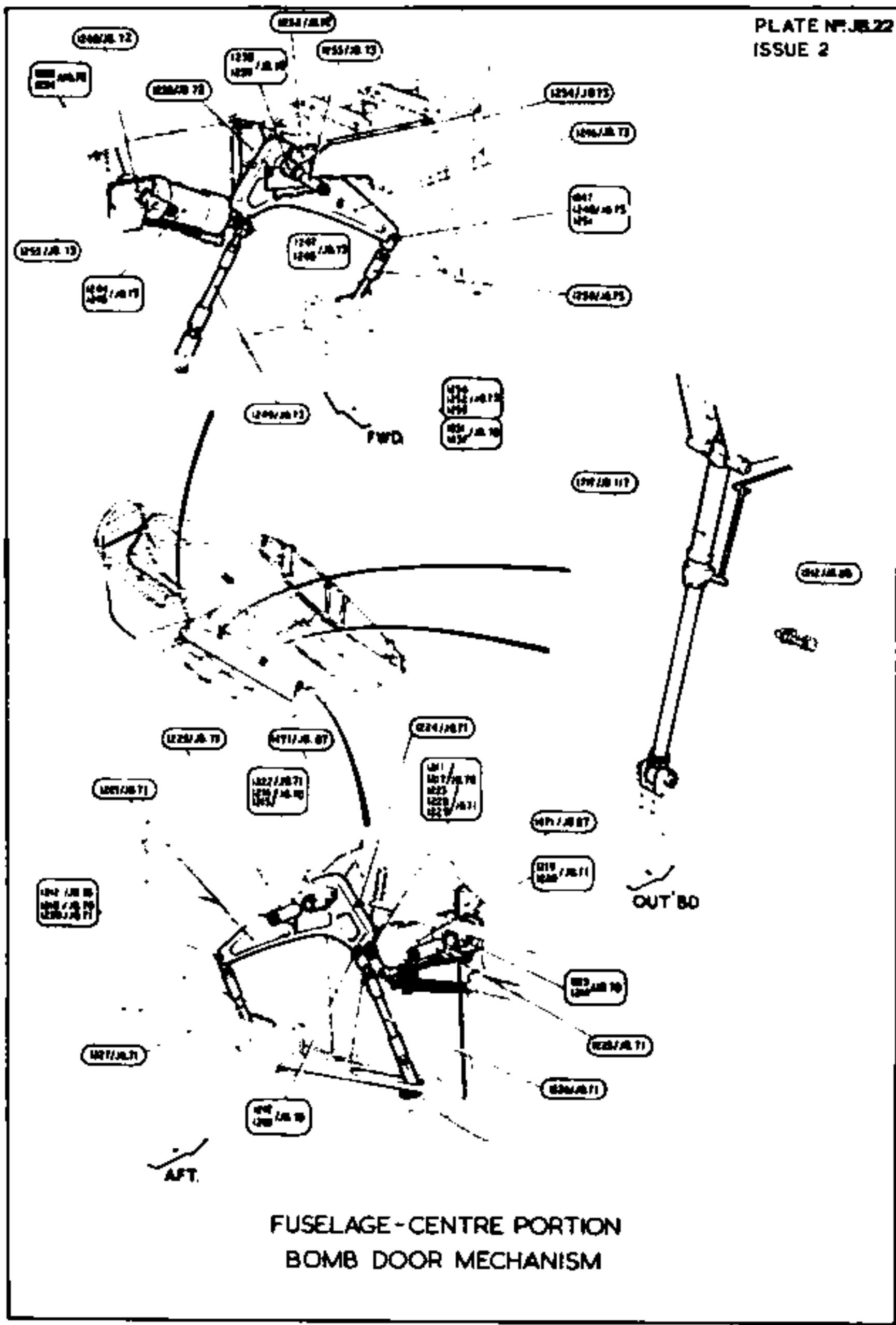
RESTRICTED

PLATE NO. JB. 19
ISSUE 2



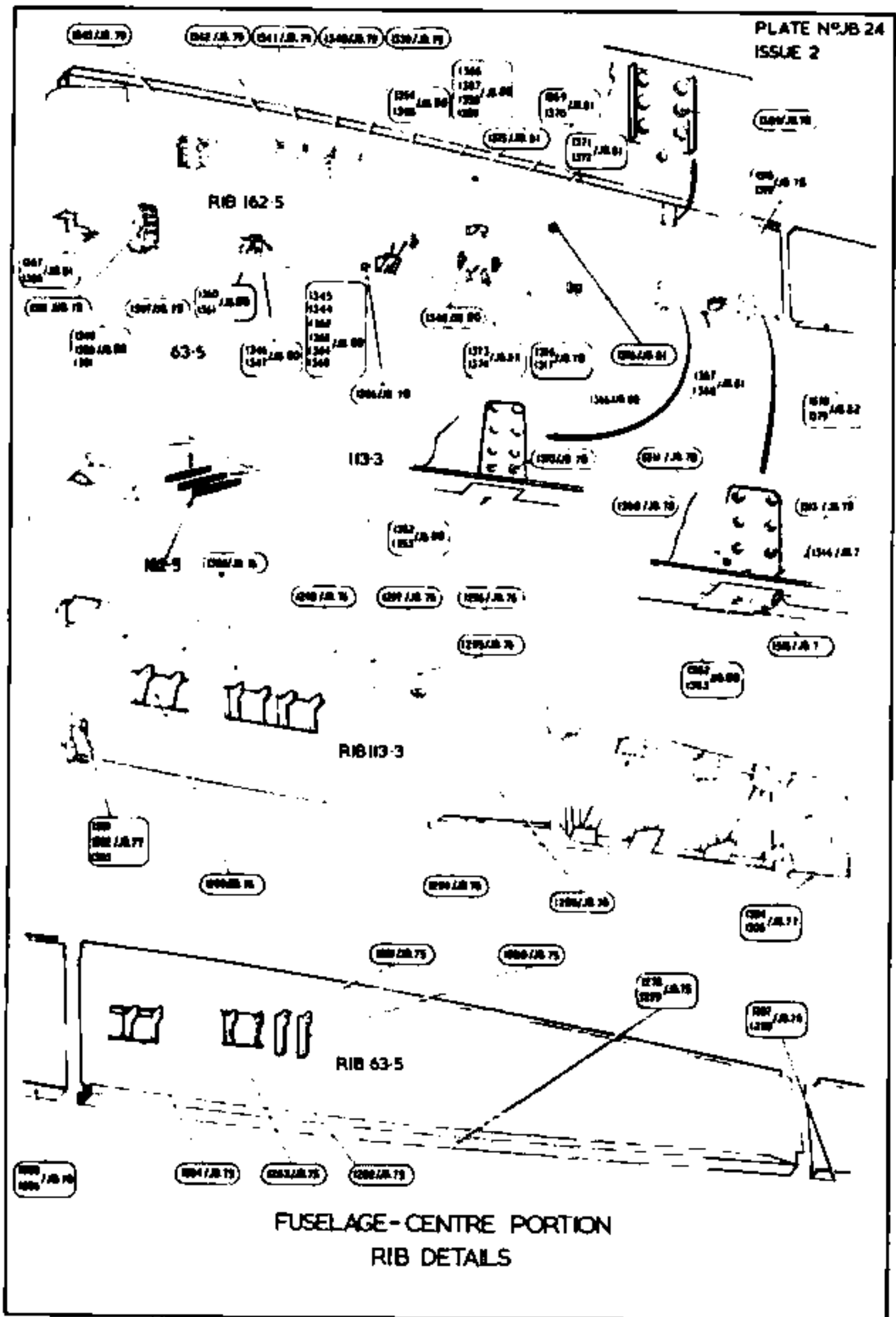
FUSELAGE-CENTRE PORTION
RIB JOINTS AT 113.3

RESTRICTED

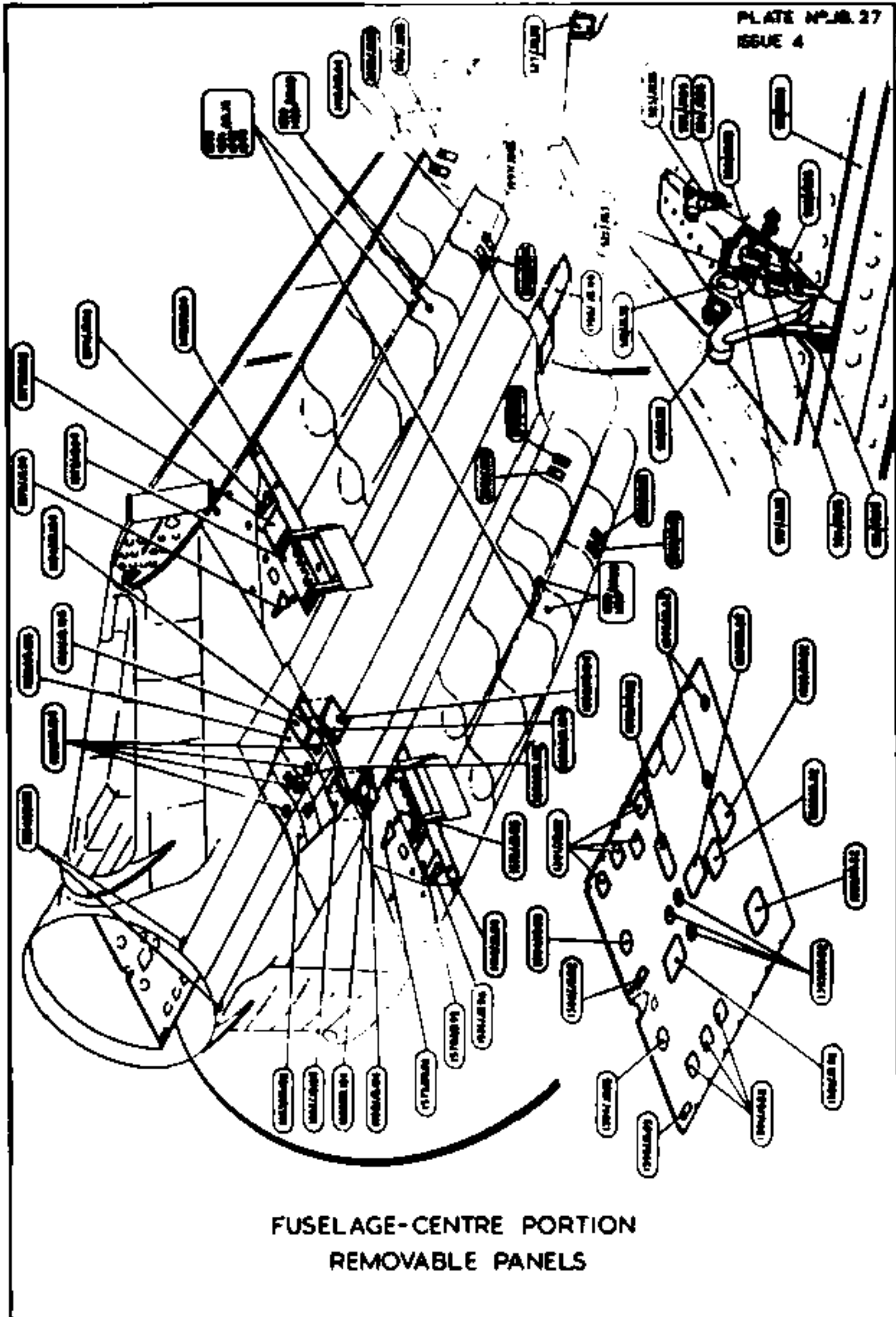


RESTRICTED

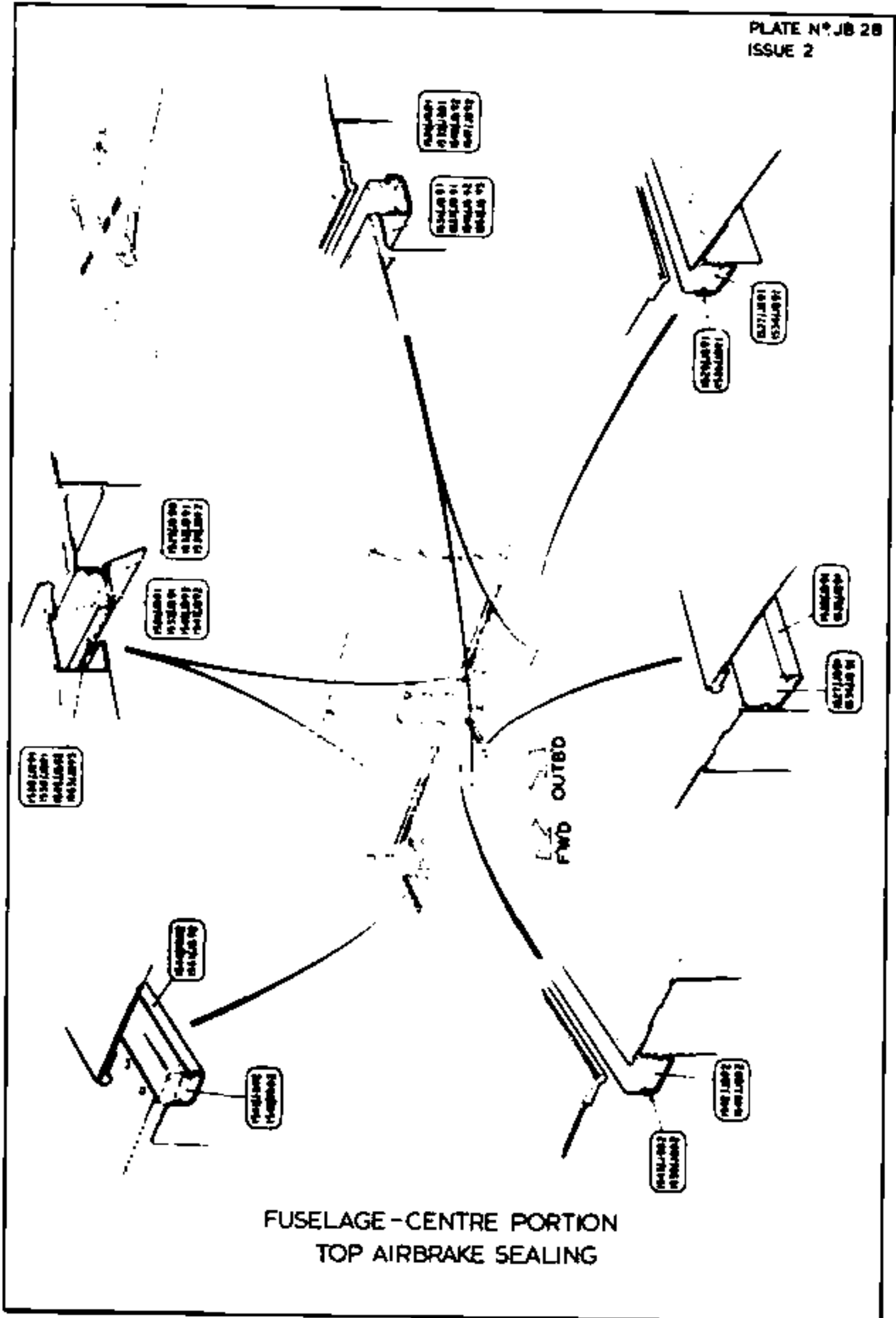
PLATE No JB 24
ISSUE 2

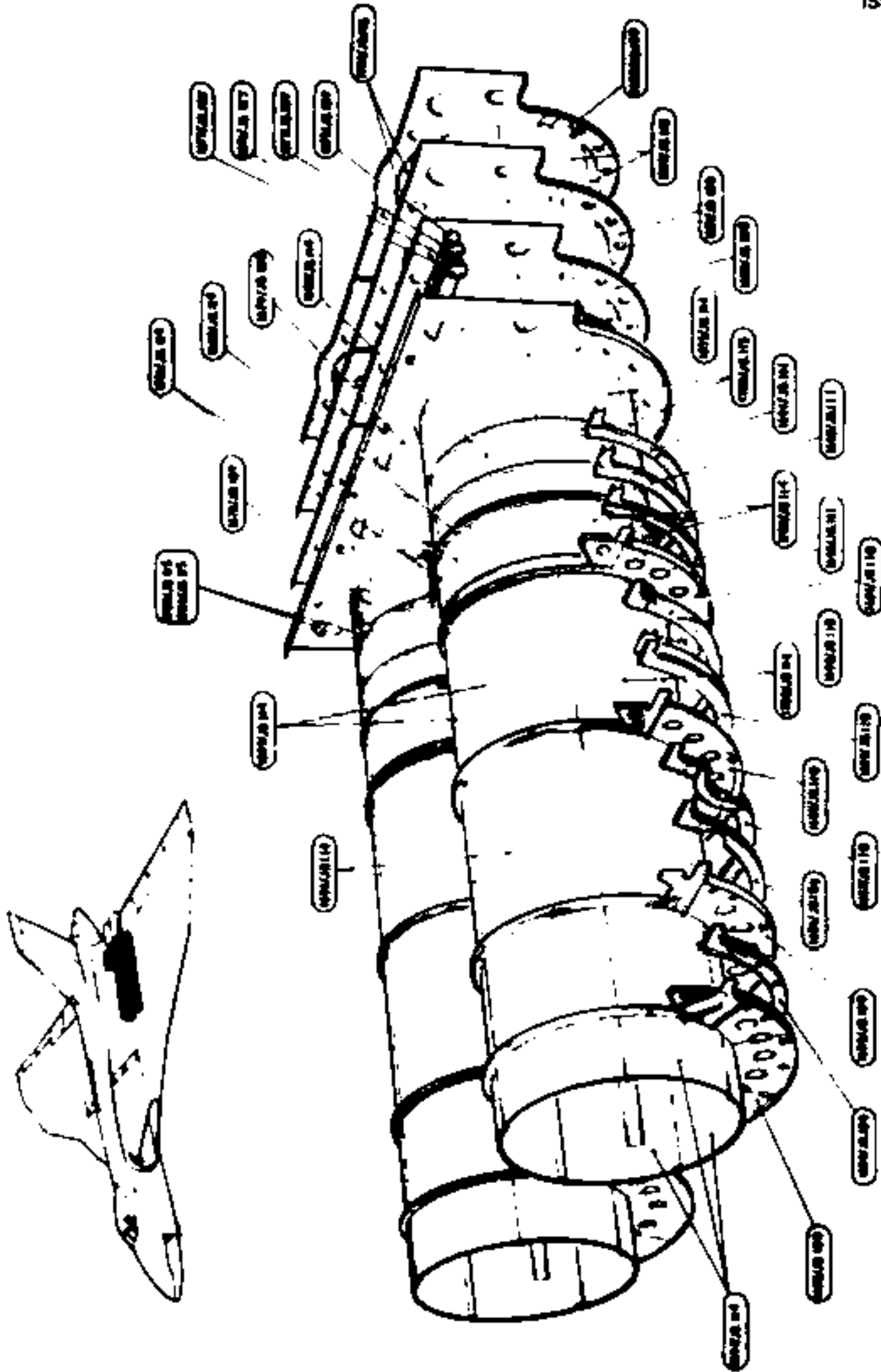


RESTRICTED

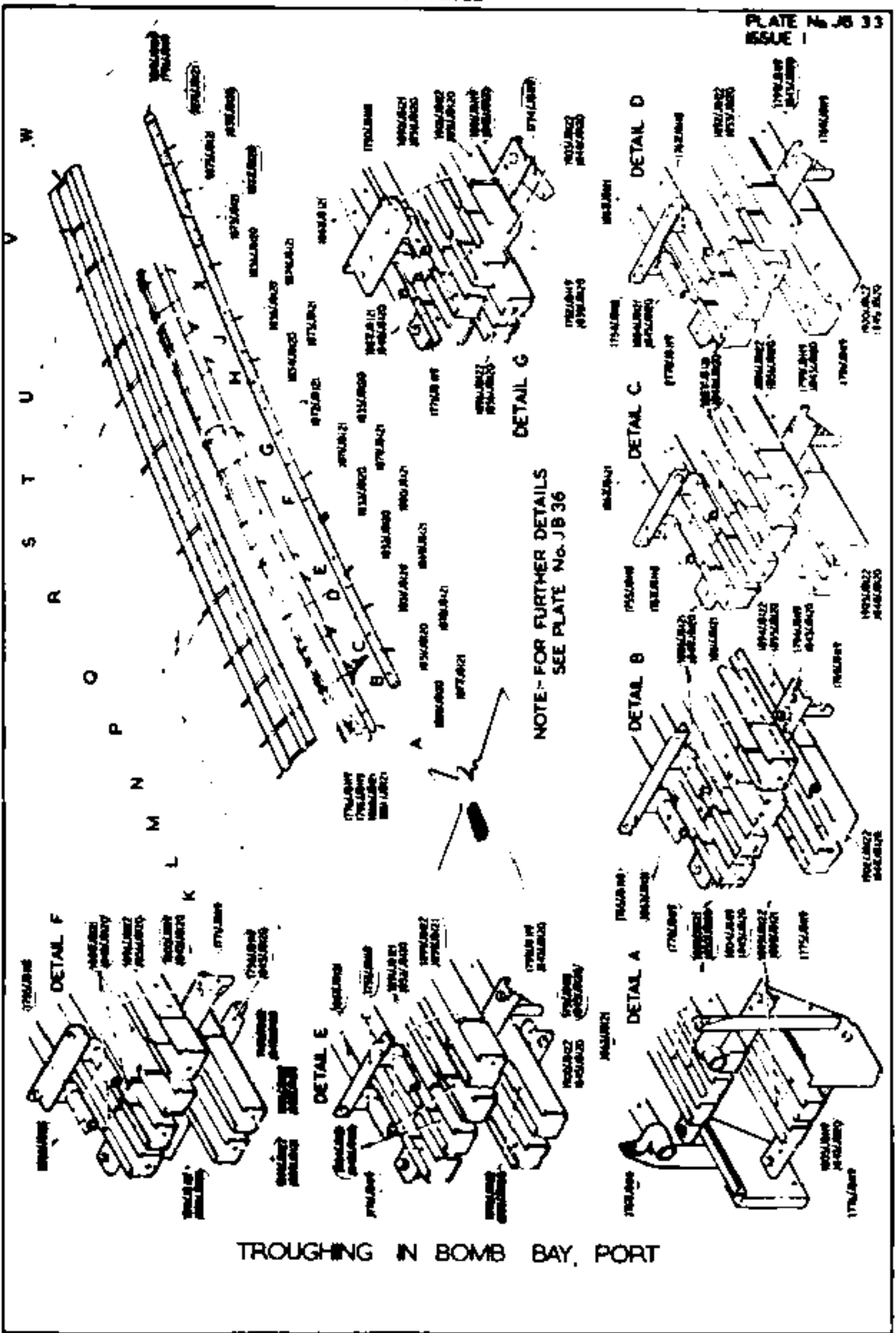


FUSELAGE-CENTRE PORTION
REMOVABLE PANELS

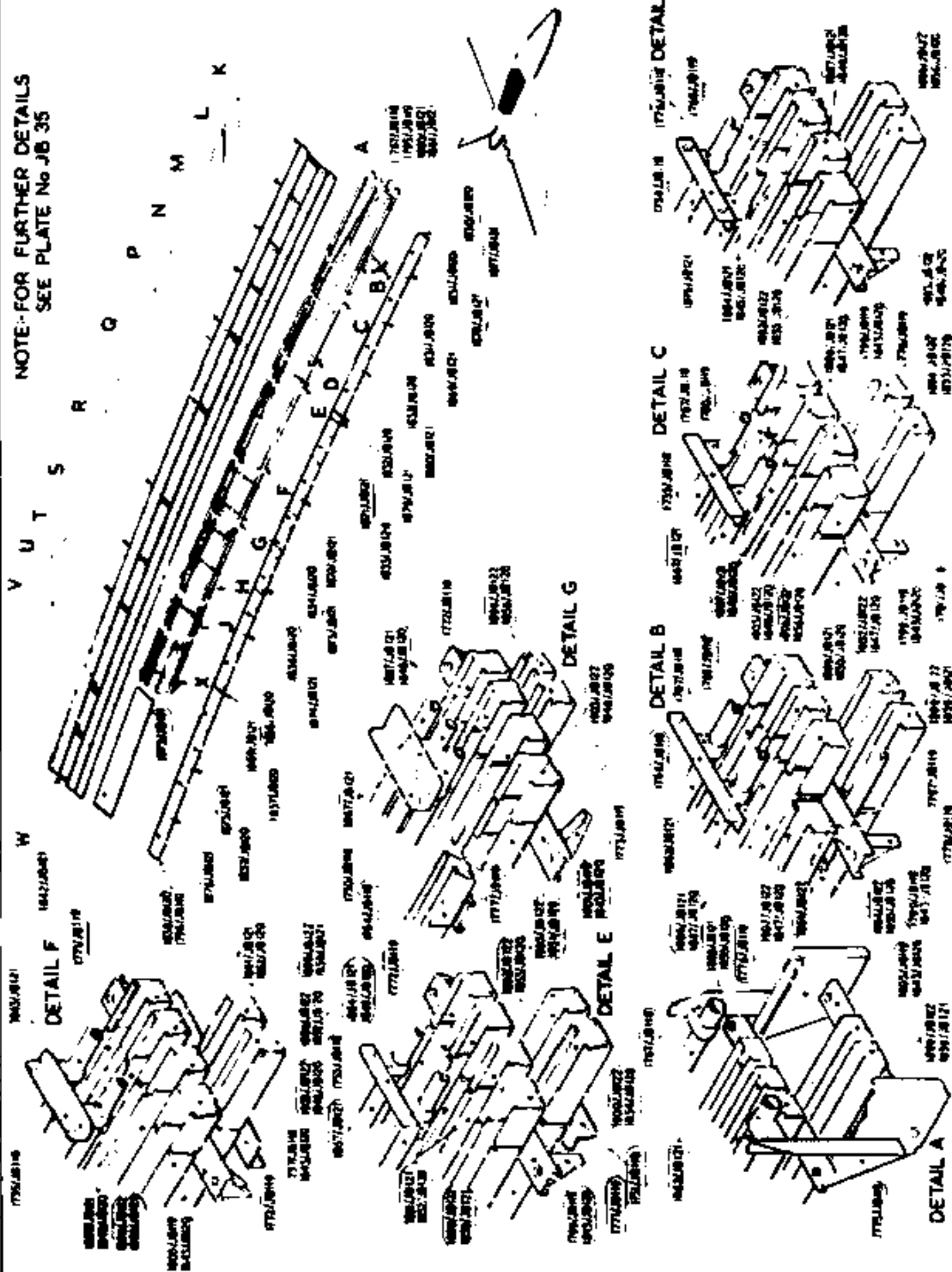




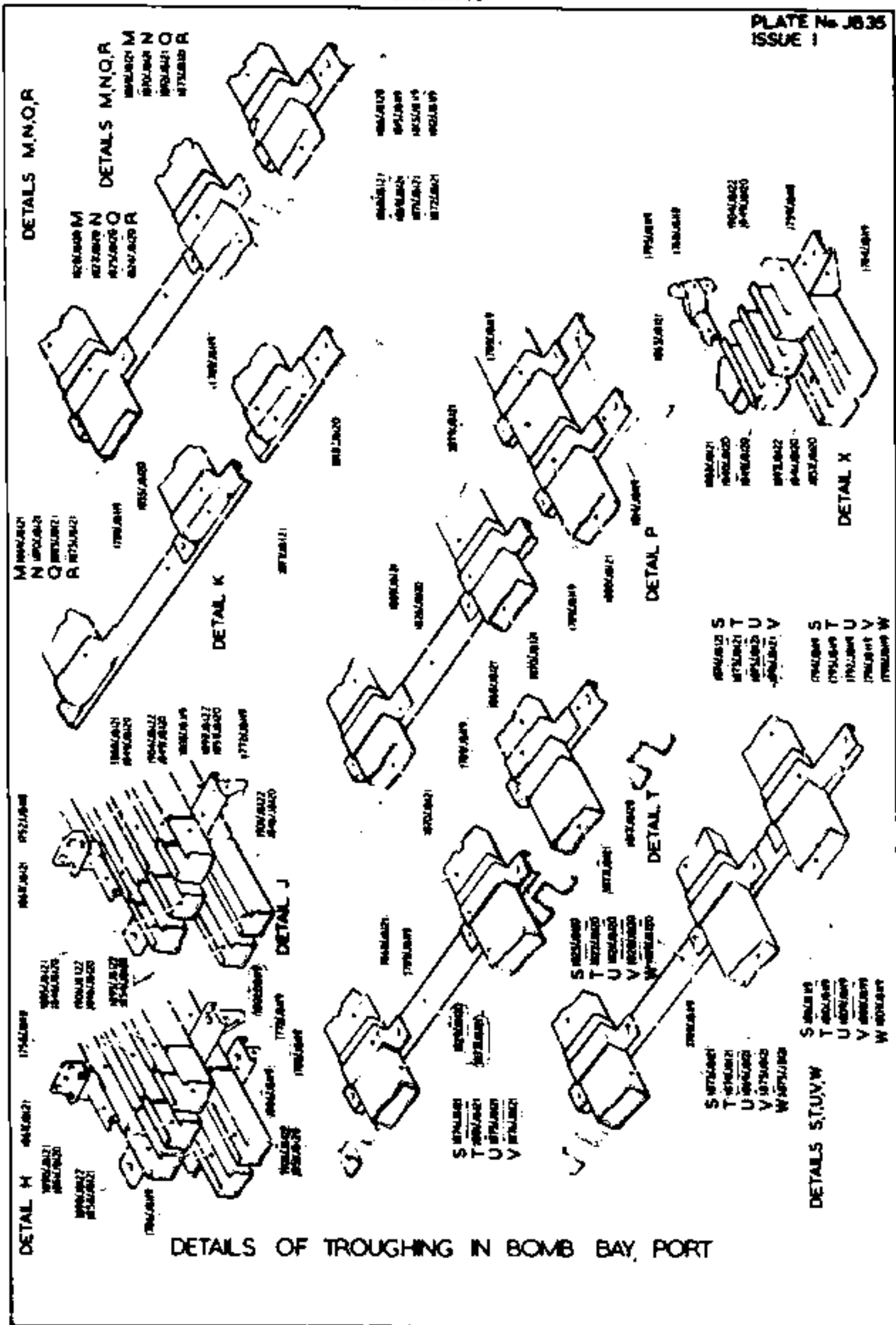
FUSELAGE - CENTRE PORTION
JET PIPE TUNNELS AND FORMERS



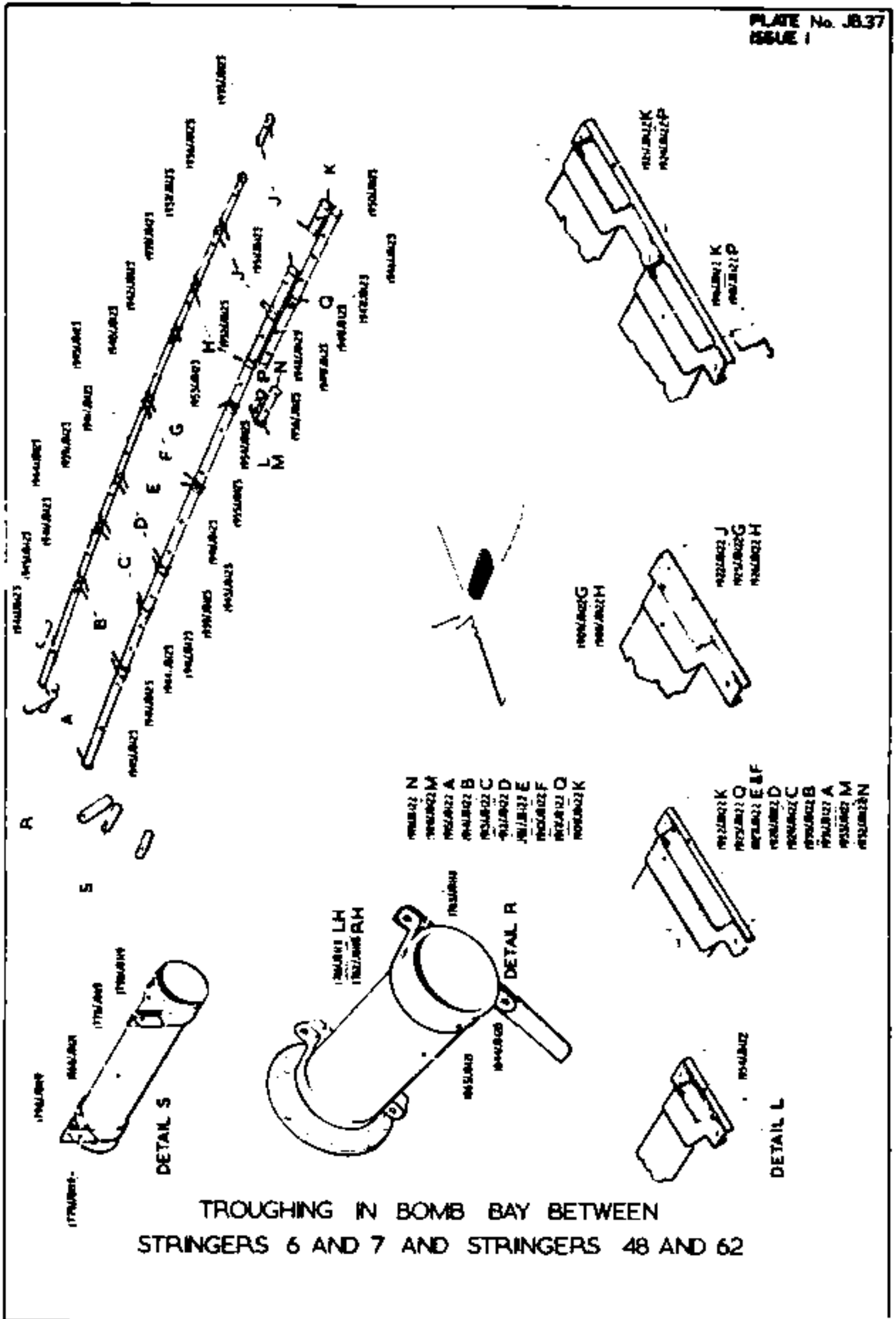
NOTE: FOR FURTHER DETAILS
SEE PLATE No JB 35



TROUGHING IN BOMB BAY ST80



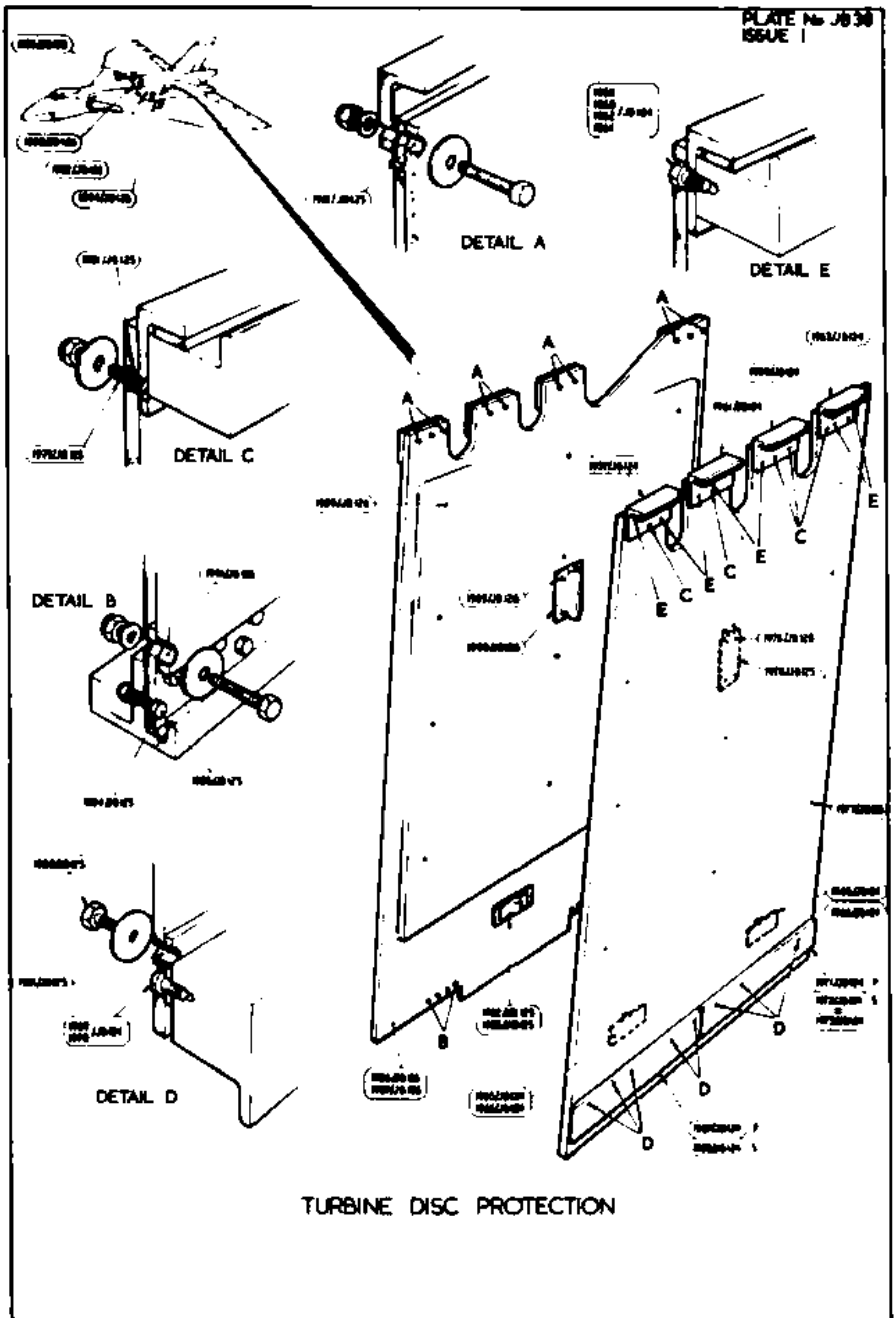
DETAILS OF TROUGHING IN BOMB BAY, PORT



TROUGHING IN BOMB BAY BETWEEN
STRINGERS 6 AND 7 AND STRINGERS 48 AND 62

RESTRICTED

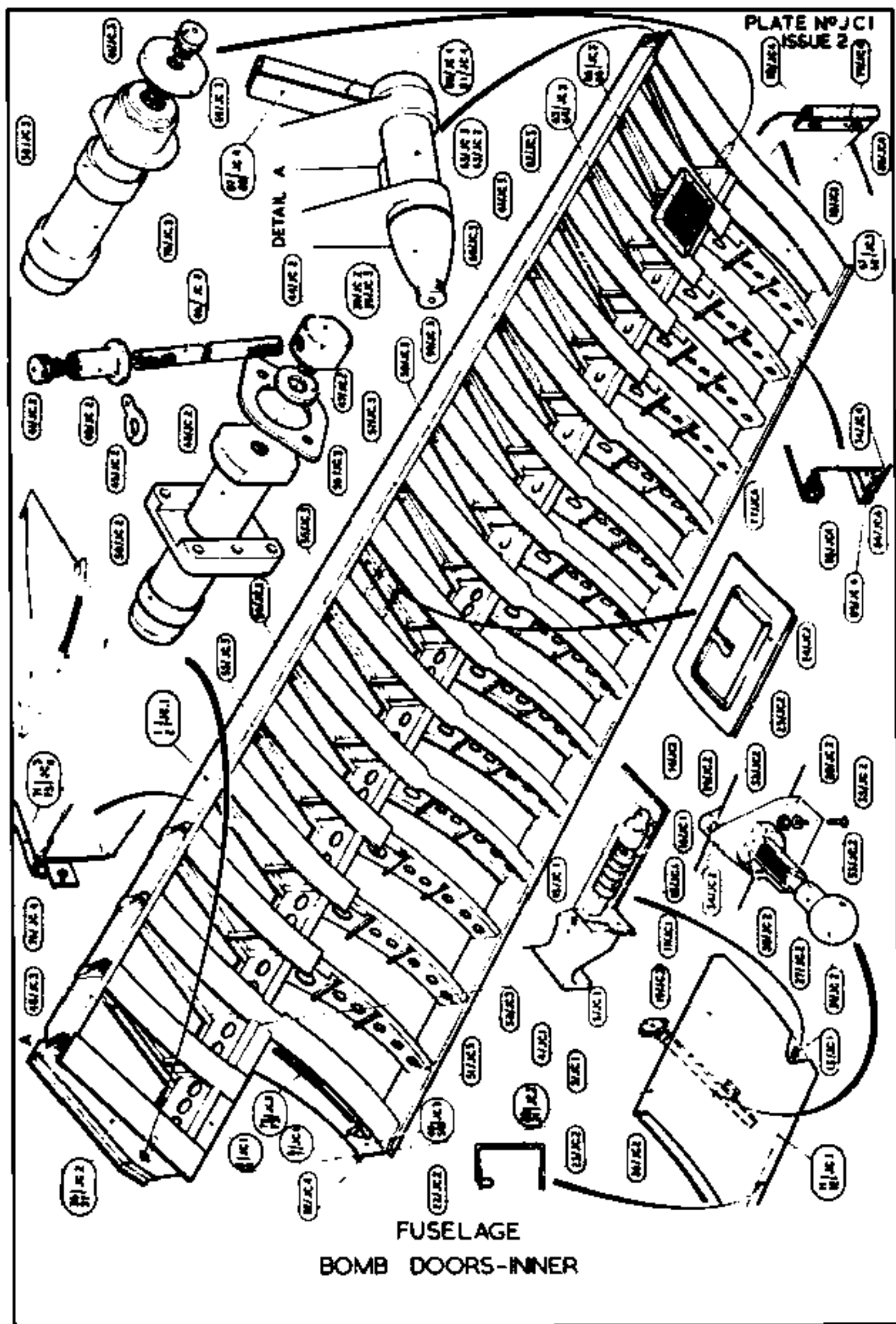
PLATE No. JB 38
ISSUE 1



TURBINE DISC PROTECTION

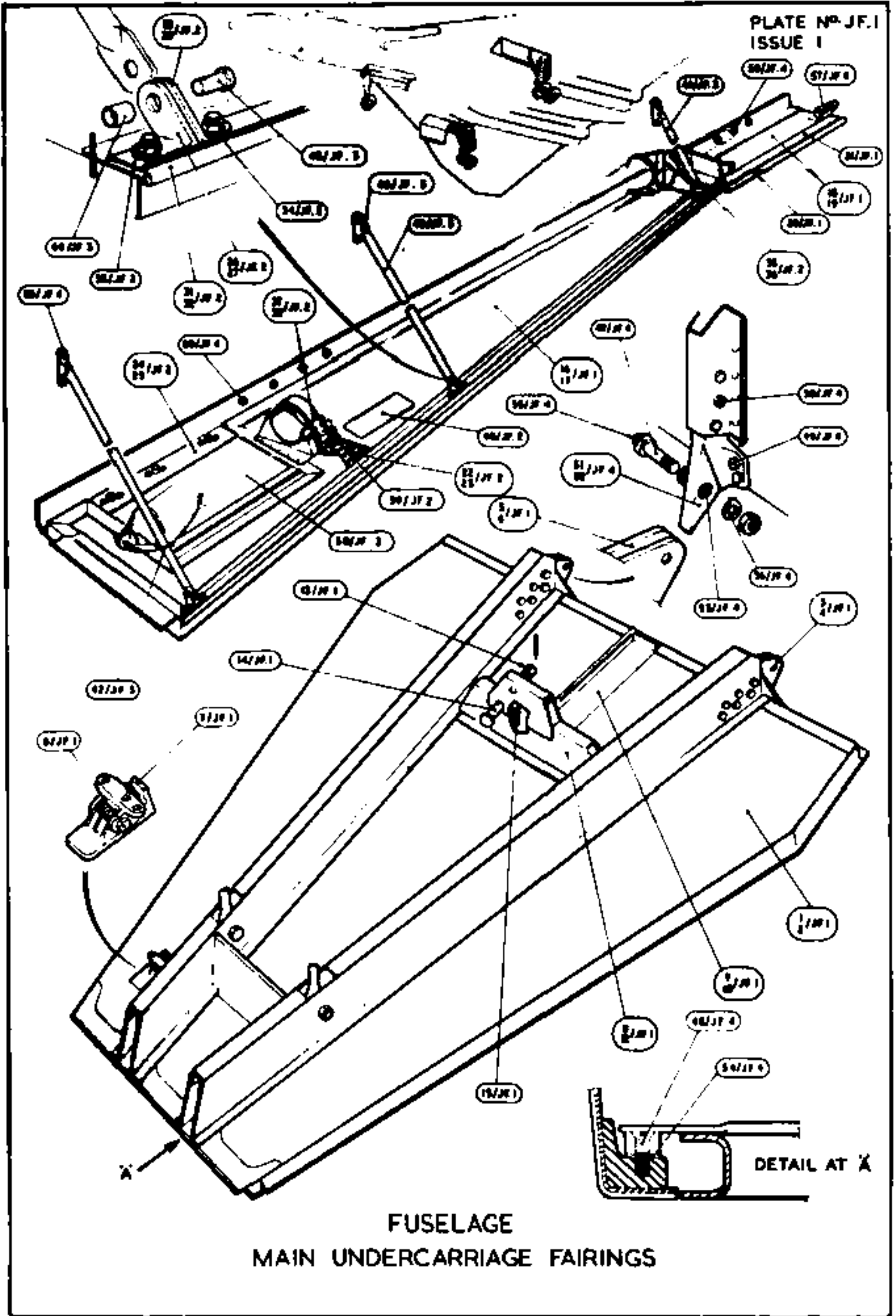
RESTRICTED

RESTRICTED



RESTRICTED

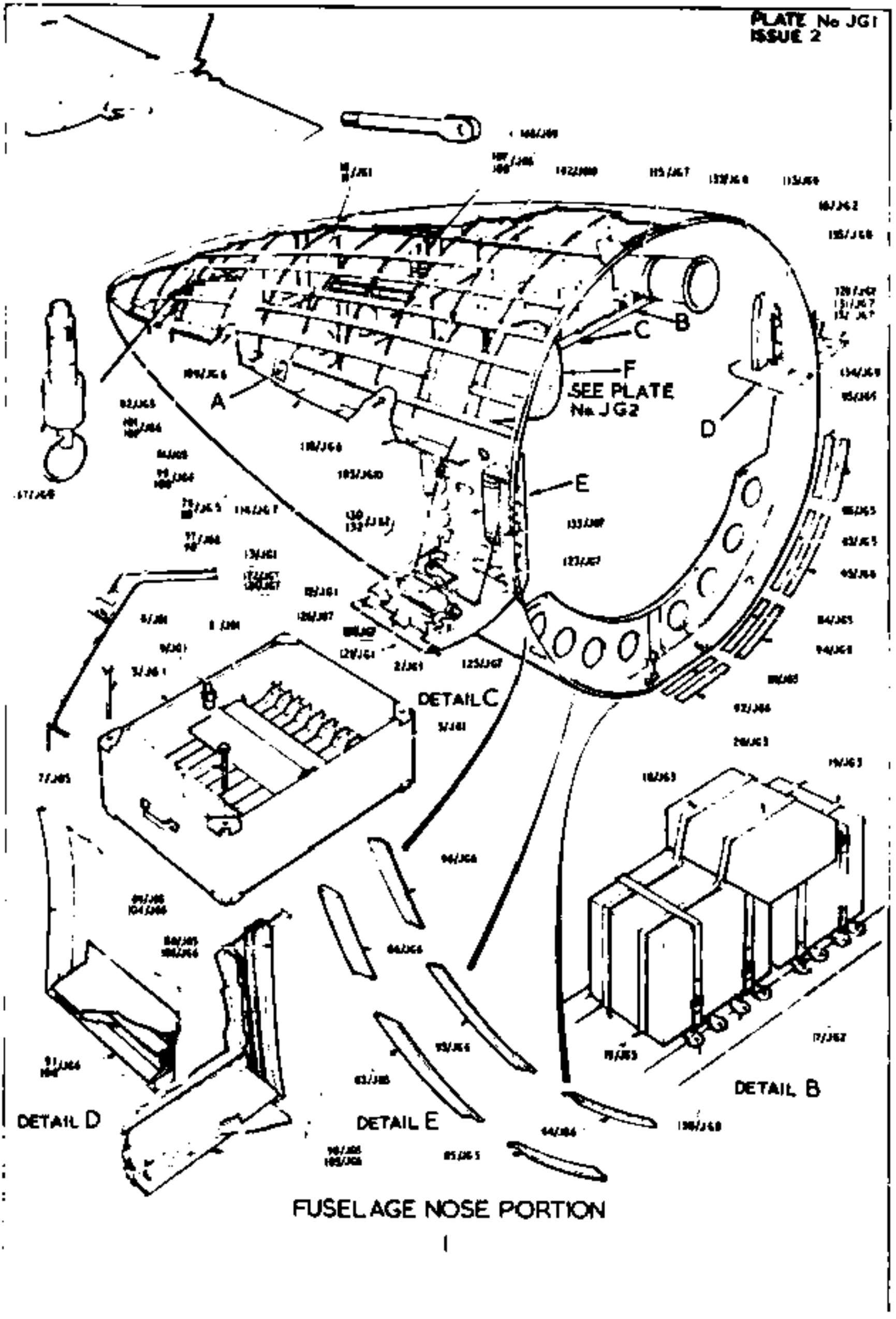
RESTRICTED



RESTRICTED

RESTRICTED

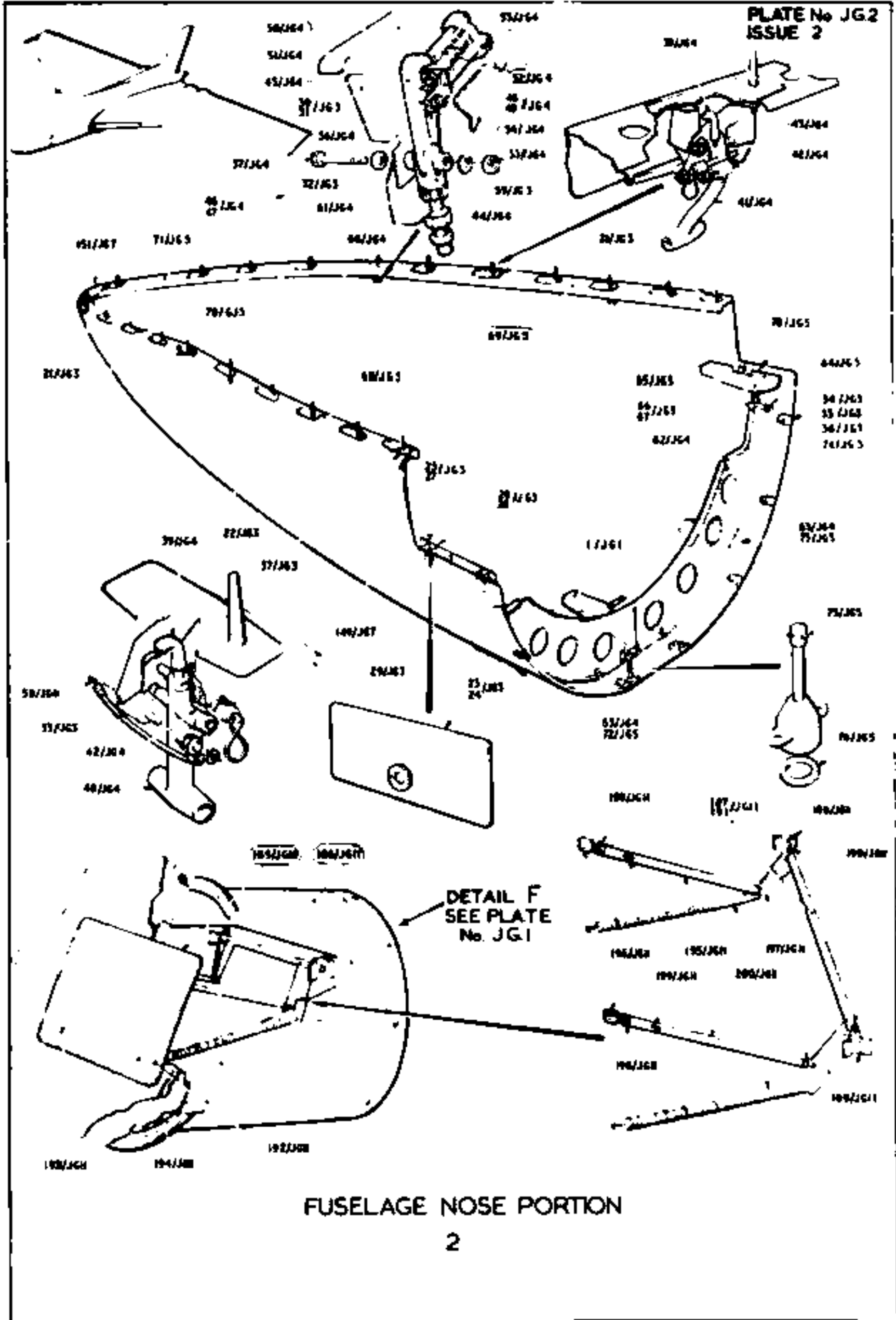
PLATE No JG1
ISSUE 2



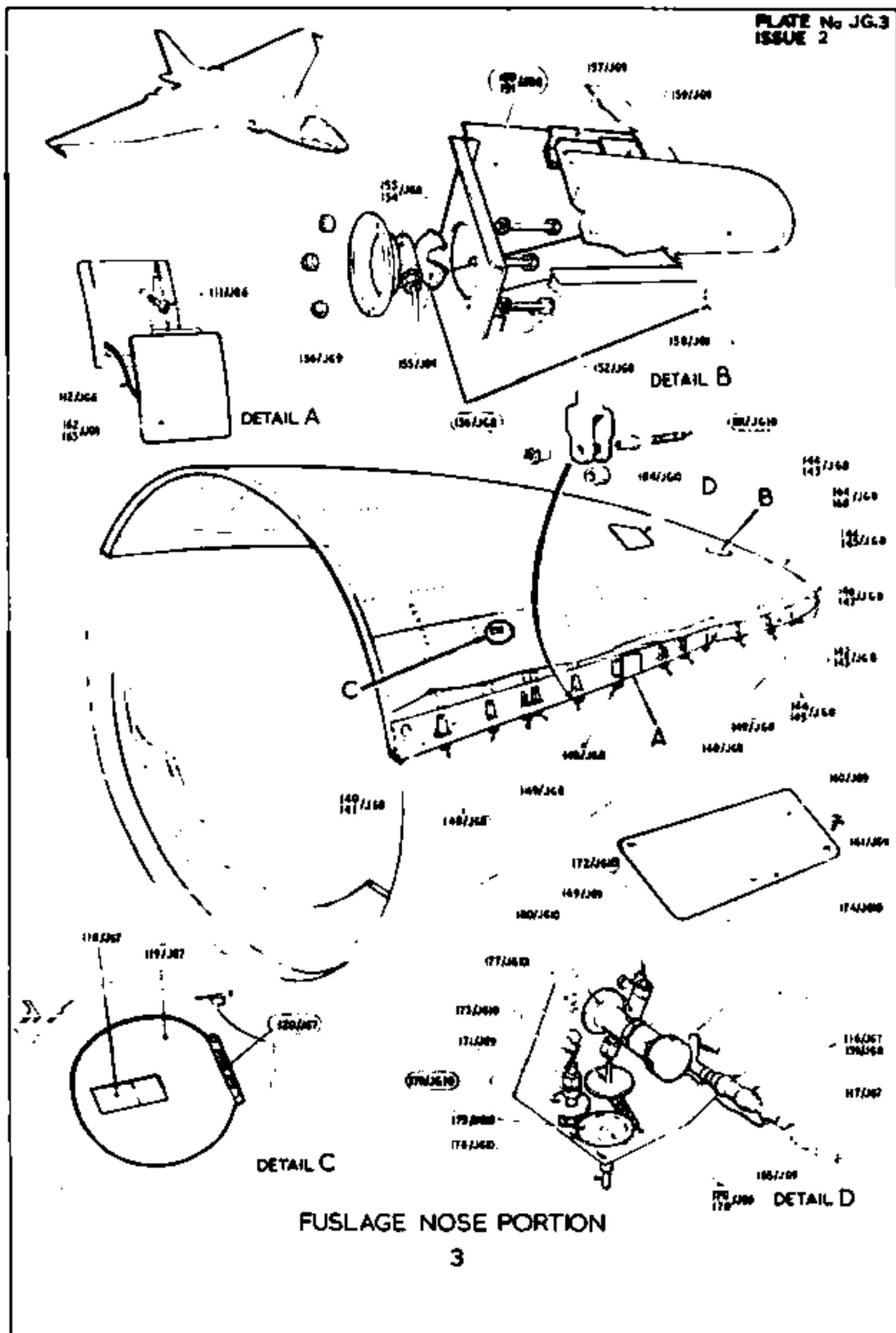
RESTRICTED

RESTRICTED

PLATE No JG.2
ISSUE 2

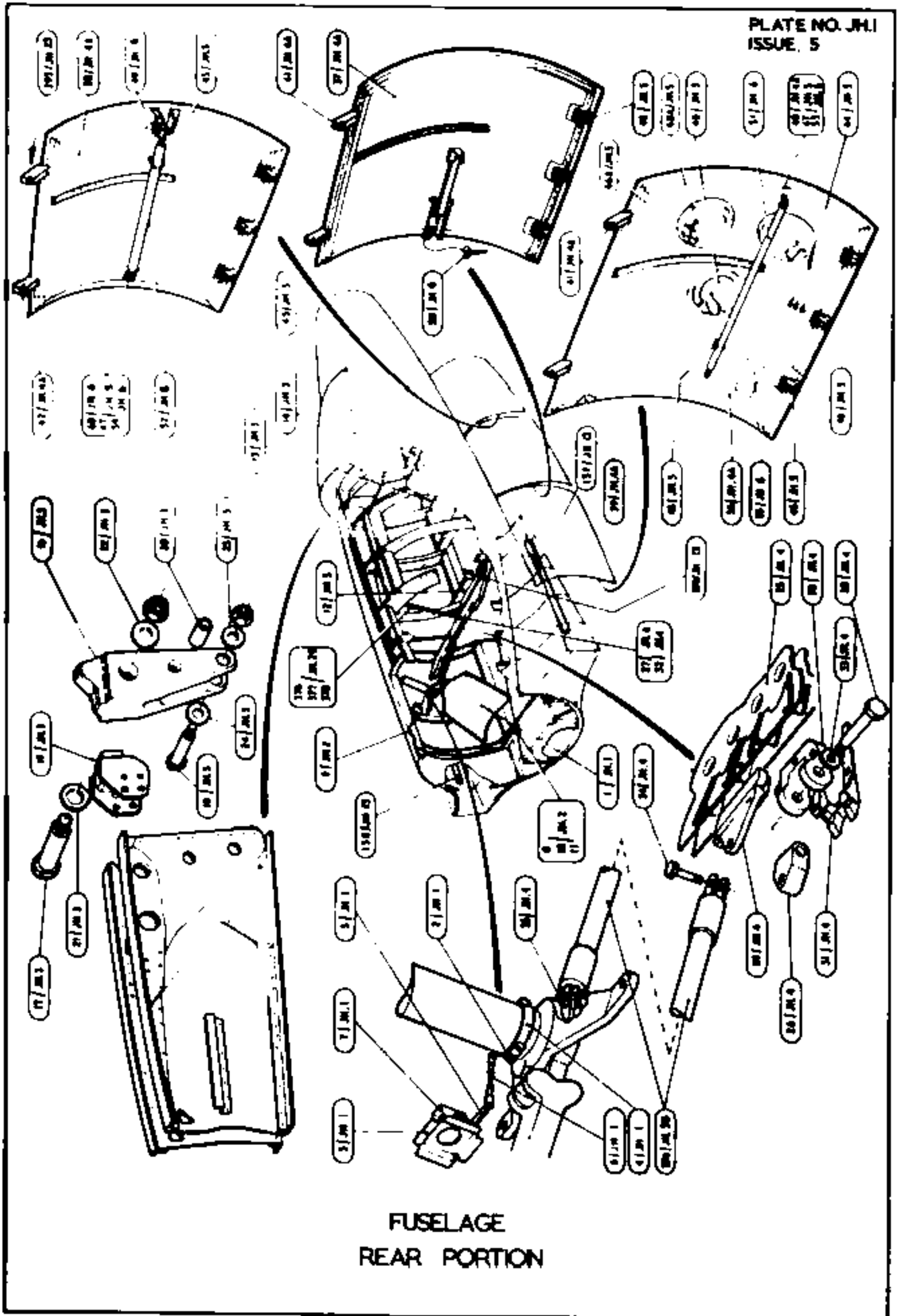


RESTRICTED



RESTRICTED

PLATE NO. JH.I
ISSUE 5

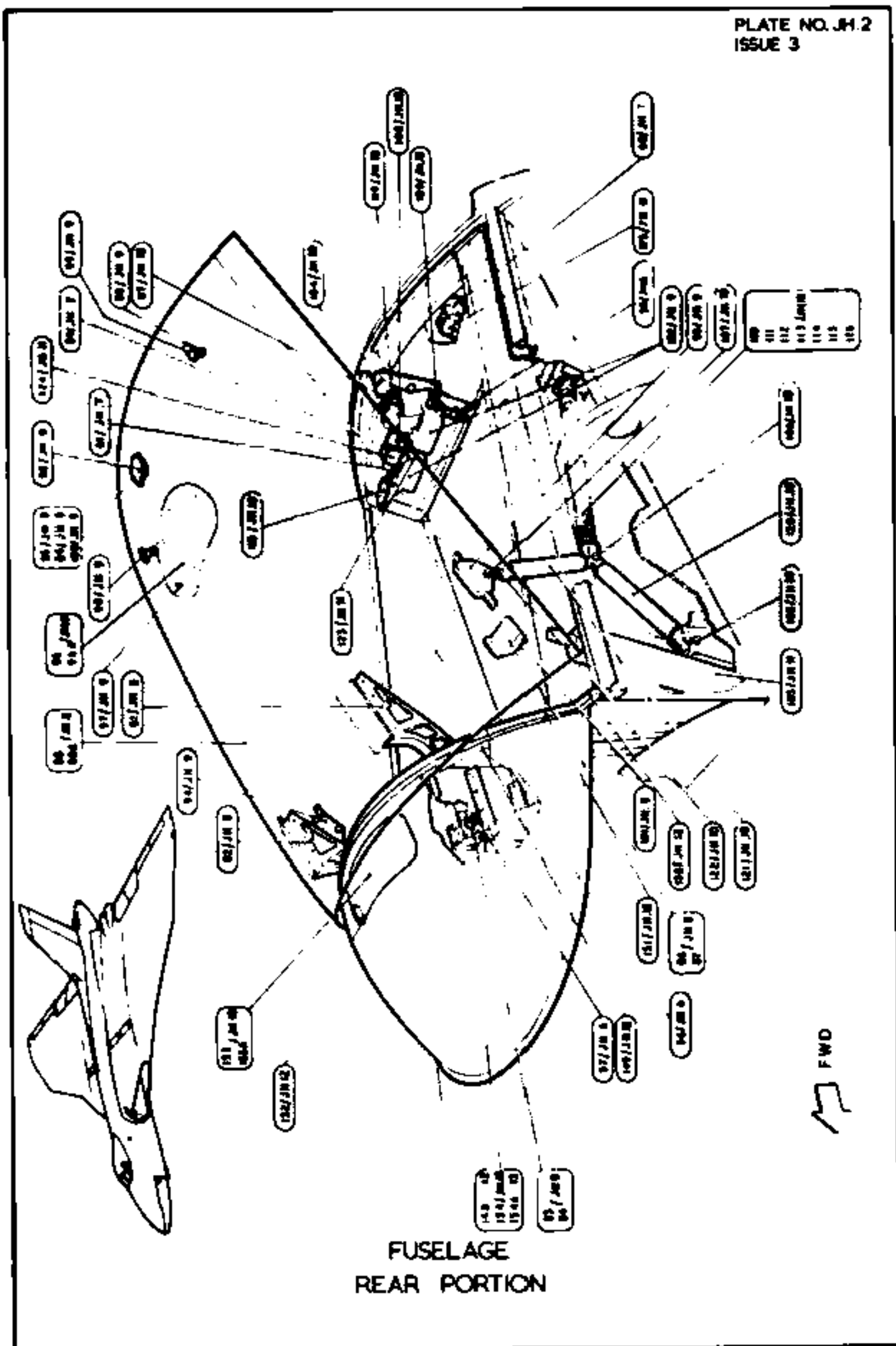


FUSELAGE
REAR PORTION

RESTRICTED

RESTRICTED

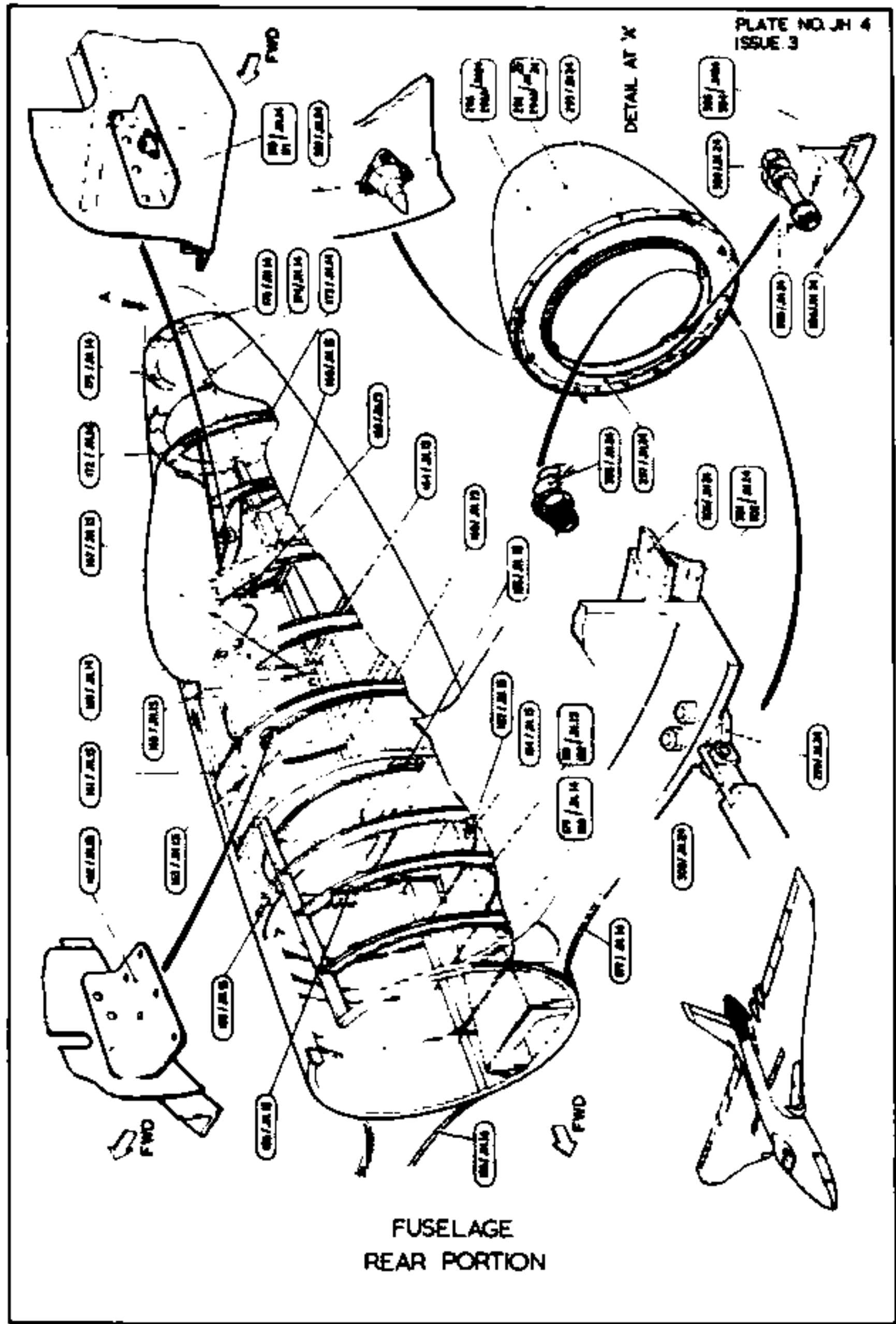
PLATE NO. JH.2
ISSUE 3



RESTRICTED

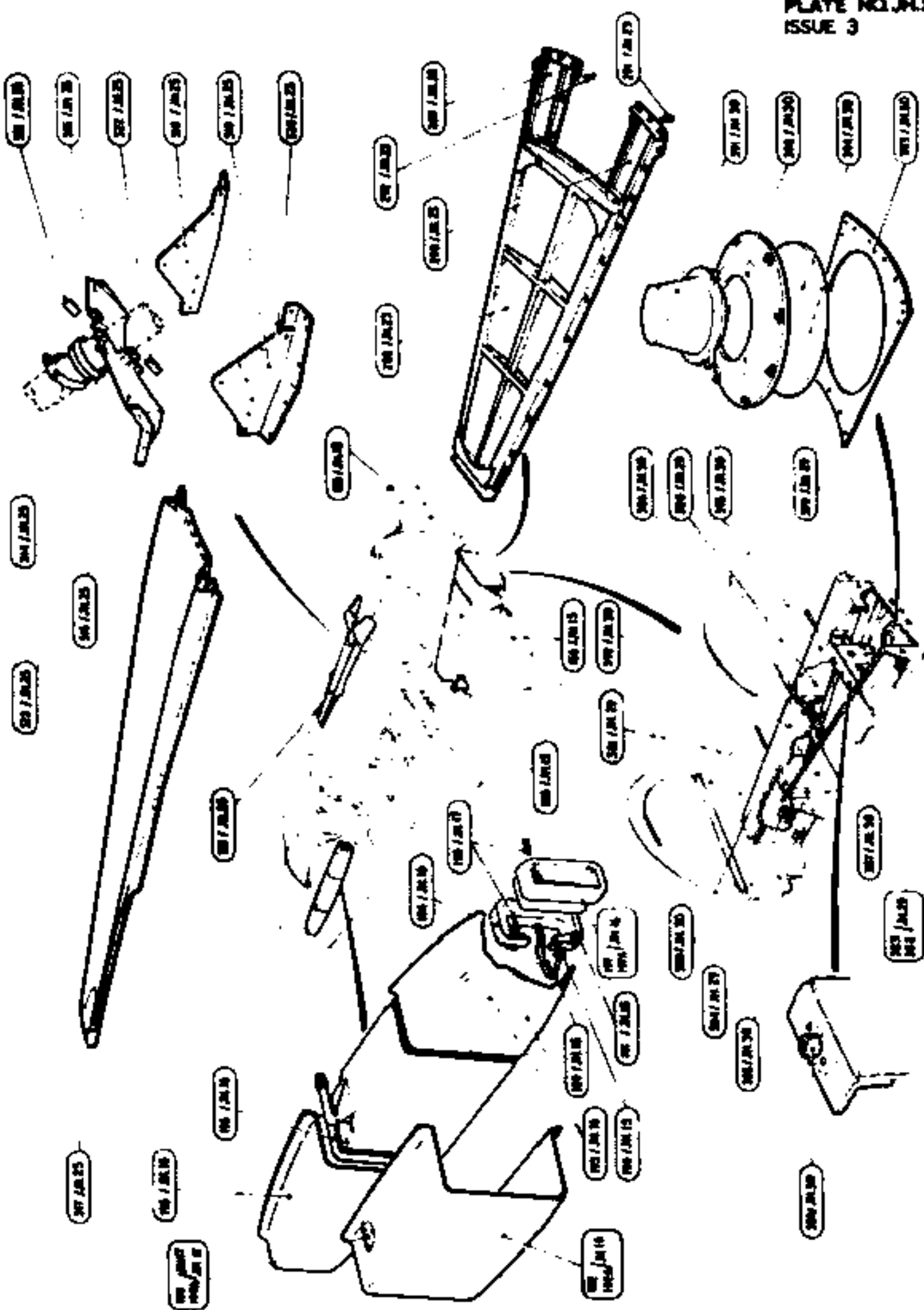
RESTRICTED

PLATE NO. JH 4
ISSUE 3



RESTRICTED

PLATE NO. JLS
ISSUE 3

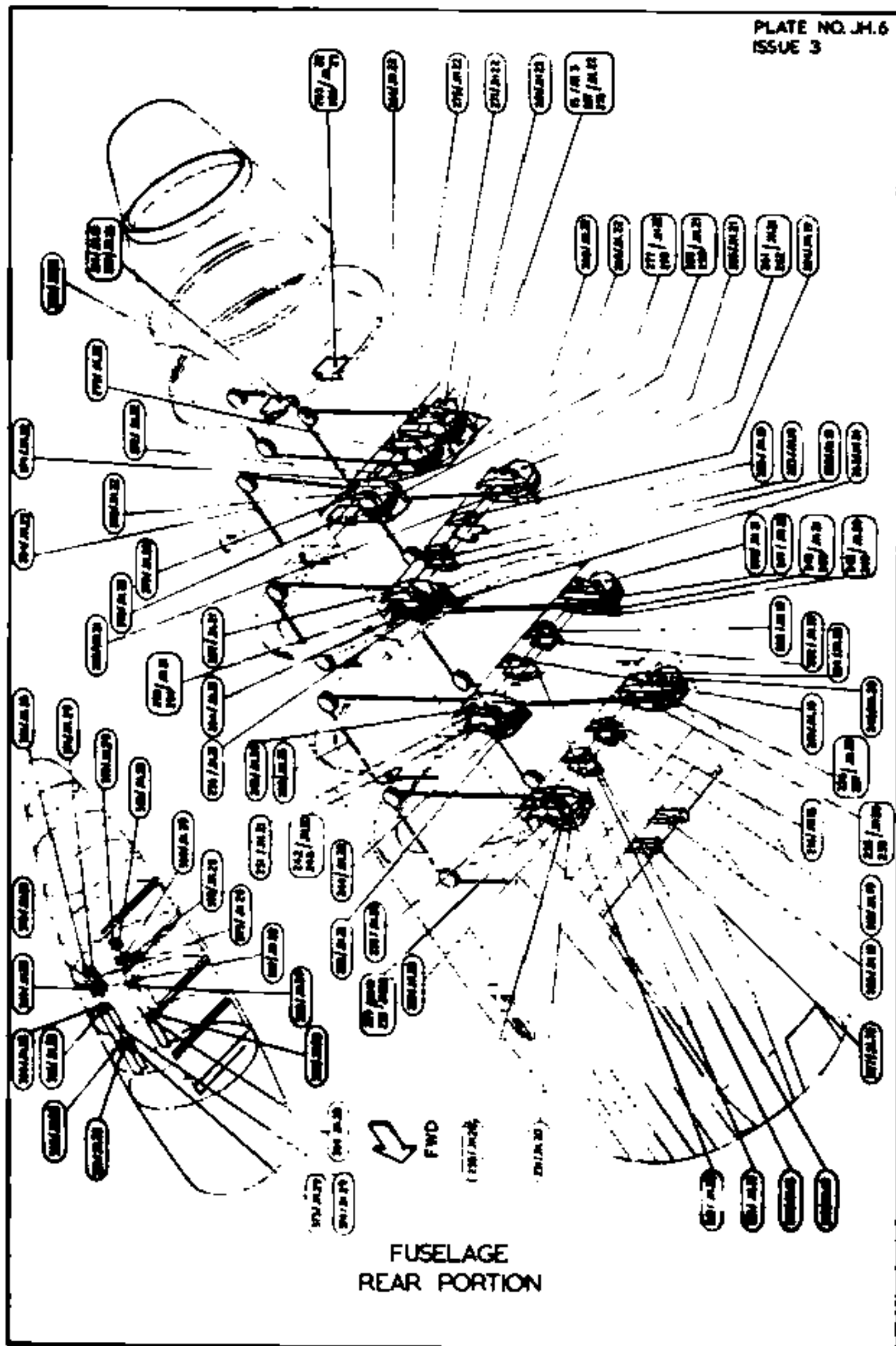


FUSELAGE
REAR PORTION

RESTRICTED

RESTRICTED

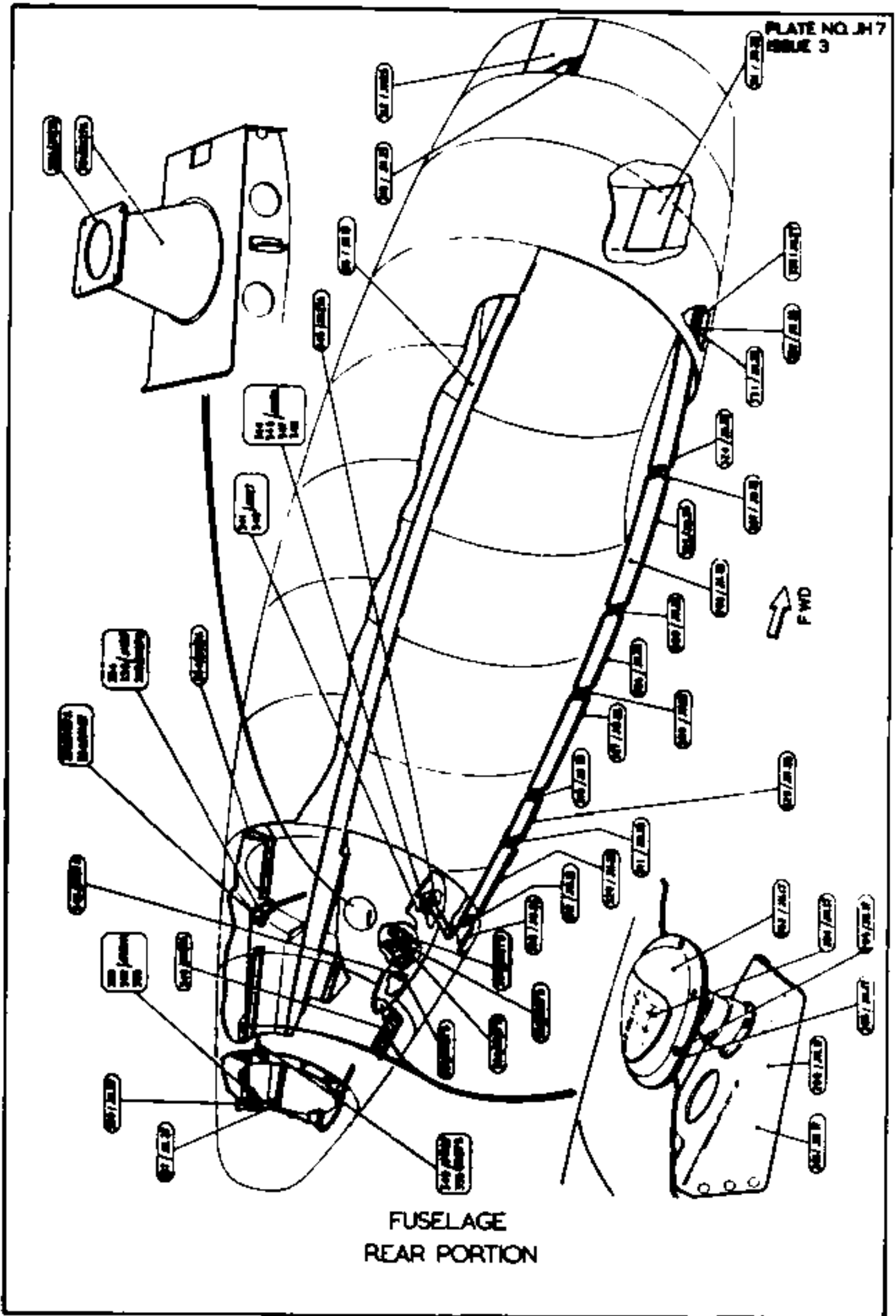
PLATE NO. JH.6
ISSUE 3



RESTRICTED

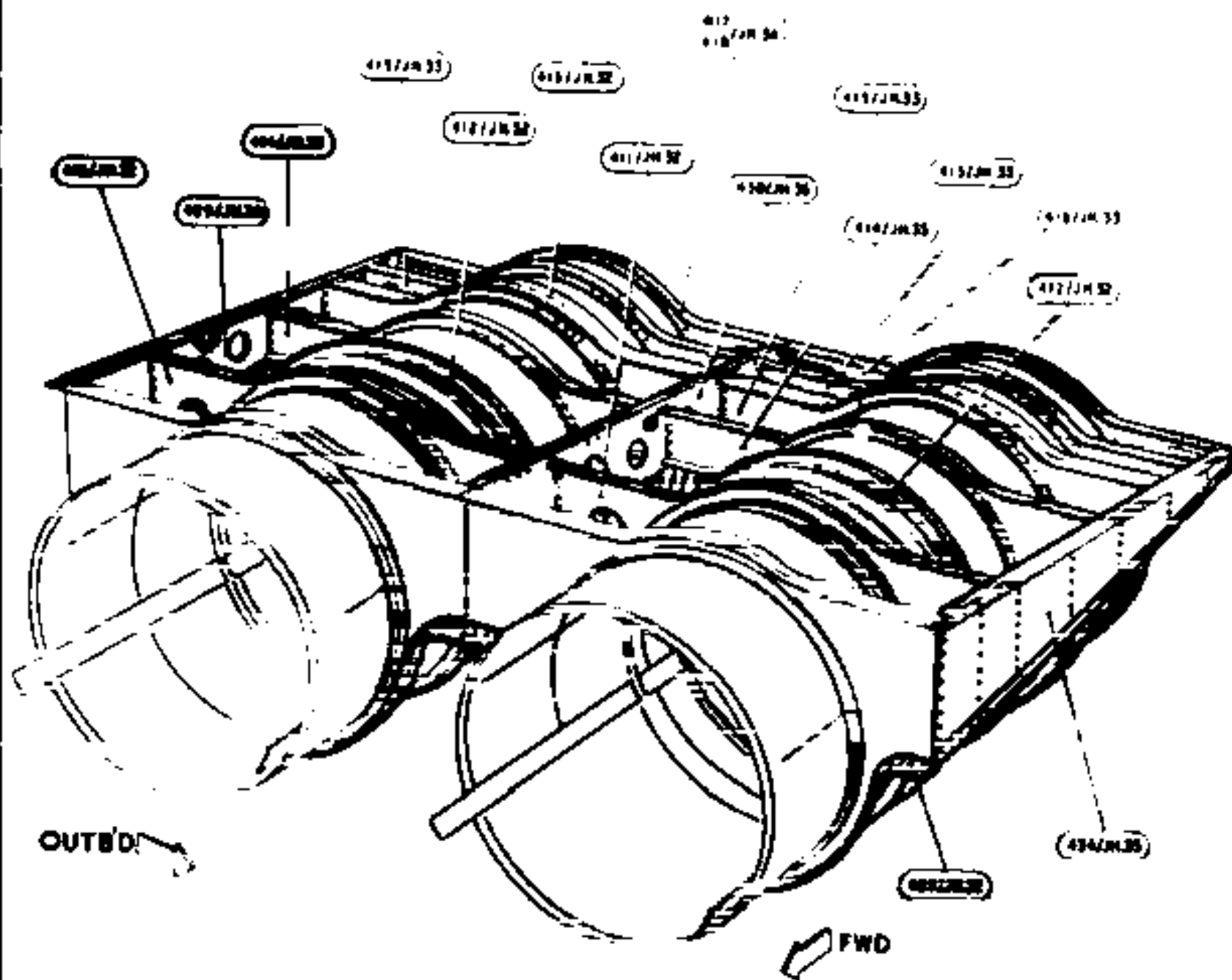
RESTRICTED

PLATE NO. JH7
ISSUE 3



FUSELAGE
REAR PORTION

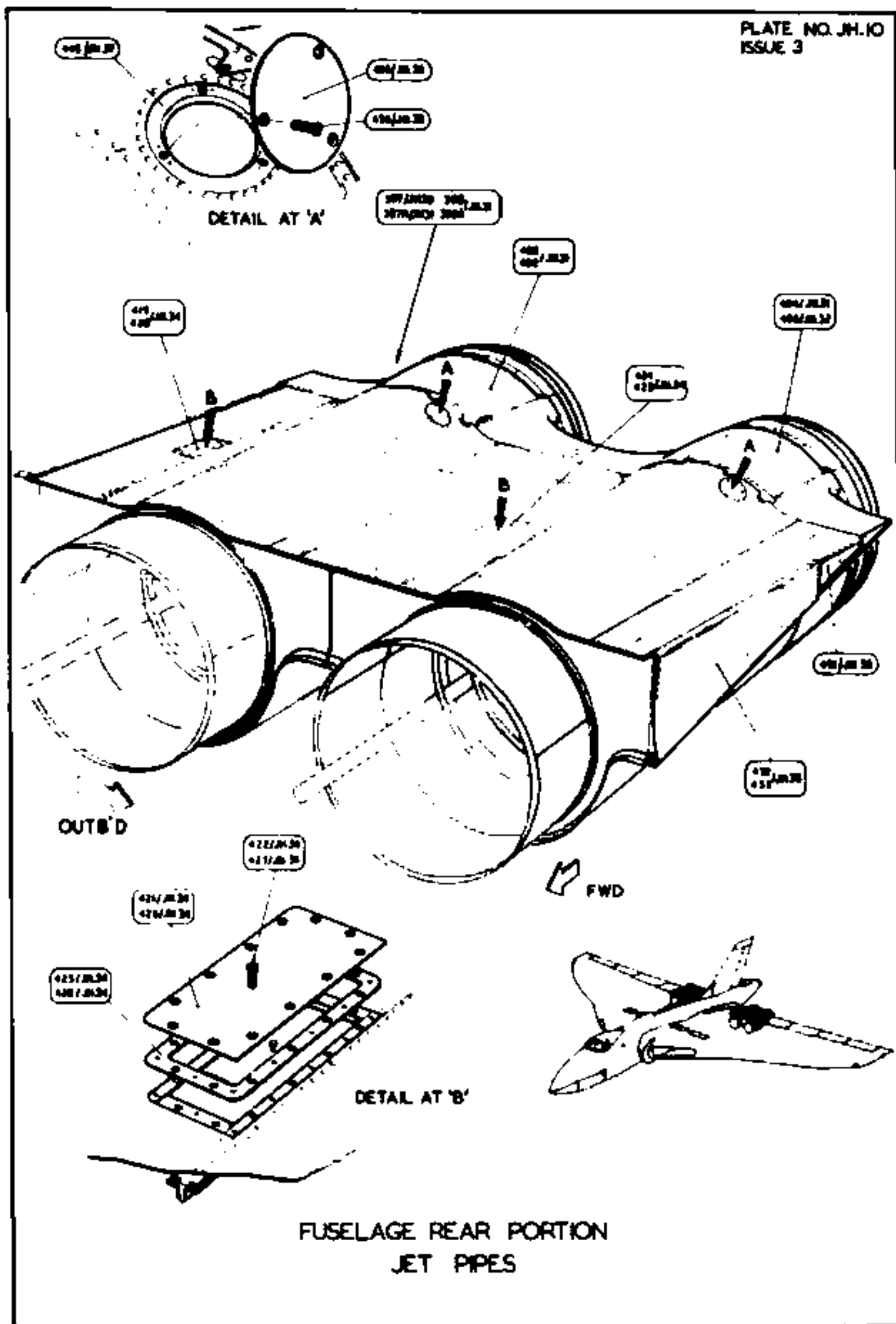
RESTRICTED



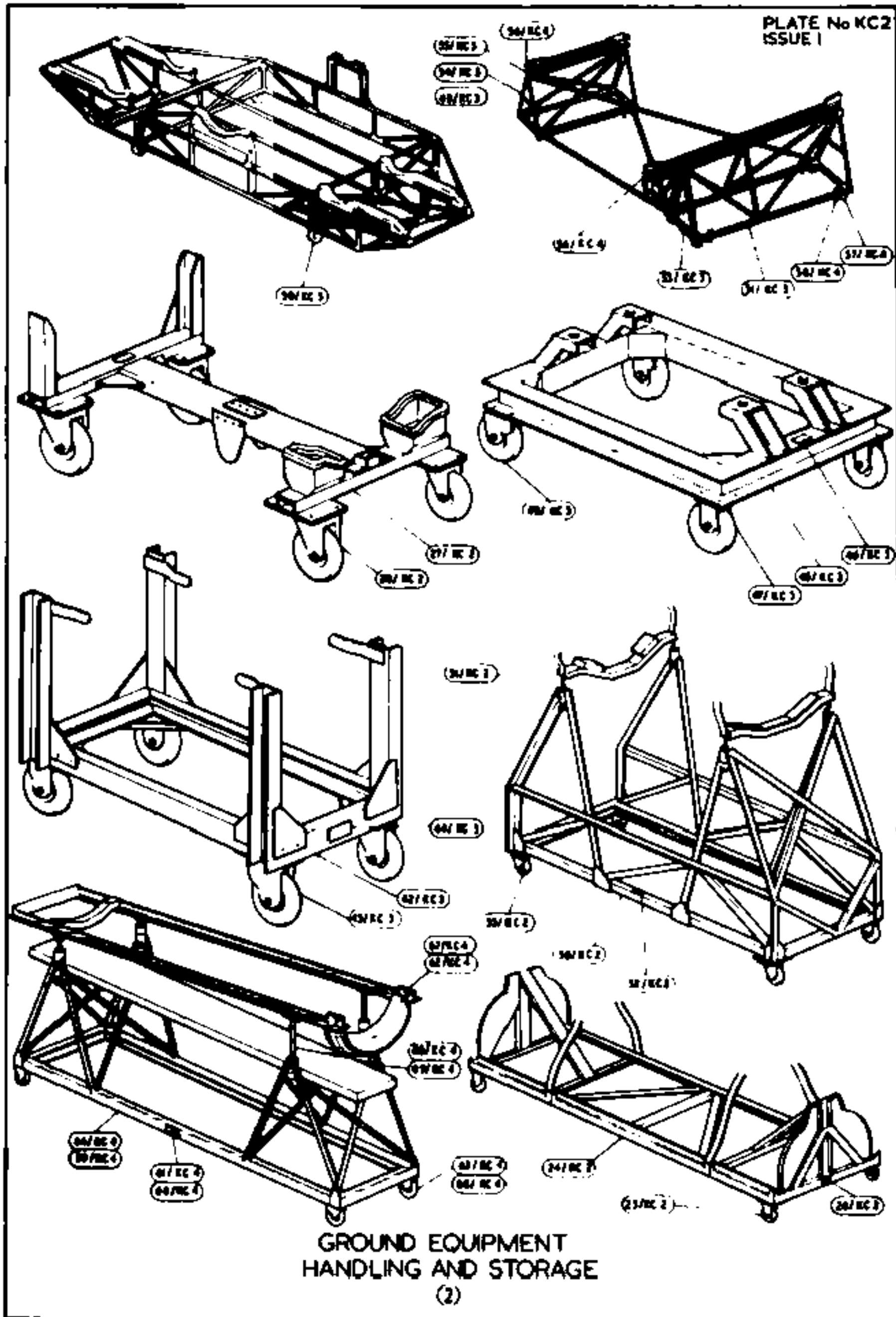
FUSELAGE REAR PORTION
JET PIPES

RESTRICTED

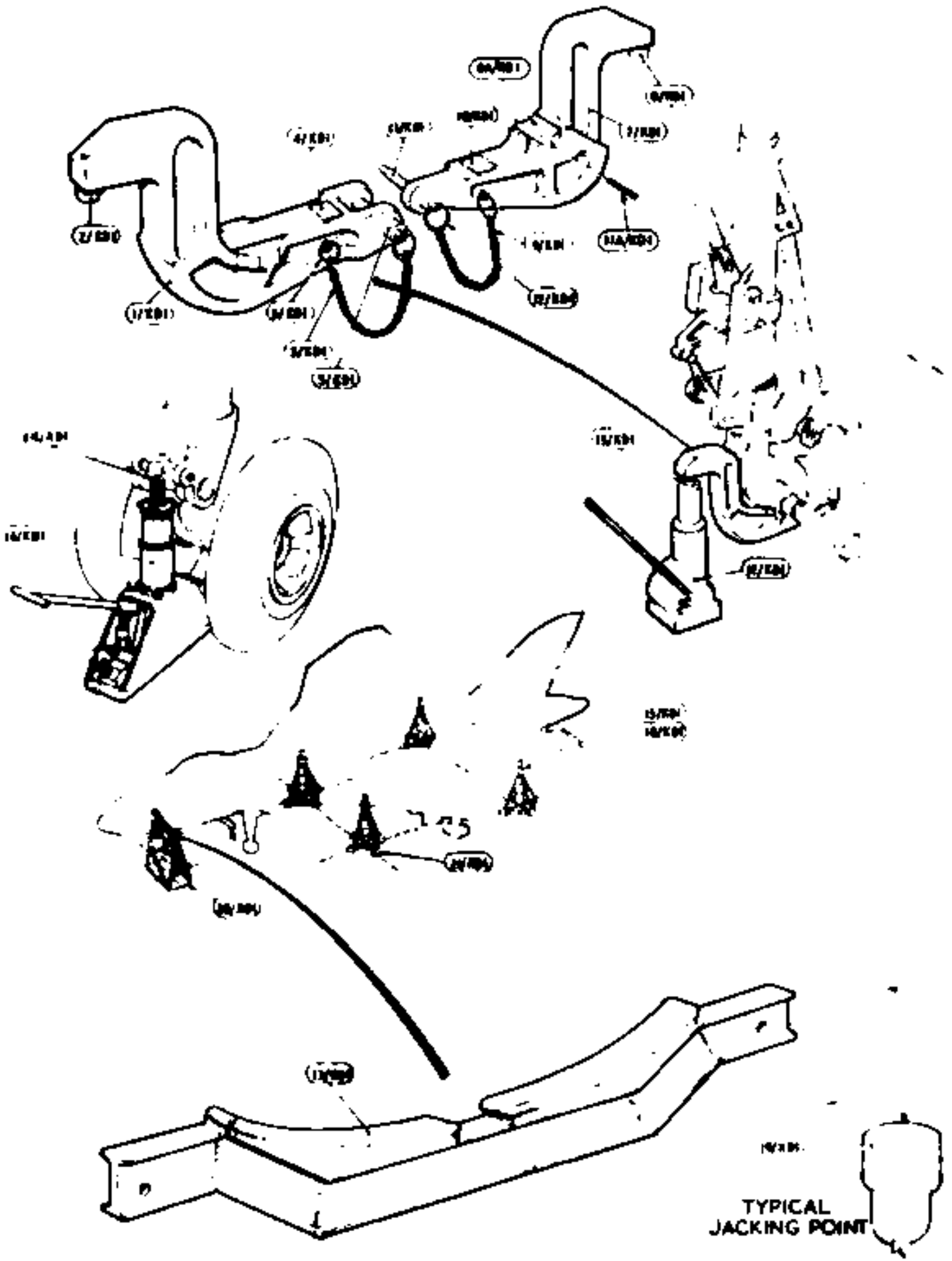
PLATE NO. JH.10
ISSUE 3



RESTRICTED



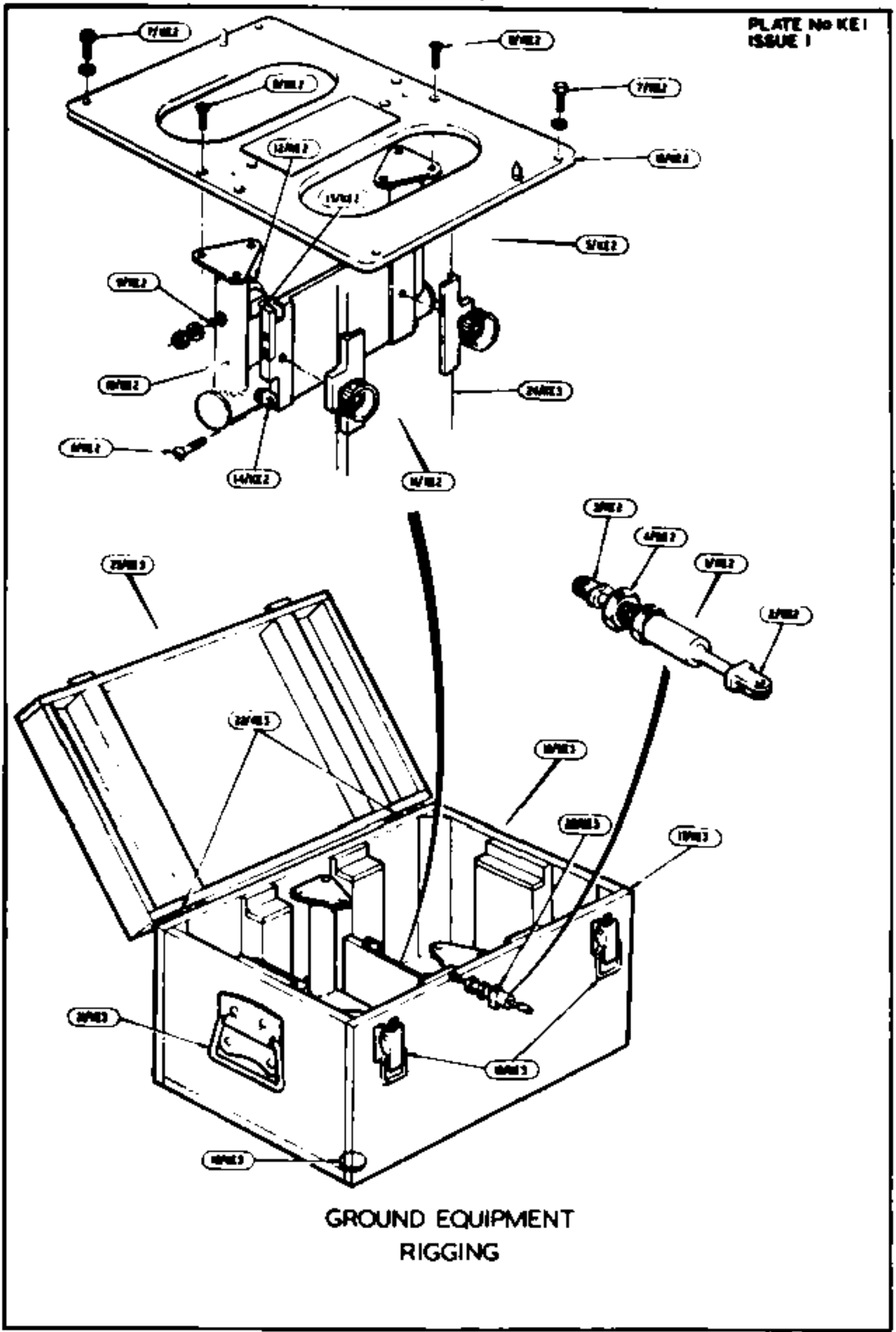
GROUND EQUIPMENT
HANDLING AND STORAGE
(2)



GROUND EQUIPMENT
JACKING

RESTRICTED

PLATE No KE1
ISSUE 1

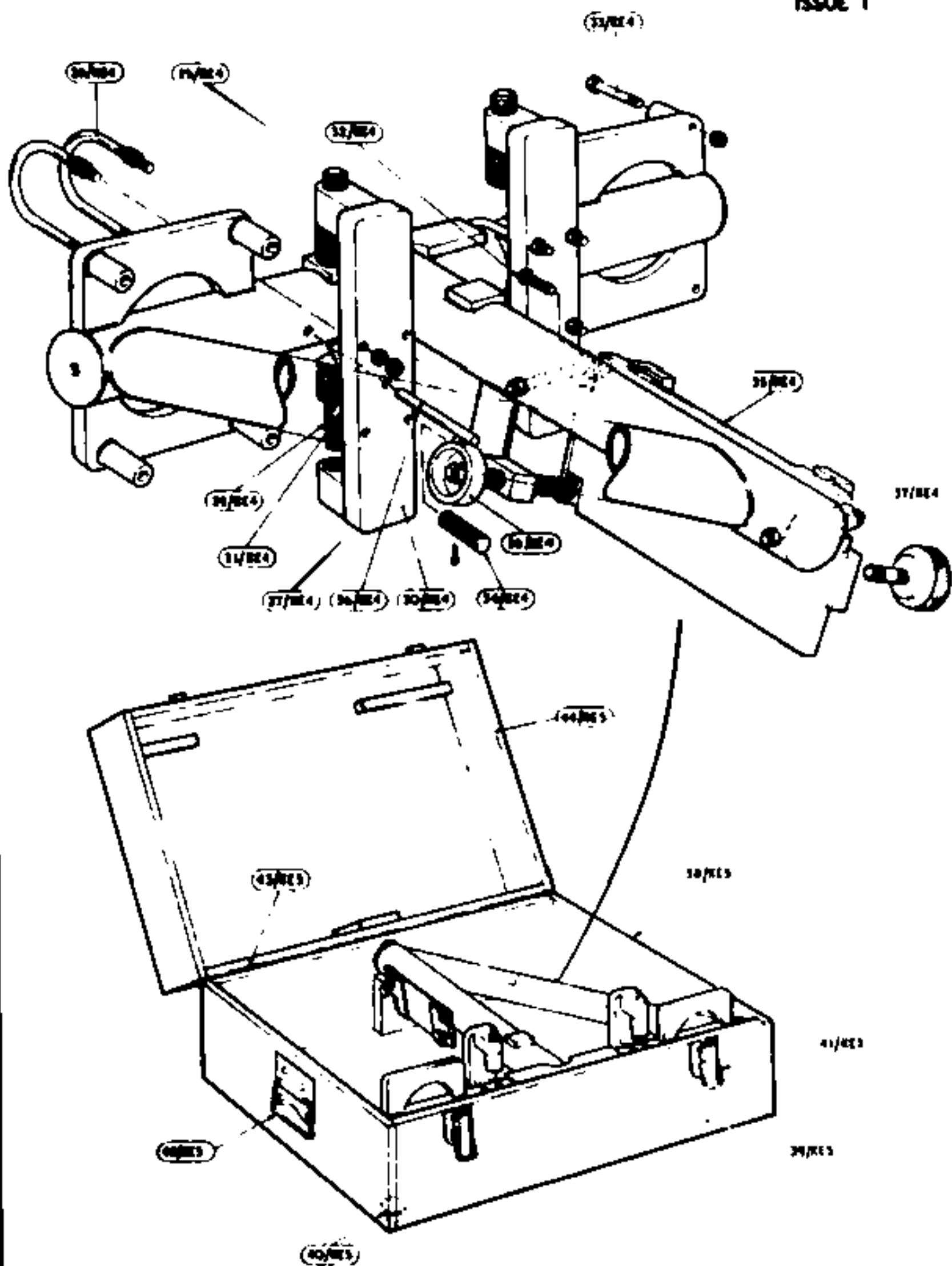


GROUND EQUIPMENT
RIGGING

RESTRICTED

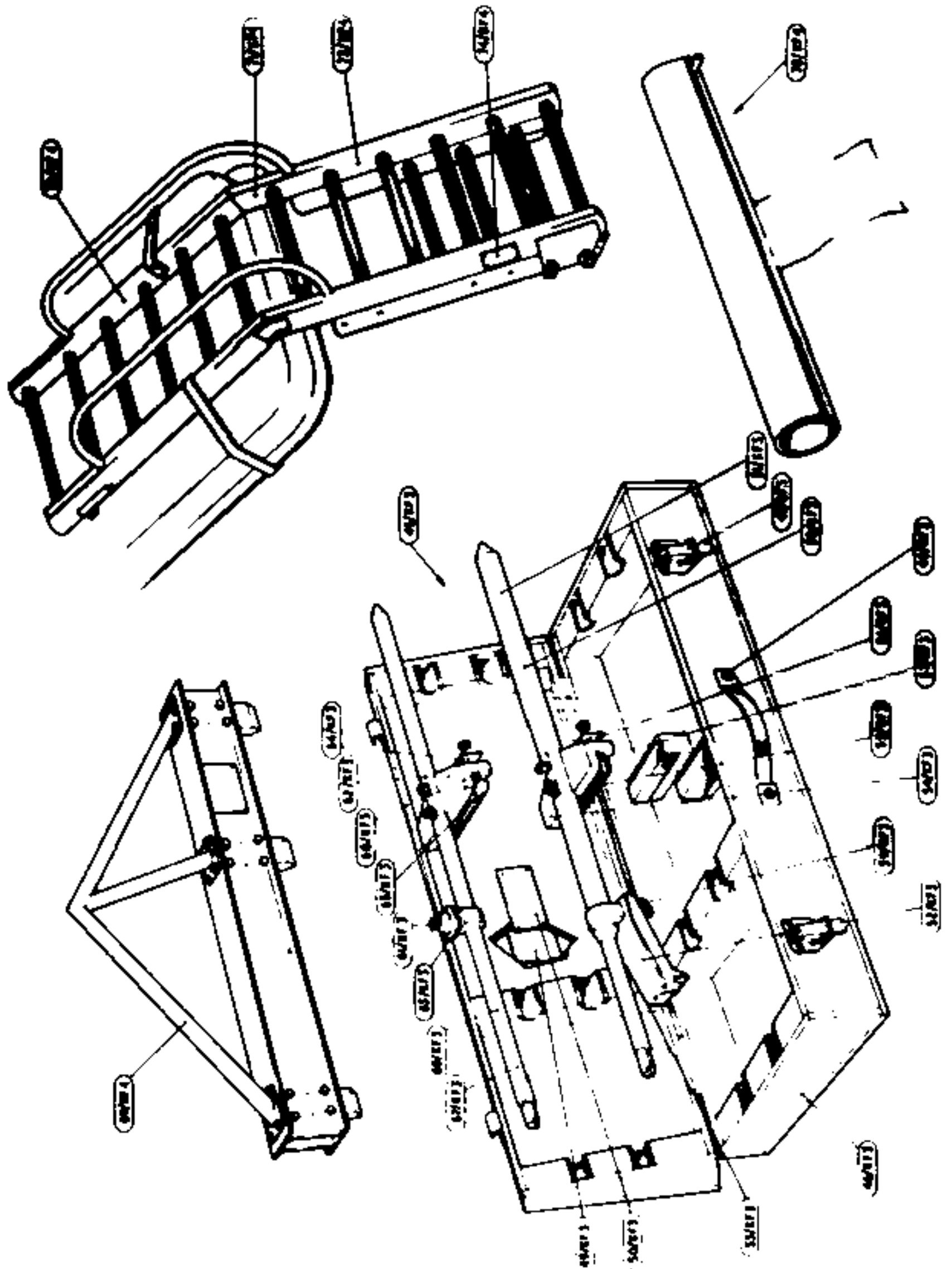
RESTRICTED

PLATE No. KE 2
ISSUE 1



GROUND EQUIPMENT
RIGGING

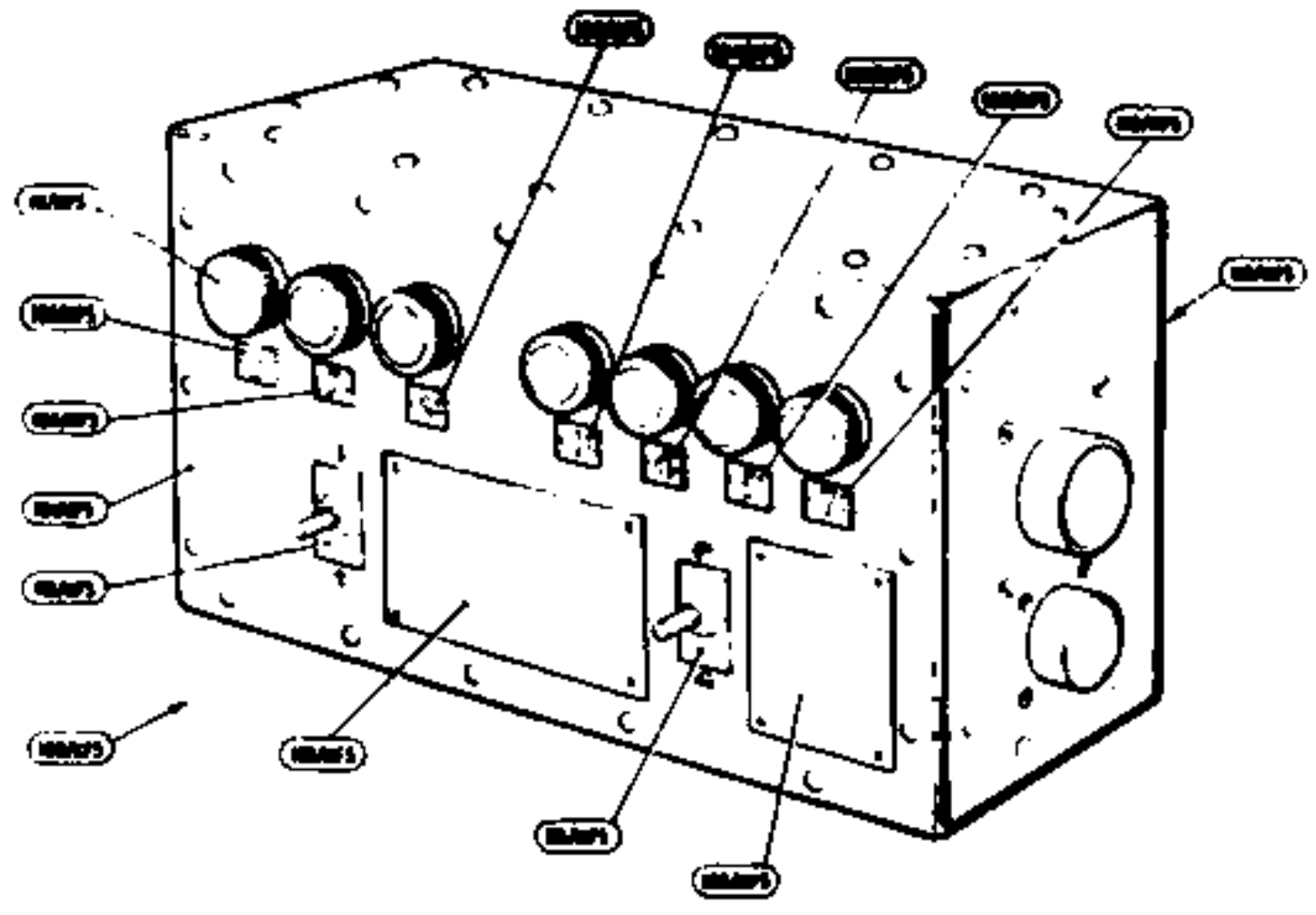
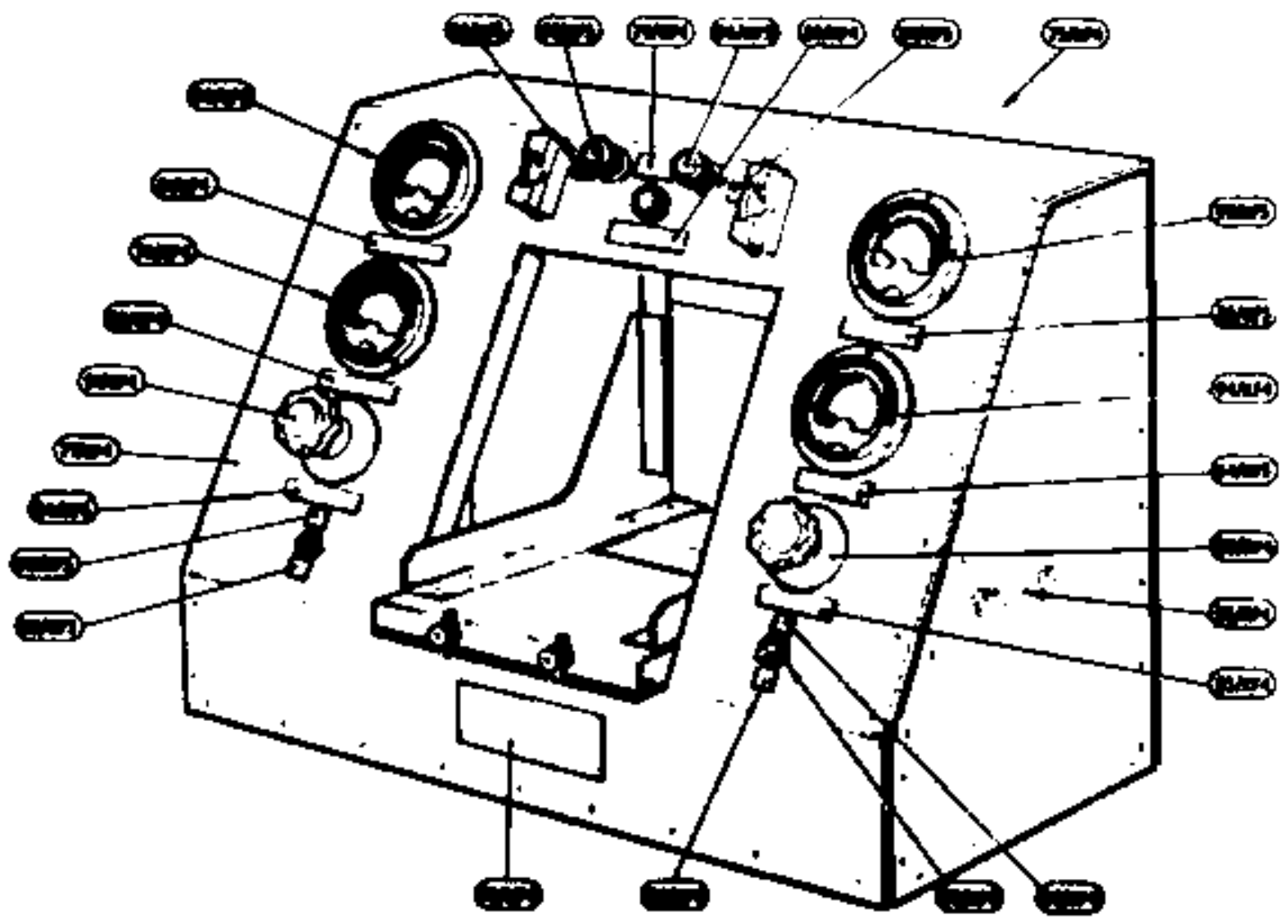
RESTRICTED



TESTING AND SERVICING
FIG. 2

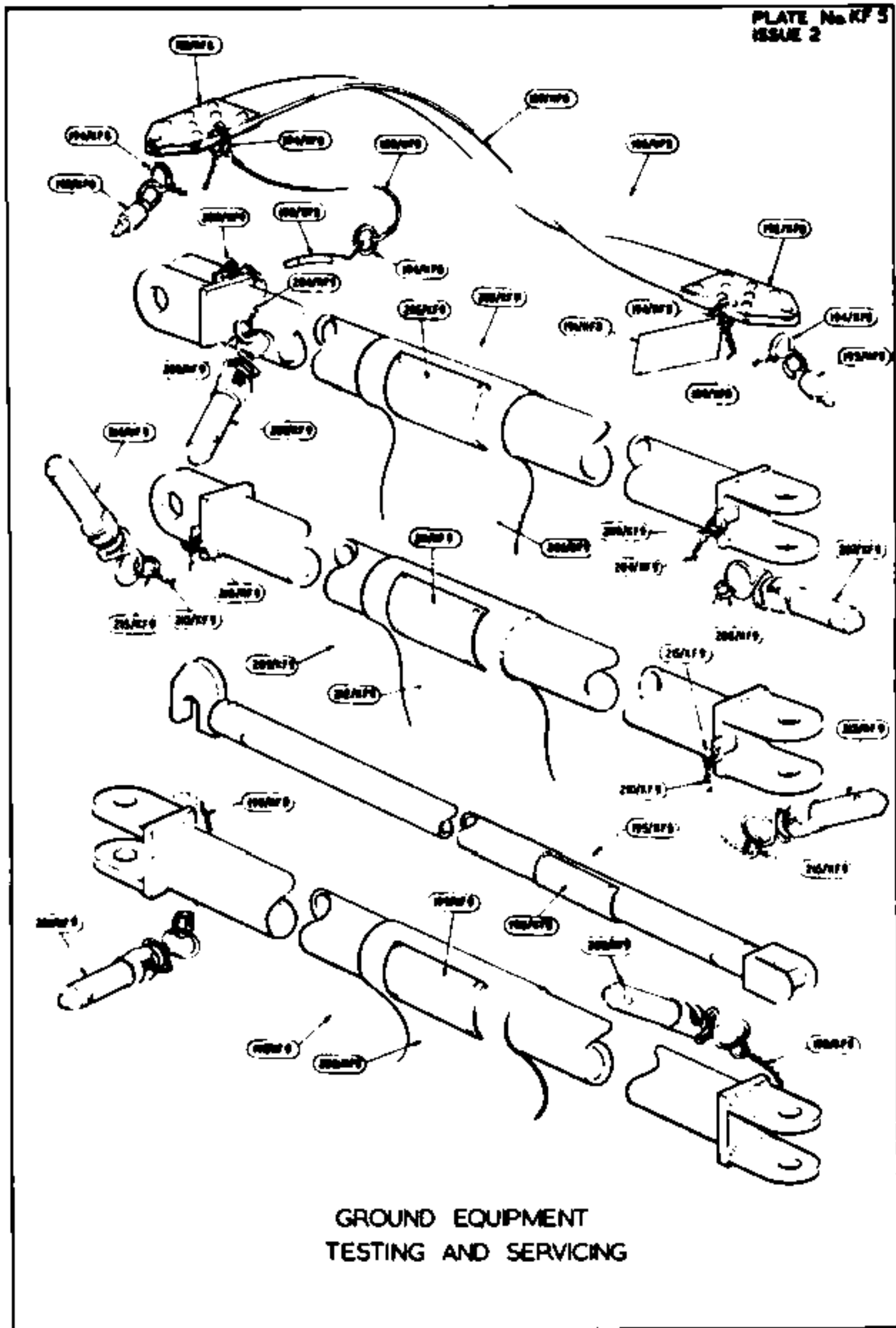
RESTRICTED

PLATE No. KP 3
ISSUE 2

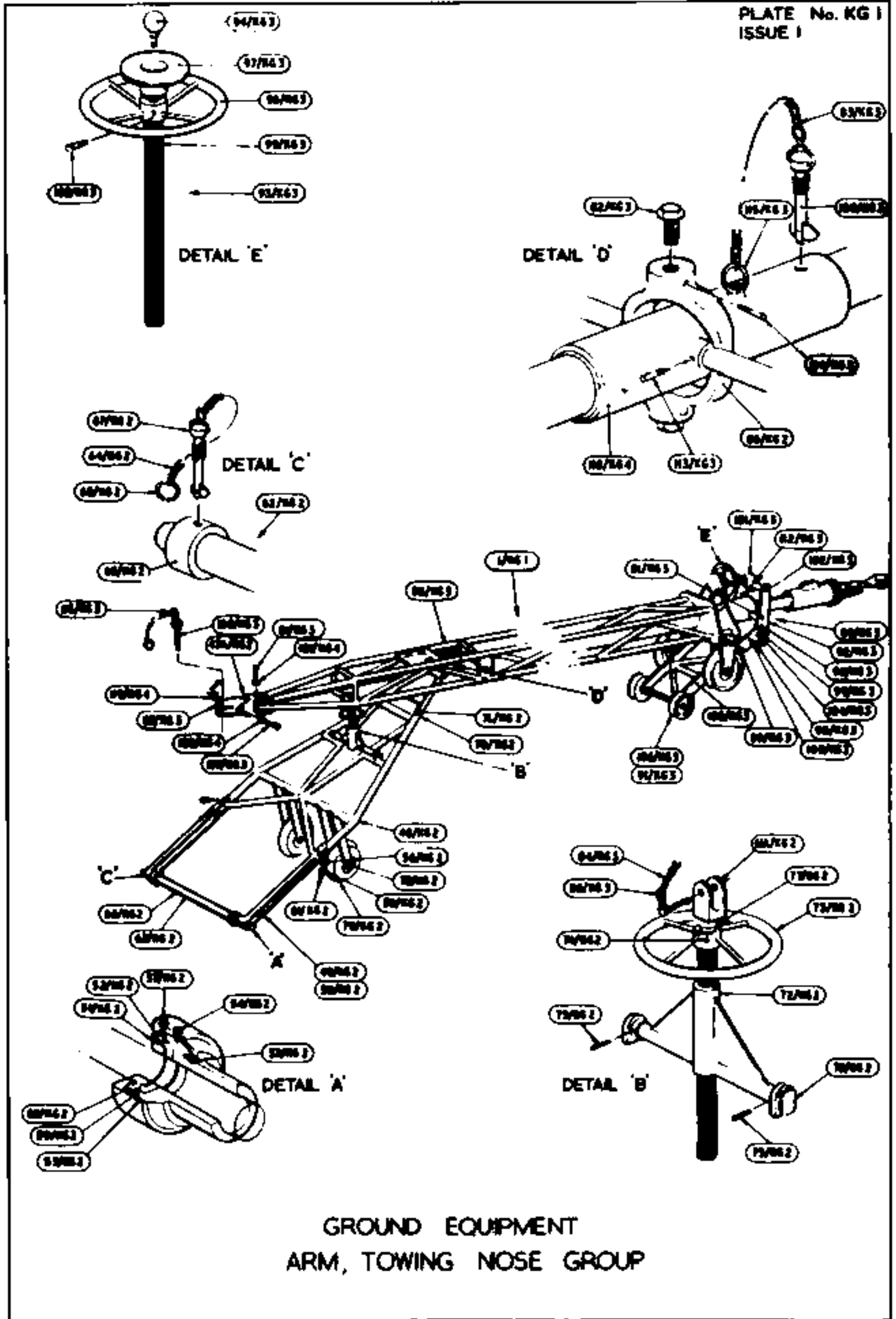


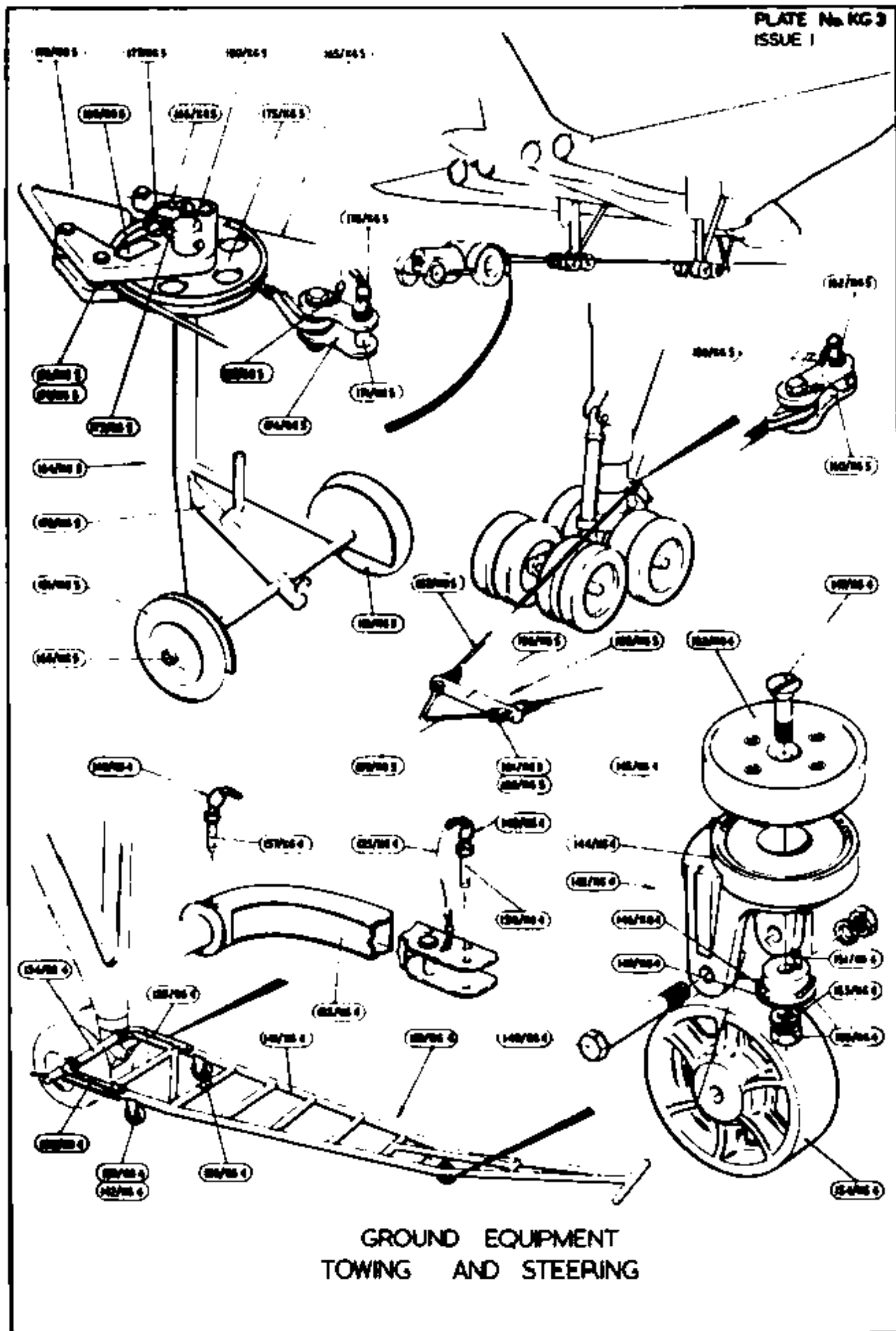
GROUND EQUIPMENT
TESTING AND SERVICING

RESTRICTED

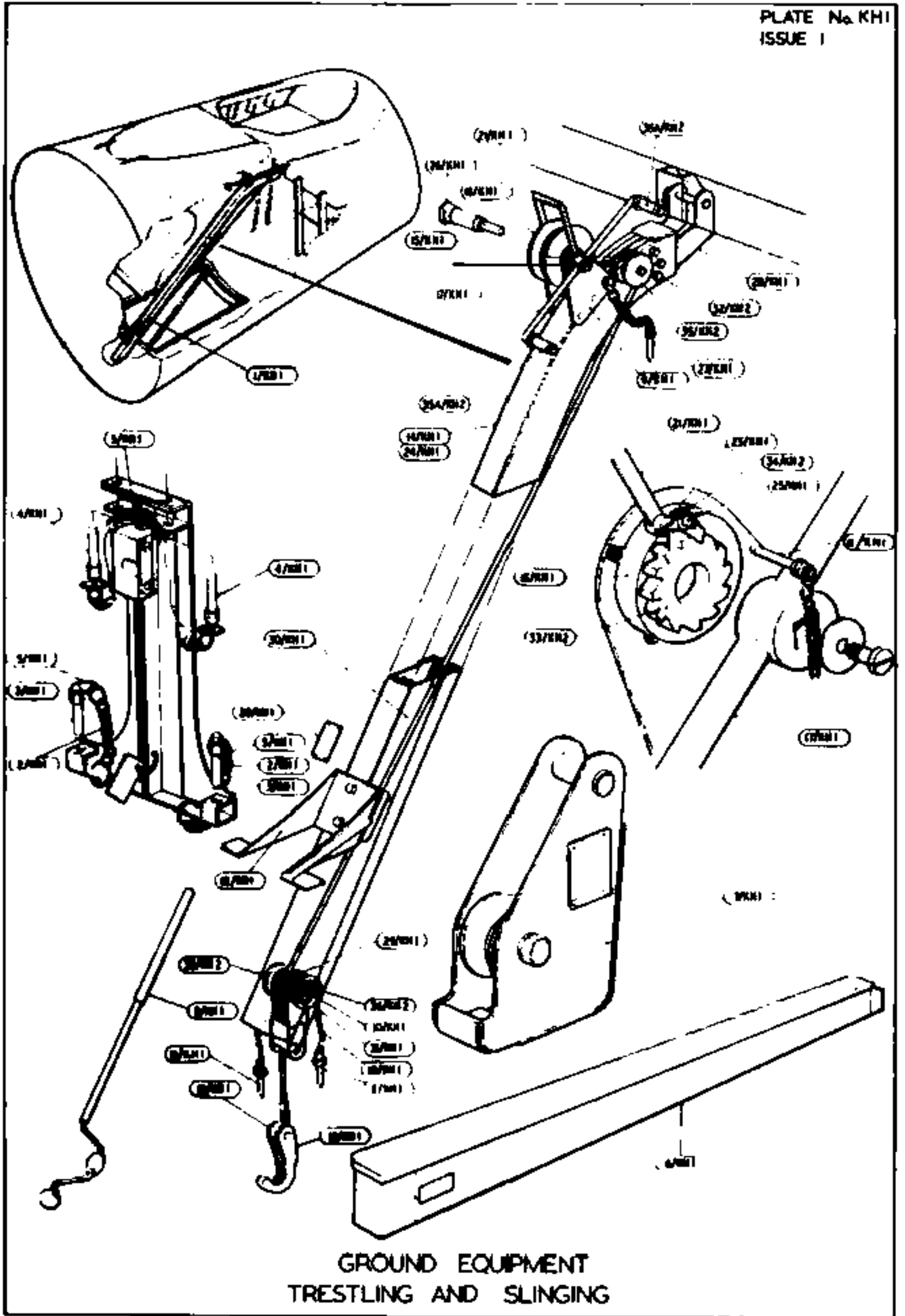


GROUND EQUIPMENT
TESTING AND SERVICING

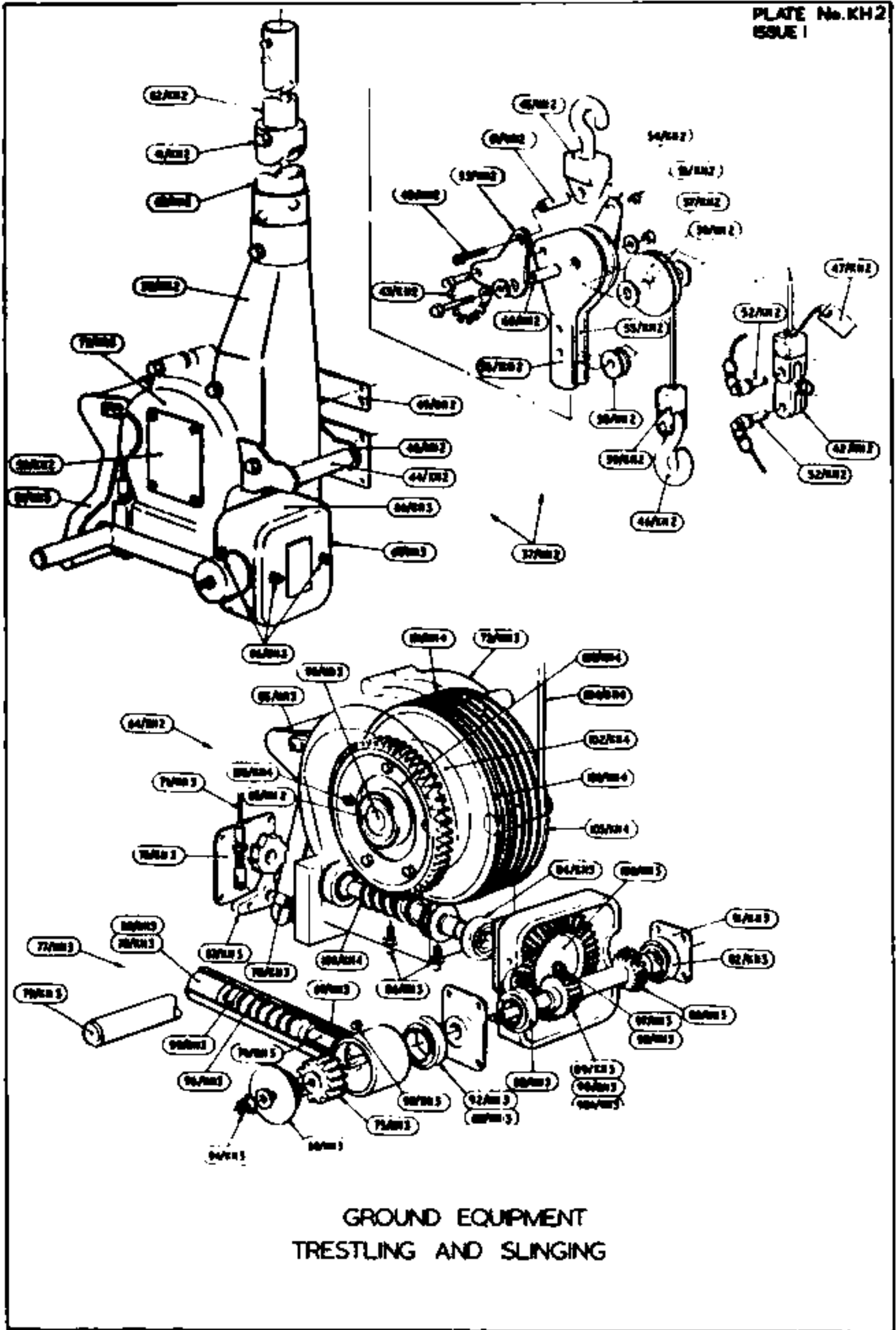




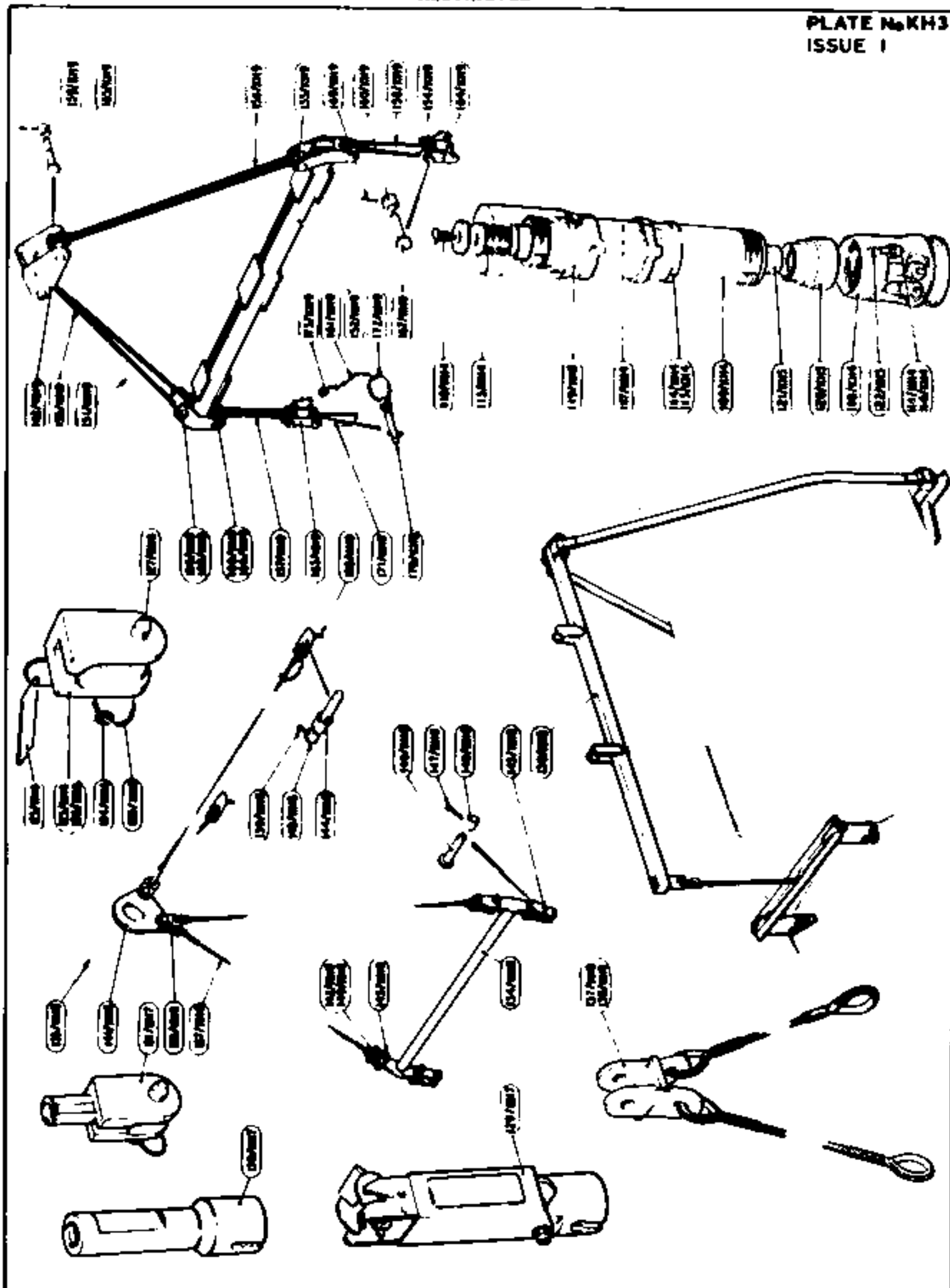
GROUND EQUIPMENT
TOWING AND STEERING



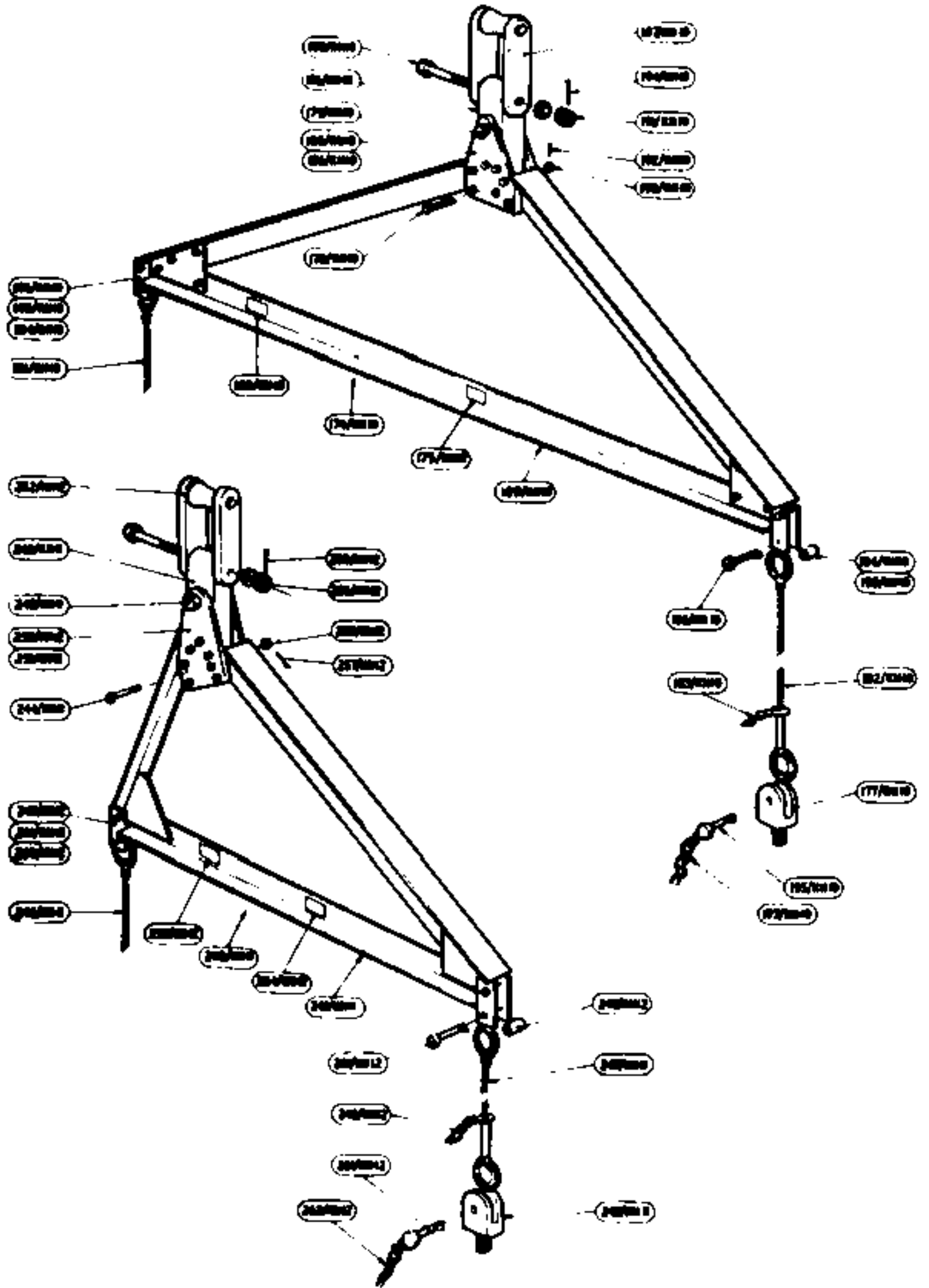
GROUND EQUIPMENT
TRESTLING AND SLINGING



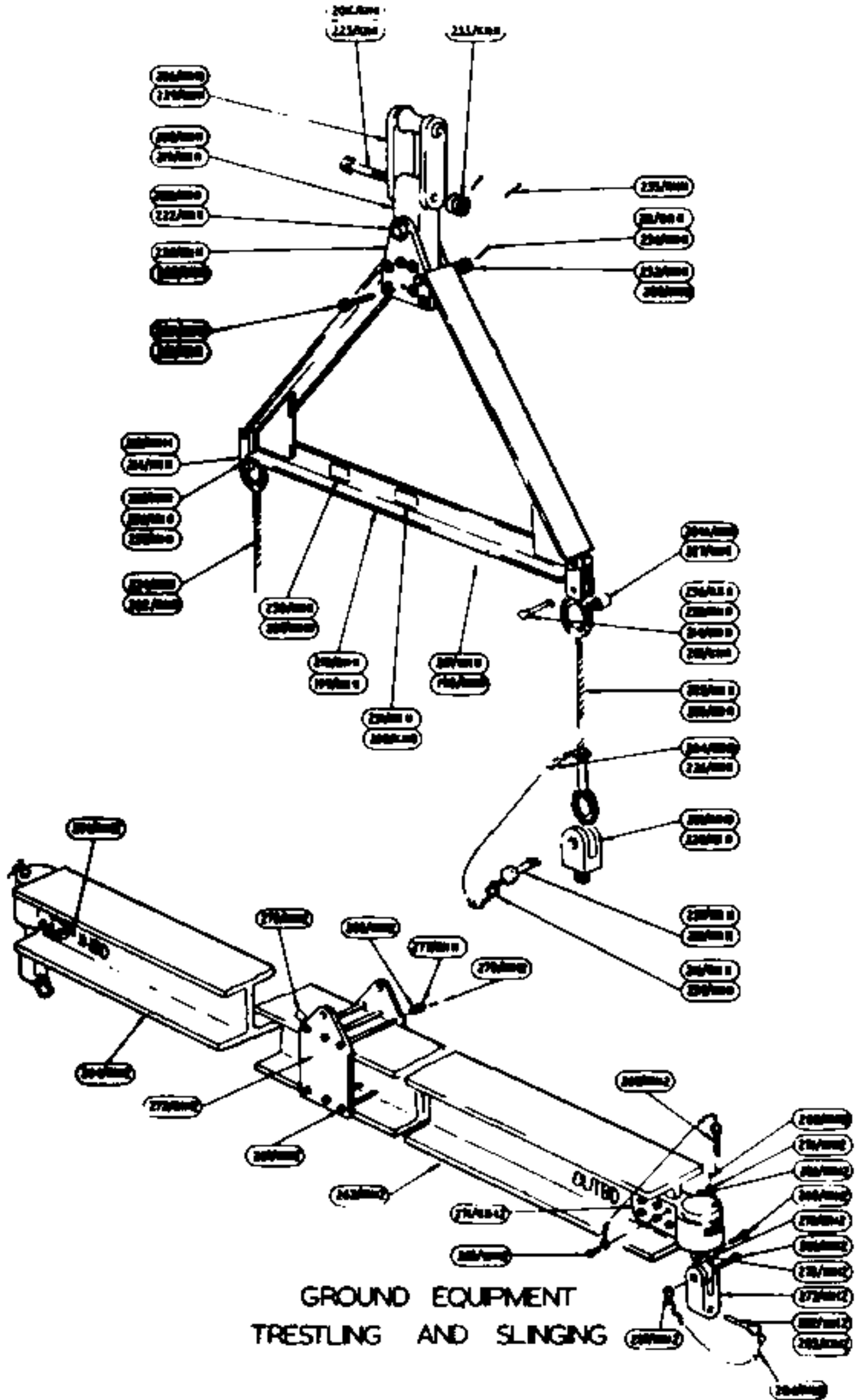
GROUND EQUIPMENT
TRESTLING AND SLINGING

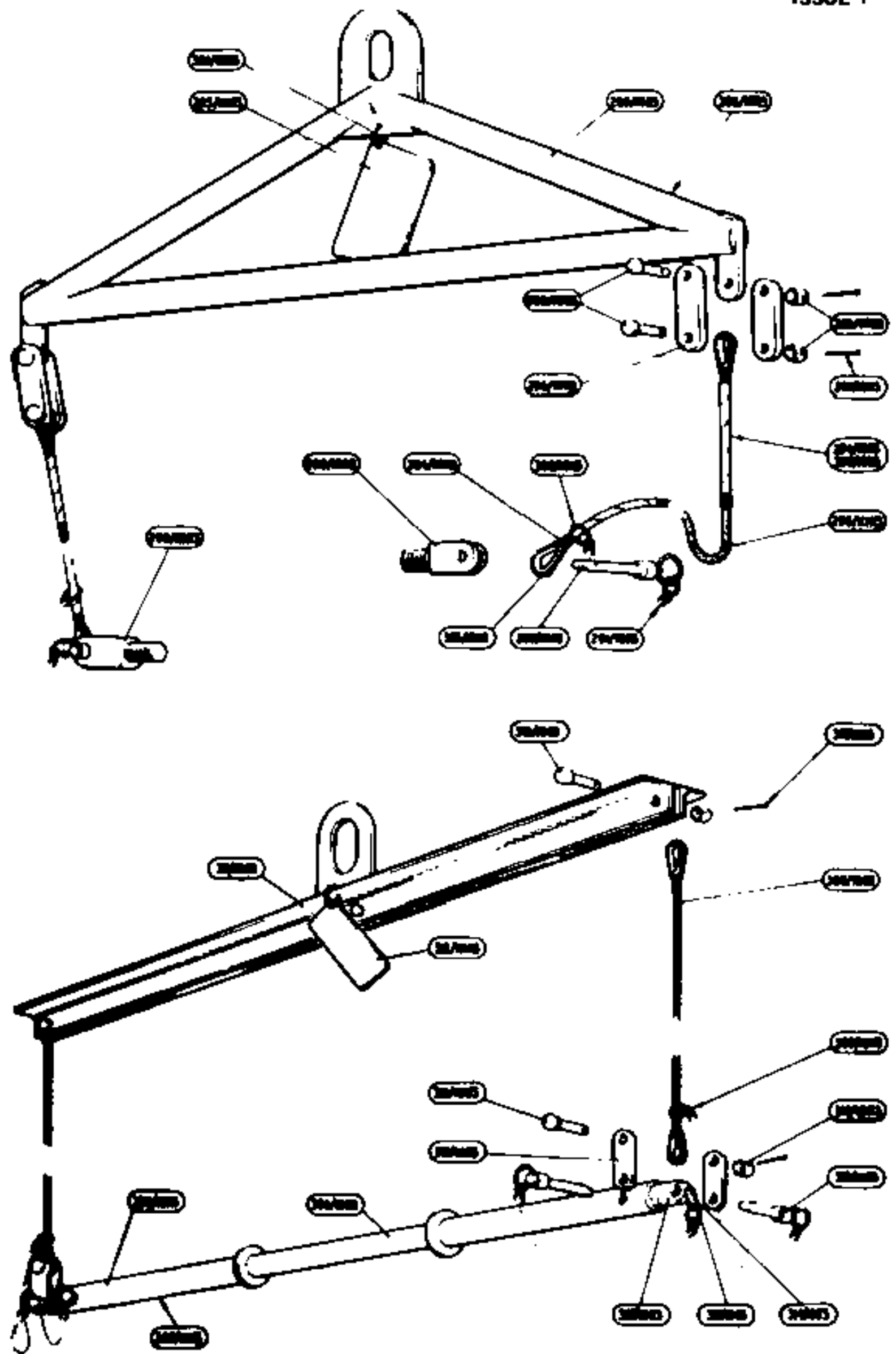


GROUND EQUIPMENT
TRESTLING AND SLINGING

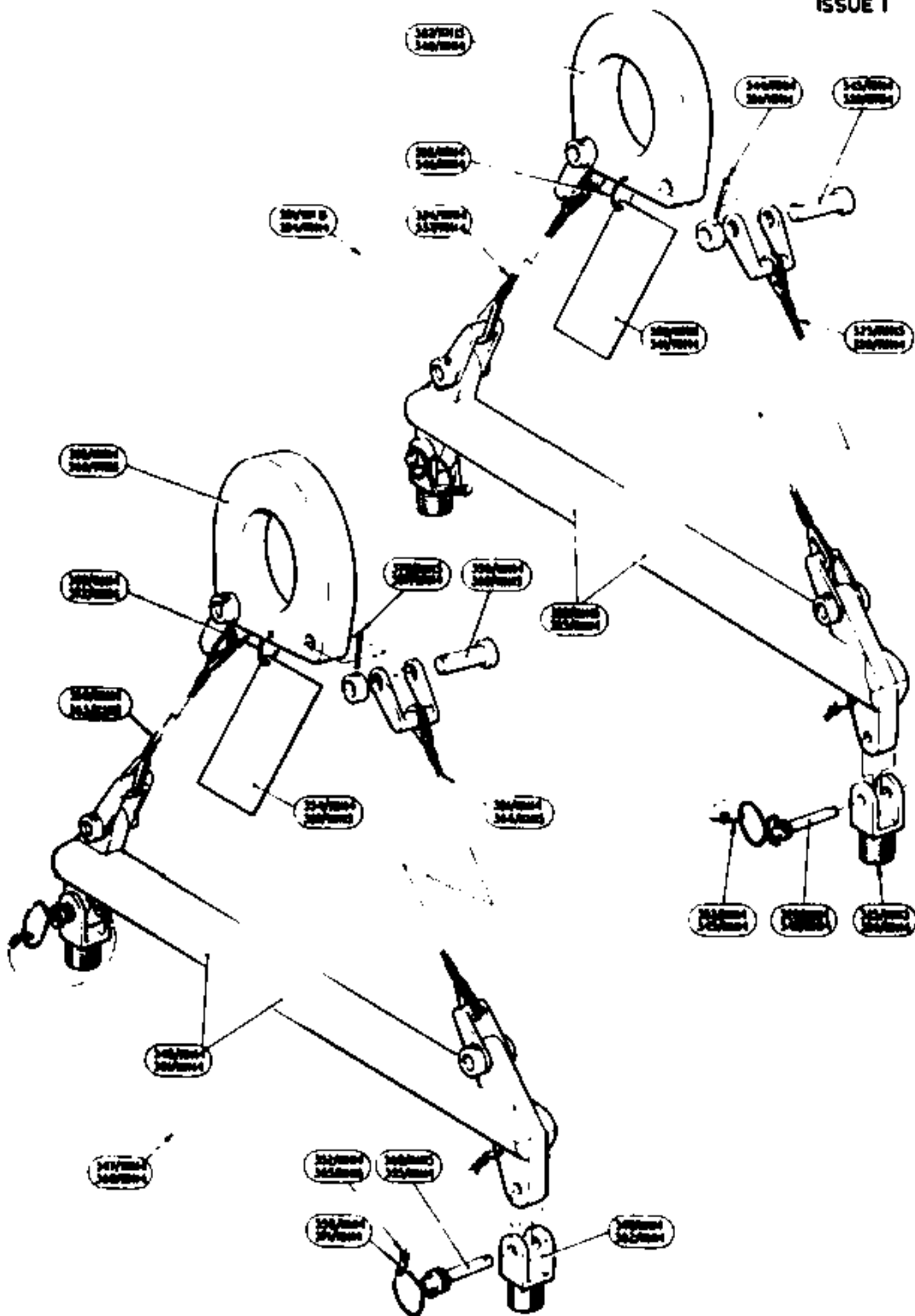


GROUND EQUIPMENT
TRESTLING AND SLINGING

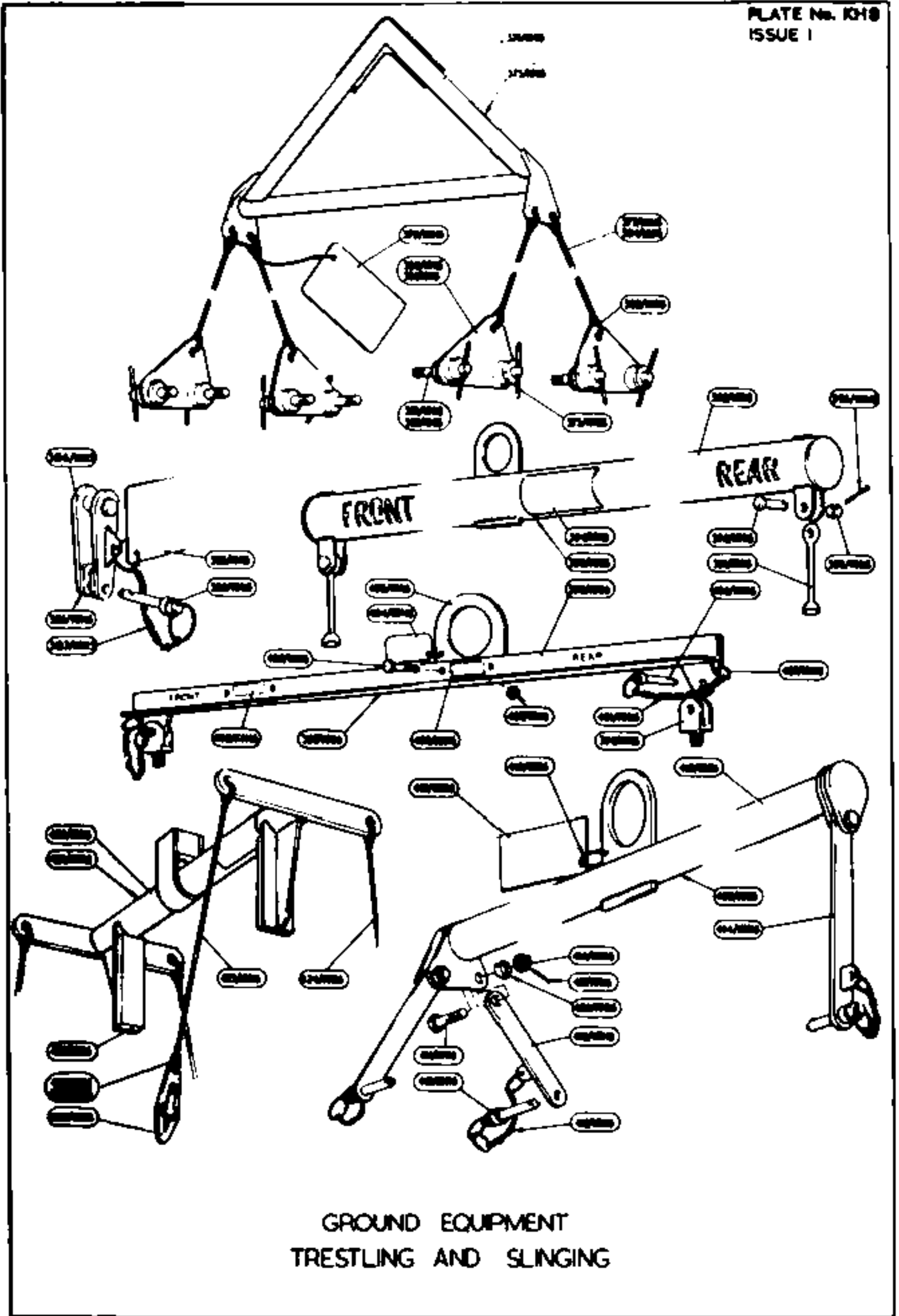




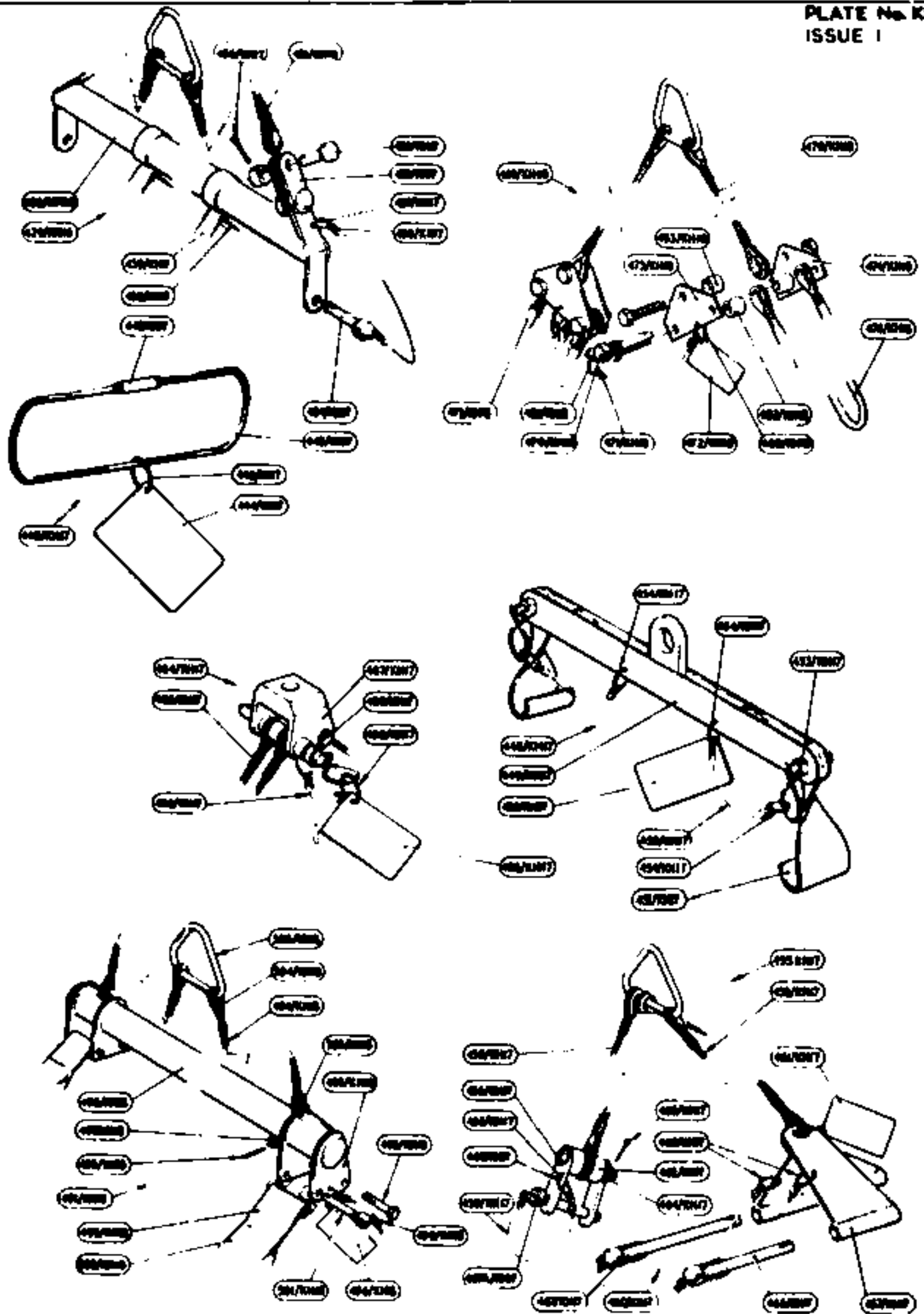
GROUND EQUIPMENT
TRESTLING AND SLINGING



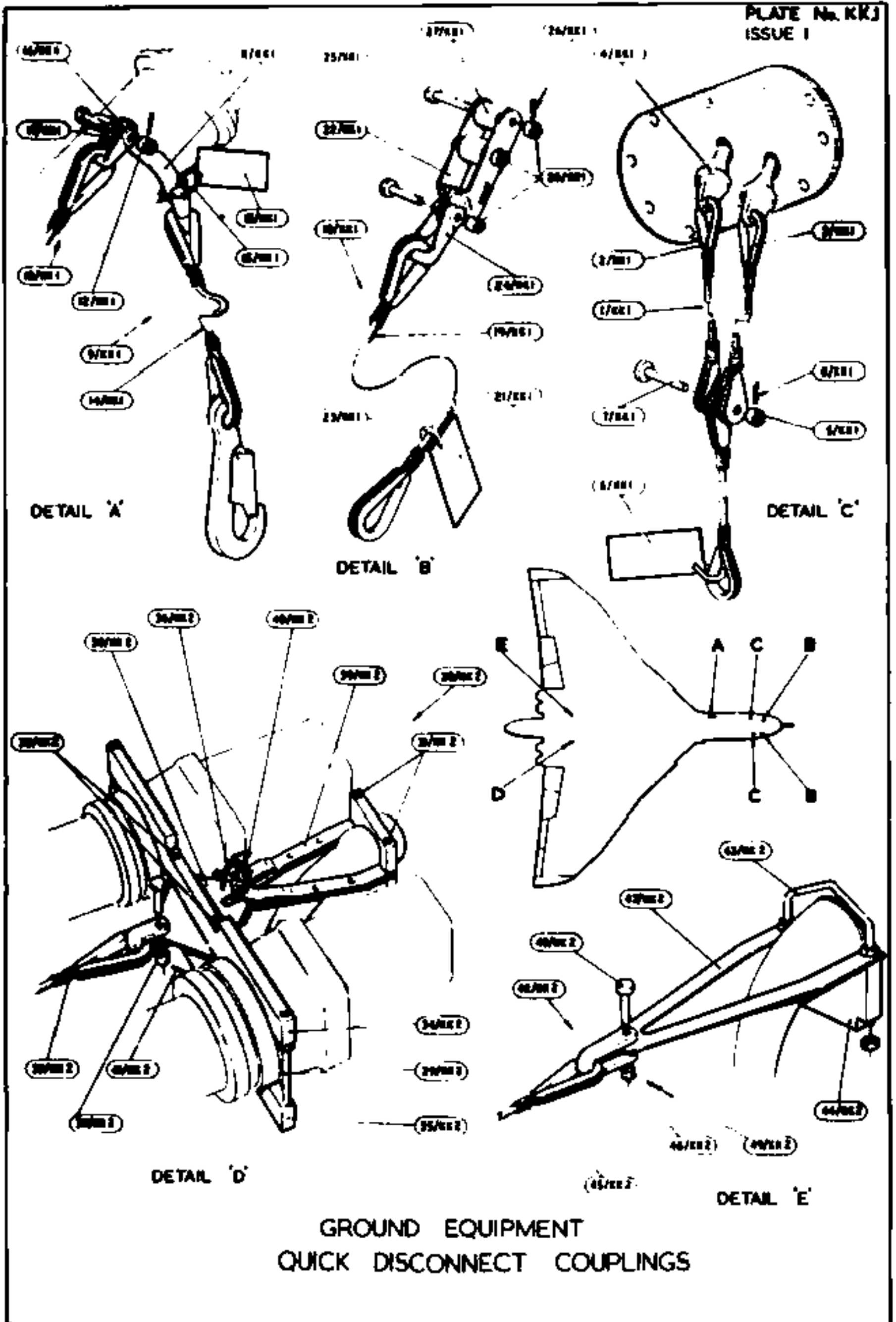
GROUND EQUIPMENT
TRESTLING AND SLINGING



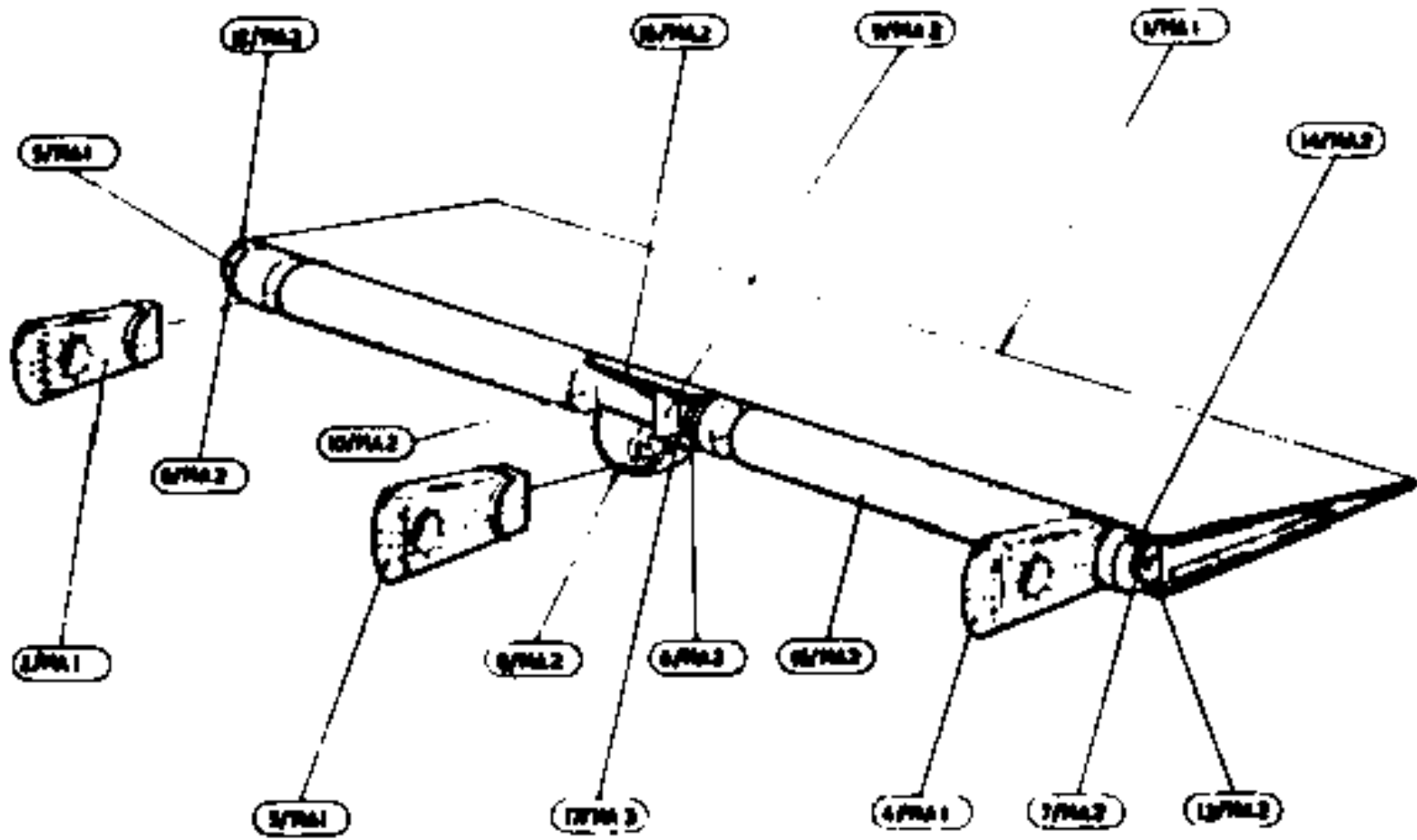
GROUND EQUIPMENT
TRESTLING AND SLINGING



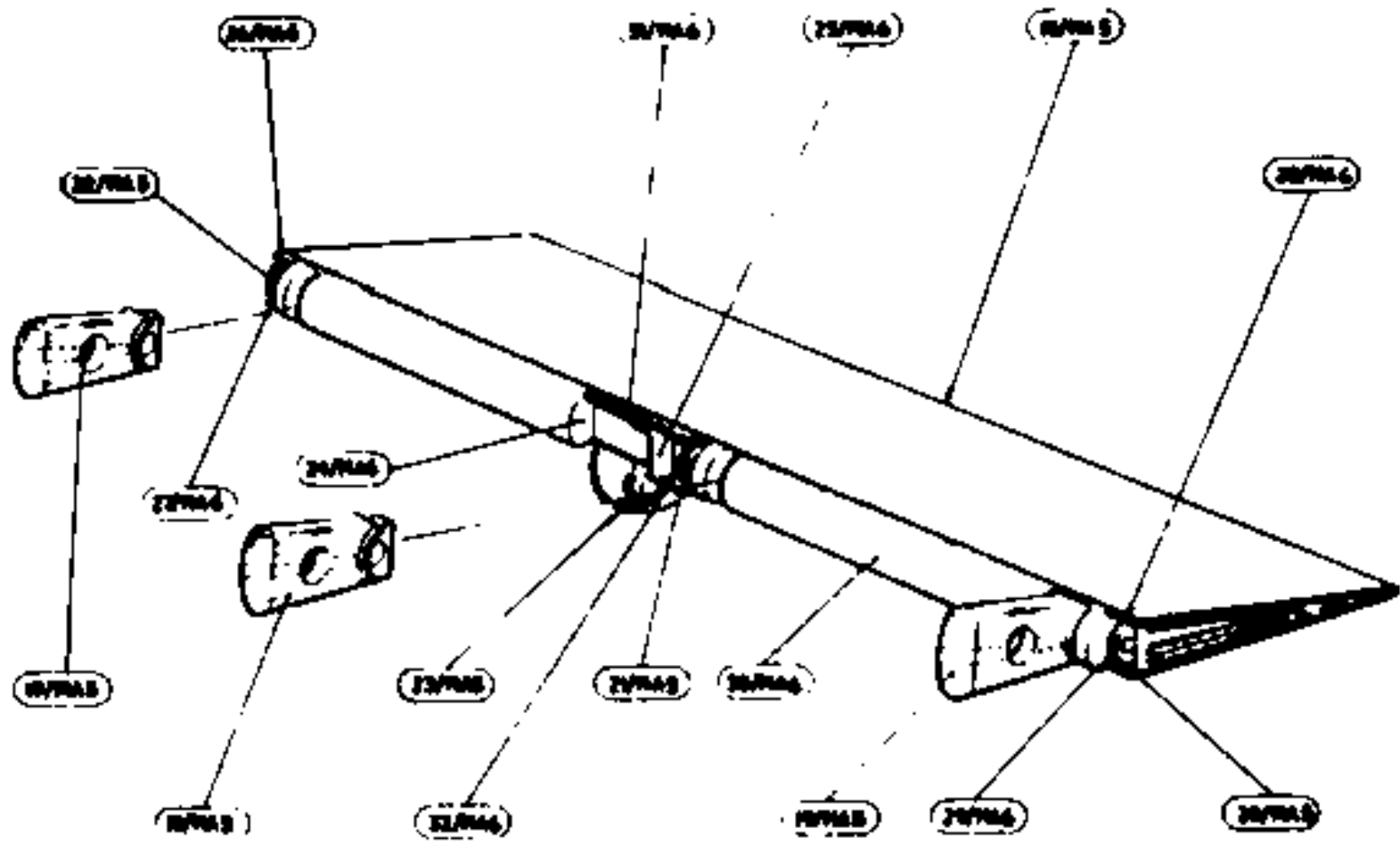
GROUND EQUIPMENT
TRESTLING AND SLINGING



GROUND EQUIPMENT
QUICK DISCONNECT COUPLINGS

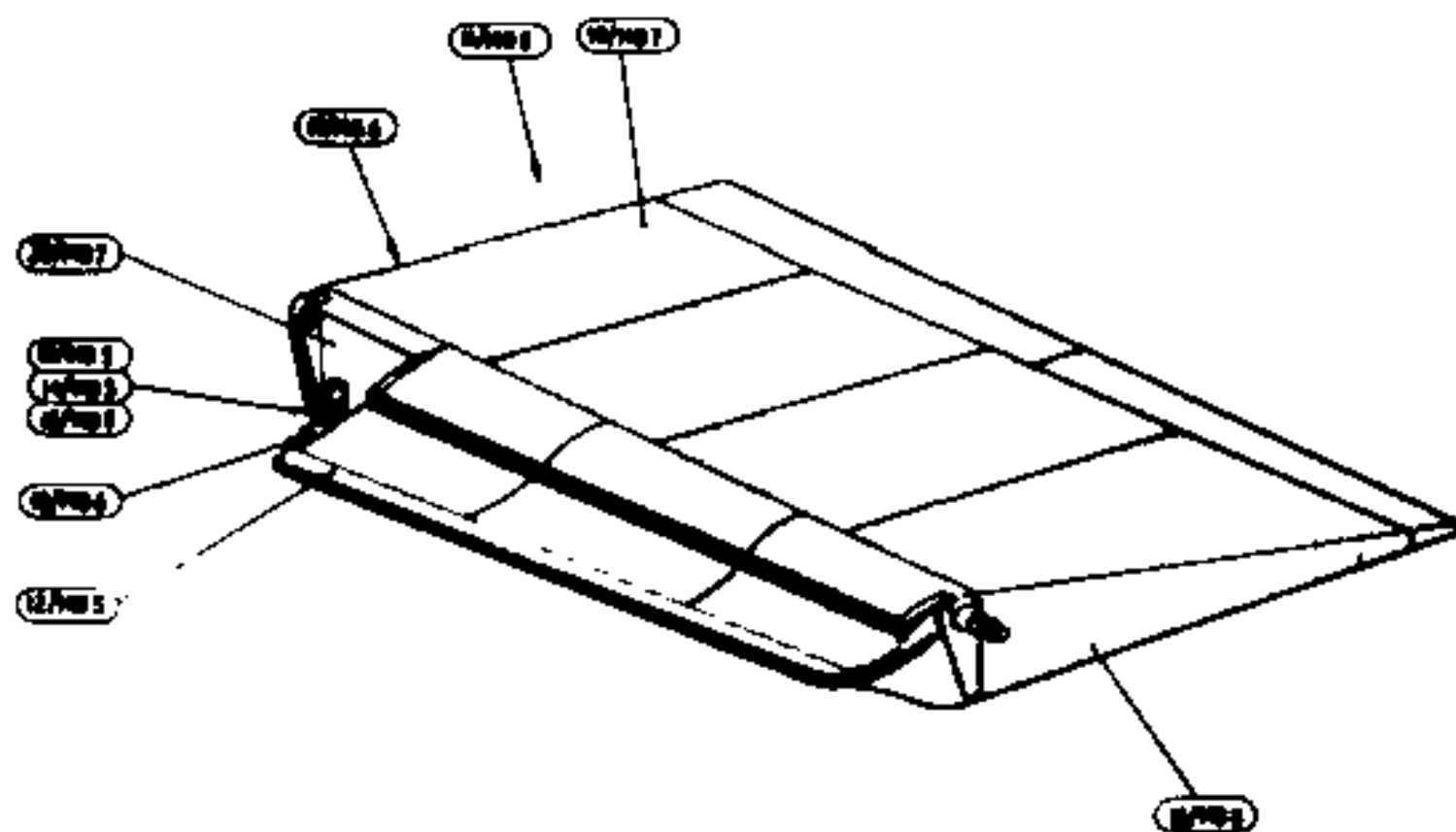
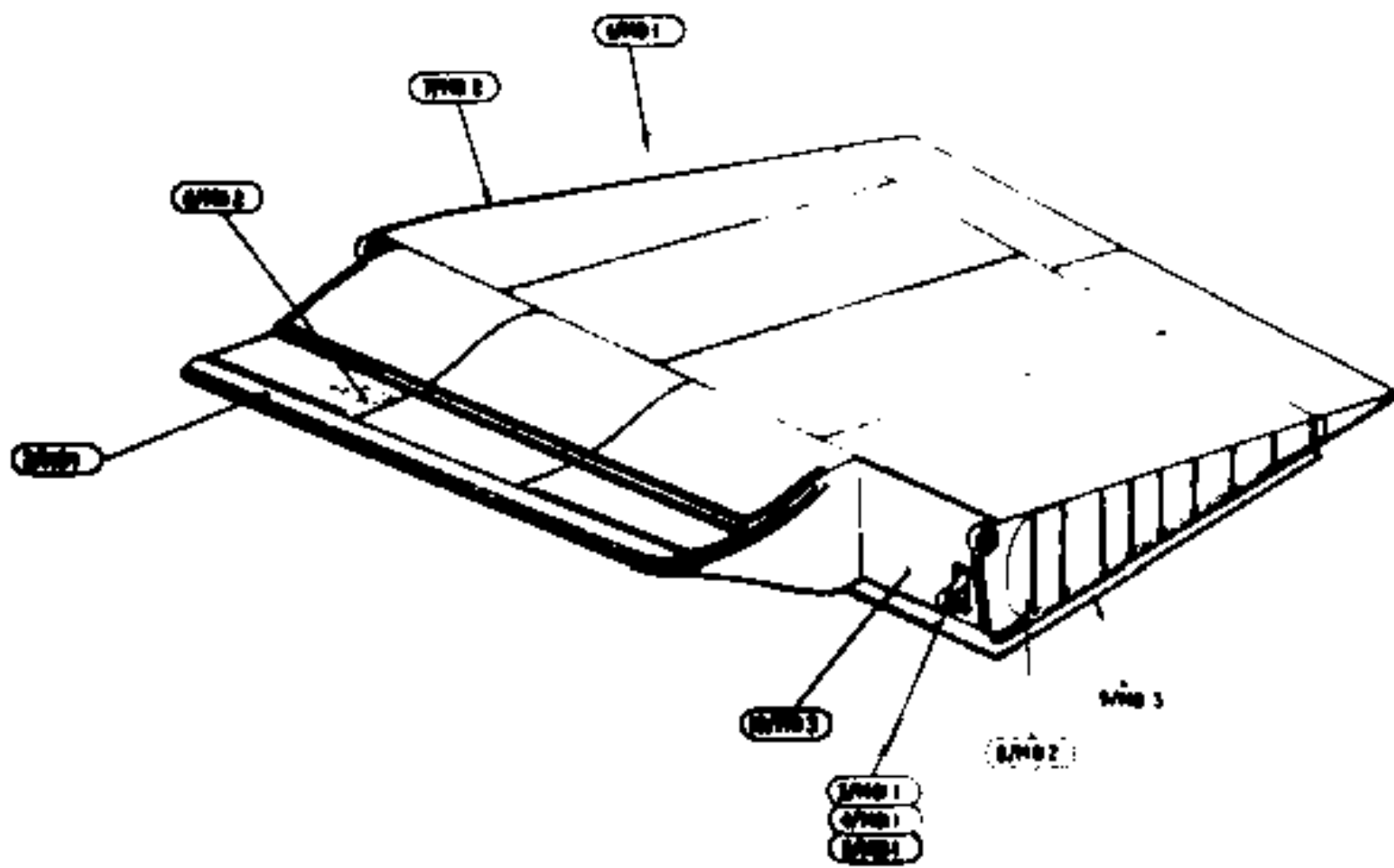


INBOARD



OUTBOARD

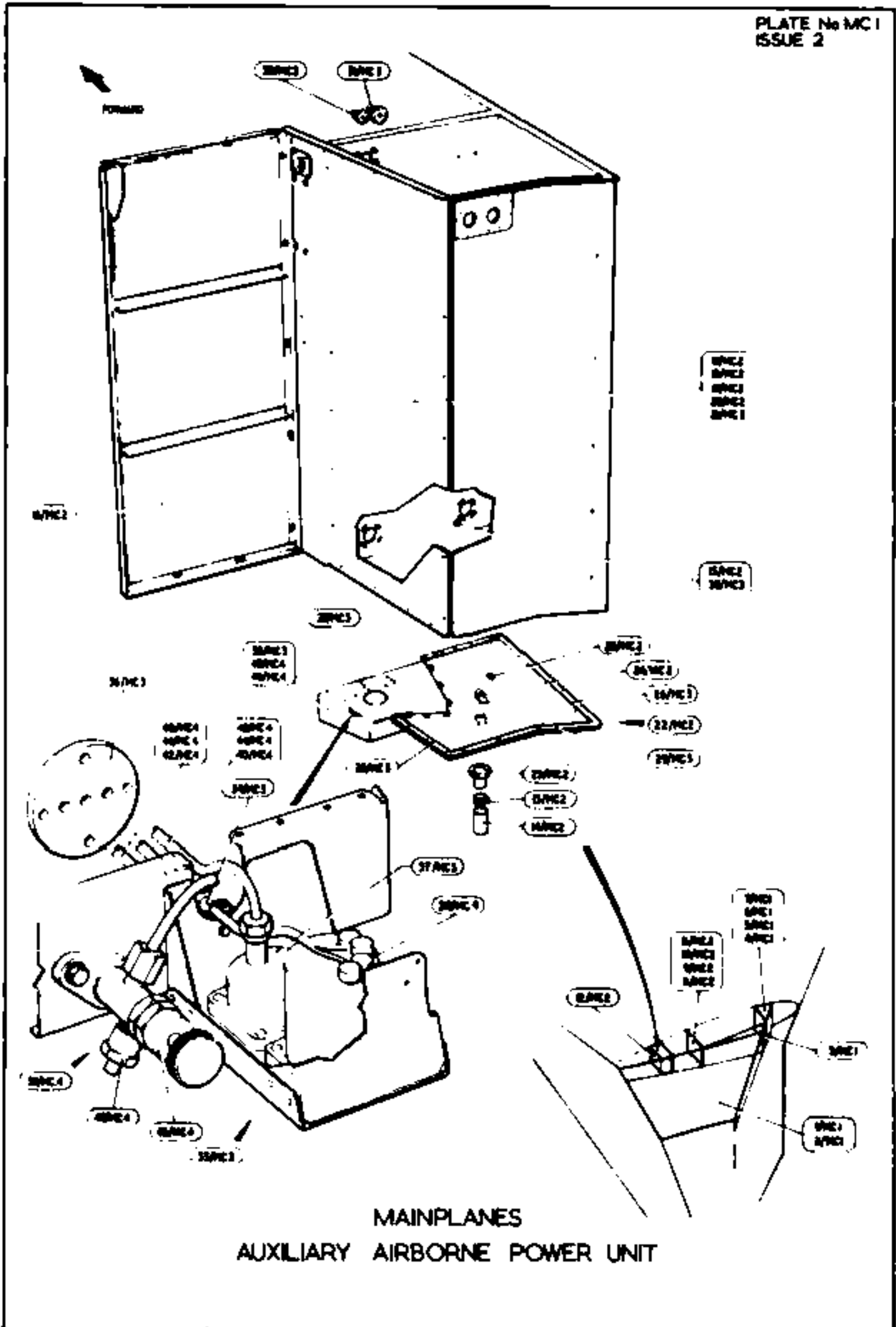
MAIN PLANES
AILERONS - INBOARD AND OUTBOARD



MAIN PLANES
ELEVATORS - INBOARD AND OUTBOARD

RESTRICTED

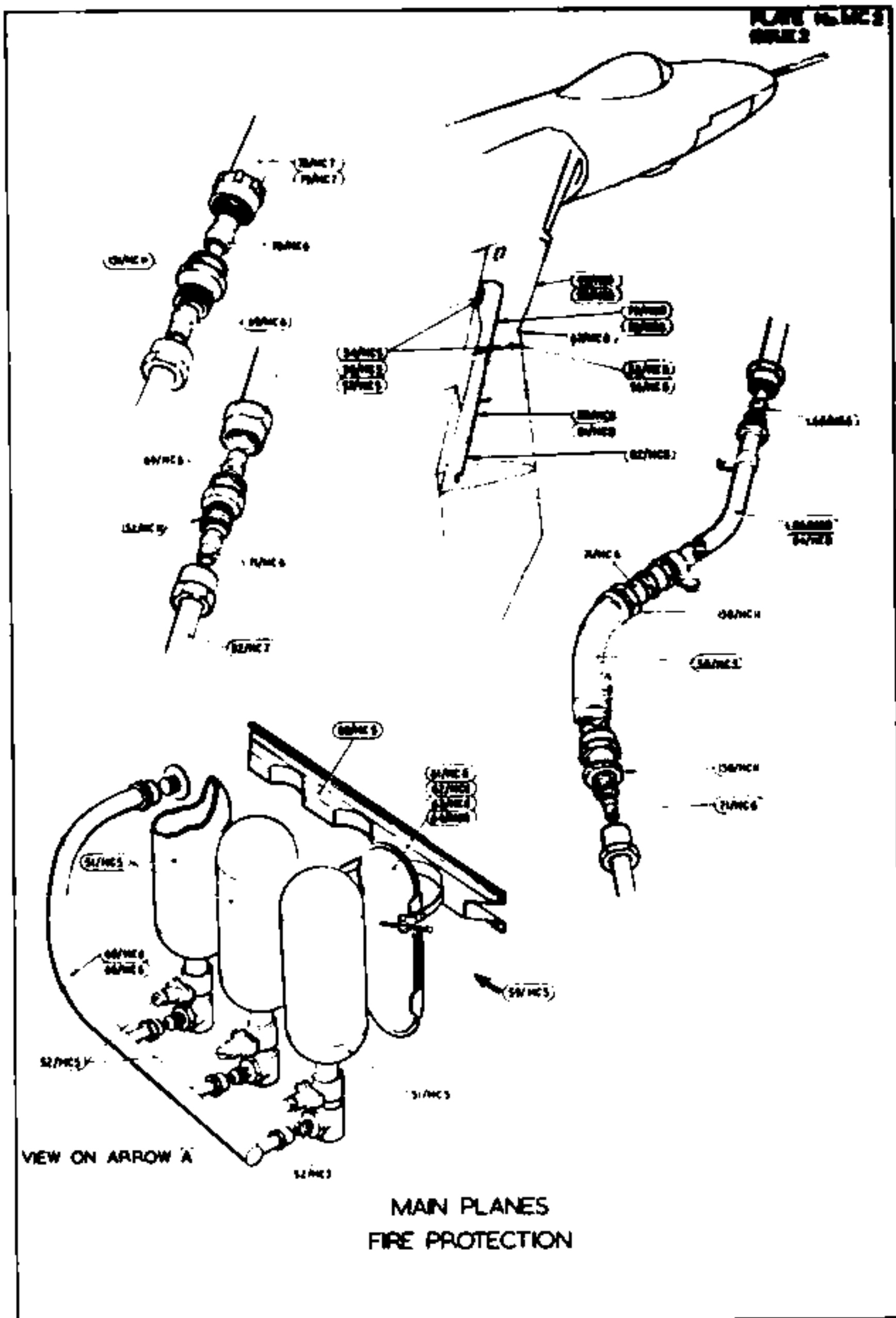
PLATE No MC 1
ISSUE 2



MAINPLANES
AUXILIARY AIRBORNE POWER UNIT

RESTRICTED

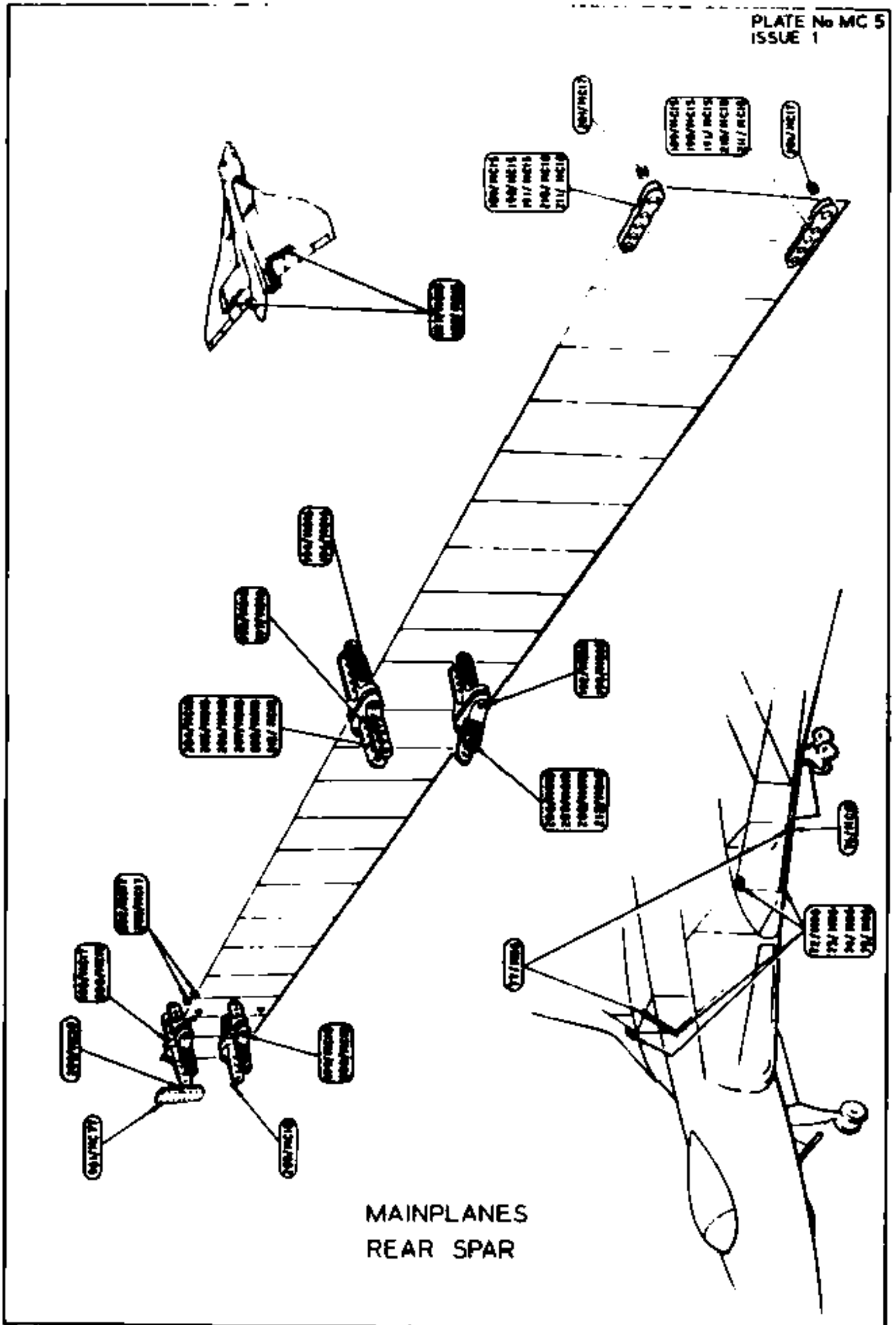
RESTRICTED



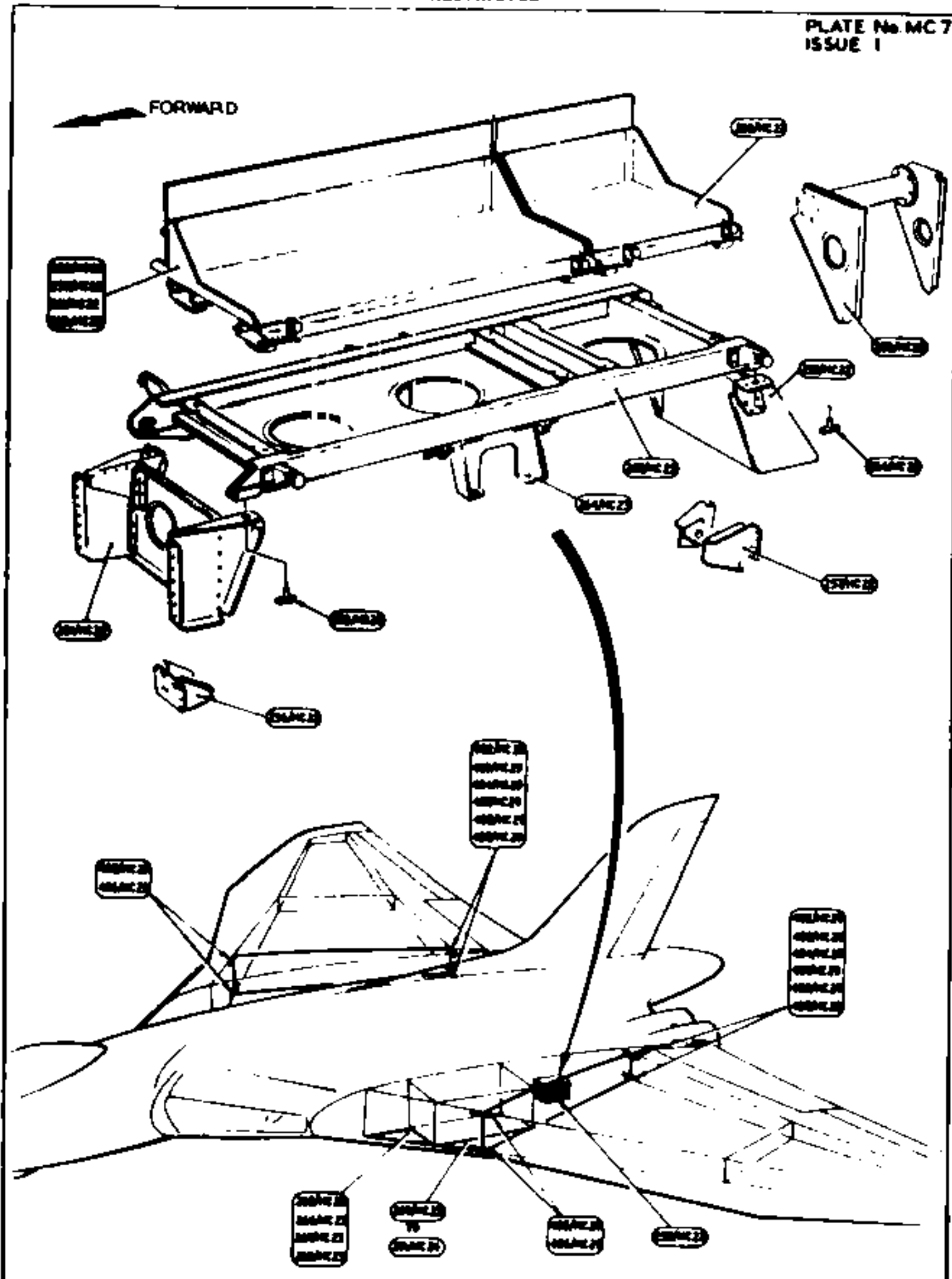
RESTRICTED

RESTRICTED

PLATE No MC 5
ISSUE 1



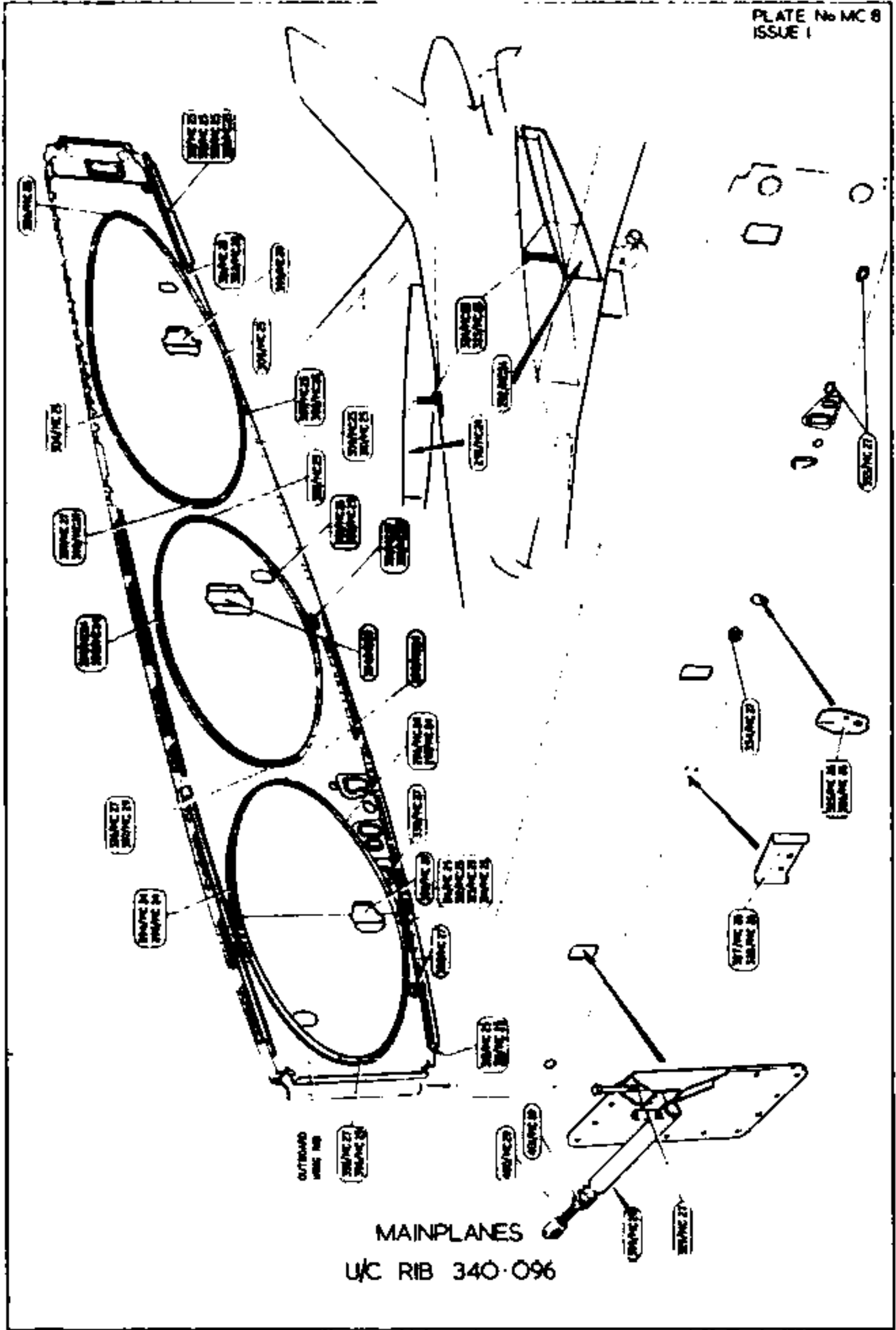
RESTRICTED



MAINPLANES
GREEN SATIN MOUNTING AND SKIN PANELS

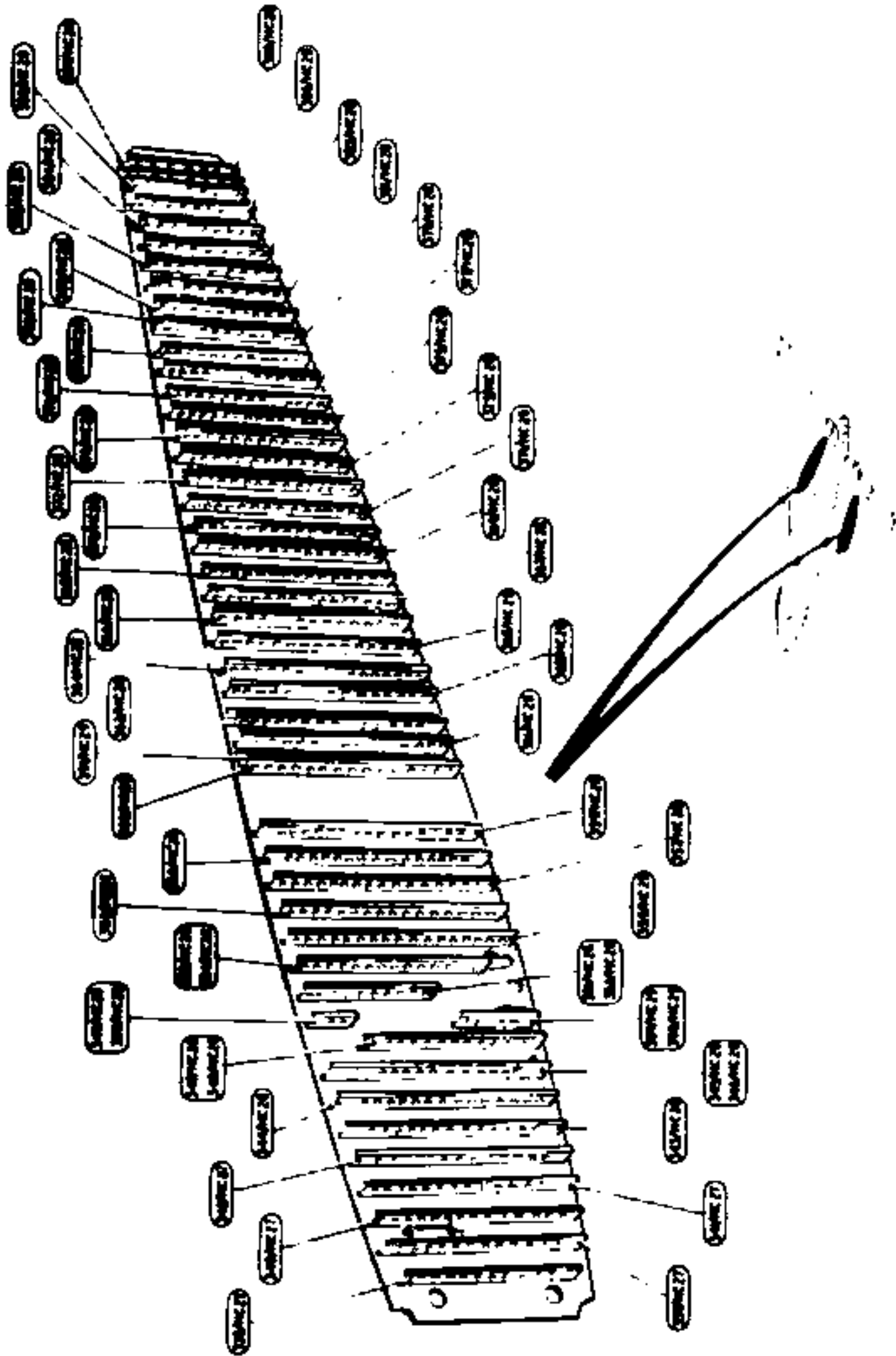
RESTRICTED

PLATE No MC 8
ISSUE 1



MAINPLANES
U/C RIB 340-096

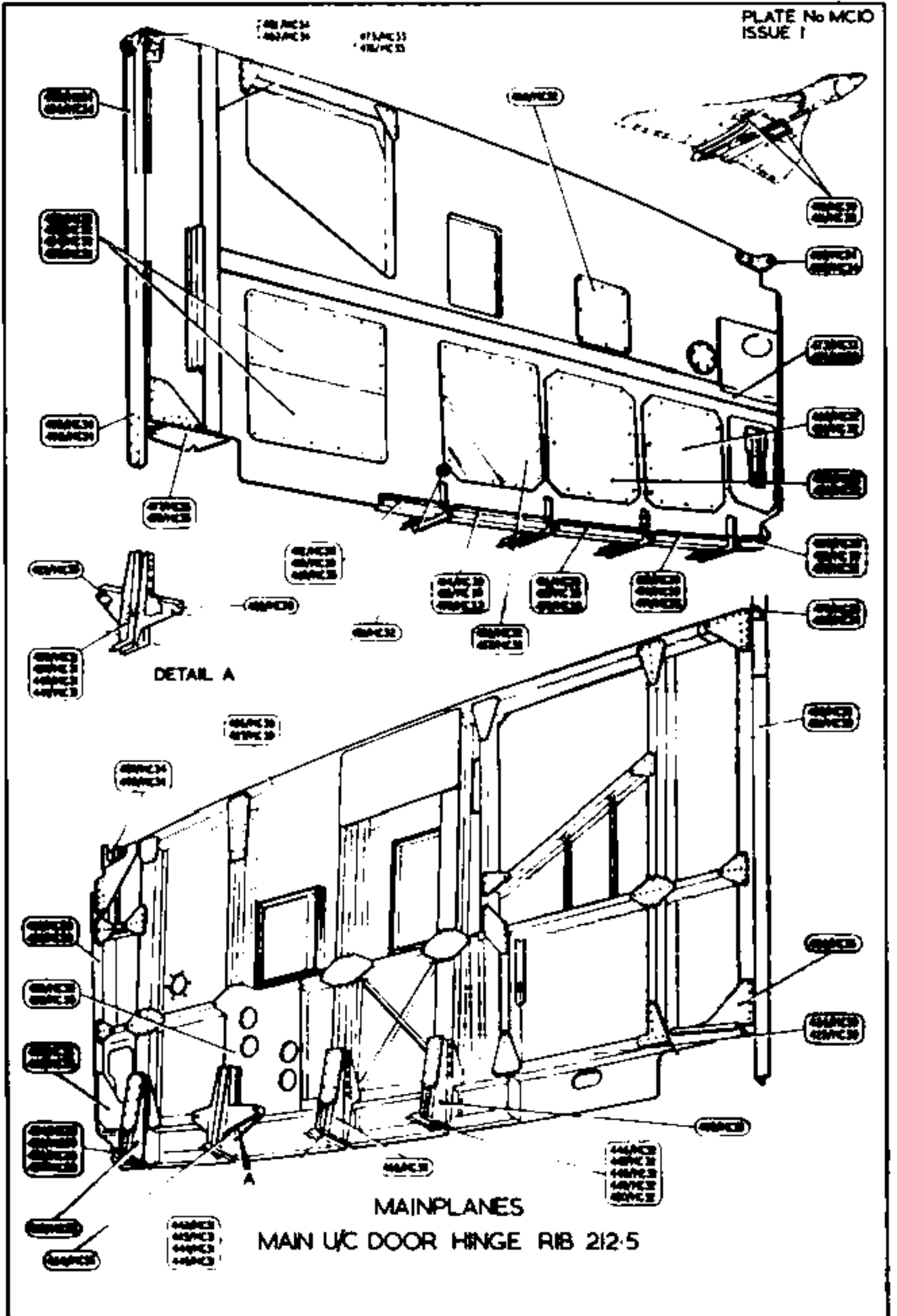
RESTRICTED



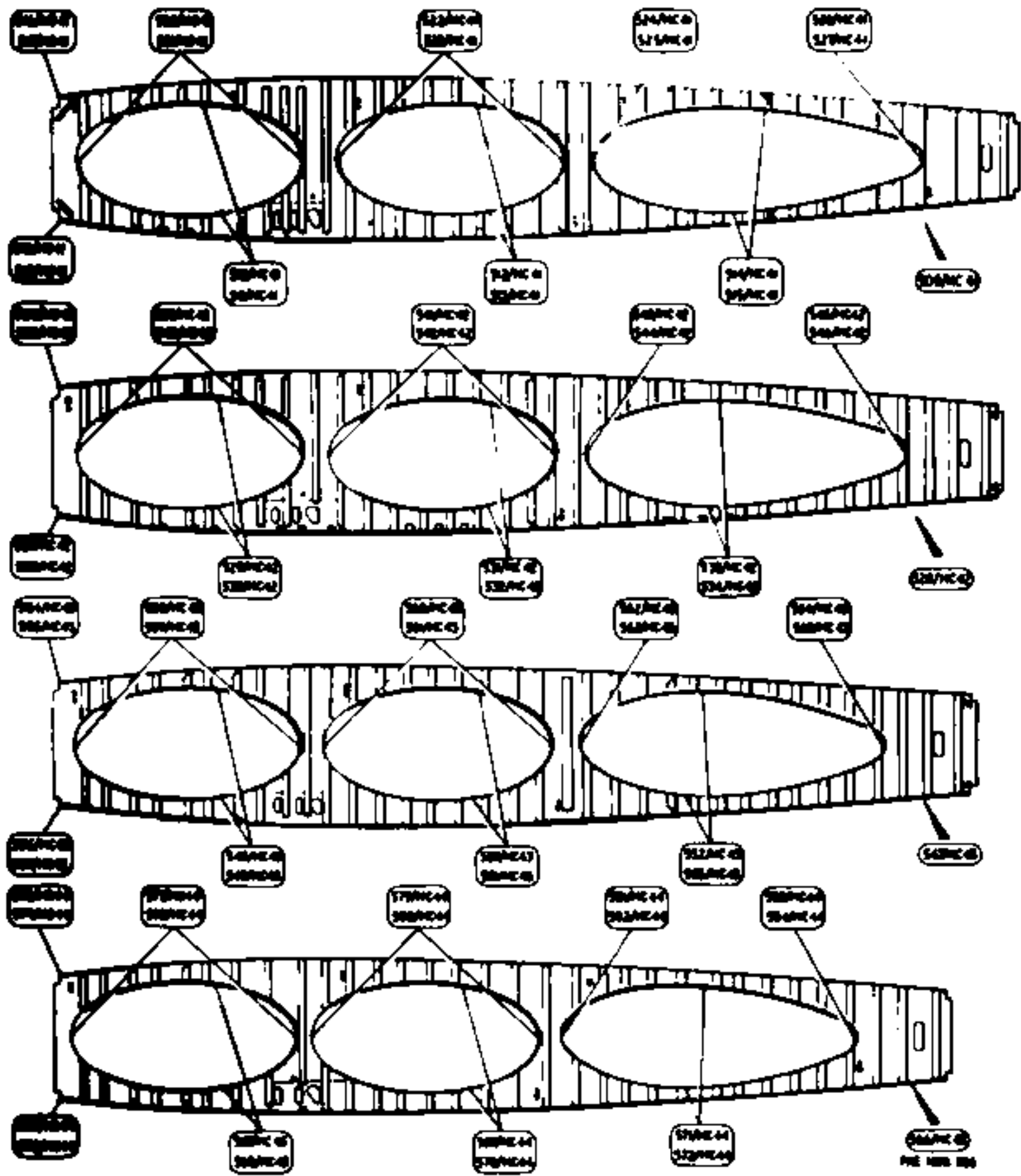
MAINPLANES
U/C RIB-INBOARD WEB - PORT / STBD.

RESTRICTED

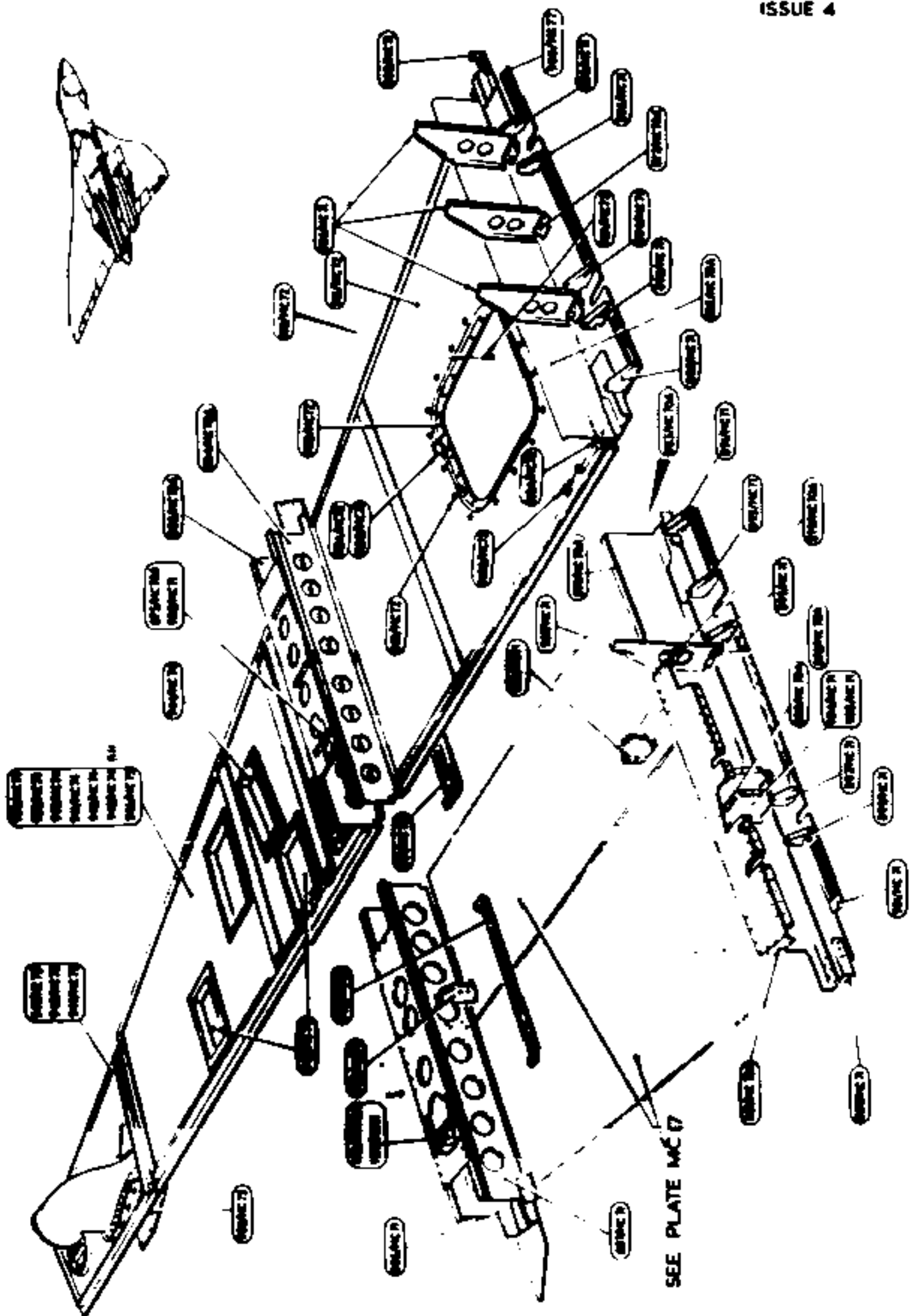
PLATE No MC10
ISSUE 1



RESTRICTED



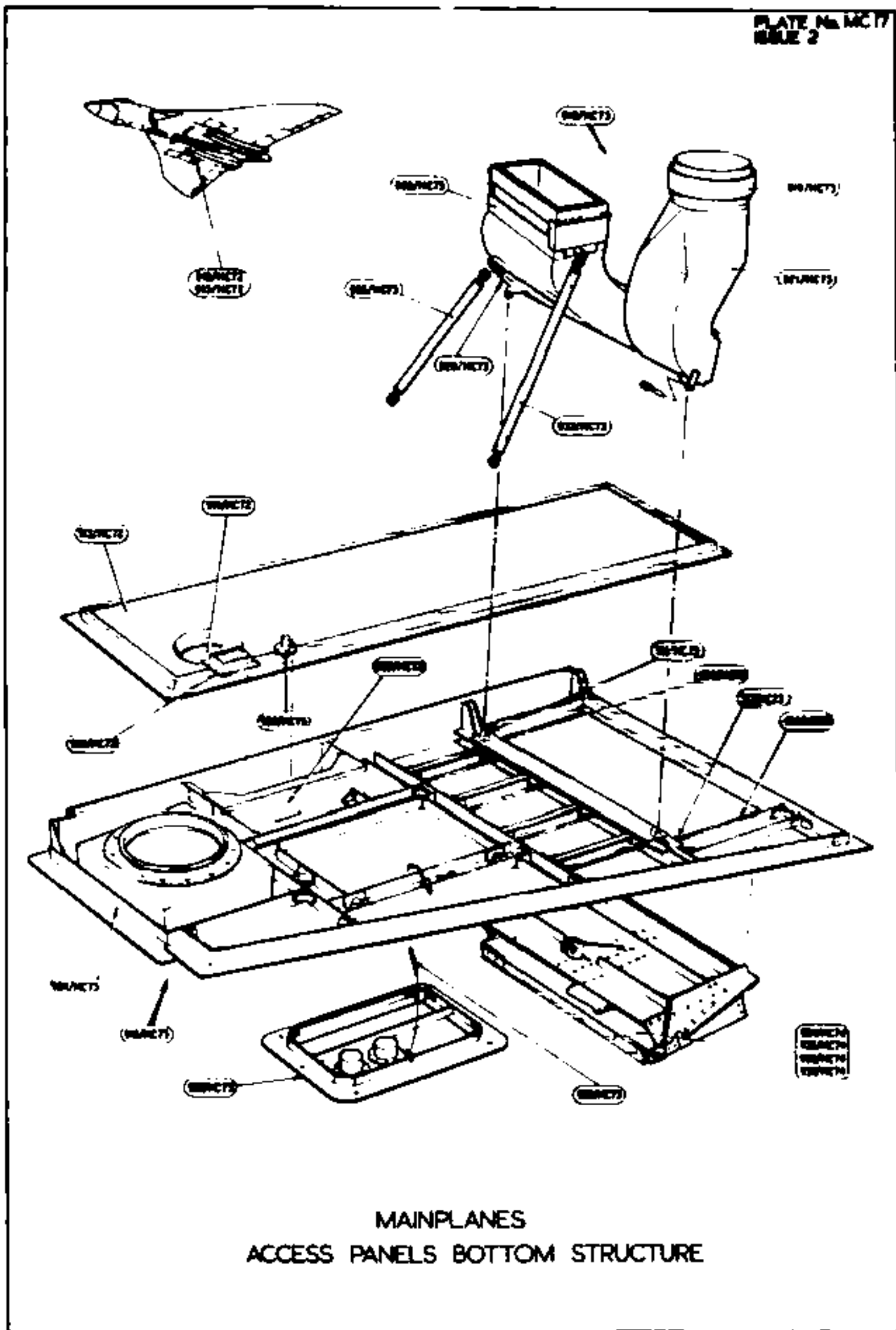
MAINPLANES
INNER TANK RIBS



MAINPLANES
BOTTOM STRUCTURE AFT OF REAR U/C BULKHEAD

RESTRICTED

PLATE No. MC17
FIGURE 2

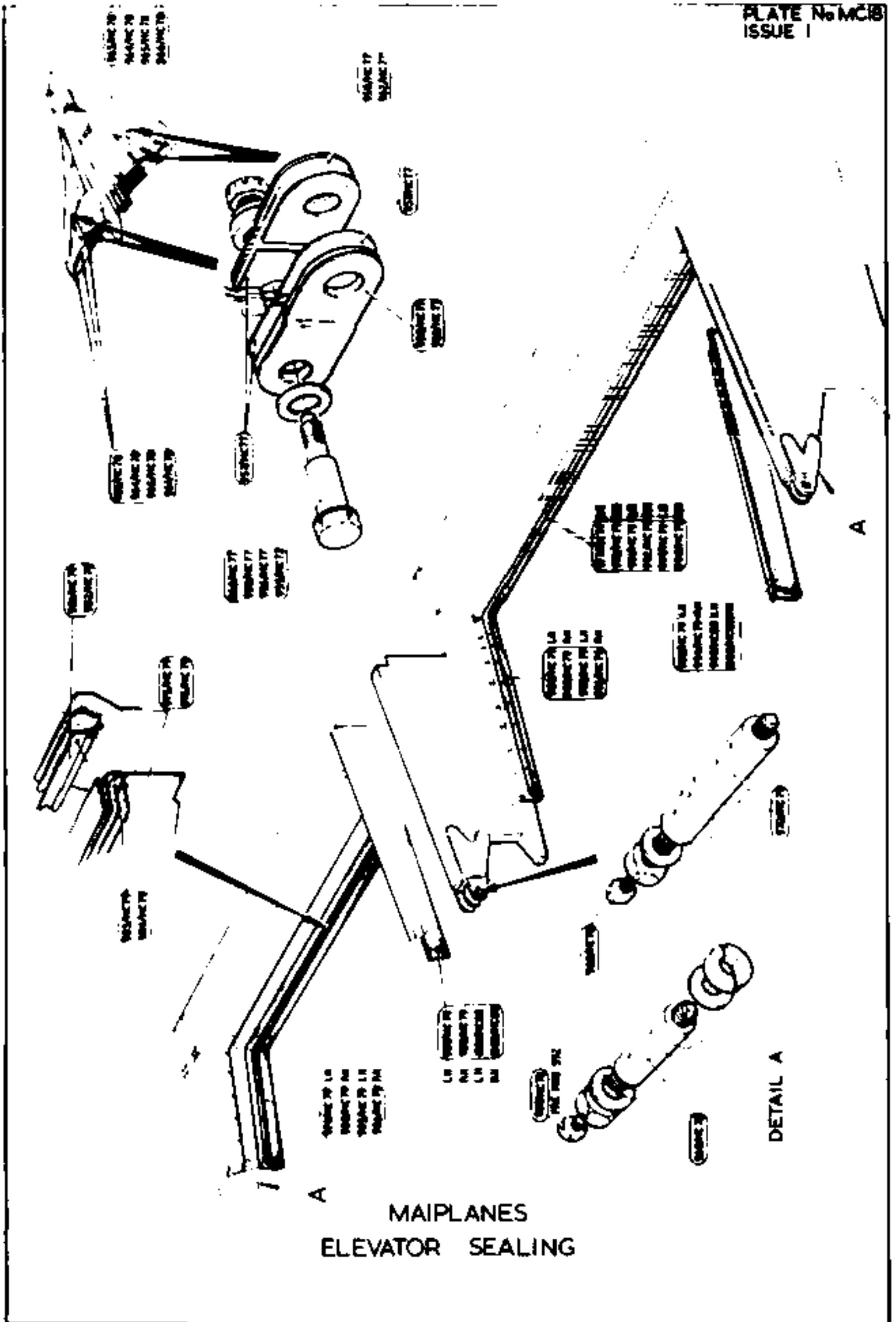


MAINPLANES
ACCESS PANELS BOTTOM STRUCTURE

RESTRICTED

RESTRICTED

PLATE No MC18
ISSUE 1



WASHER 78
NUT 78
WASHER 78
NUT 78

WASHER 77
NUT 77

WASHER 79
NUT 79
WASHER 79
NUT 79

WASHER 77
NUT 77
WASHER 77
NUT 77

WASHER 76
NUT 76

WASHER 75
NUT 75

WASHER 74
NUT 74

WASHER 73
NUT 73
WASHER 73
NUT 73

WASHER 72
NUT 72
WASHER 72
NUT 72

WASHER 71
NUT 71

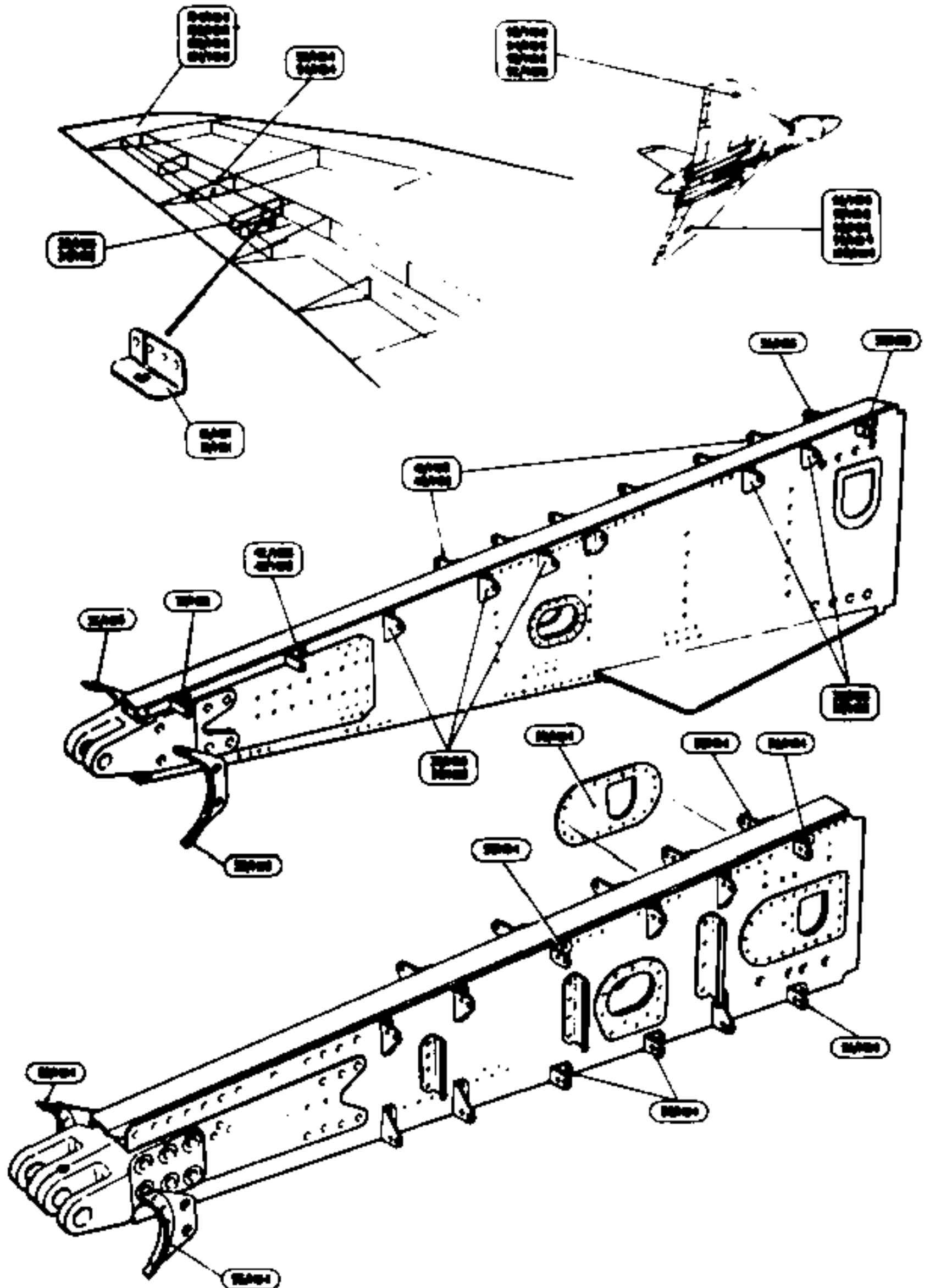
WASHER 70
NUT 70
WASHER 70
NUT 70

WASHER 69
NUT 69
WASHER 69
NUT 69

DETAIL A

MAIPLANES
ELEVATOR SEALING

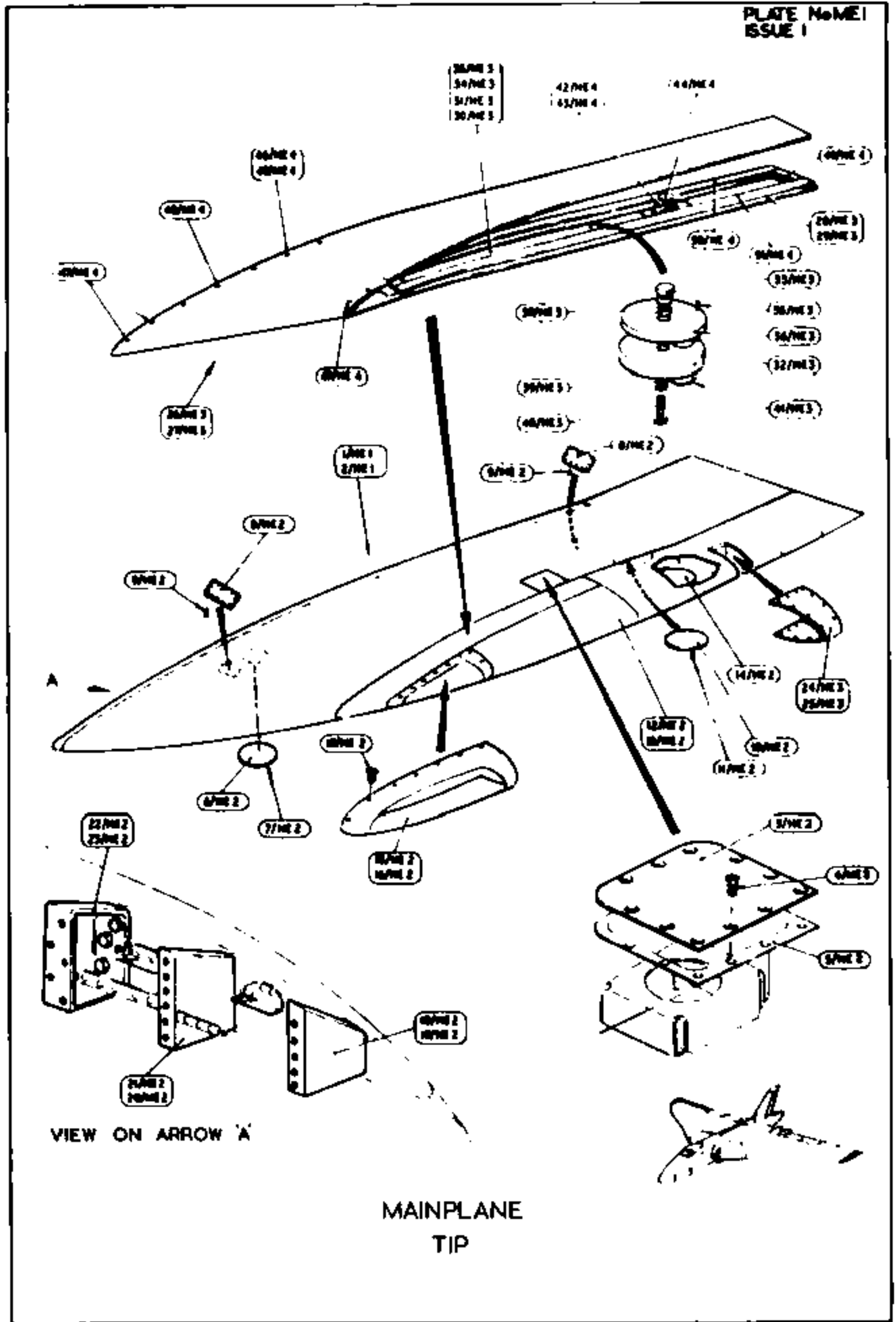
RESTRICTED



MAINPLANES
INBOARD, CENTRE HINGE RIBS, STN'S 60-25 & 126-5 & SKIN ARRANGEMENT

RESTRICTED

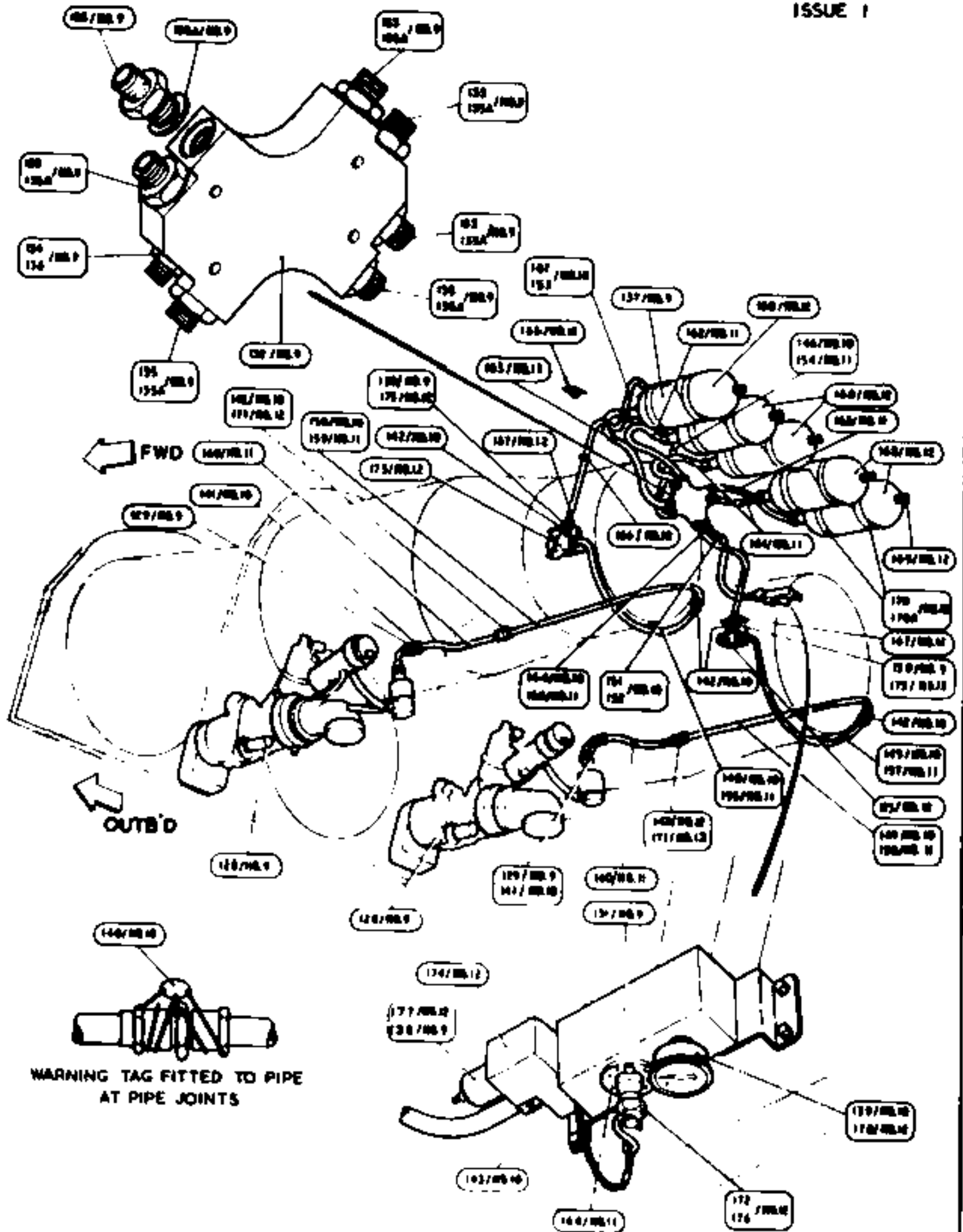
PLATE No ME1
ISSUE 1



VIEW ON ARROW 'A'

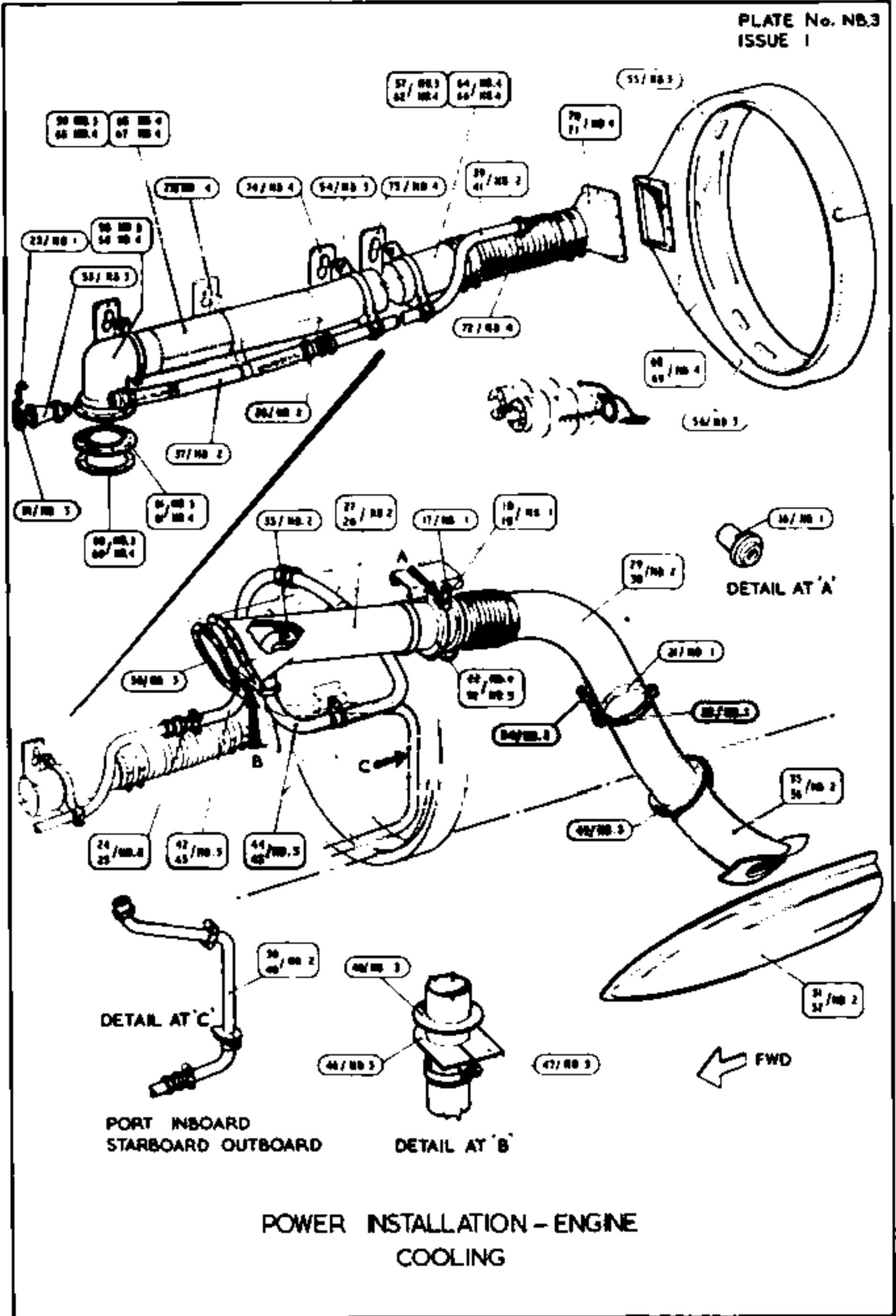
MAINPLANE
TIP

RESTRICTED



WARNING TAG FITTED TO PIPE
AT PIPE JOINTS

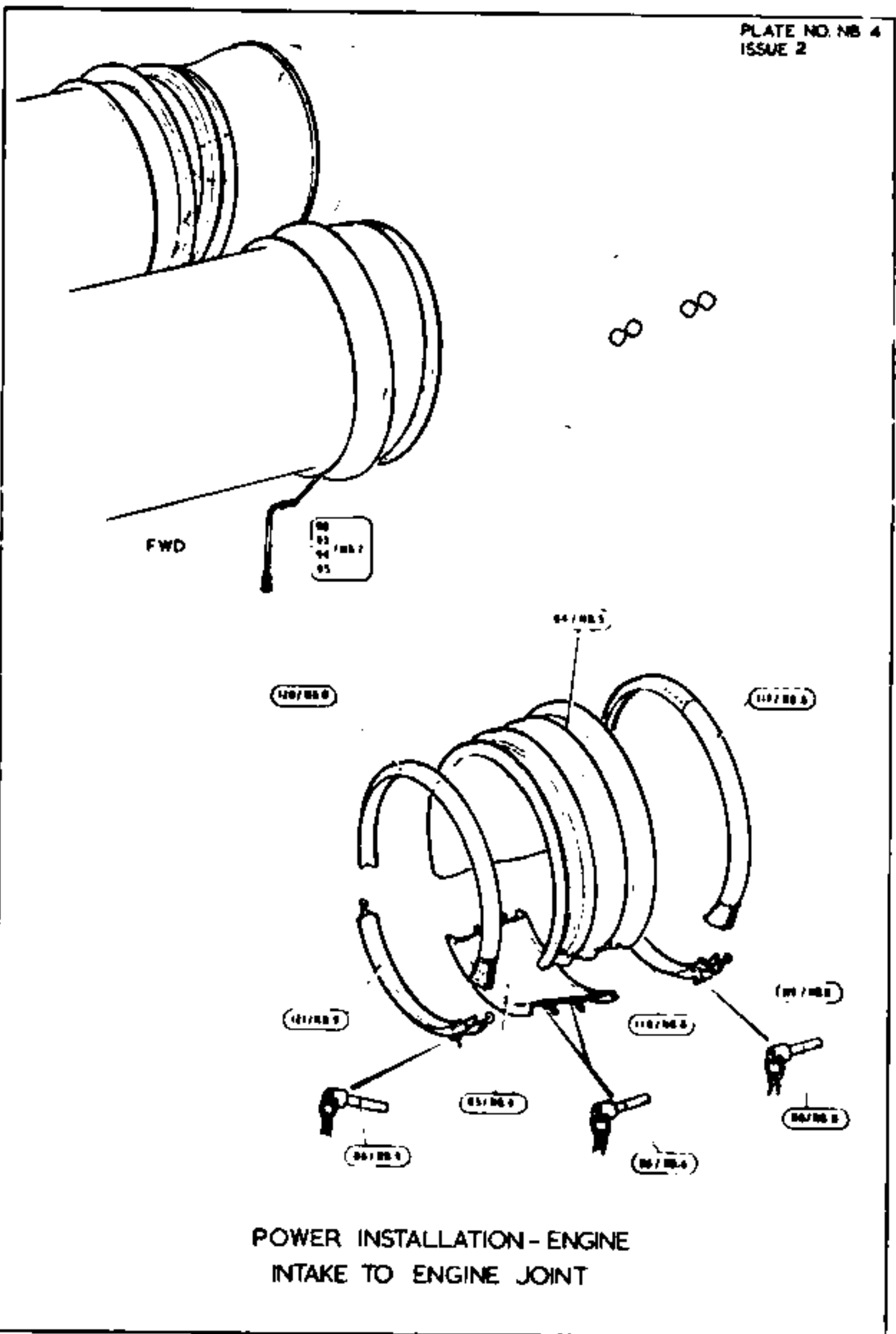
POWER INSTALLATION-ENGINE RAPID START



POWER INSTALLATION - ENGINE
COOLING

RESTRICTED

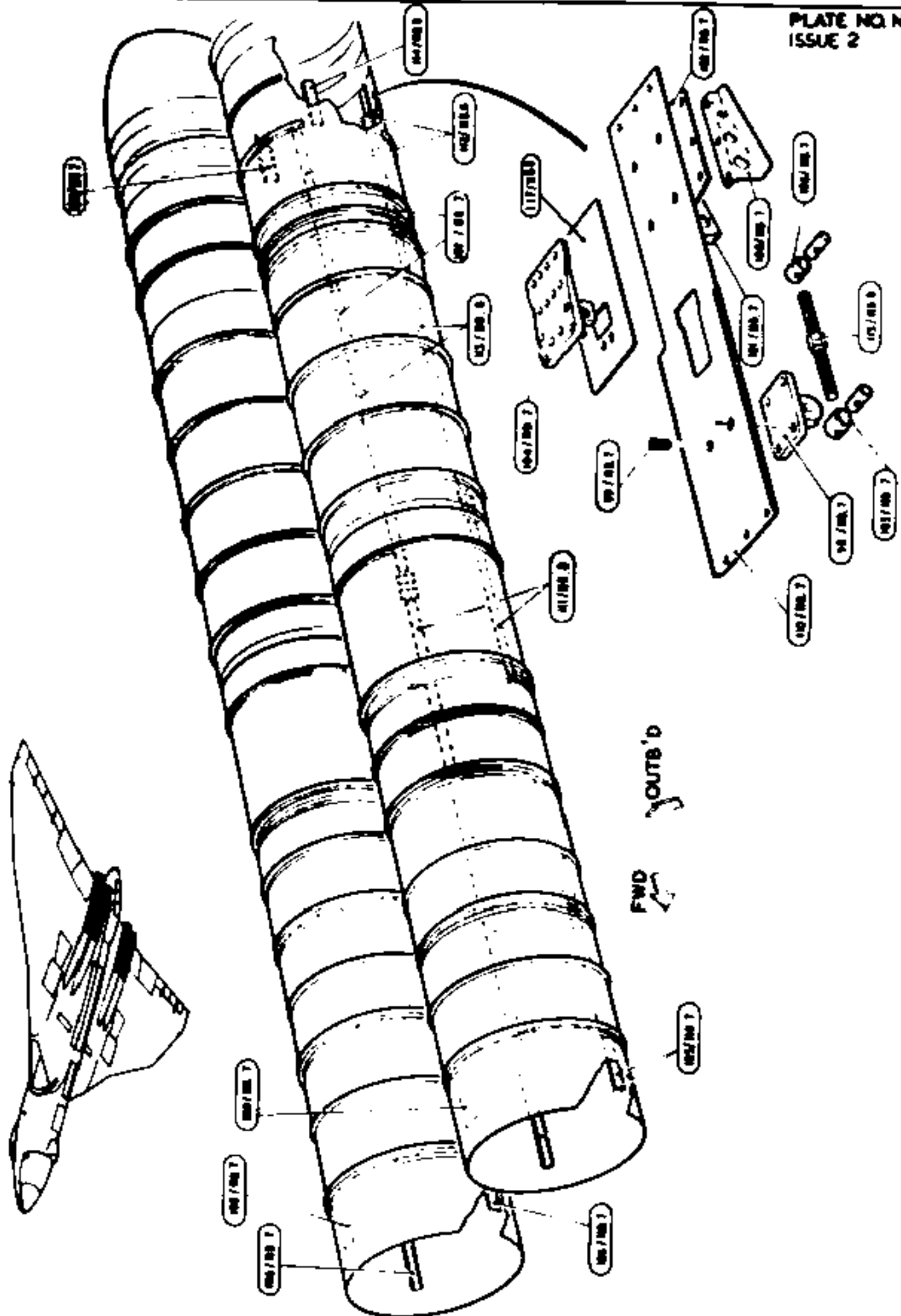
PLATE NO. NB 4
ISSUE 2



RESTRICTED

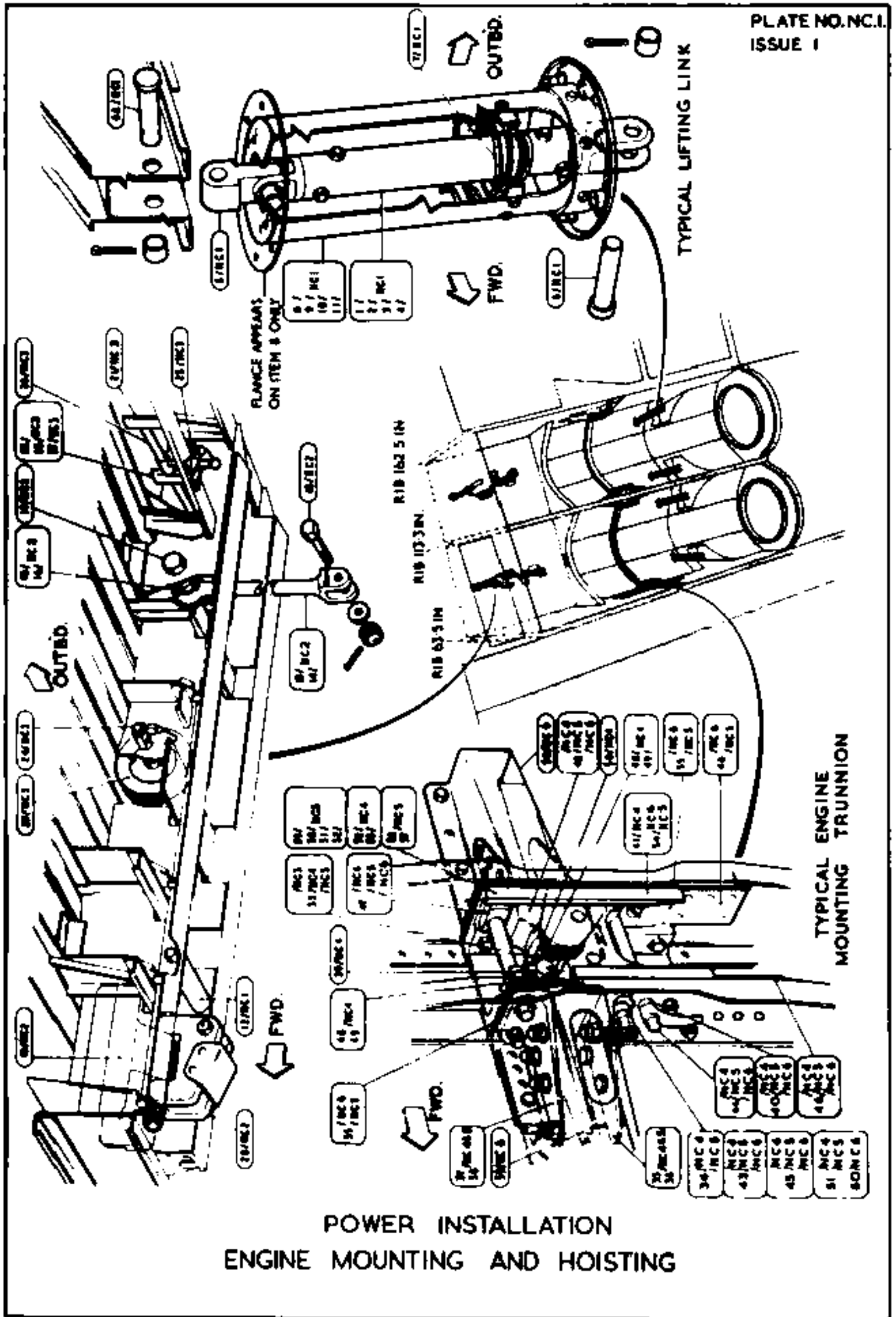
RESTRICTED

PLATE NO. NB.5
ISSUE 2

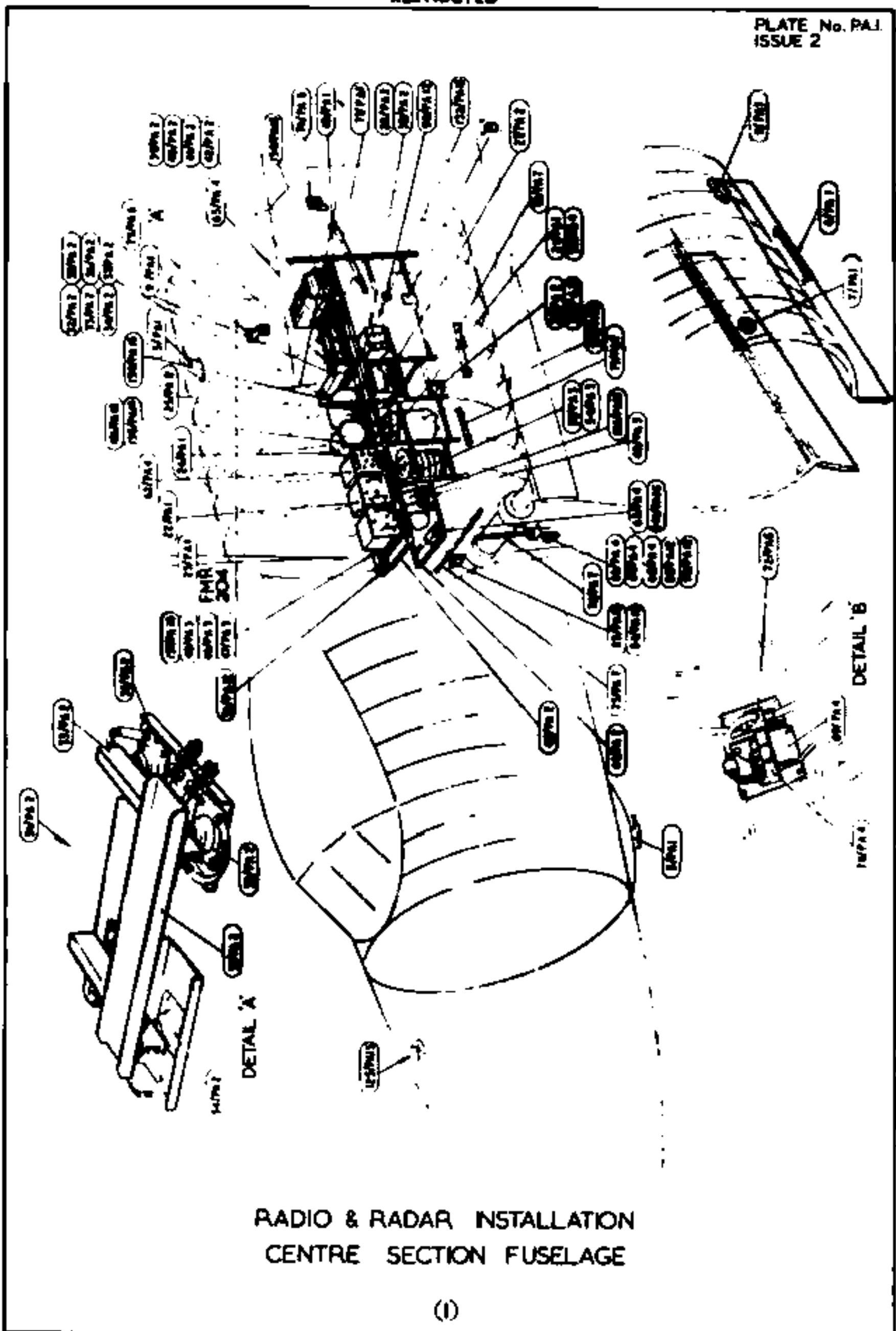


POWER INSTALLATION-ENGINE
JET PIPE GUIDE RAIL

RESTRICTED

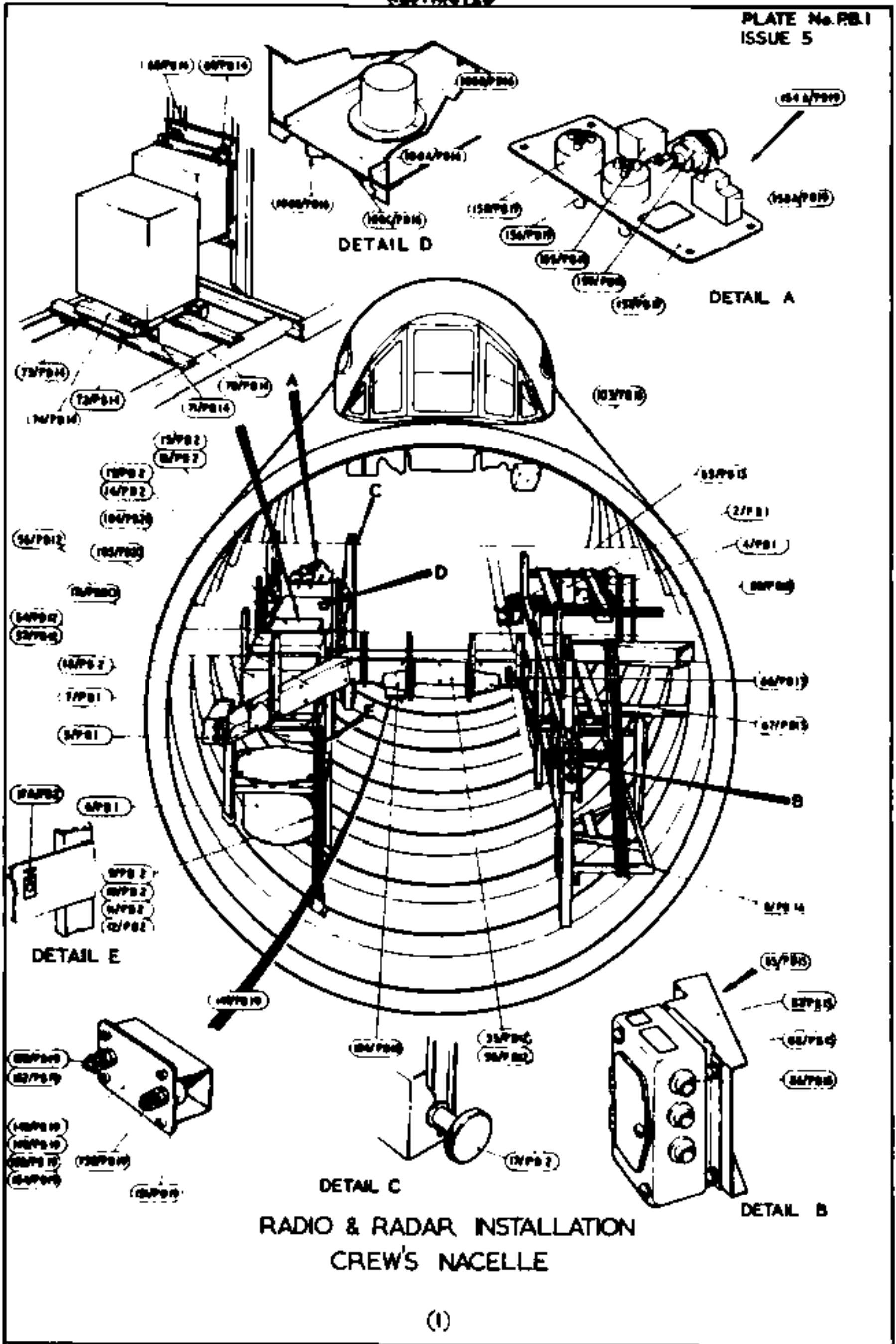


POWER INSTALLATION
ENGINE MOUNTING AND HOISTING



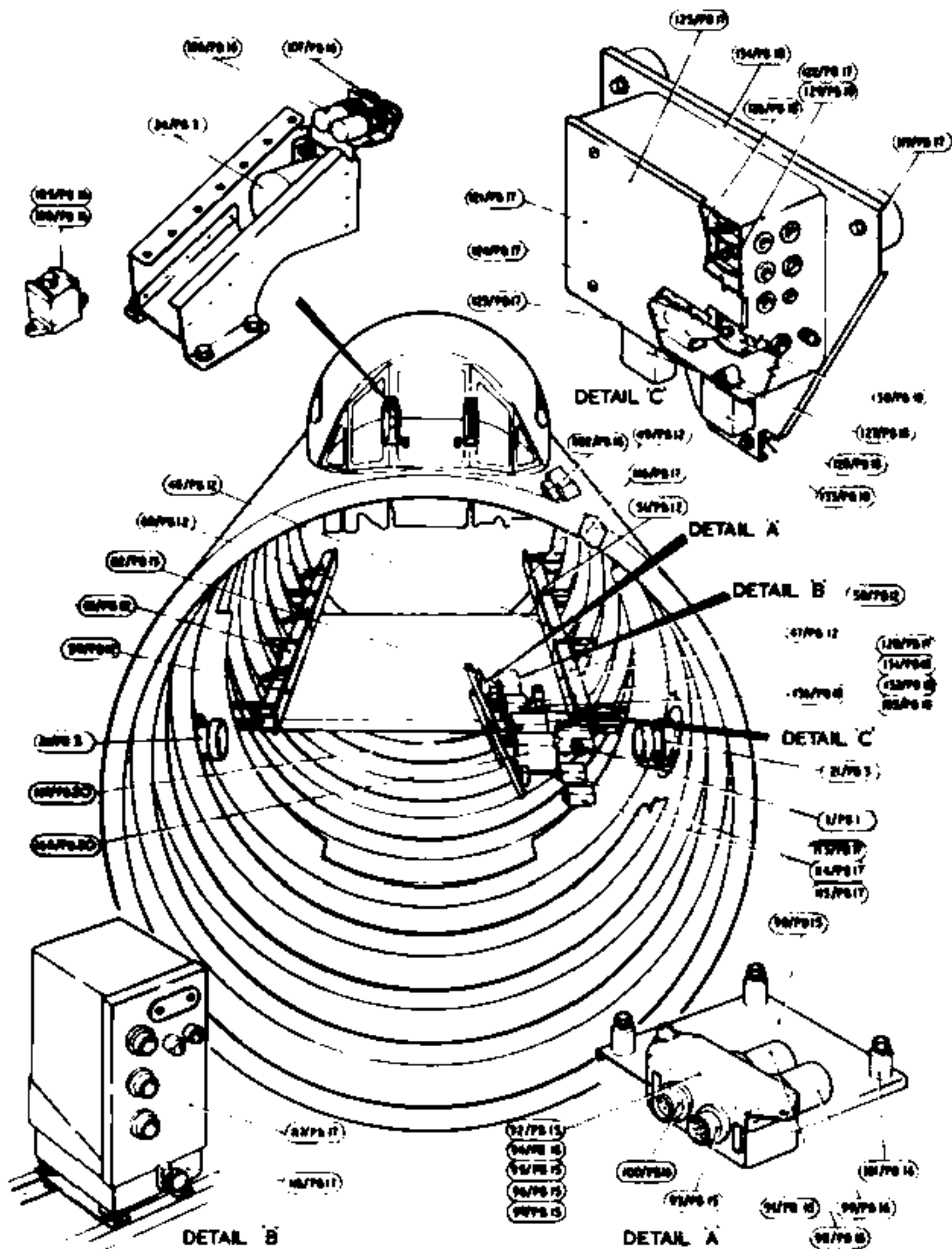
RADIO & RADAR INSTALLATION
CENTRE SECTION FUSELAGE

(1)



RADIO & RADAR INSTALLATION
CREW'S NACELLE

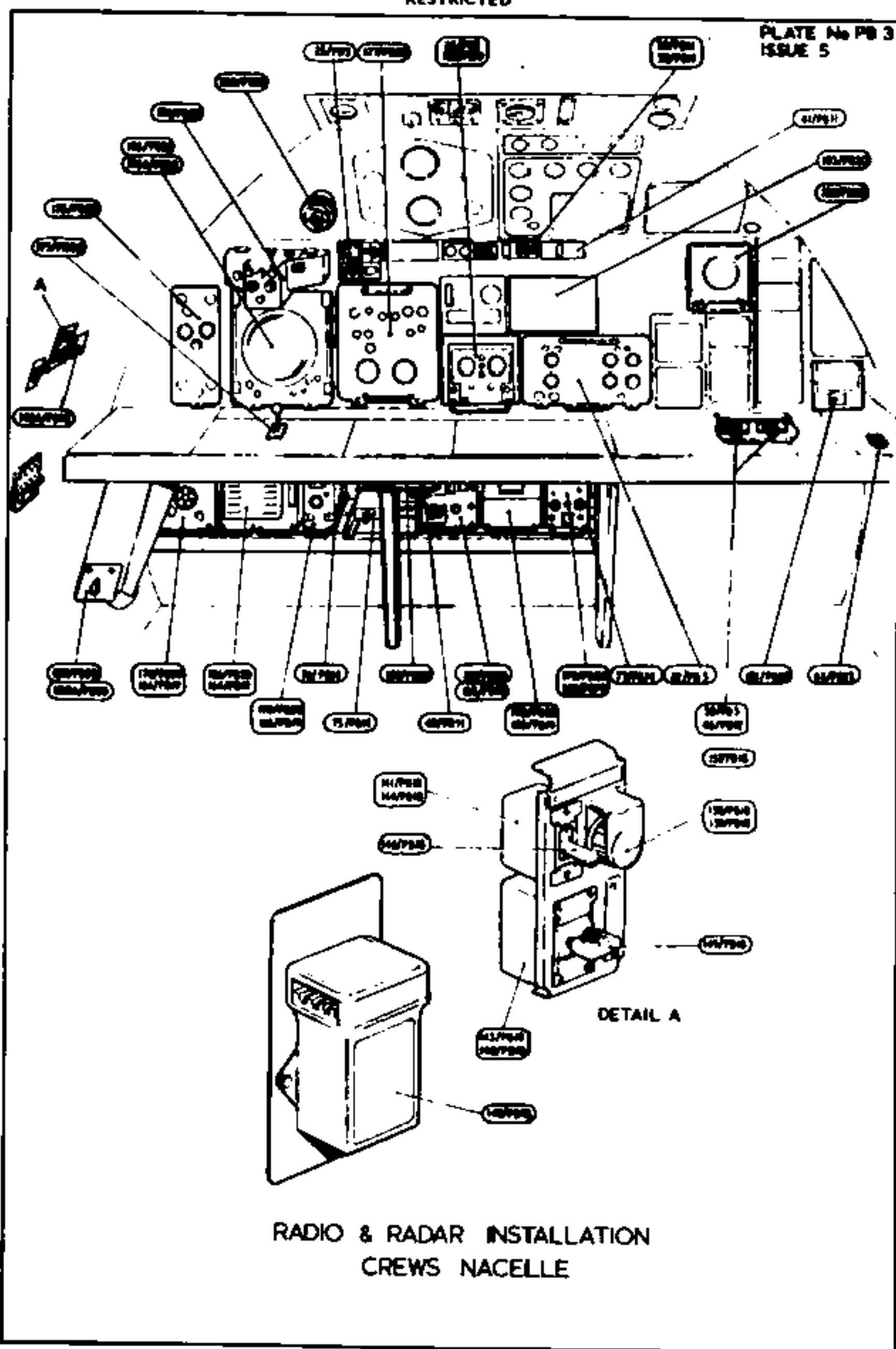
(1)



RADIO & RADAR INSTALLATION
CREW'S NACELLE

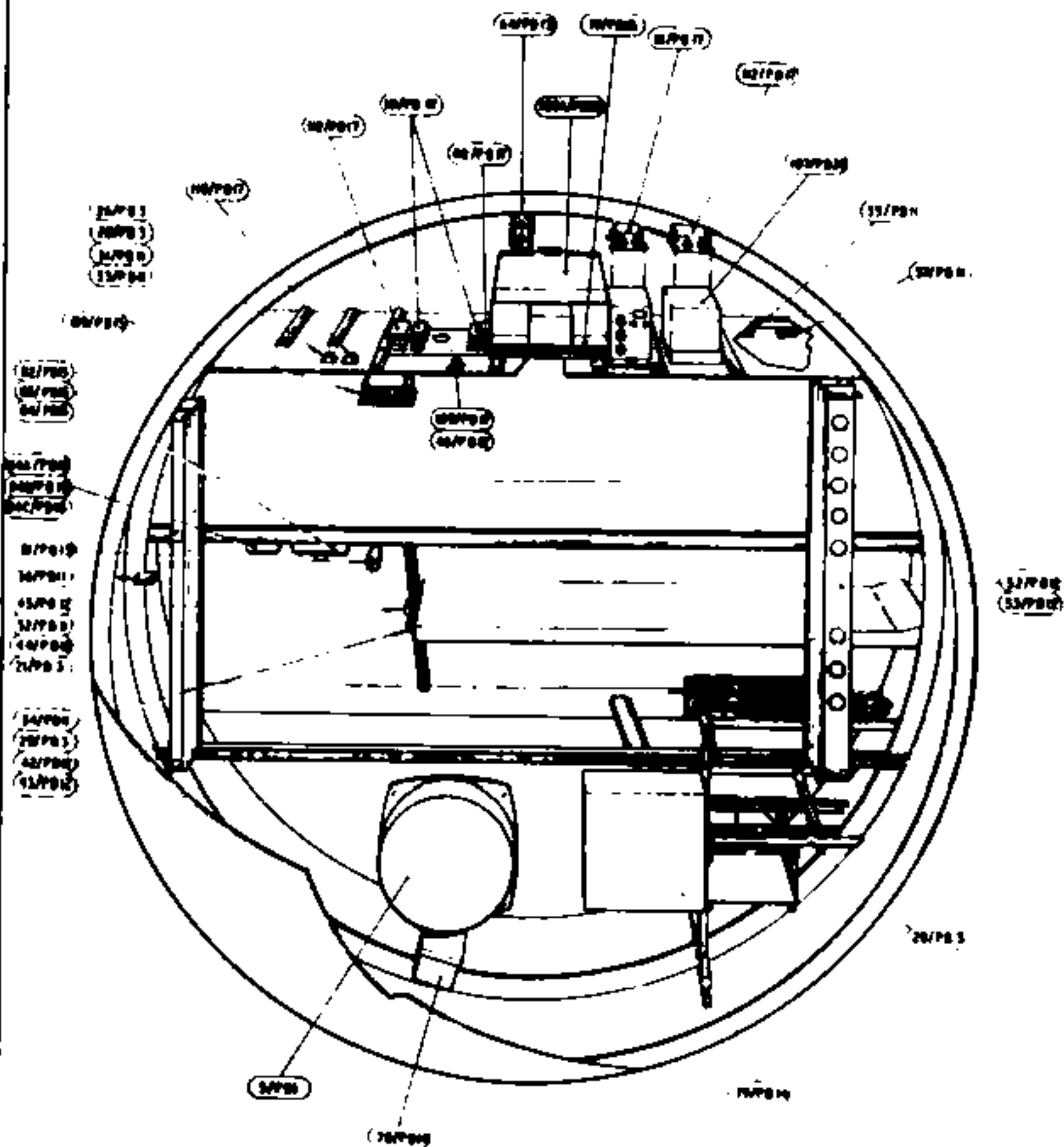
RESTRICTED

PLATE No PB 3
ISSUE 5

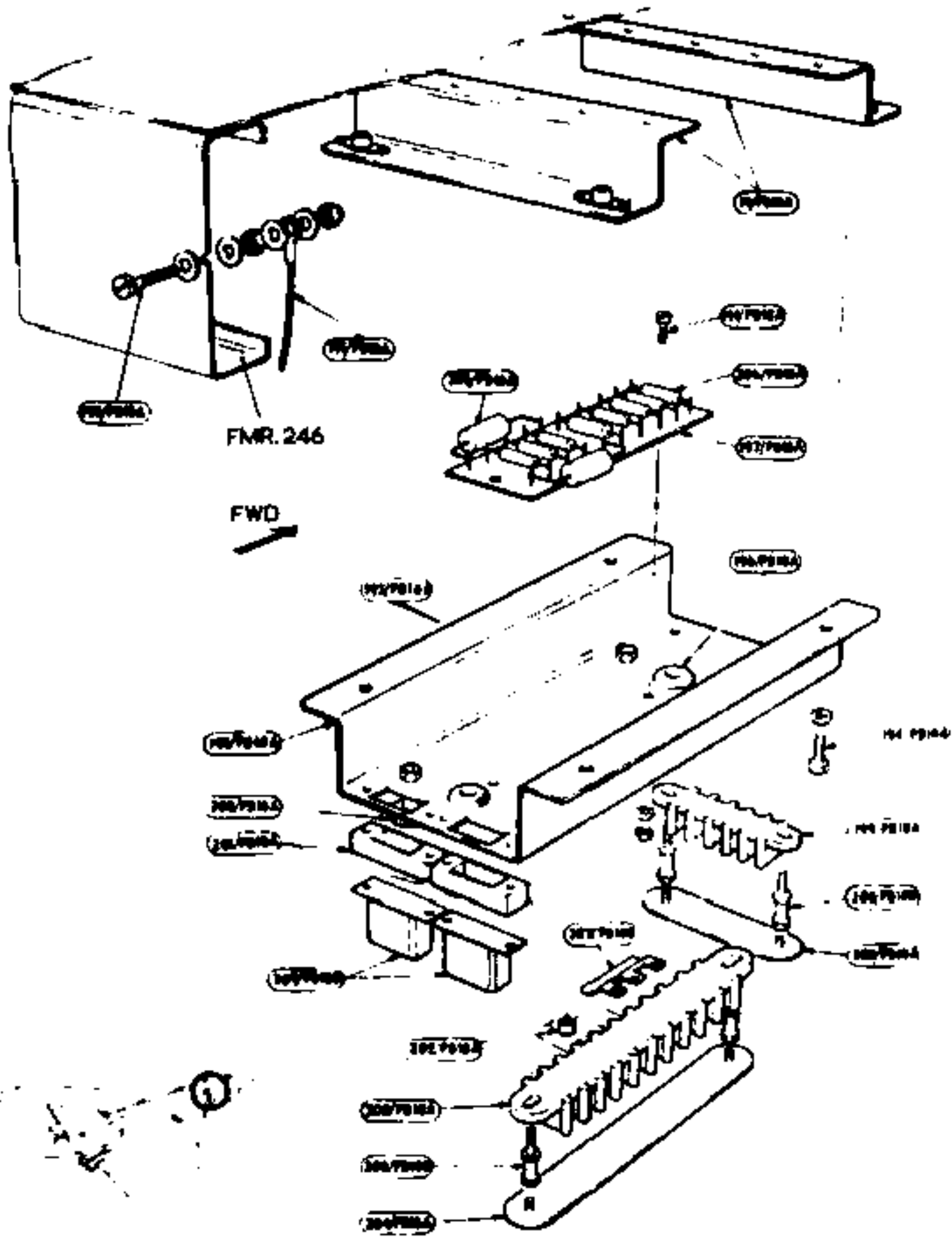


RADIO & RADAR INSTALLATION
CREWS NACELLE

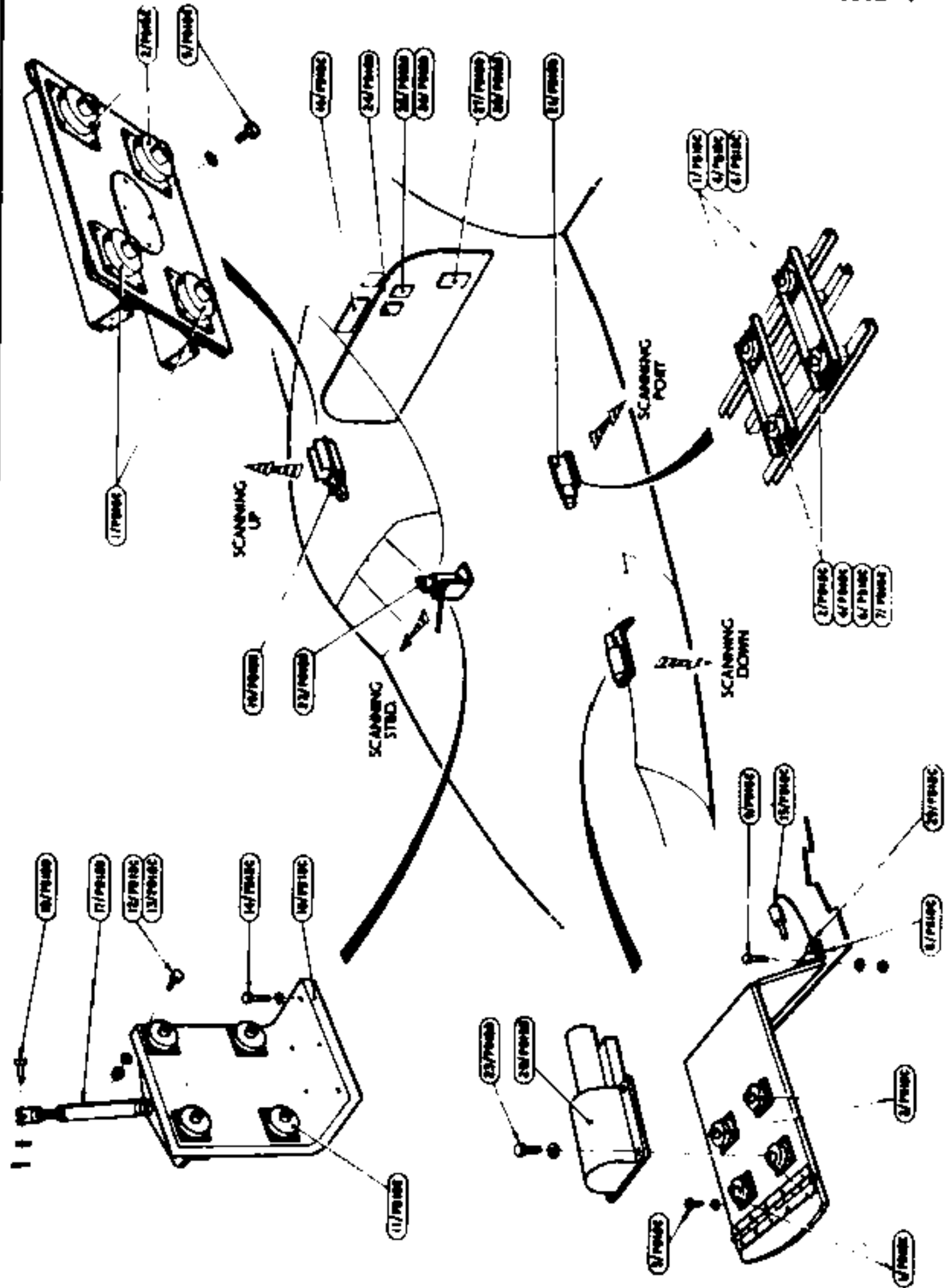
RESTRICTED



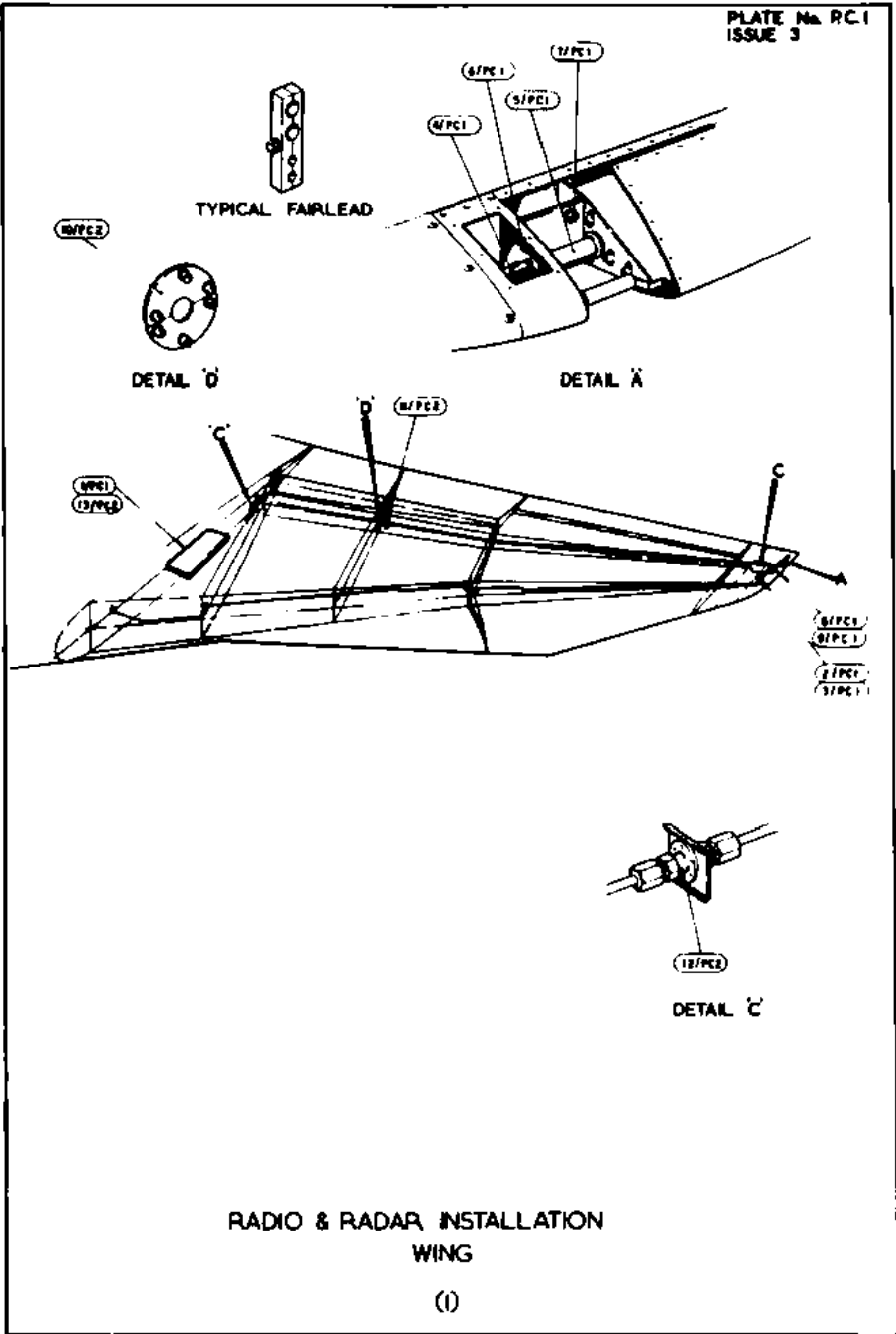
RADIO & RADAR INSTALLATION
CREWS NACELLE



RADIO AND RADAR INSTALLATION
CREW'S NACELLE

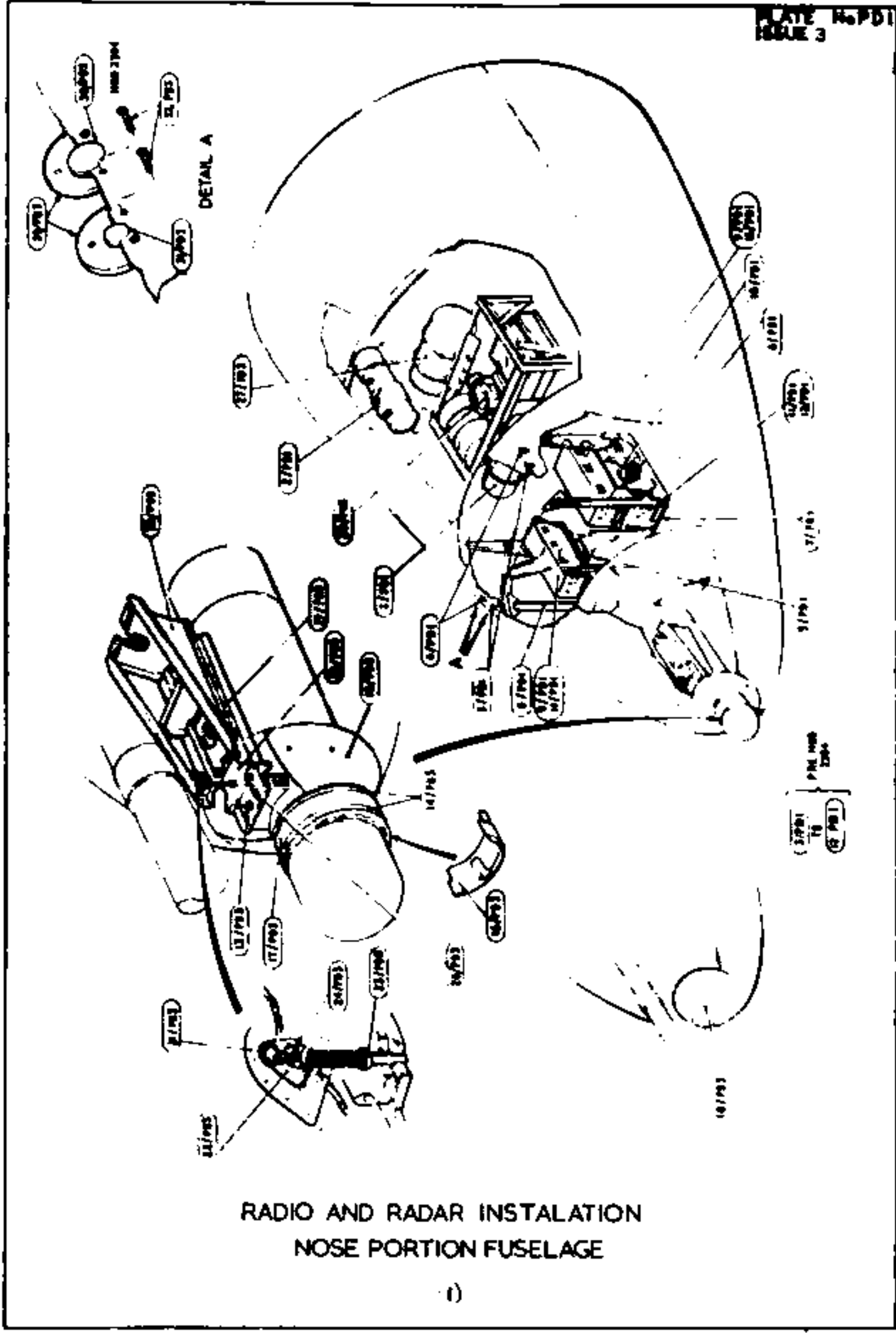


MOUNTING OF ADAM DETECTOR UNITS
AIR MONITORING SYSTEM



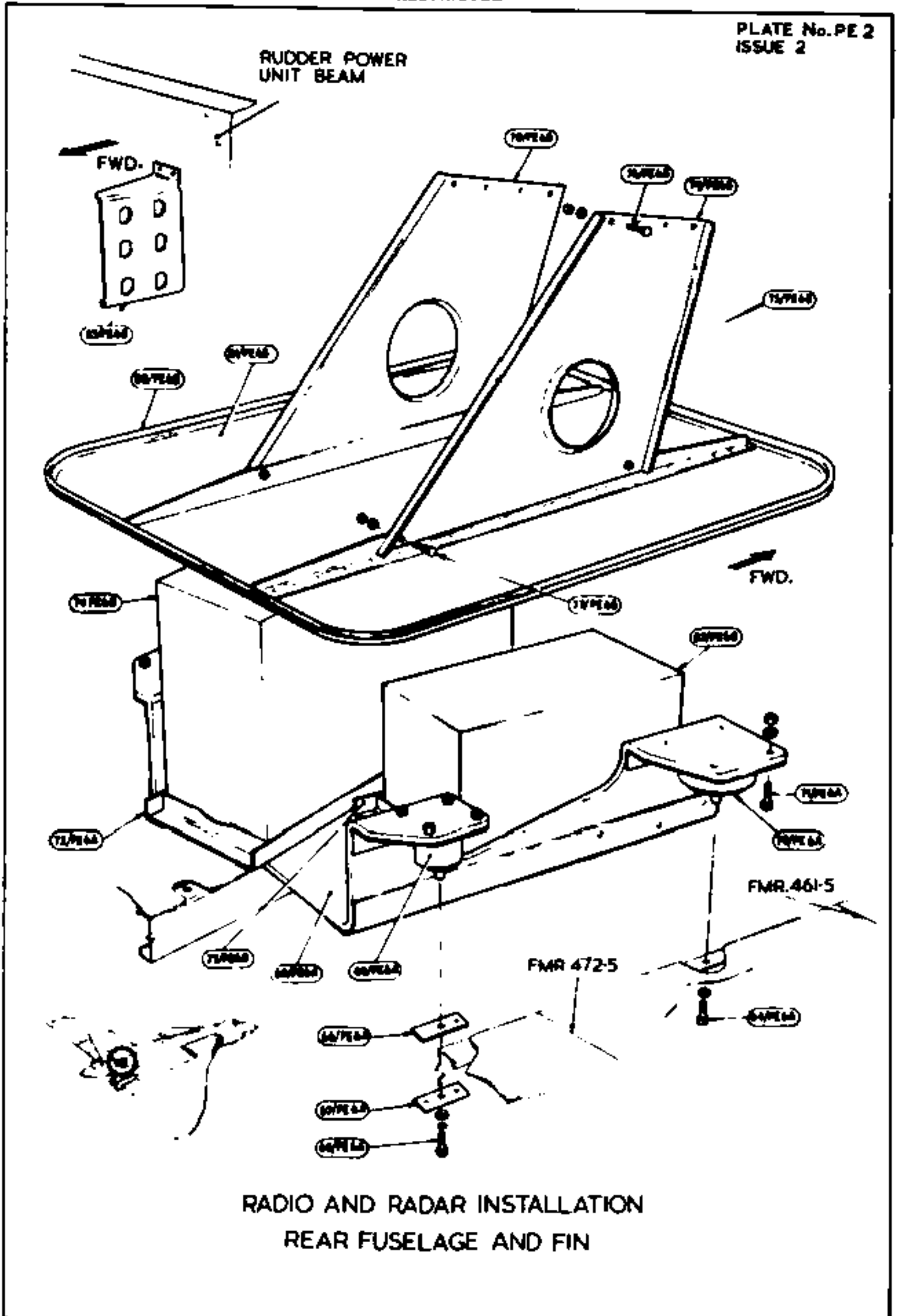
RADIO & RADAR INSTALLATION
WING

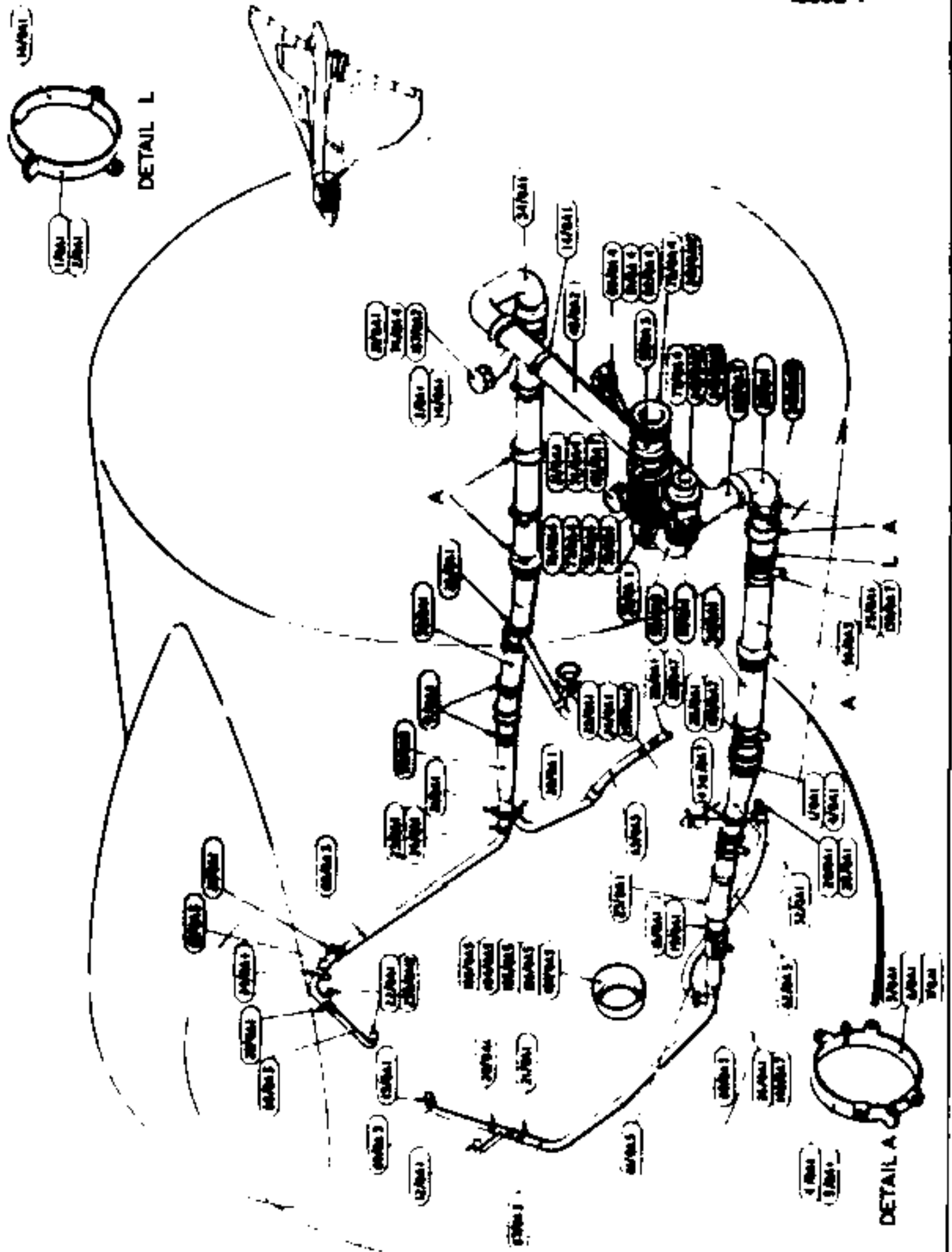
(1)



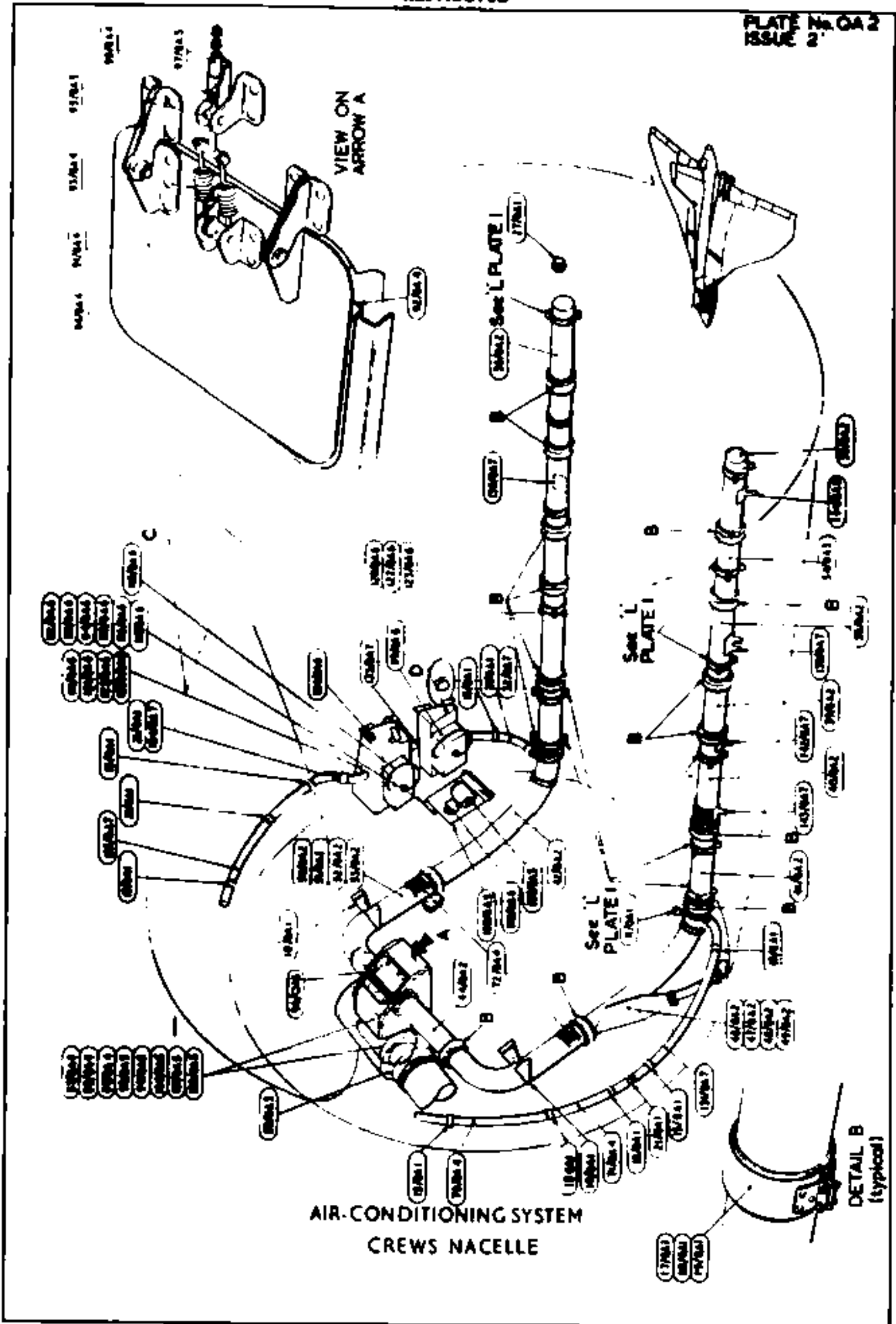
RADIO AND RADAR INSTALATION
NOSE PORTION FUSELAGE

(1)

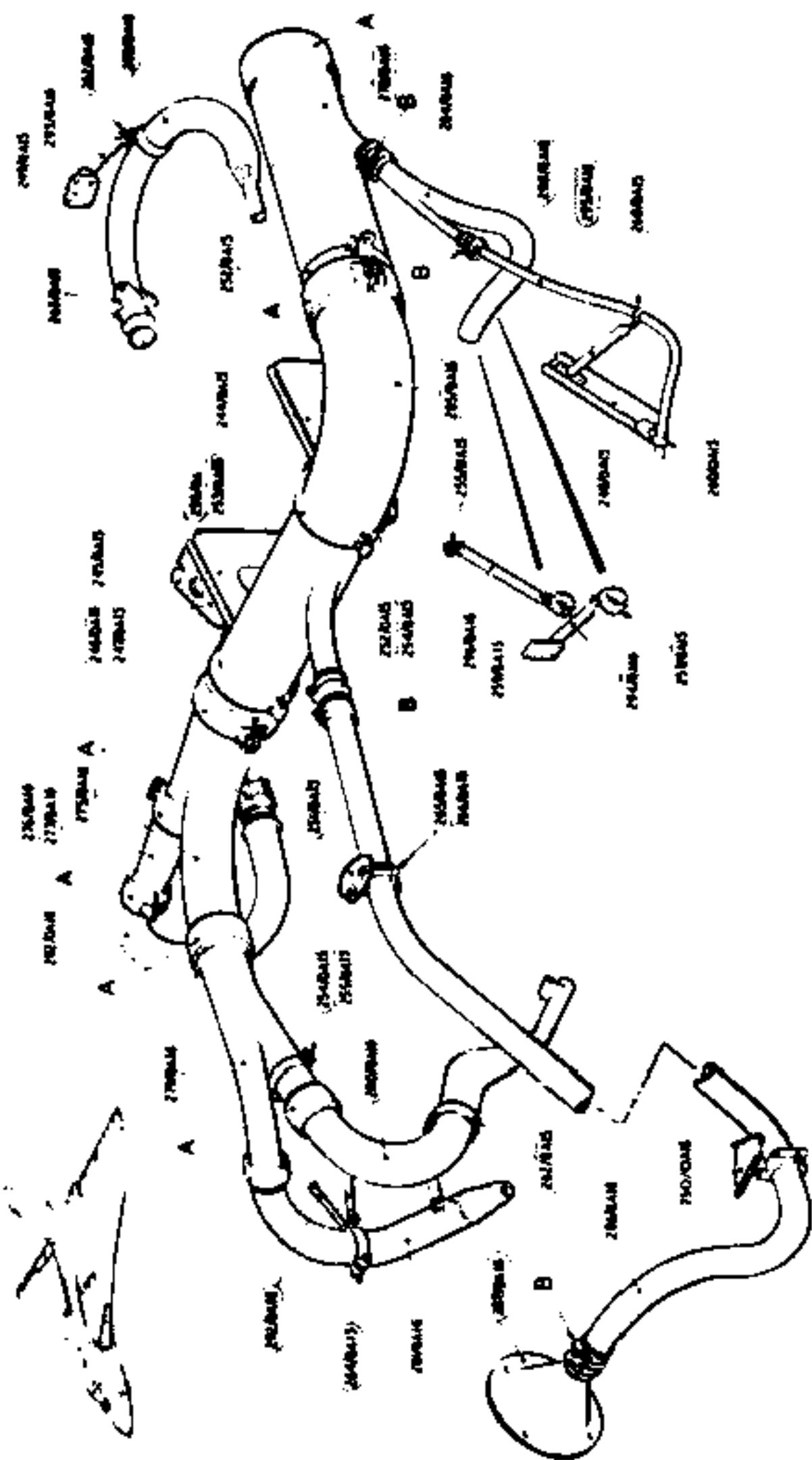




AIR CONDITIONING SYSTEM
CREWS NACELLE



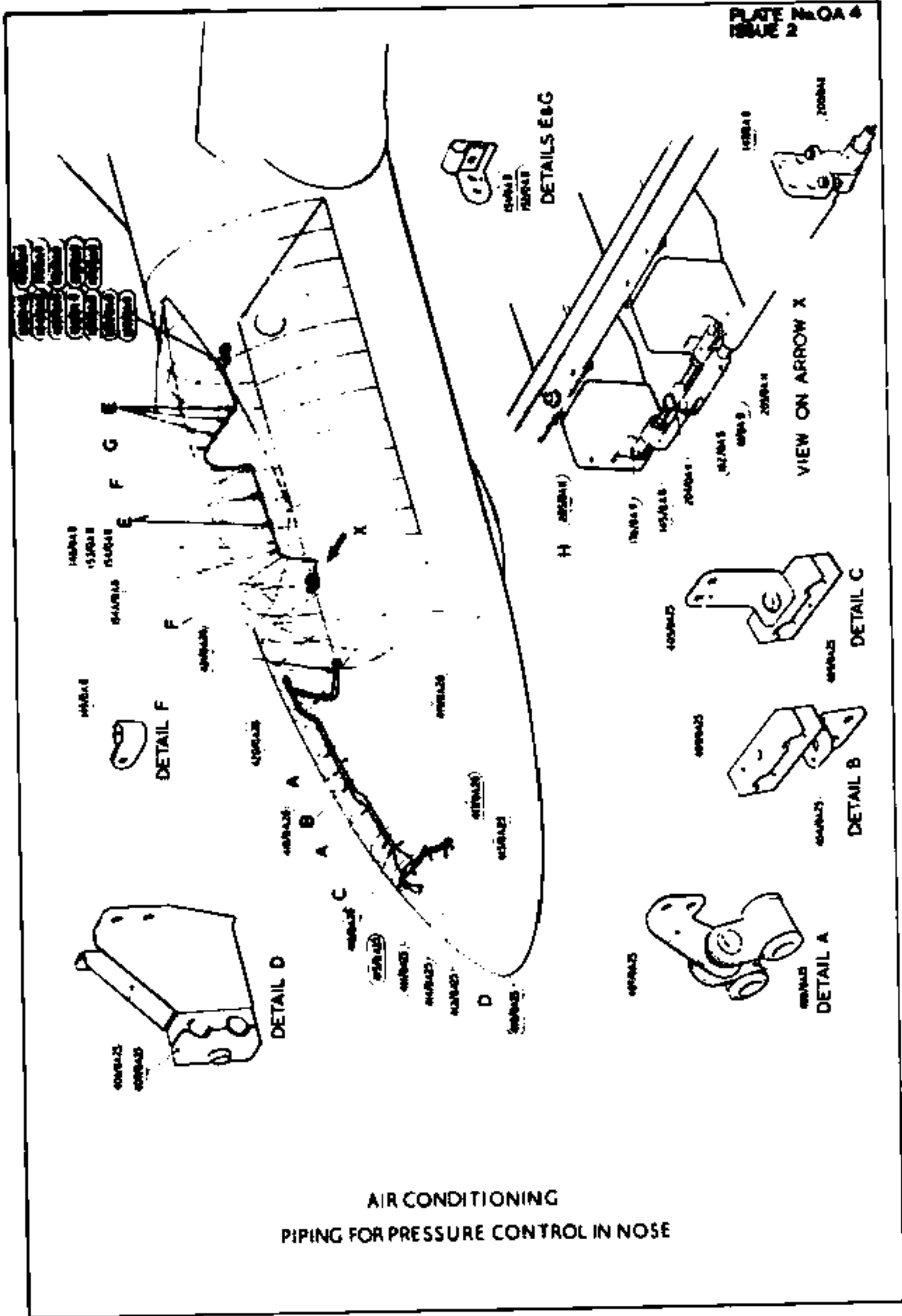
AIR-CONDITIONING SYSTEM
CREWS NACELLE



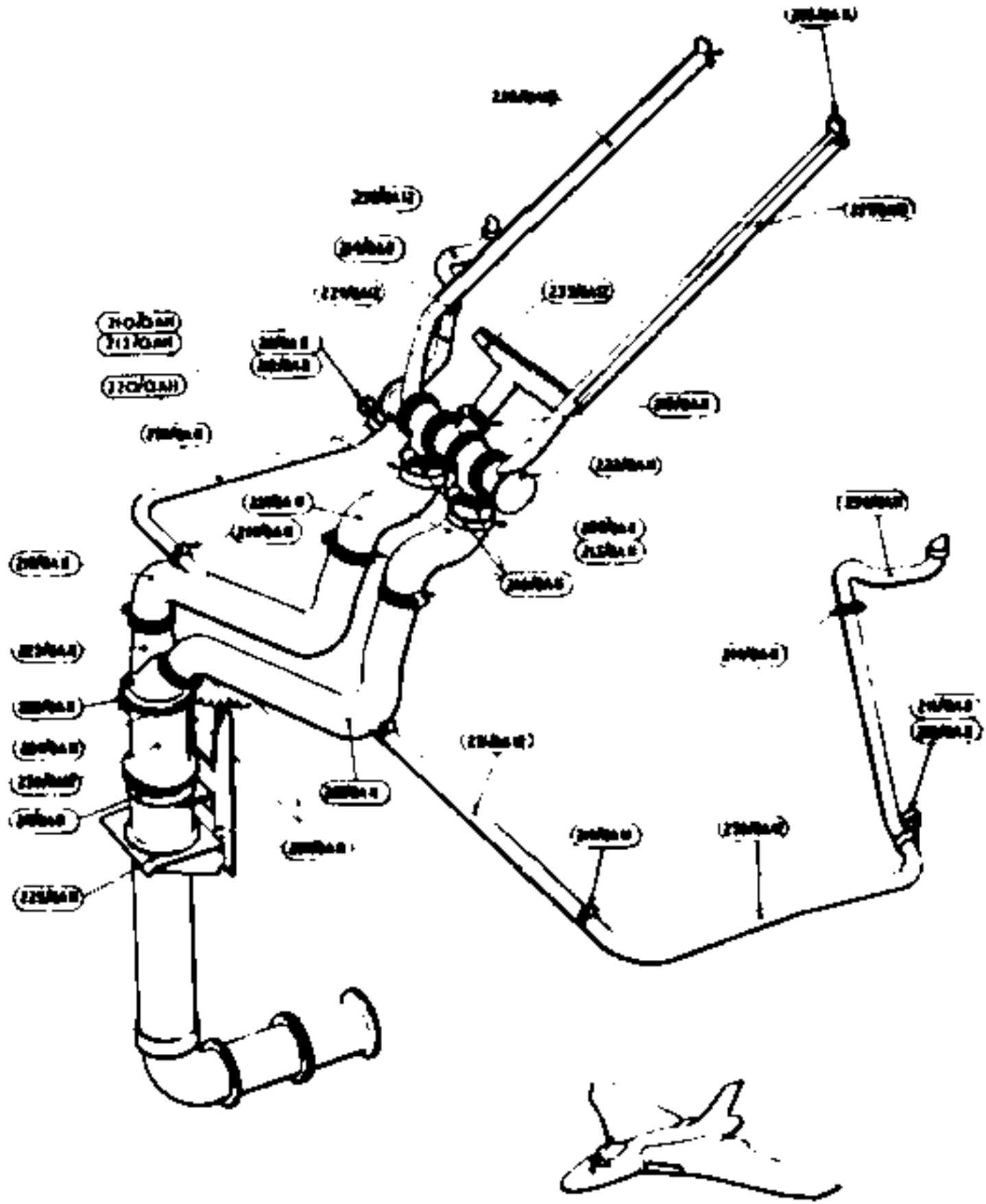
A		B	
2700016	2.50	2700016	0.75
2700016	3.125	2700016	1.125
2800015	3.50	2700016	1.25
2800015	4.75	2700016	1.50
2800016	5.00	2800016	1.75
		2800016	2.00
		2800016	2.25
		2800016	2.50
		2800016	2.75
		2800016	3.00
		2800016	3.25
		2800016	3.50
		2800016	3.75
		2800016	4.00
		2800016	4.25
		2800016	4.50
		2800016	4.75
		2800016	5.00



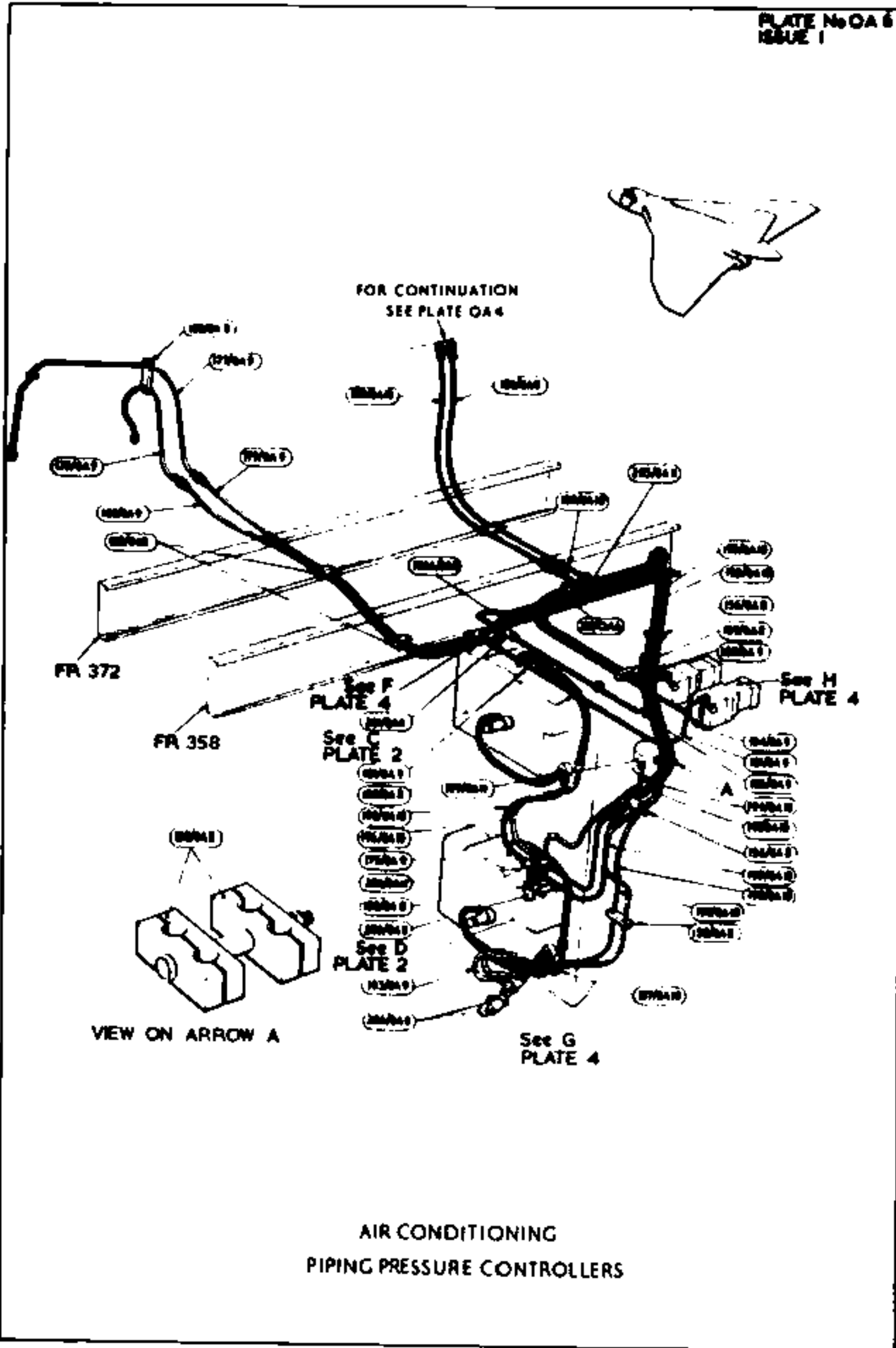
AIR CONDITIONING
COOLING-DUCTING RADOME

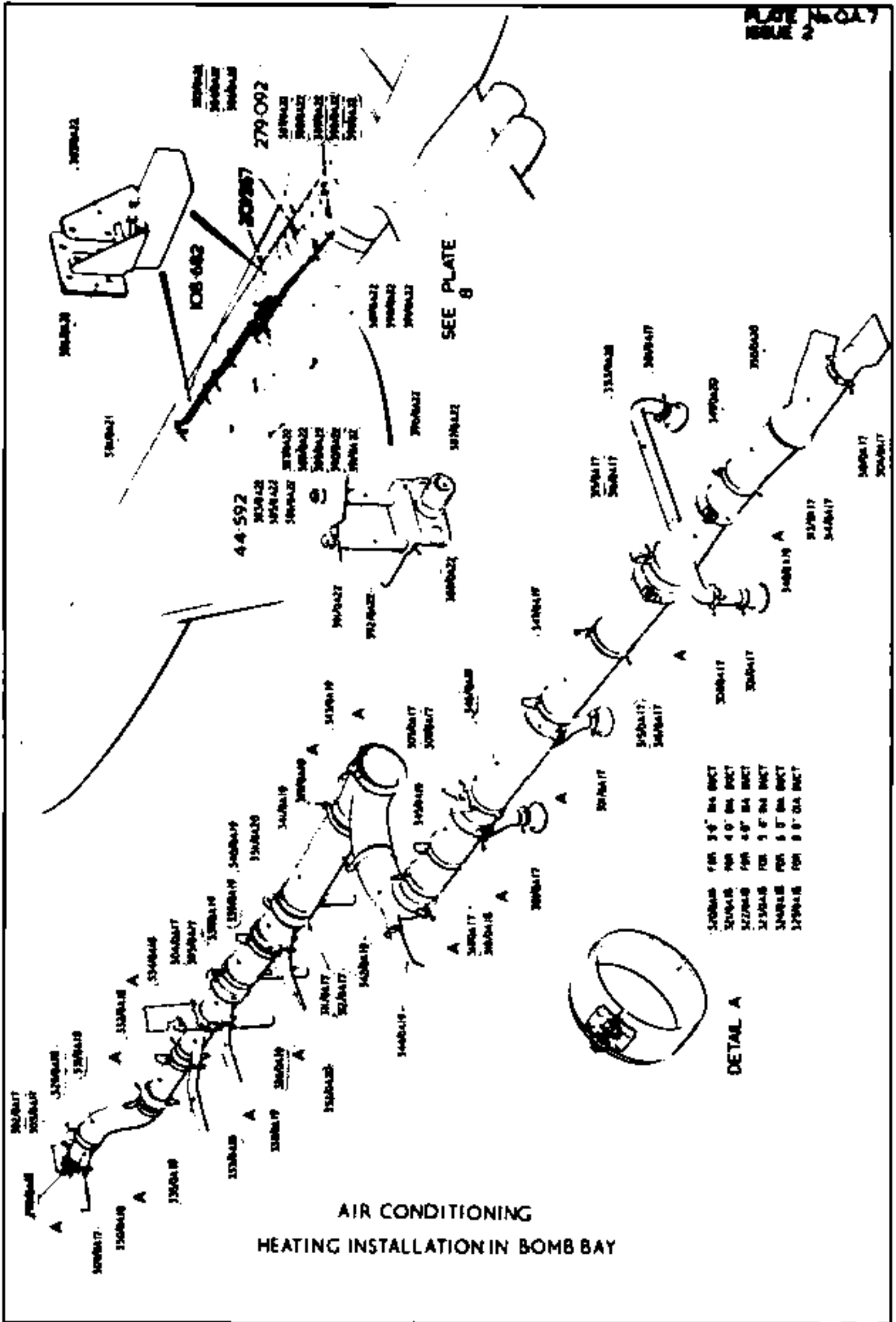


AIR CONDITIONING
PIPING FOR PRESSURE CONTROL IN NOSE



AIR CONDITIONING
WINDSCREEN DE-MISTING SYSTEM

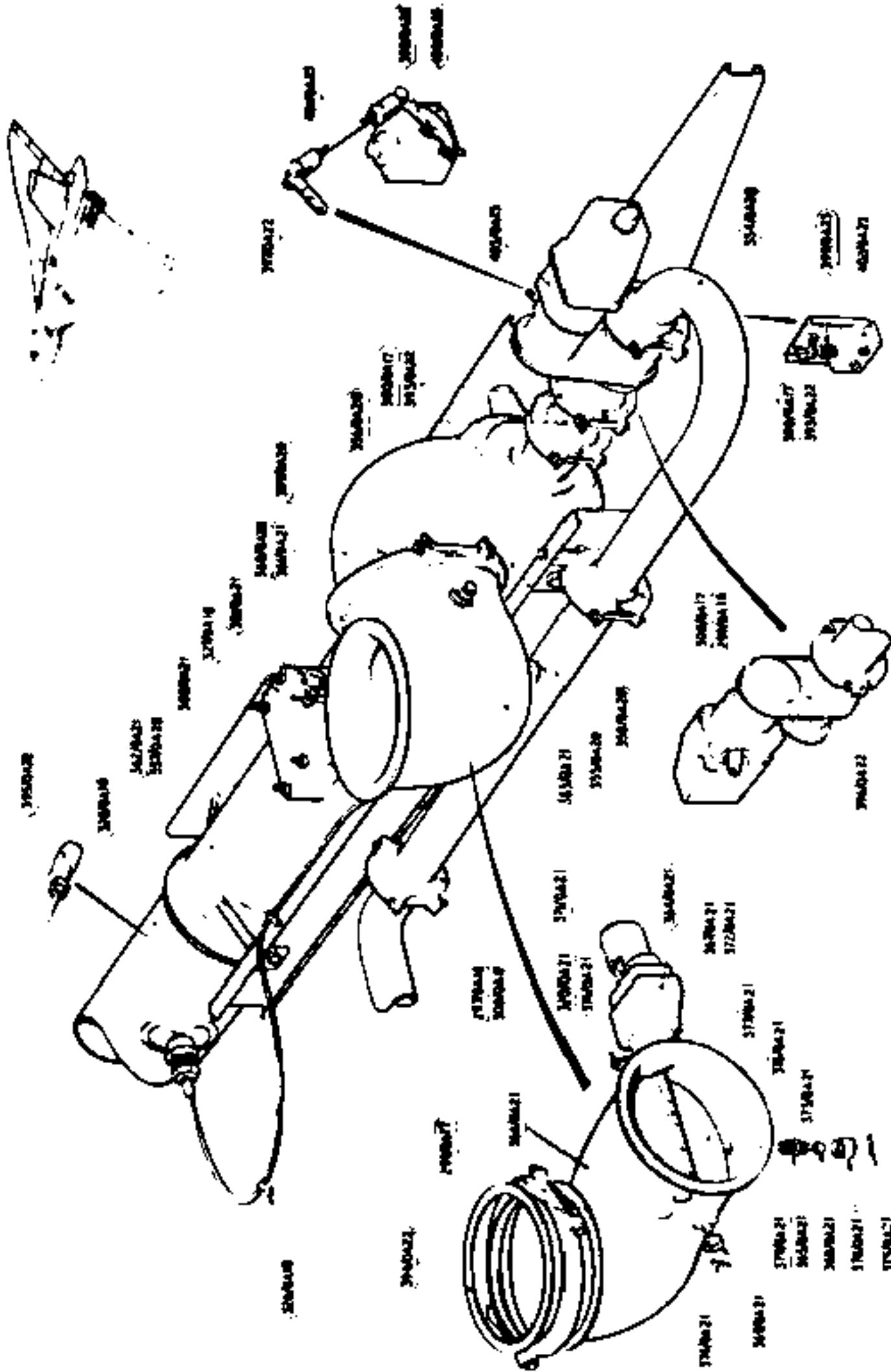




AIR CONDITIONING
HEATING INSTALLATION IN BOMBAY

3150018	FOR 3 1/2" DIA DUCT
3150019	FOR 4 0" DIA DUCT
3150020	FOR 4 0" DIA DUCT
3150021	FOR 3 1/2" DIA DUCT
3150022	FOR 5 0" DIA DUCT
3150023	FOR 5 0" DIA DUCT

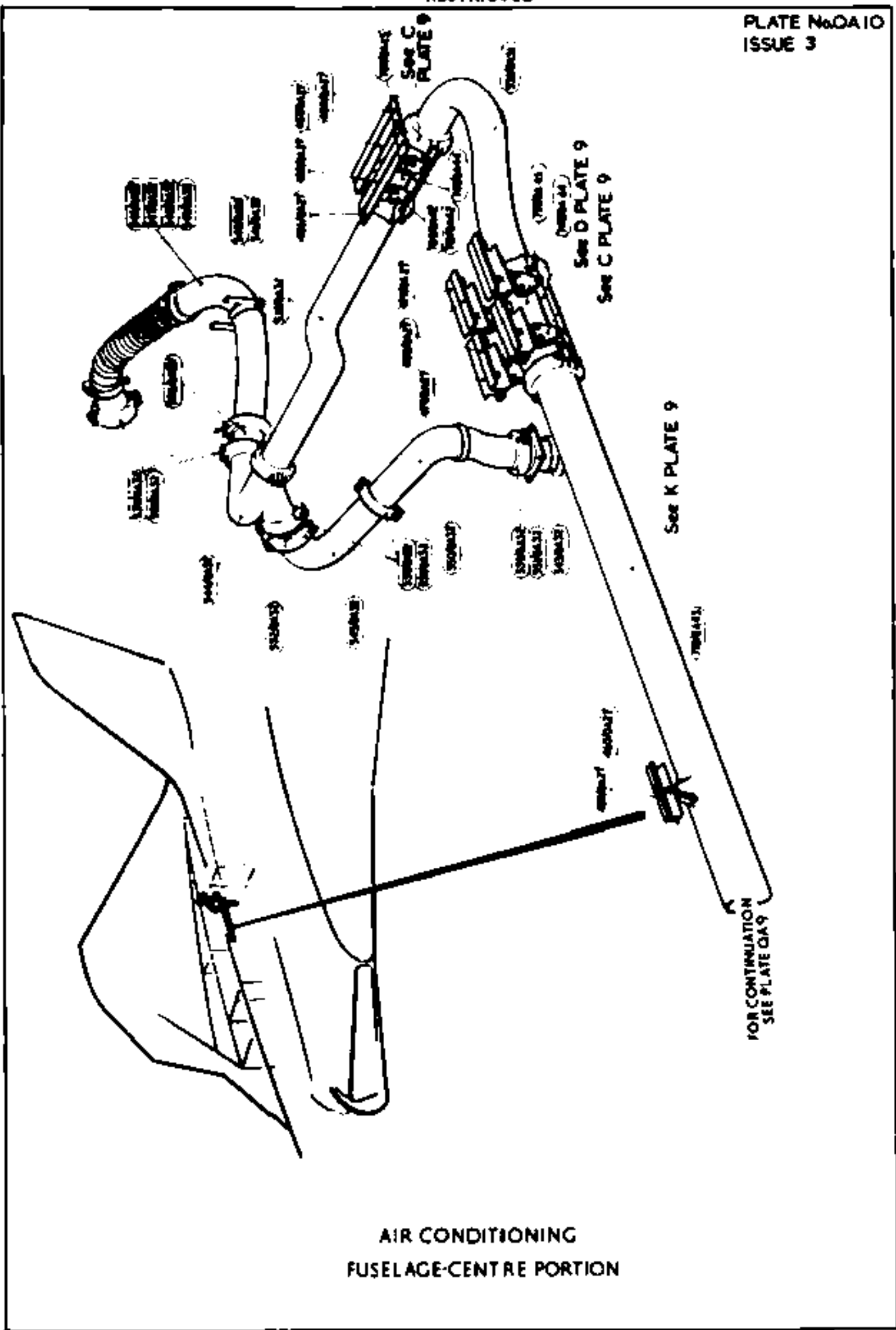
DETAIL A



AIR CONDITIONING
HEATING INSTALLATION IN BOMB BAY

RESTRICTED

PLATE NoQA10
ISSUE 3

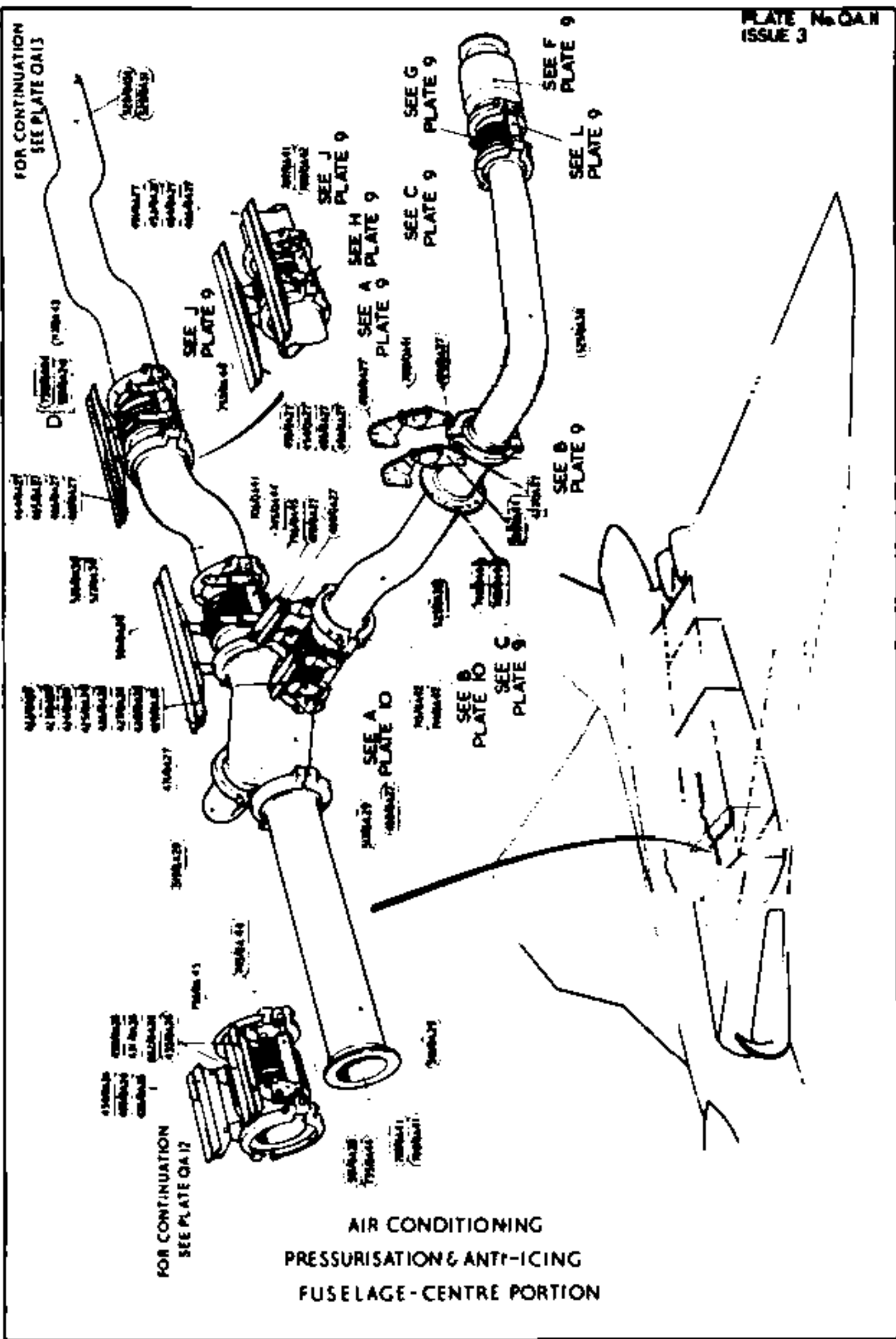


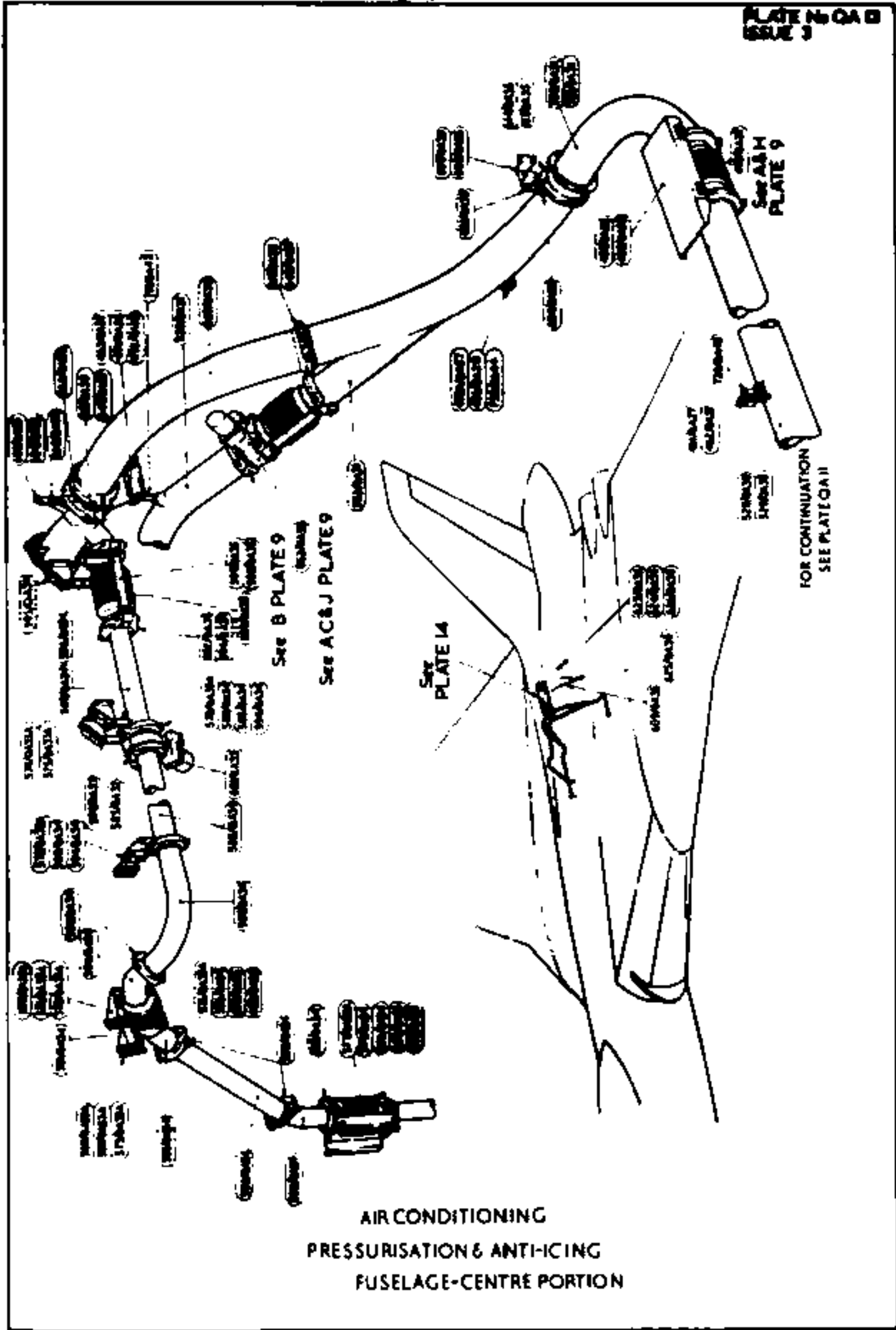
AIR CONDITIONING
FUSELAGE-CENTRE PORTION

RESTRICTED

RESTRICTED

PLATE No. Q.A. 11
ISSUE 3

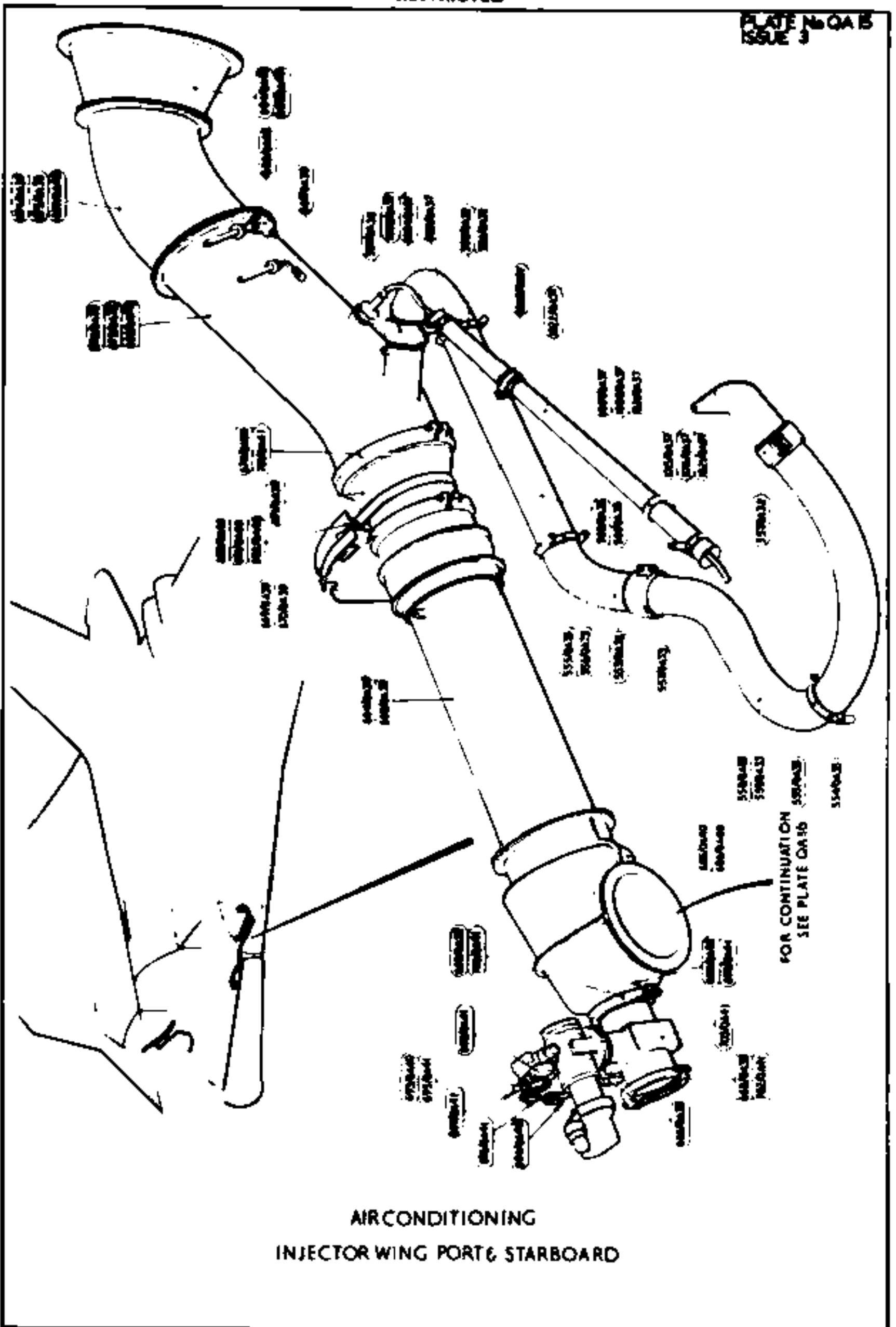




AIR CONDITIONING
PRESSURISATION & ANTI-ICING
FUSELAGE-CENTRE PORTION

RESTRICTED

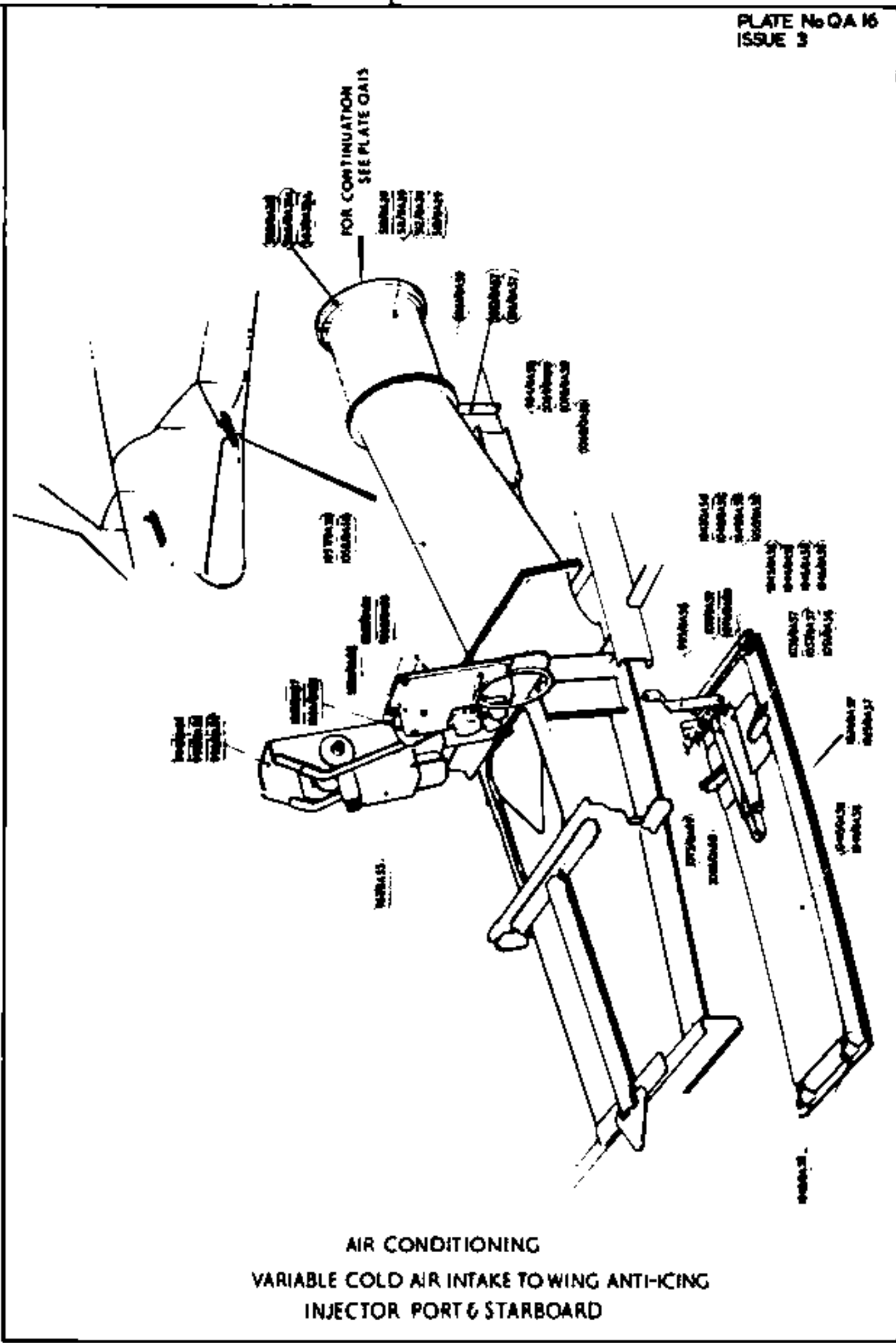
PLATE No QAB
ISSUE 3

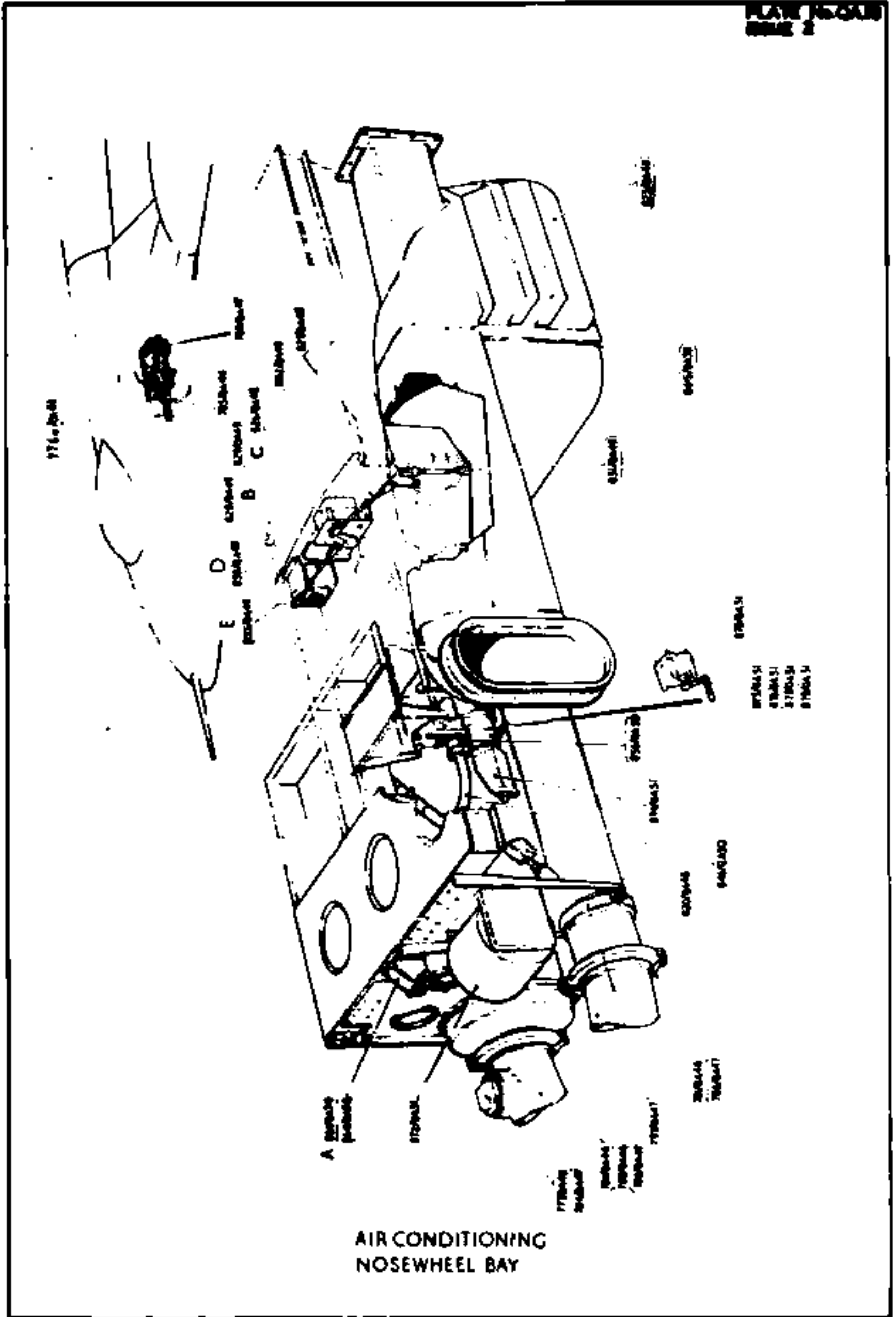


AIRCONDITIONING
INJECTOR WING PORT & STARBOARD

FOR CONTINUATION
SEE PLATE QAB-10

RESTRICTED

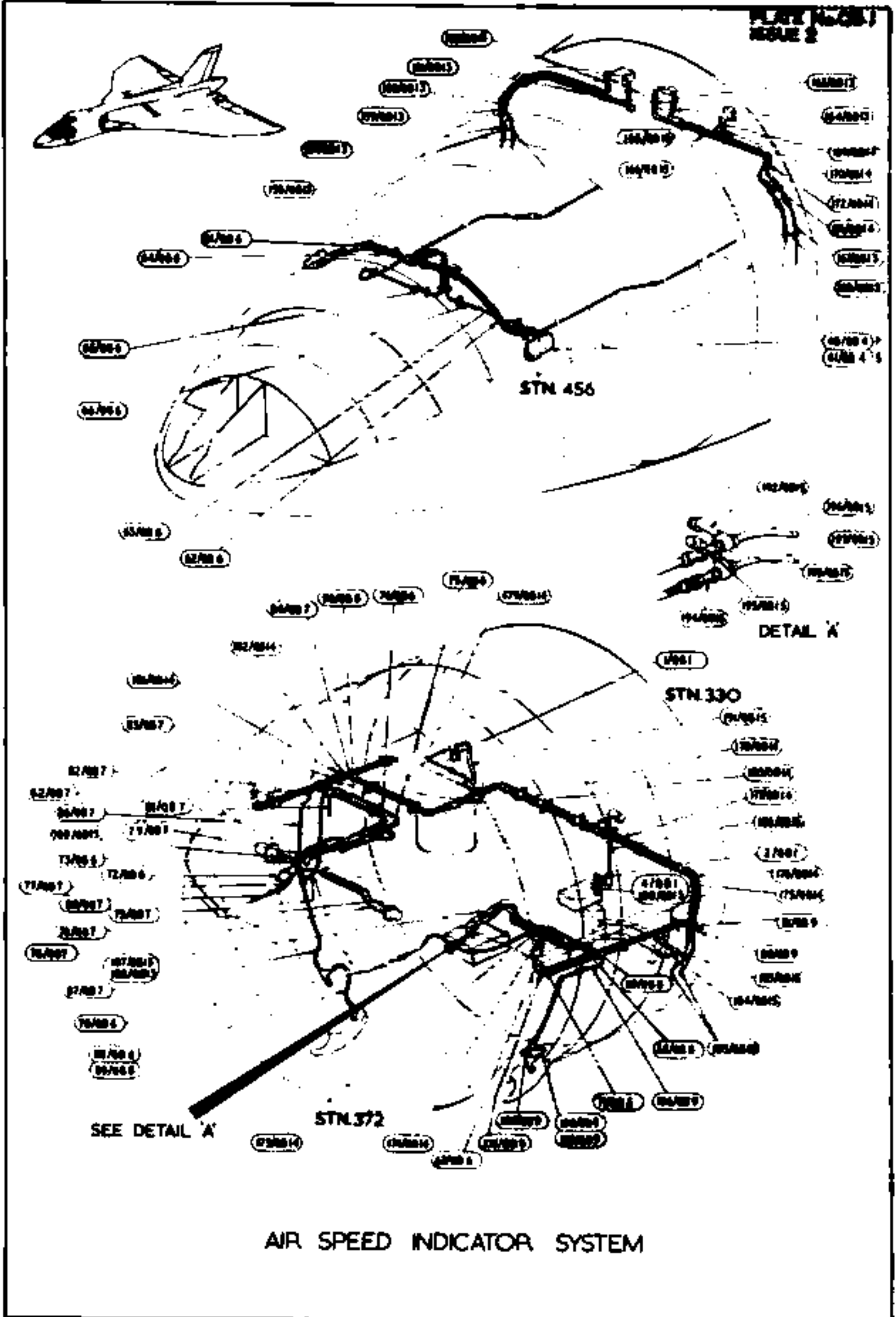




AIR CONDITIONING
NOSEWHEEL BAY

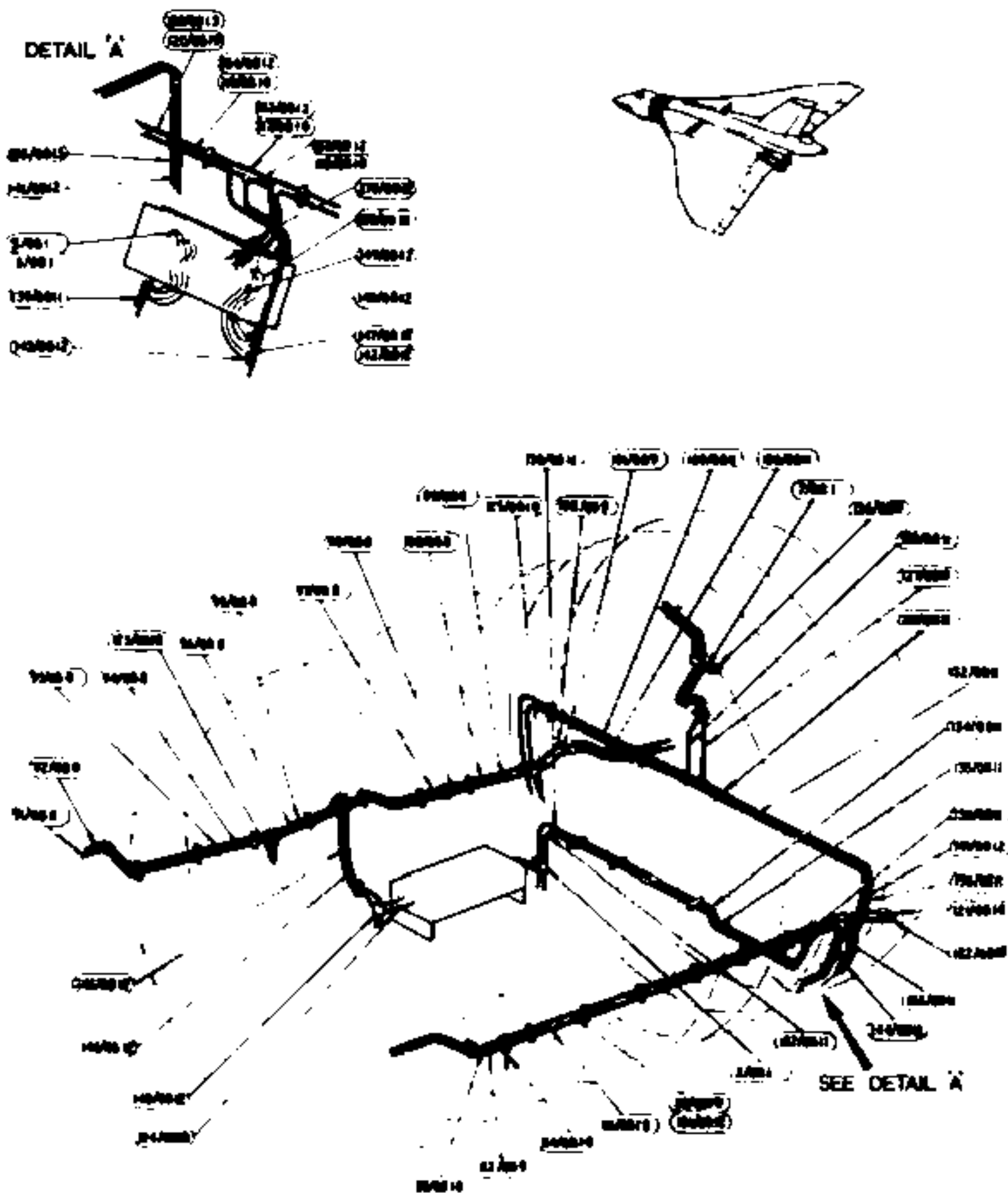
RESTRICTED

PLATE No. 1051
ISSUE 2



AIR SPEED INDICATOR SYSTEM

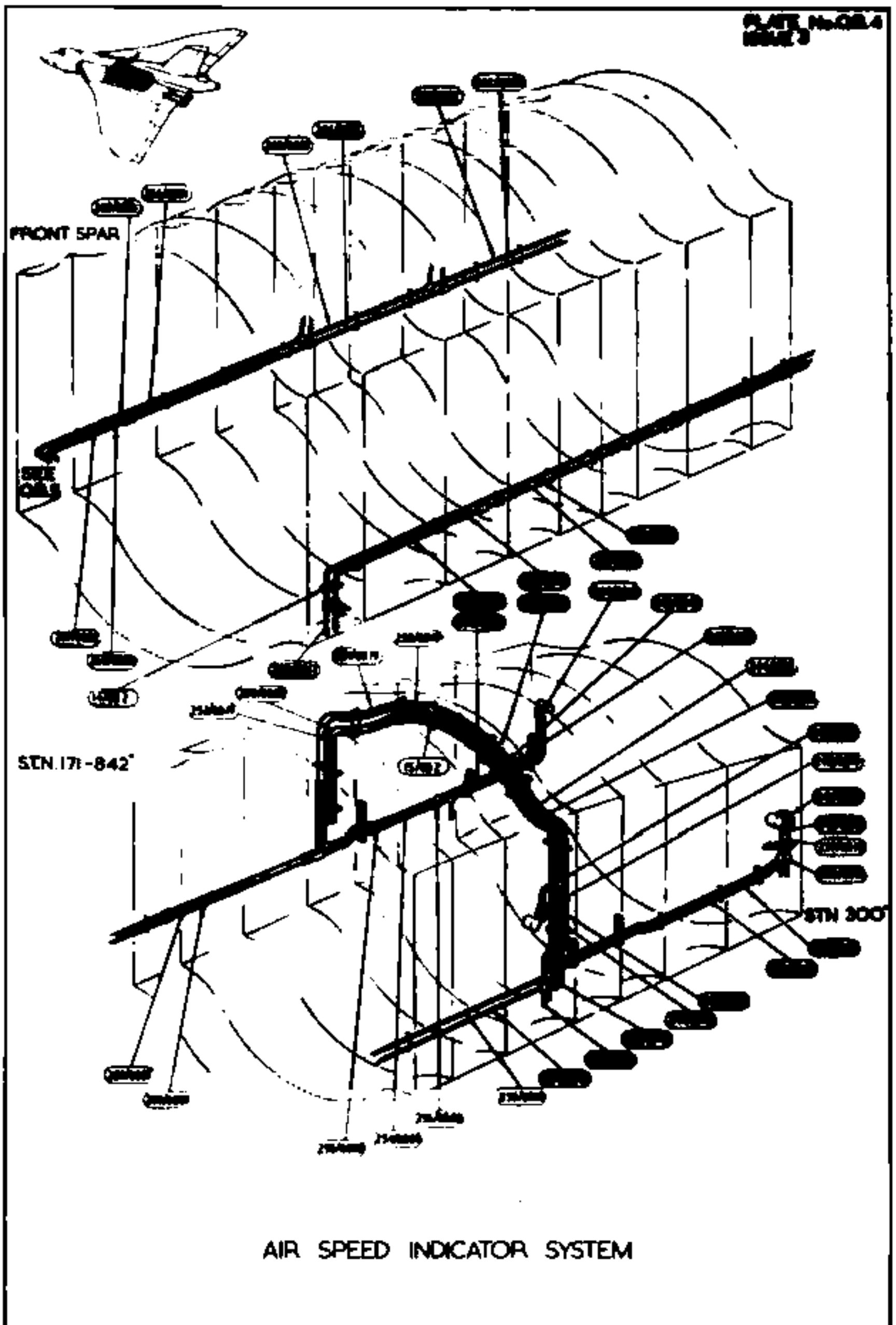
RESTRICTED



AIR SPEED INDICATOR SYSTEM

RESTRICTED

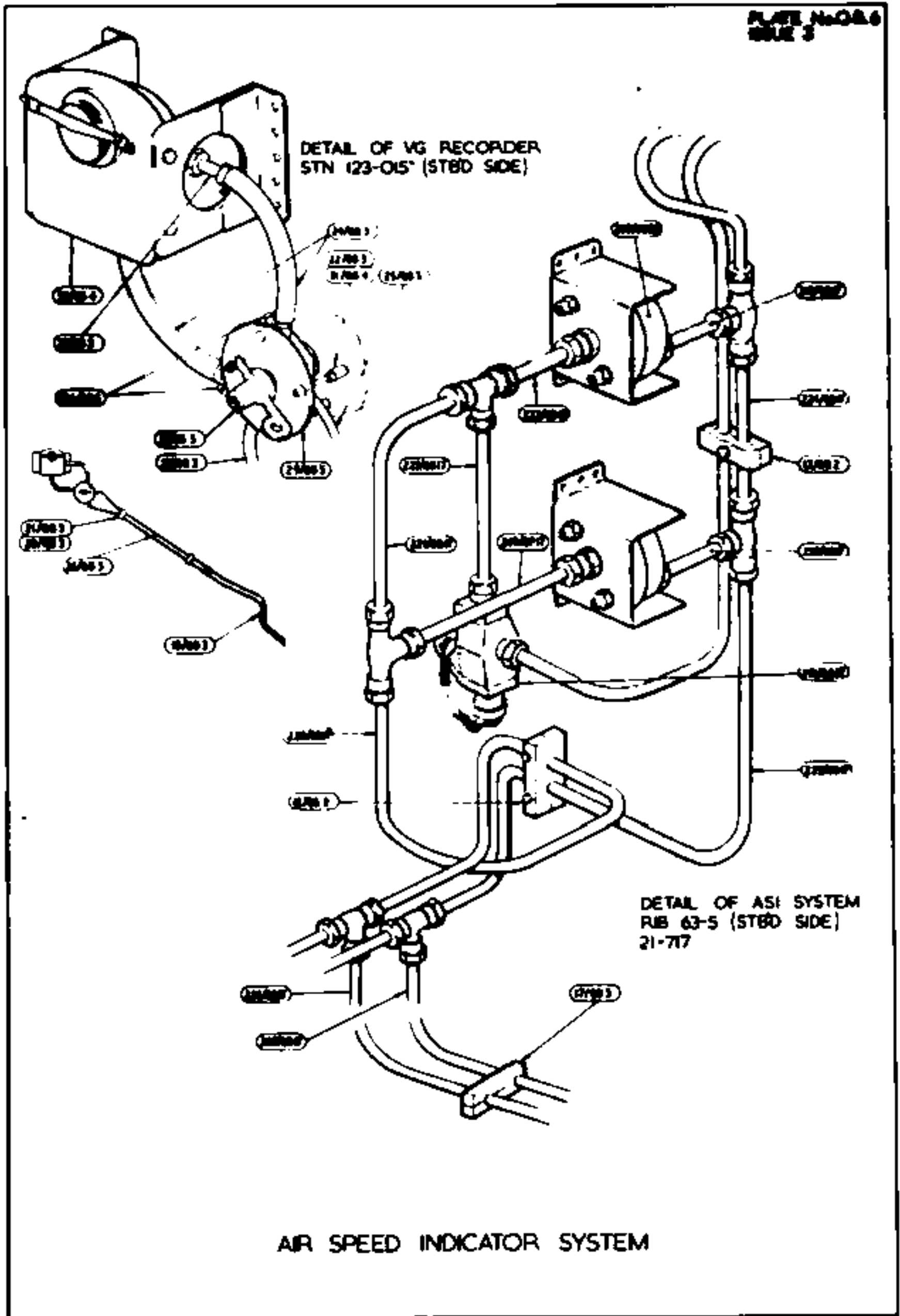
PLATE No. 02.4
ISSUE 3



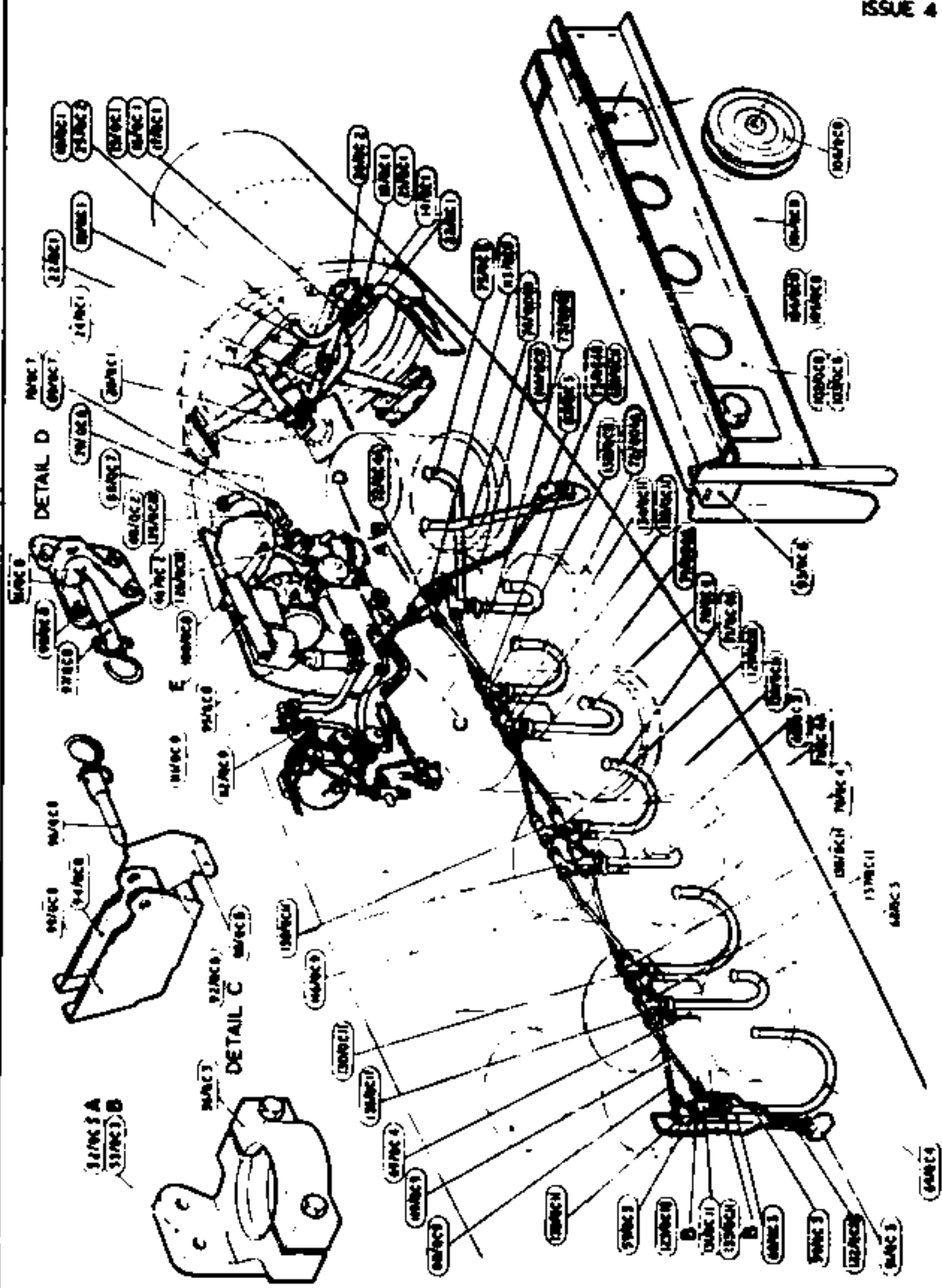
RESTRICTED

RESTRICTED

PLATE No. 08.6
ISSUE 3



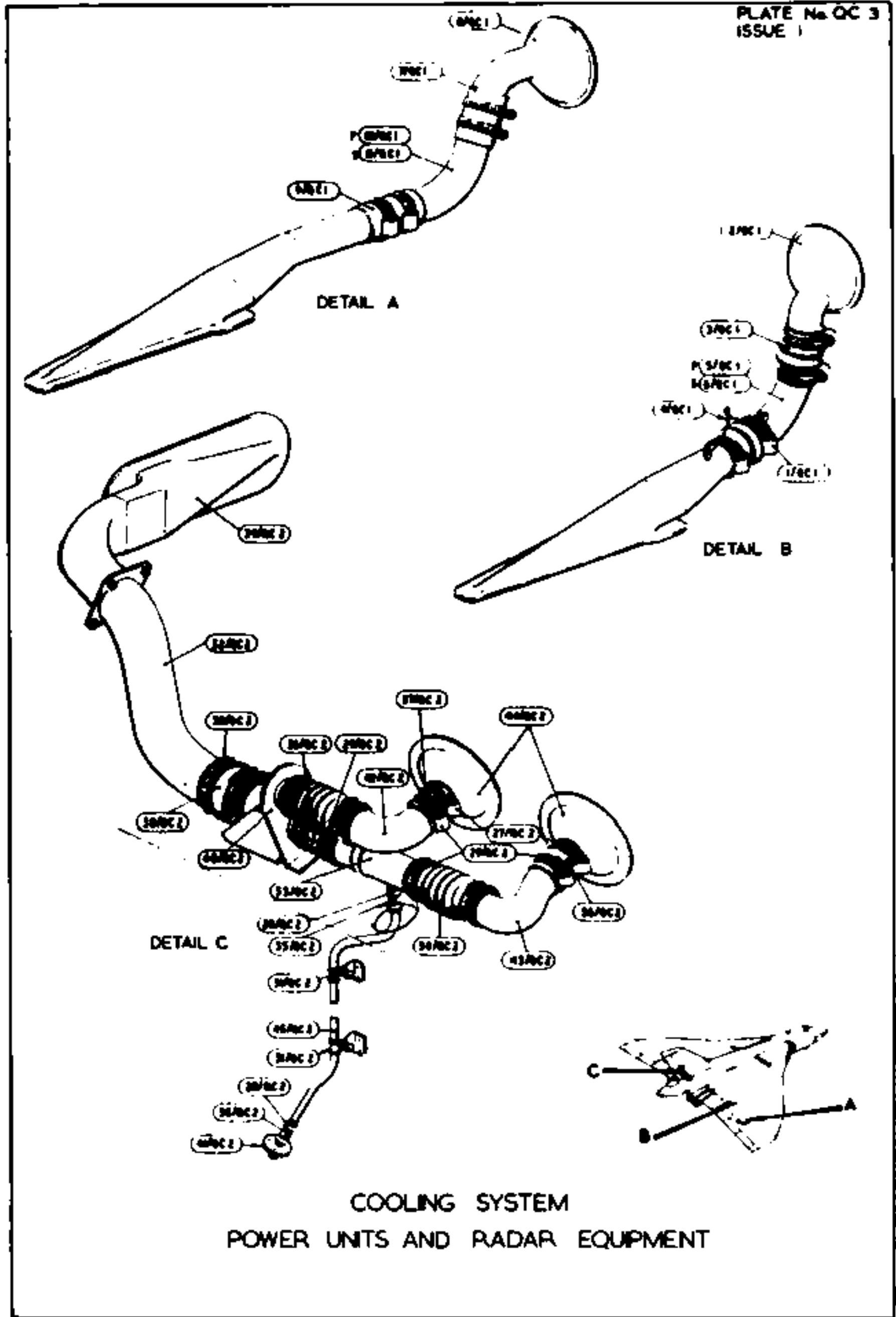
RESTRICTED



COOLING SYSTEM
POWER UNITS AND RADAR EQUIPMENT

RESTRICTED

PLATE No QC 3
ISSUE 1

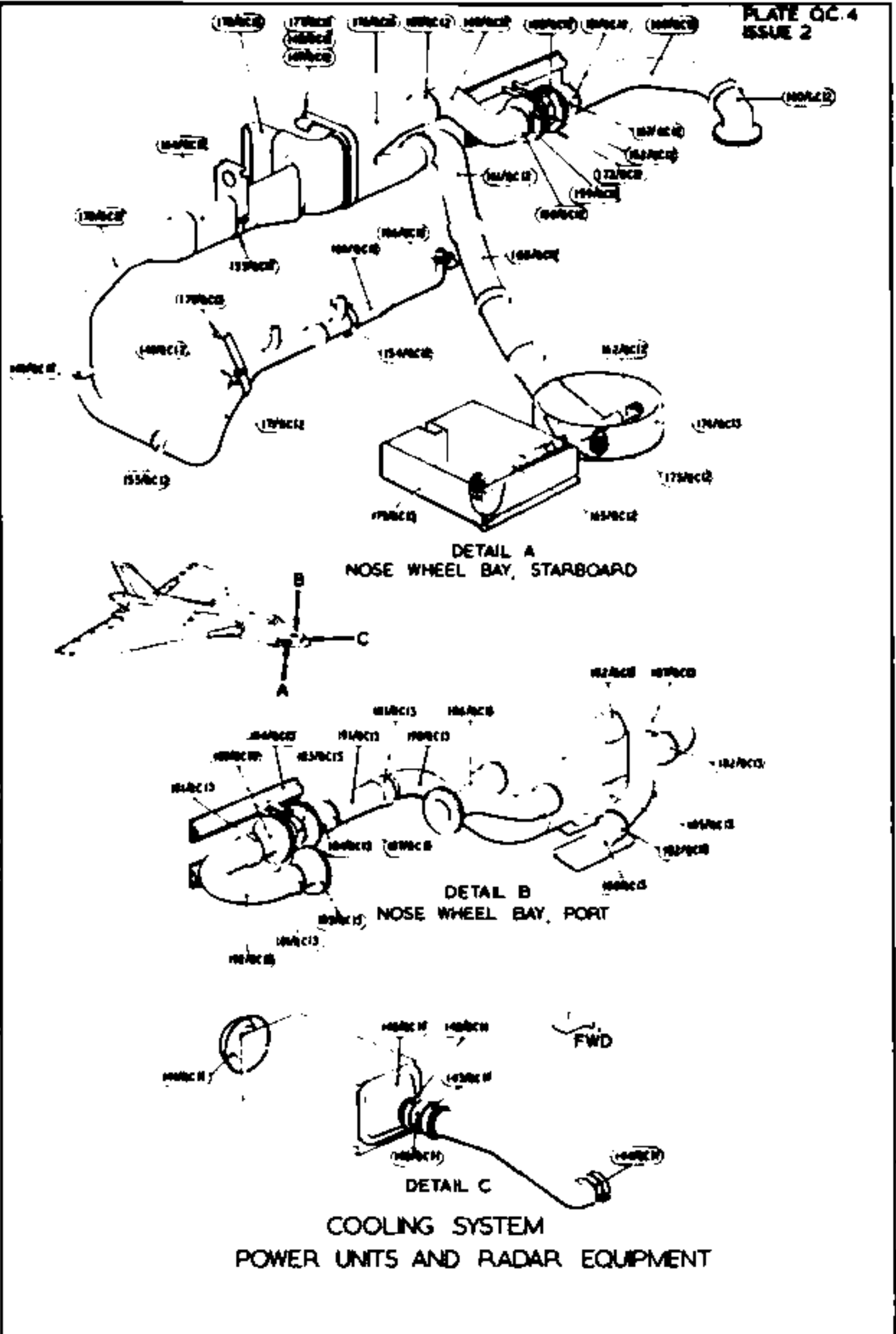


COOLING SYSTEM
POWER UNITS AND RADAR EQUIPMENT

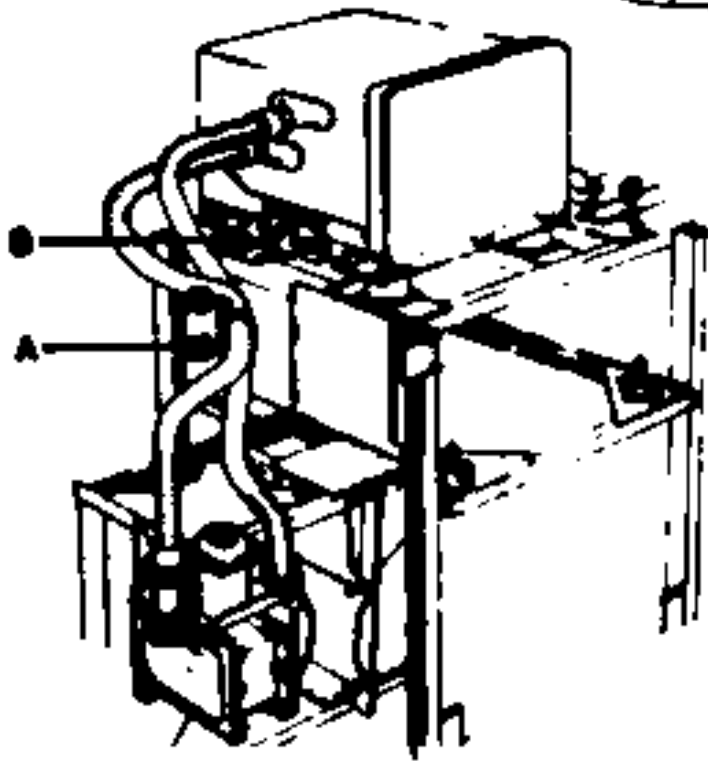
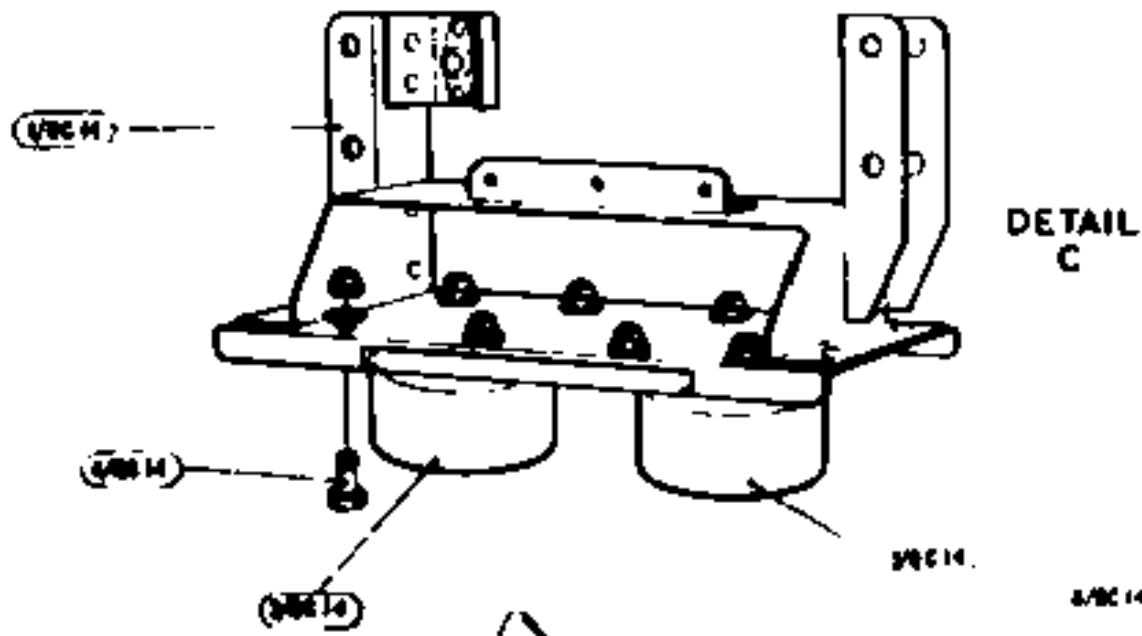
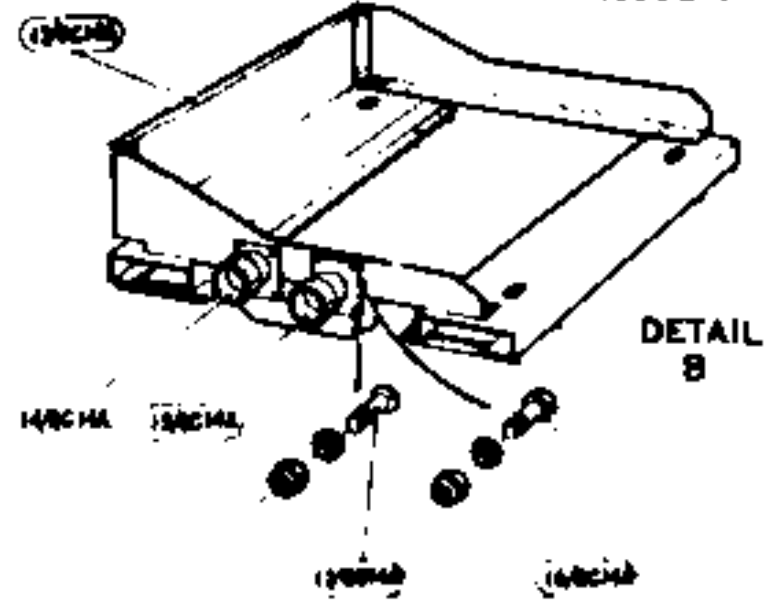
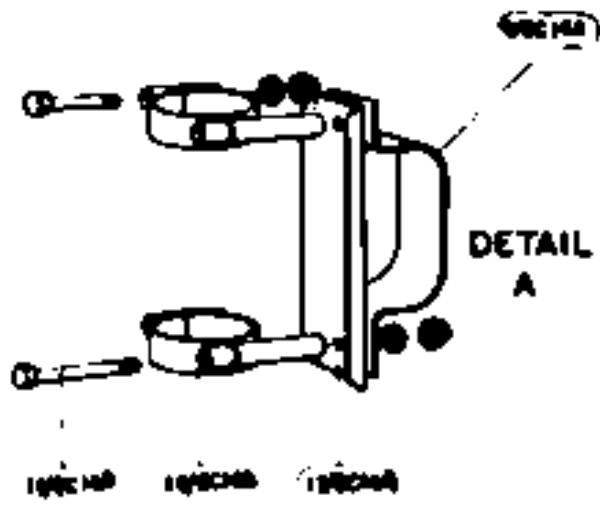
RESTRICTED

RESTRICTED

PLATE OC. 4
ISSUE 2



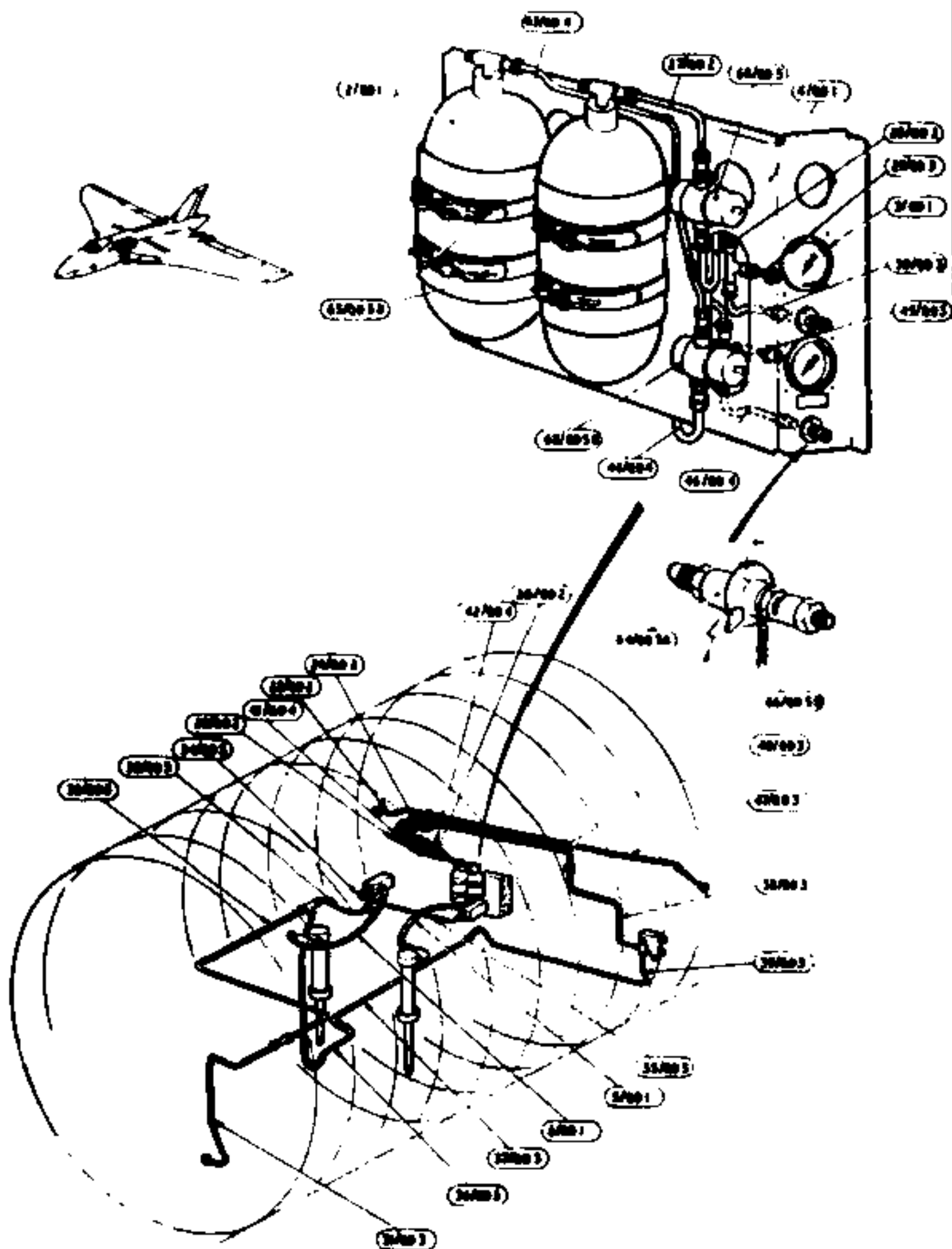
RESTRICTED



COOLING SYSTEM POWER UNITS & RADAR EQUIPMENT
(5)

RESTRICTED

PLATE No. QD.1
ISSUE 2

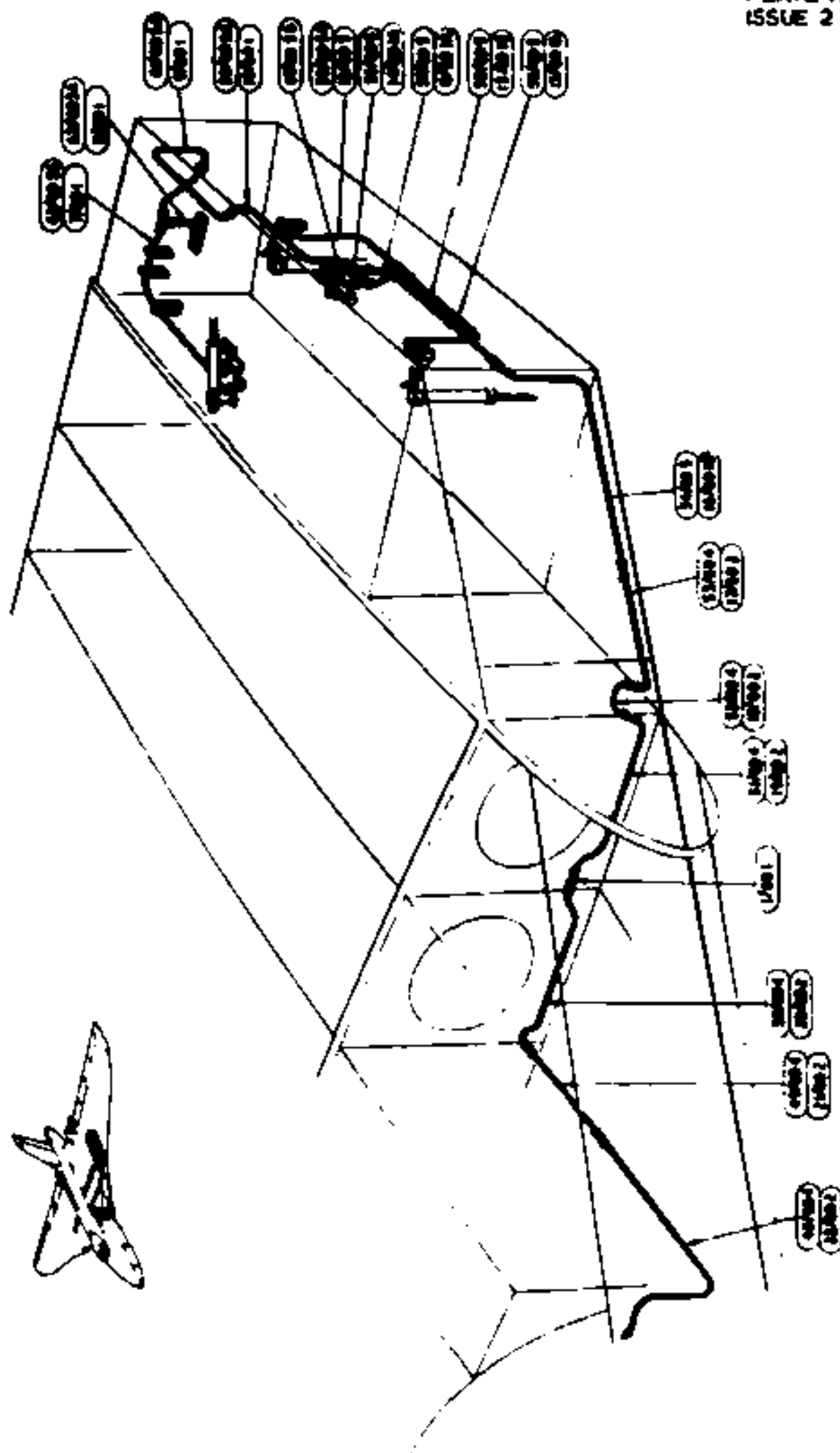


EMERGENCY AIR SYSTEM
NOSE WHEEL U/C BAY

RESTRICTED

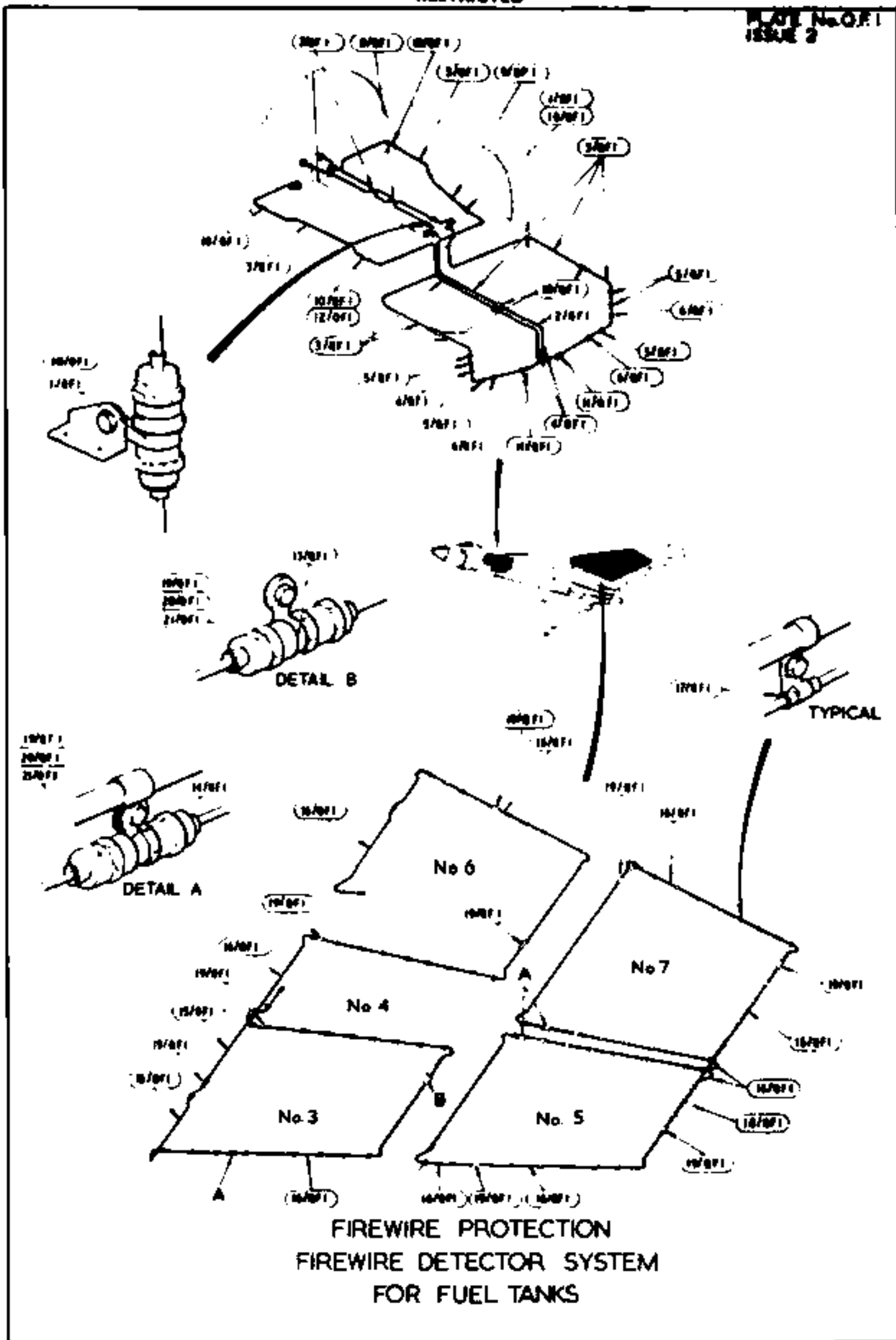
RESTRICTED

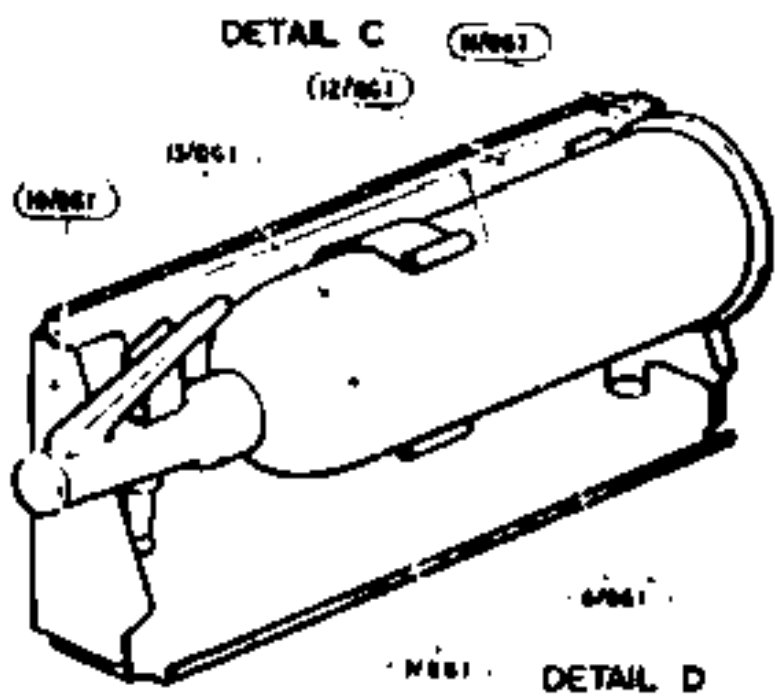
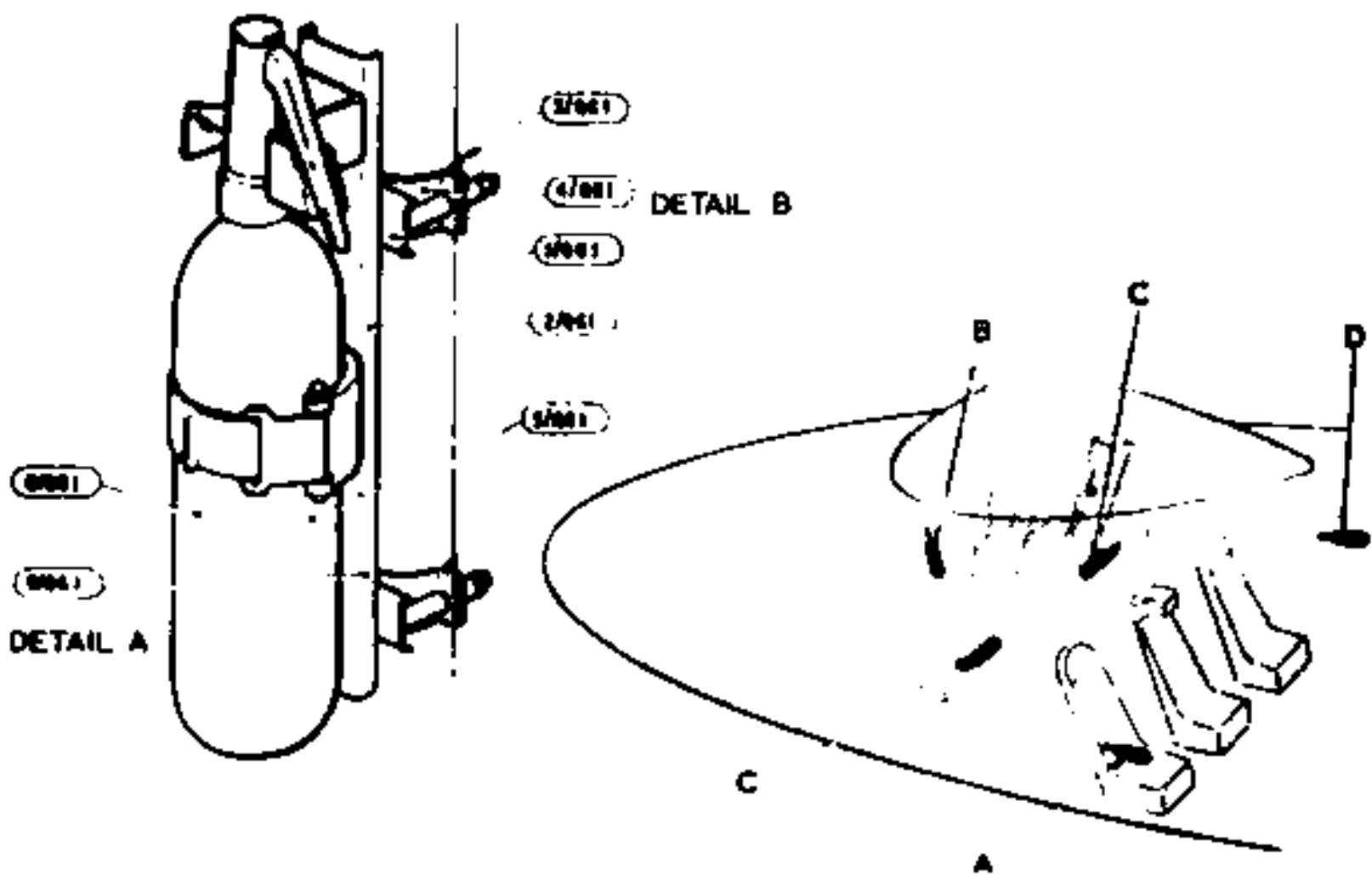
PLATE No. O.D.2
ISSUE 2



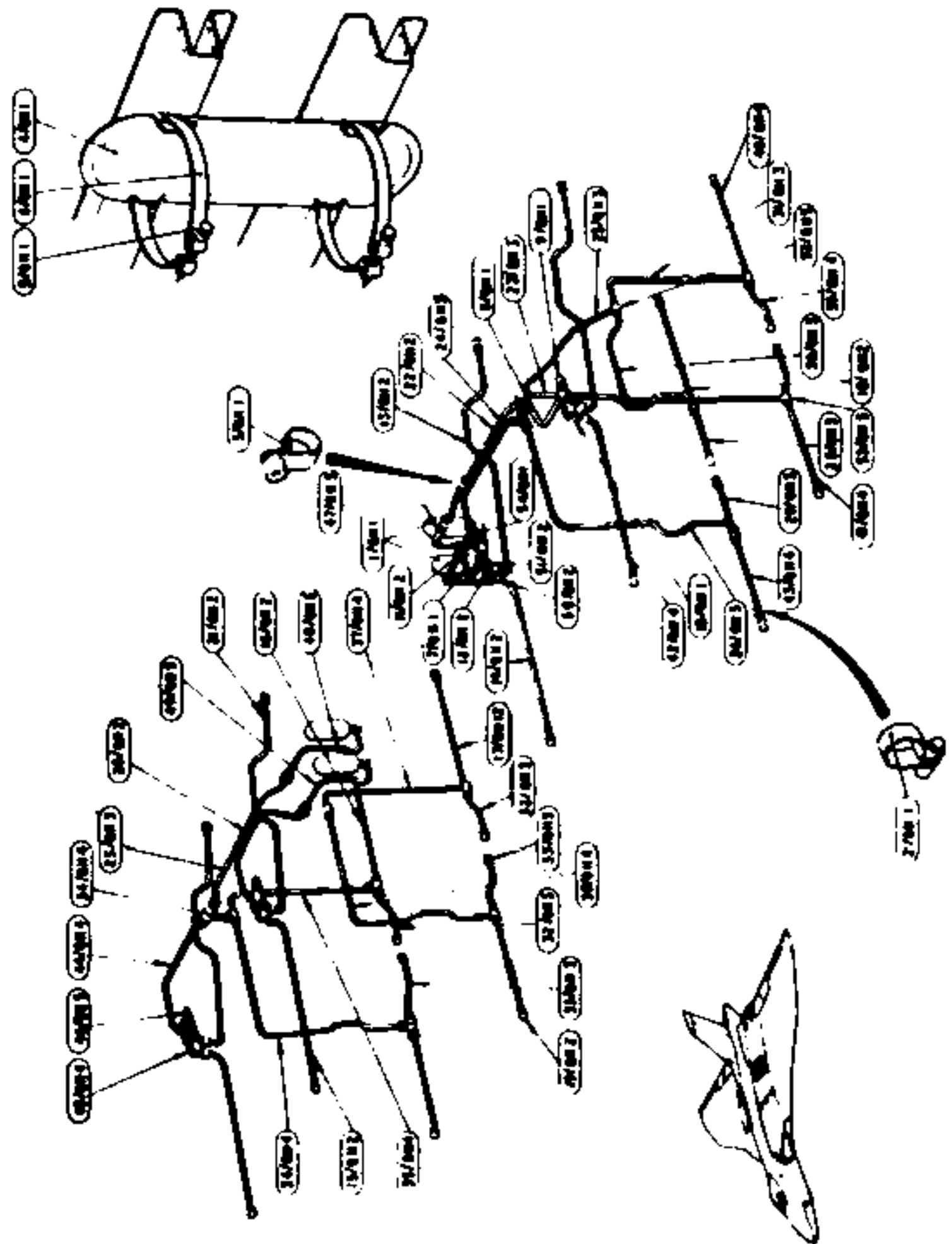
EMERGENCY AIR SYSTEM
MAIN WHEEL BAY PORT AND STBD.

RESTRICTED





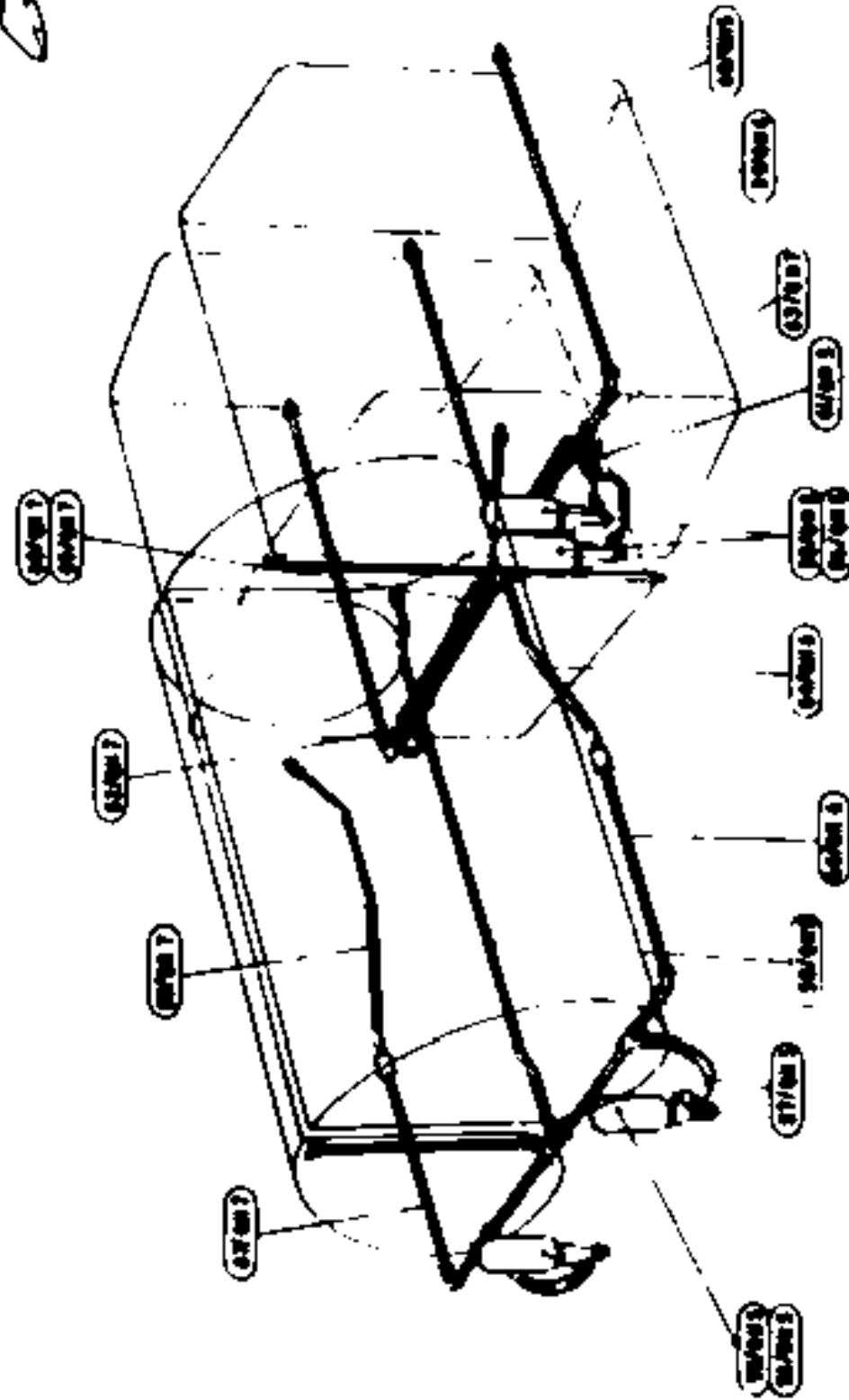
FIRE PROTECTION
HAND EXTINGUISHERS



FIRE EXTINGUISHER SYSTEM
ENGINES PORT AND STARBOARD

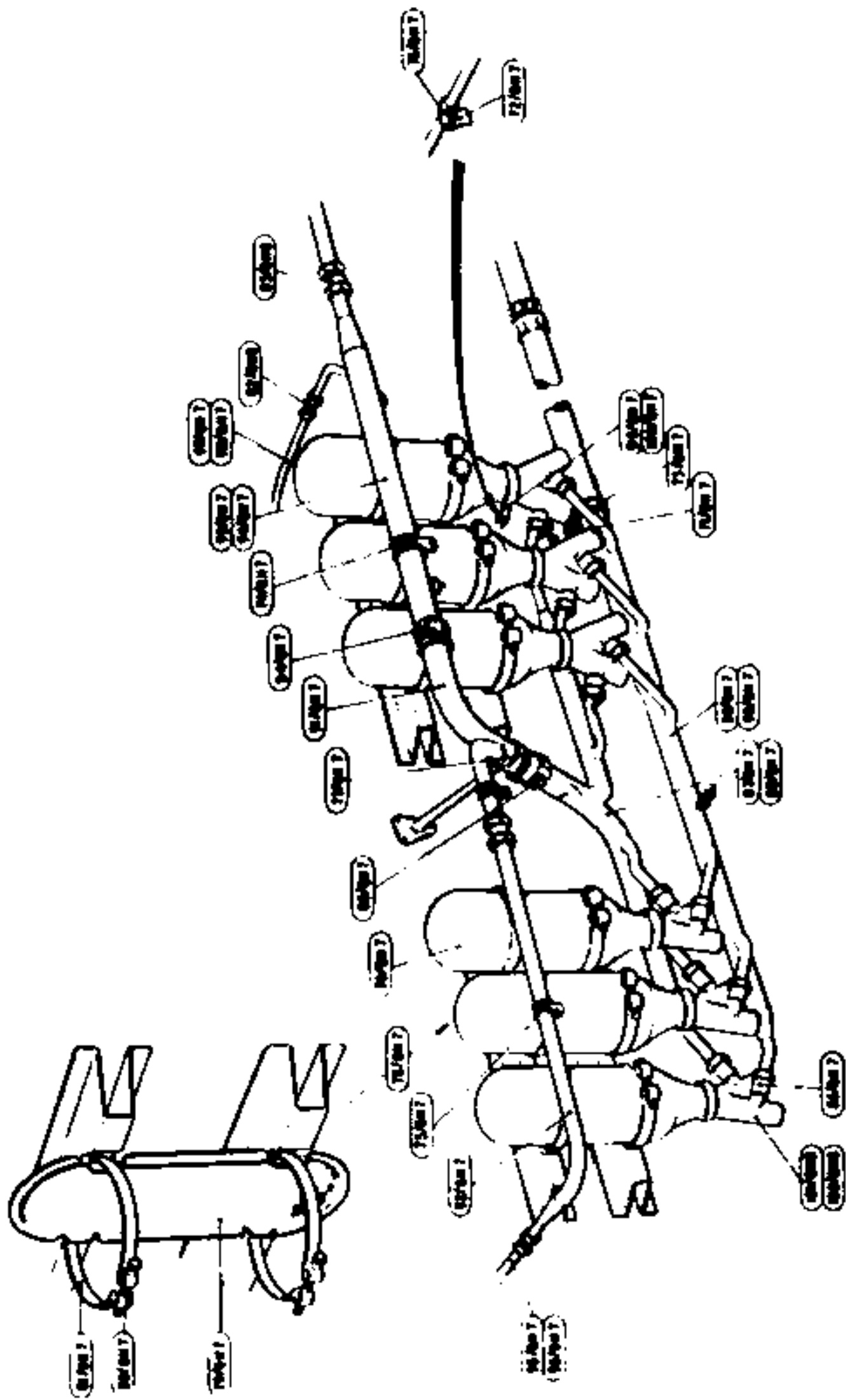
RESTRICTED

PLATE No. CH. 2
ISSUE 1



FIRE EXTINGUISHER SYSTEM
No. 1 AND 2. FUEL TANK BAYS

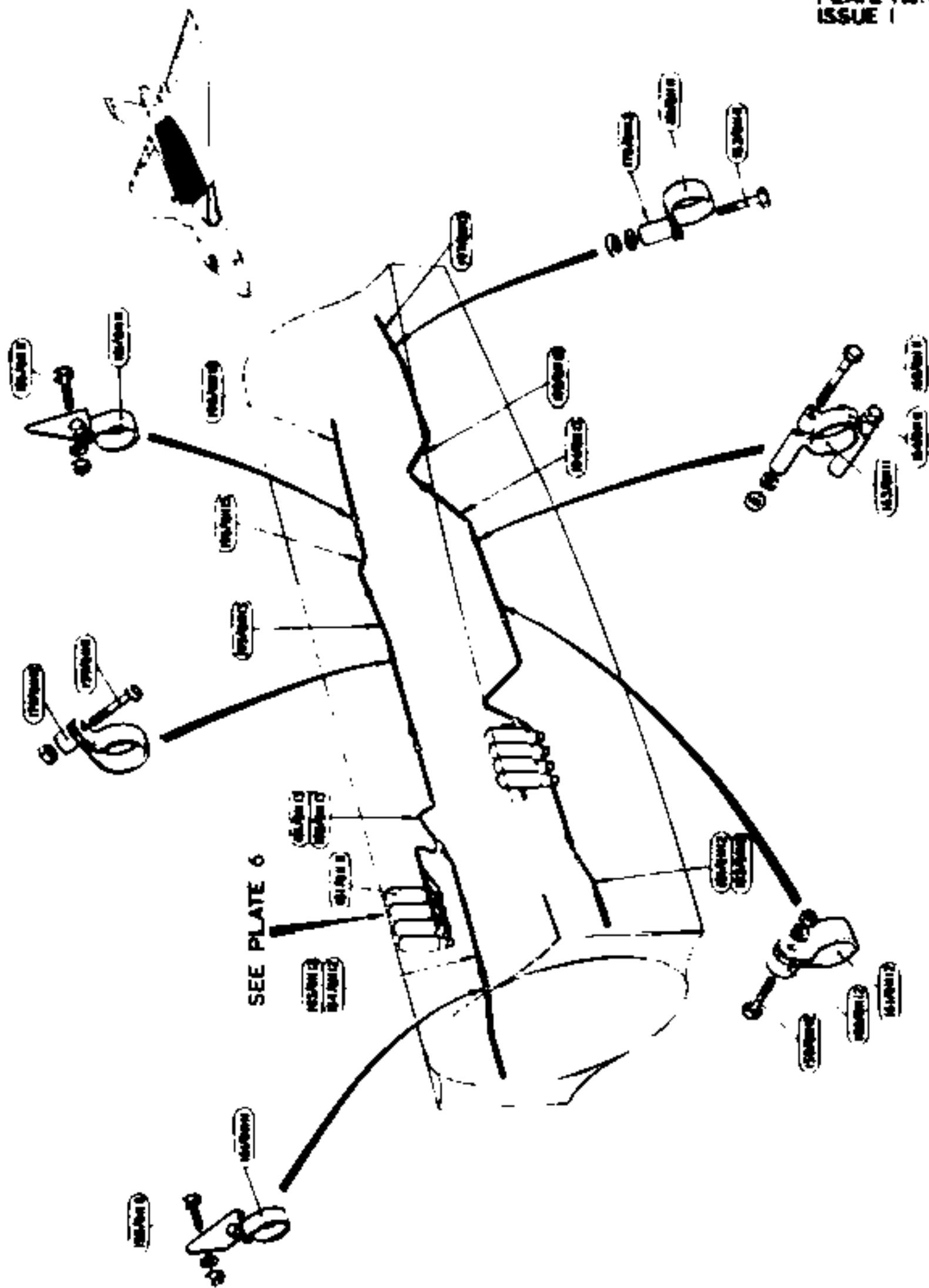
RESTRICTED



FIRE EXTINGUISHER SYSTEM
BOTTLES METHYC BROMIDE ON TRANSPORT RIB, PORT AND STBD.

RESTRICTED

PLATE No. QHS
ISSUE 1

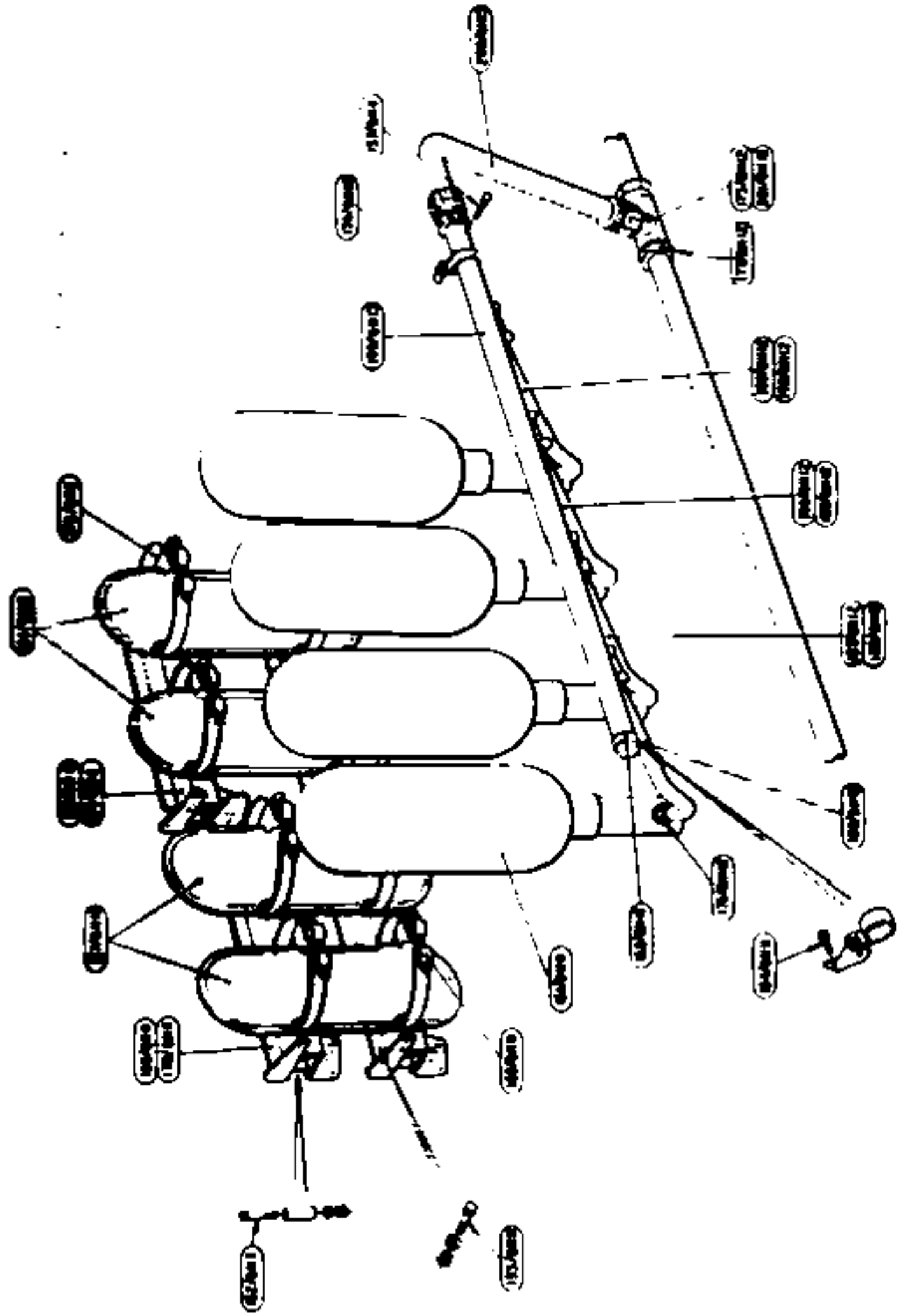


FIRE EXTINGUISHER SYSTEM
BOMB BAY PORT AND STBD

RESTRICTED

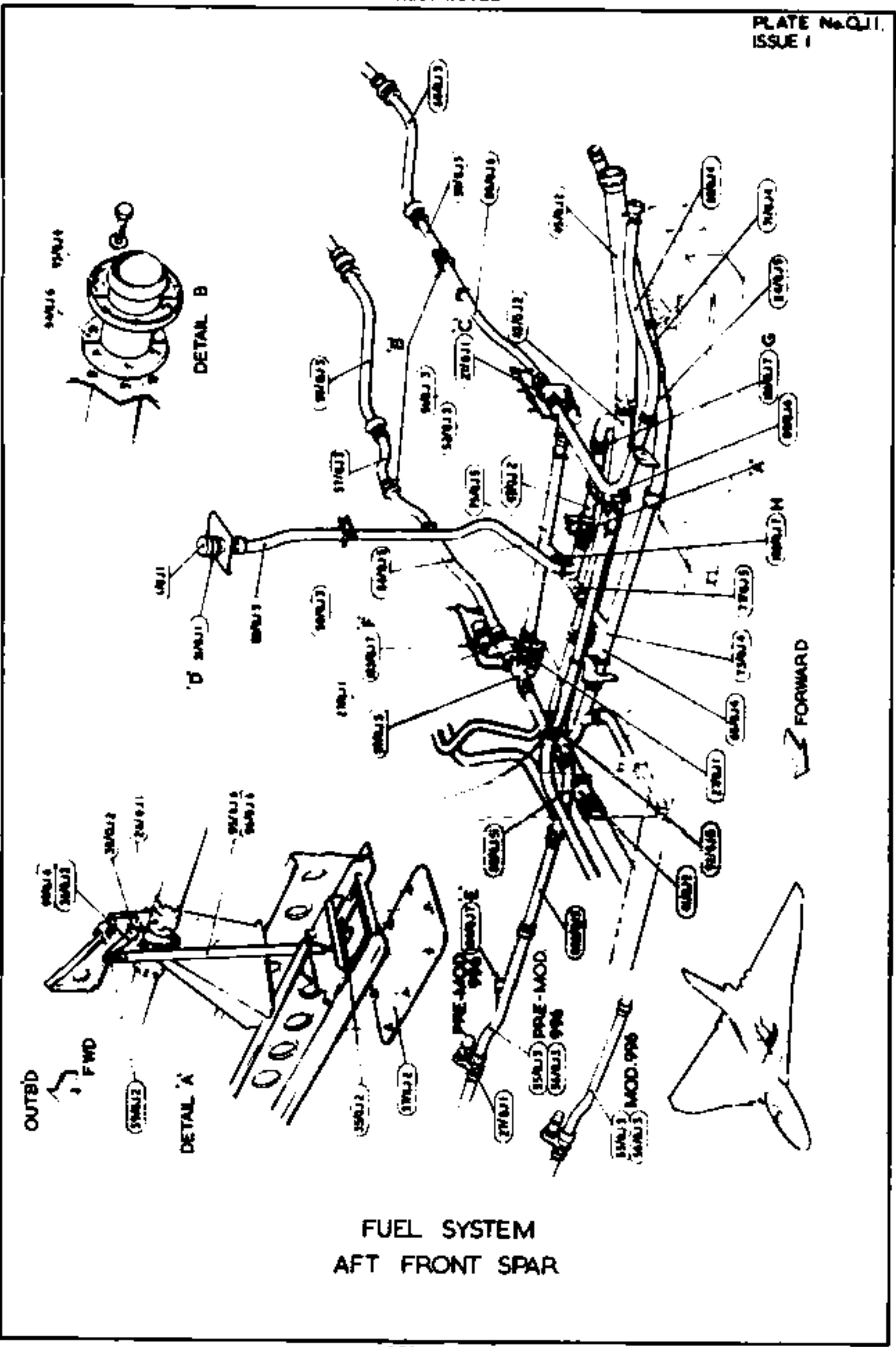
RESTRICTED

PLATE No QH 6
ISSUE 1

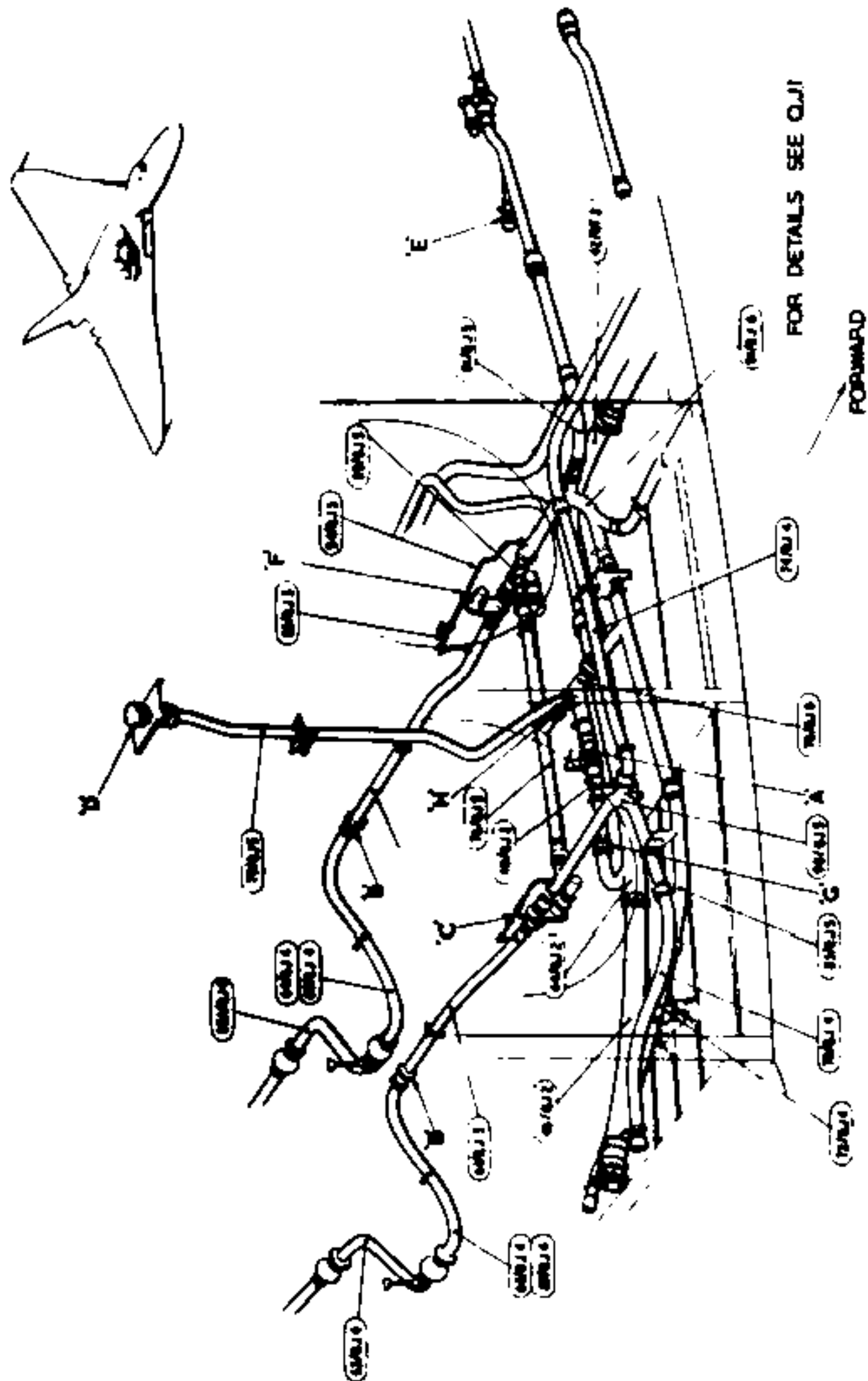


FIRE EXTINGUISHER SYSTEM
BOMB BAY. - PORT AND STBD

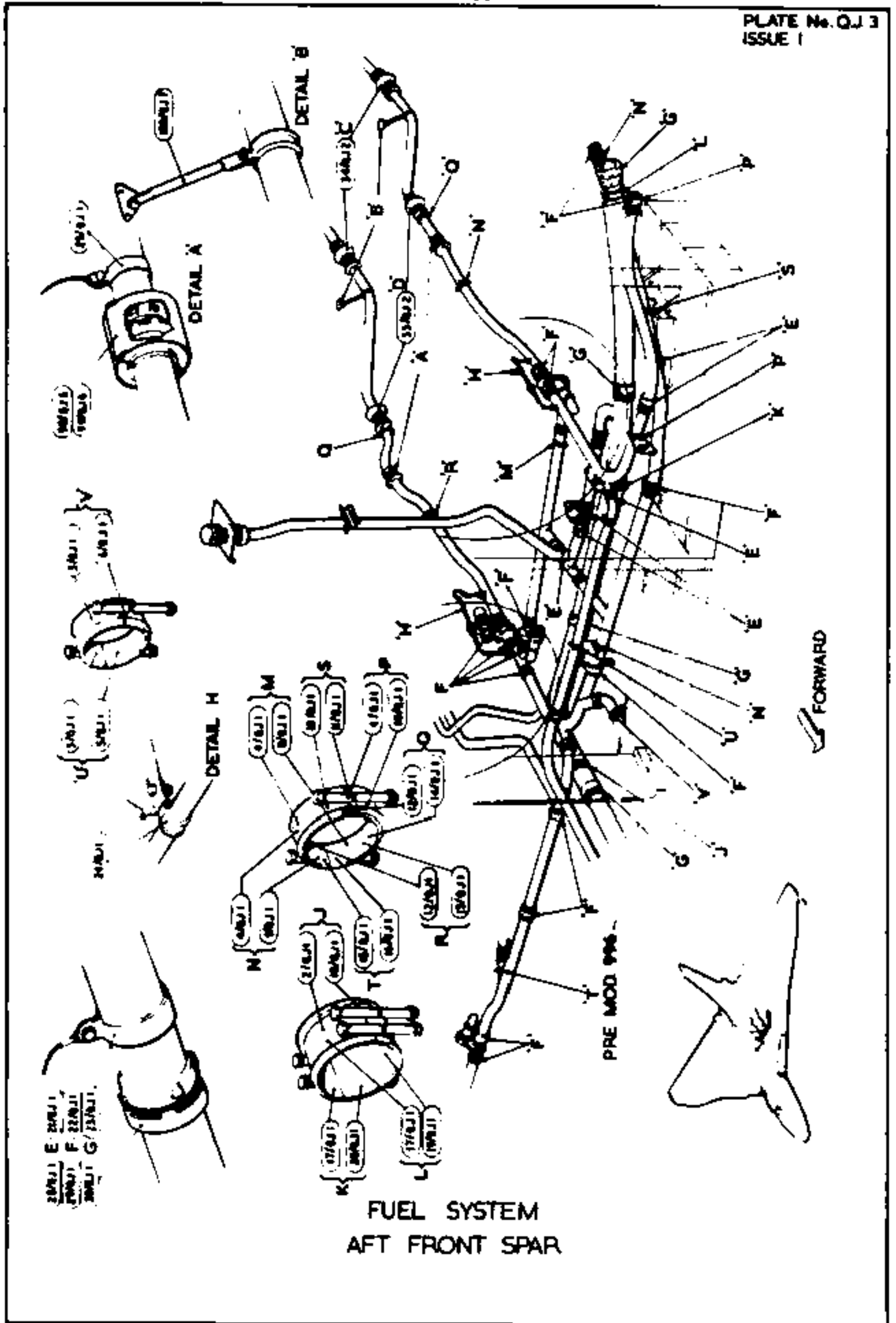
RESTRICTED



FUEL SYSTEM
AFT FRONT SPAR



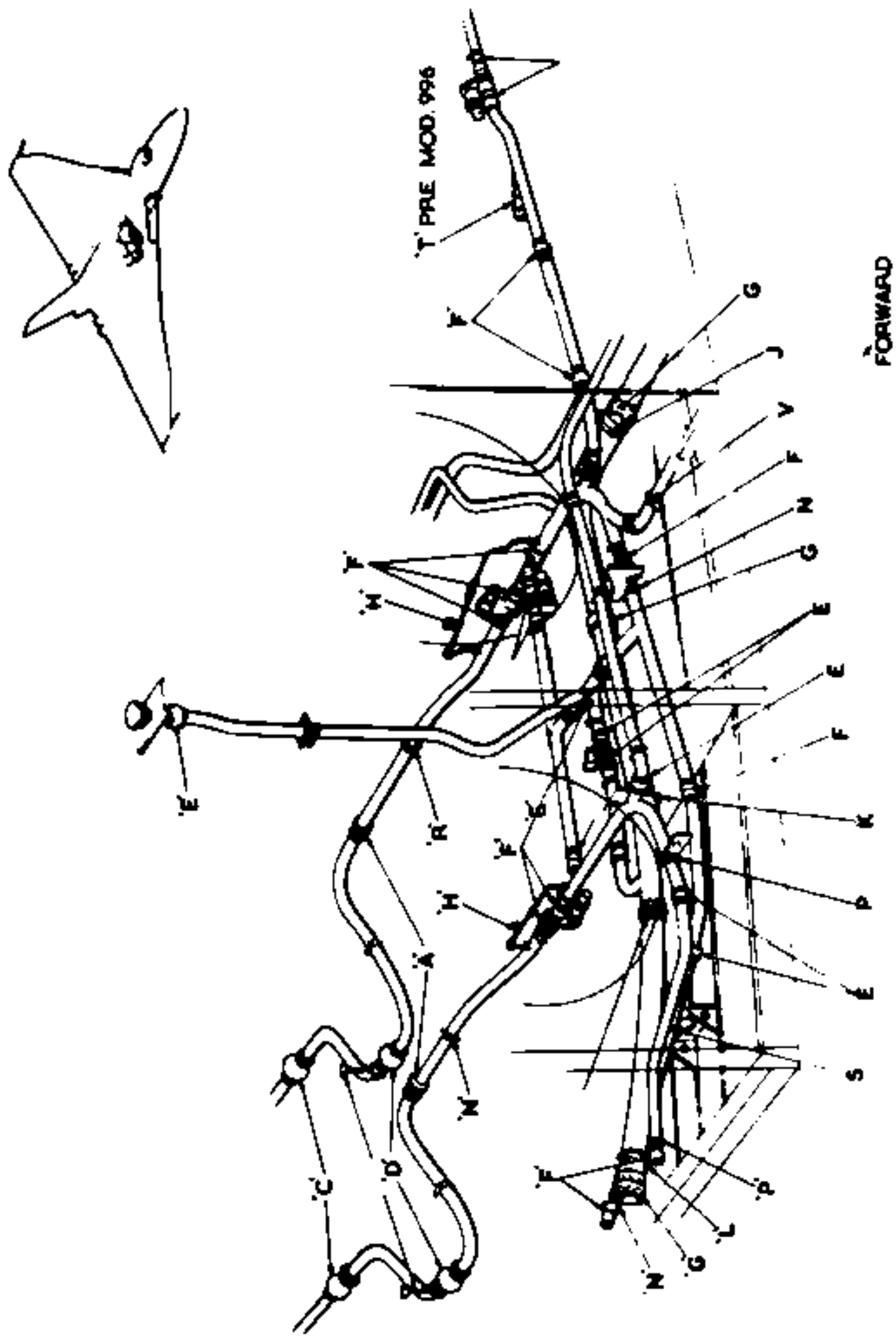
FUEL SYSTEM
AFT FRONT SPAR



FUEL SYSTEM
AFT FRONT SPAR

RESTRICTED

PLATE No. OJ 4
ISSUE 1

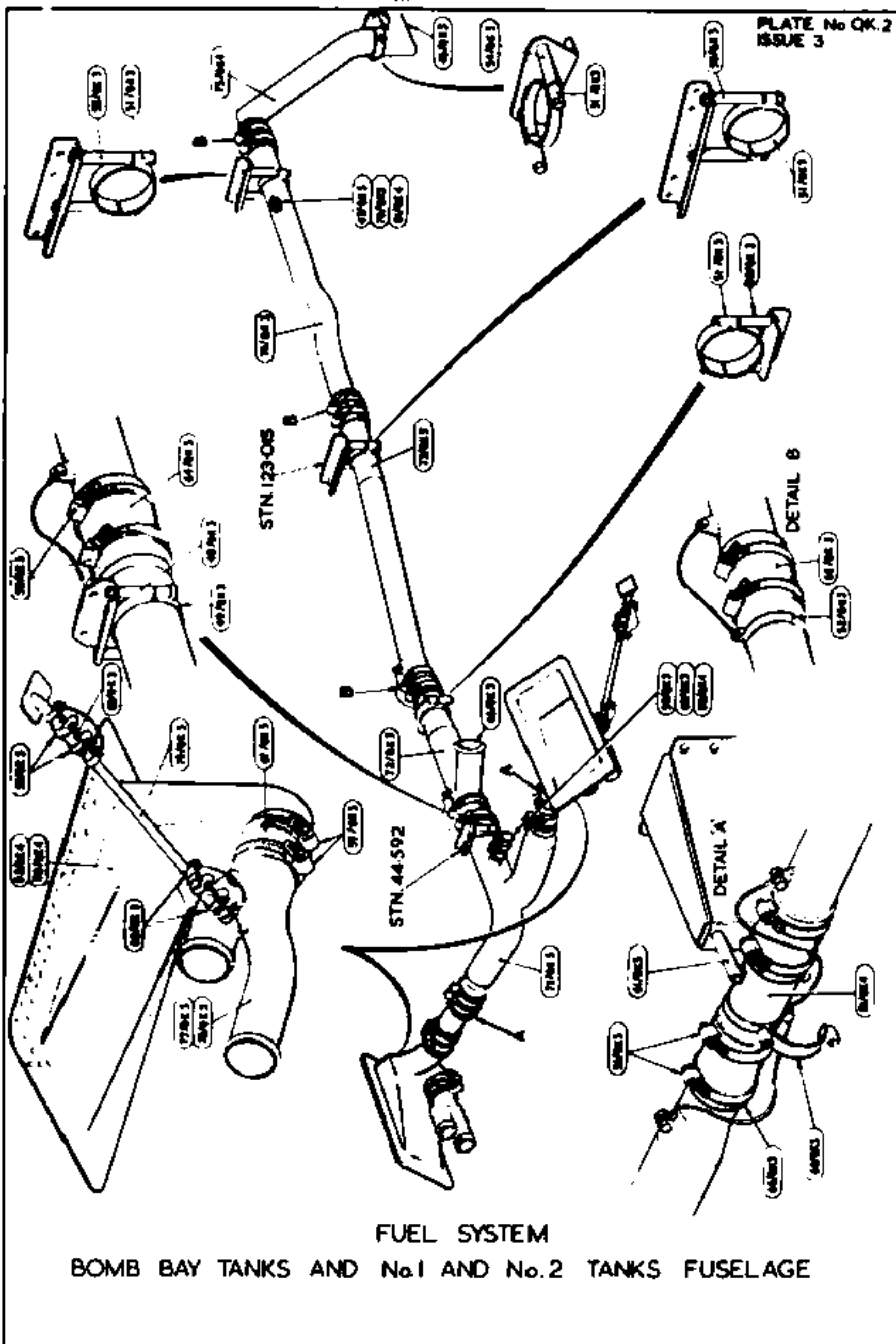


FUEL SYSTEM
AFT FRONT SPAR

RESTRICTED

RESTRICTED

PLATE No QK.2
ISSUE 3

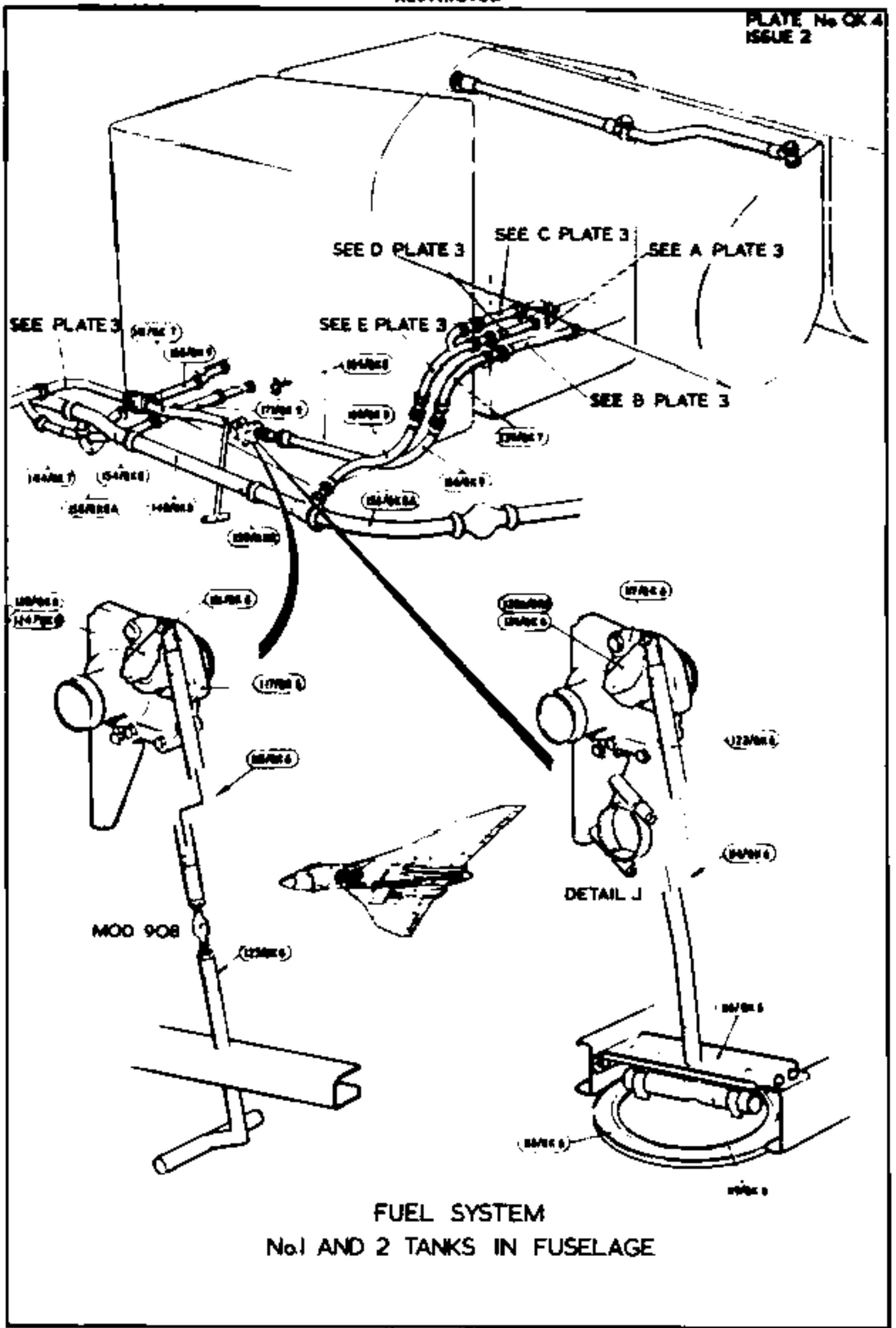


FUEL SYSTEM
BOMB BAY TANKS AND No.1 AND No.2 TANKS FUSELAGE

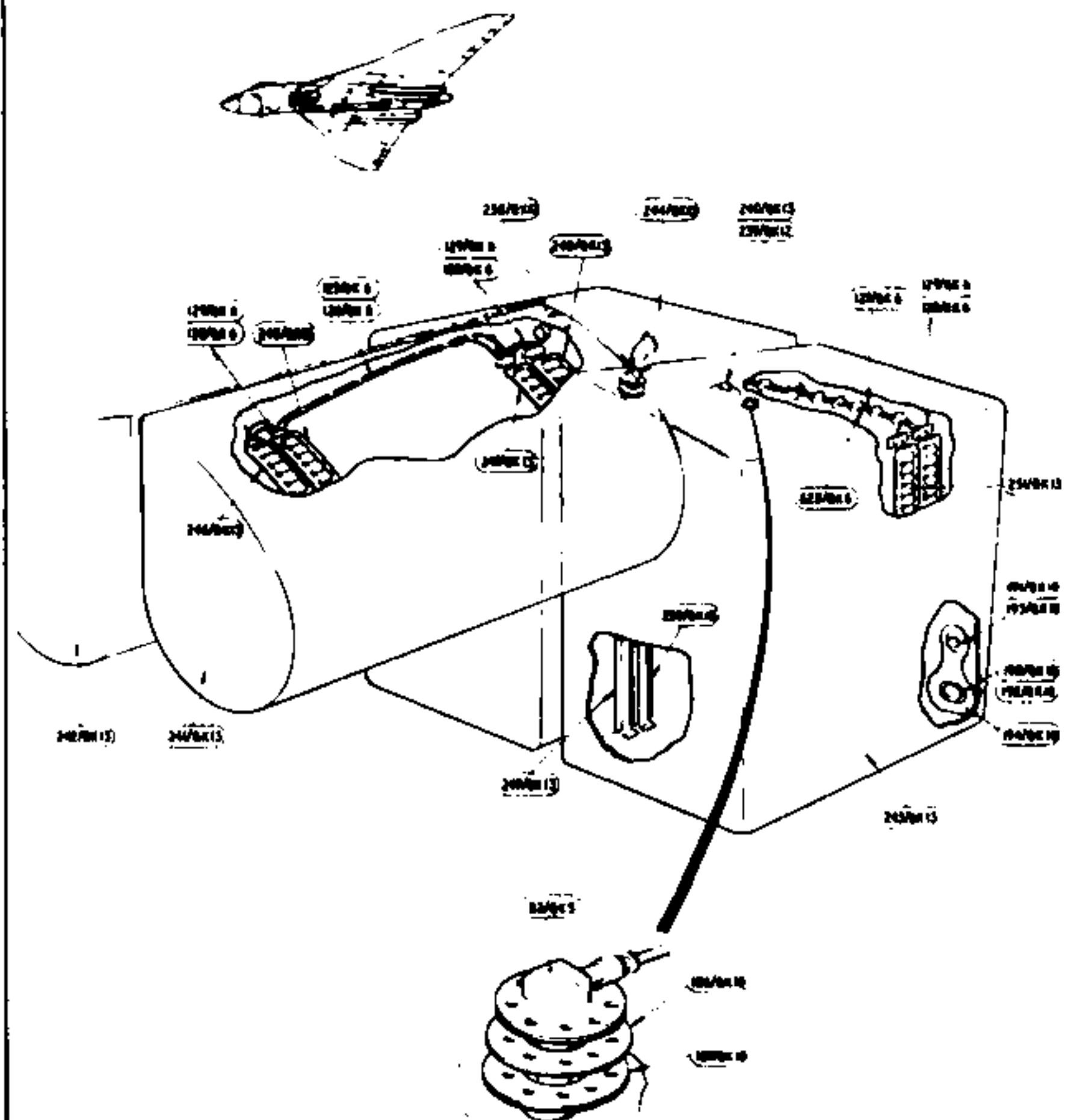
RESTRICTED

RESTRICTED

PLATE No. OK 4
ISSUE 2



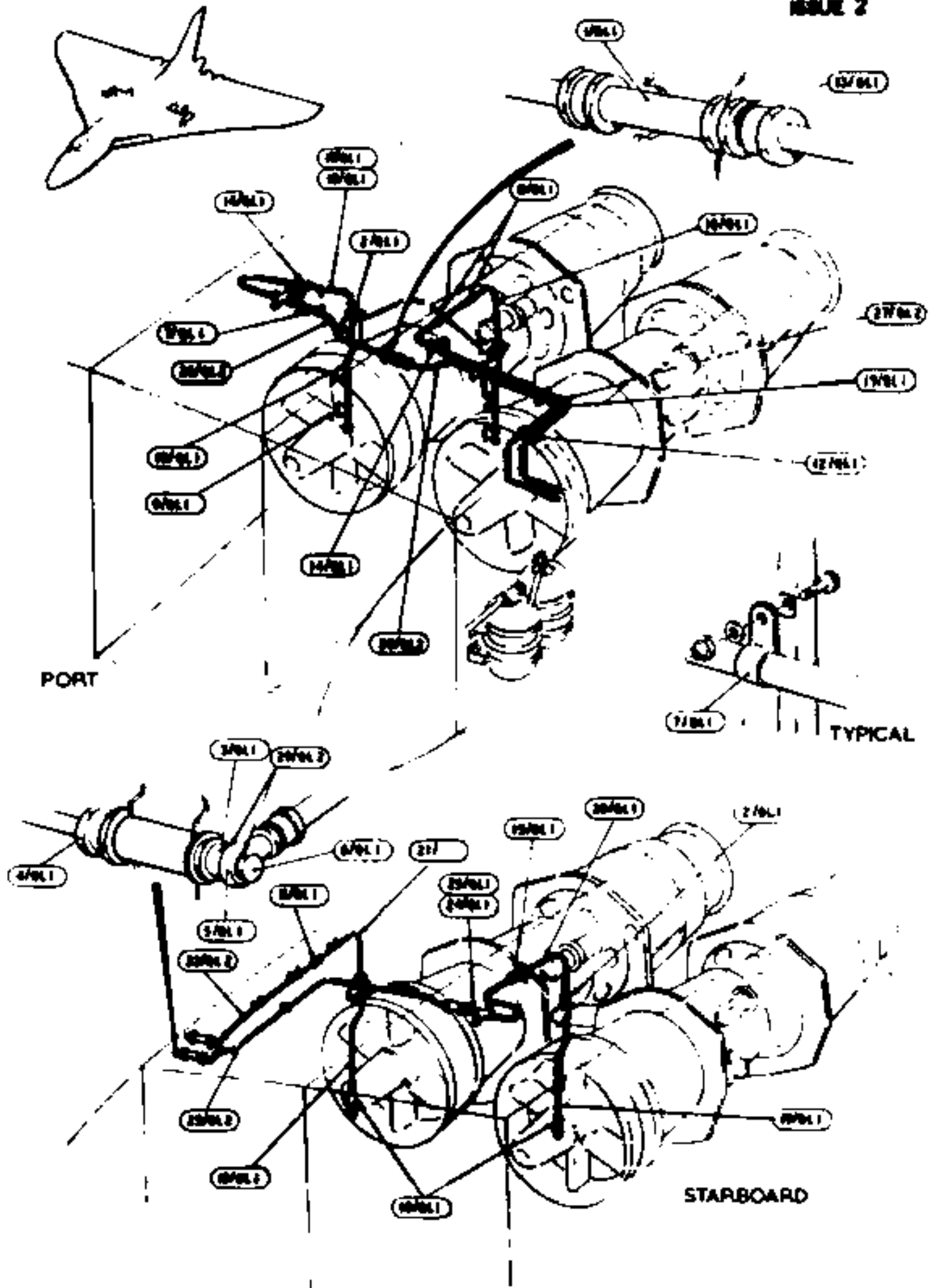
RESTRICTED



FUEL SYSTEM
No.1 AND 2 TANKS IN FUSELAGE

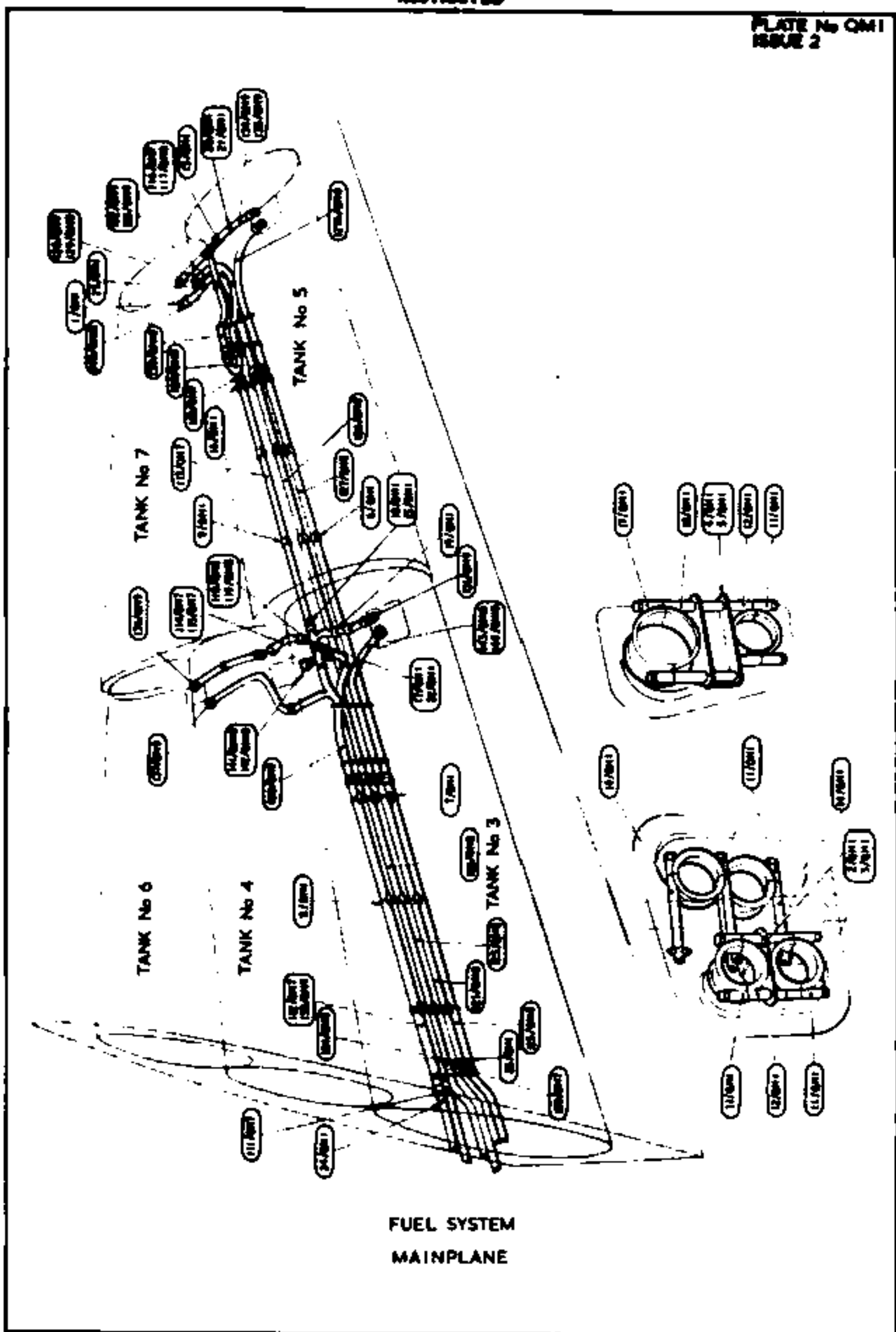
RESTRICTED

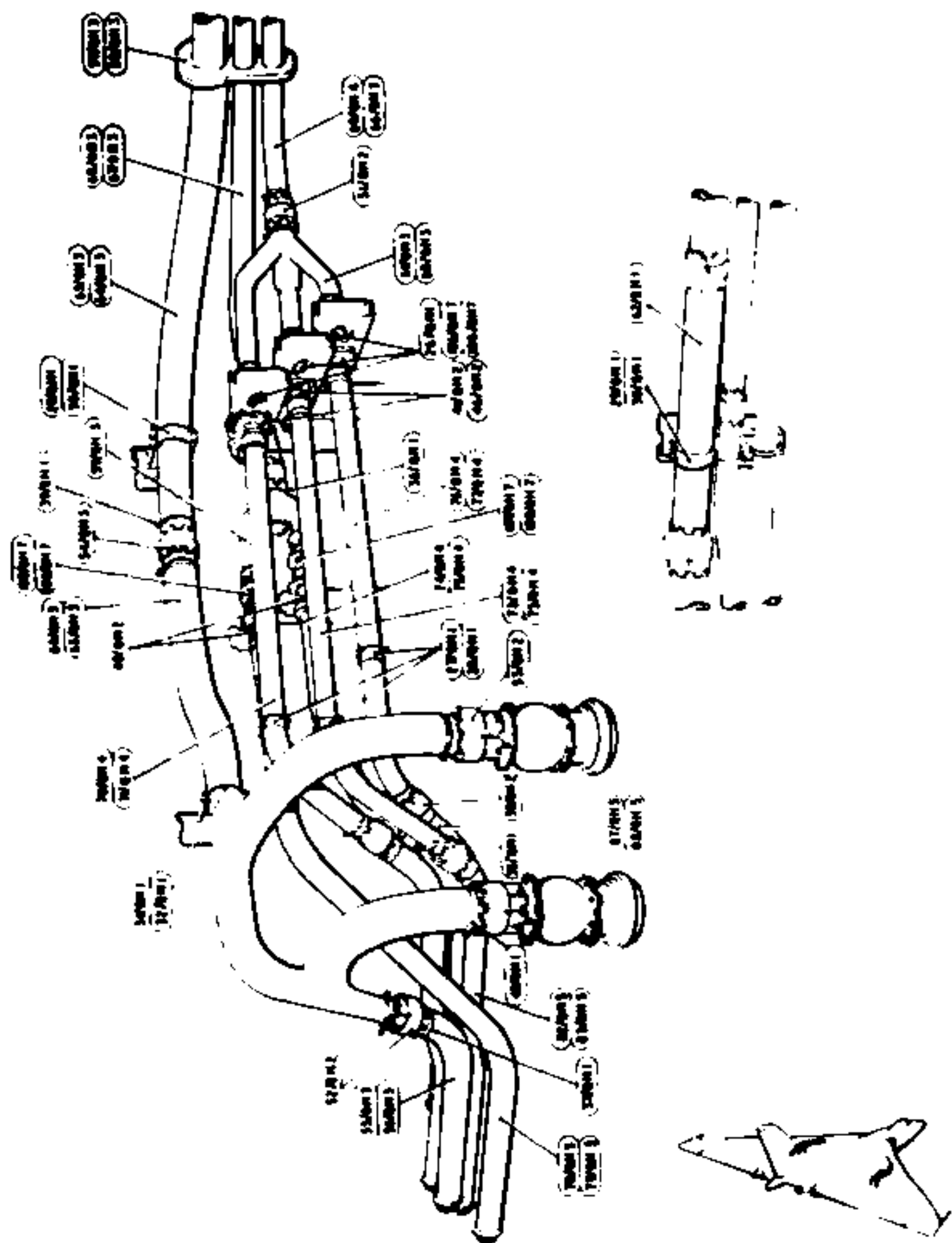
PLATE No. QLI
ISSUE 2



FUEL SYSTEM FUSELAGE
CENTRE SECTION

RESTRICTED

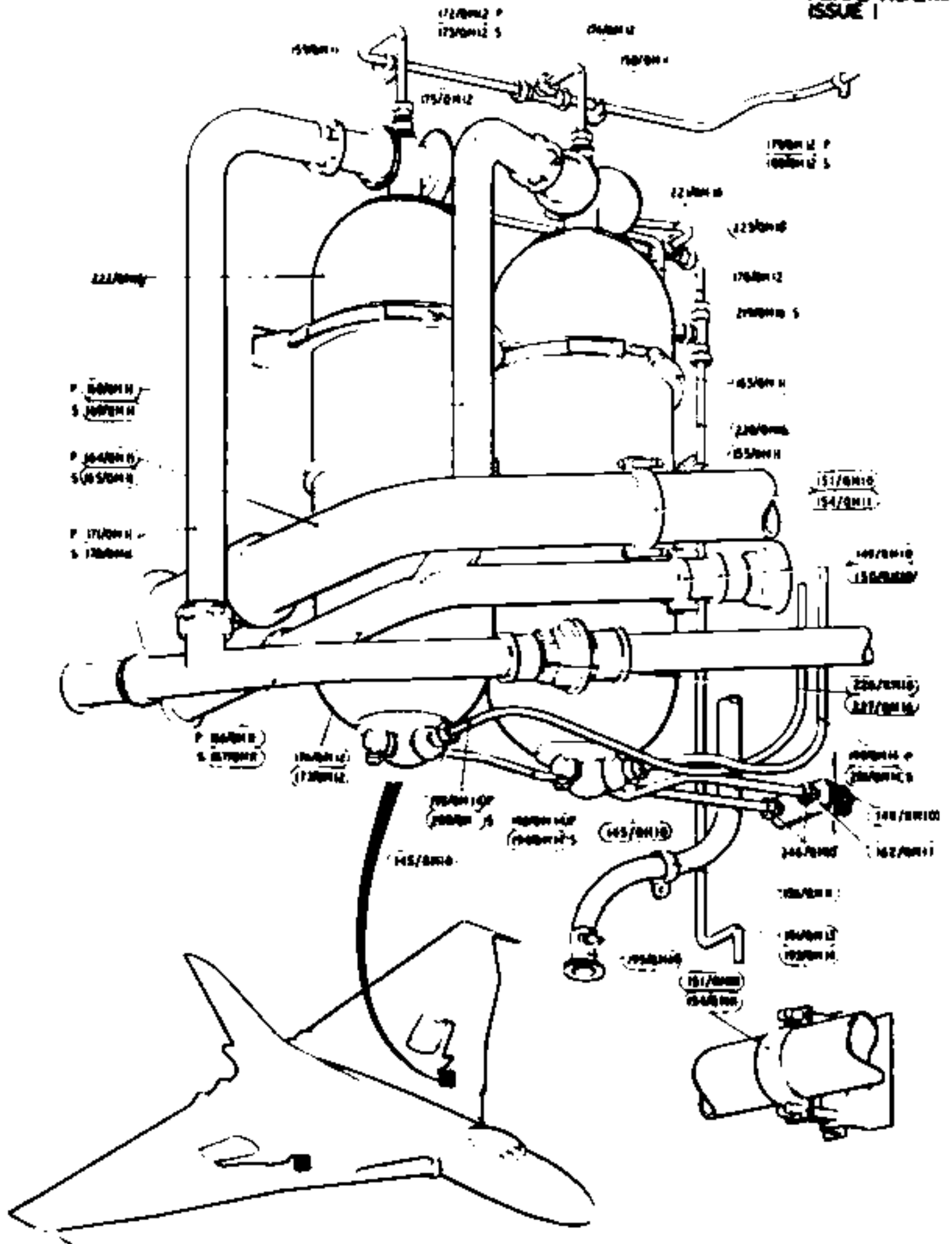




FUEL SYSTEM
COCKS & PIPES FOR TANK SERVICE, U/C RIB OUTBOARD PORT & STBD.

RESTRICTED

PLATE No. QM.4
ISSUE 1

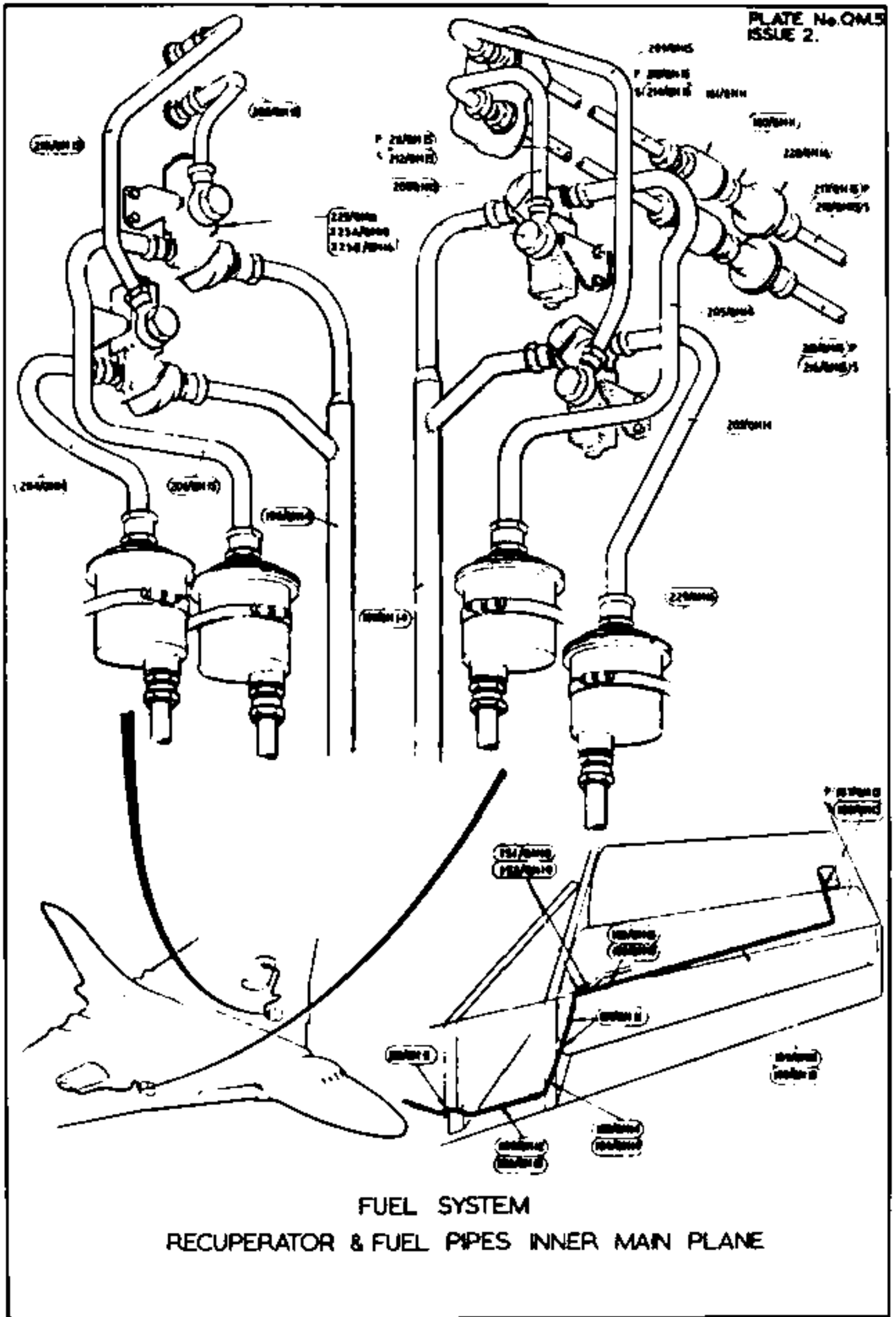


FUEL SYSTEM
RECUPERATOR & FUEL PIPES INNER MAIN PLANE

RESTRICTED

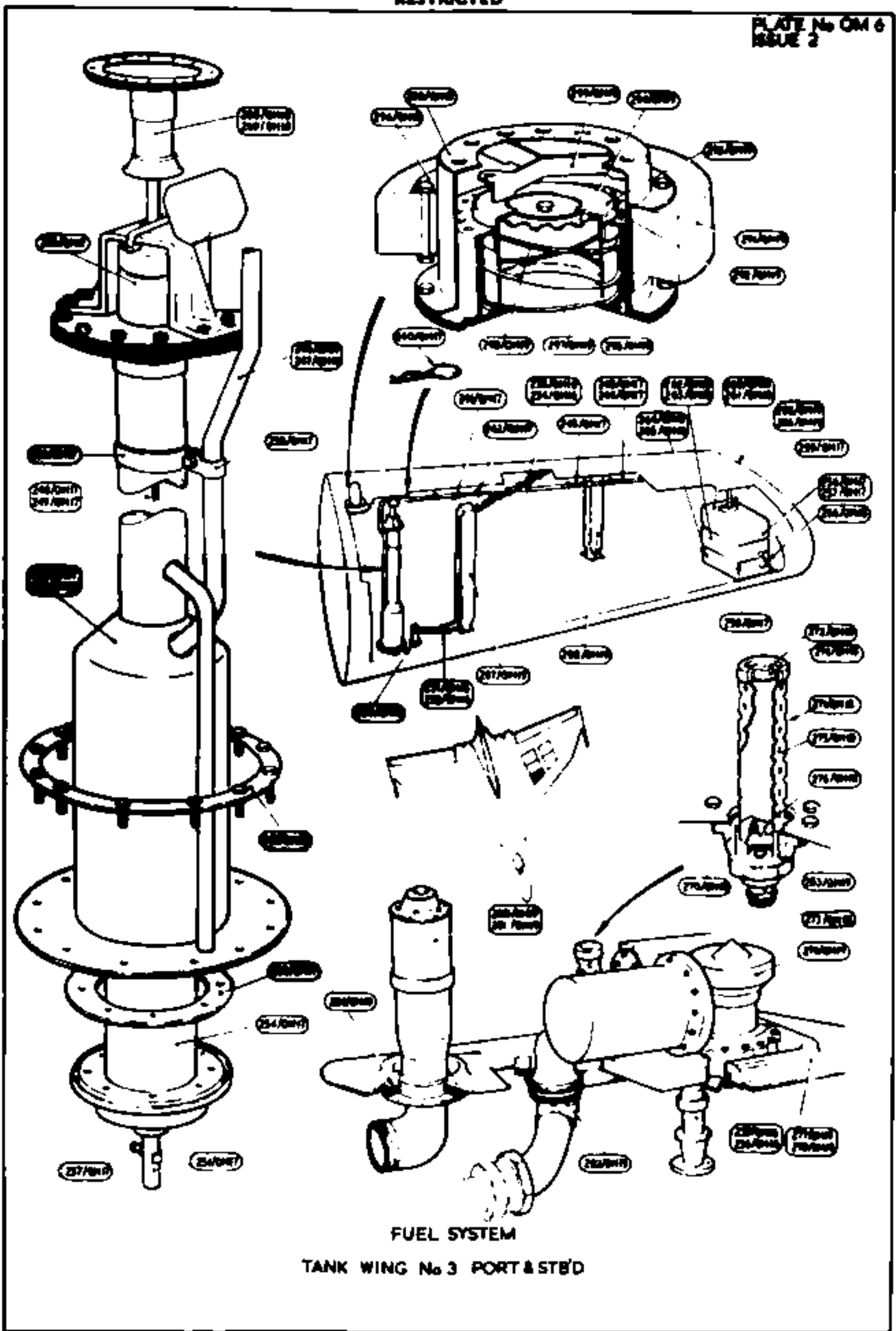
RESTRICTED

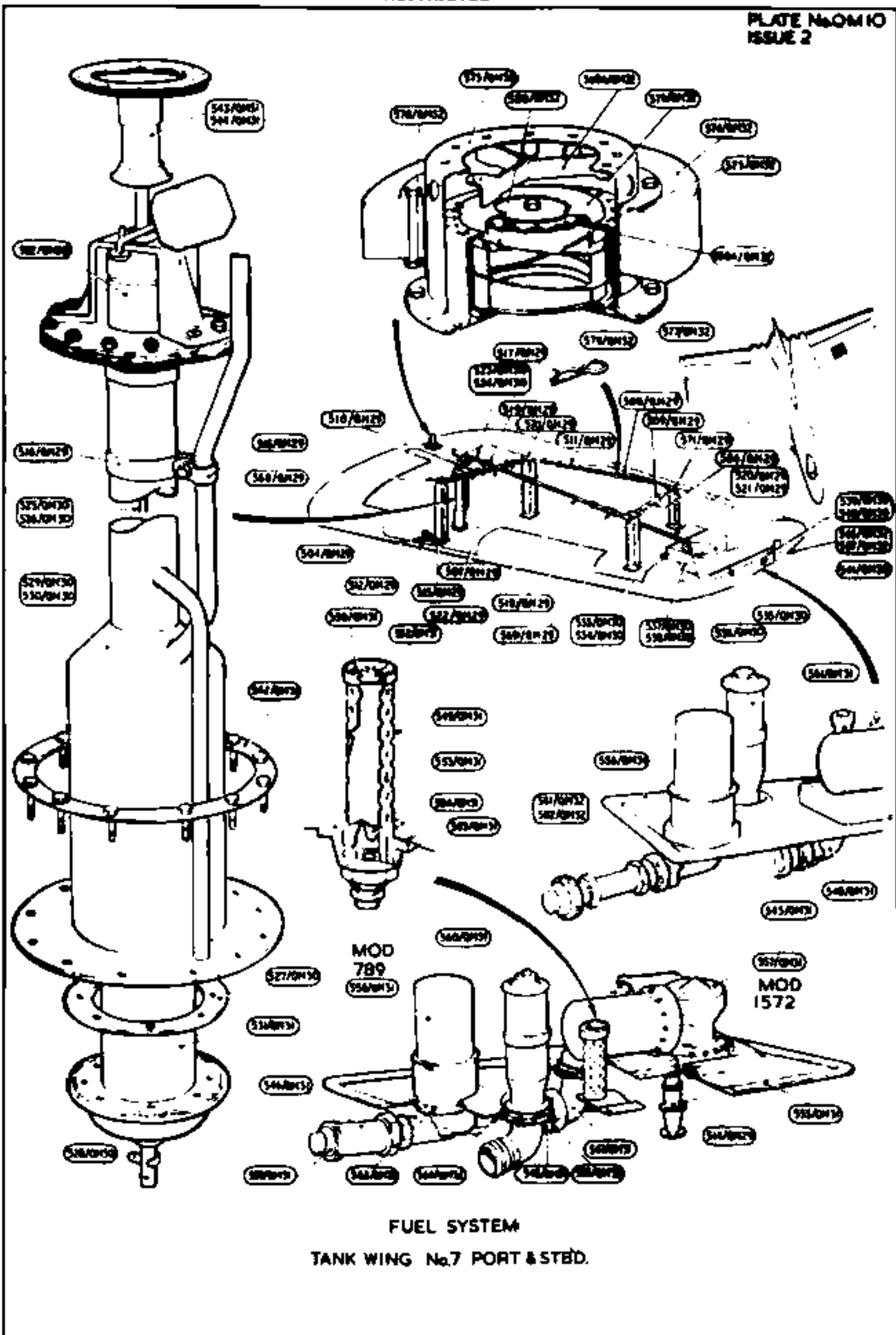
PLATE No. QM5
ISSUE 2.



FUEL SYSTEM
RECUPERATOR & FUEL PIPES INNER MAIN PLANE

RESTRICTED

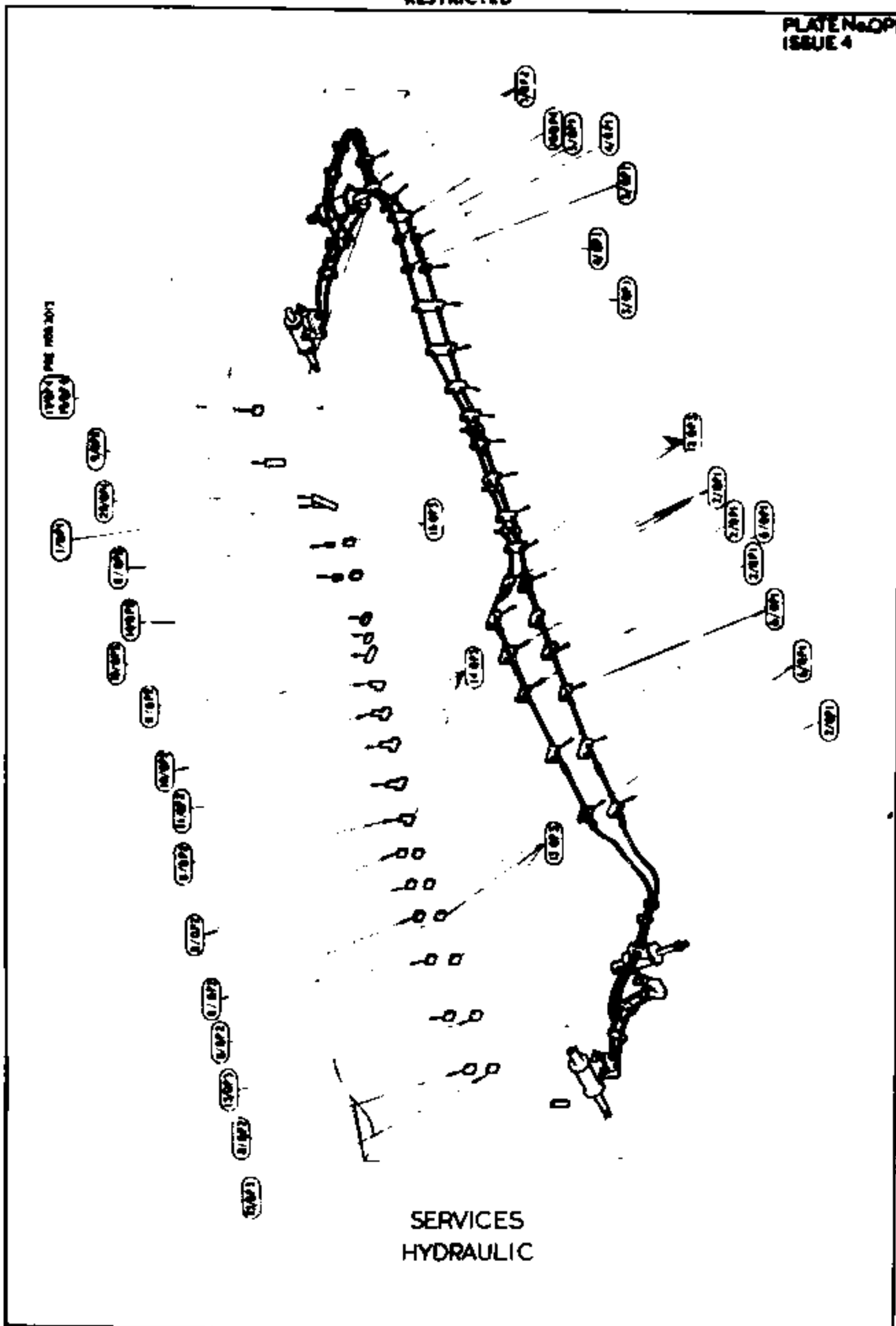




FUEL SYSTEM
TANK WING No.7 PORT & STD.

RESTRICTED

PLATE No. OP
ISSUE 4

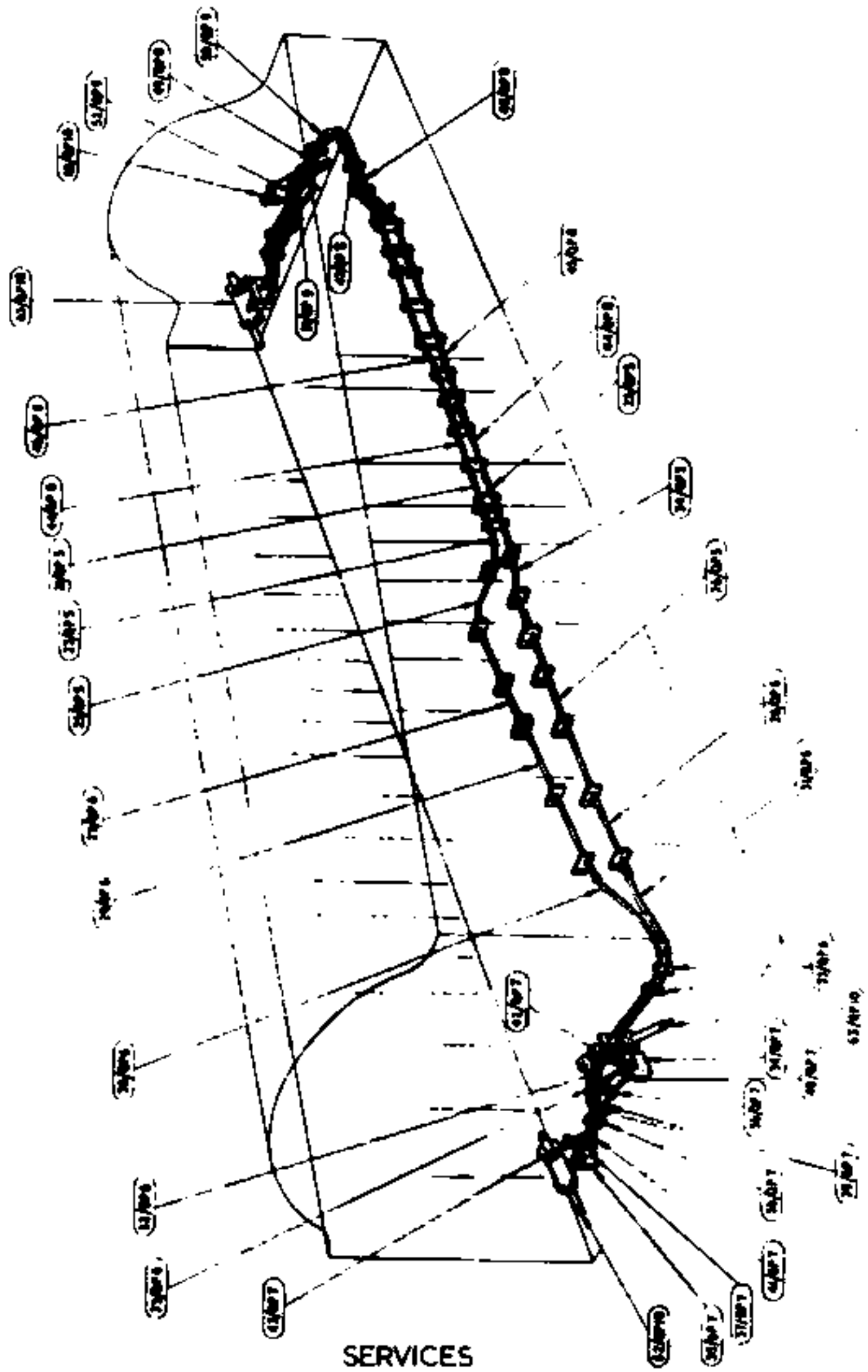


SERVICES
HYDRAULIC

RESTRICTED

RESTRICTED

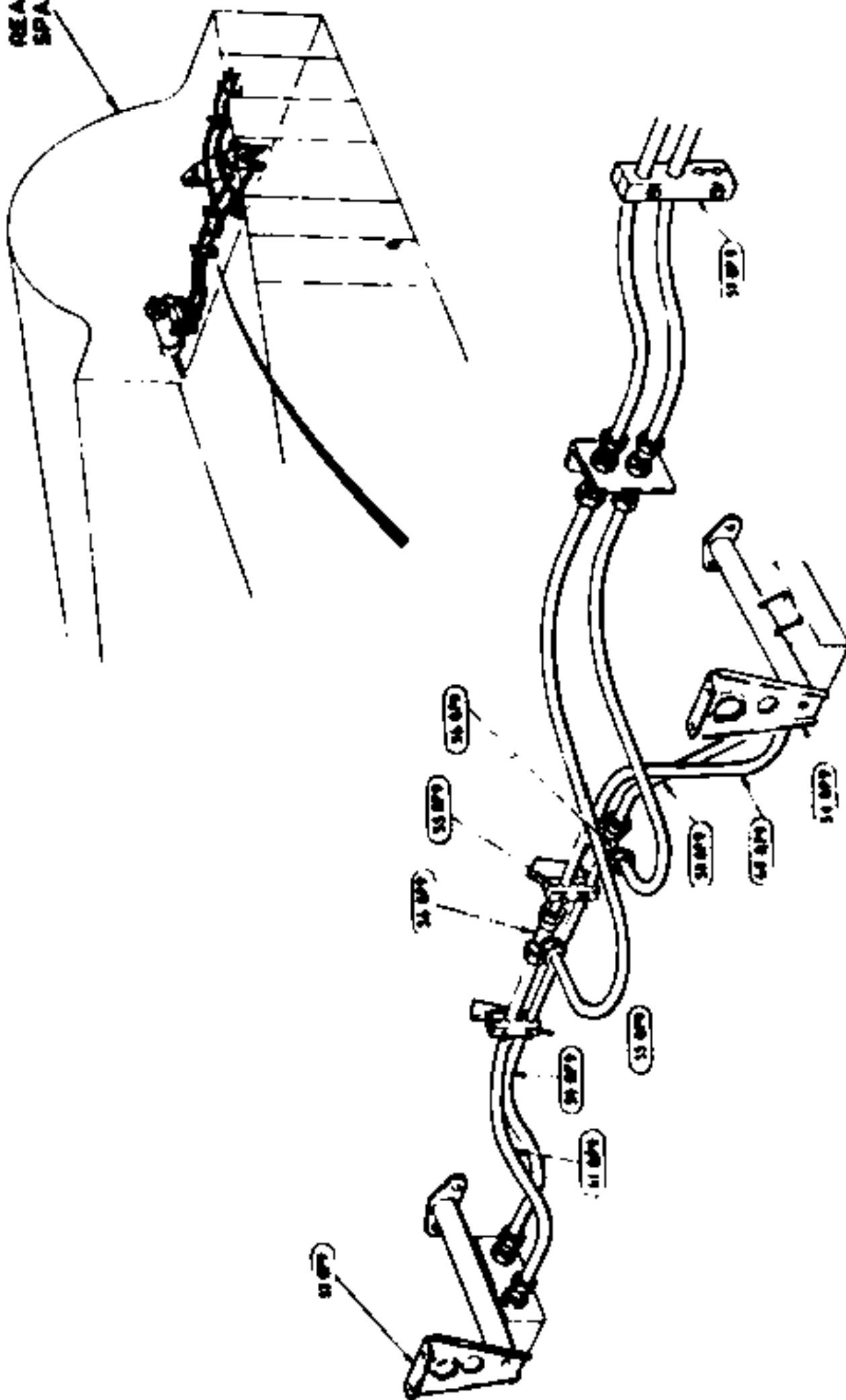
PLATE No. QP 1 A
ISSUE 4



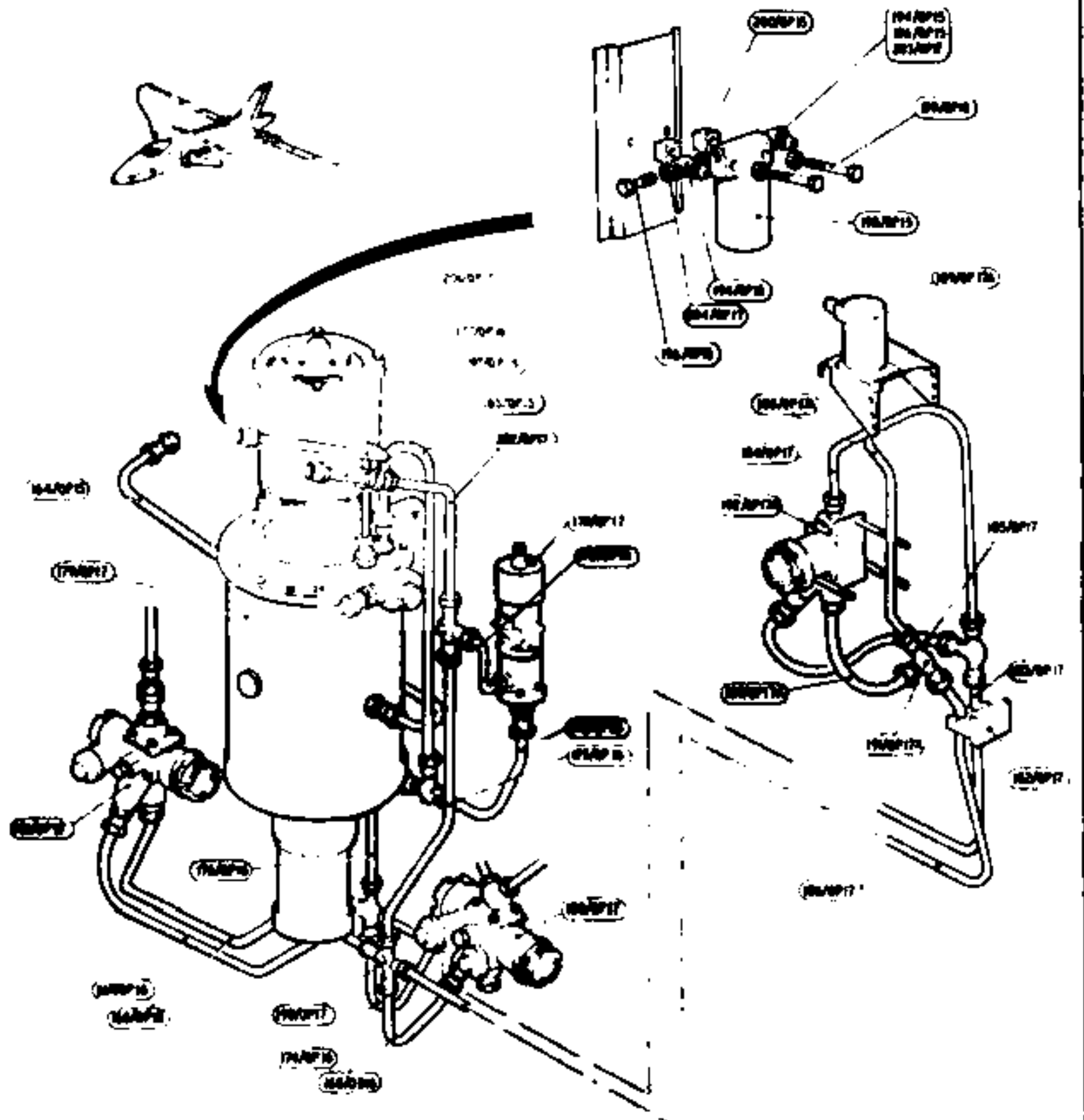
SERVICES
HYDRAULIC

RESTRICTED

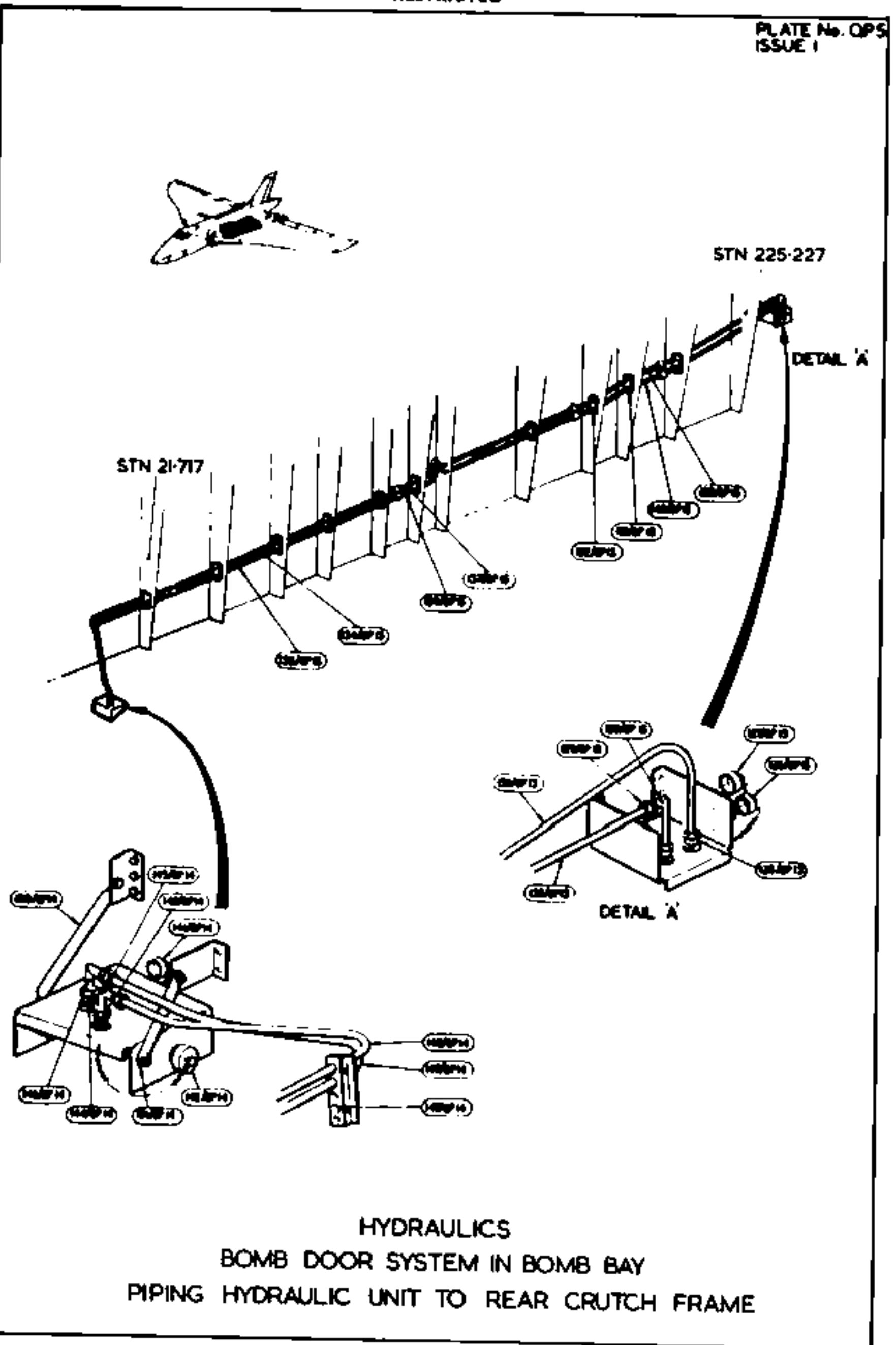
REAR
SPAR



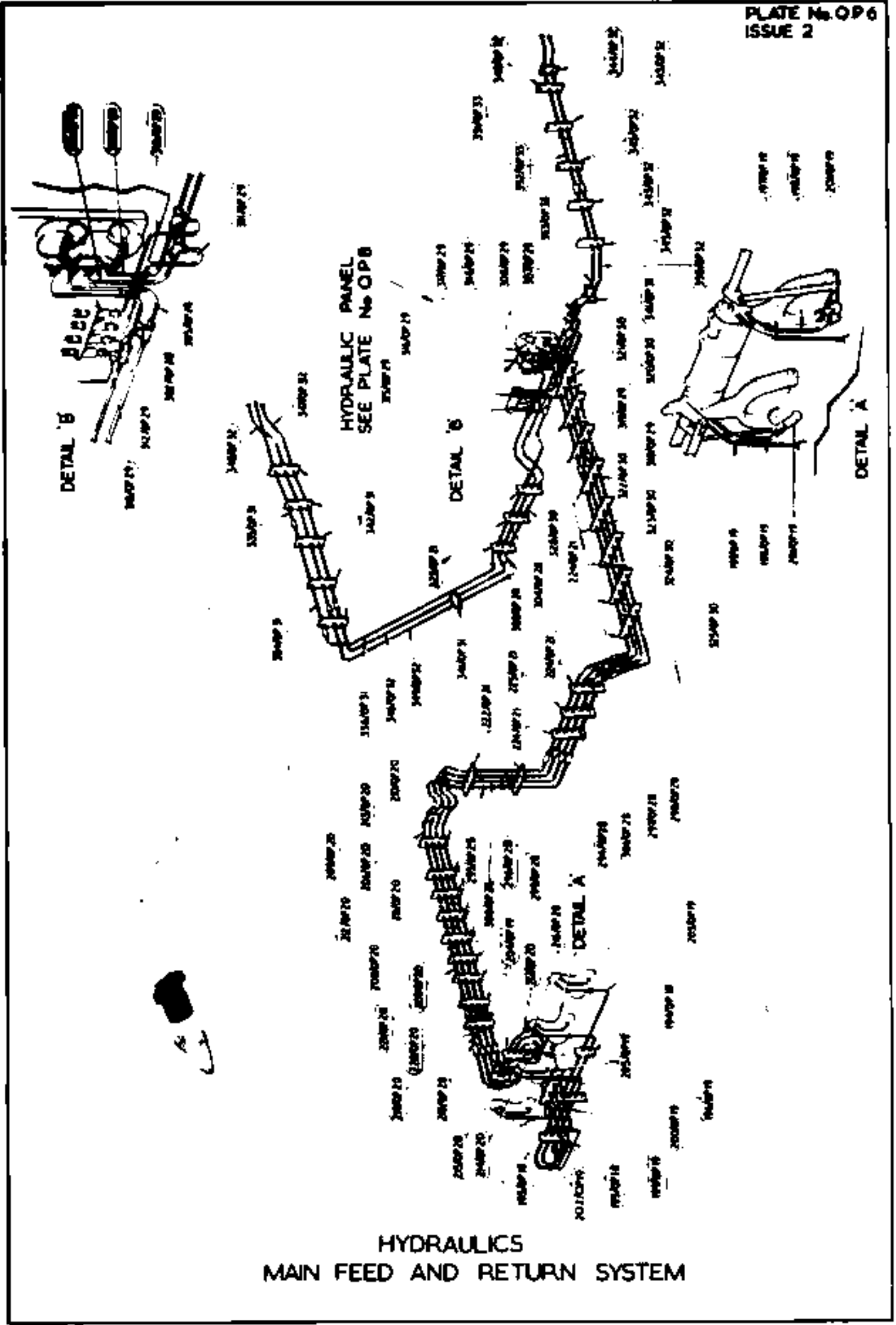
SERVICES
HYDRAULIC

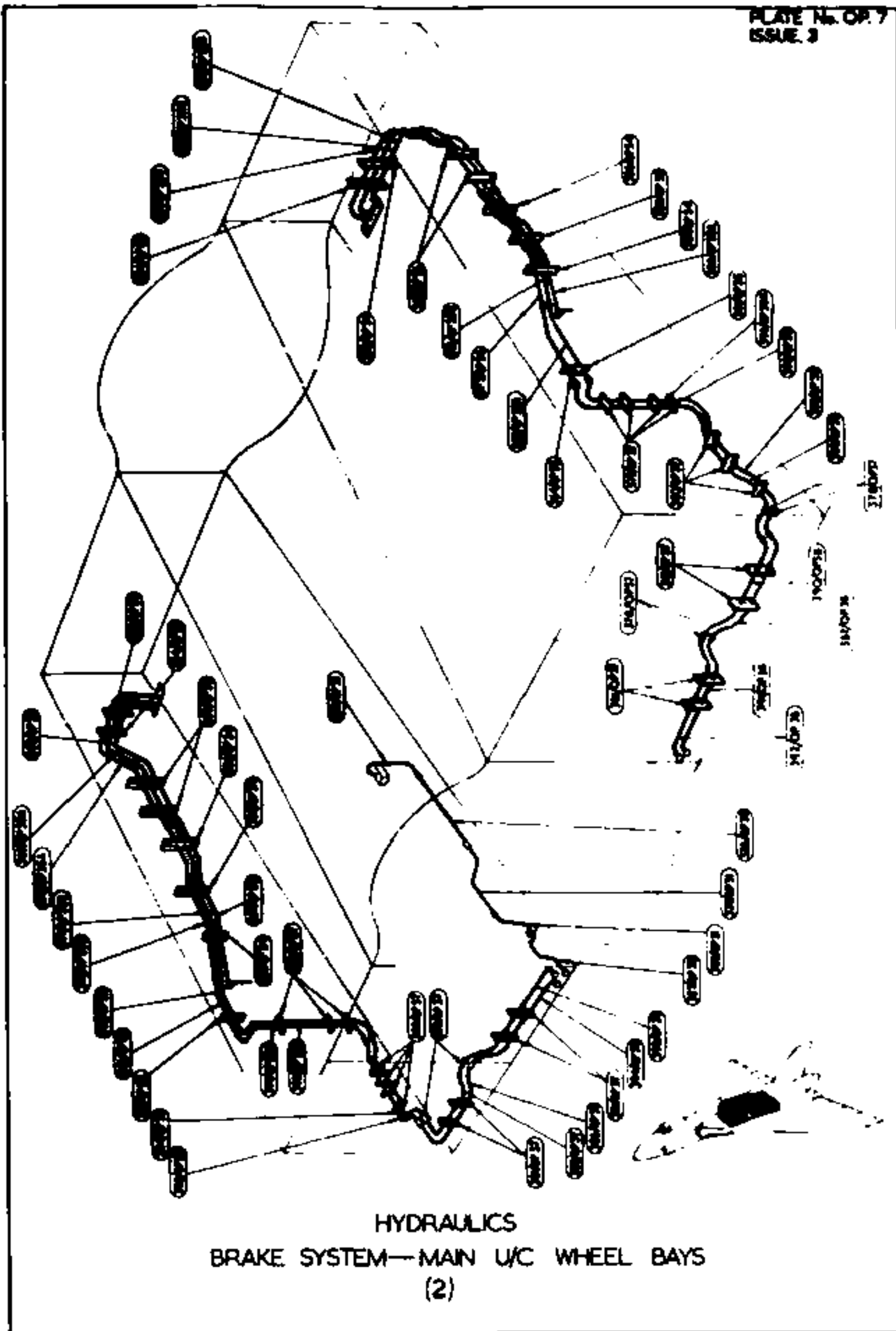


HYDRAULICS
BOMB DOOR SYSTEM IN BOMB BAY. EMERGENCY POWER PACK
(3)

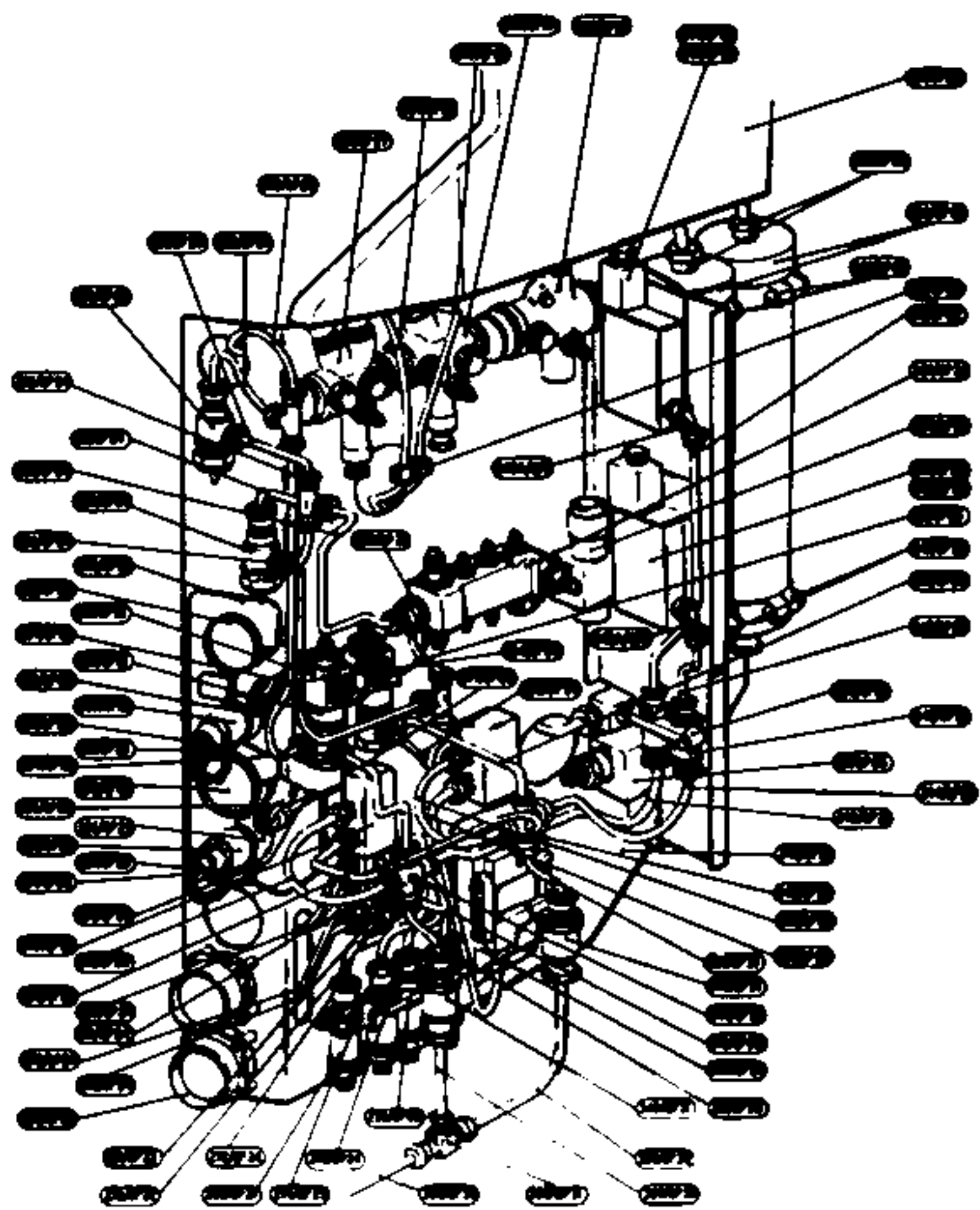


HYDRAULICS
BOMB DOOR SYSTEM IN BOMB BAY
PIPING HYDRAULIC UNIT TO REAR CRUTCH FRAME

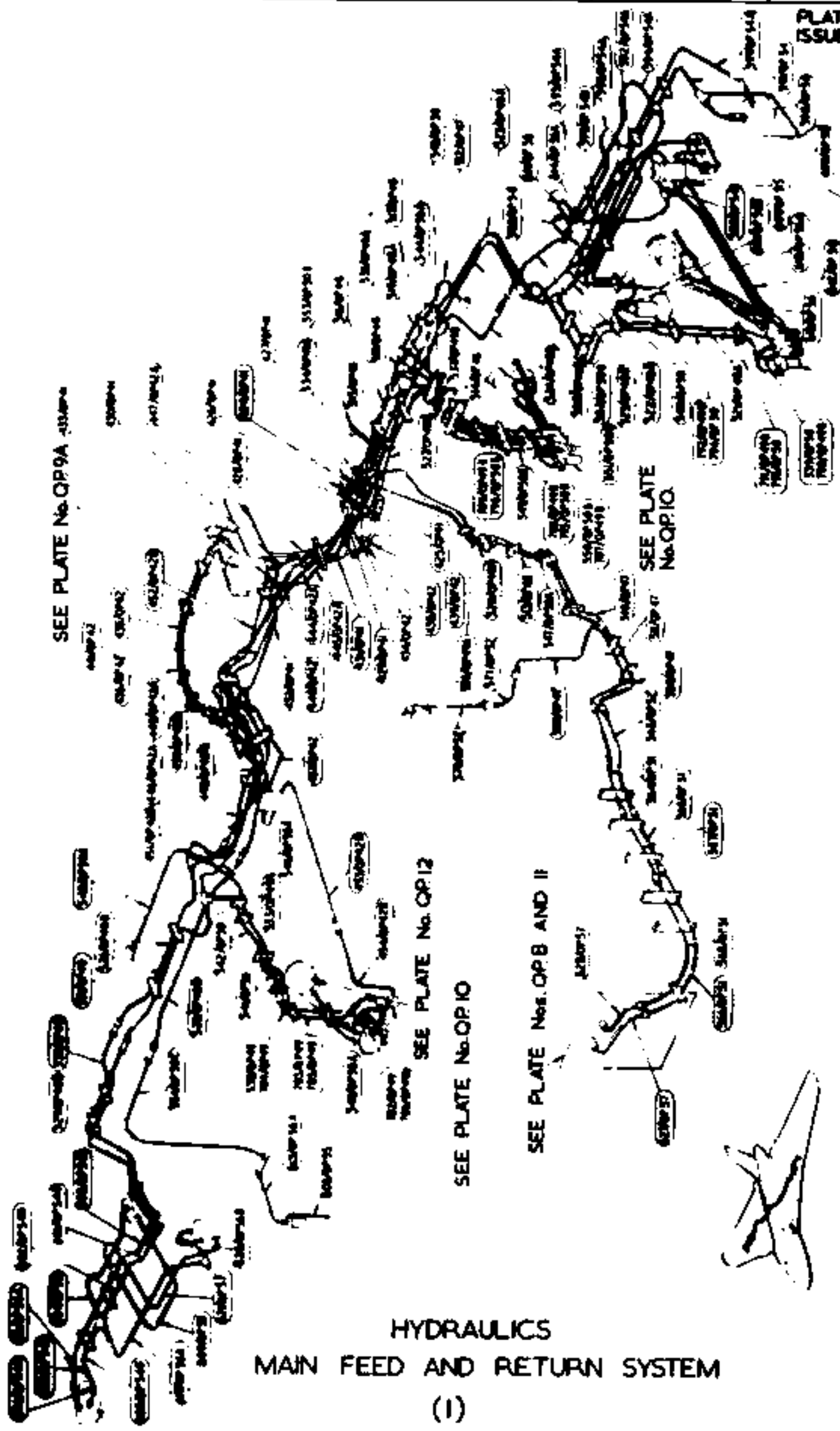




HYDRAULICS
BRAKE SYSTEM—MAIN U/C WHEEL BAYS
(2)



HYDRAULICS
BRAKE SYSTEM—HYDRAULIC PANEL
(3)



SEE PLATE No. QP 9A

SEE PLATE No. QP 10

SEE PLATE No. QP 10

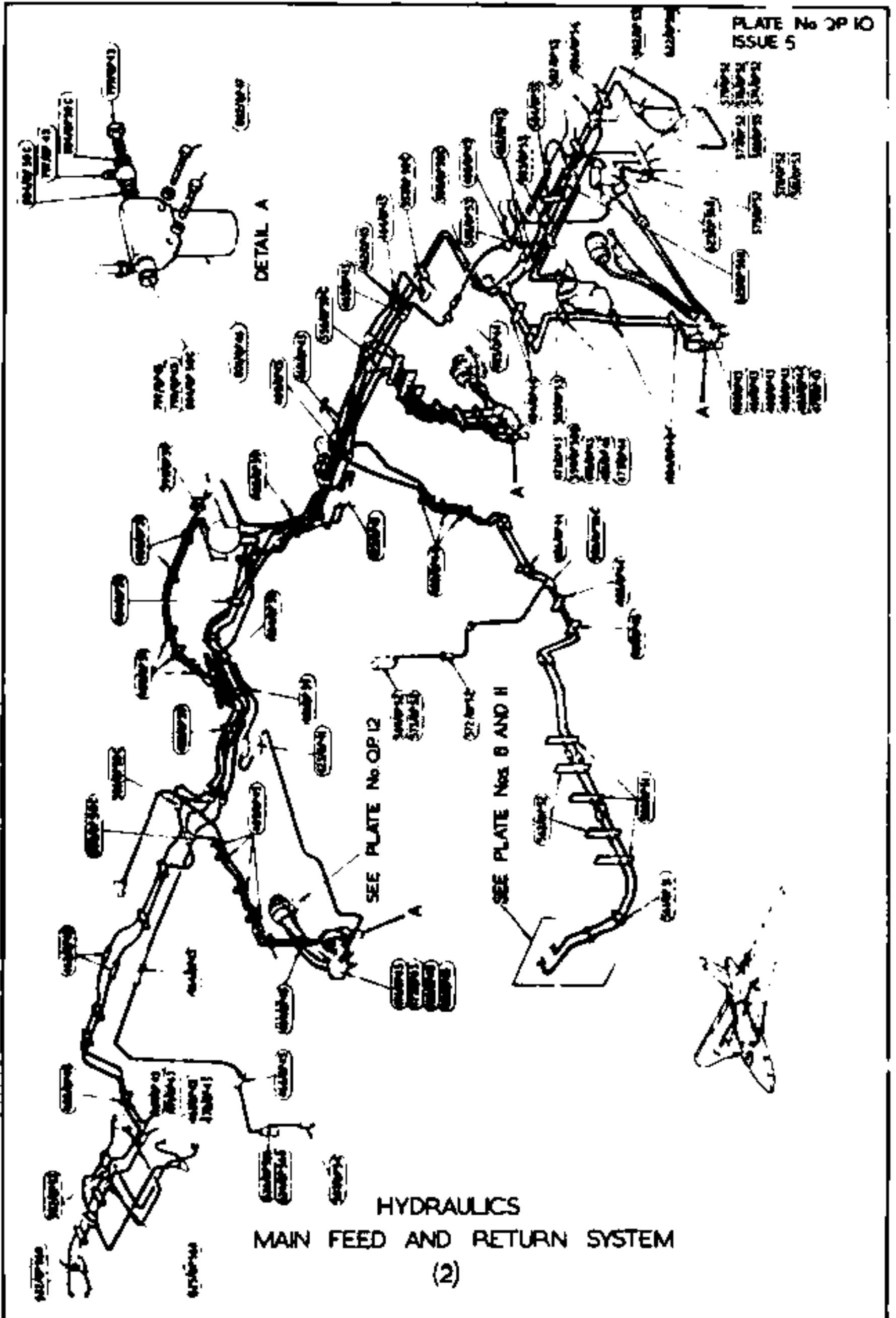
SEE PLATE No. QP 12

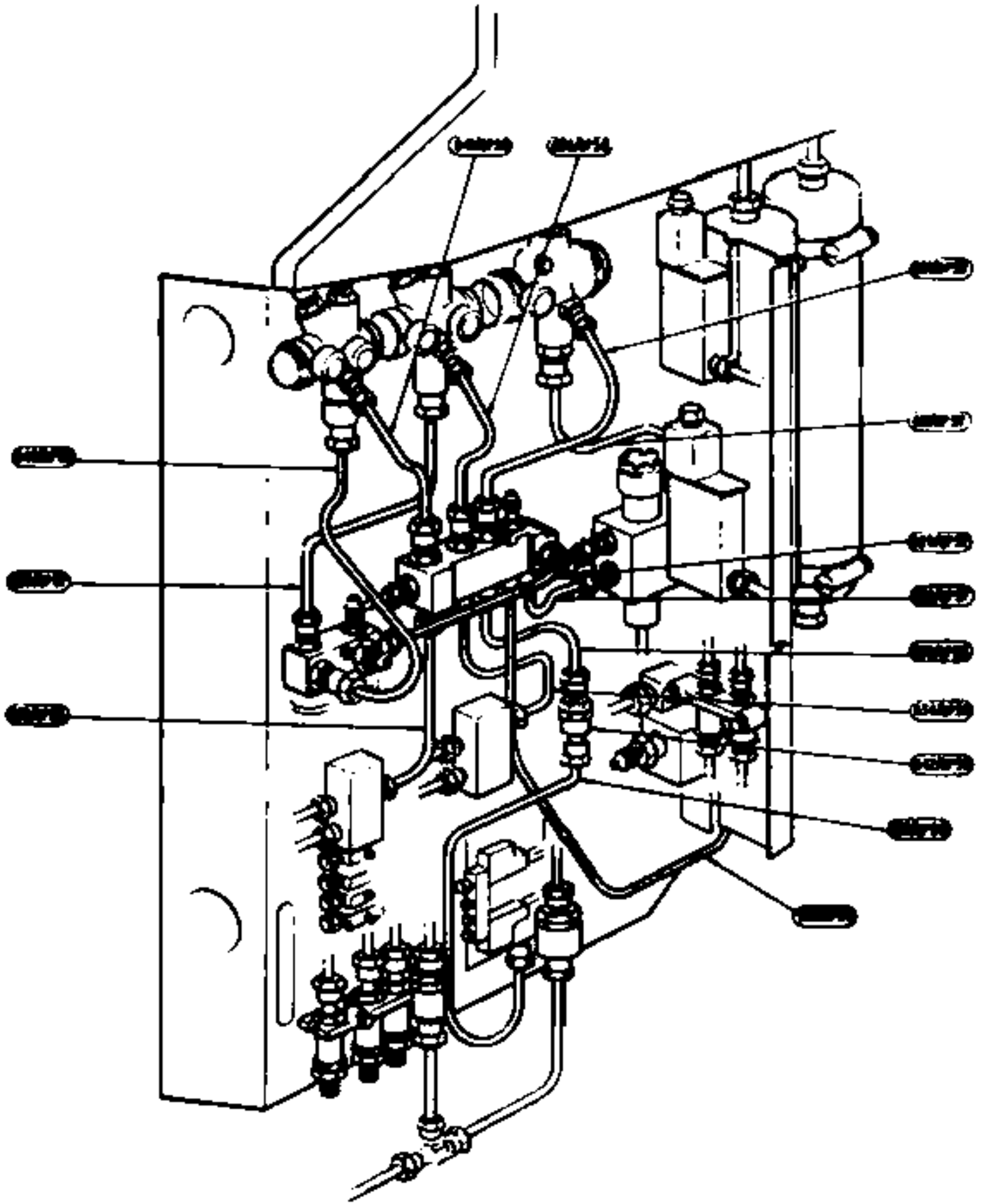
SEE PLATE No. QP 10

SEE PLATE Nos. QP B AND II

HYDRAULICS
MAIN FEED AND RETURN SYSTEM

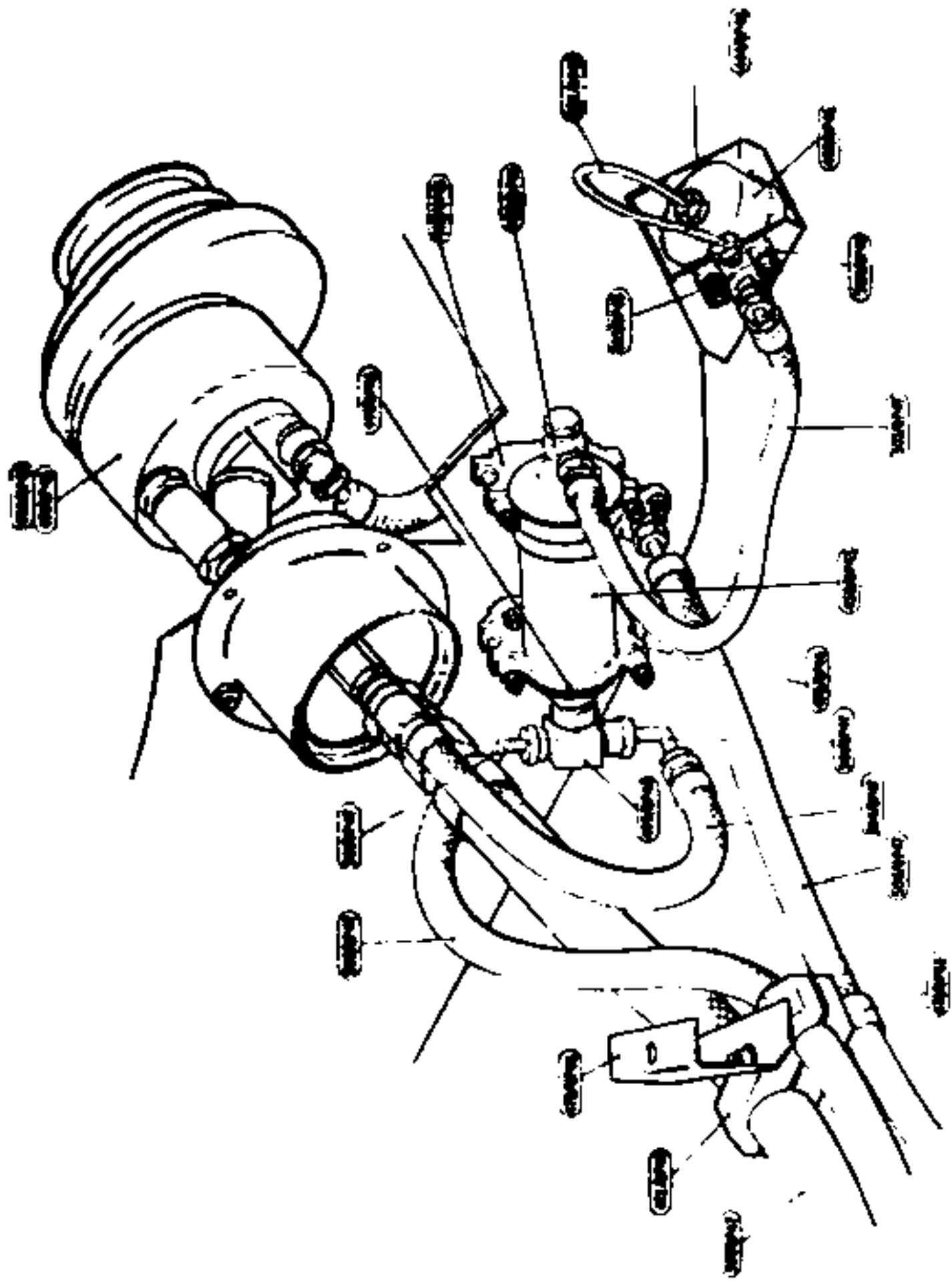
(1)



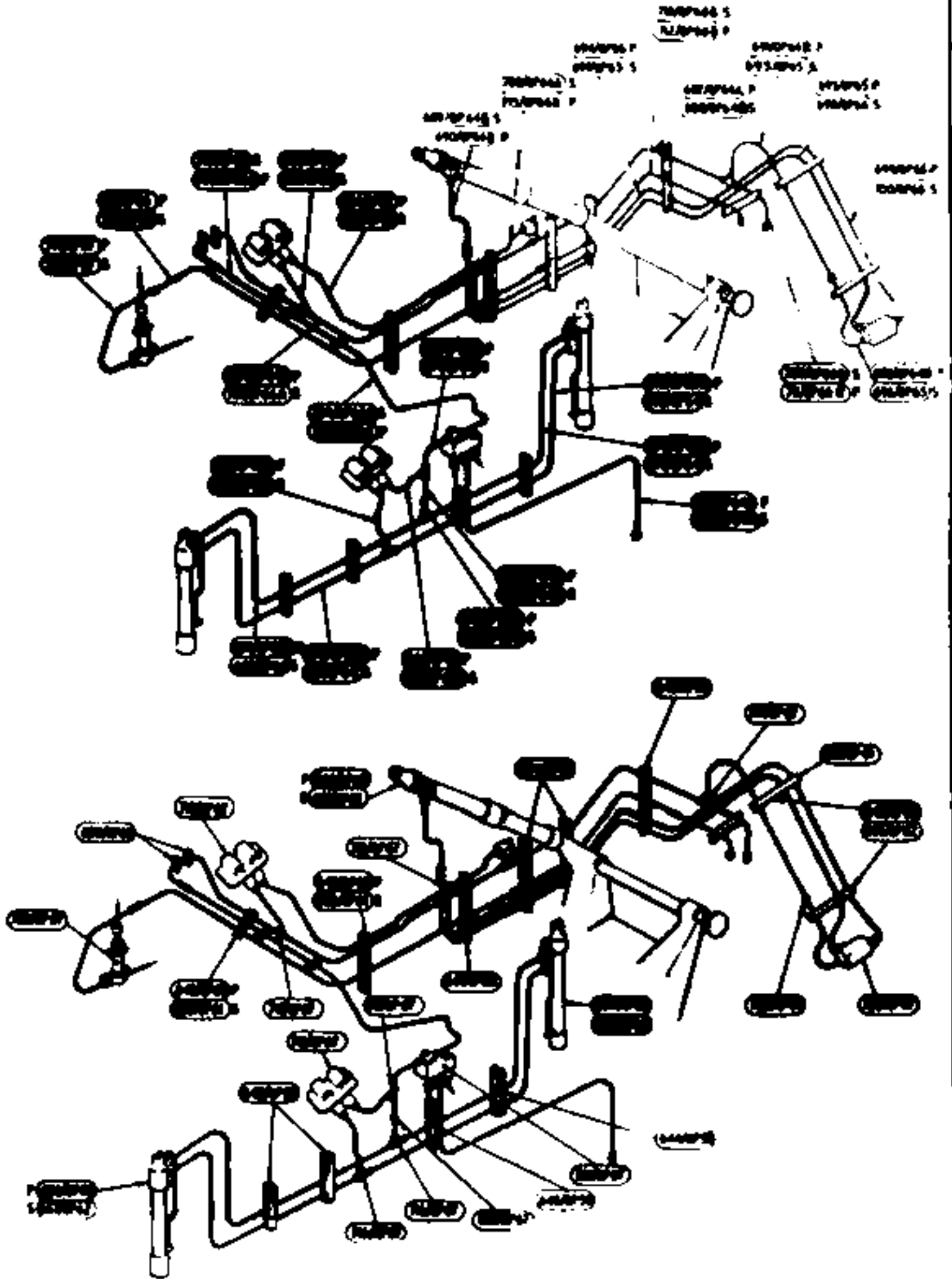


HYDRAULICS
MAIN FEED AND RETURN SYSTEM

(3)



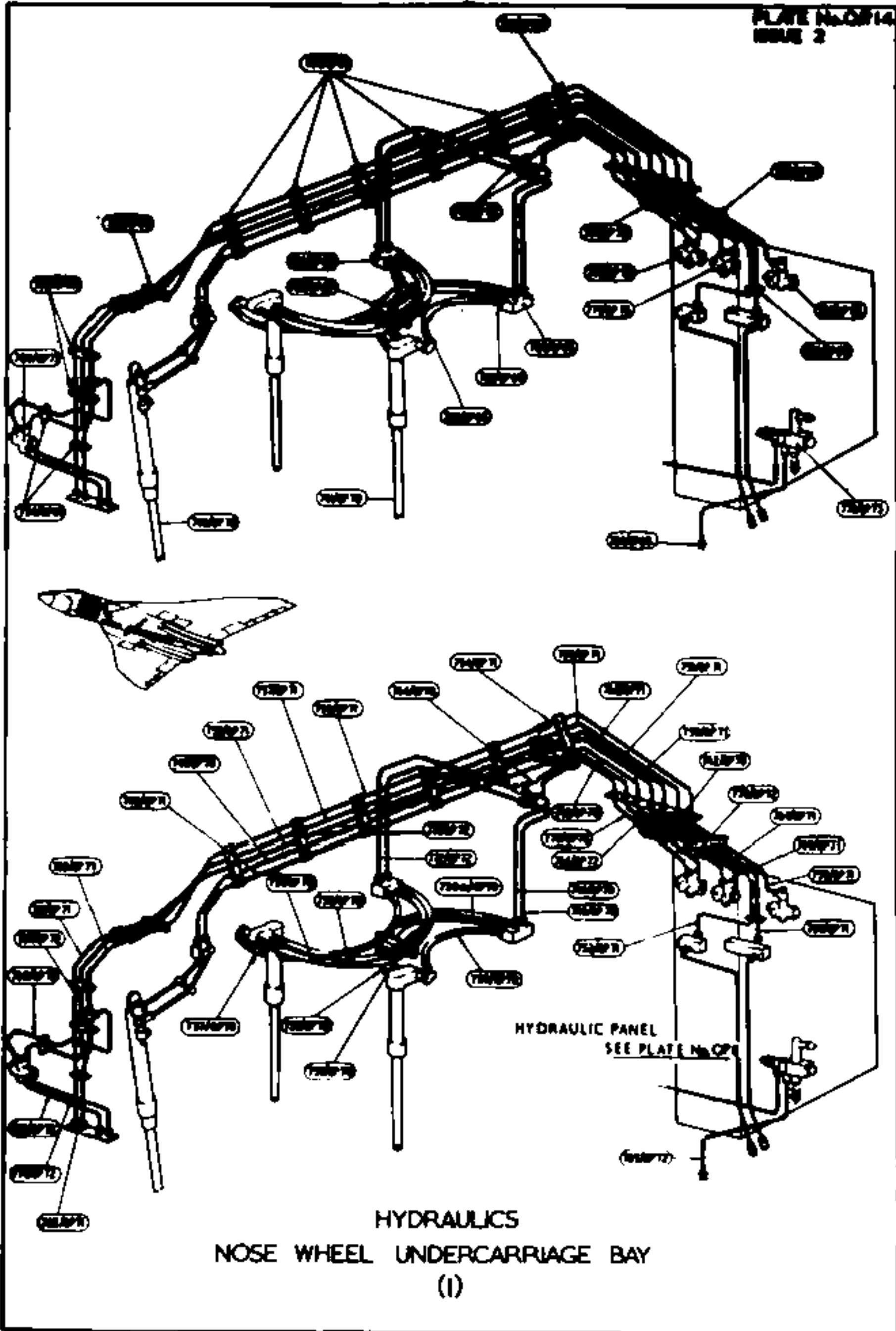
HYDRAULIC
MAIN FEED AND RETURN SYSTEM
(4)



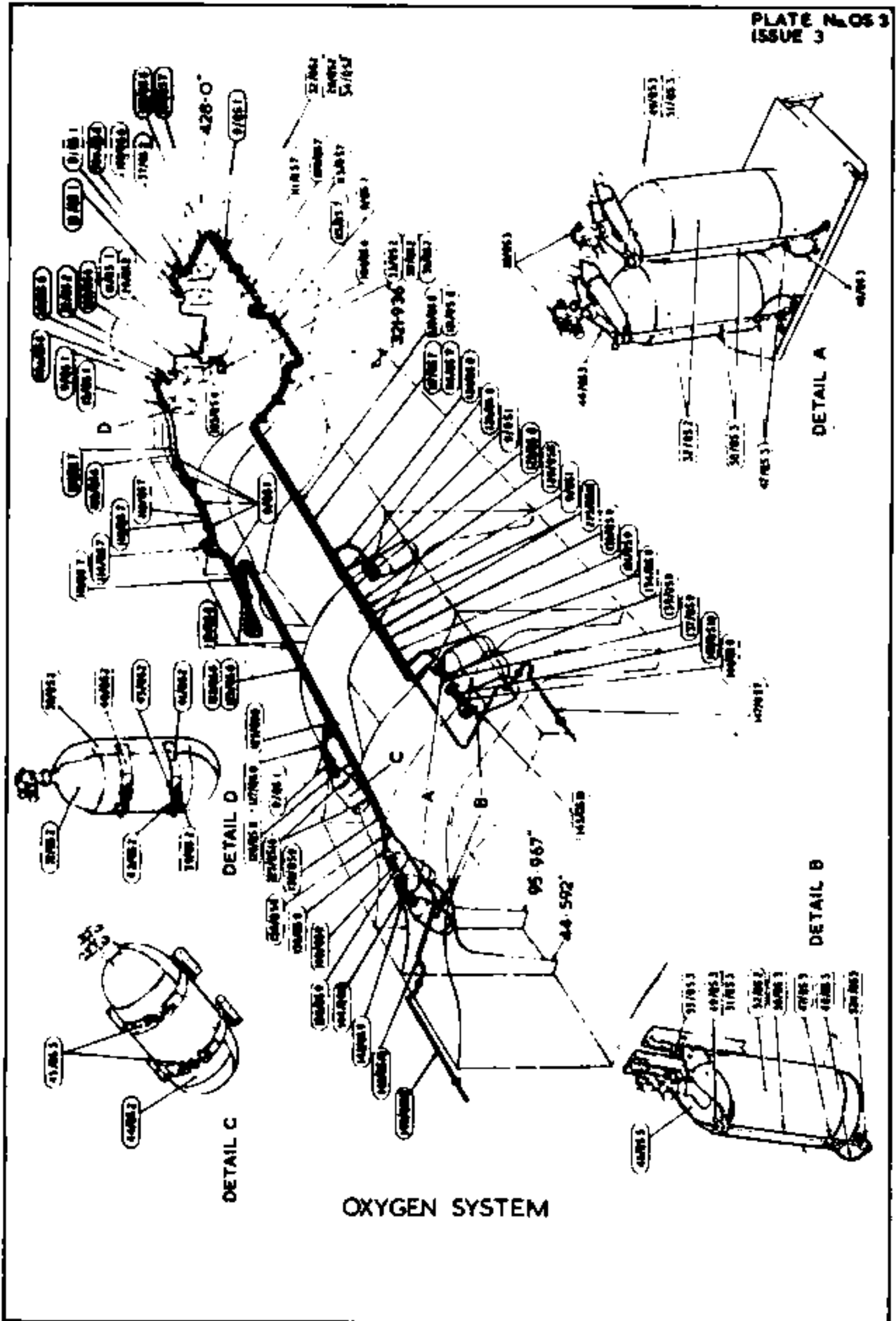
HYDRAULICS
MAIN WHEEL, UNDERCARRIAGE BAY

RESTRICTED

PLATE No. 0714
ISSUE 2



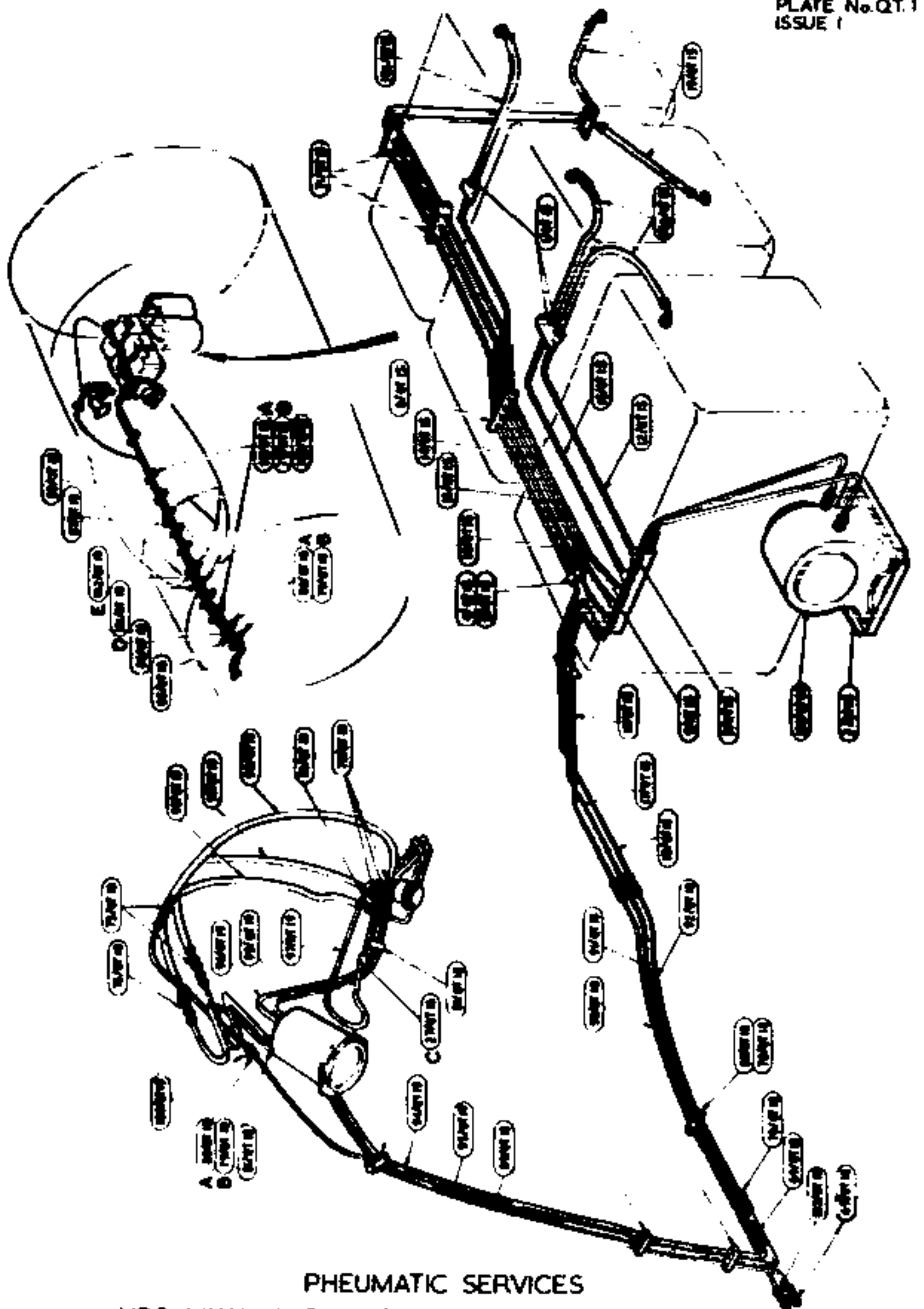
RESTRICTED



OXYGEN SYSTEM

RESTRICTED

PLATE No. QT. 1
ISSUE 1

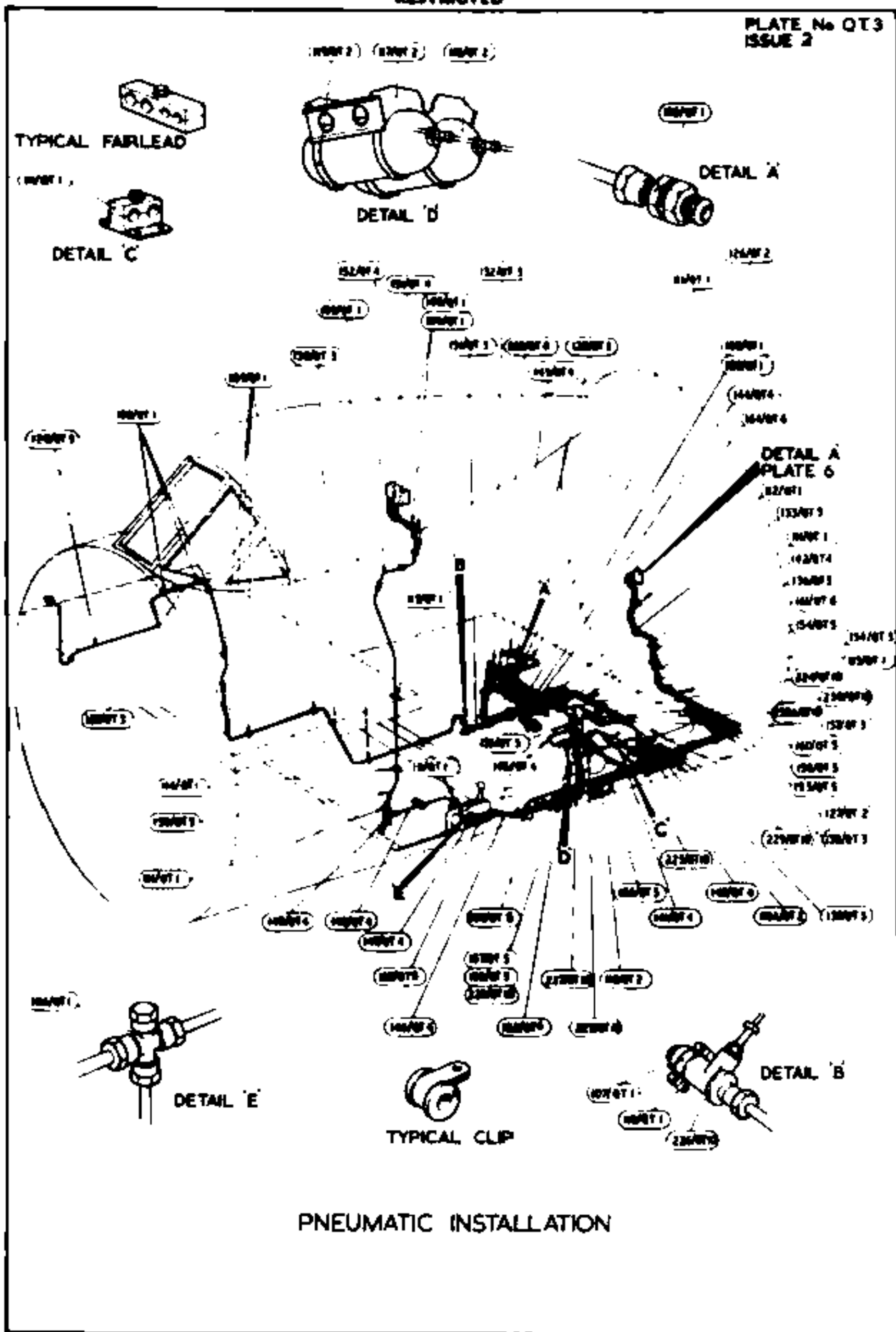


PNEUMATIC SERVICES
NBS. MK1A AND H2S SCANNER CREWS COMPARTMENT

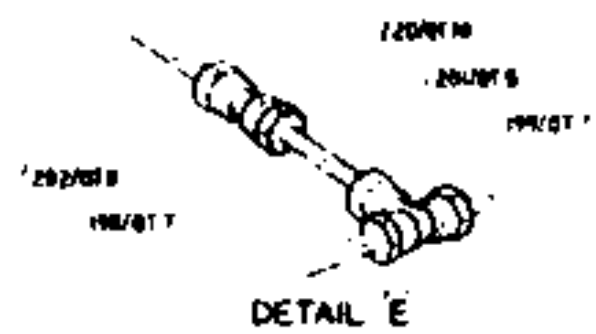
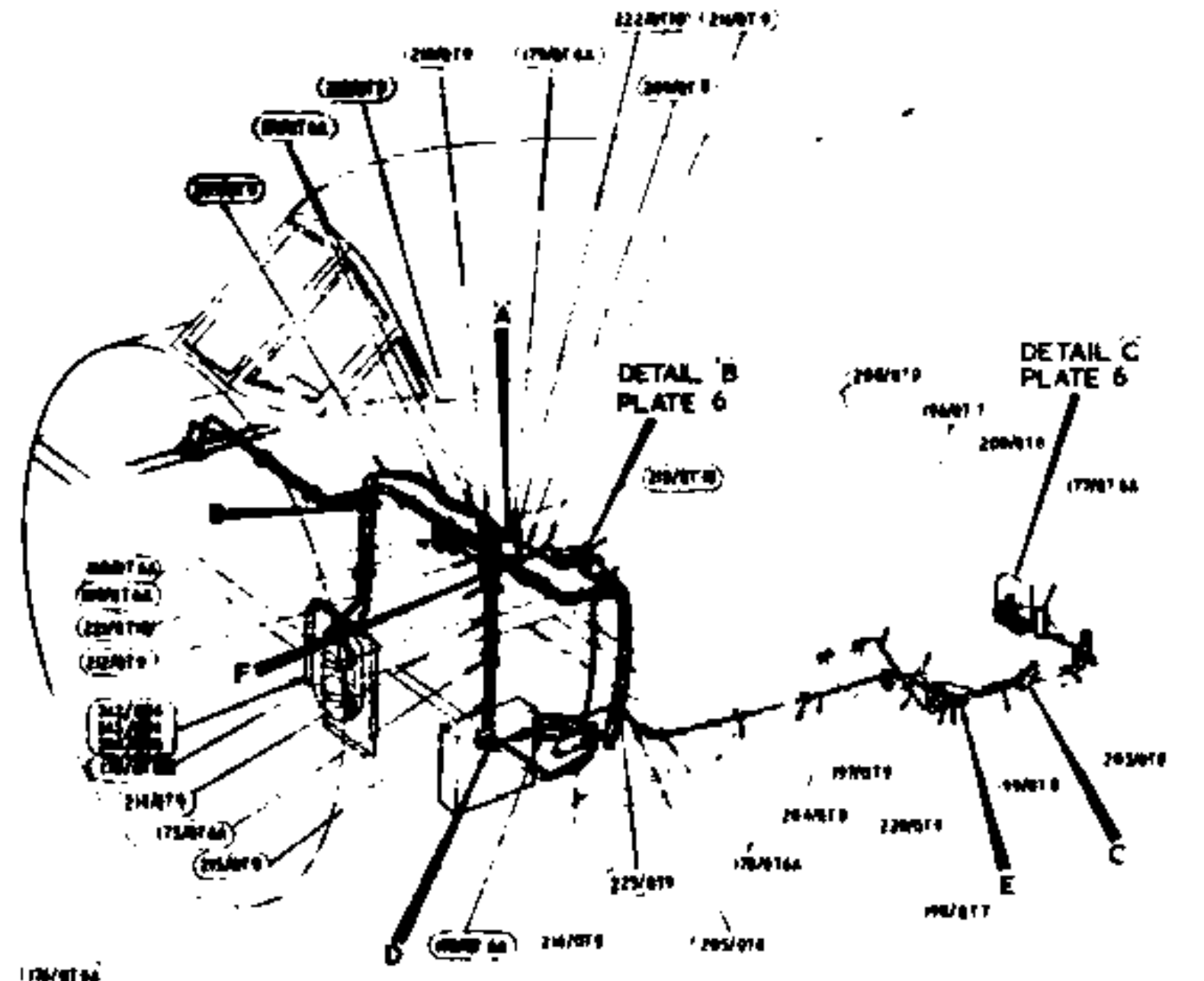
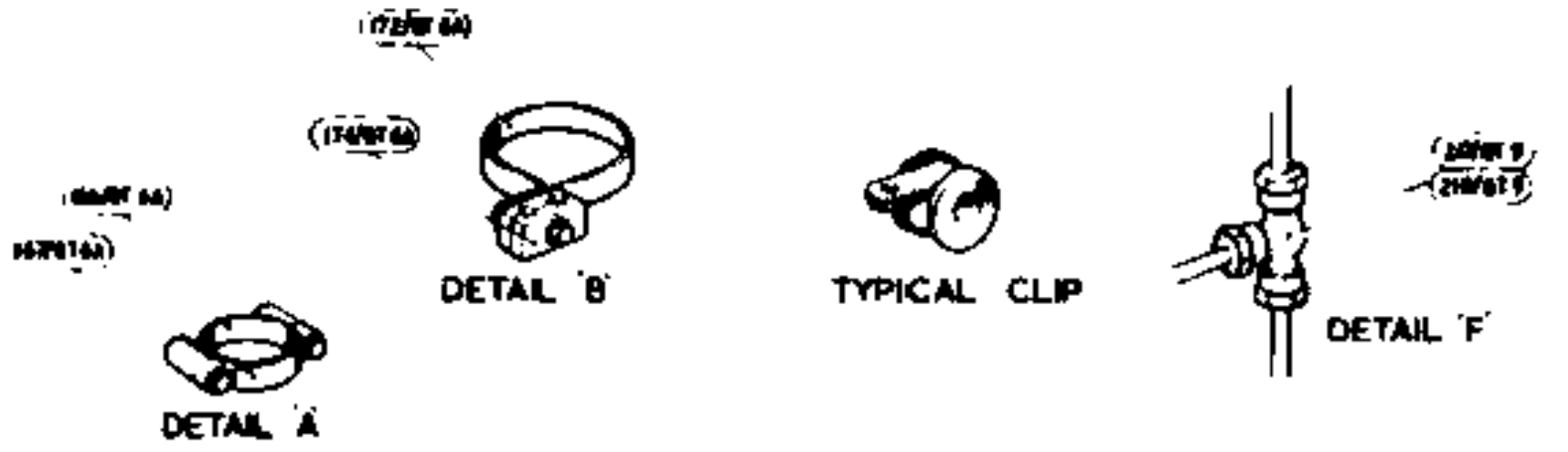
RESTRICTED

RESTRICTED

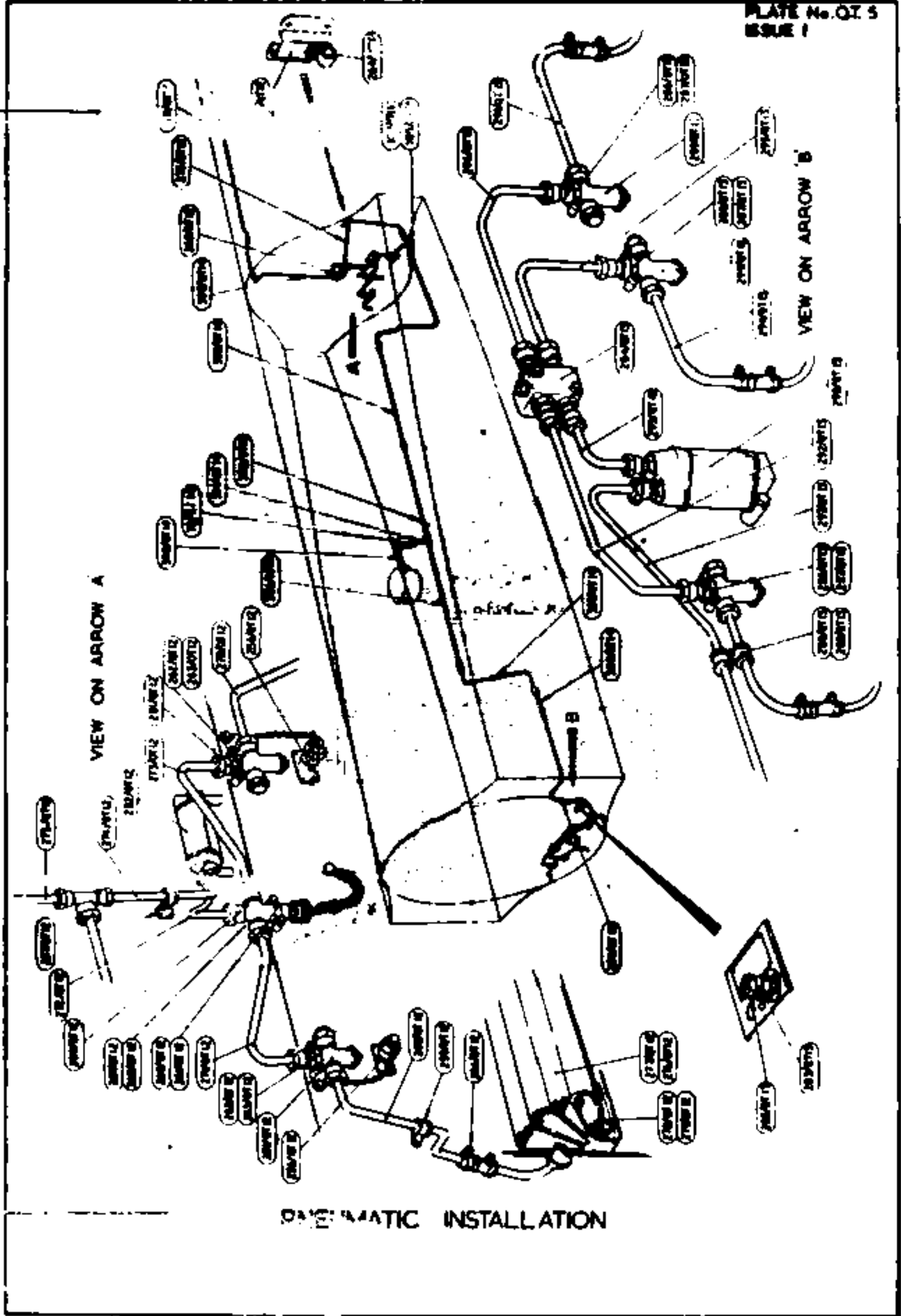
PLATE No QT3
ISSUE 2



RESTRICTED



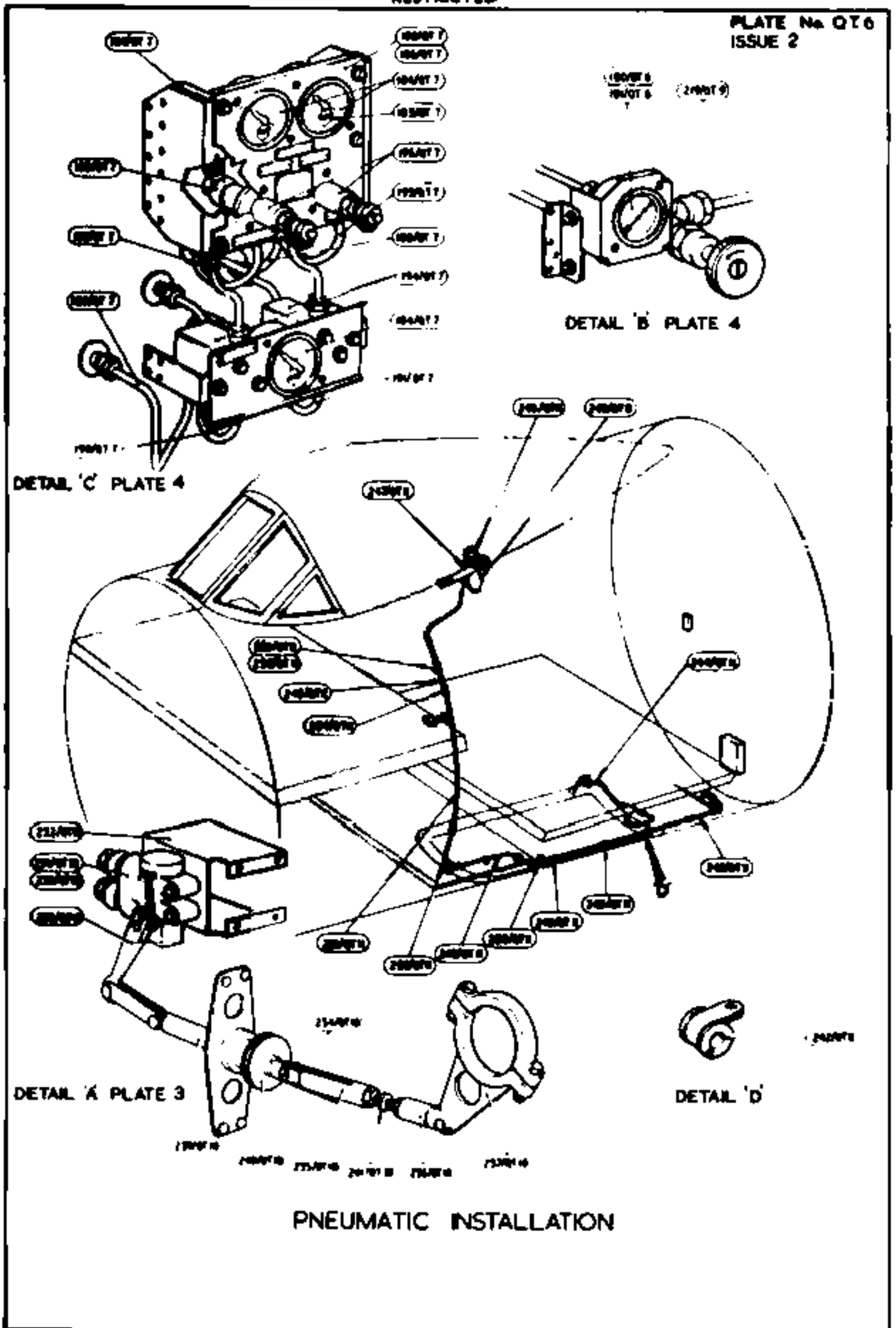
PNEUMATIC INSTALLATION



PNEUMATIC INSTALLATION

RESTRICTED

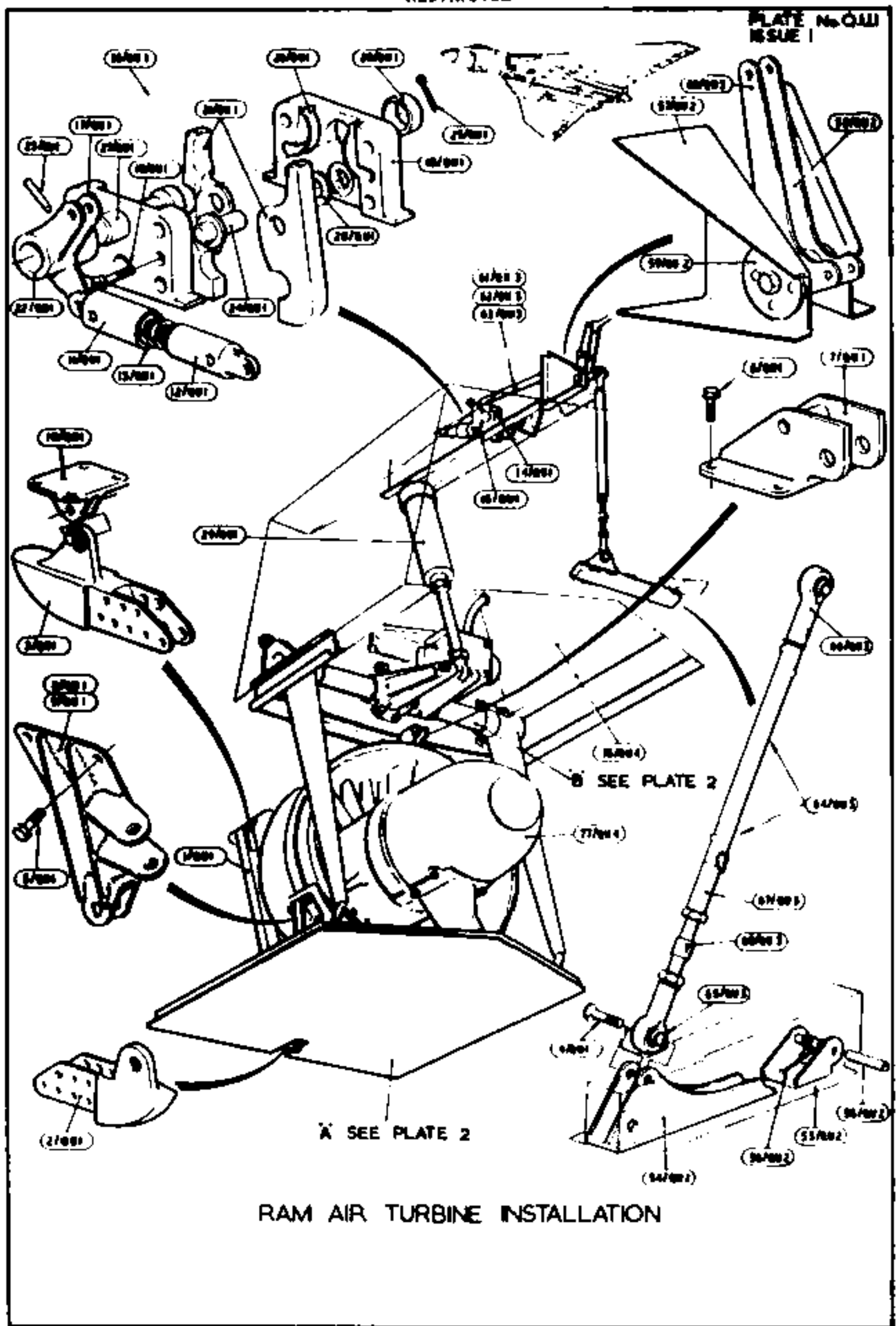
PLATE No QT 6
ISSUE 2



PNEUMATIC INSTALLATION

RESTRICTED

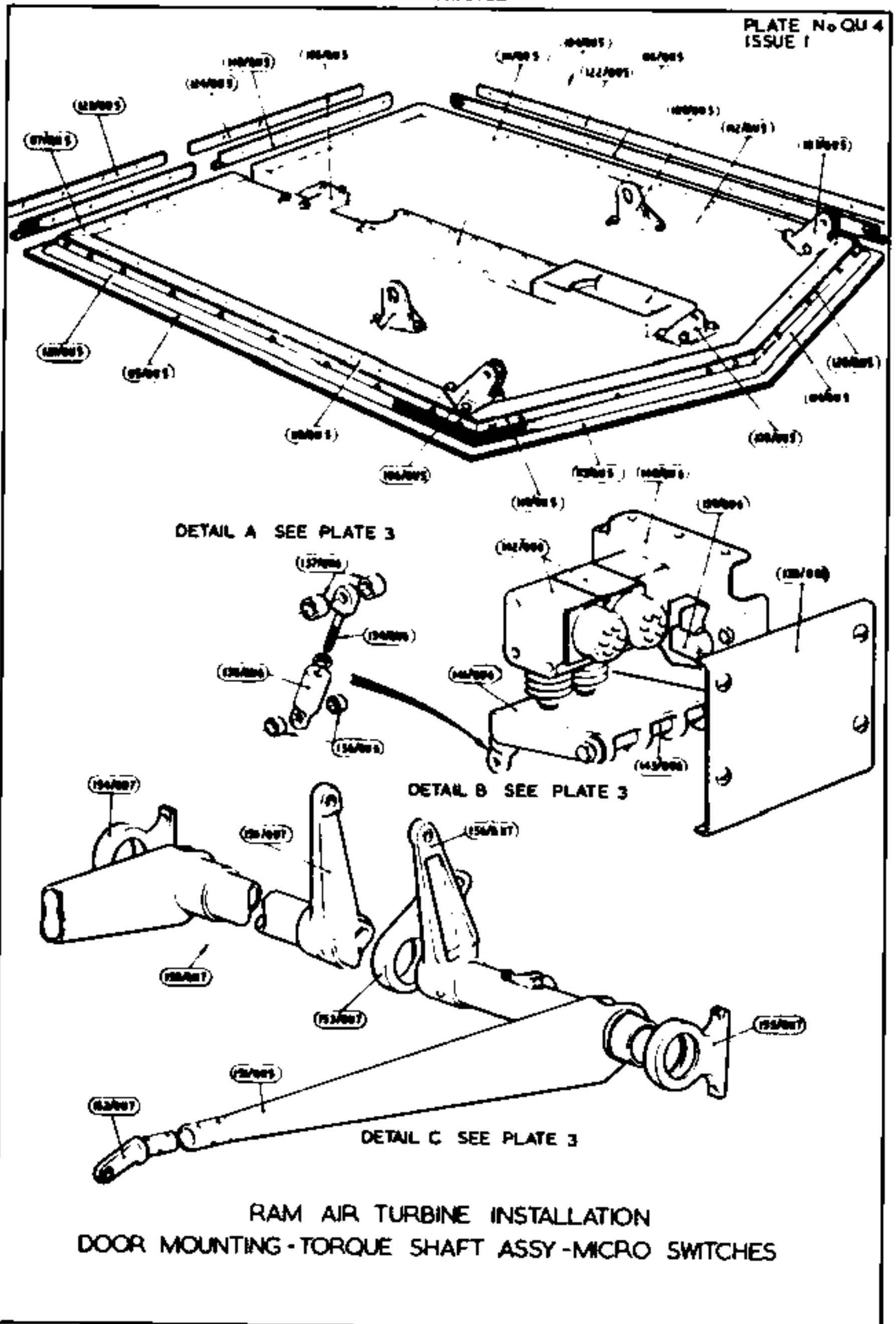
RESTRICTED



RESTRICTED

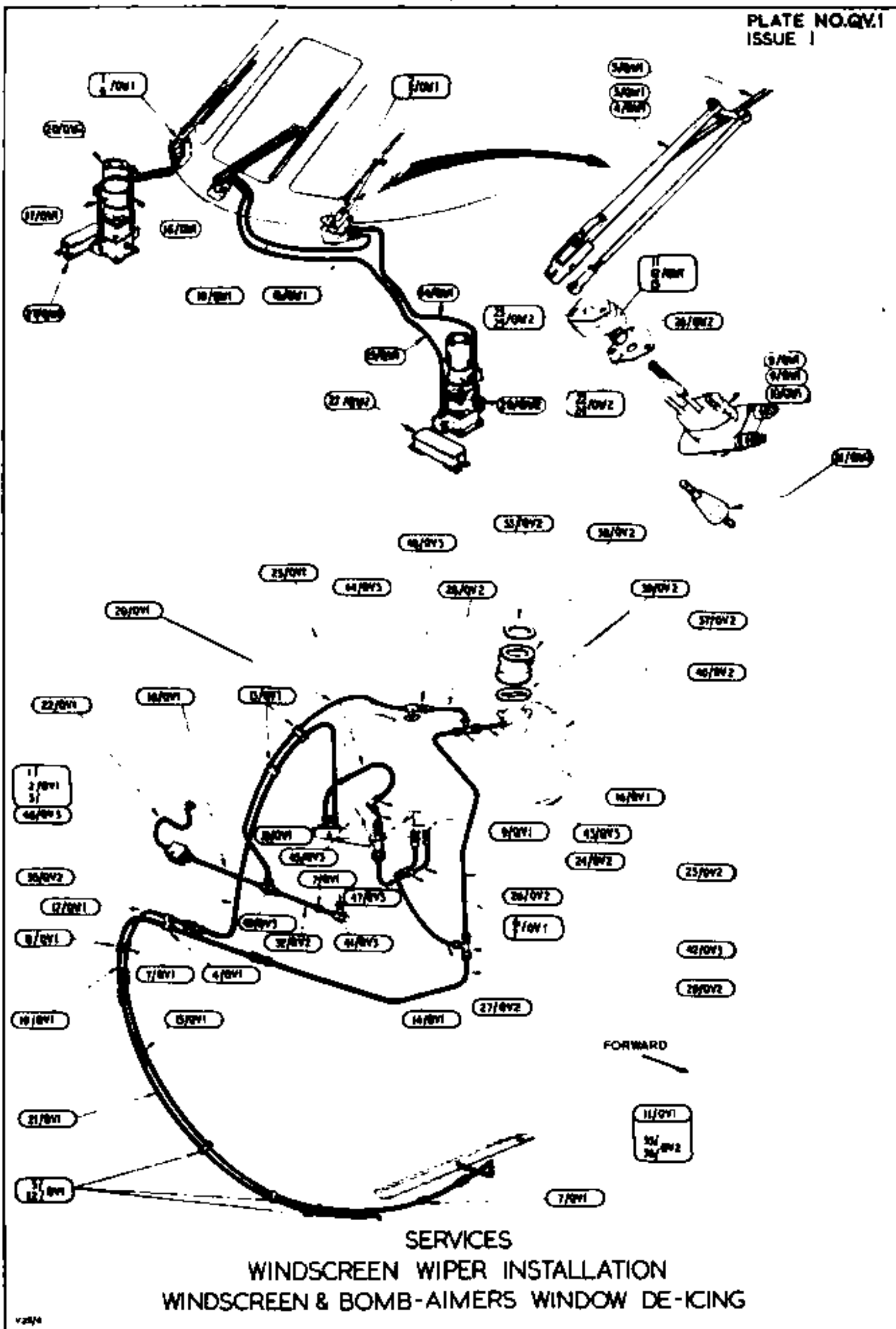
RESTRICTED

PLATE No QU 4
ISSUE 1



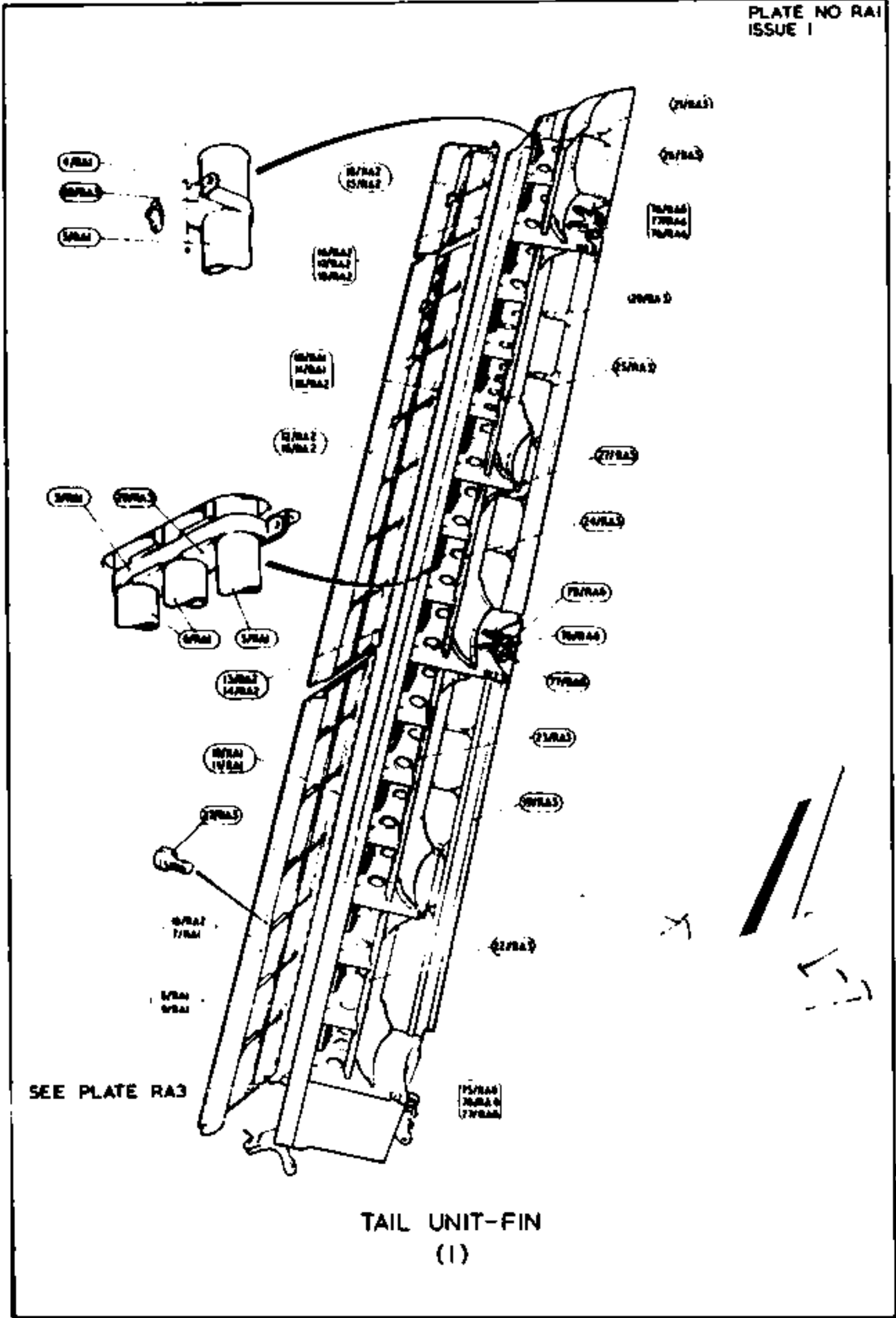
RAM AIR TURBINE INSTALLATION
DOOR MOUNTING - TORQUE SHAFT ASSY - MICRO SWITCHES

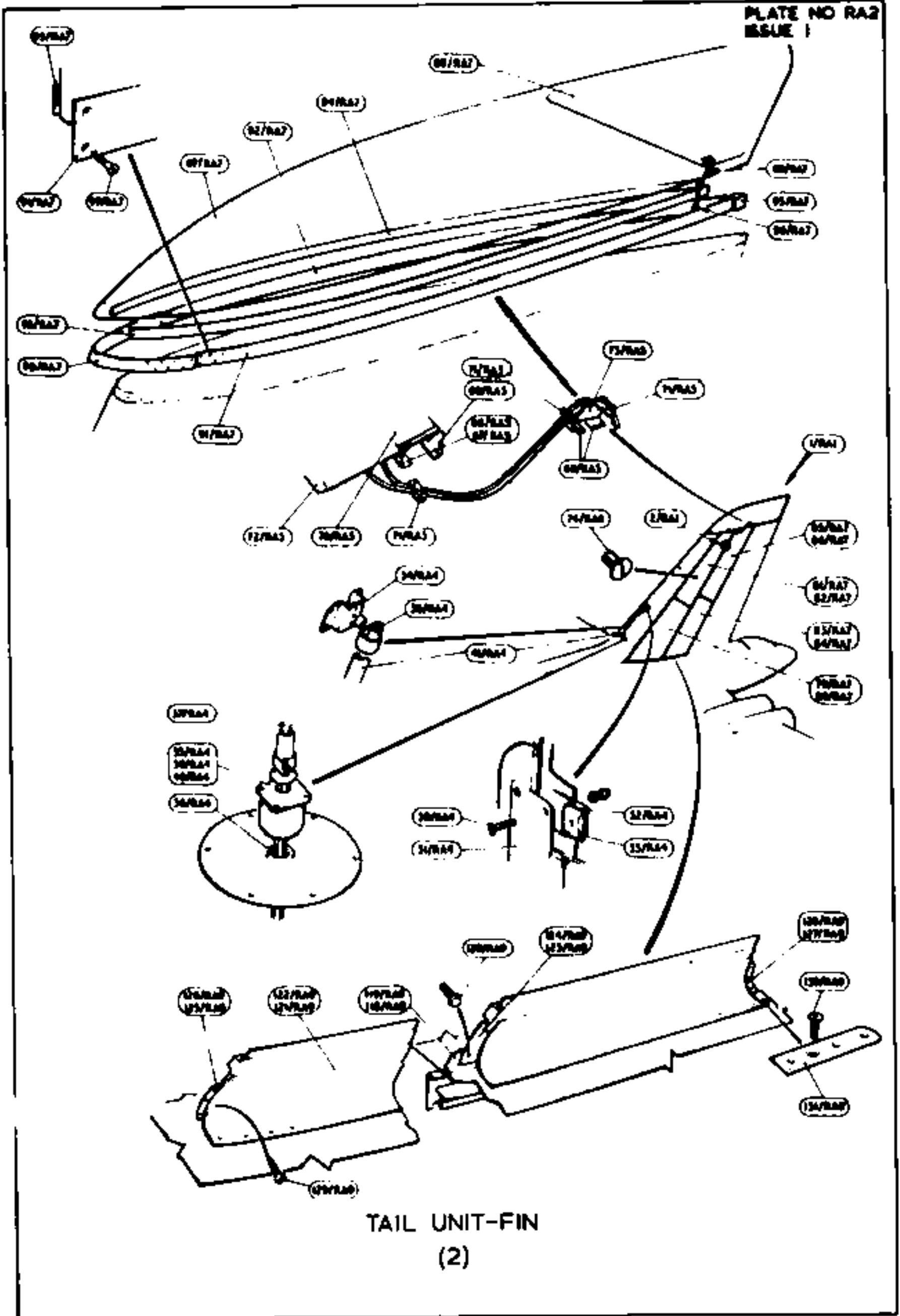
RESTRICTED



SERVICES
 WINDSCREEN WIPER INSTALLATION
 WINDSCREEN & BOMB-AIMERS WINDOW DE-ICING

v284

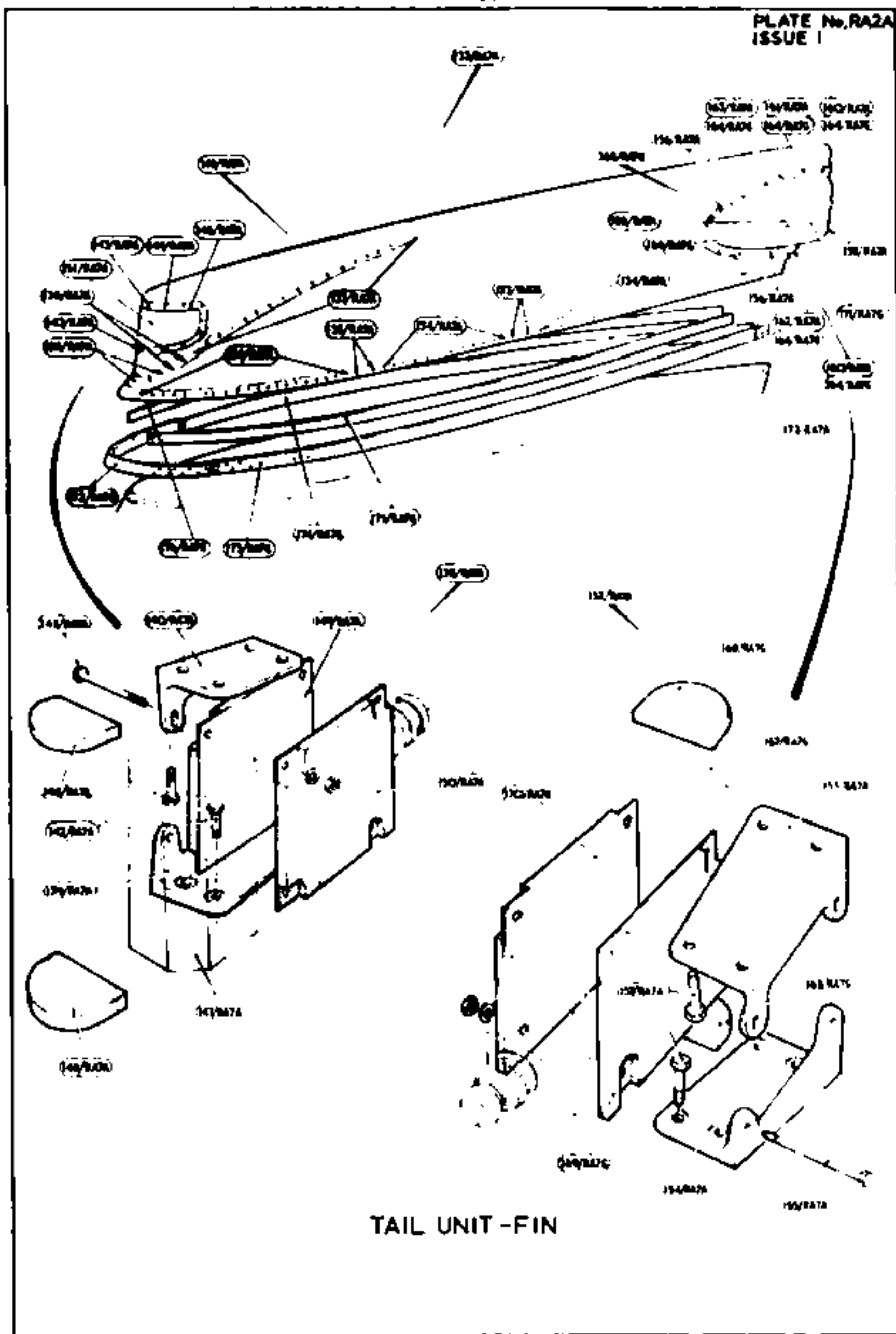




TAIL UNIT-FIN
(2)

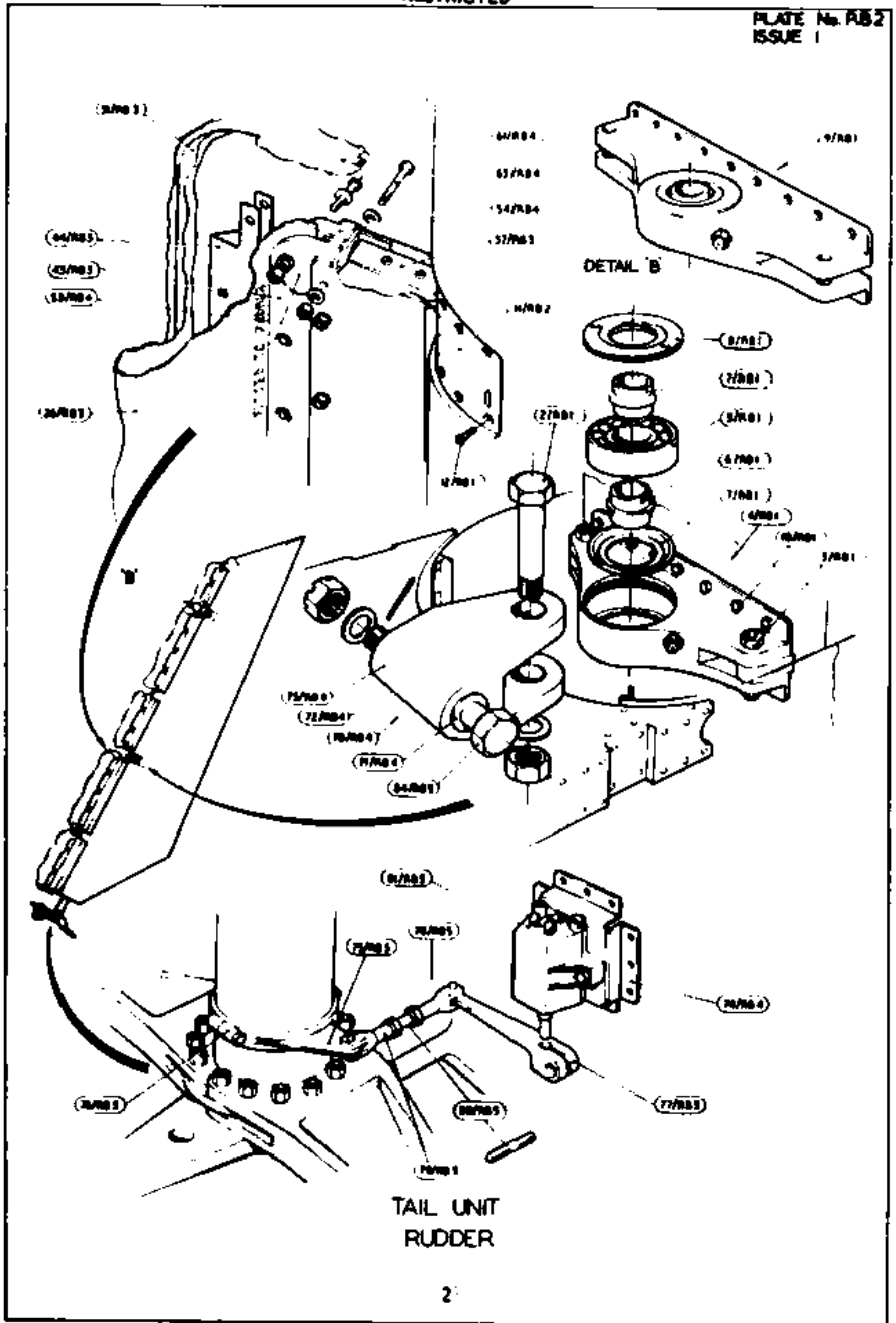
RESTRICTED

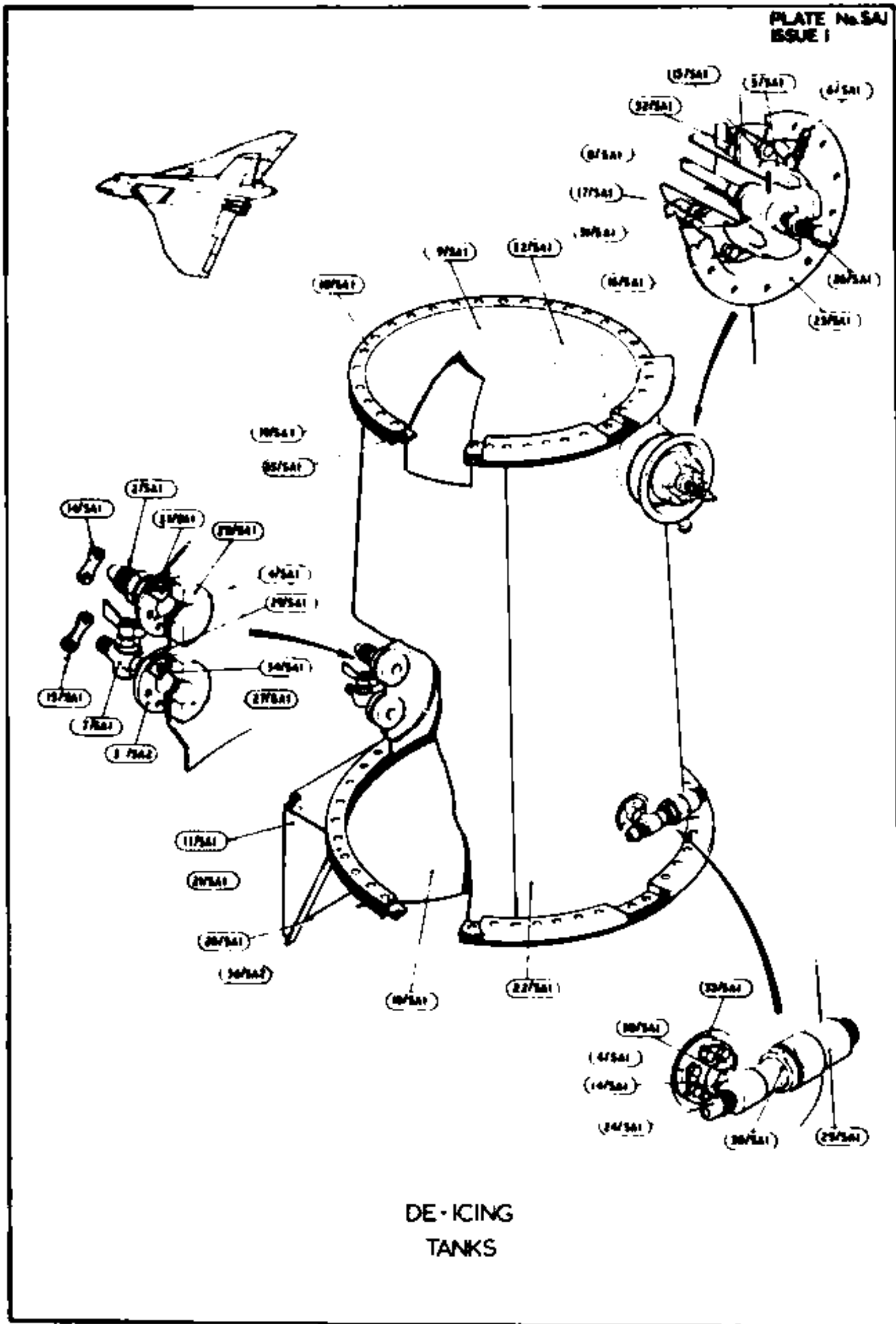
PLATE No. RA2A
ISSUE I



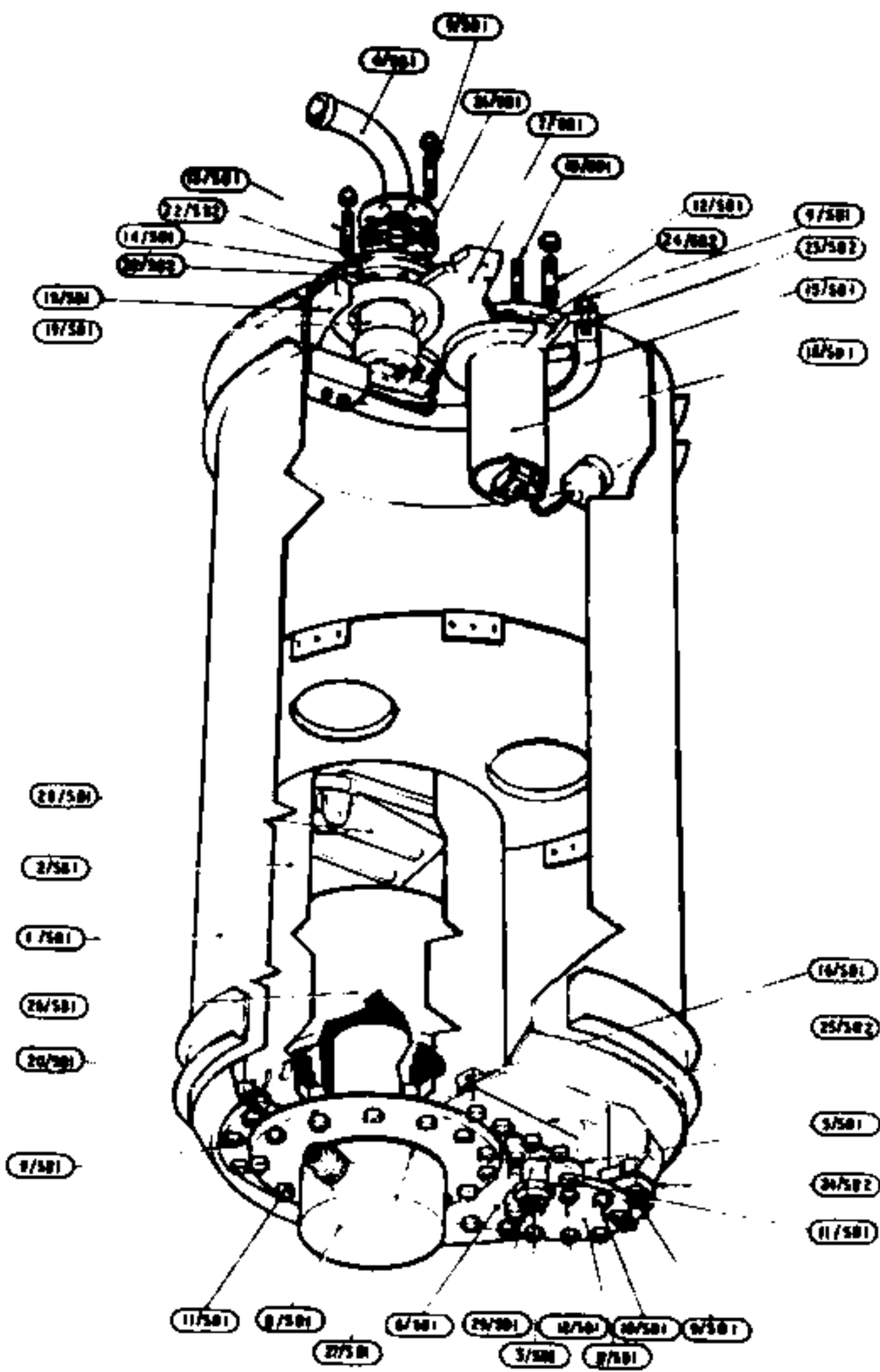
TAIL UNIT-FIN

RESTRICTED





DE-ICING
TANKS



TANKS
AAPP FUEL

VULCAN No. 3

EQUIPMENT, SPECIAL OPERATIONAL (S.O.O.)
MOUNTING, BALLAST AND SOCKET PLATES, WHEN
SPECIAL AIRBORNE EQUIPMENT IS NOT FITTED

Page HA. 1

Ref. No.	Part No.	Description	No. off	Matl. Spec.	Cl of	Plate and Illust'n No.
					St.	
		1 3 3 4			M.R.	
		MOUNTING OF BALLAST AND SOCKET PLATES, WHEN SPECIAL AIRBORNE EQUIPMENT IS NOT FITTED (Z888)				
	1Z10109	Spares for: - PANEL, TRANSPORTATION, FOR INLET & OUTLET PIPES TO SCANNER COOLING, GROUP (Mod. 949)	1	-		HA2/1
	3Z10109	Spares for: - Boss	1	L65		HA2/2
	6Z10109	Backplate	1	-		HA2/3
	2Z10109	Panel, jobloc, 1/2" thick	1	-		HA2/4
	5Z10109	Plate, cover	1	L72		HA2/5
	4bZ10109	Plate, retaining	3	L72		HA2/6
	7Z10109	STRAP, GROUP	3	-		HA2/7
	27Z9980	PLATES, BALLAST AND SOCKET, WITH BRIDGE, GROUP (Mods. 949 & 1258)	3	-		HA2/8
	5Z9980	Spares for: - BALLAST AND SOCKET, BETWEEN FORMERS 120.25" & 97.75", PORT & STARBOARD, GROUP (Mod. 949)	3	-		HA2/9
	4T4362	Spares for: - Bolt, eye, through centre of plate	1	S94		HA2/10
		Attachments for Part No. 4T4362				
28M/4095808	AGS.2001/J1	Nut, 3/8" BSF	1	-	C	
28W/9419488	SP.13/J	Washer, 3/8" BSF	1	-	C	
28W/9156622	SP.18/J	Washer, facing	1	-	C	
1433662	16Z9980	LEG, ASSEMBLY, GROUP	2	-	C	HA2/11
		Attachments for Part No. 16Z9980				
28D/1212309	A25/25E	Bolt, 1/4" BSF	8	-	C	
28D/1011248	A25/11E	Bolt, 1/4" BSF	16	-	C	
28M/9480017	AGS.2001/E1	Nut, 1/4" BSF	24	-	C	
28M/9418921	SP13/E	Washer, 1/4" BSF	24	-	C	
	13Z9980	Washer	24	S510		
	15Z9980	PLATE, BALLAST, GROUP	1	-		HA2/12
		Consisting of: -				
	15bZ9980	Ballast, 160 lbs.	1	Lead		HA2/13
28D/1212309	A25/25E	Bolt, 1/4" BSF	8	-	C	
28M/9480017	AGS.2001/E1	Nut, 1/4" BSF	8	-	C	
	15aZ9980	Plate, base	1	Steel		HA2/14
28W/9418921	SP13/E	Washer, 1/4" BSF	8	-	C	
28W/9994217	SP18/E	Washer, facing	8	-	C	

**EQUIPMENT, SPECIAL OPERATIONAL (S.O.O.)
MOUNTING, BALLAST AND SOCKET PLATES, WHEN
SPECIAL AIRBORNE EQUIPMENT IS NOT FITTED**

Ref. No.	Part No.	Description	No. off	Mast. Spec.	Cl. of	Plate and Illust'n No.
					St.	
		<u>1 2 3 4</u>			M.R.	
		BALLAST AND SOCKET PLATE (5ZB980) (Cont'd)				
10H/0680140	PLESSEY CZ80143	Plug, Mk. IV, 6-pole, forward, starboard, and aft, port	2	-	B	HA2/15
10H/19102	PLESSEY CZ49112	Plug, Mk. IV, 12-pole, aft, starboard and forward, port	2	-	B	HA2/16
	PLESSEY Z49120	Ring, locking, at socket	2	-		HA2/17
	PLESSEY Z284307	Shell, P.U. socket	2	-		HA2/18
	PLESSEY Z84103	Washer, locking, at socket	2	-		HA2/19
27BA/4110878	AVERY AVX2893	Coupling, half flanged (Mod. 949)	3	-	C	HA2/20
27BA/4110877	AVERY AVX2850	Coupling, half flanged (Mod. 949)	3	-	C	HA2/21
	26Z9980	PIECE, BRIDGE, GROUP	1	-		HA2/22
12137	29Z9980	PLATES, BALLAST, GROUP	6	-		HA2/23
	4T4382	Spare for:- Bolt, eye, through centre plate	1	S94		HA2/24
	15Z9980	PLATE, BALLAST, GROUP	1	-		HA2/25
		(for breakdown see HA.1)				
1433682	18Z9980	LEG, ASSEMBLY, GROUP	2	-	B	HA2/26
		(for attachments see HA.1)				
	2Z9980	PLATE & SOCKET, BETWEEN FORMERS .. 48.75" & 22.25" PORT & STARBOARD & 22.25" & 48.75" PORT, GROUP	3	-		HA1/27
	3Z9980	PLATE & SOCKET, BETWEEN FORMERS .. 22.25" & 48.75" STB'D., GROUP	1	-		HA1/28
	4Z9980	PLATE & SOCKET, BETWEEN FORMERS .. 48.75" & 71.25" PORT AND STB'D., GROUP	2	-		HA2/29
		Spare for:-				
	10T4381	Bolt, eye, through centre plate	1	S94		HA1/30
	McMICHAEL RADIO X11242	Connector, bulkhead, on items 2 & 4	1	-		HA1/31
		Z9980				
27BA/4110877	AVERY AVX2850	Coupling, half flanged	1	-	C	HA1/32
27BA/4110878	AVERY AVX2893	Coupling, half flanged	1	-	C	HA1/33

VULCAN No. 3

EQUIPMENT, SPECIAL OPERATIONAL (S.O.O.)
MOUNTING, BALLAST AND SOCKET PLATES, WHEN
SPECIAL AIRBORNE EQUIPMENT IS NOT FITTED

Page HA. 3

Ref. No.	Part No.	Description	No. off	Matl. Spec.	Cl. of	Plate and Illust'n No.
					St. M.R.	
		1 2 3 4				
		PLATES AND SOCKETS (2-3-429980) (Continued)				
	729980	LEG, ASSEMBLY, GROUP	2	—		HA1/34
		Attachments for Part No. 729980				
28D/1010030	A25/7C	Bolt, 2 BA	18	—	C	
28M/1012015	AGS2001/C1/66	Nut, 2 BA	18	—	C	
28W/9418402	SP13/C	Washer, 2 BA	18	—	C	
	1429980	Washer, facing	18	L72		
	2329980	PIECE, BRIDGE, GROUP (229980)	3	—		HA1/35
	2429980	PIECE, BRIDGE, GROUP (329980)	1	—		HA1/36
	2529980	PIECE, BRIDGE, GROUP (429980)	2	—		HA2/37
	1029980	PLATE, SOCKET FOR (229980), GROUP	1	—		HA1/38
	1129980	PLATE, SOCKET FOR (329980), GROUP	1	—		HA1/39
	1229980	PLATE, SOCKET FOR (429980), GROUP	1	—		HA2/40
10H/0580200	CZ49081	Plug, type Mk. IV, 25-pole, for item 229980	1	—	B	HA1/41
10H/0580150	CZ49112	Plug, type Mk. IV, 12-pole, for item 229980	1	—	B	HA1/42
10H/0580140	CZ50143	Plug, type Mk. IV, 8-pole, for items 2 and 329980	1	—	B	HA1/43
	PLESSEY					
10H/0147042	CZ74865	Plug, fixed, 3 pole, for item 429980	1	—	B	HA2/44
10H/0540019	—	Plug, fixed female shell, for item 329980	1	—	B	HA1/45
	PLESSEY					
	Z48120	Ring, locking, for item 229980	1	—		HA1/46
	PLESSEY					
	Z284307	Socket, P.U. shell, for item 229980	1	—		HA1/47
10H/0580240	CZ49219	Socket, 3-way, for item 329980	1	—	B	HA1/48
10H/0580380	CZ49229	Socket, type Mk. IV, 25-pole, items 3 and 429980	2	—	B	HA1/49
10H/0580330	CZ49459	Socket, type Mk. IV, 12-pole, for item 329980	1	—	B	HA1/50
10H/0580381	CZ49229/1	Socket, type Mk. IV, 25-pole, for item 429980	2	—	B	HA1/51
	PLESSEY					
	Z54103	Washer, locking, for socket, for item 229980	1	—		HA1/52

EQUIPMENT, SPECIAL OPERATIONAL (S.O.O.)
MOUNTING, BALLAST AND SOCKET PLATES, WHEN
SPECIAL AIRBORNE EQUIPMENT IS NOT FITTED

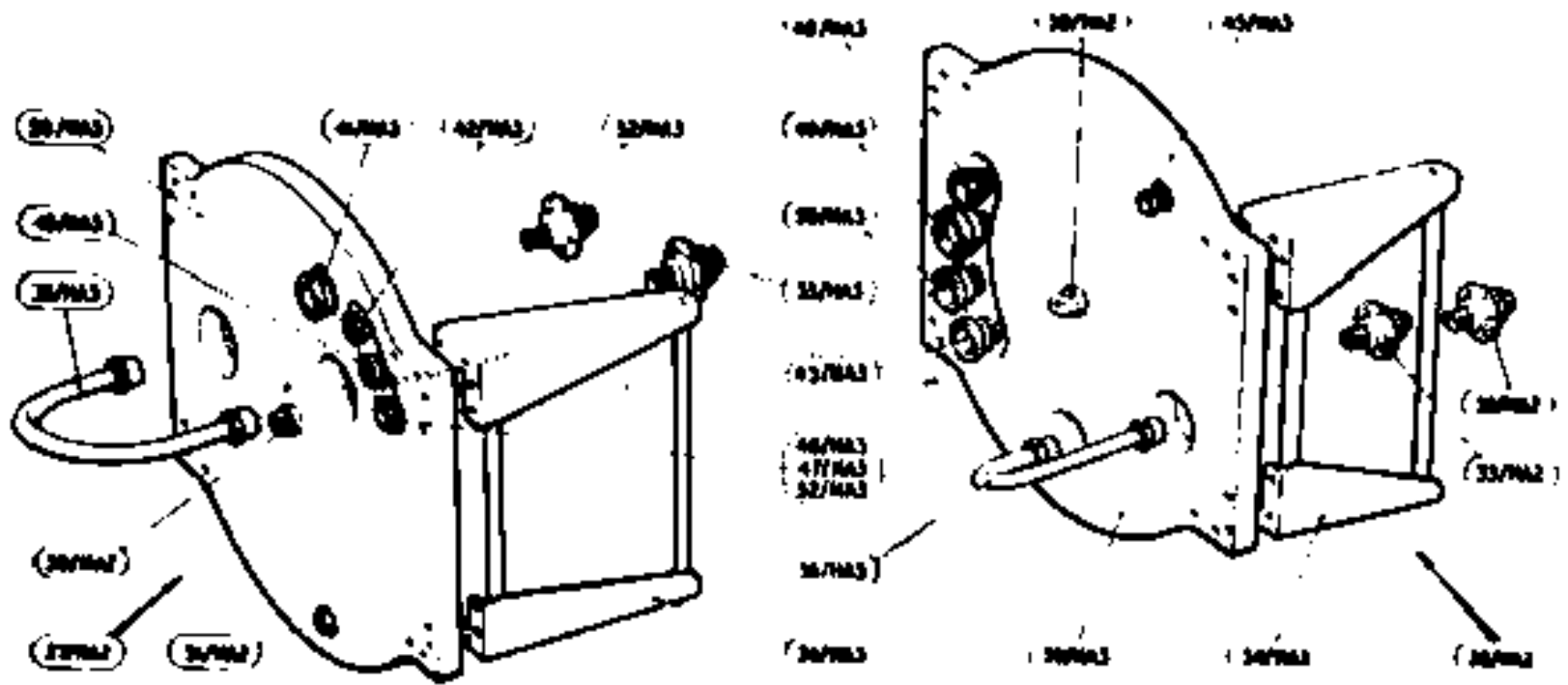
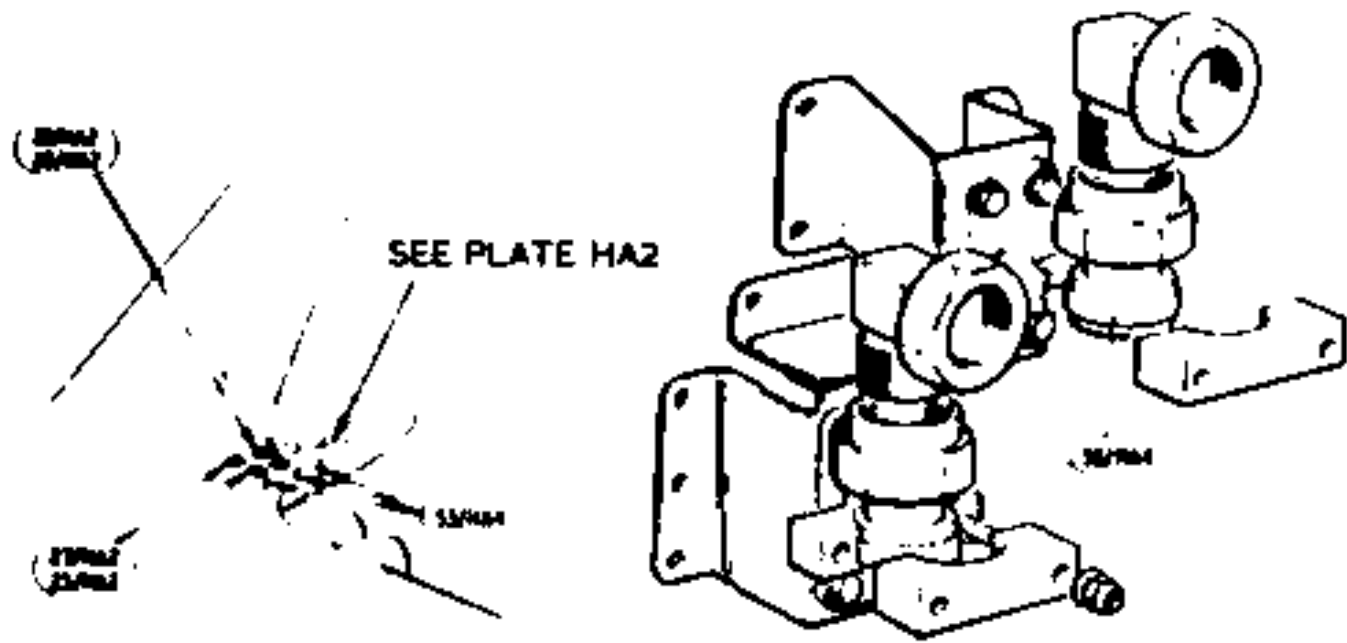
Ref No.	Part No.	Description	No. off	Matl. Spec.	Cl. of St.	Plate and Illust'n No
					M.R.	
		1 2 3 4				
28F. 4051688	30Z9980	MOUNTING OF BALLAST AND SOCKET PLATES, WHEN SPECIAL AIRBORNE EQUIPMENT IS NOT FITTED (29980) (Cont'd.) Spare for:— PLUG, ASSEMBLY, GROUP	10	—		HA1/53
	30aZ9980	Consisting of:— Collar	1	DTD423	C	
	AGS1231/F	Nut, union	1	—		
	30bZ9980	Plug	1	DTD423		

VULCAN INC. 3

MOUNTING, BALLAST AND SOCKET PLATES
SUMMARY OF STANDARD ITEMS

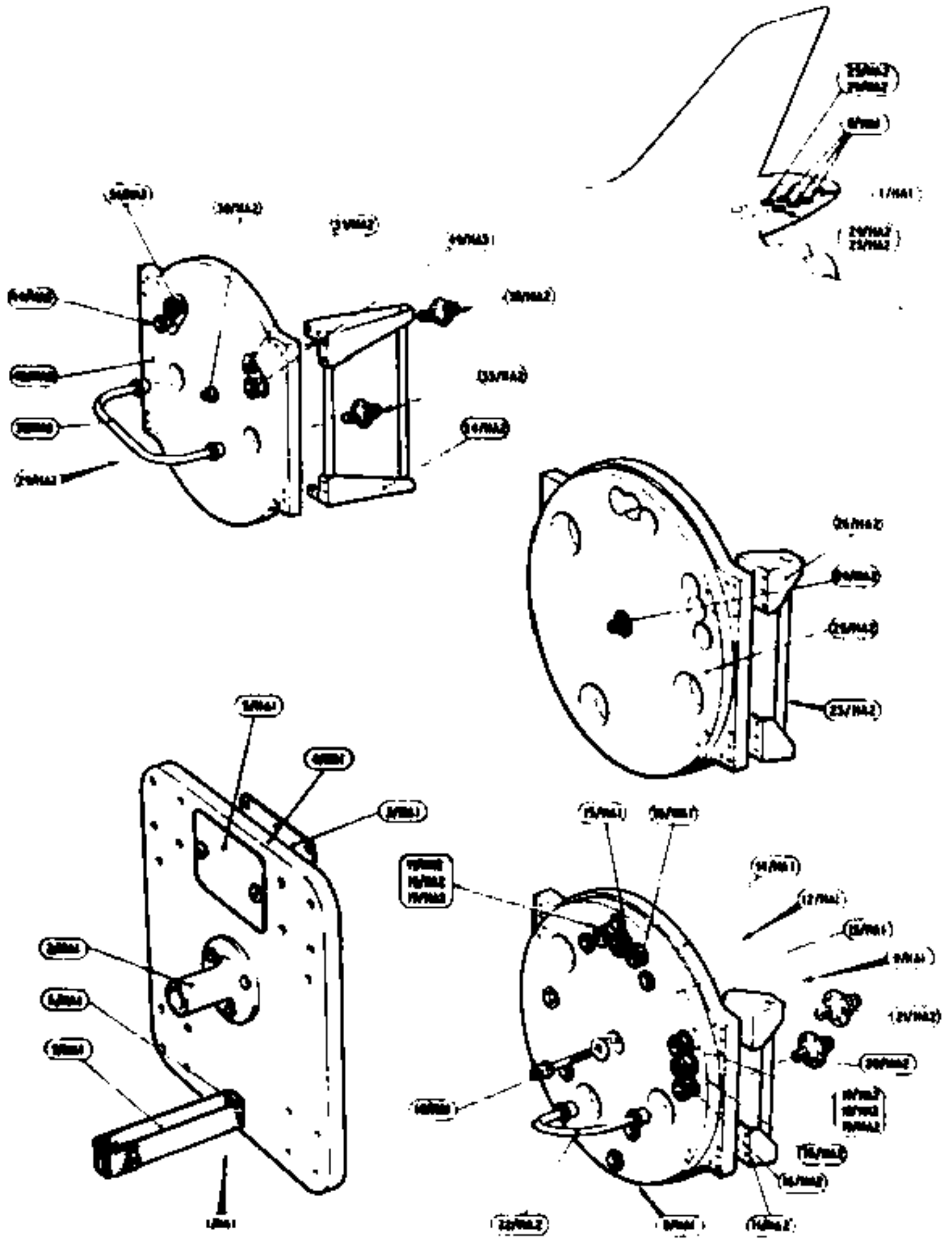
Page HA. 5

Stores Ref.		No. off	Stores Ref.		No. off	Stores Ref.		No. off
Section	Ref. No.		Section	Ref. No.		Section	Ref. No.	
28D	14522	8	28S	1214085	27			
28D	1010030	98	28S	9131095	8			
28D	1011248	48						
28F	12038	1	28W	13323	1			
			28W	1008889	48			
			28W	9418821	80			
			28W	9419402	48			
			28W	9418466	1			
			28W	9994217	8			
28M	1278190	98						
28M	10290	80						
28M	10291	1						



EQUIPMENT SPECIAL OPERATIONAL (S.O.Q)
MOUNTING, BALLAST & SOCKET PLATES WHEN SPECIAL
AIRBORNE EQUIPMENT IS NOT FITTED

(1)



EQUIPMENT SPECIAL OPERATIONAL (S.O.O)
MOUNTING BALLAST & SOCKET PLATES WHEN SPECIAL
AIRBORNE EQUIPMENT IS NOT FITTED

EQUIPMENT, SPECIAL OPERATIONAL (S.O.O.)
CRADLES, REMOVABLE, FOR TYPE A, B & C CONTAINERS

Ref. No.	Part No.	Description	No. off	Matl. Spec.	Cl. of	Plate and Illust'n No.
					St. M.R.	
		1 2 3 4				
		CRADLES, ASSEMBLIES FOR TYPE A, B & C CONTAINERS				
	1Z9815	Spares for :— CRADLE, FOR TYPE A CONTAINER, GROUP (Mod. 430)	1	—		HB1/1
	21Z9815	Spares for :— BAR, SPREADER, GROUP	1	—		HB1/2
28P/1208367	AGS1551/4	Spares for :— Pin, locking, safety	1	—	C	
28E:1006928	SPS4/1570/20 AS2295/9	Cable, 15 cwt.	2	—		HB1/3
		Clip	2	—	C	HB1/4
	4Z9814	LEVER, QUICK RELEASE CATCH, GROUP	2	—		HB1/5
28P 1208367 28PP/1008088	34Z9815	Link	4	S510		HB1/6
	AGS1551/4	Pin, locking, safety	2	—	C	HB1/7
	A408	Pin, pip	4	—	C	HB1/8
	6Z9814	Rod, screwed	2	S94		HB1/9
	35Z9815	STRAP, GROUP	1	—		HB1/10
	36Z9815	STRAP, GROUP	1	—		HB1/11
28D/1212306 28M/8480017	ATTACHMENTS FOR PART Nos. 35 OR 36Z9815					
	A25/21E	Bolt, 1/4" B.S.F.	1	—	C	
	AGS2001/E1	Nut, stiff, 1/4"	1	—	C	
	AS2008/6/180	Tube, distance	1	—	C	
	33Z9815	Washer, special	2	L72		HB1/12
	8Z9814	Strap, end	2	S510		HB1/13
	7Z9814	Trunnion	2	S94		HB1/14
	1Z9827	CRADLE, FOR TYPE B CONTAINER MOUNTING, GROUP (Mod. 430)	1	—		HB1/15
28FP 4062768 28FP 8480289 28P 1208367	Spares for :—					
	14Z9827	Peg, shear	1	S94 & S95		HB1/16
	A1234	Pin, pip	1	—	C	HB1/17
	A409	Pin, pip	1	—	C	HB1/18
	AGS1551/4	Pin, locking, safety	1	—	C	HB1/19
	16Z9827	STRAP, BOTTOM, AFT, GROUP	1	—		HB1/20
	43Z9827	STRAP, BOTTOM, FW'D, GROUP	1	—		HB1/21
	4Z9814	Spares for :— LEVER, QUICK RELEASE CATCH, AFT, FOR 16Z9827, GROUP	1	—		HB1/22
	42Z9827	LEVER, QUICK RELEASE CATCH, FW'D, FOR 43Z9827, GROUP	1	—		HB1/23

EQUIPMENT, SPECIAL OPERATIONAL (S.O.O.)
CRADLES, REMOVABLE, FOR TYPE A, B & C CONTAINERS

Ref. No.	Part No.	Description	No. off	Maxl. Spec.	Cl. of St.		Plate and Illust'n No.
					M.R.		
1 2 3 4							
		STRAPS, BOTTOM FORWARD AND AFT (16 & 43Z9827) (Cont'd)					
	6Z9814	Rod, screwed	1	S94			HB1/24
	7Z9814	Trunnion	1	S95			HB1/25
		ATTACHMENTS FOR PART Nos. 16 & 43Z9827					
28D-1212754	A25/17J	Bolt, 1/2" B.S.F.	1	—		C	
28M-4095808	AGS2001/J1	Nut, stiff, 1/2" B.S.F.	1	—		C	
28W-9419477	AS2808/B/155	Tube, distance	1	—			
	SP15/J	Washer, 1/2"	1	—		C	
	20Z9827	WHEEL, PULLEY, GROUP	1	—			HB1/26
		Spares for :—					
28N-4043821	AGS2031/22	Cirdip	1	—		C	
	20cZ9827	WHEEL, PULLEY ASSEMBLY, GROUP	1	—			
	20aZ9827	Tube, 1 1/2" dia. x 2-50" long	1	51			
	1Z10046	CRADLE & HOIST ARRANGEMENT FOR TYPE C CONTAINERS, GROUP (Mod. 8Q)	1	—			HB2/27
		Spares for :—					
	30Z10046	CRADLE, HOIST, GROUP	1	—			HB2/28
		Spares for :—					
	32Z10046	CHANNEL, HOISTING, GROUP	1	—			HB2/29
		Spares for :—					
	32hZ10046	PEG, LOCATING, GROUP	1	—			HB2/30
28PP-9433676	A421	Pin, release	1	—		C	HB2/31
28P-1208367	AGS1551/4	Pin, locking, safety	6	—		C	HB2/32
	33Z10046	STRAP, SIDE, GROUP	2	—			HB2/33
		Spares for :—					
	4Z9814	LEVER, QUICK RELEASE, CATCH, GROUP	2	—			HB2/34
	6Z9814	Rod, screwed	2	S94			HB2/35
	7Z9814	Trunnion	2	S94			HB2/36
		ATTACHMENTS FOR PART No. 33Z10046					
28D-1011307	A25/25J	Bolt, 1/2" B.S.F.	1	—		C	
28M-4096808	AGS2001/J1	Nut, stiff, 1/2" B.S.F.	1	—		C	
28W-9419477	AS2808/B/238	Tube, distance	1	—			
	SP15/J	Washer, 1/2"	1	—		C	
	2Z10046	CRADLE, STRUCTURE, TOP, LESS HOISTING CRADLE, GROUP	1	—			HB2/37
		Spares for :—					
28FP-768	14Z9827	Peg, shear	1	—			HB2/38
	A1234	Pin, ptp. Type "A" Mk. 4	1	—		C	HB2/39

VULCAN No. 2

EQUIPMENT, SPECIAL OPERATIONAL (S.O.O.)
 CRADLES, REMOVABLE, FOR TYPE A, B. & C. CONTAINERS

Page HB. 3

Ref. No.	Part No.	Description	No. off	Matl. Spec.	Cl. of St.	Plate and Illust'n No.
					M.R.	
		1 2 3 4				
		CRADLE, STRUCTURE, TOP, LESS HOISTING CRADLE (2Z10046) (Cont'd)				
	27Z10046	STRAP, SIDE, OUTBOARD, GROUP	2	—		HB2/40
	28Z10046	STRAP, SIDE, INBOARD, GROUP	2	—		HB2/41
	4Z9814	Spares for :— LEVER, QUICK RELEASE CATCH, GROUP	1	—		HB2/42
	6Z9814	Rod, screwed	1	S94		HB2/43
	7Z9814	Trunnion	1	S94		HB2/44
		ATTACHMENTS FOR PART NOS. 27 & 28Z10046				
28D/1212754	A25/17J	Bolt, 1/2" BSF for 27Z10046	1	—	C	
28D/1212753	A25/16J	Bolt, 1/2" BSF for 28Z10046	1	—	C	
28M/18292	AGS2001/31	Nut, stiff, 1/2" BSF	1	—	C	
	AS2808/8/155	Tube, distance, for 27Z10046	1	—		
	AS2808/8/145	Tube, distance, for 28Z10046	1	—		
28W/9419477	SP15/J	Washer, 1/2"	1	—	C	
	20Z9827	WHEEL, PULLEY, GROUP	1	—		HB2/45
		Spares for :—				
28N/12455	AGS2031/22	Circlip	1	—	C	
	20cZ9827	WHEEL, PULLEY ASSEMBLY, GROUP	1	—		
	20aZ9827	Tube	1	S1		

Revised with A.L.16)

VULCAN No. 2

Page HB. 4

EQUIPMENT, SPECIAL OPERATIONAL (S.O.O.)
CRADLES, REMOVABLE, FOR TYPE A, & B. C. CONTAINERS

Ref. No.	Part No.	Description				No. off	Matl. Spec.	Cl. of St.		Place and Illust'n No.
		1	2	3	4			M.R.		

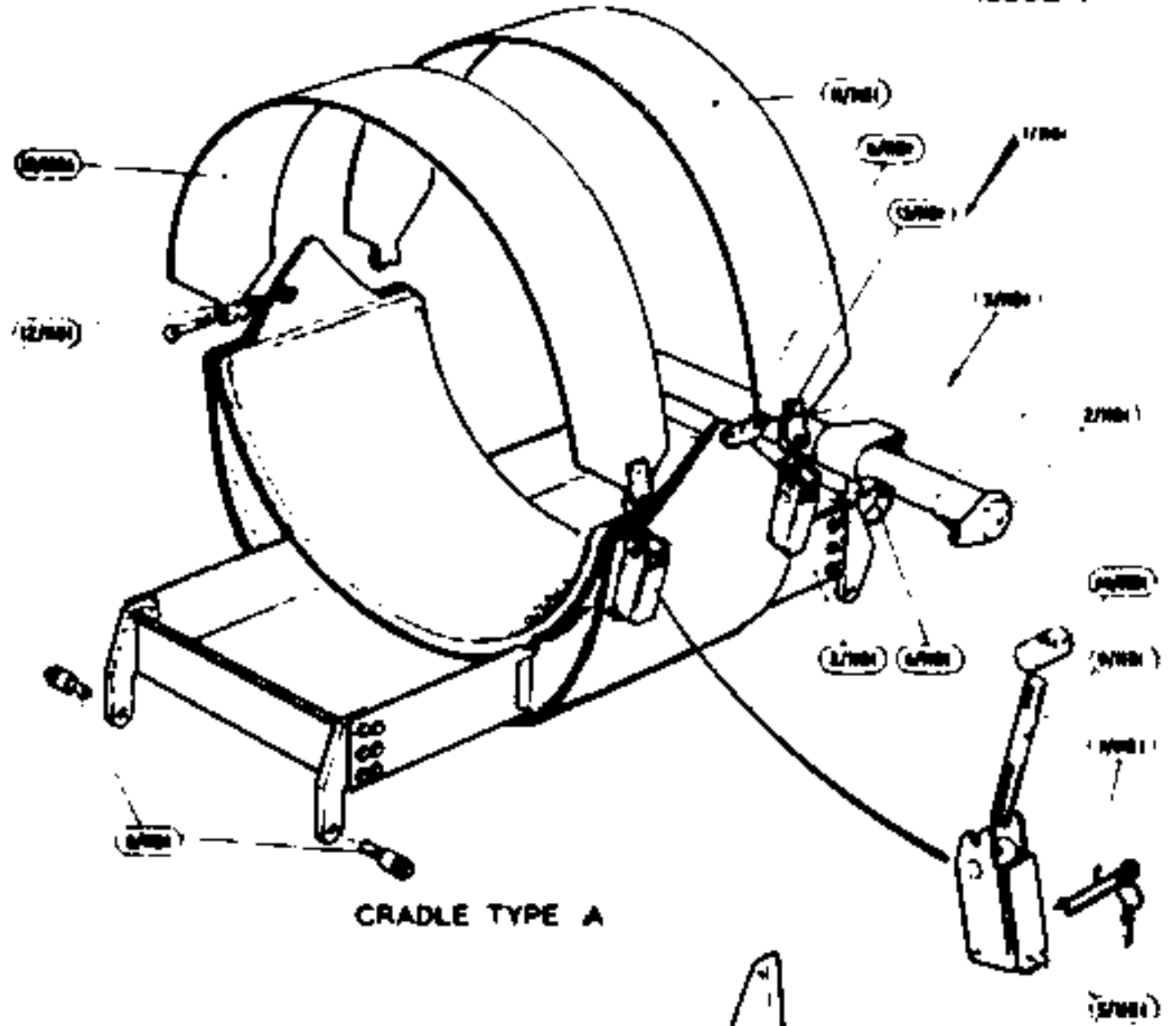
VULCAN # 1

CRADLES, REMOVABLE, FOR TYPE A, B & C CONTAINERS

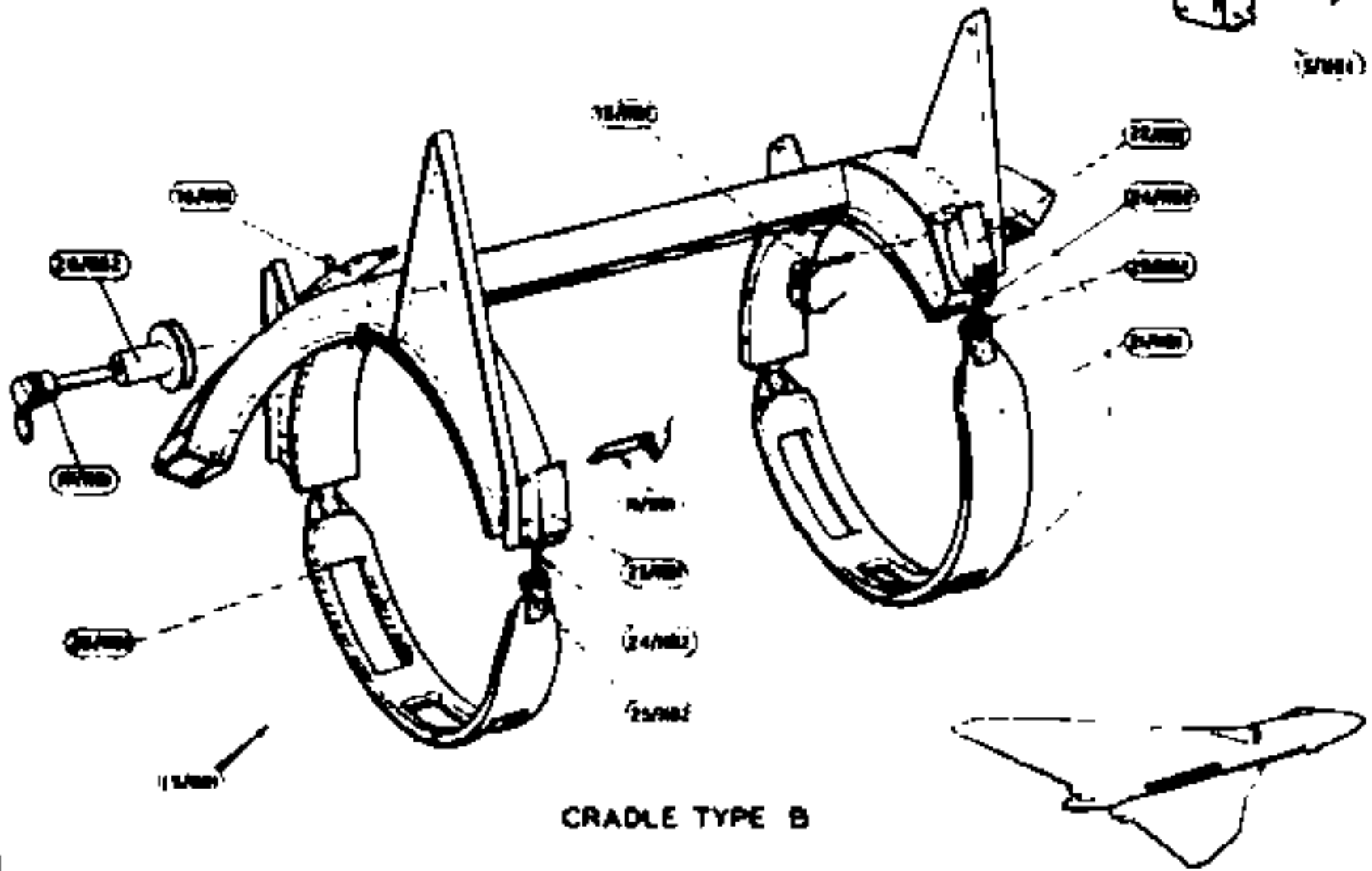
Page HB. 5

SUMMARY OF STANDARD ITEMS

Stores Ref.		No. off	Stores Ref.		No. off	Stores Ref.		No. off
Section	Ref. No.		Section	Ref. No.		Section	Ref. No.	
28D	12571	1	28M	10290	1	28W	9419477	3
28D	1011307	1	28M	10292	3			
28D	1212753	1						
28D	1212754	2						
28E	1006928	2	28N	12455	2			
			28P	1208367	10			
28FP	681	4						
28FP	768	2						
28FP	9433676	1						
28FP	9469299	1						

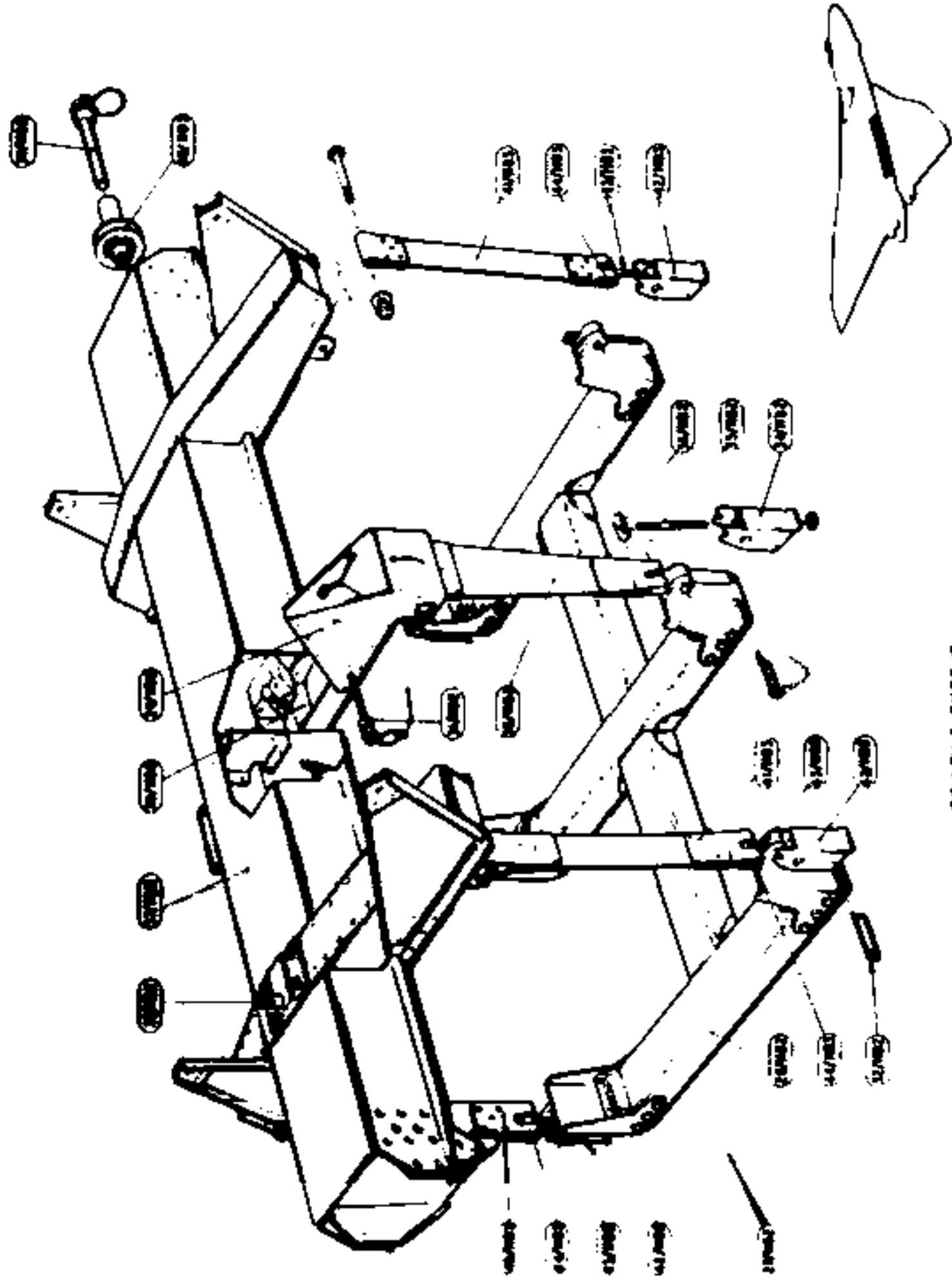


CRADLE TYPE A



CRADLE TYPE B

EQUIPMENT, SPECIAL OPERATIONAL (S.O.O.)
REMOVABLE CRADLES, FOR TYPE A, B & C CONTAINERS
(1)



CRADLE TYPE C

EQUIPMENT, SPECIAL OPERATIONAL (S.O.O)
REMOVABLE CRADLES FOR TYPE A, B & C CONTAINERS

VULCAN PB 3

EQUIPMENT, SPECIAL OPERATIONAL (S.O.O.)
FLIGHT REFUELLING IN NOSE (REMOVABLE FITTINGS)

Page HC. 1

Ref. No.	Part No.	Description 1 2 3 4	No. off	Matl. Spec.	Cl. of St.	Plate and Illust'n No.
					M.R.	
		FLIGHT REFUELLING EQUIPMENT IN NOSE (P1360) (Mod. 39) Spares for — ARRANGEMENT OF NITROGEN BOTTLE AND VALVES, AFT FACE OF BULKHEAD 470, PORT SIDE (ZB07) Spares for :—				
80 9428890 20142 20184 20185 20141	— 16Z8477 BJ15556234 BJ4554234 14Z8477	Bottle, nitrogen Clip, half, for pressure relief valve Clip, half, for reducing valve Clip, half, for reducing valve Fairlead (Mod. 869)	1 2 1 1 2	— — — — BS2572	A C C C C	HC1/1 HC1/2 HC1/3 HC1/4 HC1/5
	1Z8476	MOUNTING, BOTTLE AND VALVE, GROUP	1	—		HC1/6
		Spares for :—				
7007	8Z8476	Crosshead	2	S1	C	HC1/7
7008	7Z8476	STRAP, GROUP	2	—	C	HC1/8
		Spares for :—				
26FP/2005	4SS1944	Crosshead	2	—	C	HC1/9
	1SS1945	Turnbuckle	2	—		HC1/10
	3Z8477	PIPE, 22G < ½" o/d - 8' LONG, GRP.	1	DTD323		HC1/11
20138	4Z8477	PIPE, 22G - ½" o/d - 3½' LONG, GRP.	1	DTD323	C	HC1/12
	11Z8477	PIPE, 22G - ½" o/d - 11½' LONG, GRP.	1	DTD323		HC1/13
20139	13Z8477	PIPE, 22G ½" o/d - 13' LONG, GRP. (Mod. 869)	1	LS6	C	HC1/14
20140	14Z8477	PIPE, 22G > ½" o/d - 18' LONG, GRP. (Mod. 869)	1	LS6	C	HC1/15
26TA/14673	150SS3557	Tee-piece	1	—	C	HC1/16
27VB/4087404	HYMATIC RV31/5	Valve, pressure relief (Mod. 869)	1	—	A	HC1/17
	HYMATIC PS12/3	Valve, reducing	1	—		HC1/18
	SAUNDERS 903/ACO1/PB	Valve, on-off	1	—		HC1/19
8883	11P3160	Bolt, tension	1	S96	C	HC1/20
	35P3160	Bracket, retaining (Mod. 869)	1	Spring Steel		
	36P3160	Clip, probe seal, forward (Mod. 869)	1	L72	MR	HC1/21
	37P3160	Clip, probe seal, aft (Mod. 869)	1	L72	MR	HC1/22
28U.14122	AS2393	Collar, at probe retaining straps	2	—	C	

**EQUIPMENT, SPECIAL OPERATIONAL (S.O.O.)
FLIGHT REFUELLING IN NOSE (REMOVABLE FITTINGS)**

Ref. No.	Part No.	Description	No. off	Mater. Spec.	Cl. of	Plate and Illust'n No.
					Sc. M.R.	
		1 2 3 4				
		FLIGHT REFUELLING EQUIPMENT IN NOSE (P3160) (Cont'd)				
10025	39P3160	FAIRING, PROBE, GROUP (Mod. 869)	1	—	B	HC1/23
280. 1013284 28W 9436805	A51248/2C SP11/C	ATTACHMENTS FOR FAIRING 39P3160				
		Bolt, mush. hd., 2BA	18	—	C	
		Washer, 2BA	18	—	C	
10812	25P3160	Filter, blow off valve, bulkhead 470 (Copper gauze 26G - 0.4" dia.)	2	—	C	HC1/24
	12P3160	GUARD, FUEL PROBE AT RETAINING STRAP, BULKHEAD 470, GROUP	1	—	MR	HC1/25
	2P3160	PIPE, 22G $\frac{1}{2}$ " o.d. 20" LONG, FROM BLOW-OFF VALVE TO TEE-PIECE BELOW GROUND CHARGING RE- CESS, GROUP	1	DTD323		HC1/26
13149	3P3160	PIPE, 22G $\frac{1}{2}$ " o.d. 18" LONG, FROM TEE-PIECE TO GROUND CHARGING RECESS, GROUP	1	L56	C	HC1/27
13150	19P3160	PIPE, 22G x $\frac{1}{2}$ " o.d. 10" LONG, FROM TEE-PIECE TO BLOW OFF-VALVE, GROUP	1	DTD323	C	HC1/28
	24P/3160	PIPE, 22G $\frac{1}{2}$ " o.d. 9" LONG, FROM FUEL PROBE TO TEE-PIECE, GROUP	1	L54	MR	HC1/29
	32P3160	PIPE, 22G $\frac{1}{2}$ " o.d. 12" LONG, DE- ICING DRAIN AT TEE-PIECE, GROUP	1	L54	MR	HC1/30
	34P3160	PIPE, 22G $\frac{1}{2}$ " o.d. 12" LONG, FROM N.R. VALVE TO TEE-PIECE, GROUP	1	L56	MR	HC1/31
	42P3160	PIPE, 22G $\frac{1}{2}$ " o.d. 12" LONG, FROM N.R. VALVE TO FUEL PROBE, GROUP (Mod. 1422)	1	L56	MR	HC1/32
1433138	21P3698	PROBE, FLIGHT REFUELLING, GROUP (Mod. 2142)	1	—	A	HC1/33
		Spares for :—				
	FLIGHT REFUELLING FRS325/R FRS325/V	Connector, pipe	1	—		HC1/34
		Connector, pipe	1	—		HC1/35

VULCAN No. 3

EQUIPMENT, SPECIAL OPERATIONAL (S.O.O.)
FLIGHT REFUELLING IN NOSE (REMOVABLE FITTINGS)

Page HC. 3

Ref. No.	Part No.	Description	No. off	Matl. Spec.	Cl. of	Plate and Illust'n No.
					St. M.R.	
		1 2 3 4				
		PROBE, FLIGHT REFUELLING (21P3888) (Continued)				
	8P3888	CONNECTOR, PIPE, GROUP (Mod. 1422) Spares for:—	1	—	MR	HC1/38
27QM/397	DOWTY SP910/7	Seal	1	—	C	
	13P3888	CONNECTOR, PIPE, GROUP	1	—	MR	HC1/37
		Spares for:—				
27QM/397	DOWTY SP910/7	Seal	1	—	C	
	FLIGHT REFUELLING 3408155 1SS4371	Nozzle, assembly, Mk. B (Mod. 2142)	1	—		HC1/38
		Screw, special, for bonding	1	—	MR	HC1/38
	3P3888	TUBE, PROBE, GROUP	1	—	MR	HC1/40
		Spares for:—				
	2P3888	TUBE, PROBE, FORWARD, GROUP	1	—	MR	
1433375	20P3888	TUBE, FUEL, FORWARD, GROUP	1	—	B	HC1/41
		(Mod. 2142)				
	11P3888	TUBE, FUEL, AFT, GROUP	1	—	MR	HC1/42
		Spares for:—				
	7P3183	CLIP, SPACER, GROUP	7	—	MR	HC1/43
	8P3888	CLIP, SPACER, GROUP	1	—		HC1/44
	4P3888	PIPE, FUEL, GROUP	1	—		HC1/45
	7P3888	Seal, silicone rubber	1	—	MR	HC1/45
	1SS4147	Washer, "D," at bonding clips	3	—	MR	HC1/47
	27P3180	Seal, probe (Mod. 869)	1	Neoprene	MR	HC1/48
7021	10P3180	STRAP, RETAINING, FUEL PROBE	2	—	C	HC1/49
		BULKHEAD 470, GROUP ATTACHMENTS—FOR PART No. 10P3180				
28D/1011027	A25/27C	Bolt, 2 BA	2	—	C	
28M/1012015	AGS2001/C1/65	Nut, stiff, 2 BA	2	—	C	
	AS2811A/261	Tube, distance	2	—	C	
28W/9419402	SP13/C	Washer, 2 BA	2	—	C	
	40P3180	Strip, sealing, for probe fairing (Mod. 869) ...	1	DTD762	MR	HC1/50

EQUIPMENT, SPECIAL OPERATIONAL (S.O.O.)
FLIGHT REFUELLING IN NOSE (REMOVABLE FITTINGS)

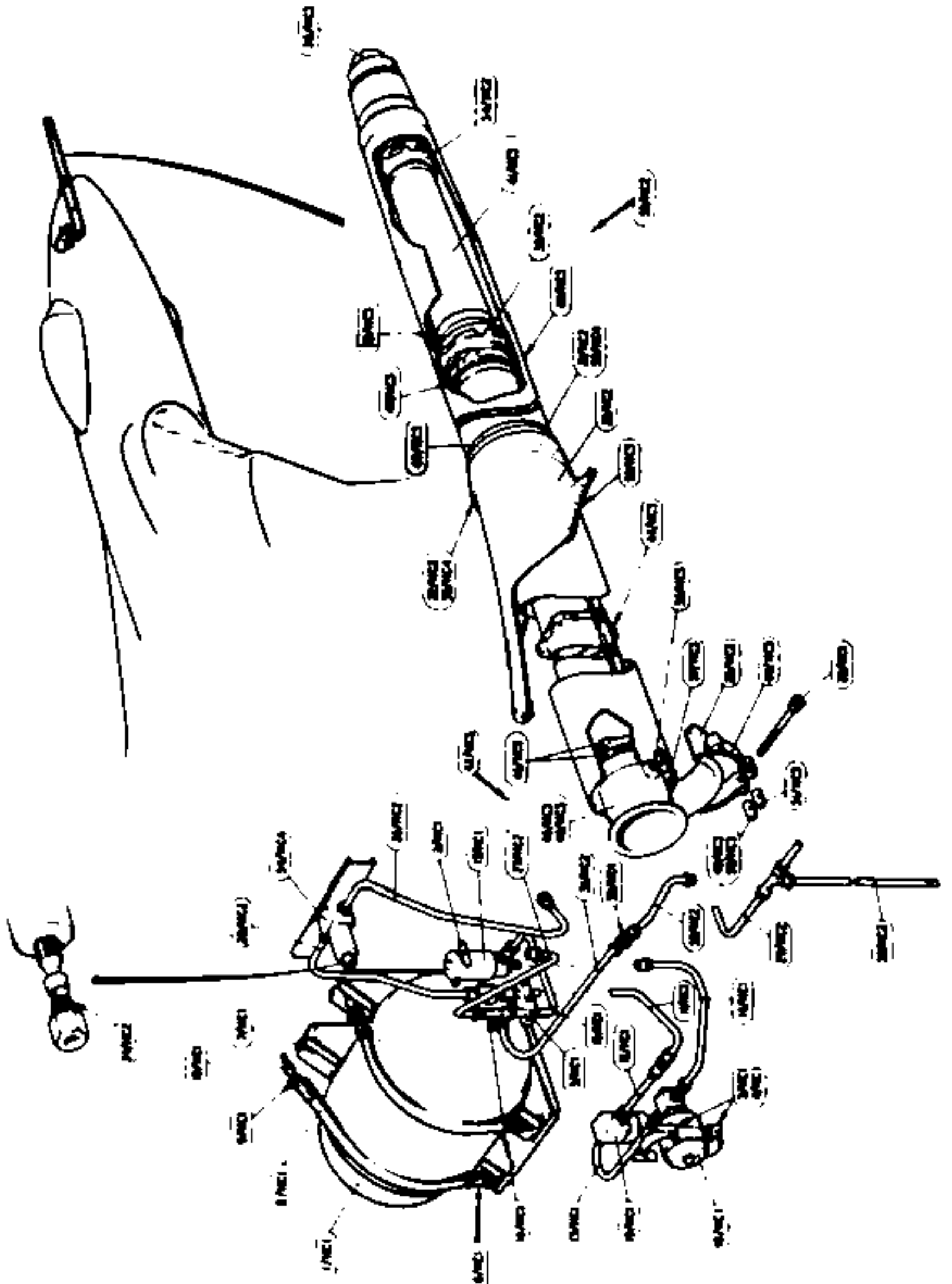
Ref. No.	Part No.	Description	No. off	Matl. Spec.	Cl. of	Plate and Illust'n No.
					St. M.R.	
		1 2 3 4				
		FLIGHT REFUELLING EQUIPMENT IN NOSE (P3160) (Continued)				
28U/13894	AS2390	Trunnion, for strap assembly	1	-	C	HC1/51
28U/13891	AS2384	Trunnion, for strap assembly	1	-	C	HC1/52
27QM.4173627	DOWTY D445Y	Valve, non-return	1	-	B	HC1/53
27VA.4626838	DUNLOP ACM15318	Valve, blow-off	1	-	A	HC1/54
	38P3180	Washer, "D," at probe seal clips	4	L72		HC1/55

VULCAN PHL 2

FLIGHT REFUELLING IN NOSE
SUMMARY OF STANDARD ITEMS

Page HC. 5

Stores Ref.		No. off	Stores Ref.		No. off	Stores Ref.		No. off
Section	Ref. No.		Section	Ref. No.		Section	Ref. No.	
28D	1011027	2	28W	9419402	2			
28D	1013284	18	28W	9436805	18			
28M	1278180	2	28U	13891	1			
			28U	13894	1			
			28U	14132	2			



EQUIPMENT SPECIAL OPERATIONAL (S.O.O)
FLIGHT REFUELLING IN NOSE. (REMOVABLE FITTINGS)

VULCAN No. 3

EQUIPMENT SPECIAL OPERATIONAL (S.O.O.)

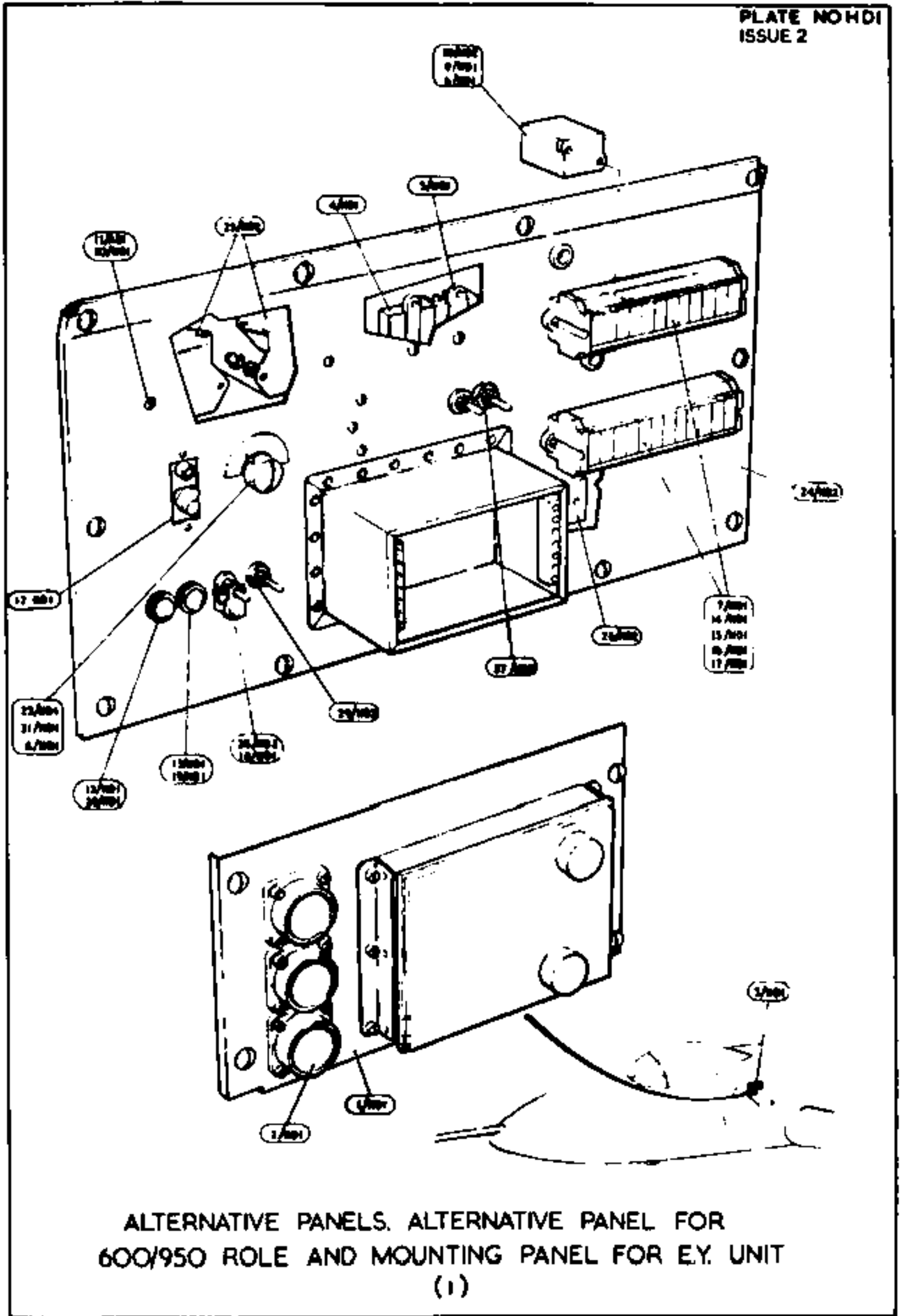
Page HD. 1

PANELS ALTERNATIVE

Ref. No.	Part No.	Description	No. off	Matl. Spec.	CL of St.	Plate and Hlustr'n No.
					M.R.	
		<u>1 2 3 4</u>				
	-	PANELS, ALTERNATIVE, AND EY MOUNTING CONTROL (V8385, V13200)				
8823	1V9386	PANEL, FOR MOUNTING EY CONTROL ... UNIT, GROUP (Mod. 538) Spare for: -	1	-	C	HD1/1
	CANNON 2182/10	Receptacle, dummy	3	-		HD1/2
	10V13200	PANEL, ALTERNATIVE FOR 800/950 ROLE, GROUP (Mod. 2087) Spare for: -	-	-		HD1/3
5X/44914789	1V7870	Block, terminal	1	-	C	HD1/4
5X/6200370	1V5860	Block, terminal	2	-	C	HD1/5
5X/9402792	-	Block, terminal	1	-	C	HD1/6
5X/4600062	-	Block, fuse, 12-way	2	-	C	HD1/7
28TA/11135	12SS5302	Bush, ring lock	2	-	C	
28TA/4723	22SS5302	Bush, ring lock	2	-	C	
	32SS5302	Bush, ring lock	1	-		
	E. K. COLE					
10H/0870184	-	Cap, retaining	1	-	C	HD1/8
5X/9436887	-	Cover, terminal block	1	-	C	HD1/9
5CY/4620	-	Cover, trip button	1	-	C	HD1/10
	or					
5CY/4378609	-	Cover, trip button	1	-	C	
5CY/9892777	-	Circuit, breaker	1	-	C	HD1/11
	BERCO					
5CW/4400566	CD1502/1	Dimmer, R5 size	1	-	C	HD1/12
5X/9400068	-	Ferrule	2	-	C	
	PAGE					
	A259	Filament, lamp	2	-		HD1/13
10H/1043043	AS2.5	Fuse, 2.5 amp.	1	-		HD1/14
10H/9718182	AS5	Fuse, 5 amp.	4	-	C	HD1/15
10H/9718191	AS10	Fuse, 10 amp.	1	-	C	HD1/16
10H/1043045	AS15	Fuse, 15 amp.	1	-		HD1/17
17069	6V13200	GUARD, SWITCH, GROUP	1	-	C	HD1/18
	PAGE					
5CX/4330404	C600/A/B	Lamp, warning	1	-	C	HD1/19
10F/9581624	C600/C/B	Lamp, warning	1	-	C	HD1/20
	E. K. COLE					
10H/0870175	-	Knob, dimmer	1	-	C	HD1/21
5X/1068040	-	Link, commoring, 12-way	2	-	C	HD1/22
	1V14015	LOOM, CABLE, GROUP	1	-		
	E. K. COLE					
10H/0870183	-	Mounting, metal	1	-	-	HD1/23

EQUIPMENT SPECIAL OPERATIONAL (S.O.O.)
PANELS ALTERNATIVE

Ref. No.	Part No.	Description	No. off	Matl. Spec.	Cl. of St.	Plate and Hust'n No.
					M.R.	
		1.2.1.4				
		PANEL ALTERNATIVE FOR 800/1950 ROLE (10V13200) (Contd.)				
	11V13200	PANEL STRUCTURE, GROUP	1	-	-	HD1/24
		Spares for:-				
	800SS8003	Label	1	L50		
	801SS8003	Label	1	L50		
	806SS8033	Label	1	L50		
	807SS8033	Label	1	L50		
	808SS8033	Label	1	L50		
	888SS8004	Label	1	L50		
	708SS8004	Label	1	L50		
	888SS8038	Label	1	L50		
	888SS8038	Label	1	L50		
	352SS8038	Label	1	L50		
	353SS8038	Label	1	L50		
	354SS8038	Label	1	L50		
	1202SS8003	Label	1	L50		
	PLESSEY					
5CW/4400162	7C2103738/2	Relay	2	-	C	HD1/25
6A/1200	-	Resistance, unit	1	-	B	HD1/26
5CW/4408118	-	Switch, single pole	1	-	B	HD1/27
5CW/4408125	-	Switch, double pole	1	-	B	HD1/28
5CW/4408118	-	Switch, toggle	2	-	B	HD1/28
5X/8407788	-	Socket, double tier	2	-	C	HD1/30



ALTERNATIVE PANELS. ALTERNATIVE PANEL FOR
600/950 ROLE AND MOUNTING PANEL FOR E.Y. UNIT
(1)

VULCAN PR. 2

EQUIPMENT, SPECIAL OPERATIONAL (S.O.O.)

Page HE. 1

ALTERNATIVE PANEL FOR 6000 LB.

Ref. No.	Part No.	Description	No. off	Matl. Spec.	Cl. of	Plate and Illust'n No.
					St. M.R.	
		1 2 3 4				
11022	7V8963	ALTERNATIVE BOMBING PANEL (Mod. 537) (1338)	1	-	A	
		Spares for:--				
5X/4491769	1V7870	Block, earthing, 12 amp.	1	-	C	
5X/4600051	-	Block, fuse, 6-way	1	-	C	
	6V8963	BOARD, RESISTOR MOUNTING GROUP	1	-		
		Spares for:--				
10W/0218096	WELWYN	Resistor, 62K	1	-		
5CY/9992777	-	Breaker, circuit, 25 amp.	1	-	B	
5CY/9550804	-	Breaker, circuit, 35 amp.	1	-	B	
5CY/4376383	-	Breaker, circuit, 15 amp.	1	-	B	
5CY/4378060	-	Breaker, circuit, 45 amp.	1	-	B	
5L/9959122	A280	Bulb, 28V 2W	4	-	B	
	6V8963	Bus bar	1	-		
	36S4171	Connector, terminal	1	-		
5CY/4620	-	Cover, circuit-breaker	4	-	C	
10H/9718192	AS5	Fuse, 5 amp.	1	-	C	
10H/9718191	AS10	Fuse, 10 amp.	1	-	C	
10H/23860	AS20	Fuse, 20 amp	1	-	C	
5CW/5755	-	Guard, locking	1	-	C	
	PAGE	Indicator, "press to test" white lamp	1	-		
	C500D					
	PAGE	Indicator, "press to test" red lamp	1	-		
	C500A					
	PAGE	Indicator, "press to test" amber lamp	1	-		
	C500C					
5CX/1645	-	Lamp, warning, clear	1	-	B	
5X/4500062	-	Link, commoning, 6-way	1	-	C	
	1V8932	LOOM, CABLE, GROUP		-		
	9V8963	PANEL, C/W LABELS, GROUP	1	-		
5CW/4406757	ROTAX	Plate	2	-	C	
5CW/5014	N13531	Relay, type 9B, No. 1	1	-	B	
5CW/4406758	ROTAX	Shroud	1	-	C	
5CW/1085840	N135530	Support, end cable sleeve	3	-	C	
5CW/1047699	A257	Switch, double	1	-	B	
5CW/5823	-	Switch, single pole	1	-	B	
5CW/5825	-	Switch, single pole	1	-	B	
	FERRANTI	Transformer		-		
	R132					
	HIVAC					
5L/9962110	CC10L	Tube, neon	1	-	B	

EQUIPMENT, SPECIAL OPERATIONAL (S.O.O.)
ROCKET ASSISTED TAKE OFF (REMOVABLE EQUIPMENT)

Ref. No.	Part No.	Description 1 2 3 4	No. off	Matl. Spec.	Cl. of	Plate and Illust'n No.
					St. M.R.	
		EQUIPMENT, REMOVABLE, FOR ATTACHMENT OF SPECTRE NACELLE, PORT AND STARBOARD (0-3740) (Mod. 2)				
		Spares for:—				
	BSS1425	Eyebolt, $\frac{1}{2}$ " BSF, drogue line attachment ...	1	—		HF1/1
	128325	HOUSING, RELEASE UNIT, L.H., GROUP	1	—		HF1/2
		Spares for:—				
	2228325	Block, terminal (made from G.E.C. Ltd. Ltd. Part. No. C7039P)	1	—		HF1/3
11A 1082747		Block, terminal contactor ...	2	—	C	HF1/4
	1328325	Bush, flanged, $1\frac{1}{2}$ " dia. x 1" long ...	1	DTD130		HF1/5
	1228325	Bush, flanged, $1\frac{1}{2}$ " dia. x $\frac{1}{2}$ " long ...	1	DTD130		HF1/6
6K 9617023	SP40C8	Grommet ...	1	—	C	HF1/7
6K 9618243	SP40C10	Grommet ...	1	—	C	HF1/8
	708SS6002	Label, "forward" ...	1	L59		HF1/9
	2128325	LOOM, CABLE, GROUP ...	1	—		HF1/10
	1428325	Plunger, $\frac{1}{2}$ " dia. x 4" long ...	1	S1		HF1/11
	1528325	Spring, 22G. spring wire ...	1	—		HF1/12
	VICKERS A1832/131	Strip, rubber ...	2	—		HF1/13
11A 4082	—	Unit, electrical mechanical jettison ...	1	—	A	HF1/14
5576	129147	PANEL, ACCESS, INCORPORATING DOOR OVER R.A.T.O. NACELLE RELEASE, GROUP	1	—	A	HF1/15
		Spares for:—				
	1229147	Bearing, spigot, $625^{\circ} \times 2.25^{\circ} \times 1.0^{\circ}$...	4	L65		HF1/16
28N 5548	AGS899/1	Collar, $\frac{1}{2}$ " dia., plunger and door connector	2	—	C	HF1/17
	729147	DOOR, ACCESS, L.H., GROUP ...	1	—		HF1/18
	829147	DOOR, ACCESS, R.H., GROUP ...	1	—		HF1/19
	929147	Housing, plunger, $\frac{1}{2}$ " x $2\frac{1}{2}$ " long ...	2	L56		HF1/20
28N 9156370	SP21	Nipple, lubricating, $\frac{1}{2}$ " BSF ...	2	—	C	HF1/21
	329147	PANEL, ACCESS, GROUP ...	1	—		HF1/22
		Spares for:—				
28PP 4082000	EFS 45B	Fastener, self ejecting ...	10	—	C	HF1/23
	1429147	Pin, eccentric, $\frac{1}{2}$ " dia. x $1\frac{1}{2}$ " long ...	2	S1		HF1/24
28P 2211515	SP4/Y/A5	Pin, solid, $\frac{1}{4}$ " dia. ...	2	—	C	HF1/25
28P 9710667	SP90/C4	Pin, split, $\frac{1}{4}$ " dia. x $\frac{1}{2}$ " long ...	2	—	C	HF1/26
	1029147	Plunger, $\frac{1}{2}$ " dia. x 2.1" long ...	2	S1		HF1/27
	1329147	Shim, laminated ...	4	—		HF1/28
	1129147	Spring, 18G. spring wire ...	2	Spring steel		HF1/29

VULCAN 88 2

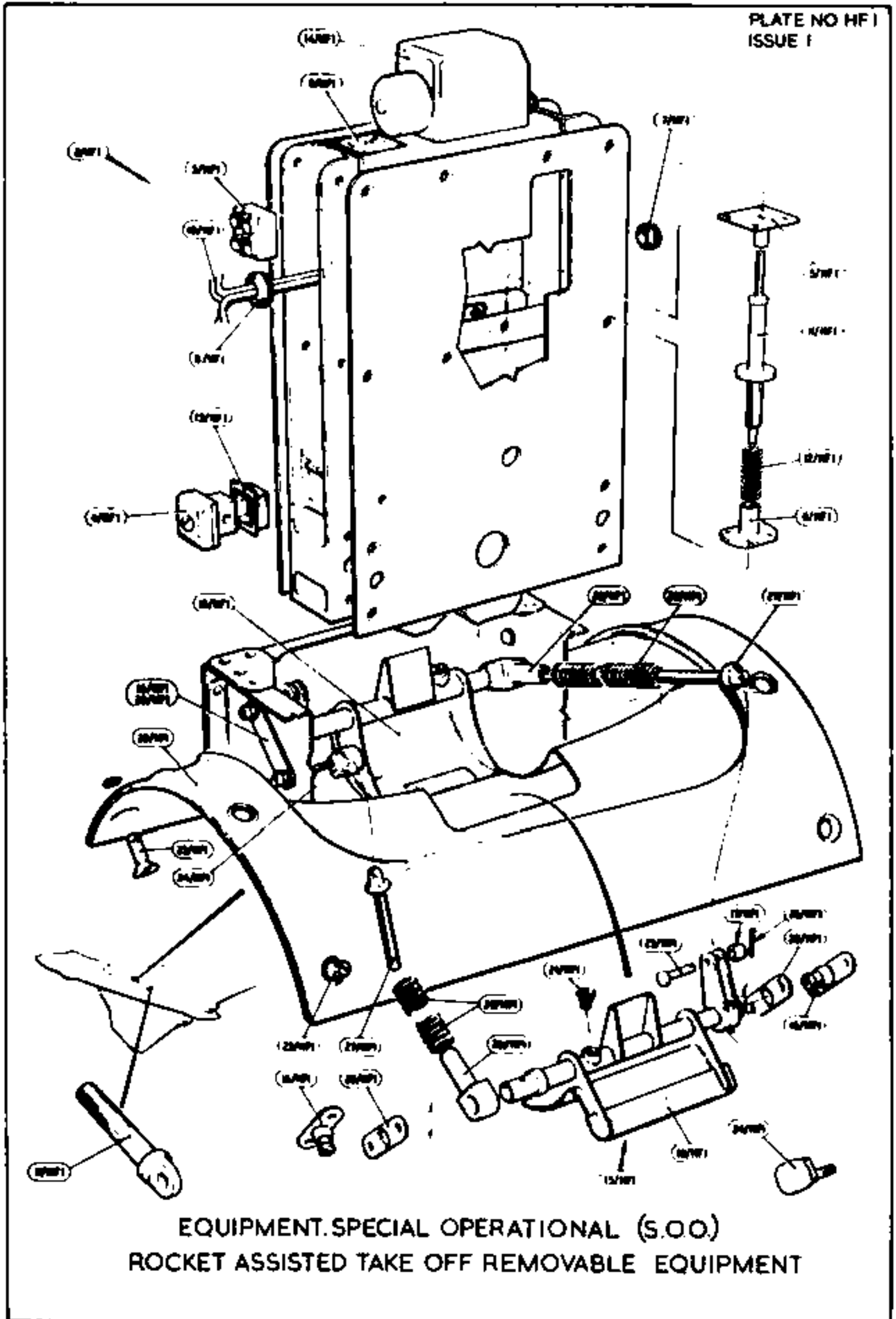
ROCKET ASSISTED TAKE-OFF (REMOVABLE FITTINGS)
SUMMARY OF STANDARD ITEMS

Page HF. 3

Stores Ref.		No. off	Stores Ref.		No. off	Stores Ref.		No. off
Section	Ref. No.		Section	Ref. No.		Section	Ref. No.	
28N 28N	5548 9156370	2 2						

RESTRICTED

PLATE NO HF I
ISSUE I



EQUIPMENT.SPECIAL OPERATIONAL (S.OO)
ROCKET ASSISTED TAKE OFF REMOVABLE EQUIPMENT

RESTRICTED

EQUIPMENT, SPECIAL OPERATIONAL (S.D.O.)

WINDOW LAUNCHING INSTALLATION, REMOVABLE FITTINGS

Ref. No.	Part No.	Description	No. off	Matl. Spec.	Cl. of	Plate and Illust'n No.
					Sc.	
		1 2 3 4			M.R.	
		WINDOW LAUNCHING, REMOVABLE FITTINGS IN MAIN PLANES, PORT AND STARBOARD (22 & 23Z8277) (Mod. 1827)				
1510756	44Z8277	Spares for:— CHUTE, PRIMARY, LAUNCHING, PORT, ... GROUP (Mod. 2372)	1	—	A	HG1/1
1510756	45Z8277	CHUTE, PRIMARY, LAUNCHING, STARBOARD, GROUP (Mod. 2372)	1	—	A	HG1/2
	63Z10617	Spares for:— PANEL, MOUNTING, THROAT ... RESTRICTOR, GROUP (Mod. 1831)	1	—	MR	HG1/3
13701	65Z10617	Spares for:— HINGE, GROUP	1	—	C	
	67Z10617	Spares for:— Hinge (Make from AS1878/105)	1	—	MR	
	42Z8277	Spigot	2	S96	MR	HG1/4
	3Z8277	STAY, FORWARD & REAR, GROUP	2	—	MR	HG1/5
		Consisting of:—				
28R/19868	CM2B	Bearing, rod-end, 5/16" BSF, R.H.	1	—	B	
28R/4709882	CM2LB	Bearing, rod-end, 5/16" BSF, L.H.	1	—	B	
28M/1011470	A27/GT	Nut, lock, 5/16" BSF, R.H.	1	—	C	
28M/4095924	A27/GTL	Nut, lock, 5/16" BSF, L.H.	1	—	C	
28U/15100	SP33G	Turnbuckle	1	—	C	
		UNIT, STRIPPER AND CONTAINER, PORT AND STARBOARD (15 & 16Z10031) (Mod. 2372)				
		Spares for:—				
4381	3Z8279	Block, mounting	4	S1	C	HG1/6
	10SS4363	Bolt, for attaching bracket, Part No. 9Z10031	2	HTS	MR	HG1/7
	12SS4363	Bolt, for attaching secondary container	14	HTS	MR	HG1/8
	BZ10031	BRACKET, STOWAGE, STARBOARD, GROUP	1	—		HG1/9
		Spares for:—				
10H/9512756	PLESSEY CZ56746	Socket, coupler	1	—	B	
5X/1109926	PLESSEY CZ56740	Socket, coupler	1	—	B	
1432745	3800V7909	CABLE, GROUP, STARBOARD	1	—	C	
1432746	3801V7909	CABLE, GROUP, STARBOARD	1	—	C	
26TA/4721	5SS4936	Clip, cable	2	—	C	HG1/10

EQUIPMENT, SPECIAL OPERATIONAL (S.O.O.)
WINDOW LAUNCHING INSTALLATION, REMOVABLE FITTINGS

Ref. No.	Part No.	Description	No. off	Mati. Spec.	Cl. of	Place and Illust'n No.
					St.	
					M.R.	
		1 2 3 4				
		UNIT, STRIPPER AND CONTAINER, PORT AND STARBOARD (7 & 8Z10031) (Cont'd)				
13389	98Z8226	CONTAINER, PRIMARY, WINDOW LAUNCHING, GROUP (Mod. 1922)	1	-	A	HG1/11
	67Z8226	Spares for:- BEAM, LIFTING, GROUP	1	-	MR	HG1/12
28FP/9429531	S4-225	Spares for:- Spring, Dzus	2	-	C	
	8Z8226	CHANNEL, GROUP	1	-	MR	HG1/13
	9Z8226	CHANNEL, GROUP	1	-		HG1/14
28FP/9434091	S3-175	Spares for:- Spring, Dzus	6	-	C	
	7Z8226	LID, BOX, HONEYCOMB SECTION, GROUP	1	-	MR	HG1/15
	7aZ8226	Spares for:- Hinge (Made from AS1877 x 7-1/2")	1	-		
	38Z8226	PIN, QUICK RELEASE, GROUP	2	-	MR	HG1/16
	38aZ8226	Consisting of:- Chain, chandelier, 3' long	1	Brass		
28FP/9713820	A411	Pin, pip	1	-	C	
	41bZ8226	Ring, split (Terry No. 189)	2	-		
	39Z8226	PIN, QUICK RELEASE, GROUP	1	-	MR	HG1/17
	39aZ8226	Consisting of:- Chain, chandelier, 3' long	1	Brass		
28FP/17	A512	Pin, pip	1	-	C	
	41bZ8226	Ring, split (Terry No. 189)	2	-		
	41Z8226	PIN, QUICK RELEASE, GROUP	1	-	MR	HG1/18
	41aZ8226	Consisting of:- Chain, chandelier, 3' long	1	Brass		
28FP/9507895	A808	Pin, pip	1	-	C	
	41bZ8226	Ring, split (Terry No. 189)	2	-		
	49Z8226	PIN, QUICK RELEASE, GROUP	2	-		HG1/19
	49aZ8226	Consisting of:- Chain, chandelier, 3' long	1	Brass		
28FP/1432	5255A/307	Pin, pip	1	-		
	41bZ8226	Ring, split (Terry No. 189)	1	-		
	12Z9871	CONTAINER, SECONDARY WINDOW LAUNCHING, PORT, GROUP (Mod. 1922)	1	-		HG1/20
	24Z9871	CONTAINER, SECONDARY WINDOW LAUNCHING, STARBOARD, GROUP (Mod. 2372)	1	-		HG1/21

VULCAN No. 1

EQUIPMENT, SPECIAL OPERATIONAL (S.O.O.)

Page HG. 3

WINDOW LAUNCHING INSTALLATION, REMOVABLE FITTINGS

Ref. No.	Part No.	Description	No. off	Matl. Spec.	Cl. of	Plate and Illust'n No.
					St. M.R.	
		<u>1 2 3 4</u>				
		CONTAINER, SECONDARY WINDOW ... LAUNCHING, PORT AND STARBOARD (12Z9871 & 24Z9871) (Cont'd)				
1510754	23Z9871	Spares for:— CHUTE, WINDOW LAUNCHING, STARBOARD, GROUP (Mod. 2372)	1	—	B	HG1/22
1510753	22Z9871	CHUTE, WINDOW, LAUNCHING, PORT, GROUP (Mod. 2372)	1	—	B	HG1/23
	63Z10617	Spares for:— PANEL, MOUNTING, THROAT RESTRICTOR, GROUP (Mod. 1831)	1	—	MR	HG1/24
13701	65Z10617	Spares for:— HINGE, GROUP	1	—	C	
	67Z10617	Spares for:— Hinge (Make from AS1878/105)	1	—	MR	
13386	33Z9872	CONTAINER, GROUP (Mod. 1822)	1	—	A	HG1/25
	3Z9872	Spares for:— LID, CONTAINER, GROUP	1	—	MR	HG1/26
22728	2SS4936	Cradle	2	—	C	HG1/27
		CONTAINER SUB-ASSEMBLY, D.A. WINDOW (2Z11399), PORT (Mod. 2372)	—	—		
	7Z8277	Spares for:— Angle	2	—	MR	
4361	3Z8279	Block, mounting	4	—	C	
	8Z8277	BRACKET, GROUP	2	—	MR	
13101	15Z9871	CHUTE, WINDOW LAUNCHING, GROUP .	1	—	B	
	1Z11053	CONTAINER, SECONDARY WINDOW ... LAUNCHING, GROUP	1	—		
	6Z11053	Spares for:— Bracket, chute location	1	—		
	9Z11053	FAIRING, GROUP	1	—		
	3Z11053	LID, CONTAINER, GROUP	1	—		
	8Z11053	PANEL, AFT END, GROUP	1	—		
	2Z11053	PANEL, BOTTOM, GROUP	1	—		
	7Z11053	PANEL, FORWARD END, GROUP	1	—		
	4Z11053	PANEL, I/B SIDE, GROUP	1	—		

EQUIPMENT, SPECIAL OPERATIONAL (S.O.O.)
WINDOW LAUNCHING INSTALLATION, REMOVABLE FITTINGS

Ref. No.	Part No.	Description				No. off	Mater. Spec.	Cl. of St.	Place and Illust'n No.
		1	2	3	4			M.R.	
		CONTAINER, SECONDARY WINDOW LAUNCHING GROUP (1211053) (Cont'd.)							
	5211053	PANEL, O/B SIDE, GROUP				1	-		
	1728226	PLATFORM, BASE, GROUP				1	-		
	1528226	PLATFORM, SIDE, GROUP				1	-		
	1628228	PLATFORM, SIDE, GROUP				1	-		
	10211063	Strap				2	-		
	11211063	Strap				2	-		
	12211063	Strap				2	-		
10AS/480	-	UNIT, STRIPPER				1	-	A	

VULCAN No. 2

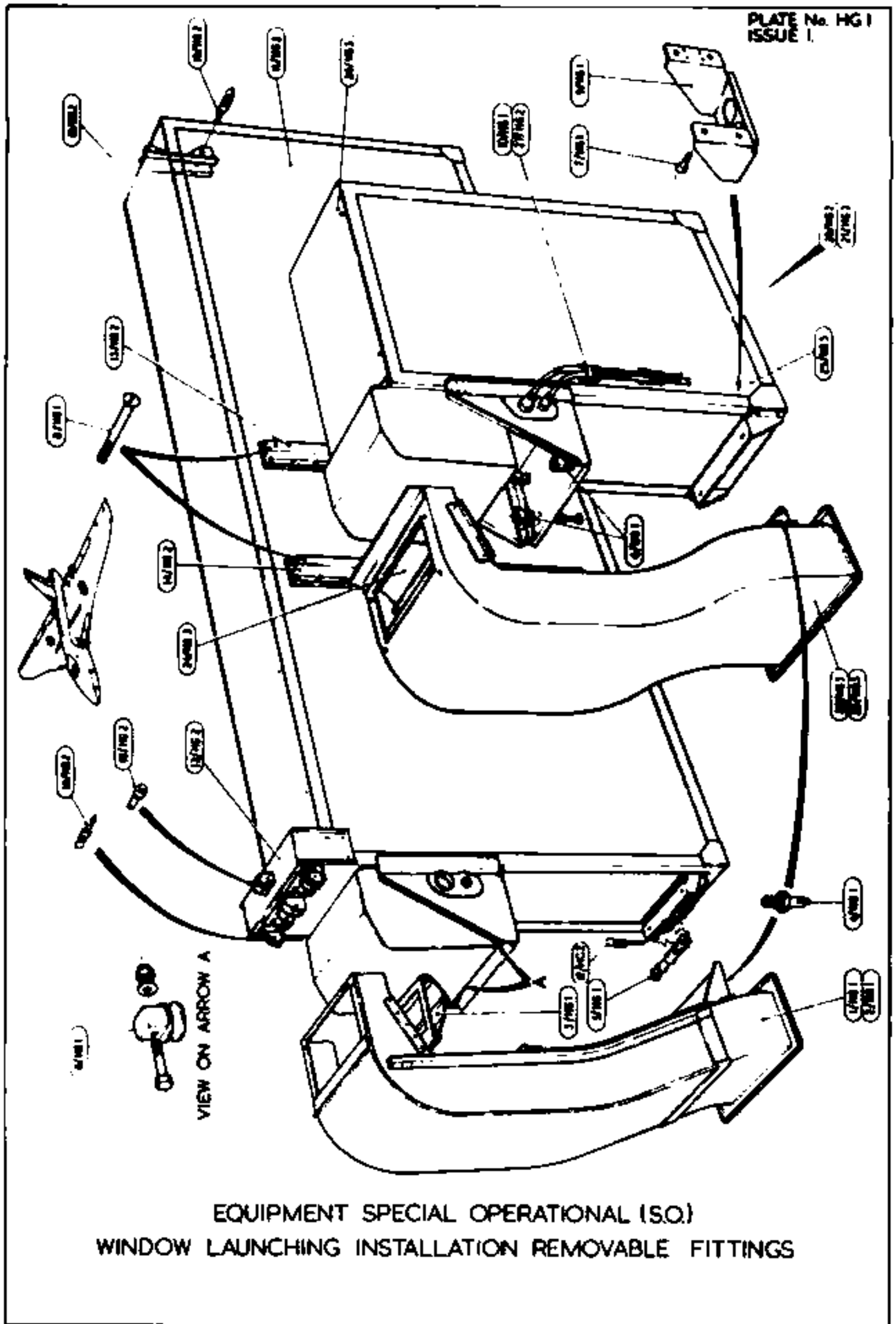
**WINDOW LAUNCHING INSTALLATION,
REMOVABLE FITTINGS
SUMMARY OF STANDARD ITEMS**

Page HG. 5

Stores Ref.		No. off	Stores Ref.		No. off	Stores Ref.		No. off
Section	Ref. No.		Section	Ref. No.		Section	Ref. No.	
28FP	17	1	28R	13509	2			
28FP	1432	2	28R	14689	2			
28FP	9429531	2						
28FP	9434091	6						
28FP	9507895	1						
28FP	9713920	2						
			28U	15100	2			
28M	13464	2						
28M	1011470	2						

RESTRICTED

PLATE No. HG 1
ISSUE 1.



RESTRICTED

VULCAN 113

EQUIPMENT, SPECIAL OPERATIONAL (S.O.O.)
NEW STORE INSTALLATION, REMOVABLE FITTINGS

Page HH.1

Ref. No.	Part No.	Description	No. off	Matl. Spec.	Cl. of St.	Plate and Illust'n No.
					M.R.	
		1 2 3 4				
		NEW STORE INSTALLATION REMOVABLE FITTINGS (A3214) (Mod. 200) Spares for :— BEAM, CARRIER, INSTALLATION (1Z10005) Spares for :— BEAM, CARRIER, GROUP				
	1D11230	BEAM, CARRIER, GROUP	1	—		HH1.1
14410	62D11230	Block, pulley, port	1	S94	C	HH1.2
14411	63D11230	Block, pulley, starboard	1	S94	C	HH1.3
14432	76D11230	BLOCK, PULLEY, GROUP	1	—	C	HH1.4
14407	25D11230	Bolt, adjusting, at suspension links	2	S94	C	HH1.5
14970	78D11230	BRACKET, GUARD MOUNTING, PORT, GROUP (Mod. 1872)	1	—	C	HH1.6
	79D11230	BRACKET, GUARD MOUNTING, STARBOARD, GROUP (Mod. 1872)	1	—	C	HH1.7
14927	71D11230	Collar, at pulley block	2	S94		HH1.8
14412	66D11230	Guard, pulley, port	1	S520	C	HH1.9
14413	67D11230	Guard, pulley, starboard	1	S520	C	HH1.10
11558	70D11230	Link, at pulley block, port	1	S94	C	HH1.11
14414	1D11236	LINK, CARRIER BEAM, PORT, GRP.	1	—	B	HH1.12
14415	2D11236	LINK, CARRIER BEAM, STBD., GRP.	1	—	B	HH1.13
		Spares for :—				
	5D11236	Bush, bottom	2	S94		HH1.14
	6D11236	Bush, top	2	S94		HH1.15
	7D11236	Bush, top	2	S94		HH1.16
	AS4614 52	Insert, wire $\frac{1}{8}$ " BSF	1	—		
		Attachment items for 1 & 2D11236				
14404	22D11230	Bolt, shoulder, 4-25" long	2	S94	C	HH1.17
14405	23D11230	Bolt, shoulder, 4-50" long	2	S94	C	HH1.18
28M 13145	A27 QS	Nut, slotted	8	—	C	
28P 9429653	SP9 G12	Pin, split	8	—	C	
28P 5416	AGS 551 6	Pin, locking	4	—	C	HH1.24
14406	24D11230	Washer, special	8	S1	C	HH1.21
14408	35D11230	LUG, END FITTING, GROUP	1	—	B	HH1.22
14409	36D11230	LUG, END FITTING, GROUP	1	—	B	HH1.23
		Spares for :—				
28N 13623	HOFFMAN C13	Bearing, self aligning	1	—	C	
	35bD11230	Bush	2	S95		
	36bD11230	Bush	2	S95		
5882	W. & S. N. 10	Washer	1	—	C	
		MECHANISM, FOR OPERATING BOX, NO. 14 RELEASE (45D11291) (Mod. 1353) Spares for :—				
	20D11291	BLOCK, GUIDE, GROUP	1	—		HH1.24
	29D11291	BLOCK, GUIDE, GROUP	1	—		HH1.25
		Spares for :—				
	146D11291	Bush, $\frac{1}{2}$ " dia 35" long	6	S94		

**EQUIPMENT, SPECIAL OPERATIONAL (S.O.O.)
NEW STORE INSTALLATION, REMOVABLE FITTINGS**

Ref. No.	Part No.	Description	No. off	Matl. Spec.	Cl. of	Plate and Illustr'n No.
					St.	
		1 2 3 4			M.R.	
		MECHANISM, FOR OPERATING BOX NO. 14 RELEASE (45D11291) (Mod. 1353) (Cont'd)				
14422	7D11291	Bolt, special, 3-10" long	1	S94	C	HH1 26
14801	42D11291	Bolt, special, .90" dia - 4-40" long	1	S94		HH1 27
14426	1D11302	BOX, SPRING, GROUP	1	—	B	HH1 28
		Consisting of:—				
	2D11302	Body, spring box	1	DTD130		
14429	5D11302	Cap, spring, retaining	1	S94	C	
14428	3D11302	Plunger, spring box	1	S94	C	
14427	4D11302	Spring, 14 SWG - 3 30" free length	1	DTD215 or DTD239	C	
14865	32D11291	Bracket, mounting, for actuator	1	L65	C	HH1 29
22520	43D11291	Collar	1	L83		HH1 30
	30D11291	Flange, for guide tube	1	L65		HH1 31
14869	37D11291	Fork-end, at actuator	1	S93	C	HH1 32
14417	2D11291	LEVER, CONTROL, GROUP	1	—	C	HH1 33
14418	3D11291	LEVER, CONTROL, GROUP	1	—	C	HH1 34
14425	16D11291	LEVER, CONTROL, GROUP	1	—	C	HH1 35
14868	36D11291	Lever	1	S93	C	HH1 36
14430	26D11291	LINKAGE, STOP, PORT, GROUP	1	—	C	HH1 37
14431	27D11291	LINKAGE, STOP, STBD., GROUP	1	—	C	HH1 38
22518	25D11291	Mounting, hinge, for spring box	1	DTD130B	C	HH1 39
14866	33D11291	Pin, flanged, for actuator mounting	2	S93	C	HH1 40
14870	40D11291	Pin, special, for lever 36D1129 pivot attachment	1	S93	C	HH1 41
14423	12D11291	ROD, OPERATING, MANUAL CONTROL, GROUP	1	—	C	HH1 42
14800	39D11291	ROD, OPERATING, GROUP	1	—		HH1 43
14419	4D11291	Spring, torsion, port	1	DTD215	C	HH1 44
14420	5D11291	Spring, torsion, starboard	1	—	C	HH1 45
	31D11291	Tube, guide	1	L62		HH1 46
28P 9466633	AGS1551-5	Pin, safety, at pulley block on carrier beam	2	—	C	HH1 47
14398	3Z10005	Bolt, special, 1 1/4" dia bar 5 05" long	1	S99	C	HH1 48
14978	10A3214	Bracket, pulley, port	1	DTD130		HH1 49
	11A3214	Bracket, pulley, starboard	1	DTD130		HH1 50
14847	9Z10005	CABLE, ASSY., PORT, GROUP	1	—		HH1 51
14848	10Z10005	CABLE, ASSY., STARBOARD, GROUP	1	—		HH1 52
14401	6Z10005	CABLE, ASSY., GROUP	2	—		HH1 156

VULCAN No. 2

EQUIPMENT, SPECIAL OPERATIONAL (S.O.O.)
NEW STORE INSTALLATION, REMOVABLE FITTINGS

Page HH.1

Ref. No.	Part No.	Description 1 2 3 4	No. off	Matl. Spec.	Cl. of	Plate and Illust'n No.
					Sc. M.R.	
		NEW STORE INSTALLATION REMOVABLE FITTINGS (A3214) (Mod. 200) Spares for :— BEAM, CARRIER, INSTALLATION (1Z10005) Spares for :—				
	1D11230	BEAM, CARRIER, GROUP ...	1	—		HH1/1
14410	62D11230	Block, pulley, port	1	S94	C	HH1/2
14411	63D11230	Block, pulley, starboard	1	S94	C	HH1/3
14432	76D11230	BLOCK, PULLEY, GROUP ...	1	—	C	HH1/4
14407	25D11230	Bolt, adjusting, at suspension links	2	S94	C	HH1/5
14970	78D11230	BRACKET, GUARD MOUNTING, PORT, GROUP (Mod. 1872)	1	—	C	HH1/6
	79D11230	BRACKET, GUARD MOUNTING, STARBOARD, GROUP (Mod. 1872)	1	—	C	HH1/7
14927	71D11230	Collar, at pulley block	2	S94		HH1/8
14412	66D11230	Guard, pulley, port	1	S520	C	HH1/9
14413	67D11230	Guard, pulley, starboard	1	S520	C	HH1/10
11558	70D11230	Link, at pulley block, port	1	S94	C	HH1/11
14414	1D11236	LINK, CARRIER BEAM, PORT, GRP.	1	—	B	HH1/12
14415	2D11236	LINK, CARRIER BEAM, STBD., GRP. Spares for :—	1	—	B	HH1/13
	5D11236	Bush, bottom	2	S94		HH1/14
	6D11236	Bush, top	2	S94		HH1/15
	7D11236	Bush, top	2	S94		HH1/16
	A54614 52	Insert, wire $\frac{1}{8}$ " BSF	1	—		
		Attachment items for 1 & 2D11236				
14404	22D11230	Bolt, shoulder, 4.25" long	2	S94	C	HH1/17
14405	23D11230	Bolt, shoulder, 4.50" long	2	S94	C	HH1/18
28M 13145	A27 QS	Nut, slotted	8	—	C	
28P 9429653	SP9 G12	Pin, split	8	—	C	
28P 5416	AGS 551 6	Pin, locking	4	—	C	HH1/24
14406	24D11230	Washer, special	8	S1	C	HH1/21
14408	35D11230	LUG, END FITTING, GROUP ...	1	—	B	HH1/22
14409	36D11230	LUG, END FITTING, GROUP Spares for :—	1	—	B	HH1/23
28N 13623	HOFFMAN CJ3	Bearing, self aligning	1	—	C	
	35bD11230	Bush	2	S95		
	36bD11230	Bush	2	S95		
5882	W. & S. N. 10	Washer	1	—	C	
		MECHANISM, FOR OPERATING BOX, NO. 14 RELEASE (45D11291) (Mod. 1353) Spares for :—				
	20D11291	BLOCK, GUIDE, GROUP ...	1	—		HH1/24
	29D11291	BLOCK, GUIDE, GROUP ...	1	—		HH1/25
	14bD11291	Bush, $\frac{1}{2}$ " dia .35" long	6	S94		

VULCAN No. 2

EQUIPMENT, SPECIAL OPERATIONAL (S.O.O.)
NEW STORE INSTALLATION, REMOVABLE FITTINGS

Page HH.3

Ref. No.	Part No.	Description	No. off	Matl. Spec.	Cl. of	Place and Illust'n No.
					St.	
		1 2 3 4			M.R.	
		BEAM, CARRIER, INSTALLATION (Z10005) (Cont'd)				
		HYDRAULIC INSTALLATION IN CARRIER BEAM (Q2260) Spares for :—				
14257	23Q2260	Block, clamp	1	—	C	HH2 53
	41Q2260	Block, clamp	1	—		HH2 54
14261	28Q2260	BLOCK, CLAMP, GROUP	4	—	C	HH3 55
14263	29Q2260	BLOCK, CLAMP, GROUP	1	—	C	HH3 56
14264	30Q2260	BLOCK, CLAMP, GROUP	2	—	C	HH3 57
14265	31Q2260	BLOCK, CLAMP, GROUP	1	—	C	HH2 58
14266	32Q2260	BLOCK, CLAMP, GROUP	2	—	C	HH3 59
22533	34Q2260	BLOCK, CLAMP, GROUP	1	—	C	HH3 60
	10Q2260	Bracket, flexible hose mounting	1	L72		HH2 61
	25Q2260	Bracket, strap attachment	1	L72		HH2 62
14254	8Q2260	CLAMP, PIPE, GROUP	1	—	C	HH3 63
14255	14Q2260	CLAMP, PIPE, GROUP	12	—	C	HH2 64
14256	21Q2260	CLAMP, PIPE, GROUP	11	—	C	HH3 65
14258	15Q2263	CLAMP, PIPE, GROUP	5	—	C	HH2 66
22534	26Q2263	CLAMP, PIPE, GROUP	3	—	C	HH3 67
	LOCKHEED AVERY					
27BA 8759	AVA57 B	Coupling, $\frac{1}{2}$ " BSP	5	—	B	HH2 68
	AVERY HARDOLL AVX3393	Coupling	2	—		HH2 69
	AVERY HARDOLL					
27BA 8762	AVA58 C or AVA1150 C	Coupling, half	2	—	B	HH2 70
	LOCKHEED AVERY					
27BA 8760	AVA57 C	Coupling, half union $\frac{1}{2}$ " BSP	2	—	B	HH2 71
	LOCKHEED AVERY					
27BA 8816	AVA 57 D	Coupling, half union, $\frac{1}{2}$ " BSP	1	—	B	HH2 72
14740	47Q 1936	Fairlead (Mod. 1303)	1	—		HH2 73
14253	7Q2260	Guide, hoisting	1	DTD731	C	HH3 74
14259	24Q2260	HANDLE, HYD. PUMP, GROUP (Pre-Mod. 1303)	1	—	C	
14738	36Q2260	HANDLE, TELESCOPIC, HYD. PUMP, GROUP (Mod. 1303)	1	—	C	HH2 75
	DUNLOP 6/W3 102 8 10, 16-5	Hose, flexible, H.P., $\frac{3}{8}$ " BSP 16.5"	1	—		HH3 76

**EQUIPMENT, SPECIAL OPERATIONAL (S.O.O.)
NEW STORE INSTALLATION, REMOVABLE FITTINGS**

Ref. No.	Part No.	Description	No. off	Matl. Spec.	Cl. of	Plate and Illust'n No.
					St.	
		1 2 3 4				
HYDRAULIC INSTALLATION IN CARRIER BEAM (Q2260) (Cont'd)						
27VA 6249	6 W3 102 B B 17-9	Hose, flexible, high pressure, $\frac{1}{2}$ " BSP . 1.79" long	1	—	C	HH2 77
27VA 6247	6 W3 102 B B 18-8	Hose, flexible, high pressure, $\frac{1}{2}$ " BSP . 18.8" long	1	—	C	HH3 78
27VA 6250	8 W3 121 B B 20-7	Hose, flexible, medium pressure, $\frac{3}{8}$ " BSP . 20.7" long	1	—	C	HH2 79
27VA 6251	4 W3 102 B B 26-0"	Hose, flexible, 26" long	5	—	C	HH2 80
27VA 6256	6 W3 102 B B 24 B"	Hose, flexible, $\frac{1}{2}$ " BSP . 24 B"	1	—	C	HH2 81
27Q 70619	DOWTY 1,00411,004	Jack, hoisting, wire wound (Pre Mod. 2108)	1	—	A	
14251	DOWTY 1,00411,028	JACK, hoisting, wire wound (Mod. 2108)	1	—	C	HH2 82
14778	5Q2260	Link, centralising, for store hoist	1	S99	C	HH3 83
	68S53568	Nipple, adaptor	2	—	C	HH2 84
27BA 9923	LOCKHEED AVERY AVA 65C	Nut, union, $\frac{1}{2}$ " BSP	2	—	C	HH2 85
27BA 9693	AVA 65D	Nut, union	1	—	C	HH2 86
PANEL, HYDRAULIC, ASSEMBLY (1Q2281)						
22539	4Q2281	Spares for :— BRACKET, MOUNTING, FOR CONNECTOR, GROUP	1	—		HH2 87
14295	3Q2281	CLAMP, PIPE, GROUP	1	—	C	HH2 88
	DUNLOP 2 W3 102,9,9 270 9-50	Hose, flexible, c w 2 . 90° end fittings. 9.50" long	1	—		HH2 89
	3052V7909 SANGAMO WESTON	LOOM, CABLE, GROUP	1	—		HH2 90
	—	Mounting, anti-vibration, comprising of the following items	3	—		HH2 91
	170711	Bush	2	—		
	150164	Nut, 4 BA	2	—		
	150404	Washer, 4 BA	2	—		
	169948	Mounting, A V	2	—		
14296	1Q2280	PANEL, STRUCTURE, GROUP	1	—	B	HH2 92
6A 4295	2Q2281	Plate, packing, for selector unit	1	L72		HH2 93
	—	Plate, pressure transmitter mounting	1	—	B	HH2 94
14297	31Q2262	PIPE, FROM SELECTOR UNIT TO RELIEF VALVE, $\frac{1}{2}$" O D 20G, GROUP	1	L56	C	HH2 95
14298	33Q2262	PIPE, FROM PRESSURE RELAY TO SELECTOR VALVE, $\frac{1}{8}$" O D 22G, GROUP	1	DTD743	C	HH2 96

VULCAN PR. 2

EQUIPMENT, SPECIAL OPERATIONAL (S.O.O.)
NEW STORE INSTALLATION, REMOVABLE FITTINGS

Page HH. 5

Ref. No.	Part No.	Description 1 2 3 4	No. off	Matl. Spec.	Cl. of	Place and Illust'n No.
					St. M.R.	
		PANEL, HYDRAULIC ASSEMBLY (1Q2281) (Cont'd)				
14300	35Q2262	PIPE, FROM SELECTOR VALVE TO ADJUSTABLE PRESSURE RELIEF VALVE, $\frac{1}{2}$ " O D 20G, GRP.	1	DTD743	C	HH2 97
14301	36Q2262	PIPE, FROM SELECTOR UNIT TO ADJUSTABLE PRESSURE RELIEF VALVE, $\frac{1}{2}$ " O D 20G, GRP.	1	L56	C	HA2 98
14785	193Q2262	PIPE, FROM PRESSURE RELIEF VALVE TO TEE PIECE $\frac{1}{2}$ " O D 20G, GROUP	1	DTD743	C	HH2 99
14786	194Q2262	PIPE, FROM SELECTOR UNIT TO TEE PIECE $\frac{1}{2}$ " O D 20G, GRP.	1	DTD743	C	HH2 100
27VA 5284 6A 4659	DUNLOP ACM18798	Relay, pressure	1	—	A	HH2 101
	—	Transmitter, pressure	1	—	A	HH2 102
27Q 70623	DOWTY 1.00051.026	Valve, adjustable pressure relief	1	—	A	HH2 103
27Q 70626	DOWTY 04641Y A43	Valve, pressure relief	1	—	A	HH2 104
27Q 70621	DOWTY 1.00199.002	VALVE, selector (with manual neutral selection) (Mod. 1039)	1	—	A	HH2 105
14252	6Q2260	Pin, check at centralising link	1	S94	C	HH3 106
14267	29Q2262	PIPE, FROM SELECTOR VALVE TO BRACKET (12Q2260) $\frac{1}{2}$ " O D 20G, GROUP	1	DTD743	C	HH2 107
14280	37Q2262	PIPE, FROM ADJUSTABLE PRES- SURE RELIEF VALVE TO BRACKET (12Q2260) $\frac{1}{2}$ " O D 20G, GROUP	1	DTD743	C	HH2 108
14273	100Q2262	PIPE, FROM TEE PIECE TO TEE PIECE, $\frac{1}{2}$ " O D 20G, GROUP (Mod. 1039)	1	DTD743	C	HH3 109
14274	101Q2262	PIPE, FROM SELECTOR VALVE TO TEE PIECE, $\frac{1}{2}$ " O D 20G, GROUP (Mod. 1039)	1	DTD743	C	HH2 110
14275	102Q2262	PIPE, FROM TEE-PIECE TO UNION, FORWARD FACE OF CARRIER BEAM, PORT $\frac{1}{2}$ " O D 20G, GROUP (Mod. 1039)	1	—	C	HH3 111
14276	103Q2262	PIPE, FROM N.R. VALVE TO UNION UNDER SURFACE OF CARRIER BEAM, $\frac{1}{2}$ " O D 20G, GRP. (Mod. 1039)	1	DTD743	C	HH2 112

**EQUIPMENT, SPECIAL OPERATIONAL (S.O.O.)
NEW STORE INSTALLATION, REMOVABLE FITTINGS**

Ref. No.	Part No.	Description 1 2 3 4	No. off	Matl. Spec.	Cl. of	Plate and Illust'n No.
					St. M.R.	
		HYDRAULIC INSTALLATION IN CARRIER BEAM (Q2260) (Cont'd)				
22536	104Q2262	PIPE, FROM HAND PUMP OUT- LET TO N.R. VALVE, $\frac{1}{2}$ " O D 20G, GROUP (Mod. 1039)	1	DTD743	C	HH2 113
	106Q2262	PIPE, FROM HAND PUMP INLET TO N.R. VALVE, $\frac{1}{2}$ " O D 20G, GRP. (Mod. 1039)	1	L56		HH2 114
22537	107Q2262	PIPE, FROM HAND PUMP INLET TO TEE PIECE, $\frac{1}{2}$ " O D 20G, GRP. (Mod. 1039)	1	L56	C	HH2 115
22538	108Q2262	PIPE FROM SELECTOR VALVE TO TEE PIECE $\frac{1}{2}$ " O D 20G, GROUP (Mod. 1039)	1	L56	C	HH2 116
14269	117Q2262	PIPE, FROM REDUCING UNION TO TEE PIECE $\frac{1}{2}$ " O D 20G, GROUP	1	DTD743	C	HA3 117
14270	118Q2262	PIPE, FROM REDUCING UNION TO BRACKET AT BEAM, TOP, PORT, 1" O D 18G, GROUP	1	DTD743	C	HH3 118
14271	119Q2262	PIPE, FROM TEE PIECE TO BRACKET AT BEAM, TOP, PORT, $\frac{1}{2}$ " O D 20G, GROUP	1	DTD743	C	HH3 119
14553	120Q2262	PIPE, FROM SHUTTLE VALVE TO BRACKET 18Q2260, PORT, $\frac{1}{2}$ " O D 22G, GROUP	1	DTD743	C	HH3 120
14581	121Q2262	PIPE, FROM BRACKET 18Q2262 PORT TO UNION ADAPTOR, STBD., TOP $\frac{1}{2}$ " O D 22G, GROUP	1	DTD743	C	HH3 121
14582	122Q2262	PIPE, FROM BRACKET 18Q2262 TO UNION ADAPTOR, PORT TOP $\frac{1}{2}$ " O D 22G, GROUP	1	DTD743	C	HH3 122
14585	125Q2262	PIPE, FROM SHUTTLE VALVE TO UNION ADAPTOR, STARBOARD, REAR FACE, $\frac{1}{2}$ " O D 22G, GROUP	1	DTD743	C	HH3 123
14586	126Q2262	PIPE, FROM BRACKET 17Q2260 TO UNION ADAPTOR, STARBOARD $\frac{1}{2}$ " O D 20G, GROUP	1	DTD743	C	HH2 124
14587	127Q2262	PIPE, FROM BRACKET 17Q2260 TO UNION ADAPTOR, STARBOARD $\frac{1}{2}$ " O D 18G, GROUP	1	DTD743	C	HH2 125

VULCAN No. 2

**EQUIPMENT, SPECIAL OPERATIONAL (S.O.O.)
NEW STORE INSTALLATION, REMOVABLE FITTINGS**

Page HH- 7

Ref. No.	Part No.	Description 1 2 3 4	No. off	Matl. Spec.	Cl. of St.	Plate and Illust'n No.
					M.R.	
		HYDRAULIC INSTALLATION IN CARRIER BEAM (Q2260) (Cont'd)				
14293	135Q2262	PIPE, FROM TEE-PIECE TO TEE-PIECE STARBOARD, TOP, $\frac{1}{2}$ " O D 20G, GROUP	1	L56	C	HH3 126
14294	136Q2262	PIPE FROM TEE-PIECE TO BRACKET 10Q2260, STARBOARD, $\frac{1}{2}$ " O D 20G, GROUP	1	L56	C	HH3 127
14272	137Q2262	PIPE, FROM SHUTTLE VALVE NORMAL TO CLOSE POSITION TO TEE-PIECE $\frac{1}{2}$ " O D 20G, GROUP	1	DTD743	C	HH3 128
14288	138Q2262	PIPE, FROM SHUTTLE VALVE EMERGENCY OPEN POSITION TO TEE-PIECE $\frac{1}{2}$ " 20G, GROUP	1	DTD743	C	HH3 129
14289	139Q2262	PIPE, FROM OUTER THERMAL RELIEF VALVE TO TEE-PIECE, $\frac{1}{2}$ " O D 22G, GROUP	1	DTD743	C	HH3 130
14290	140Q2262	PIPE FROM INNER THERMAL RELIEF VALVE TO TEE-PIECE $\frac{1}{2}$ " O D 22G, GROUP	1	DTD743	C	HH3 131
14291	141Q2262	PIPE, FROM OUTER THERMAL RELIEF VALVE TO TEE-PIECE REAR, TOP, $\frac{1}{2}$ " O D 22G, GROUP	1	DTD743	C	HH3 132
14292	142Q2262	PIPE, FROM INNER THERMAL RELIEF VALVE TO TEE-PIECE REAR, TOP, $\frac{1}{2}$ " O D 22G, GROUP	1	DTD743	C	HH3 133
14277	143Q2262	PIPE, FROM N.R. VALVE TO BRACKET, 10Q2260, $\frac{1}{2}$ " O D 20G, GROUP (Mod. 1039)	1	DTD743	C	HH3 134
14278	144Q2262	PIPE, FROM TEE-PIECE TO TEE-PIECE TOP, FORWARD, PORT, $\frac{1}{2}$ " 20G, GROUP (Mod. 1039)	1	L56	C	HH3 135
14552	183Q2262	PIPE, FROM UNION ADAPTOR PORT TO BRACKET 18Q2260 STARBOARD, $\frac{1}{2}$ " O D 22G, GROUP	1	DTD743	C	HH2 136
14279	184Q2262	PIPE, FROM UNION ADAPTOR STARBOARD TO BRACKET 18Q2260 STARBOARD $\frac{1}{2}$ " O D 22G GROUP	1	DTD743	C	HH2 137
14554	186Q2262	PIPE, FROM TEE-PIECE TO TEE-PIECE PORT, $\frac{1}{2}$ " O D 20G, GROUP	1	L56	C	HH3 138

**EQUIPMENT, SPECIAL OPERATIONAL (S.O.O.)
NEW STORE INSTALLATION, REMOVABLE FITTINGS**

Ref. No.	Part No.	Description 1 2 3 4	No. off	Matl. Spec.	Cl. of	Plate and Illust'n No.
					St. M.R.	
		HYDRAULIC INSTALLATION IN CARRIER BEAM (Q2260) (Cont'd)				
14555	187Q2262	PIPE, FROM, N.R. VALVE TO TEE- PIECE PORT $\frac{1}{2}$ " O D 20G, GROUP	1	DTD743	C	HH3 139
14556	188Q2262	PIPE, FROM THERMAL RELIEF VALVE TO TEE-PIECE $\frac{1}{8}$ " O D 22G, GROUP	1	L56	C	HH3 140
14557	189Q2262	PIPE, FROM THERMAL RELIEF VALVE TO TEE-PIECE $\frac{1}{8}$ " O D 22G, GROUP	1	DTD743	C	HH3 141
14782	190Q2262	PIPE, SHUTTLE VALVE EMER- GENCY CLOSE POSITION TO UNION ADAPTOR, STBD., $\frac{1}{2}$ " O D 20G, GROUP	1	DTD743	C	HH3 142
14783	191Q2262	PIPE, SHUTTLE VALVE CLOSE DOORS POSITION TO BRACKET 18Q2260 STBD., $\frac{1}{2}$ " O D 20G, GRP.	1	DTD743	C	HH3 143
22535	195Q2262	PIPE, N.R. VALVE TO TEE-PIECE, $\frac{1}{2}$ " O D 20G, GROUP	1	DTD743	C	HH2 144
272 1	TURNER MANU'FG CO. 77C 1276	Pump, duplex hand (Mod. 1039) Less handle	1	—	A	HH2 145
14248	2Q2260	Ring, top housing store hoist	1	S99	C	HH3 146
14249	4Q2260	Ring, bottom housing store hoist	1	S99	C	HH3 147
27BA 9958	AVERY HARDOLL AVA65 B	Sleeve, flexible hoses, fairing doors, star- board and port	5	—	C	HH2 148
14250	3Q2260	Spacer, for store hoist	1	DTD731	C	HH3 149
14262	11Q2260	Spacer, at clamp blocks	2	DT030B	C	HH2 150
14260	26Q2260	STRAP, RETAINING, PUMP HANDLE, GROUP (Pre-Mod. 1303)	1	—	C	
14739	40Q2260	STRAP, RETAINING, PUMP HANDLE, GROUP (Mod. 1303)	1	—	C	HH2 151
14268	15Q2260	Union, flanged, at bracket 10Q2260, star- board	1	DTD130	C	HH2 152
27Q 15170	DOWTY D5230Y	Valve, non return (Mod. 1039)	3	—	A	HH3 153
27Q 78628	DOWTY 1.00465.002	Valve, shuttle	1	—	A	HH3 154
27Q, 1461	DOWTY C4603YMK.B	Valve, thermal relief	3	—	A	HH3 155

VULCAN PB. 2

EQUIPMENT, SPECIAL OPERATIONAL (S.O.O.)
NEW STORE INSTALLATION, REMOVABLE FITTINGS

Page HH 9

Ref. No.	Part No.	Description 1 2 3 4	No. off	Matl. Spec.	Cl. of	Plate and Illust'n No.
					St. M.R.	
		BEAM, CARRIER INSTALLATION (1Z10005) (Cont'd)				
		HOSE AIR CONTINUOUSLY CON- NECTED & ELECTRICS TO RELEASE (1Z10698) (Mod. 2065)				
		Spares for :—				
1433019 14400	1Z11880 5Z10005	ARM, GUIDE, GROUP Bolt, banjo	1 1	— S110	C C	HH4 157 HH4 158
	1Z10699	BRACKET, GUIDE, L.H. SIDE GROUP	1			HH4 159
	2Z10699	BRACKET, GUIDE, R.H. SIDE GROUP	1			HH4 160
		Spares for :—				
14900	5Z10699	Roller	3		C	HH4 170
	4Z10698	BRACKET, GROUP	1			HH4 171
	7Z10698	BRACKET, GROUP	1			HH4 172
		Spares for :—				
14968 28N 9129579	AF5554234 AG52031 6	CLIP, GROUP Circlip	1 1	—	C C	HH4 173 HH4 174
14966	1Z10701	CLIP, GUIDE, GROUP	1	—	C	HH4 175
14967	1Z10702	CLIP, GUIDE, GROUP	1	—	C	HH4 176
	9Z10698 DUNLOP 4 342 B 8 60	CLIP, HOSE, GROUP Hose, pneumatic flexible	1 1	—	C	HH4 177 HH4 178
14965	2Z10698	Packer, 10 SWG . 1-0" . 75"	8	L72		HH4 179
14964	6Z10698	Piece, distance	2	L65	C	HH4 180
	3Z10698	Pin	1	S99	C	HH4 181
1432912	1Q3827	PIPE, GROUP	1	—	C	HH4 182
14969	7Z10005	Shim, Alum lamium 1 55" . 1-4" . 125" thick	1	—	C	HH4 183
14992	1D12709	LOCK, SAFETY RELEASE GROUP (Mod. 1956)	1	—	A	HH4 184
		Spares for :—				
SCW 7805	Burgess JSS 5D11986 10D11986 4D11986 8D12709	Actuator, at microswitch Arm, striker Arm, striker Bolt, adjusting Bolt, adjusting	4 1 1 1 1	— S96 S96 S96 S96		HH4 185 HH4 186 HH4 187 HH4 188 HH4 189

**EQUIPMENT, SPECIAL OPERATIONAL (S.O.O.)
NEW STORE INSTALLATION, REMOVABLE FITTINGS**

Ref. No.	Part No.	Description 1 2 3 4	No. off	Matl. Spec.	Cl. of	Plate and Inst'n No.	
					St. M.R.		
		LOCK SAFETY RELEASE (1D12709) (Cont'd.)					
15031	18D12709	Bolt, shoulder, for striker arm ...	1	S96	C	HH4 190	
	23D11293	Bolt, special, for casting joint ...	2	S96		HH4 191	
	14D11293	Bracket, socket mounting ...	1	L65		HH4 192	
	2D11986	Casting, rear portion ...	1	DTD304		HH4 193	
	7D11293	Casting, front portion ...	1	DTD304		HH4 194	
	14D12709	Collar ...	1	S93		HH4 195	
	4D11293	Guide, for spindle ...	1	S94		HH4 196	
	8D11986	Insulator, at microswitch ...	1	BS2966 3A		HH4 197	
	9D11986	Insulator, at Microswitch ...	1	BS2966 3A		HH4 198	
	17D11293	Label, warning ...	1	L72		HH4 199	
	2D12709	Lever, safety ...	1	S97		HH4 200	
	23D12709	LEVER, OPERATING, GROUP ...	1	—		HH4 201	
			Spares for :—				
		19D12709	Lever, operating ...	1		S96	HH4 202
	20D12709	Link ...	1	S97	HH4 203		
	22D12709	Pin ...	1	S96	HH4 204		
	1V12441	LOOM, CABLE, GROUP ((Mod. 1626) ...	1	—	HH4 205		
SCW:6775	Dunlop	Mat, heater ...	1	—	HH4 206		
	SKM11664	Microswitch ...	4	—	B	HH4 207	
	Burgess	Peg, locking ...	1	L83	HH4 208		
	11SM1T	Piece, distance ...	1	S93	HH4 209		
	10D12709	Pin ...	1	S96	HH4 210		
	12D12709	Plate, lock at microswitches ...	2	S510	HH4 211		
	11D12709	Plate, lock, at microswitches ...	2	S510	HH4 212		
	6D11986	Plug, domino ...	1	—	C	HH4 213	
	7D11986	Shim, track ...	1	S510	HH4 214		
	Belling Lee	Socket, domino ...	1	—	C	HH4 215	
15015	L1390P	Spindle ...	1	S96	HH4 216		
	7D12709	Spring ...	1	DTO215	HH4 217		
	Belling Lee	Stop ...	1	S96	HH4 218		
	L1390S	Thermostat ...	1	—	HH4 219		
	13D12709	Track ...	1	S96	HH4 220		
15016	3D11293	Nut, slotted, at control unit ...	1	S94	C	HH1 221	
	9D12709	PNEUMATIC SYSTEM TO CARRIER BEAM (162302) ...					
	DUNLOP	Spares for :—					
14399	ACO24046	Block, fairlead, 90° 50° x 2" long ...	2	L64	C	HH5 222	
	6D12709						

VULCAN No. 2		EQUIPMENT, SPECIAL OPERATIONAL (S.O.O.)				Page HH.11			
NEW STORE INSTALLATION, REMOVABLE FITTINGS									
Ref. No.	Part No.	Description				No. off	Matl. Spec.	Cl. of St. M.R.	Place and Illust'n No.
		1	2	3	4				
		PNEUMATIC SYSTEM TO CARRIER BEAM (1Q2302) (Cont'd)							
		PNEUMATIC SYSTEM STORE RELEASE (1Q2264)							
		Spares for:—							
14310	16Q2264	Adaptor, at H.P. charging valve				1	L64	C	HH5 223
14312	18Q2264	Adaptor, at pressure switch				1	L64	C	HH5 224
27VA 4610	DUNLOP ACO.26591Q	Alumina, actuated (8 oz. tin)				1	—	C	HH5 225
27VA 6278	DUNLOP AC11798	Bottle, air				1	—	A	HH5 226
	2Q2264	BRACKET, MOUNTING, GROUP				1	—		HH5 227
	4Q2264	Bracket, valve mounting				1	L72		HH5 228
	10Q2264	Bracket, pressure switch				1	S510		HH5 229
	12Q2264	Bracket, isolating cock mounting				1	S510		HH5 230
14303	5Q2264	Clip, half, at Dehydrator				2	S510	C	HH5 231
14304	7Q2264	Clip, half, at Air Bottle				2	S510	C	HH5 232
	11Q2264	Clip, at pressure switch				1	S510		HH5 233
11A 5656	DUNLOP ACM19540	Cock, isolating				1	—	B	HH5 234
27VA 6280	DUNLOP ACO2823	Connectors, $\frac{1}{2}$ " $\frac{1}{2}$ " B.S.P. at Air Bottles				3	—	B	HH5 235
11A 5072	DUNLOP ACM19534 DAVID HARCOURT	Dehydrator				1	—	A	HH5 236
11A 5039	—	Gauge, pressure, 0-2000 P.S.I.				1	—	A	HH5 237
14309	15Q2264	Guard, vent				1	L56		HH5 238
	22Q2264	Label, at Charging Valve				1	L72		HH5 239
14318	ML AVIATION MLS 347D	Nipple, male adaptor, $\frac{1}{2}$ " pipe				3	—	C	HH5 240
14315	ML AVIATION MLS397D	Nipple, female adaptor, $\frac{1}{2}$ " pipe				1	—	C	HH5 241
14317	ML AVIATION MLS377D	Nipple, female adaptor, $\frac{3}{8}$ " pipe				7	—	C	HH5 262
14314	ML AVIATION MLS419D	Nipple, male adaptor, $\frac{1}{2}$ " pipe				2	—	C	HH5 243
14313	20Q2264	Pipe, flexible, (Dunlop rubber)				1	—	C	HH5 244
		PIPES PNEUMATIC SYSTEM STORE RELEASE (1Q2267)							
		Spares for:—							
14319	2Q2267	PIPE FROM AIR BOTTLE TO PNEUMATIC VALVE 20" LONG APPROX. GROUP (Pre Mod. 2037)				1	—	C	HH5 245

**EQUIPMENT, SPECIAL OPERATIONAL (S.O.O.)
NEW STORE INSTALLATION, REMOVABLE FITTINGS**

Ref. No.	Part No.	Description	No. off	Matl. Spec.	Cl. of	Plate and Illustr'n No.
					St. M.R.	
		1 2 3 4				
		PIPES, PNEUMATIC SYSTEM STORE RELEASE (1Q22671) (Cont'd)				
14997	12Q2267	PIPE, FROM AIR BOTTLE TO PNEUMATIC VALVE GROUP (Mod. 2037)	1	—	C	HH5 246
14320	3Q2267	PIPE, FROM AIR BOTTLE TO DEHYDRATOR, 16" LONG APPROX. GROUP (Pre Mod. 2037)	1	—	C	HH5 247
14998	13Q2267	PIPE, FROM AIR BOTTLE TO DEHYDRATOR, GROUP (Mod. 2037)	1	—	C	HH5 248
14321	4Q2267	PIPE, FROM PRESSURE SWITCH TO DEHYDRATOR $\frac{1}{2}$ " O D 22G 8" LONG, GROUP	1	DTD743	C	HH5 249
14322	5Q2267	PIPE, FROM PNEUMATIC RELIEF VALVE TO CHARGING VALVE, $\frac{1}{4}$ " O D 22G 10" LONG, GROUP	1	DTD743	C	HH5 250
14323	6Q2267	PIPE, CHARGING VALVE TO DEHYDRATOR, $\frac{1}{4}$ " O D 22G 19" LONG, GROUP	1	—	C	HH5 251
14324	7Q2267	PIPE, AIR BOTTLE TO ISOLATING COCK, 14" LONG APPROX. GROUP (Pre Mod. 2037)	1	—	C	HH5 252
14999	14Q2267	PIPE, AIR BOTTLE TO ISOLATING COCK, GROUP (Mod. 2037)	1	—	C	HH5 253
14308	14Q2264	Restrictor, vent	1	L64	C	HH5 254
14305	6Q2264	Strap, for Dehydrator Bottle	2	S510	C	HH5 255
14306	8Q2264	Strap, for Air Bottle	1	S510	C	HH5 256
14307	9Q2264	Strap, for Air Bottle	1	S510	C	HH5 257
SCW 7089	DUNLOP ACM19070 H.P.C. A506	Switch, pressure	1	—	A	HH5 258
11A 5589	—	Valve, charging c/w standard sealing cap	1	—	A	HH5 259
27VA 6281	DUNLOP ACM17730	Valve, pneumatic	1	—	A	HH5 260
27VA 6161	DUNLOP ACO27379	Valve, pneumatic relief	1	—	A	HH5 261
2BR, 13514	A5103	Washer, sealing at Air Bottle connections	3	—	C	HH5 262
		Pulley, 2" dia.	2	—	B	HH1 263

VULCAN No. 1

EQUIPMENT, SPECIAL OPERATIONAL (S.O.O.)
NEW STORE INSTALLATION, REMOVABLE FITTINGS

Page HH. 12A

Ref. No.	Part No.	Description	No. off	Matl. Spec.	Cl. of	Plate and Illust'n No.
					St. M.R.	
		1 2 3 4				
		BEAM CARRIER, INSTALLATION (1Z10000) (Cont'd)				
	1V14012	UNIT, RELEASE C W WIRING GROUP (Mod. 2065)	1	—		HH4 264
28E 1012876	AS3181 4C	Spares for — Clip	1	—	C	HH4 265
14433	1V10465	LOOM, CABLE, GROUP	1	—	B	HH4 266
11A 5558	—	Unit, release, No. 14, Mk. 2	1	—	A	
	1D11208	BEAM, REAR CRUTCHING, GROUP	1	—		HH6 267
	1D11215	Spares for — MEMBER, SIDE LOAD, GROUP	2	—		HH6 268
14522	13D11103	Spares for — Clip, spring, for pin	1	—	C	HH6 269
	6D11215	Coupling, for fork-end	1	S94		HH6 270
	3D11215	End, fork	1	DTD1308		HH6 271
	7D11215	Nut, special	1	S94		HH6 272
	8D11215	Nut, special	1	S94		HH6 273
15036	11D11103	Pin	1	S94	C	HH6 274
		Attachments for Pin 11D11103				
	1bD11215	Chain, Baxendale No. 290	1	—		HH6 275
29G 4290	1aD11215	Ring, split, Terrys, No. 169 $\frac{1}{2}$ " o d	2	—	C	HH6 276
	1cD11215	Ring, split, Terrys, No. 169 $\frac{1}{4}$ " o d	1	—		HH6 277
	1D11213	PAD, CRUTCH, GROUP	2	—		HH6 278
		Consisting of:—				
	4D11213	Block	1	DTD1308		HH6 279
28D 1013173	AS1242 10C	Bolt, csk. 2 BA	4	S94	C	HH6 280
	2D11213	End, ball	1	S94		HH6 281
	6D11213	Nut, special	1	S94		HH6 282
28M 10328	AG52002 C1	Nut, 2 BA	4	—	C	
	5D11213	Pad, friction (Teflon)	1	—		HH6 283
	3D11213	Strip, half, retaining	2	DTD1308		HH6 284
14858	13A3214	Bolt, shoulder, at carrier beam, aft	2	S94	C	HH1 20
14859	14A3214	Bolt, shoulder at carrier beam, fwd.	2	S94	C	HH1 20
14860	4A3214	BRACKET, REAR CRUTCH, ATTACHMENT, PORT, GROUP	1	—	B	HH6 285
14861	5A3214	BRACKET, REAR CRUTCH, ATTACHMENT	1	—	B	HH6 286
		Spares for:—				
28N 13513	C15	Bearing	1	—	C	HH6 287
14863	517bD11220	Bush	2	—	C	HH6 288
5887	W & S No. 4	Washer	2	—	C	HH6 289

**EQUIPMENT, SPECIAL OPERATIONAL (S.O.O.)
NEW STORE INSTALLATION, REMOVABLE FITTINGS**

Ref. No.	Part No.	Description	No. off	Matl. Spec.	Cl. of	Plate and Illust'n No.
					St. M.R.	
		1 2 3 4				
BRACKET, REAR CRUTCH ATTACHMENT, PORT & STARBOARD (4 & 5 A3214) (Cont'd.)						
Attachments for brackets 4 & 5 A3214						
28D 1011242	A25 7E	Bolt, 1/4" BSF	2	—	C	HH6 290
28D 1010031	A25 8E	Bolt, 1/4" BSF	2	—	C	HH6 291
28M 9512070	A27 EC	Nut, 1/4" BSF	4	—	C	
29P 1007741	SP9 CB	Pin, split	4	—	C	
28W 9418921	SP13 E	Washer, 1/4"	4	—	C	
14976	KING A c C4370 2 1/2-2 1/2 A	Clamp, pipe Mk. 2	1	—	C	HH20 913
14977	KING A:c C4370 3 1/2 A	Clamp, pipe Mk. 2	1	—	C	HH20 924
COVERS, DUST, FOR UMBILICAL CONNECTIONS (1Z10547)						
Spares for :—						
14907	2Z10547	Cover, at Nos. 1, 2 & 4 pin plugs	3	P.V.C.	C	HH6 292
14909	4Z10547	Cover, at exactor freon couplings	2	P.V.C.	C	HH6 293
14910	5Z10547	Cover, at 18 pin butt connector	2	P.V.C.	C	HH6 294
14911	6Z10547	Cover, at warm air connection	1	P.V.C.	C	HH6 295
14912	7Z10547	Cover, at hydraulic couplings	2	P.V.C.	C	HH6 296
Attaching items for covers 2, 4, 5, 6 & 7Z10547						
28E 9129562	AGS605 3	Clip, for items 4, 6 & 7Z10547	1	—	C	HH6 297
28E 9130219	AGS605 4Y	Clip, for item 5Z10547	1	—	C	HH6 298
149908	3Z10547	CLIP ATTACHMENT, FOR COVER 2Z10547, GROUP	1	—	C	HH6 299
Spares for —						
	3fZ10547	CLIP, HALF, GROUP	1	—		
	3gZ10547	CLIP, HALF, GROUP	1	—		
	8Z10547	Fairing, on fairing door D11220	1	—		HH6 300
Attaching items for fairing :—						
28D 1007975	AS1242 1C	Bolt, csk. 2 BA	11	—	C	HH6 301
	7D10539	DOOR, ACCESS FW'D OF FRONT SPAR PORT, GROUP (Pre Mod. 1017)	1	—		
22509	27D10539	DOOR, ACCESS, FW'D OF FRONT SPAR PORT, GROUP (Mod. 1017)	1	—	B	HH6 302
	8D10539	DOOR, ACCESS, FW'D OF FRONT SPAR STARBOARD, GROUP (Pre Mod. 1017)	1	—		
22510	28D10539	DOOR, ACCESS FW'D OF FRONT SPAR STARBOARD, GROUP (Mod. 1017)	1	—	B	HH6 303
Spares for :—						
12601	TFR5 19M	Fastener, dzus	5	—	C	HH6 304
12602	TFR5 25M	Fastener, dzus	10	—	C	HH6 305
28FP	TFR5 31M	Fastener, dzus	5	—	C	HH6 306
28FP 1158	TFR5 1G	Grommet, dzus	20	—	C	HH6 307
11784	16F9207	Panel, access	1	—	C	HH7 308

VULCAN No. 1

EQUIPMENT, SPECIAL OPERATIONAL (S.O.O.)
NEW STORE INSTALLATION, REMOVABLE FITTINGS

Page HH. 13

Ref. No.	Part No.	Description 1 2 3 4	No. off	Matl. Spec.	Cl. of	Plate and Illust'n No.
					St. M.R.	
26FP 8735	1V5650	ELECTRICAL SERVICES FOR NEW STORE IN BOMB BAY (V9958) Spares for :— Block, terminal	2	—	C	HH7 309
	2809V7909	CABLE (F2809) 85P 990 TO FRONT SPAR BREAK 970, GROUP	1	—		
	2810V7909	CABLE (F2810) 85P 991 TO FRONT SPAR BREAK 971, GROUP	1	—		
	2911V7909	CABLE (F2911) 85P 843 TO FRONT SPAR BREAK 965, GROUP	1	—		
	3055V7909	CABLE (F3055) 97P 997 TO CARRIER BREAK, 865, GROUP	1	—		
	3068V7909	CABLE (F3068) 97P 996 TO CARRIER BREAK 866, GROUP	1	—		
	3373V7909	CABLE (F3373) TEMP. BULB TO T.B. 1645, GROUP	1	—		
	3542V7909	CABLE (F3542) 97P 1027, TO CARRIER BREAK 1028, GROUP (Mod. 1353)	1	—		
	8256V7909	CABLE (F2929) FRONT SPAR BREAK 969 & EARTH TO 85P 667 AND 93P 828 GROUP	1	—		
	8323V7909	CABLE (F3080) 97P 859 TO 85P 675, GROUP	1	—		
	8328V7909	CABLE (F3088) TELEMETRY UNIT AND 85P 840 TO 85P 667 AND FRONT BAR BREAK 868, GROUP	1	—		
	8476V7909	CABLE (F2926) 85P 841 TO FRONT SPAR BREAK 968 AND EARTH, GRP.	1	—		
	8530V7909	CABLE (F2931) 85P 844 AND HOT AIR VALVE TO F.S.B. 966, EARTH AND 93P 829, GROUP	1	—		
	8534V7909	CABLE (F3084) 92P 825 TO 85P 672 AND EARTH, GROUP	1	—		
	8632V7909	CABLE (F2915) 85P 838 TO FRONT SPAR BREAK 967, GROUP (Mod. 1226)	1	—		
	8689V7909	CABLE (F2914) 85P 845 TO T.B.'s, COLD AIR—HOT AIR AND OVER-HEAT CONTROL VALVES, GROUP (Mod. 1375)	1	—		
	8863V7909	CABLE (F3046) 97P 818 TO PLUG BREAKS 598 and 818, GROUP (Mod. 1353)	1	—		

**EQUIPMENT, SPECIAL OPERATIONAL (S.O.O.)
NEW STORE INSTALLATION, REMOVABLE FITTINGS**

Ref. No.	Part No.	Description 1 2 3 4	No. off	Matl. Spec.	Cl. of	Plate and Illust'n No.
					St. M.R.	
		ELECTRICAL SERVICES FOR NEW STORE IN BOMB BAY (V9958) (Cont'd)				
	8864V7909	CABLE (F3069) 97P 994 TO CARRIER BREAK 867, GROUP (Mod. 1353)	1	—		
	8896V7909	CABLE (F3079) 85P 673 TO 97P 871, GROUP (Mod. 1353)	1	—		
	9126V7909	CABLE (F3217) 85P 944 TO 97P 943, GROUP (Mod. 1492)	1	—		
		INSTALLATION OF TELEMETRY SWITCHING RELAY UNIT (V11263) (Mod. 1088)				HH7 310
	3087V7909	Spares for :— CABLE (F3087) 85P 646 TO TELE- METRY UNIT, GROUP	1	—		
	3089V7909	CABLE (F3089) 85P 648 TO TELE- METRY UNIT, GROUP	1	—		
	3090V7909	CABLE (F3090) 85P 649 TO TELE- METRY UNIT, GROUP	1	—		
	A. V. ROE RA1 794 40800	Unit, telemetry switching relay	1	—		HH7 311
	1567V7728	Label, TB1567	1	—		HH7 312
	1645V7728	Label, TB1645	1	—		HH7 313
	1V9950	MOUNTING, MAGNETIC AMPLIFIER, GROUP	1	—		HH7 314
5CZ 5076	FLM A 14	Spares for :— Amplifier, magnetic	2	—	A	HH7 315
	1V9949	BRACKET, MOUNTING, GROUP	1	—		HH7 316
	1V10102	PANEL, JUNCTION BOX 85P, GRP. Spares for :—	1	—		HH7 317
5CW 6742	HART BR101-PS GRAVINER	Base, relay, series BR	11	—	B	HH7 318
5CZ 5918	D2240	Base, relay unit	2	—	B	HH7 319
5X 9026	—	Block, fuse, 6-way	1	—	C	HH7 320
5X 9027	—	Block, fuse, 12-way	4	—	C	HH7 321
	2V10085	BRACKET, RELAY, MOUNTING GROUP	1	—		HH7 322
	7V10102	BRACKET, RELAY MOUNTING, GROUP (Mod. 1215)	1	—		HH7 323
5CY 5312	B.T.H. LGA24 B1	Breaker, circuit	3	—	A	HH7 324
10H	CANNON CA2209 5	Cap, dust, for plug No. 667 (Mod 1086)	1	—		HH7 325
10H	CANNON CA2209 6	Cap, dust, for plug No. 666	1	—		HH7 326
10H 9402099	CANNON CA2209 10	Cap, dust, for plugs No. 668-669 (Mod. 1086)	1	—	C	HH7 327

VULCAN PR 2

EQUIPMENT, SPECIAL OPERATIONAL (S.O.O.)
NEW STORE INSTALLATION, REMOVABLE FITTINGS

Page HH. 15

Ref. No.	Part No.	Description 1 2 3 4	No. off	Mater. Spec.	Cl. of	Plate and Illust'n No.
					St. M.R.	
10H 23865 10H 23864 10H 23863	— — —	PANEL, JUNCTION BOX, 8SP. GRP. (1V1002) (Com'd)				
	7V10085	Fuse, 2.5 amp	12	—	B	HH7/328
	153V6375	Fuse, .5 amp	13	—	B	HH7/329
	154V6375	Fuse, 7.5 amp (Mod. 1589)	1	—	B	HH7/330
	155V6375	Label, for circuit breaker	1	—		HH7/331
	156V6375	Label, fuses 1157 to 1162	1	—		HH7/332
	157V6375	Label, fuses 1121 to 1132	1	—		HH7/333
	158V6375	Label, fuses 1133 to 1144	1	—		HH7/334
	159V6375	Label, fuses 1145R to 1156R	1	—		HH7/335
	160V6375	Label, fuses 1145B to 1156B	1	—		HH7/336
14464	1V9947	LID, 8SP. STRUCTURE, GROUP (Mod. 200)	1	—	B	HH7/337
	6V9947	Spares for:— Cover, perspex $\frac{1}{8}$ " x 16" x 7"	1	DTD846		
28FP 9544313 28FP 9425771	A5 30 GA5 312	Fastener, dzus	10	—	C	
		Grommet, dzus	10	—	C	
	1V11098	LABEL, FUSE, IDENTIFICATION, GROUP	1	—		
SX 9045 SX 9042 SX 9036 SX 9039	— — — —	Link, commoning, 12-way	3	—	C	HH7/338
		Link, commoning, 9-way	1	—	C	HH7/339
		Link, commoning, 3-way	1	—	C	HH7/340
		Link, commoning, 6-way	1	—	C	HH7/341
	1V12105	LOOM, CABLE, GROUP (Mod. 1633)	1	—		
	1V10285	PANEL, 8SP, STRUCTURE, GROUP	1	—		HH7/342
28FP 9436928	55 225	Spares for:— Spring, dzus	10	—	C	
	1V10086	PANEL, TERMINAL, BLOCK, GRP.	1	—		HH7/343
	2V10086	Spares for:— Baseplate	1	—		HH7/344
	3V10086	Spacer	24	—		HH7/345
	WINGROVE & ROGERS TS.1.-06	Strip, terminal	12	—		HH7/346
14726	6V10102	PANEL, RESISTOR, GROUP (Mod. 1215)	1	—	B	HH7/347
10W 0113328 5K 3758	— —	Spares for:— Resistor, 2.2K, ohms	1	—	C	HH7/348
		Tag, 4 BA	2	—	C	HH7/349
14878	10V10102	PANEL, RESISTOR, GROUP (Mod. 1633)	1	—	A	HH7/350
	11V10102	Spares for:— CABLE, GROUP	1	—		
	12V10102	RECTIFIER, GROUP	1	—		HH7/351
	FERRANTI ZR.21.R.	Consisting of:— Rectifier	1	—		HH7/352
5K 1493	—	Tag, 4 BA	1	—	C	HH7/353
10W 0113288 5K 3758	— —	Resistor, 47 ohms	1	—	C	HH7/354
		Tag	2	—	C	HH7/355

**EQUIPMENT, SPECIAL OPERATIONAL (S.O.O.)
NEW STORE INSTALLATION, REMOVABLE FITTINGS**

Ref. No.	Part No.	Description				No. off	Matl. Spec.	Cl. of St. M.R.	Place and Illust'n No.
		1	2	3	4				
		PANEL, J.B., BSP (1V10102) (Cont'd)							
14724	3V10085					3	—	C	HH7 356
	5V10085					4	—		HH7 357
	6V10085					10	—		HH7 358
	4V10085					1	—		HH7 359
		PLATE, RECTIFIER MOUNTING, GROUP (Mod. 1375)							
5CZ 5627	B.T.H. GJ5M					2	—	B	HH7 360
	HART BR115-CIP-1C					2	—		HH7 361
5CW 6736	HART R210-C3P-1					7	—	A	HH7 362
5CW8946	HART BR150-C3P-1C					2	—	A	HH7 363
10W 0113245	—					1	—	C	HH7 364
14840	8V10102					1	—	C	HH7 365
14629	25V9303					1	—	A	HH7 366
5CZ 5917	GRAVINER D1740					2	—	A	HH7 367
14841	9V10102					6	DT0378A	C	HH7 368
	4V10287					1	—	A	HH7 369
		PANEL, JUNCTION BOX 97P, GRP. (Mod. 1782)							
		Spares for:—							
26FP 8735	1V5650					7	—	C	HH7 370
5X 7498	1V7870					2	—	C	HH7 371
14465	1V10089					1	—	B	HH7 372
		Spares for:—							
28FP 9140248	A4 25					8	—	C	
28FP 9430915	GA4 250					8	—	C	
	1V11869					1	—		
	1V10091					1	—		HH7 373
		MOUNTING, RESISTOR & RECTIFIER, GROUP (Mod. 200)							
		Spares for:—							
	2V10091					1	—		HH7 374
		PLATE, MOUNTING, GROUP							
5CZ 5483	GJ3M					2	—	B	HH7 375
18W 0113373	—					1	—	C	HH7 376
5K 3758	—					2	—	C	HH7 377
									Tag. 4 BA (ROSS COURTNEY 393)

VUKCAN No. 2

EQUIPMENT, SPECIAL OPERATIONAL (S.O.O.)
NEW STORE INSTALLATION, REMOVABLE FITTINGS

Page HH. 17

Ref. No.	Part No.	Description 1 2 3 4	No. off	Matl. Spec.	Cl. of	Plate and Must'n No.
					St. M.R.	
		PANEL, JUNCTION BOX 97P (1V10287) (Cont'd)				
	1V10286	PANEL, STRUCTURE, GROUP	1	—		HH7 378
26FP 940914	S4 200	Spares for — Spring, dzus	8	—	C	
14756	1V10090	PANEL, RELAY, GROUP (Mod. 200)	1	—	A	HH7 379
	2V10090	Spares for — PANEL, GROUP	1	—		HH7 380
5D 1937	—	Relay	2	—	A	HH7 381
26FP 13105	AVA2306	Rubber, A V mounting	4	—	C	HH7 382
	2V10087	Pillar, support, for resistor and rectifier mounting	4	BS1137		HH7 383
5X 6622	14V5650	Socket, double	3	—	C	HH7 384
5X 6623	15V5650	Socket, single	25	—	C	HH7 385
14842	3V10287	TRAY, OIL DRIP, GRP. (Mod. 1351)	1	—	C	HH7 386
14841	9V10102	Washer, sealing, for drip tray (Mod. 1351)	4	—	C	HH7 387
	1V10297	PLUG-BREAK, GROUP (Mod. 200)	1	—		HH7 388
22524	3047V7909	Spares for — CABLE (F3047) PLUG BREAK 815 TO 97P 815, GROUP	1	—	C	
22525	3048V7909	CABLE (F3048) PLUG BREAK 816 TO 97P 816, GROUP	1	—	C	
22526	3049V7909	CABLE (F3049) PLUG BREAK 817 TO 97P 817, GROUP	1	—	C	
22527	3050V7909	CABLE (F3050) PLUG BREAK 819 TO 97P 819, GROUP	1	—	C	
22523	2V10297	PANEL, PLUG BREAK, GROUP (Mod. 200)	1	—	B	
5X 6623	15V5650	Socket, single	4	—	C	HH7 389

**EQUIPMENT, SPECIAL OPERATIONAL (S.O.O.)
NEW STORE INSTALLATION, REMOVABLE FITTINGS**

Ref. No.	Part No.	Description 1 2 3 4	No. off	Matl. Spec.	Cl. of	Plate and Illust'n No.
					Sc.	
					M.R.	
SW 5054		ELECTRICAL SERVICES ON CARRIER BEAM (1V9957) Spares for — ACTUATOR, TWIN MOTOR JAGUAR, GROUP (1V1467) (Mod. 1353) Spares for:—				
		Actuator, twin motor, Jaguar c/w electric cables	1	—	A	HH7/390
		Plug, cannon	1	—		
		Bracket, plug mounting	1	L72		HH7/391
		Bracket, clipping (Made from item 12B SS1793)	1	L72		HH7/392
		BRACKET, PLUG MOUNTING, GRP.	1	—		HH7/393
		CABLE (F3053) TEST PLUG TO WEDGE HOME CARRIER BREAK, GROUP	1	—		
		CABLE (F3067) CARRIER BREAK 865 TO PRESSURE SWITCH RELIEF VALVE, GROUP	1	—		
		CABLE (2 & 3F3054) CARRIER BREAK 867 TO 98P 869 & 870, GROUP (Mod. 2065)	1	—		
		ELECTRICAL SERVICES, FAIRING DOORS (V10101) Spares for —				
	CABLE (F2819) TB. 1567 TO STBD. CLOSE SWITCH, GROUP	1	—			
	CABLE (F2820) TB. 1567 TO STBD. OPEN SWITCH, GROUP	1	—			
17456	3056V7909	CABLE (F3056) 97P 857 TO SEPARATE SWITCH, GROUP	1	—	C	
1432920	3057V7909	CABLE (F3057) 97P 856 TO SEPARATE SWITCH, GROUP	1	—	C	
	8986V7909	CABLE (F3081) 85P 874 TO PLUG 992 AND PORT OPEN AND CLOSED SWITCH, GROUP	1	—		
	3082V7909	CABLE (F3082) TB. 1567 TO STBD., CLOSE SWITCH, GROUP	1	—		
	8731V7909	CABLE (F3083) TB. 1567 TO STBD. OPEN SWITCH, GROUP	1	—		

VULCAN No. 2

EQUIPMENT, SPECIAL OPERATIONAL (S.O.O.)
NEW STORE INSTALLATION, REMOVABLE FITTINGS

Page HH. 19

Ref. No.	Part No.	Description 1 2 3 4	No. off	Matl. Spec.	Cl. of	Plate and Illustr'n No.
					St. M.R.	
		ELECTRICAL SERVICES, FAIRING DOORS (1V1001) (Cont'd)				
	3196V7909	CABLE (F3196) 97P993 TO AIRLOG SAFETY UNIT, GROUP (Mod. 1080)	1	—		
	3097V7909	CABLE (F3197) 85P 839 TO AIRLOG SAFETY UNIT, GROUP (Mod. 1080)	1	—		
	8215V7909	CABLE (F3066) 79P 995 TO 96P987 DETONATOR LANYARD, BOMB GONE & STORE HEATER MICRO-SWITCHES, GROUP (Mod. 1087)	1	—		
15024	8376V7909 1V13965	CABLE (F3051) 97P 993 TO 95P 990, GRP. CABLES, No. 1 BUTT CONNECTOR, GROUP (Mod. 2064)	1 1	— —	A	
15025	1V13966	CABLES, No. 2 BUTT CONNECTOR, GROUP (Mod. 2064)	1	—	A	
15030	PT5142	CABLES, No. 4 BUTT CONNECTOR, Spares for :—	1	—	A	
	1V13952	CONNECTOR, BUTT No. 1, GRP.	1	—		HH8/394
	1V13953	CONNECTOR, BUTT No. 2, GRP.	1	—		HH8/395
	1V13954	CONNECTOR, BUTT No. 4, GRP. Spares for :—	1	—		HH8/396
	HELLERMAN B417706	Bung, pressure, 54-way, for item 1V13952	1			
	HELLERMAN SR5375	Bung, pressure, 77-way, for item 1V13953	1			
	HELLERMAN SR26623	Bung, pressure, 75-way, for item 1V13953	1			
	HELLERMAN B417703	Bung, pressure, 73-way, for item 1V13953	1			
	HELLERMAN B417704	Bung, pressure, 73-way, for item 1V13954	1			
	HELLERMAN B417705	Bung, pressure, 65-way, for item 1V13954	1			
	3V13952	Cover	1			
	5V13952	Gasket	1			
	HELLERMAN A417694	Housing, size D	2			
	4V13952	Nut, tensioning	1			
	HELLERMAN PC14028	Plug, filler for item 1V13952 for item 1V13953	3 4			
	HELLERMAN PC14021	Plug, filler, for item 1V13952 for item 1V13953	3 8			

**EQUIPMENT, SPECIAL OPERATIONAL (S.O.O.)
NEW STORE INSTALLATION, REMOVABLE FITTINGS**

Ref. No.	Part No.	Description				No. off	Mati. Spec.	Cl. of St. M.R.	Place and Illust'n No.
		1	2	3	4				
27QA	HELLERMAN PC14020 HELLERMAN PC14029 HELLERMAN PC14032 SP900 12 2V13952 1V13957 4V13957 3V13957 2V13957	CONNECTORS, BUTT No. 1 (1V13952) BUTT No. 2 (1V13953) BUTT No. 4 (9T5142) (Cont'd)							
		Plug, filler, for item 1V13953	...	22					
		Plug, filler, for item 1V13953	...	4					
		Plug, filler, for item 1V13953	...	1					
		Ring 'O'	...	1		—		C	
		Seal, synthetic rubber	...	1					
		SPINDLE, RELEASE, GROUP	...	1					
		Spares for:—							
		Collar	...	1					
		Pin, $\frac{1}{8}$ " 16 SWG	...	1					
Spindle, $\frac{1}{8}$ " dia. 7.5" long	...	1							
15026	9772V7909	CABLE (F3071) 97P 855 TO No. 5 BUTT CONNECTOR, GROUP (Mod. 2064)				1	—	A	
15027	9771V7909	CABLE (F3070) 97P 855 TO No. 6 BUTT CONNECTOR, GROUP (Mod. 2064)				1	—	A	
	1V13955	CONNECTOR, BUTT No. 5, GROUP				1			HH8 397
	1V13956	CONNECTOR, BUTT No. 6, GROUP				1			HH8 398
	3V13955	Cover, protective				1			
1432807	2V13955	Seal				1	Neoprene	C	
	4V13955	Washer, slotted				1			
14561	1D11295	CRADLE, PLUG MOUNTING GROUP (Pre Mod. 1536)				3	—	B	
1432891	4D11295	CRADLE, PLUG MOUNTING, GROUP (Mod. 1536)				3	—	B	HH8 399
14562	1D11296	CRADLE, PLUG MOUNTING, GROUP (Pre Mod. 1536)				2	—	B	
1432892	3D11296	CRADLE, PLUG MOUNTING, GROUP (Mod. 1536)				2	—	B	HH8 400
		Spares for:—							
14787	6D11297	CABLE, GROUP (Pre Mod. 1536) for items 1D11295 & 1D11296				1	—	C	
	2D11295	Cradle				1	—		HH8 401
	2D11296	Cradle				1	—		HH8 402
1433896	1D13425	LANYARD, GROUP (Mod. 1536) for item 4D11295				1	—	C	
1433897	2D13425	LANYARD, GROUP (Mod. 1536) for item 3D11296				1	—	C	
		Spares for:—							
	5D11295	Cord, nylon $\frac{1}{8}$ " dia. 6" long				1			
	6D11295	Thread, nylon				AR			
2899/977	5255 A 307	Pin, pip (Mod. 1354)				1		C	HH8 403

VULCAN PB 2

EQUIPMENT, SPECIAL OPERATIONAL (S.O.O.)
NEW STORE INSTALLATION, REMOVABLE FITTINGS

Page HH.21

Ref. No.	Part No.	Description 1 2 3 4	No. off	Matl. Spec.	Cl. of	Place and Ilust'n No.
					St. M.R.	
		ELECTRICAL SERVICES, FAIRING DOORS (1V10101) (Cont'd)				
14476 SCW 4638	1D11470	Fork-end, double for shuttered detonate	1	S80	C	HH8 404
	—	Microswitch, fin gap door	4	—	B	HH8 405
	1V9951	Packer, bomb gone switch (Mod. 1087)	2	L72		HH8 406
	2V10101	Packer, resin bonded fibre 625" x 6" x 2-8"	1	—		HH8 407
	1V9893	Plate, retaining, 10 pin plug	2	L72		HH8 408
14485	1V9892	Plate, retaining, 157 pin plug	3	L72	C	HH8 409
14477	1D11303	PLUNGER, BOMB GONE SWITCH, GROUP	1	—	B	HH8 410
		Spares for:—				
	5D11303	Plate, switch, 8 SWG x 3" dia.	1	S520		HH8 411
	6D11303	Plunger, 1" dia. x 8-6" long	1	S94		HH8 412
	4D11303	Spring, 10 SWG, H.T.S. wire	1	DTD215		HH8 413
14474	1V9952	Seal, plug for 18 pin plug	2	DSR501 W	C	HH8 414
14475	1V9953	Seal, plug for 157 pin plug	3	DSR501 W	C	HH8 415
14472 SCW 4742	47D11278	Striker, fin gap microswitch	4	S94	C	HH8 416
	—	Switch, downmic, bomb gone	2	—	B	HH8 417
		SWITCH, SEPARATION (1V10706) (Pre Mod. 1896) (11V10706) (Mod. 1896)				HH8 418
		Spares for:—				
	2V10706	BRACKET, MOUNTING, GROUP	1	—		HH8 419
	3V10706	Channel	1	S520		
	5V10706	Pad	1	L72		
28P 5210	AGS1551:1	Pin, safety locking	1	—	C	
	4V10706	Plate, bolt assembly	1	—		
	6V10706	Plate, bearing	1	S520		HH8 420
	2V9954	Plate, attachment for switch	1	L72		HH8 421
14470	5V9954	PROBE, SWITCH ATTACHMENT, GROUP, (Pre Mod. 1896)	4	S94	B	
14928	10V9954	PROBE, SWITCH ATTACHMENT, GROUP (Mod. 1896)	4	—	B	HH8 422
14468 5D 2162	3V9954	Spring	4	DTD215	C	HH8 423
	—	Switch, type EQ No. 2, Mk. 1 c/w connector assembly	1	—	A	HH8 424
14469	4V9954	Washer, bearing for spring	8	S3	C	HH8 425
14471	6V9954	Washer, under bolt head	4	L72	C	
		SWITCHES, SAFETY LANYARD, 96P, (1V10103)				HH8 426
		Spares for:—				
14979	1V12269	LANYARD, FIXED PULL OFF, GROUP (Mod. 1871)	1	—	B	HH8 427

**EQUIPMENT, SPECIAL OPERATIONAL (S.O.O.)
NEW STORE INSTALLATION, REMOVABLE FITTINGS**

Ref. No.	Part No.	Description	No. off	Matl. Spec.	Cl. of	Plate and Illust'n No.
					St.	
		1 2 3 4			M.R.	
		LANYARD, FIXED PULL OFF, GROUP. (Mod. 1671) (Cont'd)				
		Spares for:—				
	2V12269	CABLE, GROUP	1	—		
	3V12269	Fork-end	1	S96		
	4V12269	Fork-end, double	1	S96		
	2V10103	Fork-end, double	2	S96		
	2V10204	LOOM, CABLE, GROUP				
SD 1747		Socket,	2	—	B	HH8 428
	1D12602	TRAY, FUSE UNIT MOUNTING, GROUP, (Mod. 1617)	1	—		HH8 429
SD 2296	—	Unit, fusing (Mod. 1562)	3	—	A	HH8 430
	1V10468	UNIT, CLOCKWORK, GROUP (Mod. 1880)	1	—		HH8 431
SD 2296		Unit, fusing (Mod. 1562)	1	—	A	HH8 432
		EQUIPMENT, NEW STORE IN CREW'S NACELLE (2A3214)				
		Spares for:—				
14779	A. V. ROE	Box, adaptor, monitoring (Pre Mod. 2056)	1	—	A	HH9 433
15028	R/A1 A02/35200	Box, adaptor, monitoring (Mod. 2056)	1	—	A	HH9 434
	R/A1/A02/35430					
	DOWTY					
	C5175Y, Mk. 154	Indicator, at pilots centre panel	1	—	B	
14482	1V9783	PANEL, 9P, NEW STORE, GROUP (Mod. 260)	1	—	A	
		Spares for:—				
	1V13611	LOOM, CABLE, GROUP (Mod. 2021)	1	—		
	2V9783	PANEL, LESS WIRING, GROUP	1	—		HH9 435
		Spares for:—				
5X 7498	1V7870	Block, earthing	1	—	C	HH9 436
5X 9026	—	Block, fuse, 6-way	4	—	C	HH9 437
5X 9027	—	Block, fuse, 12-way	3	—	C	HH9 348
26FP 8735	1V5650	Block, terminal	1	—	C	HH9 439
4247	1V6691	Block, terminal	1	—	C	HH9 440
5X 9402792	—	Block, terminal	1	—	C	HH9 441
	PAGE					
5L 9959122	A260	Bulb, 28V, 2W	5	—	C	HH9 442
14484	4U9783	Bus-bar	1	B55899	C	HH9 443
16100	33SS4204	Bush, ring lock	2	—	C	HH9 444
16099	63SS4204	Bush, ring lock	4	—	C	HH9 445
	PAGE					
5CW 6634	A257	Cable, sleeve and support	5	—	C	HH9 446
18H 0970184	—	Cover	1	—	C	HH9 447
	B.E.R.P.T.C.					
5CW 9035	CD1502.1	Dimmer, R5 size	1	—	A	HH9 448
5X 940056	—	Ferrule	2	—	C	HH9 449

VULCAN PR. 2

EQUIPMENT, SPECIAL OPERATIONAL (S.O.O.)
NEW STORE INSTALLATION, REMOVABLE FITTINGS

Page HH. 23

Ref. No.	Part No.	Description 1 2 3 4	No. off	Matl. Spec.	Cl. of	Plate and Illust'n No.
					St. M.R.	
		PANEL, LESS WIRING (2V9783) (Cont'd)				
5CW 4222	2555219	Guard, switch (Make from 5CW/5765)	2	—		HH9 450
	—	Guard, switch (Mod. 1497)	1	—	B	HH9 451
	PAGE					
5CX 5384	C500 C7	Indicator, press to test (Amber)	2	—	B	HH9 452
5CX 5459	C500 A8	Indicator, press to test (Mod. 1086)	3	—	B	HH9 453
10H 0970175	—	Knob, for dimmer	1	—	C	HH9 454
5X 9039	—	Link, commoning, 6-way	4	—	C	HH9 455
5X 9045	—	Link, commoning, 12-way	4	—	C	HH9 456
10H 0970183	—	Mounting, metal, at dimmer	1	—	C	HH9 457
	3V9783	PANEL, STRUCTURE, GROUP	1	—	C	HH9 458
		Spares for:—				
14625	8V9783	COVER, GROUP	1	—	C	HH9 459
		Consisting of:—				
	BaV9783	Cover	1	L72		
	BbV9783	Hinge, half	1	L72		
	287556006	Label	1	L59		
	BcV9783	Pin, hinge	1	—		
28Q 1012151	AS2230 203	Rivet	2	—	C	
10914	2554213	Screw, captive	11	—	C	
10913	1554213	Washer, locking	11	—	C	
	1554491	Plate, shroud, fixing "ON"	1	—		
	8554491	Plate, shroud fixing "POWER"	1	—		
	3554492	Plate, shroud fixing "OFF"	1	—		
	9554492	Plate, shroud fixing Ballistic	1	—		
10504	2554624	Plate, shroud fixing "ON"	2	—	C	
10505	2554635	Plate, shroud fixing "OFF"	1	—	C	
	ROTAX					
5CW 6660	N136931	Plate, fixing	1	—	C	HH9 460
	PLESSEY					
5CW 6099	7CZ103739 1	Relay	1	—	A	HH9 461
	HART					
5CW 6736	P1, SERIES R	Relay	4	—	A	HH9 462
	ROTAX					
5CW 6589	N135530	Shroud, for D pole switch	2	—	C	HH9 463
	ROTAX					
5CW 6659	N136930	Shroud, for S pole switch	2	—	C	HH9 464
5X 6623	15V5650	Socket, single	5	—	C	HH9 465
5X 9402798	—	Socket, double tier	2	—	C	HH9 466
	HART					
5CW 6742	R101 PS	Socket, ceramic	4	—	B	HH9 467
5CW 5827	—	Switch, double pole	1	—	B	HH9 468
5CW 6430	—	Switch, single pole	2	—	B	HH9 469
5CW 6437	—	Switch, double pole	1	—	B	HH9 470
14803	5V9802	PANEL, FIN FOLDING CONTROL, AT PORT CONSOLE, GRP. (Mod. 1353)	1	—	A	HH9 471
		Spares for:—				
	1V11510	LOOM, CABLE, GROUP	1	—		
	8V9802	PANEL, LESS WIRING, GROUP	1	—		HH9 472
		Spares for:—				
11594	952042	Cap, helvin	1	—	C	HH9 473
5CW 4227	—	Guard, switch	1	—	C	HH9 474

**EQUIPMENT, SPECIAL OPERATIONAL (S.O.O.)
NEW STORE INSTALLATION, REMOVABLE FITTINGS**

Ref. No.	Part No.	Description	No. off	Matl. Spec.	Cl. of St. M.R.	Place and Hust'n No.
		PANEL, LESS WIRING (8V9802) (Cont'd)				
11544	7V10911	GUARD, SWITCH, GROUP ...	1	—	B	HH9,475
		Spares for :—				
	7bV10911	Bracket	1	SS10		
	7bV10911	Lever	1	SS10		
	5cS2412	Spring, torsion	1	DTD215		
5CX 5383	PAGE C500 B7	Indicator, warning, GREEN	1	—	C	HH9 476
5CX 5384	PAGE C500 C7	Indicator, warning, AMBER	1	—	C	HH9 477
	6V9802	PANEL, STRUCTURE, GROUP	1	—		
		Spares for :—				
	5V11133	PLATE, PLUG MOUNTING, GROUP	1	—		
	10SS4491	Plate, shroud fixing	1	—		
	11SS4492	Plate, shroud fixing	2	—		
5CW 6590	ROTAX N135531	Plate, shroud fixing (blank)	1	—	C	HH9 478
5CW 6589	ROTAX N135530	Shroud	2	—	C	HH9 479
5CW 5827	—	Switch, d pole	2	—	B	HH9 480
5CW 5251	N.S.F. 8375 B104	Switch, two pole	1	—	B	HH9 481
14735	1V10446	PANEL, MOUNTING, E.G. CONTROL UNIT, GROUP (Mod. 200)	1	—		HH9 482
		Spares for :—				
	3V10446	Angle	2	L72		
	CANNON 2182 10	Receptacle, dummy	3	—		HH9 483
10914	25S4213	Screw, captive	5	—	C	
10913	15S4213	Washer, captive	5	—	C	
9C 104	—	Unit, inertia, navigator monitoring	1	—	A	
		FAIRING, DOOR, INSTALLATION AT BOMB BAY, PORT AND STARBOARD (1 & 2D11240)				
		Spares for :—				
14498	12D11240	Bolt, special, at fin gap door hinges, 2-25" long	2	S94		HH9 484
14499	13D11240	Bolt, special, at fin gap door hinges, 3-25" long	1	S94		HH9 485
14500	14D11240	Bolt, shoulder, at stations 7-47 to 258-109, ½" dia 3-0" long	5	S94		HH9 486
14486	3D11240	Bracket, hinge, at station 43-61, port	1	DTD731		HH9 487
14487	4D11240	Bracket, hinge, at station 43-61, starboard	1	DTD731		HH9 488
14488	5D11240	Bracket, hinge, at stations 94-978 and 258-109, port	2	DTD731		HH9 489

VULCAN PB 2

EQUIPMENT, SPECIAL OPERATIONAL (S.O.O.)
NEW STORE INSTALLATION, REMOVABLE FITTINGS

Page HH. 25

Ref. No.	Part No.	Description 1 2 3 4	No. off	Matl. Spec.	Cl. of		Plate and Illust'n No.
					St.	M.R.	
		FAIRING DOOR, INSTALLATION AT BOMB BAY, PORT AND STARBOARD (1 & 2D11240) (Cont'd)					
14489	6D11240	Bracket, hinge at stations 94-978 and 258-109, starboard	2	DTD731	C		HH11 490
14090	7D11240	Bracket, hinge at station 170-86, port (master hinge)	1	DTD731	C		HH11 941
14491	8D11240	Bracket, hinge at station 170-86, starboard (master hinge)	1	DTD731	C		HH11 492
14492	9D11240	Bracket, hinge at station 347-937, rear port	1	DTD731	C		HH11 493
14493	10D11240	Bracket, hinge, at station 347-937 rear, starboard	1	DTD731	C		HH11 494
14494	16D11240	Bracket, hinge, at station 7-47, port	1	DTD731	C		HH11 495
14495	17D11240	Bracket, hinge, at station 7-47, starboard	1	DTD731	C		HH11 496
17765	17D11101	Chain, Baxendales No. 290, 6" long	2	—	C		HH12 497
14504	10D 11102	Clip, spring, for locking pin BD11102	1	—	C		HH12 498
	1D11220	DOOR, FAIRING, PORT, GROUP (1st and 2nd a c sets)	1	—			
	2D11220	DOOR, FAIRING, STARBOARD, GROUP (1st and 2nd a c sets)	1	—			
14538	901D11220	DOOR, FAIRING, PORT, GROUP, (3rd and subs. a c sets)	1	—	A		HH10 499
14539	902D11220	DOOR, FAIRING, STARBOARD, GROUP, (3rd and subs. a c sets)	1	—	A		HH10 500
22349	476D11220	Spares for:— Angle, deck support	1	L72			
	5D11220	BRACKET, DOOR HINGE AT STATIONS 95-07 AND 257-953, PORT GROUP	2	—			HH11 501
	6D11220	BRACKET, DOOR HINGE AT STATIONS, 95-07 AND 257-953, STARBOARD, GROUP	2	—			HH11 502
	146D10945	Spares for:— Bush	2	BSS369			
28N 2001715	AGS2030 19	Circlip	2	—	C		
28N 9156370	SP21	Nipple, grease	2	—	C		
	7D11220	BRACKET, DOOR HINGE AT STATION, 170-86, PORT, GROUP	1	—			HH11 503
	8D11220	BRACKET, DOOR HINGE AT STATION 170-86, STARBOARD, GROUP	1	—			HH11 504
	146D10945	Spares for:— Bush	1	BSS369			
28N 2001715	AGS.2030 19	Circlip	1	—	C		
28N 9156370	SP21	Nipple, grease	1	—	C		
22378	874D11220	BRACKET, FOR MICRO SWITCH,	1	—	C		
22377	875D11220	BRACKET, FOR MICRO SWITCH,	1	—	C		

**EQUIPMENT, SPECIAL OPERATIONAL (S.O.O.)
NEW STORE INSTALLATION, REMOVABLE FITTINGS**

Ref. No.	Part No.	Description 1 2 3 4	No. off	Matl. Spec.	Cl. of	Plate and Hist'n No.
					St. M.R.	
22380	780D11220	DOORS, FAIRING, PORT AND STARBOARD. (901 AND 902D11220) (Cont'd) BRACKET, MOUNTING FUSE UNIT, GROUP	1	—	C	
22358	410D11220	Bracket, support, Actuator frame ...	2	DTD130B	C	
22384	1026D11220	Bracket, mounting, Bomb gone switch	1	L72	C	
22385	1027D11220	Bracket, mounting, Bomb gone switch	1	L72	C	
22381	1301D11220	BRACKET, MOUNTING, SHUTTER DETONATOR FUSING GROUP	1	—	C	
22386	1037D11220	Bracket, mounting fusing unit ...	1	—	C	
22387	1038D11220	BRACKET, MOUNTING, FUSING UNIT, GROUP	1	—	C	
14933	870D11220	Cap. end, for blanking off seals	14	Leoprene	C	HH10 505
22346	471D11220	CHANNEL, DECK SUPPORT, GRP.	1	—	C	
22352	494D11220	CHANNEL, TOP SEAL, GROUP	1	—	C	
22355	495D11220	CHANNEL, TOP SEAL, GROUP	1	—	C	
22353	496D11220	CHANNEL, TOP SEAL, GROUP ...	1	—	C	
22356	497D11220	CHANNEL, TOP SEAL, GROUP	1	—	C	
22363	498D11220	CHANNEL, SEAL, GROUP	1	—	C	
22364	499D11220	CHANNEL, SEAL, GROUP	1	—	C	
22382	1313D11220	Cleat	1	L72	C	
22383	1314D11220	Cleat	1	L72	C	
11616	1139D11220	CONE, MOUNTING AT STATIONS 198-65 TO 210-02, STB'D, GROUP (Mod. 1319)	1	—	B	HH21 506
22486	1113D11220	COVER, BOMB GONE SWITCH, (GROUP)	1	—	C	HH10 507
28FP 7002000	A403	Spares for:— Pin, type A	4	—	C	
	1333D11220	COVER & TRAY, CABLE, STB'D, GROUP	1	—		HH10 508
	1334D11220	COVER & TRAY, CABLE, STB'D, GROUP	1	—		HH10 509
	1335D11220	COVER & TRAY, CABLE, PORT, GROUP	1	—		HH10 510
	1336D11220	COVER & TRAY, CABLE, STB'D, GROUP	1	—		HH10 511
	1337D11220	COVER & TRAY, CABLE, PORT, GROUP	1	—		HH10 512
	1338D11220	COVER & TRAY, CABLE, STB'D, GROUP	1	—		HH10 513
	1349D11220	COVER & TRAY, CABLE, PORT, GROUP	1	—		HH10 514
	6D13148	Cover, anti-flash at hinge position ...	3	L72		HH10/515
22361	415D11220	DIAPHRAGM, CORNER SEALING RIB 13", GROUP	1	—	C	
22362	416D11220	DIAPHRAGM, CORNER SEALING RIB, 13", GROUP	1	—	C	

VULCAN PM 3

EQUIPMENT, SPECIAL OPERATIONAL (S.O.O.)
NEW STORE INSTALLATION, REMOVABLE FITTINGS

Page HH. 27

Ref. No.	Part No.	Description 1 2 3 4	No. off	Matl. Spec.	Cl. of St.	Place and Illust'n No.
					M.R.	
		DOORS, FAIRING, PORT & STARBOARD (901 & 902 D11220) (Cont'd)				
14627	1D11305	DOOR, FORWARD ACCESS, PORT GROUP	1	—	B	HH10 516
14628	2D11305	DOOR, FORWARD ACCESS, STARBOARD, GROUP	1	—	B	HH10 517
		Spares for :—				
28FP 1240 28FP 612	AST 15 GH 5	Fastener, dzus	14	—	C	HH10 518
		Grommet, dzus	14	—	C	HH10 519
14540 14541	1D11247 2D11248	DOOR, REAR ACCESS, PORT GRP. DOOR, REAR ACCESS, STARBOARD	1 1	— —	B B	HH10 520 HH10 521
		Spares for :—				
28FP 1240 28FP 612	AST 5 GH 5	Fastener, dzus	14	—	C	HH10 522
		Grommet, dzus	14	—	C	HH10 523
14542 14543	1D11250 2D11250	DOOR, CENTRE ACCESS, PORT GROUP DOOR, CENTRE ACCESS, STBD., GROUP	1 1	— —	B B	HH10 524 HH10 525
		Spares for :—				
28FP 1240 28FP 612	AST 5 GH 5	Fastener, dzus	16	—	C	HH10 526
		Grommet, dzus	16	—	C	HH10 527
14525 14532	1D11278 1D11279	DOOR, SMALL FIN GAP, PORT GRP. DOOR, LARGE FIN GAP, STBD., GROUP	1 1	— —	A A	HH13 528 HH13 529
		Spares for :—				
22486 22492 22487 22493	19D11278 19D11279 20D11278 20D11279	Angle, seal, forward Angle, seal, forward Angle, seal, aft Angle, seal, aft	1 1 1 1	L65 L65 L65 L65	C C C C	
22495 22491 22496	45D11278 46D11278 46D11279	BRACKET, GROUP BRACKET, GROUP BRACKET, GROUP	1 1 1	— — —	C C C	
14526 14533 14527 14534	1D11281 2D11281 1D11282 2D11282	HINGE, FRONT, PORT GROUP HINGE, FRONT, STBD., GRP. HINGE, REAR, PORT GROUP HINGE, REAR, STBD., GROUP	1 1 1 1	— — — —	B B B B	HH13 530 HH13 531 HH13 532 HH13 533
		Spares for :—				
14528	3D11281	Bush, 5" dia. 75" long	1	S95	C	
14529 14535	21D11278 21D11279	HINGE, CENTRE, PORT GROUP HINGE, CENTRE, STARBOARD, GROUP	1 1	— —	B B	HH13 534 HH13 535
		Spares for :—				
14530 14531 14536 14537	21bD11278 21cD11278 21bD11279 21cD11279	Bush, $\frac{1}{8}$ " dia $\frac{1}{2}$ " long, Port Bush, $\frac{1}{8}$ " dia $\frac{1}{2}$ " long, Port ... Bush, $\frac{1}{8}$ " dia $\frac{1}{2}$ " long, Starboard Bush, $\frac{1}{8}$ " dia $\frac{1}{2}$ " long, Starboard	1 1 1 1	S95 S95 S95 S95	C C C C	
22488	37D11278	Seal at hinge member, port ... (Made from 2554652)	1	—	C	HH13 536

**EQUIPMENT, SPECIAL OPERATIONAL (S.O.O.)
NEW STORE INSTALLATION, REMOVABLE FITTINGS**

Ref. No.	Part No.	Description	No. off	Matl. Spec.	Cl. of	Place and Illust'n No.
					St. M.R.	
		1 2 3 4				
22496	38D11278	DOORS, FIN GAP, PORT AND STARBOARD (D11278, D11279) (Cont'd) Seal, at hinge member, starboard ... (Made from 2554652)	1	—	C	HH13/537
22497	37D11279	Seal, joint (Made from 1554652) ...	1	L72	C	HH13/538
	33D11278	Strip, seal backing, forward, port 18G 1-20" x 2-11" long	1	L72		
	34D11278	Strip, seal backing, forward, Starboard 18G 1-20" x 2-11" long	1	L72		
	35D11278	Strip, seal backing, aft, port 18G 1-20" x 2-11 1/4" long	1	L72		
	36D11278	Strip, seal backing, aft, Starboard 18G 1-20" x 2-11 1/4" long	1	L72		
	38D11278	Strip, joint seal backing 18G x 1-3" 5-10 1/4" long	1	L72		
22498	42D11278	Trip, port on centre hinge ...	1	DTD130B	C	HH13/539
22499	45D11279	Trip, horn on centre hinge ...	1	DTD130B	C	HH13/540
22499	35D11279	Washer, pad at front and rear hinges	12	L72	C	
	868D11220	Elbow, at steel joints ...	1	Neoprene		
	869D11220	Elbow, at seal joints ...	3	Neoprene		
	3D11220	Fitting, forward hook, port ...	1	S98		HH11/541
	4D11220	Fitting, forward hook, Starboard ...	1	S98		HH11/542
	9D11220	Fitting, rear hook, station 347-94 ...	2	S98		HH11/543
22368	9B3D11220	Fitting, strut, at station 56-58 ...	1	S94	C	HH11/544
		FITTING, LUG END AT STATION 450" PORT & STARBOARD (422 & 423 D11220) Spares for :—				
	35bD11230	Bush ...	2	S95	C	HH12/545
28N 13623 5882	HOFFMAN CJ3 W&S No. 10	Joint, self aligning ...	1	—	C	HH12/546
		Washer ...	1	—	C	
11617	1140D11220	Gasket, cone mounting (Mod. 1319) ..	1	DTD378A	C	HH21/547
	1319D11220	GUARD, MAIN ELECTRIC CABLES, GROUP (Mod. 1037)	1	—		HH19/548
	1317D11220	GUARD, HYDRAULIC PIPES, PORT, GROUP (Mod. 1307)	1	—		HH10/549
	1318D11220	GUARD, HYDRAULIC PIPES, STBD., GROUP (Mod. 1307)	1	—		HH10/550
	1316D11220	GUARD, HYDRAULIC PIPES, STBD., GROUP (Mod. 1307)	1	—		HH10/551
	1315D11220	GUARD, HYDRAULIC PIPES, PORT, GROUP (Mod. 1307)	1	—		HH10/552
14894	1310D11220	Guide, rubber at station 127-82, Starboard (Mod. 1671)		B152757	C	HH10/553

VULCAN No. 2		EQUIPMENT, SPECIAL OPERATIONAL (S.O.O.)				Page HH. 29			
NEW STORE INSTALLATION, REMOVABLE FITTINGS									
Ref. No.	Part No.	Description				No. off	Matl. Spec.	Cl. of St. M.R.	Plate and Illust'n No.
		1	2	3	4				
14895	9D12417	INSTALLATION, THROTTLE PULL OFF FUSING UNIT (D12417) (Mod. 1671)							
		Spares for :—							
		BLOCK, GUIDE, GROUP ...				1	L65	C	HH10 554
15014	1D12419	CABLE, PULL OFF, GROUP ...				1	—	C	HH10 555
5D 2296	—	Unit, fusing				1	—	A	HH10 556
		LANDINGS, ACCESS DOORS, PORT & STARBOARD (1060 & 1061 D11220) (504, 505, 506 & 507 D11220)							
		Spares for :—							
28FP 611	R5	Receptacle, dzus				44	—	C	HH10 557
22376	655D11220	Landing, door at stations 94-822 and 257 953				1	—	C	
22354	517D11220	LUG, REAR SUPPORT, PORT, GRP.				1	—	C	HH12 558
22357	518D11220	LUG, REAR SUPPORT, STBD., GRP.				1	—	C	HH12/559
		Spares for :—							
28N 13513	CJ5	Joint, self aligning				1	—	C	HH12 560
14863	517bD11220	Bush				2	595	C	HH12 561
5887	W&S No. 4	Washer				1	—	C	
22359	413D11220	MEMBER, TOP SEAL, AT STATION 13, PORT, GROUP				1	—	C	
22360	414D11220	MEMBER, TOP SEAL, AT STATION 13, STARBOARD, GROUP				1	—	C	
22347	472D11220	Member, deck support, 165.50" from station 'D', Starboard				1	L72	C	
22348	475D11220	Member, deck support, 170.704" from station 'D', Starboard				1	L72	C	
22350	479D11220	Member, edge, bottom corner, stbd. ...				1	L72	C	
22351	927D11220	Member, deck support, 179.14" from station 'O', starboard				1	L72	C	
	795D11220	PANEL, ACCESS ON OUTER SKIN AT STATION 105-82, STARBOARD, GROUP				1			HH10 562
		Spares for :—							
28FP 73	F4 35	Fastener, dzus				12	—	C	
22379	1309D11220	Plate, rubber guide retaining at station 127-82 (Mod 1671)				1	L72	C	HH10 563
	1149D11220	Plate, cover, at station 241-15 at 249-0 starboard inner skin (Mod. 1085)				1	L72	C	
	1D12598	PLATE, PATCH, 283 FROM STATION 'O', STARBOARD GROUP (Mod. 1699)				1	L72	C	HH10 564
		Spares for :—							
28FP 1118	A3 1/4 T17	Fastener, dzus				12	—	C	
28FP 1002561	GH/3 1/4	Grommet, dzus				12	—	C	

**EQUIPMENT, SPECIAL OPERATIONAL (S.O.O.)
NEW STORE INSTALLATION, REMOVABLE FITTINGS**

Ref. No.	Part No.	Description	No. off	Matl. Spec.	Cl. of	Plate and Illust'n No.
					St.	
		1 2 3 4			M.R.	
		DOORS, FAIRING, PORT AND STARBOARD (D11220) (Cont'd)				
22366	435D11220	Plate, gusset, port station 240-207	1	L72	C	
22367	436D11220	Plate, gusset, starboard, station 240-207	1	L72	C	
22369	229D11220	PLATFORM, SEAL, REAR FRAME, PORT, GROUP	1	—	C	
22370	300D11220	PLATFORM, SEAL, REAR FRAME, STARBOARD, GROUP	1	—	C	
22371	301D11220	PLATFORM, SEAL, REAR FRAME, PORT, GROUP	1	—	C	
22372	302D11220	PLATFORM, SEAL, REAR FRAME, STARBOARD, GROUP	1	—	C	
22373	303D11220	PLATFORM, SEAL, REAR FRAME, PORT, GROUP	1	—	C	
	304D11220	PLATFORM, SEAL, REAR FRAME, STARBOARD, GROUP	1	—		
22374	382D11220	PLATFORM, SEAL, REAR FRAME, PORT, GROUP	1	—	C	
22375	383D11220	PLATFORM, SEAL, REAR FRAME, STARBOARD, GROUP	1	—	C	
		RADIAL MEMBER AT STATION 249 0 TO 324-77 PORT AND STARBOARD (1 & 2D11275)				
22481	407D11220	Bracket, hinge, Port	1	S95	C	HH13 565
22484	408D11220	Bracket, hinge, Starboard	1	S95	C	HH13 566
22482	490D11220	Bracket, hinge, Port	1	DTD130B	C	HH13 567
22485	491D11220	Bracket, hinge, Starboard	1	DTD130B	C	HH13 568
22480	492D11220	Bracket, hinge, Port	1	DTD130B	C	HH13 579
22483	493D11220	Bracket, hinge, Starboard	1	DTD130B	C	HH13 570
	16D11220	Shim, laminated 1-60" x 6" x .030"	5	Brass		
	17D11220	Shim, laminated 1-80" x 1-25" x .030"	1	Brass		
28FP 9438596	R3½	Receptacle dzus. at patch plate landing. 28-3" from Station 'O'	12	—	C	HH10 571
		RIB, OUTER PORTION AT STATION 240-207, PORT (111D11220) RIB, OUTER PORTION AT STATION 170 954, PORT AND STARBOARD (77D11220)				
		Spares for —				
14403	10D11221	Bush	2	S95	C	HH12 572
28N 15373	CJ7	Joint, self aligning	1	—	C	HH12 573
	W&S No. 14	Washer	1	—		
	1142D11220	Ring, insulating, at mounting cone (Mod. 1319)	1	Fibreglass		HH21 574
	1143D11220	Ring, insulating, at outlet pipe (Mod. 1319)	1	Fibreglass		HH21 575

VULCAN PB 2

EQUIPMENT, SPECIAL OPERATIONAL (S.O.O.)
NEW STORE INSTALLATION, REMOVABLE FITTINGS

Page HH. 31

Ref. No.	Part No.	Description 1 2 3 4	No. off	Matl. Spec.	Cl. of	Plate and Illust'n No.
					St. M.R.	
		DOORS, FAIRING, PORT AND STARBOARD, (D11220) (Cont'd)				
13395	1554652	Seal, rubber	QR	Neoprene		HH10 576
	2554652	Seal, rubber	QR	Neoprene	C	HH10 577
22345	470D11220	SEALING, DECKING, INWAY OF CARRIER BEAM, GROUP	1	—	C	
	—	Strip, seal retaining 18G . 9 5" . . .	QR	L72		
	—	Strip, seal retaining 18G . 6 5" . . .	QR	L72		
	—	Strip, seal retaining 16G . 60" . . .	QR	L72		
	—	Strip, seal retaining 14G . 65" . . .	QR	L72		
	—	Strip, seal retaining 14G . 95" . . .	QR	L72		
22389	477D11220	SEAL, CARRIER SLIP APERTURE GROUP	1	—	C	HH10 578
22365	982D11220	Tab, locking	1	—	C	
14545	1D10827	FAIRING, REMOVABLE, AFT, GROUP	1	—	B	HH10 579
28FP 417	EF5 45B	Spares for:— Fastener, dzut	21	—	C	
14502	15D11101	Link, for chain attaching pin on support, D11226	2	L72	C	
14503	8D11102	Pin, at door support, D11226	2	S94	C	HH12 580
14497	15D11240	Pin, hinge at station, 347-937	1	S94	C	HH11 581
14496	11D11240	Pin, hinge	6	S82	C	HH11 582
28P 5413	AGS.1551/3	Pin, safety locking for pin, top attachment, item D11226	2	—	C	
17230	16D11101	Ring, Terry No 169 1/4" O.D	4	—	C	
	18D11101	Ring, Terrys No. 169 1/4" O.D	2	—		
1161	1554140	Screw, for attaching removable fairing 1D10827	37	—	C	HH10 583
	1D11101	SUPPORT, FAIRING DOOR, FRONT, PORT, GROUP	1	—		HH12 583A
	2D11101	SUPPORT, FAIRING DOOR, FRONT, STB'D, GROUP	1	—		HH12 584
17231	19D11101	Spares for:— CHAIN, GROUP	1	—	C	HH12 585
14502	15D11101	Link	1	L72	C	
14971	14D11101	Pin, 1/2" dia. . 2" long	1	S94	C	HH12 586
14514	13D11101	Clip, spring	1	DTD215	C	HH12 587
14509	4D11101	Fork-end	1	DTD130B	C	HH12 588
14512	20D11101	Locknut, R.H. thread	1	—	C	HH12 589
14513	21D11101	Locknut, L.H. thread	1	—	C	HH12 590
14510	8D11101	Pin, attachment, port	1	S94	C	HH12 591
14511	9D11101	Pin, attachment, stb'd	1	S94	C	HH12 592

**EQUIPMENT, SPECIAL OPERATIONAL (S.O.O.)
NEW STORE INSTALLATION, REMOVABLE FITTINGS**

Ref. No.	Part No.	Description	No. off	Matl. Spec.	Cl. of	Plate and Illust'n No.
					St.	
		1 2 3 4				
28P 9713016 14515	AGS1551-3	SUPPORT, FAIRING DOOR, FRONT				
	6D11101	Pin, safety locking	1	—	C	
	11D11101	Screw, turnbuckle	1	DTD1308	C	HH12 593
14508	5D11101	TUBE, GROUP	1	—		HH12 594
	3D11101	Spares for:— Block, attachment	1	DTD1308		
		Fork-end	1	DTD1308	C	
15038	1D11102	SUPPORT, FAIRING DOOR AT STATION 4-592, PORT AND STARBOARD, GROUP	1	—	B	HH12 595
14403 28N 15373	12D11102	Spares for:— BRACKET, SUPPORT, GROUP	1	—		HH12 596
	10D11331	Spares for:— Bush	2	S95	C	
	CJ7 W. & S. No. 14	Joint, self aligning	1	—	C	
14502 14503	11D11102	Washer	1	—		
		CHAIN, GROUP	1	—		HH12 597
	15D11101	Spares for:— Link, for chain attachment	1	L72	C	
14504	8D11102	Pin, 1/2" O D - 3" long	1	S94	C	HH12 598
14517	10D11102	Clip, spring	1	OTD215	C	HH12 599
14512	7D11102	Fork-end	1	OTD1308	C	HH12 600
14513	20D11101	Locknut, R.H. thread	1	—	C	HH12 601
14519	21D11101	Locknut, L.H. thread	1	—	C	HH12 602
	13D11102	Screw, turnbuckle	1	DTD1308	C	HH12 603
14516	5D11102	TUBE, GROUP	1	—		HH12 604
	6D11102	Spares for:— Block, attachment	1	DTD1308		
	3D11102	Fork-end	1	DTD1308	C	
17231	1D11103	SUPPORT, FAIRING DOOR, REAR, PORT & STARBOARD, GROUP	1	—		HH12 605
	19D11101	Spares for:— CHAIN, GROUP	1	—	C	HH12 606
	15D11101	Spares for:— Link, for chain attachment	1	L72	C	
14502 15036	11D11103	Pin, 1/2" O D - 2" long	1	S94	C	HH12 607
14522	13D11103	Clip, spring	1	DTD215	C	HH12 608
14521	12D11103	Fork-end	1	DTD1308	C	HH12 609
14512	20D11101	Locknut, R.H. thread	1	—	C	HH12 610
14513	21D11101	Locknut, L.H. thread	1	—	C	HH12 611
14523	2D11103	Pin, attachment	1	S94	C	HH12 612
28P 5413	AGS1551 3	Pin, safety locking	1	—	C	
14515	6D11101	Screw, turnbuckle	1	DTD1308	C	HH12/613

VULCAN No. 2		EQUIPMENT, SPECIAL OPERATIONAL (S.O.O.)				Page HM. 33			
NEW STORE INSTALLATION, REMOVABLE FITTINGS									
Ref. No.	Part No.	Description				No. off	Matl. Spec.	Cl. of St. M.R.	Place and Illust'n No.
		1	2	3	4				
		SUPPORT, FAIRING DOOR, REAR PORT & STARBOARD (1D11103)							
		(Cont'd)							
	SD11103	TUBE, GROUP				1	—		HH12 614
		Spares for :—							
14508	SD11101	Block, attachment				1	DTD1308		
	3D11101	Fork-end				1	DTD1308	C	
	1D11226	SUPPORT, FAIRING DOOR AT CARRIER & REAR CRUTCH BEAMS, PORT & STARBOARD, GROUP				2	—		HH12 615
14505	2D11226	Barrel				1	S94	C	HH12 616
14506	3D11226	Fork-end, RH				1	S94	C	HH12 617
14507	SD11226	Fork-end, LH				1	S94	C	HH12 618
28M 9457500	A27 QT	Locknut, RH 1/2 BSF				1	—	C	HH12 619
28M 13810	A27 QT.LH	Locknut, LH 1/2 BSF				1	—	C	HH12 620
1238	13D9094	Washer, at hinge pins				20	—	C	HH11 621
14501	18D11240	Washer, thrust at hinge station 170 86				4	S21	C	HH17 622
14565	1D11534	FAIRING, AUXILIARY, DETACHABLE, GROUP				1	—	C	HH10 623
		Attachments for Fairing 1D11534							
9806	5SS4353	Bolt				9	—	C	HH10-624
10876	8SS4353	Bolt				8	—	C	HH10 625
28D 9436920	A25 1C	Bolt, 2 BA				4	—	C	
28D 9133011	A25 2C	Bolt, 2 BA				12	—	C	
28D 9133012	A25 3C	Bolt, 2 BA				2	—	C	
28W 9419402	SP13 C	Washer, 2 BA				2	—	C	
		INSTALLATION, A.L.S.U. FAIRING AND SERVICES, PORT AND STARBOARD (D11952) (Mod. 1080)							
		Spares for :—							
		FAIRING, A.L.S.U. ON FAIRING DOORS, (240 & 241 D11952) (Mod. 1212)							
		Spares for :—							
22549	64D11952	Bracket, port				1	L72	C	
22550	65D11952	Bracket, starboard				1	L72	C	
14812	88D11952	BRACKET, MOUNTING, GROUP				1	—	C	
14815	99D11952	BRACKET, GROUP				2	—	C	
14824	191D11952	BRACKET, SEALING CAP ATTACHMENT, PORT, GROUP				1	—	C	
14825	192D11952	BRACKET, SEALING CAP ATTACHMENT, STARBOARD, GROUP				1	—	C	
14720	179D11952	CAP, SEALING, PORT, GROUP				1	—	C	HH17 626
		Spares for :—							
14722	177D11952	Spring				1	DTD215	C	HH17 627
	176D11952	Tube, distance				1	5110		HH17 628

**EQUIPMENT, SPECIAL OPERATIONAL (S.O.O.)
NEW STORE INSTALLATION, REMOVABLE FITTINGS**

Ref. No.	Part No.	Description 1 2 3 4	No. off	Matl. Spec.	Cl. of	Plate and Illust'n No.
					St. M.R.	
		FAIRING, A.L.S.U. ON FAIRING DOORS, (240 & 241 D11952) (Mod. 1212) (Cont'd)				
14721	180D11952	CAP. SEALING, STBD., GROUP ...	1	—	C	HH17-629
		Spares for —				
14723	178D11952	Spring	1	DTD215	C	HH17-630
	174D11952	Tube, distance	1	S110	C	HH17-631
14718	141D11952	DOOR, ACCESS, GROUP ...	1	—	C	HH17-632
		Spares for :—				
28FP/9140248	A4 25	Fastener, dzus	4	—	C	
14816	100D11952	FAIRING, PORT, GROUP ...	1	—	C	HH17-633
14817	101D11952	FAIRING, STBD., GROUP ...	1	—	C	HH17-634
		Spares for :—				
22554	216D11952	Louvre, port	2	S521	C	
22555	217D11952	Louvre, starboard	2	S521	C	
14719	186D11952	Panel, access	1	L72	C	
1433478	149D11952	SEAL, PORT, GROUP ...	1	Neoprene	C	HH17-635
14781	150D11952	SEAL, STARBOARD, GROUP ...	1	Neoprene	C	HH17-636
14831	183D11952	Shim, 24G, tinned steel	1	S510	C	HH17-637
14818	133D11952	SKIN, INNER AFT, OUTBOARD, PORT, GROUP	1	—	C	HH17-638
14819	134D11952	SKIN, INNER, AFT OUTBOARD, STARBOARD, GROUP	1	—	C	HH17-639
14820	137D11952	Skin, inner, outboard forward, port	1	L72	C	HH17-640
14821	138D11952	Skin, inner, outboard forward, starboard	1	L72	C	HH17-641
14822	238D11952	Skin, inner, inboard forward, port	1	L72	C	HH17-642
14823	239D11952	Skin, inner, inboard forward, starboard	1	L72	C	HH17-643
28FP 9430914	S4 200	Spring, dzus, at access door landing	4	—	C	HH17-644
30B 9611220	—	Strip, seal retaining, 20G - 6"	QR	L72	C	
		INSTALLATION A.L.S.U. HOT AIR SUPPLY, PORT & STARBOARD (40 & 41 D11952)				
		Spares for :—				
14853	305D11952	BLOCK, CLAMP, AT FORWARD END OF PIPE 96D11952, GROUP	1	—	C	HH17-645

VULCAN PA 3

**EQUIPMENT, SPECIAL OPERATIONAL (S.O.O.)
NEW STORE INSTALLATION, REMOVABLE FITTINGS**

Page HH. 35

Ref. No.	Part No.	Description 1 2 3 4	No. off	Matl. Spec.	Cl. of	Plate and Hist'n No.
					St. M.R.	
		INSTALLATION, A.L.S.U. HOT AIR SUPPLY, PORT & STARBOARD, (40 & 41D 11952) (Cont'd)				
14854	306D11952	Block, clamp at lower position on carrier beam	2	DTD130B	C	HH17 646
14855	307D11952	Block, clamp at A.L.S.U. mounting bracket	4	DTD130B	C	HH17 647
14856	308D11952	Block, clamp, at pipe 42D11952	4	DTD130B	C	HH17 648
14857	309D11952	BLOCK, CLAMP, AT UPPER POSITION ON CARRIER BEAM, GROUP	1	—	C	HH17 649
28E 9129090	AGS605 0	Clip, at cone attachment to pipe 218D11952	2	—	C	
14877	311D11952	Coupling, pipe, special, at A.L.S.U. mounting brackets pipe joint	1	S110	C	HH17 650
14814	92D11952	Link, connecting, for clamp blocks on falling doors	8	L72	C	HH17 651
14829	231D11952	Link, connecting, for lower clamp blocks on carrier beam	2	L72	C	HH17 652
14872	243D11952	MUFF, PIPE JOINT INSULATING AT ADAPTOR PIPE TO FLEXIBLE PIPE JOINT, ALSO AT LOWER FLEXIBLE PIPE JOINT TO PIPE 42D11952, GROUP	2	—	C	HH17 653
14873	245D11952	MUFF, PIPE JOINT INSULATING AT UPPER AND LOWER FLEXIBLE PIPES TO PIPES ON CARRIER BEAM, GROUP	2	—	C	HH17 656
14871	242D11952	MUFF, PIPE JOINT INSULATING AT ADAPTOR PIPE TO BOMB BAY DUCT JOINT, GROUP	1	—	C	HH17 655
14874	246D11952	MUFF, PIPE JOINT INSULATING AT CLAMP BLOCKS ON PIPE 42D11952, A.L.S.U. MOUNTING BRACKET AND CARRIER BEAM, GROUP	4	—	C	HH17 656
14875	247D11952	MUFF, PIPE JOINT INSULATING AT SPECIAL PIPE COUPLING, GROUP	1	—	C	HH17 657

**EQUIPMENT, SPECIAL OPERATIONAL (S.O.O.)
NEW STORE INSTALLATION, REMOVABLE FITTINGS**

Ref. No.	Part No.	Description 1 2 3 4	No. off	Matl. Spec.	Cl. of	Place and Inst'n No.
					St. M.R.	
		INSTALLATION A.L.S.U. HOT AIR SUPPLY, PORT AND STARBOARD, (40 & 41D 11952) (Cont'd)				
14876	248D11952	MUFF, PIPE JOINT INSULATING AT JOINT OF PIPES 42 & 96D11952, GROUP	1	—	C	HH17 658
14616	42D11952	PIPE, LAGGED, FORWARD ON FAIRING DOORS, GROUP	1	—	C	HH17 659
14620	55D11952	PIPE, LAGGED, ON CARRIER BEAM, PORT, GROUP	1	—	C	HH17 660
14810	86D11952	PIPE, LAGGED, ON CARRIER BEAM, STARBOARD, GROUP	1	—	C	HH17 661
14712	96D11952	PIPE, LAGGED, FROM PIPE 42D11952 TO SPECIAL PIPE COUPLING, GROUP	1	—	C	HH17 662
22553	218D11952	PIPE, LAGGED, FROM SPECIAL PIPE COUPLING TO CONE, GROUP	1	—	C	HH17 663
14827	229D111952	PIPE, FLEXIBLE, LAGGED AT CARRIER BEAM, GROUP	2	—	C	HH17 664
14835	235D11952	PIPE, ADAPTOR, LAGGED FROM BOMB BAY DUCT TO FLEXIBLE PIPES, GROUP	1	—	C	HH17 665
22551	303D11952	PIPE, CW CONE, FROM A.L.S.U. FAIRING TO PIPE 218D11952, PORT, GROUP	1	—	C	HH17 666
22552	304D11952	PIPE, CW CONE, FROM A.L.S.U. FAIRING TO PIPE 218D11952 STAR- BOARD, GROUP	1	—	C	HH17 667
20F 17675	A55402	Seal, at adaptor pipe and bomb bay duct joint, port and starboard	1	—	C	

VULCAN 196 2		EQUIPMENT, SPECIAL OPERATIONAL (S.O.O.)				Page HH. 37			
NEW STORE INSTALLATION, REMOVABLE FITTINGS									
Ref. No.	Part No.	Description				No. off	Mach. Spec.	Cl. of St. M.R.	Place and Issue'n No.
		1	2	3	4				
		MOUNTING, A.L.S.U. FUSING UNIT, PORT AND STARBOARD (17 & 18 D11952)							
		Spares for :—							
22545	72D11952	Bucket, forward, port	1	L72	C	
22546	73D11952	Bracket, aft, port	1	L72	C	
22547	74D11952	Bracket, forward, starboard	1	L72	C	
22548	75D11952	Bracket, aft, starboard	1	L72	C	
	23554204	Grommet, starboard	1	—		HH17 668
	315D11952	PLATE, MOUNTING, PORT AND STARBOARD, GROUP (Mod. 1846)				1	—		HH17 669
		Spares for :—							
14918	316D11952	ARM, PULLEY, GROUP				1	—	B	HH17 670
		Spares for :—							
	69dD11952	Bush, oilite, make from FCT 28	1	—		HH17 671
14610	69bD11952	Spaces, in fork end	2	DTD130B		HH17 672
14807	69cD11952	Spacer, under nut and washer	1	DTD130B		HH17 673
14809	82D11952	GUARD, CABLE, GROUP				1	—	C	HH17 674
14808	80D11952	GUIDE, CABLE, GROUP				1	—	C	HH17 675
14614	61D11952	PLATE, SOCKET ATTACHMENT, GROUP				1	—	B	HH17 676
		Consisting of :—							
28M 10286	AGS2001 A1	Nut, 6 BA	2	—	C	
	6 bD11952	Packer	1	L72		
	61aD11952	Plate	1	L72		
28S 120060	A33/A16	Screw, 6 BA	2	—	C	
5D 1747	—	Socket, 2 pole	1	—	B	
28W 9419464	SP13.A	Washer, 6 BA	2	—	C	
28R 13502	AS111	Pulley, single row bearing	1	—	B	HH17 677
14919	314D11952	Stop, cable (Mod. 1846)	1	S110	C	HH17 678
5D2342	—	Unit, fusing, No. 4 Mk. 1	1	—	A	HH17 679

**EQUIPMENT, SPECIAL OPERATIONAL (S.O.O.)
NEW STORE INSTALLATION, REMOVABLE FITTINGS**

Ref. No.	Part No.	Description 1 2 3 4	No. off	Matl. Spec.	Cl. of	Plate and Illust'n No.
					St. M.R.	
		INSTALLATION, REFRIGERATION PACK IN BOMB BAY (Z9955)				
		Spares for :—				
15008	29Z9955	Block, clamp, for flexible hoses at bracket 21Z9955 (Mod. 1083)	4	L64	C	HH14 680
15033	21Z9955	BRACKET, FLEXIBLE HOSE SUPPORT GROUP	1	—	C	HH14/681
22511	24Z9955	Bracket, clip	1	—		HH14.682
14352	KING A c	Clamp, pipe, at fairing door intake joint	1	—	C	HH14 683
14215	C4370/4 A	Clamp, half, at expansion joints (Mod. 1083)	4	S110	C	HH14 684
14881	27Z7648	Clamp, half, at insert and regulator valve joint	2	S110	C	HH14 685
14880	35Z9955	Clip, for half clamp at insert and regulator valve joint	1	S521	C	HH14 686
28E 8188	AGS605 6	Clip, at 4" dia coupling hose	2	—	C	
28E 9130219	AGS605 4	Clip, at 2½" dia coupling hose	2	—	C	
14349	DUNLOP	Coupling, hose	1	—	C	HH14 687
14350	DAS 582 80, 4"	Coupling, hose	1	—	C	HH14 688
14882	DUNLOP	Insert, at regulator valve and expansion unit joint	1	S110	C	HH14 689
14355	31Z9955	PACK, REFRIGERATION, GROUP	1	—	A	HH14 690
		Spares for :—				
14935	1Z9954	Adaptor, special, at expansion valve (Mod. 1083)	1	B11	C	HH16 691
14378	62Z9954	Banjo, at pressure gauges (Mod. 1083)	2	B11	C	HH16 692
14371	40Z9954	Block, clamps, attaching pipes 62 and 67Z9978 (Mod. 1083)	1	L64	C	HH16 693
14372	41Z9954	Block, clamp, attaching pipes 62 and 67Z9978 (Mod. 1083)	1	L64	C	HH16 694
14373	47Z9954	Block, clamp at pressure gauges (Mod. 1083)	4	L64	C	HH16 695
26FP 8735	1V5650	Block, terminal	1	—	C	HH16 696
14951	10Z10869	Bolt, banjo at liquid trap	1	B11	C	HH16 697
14379	49Z9954	Bolt, banjo, at pressure gauge	1	B11	C	HH16 698
14759	65Z9954	Bolt, banjo, at pressure gauge (Mod. 1304)	1	B11	C	HH16 699
14953	76Z9954	Bolt, banjo, at liquid trap (Mod. 1376)	1	B11	C	HH16 700
14356	63Z 9954	Bracket, mounting for jet pump	1	L65		HH14 701
14358	2Z9954	Bracket, hinge, for platform	3	L64	C	HH16 702
	9Z9954	Bush, special, at intercooler to platform mounting	1	S1	C	HH14 703

VULCAN PR 7

EQUIPMENT, SPECIAL OPERATIONAL (S.O.O.)
NEW STORE INSTALLATION, REMOVABLE FITTINGS

Page HH. 39

Ref. No.	Part No.	Description	No. off	Matl. Spec.	Cl. of	Plate and Illust'n No.
					St.	
		1 2 3 4			M.R.	
		PACK REFRIGERATION (129954) (Cont'd)				
2046	3Z7648	Clamps, half, 1½" dia. pipe joint	8	S110	C	HH14 704
3594	11Z7648	Clamps, half, 4" dia. pipe joint	2	S110	C	HH14 705
14215	27Z7648	Clamp, half, at expansion unit and 2½" dia. pipe joints	6	S110	C	HH14 706
14572	1Z10462	CHAMBER, MIXING, GROUP, (Mod. 1304)	1	—	A	HH16 707
		Spares for:—				
14574	11Z10462	Banjo, special body	1	B11	C	HH16 708
14581	8Z10462	Bolt, special (made from A25-20)	8	—	C	HH16 709
14573	13Z10462	Bolt, special, for banjo	1	DTD130	C	HH16 710
14575	3Z10462	Cap, end	1	DTD130	C	HH16 711
14377	44Z9954	Clamp, at end cap	2	L64	C	HH16 712
14579	6Z10462	Coupling, special	1	BSS249	C	HH16 713
14580	7Z10462	Filter, (Knitmesh Ltd.)	1	Alum. Alloy	C	HH16 714
14583	15Z10462	Nut, cap, special for banjo	1	DTD130	C	HH16 715
14376	43Z9954	Nut, special, clamp retaining	1	L64	C	HH16 716
	0539	Seal, "O" ring, for cap	1	Leoprene		HH16 717
14375	42Z9954	Washer, sealing in end cap	1	DTDS68A	C	HH16 718
		The following items are used only when chamber is stored				
	DANFOSS					
	B1.8	Cap, copper seal	2	—		
	18Z9978	Nut, at special coupling	1	BSS249		
	12Z10462	Nut, special, at banjo	1	BSS249		
	9Z10462	Plug, blanking at end cap	1	DTD130		
28E 9129092	AGS605 2	Clip, jubilee	6	—	C	
28E 9129562	AGS605 3	Clip, jubilee, for 2½" pipes	4	—	C	
28E 9130289	AGS605 4	Clip, jubilee, for 2½" pipes	4	—	C	
28E 8188	AGS605 6	Clip, jubilee, for flexible duct and special flange joints	3	—	C	
28E 9713018	AS3181 6C	Clip, pipe, ½" dia.	2	—	C	
28E 9436728	AS3181 4B	Clip, pipe, ½" dia.	5	—	C	
28E 9488798	AS3181 6B	Clip, pipe, ½" dia.	2	—	C	
28E 14085	AS3181 15C	Clip, pipe, ½" dia.	1	—	C	
28E 9995929	AS4580 1	Clip, pipe, nylastic	3	—	C	
14381	55Z9954	Clip, special, at pressure switch (Mod. 1083)	1	L72	C	HH16 719
14382	56Z9954	Clip, special, at liquid receiver	2	S510	C	HH16 720
	75Z9954	COMPRESSOR, FREON, GROUP	1	—		HH16/721
		Spares for:—				
27UA 2711	DE HAVILLAND CR.02.02. 75DZ9954	Compressor, freon	1	—	A	
		MUFF, HEATER, GROUP	1	—		
		Spares for:—				
5X 6621	10V5650	Ferrule	2	—	C	
5CZ 7771	DUNLOP ACM23 '60 P20	Muff, heater	1	—	A	
		Sleeve, yellow, 3" long	2	—		

**EQUIPMENT, SPECIAL OPERATIONAL (S.O.O.)
NEW STORE INSTALLATION, REMOVABLE FITTINGS**

Ref. No.	Part No.	Description 1 2 3 4	No. off	Mater. Spec.	Cl. of	Place and Illust'n No.
					St. M.R.	
	75CZ9954	COMPRESSOR, FREON, (Cont'd)				
		MUFF, HEATER, GROUP ...	1	—		
		Spares for:—				
SX 6621	10V5650	Ferrule	2	—	C	
	DUNLOP					
5CZ 7772	ACM23162	Muff, heater	1	—	A	
	P20	Sleeve, yellow, 3" long	2	—		
	NORMALAIR					
27KD	523000	Condenser, (Mod. 1083)	1	—		HH16 722
14374	51Z9954	Connection, special, at expansion valve (Mod. 1083)	1	—	C	HH16 723
14947	4Z10869	Connector, pressure gauge, (Mod. 1083)	1	—	B	HH16 724
27ZA 81	EXACTOR C19007	Coupling, freon, (Mod. 1083)	1	—	B	HH14 725
27ZA 95	EXACTOR C18915	Coupling, freon, (Mod. 1083)	1	—	B	HH14 726
27KD 2371	NORMALAIR 522610	Disc, bursting (Mod. 1083)	1	—	C	HH14 727
14363	AVICA BE7963	DUCTING, GROUP (Mod. 1083)	1	—	B	HH14 728
14368	AVICA FL13501	DUCT, flexible at compression to pipe 20Z9954 (Mod. 1083)	1	—	B	HH14 729
27KD 2110	NORMALAIR 519240	Exchanger, heat	1	—	B	HH14 730
14758	66Z9954	Filter, fitted into pipe 62Z9918 (Mod. 1376)	1	—	C	HH16 731
27KD 2111	NORMALAIR 517630	Filter, and drier	1	—	B	HH16 732
14361	21Z9954	Flange, special at ducting BE7963, to intake joint	1	L34	C	HH15 733
14359	14Z9954	Gasket, at relief valve and support channel joint	2	DTD378A	C	HH14 734
14788	67Z9954	Gasket at relief valve and pipe 2Z9978 joint	1	DTD378A	C	HH15 735
14360	19Z9954	Gasket, at jet pump and intercooler joint	1	DTD378A	C	HH14 736
	REFRIGERATION COMPONENTS					
6A 7297	PG1 69Z9954	Gauge, pressure (Mod. 1083)	2	—	A	HH16 737
	70Z9954	LAGGING FOR CONDENSER, GROUP	1	—		HH16 738
	71Z9954	LAGGING FOR LIQUID RECEIVER, GROUP	1	—		HH16 739
143311B	72Z9954	LAGGING FOR DEHYDRATOR, GROUP	1	—	C	HH16 740
14945	61Z9954	Nutcap	1	—	C	HH16 741
14384		OUTLET, JET PUMP, GROUP (Mod. 1083)	1	—	B	HH15 742
		Spares for:—				
27KD,	NORMALAIR 519260	Outlet	1	—		

VULCAN No. 7

EQUIPMENT, SPECIAL OPERATIONAL (S.O.O.)
NEW STORE INSTALLATION, REMOVABLE FITTINGS

Ref. No.	Part No.	Description	No. off	Matl. Spec.	Cl. of	Plate and Illust'n No.
					St.	
		1 2 3 4			M.R.	
14751	1V10291	PANEL, ELECTRICAL, 93P REFRIG- ERATION PACK (Mod. 1083)				HH15 743
	V12846	Spares for :— LOOM, CABLE, GRP. (Mod.1376)	1	—		
	2V10291	PANEL, LESS WIRING, GROUP	1	—		HH15 744
		Spares for :—				
26FP 8735 SX 7498	1V5650	Block, terminal	1	—	C	HH15 745
	1V7870	Block, terminal	1	—	C	HH15 746
	SV10291	BRACKET, RELAY AND LAMP MOUNTING, GROUP	1	—		HH15 747
20E/9998933 20E 9995932 9998 14385	AS4580 3	Clip, cable, nylastic	1	—	C	
	AS4580 4	Clip, cable, nylastic	2	—	C	
	7554657	Clip, cable (Mod. 1376)	1	P.V.C.	C	HH15 748
	3V10291	COVER PANEL, GROUP	1	—	C	HH15 749
		Spares for :—				
28FP 1	A403	Pin, pip	4	—	C	HH15 750
	PAGE					
5L 9959118	A259	Filament	1	—	B	HH15 751
	PAGE					
5CW 8326	C180 B6	Lamp, indicator	1	—	B	HH15 752
	HART					
5CW 6736	R210 CP3 1	Relay, series BR	2	—	A	HH15 753
	ROTAX					
5CW 4779	D6704 2	Relay, 3 phase contactor	1	—	A	HH15 754
	ROTAX					
5CW 6148	R4909 1	Relay, current balance	1	—	A	HH15 755
	PLESSEY					
5CW 6098	7CZ105411 2	Relay (Mod. 1376)	1	—	A	HH15 756
	PLESSEY					
5CW 6099	7CZ103739 2	Relay (Mod. 1376)	1	—	A	HH15 757
	PAGE					
5CW 6634	A257	Sleeve, cable	1	—	C	HH15 758
	HART					
5CW 6742 SX 6622	BR 101 PS	Socket, relay series BR	2	—	B	HH15 759
	14V5650	Socket, double	1	—	C	HH15 760
14560	20Z9954	PIPE, HEAT EXCHANGER INLET GROUP	1	—	C	HH15 761
15013	22Z9954	PIPE, FLEXIBLE DUCTING, GROUP	1	—	C	HH14 762
		PIPING INSTALLATION FOR RE- FRIGERATION PACK (1Z9978)				
		Spares for :—				
14959	53Z9978	HOSE, LAGGED FLEXIBLE, GRP.	1	—	C	HH14 763
		Spares for :—				
14905	68Z9978	HOSE, FLEXIBLE, GROUP (Mod. 1823)	1	—	C	
		Spares for :—				
14370	AVICA CE13467	Hose, flexible	1	—	C	
	68aZ9978	Sleeve, thumofite NT.32 6"	1	—		
	68bZ9978	Sleeve, thumofite NT.32 6"	1	—		
	1554485	Clip, ident.	1	—		

**EQUIPMENT, SPECIAL OPERATIONAL, (S.O.O.)
NEW STORE INSTALLATION, REMOVABLE FITTINGS**

Ref. No.	Part No.	Description	No. off	Matl. Spec.	Cl. of	Plate and illust'n No.
					St. M.R.	
		1 2 3 4				
		PIPING INSTALLATION FOR REFRIGERATION PACK (1Z9978) (Cont'd)				
14960	54Z9978	HOSE, LAGGED FLEXIBLE, GRP.	1	—	C	HH14 764
14906	69Z9978	Spares for :— HOSE, FLEXIBLE, GROUP (Mod. 1823) Spares for :—	1	—	C	
	AVICA CE13468 69aZ9978 69bZ9978	Hose, flexible Sleeve, thumofite, NT.32 . 6" Sleeve, thumofite, NT.32 . 6"	1 1 1	— — —		
14387	2Z9978	PIPE, EXPANSION UNIT TO RELIEF VALVE, GROUP	1	—	C	HH15:765
14388	3Z9978	PIPE, COMPRESSOR TO JOINT, GROUP	1	—	C	HH15/766
14389	4Z9978	PIPE, JET PUMP TO JOINT, GRP.	1	—	C	HH15/767
14390	5Z9978	PIPE, COMPRESSOR TO JOINT, GROUP	1	—	C	HH15:768
14391	6Z9978	PIPE, REGULATOR VALVE TO PRESSURE RELIEF VALVE, GRP.	1	—	C	HH14 769
14392	7Z9978	PIPE, COMPRESSOR TO JOINT, GROUP	1	—	C	HH15/770
14393	8Z9978	PIPE, HEAT EXCHANGER TO JOINT, GROUP	1	—	C	HH15:771
14394	9Z9978	PIPE, COMPRESSOR TO CONDENSER, GROUP	1	—	C	HH15:772
14932	34Z9978	PIPE, PRESSURE GAUGE TO JOINT, GROUP	1	—	C	HH16:773
14983	36Z9978	PIPE, BACK PRESSURE VALVE TO N.R.V., GROUP	1	—	C	HH16:774
22513	38Z9978	PIPE, BURSTING DISC TO DISCHARGE OUTLET, GROUP	1	—	C	HH16:775
14760	41Z9978	PIPE, EXPANSION VALVE TO MIXING CHAMBER AND BACK PRESSURE VALVE, GROUP (Mod. 1304)	1	—	C	HH16:776

VULCAN No. 7

EQUIPMENT, SPECIAL OPERATIONAL (S.O.O.)
NEW STORE INSTALLATION, REMOVABLE FITTINGS

Page HH. 43

Ref. No.	Part No.	Description 1 2 3 4	No. off	Matl. Spec.	Cl. of	Place and Illust'n No.
					St. M.R.	
14957	51Z9978	PIPING, INSTALLATION FOR REFRIGERATION PACK (1Z9978) (Cont'd) PIPE, COMPRESSOR TO JOINT GROUP (Mod. 1376)	1	—	C	HH16 777
14958	52Z9978	PIPE, CONDENSER TO BURST- ING DISC, GROUP (Mod. 1376)	1	—	C	HH16 778
14961	55Z9978	PIPE, COMPRESSOR TO LIQUID TRAP, GROUP (Mod. 1376)	1	—	C	HH16 779
15002	57Z9978	PIPE, LIQUID TRAP TO PRESS- URE GAUGE, GROUP (Mod. 1376)	1	—	C	HH16 780
14962	56Z9978	PIPE, LIQUID TRAP TO MIXING CHAMBER, GROUP (Mod. 1376)	1	—	C	HH16 781
14963	61Z9978	PIPE, LIQUID RECEIVER TO FILTER & DRIER, GROUP (Mod. 1376)	1	—	C	HH16 782
14929	62Z9978	PIPE, LIQUID TRAP TO FLEX- IBLE HOSE JOINT, GROUP	1	—	C	HH16 783
14955	66Z9978	PIPE, CONDENSER TO LIQUID RECEIVER, GROUP (Mod. 1376)	1	—	C	HH16 784
14934	67Z9978	PIPE, FILTER & DRIER TO FLEX- IBLE HOSE JOINT, GROUP (Mod. 1376)	1	—	C	HH16 785
14956	71Z9978	PIPE, LIQUID RECEIVER TO RELIEF VALVE, GROUP	1	—	C	HH16 786
	1Z9938	PLATFORM, REFRIGERATION PACK, GROUP	1	—		HH16 787
14380	50Z9954	Plug, banjo union at pressure gauges ...	2	B11	C	HH16 788
14383	60Z9954	PUMP, JET, GROUP (Mod. 1083) ... Spares for:—	1	—	A	HH14 789
27KD 2108	NORMALAIR 519250	Inlet, jet pump	1	—	C	HH14 780
14903	11Z9953	PYLON, REFRIGERATION PACK, GROUP (Mod. 1083)	1	—	B	HH16 791
27KD 2113	NORMALAIR 522630	Receiver, liquid (Mod. 1083)	1	—	A	HH16 792
28F 18039	18Z9954 A55403	Ring, backing at pipe 2Z9978 to valve joint Seal, at 1.75" dia pipe joints	4	—	C	HH15 793

**EQUIPMENT, SPECIAL OPERATIONAL (S.O.O.)
NEW STORE INSTALLATION, REMOVABLE FITTINGS**

Ref. No.	Part No.	Description 1 2 3 4	No. off	Matl. Spec.	Cl. of	Place and Illustr'n No.
					St. M.R.	
		PACK, REFRIGERATION (1Z9954) (Cont'd)				
28F 18246	ASS404	Seal, at 2.5" dia pipe joints	4	—	C	
28F 17231	ASS408	Seal, at 4" dia pipe joint	1	—	C	
22512	79Z9954	Scale, indicator	1	L72		HH16 794
14366	DUNLOP DAS 582 40 2½"	Sleeve, joint	2	—	C	HH15 795
14364	DUNLOP DAS 582 44 2½"	Sleeve, joint	2	—	C	HH15 796
14365	DUNLOP DAS 582 28 3½"	Sleeve, joint	2	—	C	HH15 797
14448	11Z9954	Spigot, for jet pump and intercooler mounting	3	S1	C	HH14 798
	64Z9954	Stiffener, at jet pump mounting bracket	1	L7		
	54Z9954	Support, block for pressure switch	1	L64		HH16 799
5CW 8323	TEDDINGTON FRJ A 18	Switch, pressure (Mod. 1083)	1	—		HH16 800
14362	26Z9954	TIE-BAR, GROUP	2	—	C	HH14 801
14948	1Z11162	TRAP, LIQUID, GROUP (Mod. 1376) Spares for :—	1	—	A	HH16 802
	2Z11162	Body	1	L65		
14949	8Z10869	Bolt, special (make from A25-3C)	12	—	C	
	3Z11162	Cover, end	1	L65		
14972	6Z11162	LAGGING, GROUP	1	—	C	
14973	8Z11162	LAGGING, GROUP	1	—	C	
14974	9Z11162	LAGGING, GROUP	1	—	C	
	4Z11162	Mesh, wire (made from Knitmesh Ltd. Standard Mesh)	1	Alum. Alloy		
	10Z11162	MUFF, HEATER, GROUP Spares for :—	1	—		
5CZ 7770	DUNLOP ACM23158	Muff, heater	1	—	B	
14950	PALMER 3C3R 21	Seal, 'O' ring	1	—	C	
14946	5Z10869	Union, half at sight glass (Mod. 1376)	1	BS249	C	HH16 803
27UA 2564	NORMALAIR 31-201160	Unit, cold air	1	—	A	HH15 804
27KD 2119	NORMALAIR 519220	Valve, regulator	1	—	A	HH14 805
27KD 2118	NORMALAIR 519230	Valve, relief (Mod. 1083)	1	—	A	HH15 806
27KD 2114	NORMALAIR 519280	Valve, pressure relief (Mod. 1083)	1	—	A	HH14 807
27KD 2855	NORMALAIR 525570 527180	Valve, line (Mod. 1376) Valve, line (used on a c XH539 only)	1 1	— —	B	HH16 808

YUCCAN 26 :

EQUIPMENT, SPECIAL OPERATIONAL (S.O.O.)
NEW STORE INSTALLATION, REMOVABLE FITTINGS

Page HM. 45

Ref. No.	Part No.	Description 1 2 3 4	No. off	Matl. Spec.	Cl. of	Plate and Illust'n No.
					St. M.R.	
		PACK, REFRIGERATION (1Z9954) (Cont'd)				
27VA 2714	DE-HAVILLAND CV3401	Valve, back pressure (Mod. 1063) ...	1	—	A	HH16 809
14944	BRITISH OXYGEN 801370	Valve, non-return (Mod. 1376) ...	1	—	A	HH16 810
27UA 2715	DE-HAVILLAND 1DVC-19-04	Valve, expansion (Mod. 1304) ...	1	—	A	HH16 811
14952	11Z10869	Washer, sealing, at liquid trap, banjo ...	2	BS889	C	HH16 812
28F 9428454	AGS1186.CC	Washer, sealing at liquid trap ...	2	—	C	
28F 1000140	AGS1139.C	Washer, sealing at indicator scale ...	1	—	C	
28F 1000141	AGS1139.B	Washer, sealing at pressure gauges ...	4	—	C	
15021	33Z9955	Plate, distance at clip 34Z9955 ...	2	S110	C	HH14 813
28P 5210	AGS1551.1	Pin, locking, for platform strut bolts ...	2	—	C	
28P 5212	AGS1551.2	Pin, locking, at platform hinges and tie rod bolts	5	—	C	
14345	6Z9955	PIPE, AIR VENT ELBOW, GROUP	1	—	C	HH14 814
14346	7Z9955	PIPE, AIR VENT OUTLET, GROUP	1	—	C	HH14 815
14353	26Z9955	PIPE, AIR SUPPLY TO REFRIGERA- TION PACK, GROUP	1	—	C	HH14 816
14354	28Z9955	PIPE, PRESSURE SENSING, GROUP	1	—	C	HH14 817
14347	5Z9955	Ring, dished, attaching garter seal ...	1	S510		HH14 818
28F 18246	BZ9955	Seal, at air vent outlet joint to door ...	1	DTD378A	C	HH14 819
28F 18776	AS5404	Seal, at expansion joints and insert to regulator valve joints	3	—	C	HH14 820
28F 18776	AS5410	Seal, at fairing door intake joint ...	1	—	C	HH14 821
14348	BELLS ASBESTOS BAS35 6-5"	Seal, garter, at air vent elbow to air vent outlet pipe	1	—	C	HH14 822
14344	2Z9955	STRUT, PLATFORM SUPPORT FOR- WARD, GROUP	1	—	C	HH14 823
15004	36Z9955	STRUT, PLATFORM SUPPORT AFT, GROUP	1	—	C	HH14 824
14213	12Z7613	TIE-BAR, AT EXPANSION UNIT 10Z747B, GROUP	2	—	C	HH14 825
15020	32Z9955	Trunnion, at clips 34Z9955 ...	2	S110	C	HH14 826
15019	30Z9955	Tube, fairlead, at clamp blocks 29Z9955 ...	2	L16	C	HH14 827
14351	5Z7478	UNIT, EXPANSION, GROUP ... Spares for.—	1	—	B	HH14 828
3593	9Z7648	Clamp, half ...	4	—	C	
28F 18295	AS5407	Seal ...	2	—	C	
14212	10Z7478	UNIT, EXPANSION AT REGULATOR VALVE, GROUP	1	—	B	HH14 829

**EQUIPMENT, SPECIAL OPERATIONAL (S.O.O.)
NEW STORE INSTALLATION, REMOVABLE FITINGS**

Ref. No.	Part No.	Description	No. off	Matl. Spec.	Cl. of	Plate and Illust'n No.
					St.	
		1 2 3 4				
		INSTALLATION, HYDRAULICS FOR NEW STORE (Drg. Ref. Q2211 SHT 4) Spares for:— CONNECTIONS, ALTERNATIVE HOSE, BOMB DOOR & FIN GAP DOOR, PORT & STARBOARD (1Q2321) (1Q2322) (Mod. 748) (See Services — Hydraulics)				
		HYDRAULICS, FOR FIN GAP DOORS (1Q2263) Spares for:—				
14327	24Q2263 7Q2263	Banjo, at jack attachment point, starboard	1	DTD1308		HH13 830
		Bolt, special, for hammer adjusting, port and starboard	1	S94	C	HH13 831
14258 22534	15Q2263 26Q2263	BLOCK, CLAMP, PORT, GROUP	9	—	C	HH13 832
		BLOCK, CLAMP, STARBOARD, GROUP	7	—	C	HH13 833
22540	2Q2263	BRACKET, PORT SEQUENCE VALVE, GROUP	1	—	C	HH13 834
22541 22541	3Q2263 3Q2263	BRACKET, STARBOARD	1	—	C	HH13 835
		BRACKET, STARBOARD SEQUENCE VALVE, GROUP	1	—	C	HH13 835
14325	4Q2263	Bush, for sequence valve hammer, port and starboard	1	S94	C	HH13 836
27BA 8099	LOCKHEED AVERY AVAS8B or AVA1150B LOCKHEED AVERY AVAS8C or AVA1150C	Coupling, half	3P 25	—	B	HH13 837
27BA 8762		Coupling, half, starboard	1	—	B	HH13 838
14326	6Q2263 5Q2263	Hammer, sequence valve	1	S94	C	HH13 839
		Packer, to centralise starboard sequence valve hammer	1	DTD1308		HH13 840
14328	8Q2263	Pin, release, for jack ram, port and starboard	1	S94	C	HH13 841
14558	39Q2262	PIPE, FROM SEQUENCE VALVE TO BANJO AT JACK, STARBOARD, GROUP	1	DTD743	C	HH13 842
14333	43Q2262	PIPE, FROM SEQUENCE VALVE TO BANJO AT JACK, PORT GROUP	1	DTD743	C	HH13 843
14559	94Q2262	PIPE, FROM COUPLING MOUNTING BRACKET TO BANJO AT JACK, PORT, GROUP	1	DTD743	C	HH13 844

VULCAN No. 2

**EQUIPMENT, SPECIAL OPERATIONAL (S.O.O.)
NEW STORE INSTALLATION, REMOVABLE FITTINGS**

Page HH. 47

Ref. No.	Part No.	Description 1 2 3 4	No. off	Matl. Spec.	Cl. of	Plate and Illustr'n No.
					St. M.R.	
		HYDRAULICS FOR FIN GAP DOORS (1Q2263) (Cont'd)				
14330	95Q2262	PIPE, FROM COUPLING MOUNT- ING BRACKET TO SEQUENCE VALVE, PORT, GROUP	1	DTD743	C	HH13 845
14331	96Q2262	PIPE, FROM COUPLING MOUNT- ING BRACKET TO BANJO AT JACK, PORT, GROUP	1	DTD743	C	HH13 846
14334	98Q2262	PIPE, FROM COUPLING MOUNT- ING BRACKET TO SEQUENCE VALVE, STARBOARD, GROUP	1	DTD743	C	HH13 847
14335	99Q2262	PIPE, FROM COUPLING MOUNT- ING BRACKET TO BANJO AT JACK, STARBOARD, GROUP	1	DTD743	C	HH13 848
14784	192Q2262	PIPE, FROM COUPLING MOUNT- ING BRACKET TO BANJO AT JACK, STARBOARD, GROUP	1	DTD743	C	HH13 849
14329	27Q2263	Plate, packer for coupling, starboard	1	L72	C	HH13 850
	20Q2263	Spacer, under clamp blocks at stations 210-02 & 282-75, port and starboard	4	DTD1308		
27Q 78620	DOWTY 1.00419.001	Unit, jack, port and starboard ...	1	—	A	HH13 851
27Q	DOWTY 11950.Y.A09	Valve, sequence, port and starboard ...	1	—	A	HH13 852
		HYDRAULICS ON REAR CRUTCH- ING BEAM (1Q2276)				
		Spares for :—				
	27Q2276	Angle, top aft runner for hydraulic coup- lings in falling door (Mod. 1085)	1	S520		HH22 853
	28Q2276	Angle, top forward runner for hydraulic couplings in falling door (Mod. 1085)	1	S520		HH22 854
14340	21Q2276	BLOCK, CLAMP, GROUP ...	1	—	C	HH22 855
22571	4Q2276	BRACKET, LEVER, FULCRUM, GRP.	2	—	C	HH22 856
	20Q2276	Bracket, for hose unions ...	1	S520		HH22 857
	BAXENDALES No. 290	Chain, 6" long ...	1	—		

**EQUIPMENT, SPECIAL OPERATIONAL (S.O.O.)
NEW STORE INSTALLATION, REMOVABLE FITTINGS**

Ref. No.	Part No.	Description 1 2 3 4	No. off	Mater. Spec.	Cl. of	Plate and Illust'n No.
					St. M.R.	
		HYDRAULICS ON REAR CRUTCH- ING BEAM (1Q2276) (Cont'd)				
22572	13Q 2276	Channel, spring mounting	1	L72	C	HH22 858
	26Q2276	CONNECTOR, GUIDE, GROUP (Mod. 1085)	1	—		HH22 859
27BA 8744	LOCKHEED AVERY AVA54 E	Coupling, half, 1/2" BSP at starboard out- board flexible hose	1	—	B	HH22 860
27BA 8816	LOCKHEED AVERY AVA57 D	Coupling, half, 1/2" BSP at starboard out- board flexible hose	1	—	B	HH22 861
14791	J LUCAS B.S.C.V100	Coupling, half snap, 1/2" BSP	1	—	B	HH22 862
14792	J LUCAS B.S.C.V.102	Coupling, half snap, 1/2" BSP	1	—	B	HH22 863
14336	9Q2276	Elbow, special, 1/2" BSP at pull off tube, starboard	1	DTD130B	C	HH22 864
14337	10Q2276	Elbow, special, 1/2" BSP at pull off tube, port	1	DTD130B	C	HH22 865
	DUNLOP 8 W3 102 B 8 32	Hose, high pressure, 1/2" BSP, outboard	1	—		HH22 866
	DUNLOP 8 W3 102 B 9/ 41-2	Hose, high pressure, 1/2" BSP, inboard	1	—		HH22 867
	DUNLOP 10 W3 121 B 8 33	Hose, medium pressure, 3/4" BSP, outboard	1	—		HH22 868
	DUNLOP 10 W3 121 B 9 33-6	Hose, medium pressure, 3/4" BSP, inboard	1	—		HH22 869
	14Q2276	Link, for spring mounting channel, star- board	1	L72		HH22 870
	15Q2276	Link, for spring mounting channel, port	1	L72		HH22 871
14805	24Q2276	MOUNTING, PULL OFF TUBE, GROUP (MOD. 981)	1	—	C	HH22 872
14806	25Q2276	MOUNTING, PULL OFF TUBE, GROUP (Mod. 981)	1	—	C	HH22 873
27BA 9693	AVERY AVA65 D	Nut, union, 1/2" BSP	1	—	C	HH22 874
27BA	AVERY AVA65 E 16Q2276	Nut, union, 1/2" BSP Packer, for conical spring	1 2	— L72	C	HH22 875 HH22 876

VULCAN No. 3

EQUIPMENT, SPECIAL OPERATIONAL (S.O.O.)
NEW STORE INSTALLATION, REMOVABLE FITTINGS

Page HH. 49

Ref. No.	Part No.	Description	No. off	Matl. Spec.	Cl. of	Plate and Illust'n No.
					St. M.R.	
1 2 3 4						
HYDRAULICS ON REAR CRUTCHING BEAM (1Q2276) (Cont'd)						
28FP 9713920	A411	Pin, pip. at spring mounting channel and link	1	—	C	HH22 877
14342	47Q2262	PIPE, HIGH PRESSURE, 1/2" O D 18G. GROUP	1	DTD743	C	HH22 878
14343	48Q2262	PIPE, LOW PRESSURE, 1/2" O D 20G. GROUP	1	L56	C	HH22 879
	17Q2276 29Q2276	Plate, conical spring retaining Plate, mounting, for hydraulic couplings (Mod. 1085)	2	L72 —		HH22 880 HH22 881
28E 9467497	TERRY No 169 32Q2276	Ring, split key, 1/2" o d	2	—	C	
		Sleeve, locking, warm air connection fastener	1	S94		HH22 882
	30Q2276	Spigot, warm air connection fastener	1	S94		HH22 883
14341	50554700	Spring, conical	2	—	C	HH22 884
	31Q2276	Spring, at warm air connection fastener	1	DTD215		HH22 885
	33Q2276	Stop, at warm air connection fastener	1	S94		HH22 886
	7Q2276	Strip, packing, for tray retaining strip	2	L72		
	8Q2276	Strip, retaining, for tray	2	L72		
	2Q2276	Tray, pull-off tube mounting	1	S520		HH22 887
14904	11Q2276	Tube, pull-off for 1/2" BSP	1	S95	C	HH22 888
14884	12Q2276	Tube, pull-off for 1/2" BSP coupling	1	S95	C	HH22 889
14338	18Q2276	Union, flanged, 1/2" BSP (Make from AGS1113 D)	1	—	C	HH22 890
14339	19Q2276	Union, flanged, 1/2" BSP (Make from AGS1112 E)	1	—	C	HH22 891
HYDRAULICS, REAR CRUTCHING BEAM TO HYDRAULIC UNIT (1Q2286) (Mod. 748) (See —Services—Hydraulics)						
HYDRAULIC UNIT INSTALLATION (1Q2288)						
14638	1Q2422	Spares for :— PACK, HYDRAULIC UNIT, GROUP (Mod. 1082)	1	—	A	HH18 892
		Spares for —				
27Q 70633	DOWTY 1.01062.001	Accumulator (Mod. 1224)	1	—	A	HH18 893

**EQUIPMENT, SPECIAL OPERATIONAL (S.O.O.)
NEW STORE INSTALLATION, REMOVABLE FITTINGS**

Ref. No.	Part No.	Description	No. off	Matl. Spec.	Cl. of	Plate and Illust'n No.
					St. M.R.	
		1 2 3 4				
PACK, HYDRAULIC UNIT (1Q2422) (Cont'd)						
14639	35Q2422	Banjo, $\frac{1}{2}$ " - $\frac{1}{2}$ " BSP	1	DTD1308	C	HH18 894
14640	37Q2422	Banjo, $\frac{1}{2}$ " - $\frac{1}{2}$ " BSP	1	DTD1308	C	HH18 895
14694	49Q2422	Block, clamp for oil container	4	BSS668	C	HH18 896
BLOCK, FEED & RETURN GROUP			1		B	HH18 897
Spares for —						
26FP 6581	36SS3567	Banjo, body (Mod. 1939)	1	S93	C	HH18 898
14990	7Q2270	Banjo, body (Mod. 1939)	2	S93		HH18 899
	2Q2270	Block, less fitting	1	—		
14692	5Q2270	Bolt, banjo, special	2	S94	C	HH18 900
SANGAMO WESTON						
6A 6842	S110G 3,200	Bulb, resistance	1	—	B	HH18 901
	4Q2270	Union, reducing at NRV valve	1	DTD1308		HH18/902
	6Q2270	Union, at resistance bulb	1	DTD1308		HH18 903
DOWTY						
27Q 70632	D5233YMk.B	Valve, non-return	1	—	B	HH18 904
14641	38Q2422	Bolt, banjo, hydraulic reservoir	1	S94	C	HH18 905
14692	5Q2270	Bolt, banjo, at charging valves	2	S94	C	HH18 906
ELECTRO HYDRAULICS						
27Y 334	EH4094	Bottle, 1-600 P.S.I. (Mod. 1224)	1	—	B	HH18 907
14985	12Q2422	Bracket, support	1	L72		
14643	41Q2422	Cap, blanking, at motor	1	Rubber	C	HH18 908
14986	20Q2422	CHANNEL GROUP	1	—		
14695	57Q2422	Clamp, end at oil cooler and feed pipe joint	1	BSS972	C	HH18/909
14696	80Q2422	Clamp, end at oil cooler and feed pipe joint	1	BSS972	C	HH18 910
KING A.C						
14648	C6045 26	Clamp, at butterfly valves	4	—	C	HH20 911
14698	64Q2422	Cone, end piece	1	L34	C	HH20 912
DUNLOP						
14664	DAS 582/400/4-0	Connector, flexible pipe joint	1	—	C	HH20 914
14693	42Q2422	CONTAINER, OIL, GROUP	1	—	C	HH18 915
DELANEY GALLAY						
27B 2745	C4280	Cooler, oil	1	—	A	HH18 916
AVERY						
27BA 8744	AVA54 E	Coupling, $\frac{1}{2}$ " BSP	1	—	B	HH19 917
AVERY						
27BA 8814	AVA57 D	Coupling, $\frac{3}{4}$ " BSP	1	—	B	HH19 918
EXACTOR						
	CMB19226	Cover, dust, at oil filler	1	—		HH18/919

VULCAN No. 2

EQUIPMENT, SPECIAL OPERATIONAL (S.O.O.)
NEW STORE INSTALLATION REMOVABLE FITTINGS

Page HH. 51

Ref. No.	Part No.	Description 1 2 3 4	No. off	Matl. Spec.	Cl. of	Place and Inst'n No.
					St. M.R.	
		PACK, HYDRAULIC UNIT (1Q2422) (Cont'd)				
	71Q2422	DIPSTICK RETAINER, GROUP Spares for :—	1	—		
	ANDERTON 1200 25	Circlip	1	—		
14700	75Q2422	FAIRLEAD, GROUP	1	—	C	HH19 920
14701	76Q2422	FAIRLEAD, GROUP	1	—	C	
14749	EXACTOR GMB19210	Filler, oil	1	—	B	HH18 921
27Y 518	ELECTRO HYDRAULICS EH7957	Filter	1	—	B	HH18 922
14699	65Q2422	FLANGE, SPECIAL GROUP Spares for :—	1	—	A	HH20 923
	67Q2422	Flange	1	L34		
	6662422	Retainer, valve	1	L34		
27KD 2369	NORMALAIR 522620	Valve, non-return	1	—	A	
6A 2691	—	Gauge, pressure, 0-3000 P.S.I. (Mod 1224)	2	—	A	HH18 925
27VA 6288	DUNLOP 10W3 101,8 10 30-0"	Hose, flexible, $\frac{1}{2}$ "	1	—	C	HH19 926
27VA 6287	DUNLOP 8W3 102,10 10 32-7"	Hose, flexible, $\frac{1}{2}$ "	1	—	C	HH19 927
		INSTALLATION ELECTRICAL EQUIPMENT, HYDRAULIC PACK (Q2422 Sheet 4) Spares for :—				
26FP 8735	1V5650	Block, terminal	1	—		HH20 928
	3444V7909	CABLE (F3444) HYDRAULIC BY-PASS VALVE "A TO" TB1647, GROUP	1	—		
14938	8624V7909	CABLE (F3113) RESISTANCE BULB TO TB1576, GROUP	1	—		
10353	5V6358	Cleat	2	—	C	
15007	INSULOID R2	Clip	3	—	C	HH20 929
15006	INSULOID C1	Cradle	3	—	C	HH20 930

**EQUIPMENT, SPECIAL OPERATIONAL (S.O.O.)
NEW STORE INSTALLATION, REMOVABLE FITTINGS**

Ref. No.	Part No.	Description	No. off	Matl. Spec.	Cl. of	Plate and Illust'n No.
					St.	
		1 2 3 4				
INSTALLATION ELECTRICAL EQUIPMENT, HYDRAULIC PACK (Q2422) (Cont'd)						
14750	1V10719	PANEL, 92P, GROUP ...	1	—	A	HH20 931
		Spares for —				
28FP 8735	1V5650	Block, terminal ...	2	—	C	HH20 932
5X 7498	1V7870	Block, terminal ...	2	—	C	HH20 933
	3V 9676	Bracket, relay mounting ...	1	—		HH20 934
	BTH					
5CW 6863	LDG.35Y4	Contactor ...	1	—	A	HH20 936
14670	1V10289	COVER, PANEL, GROUP	1	—		
		Spares for —				
28FP 7002000	A403	Pin, pip ...	4	—	C	
	PAGE					
5L 9939118	A259	Filament ...	1	—	C	HH20 937
	PAGE					
5CW 8326	C180B6	Lamp, indicator ...	1	—	B	HH20 938
	IV20785	LOOM, CABLE, GROUP	1	—		
	HART					
5CW 6736	R210C3 P1	Relay ...	1	—	A	HH20 939
	PAGE					
5CW 6634	A257	Sleeve, cable ...	1	—	C	HH20 940
	HART					
5CW 6742	BR101PS	Socket, relay ...	1	—	B	HH20 941
5X 6622	14V5650	Socket, double ties ...	3	—	C	HH20 942
5X 6623	15V5650	Socket, single ties ...	3	—	C	HH20 943
	2V10719	STRUCTURE, PANEL GROUP	1	—		HH20 944
		Spares for —				
	6V9677	Bracket, attachment ...	4	L73		
14704	20V10493	Unit, motor overload (Pre Mod 2102)	1	—	A	
15039	32V11313	Unit, motor overload (Mod. 2102)	1	—	A	HH20 945
14703	1V10783	Unit, time delay ...	1	—	A	HH20 946
9305	18V9303	Unit, time delay ...	1	—	A	HH20 947
5X 6623	15V5650	Socket, single ties ...	1	—	C	HH20 947A
6A 2800	—	Label, at pressure gauges ...	1	—	C	HH18 948
37J 10025	DOWTY 1 01262 004	Motor, 2-stage (Mod. 1003) ...	1	—	A	HH18 949
	AVERY					
27BA 9693	AVA65 D	Nut, union ...	1	—	C	HH19 950
27BA	AVA65 C	Nut, union ...	1	—	C	HH19 951
14686	55Q2422	PIPE, COOLING, INLET, GROUP	1	—	C	HH20 952
14687	58Q2422	PIPE, COOLING, MAIN FEED,	1	—	C	HH20 953
14688	59Q2422	PIPE, COOLING, BRANCH, GROUP	1	—	C	HH20 954

VULCAN PA :		EQUIPMENT, SPECIAL OPERATIONAL (S.O.O.)				Page HH. 53			
NEW STORE INSTALLATION, REMOVABLE FITTINGS									
Ref. No.	Part No.	Description				No. off	Matl. Spec.	Cl. of St. M.R.	Plate and Illust'n No.
		1	2	3	4				
14689	60Q2422	PACK, HYDRAULIC UNIT (102422) GROUP (Cont'd)				1	—	C	HH20 955
		PIPE, COOLING, STUB, GROUP				1	—	C	HH20 955
37J 8024	DOWTY 1.00655.002	PIPE, BREATHER, GROUP ...				1	—	C	HH18 956
		(Mod. 1891)							
	FLEXIBLE DUCTINGS L1 28 17/8 CC	Pipe, flexible, at feed pipe ...				1	—		HH20 957
	FLEXIBLE DUCTINGS L1 20 8 1/2	Pipe, flexible, at branch pipe ...				1	—		HH20 958
	C1 1/2 C1 1/2								
	FLEXIBLE DUCTINGS L1 22 12 1/2	Pipe, flexible, motor to feed pipe ...				1	—		HH20 959
	C1 1/2 C1 1/2								
14649	147Q2262	PIPE, HYDRAULIC, TEE PIECE TO FEED AND RETURN BLOCK, 20G 1/2" O D, GROUP				1	DTD743	C	HH19 960
14650	148Q2262	PIPE, HYDRAULIC, TEE PIECE TP SELECTOR VALVE, 22G 1/2" O D, GROUP				1	DTD743	C	HH19 961
14651	149Q2262	PIPE, HYDRAULIC PRESSURE RELIEF VALVE TO TEE PIECE, 22G 3/8" O D, GROUP				1	L56	C	HH19 962
14652	150Q2262	PIPE, HYDRAULIC, THERMAL RELIEF VALVE TO 4 WAY SELECTOR VALVE, 22G 3/8" O D, GROUP				1	L56	C	HH19 963
14653	151Q2262	PIPE, HYDRAULIC, TEE-UNION TO THERMAL RELIEF VALVE, 22G 3/8" O D, GROUP				1	L56	C	HH19 964
14654	152Q2262	PIPE, HYDRAULIC, TEE-PIECE TO FLEXIBLE HOSE CONNec- TION 22G, 3/8" O D, GROUP				1	L56	C	HH19 965
14655	153Q2262	PIPE, HYDRAULIC, THERMAL RELIEF VALVE TO TEE-PIECE, 22G 3/8" O D, GROUP				1	L56	C	HH19 966

**EQUIPMENT, SPECIAL OPERATIONAL (S.O.O.)
NEW STORE INSTALLATION, REMOVABLE FITTINGS**

Ref. No.	Part No.	Description	No. off	Matl. Spec.	Cl. of		Plate and Illust'n No.
					St.	M.R.	
		1 2 3 4					
14656	154Q2262	PACK, HYDRAULIC UNIT (162Q2262) (Cont'd) PIPE, HYDRAULIC, PRESSURE RELEASE VALVE TO 4 WAY SELECTOR VALVE, 22G $\frac{1}{4}$ " O D, GROUP	1	L56	C		HH19 967
14657	155Q2262	PIPE, NITROGEN, TEE-PIECE TO CHARGING VALVE, 22G $\frac{1}{4}$ " O D, GROUP	1	DTD743	C		HH19 968
14658	156Q2262	PIPE, HYDRAULIC, FEED AND RETURN BLOCK TO ADJUST- ABLE PRESSURE RELIEF VALVE, 20G $\frac{1}{2}$ " O D, GROUP	1	L56	C		HH19 969
14685	157Q2262	PIPE, HYDRAULIC, MOTOR PUMP DRAIN 22G $\frac{1}{4}$ " O D, GROUP	1	L56	C		HH19 970
14659	158Q2262	PIPE, HYDRAULIC, 4 WAY SELECTOR VALVE TO FEED AND RETURN BLOCK, 20G $\frac{1}{2}$ " O D, GROUP	1	L56	C		HH19 971
14660	159Q2262	PIPE, HYDRAULIC, 4 WAY SELECTOR VALVE TO FEED AND RETURN BLOCK 18G. $\frac{1}{2}$ " O D, GROUP	1	DTD743	C		HH19 972
14661	160Q2262	PIPE, HYDRAULIC, FEED AND RETURN BLOCK TO PRESSURE RELEASE VALVE 22G $\frac{1}{4}$ " O D, GROUP	1	DTD743	C		HH19 973
14662	161Q2262	PIPE, HYDRAULIC, PRESSURE RELIEF VALVE TO FEED AND RETURN BLOCK, 22G $\frac{1}{2}$ " O D, GROUP (Pre Mod. 2111)	1	L56	C		
	211Q2262	PIPE, HYDRAULIC, PRESSURE RELIEF VALVE TO FEED AND RETURN BLOCK, 22G $\frac{1}{2}$ " O D, GROUP (Mod. 2111)	1	DTD5019	C		HH19 974
14663	162Q2262	PIPE, NITROGEN, ACCUMU- LATOR TO CHARGING VALVE 22G $\frac{1}{4}$ " O D, GROUP	1	DTD743	C		HH19 975

VULCAN PB 2

EQUIPMENT, SPECIAL OPERATIONAL (S.O.O.)
NEW STORE INSTALLATION, REMOVABLE FITTINGS

Page HH. 55

Ref. No.	Part No.	Description 1 2 3 4	No. off	Matl. Spec.	Cl. of	Plate and Illust'n No.
					St.	
					M.R.	
		PACK, HYDRAULIC UNIT (1Q2422) (Cont'd)				
14665	164Q2262	PIPE, HYDRAULIC, SELECTOR VALVE TO FEED AND RETURN BLOCK, 22G. $\frac{1}{4}$ " O D. GROUP	1	L56	C	HH19-976
14666	165Q2262	PIPE, HYDRAULIC, SELECTOR VALVE TO FEED AND RETURN BLOCK, 22G $\frac{1}{4}$ " O D. GROUP	1	L56	C	HH19-977
14667	166Q2262	PIPE, NITROGEN, PRESSURE GAUGE, TO CHARGING VALVE 22G. $\frac{1}{4}$ " GROUP	1	DTD743	C	HH19-978
14668	167Q2262	PIPE, NITROGEN, BOTTLE TO TEE-PIECE, 22G $\frac{1}{4}$ " O D. GROUP	1	DTD743	C	HH19-979
14669	168Q2262	PIPE, NITROGEN, PRESSURE GUAGE TO CHARGING VALVE 22G $\frac{1}{4}$ " O D. GROUP	1	DTD743	C	HH19-980
14671	169Q2262	PIPE, HYDRAULIC, OIL COOL- ER TO RESERVOIR, 20G $\frac{1}{4}$ " O D. GROUP	1	L56	C	HH19-981
14672	170Q2262	PIPE, HYDRAULIC, OIL COOL- ER TO TEE-PIECE, 20G $\frac{1}{4}$ " O D. GROUP	1	L56	C	HH19-982
14673	171Q2262	PIPE, HYDRAULIC, SELECTOR VALVE TO FEED AND RE- TURN BLOCK, 22G $\frac{1}{4}$ " O D. GROUP	1	L56	C	HH19-983
14674	172Q2262	PIPE, HYDRAULIC, SELECTOR VALVE TO FEED AND RE- TURN BLOCK, 22G $\frac{1}{4}$ " O D. GROUP	1	DTD743	C	HH19-984
14675	173Q2262	PIPE, HYDRAULIC, SELECTOR VALVE TO PRESSURE RE- LIEF VALVE, 22G $\frac{1}{4}$ " O D. GROUP	1	DTD763	C	HH19-985
14677	175Q2262	PIPE, NITROGEN, RESERVOIR TO TEE-PIECE 22G $\frac{1}{4}$ " O D. GROUP	1	DTD743	C	HH19-986
14680	178Q2262	PIPE, HYDRAULIC, RESERVOIR TO MOTOR PUMP, 20G $\frac{1}{4}$ " O'D, GROUP	1	L56	C	HH19-987
14681	179Q2262	PIPE, HYDRAULIC, ACCUMU- LATOR TO FEED AND RE- TURN BLOCK, 22G $\frac{1}{4}$ " O D. GROUP	1	DTD743	C	HH19-988

**EQUIPMENT, SPECIAL OPERATIONAL (S.O.O.)
NEW STORE INSTALLATION, REMOVABLE FITTINGS**

Ref. No.	Part No.	Description	No. off	Matl. Spec.	Cl. of	Plate and illust'n No.
					St.	
		1 2 3 4				
		PACK, HYDRAULIC UNIT (1Q2422)				
		(Cont'd)				
14682	180Q2262	PIPE, HYDRAULIC, RESERVOIR TO TEE-PIECE, 20G 1/2" O D, GROUP	1	L56	C	HH19 989
14683	181Q2262	PIPE, HYDRAULIC, 4-WAY SELECTOR TO FLEXING HOSE, 20G 1/2" O D, GROUP	1	L56	C	HH19 990
14684	182Q2262	PIPE, HYDRAULIC, ADJUSTABLE PRESSURE RELIEF VALVE TO TEE-PIECE, 20G 1/2" O D, GROUP	1	L56	C	HH19 991
14690	185Q2262	PIPE, HYDRAULIC, MOTOR PUMP VENT, 22G 1/4" O D, GROUP	1	L56	C	HH19 992
14987	206Q2262	PIPE, HYDRAULIC, FILTER TO TEE-PIECE, 20G 1/2" O D, GROUP (Mod. 1938)	1	DTD5016	C	HH19 993
14939	207Q2262	PIPE, HYDRAULIC, FILTER TO MOTOR PUMP, 20G 1/2" O D, GROUP (Mod. 1938)	1	DTD5016	C	HH19 994
14988	208Q2262	PIPE, HYDRAULIC, PRESSURE RELIEF VALVE TO FEED AND RETURN BLOCK 22G 1/2" O D, GROUP (Pre Mod. 2111)	1	L56	C	
	210Q2262	PIPE, HYDRAULIC, PRESSURE RELIEF VALVE TO FEED AND RETURN BLOCK, 22G 1/2" O D, GROUP (Mod. 2111)	1	DTD5019	C	HH19 995
14989	209Q2262	PIPE, HYDRAULIC, PRESSURE RELIEF VALVE TO FEED AND RETURN BLOCK, 22G 1/2" O D, GROUP (Mod. 1939)	1	DTD5016	C	HH19 996
	3Q2266	Plate, valve mounting ...	2	L72		
	82Q2422	Plate, valve, support ...	1	L72		
	DOWTY					
27Q 70571	1.00656.001	Reservoir, hydraulic ...	1	—	A	HH18 997
14902	83Q2422	Ring, rubber, at air cooler ...	1	DTD458A	C	HH18 998
28F 18246	A55404	Seal, at pipe joints ...	4	—	C	
14697	62Q 2422	Spacer, 1/2" dia. 10" ...	5	S93	C	
22566	50Q2422	Strap, filter attachment, top ...	1	S520	C	HH18 999
22567	51Q2422	Strap, filter attachment, bottom ...	1	S520	C	HH18 1000

VULCAN No. 7		EQUIPMENT, SPECIAL OPERATIONAL (S.O.O.)				Page HH. 57			
NEW STORE INSTALLATION, REMOVABLE FITTINGS									
Ref. No.	Part No.	Description				No. off	Matl. Spec.	Cl. of St. M.R.	Place and Inst'n No.
		1	2	3	4				
		PACK HYDRAULIC UNIT (1Q2422)							
		(Cont'd)							
2260	52Q2422	Strap, oil cooler attachment ..				2	S520	C	HH18 1001
2269	53Q2422	Strap, accumulator attachment				2	S520	C	HH18 1002
	3Q2422	STRUCTURE, HYDRAULIC PACK, GROUP				1	—		
14642	40Q2422	Tee-piece, special, $\frac{1}{2}$ " $\frac{1}{2}$ " $\frac{1}{8}$ " at flexible hosepoint				1	DTD130A	C	HH19 1003
14804	81Q2422	Trap, oil, at reservoir				1	—	B	HH18 1004
	TEDDINGTON FMP A 5065	Valve, butterfly ..				2	—		HH20 1005
	DAMIC DC24	Valve, charging (Mod. 1224) ..				2	—	A	HH18 1006
6D/2386	DOWTY D7375Y Mk.B	Valve, pressure release ..				2	—	A	HH18 1007
27C 1805	DOWTY 1.00051.016	Valve, pressure, relief, adjustable ..				1	—	A	HH19 1008
27Q 70627	DOWTY 1.00051.021	Valve, pressure, relief (1,850 PSI) ..				1	—	A	HH18 1009
27Q 70629	DOWTY 1.00051.022	Valve, pressure release (2,460 50PSI)				1	—	A	HH18 1010
27Q 70630	DOWTY 1.00144.014	Valve, selector, 4 way				1	—	A	HH18 1011
27Q 70624	DOWTY 07437YA.16	Valve, selector ..				1	—	A	HH18 1012
27Q	DOWTY 07437YA.09	Valve, selector ..				1	—	A	HH18 1013
27Q 70569	DOWTY 1.00063.001	Valve, thermal relief ..				1	—	A	HH18 1014
22570	61Q2422	Washer, sealing at oil cooler				1	DTD458A	C	HH20 1015
		INSTALLATION, PIPES FROM HYDRAULIC UNIT ON BOMB DOOR JACK BEAM (1Q2287) (Mods, 748 & 1077) (See —Services—Hydraulic)							
		INSTALLATION, STORE HEATING (Z10000)							
		Spares for :—							
14440	14Z10050	Adaptor, for pipe 37Z10050 on bomb arch 225-227"				1	S1	C	HH21 1016
27V 5334	TEDDINGTON SS BA 461	Bellows, on bomb arch 201-367" (Mod. 1319)				1	—	B	HH21 1017
	16Z10050	Block, clipping on bomb arch 225-227" ..				1	BSS668		HH21 1018

EQUIPMENT, SPECIAL OPERATIONAL (S.O.O.)

NEW STORE INSTALLATION, REMOVABLE FITTINGS

Ref. No.	Part No.	Description	No. off	Matl. Spec.	Cl. of	Plate and Illust'n No.
					St.	
		1 2 3 4			M.R.	
INSTALLATION, STORE HEATING (Z10050) (Cont'd)						
6A 14439	SANGAMO WESTON 5110G-6-205 13Z10050	Bulb, thermometer, on pipe 37Z10050	1	—	B	HH21 1019
		Bush, at pipe 61Z10050 attachment to crutching beam	2	S1	C	HH21 1020
8945	KING A.C C4205 1½ 1½ B	Clamp, at pipe 55Z10050 (Mod. 1319)	2	—	C	HH21 1021
14447	KING A.C C4370 1½ 2" A	Clamp, at reducing nick and warm air connection joint	1	—	C	HH21 1022
2047	4Z7648	Clamp, half at expansion unit	4	—	C	HH21 1023
2049	7Z7648	Clamp, half, at pipe 37Z10050	4	—	C	HH21 1024
3593	9Z7648	Clamp, half, at relief valve	2	—	C	HH21 1025
28E 9130219	AGS605 4	Clip, hose, at flexfite duct	2	—	C	
14441	15Z10050	Clip, pipe, at bomb arch 225 227" ...	1	L72	C	HH21 1026
14444	19Z10050	Clip, pipe, on pipe 54Z10050 near expansion unit	1	L72	C	HH21 1027
	59Z10050	Clip, at outlet duct	1	L72		HH21 1028
15011	BS 29554234	Clip, half, at support plate 62Z10050	1	—	C	HH21 1029
15010	BS 5554234	Clip, half, at support plate 62Z10050	1	—	C	HH21 1030
	G. GODFREY AC.4M.Mk2 151223	Connector, warm air	1	—		HH21 1031
14437	10Z10050	DUCT, INLET AT HEAT EXCHANGER, GROUP	1	—	C	HH21 1032
14789	50Z10050	DUCT, OUTLET, JOINING PIPE 13Z7723 & DUCT 57Z10050, GROUP	1	—	C	HH21 1033
14844	57Z10050	DUCT, OUTLET, FORWARD END HEAT EXCHANGER, GROUP (Mod. 1319)	1	—	C	HH21 1034
27V 5272	TEDDINGTON FHG A35 MARSTON EXCELSIOR	Duckstat, on pipe 57Z10050	2	—	A	HH21 1035
27UA 14451	D1418 20A 28Z10050	Exchanger, heat (Mod. 1319)	1	—		HH21 1036
14452	29Z10050	Fork-end, at link mechanism	1	S1		HH21 1037
14455	8Z10050	Fork-end, at link mechanism	1	S1		HH21 1038
	67Z10050	Gasket, at heat exchanger and duct joints	2	DTD378A		HH21 1039
		Gasket, at relief valve and cone mounting joint (Mod. 1319)	1	—		HH21 1040
14454	31Z10050	Lever, at follow-up resistor	1	S510	C	HH21 1041
14455	20Z10050	Link, support for clip 19Z10050	1	S510	C	HH21 1042

VULCAN No. 1

EQUIPMENT, SPECIAL OPERATIONAL (S.O.O.)
NEW STORE INSTALLATION, REMOVABLE FITTINGS

Page HH. 59

Ref. No.	Part No.	Description 1 2 3 4	No. off	Matl. Spec.	Cl. of	Plate and Illust'n No.
					St. M.R.	
		INSTALLATION, STORE HEATING (Z10000) (Cont'd)				
14799	56Z10050	MOUNTING, CONE, AT RELIEF VALVE, GROUP (Mod. 1319)	1	—	C	HH21 1043
14438	12Z10050	NECK, REDUCING, WARM AIR CONNECTION TO STORE, GROUP	1	—	C	HH21 1041
28M 1007403 28M 13454 26FP 4747 28P 5210	A27 ET A27 ETL SS2356 F AGS1151 1	Nut, 1/2" BSF, R.H., at fork-end Nut, 1/2" BSF, L.H., at fork-end Nut, blanking at pipe 13Z7723 Pin, safety at pipe clamps	1 1 1 12	— — B6 or B13 —	C C C C	HH21 1045
14456	37Z10050	PIPE, HEAT EXCHANGER TO PIPE 61Z10050, GROUP	1	—	C	HH21 1046
14797	54Z10050	PIPE, EXPANSION UNIT TO HOT AIR VALVE, GROUP (Mod. 1319)	1	—	C	HH21 1047
14798	55Z10050	PIPE, FROM BELLOWS TO CONE MTG ON RELIEF VALVE, GROUP (Mod. 1319)	1	—	C	HH21 1048
14931	61Z 10050	PIPE, FLEXFLYTE DUCT TO PIPE 37Z10050, GROUP (Mod. 1926)	1	—	C	HH21 1049
14930	FLEXIBLE DUCTINGS EX111 24 36 CC	PIPE, FLEXIBLE TO WARM AIR CONNECTION, GROUP (Mod. 1926)	1	—	C	HH21 1050
15012	7Z10050 62Z10050 7Z10559	Plate, reinforcing PLATE, support at pipe 61Z10050 Plate, orifice at outlet of inboard hot air valve and feed duct (Mod. 1319)	4 1 1	53 L72 S521		HH21 1051 HH21 1052 HH21 1053
5CZ 4901	TEDDINGTON FLJ A 12 1BZ9954	Resistor, follow-up Ring, backing, cone mounting, to relief valve joint	1 1	— —	A	HH21 1054 HH21 1055
28F 18778 5700 14453 28F 17675	A55413 78Z7723 30Z10050 A55402	Ring, sealing, inlet duct joint (Mod. 1319) Ring, sealing, outlet duct to pipe 13Z7723 Rod, connecting Seal, at pipe 55Z10050 joints to bellows and cone mounting	1 1 1 2	— — S1 —	C C C C	HH21 1056 HH21 1057
28F 18039	A55403	Seal, at reducing neck to warm air connection and expansion unit	3	—	C	

**EQUIPMENT, SPECIAL OPERATIONAL (S.O.O.)
NEW STORE INSTALLATION, REMOVABLE FITTINGS**

Ref. No.	Part No.	Description 1 2 3 4	No. off	Matl. Spec.	Cl. of	Place and Illust'n No.
					St. M.R.	
		INSTALLATION, STORE HEATING (Z1000) (Cont'd)				
28F 17516	ASS406	Seal, at pipe 37Z10050 joints	2	—	C	
28F 18295	ASS407	Seal, at relief valve (Mod. 1319)	1	—	C	
14448	11Z9954	Spigot, heat exchanger and ducts attaching	2	—	C	HH21 1058
SCW 5109	TEDDINGTON FHO A,97	Switch, overheat at pipe 13Z7723	1	—	A	HH21,1059
14458	42Z10050	TIE-BAR, GROUP	1	—	C	HH21 1060
14450	16Z7478	UNIT, EXPANSION, GROUP	1	—	B	HH21 1061
27KD 2367	NORMALAIR 522580	Valve, relief	1	—	B	HH21,1085
14449	8Z9954	Washer, saddle at clip, 15Z10050	2	—	C	HH21 1062
14442	17Z10050	Washer, sealing at duckstats on pipe 37Z10050	2	DTD378A	C	HH21 1063
14443	18Z10050	Washer, sealing at duckstats on pipe 37Z10050	1	DTD378A	C	HH21 1064
28F 9653	AGS1138 E	Washer, sealing, at blanking nut	1	—	C	
		MOUNTING OF MISSILE FORE- PLANE SHOCK ABSORBERS, PORT AND STARBOARD (Z10317) (Mod. 1960)				
		Spares for:—				
14942	21Z10317	ABSORBER, SHOCK, PORT, GROUP	1	—	B	HH10,1065
14943	22Z10317	ABSORBER, SHOCK, STB'D, GROUP	1	—	B	HH10 1066
		Spares for:—				
14598	GLACIER 08 DU 06	Bush	1	—		
14599	GLACIER 12 DU 08	Bush	1	—		
14600	15Z10317	Circlip, 1/2" dia.	1	—	C	
14601	16Z10317	Circlip, 1 1/2" dia.	1	—	C	
14591	19Z10317	Fitting-end	1	DTD410		
	5555025	Nut, lock	1	S96		HH10,1067
14593	6Z10317	PAD, GROUP	1	—	C	HH10,1068
14996	20Z10317	Rod, guide	1	S96	C	
	23Z10317	Rod, adjustment	1	S96		HH10 1069
14597	TERRY No. 12	Washer (Bellville)	70	—		
14595	8Z10317	Washer	1	S96	C	
14596	9Z10317	Washer	1	S96	C	

VULCAN No. 1		EQUIPMENT, SPECIAL OPERATIONAL (S.O.O.)				Page HH. 61			
NEW STORE INSTALLATION, REMOVABLE FITTINGS									
Ref. No.	Part No.	Description				No. off	Matl. Spec.	Cl. of Sc. M.R.	Plate and Illust'n No.
		1	2	3	4				
28FP 1069	5134 625	NEW STORE INSTALLATION REMOVABLE FITTINGS (A3214) (Cont'd)				1	—	C	HH1 1070
		Pin, pip, push type at carrier beam hoisting pulley							
14862	12A3214	PULLEY, CARRIER BEAM HOISTING, GROUP				1	—	B	HH1 1071
		Spares for:—							
2A 9501380	SKEFCO 402264	Bearing, ball				1	—	B	
28W 2001688	AG52030 22	Circlip				1	—	C	
28F 18246	AS5404	Seal, at condenser and cone 64Q2422...				1	—	C	HH20 1072
28F 18295	AS5407	Seal, at special flange 65Q2422				1	—	C	HH20 1073
		STOWAGE, REMOTE CONTROL PANEL (D11982)							
		Spares for:—							
15018	10D11982	CLIP, CABLE STOWAGE, GROUP				4	—	C	HH10.1074
22543	12D11982	CLIP, CABLE STOWAGE, GROUP				1	—	C	HH10 1075
28N 5549	AGS899 2	Collar, for pin SP4YB22				1	—	C	
28N 5555	AGS899 8	Collar, for pin 19D11982				1	—	C	
28P 1024	SP4YB22	Pin, at strap 15D11982				1	—	C	
	19D11982	Pin, at strap 14D11982				1	—		HH10 1076
	CANNON CA2182 10	Plug, dummy, stowage				1	—		HH10.1077
28U 94825 91	AS2426	Screw, at strap 14D11982				1	—	C	
22542	14D11982	STRAP, GROUP				1	—	C	HH10 1078
22544	15D11982	STRAP, GROUP				1	—	C	HH10 1079
28U 13999	AS2427	Trunnion, at strap 14D11982				1	—	C	
	1D11219	STRUT, HORIZONTAL, BETWEEN CARRIER BEAM AND REAR CRUTCHING BEAM, GROUP				2	—		HH22 1080
		Spares for:—							
	D611215	Coupling				1	S94		HH22 1081
	2D11219	Fork-end				1	DTD1308		HH22 1082
	7D11215	Nut, special				1	S94		HH22 1083
	8D11215	Nut, special				1	S94		HH22.1084

EQUIPMENT, SPECIAL OPERATIONAL (S.O.O.)
NEW STORE INSTALLATION, REMOVABLE FITTINGS

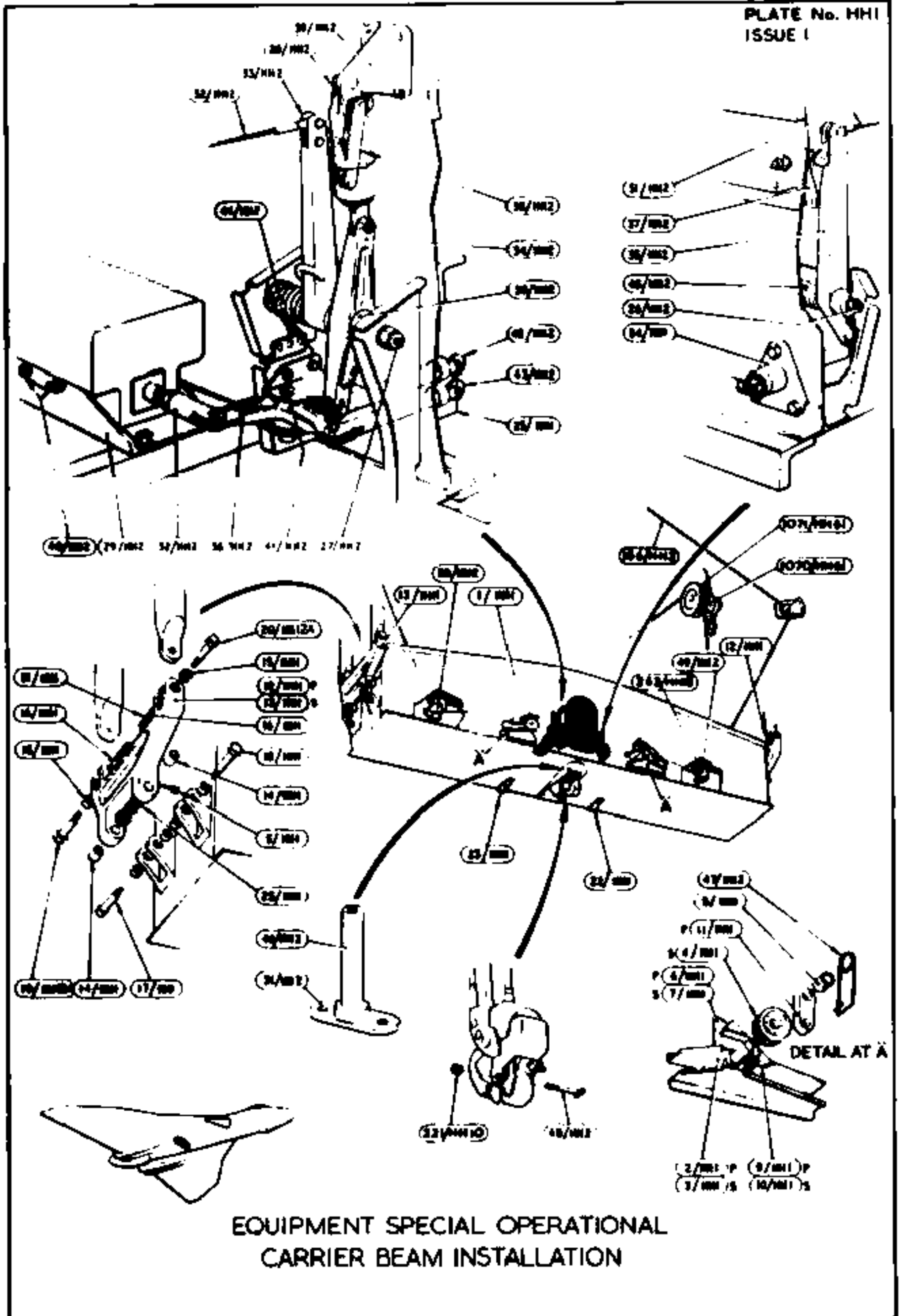
Ref. No.	Part No.	Description				No. off	Matl. Spec.	Cl. of	Place and Illust'n No.
		1	2	3	4			St. M.R.	

MURCAN No. 2

**EQUIPMENT, SPECIAL OPERATIONAL (S.O.O.)
NEW STORE INSTALLATION, REMOVABLE FITTINGS
SUMMARY OF STANDARD ITEMS**

Page MM. 63

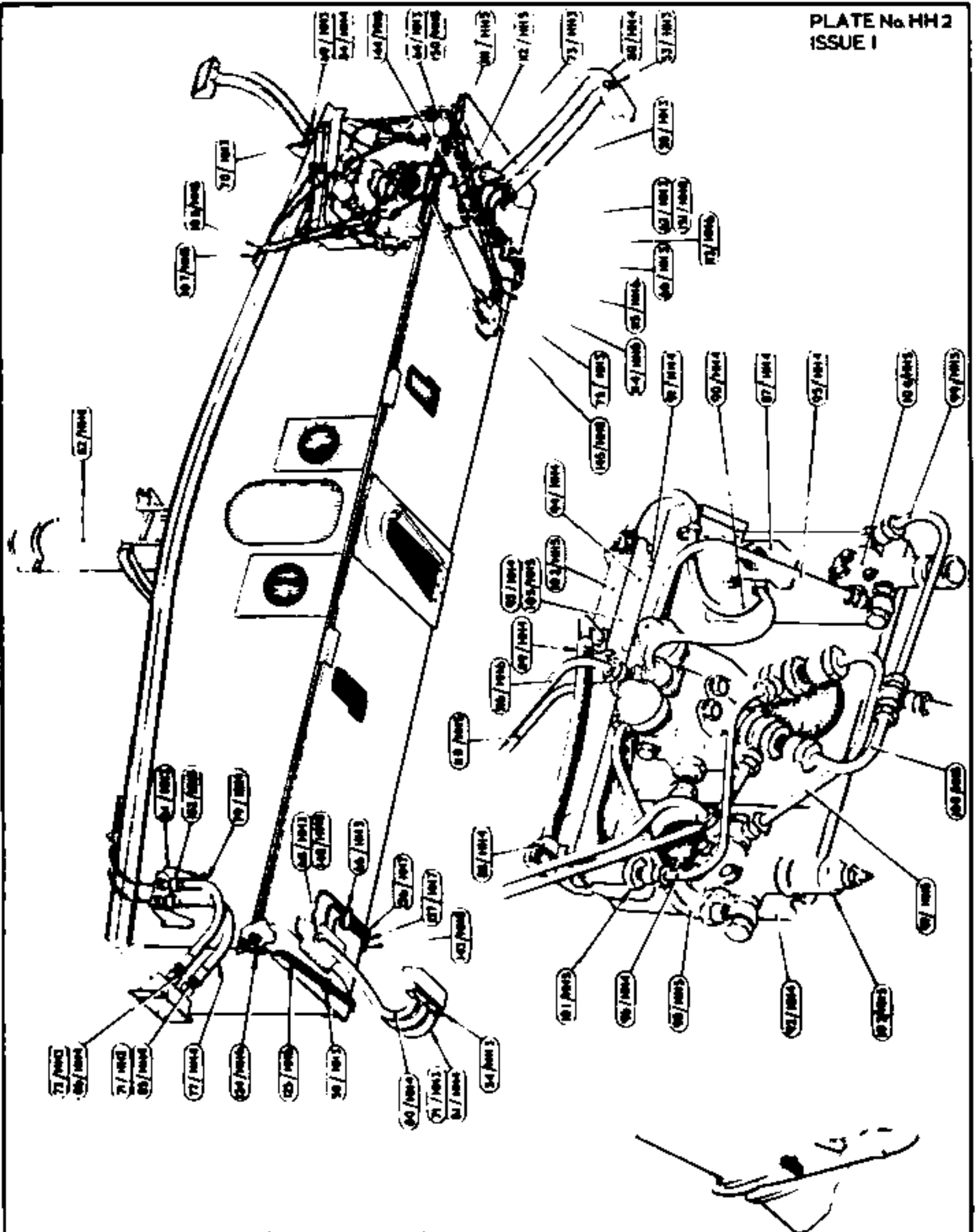
Stores Ref.		No. off	Stores Ref.		No. off	Stores Ref.		No. off
Section	Ref. No.		Section	Ref. No.		Section	Ref. No.	
28D	1007975	11	28FP	73	12	28P	1024	1
28D	1010031	2	28FP	611	44	28P	5210	15
28D	1011242	2	28FP	612	44	28P	5212	5
28D	1013173	4	28FP	617	21	28P	1007741	4
28D	9133011	12	28FP	977	1	28P	9429653	8
28D	9133012	2	28FP	1069	1	28P	9466633	2
28D	9436920	4	28FP	1118	12			
			28FP	1158	20			
			28FP	1240	44	28Q	1012151	2
			28FP	1002561	12			
			28FP	7002000	8			
28E	8188	5	28FP	9144248	12			
28E	14085	1	28FP	9425771	10			
28E	1012876	1	28FP	9430915	8	28R	13502	1
28E	9129090	2	28FP	9430916	12	28R	13514	2
28E	9129092	6	28FP	9433928	10			
28E	9129562	5	28FP	9438596	12			
28E	9130219	9	28FP	9544313	10			
28E	9436728	5	28FP	9713920	1	28S	1200060	2
28E	9488798	2						
28E	9713018	2						
28E	9995929	3						
28E	9995932	2	28M	10286	2			
28E	9995933	1	28M	10328	4	28U	13999	1
			28M	13145	8	28U	9482591	1
			28M	13454	1			
			28M	13534	4			
			28M	1007403	1			
28F	9653	1	28M	9457500	1			
28F	17231	1	28M	9512070	4	28W	9418921	4
28F	17516	2	28M	9517566	1	28W	9419402	6
28F	17675	3				28W	9419464	2
28F	18039	7						
28F	18246	8						
28F	18295	4	28N	5549	1			
28F	18776	1	28N	5555	1			
28F	18778	1	28N	13513	2			
28F	1000160	1	28N	13623	2			
28F	1000161	4	28N	15373	2			
28F	9428454	2	28N	2001688	1			
			28N	2001715	3			
			28N	9129579	1			
			28N	9156370	3			

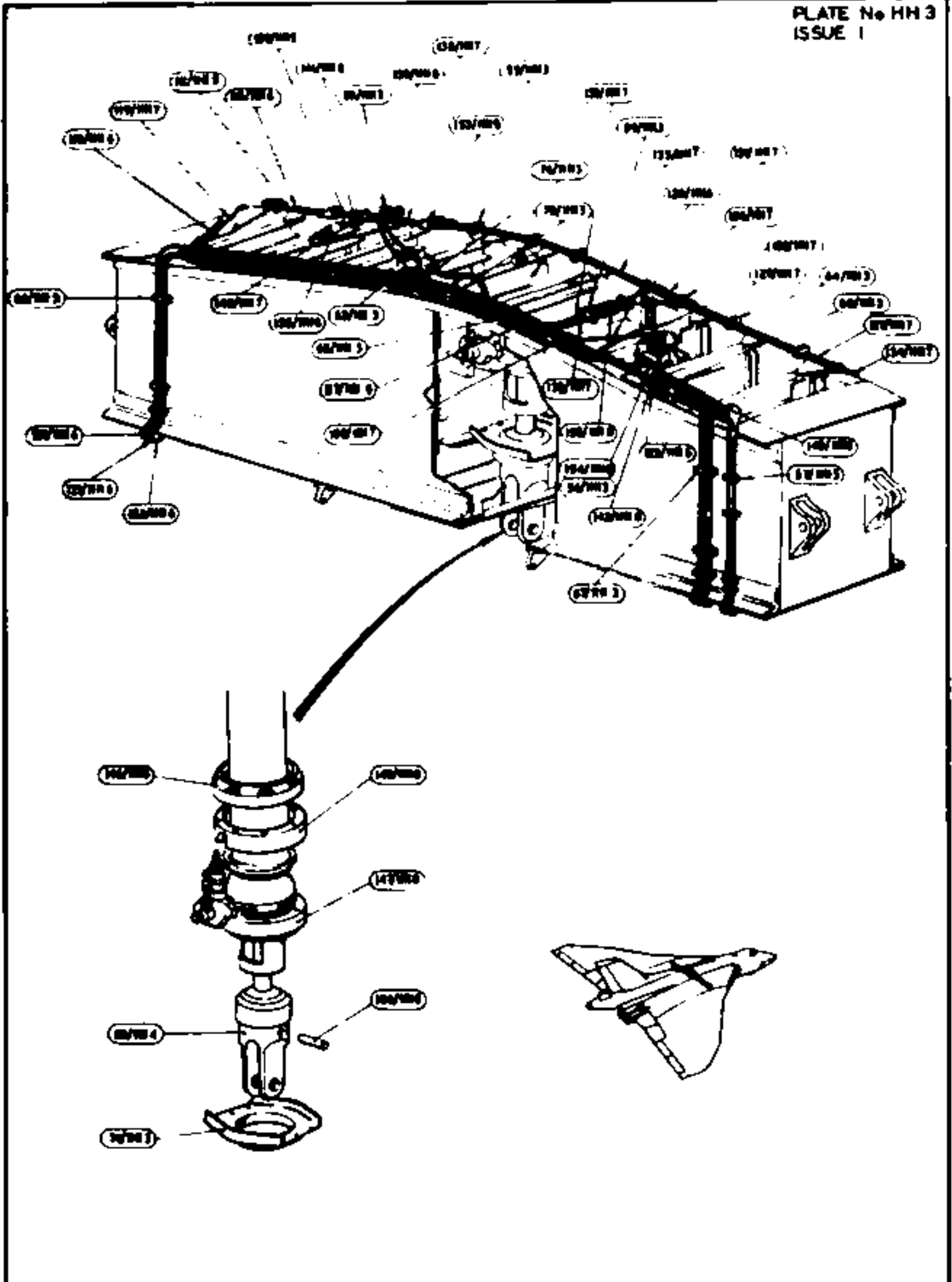


EQUIPMENT SPECIAL OPERATIONAL
CARRIER BEAM INSTALLATION

RESTRICTED

PLATE No HH2
ISSUE 1

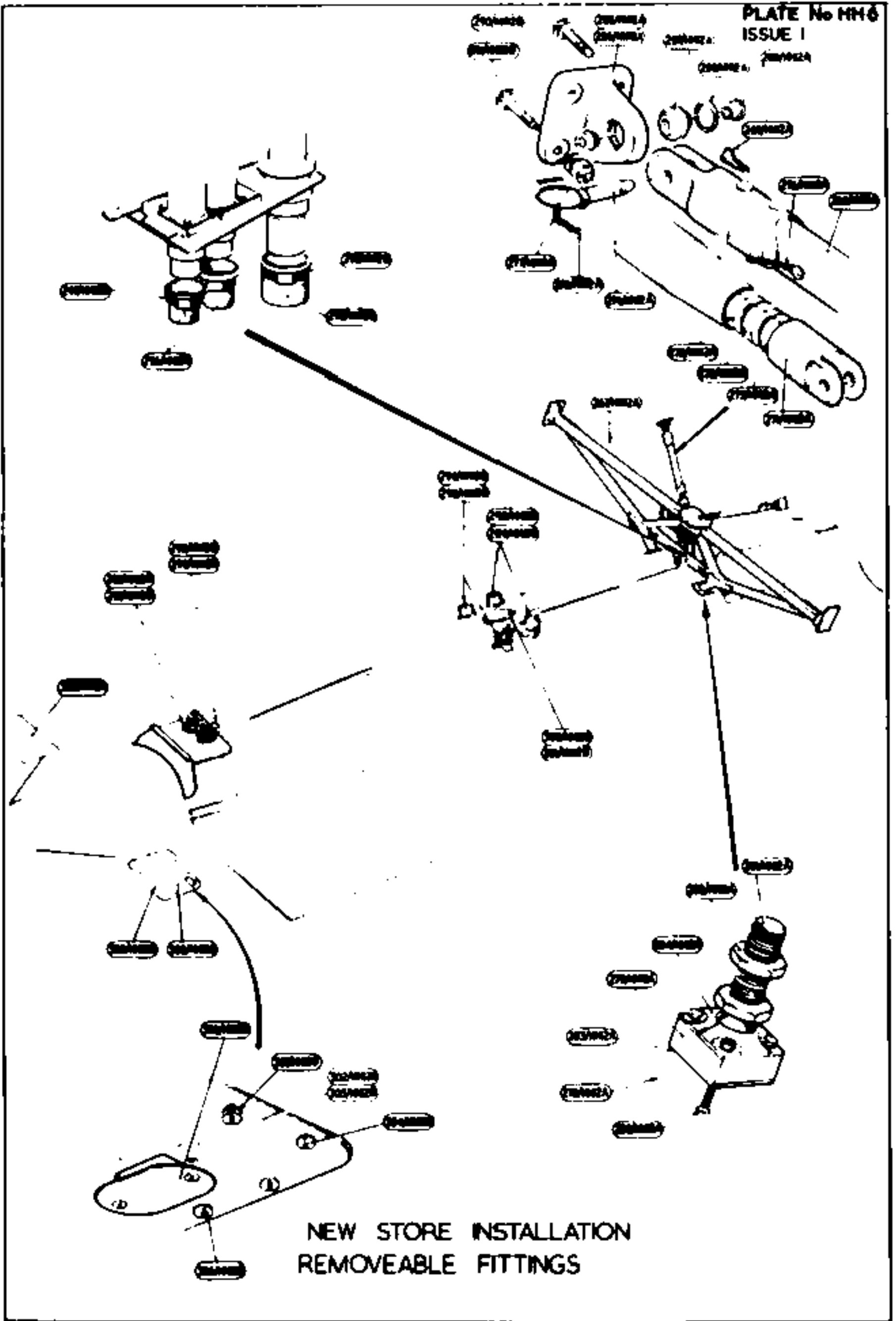




EQUIPMENT SPECIAL OPERATIONAL
HYDRAULIC INSTALLATION IN CARRIER BEAM

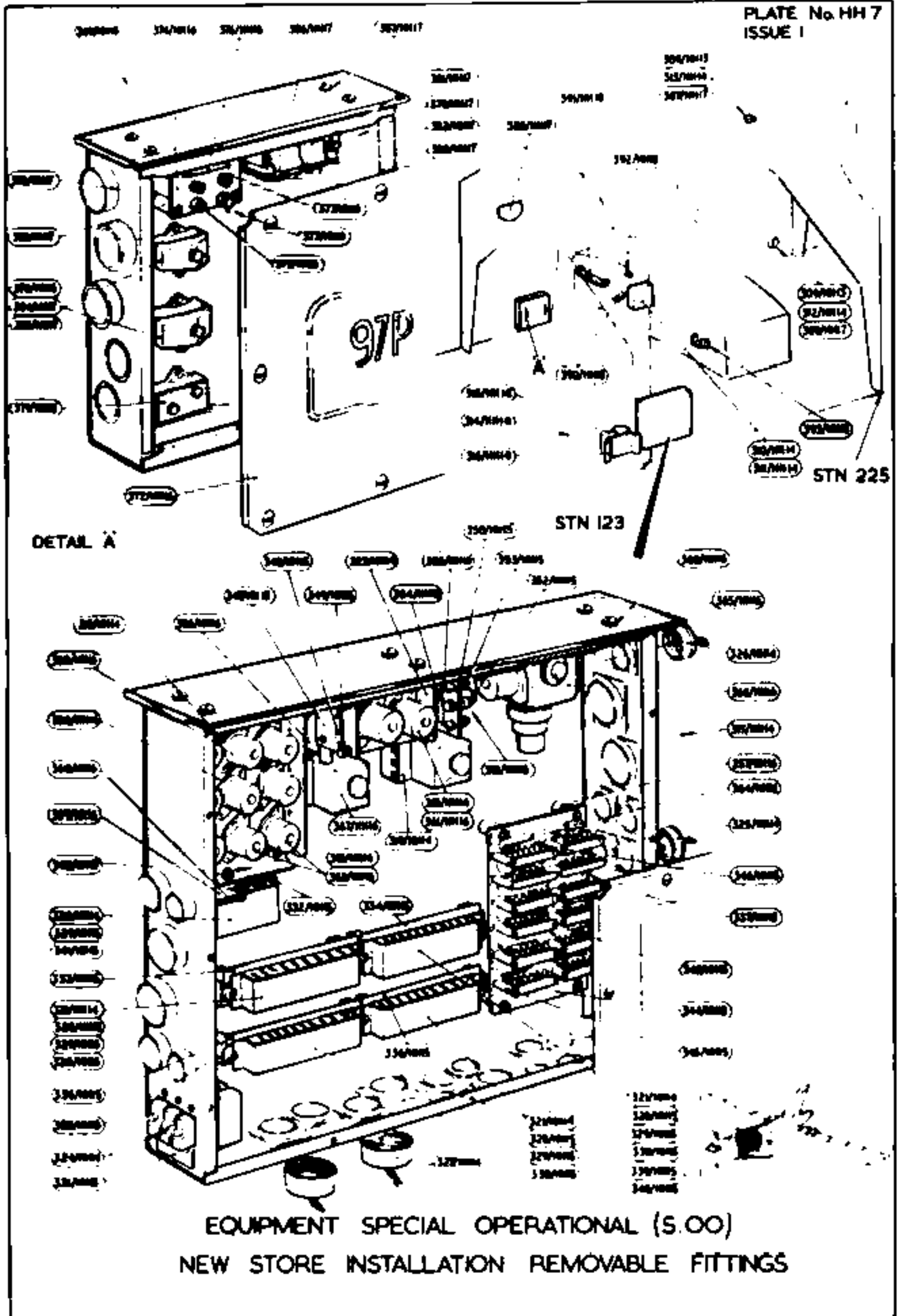
RESTRICTED

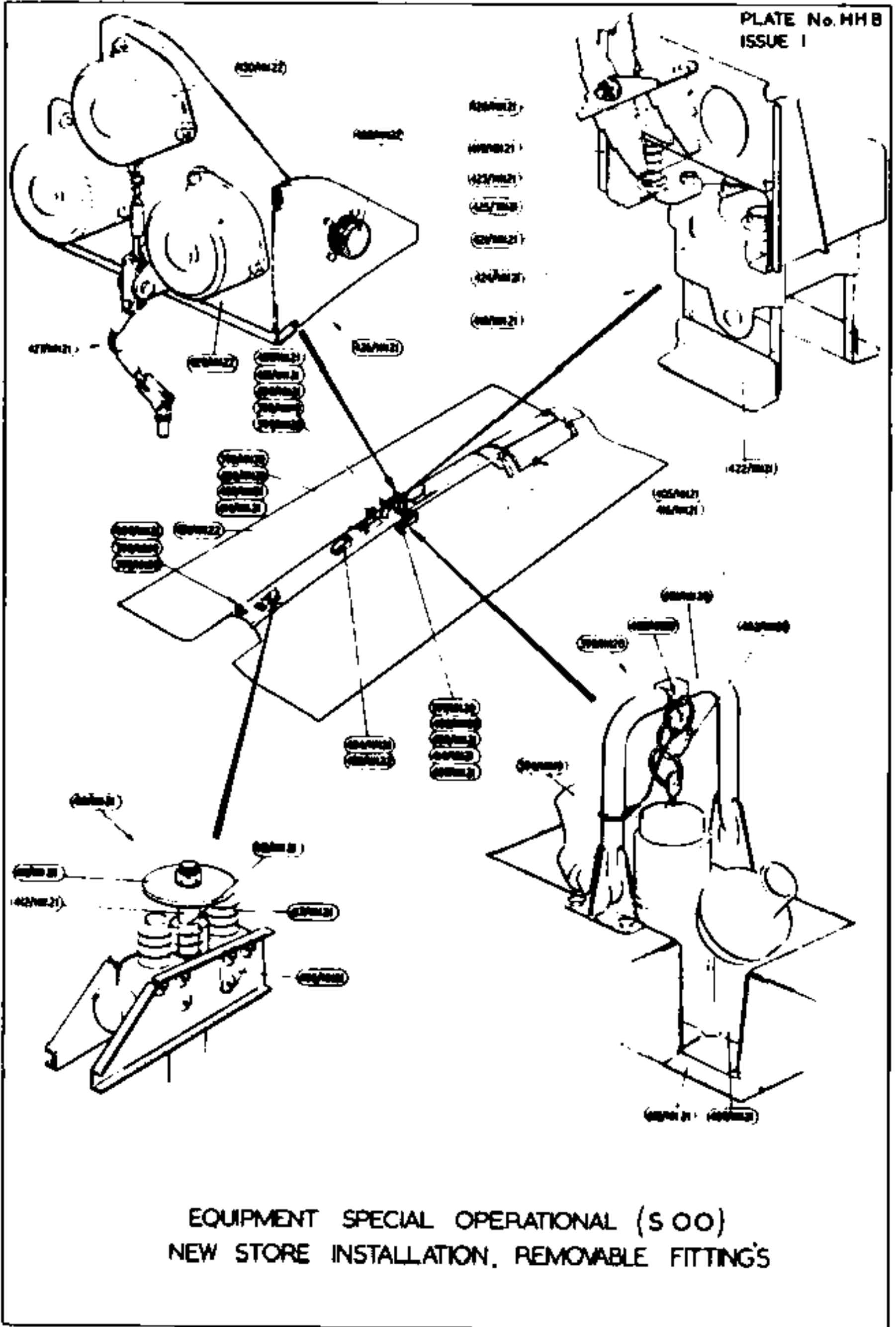
PLATE No HM6
ISSUE 1



NEW STORE INSTALLATION
REMOVEABLE FITTINGS

RESTRICTED

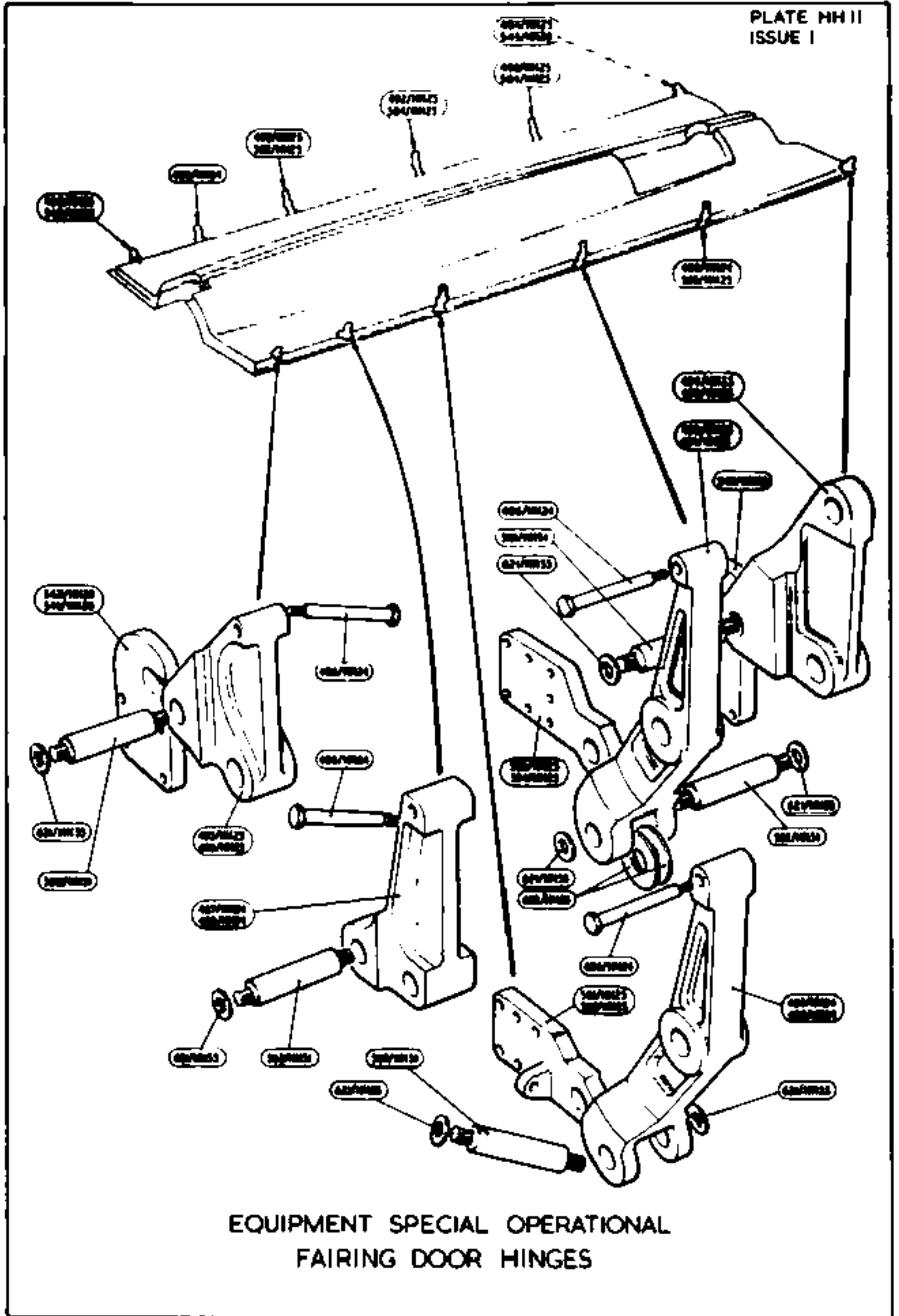




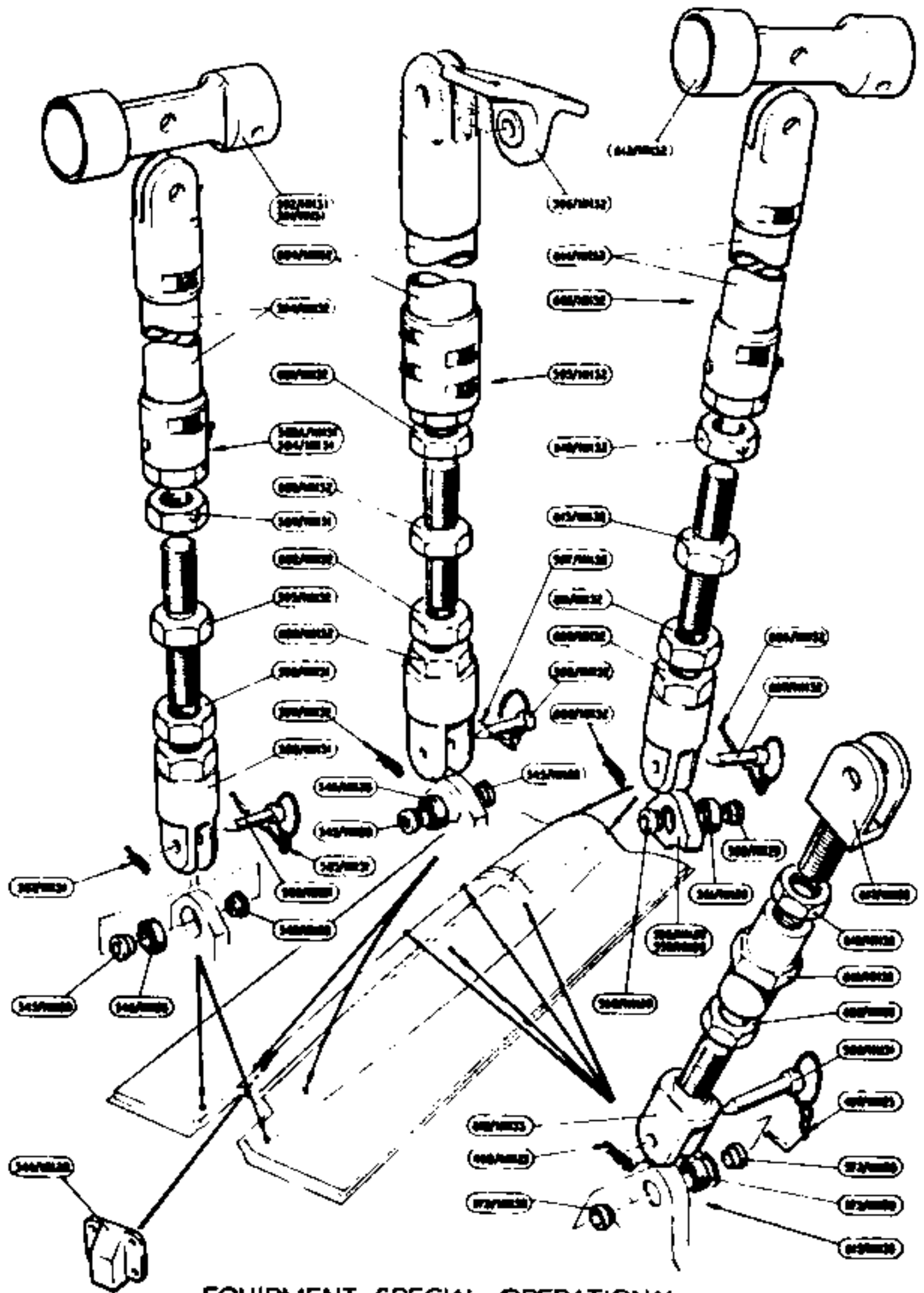
EQUIPMENT SPECIAL OPERATIONAL (S O O)
NEW STORE INSTALLATION, REMOVABLE FITTINGS

RESTRICTED

PLATE NH II
ISSUE I



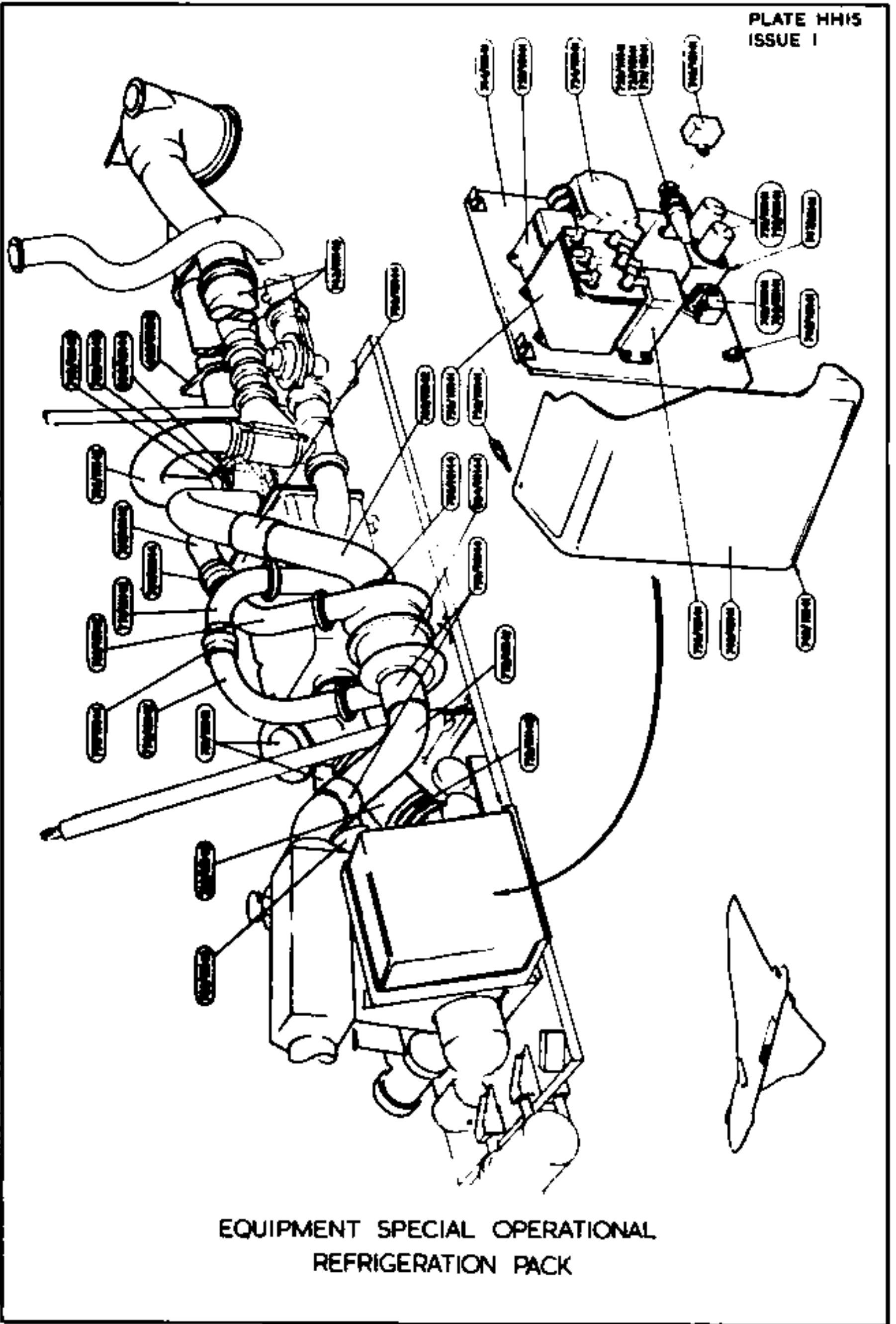
RESTRICTED



EQUIPMENT SPECIAL OPERATIONAL
FAIRING DOOR SUPPORTS

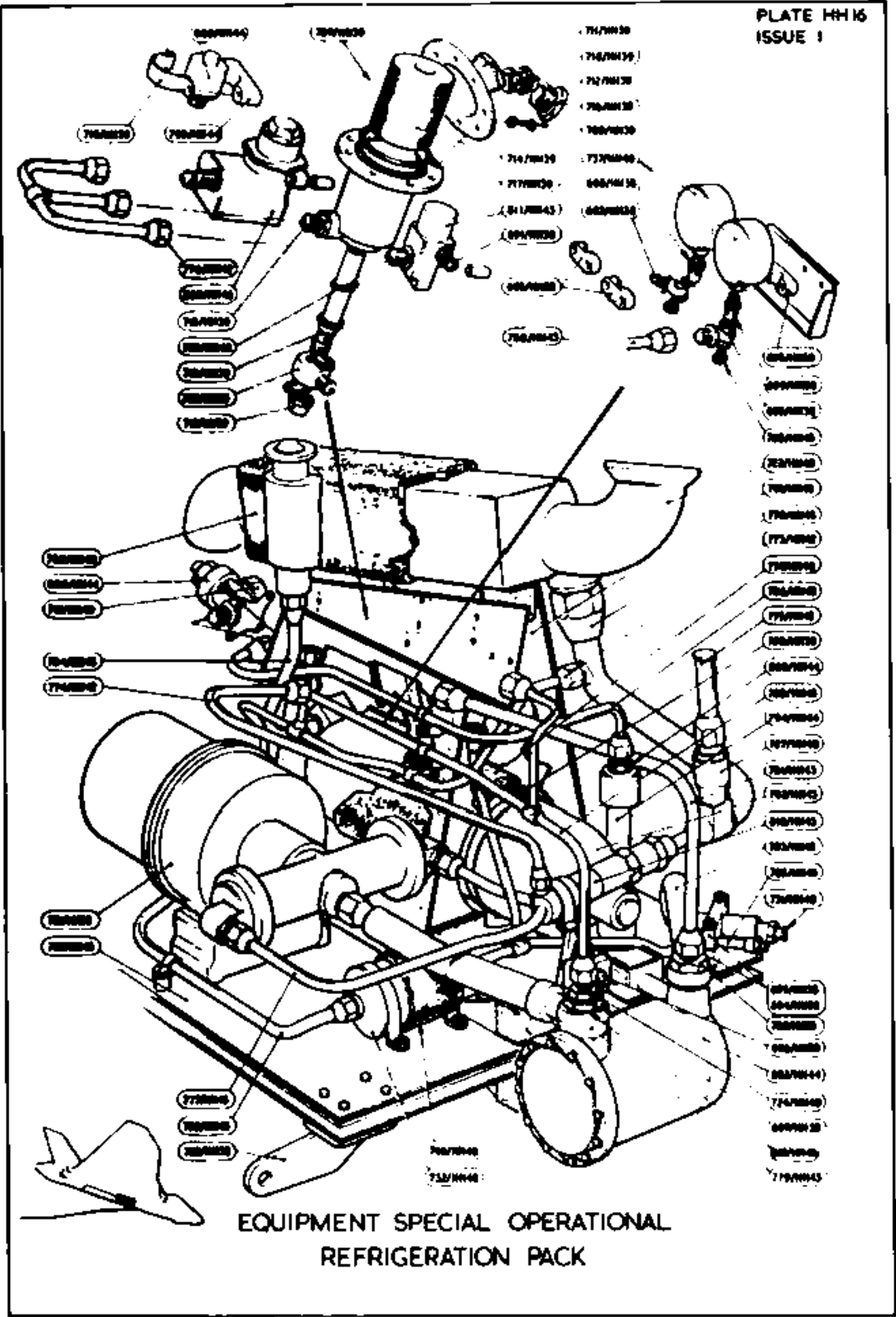
RESTRICTED

PLATE HH15
ISSUE 1

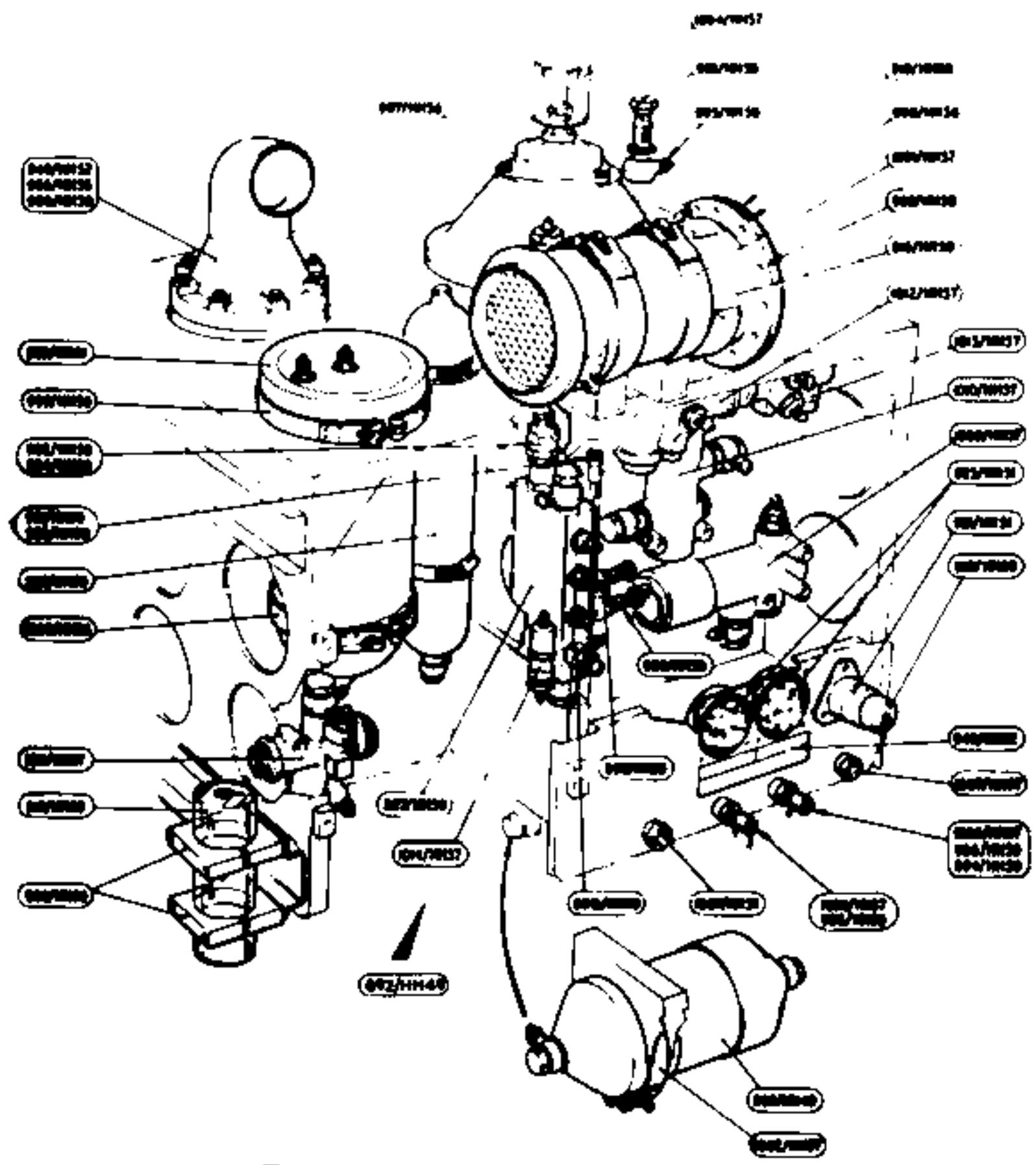


EQUIPMENT SPECIAL OPERATIONAL
REFRIGERATION PACK

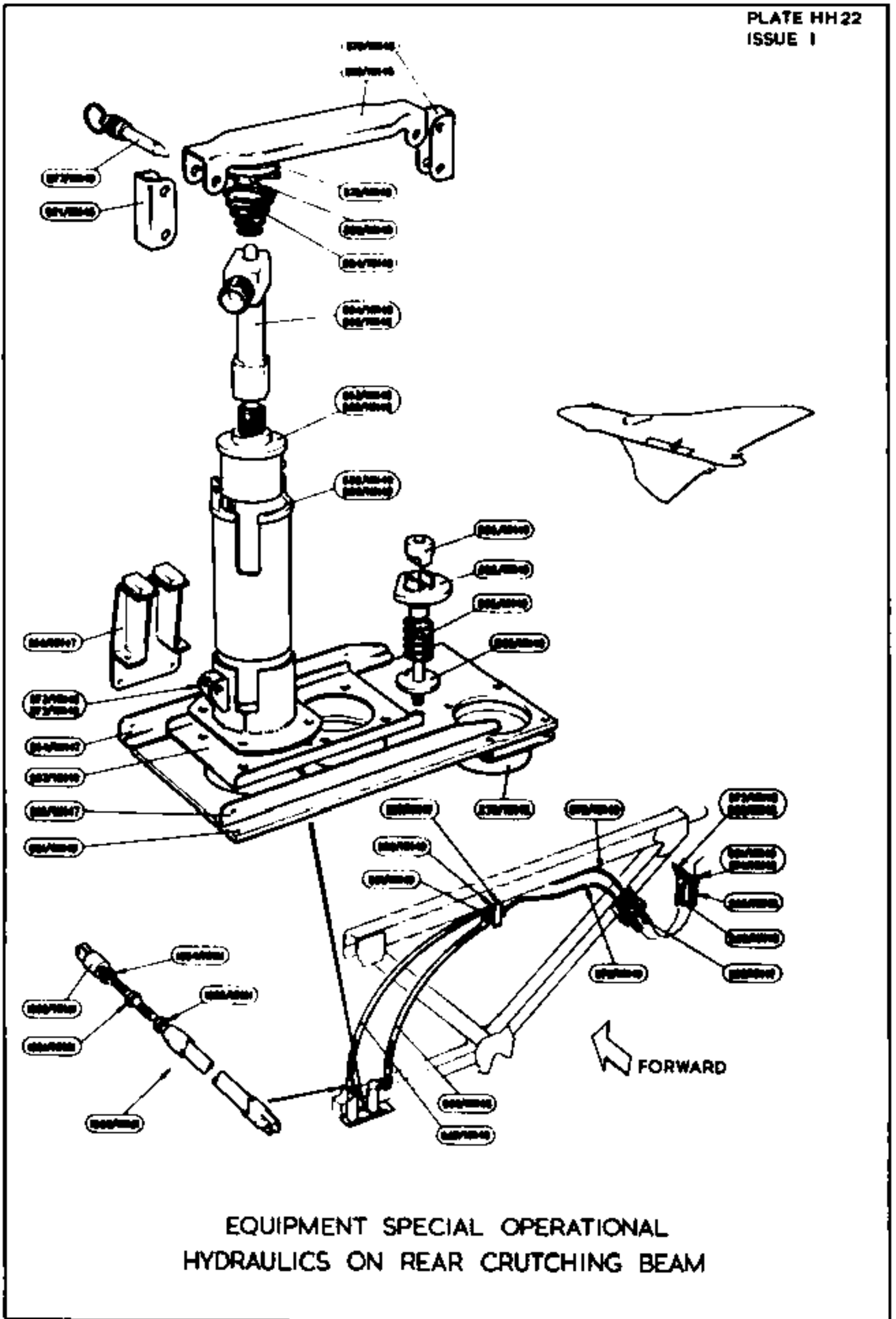
RESTRICTED



EQUIPMENT SPECIAL OPERATIONAL
REFRIGERATION PACK



EQUIPMENT SPECIAL OPERATIONAL
HYDRAULIC UNIT



EQUIPMENT SPECIAL OPERATIONAL
HYDRAULICS ON REAR CRUTCHING BEAM

WAGON NO. 7

EQUIPMENT, SPECIAL OPERATIONAL (S.O.O.)
INSTALLATION OF ADDITIONAL CREW SEAT

Page HJ. 1

Ref. No	Part No	Description	No. off	Matl. Spec.	Cl. of St.	Plate and Illust'n No.
					M.R.	
		1 2 3 4				
		INSTALLATION OF ADDITIONAL CREW SEAT (1N1426) (Mod. 504)				
	1N1426	Spares for:— BACKREST, HINGED, AFT FACING, GROUP	1	—		HJ1/1
	3N1426	Spares for:— BACKREST, GROUP	1	—		HJ1/2
1433249	47N1426	Bracket, top, harness attachment	1	L72	C	HJ1/3
1505058	48N1426	Bracket, bottom, harness attachment	1	L72	C	HJ1/4
	4N1426	Bracket, hinge, top	1	L72		HJ1/5
	49N1426	Bracket, hinge, bottom	1	L72		HJ1/6
8387	50N1426	CABLE, GROUP	2	—	C	HJ1/7
	20N1426	Chain, Baxendale No. 287, 20 links	3	—		
17270	1N1431	HEADREST, AFT FACING, GROUP	1	—	C	HJ1/8
	AVIATION DEVELOPMENTS					
28FP/9433878	A421	Pin, pip	2	—	C	HJ1/9
28FP/1065	5134/423	Pin, pip	1	—	C	HJ1/10
29H/4290	TERRY No. 169	Ring, split, 1/2" dia.	3	—	C	
11328	3N1426	BACKREST, OUTBOARD, GROUP	1	—	B	HJ1/11
		Spares for:—				
	1N1427	BACKREST, GROUP	1	—		HJ1/12
		Spares for:—				
17364	5N1427	BRACKET, ATTACHMENT, GRP	1	—	C	HJ1/13
	6N1427	BRACKET, ATTACHMENT, GRP	1	—		HJ1/14
		Spares for:—				
	5bN1427	Chain, Baxendale, No. 287, 20 links	1	—		
	AVIATION DEVELOPMENTS					
28FP/8713820	A411	Pin, pip	1	—	C	HJ1/15
29H/4290	TERRY No. 169	Ring, split, 1/2" dia.	1	—	C	
	4bN1427	Chain, Baxendale, No. 287, 16 links	2	—		
	5bN1427	Chain, Baxendale, No. 287, 20 links	2	—		
	17N1427	Hinge (made from AS1879/160)	1	—		HJ1/16
	AVIATION DEVELOPMENTS					
28FP/4070085	A414	Pin, pip, for bottom attachment	2	—	C	HJ1/17
28FP/4088840	A404	Pin, pip, for headrest attachment	2	—	C	HJ1/18
29H/4290	TERRY No. 169	Ring, split, 1/2" dia.	4	—	C	
	1N1430	HEADREST, GROUP	1	—		HJ1/19

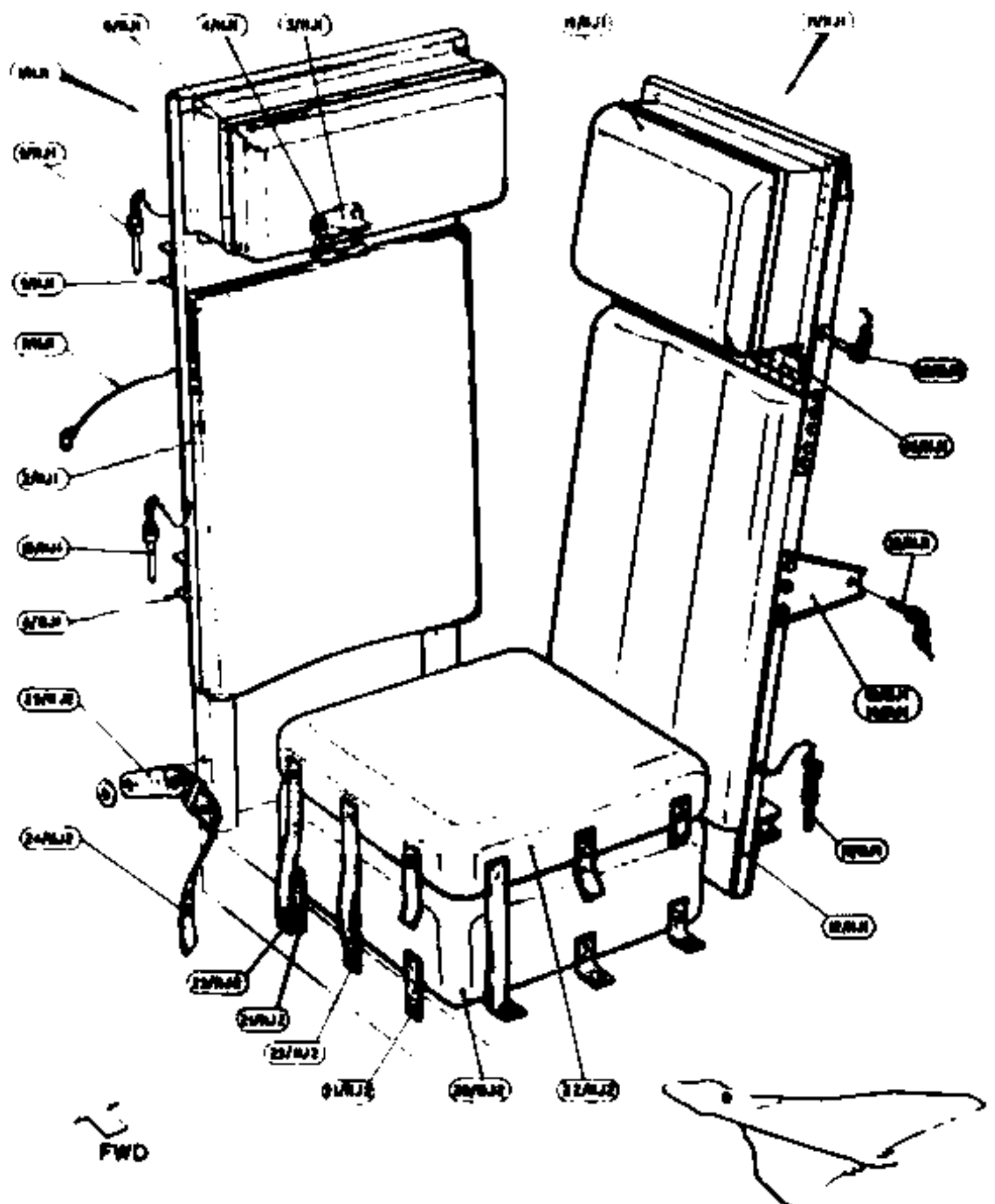
EQUIPMENT, SPECIAL OPERATIONAL (S.O.O)
INSTALLATION OF ADDITIONAL CREW SEAT

Ref. No.	Part No.	Description	No. off	Matl. Spec.	Cl. of	Plate and Illust'n No.
					St. M.R.	
		<u>1 2 3 4</u>				
		INSTALLATION OF ADDITIONAL CREW SEAT (1N1425) (Cont'd)				
0305	1N1420	CUSHION, 6" DEEP, GROUP	1	-	B	HJ1/20
	2N1425	Spare for:- STRAP, GROUP	6	-		HJ1/21
0306	11N1428	CUSHION, 3" DEEP, GROUP	1	-	B	HJ1/22
	17N1428	Spare for:- STRAP, GROUP	6	-		HJ1/23
6F/245	-	Harness, safety, type ZB	1	-	A	HJ1/24
0704	4N1425	HARNESS, EXTENSION, GROUP	1	-	B	HJ1/25

VULCAN No. 1

INSTALLATION OF ADDITIONAL CREW SEAT
SUMMARY OF STANDARD ITEMS

Stores Ref.		No. off	Stores Ref.		No. off	Stores Ref.		No. off
Section	Ref. No.		Section	Ref. No.		Section	Ref. No.	
28FP	1062	2						
28FP	1065	1						
28FP	9433676	2						
28FP	9713920	1						



EQUIPMENT SPECIAL OPERATIONAL (SOO)
ADDITIONAL CREW SEAT

YULCAN No. 3

EQUIPMENT, SPECIAL OPERATIONAL (S.O.O.)
 PANEL, TRACK AND GLIDE, 83P

Page HK. 1

Ref. No.	Part No.	Description				No. off	Matl. Spec.	Cl. of St.	Plate and Illust'n No.
		1	2	3	4			M.R.	
13424	6V11032	PANEL, TRACK AND GLIDE RELAY,				1	-	A	HK1/1
		83P, GROUP (Mod. 1856)							
		Spares for:-							
6C2/5844	PLESSEY CE51101	Condenser, 50 UF, 70V				1	-	A	HK1/2
	2V11032	Cover, potentiometer				1	L72	B	HK1/3
10AR/087023	-	Lock, potentiometer				3	-	B	HK1/4
8403	COLVERN N802	Locknut				3	-	C	HK1/5
	1V13120	LOOM, CABLE, GROUP				1	-		HK1/6
	7V11031	PANEL, C/W LABELS, GROUP				1	-		HK1/7
	4V11032	Plate, cover				1	L72		HK1/8
10W/0271401	-	Potentiometer, type R V.W.I. (Colvern)				3	-	B	HK1/9
5CW/4400285	BR210C3P1	Relay, series R				4	-	A	HK1/10
5CW/5181B08	8R101PS	Socket, ceramic				4	-	B	HK1/11
	5V11032	UNIT, RESISTANCE, GROUP				1	-		HK1/12
		Spares for:-							
10W/0113308	-	Resistor, type R.V.W.4-J				2	-	C	
	PLESSEY 22139599	Washer, panel packing				2	-		HK1/13

VULCAN HK 2

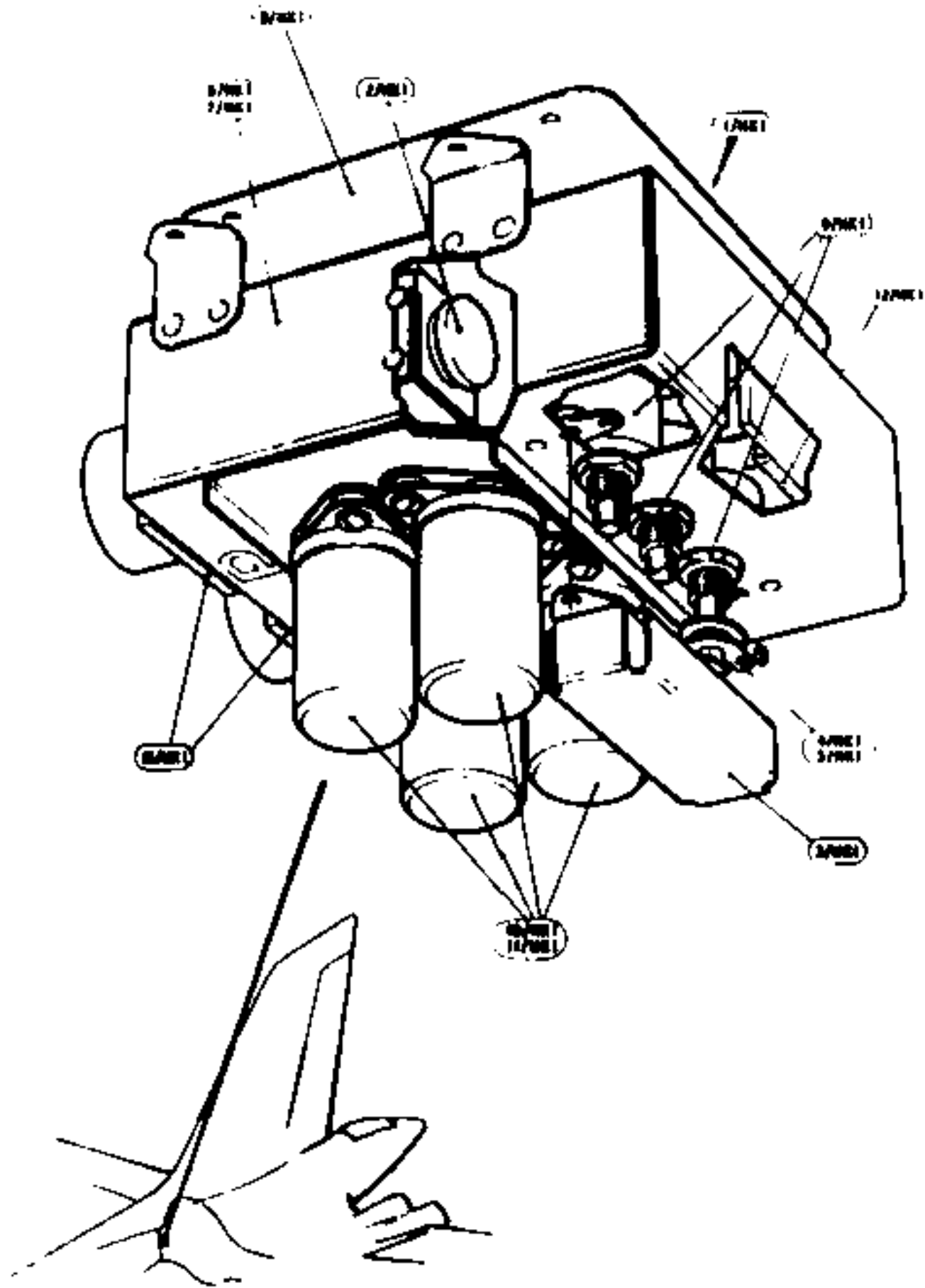
**EQUIPMENT—SPECIAL OPERATIONAL
SUMMARY OF STANDARD ITEMS**

Page HK. 3

Stores Ref.			Stores Ref.			Stores Ref.		
Section	Ref. No.	No. off	Section	Ref. No.	No. off	Section	Ref. No.	No. off
SCW	4198	1	10AK	Z970175	1	28N	5548	2
SCW	5014	2	10AK	Z970183	1	28N	5553	2
SCW	5064	1	10AK	Z970184	1	28N	9796	2
SCW	5765	1				28N	11403	1
SCW	5823	1				28N	11404	1
SCW	5825	2				28N	11405	3
SCW	5827	2	10W	Z216096	1			
SCW	6634	1						
			11A	3969	2	28P	B15	2
SCX	1645	1	11A	4082	1	28P	1082	2
			11A	4404	1	28P	12531	2
						28P	12587	2
SCY	2561	1						
SCY	2562	1	27Q	607	1	28Q	1930	16
SCY	2563	1	27Q	1384	1			
SCY	2564	1						
SCY	4520	4						
			27VA	5218	1	28S	14546	48
SCZ	5215	14				28S	Part No. A4101 No. 6	27
SCZ	5216	3						
SCZ	5218	3	28D	8341	18			
			28D	12512	8	28W	12298	8
			28D	12514	96	28W	13323	1
5D	1541	2	28D	12570	48	28W	14319	18
			28D	14522	32	28W	14886	48
						28W	9418921	80
5H	5	1	28FP	6	2	28W	9419402	48
5H	11	1	28FP	17	1	28W	9419466	1
5H	18	1	28FP	23	1	28W	9419475	8
5H	27	4	28FP	325	6			
5H	74	1	28FP	481	4			
5H	75	2	28FP	617	10			
5H	87	1	28FP	768	2			
5H	93	2	28FP	9429531	2			
			28FP	9433676	1			
			28FP	Part No. 5255A/307	2			
SL	9962110	1						
			28K	2899	1			
5X	6623	1	28K	2904	1			
5X	7498	2						
			28M	10288	104			
6D	9429890	1	28M	10290	80			
			28M	10292	1			

RESTRICTED

PLATE NO HKI
ISSUE 1



EQUIPMENT, SPECIAL OPERATIONAL (S.O.O)
PANEL, TRACK & GUIDE 83P

RESTRICTED

VULCAN No. 7

EQUIPMENT SPECIAL OPERATIONAL (S.O.O.)

Page HL. 1

LONG RANGE SADDLE TANKS IN BOMB BAY (REMOVABLE FITTINGS)

Ref. No.	Part No.	Description	No. off	Matl Spec.	Cl. of St.	Plate and Illustr'n No.
					M.R.	
		1 2 3 4				
		ARRANGEMENT OF TANKS IN BOMB BAY (1P3727) (Mod. 527 AND 528) Spares for:— INSTALLATION, FORWARD TANK (AFT POSITION) (1P3390) GROUP 100 (Mod. 527 PART C) INSTALLATION, FORWARD TANK (FORWARD POSITION) (2P3390) GROUP 101 (Mod. 527, PART B) Spares for:—				
7915	8SS4647 8P3390 18P3390 47SS4478 85SS4478	Bush Bush Bush Clip, half Clip, half	18 4 4 1 1	— S93 S93 — —	C MR MR MR MR	HL2/1 HL2/2 HL2/3 HL1/4 HL1/5
28D/1212402 28M/1012015 28W/9419475	A25/31C AGS.2001/C1186 SP15/C	ATTACHMENTS—CLIP 47 & 85 SS 4478 Bolt, 2 BA Nut, 2 BA Washer, 2 BA	2 2 2	— — —	C C C	
28E/9130219	42SS4490 26SS4490 AGS805/4 FLIGHT REFUELLING FRS110/K FLIGHT REFUELLING FRS150/K AVIMO MR8510C/K	Clip, bonding Clip, pipe Clip hose	4 12 4	— — —	MR MR C	HL1/6 HL1/7 HL1/8
27FR/ 1057898	FRS110/K FLIGHT REFUELLING FRS150/K AVIMO MR8510C/K	Connector, pipe	3	—	C	HL1/9
		Connector (Less FRS.292/K)	2	—		HL1/10
		Coupling, flexible, c/w "O" rings Spares for:—	1	—	MR	HL1/11
13820	AVIMO MR.8608C/K 17P3390 12P3378 27P3290	Ring, "O" Gasket, vent valve Hose, rubber, 2-1/2" i/d x 4" long	2 1 1	— DTD782 DTD625A	C MR	HL1/12 HL1/13
22908	103P3390 131P2898 22P3390 23P3390	Pipe, Flyflex (Pre-Mod. 2459) Pipe, flexible, FlyBite (Mod. 2459) Pipe, Flylite refueling	2 2 1	— — —	MR C MR	HL1/14 HL1/15
		PIPE, VENT, GROUP 100 (Mod. 527, PART C)	1	—	MR	HL1/16
		PIPE, VENT, GROUP 101 (Mod. 527, Part B)	1	—	MR	HL1/17
13968	14P3390	PIPE, VENT, GROUP 100 (Mod. 527, PART C)	1	—	C	HL1/18
28D/9436770 28W/9128914	A28/2C SP14/C	ATTACHMENTS—PIPE 14P3390 OR 23P3390 Bolt, 2 BA Washer, 2 BA	8 8	— —	C C	

EQUIPMENT SPECIAL OPERATIONAL (S.O.O.)

LONG RANGE SADDLE FUEL TANKS IN BOMB BAY (REMOVABLE FITTINGS)

Ref. No.	Part No.	Description	No. off	Matl. Spec.	Cl. of St.	Plate and Inst'n No
					M.R.	
		1 2 3 4				
	5P3390	STRUT, FORE & AFT, PORT, GROUP 100 ... (Mod. 527 PART C)	1	—	MR	HL2/19
	6P3390	STRUT, FORE & AFT, STARBOARD, GROUP 100 (Mod. 527 PART C) Spares for:—	1	—	MR	HL2/20
	ROSE BROS RMX 8L	Bearing, rod-end, R.H.	1	—	MR	
	ROSE BROS. RMX 8L	Bearing, rod-end, L.H.	1	—	MR	
	4SS5025	Nut, lock, R.H.	1	—	MR	
	9SS5025	Nut, lock, L.H.	1	—	MR	
		ATTACHMENTS—STRUTS (5 & 6P3390)				
28D/20184	A58/7J	Bolt, 3/8" BSF	1	—	C	
28D/1213448	A58/10J	Bolt, 3/8" BSF	1	—	C	
28M/1011476	A27/JS	Nut, slotted	2	—	C	
28P/9527618	SP90/C7	Pin, split	2	—	C	
28W/9419477	SP15/J	Washer, 3/8" BSF	2	—	C	
17228	3SS4667	Washer, special	2	—	C	HL2/21
13963	20P3390	STRUT, VERTICAL GROUPS 100 & 101 (Mod. 527, PARTS B & C) Spares for:—	2	—	C	HL2/22
	ROSE BROS. RMX 8L	Bearing, rod-end, R.H.	1	—	MR	
	ROSE BROS. RS8	Bearing, spherical	1	—		
	4SS5025	Nut, lock, R.H.	1	—	MR	
	W & S Ltd. W.S.20	Washer, retaining	2	—		
		ATTACHMENTS—STRUT 20P3390				
28D/1213515	A58/16J	Bolt, 3/8" BSF	1	—	C	
28D/1213448	A58/10J	Bolt, 3/8" BSF	1	—	C	
28M/1011476	A27/JS	Nut, slotted, 3/8" BS	2	—	C	
28P/9527618	SP90/C7	Pin, split	2	—	C	
28W/9419477	SP15/J	Washer, 3/8" BSF	2	—	C	
17228	3SS4667	Washer, special	2	—	C	HL2/23
	8P3390	STRUT, SIDE, PORT, GROUPS 100 & 101 ... (Mod. 527, PARTS B & C) Spares for:—	1	—	MR	HL2/24
	ROSE BROS. RMX 8L	Bearing, rod-end, R.H.	1	—	MR	
	ROSE BROS. RMX 8L	Bearing, rod-end, L.H.	1	—	MR	
	4SS5025	Nut, lock, R.H.	1	—	MR	
	9SS5025	Nut, lock, L.H.	1	—	MR	
		ATTACHMENTS—STRUT 8P3390				
28D/1213448	3P3390	Bolt, special	1	—	MR	HL2/25
28M/1011476	A58/10J	Bolt, 3/8" BSF	1	—	C	
	A27/JS	Nut, slotted, 3/8" BSF	1	—	C	

VULCAN NO. 2

EQUIPMENT SPECIAL OPERATIONAL

Page HL.3

LONG RANGE SADDLE FUEL TANKS IN BOMB BAY (REMOVABLE FITTINGS)

Ref. No.	Part No.	Description	No. off	Matl. Spec.	Cl. of St.	Plate and Illust'n No.
					M.R.	
		1 2 3 4				
28M/1011467 28W/9419477 28W/9419405 17228	A27/ES SP15/J SP15/E 3SS4667	STRUT, SIDE, PORT (8P3390) (Cont'd) ATTACHMENTS—STRUT (8P3390) Nut, slotted, 1/4" BSF Washer, 3/8" BSF Washer, 1/4" BSF Washer, special 10P3390 STRUT, AFT SIDE, PORT, GROUP 100 (Mod. 527, PART C) Spares for:— ROSE BROS. RMR6L ROSE BROS. RML6L 4SS6025 8SS6025	1 1 1 2 1 1 1 1 1	— — — — — — — — —	C C C MR MR MR MR	HL2/26 HL2/27
28O/9435055 28O/1213448 28M/1011478 28P/9527619 28W/9419477 17228	A58/11J A58/10J A27/JS SP90/C7 SP15/J 3SS4667	ATTACHMENTS—STRUT 10P3390 Bolt, 3/8" BSF Bolt, 3/8" BSF Nut, slotted, 3/8" BSF Pin, split Washer, 3/8" BSF Washer, special 11P3390 STRUT, VERTICAL, PORT AND STARBOARD, GROUP 100 (Mod. 527, PRT C) Spares for:— ROSE BROS. RMR6L ROSE BROS. RML6L 4SS5025 8SS5025	1 1 2 2 2 2 2 1 1 1 1	— — — — — — — — — — —	C C C C C C MR MR MR MR	HL2/28 HL2/29
28O/1213448 28O/20153 28M/1011478 28P/9527619 28W/9419477 17228	A59/10J A59/20J A27/JS SP90/C7 SP15/J 3SS4667	ATTACHMENTS—STRUT 11P3390 Bolt, 3/8" BSF Bolt, 3/8" BSF Nut, slotted, 3/8" BSF Pin, split Washer, 3/8" BSF Washer, special 12P3390 STRUT, VERTICAL, PORT AND STARBOARD, GROUP 101 (Mod. 527, PART B) Spares for:— ROSE BROS. RMR6L ROSE BROS. RML6L 4SS5025 8SS5025	1 1 2 2 2 1 2 1 1 1 1	— — — — — — — — — — —	C C C C C C B MR MR MR MR	HL2/30 HL2/31

EQUIPMENT SPECIAL OPERATIONAL (S.O.O.)
LONG RANGE FUEL TANKS IN BOMB BAY (REMOVABLE FITTINGS)

Ref. No	Part No.	Description	No. off	Mati. Spec.	Cl. of St.	Plate and Illustr'n No.
					M.R.	
		1 2 3 4				
		STRUT, VERTICAL PORT & STBD. GROUP 101 (12P3390) (Cont'd.)				
		ATTACHMENTS—STRUT 12P3390				
	4P3390	Bolt, special	1	—	MR	HL2/32
28D/1213448	A58/10J	Bolt, 3/8" BSF	1	—	C	
28M/1011467	A27/ES	Nut, slotted, 1/4" BSF	1	—	C	
28M/1011476	A27/JS	Nut, slotted, 3/8" BSF	1	—	C	
28P/9527819	SP90/C7	Pin, split	2	—	C	
28W/9419406	SP15/E	Washer, 1/4" BSF	1	—	C	
28W/9419477	SP15/J	Washer, 3/8" BSF	1	—	C	
17228	3SS4667	Washer, special	2	—	C	HL2/33
13976	13P3390	STRUT, FWD. SIDE, PORT GROUP 101 (Mod. 527, PART B)	1	—	B	HL2/34
		Spare for:—				
	ROSE BROS. RMXR6L	Bearing, rod-end, R.H.	1	—	MR	
	ROSE BROS. RMXL6L	Bearing, rod-end, L.H.	1	—	MR	
	4SS5025	Nut, lock, R.H.	1	—	MR	
	9SS5025	Nut, lock, L.H.	1	—	MR	
		ATTACHMENTS—STRUT 13P3390				
	4P3390	Bolt, special	1	—	MR	HL2/35
28D/9436055	A58/11J	Bolt, 3/8" BSF	1	—	C	
28M/1011467	A27/ES	Nut, slotted, 1/4" BSF	1	—	C	
28M/1011476	A27/JS	Nut, slotted, 3/8" BSF	1	—	C	
28P/9527819	SP90/C7	Pin, split	2	—	C	
28W/9419477	SP15/J	Washer, 3/8" BSF	1	—	C	
28W/9419406	SP15/E	Washer, 1/4" BSF	1	—	C	
17228	3SS4667	Washer, special	2	—	C	HL2/36
	15P3390	STRUT, FWD. & AFT, PORT & STBD. GROUP 101 (Mod. 527, PART B)	2	—	MR	HL2/37
		Spare for:—				
	ROSE BROS. RMXR6L	Bearing, rod-end, R.H.	1	—	MR	
	ROSE BROS. RMXL6L	Bearing, rod-end, L.H.	1	—	MR	
	4SS5025	Nut, lock, R.H.	1	—	MR	
	9SS5025	Nut, lock, L.H.	1	—	MR	
		ATTACHMENTS—STRUT 15P3390				
	4P3390	Bolt, special	2	—	MR	HL2/38
28M/1011467	A27/ES	Nut, slotted	2	—	C	
28P/9527819	SP90/C7	Pin, split	2	—	C	
28W/9419406	SP15/E	Washer, 1/4" BSF	2	—	C	
17228	3SS4667	Washer, special	2	—	C	HL2/39

VULCAN 48 7

EQUIPMENT SPECIAL OPERATIONAL

Page HL 5

LONG RANGE SADDLE FUEL TANKS IN BOMB BAY (REMOVABLE FITTINGS)

Ref. No.	Part No	Description	No. off	Matl Spec.	Cl. of St.	Plate and Illust'n No.
					M.R.	
		1 2 3 4				
		INSTALLATION, FWD. TANKS (FWD. & AFT POSITIONS (1 & 2P3380) GROUPS 100 & 101 (Mod. 527 & 528 PARTS B & C) (Cont'd.)				
	1P3595	SUPPORT STRUCTURE, FWD. STRUT, PORT, GROUP 101 (Mod. 527 PART B)	1	—		
	2P3595	SUPPORT STRUCTURE, FWD. STRUT, STBD., GROUP 101 (Mod. 527 PART B)	1			
	3P3595	Spare for:— Bracket, port	1	—	MR	HL2/40
	4P3595	Bracket, starboard	1	—	MR	HL2/41
		ATTACHMENTS — BRACKET, 3 & 4P3595				
28D/9133012	A26/3C	Bolt, 2 BA	4	—	C	
28M/1012015	AGS2001/C1/86	Nut, 2 BA	4	—	C	
28W/9419475	SP15/C	Washer, 2 BA	4	—	C	
13981	5P3595	STRUT, GROUP	1	—	B	HL2/42
		Spare for:—				
13983	5cP3595	Fork-end	1	—	C	
28M/1007404	A27/JT	Nut, 3/8" BSF	1	—	C	
		ATTACHMENTS—STRUT, 5P3595				
28D/1215883	A58/4E	Bolt, 1/4" BSF	2	—	C	
28M/1011467	A27/ES	Nut, slotted, 1/4" BSF	2	—	C	
28P/9687619	SP10/C7	Pin, split	2	—	C	
28W/9419403	SP15/E	Washer, 1/4" BSF	2	—	C	
587	1P3391	TANK & EQUIPMENT FWD., GROUP	1	—	A	HL2/43
		(Mod. 527 PART A)				
		Spare for:—				
	SMITHS					
	BT21/7	Box, cable (Pre-Mod. 2086)	1	—		
6A/11283	BT21/31	Box, cable (Mod. 2086)	1	—	A	HL2/44
	50P3376	BOX, COLLECTOR, GROUP	2	—	MR	HL2/45
	33P3381	BOX, COLLECTOR, GROUP	2	—	MR	HL2/46
	40P3381	BRACKET, RETAINING, GROUP	4	—	—	HL2/47
	41P3381	BRACKET, RETAINING, GROUP	4	—	—	HL2/48
6A/4327943	SMITHS					
	LG3	Clamp, mounting	2	—	C	HL2/49
	28SS4480	Clip, bonding	16	—	MR	HL1/50
	5aSS4478	Clip, half	4	—	MR	HL1/51
	62SS4478	Clip, half	4	—	MR	HL1/52
		ATTACHMENTS—CLIPS, 52 & 62SS4478				
28D/1213386	A26/2C	Bolt, 2 BA	2	—	C	
28W/9128914	SP14/C	Washer, 2 BA	2	—	C	
27F/4526659	VICKERS ARMSTRONG A5289 Mk. A	Cock, drain, 1/4" BSP	4	—	C	HL2/53

EQUIPMENT SPECIAL OPERATIONAL (S.O.D.)

LONG RANGE SADDLE FUEL TANKS IN BOMB BAY (REMOVABLE FITTINGS)

Ref. No.	Part No.	Description	No. off	Matl. Spec.	Cl. of	Plate and Illustr'n No.
					St.	
		1 2 3 4				
		TANK & EQUIPMENT FWD., GROUP (1P3391) (Mod. 527 PART A) (Cont'd)				
27FR/1067888	FLIGHT REFUELLING FRS.110/K FLIGHT REFUELLING FRS.150/K SMITHS LF 17	Connector, pipe	8	-	C	HL1/54
		Connector, pipe	2	-	-	HL1/56
		Connector, bulkhead	1	-	-	HL2/58
5X/6200370	1V6850	ELECTRICAL SERVICES FWD. TANK ... (1V6847), GROUP Spare for:- Block, terminal, TB. 311	1	-	C	HL2/57
	2713V7909	CABLE, (F2713) PUMPS TO PLUG 917, GROUP	1	-	-	
	2714V7909	CABLE, (F2714) PUMPS TO PLUG 918, GROUP	1	-	-	
	2717V7909	CABLE, (F2717) REFUELLING VALVE TO TB., GROUP	1	-	-	
	2718V7909	CABLE, (F2718) FLOAT SWITCH TO .. TB., GROUP	1	-	-	
	2719V7909	CABLE, (F2719) TB. TO PLUG 919, ... GROUP	1	-	-	
5K/9438889	NX 0	Clip, cable	14	-	C	HL2/58
5K/9325186	NX 1	Clip, cable	7	-	C	HL2/58
5K/9326187	NX 2	Clip, cable	4	-	C	HL2/80
6A/4327939	SMITHS PA24	Connector, cable, contents gauge to TB. .	1	-	C	HL2/61
6A/4327940	SMITHS LUA 10	Connector, cable, cable box to bulkhead . connector	1	-	C	HL2/62
6A/4327941	SMITHS LU48	Connector, cable, cable box to fuel contents plug	1	-	C	HL2/63
6A/4327942	SMITHS PW62	Connector, cable, contents gauge to TB. .	1	-	C	HL2/64
	3V8647	Duct, cable	1	L72	-	HL2/65
	4V8647	Duct, cable	1	L72	-	HL2/66
	306S4622	Duct, cable	1	L72	-	HL2/67
	311V7728	Label	1	-	-	HL2/68
	7V8647	Lid, duct	1	L72	-	HL2/69
	8V8647	Lid, duct	1	L72	-	HL2/70
	9V8647	Lid, duct	1	L72	-	HL2/71
5X/4491488	15V5850	Socket, single	1	-	C	HL2/72
	19P3376	Gasket	8	DTD782	MR	HL2/73
	28P3381	Gasket	4	DTD782	MR	HL2/74

WACOM No. 3

EQUIPMENT SPECIAL OPERATIONAL (S.O.O.)

Page HL 7

LONG RANGE SADDLE FUEL TANKS IN BOMB BAY (REMOVABLE FITTINGS)

Ref. No.	Part No.	Description	No. off	Matl. Spec.	Cl. of St.	Plate and Illust'n No.
					M.R.	
		1 2 3 4				
		TANK & EQUIPMENT FWD., GROUP (1P3391) (Mod. 527 PART A) (Cont'd.)				
	13P3376	Gasket	1	DTD762	MR	HL2/75
	14P3376	Gasket	1	DTD762	MR	HL1/76
	29P3376	Gasket	1	DTD762	MR	HL2/77
	SAUNDERS VALVE CO. A101/8	Handle, assembly	2	—	—	HL1/79
	31P3391	PANEL, VENT, GROUP	1	—	—	HL1/80
	32P3391	Spares for:— Gasket	1	—	—	
28D/9133011 28F/9429636	A25/2C AGS1186/3	ATTACHMENTS—PANEL, 31P3391 Bolt, 2 BA	24	—	C	
		Seal, bonded	24	—	C	
	5P3474	Piece, distance	4	—	C	HL2/81
	25P3391	PIPE, FUEL, BEND & ELBOW, GRP	2	—	MR	HL1/82
	27P3391	PIPE, FUEL, BEND & ELBOW, GRP	2	—	MR	HL1/83
	29P3391	PIPE, FUEL JUNCTION, GROUP	1	—	MR	HL1/84
	30P3391	PIPE, FUEL JUNCTION, GROUP	1	—	MR	HL1/85
1433617	20P3376	PLATE, STUD, GROUP	8	—	C	HL2/86
		Spares for:— Stud	17	S110	MR	
28M/1010997	20cP3376 A24/CT S.P.E. LTD. FAC1200 Mk. 3 or FAC1200 Mk. 4	Nut, 2 BA	17	—	C	
		Pump, fuel (not supplied with assembly .. spare)	4	—	—	HL2/87
5UE/4412045		Pump, fuel (not supplied with assembly .. spare)	4	—	A	
	8P2844	Ring, sealing	4	—	MR	HL2/88
	11P2831 FLIGHT REFUELLING 3510100/3	STOP, VENT VALVE, GROUP	1	—	MR	HL1/89
5CW/4408247		Switch, float Mk. 10 (not supplied with .. assembly spare)	1	—	A	HL2/90
	1P3392	TANK, STRUCTURE, FWD., GRP.	1	—	—	HL1/91
		Spares for:— DIAPHRAGM, FWD. (1P3394) Spares for:— Bolt, 3/8" BSF	1	—	C	
28D/1011303	A25/13J 8P3380	Bracket, hoisting	1	S521	—	HL2/92
26TA/19345	AS2808/8/125	Tube, distance	1	—	C	
		DIAPHRAGM, AFT (1P3395) Spares for:— Bolt, 3/8" BSF	1	—	C	
28D/1011303	A25/13J 4P3385	Bracket, hoisting	1	S521	—	HL2/93
26TA/19345	AS2808/8/125	Tube, distance	1	—	C	

EQUIPMENT SPECIAL OPERATIONAL (S.O.O.)

LONG RANGE SADDLE FUEL TANKS IN BOMB BAY (REMOVABLE FITTINGS)

Ref. No.	Part No	Description	No. off	Matl. Spec.	Cl. of St.	Plate and Illustr'n No.
					M.R.	
		1 2 3 4				
		TANK STRUCTURE, FWD., GROUP (1P3382) (Cont'd.)				
		FITTINGS, PICK UP (1P3396)				
		Spares for:—				
	3555288	Bolt, special	8	—	—	HL2/94
28D/9436770	A26/2C	Bolt, 2 BA	12	—	C	
28D/1011466	A26/3C	Bolt, 2 BA	88	—	C	
28D/9436769	A26/4C	Bolt, 2 BA	4	—	C	
28D/1011303	A25/13J	Bolt, 3/8" BSF	2	—	C	
	5P3396	Bracket, hoisting	2	S521	MR	HL2/96
	6P3396	Fitting, fore, aft and side	1	DTD5020	MR	HL2/96
	7P3396	Fitting, fore and aft	1	DTD5020	MR	HL2/97
		Spares for:—				
	6bP3396	Bush	4	S93	MR	
	37P3396	Fitting, fore and aft, port	1	DTD5020	MR	HL2/98
	38P3396	Fitting, fore and aft, starboard	1	DTD5020	MR	HL2/99
	34P3396	Fitting, side, port side only	1	DTD5020	MR	HL2/100
	3P3396	Fitting, vertical	1	DTD5020	MR	HL2/101
	4P3396	Fitting, vertical	1	DTD5020	MR	HL2/102
	74P3396	Fitting	1	DTD5020	MR	HL2/103
	65P3396	Fitting	2	DTD5020	MR	HL2/104
	66P3396	Fitting	1	DTD5020	MR	HL2/105
28F/9433484	AGS1186/3	Seal, bonded	80	—	C	
28F/9428838	AGS1186/4	Seal, bonded	8	—	C	
		SKINNING ARRANGMENT, FWD. TANK (1P3393)				
		Spares for:—				
	94P3393	Panel, access	1	—	MR	HL1/106
		ATTACHMENTS—PANEL, 94P3393				
28D/9436770	A26/2C	Bolt, 2 BA	48	—	C	
28F/9433484	AGS1186/3	Seal, bonded	48	—	C	
6A/8666	SMITHS 67NT	UNIT, TANK, FUEL CONTENTS (not supplied with assembly spars)	2	—	A	HL2/78
	15P3012	VALVE, FLOAT, GROUP (Mod. 1356)	1	—	MR	HL1/107
		Spares for:—				
	2P3012	Body, valve	1	L59	MR	HL1/238
	4P3012	Float, cork	1	—	MR	HL1/239
	7P3012	Housing, spring	1	L59	MR	HL1/240
	8P3012	Housing, valve	1	L59	MR	HL1/241
1433911	12P3012	Packing, 1/32" thick x 2-3/16" dia.	1	—	C	HL1/242
	3P3012	Sleeve, float	1	L59	MR	HL1/243
	6P3012	Spring, valve, inward	1	—	MR	HL1/244
	13P3012	Spring, valve, outboard	1	—	MR	HL1/245
	14P3012	Plate, retaining	1	—	MR	HL1/246
	FLIGHT REFUELLING					
	C1140125	Valve, refuelling (not supplied with assy spars for)	1	—	—	HL1/108
	Mk. 40 BAUNDERS VALVE CO. 112AR60	Valve, 1-1/2" dia. (not supplied with assy spars)	1	—	—	HL1/109

EQUIPMENT SPECIAL OPERATIONAL (S.O.O.)

LONG RANGE SADDLE FUEL TANKS IN BOMB BAY (REMOVABLE FITTINGS)

Ref. No.	Part No.	Description	No. off	Matl. Spec.	Cl. of	Plate and Must'n No.
					Sc.	
		1.2.2.4			M.R.	
		TANK & EQUIPMENT, FWD., GROUP (1P3391) (Mod. 527 PART A) (Cont'd)				
	FLIGHT REFUELLING 9807100/3	Valve, non return (not supplied with assy. . . spare)	4	-		HL1/110
		INSTALLATION OF AFT TANK (1P3375) (Mod 528)				
		Spares for:-				
1433756	11SS4647	Bush	1	-	C	HL4/111
7917	15SS4647	Bush	1	-	C	HL4/112
7911	9SS4646	Bush	4	-	C	HL4/113
12670	42SS4490	Clip, bonding	4	-	C	HL3/114
	88SS4478	Clip, half	1	-		HL3/115
	or					
1506387	46SS4478	Clip, half	1	-	C	
20082	47SS4478	Clip, half	2	-	C	HL3/116
1433119	54SS4478	Clip, half	1	-	C	HL3/117
		ATTACHMENTS-CLIPS, 42, 47, 54 & 88SS4478				
280/1017187	A25/25C	Bolt, 2 BA, used with clip 88SS4478	2	-	C	
280/1017025	A25/24C	Bolt, 2 BA	2	-	C	
280/1017024	A25/21C	Bolt, 2 BA	2	-	C	
280/1017015	AGS2001/C1/80	Nut, 2 BA	4	-	C	
28W/9419402	SP13/C	Washer, 2 BA	4	-	C	
28E/9130219	AGS805/4	Clip, hose	8	-	C	HL3/118
	FLIGHT REFUELLING					
27FR/1057898	FRS110/K	Connector	3	-	C	HL3/119
	FLIGHT REFUELLING					
	FRS150/K	Connector	2	-	C	HL3/120
	AVIMO					
17010	MR8610C/K	Coupling, flexible, c/w "D" rings	1	-	C	HL3/121
		Spares for:-				
13820	Avimo MR8609C/K	Ring, "D"	2	-	C	
	26P3375	Hose, rubber, 2-1/2" i/d x 13.5" long	1	DTD825A Type 5		HL3/122
	27P3375	Hose, rubber, 2-1/2" i/d x 27.5" long	2	DTD825A Type 3		HL3/123
	12P3376	Hose, rubber, 2-1/2" i/d x 40" long	1	DTD825A Type 3		HL3/124
17008	5P3584	LINK, GROUP	1	-	B	HL3/125
		Spares for:-				
17008	5bP3584	Bush	2	BS369	C	
		ATTACHMENTS-LINK, 5P3584				
28N/9513425	AGS899/12	Collar	1	-	C	
28P/1356803	SP4Z/M33	Pin, shackle	1	-	C	
28P/1221023	SP80/G12	Pin, split	1	-	C	

EQUIPMENT SPECIAL OPERATIONAL (S.O.O.)

LONG RANGE SADDLE FUEL TANKS IN BOMB BAY (REMOVABLE FITTINGS)

Ref. No.	Part No.	Description	No. off	Mater. Spec.	Cl. of	Plate and Illust'n No.
					St.	
		1 2 3 4			M.R.	
INSTALLATION OF AFT TANK (1P3375) (Mod. 528) (Cont'd)						
1432840	25P3375	Pipe, vent elbow	2	-	C	HL3/126
17007	28P3375	Pipe, vent	1	L54	C	HL3/127
17012	130P2888	Pipe, flexible refueling	1	-	C	HL3/128
17013	17P3375	PIPE, FLEXIBLE, PORT, GROUP	1	-	C	HL3/129
17014	18P3375	PIPE, FLEXIBLE, STBD., GROUP	1	-	C	HL3/130
Spares for:-						
	BOORN FX150	Ferrule	2	-		
	17P3375	Hose, 1-1/2" i/d x 13.25" long, port	1	-		
	18P3375	Hose, 1-1/2" i/d x 12.3" long, starboard	1	-		
	BOORN TB1181	Tailpiece	1	-		
	21P3375	Tailpiece, special, port	1	-		
	22P3375	Tailpiece, special, starboard	1	-		
13884	3P3375	STRUT, FWD. VERTICAL, GROUP	2	-	B	HL4/131
Spares for:-						
13885	ROSE BROS. RMFX10G	Bearing, spherical, rod-end R.H.	1	-	C	
13887	ROSE BROS. RMFXL10G	Bearing, spherical, rod-end L.H.	1	-	C	
13888	3SS5020	Nut, lock, R.H.	1	-	C	
13888	6SS5020	Nut, lock, L.H.	1	-	C	
ATTACHMENTS-STRUT, 3P3375						
1505388	32P3588	Bolt, special	1	S94	C	HL4/132
17005	11P3375	Bolt, shouldered, 5/8" dia.	1	S84	C	
28M/1011001	A24/NS	Nut, slotted, 1/2" BSF	2	-	C	
28P/1202572	SP90/EB	Pin, split	2	-	C	
28W/9418479	SP15/N	Washer, 1/2"	2	-	C	
17011	18P3588	Washer, special	2	-	C	HL4/133
13889	4P3375	STRUT, FWD. SIDE, PORT, GROUP	1	-	B	HL4/134
Spares for:-						
13890	ROSE BROS. RMX 6G	Bearing, spherical, rod-end R.H.	1	-	C	
13891	ROSE BROS. RMXL 6G	Bearing, spherical, rod-end L.H.	1	-	C	
13861	4885026	Nut, lock, R.H.	1	-	C	
13862	9885026	Nut, lock, L.H.	1	-	C	
ATTACHMENTS-STRUT, 4P3375						
28D/1213449	A58/12J	Bolt, 3/8" BSF	2	-	C	
28M/4095917	A24/JS	Nut, slotted, 3/8" BSF	2	-	C	
28P/9527619	SP90/C7	Pin, split	2	-	C	
17228	3SS4867	Washer, special	1	-	C	HL4/135
28W/9418475	SP15/C	Washer, 2 BA	1	-	C	

VULCAN PH. 7

EQUIPMENT SPECIAL OPERATIONAL (S.O.O.)

Page HL.11

LONG RANGE SADDLE FUEL TANKS IN BOMB BAY (REMOVABLE FITTINGS)

Ref. No.	Part No.	Description	No. off	Mater. Spec.	Cl. of	Place and Illust'n No.
					St. M.R.	
		1 2 3 4				
		INSTALLATION OF AFT TANK (1P3375) (Mod. 528) (Cont'd)				
13983	5P3375	STRUT, FORE & AFT, GROUP	2	-	B	HL4/136
		Spares for:-				
	ROSE BROS. RMX5G	Bearing, spherical, rod-end R.H.	1	-	MR	
	ROSE BROS. RMXL5G	Bearing, spherical, rod-end L.H.	1	-	MR	
	BSS5025	Nut, lock, L.H.	1	-	MR	
	3SS5020	Nut, lock, R.H.	1	-	MR	
		ATTACHMENTS-STRUT, 5P3375				
	12P3375	Bolt, shouldered, 5/16" dia.	1	S94	MR	HL4/137
28D/1213809	A59/9G	Bolt, 5/16" BSF	1	-	C	
28M/4095894	A24/ES	Nut, slotted, 1/4" BSF	1	-	C	
28M/4095895	A24/GS	Nut, slotted, 5/16" BSF	1	-	C	
28P/9527619	SP90/C7	Pin, split	1	-	C	
28W/9419405	SP15/E	Washer, 1/4"	1	-	C	
	2SS4867	Washer, special	1	-		HL4/138
13987	6P3375	STRUT, REAR, GROUP	2	-	B	HL4/139
		Spares for:-				
	ROSE BROS. RMFX10G	Bearing, spherical, rod-end R.H.	1	-	MR	
	3SS5020	Nut, lock, R.H.	1	-	MR	
		ATTACHMENTS-STRUT, 6P3375				
	A59/33J	Bolt	1	-	C	
	11P3375	Bolt, shouldered, 5/8" dia.	1	S94	C	HL4/140
13819	10P3375	Bolt, shouldered, 3/8" dia.	1	S94	C	HL4/141
28M/4095817	A24/JS	Nut, slotted, 3/8" BSF	1	-	C	
28M/1011001	A24/NS	Nut, slotted, 1/2" BSF	1	-	C	
28P/1202672	SP90/E9	Pin, split	1	-	C	
28P/9527619	SP90/C7	Pin, split	1	-	C	
28W/9419477	SP15/J	Washer, 3/8" BSF	1	-	C	
28W/9419479	SP15/N	Washer, 1/2" BSF	1	-	C	
17228	3SS4867	Washer, special	1	-		HL4/142
13999	7P3375	STRUT, REAR HORIZONTAL, GRP.	2	-	B	HL4/143
		Spares for:-				
	ROSE BROS. RMX 8G	Bearing, spherical, rod-end	1	-	MR	
	2SS5020	Nut	1	-	MR	
		ATTACHMENTS-STRUT, 7P3375				
	8P3375	Bolt, shouldered, 3/4" dia.	1	S94	MR	HL4/144
17003	8P3375	Bolt, shouldered, 1/2" dia.	1	S94	C	HL4/145
28M/4095894	A24/ES	Nut, slotted, 1/4" BSF	1	-	C	
28M/4095817	A24/JS	Nut, slotted, 3/8" BSF	1	-	C	
28P/9527619	SP90/C7	Pin, split	2	-	C	
28W/9419405	SP15/E	Washer, 1/4"	1	-	C	
28W/9419477	SP15/J	Washer, 3/8"	1	-	C	
17228	3SS4867	Washer, special	1	-	C	

EQUIPMENT SPECIAL OPERATIONAL (S.O.O.)

LONG RANGE SADDLE FUEL TANKS IN BOMB BAY (REMOVABLE FITTINGS)

Ref. No.	Part No.	Description	No. off	Mach. Spec.	Cl. of	Plate and Illust'n No.
					St. M.R.	
		1 2 3 4				
588	1P3376	INSTALLATION OF AFT TANK (1P3376) (Mod. 528) (Cont'd) TANK & EQUIPMENT, AFT (Mod. 528), GROUP Spares for:--	1	-	A	HL3/146
	SMITHS BT21/9	Box, cable	1	-		HL4/147
	50P3376	BOX, COLLECTOR, GROUP	4	-	MR	HL3/148
	80P3376	BRACKET, RETAINING, GROUP	8	-		HL3/140
	84P3376 SMITHS	BRACKET, VENT PIPE, GROUP	1	-	MR	HL3/150
8A/4327943	LG3	Clamp, mounting	4	-	C	HL4/151
	28SS4490	Clip, bonding	14	-	MR	HL3/152
	80SS4478	Clip, half	6	-	MR	HL3/153
	52SS4478	Clip, half	6	-	MR	HL3/154
		ATTACHMENTS-CLIPS, 52 & 80SS4478				
28D/1213092	A26/14C	Bolt, 2 BA	2	-	C	
28W/8438806	SP11/C	Washer, 2 BA	2	-	C	
28E/4710971	SP91/N VICKERS	Clip, hose, type J	2	-	C	HL3/156
27F/4526689	ARMSTRONG A5289 Mk. A	Cock, drain, 1/4" BSP	5	-	C	HL3/158
27F/2230	FLIGHT REFUELLING FRS110/K	Connector, pipe	8	-	C	HL3/157
	FLIGHT REFUELLING FRS150/K	Connector, pipe	2	-		HL3/158
	SMITHS LF17	Connector, bulkhead	1	-		HL4/159
	62P3376	COVER, VENT VALVE, GROUP	1	-		HL3/160
		ELECTRICAL SERVICES, AFT TANK . . . (1V8848), GROUP (Mod. 528) Spares for:--				
8X/8200370	1V8850	BLOCK, TERMINAL TB. 307, GRP. . . .	1	-	C	HL4/161
	2333V7908	CABLE, (F2333) TB. TO FLOAT SWITCH, GROUP	1	-		
	2334V7908	CABLE, (F2334) TB. TO REFUELLING VALVE, GROUP	1	-		
	2337V7908	CABLE, (F2337) TB. TO SOCKET 927, GROUP	1	-		
	2701V7908	CABLE, (F2701) TO SOCKET 925, PUMP MOTORS, GROUP	1	-		
	2702V7908	CABLE, (F2702) TO SOCKET 926, PUMP MOTORS, GROUP	1	-		

VULCAN No. 2

EQUIPMENT SPECIAL OPERATIONAL (S.O.O.)

Page HL 13

LONG RANGE SADDLE FUEL TANKS IN BOMB BAY (REMOVABLE FITTINGS)

Ref. No.	Part No.	Description	No. off	Mater. Spec.	Cl. of	Plate and Illust'n No.
					St. M.R.	
		1 2 3 4				
ELECTRICAL SERVICES, AFT TANK (1V8646) (Cont'd)						
Spares for:—						
26FP/13183 5K/9436899 5K/9326188	24SS3284	Chp, cable	6	—	C	HL4/162
	NX 0	Chp, cable	27	—	C	HL4/163
	NX 1	Chp, cable	18	—	C	HL4/164
	SMITHS PWS4	Connector, cable, bulkhead connector . . . LF 17 to contents gauges	1	—	—	HL4/165
	SMITHS PAL 48	Connector, cable, between contents gauges	1	—	—	HL4/166
	SMITHS PAS0	Connector, cable, between contents gauges	1	—	—	HL4/167
6A/4327940	SMITHS LUA 10	Connector, cable, cable box to bulkhead . connector	1	—	C	HL4/168
	SMITHS LJJ33	Connector, cable, cable box to fuel contents gauge	1	—	—	HL4/169
7685	3V8646	Duct, cable	1	L72	—	HL4/170
	4V8646	Duct, cable	2	L72	—	HL4/171
	5V8646	Duct, cable	1	L72	—	HL4/172
	22S64622	Duct, cable	1	L72	C	HL4/173
	70864622	Duct, cable	1	L72	—	HL4/174
	10864622	Duct, cable	1	L72	MR	HL4/175
	307V7726	Label, TB, 307	1	L72	—	HL4/176
	12V8646	Lid, duct	1	L72	—	HL4/177
	14V8646	Lid, duct	1	L72	—	HL4/178
	16V8646	Lid, duct	1	L72	—	HL4/179
5X/4491488	18V8646	Lid, duct	1	L72	—	HL4/180
	19V8646	Lid, duct	1	L72	—	HL4/181
	21V8646	Lid, duct	2	L72	—	HL4/182
	22V8646	Lid, duct	2	L72	C	HL4/183
	15V8650	Socket, single	4	—	C	HL4/184
	8P3376	Gasket	1	DTD762	MR	HL3/185
	13P3376	Gasket	1	DTD762	MR	HL3/186
	14P3376	Gasket	1	DTD762	MR	HL3/187
	19P3376	Gasket	8	DTD762	MR	HL3/188
	28P3376	Gasket	1	DTD762	MR	HL4/189
46P3376	Gasket	4	DTD762	MR	HL3/190	

EQUIPMENT SPECIAL OPERATIONAL (S.O.O.)

LONG RANGE SADDLE FUEL TANKS IN BOMB BAY (REMOVABLE FITTINGS)

Ref. No.	Part No.	Description	No. off	Matl. Spec.	Cl. of Sc.		Plate and illust'n No.
					1	2 3 4	
		TANK & EQUIPMENT, AFT (1P3376) (Cont'd)					
	SAUNDERS VALVE A101/B 12P3376	Handle	2	—	—	—	HL3/193
		Hose, rubber, 2-1/2" i/d x 4.0" long	1	OTD026A	—	—	HL3/194
	40P3376	Mounting, connector	1	Type 3	MR	—	HL4/196
	5P3474	Piece, distance	4	S621	MR	—	HL3/196
	48P3376	PIPE, FUEL, GROUP	1	—	MR	—	HL3/197
	47P3376	PIPE, FUEL, GROUP	1	—	MR	—	HL3/198
	53P3376	PIPE, FUEL, GROUP	1	—	MR	—	HL3/199
	54P3376	PIPE, FUEL, GROUP	1	—	MR	—	HL3/200
	55P3376	PIPE, FUEL, GROUP	1	—	MR	—	HL3/201
	56P3376	PIPE, FUEL, GROUP	1	—	MR	—	HL3/202
	25P3376	Plate	4	S621	—	—	HL4/203
1433617	20P3376	PLATE, STUD, GROUP	8	—	C	—	HL3/204
		Spare for —					
	20cP3376	Stud	17	—	MR	—	
28M/1010997	A24/CT	Nut, 2 BA	17	—	C	—	
	S.P.E. PAC1200 Mk. 3 or PAC1200 Mk. 4 8P2844	Pump, fuel (not supplied with assy. spare) ..	4	—	—	—	HL3/205
5UE/7518		Pump, fuel (not supplied with assy. spare) ..	4	—	A	—	
		Ring, sealing	4	—	MR	—	HL3/206
	11P2831 FLIGHT REFUELLING	STOP, VENT VALVE, GROUP	1	—	MR	—	HL3/207
5CW/4405247	3510100/3	Switch, float Mk. 10 (not supplied with assy. spare)	1	—	A	—	HL3/208
	1P3377	TANK, STRUCTURE, GROUP	1	—	—	—	HL4/209
		Spare for:—					
	1P3386	BEAM, FWD. HOISTING, GROUP	1	—	—	—	HL4/210
		Spare for:—					
28D/1011301	A26/BJ	Bolt, 3/8" BSF	1	—	C	—	
28M/1011476	A27/JE	Nut, slotted, 3/8" BSF	1	—	C	—	
28P/9527619	SP90/C7	Pin, split	1	—	C	—	
	A82805/B/076	Tube, distance	1	—	—	—	
28W/9419486	SP13/J	Washer, 3/8"	1	—	C	—	
		ATTACHMENTS—BEAM, 1P3386					
28D/9140653	A26/IE	Bolt, 1/4" BSF	4	—	C	—	

EQUIPMENT SPECIAL OPERATIONAL (S.O.O.)

LONG RANGE SADDLE FUEL TANKS IN BOMB BAY (REMOVABLE FITTINGS)

Ref. No.	Part No.	Description	No. off	Matl. Spec.	Cl. of St.	Plate and Illust'n No.
					M.R.	
		1 2 3 4				
		TANK STRUCTURE, GROUP (1P3377) (Cont'd.)				
		DIAPHRAGM, AFT (1P3389)				
		Spares for:—				
	9P3380	Bracket, hoisting	1	—		HL4/211
28D/1011303	A25/13J	Bolt, 3/8" BSF	1	—	C	
28M/1011476	A27/JS	Nut, slotted, 3/8" BSF	1	—	C	
28P/9527519	SP90/C7	Pin, split	1	—	C	
28TA/19346	AS2808/8/125	Tube, distance	1	—		
28W/9419485	SP13/J	Washer, 3/8"	1	—	C	
		ATTACHMENTS—BRACKET 1P3389				
28D/9133011	A26/2C	Bolt, 2 BA	4	—	C	
28F/9429636	AGS1186/3	Seal, bonded	4	—	C	
		PICK UP FORMER STNS. 17.5B & 77.05 (1P3384 & 2P3385)				
		Spares for:—				
	11P3384	Tube, cross	2	—		HL4/212
		ATTACHMENTS—TUBE, 11P3384				
28M/1011476	12P3384	Bolt, special	2	—		
28P/9495825	A27/JS	Nut, slotted, 3/8" BSF	2	—	C	
28W/9419485	SP80/C8	Pin, split	2	—	C	
28TA/2627	SP13/J	Washer, 3/8"	2	—	C	
	5SS4667	Washer	2	—		
		SKINNING ARRANGEMENT, AFT TANK (1P3378)				
		Spares for:—				
	37P3378	FITTING, FORE & AFT, PICK-UP, PORT, GROUP	1	—		HL4/213
	38P3378	FITTING, FORE & AFT, PICK-UP, STBD., GROUP	1	—		HL4/214
	43P3378	FITTING, FWD., PICK-UP, PORT, GROUP	1	—		HL4/215
	44P3378	FITTING, FWD., PICK-UP, STBD., GROUP	1	—		HL4/216
		Spares for:—				
	47bP3378	Bush	2	S93	MR	
	45P3378	FITTING, AFT, PICK-UP, PORT, GROUP	1	—		HL4/217
	48P3378	FITTING, AFT, PICK-UP, STBD., GROUP	1	—		HL4/218
		Spares for:—				
	45bP3378	Bush	2	S93	MR	
	47P3378	FITTING, AFT, PICK-UP, PORT, GROUP	1	—		HL4/219
	48P3378	FITTING, AFT, PICK-UP, STBD., GROUP	1	—		HL4/220
		Spares for:—				
	47bP3378	Bush	2	S93	MR	

EQUIPMENT SPECIAL OPERATIONAL (S.O.O.)

LONG RANGE SADDLE FUEL TANKS IN BOMB BAY (REMOVABLE FITTINGS)

Ref. No.	Part No.	Description	No. off	Matl Spec.	Cl. of St.	Plate and Nust'n No.
					M.R.	
		1234				
		SKINNING ARRANGEMENT, AFT TANK (1P3378) (Cont'd.)				
		ATTACHMENTS—FITTINGS, 37, 38, 43, 44, 45, 46, 47 & 48P3378				
28D/1011488	A26/3C	Bolt, 2 BA	24	—	C	
28D/1007700	A26/3E	Bolt, 1/4" BSF	44	—	C	
27F/9429636	AGS1186/3	Seal, bonded	24	—	C	
27F/9428450	AGS1186/4	Seal, bonded	44	—	C	
17015	1P3733	Panel, access	1	—		HL4/221
		ATTACHMENTS—PANEL, 1P3733				
28D/9133011	A26/2C	Bolt, 2 BA	54	—	C	
27F/9429636	AGS1186/3	Seal, bonded	54	—	C	
28R/1052624	AS103	Pulley	2	—	B	HL4/222
		ATTACHMENTS—PULLEY, AS103				
28D/1212320	A80/7E	Bolt, 1/4" BSF	1	—	C	
28M/7002430	AGS2002/E1	Nut, 1/4" BSF	1	—	C	
	AS2808/B/049	Tube, distance	1	—		
28W/9418921	SP13/E	Washer, 1/4"	1	—	C	
	63P3376	TUBE, VENT VALVE, GROUP	1	—		HL3/223
	SMITHS					
6A/10484	58TN	UNIT, TANK, FUEL CONTENTS, FWD. (not supplied with assy. spare)	2	—	A	HL4/191
	SMITHS					
6A/10485	60TN	UNIT, TANK, FUEL CONTENTS, AFT	2	—	A	HL4/192
	15P3012	VALVE, FLOAT, GROUP (Mod. 1356)	1	—	MR	HL3/224
		Spare for:—				
	2P3012	Body, valve	1	L58	MR	HL3/225
	4P3012	Float, cork	1	—	MR	HL3/226
	7P3012	Housing, spring	1	L58	MR	HL3/227
	9P3012	Housing, valve	1	L58	MR	HL3/228
1433911	12P3012	Packing, 1/32" thick x 2-3/16" dia.	1	—	C	HL3/229
	3P3012	Sleeve, float	1	L58	MR	HL3/230
	6P3012	Spring, valve, inward	1	—	MR	HL3/231
	13P3012	Spring, valve, outward	1	—	MR	HL3/232
	14P3012	Plate, retaining	1	—	MR	HL3/233
	FLIGHT REFUELLING C1140130 SAUNDERS VALVE	Valve, refuelling, Mk. 40	1	—		HL3/234
	112AR60	Valve, 1-1/2" dia.	2	—		HL3/235
	FLIGHT REFUELLING 9807100/3	Valve, non-return	4	—		HL3/236
	26P3376	Washer	4	J26		HL4/237

W&C Form No. 7

EQUIPMENT SPECIAL OPERATIONAL (S.O.O.)

Page HL 17

LONG RANGE SADDLE TANKS IN BOMB BAY (REMOVABLE FITTINGS)

Ref. No.	Part No.	Description	No. off	Mati. Spec.	Cl. of St.	Plate and Fuel'n No.
					M.R.	
		1 2 3 4				
	—	INSTALLATION OF PRESSURISATION PANEL, BOMB BAY TANK				
		Spares for:—				
28F/2231741	AGS1145/A	Body, union	3	—	C	
28F/2231742	AGS1145/B	Body, union	1	—	C	HL5/230
	1755S3553	Body, union	1	—		HL5/231
1432533	32P3590	CAP, PLUG SEALING, GROUP	1	—	C	HL5/232
		Consisting of:—				
28D/1008147	A25/1A	Bolt	1	—	C	
	32P3590	Cap, plug, sealing	1	—		
	BAXENDALE & Co. No. 287	Chain	1			
	AGS2002/N	Nut, stiff	1			
	AS2806/3/018	Piece, distance	1			
	TERRY LTD. No. 168	Ring, 3/8" o/d x 20G	1			
28W/9419405	SP10/A	Washer	2	—	C	
	3865V7909	CABLE, GROUP (F3865)	1			HL5/233
	8Z7384	CHAIN, GROUP	3	—	MR	HL5/234
		Consisting of:—				
	8aZ7384	Chain, chandelier	3	Bress		
	8bZ7384	Ring, split	8			
5K/9438899	NXO	Clip	2	—		HL5/235
		Attachments for Clip, 1SS4657				
28D/1010658	A25/1B	Bolt, 4 UNC	1	—	C	HL5/236
28D/1008149	A25/2B	Bolt, 4 UNC	1	—	C	HL5/237
28W/9419401	SP10/B	Washer	2	—	C	
	TEDDINGTON CONTROLS LTD. FOD/A/5	Drier, air	1	—	A	HL5/238
	2SS1585	Lug	1	—	MR	HL5/239
	1P3591	PANEL, C/W BRACKETS, GROUP	1			HL5/240

EQUIPMENT SPECIAL OPERATIONAL (S.O.O.)

LONG RANGE SADDLE TANKS IN BOMB BAY (REMOVABLE FITTINGS)

Ref. No	Part No.	Description	No. off	Matl. Spec	Cl. of St.	Plate and Illust'n No.
					M.R.	
		<u>1 2 3 4</u>				
		INSTALLATION OF PRESSURISATION PANEL BOMB BAY TANK (1P3590) (Cont'd.)				
28F/9440881	AGS1118/A	Piece, tee	2	—	C	HL5/241
28F/8011811	AGS1118/B	Piece, tee	1	—	C	HL5/242
28F/9463542	AGS1120/6	Piece, tee, unequal	2	—	C	HL5/243
28F/4051807	AGS1122/2	Piece, tee	1	—	C	HL5/244
	5P3590	PIPE, 1/4" o/d x 17" long x 22G, GROUP	1	L56	MR	HL5/246
	6P3590	PIPE, 3/16" o/d x 12" long x 22G, GROUP	1	L56	MR	HL5/246
	7P3590	PIPE, 3/16" o/d x 13" long x 22G, GROUP	1	L56	MR	HL5/247
	8P3590	PIPE, 1/2" o/d x 8" long x 22G, GROUP	1	DTD253	MR	HL5/248
	9P3590	PIPE, 3/16" o/d x 11" long x 22G, GROUP	1	L54	MR	HL5/248
	10P3590	PIPE, 3/16" o/d x 13" long x 22G, GROUP	—	L54	MR	HL5/250
	11P3590	PIPE, 3/16" o/d x 8" long x 22G, GROUP	1	L56	MR	HL5/251
	12P3590	PIPE, 3/16" o/d x 13" long x 22G, GROUP	1	L56	MR	HL5/252
	14P3590	PIPE, 1/4" o/d x 8" long x 22G, GROUP	1	L56	MR	HL5/253
	15P3590	PIPE, 1/4" o/d x 8" long x 22G, GROUP	1	L56	MR	HL5/254
	16P3590	PIPE, 3/16" o/d x 17" long x 22G, GROUP	1	L56	MR	HL5/255
	17P3590	PIPE, GROUP	1	—	MR	HL5/256
		Consisting of:—				
	17aP3590	Pipe, 1/2" o/d x 2" long x 22G	1	Tungam		
	17cP3590	Pipe, 5/8" o/d x 6" long x 22G	1	Tungam		
	17dP3590	Pipe, 1/4" o/d x 6" long	1	Tungam		
	18P3590	PIPE, 1/4" o/d x 8" long x 22G, GROUP	1	L56	MR	HL5/257

WALCOTT No. 7

EQUIPMENT SPECIAL OPERATIONAL (S.O.O.)

Page HL 19

LONG RANGE SADDLE TANKS IN BOMB BAY (REMOVABLE FITTINGS)

Ref. No.	Part No.	Description	No. off	Matl. Spec.	Cl. of St.	Plate and Huet'n No.
					M.R.	
		1 2 3 4				
		INSTALLATION OF PRESSURISATION PANEL, BOMB BAY TANK (1P3590) (Cont'd.)				
13922	31P3590	PIPE, 1/4" o/d x 20" long x 22G, GROUP ...	1	L56	C	HL5/258
13915	19P3590	PIPE, 1/4" o/d x 16" long x 22G, GROUP	1	L56	C	HL5/259
13921	30P3590	PIPE, 3/16" o/d x — x 22G, GROUP	1	L56	C	HL5/260
13918	27P3590	PIPE, 3/16" o/d x 10" long x 22G, GROUP	1	L56	C	HL5/261
13917	26P3590	PIPE, 3/16" o/d x 10" long x 22G, GROUP	1	L56	C	HL5/262
13913	13P3590	PIPE, 1/2" o/d x 15" long x 22G, GROUP	1	DTD253	C	HL5/263
13916	23P3590	PIPE, 3/16" o/d x 15" long x 22G, GROUP	1	L56	C	HL5/264
13909	25P3590	PIPE, 1/4" o/d x 4" long x 22G, GROUP	1	L56	C	HL5/265
13919	28P3590	PIPE, 3/16" o/d x 16" long x 22G, GROUP	1	L56	C	HL5/266
13920	29P3590	PIPE, 3/16" o/d x — x 22G, GROUP	1	L56	C	HL5/267
	B3Z7684	Plug (Make from AGS948C)	1	—		HL5/268
28R/8011888	AGS948A	Plug, flanged	1	—	C	HL5/269
	TEDDINGTON CONTROLS FLC/A/7	Restrictor, filter	1	—	C	HL5/270
27V/5076						
28F/9429532	AGS1186/C	Seal, bonded	1	—	C	HL5/271
6830	1Z9010	TRAP, FUEL, GROUP	1	—	C	HL5/272
		Consisting of:—				
6831	KING A/C C3901/3—1/2E	Clamp, Mk. 1	1	—	C	HL5/273
	4Z9010	Container	1	DTD171		HL5/274
	3Z9010	Mounting, flanged	1	L65		HL5/275
	4Z9214	Seal (J. Walker Part No. 59732)	1	—		HL5/276
		(Make from 26DC6832)				
	5Z9010	Tube, inlet	1	—		HL5/277
	60SS3553	Union, reducing	2	—		HL5/278
28F/9428453	AGS1186/B	Washer, sealing	2	—	C	HL5/279

EQUIPMENT SPECIAL OPERATIONAL (S.O.O.)

LONG RANGE SADDLE TANKS IN BOMB (REMOVABLE FITTINGS)

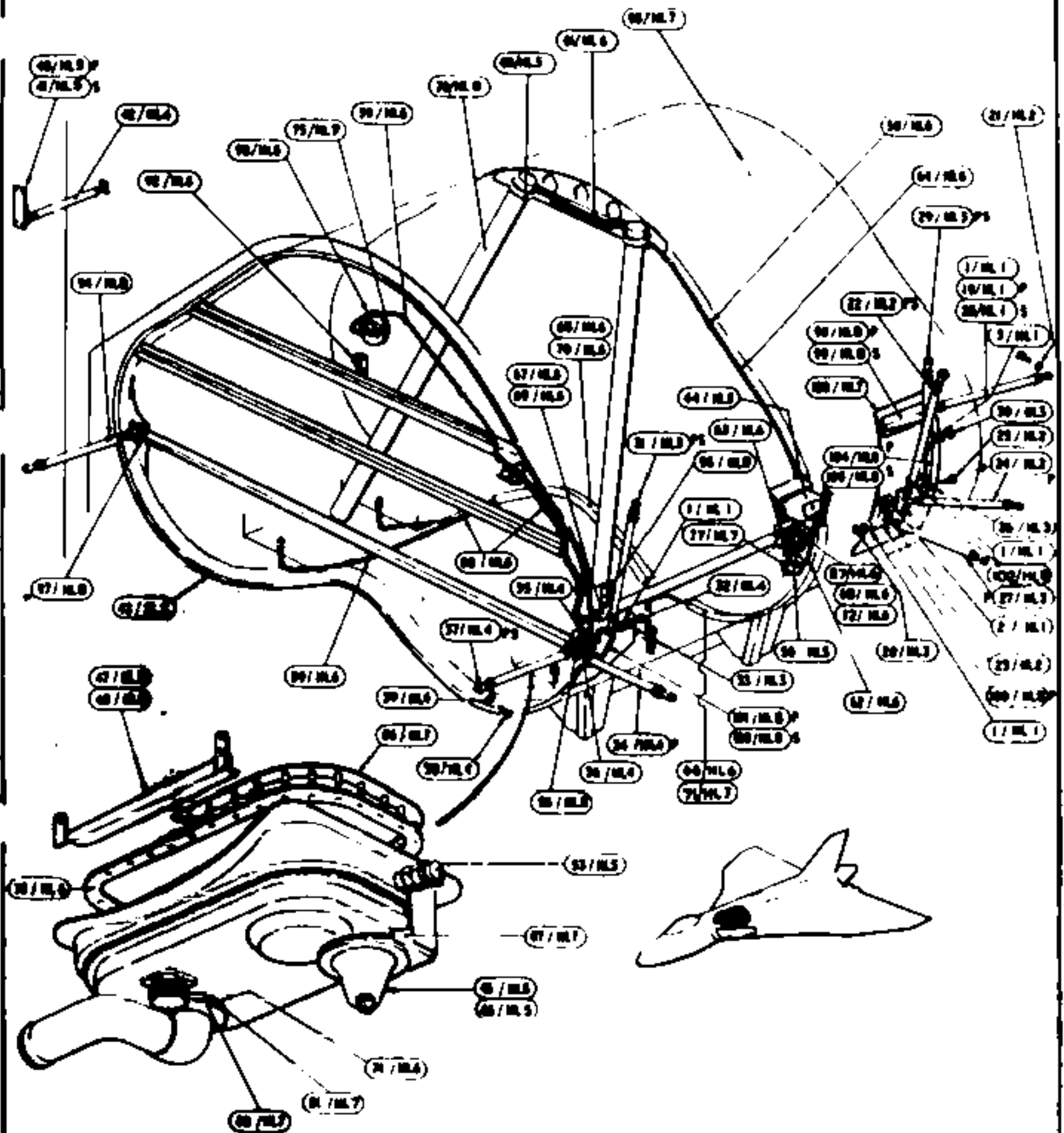
Ref. No	Part No.	Description	No. off	Matl Spec.	Cl. of St.	Plate and Huet'n No.
					M.R.	
		1 2 3 4				
		INSTALLATION OF PRESSURISATION PANEL, BOMB BAY TANK (1P3680) (Cont'd.)				
9163	6627684 TEDDINGTON CONTROLS LTD.	Union, reducing	1	DTD364B	C	HL5/280
27V/6574	FLD/A/14 TEDDINGTON CONTROLS LTD.	Valve, pressure reducing	1	—	C	HL5/281
27V/5073	FLA/A/4 TEDDINGTON CONTROLS LTD	Valve, air	1	—	C	HL5/282
27V/1451024	ES/A/503 TEDDINGTON CONTROLS LTD.	Valve, air release	1	—	C	HL5/283
27V/1451025	FLE/A/5 SAUNDERS VALVE CO. LTD.	Valve, master control	1	—	C	HL5/284
	702/AA/11B SAUNDERS VALVE CO. LTD	Valve, non, return	1	—		HL5/285
	702/A/A06	Valve, non, return (Alternative to 702/AA/11B)	1	—		
6D/2313	—	Valve, oxygen line, Mk. 10	1	—	C	HL5/286

VULCAN No. 2

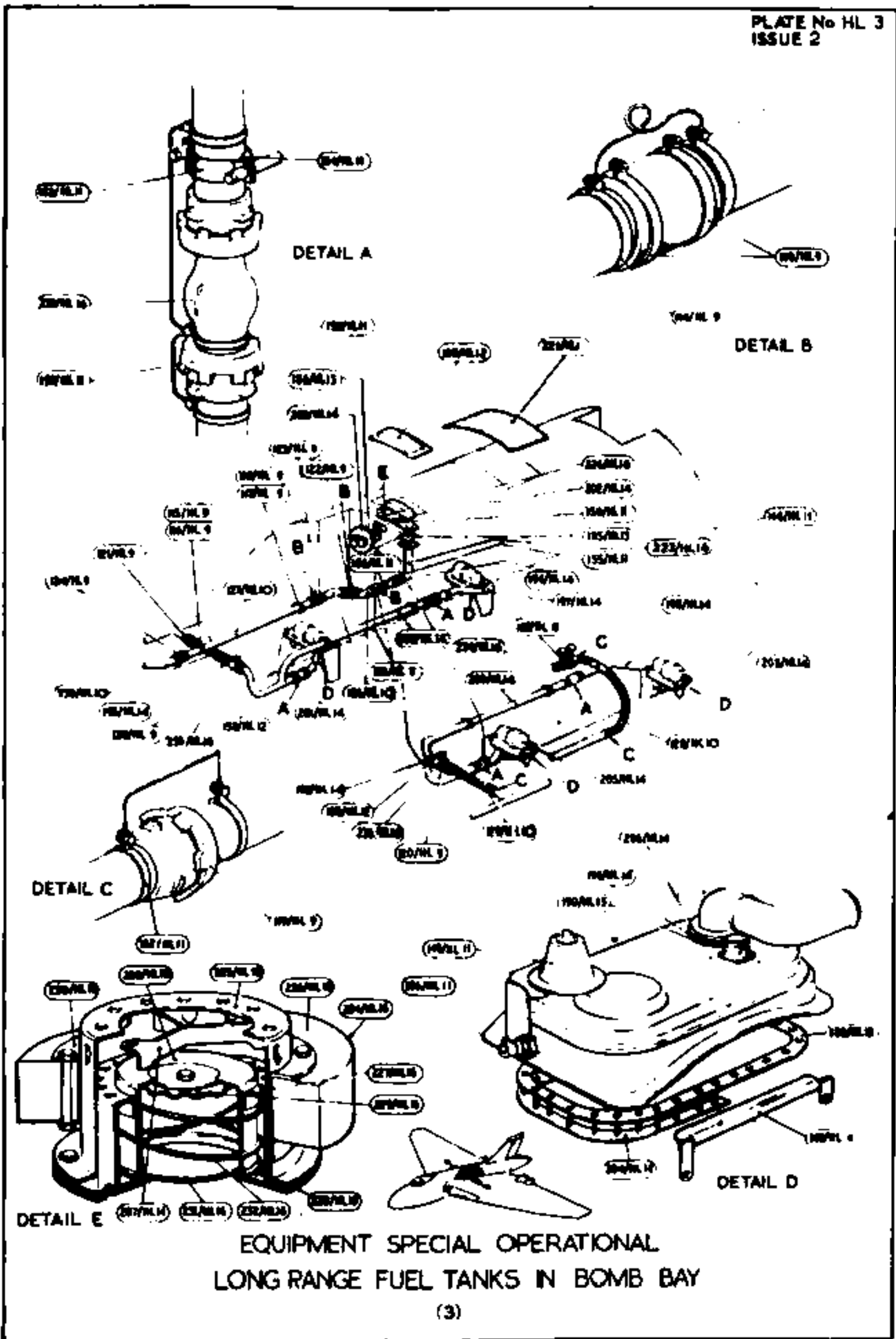
EQUIPMENT SPECIAL OPERATIONAL
SUMMARY OF STANDARD ITEMS

Page HL 21

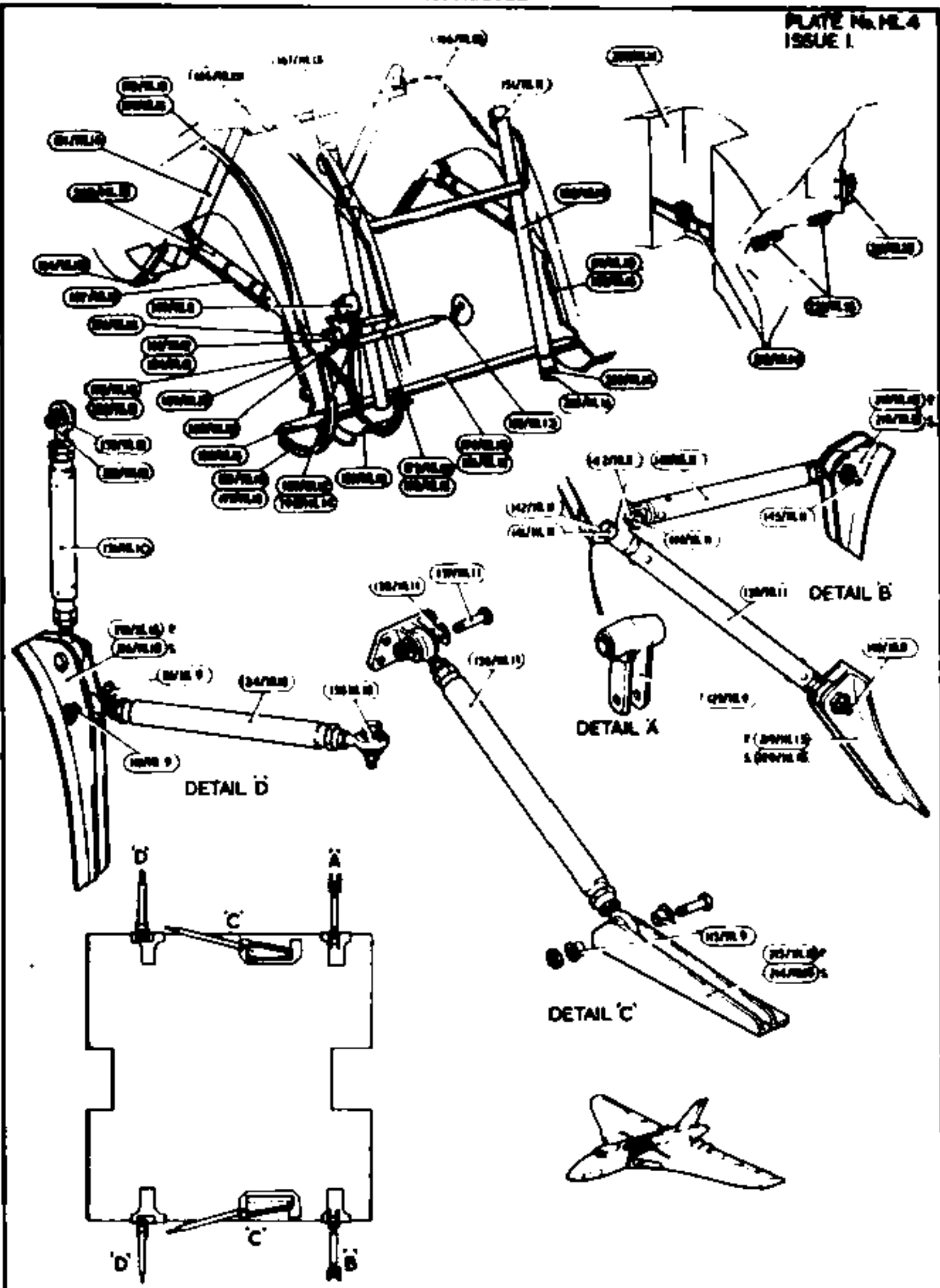
Stores Ref.		No. off	Stores Ref.		No. off	Stores Ref.		No. off
Section	Ref. No.		Section	Ref. No.		Section	Ref. No.	
28D	20153	2	28F	9428450	45	28S	1200044	4
28D	20184	2	28F	9428453	4	28S	9131730	21
28D	1007700	44	28F	9429638	207	28S	9419453	12
28D	1011024	2	28F	9433484	128	28S	9436892	21
28D	1011025	2						
28D	1011029	4						
28D	1011301	1	28M	10288	54	28W	1009659	43
28D	1011303	4	28M	10328	20	28W	9128914	84
28D	1011488	148	28M	10337	43	28W	9418921	1
28D	1011471	8	28M	10339	161	28W	9419402	4
28D	1017157	2	28M	13266	6	28W	9419405	16
28D	1212320	2	28M	13267	3	28W	9419446	22
28D	1212402	2	28M	13412	10	28W	9419466	4
28D	1213088	12	28M	1007404	4	28W	9419475	56
28D	1213388	10	28M	1010997	34			
28D	1213448	13	28M	1011001	9			
28D	1213449	4	28M	1011467	12			
28D	1213615	4	28M	1011476	29			
28D	1213609	4	28M	7002430	6			
28D	1215683	2						
28D	9133011	82						
28D	9133012	4	28N	9513425	2			
28D	9140852	9						
28D	9140853	4						
28D	9436055	2	28P	19129	1			
28D	9436770	113	28P	20343	6			
28D	9436796	4	28P	9527619	40			
28D	9436920	30						
28E	19826	8						



EQUIPMENT SPECIAL OPERATIONAL
INSTALLATION FORWARD TANK FORE AND AFT POSITIONS
(2)



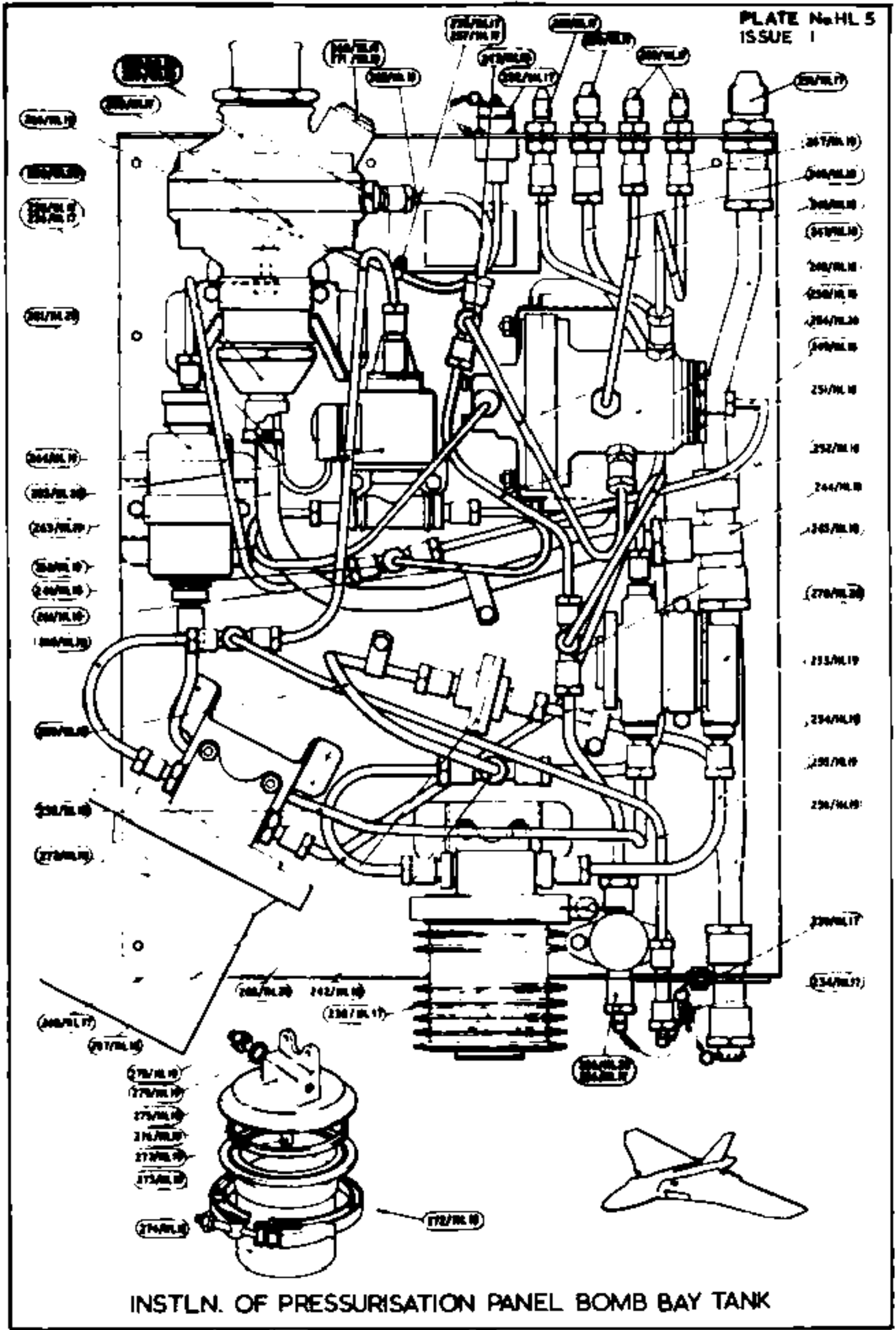
EQUIPMENT SPECIAL OPERATIONAL
LONG RANGE FUEL TANKS IN BOMB BAY



EQUIPMENT SPECIAL OPERATIONAL
LONG RANGE FUEL TANKS IN BOMB BAY
(4)

RESTRICTED

PLATE No HL 5
ISSUE 1



INSTLN. OF PRESSURISATION PANEL BOMB BAY TANK

RESTRICTED

VULCAN No. 2

EQUIPMENT SPECIAL OPERATIONAL (S.O.O.)

Page HM. 1

LONG RANGE CYLINDRICAL FUEL TANKS IN BOMB BAY (REMOVABLE FITTINGS)

Ref. No.	Part No.	Description	No. off	Mater. Spec.	Cl. of	Plate and Illust'n No.
					St. M.R.	
		1 2 3 4				
CYLINDRICAL TANK AND FITTINGS IN FWD. OR AFT POSITION (1P3918), GROUP (Mod. 2014)						
1505184	1P3923	Spares for:— BEAM, SUPPORT, GROUP	2	—	B	HM1/1
	9P3923	Spares for:— BAG, STOWAGE, GROUP	1	—		
28D/1212679	A26/29L	Bolt, 7/16" BSF	2	—	C	
28DL/8002821	1SS4047	Chain, retaining	2	—	C	
28M/9129449	A27/LB	Nut, slotted, 7/16" BSF	2	—	C	
28FP/9703089	AGS210B/B19	Pin, pip	2	—	C	
28P/9600829	SP90/EB	Pin, split	2	—	C	
	AS2808/B/250	Tube, distance	2	—	—	
28W/9419478	SP15/L	Washer, 7/16"	2	—	C	
1505183	9P3918	BLOCK, AND LINK, GROUP	4	—	B	HM1/2
		Spares for:—				
	AT63159	Block	1	L85	—	HM1/3
11A/5327	AT38913	Bolt, special	1	S86	C	HM1/4
	1P3928	Link	1	L77 or DTD5020	—	HM1/5
28M/13146	A27OS	Nut, slotted, 5/8" BSF	1	—	C	
28P/1221023	SP90/G12	Pin, split	1	—	C	
28W/9419481	SP15/Q	Washer, 5/8"	1	—	C	
		Attachments—Block and Link (9P3918)				
	AT37491	Bolt, special	1	S86	—	HM1/6
28M/13146	A27/OS	Nut, slotted, 5/8" BSF	1	—	C	
1432635	10P3918	Piece, distance, use at aft blocks, tank in aft position	1	L83	C	HM1/7
28P/1221023	SP90/G12	Pin, split	1	—	C	
28W/9419481	SP15/Q	Washer, 5/8"	2	—	C	
28W/9419493	SP16/Q	Washer, 5/8"	1	—	C	
28N/18394	SP121/N	Collar, 1/2"	8	—	C	HM1/8
CRUTCHING, FOR ONE TANK IN FW'D OR AFT POSITION (1P3932)						
		Spares for:—				
1505185	6P3932	ADAPTOR, AFT STB'D, FW'D POSITION ONLY, GROUP	1	—	C	HM1/9
	or					
6118001	2P3974	ADAPTOR, AFT STB'D, FW'D POSITION ONLY, GROUP	1	—	C	
1433915	7P3932	ADAPTOR, AFT PORT, FW'D POSITION ONLY, GROUP	1	—	C	HM1/10
	or					
6118002	1P3974	ADAPTOR, AFT PORT, FW'D POSITION ONLY, GROUP	1	—	C	
6118009	2P3932	CRUTCH, FW'D STB'D, GROUP	1	—	—	HM1/11
	or					
	2P3972	CRUTCH, FW'D STB'D, GROUP	1	—	—	
		Spares for:—				
1433920	2bP3932	Packing, natural rubber, 3/8" thick x 13.0" x 21.75"	1	BS/154 Grade Z11	C	

EQUIPMENT SPECIAL OPERATIONAL (S.O.O.)

LONG RANGE CYLINDRICAL FUEL TANKS IN BOMB BAY (REMOVABLE FITTINGS)

Ref. No.	Part No.	Description	No. off	Matl. Spec.	Cl. of	Place and Illust'n No.
					St. M.R.	
		1 2 3 4				
		CRUTCHING, FOR ONE TANK IN FWD. OR AFT POSITION (1P3932) (Cont'd)				
8118008	3P3932 or 1P3972	CRUTCH, FWD. PORT, GROUP	1	-	-	HM1/12
1433820	2bP3932	CRUTCH, FWD. PORT, GROUP	1	-	-	
		Spares for:- Packing, natural rubber, 3/8" thick x ... 13.0" x 21.75"	1	BS1154 Grade Z11	C	
1510082	4P3932 or 2P3973	CRUTCH, AFT STBD., GROUP	1	-	-	HM1/13
1505473		CRUTCH, AFT STBD., GROUP	1	-	-	
1433818	4bP33818	Spares for:- Packing, natural rubber, 3/8" thick x ... 12.0" x 25.0"	1	BS1154 Grade Z11	C	
1510083	6P3932 or 1P3973	CRUTCH, AFT PORT, GROUP	1	-	-	HM1/14
1505472		CRUTCH, AFT PORT, GROUP	1	-	-	
		Spares for:- Packing, natural rubber, 3/8" thick x ... 12.0" x 25.0"	1	BS1154 Grade Z11		
		ELECTRICAL INSTALLATION, CYLINDRICAL TANK (1V13538)				
		Spares for:-				
5X/5200370	8V13538 1V5850	Angle	4	-	-	HM2/15
	SMITH'S 8T21/33	BLOCK, TERMINAL	1	-	C	HM1/16
8A/4344788		Box, cable	1	-	C	HM1/17
	3915V7909	CABLE, (F3915), FWD. PUMP TO PLUG ... 917 FWD. POSITION OR PLUG 925 AFT POSITION, GROUP	1	-		
	3919V7909	CABLE, (2F3919), CENTRE PUMP TO ... PLUG 918 FWD. POSITION OR PLUG 925 AFT POSITION, GROUP	1	-		
	3917V7909	CABLE, (F3917), FLOAT SWITCH TO ... TERMINAL BLOCK, GROUP	1	-		
	3918V7909	CABLE, (F3918), REFUELLING VALVE ... TO TERMINAL BLOCK, GROUP	1	-		
	3916V7909	CABLE, (F3916), TERMINAL BLOCK TO ... PLUG 919 FWD. POSITION OR PLUG 927, AFT POSITION, GROUP	1	-		
8A/11872	SMITH'S LJ72	Cable, connector, fuel contents gauges to ... cable box	2	-	C	HM1/18

VULCAN 100 2

EQUIPMENT SPECIAL OPERATIONAL (S.O.O.)

Page HM.3

LONG RANGE CYLINDRICAL FUEL TANKS IN BOMB BAY (REMOVABLE FITTINGS)

Ref. No.	Part No.	Description	No. off	Matl. Spec.	Cl. of St.	Plate and Illustr'n No.
					M R	
		1 2 3 4				
		ELECTRICAL INSTALLATION CYLINDRICAL TANK (1V13536) (Continued)				
6A/4344737	SMITH'S LJJ92	Cable, connector, cable box to plug 936 fwd position or plug 938 aft position	1	—	C	HM1/19
	AS8674	Capping duct	2	—		HM1/20
	AS8674/13	Capping, duct, 13" long	1	—	C	HM1/21
	AS8674/18	Capping, duct, 18" long	1	—		HM1/22
	AS8674/20	Capping, duct, 20" long	1	—		HM1/23
	AS8674/29	Capping, duct, 29" long	1	—		HM1/24
	AS8674/30	Capping, duct, 30" long	1	—		HM1/25
	AS4825/24	Capping, duct	1	—		HM1/26
28P/8986929	AS4680/1	Clip, cable	3	—	C	HM1/27
5K/9325186	2SS4657	Clip, cable	1	—	C	HM1/28
26TA/9766	4SS3264	Clip, cable	2	—	C	HM1/29
	6SS4657	Clip, cable	1	—	MR	HM1/30
	8V13536	Clip, special	1	—		HM1/31
	11V13536	Clip, special	2	—		HM1/32
	5V13536	Duct, cable	2	—		HM1/33
	6V13536	Duct, cable	1	—		HM1/34
	7V13536	Duct, cable	1	—		HM1/35
	18SS4622	Duct, cable	1	—		HM1/36
	20SS4622	Duct, cable	1	—		HM1/37
	28SS4622	Duct, cable	1	—	MR	HM1/38
	30SS4622	Duct, cable	1	—		HM1/39
	1538V7728	Label	1	—		HM1/40
5X/4491488	15V5650	Socket, single, three tier	1	—	C	HM1/41
	2V13536	Tube, conduit, 3/8" o/d, 22SWG	1	L54		HM1/42
	3V13536	Tube, conduit, 3/8" o/d, 22G	1	L54		HM1/43
	4V13536	Tube, conduit, 3/8" o/d, 22G	1	L54		HM1/44
1432636	3P3967	Eyebolt	4	S86	C	HM1/45
1432638	2P3967	Nut, special	4	S96	C	HM1/46
17839	16P3918	Pin, shear	4	—	C	HM1/47
1433880	17P3918	Pin, shear	4	—	C	HM1/48
28P/1220820	SP90/G10	Pin, split	8	—	C	
1432634	11P3918	STRUT, FORWARD AT FORWARD TANK, TOP AT AFT TANK, GROUP	2	—	C	HM1/49
		Spare for: —				
	AGS3084	Bearing, end, R.H.	1	—		
	AGS3085	Bearing, end, L.H.	1	—		
28M/9416062	A103/QT	Nut, lock, 5/8" BSF	1	—	C	
28M/9416074	A103/QL	Nut, lock, 5/8" BSF	1	—	C	
1433002	65P3919	TANK WITH EQUIPMENT (Mod. 2152) GROUP	1	—	A	
		Spare for: —				
	28SS4490	Clip, bonding	1	—	MR	HM1/51

EQUIPMENT SPECIAL OPERATIONAL (S.O.O.)

LONG RANGE CYLINDRICAL FUEL TANKS IN BOMB BAY (REMOVABLE FITTINGS)

Ref No	Part No.	Description	No. off	Matl. Spec.	Cl of St.	Plate and Illustr'n No
					M.R.	
		1 2 3 4				
		TANK WITH EQUIPMENT (65P3919) (Mod. 2152) (Continued)				
		Spares for:—				
1433890	BG65S4234	Clip, bonding	3	—		HM1/52
28E 4062141	BG19SS4234	Clip, half	3	—	C	HM1/53
	SP91/M	Clip, hose	4	—	C	HM1/54
	VICKERS ARMSTRONG					
27FR/4620000	A8200 Mk. A	Cock, drain	1	—	A	HM1/55
1432642	43P3919	CUP, FUEL DRIP, GROUP	3	—	C	HM2/56
1432651	BP3919	Gasket, vent pipe	1	DTD762	C	HM1/57
1432643	36P3921	Gasket, float switch	1	DTD762	C	HM1/58
1432641	36P3919	Gasket, fuel pumps	3	DTD762	C	HM2/58
1432654	63P3919	Gasket, refuelling valve	1	DTD762	C	HM1/60
6A/11869	SMITHS 237TA	Gauge, fuel contents, c/w seal (Not supplied with the assembly spare) (65P3919)	1	—	A	HM1/61
6A/11870	SMITHS 238TA	Gauge, fuel contents, c/w seal (Not supplied with the assembly spare) (65P3919)	1	—	A	HM1/62
	42P3919	Hose, rubber, 2-1/2" o/d x 3.0" long	2	DTD625A Type 3		HM1/63
		PIPING, FUEL (18P3919)	—	—		
		Spares for:—				
	14P3919	BRACKET, VALVE MOUNTING, GROUP	1	—		HM2/64
		Spares for:—				
	342SS6000	Label	1	—		
	617SS6000	Label	1	—		
1432649	AQ55S4234	Clip, half	4	—	C	HM2/65
1432648	AQ10SS4234	Clip, half	2	—	C	HM2/66
1433874	AQ12SS4235	Clip, half	2	—	C	HM2/67
26FP/16223	AS4625/24	Clip, "P"	3	—		HM2/68
	26SS4490	Clip, bonding	21	—	MR	HM2/69
	34SS4490	Clip, bonding	2	—	MR	HM2/70
	FLIGHT REFUELLING					
27FR/2230	FRS110/K	Connector, pipe	11	—	C	HM2/71
	FLIGHT REFUELLING					
	FRS150/M	Connector, pipe	2	—		HM2/72
1432731	51P3919	Gasket, fuel pipes to sump	6	DTD762	C	HM2/73
	5P3474	Piece, distance	3	L72	MR	HM2/74
1432644	11P3919	PIPE, FUEL, NON-RETURN VALVES TO PUMPS, GROUP	3	—	C	HM2/75

VULCAN NR 2

EQUIPMENT SPECIAL OPERATIONAL (S.O.O.)

Page HM. 5

LONG RANGE CYLINDRICAL FUEL TANKS IN BOMB BAY (REMOVABLE FITTINGS)

Ref No.	Part No.	Description	No. off	Matl Spec.	Cl. of St.	Plate and Illust'n No.
					M.R.	
		1 2 3 4				
		PIPING, FUEL (18P3919) (Cont'd.)				
1432646	13P3919	PIPE, FLEXIBLE, GROUP	2	—	C	HM2/76
1432647	16P3919	PIPE, FUEL, MANUALLY OPERATED VALVE TO FLEXIBLE PIPE, GROUP	1	—	C	HM2/77
1432645	17P3919	PIPE, FUEL, MANUALLY OPERATED VALVE TO NON-RETURN VALVES, GROUP	1	—	C	HM2/78
1433591	50P3919	PIPE, FLEXIBLE, TO REFUELLING VALVE, GROUP	1	—	C	HM2/79
27FR/3487	FLIGHT REFUELLING 9807100/3 SAUNDERS VALVE	Valve, non-return (Not supplied with the Assembly Spare) (65P3919)	3	—	C	HM2/80
27FS/1444040	118AR60 Mk. 4	Valve, Aero S.P., 2" dia. (Not supplied with Assembly Spare)	1	—	—	HM2/81
1432650	7P3919	PIPE, VENT, FROM VENT VALVE, GROUP	1	—	C	HM1/82
	40P3918	PIPE, VENT, FORMER 33.125 TO FORMER 22.125, GROUP	1	—	—	HM1/83
	41P3918 S.P.E.	Pipe, Vent, Former 22.125 to Former 11.589	1	L58	—	HM1/84
5UE/7518	PAC1200 Mk. 4	Pump, fuel (Not supplied with the Assembly Spare) (65P3919)	3	—	A	HM2/85
	2P3919	Ring, attachment	2	—	—	HM1/86
		STABILISATION OF FLEXIBLE FUEL PIPES (1P3988)	—	—	—	—
	6P3986	Spare for — BRACKET, SUPPORT, AND PLUG STOWAGE, GROUP	1	—	—	HM2/87
	SMITHS LF14	Spare for:— Plug, stowage	1	—	—	—
	PLESSEY 2Z108008 2Z108008	Plug, stowage	2	—	—	—
		Plug, stowage	1	—	—	—
	11P3987	BRACKET, SUPPORT, PORT, GROUP	1	—	MR	HM2/88
	12P3987	BRACKET, SUPPORT, STARBOARD, GROUP	1	—	MR	HM2/89
	13P3987	BRACKET, CLIP, PORT, GROUP	1	—	MR	HM2/90
	14P3987	BRACKET, CLIP, STARBOARD, GROUP	1	—	MR	HM2/91
	BA55S4234	Clip, Fokker	8	—	MR	HM2/92
	BA11SS4234	Clip, Fokker	1	—	—	HM2/93
	BA12SS4234	Clip, Fokker	7	—	—	HM2/94

EQUIPMENT SPECIAL OPERATIONAL (S.O.O.)

LONG RANGE CYLINDRICAL FUEL TANKS IN BOMB BAY (REMOVABLE FITTINGS)

Ref. No	Part No	Description 1 2 3 4	No. off	Matl. Spec.	Cl. of St.	Plate and Illust'n No.
					M.R.	
		TANK WITH EQUIPMENT (65P3919) (Mod 2152) (Continued)				
	17P2831	STOP, VENT VALVE, GROUP	1	—	MR	HM1/95
		STRUCTURE, CYLINDRICAL FUEL TANK (165P3920) (Mod. 2152)	—	—		
	74P3920	BRACKET, ATTACHMENT, FOR- WARD, STRUT, GROUP	1	—	—	HM1/98
	74bP3920	Spares for:— Block, insert	1	L83		
	106P3920	BRACKET, TRANSPORT LEG MOUNTING, GROUP	2	S510	—	HM2/97
	107P3920	BRACKET, TRANSPORT LEG MOUNTING, GROUP	2	S510	—	HM2/98
1433584	148P3920 or 148P3920	BRACKET, ATTACHMENT STRUT, STRUT GROUP	2	S510	C	HM2/99
		BRACKET, ATTACHMENT STRUT, STRUT, GROUP	2	S510		
		Spares for:— Fork-end	1	L83		
	20bP3920	Cover, vent valve	1	L72	—	HM1/100
1432653	18P3920	Gasket, pump and sump pressing	1	DTD782	C	HM2/101
1432656	44P3920	Gasket, vent valve cover	1	DTD782	C	HM1/102
	141P3920					
	1P3922	OUTRIGGER, PORT, FORWARD, STARBOARD, AFT, GROUP	2	—	—	HM2/103
	2P3922	OUTRIGGER, STARBOARD, FORWARD PORT, AFT, GROUP	2	—	—	HM2/104
	1P3943	PRESSING, PUMP MOUNTING, GROUP	1	—	—	HM2/105
		Spares for:— Adaptor, flanged	1	—	C	HM2/106
1432654	4P3943					
	VICKERS ARMS TRONG					
27F/4526889	A5268 Mk. A	Cock, drain	1	—	C	HM2/107
	3P3943	RING, STUD, GROUP	6	—		
		Spares for:— Stud	17	—	C	
1432655	3cP3943	Seal, bonded	1	—	C	
28F/9428863	AGS1186/B	Seal, bonded	6	—	C	
28F/9433483	AGS1186/2					
	18P3920	TRAY, VENT VALVE MOUNTING, GROUP	1	—	—	HM1/109
	FLIGHT REFUELLING					
5CW/4405248	3610100/4	Switch, float (Not supplied with assembly spare) (65P3919)	1	—	A	HM1/109
	FLIGHT REFUELLING					
27FR/33324	114011 Mk. 40	Valve, refuelling (Not supplied with spare) (65P3919)	1	—	A	HM1/110

WACAM 2

EQUIPMENT SPECIAL OPERATIONAL (S.O.O.)

LONG RANGE CYLINDRICAL FUEL TANKS IN BOMB BAY (REMOVABLE FITTINGS)

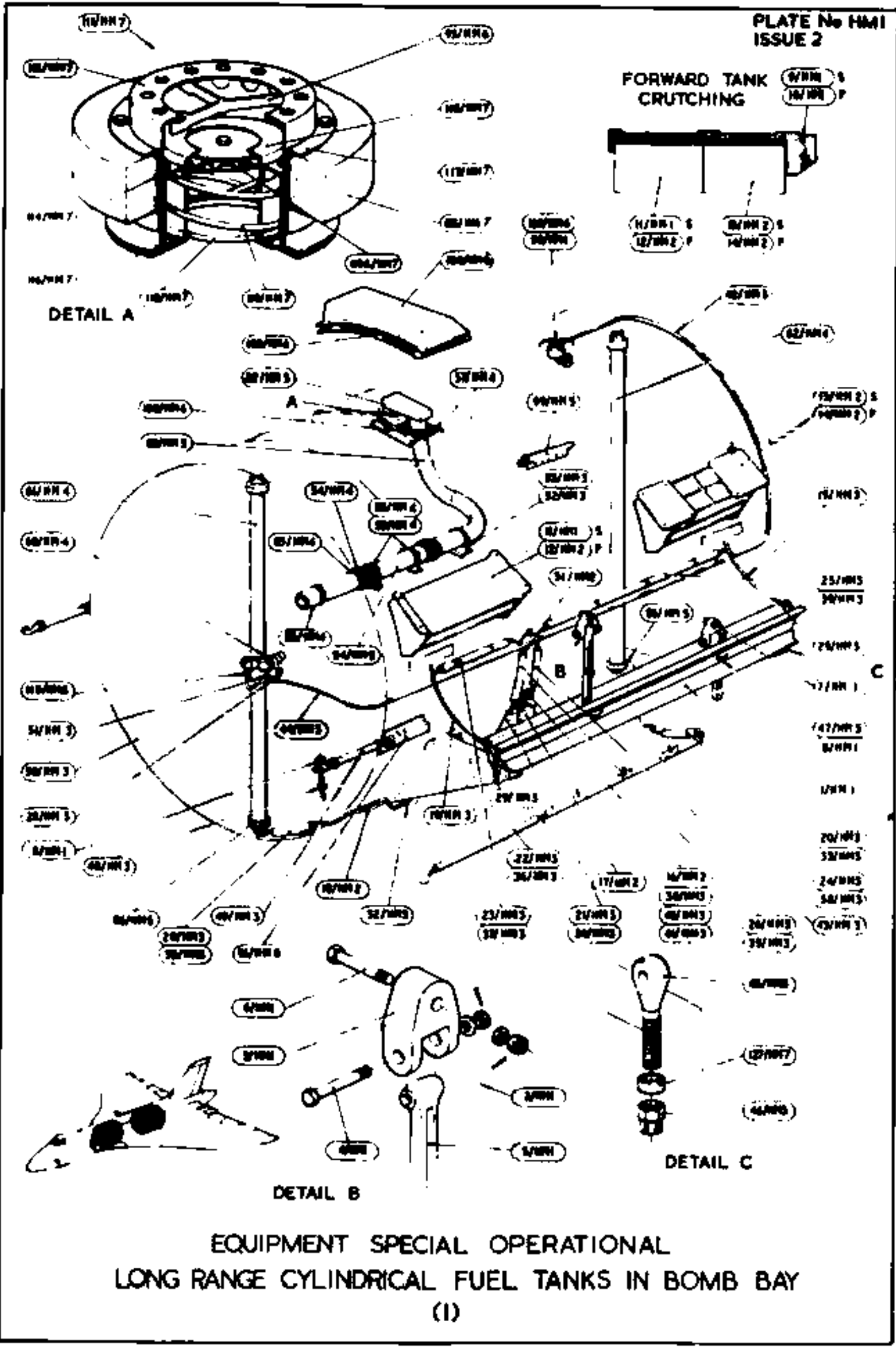
Ref. No.	Part No.	Description	No. off	Mater. Spec.	Cl. of St.	Plate and Must'n No.
					M.R.	
		TANK WITH EQUIPMENT (65P3918) (Mod. 2152) (Continued)				
	15P3012	VALVE, FLOAT (Mod. 1356), GROUP	1	—	MR	HM1/111
		Spares for:—				
	2P3012	Body, valve	1	L59	MR	HM1/112
	4P3012	Float, cork	1	—	MR	HM1/113
	7P3012	Housing, spring	1	L59	MR	HM1/114
	9P3012	Housing, valve	1	L59	MR	HM1/115
	14P3012	Plate, retaining	1	—	MR	HM1/116
1433911	12P3012	Packing, 1/32" thick x 2-3/16" dia.	1	—	C	HM1/118A
	3P3012	Sleeve, float	1	L59	MR	HM1/117
	8P3012	Spring, valve, inward	1	—	MR	HM1/118
	13P3012	Spring, valve, outward	1	—	MR	HM1/119
		VENT SYSTEM, FOR ONE TANK IN FWD. OR AFT POSITION (14P3918)				
28E/4710871	5P91/N	Clip, hose	6	—	C	HM2/120
	42SS4490	Clip, bonding	4	—	MR	HM2/121
	12P3376	Hose, rubber, 2-1/2" i/d x 4.0" long	1	DTD625A	—	HM2/122
	26P3375	Hose, rubber, 2-1/2" i/d x 13.5" long	1	DTD625A	—	HM2/123
	27P3375	Hose, rubber, 2-1/2" i/d x 2.75" long	1	DTD625A	—	HM2/124
1432639	15P3918	PIPE, ELBOW, GROUP	1	L54	C	HM2/125
1432640	25P3375	PIPE, ELBOW, GROUP	1	—	C	HM2/126
1432637	5P3918	Washer, special	4	S98	C	HM1/127

VULCAN No. 2

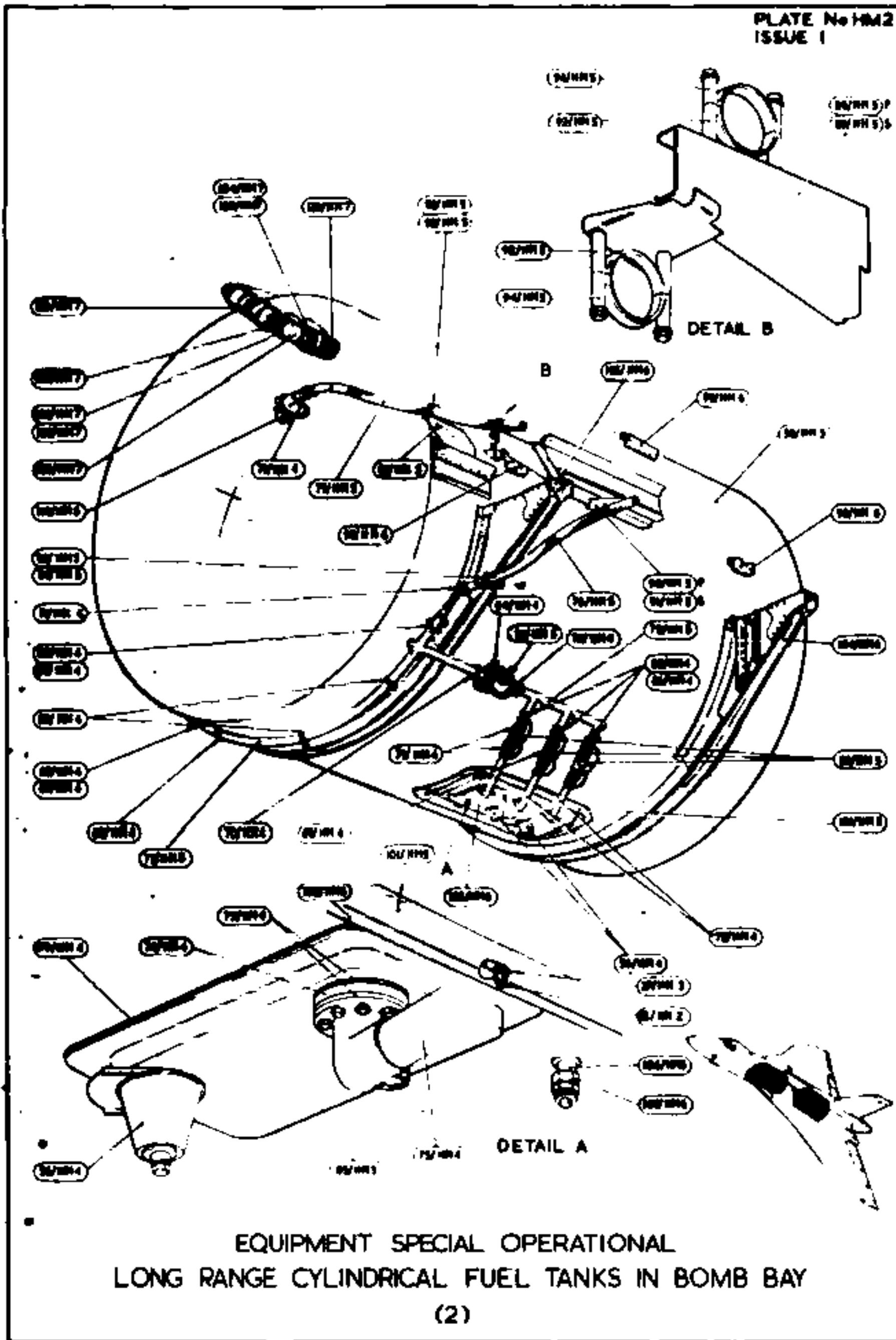
EQUIPMENT, SPECIAL OPERATIONAL
SUMMARY OF STANDARD ITEMS

Page HM. 9

Stores Ref.		No. off	Stores Ref.		No. off	Stores Ref.		No. off
Section	Ref. No.		Section	Ref. No.		Section	Ref. No.	
28D	15405	6	28F	9428450	44	28W	9419401	4
28D	1008149	6	28F	9428453	1	28W	9419402	29
28D	1008151	10	28F	9428953	1	28W	9419404	6
28D	1010030	18	28F	9429836	336	28W	9419405	40
28D	1010858	2	28F	9433483	6	28W	9419448	1
28D	1011019	28				28W	9419454	3
28D	1011021	2				28W	9419474	22
28D	1011238	10	28M	10287	10	28W	9419475	202
28D	1011333	2	28M	10288	153	28W	9419478	4
28D	1017157	6	28M	10290	40	28W	9419481	4
28D	1200119	125	28M	13145	4			
28D	1212679	4	28M	14294	102			
28D	1213592	8	28M	9129449	4			
28D	1213593	8	28M	9416052	1			
28D	1213594	4	28M	9416074	1			
28D	1215859	15						
28D	1215867	3						
28D	1215882	1	28N	18394	8			
28D	1215886	24						
28D	7002428	18						
28D	9133011	9	28P	19129	4			
28D	9133012	109	28P	19157	8			
28D	9133013	10	28P	19234	4			
28D	9140644	18						
28D	9140645	8						
28D	9140647	4	28S	1200049	3			
28D	9140648	2	28S	9419437	2			
28D	9419452	16	28S	9435713	4			
28D	9436920	38						
28E	4082141	4						
28E	19826	6						
28FP	9703069	4						



EQUIPMENT SPECIAL OPERATIONAL
LONG RANGE CYLINDRICAL FUEL TANKS IN BOMB BAY
(I)



EQUIPMENT SPECIAL OPERATIONAL
LONG RANGE CYLINDRICAL FUEL TANKS IN BOMB BAY
(2)

VULCAN No. 3

EQUIPMENT SPECIAL OPERATION (S.O.O.)

Page HN. 1

RADAR AND RADIO

Ref. No.	Part No.	Description 1 2 3 4	No. off	Matl. Spec.	Cl. of	Plate and Illust'n No.
					Sc. M.R.	
		INSTALLATION OF E.C.M. GAP FILLER AERIALS, PORT (T4445) (Mod. 870) AND (T4446) (Mod. 1471)				
100/20301	-	Spares for: Aerial, type M44	2	-		HN1/1
28S/1214122	AS.2983/7C	Attachments- Aerial Type M44 Screw, c'sk, 2 BA	12	-	C	
	4T4445	Block, distance, 25" x 2.0" x 3.70"	1	BS2572		HN1/2
10AD/3017	-	Box, interconnecting, type Mk. 2 (Pre-Mod 1471)	2	-	A	
	AS 4525/12	Clip, rubber covered	3	-		
	14SS3863	Clip, "P"	2	-	MR	
10HB/1957430	3T5730	CONNECTOR, GROUP	1	-		HN1/3
10HB/1957443	4T5730	CONNECTOR, GROUP	1	-		HN1/4
10HB/1957441	5T5730	CONNECTOR, GROUP	1	-		HN1/5
10HB/1957440	7T5730	CONNECTOR, GROUP	1	-		HN1/6
10D/23333	-	Divider, power (Mod 1471)	2	-		HN1/7
28D/1212801	A25/41E	Attachments- Divider (Ref. No. 10D/23333) Bolt, 1/4" BSF	4	-	C	
28W/8418408	SP 15/E	Washer, 1/4"	4	-	C	
	12D10770	FAIRLEAD, GROUP	1		MR	HN1/8
		Consisting of:-				
	12aD10770	Fairlead, half	2	BS2572		
	12bD10770	Slip, rubber, 1/32" x .80" x 7.5"	2	GACO		
11715	18T4445	FAIRLEAD, GROUP	1		C	HN1/9
		Consisting of:-				
	18aT4445	Fairlead, half	1	BS2572		
	18bT4445	Fairlead, half	1	BS2572		
	18cT4445	Lining, rubber, 1/32" x .8" x 1.80"	2	BS2752-C3		
	18dT4445	Lining, rubber, 1/32" x .8" x 1.20"	2	BS2752-C3		
14837	3T4445	Fairing (Mod 1471)	2	DT05518	B	HN1/10
28D/1213840	AS 3294/C1	Attachments- Fairing 3T4445 Bolt, c'sk head, 2 BA	6	-	C	
28D/1213847	AS 3294/C8	Bolt, c'sk head, 2 BA	12	-	C	
		INSTALLATION OF AFT COUNTERPOISE PLATE, PORT (1D12067) (Mod. 870)				
		Spares for:-				
	5D11568	Angle, attachment	1	L72	MR	
	4D12067	ANGLE, ATTACHMENT, GROUP	1	-	MR	HN1/11

EQUIPMENT SPECIAL OPERATIONAL (S.O.O.)
RADIO AND RADAR

Ref. No.	Part No.	Description	No. off	Matl. Spec.	Cl. of	Plate and Illust'n No.
					Se. M.R.	
		1 2 3 4				
		INSTALLATION OF AFT COUNTERPOISE PLATE, PORT (1D12057) (Mod. 870) (Cont'd)				
	3D12047	ANGLE, ATTACHMENT, GROUP Attachments Angle 3D12057				HN1/12
28D/9133012	A25/3C	Bolt, 2 BA	14	-	C	
28W/9419475	SP15/C	Washer, 2 BA	14	-	C	
1510115	1D12060	FAIRING, OUTBOARD, GROUP	1	-	C	
		Spare for:-				
11722	8D12060	FAIRING, GROUP	1	-	C	HN1/13
	19D10993	Spacer	18	S93	MR	HN1/14
	16D10993	Strip, rubbing, 1/32" x 92" x 32.18"	1	Glassfibre	MR	
	17D10993	Strip, rubbing, 1/32" x 92" x 37.06"	1	Glassfibre	MR	
	2D12060	FAIRING, INBOARD, FORMERS 428.01" - 487.5", GROUP	1	-		HN1/15
	3D10993	FAIRING, INBOARD, AFT OF FORMER 487.5", GROUP (Pre-Mod. 906)	1	-	MR	
11775	18D10993	FAIRING, INBOARD AFT OF FORMER 487.5", GROUP (Mod 906)	1	-	C	HN1/16
	8D10990	Hinge, half, make from	1	Noral 50 SWP	MR	HN1/17
	7D10990	Pin, hinge, 3/16" dia. x 4' 11.57" long	1	S90	MR	HN1/18
11719	1D12058	PLATE, COUNTERPOISE, AFT, GROUP	1	-	C	HN1/18
		Spare for:-				
	31F11062	FRAME, GROUP	1	-	MR	HN1/20
		Spare for:-				
	KING A/C D7293	Fastener	10	-	MR	HN1/21
	10F10504	HINGE, GROUP	1	-		HN1/22
	13cF11489	Hinge, half, make from 332553075	1	-		HN1/23
	14D10992	PIN, HINGE, GROUP	1	-	MR	HN1/24
	26F11062	PLATE, BLANKING, GROUP	1	-	MR	HN1/25
		Spare for:-				
	26cF11062	Cable, attachment	1	DTD130A		
	26aF11062	Plate	1	L72		
	26bF11062	Ring	1	BS2572		
10H/3145	-	Seal, rubber	1	-	C	
28D/9709481	AS 1242/3C	Attachments-Plate 26F11062 Bolt, c'sk head, 2 BA	12	-	C	

VULCAN No. 2

EQUIPMENT SPECIAL OPERATIONAL (S.O.O.)

Page HN. 3

RADIO AND RADAR

Ref. No.	Part No.	Description	No. off	Mater. Spec.	Cl. of	Plate and Illust'n No.
					St. P.R.	
		1 2 3 4				
		PLATE, COUNTERPOISE, AFT, GROUP (1D12058) (Cont'd)				
11000	33F11062	PLATE, COVER, GROUP	1	-	C	HN1/26
	KING A/C CB485	Spares for:- Fastener	10	-	MR	HN1/27
	18F10504	RING, AERIAL MOUNTING, GROUP . .	1	-		HN1/28
11720	8D12058	Stop	1	L65	C	HN1/28
		Attachments - Counterpoise Plate 1D12058				
28D/1013284	AS1248/2C	Bolt, mush head, 2 BA	20	-	C	
28D/1214032	AS1242/9C	Bolt, c'sk head, 2 BA	21	-	C	
28W/9419454	SP10/C	Washer, 2 BA	20	-	C	
	1D12059	SPLITTER, AFT, GROUP	1	-		HN1/30
		Attachments - Splitter, 1D12059				
28D/9133011	A25/2C	Bolt, 2 BA	13	-	C	
28W/9419475	SP15/C	Washer, 2 BA	13	-	C	
		INSTALLATION OF FORWARD COUNTER POISE PLATE, PORT (1F10503) (Mod. 870)				
		Spares for:-				
	3F10503	ANGLE, ATTACHMENT, GROUP	1	-	MR	
	4F10503	ANGLE, ATTACHMENT, FORWARD, . . GROUP	1	-		HN1/31
	5F10503	ANGLE, ATTACHMENT, MIDDLE, GROUP	1	-		HN1/32
	7F11487	Angle, attachment, rear	1	L72	MR	
	8F11487	Angle, attachment, forward	1	L72	MR	
	29F10503	ANGLE, ATTACHMENT, L/EDGE FAIRING, GROUP	1	-		HN1/33
		Spares for:-				
	10F11487	Angle, attachment	1	L72	MR	
	11F11487	Angle, attachment	1	L72	MR	
	12F11487	Angle, attachment	1	L72	MR	
	13F11487	Angle, attachment	1	L72	MR	
	28F11080	Angle, attachment	1	L72	MR	
	38F11080	Plate, joint	2	L72	MR	
	14F11487	Strip, rubbing	1	Glassfibre	MR	
	15F11487	Strip, rubbing	1	Glassfibre	MR	
	6F11142	Strip, rubbing	1	Glassfibre		

EQUIPMENT SPECIAL OPERATIONAL (S.O.O.)

RADIO AND RADAR

Ref. No.	Part No.	Description	No. off	Matl. Spec.	Cl. of	Plate and Illust'n No.
					St.	
		1 2 3 4				
		INSTALLATION OF FORWARD COUNTER-POISE PLATE, PORT (1F10603) (Mod. 870) (Cont'd)				
11737	1F10606	FAIRING, LEADING EDGE, GROUP	-	-	B	HN1/34
	3F10606	Spares for:- LINING, GROUP	1	-		HN1/35
22773	1F12320	LINING, ECHO SUPPRESSION, GROUP (Mod 1890)	1	-		HN1/36
28S/9443432	A32/C16	Screw, round head, 2 BA	39	-	C	
	1F10607	FAIRING, OUTBOARD, FW'D, GROUP . .	1	-	MR	HN1/37
	3F10607	Spares for:- ATTACHMENT, GROUP	1	-		
28M/9436067	AGS.2008/C1 8F11481	Spares for:- Nut, anchor, 2 BA Section "Z"	23 1	- L72	C	
	4F10607	FAIRING, GROUP	1	-	MR	HN1/38
	19D10993 8F11063	Spacer Strip, rubbing, fwd. 1/32" x 1.12" x 3' 7.18" long	23 1	S93 Glasfibre	MR MR	HN1/39
	11F11063	Strip, rubbing, rear, 1/32" x 1.12" x 3' 11.25" long	1	Glasfibre	MR	
28D/1007975	AS.1242/1C	Attachments-Fairing, 1F10607 Bolt, c'sk head, 2 BA	23	-	C	
	2F10607	FAIRING, INBOARD, GROUP	1	-	MR	
	5F11487	Hinge, half, fwd.	1	Noral 50 SWP	MR	HN1/40
11731	11F11060	Hinge, half rear	1	Noral 50 SWP	C	HN1/41
	24F11060	Pin, hinge, fwd. 3/16" x 2' 8.27"	1	S80	MR	HN1/42
	10F11060	Pin, hinge, rear, 3/16" x 4' 10"	1	S80	MR	HN1/43
11733	1F10604	PLATE, COUNTERPOISE, FORWARD, . . . GROUP	1	-	A	HN1/44
	31F11062	Spares for:- FRAME, GROUP	2	-	MR	HN1/45
	KING A/C D7293	Spares for:- Fastener	10	-	MR	HN1/46
	8F10604	HINGE, FORWARD, GROUP	1	-	MR	HN1/47
11736	9F10604	HINGE, AFT, GROUP	1	-	C	HN1/48

EQUIPMENT SPECIAL OPERATIONAL (S.O.O.)

RADIO AND RADAR

Ref. No.	Part No.	Description 1 2 3 4	No. off	Mater. Spec.	Cl. of	Plate and Illustr'n No.
					St. M.R.	
		PLATE, COUNTERPOISE, FORWARD, GROUP (1F10504) (Cont'd)				
	11cF11489	Hinge, half, 2' 8 25" long Make from 332SS3075	1	-		HN1/49
	12cF11489	Hinge, half, 4' 10" long Make from 332SS3075	1	-		HN1/50
11000	33F11062	PLATE, COVER, GROUP Spares for:-	2	-	C	HN1/51
	KING A/C CB485	Fastener	10	-	MR	HN1/52
	26F11062	PLATE, BLANKING, GROUP Spares for:-	2	-	MR	HN1/53
	26cF11062	Cable, attachment	1	DTD130A		
	26aF11062	Plate	1	L72		
	26bF11062	Ring	1	BS2572		
10H/3145	-	Seal, rubber	1	-		
28D/8709461	AS1242/3C	Attachments-Plate 26F11062 Bolt, c'sk head, 2 BA	12	-	C	
	18F10504	RING, AERIAL, GROUP	2	-		HN1/54
	4F11142	Spacer	19	S93	MR	HN1/55
	1F10505	SPLITTER, FWD, GROUP Spares for:-	1	-		HN1/56
	17F10505	LEADING, EDGE, GROUP Spares for:-	1	-		
	18F10505	RIB, NOSE, UPPER, GROUP	1	-	MR	
	19F10505	RIB, NOSE, LOWER, GROUP	1	-	MR	
	20F10505	Skin Attachments-Splitter 1F10505	1	L72	MR	
28D/9133011	A25/2C	Bolt, 2 BA	10	-	C	
28W/9419475	SP15/C	Washer, 2 BA	10	-	C	
	13T4292	PLATE, JOINT, INBOARD, GROUP	1	-		HN1/57
	14T4292	PLATE, JOINT, OUTBOARD, GROUP	1	-		HN1/58
	3T4445	STRAP, BUTT, GROUP	1	-		HN1 59
	8T4642	Washer, special	1	L72		HN1/60

VULCAN MIL 2

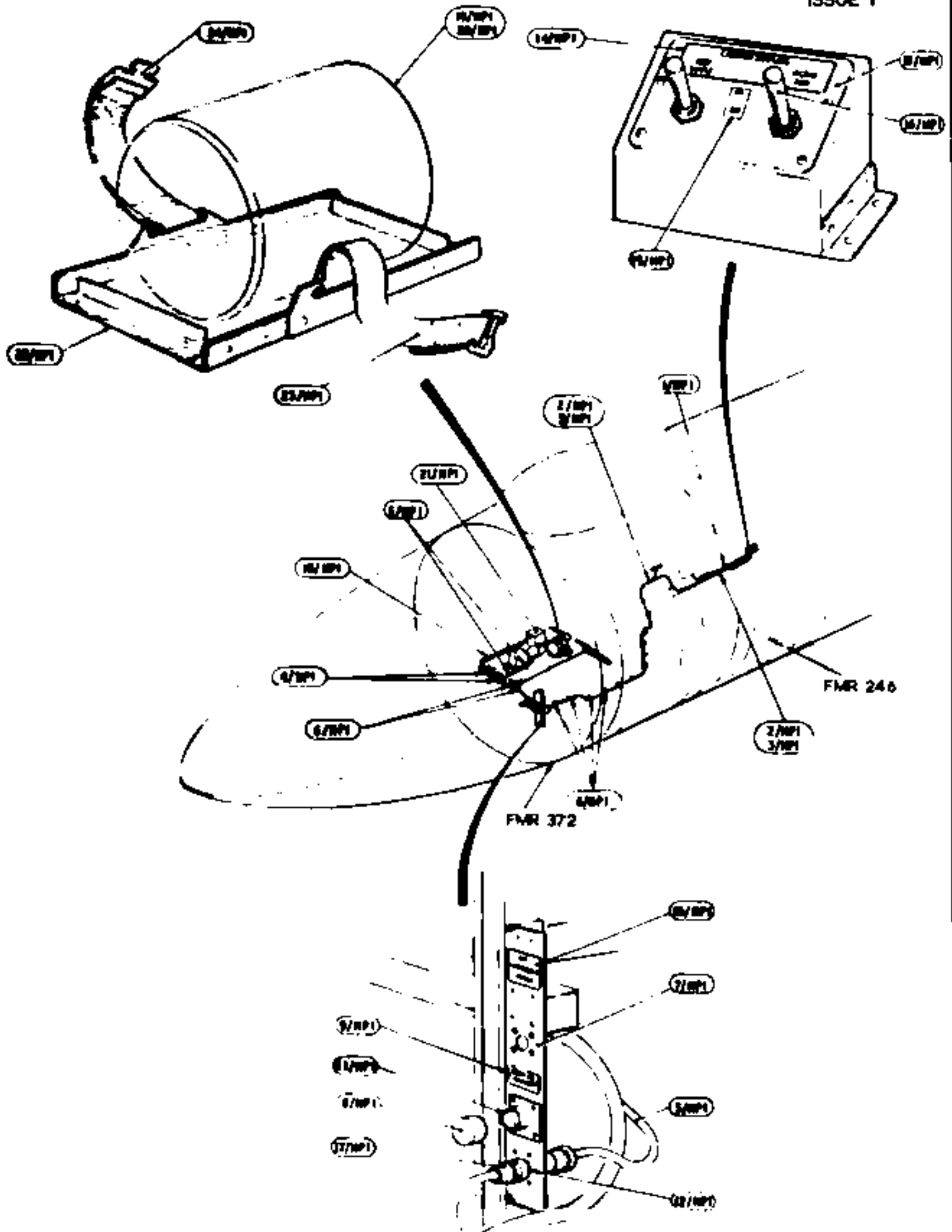
EQUIPMENT SPECIAL OPERATIONAL (S.O.O.)
AIR MONITORING SYSTEM (MOD. 2382)

Ref. No.	Part No.	Description	No. off	Matl. Spec.	Cl. of St.	Plate and Illust'n No.
					M.R.	
		1 2 3 4				
		CLIPS AND FIXING FOR AIR SAMPLING EQUIPMENT (V18358)				
28D/9438820 28D/9133011 28D/1212808	A25/1C A25/2C AS1248/8C	Bolt, 2 BA	8	—		
		Bolt, 2 BA	4	—		
		Bolt, 2 BA	4	—		
	4219V7909	CABLE (F4219), FUSES 654 AND 837 TO SAMPLING SWITCHES. GROUP	1	—		HP1/1
	4220V7909	CABLE (F4220), DUST SAMPLING SWITCH AND EARTH POINT 18 TO PUMP. GROUP	1	—		HP1/2
	4221V7909	CABLE (F4221), VAC/AIR SAMPLING SWITCH AND EARTH POINT 20 TO PLUG BREAK. GROUP	1	—		HP1/3
	AS5418/3 AS5418/6 AS5418/7	Clip, "P", cable	4	—		HP1/4
		Clip, "P", cable	2	—		HP1/5
		Clip, "P", cable	6	—		HP1/6
28M/1012015	AGS2001/C1/8	Nut, stiff, 2 BA	8	—		
	2V18358	PANEL, PLUG BREAK AND STOWAGE. GROUP	1	—		HP1/7
		Spares for:—				
	HELLERMANN 0003-033-000	Cover, dust	1	—		HP1/8
	31SS8098	Label, "Cabin Air Sampling"	1	—		HP1/9
	32SS8098	Label, "Air Monitoring Stowage"	1	—		HP1/10
28M/1987483	AGS2001/A1 2aV18358	Nut, stiff, 6 BA	8	—		
	HELLERMANN 418818/12	Panel	1	—		
	HELLERMANN SLPT06F-10-6S	Receptacle, dummy	1	—		HP1/11
28S/1006948 28W/9419464	A32/A12 SP13/A	Receptacle	1	—		HP1/12
		Screw	8	—		
		Washer	8	—		
	3V18358	PANEL, SWITCH, GROUP	1	—		HP1/13
		Spares for:—				
	36SS8098	Label, "Cabin Air Sampling"	1	—		HP1/14
	37SS8098	Label, "ON/OFF"	1	—		HP1/15
	3aV18358	Panel	1	—		
	LUCAS D13057	Switch, single pole	2	—		HP1/18
	HELLERMANN SLPT06F-10-6P	Plug	1	—		HP1/17
28S/1017747	A32/A14	Screw, 6 BA	4	—		
		MOUNTING OF AIR SAMPLING EQUIPMENT (Z12758)				
28D/9438820 28D/1008145	A25/1C A25/6E	Bolt, 2 BA	4	—		
		Bolt, 1/4" UNF	4	—		

EQUIPMENT SPECIAL OPERATIONAL (S.O.O.)

AIR MONITORING SYSTEM (MOD. 2392)

Ref. No	Part No.	Description	No. off	Matl. Spec.	Cl. of St.	Plate and Mount'n No.
					M.R.	
		<u>1 2 3 4</u>				
	4SS5681	Insert, 2 BA	4	—		
	4SS5682	Insert, 1/4" BSF	4	—		
	2Z12758	PANEL, BOMBaimer's, GROUP	1	—		HP1/18
		(Make from existing panel 150Z12726)				
	HELLERMANN SLPT08F-10-8P AEROSOL PRODUCTS Type SC1 ROTHEROE MITCHELL L60	Plug	1	—		HP1/19
		Pump, 'Vacanair'	1	—		HP1/20
		Pump, dust sampling	1	—		HP1/21
	1Z12757	TRAY, MOUNTING, VACANAIR PUMP	1	—		HP1/22
		GROUP (212757)				
		Spare for:—				
28D/1007973	AS1242/28	Bolt, 4 BA	6	—		
28M/1278188	AGS2001/B1	Nut, stiff, 4 BA	6	—		
	5Z12757	Strap Assy., half	1	—		HP1/23
	10Z12757	Strap Assy., half	1	—		HP1/24
28W/9418401	SP10/B	Washer, 4 BA	6	—		
28W/9418454	SP10/C	Washer, 2 BA	4	—		
28W/9418820	SP10/E	Washer, 1/4" BSF	4	—		



EQUIPMENT SPECIAL OPERATIONAL (S.O.O.)
AIR MONITORING SYSTEM (MOD. 2392)

FUSELAGE
CREW'S NACELLE

Ref. No.	Part No.	Description	No. off	Matl. Spec.	Cl. of St. M.R.	Plate and Illust'n No.
		1.2.1.4				
	10D9580	CREW'S NACELLE, COMPLETE WITH EQUIPMENT Complementary parts e.g.:— Instruments attachments listed at the end of this assembly will not be supplied with the assembly spare and must be demanded separately when required Spare for:— AIR, EMERGENCY RELEASE (1Z7800) (See Services—Emergency Air) A.S.I. SYSTEM (S2167) (See Services, A.S.I. System) AXE MOUNTING, FIREMAN'S, AND ASBESTOS GLOVES ON BOMB SIGHT COVER (Z11323) (Mod. 1886) Spare for:—	1	—		
27N/4670513 22G/404	—	Axe	1	—	B	JA1/1
	—	Gloves, asbestos (1 pair)	1	—	B	
	2Z11323	PLATE, MOUNTING, GROUP	1	—	—	JA1/2
	40D927B	Spare for:— CORD, GLOVE RETAINING, GROUP	1	—		JA1/3
	40D927B	Consisting of:— Cord, elastic, 1/4" dia. x 4" long (Make from 32C/9005616)	1	F51		
28H/4070284	AGS897/B	Ferrule	2	—	C	
	7Z8500	GUARD, AXE BLADE, GROUP Attachments—Guard, Part No. 7Z8500	1	—		JA1/4
28D/1213722 28M/1278189 28W/9419474	AS1248/9B AGS2001/B1 SP15/B	Bolt, 4 BA	3	—	C	
		Nut, 4 BA	3	—	C	
		Washer, 4 BA	3	—	C	
	3Z11323	GUARD, AXE, PICK END, GROUP Attachments—Guard, Part No. 3Z11323	1	—		JA1/5
28D/1013172 28M/1278189 28W/9419464	AS1242/5C AGS2001/C1 SP10C	Bolt, 2 BA	2	—	C	
		Nut, 2 BA	2	—	C	
		Washer, 2 BA	2	—	C	
	2Z11266	PLATE, MOUNTING, GROUP	1	—		JA1/6
	15Z3090	POCKET, AXE STOWAGE, GROUP Attachments—Pocket, Part No. 15Z3090	1	—		JA1/7
28D/1218384 28M/1278189 28W/9419474	AS1248/1B AGS2001/B1 SP15/B	Bolt, 4 BA	4	—	C	
		Nut, 4 BA	4	—	C	
		Washer, 4 BA	4	—	C	
	2Z7518	STRAP, AXE MOUNTING, GROUP Attachments—Strap, Part No. 2Z7518	1	—	C	JA1/8
28D/1218384 28M/1278189 28W/9419474	AS1248/1B AGS2001/B1 SP15/B	Bolt, 4 BA	2	—	C	
		Nut, 4 BA	2	—	C	
		Washer, 4 BA	2	—	C	

FUSELAGE
CREW'S NACELLE

Ref. No.	Part No.	Description	No. off	Matl. Spec.	Cl of	Plate and Inst'n No.
					St. M.R.	
		1.2.3.4				
		AXE, MOUNTING, FIREMAN'S AND ASBESTOS GLOVES ON BOMB SIGHT COVER (Z11323) (Mod. 1896) (Cont'd)				
28D/8419387	A25/12C	Attachments—Mounting Plate Part No. 2211323				
28M/1012015	AGS2001/C1/88	Bolt, 2 BA	4	—	C	
28DL/8839	AS2811/5/055	Nut, 2 BA	4	—	C	
28TA/11123	24SS4327	Tube, distance	4	—	C	
		Ferrule	4	—	C	
		BOMB SIGHT INSTALLATION (W1128) (See—Armament—Bomb Sight)				
	12SK29558	BOX, BALLAST, ON SEXTANT STEP, PORT, . GROUP	1	—		JA3/9
	1SK29558	BOX, BALLAST, ON SEXTANT STEP, STARBOARD, GROUP	1	—		JA3/10
		BRAKE, PARKING, INSTALLATION (30Z7704)				
	1 O 3520	Spare for:— FAIRLEAD, ROLLER, PARKING BRAKE . CONTROL RODS AT FORMERS 218"-248" 274"-302" PORT, GROUP	6	—	MR	JA2/11
	3 O 3520	Spare for:— Bracket	1	DTD721		
	4 O 3520	ROLLER ASSEMBLY	3	—	MR	JA2/12
	4a.O.3520	Spare for:— Bush, oilite, CT419 x .29"	3	—		
	4b.O.3520	Roller	3	Oil Resisting		
28D/9133011	A25/2C	Attachments—Fairlead (1.O.3520)				
28M/1012015	AGS2001/C1/88	Bolt, 2 BA	3	—	C	
28W/9419402	SP13/C	Nut, 2 BA	3	—	C	
	3Z7600	Washer, 2 BA	3	—	C	
		Lever, at former 358, inboard for controls rods	1	DTD298 or 300	MR	JA2/13
4713	25Z7704	LEVER, AT FORMER 358, FOR CONTROL . RODS, GROUP	1	—	B	JA2/14
		Consisting of:—				
4714	CT51	Bush, oilite	1	—	C	JA2/15
	25aZ7704	Lever	1	DTD298 or 300		
	1Z9498	LEVER, AT FORMER 358, OUTBOARD, GROUP	1	—		JA2/16
		Spare for:—				
4715	FBS54	Bush, oilite, .75 long	2	—	C	JA2/17
	7Z7737	Housing	1	DTD384		JA2/18
	10Z7737	Lever	2	DTD384	MR	

FUSELAGE
CREW'S NACELLE

Ref. No.	Part No.	Description	No. off	Matl. Spec.	Cl. of St. M.R.	Plate and Illus'n No.
		1.2.2.4				
		BRAKE, PARKING INSTALLATION (3Z7704) (Cont'd)				
2478	3Z7704	ROD, CONNECTING, AT FORMER 358, ... INBOARD, GROUP	1	—	B	JA2/19
	4Z7704	ROD, CONNECTING, AT FORMER 358, ... OUTBOARD, GROUP	1	—	MR	JA2/20
28M/1007404	A27/JT	Spares for:— Nut, locking, at rod end	1	—	C	JA2/21
	25.O.3508	ROD, END, GROUP	1	—	MR	JA2/22
28R/4885582	CM3/16"B 25a.O.3508	Spares for:— Rod, end Stud, 3/16" BSF	1 1	— S1	B	
	44.O.3508	ROD, END, GROUP	1	—	MR	JA2/23
28R/4885582	CM3/16"B	Spares for:— Rod, end	1	—	B	
	6Z7704	ROD, CONNECTING, AFT OF FORMER ... 358 TO FORMER 344, OUTBOARD, GROUP	1	—	MR	JA2/24
	7Z7704	ROD, CONNECTING, AFT OF FORMER ... 344, OUTBOARD, GROUP	1	—	MR	JA2/25
28M/1007404	A27/JT	Spares for:— Nut, locking, at fork end	1	—	C	JA2/21
	25.O.3508	ROD, END, GROUP	1	—	MR	JA2/22
28R/4885582	CM3/16"B 25a.O.3508	Spares for:— Rod, end Stud, 3/16" BSF	1 1	— S1	B	
28D/1214006 28M/8808573 28P/9527819 28W/9419402 37J/9722704	AS2604/7C A27/CB SP90/C7 SP13/C 52888 15D8481	Attachments—Rods (3-4-6-7Z7704) Bolt, 2 BA Nut, 2 BA Pin, split Washer, 2 BA Seal, Gaco, for rods Sleeve, sealing, for control rods at rear pressure bulkhead	8 8 8 8 1 1	— — — — — —	C C C C C MR	JA2/26 JA2/27
		BRAKE, PARKING, INSTALLATION (2Z7704) (See—Fuselage—Centre Section)				
		BRAKE, PARKING, PIPING FOR FOOT MOTOR (1Q1828) (See—Services—Hydraulics)				
		COAMING AND STRUCTURE, COCKPIT (9Z8946) Spares for:—				
	13Z8946	BRACKET, PLUG, GROUP (Mod. 805)	1	—		JA1/28
28FP/13611 28W/9418475	7SS3180 SP15/C	Attachments—Plug Bracket (13Z8946) Bolt, monel metal, 2 BA Washer, 2 BA	4 4	— —	C C	

FUSELAGE
CREW'S NACELLE

Ref. No.	Part No	Description	No. off	Matl. Spec.	Cl. of St.	Plate and Illust'n No.
					M.R.	
		1 2 3 4				
		COAMING AND STRUCTURE, COCKPIT (928943) (Cont'd.)				
	1028976	COAMING, PILOT'S PANEL, GROUP	1	—		JA1/29
	728943	Spares for:— CLIP, SPRING, PORT, INBOARD,	1	—		JA1/30
	828943	INNER, GROUP				
	828943	CLIP, SPRING, STARBOARD,	1	—		JA1/31
9945	828943	INBOARD, INNER, GROUP				
	1028943	CLIP, SPRING, PORT, INBOARD,	1	—	C	JA1/32
	1028943	OUTER, GROUP				
	1028943	CLIP, SPRING, STARBOARD,	1	—	MR	JA1/33
9947	1128943	INBOARD, OUTER, GROUP				
	1228943	CLIP, SPRING, PORT, OUTBOARD,	1	—	C	JA1/34
9948	1228943	OUTER, GROUP				
	1328943	CLIP, SPRING, STARBOARD, OUT- BOARD, OUTER, GROUP	1	—	C	JA1/35
9949	1328943	CLIP, SPRING, PORT, OUTBOARD,	1	—	C	JA1/36
	1428943	INNER, GROUP				
	1428943	CLIP, SPRING, STARBOARD, OUT- BOARD, INNER, GROUP	1	—	MR	JA1/37
	3728781	Spares for:— SPRING, TOGGLE, GROUP	1	—		
		COVER, R.A.T. HANDLE ON				JA1/38
		COAMING (129970)				
		Spares for:—				
1433761	629970	BRACKET, CLAMPING, GROUP	1	—	C	JA1/39
	1429970	Insulating, fibreglass	1	Y227		
	3a29970	Plate, base, 20G x 2' x 8'	1	S520		
	1229970	PLATE, COVER, GROUP	1	—		JA1/40
	729970	Seal, rubber, 1/8" thick	1	Sponge Rubber		JA1/41
	1029970	Seal, rubber, 1/16" x 6" x 3"	1	Rubber		JA1/42
	629970	Strip, retaining, 20G x .7" x 2.5" L.H. ..	1	L72		JA1/43
	929970	Strip, retaining, 20G x .7" x 2.5" R.H. ..	1	L72		JA1/44
		Attachments for cover (129970)				
28D/1213053	AS4588/2C	Bolt, mush. head, 2 BA	4	L65	C	
28D/1213064	AS4588/3C	Bolt, mush. head, 2 BA	2	L65	C	
	729476	Covering, black neoprene, flock covered, fibreglass coated one side only, 6' 6" x 2' 6"	1	Y360/85		
	328943	Padding, rubber, to coaming, inboard	1	Sponge		
	428943	port and starboard, 4' 5" long x 1/2" thick				
		Padding, rubber, to coaming outboard, ..	1	Sponge		
		port and starboard, 24" long x 1/8" thick				

W.R.CAN No. 2

FUSELAGE
CREW'S NACELLE

Page JA. 5

Ref. No.	Part No.	Description	No. off	Matl Spec.	Cl. of St.	Plate and Illust'n No.
					M.R.	
		1 2 3 4				
COAMING, PILOT'S PANEL (10Z0476) (Cont'd.)						
	1429476	Panel, access, centre, top (Mod. 980)	1	L72		JA1/45
28D/1010658	A25/1B	Attachments—Panel (1429476)				
28W/9419486	SP13/B	Bolt, 4 BA	3	—	C	
	629476	Washer, 4 BA	3	—	C	
	629476	Panel, detachable, port	1	L72		JA1/46
	629476	Panel, detachable, starboard	1	L72		JA1/47
		Attachments, Panels (5 & 629476)				
26FP/13610	6SS3160	Bolt, 2 BA	6	—	C	
28W/9419476	SP15/C	Washer, 2 BA	6	—	C	
	128801	PANEL, FIRE WARNING, GROUP	1	—		JA1/48
		Spares for:—				
10196	428801	BOX, COVER, GROUP	1	—	C	JA1/49
		Attachments—Box Cover (428801)				
28D/1213053	AS4586/2C	Bolt, 2 BA	2	—	C	
28M/9148806	AGS2002/C2	Nut, thin, 2 BA	2	—	C	
	A52808/4/013	Tube, distance	2	—	C	
28W/9419476	SP15/C	Washer, thin, 2 BA	2	—	C	
28W/9419404	SP16/C	Washer, thick, 2 BA	2	—	C	
	328801	Spring	2	—		HA1/50
	3028846	Disc, luminous (Pre-Mod. 2154)	4	—	MR	JA1/51
5L/9861271	—	Filament, fire warning	4	—	C	JA1/52
5CW/4222	—	Guard, locking, at Fuel Switch	4	—	C	JA1/53
LIGHTING, U/V AND RED FLOOD INSTRUMENT, IN COCKPIT (V9676) (See—Electrical Installation—Crew's Nacelle)						
6116053	SAUNDERS ROE LTD. SR2—1816 N S.F.	Marker, Betalite (Mod. 2154)	4	—	C	
5CW/4400082	B376/B104	Switch, fuel, low pressure	1	—	B	JA1/54
10985	2128946	Switch, fire warning	1	—	MR	JA1/55
10986	2228946	Switch, fire warning	1	—	A	JA1/56
	2328946	Switch, fire warning	1	—	A	JA1/57
	2428946	Switch, fire warning	1	—	MR	JA1/58
CONSOLE, PORT (1V9145) (See—Electrical Installation)						
CONSOLE, STARBOARD (1V9043) (See—Electrical Installation)						

FUSELAGE
CREW'S NACELLE

Ref. No.	Part No.	Description	No. off	Mati. Spec.	Cl. of St.	Plate and Illust'n No.		
					M.R.			
		1 2 3 4						
28D/8304 6TB/4345187 5L/9961271	AS1242/68 — — 1V12060 17S2047	CONSOLE, RETRACTABLE, CENTRE (1S2368)						
		Spare for:— CONSOLE, RETRACTABLE (1S2373)						
		Spare for:— Bolt, at handle	1	—	C			
		Controller, pilot's	1	—	A	JA1/59		
		Filament	4	—	C	JA1/60		
		LOOM, CABLE, GROUP (Mod. 1509)	1	—				
		Nut, special, for bolt AS1248/68 at handle	1	S1				
		PANEL, CENTRE, CONSOLE (1S2405) (See—Equipment—Aircraft—Instrument Panels)						
		PANEL, REAR, CENTRE CONSOLE (1S2491) (See—Equipment—Aircraft—Instrument Panels)						
		5K/9717191	8S2047 7S2047 SP40/A20 11S2047 10S2047	STRUCTURE, CONSOLE (2S2373)				
Spare for:— CABLE, GROUP	1			—	MR	JA2/61		
Spare for:— Spring	1			—		JA2/62		
Grommet, rubber	2			—	C			
Handle	1			L33	MR	JA2/63		
Trunnion, for cable	1			S96		JA2/64		
STRUCTURE, GROUP (1S2371)								
Spare for:— HOUSING, OILITE BUSH, PORT, GROUP	1			—	C	JA2/65		
HOUSING, OILITE BUSH, STARBOARD, GROUP	1			—	C	JA2/66		
Spare for:— Bush, oilite	2			—	C	JA2/67		
1433253 1505441 6TB/1623 6TB/4545449	17bS1983 30aS2049 56S2049 — —	Housing	2	L65				
		Stop, red rubber	2	—		JA1/68		
		Switch, auto-pilot unit (Pre-Mod. 1204)	1	—	A			
		Switch, pilot's selector, type B (Mod. 1204)	1	—	A	JA1/69		
		WESTON MFG TS101 B & C 1904	Switch, emergency trim, Mk. 14	1	—	A	JA1/70	
			Washer, spring, at selector	4	—	C		
		6CW/4400082 28W/9137412						

VULCAN No. 2

FUSELAGE
CREW'S NACELLE

Page JA. 7

Ref. No.	Part No.	Description	No. off	Matl. Spec.	Cl. of	Place and Illust'n No.
					St. M.R.	
		1 2 3 4				
		CONSOLE, RETRACTABLE, CENTRE (152388) (Cont'd)				
	3S2388	COVER, UNDER PILOT'S FLOOR, GROUP	1	-		JA2/71
		Spares for:-				
28FP/1013288	A4/35	Fastener, dzus	8	-	C	
28FP/9430815	GA4/250	Grommet, dzus	8	-	C	
3806	1S2048	DAMPER, GROUP	1	-	B	JA2/72
		Spares for:-				
	7S2048	Bearing	1	L85		JA2/73
	6S2048	Bolt, special	1	H.T.S.		JA2/74
	3S2048	COVER, GROUP	1	-		JA2/75
	G ANGUS C087	Packing, cup	1	-		JA2/76
	2S2048	RDD, SLIDE, GROUP	1	-		JA2/77
	GACO R110	Seal, "D" ring	1	-		JA2/78
3806	4S2048	Spring	1	-	C	JA2/79
	6S4188	Pin, taper, at bearing tube	2	H.T.S.	MR	JA2/80
	3S2048	Stop, at bearing tube	1	L85		JA2/81
	6S2048	Stop on pilot's floor	2	BS668		JA2/82
	2S2048	Tube bearing	1	T45		JA2/83
28W/1052068	AS1803/C8	Washer, saddle, for taper pins	2	-	C	JA2/83A
		CONTAINER, PILOT'S SANITARY (Z7904)				
		Spares for:-				
	5Z9704	Clip, spring	1	-	MR	
28E/9128981	AGS806/1	Clip hose	1	-	C	
27H/4805582	-	Container, urine Mk. 2	1	-	B	JA1/84
27H/4805587	-	Funnel	1	-	C	
		CONTAINER, CREW'S SANITARY, AT NAVIGATOR'S TABLE (Z8809)				
		Spares for:-				
27H/4805588	-	Clip	3	-	C	
27H/4805582	-	Container, urine, Mk. 2	3	-	B	JA1/85
27H/4805587	-	Funnel	3	-	C	
		CONTROLS, ENGINE (10003848) (See—Controls—Engine—In Crew's Nacelle)				
		CONTROLS, FLYING, CREW'S NACELLE (1R4208) (See—Controls—Flying—Crew's Nacelle)				
		COVERING, FLOOR (8829488) (See—Equipment—Aircraft—Trimming and Floor Covering)				

FUSELAGE
CREW'S NACELLE

Ref. No.	Part No.	Description	No. off	Matl. Spec.	Cl. of	Place and Illust'n No.	
					St. M.R.		
		1 2 3 4					
28D/0137409	AS1248/2C	COVER, ENTRANCE DOOR PNEUMATICS (1D12158) (Mod. 1222) Spares for:—					
		DOOR, PNEUMATIC COVER PLATE	1	—		JA8/88	
		AND RAM ATTACHMENT, GROUP Spares for:—					
		Bracket	1	L83		JA8/87	
		Spring	1	S613	MR	JA8/88	
		Attachments for door (2D12158)					
		Bolt	8	—	C		
		CURTAINS, PRESSURE CABIN WINDOWS, PORT AND STARBOARD (1 & 2Z8775) (See—Equipment Aircraft—Curtains and Visors)					
		CURTAINS, AT CREW'S STATION PORT AND STARBOARD (Z8838) (Z9711) (See—Equipment Aircraft—Curtains and Visors)					
		DINGHY STOWAGE AND RELEASE Mk. 3, REAR OF CANOPY (1Z7578) (See—Equipment Aircraft—Dinghy Installation)					
ELECTRICAL EQUIPMENT (V8502) (See—Electrical Installation—Crew's Nacelle)							
EQUIPMENT AT NAVIGATOR'S STATION (2Z8585) (Pre-Mod. 1177) (1Z10500) (Mod. 1177) Spares for:—							
4380	8Z7385	CABLE, SAFETY, PORT RADAR CRATE TO REAR PRESSURE BULKHEAD, 10" LONG, GROUP (Pre-Mod. 748)	1	—	B		
14202	6Z9585	CABLE, SAFETY, PORT RADAR CRATE TO REAR PRESSURE BULKHEAD 10" LONG, GROUP (Mod. 748)	1	—	B	JA3/89	
	5Z7385	CABLE, SAFETY, PORT RADAR CRATE TO REAR PRESSURE BULKHEAD, 7.75" LONG, GROUP (Pre-Mod. 748)	1	—			
14203	7Z9585	CABLE, SAFETY, PORT RADAR CRATE TO REAR PRESSURE BULKHEAD, 7.75" LONG, GROUP (Mod. 748)	1	—	B	JA3/90	
	9Z7385	CABLE, SAFETY, CONTROL UNIT TO REAR, PRESSURE BULKHEAD, GROUP	1	—	MR	JA3/91	
	10Z7385	CABLE, SAFETY, INDICATING UNIT TO REAR PRESSURE BULKHEAD, GROUP	1	—	MR	JA3/92	
	11Z7385	CABLE, CHECK, RADAR PLOTTER'S PANEL, R.H. AND L.H., GROUP	2	..	MR	JA3/93	
10919	23Z7385	Cover, emergency door open switch	1	..	C	JA4/94	

VACAN No 3		FUSELAGE		Page JA. 9		
		CREW'S NACELLE				
Ref No.	Part No.	Description	No. off	Matl Spec.	Cl. of St.	Plate and Illust'n No.
					M.R.	
		1 2 3 4				
		EQUIPMENT AT NAVIGATOR'S STATION (2Z9595) (Cont'd.)				
	1Z9881	CRATE, RADAR, PORT, GROUP	1	—		
	28Z9891	(Pre-Mod 748) CRATE, RADAR, PORT, GROUP	1	—		JA3/95
		(Mod. 748) Spare for:—				
	MARCONI 14183/C	Lock, device assy. RID1004/A/C	5	—		JA3/98
10AJ/147	—	Mounting, A/V rear	3	—	B	JA3/97
10AJ/148	—	Mounting, A/V forward	3	—	B	JA3/98
	1Z7371	CRATE, RADAR, STARBOARD, GROUP	1	—		JA3/99
		Spare for:—				
10AJ/147	—	Mounting, A/V rear	3	—	B	JA3/100
10AJ/150	—	Mounting, A/V forward	3	—	B	JA3/101
4390	6Z7371	SHIELD LIGHT, GROUP	1	—	C	JA3/102
		(Item 6Z7371 to be used when stocks of item 5Z7371 Ref. 26DC/4390 are exhausted)				
4384	1Z7519	TRAY, MOUNTING R.H., GROUP	1	—	B	JA3/103
4385	1Z7520	TRAY, MOUNTING CENTRE, GROUP	1	—	B	JA3/104
	1Z7521	TRAY, MOUNTING L.H., GROUP	1	—		JA3/105
		Spare for:—				
	16Z7519	Box special for (1Z7519)	1	S98	MR	JA3/106
28E/1008744	H. TERRY 80/000	Clip, spring (for items 1Z7520 and 1Z7521)	1	—	C	JA3/107
4388	1Z7519	Nut, knurled	2	S1	MR	JA3/108
	13Z7519	Pin	2	S1	C	JA3/109
	14Z7519	Screw, special	2	S1	MR	JA3/110
	23SS4204	Grommet	1	—		
	1SS4701	Guard, switch (Make from 5CW/4222)	1	—		
22808	19Z7385	HINGE, RADAR, PANEL, GROUP	1	—	C	JA3/111
22809	20Z7385	HINGE, RADAR, PANEL, GROUP	1	—	C	JA3/112
		Spare for:—				
	19aZ7385	Hinge (Undrilled made from AS1879	1	L72		
		18.335" long)				
	20aZ7385	Hinge (Undrilled made from AS1879	1	—		
		18.582" long)				
6A/409	—	Holder, A.S.I. Corrector Card	1	—		
	24Z9688	Insulator at emergency door open switch ..	1	BS2986/3B		JA3/113
	E.K. COLE					
10H/0870175	—	Knob at dimmer switches	3	—	C	JA4/114
		LAMP, ABANDON AIRCRAFT WARNING ...				JA4/115
		(1V9122) (Mod. 517) Spare for:—				
5L/9651254	—	Filament	4	—	B	JA4/116
5K/9680937	SP40/A8	Grommet, rubber	1	—	C	

FUSELAGE
CREW'S NACELLE

Ref No.	Part No.	Description	No. off	Matl. Spec	Cl. of St.	Plate and Illust'n No.
					M.R.	
		1 2 3 4				
		LAMP, ABANDON AIRCRAFT WARNING ... (1V9122) (Cont'd.)	—			
	3V9122	HOLDER, LAMP, GROUP	1	—		JA4/117
	2V9122	HOLDER, LAMP, GROUP	1	—		JA4/118
	6V9122	LINK, CABLE 1" LONG, GROUP	1	—		
	7V9122	LINK, CABLE, 5" LONG, GROUP	1	—		
	4V9122	PLATE, SIGN, GROUP	1	—		JA4/119
		LAMPS, CHARTBOARD AT NAVIGATOR'S STATION Z7724 (Pre-Mod. 758)				
		LAMPS, CHARTBOARD AT NAVIGATOR'S STATION (Z10864) (Mod. 758)				JA4/120
		Spares for:—				
5X/6200370	1V5850	Block, terminal (Mod. 758)	3	—	C	
		Bush, ring lock (Mod. 758)	3	—	C	
5L/9961273	—	Filament (Mod. 758)	3	—	C	JA4/121
5CX/1982801	—	Lamp, Chartboard Type "D" (Pre-Mod. 758)	—	—		
12810	1V12224	LAMP, CHARTBOARD, GROUP (Mod. 758)	3	—	B	JA4/122
		Spares for:—				
12812	11V9814	ARM, FLEXIBLE, GROUP	1	—	C	JA4/123
5X/4491488	10V5850	Ferrule	1	—	C	
5CX/1982800	—	Filter, yellow	1	—	C	JA4/128
5CX/4330153	—	Ring, bezel	1	—	B	JA4/125
	2V9581	SHADE, LAMP, GROUP	1	—	MR	JA4/126
5CX/4330154	—	Socket	1	—	C	JA4/127
	10V9591	Wire, universal 20 x 2' 5" long	1	—		
7357	18Z7385	LINK, EXTENSION, FOR CABLE, GROUP ...	1	—	C	JA3/128
	PLESSEY					
10AK/0970175	Z970183	Mounting metal, at dimmer switches	3	—	C	JA4/129
		MOUNTING STRUCTURE FOR CONTROL UNIT AND INDICATOR (1T5858) (Mod. 1831)				
		Spares for:—				
		MOUNTING WITH CONTROL UNIT AND INDICATOR (1T5858)				
		Spares for:—				
	5T5859	PANEL, C/W INSTRUMENTS, GROUP ..				JA4/131
		Spares for:—				
5X/6200370	1V5850	Block, terminal	1	—	C	
5X/4491488	10V5850	Ferrule	4	—	C	
5L/9969118	—	Filament	2	—	C	JA4/132
	3S58302	Grommet	2	—		
5CX/1143214	—	Holder, bridge lamp	1	—	B	JA4/133
10Q/16365	—	Indicator, type 9547	1	—	A	JA4/134
	2T5858	PANEL, GROUP	1	—		JA4/135
		Spares for:—				
28FP/9492814	SX/580	Spring	4	—	C	

VULCAN No. 2

FUSELAGE
CREW'S NACELLE

Page JA. 11

Ref. No.	Part No.	Description	No. off	Matl. Spec.	Cl. of	Plate and Illust'n No.
					St. M.R.	
		1 2 3 4				
		PANEL, C/W INSTRUMENTS (5T5859) (Cont'd)				
5CW/6209279	-	Switch	1	-	B	JA4/136
10L/16310	-	Unit, control	1	-	A	JA4/137
	3T5859	PLATE, SIDE, GROUP	1	-		
	4T5859	PLATE, SIDE, GROUP	1	-		
		MOUNTING, 80P, VENTILATED SUIT CONTROL PANEL (V9158) (See Electrics-Crew's Nacelle)				
		PANEL, NAVIGATOR'S ROOF, INSTALLATION OF EQUIPMENT (Z10057) (Mod. 748)				
		Spares for:-				
10J/13152	-	Controller, loop, type 1342	1	-	A	JA4/138
10L/16073	-	Controller, receiver, type 1274	1	-	A	JA4/139
6D/2237	-	Gauge, oxygen, Mk. 4	2	-	A	JA4/140
6D/2383	-	Regulator, oxygen, Mk. 21B (Mod. 1378) ..	3	-	A	JA4/141
10L/16320	-	Unit, control, type 7681 (Pre-Mod. 2304) ..	1	-	A	JA4/142
9D/1686	-	Unit, variable A/S (Service fit)	1	-	A	JA4/143
10L/16836	-	Unit, Control type 7681B (Mod. 2304)	1	-		
		PANEL, NAVIGATOR'S STATION (Z10500) (Mod. 2349) (AIRCRAFT WITHOUT BLUE STEEL)				
		Spares for:-				
	21Z11999 or 23Z11999	PANEL, GROUP (A/c without Mod. 2024) ..	1	-		
		PANEL, GROUP (A/c with Mod. 2024)	1	-		
		(Mod. 2304, Part "B")				
		Spares for:-				
	PC3-1/2	Clip	2	-		
	PC3-1/2/3B	Clip	2	-		
	SP.95/A10	Grommet	1	-	C	
5K/2207951	-	Plug	1	-	C	
10H/19480	-	Spring	2	-		
	PS3-1/2					
		PANEL, NAVIAGTOR'S, PORT (1S2413) (1S3710 and 1S3711) (See Equipment, Aircraft-Instrument Panels)				
		PANEL, NAVIGATOR'S INTERCOMM. (1S2394) (See Equipment, Aircraft-Instrument Panels)				
		PANEL, NAVIGATOR'S RADAR (1S2411) (See Equipment, Aircraft-Instrument Panels)				
		PANEL, NAVIGATOR'S PLOTTER (S2380) (See Equipment, Aircraft-Instrument Panels)				
		PANEL, SWITCH, AT NAVIGATOR'S STATION (1S2656) (Mod. 1218) (S3321) (Mod. 2256) (See Equipment, Aircraft-Instrument Panels)				
		PANEL, 12P, RADIO SUPPLY (1S2684) (See Equipment, Aircraft-Instrument Panels)				

FUSELAGE
CREW'S NACELLE

Ref. No	Part No.	Description	No. off	Matl Spec	Cl of	Plate and Illust'n No.
					SL	
		1 2 3 4			M.R.	
		EQUIPMENT AT NAVIGATOR'S STATION (223585) (Cont'd.)				
		REGULATOR, OXYGEN, FOR 2ND NAVIGATOR (727523) (Mod. 687) (Pre-Mod. 748) Spare for:—				
	227523	GUSSET, GROUP	1	—		
	327523	GUSSET, GROUP	1	—		
60/2383	—	Regulator, oxygen, Mk. 21B (Mod. 1378)	1	—	A	
		SEATS, CREW'S (N3291) (Mod. 1696) (See Equipment, Aircraft—Seats and fittings)				
		STRUCTURE, AT NAVIGATOR'S POSITION (129888) (Pre-Mod. 1177) Spare for:—				
		TOP, NAVIGATOR'S TABLE				JA3/144
		(3929682) (Mod. 1010) Spare for:—				
22621	1429682	Covering, table top, 1/8" thick black lino x 6" x 14.5" long	1	—	C	
	4129682	Covering, 1/8" thick black lino x 8" x 8.5" long	—	—		
	5029682	Covering, 1/8" thick black lino .75" x 12.5" long	1	—		
	12327367	Covering, 1/8" thick black lino c 7" x 12.5" long	1	—		
	17227367	Covering, 1/8" thick black lino x 9.4" x 14.75" long (Make from 26DC/22621)	1	—		
	30358006	Label, periscope	1	L50		JA4/145
	384558004	Label, vent surt	1	L59		
	12427367	LATCH, SLIDING PANEL, GROUP	2	—	MR	JA4/146
22618	1210329	LID, NAVIGATOR'S TABLE,	1	—	C	JA3/147
		CENTRE TOP, GROUP Spare for:—				
	7210329	Covering, 1/8" thick black lino x 14.6" x 14.83" long (Make from 26DC/22621)	1	—		
	8210329	Hinge (Make from 28N/10786 x 14.48" long)	1	L72		JA3/148
22619	1210328	LID, NAVIGATOR'S TABLE,	1	—	C	JA3/149
		CENTRE LOWER, GROUP Spare for:—				
	8210328	Base, fibre glass, 1/32" x 12.88" x 13.37"	1	—		
	11210328	Hinge (Make from 28B/10786 x 14.53" long)	1	L72		JA3/150
	8210328	Perspex, 1/16" x 11.4" x 12.12"	1	DTD884		JA3/151

VULCAN No. 2

FUSELAGE
CREW'S NACELLE

Page JA. 13

Ref. No.	Part No.	Description	No. off	Matl. Spec.	Cl. of St. M.R.	Plate and Illust'n No.
		1 2 3 4				
		LID, NAVIGATOR'S TABLE, CENTRE LOWER (1Z10328) (Cont'd)				
	6Z10328	SECTION, ZED, PERSPEX RETAINING, GROUP	1	-		JA3/152
28FP/9434076	AJ3/30	Spares for:- Fastener, dzus	2	-	C	
28FP/9434075	GA3/175	Grommet, dzus	2	-	C	
28FP/9434081	S3/175	Spring	2	-	C	
22830	1Z10330	LID, NAVIGATOR'S TABLE, PORT, INNER, GROUP	1	-	C	JA3/153
	6Z10330	Spares for:- Covering, 1/8" thick black lino x 6.57" x 14.83" long	1	-		
	11Z10330	Hinge (Make from 28N/9511950 x 6.19" long)	1	L72	LM	JA3/154
	1Z8742	LID, NAVIGATOR'S TABLE, PORT OUTER, GROUP	1	-	MR	JA3/155
	6Z8742	Spares for:- Covering, 1/8" thick black lino x 8.35" x 14.85" long	1	-		
	10Z8742	Hinge (Make from 28N/9511950 x 8.5" long)	1	-	LM	JA3/156
	1Z8743	LID, NAVIGATOR'S TABLE, PORT, CENTRE, GROUP	1	-	MR	JA3/157
	15V9582	Spares for:- Chart, alternator	1	-		JA3/158
	18V9582	Cover, alternator chart	1	-		JA3/159
	19Z8743	Covering, 1/8" thick black lino x 6.5" x 8" long	1	-		
	20Z8743	Covering, 1/8" thick black lino x 6.5" x 8.5" long	1	-		
	AS1878/40	Hinge (Make from 28N/9511950 x 4" long)	1	L72	LM	JA3/160
	AS1878/65	Hinge (Make from 28N/9511950 x 6.5" long)	1	L72	LM	JA3/161
	21Z8743	LID, FRONT, GROUP	1	-		JA3/162
	22Z8743	LID, REAR, GROUP	1	-		JA3/163
12182	25Z8743	Link	1	S3		
	26Z8743	Link	1	S3	C	
4726	1Z8768	LID, NAVIGATOR'S, STARBOARD, GROUP	1	-	B	JA3/164
	21Z8766	Spares for:- Covering, 1/8" thick black lino x 14.625" x 14.65" (Make from 26DC/2261)	1	-		
	AS1878/80	Hinge, L.H. (Make from 28N/9511950 x 6" long)	1	L72	LM	JA3/165
	AS1878/35	Hinge, R.H. (Make from 28N/9511950 x 3.5" long)	1	L72	LM	JA3/166

FUSELAGE
CREW'S NACELLE

Ref. No	Part No.	Description	No. off	Matl. Spec.	Cl. of	Plate and Illust'n No.
					St.	
		1 2 3 4				
		TOP, NAVIGATOR'S TABLE (30Z9882) (Cont'd)				
	1Z8599	PANEL, SLIDING, NAVIGATOR'S TABLE, GROUP	1	—	MR	JA3/167
	0Z8599	Spares for:— Covering, 1/8" thick black lino x 12.5" x 12.66"	1	—	MR	
17048	61Z9882	Tube, distance at top members hat in . . well	4	L85 on DTD130	C	
	173Z7367	Washer, special, at links, 22G x 5/8" x . . 3/16" dia. hole	2	S3		
	THORN					
5CW/4406620	—	Switch, dimmer (Pre-Mod. 748)	1	—	B	
5CW/11806	80/10/0941	Switch, dimmer (Mod. 748)	1	—	B	JA4/168
5CW/4406614	—	Switch, dimmer (Pre-Mod. 748)	1	—	B	
5CW/11519	80/10/1765	Switch, dimmer (Mod. 748)	1	—	B	JA4/169
	2Z27385	Switch (Made from N.F.S.8375/8104)	1	—		JA4/170
5CW/6209280	—	Switch, anti-dazzle	1	—	B	JA4/171
	DOWTY					
5CW/4408119	AS10512/C3	Switch, emergency door (Mod. 2295)	1	—	B	JA4/171A
5CW/4405561	—	Transfer, "Bright"	1	—	C	
		TRAY, MOUNTING FOR INDICATOR UNIT (1T4712)	—	—	—	JA4/172
		Spares for:—				
10B/17448	—	Bolt, quick release	2	—	C	JA4/173
	12T4712	Pad, rubber vibrating (GACO)	2	BS46		JA4/174
	8T4712	Washer, packing, quick release box	4	DTD130		JA4/175
10A/17930	—	Washer, check, at indicator unit	4	—	C	
		EXTINGUISHER, FIRE, AT CREW'S SEAT PORT SIDE (1Z8882—Pre Mod. 1943) (1Z11325—Mod. 1483) (See Services—Fire Extinguisher System)			REF	
		EXTINGUISHER, FIRE, AT CREW'S POSITION (1Z11315—Mod. 1898) (See Services—Fire Extinguisher System)			REF	
		EXTINGUISHER, FIRE, AT 1ST AND 2ND PILOT'S POSITION (1Z7528) (See Services—Fire Extinguisher System)			REF	
		EXTINGUISHER, FIRE, UNDER PILOT'S FLOOR, PORT SIDE (1Z9688) (See Services—Fire Extinguisher System)			REF	
		GYRO'S, PITCH AND YAW ON SHELF UNDER PILOT'S FLOOR (S2398) (See Controls—Auto-stabiliser)			REF	

VULCAN No. 3

FUSELAGE
CREW'S NACELLE

Page JA. 16

Ref. No.	Part No.	Description	No. off	Matl. Spec.	Cl. of	Place and Illust'n No.
					St. M.R.	
		1 2 3 4				
		HANDLES, EMERGENCY AT 1ST AND 2ND PILOT'S SEATS AND PILOT'S FLOOR, PORT (Z98596) (Z7524)				
	2Z7524	Spares for:— HANDLE, GROUP	3	—		JA2/176
28D/1011029	A25/1E	Attachments—Handle (2Z7524)				
28D/1011030	A25/2E	Bolt, 1/4" BSF, pilot's floor	4	—	C	
28M/9480017	AGS2001/E1	Bolt, 1/4" BSF, pilot's seats	4	—	C	
28W/9419405	SP15/E	Nut, 1/4" BSF	4	—	C	
		Washer, 1/4" BSF	4	—	C	
		HANDGRIP AT PILOT'S FLOOR STBD., GROUP (4Z7524) (Mod. 635)				
	3Z7524	Spares for:— Bracket	1	DTD130		
	1Z9986	HANDGRIP, GROUP			MR	JA1/177
	4Z9986	Spares for:— Bush, retaining	1	—		
	5Z9986	Handgrip (Made from Payer Mitchel & Breeden, Part No. 32472)	1	—		
9811	3Z9986	Stud, special	1	S94 or 95	C	
		Attachments—for Bracket (3Z7524) and Handgrip (1Z9986)				
28D/1011030	A25/2E	Bolt, 1/4" BSF	3	—		
28M/9480017	AGS2001/E1	Nut, 1/4" BSF	4	—		
28W/9419405	SP15/E	Washer, 1/4" BSF	4	—		
		HANDLE ACCESS ON FRONT PRESSURE DOME (Z8604)				
	1Z8613	Spares for:— HANDLE, GROUP	1	—	C	JA7/178
6167	2Z8604	Attachments—Handle (1Z8613)				
6168	AGS2001/C1:68	Bolt, special	1	H.T.S.		JA7/179
28M/1012015	SP13/C	Nut, 2 BA	1	—	C	
28W/9419402		Washer	1	—	C	
		HANDGRIPS, AT CREW'S STATION (Z9987) (Mod. 635)				
	1Z9985	Spares for:— HANDGRIPS, ON FORWARD FACE OF FORMERS 260" AND 285", GROUP	1	—	MR	JA5/180
	7Z9985	HANDGRIPS, ON AFT FACE OF FORMER 260", GROUP (Mod. 788)	1	—	B	JA5/181
	4Z9986	Spares for:— Bush, retaining	1	L65		
	5Z9986	Handgrip (Made from Payer Mitchel & Breeden Part No. 32472)	1	—		
9809	2Z9985	Stud, special (Use on 1Z9985)	1	S94 or 95		
	6Z9986	Stud, special (Use on 7Z9985)	1	S94 or 95		
4376	1Z7913	HARNESSES, NAVIGATOR'S AT PERISCOPE SEXTANT STATION, PORT, GROUP	1	—	A	JA3/182

FUSELAGE
CREW'S NACELLE

Ref. No.	Part No.	Description	No. off	Matl. Spec.	Cl. of	Plan and Illust'n No.
					St. M.R.	
		1 2 3 4				
4377	2Z7913	HARNES, NAVIGATOR'S AT PERISCOPE . . . SEXTANT STATION, STARBOARD, GROUP	-	-	A	JA3/183
	1Z7914	Spares for:- BELT, NAVIGATOR'S HARNES, GROUP . .	-	-		JA3/184
	5Z7914	Spares for:- CLIP, SPRING AT STRAP END, GROUP . .	-	-		JA3/185
		HEAT INSULATION, CREW'S NACELLE (1Z9721) (See Equipment - Aircraft - Fireproofing and Soundproofing)	-	-		
		INSTALLATION, G.P.1 Mk. 8 COOLING SYSTEM (Z10470) (See Services - Cooling System)	-	-		
		INSTALLATION, GROUND SPEED RESOLVER, COOLING SYSTEM (Z10471) (See Services - Cooling System)	-	-		
		JETTISON MECHANICAL FOR SPECIAL STORE (1Z9701)	-	-		
21643	12Z9701	Spares for:- BEARING FOR RODS AT REAR PRESSURE BULKHEAD, GROUP	-	-	C	JA5/186
	11Z9701	Spares for:- Bracket, bearing	1	L85		JA5/187
	06DU08	Bearing	1	-	MR	JA5/188
	15Z9701	BRACKET, PULLEY MOUNTING, GROUP . .	2	-		JA5/189
14160	20Z9701	CABLE, FORK END AND EYE END, GROUP	1	-	B	JA5/190
14161	21Z9701	CABLE WITH FORK ENDS, GROUP	1	-	B	JA5/191
14153	83Z9701	COVER HINGED MANUAL STORE RELEASE, GROUP	1	-	B	JA5/192
14706	89Z9701	COVER HINGED MANUAL STORE SAFETY LOCK REMOVAL, GROUP (Mod. 1219)	1	-	B	JA5/193
14158	13Z9701	Fairlead, half	4	BS2572	C	JA5/194
14159	14Z9701	Fairlead, half	4	BS2572	C	JA5/195
21640	87Z9701	HANDLE, RED, GROUP	1	-	C	JA5/196
21641	88Z9701	HANDLE, BLACK AND YELLOW, GROUP . .	1	-	C	JA5/197
14708	7/1908	Lock, for covers	1	-	C	JA5/198
28R/1052624	AS103	Pulley, for cables	4	-	B	JA5/199
14156	10Z9701	Rod, at bearing, rear pressure, bulkhead	1	S1	C	JA5/200
14157	38Z9701	Rod, at bearing, rear pressure, bulkhead	1	S1	C	JA5/201
14708	91Z9701	Spacer, for lock	1	-	C	JA5/202
14709	92Z9701	Washer, tag, at lock	1	-	C	JA5/203

VULCAN No. 2

FUSELAGE
CREW'S NACELLE

Page JA. 17

Ref. No.	Part No.	Description	No. off	Matl. Spec.	Cl. of	Plate and Illust'n No.
					St. M.R.	
		1 2 3 4				
		LADDER, MAIN ENTRANCE (Z7917) (See Equipment—Aircraft—Ladders)				
		LIGHT, SEXTANT, LUBBER LINE, PORT AND STARBOARD (1 & 2Z9098) Spares for:—				
5X/8200370	1V5850	Block, terminal (Mod. 2374)	1	—	C	JA5/203A
5681	5Z9098	CLAMP, PORT, GROUP	1	—	C	JA5/204
5682	8Z9098	CLAMP, STARBOARD, GROUP	1	—	C	JA5/205
	843SS8002	Label, "Sextant"	1	L59		
	1849V7728	Label, TB.1849 (Mod. 2374)	1	—		
	1V8010	LIGHT, SEXTANT, PORT, GROUP	1	—		JA5/206
	2V8010	LIGHT, SEXTANT, STARBOARD, GROUP	1	—		JA5/207
5684	3V8010	Spares for:— BRACKET, PORT, GROUP	1	—	C	JA5/208
5685	4V8010	BRACKET, STARBOARD, GROUP	1	—	C	JA5/209
5CX/4330056	—	Cover, terminal	1	—	C	JA5/210
5L/9951263	—	Filament	1	—	C	JA5/211
5CX/1085825	—	Holder, lamp	1	—	B	JA5/212
5CX/1057503	—	Screen, lamp	1	—	C	JA5/213
5683	7Z9098	SCREW, SPECIAL, GROUP	1	—	C	JA5/214
5X/4491488	15V5850	Socket (Mod. 2374)	1	—		JA5/214A
5679	4Z9098	STOWAGE, LAMP, PORT, GROUP	1	—	B	JA5/215
5680	8Z9098	STOWAGE, LAMP, STARBOARD, GROUP	1	—	B	JA5/215
		Spares for:—				
28E/9428428	TERRY B1/0	Clip	1	—	C	JA5/217
	3Z9098	SWITCH, ASSEMBLY, GROUP	1	—		JA5/218
		Spares for:—				
5CW/8209280	752SS6000	Label, "ON"	1	DTS213	MR	
	—	Switch	1	—	B	
		MOUNTING, COMPASS, PILOT'S, AT WINDSCREEN, PORT AND STARBOARD (Z8748) (V8841) (See Equipment—Aircraft—Compass)				REF
		MOUNTING, OUTSIDE AIR TEMPERATURE PROBE (V13579) (Mod. 2020) Spares for:—				
28OU/9434472	AS173/2C	Belt, No. B U.N.C. esk. hd.	6	—	C	JA11/219
	64SS4204	Bush, ring lock, insulated	1	—	MR	JA11/220
	RESEARCH & ENG. CONTROL					
	102U2K	Sensor, total temperature	1	—		JA11/221
	2aV13579	Ring, half	2	L72		
	2V13579	RING, HALF, GROUP	2	—		

FUSELAGE
CREW'S NACELLE

Ref. No.	Part No.	Description	No. off	Mast. Spec.	Cl. of	Plate and Illust'n No.
					St.	
		1 2 3 4			M.R.	
		MOUNTING, SEXTANT, ON COCKPIT RAIL (Z7973) (See Equipment—Aircraft—Sextant Stowage and Mounting tray)				
		MOUNTING TEMPERATURE CONTROL UNITS, UNDER NAVIGATOR'S TABLE (1211267) (Mod. 1896) Spares for:—				
5CZ/4337689	PLESSEY 7CZ/107202	Controller, magnetic amplifier, type 5 Attachments—Controller, Part No. 7CZ/107202	2	—	A	JA3/222
28D/1011028 28W/9418921	A25/1E SP13/E 5Z11267	Bolt, 1/4" BSF Washer, 1/4" Plate, controller mounting Attachments—Plate, Part No. 5CZ11267	6 6 1	— — —	C C	JA3/223
28D/9438920 28W/9419402	A25/1C SP13/C	Bolt, 2 BA Washer, 2 BA	8 8	— —	C C	
		MOUNTING, BOMBING SELECTOR SWITCH, AND CONTROL UNIT, NAVIGATOR'S TABLE (Z9994) (Mod. 517) Spares for:—				JA4/224
5X/6200370 5CX/1143214	1V5660 — 2235V7909	Block, terminal Bridge, type "C" (THORN) CABLE (F2236) TB298 TO DIMMER SWITCHES, GROUP	1 1 1	— — —	C B	JA4/226
5X/6821 5L/9959118 11422	10V5850 — 2SS4204	Ferrule Filament Grommet	10 5 1	— — —	C C C	JA4/226
5K/9483755 11152 5CX/1143868	SP40/CA 1V11506 —	Grommet Guard, selector switch (Mod. 1431) Holder, lamp	2 1 3	— L72 —	C C B	JA4/227 JA4/228
6A/8912 5X/4491487 5X/4491488 5CW/4405516	SMITHS XAD282 14V5850 15V5850 —	Selector, type "A" Socket, double Socket, single Switch, dimmer, type "R"	1 2 1 1	— — — —	A C C B	JA4/229 JA4/230
		MOUNTING, M.S.C. DUST COVER STOWAGE, ON PORT CREW'S SEAT (Z9995) (Mod. 687) (Pre-Mod. 1801) Spares for:—				
	6Z9995	STOWAGE, M S C DUST COVER, GROUP	1	—		JA3/231
		MOUNTING, PRESSURE CABIN PISTOL WITH SEALED MOUNTING (Z8483) (See Armament—Pyrotechnics)			REF	
		MOUNTING, DIMMER SWITCH ON COCKPIT RAIL (S2386) (See Electrics—Crew's Nacelle)			REF	
		MOUNTING, TAIL WARNING LIGHTS, TAIL BUMP INDICATOR (V13484, Mod. 1683) (T6663, Mod. 2057) Spares for:—				
5L/9961273 5CX/1085815	2V13484 — —	BRACKET, MOUNTING, GROUP Filament Light, warning	1 2 2	— — —	C B	JA1/232 JA1/233 JA1/234

FUSELAGE
CREW'S NACELLE

Ref. No.	Part No.	Description	No. off	Mati. Spec.	Cl of	Plate and Illust'n No.
					St.	
		1 2 3 4			M.R.	
		MOUNTING, TIMING UNIT AND R.A.E. RECORDER, UNDER PILOT'S FLOOR (T4292, Sheet 3) (See Radio and Radar Installation)				
		OXYGEN INSTALLATION (Z9197) (See Services—Oxygen system)				
		PANEL, AUTO-STABILISER (S2038) (See Controls—Auto-stabiliser)				
		PANEL, FUEL CONTENTS, BOMB BAY TANK (S2305) (See Equipment—Aircraft—Instrument Panels)				
		PANEL, LAMP AND SWITCH, U/V AND COCKPIT LIGHTING (S2389) (See Electrics—Crew's Nacelle)				
		PANEL, MOUNTING, MACH. UNIT (S2337) (See Services—Air speed Indicator)				
		PANEL, SELECTOR, FIN AND WING DE-ICING (1V8884) (See Equipment—Aircraft—Instrument Panels)				
		PANEL, PILOT'S INSTRUMENT (1BS2304) (Mod. 2180) (See Equipment—Aircraft—Instrument Panels)				
		PERISCOPE INSTALLATION, AT NAVI- GATOR'S STATION (Z8883) (See Equipment—Aircraft Periscope Installation)				
		PNEUMATIC SERVICES (Q1874) (See Services—Pneumatics)				
		PNEUMATICS, N.B.S. Mk. 1A AND H.2.S SCANNER (2Q2258) (See Services—Pneumatics)				
		PRESSURISATION, CREW'S NACELLE (Z7836) (See Services—Air Conditioning)				
		RADIO AND RADAR EQUIPMENT (T4292) (See Radio and Radar Installation)				
		RAM AIR TURBINE CONTROL (Z9842) (See Controls—Ram Air Turbine)				
		REFUELLING, FLIGHT, PORT AND STARBOARD (72P3161 AND 2P3161) (See Services—Flight Refuelling)				

FUSELAGE
CREW'S NACELLE

Ref. No.	Part No.	Description	No. off	Mater. Spec.	Cl. of	Place and Illustr'n No.
					St.	
					M.R.	
		SEAL, DOOR AND CANOPY INFLATION (26Q1872) (See Services—Pneumatic)				
		SEAT, 1ST PILOT'S (1N1433) SEAT, 2ND PILOT'S (2N1433) (See Equipment—Aircraft—Seats and Fittings)				
		SCREEN, ANTI-FLASH AT BOMB AIMER'S WINDOW (1ZB770) (See Equipment—Aircraft—Curtains and Visors)				
		SCREEN, ANTI-FLASH, AT WINDSCREEN (1Z9782) (See Equipment—Aircraft, Curtains and Visors)				
		SCREEN, CANVAS, AT MAIN ENTRANCE DOOR (210230) (Mod. 937) Spares for:—				
	15Z8863	Screen, canvas	1	DTD296	MR	JAB/236
	13Z8863	Strip, retaining, at door	1	L72		JAB/236
	17Z8863	Strip, retaining, at door frame	1	L72		JAB/237
		STOWAGE, COMPUTER, C. OF G. (2B441) Spares for:—				
26FP/13688	327879	Case, computer	1	—	C	JA5/238
	129898	Computer, C. of G. (Mod. 570)	1	—		JA5/238
8929	1Z10090	Computer, C. of G. (Pre-Mod. 1958)	1	—	A	
11897	1Z10843	Computer, C. of G. (Mod. 1958) (For A/c fitted with Mods. 527/528)	1	—	A	
17530	1Z11886	Computer, C. of G. (Mod. 2113) (For A/c fitted with Mod. 2013)	1	—	A	
1510080	1Z12643	Computer, C. of G. (Mod. 2337)	1	—	A	
		STOWAGE, PERISCOPE SEXTANT, AT FORWARD TIE ROD, UNDER PILOT'S FLOOR (Z.9706) (Mod. 617) Spares for:—				
88/4343721	—	Tray, mounting	1	—	A	
		STOWAGE, FIRST AID, ON 2ND PILOT'S GUIDE RAIL (Z9736) (See Equipment—Aircraft—Seats and Fittings)				
		STOWAGE, SIGNAL CARTRIDGE (1Z7447) (See Armament—Pyrotechnics)				
		STOWAGE, ANTI-FLASH SCREEN BOMB AIMER'S WINDOW (Z9863) Spares for:—				
	4Z9863	STRAP, RETAINING, GROUP	1	—	MR	
	5Z9863	STRAP, RETAINING, GROUP	1	—	MR	

FUSELAGE
CREW'S NACELLE

Ref. No.	Part No.	Description	No. off	Matl. Spec.	Cl. of St.	Plate and Illust'n No.
					M.R.	
		1 2 3 4				
		BULKHEAD, REAR PRESSURE (8009400) (Continued)				
		Spares for:—				
8143	9D9303	BRACKET, NOSEWHEEL ATTACHMENT, TOP, STARBOARD, GROUP (Mod. 809)	1	—	B	JA8/258
8144	10D9303	BRACKET, NOSEWHEEL ATTACHMENT TOP, PORT, GROUP (Mod. 809)	1	—	B	JA8/267
		Spares for:—				
	3D9198	Bolt, special	1	S98	MR	JA8/258
	6K2708	Bush, special	1	BSS369	MR	JA8/258
28N/9156370	SP21	Nipple, grease	1	—	C	
1801	4D9198	Nut, castle, special	1	S98	C	JA8/260
8881	8D9303	Nut, special	1	S98	C	JA8/261
1510744	8D9303	Peg, fouling	1	S1	C	
28P/15823	SP31/N14	Pin, split, taper	1	S114	C	
10732	10D9129	Spigot	1	S98	C	
8862	7D9303	Stud, special	1	S98	C	JA8/262
28W/9419471	SP13/S	Washer	3	—	C	
1802	5D9198	Washer, special	1	DTD364B	C	JA8/263
	1D9304	BRACKET, NOSEWHEEL ATTACHMENT BOTTOM, STARBOARD, GROUP	1	—	MR	JA8/264
1805	2D9304	BRACKET, NOSEWHEEL ATTACHMENT, BOTTOM, PORT, GROUP	1	—	B	JA8/265
		Spares for:—				
1806	5D9304	Bolt, special	2	S98	C	JA8/266
	6K2708	Bush, special	1	BSS369	MR	JA8/267
28N/9156370	SP21	Nipple, grease	1	—	C	
	6D9304	Nut, castle, special	2	S98	MR	JA8/268
	6D9303	Peg, fouling	1	S1	C	
10732	10D9129	Spigot	1	S98	C	
28W/9419428	SP13/U	Washer	2	—	C	
	9D9129	Washer, special	2	DTD364B	MR	JA8/268
10M/0540015	—	Connector, co-axial, bulkhead ref. 179 and 883	2	—	B	JA8/270
	1SS4631	Gasket, plug sealing, 1.343" x 1.343" x 1/16" thick, 1.031" dia. hole	2	DTD762		
	2SS4631	Gasket, plug sealing, 1.437" x 1.437" x 1/16" thick, 1.188" dia. hole	8	DTD762		
	3SS4631	Gasket, plug sealing, 1.562" x 1.562" x 1/16" thick, 1.291" dia. hole	2	DTD763		
14737	4SS4631	Gasket, plug sealing, 2.062" x 2.062" x 1/16" thick, 1.781" dia. hole	13	DTD762	C	
	5SS4631	Gasket, plug sealing, 2.312" x 2.312" x 1/16" thick, 2.031" dia. hole	1	DTD762		
	6SS4631	Gasket, plug sealing, 1.6875" x 1.6875" x 1/16" thick, 1.405" dia. hole	5	DTD762		
	7SS4631	Gasket, plug sealing, 1.8125" x 1.8125" x 1/16" thick, 1.531" dia. hole	2	DTD762		
	8SS4631	Gasket, plug sealing, 2.562" x 2.562" x 1/16" thick, 2.281" dia. hole	4	DTD762		
5K2975	SP40/C48	Grommet, for plug, bulkhead, ref. 104R	1	—	C	JA8/271

VULCAN No. 2

FUSELAGE
CREW'S NACELLE

Page JA 23

Ref. No.	Part No.	Description	No. off	Mater. Spec.	Cl. of	Plate and Illust'n No.
					St.	
		1 2 3 4			M.R.	
		BULKHEAD, REAR PRESSURE (80D9480) (Cont'd.)				
5X/8882	HELLERMANN HV4402	Housing, bung	1	-	C	JA6/272
	HV4413/1	Housing, bung (Mod. 2254)	1	-	C	JA6/273
	4852/1	Housing, bung	2	-	MR	JA6/274
	31SS3664	Nut, sleeve, for adaptor (18SS3555)	1	-	MR	JA6/275
	86D9480	Plate, mounting, for plug bulkhead ref. 104R	1	BS2986		
	2V15889	Plate, patch (Mod. 2254)	1	-		
26FP/13043	1SS3259	Plate, mod.	1	-	C	
26FP/13044	1SS3260	Plate, serial	1	-	C	
	32SS3664	Plug, for adaptor (18SS3555)	1	-	MR	JA6/276
5X/8008	CZ28032	Plug, 3 pin, 7A, 1 pin 7A	3	-	C	JA6/277
5X/8028	CZ28036	Plug, 2 pin, 19A	2	-	C	JA6/278
5X/8033	CZ28037	Plug, 2 pin, 7A, 2 pin 19A	2	-	C	JA6/279
5X/8038	CZ28038	Plug, 9 pin, 7A	5	-	C	JA6/280
5X/8043	CZ28039	Plug, 2 pin, 7A, 4 pin 19A	1	-	C	JA6/281
5X/8068	CZ28042	Plug, 4 pin, 19A	3	-	C	JA6/282
5X/8088	CZ28048	Plug, 12 pin, 7A	8	-	C	JA6/283
5X/8093	CZ28049	Plug, 12 pin, 7A, 2 pin 19A	8	-	C	JA6/284
5X/8103	CX28051	Plug, 4 pin, 37A	2	-	C	JA6/285
5X/8128	CX28056	Plug, 12 pin, 7A, 4 pin 19A	1	-	C	JA6/286
5X/8133	CZ28057	Plug, 24 pin, 7A, 2 pin 19A	33	-	C	JA6/287
5X/8422	CZ57212	Plug, 7 pin, 7A, 2 pin 19A (Mod. 45)	4	-	C	JA6/288
	CANNON ELECT TBF 16-9PS	Plug, bulkhead, ref. 824	1	-		JA6/289
	CANNON ELECT TBF 16-12PS	Plug, bulkhead, ref. 796	1	-		JA6/290
	CANNON ELECT TBF 18-1PS	Plug, bulkhead, refs. 273, 697, 946, 947	4	-		JA6/291
	CANNON ELECT TBF 18-1PSW	Plug, bulkhead, refs. 948 & 949	2	-		JA6/292
	CANNON ELECT TBF 18-8PS	Plug, bulkhead, ref. 806	1	-		JA6/293
10H/1008013	CANNON ELECT TBF 18-12PS	Plug, bulkhead, ref. 1045	1	-	B	JA6/294
	CANNON ELECT TBF 20-1PS	Plug, bulkhead, ref. 803	1	-		JA6/295
	CANNON ELECT TBF 20-19PS	Plug, bulkhead, ref. 809	1	-		JA6/296
	CANNON ELECT TBF 22-11PS	Plug, bulkhead, refs. 1093 & 1094	2	-		JA6/297
10H/9997879	CANNON ELECT TBF 22-14PS	Plug, bulkhead, refs. 608 or 961 (Mod. 2256)	2	-	B	JA6/298
	CANNON ELECT TBF 22-17PS	Plug, bulkhead, ref. 972	1	-		JA6/299
10H/9438818	CANNON ELECT TBF 22-19PS	Plug, bulkhead, ref. 1044	1	-		JA6/300
	CANNON ELECT TBF 24-21PS	Plug, bulkhead, ref. 807 or 960	1	-		JA6/301
10H/9997881	CANNON ELECT TBF 24-28PS	Plug, bulkhead, refs. 803 or 977	1	-	B	JA6/302

FUSELAGE
CREW'S NACELLE

Ref. No.	Part No.	Description	No. off	Matl. Spec.	Cl. of	Place and Illust'n No.
					St. M.R.	
		BULKHEAD, REAR PRESSURE (80D9480) (Cont'd)				
	CANNON ELECT TBF28-9PS	Plug, bulkhead, ref. 788	1	-		JA8/303
	CANNON ELECT TBF28-11PS	Plug, bulkhead, ref. 789	1	-		JA8/304
10H/9997883	CANNON ELECT TBF28-12PS	Plug, bulkhead, refs. 978 & 1028	2	-	B	JA8/305
10H/9997884	CANNON ELECT TBF28-12PSW	Plug, bulkhead, ref. 973	1	-	B	JA8/306
	CANNON ELECT TBF28-12PSX	Plug, bulkhead, ref. 975	1	-		JA8/307
	CANNON ELECT TBF28-15PS	Plug, bulkhead, ref. 959	1	-		JA8/308
	CANNON ELECT TBF28-20PS	Plug, bulkhead, refs. 597 & 790	2	-		JA8/309
10H/9997888	CANNON ELECT TBF28-21PS	Plug, bulkhead, refs. 274 & 958	2	-	B	JA8/310
10H/9997877	CANNON ELECT TBF28-21PSW	Plug, bulkhead, ref. 272	1	-	B	JA8/311
	CANNON ELECT TBF32-6PS	Plug, bulkhead, ref. 801	1	-		JA8/312
	CANNON ELECT TBF36-10PS	Plug, bulkhead, ref. 602	1	-		JA8/313
	CANNON ELECT TBF36-19PSW	Plug, bulkhead, ref. 609	1	-		JA8/314
	CANNON ELECT TBF36-10PSX	Plug, bulkhead, ref. 605	1	-		JA8/315
	CANNON ELECT TBF36-10PSY	Plug, bulkhead, ref. 806	1	-		JA8/316
10H/19810		Plug, bulkhead, ref. 1232 (Mod. 2155)	1	-		JA8/316A
10H/9560042		Plug, co-axial, single pole	8	-	B	JA8/317
10H/0540019		Plug, co-axial, single pole	3	-	B	JA8/318
10H/19444		Socket, bulkhead, adaptor	1	-	C	JA8/319
10H/19439		Socket, plug, at bulkhead, ref. 799	1	-	B	JA8/320
10H/19481		Socket, plug, at bulkhead, ref. 797	1	-	B	JA8/321
10H/9321488	CZ61886/1	Socket, plug, at bulkhead, ref. 806	1	-	B	JA8/322
10H/20417	CZ61887/10	Socket, plug, at bulkhead, ref. 188	1	-	B	JA8/323
10H/9525571	CZ61887/1	Socket, plug, at bulkhead, ref. 516	1	-	B	JA8/324
	CZ61887/2	Socket, plug, at bulkhead, ref. 100	1	-		JA8/325
	CZ1887/3	Socket, plug, at bulkhead, ref. 514	1	-		JA8/326
		Socket, plug, at bulkhead, ref. 513 (Pre-Mod. 1300)	1	-		JA8/327
10H/20416	CZ1887/5	Socket, plug, at bulkhead, ref. 174	1	-		JA8/328
	CZ1888/0	Socket, plug, at bulkhead, ref. 104R	1	-	B	JA8/329
	CZ61889/3	Socket, plug, at bulkhead, ref. 881	1	-		JA8/330
	CZ61889/4	Socket, plug, at bulkhead, ref. 200 & 646	2	-		JA8/331
10H/19439	CZ62268/0	Socket, plug, at bulkhead, ref. 170	1	-	B	JA8/332
10H/19445	CZ62269	Socket, plug, at bulkhead, ref. 192	1	-	B	JA8/333
10H/19451	CZ62270/0	Socket, plug, at bulkhead, ref. 1016	1	-	B	JA8/334
10H/19457	CZ62271/0	Socket, plug, at bulkhead, refs 99-109R-190 & 882	5	-	B	JA8/335
10H/1068798	CZ62271/1	Socket, plug, at bulkhead, ref. 100	1	-	B	JA8/336
	CZ62271/2	Socket, plug, at bulkhead, ref. 177	1	-		JA8/337
	CZ62271/3	Socket, plug, at bulkhead, ref. 130	1	-		JA8/338

VULCAN PR. 2

FUSELAGE
CREW'S NACELLE

Page JA. 25

Ref. No.	Part No.	Description	No. off	Mach. Spec.	Cl. of	Plate and Illust'n No.
					St. M.R.	
		1 2 3 4				
		BULKHEAD, REAR PRESSURE (8009480) (Cont'd)				
10H/19480	CZ62271/5	Socket, plug, at bulkhead, ref. 1015	1	-	B	JA8/339
10H/19483	CZ63372/0	Socket, plug, at bulkhead, ref. 107R	1	-	B	JA8/340
	CZ62274/1	Socket, plug, at bulkhead, ref. 832	1	-		JA8/341
	CZ62275/0	Socket, plug, at bulkhead, ref. 158-173 1034	3	-		JA8/342
10H/9144105	CZ62275/1	Socket, plug, at bulkhead, ref. 178	1	-	B	JA8/343
10H/9144106	CZ62275/2	Socket, plug, at bulkhead, refs. 157 & 172	2	-	B	JA8/344
10H/9144107	CZ62275/3	Socket, plug, at bulkhead, refs. 176 & 201	1	-	B	JA8/345
10H/9506844	CZ62275/4	Socket, plug, at bulkhead, ref. 171	1	-	B	JA8/346
10H/19487	CZ62275/0	Socket, plug, at bulkhead, ref. 1017	1	-	B	JA8/347
10H/9116804	CZ62277/0	Socket, plug, at bulkhead, refs. 1R-105R- 478-878-1014	5	-	B	JA8/348
10H/9153420	CZ62277/1	Socket, plug, at bulkhead, refs. 6R-103R- 477-489-879	5	-	B	JA8/349
10H/1884685	CZ62277/2	Socket, plug, at bulkhead, refs. 478 & 880	2	-	B	JA8/350
	CZ62277/3	Socket, plug, at bulkhead, refs. 5R & 129	2	-		JA8/351
10H/1119925	CZ62277/5	Socket, plug, at bulkhead, ref. 191	1	-	B	JA8/352
	5509480	STRIP, SEALING, GROUP	1	-	MR	JA8/353
27FP/10114	1SS1585	Tab, locking	3	-	C	JA8/354
	9709480	Washer, clamping, for plug bulkhead, ref. 104R	1	-		
8152	47D8628	Washer, sealing, 1/16" thick x 1.13" o/d x .89" hole dia.	8	Rubber	C	
20401	69D8628	Washer, sealing, 1/16" thick x 1.1" o/d x .57" hole dia.	5	Rubber	C	
8153	48D8628	Washer special, 18 SWG x 1.093" o/d x .703" hole dia	9	L72	C	
	367D8626/W	CANOPY, PILOT'S, WHITE, GROUP	1	-		JA10/355
	367D8626/C	CANOPY, PILOT'S, CAMOUFLAGED GROUP (Mod. 1877)	1	-	A	
1433391	367D8626/PC	CANOPY, PILOT'S, POLYURATHANE FINISH, GROUP (Mod. 2129)	1	-	A	
	176D8626	Spares for:- Block, 3-1/2" x 5/8" x 1-1/4"	1	DT03488	MR	JA10/356
	302D8626	BRACKET, ATTACHMENT, FORWARD OF PRESSURE BULKHEAD, PORT, GROUP (Pre-Mod. 2301)	1	-	MR	JA10/357
	376D8626	BRACKET, ATTACHMENT FORWARD OF PRESSURE BULKHEAD, PORT, GROUP (Mod. 2301)	1	-	MR	
		Consisting of:-				
28D/1007319	AS1242/48	Boh, 4 BA	8	-	C	
	302AD8626	Bracket	1	L72		
	302bD8626	Connection, rubber (Pre Mod. 2301)	1	BS1154/Z13	MR	JA10/358
1505435	373U8626	Connection, rubber (Mod. 2301)	1	-	C	
28M/1278189	AGS2001/81	Nut, stiff, 4 BA	1	L72	C	JA10/359
	215cD8626	Washer, special	1	L72	MR	JA10/359
	215dD8626	Washer, special	1	L72	MR	JA10/360
28W/9419474	SP15/B	Washer, 4 BA	8	-	C	

FUSELAGE
CREW'S NACELLE

Ref. No.	Part No.	Description	No. off	Matl. Spec.	Cl. of	Place and Illust'n No.
					St. M.R.	
		1 2 3 4				
		CANOPY, PILOTS (367D8826) (Cont'd)				
	34D9528	BULKHEAD, PRESSURE (82D9528) Spares for:— BRACKET, PLUNGER, FOR SEQUENCE VALVE, PORT, GROUP	1	—		JA9/361
	34dD9528	Consisting of:— Collar, 17G x .75" o/d x .5" long	1	T35		JA9/362
	34bD9528	Housing	1	L51		JA9/363
	34aD9528	Plunger, 1" dia. x 3.25" long	1	S1		JA9/364
28Q/9417267	AGS2050/424BS	Rivet, pop	2	—	C	
	34cD9528	Spring	1	Spring Steel		JA9/365
	61D9528	CABLE, SEAT RELEASE, GROUP	2	—	MR	JA9/366
	13SS8004	Label, 7" x 3.4"	1	L59		
	137SS8004	Label, 3" x 2.5"	1	L59		
	33D9528	Washer, special, for eye bolt at cable release	1	L72		
	10SS4095	CLIP, HALF, AT SEAL JOINT, GROUP	1	—	MR	JA10/368
	1SS1862	CLIP, HALF, AT SEAL JOINT, GROUP	1	—	MR	JA10/369
	7D10686	Dowel	4	S96	MR	JA10/370
1018	224D8626	HANDLE, ACCESS, PILOT'S, PORT AND STARBOARD, GROUP	2	—	C	JA10/371
	309D8626	HINGE, CANOPY, PORT, GROUP	1	—		JA10/372
	310D8626	HINGE, CANOPY, STARBOARD, GROUP	1	—	MR	JA10/373
	309cD8626	Spares for:— Pin, hinge	1	S96	MR	
10H/19789	—	Holder, card	2	—	C	
8A/387	—	Holder, pilot's deviation card	2	—	C	
9173	32D9043	INHIBITOR, WINDSCREEN, PORT AND STARBOARD, GROUP	2	—	C	JA10/374
28FP/13043	1SS3269	Plate, mod.	1	—	C	
28FP/13044	1S3280	Plate, serial	1	—	C	
	341D8626	Plate, base, L.H. (Pre-Mod. 2303)	1	—		
	370D8626	Plate, base, L.H. (Mod. 2303)	1	—	MR	
	342D8626	Plate, base, R.H. (Pre-Mod. 2303)	1	—	MR	
	371D8626	Plate, base, R.H. (Mod. 2303)	1	—	MR	
	60D8626	Ring, window, retaining	2	L72	MR	JA10/375
	177D8626	Screw, plug, 3/8" dia. x 1-1/4" long	1	S1	MR	JA10/376
	261D8626	Seal, inflatable (Pre-Mod. 2301) (Pre-Mod. 2406)	1	—		JA9/377
	372D8626	Seal, inflatable (Mod. 2301) (Pre-Mod. 2386)	1	—		
6116007	381D8626	Seal, inflatable (Mod. 2406)	1	—	C	
	380D8626	Seal, inflatable (Mod. 2386)	1	—		
	337D8626	STRIP, RETAINING, PORT AND STARBOARD, GROUP	6	—	MR	JA9/378
	285D8626	Strip, sealing, rubber, 1/8" x 1-1/2" x 5' 3" long	2	DTD552	MR	JA9/379
	285D8626	Strip, sealing, rubber, 1/8" x 1" x 18' long	1	DTD552		JA9/380
6621	332D8626	Support, window, dinghy release	1	L72	C	

VULCAN No. 2

FUSELAGE
CREW'S NACELLE

Page JA. 27

Ref. No.	Part No.	Description	No. off	Matl. Spec.	Cl. of St.	Plate and Must'n No.
					M.R.	
		<u>1 2 3 4</u>				
		CANOPY, PILOT'S (367D8626) (Cont'd.)				
		VISORS, NOTE STOWAGES ACCESS HANDLE & CARD HOLDERS ETC. IN CANOPY (Z7868)				
1017	2Z3D8626	Spares for:— HANDLE, ACCESS, PILOT'S GROUP 1	1	—	C	JA10/381
	2Z7866	HOLDER, COMPASS CORRECTOR, GROUP	2	—	MR	JA10/382
68/1054118	—	Spares for:— Holder, deviation card, Mk. 4	2	—	B	
	2Z7555	Plate	2	L72		
	28V7868	LIGHT, WANDER, GROUP	1	—	MR	JA10/383
	29V7866	Spares for:— CASE, GROUP	1	—		JA10/384
5K/9483758	26dV7866	Spares for:— Block, stop	1	BSS972		JA10/385
	SP40/B8	Grommet	1	Rubber	C	JA10/386
	5V7866	Pulley, 7½" dia. x .25"	1	DTD130		JA10/387
	15V7866	Screw, special, for pulley	1	L65		JA10/387
	13V7866	CORD, ELASTIC, GROUP	1	—	MR	JA10/388
5X/1383	17V7866	Cover, case	1	L72		JA10/389
	—	Ferrule	1	—	C	
	25V7868	LAMP, GROUP	1	—	MR	JA10/390
	1V7865	Spares for:— DIMMER, MECHANICAL, GROUP	1	—	MR	JA10/391
9898	1V7867	HOUSING, LAMP & SWITCH, GROUP (LESS FILAMENT)	1	—	A	JA10/392
	5V7867	Spares for:— Clip, bottom half	1	L72	MR	JA10/1080
6419	6V7867	Clip, top half	1	L72	MR	JA10/1081
	23V7866	Cable, special	1	—	C	
	9V7867	Cable, unipren x 3' long	1	—		
5CX/4330058	—	Cover, terminal	1	—	C	JA10/1082
5L/8861273	—	Filament (not supplied as part of assembly spare)	1	—	C	
5CX/4330058	—	Lampholder	1	—	B	JA10/1083
5CW/4400150	N.S.F. 8286/8127	Switch	1	—	B	JA10/1084
	1V7868	UNIT, FOCUSING, GROUP	1	—	MR	JA10/393
4404	7V7868	MOUNTING, PULLEY, GROUP	1	—		JA10/394
	1Z8478	STOWAGE, PILOT'S NOTES, PORT, GROUP	1	—	C	JA10/395
	2Z8478	STOWAGE, PILOT'S NOTES, STARBOARD, GROUP	1	—	MR	JA10/396
		VISORS, ANTI-GLARE, AT PILOT'S WINDSCREEN (1Z7782) (See Equipment—Aircraft—Curtains and Visors)			REF	

FUSELAGE
CREW'S NACELLE

Ref. No.	Part No.	Description	No. off	Matl. Spec.	Cl. of St.	Plate and Illust'n No
					M.R.	
		CANOPY, PILOT'S (367D8626) (Cont'd.)				
		VISORS, ANTI-GLARE AND BLACKOUT CURTAINS PILOT'S SIDE WINDOWS 1 & 2D10094) (See Equipment—Aircraft—Curtains and Visors)			REF	
	335D8626	Washer, sealing, at inspection window	2	DTD762		JA9/397
	318D8626	WINDOW, CANOPY, PORT AND STARBOARD, GROUP	2	—	MR	JA10/398
17075	283bD8626	Spares for:— Panel, perspex	1	—	C	
	283aD8626	Ring, sealing	1	Sorbo Rubber	C	
6820	334D8626	Window, inspection, dinghy release	1	DTD838	C	JA9/399
		CANOPY RELEASE AND SEAT EJECTION (100D10368)				
2828	21D9803	Spares for:— BLOCK, PULLEY FOR EXTERNAL RELEASE, CABLE, PORT, GROUP	1	—	B	JA9/400
28R/1052624 2830	AS103	Spares for:— Pulley, ball bearing, 2" dia.	1	—	B	JA9/401
	23D9803	Block, pulley, external release, aft	1	L65	C	JA9/402
	50D9803	Bolt, special, aft release unit, port and starboard	2	—	MR	JA9/403
	53D9803	Bolt, at forward release unit and forward of rear release unit, port and starboard (Made from A80/19G)	12	—	MR	JA9/404
	55D9803	Bolt, at rear release unit, port and starboard (Made from A80/19G)	4	—	MR	JA9/405
8302	53D10368	Bolt, eye, .625" dia. x 1.3" long	1	—	MR	JA9/406
	54D10368	Bolt, eye, .625" dia. x 2.4" long (Note— eyebolt 54D10368 is an alternative for eyebolt 53D10368 when the dimension between lever 51D10368 and c/line of link 61D10368 exceeds 1.0")	1	—	C	JA9/407
1510326	3D9803	Boss, at handle, port and starboard	2	L65	C	JA9/408
8687	85D10368	BRACKET, PLUNGER MOUNTING ON UNIVALVE, GROUP (Pre-Mod. 2220)	1	—	C	JA9/409
	125D10368	BRACKET, ASSEMBLY (Mod. 2220)	1	—		
	3D10368	BRACKET, LEVER, GROUP	1	—	MR	JA9/410
		Consisting of:—				
	3aD10368	Bracket	1	L53		
	38D10368	Bush	2	BS289		JA9/411
	16D9803	Bush, for handle, starboard	1	L65		JA9/412
	17D9803	Bush, for handle, port	1	L65		JA9/413
	MANG. B. 5CT/21	Bush, oilite, at bracket, centre of canopy bulkhead	1	—		JA9/414
27L/5062	MARTIN-BAKER MBCJ/338	Cable, face blind, at seal rails	2	—	B	JA9/415

VULCAN Mk 1

FUSELAGE
CREW'S NACELLE

Page JA. 29

Ref. No.	Part No	Description	No. off	Mati. Spec	Cl. of	Plate and Illust'n No
					St	
		1 2 3 4				
		CANOPY RELEASE AND SEAT EJECTION (100D10368) (Cont'd)				
2696	30D9803	CABLE, EXTERNAL RELEASE, TO OUTER SKIN, GROUP	1	—	B	JA9/416
2699	41D9803	CABLE, EXTERNAL RELEASE FROM PILOT'S HANDLE, GROUP	1	—	B	JA9/417
	103D10368	VALVE, OPERATING, FROM UNI-VALVE LEVER TO SEAT RAIL, PORT, GROUP (Pre-Mod. 763)	1	—		
	104D10368	CABLE, OPERATING, FROM UNI-VALVE LEVER TO SEAT RAIL, STARBOARD, GROUP (Pre-Mod. 763)	1	—		
9232	110D10368	CABLE, OPERATING, FROM UNI-VALVE LEVER TO SEAT RAIL, PORT, GROUP (Pre-Mod. 2220)	1	—	B	JA9/418
		Spares for:—				
	BOWDEN PN998	Barrel, T	2	—		
29H/1250155	BOWDEN P19/2	Cable	1	—	C	
	110cD10368	CONDUIT, GROUP	1	—		
		Consisting of:—				
29H/1250107	BOWDEN B.I.H.	Casing, outer	1	—	C	
29H/9990758	BOWDEN PN9798	Ferrule	2	—	C	
	BOWDEN WB3966	Lubricator	1	—		
28N/9156370	SP21	Nipple	1	—	C	
	113D10368	Fairlead	3	LFB82 or 80		
29H/1250121	BOWDEN PN2778	Nipple	1	—	C	
	BOWDEN PN3558	Nipple	1	—		
29H/1250113	BOWDEN PN23	Nut, brass	6	—	C	
29H/9880758	BOWDEN PN484	Stop, adjusting	2	—	C	
1433885	2D13671	CABLE, ASSEMBLY, OPERATING (Mod. 2220)	1	—	B	

FUSELAGE
CREW'S NACELLE

Ref. No.	Part No.	Description	No. off	Matl. Spec.	Cl. of St.	Plate and Illust'n No.
					M.R.	
		1 2 3 4				
9233	111D10368	CABLE, OPERATING, FROM UNI- VALVE LEVER, TO SEAT RAIL, STARBOARD, GROUP (Pre-Mod. 2220) Spares for:—	1	—	B	JA9/419
	BOWDEN PN999	Barrel, T	2	—		
29H/1250155	BOWDEN P19/2	Cable	1	—	C	
	111cD10368	CONDUIT, GROUP	1	—		
		Consisting of:—				
29H/1250107	BOWDEN B.I.H.	Casing, outer	1	—	C	
29H/9980759	BOWDEN PN979B	Ferrule	2	—	C	
	BOWDEN WB3866	Lubricator	1	—		
28N/9156370	SP21	Nipple	1	—	C	
	113D10368	Fairlead	3	LFB 82 or 89		
29H/1250121	BOWDEN PN2778	Nipple	1	—	C	
	BOWDEN PN3558	Nipple	1	—		
29H/1250113	BOWDEN PN23	Nut, brass	6	—	C	
29H/9980758	BOWDEN PN484	Stop, adjusting	2	—	C	
1433884	1D13671	CABLE, ASSEMBLY, OPERATING	1	—	B	
		(Mod. 2220)				
12K/1277	MARTIN-BAKER MBCJ/307	Cartridge	1	—	B	JA9/420
	114D10368	Clip, for time release gear on port and starboard seat rails (Pre-Mod 2220)	2	—	MR	JA9/421
6319	82D10368	CLIP, AT LEVER (51D10368), GROUP	1	—	C	JA9/422
		Spares for:—				
6320	82aD10368	Clip, spring	1	—	C	JA9/423
28FP/9703072	A615	Pin, pip	1	—	C	JA9/424
6305	129123	COVER, AFT BULKHEAD, FOR	1	—	B	JA9/425
		JETTISON, MECHANISM, GROUP Spares for:—				
	829123	Door, sliding, perspex	1	DTD339		JA9/426
13187	229123	GUARD, GROUP	1	—	C	JA9/427
	929123	Handle (make from 243SS3076)	1	L40		JA9/428
	136SS8004	Label	1	L59		
	137SS8004	Label	1	L59		

FUSELAGE
CREW'S NACELLE

Ref. No.	Part No.	Description	No. off	Matl. Spec.	Cl. of St.	Plate and Illust'n No.
					M.R.	
		1234				
		CANOPY RELEASE AND SEAT EJECTION (100D10368) (Cont'd.)				
6386	25D10686	COVER, PERSPEX, FOR PNEUMATIC RAM, GROUP	1	—	C	JA9/429
27L/1123	MARTIN-BAKER A/MBEU/578/ AVR	Disc, warning, assy	1	—	C	JA9/430
11341	13Q1627	FAIRLEAD, FOR SUPPLY PIPE, GROUP	1	—		JA9/431
	65D10368	Filter, at univalve	1	—	C	JA9/432
	63D10368	Guard, rear cockpit rail, top	1	L72	MR	JA9/433
6306	64D10368	Guard, rear cockpit rail, bottom	1	L72	C	JA9/434
	67D10368	Guard, forward release unit on cockpit rail, port	1	L72	MR	JA9/435
	90D10368	Guard, forward release unit on cockpit rail, starboard	1	L72		JA9/436
		Attachments—Guard (63-64-67, and 90D10368)				
28D/1007982	AS1248/1C	Bolt, mush. head, 2 BA	23	—	C	
4734	24D10031	GUARD, CONNECTING ROD, GROUP	1	—	C	JA9/437
	58D9803	HANDLE ASSEMBLY (Pre-Mod. 2154)	2	—		JA9/438
	57D9803	Ring, luminous (Pre-Mod. 2154)	4	—		
	133D10368	HANDLE ASSEMBLY (Mod. 2154)	2	—		
6116051	SAUNDERS ROE LTD. SR3-1820	Marker, Betalite (Mod. 2154)	4	—	C	
	631SS6004	Lever, on guard, starboard	1	—		
	632SS6004	Label, on guard, port	—	—		
2915	25D9488	Lever, on rear cockpit rail, starboard	1	L85	C	JA9/439
4736	12D9803	Lever, at forward release inboard, port	1	S96	C	JA9/440
4735	49D9803	Lever, at forward release, centre, port	1	S96	C	JA9/441
6312	8D10368	Lever, port cockpit rail aft, inner, port	1	L85	C	JA9/442
6313	9D10368	Lever, cockpit rail, aft, outer, port	1	L85	C	JA9/443
	12D10368	Lever, pivot, cockpit rail, aft upper, port	1	HTS		JA9/444
6388	24D10685	Lever, pivot, cockpit rail, aft lower, port	1	L96	C	JA9/445
6310	50D10368	LEVER, FORK, FOR CONTROL ROD (15D10368) AT BULKHEAD, PORT, GROUP	1	—	B	JA9/446
		Consisting of:—				
	50bD10368	Fork	1	S1	MR	JA9/447
	50aD10368	Lever	1	L85		
28M/4198814	A24/JT	Nut	1	—	C	
	51D10368	LEVER, TO LINK FOR PISTON GUN, GROUP	1	—	MR	JA9/448
		Consisting of:—				
	7bD10368	Bush	1	8S369		
	51aD10368	Lever	1	L85		
6316	61D10368	Link, lever to gear	1	L85	C	JA9/449
8700	69D10368	Pawl, at lever on univalve (Pre-Mod. 2220)	1	S510	C	JA9/450
	122D10368	Pawl, at lever on univalve (Mod. 2220)	1	—		

FUSELAGE
CREW'S NACELLE

Ref. No.	Part No.	Description	No. off	Matl. Spec.	Cl. of St.	Plate and Illust'n No.
					M.R.	
		CANOPY RELEASE AND SEAT EJECTION (100D10368) (Cont'd)				
	56D10368	PIN, PIP, C/W CORD, GROUP	1	—		JAG/451
		Consisting of:—				
	56aD10368	Cord, balloon, 2 oz. x 3 strand x 8"	1	—		
28FP/1243707	A405	Pin, pip	1	—	C	JAG/452
	148D8618	Plate, attachment	1	—		
6322	57D10368	PIN, PIP, C/W CORD, GROUP	1	—	C	JAG/453
		Consisting of:—				
	57aD10368	Cord, balloon, 2 oz. x 3 strand x 8"	1	—		
28FP/8432083	A809	Pin, pip	1	—	C	JAG/454
	148D8618	Plate, attachment	1	—		
	51D9803	Pin, special, at rod connections	8	—	MR	JAG/455
	141D10368	Pin, solid for levers (B and 9D 10368)	1	HTS	MR	JAG/456
6317	43D10368	Pin, special, at release gear on seat rolls	2	S96	C	JAG/457
6387	27D10885	Pivot, cockpit rail, starboard aft	1	S96	C	JAG/458
	26Q2214	PIPE, UNIVALVE TO JACK, GROUP	1	—	MR	JAG/459
		(Mod. 687)				
	27Q2214	PIPE, SUPPLY TO VALVE, GROUP	1	—	MR	JAG/460
		(Mod. 687)				
2925	24D9803	Plate, gate, for handles	4	Spring Steel	C	JAG/461
8899	88D10368	Plunger at univalve (Pre-Mod. 2220)	1	S1	C	JAG/462
	123D10368	Plunger, at univalve (Mod. 2220)	1	—		
28R/1052624	AS103	Pulley, ball bearing, at pulley block	1	—	B	JAG/463
		23D9803)				
27VA/4625888	DUNLOP AC13324	Ram, pneumatic	1	—	A	JAG/464
6327	70D10368	RETAINER, HANDLE, LOCKING PIN,	2	—	C	JAG/465
		GROUP				
		Spares for:—				
28FP/1243707	A405	Pin, pip	1	—	C	JAG/466
	4D9488	ROD, CONNECTING, FROM PIVOT TO	1	—	MR	JAG/467
		LEVER AT SWITCH, STARBOARD, GROUP				
		Spares for:—				
28R/8158748	HOFFMAN CM2B	Bearing, rod end, R.H.	1	—	B	JAG/468
	HOFFMAN CM2LB	Bearing, rod end, L.H.	1	—	B	JAG/469
28R/4709882	A27/GT	Nut, lock, 5/16" B.S.F., R.H.	1	—	C	JAG/470
28M/1;11470	A27/GTL	Nut, lock, 5/16" B.S.F., L.H.	1	—	C	JAG/471
28M/4085824						

VULCAN No. 2

FUSELAGE
CREW'S NACELLE

Page JA. 33

Ref. No.	Part No.	Description	No. off	Matl. Spec.	Cl. of	Plate and Inst'n No
					Sc. M.R.	
		1 2 3 4				
		CANOPY RELEASE AND SEAT EJECTION (100D10368) (Cont'd)				
	1909803	ROD, CONNECTING, BETWEEN FORWARD AND AFT RELEASE UNITS, PORT AND STARBOARD, GROUP	2	-	MR	JA9/472
		Spares for:-				
28R/8158748	HOFFMAN CM2B	Bearing, rod end, R.H.	1	-	B	JA9/468
28R/4709882	HOFFMAN CM2LB	Bearing, rod end, L.H.	1	-	B	JA9/469
28M/1011470	A27/GT	Nut, lock, 5/16" BSF, R.H.	1	-	C	JA9/470
28M/4095924	A27/GTL	Nut, lock, 5/16" BSF, L.H.	1	-	C	JA9/471
2903	2009803	ROD, CONNECTING, FROM FORWARD RELEASE UNIT TO LEVER AT HANDLE, PORT & STARBOARD, GROUP	2	-	B	JA9/473
		Consisting of:-				
2905	7aD9488	End, fork	1	L85		JA9/474
28M/1007404	7bD9488	End, fork	1	L85	C	JA9/475
28M/4095942	A27/JT	Nut, lock, 3/8" BSF, R.H.	1	-	C	JA9/476
	A27/JTL	Nut, lock, 3/8" BSF, L.H.	1	-	C	JA9/477
	20aD9803	Rod	1	S96		
6323	15010368	ROD, OPERATING, FROM GUN MOUNTING BRACKET TO LEVER ON PORT COCKPIT RAIL, GROUP	1	-	B	JA9/478
		Spares for:-				
	16gD10368	Nut, special, L.H. at rod joint	1	S113		
	17D10368	ROD, CONNECTING, GROUP	1	-		JA9/480
	18D10368	ROD, OPERATING, GROUP	1	-		JA9/481
		Spares for:-				
	18fD10368	End, fork	1	S86		JA9/482
	16eD10368	Nut, special, R.H. at fork end	1	S113		JA9/483
28N/9419477	SP15/J	Washer	2	-	C	JA9/484
6324	32D10368	ROD, OPERATING, FROM LEVER, REAR COCKPIT RAIL, STARBOARD, TO JOINT WITH ROD 48D10368, GROUP	1	-	B	JA9/485
		Spares for:-				
2905	7bD9488	End, fork	1	L85	C	JA9/474
28M/4095942	A27/JTL	Nut, locking	1	-	C	JA9/476
6325	48D10368	ROD, OPERATING, FROM LEVER, REAR COCKPIT RAIL, PORT, TO JOINT WITH ROD 32D10368, GROUP	1	-	B	JA9/486
		Spares for:-				
	7aD9488	End, fork	1	L65		JA9/473
	16eD10368	Nut, special, R.H.	1	S113		JA9/483

FUSELAGE
CREW'S NACELLE

Ref. No.	Part No.	Description	No. off	Mater. Spec.	Cl. of	Plate and Illust'n No.
					Sc.	
					M.R.	
		1 2 2 4				
		CANOPY RELEASE AND SEAT EJECTION (100D10388) (Cont'd)				
6326	10010388 80D10388	Roller, at lever (9D10388)	1	L85	C	JA9/487
		Sear, at gun and link (Prior to MARTIN BAKER supply)	1	DTD171		JA9/488
6328	21010388 25D9803	Shaft, at lever bracket (3D10388)	1	T45	C	JA9/489
6247	5D10810	Spacer, at gate plates	4	BSS972	MR	JA9/490
10816	115D10388	Spindle, for lever pivots	1	S96	C	JA9/491
		Spring, for plunger at univalve	1	-	C	
		(Pre-Mod. 2220)				
	193SS4700 DOWTY	Spring, for plunger at univalve (Mod. 2220)	1	-	C	JA9/492
6CW4742	C1831Y/Mk. 1	Switch, micro, cockpit rail, starboard	1	-	A	
		(Pre-Mod. 1908)				
6CW/4408578	402/EN/N/3	Switch, micro, cockpit rail, starboard	1	-	A	JA9/493
		(Mod. 1908)				
28DU/16088	SP33/E	Turnbuckle, for external release cables	1	-	C	JA9/494
2918	1D10021	UNIT, RELEASE, PORT, FORWARD,	1	-		JA9/495
		GROUP				
2919	4D10021	UNIT, RELEASE, STARBOARD,	1	-	A	JA9/496
		FORWARD, GROUP				
2920	5D10021	UNIT, RELEASE, PORT, AFT, GROUP	1	-	A	JA9/497
2921	6D10021	UNIT, RELEASE, STARBOARD, AFT,	1	-	A	JA9/498
		GROUP				
		Spare for:-				
	2D10021	Block, L.H.	1	DTD683		
	3D10021	Block, R.H.	1	DTD683		
	8D9487	Bolt, special, 5/16" dia. x 1 1/4" long	2	S1	MR	JA9/499
	37D9803	CAM, PORT, FORWARD, GROUP	1	-		JA9/500
	38D9803	CAM, STARBOARD, FORWARD,	1	-		JA9/501
		GROUP				
		Spare for:-				
	7D9803	Cam, for (37D9803)	1	S99		
	8D9803	Cam, for (38D9803)	1	S99		
	11D9803	Indicator	1	L85		JA9/502
	13D9803	Lever, for (37D9803)	1	S96		
	14D9803	Lever, for (48D9803)	1	S96		
12459	47D9803	Screw, grub, special	1	S96	C	
10361	39D9803	CAM, PORT, AFT, GROUP	1	-	B	JA9/503
10362	40D9803	CAM, STARBOARD, AFT, GROUP	1	-	B	JA9/504
		Spare for:-				
	44D9803	Adjuster, for (40D9803)	1	L85	MR	
	43D9803	Bolt, special, for (40D9803)	1	S94 or S95	MR	
	9D9803	Cam, for (39D9803)	1	S99		
	10D9803	Cam, for (40D9803)	1	S99		
	5D9803	Lever	1	L85	MR	
17212	6D9803	Lever	1	S96	C	
8180	13D9524	HOOK, GROUP	1	-	MR	JA9/505
	12D9524	Pin	1	S99		JA9/506
	10D9524	Seal, rubber	1	-	MR	JA9/507
	14D9524	Spring	2	DTD187	MR	JA9/508
	9D9524	Washer, special	1	-	MR	JA9/509

WAC 98. 8

FUSELAGE
CREW'S NACELLE

Ref No	Part No.	Description	No off	Matl Spec.	Cl of St.	Plate and Illust'n No
					M.R	
		1 2 3 4				
		CANOPY, RELEASE AND SEAT EJECTION (100D10388) (Cont'd)				
	1010022	UNIT, RELEASE, EXTERNAL GROUP	1	—		JA9/510
	7D10022	Spares for:— Bush, for press catch	2	L85		
22342	9D10022	Bush, for handle	2	L85		
	6D10022	Catch, press	1	DT0443		JA9/511
	2D10022	COVER, GROUP	1	—		JA9/512
22343	3D10022	HANDLE, GROUP	1	—		JA9/513
	12D10022	Pin	1	S1	C	
	8D10022	Tube, distance, for handle	1	T35		
27L/4541132	C/MBCJ/306	Unit, jettison gun firing	1	—	A	JA9/514
27L/4541133	C/MBCJ/306	Unit, time delay, on pilot's seat	2	—	A	JA9/515
27VA/ 1450833	DUNLOP AC61744	Univalve (Mod. 2220) (See AP4515C, Vol. 3, Part 1, Sect. 2, Chap. 55)	1	—	A	JA9/516
27VA/ 4619877	DUNLOP ACO1297	Valve, sequence (See AP4515C, Vol. 3, Part 1, Sect. 2, Chap. 55)	1	—	A	JA9/517
	87D10368	Washer, saddle, for plunger at univalve (Pre-Mod 2220)	1	S1		JA9/518
	124D10368	Washer (Mod. 2220)	1	—		
	30D10368	Washer, special, for spindle at lever pivots	2	L72		JA9/519
	26D9803	Washer, tapered, at gate plates	4	—		JA9/520
	27D9803	Washer, tapered, at gate plates	4	L85	MR	JA9/521
	28D9803	Washer, tapered, at pulley block (23D9803)	1	L85	MR	JA9/522
2932	29D9803	Washer, tapered, at pulley block (23D9803)	1	L85	C	JA9/523
		COCKPIT, RAIL, FORWARD AND REAR (38108754)				
		Spares for:— ATTACHMENT OF STRONG POINTS FOR DINGHY STOWAGE PORT AND STARBOARD (290 & 291D8754)				
	9D9936	Boil. pin	2	S94-S95 or S96		JA10/524
	10D9936	Lever	1	DT0363A		JA10/525
	8D9936	Link, member	2	L72		JA10/526
	7D9936	Strip, holding, port and starboard	1	L72		JA10/527
	2D10368	Bracket, ejection jack foot	1	L85		JA9/528
1432913	69D8754	Bracket, attachment	4	L72	C	
1432914	70D8754	Bracket	4	L72	C	
1505035	251D8754	COVER, HINGE, PORT, GROUP	1	—	C	JA10/529
1505036	252D8754	COVER, HINGE, STARBOARD, GROUP	1	—	C	JA10/530
	1D9068	Spares for:— UNIT, HINGE, GROUP	1	—	MR	JA10/531
	2D9068	Consisting of:— Block	1	DTD176A		JA10/532
	3D9068	Hook	1	OTD176A		JA10/533
	4D9068	Link	2	OTD1668		JA10/534

FUSELAGE
CREW'S NACELLE

Ref. No.	Part No.	Description	No. off	Matl. Spec.	Cl. of St.	Plate and Illust'n No.
					M.J.L.	
		UNIT, HINGE, GROUP (1D9068) (Continued)				
	9D9068	Pin, at links for spring	1	DTD176A		JA10/535
	10D9068	Pin, at links for hook	1	DTD176A		JA10/536
	12D9068	Pin, for hook	1	DTD176A		JA10/537
	5D9068	Rod, plunger	1	DTD176A		JA10/538
	8D9068	Spring, for link pin	1	DTD328		JA10/539
	11D9068	Spring, for rod	1	DTD328		JA10/540
	7D9068	Tube, distance, for links, top	1	DTD176A		JA10/541
	14D9068	Tube, distance, for links, bottom	1	DTD176A		JA10/542
1432915	205D8754	COVER, AFT, PORT, GROUP	1	—	C	JA9/543
1432916	206D8754	COVER, AFT, STARBOARD, GROUP	1	—	C	JA9/544
	203D8754	COVER, FORWARD, PORT, GROUP	1	—		JA9/545
	204D8754	COVER, FORWARD, STARBOARD, GROUP	1	—		JA9/546
	37SS3221	DOOR, INSPECTION, FORWARD AT FORMER 388" F, PORT AND STARBOARD, GROUP Spare for:—	2	—		
	46SS3221	Door, inspection	1	L72	MR	JA9/547
28D/1007981	AS1248/1/2C	Attachment, door (46SS3221) Botl	6	—	C	
	12SS3221	FLANGE, GROUP	1	—		
10312	375D8754	Seal, foam rubber, 3/16" x 2-1/2" x 8-1/2"	1	—	MR	JA9/548
10313	3D10687	Socket, cockpit, rail, forward, port	1	L85	C	JA9/549
	4D10687	Socket, cockpit, rail, forward, starboard	1	L85	C	JA9/550
	5D10687	Socket, cockpit, rail, aft, port	1	L85	MR	JA9/551
	6D10687	Socket, cockpit, rail, aft, starboard	1	—	MR	JA9/552
9744	318D8754	Strip, rubber, rear cockpit rail, 1" x 1/4" x 2' 11-1/2" long	1	—	C	JA10/553
2378	137D8623	DIAPHRAGM, OUTER, PORT, GROUP	1	—	C	JA11/554
2379	138D8623	DIAPHRAGM, OUTER, STARBOARD, GROUP	1	—	C	JA11/555
2380	139D8623	DIAPHRAGM, OUTER, PORT, GROUP	1	—	C	JA11/556
2381	140D8623	DIAPHRAGM, OUTER, STARBOARD, GROUP	1	—	C	JA11/557
2382	141D8623	DIAPHRAGM, OUTER, PORT, GROUP	1	—	C	JA11/558
	142D8623	DIAPHRAGM, OUTER, STARBOARD, GROUP	1	—		JA11/559
2384	143D8623	DIAPHRAGM, OUTER, PORT, GROUP	1	—	C	JA11/560
	144D8623	DIAPHRAGM, OUTER, STARBOARD, GROUP	1	—		JA11/561

WACAN No. 3

FUSELAGE
CREW'S NACELLE

Page JA. 37

Ref. No.	Part No.	Description	No. off	Mater. Spec.	Cl. of	Plate and Illust'n No.
					St. M.R.	
			1	2	3	4
		STRUCTURE, CREW'S NACELLE (18609428) (Cont'd)				
	145D8623	DIAPHRAGM, OUTER, PORT, GROUP	1	-		JA11/562
	146D8623	DIAPHRAGM, OUTER, STARBOARD, GROUP	1	-		JA11/563
		DOME, PRESSURE, FORWARD, CREW'S NACELLE (50D9383)				
		Spares for:-				
	27D8377	Bracket, at access door clamp	3	OTD364A		JA7/564
1006	33D8377	Bracket, hinge, port	1	OTD364B	C	JA7/565
1008	34D8377	Bracket, hinge, starboard	1	OTD364B	C	JA7/566
	54D9383	BRACKET, BOMB SIGHT COVER	1	-		JA7/567
	55D9383	STOWAGE, PORT, GROUP BRACKET, BOMB SIGHT COVER	1	-		JA7/568
		STOWAGE, STARBOARD, GROUP				
		Spares for:-				
26FP/7002000	A403	Pin, pip	1	-	C	JA7/569
6164	36D9383	Bracket, strap mounting, port	1	L66	C	JA7/570
6165	37D9383	Bracket, strap mounting, starboard	1	L66	C	JA7/571
10H/0640016	-	Connector, Co-axial	4	-	B	JA7/572
10H/9660042	-	Connector, Co axial	2	-	A	JA7/573
	2D8377	DOOR, ACCESS, CENTRE, GROUP	1	-	MR	JA7/574
		Spares for:-				
	2hD8377	Bracket, clamp	3	DTD364B	MR	JA7/575
	21D8377	Bracket, hinge, starboard	1	DTD364B		JA7/576
	2mD8377	Bracket, hinge, port	1	OTO364B		JA7/577
	2pD8377	Bracket, securing	1	DTD364B	MR	JA7/578
	2dD8377	Dish	1	L72		
6264	2gD8377	Ring, reinforcing	1	DTD88C	C	JA7/579
10702	2FD8377	Ring, sealing	1	Rubber	C	JA7/580
	2qD8377	Tube, spacing	1	L66	C	
26FP/13161	112D1944	HANDWHEEL, ACCESS DOOR, CLAMP, GROUP	3	-	C	JA7/581
	HELLERMAN					
5X/6737	4413	Housing, bung	1	-	B	JA7/582
1007	26D8377	Link, hinge, top	2	DTD364A	C	JA7/583
	26D8377	Link, hinge, bottom	4	L72	MR	JA7/584
26FP/13163	114D1944	Nut, special, for handwheel	3	DTD176A		JA7/585
1010	14D6770	Pin, for handwheel	3	DTD176A	C	JA7/586
6209	40D9383	Screw, for handwheel (Made from 11309383)	3	DTD176A	C	JA7/587
	23D9383	Sector, attachment ring, bottom	1	L72	MR	JA7/588
	24D9383	Sector, attachment ring, bottom	1	L72	MR	JA7/589
	7D9383	Segment, bottom, starboard	1	L72	MR	JA7/590
	8D9383	Segment, bottom, port	1	L72	MR	JA7/591
10H/10461	-	Socket, plug, at pressure dome Ref. 1006 ..	1	-	B	JA7/592

FUSELAGE
CREW'S NACELLE

Ref. No.	Part No.	Description	No. off	Mtrl. Spec.	Cl. of St.	Plate and Illust'n No.
					M.R.	
		1 2 3 4				
		DOME, PRESSURE, FORWARD, CREW'S NACELLE (50D9383) (Cont'd.)				
	PLESSEY					
	CZ28032	Socket, plug at pressure dome Ref. 556	1	-		JA7/583
5X/8038	CZ28038	Socket, plug at pressure dome Ref. 281	1	-	B	JA7/584
5X/8093	CZ28049	Socket, plug at pressure dome Ref. 556	1	-	B	JA7/595
5X/8422	CZ87212	Socket, plug at pressure dome Ref. 288	1	-	B	JA7/596
10H/18457	CZ82271/0	Socket, plug at pressure dome, Refs. 884 & 885	2	-	B	JA7/597
10H/18458	CZ82271/1	Socket, plug at pressure dome Ref. 114R	1	-	B	JA7/598
	CZ82271/3	Socket, plug at pressure dome Ref. 101B	1	-		JA7/599
10H/18483	CZ82272/0	Socket, plug at pressure dome Ref. 113R	1	-	B	JA7/600
10H/18458	CZ82272/1	Socket, plug at pressure dome Ref. 139R	1	-	B	JA7/601
10H/18493	CZ82277/0	Socket, plug at pressure dome, Refs. 106R & 101B	2	-	B	JA7/602
	CZ82277/1	Socket, plug at pressure dome Ref. 114R	1	-		JA7/603
	15D9383	Strap, jointing, segments	1	L72	MR	JA7/604
	16D9383	Strap, jointing, segments	1	L72	MR	JA7/605
	17D9383	Strap, jointing segments	1	L72	MR	JA7/606
	89D8828	Washer, sealing	8	Rubber		
		DOOR, MAIN ENTRANCE & ESCAPE CHUTE STRUCTURE (1D9550)				
		Spare for -				
	33D8700	Angle attachment	1	L72	MR	JAB/607
	23D8700	Angle, clamping, port	1	L72	MR	JAB/608
	24D8700	Angle, clamping, starboard	1	L72	MR	JAB/609
13381	26D8700	Angle, clamping, rear	1	L72	C	JAB/610
	11D9550	Angle, clamping, forward corner, port	1	L72	MR	JAB/611
	17D9550	Angle, clamping, forward corner, starboard	1	L72	MR	JAB/612
	13D9550	Angle, clamping, rear corner, port	1	L72	MR	JAB/613
	14D9550	Angle, clamping, rear corner, starboard	1	L72	MR	JAB/614
	19D9550	Angle, clamping, front	1	L72	MR	JAB/615
	17D9550	ANGLE, INTERCOSTAL, PORT, GROUP	1	-	MR	JAB/616
	18D9550	ANGLE, INTERCOSTAL, STARBOARD, GROUP	1	-	MR	JAB/617
	37D8700	ANGLE, REINFORCING, PORT, GROUP	1	-	MR	JAB/618
	38D8700	ANGLE, REINFORCING, STARBOARD, GROUP	1	-	MR	JAB/619
	16D8700	Bracket, attachment, door frame rear, centre	1	L72	MR	JAB/620
2438	17D8700	Bracket, attachment, door frame rear, port	1	L72	C	JAB/621
	18D8700	Bracket, attachment, door frame rear, starboard	1	L72	MR	JAB/622
	55D8700	Bracket, attachment	2	L72	MR	JAB/623
	56D8700	Bracket, attachment	2	L72	MR	JAB/624
	3D8700	Bracket, hinge, port	1	OTD384B	MR	JAB/625
	4D8700	Bracket, hinge, starboard	1	OTD384B	MR	JAB/626
	5D9550	Channel	1	L72	MR	JAB/627
	8D9550	Channel	1	L72	MR	JAB/628

VULCAN 44 2

FUSELAGE
CREW'S NACELLE

Page JA. 39

Ref. No	Part No	Description	No. off	Mati. Spec.	Cl. of St.		Plate and Must'n No
					M	R	
		<u>1 2 3 4</u>					
		DOOR, MAIN ENTRANCE AND ESCAPE CHUTE STRUCTURE (109550) (Cont'd)					
	908700	DIAPHRAGM, FRONT, PORT, GROUP	1	—	MR		JAB/629
	1008700	DIAPHRAGM, REAR STARBOARD, GROUP	1	—	MR		JAB/630
	1108700	DIAPHRAGM, REAR PORT, GROUP	1	—	MR		JAB/631
	1208700	DIAPHRAGM, REAR STARBOARD, GROUP	1	—	MR		JAB/632
	4708700	DIAPHRAGM, SIDE, GROUP	1	—	MR		JAB/633
	4808700	DIAPHRAGM, SIDE, GROUP	1	—	MR		JAB/634
12131	4908700	Diaphragm, hinge, i/b port	1	L72	MR/C		JAB/635
12132	5008700	Diaphragm, hinge, i/b starboard	1	L72	MR/C		JAB/636
12123	5108700	Diaphragm, hinge, o/b port	1	L72	MR/C		JAB/637
12134	5208700	Diaphragm, hinge, o/b starboard	1	L72	MR/C		JAB/638
2436	608700	DOOR, ACCESS, GROUP	1	—	MR/C		JAB/639
		Spares for:—					
8711	308803	Seal	1	Rubber	C		
64	108818	DOOR, MAIN ENTRANCE AND ESCAPE CHUTE, HINGED PORTION, GROUP	1	—	A		JAB/640
		Spares for:—					
	2308818	BRACKET, HINGE, PORT, GROUP	1	—	MR		JAB/641
1433789	2408818	BRACKET, HINGE, STARBOARD GROUP	1	—	MR/C		JAB/642
	6308818	Bracket, jack attachment	2	DTD683	MR		JAB/643
1505001	8908818	Bracket, striker, port	1	—			JAB/644
	9008818	Bracket, striker, starboard	1	—	C		JAB/645
		Attachments (88 & 9008818)					
28D/9133011	A25/2C	Bolt, 2 BA	3	—	C		
28D/1214091	AS1242/2C	Bolt, csk. head 2 BA	1	—	C		
28W/9418402	SP13/C	Washer, 2 BA	3	—	C		
	2208818	Bush, at hinge bracket, port and starboard	2	2B/8	MR		JAB/646
	8408818	Bush, at locking pin bracket	2	S80	MR		JAB/647
	9208818	HOUSING, LADDER, GROUP	1	—	MR		JAB/648
		Consisting of:—					
	92c08818	Cap, end	2	DTD124			
	92d08818	Fairing	2	OTD124			
	92b08818	Housing	2	DTD124			
	92a08818	Housing, plunger	2	S1			
	92a08818	Plate	2	DTD124			
	9808700	STOP, DOOR, BOTTOM, HALF, L.H. & R.H., GROUP	2	—	MR		JAB/649
		Attachments— (9808700)					
28D/1007973	AS1242/2B	Bolt, csk. head, 4 BA	6	—	C		

FUSELAGE
CREW'S NACELLE

Ref. No.	Part No.	Description	No. off	Matl. Spec.	Cl. of St.	Plate and Illustr'n No
					M.R.	
		1 2 3 4				
		DOOR, MAIN ENTRANCE AND ESCAPE CHUTE, STRUCTURE (1D9550) (Cont'd)				
	3808700	HOUSING, LOCKING PIN, PORT, GROUP	1	—	MR	JAB/650
	4008700	HOUSING, LOCKING PIN, STARBOARD, GROUP	1	—	MR	JAB/651
	38508700	Consisting of:— Bush, port and starboard	1	DTD178A		
	38508700	Housing, port	1	DTD384B		
	40508700	Housing, starboard	1	DTD384B		
		INSULATION, UNDERBELLY STRUCTURE (21D9550) [See Equipment—Aircraft—Fireproofing and Soundproofing]				
	7D9550	INTERCOSTAL, PORT, GROUP	1	—	MR	JAB/652
	8D9550	INTERCOSTAL, STARBOARD, GROUP	1	—	MR	JAB/653
	16D9550	Intercostal, port	1	L72		JAB/654
	16D9550	Intercostal, starboard	1	L72		JAB/655
	AG5554	Nipple, grease, at hinges	2	—		
	2808700	Packing, side	2	L72	MR	
9838	6508700	Packing, hinge	2	L72	MR/C	
	6808700	Packing, rear	1	L72	MR	
	6908700	Packing, front, between hinges	1	L72	MR	
	7108700	Packing, rear corner, port	1	L72	MR	
	7208700	Packing, rear corner, starboard	1	L72	MR	
	7308700	Packing, front corner, port	1	L72	MR	
	7408700	Packing, front corner, starboard	1	L72	MR	
	608700	Pin, hinge	2	S96	MR	
	308888	PRESSING, DOOR FRAME, GROUP	1	—	MR	JAB/656
1045	1Z6492	Seal, inflatable, at door entrance (Pre-Mod. 2297)	1	—	C	JAB/657
	1Z12388	Seal, inflatable, at door entrance (Mod. 2297) (Pre-Mod. 2427)	1	—	MR	
8118077	1Z12813	Seal, inflatable, at door entrance (Mod. 2427)	1	—	C	
	15Z8653	Screen canvas, 1/16" x 4-3/8" x 14.75" long	1	DTD295	MR	JAB/658
	2009550	Skin, panel, forward	1	L72	MR	JAB/659
	1D9551	SKIN, INNER, AROUND MAIN ENTRANCE DOOR, GROUP	1	—	MR	JAB/660
	9808700	Stop, door (top half)	2	DTD384B	MR	JAB/661
	17Z8653	Strip, retaining for canvas screen	1	L72		JAB/662
1735	7608700	Strip, retaining, port and starboard	2	L72	C	JAB/663
	7808700	Strip, retaining, rear	1	L72	MR	JAB/664
1738	7908700	Strip, retaining, front port	1	L72	C	JAB/665
1739	8008700	Strip, retaining, front starboard	1	L72	C	JAB/666
1740	8108700	Strip, retaining, rear, port	1	L72	C	JAB/667
1741	8208700	Strip, retaining, rear starboard	1	L72	C	JAB/668
4730	8308700	Strip, sealing (Linatex tubular sealing K.O. 118 x 16" long)	1	—	C	JAB/669
	3608700	Washer, thrust, at hinges	4	DTD384B	MR	JAB/670

VULCAN No. 2

FUSELAGE
CREW'S NACELLE

Page JA. 41

Ref. No.	Part No.	Description	No. off	Matl. Spec.	Cl. of St.	Plate and Illust'n No.
					M.R.	
		1 2 3 4				
		STRUCTURE, CREW'S NACELLE (186D9426) (Cont'd)				
		FAIRINGS, ON CANOPY (D10492) Spares for:—				
	3D10492/W	FAIRING, INBOARD, PORT, WHITE, GROUP	1	—	MR	JA10/671
	3D10492/P	FAIRING, INBOARD, PORT, PRIMERED, GROUP (Mod. 1877)	1	—		
1433330	3D10492/EP	FAIRING, INBOARD, PORT, POLYURETHANE FINISH (Mod. 2129)	1	—	MR/C	
	4D10492/W	FAIRING, INBOARD, STARBOARD, WHITE, GROUP	1	—	MR	JA10/672
	4D10492/P	FAIRING, INBOARD, STARBOARD, PRIMERED, GROUP (Mod. 1877)	1	—		
	4D10492/EP	FAIRING, INBOARD, STARBOARD, POLYURETHANE FINISH (Mod. 2129)	1	—		
	5D10492/W	FAIRING, INTERMEDIATE, PORT, WHITE, GROUP	1	—	MR	JA10/673
	5D10492/P	FAIRING, INTERMEDIATE, PORT, PRIMERED, GROUP (Mod. 1877)	1	—		
	5D10492/EP	FAIRING, INTERMEDIATE, PORT, POLYURETHANE FINISH (Mod. 2129)	1	—		
	6D10492/W	FAIRING, INTERMEDIATE, STAR- BOARD, WHITE, GROUP	1	—	MR	JA10/674
	6D10492/P	FAIRING, INTERMEDIATE, STAR- BOARD, PRIMERED, GROUP (Mod. 1877)	1	—		
143333	6D10492/EP	FAIRING, INTERMEDIATE, STAR- BOARD, POLYURETHANE FINISH (Mod. 2129)	1	—	MR/C	
8071	7D10492/W	FAIRING, OUTBOARD, PORT, WHITE, GROUP	1	—	MR/C	JA10/675
	7D10492/P	FAIRING, OUTBOARD, PORT, PRIMERED, GROUP	1	—		
1433334	7D10492/EP	FAIRING, OUTBOARD, PORT, POLYURETHANE FINISH (Mod. 2129)	1	—	MR/C	
6072	8D10492/W	FAIRING, OUTBOARD, STARBOARD, WHITE, GROUP	1	—	MR/C	JA10/676
	8D10492/P	FAIRING, OUTBOARD, STARBOARD, PRIMERED, GROUP (Mod. 1877)	1	—		
1433335	8D10492/EP	FAIRING, OUTBOARD, STARBOARD, POLYURETHANE FINISH (Mod. 2129)	—	—		
285/6833	S970 147D8623	Screw, P.K. Type "Z" No. 2 x 3/16" long Fairing, canopy, rear	14 1	— L121 or 721	C	JA10/677
		FAIRING, SEXTANT, ON COCKPIT RAIL (D10093) Spares for —				
	1D10093	Fairing, port	1	L72	MR	JA12/678
	3D10093	Fairing, starboard	1	L72	MR	JA12/679
7730	19D8625	Fillet, front, at Windscreen	1	DTD142A	C	JA10/680

FUSELAGE
CREW'S NACELLE

Ref. No.	Part No.	Description	No. off	Matl. Spec.	Cl. of	Plate and Illust'n No.
					St. M.R.	
		1 2 3 4				
		FLOOR ASSEMBLY, CREW'S (D10838)				
		Spares for:-				
	75D8708	Angle, support, at step, port, top	1	L72	MR	JA3/681
	78D8708	Angle, support, at step, starboard, top	1	L72	MR	JA3/682
	77D8708	Angle, support, for electrical shelf starboard	1	L72	MR	JA3/683
	80D8708	Bracket, angle, on floor support at former 232	2	L72	MR	JA3/684
	81D8708	Bracket, angle, on floor support at former 232	4	L72	MR	JA3/685
	82D8708	Bracket, angle, on floor support at former 232	4	L72	MR	JA3/686
	83D8708	Bracket, angle, on floor support at formers 248-260-274-288	4	L72	MR	JA3/687
	84D8708	Bracket, angle, on floor supports at former 248-260-274-288	4	L72	MR	JA3/688
	85D8708	Bracket, angle, on floor support at formers 248-260-274-288	4	L72	MR	JA3/689
	86D8708	Bracket, angle, on floor supports at formers 248-260-274-288	4	L72	MR	JA3/690
	87D8708	Bracket, angle, on floor supports at formers 248-260-274-288	4	L72	MR	JA3/691
	151D8708	Bracket, angle, on floor support at former 302	1	L72	MR	JA3/692
		FLOOR STRUCTURE, CREW'S (28D10838)				
		Spares for:-				
1433554	142D8708	Bracket, door jack attachment	2	DTD364B	C	JA3/693
	165D8708	DOOR, ACCESS, TO ENTRANCE DOOR, CLOSING HANDLE, GROUP	1	-	MR	JA3/694
		Spares for:-				
26FP/1156	1SS3888	CATCH, DOOR, GROUP	1	-	B	JA3/695
		Spares for:-				
	1SS3889	Catch	1	DTD443		JA3/696
	1SS3890	Catch, press	1	DTD443		JA3/697
	1SS3890	Frame	1	S3		JA3/698
26FP/2945	184D8708	Hinge (Made from 28N18483 x 3")	1	L72		JA3/699
	1SS4041	Spring	1	Spring Steel	C	JA3/700
	3SS3880	Washer	2	S3		JA3/701
	1D10037	HANDLE, ENTRANCE DOOR, CLOSING, GROUP	1	-	MR	JA3/702
		Spares for:-				
	8D10037	Handle	1	DTD364B		JA3/703
	2D10037	HOUSING, PULLEY, GROUP	1	-		JA3/704
	4D10037	HOUSING, PULLEY, GROUP	1	-		JA3/705
		Consisting of:-				
	MANG B & B. 060714	Bush	1	BS1/1131		JA3/706
	4D10037	Housing, Pulley	1	DTD364B		JA3/707
	3D10037	Rod, operating	1	S1		JA3/707
	5D10037	Tube, distance	1	S1		JA3/708
	159D8708	Plate, door	1	L72		JA3/708

VULCAN No. 1

FUSELAGE
CREW'S NACELLE

Page JA. 43

Ref. No.	Part No.	Description	No. off	Matl. Spec.	Cl. of	Place and Illust'n No.
					Sc. M.R.	
		1 2 3 4				
		FLOOR STRUCTURE, CREW'S (28D10838) (Cont'd)				
4731	144D8708	Nut, for sealing plug, port	1	DTD363	C	JA3/708
4732	145D8708	Nut, for sealing plug, starboard	1	DTD363	C	JA3/710
	148D8708	Plug, sealing, at leveling plate attaching points	2	DTD363	MR	JA3/711
	23D10838	Stud, mounting, 3/4" dia. x 2-1/4" long ..	1	S96		JA3/712
	24D10838	Stud, mounting, 5/8" dia. x 4-1/2" long ..	2	S96		JA3/713
12751	48D10838	Washer, bearing, for stud (24D10838) ...	2	DTD130	C	
12752	49D10838	Washer, bearing, for stud (23D10838) ...	1	L72	C	
	194D8708	Guard, foot, at step, starboard	1	L72		
	1V8037	SHELF, FOR ELECTRICAL EQUIPMENT, STARBOARD, GROUP (Pre Mod 980)	1	-	MR	
	18V8037	SHELF, FOR ELECTRICAL EQUIPMENT, STARBOARD, GROUP (Mod. 980)	1	-	MR	JA3/714
	18V8037	Spares for:- Stud	3	S94		JA3/715
		FLOOR, STRUCTURE, PILOTS (182D9695)				
		Spares for:-				
	140D9695	BRACKET, RADAR MOUNTING, GROUP	1	-	MR	JA2/716
	25D9558	CHANNEL, EJECTION SEAT RAIL MOUNTING, L.H., GROUP	4	-	MR	JA1/717
	26D9558	CHANNEL, EJECTION SEAT RAIL MOUNTING, R.H., GROUP	4	-	MR	JA1/718
	183D9695	Plate, blanking, starboard (Pre-Mod. 446) ..	1	L72		JA1/719
	183D9695	STRUCTURE, MOUNTING, FOR CENTRE CONSOLE, GROUP	1	-	MR	
	1D9559	STRUT, FLOOR, SUPPORT, FORWARD, GROUP	2	-		JA2/720
	2D9559	STRUT, FLOOR SUPPORT, REAR, GROUP	2	-		JA2/721
		Attachments for struts (1 & 2D9559)				
	54D8707	Bolt, bottom, forward and rear struts (Make from A30/11N)	4	-		
	65D9558	Bolt, top, forward and rear struts (Make from A30/5N)	4	-		
28M/4095892	A27/NS	Nut	8	-	C	
28P/9429852	SP9/E10	Pin, split	8	-	C	
	73D9558	Strip, insulation, top	4	Fibre glass		
28W/9419479	SP15/N	Washer, bottom	4	-	C	
28W/9419491	SP16/N	Washer, top and bottom	8	-	C	
	28D9558	Washer, special, at ejection seat Channels ..	16	L72		JA1/722
		FORMER 218F (1D8589)				
		Spares for:-				
	10D8589	Former, 218F	1	L72	MR	JA5/723
	33Z7366	Member, cross	1	L72	MR	JA5/724

FUSELAGE
CREW'S NACELLE

Ref. No.	Part No.	Description	No. off	Matl. Spec.	Cl. of	Plate and Must'n No.
					St. M.R.	
		1 2 3 4				
STRUCTURE, CREW'S NACELLE						
(1B609420) (Cont'd)						
		FORMER 232F (1D8590)				
		Spares for:-				
	4D8590	Former 232F, port	1	L72	MR	JA5/725
	6D8590	Former 232F, starboard	1	L72	MR	JA5/726
		FORMER 246 (1D10971)				
		Spares for:-				
	3D10971	Former 246F, port	1	L72	MR	JA5/727
	6D8591	Former 246F, starboard	1	L72	MR	JA5/728
		FORMER 260F (1D8592)				
		Spares for:-				
	3D8592	Former 260F, port	1	L72	MR	JA5/729
	4D8592	Former 260F, starboard	1	L72	MR	JA5/730
		FORMER 274F (1D8593)				
		Spares for:-				
	3D8593	Former 274F, port	1	L72	MR	JA5/731
	4D8593	Former 274F, starboard	1	L72	MR	JA5/732
		FORMER 288F (1D8594)				
		Spares for:-				
	3D8594	Former 288F, port	1	L72	MR	JA5/733
	4D8594	Former 288F, starboard	1	L72	MR	JA5/734
		FORMER 302F (1D9426)				
		Spares for:-				
	3D9426	Former 302F, Port	1	L72	MR	JA5/735
	2D9526	Former 302F, starboard	1	L72	MR	JA5/736
	1D9425	FORMER 316F, PORT, GROUP	1	-	MR	JA5/737
	2D9425	FORMER 316F, STARBOARD, GROUP	1	-	MR	JA5/738
		Spares for:-				
26FP/2722	A/SS856	Adaptor, oxygen pipe, port	1	Bress	C	
	A/SS857	Washer, for adaptor	1	-		
		FORMER 330F (1D8424)				
		Spares for:-				
	2D9424	Former 330F, port	1	L72	MR	JA5/739
	3D9424	Former 330F, starboard	1	L72	MR	JA5/740
		FORMER 344F (1D8423)				
		Spares for:-				
	2D9423	Former 344F, port	1	L72	MR	JA5/741
	3D9423	Former 344F, starboard	1	L72	MR	JA5/742
		FORMER 358F (1D9422)				
		Spares for:-				
	2D9422	Former 358F, port	1	L72	MR	JA5/743
	3D9422	Former 358F, starboard	1	L72	MR	JA5/744

VULCAN OR 2		FUSELAGE		Page JA. 45		
		CREW'S NACELLE				
Ref No.	Part No.	Description	No off	Matl. Spec.	Cl. of St.	Plate and Illust'n No.
					M.R.	
		1 2 3 4				
		STRUCTURE CREW'S NACELLE (188DB420) (Cont'd.)				
	1D9390	FORMER 372F	1	—		
		Spare for:—				
	8D8380	Plate, joint, bottom	3	S3	MR	JA5/745
	8D8380	Plate, joint, top	2	S3	MR	JA5/745
	2D8380	Sector, former, starboard	1	DTD364B	MR	JA5/747
	3D8380	Sector, former, bottom	1	DTD364B	MR	JA5/748
	4D8380	Sector, former, port	1	DTD364B	MR	JA5/749
	7D8380	Sector, former, top	1	DTD364B	MR	JA5/750
		INSTALLATION OF PERISCOPE SIGHTING AND FAIRING, TOP AND BOTTOM (1-2D10442)				
		Spare for:—				
	10SS4353	Bolt, at sighting heads	68	—		
	5D10442	COVER, BOTTOM, INNER, GROUP Attachments—Cover (5D10442)	1	—		JA12/751
280/1007982	AS1248/1C	Bolt	12	—	C	
28W/9419454	SP10/C	Washer	12	—	C	
6086	3D10442	Cover, fairing, bottom, forward	1	L59	C	JA12/752
6086	10D10442/W	Cover, fairing, top, forward, white	—	L59	C	
	10D10442/C	Cover, fairing, top forward	1	L59		
		camouflaged (Mod. 1877)				
	10D10442/PC	Cover, fairing, top, forward polyurethane finish (Mod. 2129)	1	L59		JA12/753
	KELVIN HUGHES Z157/EX16	HEAD SIGHTING TOP, GROUP (Pre-Mod 2265) Comprising of:—	1	—		
		Baseplate	1	—		
	KELVIN HUGHES Z157-58	Fairing, upper	1	—		
	KELVIN HUGHES Z157-82	Window	1	—		
	KELVIN HUGHES	HEAD SIGHTING TOP, GROUP (Mod. 2265) Comprising of:—	—	—	—	JA12/754
1510650	KELVIN HUGHES Z157-A246	Baseplate (Mod. 2265)	1	—	C	
1510649	KELVIN HUGHES Z157-A247	Fairing, upper (Mod. 2265)	1	—	C	
1510648	KELVIN HUGHES Z157-A224	Window (Mod. 2265)	1	—	B	
	Z157-1197	Label (Mod. 2265)	1	—		
	Z100-781	Label (Mod. 2265)	1	—		

FUSELAGE
CREW'S NACELLE

Ref. No.	Part No.	Description	No. off	Matl. Spec.	Cl of St.		Plate and Illustr'n No.
						M.R.	
		1 2 3 4					
		INSTALLATION OF PERISCOPE SIGHTING AND FAIRING, TOP AND BOTTOM (1-2D10442) (Cont'd.)					
6090	KELVIN HUGHES Z157/EX17	HEAD, SIGHTING, BOTTOM, GROUP (Pre-Mod. 2265) Comprising of:—	1	—		B	
	KELVIN HUGHES —	Baseplate (Pre-Mod. 2265)	1	—			
	KELVIN HUGHES Z157/80	Fairing, lower (Pre-Mod. 2265)	1	—			
	KELVIN HUGHES Z157/82	Window (Pre-Mod. 2265)	1	—			
	KELVIN HUGHES —	HEAD, SIGHTING, BOTTOM, GROUP (Mod. 2265, Part B) Comprising of:—	1	—		—	JA12/755
1510851	KELVIN HUGHES Z157-A245	Baseplate (Mod. 2265)	1	—		C	
1510852	KELVIN HUGHES Z157-A248	Fairing, lower (Mod. 2265)	1	—		C	
	KELVIN HUGHES Z157-1196	Label (Mod. 2265)	1	—			
	KELVIN HUGHES Z100-781	Label (Mod. 2265)	1	—			
1510848	KELVIN HUGHES Z157-A244	Window (Mod. 2265)	1	—		B	
	—	INSULATION, HEAT (1Z9721)	—	—			
		(See Equipment, Aircraft-Fireproofing and Soundproofing)					
27VA/ 4625765	DUNLOP AC11118	Jack, door, port	1	—		A	JAB/756
27VA/ 4625766	DUNLOP AC11118	Jack, door, starboard	1	—		A	JAB/757
280/1213826	A30/8N	Attachments—Jacks (AC11118-AC11118)					
	A30/11N	Bolt, bottom	2	—		C	
28M/13758	A27/NS	Bolt, top	2	—		C	
28P/9429652	SP9/E10	Nut	4	—		C	
28W/9419491	SP15/N	Pin, split	4	—		C	
		Washer	4	—		C	
	1D8732	LONGERON, AFT, PORT, GROUP	1	—		MR	JA11/758
	2D8732	LONGERON, AFT, STARBOARD, GROUP	1	—		MR	JA11/758

VULCAN 88L 2

FUSELAGE
CREW'S NACELLE

Page JA. 47

Ref. No.	Part No.	Description	No. off	Matl Spec.	Cl. of	Plate and Illustr'n No.
					SI. M.R.	
		MECHANISM, DOOR MAIN ENTRANCE (1D10033)	—	—		
	62D10033	Spares for:— BOX CONTROL, ASSEMBLY, MAIN ENTRANCE DOOR, STATION 247, GROUP (Mod. 824)	1	—	—	JAB/760
2448	20D8022	Spares for:— BEARING, INBOARD, GROUP	2	—	B	JAB/761
1432847	45D10033	COVER, CONTROL BOX, GROUP	1	—	C	
13370	86D10033	Handle	1	S520	C	JAB/762
	96D10033	Knob, control (Pre-Mod. 2154)	1	—	MR	JAB/763
	966D10033	Strip, luminous (Pre-Mod. 2154)	1	—		
	98D10033	Knob, control (Mod. 2154)	1	—	MR	
6118055	SAUNDER'S ROE LTD. SR3-1819	Marker, Betalite (Mod. 2154)	1	—	C	
	66SS6001	Label, emergency	1	DTD213		
	41BSS6001	Label, door safe—not safe	1	DTD213		
5CX/1086815	—	Lamp, red without night screen	1	—	B	JAB/764
5CX/4330033	—	Lamp, green, with night screen	1	—	B	JAB/765
	48D10033	Lever (Item 1D11171 may be used as an alternative)	1	DTD130	—	JAB/766
	S.R.N.E. 036-B	Marker, Betalite (Mod. 2154)	2	—	MR	
	53D9022	MOUNTING, LAMP, GROUP	1	—	MR	JAB/767
	35D9022	PLATE, INBOARD, GROUP	1	—	MR	JAB/768
	27D9022	PRESSING, TOP, GROUP	1	—	MR	JAB/769
	20D10033	Spring, for handle	2	—	MR	JAB/770
11204	63D10033	SPRING, CATCH, GROUP (Mod. 1157)	1	—	B	JAB/771
	75D10033	Spares for:— Catch	1	S14		
	64D10033	Housing, catch	1	—		
	66D10033	Pin	1	S21		
	139SS4700	Spring	1	Spring Steel		
17446	97D10033	Strip, luminous (Pre-Mod. 2154)	2	—	C	
	19D9022	Tube, torque, for lever	1	T45	—	JAB/772
27VA/4825763	DUNLOP ACD4578	Valve, sequenced (See AP.4515C, Vol. ... 3, Sect. 2, Chap. 55)	1	—	A	JAB/773
	7D10033	Button, for closing valve	1	DTD384B	MR	JAB/774

FUSELAGE
CREW'S NACELLE

Ref No	Part No.	Description	No. off	Mtrl. Spec	Cl. of St.	Plate and Illust'n No.
					M.R.	
		1 2 3 4				
13164	44D10033	MECHANISM, DOOR MAIN ENTRANCE (1D10033) (Cont'd.)				
		CABLE, BOWDEN, DOOR CLOSING GROUP	1	—	C	JAB/775
		Consisting of:—				
29H/8006529	BOWDEN P19/1	Cable, inner, 7'.0' long	1	—	C	
29H 1250084	BOWDEN B1	Conduit, outer, Bowdenite x 6'.5"	1	—	C	
29H/9990759	BOWDEN PN9798	Ferrule, plain	2	—	C	
29H/4105	BOWDEN PM1399	Nipple (Plain type)	1	—	C	
29H/9990700	BOWDEN PM1588	Nipple (Trunnion type)	1	—	C	
28M/1007403	A27/ET	Nut, 1/4" BSF, thin	2	—	C	
	BOWDEN PN484	Stop, plain adjustable	1	—		
	31D10033	GUARD, CABLE, GROUP	1	—	—	JAB/776
	1D10038	HOUSING, MICRO-SWITCH, GROUP	1	MR/B		JAB/777
		Spares for:—				
2834	4D10038	Spring	1	—	C	
5CW/4752	DOWTY C1831Y Mk. 1	Switch	1	—	A	JAB/778
5CW/1124885	—	Switch, micro	1	—	B	JAB/779
	6D10033	Housing, for plunger	1	DTD364B	—	JAB/780
	—	MOUNTING, SEQUENCE VALVE FOR ENTRANCE DOOR SEAL INFLATION (1Q1896)	—	—		
		Spares for:—				
2835	2Q1896	BRACKET, MOUNTING, GROUP	1	—	MR	JAB/781
2839	3Q1896	Lever	1	S96	C	JAB/782
2838	7Q1896	Packing	1	BSS608	C	JAB/783
2837	4Q1896	Pin, fulcrum	1	S96 or S11	C	JAB/784
27VA/4619877	5Q1896	Pin, lever stop	1	S1	C	JAB/785
	DUNLOP ACO1297	Valve, sequence (See AP.4515C, Vol. 3, Part 1, Sect. 1, Chap. 55)	1	—	A	JAB/786
2838	6Q1896	Washer, spacer	1	S96 or S11	C	JAB/787
	9D9022	PIN, LOCKING, GROUP	2	—	MR	JAB/788
		Consisting of:—				
	9aD9022	Pin	1	K Monel		
	9bD9022	Washer	1	L72		
	28D9022	Washer, sealing (Gaco)	1	Rubber	—	JAB/789
	9D10033	PLUNGER AT DOOR CLOSING VALVE, GROUP	1	—	—	JAB/790
	9aD10033	Bar	—	DTD364B		
	9bD10033	Seal, rubber (Gaco)	—	G40 or P45	—	JAB/791

REF. NO.		FUSELAGE		Page JA. 49		
		CREW'S NACELLE				
Ref. No.	Part No.	Description	No. off	Matl. Spec.	Cl. of St.	Plate and Illust'n No.
					M.R.	
		1 2 3 4				
		MECHANISM, DOOR MAIN ENTRANCE (1010033) (Cont'd)				
	17010033	Plunger, et micro switch	1	S1	MR	JAB/792
27VA/4628244	DUNLOP AC60130	Rem. pneumatic (See AP.4515C. Vol. 3, ... Part 1, Sect. 2, Chap. 55)	1	—	A	JAB/793
2577	11010033	ROD, CONNECTING TO OUTSIDE HANDLE, GROUP	1	—	MR	JAB/794
1913	47D9022	ROD, CONNECTING TORQUE SHAFT TO CONTROL BOX, GROUP	1	—	B	JAB/796
	7D9022	Spares for:— Fitting, end	1	S1		JAB/796
28M/1011470	A27/GT	Nut, thin, 5/16" BSF	1	—	C	JAB/797
	2D10033	SHAFT, TORQUE, FOR HANDLE, GROUP (Pre-Mod. 1283)	1	—	MR	
	8D9022	Spares for:— Bush	1	S1	C	
11925 9411	8D10033	Collar	1	DTD3648	C	
	81D9022	HANDLE, OUTSIDE, GROUP	1	—	MR	
	2D9022	HOUSING, HANDLE, GROUP	1	—	MR	
	3D9022	Lever	1	S3	MR	
	4D10033	Lever	1	DTD3648		
	WILMOT BREEDON 7/5627/1RH	Lock	1	—	MR	
	75D9022	Leg	1	T45	MR	
6758	37D10033	Seal, rubber	1	DTD562	C	
	3D10033	Shaft, torque	1	T45		
	—	SHAFT, TORQUE AND HOUSING FOR HANDLE (72D10033) (Mod. 1283, Pre-Mod. 2350) AND (88D10033) (Mod. 2350)	1	—		JAB/798
	70D10033	Spares for:— Block, stop (Mod. 1283, Pre-Mod. 2350)	1	L65	C	
1433427	3D14393	Block, stop (Mod. 2350)	1			
11925	8D9022	Bush	1	S1	C	
	2D9022	HOUSING, HANDLE, GROUP	1	—	MR	JAB/799
	2D14393	(Mod. 1283, Pre-Mod. 2350) HOUSING, HANDLE, GROUP	1	—		JAB/799
	—	(Mod. 2350) SHAFT, TORQUE, GROUP (87D10033) ..	1	—		JAB/800
	—	(Mod. 1283, Pre-Mod. 2350) AND (1D13953) (Mod. 2350)				
	81D9022	Spares for:— HANDLE, OUTSIDE, GROUP	1	—	MR	JAB/801
6116078	2D13953	(Mod. 1283, Pre-Mod. 2350) HANDLE, OUTSIDE, GROUP	1	—	C	JAB/801
	2eD13953	(Mod. 2350) Spares for:— Cam (Made from G3) (Mod. 2350)	1	—		

FUSELAGE
CREW'S NACELLE

Ref. No.	Part No.	Description	No. off	Mati. Spec.	Cl of St.		Plate and Illust'n No.	
						M.R.		
		1 2 3 4						
12918	81aD9022	Handle (Mod. 1283, Pre-Mod. 2350)	1	—				
	3D13953	Handle (Mod. 2350)	1	—				
	68D10033	Lever (Mod. 1283, Pre-Mod. 2350)	1	DTD130	C		JAB/802	
	3O9022	Lever (Mod. 1283, Pre-Mod. 2350)	1	S3	MR		JAB/803	
	WILMOT BREEDEN							
	7/5527/1RH WILMOT BREEDEN	Lock (Mod. 1283, Pre-Mod. 2350)	1	—	MR		JAB/804	
	S362	Lock (Mod. 2350)	1	—			JAB/804	
	EATON, YALE & TOWN							
	75D9022	Lug	1	T45	MR			
	71D10033	Screw, special A31/C24	1	S93	MR		JAB/805	
8758	37D10033	Seal, rubber	1	DTD522	C		JAB/806	
	3D10033	Shaft, torque	1	T43			JAB/807	
	89D10033	Stop, collar	1	S96	MR		JAB/808	
12438	1D12170	SHAFT, TORQUE, FORWARD, GROUP (Mod. 1543)	1	—	A		JAB/809	
		Consisting of:—						
	10D12170	Bolt, eye, 3/8" dia. x 2.75" long	1	S93	MR			
	11D12170	Bolt, eye, 1/2" dia. x 2.8" long	1	S96	MR			
	57D9022	Bolt, eye, 3/8" dia. x 2.5" long	1	S1				
	5D9026	BRACKET, SUPPORT, GROUP	2	—			JAB/810	
	6D9026	BRACKET, SUPPORT, GROUP	1	—			JAB/811	
		Consisting of:—						
	5aD9026	Forging for (5D9026)	1	DTD683				
	6aD9026	Forging for (6D9026)	1	DTD683				
2A/9500419 17946	HOFFMANN T17	Recs, ball	1	—	B			
	12SS5880	Washer, securing (No. 12)	1	—	C			
	6D12170	Collar	1	L62				
	3D12170	Lever	1	S96	MR		JAB/812	
	3D9026	Lever	1	DTD683	MR		JAB/813	
	9O12170	Lever, cam	1	S92			JAB/814	
	4D12170	Lever, dog	1	S96			JAB/815	
	5D12170	Lever, dog	1	S96			JAB/816	
	28N/9156370	SP21	Nipple, grease	2	—	C		
	28M/1012015	AGS2001/C1/80	Nut, 2 BA	3	—	C		
	28M/9480017	AGS2001/E1/80	Nut, 1/4" BSF	1	—	C		
	28P/4668992	SP31/L14	Pin, taper	4	—	C		
	28P/15823	SP31/N14	Pin, taper	6	—	C		
		2D12170	Tube, 10G x 1-1/16" o/d x 2.2" long	1	T45			
		SP15/E	Washer	1	—	C		
	8D10043	Washer (Made from AS1805/C8)	6	—				
	8D10033	Spring for plunger (9D10033)	1	—	MR		JAB/817	
	66D9022	Spring, tension	4	—	MR		JAB/818	
	1D10035	VALVE, ENTRANCE DOOR CLOSING, GROUP	1	—			JAB/819	
		Spares for:—						
2584	8D10035	Bolt, special	1	S96	C		JAB/820	
	9D10035	Block, guide	1	OTO364A			JAB/821	
	2D10035	BRACKET, MOUNTING, GROUP	1	—				

VULCAN No. 2

FUSELAGE
CREW'S NACELLE

Page JA 51

Ref. No.	Part No.	Description	No. off	Mater. Spec.	Cl. of St.		Plate and Htust'n No.
					M.R.		
		VALVE, ENTRANCE DOOR CLOSING, GROUP (Cont'd)					
2581	5D10035	LEVER, L.H., GROUP	1	—	C		JA8/822
2580	5D10035	LEVER, R.H., group	—	—	C		JA8/823
	6aD10035	Spares for:— Bush, oilite	2	BS1131			
2583	10D10035	Pin, special	1	S96	C		JA8/824
2582	7D10035	Spring	1	DTD215	C		JA8/825
2579	3D10035	VALVE, SEQUENCE, GROUP	1	—	A		JA8/826
	4D10035	Consisting of:— End, eye	1	S96			
27VA/482582	DUNLOP ACO3297	Valve, sequence (See AP.4515C, Vol. 3, Part 1, Sect. 2, Chap. 55)	1	—	A		JA8/827
27VA/482582	DUNLOP ACM7452	Valve, pressure reducing, 400-25-PSI (See AP.4515C, Vol. 3, Part 1, Sect. 2, Chap. 55)	1	—	A		JA8/828
	1D12606	VALVE, SEAL INFLATION AND LEVER, GROUP (Mod. 1543)	1	—	MR		JA8/829
		Spares for:—					
2833	6D10036	Bolt, special	2	S96	C		JA8/830
2832	5D10036	Lever	1	S82	C		JA8/831
	7D10036	Plate, cover	1	L72	—		JA8/832
	2D12606	PLATE, FORWARD, GROUP	1	—			
	DUNLOP ACO1297	Valve, sequence (See AP.4515C, Vol. 3, Part 1, Sect. 2, Chap. 55)	1	—	A		JA8/833
27VA/481987	AC60326	Valve, unimatic (See AP.4515C, Vol. 3, Part 1, Sect. 2, Chap. 55)	1	—	A		JA8/834
	—	MEMBER, CROSS FOR BACK REST SUPPORT (1D10974) (Mod. 503)	—	—			
		Spares for:—					
	3D10974	Angle	1	L72	—		JA12/835
	4D10974	Angle	1	L72	—		JA12/836
	2D10974	Channel	1	L72	MR		JA12/837
	—	MEMBER, CROSS AT STATIONS 212.75 & 294.45 (1D8784)	—	—			
		Spares for:—					
	5D8784	Bracket, port	1	DTD364B	MR		JA11/838
	8D8784	Bracket, starboard	1	DTD364B	MR		JA11/839
	7D8784	Bracket, port	1	DTD364B	MR		JA11/840
	8D8784	Bracket, starboard	1	DTD364B	MR		JA11/841
	1D8731	LONGERON INTERMEDIATE, PORT, GROUP	1	—	MR		JA11/842
	2D8731	LONGERON INTERMEDIATE, STAR- BOARD, GROUP	1	—	MR		JA11/843
		Spares for:—					
	9D8731	Bracket, angle, port	5	L72	MR		
	10D8731	Bracket, angle, starboard	5	L72	MR		
	11D8731	Bracket, angle, port	5	L72	MR		
	12D8731	Bracket, angle, starboard	5	L72	MR		

FUSELAGE
CREW'S NACELLE

Ref. No.	Part No.	Description	No. off	Matl. Spec.	Cl of	Place and Must'n No.
					St. M.R.	
		1 2 4				
		LONGERON INTERMEDIATE, STARBOARD, GROUP (Cont'd)				
28D/100B151 28M/9480017	A25/4E AGS2001/E1:86 13D8731 14D8731 3D8784	Attachments, Brackets (9-10-11-12D8731) Bolt Nut Washer, throat Washer	15 15 15 15	- - L72 L72	C C	
		MEMBER, CROSS AFT STATION 212.75", GROUP	-	-	-	JA11/844
	1D9574	MEMBER, CROSS FORWARD, STATION .294.55", GROUP	1	-	MR	JA11/845
	9D8784 10D8784	Packing Packing	2 2	- -		
		REPAIR, MATERIAL FOR STRUCTURE	-	-		
		Spares for:-				
2456	15S4219 25S4219 35S4219 183SS1793	Sheet, corrugated Sheet, corrugated Sheet, corrugated Stringer, section	32 33 64 100	L72 L72 L72 L72	MR MR MR MR/C	
	211SS1793	Stringer, section	400	L72	MR	
	224SS1793	Stringer, section	100	L72	MR	
2458	244SS1793	Stringer, section	100	L72	MR/C	
	248SS1793	Stringer, section	100	L72		
2466	325SS1793	Stringer, section	300	L72	MR/C	
2485	337SS1793	Stringer, section	100	L72	MR/C	
	378SS1793	Stringer, section	200	L72	MR	
	413SS1793	Stringer, section	80	L72	MR	
2460	420SS1793	Stringer, section	150	L72	MR/C	
	582SS1793	Stringer, section	300	L72	MR	
2462	751SS1793	Stringer, section	100	L72	MR/C	
		SPINNING, CREW'S NACELLE (1D9544) ...	-	-		
		Spares for:-				
	12D9544	Cover, slinging points at rear pressure bulkhead	2	L72	-	JA12/846
		MOUNTING AIR CONDITIONING, GROUND CHARGING CONNECTION (1210585) (Mod. 1393)	-	-		
		Spares for:-				
28E/9129563	AGS806/5 NORMALAIR 525320	Clip, hose	2	-	C	JA12/847
		Connection, ground for cabin air 5" dia.	1	-	-	JA12/848
11822	4210585	DUCT, GROUP	1	-	C	JA12/849
11824	7210585	Gasket	1	DTD782	C	JA12/850
11823	5210585	HOLDER, VALVE, GROUP	1	-	A	JA12/851
		Spares for:-				
	8210585 NORMALAIR 525420 11210585	GUARD, GROUP	1	-	-	JA12/852
		Valve, 3.0" dia. non-return	1	-	-	JA12/853
		Shield, rubbing	1	S621	-	JA12/854

VULCAN No. 2

FUSELAGE
CREW'S NACELLE

Page JA. 51B

Ref. No.	Part No.	Description	No. off	Matl. Spec.	Cl. of St. M.R.	Place and Illust'n No.

FUSELAGE
CREW'S NACELLE

Ref. No.	Part No.	Description	No. off	Matl. Spec.	Cl. of	Plate and Illust'n No.
					St. M.R.	
		1 2 2 4				
		SKINNING, CREW'S NACELLE (1D9544) (Cont'd)				
	13D9544	Panel, skin, stringers 1 to 7, port	1	L72		JA5/855
	14D9544	Panel, skin, stringers 7 to 14, port	1	L72		JA5/856
	15D9544	Panel, skin, stringers 14 to 21, port	1	L72		JA5/857
	16D9544	Panel, skin, stringers 21 to 27, port	1	L72		JA5/858
	17D9544	Panel, skin, stringers 27 to 33, starboard	1	L72		JA5/859
	18D9544	Panel, skin, stringers 33 to 40, starboard	1	L72		JA5/860
	19D9544	Panel, skin, stringers 40 to 47, starboard	1	L72		JA5/861
	20D9544	Panel, skin, stringers 47 to 1, starboard	1	L72		JA5/862
	21D9544	Panel, skin, stringers 6 to 7, port, forward	1	L72		JA5/863
	22D9544	Panel, skin, stringers 47 to 48, starboard, forward	1	L72		JA5/864
		SCHEME, REPAIR, FOR REINFORCING STRINGER BRACKETS AT FORMER 204, (1D12452) (See AP45058, Vol 6)				
		SKINNING, AROUND PERISCOPE FAIRING BOTTOM, AND TOP (1 & 2D10408)				
		Spare for:-				
	9D10408	Bracket, attachment, bottom	1	L72		JA12/865
	8D10408	Intercostal, bottom	1	L72		JA12/866
	11D10408	Skin, pecking, top	1	L72		JA12/867
	13D10408	Skin, pecking, bottom	1	L72		JA12/868
	10D10408	Skin, reinforcing, top	1	L72		JA12/869
	12D10408	Skin, reinforcing, bottom	1	L72		JA12/870
		STRUCTURE, SECONDARY, BOMB AIMER'S BLISTER (188D9428)				
		Spare for:-				
	1D10688	BLISTER, BOMB AIMERS, GROUP	1	-		JA11/871
		Spare for:-				
	30D9462	ARM, SUPPORT, PORT, GROUP (Pre-Mod. 1448)	1	-		
	9D10688	ARM, SUPPORT, PORT, GROUP (Mod. 1448)	1	-		JA11/872
	40D9462	ARM, SUPPORT, STARBOARD, GROUP	1	-		JA11/873
		Spare for:-				
	CARR LTD. N248	Stud, single	3	-	C	
	1D9473	FORMER, 300, GROUP	1	-	MR	JA11/874
	1D9474	FORMER, 302, GROUP	1	-	MR	JA11/875
	1D9472	FORMER, 316, GROUP	1	-	MR	JA11/876
	1D9471	FORMER, 323, GROUP	1	-	MR	JA11/877
	1D11336	FORMER, 330, GROUP (Mod. 689)	1	-	MR	JA11/878

VULCAN Mk 2

FUSELAGE
CREW'S NACELLE

Page JA. 53

Ref. No	Part No	Description	No. off	Matl Spec.	Cl of St.		Plate and Illust'n No.
					MR	M.A.	
		1 2 3 4					
		BLISTER, BOMB AIMER'S (1D10888) (Cont'd)					
	1D9469	FORMER, 337, GROUP	1	—	MR		JA11/879
	1D9468	FORMER, 344, GROUP	1	—	MR		JA11/880
	1D9466	FORMER, 351, GROUP	1	—	MR		JA11/881
	1D9465	FORMER, 358, GROUP	1	—	MR		JA11/882
	1D9464	FORMER, 362, GROUP	1	—	MR		JA11/883
	1D9463	FORMER, 367, GROUP	1	—	MR		JA11/884
	1D9467	FORMER, INCLINED, GROUP	1	—	MR		JA11/885
		JOINT, FRONT, OUTBOARD LONGERON PORT AND STAR- BOARD (D9546)					
		Spares for:—					
	3D9546	Bracket, front, outboard, port	1	DTD683	MR		JA11/886
	4D9546	Bracket, front, outboard, starboard	1	DTD683	MR		JA11/887
	5D9546	BRACKET, FRONT INBOARD,	1	—	MR		JA11/888
		GROUP					
	8D9546	BRACKET, FRONT INBOARD,	1	—	MR		JA11/889
		GROUP					
		JOINT, FORWARD, INNER LONGERON, PORT AND STAR- BOARD (D9486)					
		Spares for:—					
	3D9486	Bracket, attachment, outer port	1	DTD683	MR		JA11/890
	4D9486	Bracket, attachment, outer	1	DTD683	MR		JA11/891
		starboard					
	7D9486	Bracket, inner, top, port	1	DTD546			JA11/892
	8D9486	Bracket, inner, top, starboard	1	DTD546			JA11/893
	9D9486	Bracket, outer, top, port	1	DTD546			JA11/894
	10D9486	Bracket, outer, top, starboard	1	DTD546			JA11/895
	11D9486	BRACKET, OUTER, TOP, PORT	1	—			JA11/896
		FORWARD, GROUP					
	12D9486	BRACKET, OUTER, TOP STAR-	1	—			JA11/897
		BOARD, FORWARD, GROUP					
2412	19D9486	BRACKET, FORWARD OF	1	—			JA11/898
		PRESSURE, DOME, PORT, GRP					
	20D9486	BRACKET, FORWARD OF	1	—			JA11/899
		PRESSURE, DOME, STAR- BOARD, GROUP					

FUSELAGE
CREW'S NACELLE

Ref No.	Part No.	Description	No. off	Mtl. Spec.	Cl. of St.	Plate and Illust'n No.
					M.R.	
		1 2 9 4				
		BLISTER, BOMB AIMER'S (1D10688) (Cont'd.)				
		JOINT, FRONT CURVED MEMBER, PORT AND STARBOARD (D9573)				
		Spares for:—				
	33D9573	Angle, port	1	L72		JA11/900
	34D9573	Angle, starboard	1	L72		JA11/901
	38D9573	ANGLE, ATTACHMENT, PORT, GROUP	1	—	MR	JA11/902
	40D9573	ANGLE, ATTACHMENT, STARBOARD, GROUP	1	—	MR	JA11/903
	41D9573	ANGLE, ATTACHMENT, PORT, GROUP	1	—	MR	JA11/904
	42D9573	ANGLE, ATTACHMENT, STARBOARD, GROUP	1	—	MR	JA11/905
	43D9573	ANGLE, ATTACHMENT, PORT, GROUP	1	—	MR	JA11/905A
	44D9573	ANGLE, ATTACHMENT, STARBOARD, GROUP	1	—	MR	JA11/906
	45D9573	ANGLE, ATTACHMENT, PORT, GROUP	1	—	MR	JA11/907
	46D9573	ANGLE, ATTACHMENT, STARBOARD, GROUP	1	—	MR	JA11/908
23013	51D9573	Bracket, corner, window frame, starboard (Mod. 2484)	1	DTD683	C	JA11/909
23012	52D9573	Bracket, corner, window frame, port (Mod. 2484)	1	DTD683	C	JA11/910
2420	5D9573	Bracket, corner, curved frame, starboard	1	DTD683	C	JA11/911
2418	6D9573	Bracket, corner, curved frame, port	1	DTD683	C	JA11/912
	35D9573	DIAPHRAGM, FORWARD JOINT CURVED MEMBER, STARBOARD, GROUP	1	—		JA11/913
	38D9573	DIAPHRAGM, FORWARD JOINT, CURVED MEMBER, PORT, GROUP	1	—		JA11/914
	3D10688	MEMBER, CUSHION RETAINING, GROUP (Mod. 889) (Pre-Mod. 1448)	1	—	MR	
	8D10688	MEMBER, CUSHION RETAINING, GROUP (Mod. 1448)	1	—	MR	JA11/915
		Spares for:—				
	106SS6004	Label, flex, drive stowage	1	L59		
	107SS6004	Label, stowage, 18 pin	1	L58		
	106SS6004	Label, stowage, 3 pin	1	L58		
28FP/ 7002000	A403	Pin, pip, quick release	2	—	C	
28FP/ 9429531	S4/225	Spring, dzus	2	—	C	

FUSELAGE
CREW'S NACELLE

Ref. No.	Part No.	Description	No. off	Matl. Spec.	Cl. of St.	Plate and Illust'n No.
					M.R.	
		<u>1 2 3 4</u>				
		BLISTER, BOMB AIMER'S (1D10888) (Cont'd)				
	11T4379	PANEL, ACCESS, GROUP	1	-		JA11/916
	41D9482	PLATE, SUPPORT, PORT, GROUP	1	-	MR	
	11D10888	PLATE, SUPPORT, PORT, GROUP	1	-	MR	JA11/917
	42D9482	PLATE, SUPPORT, STARBOARD,	1	-	MR	JA11/918
		GROUP Spares for:-				
	CARR LTD. N248	Stud, single	3	-	C	
1428	1D9905	RING, WINDOW CLAMPING, GROUP	1	-	MR/B	JA11/919
		Spares for:-				
	3D9905	Ring, sealing, 1/32" x .5" x 72"	1	Rubber	MR	JA11/920
1433795	2D9905	Section, clamping	1	DTD124A	C	
	4D9905	Strip, reinforcing, top	1	DTD124A		
	5D9905	Strip, reinforcing, port	1	DTD124A		
	6D9905	Strip, reinforcing, starboard	1	DTD124A		
	7D9905	Strip, reinforcing, bottom	1	DTD124A		
		SKINNING, INNER, O/B OF CURVED FRAME MEMBER, PORT AND STARBOARD (1 & 2D9482)				
		Spares for:-				
	8D9482	Seal, port and starboard	2	DSR201	MR	JA11/921
	3D9482	Skin, front, port	1	L72	MR	JA11/922
	4D9482	Skin, front, starboard	1	L72	MR	JA11/923
	5D9482	Skin, rear, port	1	L72	MR	JA11/924
	6D9482	Skin, rear, starboard	1	L72	MR	JA11/925
1505008	31D9482	Skin, inner, forward, port	1	L72	MR/C	JA11/926
1505009	32D9482	Skin, inner, forward, starboard	1	L72	C	JA11/927
1505007	43D9482	Skin, outside blister, forward former	1	L72	C	JA11/928
		344				
	4D10888	Skin, inner, aft of former 344	1	L72	MR	JA11/929
17793	5D10888	Skin, outer, aft of former 344	1	L72	C	JA11/930
26TA/4339	2210252	Valve, assembly, drain (Mod. 2202)	2	-	B	
	2212216	Wick, paraffin (Mod. 2202)	12	-		
		STRUCTURE, AT REAR OF BLISTER (D9548)				
		Spares for:-				
	17D9548	Angle, port	1	L72	MR	JA11/931
	18D9548	Angle, starboard	1	L72	MR	JA11/932
	13D9548	Angle, skin	2	L72	MR	JA11/933
	20D9548	Angle, skin	2	L72	MR	JA11/934
	21D9548	Channel	1	L72	MR	JA11/935
	22D9548	Channel	1	L72	MR	JA11/936
	23D9548	Channel, forward	1	L72	MR	JA11/937
	24D9548	Channel, aft	1	L72	MR	JA11/938

FUSELAGE
CREW'S NACELLE

Ref. No.	Part No.	Description	No. off	Matl. Spec.	Cl. of	Plate and Illust'n No.
					St. M.R.	
		1 2 3 4				
STRUCTURE, AT REAR OF BLISTER (D9548) (Cont'd)						
	25D9548	Channel, top	1	L72	MR	JA11/939
	26D9548	Channel, bottom	1	L72	MR	JA11/940
	3D9548	Intercostal, port	1	L72	MR	JA11/941
	4D9548	Intercostal, starboard	1	L72	MR	JA11/942
	5D9548	Intercostal, port	1	L72	MR	JA11/943
	6D9548	Intercostal, starboard	1	L72	MR	JA11/944
	7D9548	Intercostal, port	1	L72	MR	JA11/945
	8D9548	Intercostal, starboard	1	L72	MR	JA11/946
	9D9548	Intercostal, port	1	L72	MR	JA11/947
	10D9548	Intercostal, starboard	1	L72	MR	JA11/948
	11D9548	Intercostal, port	1	L72	MR	JA11/949
	12D9548	Intercostal, starboard	1	L72	MR	JA11/950
	13D9548	Intercostal, port	1	L72	MR	JA11/951
	14D9548	Intercostal, starboard	1	L72	MR	JA11/952
	28D9548	Packing, 8G x 2" x 2"	1	L72	MR	
	31D9548	Packing, 8G x 2" x 3/4"	4	L72	MR	
	32D9548	Packing, 8G x 2" x 3/4"	4	L72	MR	
	34D9548	Packing, 14G x 2" x 1-1/4"	1	L72	MR	
	36D9548	Packing, 22G x 5-1/2" x 3/4"	4	L72	MR	
	37D9548	Packing, 18G x 2" x 1-1/2"	1	L72	MR	
	39D9548	Packing, top, port	1	L72	MR	
	40D9548	Packing, top, starboard	1	L72	MR	
	41D9548	Packing, bottom, port	1	L72	MR	
	42D9548	Packing, bottom, starboard	1	L72	MR	
	33D9548	Plate, backing	4	L72	MR	JA11/953
	38D9548	Pressing, aft faking	1	L72	MR	JA11/954
STRUCTURE, CROSS BEAM (D9481)						
Spars for:-						
	28D9481	Angle, attachment	2	L72	MR	JA7/955
	29D9481	Angle, attachment	2	L72	MR	JA7/956
	21D9481	Angle, forward, port	1	L72		JA7/957
	22D9481	Angle, forward, starboard	1	L72		JA7/958
	23D9481	Angle, aft, port	1	L72		JA7/959
2399	24D9481	Angle, aft, starboard	1	L72	MR/C	JA7/960
	4D9481	Angle, top horizontal	1	L72	MR	JA7/961
	5D9481	Angle, inner skin	1	L72	MR	JA7/962
	1010105	ANGLE, RADOME ATTACHMENT, GROUP (Pre-Mod. 421)	1	-	MR	
	80D10105	ANGLE, RADOME ATTACHMENT, GROUP (Mod. 421)	1	-	MR	JA7/963
Spars for:-						
1510311	13D10105	SHOE, ATTACHMENT, GROUP ..	6	-	C	JA7/964
	14D10105	SHOE, ATTACHMENT, PORT, GROUP	1	-		JA7/965
	15D10105	SHOE, ATTACHMENT, STARBOARD, GROUP	1	-		JA7/966
Spars for:-						
	11D10105	Plate, wedge	1	S80	MR	
	13cD10105	Seal	1	DSR503/T	MR	

VULCAN No. 7

FUSELAGE
CREW'S NACELLE

Page JA. 57

Ref. No.	Part No.	Description	No. off	Matl. Spec.	Cl. of St.	Plate and Illust'n No.
					M.R.	
		1 2 3 4				
		STRUCTURE, CROSS BEAM (D9481) (Cont'd)				
		BEAM, CROSS, FORWARD OF PRESSURE DOME (38D9481)				
		Spares for:—				
	1D9553	BEAM, LATERAL, GROUP	1	—		JA7/967
	7D9573	Bracket	1	DTD546A		JA11/968
	8D9573	Bracket, starboard	1	DTD546A		JA11/969
	11D9573	Bracket, port	1	DTD546A		JA11/970
	12D9573	Bracket, starboard	1	DTD546A		JA11/971
2412	19D9486	Bracket, port	1	DTD546A	MR/C	JA11/972
	20D9486	Bracket, starboard	1	DTD546		JA11/973
	6D9481	Diaphragm, o/bend port	1	L72		JA7/974
2390	7D9481	Diaphragm, o/bend, starboard	1	L72	MR/C	JA7/975
	17D9481	Diaphragm, 3.68", port	1	DTD546A		JA7/976
	18D9481	Diaphragm, 3.68", starboard	1	DTD546A		JA7/977
	5T4780	LUG, ATTACHMENT, PORT GROUP	1	—	MR	JA7/978
	6T4780	LUG, ATTACHMENT, STARBOARD, GROUP	1	—	MR	JA7/979
		BEAM, CROSS, AFT OF PRESSURE DOME (39D9481)				
		Spares for:—				
	9D9573	BRACKET, PORT, GROUP	1	—		JA11/980
	10D9573	BRACKET, STARBOARD, GROUP	1	—		JA11/981
	12D9486	BRACKET, STARBOARD, GROUP	1	—		JA11/982
	13D9573	DIAPHRAGM, JOINT, FORWARD PORT, GROUP	1	—		JA11/983
	14D9573	DIAPHRAGM, JOINT, FORWARD STARBOARD, GROUP	1	—		JA11/984
	15D9481	Diaphragm, port, at bomb sight	1	DTD546A		JA7/985
	16D9481	Diaphragm, starboard, at bomb sight	1	DTD546A		JA7/986
	29D9573	Packing	2	DTD546A	MR	
	30D9573	Packing	2	DTD546A	MR	
	26D9481	Packing	2	L72	MR	
	14D9481	Panel, vertical	1	L72	MR	JA7/987
13098	15S4277	Bolt, special (Non-magnetic)	28	—	MR/C	JA7/988
	11D9481	CHANNEL, WINDOW, GROUP	1	—		JA7/989
	9D9481	DIAPHRAGM, WINDOW CHANNEL, GROUP	4	—		JA7/990
2435	10D9481	DIAPHRAGM, WINDOW CHANNEL, GROUP	4	—	MR/C	JA7/991

FUSELAGE
CREW'S NACELLE

Ref. No.	Part No.	Description	No. off	Mater. Spec.	Cl. of	Place and Illust'n No.
					St. M.R.	
		1 2 3 4				
		STRUCTURE, CROSS BEAM (D9481) (Cont'd)				
	33D9481	Member, forward window mounting . . .	1	DT0364B		JA7/992
	20D9481	Packing, 18G x 1" x .75"	8	L72	MR	
	32D9481	Packing 18G x 1.6" x .75"	2	L72	MR	
	36D9481	Packing, 20G x 5" x .75"	1	L72	MR	
	13D9481	Skin, inner, inboard	1	L72	MR	JA11/993
	26D9481	Skin, inner, outboard, port	1	L72	MR	JA11/994
	27D9481	Skin, inner, outboard, starboard	1	L72	MR	JA11/995
	31D9481	Tee section, lower	1	L40		JA7/996
	3D9481	Web, bottom	1	L72		JA7/997
	1D9880	Window, bomb aimer's (Pre-mod. 2270)	1	-		JA11/998
	1D13716	Window, bomb aimer's (Mod. 2270)	1	-	MR	
4471	1D10294	STRUT, TELESCOPIC, GROUP Spares for:-	1	-	B	JA10/999
	5D10294	Bolt, swivel	1	S96		JA10/1000
	2D10294	Pivot	1	L85		JA10/1001
	6D10204	PLATE, BRACKET, GROUP Spares for:-	1	-		JA10/1002
	5D10294	Bolt, swivel	1	S98		
28M/1011467	A27/ES	Nut, slotted, 1/4" BSF	1	-	C	
28W/B419405	6bD10294	Plate bracket	1	L85		
	5P.15'E	Washer, 1/4" BSF	1	-	C	
9781	3D10294	STRUT, AFT, GROUP Spares for:-	1	-	B	JA10/1003
	3aD10294	Knob	1	L85		
	3cD10294	Pin, locking	1	S98		
	3bD10294	Plug	1	S85		
	3aD10294	Spring	1	-		
	4D10294	Tube, assembly	1	Steel		
	7D10294	STRUT, FORWARD, GROUP	1	-		JA10/1004
1433924	182D9428	Tube, drain assy.	1	-	MR	JA12/1005
	191D9428	Tube, drain assy.	1	-	C	JA12/1006
	192D9428	Tube, drain assy.	1	-	MR	JA12/1007
	78D9428	Tube, drain assy. Canopy hinge box	2	-		JA12/1008
		WINDOW, CREW'S, PORT AND STARBOARD (1 & 2D9043) Spares for:-				
	AS1900/G	Clip	2	-	C	
	33D9043	INHIBITOR, GROUP Consisting of:-	1	-	MR	JA4/1009
	44D8625	Inhibitor (Silica-gel) assy.	1	-		
	33bD9043	Plug, perspex, 7/8" dia, x 1-1/2" long	1	Perspex		
	33aD9043	Tube perspex, 3/4" dia, x 4-1/2" long	1	Perspex		
2754	52D9043	Ring, retaining, window	1	L72	C	JA4/1010

VULCAN No. 2

FUSELAGE
CREW'S NACELLE

Page JA. 59

Ref. No.	Part No.	Description	No. off	Matl. Spec.	Cl. of	Plate and Illust'n No.
					Sc. M.R.	
		1 2 3 4				
		WINDOW, CREW'S, PORT AND STARBOARD (1 & 2D9043) (Cont'd)				
	53D9043	STRIP, RETAINING, GROUP	3	-		JA4/1011
	36D9043	Tube, rubber, 3/8" o/d x 1/4" i/d x 6" .. long	1	BS2752/C4		
	41D9043	WINDOW, DRY AIR SANDWICH, PORT .. AND STARBOARD, GROUP	2	-	MR	JA4/1012
	40D9043	Consisting of:- CONNECTOR, INHIBITOR, GROUP ...	1	-		
1510090	34bD9043 TRIPLEX LTD. 42D9043 34aD9043	Panel, window, inner	1	Perspex	C	
		Pane, window	1	-		
		Ring, sorbo, 1/2" x 3/16" x 9-3/4" dia. ..	1	Rubber	MR	
		WINDSCREEN, GOLD FILM HEATED 177D10456 (Mod. 969)				
		Spares for:-				
11385	29Z9782	Angle, contour	1	L72	C	JA10/1013
	73D10456	BASE FORGING, GROUP	1	-		JA10/1014
		Consisting of:-				
	73aD10456	Base, forging	1	DTD731		
	43D10456	Insert, tapped	8	S1		
28N/10599 28S/6775	AS4601/27 S970	Insert, wire thread, 1/4" BSF	8	-	C	
		Screws, No. 4 P.K. x 1/2" long	12	-	C	
	36D10456	Block, catch, direct vision window, port ...	1	-		
	38D10456	Block, catch, direct vision window,	1	-		
		starboard				
5499	1D10597	DEFLECTOR, RAIN, GROUP	1	-	C	JA10/1015
	2D10456	Frame, centre window	1	DTD410		JA10/1016
	3D10456	Frame, side window, port	1	DTD410		JA10/1017
	4D10456	Frame, side window, starboard	1	DTD410		JA10/1018
	5D10456	Frame, direct vision window, port	1	DTD410		JA10/1019
	6D10456	Frame, direct vision window, starboard	1	DTD410		JA10/1020
	78D10456	FRAME, CLAMPING, CENTRE WINDOW, GROUP	1	-		JA10/1021
		Spares for:-				
28M/4095875	AGS2007/C2	Nut, anchor	24	-	C	
	79D10456	FRAME, CLAMPING, SIDE WINDOW, ... PORT, GROUP	1	-		JA10/1022
		Spares for:-				
28M/4095875	AGS2007/C2	Nut, anchor	21	-	C	
11568	80D10456	FRAME, CLAMPING, SIDE WINDOW, ... STARBOARD, GROUP	1	-	C	JA10/1023
		Spares for:-				
28M/4095875	AGS2007/C2	Nut, anchor	21	-	C	

FUSELAGE
CREW'S NACELLE

Ref. No.	Part No.	Description	No. off	Matl. Spec.	Cl. of	Place and Illust'n No.
					St. M.R.	
		1 2 3 4				
		WINDSCREEN, GOLD FILM HEATED (77D10458) (Mod. 989) (Cont'd)				
11570	87D10458	FRAME, CLAMPING, CENTRE WINDOW, TOP, GROUP	1	-	C	JA10/1024
	334SS8006	Spare for:- Label, TB 1183	1	L59		
	335SS8006	Label, TB 1184	1	L59		
28M/4095875	AGS2007/C2	Nut, anchor	2	-	C	
11571	82D10458	FRAME, CLAMPING, SIDE WINDOW, PORT, TOP, GROUP	1	-	C	JA10/1025
	332SS8006	Spare for:- Label, TB 1181	1	L59		
	333SS8006	Label, TB 1182	1	L59		
28M/4095875	AGS/2007/C2	Nut, anchor	2	-	C	
11572	83D10458	FRAME, CLAMPING, SIDE WINDOW, STARBOARD, TOP, GROUP	1	-	C	JA10/1026
	336SS8006	Spare for:- Label, TB 1185	1	L59		
	337SS8006	Label, TB 1186	1	L59		
28M/4095875	AGS2007/C2	Nut, anchor	1	-	C	
	7SS3847	Screw, 2 BA, for windows	36	K. Monel	MR	
	8SS3847	Screw, 2 BA, for windows	42	K Monel	MR	
	9SS3847	Screw, 2 BA, at wiper stops and terminal blocks	12	K. Monel	MR	
	10SS3847	Screw, 2 BA, at wiper stops	2	K. Monel	MR	
10314	51D10458	STOP, WIPER, PORT, GROUP	1	-	C	JA10/1027
10315	52D10458	STOP, WIPER, STARBOARD, GROUP	1	-	C	JA10/1028
	51bD10458	Spare for:- Stop, rubber, 1/2" dia. x 1-3/16"	1	Neoprene	MR	JA10/1029
12859	75D10458	STOP, WIPER, PORT, GROUP	1	-	C	JA10/1030
	76D10458	STOP, WIPER, STARBOARD, GROUP	1	-	C	JA10/1031
	76cD10458	Spare for:- Stop, rubber, 1/2" dia. x 3/4"	1	NEOPRENE	MR	JA10/1032
5486	33D10458	Strip, sealing	1	L72	C	JA10/1033
5194	53D10458	Strip, sealing, end, port	1	DTD118A	C	JA10/1034
5195	54D10458	Strip, sealing, end, starboard	1	DTD118A	C	JA10/1035
5497	37D10458	TUBE, GUIDE, FOR DIRECT VISION WINDOW, PORT, GROUP	1	-	C	JA10/1036
5498	38D10458	TUBE, GUIDE, FOR DIRECT VISION WINDOW, STARBOARD, GROUP	1	-	C	JA10/1037
	1D13249	WINDOW, GOLD FILM HEATED, CENTRE, GROUP (Pre-Mod. 2226)	1	-		JA10/1038
	4V10712	Spare for:- Block, terminal	1	-		
	4V10713	Block, terminal	1	-		

VULCAN No. 2

FUSELAGE
CREW'S NACELLE

Page JA. 61

Ref. No.	Part No.	Description	No. off	Mater. Spec.	Cl. of	Plate and Illustr'n No.
					St. M.R.	
		<u>1 2 3 4</u>				
		WINDSCREEN, GOLD FILM HEATED (77D10468) (Cont'd)				
1433612	1D13668	WINDOW, GOLD FILM HEATED CENTRE, GROUP (Mod. 2226) (Pre-Mod. 2402)	1	—	B	
	ENGLISH ELECTRIC NF2116/21	WINDSCREEN, GOLD FILM HEATED ... CENTRE, GROUP (Mod. 2402)	1	—	MR	
	1D13250	WINDOW, SIDE, GOLD FILM HEATED, PORT, GROUP (Pre-Mod. 2226) Spares for:— Block, terminal, port Block, terminal, port	1 1 1	— — —		JA10/1039
1433613	1D13669	WINDOW, SIDE, GOLD FILM HEATED, PORT, GROUP (Mod. 2226) (Pre-Mod. 2402)	1	—	B	
1510746	ENGLISH ELECTRIC NF2116/18	WINDOW, SIDE, GOLD FILM HEATED, PORT, GROUP (Mod. 2402)	1	—	B	
	2D13260	WINDOW, SIDE, GOLD FILM HEATED, STARBOARD, GROUP (Pre-Mod. 2226) Spares for:— Block, terminal, starboard Block, terminal, starboard	1 1 1	— — —		
1433614	2D13669	WINDOW, SIDE, GOLD FILM HEATED, STARBOARD, GROUP (Mod. 2226) (Pre-Mod. 2264)	1	—	B	
	ENGLISH ELECTRIC NF2116/14	WINDOW, SIDE, GOLD FILM HEATED, STARBOARD, GROUP (Mod. 2264) (Pre-Mod. 2365)	1	—		
1510747	ENGLISH ELECTRIC NF2116/19	WINDOW, SIDE, GOLD FILM HEATED, STARBOARD, GROUP (Mod. 2365)	1	—	B	JA10/1040

FUSELAGE
CREW'S NACELLE

Ref. No.	Part No.	Description	No. off	Matl. Spec.	Cl. of	Plate and Illust'n No.
					St. M.R.	
		<u>1 2 3 4</u>				
5470	1D10458	WINDOW, DIRECT VISION, DRY	1	-	A	JA10/1041
	2D10458	AIR SANDWICH, PORT, GROUP WINDOW, DIRECT VISION, DRY AIR SANDWICH, STARBOARD, GROUP	1	-	MR	JA10/1042
	10D10458	Spares for:- Arm, lever, port and starboard	1	L85		JA10/1043
	9D10458	Bush, in frame for locking	2	S110		JA10/1044
	23D10458	Bush, for locking levers	2	S110		JA10/1045
	11D10458	Catch, window, port	1	L85	MR	JA10/1046
	12D10458	Catch, window, starboard	1	L85	MR	JA10/1047
	7D10458	Frame, window, port	1	L72		JA10/1048
	8D10458	Frame, window, starboard	1	L72		JA10/1049
	17D10458	HANDLE AND LEVER, PORT, GROUP	1	-	MR	JA10/1050
	18D10458	HANDLE AND LEVER, STARBOARD, GROUP	1	-	MR	JA10/1051
	17aD10458	Spares for:- Handle, port	1	L121		
	18aD10458	Handle, starboard	1	L121		
	17bD10458	Lever	1	L85		
	7D8961	Spring	1	-	MR	JA10/1052
	28D10458	Hinge, forward, port	1	DTD174A	MR	JA10/1053
	26D10458	Hinge, forward, starboard Attachments, Hinges (25 & 26D10458)	1	DTD174A	MR	JA10/1054
	6SS4232	Bolt, 2 BA	2	-		
28M 9148806	AGS2002/C2	Nut, stiff	2	-	C	
28W 9419475	SP15/C	Washer	2	-	C	
	27D10458	Hinge, rear Attachments, Hinges (27D10458)	1	DTD174A		JA10/1055
	9SS4232	Bolt, 2 BA	2	-		
28M 9148806	AGS.2002/C2	Nut, stiff	2	-	C	
28W/9419475	SP15/C	Washer	2	-	C	
	13D10458	Lever, locking, forward, port	1	L85	MR	JA10/1056
	14D10458	Lever, locking, forward, starboard	1	L85	MR	JA10/1057
	15D10458	Lever, locking, aft, port	1	L85	MR	JA10/1058
	16D10458	Lever, locking, aft, starboard	1	L85	MR	JA10/1059
	28D10458	Lever, ice breaker and locking	1	K. Monel	MR	JA10/1060
	24D10458	Mounting, lever	1			JA10/1061
	21D10458	ROD, TIE, FORWARD, GROUP	1	-	MR	JA10/1062
	22D104	ROD, TIE, AFT, GROUP Consisting of:-	1	-	MR	JA10/1063
	218D10458	End, fork, R.H.	1	K. Monel		
	21cD10458	End, fork, L.H.	1	K. Monel		
28M/4086843	A24/ET	Nut, lock, R.H.	1	-	C	
28M/4086843	A24/ETL	Nut, lock, L.H.	1	-	C	
	21aD10458	Rod, tie, forward	1	S110		
	22aD10458	Rod, tie, aft	1	S110		

VULCAN No. 2

FUSELAGE
CREW'S NACELLE

Page JA. 62A

Ref No	Part No.	Description	No. off	Matl Spec.	Cl. of	Plate and Illustr'n No
					SL	
		1 2 3 4				
		WINDOW, DIRECT VISION, DRY AIR SANDWICH, PORT AND STARBOARD (1 & 2D10458) (Cont'd.)				
	19D10458	Seal, window, port (Make from item SS4381)	1	Rubber	MR	JA10/1064
	20D10458	Seal, window, starboard (Make from item SS4381)	1	Rubber	MR	JA10/1065
	33D10458	Stop, for covers	1	L65		JA10/1066
	31D10458	Strip, retaining, port	1	L72	MR	JA10/1067
	32D10458	Strip, retaining, starboard	1	L72	MR	JA10/1068
	5D10458	WINDOW, DIRECT VISION, DRY AIR SANDWICH, PORT, GROUP	1	—	MR	JA10/1069
	6D10458	WINDOW, DIRECT VISION, DRY AIR SANDWICH, STARBOARD, GROUP	1	—	MR	JA10/1070
	28D10458	Spares for:— DESICCATOR, PORT, GROUP	1	—	MR	JA10/1071
	30D10458	DESICCATOR, STARBOARD, GROUP	1	—	MR	JA10/1072
		Spares for:— Grommet	1	—	C	
5K/9517023	SP40/C8	Inhibitor, assembly (Silica-gel)	1	—		JA10/1073
	44D8625	Pane, perspex, port	1	DTD339		JA10/1074
	5bD10458	Pane, perspex, starboard	1	DTD339		JA10/1075
	6bD10458	Pane, window	1	—	A	JA10/1076
1433022	3D10458	Seal, sorbo, port, 1/2" wide x 3/16" thick	1	Rubber	C	JA10/1077
12568	5aD10458	Seal, sorbo, starboard, 1/2" wide x 3/16" thick	1	Rubber	C	JA10/1078
	6aD10458					

(Issued with A.L. 28)

VULCAN 98L 2

Page JA. 62B

FUSELAGE
CREW'S NACELLE

Ref. No.	Part No.	Description	No. off	Matl. Spec.	Cl. of St. M.R.	Plate and Illust'n No.

VULCAN HL. 2

FUSELAGE
CREW'S NACELLE

Page JA. 63

Ref. No.	Part No.	Description	No. off	Matl. Spec.	Cl. of	Place and Inst'n No.
					St. M.R.	
		1 2 3 4				
		TRIMMING, CREW'S NACELLE, PORT AND STARBOARD (1Z9726) (See Equipment—Aircraft—Trimming and Floor Covering)				
		UNIT, VERTICAL GYRO, COMPARATOR AND SWITCHING (S2878) (Mod. 211B) Spares for:—				
17564	19S2878	BRACKET, PLUG MOUNTING, GROUP	1	—	C	JA3/242
		Attachments—Bracket, Part No. 19S2878				
		Bolt, 2 BA	4	—	C	
		Washer, 2 BA	4	—	C	
28D/9438920 28W/9419402 28TA/10902	A25/1C SP13/C 10SS3886	Clip, Cable, for Gyro and switching unit	1	—	C	JA3/243
		Attachments—Clip, Part No. 10SS3886				
		Bolt, 2 BA	1	—	C	
		Washer, 2 BA	1	—	C	
29D/9438920 28W/9419454 6A/7902 6A/8373 6A/5489	A25/1C SP10/C — — —	Gyro, vertical	1	—	A	JA3/244
		Mounting, Gyro and Comperator	1	—	A	JA3/245
		Tray, mounting	1	—	A	JA3/1092
		Attachments—Tray, Part No. 6A4509				
		Nut, 1/4" BSF, rear attachment	1	—	C	
28M/7002430 28M/1011473	AGS2002/E1 A27/JP	Nut, 3/8" BSF, under tray, front attachment	2	—	C	
		Nut, lock, at top of tray, front attachment . .	2	M.S.	C	
		Washer, 1/4"	1	—	C	
		Washer	4	—	C	
20128 28W/9418921 28W/9419466 17274	4S2317 SP13/E SP13/J 16S2878	Stud, vertical gyro support front attachment . .	2	—	C	
		Attachments—Stud, Part No. 16S2878				
		Nut, 3/8" BSF	2	—	C	
28M/1011478 28P/9527619	A27/JS SP90/C7 AS2808/8/170	Pin, split	2	—	C	
		Tube, distance	2	—	—	
17275	18S2878 23D10838	Washer, taper	2	—	C	
		Stud, vertical gyro support, rear attachment . .				
		Attachments—Stud, Part No. 23D10838				
		Nut, 1/4" BSF	1	—	C	
28M/1011467 28P/9486478 28W/9419405	A27/ES SP90/C5 SP16/E 9S2878	Pin, split	1	—	C	
		Washer, 1/4"	1	—	C	
		Washer, bearing, under stud shoulder	1	—	—	

FUSELAGE
CREW'S NACELLE

Ref. No.	Part No.	Description	No. off	Matl. Spec.	Cl of	Plate and Illust'n No.
					St. M.R.	
		1 2 3 4				
	2S2878	SUPPORT, VERTICAL GYRO. GROUP	1	—		JA3/1093
	7S2878	Spares for:— Channel, mounting for stud	1	—		
28D/9436920 28M/5808573 28P/9486478 28W/9419402	A25/1C A27/CS SP90/CS SP13/C	Attachments:—Channel, Part No. 7S2878 Bolt, 2 BA	2	—	C	
		Nut, 2 BA	2	—	C	
		Pin, split	2	—	C	
		Washer, 2 BA	4	—	C	
		ATTACHMENTS—SUPPORT PART No. 2S2878				
28D/9133011 28M/1012015 28W/9419402	A25/2C AGS.2001/C1/88 SP13/C	Bolt, 2 BA	12	—	C	
		Nut, 2 BA	12	—	C	
		Washer, 2 BA	12	—	C	
6TB/4549618 6TB/6345912 6TB/1468	104/2 104/3 —	Unit, comparator (Mod. 2116) (Pre-Mod. 2453) Unit, comparator Type D (Mod. 2453)	1 1	— —	A A	JA3/1094 JA3/1094
		Unit, switching, erection Type A	1	—	A	JA3/1095
		(Pre-Mod. 2453) Unit, switching, erection Type C (Mod. 2453) Attachments—Switching Unit, Part No. 6A/7903	1	—	A	JA3/1095
28D/1212371 28W/9418921	AS1248/2E SP13/E	Bolt, mush. head, 1/4" BSF	4	—	C	
		Washer	4	—	C	
		UNITS, SMITH'S FLIGHT SYSTEM AND ALTIMETER AND AMPLIFIER IN PORT CRATE (152314) (See Equipment, Aircraft—Compass Installation)				
		VENTILATED SUIT SYSTEM (29928) (See Equipment, Aircraft)				
		WINDSCREEN WIPER INSTALLATION (Q2058) (See Services—Windscreen Wipers)				
		COMPLEMENTARY ITEMS				
		ATTACHMENT FITTINGS, NOSE PORTION FUSELAGE TO CREW'S NACELLE FUSELAGE (2A3098) Consisting of:—				
28D/1213735 28D/1213737 1433381	A30/9E A30/11E 4D9677 34D9577	Bolt, close tolerance	11	—	C	JA5/1088
		Bolt, close tolerance	15	—	C	JA5/1089
		Stud, special	4	S96	C	JA5/1090
28M/9480017 28W/9419405 28W/9419487	AGS2001/E1/66 SP15/E SP16/E	Bolt, special	17	S96	C	JA5/1091
		Nut, 1/4" BSF	94	—	C	
		Washer	47	—	C	
		Washer	94	—	C	
		ATTACHMENT FITTINGS, CREW'S NACELLE FUSELAGE TO CENTRE PORTION OF FUSELAGE (See Complementary items—Centre portion, Fuselage)				

VULCAN No. 3

FUSELAGE

Page JA. 65

CREW'S NACELLE

SUMMARY OF STANDARD ITEMS

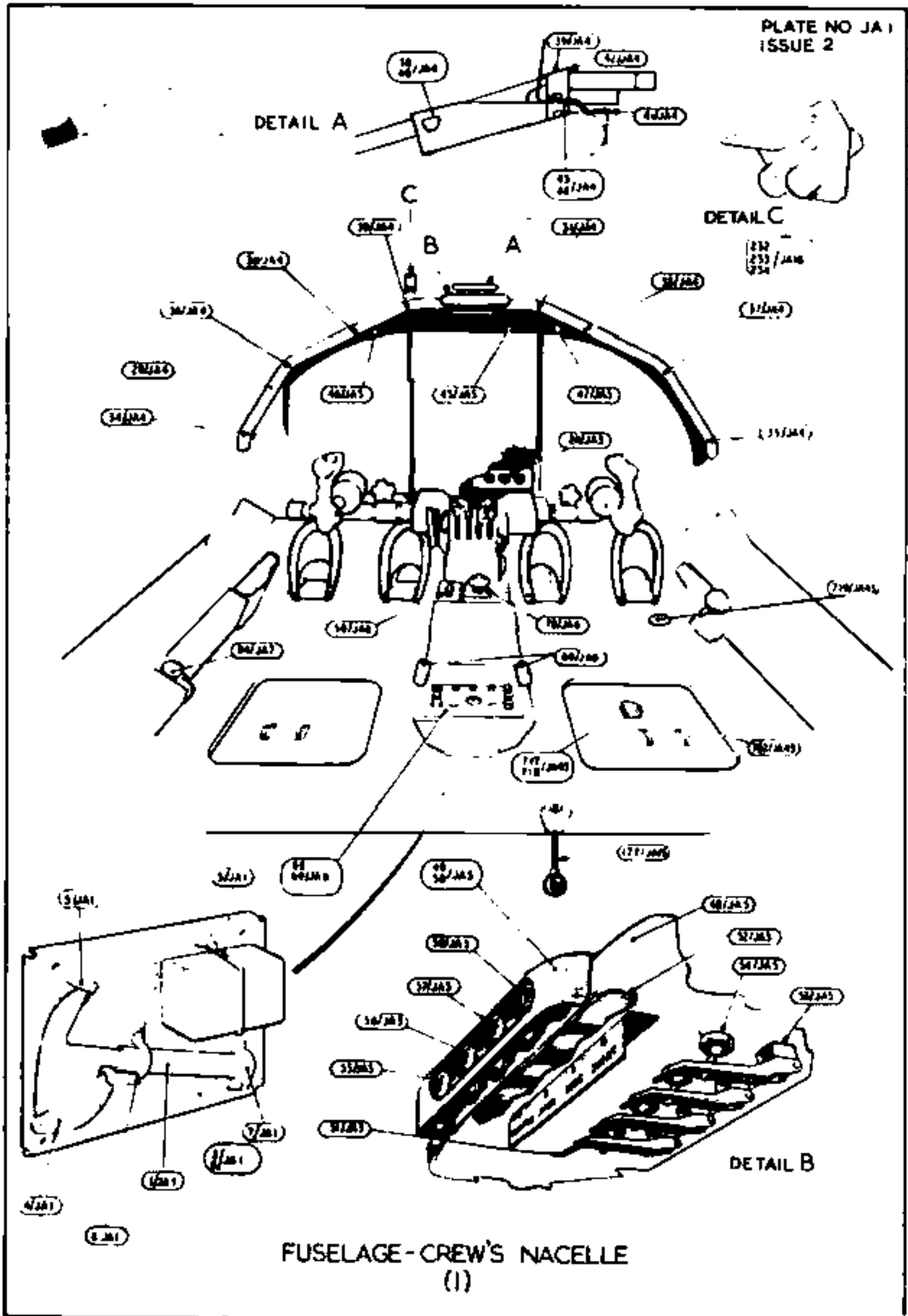
Stores Ref.		No. off	Stores Ref.		No. off	Stores Ref.		No. off
Section	Ref. No.		Section	Ref. No.		Section	Ref. No.	
2A	9500419	1	5X	1383	1	10AK	0970175	3
			5X	6008	3			
			5X	6028	2			
5CW	2453	1	5X	6033	2	10B	17448	2
5CW	4184	2	5X	6038	6			
5CW	4222	4	5X	6043	1			
5CW	4345	1	5X	6058	3	10H	19438	1
5CW	4742	2	5X	6088	8	10H	19439	2
5CW	5145	1	5X	6093	9	10H	19444	1
5CW	4400082	1	5X	6103	2	10H	19445	2
5CW	6375	1	5X	6128	1	10H	19451	2
5CW	6905	2	5X	6133	33	10H	19457	7
5CW	1047893	1	5X	6422	5	10H	19458	2
5CW	8324	1	5X	6621	15	10H	19480	1
5CW	9108	1	5X	6822	2	10H	19483	2
5CW	4400159	1	5X	6823	1	10H	19481	1
			5X	6737	1	10H	19487	1
						10H	19493	7
5CX	1089	3				10H	19610	8
5CX	1552	1	8A	387	2	10H	19789	2
5CX	2279	1	8A	0409	1	10H	20418	2
5CX	2282	1	8A	5476	1	10H	10417	2
5CX	3430	1	8A	5499	1	10H	0640015	8
5CX	4858	3	8A	6373	1	10H	0640019	1
5CX	4858	1		or 6803		10H	2970175	3
5CX	5012	1	8A	6912	1	10H	9580042	5
5CX	5013	1	8A	7902	1			
5CX	5352	2	8A	7903	1			
5CX	5384	3				10J	13152	1
			8B	556	2			
5CZ	6508	2	8B	2643	1	10L	16073	1
						10L	16310	1
						10L	16320	1
5K	2878	2	8D	2237	2			
5K	2975	1	8D	2383	4	10O	16355	1
5K	1200724	1						
5K	1201019	1						
5K	1201342	1	8T	214	1	12K	1277	1
5K	9452014	2	8T	1823	1			
			8T	1877	1			
						22G	404	1
5L	9951254	4						
5L	9951263	1	7B	1784	1			
5L	9951271	8	7B	1785	1	27H	2318	3
5L	9951273	5				27H	2318	4
5L	9958118	7				27H	3224	4
			9D	1566	1			
			10A	17930	4	27L	1123	1
						27L	5039	1
						27L	5040	1
						27L	5052	2
			10AJ	147	6			
			10AJ	148	6			
						27N	1	1

FUSELAGE
CREW'S NACELLE
SUMMARY OF STANDARD ITEMS

Stores Ref.		No. off	Stores Ref.		No. off	Stores Ref.		No. off
Section	Ref. No.		Section	Ref. No.		Section	Ref. No.	
27VA	2894	1	28FP	325	2	28Q	9417267	2
27VA	3392	3	28FP	1013258	8			
27VA	4493	1	28FP	7002000	3			
27VA	4495	1	28FP	9138002	2	28R	13504	3
27VA	4498	1	28FP	9425773	1	28R	13509	2
27VA	4818	1	28FP	9429531	2	28R	13514	6
27VA	4824	1	28FP	9430915	8	28R	14889	2
27VA	5308	1	28FP	9432083	1			
27VA	8028	1	28FP	9434078	2			
27VA	8029	1	28FP	9485292	2	28S	6775	12
			28FP	9492814	4	28S	6833	14
			28FP	9703072	1			
28D	8307	4				28U	15099	1
28D	8337	6						
28D	10840	4	28H	5564	2			
28D	11338	8						
28D	11799	3				28W	14180	2
28D	13384	2	28M	1278189	17	28W	9137412	4
28D	13442	15	28M	1278190	26	28W	9418921	11
28D	13711	11	28M	10290	114	28W	9419402	37
28D	14877	6	28M	10339	6	28W	9419404	2
28D	14878	2	28M	12340	71	28W	9419405	58
28D	1007319	8	28M	12931	2	28W	9419429	2
28D	1007973	8	28M	13017	1	28W	9419454	15
28D	1007981	6	28M	5808573	8	28W	9419465	3
28D	1007982	35	28M	13259	12	28W	9419466	4
28D	1008151	15	28M	13464	2	28W	9419471	3
28D	1010858	3	28M	13811	2	28W	9419474	17
28D	1011028	10	28M	13824	1	28W	9419475	16
28D	1011030	7	28M	14766	1	28W	9419477	2
28D	1013172	2	28M	1007404	3	28W	9419477	2
28D	9133011	6	28M	1011467	2	28W	9419479	4
28D	9419397	4	28M	1011470	3	28W	9419487	94
28D	9436920	13	28M	1011473	2	28W	9419491	12
			28M	1011478	2			
			28M	7002430	1			
28DU	9434472	6				28H	919	6
			28N	14391	1	28H	1870	1
28E	1008744	1	28N	16599	8	28H	1903	5
28E	9128961	1	28N	9156370	6	28H	4073	1
28E	9129563	2				28H	4076	2
28E	9428426	1				28H	4077	1
			28P	14215	4	28H	4105	1
			28P	14688	6	28H	4110	12
28F	11852	4	28P	15823	1	28H	4139	2
28F	1013402	2	28P	19154	2	28H	4285	2
			28P	1007741	8			
			28P	9429852	12			
			28P	9486478	1			

RESTRICTED

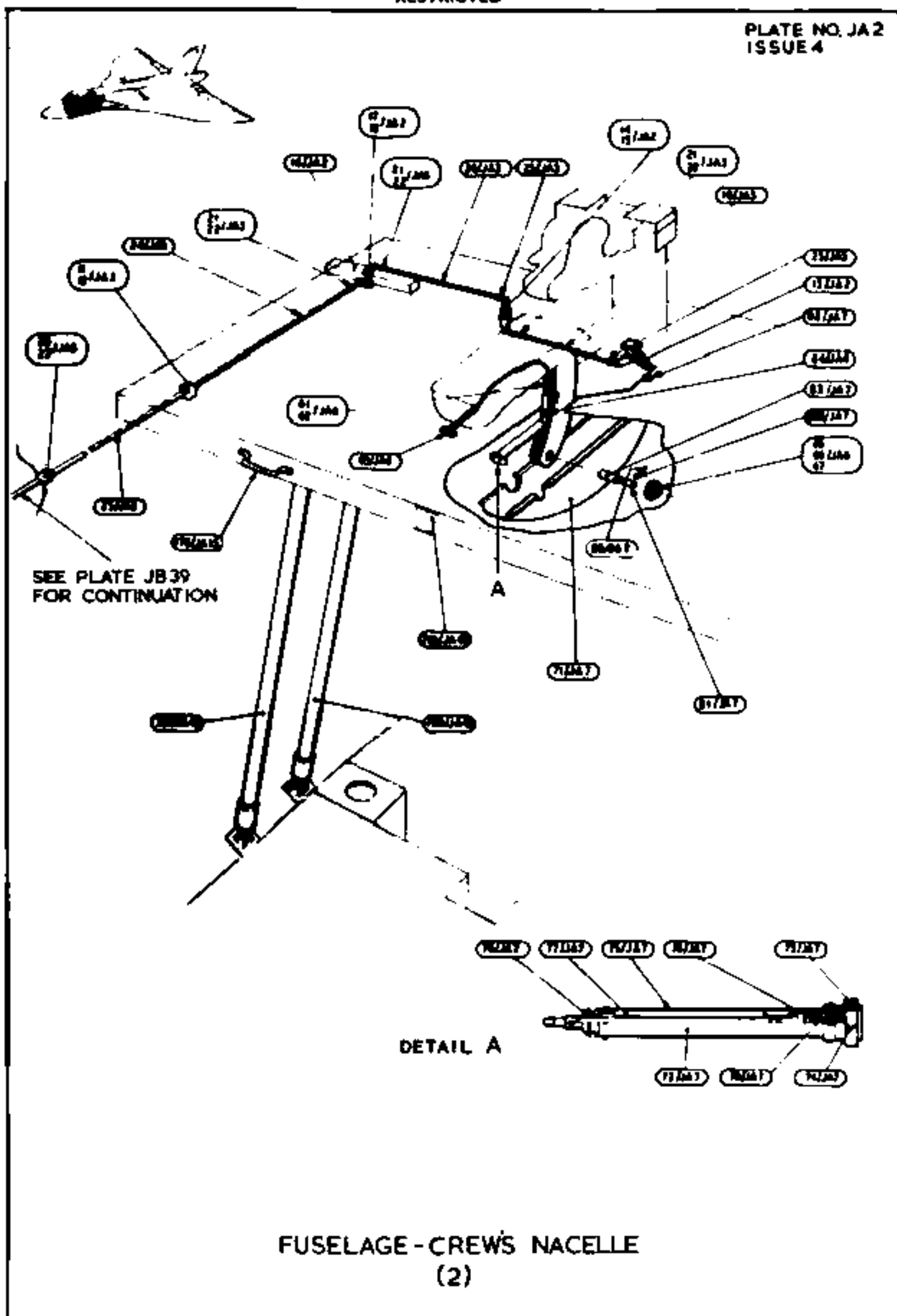
PLATE NO JA 1
ISSUE 2



RESTRICTED

RESTRICTED

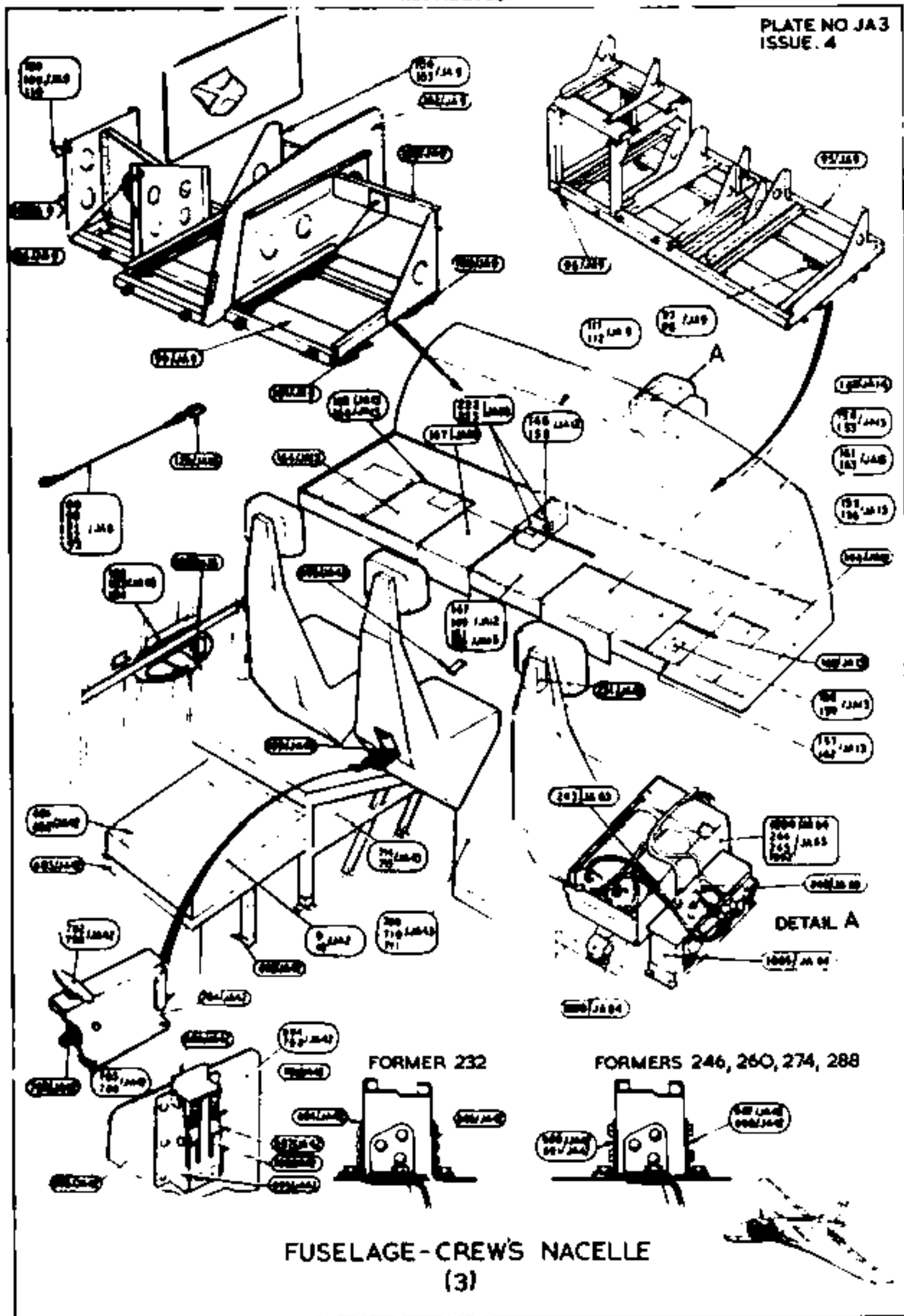
PLATE NO. JA2
ISSUE 4



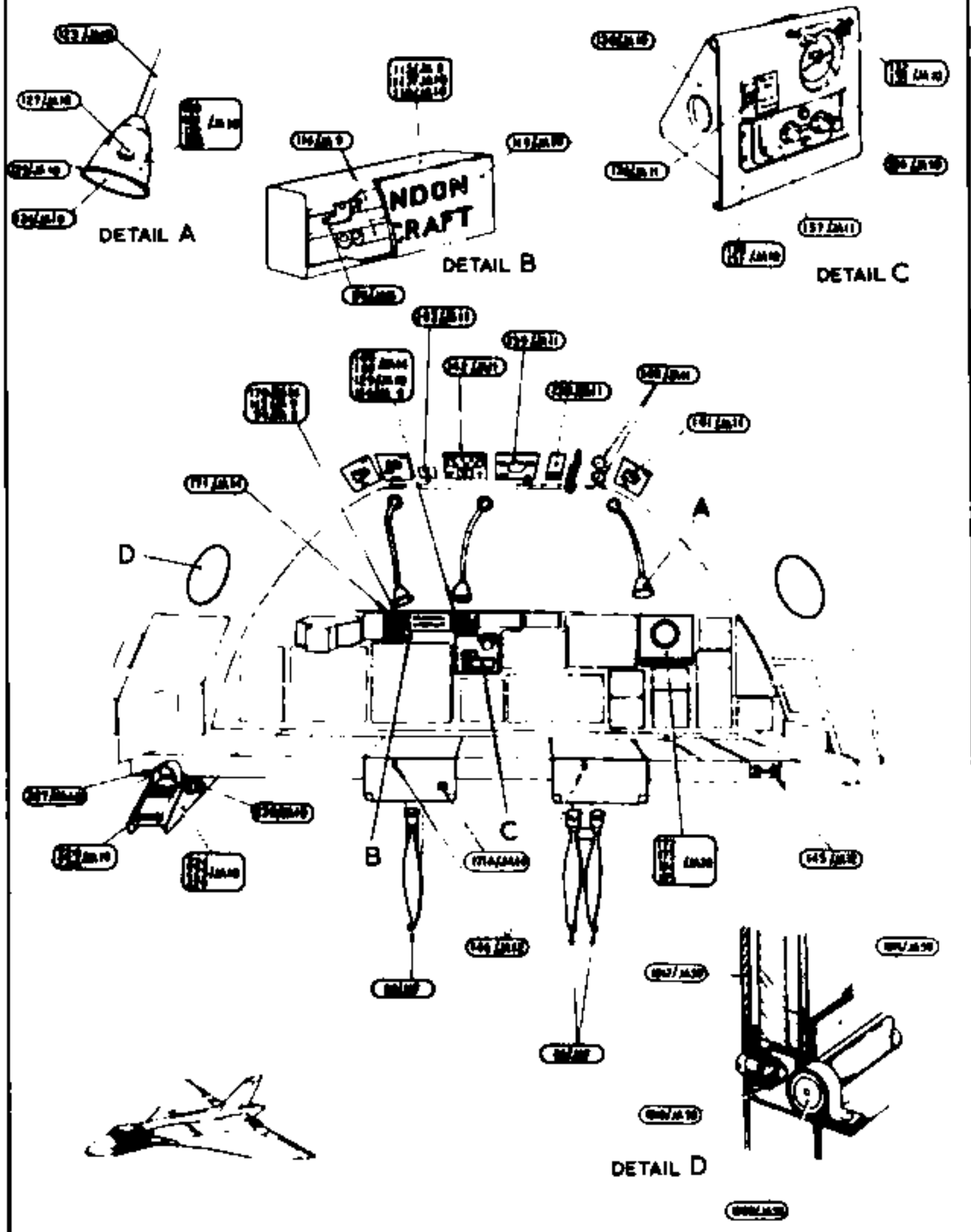
RESTRICTED

RESTRICTED

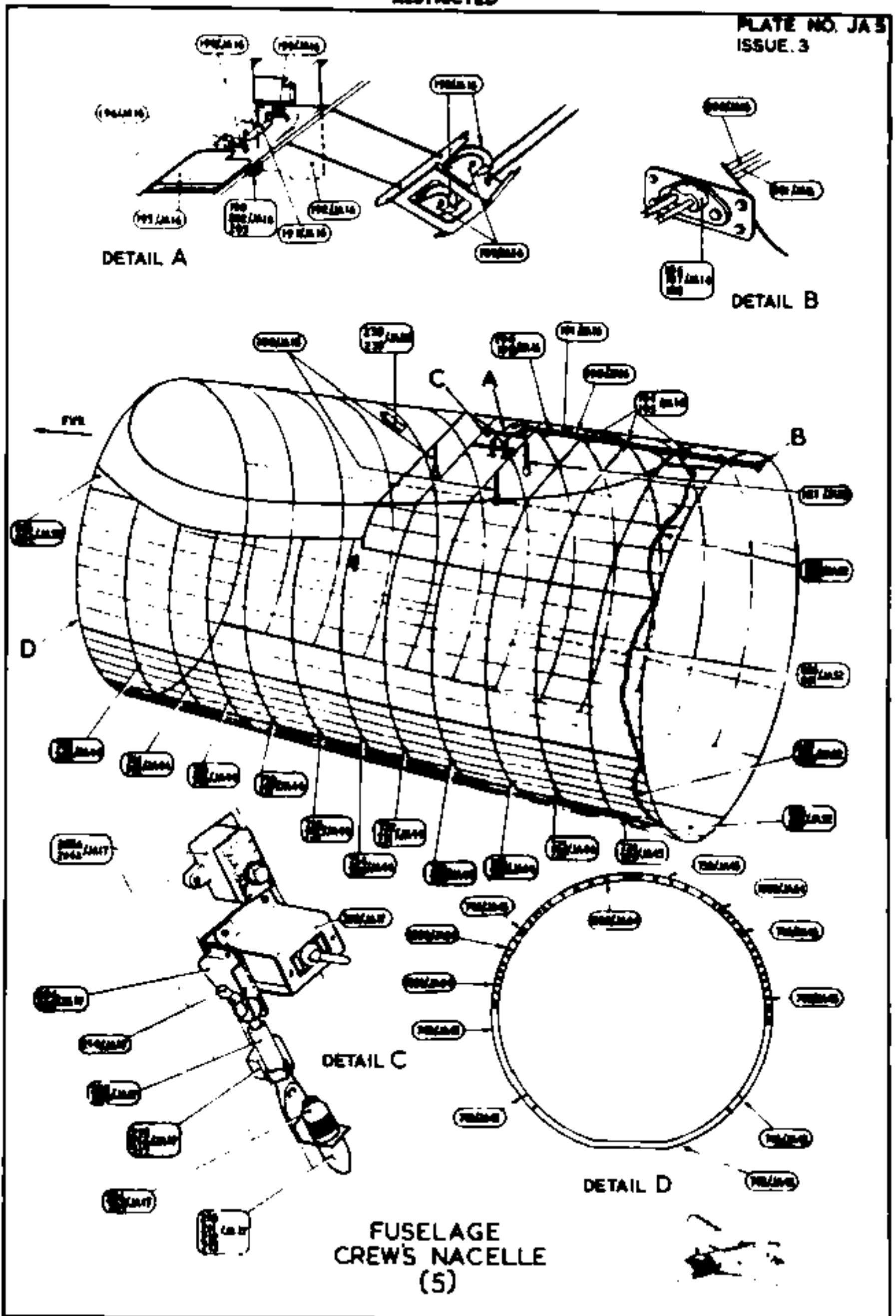
PLATE NO JA3
ISSUE 4



RESTRICTED

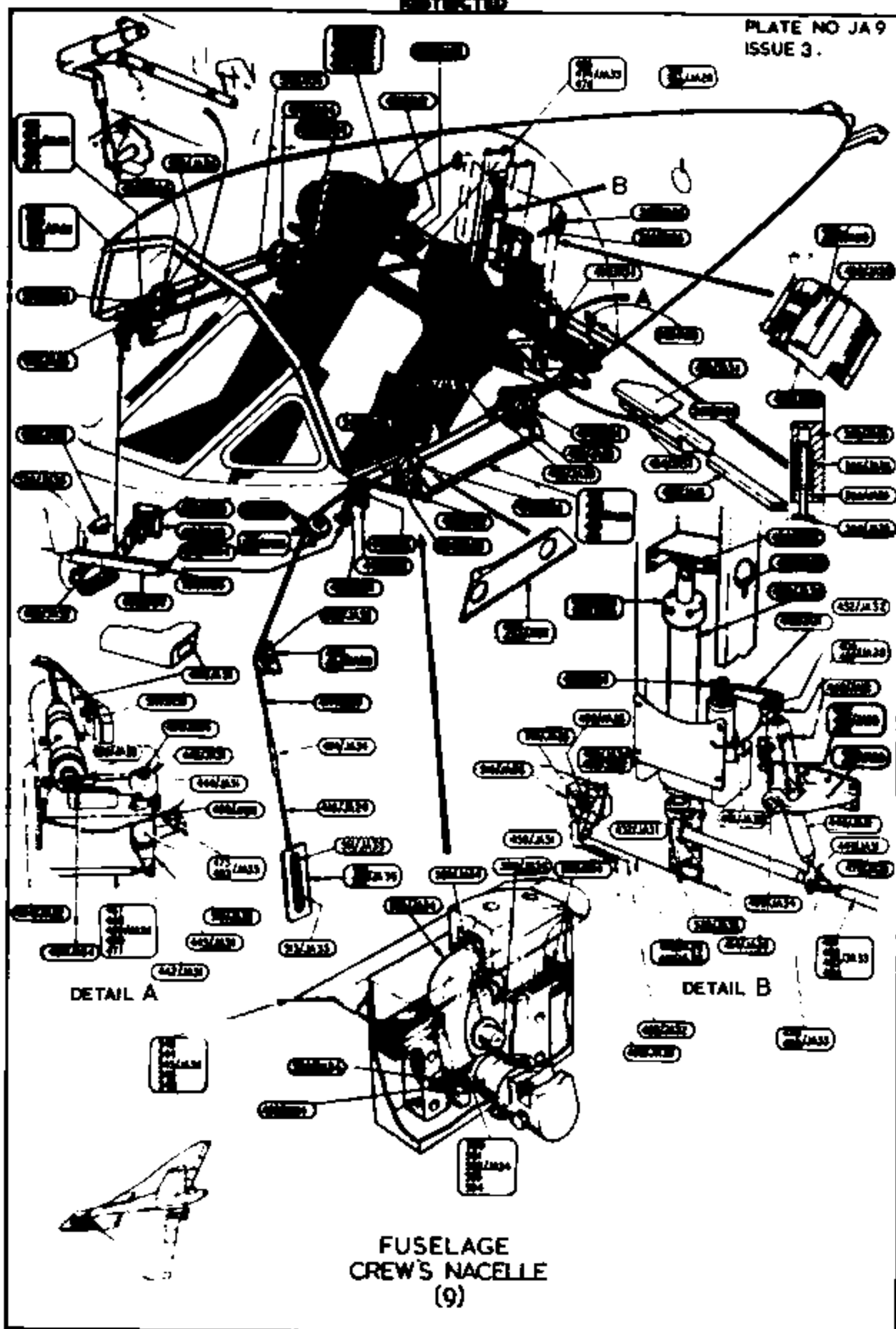


FUSELAGE
CREW'S NACELLE
(4)



RESTRICTED

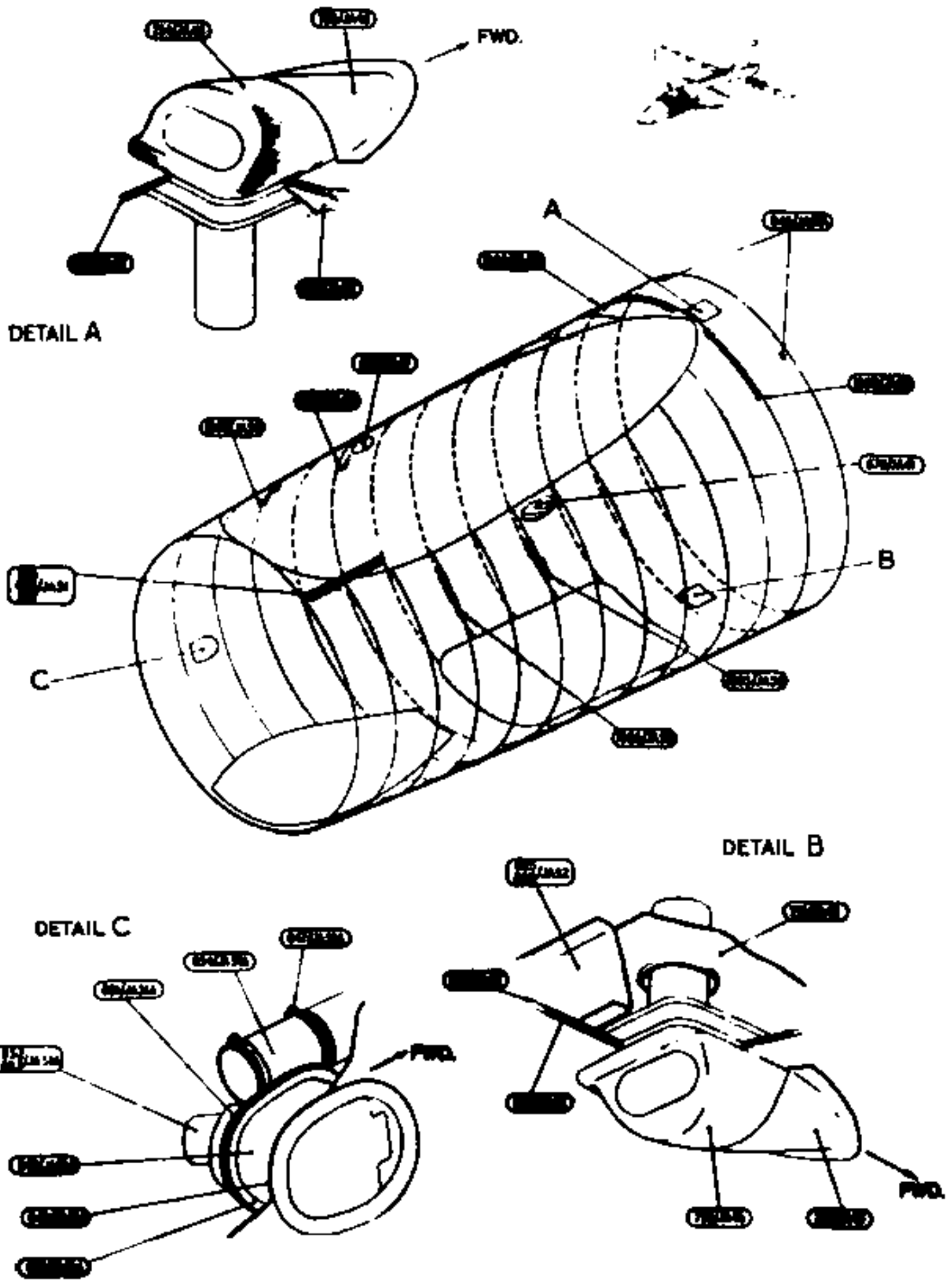
PLATE NO JA 9
ISSUE 3.



RESTRICTED

RESTRICTED

PLATE NO. JA 12
ISSUE 2.



FUSELAGE
CREW'S NACELLE
(12)

RESTRICTED

FUSELAGE
CENTRE PORTION

Ref. No.	Part No.	Description	No. off	Matl. Spec.	Cl. of	Plate and Illust'n No.
					St. M.R.	
		1 2 3 4				
		<p>CENTRE PORTION, FUSELAGE ASSEMBLY, COMPLETE (11D9581) (Mod. 360) (Complementary parts, e.g. intercomponent attachments used at the end of this assembly will not be supplied with the assembly spare and must be demanded separately when required) Spare for:- A.S.I. SYSTEM (2S2167) (See Services-A.S.I. System)</p> <p>CONTROLS, ENGINE, PORT AND STARBOARD (3 & 4, O.3948) (See Controls-Engine)</p> <p>CONTROLS FLYING (R4188) (See Controls-Flying)</p> <p>CONTROLS, R.A.T. SYSTEM (29687) (See Controls-Ram Air Turbine)</p> <p>DUCTING COOLING, FOR T.R.U. IN POWER COMPARTMENT (29638) (See Services-Cooling System-Power Units and Radar Equipment)</p> <p>DUCTING, INLET AND EXHAUST FOR T.R.U. AND FREQUENCY CHANGERS IN NOSE WHEEL BAY, PORT (29736) (See Services-Cooling System-Power Units and Radar Equipment)</p> <p>DUCTING, RADAR COOLING IN NOSE WHEEL BAY, STARBOARD (29247) (See Services-Cooling System-Power Units and Radar Equipment)</p> <p>DUCTING OVERBOARD DRAIN OUTLET OIL SEPARATOR O/B ENGINES 0.4 164 (See Power Installation)</p> <p>ELECTRICAL INSTALLATION IN CENTRE PORTION (See Electrical Installation)</p> <p>ELECTRICAL INSTALLATION IN BOMB BAY (V8222) (See Electrical Installation)</p> <p>ELECTRICAL SERVICES FOR BOMB GEAR IN CENTRE PORTION (V8494) (See Electrical Installation)</p> <p>ELECTRICAL INSTALLATION IN ENGINE BAYS (V9194) (V10787) (See Electrical Installation)</p>				

FUSELAGE
CENTRE PORTION

Ref. No.	Part No.	Description	No. off	Mec. Spec.	Cl. of	Plate and Illust'n No.
					St. M.R.	
		1 2 3 4				
		ELECTRICAL INSTALLATION BELOW AIR INTAKES (V8495) (See Electrical Installation)				
		ELECTRICAL INSTALLATION IN NOSE WHEEL BAY (V9472) (See Electrical Installation)				
		ELECTRICAL INSTALLATION IN POWER COMPARTMENT (V9488) (See Electrical Installation)				
		ENGINE INSTALLATION, INNER AND OUTER, PORT AND STARBOARD (5-6-7-I.D. 3842) (Pre Mod. 906)				
		ENGINE INSTALLATION, INNER AND OUTER, PORT AND STARBOARD (O 3887) (Mod. 906) (See Power Installation—Engine)				
		ENGINE, RAPID START SYSTEM (1 & 203644) (Mod. 1320) (See Power Installation—Engine)				
		EXPLOSION SUPPRESSION INSTALLATION (429615) (See Services—Fire Protection System)				
		EXTINGUISHER, FIRE SYSTEM, PORT AND STARBOARD (29 & 3029580) (See Services—Fire Protection)				
		EXTINGUISHER, FIRE SYSTEM IN BOMB BAY (29790) (See Services—Fire Protection)				
		EXTINGUISHER, FIRE SYSTEM, Nos. 1 & 2 TANKBAYS (27824) (See Services—Fire Protection)				
		FUEL SYSTEM, AFT OF FRONT SPAR, PORT AND STARBOARD (P3164) (See Services—Fuel System)				
		FUEL SYSTEM Nos 1 AND 2 FUEL TANKS, PORT AND STARBOARD (1 & 2P3481) (Mod. 360) (See Services—Fuel System)				
		HEATING INSTALLATION, BOMB BAY (27723) (See Services—Air Conditioning)				

VULCAN No. 2

FUSELAGE
CENTRE PORTION

Page JB. 3

Ref. No.	Part No.	Description	No. off	Matl Spec.	Cl. of	Plate and Illustr'n No.
					St. M.R.	
		<u>1 2 3 4</u>				
		INSTALLATION. AUTO-STABILISER EQUIPMENT IN BOMB BAY (R4411) (See Controls—Auto-Stabiliser)				
		INSTALLATION. TRUE AIRSPEED UNIT (1S2432) (See Services—Air Speed Indicator)				
		JETTISON, MECHANICAL, FOR SPECIAL STORE (2Z9701) Spares for:—				
	1SS4337	Bolt, csk. for pulley bracket and plate	2	—	MR	JB1/1
	4SS4337	Bolt, csk. for plates	5	—	MR	JB1/2
	60Z9701	Bracket, pulley	1	DTD130		JB1/3
	62Z9701	Bracket, pulley	1	DTD130		JB1/4
	77Z9701	Bracket, pulley	1	DTD130		JB1/5
	59Z9701	Bracket, rod attachment	1	L72		
	80Z9701	Bracket, rod attachment	1	L72		
	57Z9701	BRACKET, PULLEY, GROUP	1	—		JB1/6
		Consisting of:—				
	57aZ9701	Bracket	1	DTD130		
	57bZ9701	Guard	1	L72		
28Q/9129592	AS2230/404	Rivet	2	—	C	
14166	29Z9701	CABLE, FORK END AND SCREWED END. FORWARD. GROUP	1	—	B	JB1/7
14167	30Z9701	CABLE, EYE END AND SCREWED END. FORWARD. GROUP	1	—	B	JB1/8
14168	55Z9701	CABLE, 17' 10 1/2" LONG, AFT GROUP	1	—	B	JB1/9
14169	56Z9701	CABLE, 13' 1-12" LONG, AFT, GROUP	1	—	B	JB1/10
28E/16520	AGS1000/00A	Clip, jubilee, for sockets	48	—	C	
14163	40Z9701	Fairlead, half, at front spar	2	BS2572	C	JB1/11
14164	52Z9701	FAIRLEAD	20	BS2572	C	JB1/12
	65Z9701	GUARD, 9-65" LONG, GROUP	1	—		JB1/13
	66Z9701	GUARD, 12-15" LONG, GROUP	1	—		JB1/14
	67Z9701	GUARD, 4-6" LONG, GROUP	1	—		JB1/15
	68Z9701	GUARD, 8-9" LONG, GROUP	1	—		JB1/16
	69Z9701	GUARD, 9-54" LONG, GROUP	1	—		JB1/17
	70Z9701	GUARD, 5-8" LONG, GROUP	1	—		JB1/18
	71Z9701	GUARD, 8-42" LONG, GROUP	1	—		JB1/19

FUSELAGE
CENTRE PORTION

Ref. No.	Part No.	Description	No. off	Mati. Spec.	Cl. of St.		Plate and Mount'n No.
					M.R.		
		JETTISON MECHANICAL (229701) (Cont'd)					
	72Z9701	GUARD, 10.34" LONG, GROUP	1	—			JB1/20
	73Z9701	GUARD, 11.10" LONG, GROUP	1	—			JB1/21
	74Z9701	GUARD, 10.42" LONG, GROUP	1	—			JB1/22
	75Z9701	GUARD, 20.6" LONG, GROUP	1	—			JB1/23
28M/1008473	A27/CT	Nut, lock, R.H.	12	—		C	
28M/408688	A27/CTL	Nut, lock, L.H.	4	—		C	
	61Z9701	Plate, mounting, 18G x 3.68" x 3.72"	1	L72			
	63Z9701	Plate, mounting, 18G x 3.81" x 4"	1	L72			
	78Z9701	Plate, mounting, 18G x 8.55" x 3.3"	1	L72			
28R/1052624	AS103	Pulley, 2" dia.	5	—		B	
	58Z9701	Rod, 3/16" dia. x 8.9" long	2	S1		MR	JB1/24
14162	24Z9701	Socket, at tube joints	24	L62		C	JB1/25
	23Z9701	Tube, 20G x 0.5" o/d x 14.25" long	22	L62		C	JB1/26
	28Z9701	Tube, 20G x 0.5" o/d x 11.45" long	2	L62		C	JB1/27
28U/4084888	SP33/C	Tumbuckle	4	—		C	
		MOUNTING, OXYGEN BOTTLES IN BOMB BAY, PORT AND STARBOARD (1 & 229783) (See Services—Oxygen System)					
		MOUNTING, OXYGEN BOTTLES AFT. IN BOMB BAY, PORT AND STARBOARD (1 & 229745) (See Services—Oxygen System)					
		MOUNTING, OXYGEN BOTTLES IN POWER COMPARTMENT (129438) (29197) (Mod. 868) (See Services—Oxygen System)					
		MOUNTING, CAP FILLER AERIALS BETWEEN, JET PIPE TUNNELS, PORT (14445) (Mod. 870) (See Equipment—Special Operational S.O.O.)					
		OXYGEN INSTALLATION (229197) (See Services—Oxygen System)					
		PIPE, PRESSURISATION, FOR TANK IN BOMB BAY (1P3283) (See Services—Fuel System—Flight Refuelling)					
		PIPING, HYDRAULIC IN BOMB BAY (1Q2211) (See Services—Hydraulic)					

VULCAN No. 3

FUSELAGE
CENTRE PORTION

Page JB. 6

Ref. No.	Part No.	Description	No. off	Matl. Spec.	Cl. of	Plate and Illust'n No.
					St. M.R.	
		1 2 3 4				
22843	1F9409 2F9409 3F9409 R & M ZAEG.H 4F9409	PIPING, HYDRAULIC, IN NOSE WHEEL BAY, PORT AND STARBOARD (Q2079) (Q2080) (See Services-Hydraulics)				
		PIPING, HYDRAULIC, ENGINE BAY PORT AND STARBOARD (Q2081) (Q2082) (See Services-Hydraulics)				
		PNEUMATICS, N.B.S. MK. 1A SERVICES (Q2258) (Mod. 715) (See Services-Pneumatic)				
		PRESSURISATION, TANK SYSTEM, PORT AND STARBOARD (285 & 286Z7618) (See Services-Pressurisation System)				
		PRESSURISATION AND ANTI-ICING INSTALLATION (1Z9446) (See Services-Air Conditioning)				
		PRESSURISATION SYSTEM FOR BOMB BAY TANK (1P3589) (See Services-Pressurisation System)				
		RADIO AND RADAR (3T4292) (See-Radio and Radar Installation)				
		RAM AIR TURBINE INSTALLATION, FORWARD FRONT SPAR (F11002) (See Services-Ram Air Turbine)				
		RECORDER, V.G. MOUNTING (S2301) (See Services-Air Speed Indicator)				
		REFUELLING SYSTEM, PORT AND STARBOARD (1 & 2P3182) (See Services, Fuel System)				
		STRUCTURE, CENTRE PORTION (D10631) (Mod. 380) Spare for:- BRAKES AIR, PORT AND STARBOARD 7 & 8P9574 (Pre-Mod. 380) BRAKES AIR, PORT AND STARBOARD (8 & 9574) (Mod. 380)				
	BEARING, NEEDLE ROLLER, GROUP ..	8	-	MR	JB3/28	
	Consisting of:-					
	Race, inner	1	EN31			
	Race, outer	1	EN31			
	Roller, needle	24	-	B		
	Washer, retaining	1	S110			

FUSELAGE
CENTRE PORTION

Ref. No.	Part No.	Description	No. off	Mati. Spec.	Cl. off	Plate and illust'n No.
					St. M.R.	
		<u>1.1.1.4</u>				
		BRAKES, AIR, PORT AND STARBOARD (8 & 9F9574) (Cont'd)				
22544	35F8706	BOLT, SPECIAL, GROUP	6	-	C	JB3/29
		Consisting of:-				
	350F8706	Bolt, 5/8" dia.	1	S86		
28N/9156370	SP.21	Nipple, grease	1	-	C	
	34F8706	Bolt. (Made from A30/7E)	12	-	MR	JB2/30
1365	1F8822	CHAIN, FOR AIRBRAKE, GROUP	8	-	B	JB4/31
		(Pre-Mod. 2380)				
	1F13026	CHAIN, FOR AIRBRAKE, GROUP	8	-	MR	
		(Mod. 2380)				
		Spare for:-				
	2F8222	CHAIN, C/W END LINKS, GROUP	1	-		
		(Pre-Mod. 2380)				
	2F13026	CHAIN C/W END LINKS, GROUP	1	-		
		(Mod. 2380)				
1727	8F8822	Block, chain end	1	S86	C	JB2/32
1728	9F8822	Block, chain end	1	S86	C	JB2/33
84	1F9581/W	FLAP, INBOARD, TOP, AIRBRAKE	1	-	A	JB2/34
		WHITE, PORT, GROUP (Mod. 1877)				
	1F9581/P	FLAP, INBOARD, TOP, AIRBRAKE	1	-		
		PRIMERED, PORT, GROUP (Mod. 1877)				
1433336	1F9581/EP	FLAP, INBOARD, TOP, AIRBRAKE,	1	-	A	
		POLYURATHANE FINISH, PORT, GROUP				
		(Mod. 2129)				
85	2F9581/W	FLAP, INBOARD, TOP, AIRBRAKE	1	-	A	JB2/35
		WHITE, STARBOARD, GROUP (Mod. 1877)				
	2F9581/P	FLAP, INBOARD, TOP, AIRBRAKE	1	-		JB2/35A
		PRIMERED, STARBOARD, GROUP				
		(Mod. 1877)				
1433337	2F9581/EP	FLAP, INBOARD, TOP, AIRBRAKE	1	-	A	
		POLYURATHANE FINISH, STARBOARD,				
		GROUP (Mod. 2129)				
86	3F9581/W	FLAP, OUTBOARD, TOP, AIRBRAKE ...	1	-	A	JB2/36
		WHITE, PORT, GROUP (Mod. 1877)				
	3F9581/P	FLAP, OUTBOARD, TOP, AIRBRAKE ...	1	-		JB2/36A
		PRIMERED, PORT, GROUP (Mod. 1877)				
1433338	3F9581/EP	FLAP, OUTBOARD, TOP, AIRBRAKE, ...	1	-	A	
		POLYURATHANE FINISH, PORT,				
		GROUP (Mod. 2129)				
87	4F9581/W	FLAP, OUTBOARD TO AIRBRAKE	1	-	A	JB2/37
		WHITE, STARBOARD, GROUP				
		(Mod. 1877)				

VULCAN PR. 2

FUSELAGE
CENTRE PORTION

Page JB. 6A

Ref. No.	Part No.	Description	No. off	Matl. Spec.	Cl. of	Place and Inst'n No.
					St. M.R.	
		<u>1.1.1.4</u>				
		BRAKES, AIR, PORT AND STARBOARD (B & 9F9574) (Cont'd)				
	4F9581/P	FLAP, OUTBOARD TOP AIRBRAKE PRIMERED, STARBOARD, GROUP (Mod. 1877)	1	--		JB2/37A
1433339	4F9581/EP	FLAP, OUTBOARD TOP AIRBRAKE POLYURATHANE FINISH, STARBOARD, GROUP (Mod. 2128)	1	--	A	
	6F9581	Spares for:- Bolt, special	4	--		
517	31F9582	FLAP, INBOARD BOTTOM AIRBRAKE, . PORT, GROUP	1	--	A	JB2/38
	1F12947	FLAP, INBOARD BOTTOM AIRBRAKE, . PORT, GROUP (S.O.O. Mod. 2314) (One A/C only)	1	--		

(bound with A.L.26)

VULCAN No. 1

Page JB. 58

FUSELAGE
CENTRE PORTION

Ref. No.	Part No.	Description	No. off	Mati. Spec.	Cl. of	Plate and Illust'n No.
					St. M.R.	

VULCAN PRL 3

FUSELAGE
CENTRE PORTION

Page JB. 7

Ref. No.	Part No.	Description	No. off	Mater. Spec.	Cl. of	Plate and Illust'n No.
					St. M.R.	
		1 2 3 4				
		BRAKES, AIR, PORT AND STARBOARD (B & 9F8574) (Cont'd)				
518	30F9582	FLAP, INBOARD, BOTTOM AIRBRAKE, STARBOARD, GROUP	1	-	B	JB2/39
7388	50F9582	Spare for:- Bead, sealing (Make from 447SS3075) ..	2	OTD278	MR	JB2/40
	51F9582	Bead, sealing (Make from 447SS3075) ..	2	DTD278	C	JB2/41
2734	1F9421	LEG, TOP, AT RIB 63.5, PORT 1/B, BRAKE, GROUP	1	-	A	JB2/42
	42F9421	LEG, TOP, AT RIB 63.5, STARBOARD, 1/B, BRAKE, GROUP (Mod. 1340)	1	-	MR	JB2/43
	1F9410	Spare for:- ARM, FOLLOWER, L.H. PORT, GROUP	1	-	MR	JB3/44
	2F9410	ARM, FOLLOWER, R.H. STARBOARD, GROUP	1	-	MR	JB3/45
2A/9500488 28N/4043823	R & M CD 1/2 AGS2030/47	Spare for:- Bearing .. Circlip, 44 mm ..	2 1	- -	B C	JB3/46
	7F8706 2F8534 7F8534	Block, adjuster .. Bolt, centre lever and adjustable rods .. Bolt, at follower arm and rod ..	1 2 1	S94, 95 or 98 S94, 95 or 98 S94, 95 or 98	MR MR MR	JB3/47 JB3/48 JB3/49
8814 9088	33F9421 9F8706	Bolt, at top lever and rod .. Bolt, csk. at adjuster block ..	1 4	S94, 95 or 98 S94, 95 or 98	MR/C C	JB3/50 JB3/51
	1F9423	LEG, TOP, AT RIB 63.5, PORT, GROUP	1	-		JB3/52
	32F9423	LEG, TOP, AT RIB 63.5, STARBOARD, GROUP (Mod. 1340)	1	-		JB3/53
	18F9421 20F9421 11F9421 12F9421	Spare for:- Bolt, special, top lever .. Bolt, special, follower arm .. Bracket, bearing .. Bracket, bearing ..	1 1 1 1	S99 S99 DTD883 DTD883	MR MR MR MR	JB3/54 JB3/55 JB3/56 JB3/57
	1F8733	LEVER, CENTRE, GROUP	1	-	MR	JB3/58
2A/9500412 28N/2001888	SKEFCO CBS.3 8F8534 6F8532 7F8532 10F8529 AGS2030/22	Spare for:- Bearing .. Bolt, special .. Bracket .. Bush .. Bush .. Circlip, internal ..	2 1 1 2 4 1	- S98 DTD883 S1 S1 -	B MR MR MR C	JB3/59 JB3/60 JB3/60 JB3/60 JB3/60
	2F8733	LEVER, GROUP	1	-		JB3/61
	18F9423 17F9423 20F9423 21F9423 22F9423	Strip, cam, 1/4" x 1/2" x 5-1/4" long .. Strip, cam, 1/4" x 1/2" x 6-1/4" long .. Strip, cam, 1/4" x 1/2" x 7.85" long .. Strip, cam, 1/4" x 1/2" x 8-1/2" long .. Strip, cam, 1/4" x 1/2" x 2' 2" long ..	1 1 1 1 1	L72 L72 L72 L72 L72	MR MR MR MR MR	JB3/62 JB3/63 JB3/63 JB3/64

FUSELAGE
CENTRE POSITION

Ref. No.	Part No.	Description	No. off	Matl. Spec.	Cl. of St.	Plate and Illust'n No.
					M.R.	
		<u>1 2 3 4</u>				
		LEG. TOP, AT RIB 63.5, PORT AND STARBOARD (1 & 42F9421) (Cont'd)				
28N/4186641 17943	13F9421	LEVER, TOP, GROUP	1	—	MR	JB3/66
		Spare for:—				
	17F8714	Bush	2	S1	MR	JB3/66
	22F8714	Bush	2	S96		
	HOFFMAN					
	CJ.5	Joint, spherical	2	—	C	JB3/67
	4SS5890	Plate, securing (No. 4)	2	—	C	JB3/68
	21F9421	Piece, distance	1	S1	MR	JB3/69
	32F9421	Plate, locking	1	S3	MR	JB3/70
	1F9418	ROD, ADJUSTABLE, OPERATING, LEVER TO LEVER, GROUP	1	—	MR	JB3/71
	Spare for —					
28M/9452621 28M/4086864	3F9418	End, fork, screwed	1	S96	MR	
	A27/NT	Nut, lock, R.H.	1	—	C	
	A27/NTL	Nut, lock, L.H.	1	—	C	
	12F8729	Turnbuckle	1	S96	MR	JB3/71A
1F9443	POD, ADJUSTABLE, OPERATING, LEVER TO FOLLOWER ARM, GROUP	1	—	MR	JB3/72	
	Spare for:—					
10F8629	Bush	2	S1	MR	JB3/73	
11F8729	END, ROD, SCREWED, GROUP	1	—		JB3/74	
	Spare for:—					
28N/4186641	HOFFMAN					
	CJ.5	Joint, spherical	1	—	C	JB3/75
	5SS5890	Plate, securing	1	S510		
28M/9452621 28M/4086864	A27/NT	Nut, lock, R.H.	1	—	C	
	A27/NTL	Nut, lock, L.H.	1	—	C	
	12F8729	Turnbuckle	1	S96	MR	JB3/75A
2737	3F9421	LEG. TOP, INBOARD SIDE RIB 113.3, PORT, GROUP	1	—	MR	JB2/76
	4F9421	LEG. TOP, INBOARD, SIDE RIB 113.3, STARBOARD, GROUP	1	—	A	JB2/77
		Spare for —				
	1F9410	ARM, FOLLOWER, L.H., GROUP	1	—	MR	JB3/78
	2F9410	ARM, FOLLOWER, R.H., GROUP	1	—	MR	JB3/79
		Spare for:—				
2A/9500468 28N/4043823	R & M	Bearing	2	—	B	JB3/80
	CD.1/2 AGS2030/47	Circlip, 44 mm	1	—	C	JB3/81

VULCAN No. 3		FUSELAGE				Page JB. 9	
		CENTRE PORTION					
Ref. No.	Part No.	Description	No. off	Mati. Spec.	Cl. of St.		Plate and Illust'n No.
					M	R	
		1 2 3 4					
		LEG, TOP, INBOARD SIDE RIB 113.3, PORT AND STARBOARD (3 & 4F9421) (Cont'd)					
	7F8706	Block, adjuster	1	S94, 95 or 98			JB3/82
	2F8534	Bolt, at centre lever and adjustable rods	2	S94, 95 or 98	MR		JB3/83
	7F8534	Bolt, at follower arm and rod	1	S84, 95 or 98	MR		JB3/84
8814	33F9421	bolt, at top lever and rod	1	S84, 95 or 98	C		JB3/85
9088	9F8706	Bolt, csk. at adjuster block	4	S94, 95 or 98	C		JB3/86
	1F9424	LEG, TOP, INBOARD RIB 113.3, PORT, GROUP	1	—	MR		JB3/87
	2F9424	LEG, TOP, INBOARD RIB 113.3, STARBOARD, GROUP	1	—	MR		JB3/88
		Spares for:—					
	18F9421	Bolt, special, top lever	1	S99	MR		JB3/89
	20F9421	Bolt, special, follower arm	1	S99	MR		JB3/90
	11F9421	Bracket, bearing	1	DTD683	MR		JB3/91
	12F9421	Bracket, bearing	1	DTD683	MR		JB3/92
	1F8733	LEVER, CENTRE, GROUP	1	—	MR		JB3/93
		Spares for:—					
	SKEFCO	Bearing	2	—	B		JB3/94
2A/9500412	CBS.3	Bolt, special	1	S96			
	8F8534	Bracket	1	DTD683			
	8F8532	Bush	2	S1			
	7F8532	Bush	4	S1	MR		
28N/2001688	10F8528	Circlip, internal	1	—	C		
	AGS2030/22	LEVER, GROUP	1	—			JB3/94A
	2F8733	LEVER, TOP, GROUP	1	—	MR		JB3/95
	22F9421	Spares for:—					
	17F8714	Bush	2	S1	MR		JB3/96
	22F8714	Bush	2	S96			
28N/4186641	HOFFMAN	Joint, spherical	2	—	C		JB3/97
17943	CJ.5	Plate, securing (No. 4)	2	—	C		JB3/98
	4SS5880	Piece, distance	1	S1	MR		JB3/99
	21F9421	Plate, locking	1	S3	MR		JB3/100
	32F9421	ROD, ADJUSTABLE, OPERATING LEVER, TO LEVER, GROUP	1	—	MR		JB3/101
	1F9418	Spares for:—					
	3F9418	End, fork, screwed	1	S96	MR		
28M/8452621	A27/NT	Nut, lock, R.H.	1	—	C		
28M/4095954	A27/NTL	Nut, lock, L.H.	1	—	C		
	12F8729	Turnbuckle	1	S96	MR		JB3/101A

FUSELAGE
CENTRE PORTION

Ref. No.	Part No.	Description	No. off	Mati. Spec	Cl. of	Plate and Hust'n No.
					SL	
		1 2 3 4				
		LEG, TOP, INBOARD SIDE RIB 113.3, PORT AND STARBOARD (3 & 4F9421) (Cont'd)				
	2F8443	ROD, ADJUSTABLE, OPERATING, LEVER TO FOLLOWER ARM, GROUP Spares for:—	1	—	MR	JB3/102
	10F8529	Bush	2	S1	MR	JB3/102A
	11F8729	END. ROD, SCREWED, GROUP Spares for:—	1	—		JB3/103
28N/4186641	HOFFMAN CJ.5 55S5880	Joint, spherical	1	—	C	JB3/104
		Plate, securing	1	S610	C	
28M/9452621 28M/4086864	A27/NT A27/NTL 12F8729	Nut, lock, R.H. Nut, lock, L.H. Tumbuckle	1 1 1	— — S98	C C MR	JB3/104A
	5F9421	LEG, TOP, OUTBOARD SIDE RIB 113.3, PORT, GROUP	1	—	MR	JB2/105
	6F9421	LEG, TOP, OUTBOARD SIDE RIB 113.3, STARBOARD, GROUP	1	—	MR	JB2/106
	1F9410 2F9410	ARM, FOLLOWER, L.H., GROUP ARM, FOLLOWER, R.H., GROUP Spares for:—	1 1	— —	MR MR	JB3/107 JB3/108
2A/9500458 28N/4043823	R & M CD.1/2 AGS2030/47	Bearing	2	—	B	JB3/109
		Circlip, 44 mm	1	—	C	JB3/110
	7F8706 2F8534	Block, adjuster Bolt, at centre lever and adjustable rods	1 2	S94, 95 or 96 S94, 95 or 96	MR	JB3/111 JB3/112
	7F8534	Bolt, at follower arm and rod	1	S94, 95 or 96	MR	JB3/113
8814 9088	33F9421 9F8706	Bolt, at top lever end rod	1	S94, 95 or 96	C	JB3/114
		Bolt, csk., at adjuster block	4	S94, 95 or 96	C	JB3/115
	1F9425	LEG, TOP, OUTBOARD RIB 113.3, PORT, GROUP	1	—	MR	JB3/116
	2F9425	LEG, TOP, OUTBOARD RIB 11.3, STARBOARD, GROUP	1	—	MR	JB3/117
	18F9421 20F9421 11F9421 12F9421	Spares for:— Bolt, special, top lever Bolt, special, follower, arm Bracket, bearing Bracket, bearing	1 1 1 1	S99 S99 DTD683 OTD683	MR MR MR MR	JB3/118 JB3/119 JB3/120 JB3/121
	1F8733	LEVER, CENTRE, GROUP (For Spares—See Page JB. 7)	1	—	MR	JB3/122

VULCAN NR 2

FUSELAGE
CENTRE PORTION

Page JB. 11

Ref. No.	Part No.	Description	No. off	Matl. Spec.	Cl. of St.	Plate and Illust'n No.
					M.R.	
		1 2 3 4				
		LEG, TOP, OUTBOARD SIDE RIB 113.3, PORT AND STARBOARD (5 in 8F9421) (Cont'd)				
	15F9421	LEVER, TOP, GROUP	1	—	MR	JB3/123
		Spares for:—				
	17F8714	Bush	2	S1	MR	JB3/124
	22F8714	Bush	2	S96		
28N/4188641 17943	HOFFMANN CJ.5	Joint, spherical	2	—	C	JB3/125
	4SS5880	Plate, securing (No. 4)	2	—	C	JB3/126
	21F9421	Place, distance	1	S1	MR	JB3/127
	32F9421	Plate, locking	1	S3	MR	JB3/128
	1F9418	ROD, ADJUSTABLE, OPERATING,	1	—	MR	JB3/129
		LEVER TO LEVER, GROUP (For Spares—See Page JB. 9)				
	5F9443	ROD, ADJUSTABLE, OPERATING,	1	—	MR	JB3/130
		LEVER TO FOLLOWER ARM, GROUP				
		Spares for:—				
	10F8629	Bush	2	S1	MR	JB3/131
	11F8729	END, ROD, SCREWED, GROUP	1	—		JB3/132
		Spares for:—				
28N/4188641	HOFFMANN CJ.5	Joint, spherical	1	—	C	JB3/133
	5SS5880	Plate, securing	1	S610	C	
28M/9452621 28M/4088864	A27/NT	Nut, lock, R.H.	1	—	C	
	A27/NTL	Nut, lock, L.H.	1	—	C	
	12F8729	Tumbuckle	1	S96	MR	JB3/134
	7F9421	LEG, TOP, RIB 162.5, OUTBOARD,	1	—	MR	JB2/135
		BRAKE, PORT, GROUP				
	8F9421	LEG, TOP, AT RIB 162.5, OUTBOARD,	1	—	MR	JB2/136
		BRAKE, STARBOARD, GROUP				
		Spares for —				
	1F9410	LEG, FOLLOWER, L.H. GROUP	1	—	MR	JB3/137
	2F9410	LEG, FOLLOWER, R.H. GROUP	1	—	MR	JB3/138
		(For Spares—See Page JB. 10)				
	7F8706	Block, adjuster	1	S94, 95 or 96		JB3/139
	2F8534	Belt, at centre lever and adjustable rods	2	S94, 95 or 96	MR	JB3/140
	7F8534	Belt, at follower arm and rod	1	S94, 95 or 96	MR	JB3/141
8814 9068	33F9421	Belt, at top lever and rod	1	S94, 95 or 96	C	JB3/142
	9F8706	Belt, cat., at adjuster block	4	S94, 95 or 96	C	JB3/143

FUSELAGE
CENTRE PORTION

Ref. No.	Part No.	Description	No. off	Matl Spec.	Cl. of	Plate and Illust'n No
					SL	
		<u>1 2 3 4</u>			M.R.	
		LEG. TOP. AT RIB 162.5, PORT AND STARBOARD (7 & 8F9421) (Cont'd)				
	1F9426	LEG. TOP. AT RIB 162.5, PORT GROUP	1	—	MR	JB3/144
	2F9426	LEG. TOP. AT RIB 162.5, STARBOARD, GROUP	1	—	MR	JB3/145
	18F9421	Spares for:— Bolt, special, top lever	1	S99	MR	JB3/146
	20F9421	Bolt, special, follower arm	1	S89	MR	JB3/147
	11F9421	Bracket, bearing	1	DTD683	MR	JB3/148
	12F9421	Bracket, bearing	1	OTD683	MR	JB3/149
	1F8733	LEVER, CENTRE, GROUP (For Spares—See Page JB. 7)	1	—	MR	JB3/150
	18F9421	LEVER, TOP, GROUP	1	—	MR	JB3/151
	17F8714	Spares for:— Bush	2	S1	MR	JB3/152
	22F8714	Bush	2	S96	C	
28N/4186641	HOFFMANN CJ.5	Joint, spherical	2	—	C	JB3/153
	5SS5880	Plate, securing	2	—	C	
	21F9421	Piece, distance	1	S1	MR	JB3/154
	32F9421	Plate, locking	1	S3	MR	JB3/155
	1F9418	ROD, ADJUSTABLE, OPERATING, LEVER TO LEVER, GROUP (For Spares—See Page JB. 8)	1	—	MR	JB3/156
	8F9443	ROD, ADJUSTABLE, OPERATING, LEVER TO FOLLOWER ARM, GROUP	1	—	MR	JB3/157
	10F8529	Spares for:— Bush	2	S1	MR	JB3/158
	11F8729	END, ROD, SCREWED, GROUP	1	—		JB3/159
28N/4186641	HOFFMANN CJ.5	Spares for:— Joint, spherical	1	—	C	JB3/160
	5SS5880	Plate, securing	1	S510	C	
28M/9452621	A27/NT	Nut, lock, R.H.	1	—	C	
28M/4095954	A27/NTL	Nut, lock, L.H.	1	—	C	
	12F8729	Turnbuckle	1	S96	MR	JB3/160A

VULCAN 800 7

FUSELAGE
CENTRE PORTION

Page JB. 13

Ref. No.	Part No.	Description	No. off	Matl. Spec.	Cl. of	Plate and Illust'n No.
					St.	
		1 2 3 4			M.R.	
		BRAKE, AIR, PORT, AND STARBOARD (8 & 9F8574) (Cont'd)				
2742	1F9422	LEG. BOTTOM, AT RIB 63.5, INBOARD, BRAKE, PORT, GROUP	1	—	A	JB2/161
	2F9422	LEG. BOTTOM, AT RIB 63.5, INBOARD, BRAKE, STARBOARD, GROUP	1	—	MR	JB2/162
	1F9410	Spares for:— ARM, FOLLOWER, L.H., GROUP	1	—	MR	JB3/163
	2F9410	ARM, FOLLOWER, R.H., GROUP	1	—	MR	JB3/164
		(For Spares—See Page JB. 7)				
	7F8706	Block, adjuster	1	S94, 95 or 96		JB3/166
	2F8534	Bolt, at centre lever and adjustable rods ..	2	S94, 95 or 96	MR	JB3/166
	7F8534	Bolt, at follower arm and rod	1	—	MR	JB3/167
	18F9421	Bolt, special, bottom, lever	1	S99	MR	JB3/168
	20F9421	Bolt, special, follower arm	1	S99	MR	JB3/169
8814	33F9421	Bolt, at bottom lever and rod	1	S94, 95 or 96	C	JB3/170
9088	9F8706	Bolt, csk., at adjuster block	4	S94, 95 or 96	C	JB3/171
	11F9421	Bracket, bearing	1	DTD683	MR	JB3/172
	12F9421	Bracket, bearing	1	DTD683	MR	JB3/173
	1F9427	LEG. BOTTOM, AT RIB 63.5, PORT, GROUP	1	—	MR	JB3/174
	2F9427	LEG. BOTTOM, AT RIB 63.5 STARBOARD, GROUP	1	—	MR	JB3/175
		Spares for:—				
	1F8733	LEVER, CENTRE, GROUP	1	—	MR	JB3/176
		(For Spares—See Page JB. 9)				
	15F9422	LEVER, BOTTOM, PORT AND STARBOARD, GROUP	1	—	MR	JB3/177
		Spares for:—				
	17F8714	Bush	2	S1	MR	JB3/178
	22F8714	Bush	2	S96		
	HOFFMANN					
	CJ5	Joint, spherical	2	—	C	JB3/179
28N/4186541	4SS5880	Plate, securing (No. 4)	2	—	C	JB3/180
17943						
	21F9421	Piece, distance	1	S1	MR	JB3/181
	32F9421	Plate, locking	1	S3	MR	JB3/182
	1F9418	ROD, ADJUSTABLE, OPERATING, LEVER TO LEVER, GROUP (For Spares—See Page JB. 8)	1	—	MR	JB3/183
	3F9443	ROD, ADJUSTABLE, OPERATING, LEVER TO FOLLOWER ARM, GROUP	1	—	MR	JB3/184
		Spares for:—				
	10F8529	Bush	2	S1	MR	JB3/185

FUSELAGE
CENTRE PORTION

Ref. No.	Part No.	Description	No. off	Matl. Spec.	Cl. of St.		Plate and Illust'n No.
					M.R.		
		ROD, ADJUSTABLE, OPERATING (3F9443) (Cont'd)					
	11F8729	END, ROD, SCREWED, GROUP	1	—			JB3/186
	HOFFMANN	Spares for:—					
	CJ.5	Joint, spherical	1	—		C	JB3/187
28N/4186541	5SS5880	Plate, securing	1	S510			
	A27/NT	Nut, lock, R.H.	1	—		C	
28M/9452821	A27/NTL	Nut, lock, L.H.	1	—		C	
28M/4095954	12F8729	Turnbuckle	1	S96		MR	JB3/188
2744	3F9422	LEG, BOTTOM, INBOARD RIB 113.3,	1	—		A	JB2/189
		PORT, GROUP					
2728	4F9422	LEG, BOTTOM, INBOARD RIB 113.3,	1	—		A	JB2/190
		STARBOARD, GROUP					
		Spares for:—					
	1F9410	ARM, FOLLOWER, L.H., GROUP	1	—		MR	JB3/191
	2F9410	ARM, FOLLOWER, R.H., GROUP	1	—		MR	JB3/192
		(For Spares—See Page JB. 8)					
	7F8706	Block, adjuster	1	S84, 95 or 96			JB3/193
	2F8534	Bolt, at centre lever and adjustable rods ..	2	S84, 95 or 96		MR	JB3/194
	7F8534	Bolt, at follower arm and rod	1	S84, 95 or 96		MR	JB3/195
	18F9421	Bolt, special, bottom lever	1	S99		MR	JB3/196
	20F9421	Bolt, special, follower arm	1	S99		MR	JB3/197
8814	33F8706	Bolt, at bottom lever and rod	1	S84, 95 or 96		C	JB3/198
9088	9F8706	Bolt, csk., at adjuster block	4	S84, 95 or 96		C	JB3/199
	11F9421	Bracket, bearing	1	DTD683		MR	JB3/200
	12F9421	Bracket, bearing	1	DTD683		MR	JB3/201
	1F9428	LEG, BOTTOM, AT RIB 113.3, PORT,	1	—		MR	JB3/202
		GROUP					
	2F9428	LEG, BOTTOM, AT RIB 113.3,	1	—		MR	JB3/203
		STARBOARD, GROUP					
		Spares for:—					
	1F8733	LEVER, CENTRE, GROUP	1	—		MR	JB3/204
		(For Spares—See Page JB. 9)					
	17F9422	LEVER, BOTTOM, PORT AND	1	—			JB3/205
		STARBOARD, GROUP					
		Spares for:—					
	17F8714	Bush	2	S1		MR	JB3/206
	22F8714	Bush	2	S96			
	HOFFMANN	Joint, spherical	2	—		C	JB3/207
28N/4186641	CJ5	Plate, securing (No. 4)	2	—		C	JB3/208
17943	4SS5880						
	21F9421	Piece, distance	1	S1		MR	JB3/209
	32F9421	Piece, locking	1	S3		MR	JB3/210

YULCAN Mk 2		FUSELAGE		Page JB. 15		
CENTRE PORTION						
Ref No	Part No.	Description	No. off	Matl. Spec.	Cl. of St.	Plate and Illust'n No.
					M.R.	
		1 2 3 4				
		LEG, BOTTOM, INBOARD RIB 113.3, PORT AND STARBOARD (3 & 4F8422) (Cont'd.)				
	1F8418	ROD, ADJUSTABLE, OPERATING LEVER TO LEVER, GROUP (For Spares—See Page JB. 8)	1	—	MR	JB3/211
	4F8443	ROD, ADJUSTABLE, OPERATING, LEVER TO FOLLOWER ARM, GROUP	1	—	MR	JB3/212
	10F8529	Spares for:— Bush	2	S1	MR	JB3/213
	11F8729	END, ROD, SCREWED, GROUP	1	—		JB3/214
28N/4186641	HOFFMANN CJ5	Spares for:— Bearing, spherical	1	—	C	JB3/215
	5SS5890	Plate, securing	1	S510	C	
28M/9452821	A27/NT	Nut, lock, R.H.	1	—	C	
28M/4095954	A27/NL	Nut, lock, L.H.	1	—	C	
	12F8729	Tumbuckle	1	S98	MR	
		MOUNTING, HIGH SPEED ROTARY ACTUATOR, BETWEEN BOMB BAY ARCHES, 44.582" & 64.582" (13F8831, Pre-Mod. 2242) (16F8831, Mod. 2242) Spares for:—				
5W/3770	ROTAX CA1102	Actuator, AC, double rotary	1	—	A	JB4/218
1433886	17F8831	BOX ASSEMBLY (12F8831, Pre-Mod. 2242)	1	—	B	
	9F8831	BOX ASSEMBLY (Mod. 2242) Spares for:— DIAPHRAGM, GROUP (Pre-Mod. 2242)	1	—		JB4/218
1433887	20F8831	Diaphragm	1	—	C	
	10F8831	Diaphragm (Pre-Mod. 2242)	2	L72		
	21F8831	Diaphragm (Mod. 2242)	2	L72		
	8F8831	Plate, bottom	1	L72		
	10F8706	Nut, special, R.H. at adjuster spindle	1	S94, 95 or 98	MR	JB2/219
	11F8706	Nut, special, L.H. at adjuster spindle	1	S94, 95 or 98	MR	JB2/220
	1F8577	SHAFT TORQUE, INBOARD, PORT AND STARBOARD, GROUP	1	—	MR	JB4/221
	4F8577	Spares for:— Adaptor	1	S1		
	4F8783	JOINT, BALL, GROUP	2	—	MR	JB4/222
	4F8783	Consisting of:— Joint, ball (MOLLART ENG.)	1	—		

FUSELAGE
CENTRE PORTION

Ref. No.	Part No.	Description	No. off	Mater. Spec.	Cl. of	Place and Illust'n No.
					St. M.R.	
		1 2 3 4				
		SHAFT, TORQUE, INBOARD (1F9677) (Cont'd.)				
	MOLLART No. 6	Joint, cover (Special low temperature ... material)	1		MR	
	4SS4185	Pin, taper, screwed end, 2-3/4" long	2	S96	MR	JB4/223
	3SS4280	Pin, taper, screwed end, 2-7/8" long	2	S96	MR	JB4/224
28W/4874173	AS1906/E16	Washer, saddle, at taper pins	4	Steel	C	JB4/225
	1F9678	SHAFT, TORQUE, OUTBOARD, PORT ... AND STARBOARD. GROUP	1	-	MR	JB4/226
	3F9678	Spares for: - JOINT, BALL, GROUP	2		MR	JB4/227
	3aF9678	Consisting of: - Joint, ball (MOLLART ENG.)	1		C	
26TA/10683	MOLLART No. 4	Joint, cover (Special low temperature material)	1	-		
	6SS4186	Pin, taper, screwed end, 2-1/8" long	2	S96	MR	JB4/228
	1F9329	SHAFT, MAIN DRIVE, PORT AND ... STARBOARD. GROUP	1	-	MR	JB4/229
	8F8831	Spares for: - Adapter	1	S96	MR	
	4F8793	JOINT, BALL, GROUP (For Breakdown - See Page JB. 15)	2	-	MR	JB4/230
	1SS4186	Pin, taper, screwed end	3	S96	MR	JB4/231
	8SS4186	Pin, taper, screwed end	3	S96	MR	JB4/232
28W/7133684	AS1906/E16	Washer, saddle	3	Steel	C	JB4/233
28W/4874173	AS1906/E16	Washer, saddle	3	Steel	C	JB4/234
	1F9675	SHAFT, SPROCKET AND GEAR BOX ... ON RIB 63.5 TOP, PORT AND STARBOARD. GROUP	1			JB6/235
	3F9675	Spares for: - Adaptor, shaft end, inboard	1	S96	C	JB6/236
4460	9F9312	Adaptor, main shaft	1	S96	MR	JB6/237
12311	24F9312	ANGLE, INTERCOSTAL ATTACH- MENT, GROUP	1	-	C	
	R & M	Bearing	2	-	B	JB6/238
2A/8600427	CA.2 6/16	Bolt, shouldered, for gear box	1	S96	C	JB6/239
6672	22F9312	Bolt, shouldered, for gear box	4	S96	C	JB6/240
6673	23F9312	Bolt, special, 2 BA	2	-	C	JB6/241
1433898	12F9312	Bolt, dowel, at bearing cap	2	S96	C	JB6/242
1465	17F8795					

VULCAN No. 1

FUSELAGE
CENTRE PORTION

Page JB. 17

Ref. No.	Part No.	Description	No. off	Mtrl. Spec.	Cl. of	Plate and Illust'n No.
					St. M.R.	
		1 2 3 4				
	1F9201	BOX, GEAR, REDUCTION, GROUP . Spares for:—	1	—	MR	JB5/243
2A/9500419	HOFFMAN T17	Bearing, 1-1/16" dia.	6	—	C	JB5/244
2A/9500422	HOFFMAN T25	Bearing, 1-9/16" dia.	3	—	B	JB5/245
28N/2001893	AGS2030/48	Circlip, 1-3/4" dia.	4	—	C	JB5/246
28N/2001896	AGS2030/89	Circlip, 2-1/4" dia.	2	—	C	JB5/247
	15F9201	Countershaft	1	S99	MR	JB5/248
	14F9201	Driveshaft	1	S99	MR	JB5/249
	7F9201	Joint, paper	1	DTD776	MR	JB5/250
147B	16F9201	Mainshaft	1	S99	MR	JB5/251
	9F9201	Nut, special cap	2	S1	C	JB5/252
	8F9201	Plug, drain and filler	2	S1	MR	JB5/253
	17F9201	Plug, for mainshaft	1	L85	MR	
	G. ANGUS MIS.10	Seal, oil	4	—		JB5/254
	G. ANGUS MIS.18	Seal, oil	2	—	MR	JB5/255
28W/9419502	SP41/J	Washer, lock at filler plug	1	—	C	
28W/9416183	SP43/J	Washer, lock at drain plug	1	—	C	
	10F9201	Washer, joint, at filler and drain plugs	1	Langite	MR	JB5/256
	11F9201	Washer, joint, at oil level plug	1	Langite	MR	JB5/267
	8F9575	BRACKET, ANGLE, GROUP	1	—	MR	
	18F8795	BRACKET, CHAIN GUARD, GROUP	1	—		
1454 4461	7F8795	Cap, bearing, outboard	1	S21	C	JB5/258
	8F9312	Cap, bearing, inboard	1	S96	C	JB5/259
	11F9575	Channel, bearing cap mounting	1	DTD548		
	4F9312	Diaphragm	1	DTD548	MR	
	5F9312	Diaphragm	1	DTD548	MR	
	19F8795	Guard, chain	1	BS688	MR	
28N/9156370 9087	SP21	Nipple, grease	2	—	C	
	16F8795	Packing	1	DTD142A	C	
	3SS4185	Pin, screwed, taper, 3-1/8" long	1	S96	MR	JB5/260
	8SS4185	Pin, screwed, taper, 2-7/8" long	1	S96	MR	JB5/261
	1SS4188	Pin, screwed, taper, 3-3/16" long	1	S96	MR	JB5/262
	1SS4280	Pin, screwed, taper	1	S96	MR	JB5/263
	2SS4280	Pin, screwed, taper	1	S96	MR	JB5/264
1460 4460	20F9312	Shaft, serrated	1	S99	C	JB5/265
9103	8F9575	Shaft, top sprocket	1	T45	C	JB5/266
1462	4F9575	Sleeve	1	DTD130	C	JB5/267
1461	32F8795	Sleeve, bearing	1	S93	C	JB5/268
9162	33F8795	Sleeve, bearing	1	S93	C	JB5/269
	5F9575	Sprocket	1	DTD683	C	JB5/270
	19SS3703	Washer, saddle	1	S1 or S3		
	20SS3703	Washer, saddle	3	S1 or S3		
	23SS3703	Washer, saddle	1	S1 or S3		

FUSELAGE
CENTRE PORTION

Ref. No.	Part No.	Description	No. off	Matl. Spec.	Cl. of	Plate and Illust'n No.
					Sc.	
					M.R.	
	1F9579	SHAFT, SPROCKET, TOP, AT RIB 113,3, . PORT AND STARBOARD, GROUP	1	-		JB5/271
		Spares for:-				
1449	5F8796	Adaptor, outboard	1	S96	C	JB5/272
4456	8F8796	Adaptor, inboard	1	S96	C	JB5/273
	R & M					
2A/9500427	CA.2-5/16"	Bearings	3	-	C	JB5/274
1433806	102F8796	BRACKET, CHAIN GUARD, PORT 1/B, STARBOARD O/B, GROUP	1	-	C	
	103F8796	BRACKET, CHAIN GUARD, PORT O/B, STARBOARD 1/B, GROUP	1	-		
1453	15F8796	CAP, BEARING, INBOARD, GROUP ...	1	-	C	JB5/275
1454	7F8796	Cap, bearing, outboard	1	S21	C	JB5/276
1433803	7F9579	Ferrule, screwed	2	S96	C	JB5/277
	14F8796	Guard, chain	1	B5668	MR	
28N/9156370	SP21	Nipple, grease	2	-	C	
	3SS4280	Pin, screwed, taper, 2-1/4" long	1	S96	MR	JB5/278
	3SS4185	Pin, screwed, taper, 3-1/8" long	2	S96	MR	JB5/279
	4SS4185	Pin, screwed, taper, 2-3/4" long	1	S96	MR	JB5/280
	5SS4185	Pin, screwed, taper, 2" long	1	S96	MR	JB5/281
	1SS4185	Pin, screwed, taper, 3-3/16" long	2	S96	MR	JB5/282
28R/4663557	AGS935/E	Rod, screwed, 3" long	1	Steel	C	JB5/283
	3F9579	Shaft	1	T45	MR	JB5/284
1452	8F8796	Sleeve, bearing, inboard	1	S96	C	JB5/285
1461	33F8796	Sleeve, bearing, outboard	1	S93	C	JB5/286
10291	5F9579	Socket, outboard	1	S96	C	JB5/287
1505062	6F9579	Socket, inboard	1	S96	C	JB5/288
	4F9579	Sprocket, outboard	1	DTD683	MR	JB5/289
	11F8796	Sprocket, inboard	1	DTD683	MR	JB5/290
28W/4674173	AS1905/E16	Washer, saddle	2	-	C	
	20SS3073	Washer, saddle	2	S1 or S3		
	16F8796	Washer, spacer, between bearings	1	S		JB5/291
	1F9580	SHAFT, SPROCKET, TOP AT RIB 162.5, . PORT, GROUP	1	-		JB5/292
	2F9580	SHAFT, SPROCKET, TOP AT RIB 162.5, . STARBOARD, GROUP	1	-	MR	JB5/293
		Spares for:-				
4452	3F9580	Adaptor	1	S96	C	JB5/294
	25F8797	Angle, plate attachment	1	TD364		
	R & M					
2A/9500427	CA. 2-5/16"	Bearing	2	-	C	JB5/295
	8F8797	BRACKET, CHAIN GUARD, PORT, ... GROUP	1	-		
1433897	9F8797	BRACKET, CHAIN GUARD, STAR- ... BOARD, GROUP	1	-	C	

FUSELAGE
CENTRE PORTION

Ref. No.	Part No.	Description	No. off	Matl. Spec.	Cl. of	Place and Illust'n No.
					St. H.R.	
		1 2 3 4				
		BRAKE, AIR, PORT AND STARBOARD (B & 9F9574) (Cont'd)				
	1F9392	SHAFT, SPROCKET, BOTTOM, AT RIB ... 113.3, PORT AND STARBOARD, GROUP Spare for:-	1	-	MR	JB5/317
2A/9500423 4482	R & M CA 13/16" 13F9392	Bearing	4	-	C	JB5/318
		Bolt, special, 2 BA (Made from A25/3C)	4	-	C	JB5/319
1433899	104F8798	BRACKET, CHAIN GUARD, PORT ... 1/8, STARBOARD 0/8, GROUP	1	-	MR/C	
1433900	105F8798	BRACKET, CHAIN GUARD, PORT ... 0/8, STARBOARD 1/8, GROUP	1	-	MR/C	
9221	11F9392	BRACKET, ANGLE, GROUP	2	-	C	
2688	6F9392	Bush	2	S21	C	JB5/320
	7F9392	Circlep (Make from AS2030/89)	4	DTD187		JB5/321
	14F8798	Guard, chain, lower	2	BSS888	MR	JB5/322
4481	10F9392	Guard, chain, upper	2	BSS972	C	JB5/323
2687	3F9392	Housing	2	S21	C	JB5/324
	14F9392	Packing, 18G x 0.7" x 1.6"	1	L72		
	4SS4188	Pin, screwed, taper	4	S98	MR	JB5/325
	8F9392	Ring, spacing, for bearings	2	S21	MR	JB5/326
	5F9392	Sprocket	2	DTD653	MR	JB5/327
9222	18F8798	Stiffener	2	BSS688	C	JB5/328
	9F9392	Tube, distance, at chain guard	4	DTD484A		
2686	2F9392	Tube, torque	1	T45	C	JB5/329
	20F9580	SHAFT, SPROCKET, BOTTOM, AT RIB ... 162.5, PORT, GROUP	1	-	MR	JB5/330
	22F9580	SHAFT, SPROCKET, BOTTOM, AT RIB ... 162.5, STARBOARD, GROUP Spare for:-	1	-	MR	JB5/331
	27F9580	Adaptor, for grease nipple	1	S1		JB5/332
	25F8797	Angle, for mounting plate	1	DTD384		
2A/9500427	R & M CA. 2-5/16"	Bearing	2	-	C	JB5/333
	23F9580	BRACKET, UPPER CHAIN GUARD, ... GROUP	1	-		
	24F9580	BRACKET, UPPER CHAIN GUARD, ... GROUP	1	-		
	26F9580	BRACKET, UPPER CHAIN GUARD, ... GROUP	1	-		
	11F8797	CAP. BEARING, OUTBOARD, ... GROUP	1	-	MR	JB5/334

VULCAN No. 2

FUSELAGE
CENTRE PORTION

Page JB. 21

Ref. No.	Part No.	Description				No. off	Mach. Spec.	Cl. of St.	Plate and Illust'n No.
		1	2	3	4			M.R.	
		SHAFT, SPROCKET, BOTTOM RIB 162.5 (20 & 22F9580) (Cont'd)							
	10F8797	CAP, BEARING, INBOARD, GROUP . . .				1	-	MR	JB5/335
28S/1013581	A65/B4	Spare for:- Screw, grub, 4 BA				1	-	C	
4484	28F9580	Guard, chain, upper				1	BSS972	C	JB5/336
28N/9158370	SP21	Nipple, grease				2	-	C	
1482	15F8796	Packing, 4G x 7/8" x 4" long				1	DTD142A	C	
	15S4188	Pin, screwed, taper, 3-3/16" long				2	S96	MR	JB5/337
	17F8797	Plate, bearing cap mounting, port				1	L72		
	24F8797	Plate, bearing cap mounting, starboard				1	L72		
	18F8797	Shaft				1	T45		JB5/338
	12F8797	Sleeve bearing, inboard				1	S96	MR	JB5/339
1436	13F8797	Sleeve bearing, outboard				1	S96	C	JB5/340
	4F8797	Sprocket				1	OTD683	MR	JB5/341
	20SS3703	Washer, saddle				1	S1 or S3		
1433804	21F8797	Washer, special, outboard bearing cap				2	DTD142A	C	
	29F9580	Washer, spacing, for bearing cap				4	DTD423		
	3F8708	Spigot, top, inboard airbrake				2	L85	MR	JB2/342
	4F8708	Spigot, top, outboard airbrake				2	L85	MR	JB2/343
11555	5F8708	Spigot, bottom, inboard, airbrake				2	L85	C	JB2/344
	8F8708	Spindle, adjuster, for chains				16	S96		JB2/345
		SPRING, COMPRESSION, FOR BOTTOM AIR BRAKE FLAP, AT RIBS 113.5 AND 63.5 (1 & 2F10342)							
		Spare for:-							
	8F10342	Bracket, on flap at rib 113.3				1	DTD410	MR	JB2/348
	9F10342	Bracket, on flap at rib 63.5				1	DTD410	MR	JB2/347
	15F10342	Packing, for bracket (8F10342)				1	L72		
	16F10342	Packing, for bracket (9F10342)				1	L72		
7607	12F10342	SPRING, COMPRESSION AND BRACKET, RIB 113.3, GROUP				1	-	B	JB2/348
7608	13F10342	SPRING, COMPRESSION AND BRACKET, RIB 63.5, GROUP				1	-	B	JB2/349
		Spare for:-							
7612	8F10342	Piston, fork				1	S1	C	JB2/350
7611	5F10342	Slide				1	S1	C	JB2/351
	3F10342	SLIDE, CAM, GROUP				1	-	MR	JB2/352
7613	7F10342	Spring				1	OTD215	C	JB2/353
	14F10342	Tube, distance				1	-		
7610	4F10342	Tube, fork				1	L85	C	JB2/354

FUSELAGE
CENTRE PORTION

Ref. No.	Part No.	Description	No. off	Matl. Spec.	Cl. of	Plate and Illust'n No.
					St.	
		1 2 3 4				
		BRAKES, AIR, PORT AND STARBOARD (8 & 9F9574) (Cont'd.)				
		STRUCTURE, AIRBRAKE, AT RIB 63.5, PORT AND STARBOARD (1 & 2F9592)				
		Spares for:—				
1387	5F8213	BOLT, GREASER, 7/8" BSF x 5.87" LONG, GROUP	2	—	C	JB8/365
1388	6F8213	BOLT, GREASER, 7/8" BSF x 6.24" LONG, GROUP	1	—	C	JB6/358
1389	8F8213	BOLT, GREASER, 7/8" BSF x 4.58" LONG, GROUP	1	—	C	JB6/357
2958	40F8213	BOLT, GREASER, 7/16" BSF x 5.45" LONG, GROUP	4	—	C	JB6/358
1433913	5F8707	Bolt, eccentric, for cams	4	S96	C	
9160	1F9486	BOX, TOP INNER ROLLER, PORT, GROUP	1	—	C	JB2/359
9161	2F9486	BOX, TOP INNER ROLLER, STAR- BOARD, GROUP	1	—	C	JB2/360
	1F9487	BOX, BOTTOM INNER ROLLER, PORT, GROUP	1	—	MR	JB2/361
	2F9487	BOX, BOTTOM INNER ROLLER, STARBOARD, GROUP	1	—	MR	JB2/362
2959	45F8213	Bush, 1-1/8" dia. x 1-1/8" long	1	S21	C	
2961	46F8213	Bush, 1-1/8" dia. x 1-3/8" long	3	S21	C	
	1F9412	CAM, VARIABLE INCIDENCE, FORWARD, PORT AND STAR- BOARD, GROUP	1	—	MR	JB2/363
		Spares for:—				
12591	3F9412	Cam	1	L53	C	
	1F9413	CAM, VARIABLE INCIDENCE, AFT, STARBOARD, GROUP	1	—	MR	JB2/364
	2F9413	CAM, VARIABLE INCIDENCE, AFT, PORT, GROUP	1	—	MR	JB2/365
	9F8709	Cap, end	8	DTD130	MR	
	10F8709	Cap, end	8	DTD130	MR	
	18F8213	Packer, 1.38" dia. x 0.38" thick	1	OTD364		
	42F8213	Packer, 1" dia. x 0.38" thick	1	L65		
	4F8707	Packing, at cam support bracket	3	—		
	3F9592	Packing, taper, cam support bracket	3	DTD130		
	4F9592	Packing, taper, cam support brackets	3	DTD130		

VULCAN 88 2

FUSELAGE
CENTRE PORTION

Page JB. 23

Ref. No.	Part No.	Description	No. off	Matl. Spec	Cl. of St.	Plate and Illust'n No.
					M.R.	
		<u>1 2 3 4</u>				
		STRUCTURE, AIRBRAKE, AT RIB 53.5 (1 & 2F9592) (Cont'd)				
	7F8707	Plate, locking	2	S3	MR	
	8F8707	Plate, locking	2	S3		
	100F8707	Plate, locking, at cam bolts	4	S3		
	1F8786	ROLLER, LARGE, NEEDLE BEARING, PORT AND STARBOARD, GROUP Consisting of:—	1	—	MR	JB6/366
	R & M NA2025	Bearing, needle roller	2	—		
	2F8786	Roller, large	1	DTD683		
	4F8386	Screw, special, 2 BA x 5/16" long	4	—		
	3F8788	Sleeve, distance	1	DTD364		
	1F8790	ROLLER, SMALL, NEEDLE BEARING, PORT AND STARBOARD, GROUP Consisting of:—	3	—	MR	JB3/367
	R & M NA2025	Bearing, needle roller	2	—		
	2F8790	Roller, small	1	DTD683		
	4F8386	Screw, special, 2 BA x 5/16" long	4	—		
	3F8788	Sleeve, distance	1	DTD364		
	1F8894	ROLLER, LARGE, BALL BEARING, PORT AND STARBOARD, GROUP Consisting of:—	1	—	MR	JB6/368
2A/9501298	BRM5/8	Bearing, ball	2	—	B	
	2F8894	Roller, large	1	DTD683		
	3F8788	Sleeve, distance	1	DTD364		
	1F8791	ROLLER, SMALL, BALL BEARING, PORT, AND STARBOARD, GROUP Consisting of:—	3	—		JB6/368
2A/9501298	BRM5/8	Bearing, ball	2	—	B	
	2F8791	Roller, small	1	DTD683		
	3F8788	Sleeve, distance	1	DTD364		
	12F8213	Shim, half laminated, 0.063" thick x	4	Brass	MR	JB6/370
		1.5" x 1.5"				
	13F8213	Shim, fully laminated, 0.033" thick x	4	Brass	MR	JB6/371
		1.5" x 1.5"				
	14F8213	Shim, half laminated, 0.063" thick x	4	Brass	MR	JB6/372
		1.12" x 1.12"				
	15F8213	Shim, fully laminated, 0.033" thick x	4	Brass	MR	JB6/373
		1.12" x 1.12"				
	5F9592	Shim, half laminated, 0.068" thick x	8	Brass		JB2/374
		1.12" x 1.12"				

FUSELAGE
CENTRE PORTION

Ref No.	Part No.	Description	No. off	Mati. Spec.	Cl. of St	Plate and Illust'n No.
					M.R.	
		<u>1 2 3 4</u>				
		STRUCTURE, AIRBRAKE AT RIB 83.5 (1 & 2F9592) (Cont'd)				
	43F8213	Shim, half laminated, 0.053" thick x 1.12" x 1.12"	4	Brass	MR	JB6/375
	44F8213	Shim, fully laminated, 0.033" thick x 1.12" x 1.12"	4	Brass	MR	JB6/376
		STRUCTURE, TOP, UPPER, PORT AND STARBOARD (39 & 40F8799)				
		Spares for:—				
	41F8799	BOX, ROLLER, PORT, GROUP	1	—		JB2/377
	42F8799	BOX, ROLLER, STARBOARD, GROUP	1	—		JB2/378
		Spares for:—				
	7F8214	Channel, bottom, port	1	L72		
	24F8799	Channel, top, port	1	L72		
	8F8214	Channel, bottom, starboard	1	L72		
	25F8799	Channel, top, starboard	1	L72		
	5F8799	Plate, front, port	1	DTD687		
	6F8799	Plate, front, starboard	1	DTD687		
		STRUCTURE, BOTTOM, LOWER PORT AND STARBOARD (1 & 2F8802)				
		Spares for:—				
9190	3F8802	BOX, ROLLER, PORT, GROUP	1	—	B	JB2/379
9191	4F8802	BOX, ROLLER, STARBOARD, GROUP	1	—	B	JB2/379
		Spares for:—				
	9F8802	Channel, bottom, rear, port	1	L72		
	11F8802	Channel, bottom, forward, port	1	L72		
	10F8802	Channel, bottom, rear, starboard	1	L72		
	12F8802	Channel, bottom, forward, starboard	1	L72		
	5F8802	Plate, front, port	1	DTD687		
	6F8802	Plate, front, starboard	1	DTD687		
	10F8213	Washer, special at bolts	4	DTD364		
	3F8707	Washer, at cam support bracket	12	DTD423		
		STRUCTURE, AIRBRAKE AT RIB 113.3, PORT AND STARBOARD (1 & 2F9583)				
		Spares for:—				
	3F8218	BOLT, GREASER, 7/8" BSF x 10.68" LONG, GROUP	2	—	MR	JB7/381
	3F9593	BOLT, GREASER, 7/16" BSF x 7.72" LONG, GROUP	2	—	MR	JB7/382
2963	21F8218	Bolt, special, 7/16" BSF x 10.94" long	2	S96	C	JB7/383

VULCAN 88.2

FUSELAGE
CENTRE PORTION

Page JB. 25

Ref. No.	Part No.	Description	No. off	Mater. Spec.	Cl. of St.	Plate and Illust'n No.
					M.R.	
		<u>1 2 3 4</u>				
		STRUCTURE, AIRBRAKE, RIB 113.3 (1 & 2F9593) (Cont'd)				
143913	4F9593	Bolt, special, 7/16" BSF x 7.09" long	2	S96	MR	JB7/384
	5F8707	Bolt, eccentric, for cams	6	S96	MR/C	
		BOX, TOP INNER ROLLER, PORT AND STARBOARD (1 & 2F9488)				
		Spares for —				
	3F9488	BOX, INBOARD, PORT, GROUP	1	—	MR	JB2/385
	4F9488	BOX, INBOARD, STARBOARD GROUP	1	—	MR	JB2/386
	5F9488	BOX, OUTBOARD, PORT, GROUP	1	—	MR	JB2/387
	6F9488	BOX, OUTBOARD, STARBOARD, GROUP	1	—	MR	JB2/388
		BOX, BOTTOM INNER ROLLER, PORT, AND STARBOARD (1 & 2F9489)				
		Spares for —				
8250	17F9489	BOX, INBOARD, PORT, GROUP	1	—	MR	JB2/389
	18F9489	BOX, INBOARD, STARBOARD, GROUP	1	—	MR/C	JB2/390
	19F9489	BOX, OUTBOARD, PORT, GROUP	1	—	MR	JB2/391
	20F9489	BOX, OUTBOARD, STARBOARD GROUP	1	—	MR	JB2/392
	20F8218	Bush, eccentric, 2.4" dia. x 4"	3	S96		JB7/393
	10F8708	Bush, eccentric, 2" dia. x 4"	3	S96		JB7/394
	22F8218	Bush, between rollers	4	S96		JB7/395
	1F9412	CAM, VARIABLE INCIDENCE, BOTTOM, PORT AND STARBOARD, GROUP	1	—	MR	JB2/396
		Spares for:—				
12581	3F9412	Cam	1	L53	C	JB2/387
	1F9413	CAM, VARIABLE INCIDENCE, TOP, PORT AND STARBOARD, GROUP	2	—	MR	JB2/398
	9F8709	Cap, end	12	DTD130	MR	
	10F8709	Cap, end	12	DTD130	MR	
	3F9582	Packing, tapered, at cam support bracket	6	DTD130		
	4F9582	Packing, tapered, at cam support brackets	6	DTD130		
	100F8707	Plate, locking	6	S3		
	1F8788	ROLLER, LARGE, NEEDLE BEARING, PORT AND STARBOARD, GROUP (For Breakdown—See Page JB.23)	2	—	MR	JB7/399
	1F8790	ROLLER, SMALL, NEEDLE BEARING, PORT AND STARBOARD, GROUP (For Breakdown—See Page JB.23)	4	—	MR	JB7/400

FUSELAGE
CENTRE PORTION

Ref. No.	Part No.	Description	No. off	Mater. Spec.	Cl. of	Plate and Illust'n No.
					Se. M.R.	
		1 2 3 4				
		STRUCTURE, AIRBRAKE, RIB 113.3 (1 & 2F8503) (Cont'd)				
	1F8791	ROLLER, SMALL, BALL BEARING, PORT AND STARBOARD, GROUP (For Breakdown—See Page JB 23)	8	—		JB7/401
	1F8804	ROLLER, LARGE, BALL BEARING, PORT AND STARBOARD, GROUP (For Breakdown—See Page JB 23)	1	—	MR	JB7/402
	23F8218	Screw, for locking plate	8	—		
	12F8213	Shim, half laminated, 0.063" thick x 1.5" x 1.5"	8	Brass	MR	JB7/403
	13F8213	Shim, fully laminated, 1.033" thick x 1.5" x 1.5"	8	Brass	MR	JB7/404
	14F8213	Shim, half laminated, 0.063" thick x 1.12" x 1.12"	8	Brass	MR	JB7/405
	15F8213	Shim, fully laminated, 0.033" thick x 1.12" x 1.12"	8	Brass	MR	JB7/406
	43F8213	Shim, half laminated, 0.063" thick x 1.12" x 1.12"	8	Brass	MR	JB7/407
	44F8213	Shim, fully laminated, 0.033" thick x 1.12" x 1.12"	8	Brass	MR	JB7/408
	5F9502	Shim, half laminated, 0.066" thick x 1.12" x 1.12"	12	Brass		JB2/409
		STRUCTURE, TOP, UPPER, PORT AND STARBOARD (1 & 2F8803) Spares for:—				
	3F8803	STRUCTURE, COMPLETE,	1	—	MR	
	4F8803	INBOARD, PORT, GROUP	1	—	MR	
	5F8803	STRUCTURE, COMPLETE,	1	—	MR	
	6F8803	OUTBOARD, PORT, GROUP	1	—	MR	
		STRUCTURE, COMPLETE, OUT- BOARD, STARBOARD, GROUP	1	—	MR	
		STRUCTURE, BOTTOM LOWER, PORT AND STARBOARD (1 & 2F8806) Spares for:—				
	3F8806	BOX, ROLLER, INBOARD, PORT, ... GROUP	1	—	MR	JB2/410
	4F8806	BOX, ROLLER, INBOARD,	1	—	MR	JB2/411
		STARBOARD, GROUP				
		Spares for:—				
	8F8806	CHANNEL, TOP, PORT, GROUP ..	1	—		JB2/412
	7F8806	CHANNEL, TOP, STARBOARD, ... GROUP	1	—		JB2/413
	10F8213	Washer, special, under head of bolts (3F8218)	4	DTD364		JB7/414
	7F8218	Washer, special, under nuts of bolt (3F8218)	4	DTD364		JB7/415
	3F8707	Washer, special, at cam support brackets	4	DTD423		JB2/416

VULCAN No. 7

FUSELAGE
CENTRE PORTION

Page JB. 27

Ref. No.	Part No.	Description	No off	Matl. Spec.	Cl. of St.		Plate and Illust'n No.
					M.R.		
		1 2 3 4					
		BRAKES, AIR, PORT AND STARBOARD (8 & 9F9574) (Cont'd.)					
		STRUCTURE, AIRBRAKE, ATRIB 162.5, PORT AND STARBOARD (1 & 2F9594)					
		Spares for:—					
1433913	5F8707	Bolt, eccentric, at cam brackets	2	S96	C	JB2/417	
1394	9F8213	BOLT, GREASER, 7/8" BSF x 4.3"	1	—	C	JB8/418	
1393	4F8709	BOLT, GREASER, 7/8" BSF x 8.53"	1	—	C	JB8/419	
2967	41F8213	BOLT, GREASER, 7/16" BSF x 7.96"	1	—	C	JB8/420	
2989	25F8223	Bolt, special, 7/16" x 4.33" long	1	H.T.S.	C	JB8/421	
	1F9490	BOX, TOP, INNER ROLLER, PORT,	1	—	MR	JB2/422	
	2F9490	BOX, TOP, INNER ROLLER, STAR- BOARD, GROUP	11	—	MR	JB2/423	
	1F9491	BOX, BOTTOM, INNER ROLLER,	1	—	MR	JB2/424	
	2F9491	BOX, BOTTOM, INNER ROLLER,	1	—	MR	JB2/425	
	47F8213	Bush, 1-1/8" dia. x 3-1/2" long	1	S21	MR	JB8/426	
	10F8708	Bush, eccentric, 2" dia. x 4" long	1	S96		JB8/427	
	1F9412	CAM, VARIABLE INCIDENCE,	1	—	MR	JB2/428	
		PORT AND STARBOARD, GROUP					
		Spares for:—					
12691	3F9412	Cam	1	L53	C		
	1F9413	CAM, VARIABLE INCIDENCE,	1	—	MR	JB2/429	
		PORT, GROUP					
	2F9413	CAM, VARIABLE, INCIDENCE,	1	—	MR	JB2/430	
		STARBOARD, GROUP					
	9F8709	Cap, end	4	DTD130	MR		
	10F8709	Cap, end	4	DTD130	MR		
	3F9592	Packing, taper	4	DTD130			
	4F9592	Packing, taper	3	DTD130			
	3F8223	Piece, distance, 1.36" dia. x 62"	1	L86			
	26F8223	Piece, distance, 1" dia. x 0.82"	1	L86			
	4F8707	Piece, packing, 10G x 1-1/8" x 3-1/2"	3	L72			
	100F8707	Plate, locking	2	S3			
	8F8707	Plate, locking	1	S3			

FUSELAGE
CENTRE PORTION

Ref. No.	Part No.	Description	No. off	Matl. Spec.	Cl. of	Place and Illust'n No.
					Sc.	
		1 2 3 4			M.R.	
		STRUCTURE, AIRBRAKE, RIB 162.5 (1 & 2F9594) (Cont'd)				
	1F8788	ROLLER, LARGE, NEEDLE BEARING, GROUP (For Breakdown—See Page JB. 23)	1	—	MR	JB8/431
	1F8790	ROLLER, SMALL, NEEDLE BEARING, GROUP (For Breakdown—See Page JB. 23)	1	—	MR	JB8/432
	1F8791	ROLLER, SMALL, BALL BEARING, GROUP (For Breakdown—See Page JB. 23)	2	—	MR	JB8/433
	23F8218	Screw, for locking plate	1	—		
	12F8213	Shim, half laminated, 0.063" thick x 1.5" x 1.5"	2	Brass	MR	JB8/434
	13F8213	Shim, fully laminated, 0.033" thick x 1.5" x 1.5"	2	Brass	MR	JB8/435
	14F8213	Shim, half laminated, 0.063" thick x 1.12" x 1.12"	2	Brass	MR	JB8/436
	15F8213	Shim, fully laminated, 0.033" thick x 1.12" x 1.12"	2	Brass	MR	JB8/437
	43F8213	Shim, half laminated, 0.063" thick x 1.12" x 1.12"	2	Brass	MR	JB8/438
	44F8213	Shim, fully laminated, 0.033" thick x 1.12" x 1.12"	2	Brass	MR	JB8/439
	5F9592	Shim, half laminated, 0.066" thick x 1.12" x 1.12"	4	Brass		JB2/440
		STRUCTURE, TOP, UPPER, PORT AND STARBOARD (1 & 2F8807) Spare for:—				
10236	5F8807	Angle, panel support, port	1	L72	C	JB2/441
	6F8807	Angle, panel support, starboard	1	L72		JB2/442
	3F8807	BACKPLATE, PORT, GROUP	1	—		
	4F8807	BACKPLATE, STARBOARD, GROUP	1	—		
	27F8807	Bolt, special	10	—		
		STRUCTURE, SUPPORT, SPROCKET AND SHAFT, PORT AND STARBOARD (1 & 2F11143) (Mod. 639) Spare for:—				
	SS4113	Screw, P.K.	5	—	MR	
	11F9962	GUARD, CHAIN, PORT, GROUP	1	—		
	12F9962	GUARD, CHAIN, STARBOARD, GROUP	1	—		
	11cF9962	Spare for:— Guard, chain	1	BSS668		

YULCAN No. 2

FUSELAGE
CENTRE PORTION

Page JB. 29

Ref. No.	Part No.	Description	No. off	Matl. Spec.	Cl of	Plate and Illust'n No.
					St.	
		1 2 3 4			M.R.	
		STRUCTURE, AIRBRAKE, RIB 162.5 (1 & 2F9594) (Cont'd)				
28W/100777B	10F8213	Washer, special, under 7/8" bolt heads . . .	2	DTD384		JB8/443
	3F8707 B & C	Washer, special, at cam support brackets . . .	12	DTD423		JB2/444
	1108	Washer, locking, for screw	1	-	C	
		SWITCHES, MICRO, ON RIB 63.6, PORT AND STARBOARD (11 & 14F9453) (Mod. 1340)				
	2F9453	Spares for:- Angle, support, top switch	1	L72		
	3F9453	Angle, support, top switch	1	L72		
	11F9451	BRACKET, MOUNTING MIDDLE	1	-		JB3/445
		SWITCH, PORT AND STARBOARD, GROUP				
		Spares for:-				
1510573	25SS4140	Bolt, csk. at switches	2	-		
	5F9451	BRACKET, GROUP	1	-		
	6F9451	LEVER, ASSEMBLY, L.H., GROUP	1	-		JB3/446
	7F9451	LEVER, ASSEMBLY, R.H., GROUP	1	-		JB3/447
		Consisting of:-				
12775	21F8706	Lever, L.H.	1	DTD130	C	
12776	22F8706	Lever, R.H.	1	DTD130	C	
	413/SS4141	Rivet	2	-		
	23F8706	Roller	2	DTD130	MR	
	24F8706	Tube, distance	2	S1		
28N/1045680	AGS899/2	Collar	1	-	C	
	4F9451	Pin, for levers	1	S1		
	17N794	Spring, for levers	2	-		JB3/448
5CW/1084481	CDN1241Z/Mk.1A	Switch, limit, starboard (Dowty)	2	-	A	JB3/449
	11F9452	BRACKET, MOUNTING, TOP SWITCH, PORT, GROUP	1	-		JB3/450
	17F9452	BRACKET, MOUNTING, TOP SWITCH, STARBOARD, GROUP	1	-		JB3/451
		Spares for:-				
1510573	25SS4140	Bolt, csk. at switches	2	-	C	
5853	4F9452	BRACKET, MOUNTING, GROUP	1	-	C	
28N/1045680	AGS899/2	Collar, for pivot block pin	1	-	C	
	5F9452	LEVER ASSEMBLY, GROUP	1	-	MR	JB3/452
		Spares for:-				
	8F9452	LEVER, GROUP	1	-	MR	
28P/7134167	SP4Y/B16	Pin, 2 BA, for pivot block	1	-	C	
	17N794	Spring, for lever	1	-	C	JB3/453
5CW/1084481	CDN1241Z/Mk. 1A	Switch, limit (Dowty)	2	-	A	JB3/454

FUSELAGE
CENTRE PORTION

Ref. No.	Part No.	Description	No. off	Matl. Spec.	Cl. of	Plate and Illust'n No.
					St. M.R.	
		1 2 3 4				
		SWITCHES, MICRO, ON RIB 83.5 (11 & 14F9463) (Cont'd)				
	11F9588	BRACKET, MOUNTING, BOTTOM . . SWITCH, PORT AND STARBOARD, GROUP	1	-		JB3/456
1510573	25SS4140	Spare for:- Bolt, csk. at switches	2	-	C	
5868	2F9688	BRACKET, MOUNTING, GROUP . .	1	-	C	
28N/1045880	AGS899/2	Collar, for pivot block pin	1	-	C	
	5F9452	LEVER ASSEMBLY, GROUP	1	-	MR	JB3/458
	27F8706	Spare for:- Block, pivot	1	OTD130		
	8F9452	LEVER, GROUP	1	-	MR	
	28F8706	Consisting of Lever, adjustable	1	OTD130		
	41SS4141	Rivet	1	-		
	23F8706	Roller	1	OTD130	MR	
	24F8706	Tube, distance	1	S1		
	29F8706	Nut, knurled	1	OTD130		JB3/457
	30F8706	Nut, special	1	-		JB3/458
28S/1214787	A58/B5	Screw, grub, 4 BA	1	-	C	
28P/7134167	SP4Y/816	Pin, 2 BA, for pivot block	1	-	C	
	17N794	Spring, for lever	1	-		
5CW/1084481	CDN1241Z/ MR. 1A	Switch, limit (Dowty)	2	-	A	JB3/459
	688SS8006	Label, "A.B." (port lower)	1	L50		
	688SS8006	Label, "E.F." (port upper)	1	L50		
	670SS6006	Label, "J.K." (starboard lower)	1	L50		
	300SS8030	Label, "L.M." (starboard upper)	1	L50		
9071	14F9674	TUBE, BRACING, TOP INBOARD, PORT AND STARBOARD, GROUP (Mod. 672)	1	-	C	JB2/460
9072	15F9674	TUBE, BRACING, TOP OUTBOARD, PORT AND STARBOARD, GROUP (Mod. 672)	1	-	C	JB2/461
12296	17F9674	TUBE, BRACING, BOTTOM INBOARD, PORT AND STARBOARD, GROUP (Mod. 672)	1	-	C	JB2/462
9089	3F9674	Turnbuckle	2	S98	C	JB2/463

VULCAN No. 1

FUSELAGE
CENTRE PORTION

Page JB. 30A

Ref. No.	Part No.	Description	No. off	Matl. Spec.	Cl. of	Plate and Illustr'n No.
					St. M.R.	
		1 2 3 4				
		BRAKE, PARKING, INSTALLATION (2Z7704)				
		Spares for:—				
28D/1215215 21888 21700 28W/1045880	AS4589/BC 33Z7704 36Z7704 AGS889/2	Bolt, 2 BA	1	—	C	JB39/1996
		Bracket	2	S610	C	JB39/1997
		Collar, distance	2	S1	C	JB39/1998
		Collar	2	—	C	JB39/1999
	1.O.3520	FAIRLEAD, ROLLER, GROUP	4	—	MR	JB39/2000
		Spares for:—				
	3.O.3520	Bracket	1	DTD721		
	4.O.3520	ROLLER, ASSEMBLY	3	—	MR	JB39/2001
		Spares for:—				
	4a.O.3520	Bush, oilite, CT.418 x .29"	1	—		
	4b.O.3520	Roller	1	Oil Resisting		
		Attachments for:— Fairlead Pt. No.				
		1.O.3520				
28D/9133011 28W/1012015 28W/9419402	A25/2C AGS2001/C1/88 SP13/C	Bolt, 2 BA	3	—	C	JB39/2002
		Nut, 2 BA	3	—	C	
		Washer, 2 BA	3	—	C	
	32Z7704	Housing, spring	1	—		JB39/2003
13138	1Z7760	LEVER, GROUP	1	—	C	JB39/2004
		Spares for:—				
28D/1011246	A25/11E 6Z7760	Bolt, 1/4" BSF	1	—	C	JB39/2006
		Lever	1	—		JB39/2006
28W/1011487	A27/ES 4Z7760 7Z7760 8Z7760	Nut, slotted, 1/4" BSF	1	—	C	
		Plate	1	DTD610		
		Plate, side	1	DTD610		
		Plate, side	1	DTD610		
28P/8627619 28W/9419402	SP90/C7 SP13/C 6Z7760	Pin, split	1	—	C	
		Washer	1	—	C	
		Tube, distance	1	T35		JB39/2007
		Attachments for:— Lever Pt. No. 1Z7760				
28D/9436920 28W/1012015 28W/9419402	A25/1C AGS.2001/C1/88 SP13/C	Bolt, 2 BA	4	—	C	JB39/2008
		Nut, stiff, 2 BA	4	—	C	
		Washer, 2 BA	4	—	C	
	1Z7758	LEVER, GROUP	1	—		JB39/2009
		Spares for:—				
4715	FSB.54 6Z7758	Bush, .75" long	2	—		JB39/2010
		Housing	1	—		JB39/2011
21886	8Z7758	Lever	1	—		JB39/2012
21886	8Z7758	Lever	1	—		JB39/2013
21884	7Z7758	Tube	1	T35		JB39/2014
1433864 28W/9808673	18Z7704 A27/CS	Link	1	DTD384	C	JB39/2015
		Nut, slotted, 2 BA	1	—	C	

FUSELAGE
CENTRE PORTION

Ref. No.	Part No.	Description	No. off	Matl Spec	Cl of St.	Plate and Illust'n No.
					M.R.	
		1 2 3 4				
		BRAKE, PARKING, INSTALLATION (2Z7704) (Cont'd)				
28P/9130722	SP/4/Y/B2	Pin, shackle	2	—	C	JB39/2016
28P/1013002	SP/4/Y/B9	Pin, shackle	1	—	C	JB39/2017
28P/1013110	SP/4/Y/B18	Pin, shackle	1	—	C	JB39/2018
28P/1021104	SP90/C3	Pin, split	2	—	C	
28P/9527619	SP90/C7	Pin, split	2	—	C	
	5Z7704	ROD, CONNECTING, AFT OF FORMER	1	—		JB39/2019
		218" TO AFT OF FORMER 115.5", GROUP				
		Spares for:—				
28M/1007404	A27/JT	Nut, thin, 3/8" BSF	1	—	C	JB39/2020
	25.O.3508	ROD-END, GROUP	1	—	MR	JB39/2021
		Spares for:—				
28R/4665592	R & M CM3/8"B 25a.O.3508	Rod-end	1	—	C	
		Stud	1	S1 or S93		
	44.O.3508	ROD-END, GROUP	1	—	MR	JB39/2022
		Spares for:—				
28R/4665592	R & M CM3/16"B 44a.O.3508	Rod-end	1	—	C	
		Screwed-end	1	—		
	8Z—7704	ROD, CONNECTING, AFT OF FORMER	1	—	MR	JB39/2023
		115.5" TO LEVER AT FORMER 86.5", GROUP				
		Spares for:—				
28M/1007404	45.O.3508	Fork-end	1	—		JB39/2024
	A27/JT	Nut, thin, 3/8" BSF	1	—	C	JB39/2025
	25.O.3508	ROD-END, GROUP	1	—	MR	JB39/2026
		Spares for:—				
28R/4665592	R & M CM3/16"B 75a.O.3508	Rod-end	1	—	C	
		Stud	1	S1 or S93		
	1Z7759	ROD, CONNECTING, SPRING, LEVER	1	—		JB39/2027
		TO LEVER AT FORMER 86.5" GROUP				
		Spares for:—				
28M/1007404	4Z7759	Bolt	1	—		JB39/2028
	3Z7759	Housing	1	—		JB39/2029
28M/1011473	A27/JT	Nut, thin, 3/8" BSF	1	—	C	JB39/2030
	A27/JP	Nut, 3/8" BSF	1	—	C	JB39/2031
	44.O.3508	ROD-END, GROUP	1	—		JB39/2032
		Spares for:—				
28R/4665592	R & M CM3/16"B 44a.O.3508	Rod-end	1	—	C	
		Screwed-end	1	—		

FUSELAGE
CENTRE PORTION

Ref. No.	Part No.	Description	No. off	Mater. Spec.	Cl. of St.	Plate and Illust'n No.
					M.R.	
		1.1.1.4				
		ROD, CONNECTING, SPRING (127759) (Cont'd)				
28R/4865582	R & M CM3/16"8 5Z7759	Rod-end	1	—	C	JB39/2033
		Spring	1	—	MR	JB39/2034
		1727704				
		ROD, CONNECTING, LEVER TO VALVE, ... GROUP	1	—		JB39/2035
		Spares for:—				
28R/4665592	R & M CM3/16"8 17aZ7704	Rod-end	1	—	C	
		Stud	1	S1 or S93		
		Attachments for Connecting Rods Pt. Nos. 5/6/1727704 and 127759				
28D/1214005 28M/5805573 28P/9527819 28W/9419402	AS 2504/7C A27/C5 SP90/C7 SP13/C	Bolt, 2 BA	5	—	C	JB39/2036
		Nut, slotted, 2 BA	5	—	C	
		Pin, split	5	—	C	
		Washer, 2 BA	5	—	C	
8329 21899 28W/9419402	16SS4700 34Z7704 SP13/C	Spring, tension	1	Spring Steel	C	JB39/2037
		Tube, distance	2	T35	C	JB39/2038
		Washer, 2 BA	2	—	C	
		BRAKE, PARKING INSTALLATION (30Z7704) (See—Fuselage—Crew's Nacelle)				

FUSELAGE
CENTRE PORTION

Ref. No.	Part No.	Description	No. off	Mater. Spec.	Cl. of St. M.R.	Place and Illust'n No.

VULCAN No. 2

FUSELAGE
CENTRE PORTION

Page JB. 31

Ref. No.	Part No.	Description	No. off	Matl. Spec.	Cl. of Se. M.R.	Plate and Illust'n No.
		1.2.1.4				
		STRUCTURE, CENTRE PORTION (D10831) (Cont'd)				
	AT.62414	BRACE, CROSS, FRONT, BETWEEN BOMB ARCHES 108.887"A AND 123.015"A, GROUP	2	-		JB16/464
	AT.62415	BRACE, CROSS, REAR, BETWEEN BOMB ARCHES 171.842"A AND 182.967"A, GROUP	2	-		JB16/465
	C/AT62414	Spares for:-				
	A2B/GP	Bolt, eye	1	L85		JB18/488
28M/4096936		Nut	1	-	C	
	1D8818	Bracket, attachment, bomb arches to bottom boom, port	8	DTD683		JB17/467
	2D8818	Bracket, attachment, bomb arches to bottom boom, starboard	8	DTD683		JB17/468
3846	3D8818	Bracket, attachment, bomb arches to bottom boom, port	2	DTD683	C	JB17/469
3846	4D8818	Bracket, attachment, bomb arches to bottom boom, starboard	2	DTD683	C	JB17/470
11044	5D8853	Bracket, stringer termination	1	DTD88C	C	
	6D8853	Bracket, stringer termination	2	DTD88C	MR	
11047	7D8853	Bracket, stringer termination	2	DTD88C	C	
11045	8D8853	Bracket, stringer termination	2	DTD88C	C	
9681	9D8854	Bracket, stringer termination	2	DTD88C	C	
9882	10D8854	Bracket, stringer termination	6	DTD88C	C	
	11D8854	Bracket, stringer termination	6	DTD88C	MR	
	12D8854	Bracket, stringer termination	4	DTD88C	MR	
10348	13D8854	Bracket, stringer termination	4	DTD88C	C	
	14D8854	Bracket, stringer termination	6	DTD88C	MR	
10348	15D8854	Bracket, stringer termination	10	DTD88C	C	
	18D8858	Bracket, stringer termination	6	DTD88C	MR	
	2D12146	Bracket, stringer termination	1	DTD5004	MR	
	3D12146	Bracket, stringer termination	1	DTD5004	MR	
	2D12147	Bracket, stringer termination	10	DTD5004	MR	
	2D12148	Bracket, stringer termination	2	DTD5004	MR	
		BULKHEAD, ENGINE, REAR, PORT AND STARBOARD (E2911) (See Power Installation-Engine Bulkheads)				
		BULKHEAD, ENGINE, FRONT, PORT AND STARBOARD (E2928) (See Power Installation-Engine Bulkheads)				
		BULKHEAD, FIREPROOFING AND FORMER 189.5"F (100D9400)				
		Spares for:-				
5VZ/6354	-	Clip, fixing, for firewires	8	-	C	JB9/471
28FP/13457	4SS3858	Clip, pipe	6	-	C	JB9/472
	57SS3854	Cone, piece, special, 5 way	1	L33		JB9/473
	8SS3889	Elbow, special cone	2	L33		JB9/474
5CZ/7001127	-	Element, firewire, 5' long	2	-	A	JB9/475
5CZ/7001128	-	Element, firewire, 10' long	2	-	A	JB9/476

FUSELAGE
CENTRE PORTION

Ref. No.	Part No.	Description	No. off	Matl. Spec.	Clas. St.		Plate and Illust'n No
					M.R.		
		BULKHEAD, FIREPROOFING AND FORMER 189.5' F (100D9400) (Cont'd)					
5CZ/6658	— 2D9400 14SS3529	Fitting, bulkhead	4	—		B	JB9/477
		Former, pressing	1	L72		MR	
		Grammet	4	—			
10AL/ 8144677	SP40/A4 17D9400	Grammet	4	Rubber		C	
		Packing, for special union	1	L72			
	68D9400	PIPE, TRANSVERSE FEED, 20G x 3/8" o/d x 12-1/2" LONG, GROUP	2	—			JB9/478
	69D9400	PIPE, TRANSVERSE FEED, 20G x 3/8" o/d x 34" LONG, GROUP	2	—			JB9/479
21715	70D9400	PIPE, VERTICAL SPRAY, 20G x 3/8" x 43-1/4" LONG, GROUP	1	—		C	JB9/480
26FP/10114 5CZ/1034036	2F9262 1SS1586	Plate, tank button	30	L72		MR	JB25/481
		Tab, locking	2	Brass		C	
		Tab, locking	2	—		C	
	115SS3657 HIGH PRESS. COMPONENTS	Union, special	2	—			JB9/482
28Y/15486 28W/1010165 5CZ/7001751	A25 Mk. 2 AG5162/B	Valve, charging	1	—		B	JB9/483
		Washer, spring	8	—		C	
		Washer, "S" folding	4	Copper		C	JB9/484
5CZ/1040248	GRAVINER D2003	Washer, torque	4	—		C	JB9/485
		BULKHEAD, 343.387" A (38D9427)	—	—			JB16/486
		Spares for:—					
8226 1432880	39D8844 16D9427 8D10910	Angle, port	1	L72			
		Bearing	4	DTD384		C	
		Bracket	1	L66			
10906	14T4122	BRACKET, MOUNTING, GROUP	2	—		C	
		(3 off—Pre-Mod. 2513)					
23053	28T4288	BRACKET, MOUNTING, GROUP	2	—		C	
		(Mod. 2513)					
	12SS4204	Bush, ring lock, 7/16" dia.	1	—		MR	
	32SS4204	Bush, ring lock, 5/8" dia.	1	—			
	5D9427	Member, cross, top	1	DTD384B			
	6D9427	Member, cross, bottom	1	DTD384B			
	9D10910	Packing, for bracket (8D10910)	1	L72			
8230	7D8844	Stiffener, port	1	L72		MR	
	9D8844	Stiffener, port	1	L72		C	
		CONDUITS UNDER AIR INTAKES, PORT AND STARBOARD (1-2V6368) (Pre-Mod. 360)					
		CONDUITS UNDER AIR INTAKES, PORT AND STARBOARD (1 & 2V8765) (Mod. 360)					
		Spares for:—					
26FP/13092 26FP/13018	5V6360 4SS3264 10SS3264 11V6366 651SS4095	Angle	1	L72		MR	
		Clip	2	—		C	
		Clip, port	5	—		C	
		Clip, half	10	L72			
		Clip, half	1	—			

VULCAN PW 2

FUSELAGE
CENTRE PORTION

Page JB. 33

Ref. No.	Part No.	Description	No. off	Matl. Spec.	Cl. of	Plate and Illust'n No.	
					St. M.R.		
		1 2 3 4					
17241		CONDUITS, UNDER AIR INTAKES 1 & 2V8785 (Mod 380)					
		CONDUITS, UNDER AIR INTAKES 1 & 2V6366 (Pre Mod 380) (Cont'd)					
		852SS4006 Clip, half	3	-			
		17SS1862 Clip, half	4	-			
		23V8785 Clip, half	4	L72			
		3V6366 Conduit, inboard forward, starboard	1	L54		JB9/487	
		35V6366 Conduit, outboard forward	1			JB9/488	
		4V6366 Conduit, bottom forward, port (Pre Mod 380)	1	-			
		3V8785 Conduit, bottom forward, port (Mod 380)	1	-			
		36V6366 Conduit, bottom forward, starboard (Pre Mod 380)	1	-		JB9/489	
		4V8785 Conduit, bottom forward, starboard (Mod 380)	1				
		10V8785 Conduit, inboard forward, port	1	L54		JB9/490	
		11V8785 Conduit, outboard forward, port	1	L54		JB9/491	
		14V8785 Conduit, inboard rear, starboard	1	L56		JB9/492	
		15V8785 Conduit, inboard forward, starboard	1	L54		JB9/493	
		21V8785 Conduit, outboard, centre	1	L54		JB9/494	
		22V8785 Conduit, outboard, rear	1	L72		JB9/495	
		43V6366 Conduit, inboard rear, port	1	L65		JB9/496	
		23SS3529 Grommet	1				
		18V6366 Washer, special, at half clip	26	L72	C		
	26FP/13089		CONDUITS, FORWARD OF RIB INTERCOSTAL, No 20 IN ENGINE BAYS (1 & 2V6586) Spares for:-				
			17cSS4205 Clip	3	-		
			3V6586 Conduit, port and starboard	1	L62 or L65		JB9/497
			9V6586 Fairlead, half starboard	2	BSS868		
			CONDUITS IN POWER COMPARTMENT, PORT AND STARBOARD (1 & 2V9482) Spares for:				
		16SS3264 Clip	2	-			
	28SS3264 Clip	4	-				
	3V9482 Conduit, 22G x 2" o/d x 26"	1	L56		JB9/498		
	4V9482 Conduit, 22G x 1-1/4" o/d x 26"	1	L56		JB9/499		
	5V9482 Conduit, 22G x 2" o/d x 26"	1	L56		JB9/500		
	5D10631 Conduit, rear of front spar over air intake forward (Mod. 380)	2	-		JB9/501		
	6D10631 Conduit, rear of front spar over air intake forward (Mod. 380)	2	-		JB9/502		
	53D9344 Conduit (Pre-Mod 380)	2					

FUSELAGE
CENTRE PORTION

Ref. No.	Part No.	Description	No. off	Matl. Spec.	Cl. of	Plate and Illust'n No.
					St. M.R.	
		1 2 3 4				
		CONDUITS UNDER AIR INTAKES (1 & 2V8366) (Pre-Mod. 380)				
		CONDUITS UNDER AIR INTAKES (1 & 2V8705) (Mod. 380) (Cont'd)				
	172D9344	Conduit (Pre Mod. 380)	2	—		
	280D10831	Conduit in engine bays at intercostal No. 40, . port and starboard	2	L56 or L62		JB9/503
		CRATE, ELECTRICS IN NOSE WHEEL BAY, PORT (1V9443)				
	14V9443	Spares for:— Flange mounting for frequency change . . . (Pre-Mod. 1325)	—	—		
	57V9443	BRACKET, MOUNTING FOR FREQUENCY CHANGER, GROUP (Mod 1325)	—	—	MR	JB9/504
	4V9443	CHASSIS, RECTIFIER BOX, GROUP	1	—		JB9/505
		Spares for:—				
	2V8578	Peg, locating	4	S1	MR	JB9/506
	48V8580	Washer, 12G x 0.75" x 0.75"	2	L72	MR	JB9/507
	STAN TELE RID1012/3	Washer	4	—		JB9/508
	64V9443	CRATE, MOUNTING CONTROL PANEL TYPE 40, GROUP	1	—		JB9/509
		Spares for:—				
4628	4V8578	Catch, retaining	4	DTD3648	C	JB9/510
	MARCONI W14183/ SHT.1/EOS	Device, locking assembly	4	—		JB9/511
10AJ/137	—	Mounting, anti-vibration	4	—	B	JB9/512
	2V8578	Peg, locating	4	S1	MR	JB9/513
	48V8520	Washer	8	L72	MR	JB9/514
		CRUTCHES, BOMB REAR BETWEEN BOMB ARCHES 151.919" A, AND 182.987" A, STARBOARD (ATB1855) PORT (ATB1856)				
		Spares for:—				
1432859	AT 39645	Bolt, special at bomb arch 151.199"	4	H.T.S	C	
	AT 83103	Bracket, attachment at bomb arch 151.919", port	1	DTD883		
	AT 83104	Bracket, attachment at bomb arch 151.919", starboard	1	DTD883		

VULCAN No. 3

FUSELAGE
CENTRE PORTION

Page JB. 35

Ref. No.	Part No.	Description	No. off	Matl. Spec.	Cl. of	Plate and Illust'n No.
					Se. M.R.	
		1 2 3 4				
		CRUTCHES, BOMB REAR, BETWEEN BOMB ARCHES 151.919" A AND 182.987" A, STARBOARD (AT.81855) PORT (AT.81856) (Cont'd)				
	AT.82498	PAD, CRUTCH, PORT, GROUP	1	-		
	AT.82497	PAD, CRUTCH STARBOARD, GROUP ...	1	-		
	AT.38326	TUBE, BRACING, GROUP	1	-		
		CRUTCHES, BOMB FORWARD BETWEEN BOMB ARCHES 96.967" AND 123.015", PORT (AT.81857) STARBOARD (AT.81858)				
		Spares for:-				
	AT.82502	PAD, CRUTCH, PORT, GROUP	1	-		
	AT.82503	PAD, CRUTCH, STARBOARD, GROUP ..	1	-		
	AT.38332	TUBE, BRACING, GROUP	1	-		
	3309490	DOOR ACCESS BETWEEN FORMERS 370A AND 399A, STARBOARD, GROUP (Mod. 481)	1	-	MR	JB27/515
		Spares for:-				
4743	7D9490	CATCH, DOOR, GROUP	2	-	C	JB27/516
		Spares for:-				
	8F8053	Catch	1	DTD721		
	9D9490	Handle	1	DTD721		
4123	18D9490	HOOK, LH AND RH, GROUP	2	-	B	JB27/517
		Consisting of:-				
	11D9490	Hook	1	DTD3648	MR	JB27/518
	9Z7184	Nut, lock	1	S93		
	12F8063	Pin	1	S96		
	17D9490	Plate, link L.H.	1	L72		
	18D9490	Plate, link R.H.	1	L72		
2020	10Z7184	Trunnion, R.H.	1	S93	C	JB27/519
2012	11Z7184	Trunnion, L.H.	1	S93	C	JB27/520
2018	8Z7184	Turnbuckle	1	S96	C	JB27/521
	10D9490	Housing	1	L72	-	JB27/522
	10F8063	Pin	1	S96	MR	JB27/523
	9F8063	Spring	1	-	MR	JB27/524
2024	5Z7184	Spring	1	-	C	JB27/525
	4Z7184	Tube, distance, 1-1/4" long	1	S93		JB27/526
	6D9490	Hinge, undrilled	1	L72		JB27/527
		(Make from AS.1880 x 27-1/2" long)				

FUSELAGE
CENTRE PORTION

Ref. No.	Part No.	Description	No off	Mtrl. Spec.	Cl. of St.	Plate and Illustr'n No.
					M.P.	
		<p style="text-align: center;">1 2 3 4</p> <p>STRUCTURE, CENTRE PORTION (D10631) (Cont'd.)</p> <p>DOORS, BOMB, PORT AND STARBOARD INNER AND OUTER (D8900) (D8901) (See Fuselage Bomb Doors)</p> <p>DOORS, ENGINE ACCESS, PORT AND STARBOARD (1 & 2F10671) Spares for:—</p> <p>CAPPING, BOTTOM BOOM RIB 63.5, PORT AND STARBOARD (75 & 76F10671) Spares for:—</p>				
	41cF7839	Channel, forward, port	1	L72	MR	JB23/528
	42cF7839	Channel, forward, starboard	1	L72	MR	JB23/529
	41dF7839	Channel, intermediate, forward, port	1	L72	MR	JB23/530
	42dF7839	Channel, intermediate, forward,	1	L72	MR	JB23/531
		starboard				
	41eF7839	Channel, centre, port	1	L72	MR	JB23/532
	42eF7839	Channel, centre, starboard	1	L72	MR	JB23/533
	41fF7839	Channel, intermediate, rear, port	1	L72	MR	JB23/534
	42fF7839	Channel, intermediate, rear	1	L72	MR	JB23/535
		starboard				
	41gF7839	Channel, rear, port	1	L72	MR	JB23/536
	42gF7839	Channel, rear, starboard	1	L72	MR	JB23/537
561	1F11808	DOOR, ENGINE ACCESS, INBOARD	1	—	A	JB10/538
		FORWARD, PORT, GROUP (Mod. 906)				
532	1F10673	DOOR, ENGINE ACCESS, INBOARD	1	—	A	
		FORWARD, PORT, GROUP (Pre-Mod. 906)				
562	2F11808	DOOR, ENGINE ACCESS, INBOARD	1	—		JB10/539
		FORWARD, STARBOARD, GROUP (Mod. 906)				
533	2F10673	DOOR, ENGINE ACCESS, INBOARD	1	—	A	
		FORWARD, STARBOARD, GROUP (Pre-Mod. 906)				
		Spares for:—				
	1SS5824	Cap, end for seats (Mod. 2280)	24	—	MR	
	1SS5826	Cap, end for seats (Mod. 2280)	4	—	MR	
	79F8653	Bolt, special	3	S96	MR	JB10/540
	109F7843	Blocks, port and starboard	5	Tufnot		
	83F10672	Bracket, hinge, forward, port	1	S96		JB10/541
	84F10672	Bracket, hinge, forward, starboard	1	S96		JB10/542
	85F10672	Bracket, hinge, intermediate, forward,	1	S96		JB10/543
		port				
	86F10672	Bracket, hinge, intermediate, forward,	1	S96		JB10/544
		starboard				
	87F10672	Bracket, hinge, centre, port	1	S96		JB10/545
	88F10672	Bracket, hinge, centre, starboard	1	S96		JB10/546

VULCAN No. 3

FUSELAGE
CENTRE PORTION

Ref. No.	Part No.	Description	No. off	Matl. Spec.	Cl. of	Place and Illust'n No.
					St. M.R.	
		1 2 3 4				
		DOOR, ENGINE ACCESS, INBOARD FWD., PORT AND STARBOARD (Cont'd)				
	88F10872	Bracket, hinge, intermediate, rear, port . . .	1	S98		JB10/547
	89F10872	Bracket, hinge, intermediate, rear, starboard	1	S98		JB10/548
	91F10872	Bracket, hinge, rear, port	1	S98		JB10/549
	92F10872	Bracket, hinge, rear, starboard	1	S98		JB10/550
	1F11387	DOOR, ACCESS, OIL TANK CONTENTS GAUGE, GROUP	1	-	MR	JB10/551
	AS3170	Spares for:- Door, access	1	-	MR	
	108F8654	Drain, assembly	1	-		B10/552
	3F11538	DUCT, VANE & DE-ICING, PORT, GROUP (Mod. 908)	1	-		JB10/553
	4F11538	DUCT, VANE & DE-ICING, STAR- BOARD, GROUP (Mod. 908)	1	-		JB10/554
	6F11538	Spares for:- Ring, retaining	1	S521	MR	JB10/555
	5F8653	Seal, garter	1	Asbestos	MR	JB10/556
	5F8653	Former, forward, str. 88.42", port	1	L72		
	6F8653	Former, forward, str. 88.42", starboard	1	L72	MR	JB10/557
	7F8653	Former, aft, str. 88.42", port	1	L72		
	8F8653	Former, aft, str. 88.42", starboard	1	L72	MR	JB10/558
	2F9208	HANDLE, AT STATION 68.42", PORT AND STARBOARD, GROUP	1	-	MR	JB10/559
	10F9208	Spares for:- CATCH, GROUP	1	-	C	JB10/560
7392	11F8053	Pin	2	S98	MR	JB10/561
	9F8053	Spring	1	-	MR	JB10/562
26FP/13043	1SS3259	Plate, mod.	1	L59	C	
26FP/13044	1SS3260	Plate, serial	1	L59	C	
	95F8658	Ring, stiffening	1	L59	MR	JB10/563
	20F10872	Seal, "P" rear (Pre-Mod. 2280) (Made	1	OTD5509		
	134F10872	from 1SS4481, Ref. 26DC/7499)	1	-	-	JB10/564
	32F10872	Seal, "P" rear (Mod. 2280) (Made	1	-	-	
	135F10872	from 1SS5825, Ref. 26DC/1510283)	1	DTD5509		
	33F10872	Seal, "P" outboard (Pre-Mod. 2280)	1	-	-	JB10/565
	136F10872	(Made from 1SS4488, Ref. 26DC/7738)	1	-	-	
	33F10872	Seal, "P" outboard (Mod. 2280) (Made	1	OTD5509		
	138F10872	from 1SS5823, Ref. 26DC/1510281)	1	-	-	JB10/566
	33F10872	Seal, "P" inboard (Pre-Mod. 2280) (Made	1	-	-	
	138F10872	from 1SS4488, Ref. 26DC/7738)	1	-	-	JB10/568
	33F10872	Seal, "P" inboard (Mod. 2280) (Made	1	-	-	
	138F10872	from 1SS5823, Ref. 26DC/1510281)	1	-	-	

FUSELAGE
CENTRE PORTION

Ref. No.	Part No.	Description	No. off	Mater. Spec.	Cl. of	Place and Illust'n No.
					St. M.R.	
		1 2 3 4				
		DOOR, ENGINE ACCESS, INBOARD FWD. PORT AND STARBOARD (Cont'd)				
	127F10672	SPIGOT, FORWARD, GROUP	1	-		JB10/567
	128F10672	SPIGOT, CENTRE, GROUP	1	-		JB10/568
	129F10672	SPIGOT, AFT, GROUP	1	-		JB10/569
8766	66F8653	Spring, ring, at bolts	2	-	MR	JB10/570
8767	95F8653	Stringer, port and starboard	6	L72	C	
8768	96F8653	Stringer, port and starboard	6	L72	C	
	97F8653	Stringer, port and starboard	6	L72	C	
	101F8653	Stringer, port	1	L72	C	
	102F8653	Stringer, starboard	1	L72	MR	
		NOTE:-Stringers 95, 96, 97, 101 and 102F8653, Made from 8855S1793 Ref. 28DC/12004				
	13F10672	Strip, seal retaining, rear, port	1	L72		JB10/571
	14F10672	Strip, seal retaining, rear, starboard	1	L72		JB10/572
	21F10672	Strip, seal retaining, inboard	1	L72		JB10/573
	22F10672	Strip, seal retaining, outboard	1	L72		JB10/574
583	1F11807	DOOR, ENGINE ACCESS, OUTBOARD FORWARD, PORT, GROUP (Mod. 906)	1	-	A	JB10/575
530	1F10672	DOOR, ENGINE ACCESS, OUTBOARD FORWARD, PORT, GROUP (Pre-Mod. 906)	1	-	A	
584	2F11807	DOOR, ENGINE ACCESS, OUTBOARD FORWARD, STARBOARD, GROUP (Mod. 906)	1	-	A	JB10/576
531	2F10672	DOOR, ENGINE ACCESS, OUTBOARD FORWARD, STARBOARD, GROUP (Pre-Mod. 906)	-	-	A	
		Spares for:-				
	79F8653	Bolt, special	3	S06	MR	JB10/577
	123F10673	Block, pin, retaining	5P 4S	8S2572	MR	JB10/578
	124F10673	Block, pin, retaining	4P 5S	8S2572	MR	JB10/579
	38F10672	Block, securing	1	S1		
	92F10673	Bracket, hinge	5P 4S	S06		JB10/580
	94F10673	Bracket, hinge	1S	S06		

FUSELAGE
CENTRE PORTION

Ref. No.	Part No.	Description	No. off	Matl. Spec.	Cl. of	Plate and Illustr'n No.
					St. M.R.	
		1 2 3 4				
		DOORS, ENGINE ACCESS, OUTBOARD FORWARD (1 & 2F11807) (Cont'd)				
	136F10673	Dish, starboard	1	L59	MR	JB10/582
	1F11367	DOOR, ACCESS, OIL TANK CONTENTS GAUGE, GROUP	1	-	MR	JB10/583
	AS3170	Spares for:- Door, access	1	-	MR	
	106F8654	Drain, assy.	1	-		JB10/584
	1F11538	DUCT, VANE 7 DE-ICING, PORT,	1	-		JB10/585
	2F11538	DUCT, VANE 7 DE-ICING, STARBOARD GROUP	1	-		JB10/586
	5F11538	Spares for:- Ring, retaining	1	S521	MR	JB10/587
	5F11538	Seal, garter	1	Asbestos	MR	JB10/588
	54F10673	FAIRING, STARBOARD, GROUP.	1	-		JB10/589
6443	3F9206	HANDLE, AT STATION 68.42", PORT AND STARBOARD, GROUP	1	-	B	JB10/590
7302	10F9206	Spares for:- CATCH, GROUP	1	-	C	
	11F8053	Pin	2	S96	MR	
	9F8053	Spring	1	-	MR	
26FP/13043	1SS3259	Plate, Mod.	1	L59	C	
26FP/13044	1SS3280	Plate, serial	1	L59	C	
	96F8656	Ring, stiffener	1	L59	MR	JB10/591
	14F10673	Seal, "P", rear (Made from 1SS4815, Ref. 26DC/7499) (Pre-Mod. 2280)	1	DTD5509		JB10/592
	137F10673	Seal, "P", rear (Mod. 2280) (Made from 1SS5825, Ref. 26DC/1510283)	1	-		
	51F10673	Seal, "P", outboard (Pre-Mod. 2280) (Made from 1SS4488, Ref. 26DC/7738)	1	DTD5509		JB10/593
	138F10673	Seal, "P", outboard (Mod. 2280) (Made from 1SS5823, Ref. 26DC/1510281)	1	-		
	52F10673	Seal, "P", inboard (Pre-Mod. 2280) (Made from 1SS4488, Ref. 26DC/7738)	1	DTD5509		JB10/594
	139F10673	Seal, "P", inboard (Mod. 2280) (Made from 1SS5823, Ref. 26DC/1510281)	1	-		
	129F10673	SPIGOT, AFT, GROUP	1	-		JB10/595
	134F10673	SPIGOT, FORWARD, GROUP	1	-		JB10/596
	135F10673	SPIGOT, CENTRE, GROUP	1	-		JB10/597
	58F8653	Spring, ring, for bolts	3	-	MR	JB10/598
11219	15F10673	Strip, seal retaining, rear, port	1	L72	C	JB10/599
	16F10673	Strip, seal retaining, rear, starboard	1	L72		JB10/600
	44F10673	Strip, seal retaining, inboard	1	L72		JB10/601
	45F10673	Strip, seal retaining, outboard	1	L72		JB10/602

VULCAN No. 7

FUSELAGE
CENTRE PORTION

Page JB. 39

Ref. No.	Part No.	Description	No. off	Mater. Spec.	Cl. of St.	Plate and Illustr'n No.
					M.R.	
		1 2 3 4				
		DOORS, ENGINE ACCESS, PORT AND STARBOARD (1 & 2F10871) (Cont'd.)				
675	178F10874	DOOR, ENGINE ACCESS, INBOARD CENTRE, PORT, GROUP (Mod. 1320)	1	—	A	JB11/603
575	179F10874	DOOR, ENGINE ACCESS, INBOARD CENTRE, STARBOARD, GROUP (Mod 1320)	1	—	A	JB11/604
		Spares for:—				
8641	79F8653	Bolt, special	3	S96	MR	JB12/605
	12F8367	Bolt, eye	1	S96	C	JB12/606
	9F10910	Block, at handle	2	BSS2572		JB12/607
	108F7843	Block, interference, hinge pin	6	Tufnol		JB11/608
8642	14F9367	Bracket, eyebolt	1	L65	C	JB12/609
	119F10874	Bracket, hinge, forward and aft, port	2	S96		JB11/610
	120F10874	Bracket, hinge, forward and aft, starboard	2	S96		JB11/611
	121F10874	Bracket, hinge, intermediate forward and intermediate aft, port	2	S96		JB11/612
	122F10874	Bracket, hinge, intermediate forward and intermediate aft, starboard	2	S96		JB11/613
	123F10874	Bracket, hinge, centre, port	1	S96		JB11/614
	124F10874	Bracket, hinge, centre, starboard	1	S96		JB11/615
	10F9420	Bracket, ground strut stowage	1	DTD384B	MR	JB12/616
	21F10874	Channel, outboard edge, port	1	L72	MR	JB11/617
	22F10874	Channel, outboard edge, starboard	1	L72		JB11/618
	1SS5824	Cap, end, for seals (Mod 2280)	32	—	MR	
		DOORS, FIRE ACCESS, PORT AND STARBOARD (1F10954)				
		Spares for:—				
	2F10954	DOOR, HALF, ACCESS, GROUP	1	—	MR	JB12/619
	3F10954	DOOR, HALF, ACCESS, GROUP	1	—	MR	JB12/620
		Spares for:—				
	6F10954	HINGE, GROUP	1	—		JB12/621
		Spares for:—				
1510775	14hE1181	Spring	1	—	C	
	1F10889	DUCT, COMBINED COOLING INTAKE AND OUTLET, PORT, GROUP	1	—	MR	JB11/622
	2F10889	DUCT, COMBINED COOLING INTAKE AND OUTLET, STARBOARD, GROUP	1	—	MR	JB11/623
	3F10900	DUCT, COOLING, ZONE 2B AND 3, PORT, GROUP	1	—		JB11/624
	4F10900	DUCT, COOLING, ZONE 2B AND 3, STARBOARD, GROUP	1	—		JB11/625
	64F10874	DUCT, COOLING, ZONE 2A, STARBOARD, GROUP	1	—	MR	JB12/626
	127F10875	DUCT, COOLING, ZONE 2A, PORT, GROUP	1	—		JB12/627

FUSELAGE
CENTRE PORTION

Ref. No.	Part No.	Description	No. off	Matl. Spec.	Cl. of	Plate and Illust'n No.
					SL	
		1 2 3 4				
		DOOR, ENGINE ACCESS, INBOARD CENTRE (178 & 179F10674) (Cont'd.)				
	171F10675	DUCT, ALTERNATOR COOLING OUTLET, PORT, GROUP	1	—		JB12/628
	172F10675	DUCT, ALTERNATOR COOLING OUTLET, STARBOARD, GROUP	1	—		JB12/629
	45F10675	Spares for:— Ring, seal retaining, port	1	S521		JB12/630
	46F10675	Ring, seal retaining, starboard	1	S521		JB12/631
	158F10675	Seal	1	Asbestos	MR	JB12/632
	167F10675	DUCT, OIL COOLER AND LABY- RINTH BREATHER OUTLET, PORT, GROUP	1	—		JB12/633
	188F10675	DUCT, OIL COOLER AND LABY- RINTH BREATHER OUTLET, STARBOARD, GROUP	1	—		JB12/634
	61F10675	Spares for:— Ring, seal retaining		S521		JB12/635
	158F10675	Seal		Asbestos	MR	JB12/636
		DUCT, EXHAUST AND STARTER DRAIN, PORT AND STARBOARD (173 & 174F10674)	1			
	171F10674	Spares for:— DUCT, OUTLET, PORT, GROUP	1	—	MR	JB12/637
	172F10674	DUCT, OUTLET, STARBOARD, GROUP	1	—	MR	JB12/638
	189F10674	DRAIN, PORT, GROUP	1	—	MR	JB11/639
	170F10674	DRAIN, STARBOARD, GROUP	1	—	MR	JB11/640
5K/1058188	SP40/A14	Grommet	1	Rubber	C	
	305F10675	Ring, seal retaining	1	S521	MR	JB12/641
	307F10675	Seal	1	—	MR	JB12/642
	3F12897	Funnel, injector (Mod. 2246)	1	L72	MR	
	1F10910	HANDLE, FORWARD, PORT AND STARBOARD, GROUP	1	—	MR	JB12/643
	3F10910	HANDLE, AFT, PORT, GROUP	1	—		JB12/644
	7F10910	HANDLE, AFT, STARBOARD, GROUP	1	—	MR	
		Spares for:—				
7392	10F9206	CATCH, GROUP	1	—	C	JB12/645
	11F8053	Pin	1	S96	MR	JB12/646
	9F8053	Spring	1	—	MR	JB12/647
12156	10F10910	Stop	1	—	C	JB12/648
	107F10674	Member, aft edge, port	1	L72	MR	JB11/649
	108F10674	Member, aft edge, starboard	1	L72		JB11/650
	111F10675	Plate, locating (Mod. 729)	2	DTD124A		JB11/651

VULCAN No. 2

FUSELAGE
CENTRE PORTION

Page JB. 41

Ref. No.	Part No.	Description	No. off	Matl. Spec.	Cl. of St.	Plate and Illustr'n No.	
					M.F.		
		1 2 3 4					
		DOOR, ENGINE ACCESS, INBOARD CENTRE (178 & 179F10674) (Cont'd)					
26FP/14846	AS2917	Plate, mod.	1	—	MR C		
	AS2916	Plate, serial	1	—			
	45F10674	Seal, "P", inboard (Pre-Mod. 2280) (Make from 1SS4488, Ref. 26DC/7738)	1	DTD5509			
	221F10674	Seal, "P", inboard (Mod. 2280) (Make from 1SS5823, Ref. 26DC/1510281)	1	—		JB11/652	
	44F10674	Seal, "P", outboard (Pre-Mod. 2280) (Make from 1SS4488, Ref. 26DC/7738)	1	DTD5509			
	220F10674	Seal, "P", outboard (Mod. 2280) (Make from 1SS5823, Ref. 26DC/1510281)	1	—		JB11/653	
	222F10674	Seal, "P", (Mod. 2280) (Make from 1SS5823, Ref. 26DC/1510281)	1	—			
	223F10674	Seal, "P", (Mod. 2280) (Make from 1SS5823, Ref. 26DC/1510281)	1	—			
	65F10674	Seal, fire access door	1	—	MR	JB12/654	
			SEALING, AFT BULKHEAD, PORT AND STARBOARD (1 & 2F10922)				
			Spares for:—				
		7F10922	Seal, port, 5" long	1	DTD5509		
		9F10922	Seal, port, 4-3/4" long	1	DTD5509		
	15F10922	Seal, starboard, 4-1/4" long	1	DTD5509			
	19F10922	Seal, starboard, 6" long	1	DTD5509			
		(Note:—Seals made from 1SS4488, Ref. 26DC/7738)					
	13F10674	Skin, inner, forward, port	1	AVR50		JB11/655	
	14F10674	Skin, inner, forward, starboard	1	AVR50	MR	JB11/656	
	157F10674	Spigot, forward, port	1	—		JB11/657	
	158F10674	Spigot, forward, starboard	1	—		JB11/658	
	159F10674	Spigot, centre, port	1	—		JB11/659	
	160F10674	Spigot, centre, starboard	1	—		JB11/660	
	161F10674	Spigot, aft, port	1	—		JB11/661	
	162F10674	Spigot, aft, starboard	1	—		JB11/662	
	66F8653	Spring, ring, for bolts	3	—	MR	JB12/663	
	26F10674	Strip, seal, retaining, outboard	1	L72			
	27F10674	Strip, seal, retaining, inboard	1	L72			
		STRUT, GROUND SERVICING, PORT AND STARBOARD (1 & 2F10901)					
		Spares for:—					
	11F9420	Bolt, eye	2	L85	MR	JB12/664	
	10F9420	Bracket	1	DTD3648	MR	JB12/665	
8637	9F10901	STRUT, PORT, GROUP	1	—	B	JB11/666	
8638	10F10901	STRUT, STARBOARD, GROUP	1	—	B	JB11/667	
		Spares for:—					
	13F10901	CHAIN, 1/4" PIN, GROUP	1	—			
	14F10901	CHAIN, 5/16" PIN, GROUP	1	—			
		Spares for:—					
26FP/1343707	A405	Pin, pip, 1/4" dia.	1	—	C		
26FP/9488857	A506	Pin, pip, 5/16" dia.	1	—	C		

FUSELAGE
CENTRE PORTION

Ref. No.	Part No.	Description	No. off	Matl. Spec.	Cl. of	Plate and Illust'n No.
					St. M.R.	
		1 2 3 4				
DOORS, ENGINE ACCESS, PORT AND STARBOARD (1 AND 2F10871) (Cont'd)						
573	314F 10875	DOOR, ENGINE ACCESS, OUTBOARD CENTRE, PORT, GROUP (Mod. 1320)	1	--	A	JB11/668
574	315F 10875	DOOR, ENGINE ACCESS, OUTBOARD CENTRE, STARBOARD, GROUP (Mod. 1320)	1	--	A	JB11/669
		Spares for:--				
	9F 10810	Block, at handle	2	BSS2672		
	123F 10673	Block, pin retaining	4P	BSS2672	MR	JB11/670
	124F 10673	Block, pin retaining	5S			
			5P	BSS2672	MR	JB11/671
			4S			
	279F 10675	Block, pin retaining, port	1	BSS2672		JB11/672
	280F 10675	Block, pin retaining, starboard	1	BSS2672		JB11/673
2262	78FB653	Bolt, special	3	S96	C	JB12/674
8641	12FB367	Bolt, eye	1	S96	C	JB12/675
8642	14FB367	Bracket, eyebolt	1	L85	C	JB12/676
	250F 10675	Bracket, hinge, port	5	S96		JB11/677
	251F 10675	Bracket, hinge, starboard	5	S96		JB11/678
	10FB420	Bracket, strut stowage	1	DTD3648	MR	JB12/679
	155B824	Cap, end, for seals (Mod. 2280)	30	--	MR	
	185F 10675	Dishing, starboard	1	--		
DOORS, FIRE ACCESS, PORT AND STARBOARD (1F10854) (For Spares--See Page JB.39)						
	3F 10899	DUCT, COMBINED COOLING INTAKE AND OUTLET, PORT, GROUP	1	--	MR	JB11/680
	4F 10899	DUCT, COMBINED COOLING INTAKE AND OUTLET, STARBOARD, GROUP	1	--	MR	JB11/681
	1F 10900	DUCT, COOLING, ZONE 2B AND 3, PORT, GROUP	1	--		JB11/682
1510355	2F 10900	DUCT, COOLING, ZONE 2B AND 3, STARBOARD, GROUP	1	--		JB11/683
	127F 10675	DUCT, COOLING, ZONE 2A, PORT, GROUP	1	--		JB12/684
	128F 10675	DUCT, FLANGE, ZONE 2A, STARBOARD, GROUP	1	--		JB12/685
	169F 10675	DUCT, ALTERNATOR COOLING OUTLET, PORT, GROUP	1	--		JB12/686
	170F 10675	DUCT, ALTERNATOR COOLING OUTLET, STARBOARD, GROUP	1	--		JB12/687
		Spares for:--				
	43F 10675	Ring, seal retaining, port	1	S521		JB12/688
	44F 10675	Ring, seal retaining, starboard	1	S521		JB12/689
	158F 10675	Seal	1	Asbestos	MR	JB12/690

VULCAN No. 2

FUSELAGE
CENTRE PORTION

Page JB.43

Ref. No.	Part No.	Description	No. off	Matl. Spec.	Cl. of	Plate and Illust'n No.
					St. M.R.	
		1 2 3 4				
		DOOR, ENGINE ACCESS, OUTBOARD CENTRE (314 & 315F10675) (Corr'd)				
	166F10675	DUCT, OIL COOLER AND LABY- RINTH BREATHER OUTLET, PORT, GROUP	1	-		JB12/691
	166F10675	DUCT, OIL COOLER AND LABY- RINTH BREATHER OUTLET, STARBOARD, GROUP	1	-		JB12/692
	81F10675	Spares for:- Ring, seal retaining	1	S521		JB12/693
	159F10675	Seal	1	Asbestos	MR	JB12/694
		DUCT, EXHAUST AND STARTER DRAIN, PORT AND STARBOARD (308 & 310F10675)				
		Spares for:-				
	311F10675	DUCT, OUTLET, PORT, GROUP	1	-	MR	JB12/695
	312F10675	DUCT, OUTLET, STARBOARD, GROUP	1	-	MR	JB12/696
	306F10675	DRAIN, PORT, GROUP	1	-	MR	JB11/697
	306F10675	DRAIN, STARBOARD, GROUP	1	-	MR	JB11/698
5K/1058188	SP40/A14	Grommet	1	Rubber	C	
	305F10675	Ring, seal retaining	1	S521	MR	JB12/699
	307F10675	Seal	1	Asbestos	MR	JB12/700
	3F12897	Funnel, injector (Mod 2248)	1	L72	C	
	2F10810	HANDLE, FORWARD, PORT, GROUP	1	-		JB12/701
	8F10810	HANDLE, FORWARD, STARBOARD, GROUP	1	-		JB12/702
	4F10810	HANDLE, AFT, PORT, GROUP	1	-		JB12/703
	8F10810	HANDLE, AFT, STARBOARD GROUP	1	-		JB12/704
		Spares for:-				
7382	10F9208	CATCH, GROUP	1	-	C	JB12/705
	11F8053	Pin	1	S96	MR	JB12/706
	9F8053	Spring	1	-	MR	JB12/707
12156	10F10810	Stop	1	-	C	JB12/708
	111F10676	Plate, locating (Mod. 729)	2	S514		
	AS2917	Plate, mod.	1	-	MR	
26FP/14845	AS2918	Plate, serial	1	-	C	
	2SS4775	Screw, for locating plates	8	-		JB11/709
	3SS4775	Screw, for spigots	12	-	MR	JB12/710
	85F10674	Seal, at fire access doors	1	DTD378A	MR	JB12/711
	85F10675	Seal, at labyrinth breather duct and inner skin joint	1	Bestobell	MR	JB12/712
	197F8657	Seal, "P", inboard (Mod. 488) (Made from 1SS4488, Ref. 280C/7738)	1	DTD5609		JB11/713
	317F10675	Seal, "P", inboard (Mod. 2280) (Make from 1SS5823, Ref. No. 280C/1510281)	1	-		

FUSELAGE
CENTRE PORTION

Ref. No.	Part No.	Description	No. off	Matl. Spec.	Cl. of	Plate and Illust'n No.
					St. M.R.	
		DOOR, ENGINE ACCESS, OUTBOARD CENTRE (314 & 315F10675) (Cont'd)				
	188F 8857	Seal, "P", outboard (Pre-Mod. 2280) (Made from 1SS4488, Ref. 26DC/7738)	1	DTD5609		JB11/714
	318F 10675	Seal, "P", outboard (Mod. 2280) (Make from 1SS5823, Ref. No. 26DC/1510281)	1	-		
	146F 10675	Seal, "P" (Pre-Mod. 2280) (Make from 1SS4488, Ref. No. 26DC/7738)	1	-		
	316F 10675	Seal, "P" (Mod. 2280) (Make from 1SS5823, Ref. No. 26DC/1510281)	1	-		
		SEALING, AFT BULKHEAD, PORT AND STARBOARD (3 & 4F10922)				
		Spares for:-				
	27F10922	Seal, port, 3-1/4" long	1	DTD5609		
	28F10922	Seal, port, 4" long	1	DTD5609		
	7F10922	Seal, starboard, 5" long	1	DTD5609		
	38F10922	Seal, starboard, 4.3" long	1	DTD5609		
	48F10922	Seal, block	1	-		
	47F10922	Seal, block (Note - Seals made from 1SS4488, Ref. 26DC/7738)	1	-	C	
	289F10675	Spigot, forward, port	1	-		JB11/715
	290F10675	Spigot, forward, starboard	1	-		JB11/716
	291F10675	Spigot, centre, port	1	-		JB11/717
	292F10675	Spigot, centre, starboard	1	-		JB11/718
	293F10675	Spigot, aft, port	1	-		JB11/719
	294F10675	Spigot, aft, starboard	1	-		JB11/720
	89F 8853	Spring, ring, for bolts	3	-	MR	JB12/721
	26F10675	Strip, seal retaining, inboard	1	L72		
	27F10675	Strip, seal retaining, outboard	1	L72		
		STRUT, GROUND SERVICING, PORT AND STARBOARD (3 & 4F10901)				
		Spares for:-				
	11F9420	Bolt, eye	2	L86	MR	JB12/722
	10F9420	Bracket	1	DTD3643	MR	JB12/723
	11F10901	STRUT, PORT, GROUP	1	-	B	JB11/724
	12F10901	STRUT, STARBOARD, GROUP	1	-	B	JB11/725
		Spares for:-				
	13F10901	CHAIN, 1/4" PIN, GROUP	1	-		
	14F10901	CHAIN, 5/16" PIN, GROUP	1	-		
		Spares for:-				
	A405	Pin, pip, 1/4" dia.	1	-	C	
	A506	Pin, pip, 5/16" dia.	1	-	C	
	577	DOOR, ENGINE ACCESS, INBOARD REAR, PORT, GROUP (Mod. 1821)	1	-	A	JB13/726
	578	DOOR, ENGINE ACCESS, INBOARD REAR, STARBOARD, GROUP (Mod. 1821)	1	-	A	JB13/727
		Spares for:-				
	8F10810	Block, at handle	1	BSS2672		
	108F7843	Block, interference, hinge pin	5	Tufnol		JB13/728
	28D/1213276	Bolt, mush. head	2	-	C	

VULCAN No. 2

FUSELAGE
CENTRE PORTION

Page JB. 45

Ref. No.	Part No.	Description	No off	Matl. Spec.	Cl. of	Plate and Illustr'n No.
					St. M.R.	
		<u>1 2 3 4</u>				
		DOORS, ENGINE ACCESS, INBOARD REAR (117 & 118F10676) (Cont'd)				
	79F8653	Belt, special	3	S96	MR	JB14/729
	51F10676	Bracket, hinge, forward and rear, port	1	S96		JB13/730
	52F10676	Bracket, hinge, forward and rear,	1	S96		JB13/731
		starboard				
	53F10676	Bracket, hinge, intermediate forward,	1	S96		JB13/732
		port				
	54F10676	Bracket, hinge, intermediate forward,	1	S96		JB13/733
		starboard				
	55F10676	Bracket, hinge, centre and intermediate ..	1	S96		JB13/734
		rear, port				
	56F10676	Bracket, hinge, centre and intermediate ..	1	S96		JB13/735
		rear, starboard				
	1SS5824	Cap, end, for seals (Mod. 2280)	28	—	MR	
	SP91/C	Clip, hose, aft joint	2	—	C	
	SP91/F	Clip, hose, forward joint	2	—	C	
28E/9712163 28E/20104	38F/10677	CLIP, HALF, FORWARD, GROUP	1	—		JB14/736
	39F/10677	CLIP, HALF, AFT, GROUP	1	—		JB14/737
	40F/10677	CLIP, HALF, FORWARD AND AFT,	2	—		JB14/738
		GROUP				
		COOLING, INSTALLATION, FOR ON/OFF VALVE, PORT AND STARBOARD (3 & 4F11976)				
		Spares for:—				
	16F11976	Member, attachment, port	1	—	MR	JB13/739
	17F11976	Member, attachment, starboard	1	—	MR	JB13/740
	6F11976	Scoop, port (Pre-Mod. 1995)	1	L59	MR	JB13/741
	19F11976	Scoop, port (Mod. 1995)	1	DTD614		
	7F11976	Scoop, starboard (Pre-Mod. 1995)	1	L59	MR	JB13/742
	20F11976	Scoop, starboard (Mod. 1995)	1	DTD614	C	
1510699	13F11976	Tube, assembly, port	1	—	MR	JB13/743
	14F11976	Tube, assembly, starboard	1	—	MR	JB13/744
	38F10677	Cover, at aft pipe joint	1	S521		JB14/745
	122F10677	Cover, at forward pipe joint	1	DTD712		JB14/746
		[Note:—Cover 122F10677 is used with Hose BAS/16/2/E/B/2-1/2]				
		DOORS FIRE ACCESS, PORT AND STARBOARD (1F10954)				
		(For Spares—See Page JB.39)				
	17F10233	Extractor, at drain outlet	1	—		JB14/48
8791	8F9206	HANDLE, REAR, PORT, GROUP	1	—	B	JB14/749
1510344	15F9206	HANDLE, REAR, STARBOARD,	1	—		JB14/750
		GROUP				
		Spares for:—				
7392	10F9206	CATCH, GROUP	1	—	C	JB14/751
	11F8053	Pin	1	S96	MR	JB14/752
	9F8053	Spring	1	—	MR	JB14/753

FUSELAGE
CENTRE PORTION

Ref No.	Part No.	Description	No. off	Mater. Spec.	Cl. of St.	Plate and Illust'n No.
					M.R.	
		<u>1 2 3 4</u>				
		DOORS, ENGINE ACCESS, INBOARD REAR (117 & 118F10676) (Cont'd)				
	34F10677 or BAS/18/2/E/1/2 1/2 141F8654 or BAS/18/2/E/1/2 1/2 AEROTIGHT 23180	Hose, forward pipe joint	1	—		JB14/764
		Hose, aft pipe joint	1	—		JB14/766
		Nut, clinch, at forward drain	2	—		
	36F10677	PIPE, AFT DRAIN, GROUP	1	—		JB14/768
	37F10677	Pipe, drain, 1/2" o/d x 22G x 50' long approx.	1	T58		JB13/767
	111F10676	Plate, locating (Mod. 729)	2	DTD124A		
	AS2917	Plate, mod.	1	—	MR	
	AS2916	Plate, serial	1	—	C	
	25S4775	Screw, for locating plates	8	—		
	3SS4775	Screw, for spigots	12	—		
26FP/14845	66F10674	Seal, at fire at access doors	1	DTD378A	MR	JB14/768
	219F8665	Seal, outboard (Pre-Mod. 2280) (Made from 1SS4488, Ref. 26DC/7738)	1	DTD5509		
	123F10676	Seal, outboard (Mod. 2280) (Made from .. 1SS5823, Ref. 26DC/1510281)	1	—		JB13/769
	220F8665	Seal, inboard (Pre Mod. 2280) (Made from 1SS4488, Ref. 26DC/7738)	1	DTD5509		
	122F10676	Seal, inboard (Mod. 2280) (Made from 1SS5823, Ref. 26DC/1510281)	1	—		JB13/780
	218F8665	Seal, forward (Pre-Mod. 2280) (Made from 1SS4488, Ref. 26DC/7738)	1	DTD5509		
	121F10676	Seal, forward (Mod. 2280) (Made from 1SS5823, Ref. 26DC/1510281)	1	—		JB13/761
	113F10676	Spigot, forward assembly	1	—		JB13/762
	114F10676	Spigot, centre assembly	1	—		JB13/763
1510461	115F10676	Spigot, aft assembly	1	—	C	JB13/764
	66F8663	Spring, ring, for bolts	3	—	MR	JB14/765
	165F8654	Strip, bonding, for hose joints	2	—		
	190F8655	Strip, seal retaining, port forward	1	L72		JB13/766
	191F8655	Strip, seal retaining, starboard, forward	1	L72		JB13/767
	192F8655	Strip, seal retaining, inboard	1	L72		JB13/768
	193F8655	Strip, seal retaining, outboard	1	L72		JB13/769
7637	1F10750	TANK, FUEL DRAIN, FORWARD, GROUP	1	—	A	JB14/770
	6F10750	Spares for:— BANJO, GROUP	1	—		JB14/771
	2F10750 AEROTIGHT 23160	LID, GROUP	1	—	MR	JB14/772
	AS2923/1/28	Nut, clinch	24	—		
28D/1213275	14F9254	Screw	24	—	C	
		Seal, for lid	1	SB100	MR	JB14/773

VULCAN No. 2

FUSELAGE
CENTRE PORTION

Page JB.47

Ref. No.	Part No.	Description	No. off	Mater. Spec.	CL of	Place and Must'n No.
					St. M.R.	
		1 2 3 4				
		TANK, FUEL DRAIN, FORWARD (1F10750) (Cont'd)				
2036	8F8854	VALVE, GROUP	2	-	B	JB14/774
		Consisting of:-				
	8aF8854	Body	1	S1		
28M/1278188	AGS2001/B1	Nut	1	-	C	
2039	8F8854	PLUNGER, GROUP	1	-	C	JB14/775
2038	8dF8854	Seal, lower	1	E45 or E75	C	JB14/776
12385	8gF8854	Seal, upper	1	E45 or E75	C	JB14/777
2040	8bF8854	Spring	1	-	C	JB14/778
	8fF8854	Washer	1	S1		JB14/779
28W/9419401	SP10/B	Washer	1	-	C	
28W/1200073	SP23/B	Washer	1	-	C	
28F/9428453	AGS1186/B	Washer, sealing	8	-	C	
579	123F10677	DOOR, ENGINE ACCESS, OUTBOARD ..	1	-	A	JB13/780
		REAR, PORT, GROUP (Mod. 1821)				
580	124F10677	DOOR, ENGINE ACCESS, OUTBOARD ..	1	-	A	JB13/781
		REAR, STARBOARD, GROUP (Mod. 1821)				
		Spares for:-				
	1F10910	Block, at handle	1	BSS2572	MR	
	123F10673	Block, pin retaining	5	BSS2572	MR	JB14/782
	124F10673	Block, pin retaining	5	BSS2572	MR	JB14/783
28D/1213275	AS2923/1/2B	Bolt, wash. head	2	-	C	
	2SS4775	Bolt, for locating plates	8	-		
	3SS4775	Bolt, for spigots	12	-	MR	
	78F8853	Bolt, special	3	S96	MR	JB14/784
	89F10677	Bracket, hinge, forward, intermediate ..	3	S96		JB13/785
		forward and rear, port				
	70F10677	Bracket, hinge, forward, intermediate ..	3	S96		JB13/786
		forward and rear, starboard				
	71F10677	Bracket, hinge, centre and intermediate, ..	2	S96		JB13/787
		rear, port				
	72F10677	Bracket, hinge, centre and intermediate ..	2	S96		JB13/788
		rear, starboard				
	1SS5824	Cap, end, for seals (Mod. 2280)	32	-	MR	
	38F10677	CLIP, HALF, FORWARD, GROUP	1	-		JB14/789
	39F10677	CLIP, HALF, AFT, GROUP	1	-		JB14/790
	40F10677	CLIP, HALF, FORWARD AND AFT, ...	2	-		JB14/791
		GROUP				
28E/9712183	SP91/C	Clip, hose, aft, joint	2	-	C	
28E/1983164	SP91/E	Clip, hose, forward, joint	2	-	C	
	or					
28E/20104	SP91/F	Clip, hose, forward, joint	2	-	C	
	or					
28E/9712166	SP91/G	Clip, hose, forward, joint	2	-	C	

FUSELAGE
CENTRE PORTION

Ref. No.	Part No.	Description	No. off	Matl. Spec.	Cl. of	Place and Heat'n No.
					St. H.R.	
		1 2 3 4				
		DOORS, ENGINE ACCESS, OUTBOARD REAR, 123 & 124F10677 (Cont'd)				
		COOLING INSTALLATION FOR ON/OFF VALVE, PORT AND STARBOARD (1 & 2F11976)				
		Spares for:-				
	15F11976	Member, attachment, port	1	-	MR	JB13/792
	16F11976	Member, attachment, starboard	1	-	MR	JB13/793
	8F11976	Plate, reinforcing, port	1	L72	MR	
	9F11976	Plate, reinforcing, starboard	1	L72	MR	
	5F11976	Scoop, port (Pre-Mod. 1995)	1	L59	MR	
	18F11976	Scoop, port (Mod. 1995)	1	DTD614		JB13/794
	8F11976	Scoop, starboard (Pre-Mod. 1995)	1	L59	MR	
	19F11976	Scoop, starboard (Mod. 1995)	1	DTD614		JB13/795
	12F11976	Tube,assy., port	1	-	MR	JB13/796
	13F11976	Tube,assy., starboard	1	-	MR	JB13/797
	36F10677	Cover, at aft pipe joint	1	S621	-	JB14/798
	122F10677	Cover, at forward pipe joint (Note:-Cover 122F10677 is used with hose BAS/10/2/E/B/2-1/2)	1	DTD712		JB14/799
		DOORS, FIRE ACCESS, PORT AND STARBOARD (1F10954) (For Spares:-See Page JB. 38)	-			JB14/800
	17F10233	Extractor, at drain outlet	1	-		JB14/801
	9F9206	HANDLE, PORT, GROUP	1	-		JB14/802
	18F9206	HANDLE, STARBOARD, GROUP	1	-	MR	JB14/803
		Spares for:-				
7382	10F9206	CATCH, GROUP	1	-	C	
	11F8053	Pin	1	S96	MR	JB14/805
	9F8053	Spring	1	-	MR	JB14/806
	34F10677 or BAS/16/2/E/B/ 2-1/2	Hose, forward pipe joint	1	-		JB14/807
	141F10677 or BAS/16/2/E/B/ 2-1/2	Hose, aft pipe joint	1	-		JB14/808
	AEROTIGHT 23160	Nut, clinch, at forward drain	2	-		
	35F10677	PIPE, AFT DRAIN, GROUP	1	-		JB14/809
	37F10677	Pipe, drain, 1/2" o/d x 22G x 50" long, approx.	1	T58		JB13/810
	111F10678	Plate, locating	2	S514		
28FP/14845	A52917	Plate, mod.	1	-	MR	
	A52918	Plate, serial	1	-	C	

VULCAN No. 2

FUSELAGE
CENTRE SECTION

Page JB. 48A

Ref. No.	Part No.	Description	No. off	Matl. Spec.	Cl. of	Plate and Illust'n No.
					St. M.R.	
		<u>1 2 3 4</u>				
		DOORS ENGINE ACCESS OUTBOARD REAR, 123 & 124F10677 (Contd.)				
	85F10674	Seal, at fire access doors	1	OTD378A	MR	JB14/811
	213F8858	Seal, inboard port (Pre-Mod. 2280)	1	DTD5509		
		(Make from 1SS4488 Ref. 26DC/7738)				
	126F10677	Seal, inboard port (Mod. 2280)	1	-		JB13/812
		(Make from 1SS5823 Ref. 26DC/151028)				
	214F8858	Seal, inboard starboard (Pre-Mod. 2280) ..	1	DTD5509		
		(Make from 1SS4488 Ref. 26DC/7738)				
	127F10677	Seal, inboard starboard (Mod. 2280)	1	-		JB13/813
		(Make from 1SS5823 Ref. 26DC/1510281)				
	216F8858	Seal, outboard port (Pre-Mod. 2280)	1	DTD5509		
		(Make from 1SS4488 Ref. 26DC/7738)				
	128F10677	Seal, outboard port (Mod. 2280)	1	-		JB13/814
		(Make from 1SS5823 Ref. 26DC/1510281)				
	217F8858	Seal, outboard, starboard (Pre-Mod. 2280)	1			
		(Make from 1SS4488 Ref. 26DC/7738)				
	129F10677	Seal, outboard port (Mod. 2280)	1	-		JB13/815
		(Make from 1SS5823 Ref. 26DC/1510281)				
	215F8858	Seal, forward (Pre-Mod. 2280)	1	DTD5509		
		(Make from 1SS4488 Ref. 26DC/7738)				
	126F10677	Seal, forward (Mod. 2280)	1	-		JB13/816
		(Make from 1SS5823 Ref. 26DC/1510281)				

VULCAN No. 2

FUSELAGE
CENTRE PORTION

Page JB. 49

Ref. No.	Part No.	Description	No. off	Matl. Spec.	Cl. of	Place and Illust'n No.
					St. M.R.	
		1 2 3 4				
		DOORS ENGINE ACCESS, OUTBOARD (123 & 124F10677) (Contd.)				
	119F10677	Spigot, forward assy.	1	—		JB13/817
	120F10677	Spigot, centre assy.	1	—		JB13/818
	121F10677	Spigot, aft assy.	1	—		JB13/819
	86F8853	Spring, ring for bolts	3	—	MR	JB14/820
	186F10677	Strip, bonding for hose joints	2	—		
	189F8858	Strip, seal retaining, inboard	1	L72		JB13/821
	190F8858	Strip, seal retaining, outboard	1	L72		JB13/822
	191F8858	Strip, seal retaining, port, forward	1	L72		JB13/823
	192F8858	Strip, seal retaining, stbd., forward	1	L72		JB13/824
7537	1F10750	TANK FUEL DRAIN, FORWARD, GROUP (For Spares—See Pages JB. 46 and JB. 47)	1	—	A	JB14/825
	77F10671	Pin, hinge, inboard, port and starboard	15	S98	MR	JB10/826
	78F10671	Pin, hinge, outboard, port and starboard	15	S98	MR	JB10/827
		PLATES, SPIGOT ON RIB 113.3 PORT AND STARBOARD				
		Spares for:—				
	96F10671	PLATE, SPIGOT, INTERMEDIATE FORWARD, FORWARD DOORS, PORT, GROUP	1	—		
	97F10671	PLATE, SPIGOT, INTERMEDIATE FORWARD, FORWARD DOORS, PORT, GROUP	1	—		
	98F10671	PLATE, SPIGOT, INTERMEDIATE AFT, FORWARD DOORS, PORT, GROUP	1	—		
	99F10671	PLATE, SPIGOT INTERMEDIATE AFT, FORWARD DOORS, STARBOARD, GROUP	1	—		
	100F10671	PLATE, SPIGOT, INTERMEDIATE FORWARD CENTRE DOORS, PORT, GROUP	1	—		
	101F10671	PLATE, SPIGOT, INTERMEDIATE FORWARD, CENTRE DOORS, STARBOARD, GROUP	1	—		

FUSELAGE
CENTRE PORTION

Ref. No.	Part No.	Description	No. off	Matl. Spec.	Cl. of	Place and Illustr'n No.
					St. M.R.	
		1 2 3 4				
		PLATES, SPIGOT, ON RIB 113.3, PORT AND STARBOARD (Cont'd)				
	102F10671	PLATE, SPIGOT, INTERMEDIATE AFT, CENTRE DOORS, PORT, GROUP	1	—		
	103F10671	PLATE, SPIGOT, INTERMEDIATE AFT, CENTRE DOORS, STARBOARD, GROUP	1	—		
	104F10671	PLATE, SPIGOT, INTERMEDIATE FORWARD, REAR DOORS, PORT, GROUP	1	—		
	106F10671	PLATE, SPIGOT, INTERMEDIATE FORWARD, REAR DOORS, STARBOARD, GROUP	1	—		
	106F10671	PLATE, SPIGOT, INTERMEDIATE AFT, REAR DOORS, PORT, GROUP	1	—		
	107F10671	PLATE, SPIGOT, INTERMEDIATE AFT, REAR DOORS, STARBOARD, GROUP	1	—		
	114F10671	Spare for:— Plate, for items (106 & 107F10671)	1	S99		
	116F10671	Plate, for items (104 & 105F10671)	1	S99		
	118F10671	Plate, for items (100, 101, 102 & 103F10671)	1	S99		
	117F10671	Plate, for items (98 & 99F10671)	1	S99		
	118F10671	Plate, for items (96 & 97F10671)	1	S99		
	94F10671	Spigot	2	S96		
		Attachments—spigot (94F10671)				
28M/1007403	A27/ET	Nut, thin, 1/4" BSF	1	—	C	
	95F10671	Washer, special	1	S610		
		TRUNNIONS, ON RIB 113.3, PORT AND STARBOARD				
		Spare for:—				
	13F10671	TRUNNION, FORWARD, AT FORWARD DOORS, PORT, GROUP	1	—		
	14F10671	TRUNNION, FORWARD, AT FORWARD DOORS, STARBOARD, GROUP	1	—		
	17F10671	TRUNNION, CENTRE, AT FORWARD . DOORS, PORT, GROUP	1	—		
	18F10671	TRUNNION, CENTRE, AT FORWARD . DOORS, STARBOARD, GROUP	1	—		
	21F10671	TRUNNION, AFT, AT FORWARD DOORS, PORT, GROUP	1	—		
	22F10671	TRUNNION, AFT, AT FORWARD DOORS, STARBOARD, GROUP	1	—		
	23F10671	TRUNNION, FORWARD, AT CENTRE . DOORS, PORT, GROUP	1	—		
	24F10671	TRUNNION, FORWARD, AT CENTRE . DOORS, STARBOARD, GROUP	1	—		

FUSELAGE
CENTRE PORTION

Ref. No.	Part No.	Description	No. off	Matl. Spec.	Cl. of	Place and Illust'n No.
					St. M.R.	
1 2 3 4						
		TRUNNIONS, ON RIB 113.3, PORT AND STARBOARD (Cont'd)				
	27F10671	TRUNNION, CENTRE, AT CENTRE DOORS PORT, GROUP	1	-		
	28F10671	TRUNNION, CENTRE, AT CENTRE DOORS, STARBOARD, GROUP	1	-		
	31F10671	TRUNNION, AFT, AT CENTRE DOORS, PORT, GROUP	1	-		
1433768	32F10671	TRUNNION, AFT, AT CENTRE DOORS, STARBOARD, GROUP	1	-	C	
	33F10671	TRUNNION, FORWARD, AT REAR DOORS, PORT, GROUP	1	-		
	34F10671	TRUNNION, FORWARD, AT REAR DOORS, STARBOARD, GROUP	1	-		
	37F10671	TRUNNION, CENTRE, AT REAR DOORS, PORT, GROUP	1	-		
	38F10671	TRUNNION, CENTRE, AT REAR DOORS, STARBOARD, GROUP	1	-		
	41F10671	TRUNNION, AFT, AT REAR DOORS, PORT, GROUP	1	-		
	42F10671	TRUNNION, AFT, AT REAR DOORS, STARBOARD, GROUP	1	-		
		Spares for:-				
	79F10671	Plate for item (13F10671)	1	S96		
	80F10671	Plate for item (17F10671)	1	S96		
	81F10671	Plate for item (21F10671)	1	S96		
	82F10671	Plate for items (23-27 & 31F10671)	1	S96		
	83F10671	Plate for items (33-37 & 41F10671)	1	S96		
	84F10671	Plate for item (14F10671)	1	S96		
	84F10671	Plate for item (18F10671)	1	S96		
	86F10671	Plate for items (22F10671)	1	S96		
	87F10671	Plate for items (24-28 & 32F10671)	1	S96		
	88F10671	Plate for items (34-38 & 42F10671)	1	S96		
	88F10671	Plate for items (34-38 & 42F10671)	1	S96		
6423	49F8851	TRUNNION, GROUP	1	-	B	
		Spares for:-				
	49bF8851	Block	1	DTD364B		
	49cF8851	Plate, retaining	1	L72	C	
2263	49d8851	Spring	1	-	C	
	49eF8851	Trunnion	1	S93		
		DOORS, NOSEWHEEL AND JACK (2D9456)				
		Spares for:-				
	2D8830	Bolt, shoulder, for jack attachment to former	2	S96	MR	JB15/828
538	84D9456	DOOR, NOSEWHEEL, PORT, GROUP	1	-	A	JB15/829
539	85D9456	DOOR, NOSEWHEEL, STARBOARD, GROUP	1	-	A	JB15/830
		Spares for:-				
	42D9456	Bolt, shouldered 1/4" dia. at rods and levers	4	S96	MR	JB15/831

FUSELAGE
CENTRE PORTION

Ref. No.	Part No.	Description	No. off	Matl. Spec.	Cl. of St.	Plate and Illust'n No
					M.R.	
		1 2 3 4				
		DOOR, NOSEWHEEL, PORT AND STARBOARD (84 & 85D9455) (Cont'd)				
	51D8820	Bolt, shouldered, 1/2" dia. for hook latch, forward	1	S96	MR	JB15/832
	53D8820	Bolt, shouldered, 3/8" dia. for levers (70D9455)	2	S96	MR	JB15/833
	78D8820	Bolt, shouldered, 5/8" dia. for jack attachment to door	1	S96	MR	JB15/834
	84D8820	Bolt, shouldered, 1/4" dia. rod end to hook latch	2	S96	MR	JB15/835
	95D8820	Bolt, shouldered, 1/4" dia. rod to lever (86D9455)	1	S96	MR	JB15/836
	101D9455	Bolt, shouldered, 1/2" o/d, for hook latch, aft	1	S94		JB15/837
	123D8820	Bolt, shouldered, 1/4" dia. for hinges 2D11123	4	S96	MR	JB15/838
9436	12T5151	Cover, air outlet, on port door 12T5151	1	L72	C	JB15/839
	46SS3221	Cover, for aerial type 4169, at starboard door (Mod. 1631)	1	L72		JB15/840
		Door, inspection 4P 2S		L72	MR	JB15/841
	36D9455	FAIRLEAD, FOR CONTROL ROD, GROUP	4	—		JB15/842
		Spares for:—				
	36aD9455	Fairlead, half 8	8	BSS972		
	11T5151	Fairlead, on starboard door (Mod. 1631)	1	BS2572		JB15/843
	29D9455	Hinge, half, outboard forward 1	1	DTD683	MR	JB15/844
	26D9455	HINGE, HALF, INBOARD AT STATION 145.5", GROUP	1	—	MR	JB15/845
	27D9455	HINGE, HALF, INBOARD AT STATIONS 115.5", 130.0", 160.5" AND 189.5", GROUP	4	—	MR	JB15/846
	28D9455	HINGE, HALF, INBOARD, AT STATION 88.5", GROUP	1	—	MR	JB15/847
		Spares for:—				
17944	10SS5880	Plate, securing 2	2	—	C	
2A/9500410	HOFFMAN CS1	Race, ball 2	2	—	C	JB15/848
	100D8820	HOOK, LATCH, AFT, GROUP 1	1	—	MR	JB15/849
	142D8820	HOOK, LATCH, FORWARD, GROUP 1	1	—	MR	JB15/850
		Spares for:—				
	MANG. B & B CT51	Bush, 1-1/4" long (orlite) 1	1	—		JB15/851
	62D8820	Housing, latch hook, port 1	1	DTD721		
	63D8820	Housing, latch hook, starboard 1	1	DTD721		
	71D8820	Housing, lever, port aft, starboard forward 1	1	DTD721		
	72D8820	Housing, lever, starboard, aft, port forward 1	1	DTD721		

YUCCAN No. 1

FUSELAGE
CENTRE PORTION

Page JB. 53

Ref. No.	Part No.	Description	No. off	Matl. Spec.	Cl. of St. M.R.	Place and Illust'n No.
		1.2.3.4				
		DOOR, NOSEWHEEL, PORT AND STARBOARD (84 & 85D9455) (Cont'd)				
	4V8101	LEVER, MICROSWITCH, GROUP	1	-	MR	JB 15/852
	70D8820	LEVER, INBOARD, FOR CONTROL RODS, GROUP Spare for:-	2	-	MR	JB 15/853
	MAN.B & B CT.4	Bush, 1" long (Oilite)	2	-		JB 15/854
	88D9455	LEVER, OUTBOARD, AT JACK AND RODS, GROUP Spare for:-	1	-	MR	JB 15/855
	81bD9455	Bush (Note:-Lever (88D9455) may be used as an alternative to item (86D9455)	1	S1	MR	JB 15/855
		OUTLET, AIR, AT PORT DOOR (809343) Spare for:-				
	5D9343	DUCT, OUTLET, GROUP	1	-		JB 15/857
	92D9455	Pad, buffer, 2.5" x 5.83" x 8"	1	BS2572		
		PLATES, CATCH, AT BULKHEAD 75" (120D8820, STARBOARD) (121D8820, PORT) Spare for:-				
	64cD8820	Bolt, shouldered, 1/4" dia.	1	S98		JB 23/858
	64bD8820	Roller	1	S98		JB 23/859
		PLATES, CATCH, AT BULKHEAD 204" (133D8820, PORT) (134D8820, STARBOARD) Spare for:-				
	64cD8820	Bolt, shouldered, 1/4" dia.	1	S96		JB 23/860
	64bD8820	Roller	1	S96		JB 23/861
28FP/13043	1SSJ259	Plate, mod.	1	-	C	
28FP/13044	1SS3260	Plate, serial	1	-	C	
	67D9455	Plate, side, at jack and lever	2	L72	MR	JB 15/852
	44D9455	ROD, BETWEEN LEVERS, CENTRE, GROUP	2	-	MR	JB 15/853
	69D9455	ROD, FORWARD, GROUP	1	-	MR	JB 15/864
	70D9455	ROD, AFT, GROUP	1	-	MR	JB 15/865
		Spare for:-				
	38cD9455	Nut, lock, L.H. (Made from A27/GTL)	1	-		
	38cD9455	Nut, lock, R.H. (Made from A27/GT)	1	-		
28U/4058	SPB/Y6	Turnbuckle	1	-	C	
	104D8820	Rod, end, forward	1	DTD364B	MR	JB 15/866
	106D8820	Rod, end, aft	1	DTD364B	MR	JB 15/867

FUSELAGE
CENTRE PORTION

Ref. No.	Part No.	Description	No off	Matl. Spec.	Cl. of St.	Plate and Illust'n No.
					M.R.	
		<u>1 2 3 4</u>				
		DOOR, NOSEWHEEL, PORT AND STARBOARD (84 & 86D9455) (Cont'd)				
	110D9455	Seal, centre, on starboard door	1	DTD652		JB15/868
	102D8820	Spring, for rods	2	—	MR	JB15/869
	117D9455	Strip, seal retaining (Mod. 748)	1	L72		JB15/870
	77D8820	Tube, distance, at lever (86D9455)	1	DTD384B		JB15/871
	96D8820	Tube, distance at rods to lever	1	DTD484A		JB15/872
8783	88D8820	Tube, distance, at jack	2	DTD384B	C	JB15/873
	63D9455	Washer, distance, at hinge	2	S1	MR	JB15/874
	DOWTY					
27QM/70821	1.01300.002	Unit, jack, L.H. and R.H. (Mod. 1798)	2	—	A	JB15/875
		(Pre Mod. 2391)				
27QM/1491088	1.01300.003	Unit, jack, L.H. and R.H. (Mod. 2391)	2	—	A	
		FIN, DORSAL (1H2618)				
		Spare for:—				
	4Z7634	CLIP, JOINT, FOR DUCTS, GROUP	2	—	MR	JB16/876
6118	61H2483	Cover, fibreglass	1	Y227	C	JB16/877
6261	1H2621	DIAPHRAGM, CAVITY, GROUP	1	—	C	JB16/878
	56H2483	Drain, assy., at air intake	2	—	MR	JB16/879
	1Z7012	DUCT, DE-ICING, INJECTOR TO FIN,	1	—	MR	JB16/880
		AFT, GROUP				
	1Z7013	DUCT, DE-ICING, INJECTOR TO FIN,	1	—		JB16/881
		CENTRE, GROUP				
	1Z7014	DUCT, DE-ICING, INJECTOR TO FIN,	1	—		JB16/882
		FORWARD, GROUP				
	15Z7014	Spare for:— DUCT, DE-ICING, GROUP	1	—	MR	
		INTAKE, AIR, DORSAL FIN (57H2618)				
		Spare for:—				
8758	1H2785	DUCT, COLD AIR (Pre-Mod. 2063)	1	—	C	JB16/883
143671	1H2897	DUCT, COLD AIR (Mod. 2063)	1	—	B	
8832	1H2497	DUCT, ELBOW (Pre-Mod 2063)	1	—	C	JB16/884
1432672	1H2898	DUCT, ELBOW (Mod. 2063)	1	—	B	
	1H2485	RIB, DORSAL FIN, 197.72", GROUP	1	—	MR	JB16/885
7395	1H2486	RIB, DORSAL FIN, 213.72", GROUP	1	—	C	JB16/886
	20H2589	SCOOP, AIR INTAKE, PORT, GROUP	1	—	MR	JB16/887
		(Pre-Mod. 2063)				
	22H2589	SCOOP, AIR INTAKE, PORT, GROUP	1	—		
		(Mod. 2063)				

VULCAN No. 1

FUSELAGE
CENTRE PORTION

Page JB. 55

Ref. No.	Part No.	Description	No. off	Mtrl. Spec.	Cl. of St.	Plate and Illust'n No.
					M.R.	
		INTAKE, AIR, DORSAL FIN (59H2618) (Cont'd.)				
	21H2589	SCOOP, AIR INTAKE, STARBOARD, GROUP (Pre-Mod. 2063)	1	—	MR	JB16/888
	23H2589	SCOOP, AIR INTAKE, STARBOARD, GROUP (Mod. 2063)	1	—		
9047 6422	73H2483 13H2618	Packing, at air intake Panel, skin, top, rib 347.25", forward (Pre-Mod. 2362)	1 1	L72 DTD626	C C	JB16/889
1510722	72H2618	Panel, skin, top, rib 347.28", forward (Mod. 2362)	1	—	C	JB16/890
	39H2483	Panel, fibreglass assy., 0.15" x 4.6" x 9", port	1	Fibreglass	MR	JB16/891
20822	21H2618	Panel, fibreglass assy., 0.15" x 4.6" x 19", starboard	1	Fibreglass	C	JB16/892
	38H2455	Pressing, and forward	1	L72	MR	JB16/893
9044	1H2482	RIB, DORSAL FIN, 228.72", GROUP	1	—	C	JB16/894
	1H2484	RIB, DORSAL FIN, 181.72", GROUP	1	—	MR	JB16/895
		RIB, DORSAL FIN, 347.28" (1H2622) Spare for:—				
	4H2622	ANGLE ATTACHMENT, GROUP	1	—		JB16/896
6441	53H2615 1SS4353	Saddle, fibreglass Screw, for bottom aft skin	1 2	DTD5518 —	C MR	JB16/897 JB16/898
	2H2483	SKIN, FORWARD, GROUP Spare for:—	1	—		JB16/899
	2aH2483	Skin, forward (Pre-Mod. 2362)	1	—	MR	
1510737	81aH2618	Skin, forward (Mod. 2362)	1	—	C	
	89H2483	Skin, aft (Pre-Mod. 2362)	1	—	MR	
1510736 20818	82H2618 2cH2483 5H2483	Skin, aft (Mod. 2362) Strap, butt Skin, from rib 197.72" to rib 225.72" (Pre-Mod. 2362)	1 1 1	— — DTD626	C C MR	
1510732	74H2618	Skin, from rib 197.72" to rib 228.72" (Mod. 2362)	1	—		JB16/900
12377	6H2483	Skin, from rib 228.72" to rib 254.13" (Pre-Mod. 2362)	1	OTD626	C	
1510731	75H2618	Skin, from rib 228.72" to rib 254.13" (Mod. 2362)	1	—	C	JB16/901
	7H2483	Skin, from rib 254.13" to rib 288.22" (Pre-Mod. 2362)	1	—		
1510730	76H2618	Skin, from rib 254.13" to rib 288.22" (Mod. 2362)	1	—	C	JB16/902
	8H2483	Skin, from rib 288.22", aft to joint (Pre-Mod. 2362)	1	—	MR	
1510723	103H2618	Skin, from rib 288.22", aft to joint (Mod. 2362)	1	—	C	JB16/903

FUSELAGE
CENTRE PORTION

Ref. No.	Part No.	Description	No. off	Matl. Spec.	Clod St.	Plate and Illust'n No.
					M.R.	
		1 2 3 4				
		FIN, DORSAL (1H2618) (Con't'd.)				
		Spares for:—				
	9H2483	Skin, lower, forward rib 347.28", port (Pre-Mod. 2362)	1	L72	MR	
1510724	66H2618	Skin, lower, forward rib 347.25", port (Mod. 2362)	1	L72	C	JB16/904
1505202	10H2483	Skin, lower, forward rib 347.28", starboard (Pre-Mod.2362)	1	L72	C	
1510725	67H2618	Skin, lower, forward rib 347.28", starboard (Mod. 2362)	1	L72	C	JB16/905
	36H2483	Skin, bottom, rear, port (Pre-Mod. 2362)	1	L72		
1510726	68H2618	Skin, bottom, rear, port (Mod. 2362)	1	L72	C	JB16/906
	37H2483	Skin, bottom, rear, starboard (Pre-Mod. 2362)	1	L72		
1510727	69H2618	Skin, bottom, rear, starboard (Mod. 2362)	1	L72	C	JB16/907
7296	70H2483	Skin, at air intakes (Pre-Mod. 2362)	1	L72	C	
1510733	83H2618	Skin, at air intakes (Mod. 2362)	1	L72		JB16/908
13379	71H2483	Skin, below, fibreglass cover, port (Pre-Mod. 2362)	1	L72	C	
1510734	84H2618	Skin, below, fibreglass cover, port (Mod. 2362)	1	L72		JB16/908
13391	72H2483	Skin, below, fibreglass cover, starboard (Pre-Mod. 2362)	1	L72	C	
1510735	85H2618	Skin, below, fibreglass cover, starboard (Mod. 2362)	1	L72	C	JB16/910
1510728	70H2618	Skin (Mod. 2362)	1	L72	C	
1510729	71H2618	Skin (Mod. 2362)	1	L72	C	
	26H2483	Strap, butt at rib 167.72"	1	DTD626	MR	
	57H2483	Strap, butt at rib 319.5"	1	DTD626	MR	
20812	9F8635	Vert. cavity	1	—	C	

FUSELAGE
CENTRE PORTION

Ref. No.	Part No.	Description	No. off	Matl. Spec.	Cl. of	Plate and Illust'n No.
					St. M.R.	
		1 2 3 4				
		STRUCTURE, CENTRE PORTION (D19831) (Cont'd)				
		FIREPROOFING, ENGINE BAYS, PORT AND STARBOARD (E2931) (See Equipment—Aircraft, Fireproofing and Soundproofing)				
		FORMER, TANK BAY, STATION 86.5F (10008793)				JB16/914
11043	1Z6930	Spares for:— DISH, MOUNTING, FIRE EXTINGUISHER BOTTLE, GROUP	1	—	B	JB16/915
	4Z6930	Spares for:— Screw, for straps	1	—	MR	
	5Z6930	Strap, alloy	1	—	MR	
9008	508793	Former, pressing	1	L72	MR	
9009	68D8793	Mounting, top hat	1	L72	C	
	68D8793	Mounting, top hat	1	L72	C	
		FORMER, TANK BAY, STATION 101" F ... (2008794)				JB16/916
	1Z6930	Spares for:— DISH, MOUNTING, FIRE EXTINGUISHER BOTTLE, GROUP (For Spares—See Above)	1	—	MR	JB16/917
	2DB794	Former, pressing	1	L72	MR	
	6Z7067	Mounting	1	L72		
	16Z7067	Mounting	1	L72		
		FORMER, TANK BAY, STATION 115.5" F ... (1608795)				JB16/918
	2DB795	Spares for:— Former, pressing	1	L72	MR	
		FORMER, TANK BAY, STATION 130" F ... (8009066)				JB16/919
	2D9066	Spares for:— Former, pressing	1	L72	MR	
		FORMER, TANK BAY, STATION 146.25" F ... (1D10069)				JB16/920
1433916	51aD9066	Spares for:— Bush, at jock anchor plates	1	DTD265	C	
	2D9397	Former, pressing	1	L72	MR	
		FORMER, TANK BAY, STATION 162.5" F ... (1809398)				JB16/921
	2D9398	Spares for:— Former, pressing	1	L72	MR	

VULCAN No. 1

FUSELAGE
CENTRE PORTION

Page JB. 57

Ref. No.	Part No.	Description	No. off	Mati. Spec.	Cl. of St.		Place and Illust'n No.
					M.R.		
		<u>1 2 3 4</u>					
		STRUCTURE, CENTRE PORTION (D10631) (Cont'd)					
		FORMER, HEAVY BOMB ARCH, STATION . 44.592" A (1D10624)					JB16/922
		Spares for: -					
1433227	2D10618	Bracket, attachment (Pre-Mod. 2233)	1	DTD683	C		
1433886	53D10618	Bracket, attachment (Mod. 2233)	1	-	C		
	3D10618	Bracket, attachment (Pre-Mod. 2233)	1	DTD683			
1433880	54D10618	Bracket, attachment (Mod. 2233)	1	-	C		
	20D10624	Bracket, for autostabilizer gear, port	2	L53			
	21D10624	Bracket, for autostabilizer gear, starboard	2	L53			
	52D10624	Bracket, hoisting, inboard	1	-			
	53D10624	Bracket, hoisting, outboard	1	-			
28FP/13043	15S3259	Plate, mod.	1	L3	C		
28FP/13044	15S3260	Plate, serial	1	L3	C		
		FORMER, HEAVY BOMB ARCH, STATION . 95.967" A (1D10619)					JB16/923
		Spares for: -					
1433227	2D10618	Bracket, attachment (Pre-Mod. 2233)	1	DTD683	C		
1433886	53D10618	Bracket, attachment (Mod. 2233)	1	-	C		
	3D10618	Bracket, attachment (Pre-Mod. 2233)	1	DTD683			
1433880	54D10618	Bracket, attachment (Mod. 2233)	1	-	C		
	80D9393	Bracket, forward attachment, starboard	1	DTD683			
	81D9393	Bracket, forward attachment, port	1	DTD683			
28FP/13043	15S3259	Plate, mod.	1	L3	C		
28FP/13044	15S3260	Plate, serial	1	L3	C		
		FORMER, HEAVY BOMB ARCH, STATION . 108.887" A (1D10620)					JB16/924
		Spares for: -					
1433227	2D10618	Bracket, attachment (Pre-Mod. 2233)	1	DTD683	C		
1433886	53D10618	Bracket, attachment (Mod. 2233)	1	-	C		
	3D10618	Bracket, attachment (Pre-Mod. 2233)	1	DTD683			
1433880	54D10618	Bracket, attachment (Mod. 2233)	-	-	C		
12213	8V7723	BRACKET, MOUNTING, GROUP	1	-	C		JB16/925
28FP/13043	15S3259	Plate, mod.	1	L3	C		
28FP/13044	15S3260	Plate, serial	1	L3	C		
		FORMER, HEAVY BOMB ARCH, STATION . 123.015" (1D10621)					JB16/926
		Spares for: -					
	21D10621	Angle, attachment, port	1	L72			
12764	22D10621	Angle, attachment, starboard	1	L72	C		
1510542	25D10621	Bracket, attachment (Pre-Mod. 2233)	1	DTD683	C		
1433883	89D10621	Bracket, attachment (Mod. 2233)	1	-	C		
1510543	26D10621	Bracket, attachment (Pre-Mod. 2233)	1	DTD683	C		
	90D10621	Bracket, attachment (Mod. 2233)	1	-	MR		
12785	7D10621	Channel, starboard	1	L72	C		
	8D10621	Channel, port	1	L72			
28FP/13043	15S3259	Plate, mod.	1	L3	C		
28FP/13044	15S3260	Plate, serial	1	L3	C		

FUSELAGE
CENTRE PORTION

Ref. No.	Part No.	Description	No. off	Metl. Spec.	Cl of	Place and Illust'n No.
					Se.	
		1 2 3 4			M.R.	
		STRUCTURE, CENTRE PORTION (D10831) (Cont'd)				
		FORMER, HEAVY BOMB ARCH, STATION 171.842" (1D10623)				JB16/927
		Spares for:-				
1433227	2D10618	Bracket, attachment (Pre-Mod. 2233)	1	DTD883	C	
1433688	53D10618	Bracket, attachment (Mod. 2233)	1		C	
	3D10618	Bracket, attachment (Pre-Mod. 2233)	1	DTD883		
1433690	54D10618	Bracket, attachment (Mod. 2233)	1		C	
	14dT4306	Bolt, anchor Assy.	2	-	MR	
	14bT4306	Nut, knurled	2	-	MR	
26FP/13043	1SS3259	Plate, mod.	1	L3	C	
26FP13044	1SS3260	Plate, serial	1	L3	C	
		FORMER, EDIUM BOMB ARCH, STATION 243.127" (111D9138)				JB16/928
		Spares for:-				
	85D9138	Angle, attachment, lanyard	1	OTD364B		
	48D9138	Bracket, attachment (Pre-Mod. 2233)	1	DTD883		
	200D9138	Bracket, attachment (Mod. 2233)	1		MR	
	50D9138	Bracket, attachment (Pre-Mod. 2233)	1	DTD883		
1433688	201D9138	Bracket, attachment (Mod. 2233)	1	-	C	
	335F9706	Washer, special	8	-	MR	
		FORMER, DOUBLE LIGHT BOMB ARCH, STATION 300.954" (1D9372)				JB16/929
		Spares for:-				
3645	3D8819	Bracket	2	-	MR/C	
3648	4D8819	Bracket	2	-	MR/C	
2256	7D9499	BRACKET, BEARING, GROUP	1	-	MR/C	JB17/930
2266	8D9499	BRACKET, BEARING, GROUP	1	-	MR/C	JB17/931
		Spares for:-				
1246	46D8816	Bush	2	BSS368	C	
28N/2001715	AGS2030/19	Circlip	2	-	C	
28N/915637D	SP.21	Nipple, lubricating	1	-	C	
	45D8816	Pin, hinge	2	S82	MR	JB17/932
	13D9094	Washer, hinge pin	4	S1	MR	JB17/933
		FORMER, TRANSPORT BULKHEAD, STATION 428"A (1D10888)				JB16/934
		Spares for:-				
	182D8836	Bush	2	-		
		CARRIER, OXYGEN BOTTLE, PORT AND STARBOARD (1 & 2Z9731)				
		Spares for:-				
	1129731	CARRIER GROUP	1	-		JB16/935
		Spares for:-				
	829206	STRAP GROUP	1	-	MR	

VULCAN No. 2

FUSELAGE
CENTRE PORTION

Page 38. 59

Ref. No.	Part No.	Description	No. off	Matl. Spec.	Cl. of	Plate and Illust'n No.
					St. H.R.	
		CARRIER, OXYGEN BOTTLE, PORT AND STARBOARD (1 & 229731) (Cont'd)				
	829206	STRAP, GROUP	1	-	MR	
	1SS1942	Spares for:- End, strap	2	S3	MR	
1999	3SS1944	Head, cross, R.H.	2	S1	C	
	4SS1944	Head, cross, L.H.	2	S1		
	1SS1946	Turnbuckle	2	S2		
	340D10631	Hinge, engine door, at stations No. 3 and 6, ... port and starboard on rib 63.5"	4	S96	MR	JB23/936
	341D10631	Hinge, engine door, at stations No. 4, 6, 7, 8, ... 9 and 10, port and starboard, on rib 63.5"	12	S96	MR	JB23/937
	342D10631	Hinge, engine door, at stations No. 2, 11, 12, ... 14 and 15, port and starboard, on rib 63.5"	12	S96	MR	JB23/938
	343D10631	Hinge, engine door, at stations No. 13, ... port and starboard, on rib 63.5"	2	S96		JB23/939
		HINGE, FRONT, BOMB DOOR AT STATION 7.47", PORT AND STARBOARD (1 & 209083)				
		Spares for:-				
	12D9093	Bolt, special (Made from A59/8N)	1	-		
	13D9093	Bolt, special (Made from A59/8L)	1	-		
	10D9093	BRACKET, ATTACHMENT, PORT, ... GROUP	1	-	MR/C	JB17/940
	11D9093	BRACKET, ATTACHMENT, STAR... BOARD, GROUP	1	-	MR	JB17/941
		Spares for:-				
4760	14D9500	Adaptor	2	S1	C	JB17/942
	3D9093	Bracket, port	1	OTD683		
	4D9093	Bracket, starboard	1	DTD683		
1237	6D9093	Bush	2	3SS369	C	JB17/943
28N/1007968	AGS2030/39	Circlip	2	-	C	JB17/944
28N/9156370	SP.21	Nipple, brass	2	-	C	
4761	15D9500	Washer, special	2	L34	C	JB17/945
1236	7D9093	Pin, hinge	1	S82	C	JB17/946
	13D9094	Washer, hinge pin	2	S1	MR	JB17/947
		HINGE, BOMB DOOR, AT STATION 43.65", PORT AND STARBOARD (1 & 209495)				
		Spares for:-				
	8D9495	Bracket, attachment	1	DTD688	MR	JB17/948
	11D6816	BRACKET, BEARING, FORWARD, ... PORT, GROUP	1	-	MR	JB17/949

FUSELAGE
CENTRE PORTION

Ref. No.	Part No.	Description	No. off	Matl. Spec.	Cl of	Plate and Illust'n No.
					St. M.R.	
		1 2 3 4				
		HINGE, BOMB DOOR, AT STATION 43.85", PORT AND STARBOARD (1 & 209485) (Cont'd)				
	12D8816	BRACKET, BEARING, FORWARD, STAR- BOARD, GROUP	1	-	MR	JB17/950
	23D8816	BRACKET, BEARING, REAR, PORT, GROUP	1	-	MR	JB17/951
	24D8816	BRACKET, BEARING, REAR, STAR- BOARD, GROUP	1	-	MR	JB17/952
		Spares for:-				
	13D9500	Adaptor	1	S1	MR	JB17/953
	46D8816	Bush	1	BSS389	MR	JB17/954
	AGS2030/19	Circlip	1	-	C	
	SP.21	Nipple, grease	1	-	C	
	15D9500	Washer, special	1	L34	C	JB17/955
	309495	Channel, support, port	1	L72	MR	JB17/956
	409495	Channel, support, starboard	1	L72	MR	JB17/957
	45D8816	Pin, hinge	1	S82	MR	JB17/958
	13D9094	Washer, hinge pin	2	S1	MR	JB17/959
		HINGE, BOMB DOOR, AT STATION 96.03", PORT AND STARBOARD (1 & 209496)				
		Spares for:-				
3644	13D9496	Bracket, attachment	1	DTD883	MR/C	JB17/960
	13D8816	BRACKET, BEARING, FORWARD, PORT, GROUP	1	-	MR	JB17/961
	14D8816	BRACKET, BEARING, FORWARD, STARBOARD, GROUP	1	-	MR	JB17/962
	25D8816	BRACKET, BEARING, REAR, PORT, GROUP	1	-	MR	JB17/963
	26D8816	BRACKET, BEARING, REAR, STAR- BOARD, GROUP	1	-	MR	JB17/964
		Spares for:-				
	13D9500	Adaptor	1	S1	MR	JB17/965
	46D8816	Bush	1	BSS389	MR	JB17/966
	AGS2030/19	Circlip	1	-	C	
	SP.21	Nipple, grease	1	-	C	
	15D9500	Washer	2	L34	C	JB17/967
	309496	Channel, support, port	1	L72	MR	JB17/968
	409496	Channel, support, starboard	1	L72	MR	JB17/969
	45D8816	Pin, hinge	1	S82	MR	JB17/970
	13D9094	Washer, hinge pin	2	L34	MR	JB17/971
		HINGE, BOMB DOOR, AT STATION 130.53", PORT AND STARBOARD (1 & 2010883)				
		Spares for:-				
	13D9497	Bracket, attachment	1	DTD883	MR	JB17/972

VULCAN PR. 2

FUSELAGE
CENTRE PORTION

Page JB. 61

Ref. No.	Part No.	Description	No. off	Matl. Spec.	Cl. of	Place and Illust'n No.
					St. M.R.	
		1 2 3 4				
		HINGE, BOMB DOOR, AT STATION 130.53', PORT AND STARBOARD (1 & 2D10663) (Cont'd)				
2257	508837	BRACKET, BEARING, FORWARD, PORT, GROUP	1	—	MR/C	JB17/973
2258	808837	BRACKET, BEARING, FORWARD, STARBOARD, GROUP	1	—	MR/C	JB17/974
2255	709499	BRACKET, BEARING, REAR, PORT, GROUP	1	—	MR/C	JB17/975
2258	809499	BRACKET, BEARING, REAR, STAR BOARD, GROUP	1	—	MR/C	JB17/976
		Spare for:—				
	4608816	Bush	1	BSS369	MR	JB17/977
28N/2001715	AGS2030/19	Circlip	1	—	C	JB17/978
28N/9156370	SP.21	Nipple, grease	1	—	C	JB17/979
	4508816	Pin, hinge	1	S82	MR	JB17/980
	1309094	Washer, hinge pin	2	S1	MR	JB17/981
		HINGE, BOMB DOOR, AT STATION 1790.91', PORT AND STARBOARD (11 & 1208498)				
		Spare for:—				
	709498	Bracket, attachment	1	DTD883	MR/C	JB17/982
	1708816	BRACKET, BEARING, FORWARD, PORT, GROUP	1	—	MR	JB17/983
	1808816	BRACKET, BEARING, FORWARD, STARBOARD, GROUP	1	—	MR	JB17/984
	2908816	BRACKET, BEARING, REAR, PORT, GROUP	1	—	MR	JB17/985
	3008816	BRACKET, BEARING, REAR, STAR BOARD, GROUP	1	—	MR	JB17/986
		Spare for:—				
	1309500	Adaptor	1	S1	MR	JB17/987
	4508816	Bush	1	BSS369	MR	JB17/988
28N/2001715	AGS2030/19	Circlip	1	—	C	JB17/989
28N/9156370	SP.21	Nipple, grease	1	—	C	JB17/990
4761	1609500	Washer	1	L34	C	JB17/991
	309498	Channel, support, port	1	L72		JB17/992
	409498	Channel, support, starboard	1	L72		JB17/993
	4508816	Pin, hinge	1	S82	MR	JB17/994
	1309094	Washer, hinge pin	2	S1	MR	JB17/995
		HINGE, BOMB DOOR, AT STATION 217.29', PORT AND STARBOARD (1 & 209498)				
		Spare for:—				
	1309487	Bracket, attachment	1	DTD883	MR	JB17/996

FUSELAGE
CENTRE PORTION

Ref No.	Part No.	Description	No. off	Matl. Spec.	Cl. of St.	Plate and Illust'n No.
					M.R.	
		1 2 3 4				
		HINGE, BOMB DOOR, AT STATION 217, 29", PORT AND STARBOARD (1 & 2D9499) (Cont'd)				
2255	7D9499	BRACKET, BEARING, REAR PORT, FORWARD STARBOARD, GROUP	1	—	MR/C	JB17/997
2258	8D9499	BRACKET, BEARING, REAR STAR- BOARD, FORWARD PORT, GROUP	1	—	MR/C	JB17/998
		Spares for:—				
	46D8816	Bush	1	BS369	MR	JB17/999
28N/2001715	AGS2030/19	Circlip	1	—	C	JB17/1000
28N/9156370	SP21	Nipple	1	—	C	JB17/1001
	17D8837	Pin, hinge	1	S82	MR	JB17/1002
	11D9499	Plate, thrust, rear port	1	S80		
	12D9499	Plate, thrust, rear, starboard	1	S80		
	13D9499	Plate, thrust, forward, port	1			
	14D9499	Plate, thrust, forward, starboard	1	S80		
	13D9094	Washer, hinge pin	2	S1	MR	JB17/1003
	10D9499	Washer, thrust	2	BSS369	MR	JB17/1004
		HINGE, BOMB DOOR, AT STATION 268, 18", PORT AND STARBOARD (1 & 2D9500)				
		Spares for:—				
3844	13D9498	Bracket, attachment	1	OTD683	MR/C	JB17/1005
	19D8816	BRACKET, BEARING, FORWARD, PORT, GROUP	1	—	MR	JB17/1006
	20D8816	BRACKET, BEARING, FORWARD STARBOARD GROUP	1	—	MR	JB17/1007
	31D8816	BRACKET, BEARING, REAR, PORT, GROUP	1	—	MR	JB17/1008
	32D8816	BRACKET, BEARING, REAR, STAR- BOARD, GROUP	1	—	MR	JB17/1009
		Spares for —				
	13D9500	A adaptor	1	S1	MR	JB17/1010
	46D8816	Bush	1	BSS369	MR	JB17/1011
28N/2001715	AGS2030/19	Circlip	1	—	C	JB17/1012
28N/9156370	SP21	Nipple, grease	1	—	C	
4781	15D9500	Washer	1	L34	C	JB17/1013
	3D9500	Channel, support, port	1	L72		JB17/1014
	4D9500	Channel, support, starboard	1	L72	MR	JB17/1015
	45D8816	Pin, hinge	1	S82	MR	JB17/1016
	13D9094	Washer, hinge pin	1	S1	MR	JB17/1017
		HINGE, BOMB DOOR, AT STATION 300.854", PORT AND STARBOARD (O9372 Sht. 2) (For Spares—See Item 1D9372) (Page JB 58)				

VULCAN No. 3

FUSELAGE
CENTRE PORTION

Page JB. 63

Ref. No.	Part No.	Description	No. off	Matl. Spec.	Cl. of	Plate and Inst'n No.
					St. M.R.	
		1, 2, 3, 4				
		STRUCTURE, CENTRE PORTION (D10631) (Cont'd)				
		HINGE, BOMB DOOR, REAR, AT STATION 347.94", PORT AND STARBOARD (1 & 2D9094)				
		Spares for:—				
	22D9094	BRACKET, ATTACHMENT, GROUP	1	—	MR	JB17/1018
		Spares for:—				
4780	14D9500	Adaptor	2	S1	C	JB17/1019
	24D9094	Bush, upper	2	S93	C	JB17/1020
1240	10D9094	Bush, lower	2	BSS369	C	JB17/1021
28N/9128956	AGS2031/8	Circlip, upper bushes	2	—	C	JB17/1022
28N/2001715	AGS2030/19	Circlip, lower bushes	2	—	C	JB17/1023
28N/9156370	SP 21	Nipple, grease	2	—	C	JB17/1024
4781	15D9500	Washer	2	L34	C	JB17/1025
	11D9094	Bracket, attachment, top, port	1	OTD683	MR	JB17/1026
	12D9094	Bracket, attachment, top, starboard	1	OTD683	MR	JB17/1027
1239	14D9094	Pin, hinge	1	S82	C	JB17/1028
	13D9094	Washer, hinge pin	2	S1	MR	JB17/1029
		HOISTING, ENGINE, REAR, INBOARD AND OUTBOARD, PORT AND STARBOARD (1, 2, 3 & 4F 10447) (See Power Installation—Engine Mounting and Hoisting)				
		HOISTING, ENGINE, FORWARD, IN- BOARD AND OUTBOARD, PORT AND STARBOARD (1, 2, 3 & 4F 10570) (Pre-Mod. 905) (1, 2, 3 & 4F 11534, Mod. 905) (See Power Installation—Engine Mounting and Hoisting)				

FUSELAGE
CENTRE PORTION

Ref No	Part No.	Description	No. off	Matl. Spec.	Cl. of St.		Plate and Mount'n No.
					M.A.		
		1 2 3 4					
		INTAKE, AIR, FIXED PORTION, AFT OF BULKHEAD 83.19", PORT AND STARBOARD (1 & 2F11529) (Mod. 206 and Pre-Mod. 2138) (1 & 2F12857) (Mod. 2138)					
	26F11529	Spares for:— INTAKE, AIR, INBOARD, PORT, GROUP (Pre Mod. 2138)	1	—			JB25/1030
	3F12857	INTAKE, AIR, INBOARD, PORT, GROUP (Mod. 2138)	1	—			
	27F11529	INTAKE, AIR, INBOARD, STARBOARD, GROUP (Pre-Mod. 2138)	1	—			JB25/1031
	4F12857	INTAKE, AIR, INBOARD, STARBOARD, GROUP (Mod. 2138)	1	—			
	28F11529	INTAKE, AIR, OUTBOARD, PORT, GROUP (Pre-Mod. 2138)	1	—			JB25/1032
	5F12857	INTAKE, AIR, OUTBOARD, PORT, GROUP (Mod. 2138)	1	—			
	29F11529	INTAKE, AIR, OUTBOARD, STAR- BOARD, GROUP (Pre-Mod. 2138)	1	—			JB25/1033
	6F12857	INTAKE, AIR, OUTBOARD, STAR- BOARD, GROUP (Mod. 2138)	1	—			
		Spares for:—					
28F/8011808	AGS1104/B	Adaptor, for intake drain	1	—		C	
	13F10441	Angle, mounting, former	3	—		MR	
	14F10441	Angle, mounting, former	2	—		MR	
	68F10441	Angle, mounting, former	7	—		MR	
	69F10441	Angle, mounting, former	10	—		MR	
	18F11529	Angle, mounting, former	1	—			
	18F11529	Angle, mounting, former	1	—			
28N/4180634	AGS880/B	Flange, female, for drain	1	—		C	
1433205	23F11529	JOINT, EXPANSION, GROUP	1	—		A	JB25/1034
		Spares for:—					
	21F11529	Plate, joint	2	L72			
	3F11529	Ring, seal	1	DYD5008	MR		JB25/1035
	10F11529	RING, GUIDE, GROUP	1	—	MR		JB25/1036
	24F11529	Seal	1	—	MR		JB25/1037
	7F12857	JOINT, SLIDING, INBOARD, GROUP (Mod. 2138)	1	—			
	8F12857	JOINT, SLIDING, OUTBOARD, GROUP (Mod. 2138)	1	—			
		Spares for:—					
1433374	14F12857	Pad	20	Nylon 66	C		
1433371	9F12857	Ring, half guide, inboard	1	L72	C		
1433389	10F12857	Ring, half guide, outboard	1	L72	C		
1433372	11F12857	Ring, half guide, inboard	1	L72	C		
1433370	12F12857	Ring, half guide, outboard	1	L72	C		
	15F12857	Strap, butt	2	L72	C		
	22F11529	Plate, joint	2	L72			
26FP/14845	AS2917	Plate, modification	1	—	MR		
	AS2916	Plate, seal	1	—	C		

VACAN No. 2

FUSELAGE
CENTRE PORTION

Page JB. 638

Ref. No.	Part No.	Description	No. off	Mach. Spec.	Cl. of	Place and Illust'n No.
					St. M.R.	
		<u>1 2 3 4</u>				
		INTAKE, AIR, FIXED PORTION, AFT OF BULKHEAD 83.19", PORT AND STARBOARD (1 & 2F11529 and 1 & 2F12857) (Cont'd)				
	6.D.4186	Ring, sealing for adaptor	1	DTD782		JB25/1038
1433821	8F11529	RING, GUIDE, GROUP	1	-	C	JB25/1038
	9F11529	RING, SHROUD, GROUP	1	-	MA	JB25/1040
28F/9428453	AGS.1186/B	Seal, bonded, for drain	1	-	C	

FUSELAGE
CENTRE PORTION

Ref. No.	Part No.	Description	No. off	Mater. Spec.	Cl. of	Plate and Illust'n No.	
					St. M.R.		
		1 2 3 4					
17228	8D11404 8A3214 12D11404 3SS4887	INTERCOSTAL, BETWEEN BOMB ARCHES 151.919" AND 171.842", PORT AND STARBOARD (1 & 2D10858)					
		Spares for:-					
		Bolt, shear, for lug	5	S94			
		Lug, suspension, forward	1	L77			
		Washer, under nut	5	S93			
		24D10484 6V9840	INTERCOSTAL, BETWEEN BOMB ARCHES 84.592" AND 96.987", PORT AND STARBOARD (21 & 22D10484)				
	Spares for:-						
	PANEL, STOWAGE, PORT, GROUP		-	-			
	Spares for:-						
	BRACKET, MOUNTING, C/W LABELS, GROUP		1	-			
		CAP, PLUG SEALING, GROUP	1	-			

VULCAN No. 7

FUSELAGE
CENTRE PORTION

Page JB. 65

Ref. No.	Part No.	Description	No. off	Matl. Spec.	Cl. of	Plate and Illust'n No.
					St.	
		1 2 3 4				
17228 26TA/2627		INTERCOSTAL BETWEEN BOMB ARCHES 64.582" and 96.967", PORT AND STARBOARD (21 & 22D10484) (Cont'd)				
	7V9940 SMITHS LF16 SMITHS LF36	CAP, PLUG SEALING, GROUP	2	—		
		Connector	1	—		
		Cover, connector	1	—		
		INTERCOSTAL BETWEEN BOMB ARCHES 171.842" AND 182.967" AND 182.967", PORT AND STARBOARD (1 & 2D11404)				
		Spare for:—				
	9D11404	Bolt, special, 3/8" dia.	1	S94		
	10D11404	Bolt, special, 3/8" dia.	6	S94		
	11D11404	Bolt, special, 1/2" dia.	1	S94		
	7A3214	Lug, suspension, aft	1	L77		
	12D11404	Washer, under nut	7	S93		
	13D11404	Washer, under nut	1	S93		
	3SS4667	Washer, under bolt head	7	DTD130	C	
	5SS4667	Washer, under bolt head	1	DTD130	C	
		INTERCOSTAL BETWEEN BOMB ARCHES 151.919" AND 171.872", PORT AND STARBOARD (1 & 2D11426)				
		Spare for:—				
	16D9416	Plate, plug mounting	1	L72		
		JOINT, BOMB BAY RIB 63.5" TO FRONT SPAR, TOP, PORT AND STARBOARD (1 & 2F7760)				
		Spare for:—				
	15F7760	Bolt, special, 3/8" dia. x 1.39" long	2	S96	MR	JB18/1041
	16F7760	Bolt, special, 3/8" dia. x 1.49" long	2	S96	MR	JB18/1042
	17F7760	Bolt, special, 1/2" dia. x 1.39" long	1	S96	MR	JB18/1043
	18F7760	Bolt, special, 1/2" dia. x 1.49" long	1	S96	MR	JB18/1044
	69F7760	Bolt, special, through front spar, top	2	S96	MR	JB18/1045
	41F7760	Bracket, attachment, top, aft inboard	1	DTD683	MR	JB18/1046
		starboard				
	42F7760	Bracket, attachment, top, aft inboard, port ..	1	DTD683	MR	JB18/1047
	43F7760	Bracket, attachment, top forward out-	1	DTD683	MR	JB18/1048
		board, port				
	44F7760	Bracket, attachment, top forward out-	1	DTD683	MR	JB18/1049
		board, starboard				
	45F7760	Bracket, attachment, top forward inboard, ..	1	DTD683	MR	JB18/1050
	port					
46F7760	Bracket, attachment, top forward inboard, ..	1	DTD683	MR	JB18/1051	
	starboard					
67F7760	Bracket, attachment, top aft, outboard, port ..	1	DTD683	MR	JB18/1052	
68F7760	Bracket, attachment, top aft, outboard,	1	DTD683	MR	JB18/1053	
	starboard					

FUSELAGE
CENTRE PORTION

Ref No	Part No.	Description	No. off	Metl. Spec.	Cl. of	Plate and Blust'n No.
					St.	
		1 2 3 4				
JOINT BOMB BAY RIB 83.5" TO FRONT SPAR, TOP (1 & 2F7760) (Cont'd)						
28M/4199622	A58/LS	Nut	4	—	MR/C	
28M/4199605	A58/NS	Nut	2	—	MR/C	
28M/4199549	A27/SC	Nut, captive	2	—	MR/C	
	26F7760	Washer, for bolts (16 & 16F7760)	4	L1	MR	JB18/1054
	27F7760	Washer, for bolts (17 & 18F7760)	2	L1	MR	JB18/1055
	34F7760	Washer, for bolt (69F7760)	2	L1	MR	JB18/1056
28W/9419462	SP15/S	Washer	2	—	MR/C	
JOINT, BOMB BAY RIB 83.5", TOP TO REAR SPAR, PORT AND STARBOARD (1 & 2F7761)						
Spares for:—						
	20F7761	Bolt, special, 1/2" dia. x 1.7" long	1	S96	MR	JB18/1057
	21F7761	Bolt, special, 9/16" dia. x 1.7" long	1	S96	MR	JB18/1058
	24F7761	Bolt, special, 5/8" dia. x 1.75" long	2	S96	MR	JB18/1059
	36F7761	Bolt, special, through spar	2	S96	MR	JB18/1060
	57F7761	Bolt, special, 1/2" dia. x 1.8" long	1	S96	MR	JB18/1061
	63F7761	Bolt, special, 9/16" dia. x 2.47" long	1	S96	MR	JB18/1062
	5F7761	Bracket, attachment, top aft outboard, port inboard	1	DTD683	MR	JB18/1063
	6F7761	Bracket, attachment, top aft inboard, port ... outboard, starboard	1	DTD683	MR	JB18/1064
	7F7761	Bracket, attachment, top forward inboard, starboard	1	DTD683	MR	JB18/1065
	8F7761	Bracket, attachment, top forward inboard, port	1	DTD683	MR	JB18/1066
	61F7761	Bracket, attachment, top forward outboard, port	1	DTD683	MR	JB18/1067
	62FF7761	Bracket, attachment, top forward outboard, starboard	1	DTD683	MR	JB18/1068
	15F10079	Bracket, attachment, web, port	1	—	MR	JB18/1069
	16F10079	Bracket, attachment, web, starboard	1	—	MR	JB18/1070
	17F10079	Bracket, attachment, stringer, port	1	—	MR	
	18F10079	Bracket, attachment, stringer, starboard	1	—	MR	
28M/4199622	A58/L2	Nut, for bolts (20 & 57F7761)	2	—	MR/C	JB18/1071
28M/4199605	A58/NS	Nut, for bolts (21 & 63F7761)	2	—	MR/C	JB18/1072
28M/4199664	A27/UC	Nut, for bolt (35F7761)	2	—	MR/C	JB18/1073
	64F7761	Nut, for bolt (24F7761)	2	S96	MR	JB18/1074
	32F7761	Washer, for bolt (35F7761)	2	L1	MR	JB18/1075
	27F7761	Washer, for bolts (20 & 57F7761)	2	L1	MR	JB18/1076
	28F7761	Washer, for bolts (21 & 63F7761)	2	L1	MR	JB18/1077
	29F7761	Washer, for bolts (24F7761)	2	L1	MR	JB18/1078
	37F7761	Washer, for bolts (20 & 57F7761)	2	S1	MR	JB18/1079
	38F7761	Washer, for bolts (21 & 63F7761)	2	S1	MR	JB18/1080
	39F7761	Washer, for bolts (24F7761)	2	S1	MR	JB18/1081
28W/9419462	SP10/U	Washer, for bolt (35F7761)	2	—	MR/C	JB18/1082

VULCAN No. 2		FUSELAGE				Page JB. 57	
		CENTRE PORTION					
Ref. No.	Part No.	Description	No. off	Mater. Spec.	Cl. of St.	Plate and Illust'n No.	
					M.R.		
		1 2 3 4					
		STRUCTURE, CENTRE PORTION (D10631) (Cont'd)					
		JOINT, BOMB BAY RIB 63.5. BOTTOM, TO FRONT SPAR, PORT AND STARBOARD (1 & 2F9948) (Mod. 143) Spares for:—					
	11F9948	Bolt, special, through spar	2	S96	MR	JB18/1083	
	20F7760	Bolt, special, 5/8" dia. x 1.9" long	1	S96	MR	JB18/1084	
	23F7760	Bolt, special, 3/4" dia. x 1.965" long	1	S96	MR	JB18/1086	
	49F7760	Bolt, special, 7/8" dia. x 2.065" long	1	S96	MR	JB18/1086	
	50F7760	Bolt, special, 7/8" dia. x 2.07" long	1	S96	MR	JB18/1087	
	51F7760	Bolt, special, 1" dia. x 2.08" long	1	S96	MR	JB18/1088	
	58F7760	Bolt, special, 7/8" dia. x 2.015" long	1	S96	MR	JB18/1089	
	3F9948	Bracket, attachment, bottom forward	1	DTD683	MR	JB18/1090	
	4F9948	Bracket, attachment, bottom forward	1	DTD683	MR	JB18/1091	
	5F9948	Bracket, attachment, bottom aft outboard, port	1	DTD683	MR	JB18/1092	
	6F9948	Bracket, attachment, bottom aft outboard, starboard	1	DTD683	MR	JB18/1093	
	7F9948	Bracket, attachment, bottom forward	1	DTD683	MR	JB18/1094	
	8F9948	Bracket, attachment, bottom forward	1	DTD683	MR	JB18/1095	
	9F9948	Bracket, attachment, bottom aft inboard, port	1	DTD683	MR	JB18/1096	
	10F9948	Bracket, attachment, bottom aft inboard, starboard	1	DTD683	MR	JB18/1097	
20M/419048	A27/SC	Nut, for bolt (11F9948)	2	—	MR/C	JB18/1098	
	65F7760	Nut, for bolt (20F7760)	1	HTS	MR	JB18/1099	
	70F7760	Nut, for bolt (23F7760)	1	HTS	MR	JB18/1100	
	71F7760	Nut, for bolts (49, 50 & 58F7760)	3	HTS	MR	JB18/1101	
	72F7760	Nut, for bolt (51F7760)	1	HTS	MR	JB18/1102	
	29F7760	Washer, for bolt (20F7760)	1	L1	MR	JB18/1103	
	31F7760	Washer, for bolts (23F7760)	1	L1	MR	JB18/1104	
	54F7760	Washer, for bolts (49, 50 & 58F7760)	3	L1	MR	JB18/1105	
	55F7760	Washer, for bolt (5F7760)	1	L1	MR	JB18/1106	
20N/8419482	SP.15/S	Washer, for bolt (11F9948)	1	—	MR/C	JB18/1107	
		JOINT, BOMB BAY RIB 63.5" BOTTOM TO REAR SPAR, PORT AND STARBOARD (3 & 4F7761) Spares for:—					
	19F7761	Bolt, special, 3/8" dia. x 1.70" long	1	S96	MR	JB18/1108	
	20F7761	Bolt, special, 1/2" dia. x 1.70" long	2	S96	MR	JB18/1109	
	21F7761	Bolt, special, 9/16" dia. x 1.73" long	1	S96	MR	JB18/1110	
	24F7761	Bolt, special, 5/8" dia. x 1.76" long	1	S96	MR	JB18/1111	
	25F7761	Bolt, special, 3/4" dia. x 1.78" long	1	S96	MR	JB18/1112	
	31F7761	Bolt, special, 1/2" dia. x 4.2" long	1	S96	MR	JB18/1113	
	32F7761	Bolt, special, 9/16" dia. x 4.3" long	3	S96	MR	JB18/1114	
	43F7761	Bolt, special, 13/16" dia. x 4.7" long	2	S99	MR	JB18/1115	
	72F7761	Bolt, special, 9/16" dia. x 2.64" long	1	S94	MR	JB18/1116	

FUSELAGE
CENTRE PORTION

Ref No	Part No.	Description	No. off	Matl. Spec.	Cl. of St.	Plate and Illust'n No.
					M.R.	
		1 2 3 4				
JOINT, BOMB BAY RIB 63.5" BOTTOM TO REAR SPAR, PORT AND STARBOARD (3 & 4F7761) (Cont'd)						
	11F7761	Bracket, attachment, bottom forward inboard, port	1	S96	MR	JB18/1117
	12F7761	Bracket, attachment, bottom forward inboard, starboard	1	S96	MR	JB18/1118
	15F7761	Bracket, attachment, bottom aft inboard, ... port	1	S96	MR	JB18/1119
	16F7761	Bracket, attachment, bottom aft inboard, ... starboard	1	S96	MR	JB18/1120
	17F7761	Bracket, attachment, bottom aft outboard, port	1	S96	MR	JB18/1121
	18F7761	Bracket, attachment, bottom aft outboard, starboard	1	S96	MR	JB18/1122
	58F7761	Bracket, attachment, bottom forward outboard, port	1	S96	MR	JB18/1123
	60F7761	Bracket, attachment, bottom forward outboard, starboard	1	S96	MR	JB18/1124
	55F7761	Bracket, port	1	S96	MR	JB18/1125
	56F7761	Bracket, starboard	1	S96	MR	JB18/1126
28M/4199616	A58/JS	Nut, for bolt (19F7761)	1	—	MR/C	JB18/1127
28M/4199622	A58/LS	Nut, for bolt (20F7761)	2	—	MR/C	JB18/1128
28M/4199606	A58/NS	Nut, for bolt (21F7761)	1	—	MR/C	JB18/1129
28M/4085902	A27/PC	Nut, for bolt (32F7761)	3	—	MR/C	JB18/1130
28M/4095848	A27/NC	Nut, for bolt (31F7761)	1	—	MR/C	JB18/1131
	26F7753	Nut, for bolt (43F7761)	2	S96	MR	JB18/1132
	47F7761	Nut, for bolt (72F7761)	1	S96	MR	JB18/1133
	64F7761	Nut, for bolt (24F7761)	1	S96	MR	JB18/1134
	65F7761	Nut, for bolt (25F7761)	1	S96	MR	JB18/1135
28W/9419488	SP13/N	Washer, for bolt (31F7761)	1	—	MR/C	JB18/1136
	27F7761	Washer, for bolts (20 & 31F7761)	3	L1	MR	JB18/1137
28W/9419488	SP13/P	Washer, for bolts (32F7761)	3	—	MR/C	JB18/1138
	28F7761	Washer, for bolts (21 & 32F7761)	2	L1	MR	JB18/1139
	28F7761	Washer, for bolt (19F7761)	1	L1	MR	JB18/1140
	29F7761	Washer, for bolt (24F7761)	1	L1	MR	JB18/1141
1767	30F7761	Washer, for bolt (25F7761)	1	L1	MR/C	JB18/1142
	35F7753	Washer, for bolt (43F7761)	2	DTD384A	MR	JB18/1143
	84F7753	Washer, for bolt (43F7761)	2	S1	MR	JB18/1144
	36F7761	Washer, for bolt (19F7761)	1	S1	MR	JB18/1145
	37F7761	Washer, for bolt (20F7761)	2	S1	MR	JB18/1146
	38F7761	Washer, for bolt (21 & 72F7761)	2	S1	MR	JB18/1147
	39F7761	Washer, for bolt (24F7761)	1	S1	MR	JB18/1148
	40F7761	Washer, for bolt (25F7761)	1	S1	MR	JB18/1149
JOINT, CENTRE ENGINE RIB 113.3" TO FRONT SPAR, TOP, PORT AND STARBOARD (21 & 22F8443)						
Spares for:—						
	15F8443	Bolt, special, through spar	2	S96	MR	JB19/1150
	7F8443	Bracket, attachment, top, forward, port	1	DTD683	MR	JB19/1151
	8F8443	Bracket, attachment, top, forward, starboard	1	OTD683	MR	JB19/1152

VULCAN No. 7

FUSELAGE
CENTRE PORTION

Page JB. 69

Ref. No.	Part No.	Description	No. off	Mati. Spec.	Cl. of St.		Plate and Must'n No.
					MR	MR	
		1 2 3 4					
		JOINT, CENTRE ENGINE RIB 113.3" TO FRONT SPAR, TOP, PORT AND STARBOARD (21 & 22F8443) (Cont'd)					
	19F8443	Bracket, attachment, top aft, port and starboard	1	DTD883	MR		JB19/1153
	20F8443	Bracket, attachment, top aft, port and starboard	1	DTD883	MR		JB19/1154
28M/419835	A27/LC	Nut, castle	2	—	MR/C		JB19/1155
28W/8418457	10F8443	Washer, for bolt (15F8443)	2	DTD364B	MR		JB19/1156
	SP13/L	Washer, for bolt (15F8433)	2	—	MR/C		JB19/1157
		JOINT, CENTRE ENGINE RIB 113.3" TO FRONT SPAR, BOTTOM, AND FORWARD MAIN JACKING POINT, PORT AND STARBOARD (3 & 4F8443)					
		Spares for:—					
	13F8443	Bracket, attachment, aft, port and starboard	1	DTD364B	MR		JB19/1158
	14F8443	Bracket, attachment, aft, port and starboard	1	DTD364B	MR		JB19/1159
	13F8494	Bracket, attachment, forward, port	1	DTD364B	MR		JB19/1160
	14F8494	Bracket, attachment, forward, starboard	1	DTD364B	MR		JB19/1161
28M/419835	A27/LC	Nut, castle	4	—	MR/C		JB19/1162
28W/8418457	16F8494	Stud, special	2	S96	MR		JB19/1163
	SP13/L	Washer	4	—	MR/C		JB19/1164
		JOINT, CENTRE ENGINE RIB 113.3" TO REAR SPAR TOP AND BOTTOM, PORT AND STARBOARD (1, 2, 3 & 4F8173)					
		Spares for:—					
	8F8173	Bolt, special, top joint	1	S96	MR		JB19/1165
	9F8173	Bolt, special, bottom joint	1	S96	MR		JB19/1166
	10F8173	Bolt, special, top joint	2	S96	MR		JB19/1167
	11F8173	Bolt, special, bottom joint	2	S96	MR		JB19/1168
	5F8173	Bracket, attachment, forward, top port, bottom starboard	1	DTD364B	MR		JB19/1169
	8F8173	Bracket, attachment, forward, top starboard, bottom port	1	DTD364B	MR		JB19/1170
	7F8173	Bracket, attachment, aft, port and starboard	1	DTD364B	MR		JB18/1171
28M/9512071	A27/GC	Nut, for bolts (10 & 11F8173)	2	—	MR/C		JB19/1172
28M/4095949	A27/NC	Nut, for bolts (8 & 9F8173)	1	—	MR/C		JB19/1173
		JOINT, TRANSPORT RIB 182.5" TOP, TO FRONT SPAR, PORT AND STARBOARD (48 & 49F8775)					
		Spares for:—					
1084	9F7756	Bolt, special, 2" dia. x 8.43" long	2	S99	MR/C		JB20/1174
	10F8775	Bolt, special, 0.865" dia. x 4.72" long	2	S99			JB20/1175
	11F8775	Bolt, special, 1" dia. x 4.9" long	1	S99			JB20/1176
	12F8775	Bolt, special, 0.75" dia. x 4.67" long	1	S99			JB20/1177
	18F7756	Nut, for bolt (9F7756)	2	S1			JB20/1178
28M/4095885	A27/QS	Nut, slotted, 5/8" BSF	3	—	MR/C		JB20/1179
28M/4095931	A27/SS	Nut, slotted, 3/4" BSF	1	—	MR/C		JB20/1180

FUSELAGE
CENTRE PORTION

Ref No	Part No	Description	No. off	Matl. Spec.	Cl. of	Plate and Illustr'n No.
					St.	
		1 2 3 4				
		JOINT, TRANSPORT RIB 182.5" TOP TO FRONT SPAR, PORT AND STAR- BOARD (48 & 49F8775) (Cont'd)				
	21F7758	Pin, split for bolt (8F7758)	2	—	MR	JB20/1181
	28F8775	Shackle	2	S99		JB20/1182
	24F7753	Washer, for bolt (11F8775)	1	DTD364A	MR	JB20/1183
	25F7753	Washer, for bolt (11F8775)	1	S1		JB20/1184
3873	28F7753	Washer, for bolt (12F8775)	1	DTD364A	MR/C	JB20/1185
	29F7753	Washer, for bolt (12F8775)	1	S1	MR	JB20/1186
3871	19F7758	Washer, for bolts (10F8775)	2	DTD364A	MR/C	JB20/1187
3874	20F7758	Washer, for bolt (10F8775)	2	S1	MR/C	JB20/1188
	27F8775	Washer, for bolt (9F7758)	2	DTD130		JB20/1189
	4F8628	Washer, for bolts (9F7758)	2	S1	MR	JB20/1190
		JOINT, TRANSPORT RIB 182.5" BOTTOM, TO FRONT SPAR, PORT AND STARBOARD (1 & 2F11338) (Mod. 729)				
		Spare for:—				
	13F8775	Angle, stiffening	1	DTD363A	MR	JB20/1191
	10F8775	Bolt, special, 0.875" dia. x 8.43" long	2	S99		JB20/1192
	11F8775	Bolt, special, 1" dia. x 4.9" long	1	S99		JB20/1193
	12F8775	Bolt, special, 0.75" dia. x 4.87" long	1	S99		JB20/1194
1085	28F7758	Bolt, special, through spar	2	S99	MR/C	JB20/1195
	18F7758	Nut, for bolt (28F7758)	2	S1		JB20/1196
28M/4095885	A27/QS	Nut, slotted, 5/8" BSF	3	—	MR/C	JB20/1197
28M/4095931	A27/SS	Nut, slotted, 3/4" BSF	1	—	MR/C	JB20/1198
1072	21F7758	Pin, split, for bolt (26F7758)	1	—	MR	JB20/1199
	48F8775	Shackle	1	S99	MR	JB20/1200
	47F8775	Shackle	1	S99	MR	JB20/1201
	24F7753	Washer, for bolt (11F8775)	1	DTD364A	MR	JB20/1202
	25F7753	Washer, for bolt (11F8775)	1	S1		JB20/1203
3873	28F7753	Washer, for bolt (12F8775)	1	OYD364A	MR/C	JB20/1204
	29F7753	Washer, for bolt (12F8775)	1	S1	MR	JB20/1205
3871	19F7758	Washer, for bolt (10F8775)	2	DTD364A	MR/C	JB20/1206
3874	20F7758	Washer, for bolt (10F8775)	2	S1	MR/C	JB20/1207
	4F8628	Washer, for bolt (26F7758)	2	S1	MR	JB20/1208
	27F8775	Washer, for bolt (26F7758)	2	DTD130		JB20/1209
	3F8628	Web, joint plate (blank)	1	DTD887	MR	JB20/1210
		MECHANISM, BOMB DOOR, AFT, PORT AND STARBOARD (1 & 2D9048)				
		Spare for:—				
	7D9048	BOLT, GREASER, ATTACHING JACK	1	—	MR	JB22/1211
	28D9048	BOLT, GREASER, ATTACHING LINKS	2	—	MR	JB22/1212
	19D9048	Bush, spacer, 3" dia. x 2-1/2" long	1	DTD364B	MR	JB22/1213
	20D9048	Bush, spacer, 3" dia. x 2" long	1	DTD364B	MR	JB22/1214
	21D9048	Bush, spacer, 3" dia. x 2" long	1	DTD364B	MR	JB22/1215
	22D9048	Bush, spacer, 3" dia. x 2-1/2" long	1	DTD364B	MR	JB22/1216
	23D9048	Bush, 1-3/8" dia. x 1-1/8" long	2	S80	MR	JB22/1217
	27D9048	Bush, 1" dia. x 1/4" long	4	S1	MR	JB22/1218

VULCAN No. 2

FUSELAGE
CENTRE PORTION

Page JB. 71

Ref. No.	Part No.	Description	No. off	Mater. Spec.	Cl. of	Place and Illust'n No.
					St. M.R.	
		1 2 3 4				
		MECHANISM, BOMB DOOR, AFT (1 & 2D9048) (Cont'd)				
27QM/1480888	DOWTY 1.02179.023	Jack, port (Mod. 2318)	1	--	A	JB22/1219
27QM/1480888	DOWTY 1.02178.023	Jack, starboard (Mod. 2318)	1	--	A	JB22/1220
	30D9048	LEVER, PORT AND STARBOARD, GROUP	1	--	MR	JB22/1221
1090 21882	4D9048 24D9048	Spare for:-- Bush, 3" dia. x 1-1/4" long	2	B8	C	JB22/1222
		Bush, 1-3/4" dia. x 1" long	2	S80	C	JB22/1223
	18D9048	LEVER, GROUP	1	--		
28N/9158370	2D9883 SP.21	Spare for:-- Bearing, spherical	2	--	C	JB22/1224
	25D9048 W & S	Nipple, grease	1	--	MR	JB22/1224
26TA/22066	8SS5880	Piece, extension	1	DTD384B		
		Plate, securing (No. 8)	2	--		
	17D9048	Pin, jack attachment	2	S99	MR	JB22/1225
	1D9880	STRUT, INBOARD, GROUP	1	--	MR	JB22/1226
	4D9880	Spare for:-- END, EYE, GROUP	1	--		
26TA/22185	1D9883 W & S 7SS5880	Spare for:-- Bearing, spherical	1	--		
		Plate, securing (No. 7)	1	--		
28M/4095835	2D9880 A27/ST A27/STL 3D9880	End, fork	1	L65	C	
		Nut, lock, R.H.	1	--		
		Nut, lock, L.H.	1	--		
		Strut	1	L66		
	1D9881	STRUT, OUTBOARD, GROUP	1	--	MR	JB22/1227
28M/4095835	3D9881 A27/ST	Spare for:-- End, fork	1	L66	MR	
		Nut, lock, R.H.	1	--	C	
	2D9881	STRUT, GROUP	1	--		
26TA/22185	1D9883 W & S 7SS5880	Spare for:-- Bearing, spherical	1	--		
		Plate, securing	1	--		
	24F7753	Washer, for bolt (7D9048)	1	DTD384A	MR	JB22/1228
	25F7753	Washer, for bolt (7D9048)	1	S1		JB22/1229
	29D9048	Washer, link, to lever bolt	1	L72	MR	JB22/1230

FUSELAGE
CENTRE PORTION

Ref. No.	Part No.	Description	No. off	Matl. Spec.	Cl. of	Plate and Illust'n No.
					St. M.R.	
		1 2 3 4				
		MECHANISM, BOMB DOOR, FORWARD, PORT AND STARBOARD (51D9374)				
	709048	Spare for:— BOLT, GREASER, ATTACHING JACK TO LEVER, GROUP	1	—	MR	JB22/1231
	1809374	Bracket, lever	2	DTD883		JB22/1232
	1909374	Bracket, jack	1	DTD883		JB22/1233
	2009374	Bracket, jack	1	DTD883		JB22/1234
	57D9374	BRACKET, CLIP MOUNTING, GROUP	1			JB22/1236
	65D9374	BRACKET, GUARD, GROUP	2	—		JB21/1236
	8009374	Bracket, inboard for hyd. panel	2	DTD130		
	81D9374	Bracket, outboard, for hyd panel	1	DTD130		
	2309048	Bush, 1-2/8" dia. x 1-1/8" long	4	S80	MR	JB22/1237
1090	409048	Bush	4	B8	C	JB22/1238
1091	1608839	Bush, spacing	2	L65	C	JB22/1238
	808839	Collar, spacing	2	L65	MR	JB22/1240
		CRUTCHING, FORWARD ARRANGEMENT (1D10905)				
		Spare for:— BEAM, CRUTCHING (1D10913)				
	2D10913	Spare for:— BRACKET, CRUTCH, PORT, GROUP	1	—		JB21/1241
	3D10913	BRACKET, CRUTCH, STARBOARD, GROUP	1	—		JB21/1242
		Spare for:— Bush	1	S96		
	11D10913	Nut, for adjusting screw	2	S1		
	10D10913	Screw, adjusting	2	S99		
	37D10905	PAD, CRUTCH, GROUP	2	—		
7829	34D10905	Peg, locating	1	S96	C	JB21/1243
		SLIDES, FREON CONNECTION CYLINDERS (1D11979) (Mod. 1075)				
		Spare for:— BAR, CROSS, GROUP	1	—		
	126D10905	SLIDE, GROUP	1	—		
	1D11940	Spring	2	DTD215	MR	
	128D10905	Tube	1	L65		
	127D10905					
	81D9374	Guard, earth terminal	1	Fibreglass		

VULCAN PHL 3

FUSELAGE
CENTRE PORTION

Page JB. 73

Ref. No.	Part No.	Description	No. off	Mact. Spec.	Cl. of	Place and Illus'n No.
					St. M.R.	
		<u>1 2 3 4</u>				
		MECHANISM, BOMB DOOR, FORWARD (51D8374) (Cont'd)				
27QM 1490888	DOWTY 1.02178.023	Jack, starboard (Mod. 2318)	1	-	A	JB22/1244
27QM 1490896	DOWTY 1.02179.023	Jack, port (Mod. 2318)	1	-	A	JB22/1245
	30D9048	LEVER, PORT AND STARBOARD, GROUP (For Spares:- See Page JB. 70)	1	-	MR	JB22/1248
	28D9048	LINKAGE, BOMB DOORS, FORWARD, PORT AND STARBOARD (1 & 2D9201) Spares for:- BOLT, GREASER, GROUP	1	-	MR	JB22/1247
	27D9048	Bush, 1" dia. x 1/4" long	4	S1	MR	JB22/1248
	1D9880	STRUT, INBOARD, GROUP	1	-	MR	JB22/1249
	1D9881	STRUT, OUTBOARD, GROUP	1	-	MR	JB22/1250
	29D9048	Washer, special	1	L72		JB22/1251
28M/4095931	A27/55	Nut, for bolt (7D9048)	2	-	C	JB22/1252
	7D8839	Pin	4	S99	MR	JB22/1253
	2D8839	Stop, lever	1	DTD683		JB22/1254
21638	80D9374	Terminal, earth	2	S1	C	
	24F7753	Washer, for bolt (7D9048)	2	OTD364A	MR	JB22/1255
	25F7753	Washer, for bolt (7D9048)	2	S1		JB22/1256
	3D8822	MEMBER, DIFFUSION ARRANGEMENT, PORT AND STARBOARD (1 & 2D8822) Spares for:- MEMBER, DIFFUSION, PORT, GROUP ..	1	-		
	4D8822	MEMBER, DIFFUSION, STARBOARD, ... GROUP	1	-		
	8211	MOUNTING, ACCESS, FOR DORSAL FIN AERIAL (1D8382) (Mod. 542) Spares for:- PANEL, ACCESS, GROUP	1	-	B	JB26/1257
28FP/9430815	AJ4/30	Fastener, Dzus	18	-	C	
28FP/9430816	GAA/250	Grommet, Dzus	18	-	C	
28FP/9430818	S4/200	Spring, Dzus	15	-	C	

FUSELAGE
CENTRE PORTION

Ref. No.	Part No.	Description	No. off	Matl. Spec.	Cl of	Place and Illust'n No.
					St.	
		1 2 3 4				
		STRUCTURE, CENTRE PORTION (D10631) (Cont'd)				
		MOUNTING, PLUGS, QUICK DIS- CONNECTING, IN POWER COMPARTMENT, PORT (1V11410) (Mod. 1417)				
		Spares for: -				
12898	20V11410	DOOR, GROUP (Mod. 18381)	1	-	B	JB25/1268
		Spares for: -				
11632	23D12159	Bolt, shoot	1	S96	C	JB25/1269
	AS1878/115	Hinge (undrilled)	1	-		JB25/1280
12638	23eD12159	Housing	1	L66	C	JB25/1261
11633	23gD12159	Plate, operating	1	S96	C	JB25/1282
	147SS4700	Spring	1	-		JB25/1283
11637	17V11410	HOUSING, SPRING, GROUP	1	-	B	JB25/1284
		Consisting of: -				
	17bV11410	Cap, end	1	S81		
	17dV11410	Collar	1	S81		
	17eV11410	Housing	1	S81		
28M/1008473	A27/CT	Nut	1	-	C	
	17eV11410	Nut, lock (Made from A27/UT)	1	-		
	17cV11410	Plunger	1	S81		
	6Z7769	Spring	1	-		
	3V11410	PANEL, MOUNTING, C/W LABELS,	1	-		JB25/1265
		GROUP				
5CY/5371		Plug	1	-	B	
5CY/4376232		Plug, true earth	1	-	B	
	19V8387	Plug (Make from 5CY/4314)	1	-	B	
		MOUNTING, SNATCH TYPE DIS- CONNECTORS, IN POWER COMPARTMENT, STARBOARD (1T5686) (Mod. 1418)				
		Spares for: -				
5CZ/4360488		Block, terminal	2	-	C	
	1T5639	BOX ASSEMBLY, GROUP	1	-		JB25/1266
12636	21T5686	DOOR, GROUP	1	-	B	JB25/1267
		Spares for: -				
11632	23D12159	Bolt, shoot	1	S96	C	JB25/1268
12638	4T5686	Door	1	L72	C	JB25/1269
12637	6T5686	Hinge	1	L59	C	JB25/1270
12638	23eD12159	Housing	1	L85	C	JB25/1271
11633	23gD12159	Plate, operating	1	S96	C	JB25/1272
	147SS4700	Spring	1	-		JB25/1273
	18T5686	Fairlead, half	2	BS2966		JB25/1274

VULCAN No. 3

FUSELAGE
CENTRE PORTION

Page JB 75

Ref. No.	Part No.	Description	No. off	Matl. Spec.	Cl. of	Plate and Inst'n No.
					St. M.R.	
		1 2 3 4				
		MOUNTING, SNATCH TYPE DIS-CONNECTORS (1T5588) (Cont'd)				
11637	17V11410	HOUSING, SPRING, GROUP (For Breakdown—See Page JB. 731)	1	—	B	JB25/1275
10HA/9326	—	Plug and socket, tele-scramble	1	—	B	JB25/1276
10H/2206	—	Socket, mic-tel	1	—	B	JB25/1277
		PANELS, BLANKING, BOMB BAY ROOF, FORWARD OF REAR SPAR (1D11120) (Mod. 542) Spares for:—				
	10D11120	PANEL, GROUP	1	—		
	11D11120	PANEL, GROUP	2	—		
		RIB, BOMB BAY, 63.5", PORT AND STARBOARD (1 & 2F10004) Spares for:—				
9187	91F7896	Bobbin, 2 1/2" dia. x 1-1/4" long	2	DTD364		
	92F7896	Bobbin, 2 1/8" dia. x 1-1/4" long	2	DTD364		
	96F7896	Bobbin, 2 1/8" dia. x 1" long	1	DTD364	C	
	115F7896	Bobbin, 2 1/2" dia. x 1-1/8" long	1	DTD364		
	116F7896	Bobbin, 2-1/4" dia. x 1-1/4" long	1	DTD364		
	1F10025	Boom, top, port	1	DTD363A	MR	
	5F10004	Boom, bottom, port	1	DTD364B	MR	JB24/1278
	2F10025	Boom, top, starboard	1	DTD363A	MR	
	6F10004	Boom, bottom, starboard	1	DTD364B	MR	JB24/1279
12516	555F10004	BRACKET, HOISTING, GROUP	1	—	C	JB24/1280
12517	556F10004	BRACKET, HOISTING, GROUP	1	—	C	JB24/1281
12518	557F10004	BRACKET, HOISTING, GROUP	1	—	C	JB24/1282
12519	558F10004	BRACKET, HOISTING, GROUP	1	—	C	JB24/1283
12520	559F10004	BRACKET, HOISTING, GROUP	1	—	C	JB24/1284
9440	105F7896	Intercostal, R H, port	1	L72	C	
	106F7896	Intercostal, L H, port	1	L72		
		MOUNTING, ENGINE TRUNNION, PORT AND STARBOARD (1 & 2O3795) (See Power Installation—Engine Mounting and Hoisting)				
9438	55F9815	Plate, stiffening, port	1	L72	C	
9439	113F8815	Plate, lever support, port	1	L72	C	
	567F10004	Plate, reinforcing, port (Mod. 2080) ..	1	—		
	568F10004	Plate, reinforcing, starboard (Mod. 2080) ..	1	—		
	569F10004	Plate, reinforcing, port (Mod. 2080) ..	1	—		
	570F10004	Plate, reinforcing, starboard (Mod. 2080) ..	1	—		
26FP/13043	1SS3259	Plate, mod	1	—	C	
26FP/13044	1SS3260	Plate, serial	1	—	C	

FUSELAGE
CENTRE PORTION

Ref. No.	Part No.	Description	No. off	Matl. Spec.	Cl of	Place and Illust'n No.
					St.	
		1 2 3 4			M.R.	
		STRUCTURE, CENTRE PORTION (Q10631) (Cont'd)				
		RIB, 63.5", FORWARD OF FRONT SPAR, PORT AND STARBOARD (29 & 30F7759)				
		Spares for:-				
	3F7759	Beam, top, port	1	DTD363A	MR	
	4F7759	Beam, top, starboard	1	DTD363A	MR	
	1F10688	Beam, bottom, port	1	DTD363A	MR	JB24/1285
	2F10688	Beam, bottom, starboard	1	DTD363A	MR	JB24/1286
		RIB, 63.5", AFT PORTION, PORT AND STARBOARD (34 & 35F8063)				
		Spares for:-				
	3F8063	Beam, top, port	1	DTD363A	MR	
	4F8063	Beam, top, starboard	1	DTD363A	MR	
	5F8063	Beam, bottom, port	1	DTD363A	MR	JB24/1287
	6F8063	Beam, bottom, starboard	1	DTD363A	MR	JB24/1288
	47F8063	Panel, access	1	L72		
		RIB, CENTRE ENGINE 113.3", PORT AND STARBOARD (1 & 2F10005)				
		Spares for:-				
	11SS3655	Adaptor, special	1	-	MR	JB24/1288
		BEARING FOR R.A.T.O.G. SPIGOT, PORT AND STARBOARD (196F10005)				
		Spares for:-				
	191F10005	Bearing, spherical	1	BSS389		JB27/1290
	194F10005	Bolt, special	1	S83		JB27/1291
	301F8496	Pin, retaining	1	S1		JB27/1292
6139	11.O.3733	PLATE, COVER, GROUP	1	-	C	JB27/1293
	FJ4/150	Spares for:-				
		Fastener, dzus	1	-		
13532	197F10005	Angle, attachment	2	L72	C	
	325F8498	Block, lifting	2	S1 or S83		
	15F10005	Beam, top	1	DTD887	MR	
	16F10005	Beam, bottom	1	DTD887	MR	JB24/1294
12521	235F10005	BRACKET, HOISTING, GROUP	1	-	C	JB24/1295
12522	236F10005	BRACKET, HOISTING, GROUP	1	-	C	JB24/1296
12523	237F10005	BRACKET, HOISTING, GROUP	1	-	C	JB24/1297
12524	238F10005	BRACKET, HOISTING, GROUP	1	-	C	JB24/1298
12526	239F10005	BRACKET, HOISTING, GROUP	1	-	C	JB24/1299
10941	17T3722	BRACKET, CLIP, GROUP	8	-	C	JB24/1300

VULCAN No. 2

FUSELAGE
CENTRE PORTION

Page JB. 77

Ref. No.	Part No.	Description	No. off	Matl. Spec.	Cl. of	Plate and Illust'n No.
					Se. M.R.	
		<u>1 2 3 4</u>				
		RIB, CENTRE ENGINE 113.3", PORT AND STARBOARD (1 & 2F10005) (Cont'd)				
	208F8496	Channel, port and starboard, 20G x 4-3/4" x 8-1/2" long	1	L72		
13535	150F10005	Channel, 18G x 0.75" x 0.75" x 5" long	1	L72	C	
	155F8496	FAIRLEAD, AFT OF FRONT SPAR, PORT, AND STARBOARD, GROUP	1	-		JB24/1301
	166F8496	FAIRLEAD, AFT OF FRONT SPAR, PORT, GROUP	1	-		JB24/1302
	157F8496	FAIRLEAD, AFT OF FRONT SPAR, STARBOARD, GROUP	1	-		JB24/1303
		MOUNTING, ENGINE TRUNNIONS, PORT AND STARBOARD (1 & 2.O.3793) (See Power Installation—Engine Mounting and Hoisting)				
28FP/13043	1SS3259	Plate, mod	1	-	C	
28FP/13044	1SS3260	Plate, serial	1	-	C	
	189F10005	Stiffener, channel	1	L72	MR	
	190F10005	Stiffener, channel	1	L72	MR	
	31F8496	Stiffener, "Z" section	1	L72	MR	
	32F8496	Stiffener, "Z" section	1	-	MR	
	33F8496	Stiffener, "Z" section	1	-	MR	
	34F8496	Stiffener, "Z" section	1	-	MR	
	35F8496	Stiffener, "Z" section	1	-	MR	
	142F10005	Stiffener, "Z" section	1	-	MR	
13507	143F10005	Stiffener, "Z" section	1	-	MR	
	170F10005	Stiffener, "Z" section	1	-	C	
		STRUCTURE, AIRBRAKE, PORT AND STARBOARD (13 & 14F10005)				
		Spares for:—				
	66F8496	Channel, 20G x 4-3/4" x 12" long	1	L72		
10114	1SS1585	Tab, locking, for adaptor	1	-	C	
		RIB, 113.3", AFT OF REAR SPAR, PORT AND STARBOARD (33 & 40F8051) (Mod. 589)				
		Spares for:—				
	25F8051	Boom, bottom, port	1	DTD364B	MR	JB24/1304
	27F8051	Boom, top, port	1	DTD364B	MR	
	28F8051	Boom, top, starboard	1	DTD364B	MR	
	39F8051	Boom, bottom, starboard	1	DTD364B	MR	JB24/1305

FUSELAGE
CENTRE PORTION

Ref. No.	Part No.	Description	No. off	Matl. Spec.	Cl. of St. M.R.	Plate and Illust'n No.
		1.2.3.4				
		STRUCTURE, CENTRE PORTION (D10631) (Cont'd)				
		RIB, TRANSPORT, 162.5", PORT AND STARBOARD (1 & 2F10006) Spares for:- BEAM, MAIN U/C BEARING AND CAP, PORT AND STARBOARD (7 & 8K2751) (See Alighting Gear—Main Undercarriage) BEAM, DRAG LINK BEARING, PORT AND STARBOARD (11 & 12K2751) (See Alighting Gear—Main Undercarriage)				
	358F10006	Block, rubbing (Mod. 1458)	2	BSS2572	C	
	228F8435	Bolt, eye, for jury strut	1	DTD364B	MR	JB24/1306
	128F8435	Bolt, special, 3/8" dia. at forward jacking pad	2	S96	C	JB24/1307
	129F8435	Bolt, special, 3/8" dia. at rear main jacking point	1	S96	MR	JB24/1308
22851	130F8435	Bolt, special, 3/8" dia. at rear auxiliary jacking point	6	S96	C	JB24/1309
	131F8435	Bolt, special, 3/8" dia. at rear auxiliary jacking point	2	S96		JB24/1310
	139F8435	Bolt, special, 7/16" dia. at rear main jacking point	1	S96	MR	JB24/1311
	141F8435	Bolt, special, 7/16" dia. at forward jacking pad	2	S96		JB24/1312
	411F8435	Bolt, special, 7/16" dia. at rear main jacking point	1	H.T.S.	MR	JB24/1313
	5Z8845	Bolt, special, 1/4" dia. at rear jacking points	4	H.T.S.	MR	JB24/1314
11019	11F8504	Bolt, at rear main jacking point	2	-	C	JB24/1315
		(Made from A25/ZE)				
	3F8435	Boom, top, port	1	DTD363A	MR	
	4F8435	Boom, top, starboard	1	DTD363A	MR	
	267F10006	Boom, bottom, port	1	DTD363A	MR	JB24/1316
	268F10006	Boom, bottom, starboard	1	DTD363A	MR	JB24/1317
1433318	3Z10800	Bracket, mounting (Mod. 2000)	1	-	C	
	401F8435	Bracket, window launching unit, port	1	L65	MR	JB24/1318
	402F8435	Bracket, window launching unit, starboard	1	L65	MR	JB24/1319
21044	233F10006	Bracket, hinge, forward door, station 68.42", port	1	S96	C	JB23/1320
21045	234F10006	Bracket, hinge, forward door, station 68.42", starboard	1	S96	C	JB23/1321
21042	235F10006	Bracket, hinge, forward door, station 84.71", port and station 111.63", starboard	1	S96	C	JB23/1322
21043	236F10006	Bracket, hinge, forward door, station 111.63", port and station 84.71", starboard	1	S96	C	JB23/1323
21041	237F10006	Bracket, hinge, forward door, station 97.76", port and starboard	1	S96	C	JB23/234

VULCAN No. 1

FUSELAGE
CENTRE PORTION

Page JB. 79

Ref. No.	Part No.	Description	No. off	Matl. Spec.	Cl. of	Plate and Illust'n No.
					St. M.R.	
		1 2 3 4				
		RIB, TRANSPORT, 162.5", PORT AND STARBOARD (1 & 2F10006) (Cont'd)				
21039	239F10006	Bracket, hinge, forward and centre doors, ... stations 124.73", starboard and 133.19", port	1	S96	C	JB23/1325
21040	239F10006	Bracket, hinge, forward and centre doors, ... stations 124.73", port and 133.19", starboard	1	S96	C	JB23/1326
21051	240F10006	Bracket, hinge, centre and rear doors, ... stations 144.4" and 247", starboard	1	S96	C	JB23/1327
21050	241F10006	Bracket, hinge, centre and rear doors, ... stations 144.4" and 247", port	1	S96	C	JB23/1328
21048	242F10006	Bracket, hinge, centre door, station ... 156.63", port and starboard	1	S96	C	JB23/1329
21057	243F10006	Bracket, hinge, centre door, station ... 164.55", port and starboard	1	S96	C	JB23/1330
21056	244F10006	Bracket, hinge, centre door, station ... 173.47", starboard	1	S96	C	JB23/1331
21055	245F10006	Bracket, hinge, centre door, station ... 173.47", port	1	S96	C	JB23/1332
21054	246F10006	Bracket, hinge, rear door, station 191", ... starboard	1	S96	C	JB23/1333
21053	247F10006	Bracket, hinge, rear door, station 191", ... port	1	S96	C	JB23/1334
21052	248F10006	Bracket, hinge, rear door, station 204.28", ... port and starboard	1	S96	C	JB23/1335
21047	249F10006	Bracket, hinge, rear door, station ... 219.78", port	1	S96	C	JB23/1336
21048	250F10006	Bracket, hinge, rear door, station ... 219.78", port and starboard	1	S96	C	JB23/1337
		Attachments, Brackets (233 to 251 F10006) inclusive				JB23/1338
28D/1213738	A30/12E	Bolt	8	-	C	
28D/1213739	A30/13E	Bolt	8	-	C	
28D/1213740	A30/14E	Bolt	4	-	C	
28D/1213741	A30/15E	Bolt	8	-	C	
28D/1213743	A30/17E	Bolt	4	-	C	
28D/1213744	A30/18E	Bolt	4	-	C	
28D/1213747	A30/21E	Bolt	8	-	C	
28D/1213748	A30/22E	Bolt	8	-	C	
28D/1213750	A30/24E	Bolt	4	-	C	
28D/1213751	A30/25E	Bolt	4	-	C	
28M/1007403	A27/ET	Nut	60	-	C	
28W/9418820	SP10/E	Washer	60	-	C	
12526	352F10006	BRACKET, HOISTING, GROUP	1	-	C	JB24/1339
12527	353F10006	BRACKET, HOISTING, GROUP	1	-	C	JB24/1340
12528	354F10006	BRACKET, HOISTING, GROUP	1	-	C	JB24/1341
12529	355F10006	BRACKET, HOISTING, GROUP	1	-	C	JB24/1342
12530	356F10006	BRACKET, HOISTING, GROUP	1	-	C	JB24/1343

FUSELAGE
CENTRE PORTION

Ref. No.	Part No.	Description	No. off	Matl. Spec.	Cl. of	Plate and Illust'n No.
					St. M.R.	
		1 2 3 4				
		RIB, TRANSPORT, 162.5', PORT AND STARBOARD (1 & 2F10006) (Cont'd)				
	253F8435	Bracket, mounting, main U/C door catch, ... rear port	1	DTD88C		JB24/1344
	254F8435	Bracket, mounting, main U/C door catch, ... rear starboard	1	DTD88C		JB24/1345
	337F8435	Bracket, mounting, main U/C door catch, ... forward, port	1	DTD683		JB24/1346
	338F8435	Bracket, mounting, main U/C door catch, ... forward, starboard	1	DTD683		JB24/1347
8820	8F8774	Bracket, strut attachment	3	DTD88C	C	JB24/1348
1060	8F8502	CAP, SEALING, AUXILIARY JACKING ... POINT, FORWARD, PORT, GROUP	1	-	C	JB24/1349
	10F8502	CAP, SEALING, AUXILIARY JACKING ... POINT, FORWARD, STARBOARD, GROUP	1	-	MR	JB24/1350
1058	14F8504	Spares for:- Bolt, special	1	H.T.S.	C	JB24/1361
	413F8435	CAP, SEALING, MAIN AND AUXILIARY JACKING POINTS, PORT AND STARBOARD, GROUP	2	-		JB24/1352
	414F8435	Spares for:- Bolt, special	1	H.T.S.	C	JB24/1353
7808	120F10006	CATCH, ROLLER, REAR STARBOARD, ... GROUP	1	-	C	JB24/1354
7809	121F10006	CATCH, ROLLER, REAR PORT, ... GROUP	1	-	B	JB24/1355
7810	77F10006	Spares for:- Bolt, roller attachment	1	S80	C	JB24/1356
	118F10006	Bracket, starboard	1	S96		JB24/1357
	119F10006	Bracket, port	1	S96		JB24/1358
7811	78F10006	Roller	1	Monel	C	JB24/1359
12578	285F10006	CATCH, ROLLER, FORWARD, PORT ... GROUP	1	-	B	JB24/1360
12579	286F10006	CATCH, ROLLER, FORWARD, STARBOARD, GROUP	1	-	B	JB24/1361
7810	77F10006	Spares for:- Bolt, roller attachment	1	S80	C	JB24/1362
	263F10006	Bracket, port	1	S96		JB24/1363
	264F10006	Bracket, starboard	1	S96		JB24/1364
7811	78F10006	Roller	1	Monel	C	JB24/1365
13594	328F8435	Channel, attachment	1	L72	C	JB24/1366
		MOUNTING, ENGINE TRUNNIONS, PORT AND STARBOARD (1 & 2.O.3794) (See Power Installation—Engine Mounting and Hoisting)				

VULCAN PL. 2

FUSELAGE
CENTRE PORTION

Page JB. B1

Ref. No.	Part No.	Description	No. off	Matl. Spec.	Cl. of	Plate and Illust'n No.
					St. M.R.	
		1. 2. 3. 4				
		RIB, TRANSPORT, 162.5", PORT AND STARBOARD (1 & 2F10006) (Cont'd)				
1505139	381F10006	Mounting, pad, forward ancillary jacking point, port (Mod. 2245)	1	--	C	
1505140	382F10006	Mounting, pad, forward ancillary jacking point, starboard (Mod. 2245)	1	--	C	
	383F10006	Mounting, pad, aft main jacking point, port (Mod. 2245)	1	--	MR	
	384F10006	Mounting, pad, aft main jacking point, starboard (Mod. 2245)	1	--	MR	
1433937	380F10006	Mounting, pad, aft ancillary jacking point, port and starboard (Mod. 2245)	1	--	C	
1433317	4Z10800	PAD, PROTECTIVE (Mod. 2000)	1	--	C	
		Spares for:--				
	6Z10800	Bolt, special	1	--	C	
	7Z10800	Pad	1	--	C	
21058	319F10006	Pad, stop	2	L65	C	
	289F10006	Plate, blanking (Mod. 1726)	2	L72	C	
28FP/13043	1SS3289	Plate, mod.	1	--	C	
28FP/13044	1SS3280	Plate, serial	1	--	C	
	221FB435	POINT, RIGGING, PORT AND STARBOARD, GROUP	2	--		JB24/1367
		Spares for:--				
1510285	224FB435	Screw, special	1	S1		JB24/1368
	400F8435	Stop	2	L72		
		STOWAGE, GROUND LOCK MAIN U/C, PORT AND STARBOARD (1 & 2Z9526)				
		Spares for:--				
1510541	3Z9526	Bracket, forward bottom port	1	--	C	JB24/1369
	4Z9526	Bracket, forward bottom starboard	1	--		JB24/1370
	5Z9526	Bracket, rear bottom port	1	--		JB24/1371
	6Z9526	Bracket, rear bottom starboard	1	--		JB24/1372
	1Z9527	BRACKET, TOP, PORT, GROUP	1	--		JB24/1373
	2Z9527	BRACKET, TOP, STARBOARD, GROUP	1	--		JB24/1374
		Spares for:--				
	5Z9527	Clip, for strap	1	L72		
	6Z9527	Strap, 1/8" x 1" x 9.17" long	1	Leather		
	132FB435	Stud, special	1	S96		
	1SS4052	Terminal, earth	1P	--		JB24/1375
	354088	Terminal, earth	2S	--	MR	JB24/1376
	335F9706	Washer, special	1S	--	MR	JB24/1377
			8	--		

FUSELAGE
CENTRE PORTION

Ref. No.	Part No.	Description	No. off	Mach. Spec.	Cl. of	Place and Illust'n No.
					St. M.R.	
		1 2 3 4				
		STRUCTURE, CENTRE PORTION (D10631) (Cont'd)				
		RIB, 162.5", AFT PORTION, PORT AND STARBOARD (81 & 76F8052) Spares for:-				
	11F8052	Boom, bottom, port	1	DTD3648	MR	JB24/1378
	12F8052	Boom, bottom, starboard	1	DTD3648	MR	JB24/1378
	13F8052	Boom, top, port	1	DTD3648	MR	
	14F8052	Boom, top, starboard	1	DTD3648	MR	
		FAIRING, ELEVATOR, PORT AND STARBOARD (1 & 2F 10601) Spares for:-				
21992	21F 10601	Fairing, port	1	L72		JB26/1380
	22F 10601	Fairing, starboard	1	L72		JB26/1381
	90F8052	Panel, access, port, rear	1	L72	MR	JB26/1382
	95F8052	Panel, access, port, centre	1	L72	MR	JB26/1383
	96F8052	Panel, access, port, forward	1	L72	MR	JB26/1384
		SKINNING, UNDERSIDE NO. 1 TANK COMPARTMENT (12DB449) Spares for:-				
	83D9449	Bracket, at former 101F" for fairlead	1	L72		
	102D9449	Bracket, mounting, for emergency air valve	1	L72		
	75D9449	Fairing	1	L72		
	84D9449	Fairlead, half, on bracket (83D9449)	2	BSS688		
	91D9449	Fairlead, half, between stations 86.5F" and 101F", starboard	2	BSS872		
	92D9449	Fairlead, half, at station 130F"	2	BSS872		
	148D9449	Fairlead, half, at station 130F", starboard	2	BSS2968		
2026	26D9449	PANEL, ACCESS, BETWEEN FORMERS 86.5F" AND 101F", CENTRE, GROUP	1	-	C	JB27/1385
2027	27D9449	PANEL, access, between formers 145.25F" and 160.5F", centre	1	L72	C	JB27/1386
2028	33D9449	Panel, access, between formers 115.5F" and 130F", centre	1	L72	C	JB27/1387
2029	39D9449	Panel, access, between formers 175F" and 189.5F", centre	1	L72	C	JB27/1388
2031	58D9449	Panel, access, between formers 86.5F" and 101F", starboard	1	L72	C	JB27/1389
2030	78D9449	Panel, access, between formers 101F" and 115.5F", centre	1	L72		JB27/1390
	107D9449	Panel, access, outboard, port and starboard	7	L72	MR	JB27/1391
21765	180D9449	Panel, access, between formers 130F" and 145.5F", port	1	L72		JB27/1392
	46SS3271	Panel, access, 5-1/2" dia	6	L72	MR	JB27/1393

VULCAN No. 2

FUSELAGE
CENTRE PORTION

Page JB.83

Ref. No.	Part No.	Description	No. off	Matl. Spec.	Cl. of	Plate and Inst'n No.
					Sl. M.R.	
		1 2 3 4				
		STRUCTURE, CENTRE PORTION (D10631) (Cont'd)				
	115D9449	PANEL, ACCESS, BETWEEN FORMERS 175F" AND 189.5F", INBOARD AND OUTBOARD, GROUP	2	—		JB27/1394
21784	135D9449	Plate, door, between formers 180.5F" and 189.5F", starboard	1	L72	C	JB27/1395
		SKINNING, CENTRE PORTION, TOP AND BOTTOM, PORT AND STARBOARD (1 & 42D10640) (Mod. 588) Spares for:—				
	2SS5206	Bung, expanding, port and starboard	1	—	MR	JB26/1398
		DOORS, ACCESS, FUEL LEVEL SWITCH AND TANK TERMINAL BOX, PORT AND STARBOARD (1 & 2D9149) Spares for:—				
	5D9149	DOOR, ACCESS, FOR FUEL LEVEL	1	—	MR	JB26/1397
	6D9149	DOOR, ACCESS, FOR TANK TERMINAL BOX, GROUP	1	—	MR	JB26/1398
	192SS8001	Label, level switch	1	—		
	193SS8001	Label, terminal box	1	—		
280/9133012	A25/3C	Attachments, Panels (5 & 6D9149) Bolt, 2 BA	14	—	C	
9888	198D9450	DOOR, ACCESS, FOR R.A.T.O. GROUND OPERATING RELEASE, PORT AND STARBOARD, GROUP	2	—	B	JB27/1399
	AS3179/1	Spares for:— Door, access, and retaining ring	1	—	MR	JB27/1300
	449D10640	Packing, L.H. (Mod. 2189)	1	—		
	450D10640	Packing, R.H. (Mod. 2188)	1	—		
	180D9450	PANEL, ACCESS, FOR EMERGENCY DE-FUELLING BETWEEN FORMERS 201.378A" AND 225.227A" TOP (Pre-Mod. 996)	1	—		JB26/1401
		PANELS, ACCESS, FOR EXAMINATION OF JET PIPE RINGS (1F13378) (Mod. 2476) Spares for:—				
23017	2F13378	Panel, access, No. 1 aft	1	—	C	JB27/1996
23018	3F13378	Panel, access, No. 2 aft	1	—	C	JB27/1997
23019	4F13378	Panel, access, No. 3 aft	1	—	C	JB27/1998
23020	5F13378	Panel, access, No. 4 aft	1	—	C	JB27/1999
23021	8F13378	Panel, access, No. 1 fuel	1	—	C	JB27/2000
23022	7F13378	Panel, access, No. 2 fuel	1	—	C	JB27/2001
23023	8F13378	Panel, access, No. 3 fuel	1	—	C	JB27/2002
23024	8F13378	Panel, access, No. 4 fuel	1	—	C	JB27/2003

FUSELAGE
CENTRE PORTION

Ref. No.	Part No.	Description	No. off	Matl. Spec.	Cl. of St.	Plate and Hues'n No.
					M.R.	
		<u>1 2 3 4</u>				
	AS1248-1C AGS2008C1	Attachments, panels (2 to 9F13378) Bolt, 2BA Nut, anchor	184 184			
23026	10F13378	Strap, seating, No's. 1 & 3 aft	2	—	C	
23026	11F13378	Strap, seating, No's. 2 & 4 aft	2	—	C	
23027	12F13378	Strap, seating, No's. 1 & 3 aft	2	—	C	
23028	13F13378	Strap, seating, No's. 2 & 4 aft	2	—	C	
23029	14F13378	Strap, seating, No's. 1 & 3 fwd.	2	—	C	
23030	15F13378	Strap, seating, No's. 2 & 4 fwd.	2	—	C	
23031	16F13378	Strap, seating, No's. 1 & 3 fwd.	2	—	C	
23032	17F13378	Strap, seating, No's. 2 & 4 fwd.	2	—	C	
11948	231D10640	Panel, skin, engine bay, top surface between intercostals 25 & 29 port	1	L72	C	JB26/1402
	232D10640	Panel, skin, engine bay, top surface between intercostals 25 & 29 stbd.	1	L72	MR	JB26/1403
	233D10640	Panel, skin, engine bay, top surface between intercostals 29 & 32 port	1	L72	MR	JB26/1404
	234D10640	Panel, skin, engine bay, top surface between intercostals 29 & 32 stbd.	1	L72	MR	JB26/1405
	235D10640	Panel, skin, engine bay, top surface between intercostals 32 & 35 port	1	L72	MR	JB26/1406
	236D10640	Panel, skin, engine bay, top surface between intercostals 32 & 35 stbd.	1	L72	MR	JB26/1407

FUSELAGE
CENTRE PORTION

Ref. No.	Part No.	Description	No. off	Mater. Spec.	Cl. of St.		Plate and Illust'n No.
						M.A.	
		<u>1 2 3 4</u>					
		SKINNING, CENTRE PORTION, TOP AND BOTTOM (1 & 42D10640) (Cont'd)					
11952	237D10640	Panel, skin, engine bay top, surface between intercostals 36 and 39, port	1	L72	C		JB26/1408
	238D10640	Panel, skin, engine bay top surface, between intercostals 36 and 39, starboard	1	L72	MR		JB26/1409
11954	239D10640	Panel, skin, engine bay top surface, between intercostals 39 and 42, port	1	L72	C		JB26/1410
11955	240D10640	Panel, skin, engine bay top surface, between intercostals 39 and 42, starboard	1	L72	C		JB26/1411
	81DB734	Panel, skin, bottom surface, forward of rear spar at rib 63.5	1	L72	MR		JB27/1412
10748	146D9450	Panel, skin, bottom surface in airbrake area, port	1	DTD687	C		JB27/1413
10749	147D9450	Panel, skin, bottom surface in airbrake area, starboard	1	DTD687	C		JB27/1414
	447D10640	Plate, inner strap L.H. (Mod. 2189)	1	-			
	448D10640	Plate, inner strap R.H. (Mod. 2189)	1	-			
		VENTILATION OF POWER COMPARTMENT (D13805) (S.O.O. Mod. 2290)					
		Spare for:-					
	3D13805	INTAKE, AIR, GROUP	2	-	-		
	45D10386	LOUVRE, GROUP	2	-	-		
		SPAR, FRONT, CRANKED CENTRE SECTION (1F10380)					
		Spare for:-					
		(BOLTS AT CENTRE JOINT)					
	111F9844	Bolt, special, 1" dia. x 4.03"	2	S99	MR		JB21/1415
	113F9844	Bolt, special, 0.875" dia. x 3.84"	2	S99	MR		JB21/1416
	115F9844	Bolt, special, 0.875" dia. x 3.68"	2	S99	MR		JB21/1417
	118F9844	Bolt, special, 0.75" dia. x 3.34"	2	S99	MR		JB21/1418
		(BOLTS AT INBOARD JOINT RIB 63.5" BOTTOM BOOM, PORT AND STARBOARD)					
	112F9844	Bolt, special, 1" dia. x 3.93"	2	S99	MR		JB18/1419
	114F9844	Bolt, special, 0.875" dia. x 3.81"	2	S99	MR		JB18/1420
	116F9844	Bolt, special, 0.875" dia. x 3.67"	2	S99	MR		JB18/1421
	117F9844	Bolt, special, 0.75" dia. x 3.45"	4	S99	MR		JB18/1422
	168F9844	Bolt, special, 0.5" dia. x 2.7"	2	S99	MR		JB18/1423
		(BOLTS AT OUTBOARD JOINT, RIB 162.5", TOP AND BOTTOM BOOMS, PORT AND STARBOARD)					
	272F8505	Bolt, special, top, 1.25" dia. x 5.85"	2	S99	MR		JB20/1424
	273F8505	Bolt, special, bottom, 1.25" dia. x 6.59"	2	S99	MR		JB20/1425
	274F8505	Bolt, special, top, 1" dia. x 5.11"	2	S99	MR		JB20/1426
	275F8505	Bolt, special, bottom, 1" dia. x 5.58"	1	S99	MR		JB20/1427
	276F8505	Bolt, special, top, 0.75" dia. x 4.38"	2	S99	MR		JB20/1428
	277F8505	Bolt, special, bottom, 0.75" dia. x 4.83"	2	S99	MR		JB20/1429
	101F9844	Bolt, special, inboard joint rib 63.5", 1-1/8" dia. x 2.7" long	2	S99	MR		JB18/1430

FUSELAGE
CENTRE PORTION

Ref. No.	Part No.	Description	No. off	Matl. Spec.	Cl. of	Plate and Illustr'n No.
					St. M.R.	
		<u>1 2 3 4</u>				
		SPAR. FRONT, CRANKED CENTRE SECTION (1F10380) (Cont'd)				
	204F8505	Bolt, special, top and bottom booms, outboard, port and starboard, 0.25" dia. x 0.36" long	4	S96	MR	
	215F8505	Bolt, special, top and bottom booms, outboard, port and starboard, 0.375" dia. x 0.75" long	6	S96	MR	
	280F8505	Bolt, special, for bracket outboard, top boom, port and starboard	2	S99		
	281F8505	Bolt, special, for bracket, outboard, bottom boom, port and starboard	2	S99		
	35F11310	Bolt, special, bottom boom, outboard, port and starboard	2	-	MR	
11373	241F9844	Bolt, special, inboard rib joint, rib 63.5" ...	2	S94	MR	JB18/1431
	242F9844	Bolt, special, inboard rib joint, rib 63.5" ...	2	S94	MR	JB18/1432
	8010885	Bolt, eye	2	L85	MR	
	5F9844	Boom, centre, bottom, L.H.	1	DTD383A	MR	
	6F9844	BOOM, centre, bottom, R.H.	1	DTD383A	MR	
	7F9844	Boom, outboard bottom, port	1	DTD383A	MR	
	8F9844	Boom, outboard bottom, starboard	1	DTD383A	MR	
	220F9844	Bush, fibreless, for bolt (10F9844)	2	DTD6518	MR	JB18/1433
	278F8505	Bush, at shackle, top boom outboard, port and starboard	2	S96 or T90	MR	JB20/1434
	279F8505	Bush, at shackle, bottom boom outboard, ... port and starboard	2	S96 or T90	MR	JB20/1435
	18F8494	CAP, SEALING, JACKING POINT, GROUP	2	-	MR	JB19/1436
		Spares for:-				
1069	14F8504	Bolt	1	S1	C	
	18aF8494	Stud (Make from A28/10C)	-	-		
	7F12388	Channel, reinforcing (Mod. 2248)	1	-		
	60S1927	FAIRLEAD AT RIB 63.5, PORT AND STARBOARD, BOTTOM, GROUP	2	-		
	134F9844	Forging, joint, rib 182.5", top, port	1	DTD683	MR	JB20/1437
	135F9844	Forging, joint, rib 182.5", top, starboard	1	DTD683	MR	JB20/1438
	149F10380	Forging, joint, rib 182.5", bottom, port ... (Mod. 728)	1	S96	MR	JB20/1439
	150F10380	Forging, joint, rib 182.5", bottom, starboard (Mod. 729)	1	S96	MR	JB20/1440
	87F9844	Forging, joint, rib 63.5", forward, port	1	S99	MR	JB18/1441
	88F9844	Forging, joint, rib 63.5", forward, starboard	1	S99	MR	JB18/1442
	89F9844	Forging, joint, rib 63.5", aft, port	1	S99	MR	JB18/1443
	90F9844	Forging, joint, rib 63.5", aft, starboard	1	S99	MR	JB18/1444
2374	30F7753	Nut, for bolts (276 & 277F8505)	4	S96	MR/C	JB20/1445
	26F7753	Nut, for bolts (274 & 275F8505)	4	S96	MR	JB20/1446
	44F7752	Nut, for bolt (281F8505)	2	S1	MR	JB20/1447
3888	45F7752	Nut, for bolts (272 & 273F8505)	4	S96	MR/C	JB20/1448
	104F9844	Nut, for bolt (101F9844)	2	S1	MR	JB18/1449

FUSELAGE
CENTRE PORTION

Ref. No.	Part No.	Description	No. off	Matl. Spec.	Cl. of	Plate and Illust'n No.
					St.	
		1 2 3 4			M.R.	
		SPAR, FRONT, CRANKED CENTRE SECTION (1F10360) (Cont'd)				
26FP/14846	27F9844	Plate, joint, centre, forward	1	S89	MR	
	28F9844	Plate, joint, centre, aft	1	S89	MR	
	A529 17	Plate, mod.	1	-	MR	
	A529 18	Plate, serial	1	-	C	
	17F8775	Plate, rubbing, at outboard joint shackles top and bottom, port and starboard	4	L72	MR	
	186F9844	Plate, rubbing, at outboard joint aft, port and starboard	1	L72	MR	
	187F9844	Plate, rubbing, at centre joint, aft	1	L72	MR	
	18F8775	Plate, rubbing, at outboard transport joint, top, aft, port and starboard	1	-	MR	
	19F8775	Plate, rubbing, at outboard transport joint, bottom, aft, port and starboard	1	-	MR	
	33F8775	Plate, reinforcing, at outboard transport joint top aft, port and starboard	1	S89	MR	
	34F8775	Plate, reinforcing, at outboard transport joint, top forward, port and starboard	1	S89	MR	
	35F8775	Plate, reinforcing, at outboard transport joint, bottom, aft, port and starboard	1	S89	MR	
	38F8775	Plate, reinforcing, at outboard transport joint, bottom, forward, port and starboard	1	S89	MR	
	2F12885	Plate, reinforcing (Mod. 2248)	1	-		
	3F12885	Plate, reinforcing (Mod. 2249)	1	-		
	2F9262	Plate, tank button	48	L72	MR	
	31F8775	Shackle, joint, top boom, port and starboard	1	S89	MR	JB20/1450
	32F8775	Shackle, joint, bottom boom, port and starboard	1	S89		JB20/1451
		STRUCTURE, BOMB DOOR MECHANISM (3309028)				
		Spare for:-				
20722 20724	3609028	Bracket, lever	2	DTD883		
	3709028	Bracket, jack, port	1	DTD883	C	
	3809028	Bracket, jack, starboard	1	DTD883	C	
	1609028	Plate, bearing	2	DTD3648	MR	
		STRUCTURE FOR STEP AT FRONT SPAR (129429)				
		Spare for:-				
	1029429	STEP ASSEMBLY, GROUP	1	-		JB21/1452
		Spare for:-				
	529429	STEP, GROUP	1	-		
	829429	Tube, support Assy.	2	L54		
	429429	Tread (pyramid matting)	1	-		

FUSELAGE
CENTRE PORTION

Ref. No.	Part No.	Description	No. off	Mater. Spec.	Cl. of	Place and Illust'n No.	
					St. M.R.		
		1 2 3 4					
SPAR, FRONT, CRANKED CENTRE SECTION (1F 10300) (Cont'd)							
3891 3892 3893	100F7500	Washer, for bolts (188F9844)	2	-		JB18/1453	
	29F7753	Washer, for bolts (117 & 118F9844)	8	S1	MR	JB18/1454	
	71F8505	Washer, for bolts (276 & 277F8505)	8	S1	C	JB20/1455	
	72F8505	Washer, for bolts (274 & 275F8505)	8	S1	C	JB20/1456	
	73F8505	Washer, for bolts (272, 273, 280 & 281F8505)	12	S1	C	JB20/1457	
	22F8775	Washer, for bolts (117 & 118F9844 and 275 & 276F8775)	14	DTD130		JB18/1458	
1433433	8SS4888	Washer	4	-	MR	JB18/1459	
	7SS4887	Washer	4	-	C	JB18/1460	
	23F8775	Washer, for bolts (274 & 275F8505 and 111 & 112F9844)	12	DTD130		JB18/1461	
	24F8775	Washer, for bolts (272 & 273F8505)	8	DTD130		JB20/1462	
	26F8775	Washer, for bolts (280 & 281F8505)	4	-		JB20/1463	
	103F9844	Washer, for bolts (101F9844)	4	L72		JB18/1464	
	120F9844	Washer, for bolts (111 & 112F9844)	4	S1		JB18/1465	
	121F9844	Washer, for bolt (114, 115 & 118F9844)	6	S1		JB18/1466	
	170F9844	Washer, for bolt (101F9844)	2	DTD130		JB18/1467	
	171F9844	Washer, for bolts (114, 115 & 118F9844)	4	DTD130		JB18/1468	
	172F9844	Washer, for bolt (188F9844)	1	DTD130		JB18/1469	
	286F9844	Washer, for bolt (113F9844)	2	-		JB21/1470	
	SPAR, REAR, CENTRE SECTION (74F 10183) (Mod 509)						
	Spar for:-						
	311F7753	Bearing, bomb door linkage	4	DTD683	MR	JB22/1471	
	34F7753	Bolt, for attaching jet pipe ring centre inboard, inner	4	S98	MR	JB21/1472	
	37F7753	Bolt, for attaching jet pipe ring centre inboard, outer	8	S98	MR	JB21/1473	
2372	38F7753	Bolt, for attaching jet pipe ring centre outboard, inner	8	S98	MR/C	JB21/1474	
2387	321F7753	Bolt, for attaching jet pipe ring to spar	180	S94 or 95	MR/C	JB21/1475	
2388	322F7753	Bolt, for attaching jet pipe ring to spar	382	S94 or 95	MR/C	JB21/1476	
2389	323F7753	Bolt, for attaching jet pipe ring to spar	148	S94 or 95	MR/C	JB21/1477	
	351F7753	Bolt, for attaching jet pipe centre, outboard, outer	8	S98		JB21/1478	
8278	363F7753	Bolt, at wing root, through forging top and bottom, port and starboard	4	S98	MR/C	JB20/1479	
	26F10183	Boom, bottom, rear spar	1	DTD363A	MR	JB21/1480	
	347F7753	Bush, at wing root, top and bottom, port and starboard	4	S98 or T90	MR	JB20/1481	
	362F7753	Bush, at fin post support, top	2	S98 or T90		JB21/1482	
3904	7F7753	Forging wing root joint, top, port	1	DTD683	MR/C	JB20/1483	
3906	8F7753	Forging wing root joint, top, starboard	1	DTD683	MR/C	JB20/1484	
	26F10183	Forging wing root joint, bottom, port	1	DTD683	MR	JB20/1485	
	27F10183	Forging wing root joint, bottom, starboard	1	DTD683	MR	JB20/1486	
2374	28F7753	Nut, for bolts (34, 37, 38 & 34F7753)	24	S96	MR	JB21/1487	
	30F7753	Nut, for bolts (349, 350 & 351F7753)	16	S96	MR/C	JB21/1488	
	348F7753	Pin, shackle	4	S98		JB20/1489	
	349F7753	Pin, shackle	4	S98		JB20/1490	
	350F7753	Pin, shackle	4	S98		JB20/1491	

FUSELAGE
CENTRE PORTION

Ref No.	Part No	Description	No. off	Matl. Spec.	Cl. of St		Plate and Illust'n No.
					MR		
		SPAR, REAR, CENTRE SECTION (74F10183) (Mod. 569) (Cont'd)					
	31F10183	Plate, reinforcing, wing root joint, bottom forward, port and starboard	2	S99		MR	
	32F10183	Plate, reinforcing, wing root joint, bottom	2	S99		MR	
	33F10183	Plate, reinforcing, wing root joint, top, forward port and aft, starboard	2	S99		MR	
	34F10183	Plate, reinforcing, wing root joint, top, aft, port and forward, starboard	2	S99		MR	
	28F10183	Plate, rubbing, wing root joint top, port and starboard	2	L72		MR	
	29F10183	Plate, rubbing, wing root joint bottom, port and starboard	2	L72		MR	
	30F10183	Plate, rubbing at shackle (35F10183)	2	L72		MR	
	36F10183	Plate, rubbing, at jet ring, outboard, port and starboard	2	L72		MR	
	37F10183	Plate, rubbing, at jet ring, inboard, port and starboard	2	L72		MR	
	53F7753	Ring, jet pipe, forward inboard, port	1	S99 or EN26Y		MR	JB21/1482
	54F7753	Ring, jet pipe, forward inboard, starboard ...	1	—			JB21/1483
	55F7753	Ring, jet pipe, forward outboard, port	1	S99 or EN26Y		MR	JB21/1484
	56F7753	Ring, jet pipe, forward outboard, starboard	1	S99 or EN26Y		MR	JB21/1485
	145F7753	Ring, jet pipe, aft inboard, port	1	S99 or EN26Y		MR	JB21/1486
	148F7753	Ring, jet pipe, aft inboard, starboard	1	S99 or EN26Y		MR	JB21/1487
	147F7753	Ring, jet pipe, aft, outboard, port	1	S99 or EN26Y		MR	JB21/1488
	148F7753	Ring, jet pipe, aft, outboard, starboard	1	S99 or EN26Y		MR	JB21/1489
	35F10183	Shackle, joint, outboard	4	S99		MR	JB20/1500
	24F7753	Washer, for pin (348F7753)	4	DTD364A		MR	JB20/1501
	25F7753	Washer, for pin (348F7753)	4	S1			JB20/1502
	28F7753	Washer, for pin (349F7753)	4	DTD364A		MR/C	JB20/1503
	29F7753	Washer, for pin (349F7753)	4	S1		MR	JB20/1504
	32F7753	Washer, for pin (350F7753)	4	DTD364A		MR	JB20/1505
	40F7753	Washer, for bolt (351F7753)	8	DTD364A		MR/C	JB21/1506
	64F7753	Washer, for bolt (37, 38 & 363F7753)	20	DTD364A			JB20/1507
	84F7753	Washer, for bolt (34F7753)	4	S1 or S93		MR	JB21/1508
	85F7753	Washer, for bolt (351F7753)	8	S1 or S93		MR	JB21/1509
	170F7753	Washer, at bolt (348F7753)	2	DTD364A			JB20/1510
	171F7753	Washer, at bracket, inboard end of shackle	2	DTD364A			JB20/1511
		SPECTRE, NACELLE INSTALLATION, R.A.T.O.G. (16.0.3733) (See Equipment, Aircraft)					
		STOWAGE, BOMB DOOR LINK SUPPORT (1D10543) Spares for:—					
	2D10543	Bracket, angle	8	DTD364B			JB22/1512
28FP/8613104	A.1011	Pin, pip	4	—		C	

VULCAN No. 1

FUSELAGE
CENTRE PORTION

Page JB. 89

Ref. No.	Part No.	Description	No. off	Mater. Spec.	Cl. of	Place and
					Sc.	
					M.R.	No.
			1	2	3	4
		STRUCTURE, CENTRE PORTION (D10631) (Cont'd)				
		STRUCTURE AROUND ACCESS DOORS AT FORMERS 370A" & 389A" (82D9489)				
		Spares for:-				
2353	7D9489	Bracket, attachment	1	L72	MR/C	
2354	8D9489	Bracket, attachment	1	L72	MR/C	
2355	9D9489	Bracket, attachment	1	L72	MR/C	
2356	26D9489	Bracket, attachment	1	L72	MR/C	
2356	27D9489	Bracket, attachment	1	L72	MR/C	
2362	28D9489	Bracket, attachment	1	L72	MR/C	
21786	32D9489	Bracket	2	DTD364B	MR/C	
	33D9489	Bracket	2	DTD364B	MR/C	
2350	10D9489	Channel, vertical	1	L72	MR/C	
2351	11D9489	Channel, horizontal	1	L72	MR/C	
	24D9489	Diaphragm	1	L72	MR	
2361	20D9489	Gusset	1	L72	MR/C	
2358	17D9489	Member, skin attachment	1	L72	MR/C	
2359	18D9489	Member, skin attachment	1	L72	MR/C	
	236D9489	Pin	2	S98	MR	
	31D9489	Stop	2	DTD130A	MR	
		STRUCTURE, AIR INTAKE AFT OF FRONT SPAR (1 & 2F10018) (Pre Mod. 360) (1 & 2F10426 Mod. 360, Pre Mod. 1682) 343 & 344F10426, Mod 1682)				
		Spares for -				
	KING A/C C.7930	Fastener, lower body	114	-	MR	
	39F10018	PANEL, ACCESS, OUTBOARD TUNNEL OUTBOARD, PORT, GROUP (Pre-Mod 360)	1	-		
7585	39F10426	PANEL, ACCESS, OUTBOARD TUNNEL OUTBOARD, PORT, GROUP (Mod. 360)	1	-	B	JB25/1513
	40F10018	PANEL, ACCESS, OUTBOARD TUNNEL OUTBOARD, STARBOARD, GROUP (Pre-Mod 360)	1	-		
7588	40F10426	PANEL, ACCESS, OUTBOARD TUNNEL OUTBOARD, STARBOARD, GROUP (Mod 360)	1	-	B	JB25/1514
	41F10018	PANEL, ACCESS, OUTBOARD TUNNEL INBOARD, PORT, GROUP (Pre-Mod. 360)	1	-		
7587	41F10426	PANEL, ACCESS, OUTBOARD TUNNEL INBOARD, PORT, GROUP (Mod 360)	1	-	B	JB25/1515
7598	42F10018	PANEL, ACCESS, OUTBOARD TUNNEL INBOARD, STARBOARD, GROUP (Pre-Mod 360)	1	-	B	
7588	42F10426	PANEL, ACCESS, OUTBOARD TUNNEL INBOARD, STARBOARD, GROUP (Mod 360)	1	-	B	JB25/1516
7587	59F10018	PANEL, ACCESS, INBOARD TUNNEL OUTBOARD, PORT, GROUP (Pre-Mod 360)	1	-	B	
	59F10426	PANEL, ACCESS, INBOARD TUNNEL OUTBOARD, PORT, GROUP (Mod. 360)	1	-		JB25/1517
	60F10018	PANEL, ACCESS, INBOARD TUNNEL OUTBOARD, STARBOARD, GROUP (Pre-Mod 360)	1	-		
	60F10426	PANEL, ACCESS, INBOARD TUNNEL OUTBOARD, STARBOARD, GROUP (Mod 360)	1	-		JB25/1518

FUSELAGE
CENTRE PORTION

Ref. No.	Part No.	Description	No. off	Matl. Spec.	Cl. of	Plate and Illust'n No.
					St. M.R.	
		1 2 3 4				
		STRUCTURE, AIR INTAKE AFT OF FRONT SPAR (Cont'd)				
7591	81F10018	PANEL, ACCESS, INBOARD TUNNEL INBOARD, PORT, GROUP (Pre Mod 380)	1	-		
	81F10428	PANEL, ACCESS, INBOARD TUNNEL INBOARD, PORT, GROUP (Mod 380)	1	-	B	JB25/1519
	82F10018	PANEL, ACCESS, INBOARD TUNNEL INBOARD, STARBOARD, GROUP (Pre-Mod 380)	1	-		
7592	82F10428	PANEL, ACCESS, INBOARD TUNNEL INBOARD, STARBOARD, GROUP (Mod 380)	1	-	B	JB25/1520
8229	KING A/C C5892 C5893	Spare for:-				
		Fastener, upper body	280	-	MR	
		Fastener, lower body	280	-	C	
		STRUCTURE, AROUND AIRBRAKE, TOP, PORT AND STARBOARD (1 & 2F10173)				
		Spare for:-				
12625	1F11521/W	PANEL, ACCESS, TOP, OUTBOARD, WHITE, PORT, GROUP (Mod 1877)	1	-	B	JB25/1521
	1F11521/P	PANEL, ACCESS, TOP, OUTBOARD, PRIMED, PORT, GROUP (Mod 1877)	1	-		
	1F11521/EP	PANEL, ACCESS, TOP, OUTBOARD, POLYURATHANE FINISH, PORT, GROUP (Mod 2129)	1	-		JB26/1521B
12626	2F11521/W	PANEL, ACCESS, TOP, OUTBOARD, WHITE, STARBOARD, GROUP (Mod 1877)	1	-	B	JB26/1522
	2F11521/P	PANEL, ACCESS, TOP, OUTBOARD, PRIMED, STARBOARD, GROUP (Mod 1877)	1	-		JB26/1522A
	2F11521/EP	PANEL, ACCESS, TOP, OUTBOARD, POLYURATHANE FINISH, STARBOARD, GROUP (Mod. 2129)	1	-		JB26/1522B
12627	1F11522/W	PANEL, ACCESS, TOP, INBOARD, WHITE, PORT, GROUP (Mod 1877)	1	-	B	JB26/1523
	1F11522/P	PANEL, ACCESS, TOP, INBOARD, PRIMED, PORT, GROUP (Mod 1877)	1	-		JB26/1523
	1F11522/EP	PANEL, ACCESS, TOP, INBOARD, POLYURATHANE FINISH, PORT, GROUP (Mod. 2129)	1	-		JB26/1523B
12628	2F11522/W	PANEL, ACCESS, TOP, INBOARD, WHITE, STARBOARD, GROUP (Mod. 1877)	1	-	B	JB26/1524
	2F11522/P	PANEL, ACCESS, TOP, INBOARD, PRIMED, STARBOARD, GROUP (Mod 1877)	1	-		JB26/1524A
	2F11522/EP	PANEL, ACCESS, TOP, INBOARD, POLYURATHANE FINISH, STARBOARD, GROUP (Mod 2129)	1	-		JB26/1524B
		SEALING, WEATHERPROOF, AROUND TOP AIRBRAKE, OUTBOARD, PORT (2F10391)				
		Spare for:-				
	85F10218	Angle, seal support	1	L72	MR	JB26/1525
	47F10218	Bracket	4	L72		
	60F10218	Bracket	4	L72		

FUSELAGE
CENTRE PORTION

Ref. No.	Part No.	Description	No. off	Matl. Spec.	Cl. of	Plate and Ilust'n No.
					St. M.R.	
		1 2 3 4				
SEALING, WEATHERPROOF, AROUND TOP AIRBRAKE, OUTBOARD, PORT (2F10391) (Cont'd)						
10687	1111SS4248	Rivet, bifurcated (Mod. 1295)	30	-	C	
	2F10440	Seal, moulded rubberite	2	-	MR	JB28/1528
6041	8F10440	Seal, moulded rubberite	2	-	C	JB28/1527
9082	87F10216	STRIP, ATTACHMENT, GROUP	1	-	C	JB28/1528
		Spares for:-				
	31F10216	Channel	1	L72	MR	
	71F10216	STRIP, ATTACHMENT, GROUP	1	-	MR	JB28/1529
		Spares for:-				
	28F10216	Channel	1	L72	MR	
	12F10391	STRIP, ATTACHMENT, GROUP	1	-	MR	JB28/1530
		(Mod. 895)				
		Spares for:-				
	9F10391	Channel	1	L72		
	13F10391	STRIP, ATTACHMENT, GROUP	1	-	MR	JB28/1531
		(Mod. 895)				
		Spares for:-				
	8F10391	Channel	1	L72		
SEALING, WEATHERPROOF, AROUND TOP AIRBRAKE, OUTBOARD, STARBOARD (3F10391) Spares for:-						
	85F10216	Angle, seal support	1	L72	MR	JB28/1532
	48F10216	Bracket	4	L72		
	50F10216	Bracket	4	L72		
10687	1111SS4248	Rivet, bifurcated (Mod. 1295)	30	-	C	
	2F10440	Seal, moulded rubberite	2	-	MR	JB28/1533
6041	8F10440	Seal, moulded rubberite	2	-	C	JB28/1534
9083	88F10216	STRIP, ATTACHMENT, GROUP	1	-	C	JB28/1535
		Spares for:-				
	32F10216	Channel	1	L72	MR	
9081	72F10216	STRIP, ATTACHMENT, GROUP	1	-	C	JB28/1536
		Spares for:-				
	30F10216	Channel	1	L72	MR	
	12F10391	STRIP, ATTACHMENT, GROUP	1	-	MR	JB28/1537
		(Mod. 895)				
		Spares for:-				
	9F10391	Channel	1	L72		
	13F10391	STRIP, ATTACHMENT, GROUP	1	-	MR	JB28/1538
		(Mod. 895)				
		Spares for:-				
	8F10391	Channel	1	L72		

FUSELAGE
CENTRE PORTION

Ref. No.	Part No.	Description	No. off	Mater. Spec.	Cl. of	Plate and Illust'n No.
					St. M.R.	
		1 2 3 4				
		STRUCTURE AROUND AIRBRAKE, TOP TOP (1 & 2F10173) (Cont'd)				
		SEALING, WEATHERPROOF, AROUND, TOP AIRBRAKE, INBOARD, PORT (4F10391)				
		Spares for:-				
	83F10216	Angle, seal support	1	L72	MR	JB28/1539
	4F10216	Bracket	4	L72		
	49F10216	Bracket	4	L72	MR	
10687	1111SS4248	Rivet, bifurcated (Mod. 1295)	28	-	C	
	3F10440	Seal, moulded rubberite	1	-	MR	JB28/1540
8041	5F10440	Seal, moulded rubberite	1	-	MR	JB28/1541
	6F10440	Seal, moulded rubberite	2	-	C	JB28/1542
	51F10216	STRIP, ATTACHMENT, GROUP	1	-		JB28/1543
		Spares for:-				
	11F10216	Channel	1	L72	MR	
	55F10216	STRIP, ATTACHMENT, GROUP	1	-	MR	JB28/1544
		Spares for:-				
	13F10216	Channel	1	L72	MR	
	10F10391	STRIP, ATTACHMENT, GROUP	1	-	MR	JB28/1545
		(Mod. 895)				
		Spares for:-				
	7F10391	Channel	1	L72		
	11F10391	STRIP, ATTACHMENT, GROUP	1	-	MR	JB28/1546
		(Mod. 895)				
		Spares for:-				
	6F10391	Channel	1	L72	MR	
		SEALING, WEATHERPROOF, AROUND TOP AIRBRAKE, INBOARD, STARBOARD (5F10391)				
		Spares for:-				
	84F10216	Angle, seal support	1	L72	MR	
	48F10216	Bracket	4	L72		
	48F10216	Bracket	4	L72	C	
10687	1111SS4248	Rivet, bifurcated (Mod. 1295)	28	-	C	
	3F10440	Seal, moulded rubberite	1	-	MR	JB28/1547
8041	4F10440	Seal, moulded rubberite	1	-	MR	JB28/1548
	6F10440	Seal, moulded rubberite	2	-	C	JB28/1549
	52F10216	STRIP, ATTACHMENT, GROUP	1	-		JB28/1550
		Spares for:-				
	10F10216	Channel	1	L72	MR	
	56F10216	STRIP, ATTACHMENT, GROUP	1	-	MR	JB28/1551
		Spares for:-				
	12F10216	Channel	1	L72	MR	

VULCAN No. 2						
FUSELAGE						
CENTRE PORTION						
Ref. No.	Part No.	Description	No. off	Matl. Spec.	Cl. of St.	Plate and Hust'n No.
					M.R.	
		1 2 3 4				
	10F10391	SEALING, WEATHERPROOF, AROUND TOP AIRBRAKE, INBOARD, STARBOARD (5F10391) (Cont'd.) STRIP, ATTACHMENT, GROUP	1	—	C	JB28/1552
	7F10391	Spares for:— Channel	1	L72		
	11F10391	STRIP, ATTACHMENT, GROUP	1	—	C	JB28/1553
	6F10391	Spares for:— Channel	1	L72	C	
		STRUCTURE, AROUND AIRBRAKE, BOTTOM, PORT AND STARBOARD (77 & 78F10589) (Mod. 839) Spares for:—				
	13F10589	Angle, for seal attachment at inboard	2	L72	C	
	14F10589	Angle, for seal attachment at inboard,	2	L72	C	
	99F9583	Angle, stiffener, for seal attachment at	1	L72		
	100F9583	intercostal No. 8, port (Pre-Mod. 1981)				
	100F9583	Angle, stiffener, for seal attachment	1	L72	C	
	9F10589	at intercostal No. 8, starboard (Pre Mod. 1981)				
7379	9F10589	Bracket, seal attachment, at in-board	2	L72	C	
	10F10589	forward, port				
	10F10589	Bracket, seal attachment, at in-board	2	L72	C	
	96F9583	forward, starboard				
	96F9583	Bracket, top hat stiffening, at intercostal	7P	L72	C	
		No. 8	6S			
11543	78F9583	Channel, attachment, at intercostal	2	L72	C	
	79F9583	No. 9, port				
	79F9583	Channel, attachment, at intercostal	2	L72	C	
		No. 9, starboard				
12387	133F10589	Channel, attachment, at front engine	8	L72	C	
		bulkhead, port				
12398	134F10589	Channel, attachment, at front engine	7	L72	C	
		bulkhead, starboard				
12399	140F10589	Channel, attachment, at intercostal	1	L72	C	
		No. 9, starboard				
	41F9583	Channel, stiffening	3	L72	MR	
	FLIGHT REFUELLING FRS175-S	Clamp, duct, jointing	2	—		
	FLIGHT REFUELLING FRS175-V	Clamp, duct, jointing	2	—		
	12F9449	Diaphragm, port	1	L72	MR	
17798	29F10589	DUCT, AIR INTAKE, GROUP	1	—	B	JB29/1554
		Spares for:—				
	28mF10589	Angle	1	S521	MR	
	28yF10589	Duct, rear	1	S521	MR	
	28zF10589	Duct, fwd.	1	S521	MR	

FUSELAGE
CENTRE PORTION

Ref. No.	Part No	Description	No off	Matl. Spec.	Cl. of St	Plate and Illust'n No.
					M.R.	
		<u>1 2 3 4</u>				
		STRUCTURE AROUND AIRBRAKE, BOTTOM (77 & 78F10589) (Cont'd)				
	38F10589	Duct, between air intake and duct (39F10589), port and starboard	1	—	MR	JB29/1555
21449	39F10589	Duct, between bulkhead 10 and duct (38F10589), port and starboard	1	—	C	JB29/1556
	53F10589	Duct, at front engine bulkhead, inner and outer starboard and inner port	3	—	MR	JB29/1557
	54F10589	Duct, at front engine bulkhead, outer port (Pre-Mod. 980)	1	—		JB29/1558
17785	319F10589	Duct, at front engine bulkhead, outer port (Mod. 980)	1	—	C	JB29/1559
12120	55F10589	Duct, centre, at inner, starboard	1	—	C	JB29/1560
12047	56F10589	Duct, 3-1/4" o/d, from engine to duct (72F10589), inner port	1	—	C	JB29/1561
	58F10589	Duct, 3-1/4" o/d, from engine to ducts, inner and outer starboard and outer port	3	—	MR	JB29/1562
12745	71F10589	Duct, centre, outboard starboard	1	—	C	JB29/1563
12048	72F10589	Duct, centre, inboard port	1	—	C	JB29/1564
12049	73F10589	Duct, centre, outboard port	1	—	C	JB29/1565
21452	117F10589	Duct, between bulkhead 10 and removable duct (121F10589), starboard	1	—	C	JB29/1566
21453	118F10589	Duct, between bulkhead 10 and removable duct (121F10589), port	1	—	C	JB29/1567
9402	121F10589	Duct, removable, between ducts (29F10589) and (117 & 118F10589), port and starboard	1	—	C	JB29/1568
12531	321F10589	Duct, 4" o/d, from engine to duct (55F10589) inner starboard (Mod. 906)	1	—	C	JB29/1569
	322F10589	Duct, 4" o/d, from engine to duct (72F10589) inner, port (Mod. 906)	1	—	MR	JB29/1570
12061	59F10589	Duct (Pre-Mod. 906)	2	—	C	
12533	323F10589	Duct, 4" o/d, from engine to duct (73F10589) outer, port (Mod. 906)	1	—	C	JB29/1571
12060	63F10589	Duct (Pre-Mod. 906)	1	—	C	
12534	324F10589	Duct, 4" o/d, from engine to duct (71F10589) outer, starboard (Mod. 906)	1	—	C	JB29/1572
12743	57F10589	Duct (Pre-Mod. 906)	1	—	C	
1506371	45F10589	Intake, air, port and starboard	1	—	C	JB27/1573
	47F10589	Intake, air, port and starboard	1	—	MR	JB27/1574
	1F10362	PANEL, ACCESS, INBOARD BOTTOM PORT, GROUP (Pre-Mod. 672)	1	—		
9541	1F11164	PANEL, ACCESS, INBOARD BOTTOM PORT, GROUP (Mod. 672)	1	—	C	JB27/1575
	2F10362	PANEL, ACCESS, INBOARD BOTTOM STARBOARD, GROUP (Pre-Mod. 672)	1	—		

VULCAN PHL 1

FUSELAGE
CENTRE PORTION

Page JB. 05

Ref. No.	Part No.	Description	No. off	Matl. Spec.	Cl of	Place and Illust'n No.
					St.	
					M.R.	
		1.2.3.4				
		STRUCTURE AROUND AIRBRAKE, BOTTOM (77 & 78F 10589) (Cont'd)				
	2F11164	PANEL, ACCESS, INBOARD BOTTOM STARBOARD, GROUP (Mod. 672)	1	-	MR	JB27/1576
5860	1D10480	PANEL, ACCESS, OUTBOARD BOTTOM, PORT, GROUP	1	-	C	JB27/1577
5861	2D10480	PANEL, ACCESS, OUTBOARD BOTTOM, STARBOARD, GROUP	1	-	C	JB27/1578
10887	1111SS4248	Rivet, bifurcated, for seals	11	-	C	
	20F10589	Seal, at air intake and duct (29F10589), port	1	DTD378A		JB29/1579
8847	23F10589	Seal, moulded rubberite, for airbrake panel, inboard, rear	1	LE33	C	JB25/1580
8848	24F10589	Seal, moulded rubberite, for airbrake panel, inboard at rib 113.5" (Pre Mod. 1981)	1	LE33	C	
	25F10589	Seal, moulded rubberite, for airbrake panel, inboard at rib 83.5" (Pre Mod. 1981)	1	LE33	MR	
	36F10589	Seal, for duct joint aft of front bulkhead and ducts (29 & 121F10589)	4	OTD378A	MR	JB29/1581
	40F10589	Seal, for air intake (47F10589) and duct (36F10589) joint	1	DTO378A	MR	JB29/1582
10013	43F10589	Seal, for ducts (38 & 39F10589) joint	1	DTD378A	C	JB29/1583
	70F10589	Seal, moulded rubberite, for airbrake panel, inboard, forward (Pre Mod. 1981)	1	LE33	MR	
	122F10589	Seal, for ducts (117, 118 & 121F10589) joints	2	DTO378A		JB29/1584
9066	46F9583	Strip, attachment, for seal (23F10589), port	1	L72	C	
9067	46F9583	Strip, attachment, for seal (23F10589) starboard	1	L72	C	
9068	47F9583	Strip, attachment, for seal (25F10589) port (Pre Mod. 1981)	1	L72	C	
9069	48F9583	Strip, attachment, for seal (25F10589) starboard (Pre Mod. 1981)	1	L72	C	
9070	49F9583	Strip, attachment, for seal (24F10589) (Pre Mod. 1981)	1	L72	C	
	131aF10589	Strip, attachment, for seal (70F10589) port (Pre Mod. 1981)	1	L72	MR	
	132aF10589	Strip, attachment, for seal (70F10589) starboard (Pre Mod. 1981)	1	L72	MR	
	92F9583	Strip, retaining, for seal (70F10589) port and starboard (Pre Mod. 1981)	1P 2S	L72	MR	
	131bF10589	Strip, retaining, for seal (70F10589) port (Pre Mod. 1981)	1	L72	MR	
	132bF10589	Strip, retaining, for seal (70F10589) starboard (Pre Mod. 1981)	1	L72	MR	

FUSELAGE
CENTRE PORTION

Ref. No.	Part No.	Description	No. off	Matl. Spec.	Cl. of	Plate and Illust'n No.
					St. M.R.	
		1 2 3 4				
		STRUCTURE, AROUND AIRBRAKE, BOTTOM (77 & 78F10589) (Cont'd)				
	320F10589	Strip, retaining, for seal (70F10589) port and starboard (Pre Mod. 1981)	2	L72	MR	
	91F9449	Strip, reinforcing, inboard rear port	1	L72	MR	
	92F9449	Strip, reinforcing, inboard rear starboard	1	L72	MR	
		STRUCTURE, AIR INTAKE, PORT AND STARBOARD (1 & 2F10878) (Pre-Mod. 380)				
		STRUCTURE, AIR INTAKE, PORT AND STARBOARD (1 & 2F10357) (Mod. 380)				
		Spares for:—				
	3SS4924	Bolt, csk. hd. 2 BA, diaphragm 49.5" to rib 83.5" joint	2	—		
	218F9222	COVER, HANDHOLE, No. 1 TANK SERVICE COCK, PORT AND STARBOARD, GROUP (Pre-Mod. 1982)	1	—	MR	JB32/1586
		Spares for:—				
	AS.3170	Cover, handhole	1	—	MR	
	9P3498	COVER, HANDHOLE, No. 1 TANK SERVICE COCK, PORT, GROUP (Mod. 1982)	1	—	MR	
		Door, access, port and starboard	5	L72	MR	JB32/1586
5980	235F9222 237F9222	Door, access, air mileage unit, starboard Attachment—Doors:— (235 & 237F9222)	1	L72	C	JB32/1587
	4SS4199	Screw, 2 BA	10	—	MR	
		DOOR, AIR EXTRACTION, ANTI-ICING, PORT AND STARBOARD (1 & 2F8571) (Pre-Mod. 380)				
		DOOR, AIR EXTRACTION, ANTI-ICING, PORT AND STARBOARD (1 & 2F10587) (Mod. 380)				
		Spares for:—				
5W/4511920	ROTAX A-0220 60F8553	Actuator Bearing, link bush for shackle	1 1	— BSS249	A MR	JB32/1586 JB30/1589
1409	20F8571 8F8558	BRACKET, ACTUATOR, TOP, GROUP Spares for:— Boss	— 2	— DTD364B	C	

FUSELAGE
CENTRE PORTION

Ref. No.	Part No.	Description	No. off	Matl. Spec.	Cl. of	Plate and Illust'n No.
					St.	
		1 2 3 4			M.R.	
		DOOR, AIR EXTRACTION ANTI-ICING, PORT AND STARBOARD (Cont'd)				
1410	1F8573	DOOR, AIR EXTRACTION, PORT, GROUP (Pre Mod. 380)	1	-	B	
7820	1F10569	DOOR, AIR EXTRACTION, PORT, GROUP (Mod 380)	1	-	B	JB30/1591
1411	2F8573	DOOR, AIR EXTRACTION, STARBOARD, GROUP (Pre-Mod 380)	1	-	B	
7821	2F10568	DOOR, AIR EXTRACTION, STARBOARD, GROUP (Mod 380)	1	-	B	JB30/1592
	23F8573	Spares for - Hinge, port, undrilled (Make from AS 1880 x 7-1/2") (Pre Mod 380)	1	L3 or DTD390		
	23F10569	Hinge, port, undrilled (Make from AS 1880 x 7-1/2") (Mod 380)	1	L3 or DTD390		
	24F8573	Hinge, starboard, undrilled (Make from AS 1880 x 7") (Pre Mod 380)	-	L3 or DTD390		
	24F10569	Hinge, starboard undrilled (Make from AS 1880 x 7") (Mod 380)	-	L3 or DTD390		
	59F8563	Shackle, link	1	DTD3648	MR	JB30/1593
		EDGE, LEADING (1 & 2F10393)				
		Spares for:				
11163	314F8143	Angle	2	L72	C	
		SPAR, FALSE, REAR (210 & 211F8101) (Pre Mod 380)				
		SPAR, FALSE, REAR (1 & 2F10383) (Mod 380)				
		Spares for:-				
7035	198F8101	Door, access for N R valve (Pre-Mod 380)	1	L72	C	
8035	102F10383	Door, access for N.R valve (Mod. 380)	1	L72	C	JB30/1594
	200F8101	Door, access	1	L72		JB30/1595
	48SS3221	Plate, door	1	L72	MR	
	CSS3149	Screw, csk , 1/4" BSF	4	-	MR	
	3SS4140	Screw, csk , 2 BA x 0 75" long	18	-	MR	

VULCAN No. 2		FUSELAGE				
Page JB. 98		CENTRE PORTION				
Ref. No.	Part No.	Description	No. off	Matl. Spec.	Cl. of St	Plate and Illust'n No
					M.J.	
		1 2 3 4				
		STRUCTURE, AIR INTAKE, PORT AND STARBOARD (Cont'd.)				
		INTAKE, VARIABLE COLD AIR, PORT AND STARBOARD (1 & 2F10871) (Pre-Mod. 514) (Pre-Mod. 360)				
		PORT (1F11035) (Mod. 514)				
		STARBOARD (2F10588) (Mod. 360)				
		Spares for:—				
5W/4511920	ROTAX A0220	Actuator	1	—	A	JB32/1586
	82F8563	ARM, LINK, CAM LEVER TO RAMP, GROUP	1	—	MR	JB32/1597
		Spares for:—				
28M/13124	1SS4191 A27/CT	End. fork	1	S95	MR	
		Nut, lock	1	—	C	
	80F8563	Bearing, distance tube	1	BSS249	MR	JB32/1586
	101F8563	Bolt, special (Make from A25/23G)	1	—		JB32/1599
	1F8558	BRACKET, MOUNTING ACTUATOR, PORT, GROUP (Pre-Mod. 360)	1	—		
	2F8558	BRACKET, MOUNTING ACTUATOR, STARBOARD, GROUP (Pre-Mod. 360)	1	—		
	8F11035	BRACKET, MOUNTING, ACTUATOR, PORT, GROUP (Mod. 514)	1	—		JB32/1600
21558	2F10423	BRACKET, MOUNTING ACTUATOR, STARBOARD, GROUP (Mod. 360)	1	—	C	JB32/1601
		Spares for:—				
	7F8558	Boss	1	L65		
	9F8558	Boss	1	L65		
	61F8563	Bush, distance, for shackle	1	BSS249	MR	JB32/1602
1420	81F8563	CAM, LEVER OPERATING LINK ARM, GROUP	1	—	C	JB32/1603
28E/9129092	AGS605/2	Clip, conduit joint	1	—	C	
26FP/15025	21SS2868	Clip, for conduit	3	—	C	
28FP/2453	1SS3859	Clip, pipe, starboard	1	—	C	
	102F8563	Conduit, for capillary tube, 22G x 1-3/4" o/d x 3' 5"	1	L56		JB32/1604
	107F8563	Conduit, for capillary tube, 22G x 1-3/4" o/d x 18"	1	L56		JB32/1605
5C2/4337596	TEDDINGTON FDF/A/3113	Control, inching (Mod. 940)	1	—	A	JB32/1606
	11F10877	COVER, RAMP, PORT AND STARBOARD, GROUP (Pre-Mod. 360)	1	—		
	23F10588	COVER, RAMP, PORT, GROUP (Mod. 360)	1	—		
	24F10588	COVER, RAMP, STARBOARD GROUP (Mod. 360)	1	—		
		Spares for:—				

VULCAN PR. 2

FUSELAGE
CENTRE PORTION

Page JB.99

Ref. No.	Part No.	Description	No. off	Mater. Spec.	CL of	Plate and Illustr'n No.
					St. M.R.	
		1 2 3 4				
COVER RAMP, PORT AND STARBOARD (Cont'd)						
	1F8556	COVER, PORT, GROUP	1	-	MR	
7618	1F10699	(Pre-Mod. 360) COVER, PORT, GROUP (Mod. 360) .	1	-		JB32/1607
	2F8556	COVER, STARBOARD, GROUP	1	-	MR	
7619	2F10699	(Pre-Mod. 360) COVER, STARBOARD, GROUP	1	-		JB32/1608
1416	1F8554	(Mod. 360) RAMP, HINGED, PORT, GROUP	1	-		
7616	1F10600	(Pre-Mod. 360) RAMP, HINGED, PORT, GROUP	1	-		JB32/1609
1417	2F8554	(Mod. 360) RAMP, HINGED, STARBOARD,	1	-		
7617	2F10600	GROUP (Pre-Mod. 360) RAMP, HINGED, STARBOARD	1	-		JB32/1610
		GROUP (Mod. 360)				
1418	43F8554	Spare for:- ARM, HINGED, GROUP	2	-		JB32/1611
	BS1131/030504	Consisting of:- Bush, oilite	2	-		
	43aF8554	Hinge	2	L06		
	4 O.3620	ROLLER, FOR RAMP, GROUP	1	-	MR	JB32/1612
	4a.O.3620	Consisting of:- Bush, 0.37" x 0.3"	1	Oilite		
	4b.O.3620	Roller, Gaco rubber	1			
5030	21F8554	Seal, Linatex tubular (KD118)	1	-	C	JB32/1613
26FP/13003	4SS3158	Screw	7	-	C	
	1F8556	DIFFUSER, PORT, GROUP	1	-		
	1F12954	(Pre-Mod. 360 & 2323) DIFFUSER, PORT, GROUP	1	-		
21542	1F10598	(Mod. 2323) DIFFUSER, PORT, GROUP	1	-	C	JB32/1614
1510522	1F12955	(Mod. 360) (Pre-Mod. 2323) DIFFUSER, PORT, GROUP	1	-	C	
	2F8556	(Mod. 2323) DIFFUSER, STARBOARD, GROUP ...	1	-		
	2F12954	(Pre-Mod. 360 & 2323) DIFFUSER, STARBOARD, GROUP ...	1	-		
21543	2F10598	(Mod. 2323) DIFFUSER, STARBOARD, GROUP ...	1	-	C	JB32/1615
1510523	2F12955	(Mod. 360) (Pre-Mod. 2323) DIFFUSER, STARBOARD, GROUP ...	1	-		
	79F8553	(Mod. 2323) Gasket, for diffuser, 1/16" x 5" x 11" ..	1	DT0378A	MR	JB32/1616
	80F8553	Gasket, for diffuser, 1/16" x 7-1/2"	1	DT0378A	MR	JB32/1617

FUSELAGE
CENTRE PORTION

Ref. No.	Part No.	Description	No. off	Matl. Spec.	Cl. of	Plate and Illust'n No.
					St. M.R.	
		1 2 3 4				
		INTAKE, VARIABLE COLD AIR PORT AND STARBOARD (1 & 2F 10871, 1F11035, 2F10688) (Cont'd)				
	1SS4098	Pin, close tolerance	1	-	MR	JB32/1818
	50FB553	Shackle, link	1	L65	MR	JB32/1819
	62FB553	Washer, special	1	L65	MR	JB32/1820
		MOUNTING, MARKER AERIAL, STARBOARD, GROUP (Mod. 729) Spare for:-				
	2F9985	MOUNTING, GROUP	1	L72		
		PANEL, ACCESS, OUTBOARD, PORT AND STARBOARD (7 & 8F 11075) Spare for:-				
21526	6F11075	Dr. or. access	1	L72	C	
		PANEL, ACCESS, STARBOARD (12F11887) Spare for:-				
21538	3F11887	Panel, 14G x 5" x 5"	1	L72	C	
		SERVICES, PIPING (Q1884) (See Services)				
		STRUCTURE, ACCESS DOORS IN AIR INTAKE TUNNELS (F8431, F8638) (Pre-Mod. 380) STRUCTURE, ACCESS DOORS IN AIR INTAKE TUNNELS (F10445, F10446) (Mod. 380) Spare for:-				
	5F8431	Panel, inspection to flying control bearings on former 27F, port (Pre-Mod. 380)	1	L72		
21578	4F10445	Panel, inspection to flying control lever on former 75"F, port (Mod. 380)	1	L72	C	
	6F8431	Panel, inspection to flying control bearings on former 27F, starboard (Pre-Mod. 380)	1	L72		
21579	6F10445	Panel, inspection to flying control lever on former 75"F, starboard (Mod. 380)	1	L72	C	
	4F8638	Panel, inspection, to flying control lever former 75F, port and starboard (Pre-Mod. 380)	2	L72		
21522	5F10445	Panel, inspection to bearings on former 27F, port (Mod. 380)	1	L72	C	
21523	6F10445	Panel, inspection to bearings on former 27F, starboard (Mod. 380)	1	L72	C	

VULCAN No. 2

FUSELAGE
CENTRE PORTION

Page JB.100A

Ref. No.	Part No.	Description	No. off	Matl. Spec.	Cl of	Plate and Inst'n No.
					St. M.R.	
		1 2 3 4				
		STRUCTURE, AIR INTAKE, PORT AND STARBOARD (Cont'd)				
		STRUCTURE, ACCESS PANEL, AFT OF FRONT SPAR (1 & 2F11154) Spares for:—				
	1F11156	PANEL, PORT, 14G x 13-3/8" x 24-1/4" LONG, GROUP	1	—		
	2F11156	PANEL, STARBOARD, 14G x 13-3/8" x 24-1/4" LONG, GROUP	1	—		
		STRUCTURE, MOUNTING, FOR AERIAL AND TRANS/REC (1F11854) (Mod. 908) Spares for:—				
12207	16F11854	PANEL, ACCESS, GROUP	1	—	C	JB32/1627
		Spares for:—				
	28FP/4082856	Fastener, dzus	10	—	C	
		STRUCTURE, BOTTOM, CENTRE PORTION, REAR SPAR (1F10381) (Pre-Mod 743) (79F10381) (Mod. 743) Spares for:—				
	36F10381	ARM, ROCKER, GROUP (Pre-Mod. 996)	1	—		
		Spares for:—				
	3V7582	Arm, rocker	1	DTD683		
	4V8640	Pin, striker	1	—	MR	
	11V8106	Roller	1	S1	MR	
22832	8V8621	Bearing (Pre-Mod. 996)	1	S1	C	
	1665V7909	CABLE (F1665) DOOR SEAL MICRO SWITCH TO PLUG 411, GROUP (Pre-Mod 996)	1	—		
	1701V7909	CABLE (F1701) DOOR VALVE TO DOOR MICRO SWITCH, GROUP (Pre-Mod. 996)	1	—		
12429	71F10381	DIAPHRAGM, GROUP	1	—	C	
	343F7753	PLATE, CATCH, PORT, GROUP (Pre-Mod. 996)	1	—		
	344F7753	PLATE, CATCH, STARBOARD, GROUP (Pre-Mod. 996)	1	—		
		Spares for:—				
	64cD8820	Bolt	1	—		
	64bD8820	Roller	1	—		
		Spares for:—				
	28FP/4082878	Spring, dzus	7	—	C	
	5CW/4400328	Switch (Pre-Mod. 996)	2	—	B	
	Z100/78					
	DOWTY					
	C1831Y/MK2					

FUSELAGE
CENTRE PORTION

Ref. No.	Part No.	Description	No. off	Matl. Spec.	Cl of	Plate and Illust'n No.
					St.	
					M.R.	
		STRUCTURE, FUSELAGE FOR NOSE WHEEL DOORS, PORT AND STARBOARD (50 & 60D9452) (Mod. 143)				
	51D9452	Spare for: - ANGLE SEALING, GROUP	1	-		
	24D9452	Spare for: - Seal (Novatex type F 40 x 2 15" long)	1	AP50		
	52D9452	ANGLE, SEALING, GROUP	1	-		
	27D9452	Spare for: - Seal (Novatex type F 40 x 2 65" long)	1	AP50		
	54D9452	ANGLE SEALING, GROUP	1	-		
	33D9452	Spare for: - Seal (Novatex type F 40 x 14 7" long)	1	AP50		
	55D9452	ANGLE, SEALING, GROUP	1	-		
	48D9452	Spare for: - Seal (Novatex type F 40 x 10 75" long)	1	AP50		
	56D9452	ANGLE, SEALING, GROUP	1	-		
	36D9452	Spare for: - Seal (Novatex type F 40 x 15" long)	1	AP50		
	57D9452	ANGLE, SEALING, GROUP	1	-		
	39D9452	Spare for: - Seal (Novatex type F 40 x 10 6" long)	1	AP50	MR	

VULCAN No. 2

FUSELAGE
CENTRE PORTION

Page JB 101

Ref. No.	Part No.	Description	No. off	Matl. Spec.	Cl. of	Plate and Illust'n No.
					St. M.R.	
		1 2 3 4				
		STRUCTURE, FUSELAGE, FOR NOSEWHEEL DOORS, PORT AND STARBOARD (59 & 8009452) (Cont'd)				
	78D9452	ANGLE, SEALING, FORWARD, GROUP	1	-		
10672	78aD9452	Spares for:- Seal (Novatex type F40 x 11.67" long)	1	AP50	C	
	79D9452	ANGLE, SEALING, AFT, GROUP	1	-		
10673	79aD9452	Spares for:- Seal (Novatex type F40 x 13.63" long)	1	AP50	C	
		(Note:-Seals are made from Section 10SS3853, Ref. No 26FP/7035)				
	38D8755	Bolt, special, for longeron joint	4	S06	MR	
	11D9452	Bracket, former attachment, port	4	L72	MR	
	12D9452	Bracket, former attachment, starboard	4	L72	MR	
	13D9452	Bracket, former attachment, port	3	L72	MR	
	14D9452	Bracket, former attachment, starboard	3	L72	MR	
	33D8755	Bracket, joint, for longeron, forward, port	1	OTD384B	MR	
	34D8755	Bracket, joint, for longeron, forward, starboard	1	DTD384B	MR	
	35D8755	Bracket, joint, for longeron, aft, port	1	DTD384B	MR	
	38D8755	Bracket, joint, for longeron, aft, starboard	1	DTD384B	MR	
	43D8755	Bracket, former attachment, port	1	L72	MR	
	44D8755	Bracket, former attachment, starboard	1	L72	MR	
	38D9453	LONGERON, PORT, GROUP	1	-	MR	JB15/1628
	37D9453	LONGERON, STARBOARD, GROUP	1	-	MR	JB15/1629
		Spares for:-				
5064	73D9455	Hinge, door	2	-	C	JB15/1630
	24D9455	Hinge, door	1	-		JB15/1631
	25D9455	Hinge, door	1	-	MR	JB15/1632
1433780	68D9455	Hinge, door	1	-	C	JB15/1633
8172	50D9452	PANEL, ACCESS, AT FORMER 204F", GROUP	1	-	B	JB27/1634
	7aD9452	Seal (Novatex type F40 x 8.25" long)	1	-		
	85D9452	Washer, special, for bolt (38D8755)	4	L83		
		STRUCTURE, NO. 2 TANK BAY, PORT AND STARBOARD (170D10486)				
		Spares for:-				
		BULKHEAD, TANK, AT FORMER 75F" (158D8818)				
		Spares for:-				
	219D8618	ANGLE, UNDERCARRIAGE DOOR, L.H., GROUP (Mod 748)	1	-		JB30/1635

FUSELAGE
CENTRE PORTION

Ref. No.	Part No.	Description	No. off	Matl. Spec.	Cl of	Plate and Illust'n No.
					St.	
		1 2 3 4				
		BULKHEAD, TANK, AT FORMER 75F" (158D8818) (Cont'd)				
	220D8818	ANGLE, UNDERCARRIAGE DOOR, ... R.H., GROUP (Mod. 748)	1	-		JB30/1636
	4SS3237	Spare for:- Bolt, oak head, for seals	26	-		JB30/1637
	222D8818	Seal, assy. R.H.	1	-	MR	JB30/1638
	221D8818	Seal, assy. L.H.	1	-	MR	JB30/1639
26FP/13842	1SS3867	Bracket, angle, for pipe clips	6	-	C	
	278D8818	BRACKET, COMPASS SIGHTING ... ROD, GROUP (Mod. 1857)	1	-		JB30/1640
	269D8818	Spare for:- BLOCK, SIGHTING ROD PIVOT, ... GROUP	1	-		JB30/1641
	279D8818	Spare for:- BLOCK, GROUP	1	-		
13063	269d D8818	Knob, for spigot	1	L83	C	
	269b D8818	Spigot	1	L83		
	178SS4700	Spring, for spigot	1	-	MR	
	5SS2668	Clip, pipe	14	-		
26FP/13457	4SS3858	Clip, pipe, 3/8"	5	-	C	
	10SS3859	Clip, pipe, 3/4"	12	-	MR	
27N/4526448	-	Clip, flame cord	16	L72	C	
5CZ/6354	-	Clip, fixing, for firewire	21	-	C	
28F/9471001	AGS1102/C	Coupling, pipe	2	-	C	
	144D8818	ELBOW, AT END PIPE JOINT, GROUP	2	-		JB30/1642
5CZ/7001128	-	Element, firewire, 10" long	4	-	B	
	174D8818	Fairlead	2	BSS668		
	7SS3630	Grommet, for tee piece	2	-		
28F/4051592	AGS1170/F	Nipple, pipe	8	-	C	
	135D8818	PIECE, MULTIPLE TEE, GROUP	1	-	MR	JB30/1643
	139D8818	PIECE, TEE, STARBOARD, GROUP	1	-	MR	JB30/1644
	140D8818	PIECE, TEE, PORT, GROUP	1	-	MR	JB30/1645
	137D8818	PIPE, VERTICAL SPRAY, TOP, GROUP	1	-	MR	JB30/1646
	138D8818	PIPE, VERTICAL SPRAY, BOTTOM, ... GROUP	1	-	MR	JB30/1647
	141D8868	PIPE, CENTRE FEED STARBOARD, ... GROUP	1	-	MR	JB30/1648

VULCAN No. 3

FUSELAGE
CENTRE PORTION

Page JB 103

Ref. No.	Part No.	Description	No. off	Matl. Spec.	Cl. of	Plate and Illust'n No.
					St. M.R.	
		1 2 3 4				
		BULKHEAD, TANK, AT FORMER 75F" (158D8818) (Cont'd)				
	142D8818	PIPE, CENTRE FEED, PORT, GROUP	1	-	MR	JB30/1649
	143D8818	PIPE, OUTER FEED, PORT AND STARBOARD, GROUP	1	-	MR	JB30/1650
	280D8818	PLATE, ANTI-FLASH, GROUP (Mod 1857)	1	-	MR	
	1D11582	PROTECTOR, FLASH AND PITOT HEAD COVER GROUP (Mod. 748)	1	-		JB30/1651
14754	8011582	Spares for:- COVER, GROUP	1	-	C	
	9D11582	Member, "T" section	1	OTD130		
	2F9502	Plate, tank button	80	L72	MR	
	257D8818	Tube, stiffening assy	2	-		
	17D9207	Clip, for conduits	88	-		
	8D8217	CLIP, CONDUITS, GROUP	4	-		
	124D10408	Fairlead, forward of former 27F", top and bottom, port and starboard	4	BSS868		
	125D10486	Fairlead aft of former 12, port	1	BSS868		
	126D10486	Fairlead, aft of former 12, starboard	1	BSS868		
7881	1D10520	FAIRING UNDER NO 2 TANK BAY, PORT, GROUP	1	-	A	JB27/1652
7882	2D10520	FAIRING UNDER NO 2 TANK BAY, STARBOARD, GROUP	1	-	A	JB27/1653
		Spares for:-				
	4SS4353	Bolt, csk. hd. 120°, 2 BA	36	S96	MR	
	6SS4353	Bolt, csk. hd. 120°, 2 BA	1	S96	MR	
	8SS4353	Bolt, csk. hd. 120°, 2 BA	4	S96	MR	
	10SS4353	Bolt, csk. hd. 120°, 2 BA	1	S96	MR	
	11SS4353	Bolt, csk. hd. 120°, 2 BA	2	S96	MR	
	13SS4353	Bolt, csk. hd. 120°, 2 BA	3	S96	MR	
	18SS4353	Bolt, csk. hd. 120°, 2 BA	2	S96	MR	
	20SS4353	Bolt, csk. hd. 120°, 2 BA	1	S96	MR	
	22SS4353	Bolt, csk. hd. 120°, 2 BA	1	S96	MR	
	23SS4353	Bolt, csk. hd. 120°, 2 BA	6	S96	MR	
	24SS4353	Bolt, csk. hd. 120°, 2 BA	2	S96	MR	
	27SS4353	Bolt, csk. hd. 120°, 2 BA	1	S96	MR	
	28SS4353	Bolt, csk. hd. 120°, 2 BA	2	S96	MR	
	127D10520	BRACKET, CHANNEL SUPPORT, GROUP	3	-	MR	
	128D10520	CHANNEL, SUPPORT, AT FORMER 12F", GROUP	1	-	MR	

FUSELAGE
CENTRE PORTION

Ref. No.	Part No.	Description	No. off	Matl. Spec.	Cl. of	Place and Illust'n No.
					St. M.R.	
		1 2 3 4				
		FAIRINGS UNDER NO. 2 TANK BAY, PORT AND STARBOARD (1 & 2D10520) (Cont'd)				
	129D10520	CHANNEL, SUPPORT, AT FORMER ... 27F", GROUP	1	-	MR	
	130D10520	CHANNEL, SUPPORT, AT FORMER ... 42F", GROUP	1	-	MR	
	58D10520	Panel, access, rear ... (Attachments, Panel 58D10520)	1	L72	MR	JB27/1654
28FP 10135	2SS4337	Screw, czk. hd.	3	-	C	
	60D10520	PANEL, ACCESS, GROUP ... Spare for:-	4	-	MR	JB27/1655
28FP 4062385	FJ4/35	Fastener, dzus ...	4	-	C	
	75D10520	PANEL, ACCESS, FOR TANK SUMP, ... PORT, GROUP (Pre-Mod. 1017)	1	-		
	221D10520	PANEL, ACCESS, FOR TANK SUMP, ... PORT, GROUP (Mod. 1017)	1	-	MR	JB27/1656
	78D10520	PANEL, ACCESS, FOR TANK SUMP, ... STARBOARD, GROUP (Pre-Mod. 1017)	1	-		
	222D10520	PANEL, ACCESS, FOR TANK SUMP, ... STARBOARD, GROUP (Mod. 1017) Spare for:-	1	-	MR	JB27/1657
28FP 4070045	TFR5/19M	Fastener, dzus ...	1	-	C	
12441	TFR5/19M/07	Fastener, dzus ...	1	-	C	
28FP 4070046	TFR5/19M/22	Fastener, dzus ...	1	-	C	
12443	TFR5/19M/33	Fastener, dzus ...	1	-	C	
12444	TFR5/19M/57	Fastener, dzus ...	1	-	C	
	TFR5/25M	Fastener, dzus ...	6	-	MR	
12584	TFR5/25M/13	Fastener, dzus ...	1	-	C	
12585	TFR5/25M/26	Fastener, dzus ...	1	-	C	
12586	TFR5/25M/46	Fastener, dzus ...	1	-	C	
12445	TFR5/31M/67	Fastener, dzus ...	2	-	C	
12446	TFR5/31M/72	Fastener, dzus ...	2	-	C	
12447	TFR5/31M/77	Fastener, dzus ...	1	-	C	
12583	TFR5/25M/07	Fastener, dzus ...	1	-	C	
28FP 4068928	TFR5/1G	Grommet ...	20	-	C	
	18F9207	Panel, access (Mod. 1017) ...	1	L72	MR	JB27/1658
28FP 9455495	S4/250	Spring, dzus (Mod. 1017) ...	2	-	C	
	62D10520	RING, REINFORCING, FOR ACCESS ... PANEL, GROUP Spare for:-	4	-		
28FP/9438491	S4/275	Spring, dzus ...	4	-	C	

VULCAN Mk. 2

FUSELAGE
CENTRE PORTION

Page JB 105

Ref. No.	Part No.	Description	No. off	Mtrl. Spec.	Cl. of	Place and
					St.	
		1 2 3 4			M.R.	No.
		FAIRING, UNDER NO 2 TANK BAY, PORT AND STARBOARD (1 & 2D10520) (Cont'd)				
	125D10620	RING, REINFORCING, FOR ACCESS PANEL, GROUP	1	-		
28M/4095866	AGS2007/C1	Spares for:- Nut, anchor, 2 BA	2	-	C	
	119D10520	Screw, blanking, at former 12" ... (Pre Mod 996)	1	S1	MR	
	120D10520	Screw, blanking, at former 12" ... (Pre Mod 996)	1	S1		
		STRUCTURE, TRUNNION, FORWARD, FOR ATTACHMENT OF FUEL TANK FAIRING, PORT AND STARBOARD (1 & 2D10677) (Pre Mod 996, Spares for:-				
	23D10617	Screw, blanking	1		MR	
7892	26D10617	TRUNNION, FORWARD PAIR GROUP	1	-	B	JB27/1659
		Spares for:-				
	2bD10617	Block, trunnion	1	L66		
	49cD8851	Plate, retaining	1	L72		
2263	49dD8851	Spring	1	-	C	
		Attachments, Trunnion (26D10617)				
28D 9438920	A26/1C	Bolt, 2 BA	4	-	C	
28M/1012015	AGS2001/C166	Nut	4	-	C	
28W/9419402	SP13/C	Washer	4	-	C	
23FP/4068929	TFR5/IP	PLATE, TENSION, DZUS FASTENER, GROUP	40	-	C	
		Consisting of:-				
	TFR5/IP/3	Butt	1	-		
	TFR5/IP/1	Plate base	2	-		
	TFR5/IP/2	Spring	1	-		
		SKINNING INTERNAL, NO 2 TANK BAY, PORT AND STARBOARD (1 & 2D10541) Spares for:-				
		PANEL, INSPECTION, FOR FLYING CONTROLS (1D9104) Spares for:-				
	2D9104	Panel inspection	3	L72		
	2F9262	Plate, tank button	170	L72	MR	

FUSELAGE
CENTRE PORTION

Ref. No.	Part No.	Description	No off	Matl Spec.	Cl. of St.	Plate and Illust'n No.
					M.R.	
		1 2 3 4				
		STRUCTURE, NO. 2 TANK BAY, PORT AND STARBOARD (170D10486) (Cont'd)				
		SKINNING UNDER NO. 2 TANK BAY (1D10538)				
		Spares for:—				
	7D10539	PANEL, ACCESS, PORT, GROUP	1	—		JB27/1661
	8D10539	PANEL, ACCESS, STARBOARD, GROUP	1	—		JB27/1662
		Spares for:—				
28FP/4070045	TFR5/19M	Fastener, dzus	5	—	C	
	TFR5/25M	Fastener, dzus	10	—	MR	
	TFR5/31M	Fastener, dzus	5	—		
28FP/4088828	TFR5/1G	Grommet, dzus	20	—	C	
		STRUCTURE FOR BOMB DOOR SEALS AT FRONT SPAR (1D10613)				
		Spares for:—				
	7D10613	MEMBER, REMOVABLE, PORT CENTRE, GROUP	1	—		JB25/1663
	8D10613	MEMBER, REMOVABLE, STARBOARD, CENTRE, GROUP	1	—		JB25/1664
	89D10613	MEMBER, REMOVABLE, CENTRE, GROUP	1	—		JB25/1665
	5D10613	MEMBER, WEB AND SEAL ATTACHMENT, CENTRE, INBOARD, PORT, GROUP	1	—		
	6D10613	MEMBER, WEB AND SEAL ATTACHMENT, CENTRE, INBOARD, STARBOARD, GROUP	1	—		
	9D10613	MEMBER, WEB AND SEAL ATTACHMENT, CENTRE, OUTBOARD, PORT, GROUP	1	—		
	10D10613	MEMBER, WEB AND SEAL ATTACHMENT, CENTRE, OUTBOARD, STARBOARD, GROUP	1	—		
	11D10613	MEMBER, WEB AND SEAL ATTACHMENT, OUTBOARD PORT, GROUP	1	—		
	12D10613	MEMBER, WEB AND SEAL ATTACHMENT, OUTBOARD, STARBOARD, GROUP	1	—		
		Spares for:—				
28FP/9428531	S4/225	Spring, dzus	2	—	C	
	13D10613	PLATE, COVER, CENTRE PORT, GROUP	1	—	MR	JB25/1666
	14D10613	PLATE, COVER, CENTRE STARBOARD, GROUP	1	—	MR	JB25/1667
	15D10613	PLATE, COVER, CENTRE OUTBOARD, PORT, GROUP	1	—	MR	JB25/1668

VULCAN No. 2

FUSELAGE
CENTRE PORTION

Page JB. 107

Ref. No.	Part No.	Description	No. off	Matl. Spec.	Cl. of	Plate and Illust'n No.
					Sc. M.R.	
			1	2	3	4
		STRUCTURE FOR BOMB DOOR SEALS AT FRONT SPAR (1D10613) (Corr'd)				
	16D10613	PLATE, COVER, CENTRE OUTBOARD, STARBOARD, GROUP	1	-	MR	JB25/1669
	17D10613	PLATE, COVER, CENTRE OUTBOARD, PORT, GROUP	1	-	MR	JB25/1670
	18D10613	PLATE, COVER, CENTRE OUTBOARD, STARBOARD, GROUP	1	-	MR	JB25/1671
28FP/0488815	A4/30	Spares for:- Fastener, dzus	7	-	C	
	1Z10308	Seal, inflatable	1	-	MR	JB25/1672
	70D10613	Washer, special	38	-	MR	
		STRUCTURE AND TRUNNION FOR ATTACHMENT OF FUEL TANK FAIRING AFT (1D10678) (Pre Mod. 996)				
		Spares for:-				
	22D10617	Screw, blanking	2	-	MR	JB32/1673
7892	28D10617	TRUNNION, AFT PAIR, GROUP (For Spares-See Page JB 103)	1	-	B	JB32/1674
	10D9207	Washer, special, for clips (17D9207)	176	-	C	
		STRUCTURE, JET PIPE, INBOARD AND OUTBOARD, PORT AND STARBOARD (62 & 64F9524) (Mod. 589)				
		Spares for:-				
231B	133F7899	Bracket, attachment, port	6	L72	MR/C	
231B	132F7899	Bracket, attachment, starboard	6	L72	MR/C	
	16SS3883	Clip, for conduits	4	-		
	17SS3883	Clip, for conduits	1	-		
	24SS3883	Clip, for conduits	5	-	MR	
	28SS3883	Clip, for conduits	8	-	MR	
	38SS3883	Clip, for conduits	2	-		
	48F9524	Conduit, between formers 370" and 384.5"	1	L65		JB31/1675
1505006	113F7899	CONDUIT, REAR, GROUP	1	-	MR/C	JB31/1676
1506008	114F7899	CONDUIT, FRONT, GROUP	2	-	MR/C	JB31/1677
		DOOR, ACCESS, INBOARD JET SKIN, PORT AND STARBOARD (1 & 4D9307)				
		Spares for:-				
1910	2D9307	DOOR, ACCESS, GROUP	1	-	C	JB31/1678
		Spares for:-				
	2cD9307	Seal, asbestos	1	-	C	
28D/1013284	AS1248/2C	(Attachments-Door (2D9307)) Bolt, mush hd 2 BA	24	-	C	

FUSELAGE
CENTRE PORTION

Ref. No.	Part No.	Description	No. off	Mtrl. Spec.	Cl. of Sr. M.R.	Plate and Illust'n No.
		STRUCTURE, JET PIPE, INBOARD AND OUTBOARD, PORT AND STARBOARD (62 & 64F9524) (Cont'd)				
		FORMER, 370", INNER AND OUTER, PORT AND STARBOARD (98, 59, 60 & 61F8090) (Mod. 895)				JB31/1679
	9F8090	Spares for: - Angle, former, inner and outer, port and starboard	1	L72		
2279	10F8090	Angle, former joint	2	L72	MR/C	
2280	17F8090	Channel, joint	2	L72	MR/C	
	29F8090	Pressing, portion	1	L72		
		FORMER 384.5", INNER AND OUTER, PORT AND STARBOARD (1, 2, 3 & 4F8091)				JB31/1680
		Spares for: -				
2286	13F8091	Channel, joint	1	L72	MR/C	
2287	14F8091	Channel, joint	1	L72	MR/C	
2283	10F8091	Former, bottom portion	1	L72	MR/C	
		FORMER 398", INNER AND OUTER, PORT AND STARBOARD (1, 2, 3 & 4F8092)				JB31/1681
		Spares for: -				
2288	13F8092	Channel, joint	1	L72	MR/C	
2289	14F8092	Channel, joint	1	L72	MR/C	
2284	11F8092	Former, bottom portion	1	L72	MR/C	
		FORMER 413.5", INNER AND OUTER, PORT AND STARBOARD (1, 2, 3 & 4F8093)				JB31/1682
		Spares for: -				
2290	5F8093	Angle, stiffening	1	L72	MR	
2291	8F8093	Angle, joint, bottom	1	L72	MR	
	6F8093	Channel, joint	1	L72	MR/C	
	17F8093	Channel, joint	1	L72	MR/C	
	15F8093	Former, bottom portion	1	L72	MR	
		FORMER AT STATION 31, INNER AND OUTER, PORT AND STARBOARD (63 & 64F11016) (Mod. 898)				JB31/1683
		Spares for: -				
1432932	27F11016	Bracket, stringer, at rib 162.5", port (Pre-Mod. 2228)	1	L85	MR/C	
1505028	115F11016	Bracket, stringer, at rib 162.5", port (Mod. 2228)	1	-	MR/C	
	116F11016	Bolt, special (Mod. 2228)	1	-	MR	
	28F11016	Bracket, stringer, at rib 162.5", starboard	1	L85	MR	
	113F11016	Bracket, L.H (Mod. 2189)	1	-		
	114F11016	Bracket, R.H (Mod. 2189)	1	-		

VULCAN No. 2

FUSELAGE
CENTRE PORTION

Page JB. 109

Ref. No.	Part No.	Description	No. off	Matl. Spec.	Cl. of	Plate and illust'n No.
					St. M.R.	
		1 2 3 4				
		FORMER AT STATION 31, INNER AND OUTER, PORT AND STARBOARD (63 & 64F11016) (Cont'd)				
	65F11016	FORMER ASSY. PORT, GROUP	1	-	MR	
	66F11016	FORMER ASSY. STARBOARD, GROUP	1	-	MR	
	100F11016	Spares for:- Fitting, strut	1	S64		
	88F11016	PLATE, GUSSET, AT RIB 113.3", GROUP	1	-	MR	
	70F11016	PLATE, GUSSET, AT RIB 113.3", GROUP	1	-	MR	
	110F11016	Stud, blanking, at strut fitting	1	S1		
	17F11016	PLATE, GUSSET, AT RIB 63.5", PORT, GROUP	1	-	MR	
	18F11016	PLATE, GUSSET, AT RIB 63.5", STARBOARD, GROUP	1	-	MR	
		FORMER AT STATION 32, PORT AND STARBOARD (35 & 36F8082) (Mod. 729)				JB31/1684
		Spares for:-				
	3F8164	Bracket, attachment, port	1	L72	MR	
	4F8164	Bracket, attachment, starboard	1	L72	MR	
	3F8357	Bracket, flanged, port	1	L72		
	4F8357	Bracket, flanged, starboard	1	L72	MR	
	12F7899	Bracket, stringer, port and starboard	1	DTD364B	MR	
	37F8082	FORMER ASSY. PORT, GROUP	1	-	MR	
	38F8082	FORMER ASSY. STARBOARD, GROUP	1	-	MR	
	12.0.3733	Spares for:- Bracket, brake parachute extractor attachment	1	-	MR	
		FORMER AT STATION 33, PORT AND STARBOARD (51 & 52F8078) (Mod. 729)				JB31/1685
		Spares for:-				
	63F8078	Bracket, stringer	2	DTD683	MR	
	64F8078	Bracket, stringer	1	DTD364B	MR	
		FORMER AT STATION 34, PORT AND STARBOARD (19 & 20F8083) (Mod. 729)				JB31/1686
		Spares for:-				
2310	6F8166	Angle, skin attachment, port	1	L72	MR/C	
2311	6F8166	Angle, skin attachment, starboard	1	L72	MR/C	
2298	6F8357	Bracket, flanged, port	1	L72	MR/C	
2299	6F8357	Bracket, flanged, starboard	1	L72	MR/C	
	15F8085	Bracket, stringer attachment	1	DTD364B	MR	

FUSELAGE
CENTRE PORTION

Ref. No.	Part No.	Description	No. off	Matl. Spec.	Cl. of	Plate and Ident'n No.
					St. M.R.	
		1 2 3 4				
		STRUCTURE, JET PIPE, INBOARD AND OUTBOARD, PORT AND STARBOARD (82 & 84F9524) (Cont'd)				
		FORMER AT STATION 35, PORT AND STARBOARD (27 & 28F8084) (Mod. 729)				JB31/1687
		Spares for:-				
	7F8166	Angle, skin attachment, port	1	L72		
	8F8166	Angle, skin attachment, starboard	1	L72	C	
	7F8357	Bracket, flanged, port	1	L72	C	
	8F8357	Bracket, flanged, starboard	1	L72	C	
	15F8085	Bracket, stringer attachment	1	DTD364B	MR	
		FORMER AT STATION 36, PORT AND STARBOARD (82 & 93F8078) (Mod. 729)				JB31/1688
		Spares for:-				
	111F9524	Bracket, aft, port	2	L86	MR	
	112F9524	Bracket, aft, starboard	2	L86	MR	
	103F9524	Bracket, forward, port	2	L86	MR	
	104F9524	Bracket, forward, starboard	2	L86	MR	
	63F8078	Bracket, stringer attachment	1	DTD683	MR	
	108980	Bracket, attachment	1	-	MR	
		FORMER AT STATION 37, PORT AND STARBOARD (39 & 40F9620) (Mod. 729)				JB31/1689
		Spares for:-				
	9F8166	Angle, skin attachment, port	1	L72	MR	
	10F8166	Angle, skin attachment, starboard	1	L72	MR	
	15F9620	Bracket, skin attachment, port	1	L72	C	
	16F9620	Bracket, skin attachment, starboard	1	L72	MR	
	13F9620	Bracket, stringer, port	1	DTD364B	MR	
	14F9620	Bracket, stringer, starboard	1	DTD364B	MR	
	29F9620	Housing, clutch	1	L53	MR	
	30F9620	Housing, clutch	1	L53	MR	
		FORMER AT STATION 38, PORT AND STARBOARD (25 & 26F8086) (Mod. 729)				JB31/1690
		Spares for:-				
	11F8166	Angle, skin attachment, port	1	L72	C	
	12F8166	Angle, skin attachment, starboard	1	L72	C	
	11F8357	Bracket, flanged, port	1	L72	C	
	12F8357	Bracket, flanged, starboard	1	L72	MR	
	15F8085	Bracket, stringer attachment	1	DTD364B		
		FORMER AT STATION 39, PORT AND STARBOARD (73 & 74F8080) (Mod. 729)				JB31/1691
		Spares for:-				
	13F7899	Bracket, stringer, port and starboard	1	DTD683	MR	
	95F8080	Bracket, stringer, port	1	DTD364B	MR	
	96F8080	Bracket, stringer, starboard	1	DTD364B	MR	

VULCAN HL 2

FUSELAGE
CENTRE PORTION

Page JB. 111

Ref. No.	Part No.	Description	No. off	Mtl. Spec.	Cl. of	Para and Illust'n No.
					St.	
		1 2 3 4			M.R.	
		STRUCTURE, JET PIPE, INBOARD AND OUTBOARD, PORT AND STARBOARD (82 & 84F9524) (Cont'd)				
		FORMER AT STATION 40, PORT AND STARBOARD (29 & 30F8087) (Mod. 72B)				JB31/1692
		Spares for:-				
	1F8196	Angle, skin attachment, port	1	L72	MR	
	2F8196	Angle, skin attachment, starboard	1	L72	MR	
	1F8358	Bracket, flanged, port	1	L72	MR	
	2F8358	Bracket, flanged, starboard	1	L72	MR	
	15F8087	Bracket, stringer, port	1	DTD364	MR	
	16F8087	Bracket, stringer, starboard	1	DTD364	MR	
		FORMER AT STATION 41, PORT AND STARBOARD (29 & 30F8088) (Mod. 72B)				JB31/1693
		Spares for:-				
	3F8196	Angle, skin attachment, port	1	L72	MR	
	4F8196	Angle, skin attachment, starboard	1	L72	MR	
	5F8358	Bracket, flanged, port	1	L72	MR	
	6F8358	Bracket, flanged, starboard	1	L72	MR	
	15F8186	Bracket, stringer, port	1	DTD683	MR	
	17F8088	Bracket, stringer, port	1	DTD683	MR	
	18F8088	Bracket, stringer, starboard	1	DTD683	MR	
		FORMER AT STATION 42, PORT AND STARBOARD (37 & 38F8089) (Mod. 72B)				JB31/1694
		Spares for:-				
	17F8089	Bracket, flanged, port	1	L72	MR	
	18F8089	Bracket, flanged, starboard	1	L72	MR	
	25F8089	Bracket, stringer, port	1	DTD683	MR	
	26F8089	Bracket, stringer, starboard	1	DTD683	MR	
	1F10068	INTERCOSTAL 31, PORT, GROUP	1	-	MR	
	2F10068	INTERCOSTAL 31, STARBOARD, GROUP	1	-	MR	
	1F10069	INTERCOSTAL 32, PORT, GROUP	1	-	MR	
	2F10069	INTERCOSTAL 32, STARBOARD, GROUP	1	-	MR	
	1F10070	INTERCOSTAL 33, PORT, GROUP	1	-	MR	
	2F10070	INTERCOSTAL 33, STARBOARD, GROUP	1	-	MR	
	1F10071	INTERCOSTAL 34, PORT, GROUP	1	-	MR	
	2F10071	INTERCOSTAL 34, STARBOARD, GROUP	1	-	MR	
	1F10072	INTERCOSTAL 35, PORT, GROUP	1	-	MR	
		Spares for:-				
1432992	15F10073	Bracket, web (Mod. 2080)	1	-	MR/C	
1432994	17F10073	Bracket, stringer (Mod. 2080)	1	-	MR/C	

FUSELAGE
CENTRE PORTION

Ref. No.	Part No.	Description	No. off	Mater. Spec.	Cl. of	Plate and Illust'n No.
					St. M.R.	
		1 2 3 4				
		STRUCTURE, JET PIPE, INBOARD AND OUTBOARD, PORT AND STARBOARD (62 & 64F9524) (Cont'd)				
	2F10072	INTERCOSTAL 35, STARBOARD, GROUP	1	-	MR	
1432983	16F10073	Spares for:- Bracket, web (Mod. 2080)	1	-	MR/C	
1432985	18F10073	Bracket, stringer (Mod. 2080)	1	-	MR/C	
	1F10073	INTERCOSTAL 36, PORT, GROUP	1	-	MR	
1432992	15F10073	Spares for:- Bracket, web (Mod. 2080)	1	-	MR/C	
1432994	17F10073	Bracket, stringer (Mod. 2080)	1	-	MR/C	
	2F10073	INTERCOSTAL 36, STARBOARD, GROUP	1	-	MR	
1432983	16F10073	Spares for:- Bracket, web (Mod. 2080)	1	-	MR/C	
1432985	18F10073	Bracket, stringer (Mod. 2080)	1	-	MR/C	
	1F10074	INTERCOSTAL 37, PORT, GROUP	1	-	MR	
	2F10074	INTERCOSTAL 37, STARBOARD, GROUP	1	-	MR	
	1F10075	INTERCOSTAL 38, PORT, GROUP	1	-	MR	
1432984	79F10075	Spares for:- Bracket, web (Mod. 2080)	1	-	MR	
	17F10073	Bracket, stringer (Mod. 2080)	1	-	MR/C	
	2F10075	INTERCOSTAL 38, STARBOARD, GROUP	1	-	MR	
1432985	80F10075	Spares for:- Bracket, web (Mod. 2080)	1	-	MR	
	18F10073	Bracket, stringer (Mod. 2080)	1	-	MR/C	
	1F10076	INTERCOSTAL 39, PORT, GROUP	1	-	MR	
	2F10076	INTERCOSTAL 39, STARBOARD, GROUP	1	-	MR	
	1F10077	INTERCOSTAL 40, PORT, GROUP	1	-	MR	
	2F10077	INTERCOSTAL 40, STARBOARD, GROUP	1	-	MR	
	1F10078	INTERCOSTAL 41, PORT, GROUP	1	-	MR	
	2F10078	INTERCOSTAL 41, STARBOARD GROUP	1	-	MR	
	1F10079	INTERCOSTAL 42, PORT, GROUP	1	-	MR	
	2F10079	INTERCOSTAL 42, STARBOARD, GROUP	1	-	MR	
	186F9524	INTERCOSTAL, REAR SPAR TO FORMER 370", TOP, PORT, GROUP	13	-	MR	
	186F9524	INTERCOSTAL, REAR SPAR TO FORMER 370", TOP, STARBOARD, GROUP	13	-	MR	

VULCAN No. 2

FUSELAGE
CENTRE PORTION

Page JB. 113

Ref. No.	Part No.	Description	No. off	Mati. Spec.	Cl. of	Plate and Illust'n No.
					St. M.R.	
		1 2 3 4				
		STRUCTURE, JET PIPE, INBOARD AND OUTBOARD, PORT AND STARBOARD (62 & 64F9524) (Cont'd)				
	187F9524	INTERCOSTAL, REAR SPAR TO FORMER 370", TOP, PORT, GROUP	1	-	MR	
	188F9524	INTERCOSTAL, REAR SPAR TO FORMER 370", TOP, STARBOARD, GROUP (Mod 895)	1	-	MR	
	189F9524	INTERCOSTAL, REAR SPAR TO FORMER 370", TOP, PORT, GROUP	1	-	MR	
	190F9524	INTERCOSTAL, REAR SPAR TO FORMER 370", TOP, STARBOARD, GROUP (Mod 895)	1	-	MR	
	191F9524	INTERCOSTAL, REAR SPAR TO FORMER 370", BOTTOM, STARBOARD, GROUP (Mod 895)	5	-	MR	
	192F9524	INTERCOSTAL, REAR SPAR TO FORMER 370", BOTTOM, PORT, GROUP (Mod 895)	5	-	MR	
	193F9524	INTERCOSTAL, REAR SPAR TO FORMER 370", BOTTOM, PORT, GROUP (Mod 895)	2	-	MR	
	194F9524	INTERCOSTAL, REAR SPAR TO FORMER 370", BOTTOM, STARBOARD, GROUP (Mod 895)	2	-	MR	
	195F9524	INTERCOSTAL, REAR SPAR TO FORMER 370", BOTTOM, PORT, GROUP (Mod 895)	4	-	MR	
	196F9524	INTERCOSTAL, REAR SPAR TO FORMER 370", BOTTOM, STARBOARD, GROUP (Mod 895)	4	-	MR	
	197F9524	INTERCOSTAL, REAR SPAR TO FORMER 370", BOTTOM, PORT, GROUP (Mod 895)	4	-	MR	
	198F9524	INTERCOSTAL, REAR SPAR TO FORMER 370", BOTTOM, STARBOARD, GROUP (Mod 895)	4	-	MR	
	199F9524	INTERCOSTAL, REAR SPAR TO FORMER 370", BOTTOM, STARBOARD, GROUP (Mod 895)	1	-	MR	
	200F9524	INTERCOSTAL, REAR SPAR TO FORMER 370", BOTTOM, PORT, GROUP	1	-	MR	
	201F9524	INTERCOSTAL, REAR SPAR TO FORMER 370", BOTTOM, PORT, GROUP (Mod 895)	1	-	MR	
	202F9524	INTERCOSTAL REAR SPAR TO FORMER 370", BOTTOM, STARBOARD, GROUP (Mod 895)	1	-	MR	
		RAILS, GUIDE, JET PIPE, PORT AND STARBOARD (F10803) (See Power Installation - Engine)				

FUSELAGE
CENTRE PORTION

Ref. No.	Part No.	Description				No. off	Matl. Spec.	Cl. of St. M.R.	Plate and Must'n No.
		1	2	3	4				
		SKINS, INNER JET PIPE TUNNEL, INNER AND OUTER, PORT AND STARBOARD (1, 2, 3 & 4F11120) (Mod. 855)							
	39F11120	Spare for:— JOINT, TORSION, GROUP				4	—	MR	JB31/1695
	39hF11120	Spare for:— HALF, BOTTOM, GROUP				1	—	MR	
	39jF11120	HALF, TOP, GROUP				1	—	MR	
	39bF11120	Spare for:— Sect, half				1	—	MR	
12058	3F9524	SKIN, TUNNEL, INNER AND OUTER, FORWARD TOP, GROUP				1	—	C	JB31/1696
	3aF9524	Consisting of:— Skin				1	Titanium		
	3bF9524	Skin				1	Titanium		
6279	4F9524	SKIN, TUNNEL, INNER AND OUTER, FORWARD BOTTOM, GROUP				1	—	MR/C	JB31/1697
	4aF9524	Consisting of:— Skin				1	Titanium		
	4bF9524	Skin				1	Titanium		
	4cF9524	Skin				1	Titanium		
	12F9524	Skin, aft centre, at rear spar				1	Titanium	MR	JB31/1698
	21F9524	SKIN, TUNNEL, INBOARD, TOP, CENTRE, GROUP				1	—	MR	JB31/1699
	21aF9524	Consisting of:— Skin				1	Titanium		
	21bF9524	Skin				1	Titanium		
6281	22F9524	SKIN, TUNNEL, INBOARD, BOTTOM, CENTRE, GROUP				1	—	C	JB31/1700
	22aF9524	Consisting of:— Skin				1	Titanium		
	22bF9524	Skin				1	Titanium		
	22cF9524	Skin				1	Titanium		
	23F9524	SKIN, TUNNEL, INBOARD, FORWARD, REAR SPAR, TO CENTRE, GROUP				1	—	MR	JB31/1701
	23aF9524	Consisting of:— Skin				1	Titanium		
	23bF9524	Skin				1	Titanium		
6282	24F9524	SKIN, TUNNEL, INBOARD, FORWARD, REAR SPAR, BOTTOM, CENTRE, GROUP				1	—	C	JB31/1702
	24aF9524	Consisting of:— Skin				1	Titanium		
	24bF9524	Skin				1	Titanium		
	24cF9524	Skin				1	Titanium		

VULCAN PR. 2

FUSELAGE
CENTRE PORTION

Page JB. 115

Ref. No.	Part No.	Description	No. off	Matl. Spec.	Cl. of	Place and Illust'n No.
					St. M.R.	
		1 2 3 4				
		SKINS, INNER, JET PIPE TUNNEL, INNER AND OUTER, PORT AND STARBOARD (1, 2, 3, & 4F11120) (Mod 855) (Cont'd)				
	25F9524	SKIN, TUNNEL, INBOARD, TOP, PORT, INBOARD, GROUP Consisting of:—	1	—	MR	JB31/1703
	25aF9524	Skin	1	Titanium		
	25bF9524	Skin	1	Titanium		
	26F9524	SKIN, TUNNEL, INBOARD, TOP, STARBOARD, INBOARD, GROUP Consisting of:—	1	—	MR	JB31/1704
	26aF9524	Skin	1	Titanium		
	26bF9524	Skin	1	Titanium		
6285	27F9524	SKIN, TUNNEL, INBOARD AND OUTBOARD, BOTTOM, GROUP Consisting of:—	1	—	MR/C	JB31/1705
	27aF9524	Skin	1	Titanium		
	27bF9524	Skin	1	Titanium		
	27cF9524	Skin	1	Titanium		
	28F9524	SKIN, TUNNEL, INBOARD AND OUTBOARD, TOP AFT, GROUP Consisting of:—	1	—	MR	JB31/1706
	28aF9524	Skin	1	Titanium		
	28bF9524	Skin	1	Titanium		
6286	29F9524	SKIN, TUNNEL, INBOARD AND OUTBOARD, BOTTOM AFT, GROUP Consisting of:—	1	—	MR/C	JB31/1707
	29aF9524	Skin	1	Titanium		
	29bF9524	Skin	1	Titanium		
	29cF9524	Skin	1	Titanium		
	42F11120	Skin, top (Made from 28F9524)	1	—	MR	
	43F11120	Skin, bottom (Made from 29F9524)	1	—	MR	
	44F11120	Skin, top (Made from 28F9524)	1	—	MR	
	45F11120	Skin, bottom (Made from 29F9524)	1	—	MR	
	46F11120	Skin, top (Made from 23F9524)	1	—	MR	
	47F11120	Skin, bottom (Made from 24F9524)	1	—	MR	
	48F11120	Skin, top (Made from 23F9524)	1	—	MR	
	49F11120	Skin, bottom (Made from 24F9524)	1	—	MR	

FUSELAGE
CENTRE PORTION

Ref. No.	Part No.	Description	No. off	Matl Spec	Cl. of St.	Plate and Illust'n No.
					M.R.	
		<u>1 2 3 4</u>				
		STRUCTURE, JET PIPE (62 & 64F9524) (Cont'd)				
		STRUCTURE, SUPPORT, JET PIPE ROLLERS (1F11157) (Mod. 698)				
		Spares for:—				
	30F11157	BEAM ASSEMBLY, AT RIB 162.5", STARBOARD, GROUP	1	—	MR	
	48F11157	BEAM ASSEMBLY, AT RIB 113.3", INBOARD AND OUTBOARD, PORT AND STARBOARD, GROUP	1	—	MR	
	11F11022	Bracket, roller support	1	L65	MR	
		STRUCTURE UNDER POWER COMPARTMENT (10D10981) (Mod. 743)				
		Spares for:—				
	22D9829	Bracket, at forward cross member, starboard	1	L72		
2332	23D9829	Bracket, at forward cross member, port	1	L72	C	
	3D11145	Bracket, mounting	2	DTD410		
	4D11145	Bracket, mounting, port	1	DTD410		
	5D11145	Bracket, mounting, starboard	1	DTD410		
	187D8810	Bracket, stringer	7	L72		
	18D10981	Gate, for levers (Mod. 748)	1	S510		
	13D10981	Lever, cocking assy (Mod. 748)	1	—		
	12D10981	Lever, release assy (Mod. 748)	1	—		
	8D10981	PANEL, ACCESS, GROUP	1	—	MR	JB27/1708
		Spares for:—				
28FP/4082888	EF5/35A	Fastener, dzus	5	—	C	
28FP/736	EF5/40A	Fastener, dzus	21	—	C	
	19D10981	Tube, drain	4	—	C	
		PLATFORM, SUPPORT, FOR CONTROL UNIT (1D10988)				
		Spares for:—				
1432825	10D10988	Support, top hat (Mod. 1245)	1	L72	C	
1432826	11D10988	Support, top hat (Mod. 1245)	1	L72	C	
28FP/341	S5/325	Spring, dzus	21	—	C	
14197	15D10981	Spring, tension (Mod. 748)	2	DTD215	C	
		STRUTS BETWEEN BOMB ARCHES 243.127" AND 259.092", PORT AND STARBOARD (1 & 2D11326)				
		Spares for:—				
	10D11326	Bracket, bomb arch 258.092", port	1	L77		
	11D11326	Bracket, bomb arch 258.092", starboard	1	L77		
	3D11326	STRUT GROUP	1	—		
	4D11326	STRUT GROUP	1	—		

WALCAN No. 2

FUSELAGE
CENTRE PORTION

Page JB. 117

Ref. No.	Part No.	Description	No. off	Matl. Spec.	Cl. of	Place and Illust'n No.
					St. M.R.	
1 2 3 4						
		STRUCTURE, CENTRE PORTION (D10631) (Cont'd)				
		SUPPORT DRIP TRAY, AT FORMERS 101" AND 115.5" (1D10010)				
		Spares for:—				
21772	9D10010	Fairlead	6	BSS668	C	JB30/1709
	11D10010	Fairlead	4	BSS668	MR	JB30/1710
21776	14D10010	Fairlead	1	BSS668	C	JB30/1711
21778	16D10010	Fairlead	1	BSS668	C	JB30/1712
21771	8D10010	Seal (Gaco)	6	—	C	JB30/1713
	10D10010	Seal (Gaco)	4	—	MR	JB30/1714
21773	12D10010	Seal (Gaco)	1	—	C	JB30/1715
21774	13D10010	Seal (Gaco)	1	—	C	JB30/1716
		TELESCOPIC STRUT, BOMB DOORS (2D9451) (Mod 1237)				
		Spares for:—				
	7D9193	Bracket, pivot, rear	1	DTD364B		
	8D9193	Bracket, pivot, rear	1	DTD364B		
	15D9451	Bracket, pivot, forward	1	DTD364B		
	16D9451	Bracket, pivot, forward	1	DTD364B		
27QM/4173881	DOWTY 1.01006 001	Strut, telescopic	4	—	A	JB22/1717
		SUIT, VENTILATED SYSTEM (118Z9303) (See Equipment, Aircraft—Ventilated Suit System)				
		TRAY, DRIP, FOR No 1 FUEL TANK (1Z7348)				
		Spares for:—				
28E/9712163	SP 91/C	Clp, hose	2	—	C	
	34Z7348	ELBOW, FOR STARBOARD DRIP TRAY, ... GROUP	1	—	MR	JB30/1718
5K/8626276	SP40/B14 37Z7348	Grommet, rubber	1	—	C	
	38Z7348	Hose, for pipe joints	2	DT0625A		
	38Z7348	PIECE, TEE, FOR PORT DRIP TRAY, ... GROUP	1	—	MR	JB30/1719
	24Z7348	PIPE, OUTLET, 1/4" O/D x 22G x 21" ... LONG, STARBOARD, GROUP	1	—		JB30/1720
	32Z7348	PIPE, TOP, STARBOARD, GROUP	1	—	MR	JB30/1721
8776	33Z7348	PIPE, CENTRE, STARBOARD, GROUP	1	—	C	JB30/1722
	35Z7348	Pipe, between trays	1	L54	MR	JB30/1723
	19Z7348	Seal, at elbow and tee piece on trays	2	Langite	MR	JB30/1724

FUSELAGE
CENTRE PORTION

Ref. No.	Part No.	Description	No. off	Matl. Spec.	Cl. of	Plate and Illust'n No.
					St. M.R.	
		1 2 3 4				
		TRAY, DRIP, FOR No 1 FUEL TANK (127349) (Cont'd)				
	227349	TRAY, DRIP PORT, GROUP (Pre Mod 1017)	1	--	MR	
10276	46Z7349	TRAY, DRIP, PORT, GROUP (Mod 1017)	1	--	B	JB30/1725
	327349	TRAY, DRIP, STARBOARD, GROUP (Pre Mod 1017)	1	--		
10277	46Z7349	TRAY, DRIP, STARBOARD, GROUP (Mod 1017)	1	--	B	JB30/1726
		Spares for:--				
	41Z7349	Boss, special (Mod 1017)	1	--	MR	
	1SS5002	Chain retaining (Mod 1017)	1	--	MR	
	2aZ7349	COVER GROUP	1	--		JB30 1727
		Spares for --				
28FP/ 9520705	A3/20	Fastener, dzus	2	--	C	
	44Z7349	Gasket (Mod 1017)	1	--	MR	JB30/1728
26FP/10114	1SS1585	Plug, for chain (Mod 1017)	2	--	C	
	43Z7349	Piece, packing (Mod 1017)	1	--		
	40Z7349	Plug (Mod 1017)	1	--	MR	JB30/1729
11787	42Z7349	Ring, reinforcing (Mod 1017)	1	--	C	JB30/1730
	21Z7349	Seal, 14-3/4" x 2 1/2" x 1/16"	4	Rubber	MR	JB30/1731
	2mZ7349	Seal, 17-1/2" x 2-1/2" x 1/16"	1	Rubber	MR	JB30/1732
	2tZ7349	Seal, 16" x 1 7/8"	2	Rubber	MR	JB30/1733
	3SS4849	Seal, for plug (Mod 1017)	1	Rubber	MR	JB30/1734
28FP/ 1200486	S3/150	Spring, dzus	2	--	C	
		TROUGHING IN BOMB BAY, PORT AND STARBOARD (1 & 2V8031)				
		Spares for:--				
	117V8031	Angle	2	L72		JB34/1750
	118V8031	Angle	2	L72		JB33/1751
	119V8031	Angle, port	1	L72		JB35/1752
	120V8031	Angle, starboard	1	L72		JB35/1753
	124V8031	Angle	2	L72		JB33/1754
	125V8031	Angle	6	L72		JB33/1755
	132V8031	Angle, starboard	1	L72		JB33/1756
	133V8031	Angle, port	1	L72		JB34/1757
	134V8031	Angle	2	L72		JB35/1758
	135V8031	Angle, port	1	L72		JB35/1759
	136V8031	Angle, starboard	1	L72		JB35/1760
	153V8031	Angle, attachment, port	1	L72		JB37/1761
	154V8031	Angle, attachment, starboard	1	L72		JB35/1762
	155V8031	Angle, attachment	2	L72		JB37/1763
	164V8031	Angle, starboard	1	L72		JB34/1764
	165V8031	Angle, port	1	L72		JB33/1765
	166V8031	Angle, starboard	1	L72		JB34/1766
	28V8776	Block, mounting	38	BSS972		JB33/1767
	112V8031	Block, mounting	2	BSS972		JB35/1768

VULCAN No. 2

FUSELAGE
CENTRE PORTION

Page JB. 119

Ref. No.	Part No.	Description	No. off	Matl. Spec.	Cl. of	Plate and Illust'n No.
					St. M.R.	
		1 2 3 4				
		TROUGHING IN BOMB BAY (1 & 2V8031) (Cont'd)				
	105V8031	Bracket, mounting	4	L72		JB33/1769
	106V8031	Bracket, mounting	4	L72		JB33/1770
	107V8031	Bracket, mounting, port	5	L72		JB33/1771
	108V8031	Bracket, mounting, port	4	L72		JB33/1772
	130V8031	Bracket, mounting, starboard	1	L72		JB34/1773
	131V8031	Bracket, mounting, port	1	L72		JB33/1774
	143V8031	Bracket, mounting	2	L72		JB33/1775
	144V8031	Bracket, mounting	2	L72		JB33/1776
	166V8031	Bracket, mounting, starboard	1	L72		JB34/1777
	168V8031	Bracket, clip	4	L72		JB33/1778
	169V8031	Bracket, clip	4	L72		JB37/1779
	178V8031	Bracket, mounting	2	L72		JB34/1780
	178V8031	Bracket, mounting	2	L72		JB33/1781
	189V8031	Bracket, mounting	2	L72		JB34/1782
	190V8031	Bracket, mounting, starboard	1	L72		JB36/1783
	191V8031	Bracket, mounting, port	1	L72		JB35/1784
	201V8031	Bracket, mounting, starboard	1	L72		JB36/1785
	202V8031	Bracket, mounting, port	1	L72		JB35/1786
	203V8031	Bracket, mounting, starboard	1	L72		JB36/1787
	204V8031	Bracket, mounting, port	1	L72		JB36/1788
	17V6354	Bracket, mounting	4	L72		
	51V8031	Clip	62	L72		JB35/1789
	52V8031	Clip	2	L72		JB35/1790
	53V8031	Clip	2	L72		JB35/1791
	54V8031	Clip	2	L72		JB35/1792
	55V8031	Clip	2	L72		JB35/1793
	56V8031	Clip	2	L72		JB33/1794
	111V8031	Clip	2	L72		JB33/1795
	21V6590	Clip	36	L72		JB33/1796
	AGS.1617/13	Clip	4	-		JB34/1797
	AS.4799	Clip, spring	28	-	MR	
	105S3859	Clip	2	-		
	38SS3264	Clip	8	L72		JB37/1798
	15SS3264	Clip	2	L72		
	121V8031	Channel, mounting	8	L72		JB33/1799
	122V8031	Channel, mounting	2	L72		JB33/1800
	126V8031	Channel, mounting	2	L72		JB34/1801
	128V8031	Channel, mounting	2	L72		JB35/1802
	129V8031	Channel, mounting	2	L72		JB35/1803
	145V8031	Channel, mounting	2	L72		JB33/1804
	146V8031	Channel, mounting	2	L72		JB33/1805
	200V8031	Channel, mounting	2	L72		JB35/1806
	17V8031	Member, attachment	2	L72		JB35/1807
	18V8031	Member, attachment	2	L72		JB35/1808
	19V8031	Member, attachment	2	L72		JB35/1809
	20V8031	Member, attachment	2	L72		JB35/1810
	21V8031	Member, attachment	2	L72		JB35/1811
	22V8031	Member, attachment	2	L72		JB35/1812
	23V8031	Member, attachment	2	L72		JB35/1813
	24V8031	Member, attachment	4	L72		JB35/1814
	25V8031	Member, attachment	2	L72		JB35/1815

FUSELAGE
CENTRE PORTION

Ref. No.	Part No.	Description	No. off	Matl. Spec.	Cl. of St.	Plate and Bluel'n No.
					M.R.	
		1 2 3 4				
		TROUGHING IN BOMB BAY (1 & 2V8031) (Cont'd)				
	26V8031	Member, attachment	2	L72		JB35/1816
	27V8031	Member, attachment	2	L72		JB35/1817
	28V8031	Member, attachment	2	L72		JB35/1818
	41V8031	Member, attachment	2	L72		JB35/1819
	42V8031	Member, attachment	2	L72		JB35/1820
	43V8031	Member, attachment	2	L72		JB35/1821
	44V8031	Member, attachment	1	L72		JB35/1822
	45V8031	Member, attachment	2	L72		JB35/1823
	46V8031	Member, attachment	2	L72		JB35/1824
	47V8031	Member, attachment	2	L72		JB35/1825
	48V8031	Member, attachment	2	L72		JB35/1826
	49V8031	Member, attachment	2	L72		JB35/1827
	50V8031	Member, attachment	2	L72		JB35/1828
	165V8031	Member, attachment	2	L72		JB35/1829
	172V8031	Member, attachment	2	L72		JB33/1830
	173V8031	Member, attachment	4	L72		JB33/1831
	174V8031	Member, attachment	6	L72		JB33/1832
	175V8031	Member, attachment	2	L72		JB33/1833
	176V8031	Member, attachment	2	L72		JB33/1834
	207V8031	Member, attachment	2	L72		JB35/1835
	18V8590	MEMBER, ATTACHMENT, GROUP	4	—		JB33/1836
	19V8590	MEMBER, ATTACHMENT, GROUP	4	—		JB33/1837
	20V8590	MEMBER, ATTACHMENT, GROUP	2	—		JB34/1838
	206V8031	Packing	2	L72		
	206V8031	Packing	2	L72		JB33/1839
	AS4808	Packing	164	—	MR	JB35/1840
	AS4810	Packing	92	—		JB35/1841
	194V8031	PANEL, FIBREGLASS, GROUP	2	—		JB33/1842
	87V8301	Plate, mounting	2	L72		
	AS4821	Spacer	218	—	MR	JB33/1843
	3V6850	Spacer	4	BSS2968/ 3B	MR	
	156V8031	Strap	4	L72		JB37/1844
6116190	AS8671/11	Strip, capping, 11" long	2	L72	C	JB33/1845
	AS8671/18	Strip, capping, 18" long	6	L72		JB35/1846
6116189	AS8671/21	Strip, capping, 21" long	8	L72	C	JB33/1847
	AS8671/31	Strip, capping, 31" long	16	L72		JB33/1848
6116188	AS8671/39	Strip, capping, 39" long	6	L72	C	JB35/1849
	AS8671/42	Strip, capping, 42" long	7	L72		JB33/1850
	AS8671/43	Strip, capping, 43" long	6	L72		JB34/1851
6116194	AS8671/44	Strip, capping, 44" long	8	L72	C	JB33/1852
	AS8672/11	Strip, capping, 11" long	4	L72		JB33/1853
	AS8672/18	Strip, capping, 18" long	4	L72		JB35/1854
	AS8672/21	Strip, capping, 21" long	4	L72		JB33/1855
	AS8672/31	Strip, capping, 31" long	8	L72		JB33/1856
	AS8672/39	Strip, capping, 39" long	4	L72		JB35/1857

VULCAN No. 2

FUSELAGE
CENTRE PORTION

Page JB. 121

Ref No	Part No.	Description	No. off	Matl. Spec.	Cl of St.	Plate and Illust'n No.
					M.R.	
		1 2 3 4				
1510780		TROUGHING IN BOMB BAY (1 & 2V8031) (Cont'd)				
	AS8672/43	Strip, capping, 43" long	4	L72	C	JB35/1858
	AS8672/44	Strip, capping, 44" long	8	L72		JB33/1859
	195V8031	Strip, clip attachment	2	L72		JB33/1860
	86V8031	Tube, conduit	2	L56		JB33/1861
	127V8031	Tube, conduit	4	DTD310		JB33/1862
	141V8031	Tube, conduit	4	DTD310		JB33/1863
	142V8031	Tube, conduit	2	DTD310		JB36/1864
	152V8031	Tube, conduit, fibreglass	2	Y83T6		JB33/1865
	187V8031	Tube, conduit	4	L56		JB33/1866
	30V6778	Tube, conduit	6	DTD310		JB33/1867
	32V8031	TROUGH, CONDUIT, GROUP	6	—		JB35/1868
	33V8031	TROUGH, CONDUIT, GROUP	20	—		JB33/1869
	34V8031	TROUGH, CONDUIT, GROUP	4	—		JB35/1870
	35V8031	TROUGH, CONDUIT, GROUP	8	—		JB33/1871
	36V8031	TROUGH, CONDUIT, GROUP	22	—		JB33/1872
	37V8031	TROUGH, CONDUIT, GROUP	14	—		JB33/1873
	38V8031	TROUGH, CONDUIT, GROUP	8	—		JB33/1874
	39V8031	TROUGH, CONDUIT, GROUP	8	—		JB33/1875
	40V8031	TROUGH, CONDUIT, GROUP	8	—		JB33/1876
	89V8031	TROUGH, CONDUIT, GROUP	8	—		JB33/1877
	151V8031	TROUGH, CONDUIT, GROUP	2	—		JB33/1878
	171V8031	TROUGH, CONDUIT, GROUP	4	—		JB33/1879
	180V8031	TROUGH, CONDUIT, GROUP	4	—		JB33/1880
	188V3031	TROUGH, CONDUIT, GROUP	2	—		JB35/1881
	192V8031	TROUGH, CONDUIT, GROUP	1	—		JB36/1882
	193V8031	TROUGH, CONDUIT, GROUP	2	—		JB36/1883
	11SS4619	Trough, conduit, 11" long	6	—		JB33/1884
	18SS4619	Trough, conduit, 18" long	4	—		JB35/1885
	21SS4619	Trough, conduit, 21" long	6	—		JB33/1886
	31SS4619	Trough, conduit, 31" long	12	—		JB33/1887
	39SS4619	Trough, conduit, 39" long	4	—		JB35/1888
	42SS4619	Trough, conduit, 42" long	6	—		JB33/1889
	43SS4619	Trough, conduit, 43" long	4	—		JB34/1890
44SS4619	Trough, conduit, 44" long	6	—	JB33/1891		

FUSELAGE
CENTRE PORTION

Ref No	Part No.	Description	No. off	Matl. Spec.	Cl. of		Plate and Illust'n No.
					SL	M.R.	
		1 2 3 4					
		TROUGHING IN BOMB BAY (1 & 2V8031) (Cont'd)					
	11SS4620	Trough, conduit, 11" long	4	—			JB33/1892
	18SS4620	Trough, conduit, 18" long	4	—			JB35/1893
	21SS4620	Trough, conduit, 21" long	4	—			JB33/1894
	30SS4620	Trough, conduit, 30" long	1	—			JB36/1895
	31SS4620	Trough, conduit, 31" long	8	—			JB33/1898
	38SS4620	Trough, conduit, 38" long	4	—			JB35/1897
	43SS4620	Trough, conduit, 43" long	3	—			JB35/1898
22811	44SS4620	Trough, conduit, 44" long	8	—		C	JB33/1899
7682	11SS4623	Trough, conduit, 11" long	2	—		C	JB33/1900
	18SS4623	Trough, conduit, 18" long	2	—			JB35/1901
22840	21SS4623	Trough, conduit, 21" long	2	—		C	JB33/1902
	31SS4623	Trough, conduit, 21" long	4	—			JB33/1903
	36-1/2SS4623	Trough, conduit, 36-1/2" long	2	—			JB35/1904
	43SS4623	Trough, conduit, 43" long	2	—			JB344/1905
12043	44SS4623	Trough, conduit, 44" long	2	—		C	JB33/1906
		TROUGHING IN BOMB BAY, BETWEEN STR 6 & 7, PORT AND STR. 48 & 62, STBD. (1 & 54V9651)					
		Spare for:—					
	16V8031	Bracket, angle	38	L72			
	2V9651	Clip (port)	5	L72			JB37/1907
	3V9651	Clip (port)	2	L72			JB37/1908
	4V9651	Clip (port)	2	L72			JB37/1909
	5V9651	Clip (port)	1	L72			JB37/1910
	6V9651	Clip	2	L72			JB37/1911
	7V9651	Clip	4	L72			JB37/1912
	8V9651	Clip	4	L72			JB37/1913
	9V9651	Clip	4	L72			JB37/1914
	10V9651	Clip	2	L72			JB37/1915
	11V9651	Clip (starboard)	1	L72			JB37/1916
	12V9651	Clip (starboard)	1	L72			JB37/1917
	13V9651	Clip (starboard)	1	L72			JB37/1918
	14V9651	Clip (starboard)	1	L72			JB37/1919
	15V9651	Clip (starboard)	1	L72			JB37/1920
	19V9651	Member, attachment, starboard	1	L72			JB37/1921
	20V9651	Member, attachment	9	L72			JB37/1922
	21V9651	Member, attachment, starboard	1	L72			JB37/1923
	22V9651	Member, attachment, starboard	1	L72			JB37/1924
	23V9651	Member, attachment	3	L72			JB37/1925
	24V9651	Member, attachment	4	L72			JB37/1926
	25V9651	Member, attachment	4	L72			JB37/1927
	26V9651	Member, attachment	4	L72			JB37/1928
	27V9651	Member, attachment	4	L72			JB37/1929
	28V9651	Member, attachment	4	L72			JB37/1930
	29V9651	Member, attachment	2	L72			JB37/1931
	30V9651	Member, attachment, starboard	1	L72			JB37/1932
	31V9651	Member, attachment, starboard	1	L72			JB37/1933
	54V9651	Member, attachment, starboard	2	L72			JB37/1934

VULCAN No. 3

FUSELAGE
CENTRE PORTION

Page JB. 123

Ref. No.	Part No.	Description	No. off	Matl. Spec.	Cl. of	Plate and Illust'n No.
					Sc. M.R.	
		1 2 3 4				
		TROUGHING IN BOMB BAY, BETWEEN STR. 6 & 7, PORT AND STR. 48 & 62, STBD. (1 & 54V9651) (Cont'd)				
	37V9651	Trough, conduit, port	1	—		JB37/1935
	38V9651	Trough, conduit, port	1	—		JB37/1936
	39V9651	Trough, conduit, port	1	—		JB37/1937
	40V9651	Trough, conduit, port	1	—		JB37/1938
	41V9651	Trough, conduit	2	—		JB37/1939
	42V9651	Trough, conduit, port	1	—		JB37/1940
	43V9651	Trough, conduit	6	—		JB37/1941
	44V9657	Trough, conduit, port	1	—		JB37/1942
	45V9651	Trough, conduit	2	—		JB37/1943
	46V9651	Trough, conduit	2	—		JB37/1944
	47V9651	Trough, conduit	2	—		JB37/1945
	48V9651	Trough, conduit, starboard	1	—		JB37/1946
	51V9651	Trough, conduit, starboard	4	—		JB37/1947
	53V9651	Trough, conduit, starboard	1	—		JB37/1948
	57V9651	Trough, conduit, starboard	1	—		JB37/1949
	58V9651	Trough, conduit, starboard	1	—		JB37/1950
	59V9651	Trough, conduit, starboard	1	—		JB37/1951
	60V9651	Trough, conduit, starboard	1	—		JB37/1952
	61V9651	Trough, conduit, starboard	1	—		JB37/1953
	62V9651	Trough, conduit, starboard	1	—		JB37/1954
	63V9651	Trough, conduit, starboard	1	—		JB37/1955
	36V9651	Trough, conduit, starboard	1	—		JB37/1956

FUSELAGE
CENTRE PORTION

Ref. No.	Part No.	Description	No. off	Matl. Spec.	CL of	Plate and Illust'n No.
					St. M.R.	
		<u>1 2 3 4</u>				
		STRUCTURE, CENTRE PORTION (ID10631) (Cont'd)				
		TURBINE DISC PROTECTION SHIELDS AT RIB 162 5, PORT (1F12880) AND STARBOARD (2F12880) (Mod. 2218)				
		Spares for:-				
	9F12880	ANGLE, GROUP	1	-		JB38/1957
	2SS4878	Attachments for--Angle Part No. 9F12880 Bolt, P.K. 3/8"	2	-		JB38/1958
	13F12880	ANGLE, GROUP	1	-		JB38/1959
	1SS4832	Attachments for--Angle Part No. 13F12880 Bolt, P.K. 5/16"	2	-	MR	JB38/1960
	14F12880	ANGLE, GROUP	1	-		JB38/1961
	1SS4832	Attachments for--Angle Part No. 14F12880 Bolt, P.K. 5/16"	2	-	MR	JB38/1962
	15F12880	ANGLE, GROUP	1	-		JB38/1963
	1SS4832	Attachments for--Angle Part No. 15F12880 Bolt, P.K. 5/16"	3	-	MR	JB38/1964
1510470	14F12881	BRACKET, SUPPORT, STARBOARD, ... GROUP Attachments for--Bracket Part No. 14F12881	2	-	C	JB38/1965
		Bolt, hex. head., 2 BA	2	-	C	JB38/1966
28D/1213088 28W/9418643	A26/-1/2C SP47/C	Washer, spring	2	-	C	
	17F12880	PLATE, MOUNTING, FORWARD, PORT, .. GROUP	1	-		JB38/1967
	18F12880	PLATE, MOUNTING, FORWARD,	1	-		JB38/1968
		STARBOARD, GROUP Attachments for--Plates 17/18F12880				
	2SS4878	Bolt, P.K. 3/8"	1	-		JB38/1968
	1SS4832	Bolt, P.K. 5/16"	2	-		JB38/1970
	27F12880	PLATE, MOUNTING, AFT, PORT,	1	-		JB38/1971
	28F12880	PLATE, MOUNTING, AFT,	1	-		JB38/1972
		STARBOARD, GROUP Attachments for--Plates 27/28F12880				
	1SS4832	Bolt, P.K. 5/16"	4	-	MR	JB38/1973

FUSELAGE
CENTRE PORTION

Ref. No.	Part No.	Description	No. off	Matl. Spec.	Cl. of	Plate and Illust'n No.
					St. M.R.	
		1 2 3 4				
TURBINE DISC PROTECTION SHIELDS AT RIB 182.5, PORT AND STARBOARD (1/2F12880) (Cont'd)						
	3F12880	SHIELD, PROTECTION, PORT, GROUP	1	-		JB38/1974
	4F12880	SHIELD, PROTECTION, STARBOARD, GROUP	1	-		JB38/1975
		Spares for:-				
28D/9706830	A26/7E	Bolt, hex hd., 1/4" BSF	4	-		JB38/1976
28D/1214611	AS2920/8E	Bolt, csk. hd., 1/4" BSF	16	-		JB38/1977
	17F12881	BRACKET, HOISTING, GROUP	1	-		JB38/1978
28M/1007704	A24/ET	Nut, thin, 1/4"	4	-		
	7F12880	Plate, port	1	TA10		
	BF12880	Plate, starboard	1	TA10		
	5F12880	Shield, port	1	TA10		
	6F12880	Shield, starboard	1	TA10		
		Attachments for-Shields Part Nos. 3/4F12880				
	21F12880	Bolt, special (Make from AS2920/8G)	6	-		JB38/1979
	22F12880	Bolt, special (Make from A21/8G)	6	-		JB38/1980
28M/10300	AGS2001/G2	Nut, 5/16"	14	-	C	
28W/12668	SP19/G	Washer, 5/16"	18	-	C	
28W/1007897	SP14/G	Washer, 5/16", for shims	A/R	-	C	
28W/9436800	SP11/G	Washer, 5/16", for shims	A/R	-	C	
28W/14305	SP14/P	Washer, 9/16", for shims	A/R	-	C	
	SP11/P	Washer, 9/16", for shims	A/R	-	C	
	20F12880	Tube, distance	6	T56		JB38/1981
TURBINE DISC PROTECTION SHIELDS AT RIB 83.5, PORT, (1F12881) AND STARBOARD (2F12881) (Mod. 221B)						
		Spares for:-				
1510470	14F12881	BRACKET, SUPPORT, PORT, GROUP	1	-	C	JB38/1982
		Attachments for-Bracket Part No. 14F12881				
28D/1213088	A26-1/2C	Bolt, hex. hd.	2	-	C	JB38/1983
28W/9418843	SP 47/C	Washer, spring	2	-	C	
	10F12881	Plate, support	2	S527		JB38/1984
		Attachments for-Plate Part No. 10F12881				
	3SS4991	Bolt	18	-		JB38/1985

VULCAN No. 3
 Page JB 126
 FUSELAGE
 CENTRE PORTION

Ref. No.	Part No.	Description	No. off	Matl. Spec.	Cl. of	Plate and Illust'n No.
					Sc.	
		1 2 3 4				
TURBINE DISC PROTECTION SHIELDS AT RIB 63.5, PORT AND STARBOARD (1/2F 12881) (Cont'd)						
	3F 12881	SHIELD, PROTECTION, PORT, GROUP	1	-		JB38/1986
	4F 12881	SHIELD, PROTECTION, STARBOARD, GROUP	1	-		JB38/1987
	Spare for:-					
28D/9708830	A28/7E	Bolt, hex. hd., 1/4" BSF	4	-	C	JB38/1988
28D/1214511	AS2920/8E	Bolt, csk. hd., 1/4" BSF	15	-	C	JB38/1989
	17F 12881	BRACKET, HOISTING, GROUP	-	-		JB38/1990
28M/1007704	A24/ET	Nut, thin, 1/4"	19	-	C	
	7F 12881	Plate, port	1	TA10		
	8F 12881	Plate, starboard	1	TA10		
	5F 12881	Shield, port	1	TA10		
	6F 12881	Shield, starboard	1	TA10		
	Attachments for-Shields Part Nos. 3/4F 12881					
28D/1213022	A28/9G	Bolt, hex. hd., 5/16"	8	-	C	
28D/9434881	A59/14G	Bolt, hex. hd., 5/16"	10	-	C	
28M/10300	AGS2001/G2	Nut, stiff, 5/16"	8	-	C	
28M/10291	AGS2001/G1	Nut, stiff, 5/16"	10	-	C	
28W/9419403	SP13/G	Washer, 5/16"	10	-	C	
28W/1007897	SP14/G	Washer, 5/16"	8	-	C	
28W/12888	SP19/G	Washer, 5/16"	18	-	C	
28W/941945	SP10/G	Washer, 5/16" for shims	A/R	-		
28W/9438800	SP11/G	Washer, 5/16" for shims	A/R	-		
28W/9419403	SP13/G	Washer, 5/16" for shims	A/R	-		
28W/1007897	SP14/G	Washer, 5/16" for shims	A/R	-		
	9F 12881	Tube, distance	18	T55		JB38/1991
TURBINE DISC PROTECTION SHIELDS, HOISTING BRACKETS AT INTERCOSTAL 26A (F12882)						
	Spare for:-					
	3F 12882	BRACKET, HOISTING, PORT, GROUP	1	-		JB38/1992
	7F 12882	BRACKET, HOISTING, STARBOARD, GROUP	1	-		JB38/1993
	11F 12882	BRACKET, HOISTING, PORT, GROUP	1	-		JB38/1994
	15F 12882	BRACKET, HOISTING, STARBOARD, GROUP	1	-		JB38/1995

VULCAN No. 1

FUSELAGE
CENTRE PORTION

Page JB.127

Ref. No.	Part No.	Description	No. off	Matl. Spec.	Cl. of	Plate and Illust'n No.
					St. M.R.	
		COMPLEMENTARY PARTS				
		ATTACHMENT FITTINGS, CREW'S NACELLE FUSELAGE TO CENTRE PORTION FUSELAGE (3A3086)				
		Consisting of:—				
28D/1008145	A25/8E	Bolt, 1/4" BSF x 0.8" plain	86	—	C	
28D/1011242	A25/7E	Bolt, 1/4" BSF x 0.7" plain	10	—	C	
28D/1010031	A25/8E	Bolt, 1/4" BSF x 0.8" plain	6	—	C	
28D/1011248	A25/11E	Bolt, 1/4" BSF x 1.10" plain	12	—	C	
28D/1011259	A25/10G	Bolt, 5/16" BSF x 1" plain	38	—	C	
28M/9480017	AGS2001/E1	Nut, 1/4" BSF	106	—	C	
28M/1202770	AGS2001/G1	Nut, 5/16" BSF	38	—	C	
28W/9419405	SP15/E	Washer, 1/4" BSF	118	—	C	
28W/9419476	SP15/G	Washer, 5/16" BSF	76	—	C	
28W/9419487	SP16/E	Washer, 1/4" BSF	92	—	C	
		ATTACHMENT FITTINGS, REAR PORTION FUSELAGE TO CENTRE PORTION FUSELAGE (4A3096)				
		(See Complementary Items—Fuselage, Rear Portion)				
		ATTACHMENT FITTINGS, OUTER MAIN-PLANE TO CENTRE PORTION FUSELAGE AT FRONT, SPAR TOP, PORT AND STARBOARD (48 & 49F8775)				
		(For Spares—See Page JB.69)				
		ATTACHMENT FITTINGS, OUTER MAIN-PLANE TO CENTRE PORTION FUSELAGE AT FRONT SPAR, BOTTOM PORT AND STARBOARD (1 & 2F11338)				
		(For Spares—See Page JB.70)				
		ATTACHMENT FITTINGS, OUTER MAIN-PLANE TO CENTRE PORTION FUSELAGE AT REAR SPAR TOP AND BOTTOM, PORT AND STARBOARD (1 & 2F10811)				
		Spares for:				
1076	3F7757	Bolt, top shackle	2	S98	C	JB20/1738
	18F7757	Bolt, bottom shackle	2	S99	MR	JB20/1737
28D/1011299	A25/6J	Bolt, at web joint plate	28	—	C	JB20/1738
28D/1011300	A25/7J	Bolt, top and bottom web joint plate	2	—	C	JB20/1738
	7F7757	Nut, for Bolts (3 & 18F7757)	4	S96	—	JB20/1740
28M/4095808	AGS2001/J1	Nut, at web joint	28	—	C	JB20/1741
28P/19245	SP90/K17	Pin, split	4	—	C	
	14F7757	Plate, joint (Undrilled)	1	DTD887	—	JB20/1742
	5F10811	Shackle, top	2	S99	—	JB20/1743
	8F10811	Shackle, bottom	2	S99	—	JB20/1744
	4F7757	Washer, for bolts (3 & 18F7757)	4	L1	MR	JB20/1745
	8F7757	Washer, under nut (7F7757)	4	S1	MR	JB20/1746
26TA/8788	3SS4865	Washer, under bolt head on web joint	26	S93	C	JB20/1747
28FP/13018	9F3584	Washer, under nuts on web joint	2	L1	C	JB20/1748

FUSELAGE
CENTRE PORTION

Ref. No.	Part No.	Description	No. off	Mast. Spec.	Cl. of	Para and Illust'n No.
					St. M.R.	
		1 2 3 4				
		ATTACHMENT FITTINGS, LEADING EDGE PORTION, OUTER MAINPLANE TO CENTRE PORTION FUSELAGE PORT AND STARBOARD (5 & 6A3096)				
		Consisting of:—				
28D/9133011	A25/2C	Bolt, 2 BA x 0.2" plain	6	—	C	
28D/9137012	A25/3C	Bolt, 2 BA x 0.3" plain	6	—	C	
28M/1010996	A24/CP	Nut, 2 BA	12	—	C	
	18F7890	Plate, rib attachment, port	2	—		
	18F7890	Plate, rib attachment, starboard	2	—		
28Q/7001239	AS2227/303	Rivet	22	—	C	
28Q/8638	AS2227/404	Rivet	22	—	C	
28D/1214470	AS3297/1C	Screw	12	—	C	
28W/9419402	SP13/C	Washer	12	—	C	
		ATTACHMENT FITTINGS, FIN TO CENTRE PORTION FUSELAGE (40H2446) (See Complementary Items—Tail Unit)				

VULCAN No. 2

FUSELAGE

Page JB 120

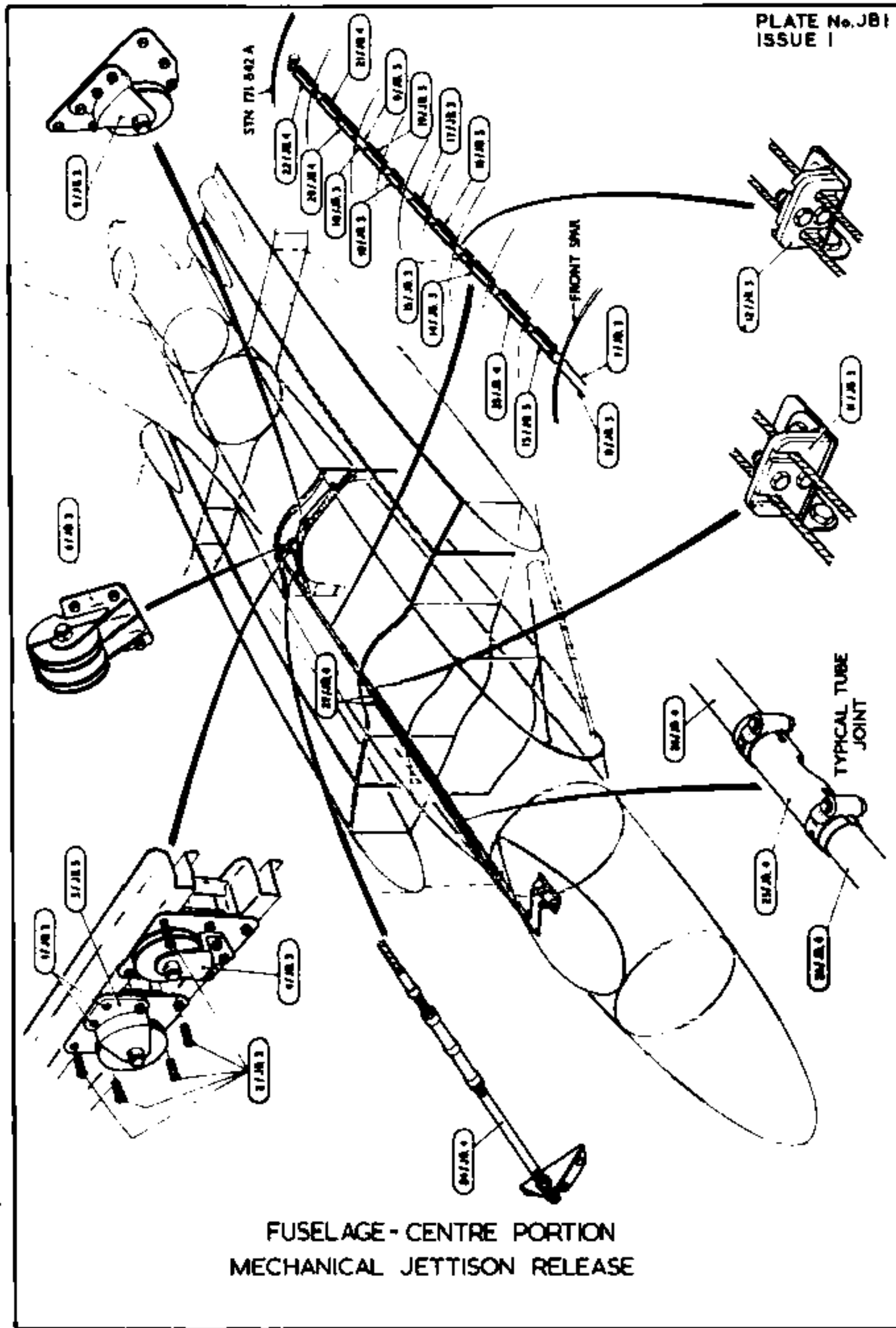
CENTRE PORTION

SUMMARY OF STANDARD ITEMS

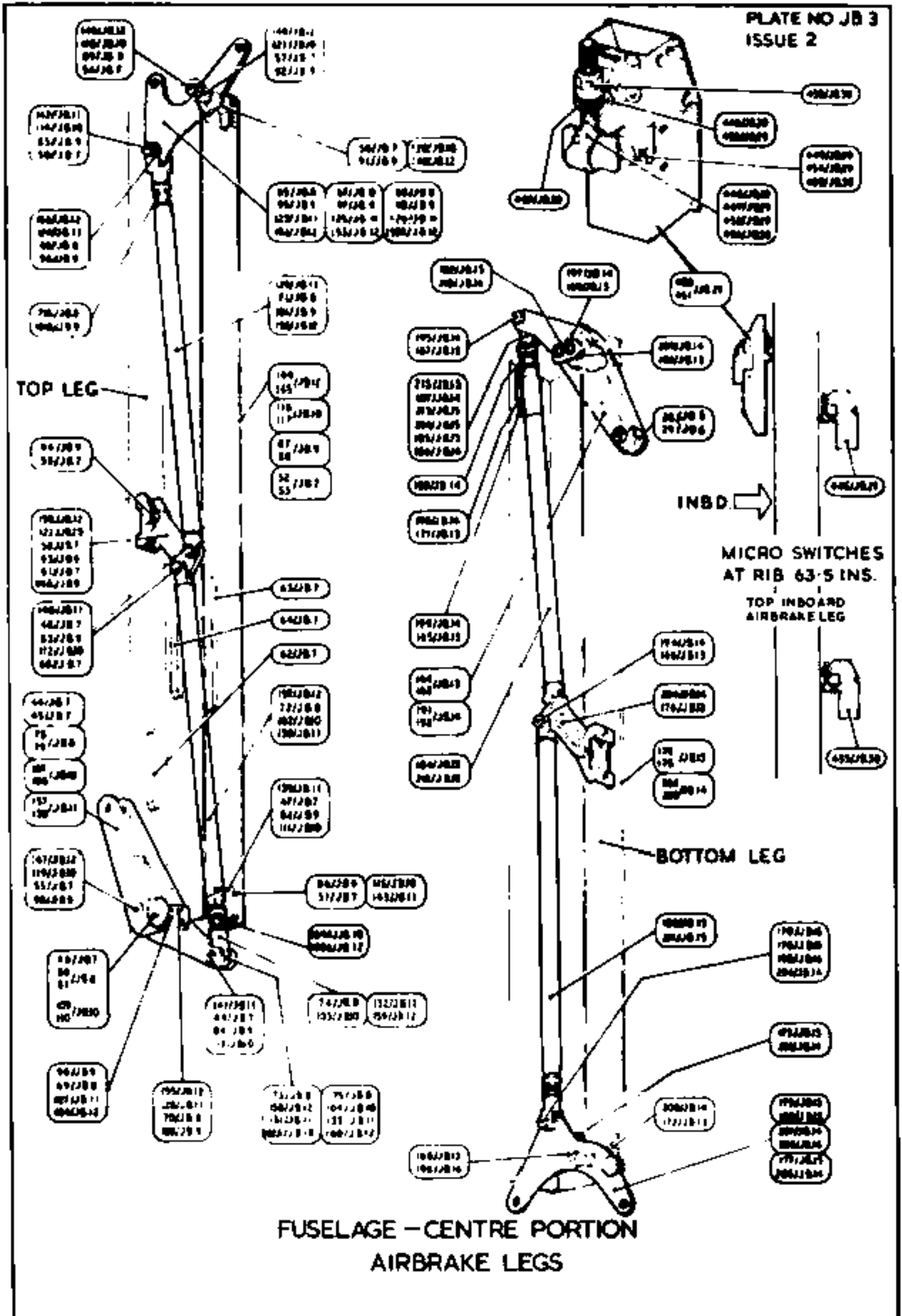
Stores Ref.		No. off	Stores Ref.		No. off	Stores Ref.		No. off
Section	Ref. No.		Section	Ref. No.		Section	Ref. No.	
2A	9500410	2	26FP	13003	7	28D	9133012	14
2A	9500419	6	28FP	13018	2	28D	9436820	4
2A	9500422	3	28FP	13043	9			
2A	9500423	4	28FP	13044	9			
2A	9500427	11	28FP	13109	5	28E	19823	2
	PART NO		28FP	13424	12	28E	19824	1
2A	ZAEG-H	24	28FP	13457	10	28E	20012	4
			28FP	13786	4	28E	20019	1
5CW	4904	2	28FP	13942	5	28E	20104	2
			28FP	14845	4	28E	20347	2
			28FP	15025	3	28E	9129092	1
5CY	5371	1						
5CY	5809	1	27N	52	16	28F	10773	8
						28F	9011800	1
5CZ	668	2				28F	9428453	7
5CZ	5223	2	27QM	70551	4	28F	9471001	2
5CZ	5224	6						
5CZ	5281	4						
5CZ	5282	29	28D	12258	4	28FP	9485292	1
5CZ	5283	2	28D	9137012	6	28FP	9485857	1
5CZ	5553	4	28D	13114	8	28FP	108	4
5CZ	5554	4	28D	13132	12	28FP	341	21
5CZ	6270	1	28D	13474	8	28FP	617	10
			28D	13979	4	28FP	618	5
			28D	14265	8	28FP	649	5
5K	1200718	1	28D	14363	8	28FP	736	21
5K	9128589	2	28D	14366	4	28FP	1026	4
			28D	14554	4	28FP	1158	40
			28D	14642	4	28FP	1180	40
5W	688	2	28D	15020	8	28FP	1297	6
5W	3770	1	28D	15417	4	28FP	1298	1
			28D	1008145	86	28FP	1200486	2
			28D	1010031	6	28FP	9429531	7
10HA	2206	1	28D	1011242	10	28FP	9430915	18
10HA	9326	1	28D	1011246	12	28FP	9430916	15
			28D	1011259	38	28FP	9438491	4
			28D	1011299	26	28FP	9455495	2
28FP	2453	1	28D	1011300	2	28FP	9488815	7
28FP	10114	4	28D	1013284	28	28FP	9491457	18
28FP	10135	3	28D	9133011	6	28FP	9520205	2
							PART NOS	
						28FP	FJ4/150	1
						28FP	YFR5/25M	10
						28FP	YFR5/31M	5

FUSELAGE
CENTRE PORTION
SUMMARY OF STANDARD ITEMS

Stores Ref.		No. off	Stores Ref.		No. off	Stores Ref.		No. off
Section	Ref. No.		Section	Ref. No.		Section	Ref. No.	
28M	1278188	1	28P	19245	4			
28M	1278190	4						
28M	10290	106						
28M	10291	38	28Q	8638	22			
28M	10292	28	28Q	7001239	22			
28M	11957	3						
28M	12931	60						
28M	13124	1	28R	6330	1			
28M	13145	8						
28M	13275	3						
28M	13590	4	28S	1013681	2			
28M	13706	2	28S	1214787	1			
28M	13717	1						
28M	13877	2						
28M	14015	2	28U	4058	1			
28M	14298	8						
28M	14555	5						
28M	14833	1	28W	1010155	8			
28M	15199	1	28W	14896	9			
28M	15396	6	28W	18748	3			
28M	15814	4	28W	1200073	1			
28M	15830	2	28W	9418193	1			
28M	1006473	1	28W	9418920	80			
28M	1010996	12	28W	9418401	1			
28M	9452821	8	28W	9419402	18			
28M	PART NO. A27/STL	1	28W	9419405	118			
			28W	9419482	2			
			28W	9419487	6			
			28W	9419468	1			
28N	13423	1	28W	9419489	3			
28N	13513	1	28W	9419476	76			
28N	1007886	2	28W	9419482	3			
28N	2001668	2	28W	9419487	92			
28N	2001893	4	28W	9419502	1			
28N	2001896	2						
28N	2001715	10						
28N	9166370	23	28Y	15486	1			

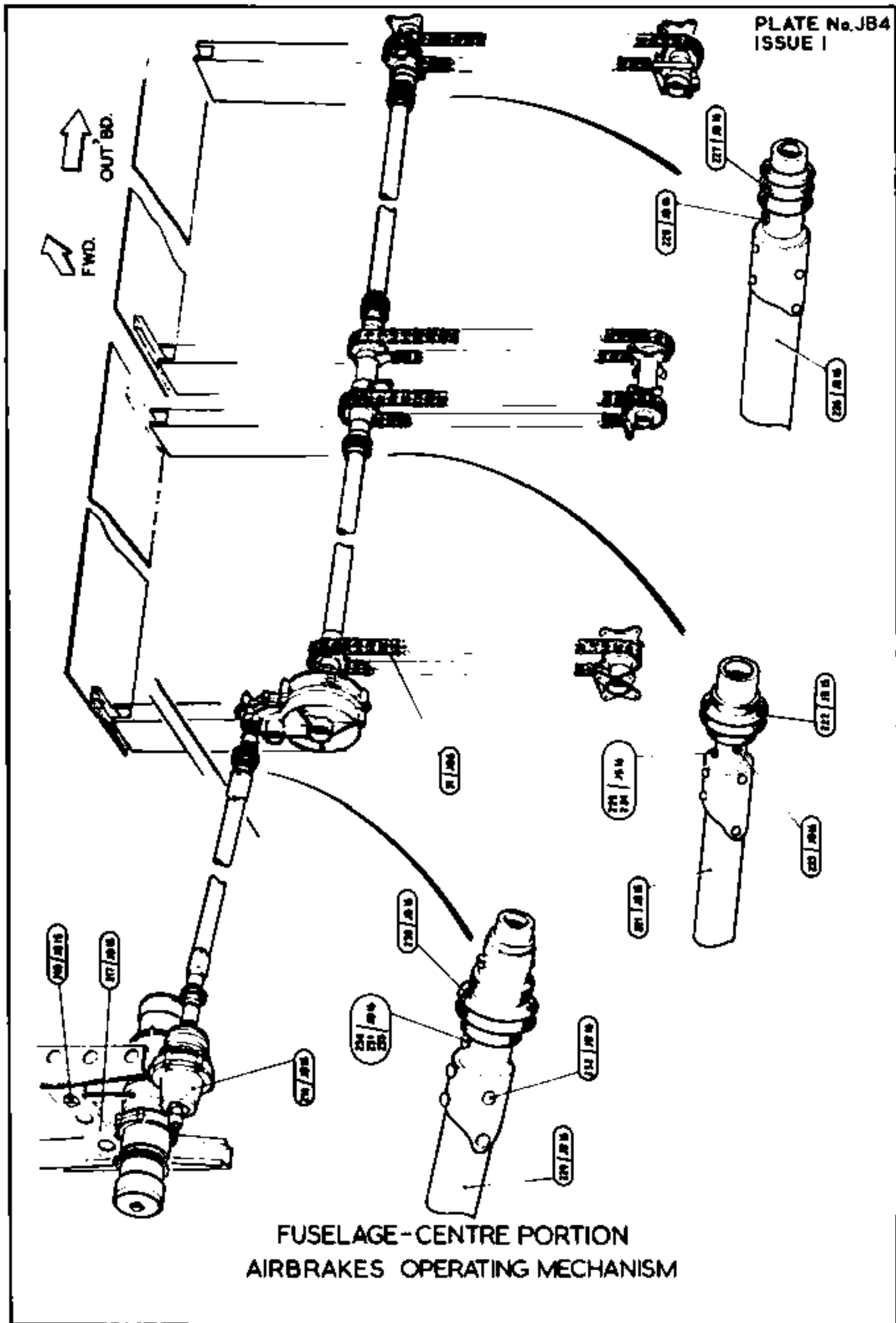


FUSELAGE - CENTRE PORTION
MECHANICAL JETTISON RELEASE



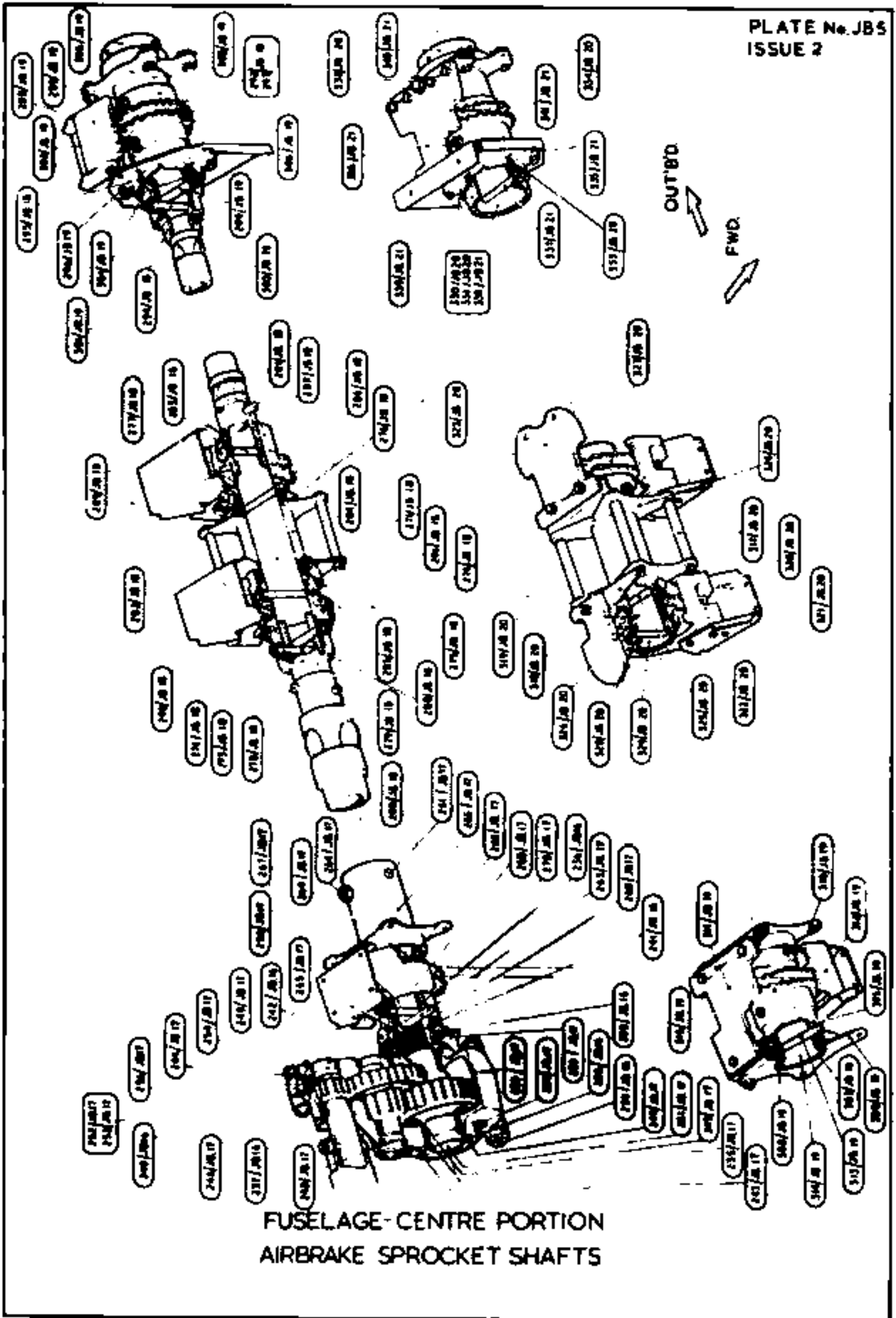
RESTRICTED

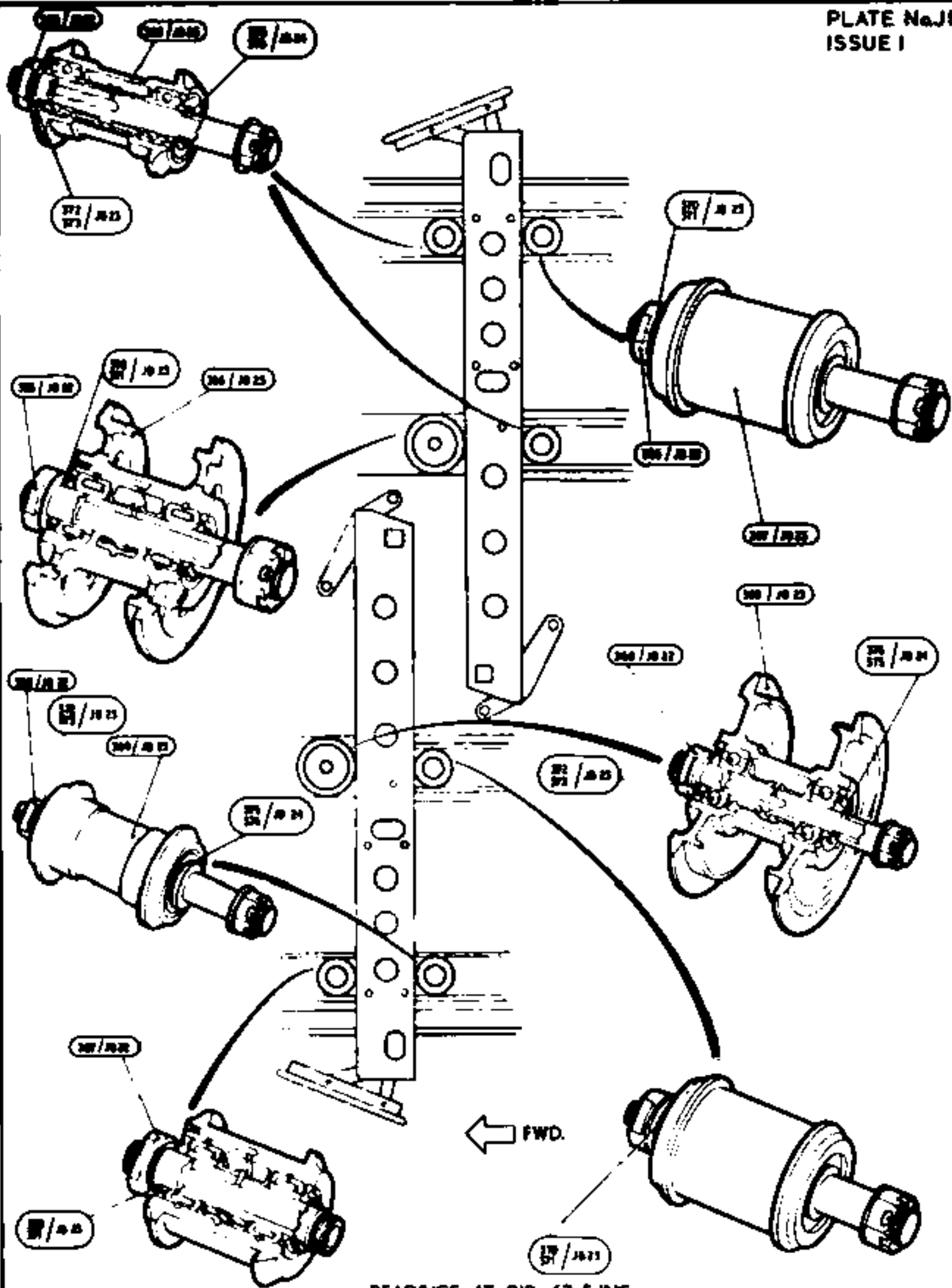
PLATE No. JB4
ISSUE 1



FUSELAGE-CENTRE PORTION
AIRBRAKES OPERATING MECHANISM

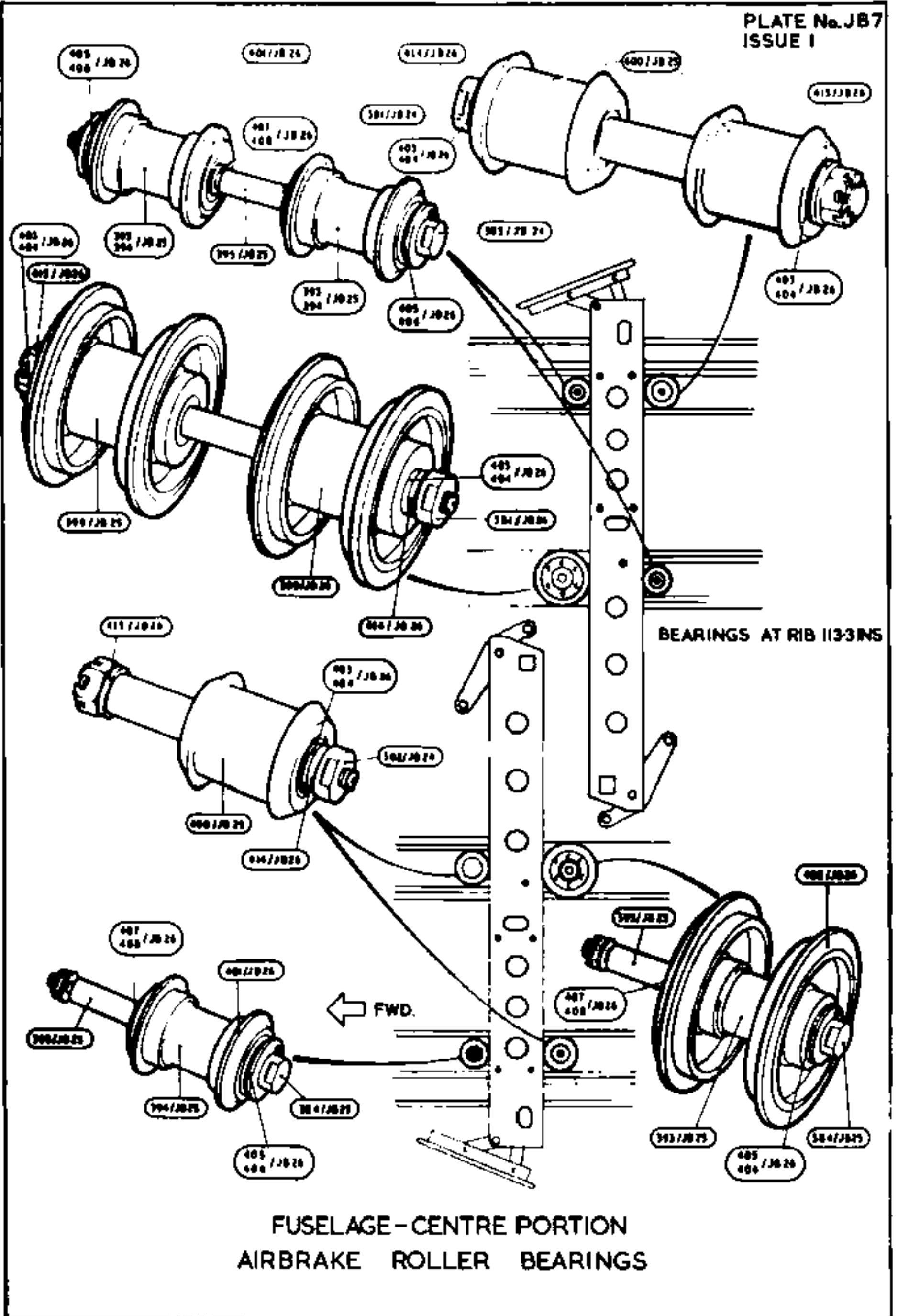
RESTRICTED



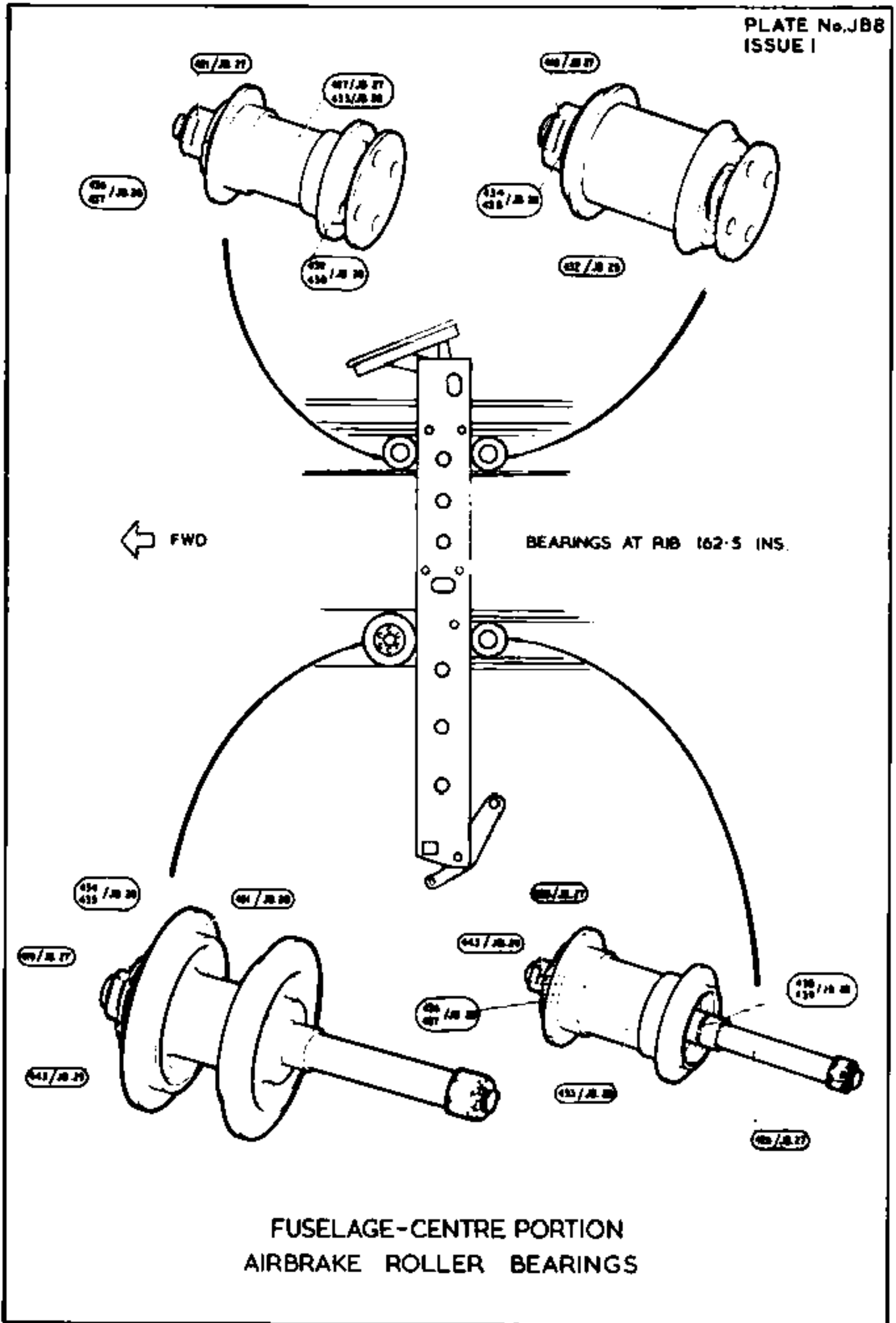


BEARINGS AT RIB 63.5 INS.

FUSELAGE - CENTRE PORTION
AIRBRAKE ROLLER BEARINGS

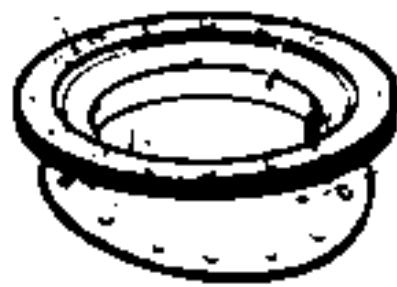


FUSELAGE-CENTRE PORTION
AIRBRAKE ROLLER BEARINGS



641/JB 40
699/JB 43

642/JB 40
700/JB 43



DETAIL AT 'A'

637/JB 40
638/JB 40
696/JB 43
697/JB 43

693/JB 40
695/JB 43

656/JB 40
694/JB 43

695/JB 40
694/JB 40
696/JB 43
697/JB 43



DETAIL AT 'B'

712/JB 43

630/JB 40
631/JB 40
698/JB 40
699/JB 40

652/JB 40
698/JB 43



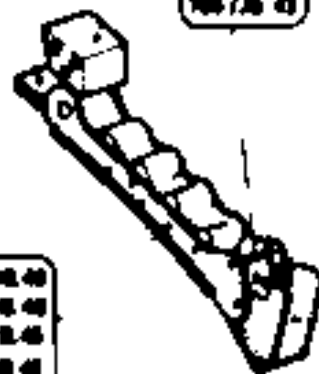
DETAIL AT 'C'

690/JB 40
679/JB 40
696/JB 42
697/JB 42

640/JB 40
700/JB 43

687/JB 39

646/JB 40
700/JB 43



DETAIL AT 'E'

648/JB 40
707/JB 40

649/JB 40
706/JB 40

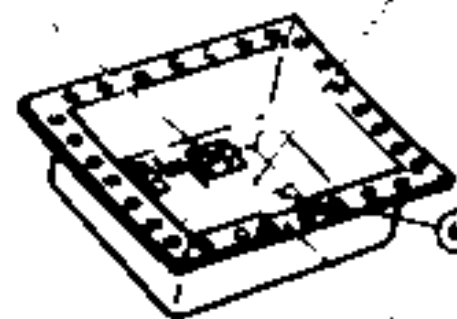
643/JB 40
644/JB 40
701/JB 40
702/JB 40
703/JB 43
704/JB 43

708/JB 40

685/JB 39
679/JB 42

681/JB 39

679/JB 39



DETAIL AT 'D'

686/JB 39

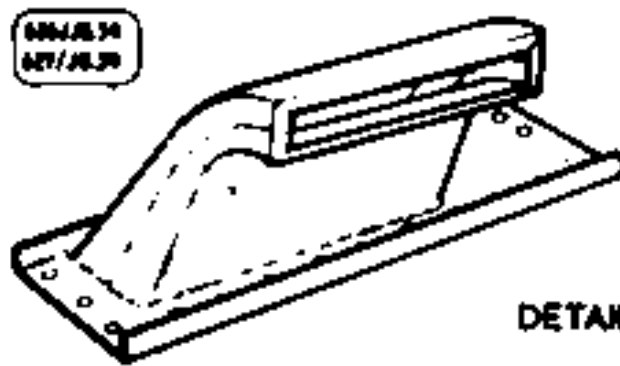
654/JB 41
702/JB 43



DETAIL AT 'F'

682/JB 41
721/JB 40

686/JB 39
677/JB 39



DETAIL AT 'G'

688/JB 39
678/JB 40

666/JB 39
675/JB 47



DETAIL AT 'H'

PORT OUT'D
STBD IN'D

684/JB 42
683/JB 42



PORT IN'D
STBD OUT'D

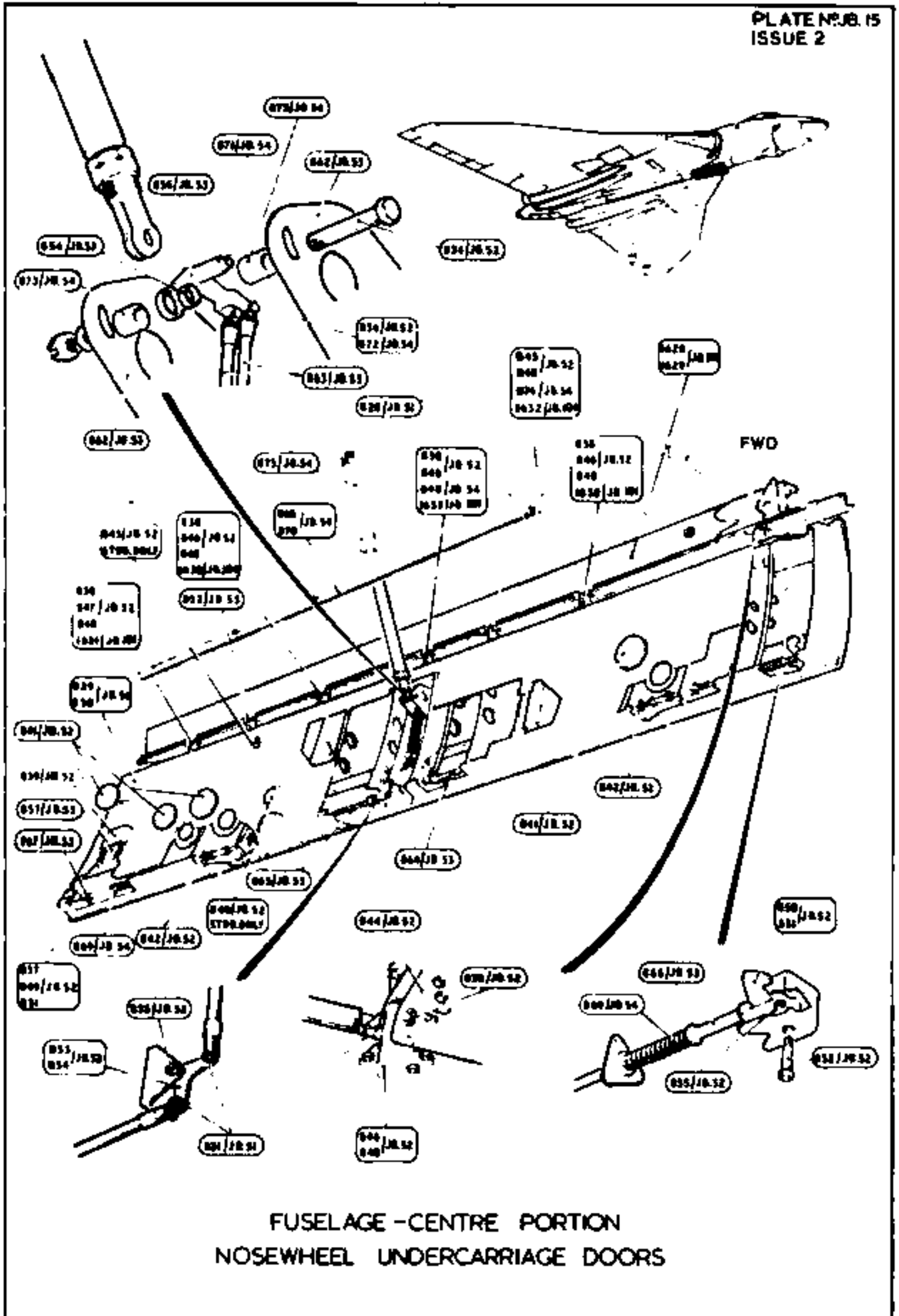
689/JB 39
646/JB 40
679/JB 42
723/JB 44

684/JB 41
722/JB 40



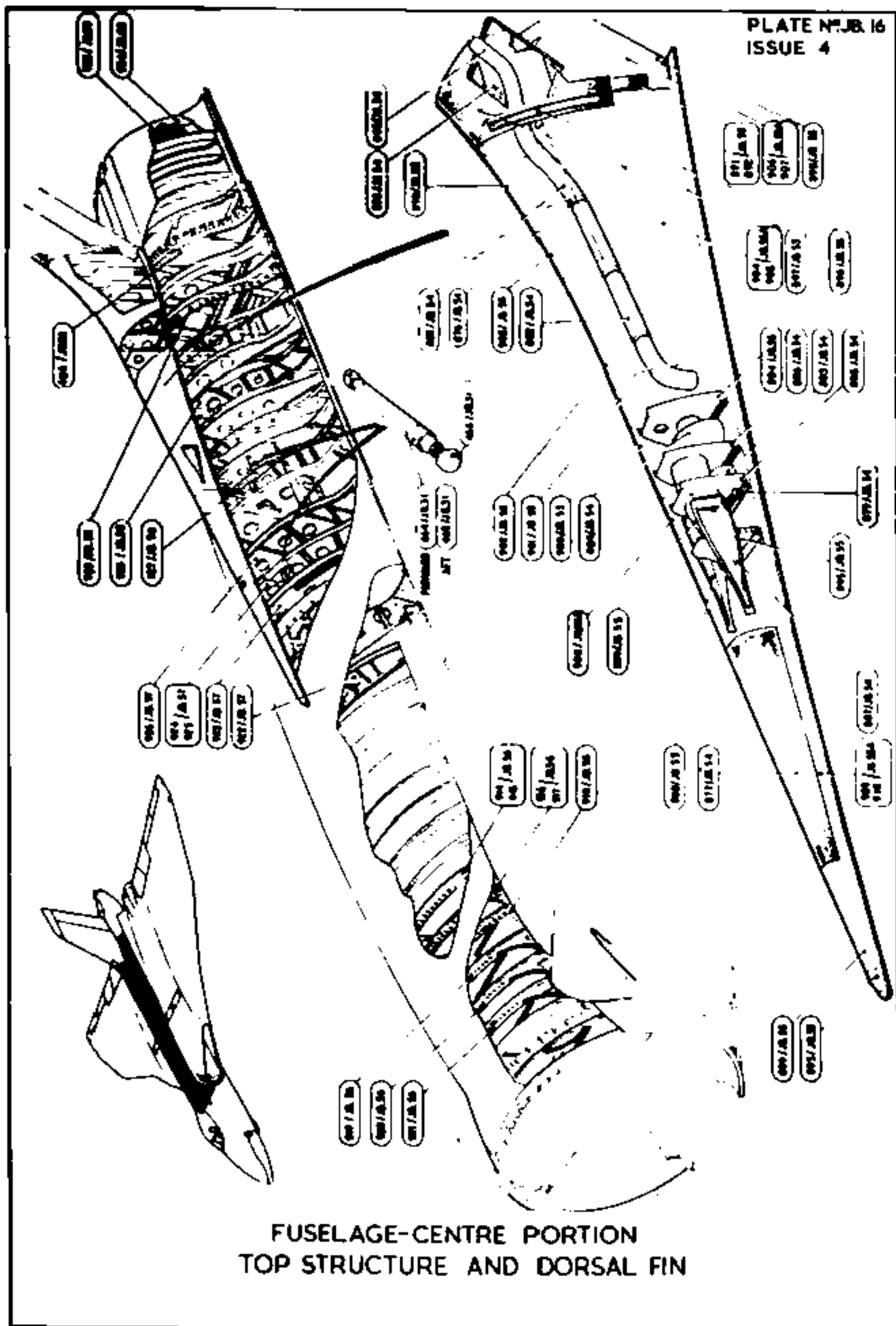
DETAIL AT 'J'

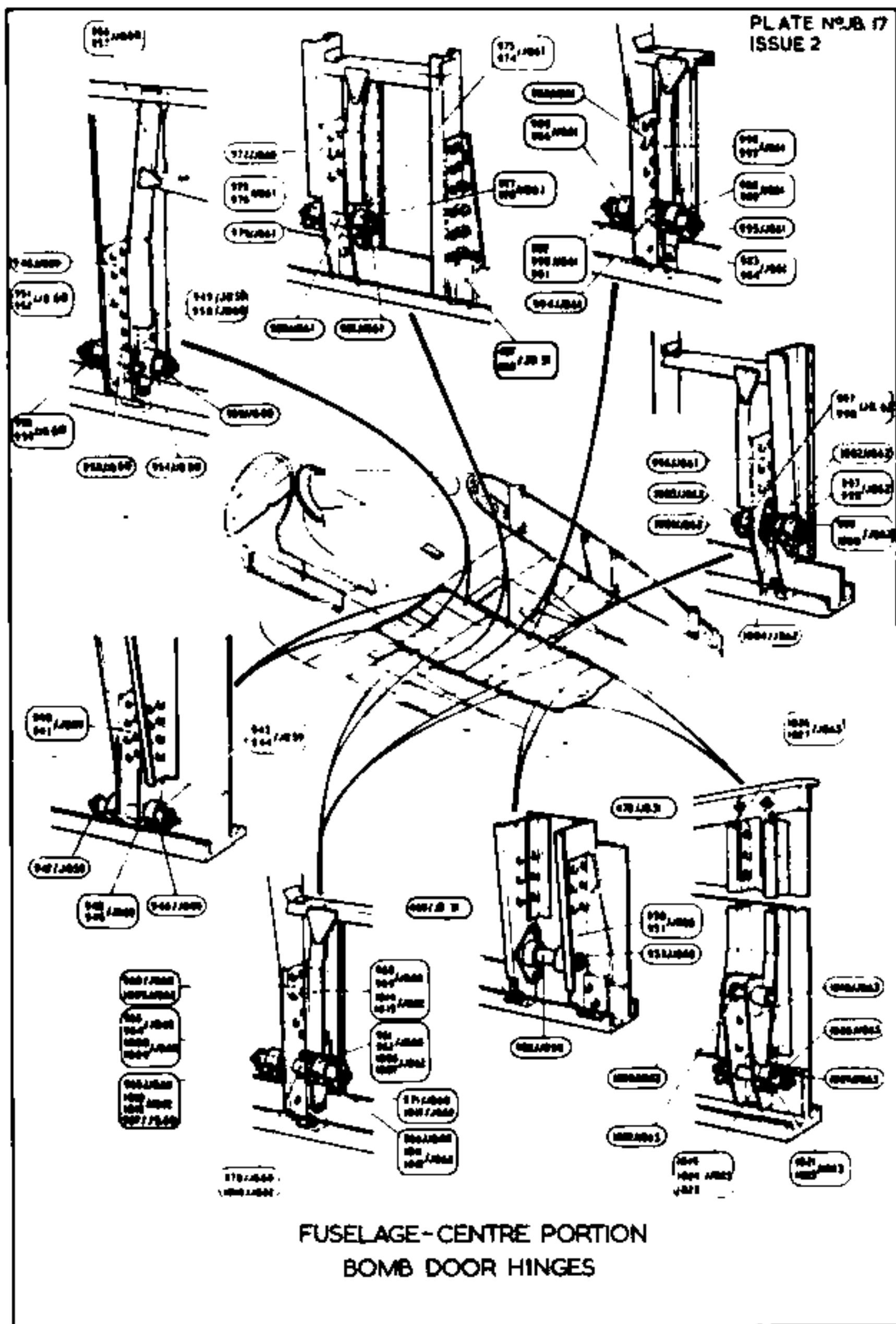
FUSELAGE-CENTRE PORTION
ENGINE ACCESS CENTRE DOORS



RESTRICTED

PLATE N° JB 16
ISSUE 4

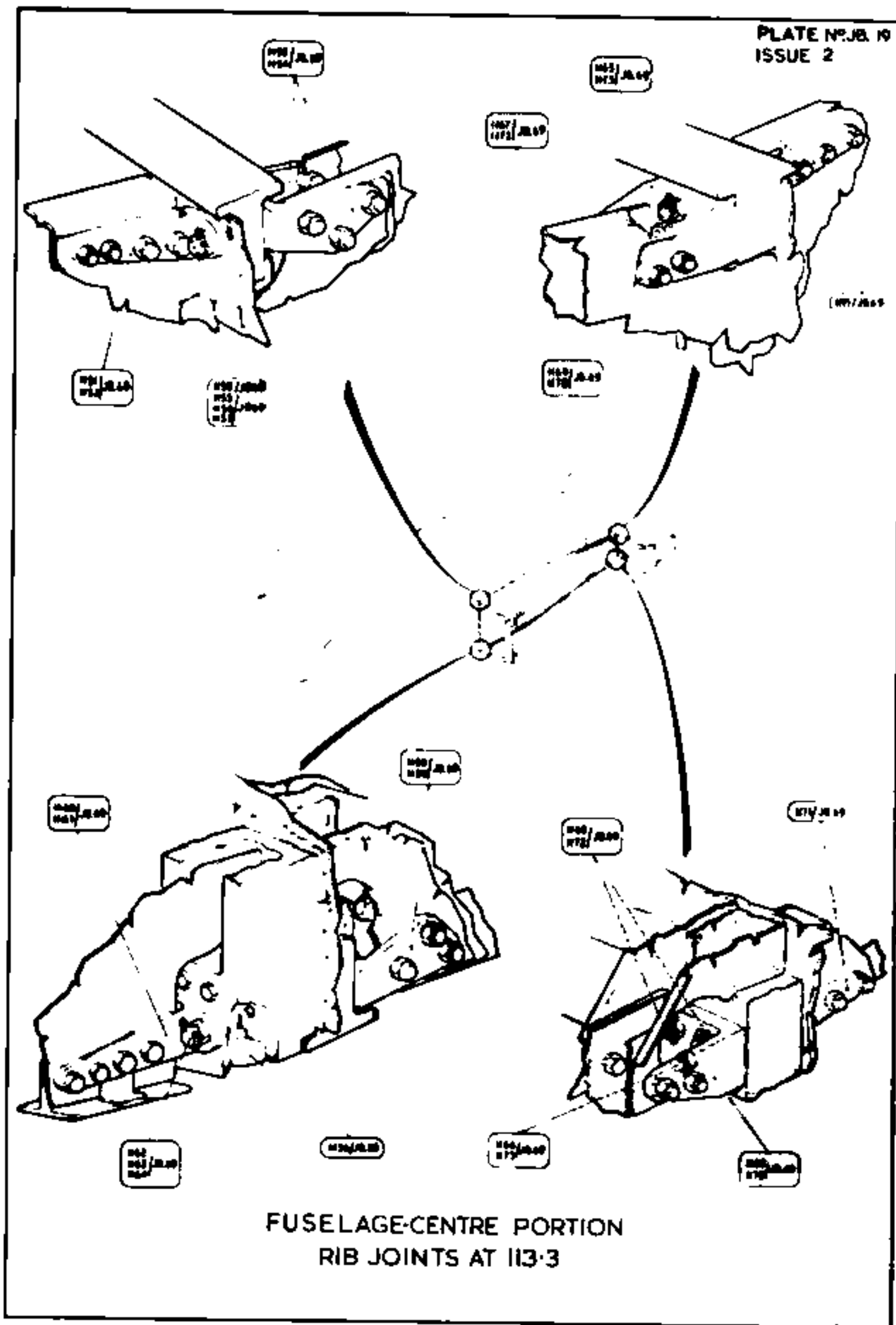




FUSELAGE-CENTRE PORTION
BOMB DOOR HINGES

RESTRICTED

PLATE NO. JB. 19
ISSUE 2

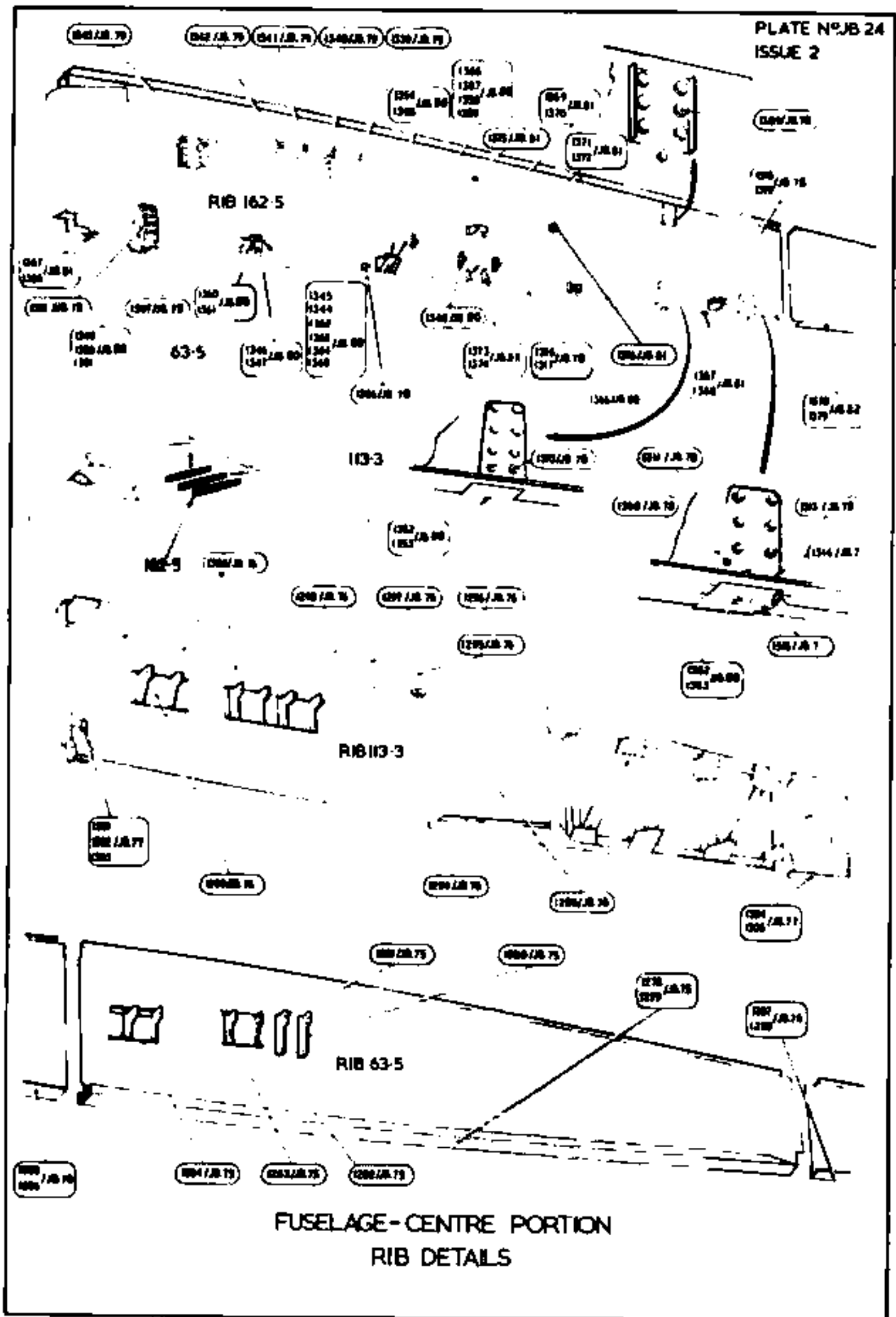


FUSELAGE-CENTRE PORTION
RIB JOINTS AT 113.3

RESTRICTED

RESTRICTED

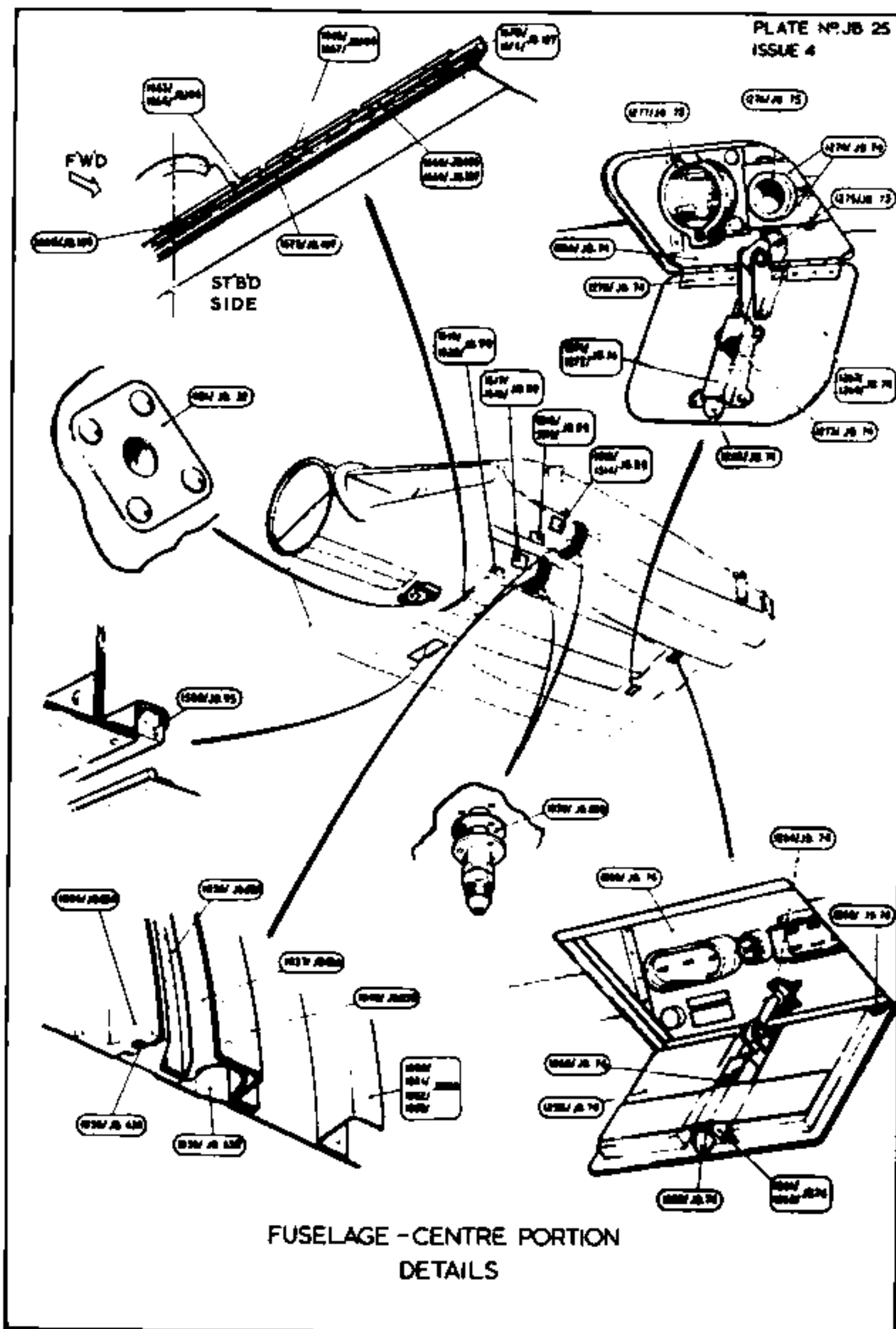
PLATE N°JB 24
ISSUE 2



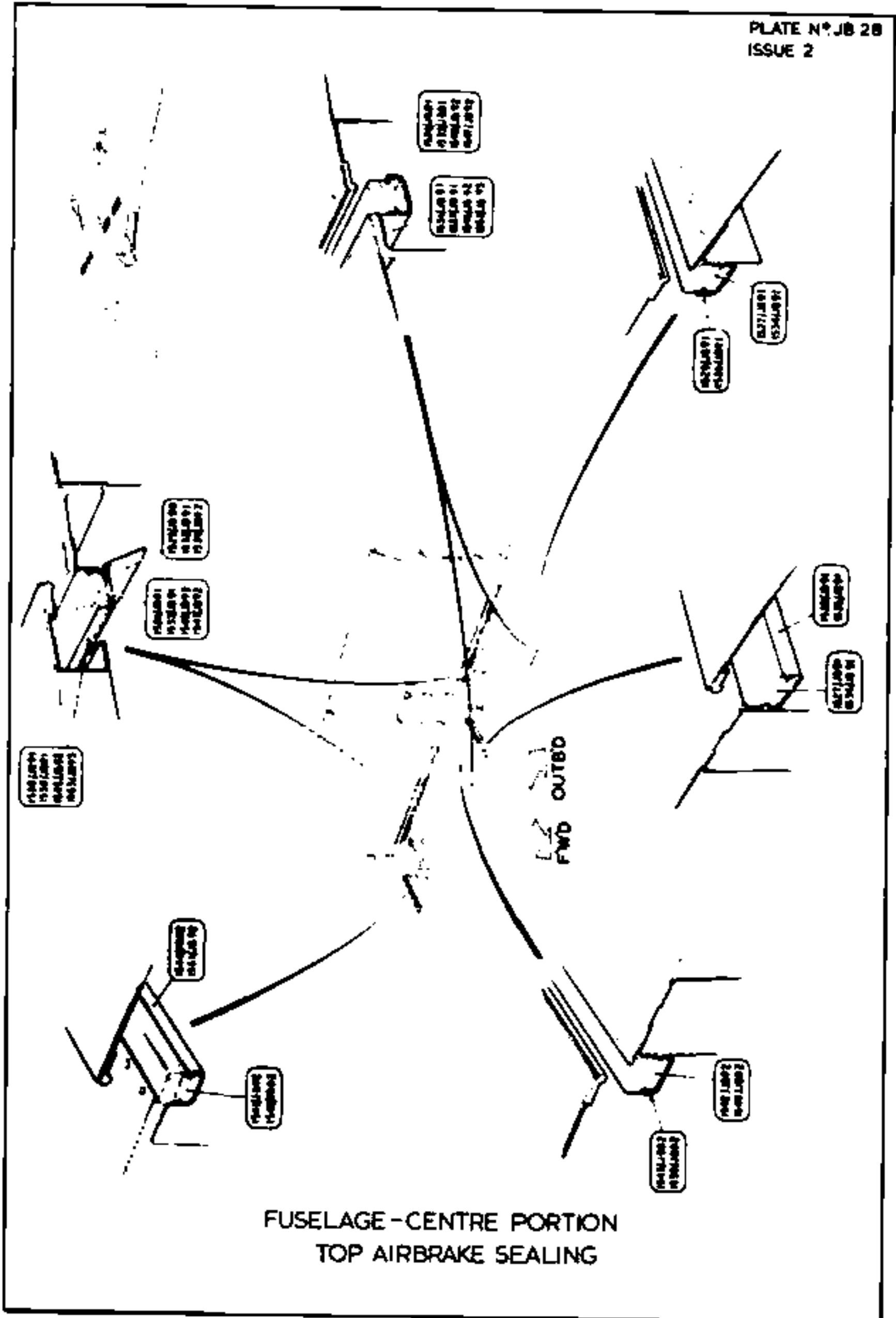
RESTRICTED

RESTRICTED

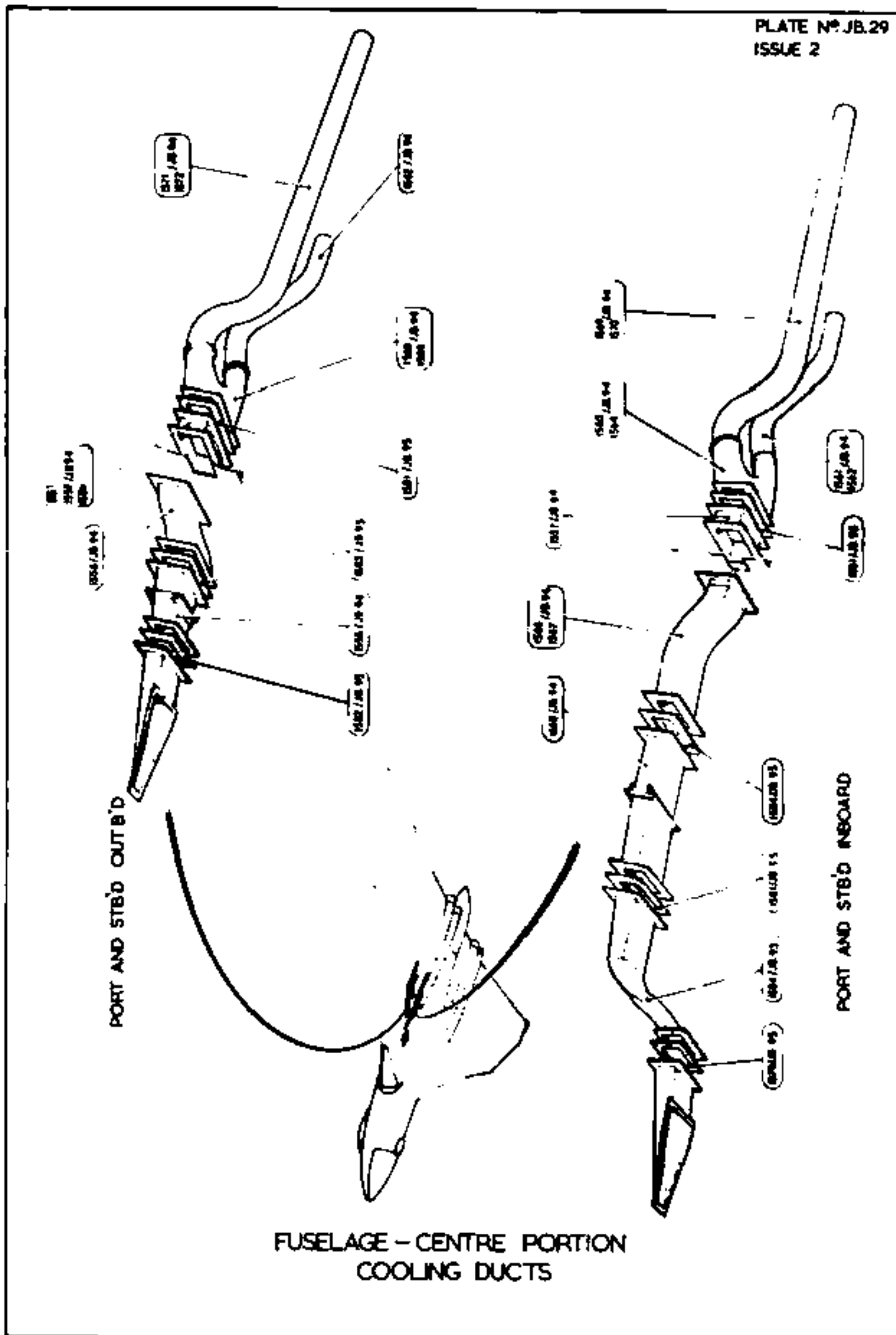
PLATE NO. JB 25
ISSUE 4

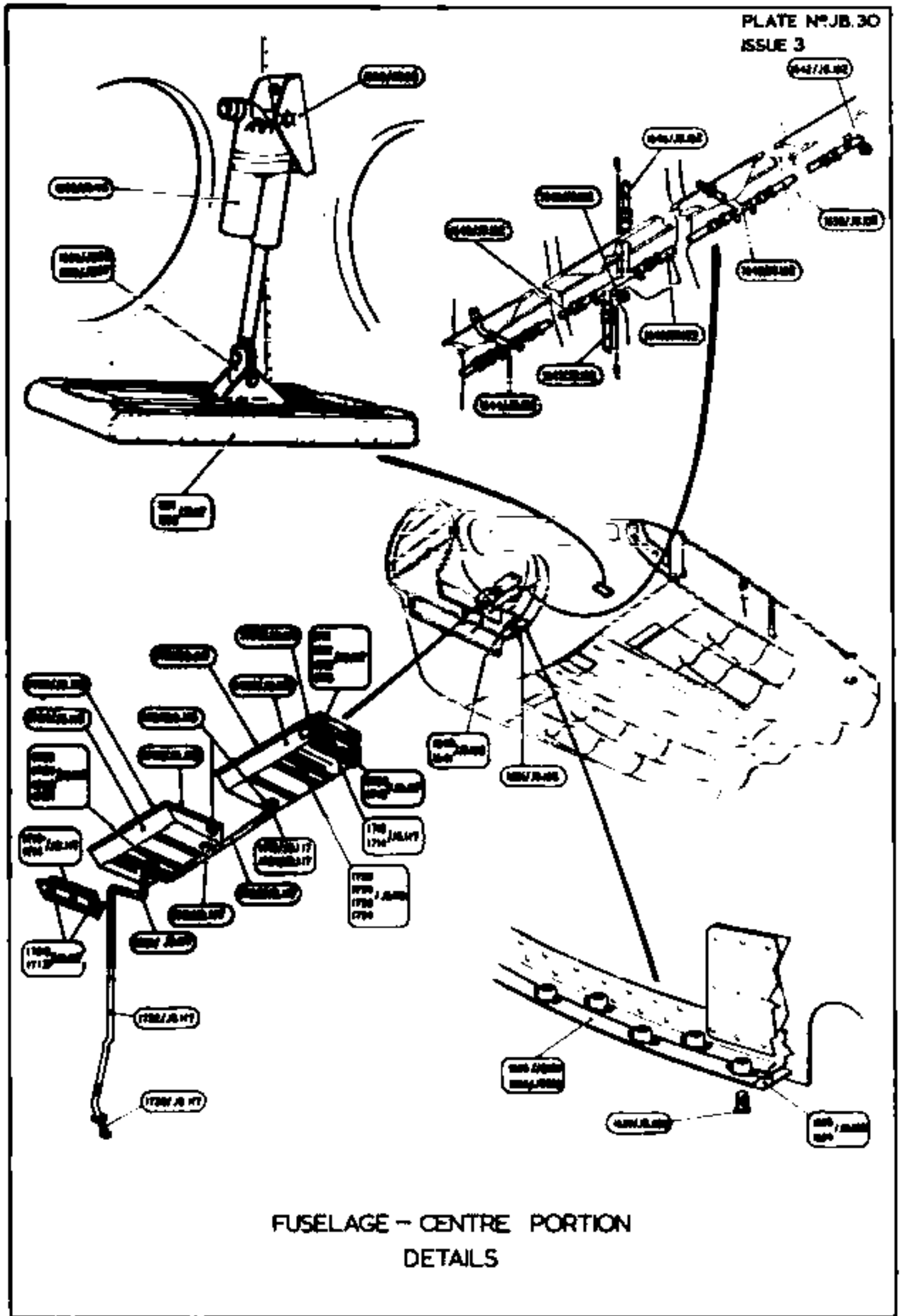


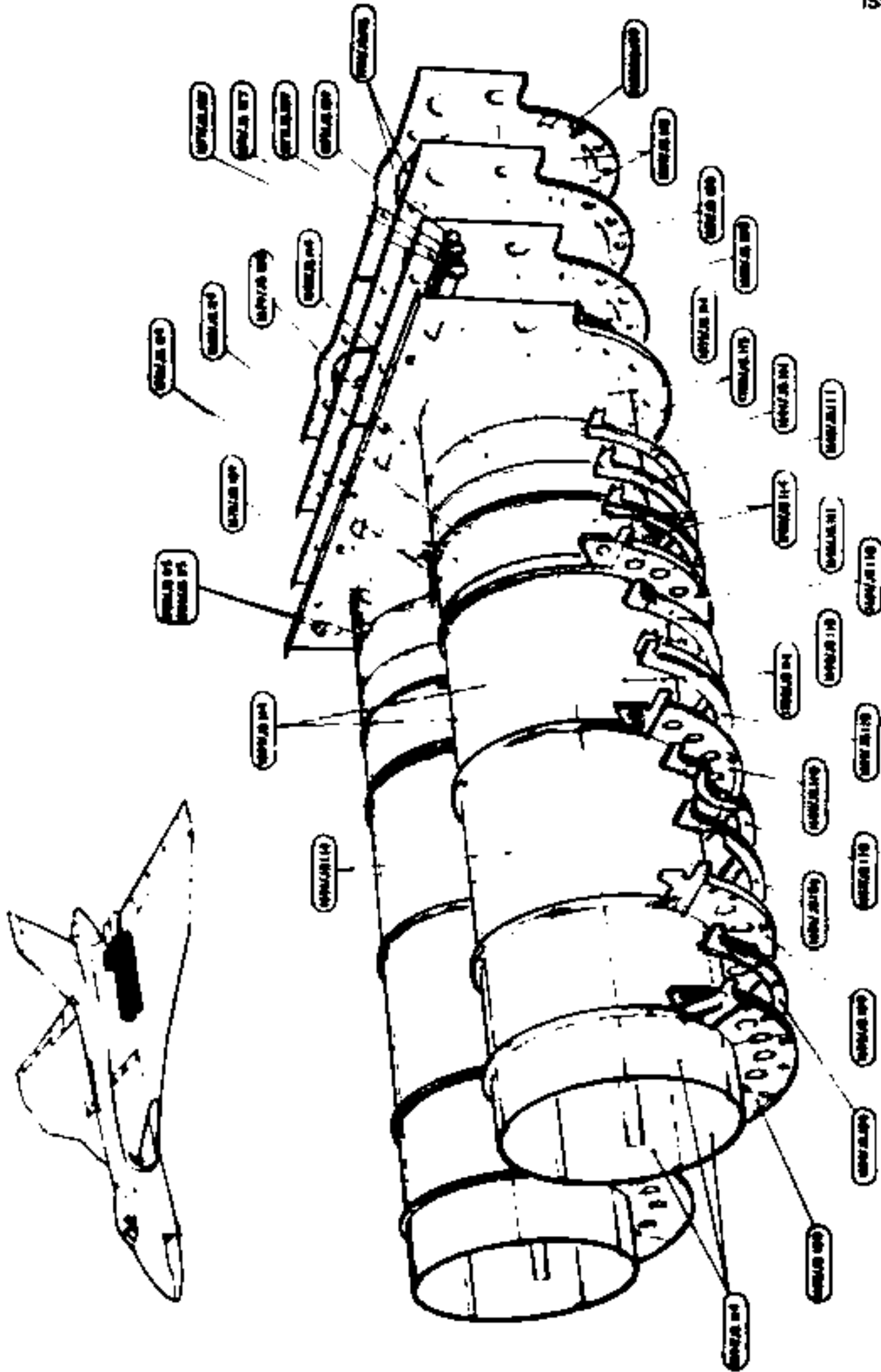
RESTRICTED



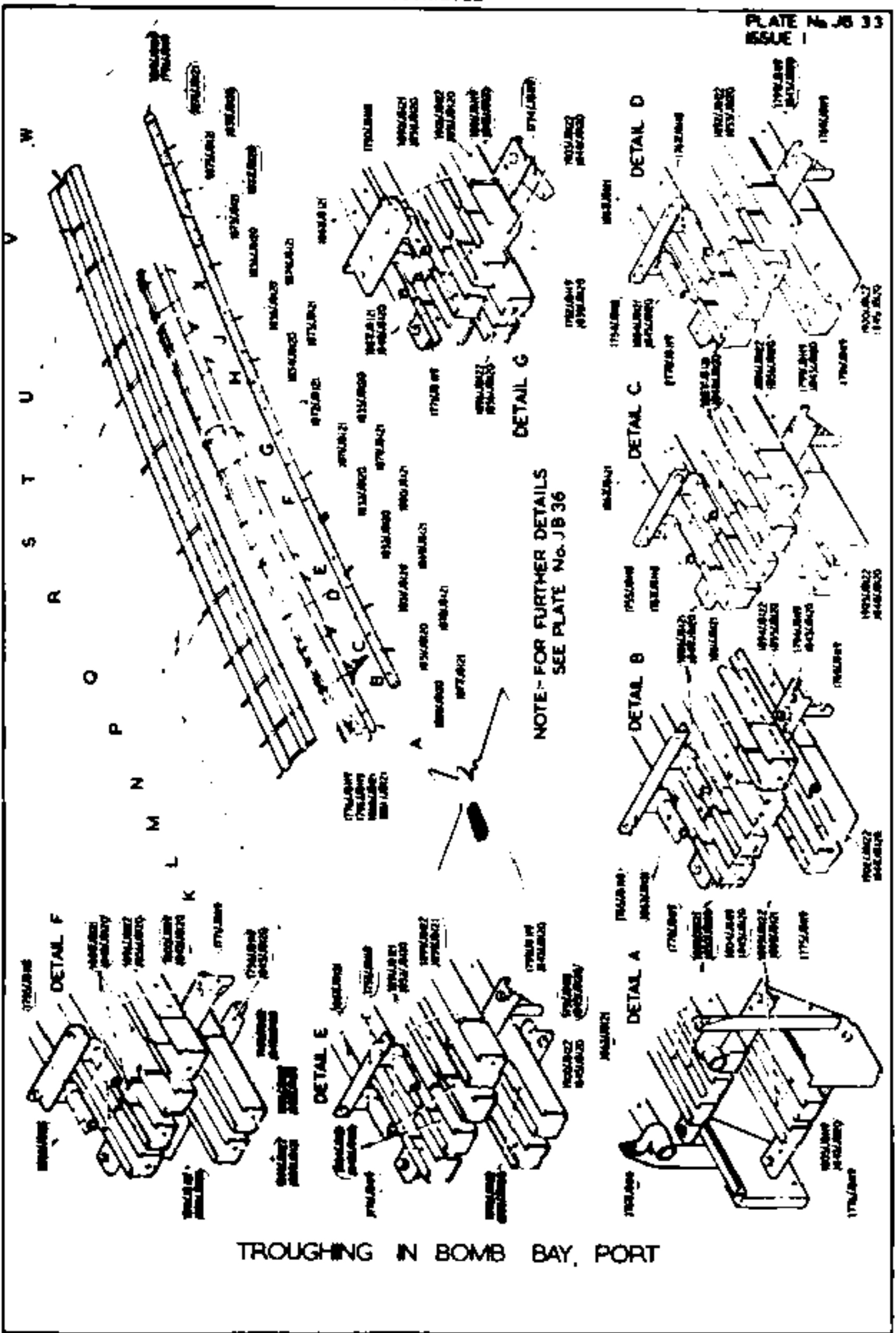
FUSELAGE-CENTRE PORTION
TOP AIRBRAKE SEALING



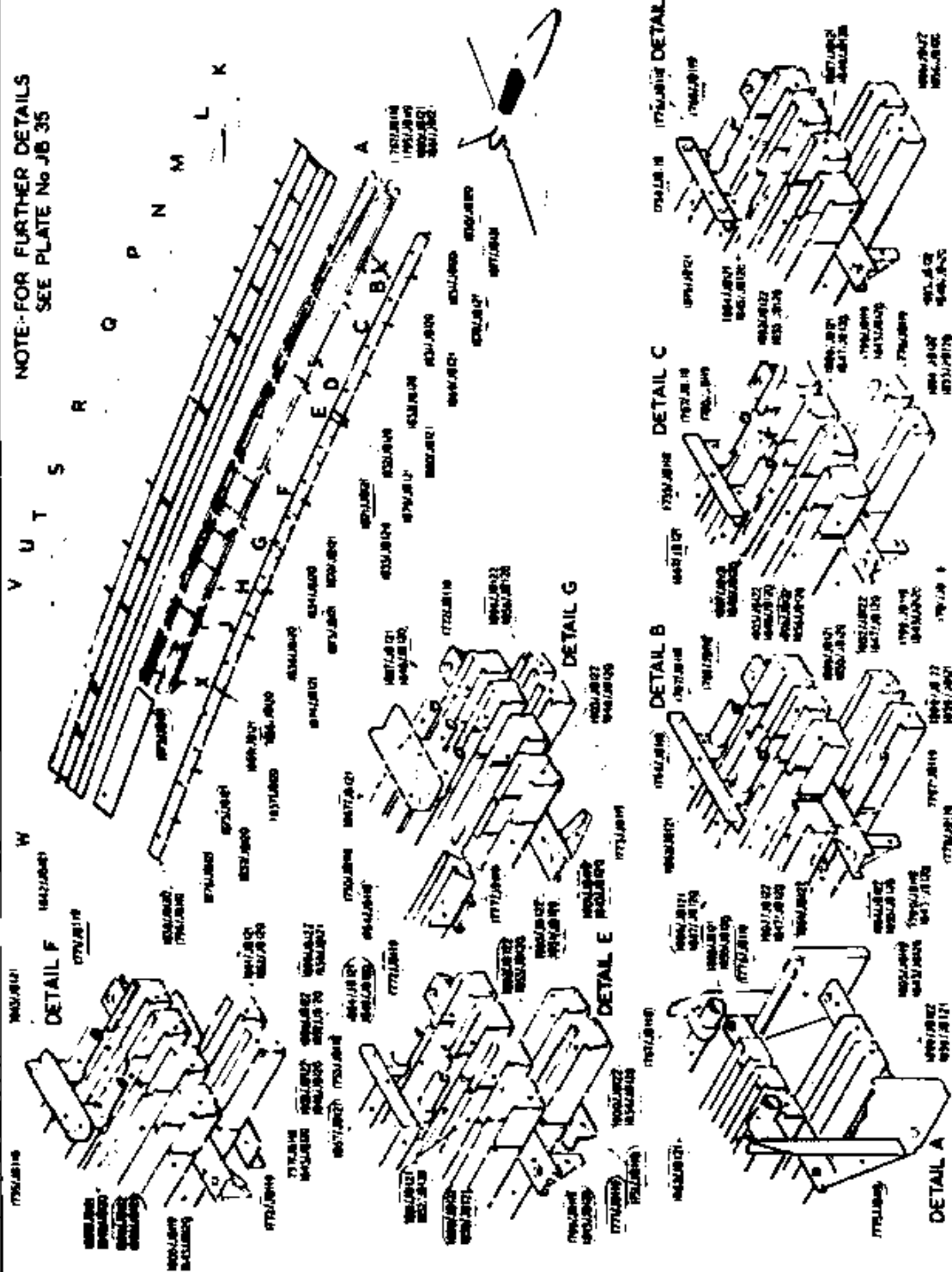




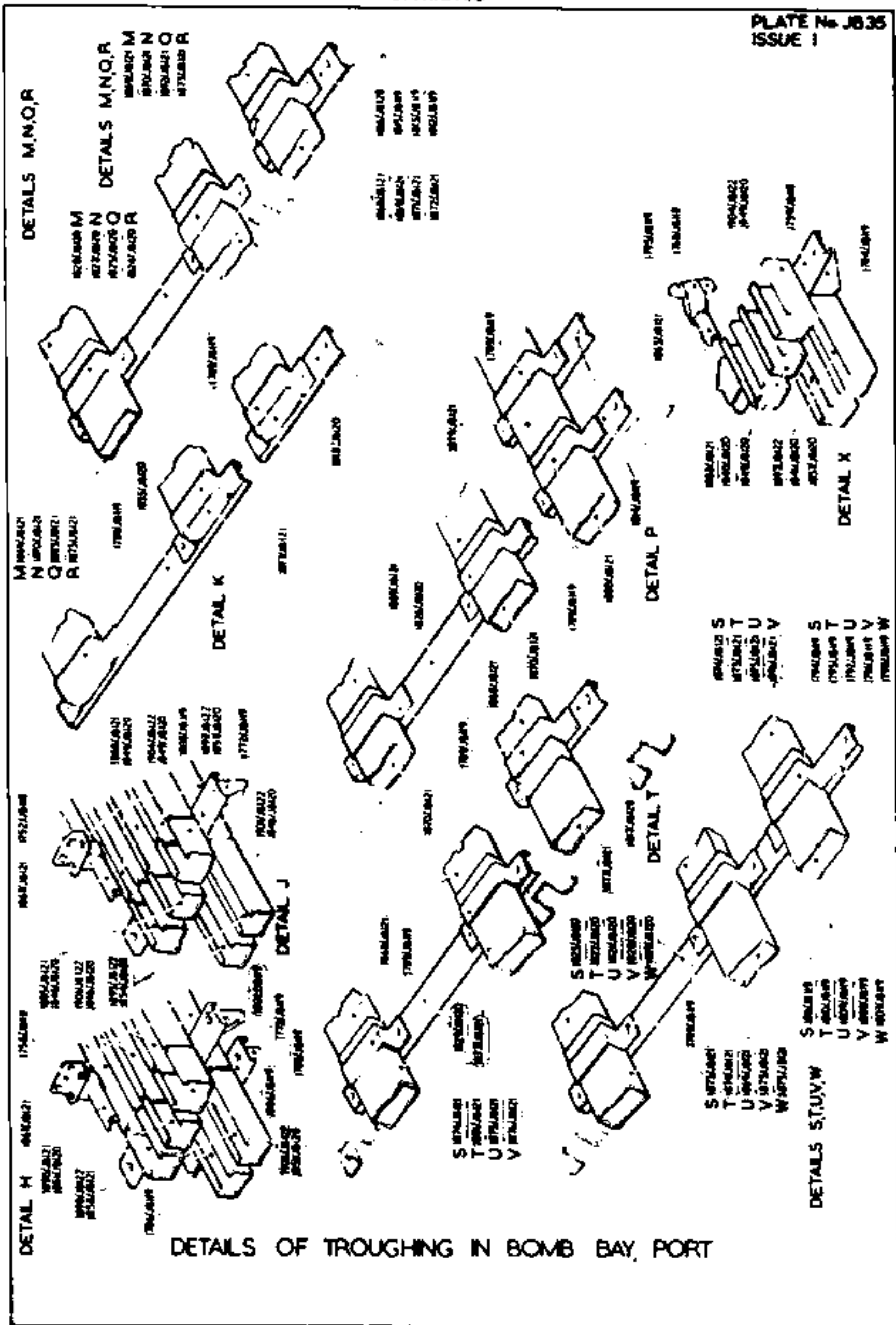
FUSELAGE - CENTRE PORTION
JET PIPE TUNNELS AND FORMERS



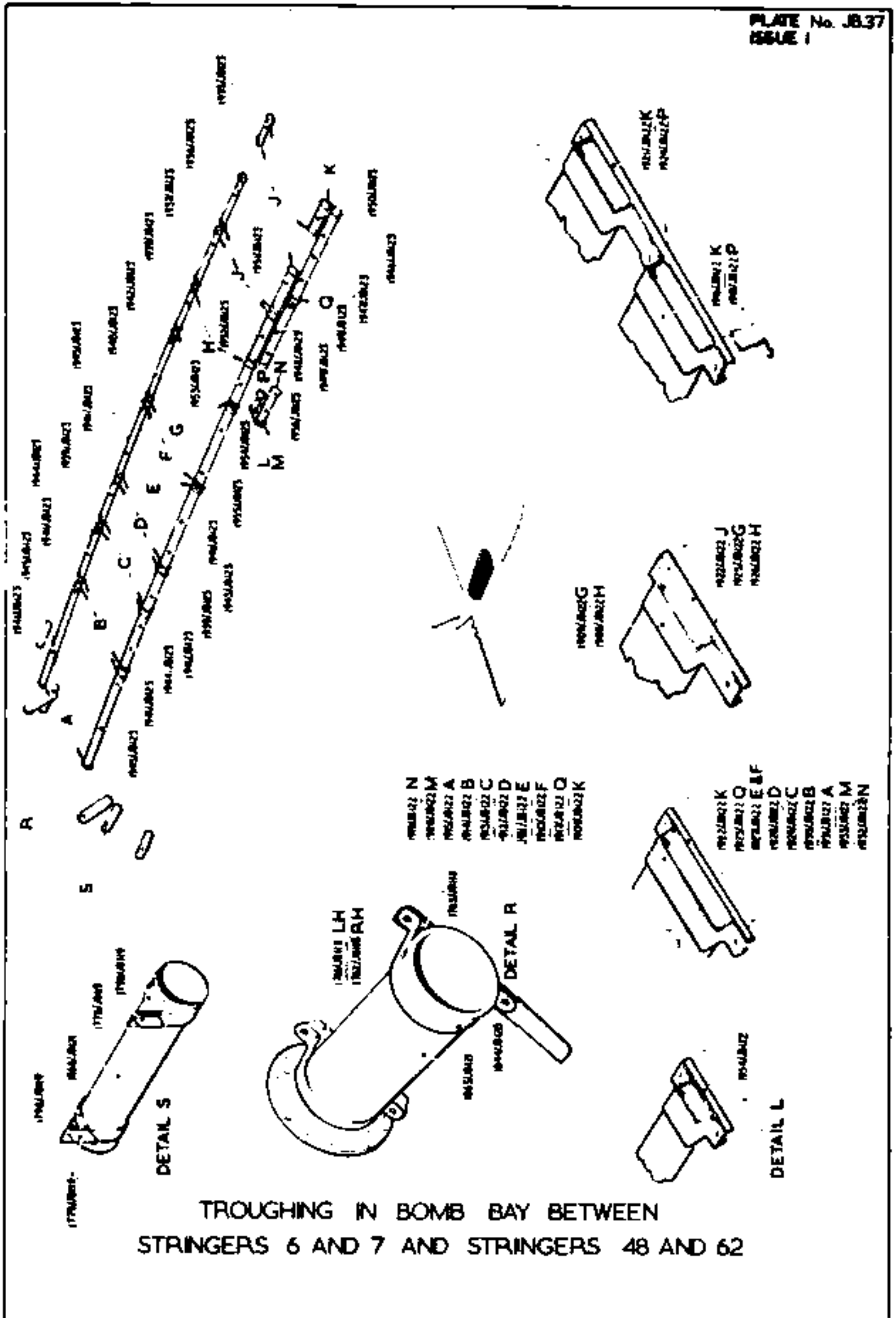
NOTE: FOR FURTHER DETAILS
SEE PLATE No JB 35



TROUGHING IN BOMB BAY ST80



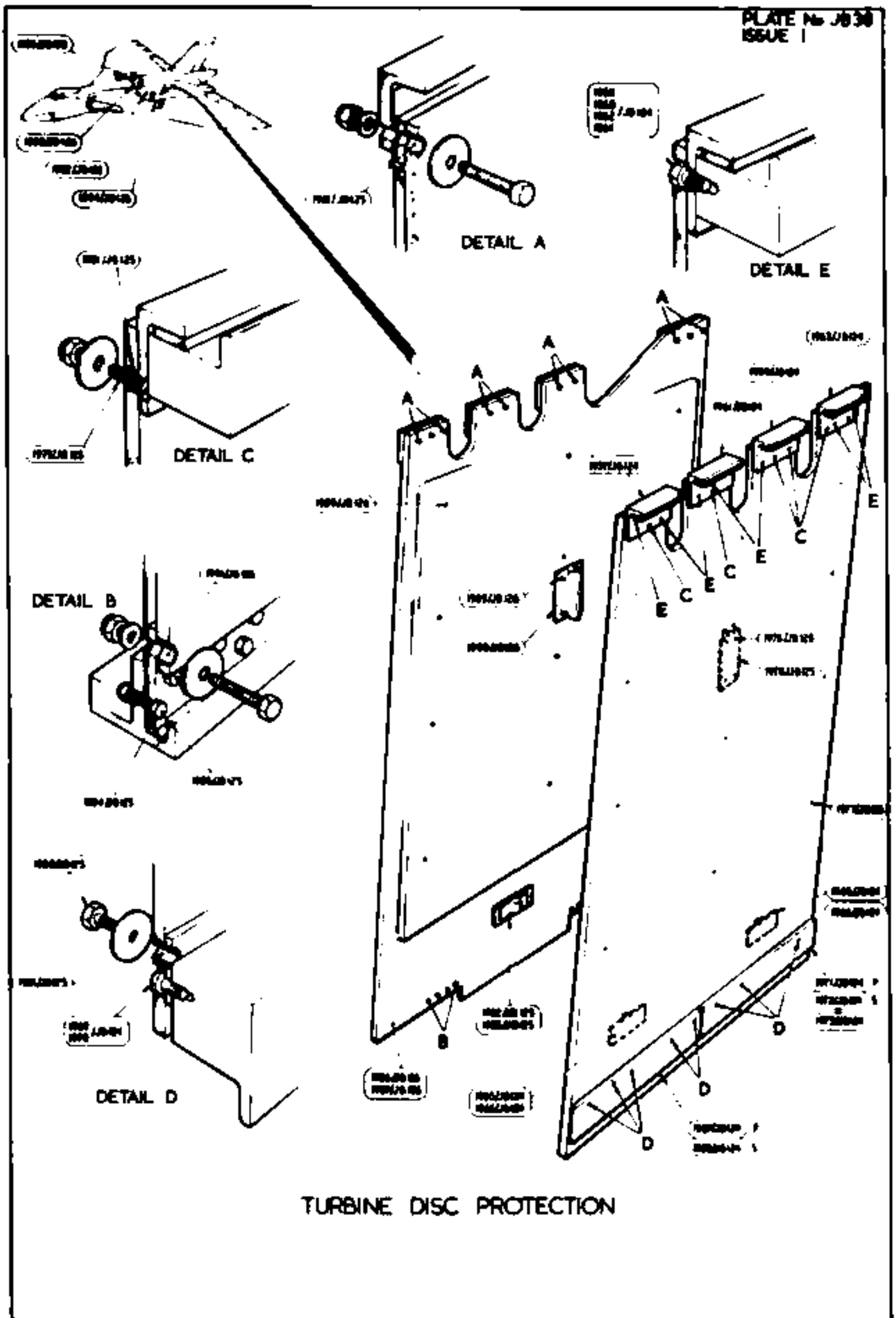
DETAILS OF TROUGHING IN BOMB BAY, PORT



TROUGHING IN BOMB BAY BETWEEN
STRINGERS 6 AND 7 AND STRINGERS 48 AND 62

RESTRICTED

PLATE No. JB 38
ISSUE 1

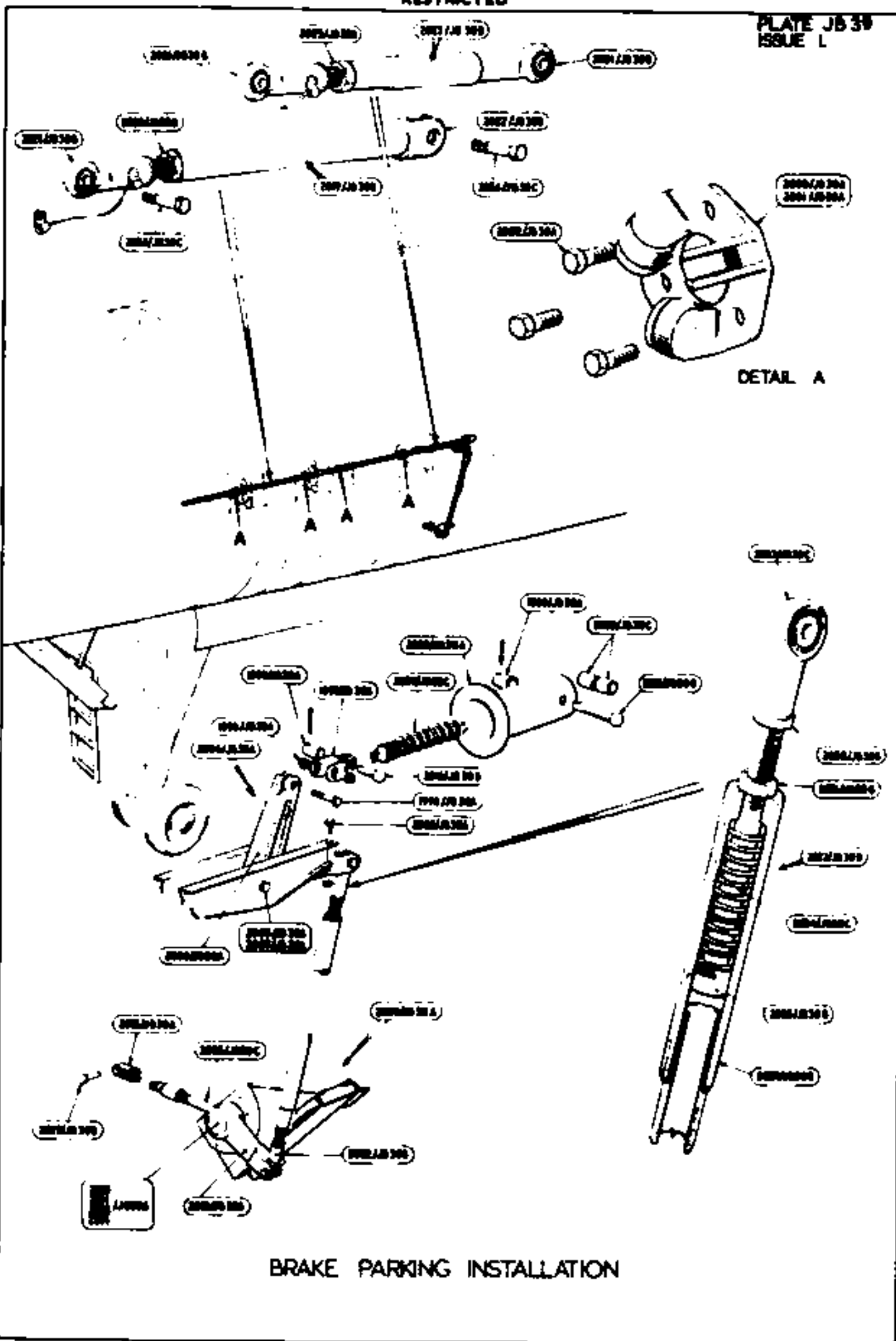


TURBINE DISC PROTECTION

RESTRICTED

RESTRICTED

PLATE JB 39
ISSUE L



BRAKE PARKING INSTALLATION

RESTRICTED

FIGURE No. 1

FUSELAGE
DOORS, BOMB, INNER

Page JC. 1

Ref. No.	Part No.	Description	No. off	Mater. Spec.	Cl. of	Plate and Illust'n No.
					St. M.R.	
		1 2 3 4				
33	1D8901	DOOR, BOMB, INNER, PORT ASSEMBLY	1		A	JC1/1
	1D13802	DOOR, BOMB, INNER, PORT ASSEMBLY	1			
34	2D8901	DOOR, BOMB, INNER, STARBOARD	1		A	JC1/2
	2D13802	DOOR, BOMB, INNER, STARBOARD	1			
		(Complementary parts, e.g. intercomponent attachments listed at the end of section JD will not be supplied with the assembly spare and must be demanded separately when required)				
		Spare for: -				
	318D8901	Arm, support, access door	1	L65	MR	JC1/3
		Attachments, Arm (318D8901)				
28D/1200119	A25/4C	Bolt, 2 BA	1	-	C	
28M/1012015	AGS2001/C1/68	Nut, stiff, 2 BA	1		C	
	318D8901	Tube, distance	1	T35	LM	JC1/4
28W/9419475	SP15/C	Washer	1	-	C	
	317D8901	BRACKET, PIVOT, FOR ARM, GROUP	1		MR	JC1/5
		Attachments, Bracket (317D8901)				
28D/9438920	A25/1C	Bolt, 2 BA	4			
28W/9419475	SP15/C	Washer	4			
	280D8901	BRACKET, CATCH, PORT, GROUP	1			JC1/6
	259D8901	BRACKET, CATCH, STARBOARD, GROUP	1			JC1/7
		Attachments, Brackets (259 & 280D8901)				
28D/9438920	A25/1C	Bolt, 2 BA	4		C	
28W/9419475	SP15/C	Washer	4		C	
9102	330D8901	CHANNEL, HINGE, PORT, GROUP	1		C	JC1/8
9101	329D8901	CHANNEL, HINGE, STARBOARD, GROUP	1		C	JC1/9
1505448	3D13802	Drawing	1		B	
	1D11107	DOOR, INSPECTION, AT RIBS 16 & 17,	1		MR	JC1/10
		STATIONS 302 88 & 325-0, PORT, GROUP (Mod. 650)				
	1D10234	DOOR, ACCESS, HINGED, BETWEEN RIBS	1		MR	JC1/11
		1-3, PORT, GROUP				
	2D10234	DOOR, ACCESS, HINGED, BETWEEN RIBS	1		MR	JC1/12
		1-3, STARBOARD, GROUP				
		Spare for:				
11896	48D10234	CATCH, DOOR, GROUP	1		B	JC1/13
		Consisting of:				
	27D10234	Bolt, 1" dia. x 5" long	1	S1		JC1/14
28D/1007285	AS1242/1B	Bolt, csk. head, 4 BA	2	-	C	
28D/1215078	AS1248/5C	Bolt, round head, 2 BA	1	-	C	
	28D10234	Grip, finger	1	DTD423	MR	JC1/15
	38D10234	Housing, bolt	1	DTD423	MR	JC1/16
	38D10234	Plate	1	S3		JC1/17
	38D10234	Spring, compression	1	Steel	MR	JC1/18

FUSELAGE
DOORS, BOMB, INNER

Ref. No.	Part No.	Description	No. off	Matl. Spec.	Cl. of	Place and Illust'n No.
					Sc. M.R.	
		1 2 3 4				
		DOOR, ACCESS, HINGED, BETWEEN RIBS 1-3, STARBOARD (2D10234) (Cont'd)				
	37D10234	DOOR, ACCESS, GROUP	1	-	MR	JC1/19
	23D10234	Hinge, port (undrilled)	1	-	MR	JC1/20
	24D10234	Hinge, starboard (undrilled)	1	-	MR	JC1/21
	43D10234	Seal, 40" long (Make from 1SS412B, Ref. No. 26DC/6260)	1	Rubber	MR	JC1/22
	44D10234	Strip, sealing	1	DTD458	MR	JC1/23
		DOOR, ACCESS, GROUND CONDITIONING CONNECTION, STARBOARD (333D8901)				
		Spares for:				
8333	1D10984	DOOR, ACCESS, GROUP	1	-	C	JC1/24
		Spares for: -				
	AS.1878	Hinge, 10 1/2" long (undrilled)	1	L72		JC1/25
		(Make from 28N/9511950)				
26FP/13043	1SS3258	Plate, modification	1	-	C	
26FP/13044	1SS3280	Plate, serial	1	-	C	
10303	315D8901	PLUNGER AND BRACKETS, GROUP	1	-	B	JC1/26
		Consisting of: -				
	315dD8901	Adaptor	1	DTD423		JC1/27
28D/1007319	AS.1242/4B	Bolt, csk. head, 4 BA	2	-	C	
28D/1214031	AS.1242/8C	Bolt, csk. head, 2 BA	1	-	C	
	315eD8901	Bracket, plunger	1	L40		JC1/28
	315bD8901	Bracket, plunger	1	L40		JC1/29
	315cD8901	Housing, spring	1	DTD423		JC1/30
28N.4186649	AS.1909/C	Knob	1	Plastic	C	JC1/31
28M/1006473	A27/CT	Nut, thin, 2 BA	1	-	C	
	315gD8901	Plunger	1	S1		JC1/32
28Q/8693	AS.2227/310	Rivet	1	-	C	
	315eD8901	Spring, compression	1	-		JC1/33
	315fD8901	Tube, distance, 1/4" o/d x 17G x 1/2" long	2	T35		JC1/34
		Attachments, Plunger & Brackets (315D8901)				
28D/9489619	AS.1242/17C	Bolt, csk. head, 2 BA	4	-	C	JC1/35
28M/1012015	AGS.2001/C1/68	Nut, stiff, 2 BA	4	-	C	
28W/9419475	SP.15/C	Washer	4	-	C	
	30D10228	RIB, NO. 1, PORT, GROUP	1	-	MR	JC1/36
	31D10229	RIB, NO. 1, STARBOARD, GROUP	1	-	MR	JC1/37
		Spares for: -				
2112	84D8851	Bush	2	S1	C	JC1/38
	85D8868	Cap, for hinge pin	1	L1	MR	JC1/39
	58D8888	Carrier, nipple	1	L65	MR	JC1/40
28N/9156370	SP.21	Nipple, grease	2	-	C	JC1/41
	20D8851	Pin	1	S2	MR	JC1/42
	84D8888	Pin	1	S2	MR	JC1/43
	33D10228	Plug, for pin	1	S83		JC1/44
	45S4385	Tab, locking	1	L72	MR	JC1/45
	34D10228	Tube, greasing	1	T35	MR	JC1/46
	80D8888	Washer, sealing, for plug	-	DTD5509		JC1/47

VULCAN No. 3

FUSELAGE
DOORS, BOMB, INNER

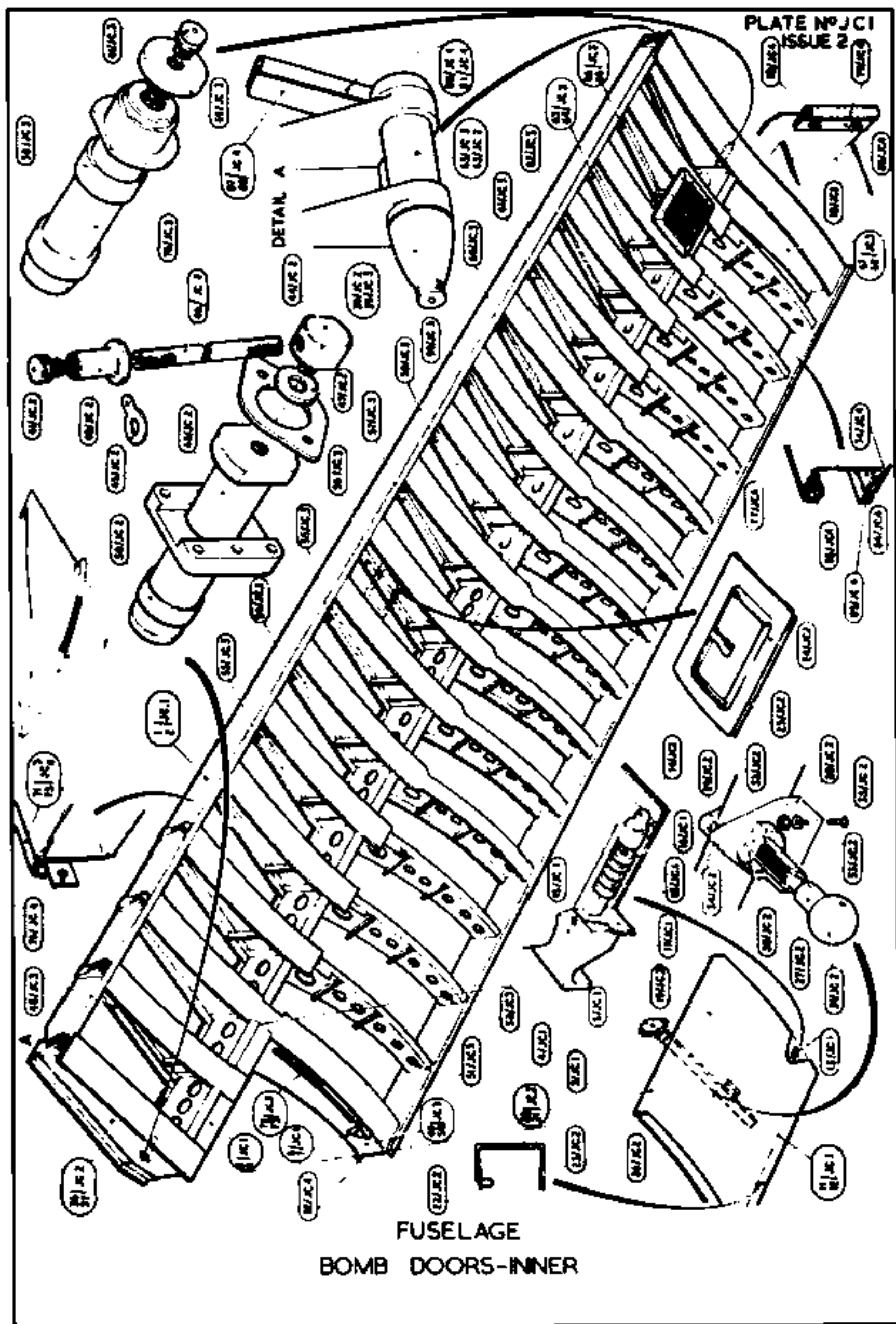
Page JC. 3

Ref. No.	Part No.	Description	No. off	Matl. Spec.	CL of	Place and Illust'n No.
					St. M.R.	
		1 2 3 4				
	1D10227	RIB, NO. 2, GROUP	1		MR	JC1/48
	61D10228	RIB, NO. 3, PORT, GROUP	1		MR	JC1/49
	62D10228	RIB, NO. 3, STARBOARD, GROUP	1	-		JC1/50
	1D8854	RIB, NO. 4, GROUP	1		MR	JC1/51
	1D8855	RIB, NO. 5, GROUP	1		MR	JC1/52
	1D8856	RIB, NO. 6, GROUP	1		MR	JC1/53
	1D8857	RIB, NO. 7, GROUP	1		MR	JC1/54
	1D8858	RIB, NO. 8, GROUP	1			JC1/55
	1D8859	RIB, NO. 9, GROUP	1			JC1/56
	1D8860	RIB, NO. 10, GROUP	1			JC1/57
	1D8861	RIB, NO. 11, GROUP	1			JC1/58
	1D8862	RIB, NO. 12, GROUP	1			JC1/59
	1D8863	RIB, NO. 13, GROUP	1			JC1/60
	1D8864	RIB, NO. 14, GROUP	1		MR	JC1/61
	1D8865	RIB, NO. 15, GROUP	1			JC1/62
	21D8866	RIB, NO. 16, PORT, GROUP	1	-	MR	JC1/63
	1D8866	RIB, NO. 16, STARBOARD, GROUP	1			JC1/64
	21D8867	RIB, NO. 17, PORT, GROUP	1	-	MR	JC1/65
	1D8867	RIB, NO. 17, STARBOARD, GROUP	1			JC1/66
	1D8868	RIB, NO. 18, PORT, GROUP	1			JC1/67
	2D8868	RIB, NO. 18, STARBOARD, GROUP	1		MR	JC1/68
		Spares for:				
2112	84D8851	Bush	2	S1	C	JC1/38
	65D8868	Cup, for hinge pin	1	L1	MR	JC1/39
	63D8868	Fitting, end	1	L1	MR	JC1/69
28N/9158370	SP.21	Nipple, grease	2		C	JC1/41
	59D8868	Pin	1	S2	MR	JC1/70
	64D8868	Pin	1	S2	MR	JC1/43
		SEALING, BOMB DOOR, INNER, PORT AND STARBOARD (71 & 72D88910)				
		Spares for:				
	80D8910	Angle, sealing, 5' 6" long	5	L72	MR	JC1/71
	15D8910	Angle, rib No. 3, port	1	L72	MR	JC1/72
	16D8910	Angle, rib No. 3, starboard	1	L72	MR	JC1/73

FUSELAGE
DOORS, BOMB, INNER

Ref. No.	Part No.	Description	No. off	Mater. Spec.	Cl. of	Place and Illust'n No.
					St. M.R.	
		1 2 3 4				
SEALING, BOMB DOOR, INNER, PORT AND STARBOARD (71 & 72D8810) (Cont'd)						
	19D8810	Angle, 26' 0" long	1	L72	MR	JC1/74
	27D8810	Angle, sealing	1	L72	MR	JC1/75
28D/1008149	A25/28	Bolt, 4 BA	161	-	C	
28D/9419452	A25/38	Bolt, 4 BA	20	-	C	
28D/14826	AS1242/ 1/2B	Bolt, csk. head, 4 BA	12	-	C	
28D/1007979	AS1246/1B	Bolt, round head, 4 BA	5	-	C	
28D/1214885	AS1246/2B	Bolt, round head, 4 BA	1	-	C	
	1SS4337	Bolt, 120° csk. head, 2 BA	208	-	MR	
28M/1278189	AGS2001/B1	Nut, stiff, 4 BA	181	-	C	
28M/1012015	AGS2001/C1/66	Nut, stiff, 2 BA	208	-	C	
28M/9434253	AGS2007/B1	Nut, anchor, 4 BA	5	-	C	
	28D8810	Plate, jointing	8	L72	MR	JC1/76
	61D8810	Plug, sorbo rubber, 5/8" dia. x 1/2" long	8	-	MR	JC1/77
	62D8810	Plug, sorbo rubber, 1/8" dia. x 1/4" long	6	-	MR	JC1/78
28Q/9417269	AGS2050/435BS	Rivet, pop, 1/8" dia.	180	-	C	
28Q/4660956	AS463/303	Rivet, 3/32" dia. x 3/16" long	10	-	C	
	4D8810	Seal, 4" long (Make from SS4220, Ref. No. 26DC/5947)	1	-	MR/C	JC1/79
	5D8810	Seal, 2-1/2" long (Make from SS4220, Ref. No. 26DC/5947)	1	-	MR/C	JC1/80
	6D8810	Seal, 3.2" long (Make from SS4220, Ref. No. 26DC/5947)	1	-	MR	JC1/81
	17D8810	Seal, 15" long, at rib 3 (Make from 1SS4128, Ref. No. 26DC/8260)	1	-	MR/C	JC1/82
	18D8810	Seal, 26' 0" long (Make from 1SS4128, Ref. No. 26DC/8260)	1	-	MR/C	JC1/83
	20D8810	Strip, sealing, 20G x 26' 0" long	1	L72	MR	JC1/84
	21D8810	Strip, edging, 26' 0" long	1	DTD458A	MR	JC1/85
	57D8810	STRIP, RETAINING, PORT, GROUP	1	-	MR	JC1/86
	58D8810	STRIP, RETAINING, GROUP	1	-	MR	JC1/87
	59D8810	STRIP, RETAINING, GROUP	1	-	MR	JC1/88
28W/9419485	SP13/B	Washer, 4 BA	180	-	C	
28W/9419474	SP15/B	Washer, 4 BA	1	-	C	
28W/9419402	SP13/C	Washer, 2 BA	208	-	C	
	12D10805	Strip, rubbing, ribs 3-5, port	1	DTD171B		
	13D10805	Strip, rubbing, ribs 3-5, starboard	1	DTD171B		
	320D8801	Strip, rubbing, ribs 8-10, port	1	DTD171B		
	321D8801	Strip, rubbing, ribs 8-10, starboard	1	DTD171B		
	322D8801	Strip, rubbing, ribs 14-15, port	1	DTD171B		
8837	323D8801	Strip, rubbing, ribs 14-15, starboard	1	DTD171B	C	

RESTRICTED



RESTRICTED

VULCAN No. 2

FUSELAGE
DOORS, BOMB, OUTER

Page JD, 1

Ref. No.	Part No.	Description	No. off	Matl. Spec.	Cl. of	Plate and Illust'n No.
					St. M.R.	
		1 2 3 4				
35	1D8900	BOMB DOOR, OUTER, PORT, ASSEMBLY . . .	1	-	A	JD1/1
36	2D8900	BOMB DOOR, OUTER, STARBOARD, ASSEMBLY (Complementary parts, e.g. intercomponent attachments listed at the end of this assembly will not be supplied with the assembly spare, and must be demanded separately when required) Spare for:—	1	-	A	JD1/2
	83D8900	BLOCK, HINGE, RIB NO 12, GROUP	1	-		JD1/3
	83bD8900	Bush, 1" dia x 0.80"	1	BSS369		
	33D8889	BRACKET, HINGE, RIB NO 5, GROUP	1	-		JD1/4
	2D8889	BRACKET, HINGE, RIB NO 5, GROUP	1	-		JD1/5
	3D8889	BRACKET, HINGE, RIB NO 6 & 14, GROUP . . .	2	-		JD1/6
	4D8889	BRACKET, HINGE, RIB NO 6 & 14, GROUP . . .	2	-		JD1/7
	5D8889	BRACKET, HINGE, RIB NO 7 & 13, GROUP . . .	2	-		JD1/8
	6D8889	BRACKET, HINGE, RIB NO 7 & 13, GROUP . . .	2	-		JD1/9
	7D8889	BRACKET, HINGE, RIB NO. 2, GROUP	1	-		JD1/10
	8D8889	BRACKET, HINGE, RIB NO 2, GROUP	1	-		JD1/11
	9D8889	BRACKET, HINGE, RIB NO. 3, GROUP	1	-		JD1/12
	10D8889	BRACKET, HINGE, RIB NO 3, GROUP	1	-		JD1/13
	11D8889	BRACKET, HINGE, RIB NO 4, 15 & 16, GROUP	3	-		JD1/14
	12D8889	BRACKET, HINGE, RIB NO 4, 15 & 16, . . . GROUP	3	-		JD1/15
	13D8889	BRACKET, HINGE, RIB NO 17, GROUP	1	-		JD1/16
	14D8889	BRACKET, HINGE, RIB NO 17, GROUP	1	-		JD1/17
	15D8889	BRACKET, HINGE, RIB NO 8, GROUP	1	-		JD1/18
	16D8889	BRACKET, HINGE, RIB NO 8, GROUP	1	-		JD1/19
	29D8889	BRACKET, HINGE, RIB NO 12, GROUP	1	-		JD1/20
	30D8889	BRACKET, HINGE, RIB NO. 12, GROUP	1	-		JD1/21
	31D8889	BRACKET, HINGE, RIB NO 9, 10 & 11, . . . GROUP	3	-		JD1/22
	32D8889	BRACKET, HINGE, RIB NO 9, 10 & 11, . . . GROUP	3	-		JD1/23

FUSELAGE
DOORS, BOMB, OUTER

Ref. No.	Part No.	Description	No. off	Matl. Spec.	Cl. of St.	Plate and Illust'n No.
					M.R.	
		1 2 3 4				
26FP/13043 26FP/13044	2D8869	Lug, rib 8H and 14H	2	DTD364	MR	JD1/24
	3D8869	Lug, rib 8H	1	DTD364	MR	JD1/25
	4D8869	Lug, rib 10H	1	DTD364	MR	JD1/26
	5D8869	Lug, rib 16H	1	DTD364	MR	JD1/27
	38D8869	Lug, rib 3H	1	DTD364	MR	JD1/28
	1SS3259	Plate, modification	1	—	C	
	1SS3260	Plate, serial	1	—	C	
	91D8871	RIB, NO. 1, PORT, GROUP	1	—		JD1/29
	92D8871	RIB, NO. 1, STARBOARD, GROUP	1	—	MR	JD1/30
	26FP/10135	129D8871	Bolt, special, 3/8" BSF	8	S86	MR
2SS4337		Bolt	6	—	C	JD1/32
128D8871		Bush	2	S1	MR	JD1/33
59D8861		Cap. for hinge pin	1	—		JD1/34
58D8868		Carrier, nipple	1	L85	MR	JD1/35
SP21		Nipple, grease	1	—	C	JD1/36
127D8871		Nut, anchor, special	8	—		JD1/37
21D8888		Pin	1	—	MR	JD1/38
58D8888		Plug	1	S83		JD1/39
4SS4368		Tab, locking	1	L72	MR	JD1/40
28N/9158370	154D8871	Tube, greasing	1	T35		JD1/41
	80D8888	Washer, sealing, for plug	1	DTD5509		JD1/42
	1D8872	RIB, NO. 2, GROUP	1	—	MR	JD1/43
	1D8873	RIB, NO. 3, GROUP	1	—	MR	JD1/44
	1D8874	RIB, NO. 4, GROUP	1	—	MR	JD1/45
	1D8875	RIB, NO. 5, GROUP	1	—	MR	JD1/46
	1D8876	RIB, NO. 6, GROUP	1	—	MR	JD1/47
	1D8877	RIB, NO. 7, GROUP	1	—	MR	JD1/48
	1D8878	RIB, NO. 8, GROUP	1	—	MR	JD1/49
	1D8879	RIB, NO. 9, GROUP	1	—	MR	JD1/50
1D8880	RIB, NO. 10, GROUP	1	—	MR	JD1/51	
1D8881	RIB, NO. 11, GROUP	1	—	MR	JD1/52	
1D8882	RIB, NO. 12, GROUP	1	—	MR	JD1/53	
1D8883	RIB, NO. 13, GROUP	1	—	MR	JD1/54	
1D8884	RIB, NO. 14, GROUP	1	—	MR	JD1/55	
1D8885	RIB, NO. 15, GROUP	1	—	MR	JD1/56	
1D8886	RIB, NO. 16, GROUP	1	—	MR	JD1/57	
1D8887	RIB, NO. 17, GROUP	1	—	MR	JD1/58	

VULCAN No. 2

FUSELAGE
DOORS, BOMB, OUTER

Page JD. 3

Ref. No.	Part No.	Description	No. off	Matl. Spec.	Cl. of	Plate and Illust'n No.
					St.	
		1 2 3 4				
	1D8888	RIB, NO. 18, PORT, GROUP	1	-		JD1/69
	2D8888	RIB, NO. 18, STARBOARD, GROUP	1	-	MR	JD1/60
26FP/10135	2SS4337	Spares for -	11	-	C	JD1/61
	12B08871	Bolt	2	S1	MR	JD1/62
	59D8851	Bus	1	-		JD1/63
	58D8888	Cap, for hinge pin	1	-		JD1/35
28N/9156370	SP 21	Carrier, nipple	1	L85	MR	JD1/36
	21D8888	Nipple, grease	1	-	C	JD1/64
	59D8888	Pin	1	-	MR	JD1/39
26TA/8737 17449	3SS4368	Plug	1	S83		JD1/65
	61D8888	Tab, locking	1	L72	C	JD1/66
	60D8888	Tube, greasing	1	T35		JD1/42
		Washer, sealing, for plug	1	DTD5509		
		SEALING, PORT AND STARBOARD (1 & 70D8910)				
		Spares for:-				
	808910	Angle	1	L72		JD1/67
	41D8910	Angle, forward end, to rib 3	1	L72	MR	JD1/68
	42D8910	Angle, forward end, to rib 3	1	L72	MR	JD1/69
	43D8910	Angle, rib 3 to rib 6	1	L72	MR	
	44D8910	Angle, rib 3 to rib 6	1	L72	MR	
	73D8910	Angle, rib 6 to rib 8, starboard	1	L72	MR	
	46D8910	Angle, rib 6 to rib 8, port	1	L72	MR	
	47D8910	Angle, rib 8 to rib 10, port	1	L72	MR	
	48D8910	Angle, rib 8 to rib 10, port	1	L72	MR	
	74D8910	Angle, rib 8 to rib 10, starboard	1	L72	MR	
	75D8910	Angle, rib 8 to rib 10, starboard	1	L72	MR	
	49D8910	Angle, rib 10 to rib 12, port	1	L72	MR	
	50D8910	Angle, rib 10 to rib 12, port	1	L72	MR	
	76D8910	Angle, rib 10 to rib 12, starboard	1	L72	MR	
	77D8910	Angle, rib 10 to rib 12, starboard	1	L72	MR	
	78D8910	Angle, rib 12 to rib 14, starboard	1	L72	MR	
	52D8910	Angle, rib 12 to rib 14, port	1	L72	MR	
	53D8910	Angle, rib 14 to rib 16	1	L72	MR	
	54D8910	Angle, rib 14 to rib 16	1	L72	MR	
	55D8910	Angle, rib 16 to aft end	1	L72	MR	
	56D8910	Angle, rib 16 to aft end	1	L72	MR	
28D/1214297	AS1242/ 1/2B	Bolt, csk head, 4 BA	2	-	C	
28D/1007979	AS1246/1B	Bolt, round head, 4 BA	120	-	C	
28D/1214865	AS1248/2B	Bolt, round head, 4 BA	123	-	C	
28M/9434253	AGS2007/81	Nut, anchor, 4 BA	198	-	C	
28M/9434252	AG52018/81	Nut, anchor, 4 BA	48	-	C	
	26D8910	Plug, sorbo rubber, 5/8" dia. x 2" long	7	-	MR	JD1/70
28Q/9504085	AS463/305	Rivet	488	-	C	
28Q/8638	AS2227/404	Rivet	175	-	C	
	308910	Seal, 29' 2" long (Make from SS4128, Ref. No. 26DC/6260)	1	DTD552	MR/C	JD1/71
	11D8910	Seal, 29' 2" long (Make from SS4128, Ref. No. 26DC/6260)	1	DTD552	MR/C	JD1/72
	10D8910	Seal, 4-1/4" long (Make from SS4220, Ref. No. 26DC/6947)	1	DTD552	MR	JD1/73
28S/9992522	A32/818	Screw, 4 BA	2	-	C	
	60D8910	STRIP, RETAINING, GROUP	1	-	MR	JD1/74
28W/9419448	AGS2035/B	Washer, shakeproof	2	-	C	

FUSELAGE
DOORS, BOMB, OUTER

Ref. No.	Part No.	Description	No. off	Matl. Spec.	CL of	Plate and Illust'n No.
					St. M.R.	
		1 2 3 4				
		COMPLEMENTARY ITEMS				
		ATTACHMENT FITTINGS, BOMB DOORS, INNER AND OUTER, PORT AND STARBOARD (108729)				
		Spare for: -				
10852	157D8800	Bolt, 2 BA x 0.77" long, for outer door	84	S96	C	JD1/76
	238D8801	Bolt, 2 BA, for inner door	84	S96	MR	JD1/76
	3D8729	HINGE, PORT, GROUP	16	-	MR	JD1/77
	4D8729	HINGE, STARBOARD, GROUP	16	-	MR	JD1/78
		Spare for: -				
	21D8889	Cap	1	L1	MR	JD1/79
	17D8889	Hinge	1	DTD130	MR	JD1/80
	18D8889	Hinge	1	DTD130	MR	JD1/81
28N/9156370	SP21	Nipple, lubricating	1	-	C	JD1/82
	20D8889	Pin	1	S96	MR	JD1/83

VULCAN No. 2

FUSELAGE

Page JD. 5

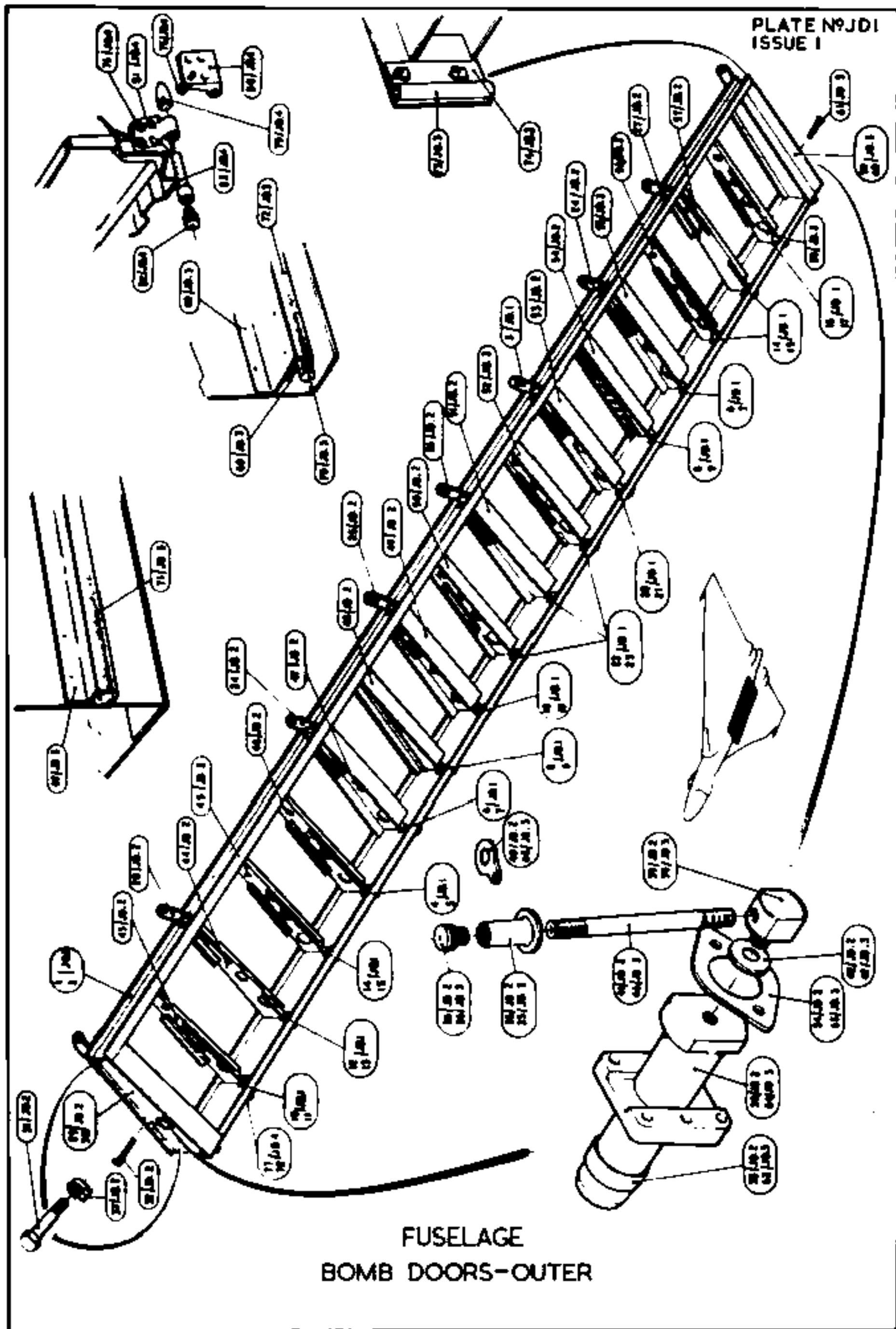
DOORS, BOMB (INNER AND OUTER)

SUMMARY OF STANDARD ITEMS

Stores Ref.		No. off	Stores Ref.		No. off	Stores Ref.		No. off
Section	Ref. No.		Section	Ref. No.		Section	Ref. No.	
28D	8300	2	28M	10287	181	28Q	8838	175
28D	8312	1	28M	10288	213	28Q	8893	1
28D	1214886	124	28M	1006473	1	28Q	9854	10
28D	11890	1	28M	9434252	48	28Q	9417289	180
28D	14826	14	28M	9434253	201	28Q	9604065	488
28D	1007319	2						
28D	1007979	126	28N	14392	1	28S	9992522	2
28D	1008140	181	28N	9156370	7			
28D	1200119	1						
28D	9419452	20				28W	9419402	208
28D	9436820	8				28W	9418448	2
28D	9488619	4				28W	9418465	180
						28W	9418474	1
						28W	9418475	13

RESTRICTED

PLATE N9JDI
ISSUE 1



FUSELAGE
BOMB DOORS-OUTER

RESTRICTED

VULCAN MK 1		FUSELAGE				Page JE. 1	
		DOORS, MAIN UNDERCARRIAGE					
Ref No.	Part No.	Description	No off	Mati. Spec.	Cl of	Plate and Illustr'n No.	
					St.		
		1	2	3	4	MR.	
554	113F10167	DOORS, MAIN UNDERCARRIAGE, PORT, GROUP (Mod. 1288)	1	—	A	JE1/1	
555	114F10167	DOORS, MAIN UNDERCARRIAGE, STARBOARD, GROUP (Mod. 1288)	1	—	A	JE1/2	
	1F12244	Spares for:— ARM, HINGE, FORWARD, PORT, GROUP (Mod. 1907)	1	—	MR	JE1/3	
13444	2F12244	ARM, HINGE, FORWARD, STARBOARD, GROUP (Mod. 1907)	1	—	A	JE1/4	
		Spares for:—					
2A/9500488	HOFFMANN CA5	Bearing	1	—	C		
28N/4043823	AGS2030/47	Circlip	1	—	C		
28D/1011245	A25/10E	Attachment—Arm Hinge, Part Nos. 1 & 2F12244					
28M/1012015	AGS2001/C1/80	Bolt, 1/4" BSF x 1.5" long	6	—	C		
28M/9480017	AGS2001/E/1	Nut, 2 BA	6	—	C		
	2SS4140	Nut, 1/4" BSF	6	—	C		
28W/9419404	SP16/C	Screw, 120° csk. head	6	—	MR		
28W/9419487	SP16/E	Washer	6	—	C		
		Washer	6	—	C		
	1F12243	ARM, HINGE, FORWARD, CENTRE, PORT, GROUP (Mod. 1907)	1	—		JE1/5	
	2F12243	ARM, HINGE, FORWARD, CENTRE, STARBOARD, GROUP (Mod. 1907)	1	—		JE1/6	
		Spares for:—					
2A/9501325	FISHER 8300	Bearing	2	—	C		
		Attachments—Arm Hinge, Part Nos. 1 & 2F12243					
28D/1011245	A25/10E	Bolt, 1/4" BSF x 1.5" long	4	—	C		
28M/1012015	AGS2001/C1/80	Nut, 2 BA	4	—	C		
28M/9480017	AGS2001/E/1	Nut, 1/4" BSF	4	—	C		
	2SS4140	Screw, 120° csk. head	4	—	MR		
28W/9419404	SP16/C	Washer	4	—	C		
28W/9419487	SP16/E	Washer	4	—	C		
13447	1F12248	ARM, HINGE, REAR, CENTRE, PORT, GROUP (Mod. 1907)	1	—	A	JE1/7	
13448	2F12248	ARM, HINGE, REAR, CENTRE, STARBOARD, GROUP (Mod. 1907)	1	—	A	JE1/8	
		Spares for:—					
2A/9400467	HOFFMANN CA3	Bearing	1	—	C		
28N/1033955	AGS2030/45	Circlip, internal	1	—	C		
		Attachments—Arm Hinge, Part Nos. 1 & 2F12248					
28D/1011245	A25/10E	Bolt, 1/4" BSF x 1.5" long	4	—	C		
28M/1012015	AGS2001/C1/80	Nut, 2 BA	4	—	C		
28M/9480017	AGS2001/E/1	Nut, 1/4" BSF	4	—	C		
	2SS4140	Screw, 120° csk. head	4	—	MR		
28W/9419404	SP16/C	Washer	4	—	C		
28W/9419487	SP16/E	Washer	4	—	C		

VULCAN No. 7						
Page JE. 2		FUSELAGE				
DOORS, MAIN UNDERCARRIAGE						
Ref. No.	Part No.	Description	No. off	Matl. Spec.	Cl. of St.	Plate and Illust'n No.
					M.R.	
		1 2 3 4				
	1F12245	ARM, HINGE, REAR, PORT, GROUP	1	—	MR	JE1/9
13445	2F12245	ARM, HINGE, REAR, STARBOARD, GROUP	1	—	A	JE1/10
		Spares for:—				
2A/9500487	HOFFMANN	Bearing	1	—	C	
28N/1033955	CA3	Circlip, internal	1	—	C	
	AGS2030/45					
		Attachments—Arm, Hinge. Part Nos. 1 & 2F12245				
28D/1011245	A25/10E	Bolt, 1/4" BSF x 1.5" long	6	—	C	
28M/1012015	AGS2001C1/66	Nut, 2 BA	6	—	C	
28M/8480017	AGS2001/E/1	Nut, 1/4" BSF	6	—	C	
	2SS4140	Screw, 120° csk. hd.	6	—	MR	
28W/9419404	SP16/C	Washer	6	—	C	
28W/9419487	SP16/E	Washer	6	—	C	
	1R3450	Base, bearing, for roller, intermediate rib	1	—	MR	JE1/11
	150F10167	Channel, stiffening (Mod. 2219)	4	—	MR	
		Attachments for:—				
28DL/	2SS4650	Bolt, special	4	—	C	
6010805						
	AGS2018/C1	Nut, anchor	4	—	—	
		FRAME MEMBER, FORWARD, PORT AND STARBOARD (11 & 12F101057)				
		Spares for:—				
2823	11bF8120	PANEL, ACCESS TO MECHANISM, GROUP	1	—	C	JE1/12
		Attachments for:—				
28FP/13004	5SS3158	Screw, 2 BA, csk. hd.	10	—	C	JE1/13
	11dF8120	PANEL, ACCESS TO MECHANISM, GROUP	1	—	MR	JE1/14
		Attachments for:—				
28FP/13004	5SS3158	Screw, 2 BA, csk. hd.	6	—	C	JE1/13
	115F8120	Seal, bulb (Made from SS4128, Ref. 28FP/8584 x 11-1/2" long) (Mod. 1289)	1	Rubber		JE1/15
	11jF8120	Strip, cover, 1/2" wide x 11-1/2" long	1	L72		
		FRAME MEMBER, AFT, PORT AND STARBOARD (17 & 18F10167)				
		Spares for:—				
11055	212F8120	Pad	1	DTD364B	C	JE1/16
	213F8120	Pad	1	DTD364B	MR	JE1/17
	11dF8120	Panel, access to mechanism	1	L72	MR	JE1/18
		Attachments for:—				
28FP/13004	5SS3158	Screw, 2 BA, csk. hd.	6	—		JE1/13
	230F8120	PANEL, ACCESS TO MECHANISM, PORT, GROUP	1	—	MR	JE1/19
2826	231F8120	PANEL, ACCESS TO MECHANISM, STARBOARD, GROUP	1	—	C	JE1/20
		Attachments for:—				
28FP/13004	5SS3158	Screw, 2 BA, csk. hd.	14	—	C	JE1/21

VULCAN Mtr 2

FUSELAGE
DOORS, MAIN UNDERCARRIAGE

Page JE. 3

Ref. No.	Part No.	Description	No. off	Matl. Spec.	Cl. of St.	Plate and Illustr'n No.
					M.R.	
		1 2 3 4				
		FRAME MEMBER, AFT, PORT AND STARBOARD (17 & 18F10167) (Cont'd.)				
	17uF8120	Seal, bulb (made from SS4128, Ref. 26FP/8564 x 5" long)	1	Rubber		JE1/22
	17wF8120	Seal, bulb (made from SS4128, Ref. 26FP/8564 x 4.5" long)	1	Rubber		JE1/23
	17hF8120	Seal, bulb (made from SS4143, Ref. 26DC/3746 x 8.5" long)	1	Rubber		JE1/24
	17yF8120	Seal, bulb (made from SS4128, Ref. 26FP/8564 x 5.25" long)	1	Rubber		JE1/25
	17rF8120	Seal, bulb (made from SS4143, Ref. 26DC/3746 x 8.5" long)	1	Rubber		JE1/26
	17sF8120	Seal, bulb (made from SS4143, Ref. 26DC/3746 x 12" long)	1	Rubber		JE1/27
		MECHANISM, LATCHING, FORWARD, UNDERCARRIAGE DOOR, PORT AND STARBOARD (1 & 2F10176)				
		Spare for:—				
	9F8329	Bolt, special, link lever	1	S95	MR	JE1/28
	11F8329	Bolt, special, crank lever	1	S95	MR	JE1/29
1132	12F8329	Bolt, special, link lever	1	S95	C	JE1/30
8543	14F10176	Bolt, special, crank lever	1	S96	C	JE1/31
8544	3F10176	CATCH, DOOR, GROUP	1	—	C	JE1/32
		Spare for:—				
	3bF10176	Bush, oilite, 1/2" o/d x 3/8" i/d x 1 1/16" long	2	—	MR	
	4F8329	LEVER, BELL CRANK, GROUP (Pre-Mod. 1737)	1	—		
	44F8329	LEVER, BELL CRANK, GROUP (Mod. 1737)	1	—	MR	JE1/33
		Spare for:—				
	MAG. BRONZE CT4 x 1.1/8	Bush, oilite, 1/2" o/d x 3/8" i/d x 1-1/8" long	1	—	MR	JE1/34
28N/4510570	HOFFMAN CJ1	Joint, self-aligning	1	—	C	JE1/35
	W. & S. PP33844/54/6	Plate, securing	1	—		
1121	7F8329	LEVER, BELL CRANK, GROUP	1	—	B	JE1/36
		Spare for:—				
	MAG. BRONZE CT4 x .6	Bush, oilite, 1/2" o/d x 3/8" i/d x .6 long	1	—	MR	JE1/37
28N/4510570	HOFFMAN CJ1	Joint, self-aligning	2	—	C	JE1/38
	W. & S. PP33844/54/6	Plate, securing	2	—		
	3F8329	Link, connecting, to bell crank lever	1	DTD364B	MR	JE1/39
	6F8329	Link, to lever on interconnecting rod	1	DTD364B	MR	JE1/40
8545	1F10176	LINK, TELESCOPIC, GROUP	1	—	C	JE1/41
		Spare for:—				
	10176	Fork, and	1	DTO364B		JE1/42
	4F8331	Spring	1	Steel	MR	JE1/43

FUSELAGE

DOORS, MAIN UNDERCARRIAGE

Ref. No.	Part No.	Description	No off	Matl. Spec.	Cl. of St.		Plate and Illust'n No.
					M.R.		
		MECHANISM, LATCHING, FORWARD, UNDERCARRIAGE DOOR, PORT AND STARBOARD (1 & 2F10176) (Cont'd)					
28P/1015710	SP4Y/D8	Pin, shackle, 1/4" dia. x 0.60" long	2	—	C		JE1/44
28P/9483204	SP4Y/D10	Pin, shackle, 1/4" dia. x 0.70" long	1	—	C		JE1/45
28P/7000188	SP4Y/D11	Pin, shackle, 1/4" dia. x 0.75" long	1	—	C		JE1/46
12689	17F10176	PLATE, JACK RIB, FORWARD PORT,	1	—	MR/C		JE1/47
		GROUP (Mod. 1737)					
	18F10176	PLATE, JACK RIB, FORWARD STARBOARD, ...	1	—	MR		JE1/48
		GROUP (Mod. 1737)					
	19F10176	PLATE, JACK RIB, FORWARD PORT,	1	—	MR		JE1/48
		GROUP (Mod. 1737)					
	20F10176	PLATE, JACK RIB, FORWARD STARBOARD, ...	1	—	MR		JE1/50
		GROUP (Mod. 1737)					
	13F10176	Plate, side	2	L72	MR		
	5F10176	Rivet, special, at jack rib plate	3	S1	MR		JE1/51
29U/4058	SP8Y/8	Rod, tension, at connecting rod and link	1	—	C		JE1/52
8546	2F10178	ROD, CONNECTING, GROUP	1	—	C		JE1/53
		Spares for:—					
	4F8332	Fork, end	1	DTD364B			
	30F8329	Shackle, for spring	1	DTD364B			JE1/54
8547	10F10177	Spindle, for catch	1	S95	C		JE1/55
	13F8330	Spring, tension, for link	1	—	MR		JE1/56
9176	14F8329	Tube, distance, 5/8" dia. x 1/2" long	1	S95	C		JE1/57
	15F8329	Tube, distance, 17G x 5/16" o/d x 1-3/8"	7	T26			JE1/58
		long					
	15F10176	Washer, special, for lever	1	S510			JE1/59
17097	13F8329	Washer, special, spacing	4	S1	C		JE1/60
	32F8329	Washer, special, 16G x 7/8" o/d	1	S3	MR		JE1/62
	43F8329	Washer, special (Mod. 1737)	2	DJ			JE1/62
		MECHANISM, LATCHING, REAR, UNDERCARRIAGE DOOR, PORT AND STARBOARD (1 & 2F10177)					
		Spares for:—					
	5F8329	Bolt, link lever	1	S95	MR		JE1/28
	11F8329	Bolt, crank lever	1	S95	MR		JE1/29
1132	12F8329	Bolt, link lever	2	S95	C		JE1/30
8543	14F10176	Bolt, special, crank lever	1	S96	C		JE1/31
8548	3F10177	CATCH, DOOR, GROUP	1	—	C		JE1/63
		Spares for:—					
	3bF10177	Bush, oilite, 1/2" o/d x 3/8" i/d x 11/16" long	2	—			
	4F8329	LEVER, BELL CRANK, GROUP	1	—			
		(Pre-Mod. 1737)					

VULCAN MR 1

FUSELAGE

Page JE. 5

DOORS, MAIN UNDERCARRIAGE

Ref. No.	Part No.	Description	No. off	Matl. Spec.	Cl of St.	Plate and Illust'n No.
					M.F.	
		1 2 3 4				
		MECHANISM, LATCHING, REAR UNDERCARRIAGE DOOR, PORT AND STARBOARD (1 & 2F10177) (Cont'd.)				
	44F8329	LEVER, BELL CRANK, GROUP (Mod. 1737) Spares for:—	1	—	MR	JE1/33
	MAG. BRONZE CT.4	Bush, oilite, 1/2" o/d x 3/8" l/d x 1-1/8" long	1	—	MR	JE1/34
28N-4510570	HOFFMANN CJ.1 W. & S. PP33844/545	Joint, self aligning	2	—	C	JE1/35
		Plate, securing	1	—		
	3F8330	Link, connecting to bell crank lever	1	DTD364B	MR	JE1/34
	4F8330	Link, to lever on interconnecting rod	1	OTD364B	MR	JE1/35
6546	1F10178	LINK, TELESCOPIC, GROUP	1	—	C	JE1/41
		Spares for:—				
	2F10178	Fork end	1	DTD364B		JE1/42
	4F8331	Spring	1	—	MR	JE1/43
28P/1015710	SP4Y/D8	Pin, shackle, 1/4" dia. x 0.60" long	2	—	C	JE1/44
28P/9483204	SP4Y/D10	Pin, shackle, 1/4" dia. x 0.70" long	1	—	C	JE1/45
28P/7000188	SP4Y/D11	Pin, shackle, 1/4" dia. x 0.75" long	1	—	C	JE1/46
	21F10177	PLATE, JACK, RIB, AFT, PORT,	1	—	MR	JE1/65
		GROUP (Mod. 1737)				
	22F10177	PLATE, JACK RIB, AFT, STARBOARD,	1	—	MR	JE1/67
		GROUP (Mod. 1737)				
	23F10177	PLATE, JACK RIB, AFT, PORT,	1	—	MR	JE1/68
		GROUP (Mod. 1737)				
	24F10177	PLATE, JACK RIB, AFT, STARBOARD,	1	—	MR	JE1/69
		GROUP (Mod. 1737)				
	9F10177	Plate, side	2	L72	MR	
28U-4058	5F10178	Rivet, special, at jack rib plate	3	S1	MR	JE1/51
	SP8Y/8	Rod, tension, at connecting rod and link	1	—	C	JE1/52
6548	1F10178	ROD, CONNECTING, REAR, GROUP	1	—	C	JE1/70
		Spares for:—				
	4F8332	Fork, end	1	DTD364B		
6547	31F8329	Shackle, for spring	1	DTD364B		JE1/71
	10F10177	Spindle, for catch	1	S95	C	JE1/56
	13F8330	Spring, tension	1	—	MR	JE1/56
9176	14F8329	Tube, distance, 5/8" dia. x 1/2" long	1	S95	C	JE1/57
	15F8329	Tube, distance, 17G x 5/16" o/d x 1-3/8" long	7	T28		JE1/58
	15F10176	Washer, special	1	S610		JE1/59
	13F8328	Washer, spacing	4	S1		JE1/60
	22F8329	Washer, special, 18G x 7/8" o/d	1	S3	MR	JE1/61
	43F8329	Washer, special (Mod. 1737)	2	DU	MR	JE1/62

FUSELAGE
DOORS, MAIN UNDERCARRIAGE

Ref. No.	Part No.	Description	No. off	Matl. Spec.	Cl. of St.	Plate and Illust'n No.
					M.R.	
17097	44F10167	Panel, access, forward, at mechanism levers	1	L72		JE1/72
	45F10167	Panel, access, rear, at mechanism levers	1	L72		JE1/73
	46F10167	Panel, access, forward, over mechanism rods	1	L72		JE1/74
	47F10167	Panel, access, rear, over mechanism rods	1	L72		JE1/75
	7F8333	ROD, CONNECTING, LEVER TO LEVER,	1	—		JE1/76
		GROUP				
		Spares for:—				
	11 F8333	Fork, end, adjustable	1	S1		
	9F8333	Socket, fork end	1	OTD364B		
	4F8333	Washer, saddle	4	OTD364B		
	1R4410 or 111R3577	Roller, special, for connecting rod on inter- mediate rib	3	—	MR	JE1/77
	118F10167	Seal, bulb (Made from 1SS4293 x 5' 5" long)	1	Rubber	MR	JE1/78
	49F10167	Strip, cover, for seal	1	L72		
	13F8329	Washer, spacing, at bearing	4	S1	C	

VULCAN PHL 3

FUSELAGE

Page JE 7

DOORS, MAIN UNDERCARRIAGE
SUMMARY OF STANDARD ITEMS

Stores Ref.		No. off	Stores Ref.		No. off	Stores Ref.		No. off
Section	Ref. No.		Section	Ref. No.		Section	Ref. No.	
2A	9500487	4	28M	1278190	20	28W	9419404	20
2A	9500488	2	28M	10290	20	28W	9419487	20
2A	9501325	4						
			28N	12353	2			
			28N	12490	1			
28D	1011245	20	28N	13511	6			
			28P	1015710	4			
			28P	7000186	2			
			28P	9483204	2			
			28U	4058	2			

FUSELAGE							Page JF, 1
FAIRING, MAIN UNDERCARRIAGE							
Ref. No.	Part No	Description	No. off	Matl. Spec.	Cl. of St.	Plate and Must'n No.	
					M.R.		
		1 2 3 4					
		FAIRING, MAIN UNDERCARRIAGE					
27	1F8773	FAIRING, HINGED, MAIN UNDER- CARRIAGE BAY, PORT, GROUP	1	—	A	JF1/1	
28	2F8773	FAIRING, HINGED, MAIN UNDER- CARRIAGE BAY, STARBOARD, GROUP	1	—	A	JF1/2	
		Spare for:—					
3513	5F8787	Bracket, hinge, outboard, port	1	DTD364B	MR	JF1/3	
	6F8787	Bracket, hinge, outboard, starboard	1	DTD364B	C	JF1/4	
	7F8787	Bracket, hinge, inboard, port	1	DTD364B	MR	JF1/5	
	8F8787	Bracket, hinge, inboard, starboard	1	DTD364B	MR	JF1/6	
3516	120F8773	CATCH, GREEN SATIN WINDOW, PORT, GROUP	1	—	C	JF1/7	
		Consisting of:—					
	120bF8773	Bracket, mounting	1	L65			
	120aF8773	Lever	1	L65			
	120dF8773	Pin	1	S96			
	120cF8773	Spring	1	—	MR	JF1/8	
	75F8773	FLAP, HINGED, PORT, GROUP	1	—	MR	JF1/9	
	76F8773	FLAP, HINGED, STARBOARD, GROUP	1	—	MR	JF1/10	
		Spare for:—					
	75gF8773	Hinge (Make from Ref. 28N/10786 x 14-1/2" long) port	1	L72			
	76gF8773	Hinge (Make from Ref. 28N/10786 x 14-1/2" long) starboard	1	L72			
	85F8773	STIFFENER, SPRING ANCHORAGE, PORT, GROUP	1	—	MR	JF1/11	
	86F8773	STIFFENER, SPRING ANCHORAGE, STARBOARD, GROUP	1	—		JF1/12	
		Spare for:—					
	89F8773	ANCHORAGE, SPRING, GROUP	1	—	MR		
28N/9153394	AGS899/6	Cellar, for pin	1	—	C	JF1/13	
28P/1117555	SP4Z/F19	Pin	1	—	C	JF1/14	
	80F7766	Spring	1	—	MR	JF1/15	
7521	1F10802	FAIRING, FIXED, UNDERCARRIAGE, INBOARD, PORT, GROUP	1	—	B	JF1/16	
7522	2F10802	FAIRING, FIXED, UNDERCARRIAGE, INBOARD, STARBOARD, GROUP	1	—	B	JF1/17	
		Spare for:—					
	3F10802	FAIRING, REMOVABLE, PORT, GROUP	1	—	MR	JF1/18	
	4F10802	FAIRING, REMOVABLE, STARBOARD GROUP	1	—	MR	JF1/19	
		Spare for:—					
	9gF8774	Seal (Make from SS4493, Ref. 28DC/12285 x 12" long)	1	DTD458A		JF1/20	
	9fF8774	Strip, retaining	1	L72		JF1/21	

FUSELAGE

FAIRING, MAIN UNDERCARRIAGE

Ref. No.	Part No.	Description	No. off	Matl. Spec.	Cl. of St.		Plate and Illustr'n No.
					M.R.		
		1 2 3 4					
		FAIRING, FIXED, UNDERCARRIAGE, INBOARD, PORT AND STARBOARD (1 & 2F10802) (Cont'd)					
	17F10802	PANEL, HONEYCOMBE, PORT, GROUP (Mod. 1200)	1	—			JF1/22
	18F10802	PANEL, HONEYCOMBE, STARBOARD, GROUP (Mod. 1200)	1	—			JF1/23
	5F8774	Spares for:— ANGLE, ATTACHMENT, PORT, GROUP	1	—			JF1/24
28FP/340	S5/300	Spares for:— Spring, dzus	3	—		C	
	6F8774	Angle, attachment, starboard	1	L72			JF1/25
9085	34F8774	Bracket, angle, for struts, port	3	L85		C	JF1/26
8818	35F8774	Bracket, angle, for struts, starboard	3	L85		C	JF1/27
9086	36F8774	Bracket, angle, for struts, port	3	L85		C	JF1/28
8819	37F8774	Bracket, angle, for struts, starboard	3	L85		C	JF1/29
	45F8774	Connection, drain, starboard	1	—			
1939	13F8774	DOOR, ACCESS, PORT, GROUP	1	—		C	JF1/30
		Spares for:—					
28FP/736	EF5/40A	Fastener, dzus	3	—		C	
	13bF8774	Hinge (Make from Ref. 28N/10786 x 11" long)	1	L72		C	
	3uF8774	Seal, Linatex (Make from K.O.118 x 53" long)	1	—		MR	JF1/31
	3rF8774	Seal (Make from SS4494 x 53" long)	1	DTD580			JF1/32
	3vF8774	Strip, seal retaining	1	L72			JF1/33
	38F8774	Washer, special, at angle brackets	6	L72			JF1/34
		STOWAGE, JURY STRUT, MAIN U/C BAY, PORT AND STARBOARD (1 & 2Z9528)					
		Spares for:—					
7527	3Z9528	BRACKET, SUPPORT, PORT, GROUP	1	—		C	JF1/35
7528	4Z9528	BRACKET, SUPPORT, STARBOARD, GROUP	1	—		C	JF1/36
7529	1Z9529	BRACKET, SUPPORT, PORT, GROUP	1	—		C	JF1/37
	2Z9529	BRACKET, SUPPORT, STARBOARD, GROUP	1	—		MR	JF1/38
		Spares for:—					
	ASHTON CHAIN						
	14Z9529	Chain, 6" long	1	—			
	5Z9529	Cushion, 3/16" x 1.9" x 4.25"	1	Rubber			
28FP/8432082	A413	Pin, quick release	1	—		C	JF1/39
	15Z9529	Ring, split, for chain	2	—			
	6Z9529	Strap, leather	1	—			
	796SS6002	Label, "Stowage for jury strut etc."	1	—			JF1/40

VULCAN MR 1

FUSELAGE

Page JF. 3

FAIRING, MAIN UNDERCARRIAGE

Ref. No.	Part No.	Description	No. off	Matl. Spec.	Cl. of St.		Plate and Illust'n No.
					M.R.		
		1 2 3 4					
		FAIRING, FIXED, UNDERCARRIAGE, INBOARD, PORT AND STARBOARD (1 & 2F10802) (Cont'd.)					
7526	8F10802	Strut, aft	1	—	MR	JF1/41	
1941	9F10802	Strut, forward	1	—	C	JF1/42	
	25F8774	Strut, centre	1	—	C	JF1/43	
		Attachments, Struts, 25F8774, 8 & 9F10802					
28N/1046000	AGS899/2	Collar	8	—	C	JF1/44	
28P/1207865	SP4Y/B5	Pin, shackle, 3/16" x 0.45" long	3	—	C	JF1/45	
28P/7134168	SP4Y/B6	Pin, shackle, 3/16" dia. x 0.50" long	3	—	C	JF1/46	
28P/1008943	SP8/C6	Pin, split	8	—	C		

FUSELAGE

FAIRING, MAIN UNDERCARRIAGE

Ref. No.	Part No.	Description	No. off	Matl Spec.	Cl. of St.	Plate and Hw't'n No
					M.R.	
		1 2 3 4				
		COMPLEMENTARY ITEMS				
		ATTACHMENT FITTINGS, U/C HINGED FAIRING, PORT AND STARBOARD (10 & 11A3096)				
		Consisting of:—				
	181F9701	Block, distance (Mod. 1200)	2	—		
	14A3071	Bolt, hinge	2	—	MR	JF1/47
28D/1214091	AS1242/2C	Bolt, 2 BA x 2" plain	2	—	C	JF1/48
28D/9133012	A25/3C	Bolt, 2 BA x 3" plain	8	—	C	JF1/49
28D/1011268	A25/8G	Bolt, 5/16" BSF x 8" plain	8	—	C	JF1/50
3520	80F8310	Bracket, hinge arm, on bulkhead	1	—	C	JF1/51
3521	61F8310	Bracket, hinge arm, on bulkhead	1	—	C	JF1/52
	15A3071	Bush, hinge bracket	2	—	MR	JF1/53
	182F9701	Laminations (Mod. 1200)	2	—		JF1/54
28N/9156370	SP21	Nipple, lubricating	2	—	C	JF1/55
28M/1202770	AGS2001/G/1	Nut, self 5/16" BSF	2	—	C	
28M/5808671	A27/GS	Nut, slotted 5/16" BSF	6	—	C	
28M/1012015	AGS2001/C1/88	Nut, self, 2 BA	2	—	C	
28P/1007741	SP9/C8	Pin, split	2	—	C	
28W/9418402	SP13/C	Washer, 2 BA	8	—	C	
28W/9418403	SP13/G	Washer	8	—	C	
28W/9418802	SP41/J	Washer, lock	2	—	C	JF1/56
		ATTACHMENT FITTINGS U/C REMOVABLE FAIRING, PORT & STARBOARD (8 & 9A3096)				
		Consisting of:—				
28D/9133011	A25/2C	Bolt, hex. hd. 2 BA	1	—	C	JF1/57
28D/9133012	A25/3C	Bolt, hex. hd. 2 BA	6	—	C	JF1/58
28D/7002428	A25/6C	Bolt, hex. hd. 2 BA	4	—	C	JF1/58
28D/1008145	A25/6E	Bolt, 1/4" BSF	27	—	C	JF1/60
28M/1012015	AGS2001/C1/88	Nut, self 2 BA	4	—	C	
28M/9480017	AGS2001/E/1	Nut, 1/4" BSF	27	—	C	
28W/9418821	SP13/E	Washer	27	—	C	

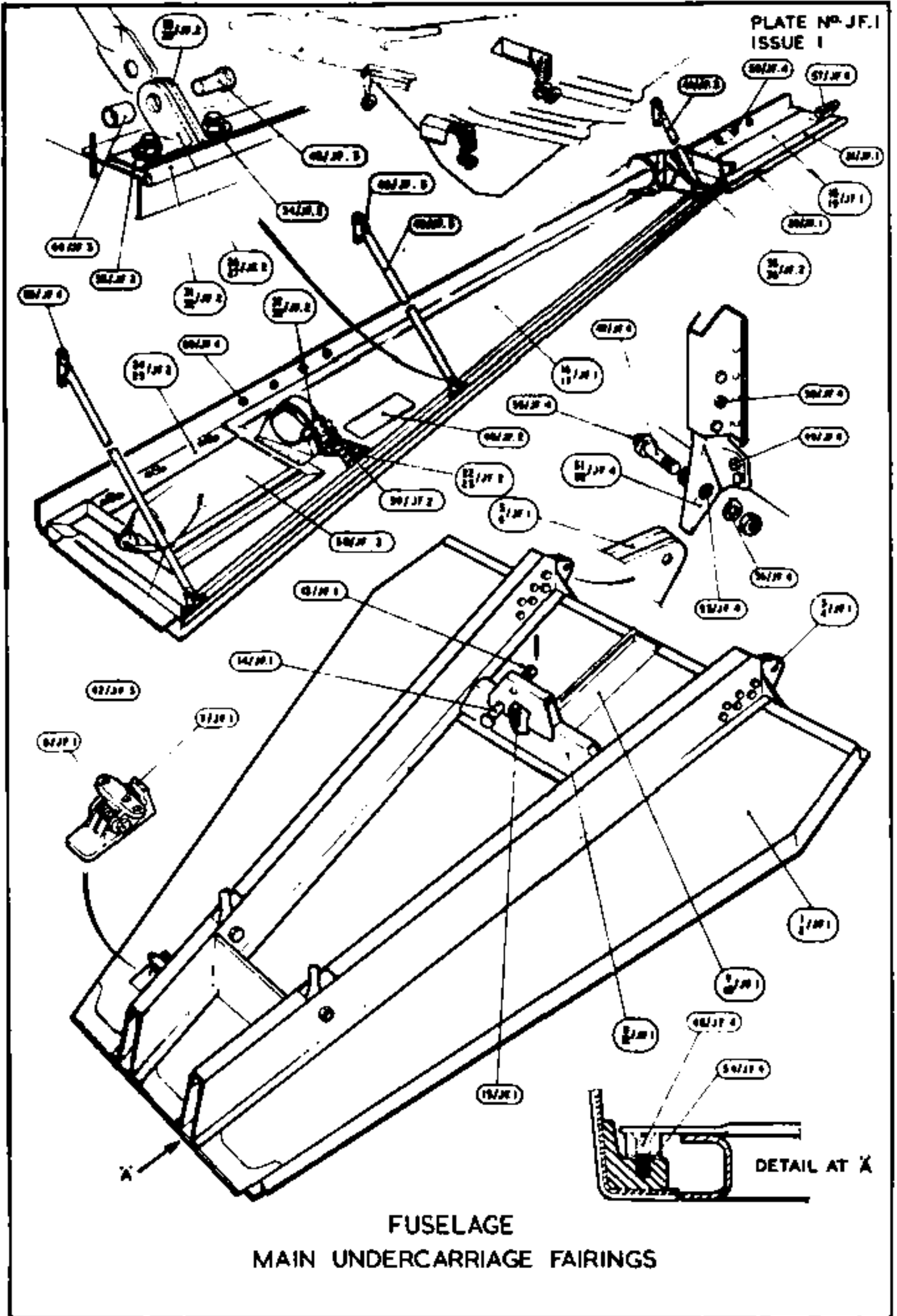
VULCAN M 2

FUSELAGE
FAIRING, MAIN UNDERCARRIAGE
SUMMARY OF STANDARD ITEMS

Page 1F. 5

Stores Ref		No. off	Stores Ref.		No. off	Stores Ref.		No. off
Section	Ref. No.		Section	Ref. No.		Section	Ref. No.	
			28M	10288	6	28P	831	3
			28M	10290	27	28P	832	3
			28M	10291	2	28P	17462	1
			28M	13122	6	28P	1006943	6
						28P	1007741	2
28D	8307	2						
28D	1008145	27						
28D	1011258	6						
28D	7002428	4						
28D	9133011	1						
28D	9133012	14						
			28N	5549	6	28W	9418921	27
			28N	10786	3	28W	9419402	8
			28N	9153394	1	28W	9419403	8
			28N	9156370	2	28W	9419502	2
28FP	340	3						
28FP	736	3						
28FP	9432062	1						

RESTRICTED



RESTRICTED

WACAM No. 2		FUSELAGE		Page JG. 1		
		NOSE PORTION				
Ref. No.	Part No.	Description	No. off	Mati. Spec.	Cl. of St.	Plate and Fluat'n No.
					M.R.	
		1 2 3 4				
	10D9579	NOSE ASSEMBLY, COMPLETE WITH EQUIPMENT (Complementary items, e.g. intercomponent attachments, are listed at the end of FUSELAGE, CREW'S NACELLE) Spares for:— AERIAL, LEADER CABLE LOOP (1T5003) (Pre-Mod. 1204) AERIAL, LEADER CABLE LOOP (8T5003) (Mod. 1204, Pre-Mod. 2283) (See also Radio and Radar Installation) Spares for:— Aerial, leader cable loop	1	—		
10B/19418	—	Aerial, leader cable loop	1	—	A	
	7T5003	COVER GROUP, STEP	1	—		JG1/1
	2T5003	CLIP, ATTACHMENT	1	—		
	2jT5003	Half-clip assembly, top	1	—		
	2kT5003	Half-clip assembly, bottom rear	1	—		
	2mT5003	Half-clip assembly, bottom front	1	—		
	3T5003	Cover, step, fibreglass	1	DTD5518		
27N/4670513	—	Axe, fire	1	—	B	JG1/2
9309	128401	BOX GROUP, BALLAST, FOR 600 SCANNER, POSITION Spares for:—	1	—	B	JG1/3
	1528401	Bolt, 1/4" Whit. x 5.5" long	16	S1		JG1/4
	1328401	Bolt, 1/4" Whit., clamp retaining	2	S1		JG1/5
	1828401	Bolt, special, 1/2" dia. x 10.2" long	2	—		JG1/6
	1928401	Bolt, special, 3/8" dia. x 10.2" long	2	—	MR	JG1/7
	1228401	Clamp	1	S1		JG1/8
	TDD3091/1	Nut, knurled, 1/4" Whit.	1	S1		JG1/9
		BULKHEAD AT STATION 470 IN NOSE (D10316) Spares for:—				
7005	25D10316	Bolt, fork	1	S1	C	JG1/10
	26D10316	Bolt, fork	1	S1	MR	JG1/11
		DUCTING, COOLING, IN RADOME (5627981) (See Service—Air Conditioning)				
		DUCTING TO DECOMPRESSION VALVE (127588) (See Service—Air Conditioning)				
		ELECTRICAL SYSTEM (1V8215 & VB490) (See Electrical Installation)				
27N/4210/98/ 1042111 22G/404	—	Extingisher, fire (Mod. 1580)	1	—	A	JG1/12
	—	Gloves, asbestos	2	—	B	JG1/13

FUSELAGE
NOSE PORTION

Ref. No.	Part No.	Description	No. off	Maxl. Spec.	Cl. of St.		Plate and Illust'n No.
					M.R.		
		1 2 3 4					
100/22618 10AJ/728	—	MOUNTING, RECEIVER TYPE 16048 (1T6385) (Pre-Mod 2263) (See also Radios and Radar Installation)					
	—	Spares for:— Box junction, type 16795	1	—	A		
	—	Tray, mounting	1	—	A		
	1T5388	TRAY, GROUP, MOUNTING	1	—			
10AJ/1979 10A/17930	4T5388	Spares for:— CHANNEL, MOUNTING	2	—			
	—	Mounting, A.V.	4	—	B		
	—	Washer, check	4	—	C		
		PIPING, FOR CABIN PRESSURE CONTROL (2Z7741) (See Services—A/C Conditioning)					
	PIPING, FLIGHT REFUELLING, PORT AND STARBOARD (1 & 2P3180) (See Services—Fuel System, Flight Refuelling)						
	PNEUMATICS, N B S Mk. 1A AND H.2S SCANNER (3Q2258) (Mod. 715) (See Services—Pneumatic)						
	RADIO AND RADAR EQUIPMENT (1T4292) (See Radio and Radar Installation)						
	20Z8495	SCREEN, R.A.M (Mod 980)	1	—			
		Spares for:—					
	2Z8495	Screen, forward pressure dome	1	—			
	3Z8495	Screen, at bulkhead, 4' x 3'	1	—			
	4Z8495	Screen, at bulkhead, 4' x 3'	1	—			
	5Z8495	Screen, at bulkhead, 4' x 3'	1	—			
	12Z8495	Screen, at former 380" F, 4' x 3'	1	—			
	13Z8495	Screen, at former 380" F, 4' x 3'	1	—			
	14Z8495	Screen, at former 380" F, 3' x 1'	1	—			
	15Z8495	Screen, at former 380" F, 3' x 1'	1	—			
	16Z8495	Screen, at former 380" F, 3' x 1'	1	—			
	17Z8495	Screen, at former 380" F, 2' 3" x 1'	1	—			
	18Z8495	Screen, at former 380" F, 3' x 1'	1	—			
	19Z8495	Screen, at former 380" F, 2' x 3'	1	—			
	209579	STRAP, DESTRUCTOR CONTAINER, PORT	2	—		JG1/16	
	309579	STRAP, DESTRUCTOR CONTAINER, STARBOARD	2	—		JG1/16	
	409579	STRAP, SURVIVAL PACK AT BULKHEAD 414" AND FORMER 400"	4	—	C	JG1/17	

VULCAN PR. 1

FUSELAGE
NOSE PORTION

Page JG. 3

Ref. No.	Part No.	Description	No. off	Matl. Spec.	Cl. of	Plate and Must'n No.
					Se. M.R.	
		1 2 3 4				
7002	6D9579	STRAP, SURVIVAL PACK, AT BULKHEAD 414" AND FORMER 400"	2	-	C	JG1/18
	7D9579	STRAP, SURVIVAL PACK, AT BULKHEAD 414" AND FORMER 400"	4	-	MR	JG1/19
	8D9579	STRAP, SURVIVAL PACK, AT BULKHEAD 414" AND FORMER 400"	2	-	MR	JG1/20
	65D9429	STRUCTURE GROUP, NOSE	1	-		
		Spares for:-				
	2D9429	Dowel, longeron, port and starboard	17	S110	MR	JG2/21
	3D9429	Dowel, longeron, port and starboard	4	S110	MR	JG2/22
20250	30D10836	PLATE, MOUNTING, PORT	1	-	C	JG2/23
	29D10836	PLATE, MOUNTING, STARBOARD	1	-	MR	JG2/24
	31D10836	Plate, side, port	1	L72		JG2/25
	32D10836	Plate, side, port	1	L72		JG2/26
	27D10836	Plate, side, starboard	2	L72		JG2/27
	28D10836	Plate, side, starboard	2	L72		JG2/28
1432991	101D9501	RADOME GROUP (Mod 2057)	1	-	A	JG2/29
1433322	101D9501/PC	RADOME GROUP (Mod 2129)	1	-	A	
		Spares for:-				
		ATTACHMENTS, RADOME (1D10836) (Mod 421)				
		Spares for:-				
	33D10836	BRACKET	2	-		JG2/30
	34D10836	BRACKET	2	-	MR	JG2/31
	38D10836	BRACKET	4	-	MR	JG2/32
	21D10836	CORD, TOGGLE	21	-	MR	JG2/33
	1D10145	FASTENER ASSEMBLY, QUICK RELEASE (Pre-Mod 421)	11	-	MR	
	4D10836	FASTENER ASSEMBLY, QUICK RELEASE (Mod 421)	11	-	MR	JG2/34
		Spares for:-				
	10D10145	Spring, ejection	1	-	MR	JG2/35
	7D10145	Spring, locking pin (Pre-Mod 421)	1	-	MR	
	15D10836	Spring, locking pin (Mod 421)	1	-	MR	JG2/36
	15D9932	FASTENER ASSEMBLY, TOGGLE	19	-	MR	JG2/37

FUSELAGE
NOSE PORTION

Ref. No.	Part No.	Description	No. off	Mater. Spec.	Cl. of St.	Plate and Illust'n No.
					M.R.	
		1 2 3 4				
		ATTACHMENTS, RADOME (1D10836) (Cont'd)				
	16D9932	FASTENER ASSEMBLY, TOGGLE, AT STATION 442"	2	-	MR	JG2/38
	8D9932	Hook	1	S98		JG2/38
	20D9932	Lever	1	-		JG2/40
	21D9932	Lever	1	-		JG2/41
	22D9932	Link	2	-		JG2/42
28FF/10	A417	Pin, pip	1	-	C	JG2/43
	8D10836	Fork-end safety release	4	S98	MR	JG2/44
	5D10836	Hook, safety release	4	S98	MR	JG2/45
	41D10836	RELEASE ASSEMBLY, SAFETY, FORWARD	2	-		JG2/46
	42D10836	RELEASE ASSEMBLY, SAFETY, AFT	2	-		JG2/47
	36D10836	Fork, forward, safety release	1	L65		JG2/48
	35D10836	Fork, aft, safety release	1	L65		JG2/49
	40D9501	Housing	1	L65	MR	JG2/50
	49D9501	PLUNGER GROUP	1	-	MR	JG2/51
	41D9501	Spring for plunger	1	-	MR	JG2/52
		Attachments for safety release				
	46D9501	Bearing, sleeve	1	T35		JG2/53
8757	42D9501	Bolt at fork and hook joint	1	S98	C	JG2/54
28D/14776	AS2920/5B	Bolt for housing	2	-	C	JG2/55
	AGS899/2	Collar	1	-		JG2/56
28M/1012015	AGS2001/C1/86	Nut, 2 BA	1	-	C	
28M/1278189	AGS2001/B1	Nut, 4 BA	2	-	C	
28W/9419475	SP15/C	Washer, 2 BA	1	-	C	
28W/9419474	SP15/B	Washer, 4 BA	2	-	C	
28D/1011024	A25/21C	Bolt at fork end and hook	4	-	C	JG2/57
	22D10836	Ring, split, at toggle cords	21	-	MR	JG2/58
	12D10836	Sleeve steel	4	T35	MR	JG2/59
	24D10836	Spring at fork-end	4	-	MR	JG2/60
	39D10836	Tube, distance at fork-end	4	T35 or T45		JG2/61
	13D10836	Washer at fork end and hook bolt	8	L72	MR	
	14D10836	Washer, retaining, at fork end	4	SS	MR	
28E/3328	AGS606/1	Clip hose, at drip tray	4	-	C	JG2/62
	1D11124	COVER, RADOME LOUVRE ANTI-FLASH (Mod 850)	2	-		JG2/63

VULCAN No. 2

FUSELAGE
NOSE PORTION

Page JG. 5

Ref. No.	Part No.	Description	No. off	Mater. Spec.	Cl. of	Plate and Illust'n No.
					St. M.R.	
		1 2 3 4				
	56D9501	Ferrule, drip tray drain	2	-	MR	JG2/64
	60D9501	Guard, splash, starboard drip tray	1	L59	MR	JG2/65
	56D9501	Hose, rubber, port drip tray	1	3F45 Type 1	MR	JG2/66
	58D9501	Hose, rubber, starboard drip tray	1	3F45 Type 1	MR	JG2/67
	1D9523	LONGERON GROUP, PORT	1	-	MR	JG2/68
	2D9523	LONGERON GROUP, STARBOARD	1	-	MR	JG2/69
	1D13201	LONGERON GROUP, FWD, PORT	1	-	MR	JG2/70
	2D13201	LONGERON GROUP, FWD, STARBOARD	1	-	MR	JG2/71
11867	3010671	LOUVRE, PORT	1	-	C	JG2/72
	1D10671	LOUVRE, STARBOARD	1	-		JG2/73
1432842 28FP/14845	62D9501	Nut, special anchor	5	-	C	
	AS2916	Plate, serial	1	-	C	
	AS2917	Plate, mod.	1	-	MR	
	39D9501	Plate, clamp, quick release fastener	1	-	MR	JG2/74
	38D9501	PLUG ASSEMBLY, DRAIN	1	-	MR	JG2/75
	OS12	Spares for:- Seal, O ring	1	Silastomer 160		JG2/76
	54D9501	TRAY ASSEMBLY, DRIP, PORT	1	-	MR	JG2/77
	57D9501	TRAY ASSEMBLY, DRIP, STARBOARD	1	-	MR	JG2/78
	5D9429	Seal, port longeron (SS.4302 x 2-1/2" long)	2	DSR503T		JG1/79
	6D9429	Seal, starboard longeron (SS.4302 x 2' 5-1/2" long)	3	DSR503T		JG1/80
(26DC/8207)	7D9429 (SS4302)	Seal, port and starboard longerons (8S4302 x 3' 6" long)	2	DSR503T	MR	JG1/81
	8D9429	Seal, fwd longerons (SS 4302 x 2' 3" long)	2	DSR503T		JG1/82
(26DC/5414)	13D9429 (SS4305)	Seal at former 372", port and starboard centre (SS.4305 x 18" long)	-	-		JG1/83
	14D9429	Seal at former 372", port and starboard inboard (SS.4305 x 14" long)	2	DSR503T		JG1/84
	15D9429	Seal at former 372", port outer (SS 4305 x 16" long)	1	DSR503T		JG1/85
	16D9429	Seal at former 372", starboard outer (SS.4305 x 11 5" long)	1	DSR503T		JG1/86
	17D9429	Seal at former 372", bottom (SS.4305 x 15 5" long)	1	DSR503T		JG1/87
	39D9429	Seal at vertical edge of emergency equipment (SS 4305 x 21" long)	1	DSR503T		JG1/88
	40D9429	Seal at vertical edge of destructor (SS 4305 x 15" long)	1	DSR503T		JG1/89
	41D9429	Seal at lower edge of emergency equipment (SS 4305 x 23" long)	1	DSR503T		JG1/90

FUSELAGE
NOSE PORTION

Ref. No.	Part No.	Description	No. off	Mater. Spec.	Cl. of	Plate and Illustr'n No.
					Se. M.R.	
		1 2 3 4				
	42D9429	Seal at lower edge of destructor (SS4036 x 11" long)	1	DSR603T		JG1/91
	18D9429	Strip seal retaining, at former 372", bottom	1	DTD810A		JG1/92
	19D9429	Strip seal retaining, at former 372", port and starboard, centre	2	DTD810A	MR	JG1/93
	20D9429	Strip seal retaining at former 372", port and starboard, inboard	2	DTD810A	MR	JG1/94
	21D9429	Strip seal retaining, at former 372", port outer	1	DTD810A		JG1/95
	22D9429	Strip seal retaining at former 372", starboard outer	1	DTD810A	MR	JG1/95
	43D9429	Strip seal retaining port longeron	2	L17	MR	JG1/97
	44D9429	Strip seal retaining, starboard longeron	3	L17	MR	JG1/98
	45D9429	Strip seal retaining port longeron	1	L17	MR	JG1/99
	46D9429	Strip seal retaining starboard longeron	1	L17	MR	JG1/100
	47D9429	Strip seal retaining port fwd longeron	1	L17	MR	JG1/101
	48D9429	Strip seal retaining starboard fwd longeron	1	L17	MR	JG1/102
	49D9429	Strip seal retaining at vertical edge of emergency equipment	1	L17	MR	JG1/103
	50D9429	Strip seal retaining, at vertical edge of destructor	1	L17	MR	JG1/104
	51D9429	Strip seal retaining at lower edge of emergency equipment	1	L17	MR	JG1/105
	52D9429	Strip seal retaining at lower edge of destructor	1	L17	MR	JG1/106
	340D9502	STRUCTURE GROUP, METAL NOSE	1	-	A	
	43D9602	Spares for:- BEAM GROUP, SCANNER MOUNTING, PORT (Pre Mod 1153)	1	-		JG1/107
	330D9502	BEAM GROUP, SCANNER MOUNTING, PORT (Mod 1153)	1	-	MR	JG1/108
	44D9502	BEAM GROUP, SCANNER MOUNTING, STARBOARD (Pre Mod 1153)	1	-		
10229	331D9602	BEAMGROUP, SCANNER MOUNTING, STARBOARD (Mod 1153) Spares for:-	1	-	B	
13087	327D9602	Block	3	L65	C	
	328D9602	Block	1	L65	MR	
	43sD9502	Channel (Pre-Mod 1153)	1	L72		
11053	329D9602	Channel (Mod 1153)	1	L72	C	
	235D9602	Block lifting	1	DTD130		JG1/109
	280D9602	Block lifting	1	DTD130		JG1/110
	201D9602	Button, scanner hoist	4	S96	MR	JG3/111
10781	205D9602	CABLE, CHECK, FOR ACCESS PANEL AT LIFTING POINT	2	-	C	JG3/112

VULCAN No. 2

FUSELAGE
NOSE PORTION

Page JG. 7

Ref. No.	Part No.	Description	No. off	Matl. Spec.	Cl of	Plate and Illust'n No.
					St. M.R.	
		1 2 3 4				
	86D9502	CABLE, CHECK, FOR DESTRUCTOR MOUNTING	2	-		JG1/113
9164	179D9502	CABLE, CHECK, FOR EMERGENCY EQUIPMENT MOUNTING	2	-	C	JG1/114
	78D9502	CHANNEL, AMPLIDYNE MOUNTING	2	-		JG1/116
28E/9712163	SP 91/C 320D9502	Clip, hose, ground charging recess drain Connection, pipe, at ground charging recess drain	4 1	- -	C	JG3/118 JG3/117
12580	100D9502	DOOR, ACCESS, WINDSCREEN ANTI ICING TANK	1	-	B	
	104D9502	Spares for:- DOOR, ACCESS	1	-	MR	JG3/118
	104D9502/C	DOOR, ACCESS (Mod 1877)	1	-		
1433324	104D9502/PC	DOOR, ACCESS (Mod 2129)	1	-	B	
	Spares for:-					
28FP/882	15S3878	CATCH, DOOR	1	-	C	JG3/119
28FP/3256	15S3828	Hinge (undrilled)	1	-	C	JG3/120
8146	314D9502	DOOR, ACCESS, EMERGENCY EQUIPMENT	1	-	B	JG3/121
	Spares for:-					
	189D9502	Block, fire extinguisher mounting	2	BSS872		JG1/122
	218D9502	Hinge (undrilled)	1	L72		JG1/123
4210-99- 1041842	-	Mounting, fire extinguisher	1	-	B	JG1/124
	311D9502	PLATE, SECURING	1	-		JG1/125
	Spares for:-					
28FP/4068654	AW6/36	Fastener, Dzus wing type	3	-	C	
	217D9502	STRAP, FIREMAN'S AXE	1	-		JG1/126
	218D9502	STRAP, FIREMAN'S AXE	1	-	MR	JG1/127
	1D10100	DOOR, HINGED ACCESS, FOR DESTRUCTOR MOUNTING, PORT	1	-		JG1/128
8145	1D11130	DOOR, HINGED ACCESS, FOR DESTRUCTOR MOUNTING, STBD	1	-	A	JG1/129
1433325	1D11130/C 1D11130/PC					
	Spares for:-					
	2D10100	DOOR, ACCESS, PORT	1	-		JG1/130
	2D11130	DOOR, ACCESS, STARBOARD	1	-		JG1/131
	Spares for:-					
	8D8818	Flap, release	1	DTD683		JG1/132
	SD10100	Hinge (undrilled), port	1	L72		JG1/133

FUSELAGE
NOSE PORTION

Ref No	Part No	Description	No. off	Matl Spec.	Cl. of St.	Plate and Illust'n No.
					M.R.	
		1 2 3 4				
		DOOR, ACCESS, PORT AND STARBOARD (2D10100 & 2D11130) (Cont'd.)				
	21D11130	Hinge (undrilled), STARBOARD	1	L72		JG1/134
	17D991B	Spring, release flap	1	—		
	18D991B	Spring, release flap	1	—		
	90881B	MOUNTING, DESTRUCTOR	1	—		JG1/136
28D 9436920	A25/1C	Attachments for:— Bolt, 2 BA	6	—	C	
28H: 13907	AGS920/CM	Ferrule, for radome attachment lug	12	S80	C	JG3/136
	87D8502	FLAP, HINGE, AT DESTRUCTOR MOUNTING	4	—	MR	JG1/137
	87D8502	Spare for:—	1	L72		
	87D8502	Hinge (undrilled)	1	—		
	78D8502	Frame, survival pack stowage	4	T54		JG1/138
	28P3585	Hose, rubber, ground charging recess drain	2	DTD625S		JG1/139
	100953	LONGERON, PORT	1	—	MR	JG3/140
	2D8883	LONGERON, STARBOARD	1	—	MR	JG3/141
	1D10024	LONGERON, FORWARD, PORT	1	—	MR	JG3/142
	2D10024	LONGERON, FORWARD, STARBOARD	1	—	MR	JG3/143
	127D9502	Lug, radome attachment	4	DTD683	MR	JG3/144
	128D9502	Lug, radome attachment	4	DTD683		JG3/145
1433946	262D8502	Lug, radome attachment	1	DTD683	C	JG3/146
1433947	263D8502	Lug, radome attachment	1	DTD683	C	JG3/147
17040	22D8883	Lug, radome attachment	12	—	C	JG3/148
	37D8883	Lug, radome attachment	4	—		JG3/149
		MOUNTING, PROBE LIGHT (1 & 2D11164) (Mod. 821)				
	13011164	Spare for:— BRACKET, MOUNTING, PORT	1	—	MR	JG3/150
11564	14D11164	BRACKET, MOUNTING, STARBOARD	1	—	B	JG3/151
	9D11164	Spare for:— Plate, bolt	3	—		JG3/152
10AL/1042521	SP40/A4	Grommet	1	—	C	
	25D11164	MOUNTING, LIGHT, PORT	1	—	MR	JG3/153
11566	26D11164	MOUNTING, LIGHT, STARBOARD	1	—	B	JG3/154

FUSELAGE
NOSE PORTION

Ref. No.	Part No.	Description	No. off	Matl. Spec.	Cl. of	Plate and Illust'n No.
					St. M.R.	
		1.2.1.4				
5CX/5128	25D11184	MOUNTING, LIGHT (25 & 26D11184) (Cont'd) Spares for:— Lamp, high intensity	1	—	B	JG3/165
		Plate, mounting	1	—		JG3/166
	4D11184	Mounting, window panel	1	L72	MR	JG3/157
	7D11184	Panel, window	1	DTD644B	MR	JG3/158
	8D11184	Seal, rubber	2	BSS1154Z11	MR	JG3/159
1433323	261D9602 261D9602/C 261D9602/PC	PANEL, ACCESS, AT GROUND CHARGING RECESS	1	—	MR	JG3/160
28FP/4082868	EF6/35A	Spares for:— Fastener, Dzus	6	—	C	JG3/161
1433327	2D10673 2D10673/C 2D10673/PC	PANEL, ACCESS, AT PORT LIFTING POINT	1	—		JG3/162
7422	3D10673 3D10673/C	PANEL, ACCESS, AT STARBOARD LIFTING POINT	1	—	B	JG3/163
1433326	3D10673/PC					
28FP/0639732	F4/30	Spares for:— Fastener, Dzus	4	—	C	
28FP/9483371	GF4/150	Grommet, Dzus	4	—	C	
	48D9863	Lug	1	L72		
	2gD10673	Seal, port	1	10SS3853		
	3gD10673	Seal, starboard	1	10SS3853		
9871	260D9602	Panel, probe blanking	1	L72	C	JG3/164
	AS1242/1C	Attachments for:— Screw, csk. head, 2 BA	13	—	C	
28FP/13043	321D9502	Pipe, ground charging recess drain	1	L54		JG3/165
28FP/13044	1SS3259	Plate, mod.	1	—	C	
	1SS3260	Plate, serial	1	—	C	
	237D9502	Plug, screwed, at lifting blocks	2	DTD130		JG1/166
	245D9502	PLUNGER, LOCATING, AT BULK HEAD 510	1	—		JG1/167
	261D9602	PRESSING FOR BLANKING PANEL	1	—		JG3/168
	2516D9602	Spares for:— Seal, rubber, 1/16" thick	1	F61		
6D/797		RECESS, FLIGHT REFUELLING GROUND CHARGING (128484) Spares for:—				
28N/9128984	AGS596/A	Cap, blanking, for nitrogen valve	1	—	C	JG3/169
28N/9143884	AGS596/C	Cap, protecting, for tee piece	1	—	C	JG3/170
		Cap, protecting, for bulkhead union	1	—	C	JG3/171

FUSELAGE
NOSE PORTION

Ref. No.	Part No.	Description	No off	Matl. Spec.	Cl. of St.	Plate and Illust'n No.
					M.R.	
		<u>1 2 3 4</u>				
		NECESS. FLIGHT REFUELLING GROUND CHARGING (128484) (Cont'd.)				
	9Q1925	CHAIN, RETAINING	1	—	MR	JG3/172
	BZ7384	CHAIN, RETAINING	1	—		JG3/173
	18Z8484	Cover, for Dzus springs (Mod. 1389)	6	X530	MR	
	16Z8484	COVER, DRAIN (Mod. 888)	1	—		JG3/174
6A/2688	—	Gauge, pressure	1	—	B	JG3/175
6A/2800	—	Label, "NIT"	1	—	C	
	731SS6001	Label, "nitrogen only"	1	DTD213		
	469SS6004	Label, "nitrogen LP"	1	L58		
	470SS6004	Label, "nitrogen HP"	1	L58		
	820SS6005	Label, "nitrogen changing for probe" .. (Mod. 888)	1	—		
	7Z8484	PIPE, TEE-PIECE TO PRESSURE	1	—	MR	JG3/176
		GAUGE				
	8Z8484	PIPE, TEE-PIECE TO NITROGEN	1	—	MR	JG3/177
		VALVE				
	11Z8484	Plate, half, for seal at nitrogen valve	4	L72		
		pipe				
28F/8011884	AGS1140/C	Plug, nipple, for bulkhead union	1	—	C	
	10Z8484	Seal, rubber, pressure gauge	1	DTD585		
	12Z8484	Seal, rubber, nitrogen valve pipe	1	DTD585		
	14Z8484	Seal, rubber, access panel	2	SH65		
	15Z8484	Seal, rubber, access panel	2	SH85		
	17Z8484	Seal, drain cover	1	DTD387A		
28F/9140870	AGS904/C	Sleeve, outer, for bulkhead union	1	—	C	
28FP/340	S5/300	Spring, Dzus	6	—	C	
	151SS3557	Tee-piece	1	—		JG3/178
28F/9451105	AGS1112/C	Union, bulkhead	1	—	C	JF3/179
6D/798	—	Valve, H.P. nitrogen	1	—	C	JG3/180
28R/4683558	AGS921/A	Rod, screwed, for radome attachment lug	6	S80	C	JG1/181
13240	231D9502	STRUT, SUPPORT	2	—	C	JG1/182
	187D9502	STUD, LOCKING	4	—		JG1/183
	23D9863	Tube, bearing, for radome attachment lug	6	—		JG1/184
		VALVE, EMERGENCY DECOMPRESSION (127558)				
		Spares for:—				
	44Z7558	Bracket, hinge	2	L65		JH2/185

VULCAN No. 2

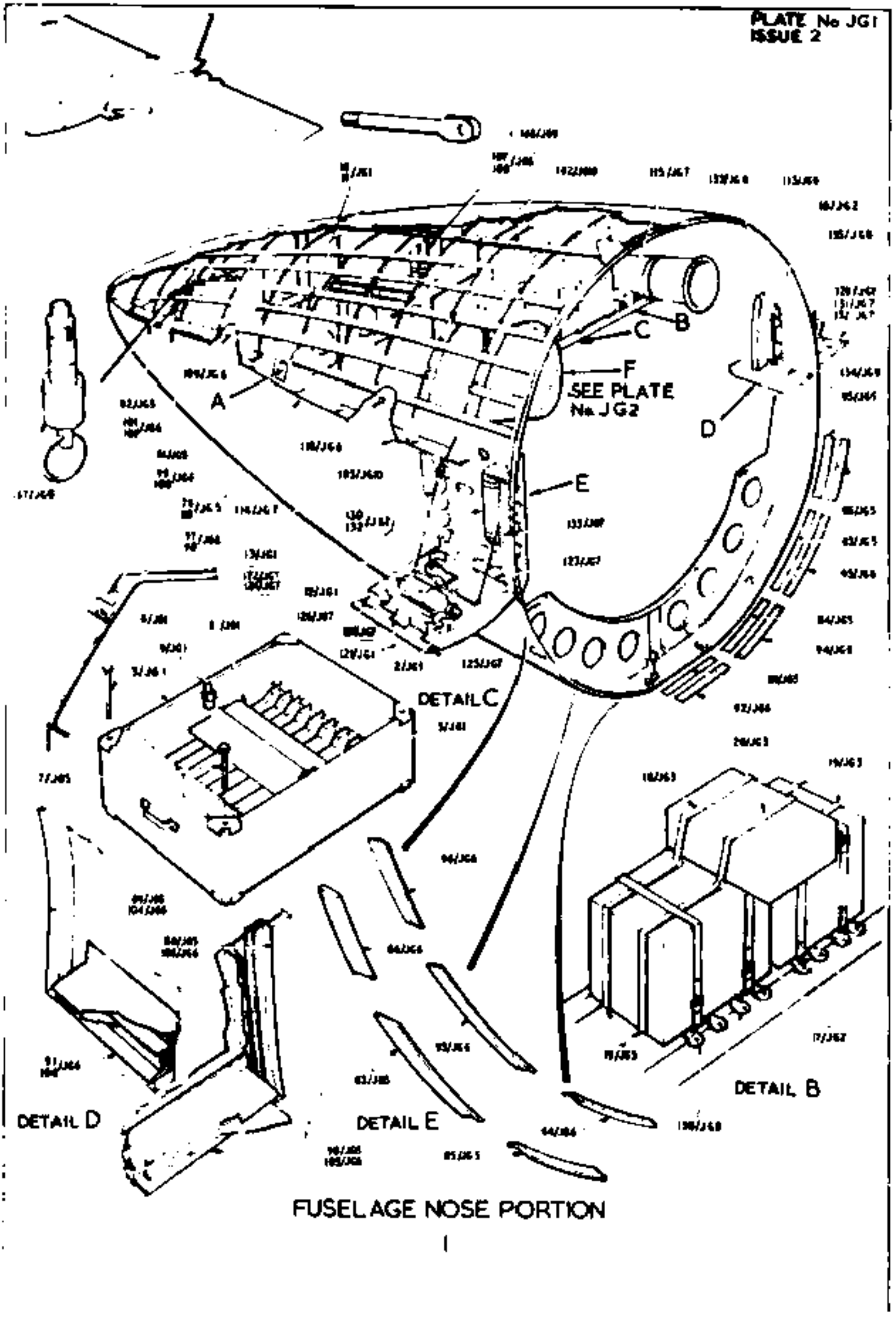
FUSELAGE
NOSE PORTION

Page JG. 11

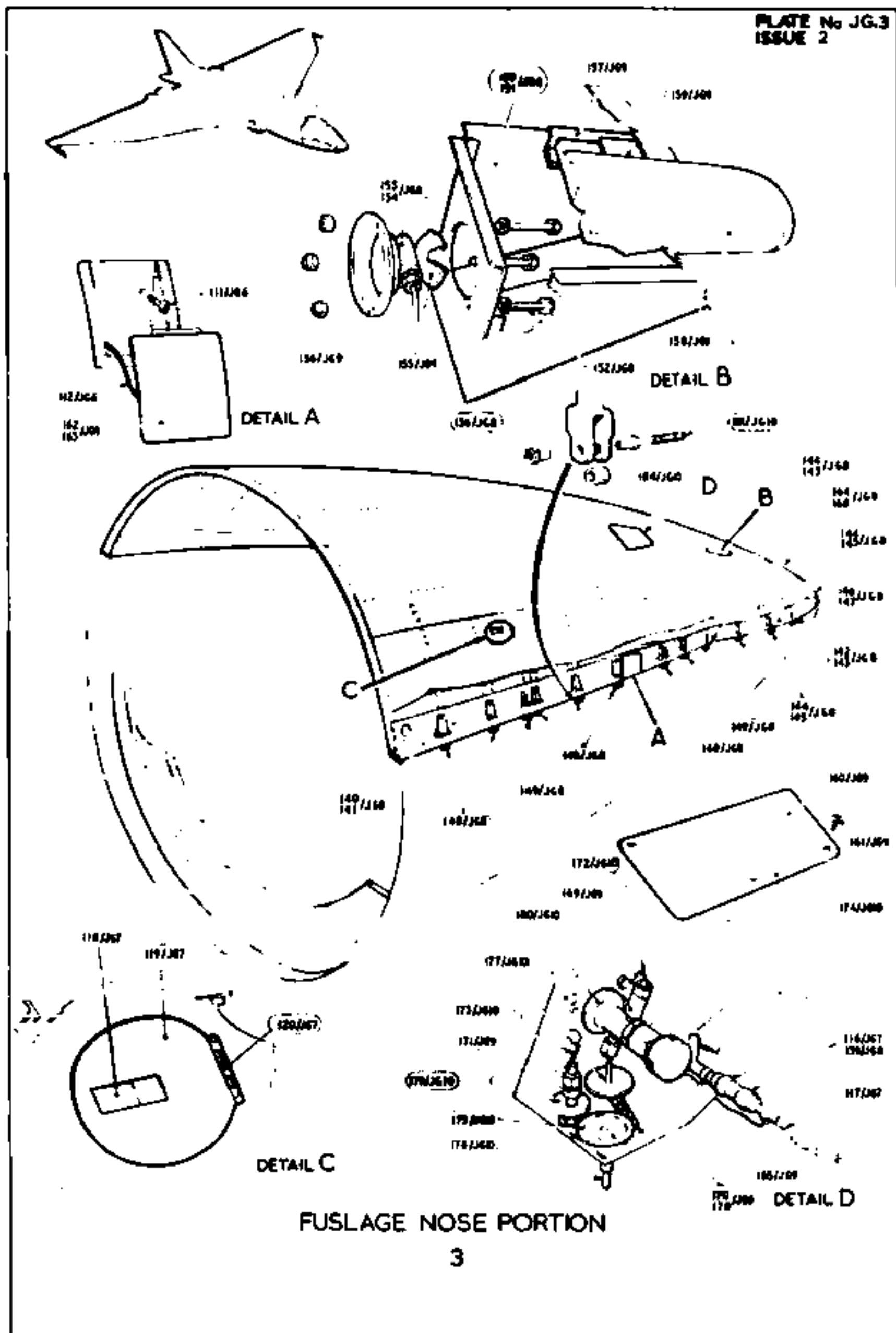
Ref. No.	Part No.	Description	No. off	Mater. Spec.	Cl. of	Plate and Illust'n No.
					St. M.R.	
		1 2 3 4				
		VALVE, EMERGENCY DECOMPRESSION (1Z7558) (Cont'd)				
	38Z7558	COVER, DECOMPRESSION VALVE	1	-		JG2/186
	4Z7558	COVER SUB-ASSEMBLY, DECOMPRESSION VALVE	1	-		
	1Z7425	Spare for:- TORQUE TUBE GROUP	1	-	MR	JG2/187
	5Z7425	Spare for:- Bearing, L.H.	1	S1		JG2/188
	6Z7425	Bearing, R.H.	1	S1		JG2/189
	4Z7425	Connection, end	2	L85		JG2/190
	3Z7425	TORQUE TUBE	1	-		JG2/191
2147	1Z7424	FLAP	1	-	B	JG2/192
		Spare for:-				
	13Z7424	Bracket, pick-up, for spring, L.H.	1	L85		JG2/193
	14Z27424	Bracket, pick-up, for spring, R.H.	1	L85		JG2/194
2149	1Z7426	ROD, CONNECTING	2	-	MR/B	JG2/195
		Spare for:-				
	4Z7426	Fork and	1	S1		JG2/196
	6Z7426	Fork and	1	L85		JG2/197
	6Z7426	Nut, 1/4" BSF	1	-		JG2/198
	3Z7426	Plug	1	L85		JG2/199
	2Z7426	Tube	1	DTD464A		
	6Z7417	Spring, tension	2	-	MR	JG2/200
	247D8502	Washer, at locating plunger	1	L85		
		Vent, static, port (1S2372)				
		Vent, static, starboard (2S2372)				
		(See Services—Air Speed Indicator)				
		WINDSCREEN ANTI-ICING SYSTEM (21Q2245) (Mod 969) (See Services—Windscreen and Bomb Aimer's Window De-icing)				

RESTRICTED

PLATE No JG1
ISSUE 2



RESTRICTED



VULCAN No. 2

FUSELAGE
REAR PORTION

Page JH. 1

Ref. No.	Part No.	Description	No. off	Matl. Spec.	Cl. of	Plate and Illust'n No.
					St. M.R.	
			1	2	3	4
	1D11108	REAR PORTION ASSEMBLY, COMPLETE WITH EQUIPMENT Complementary parts, e.g. intercomponents listed at the end of this assembly will not be supplied with the assembly spare, and must be demanded separately when required Spare for:— CONTROLS, FLYING (20R4207) (See Controls, Flying, Rear Portion Fuselage) COOLING SYSTEM, R.C.M. (102111) (See Services—Cooling System, Power Unit and Radar Equipment) ELECTRICAL SERVICES (VB624) (See Electrical Installation, Rear Portion Fuselage) GUARD, RUDDER SPRING CONTROL RODS (1Z10362) (Mod. 1102) Spare for:—	1	—		
1432649 1433158	7Z10362 AQ5SS4234 AQ8SS4234	Angle, support, for clips Clip, half assy. top Clip, half assy. bottom	1 1 1	L72 — —	C C	
	2Z10362	GUARD, GROUP	1	—		JH1/1
	8Z10362 9Z10362 10Z10362 11Z10362	Strut, support, port upper Strut, support, port lower Strut, support, starboard lower Strut, support, starboard upper	1 1 1 1	— — — —	C C	
		INDICATOR, CONTROL SURFACE POSITION (5Z9861) Spare for:— MOUNTING OF TRANSMITTER ON RUDDER (1Z7132) Spare for:—				
	3Z7132	BRACKET, LEVER, GROUP	1	—	MR	JH1/2
10120	2Z7132	BRACKET, MOUNTING, GROUP	1	—	C	JH1/3
9813	4Z7132	CLIP, RETAINING, GROUP	1	—	C	JH1/4
	5Z7132	Lever	1	DTD384	MR	JH1/5
	6Z7132	ROD, CONTROL, GROUP Consisting of:—	1	—	MR	JH1/6
2516 28M/1006473	1SS4091 A27/CT 7Z7132 SANGAMO WESTON S132	End, fork Nut, lock, 2 BA Rod, screwed	2 2 1	S96 — S1	C C MR	
6A/4102		Transmitter	1	—	A	JH1/7

FUSELAGE
REAR PORTION

Ref. No.	Part No.	Description	No. off	Mater. Spec.	Cl. of	Plate and Inst'n No.
					Se. M.R.	
		1 2 3 4				
		<p>REAR PORTION ASSEMBLY, COMPLETE WITH EQUIPMENT (1D11108) (Cont'd)</p> <p>INSTALLATION, FREON CONDENSOR (1Z9823) (See Services—Cooling System, Power Units and Radar Equipment)</p> <p>INSTALLATION, R.C.M. AFT (200T42E2) (See Radio and Radar Installation)</p> <p>INSTALLATION OF RADIO & RADAR EQUIPMENT IN RUDDER P.F.C. BAY (T8147) (Mod. 2304) (See Radio and Radar Installation)</p> <p>INSTALLATION PLUG BREAK BRACKET IN RUDDER P.F.C. BAY (T8149) (Mod. 2304) (See Radio and Radar Installation)</p> <p>PLATES, BALLAST AND SOCKET (1Z9880) (See Equipment—Special Operational)</p> <p>PRESSURISATION PIPE RUN, R.C.M. COOLING (1Q2117) (See Services—Air Conditioning)</p> <p>PRESSURISATION, RADAR (1Q2110) (See Services—Air Conditioning)</p> <p>RADIO AND RADAR IN REAR PORTION (15T4292) (See Radio and Radar Installation)</p>				

VULCAN No. 2		FUSELAGE			Page JH. 3		
		REAR PORTION					
Ref No.	Part No.	Description	No. off	Matl. Spec	Cl. of St.	Plate and Illust'n No.	
					M.F.		
		1 2 3 4					
		STRUCTURE, REAR PORTION, WHITE, COMPLETE (1D10702/W)	1	—			
		STRUCTURE, REAR PORTION, CAMOUFLAGED, COMPLETE (1D10702/C)	1	—			
		Spares for:—					
	1D10703/W	STRUCTURE, REAR PORTION, WHITE, GROUP	1	—			
	1D10703/C	STRUCTURE, REAR PORTION, CAMOUFLAGED, GROUP	1	—			
		Spares for:—					
	1D10745	BEAM, CROSS, AT FORMER 22.25", GROUP	1	—	MR	JH1/12	
		Spares for:—					
13430	11D10745	Bracket, adaptor	1	—	C		
	1D10747	BEAM, CROSS, AT FORMER 71.25", GROUP	1	—	MR	JH1/13	
	1D10748	BEAM, CROSS, AT FORMER 95.75", GROUP	1	—	MR	JH1/14	
		Spares for:—					
	29D10748	Diaphragm	1	—	MR		
	24D10748	Pin, for cable roller	1	S92	C		
	21D10748	PLATE, BEARING, FORWARD, GROUP	1	—	MR		
	22D10748	PLATE, BEARING, AFT, GROUP	1	—			
13894	18D10748	PLATE, HOIST, PULLEY SUPPORT, GROUP	1	—	MR/C		
		Spares for:—					
	18bD10748	Boss	1	OTD423B			
	53Z9316	Roller, cable	1	S82	MR	JH6/15	
	25D10748	Tube, guide, assy.	1	—			
		BEAM, PARACHUTE DRAG (1D10714)					
		Spares for:—					
	3D10714	BEAM, PORT, GROUP	1	—	MR		
	4D10714	BEAM, STARBOARD, GROUP	1	—	MR		
	3D10714	Boom, bottom	1	—	MR		
	4D10714	Boom, bottom	1	—	MR		
22258	3kD10714	Plate, side	1	—	C		
22257	4kD10714	Plate, side	1	—	C		
	3mD10714	Plate, support	1	—	MR		
	4mD10714	Plate, support	1	—	MR		
7832	40D10714	Block, hook retaining	1	S97	C	JH1/16	
11807	91D10714	Bolt, special (Mod. 1156)	1	S97	C	JH1/17	
10124	92D10714	Bolt, special (Mod. 1156)	1	S97	C	JH1/18	
9539	77D10714	BOX, BUFFER AND BLOCK, GROUP	1	—	C	JH1/19	
	3013151	Bush (Mod. 1898)	1	S94	MR	JH1/20	
7838	22D10714	Washer, under bolt head (91D10714)	1	L65	C	JH1/21	
7839	23D10714	Washer, for bolt (91D10714)	1	L65	C	JH1/22	
7850	28D10714	Washer, for bolt (92D10714)	1	L65	C	JH1/23	
7849	30D10714	Washer, under bolt head (92D10714)	1	L65	C	JH1/24	

FUSELAGE
REAR PORTION

Ref. No.	Part No	Description	No. off	Matl. Spec	Cl. of St.	Plate and Illust'n No
					M.N.	
		STRUCTURE, REAR PORTION (1D10703) (Cont'd.)				
	1D10757	BEAM, RUDDER POWER UNIT SUPPORT, GROUP	1	—	MR	JH1/25
	9D9122	Sparas for:— BLOCK, HINGE, GROUP	2	—	MR	JH1/26
	9aD9122	Consisting of:— Block	2	DTD364B		
1743	9bD9122	Bush	2	DTD197	C	
	22D9122	Bolt, eye	2	S98	MR	JH1/27
	24D9122	Bolt, for hinge bracket	2	S98	MR	JH1/28
13151	2D9772	Bracket, centre strut attachment	1	DTD364B	MR	JH1/29
	8D9122	Bracket, hinge	1	DTD364B	C	JH1/30
	1D13975	BRACKET, STOP, PORT, GROUP	1	—		
		(Mod. 2304)				
	2D13975	BRACKET, STOP, STARBOARD,	1	—		
		GROUP (Mod. 2304)				
9555	14D9772	Tube, distance	2	DTD423	C	JH1/32
	29F7761	Washer, for bolt (24D9122)	2	—	MR	JH1/33
		COOLING, PIPING, FOR SCANNER (29320) (See Services—Cooling System, Power Units and Radar Equipment)				
	313D10703	Bolt, special (Mod. 1868)	1	—	MR	JH1/34
		(Make from A59/13N)				
	314D10703	Bolt, special (Mod. 1868)	1	—	MR	JH1/35
		(Make from A59/12N)				
		COOLING, RUDDER POWER UNITS (29330) (See Services—Cooling System, Power Units and Radar Equipment)				

VULCAN NR 7

FUSELAGE
REAR PORTION

Page JH. 4A

Ref No.	Part No.	Description	No off	Matl. Spec.	Cl. of	Plate and Illust'n No.
					St	
		1 2 3 4				
		STRUCTURE, REAR PORTION (1D10703) (Cont'd.)				
1433003	35D12923	DOOR, ACCESS, FORWARD, GROUP (Mod. 2024) (Pre-Mod. 2388 S.O.O.)	1	—	B	JH1/36
	1D14273	DOOR, ACCESS, FORWARD, GROUP (Mod. 2388 S.O.O.)	1	—		
1510782	1D14272	DOOR, ACCESS, FORWARD, GROUP (Mod. 2388 S.O.O.)	1	—	B	
7863	1D10780	DOOR, ACCESS, CENTRE, GROUP	1	—	B	JH1/37
7864	1D10781	DOOR, ACCESS, AFT, GROUP	1	—	B	JH1/38
		Spares for:—				
	7D10758	Angle, aft landing forward door	1	L72	MR	JH1/39
	29D10758	Bolt, eye, forward and aft door	1	L65	MR	JH1/40
	106D10758	Bush, at hinge channels, forward and centre doors	4	BS369	MR	JH1/41
	10bD10751	Bush, at hinge channels, aft door	4	BS369		JH1/42
	60D10758	Bracket, attachment	1	L72	MR	
	40D10758	CHANNEL, FORWARD HINGE, FORWARD DOOR, GROUP	1	—		
	41D10758	CHANNEL, AFT HINGE, FORWARD DOOR, GROUP	1	—		
	40D10760	CHANNEL, FORWARD HINGE, CENTRE DOOR, GROUP	1	—		
	41D10760	CHANNEL, AFT HINGE, CENTRE DOOR, GROUP	1	—	MR	
		Spares for:—				
	13D10760	Channel	1	L72	MR	
	40D10761	CHANNEL, FORWARD HINGE, AFT DOOR, GROUP	1	—	MR	

VULCAN 7

Page JM. 48

FUSELAGE
REAR PORTION

Ref. No.	Part No.	Description	No. off	Matl. Spec.	Cl. of St.	Plate and Illust'n No.
					M.R.	

(
)

VULCAN No. 1

FUSELAGE
REAR PORTION

Page JH. 5

Ref. No.	Part No.	Description	No. off	Mater. Spec.	Cl. of	Plate and Illust'n No.
					SL	
		1 2 3 4				
		DOOR, ACCESS, FORWARD CENTRE AFT (35D12823) (1D10760) (1D10761) (Cont'd.)				
	41D10761	CHANNEL, AFT HINGE, AFT DOOR, GROUP	1	—		
	13D10761	Channel	1	L72	MR	
28E/9513854	AS22948	Spares for:— Clip, spring, forward and aft	1	—	C	JH1/43
28E/9128839	257	Clip, forward door	3	—	C	JH1/44
28FP/9874	10SS4327	Ferrule, forward and doors	2	—	C	
	54D10768	Guard, cable, forward door	1	L72		
	65D10760	Guard, cable, centre door	1	L72		
	53D10761	Guard, cable, aft door	1	L72		
	KING A/C					
	C8925	Housing, fastener	3	—	C	JH1/45
	42D10760	Insert, cast, centre door	1	DTD711		
	45D10761	Insert, cast, aft door	1	L125		
	55D10761	Insert, tuftol	2	BS2572	MR	
1432785	16D12823	FAIRING ASSEMBLY, REMOVABLE (Mod. 2024)	1	—	B	
	16dD12823	Spares for:— Seal, rubber, 10-1/2" long (Make from Ref. No. 1432786)	2	—		
	16D12823	Seal, rubber, 13" long (Make from Ref. No. 1432786)	1	—		
1432786	16hD12823	Seal, rubber, 19-1/2" long	1	—	C	
	2D14272	FAIRING, ASSEMBLY (Mod. 2389 S.O.O.)	1	—		
	39D10758	LANYARD, FORWARD DOOR, GROUP (Mod. 2024)	1	—		JH1/46
	13D14272	LANYARD, FORWARD DOOR, GROUP (Mod. 2389 S.O.O.)	2	—		JH1/48A
	46D10768	Member, ring	1	L72	MR	
	28D10768	Mounting, eye bolt, forward and rear doors	1	L65	MR	JH1/47
	42D10768	PANEL, ACCESS, FORWARD DOOR, GROUP	1	—	MR	JH1/48
28FP/9539060	F4/30	Spares for:— Fastener, drus	4	—	C	
	31D12823	PANEL ASSEMBLY (Mod. 2024 and Mod. 2389 S.O.O.)	2	—		JH1/48A

FUSELAGE
REAR PORTION

Ref. No.	Part No.	Description	No. off	Matl. Spec	Cl. of St.	Plate and Illustr'n No.
					M.R.	
		1 2 3 4				
		DOOR, ACCESS, FORWARD, CENTRE, AFT (35D12923) (1D10760) (1D10761) (Cont'd.)				
	34D10761	PIN, QUICK RELEASE, FOR STRUT AFT DOOR, GROUP	1	—	MR	JH1/49
	Z406/12	Spare for:— Pin, pip	1	—	C	
	50D10760	PIN, QUICK RELEASE, FOR STRUT CENTRE DOOR, GROUP	2	—		JH1/50
28FP/4062322	A416	Spare for:— Pin, pip	1	—	C	
1432784	15D12923	RADOME ASSEMBLY, FORWARD ACCESS DOOR (Mod. 2024) (Mod 2368 S.O.O.)	1	—		
28FP/3465485	S4/250	Spring, dzus	4	—	C	
	25D10759	Strip, landing, forward door	1	L72	MR	
	19D10760	Strip, landing, centre door	1	L72	MR	
	19D10759	STRUT, SUPPORT, FORWARD DOOR, GROUP	1	—	MR	JH1/51
	21D10761	STRUT, SUPPORT, AFT DOOR, GROUP	1	—	MR	JH1/52
	43D10759	Support, pressing	1	L72	MR	
10384	24D10759	Washer, special, at support strut, forward door	1	L72	C	JH1/53
	20D10761	Washer, special, at support strut, aft door	1	L72	MR	JH1/54
	58D10759	Window, at forward door	1	DTD5545		JH1/55
		DOOR AND CONTAINER, BRAKE PARACHUTE (1D10752)				
		Spare for:—				
	3011839	BUFFER STOP	1	—	MR	
	113D10752	CONTAINER ASSEMBLY, GROUP Spare for:—	1	—		JH2/56
	17D10752	Adaptor, drain assy	1	—		
	58D10752	Angle, 10G x 1.45" x 12.5"	1	L72	MR	
	60D10752	Angle, 20G x 1.45" x 12.5"	1	L72	MR	
8381	100D10752	Bolt, hinge	2	S82	C	JH2/57
	121D10752	Bracket	—	—	MR	
22291	122D10752	Bracket	—	—	C	
13392	88D10752	Bracket, parachute strap	1	—	C	JH2/58
	89D10752	BRACKET, PIVOT, GROUP	1	—		
	23D10752	Channel, drain	1	—		
	61D10752	Cleat	1	L72	MR	
	63D10752	Cleat	1	L72	MR	
	65D10752	Cleat	1	L72	MR	
	66D10752	Cleat	1	L72	MR	
	75D10752	Cleat	1	L72	MR	
	76D10752	Cleat	1	L72	MR	
	127D10752	Cleat	1	L72	MR	
	128D10752	Cleat	1	L72	MR	

FUSELAGE
REAR PORTION

Ref. No.	Part No.	Description	No. off	Matl. Spec.	Cl. of	Plate and Illus'n No.
					St.	
		1 2 3 4			M.R.	
		CONTAINER ASSEMBLY (113D10752) (Cont'd)				
	7D10752	Diaphragm	1	L72	MR	
	8D10752	Diaphragm	1	L72	MR	
	11D10752	Diaphragm	1	L72	MR	
	12D10752	Diaphragm	1	L72	MR	
	21D10752	Diaphragm	1	L72	MR	
	93D10752	Diaphragm	1	L72	MR	
	94D10752	Diaphragm	1	L72	MR	
	167D10752	Diaphragm	1	L72	MR	
	47D10752	Diaphragm	1	L72	MR	
	48D10752	Diaphragm	1	L72	MR	
	48D10752	Diaphragm	1	L72	MR	
	60D10752	DIAPHRAGM, GROUP	1	-	MR	JH2/59
	61D10752	DIAPHRAGM, GROUP	1	-	MR	JH2/60
	62D10752	DIAPHRAGM, GROUP	1	-	MR	JH2/61
12135	66D11939	Cover (Pre Mod 1837)	1	-	C	
		DRAINAGE, WEATHERPROOF, AT FORMERS 71.25" -120.25" (1D10777)				
		Spares for: -				
1510403	192D10734	BRACKET, STOWAGE, GROUP (Mod. 2240)	1		C	JH3/62
	191D10734	BRACKET, HOIST ADAPTOR GROUP (Mod 2240)				JH3/64
		Spares for: -				
1510404	191aD10734	Bracket	1	DTD5020	C	JH3/64A
	64Z9316	Collar	2		MR	JH3/64B
	191bD1073X	Cord, retaining	1	-		JH3/64C
	61SS6065	Label	1			JH3/64D
	62Z9316	Pin	1		MR	JH3/64E
	AS2434/27	Pin, drop nose	1			JH3/64F
	AS2434/33	Pin, drop nose	1			JH3/64G
	63Z9316	Roller, cable	1		MR	JH3/64H
28E/1983164	SP91/E	Clip, hose	1B	-	V	JH3/63
26FP/13420	10SS3869	Clip, pipe	1	-	C	JH3/65
26FP/13421	14SS3869	Clip, pipe	4	-	C	JH3/66
	17D10777	Hose, rubber, 3/4" i/d x 1-3/4" ..	4	3F45/Type 1		JH3/68
	6D10777	Hose, rubber, 1" i/d x 1-3/4" ..	3	3F45/Type 1		JH3/69
	7D10777	Hose, rubber, 1" i/d x 2-1/2" ..	2	3F46/Type 1		JH3/70
	2D10777	Pipe, drain, top former 71.25" ..	1	-	MR	JH3/71
10378	3D10777	Pipe, drain, centre, former 71.25" ..	1	-	C	JH3/72
10379	4D10777	Pipe, drain, bottom, former 72.25" ..	1	-	C	JH3/73
	13D10777	Pipe, drain, top, former 120.25" ..	1	-	MR	JH3/74

FUSELAGE
REAR PORTION

Ref. No.	Part No.	Description	No off	Matl. Spec.	Cl. of St.		Plate and Inst'n No
					M.R.		
		<u>1 2 3 4</u>					
		DRAINAGE, WEATHERPROOF, AT FORMERS 71.25"-120.25" (1010777) (Cont'd.)					
10381	14D10777	Pipe, drain, centre, former, 120.25"	1	—		C	JH3/75
10382	15D10777	Pipe, drain, bottom former, 120.25"	1	—		C	JH3/76
	176D10752	Lining, rubber	1	CS3092A		MR	JH3/78
	177D10752	Lining, rubber	2	CS3092A		MR	JH3/79
	8D11939	Panel, plywood (Pre-Mod. 1837)	1	—		MR	
13703	8aD11939	Panel (Mod. 1837)	1	—		MR	
	17D11939	Panel, plywood (Mod. 1837)	1	—		C	
	9Q2114	PIN, QUICK RELEASE, GROUP	1	—			
		Spares for:—					
28FP/3402288	AGS2105/409	Pin, pip	1	—		C	
	129D10752	Plate	—			MR	
	130D10752	Plate	—			MR	
	164D10752	Plate	—			MR	
	165D10752	Plate	—			MR	
	172D10752	Plate	—			MR	
	173D10752	Plate	—			MR	
10236	2D11939	SHOCK ABSORBER	1	—			
		STRUCTURE, R.C.M. UNIT HOIST (77, 78 & 78D10749)					
		Spares for:—					
	2D10749	Block, spigot	1	L86			
	132D10749	Panel, access, forward port	1	L72			
	134D10749	Panel, access, forward starboard	1	L72			
	135D10749	Panel, access, aft	1	L72			
	5D10752	Wall, outer	—			MR	
	6D10752	Wall, outer	—			MR	
	115D10752	Wall, inner	—			MR	
	116D10752	Wall, inner	—			MR	
	1010775/W	DOOR, BRAKE PARACHUTE CONTAINER, WHITE, GROUP (Pre-Mod. 2213)	1	—			JH2/80
	1010775/P	DOOR, BRAKE PARACHUTE CONTAINER, PRIMERED, GROUP (Pre-Mod. 2213)	1	—			JH2/80A
	1010775/EP	DOOR, BRAKE PARACHUTE CONTAINER, POLYURATHANE FINISH, GROUP (Mod. 2129)	1	—			
1510280	83D10775/P	DOOR, BRAKE PARACHUTE CONTAINER, PRIMERED, GROUP (Mod. 2240)	1	—		A	
		Spares for:—					
9285	59D10775	ARM, HINGE, PORT, GROUP	1	—		C	JH2/81

VULCAN No. 2

FUSELAGE
REAR PORTION

Page JH. 9

Ref. No.	Part No.	Description	No. off	Mater. Spec.	CL of	Plate and Illustr'n No.
					St. M.R.	
		<u>1 2 3 4</u>				
		DOOR, BRAKE PARACHUTE CONTAINER (83D10775/P) (Cont'd)				
9286	80D10775	ARM, HINGE, STARBOARD, GROUP	1	—	C	JH2/82
	59cD10775	Spares for:— Bush, oilite, port	2	—	MR	JF2/83
	80aD10775	Bush, oilite, starboard	2	—	MR	JG2/84
	GLACIER METAL 06/DU/06	Bearing, dry, for roller (Pre-Mod. 2213)	1	—	MR	JH2/85
10385	86D10775	Block, door, starboard	1	L85	C	JF2/86
10386	87D10775	Block, door, port	1	L85	C	JH2/87
	38D10775	Bolt, adjuster	2	S82	MR	JH2/88
8377	14D10775	Bolt, for roller (Pre-Mod. 2213)	1	S82	C	JH2/89
8380	39D10775	Bracket, for roller (Pre-Mod. 2213)	1	DTD130	C	JH2/92
9289	53D10775	Bracket, attachment, port	1	DTD410	C	JH2/93
9290	54D10775	Bracket, attachment, starboard	1	DTD410	C	JH2/94
	82D10775	Bracket, door closing (Mod. 2240)	1	—	MR	
	80D10775	CATCH, BRAKE PARACHUTE DOOR	1	—	C	
10384	58D10775/W	COVER, ACCESS, WHITE, GROUP	1	—	C	JH2/96
	58D10775/C	COVER, ACCESS, CAMOUFLAGES, GROUP	1	—		JH2/96A
1433348	58D10775/PC	COVER, ACCESS, POLYURATHANE FINISH (Mod. 2129)	1	—	C	
28FP/9539080	F4/30	Spares for:— Fastener, dzus	6	—	C	
	58bD10775	Seal (Made from 10SS3853 x 2' 0" long)	1	—		
22304	21V8685	Cover, dzus springs	6	—	MR	JH2/97
	1SS4613	Ferrule, at spigot	2	—	C	
	50D10775	Fillet	1	—	C	
	7D10775	Pad, adjuster bolt, starboard	1	S82 or S96	MR	JH2/98
8378	8D10775	Pad, adjuster bolt, port 1	1	S92 or S98	MR	JH2/99
	12D10775	Roller (Pre-Mod. 2213)	1	S1	C	JH2/100
13822	38D10775	SHROUD, GROUP (Pre-Mod. 2213)	3	—	C	
22303	71D10775	Spigot	1	S61	C	
28FP/9438491	S4/275	Spring, dzus	6	—	C	
10387	88D10775	Strip, rubbing, at door blocks	2	S521	C	JH2/101
	11D10775	Washer, special	2	L72	C	
		MECHANISM, BRAKE, PARACHUTE DOOR (1D10773) (Mod. 1348)				
		Spares for:—				
5CW/3918	PLESSEY 1CZ136840/8/4	Actuator	2	—	A	JH2/102
	23D10773	Block, guide, port	1	BS2572		
	24D10773	Block, guide, starboard	1	BS2572		

FUSELAGE
REAR PORTION

Ref. No.	Part No.	Description	No. off	Matl. Spec.	Cl. of	Place and Illust'n No.
					St.	
					M.R.	
		<u>1 2 3 4</u>				
		MECHANISM, BRAKE PARACHUTE DOOR (1D10773) (Cont'd)				
	2D10773	Bolt, adjuster	1	S82		JH2/104
B388	14D10773	Bolt, lever to bracket	4	S82		JH2/105
B389	19D10773	Bolt, lever to spring box	2	S82	C	JH2/106
	22D10773	Bolt, lever to door	2	-	C	JH2/107
		(Make from A50/9G)				
10388	12SS4663	Bolt, actuator arm and hook	1	-	C	JH2/108
10389	13SS4663	Bolt, actuator arm and lever	1	-	C	JH2/109
11213	25D10774	BOX, SPRING, GROUP (Mod. 1348)	2	-	A	JH2/110
		Spares for:-				
B386	8D10774	Bush, bearing, fork-end	2	BS360	C	JH2/111
	21D10774	Bush	1	BS360	MR	JH2/112
	2D10774	End, fork, 2.1" long	1	DTD410		JH2/113
10391	11D10774	End, fork, 3.4" long	1	DTD410	C	JD2/114
10393	18D10774	Piston	1	S96	C	JH2/115
B385	6D10774	Spring	1	DTD6A	C	JH2/116
	TERRY					
26TA/60126	1383/B	Washer, belleville	18	-	C	
	7D10773	Bracket	-		MR	
	8D10773	Bracket	-		MR	
	15D10773	Bracket	-		MR	
	18D10773	Bracket	-		MR	
	32D10773	BRACKET, MOUNTING, MICRO-SWITCH, GROUP	3	-	MR	JH2/117
	90D10752	BRACKET, PIVOT, GROUP	1	-		JH2/118
28N. 1046880	BE/15SS4335	Clip, half, spring actuator	2	-		
	AGS888/2	Collar, pin	4	-	C	
B380	31D10773	HOOK, DOOR RELEASE, GROUP	1	-	B	JH2/119
		Consisting of:-				
	6D10773	Hook	1	L65	MR	
	R & M					
	BRA 1/4 B	Race, ball	2	-		
B383	1D10779	LEVER, LOWER, GROUP	2	-	C	JH2/120
		Spares for:-				
B386	8D10774	Bush	4	BS360	C	
	7D10774	Tube, assy.	1	-		
	1D11423	LEVER, UPPER, GROUP	2	-	MR	JH2/121
		Spares for:-				
10394	ROSE BROS.	Bearing, rod end	1	-	C	JH2/122
B388	RFX/8G	Bush	1	BS360	C	
28MA/1011470	8D10774	Nut, lock (Pre-Mod. 2213)	1	-	C	
	A27/GT	Tube, assy.	1	-		
	4D11423					

FUSELAGE
REAR PORTION

Ref. No.	Part No.	Description	No. off	Matl. Spec.	Cl. of	Plate and Illust'n No.
					St. M.R.	
			1	2	3	4
		MECHANISM, BRAKE PARACHUTE DOOR (1D10173) (Cont'd)				
8393	30D10773	LEVER, BETWEEN ACTUATORS, GROUP Spares for:—	1	—	B	JH2/123
	R & M					
	BRA 1/4 B	Face, ball	1	—		
26FP/14685	TECALEMIT NB5951	Nipple, at bolt (19D10773)	2	—	C	
10386	TECALEMIT NC8059	Nipple, at bolt (14D10773)	4	—	C	
26P/680674	SP113/C5	Pin, solid	2	—	C	
26P/17924	SP113/C6	Pin, solid	2	—	C	
22276	10D10773	Plate	—	—	C	
22280	13D10773	Plate	—	—	C	
22280	17D10773	Plate	—	—	C	
22281	18D10773	Plate	—	—	C	
22282	25D10773	Plate	—	—	C	
22280	26D10773	Plate	—	—	C	
10390	1D11451	SPRING, ACTUATOR, GROUP	2	—	C	JH2/103
		Spares for:—				
	5D11451	Plunger, assy.	1	—		
	6D11451	Spring	1	DTD5A		
	7D11451	Washer, rubber	1	—		
5CW/6886	HONEYWELL 1EN/N14	Switch, micro	3	—	A	JH2/124
	34D10773	SWITCH, GROUP	1	—		JH2/125
		Consisting of:—				
28S/1013430	12SS4491	Plate, upper shroud	1	—		
	A44/B20	Screw	4	—	C	
5CW/6690	ROTAX N135630	Shroud, upper	1	—	C	
5CW/1047897	13SS4492	Shroud, lower	1	—		
	—	Switch	1	—	B	
		DRAINAGE, WEATHERPROOF, IN RUDDER COMPARTMENT (28323)				
		Spares for:—				
28E/20104	SP91/F	Clip, hose	4	—	C	JH3/126
26FP/13421	14SS3859	Clip, pipe	2	—	C	JH3/127
	7Z9323	Pipe, joint, 1" i/d x 2-1/2' long	2	3F46/Type 1		JH3/128
10433	10Z9323	Pipe, drain, 24G x 1" o/d x 5' 6"	1	L54	C	JH3/129
	8Z9323	Pipe, stub	1	—		JH3/130
95389	1Z9324	TRAY, DRIP, BOTTOM, GROUP	1	—		JH3/131
	13Z9326	TRAY, DRIP, TOP, GROUP	1	—	C	JH3/132
		(Mod. 2304)				
		Spares for:—				
	AS.1248/ 1/2C	Bolt, mush. hd.	12	—		
	AGS.200/C1	Nut, anchor	12	—		
	2Z12649	Panel, access	1	—		

FUSELAGE
REAR PORTION

Ref. No.	Part No.	Description	No. off	Matl. Spec.	Cl. of	Place and Illust'n No.
					St. M.R.	
		1 2 3 4				
		TRAY, DRIP, ADDITIONAL DRAINAGE, PORT AND STARBOARD (1 & 2Z10525) (Mod. 1398)				
		Spares for:-				
28E/10154	AGS806/00	Clip, hose	2	-	C	JH3/133
28E/100637B	AS3181/BC	Clip, pipe	1	-	C	JH3/134
11827	BZ10525	Pipe, drain, 22G x 1/2" o/d x 18" port	1	L54	C	JH3/135
11828	5Z10525	Pipe, drain, 22G x 1/2" o/d x 18" starboard	1	L54	C	JH3/136
	7Z10525	Pipe, joint, 1/2" i/d x 2" long	1	3F45/Type 1		JH3/137
11824	3Z10525	TRAY, DRIP, PORT, GROUP	1	-	C	JH3/138
11825	4Z10525	TRAY, DRIP, STARBOARD, GROUP	1	-	C	JH3/138
		DRAINAGE, RUDDER, UPPER-FAIRING (1Z9327) (Mod. 1095)				
		Spares for:-				
28E/20347	SP91/E	Clip, hose	4	-	C	JH3/140
28E/14211	AS5418/12	Clip, pipe	2	-	C	JH3/141
13422	5Z9327	Pipe, drain, upper	1	-	C	JH3/142
12425	BZ9327	Pipe, drain, 24G x 3/4" o/d x 20"	1	L54	C	JH3/143
17884	3Z9327	Pipe, joint, 3/4" i/d x 1-3/4" long	2	3F45/Type 1	C	JH3/144
	12Z9327	TRAY, DRIP, GROUP	1	-		JH3/145
13818	14Z9327	WATERSHED, PORT, GROUP	1	-		JH3/146
13817	13Z9327	WATERSHED, STARBOARD, GROUP	1	-		JH3/147
8398	1D10776	FAIRING, PARACHUTE HOOK, GROUP	1	-	B	JH2/148
		Spares for:-				
10595	8D10776	Angle, door landing	1	L72	C	JH2/149
10598	45D10776	Angle, door landing	2	L72	C	JH2/150
10945	6D10776	CHANNEL, DRAIN, GROUP	1	-	C	JH2/151
	8D10776	Flange, pivot bearing	4	L65		
10820	54D10776	FRAME, PANEL, GROUP	1	-	C	JH2/152
		Spares for:-				
28FP/9455485	54bD10776	Seal, 1/16" x 8" x 13"	1	Neoprene		
	S4/250	Spring, dzus	9	-	C	
9880	56D10776/W	PANEL, ACCESS, WHITE, GROUP	1	-	B	JH2/153
13330	56D10776/C	PANEL, ACCESS, CAMOUFLAGED, GROUP (Mod. 1877)	1	-	B	JH2/153A
1433360	56D10776/PC	PANEL, ACCESS, POLYURETHANE FINISH (Mod. 2129)	1	-	B	
		Spares for:-				
28FP/73	F4/35	Fastener, dzus	9	-	C	
28FP/9483371	GF4/150	Grommet, dzus	9	-	C	

VALCON NO. 3

FUSELAGE
REAR PORTION

Page JH. 13

Ref. No.	Part No.	Description	No. off	Mater. Spec.	Cl. of	Place and Illust'n No.
					St. M.R.	
		1 2 3 4				
1433347	2D10776/W 2D10776/C 2D10776/PC	FAIRING, PARACHUTE HOOK (1D10776) (Cont'd)				
		Panel, skin, outer	1	L72	MR	JH2/154
10946	51D10776	Panel, skin, outer, camouflaged	1	L72		JH2/154A
		Panel, skin, outer, polyurethane finish ... (Mod. 212B)	1	L72	C	
	1D10736	Stiffener	1	-	C	
	2D10736	FAIRING, FILLET, BETWEEN CENTRE PORTION AND TRAILING EDGE, PORT, GROUP	1	-		JH5/155
	2D10736	FAIRING, FILLET, BETWEEN CENTRE PORTION AND TRAILING EDGE, STARBOARD, GROUP	1	-		JH5/156
	81D10736 29D10736 30D10736	Spare for:- Fillet	1	-	MR	
		Skin	1	-	MR	
		Skin	1	-	MR	
	2D9457 2D9458 KING A/C D8940	TUBE, GUIDE, FOR FLYING CONTROL, PORT (1D18788) AND STARBOARD (1D10771) Spare for:- Tube, guide, port	1	L72		JH1/157
		Tube, guide, starboard	1	DTD454A		JH1/158
		Fastener, lever and attachment	9	-	MR	JH1/159
	9D10726 10D10726 5D10726 6D10726	FORMER, 22.25" PORT AND STAR- BOARD (1 & 2D10726) Spare for:- Angle, port	1	L72	MR	JH4/160
		Angle, starboard	1	L72	MR	JH4/161
		Boom, outer, port	1	L85	MR	JH4/162
		Boom, outer, starboard	1	L85	MR	JH4/163
	3D10727 4D10727	FORMER, 48.75" PORT AND STAR- BOARD (1 & 2D10727) Spare for:- Boom, outer, port	1	L85	MR	JH4/164
		Boom, outer, starboard	1	L85	MR	JH4/165
	3D10728 4D10728	FORMER, 71.25", PORT AND STAR- BOARD (1D10728) Spare for:- Boom, outer, port	1	L85	MR	JH4/166
		Boom, outer, starboard	1	L85	MR	JH4/167
	21D10728	SHROUD, CABLE, GROUP	1	-	MR	JH4/168
	21aD10728 21bD10728	Spare for:- Cover	1	L72		
		Guide, cable	1	Tufnol		

FUSELAGE
REAR PORTION

Ref. No.	Part No.	Description	No. off	Matl. Spec.	Cl. of St	Plate and Illust'n No.
					M.R.	
		FORMER, 71.25", PORT AND STARBOARD (1D10728) (Cont'd.)				
	22D10728	SHROUD, CABLE, GROUP	1	—	MR	JH4/168
	22aD10728	Spares for:— Cover	1	L72		
	22bD10728	Guide, cable	1	Tufnol		
		FORMER, 95.75" (1D10742)				
		Spares for:—				
	7D10742	Angle, beam	1	L72	MR	
	9D10742	Angle, centre, aft	1	L72	MR	
	10D10742	Angle, centre, forward	1	L72	MR	
	19D10742	ANGLE, R.C.M. SUPPORT, PORT, GROUP	1	—	MR	JH4/170
	20D10742	ANGLE, R.C.M. SUPPORT, STARBOARD, GROUP	1	—	MR	JH4/171
		FORMER, 120.25" (1D10743)				
		Spares for:—				
	10D10743	Angle, lipped, bottom	1	L72	MR	
	13D10743	Angle, door landing	1	L72	MR	JH4/172
	7D10743	Bracket	1	L72	C	JH4/173
13409 28FP/340	S5/300	Spring, dzus	5	—	C	
12330	10D10744	FORMER, 141.5", GROUP	1	—	C	JH4/174
		Spares for:—				
	10D10744	BRACKET, GROUP	4	—	MR	
	11D10744	Former, bottom	1	L72	MR	
		FORMER, 162.2" (1D10720)				
		Spares for:—				
	3D10720	Bush	4	DTD130	MR	JH4/175
	2D10720	Former	1	L72	MR	JH4/176
		FORMER, 428A", TRANSPORT JOINT (1D10736)				
		Spares for:—				
	5D10736	Former, bottom, port	1	L65	MR	JH4/177
	6D10736	Former, bottom, starboard	1	L66	MR	JH4/178
	9D10736	Strap, joint, bottom, port	1	L73	MR	
	10D10736	Strap, joint, bottom, starboard	1	L72	MR	
		FORMER, 442.5" (1D10737)				
		Spares for:—				
	7D10737	Former, lower, port	1	L72	MR	JH4/179
	8D10737	Former, lower, starboard	1	L72	MR	JH4/180
	20D10737	BRACKET, GROUP	1	—	MR	

VULCAN No. 2		FUSELAGE		Page JH 15		
		REAR PORTION				
Ref No	Part No.	Description	No. off	Matl Spec.	Cl. of St.	Plate and Illust'n No
					M.R.	
		1 2 3 4				
		STRUCTURE, REAR PORTION (1D10703) (Cont'd.)				
		FORMER, 461.5" (1D10738) Spares for:—				
	5D10738	Former, lower, port	1	L72	MR	JH4/181
	8D10738	Former, lower, starboard	1	L72	MR	JH4/182
		FORMER, 472.5" (1D10739) Spares for:—				
	12D10739	Channel, joint	1	L72	MR	
	5D10739	Former, lower, port	1	L72	MR	JH4/183
	6D10739	Former, lower, starboard	1	L72	MR	JH4/184
		FORMER, 487.5" (1D10740) Spares for:—				
	9D10740	Angle, bottom, inner boom	1	L65		JH4/185
	10D10740	Angle, bottom, inner boom	1	L65		JH4/186
22255	87D10740	BLOCK, SIGHTING ROD PIVOT, GROUP (Mod. 1857)	1	—	C	JH4/187
	93D10740	Spares for:— BLOCK, GROUP	1	—		
13083	269dD8818	Knob	1	—	C	
28P/9451803	SP28/E8	Pin, taper	1	—	C	
	269bD8818	Spigot	1	—	MR	
	178SS4700	Spring	1	—	C	
	92D10740	BRACKET, TOP HAT, GROUP	1	—		
	71D10740	Dishing, plug break	1	L72		
	81D10740	PIN, QUICK RELEASE, GROUP	1	—		JH5/188
	2405/10	Spares for:— Pin, pin	1	—		
		HOIST FOR RADIO TRANSMITTER (D12924) (Mod. 2024) Spares for:—				
	12D12924	Bracket, suspension	1	—		
	13D12924	Bracket, suspension	1	—		
	2D12924	Boss, pulley	2	—		
	2SS4879	Pulley	1	—		
		INTAKE, AIR, R.C.M. COOLING (1D11141) Spares for:—				
	89D11141	Conduit, station 7.5" to 2.38", starboard	1	L58		JH5/189
		Attachments—Conduit (89D11141)				
28D/9438920	A25/1C	Bolt, 2 BA	2	—	C	
28E/1006378	AS3181/8C	Clip, pipe	2	—	C	JH5/190
5K/8804884	SP40/B18	Grommet, rubber	1	DTD580	C	JH5/191
28M/1012015	AGS2001/C1/66	Nut	2	—	C	
28W/9419478	SP15/C	Washer	2	—	C	

FUSELAGE
REAR PORTION

Ref. No.	Part No.	Description	No. off	Matl. Spec	Clef St.	Plate and Illust'n No.
					M.R.	
		1 2 3 4				
		INTAKE, AIR, R.C.M. COOLING (1D11141) (Cont'd.)				
	78D11141/W	COVER, CENTRE, WHITE, GROUP	1	—	MR	JH5/192
	78D11141/C	COVER, CENTRE, CAMOUFLAGED, GROUP (Mod. 1877)	1	—		JH5/192A
28FP-9430918	78bD11141 S4/200	Spare for:— Seal, neoprene	1	BS2752/C2		
		Spring, dzus	3	—	C	
22249	63D11141	INTAKE, AIR, FRONT PORTION, GROUP	1	—	C	
		Spare for:—				
	61D11141	COVER, FORWARD, GROUP	1	—		JH5/193
11990	59D11141	FORMER, FIBREGLASS, GROUP	1	—	C	JH5/194
22250	25D11141	Seal, rubber (Make from 1SS4296 x 37" long)	1	DTD552	C	
	21D11141	Strip, seal retaining, 24G x 0.5" x 8" long)	1	L72		
	22D11141	Strip, seal retaining, 24G x 0.5" x 10-1/2" long	1	L72		
	23D11141	Strip, seal retaining, 24G x 0.5" x 8" long	1	L72		
	24D11141	Strip, seal retaining, 24G x 0.5" x 10-1/2" long	1	L72		
22252	67D11141	INTAKE, AIR, AFT PORTION, GROUP	1	—	C	
		Spare for:—				
	64D11141	COVER, AFT, GROUP	1	—		JH5/195
	66D11141	FORMER, FIBREGLASS, GROUP	1	—		JH5/196
22253	45D11141	Seal, rubber (Make from 1SS4296 x 35" long)	1	DTD552	C	
	41D11141	Strip, seal retaining, 24G x 0.5" x 7-1/2" long	1	L72		
	42D11141	Strip, seal retaining, 24G x 0.5" x 10" long	1	L72		
	43D11141	Strip, seal retaining, 24G x 0.5" x 7-1/2" long	1	L72		
	44D11141	Strip, seal retaining, 24G x 0.5" x 10" long	1	L72		
10365	58D11141/W	NOSE, DETACHABLE, C/W HEATER, WHITE, GROUP	1	—	A	JH5/197
	58D11141/C	NOSE, DETACHABLE, C/W HEATER, CAMOUFLAGED, GROUP (Mod. 1877)	1	—		JH5/197A

VULCAN No. 2

FUSELAGE
REAR PORTION

Page JH. 17

Ref. No.	Part No.	Description	No. off	Matl. Spec.	Cl. of	Place and Illust'n No.
					St. M.R.	
		1 2 3 4				
		INTAKE, AIR, R.C.M. COOLING (1D11141) (Cont'd)				
1433348	58D11141/PC	NOSE, DETACHABLE, C/W HEATER, POLYURATHANE FINISH, GROUP (Mod. 2129)	1	-	A	
28FP/13889	3SS3237	(Attachments-Nose (58D11141)) Bolt, 120° csk head	28	-	C	JH5/198
	80D11141/W	PANEL, ACCESS, CENTRE COVER, ... WHITE, GROUP	1	-	MR	JH5/199
	80D11141/C	PANEL, ACCESS, CENTRE COVER, ... CAMOUFLAGED, GROUP (Mod. 1877)	1	-		JH5/199A
1433349	80D11141/PC	PANEL, ACCESS, CENTRE COVER, ... POLYURATHANE FINISH, GROUP (Mod. 2129)	1	-	B	
28FP/8488815	A4/30 802D11141	Spare for:- Fastener, dzus Seal, neoprene	3 1	- BS2752/C2	C	
	79D11141	Ring, mounting	1	-	MR	
		INSTALLATION, TAIL NAVIGATION LIGHTS (1D10788)				
	2D10788	Spare for:- BRACKET, LAMP, GROUP	2	-		JH7/200
	3D10788	Spare for:- BRACKET, GROUP	1	-		
5CX/4330071 28S/9435886	- A45/A14	Holder, lamp Screw, for lampholder	1 3	- -	B C	JH7/201
	5D10788	Cover	1	L17	MR	JH7/202
	6D10787	Gasket	1	OTD818	MR	JH7/203
	9D10788	Panel, perspex	1	OTD846	MR	JH7/204
	4SS4199	Screw	12	-	MR	JH7/205
		JOINT OF STRINGERS AT TRANSPORT FORMER 428A" (1D10729)				
		Spare for:-				
12874	33D10729	Bracket, stringer, port top	1	L85	MR	
	55D10729	Bracket, stringer	1	OTD88C	C	
	34D10729	Bracket, stringer, starboard top	1	L85	MR	
	47D10729	Bracket, stringer 5 port	1	L85	MR	
	48D10729	Bracket, stringer 49 starboard	1	L85	MR	
1433689	72D10729	Bracket, stringer	1	-	C	
	75D10729	Bracket, stringer	1	-	MR	
1433218	77D10729	Bracket, stringer	1	-	C	
	79D10729	Bracket, stringer	1	-	MR	
	127D9545	Bracket, stringer	1	L85	MR	
	77D9545	Bracket, stringer 109 port and 110 starboard	1	OTD88C	MR	

FUSELAGE
REAR PORTION

Ref. No.	Part No.	Description	No. off	Mater. Spec.	Cl. of	Place and Illust'n No.
					St. H.R.	
		1 2 3 4				
		JOINT OF STRINGERS AT TRANSPORT FORMER 428A" (1D10729) (Cont'd)				
	37D10729	Bracket, stringer 5 port	1	L85	MR	
	38D10729	Bracket, stringer 48 starboard	1	L85	MR	
		Attachment - Brackets (77D9545 & 33, 34, 37, 38, 47 & 48D10729)				
28D/1010030	A25/7C	Bolt, 2 BA	8	-	C	
28D/1011030	A25/2E	Bolt, 1/4" BSF	12	-	C	
28D/1011230	A25/3E	Bolt, 1/4" BSF	8	-	C	
28D/1008151	A25/4E	Bolt, 1/4" BSF	18	-	C	
28D/1011240	A25/5E	Bolt, 1/4" BSF	8	-	C	
28M/9403520	A27/CP	Nut, 2 BA	8	-	C	
28M/1011475	A27/EP	Nut, 1/4" BSF	44	-	C	
28W/9419475	SP.15/C	Washer, 2 BA	12	-	C	
28W/9419405	SP.15/E	Washer, 1/4" BSF	44	-	C	
	1D10754	LONGERON, PORT, GROUP	1	-	MR	JH7/206
		Spare for:-				
10371	117D10754	Bracket, hinge, hinge 6"	1	L85	C	JH7/207
10372	118D10754	Bracket, hinge, hinge 36"	1	L85	C	JH7/208
10373	119D10754	Bracket, hinge, hinge 54"	1	L85	C	JH7/209
10374	120D10754	Bracket, hinge, hinge 77.25"	1	L85	C	JH7/210
	121D10754	Bracket, hinge, hinge 90.25"	1	L85	MR	JH7/211
10376	122D10754	Bracket, hinge, hinge 113.5"	1	L85	C	JH7/212
		Attachments, hinge brackets (117, 118, 119, 120, 121, 122D10754)				
28D/9133012	A25/3C	Bolt, 2 BA	32	-	C	
28D/1200119	A25/4C	Bolt, 2 BA	4	-	C	
28W/9419475	SP.15/C	Washer	32	-	C	
28W/9419404	SP.15/C	Washer	4	-	C	
	1D10762	LONGERON, STARBOARD, GROUP	1	-		JH7/213
		Spare for:-				
28FP/340	55/300	Spring, dzus	13	-	C	
		MECHANISM, PARACHUTE HOOK RELEASE (18D10782) (See Equipment Aircraft - Brake Parachute)				
		MOUNTING, HOIST, FOR R.C.M. UNITS (129316)				
		Spare for:-				
10417	7229316	Bolts, top pulleys (Make from A25/6J)	18	-	C	JH6/214
8458	929316	BRACKET, MOUNTING, AT FORMER . 22.25", AFT FACE OF BEAM, PORT, INBOARD, GROUP	1	-	C	JH6/215
8460	1029316	BRACKET, MOUNTING, AT FORMER . 22.25", AFT FACE OF BEAM, STARBOARD, INBOARD, GROUP	1	-	C	JH6/216
8459	1129316	BRACKET, MOUNTING, AT FORMER . 22.25", FORWARD FACE OF BEAM, PORT, INBOARD, GROUP	1	-	C	JH6/217

WALCOTT No. 3

FUSELAGE
REAR PORTION

Page JH. 19

Ref. No.	Part No.	Description	No. off	Matl. Spec.	Cl. of	Plate and Illust'n No.
					St. M.R.	
		1 2 3 4				
		MOUNTING, HOIST, FOR R.C.M UNITS (129316) (Cont'd)				
8481	1229316	BRACKET, MOUNTING, AT FORMER 22.25", FORWARD FACE OF BEAM, STARBOARD, INBOARD, GROUP	1	-	C	JH6/218
8482	1729316	BRACKET, MOUNTING, AT FORMER . 46.75", AFT FACE OF BEAM, PORT, INBOARD, GROUP	1	-	C	JH6/219
8484	1829316	BRACKET, MOUNTING, AT FORMER . 46.75", AFT FACE OF BEAM, STARBOARD, INBOARD, GROUP	1	-	C	JH6/220
8483	1929316	BRACKET, MOUNTING, AT FORMER . 46.75", AFT FACE OF BEAM, PORT, INBOARD, GROUP	1	-	C	JH6/221
8485	2029316	BRACKET, MOUNTING, AT FORMER . 46.75", FORWARD FACE OF BEAM, STARBOARD, INBOARD, GROUP	1	-	C	JH6/222
8486	2529316	BRACKET, MOUNTING, AT FORMER . 71.25", AFT FACE OF BEAM, PORT, INBOARD, GROUP	1	-	C	JH6/223
8488	2629316	BRACKET, MOUNTING, AT FORMER . 71.25", AFT FACE OF BEAM, STARBOARD, INBOARD, GROUP	1	-	C	JH6/224
8487	2729316	BRACKET, MOUNTING, AT FORMER . 71.25", FORWARD FACE OF BEAM, PORT, INBOARD, GROUP	1	-	C	JH6/225
8489	2829316	BRACKET, MOUNTING, AT FORMER 71.25", FORWARD FACE OF BEAM, STARBOARD, INBOARD, GROUP Spare for: -	1	-	C	JH6/226
	ARMSTRONG 1255-8N 1/2"	Insert, threaded	1	-		
8427	6129316	BRACKET, MOUNTING, AT FORMER . 487.5", GROUP	1	-	C	JH6/227
8429	6329316	BRACKET, MOUNTING, AT FORMER . 487.5", GROUP Spare for: -	1	-	C	JH6/228
	329316	BRACKET, GROUP	1	-		
	4293" B	BRACKET, GROUP	1	-		
8428	6029316	Spare for: - Peg	2	S21	C	
	6329316	BRACKET, AND PULLEY, AT FORMER 22.25", PORT, OUTBOARD, GROUP	1	-		JH6/229

FUSELAGE
REAR PORTION

Ref. No.	Part No	Description	No. off	Matl. Spec.	Cl. of	Plate and Must'n No.
					St.	
					M.R.	
		MOUNTING, HOIST, FOR R.C.M. UNITS (129316) (Cont'd)				
	64Z9316	BRACKET AND PULLEY AT FORMER 22.25", STARBOARD, OUTBOARD GROUP	1	—		JH6/230
10417	73Z9316	Spares for:— Bolt, for pulley	1	S92	C	JH6/231
	52Z9316	BRACKET, MOUNTING, AFT FACE, PORT, GROUP	1	—	MR	JH6/232
	7Z9316	BRACKET, MOUNTING, FORWARD FACE, PORT, GROUP	1	—	MR	JH6/233
8438	6Z9316	BRACKET, MOUNTING, AFT FACE, STARBOARD, GROUP	1	—	C	JH6/234
8440	8Z9316	BRACKET, MOUNTING, FORWARD FACE, STARBOARD, GROUP	1	—	C	JH6/235
		Spares for:—				
	ARMSTRONG 1255-8N 1/2"	Insert, threaded	1	—	C	
	64Z9316	Collar, for pulley	2	S92	MR	JH6/236
	52Z9316	Pin	1	S92	MR	JH6/237
8433	38Z9316	PIN, QUICK RELEASE, GROUP	1	—	C	JH6/238
		Spares for:—				
28PP/4088727	A428	Pin, pip	1	—	C	
8434	49Z9316	PULLEY, HOIST, PORT, GROUP	1	—	C	JH6/239
8441	50Z9316	PULLEY, HOIST, STARBOARD, GROUP	1	—	C	JH6/240
		Consisting of:—				
	GLACIER METAL CO. 06/DU/08	Bearing, dry	2	—	MR	JH6/241
	49aZ9316	Pulley, port	1	L51		
	50aZ9316	Pulley, starboard	1	L51		
	53Z9316	Roller, cable	1	S82	MR	
26TA/12081	AS2811/8/039	Tube, distance, 1/2" o/d x 0.41" long	1	—	C	
	AS2811/8/068	Tube, distance, 1/2" o/d x 0.81" long	1	—		
	65Z9316	BRACKET AND PULLEY, AT FORMER 48.75", PORT, OUTBOARD, GROUP	1	—		JH6/242
	66Z9316	BRACKET AND PULLEY, AT FORMER 48.75", STARBOARD, OUTBOARD, GROUP	1	—		JH6/243
		Spares for:—				
10417	73Z9316	Bolt, for pulley	1	S92	C	JH6/241
	13Z9316	BRACKET, MOUNTING, AFT FACE, PORT, GROUP	1	—	MR	JH6/245
8443	15Z9316	BRACKET, MOUNTING, FORWARD FACE, PORT, GROUP	1	—	C	JH6/246
8444	14Z9316	BRACKET, MOUNTING, AFT FACE, STARBOARD, GROUP	1	—	C	JH6/247
8445	16Z9316	BRACKET, MOUNTING, FORWARD FACE, STARBOARD, GROUP	1	—	C	JH6/248
		Spares for:—				
	ARMSTRONG 1255-8N 1/2"	Insert, threaded	1	—		

VULCAN No. 3

FUSELAGE
REAR PORTION

Page JH. 21

Ref. No.	Part No.	Description	No. off	Matl. Spec.	Cl. of St.	Plate and Must'n No
					M.R.	
		1 2 3 4				
		BRACKET AND PULLEY, AT FORMER 46.75", PORT AND STARBOARD (85 & 86Z9316) (Cont'd.)				
	54Z9316	Collar, for pulley	2	S92	MR	JH6/249
	52Z9316	Pin	1	S92	MR	JH6/250
8433	39Z9316	PIN, QUICK RELEASE, GROUP	1	—	C	JH6/251
28FP/927	A4Z8	Spares for:— Pin, pip	1	—	C	
8434	49Z9316	PULLEY, HOIST, PORT, GROUP	1	—	C	JH6/252
8441	50Z9316	PULLEY, HOIST, STARBOARD,	1	—	C	JH6/253
		GROUP (For Spares—See Page JH. 17)				
26TA/12081	53Z9316	Roller, cable	1	S82	MR	
	AS2811/8/039	Tube, distance, 1/2" o/d x 0.41" long	1	—	C	
	AS2811/8/068	Tube, distance, 1/2" o/d x 0.81" long	1	—		
	67Z9316	BRACKET AND PULLEY, AT FORMER 71.25", PORT, OUTBOARD, GROUP	1	—		JH6/254
	88Z9316	BRACKET AND PULLEY, AT FORMER 71.25", STARBOARD, OUTBOARD, GROUP	1	—		JH6/255
9185	73Z9316	Spares for:— Bolt, for pulley	1	S92	C	JH6/256
8446	21Z9316	BRACKET, MOUNTING, AFT FACE, PORT, GROUP	1	—	C	JH6/257
	23Z9316	BRACKET, MOUNTING, FORWARD FACE, PORT, GROUP	1	—	MR	JH6/258
	22Z9316	BRACKET, MOUNTING, AFT FACE, STARBOARD, GROUP	1	—	MR	JH6/259
	24Z9316	BRACKET, MOUNTING, FORWARD FACE, STARBOARD, GROUP	1	—	MR	JH6/260
		Spares for:—				
	ARMSTRONG 1255-8N 1/2"	Insert, threaded	1	—		
	54Z9316	Collar, for pulley roller	1	S92	MR	JH6/261
	52Z9316	Pin	1	S92	MR	JH6/262
8433	39Z9316	PIN, QUICK RELEASE, GROUP	1	—	C	JH6/263
		(For Spares—See Page JH. 18)				
8434	49Z9316	PULLEY, HOIST, PORT, GROUP	1	—	C	JH6/264
8441	50Z9316	PULLEY, HOIST, STARBOARD,	1	—	C	JH6/265
		GROUP (For Spares—See Page JH. 17)				
26TA/12081	53Z9316	Roller, cable	1	S82	MR	
	AS2811/8/039	Tube, distance, 1/2" o/d x 0.41" long	1	—	C	
	AS2811/8/068	Tube, distance 1/2" o/d x 0.81" long	1	—		

FUSELAGE
REAR PORTION

Ref. No.	Part No	Description	No. off	Matl Spec.	Cl. of St.	Plate and Illust'n No.
					M.R.	
		<u>1 2 3 4</u>				
		MOUNTING, HOIST, FOR R.C.M. UNITS (129316) (Cont'd.)				
	7129316	BRACKET AND PULLEY, AT FORMER 96.75", INBOARD, GROUP	1	—		JH6/266
		Spares for:—				
8438	5529316	Bolt, for pulley roller	2	S92	C	JH6/267
10419	5629316	Bolt, for pulley, hex. head	2	S92	C	JH6/268
10418	7629316	Bolt, for pulley, cast. head	1	S92	C	JH6/269
8470	2929316	BRACKET, MOUNTING, FORWARD FACE, PORT, OUTBOARD, GROUP	1	—	C	JH6/270
8471	3029316	BRACKET, MOUNTING, FORWARD FACE, STARBOARD, OUTBOARD, GROUP	1	—	C	JH6/271
8450	3129316	BRACKET, MOUNTING, FORWARD FACE, PORT, INBOARD, GROUP	1	—	C	JH6/272
8451	3229316	BRACKET, MOUNTING, FORWARD FACE, STARBOARD, INBOARD, GROUP	1	—	C	JH6/273
8472	3329316	BRACKET, MOUNTING, AFT FACE, PORT, GROUP	1	—	C	JH6/274
	3429316	BRACKET, MOUNTING, AFT FACE, CENTRE AND STARBOARD, GROUP	1	—	MR	JH6/275
		Spares for:—				
	ARMSTRONG 1255-8N-1/2"	insert, threaded	1	—		
	5429316	Collar, for roller	5	S92	MR	JH6/276
	5929316	Collar, flanged, for roller	1	S92	MR	JH6/277
	5829316	Pin, for roller	1	S92	MR	JH6/278
	4429316	PIN, QUICK RELEASE, GROUP	3	—	MR	JH6/279
		Spares for:—				
	Z402/24	Pin, pin	1	—	C	
	4029316	PIN, SCREWED, GROUP	6	—	MR	JH6/280
		Spares for:—				
	183SS4700	Spring	1	DTD271		
8434	4929316	PULLEY, HOIST, GROUP	3	—	C	JH6/281
		(For Spares—See Page JH. 17)				
	7729316	Washer, for bolt (5629316)	1	DTD130		
8473	8929316	BRACKET, MOUNTING, FORWARD FACE, 120.25", PORT, GROUP	1	—	C	JH6/282
8474	7029316	BRACKET, MOUNTING, FORWARD FACE, 120.25", STARBOARD, GROUP	1	—	C	JH6/283
		Spares for:—				
	ARMSTRONG 1255-8N-1/2"	Insert, threaded	1	—		
8428	8029316	Peg	2	S21	C	

VULCAN No. 2

FUSELAGE
REAR PORTION

Page JH. 23

Ref. No.	Part No.	Description	No. off	Matl. Spec	Cl. of St.	Plate and Illust'n No.
					M.R.	
		1 2 3 4				
		MOUNTING, HOIST, FOR R.C.M. UNITS (128316) (Cont'd)				
8475	4129316	CABLE, HOISTING, 15' LONG, GROUP	3	—	C	JH6/284
8476	4229316	CABLE, HOISTING, 16' LONG, GROUP	6	—	C	JH6/285
8430	4028316	PIN, SCREWED, GROUP	30	—	C	JH6/286
	163554700	Spares for:—				
	AS103	Spring	1	OTD271		
28R/1052824		Pulley, top	18	—	B	JH6/287
		MOUNTING, X-BAND TRANSMITTER (T8620) (Mod. 2024)				
		Spares for:—				
	14T8620	BRACKET, ASSEMBLY	1	—		
	4T8620	BRACKET, ASSEMBLY	3	—		
	5T8620	Channel, attachment, forward	1	—		
	7T8620	Channel, attachment, aft	1	—		
	6T8620	Channel, attachment	1	—		
	8T8620	Channel, attachment, aft	1	—		
		CRADLE FOR TRANSMITTER (T8585)				
		Spares for:—				
	2T8585	Beam, lifting	1	—		
	5T8585	Beam	2	—		
	14T8585	Bracket	2	—		
	15T8585	Bracket	2	—		
	11T8620	Eyebolt	4	—		
	SP8Y/4	Rod, tension, 1/4" B.S.F.	2	—		
	AS2387	Trunnion, left-hand	2	—		
	AS2384	Trunnion, right-hand	2	—		

FUSELAGE
REAR PORTION

Ref No.	Part No.	Description	No off	Matl. Spec.	Cl. of	Plate and Illust'n No.
					St	
		1 2 3 4			M.R.	
		PANEL, DETACHABLE, AT TAIL BUMPER STRUCTURE (1D10772) (Pre-Mod 2444)				
		PANEL, DETACHABLE, AT TAIL BUMPER STRUCTURE (44D10772) (Mod 2444)				
10398	41D10772	Spares for:— DOOR, ACCESS, FORWARD, GROUP (Pre-Mod. 2444)	1	—		JH5/288
23035	43D10772	DOOR, ACCESS, FORWARD, GROUP (Mod. 2444)	1	—	B	
23033	3D14525	PANEL, ACCESS, GROUP (1D74525) (Mod. 2444)	1	—	B	
		PANEL, ASSY., REINFORCING	1	—		
		Spares for:—				
	3aD14525	Plate, reinforcing	1			
28FP/9422831	S4—225	Spring, dzus	8			
23034	2D14525	PANEL ASSY., ACCESS	1	—	B	
		Spares for:—				
	AS44445B175J	Cord, retaining	1			
28FP/9481457	AJ4—30	Fastener	8			
28FP9430915	GA4—250	Grommet	8			
	2aD14525	Panel	1			
28E/9457487	SS 188-½	Ring, split (Mod. 2444)	2			
	42D10772	Seal (Made from 1554489)	2			
28Y/6458070	AS41089A	Tag (Mod. 2444)	2			
10396	33D10772	PANEL, ACCESS, PORT, GROUP	1	—	C	JH5/289
10397	34D10772	PANEL, ACCESS, STARBOARD,	1	—	C	JH5/290
		GROUP				
		Attachments—Panels (33 & 34D10772)				
28FP/8946	2554353	Bolt, csk. head	16	—	C	JH5/291
28D/1007981	AS1248/1/2C	Bolt, mushroom head	4	—	C	JH5/292
10380	185D10703	Pin, hinge, for access doors	6	—	C	JH1/293
7889	1D10785/W	RADOME AND MOUNTING	1	—	A	JH4/294
		RING, WHITE, GROUP				

FUSELAGE
REAR PORTION

Ref. No.	Part No.	Description	No. off	Mater. Spec.	Cl. of St.	Plate and Illust'n No.
					M.R.	
		1 2 3 4				
		STRUCTURE, REAR PORTION (1D10703) (Cont'd.)				
	1D10785/C	RADOME AND MOUNTING RING, CAMOUFLAGED, GROUP (Mod. 1877)	1	—		JH4/294A
	1D10785/PC	RADOME AND MOUNTING RING, POLYURATHENE FINISH, GROUP (Mod. 2129)	1	—		
	D13149	RADOME AND MOUNTING RING, GROUP (Mod. 2017)	1	—		
	2010785	Spares for:— Bolt, mushroom head, 3/8" BSF	4	S96	MR	JH4/295
280/1212373	AS1248/4E	Bolt, mushroom head, 1/4" BSF	20	—	C	
7888	1D10716/W	RADOME, FOR REAR WARNING SCANNER ARI-X5919, WHITE, GROUP	1	—	A	JH4/296
	1D10716/C	RADOME, FOR REAR WARNING SCANNER ARI-X5919, CAMOUFLAGED, GROUP (Mod. 1877)	1	—		JH4/296A
143345	1D10716/PC	RADOME, FOR REAR WARNING SCANNER ARI-X5919, POLYURATHENE FINISH GROUP (Mod. 2129)	1	—	A	
17388	D13150	RADOME, FOR REAR WARNING SCANNER ARI5952 (Mod. 2017)	1	—		
17386	1D10718	RING, MOUNTING, GROUP	1	—		JH4/297
	13D10718	Spares for:— Block, at sealing plates	4	L72		
	15D10718	Bolt, special, through bush	4	S80	MR	
	2T8471	(Pre-Mod. 2017) Bolt, special, through bush	4	—		
17500	11D10718	(Mod. 2017) Bush, in mounting ring	4	Nylon	MR	JH4/298
	KING A/C	Fitting, attachment for radome	4	—	MR	JH4/299
	D4727	Lever, and male link Assy	4	—	MR	JH4/300
	C4583	Plate, retaining, outer seal	12	L72	MR	JH4/301
	6D10718	Plate, retaining, outer seal	2	L72	MR	JH4/302
	7D10718	Plate, retaining, inner seal	2	L72	MR	JH4/303
	8D10718	Plate, retaining, inner seal	2	L72	MR	JH4/304
	9D10718	Ring, mounting	1	L65		
	1D10710	Seal, inflatable, aft	1	—	MR	JH4/305
	12D10718	Seal, inflatable, forward	1	—	MR	JH4/306
	DUNLOP	Spigot	4	DTD130	MR	JH4/307
	RR/B/E20867/13					
	2D10718	TEE, RADOME SEAL, GROUP	1	—	MR	JH4/308
	3D10718	Tube, neoprene, 3-1/4" long	1	—		
	4D10718	Tube, neoprene, 8" long	1	—		
	5D10718	Washer, under head of bolt	4	Nylon	MR	JH4/309
	14D10718	(15D10718)				

VULCAN HL 2

FUSELAGE
REAR PORTION

Page JH. 25

Ref. No.	Part No.	Description	No. off	Matl. Spec.	Cl. of	Plate and Illust'n No.
					St. M.R.	
		1 2 3 4				
		STRUCTURE, REAR PORTION (1D10703) (Cont'd)				
		SKINNING, REAR PORTION (1D10719)				
		Spares for: -				
		PANEL, ACCESS, BETWEEN FORMERS 428A" AND 442.5", PORT (1D10769), STARBOARD (1D10770)				
		Spares for: -				
	12D10770	FAIRLEAD, STARBOARD, GROUP	1	-	MR	JH7/310
10407	3D10769	PANEL, ACCESS, PORT, GROUP	1	-	C	JH7/311
10408	2D10770	PANEL, ACCESS, STARBOARD, . . . GROUP	1	-	C	JH7/312
		Attachments—Panels (3D10769 & 2D10770)				
28D/8438930	A25/1C	Bolt, 2 BA	25	-	C	
28D/8133011	A25/2C	Bolt, 2 BA, starboard	4	-	C	
28W/8418478	SP15/C	Washer, port	25	-	C	
28W/8418402	SP13/C	Washer, starboard	27	-	C	
10846	1D10982	UNDERFAIRING, RUDDER, GROUP	1	-	B	JH5/313
		Spares for: -				
	26D9211	Clip, half	2	-	MR	JH5/314
	4D10982	Dishing, port	1	-	MR	JH5/315
	8D10982	Dishing, starboard	1	-	MR	JH5/316
		Attachments—Dishing (4 & 5D10982)				
28D/8438930	A25/1C	Bolt, hex. head, 2 BA	16	-	C	
1510822	17D10982	Fairing, aft	1	L72	C	JH5/317
10404	18D10982	Panel, side, port	1	L72	C	JH5/318
	19D10982	Panel, side, starboard	1	L72	MR	JH5/319
		Attachments—Panels (18 & 19D10982)				
28FP/8948	2SS4353	Bolt, csk. head	30	-	C	JH5/320
	6D10982	Seal, at dishings, forward	1	Rubber		JH5/321
	11D10982	Seal, at dishings, aft	1	Rubber		JH5/322
	2Z9191	Skirt, half	2	L72	MR	JH5/323
		SEALING, FOR ACCESS DOORS ON PORT LONGERON (1D11520)				
		Spares for: -				
	2D11520	STRIP, SEALING, FORWARD, 8" LONG, GROUP	1	-		JH7/324
		Consisting of: -				
	2bD11520	Seal	1	CS2808		
	2aD11520	Strip, retaining	1	5621		

FUSELAGE
REAR PORTION

Ref. No.	Part No.	Description	No. off	Matl. Spec.	Cl. of	Plate and Illust'n No.
					St. M.R.	
		1 2 3 4				
		SEALING, FOR ACCESS DOORS ON PORT LONGERON (1D11520) (Cont'd)				
	3011520	STRIP, SEALING, 2' 6" LONG, GROUP	1	-		JH7/325
	3bD11520	Consisting of:- Seal	1	CS2808	MR	
	3aD11520	Strip, retaining	1	S521		
	4011520	STRIP, SEALING, 18" LONG, GROUP	1	-		JH7/326
	4bD11520	Consisting of:- Seal	1	CS2808		
	4aD11520	Strip, retaining	1	S521		
	5011520	STRIP, SEALING, 2' LONG, GROUP	1	-		JH7/327
	5bD11520	Consisting of:- Seal	1	CS2808		
	5aD11520	Strip, retaining	1	S521		
	6011520	STRIP, SEALING, 1' 15" LONG, GROUP	1	-		JH7/328
	6bD11520	Consisting of:- Seal	1	CS2808		
	6aD11520	Strip, retaining	1	S521		
	7011520	STRIP, SEALING, 2' LONG, GROUP	1	-		JH7/329
	7bD11520	Consisting of:- Seal	1	CS2808		
	7aD11520	Strip, retaining	1	S521		
	8011520	STRIP, SEALING, AFT, 8" LONG, GROUP	1	-		JH7/330
	8bD11520	Consisting of:- Seal	1	CS2808		
	8aD11520	Strip, retaining	1	S521		
		SOCKET, GROUND A.C. BETWEEN FORMERS 461.5" & 472.5" (1V8636)				
	7V8636	Spares for:- Bracket, hook	1	L72		
10421	2V8636	DOOR, ACCESS, GROUP	1	-	B	JH7/331
		Spares for:-				
28FP/4082384	FJ4/30	Fastener, dzus	2	-	C	
28FP/9483371	GF4/150	Grommet, dzus	2	-	C	
	2dV8636	Hinge (Make from AS187B/25)	1	-		
	14Z7504	Hook	1	DT0364B		
	3V8636	PANEL, MOUNTING, GROUP	1	-		JH7/332
		Attachments Panel (3V8636)				
28D/1007982	AS1248/1C	Bolt	10	-	C	
28W/9419475	SP15/C	Washer	15	-	C	

FUSELAGE
REAR PORTION

Ref. No.	Part No.	Description	No. off	Matl. Spec.	Cl. of	Plate and Inst'n No.
					St. M.R.	
		1 2 3 4				
5CY/5371 28FP/9439491	-	SOCKET, GROUND A C BETWEEN FORMERS 481.5" AND 472.5" (1V8838) (Cont'd)				
		Plug, external power, 115-200V	1	-	B	JH7/333
	S4/275	Spring, drus	2	-	C	
		STRUCTURE, BETWEEN FORMERS 120.25 AND 182.20" (1D10734)				
		Spares for:				
	181D10734	Angle, attachment (Mod. 2240)	1	-		
	183D10734	Angle, stiffener (Mod. 2240)	1	L72		
	119D10734	Bracket, at former 120.25", port	1	L72	MR	JH7/334
	120D10734	Bracket, at former 120.25", starboard	1	L72	MR	JH7/334
	182D10734	Bracket, attachment (Mod. 2240)	1	DTD5020		
	4D10734	BRACKET, GUIDE RAIL, GROUP	4	-		JH7/335
	196D10734	BUNG, GROUP (Mod. 2240)	1	-	MR	JH7/336
		Spares for: -				
28D/9133012	A25/3C	Bolt, 2 BA	1	-	C	
	2bSS6206	Bush, rubber	1	BSS2752/CZ		
	186aD10734	Cord, nylon, 1/16" dia. x 18" long	1	FTF786		
	196aD10734	Nut	1	S93		
28W/9419454	2aD10734	Washer	1	DTD130		
	SP10/C	Washer, 2 BA	1	-	C	
	194D10734	Cleat (Mod. 2240)	2	L72		
	180D10734	Channel, attachment (Mod. 2240)	1	-		
28E/3318	AGS806/A	Clip, hose	4	-	C	
26FP/2721	2SS3859	Clip, pipe, for drain	2	-	C	
26FP/13093	BSS3264	Clip, for guide tube (Mod. 2240)	3	-	C	
	AS 3179/1	Cover, handhole, curved	1	-	MR	JH7/339
	17D10734	Fastener, for radome attachment to former 182.2"	4	-	MR	JH7/340
		INDICATOR, TAIL BUMP, (D12613) (Mod. 1583)				
		Spares for: -				
	3012613	FAIRING, GROUP	1	-	MR	JH7/341
		Spares for: -				
	3bD12613	Seat	1	DTD762	MR	JH7/342

FUSELAGE
REAR PORTION

Ref. No.	Part No.	Description	No. off	Matl. Spec.	Cl of	Plate and Illust'n No.
					Sc.	
					M.R.	
		1 2 3 4				
		INDICATOR, TAIL BUMP (D12613) (Mod 1583) (Cont'd)				
1432751	2D12613	KEEL, ASSEMBLY, GROUP	1	-	C	JH7/343
	12D12613	Spares for:- Bolt, adjustment	2	S83	MR	JH7/344
	6D12613	LEG, INDICATOR, GROUP	1	-		JH7/345
	6jD12613	Spares for:- Block, striker	1	S80	MR	
	6eD12613	Leg, indicator	1	-	MR	
	13D12613	Spring	1	DTD238	MR	JH7/346
5CW/1084481	DOWTY DN1241Z Mk. 1A	Switch, micro	2	-	A	JH7/347
1432752	4D12613	Plate	1	-	C	
1432753	5D12613	Stop	1	L85	C	JH7/348
	129319	INTAKE, N.A.C.A. FLUSH FOR SCANNER COOLING, GROUP	1	-		
	188D10734	Packer, 20G (Mod. 2240)	1	L72	LM	
11220	87D10734	PANEL, LOUVRE, GROUP	1	-	C	JH7/349
28FP/9639080	F4/30	Spares for:- Fastener, dzus	3	-	C	
11338	161D10734	Pipe, drain at former 182.2", port	1	L56		JH7/350
	61010734	Pipe, conical outlet	1	-	C	JH7/351
	160D10734	Pipe, drain, at fastener	1	-		JH7/352
	165D10734	Pipe, stub at outer skin	1	-		JH7/353
1506097	63D10734	Plate, coupling at conical pipes outlet	1	S82	C	JH7/353A
	187D10734	Plate, cover (Mod. 2240)	1	L72	LM	
17058	160D10734	RAIL GUIDE, GROUP	4	-	MR	JH7/354
1510400	184D10734	ROLLER, CABLE, GROUP (Mod. 2240) Spares for:-	1	-	C	JH7/338
	GLACIER 04.DU.06	Bush	1	-		
		Attachments for:- Roller, Part No. 184D10734				
28D/9140845	A26/10C	Bolt, hex. hd., 2 BA	1	-	C	
28M/5808573	A27/CS	Nut, 2 BA	1	-	C	
28P/9710587	SP.90/CA	Pin, split	1	-	C	
28DL/6831	AS.2806/4/095	Tube, distance	1	-	C	
28W/9419402	SP.13/C	Washer, 2 BA	1	-	C	

VULCAN 88.3

FUSELAGE
REAR PORTION

Page JH. 278

Ref. No.	Part No.	Description	No. off	Matl. Spec.	Cl. of St.	Plate and Illust'n No.
					M.R.	
		1 2 3 4				
		STRUCTURE, BETWEEN FORMERS 120.25" AND 162.20" (1D10734) (Cont'd.)				
	58D10734	Strip, sealing at fasteners	4	Rubber	MR	JH7/356
		STRUCTURE, SCANNER, VIBRATION DAMPING (1D10789) Spares for:—				
	15D10789	BRACKET, CHANNEL, BOTTOM,	1	—	MR	JH7/356
		L.H. FOR SPIDER, GROUP				
	16D10789	BRACKET, CHANNEL, BOTTOM	1	—	MR	JH7/357
		R.H. FOR SPIDER, GROUP				
	19D10789	Diaphragm, bottom	1	L72	MR	JH7/358
	20D10789	Diaphragm, top	1	L72	MR	JH7/359
	185D10734	Tube, guide (Mod. 2240)	1	OTD5018	MR	JH7/360
	152D10734	Tube, rubber, drain pipes	2	EL1357		

FUSELAGE
REAR PORTION

Ref. No.	Part No.	Description	No. off	Matl. Spec.	Cl. of St.	Plate and Illust'n No.
					M.R.	

VULCAN No. 3						
FUSELAGE						
REAR PORTION						
Ref No.	Part No.	Description	No off	Matl Spec.	Cl of St.	Plate and Illust'n No.
					M.R.	
		1 2 3 4				
STRUCTURE, R.C.M. HOIST UNITS (1D10749) (Con'd.)						
22317	87D10749	Bracket, pulley, R.H., (for 74D10749)	1	L72	C	JH5/367
22318	88D10749	Bracket, pulley, L.H., (for 74D10749)	1	L72	C	JH5/368
22319	27D10749	Bracket, pulley, L.H., for 75 & 76D10749)	1	L72	C	JH5/369
22320	28D10749	Bracket, pulley, R.H., (for 75 & 76D10749)	1	L72	C	JH5/370
22321	102D10749	Bracket, pulley, L.H., for 75D10749)	1	L72	C	JH5/371
22322	103D10749	Bracket, pulley, L.H., (for 76D10749)	1	L72	C	JH5/372
22305	17D10749	Diaphragm	1	L72	C	
22306	18D10749	Diaphragm	1	L72	C	
22307	19D10749	Diaphragm	1	L72	C	
	20D10749	Diaphragm	1	L72	MR	
22311	21D10749	Diaphragm	1	L72	C	
	124D10749	Panel, access, (for 71 & 72D10749)	1	L72	C	JH5/373
	127D10749	Panel, access, (for 73 & 74D10749)	1	L72		JH5/374
	111D10749	Panel, access, (for 75 & 76D10749)	1	L72		JH5/375
	22D10749	Shield, pulley	1	L72	MR	
	25D10749	Shield, pulley	3	L72		
	26D10749	Shield, pulley	2	L72		
STRUCTURE, SUPPORT, FOR RUDDER POWER UNIT (1D10788)						
Spares for:—						
5320	20D9121	Bolt, eye	2	S96	C	JH1/376
7867	7D10788	STRUT, SUPPORT, GROUP	2	—	C	JH1/377
5321	21D9121	Washer, shim, at strut, top	2	—	C	JH1/378
STRUCTURE, TAIL BUMPER (1D10750)						
Spares for:—						
	61D10750	Angle, door land, on edge member	1	L72	MR	
	62D10750	Angle, door land, on edge member	1	L72	MR	
	84D10750	ARCH, ASSEMBLY, AT FORMER 428", GROUP	1	—	MR	JH5/379
	1D10756	BEAM, MAIN, PORT, GROUP	1	—	MR	JH5/380
Spares for:—						
13474	39D10756	Angle, door landing	1	L72	C	
	2D10756	BEAM, MAIN, STARBOARD, GROUP	1	—	MR	JH5/381
Spares for:—						
13475	40D10756	Angle, door landing	1	L72	C	
	25D10750	Bracket, at former 428", port	1	L65	MR	
	26D10750	Bracket, at former 428", starboard	1	L65	MR	
10410	3D10750	Bracket, bearing, front port	1	L65	C	JH5/382
10411	4D10750	Bracket, bearing, front starboard	1	L65	C	JH5/383
10412	5D10750	Bracket, bearing, aft, port	1	L65	C	JH5/384

FUSELAGE
REAR PORTION

Ref. No.	Part No	Description	No. off	Matl. Spec.	Cl. of St.	Plate and Illust'n No.
					M.R.	
		1 2 3 4				
		STRUCTURE, TAIL BUMPER (1D10750) (Cont'd.)				
10413	6D10750	Bracket, bearing, aft, starboard	1	L65	C	JH5/385
	27D10750	Channel, bridge, at former 472.5"	1	L65	MR	
	7D10750	Diaphragm, at former 428", port	1	L72	MR	
	8D10750	Diaphragm, at former 428", starboard	1	L72	MR	
	80D10750	DIAPHRAGM, AT FORMER 442.5", GROUP	1	—	MR	JH5/386
	32D10750	Spare for:— Angle, door landing	1	L72	MR	JH5/387
	91D10750	DIAPHRAGM, AT FORMER 461.5", GROUP	1	—	MR	JH5/388
	KING A/C D6487	Fastener, stronghold (Base only)	19	—		JH5/389
5CX/4879628	—	Glass, amber, for downward ident lamp	1	—	B	JH5/390
	88D10750	Intercostal	1	L72	MR	
	89D10750	Intercostal	1	L72	MR	
5CX/1053245	—	Lamp, ident	1	—	B	JH5/391
	18D10750	Member, cross, at former 428"	1	L72	MR	
	41D10750	Member, edge, between formers 428" & 442.5"	1	L72	MR	
	42D10750	Member, edge, between formers 428" & 442.5"	1	L72	MR	
10414	TECALEMIT NA5792/1	Nipple, grease, at forward bearing brackets	2	—	C	
7855	1D10764	PANEL, ACCESS, AFT, GROUP	1	—	B	JH5/392
10416	82D10750	Panel, window, group	1	—	B	JH5/393
		Spare for:—				
1433484	38D10750	Rim, inner, for window	1	L72	C	
1433485	39D10750	Rim, outer, for window	1	L72	C	
7856	47D10750	Window, perspex	1	DTD339/A	C	JH5/394
	1D10765	PANEL, ACCESS, FORWARD, GROUP (Pre-Mod. 1149)	1	—		
10187	1D12027	PANEL, ACCESS, FORWARD, GROUP (Mod. 1149)	1	—	B	JH5/395
		Spare for:—				
	KING A/C D7283	Fastener, stronghold (Pre-Mod. 114)	19	—	MR	
10415	13D10766	HANDLE, GROUP	1	—	C	
28M/4085775	AGS2014/C31	Nut, floating anchor (Mod. 1149)	19	—	C	
1747	1D9778	STRUT, SUPPORT, FOR RUDDER POWER UNIT, GROUP (Pre-Mod. 2317)	1	—	C	
	1D13812	STRUT, SUPPORT, FOR RUDDER POWER UNIT, GROUP (Mod. 2317)	1	—	MR	JH1/386
588	1D10704/W	STRUCTURE, TAILING EDGE, PORT, WHITE, GROUP	1	—	A	JH10/387

VULCAN No. 2		FUSELAGE REAR PORTION			Page JH. 31	
Ref. No.	Part No.	Description	No. off	Matl. Spec.	Cl. of St.	Plate and Illust'n No
					M.R.	
		<u>1 2 3 4</u>				
	1D10704/C	STRUCTURE, TRAILING EDGE, PORT, CAMOUFLAGED, GROUP (Mod. 1877)	1	—		JH10/397A
	1D10704/PC	STRUCTURE, TRAILING EDGE, PORT, POLYURETHENE FINISH, GROUP (Mod. 2129)	1	—		
558	2D10704/W	STRUCTURE, TRAILING EDGE, STARBOARD, WHITE, GROUP	1	—	MR/A	JH10/398
	2D10704/C	STRUCTURE, TRAILING EDGE, STARBOARD, CAMOUFLAGED, GROUP (Mod. 1877)	1	—		JH10/398A
	2D10704/PC	STRUCTURE, TRAILING EDGE, STARBOARD, POLYURETHENE FINISH, GROUP (Mod. 2129)	1	—		
	185D8760	Spares for:— Box, collector fuel drain between former 472.5" and 480", port and starboard	2	—	MR	JH8/399
	77D8760	Bracket, stringer attachment	9P 14S	L72		
	78D8760	Bracket, stringer attachment	14P	L72		
3714	109D8760	Bracket, stringer attachment	9S 14P 20S	L72	MR/C	
3715	110D8760	Bracket, stringer attachment	20P 14S	L72	MR/C	
	113D8760	Bracket, stringer attachment	9	L72		
	114D8760	Bracket, stringer attachment	9	L72		
	1D10906	CAP, JET PIPE I/B, PORT, GROUP (Pre-Mod. 906)	1	—		
11771	1D11459	CAP, JET PIPE I/B, PORT, GROUP (Mod. 906)	1	—	A	JH10/400
12208	49D10906	CAP, JET PIPE I/B, PORT, GROUP (Mod. 1133)	1	—	A	JH11/401
	2D10906	CAP, JET PIPE I/B, STARBOARD, GROUP (Pre-Mod. 906)	1	—		
11772	2D11459	CAP, JET PIPE I/B, STARBOARD, GROUP (Mod. 906)	1	—	A	JH10/402
12210	50D10906	CAP, JET PIPE I/B, STARBOARD, GROUP (Mod. 1133)	1	—	A	JH11/403
	1D10907	CAP, JET PIPE O/B, PORT, GROUP (Pre-Mod. 906)	1	—		
11773	1D11460	CAP, JET PIPE O/B, PORT, GROUP (Mod. 1133)	1	—	A	JH10/404
12209	21D10907	CAP, JET PIPE O/B, PORT, GROUP (Mod. 1133)	1	—	A	JH11/405

FUSELAGE
REAR PORTION

Ref. No.	Part No.	Description	No. off	Matl. Spec.	Cl. of St.		Plate and Illust'n No.
					M	R	
		1 2 3 4					
		STRUCTURE, TRAILING EDGE, PORT AND STARBOARD (1 & 2D10704) (Cont'd.)					
	2D10907	CAP, JET PIPE O/B STARBOARD,	1	—			
11774	2D11460	GROUP (Pre-Mod. 906) CAP, JET PIPE O/B STARBOARD,	1	—	A		JH10/406
		GROUP (Mod. 906)					
12211	22D10907	CAP, JET PIPE O/B STARBOARD,	—	—	A		JH11/407
		GROUP (Mod. 1133)					
	188D8760	Fairing for fuel drain collector box, port	2	L59	MR		JH11/408
		and starboard					
		FORMER, JET PIPE 428" A BOTTOM	—	—			JH9/409
		PORTION, PORT AND STARBOARD					
		(3 & 4D10731)					
		Spares for:—					
3647	11D8761	Angle, wing I/B & O/B, port	2	DTD364B	MR/C		
	13D8761	Angle, wing L.H., port	1	DTD364B	MR		
	14D8761	Angle, wing L.H., starboard	1	DTD364B	MR		
	23D8761	Angle, wing, centre, port	1	DTD364B	MR		
3648	24D8761	Angle, wing I/B & O/B, starboard	2	DTD364B	MR/C		
	5D10731	Angle, wing R.H., port	1	DTD364B	MR		
	6D10731	Angle, wing R.H., starboard	1	DTD364B	MR		
	7D10731	Angle	—	—	MR		
	8D10731	Plate	—	—	MR		
22599	11D10731	Plate	—	—	C		
	12D10731	Plate	—	—	MR		
	13D10731	Plate	—	—	MR		
3651	15D8761	Plate, joint, port and starboard	2	L72	MR/C		
3650	16D8761	Plate, joint, port and starboard	2	L72	MR/C		
3649	17D8761	Plate, joint, port and starboard	2	L72	MR/C		
3652	22D8761	Plate, joint, port and starboard	2	L72	MR/C		
	1D8772	FORMER, JET PIPE 442.5" INBOARD,	—	—	B		JH9/410
17845	2D8772	PORT AND STARBOARD					
		Spares for:—					
3656	10D8772	Angle, bottom	1	L72	MR/C		
3654	15D8772	Channel, jointing, side	1	L72	MR/C		
3656	18D8772	Channel, jointing, side	1	L72	MR/C		
	4D8772	Member, bottom	1	L72	MR		
	1D8775	FORMER, JET PIPE 442.5 OUT-	—	—			JH9/411
	2D8775	BOARD, PORT & STARBOARD					
		Spares as for 1 & 2D8772					
	1D9262	FORMER, JET PIPE 452", PORT	—	—	B		JH9/412
17844	2D9262	AND STARBOARD					
		Spares for:—					
3659	7D9262	Channel, joint bottom	2	L72	MR/C		
	5D9262	FORMER, bottom half, starboard	1	L72	MR		
	6D9262	Former, bottom half, port	1	L72			

FUSELAGE
REAR PORTION

Ref. No.	Part No.	Description	No. off	Matl. Spec.	Cl. of	Plate and Illust'n No.
					St. M.R.	
		1 2 3 4				
		STRUCTURE TRAILING EDGE, PORT AND STARBOARD (1 & 2D10704) (Cont'd)				
		FORMER, JET PIPE 472.5", INBOARD & OUTBOARD, PORT AND STARBOARD (1 & 2D10979; (1 & 2D10980) Spares for:-				JH9/413
22578	15D10979	Channel, joint, top, forward, L.H	1	L72	MR/C	
	16D10979	Channel, joint, bottom, aft, R.H	1	L72	MR	
	19D10979	Channel, joint, top, forward, R.H	1	L72	MR	
	20D10979	Channel, joint, bottom, aft, L.H	1	L72	MR	
	7D10979	Former, bottom, forward	1	L72	MR	
	8D10979	Former, bottom, aft	1	L72	MR	
22577	18D10979	Plate, doubling, top, aft, L.H	1	L72	MR/C	
	22D10979	Plate, doubling, top, aft, R.H	1	L72	MR	
	25D10979	Plate, doubling, top, forward, L.H	1	L72	MR	
	26D10979	Plate, doubling, top, forward, R.H	1	L72	MR	
		FORMER, JET PIPE 481.5", INBOARD AND OUTBOARD, PORT AND STARBOARD (1 & 2D10986) (1 & 2D10987) Spares for:-				JH9/414
	13D10986	Angle, bottom	1	L72	MR	
	10D10986	Channel, joint, top, L.H	1	L72	MR	
	14D10986	Channel, joint, top, R.H	1	L72	MR	
	12D10986	Former, bottom	1	L72	MR	
	11D10986	Plate, doubling, bottom	1	L72	MR	
		FORMER, JET PIPE 480" A, INBOARD, AND OUTBOARD (1 & 2D10722) (1 & 12D9258) Spares for:-				JH9/416
	15D9258	Channel, joint, bottom, inner	1	L72		
	16D9258	Channel, joint, bottom, outer	1	L72		
	9D9258	Former, bottom portion, port	1	L72		
	10D9258	Former, bottom portion, starboard	1	L72		
		FORMER, JET PIPE 487.5" OUTBOARD, PORT & STARBOARD (1 & 2D9089) Spares for:-				
3671	9D9088	Angle, bottom, port	1	DTD364B	MR/C	
	10D9088	Angle, bottom, starboard	1	DTD364B	MR	
	5D9088	Angle, inboard, port	1	DTD364B	MR	
	6D9088	Angle, inboard, starboard	1	DTD364B	MR	
	3D9088	Angle, top, port	1	DTO364B	MR	
	4D9088	Angle, top, starboard	1	DTD364B	MR	
3674	18D9088	Angle, joint	1	DTD124A	MR/C	
3675	20D9088	Angle, joint	1	DTD124A	MR/C	
10113	8D9088	Angle, outboard, starboard	1	DTD364B	MR/C	
	22D9088	Plate, joint	2	L72	MR	
3673	31D9088	Plate, joint	2	L72	MR/C	
3668	29D9088	Web, bottom, port	1	L72	MR/C	
3670	30D9088	Web, bottom	1	L72	MR/C	
	23D9088	Web, top centre, port	1	L72	MR	
10114	24D9088	Web, top, centre, starboard	1	L72	MR/C	

FUSELAGE
REAR PORTION

Ref. No.	Part No.	Description				No. off	Matl. Spec.	Cl. of	Plate and Illust'n No.
		1	2	3	4			St. M.R.	
		FORMER, JET PIPE, 487.5", OUTBOARD, PORT AND STARBOARD (1 & 2D9089) (Cont'd)							
10045	13D9089	Web, top inboard, port				1	L72	MR	
	14D9089	Web, top inboard, starboard				1	L72	MR	
	15D9089	Web, top outboard, port				1	L72	MR	
	16D9089	Web, top outboard, starboard				1	L72	MR/C	
11862	1D10723	FORMER, JET PIPE, 487.5", INBOARD, PORT, GROUP				1	-	MR/C	JH9/417
	2D10723	FORMER, JET PIPE, 487.5", INBOARD, STARBOARD, GROUP				1	-	MR	JH9/418
3671	9D9088	Spares for:-				1	DTD364B	MR/C	
	10D9088	Angle, bottom, port				1	DTD364B	MR	
	6D10723	Angle, bottom, starboard				1	DTD364B	MR	
	6D10723	Angle, inboard, port				1	DTD364B	MR	
	7D9088	Angle, inboard, starboard				1	DTD364B	MR	
10113	8D9088	Angle, outboard, port				1	DTD364B	MR	
	8D9088	Angle, outboard, starboard				1	DTD364B	MR/C	
	3D10723	Angle, top, port				1	DTD364B	MR/C	
	4D10723	Angle, top, starboard				1	DTD364B	MR	
3674	18D9088	Angle, joint				1	DTD124A	MR/C	
3675	20D9088	Angle, joint				1	DTD124A	MR/C	
	22D9088	Plate, joint				2	L72	MR	
3673	31D9088	Plate, joint				2	L72	MR/C	
3668	29D9088	Web, bottom, port				1	L72	MR/C	
3670	30D9088	Web, bottom, starboard				1	L72	MR/C	
	23D9088	Web, top centre, port				1	L72	MR/C	
10114	24D9088	Web, top centre, starboard				1	L72	MR/C	
	25D9088	Web, top inboard, port				1	L72	MR	
	26D9088	Web, top inboard, starboard				1	L72	MR	
	27D9088	Web, top outboard, port				1	L72	MR	
	28D9088	Web, top outboard, starboard				1	L72	MR	
		PANELS, ACCESS, FOR ELECTRICAL CABLES, PORT AND STARBOARD (1 & 2D11149)							
		Spares for:-							
10540	3D11149	PANEL, ACCESS, INBOARD, GROUP				1	-	B	JH10/419
10541	4D11149	PANEL, ACCESS, INBOARD, STARBOARD, GROUP				1	-	B	JH10/420
		Spares for:-							
10544	14D11149	Panel				1	L72	C	JH10/421
26FP/10135	2SS4337	Screw				12	-	C	JH10/422
	5D11149	Seal				1	DTD762	MR	JH10/423
10542	15D11149	PANEL, ACCESS, OUTBOARD, PORT, GROUP				1	-	B	JH10/424
10543	16D11149	PANEL, ACCESS, OUTBOARD, STARBOARD, GROUP				1	-	B	JH10/425
		Spares for:-							
26FP/10135	21D11149	Panel				1	L72	C	JH10/426
	2SS4337	Screw				12	-	C	JH10/427
	17D11149	Seal				1	DTD762	MR	JH10/428

FUSELAGE
REAR PORTION

Ref. No.	Part No.	Description	No. off	Matl. Spec.	Cl. of	Plate and Illust'n No.
					St. M.R.	
		1 2 3 4				
		STRUCTURE, TRAILING EDGE, PORT AND STARBOARD (1 & 2010704) (Cont'd)				
		RIB, INBOARD ENGINE, 63.5", PORT AND STARBOARD (1 & 2D10711)				JH9/429
		Spares for:-				
	8D10711	Angle, bottom, port	1	L85	MR	
	8D10711	Angle, bottom, starboard	1	L85	MR	
	11D9076	Angle, at former 442.5"	1	L72	MR	
	15D10711	Angle, at former 480"	1	L72	MR	
	17D10711	Angle, at former 480"	1	L72	MR	
	23D9076	Angle, at former 461.5"	1	L72	MR	
	27D10711	Angle, at former 461.5"	1	L72	MR	
	28D10711	Angle, at former 442.5"	1	L72	MR	
	38D10711	Angle, at former 472.5"	1	L72	MR	
	28D10711	Angle, at former 472.5" port	1	L72	MR	
	37D10711	Angle, at former 472.5", starboard	1	L72	MR	
	28D10711	Bracket, at former 487.5", port	1	L72	MR	
	30D10711	Bracket, at former 487.5", starboard	1	L72	MR	
		RIB, CENTRE ENGINE 112.38", PORT AND STARBOARD (36 & 39D9077)				JH9/430
		Spares for:-				
	7D9077	Angle, bottom, port	1	DTD384B	MR	
	37D9077	Angle, bottom, starboard	1	DTD384B	MR	
	24D9077	Angle, at former 487.5" (Pre-Mod. 1392)	2	L72	MR	
22586	45D9077	Angle, at former 487.5" (Mod. 1392)	1	S614	MR/C	
	46D9077	Angle, at former 487.5" (Mod. 1392)	1	S614	MR	
	9D9077	Angle, at former 442.5"	1	L72	MR	
	10D9077	Angle, at former 442.5"	1	L72	MR	
	11D9077	Angle, at former 461.5"	1	L72	MR	
	12D9077	Angle, at former 461.5"	1	L72	MR	
	13D9077	Angle, at former 472.5"	1	L72	MR	
	14D9077	Angle, at former 472.5"	1	L72	MR	
	22D9077	Angle, at former 480"	1	L72	MR	
	23D9077	Angle, at former 480"	1	L72	MR	
		RIB, OUTBOARD, ENGINE 162.5", AND ELEVATOR FILLET (3 & 4D10704)				JH9/434
		Spares for:-				
10547	1F10802	FILLET, ELEVATOR, PORT, GROUP	1	-	MR/C	JH10/432
10548	2F10802	FILLET, ELEVATOR, STARBOARD, GROUP	1	-	MR/C	JH10/433
		Spares for:-				
	9F10802	Channel, port	1	L72	MR	
	10F10802	Channel, starboard	1	L72	MR	

FUSELAGE
REAR PORTION

Ref. No.	Part No.	Description	No. off	Matl. Spec.	Cl. of	Plate and Illust'n No.
					St.	
		1 2 3 4			M.R.	
		FILLET, ELEVATOR, PORT AND STARBOARD (1 & 2F10802) (Cont'd)				
	5F10802	DIAPHRAGM, PORT, GROUP	1	-	MR	
	6F10802	DIAPHRAGM, STARBOARD, GROUP	1	-	MR	
	3F10802	Fairing, port	1	L72	MR	
	4F10802	Fairing, starboard	1	L72	MR	
	6883781	Rivet, pop	90	-	MR	
		RIB, OUTBOARD ENGINE 162.5", PORT AND STARBOARD (31 & 32D9078) Spares for :-				JH10/431
	7D9078	Angle, bottom, port	1	OTD364B	MR	
	8D9078	Angle, bottom, starboard	1	OTD364B	MR	
	9D9077	Angle, at former 442.5"	1	L72	MR	
	14D9078	Angle, at former 461.5"	1	L72	MR	
	15D9078	Angle, at former 480"	1	L72	MR	
	24D9077	Angle, at former 487.5"	1	L72'	MR	
	46D9077	Angle, at former 587.5", starboard	1	S514	MR	
		(Mod 1392)				
	48D9077	Angle, at former 487.5", port	1	S514	MR	
		(Mod 1392)				
	36D9077	Bracket, at former 472.5", port	1	L72	MR	
	38D9077	Bracket, at former 472.5", starboard	1	L72	MR	
		starboard				
		SKINNING, TOP SURFACE BETWEEN RIBS 63.5" & 162.5", PORT AND STARBOARD (1 & 2D10712) Spares for :-				
1980	8D9010	Panel, access	2	L72	C	JH10/435
	30D9010	RING, REINFORCING, GROUP	2	-	MR	
26FP/10136	25S4337	Screw, for access panel	8	-	C	JH10/436
		SKINNING, BOTTOM SURFACE, BETWEEN RIBS 63.5" & 162.5", PORT AND STARBOARD (1 & 2D10713) Spares for :-				
26FP/15023	10SS3883	Clip, R.C.M. cable, starboard	1	-	C	
	41D11118	FAIRLEAD, R.C.M. CABLE, STARBOARD, GROUP	1	-		
1978	10SS3880	Packing, for clip	1	Novatex		
	309010	Panel, access, to jet pipe fairing cap attachment bolts between former 480"-487" and rib 63"-65" and stringer 73, port	1	L72	C	JH11/437

VULCAN No. 3

FUSELAGE
REAR PORTION

Page JH. 37

Ref. No.	Part No.	Description	No. off	Mater. Spec.	Cl. of	Plate and Illust'n No.
					St. M.R.	
		1 2 3 4				
		SKINNING, BOTTOM SURFACE, BETWEEN RIBS 83.5" & 182.5", PORT AND STARBOARD (1 & 2D10713) (Cont'd)				
	809010	Panel, access, to jet pipe fairing cap attachment bolts between formers 480"-487" and rib 83.5" and stringer 73, starboard	3	L72	MR	JH11/438
1980	809010	Panel, access, to jet pipe fairing cap attachment bolts between formers 480"-487" and between stringer 83-73 and 89 to 98, port, 74 to 84 and 90 to 100, starboard	6	L72	C	JH11/439
1981	10D9010	Panel, access, to jet pipe fairing cap attachment bolts between former 480"-487" and rib 83.5" and stringer 74, starboard	1	L72	C	JH11/440
1982	12D9010	Panel, access to jet pipe fairing cap attachment bolts between formers 480"-487" i/b and o/b of rib 83.5", starboard	3	L72	C	JH11/441
	AS3179/1	PANEL, ACCESS, TO JET PIPE ADJUSTING MECHANISM, PORT AND STARBOARD, GROUP	2	-	MR	JH11/442
	2809010	RING, PANEL REINFORCING, GROUP	3	-	MR	JH11/443
	2909010	RING, PANEL REINFORCING, GROUP	3	-		JH11/444
	30D9010	RING, PANEL REINFORCING, GROUP	6	-	MR	JH11/445
	31D9010	RING, PANEL REINFORCING, GROUP	1	-		JH11/446
	3209010	RING, PANEL REINFORCING, GROUP	1	-		JH11/447
28FP/10136	2SS4337	Screw, panel attachment	30	-	C	JH11/448
		SKINNING, INNER, JET PIPE TUNNELS, INBOARD AND OUTBOARD, PORT AND STARBOARD (1 & 2D11162) (Pre-Mod 1392) (101, 102, 103 & 104D11162) (Mod 1392) Spares for:-				
	24D11162	Drain, between formers 428A" and 462"	2	-	MR	JH11/449

FUSELAGE
REAR PORTION

Ref. No.	Part No.	Description				No. off	Matl. Spec.	Cl. of St. M.R.	Plate and Illust'n No.
		1	2	3	4				
		SKINNING, INNER, JET PIPE TUNNELS, INBOARD AND OUTBOARD, PORT AND STARBOARD (D11162) (Cont'd)							
12001	29D11162	Drain, between formers 480"A and 487.5"				2	-	C	JH8/450
5K/1009087	SP40/A10	Grommet, at drain (24D11162)				1	-	C	JH8/451
5K/1058171	SP40/A12	Grommet, at drain (29D11162)				1	-	C	JH8/452
	17D11162	Member, expansion, between formers 428" and 452", top				1	DTD712		JH8/453
	18D11162	Member, expansion, between formers 428" and 452", bottom				1	DTD712	MR	JH8/454
	30D11162	Member, expansion, between formers 428" and 452", bottom				1	DTD712	MR	JH8/455
	9D11162	Skin, inner, top, between formers 452" and 472.5"				1	AVR49 or 50		JH8/456
	10D11162	Skin, inner, bottom, between formers 452" and 472.5"				1	AVR49 or 50		JH8/457
10105	11D11162	Skin, inner, top, between formers 442.5" and 452"				1	AVR49 or 50	C	JH8/458
	12D11162	Skin, inner, bottom, between formers 442.5" and 452"				1	AVR49 or 50	MR	JH8/459
	13D11162	Skin, inner, top, between formers 428A" and 442.5"				1	AVR49 or 50		JH8/460
	14D11162	Skin, inner, bottom, between formers 428A" and 442.5"				1	AVR49 or 50		JH8/461
	32D11162	Skin, inner, top, between formers 472.5" and 487.5"				1	AVR49 or 50		JH8/462
	33D11162	Skin, inner bottom, between formers 472.5" and 487.5"				1	AVR49 or 50		JH8/463
	35D11162	Skin, half, contoured between formers 480A" and 487.5" (Pre-Mod 1392)				4	DTD171		
	36D11162	Skin, inner, top, between formers 413.5" and 428A"				1	AVR49 or 50		JH8/464
	37D11162	Skin, inner, bottom, between formers 413.5" and 428A"				1	AVR49 or 50		JH8/465
	39D11162	Skin, inner, bottom L.H., between former 480A" and 487.5" (Mod. 1392)				1	S521		JH8/466
	40D11162	Skin, inner, bottom R.H., between formers 480A" and 487.5" (Mod. 1392)				1	S521		JH8/467
	41D11162	Skin, inner, bottom R.H., between formers 480A" and 487.5" (Mod. 1392)				1	S521		JH8/468
	42D11162	Skin, inner, R.H. bottom, between formers 480A" and 487.5"				1	S521		JH8/468A
	43D11162	Skin, inner, top R.H., outboard tunnel, between formers 480A" and 487.5", port (Mod. 1392)				1	S521		JH8/469
	44D11162	Skin, inner, top L.H., outboard tunnel, between formers 480A" and 487.5", starboard				1	S521		JH8/470

FUSELAGE
REAR PORTION

Ref. No.	Part No.	Description	No. off	Matl. Spec.	Cl. of	Plate and Illust'n No.
					St. M.R.	
		1 2 3 4				
		SKINNING, INNER, JET PIPE TUNNELS, INBOARD AND OUTBOARD, PORT AND STARBOARD (D11162) (Cont'd)				
	46D11162	Skin, inner, top L.H., outboard tunnel, . . . between formers 480A" and 487 5", port (Mod. 1392)	1	S521		JH8/471
	48D11162	Skin, inner, top L.H., outboard tunnel, . . . between formers 480A" and 487 5", starboard (Mod. 1392)	1	S521		JH8/472
	47D11162	Skin, inner, top R.H., inboard tunnel, . . . between formers 480A" and 487 5", port (Mod. 1392)	1	S521		JH8/473
	48D11162	Skin, inner, top R.H., inboard tunnel, . . . between formers 480A" and 487 5", starboard (Mod. 1392)	1	S521		JH8/474
	49D11162	Skin, inner, top L.H., inboard tunnel, . . . between formers 480A" and 487 5", port (Mod. 1392)	1	S521		JH8/475
	50D11162	Skin, inner, top L.H., inboard tunnel, . . . between formers 480A" and 487 5", starboard (Mod. 1392)	1	S521		JH8/476
		SKIN, INNER, BETWEEN FORMERS . . . 428A" AND 442 5", INBOARD TUNNELS (4D11162)				JH8/477
		Consisting of:-				
	17D11162	Member, expansion	1	DTD712		JH8/478
	34D11162	Shroud, insulation	1	-		
	5D10989	Shroud, insulation	1	-		
	4aD11162	Skin, forward	1	AVR49 or 50	MR	JH8/479
	4bD11162	Skin, rear	1	AVR49 or 50		JH8/480
	6D10989	Strip, retaining, 24G x 0 825" x 6" . . .	4	S521		
	7D10989	Strip, retaining, 14G x 0 825" x 39" . . .	4	S521		
	87D11162	Strap, butt	8	AVR49 or 50		
	87mD11162	Strap, butt	3	AVR49 or 50		
	51D11162	Cover	1	-	MR	
	52D11162	Cover	1	-	MR	
	53D11162	Cover	1	-	MR	
	54D11162	Cover	1	-	MR	

VULCAN No. 2		FUSELAGE		Page JH. 41					
		REAR PORTION							
Ref. No.	Part No.	Description				No. off	Matl. Spec.	Cl. of Sr. M.R.	Plate and Illust'n No.
		1	2	3	4				
COMPLEMENTARY ITEMS									
ATTACHMENT FITTINGS, CENTRE PORTION TO REAR PORTION FUSELAGE (4A3098)									
Consisting of:-									
28D/9438920	A26/1C	Bolt, 2 BA				34	-	C	
28D/1200119	A26/4C	Bolt, 2 BA				20	-	C	
28D/9133013	A26/5C	Bolt, 2 BA				2	-	C	
28D/7002428	A26/6C	Bolt, 2 BA				2	-	C	
28D/1011019	A26/8C	Bolt, 2 BA				4	-	C	
28D/1011238	A26/3E	Bolt, 1/4" BSF				120	-	C	
28D/1008151	A26/4E	Bolt, 3/4" BSF				82	-	C	
28D/1011240	A26/5E	Bolt, 1/4" BSF				84	-	C	
28D/1008145	A26/6E	Bolt, 1/4" BSF				26	-	C	
28D/1011242	A26/7E	Bolt, 1/4" BSF				2	-	C	
28D/1010031	A26/8E	Bolt, 1/4" BSF				2	-	C	
28D/1011244	A26/9E	Bolt, 1/4" BSF				2	-	C	
28D/7002427	A26/6G	Bolt, 5/16" BSF				18	-	C	
28D/1011257	A26/7G	Bolt, 5/16" BSF				2	-	C	
28D/1018884	A26/9G	Bolt, 5/16" BSF				30	-	C	
28D/1011259	A26/10G	Bolt, 5/16" BSF				4	-	C	
28D/1212385	A26/11G	Bolt, 5/16" BSF				2	-	C	
28D/1212387	A26/14G	Bolt, 5/16" BSF				4	-	C	
28D/14218	A30/9G	Bolt, 5/16" BSF				8	-	C	
28D/1212756	A26/9J	Bolt, 3/8" BSF				8	-	C	
28D/9436055	A59/11J	Bolt, 3/8" BSF				4	-	C	
28D/19749	A59/11L	Bolt, 7/16" BSF				4	-	C	
	A59/11N	Bolt, 1/2" BSF				4	-	C	
28D/1213530	A26/12P	Bolt, 9/16" BSF				2	-	C	
28D/8337	AS1248/1B	Bolt, mush hd, 4 BA				1	-	C	
28D/9140202	AS1248/1C	Bolt, 2 BA				4	-	C	
28D/9137409	AS1248/2C	Bolt, 2 BA				4	-	C	
28D/9140203	AS1248/3C	Bolt, 2 BA				8	-	C	
28M/1278189	AGS2001/B1	Nut, 4 BA				1	-	C	
28M/1278190	AGS2001/C1	Nut, 2 BA				110	-	C	
28M/9480017	AGS2001/E1	Nut, 1/4" BSF				320	-	C	
28M/10291	AGS2001/G1	Nut, 5/16" BSF				82	-	C	
28M/10292	AGS2001/J1	Nut, 3/8" BSF				8	-	C	
28M/9512071	A27/GC	Nut, 5/16" BSF				2	-	C	
28M/13289	A27/JC	Nut, 3/8" BSF				4	-	C	
28M/15398	A27/LC	Nut, 7/16" BSF				4	-	C	
28M/14015	A27/NC	Nut, 1/2" BSF				4	-	C	
28M/13415	A27/PS	Nut, 9/16" BSF				2	-	C	
28P/1007741	SP9/C8	Pin, split				8	-	C	
28P/1202481	SP9/E8	Pin, split				2	-	C	
28P/9429652	SP9/E10	Pin, split				8	-	C	
28W/9419474	SP15/B	Washer, 4 BA				1	-	C	
28W/9419454	SP10/C	Washer, 2 BA				14	-	C	
28W/9419475	SP15/C	Washer, 2 BA				110	-	C	
28W/9419404	SP16/C	Washer, 2 BA				8	-	C	
28W/9419405	SP15/E	Washer, 1/4" BSF				320	-	C	
28W/9419403	SP13/G	Washer, 5/16" BSF				8	-	C	
28W/9419475	SP15/G	Washer, 8/16" BSF				80	-	C	
28W/9419466	SP13/J	Washer, 3/8" BSF				4	-	C	

FUSELAGE
REAR PORTION

Ref. No.	Part No.	Description				No. off	Matl. Spec.	Cl. of St.	Plate and Illust'n No.
		1	2	3	4			M.R.	
		ATTACHMENT FITTINGS, CENTRE PORTION TO REAR PORTION FUSELAGE (4A3096) (Cont'd)							
28W/9419477	SP16/J	Washer, 3/8" BSF			8	-	C	
28W/9419467	SP13/L	Washer, 7/16" BSF			4	-	C	
28W/9419468	SP13/N	Washer, 1/2" BSF			4	-	C	
28W/9419489	SP13/P	Washer, 9/16" BSF			2	-	C	
	18A3096	Washer, special			32	-	C	

VULCAN No. 1

FUSELAGE
REAR PORTION

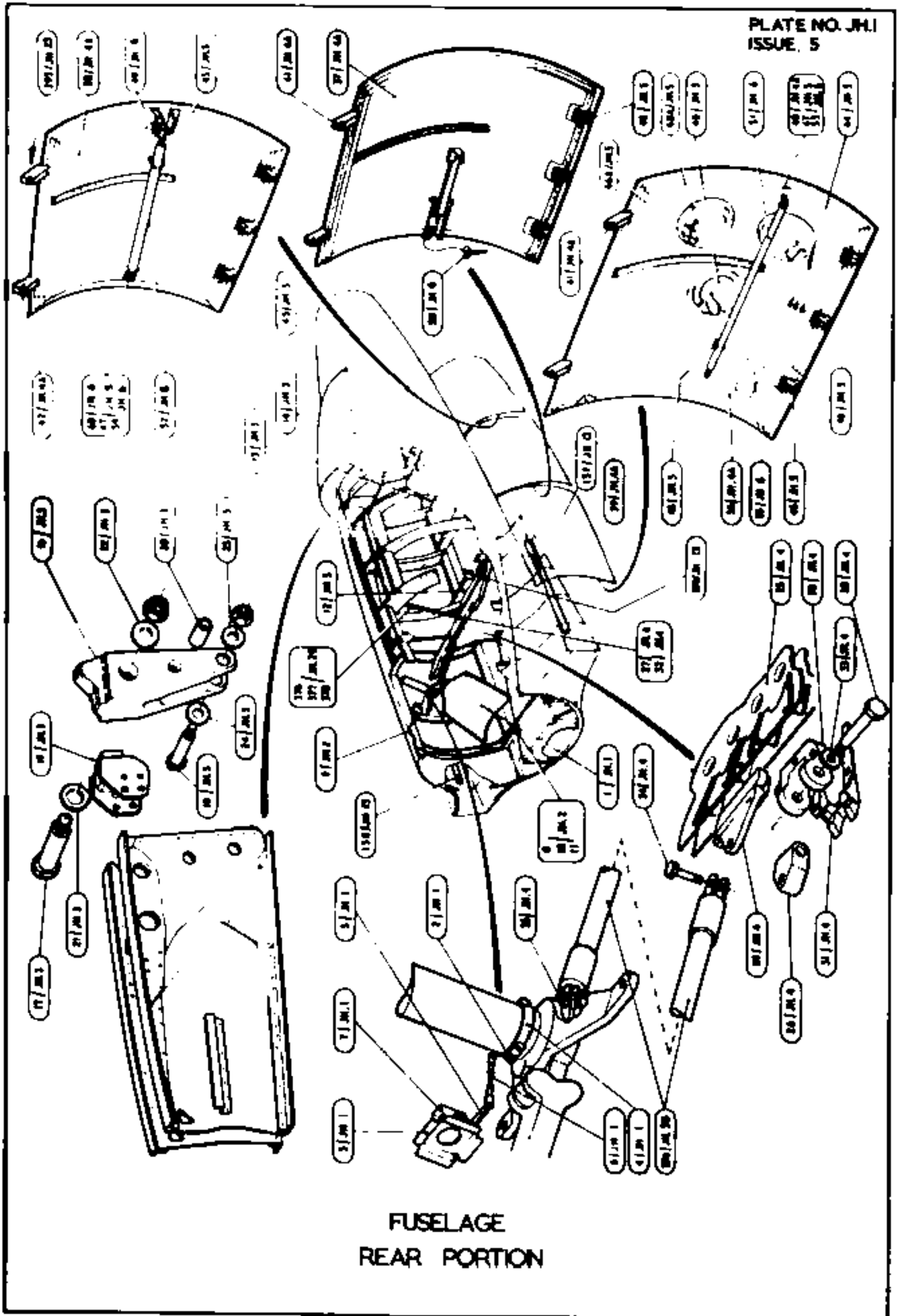
Page JH. 43

SUMMARY OF STANDARD ITEMS

Stores Ref.		No. off	Stores Ref.		No. off	Stores Ref.		No. off
Section	Ref. No.		Section	Ref. No.		Section	Ref. No.	
5CW	3918	2	28D	1010031	2	28M	10244	19
5CW	5824	1	28D	1011019	4	28M	10291	82
5CW	6588	1	28D	1011030	12	28M	10292	8
5CW	6886	3	28D	1011238	128	28M	13288	4
5CW	7412	2	28D	1011240	82	28M	13415	2
			28D	1011242	2	28M	14015	4
			28D	1011244	2	28M	15398	4
5CX	557	1	28D	1011257	2	28M	1006473	2
5CX	2783	1	28D	1011259	4	28M	1011470	1
5CX	3486	1	28D	1200119	24	28M	1011475	44
			28D	7002427	18	28M	1278189	1
			28D	7002428	2	28M	1278190	112
5CY	5371	1	28D	9133011	4	28M	9403620	8
			28D	9133012	32	28M	9480017	320
			28D	9133013	2	28M	9612071	2
5K	1009087	1	28D	9137409	4			
5K	1011139	1	28D	9140202	4			
5K	1200719	1	28D	9140203	8	28N	5549	4
			28D	9435055	4			
			28D	9438920	78			
6A	4102	1				28P	17924	2
			28E	20104	4	28P	1007741	8
28FP	2453	1	28E	20347	4	28P	1202481	2
28FP	8946	30	28E	3318	4	28P	5808574	2
28FP	10114	1	28E	10154	8	28P	9429852	8
28FP	10135	80	28E	14211	2	28P	9451803	1
28FP	13421	6	28E	1006378	3			
28FP	14885	2	28E	19823	28	28R	13514	18
28FP	15023	1	28E	9513854	1			
						28S	1013430	4
28TA	12081	3	28F	1013401	1	28S	9435888	3
28TA	80128	18	28F	9128943	1			
			28F	9129085	1			
			28F	9428453	1	28W	9419402	27
28D	8337	1				28W	9419403	8
28D	14218	8	28FP	5	1	28W	9419404	12
28D	19749	4	28FP	9	1	28W	9419405	364
28D	1007981	4	28FP	71	10	28W	9419454	14
28D	1007982	10	28FP	73	8	28W	9419466	4
28D	1018884	30	28FP	107	2	28W	9419467	4
28D	1212373	20	28FP	340	18	28W	9419488	4
28D	1212386	2	28FP	927	1	28W	9419489	2
28D	1212387	4	28FP	2721	4	28W	9419474	1
28D	1212758	8	28FP	8946	18	28W	9419475	198
28D	1213530	2	28FP	13889	28	28W	9419476	80
28D	1008145	28	28FP	9430818	3	28W	9419477	8
28D	1008151	80	28FP	9438491	8			
28D	1010030	8	28FP	9455485	13			
			28FP	9483371	11			
			28FP	9489815	3			

RESTRICTED

PLATE NO. JH.I
ISSUE 5

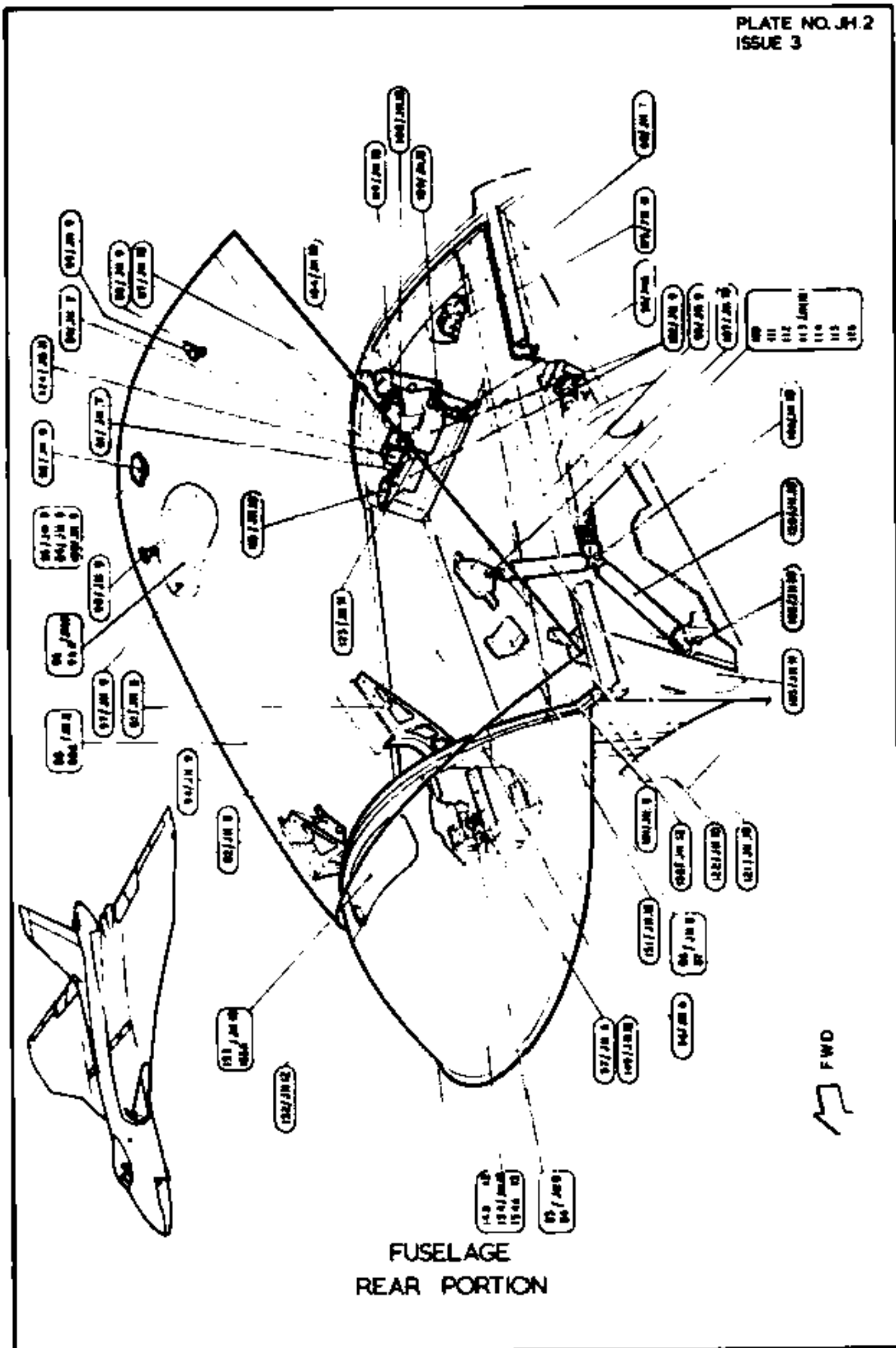


FUSELAGE
REAR PORTION

RESTRICTED

RESTRICTED

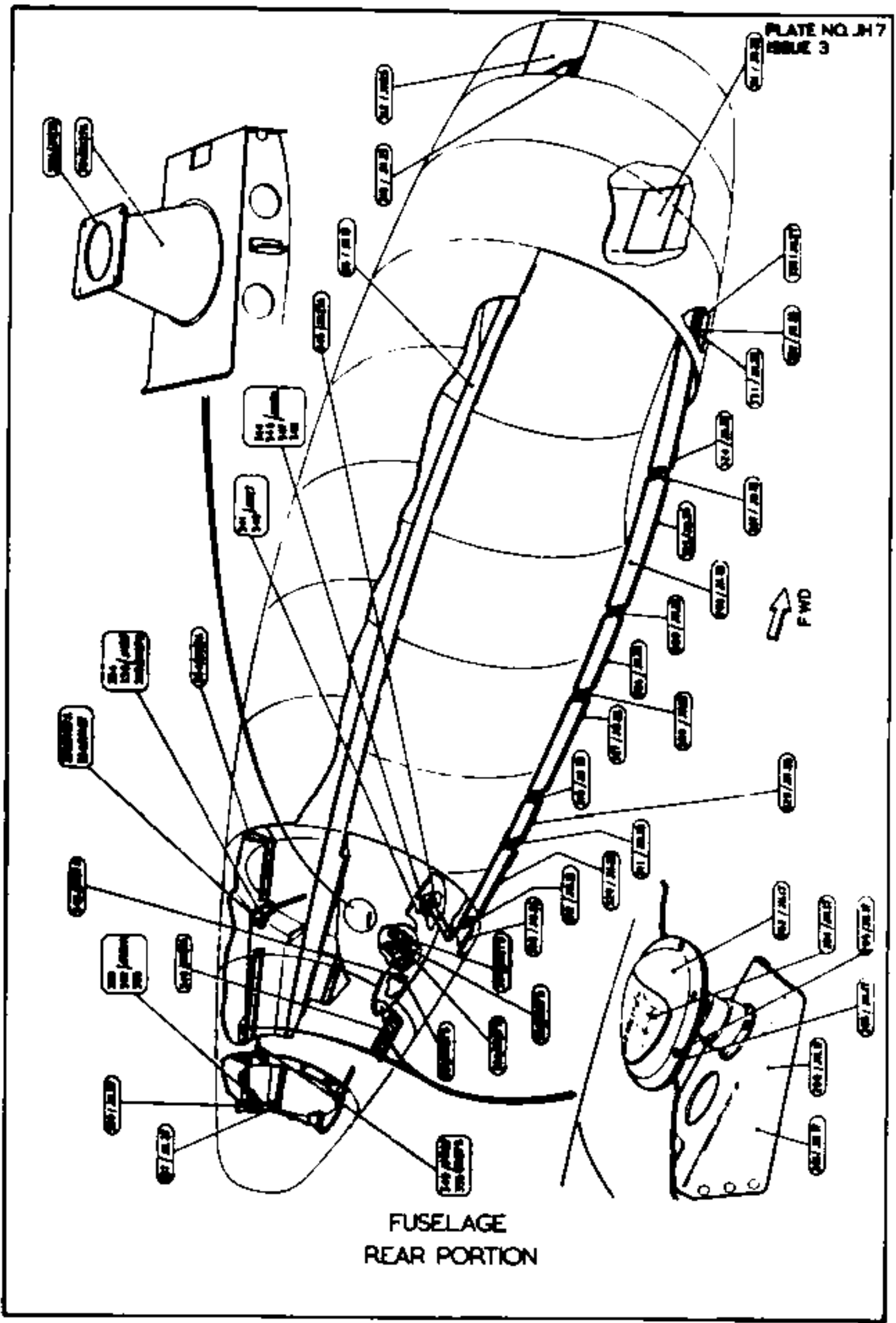
PLATE NO. JH.2
ISSUE 3



RESTRICTED

RESTRICTED

PLATE NO. JH7
ISSUE 3

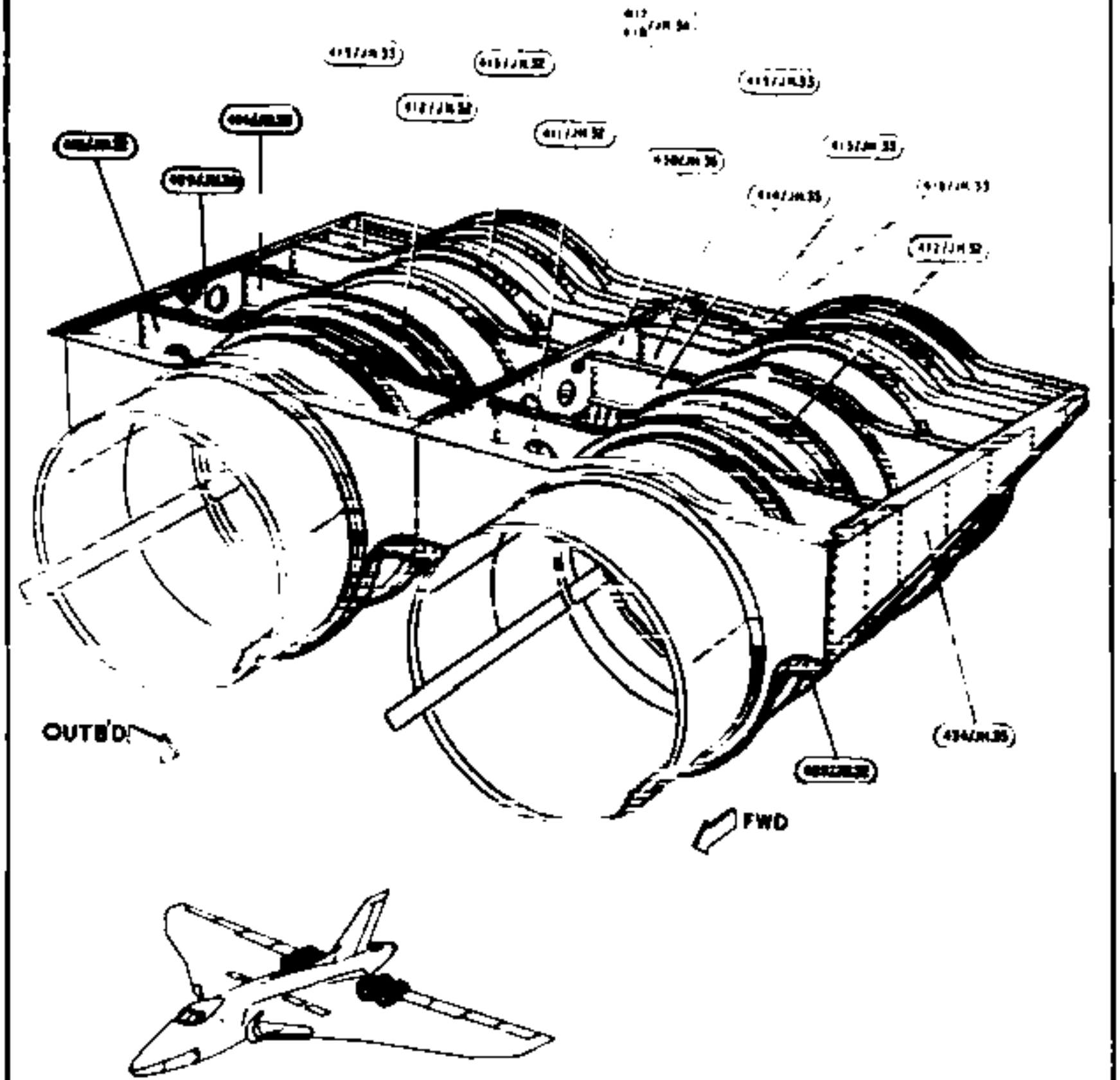


FUSELAGE
REAR PORTION

RESTRICTED

RESTRICTED

PLATE NO. JH.9
ISSUE 3

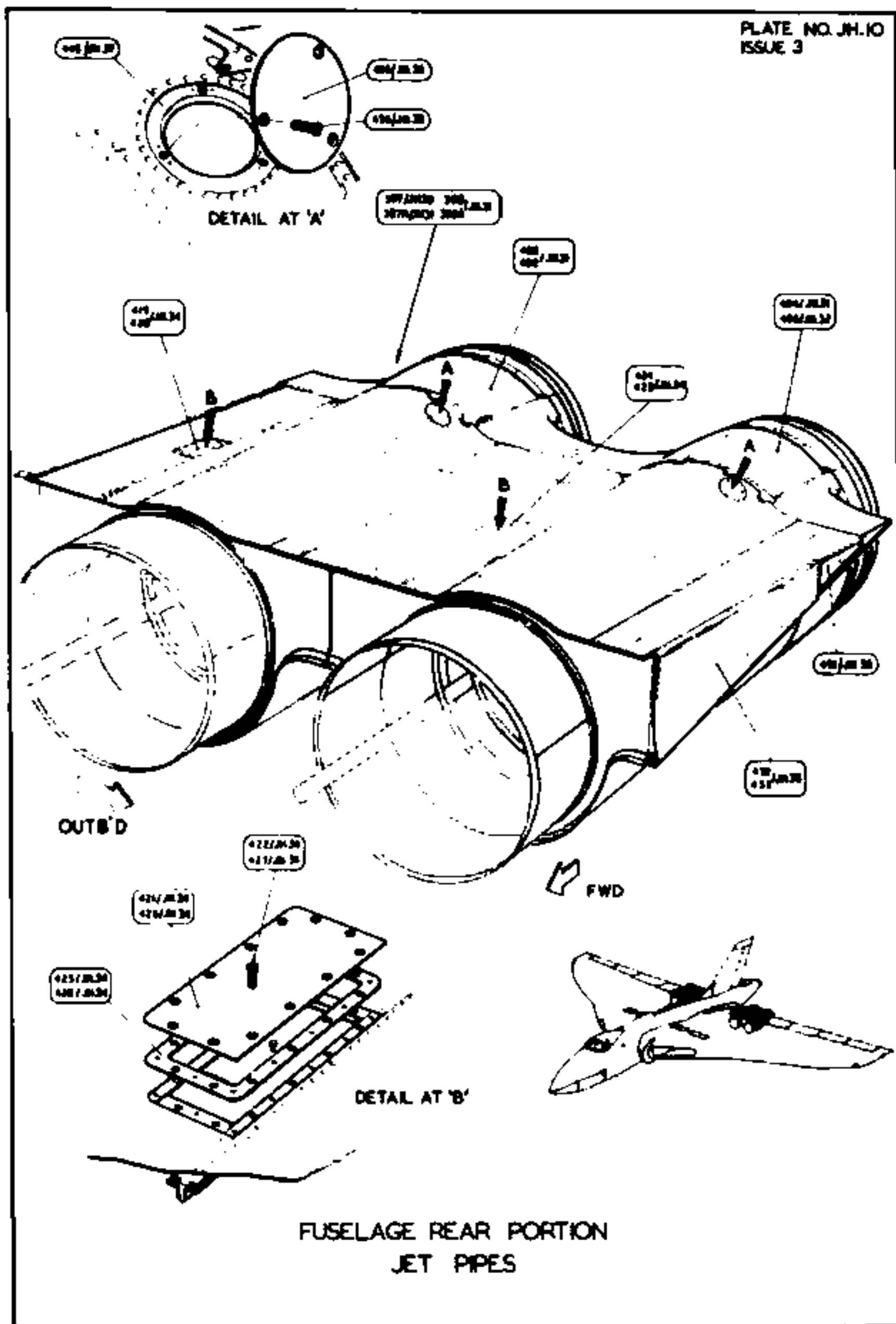


FUSELAGE REAR PORTION
JET PIPES

RESTRICTED

RESTRICTED

PLATE NO. JH.10
ISSUE 3



RESTRICTED

WALCOM Int. 7		GROUND EQUIPMENT				Page KA. 1			
		AIRCRAFT TOOL KIT							
Ref. No.	Part No.	Description				No. off	Matl. Spec.	Cl. of St.	Plate and Illust'n No.
		1	2	3	4			M.R.	
95287	1Z9581	AIRCRAFT TOOL KIT (Z9626) Consisting of:— BOARD, BLANKING, FOR EXHAUST, OLYMPUS 102, 104 OR B.O.L.B ENGINES, GROUP (Pre-Mod. 905)				4	—	A	
99512	1Z10568	BOARD, BLANKING, FOR EXHAUST, OLYMPUS 301 E.C.U.				—	—	A	KA1/1
95371	1Z9500	Board, blanking, port, air intake (1st 10 A/C only				1	—	A	
95388	2Z9500	Board, blanking, starboard, air intake (1st 10 A/C only)				1	—	A	
	1Z9424	Board, blanking, port, air intake (11th and subsequent A/C)				1	—		KA1/2
	2Z9424	Board, blanking, starboard, air intake (11th and subsequent A/C)				1	—		KA1/3
27D/3216	1Z10063	COVER, CONDENSOR, INTAKE, GROUP				1	—	B	
27D/2984	1Z8252	COVER, COCKPIT, GROUP				1	—	B	KA1/4
27D/3178	—	COVER, PRESSURE HEAD, GROUP				1	—	B	KA1/5
27D/3000	1ZY102	COVER, NOSEWHEEL, GROUP				1	—	B	KA1/6
27D/3001	1Z8219	COVER, MAINWHEEL, GROUP				2	—	B	KA1/7
27D/2995	1Z7578	COVER, AIR INTAKE BLEED VENT, PORT AND STARBOARD, GROUP				1	—	B	KA1/8
96054	1U1123	GUARD, LOCKING, BOMB DOOR OPERATING SWITCH, GROUP				1	—	A	KA1/9
	1U1867	GUARD, STORE MASTER SWITCH GROUP				1	—		
95174	1U1341	LOCK, GROUND FOR MAIN UNDER- CARRIAGE, PORT AND STARBOARD, GROUP				1	—	A	KA1/10
28FP/143344	AGS2105-A813	Spares for:— Pin, quick release				1	—	C	
	11U1341	PIN, QUICK RELEASE, GROUP				1	—	MR	
95084	1U1178	LOCK, GROUND, NOSE UNDERCARRIAGE, GROUP				1	—	A	KA1/11
95083	1U1189	PAD, JACKING, GROUP				4	—	C	
97005	1U2153	PIN, LOCKING, AIR BRAKE SELECTOR SWITCH, GROUP (Mod. 2073)				1	—	C	KA1/12
27D/3034	1Z8594	PLUG, BOUNDARY BLEED, PORT AND STARBOARD, GROUP				1	—	C	KA1/13

GROUND EQUIPMENT
AIRCRAFT TOOL KIT

Ref. No.	Part No.	Description	No. off	Matl. Spec.	Cl. of	Place and Illust'n No.
					St. M.R.	
		<u>1 2 3 4</u>				
27D/3215	1Z10064	PLUG, AIR INTAKE, TAIL WARNING, E.C.M., GROUP	1	-	C	
27D/3035	1Z8595	PLUG, PIN DE-ICING INLET PORT AND STARBOARD, GROUP	1	-	C	KA1/14
27D/3294	1Z8595	PLUG, FOR No. 1 & 2 TANK BREATHERS, PORT AND STARBOARD, GROUP (Pre-Mod. 526)	1	-	C	
27D/3294	1Z10740	PLUG, FOR No. 1 & 2 TANK BREATHERS, PORT AND STARBOARD, GROUP (Mod. 526)	1	-	C	KA1/15
	1Z9824	PLUG, STATIC VENT, CABIN PRESSURIZATION, GROUP	2	-		KA1/16
6A/2859	-	PLUG, STATIC VENT, GROUP	4	-	A	KA1/17
27D/3038	1Z8818	PLUG, FOR RUDDER P.F.C. AT INLET, GROUP	1	-	C	KA1/18
95384	1Z9828	PLUG, STATIC VENT FOR CALIBRATOR 3 NBS, GROUP	1	-	B	KA1/19
95005	1U1095	STRUT, JURY, FOR MAIN UNDERCARRIAGE BAY, GROUP	2	-	A	KA1/20
		Spares for:-				
	11U1088	Label	1	L40		
28FP 4062332	A808	Pin, quick release	2	-	C	
	5U1088	Screw	1	-		
95587	1U2088	Tool, special, parachute door closing	1	-	A	

PLACAN No. 2

GROUND EQUIPMENT

Page KB. 1

FLIGHT TOOL KIT

Ref No.	Part No.	Description	No. off	Matl. Spec.	Cl. of St.	Plate and Illust'n No.
					M R.	
		1 2 3 4				
4G/6246	—	FLIGHT TOOL KIT (29625) Consisting of:—				
		Adapter, inflation, main undercarriage	1	—	A	
5G/6219	DUNLOP AM20895	Adapter, inner flange removable main wheel .	1	—	B	
	BOULTON PAUL					
27KC/4677308	P100-88-79	Adapter, charging (replenishing P.F.C. units ... in situ)	1	—	A	
	P135-88-1	Adapter, charging (replenishing P.F.C. units ... in situ)	2	—		
	DOWTY ST2034	Adapter, charging, for hydraulic separator ...	1	—	A	
27QM/ 4119010						
95399	129693	Adapter, bleeding for brake foot motor	1	—	C	
10S/10793942	1211683	Adapter, T.F.R., ground cooling (S.O.O.)	1	—	B	
		(Mod. 2137)				
		ATTACHMENTS ENGINE MOUNTING BOLTS				
		Consisting of:—				
96123	127882	Bar, extension 24" long	4	—	A	
	BRITTOOL A91	Joint, universal	4	—		
	BRITTOOL AD525	Socket, 1/4" whit. long bi-hex	4	—		
	BRITTOOL AD800	Socket, 5/16" whit. long bi-hex	4	—		
		ATTACHMENTS SUNSTRAND NUTS				
		Consisting of:—				
1L/49	—	Bar, extension, 1/2" square drive 12" long ...	2	—	A	
1L/50	—	Handle, ratchet, 1/2" square drive	1	—	A	
	BRITTOOL OT387584	Socket, 1/2" square drive	1	—		
5120-99- 4118956	DOWTY 111 Mk. 31	Bar, tommy, for use with ST2112 and ST2750	2	—	A	
	DUNLOP ACO5828					
27VA/1047778	MARTIN BAKER	Clamp, bleed, relay valve	4	—	A	
	A/MBEU/3985					
27L/4527551	127567	Clamp, special, outer cylinder	1	—	A	
95151		Connection, Engine Oil Drum	1	—	B	
95162	129140	DIE, FOR CRIMPING, GROUP	1	—	A	
95420	1210235	DIE, CRIMPING, 18 & 24 AMP FERRULE, ... GROUP	1	—	A	
	DUNLOP A12700	Equipment, associated and removal rings	1	—	A	
4G/8062584	A10195	Extractor, main wheel	1	—	A	
95356	DUNLOP A4783	Extractor, nosewheel	1	—	A	
95118	DUNLOP AO104181	Extractor, piston brakes	1	—	A	
27G/4618594	129843	Extractor, wing root bolts	1	—	A	

GROUND EQUIPMENT

FLIGHT TOOL KIT

Ref. No.	Part No.	Description	No. off	Matl. Spec.	Cl. of St.	Plate and Illust'n No
					M.R.	
		1 2 3 4				
95058	127308	EXTRACTOR, FOR PIN IN BOMB DOOR MECHANISM, GROUP	1	—	A	
95414	129251	EXTRACTOR, FOR SHEARPIN BRAKE PARACHUTE, GROUP	1	—	A	
4G/5807	DUNLOP A10351	Frame, basic type removal	1	—	A	
27G/6212	DUNLOP A10368	Fixture, brake alignment	1	—	A	
27A/4560435	DUNLOP AM20065	Gauge, alignment and locating ring cap main wheel	1	—	B	
27L/4527561	MARTIN BAKER O/MBEU/3889	Gauge, protrusion	1	—	B	
27G/4818588	DUNLOP AO102435	Gauge, tension wear, brakes	1	—	B	
4G/5874	—	Gauge, pressure, a/c type check	1	—	A	
95576	1U1995	Gauge, pressure (Mod. 1740)	1	—	A	
27G/4818587	DUNLOP AO103401	Gauge, pad wear	1	—	B	
95508	1210423	GAUGE, CHECKING, PARACHUTE RELEASE MECHANISM, GROUP	1	—	A	
1B/4467	TECALEMIT GB2781	Gun, charging, for hydraulic separators	1	—		
4G/5870	—	Gun, charging, P.F.C. unit	1	—	A	
95364	128587	Inflator, automatic, a/c tyre	1	—	A	
95415	129692	Key, special, window launching	1	Mild steel	B	
95300	129306	Key, special, main fuse carrier	1	—	C	
95302	129306	KIT, TOOL, HAND PRESS, FOR BALL RACE, SECURING WASHERS IN BOX, GROUP	1	—	A	
95302	129621	Consisting of:— BOX, GROUP	1	—	B	
95342	4129306	Bush	1	Mild Steel	B	
95343	4229306	Bush	1	Mild Steel	B	
95303	229306	Die, top, for .9014" dia. bearing	1	Tool Steel	A	
95304	329306	Die, top, for .875" dia. bearing	1	Tool Steel	B	
95305	429306	Die, top, for .9375" dia. bearing	1	Tool Steel	A	
95306	529306	Die, top, for .5625" dia. bearing	1	Tool Steel	B	
95307	629306	Die, top, for 1.9375" dia. bearing	1	Tool Steel	A	
95308	729306	Die, top, for 1.375" dia. bearing	1	Tool Steel	A	
95309	829306	Die, top, for 1.4375" dia. bearing	1	Tool Steel	A	
95310	929306	Die, top, for .760" dia. bearing	1	Tool Steel	A	
95311	1029306	Die, top, for 1.250" dia. bearing	1	Tool Steel	A	
95312	1129306	Die, top, for 1.500" dia. bearing	1	Tool Steel	A	
95313	1229306	Die, top, for 1.750" dia. bearing	1	Tool Steel	A	
95314	1329306	Die, top, for 1.750" dia. bearing	1	Tool Steel	A	
95315	1429306	Die, top, for 2.00" dia. bearing	1	Tool Steel	A	
95316	1529306	Die, top, for 2.0475" dia. bearing	1	Tool Steel	A	
95317	1629306	Die, top, for 1.6875" dia. bearing	1	Tool Steel	A	
95318	1729306	Die, bottom, for .9014" dia. bearing	1	Tool Steel	B	
95319	1829306	Die, bottom, for .875" dia. bearing	1	Tool Steel	B	
95320	1929306	Die, bottom, for .9375" dia. bearing	1	Tool Steel	A	

GROUND EQUIPMENT
FLIGHT TOOL KIT

Ref. No.	Part No.	Description	No. off	Mater. Spec.	Cl. of	Plate and Illust'n No.
					St. M.R.	
		1 2 3 4				
		KIT, TOOL, HAND PRESS, FOR BALL RACE, SECURING WASHERS IN BOX, GROUP (129308) (Cont'd)				
95321	2029308	Die, bottom, for .5625" dia. bearing	1	Tool Steel	B	
95322	2129308	Die, bottom, for 1.9375" dia. bearing	1	Tool Steel	A	
95323	2229308	Die, bottom, for 1.375" dia. bearing	1	Tool Steel	A	
95324	2329308	Die, bottom, for 1.4375" dia. bearing	1	Tool Steel	A	
95325	2429308	Die, bottom, for .750" dia. bearing	1	Tool Steel	B	
95326	2529308	Die, bottom, for 1.250" dia. bearing	1	Tool Steel	A	
95327	2629308	Die, bottom, for 1.500" dia. bearing	1	Tool Steel	A	
95328	2729308	Die, bottom, for 1.750" dia. bearing	1	Tool Steel	A	
95329	2829308	Die, bottom, for 1.125" dia. bearing	1	Tool Steel	A	
95330	2929308	Die, bottom, for 2.00" dia. bearing	1	Tool Steel	A	
95331	3029308	Die, bottom, for 2.0475" dia. bearing	1	Tool Steel	A	
95332	3129308	Die, bottom, for 1.6875" dia. bearing	1	Tool Steel	A	
95333	3229308	Die, bottom, for .875" dia. bearing	1	Tool Steel	B	
	4329308	Label	1	L67		
95334	3329308	Mandrel	1	Tool Steel	B	
95335	3429308	Mandrel	1	Tool Steel	B	
95336	3529308	Mandrel	1	Tool Steel	B	
	3729308	Mandrel	1	Tool Steel		
95339	3829308	Mandrel	1	Tool Steel	B	
95340	3829308	Mandrel	1	Tool Steel	B	
	3829308	NUT, THRUST, GROUP	1	-		
95341	4029308	Tool, extracting	1	-	B	
	W. & S. LTD. 779785/1	Washer, retaining	3	-		
	W. & S. LTD. 779785/2	Washer, retaining	3	-		
	W. & S. LTD. 779785/4	Washer, retaining	3	-		
	W. & S. LTD. 779785/6	Washer, retaining	3	-		
	W. & S. LTD. 779785/7	Washer, retaining	3	-		
	W. & S. LTD. 779785/8	Washer, retaining	3	-		
	W. & S. LTD. 779785/9	Washer, retaining	3	-		
	W. & S. LTD. 779785/10	Washer, retaining	3	-		
	W. & S. LTD. 779785/11	Washer, retaining	3	-		
	W. & S. LTD. 779785/12	Washer, retaining	3	-		
	W. & S. LTD. 779785/13	Washer, retaining	3	-		
	W. & S. LTD. 779785/14	Washer, retaining	3	-		
	W. & S. LTD. 779785/15	Washer, retaining	3	-		

GROUND EQUIPMENT
FLIGHT TOOL KIT

Ref. No.	Part No.	Description	No. off	Matl. Spec.	Cl. of	Place and Illust'n No.
					St. M.R.	
		1 2 3 4				
		KIT, TOOL, HAND PRESS, FOR BALL RACE, SECURING WASHERS IN BOX, GROUP (129306) (Cont'd)				
	W & S LTD. 779766/16	Washer, retaining	3	-		
	W & S LTD 779766/17	Washer, retaining	3	-		
95114	1U1189	Pin, setting airbrake	2	-	C	
95180	1D10232	Plate, blanking, for relief valve on forward pressure test D2	1	-	B	
95355	1Z9662	Pliers, special, for fuse removal	1	-	B	
95413	1U1491	PLUG, FOR BREATHER P.F.C. UNITS, GROUP	1	-	A	
4G/8214	DUNLOP AM20752	Ring, adaptor	2	-	B	
95405	2Z9862	Spanner, claw, special extension 1.67" A/F	1	-	A	
95406	3Z9862	Spanner, claw, special extension 1.20" A/F	1	-	A	
95407	4Z9862	Spanner, claw, special extension 1.10" A/F	1	-	A	
95408	5Z9862	Spanner, claw, special extension 1.01" A/F	1	-	A	
95409	6Z9862	Spanner, claw, special extension .82" A/F	1	-	A	
95410	7Z9862	Spanner, claw, special extension .60" A/F	1	-	A	
95411	8Z9862	Spanner, claw, special extension .526" A/F	1	-	A	
95412	9Z9862	Spanner, claw, special extension .710" A/F	1	-	A	
27M/8762	AVA127B AVERY	Spanner, key for "Avery" self coupling 1/4"	1	-	A	
	AVA127C AVERY	Spanner, key, for "Avery" self coupling 3/8"	1	-		
	AVA127D AVERY	Spanner, key, for "Avery" self coupling 1/2"	1	-		
27L/4627725	MARTIN BAKER O/MBEU/10368	Spanner, Mk 4, T/R rack plunger cap	1	-	B	
	AVA127E AVERY	Spanner, key, for "Avery" self coupling 5/8"	1	-		
	AVA127F AVERY	Spanner, key, for "Avery" self coupling 3/4"	1	-		
95050	AVA127K 1Z323	Spanner, key, for "fuel" system	1	-		
1L/28	-	Spanner, special, coupler for outer wing attachment bolts	1	-	A	
1L/154	-	Spanner, standard, double ended, open jaw 0 BA x 2 BA	1	-	B	
1L/24	-	Spanner, standard, double ended, open jaw 1/8" x 3/16" whit.	1	-	B	
1L/25	-	Spanner, standard, double ended, open jaw 3/16" x 1/4" whit.	1	-	B	
1L/26	-	Spanner, standard, double ended, open jaw 5/16" x 3/8" whit.	1	-	B	
1L/59	-	Spanner, standard, double ended, open jaw 7/16" x 1/2" whit.	1	-	B	
1L/73	-	Spanner, standard, double ended, open jaw 9/16" x 5/8" whit.	1	-	B	
		Spanner, standard, double ended, open jaw 11/16" x 3/4" whit.	1	-	B	

VULCAN No. 7

GROUND EQUIPMENT
FLIGHT TOOL KIT

Page KB. 7

Ref. No.	Part No.	Description	No. off	Matl. Spec.	Cl. of St.	Plate and Illust'n No.
					M.R.	
		1 2 3 4				
27L/4527545	MARTIN BAKER A/MBEU/3968	Spanner, auxiliary breech cap	1	—	B	
27L/1300	MARTIN BAKER MBEU/10617 128530	Spanner, canopy jettison gun	1	—	B	
95298	129426 129484	Spanner, special, for refuelling valve ring nut No. 4 tank	1	—	C	
		Spanner, filler cap windscreen de-icing tank	1	—	C	
27G/4618590	DUNLOP A0102975	Spanner, for auxiliary fuel pump pipe union	1	S11		
27G/4618589	DUNLOP AM20676	adaptors				
27Q/14258	DUNLOP A0102975	Spanner, key for cylinder liner	1	—	B	
27Q/17044	DUNLOP AM20676	Spanner, peg for torque tube nut	1	—	B	
	DOWTY ST2112	Spanner, tubular key, for main undercarriage axle nut	1	—	B	
	DOWTY ST2750	Spanner, tubular key, for nose undercarriage axle nut	1	—	C	
27UA/1253	729981	Spanner, special peg, Graviner fuse holder nut, E.318	1	—		
	—	Syringe, for re-oiling planair blower (for	1	—	A	
		Rover—EAPP)				
27L/1031936	MARTIN BAKER A/MBEU/10240 29865	Tester, G switch	1	—	B	
27L/1046823	MARTIN BAKER MBEU/11038	Tool, beading	1	—		
27L/1046822	MARTIN BAKER A/MBEU/4341	Tool, cocking Mk. 4	1	—	B	
27L/4665807	MARTIN BAKER A/MBCJ/129	Tool, cocking, drogue gun	1	—	B	
27L/1046816	MARTIN BAKER A/MBEU/5826	Tool, cocking, for canopy jettison unit	1	—	B	
5X/6462	MARTIN BAKER CZ72111	Tool, cartridge extractor	1	—	B	
95161	129139	Tool, hand crimping, heavy duty	1	—	A	
		Tool, hand crimping	1	—	A	
27L/1046821	MARTIN BAKER O/MBEU/1321	Tool, for cocking gear	1	—	B	
27A/4580523	DUNLOP AD.101984	Tool, removal of locking, main wheel and nose- wheel	1	—	B	
27G/4618591	DUNLOP A10500	Tool, checking loading and extracting spring housing-brakes c/w box	1	—	A	
27A/4251	DUNLOP A0104275	Tool, spacer, ring removal mainwheel	1	—	B	
27Q/12407	DOWTY ST1857	Tool, resetting, for undercarriage switch	1	—	B	

GROUND EQUIPMENT
FLIGHT TOOL KIT

Ref. No.	Part No	Description	No. off	Matl. Spec.	Cl of St.	Plate and Illust'n No.
					M.R.	
		1 2 3 4				
4GC/4232222	A42/1	MINI-HOIST, 5 CWT, BRAKE PARACHUTE DOOR (Mod. 2240)	1	—	A	
	1U18501 MARTIN BAKER	Tool, setting, nose entrance door lock	1	—		
27L/4627762	O/ABEU/13835	Tool, special release top latch plunger	1	—	B	
27G/4618468	DUNLOP AM20816	Tube, bleed brakes	1	—	B	
3A/3304	—	Unit, press hydraulic crimping (portable)	1	—	A	
	129897	Tool, special Hydraulic connections	1	—		
95516	1210582	Tool, special Windscreen wiper seal fitting	1	—	A	
1433483	TDE82/19/8	Tool, countersunk	1	—	C	
	DUNLOP AM.21347	Tool fitting, and removal of Maxaret	1	—	B	

VULCAN No. 7

GROUND EQUIPMENT
HANDLING AND STORAGE

Page KC. 1

Ref No	Part No.	Description	No. off	Matl. Spec.	Cl. of St.	Plate and Illustr'n No.
					M.R.	
		1 2 3 4				
4GB/438827	1U1148	HANDLING AND STORAGE Consisting of:— BAR, LOCKING, FOR MAIN WHEEL, GROUP	4	—	A	KC1/1
	2U1148	Consisting of:— Hook, adjusting, L.H. thread	1	M/S		
	3U1148	Hook, adjusting, R.H. thread	1	M/S		
	8U1148	Turnbuckle	1	—		
4GB/438829	1U1148	BAR, LOCKING, FOR NOSEWHEEL, GROUP	2	—	A	KC1/2
	2U1148	Consisting of:— Hook, adjusting, L.H. thread	1	M/S		
	3U1148	Hook, adjusting, R.H. thread	1	M/S		
	8U1148	Turnbuckle	1	—		
95588	1U2042	BAR, PICKETING NOSE U/C, GROUP (Mod. 1678)	1	—	A	KC1/3
4GB/438828	1U1145	CHOCK, MAIN WHEEL, GROUP	4	—	A	KC1/4
4GB/438828	1U1147	CHOCK, NOSE WHEEL, GROUP	2	—	A	KC1/5
95082	1Z7733	COVER, BOMB AIMER'S WINDOW, GROUP	1	—	A	KC1/6
95185	1U1357	FRAME, SUPPORT, FOR MAIN UNDER- CARRIAGE UNIT, GROUP	1	—	A	KC1/7
95018	1U1075	Spare for:— Bolt, special, for wheel	4	S98	C	KC1/8
96111	10U1075	WHEEL, GROUP	4	—	A	KC1/9
	106U1075	Consisting of:— Bush, 1-5/8" dia. x 1-11/16" long	1	Brass or Bronze		
	10aU1075	Wheel, 4" dia. x 1-5/8"	1	M/S		
95358	1U1608	FRAME SUPPORT, FOR NOSE-WHEEL UNDERCARRIAGE UNIT, GROUP	1	—	A	KC1/10
96112	11U1075	Spare for:— Bolt, special, for wheel	4	S98	C	KC1/11
96111	10U1075	WHEEL, GROUP	4	—	A	KC1/12
	10bU1075	Consisting of:— Bush, 1-5/8" dia. x 1-11/16" long	1	Brass or Bronze		
	10aU1075	Wheel, 4" dia. x 1-5/8"	1	M/S		

GROUND EQUIPMENT
HANDLING AND STORAGE

Ref. No.	Part No	Description	No. off	Matl Spec.	Cl. of St.	Plate and Illustr'n No.
					M.R.	
		1 2 3 4				
1433186	1U2186	LEG. SUPPORT, FOR BOMB BAY	4	—	B	KC1/13
		CYINDRICAL TANK, GROUP (Mod. 2120)				
		Spares for:—				
28D/1213389	17U2186	Bolt, tube	5	—		KC1/14
	A25/3L	Bolt, 7/16" BSF	4	—	C	
	FLEXELLO					
	8/55AMB	Castor, swivel	1	—		KC1/15
	ASTON					
	CHAIN Co.					
	V15	Chain, 16" long	1	—		KC1/16
	V15	Chain, 11" long	1	—		
	V15	Chain, 10" long	1	—		
28M/13553	14U2186	Label	1	—	C	KC1/17
	A27/LP	Nut	4	—	C	
	2U2186	Plate, base	1	—		KC1/18
	3U2186	Plate, gusset	2	—		KC1/19
	4U2186	Plate, support	2	—		KC1/20
4G/4282	AS2436/48	Pin, pip	3	—	C	KC1/21
28W/9410487	13U2186	Ring, split	4	—		KC1/22
	SP13/L	Washer	4	—	C	
95400	1U1623	Rail, guard for E.C.U. charge	4	—	C	
40B/1255	—	Stand, transit, servicing E.C.U.	4	—	A	
40B/1268	—	Stand, transit, servicing Rover A.A.P.P.	—	—	A	
95230	1U1321	STAND, BOMB DOOR, GROUP	1	—	A	KC2/24
		Spares for:—				
28DL/6010627	FLEXELLO					
	6-55RT	Castor (55 series)	2	—	C	KC2/25
	6-55RTL	Castor	2	—		
	12U1321	Label	1	—		
95404	1U1647	STAND, JET PIPE, GROUP	4	—	A	KC2/27
		Spares for:—				
	FLEXELLO					
	855NSGL	Wheel, castoring, direction and locking	4	—		KC2/28
95235	1U1328	Strap, securing hose air conditioning trolley	1	—	A	
95101	1U1239	TROLLEY, FOR CREWS NACELLE, GROUP	1	—	A	KC2/30
		Spares for:—				
4G/2451	3U1239	Body, jacking	4	—	A	KC2/31
	10U1239	Label	1	—		KC2/32
	7U1239	Wheel, castoring No. 1541A	4	—		KC2/33
85100	1U1224	TROLLEY FOR RADOME NOSE, GROUP	1	—	A	KC1/34
		Spares for:—				
	7U1224	Label	1	—		KC1/35
	3U1224	Wheel, castoring 655	2	—	MR	KC1/36
95680	4U1224	Wheel, fixed 688	2	—	C	KC1/37

VULCAN SR 7

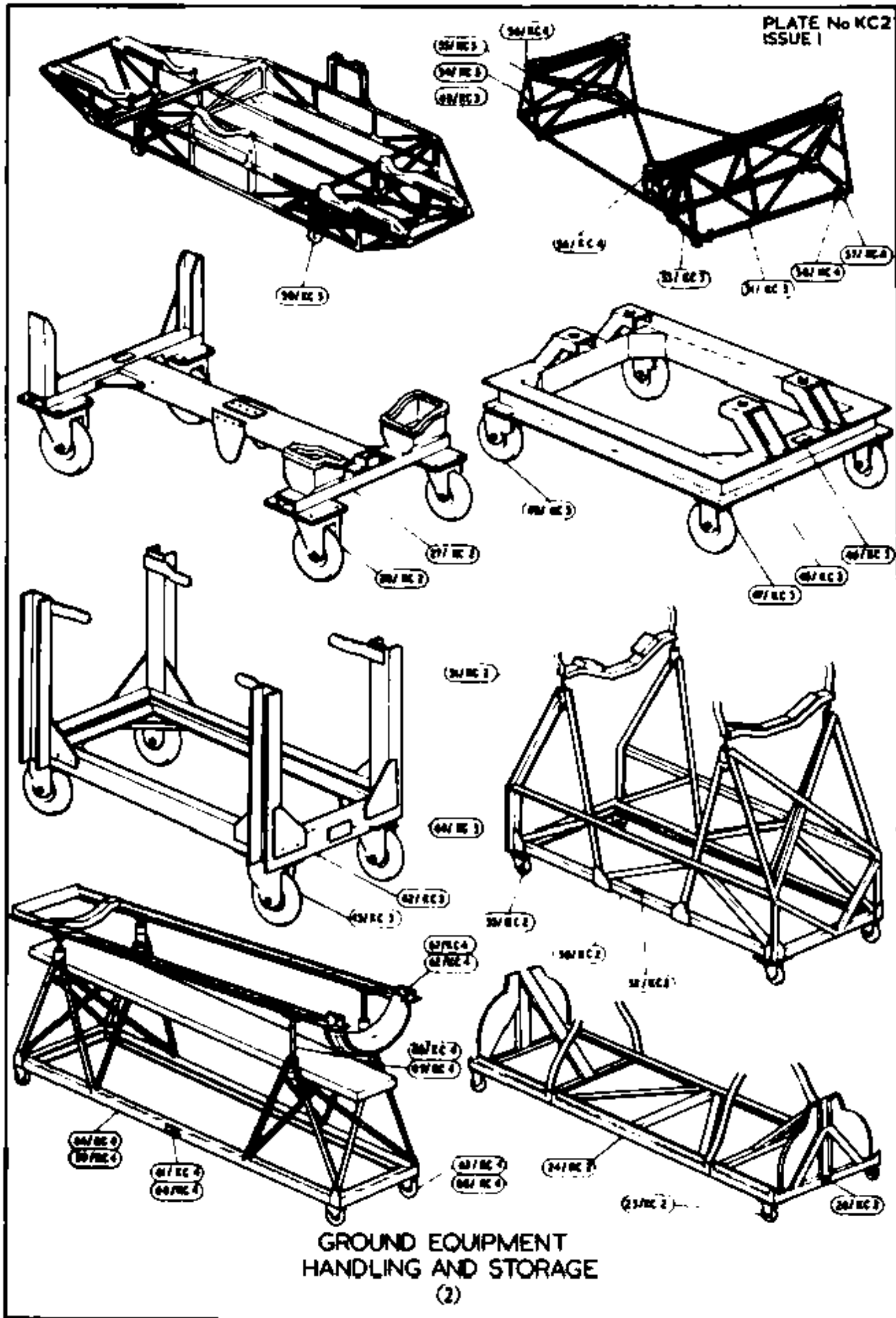
GROUND EQUIPMENT
HANDLING AND STORAGE

Page KC. 3

Ref. No.	Part No.	Description	No. off	Matl. Spec.	Cl of St.	Plate and Illustr'n No.	
					M.R.		
95149	1U1242	TROLLEY FOR NOSE AND MAIN UNDER-CARRIAGE UNIT, GROUP Spares for:—	1	—	A	KC1/38	
95100	7U1242	Bar, Tommy	4	MS	C	KC1/39	
	10U1242	Pipe, pressure c/w connecting	1	—			
1432810	5U1242	RAM, HYDRAULIC, GROUP Consisting of:—	1	—	A	KC1/40	
	9GU1242	Bush, 1.015 dia. x 1.5" long	1	Phosphor Bronze			
	9CU1242	Bush, 1.140" dia. x 3.52" long	1	Phosphor Bronze			
	8aU1242	RAM, 0.20243	1	—			
95201	8U1242	Reservoir and pump unit	1	—	A	KC1/41	
1505015	5U1242	Screw, adjusting	4	—	C		
95725	6U1242	Wheel, castoring (No. 855S/VT)	4	—	C		
95150	1U1262	TROLLEY, FOR AIR CONDITIONING UNIT, GROUP Spares for:—	1	—	A	KC2/42	
	3U1262	Wheel, No. XL514	4	—	C	KC2/43	
	10U1262	Label	1	—		KC2/44	
95095	U1238	TROLLEY, FOR GREEN SATIN, GROUP Spares for:—	1	—	A	KC2/45	
	7U1238	Label	1	—	C	KC2/46	
	1432833	5U1238	Pin, screwed, .75" dia. x 8.45" long	2		MS	
	95713	3U1238	Wheel, fixed, XLFH51	2		—	KC2/47
	95579	4U1238	Wheel, castoring, XLFH514	2		—	KC2/48
1U1622	TROLLEY, FOR CENTRE SECTION TRAILING EDGE, GROUP	1	—	KC2/49			
95196	1U544	CASTORING WHEEL AND PIVOT, GROUP, FOR TROLLEYS Spares for:—	4	—	C	KC2/50	
	5U544	Ball, bearing	36	—			
	8U544	Ball, bearing	20	—			
95196	1U1355	TROLLEY, WING, PORT OR STARBOARD, GROUP (Mod. 1474) Spares for:—	1	—	A	KC2/51	
	5U1355	Label	1	—			
	1U1131	TRESTLE, INBOARD WING RIB 33B.18B, GROUP	1	—	KC2/53		
4G/2451 4G/2457 4G/2460	1U1523	TRESTLE, OUTBOARD WING RIB 60.25 GROUP Spares for:—	1	—	A	KC2/54	
	—	Body, jack	2	—			
	—	Bracket, type "B"	1	—			
	—	Bracket, type "B"	1	—			

GROUND EQUIPMENT
HANDLING AND STORAGE

Ref. No.	Part No.	Description	No. off	Matl. Spec.	Cl. of St.		Plate and Illustr'n No.
					M.R.		
		TRESTLE, INBOARD WING RIB & OUTBOARD WING RIB (Cont'd.)					
	43U1131	Bolt, special	2	—			KC2/56
	SLINGSBY	Castor	4	—			KC2/57
	A1541A	Jack, screw (Mod. 1474)	4	—			KC2/58
	4U1855	Attachments for 4U1855					
		Bolt	4	—		C	
28D/7002427	A25/8G	Nut	4	—		C	
28M/1202770	AGS2001/G1	Washer	4	—		C	
28W/8418403	SP13/G						
		Nut	2	—		C	
28M/13553	A27/LP						
4Q/4230862	—	TROLLEY, TRANSPORTER, GROUP	1	—		A	
95348	1U1535	TROLLEY, JET PIPE, LOW TYPE, OLYMPUS B.O.L.S. GROUP	1	—		A	KC2/59
		Spares for:—					
		Body, jack	4	—		A	KC2/60
4G/2451	21U1535	Label	1	L59			KC2/61
		WHEEL GROUP	2	—			KC2/62
		Spares for:—					
		Bush	1	Brass			
		Wheel	1	MS			
		Wheel, castoring	4	—		MR	KC2/63
95361	1U1608	TROLLEY, JET PIPE, HIGH TYPE, OLYMPUS B.O.L.S. GROUP	1	—		A	KC2/64
		Spares for:—					
		Body, jack	4	—		A	KC2/65
4G/2451	13U1608	Label	1	—			KC2/66
		WHEEL GROUP	2	—			KC2/67
		Spares for:—					
		Bush	1	Brass			
		Wheel	1	MS			
		Wheel, castoring	4	—		MR	KC2/28
		TROLLEY FOR AIR MONITORING POD GROUP (Mod 2380 S.O.O.)	1	—			
		Spares for:—					
27FR/1045799	1U2276	Trolley (Ministry supply)	1	—		B	



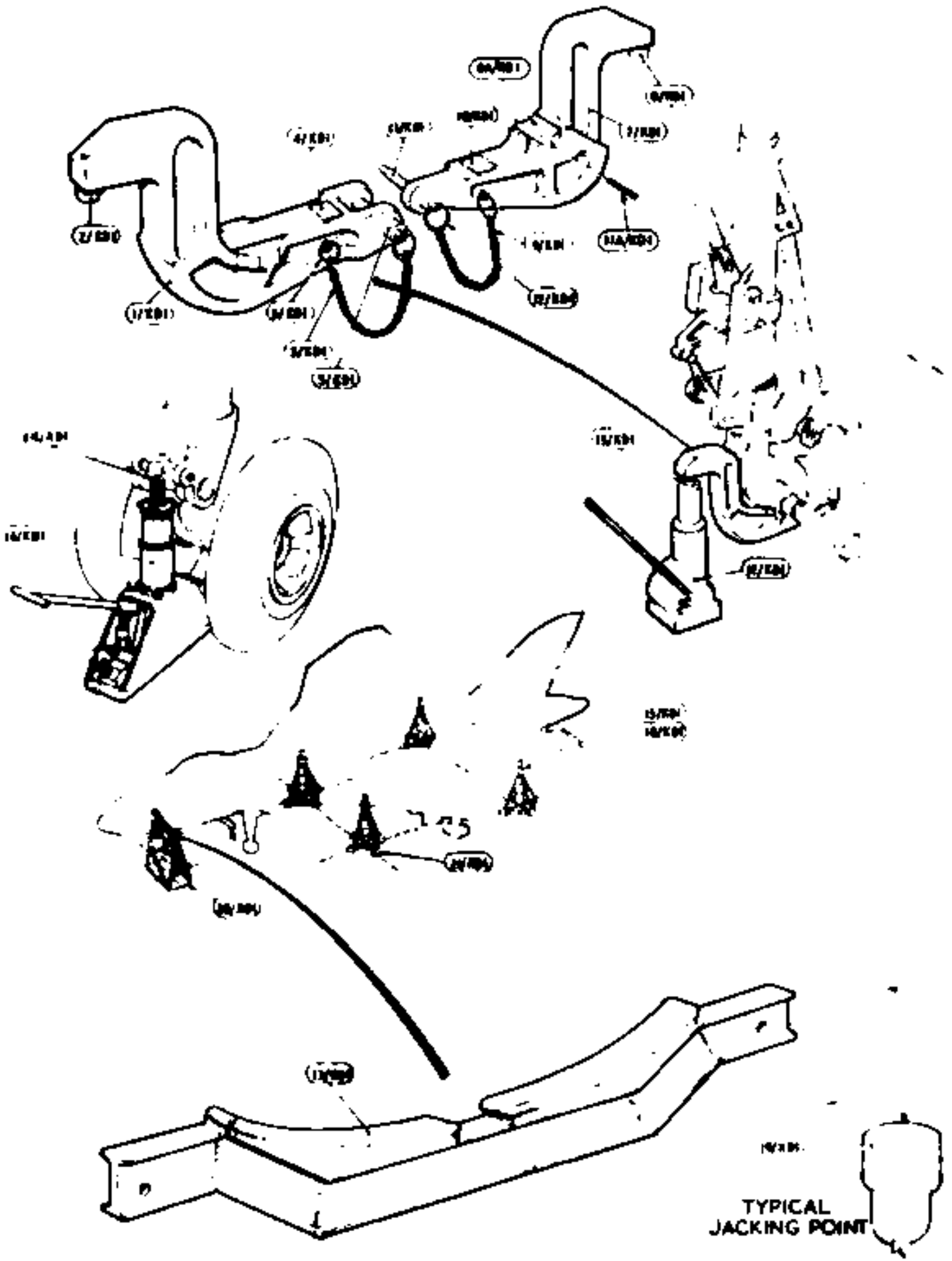
GROUND EQUIPMENT
HANDLING AND STORAGE
(2)

VULCAN PR. 3

GROUND EQUIPMENT
JACKING

Page KD. 1

Ref. No.	Part No.	Description	No. off	Mater. Spec.	Cl. of	Place and Illustr'n No.
					St. M.R.	
		1 2 3 4				
		JACKING AIRCRAFT				
		Consisting of:-				
96175	1U1345	BRACKET, JACKING, MAIN UNDER-CARRIAGE WHEEL CHANGE, FORWARD, GROUP	1	-	A	KD1/1
		Spares for:-				
96175	3U1141	Adaptor	1	S96	C	KD1/2
96188	4U1345	Chain, 9" long	1	V8	C	KD1/3
96187	6U1345	Label, ident.	1	L59	C	KD1/4
96122	3U1345	Pin	1	S1	C	KD1/5
96186	5U1345	Ring, spar, 18G x 1-1/2" o/d	2	-		KD1/6
96176	1U1346	BRACKET, JACKING, MAIN UNDER-CARRIAGE WHEEL CHANGE REAR, GROUP	1	-	A	KD1/7
		Spares for:-				
96176	3U1141	Adaptor	1	S96	C	KD1/8
	3U1345	Adaptor	1	S96	C	KD1/8a
96171	6U1345	Chain, 9" long	1	V8	C	KD1/9
96170	8U1345	Label, ident.	1	L59	C	KD1/10
96718	4U1345	Pin	1	-	C	KD1/11
	5U1345	Pin	1	S1		KD1/11a
	7U1345	Ring, spar, 18G x 1-1/2" o/d	2	-		KD1/12
95005	U1017	FORMER, NOSE SUPPORT, FOR STEADYING FORMER 372, GROUP	1	-	A	KD1/13
4Q/4230859	GM4400	Head, adaptor, MR. 104 nosewheel change	1	-	C	KD1/14
4Q/4230851	4403	Head, adaptor, Mk. 107 for 25 tons	6	-	C	KD1/15
4Q/1045837	GM10334	Jack, hydraulic pillar, 15 tons, for nosewheel change	1	-	A	KD1/16
4Q/4231075	MODEL 825	Jack, hydraulic, 25 tons, for mainwheel jacking	2	-	A	KD1/17
4Q/4230812	GM10100	Jack, hydraulic, 25 tons, for main line jacking	4	-	A	KD1/18
95063	1U1169	PAD, JACKING, MAIN WING, GROUP	4	-	A	KD1/19
4G/	-	TRESTLE, UJ No. 18 (For use with Ref. No. 95005)	1	-		KD1/20
4Q/4230814	GM10102	TRESTLE, MK. 2, GROUP	4	-	A	KD1/21
4Q/2035240	2372	Wheels, transportation, fixed leg	2	-	A	
4Q/2035241	2366	Wheels, transportation, trailing leg	1	-	A	



GROUND EQUIPMENT
JACKING

VULCAN 400 2

GROUND EQUIPMENT
RIGGING

Page KE. 1

Ref. No.	Part No.	Description	No. off	Matl. Spec.	Cl. of	Plate and Illust'n No.
					St. M.N.	
		RIGGING EQUIPMENT FOR COMPLETE AIRCRAFT				
		Consisting of:—				
	1U1783	ADAPTOR, RIGGING, GROUP	1	—		
95033	1Z7225	JIG INCIDENCE, FOR SETTING RUDDER IN CONTINUITY WITH FIN, RUDDER RIB 18 FIN RIB 11, GROUP	1	—	A	
95481	1Z10297	JIG INCIDENCE, FOR SETTING FIN VERTICALLY, GROUP (Mod. 104B)	1	—	A	
4G/4421168	1U1221	LEVEL DUMPY, FOR INCIDENCE AND DIEDRAL CHECKS, GROUP	1	—	A	
95028	1Z7344	PLATE, LEVELLING C/W PLUMB LINE, GROUP	1	—	B	
		Spares for:—				
96099	10Z7344	Cap, screwed	2	Brass	C	
95704	11Z7344	Plumb, bob	1	Brass	C	
95703	9Z7344	Plug, screwed	1	MS	C	
95036	1U1014	ROD, SIGHTING, FOR INCIDENCE AND DIEDRAL, GROUP	1	—	A	

GROUND EQUIPMENT

RIGGING

Ref. No.	Part No.	Description	No. off	Matl. Spec	Cl. of	Plate and Inst'n No
					St.	
		1 2 3 4			M.R.	
26FP/1510088	1U2233	ALIGNMENT JIG FOR DECCA 72 ANTENNA UNIT TYPE 9307 C/W BOX (Mod. 2269)			A	
	1D13620	Spares for:— ADJUSTER, FINE, GROUP	1	—		KE1/1
	2D13620	Spares for:— Body	1	S80		KE1/2
	4D13620	Bolt, eye	1	S80		KE1/3
	3D13620	Nut	1	S80		KE1/4
28M/9418048	A103/ET	Nut	1	—	C	
28M/9418050	A103/NT	Nut	1	—	C	
	1U2235	ALIGNMENT JIG, GROUP	1	—		KE1/5
		Spares for:—				
28D/1013301	AS.1248/4C	Bolt, mush. hd., 2 BA	2	—	C	KE1/6
28D/7002428	A25/8C	Bolt, hex. hd., 2 BA	4	—	C	KE1/7
28D/1204837	AS.1242/8C	Bolt, csk. hd. 2 BA	8	—	C	KE1/8
	6R4Y539	Bolt, special	1	—		
	8U2235	Dowel, 11/16" x 3/16" dia.	2	MS		
	4U2235	Label	1	—		
28DL/8011717	3U2235	MIRROR BAR, GROUP	1	—	C	KE1/10
	6R4Y533A	MIRROR PLATE, GROUP	1	—		KE1/11
		Spares for —				
	6R4Y545A	BACKPLATE, GROUP	1	—		
		Spares for:—				
	6R4Y553ND	Plate, back	1	—		
	6R4Y555ND	Plate, side	1	—		
	6R4Y559	Trunnion	1	—		
28S/1008075	A41/B18	Screw, csk. hd., 4 BA	2	—	C	
	6R4Y547A	CLAMP, GROUP	2	—		
	6R4Y549A	NUT, HAND, GROUP	2	—		
		Nut, hand	1	—		KE1/12
26FP/2451	AS2153	Nut, 2 BA	13	—	C	
28M/9403520	A27/CP	Nut, 1/4" BSF	2	—	C	
28M/9512070	A27/EC	Nut, 1/4" BSF	1	—	C	
28M/1011475	A27/EP	Nut, 1/4" BSF	1	—	C	
28M/1011475	A27/JS	Nut, 3/8" BSF	1	—	C	
	2U2235	PLATE, MOUNTING, GROUP	1	—		
	6R4Y815	Pin, hinge	2	—		KE1/14
28P/9527819	SP80/C7	Pin, split	3	—	C	
	5U2235	Rod, screwed	1	—		KE1/15
	6U2235	Shim (Make from Ref. No. 26FC/6726)	AR	—		
28W/9418402	SP13/C	Washer, 2 BA	1	—	C	
28W/9418821	SP13/E	Washer, 1/4"	1	—	C	
28W/9418488	SP13/J	Washer, 3/8"	1	—	C	

VULCAN No. 2

GROUND EQUIPMENT
RIGGING

Page KE. 3

Ref. No.	Part No.	Description	No. off	Matl. Spec.	Cl. of	Plate and Illust'n No.
					Sc.	
		1 2 3 4			M.R.	
		ALIGNMENT JIG, C/W BOX (1U2233) (Mod. 2200) (Cont'd)				
	1U2236	BOX, GROUP	1	-		KE1/16
		Spares for:-				
	2U2236	BOX	1	-		KE1/17
	OAKDEN LTD. C8529	Buffer, rubber	4	-		KE1/18
	WILMOT BREEDON 7/1406	Catch, throw over	2	-		KE1/19
28E/1007418	AS.2294/4	Clip, spring	1	-	C	KE1/20
	BAXENDALE No. 246	Handle, chest	2	-		KE1/21
28N/16453	AS1879/30	Hinge, 3" long	2	-	C	KE1/22
	4U2236	Label	1	-		
	5U2236	Label	1	-		
	3U2236	LID, GROUP	1	-		KE1/23
28N/1046381	SP121/E	Collar	2	-	C	
28P/0486478	SP90/C5	Pin, split	1	-	C	
28P/0629222	SP113/E4-1/2	Pin, shear	1	-	C	
28DL/6011306	6R4Y365A	ALIGNMENT MIRROR, C/W BOX (Mod. 2269) Spares for:-	1	-	C	KE1/24
	6R4Y571	BOX	1	-		
	CHENEY & SON 3126	Clasp, case	2	-		
28DL/6011744	6R4Y595ND	Glove	1	-	C	
28N/16453	AS1879/30	Hinge	2	-	C	
	6R4Y699	Label	1	-		
	6R4Y601	Label	1	-		
28DL/6011743	6R4Y817	MIRROR, GROUP	1	-	C	
		Spares for:-				
	6R4Y597	Envelope	1	-		
	6R4Y585	Mirror	1	-		

GROUND EQUIPMENT

RIGGING

Ref. No.	Part No.	Description	No. off	Mati. Spec.	Cl. of	Plate and Illust'n No.
					St. M.R.	
		1 2 3 4				
28DL/6791	1U2257	ALIGNMENT JIG, FORE AND AFT FOR FIN CAP AERIALS, C/W BOX (1U2251) (Mod. 2304) Spares for:— ALIGNMENT JIG, FORE AND AFT, FIN CAP AERIALS	1	—		KE2/25
	4U2257	ADJUSTER, GROUP	1	—		KE2/26
	4aU2257	Adjuster	1	—		
	AS2183	Hand nut	1	—		
	SP10/E	Washer	1	—		
	A27/EP	Nut, plain	1	—		
	6U2257	BAR, STEADY, GROUP	2	—		KE2/27
	6cU2257	Spares for:— Block, end	4	M.S.		KE2/28
	6dU2257	Bolt, "U"	4	M.S.		KE2/28
	6bU2257	Pin, location	4	M.S.		KE2/29
	6aU2257	Plate, base	1	M.S.		KE2/30
	6aU2257	Block, support	2	M.S.		KE2/31
	AS1248/4C	Bolt	2	—		KE2/32
	A25/14C	Bolt	8	—		KE2/33
8R4Y530	Bolt, special	1	—		KE2/34	
5U2257	Label	1	Scotchel			
8R4Y533A	MIRROR, PLATE, GROUP	1	—		KE2/35	
6R4Y545A	Spares for:— BACKPLATE, GROUP	1	—			
6R4Y553ND	Spares for:— Plate, back	1	—			
6R4Y555ND	Plate, side	1	—			
6R4Y550	Trunnion	1	—			
A41/B1B	Screw, csk. hd., 4 BA	2	—			
64RY547A	CLAMP, GROUP	2	—			
64RY549A	NUT, HAND, GROUP	2	—			
7U2257	Pin, locking	2	M.S.		KE2/36	
3U2257	Pin, hinge	2	—	C	KE2/37	
O/DHS/00	Shim	AR	—			

VULCAN No. 1

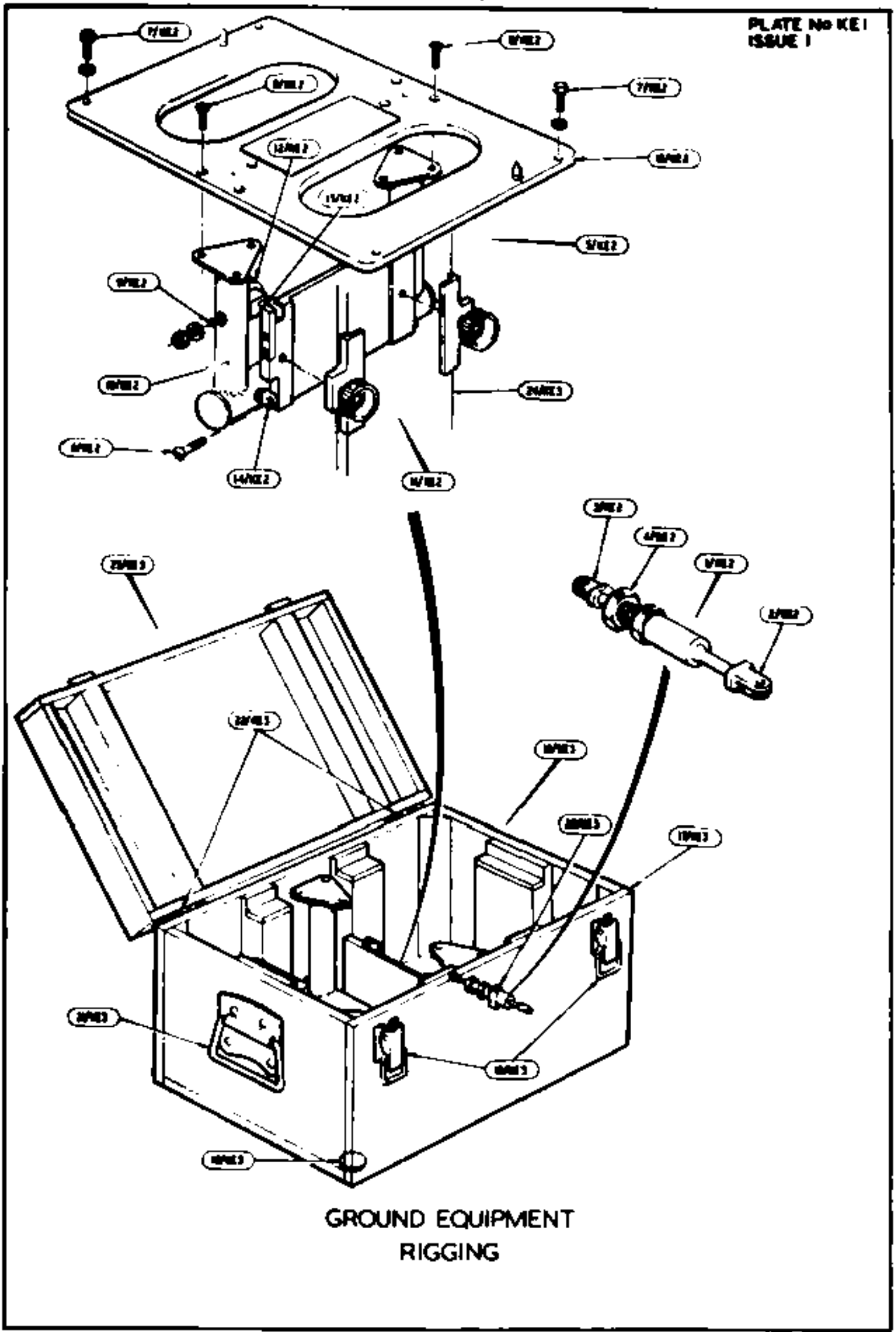
GROUND EQUIPMENT
RIGGING

Page KE. 6

Ref. No.	Part No.	Description	No. off	Matl. Spec.	Cl. of	Plate and Illust'n No.
					St. M.R.	
		1 2 3 4				
		ALIGNMENT JIG, C/W BOX (1U2251) (Mod. 2304) (Cont'd)				
	1U2258	BOX, GROUP	1	-		KE2/38
	3U2258	Spare for:—				
	OAKDEN LTD.	BOX, BASE, GROUP	1	-		KE2/38
	C8529	Buffer, rubber	4	-		KE2/40
	WILMOT BREEDON 7/1406	Catch, throw-over	2	-		KE2/41
	BAXENDALE No. 246	Handle, chest	2	-		KE2/42
	AS.1879/4.0	Hinge, 4" long	2	-		KE2/43
	2U2258	Label	1	-		
	5U2258	Label	1	-		
	4U2258	LID, GROUP	1	-		KE2/44

RESTRICTED

PLATE No KE1
ISSUE 1

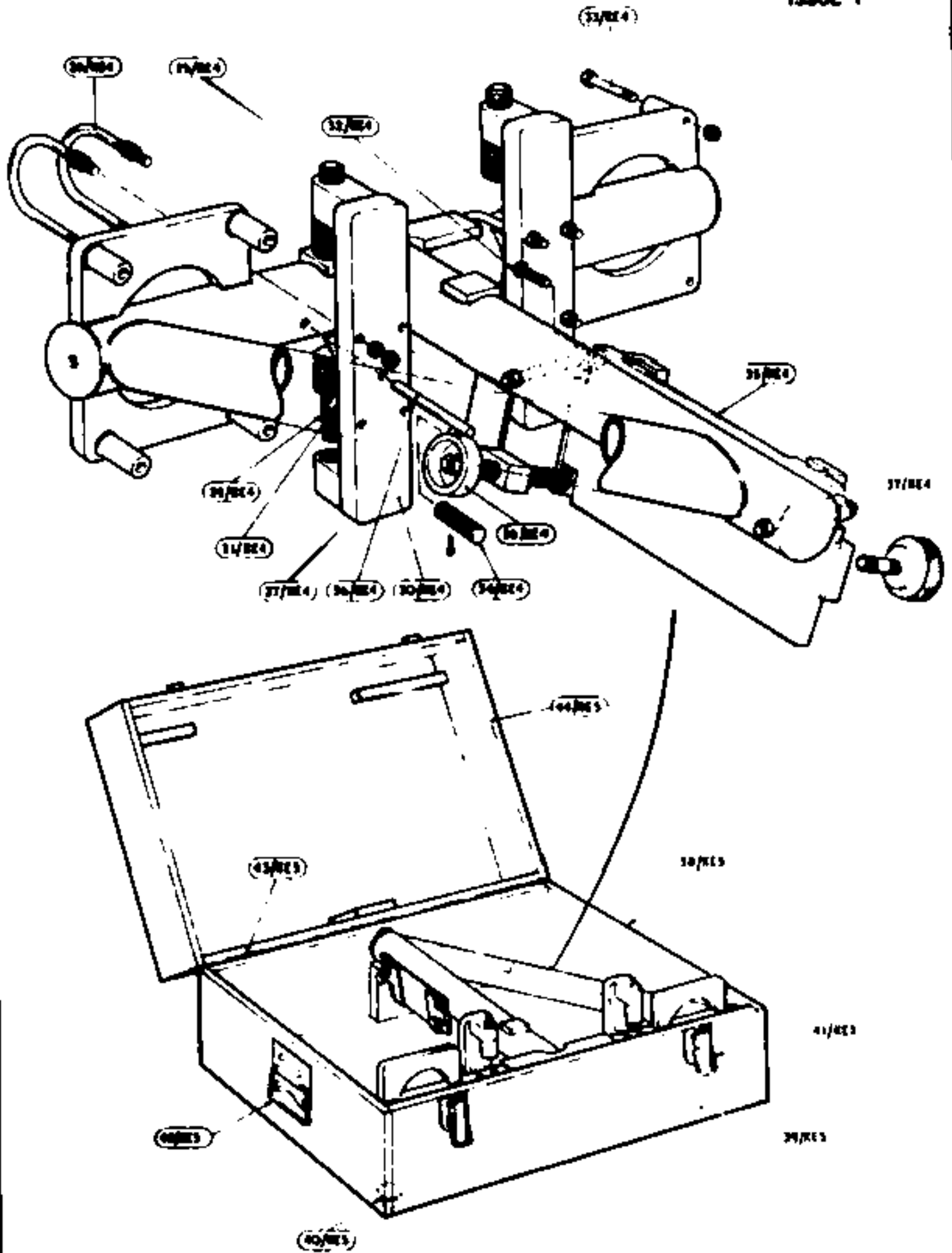


GROUND EQUIPMENT
RIGGING

RESTRICTED

RESTRICTED

PLATE No. KE 2
ISSUE 1



GROUND EQUIPMENT
RIGGING

RESTRICTED

VULCAN NR. 2

GROUND EQUIPMENT
TESTING AND SERVICING

Page KF. 1

Ref. No.	Part No.	Description	No. off	Matl. Spec	Cl. of St.	Plate and Illust'n No.
					M.F.	
		1 2 3 4				
6A/2729	—	TESTING AND SERVICING Consisting of:— Amplifier, F.C.A. for use with Z9102	1	—	A	
95249	1Z9280	BAR, SETTING, AILERON & ELEVATOR	1	—	A	KF1/1
		CONTROLS, GROUP Spares for:—				
	1Z9280	Eyebolt, 1/4" BSF	1	Mild Steel		KF1/2
	13Z9280	Eyebolt, 2 BA	1	Mild Steel		KF1/3
	4Z9280	Hingepiece, slide bracket	1	Mild Steel		KF1/4
	5Z9280	Hingepiece	1	Mild Steel		KF1/5
	11Z9280	Label, ident	1	L58		KF1/6
	8Z9280	Pin, hinge 3/16" dia. x .56" long	2	Mild Steel		KF1/7
	8Z9280	Pin, hinge 1/4" dia. x .7" long	2	Mild Steel		KF1/8
	10Z9280	Screw, wing, slide bracket	1	—		KF1/9
95159	1Z8532	BAR, SETTING, RUDDER PEDALS, GROUP	1	—	A	KF1/10
		Spares for:—				
	8Z8532	Label, ident	1	L58		KF1/11
	8Z8532	Pennant, warning	1	—		KF1/12
95189	1U1588	BOLT-EYE, FOR CANOPY LIFTING,	1	—	A	KF1/13
		GROUP				
95403	U1631	BOX OF EQUIPMENT, FLYING CONTROL	1	—	A	KF1/14
		FORCE, GROUP				
		Consisting of:—				
	1Z9949	BOX, GROUP	1	—		KF1/15
	1Z9507	CABLE, DISCONNECTING, GROUP	1	—		KF1/16
	1Z9508	CABLE, DISCONNECTING, GROUP	1	—		KF1/17
	1Z9509	CABLE, DISCONNECTING, GROUP	1	—		KF1/18
	1Z9510	CABLE, DISCONNECTING, GROUP	1	—		KF1/19
	1Z9511	CABLE, DISCONNECTING, GROUP	1	—		KF1/20
	1Z9810	SET OF MASTER TRACES, GROUP	1	—		KF1/21
	1U1379	TRANSMITTER, CONTROL COLUMN,	1	—		KF1/22
		GROUP				
	1U1380	TRANSMITTER, RUDDER PEDAL PORT,	1	—		KF1/23
		GROUP				
95249	2U1380	TRANSMITTER, RUDDER PEDAL STAR-	1	—	A	KF1/24
		BOARD, GROUP				
	1Z9506	UNIT, MONITOR, COCKPIT, GROUP	1	—		KF1/25

GROUND EQUIPMENT
TESTING AND SERVICING

Ref. No.	Part No.	Description	No. off	Matl. Spec.	Cl. of	Plate and Illust'n No.
					St. M.R.	
		1 2 3 4				
		BOX OF EQUIPMENT, FLYING CONTROL FORCE (U1831) (Cont'd)				
	128783	UNIT, RECORDING, GROUP	1	-		KF1/26
95295	1U1285	Cable, support (g round electrical connections) ..	2	-		KF1/27
	1U1493	Cap, pressure release (extrn. cabin de-pressurisa- tion)	1	-	B	KF1/28
95401	1U1829	CARRIER & LINKAGES, FLYING CONTROL FORCE, DEFLECTOR PLOTTER TEST SET, GROUP	1	-	A	KF1/29
	129947	Consisting of:- BOX, FOR CARRIER AND LINKAGE	1	-		KF1/30
	128814	CARRIER, AILERON AND ELEVATOR, ... GROUP	1	-		KF1/31
	128816	CARRIER, RUDDER, GROUP	1	-		KF1/32
	129807	LINKAGE MECHANISM, AILERON AND ELEVATOR, GROUP	1	-		KF1/33
	129809	LINKAGE MECHANISM, RUDDER, GROUP	1	-		KF1/34
95393	1U1624	Connector, test A A P U	1	-	A	KF1 35
95096	1U1185	GAUGE, TEST, FULL TANK PRESSURISA- TION, GROUP	1	-	A	KF1/36
	2U1185	Specs for:- Gauge, 0-4 lbs.	1	-		KF1/37
	7U1185	Hose, rubber, 3/16" i/d x 3/8" o/d x 12" long	1	-		KF1/38
	6U1185	Pipe, 22G x 3/16" o/d x 1" long	1	Brass		KF1/39
95382	129729	GAUGE, SETTING, AIR BRAKE FLAP, ... TOP, GROUP	1	-	A	KF1/40
95383	129730	GAUGE, SETTING, AIR BRAKE BOTTOM, ... GROUP	1	-	A	KF1/41
95178	1U1358	GAUGE, SETTING, ELEVATOR, INNER, ... GROUP	1	-	A	KF1/42
95179	1U1359	GAUGE, SETTING, ELEVATOR, OUTER, ... GROUP	1	-	A	KF1/43
95180	1U1360	GAUGE, SETTING, AILERON, INNER, ... GROUP	1	-	A	KF1/44

VULCAN No. 3

GROUND EQUIPMENT
TESTING AND SERVICING

Page KF. 3

Ref. No.	Part No.	Description	No. off	Matl. Spec.	Cl. of	Plate and Illust'n No.
					St. M.R.	
		1 2 3 4				
	1V1988	BOX, COMPLETE WITH SIGHTING RODS FOR COMPASS SWINGING (Pre-Mod. 2078)	1	-		
	1U2178	BOX, COMPLETE WITH SIGHTING RODS FOR COMPASS SWINGING (Mod. 2078)	1	-		KF2/45
	1U1980	Consisting of:- BOX, FOR SIGHTING RODS, GROUP (Pre-Mod. 2078)	1	-		
	1U2181	BOX, FOR SIGHTING RODS, GROUP (Mod. 2078)	1	-		KF2/46
	SP88 WILMOT BREEDON 7/1408	Spares for:- CATCH, SPRING, GROUP (Pre-Mod. 2078)	3	-		
	HELLERMAN EC107/S/1007	Catch, throw over (Mod. 2078)	2	-		KF2/47
		Handle	1	-		KF2/48
		Attachments for Handle Part No. Hellerman EC107/S1007:-				
28D/1857318	AS1242/48	Bolt, 4 BA	2	-	C	
28M/1278188	AGS2001/B/1	Nut, stiff, 4 BA	2	-	C	
28W/8418488	SP13/B	Washer, 4 BA	2	-	C	
28N/18463	AS1878/48	Hinges, 4-1/2" long	3	DTD810	C	
	8U1980	Label, outside (Pre-Mod. 2078)	1	L59		
	8U2181	Label, outside (Mod. 2078)	1	-		KF2/49
	7U1980	Label, inside (Pre-Mod. 2078)	1	L59		
	8U2181	Label, inside (Mod. 2078)	1	-		K12/50
	1U1978	ROD, SIGHTING, FRONT, FOR COMPASS . SWINGING, GROUP (Pre-Mod. 2078)	1	-		
8894	1U2179	ROD, SIGHTING, FRONT, FOR COMPASS . SWINGING, GROUP (Mod. 2078)	1	-	B	KF2/51
		Spares for:-				
	7U1978	Bolt, special	1	-		
	4U1978	BRACKET, SUPPORT, GROUP	1	-		KF2/52
	3U1978	Block, clamping	1	MS BAR		KF2/53
	8U1978	Bracket, level mounting (Pre Mod. 2078) . .	1	-		
	3U2089 HILGER & WATTS LTD.	Bracket, level mounting (Mod. 2078)	1	MS		KF2/54
	SA19	Level, with 2 min. bubble	1	-		KF2/55
	4U2179 HILGER & WATT LTD.	Label	1	-		KF2/56
	A13	Plate, base for level	1	-		KF2/57
	8U1978	Rod, sighting, front (Pre-Mod. 2078)	1	-		
	2U2179	Rod, sighting, front (Mod. 2078)	1	-		KF2/58
	8U1978	Wheel, locking	1	MS BAR		KF2/59

GROUND EQUIPMENT
TESTING AND SERVICING

Ref. No.	Part No.	Description	No. off	Matl. Spec.	Cl. of	Place and Illust'n No.
					St. M.R.	
		<u>1 2 3 4</u>				
		BOX, C/W SIGHTING RODS FOR COMPASS SWINGING (1V1998) (Pre-Mod. 2078) (1U2178) (Mod. 2078) (Cont'd)				
05595	1U1979	ROD, SIGHTING, REAR FOR COMPASS SWINGING, GROUP (Pre-Mod. 2078)	1	-		
	1U2180	ROD, SIGHTING, REAR, FOR COMPASS SWINGING, GROUP (Mod. 2078)	1	-	B	KF2/60
	7U1979	Spares for:- Bolt, special	1	-		KF2/61
	3U1979	Bracket, level mounting (Pre-Mod. 2078)	1	-		
	3U2080	Bracket, level mounting (Mod. 2078)	1	-		KF2/62
	4U1979	Block, clamping	1	-		KF2/63
	3U2180	Label	1	-		KF2/64
	HILGER & WATTS LTD. SA 19	Level, with 2 min. bubble	1	-		KF2/65
	HILGER & WATTS LTD. A13	Plate, base for level	1	-		KF2/66
	2U1979	Rod, sighting, rear (Pre-Mod. 2078)	1	M.S.		
2U2180	Rod, sighting, rear (Mod. 2078)	1	M.S.		KF2/67	
6U1979	Wheel, locking	1	M.S.		KF2/68	
1433875	1U2230	EQUIPMENT, T.F.R. POD ALIGNMENT (Mod. 2207)	1	-	A	
	1U2223	Consisting of:- BOX, GROUP Spares for:-	1	-		
28N/9405784	WILMOT BREEDON 7/1406	Catch, throw over	3	-		
	AS1879/80	Hinge, 8" long	3	DTD610	C	
	2U2220	Label	1	-		
	4U2223	Label	1	-		
	1U2224	FIXTURE, T.F.R. ALIGNMENT GROUP Spares for:-	1	-		
	7U1014	Bob, plumb	2	-		
	5U2224	Label	1	-		
	6D13198	RAIL, POD CARRIER Spares for:-	1	-		
28M/1012015	6aD13198	Rail	1	-		
	6bD13198	Pin	3	-		
	AGS2001/C1/68	Nut, stiff, 1/2"	3	-		C
	4U2224	Bolt, special	2	-		
26W/9419405	SP15/E	Washer, 1/4"	3	-		C
	2U2224	Tube, assembly (welded)	1	-		

VULCAN PR. 3

GROUND EQUIPMENT
TESTING AND SERVICING

Page KF. 3B

Ref. No.	Part No.	Description	No. off	Matl. Spec.	Cl. of St. M.R.	Place and Illust'n No.

**GROUND EQUIPMENT
TESTING AND SERVICING**

Ref. No.	Part No.	Description	No. off	Mater. Spec.	Cl. of	Plans and Illust'n No.
					St. M.R.	
		1, 2, 3, 4				
06181	1U1381	GAUGE, SETTING, AILERON, OUTER, GROUP	1	-	A	KF2/69
06187	1U1280	GUARD, FOR MAIN ENTRANCE DOOR JACKS, GROUP	1	-	C	KF2/70
06359	1U1588	LADDER, SERVICING CREWS NACELLE ACCESS, GROUP	1	-	A	KF2/71
	2U1588	Spares for:- LADDER, FIXED PORTION, GROUP	1	-		KF2/72
	3U1588	LADDER, SLIDING PORTION, GROUP	1	-		KF2/73
	6U1588	Label	1	-		KF2/74
4G/8103	-	Mets, mainplane, large	1	-	B	
	-	Mets, radome	1	-		
			Set			
	1Z9113	PANEL, TEST, STABILISED POWER PACK. ... GROUP	1	-		KF2/75
		Spares for:-				
	SANGAMO WESTON 14Z9113	Ammeter, 0-5A DC	1	-		KF3/76
	2Z9113	CONTAINER, GROUP	1	-		KF3/77
	WILCOX LTD. X5344	Fuse, (5 amp.)	2	-		
	1Z29113	Label	1	-		KF3/78
	26Z9113	Label	1	-		KF3/79
	27Z9113	Label	1	-		KF3/80
	28Z9113	Label	1	-		KF3/81
	29Z9113	Label	1	-		KF3/82
	31Z9113	Label	1	-		KF3/83

VULCAN No. 2

GROUND EQUIPMENT
TESTING AND SERVICING

Page KF. 5

Ref. No.	Part No.	Description	No. off	Matl. Spec.	Cl. of St.	Plate and Illust'n No.
					M.R.	
		1 2 3 4				
		PANEL, TEST, STABILISED POWER PACK (29113) (Cont'd)				
	3229113	Label	1	—		KF3/84
	3329113	Label	1	—		KF3/85
	4229113	Label	1	—		KF3/86
	4529113	Label	1	—		KF3/87
	4629113	Label	1	—		KF3/88
	4729113	Label	1	—		KF3/89
	4829113	Label	1	—		KF3/90
	SANGAMO WESTON					
	1629113	Miliammeter (p.25 M/amps. DC)	1	—		KF3/94
	DOX LTD					
	1829113	Potentiometer (No. PX25/B)	1	—		KF2/91
96103	BULGIN LTD				B	
	1929113	Potentiometer (No. 1.V.C. 13)	1	—		KF3/92
	BULGIN LTD					
96218	4029113	Resistor (No. P.R.138)	1	—		KF3/93
	BULGIN LTD					
	2029113	Switch (No. 3281)	2	—		KF3/95
	BELLING LEE					
	2129113	Terminal (No. 1001/1W Black)	1	—		KF3/96
	BELLING LEE					
	2229113	Terminal (No. 1001/1W Red)	1	—		KF3/97
	SANGAMO-WESTON					
	1329113	Voltmeter (0-30V. DC)	1	—		KF3/98
	SANGAMO-WESTON					
	1529113	Voltmeter (0-50V, DC)	1	—		KF3/99
95250	129114	PANEL, TEST, SEQUENCE TIMER C/W CABLES, GROUP	1	—	A	KF3/100
		Spare for:—				
	229114	CONTAINER GROUP			B	KF3/101
5L/1928	—	Filament lamp	7	—		
	1929114	Label	1	L59		KF3/102
	2029114	Label	1	L59		KF3/103
	2029102	Label	1	L59		KF3/104
	2629102	Label	1	L59		KF3/105
	2729102	Label	1	L59		KF3/106
	2829102	Label	1	L59		KF3/107
	2929102	Label	1	L59		KF3/108
	3029102	Label	1	L59		KF3/109
	3129102	Label	1	L59		KF3/110
	ROTAX					
5CX/1095815	H2702	Lamp, warning	7	—	C	KF3/111
	1829114	Panel, back	1	L72		KF3/112
	ROTAX					
5CW/1047880	D5404	Switch	2	—	C	KF3/113
28S/9128950	A32/C/18	Screw, 2 BA	12	—	C	
28S/1009986	A32/B/6	Screw, 4 BA	4	—	C	

GROUND EQUIPMENT
TESTING AND SERVICING

Ref. No.	Part No.	Description	No. off	Matl. Spec.	Cl. of St.	Plate and Illust'n No.
					M.R.	
		1 2 3 a				
95205	1Z9102	PANEL, TEST, FOR RE-FUELLING PANELS, ... 36P & 37P, GROUP	1	—	A	KF4/114
5CZ/4350489	66Z9102	Spares for:— Bar, commoning	1	—	C	KF4/116
	—	Block, terminal 5-way	1	—		
	BELLING LEE	BUSH & COLLAR GROUP (L1004/1L)	1	—		KF4/117
	91Z9102	CONTAINER GROUP	1	—		KF4/118
	2Z9102	Cable, 460-453	1	—	MR	KF4/119
	2Z9103	Cable, 448-455	1	—	MR	KF4/120
	3Z9103	Cable, 447-454	1	—	MR	KF4/121
	4Z9103	Cable, 450-457	1	—	MR	KF4/122
	5Z9103	Cable, 451-458	1	—	MR	KF4/123
	6Z9103	Cable, 449-456	1	—	MR	KF4/124
	7Z9103	Cable, amp. supply	1	—	MR	KF4/125
	8Z9103	Cable, power pack supply	1	—	MR	KF4/126
	9Z9103	Cable, 452-459	1	—	MR	KF4/127
	96232	21Z9103	Cable, 552-554	1	—	MR
	22Z9103	Cable, supply	1	—	B	KF4/129
5L/1928	—	Filament lamp	9	—		
	SANGAMO-	Indicator (No. S.37.1.862)	1	—		KF4/130
	WESTON	Label	1	L59		KF4/131
	58Z9102	Label	1	L59		KF4/132
	14Z9102	Label	1	L59		KF4/133
	16Z9102	Label	1	L59		KF4/134
	17Z9102	Label	1	L59		KF4/135
	18Z9102	Label	1	L59		KF4/136
	19Z9102	Label	1	L59		KF4/137
	25Z9102	Label	1	L59		KF4/138
	26Z9102	Label	1	L59		KF4/139
	27Z9102	Label	1	L59		KF4/140
	28Z9102	Label	1	L59		KF4/141
	29Z9102	Label	1	L59		KF4/142
	30Z9102	Label	1	L59		KF4/143
	31Z9102	Label	1	L59		KF4/144
	32Z9102	Label	1	L59		KF4/145
	33Z9102	Label	1	L59		KF4/146
	34Z9102	Label	1	L59		KF4/147
	35Z9102	Label	1	L59		KF4/148
	36Z9102	Label	1	L59		KF4/149
	37Z9102	Label	1	L59		KF4/150
	38Z9102	Label	2	L59		KF4/151
	39Z9102	Label	1	L59		KF4/152
	40Z9102	Label	1	L59		KF4/153
	41Z9102	Label	1	L59		KF4/154
	42Z9102	Label	1	L59		KF4/155
	43Z9102	Label	1	L59		KF4/156
	44Z9102	Label	1	L59		KF4/157
	45Z9102	Label	1	L59		KF4/158
	46Z9102	Label	1	L59		KF4/159

VULCAN 40 2		GROUND EQUIPMENT				Page KF. 7			
		TESTING AND SERVICING							
Ref No.	Part No	Description				No. off	Matl. Spec.	Cl. of St.	Plate and Illust'n No.
		1	2	3	4			M.R.	
		PANEL, TEST, FOR REFUELLING PANELS (129102) (Cont'd.)							
	77Z9102	Label				1	L58		KF4/160
	81Z9102	Label				1	L59		KF4/161
	82Z9102	Label				1	L59		KF4/162
	83Z9102	Label				1	L59		KF4/163
	84Z9102	Label				1	L59		KF4/164
	85Z9102	Label				1	L59		KF4/165
	86Z9102	Label				1	L59		KF4/166
	87Z9102	Label				1	L59		KF4/167
	88Z9102	Label				1	L59		KF4/168
	89Z9102	Label				1	L59		KF4/169
	79Z9102	Label				1	L58		KF4/170
5CX/1088	ROTAX H2702	Lamp, warning				9	—	C	KF4/171
	11Z9102	Plate, back				1	L72		KF4/172
	12Z9102	Plate, base				1	L72		KF4/173
5CW/8010258	—	Relay, type S.2				1	—		KF4/174
	—	Relay, type S.4				1	—	C	KF4/175
5CW/1047887	ROTAX 46Z9102	Switch (D5506)				3	—	B	KF4/176
5CW/4400113	50Z9102	Switch, push button (8450/B1)				1	—	B	KF4/177
	80Z9102	Switch (8450/B4)				1	—		KF4/178
	SANGAMO WESTON 51Z9102	Switch, selector (S18-112430)				1	—		KF4/179
	SANGAMO WESTON 52Z9102	Switch, selector (S.18-112429)				1	—		KF4/180
5CW/4407828	ROTAX 4bZ9102	Switch (D5403)				1	—	B	KF4/181
5CW/838	81Z9102	Switch				1	—	B	KF4/182
5CW/1047888	ROTAX 78Z9102	Switch (D5504)				1	—	B	KF4/183
5CW/8388288	ROTAX 72Z9102	Switch (D5404)				1	—	B	KF4/184
	BELLING LEE 90Z9102	Terminal, black (Type L1004/1 2BA)				1	—		KF4/185
28S/8128850	A32/C/18	Screw, 28A				31	—	C	
28S/8885378	A32/B/20	Screw, 48A				25	—	C	
4G/4421158	1U1571	RIG, MOBILE TESTING, ALTERNATOR AND CSD, GROUP				1	—	A	
	1U1546	RIG, TEST, B.S. HYD.P.D. MOTOR, GROUP				1	—		
	1U1894	RIG, TEST, B.S. HYDRAULIC AND REFRIGE- RATION PACKS (Mod. 1897)				1	—		

GROUND EQUIPMENT
TESTING AND SERVICING

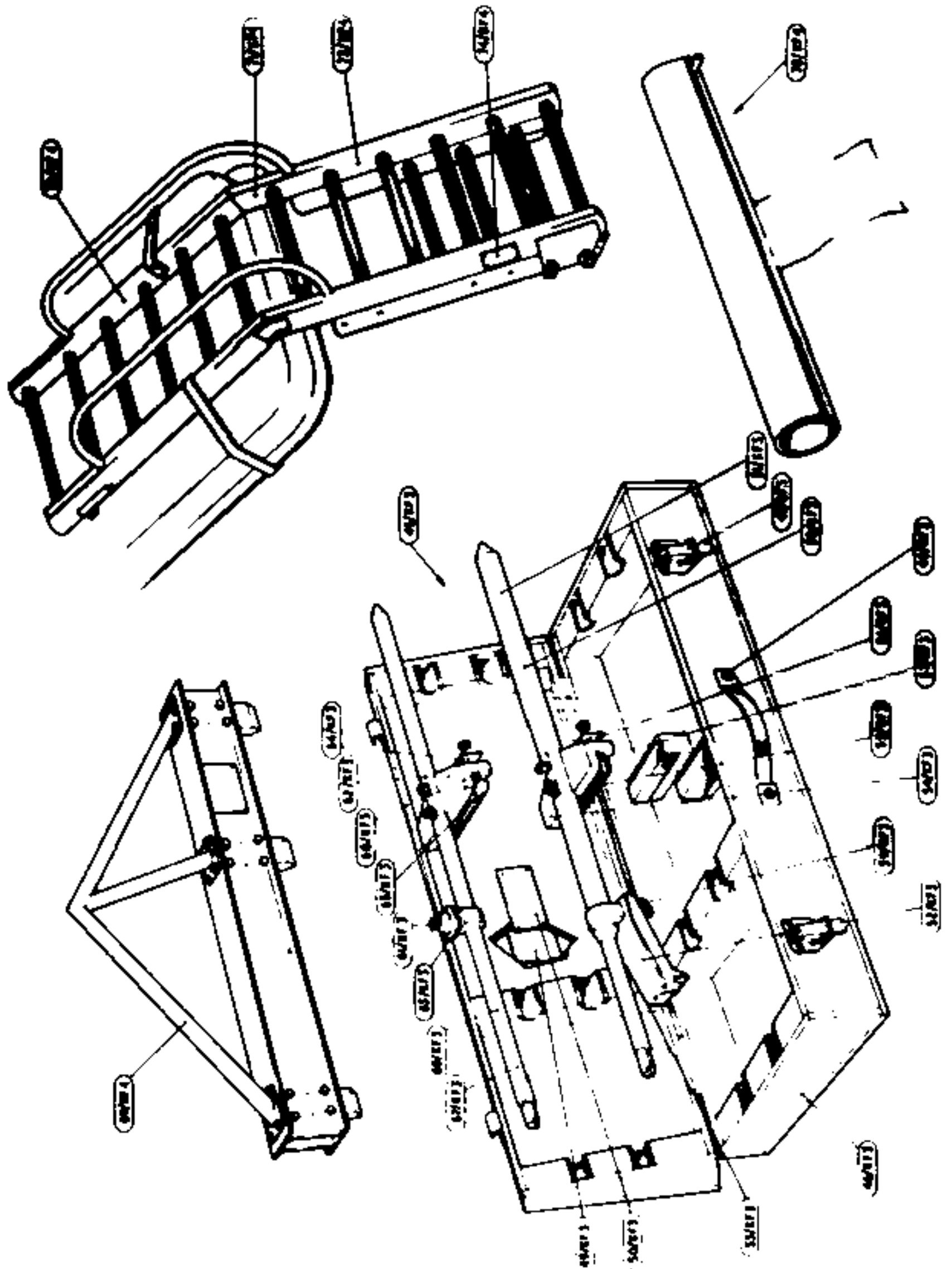
Ref. No.	Part No.	Description	No. off	Matl. Spec.	Cl. of	Plate and Illust'n No.
					St. M.R.	
		1 2 3 4				
	1U1544	RIG, TORQUE TEST, P.F.C. C/W HYDRAULIC POWER PACK ELECTRIC MOTOR, GROUP	1	-		
95218	1U1383	SETS, TEST, TANK PRESSURISATION PANEL, GROUP	1	-	A	
95184	1U2029	SETS, TEST, TANK PRESSURISATION PANEL ADAPTOR, GROUP (Mod. 1738)	1	-		
	13U2029	Spares for:- Label	1	-		
95215	1U1339	SETS, TEST, ELECTRICAL AIR BRAKES, GROUP	1	-	A	
95284	1U1522	SETS, TEST, ELECTRICAL FOR FIRE WARNING, L/C NOSE WHEEL STEERING BOMB BAY DOORS AND FUEL SYSTEMS, GROUP	1	-	A	
	1U1584	SET, TEST, AUTOSTABILISER, GROUP	1	-		
95217	1U1300	SET, TEST, ARTIFICIAL FEEL UNIT, GROUP	1	-	A	
95227	20U1390	Spares for:- Gauge, disc (Batey Model No. AL7)	1	-		
95205	2U1390	Strut	1	-		
95305	1U1632	STRAP, CHECK, NOSE ENTRANCE DOOR, GROUP	-	-		KF5/185
		Spares for:-				
	GREENGATE & IRWELL					
	2U1632	Belt (Balata 2" x 3pg x 12'0" long)	1	-		KF5/187
	7U1632	Cord, attachment	1	-		KF5/188
	ASTON CHAIN Co.					
	8U1632	Chain, 8" long	1	V15		KF5/189
	8U1632	GUARD, GROUP	1	-		KF5/190
	1U1586	Label	1	-		KF5/191
	3U1632	Plate, attachment	4	MS		KF5/192
	AV. DEV. LTD.					
	A403	Pin, pip, 1/4" dia.	2	-		KF5/193
	4U1632	Ring, S & G1	5	-		KF5/194
95045	1U1011	STRUT, JURY, CANOPY LOCKING, GROUP	2	-	A	KF5/195
		Spares for:-				
	6U1011	Label	1	-		KF5/196

VULCAN Ptl. 2

GROUND EQUIPMENT
TESTING AND SERVICING

Page KF 9

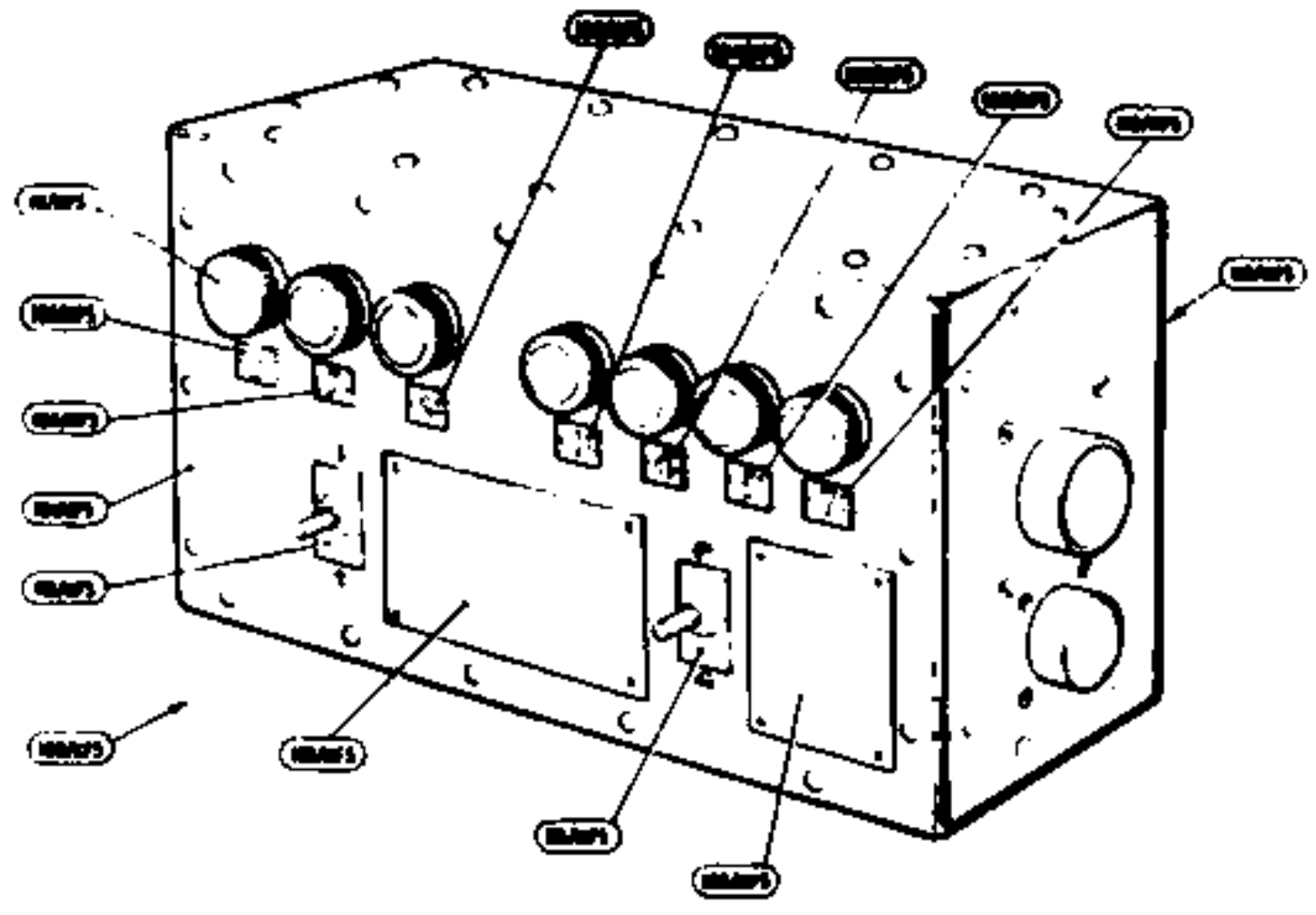
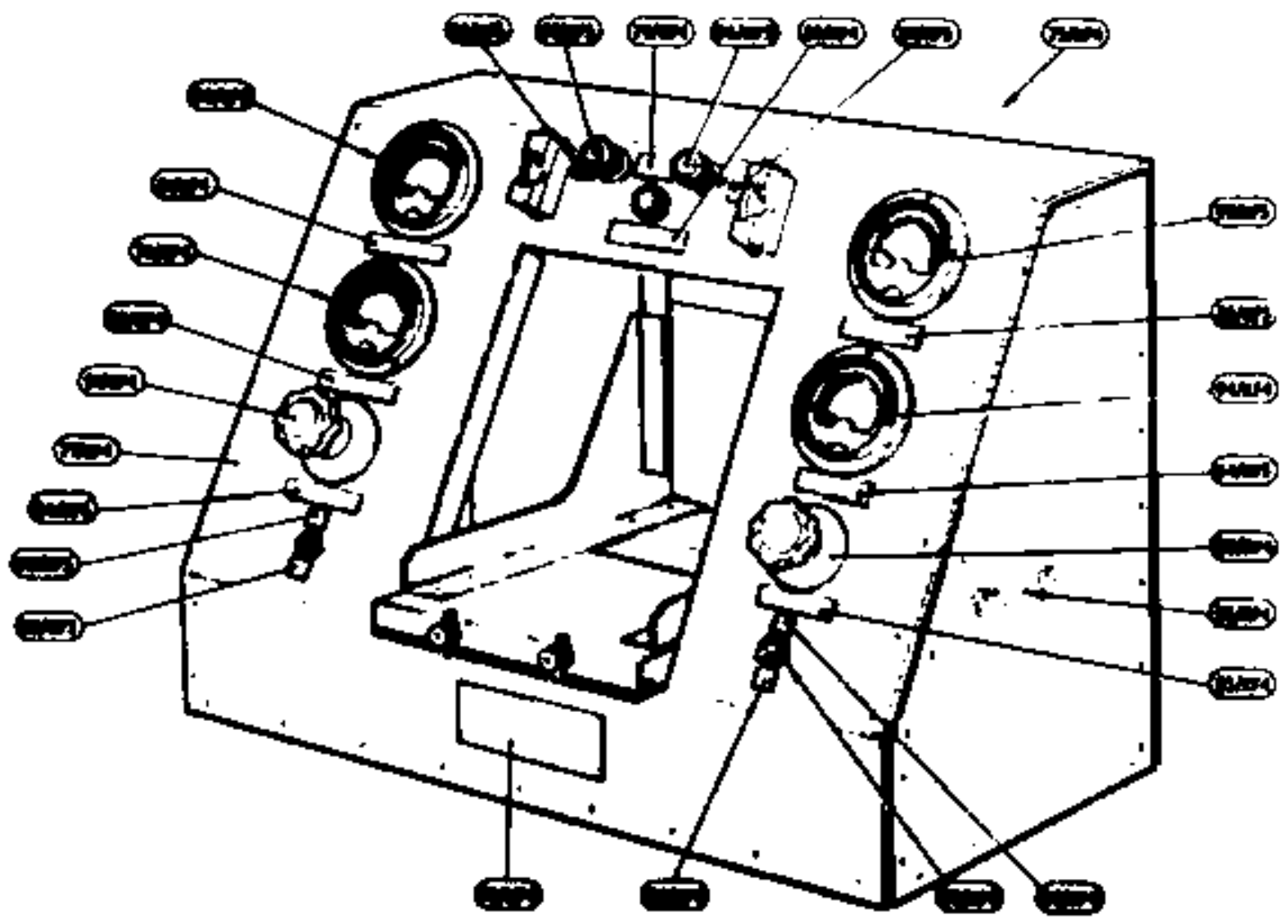
Ref. No.	Part No.	Description	No. off	Matl. Spec.	Cl. of	Plate and Illust'n No.
					St. M.R.	
		1 2 3 4				
88039	1U1053	STRUT, JURY, FOR RUDDER ACTUATOR ... MOTOR, GROUP Spares for:—	1	—	A	KF5/197
	ASTON CHAIN Co.					
	4U1053	Chain, 8" long	1	V9		KF5/198
	5U1053	Label	1	—		KF5/199
	3U1052	Pennant	1	—		KF5/200
28FP/690	AVIATION DEV. A1220	Pin, quick release 3/4" dia.	1	—	C	KF5/201
28FP/817	AVIATION DEV. A1021	Pin, quick release 5/8" dia.	1	—	C	KF5/202
95198	1U1362	STRUT, JURY, FOR AILERON ACTUATOR ... MOTOR, INNER & OUTER, GROUP Spares for:—	4	—	A	KF5/203
	ASTON CHAIN Co.					
	5U1362	Chain, 8" long	2	V9		KF5/204
	3U1362	Label	1	—		KF5/205
	3U1052	Pennant	1	—		KF5/206
28FP/	AVIATION DEV. A1219	Pin, quick release	2	—		KF5/207
	6U1362	Ring, split	4	—		KF5/208
95200	1U1364	STRUT, JURY, FOR ELEVATOR ACTUATOR MOTOR, INNER & OUTER, GROUP Spares for:—	4	—	A	KF5/209
	ASTON CHAIN Co.					
	6U1364	Chain, 8" long	2	V9		KF5/210
	3U1364	Label	1	L59		KF5/211
	3U1052	Pennant	1	—		KF5/212
28FP/690	AVIATION DEV. A1220	Pin, quick release	1	—		KF5/213
28FP/1014	AVIATION DEV. A1419	Pin, quick release	1	—		KF5/214
	7U1364	Ring, split		—		KF5/215



TESTING AND SERVICING
FIG. 2

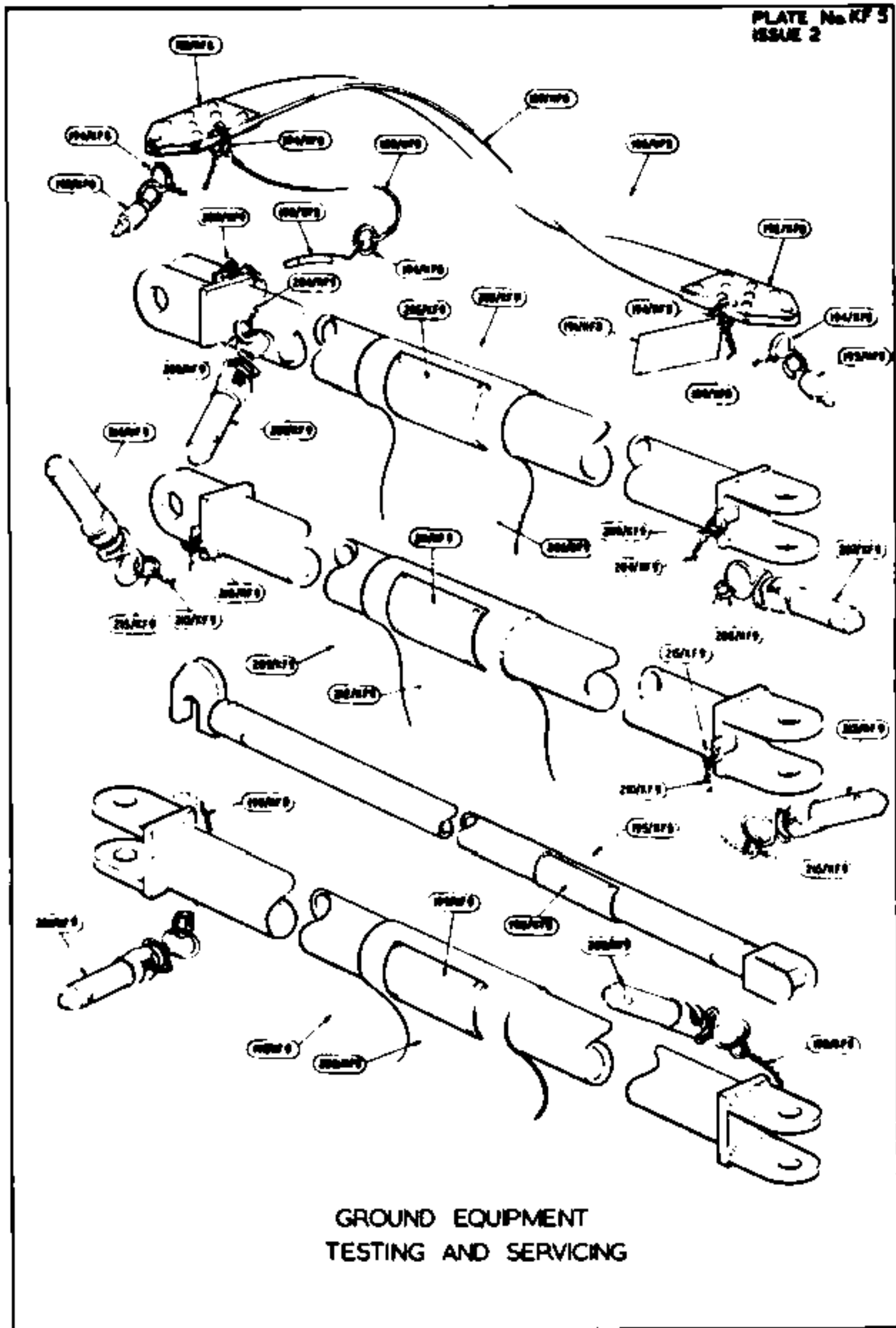
RESTRICTED

PLATE No. KP 3
ISSUE 2



GROUND EQUIPMENT
TESTING AND SERVICING

RESTRICTED



GROUND EQUIPMENT
TESTING AND SERVICING

GROUND EQUIPMENT
TOWING AND STEERING

Ref. No.	Part No.	Description	No. off	Matl. Spec.	Cl. of	Plate and Illust'n No.
					St.	
		1 2 3 4			M.R.	
96191	1U1342	ARM, TOWING, NOSE, GROUP	1	—	A	KG1/1
96158	1U1496	Spares for:— ABSORBER, SHOCK, GROUP	1	—	A	KG2/2
	3U1496	Spares for:— BAR, TENSION, GROUP	1	—		KG2/3
	7U1150	Block, bearer, forward and rear	2	—		KG2/4
	18U1150	Block, bearer	1	Phos. Bronze		KG2/5
	4U1150	Block, bearer, forward, centre and rear	3	L.45		KG2/6
	30U1496	Block, bearer, release container tube	1	—		KG2/7
	9U1150	Bolt, cable adjusting	1	—		KG2/8
	12U1150	Bolt, bearer, block attachments	32	—		KG2/9
	22U1150	Bolt, special	1	S11 or S96		KG2/10
	23U1150	Bolt, special	2	S11 or S96		KG2/11
	36U1150	Bolt (Made from A25/13J)	1	—		KG2/12
	37U1150	Bolt (Made from A25/ML)	1	—		KG2/13
	38U1150	Bolt, special	1	—		KG2/14
	28U1496	Bolt, 3/8" BSF (Made from A25/B6)	12	—		KG2/15
	47U1496	Bolt, for towing eye, 3/4" BSP (Made from A25/18S)	1	—		KG2/16
	27U1150	Buffer, rubber, 1-3/4" x 1/16" x 3/4"	2	—		KG2/17
	10U1496	CABLE, GROUP (Pre-Mod. 2244)	1	—		KG2/18
	55U1496	CABLE, GROUP (Mod. 2244)	1	—		
	53U1496	CABLE, GROUP (used as alternative to 10U1496, when testing towing bar)	1	—		
	8U1150	CAP, END, GROUP	1	—		KG2/19
	ASTON CHAIN Co.					
96106	44U1496	Chain, 12' long	1	V15		KG2/20
96107	18U1496	Chain, 8' long	1	V16		KG2/21
	33U1496	Claw, female	1	S96		KG2/22
	34U1496	Claw, male	1	S96		KG2/23
	13U1150	COVER, FORWARD, GROUP	1	—		KG2/24
96709	18U1150	COVER, RELEASE CONTAINER, GROUP	1	—		KG2/25
96186	15U1150	Eye, towing	1	S96		KG2/26
	50U1496	Handle, release mechanism	1	—		KG2/27
	8U1150	Head, shock absorber	1	S1		KG2/28
	52U1496	LINK, GROUP	1	—		KG2/29
	32U1150	Link, top and bottom	2	DT0124A		KG2/30
	35U1496	Link, guide, R.H. and L.H.	2	MS		KG2/31
	40U1150	Link, guide to cable (Pre-Mod. 2244)	1	MS		KG2/32
	54U1496	Link, guide to cable (Mod. 2244)	1	S96		
28FP/916	5255/305	Pin, quick release	1	—	C	KG2/33
	17U941	Pin, for towing eye	1	MS	MR	KG2/34
96174	14U1496	Plug, rear at towing eye	1	—	C	KG2/35
	5U1496	Ring, stop, forward, top and bottom	2	MS		KG2/36
	42U1496	Ring, split	4	—		KG2/37
	21U1150	Ring, 5-3/4" dia.	1	MS		KG2/38
	38U1150	Roller, top and bottom	2	MS		KG2/39
	4U1496	RUBBER, COMPRESSION, GROUP	1 set	—		KG2/40
	26U1150	Screw, locating, 1/4" BSF	2	MS		KG2/41

GROUND EQUIPMENT
TOWING AND STEERING

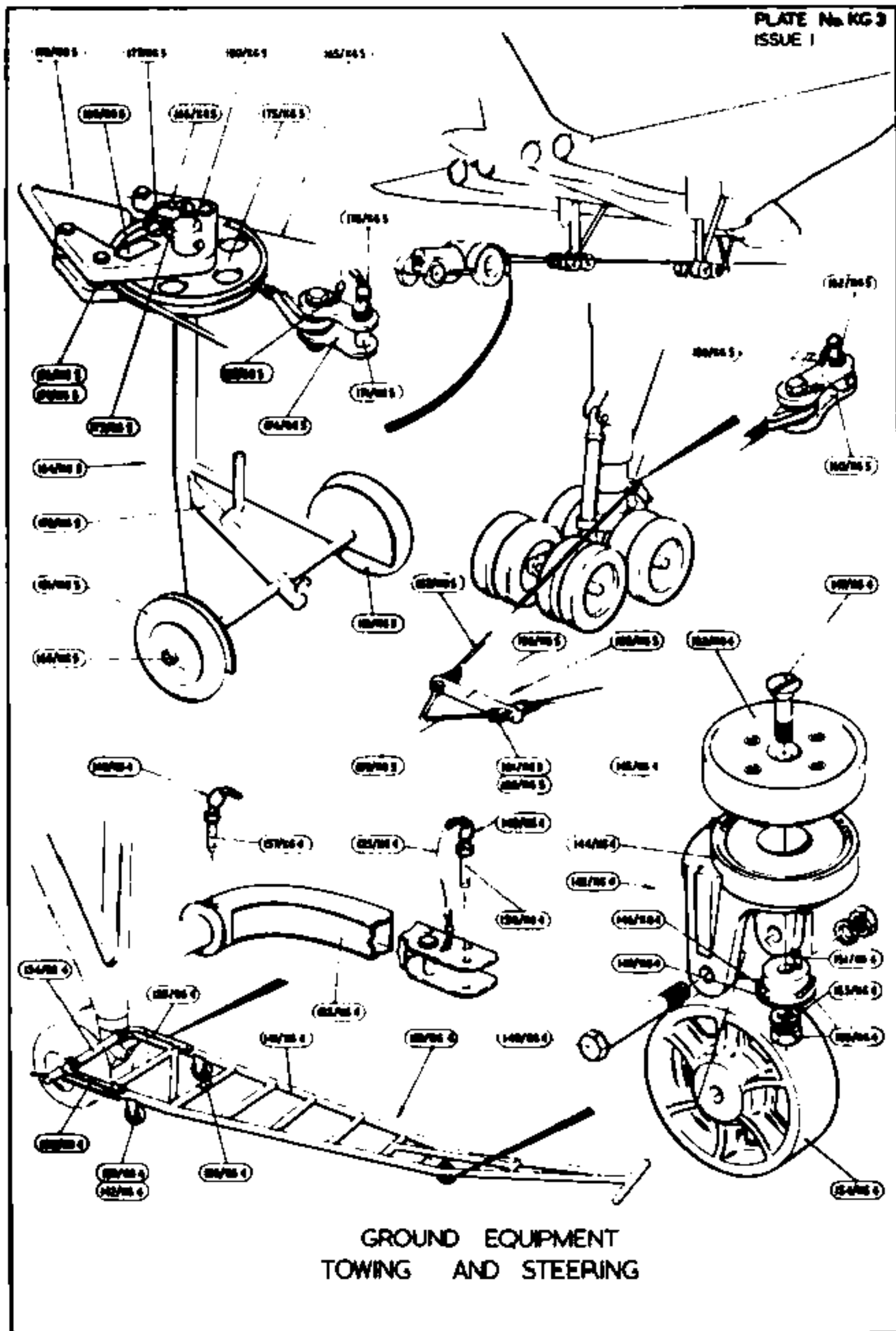
Ref. No	Part No	Description	No. off	Mater. Spec.	Cl. of St	Plate and Illust'n No
					M.R.	
		1 2 3 4				
		ABSORBER, SHOCK, GROUP (1U1496) (Cont'd.)				
	49U1496	Spring, for handle	1	—	C	KG2/42
	48U1150	Tab, 16 swg	1	Brass		KG2/43a
	2U1496	Tube, outer	1	—		KG2/44
	20U1496	Tube, release, container	1	—		KG2/45
	48U1496	Washer, 1-3/4" o/d	2	MS		KG2/43
	24U1150	Washer, special, 22G	2	—		KG2/46
	2SS1585	Washer, tab	1	—	MR	KG2/47
	35U1012	Attachment, swivel	1	BSS32		KG1/47a
1510117	1U1499	ARM, STEERING, GROUP	1	—	C	KG1/48
		Spares for:—				
	1U1618	ARM, SWIVEL, L.H., GROUP	1	—	MR	KG1/49
	2U1618	ARM, SWIVEL, R.H., GROUP	1	—	MR	KG1/50
		Spares for:—				
	7U1252	Ball, bearing, 5/16" dia.	29	—		KG1/51
	8U1252	Ball, bearing, 1/4" dia.	49	—		KG1/52
	3HU1230	Ball, 1/4" BSF (made from A25/8E)	2	—		KG1/53
	10U1230	Ball, 1/4" BSF (made from A25/1E)	2	—		KG1/54
1433407	5U1230	Cap	1	—	C	KG1/55
	ASTON CHAIN CO.					
86715	5U1618	Chain, 8" long	1	V16	C	KG1/56
	9U1252	Nipple, grease	1	—		KG1/57
	14U1252	Pin, quick release	1	—	MR	KG1/58
	3GU1230	Plate, race	1	S96		KG1/59
	6U1230	Plate, thrust bearing	1	—		KG1/60
	6U1618	Ring, split, 1" dia.	2	Spring Steel		KG1/61
	13U1151	Bracket, fork	1	S1		KG1/61a
	1U1253	BAR, AXLE, GROUP	1	—	MR	KG1/62
		Spares for:—				
86129	2U1253	Bar	1	MS	C	KG1/63
	ASTON CHAIN CO.					
	5U1253	Chain, 6" long	1	—	MR	KG1/64
	3U1253	Collar, 3" dia.	1	MS	MR	KG1/65
28FP/4088771 86888	AS2438/38	Pin, quick release	1	—	C	KG1/67
	4U1253	Ring, split, 1" o/d	2	Spring Steel	C	KG1/68
	—	Cover, 10" x 3"	2	—		KG1/66
	2U1499	FRAME GROUP	1	—		KG1/70
	29U1086	Label, instruction	1	L16		KG1/71
	8U1151	Hinge, top centre	1	MS		KG1/72
	5U1286	Handwheel	1	—	MR	KG1/73
28P/13837	SP31/No.4	Pin, taper, split	1	—	C	KG1/74
28P/4088882	SP31/L14	Pin, taper, split	2	—	C	KG1/75
86184	30U1086	Pin, hinge, special	2	—	C	KG1/76
	4U1151	Spindle, ball	1	S1	MR	KG1/77
8MT14/2810- 88-508-3287 8GB/4408844	—	Tube, 10" x 3"	2	—		KG1/78
	—	Wheel (identical to Dunlop wheel T.W.49)	2	—		KG1/79
	27U1012	Bar, pivot	1	MS		KG1/80

GROUND EQUIPMENT
TOWING AND STEERING

Ref. No.	Part No.	Description	No. off	Matl. Spec.	Cl. of	Place and Illust'n No.
					St. M.R.	
		1 2 3 4				
ARM TOWING NOSE (1U1342) (Cont'd)						
96106	36U1342	Bolt, special, 1/2" BSF x 5.1" long	2	S87		KG1/81
	23U1088	Bolt, special, 1" BSF x 1.89" long	2	S96		KG1/82
	VICTORY CHAIN CO. 30U1342	Chain, 8" long	1	-		KG1/83
	ASTON CHAIN CO. 37U1342	Chain	1	-		KG1/84
	68U1342	FRAME, GROUP	-	-		KG1/85
96228	48U1342	Label	1	L16	MR	KGS/86
	34U1342	Link	-	MS		KG1/87
	1U1286	MECHANISM, RAISING & LOWERING, GROUP	1	-		KG1/88
		Spares for:-				
96183	13U1286	Bar, pivot, 1/2" dia. x 12-1/4" long	1	S1	C	KG1/89
96104	11U1286	Chain, 6" long	2	V16	C	KG1/90
1432823	15U1286	Collar, 3/4" o/d	2	-	C	KG1/91
1432922	2U1286	Fork	1	-	C	KG1/92
95616	16U1286	JACK, SCREW, GROUP	1	-	B	KG1/93
		Spares for:-				
96702	6U1386	Ball, end, 1-3/4" dia.	1	S1	C	KG1/94
96722	4U1286	Bar, screwed, 1-1/2" o/d x 18.87" long	1	S1	C	KG1/95
	5U1286	Handwheel	1	-	MR	KG1/96
	7U1286	Socket, ball	1	MS	MR	KG1/97
	17U1286	Label, "down"	2	L59		KG1/98
	19U1286	Label, "up"	2	L59		KG1/99
1432924	3U1286	Leg	1	-	C	KG1/100
1432736	8U1286	Pivot	1	-	C	KG1/101
96101	9U1286	Pin, special hinge, 1" dia.	2	-	C	KG1/102
28P/13837	SP31/H24	Pin, taper	2	-	C	KG1/103
	AVIATION DEV. A512	Pin, quick release	1	-	C	KG1/104
28FP/4062326	12U1286	Ring, split, 3/4" i/d	2	-		KG1/105
	FLEXELLO 14U1286	Wheel, R.H.W.	2	-	MR	KG1/106
96226	32U1012	Pin, link, 1-3/4" dia.	1	-		KG1/107
	61U1012	PIN, SPECIAL LINK, GROUP	1	-	MR	KG1/108
28FP/4069751	AVIATION DEV. A1232	Pin, quick release	-	-		KG1/109
96101	9U1286	Pin, special hinge	2	-	C	KG1/111
28P/13761	SP31/H14	Pin, taper, at hinge	2	-	C	KG1/112
28P/9158817	SP28/L20	Pin, taper, at pivot bar side	2	-	C	KG1/113
28P/1384747	SP28/L16	Pin, taper, at pivot bar, top	2	-	C	KG1/114
	31U1342	Ring, split, 3/4" i/d	4	-		KG1/115
	38U1342	Ring, split	2	-		KG1/116
	43U1012	Socket, ball	1	-		KG1/117

GROUND EQUIPMENT
TOWING AND STEERING

Ref. No.	Part No.	Description	No. off	Matl. Spec.	Cl. of	Plate and Illust'n No.
					Sc. M.R.	
		1 2 3 4				
		ARM, TOWING NOSE (1U1342) (Cont'd)				
	52U1342	TUBE, SLIDE, GROUP	1	-	MR	KG1/118
	33U1342	Washer, special, 2-1/4" o/d x 1-1/4" i/d	1	MS		KG1/119
	24U1086	Washer, special spring, 2" o/d	2	Spring Steel		KG1/120
	54U1012	Washer, tab at fork	1	MS		KG1/121
	46U1342	WHEEL, REAR, GROUP	2	-		KG2/122
		Spare for:-				
	42U1342	Ball, bearing, 5/16" dia.	128	-		KG2/123
	LV8MT14/ 8093256	Cover, 10" x 3" outer	2	-	C	KG2/124
	2U1096	Fork	2	-	MR	KG2/126
	4U1140	Plate, top, 5-7/8" x 4-5/8" x 1-1/8" thick ..	2	MS	MR	KG2/127
	LV6MT14/ 8093267	Tube, 10" x 3" inner	2	-		KG2/128
95896	6U1096	Washer, special, 1-5/8" o/d x 35/64" i/d ... x 3/16" thick	2	-		KG2/129
4GB/4408844	DUNLOP TW49	Wheel (Identical to Dunlop Wheel T.W.49)	2	-	C	KG2/130
95307	1U1634	ARM, NOSEWHEEL STEERING, GROUP	1	-		KG3/131
		Spare for:-				
	2U1634	ATTACHMENT, SWIVEL, GROUP	1	-		KG3/132
	3U1634	ATTACHMENT, SWIVEL, GROUP	1	-		KG3/133
	4U1634	Bar, tommy	1	MS		KG3/134
	ASTON CHAIN					
	5U1634	Chain, 8" long	1	V16		KG3/135
98191	7U1634	Label	1	L4		KG3/136
28FP/4068771	AS2438/38	Pin, quick release	2	-	C	KG3/137
28FP/4068772	AS2438/38	Pin, quick release	2	-		KG3/138
26FP/95557	19U572	Pin, quick release	2	-		KG3/139
	6U1634	Ring, split, 3/4" dia.	8	-		KG3/140
	2U1D13	STRUCTURE, FRAME, GROUP	1	-		KG3/141
28FP/95526	16U572	WHEEL, FORWARD, GROUP	2	-	C	KG3/142
	1U544	WHEEL, REAR, GROUP	1	-		KG3/143
		Spare for:-				
	12U544	Body	1	C1		KG3/144
	6U544	Ball, 5/16" dia.	36	Steel		KG3/145
	6U544	Ball, 1/4" dia.	20	Steel		KG3/146
	BU544	Bolt, special, 1/2" BSF x 1-3/4" long	1	MS		KG3/147
	9U544	Bolt, special, 1/2" BSF x 3-3/4" long	1	MS		KG3/148
	4U544	Nut, bearing	1	MS		KG3/149
	11U544	Nut, 1/2" BSF	2	MS		KG3/150
	7U544	Pin, 5/32" dia. x 1/2" long	1	S1		KG3/151
	13U544	Plate, top	1	Steel		KG3/152
	10U544	Washer, spring, 1/2" dia. x 7/64"	2	-		KG3/153
	3U544	Wheel	1	C1		KG3/154



GROUND EQUIPMENT
TOWING AND STEERING

VULCAN No. 3

GROUND EQUIPMENT
TRESTLING AND SLINGING

Page KH 1

Ref. No.	Part No.	Description	No. off	Mtrl. Spec.	Cl. of	Plate and Illust'n No.
					St. M.R.	
		1 2 3 4				
		TRESTLING & SLINGING, COMPLETE AIRCRAFT & COMPONENTS Consisting of:				
	1U1503	BEAM, SLINGING, FOR ROVER A.P.U., GROUP	1			KH1/1
	5U1503	Chain, 8" long	4	V15		KH1/2
28FP/4082333	A811	Pin, quick release	2		C	KH1/3
28FP/8433877	A819	Pin, quick release	2		C	KH1/4
	8U1503	Ring, split, 5/8" dia.	7	Spring Steel		KH1/5
95177	1U1347	BEAM, FOR OUTER WING STEADYING RIB 128 5", GROUP	2		A	KH1/6
95081	1U1220	BRACKET, ANCHOR FOR FIXED HOSE PORTION, RADOME SLINGING, GROUP	2		A	KH1/7
95158	AT82012	HANDLES, LOCKING BOMB CARRIERS GROUP	2		A	KH1/8
95083	1U1170	HOIST, FOR RADAR UNITS, GROUP	1		A	KH1/9
	5U1170	Bolt, special at pulley, bottom	1			KH1/10
	8U1170	Bolt, special	3			KH1/11
95197	48U1170	Bracket, bottom of hoist to floor of aircraft (Mod 1370)	1		C	KH1/12
	10U1170	Chain, 9" long	4	V15		KH1/13
	14U1170	Collar	2	MS		KH1/14
	21U1170	Cover, at ratchet mechanism	1			KH1/15
	20U1170	Drum, rope	1	DTD364B		KH1/16
	50U1170	HANDLE, GROUP (Mod. Z1370)	1			KH1/17
95717	55U1170	HOOK, C/W SPLICED ROPE, GROUP (Mod 1370)	1		C	KH1/18
	37U1170	Hook	1			KH1/19
	45U1170	Label, ident	1	L16		KH1/20
	42U1170	Lever, cam	1			KH1/21
	39U1170	Link, swinging bottom pulley	1	DTD124A		KH1/22
	AT30420	Pawl, ratchet mechanism	1			KH1/23
95834	15U1170	Piece, end	2	MS	C	KH1/24
	AT30423	Pin, attachment for pawl	1			KH1/25
	18U1170	Pin, special attachment rope drum	1	S86		KH1/26
28FP/9703761	A621	Pin, quick release	1			KH1/27
	51U1170	Plate, attachment	1	MS		KH1/28
	38U1170	Pulley, bottom	1			KH1/29
	2U1170	RAIL, HOISTING, GROUP	1			KH1/30
	9U1170	Ring, split 1/2" dia	7	V15		KH1/31

GROUND EQUIPMENT
TRESTLING AND SLINGING

Ref. No.	Part No.	Description	No. off	Matl. Spec.	Cl. of	Plate and Illust'n No.
					St.	
		1 2 3 4			M.R.	
		HOIST, FOR RADAR UNITS (1U1170) (Cont'd)				
96198	62U1170	Spacer	2	MS	C	KH1/32
	22U1170	Sprocket for ratchet mechanism	1			KH1/33
	AT30422	Spring, ratchet	1			KH1/34
95083	13U1170	Tube, 7/8" o/d x 3.875" x 180"	2	MS	C	KH1350
	24U1170	Wheel, pulley, bottom	1			KH1/35
	40U1170	Wheel, pulley, top				KH1/36
96266	1U1579	HOIST, ENGINE, OLYMPUS 2,500 LBS., GROUP	12		A	KH2/37
		Spares for:-				
	2U1579	Adaptor	1	DT0304		KH2/38
2A/9601342	RANSOME MARLES MRJ17	Bearing, roller	2		C	KH2/39
	32U1579	Bolt, special, 3/8" BSF	1	S96		KH2/40
	26U1153	Bolt, special, 1/2" BSF	2	S96		KH2/41
	28U1579	Bracket, slinging	1	S96		KH2/42
	16U1579	Chain, 6" long	4	V15		KH2/43
	11U1579	Handle, lifting	1	M5		KH2/44
95706	4U1579	HOOK, TOP, GROUP	1			KH2/45
	13U1579	Hook, cable	1	S96	C	KH2/46
	27U1579	Label, "warning"	1	Bras		KH2/47
	1U1290	Label, "capacity"	1	Bras		KH2/48
	9U1384	Label, "warning"	1	L59		KH2/49
	35U1579	Label, handling instructions	1	L59		KH2/50
28FP/4082342	33U1579	Nut, special, 3/8" BSF	1	S96		KH2/51
	A714	Pin, quick release, 7/16" dia.	3		C	KH2/52
	30U1579	Plate, swivel, R.H.	1	MS		KH2/53
	31U1579	Plate, swivel, L.H.	1	MS		KH2/54
	9U1579	Plate, side, L.H.	1	MS		KH2/55
	10U1579	Plate, side, R.H.	1	MS		KH2/56
	27U1153	Pulley, top	1	MS		KH2/57
	31U1153	Pulley, bottom	1	MS		KH2/58
	14U1579	Stop, cable	2	MS		KH2/59
	12U1579	Tube, bearing, 11/16" o/d x 2.03" long	1	T45		KH2/60
	7U1579	Tube, spacing, 11/16" o/d x 1.26" long	1	T45		KH2/61
	26U1153	Tube, extension, 2" o/d x 2.0" long	1	T45		KH2/62
	3U1579	TUBE, MAIN, GROUP	1			KH2/63
	34U1153	Washer, special, 2.25" dia.	2			
	26SS3703	Washer, saddle	2	MS		
	28SS3703	Washer, saddle	2	MS		
	28SS3703	Washer, saddle	2	MS		
	1U1580	WINCH, 2,500 LB., GROUP	1			KH2/64
		Spares for:-				
	RANSOME & MARLES MJT/1	Bearing, dual purpose	2			KH2/65

VULCAN No. 7

GROUND EQUIPMENT
TRESTLING AND SLINGING

Page KH. 3

Ref. No.	Part No	Description	No. off	Mat. Spec.	Cl. of St.	Plate and Rivet'n No.
					M.R.	
		WINCH 2,500 LBS. (1U1580) (Cont'd.)				
	33U1580	BOX, GEAR, GROUP	1	—		KH2/66
	4U1385	Cover	1	L72 or L73		KH2/67
	37U1157	Bush	1	Phosphor Bronze		KH2/68
	38U1580	Bush, special (Mod. 1293)	1	S94		KH2/69
	30U1580	Bush	1	T35		KH2/70
	35U1580	CABLE, GROUP	1	—		KH2/71
	2U1580	Casing, drum half	1	L53 or DTD304		KH2/72
	3U1580	Casing, worm half	1	L53 or DTD304		KH2/73
	39U1580	Clutch, forward (Mod. 1293)	1	S82		KH2/74
	33U1157	Cog, clutch	1	S82		KH2/75
	19U1580	Cover	1	MS		KH2/76
	13U1580	HANDLE, WINDING, GROUP	1	—		KH2/77
		Spares for:—				
	41U1157	Block, forward	1	—		KH2/78
	1U1306	Handle	1	—		KH2/79
	48U1157	Screw, adjusting 1/2" BSF	1	S96		KH2/80
	16U1580	Handle, holding	1	—		KH2/81
2A/9501181	RANSOME					
2A/9501182	& MARLES					
2A/9501180	KLNJ1	Journal, ball at clutch cog	2	—	C	KH2/82
	KLNJ/-1/4"	Journal, ball at gear box	1	—	C	KH2/83
	KLNJ/-7/8"	Journal, ball, forward of gearbox	1	—	C	KH2/84
	28U1580	LEVER, CAM, GROUP	1	—		KH2/85
96241	TECALEMIT					
	NA5702/1	Nipple, grease	6	—	C	KH2/86
	20U1580	Pawl, gear box	1	S82		KH2/87
	6U1385	Pinion, fixed	1	S96		KH2/88
	7U1385	PINION, FREE, GROUP	1	—		KH2/89
		Spares for:—				
	7b1385	Bush	1	—		KH2/90
	7a1385	Pinion	1	—		KH2/90
	38U1157	Plate, cover	1	MS		KH2/91
	39U1157	Plate, bearing	1	Phosphor Bronze		KH2/92
285/1246730	A55/C5	Screw, grub (Mod. 1293)	1	MS	C	KH2/93
	8U1385	Shaft, clutch	1	S96		KH2/94
	17U1580	Spindle	1	S96		KH2/95
	22U1157	Spring, clutch	1	Spring Steel		KH2/96
	44U1157	Washer, spacer for ratchet wheel	1	MS		KH2/97
	43U1157	Washer, tab	1	MS		KH2/98
	34U1580	Washer, spacer 1.37" dia.	1	MS		KH2/99
	5U1386	Wheel, gear	1	S96		KH2/100

GROUND EQUIPMENT
TRESTLING AND SLINGING

Ref. No.	Part No.	Description	No. off	Matl. Spec.	Cl. of	Plate and Illust'n No.
					St.	
		1 2 3 4			M.A.	
		WINCH, 2,500 LB (1U1580) (Cont'd.)				
	4U1580	WHEEL, WORM, GROUP	1	—		KH2/101
		Spares for:—				
	5U1580	Body, cable drum	1	L53		KH2/102
	38U1580	Bolt, special, 3/8" BSF	5	S94 or S95		KH2/103
95701	8U1580	Cable	1	—	C	KH2/104
	6U1580	Drum, cable	1	EN3A		KH2/105
	10U1580	Ring, felt 2.9 1/2" x 7/16" x 7/32"	1	Soft Felt		KH2/106
		thick				
26W/9419488	SP13/J	Washer, 3/8" BSF	5	—	C	
	7U1580	Wheel, worm	1	BS1208/5		KH2/107
	12U1335	WORM, GROUP	1	—		KH2/108
		Spares for:—				
	2U1335	Worm	1	—		
2A/9501243	HOFFMANN LS8	Journal, ball	1	—	C	
	RANSOME & MARLES LT—B7/8"	Page, single thrust	1	—		
4G/5887	—	HOSE ASSEMBLIES (USE WITH JACK, REF. 26DC/95090)	1	—		
95090	AT81559	JACK, HYDRAULIC, TWO STAGE FOR	2	—	A	KH2/109
		BOMB HOISTING, GROUP				
		Spares for:—				
96092	AT37253	Adaptor, hoisting	1	S96 or S82		KH3/110
	AT37150	Bolt, special banjo, 3/8" BSP	1	S1		KH3/111
26F/9423228	C/AG5/1135	Bolt, banjo	1	—		KH3/112
	AT38588	Cap, end, small stage	1	L85		KH3/113
	AT37133	Clip, retaining	3	—	MR	KH3/114
	AT37134	Clip, retaining	3	—	MR	KH3/115
	AT37151	Clip, special, banjo, 3/8" BSP	1	OTD364B		KH3/116
	AT63003	GUARD, PIPE, GROUP	1	—	MR	KH3/117
	AT40022	Label, ident	1	Brass		
	AT82985	PIECE, BASE, GROUP	1	—		KH3/118
		Spares for:—				
5988	AT38516	Adaptor	2	L85		
	LOCKHEED	Cap, blanking	1	—		
	AVA83C	Cap, blanking	1	—		
	AVA84C	Cap, blanking	1	—		
	AVA87C	Coupling, union half	1	—		
	AVA89C	Coupling, stud, half	1	—		
	LOCKHEED	Gasket	1	—	C	
1433137	KL44528	Gasket	2	—	C	
1433136	KL44518	Gasket	2	—	C	
27M/10784	LOCKHEED AS3357	Gasket	2	—	C	

GROUND EQUIPMENT
TRESTLING AND SLINGING

Ref. No.	Part No.	Description	No. off	Matf. Spec	Cl. of St.	Plate and Illust'n No
					M.R.	
		1234				
		PIECE, BASE (AT62885) (Cont'd)				
	LOCKHEED KL44530	Gasket	1	—		
	LOCKHEED 2378/4	Gasket	1	—		
	LOCKHEED HC15218/4	Nut, cap	1	—		
	LOCKHEED K18711	Nut, lock	1	—		
	LOCKHEED AVA85C	Nut, union	1	—		
	AT39506	Plug, special, made from H.C.42930/4	1	—		
	LOCKHEED HC19888/4	Plug, large	1	—		
	AT39507	Plug, 3/8" BSP o/d x 0.85" long	1	S96		
	AT39508	Plug, test	1	S96		
	LOCKHEED AS4553	Plunger	1	—		
	LOCKHEED HC18703/4	Plunger, and sleeve (supplied together)	1	—		
	LOCKHEED AS3358	Retainer, spring	1	—		
	AT38514	Screw, special	2	S96		
	LOCKHEED HC18578/4	Screw, adjusting	1	—		
1432741	LOCKHEED HC28039/4	Seal	1	—	C	
1432742	LOCKHEED HC25190/4	Seal	1	—	C	
1432744	LOCKHEED HC28542/4	Seal	2	—	C	
1432743	LOCKHEED HC28541/4	Seal	1	—	C	
	LOCKHEED AS3353	Sleeve	1	—		
	LOCKHEED 10245/4	Spring	1	—		
	LOCKHEED AS4564	Spring	1	—		
	LOCKHEED HC2396/4	Spring	1	—		
95189	LOCKHEED HC26171/4	Valve	1	—		
	AT62037	Piece, end, 5' dia. x 8.94" long	1	DTD363A or DTD364B		KH3/119
	AT62035	Piston, large stage, 4.87" dia. x 3.1"	1	DTD363A or DTD364B		KH3/120
	AT62034	Piston, small stage, 3.43" dia. x 2.85"	1	DTD363A or DTD364E		KH3/121
	2AT81559	PIPE, C/W BANJO BODY, GROUP	1	—		KH3/122

GROUND EQUIPMENT
TRESTLING AND SLINGING

Ref. No.	Part No.	Description	No. off	Matl. Spec.	Cl. of	Plate and Illust'n No.
					St. H.R.	
		1 2 3 4				
		JACK, HYDRAULIC, TWO STAGE, FOR BOMB HOISTING (AT81558) (Cont'd)				
	AT37123	Ring, spacer, large 4.43" dia. x .4"	1	DTD383A		
	AT37120	Ring, seal retaining, 4.87" dia. x 1.09"	1	DTD383A		
	AT37122	Ring, seal spacer, small 1.7" dia. x 0.3"	1	DTD383A		
	AT37085	Ring, seal retaining 1.12" dia. x .16"	1	DTD383A		
	AT37121	Ring, steadying .75" dia. x .75"	1	DTD383A		
	AT37119	Ring, locking 6.12" dia. x 20 SWG	1	S3	C	
	AT38559	Ring, locking 3.75" x .15" thick	1	L85		
	AT37052	Ring, piston sealing	2	DTD458A	MR	
95275	AT37053	Ring, piston sealing	2	DTD458A	C	
	DOWTY					
27QA/4534378	GD1143	Ring, piston sealing	2	-	C	
	AT37050	Ring, piston, GD1139	4	BSS2K11	MR	
	AT37051	Ring, piston, GD1140	4	BSS2K11	MR	
	AT37055	Ring, piston, external GD1148	4	BSS2K11	MR	
	AT37051	Ring, spacing, .75" dia. x .31"	1	DTD383A		
	AT37118	Ring, end, 6" dia. x 1.28"	1	S82		
	AT62039	Rod, piston, small stage, 1.25" o/d x 3/4" i/d x 4' .005" long	1	T45		
	AT62040	Rod, piston, large stage 3.75" o/d x 8 SWG x 4' 1.87" long	1	T45		
	AT37335	Screw, special, attachment inner tube assembly	1	S1		
	AT37153	Screw, special, 2 BA made from A25/1C	6	-		
	DOWTY					
27QA/4534641	GD1144	Seal, "O" type	2	DTD458A	C	
	DOWTY					
27QA/4534644	GD1185	Seal, "O" type	1	DTD458A	C	
	DOWTY					
27QA/542	GD1179	Seal, "O" type	1	DTD458A	C	
	DOWTY					
27QA/1557	GD1184	Seal, "O" type	1	DTD458A		
	DOWTY					
27QA/4534642	GD1146	Seal, "O" type	1	DTD458A	C	
	DOWTY					
27QA/4534689	SP800-41	Seal, "O" type	1	-	C	
	DOWTY					
27QA/4534713	GD1147	Seal, "U" type	1	DTD458A		
	DOWTY					
	5400/25DFL	Seal, "U" type	1	DTD458A		
	AT37940	Strip, locking	1	S3	MR	
	AT62038	TUBE, INNER, GROUP	1	-		
95357	1U1585	LINK, SLING, FOR SUNSTRAND ALTERNATOR, GROUP	1	-	A	KH3/123
		Consisting of:-				
	3U1585	Chain, 6" long	1	V15		KH3/124
	1U1588	Label, ident	1	Brass		KH3/125
	2U1585	Link	1	-		KH3/126
28FP/8432083	A413	Pin, quick release, 1/4" dia.	1	-	C	KH3/127
	4U1585	Ring, split, 3/4" dia.	2	-		KH3/128

VULCAN No. 2

GROUND EQUIPMENT
TRESTLING AND SLINGING

Page KH. 7

Ref. No.	Part No.	Description	No off	Matl. Spec.	Cl. of St.	Plate and Illustr'n No.
					M.R.	
		1 2 3 4				
		MINILIFT EQUIPMENT				
		Consisting of:—				
95374	1U1613	Adaptor, head, use with 4G/5703 R.C.M.	1	—	A	KH3/129
95394	1U1625	Adaptor, head (use with 4G/5699)	1	—	A	KH3/130
95395	1U1626	Adaptor, special	1	—	C	KH3/131
	1U2038	Adaptor, hoisting top Fin, S.O.D. (Mod. 1816)	1	—		KH3/132
	DIOSBURY					
4GC/136893	41/136	Ball, cable end	2	—	C	
4GC/423237	41/63	Handle, switch 8"	2	—	B	
4GC/4253489	25/63	Hoist, aircraft components, 2K/63	1	—	A	
4GC/4232219	41/5	Hoist, aircraft components 250 or 280 lbs.	1	—	A	
4GC/1043783	42/1	Hoist, aircraft components 5 cwt	1	—	A	
4GC/1043883	41/78	Hook, cable winch	2	—	B	
4GC/4232220	41/63	Sheath, top (Type No. 1) hook 2.5 cwt.	1	—	B	
4GC/1048578	42/27	Sheath, top (Type No. 1) hook 5 cwt.	1	—	B	
4GC/136893	42/50	Sheath, top, for A.A.P.U. and windows	1	—	B	
4GC/4232207	41/110	Sleeve, connecting extension tube	2	—	B	
4GC/4232204	—	Tube, extension 36"	2	—	B	
4GC/4232210	41/105	Tube, extension 84"	2	—	B	
		For Radome Hoisting use items:— 4GC/4232337, 4232204, 4232210, 136893, 4232207, 4253489, 5428 —2 off each				
		For H.R.S. Scanner use items:— 4GC/4232337, 4232204, 4232210, 5428, 4232207, 4253489, 5428—2 off each				
		For Green Satin use items:— 4GC/4232337, 4232210, 136893, 4253489, 5428—1 off each				
		For Air Conditioning Unit use items:— 4GC/4232337, 4232210, 136893, 4253489, 5428—2 off each				
		For Rudder P.C.U. use items:— 4GC/4232337, 4232210—1 off each				
		For Windows Lanching use items:— 4GC/1043783, 4232337, 4232210, 136893, 6036—2 off each				
		For Bomb Bay Doors use items:— 4GC/1043783, 4232337, 4232210, 5736, 5428—2 off each				
		For Rover A.A.P.U. use items:— 4GC/1043783, 4232337, 4232210, 136893, 6036—1 off each				

**GROUND EQUIPMENT
TRESTLING AND SLINGING**

Ref. No.	Part No.	Description	No. off	Matl. Spec	Cl. of St.	Plate and Illust'n No
					M.R.	
		1 2 3 4				
MINILIFT EQUIPMENT (Cont'd)						
For Lucas Fuel Chassis use items:— 4GC/4232204, 1U1626—1 off each						
For R.C.M. use items:— 4GC/1043793, 4232204 and 1U1613—1 off each						
4GA/4408888 or 4GA/4408888	—	POWER PACK BOMB HOISTING, GROUP	1	—	A	
96007	1U1063	SLING FOR CREW'S NACELLE, GROUP	1	—	A	KH3/133
		Spares for:—				
	2U1063	Bar, spreader	1	—		KH3/134
28D/1213689	A25/20S	Bolt, 3/8" BSF	2	—	C	KH3/135
	12U1063	Bolt, eye, control	2	S96		KH3/136
	5U1063	CABLE, FRONT, GROUP	1	—		KH3/137
	6U1063	CABLE, REAR, GROUP	1	—		KH3/138
		ASTON CHAIN				
	9U1063	Chain, 8" long	2	—		KH3/139
28M/4043777	AGS889/18	Collar	6	—	C	KH3/140
	7U1063	Head, lifting	1	MS		KH3/141
	1U1006	Valve, identity	1	Brass		
	4U1063	Link, bar attachment	4	MS		KH3/142
	3U1063	Link, component attachment	2	MS		KH3/143
28M/4095835	A27/SS	Nut, 3/4" BSF cable attachment	2	—	C	
28FP/9703070	A815	Pin, quick release	2	—	C	KH3/144
28P/4870267	SP4Y/M18	Pin, shackle 1/2" dia.	4	—	C	KH3/145
28P/1018002	SP4Y/M19	Pin, shackle 1/2" dia.	2	—	C	KH3/146
28P/19402	SP90/H6	Pin, split	2	—	C	KH3/147
	10U1063	Ring, split	2	MS		KH3/148
	11U1063	Washer, special, 15/16" o/d	4	MS		KH3/149
95391	1U1621	SLING, FOR REAR FUSELAGE E.C.M.	1	—	A	KH3/150
		Spares for:—				
	12U1621	Bar, spreader	1	—		KH3/506
	5U1621	Bar, spreader, end	1	—		KH3/506
	11U1621	Bar, spreader, bottom	1	—		KH3/507
28D/1213639	A25/45H	Bolt	2	—	C	KH3/508
	7U1621	CABLE, GROUP	1	—		KH3/509
	13U1621	Eye, lifting	2	—		KH3/510
	U1290	Label	1	—	C	KH3/511
28M/1011477	A27ND	Nut	2	—	C	KH3/512
28W/9419488	SP13/N	Washer	2	—	C	KH3/513

VULCAN Mk 2

GROUND EQUIPMENT
TRESTLING AND SLINGING

Page KH. 9

Ref. No.	Part No.	Description	No. off	Matl. Spec.	Cl. of St.	Plate and Illust'n No
					M.R	
		<u>1 2 3 4</u>				
95183	1U1348	SLING, FOR CENTRE PORTION FUSELAGE, PORT AND STARBOARD Consisting of:—	2	—	A	KH3/151
	2U1139	Bar, spreader	1	—		KH3/152
	8U1065	Bobbin, upper	2	Mild Steel		KH3/153
	9U1065	Bobbin, lower	2	Mild Steel		KH3/154
	3U1348	CABLE, FROM LIFTING HEAD TO SPREADER BAR, FORWARD, GROUP	1	—		KH3/155
	4U1348	CABLE, FROM LIFTING HEAD TO SPREADER BAR, AFT, GROUP	1	—		KH3/156
	6U1065	Cable, spreader bar to component, forward ...	1	—		KH3/157
	7U1065	Cable, spreader bar to component, aft	1	—		KH3/158
28N/4043777	AGS889/18	Collar, 3/4" i/d x .37" long	4	—	C	KH3/159
28N/4043778	AGS889/15	Collar, 5/8" i/d x .37" long	4	—	C	KH3/160
	11U1348	Chain, 8' long	2	—		KH3/161
	2U1348	Head, lifting	1	—		KH3/162
	3U1139	Link, forward	2	Mild Steel		KH3/163
	10U1139	Link, aft	2	Mild Steel		KH3/164
	5U1348	Pin, special, attachment cable to lifting head ..	2	S98		KH3/165
	6U1348	Pin, special, attachment cable to spreader bar, lower	2	S98		KH3/166
	7U1348	Pin, special, attachment cable to link	2	—		KH3/167
	8U1348	Pin, special, attachment cable to spreader bar, upper	2	—		KH3/168
28P/1221024	SP90/H10	Pin, split, 5/32" dia. x 1-1/4" long	8	—	C	KH3/169
	9U1348	PIN, QUICK RELEASE, GROUP	2	—		KH3/170
	4U1139	Plate, lifting	1	Mild Steel		KH3/171
	12U1348	Ring, split, 1/2" dia. 22 swg	1	—		KH3/172
	14U1065	Tag	2	Brass		KH3/173

GROUND EQUIPMENT
TRESTLING AND SLINGING

Ref. No.	Part No.	Description	No. off	Matl. Spec.	Cl. of	Place and Illust'n No.
					St.	
		1 2 3 4			M.R.	
95292	1U1501	SLING FOR INNER MAINPLANE, ALSO USED WITH ITEM 1U1502 FOR LIFTING COMPLETE MAINPLANE, GROUP	1	-	A	KH4/174
	2U1501	BAR, SPREADER, GROUP	1	-		KH4/175
	9U1055	Block, 2.5" x 2.5" x 5.125"	1	Mild Steel		KH4/176
	9U1501	Bolt, eye	2	Mild Steel		KH4/177
28D/1212761	A25/32J	Bolt, 3/8" BSF	8	-	C	KH4/178
28D/1213888	A25/32Q	Bolt, 5/8" BSF	1	-	C	KH4/179
28D/1213887	A25/35Q	Bolt, 5/8" BSF	1	-	C	KH4/180
	7U1501	Cable, front	1	-		KH4/181
	8U1501	Cable, rear	1	-		KH4/182
	13U1501	Chain, 8" long	2	V9		KH4/183
28N/4043777	AGS899/18	Collar, 3/4" i/d	2	-	C	KH4/184
	3U1501	Head, lifting, R.H.	1	-		KH4/185
	4U1501	Head, lifting, L.H.	1	-		KH4/186
	16U1501	Head, auxiliary lifting	1	-		KH4/187
	10U1501	Label, ident.	1	L59		KH4/188
	1U1290	Label, capacity	1	-		KH4/189
28M/1011476	A27/JS	Nut, slotted, 3/8" BSF	8	-	C	KH4/190
28M/4095885	A27/QS	Nut, slotted, 5/8" BSF	2	-	C	KH4/191
28P/9527619	SP90/C7	Pin, split, 1/16" dia. x 1" long	8	-	C	KH4/192
28P/9534222	SP90/H7	Pin, split, 5/32" dia. x 1-1/4" long	2	-	C	KH4/193
28P/1202570	SP90/G10	Pin, split, 1/8" dia. x 1-1/2" long	2	-	C	KH4/194
28FP/4062350	A1015	Pin, quick release	2	-	C	KH4/195
	SP4/U22	Pin, shackle, 3/4" dia.	2	-		KH4/196
	14U1501	Ring, split, 1/2" dia., 20 swg	4	-		KH4/197
	1U1502	SLING, FOR OUTER MAINPLANE, ALSO USED WITH 1U1501 FOR LIFTING COMPLETE MAINPLANE, GROUP	1	-		KH4/198
	2U1502	BAR, SPREADER, GROUP	1	-		KH5/199
	9U1066	Block, 2.5" x 2.5" x 4.125"	1	Mild Steel		KH5/200
	14U1066	Bolt, eye	2	-		KH5/201a
28D/1212761	A25/32J	Bolt, 3/8" BSF	8	-	C	KH5/201
28D/1213888	A25/32Q	Bolt, 5/8" BSF	1	-	C	KH5/201b
28D/1213887	A25/35Q	Bolt, 5/8" BSF	1	-	C	KH5/201c
	8U1502	Cable, front	1	-		KH5/202
	7U1502	Cable, rear	1	-		KH5/203
	10U1502	Chain, 8" long	2	V9		KH5/204
28N/4043777	AGS899/18	Collar, 3/4" i/d	2	-	C	KH5/204a
	3U1502	Head, lifting	2	-		KH5/205
	4U1502	Head, auxiliary lifting	1	-		KH5/206
	5U1502	Label, ident.	1	L59		KH5/207
	1U1290	Label, capacity	1	Bras		KH5/208

GROUND EQUIPMENT
TRESTLING AND SLINGING

Ref. No.	Part No.	Description	No. off	Matl. Spec.	Cl. of	Place and Illust'n No.
					St. M.R.	
		1 2 3 4				
SLING, FOR OUTER MAINPLANE. ALSO USED WITH 1U1501 FOR LIFTING COMPLETE MAINPLANE (1U1502) (Cont'd.)						
28M/101147B	A27/JS	Nut, slotted, 3/8" BSF	8	-	C	KH5/209
28M/13146	A27/QS	Nut, slotted, 5/8" BSF	2	-	C	KH5/210
28P/9527819	SP90/C7	Pin, split, 1/16" dia. x 1" long	8	-	C	KH5/211
28P/19175	SP90/G10	Pin, split, 1/8" dia. x 1.5" long	2	-	C	KH5/212
28P/9534222	SP90/H7	Pin, split, 5/32" dia. x 1.25" long	2	-	C	KH5/213
	SP4/U21	Pin, shackle, 3/4" dia. x 1.5" long	2	-	-	KH5/214
28FP/4082350	A1015	Pin, quick release	2	-	C	KH5/215
	11U1502	Ring, split, 1/2" dia.	4	-	-	KH5/216
96184	1U1350	SLING, OUTER, FOR INNER MAINPLANE, GROUP	1	-	A	KH5/217
	2U1350	Consisting of:- BAR, SPREADER, GROUP	1	-	-	KH5/218
	9U1086	Block, 2.5" x 2.5" x 5.125"	1	Mild Steel	-	KH5/219
	14U1088	Bolt, eye	2	-	-	KH5/220
28D/1212761	A25/32J	Bolt, 3/8" BSF	8	-	C	KH5/221
28D/1213888	A25/32Q	Bolt, 5/8" BSF	1	-	C	KH5/222
28D/1213887	A25/35Q	Bolt, 5/8" BSF	1	-	C	KH5/223
	4U1530	Cable, front	1	-	-	KH5/224
	5U1350	Cable, rear	1	-	-	KH5/225
	8U1350	Chain, 8" long	2	V15	-	KH5/226
28N/4043777	AGS899/18	Collar, 3/4" i/d	2	-	C	KH5/227
	3U1350	Head, lifting	2	Mild Steel	-	KH5/228
	8U1066	Head, auxiliary lifting	1	Mild Steel	-	KH5/229
	4U1350	Label, ident	1	L59	-	KH5/230
	1U1290	Label, capacity	1	Brass	-	KH5/231
28M/1011746	A27/JS	Nut, 3/8" BSF	8	-	C	KH5/232
28M/13145	A27/QS	Nut, 5/8" BSF	2	-	C	KH5/233
28P/9527819	SP90/C7	Pin, split, 1/16" dia. x 1" long	8	-	C	KH5/234
28P/19175	SP90/G10	Pin, split, 1/8" dia. x 1.5" long	2	-	C	KH5/235
28P/9534222	SP90/H7	Pin, split, 5/32" dia. x 1.25" long	2	-	C	KH5/236
28FP/4082350	A1015	Pin, quick release	2	-	C	KH5/237
28P/	SP4/U21	Pin, shackle, 3/4" dia. x 1.5" long	2	-	-	KH5/238
	8U1350	Ring, split, 1/2" dia.	4	-	-	KH5/239
95291	1U1530	SLING, INNER, FOR OUTER MAINPLANE, GROUP	1	-	A	KH4/240
	2U1530	Consisting of:- BAR, SPREADER, GROUP	-	-	-	KH4/241
	9U1086	Block, 2.5" x 2.5" x 5.125"	1	Mild Steel	-	KH4/242
	14U1088	Bolt, eye	2	-	-	KH4/243
28D/1212761	A25/32J	Bolt, 3/8" BSF	8	-	C	KH4/244
28D/1213888	A25/32Q	Bolt, 5/8" BSF	1	-	-	KH4/245
	4U1530	Cable, front	1	-	-	KH4/246
	5U1530	Cable, rear	1	-	-	KH4/247

GROUND EQUIPMENT
TRESTLING AND SLINGING

Ref. No.	Part No.	Description	No. off	Mater. Spec.	Cl of	Plate and Illust'n No.	
					St.		
		1 2 3 4			M.R.		
		SLING, INNER, FOR OUTER MAINPLANE (1U1530) (Cont'd.)					
28U/404377	10U1530	Chain, 8" long	2	V15		KH4/248	
	AGS899/18	Collar, 3/4" i/d	2	-	C	KH4/249	
	6U1530	Head, lifting, R.H.	1	Mild Steel		KH4/250	
	7U1530	Head, lifting, L.H.	1	Mild Steel		KH4/251	
	4U1502	Head, auxiliary lifting	1	-		KH4/252	
	3U1530	Label, ident	1	L59		KH4/253	
	1U1290	Label, capacity	1	Brass		KH4/254	
	28M/1011476	A27/JS	Nut, 3/8" BSF	8	-	C	KH4/256
	28M/13145	A27/QS	Nut, 5/8" BSF	1	-	C	KH4/258
	28P/9527619	SP90/C7	Pin, split, 1/16" dia. x 1" long	8	-	C	KH4/257
	28P/19175	SP90/G10	Pin, split, 1/8" dia. x 1.5" long	1	-	C	KH4/258
	28P/9534222	SP90/H7	Pin, split, 5/32" dia. x 1.25" long	1	-	C	KH4/259
		SM4/U21	Pin, shackie, 3/4" dia. x 1.5" dia.	1	-		KH4/260
	28FP/4082380	A1015	Pin, quick release	2	-	C	KH4/261
11U1530		Ring, split, 1/2" dia.	4	-		KH4/262	
95290	1U1531	SLING, TOP, FOR OUTER MAINPLANE, GROUP	1	-	A	KH4/263	
		Consisting of:-					
	8U1531	Bar, spreader	1	-		KH5/264	
28D/1212752	A25/12J	Bolt, 3/8" BSF	12	-	C	KH5/265	
28D/1011305	A25/20J	Bolt, 3/8" BSF	2	-	C	KH5/266	
28D/1213638	A25/38N	Bolt, 1/2" BSF	6	-	C	KH5/267	
28D/9133208	A25/20E	Bolt, 1/4" BSF	2	-	C	KH5/268	
	13U1531	Chain, 10" long	4	V8		KH5/269	
	6U1531	Collar, 2" o/d x 1.5" i/d	2	Mild Steel		KH5/270	
	3U1531	Fitting, forked end	2	Mild Steel		KH5/271	
	2U1531	Head, lifting	1	-		KH5/272	
	5U1531	Link, forked	2	Mild Steel		KH5/273	
	15U1531	Label, ident	1	L4		KH5/274	
	1U1290	Label, capacity	1	-		KH5/275	
28M/13123	A27/JS	Nut, slotted, 3/8" BSF	14	-	C	KH5/276	
28M/13259	A27/NS	Nut, slotted, 1/2" BSF	6	-	C	KH5/277	
28M/1011467	A27/ES	Nut, slotted, 1/4" BSF	2	-	C	KH5/278	
28P/9580929	SP90/E8	Pin, split, 3/32" dia. x 1-1/4" long	6	-	C	KH5/279	
28P/9527619	SP90/C7	Pin, split, 1/16" dia. x 1" long	16	-	C	KH5/280	
28FP/4082333	AB11	Pin, quick release	2	-	C	KH5/281	
	7U1531	PIN, QUICK RELEASE, GROUP	2	-		KH5/282	
	4U1531	Pin, handling	2	Mild Steel		KH5/283	
28W/9419468	14U1531	Ring, split, 1-1/2" dia.	3	-		KH5/284	
28W/9419466	SP13/N	Washer, 1/2" BSF	6	-	C	KH5/285	
	SP13/J	Washer, 3/8" BSF	12	-	C	KH5/286	
	11U1531	Washer, tab	4	-		KH5/287	

GROUND EQUIPMENT
TRESTLING AND SLINGING

Ref. No.	Part No.	Description	No. off	Mater. Spec.	Cl. of	Plate and Must'n No.
					Se. M.R.	
		1.2.3.4				
95011	1U1068	SLING, FOR FIN, GROUP	1	-	A	KH6/288
		Consisting of:-				
	2U1068	Bar, spreader	1	-		KH6/289
95640	12U1068	Bolt, eye	2	S86	C	KH6/290
	8U1068	Chain, 8" long	2	V9		KH6/291
28N/9153393	AGS889/4	Collar, 1/4" i/d	4	-	C	KH6/292
	4U1068	Cable, R.H. and L.H. 8' 3" long	2	-		KH6/293
	6U1068	Felt, 3/4" wide x 3/16" thick x 8" long	2	-		KH6/294
	1U1068	Label, ident	1	Brass		KH6/295
	3U1068	Link, 1/8" x 1" x 3"	4	Mild Steel		KH6/296
28P/19327	SP90/C6	Pin, split, 1/16" dia. x 3/4" long	4	-	C	KH6/297
28P/4666790	SP4Y/D7	Pin, shackle, 1/4" dia. x 0.55" long	4	-	C	KH6/298
	8U1068	Pin, pip	1	-		KH6/299
	10U1068	Ring, split, 1/2" dia.	4	-		KH6/300
	11U1068	Ring, split, 1-1/4" dia.	1	Brass		KH6/301
	7U1068	Thread, 3/256 or 3/365	QR	F34		KH6/302
28Y/4677711	AGS135/C	Thimble, .21" dia. groove	4	Brass	C	KH6/303
	8U1068	Wire, binding, 18 SWG	QR	Copper		KH6/304
1510088	1U2232	SLING, FOR RUDDER, GROUP (Mod. 2315)	1	-	A	KH6/305
		Consisting of:-				
	3U2232	Bar, lifting, 1" dia. x 3' 5" long	1	S86		KH6/306
	10U1068	Bolt, eye, 1-1/8" dia. x 2 5/8" long	2	S86		KH6/307
	8U2232	Cable, R.H. and L.H.	2	-		KH6/308
28N/9153393	8U2232	Chain, 8" long	4	V9		KH6/309
	AGS889/4	Collar, 1/4" i/d	4	-	C	KH6/310
	2U2232	HEAD, LIFTING, GROUP	1	-		KH6/311
	1U1290	Label, ident	1	Brass		KH6/312
	3U1068	Link, 1/8" x 1" x 3"	4	Mild Steel		KH6/313
	8U1068	Lug, attachment	2	Brass		KH6/314
28P/1015710	SP4Y/D8	Pin, shackle, 1/4" dia. x 0.006" long	2	-	C	KH6/315
28P/1206472	SP4Y/D13	Pin, shackle, 1/4" dia. x 0.85" long	2	-	C	KH6/316
28P/9466478	SP90/C6	Pin, split, 1/16" dia. x 5/8" long	4	-	C	KH6/317
28FP/9466299	A408	Pin, quick release	2	-	C	KH6/318
	7U2232	Ring, split, 3/4" dia.	7	Brass		KH6/319
	4U2232	Tube, distance, bottom R.H. and L.H.	1	-		KH6/320
95185	1U1351	SLING, LIFTING, ELEVATOR, INBOARD, GROUP	1	-	A	KH7/321
		Consisting of:-				
	2U1072	Bar, spreader	1	-		KH7/322
95640	12U1068	Bolt, eye	2	S86	C	KH7/323
	12U1351	CABLE, INBOARD GROUP	1	-		KH7/324
	13U1351	CABLE, OUTBOARD, GROUP	1	-		KH7/325
	7U1351	Chain, 8" long	2	V15		KH7/326
	3U1352	Head, lifting	1	Mild Steel		KH7/327
	1U1290	Label, capacity	1	Brass		KH7/328

GROUND EQUIPMENT
TRESTLING AND SLINGING

Ref. No.	Part No.	Description	No. off	Matl. Spec.	Cl. of	Plate and Illustr'n No.
					St.	
					M.R.	
		1 2 3 4				
		SLING, LIFTING, ELEVATOR, INBOARD (IU1351) (Cont'd)				
28FP/9713920	A411	Pin, quick release	2	-	C	KH7/329
28P/4668901	SP4Y/G8	Pin, shackle, 1 1/16" dia. x 0.80" long	4	-	C	KH7/330
28P/1221260	SP90/E6	Pin, split, 3/32" dia. x 3/4" long	4	-	C	KH7/331
	8U1351	Ring, split, 1-1/4" dia.	1	Brass		KH7/332
	6U1351	Ring, split, 1/2" dia.	4	Spring Steel		KH7/333
95186	IU1352	SLING, LIFTING, ELEVATOR, OUTBOARD, GROUP	1	-	B	KH7/334
		Consisting of:-				
	2U1352	Bar, spreader	1	-	C	KH7/336
95640	12U1088	Bolt, eye	2	S96	C	KH7/336
	12U1352	CABLE, INBOARD, GROUP	1	-		KH7/337
	13U1352	CABLE, OUTBOARD, GROUP	1	-		KH7/338
	7U1352	Chain, 8' long	2	V15		KH7/339
	3U1352	Head, lifting	1	Mild Steel		KH7/340
	1U1290	Label, capacity	1	Brass		KH7/341
28FP/9713920	A411	Pin, quick release	2	-	C	KH7/342
28P/4668901	SP4Y/E6	Pin, shackle, 1 1/32" dia. x 0.80" long	4	-	C	KH7/343
28P/1221260	SP90/E6	Pin, split, 3/32" dia. x 3/4" long	4	-	C	KH7/344
	6U1352	Ring, split, 1/2" dia.	4	Spring Steel		KH7/345
	8U1352	Ring, split, 1-1/4" dia.	1	-		KH7/346
95187	IU1353	SLING, LIFTING, AILERON, INBOARD, GROUP	1	-	B	KH7/347
		Consisting of:-				
	2U1353	Bar, spreader	1	-		KH7/348
95640	12U1088	Bolt, eye	2	S96	C	KH7/349
	11U1353	CABLE, INBOARD, GROUP	1	-		KH7/350
	12U1353	CABLE, OUTBOARD, GROUP	1	-		KH7/351
	6U1353	Chain, 8' long	2	V15		KH7/352
	3U1352	Head, lifting	1	Mild Steel		KH7/353
	1U1290	Label, capacity	1	Brass		KH7/354
28FP/9713920	A411	Pin, quick release	2	-	C	KH7/355
28P/4668901	SP4Y/G8	Pin, shackle, 1 1/32" dia. x 0.80" long	4	-	C	KH7/356
28P/1221260	SP90/E6	Pin, split, 3/32" dia. x 3/4" long	4	-	C	KH7/357
	5U1353	Ring, split, 1/2" dia.	4	Spring Steel		KH7/358
	7U1353	Ring, split, 1-1/4" dia.	1	-		KH7/359
95188	IU1354	SLING, LIFTING, AILERON, OUTBOARD, GROUP	1	-	B	KH7/360
		Consisting of:-				
	2U1354	Bar, spreader	1	-		KH7/361
95640	12U1088	Bolt, eye	2	S96	C	KH7/361

GROUND EQUIPMENT
TRESTLING AND SLINGING

Ref. No.	Part No.	Description	No. off	Mact. Spec.	Cl. of	Plate and Illust'n No.
					St. M.R.	
		1 2 3 4				
		SLING, LIFTING, AILERON, OUTBOARD (1U1354) (Cont'd.)				
	11U1354	CABLE, INBOARD, GROUP	1	-		KH7/363
	12U1354	CABLE, OUTBOARD, GROUP	1	-		KH7/364
	7U1354	CHAIN, 3' long	2	V15		KH7/365
	3U1352	Head, lifting	1	Mild Steel		KH7/366
	1U1290	Label, capacity	1	Brass		KH7/367
28FP/9713920	A411	Pin, quick release	2	-	C	KH7/368
28P/4888901	AP4Y/GB	Pin, shackle, 11/32" dia. x 0.60" long	4	-	C	KH7/369
28P/1220716	SP90/E4	Pin, split, 3/32" dia. x 3/4" long	4	-	C	KH7/370
	BU1354	Ring, split, 1/2" dia.	4	Spring Steel	C	KH7/371
	BU1354	Ring, split, 1-1/4" dia.	1	-		KH7/372
95070	1U1181	SLING, FOR FIN CAP, GROUP	1	-	A	KH8/373
		Consisting of:-				
	2U1103	Bar, spreader	1	-		KH8/374
95614	6U1181	Bar, tommy, 1/8" dia. x 1-1/2" long	8	Mild Steel	C	KH8/375
	7U1103	Bolt, special, 5/16" dia. x 2 BA screwed x 2.157" long, at lifting head	8	Mild Steel		KH8/376
	2U1181	Cable, 10 cwt.	4	W2		KH8/377
	7U1181	Cable, 5 cwt.	1	Wire Rope		KH8/378
	1U1005	Label, "ident"	1	Brass		KH8/379
	4U1181	Plate, lifting, LH	2	-		KH8/380
	5U1181	Plate, lifting, RH	2	-		KH8/381
28Y/4677111	AGS136/A	Thumb, 0.12" groove	8	-	C	KH8/382
28W/9419402	SP13/C	Washer, 2 BA	8	-	C	KH8/383
	3U1181	Wire, binding, 22 SWG	QR	Copper		KH8/384
	1U1268	SLING, LIFTING, P.C.U. RUDDER, GROUP ...	1	-		KH8/385
		Consisting of:-				
	2U1268	Bracket, sling	1	-		KH8/386
	4U1268	Chain, 3' long	1	V15		KH8/387
	1U1290	Label	1	-		KH8/388
28FP/9488298	A409	Pin, quick release	1	-	C	KH8/389
95147	1U1287	SLING, LIFTING, FOR CABIN AIR CONDITIONING UNIT, GROUP	1	-	A	KH8/390
		Consisting of:-				
	3U1267	Arm, ball ended	2	Mild Steel		KH8/391
	2U1267	Bar, spreader	1	-		KH8/392
28N/9153383	AGS899/4	Collar, 1/4" v/d	2	-	C	KH8/393
	1U1005	Label, "ident"	1	Brass		KH8/394
28P/9486478	SP90/C5	Pin, split, 1/16" dia. x 3/4" long	2	-	C	KH8/395
28P/1015710	SP4Y/D8	Pin, shackle, 1/4" dia. x 0.60" long	2	-	C	KH8/396

GROUND EQUIPMENT
TRESTLING AND SLINGING

Ref. No.	Part No.	Description	No. off	Matl. Spec.	Cl. of	Place and Illustr'n No.
					St. M.R.	
		1 2 3 4				
95121	1U1241	SLING, LIFTING, FOR METAL NOSE	1	—	A	KH8/397
		PORTION, GROUP				
		Consisting of:—				
	2U1241	Bar, spreader	1	—	A	KH8/398
	4U1241	Bolt, eye	2	Mild Steel		KH8/399
280/1011242	A25/7E	Bolt, hex. hd., 1/4" BSF	2	—	C	KH8/400
	8U1241	Chain, 6" long	2	V15		KH8/401
	8U1241	Label, "front"	1	L18		KH8/402
	9U1241	Label, "rear"	1	L18		KH8/403
	1U1005	Label, "ident"	1	Brass		KH8/404
28M/1011475	A27/EP	Nut, 1/4" BSF	2	—	C	KH8/405
	AS2434/13	Pin, quick release	2	—		KH8/406
	5U1241	Ring, split, 1" dia.	3	—		KH8/407
	3U1241	Shackle, 6" x 7-1/4" x 1/4" dia.	1	—		KH8/408
95148	1U1258	SLING, LIFTING, FOR DINGHY PACK,	1	—	A	KH8/409
		GROUP				
		Consisting of:—				
	2U1258	Bar, spreader	1	—		KH8/410
280/1008145	A25/8E	Bolt, hex. hd., 1/4" BSF	3	—	C	KH8/411
	8U1258	Chain, 6" long	3	V15		KH8/412
	1U1005	Label, "ident"	1	Brass		KH8/413
	3U1258	Link, swinging, 18.3" x 1" x 3/16"	1	Mild Steel		KH8/414
	4U1258	Link, swinging, 17.6" x 1" x 3/16"	2	Mild Steel		KH8/415
28M/1011487	A27/ES	Nut, slotted, 1/4" BSF	3	—	C	KH8/416
28P/9627819	SP90/C7	Pin, split, 1/18" dia. x 1" long	3	—	C	KH8/417
28P/4062328	A512	Pin, quick release, Mk. 4, type A	3	—	C	KH8/418
	5U1258	Ring, split, 1" dia.	4	—		KH8/419
28W/9418921	SP13/E	Washer, 1/4" BSF	3	—	C	KH8/420
95083	1U1182	SLING, LIFTING, FOR GREEN SATIN,	1	—	A	KH8/421
		GROUP				
		Consisting of:—				
	2U1182	Bar, spreader	1	—		KH8/422
	3U1182	Cable, front, 10 cwt. x 21.37" long	2	SW2		KH8/423
	5U1182	Cable, rear, 10 cwt. x 23.62" long	2	SW2		KH8/424
95648	8U1182	Pad, soft solid rubber	2	—	C	KH8/425
95645	7U1182	PLATE, LIFTING, GROUP	1	—	C	KH8/426
28Y/4677711	AGS138/A	Thimble, 0.12" dia. groove	4	—	C	KH8/427
	4U1182	Wire, binding	OR	—		KH8/428
95228	1U1319	SLING, BOMB DOOR, GROUP	1	—	A	KH9/429
		Consisting of:—				
	2U1319	Bar, spreader	1	—		KH9/430
	3U1319	CABLE, GROUP	1	—		KH9/431

VULCAN No. 7

GROUND EQUIPMENT
TRESTLING AND SLINGING

Page KH. 17

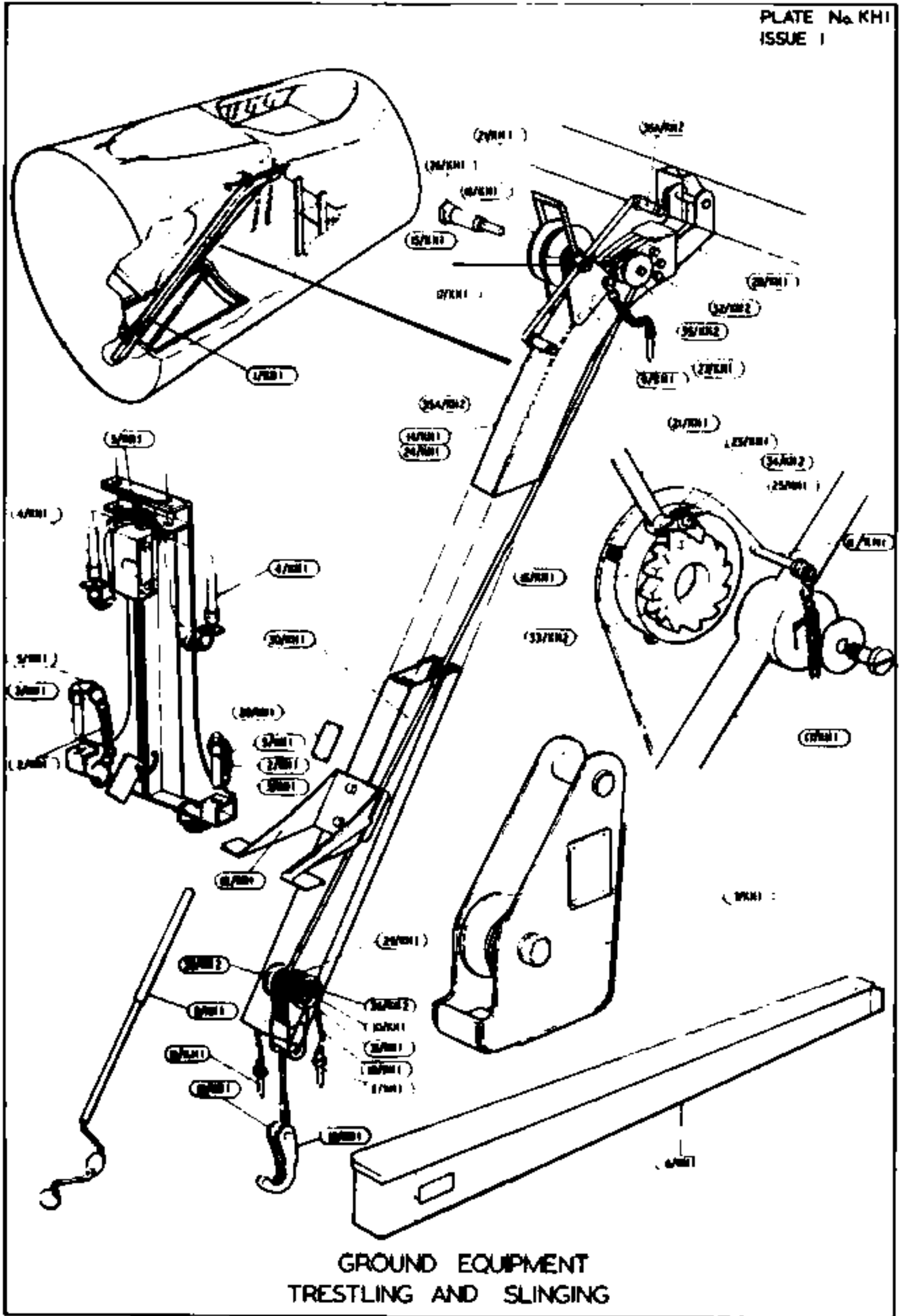
Ref. No.	Part No.	Description	No. off	Matl. Spec	Cl. of St.	Plate and Illustr'n No.
					M.R.	
		1 2 3 4				
28P/9458747 28P/9710567	5U1319 4U1319 AS2444/23 SP4Z/D9 SP90/C4 4U1319 7U1319 8U1319	SLING, BOMB DOOR (1U1319) (Cont'd.)				
		Chain, 8" long	2	V15	C	KH9/432
		Link	4	S82		KH9/433
		Pin, quick release	2	—	C	KH9/434
		Pin, solid	4	—		KH9/435
		Pin, split	4	—	C	KH9/436
		Ring, split, 1" dia.	4	Spring Steel		KH9/437
		Strap, 1" webbing x 8' 0" long	2	—	KH9/438	
		Strap, attachment, 1" webbing x 18-1/2" long	2	NF100	KH9/439	
95073	1U1271	SLING, LIFTING, FOR BOMB DOORS, GROUP	1	—	C	KH9/440
		Consisting of:—				
	2U1271	Cable, 20 cwt. x 28" long approx.	1	SW2	C	KH9/442
	1U1006	Label, ident	1	Brass		KH9/444
	4U1271	Ring, split, 1" dia.	2	Spring Steel		KH9/446
	3U1271	Wire, binding	QR	Copper		KH9/447
95084	1U1236	SLING, FOR N.B.C. CALCULATORS, CREW'S NACELLE, GROUP	1	—	A	KH9/448
		Consisting of:—				
	2U1236	Bar, spreader	1	—	C	KH9/449
	5U1236	Chain	2	V16		KH9/450
	3U1236	Hook	1	—	C	KH9/451
	1U1290	Label, ident	1	—		KH9/452
28FP/9485282	A406	Pin, quick release	2	—	C	KH9/453
	6U1236	Ring, split, 1/2" dia.	4	—		KH9/454
95385	1U1574	SLING, FOR MAIN UNDERCARRIAGE UNIT, GROUP	1	—	A	KH9/455
		Consisting of:—				
28D/1213631	A25/32N	Bolt, 1/2" BSF	1	—	C	KH9/456
	3U1574	Bracket, dual attachment	1	S514		KH9/467
	2U1574	CABLE, GROUP	1	—		KH9/458
	6U1574	Chain, 16' long	1	V15	C	KH9/459
	7U1574	Chain, 22' long	1	V15		KH9/460
	1U1290	Label	1	—	C	KH9/461
	4U1574	Link, forward	1	—		KH9/462
	5U1574	Link, rear	1	—	C	KH9/463
28M/1011001	A24/NS	Nut, slotted, 1/2" BSF	1	—		KH9/464
28P/9680929	SP90/E8	Pin, split, 3/32" dia. x 1-1/4" long	1	—	C	KH9/465
	AS2438/31	Pin, quick release, drop nose type	1	—		KH9/466
	AS2438/38	Pin, quick release, drop nose type	1	—	C	KH9/467
28FP/879	AS2438/34	Pin, quick release, drop nose type	2	—		KH9/467a
	8U1574	Ring, split, 1" dia.	5	—	KH9/468	

GROUND EQUIPMENT
TRESTLING AND SLINGING

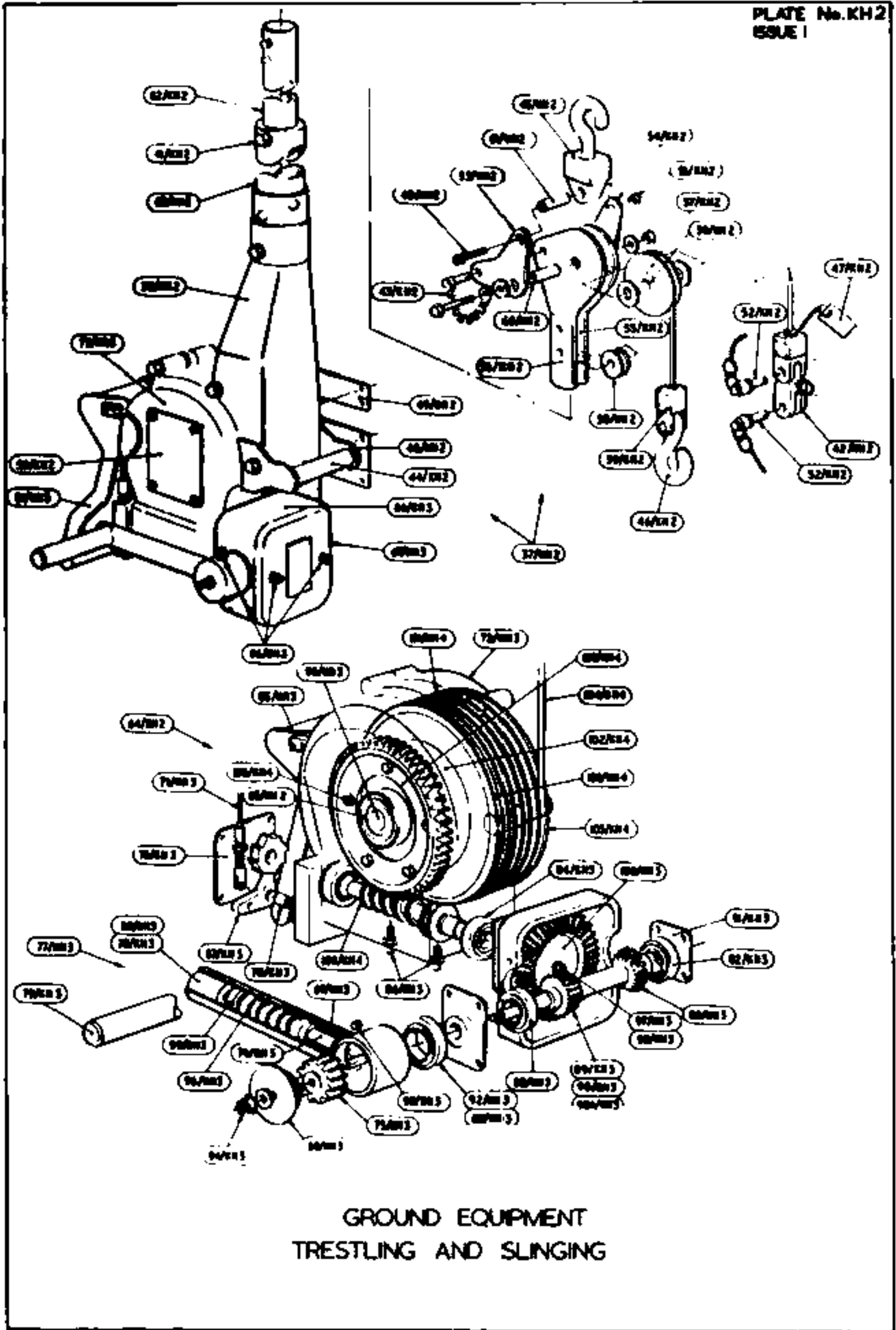
Ref. No.	Part No.	Description	No. off	Matl. Spec.	Cl. of St.	Plate and Illust'n No
					M.R.	
		1 2 3 4				
95366	1U1575	SLING, FOR NOSE UNDERCARRIAGE UNIT, GROUP	1	—	A	KH9/468
	2U1575	Consisting of:— CABLE, FRONT, GROUP	1	—		KH9/470
	8U1575	Chain, 8" long	2	V15		KH9/471
	1U1290	Label, capacity	1	—		KH9/472
	5U1575	Link, front	2	S514		KH9/473
	6U1575	Link, rear	2	S514		KH9/474
	3U1575	LOOP, CABLE, FRONT, GROUP	1	—		KH9/475
	4U1575	LOOP, CABLE, REAR, GROUP	1	—		KH9/476
	A808	Pin, quick release	2	—		KH9/479
	7U1575	Ring, split, 1/2" dia.	2	Spring Steel		KH9/480
	9U1575	Ring, split, 1" dia.	1	Spring Steel		KH9/481
	AS2808/8/08	Tube, distance	2	T35		KH9/482
	AS2808/9/08	Tube, distance	2	T35		KH9/483
95372	1U1620	SLING, FOR SUNSTRAND ALTERNATOR, GROUP	1	—	A	KH9/484
	3U1620	Consisting of:— Cable, assembly	1	—		KH9/485
	5U1620	Chain, 5" long	1	V15		KH9/486
	2U1620	Head, lifting	1	—		KH9/487
	1U1588	Label, "Ident"	1	Brass		KH9/488
28FP/3433878	A421	Pin, quick release	1	—	C	KH9/489
	4U1620	Ring, split, 3/4" or 1"	2	—		KH9/490
95398	1U1637	SLING, FOR JET PIPE, GROUP	1	—	A	KH9/481
	2U1637	Consisting of:— Bar, spreader	1	—		KH9/492
28D/1212586	A25/35E	Bolt, 1/4" BSF	2	—	C	KH9/493
	4U1637	Cable, 5 cwt.	2	BS6.W2		KH9/494
	6U1637	Chain, 6" long	2	V15		KH9/495
	1U1290	Label, ident	1	Brass		KH9/496
28M/1011467	A27/ES	Nut, slotted, 1/4" BSF	2	—	C	KH9/497
28P/12462	SP9/C8	Pin, split, 1/16" dia. x 1" long	2	—	C	KH9/498
28FP/4088848	A437	Pin, quick release	2	—	C	KH9/499
28R/5410	AGS890/A	Ring, lifting	1	—	C	KH9/500
	7U1637	Ring, split, 3/4" dia.	2	Spring Steel		KH9/501
	3U1637	Strap, webbing	2	—		KH9/502
28Y/4677710	B/AGS/135	Thimble, 0.17" dia., groove	2	—	C	KH9/503
28Y/4677711	C/AGS/135	Thimble, 0.21" dia., groove	2	—	C	KH9/504

GROUND EQUIPMENT
TRESTLING AND SLINGING

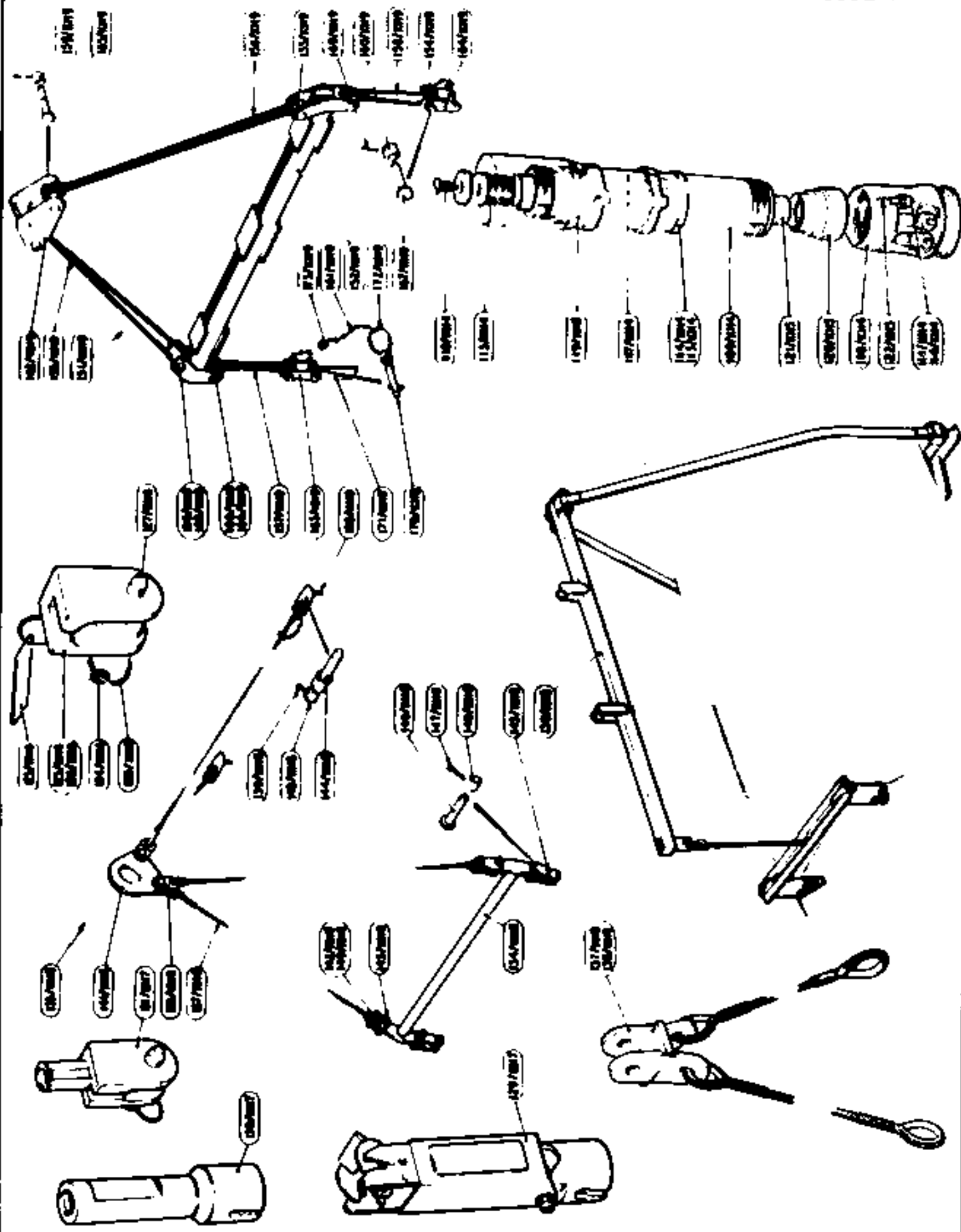
Ref. No.	Part No.	Description	No. off	Matl. Spec.	Cl. of	Plate and Illust'n No.
					St. M.R.	
		1 2 3 4				
	FB209004	SLING, ENGINE, "WORKSHOP USE" GROUP	1	—		
	AT62058	TOOLS, FOR JACK ASSEMBLY Consisting of:—	1	—		
	T425868	Guide, piston	1	—		
	T425867	Guide, piston	1	—		
	T425870	Plate, draw	1	—		
	T425872	Plug, taper	1	—		
	AT39058	Plug, test (for use on Jack Base Assembly)	1	S98		
	T425868	Ring, draw	1	—		
	T425869	Ring, draw	1	—		
	T425864	Ring, taper	1	—		
	T425865	Ring, taper	1	—		
	T425871	Ring, taper	1	—		
	AGS1186/F	Seal, 3/4" BSP (for use on Jack Base Assembly)	1	—		
	T511248	Spanner, "C"	1	—		
	T511246	Spanner, cruciform	1	—		
96382	T425873	Spanner, special	1	—	B	
	T425874	Spanner, special	1	—		
	T425875	Spanner, special	1	—		
	T425876	Spanner, special	1	—		
4Q/4230813	GM10101	TRESTLE, MK 1, GROUP	2	—	A	
4Q/4230814	GM10102	TRESTLE, MK 2 FOR 25 TON JACK, GROUP (See Ground Equipment and Jacking)	4	—	A	
	—	TRESTLE, U J NO 18, FOR OUTER WING STEADING, DURING U/C TEST, GROUP	2	—		
	—	TRESTLE, U J NO. 18, WITH TYPE A OR B BRACKETS LESS BEAM, GROUP (See Ground Equipment and Jacking)	1	—		



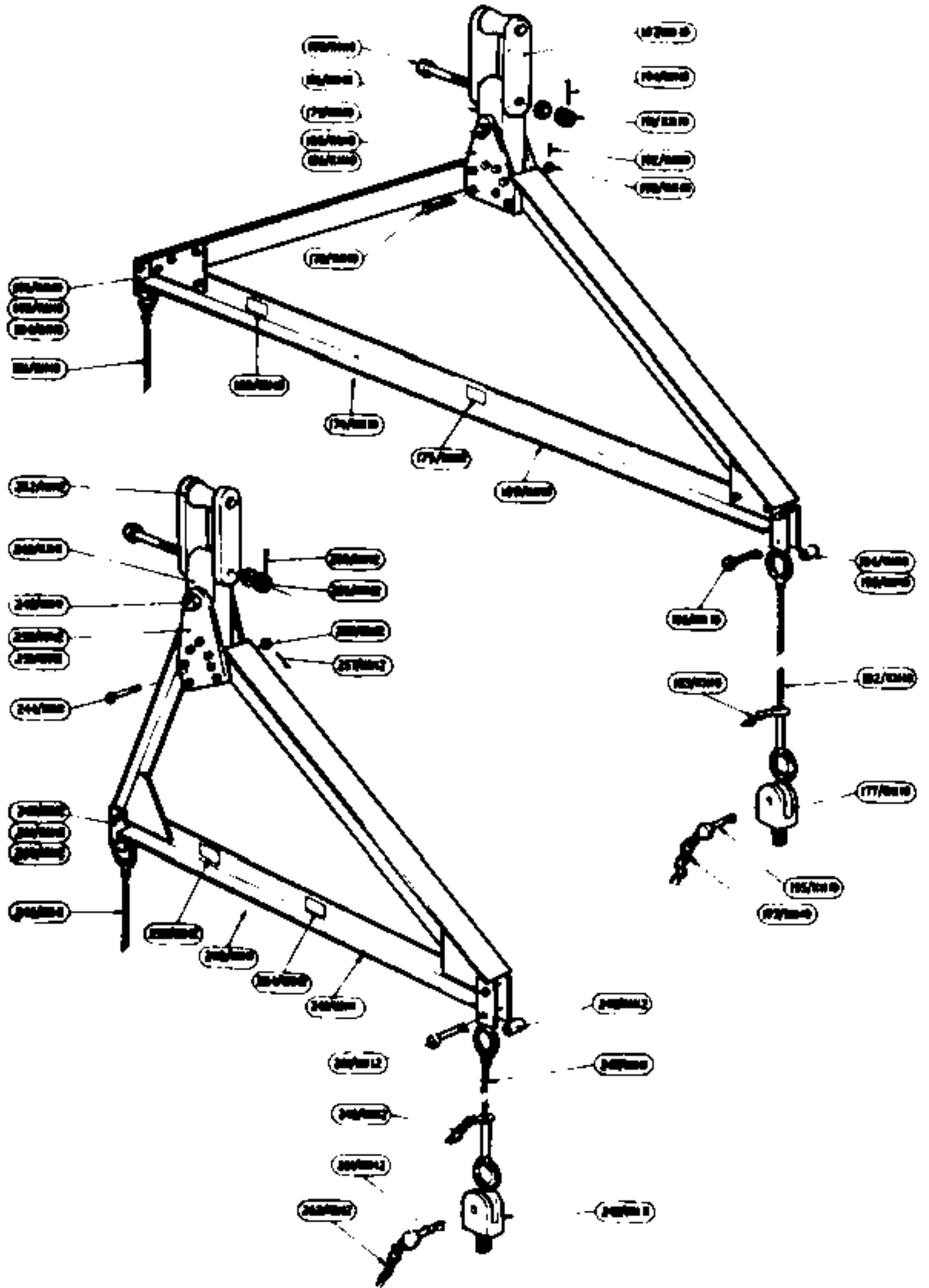
GROUND EQUIPMENT
TRESTLING AND SLINGING



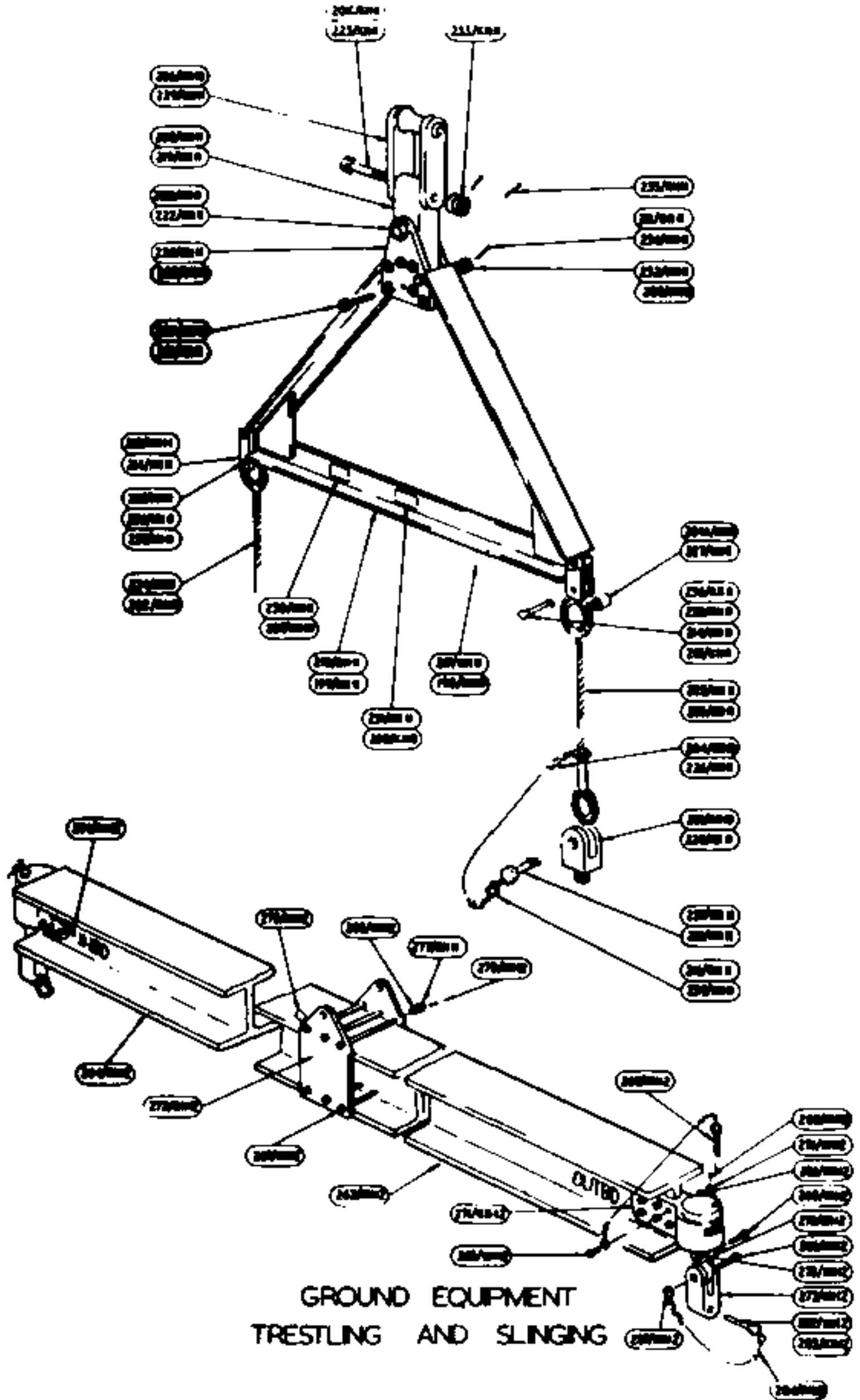
GROUND EQUIPMENT
TRESTLING AND SLINGING



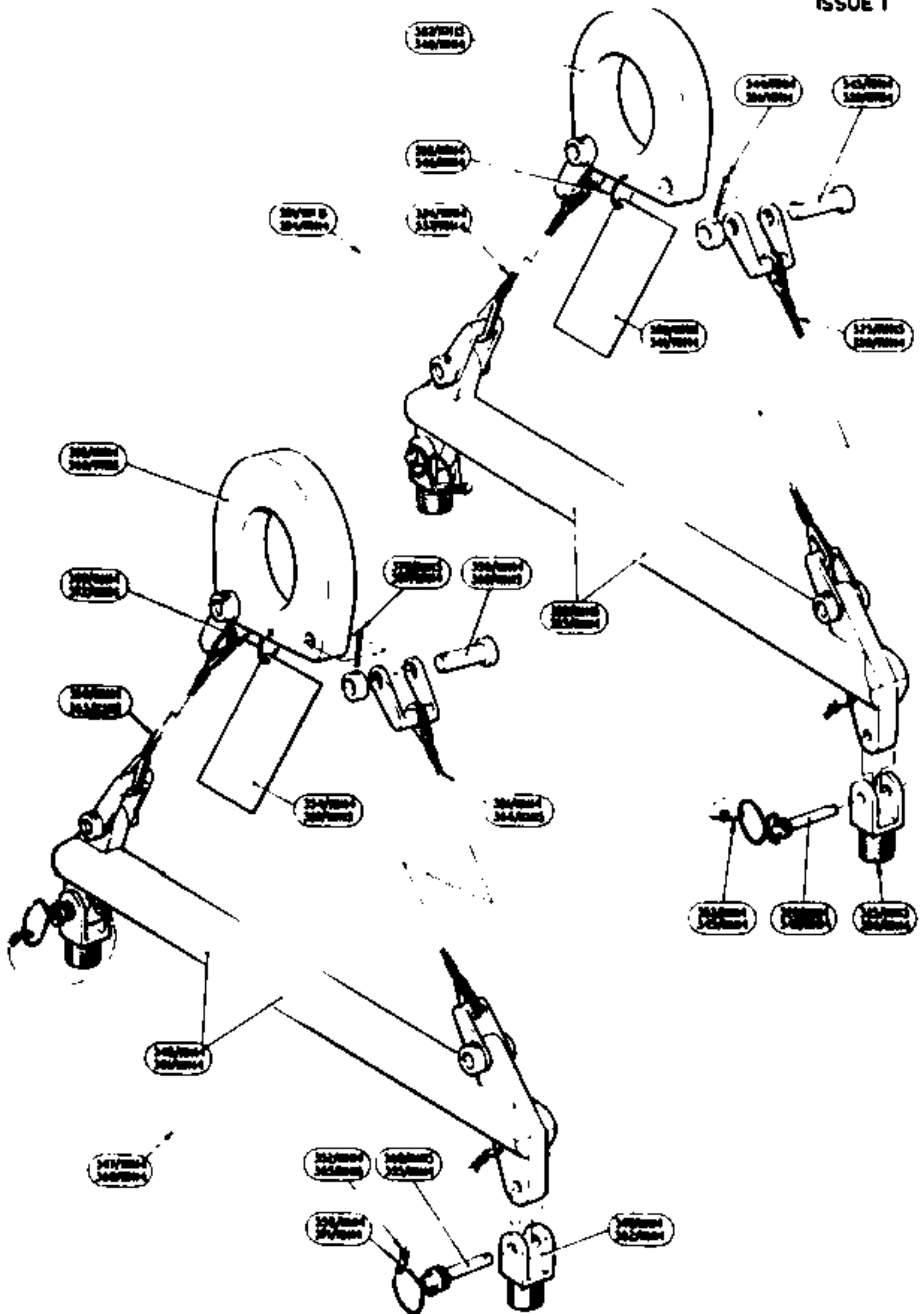
GROUND EQUIPMENT
TRESTLING AND SLINGING



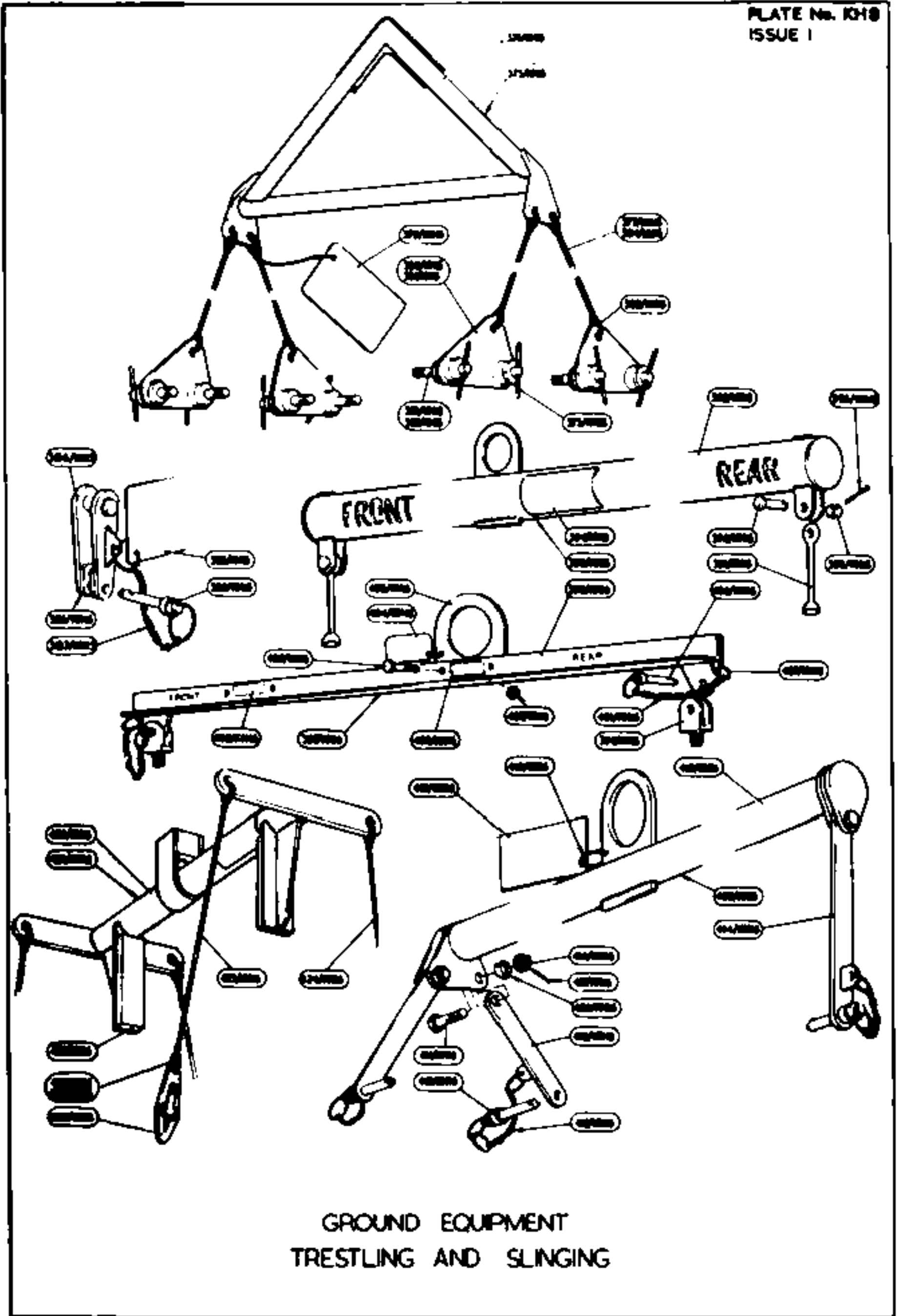
GROUND EQUIPMENT
TRESTLING AND SLINGING



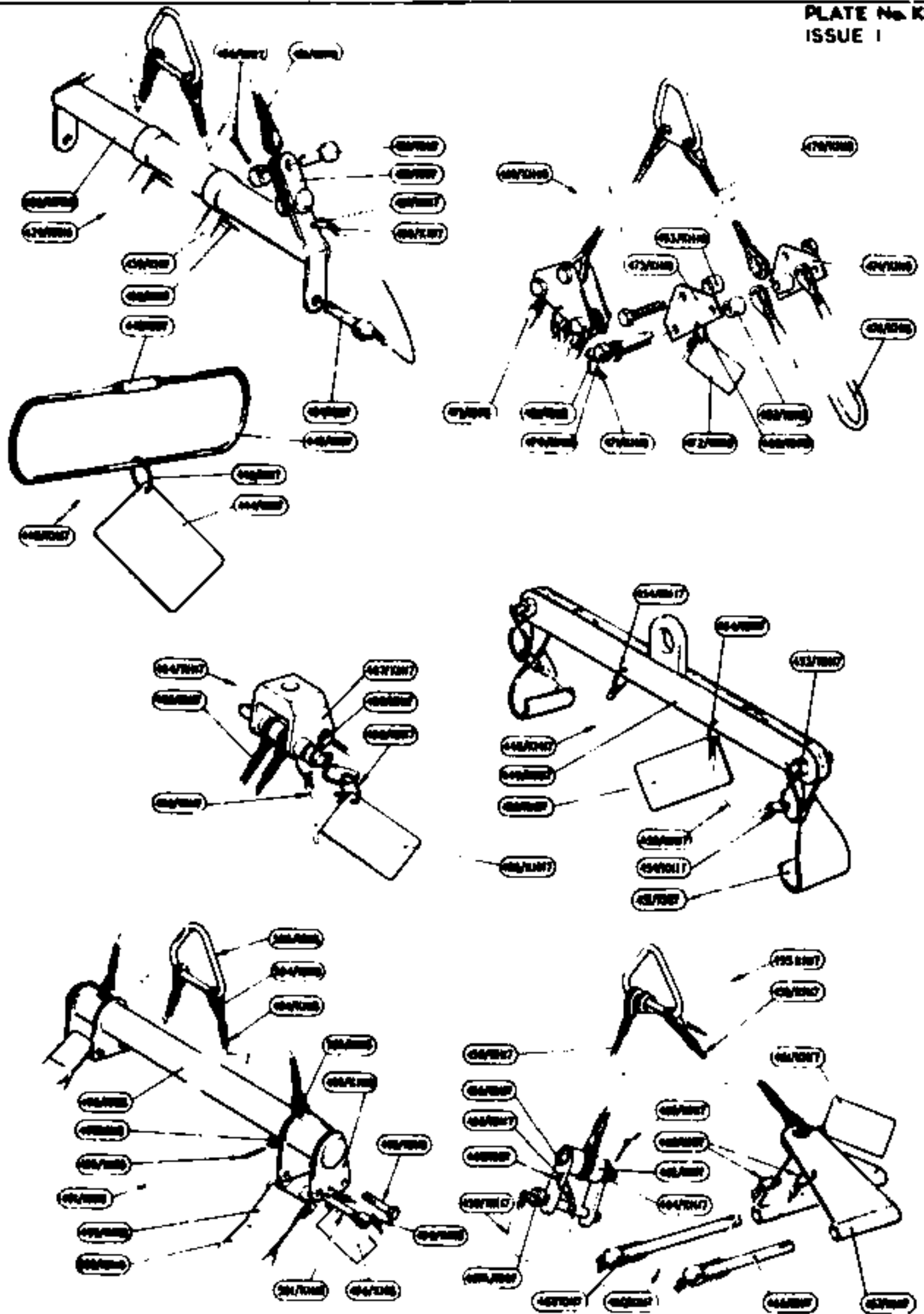
GROUND EQUIPMENT
TRESTLING AND SLINGING



GROUND EQUIPMENT
TRESTLING AND SLINGING



GROUND EQUIPMENT
TRESTLING AND SLINGING



GROUND EQUIPMENT
TRESTLING AND SLINGING

VULCAN No. 2

GROUND EQUIPMENT
BOMB BAY PANNIER

Page KJ. 1

Ref. No.	Part No.	Description				No. off	Mast. Spec.	Cl. of St.	Plate and Must'n No.
		1	2	3	4			M.R.	
		SPECIAL OPERATIONAL ONLY							
		INSTALLATION OF 4,000 LB. BOMB BAY PANNIER FOR A/C FITTED WITH STANDARD BOMB DOORS							
		Consisting of:—							
27D:3147	AT63197	Adaptor, housing frame	1	—		
	—	Cover, pannier	1	—	A	
	AT82204	FRAME PANNIER SUSPENSION C/W SUSPENSION BOLTS, GROUP				1	—		
27H:4805621	67479/1107	PANNIER, GROUP				1	—	A	
27H:2776	—	Straps, lashing	12	—	B	

GROUND EQUIPMENT
QUICK DISCONNECT COUPLINGS

Ref. No.	Part No.	Description	No. off	Matl. Spec.	Cl. of	Plate and Illust'n No.
					St. M.R.	
		1 2 3 4				
	-	LANYARD ATTACHMENT, QUICK DISCONNECT COUPLINGS, GROUPS				
96531	1U1989	LANYARD CABIN PRESSURE SYSTEM STATIC VENT, GROUP	2	-	B	KK1/1
	3U1989	Spares for:- CABLE, GROUP	1	-		KK1/2
	4U1989	CABLE, GROUP	1	-		KK1/3
	AMWELL INSTRUMENTS LTD. 2U1989	Spares for:- Plug	1	-		KK1/4
28N/1045880	AGS899/2	Collar	1	-		KK1/5
	9U1989	Label	1	-		KK1/6
28P/7134098	SP4Z/89	Pin, shear	1	-		KK1/7
28P/9488478	SP90/C5	Pin, split	1	-	C	KK1/8
28N/9436906	SP/11/C	Washer	2	-	C	
96538	1U2028	LANYARD CABIN AIR CONDITIONING, CONNECTION, GROUP				KK1/9
	8U2028	Spares for:- CORD RESTRAINING, GROUP	1	-		KK1/10
28E/4062142	SP91/R	Clip	1	-	C	KK1/11
28N/9153393	AGS/899/4	Collar	2	-	C	KK1/12
	4U2028	Label	1	-		KK1/13
	2U2028	LANYARD, GROUP	1	-		KK1/14
	5U2028	Ring, split	1	-		KK1/15
	3U2028	Ring, "D"	2	Brass E.P.		KK1/16
	2SP1/690/C	Shackle	2	-		KK1/17
96560	1U2036	LANYARD, CABIN PRESSURE SYSTEM STATIC VENT, GROUP	2	-	B	KK1/18
	2U2036	Spares for:- CABLE, GROUP	1	-		KK1/19
28N/9153393	AGS1899/4	Collar	3	-	C	KK1/20
	3U2036	Label	1	-		KK1/21
	5U/2036	Plate, link	2	-		KK1/22
	4U2036	Ring, split	1	-		KK1/23
	2SP1/900/C	Shackle	1	-		KK1/24
28P/9483204	SP4Y/D/10	Pin, solid	3	-	C	KK1/25
28P/9488478	SP/90/C5	Pin, split	3	-	C	KK1/26
	6U2036	Plug	2	-		KK1/27

GROUND EQUIPMENT
QUICK DISCONNECT COUPLINGS

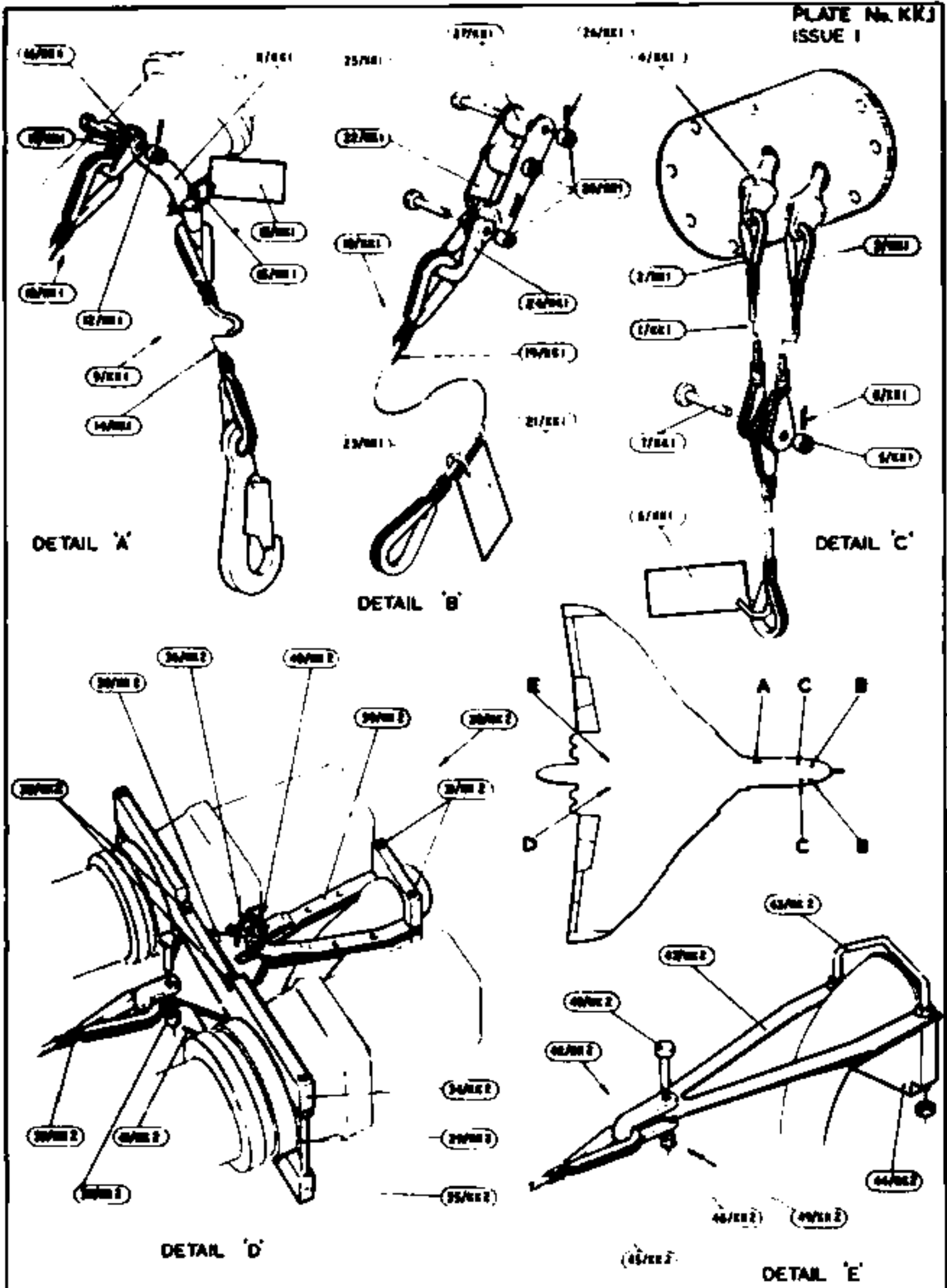
Ref. No.	Part No.	Description	No. off	Mater. Spec.	Cl. of	Place and illust'n No.
					Sec.	
		1 2 3 4			M.R.	
LANYARD ATTACHMENTS (Cont'd.)						
96573	1U2082	LANYARD, RAPID TAKE-OFF, ELEC. AC-DC AND TRUE EARTH (Mod. 1881) Spare for: -	1	-	B	KK1/28
96535	1U1993	Bolt, special	2	-	C	KK1/29
28DU/9419844	A113/BD	Bolt	2	-	C	KK1/31
28DH/9414358	A102/17E	Bolt	2	-	C	KK1/32
96217	7U1993	Cable	1	-	C	KK1/33
96215	2U2082	Clamp, top half	1	-	C	KK1/34
96216	3U2082	Clamp, bottom half	1	-	C	KK1/35
ASTON CHAIN CO. V15						
28W/9153393	AGS/899/4	Chain, 4" long	1	-		KK1/38
	8U1993	Collar	1	-		KK1/37
	9U1993	Plate, attachment	1	-		KK1/38
	AVIATION DEV. LTD.	Plate, fork	1	-		KK1/39
28FP/9485292	A405	Pin, pip	1	-		KK1/40
28P/9486478	SP90/C5	Pin, split	1	-	C	KK1/41
28M/9414136	A103/EP	Nut	4	-	C	
96574	1U2083	LANYARD, RAPID TAKE-OFF TELE- SCRAMBLE CONNECTION (Mod. 1881) Spare for: -	1	-	B	KK1/42
96220	3U2083	Bar, retaining	1	-	C	KK1/43
96219	2U2083	Clamp, half	1	-	C	KK1/44
	2U2077	Cable	1	-		KK1/45
28N/9153393	AGS/899/4	Collar	1	-		KK1/48
	8U1991	Plate	1	-		KK1/47
28P/9483204	SP4Y/D/10	Pin, solid	3	-	C	KK1/48
28P/9486478	SP90/C/5	Pin, split	1	-	C	KK1/49
28M/9403520	A27/C/P	Nut	4	-		

VULCAN HL 3

GROUND EQUIPMENT
SUMMARY OF STANDARD ITEMS

Page KK. 3

Stores Ref.		No. off	Stores Ref.		No. off	Stores Ref.		No. off
Section	Ref. No.		Section	Ref. No.		Section	Ref. No.	
28D	7780	32	28N	5551	10	28W	9418921	3
28D	12523	2	28N	5558	6	28W	9419402	8
28D	12543	3	28N	8924	4	28W	9419466	17
28D	12549	2	28N	7118	4	28W	9419468	6
28D	12833	2	28N	12242	8	28W	9436805	2
28D	12718	12	28N	9153393	7			
28D	13200	6						
28D	13561	1						
28D	13678	2	28P	885	4			
28D	13813	3	28P	886	4			
28D	14199	2	28P	871	2	28Y	3004	12
28D	15225	3	28P	914	16	28Y	3006	2
28D	1213638	2	28P	1108	4	28Y	3006	6
			28P	1159	2			
			28P	5538	4			
28E	4062142	1	28P	5860	4			
			28P	12282	16			
			28P	12348	4			
28FP	5	3	28P	12431	8			
28FP	6	9	28P	12462	5			
28FP	17	5	28P	12721	2			
28FP	24	2	28P	13761	4			
28FP	25	4	28P	13837	1			
28FP	37	1	28P	13895	16			
28FP	41	2	28P	14782	2			
28FP	48	1	28P	14904	2			
28FP	51	8	28P	9429528	52			
28FP	622	1	28P	9429619	4			
28FP	690	2	28P	9429652	7			
28FP	735	2	28P	9429653	7			
28FP	817	1	28P	9483204	6			
28FP	918	1	28P	9488478	6			
28FP	979	1						
28FP	9485292	1						
28FP	9432063	1	28R	5410	1			
28FP	9433877	2						
28M	12828	2	28U	9419644	2			
28M	12930	7	28U	9414356	2			
28M	13123	48						
28M	13145	8						
28M	13259	7						
28M	13590	2						
28M	14785	1						
28M	9414138	4						
28M	9403520	4						
28M	9419468	2						



GROUND EQUIPMENT
QUICK DISCONNECT COUPLINGS

MAINPLANES
AILERON INBOARD

Ref. No.	Part No.	Description				No. off	Metl. Spec.	Cl. of		Place and Illust'n No.
		1	2	3	4			St.	M.R.	
		(ELEVON INBOARD OUTER)								
1432848	1F9725	AILERON, INBOARD, PORT, GROUP				1	-			MA1/1
	1F9725/C	AILERON, INBOARD, PORT, GROUP				1	-			
	1F9725/P	AILERON, INBOARD, PORT, GROUP				1	-			
	1F9725/PC	AILERON, INBOARD, PORT, GROUP				1	-	A		
705 1432849	2F9725	AILERON, INBOARD, STB'D., GROUP				1	-			A
	2F9725/C	AILERON, INBOARD, STB'D., GROUP				1	-			
	2F9725/P	AILERON, INBOARD, STB'D., GROUP				1	-			
	2F9725/PC	AILERON, INBOARD, STB'D., GROUP				1	-		A	
		(Mod. 2129) (Complementary parts e.g. inter-component attachments are not supplied with this assembly, but are listed in the complementary items at the end of the Mainplane Outer) Spares for:-								
	41F9725	Angle				1	-		MR	
	47F9725	Angle				1	-		MR	
	1F10890	ARM, MASS BALANCE, INBOARD, PORT, ... GROUP				1	-		MR	MA1/2
	2F10890	ARM, MASS BALANCE, INBOARD, ... STARBOARD, GROUP Attachments—Balance arm, Part Nos. 1 and 2 F 10890				1	-		MR	
28D/9133012	A25/3C	Bolt, 2 BA				4	-		C	
	1F10891	ARM, MASS BALANCE, CENTRE, PORT, ... GROUP				1	-		MR	MA1/3
	2F10891	ARM, MASS BALANCE, CENTRE, STARBOARD, GROUP Attachments—Balance Arm, Part Nos. 1 and 2 F 10891				1	-		MR	
28D/9133012	A25/3C	Bolt, 2 BA				4	-		C	
	1F10892	ARM, MASS BALANCE, OUTBOARD, ... PORT, GROUP				1	-		MR	MA1/4
	2F10892	ARM, MASS BALANCE, OUTBOARD, ... STARBOARD, GROUP Attachments—Balance Arm, Part Nos. 1 and 2 F 10892				1	-		MR	
28D/9133012	A25/3C	Bolt, 2 BA				4	-		C	
6571	64F9725	BEARING, HINGE, INBOARD, PORT AND ... STARBOARD, GROUP Consisting of:-				-	-		B	MA1/5
2A/9601379	SKEFCO 22205	Bearing				1	-		C	
8568	6F9725 45F9725	Bracket, Hinge Bush				1 2	L85 S1		C	

MAINPLANES
AILERON INBOARD

Ref. No.	Part No.	Description	No. off	Matl. Spec.	Cl. of St.	Plate and Illust'n No.
					M.R.	
		1 2 3 4				
		(ELEVON INBOARD OUTER)				
6572	63F9725	BEARING, HINGE, CENTRE, PORT AND STARBOARD, GROUP Consisting of:—	1	—	C	MA1/6
2A/9601524	SKEFCO 22206	Bearing	1	—	C	
6558	93F9725	Bracket, hinge	1	DTD883	C	
6558	115F9725	Bush, shoulder end	1	S1	C	
6558	116F9725	Bush, circlip end	1	S1	C	
28N/2001718	AGS2030/94	Circlip	1	—	C	
6570	62F9725	BEARING, HINGE, OUTBOARD, PORT AND STARBOARD, GROUP Consisting of:—	1	—	C	MA1/7
2A/9601379	SKEFCO 22206	Bearing	1	—	C	
6558	5F9725	Bracket, hinge	1	L66	C	
	46F9725	Bush	2	S1	C	
		FAIRING, POWER UNIT, PORT AND STARBOARD (3 and 4F9808) Spares for:—	—	—		MA1/8
6510	7F9908	Fairing, fixed, port	1	L72	C	
6511	8F9908	Fairing, fixed, starboard	1	L72	C	
26FP/13043	ISS3259	Plate, mod record	1	—	C	
28S/1008327	A32/B14	Attachments—Plate, Part No. 1SS3259	4	—	C	
28W/8418005	SP13/B	Screw, r'd h'd 4 BA	4	—	C	
26FP/13044	1SS3260	Washer, 4 BA	4	—	C	
	130F9725	Plate, serial	1	—	C	
		Rib, nose, port and starboard	1	—	MR	MA1/9
	131F9725	RIB, NOSE, PORT, GROUP	1	—	MR	MA1/10
	132F9725	RIB, NOSE, STARBOARD, GROUP	1	—		
6581	56F9725	Shield, inboard, hinge bracket	1	DTD1668	C	MA1/11
6580	55F9725	Shield, inboard, hinge bracket	1	DTD1668	C	MA1/12
6579	54F9725	Shield, outboard, hinge bracket	1	DTD1668	C	MA1/13
6578	53F9725	Shield, outboard, hinge bracket	1	DTD1668	C	MA1/14
		Attachments—Shields, Part Nos. 53, 54, 55 and 56F9725	8	—	MR	
6573	1SS4140	Screw, c'sk h'd 2 BA	1	L72	C	MA1/15
	329725	Skirt, detachable, nose, between outboard mass balance and nose rib	1	—		
6574	133F9725	SKIN, DETACHABLE, NOSE, BETWEEN CENTRE HINGE RIB AND POWER UNIT RIB, PORT, GROUP	1	—	C	MA1/16
6575	134F9725	SKIN, DETACHABLE, NOSE, BETWEEN CENTRE HINGE RIB AND POWER UNIT RIB, STARBOARD, GROUP	1	—	C	

VULCAN No. 2

**MAINPLANES
AILERON INBOARD
(ELEVON INBOARD OUTER)**

Page MA 3

Ref. No.	Part No.	Description	No. off	Matl. Spec.	Cl. of	Plate and Illust'n No.
					St.	
		1 2 3 4			M.R.	
4576	135F9725	SKIN, DETACHABLE, NOSE, BETWEEN CENTRE HINGE AND NOSE RIB, PORT, GROUP	1	—	C	MA1/17
4577	136F9725	SKIN, DETACHABLE, NOSE, BETWEEN CENTRE HINGE AND NOSE RIB, STARBOARD, GROUP	1	—	C	
	1554140	Attachments—Nose Skins, Part Nos. 32, 133, 134, 135 & 136F9725 Screw, c'sk. hd. 2 BA	24	—	MR	

VULCAN No. 2

MAINPLANES
AILERON OUTBOARD
(ELEVON OUTBOARD OUTER)

Page MA. 5

Ref. No.	Part No.	Description	No. off	Matl. Spec.	Cl. of	Plate and Illust'n No.
					St. M.R.	
		1 2 3 4				
509	1F9726	AILERON, OUTBOARD, PORT, GROUP	1	..	A	MA1/18
706	1F9726/C	AILERON, OUTBOARD, PORT, GROUP	1	-	A	
1432850	1F9726/PC	AILERON, OUTBOARD, PORT, GROUP (Mod. 2129)	1	-	A	
510	2F9726	AILERON, OUTBOARD, STARBOARD, GROUP	1	-	A	MA1/19
707	2F9726/C	AILERON, OUTBOARD, STARBOARD, GROUP	1	-	A	
1432851	2F9726/PC	AILERON, OUTBOARD, STARBOARD, GROUP (Mod. 2129) (Complementary parts e.g. inter-component attachments are not supplied with this assembly, but are listed in the complementary items at the end of the Mainplane Outer) Spares for:-	1	-	A	
	1F10893	ARM, MASS BALANCE, INBOARD, CENTRE AND OUTBOARD, PORT, GROUP	3	-	MR	MA1/19
	2F10893	ARM, MASS BALANCE, INBOARD, CENTRE AND OUTBOARD, STARBOARD, GROUP Attachments—Balance Arms, Part Nos. 1 and 2F10893	3	-	MR	
28D/1200119	A26/4C	Bolt, 2 BA	12	-	C	
6556	47F9726	BEARING, HINGE, OUTBOARD, PORT AND STARBOARD, GROUP Consisting of:-	1	..	C	MA1/20
2A/9501379	SKEFCO 22205	Bearing	1	-	C	
6558	5F9726	Bracket, hinge	1	L65	C	
6558	45F9725	Bush	2	S1	C	
6557	48F9726	BEARING, HINGE, CENTRE, PORT AND STARBOARD, GROUP Consisting of:-	1	-	C	MA1/21
2A/9501524	SKEFCO 22208	Bearing	1	-	C	
6558	60F9726	Bracket, hinge	1	L65	C	
6559	115F9725	Bush, shoulder end	1	S1	C	
28N/2001719	116F9725	Bush, circlip end	1	S1	C	
	AGS2030/94	Circlip	1	-	C	
12805	49F9726	BEARING, HINGE, INBOARD, PORT AND STARBOARD, GROUP Consisting of:-	1	-	C	MA1/22
2A/9501379	SKEFCO 22205	Bearing	1	-	C	
6556	4F9726	Bracket, hinge	1	L65	C	
6556	45F9725	Bush	2	S1	C	
		FAIRING, POWER UNIT, PORT AND STARBOARD (3 & 4F9909) Spares for:-				MA1/23
6515	7F9909	Fairing, fixed, port	1	L72	C	
6517	8F9909	Fairing, fixed, starboard	1	L72	C	

MAINPLANES
AILERON OUTBOARD
(ELEVON OUTBOARD OUTER)

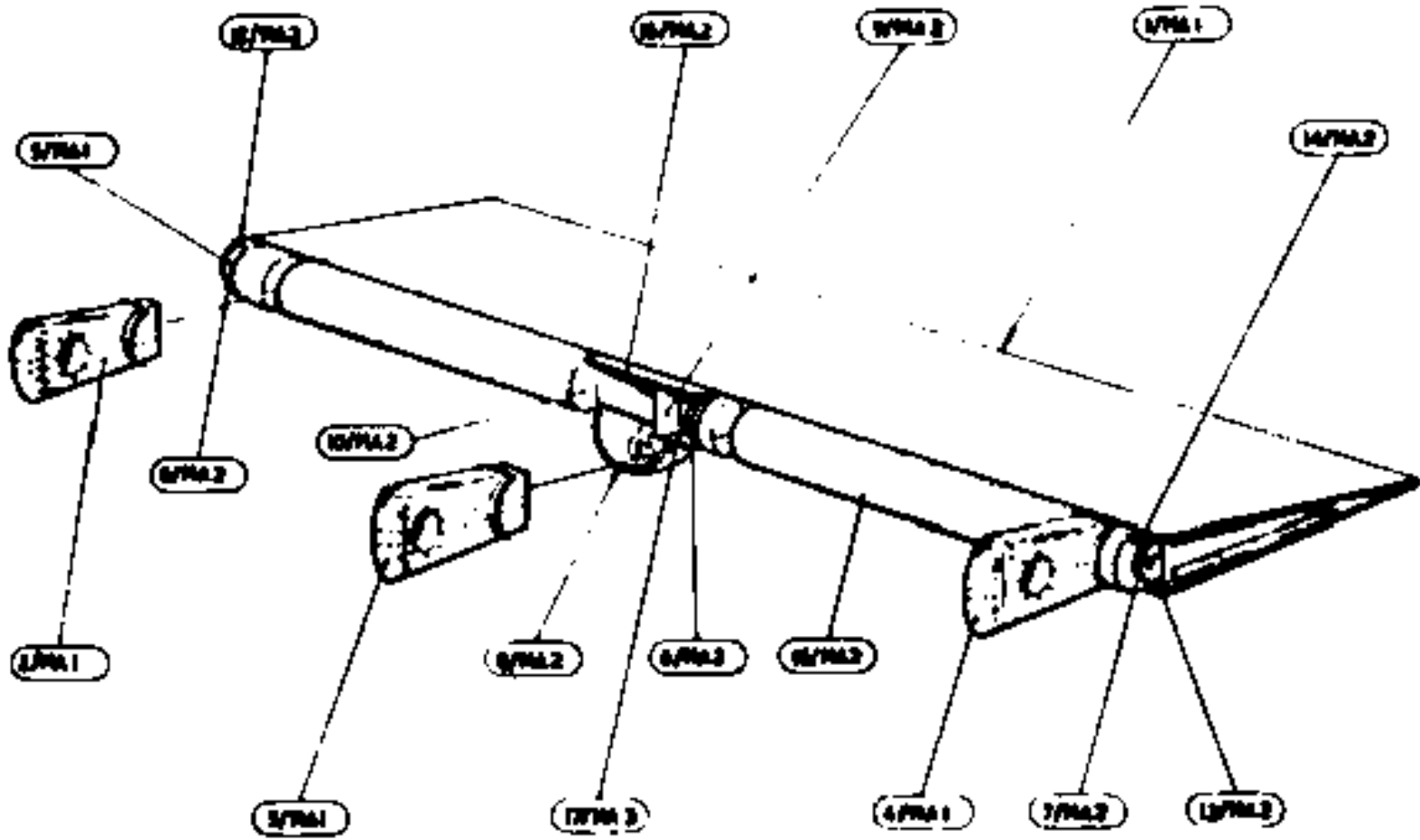
Ref. No.	Part No.	Description	No. off	Mater. Spec.	Cl. of	Plate and Illust'n No.
					St. M.R.	
		1 2 3 4				
28FP/13043	1SS 3259	Plate, mod record	1	-	C	
28S/1008327	A32/B14	Attachments-Plate, Part No 1SS3259	4	-	C	
28W/9419485	SF13/B	Screw, r'd h'd, 4 BA	4	-	C	
28FP/13044	1SS3260	Washer, 4 BA	1	-	C	
		Plate, serial	1	-	C	
13147	87F9726	RIB, NOSE, PORT, GROUP	1	-	C	MA1/24
	88F9726	RIB, NOSE, STARBOARD, GROUP	1	-	C	
12281	89F9726	Rib, nose, port and starboard	1	-	C	MA1/26
8566	43F9726	Shield, inboard, hinge bracket	1	DTD1888	C	MA1/26
8567	44F9726	Shield, inboard, hinge bracket	1	DTD1888	C	MA1/27
8568	45F9726	Shield, outboard, hinge bracket	1	OTD1888	C	MA1/28
8569	46F9726	Shield, outboard, hinge bracket	1	OTD1888	C	MA1/29
		Attachments-Shields, Part Nos 43, 44, 45 & 46F9726				
1181	1SS4140	Screw, c'sk h'd., 2 BA	8	-	C	
8581	20F9726	Skin, detachable, nose beneath outboard balance and nose rib, port and starboard	1	L72	C	MA1/30
8582	63F9726	SKIN, DETACHABLE, NOSE, BETWEEN CENTRE HINGE RIB AND NOSE RIB, TOP, PORT, GROUP	1	-	C	MA1/31
8583	64F9726	SKIN, DETACHABLE, NOSE, BETWEEN CENTRE HINGE RIB AND NOSE RIB, TOP, STARBOARD, GROUP	1	-	C	
8584	65F9726	SKIN, DETACHABLE, NOSE, BETWEEN CENTRE HINGE RIB AND POWER UNIT RIB, BOTTOM PORT, GROUP	1	-	C	MA1/32
8585	66F9726	SKIN, DETACHABLE, NOSE, BETWEEN CENTRE HINGE RIB AND POWER UNIT RIB, BOTTOM, STARBOARD, GROUP	1	-	C	
		Attachments-Nose, Skins, Part Nos 20, 63, 65 & 66F9726				
1181	1SS4140	Screw, c'sk h'd., 2 BA	18	-	C	
8354	2SS4140	Screw, c'sk h'd., 2 BA	17	-	C	

VULCAN No. :

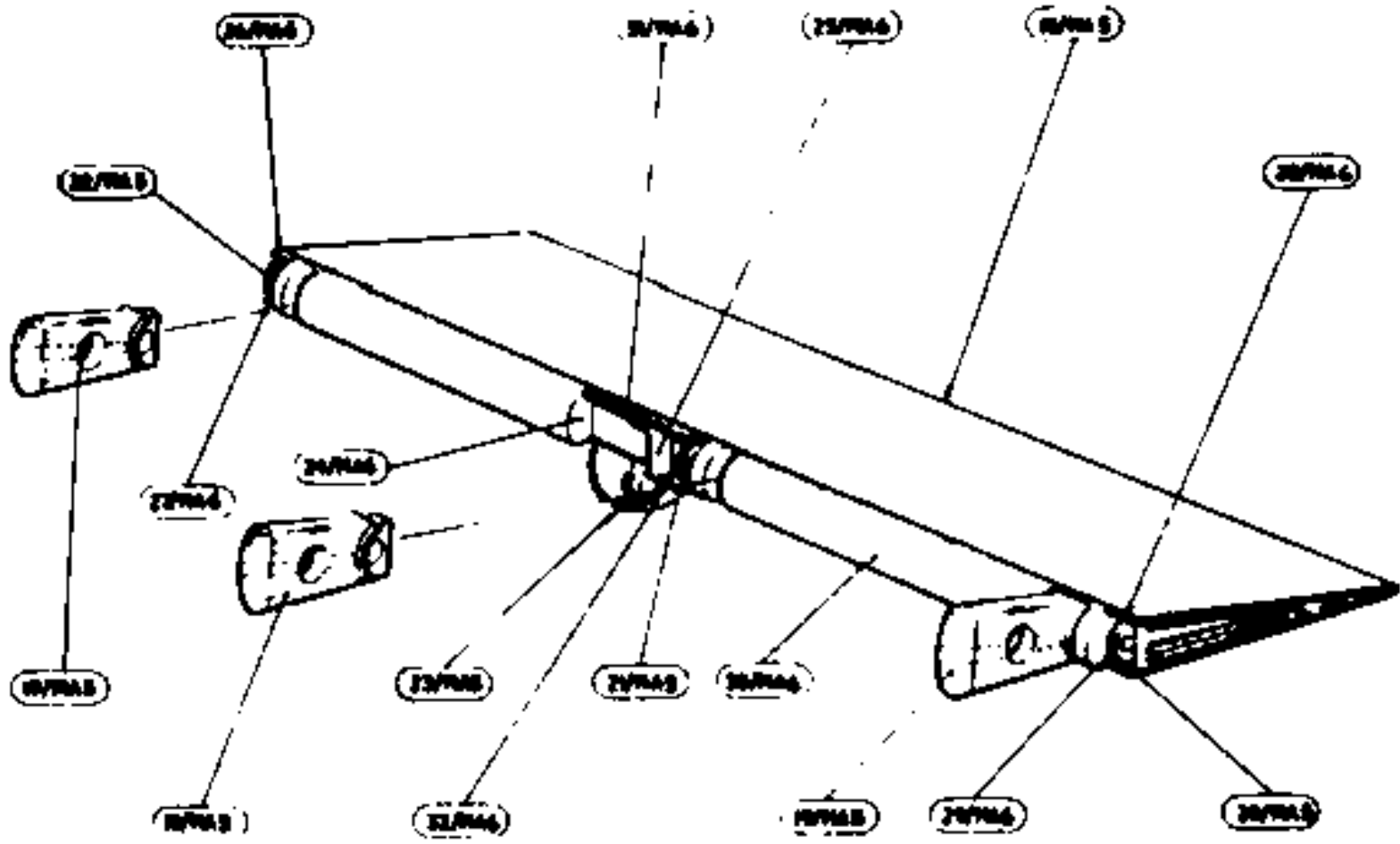
**MAINPLANES
AILERONS (ELEVONS)
SUMMARY OF STANDARD ITEMS**

Page MA. 7

Stores Ref.		No. off	Stores Ref.		No. off	Stores Ref.		No. off
Section	Ref. No.		Section	Ref. No.		Section	Ref. No.	
28D	1200119	24	28N	2001719	2	28W	9419465	8
28O	9133012	24	28S	1008327	8			



INBOARD



OUTBOARD

MAIN PLANES
AILERONS - INBOARD AND OUTBOARD

VULCAN 44 1

MAINPLANES
ELEVATOR INBOARD
(ELEVON INBOARD INNER)

Page MB. 1

Ref. No.	Part No.	Description	No. off	Matl. Spec.	Cl. of St.	Plate and Illust'n No.
					M.R.	
		1 2 3 4				
515	85F7851	ELEVATOR, INBOARD, PORT, GROUP (Pre-Mod. 891)	1	—	A	MB1/1
552	89F7851	ELEVATOR, INBOARD, PORT, GROUP (Mod. 891)	1	—	A	
708	89F7851/C	ELEVATOR, INBOARD, PORT, GROUP	1	—	A	
725	89F7851/P	ELEVATOR, INBOARD, PORT, GROUP	1	—	A	
1432852	89F7851/PC	ELEVATOR, INBOARD, PORT, GROUP (Mod. 2129)	1	—	A	
515	86F7851	ELEVATOR, INBOARD, STARBOARD, GROUP (Pre-Mod. 891)	1	—	A	MB1/2
553	90F7851	ELEVATOR, INBOARD, STARBOARD, GROUP (Mod. 891)	1	—	A	
708	90F7851/C	ELEVATOR, INBOARD, STARBOARD, GROUP	1	—	A	
726	90F7851/P	ELEVATOR, INBOARD, STARBOARD, GROUP	1	—	A	
1432853	90F7851/PC	ELEVATOR, INBOARD, STARBOARD, GROUP (Mod. 2129) (Complementary parts e.g. inter-component attachments are not supplied with this assembly, but are listed in the complementary items at the end of the Mainplane Inner) Spare for:— BALANCE, MASS, PORT AND STARBOARD (35 and 36.FB049) Spare for — BALANCE, MASS, PORT, GROUP BALANCE, MASS, STARBOARD, GROUP Attachments—Balances, Part Nos. 1 and 2FB256	1	—	A	
	1FB256	BALANCE, MASS, PORT, GROUP	1	—	MR	MB1/3
	2FB256	BALANCE, MASS, STARBOARD, GROUP	1	—	MR	
28H/4070303	AGS920/EM	Ferrule	58	—	C	
28H/4863995	AGS920/ES	Ferrule	38	—	C	
28R/7135393	AGS935/B	Rod, tie 4 BA x 1.75" long	47	—	C	
	12FB049	Weight	3	—		
	18FB049	Weight	1	—		
28D/1212792	AS1248—8C	Bolt (Mod. 2475)	12	—	C	
28D/1212808	AS1248—12C	Bolt	4	—	C	
28M/1012015	AGS2001C1/66	Nut	16	—	C	
28W/9419402	SP13C	Washer (Mod. 2475)	16	—	C	
6585	1F9872	BEARING, CONTROL, RIB No. 17, PORT AND STARBOARD, GROUP Spare for:—	1	—	C	
2A/9501524	SKEFCO 22205	Bearing	1	—	C	MB1/4 MB1/5
6584	7R4152	Bush, inboard	1	S1	C	
6585	8R4152	Bush, outboard	1	S1	C	
6560	AS4570/53	Cirdip	1	—	C	
	5F9872	Housing, bearing	1	L65	C	
28D/1213449	A59/12J	Attachments—Bearing, Part No. 1F9872				
28D/9435055	A59/13J	Bolt 3/8" BSF	2	—	C	
28W/9419408	SP13/J	Bolt 3/8" BSF	2	—	C	
	or	Washer, 3/8"	4	—	C	
28W/9419408	SP10/J	Washer, 3/8"	4	—	C	

MAINPLANES
ELEVATOR OUTBOARD
(ELEVON INBOARD INNER)

Ref. No.	Part No.	Description	No. off	Matl. Spec	Cl. of St.	Plate and Illust'n No.
					M.R.	
		1 2 3 4				
		PANEL ACCESS ARRANGEMENT	—	—		MB1/6
		AT RIBS 2 AND 3, PORT AND STARBOARD (1 & 2F8250)				
		Spares for:—				
2208	1F8259	PANEL, DOOR, PORT, GROUP	1	—	B	
2208	2F8259	PANEL, DOOR, STARBOARD, GROUP	1	—	B	
		Spares for:—				
	5F8259	Hinge (Make from AS1880/5)	1	—		
		Attachments—Panels, Part Nos. 1 & 2F8259				
28D/1007975	AS1242/1C	Bolt, csk. hd., 2 BA	10	—	C	
28D1214091	AS1242/2C	Bolt, csk. hd., 2 BA	7	—	C	
28D/9709461	AS1242/3C	Bolt, csk. hd., 2 BA	1	—	C	
28FP/13043	1SS3259	Plate, mod record	1	—	C	
		Attachments—Plate, Part No. 1SS3259				
28S/9992525	A32/B12	Screw, rd. hd., 4 BA	4	—	C	
26FP/13044	1SS3260	Plate, serial	1	—	C	
12187	1F7978	RIB, HINGE, No. 1, PORT, GROUP	1	—	C	MB1/7
	2F7978	RIB, HINGE, No. 1, STARBOARD,	1	—		
		GROUP				
		Spares for:—				
2A/9501524	SKEFCO	Bearing	1	—	C	
2084	22206	Bush	2	S1	C	
	24F7978	Housing, bearing	1	S11		
	22F8013	Attachments—Housing, Part No. 22F8013				
28D/1213582	A59/12E	Bolt, 1/4" BSF	4	—	C	
28D/1214034	AS1242/12C	Bolt, csk. hd., 2 BA	1	—	C	
28M/1011475	A27/EP	Nut, 1/4" BSF	4	—	C	
28M/9403620	A27/CP	Nut, 2 BA	1	—	C	
28W/9418405	SP15/E	Washer, 1/4"	4	—	C	
28W/7133548	AS1903/C10	Washer, saddle	1	—	C	
	AS2811/6/072	Tube, distance	4	—	C	
12188	1F7996	RIB, HINGE, No. 1B, PORT, GROUP	1	—		MB1/8
	2F7996	RIB, HINGE, No. 1B, STARBOARD,	1	—		
		GROUP				
		Spares for:—				
2A/9501524	SKEFCO	Bearing	1	—	C	
2208	22206	Bush	2	S1	C	
2207	1H2429	Cap, dust	1	S3	C	
2090	4H2355	Collar	1	S2 or S11	C	
	41F7996	Housing, bearing, port	1	S96		
	40F7996	Housing, bearing, starboard	1	S96		

VULCAN 88 7

MAINPLANES
ELEVATOR OUTBOARD
(ELEVON INBOARD INNER)

Page MB. 3

Ref No	Part No.	Description	No. off	Matl. Spec.	Cl. of St.	Plate and Illust'n No
					M.R.	
		1234				
		RIB, HINGE, No. 18, PORT AND STARBOARD, GROUP (1 & 2F7996) (Com'd.) Attachments—Housings, Part Nos. 40 & 41F7996				
28D/1213882	A59/12E	Bolt, 1/4" BSF	4	—	C	
28D/1214034	AS1242/12C	Bolt, csk. hd. 2 BA	1	—	C	
28M/1011478	A27/EP	Nut, 1/4" BSF	4	—	C	
28M/9403620	A27/CP	Nut, 2 BA	1	—	C	
28W/8418406	SP15/E	Washer, 1/4"	4	—	C	
28W/8418475	SP15/C	Washer, 2 BA	1	—	C	
28N/9156379	SP21	Nipple, grease	1	—	C	
	AS2811/8/088	Tube, distance	4	—	C	
		SKIN, BOTTOM, BETWEEN RIBS 14 AND 18, PORT AND STARBOARD (25 & 28F8263) Spares for:—				MB1/9
8010	1F10934	PANEL, DETACHABLE, PORT	1	—	C	
8011	2F10934	PANEL, DETACHABLE, STARBOARD,	1	—	C	
		Attachments—Panel, (Part Nos. 1 & 2F10934)				
28D/1007975	AS1242/1C	Bolt, csk. hd. 2 BA	7	—	C	
28D/1214091	AS1242/2C	Bolt, csk. hd. 2 BA	5	—	C	
		SPAR, INBOARD ELEVATOR, PORT, AND STARBOARD (74 & 75F7978) Spares for:—				MB1/10
8242	5Z7647	BRACKET, ANGLE, FORWARD FOR	1	—	MR/C	
		CONTROL SURFACE INDICATOR				
		CONNECTING ROD, GROUP				
28FP/13043	1SS3259	Plate, mod record	1	—	C	
		Attachments—Plate, Part No. 1SS3259				
28D/1007979	AS1246/1B	Bolt, rd. hd. 4 BA	4	—	C	
28FP/13044	1SS3260	Plate, serial	1	—	C	
	1F8251	Strip, rubbing, bottom, rib 9	1	BSS668	MR	
	1F8252	Strip, rubbing, top, rib 9	1	BSS668	MR	
	2F8251	Strip, rubbing, bottom, rib 13	1	BSS668	MR	
	2F8252	Strip, rubbing, top, rib 13	1	BSS668	MR	
	6F8251	Strip, rubbing, bottom, rib 5	1	BSS668	MR	
	6F8252	Strip, rubbing, top, rib 5	1	BSS668	MR	

(Issued with A.L.13)

VULCAN No. 2

Page MB.4

MAINPLANES
ELEVATOR OUTBOARD
(ELEVON INBOARD INNER)

Ref. No.	Part No.	Description	No. off	Mett. Spec.	Cl. of St.	Plate and Illust'n No.
					M.R.	

MAINPLANES
ELEVATOR OUTBOARD
(ELEVON OUTBOARD INNER)

Ref. No.	Part No.	Description	No. off	Matl. Spec	Cl. of St.	Plate and Illust'n No.
					M.R.	
		1 2 3 4				
513	1F9724	ELEVATOR, OUTBOARD, PORT, GROUP	1	—	A	MB1/11
		(Pre-Mod. 881)				
560	11F9724	ELEVATOR, OUTBOARD, PORT, GROUP	1	—	A	
		(Mod. 881)				
720	111F9724/C	ELEVATOR, OUTBOARD, PORT, GROUP	1	—	A	
723	111F9724/P	ELEVATOR, OUTBOARD, PORT, GROUP	1	—	A	
1432854	111F9724/PC	ELEVATOR, OUTBOARD, PORT, GROUP	1	—	A	
		(Mod. 2128)				
514	2F9724	ELEVATOR, OUTBOARD, STARBOARD	1	—	A	
		GROUP (Pre-Mod. 881)				
551	112F9724	ELEVATOR, OUTBOARD, STARBOARD,	1	—	A	
		GROUP (Mod. 891)				
721	112F9724/C	ELEVATOR, OUTBOARD, STARBOARD,	1	—	A	
		GROUP				
724	112F9724/P	ELEVATOR, OUTBOARD, STARBOARD,	1	—	A	
		GROUP				
1432855	112F9724/PC	ELEVATOR, OUTBOARD, STARBOARD,	1	—	A	
		GROUP (Mod. 2129)				
		(Complementary parts e.g. inter-component attachments are not supplied with this assembly, but are listed in the complementary items at the end of the Mainplane Inner)				
		Spares for:—				
		BALANCE, MASS, PORT AND STARBOARD	—	—		MB1/12
		BALANCE, MASS, PORT, GROUP	1	—	MR	
		BALANCE, MASS, STARBOARD, GROUP	1	—	MR	
		Attachments—Balance, Part Nos. 1 & 2F9867				
		Ferrule	56	—	C	
		Ferrule	34	—	C	
		Rod, tie, 4 BA	45	—	C	
		Angle)	1			
		Angle)	2			
		Piece, packing)	1			
		Weight (Mod. 2475)	1			
		Weight)	1			
		Bolt)	6		C	
		Nut)	6		C	
		Washer)	6		C	
28H/4070303	AGS920/EM					
28H/4863996	AGS920/ES					
28R/7135393	AGS935/B					
	103F9724	Angle)	1			
	104F9724	Angle)	2			
	107F9724	Piece, packing)	1			
	98F9724	Weight (Mod. 2475)	1			
	100F9724	Weight)	1			
28D/1212803	AS1248-21C	Bolt)	6		C	
28M/1012015	AGS2001C1/66	Nut)	6		C	
28W/9419402	SP13C	Washer)	6		C	
6583	2F9872	BEARING, CONTROL, AT RIB 20, PORT	1	—	C	MB1/13
		AND STARBOARD, GROUP				
		Spares for:—				
		Bearing	1	—	C	MB1/14 MB1/15
		Bush	1	S1	C	
		Bush	1	S1	C	
		Clrdip	1	—	C	
		Housing, bearing	1	L85	C	
		Attachments—Bearing, Part No. 2F9872				
		Bolt, 3/8" BSF	2	—	C	
		Bolt, 3/8" BSF	2	—	C	
		Washer, 3/8"	4	—	C	
		Washer, 3/8"	4	—	C	
28D/1213449	A59/12J					
28D/9435056	A59/13J					
28W/9419488	SP13/J					
		or				
28W/9419468	SP10/J					
		Washer, 3/8"	4	—	C	

MAINPLANES
ELEVATOR OUTBOARD
(ELEVON OUTBOARD INNER)

Ref. No.	Part No.	Description	No. off	Matl. Spec.	Cl. of St.	Plate and Illust'n No.
					M.R.	
		1 2 3 4				
		HINGE, OUTBOARD, RIB 36, PORT AND STARBOARD (92F9724) Spare for:—	1	—		MB1/16
28N/2001546	SKEFCO 22207	Bearing	1	—		
28M/1011476	AGS2031/28 A27/EP	Circlip	1	—	C	
	11SS4186	Nut, 1/4" BSF	3	—	C	
	94F9724	Pin, taper	3	—		
	93F9724	Spigot, hinge	1	S96		
28W/9418820	SP10/E	Tube	1	L65		
6582	96F9724	Washer, 1/4"	3	—	C	
26FP/13043	1SS3259	Washer, seal	1	S1	C	
		Plate, mod record	1	—	C	
		Attachments—Plate, Part No. 1SS3259				
28S/992525	A32/B12	Screw, rd. hd., 4 BA	4	—	C	
26FP/13044	1SS3260	Plate, serial	1	—	C	
4445	10H2378	Plug, for lifting point	1	L1	C	
		RIB, HINGE, No. 19, PORT AND STARBOARD (1 & 2F9780) Spare for:—	—	—		MB1/17
	7F9780	BEARING, HINGE, PORT, GROUP	1	—		
	8F9780	BEARING, HINGE, STARBOARD, GROUP Spare for:—	1	—		
2A/9501524	SKEFCO 22206	Bearing	1	—	C	
2206	55F7986	Bush	2	S1	C	
2207	1H2429	Cap, dust	1	S3	C	
2090	4H2355	Collar	1	S2 or 511	C	
	40F7986	Housing, bearing, port	1	S96		
	41F7986	Housing, bearing, starboard	1	S96		
28N/9156370	SP21	Nipple, grease	1	—	C	
		Attachments—Bearing, Part Nos. 7 & 8F9780				
28D1213692	A59/12E	Bolt, 1/4" BSF	4	—	C	
28D/1214034	AS1242/12C	Bolt, csk. hd., 2 BA	1	—	C	
28M/1011476	A27/EP	Nut, 1/4" BSF	4	—	C	
28M/9403820	A27/CP	Nut, 2 BA	1	—	C	
28W/9419405	SP15/E	Washer, 1/4"	4	—	C	
28W/9419475	SP15/C	Washer, 2 BA	1	—	C	
	AS2811/6/069	Tube, distance	4	—		
		SKINNING, BOTTOM, BETWEEN RIBS 19 & 23, FORWARD OF STAR, PORT AND STARBOARD (1 & 2F10919) Spare for:—	—	—		MB1/18
7538	1F10916	PANEL, DETACHABLE, PORT, GROUP	1	—	C	
7539	2F10916	PANEL, DETACHABLE, STBD., GROUP	1	—	C	

VULCAN No. 7

MAINPLANES
ELEVATOR OUTBOARD
(ELEVON OUTBOARD INNER)

Page MB. 7

Ref. No.	Part No.	Description	No. off	Matl. Spec.	Cl. of St	Plate and Illust'n No.
					M.R.	
		1 2 3 4				
28D/1007975 28D/1214091	AS1242/1C	SKINNING, BOTTOM, BETWEEN RIBS 19 AND 23, FORWARD OF SPAR, PORT AND STARBOARD (1 & 2F10919) (Cont'd.)				
	AS1242/2C	Attachments—PANELS, Part Nos. 1 & 2F10916 Bolt, csk. hd. 2 BA Bolt, csk. hd. 2 BA	6 6	— —	C C	
28D/0419387 28M/0403520 28W/0419475 4445	7F8042	SKINNING, TOP, BETWEEN RIBS 19 & 23, FORWARD OF SPAR, PORT AND STARBOARD (1 & 2F10920) Spares for:— Block, for screwed plug	1	OTD384		
	A25/12C	Attachments—Block, Part No. 7F8042 Bolt, 2 BA	4	—	C	
	A27/CP	Nut, 2 BA	4	—	C	
	SP15/C	Washer, 2 BA	4	—	C	
	10H2378	Plug, for lifting point	1	L1	C	
B242	5Z7647	SPAR, INBOARD, ELEVATOR, PORT AND STARBOARD (1 & 2F9759) Spares for:— BRACKET, ANGLE, FORWARD, FOR	1	—	MR/C	
28FP/13043	1SS3259	CONTROL SURFACE INDICATOR CONNECTING ROD, GROUP Plate, mod record	1	—	C	
28D/1007979 28FP/13044	AS1426/1B	Attachments—Plate, Part No. 1SS3259 Bolt, rd. hd 4 BA	4	—	C	
	1SS3260	Plate, serial	1	—	C	
	3F8251	Strip, rubbing, bottom, rib 24	1	BSS669		
	3F8252	Strip, rubbing, top, rib 24	1	BSS668		
	4F8251	Strip, rubbing, bottom, rib 28	1	BSS668		
	4F8252	Strip, rubbing top, rib 28	1	BSS668		
	5F8251	Strip, rubbing, bottom, rib 32	1	BSS668		
	5F8252	Strip, rubbing, top, rib 32	1	BSS668		

MAINPLANES
ELEVATOR OUTBOARD
(ELEVON OUTBOARD INNER)

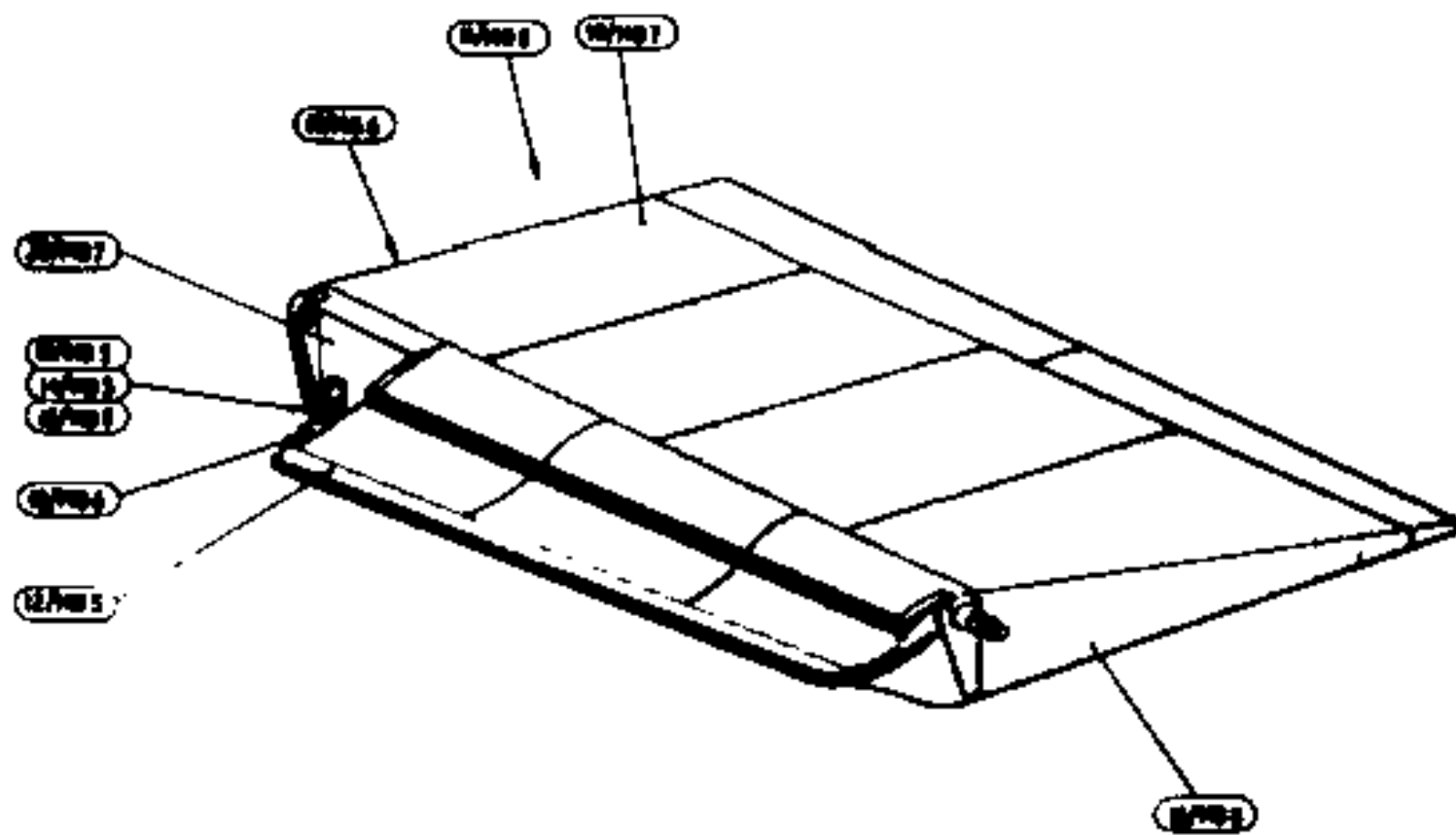
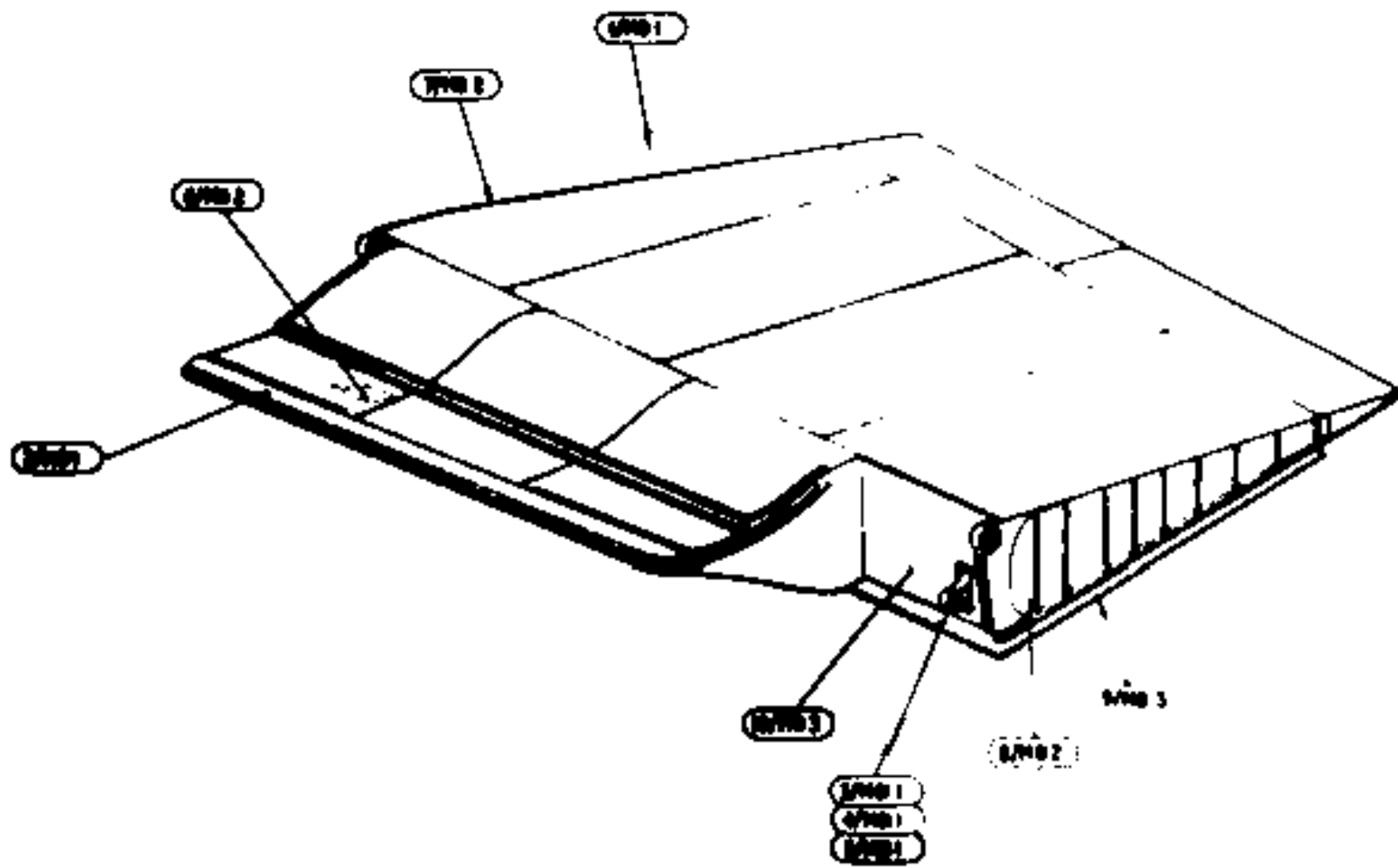
Ref. No.	Part No	Description	No off	Matl. Spec	Cl. of St.	Plate and Illust'n No.
					M.R.	

VULCAN No. 2

**MAINPLANES
ELEVATORS (ELEVONS)
SUMMARY OF STANDARD ITEMS**

Page MB. 9

Stores Ref.		No. off	Stores Ref.		No. off	Stores Ref.		No. off
Section	Ref. No.		Section	Ref. No.		Section	Ref. No.	
28D	1007975	46	28H	6442	144	28R	6124	184
28D	1007979	8	28H	7859	224			
28D	1213449	4				28S	9992525	8
28D	1213592	24	28M	1011475	27			
28D	1214034	6	28M	9403520	10			
28D	1214091	34				28W	9418920	3
28D	9419397	4	28N	2001546	1	28W	9419405	24
28D	9435056	4	28N	9156370	4	28W	9419456	8
28D	9709461	2				28W	9419466	8
						28W	9419475	8



MAIN PLANES
ELEVATORS - INBOARD AND OUTBOARD

Form No. 3

MAINPLANES
INNER MAINPLANES

Page MC. 1

Ref. No.	Part No.	Description	No. off	Matl. Spec.	Cl. of	Plate and Illust'n No.
					St. M.R.	
		1 2 3 4				
		MAINPLANE AND EQUIPMENT, INNER AND OUTER, PORT (9F9700) MAINPLANE AND EQUIPMENT, INNER AND OUTER, STARBOARD (10F9700)				
	21F9701	Spares for:- MAINPLANE, INNER PORTION, PORT, GROUP (Pre-Mod. 1106)	1	-		MC1/1
	157F9701/C	MAINPLANE, INNER PORTION, PORT, GROUP (Mod. 1106) (S.O.O.)	1	-		
	157F9701/PC	MAINPLANE, INNER PORTION, PORT, GROUP (Mod. 2129)	1	-		
	22F9701	MAINPLANE, INNER PORTION, STAR- BOARD, GROUP (Pre-Mod. 1106)	1	-		MC1/2
	158F9701/C	MAINPLANE, INNER PORTION, STAR- BOARD, GROUP (Mod. 1106) (S.O.O.)	1	-		
	158F9701/PC	MAINPLANE, INNER PORTION, STAR- BOARD, GROUP (Mod. 2129)	1	-		
		(Complementary parts e.g. inter component attachments, listed at the end of the assembly, will not be supplied with the assembly spare and must be demanded separately when required)				
		Spares for:- AUXILIARY AIRBORNE POWER PLANT, STARBOARD (50F10364) (See Equipment-Aircraft)				
	158F7500	Bolt, special, connecting to undercarriage door, hydraulic jack	2	S96	MR	MC1/3
	146F10191	BULKHEAD, FORWARD MAIN UNDERCARRIAGE BAY, PORT, GROUP (Mod. 1200)	1	-	OR	MC1/4
	148F10191	BULKHEAD, FORWARD MAIN UNDERCARRIAGE BAY, STAR- BOARD, GROUP (Mod. 1200)	1	-	OR	MC1/5
		Spares for:- DOOR, ACCESS, PORT, GROUP	1	-	MR	MC1/6
10833	142F10191	DOOR, ACCESS, STARBOARD, GROUP	1	-	C	MC 1/7
		Spares for:- Fastener, "Dzus"	3	-	C	
28FP/4062415	A6/40	Fastener, "Dzus"	5	-	C	
28FP/9494288	A6/50	Fastener, "Dzus"	8	-	C	
28FP/9145888	GA8/360	Grommet	1	-	C	
	AS1880/17	Hinge	1	-	C	
28FP/13043	1SS3250	Plate, mod. record Attachments-Plate, Part No. 1SS3250	1	-	C	
28D/1007285	AS1242/18	Bolt, c/sk hd, 4 BA	4	-	C	
28FP/13044	1SS3260	Plate, serial	1	-	C	
28FP/9145888	S8/250	Spring, Dzus	8	-	C	

MAINPLANES
INNER MAINPLANES

Ref. No.	Part No.	Description	No. off	Matl. Spec.	Cl. of	Plate and Illust'n No.
					St.	
		1 2 3 4			M.R.	
		MAINPLANE, INNER PORTION, PORT AND STARBOARD, GROUP (21, 22, 157 & 158F0701 (Mod. 1106 & 2129) (Cont'd)				
	1F10192	BULKHEAD, REAR MAIN UNDER-CARRIAGE BAY, PORT, GROUP	1	-	MR	MC1/8
	2F10192	BULKHEAD, REAR MAIN UNDER-CARRIAGE BAY, STARBOARD, GROUP	1	-	MR	MC1/9
	13F8310	Spares for:- DOOR, ACCESS, PORT, GROUP	1	-	MR	MC1/10
	14F8310	DOOR, ACCESS, STARBOARD, GROUP	1	-	MR	MC1/11
		Spares for:-				
28FP/9430817	AJ4/40	Fastener, dzus	10	-	C	
28FP/9430815	GA4/250	Grommet	10	-	C	
	567SS8006	Label	1	-	C	
28FP/9430816	S4/200	Spring, dzus	10	-	C	
		BULKHEAD, AUXILIARY AIRBORNE POWER UNIT AND TANK GUARD, AFT REAR UNDERCARRIAGE BAY, STARBOARD (79F10377) (Mod. 1458)				MC1/12
		Spares for:-				
	108F10377	BULKHEAD, GROUP	1	-		
28E/9128961	AGS606/1	Clip, jubilee	1	-	C	MC1/13
	BP2787	Hose, P.R. 1" i/d x 1-3/8" o/d x 2-1/4" long (I.M.32C1275038)	1	BSF67		MC1/14
21890	1SS4070	Nut, lock	1	-	C	MC1/15
	98F10377	PANEL, BULKHEAD, GROUP (Mod. 1414)	1	-	MR	MC1/16
		Spares for:-				
28FP/9144248	A4/25	Fastener, dzus	14	-	C	
28FP/9430815	GA4/250	Grommet	14	-	C	
13126	91F10377	PANEL, TANK GUARD, GROUP	1	-		MC1/17
		Spares for:-				
28FP/9144248	A4/25	Fastener, dzus	8	-	C	
28FP/9430815	A4/30	Fastener, dzus	14	-	C	
28FP/9430815	GA4/250	Grommet	8	-	C	
28FP/9430248	GH/4	Grommet	14	-	C	
	34F/10377	Seal, rubber (Make from 1SS4396 36" long, Ref. No. 26DC/7208)	1	DTD560		MC1/18
	90F10377	Seal, rubber (Make from 1SS4396 36" long, Ref. No. 26DC/7208)	1	DTD560		MC1/19
	105F10377	Seal, rubber (Make from 1SS4396 18" long, Ref. No. 26DC/7208)	1	OTD560		MC1/20
	107F10377	Seal, rubber (Make from 1SS4396 18" long, Ref. No. 26DC/7208)	1	DTD560		MC1/21
28FP/9430816	S4/200	Spring, dzus	36	-	C	
13656	109F10377	TRAY, DRIP, A.P.U. FUEL TANK, GROUP	1	-	C	MC1/22
		Spares for:-				
	44F10377	Adaptor, flange	1	-		MC1/23
28FP/7268	1SS3512	Clip	1	-	C	MC1/24
28FP/2721	2SS3859	Clip	1	-	C	MC1/25

VULCAN No. 2		MAINPLANES		Page MC. 3		
		INNER MAINPLANES				
Ref. No	Part No.	Description	No. off	Matl. Spec.	Cl. of St.	Plate and Illust'n No.
					M.R.	
		TRAY, DRIP, A.P.U. FUEL TANK, GROUP (109F10377) (Cont'd)				
		Attachments—Clips, Part Nos. 1SS3512 & 2SS3858				
28D/1007872	A25/ 1/2C	Bolt, 2 BA	2	—	C	
28M/1012015	AGS2001/C1/66	Nut, stiff, 2 BA	2	—	C	
28W/9419402	SP13/C	Washer, 2 BA	1	—	C	
28W/9419478	SP18/C	Washer, 2 BA	1	—	C	
	18cF10377	Seal, rubber, 1/16" x .75" x 20.5" long	1	DTD560		MC1/26
	18dF10377	Seal, rubber, 1/16" x .75" x 17.75" long	1	DTD560		MC1/27
	18eF10377	Seal, rubber, 1/16" x .75" x 19.9" long	1	DTD560		MC1/28
	88eF10377	Seal, rubber, 1/16" x .75" x 14" long	1	DTD560		MC1/29
		Attachments—Drip Tray, Part No. 109F10377				
28D/1007881	AS1248/ 1/2C	Bolt, mush. hd., 2 BA	18	—	C	
28D/1007882	AS1248/ 1C	Bolt, mush. hd., 2 BA	6	—	C	
	1SS4049	Union	1	—		MC1/30
28F/9157486	AGS1112/F	Union, body	1	—	C	MC1/31
28F/1038657	AGS1111/C	Union, cone	1	—	C	MC1/32
		Attachments—Unions, Part Nos. AGS1111/C & AGS1112/F				
28D/9438920	A25/1C	Bolt, 2 BA	12	—	C	
28M/1012015	AGS2001/C1/66	Nut, stiff, 2 BA	12	—	C	
28W/9419402	SP13/C	Washer, 2 BA	12	—	C	
		VALVE, OXYGEN CHARGING, PRESSURE GAUGE AND SUMP OIL TEMPERATURE INDICATOR (63F10377)				MC1/33
		Spare for:—				
5K/9325188	114F10377	Angle (Mod. 2250)	1	—	—	
	NX1	Clip	1	—	C	MC1/34
		Attachments—Clip, Part No. 2SS4857				
28D/1010658	A25/1P	Bolt, 4 BA	1	—	C	
28M/1201813	AGS2002/ B/1	Nut, stiff, 4 BA	1	—	C	
28W/9410474	SP15/B	Washer, 4 BA	1	—	C	
	54F10377	Cover	1	—		MC1/35
	75F10377	Fairlead, half	2	—		MC1/36
		Attachments—Fairlead, Part No. 75F10377				
28D/1007873	AS1242/2B	Bolt, csk. hd., 4 BA	4	—	C	
	113F10377	Fairlead, half (Mod 2250)	2	—		
		Attachments—Fairlead, Part No. 113F10377				
28D/1011021	A25/18C	Bolt, 2 BA	2	—	C	
28M/1012015	AGS2001/C1/66	Nut, stiff, 2 BA	2	—	C	
28W/9419402	SP13/C	Washer, 2 BA	2	—	C	
8D/2237	—	Gauge, pressure	1	—	C	MC1/37
		Attachments—Pressure Gauge Ref. No 8D/2237				
28S/1008327	A32/814	Screw, rd hd., 4 BA	4	—	C	
	or					
28DU 6480226	A116/1B	Bolt, Pan Hd., No. 8 UNC 2A	4	—	C	

MAINPLANES
INNER MAINPLANES

Ref. No.	Part No.	Description	No. off	Matl. Spec.	Cl. of St.	Plate and Inset'n No.
					M.R.	
		<u>1 2 3 4</u>				
		VALVE, OXYGEN CHARGING, PRESSURE GAUGE AND SUMP OIL TEMPERATURE INDICATOR (53F10377) (Cont'd)	—	—		
6A/4333389	—	Indicator, type "C" Attachments—Indicator, Ref. No. 6A/3083	1	—	A	MC1/38
28S/9992522 6A/3081	A32/B18 —	Screw, rd. hd., 4 BA Label, oil	4 1	— —	C C	
		PIPES, OXYGEN, CHARGING, VALVE . . AND GAUGE TO ROVER UNIT INSTALLATION (1210231) Spares for:—	—	—		MC1/38
	AS4525/3	Clip Attachments—Clip, Part No. AS4525/3	6	—		MC1/40
28D/9436920 28M/1012015 28W/9419475 10224 6D/575	A25/1C AG52001/C1/66 SP15/C 88S1877 —	Bolt, 2 BA Nut, stiff, 2 BA Washer, 2 BA Elbow (Mod. 2250) Piece, connecting, 2-way	3 3 3 2 2	— — — — —	C C C C C	
	2Z10231	PIPE, OXYGEN, GROUP (Pre-Mod 2250)	1	—	MR	MC1/41
1505362	11Z10231	PIPE, OXYGEN, GROUP (Mod 2250)	1	—		
	3Z10231	PIPE, OXYGEN, GROUP (Pre-Mod 2250)	1	—	MR	MC1/42
	7Z10231	PIPE, OXYGEN, GROUP (Mod. 2250) (Pre-Mod. 2437)	1	—	MR	
6116204	12Z10231	PIPE, OXYGEN, GROUP (Mod 2437)	1	—	C	
	4Z10231	PIPE, OXYGEN, GROUP (Pre-Mod. 2250)	1	—	MR	MC1/43
1505361	10Z10231	PIPE, OXYGEN, GROUP (Mod. 2250)	1	—		
	5Z10231	PIPE, OXYGEN, GROUP (Pre-Mod. 2250)	1	—	MR	MC1/44
1505367	6Z10231	PIPE, OXYGEN, GROUP (Mod 2250)	1	—		
1505369	8Z10231	PIPE, OXYGEN, GROUP (Mod. 2250)	1	—		
1505380	8Z10231	PIPE, OXYGEN, GROUP (Mod. 2250)	1	—		
	88F10377	Seal, for drip tray, 1/16" x 6" x 6"	1	DTD560		MC1/45
	81F18377	Seal, for drip tray, 1/16" x 6" x 8.25"	1	DTD560		MC1/46
26FP/13670 6D/2313 6D/2244774	106Z2186 — —	Union, blanking (Pre-Mod. 2437) Valve, oxygen (Pre-Mod. 2437) Valve, oxygen (Mod. 2437) Attachments—Valve, Ref. No. 6D/1872	1 1 1 —	— — — —	C B C	MC1/47 MC1/48 MC1/48
28D/9140645 28W/9419475	A25/10C SP15/C	Bolt, 2 BA Washer, 2 BA	2 2	— —	C C	

VULCAN No. 2

MAINPLANES
INNER MAINPLANES

Page MC. 5

Ref. No.	Part No.	Description	No. off	Mater. Spec.	Cl. of St.	Plate and Illust'n No.
					M.R.	
		<u>1 2 3 4</u>				
		CONTROLS, FLYING, PORT AND STARBOARD (1 & 2F4417) (See Controls—Flying)				
	1801F9885/C	EDGE, LEADING, PORT, GROUP (Mod. 1022)	1	—		MC2/49
	2031F9885	EDGE, LEADING, PORT, GROUP (Mod. 1914)	1	—		
	2033F9885/PC	EDGE, LEADING, PORT, GROUP (Mod. 2081)	1	—	MR	
	2051F9885/PC	EDGE, LEADING, PORT, GROUP (Mod. 2199)	1	—	B	
	1802F9885/C	EDGE, LEADING, STARBOARD, GROUP (Mod. 1022)	1	—		MC2/50
	2032F9885	EDGE, LEADING, STARBOARD, GROUP (Mod. 1914)	1	—		
	2034F9885/PC	EDGE, LEADING, STARBOARD, GROUP (Mod. 2081)	1	—	MR	
	2052F9885/PC	EDGE, LEADING, STARBOARD, GROUP (Mod. 2199)	1	—	B	
		Spares for:—				
27N/99	—	Bottle, fire extinguisher	3	—	A	MC2/51
12K/1316	—	Cartridge	3	—	C	MC2/52
	5SS3858	Clip, for conduit	4	—		
26FP/13420	10SS3859	Clip, for spray pipe	4	—	C	
26FP/13421	14SS3858	Clip, for spray pipe	3	—	C	
	18SS3894	Clip, for spray pipe	4	—		
	93F7804	Clip, for spray pipe	3	—		
		Attachments—Clip, Part No. 5, 10 & 14SS3858, 18SS3894 & 93F7804				
28D/9438820	A25/1C	Bolt, 2 BA	13	—	C	
28D/1200119	A25/4C	Bolt, 2 BA	2	—	C	
28D/9140846	A25/10C	Bolt, 2 BA	1	—	C	
28D/9435710	A25/11C	Bolt, 2 BA	2	—	C	
28A/1012015	AGS2001/C1/80	Nut, stiff, 2 BA	18	—	C	
28W/8418402	SP13/C	Washer	18	—	C	
	1727F9885	Conduit, forward nose rib 394	1	—		MC2/53
	1811F9885	Conduit, aft nose rib 394, port	1	—		MC2/54
	1812F9885	Conduit, aft nose rib 394, starboard	1	—		MC2/55
5K/1058188	SP40/A14	Grommet, for conduit	1	DTD558	C	MC2/56
5K/9512072	SP40/C14	Grommet, for conduit	1	DTD580	C	MC2/57
	AVICA LTD. 299F9885	HOSE, FLEXIBLE, JOINT, OUTBOARD, OF INNER PORTION, GROUP	1	—		MC2/58
		MOUNTING, FIRE EXTINGUISHER BOTTLE, FOR L/E SPRAY PIPES, FRONT SPAR, PORT & STARBOARD. (1 & 2F7089)				
		Spares for —				
	6Z7089	DISH, MOUNTING AND BOTTLE BRACKET, ASSEMBLY	1	—		MC2/59
		Spares for:—				
	5Z7089	Bracket, bottle	2	—		MC2/60

MAINPLANES
INNER MAINPLANES

Ref. No.	Part No.	Description	No. off	Matl. Spec.	Cl. of	Plate and Huat'n No.
					Sl. M.R.	
		1 2 3 4				
		DISH, MOUNTING AND BOTTLE BRACKET, ASSEMBLY (Cont'd)				
	1Z6930	MOUNTING, DISH, GROUP	3	—	MR	MC2/61
	3Z6930	Spares for:— Channel	—	—	MR	MC2/62
	4Z6930	Screw, for strap	—	—	MR	MC2/63
	5Z6930	Strap	—	—	MR	MC2/64
	7Z7089	MANIFOLD, FEED PIPE, PORT, ... GROUP	1	—	MR	MC2/65
8885	8Z7089	MANIFOLD, FEED PIPE, STB'D., ... GROUP	1	—		MC2/66
		MOUNTING OF ANTI-ICING ELEMENT IN L/E, PORT AND STARBOARD (1 & 2F10182) Spares for:—				
27V/5273	TEDDINGTON FKA/A2	Element, sensing skin temperature ... Attachments—Element, Part No. FKA/A2	2	—	A	MC2/67
28D/1007286	AS1242/1B	Bolt, c'sk. hd., 4BA	8	—	C	
28F/4061582	AGS1170/F	Nipple	1	—	C	MC2/68
28F/9488111	AGS1142/H	Nipple, adaptor	4	—	C	MC2/69
28F/8513420	AGS1142/J	Nipple, adaptor	7	—	C	MC2/70
28F/8011887	AGS1142/F	Nipple, adaptor	4	—	C	MC2/71
	34F9665/P	PANEL, ACCESS, BETWEEN RIBS ... 240-257, TOP PORT, BOTTOM STB'D., GROUP (Pre-Mod. 2129)	1	—		MC5/72
143368	34F9665/EP	PANEL, ACCESS, BETWEEN RIBS ... 240-257, TOP PORT, BOTTOM STB'D., GROUP (Mod. 2129)	1	—	C	MC5/73
	35F9665/P	PANEL, ACCESS, BETWEEN RIBS ... 240-257, TOP STB'D., BOTTOM PORT, GROUP (Pre-Mod. 2129)	1	—		MC5/74
143360	35F9665/EP	PANEL, ACCESS, BETWEEN RIBS ... 240-257, TOP STB'D., BOTTOM PORT, GROUP (Mod. 2129) Attachments—Access Panels, Part Nos. 34 & 35F9665	1	—	C	MC5/76
28D/1007875	AS1242/1C	Bolt, c'sk. hd., 2BA	18	—	C	
28D/1214081	AS1242/2C	Bolt, c'sk. hd., 2BA	14	—	C	
1432863	7F11754	PLATE, SEALING STRIP, UNDER ... SURFACE F/S., PORT, GROUP	1	—	C	MC5/76
1432864	8F11754	PLATE, SEALING STRIP, UNDER ... SURFACE F/S., STB'D., GROUP	1	—	C	MC5/77
	39F11754	Plate, reinforcing, under surface front ... spar, port (Pre-Mod. 2081)	2	—		
	40F11754	Plate, reinforcing, under surface front ... spar, stb'd. (Pre-Mod. 2081)	2	—		
	41F11754	Plate, reinforcing, under surface front ... spar, port (Pre-Mod. 2081)	1	—		

VULCAN No. 2		MAINPLANES		Page MC. 7		
		INNER MAINPLANES				
Ref. No.	Part No.	Description	No. off	Matl. Spec.	Cl. of St.	Plate and Must'n No.
					M/R	
		EDGE, LEADING, PORT AND STB'D., GROUP (1801, 1802, 2031, 2032, 2033, 2034, 2051 & 2052F9685) (Cont'd)				
	42F11754	Plate, reinforcing, under surface front spar, stb'd. (Pre-Mod. 2081)	1	---		
	58F11754	Plate, reinforcing, under surface front spar, port (Pre-Mod. 2081)	1	---		
	60F11754	Plate, reinforcing, under surface front spar, stb'd. (Pre-Mod. 2081)	1	---		
		Attachments—Plates, Part Nos. 7, 8, 38, 40, 41, 42, 58 & 60F11754				
	38F11754	Bolt, special	1	---		
	53F11754	Bolt, special	1	---		
	57F11754	Bolt, special	1	---		
	58F11754	Bolt, special	1	---		
	3e/SS4898	Bolt, mush. hd.	25	---	MR	
	7e/SS4898	Bolt, mush. hd.	48	---	MR	
1432997	8e/SS4898	Bolt, mush. hd.	10	---	C	
1432905	10e/SS4898	Bolt, mush. hd.	1	---	C	
1432989	7g/SS4898	Bolt, mush. h'd.	9	---	C	
		Bolt, mush. h'd.	4	---	C	
1433000	9g/SS4898	Bolt, mush. h'd.	2	---	C	
1433001	10g/SS4898	Bolt, mush. h'd.	3	---	C	
28M/8480017	AGS2001/E1/88	Nut, stiff, 1/4" BSF	QR	---	C	
28M/1202770	AGS2001/Q/1	Nut, stiff, 5/16" BSF	QR	---	C	
28W/8419488	SP15/E	Washer, 1/4"	QR	---	C	
28W/8419478	SP15/G	Washer, 5/16"	QR	---	C	
		PLATES, REINFORCING, UNDER SURFACE F/S., PORT & STB'D. (1 & 2F12817) (Mod. 2081)				
		Spare for:—				
	3F12817	Plate, reinforcing	1	---		
	4F12817	Plate, reinforcing	1	---		
	5F12817	Plate, reinforcing	1	---		
	6F12817	Plate, reinforcing	1	---		
		Attachments—Plates, Part Nos. 3, 4, 5 & 6F12817				
	5c/SS4898	Bolt, mush. h'd.	17	---	MR	
	5e/SS4898	Bolt, mush. h'd.	14	---	MR	
1432996	6e/SS4898	Bolt, mush. h'd.	31	---	C	
	7e/SS4898	Bolt, mush. h'd.	85	---	MR	
1432997	8e/SS4898	Bolt, mush. h'd.	10	---	C	
1432905	10e/SS4898	Bolt, mush. h'd.	2	---	C	
1432906	5g/SS4898	Bolt, mush. h'd.	5	---	C	
1432988	6g/SS4898	Bolt, mush. h'd.	16	---	C	
1432989	7g/SS4898	Bolt, mush. h'd.	7	---	C	
1433000	9g/SS4898	Bolt, mush. h'd.	4	---	C	
1433001	10g/SS4898	Bolt, mush. h'd.	5	---	C	
	3F12867	Plate, reinforcing, port (Mod. 2199)	1	---		
	5F12867	Plate, packing, port (Mod. 2199)	1	---		
	7F12867	Plate, packing, port (Mod. 2199)	1	---		
	4F12867	Plate, reinforcing, stbd. (Mod. 2199)	1	---		
	6F12867	Plate, packing, stbd. (Mod. 2199)	1	---		
	8F12867	Plate, packing, stbd. (Mod. 2199)	1	---		

MAINPLANES
INNER MAINPLANES

Ref. No.	Part No.	Description	No off	Matl. Spec.	Cl. of St.	Plate and Illust'n No.
					M.R.	
		1 2 3 4				
		BOOM, TOP, PORT AND STARBOARD, GROUP (200 & 201F9856) (Cont'd.)				
	37F8775	Plate, reinforcing, top boom forward face, port (Pre-Mod. 2488)	1	S99		
	7F13485	Plate, reinforcing, top boom forward face, port (Mod. 2488)	1	—		
	38F8775	Plate, reinforcing, top boom forward face, starboard (Pre-Mod. 2488)	1	S99		
	8F13485	Plate, reinforcing, top boom forward face, starboard (Mod. 2488)	1	—		
	38F8775	Plate, reinforcing, top boom, aft face, port (Pre-Mod. 2488)	1	S99		
	8F13485	Plate, reinforcing, top boom, aft face port (Mod. 2488)	1	—		
	40F8775	Plate, reinforcing, top boom, aft face starboard (Pre-Mod. 2488)	1	S99		
	10F13485	Plate, reinforcing, top boom, aft face starboard (Mod. 2488)	1	—		
	20F8775	Plate, rubbing	2	L72		
		Attachments—Plates, Part Nos. 20, 37, 38, 39 & 40F8775				
28D/1011240	A25/5E	Bolt, 1/4" BSF (Pre-Mod. 2488)	8	—	C	
23046	1F13481	Bolt, special (Mod. 2488)	4	—	C	
28D/1212825	AS1242/4E	Bolt, csk. hd 1/4" BSF (Pre-Mod. 2488)	4	—	C	
23047	2F13481	Bolt, special (Mod. 2488)	2	—	C	
1072	21F7758	Pin, split	8			
	SL5242	Plug (Mod. 2488)	A/R			
	SP13G	Washer	4			
	208F9856	Shackle, joint at rib 576, top boom aft port, fwd. stbd	1	S98	MR	MC3/98
	209F9856	Shackle, joint at rib 576, top boom, fwd. port, aft stbd.	1	S98	MR	MC3/99
		Attachments—Shackle, Part Nos. 208 & 209F9856				
28D/1213514	A59/15J	Bolt, 3/8" BSF	4	—	C	MC3/100
28D/1213675	A59/16L	Bolt, 7/16" BSF	2	—	C	MC3/101
	A59/17L	Bolt, 7/16" BSF	4	—	C	MC3/102
28D/1213681	A58/16N	Bolt, 1/2" BSF	2	—	C	MC3/103
28D/1227713	A59/25G	Bolt, 5/16" BSF	2	—	C	MC3/104
28M/1011473	A27/JP	Nut, 3/8" BSF	4	—	C	
28M/4085827	A27/LP	Nut, 7/16" BSF	6	—	C	
28M/1011477	A27/NP	Nut, 1/2" BSF	2	—	C	
28M/1008838	A27/GP	Nut, 5/16" BSF	2	—	C	
3939	17F7584	Washer, special, 3/8"	4	DTD610A	C	MC3/105
	215F9856	Washer, special, 3/8"	4	DTD130A		MC3/106
3938	27F7502	Washer, special, 7/16"	6	DTD364A	C	MC3/107
	216F9856	Washer, special, 7/16"	6	DTD130A		MC3/108
	214F9856	Washer, special, 1/2"	2	DTD130A		MC3/109
	218F9856	Washer, special, 1/2"	2	DTD130A		MC3/110
3940	25F7500	Washer, special, 5/16"	2	DTD364A	C	MC3/111
28W/8419488	SP16/G	Washer, 5/16"	2	—	C	MC3/112
	25F8775	Washer, special	1	DTD364A		MC3/113
	12F8584	Washer, special	1	S1	C	MC3/114

MAINPLANES
INNER MAINPLANES

Ref. No.	Part No.	Description	No. off	Matl. Spec.	Cl. of St.	Plate and Hhwt'n No.
					M.R.	
		<u>1 2 3 4</u>				
	202F9856	BOOM, BOTTOM, PORT, GROUP	1	—		MC3/115
	203F9856	BOOM, BOTTOM, STBD, GROUP	1	—		MC3/115
		Spars for:—				
8268	128F9609	Bolt, special	1	S99	MR/C	MC3/117
	247F9856	BOOM, BOTTOM, INBOARD, PORT GROUP	1	—		MC3/118
	248F9856	BOOM, BOTTOM, INBOARD, STARBOARD, GROUP	1	—		MC3/119
		Spars for:—				
12157	11F9856	Boom, bottom, port	1	—	A	MC3/120
12158	12F9856	Boom, bottom, starboard	1	—	A	MC3/121
3985	104F8487	Bracket, attachment, u/c bottom, rib 338, port	1	DTD3648	MR/C	MC3/122
3984	103F8487	Bracket, attachment, u/c bottom, rib 338, starboard	1	DTD3648	MR/C	MC3/123
		Attachments—Bracket Part Nos. 103 & 104F8487				
28D/9435059	A58/21J	Bolt, 3/8" BSF	2	—	C	
28D/19678	A58/22J	Bolt, 3/8" BSF	4	—	C	
28D/1213598	A58/22E	Bolt, 1/4" BSF	2	—	C	
28M/1011473	A27/JF	Nut, 3/8" BSF	4	—	C	
28M/4088808	A27/JC	Nut, castellated 3/8" BSF	2	—	C	
28M/9612070	A27/EC	Nut, castellated 1/4" BSF	2	—	C	
28P/8627619	SP90/C7	Pin, split, 1/16" dia.	4	—	C	
28W/9418886	SP13/J	Washer, 3/8"	6	—	C	
28W/9418821	SP13/E	Washer, 1/4"	2	—	C	
	102F7502	Washer, special	1	—		
	103F7502	Washer, special	1	—		
8264	279F8505	Bush	1	S96 or T80	C	MC3/124
6481	171F9857	Bush, lining	1	S96	C	MC3/125
3935	13F8584	Nut, special	1	—	C	MC3/126

MAINPLANES
INNER MAINPLANES

Ref. No.	Part No.	Description	No. off	Matl. Spec.	Cl. of St.		Plate and Illust'n No.
					M.R.		
		1 2 3 4					
		BOOM, BOTTOM, PORT AND STARBOARD, GROUP (202 & 203F9856) (Cont'd.)					
	41F8775	Plate, reinforcing, bottom boom, forward face port (Pre-Mod. 2488)	1	S99			
	11F13485	Plate, reinforcing, bottom boom, forward face port (Mod. 2488)	1	—			
	42F8775	Plate, reinforcing, bottom boom, forward face, starboard (Pre-Mod. 2488)	1	S99			
	12F13485	Plate, reinforcing, bottom boom, forward face, starboard (Mod. 2488)	1	—			
	43F8775	Plate, reinforcing, bottom boom, aft face port	1	S99			
	44F8775	Plate, reinforcing, bottom boom, aft face starboard	1	S99			
	21F8775	Plate, rubbing	2	L72			
		Attachments—Part Nos. 21, 41, 42, 43 & 44F8775					
28D/1011240	A25/5E	Bolt, 1/4" BSF (Pre-Mod. 2488)	8	—		C	
28D/1212825	AS1242/4E	Bolt, csk. hd. 1/4" BSF (Pre-Mod. 2488)	4	—		C	
23046	I.F13481	Bolt, special (Mod. 2488)	2				
1072	21F7758	Pin, split)	2				
	SL5242	Plug) (Mod. 2488)	AR				
28W/9419403	SP13G	Washer)	2				
	210F9856	Shackle, joint at rib 576, bottom	1	S98			MC3/127
		boom, aft port fwd. stbd.					
	211F9858	Shackle, joint at rib 576, bottom	1	—			MC3/128
		boom, fwd. port, aft, stbd.					
		Attachments—Shackles, Part Nos. 210, and 211F9856					
28D/1213514	A59/15J	Bolt, 3/8" BSF	4	—		C	MC3/100
28D/1213675	A59/16L	Bolt, 7/16" BSF	2	—		C	MC3/101
	A59/17L	Bolt, 7/16" BSF	4	—			MC3/102
28D/1213681	A59/16N	Bolt, 1/2" BSF	2	—		C	MC3/103
28D/1227713	A59/25G	Bolt, 5/16" BSF	2	—		C	MC3/104
28M/1011473	A27/JF	Nut, 3/8" BSF	4	—		C	
28M/4088827	A27/LP	Nut, 7/16" BSF	6	—		C	
28M/1011477	A27/NP	Nut, 1/2" BSF	2	—		C	
28M/1008838	A27/GP	Nut, 5/16" BSF	2	—		C	
3939	17F7584	Washer, special, 3/8"	4	DTD610A		C	MC3/105
	215F9858	Washer, special, 3/8"	4	DTD130A			MC3/108
3938	27F7502	Washer, special, 7/16"	6	DTD364A		C	MC3/107
	218F9856	Washer, special, 7/16"	6	DTD130A			MC3/108
	214F9856	Washer, special, 1/2"	2	DTD130A			MC3/109
	218F9858	Washer, special, 1/2"	2	DTD130A			MC3/110
3940	25F7500	Washer, special, 5/16"	2	DTD364A		C	MC3/111
28W/9419488	SP16/G	Washer, 5/16"	2	—		C	MC3/112
	25F8775	Washer, special	1	DTD364A			MC3/113
	12F8584	Washer, special	1	S1		C	MC3/114

VULCAN PB. 2

MAINPLANES
INNER MAINPLANES

Page MC 11

Ref. No.	Part No.	Description	No. off	Matl. Spec.	Cl. of	Plate and Illustr'n No.
					St. M.R.	
		1 2 3 4				
		SPAR, FRONT, OUTER WING, INNER PORTION, PORT AND STARBOARD (1 & 2F9856) (Cont'd)				
	57F9856	Bracket, attachment, rib 618, top port, . . . bottom, starboard	1	DTD883		
	58F9856	Bracket, attachment, rib 618, bottom . . . port, top, starboard	1	DTD883		
	33F9856	Bracket, attachment, forward front spar, . port bottom, stb'd., top	1	DTD883		
	34F9856	Bracket, attachment, forward front spar, . port top, stb'd., bottom	1	DTD883		
		Attachments—Bracket, Part Nos. 33, 34, 57 & 58F9856				
28D/1213680	A59/14N	Bolt, 1/2" BSF	4	—	C	
28M/1011477	A27/NP	Nut, 1/2" BSF	4	—	C	
28W/9419488	SP13/N	Washer, 1/2"	4	—	C	
	238F9856	Plate, cover, between str's 422 and 436 . Attachments—Cover Plate, Part No. 238F9856	1	DTD887		
		Bolt, special	4	S06		
28M/9490017	4/SS4227	Nut, stiff, 1/4" BSF	4	—	C	
28W/9418921	AGS2001/E/1	Washer, 1/4"	4	—	C	
	SP13/E	Plate, cover, between str's 548 and 562 . Attachments—Cover Plate, Part No. 239F9856	1	—		
28D/1212941	A61/3C	Bolt, 2 BA	4	—	C	
28W/9419454	SP10/C	Washer, 2 BA	4	—	C	
5479	180F9856	Plate, joint	1	—	C	MC3/129
28FP/13043	1SS3259	Plate, mod. record Attachments—Plate, Part No. 1SS3259	1	—	C	
		Screw	4	—		
28FP/13044	BS57/32	Plate, serial	1	—	C	
	251F9856	WEB, FRONT SPAR, PORT, GROUP	1	—		
	252F9856	WEB, FRONT SPAR, STB'D., GROUP	1	—		
		Spare for:—				
	19F7604	Plate, cover Attachments—Cover Plate, Part No. 19F7604	4	—		
		Bolt, r'd h'd., 2 BA	8	—		
28F/1011788	AS2922/2C	Union, body	1	—	C	MC2/130
28F/4051582	AGS1103/F	Union, reducing	2	—	C	MC2/131
28F/9439182	AGS1109/G	Union, reducing	2	—	C	MC2/132
		AGS1109/D				
		EDGE, TRAILING, PORT AND STB'D. (33 & 34F9722)	—	—		MC4/133
		Spare for:—				
	1F9870	BEARING, TRUNNION, FLYING CONTROLS, RIB 400.436, INNER, PORT, GROUP	1	—	MR	MC4/134

MAINPLANES
INNER MAINPLANES

Ref. No.	Part No.	Description	No. off	Matl. Spec.	Cl. of	Plate and Illustr'n No.	
					St		
		1 2 3 4					
	2F9870	BEARING, TRUNNION, FLYING CONTROLS, RIB 460, 436, INNER, STARBOARD, GROUP	1	—	MR	MC4/136	
	7F9870	Spares for:— Housing, bearing Attachments—Bearing Housing, Part No. 7F9870	1	S98		MC4/136	
28M/419818 28W/9419403	8FB419	Bolt, special, 5/16"	4	S98	MR	MC4/137	
	A27/GT	Nut, thin, 5/16" BSF	4	—	C		
	SP13/G	Washer, 5/16"	4	—	C		
	AS3380/G8C	Lead, bonding	1	—			
	3F9870	Member, bottom, port	1	—			
	4F9870	Member, bottom, starboard	1	—			
	5F9870	Member, top, port	1	—			
	6F9870	Member, top, starboard	1	—			
		Attachments—Trunnion Bearing, Part Nos. 1 & 2F9870					
28M/9612071 28P/9627619 28W/9419403	128F7500	Bolt, special	2	—	MR	MC4/138	
	34F8636	Bolt, special	2	—	MR	MC4/138	
	A27/GC	Nut, castellated, 5/16" BSF	4	—	C		
	SP90/C7	Pin, split, 1/16" dia.	4	—	C		
	25F7500	Washer, special	4	—	MR		
	SP13/G	Washer, 5/16"	4	—	C		
			Attachments—Trunnion Bearing, Part Nos. 1 & 2F9870				
			Attachments—Trunnion Bearing, Part Nos. 1 & 2F9870				
	1F9871	BEARING, TRUNNION, FLYING CONTROLS, RIB 492, 186, OUTER PORT, GROUP	1	—	MR	MC4/140	
	2F9871	BEARING, TRUNNION, FLYING CONTROLS, RIB 492, 186, OUTER, STARBOARD, GROUP	1	—	MR	MC4/141	
	7F9871	Spares for:— Housing, bearing Attachments—Bearing Housing, Part No. 7F9871	1	—		MC4/142	
28M/1011471 28W/9419403	8FB419	Bolt, special	4	—	MR	MC4/143	
	A27/GT	Nut, thin, 5/16" BSF	4	—	C		
	SP13/G	Washer, 5/16"	4	—	C		
	AS3380/G8C	Lead, bonding	1	—			
	3F9871	Member, bottom, port	1	—			
	4F9871	Member, bottom, starboard	1	—			
	5F9871	Member, top, port	1	—			
	6F9871	Member, top, starboard	1	—			
		Attachments—Trunnion Bearing, Part No. 1 & 2F9871					
20753	129F7500	Bolt, special	2	—	C	MC4/144	
	188F7500	Bolt, special	2	—	MR	MC4/145	
28M/9612071 28P/9627619	A27/GC	Nut, castellated, 5/16" BSF	4	—	C		
	SP90/C7	Pin, split, 1/16" dia.	4	—	C		
	25F7500	Washer, special	4	—	MR		
	SP13/G	Washer, 5/16"	4	—	C		
28W/9419403	77F7677	Hinge, port (Make from SS4138 x 15-1/4") ..	1	—		MC4/146	
	78F7677	Hinge, stb'd. (Make from SS4138 x 15-1/4")	1	—	C	MC4/147	
	26F9722	Hinge, port (Make from SS4138)	1	—		MC4/148	
	27F9722	Hinge, stb'd (Make from SS4138)	1	—	MR	MC4/148	
1150	39F7677	Hinge, port (Make from SS4138)	1	—	MR	MC4/150	
	40F7677	Hinge, stb'd. (Make from SS4138)	1	—	C	MC4/151	

VULCAN No. 1

MAINPLANES
INNER MAINPLANES

Page MC. 13

Ref. No.	Part No.	Description	No. off	Matl. Spec.	Cl. of	Place and Must'n No.
					St. M.R.	
		1 2 3 4				
		EDGE, TRAILING, PORT AND STB'D., (33 & 34F9722) (Cont'd)				
	87F7677	Hinge, port (Make from SS4138)	1	-		MC4/152
	88F7677	Hinge, stb'd. (Make from SS4138)	1	-	MR	MC4/153
	1F7762	PANEL, ACCESS DOOR, TRANSPORT . . . JOINT, BOTTOM, FRONT (LESS HINGE) PORT, GROUP	1	-		MC4/154
1146	2F7762	PANEL, ACCESS DOOR, TRANSPORT . . . JOINT, BOTTOM, FRONT (LESS HINGE) STARBOARD, GROUP	1	-	C	MC4/155
13677	25F7763	PANEL, ACCESS DOOR, TRANSPORT . . . JOINT, BOTTOM, REAR, PORT, GROUP (HINGE TO BE LEFT UNDRILLED)	1	-	A	MC4/156
13678	26F7763	PANEL, ACCESS DOOR, TRANSPORT . . . JOINT, BOTTOM, REAR, STARBOARD, GROUP (HINGE TO BE LEFT UNDRILLED)	1	-	A	MC4/157
		Spares for:-				
	17F7763	Hinge, port (Make from SS4138 x 11-1/4")	1	-	MR	MC4/158
	18F7763	Hinge, stb'd. (Make from SS4138 x 11-1/4") (28DC12003)	1	-	MR	MC4/159
8518	1F9889	PANEL, ACCESS DOOR, BOTTOM, INBOARD POWER UNIT BAY (LESS HINGE) PORT, GROUP	1	-	A	MC4/160
8519	2F9889	PANEL, ACCESS DOOR, BOTTOM, INBOARD POWER UNIT BAY (LESS HINGE) STARBOARD, GROUP	1	-	A	MC4/161
8523	29F9722	PANEL, ACCESS, TO FLYING CONTROLS, RIB 618, TOP, PORT, GROUP	1	-	C	MC4/162
8524	30F9722	PANEL, ACCESS, TO FLYING CONTROLS, RIB 618, TOP, STB'D., GROUP	1	-	C	MC4/163
8525	31F9722	PANEL, ACCESS, TO FLYING CONTROLS, RIB 618, BOTTOM, PORT, GROUP	1	-	C	MC4/164
8526	32F9722	PANEL, ACCESS, TO FLYING CONTROLS, RIB 618, BOTTOM, STB'D., GROUP	1	-	C	MC4/165
1133	1F7688	PANEL, SHROUD, BOTTOM, INBOARD, . ELEVATOR, PORT, GROUP	1	-	A	MC4/166
1134	2F7688	PANEL, SHROUD, BOTTOM, INBOARD . ELEVATOR, STB'D., GROUP	1	-	A	MC4/167
	1F9885	PANEL, SHROUD, BOTTOM, OUTBOARD ELEVATOR, PORT, GROUP	1	-		MC4/168
8522	2F9885	PANEL, SHROUD, BOTTOM, OUTBOARD ELEVATOR, STB'D., GROUP	1	-	C	MC4/169

MAINPLANES
INNER MAINPLANES

Ref. No.	Part No.	Description	No. off	Matl. Spec.	Cl. of	Place and Illust'n No.
					St.	
		1 2 3 4			M.R.	
		EDGE, TRAILING, PORT AND STB'D., (33 & 34F9722) (Cont'd)				
		Attachments—Panels, Part Nos. 1 & 2F7762, 26 & 26F7763, 1 & 2F9889, 29, 30, 31 & 32F9722, 1 & 2F7686 and 1 & 2F9885				
	1SS4140	Screw	QR	-	MR	MC4/170
	2SS4140	Screw	QR	-	MR	MC4/171
	12SS4140	Screw	QR	-	MR	MC4/172
	13SS4140	Screw	QR	-	MR	MC4/173
	17SS4140	Screw	1	-	MR	MC4/174
26FP/13043	1SS3269	Plate, mod record	1	-	C	
		Attachments—Plate, Part No. 1SS3269				
28E/1012460	A32/B10	Screw, rd. hd. 4 BA	4	-	C	
28FP/13044	1SS3269	Plate, serial	1	-	C	
	1F9862	RIB, HINGE, CENTRE ELEVATOR,	1	-		MC4/175
	2F9862	RIB, HINGE, CENTRE ELEVATOR,	1	-		MC4/176
		STARBOARD, GROUP				
		Spares for:—				
1806372	11F9862	Bracket, hinge, port	1	-	C	MC4/177
1806373	12F9862	Bracket, hinge, starboard	1	-	C	MC4/178
		Attachments—Bracket, Part Nos. 11 & 12F9862				
	38F9862	Bolt, special	2	S98		MC4/179
	47F9862	Bolt, special	2	S98		MC4/180
	48F9862	Bolt, special	4	S98		MC4/181
	49F9862	Bolt, special	6	S98		MC4/182
	50F9862	Bolt, special	3	S98		MC4/183
	51F9862	Bolt, special	1	S98		MC4/184
28M/1007404	A27/JT	Nut, thin, 3/8" BSF	2	-	C	
28M/4085817	A24/JS	Nut, slotted, 3/8" BSF	8	-	C	
28M/4085888	A24/OS	Nut, slotted, 5/8" BSF	10	-	C	
28P/8527619	SP90/C7	Pin, split, 1/16" dia.	6	-	C	
28P/1221023	SP90/G12	Pin, split, 1/8" dia.	10	-	C	
	2/SS8027	Washer, special	8	-		MC4/185
	28F7781	Washer, special	10	-	MR	MC4/186
28W/8419470	SP13/Q	Washer, 5/8"	14	-	C	
28W/8418483	SP16/Q	Washer, 5/8"	10	-	C	
	21F9862	Housing	1	S98		
	22F9862	Housing	1	S98		
		Attachments—Housing, Part Nos. 21 & 22F9862				
1432888	55F7088	Bolt, special	8	-	C	
28M/1008839	A27/GP	Nut, 5/16" BSF	8	-	C	
28W/8418403	SP13/G	Washer, 5/16"	8	-	C	

VULCAN PR. 2

MAINPLANES
INNER MAINPLANES

Page MC. 15

Ref. No.	Part No.	Description				No. off	Matl. Spec.	Cl. of	Place and Illust'n No.
		1	2	3	4			St.	
		EDGE, TRAILING, PORT AND STB'D.							
		(33 & 34F972) (Cont'd)							
		SPAR, REAR, OUTER WING, INNER PORTION, PORT AND STARBOARD							MCS/187
		(109 & 110F989) (Pre Mod. 1106)							
		SPAR, REAR, OUTER WING, INNER PORTION, PORT AND STARBOARD							MCS/188
		(139 & 140F989) (Mod. 1106) (S.O.O.)							
		Spares for:—							
	3F9893	Boom, top, port (Pre Mod. 1106) ...				1	DTD363A	MR	
	141F9893	Boom, top, port (Mod. 1106) ...				1	DTD363A	MR	
	4F9893	Boom, top, starboard (Pre Mod. 1106) ...				1	DTD363A	MR	
	142F9893	Boom, top, starboard (Mod. 1106) ...				1	DTD363A	MR	
	5F9893	Boom, bottom, port (Pre Mod. 1106) ...				1	DTD363A	MR	
	143F9893	Boom, bottom, port (Mod. 1106) ...				1	DTD363A	MR	
	6F9893	Boom, bottom, starboard (Pre Mod. 1106) ...				1	DTD363A	MR	
	144F9893	Boom, bottom, starboard (Mod. 1106) ...				1	DTD363A	MR	
	3F9941	Bracket, top, boom, aft face, port				1	DTD683	MR	
	4F9941	Bracket, top boom, aft face, stb'd				1	DTD683	MR	
	31F9893	Bracket, top boom, forward face, inboard, port				1	DTD683	MR	
	32F9893	Bracket, top boom, forward face, inboard, starboard				1	DTD683	MR	
	35F9893	Bracket, top boom, forward face, outboard, port, bottom boom outboard, starboard				1	DTD683	MR	
	36F9893	Bracket, top boom, forward face, outboard, starboard, bottom boom outboard, port				1	DTD683	MR	
	5F9941	Bracket, bottom boom, aft face, port				1	DTD683	MR	
	6F9941	Bracket, bottom boom, aft face starboard				1	DTD683	MR	
	33F9893	Bracket, bottom boom, forward face, inboard, port				1	DTD683	MR	
	34F9893	Bracket, bottom boom, forward face, inboard, starboard				1	DTD683	MR	
		Attachments - Bracket, Part Nos. 3, 4, 5 & 6F9941, 31, 32, 33, 34, 35 & 36F9893							
	37F9893	Bolt, special ...				3	—		MCS/189
	113F9893	Bolt, special ...				1	—		MCS/190
	38F9893	Nut, special ...				4	—		
	SP90/H15	Pin, split, $\frac{1}{8}$ " dia ...				4	—	C	
	SP13/S	Washer, $\frac{1}{8}$ " ...				4	—	C	
	28F7753	Washer, special ...				4	—	C	MCS/191
28P/19159									
28W/9419471									
3873									

MAINPLANES
INNER MAINPLANES

Ref. No.	Part No.	Description	No. off	Matl. Spec.	Cl. of	Plate and Illust'n No.
					St.	
		1 2 3 4				
		SPAR, REAR, OUTER WING, INNER PORTION, PORT AND STARBOARD (109 & 110F9893 or 139 & 140F9893) (Pre & Post Mod. 1106) (Cont'd)				
	15F9862	Bracket, top boom, aft face, port	1	DTD683	MR	
	16F9862	Bracket, top boom, aft face, stb'd	1	DTD683	MR	
	27F9893	Bracket, top boom, forward face, port	1	DTD683	MR	
	28F9893	Bracket, top boom, forward face, starboard	1	DTD683	MR	
	13F9862	Bracket, bottom boom, aft face, port	1	DTD683	MR	
	14F9862	Bracket, bottom boom, aft face, starboard	1	DTD683	MR	
	29F9893	Bracket, bottom boom, forward face, port	1	DTD683	MR	
	30F9893	Bracket, bottom boom, forward face, starboard	1	DTD683	MR	
		Attachments - Bracket, Part Nos. 13, 14, 15 & 16F9862, 27, 28, 29 & 30F9893				
	114F9893	Bolt, special	3	—		MC5/192
	92F9893	Bolt, special	2	—		MC5/193
	93F9893	Bolt, special	1	—		MC5/194
28M:4198648	A27/SC	Nut, castellated, 1" BSF	3	—	C	
28M:4198684	A27/UC	Nut, castellated, 1" BSF	2	—	C	
	A27/WC	Nut, castellated, 1" BSF	1	—		
28P:12408	SP9/K16	Pin, split, 1/8" dia	5	—	C	
28P:1202484	SP9/AK18	Pin, split, 1/8" dia	1	—	C	
28W:9418471	SP13/S	Washer, 1/2"	3	—	C	
3873	28F7753	Washer, special	3	—	C	MC5/195
28W:9418429	SP13/U	Washer, 1/2"	2	—	C	
3871	19F7756	Washer, special	1	—	C	MC5/196
28W:9418472	SP13/W	Washer, 1"	1	—	C	
	24F7753	Washer, special	1	—		MC5/197
	39F9893	Bracket, top boom, aft face, inboard, port, bottom boom, inboard, starboard	1	DTD683	MR	
	40F9893	Bracket, top boom, aft face inboard, starboard, bottom boom inboard, port	1	DTD683	MR	
	41F9893	Bracket, top boom, aft face, outboard, port, bottom boom, outboard, starboard	1	DTD683	MR	
	42F9893	Bracket, top boom, aft face, outboard, starboard, bottom boom outboard, port	1	DTD683	MR	
	19F9893	Bracket, top boom, forward face, inboard, port	1	DTD683	MR	

VULCAN No. 2

MAINPLANES
INNER MAINPLANES

Page MC. 17

Ref. No.	Part No.	Description	No. off	Mach. Spec.	Cl. of St.		Place and Illust'n No.
					M.R.		
		1 2 3 4					
		SPAR, REAR, OUTER WING, INNER PORTION, PORT AND STARBOARD (109 & 110F9893 or 139 & 140F9893) (Pre & Post Mod. 1106) (Cont'd)					
	20F9893	Bracket, top boom, forward face, inboard, starboard	1	DTD683		MR	
	137F9893	Bracket, top boom, forward face, outboard, port	1	DTD683		MR	
	138F9893	Bracket, top boom, forward face, outboard, starboard	1	DTD683		MR	
	95F9893	Bracket, bottom boom, forward face, inboard, port	1	DTD683		MR	
	96F9893	Bracket, bottom boom, forward face, inboard, starboard	1	DTD683		MR	
	97F9893	Bracket, bottom boom, forward face, outboard, port	1	DTD683		MR	
	98F9893	Bracket, bottom boom, forward face, outboard, starboard	1	DTD683		MR	
		Attachments—Bracket, Part Nos 19, 20, 39, 40, 41, 42, 95, 96, 97, 98, 137 & 138F9893					
	89F9893	Bolt, special	2	—			MCS 198
	90F9895	Bolt, special	2	—			MCS 199
28M. 4188864	A27 UC	Nut, castellated, 1/2" BSF	4	—		C	
28P 18158	SP90 H15	Pin, split, 1/4" dia.	4	—		C	
28W 9419429	SP13 U	Washer, 1/2"	4	—		C	
2871	19F7754	Washer, special	4	—		C	MCS 200
	347F9893	Bush, spar joint inboard, top and bottom boom	2	S96		MR	MCS 201
4887	111F9893	Bush, spar joint, top boom	4	S96		MR	MCS 202
	112F9893	Bush, spar joint, bottom boom	4	S96		MR	MCS 203
	125F9893	Plate, reinforcing, aft face, spar joint, inboard top, port	1	S99		MR	
	126F9893	Plate, reinforcing, aft face, spar joint, inboard, top, starboard	1	S99		MR	
	127F9893	Plate, reinforcing, forward face, spar joint, inboard top, port	1	S99		MR	
	128F9893	Plate, reinforcing, forward face, spar joint, inboard top, starboard	1	S99		MR	
	129F9893	Plate, reinforcing, aft face, spar joint, inboard, bottom, port	1	S99		MR	
	103F9893	Plate, reinforcing, aft face, spar joint, inboard, bottom, starboard	1	S99		MR	
	131F9893	Plate, reinforcing, forward face, spar joint, inboard, bottom, port	1	S99		MR	

MAINPLANES
INNER MAINPLANES

Ref. No.	Part No.	Description	No. off	Mtrl. Spec.	Cl. of	Plate and Illustr'n No.
					St. M.R.	
		1.2.3.4				
7801	83F8663	MAINPLANE, INNER PORTION, PORT AND STARBOARD, GROUP (21, 22, 157 & 158P9701) (Mod. 1106 & 2129) (Cont'd) FAIRING, U/C FIXED, OUTBOARD, PORT, GROUP	1	—	A	MC8/213
7802	84F8663	FAIRING, U/C FIXED, OUTBOARD, STARBOARD, GROUP	1	—	A	MC8/214
12911	95F8663	Spares for:— BRACKET, PORT, GROUP	1	—	C	MC8/215
12912	96F8663	BRACKET, STARBOARD, GROUP	1	—	C	MC8/216
	97F8663	BRACKET, PORT, GROUP	1	—	MR	MC8/217
12920	98F8663	BRACKET, STARBOARD, GROUP	1	—	C	MC8/218
		Attachments—Bracket, Part Nos. 95, 96, 97 & 98F8663				
28D/1007972	A25/1/2C	Bolt, 2 BA	2	—	C	
28D/9438820	A25/1C	Bolt, 2 BA	6	—	C	
28M/1012015	AGS2001/C1/66	Nut, stiff, 2 BA	8	—	C	
28W/9419475	SP15/C	Washer, 2 BA	8	—	C	
27F/4528875	AVERY HARDOLL FC109 FLIGHT REFUELLING 0724000/48	Cap, blanking and cable	2	—	C	
		Chain, retaining	2	—		
		CONNECTION, REFUELLING, MICRO SWITCH, PORT SIDE ONLY (Z7479)				
		Spares for:—				
13616	8Z7479	Arm, pivot	1	L65	C	MC8/219
		Attachments—Pivot Arm, Part No. 8Z7479				
		Bolt, 2 BA	3	—	C	
28D/9438820	A25/1C	Nut, stiff, 2 BA	3	—	C	
28M/1012015	AGS2001/C1/66	Washer, 2 BA	3	—	C	
28W/9419475	SP15/C	Bracket	1	DT0810A	MR	MC8/220
	2Z7479	Bracket	1	DT0810A		MC8/221
	4Z7479	LEVER, CONTACT, GROUP	1	—	MR	MC8/222
		Spares for:—				
	4bZ7479	Bolt, contact	1	S1	MR	MC8/223
28M/1008473	A27/CT	Nut, 2 BA	1	—	C	
		Attachments—Lever, Part No. 4Z7479				
28N/1045880	AGS899/2	Collar	1	—	C	MC8/224
28P/4688903	SP4/Y/B20	Pin	1	—	C	MC8/225
28P/9710567	SP90/C4	Pin, split, 1/16" dia.	1	—	C	
	8Z7479	LEVER, OPERATING ROD, GROUP	1	—	MR	MC8/226
		Spares for:—				
	8cZ7479	Knob	1	—		MC8/227
		Attachments—Knob, Part No. 8cZ7479				
28M/4095802	AS1243/11C	Bolt, c'sk h'd. 2 BA	1	—		
28W/9419475	AGS2001/C/3	Nut, stiff, 2 BA	1	—	C	
	SP15/C	Washer, 2 BA	1	—	C	

MAINPLANES
INNER MAINPLANES

Ref. No.	Part No.	Description	No. off	Matl. Spec	Cl. of	Plate and Illustr'n No.
					Sl.	
		1 2 3 4				
		CONNECTION, REFUELLING, MICRO SWITCH, PORT SIDE ONLY (Z7479) (Cont'd.)				
28M/4095802 28W/9419475	AGS2001/C/3 SP15/C	Attachments—Lever, Part No. 5Z7479 Nut, stiff, 2 BA Washer, 2 BA	1 1	— —	C C	
	5Z7479	ROD, OPERATING, GROUP	1	—	MR	MC8/228
		Spare for:—				
	5bZ7479	Fork-end	1	L65	MR	MC8/229
	5cZ7479	Fork-end	1	L65	MR	MC8/230
28M/1007403 28M/4095823	A27/ET A27/ETL	Nut, thin, 1/4" BSF	1 1	— —	C C	
	5dZ7479	Nut, thin, 1/4" BSF	1	—	C	
	5eZ7479	Rod-end	1	S1		
		Rod-end	1	S1		
		Attachments—Rod, Part No. 5Z7479				
28N/1045880 28P/1207885 28P/1012221 28P/9710687	AGS899/2 SP4/Y/B5 SP4/Y/B12 SP90/C4 7Z7479	Collar	2	—	C	MC8/231
		Pin	1	—	C	MC8/232
		Pin	1	—	C	MC8/233
		Pin, split, 1/16" dia.	2	—	C	
		Spring, 17g	1	—	MR	MC8/234
		Attachments—Spring, Part No. 7Z7479				
28D/9438920 28D/9133013 28M/1012015 28W/9419475	A25/1C A25/5C AGS2001/C1/68 SP15/C	Bolt, 2 BA	1 1	— —	C C	
		Bolt, 2 BA	1	—	C	
		Nut, stiff, 2 BA	2	—	C	
		Washer, 2 BA	2	—	C	
5CW/ 4400327	DOWTY C1831Y/MK101	Switch, micro	1	—	B	MC8/235
		Attachments—Micro Switch Part No. C1831Y/MK1				
28D/9133014 28M/1012015 28W/9419475	A25/13C AGS2001/C1/68 SP15/C	Bolt, 2 BA	3	—	C	
		Nut, stiff, 2 BA	3	—	C	
		Washer, 2 BA	3	—	C	
	4SS4225	Label, air transfer, port	1	—		
	5SS4225	Label, air transfer, starboard	1	—		
	6SS4225	Label, air transfer	1	—		
26FP/13270	5SS1979 39F8663	LEAD, BONDING, GROUP	4	—		
		Ped, stop	2	—	MR	MC8/236
11329	3F8663	PANEL, HONEYCOMB SECTION, PORT, GROUP	1	—	B	MC8/237
11700	4F8663	PANEL, HONEYCOMB SECTION, STARBOARD, GROUP	1	—	B	MC8/238
		Spare for:—				
	31cF8663	Seal, .63" x 12"	1	Linatex		
	31eF8663	Strip, retaining, port	1	L72		
	32eF8663	Strip, retaining, starboard	1	L72		
		Attachments—Seal and Strips Part Nos. 31e, 31e & 32eF8663				
28D/1007285	AS1242/1B	Bolt, c'sk h'd 4 BA	5	—	C	

VULCAN No. 2

MAINPLANES
INNER MAINPLANES

Page MC. 21

Ref. No.	Part No.	Description	No. off	Matl. Spec.	Cl. of	Plate and Illust'n No.
					Se. M.R.	
		<u>1 2 3 4</u>				
		FAIRING, U/C. FIXED, OUTBOARD, PORT AND STARBOARD, GROUP (83 & 84F8883) (Cont'd)				
28D/1214001	AS1242/2C	Attachments—Access Panels, Part Nos. 85 & 86F8863 Bolt, c'sk. h'd., 2 BA	5	—	C	
1847	3F8842	PANEL, ACCESS DOOR, REFUELLING COCK, PORT (HINGE UNDRILLED), GROUP	1	—	C	MC6/239
1848	4F8842	PANEL, ACCESS DOOR, REFUELLING COCK, STARBOARD (HINGE UNDRILLED), GROUP	1	—	C	MC6/240
	101F8863	Spares for:— FASTENER, GROUP	2	—	MR	MC6/241
	AJ7/160	Consisting of:— Fastener, "Dzus"	1	—		
	GS/A7/T/490	Grommet	1	—		MC6/242
	3mF8842	Hinge	1	—		MC6/243
	3fF8842	Seal, section K0118 x .63" x 21"	1	Linatex		MC6/244
	3pF8842	Strip, retaining, port	1	—		MC6/245
	4pF8842	Strip, retaining, starboard	1	—		
		Attachments—Seal and Strip Part Nos. 3f, 3p and 4p F8842				
28D/1214001	AS1242/2C	Bolt, c'sk. h'd., 2 BA	5	—	C	
	24F8863	Seal, section, K0118 x .63" x 2' 6"	1	Linatex	MR	MC6/246
	67F8863	Seal, .63" x 6.7"	1	Linatex	MR	MC6/247
		Attachments—Seals, Part Nos. 24 and 67F8863				
28D/1218384	AS1248/1B	Bolt, mush. hd., 4 BA	12	—	C	
28W/9419474	SP15/B	Washer, 4 BA	12	—	C	
	10Z7479	Spring, contact	4	BS407	MR	MC6/248
		Attachments—Contact Spring, Part No. 10Z7479				
28D/9133011	A25/2C	Bolt, 2 BA	1	—	C	
28M/1012015	AGS2001/C1/88	Nut, stiff, 2 BA	1	—	C	
28W/9419475	SP15/C	Washer, 2 BA	1	—	C	
	S7/275	Spring, "Dzus"	2	—	C	
	68F8863	Strip, retaining	1	L72		
	23F8863	Strip, retaining, port	1	L72		
	40F8863	Strip, retaining, starboard	1	L72		
27FR/2763	AVERY HARDOLL FC248MK11 or FC248 FLIGHT REFUELLING	Unit, refuelling coupling (Pre-Mod. 2356) ..	2	—	A	MC6/249
27FR/1040883	075000/4	Unit, refuelling coupling (Mod. 2356)	2	—	A	

MAINPLANES
INNER MAINPLANES

Ref. No.	Part No.	Description	No. off	Mact. Spec.	Cl. of Sr. M.R.	Plate and Illust'n No.
		<p>1, 2, 3, 4</p> <p>MAINPLANE, INNER PORTION, PORT AND STARBOARD, GROUP (21, 22, 157 & 158F0701) (Mod. 1108 & 2120) (Cont'd)</p> <p>FIRE EXTINGUISHER SYSTEM IN FUEL TANK BAYS, PORT AND STARBOARD (1 & 229144) (See Services - Fire Extinguisher)</p> <p>FLAME CORDS, PORT AND STARBOARD (1 & 229235) (See Services - Fire Extinguisher)</p> <p>FUEL SYSTEM, PORT AND STARBOARD (1 & 2P3277) (See Services - Fuel Installation)</p>				

MAINPLANES
INNER MAINPLANES

Ref. No.	Part No.	Description	No. off	Matl. Spec.	Cl. of St.	Plate and Hing'n No
					M.R.	
		1 2 3 4				
27QM/70813	DOWTY 1.01297.003	JACK, HYDRAULIC, U/C DOOR, FRONT PORT (Mod. 1796) (Pre-Mod. 2491)	1	—		
27QM/1481730	DOWTY 1.01297.005	JACK, HYDRAULIC, U/C DOOR, FRONT, PORT (Mod. 2491)	1	—		
27QM/70814	DOWTY 1.01297.004	JACK, HYDRAULIC, U/C DOOR, FRONT, STARBOARD (Mod. 1796) (Pre-Mod. 2491)	1	—		
27QM/1481730	DOWTY 1.01297.008	JACK, HYDRAULIC, U/C DOOR, FRONT, STARBOARD (Mod. 2491)	1	—		
27QM/70885	DOWTY 1.01298.003	JACK, HYDRAULIC, U/C DOOR, REAR, PORT (Mod. 1769) (Pre-Mod. 2491)	1	—		
27QM/1481730	DOWTY 1.01298.005	JACK, HYDRAULIC, U/C DOOR, REAR, PORT (Mod. 2491)	1	—		
27QM/70817	DOWTY 1.01298.004	JACK, HYDRAULIC, U/C DOOR, REAR, STARBOARD (Mod. 1796) (Pre Mod. 2491)	1	—		
27QM/1481734	DOWTY 1.01298.008	JACK, HYDRAULIC, U/C DOOR, REAR, STARBOARD (Mod. 2491)	1	—		
		NITROGEN AND VENTING, PORT AND STARBOARD (1 & 2P3043) (See Services:—Fuel, Nitrogen and Venting Installation)				
	13F11281	PANEL, BOTTOM SKIN, FORWARD U/C BULKHEAD, PORT, GROUP (Mod. 1022)	1	—	MR	MC7/265
	14F11281	PANEL, BOTTOM SKIN, FORWARD U/C BULKHEAD, STARBOARD, GROUP (Mod. 1022)	1	—	MR	MC7/266
22888	15F11281	Spares for:— PANEL, SKIN, PORT, GROUP	1	—	MR/C	MC7/267
22880	16F11281	PANEL, SKIN, STARBOARD, GROUP	1	—	MR/C	MC7/268
		PANEL ARRANGEMENT, BETWEEN U/C DOOR HINGE RIB AND MAIN U/C RIB, PORT AND STARBOARD (1 & 2F8839)	—	—		MC7/269
	52F8839	Spares for:— PANEL, SKIN, PORT, GROUP	1	—		MC7/270
	53F8839	(Mod. 1022) PANEL, SKIN, STARBOARD, GROUP	1	—		MC7/271
13188	10F8839	Spares for:— Channel, stiffening	1	OTD610A	MR/C	MC7/272

MAINPLANES
INNER MAINPLANES

Ref. No.	Part No.	Description	No. off	Mater. Spec.	Cl. of	Place and Illust'n No.
					St. M.R.	
		1 2 3 4				
		PANEL, SKIN, PORT AND STARBOARD, GROUP (52 & 53F8839) (Mod. 1022) (Cont'd)				
	11F8839	Channel, stiffening, port	1	DTD810A	MR	MC7/273
	12F8839	Channel, stiffening, starboard	1	DTD810A	MR	MC7/274
	26F8839	Channel, stiffening	1	DTD810A	MR	MC7/275
	27F8839	Channel, stiffening, port	1	DTD810A	MR	MC7/276
	28F8839	Channel, stiffening, starboard	1	DTD810A	MR	MC7/277
	29F8839	Channel, stiffening, port	1	DTD810A	MR	MC7/278
	30F8839	Channel, stiffening, starboard	1	DTD810A	MR	MC7/279
	31F8839	Channel, stiffening, port	1	DTD810A	MR	MC7/280
	32F8839	Channel, stiffening, starboard	1	DTD810A	MR	MC7/281
	33F8839	Channel, stiffening, port	1	DTD810A	MR	MC7/282
	34F8839	Channel, stiffening	1	DTD810A	MR	MC7/283
13407	43F8839	PANEL, ACCESS, REAR, PORT, GROUP	1	—	B	MC7/284
17648	44F8839	PANEL, ACCESS, REAR, STB'D, GROUP	1	—	B	MC7/285
		Spares for:—				
28FP/4082373	F5/40	Fastener, dzus	8	—	C	
	26F8839	Panel, access, port	1	—		MC7/286
	49F8839	Panel, access, starboard	1	—		MC7/287
22682	505F11857	PANEL, ACCESS, FORWARD, PORT, GROUP	1	—	B	MC7/288
22688	506F11857	PANEL, ACCESS, FORWARD, STARBOARD, GROUP	1	—	B	MC7/289
		Spares for:—				
28FP/4082373	F5/40	Fastener, dzus	12	—	C	
	505eF11857	Panel, access, port	1	—		MC7/290
	506eF11857	Panel, access, starboard	1	—		MC7/291
28FP/340	55/300	Spring, dzus	20	—	C	
		RADIO AND RADAR EQUIPMENT PORT AND STARBOARD (5 & 6T4292) (See:—Radio and Radar Installation)				
		RIB UNDERCARRIAGE, OUTBOARD, PORT AND STARBOARD (1 & 2F9967) (Pre Mod 1106)				MC8/292
		RIB, UNDERCARRIAGE, OUTBOARD, PORT AND STARBOARD (161 & 162F9967) (Mod 1106) S.O.O.				MC8/293
		Spares for:—				
	21F8487	Angle, tank, forward, top, port	1	—	MR	MC8/294
	22F8487	Angle, tank, forward, top, stb'd	1	—	MR	MC8/295
	23F8487	Angle, tank, forward, bottom, port	1	—		MC8/296
	24F8487	Angle, tank, forward, bottom, starboard	1	—	MR	MC8/297
	34F8487	Angle, joint	1	L72		MC8/298
	25F8487	Angle, tank, centre, top, port	1	—	MR	MC8/299
	26F8487	Angle, tank, centre, top, stb'd.	1	—	MR	MC8/300

VULCAN 3

MAINPLANES

Page MC. 25

INNER MAINPLANES

Ref. No.	Part No.	Description	No. off	Matl Spec	Cl. of St.	Plate and Must'n No.
					M.R.	
		1 2 3 4				
		RIB, UNDERCARRIAGE, OUTBOARD, PORT AND STARBOARD (1 & 2F9967 or 161 & 162F9967) (Pre and Post Mod. 1106) (Cont'd.)				
	27F8487	Angle, tank, centre, bottom, port	1	—	MR	MC8/301
	28F8487	Angle, tank, centre, bottom, starboard	1	—	MR	MC8/302
	36F8487	Angle, joint	1	L72		MC8/303
	137F8487	Angle, tank, rear	1	—	MR/C	MC8/304
	138F8487	Angle, tank, rear	1	—	MR/C	MC8/305
	139F8487	Angle, joint	1	L72		MC8/306
	137F8487	Angle, port	1	L72	MR	MC8/307
	31F9967	Angle, starboard	1	—	MR	MC8/308
	25F9967	Angle, port	1	—	MR	MC8/309
	32F9967	Angle, starboard	1	—	MR	MC8/310
	211F8487	Angle, port	1	—		MC8/311
	212F8487	Angle, starboard	1	—		MC8/312
	213F8487	Angle, port	1	—		MC8/313
	214F8487	Angle, starboard	1	—		MC8/314
	215F8487	Angle, port	1	—		MC8/315
3786	216F8487	Angle, starboard	1	—	MR/C	MC8/316
	217F8487	Angle, port	1	—		MC8/317
	218F8487	Angle, starboard	1	—		MC8/318
	221F8487	Angle, port	1	—		MC8/319
	222F8487	Angle, starboard	1	—		MC8/320
	18F9967	Angle, port	1	—	MR	MC8/321
	19F9967	Angle, starboard	1	—	MR	MC8/322
	1F9967	BEAM, U/C BEARING, PORT, GROUP	1	—		MC8/323
	2F9967	BEAM, U/C BEARING, STARBOARD, GROUP	1	—	MR	MC8/324
		Spares for:—				
	1F9952	Beam, bearing, port	1	—		
	2F9952	Beam, bearing, starboard	1	—		
		Attachments—Bearing Beam Part Nos. 1 & 2F9952				
28D/1213447	A49/6J	Bolt, 3/8" BSF	16	—	C	
28D/20184	A58/7J	Bolt, 3/8" BSF	23	—	C	
28D/9435053	A59/8J	Bolt, 3/8" BSF	1	—	C	
	21F8702	Bolt, special	2	—		
	35F9967	Bolt, special	1	—		
28W/9419477	SP15/J	Washer, 3/8"	26	—	C	
28W/9419488	SP16/J	Washer, 3/8"	1	—	C	
	24F8702	Washer, special	19	—		
	97F7564	Bearing	1	—		
		Attachments—Bearing, Part No. 97F7564				
	15F9967	Bolt, special	2	—	C	
28M/4198008	A27/QC	Nut, castellated, 5/8" BSF	2	—	C	
28P/1221023	SP90/G12	Pin, split, 1/8" dia.	2	—	C	
28W/9419481	SP15/Q	Washer, 5/8"	2	—	C	

MAINPLANES
INNER MAINPLANES

Ref. No.	Part No.	Description	No. off	Mater. Spec.	Cl. of St.	Plate and Illust'n No
					M.R.	
		1 2 3 4				
		BEAM, U/C. BEARING, PORT AND STARBOARD (1 & 2F9987) (Cont'd.)				
	32F9987	Bush	1	—	MR	
	3F9987	Cap, port	1	—	MR	
	4F9987	Cap, starboard	1	—	MR	
		Attachments—Cap, Part Nos. 3 & 4F9987				
1297	5K/2718	Stud	4	—	MR	
28W/8419488	SP16/J	Washer, 3/8"	4	—	C	
	20F9987	BLOCK, LIFTING, PORT, GROUP	1	—	MR	
	21F9987	BLOCK, LIFTING, STARBOARD, GROUP	1	—	MR	
	22F9987	BLOCK, LIFTING, PORT, GROUP	1	—	MR	
	23F9987	BLOCK, LIFTING, STARBOARD, GROUP	1	—	MR	
	24F9987	Bolt, special	12	—	MR	
	29F9987	Boom, top, port	1	—	MR	
	30F9987	Boom, top, starboard	1	—	MR	
	5F9987	Boom, bottom, port	1	—	MR	
	6F9987	Boom, bottom, starboard	1	—	MR	
	244F8487	Bracket, port	1	—	MR	MCB/325
	261F8487	Bracket, starboard	1	—	MR	MCB/326
	245F8487	Bracket, channel, port	1	—	MR	MCB/327
	257F8487	Bracket, channel, starboard	1	—	MR	MCB/328
	185F7564	Cap, lifting, block	2	—	MR	
	25F8703	LINK, DRAG, U/C. BEARING, BEAM, PORT, GROUP	1	—	MR	
	26F8703	LINK, DRAG, U/C. BEARING BEAM, STARBOARD, GROUP	1	—	MR	
	193F9987	Mounting, top-hat (Mod. 2200)	2	—	MR	
	105F8487	Panel, access (Pre-Mod. 1106)	2	L72	MR	
		Attachments—Access Panel, Part No. 105F8487				
28D/9133011	A26/2C	Bolt, 2 BA	6	—	C	
28W/8419402	SP13/C	Washer, 2 BA	6	—	C	
	104F9987	Panel, web, forward, inboard, port (Pre-Mod. 1106)	1	—	MR	
	163F9987	Panel, web, forward, inboard, port (Mod. 1108)	1	—	MR	
	37F9987	Panel, web, forward, inboard, starboard (Pre-Mod. 1106)	1	—	MR	
	164F9987	Panel, web, forward, inboard, starboard (Mod. 1106)	1	—	MR	
	27F9987	Panel, web, centre, inboard, port	1	—	MR	
	28F9987	Panel, web, centre, inboard, starboard	1	—	MR	
	102F9987	Panel, web, rear, inboard, port	1	—	MR	
	103F9987	Panel, web, rear, inboard, starboard	1	—	MR	

VULCAN No. 3

MAINPLANES
INNER MAINPLANES

Page MC. 27

Ref. No.	Part No.	Description	No. off	Mater. Spec.	Cl. of	Plate and Illust'n No.
					St. M.R.	
		1 2 3 4				
		RIB, UNDERCARRIAGE, OUTBOARD, PORT & STARBOARD (1 & 2F9967 or 181 & 182F9967) (Pre and Post Mod. 1106) (Cont'd)				
	7F9967	Panel, web, forward, outboard, port (Pre Mod. 1106)	1	-	MR	
	185F9967	Panel, web, forward, outboard, port (Mod. 1106)	1	-	MR	
	8F9967	Panel, web, forward, outboard, starboard . . (Pre Mod. 1106)	1	-	MR	
	186F9967	Panel, web, forward, outboard, starboard . . (Mod. 1106)	1	-	MR	
	9F9967	Panel, web, centre, outboard, port	1	-	MR	
	10F9967	Panel, web, centre, outboard, starboard	1	-	MR	
	11F9967	Panel, web, rear, outboard, port	1	-	MR	
	12F9967	Panel, web, rear, outboard, starboard	1	-	MR	
21783	186F9967	Piece, distance	1	-	MR/C	MC8/329
	277F8487	Plate, inspection	2	-		
	171F9967	PLATE, INSPECTION, PORT, GROUP . . . (Mod. 1300)	1	-	MR	
	172F9967	PLATE, INSPECTION, STARBOARD, GROUP (Mod. 1300)	1	-	MR	
		Attachments—Plates, Part Nos. 277F8487 & 271 & 272F9967				
28D/1013284	AS1248/2C	Bolt, mush. hd., 2 BA	QR	-	C	
28D/8142408	AS1248/3C	Bolt, mush. hd., 2 BA	QR	-	C	
28D/9133011	A25/2C	Bolt, 2 BA	QR	-	C	
28D/1200119	A25/4C	Bolt, 2 BA	QR	-	C	
	230F8487	Plate, reinforcing	2	-		MC8/330
	231F8487	Plate, reinforcing, port	1	-		MC8/331
	246F8487	Plate, reinforcing, starboard	1	-		MC8/332
	234F8487	Plate, reinforcing	2	-		MC8/333
	236F8487	Plate, reinforcing	1	-		MC8/334
	267F8487	Plate, joint, forward	1	-		MC8/335
	268F8487	Plate, joint, centre	1	-	MR	MC8/336
	269F8487	Plate, joint, rear	1	-	MR	MC8/337
28FP/13043	ISS3259	Plate, mod record	1	-	C	
		Attachments—Plate, Part No. ISS3259				
28G/8882822	A32/818	Screw, rd. hd., 4 BA	4	-	C	
28FP/13044	ISS3260	Plate, serial	1	-	C	
	38F8487	Stiffener	1	-		MC9/338
	40F8487	Stiffener	1	-	MR	MC9/339
	41F8487	Stiffener	1	-		MC9/340
	42F8487	Stiffener	1	-		MC9/341
	43F8487	Stiffener	1	-	MR	MC9/342

MAINPLANES
INNER MAINPLANES

Ref. No.	Part No.	Description	No. off	Matl. Spec.	Cl. of	Plate and Illust'n No.
					St.	
		1 2 3 4			M.R.	
		RIB, UNDERCARRIAGE, OUTBOARD, PORT & STARBOARD (1 & 2F9967 or 161 & 162F9967) (Pre and Post Mod. 1106) (Cont'd)				
	44FB487	Stiffener	1	—		MC9 343
	45FB487	Stiffener	1	—	MR	MC9 344
3805	46FB487	Stiffener, port	1	—	MR/C	MC9 345
	252FB487	Stiffener, starboard	1	—		MC9 346
	202FB487	Stiffener, port	1	—		MC9 347
	248FB487	Stiffener, starboard	1	—		MC9 348
21758	203FB487	Stiffener, port	1	—	MR/C	MC9 349
21780	249FB487	Stiffener, starboard	1	—	MR/C	MC9 350
21758	204FB487	Stiffener, port	1	—	MR/C	MC9 351
21781	250FB487	Stiffener, starboard	1	—	MR/C	MC9 352
	205FB487	Stiffener, port	1	—		MC9 353
	251FB487	Stiffener, starboard	1	—		MC9 354
	50FB487	Stiffener	1	—		MC9 355
	51FB487	Stiffener	1	—		MC9 356
	52FB487	Stiffener	1	—		MC9 357
	53FB487	Stiffener	1	—		MC9 358
	54FB487	Stiffener	1	—		MC9 359
	55FB487	Stiffener	1	—		MC9 360
	56FB487	Stiffener	1	—		MC9 361
21758	15F9967	Stiffener	1	—	MR/C	MC9 362
	58FB487	Stiffener	1	—		MC9 363
	59FB487	Stiffener	1	—		MC9 364
	60FB487	Stiffener	1	—		MC9 365
3822	61FB487	Stiffener	1	—	MR/C	MC9 366
3823	62FB487	Stiffener	1	—	MR/C	MC9 367
	63FB487	Stiffener	1	—		MC9 368
	64FB487	Stiffener	1	—		MC9 369
	65FB487	Stiffener	1	—		MC9 370
	66FB487	Stiffener	1	—		MC9 371
	67FB487	Stiffener	1	—		MC9 372
	68FB487	Stiffener	1	—		MC9 373
	69FB487	Stiffener	1	—		MC9 374
	70FB487	Stiffener	1	—		MC9 375
	71FB487	Stiffener	1	—		MC9 376
	72FB487	Stiffener	1	—		MC9 377
	73FB487	Stiffener	1	—		MC9 378
	74FB487	Stiffener	1	—		MC9 379
	75FB487	Stiffener	1	—		MC9 380
	76FB487	Stiffener	1	—		MC9 381
	77FB487	Stiffener	1	—		MC9 382
	78FB487	Stiffener	1	—		MC9 383
	79FB487	Stiffener	1	—		MC9 384
	80FB487	Stiffener	1	—		MC9 385
	81FB487	Stiffener	1	—		MC9 386
	242FB487	Stiffener	1	—	MR	MC9 387
	82FB487	Stiffener	1	—		MC9 388

VULCAN No. 2

MAINPLANES
INNER MAINPLANES

Page MC. 29

Ref. No.	Part No.	Description				No. off	Manf. Spec.	Cl. of St.	Place and Illust'n No.
		1	2	3	4			M.R.	
		RIB, UNDERCARRIAGE, OUTBOARD, PORT & STARBOARD (1 & 2FPM7) or 161 & 162FPM7) (Pre and Post Mod. 1186) (Cont'd)							
	171F8487	STIFFENER, PORT, GROUP				1	—		MC9/389
	172F8487	STIFFENER, STARBOARD, GROUP				1	—		MC9/390
	17F8487	Strap, butt, for web, forward joint, inboard				1	—		MC9/391
	18F8487	Strap, butt, for web, rear joint, inboard				1	—		MC8/392
	13F9967	Strap, butt, for web, forward joint, outboard				1	—	MR	MC8/393
	167F9967	Strap, butt, for web, centre joint, outboard				1	—	MR	MC8/394
	19F8487	Strap, butt, for web, rear joint, outboard				1	—	MR	MC8/395
5571	273F8487	Strap, joint				1	—	MR/C	MC8/396
	274F8487	Strap, joint				1	—	MR	MC8/397
	275F8487	Strap, joint				1	—	MR	MC8/398
13651	1Z10516	STRUT, STABILIZING, GROUP				1	—		MC8/399
		Spares for:—							
	4Z10516	Fork-end				1	—		MC8/400
	9R3666	Nut, lock				1	—	MR	MC8/401
	133F8487	Washer, saddle				AR	—		
		Attachment of Outboard U/C Rib to Front and Rear Spar, Top and Bottom, port and starboard (F9701)							
		Consisting of:—							
	A59/BL	Bolt, $\frac{1}{2}$ " BSF				8	—		MC7/402
28D/1213678	A59/PN	Bolt, $\frac{1}{2}$ " BSF				2	—	C	MC7/403
28D/20184	A59/71	Bolt, $\frac{1}{2}$ " BSF				4	—	C	MC7/404
28D/1213447	A59/61	Bolt, $\frac{1}{2}$ " BSF				4	—	C	MC7/405
28D/1213448	A59/51	Bolt, $\frac{1}{2}$ " BSF				4	—	C	MC7/406
28M/4085408	A24/LC	Nut, castellated, $\frac{1}{2}$ " BSF				8	—	C	
28M/4188653	A24/NC	Nut, castellated, $\frac{1}{2}$ " BSF				2	—	C	
28M/4085840	A24/JC	Nut, castellated, $\frac{1}{2}$ " BSF				12	—	C	
28P/9527619	SP90/C7	Pin, split, $\frac{1}{8}$ " dia				12	—	C	
28P/1202572	SP90/E9	Pin, split, $\frac{1}{8}$ " dia				10	—	C	
	21F7698	Washer, special				8	—		MC7/407
	15K2702	Washer, special				2	—	MR	MC7/408
	17F7584	Washer, special				4	—		MC7/409
28W/9419467	SP13/L	Washer, $\frac{1}{2}$ "				8	—	C	
28W/9419468	SP13/N	Washer, $\frac{1}{2}$ "				2	—	C	
28W/9419466	SP13/J	Washer, $\frac{1}{2}$ "				12	—	C	
28W/9419489	SP16/J	Washer, $\frac{1}{2}$ "				8	—	C	

MAINPLANES
INNER MAINPLANES

Ref. No.	Part No.	Description	No. off	Mater. Spec.	Cl. of	Plate and Illust'n No.
					Se. M.R.	
		1 2 3 4				
		MAINPLANE, INNER PORTION, PORT AND STARBOARD, GROUP (21, 22, 157 & 158F0701) (Mod 1106 & 2129) (Cont'd)				
	62F10168	RIB, HINGE, 212.5, MAIN UNDER-CARRIAGE DOOR, PORT, GROUP	1	-	MR	MC10/410
	63F10168	RIB, HINGE, 212.5, MAIN UNDER-CARRIAGE DOOR, STARBOARD, GROUP	1	-	MR	MC10/411
		Spares for:-				
	252F8640	Angle, seal attachment, port	1	L72	MR	MC10/412
	253F8640	Angle, seal attachment, starboard	1	L72	MR	MC10/413
	255F8640	Angle, seal attachment, port	1	L72	MR	MC10/414
	254F8640	Angle, seal attachment, starboard	1	L72	MR	MC10/415
	257F8640	Angle, seal attachment, port	1	L72	MR	MC10/416
17504	256F8640	Angle, seal attachment, starboard	1	L72	MR/C	MC10/417
	259F8640	Angle, seal attachment, port	1	L72	MR	MC10/418
	258F8640	Angle, seal attachment, starboard	1	L72	MR	MC10/419
10185	261F8640	Angle, seal attachment, port	1	L72	MR	MC10/420
	260F8640	Angle, seal attachment, starboard	1	L72	MR/C	MC10/421
	131F8640	Block, packing, LH datum hinge	1	BSS888	MR	MC10/422
	132F8640	Block, packing, RH datum hinge	1	BSS888	MR	MC10/423
	6F8640	Boom, bottom, port	1	L72		MC10/424
	6F8640	Boom, bottom, starboard	1	L72	MR	MC10/425
	15F10168	BOOM, TOP, PORT, GROUP	1	-	MR	MC10/426
	16F10168	BOOM, TOP, STARBOARD, GROUP	1	-	MR	MC10/427
	7F8640	Boom, forward, port	1	L72	MR	MC10/428
	8F8640	Boom, forward, starboard	1	L72	MR	MC10/429
	9F8640	Boom, rear, port	1	L72	MR	MC10/430
	10F8640	Boom, rear, starboard	1	L72		MC10/431
	170F8640	BRACKET, FOR FUEL COCKS, PORT, GROUP	1	-	MR	MC10/432
	173F8640	BRACKET, FOR FUEL COCKS, STARBOARD, GROUP	1	-	MR	MC10/433
	235F8640	BRACKET UNDERCARRIAGE DOOR, FORWARD HINGE, PORT, GROUP	1	-		MC10/434
3741	236F8640	BRACKET, UNDERCARRIAGE DOOR, FORWARD HINGE, STB'D, GROUP	1	-	MR/C	MC10/435
		Spares for:-				
	113F8640	Bracket, channel, port	1	-	MR	MC10/436
13580	114F8640	Bracket, channel, starboard	1	-	MR/C	MC10/437
	116F8640	BRACKET, HINGE, GROUP	1	-		
		Attachments-Bracket, Part Nos 235 & 236F8640				
28D/9133011	A25/2C	Bolt, 2 BA	2	-	C	
28D/9133012	A25/3C	Bolt, 2 BA	8	-	C	
28D/1012986	A25/22C	Bolt, 2 BA	2	-	C	
28M/1012015	AGS2001/C1/86	Nut, stiff, 2 BA	12	-	C	
	114F8073	Tube, distance	4	T36		
28W/8419404	8P16/C	Washer, 2 BA	2	-	C	
	122F8640	Washer, special	10	L72		

WACOM Vol. 2

MAINPLANES
INNER MAINPLANES

Page MC. 31

Ref. No.	Part No.	Description	No. off	Mtrl. Spec.	Cl. of	Plate and Illust'n No.
					St. M.R.	
		1 2 3 4				
		RIB, HINGE, 212.5, MAIN UNDER-CARRIAGE DOOR, PORT AND STARBOARD, GROUP (82 & 83F10108) (Cont'd)				
	241F8640	BRACKET, UNDERCARRIAGE DOOR, ... DATUM HINGE, PORT, GROUP	1	-		MC10/438
	242F8640	BRACKET, UNDERCARRIAGE DOOR, ... DATUM HINGE, STARBOARD, GROUP	1	-	MR	MC10/439
	221F8640	Spares for:- HINGE, DATUM, GROUP	1	-	MR	MC10/440
13581	223F8640	Spares for:- Bracket, channel Attachments-Bracket, Part Nos. 241 and 242F8640	1	-	MR/C	MC10/441
	4SS4353	Bolt, csk. hd.	2	-	MR	
28D/9133011	A25/2C	Bolt, 2 BA	8	-	C	
28D/9133012	A25/3C	Bolt, 2 BA	4	-	C	
28D/1011022	A25/18C	Bolt, 2 BA	4	-	C	
28D/1012996	A25/22C	Bolt, 2 BA	2	-	C	
28D/1212604	A25/33E	Bolt, 1/4" BSF	2	-	C	
28M/1072016	AGS2001/C1/68	Nut, stiff, 2 BA	20	-	C	
28M/9480017	AGS2001/E1/68	Nut, stiff, 1/4" BSF	2	-	C	
	86F8073	Tube, distance, 3/8" o/d x 17G x .92" long	4	T36		
	114F8073	Tube, distance, 5/16" o/d x 17G x .92" long	4	T36		
	135F8640	Tube, distance, 5/16" o/d x 17G x 1.4" long	4	T36		
28W/9419404	SP18/C	Washer, 2 BA	20	-	C	
28W/9418921	SP13/E	Washer, 1/4"	2	-	C	
	133F8640	Washer, special	8	-		
	136F8640	Washer, special	2	-		
	237F8640	BRACKET, UNDERCARRIAGE DOOR, ... REAR CENTRE HINGE, PORT, GROUP	1	-		MC10/442
	238F8640	BRACKET, UNDERCARRIAGE DOOR, ... REAR CENTRE HINGE, STARBOARD, GROUP	1	-		MC10/443
13582	145F8640	Spares for:- Bracket, channel	1	-	MR/C	MC10/444
	146F8640	BRACKET, HINGE, GROUP Attachments-Bracket, Part Nos. 237 and 238F8640	1	-	MR	MC10/445
28D/9133011	A25/2C	Bolt, 2 BA	8	-	C	
28D/1012996	A25/22C	Bolt, 2 BA	2	-	C	
	4SS4353	Bolt, csk. hd.	2	-	MR	
28M/1012015	AGS2001/C1/68	Nut, stiff, 2 BA	12	-	C	
	114F8640	Tube, distance	4	-	C	
28W/9419404	SP18/C	Washer, 2 BA	2	-	C	
	133F8640	Washer, special	10	-		

MAINPLANES
INNER MAINPLANES

Ref. No.	Part No.	Description	No. off	Metl. Spec.	Cl. of	Plate and Illust'n No.
					St. H.R.	
		1 2 3 4				
		RIB, HINGE, 212 B, MAIN UNDER-CARRIAGE DOOR, PORT AND STARBOARD, GROUP (B2 & B3F10168) (Cont'd)				
	238F8640	BRACKET, UNDERCARRIAGE DOOR, REAR HINGE, PORT, GROUP	1	-		MC10/446
	240F8640	BRACKET, UNDERCARRIAGE DOOR, REAR HING, STB'D., GROUP	1	-	MR	MC10/447
	157F8640	Spares for:- Bracket, channel, port	1	-	MR	MC10/448
13583	158F8640	Bracket, channel, starboard	1	-	MR/C	MC10/449
	154F8640	BRACKET, HINGE, GROUP	1	-	MR	MC10/450
		Attachments—Bracket, Part Nos. 238 and 240F8640				
28D/9133011	A25/2C	Bolt, 2 BA	2	-	C	
28D/9133012	A25/3C	Bolt, 2 BA	8	-	C	
28D/1012995	A25/22C	Bolt, 2 BA	1	-	C	
28M/1012015	AGS2001/C1/66	Nut, stiff, 2 BA	11	-	C	
	114F8073	Tube, distance	2	T36		
28W/9419404	BP16/C	Washer, 2 BA	2	-	C	
	133F8640	Washer, special	9	-		
10124	191F8640	Eyebolt	1	-	MR/C	MC10/451
		Attachments—Eyebolt, Part No. 191F8640				
28M/4095808	AGS2001/J/1	Nut, stiff, 3/8" BSF	1	-	C	
	192F8640	Tube, distance	2	-	MR	
	193F8640	Washer, special	1	-	MR	
	248F8640	PANEL, ACCESS, BOTTOM HALF, PORT, GROUP	1	-	MR	MC10/452
	249F8640	PANEL, ACCESS, BOTTOM HALF, STARBOARD, GROUP	1	-	MR	MC10/453
	250F8640	PANEL, ACCESS, TOP HALF, PORT, GROUP	1	-	MR	MC10/454
	251F8640	PANEL, ACCESS, TOP HALF, STARBOARD, GROUP	1	-	MR	MC10/455
	43F10168	PANEL, ACCESS, CENTRE, PORT, GROUP	1	-	MR	MC10/456
	44F10168	PANEL, ACCESS, CENTRE, STARBOARD, GROUP	1	-	MR	MC10/457
1432818	45F10168	PANEL, ACCESS, CENTRE, PORT, GROUP	1	-	MR/C	MC10/458
1432808	46F10168	PANEL, ACCESS, CENTRE, STARBOARD, GROUP	1	-	MR/C	MC10/459
1432819	47F10168	PANEL, ACCESS, PORT, GROUP	1	-	MR/C	MC10/460
1432820	48F10168	PANEL, ACCESS, STARBOARD, GROUP	1	-	MR/C	MC10/461
	271F8640	Panel, access	1	-	MR	MC10/462

VULCAN No. 2

MAINPLANES
INNER MAINPLANES

Page MC. 33

Ref. No.	Part No.	Description	No. off	Mater. Spec.	Cl. of	Place and Illust'n No.
					St.	
		1 2 3 4			M.R.	
		RIB, HINGE, 212-5, MAIN U/C, DOOR, PORT AND STARBOARD, GROUP (42 & 63F10168) (Cont'd)				
		Attachments—Access Panels, Part Nos. 248, 249, 250, 251 & 271F8640, 43, 44, 45, 46, 47 & 48F10168				
28D/1007982	ISS5306	Bolt, special ...	72	—	MR	
	AS1248/1C	Bolt, mush. hd. 2 BA ...	8	—	C	
	121F8640	Pin, hinge, forward ...	1	S96	MR	MC10/463
	143F8640	Pin, hinge, datum ...	1	S96	MR	MC10/464
26FP/13043	165F8640	Pin, hinge, rear centre and rear ...	2	S96	MR	MC10/465
	ISS3259	Plate, mod record ...	1	—	C	
		Attachments—Plate, Part No. ISS3260				
28S/9992525	A32/B12	Screw, rd. hd. 4 BA ...	4	—	C	
26FP/13044	ISS3260	Plate, serial ...	1	—	C	
	57F8640	Plate, gusset, bottom, rear ...	2	L72		MC10/466
	59F8640	Plate, gusset, bottom, front, port ...	1	L72		MC10/467
	60F8640	Plate, gusset, bottom, front, starboard ...	1	L72		MC10/468
	77F8640	Seal (Make from ISS4143 - 9 1/2" long. Ref. No. 26DC/3746)	1	—		MC10/469
	78F8640	Seal (Make from ISS4143 - 16-9" long. Ref. No. 26DC/3746)	1	—		MC10/470
	79F8640	Seal (Make from ISS4143 - 16-75" long. Ref. No. 26DC/3746)	1	—		MC10/471
	80F8640	Seal (Make from ISS4143 - 9" long. Ref. No. 26DC/3746)	1	—		MC10/472
		Attachments—Seal, Part No. 77, 78, 79 & 80F8640				
28D/1218385	AS1248/2B	Bolt, mush. hd. 2 BA ...	25	—	C	
12103	213F8640	Strap, joint, port ...	1	—	MR/C	MC10/473
	214F8640	Strap, joint, starboard ...	1	—	MR	MC10/474
	22F10168	Strap, joint, port ...	1	—	MR	MC10/475
	23F10168	Strap, joint, starboard ...	1	—	MR	MC10/476
	141F8640	Washer, packing ...	1	—	MR	
	142F8640	Washer, packing ...	1	—	MR	
		ATTACHMENT OF UNDER-CARRIAGE DOOR HINGE RIB 212-5, TO FRONT SPAR AND MAIN UNDER-CARRIAGE RIB (F8639)				
		Spares for :—				
	7F8470	Angle, rib attachment, bottom, port ...	1	L72		MC10/477
	8F8470	Angle, rib attachment, bottom, starboard ...	1	L72		MC10/478
	7F8639	Angle, top attachment, port ...	1	L40	MR	MC10/479

MAINPLANES
INNER MAINPLANES

Ref. No.	Part No.	Description	No. off	Matl. Spec.	Cl. of	Plate and Illust'n No.
					St. M.R.	
		1 2 3 4				
		ATTACHMENT OF U/C DOOR HINGE RIB 212.5, TO FRONT SPAR AND MAIN U/C RIB (F8630) (Cont'd)				
	8F8630	Angle, top attachment, starboard	1	L40		MC10/480
	9F8630	Angle, top attachment, port	1	DTD364B	MR	MC10/481
	10F8630	Angle, top attachment, starboard	1	DTD364B	MR	MC10/482
		Attachments—Angles, Part Nos. 7, 8, 9 & 10F8630				
28D/9133012	A25/3C	Bolt, 2 BA	2	—	C	
28D/9133011	A25/2C	Bolt, 2 BA	4	—	C	
28D/1213750	A30/4G	Bolt, 5/16" BSF	1	—	C	
28M/1012015	AGS2001C1/88	Nut, stiff, 2 BA	8	—	C	
	14F8630	Plats, locking	1	—	MR	
28W/9419402	SP13/C	Washer, 2 BA	6	—	C	
	17F8630	Angle, attachment, rear top, port	1	L72		MC10/483
	18F8630	Angle, attachment, rear top, stbd.	1	L72	MR	MC10/484
	19F8630	Angle, attachment, rear bottom, port	1	L72		MC10/485
	20F8630	Angle, attachment, rear bottom, starboard	1	L72		MC10/486
	3F8630	Bracket, rib attachment, inboard, front, ... port	1	DTD130	MR	MC10/487
	4F8630	Bracket, rib attachment, inboard, front ... starboard	1	DTD130	MR	MC10/488
	5F8630	Bracket, rib attachment, outboard, front, ... port	1	DTD130	MR	MC10/489
	6F8630	Bracket, rib attachment, outboard, front, ... starboard	1	DTD130	MR	MC10/490
		Attachments—Brackets, Part Nos. 3, 4, 5 & 6F8630				
28D/1011238	A25/3E	Bolt, 1/4" BSF	4	—	C	
28D/1213414	A30/24G	Bolt, 5/16" BSF	1	—	C	
28D/1213410	A30/20G	Bolt, 5/16" BSF	1	—	C	
28M/9480017	AGS2001/E/1	Nut, stiff, 1/4" BSF	4	—	C	
28M/5806571	A27/GS	Nut, slotted, 5/16" BSF	2	—	C	
28P/8627819	SP90/C7	Pin, split, 1/16" dia.	2	—	C	
28W/9418921	SP13/E	Washer, 1/4"	2	—	C	
28W/9419467	SP15/E	Washer, 1/4"	2	—	C	
28W/9419403	SP13/G	Washer, 5/16"	2	—	C	
	12F8630	Washer, special	1	—	MR	
		RIB, COMBINED ELEVATOR AND AILERON HINGE, 818.188 (TRANSPORT RIB) PORT AND STARBOARD (1 & 2F9821)				MC10/481
		Spares for:—				
	31F9821	Angle, tank, lower, forward No. 5 tank, ... port	1	L72	MR	
	32F9821	Angle, tank, lower, forward No. 5 tank, ... starboard	1	L72	MR	

MAINPLANES
INNER MAINPLANES

Ref. No.	Part No.	Description	No. off	Matl. Spec.	Cl. of	Place and Illust'n No.
					St.	
		1 2 3 4			M.R.	
RIB, COMBINED ELEVATOR AND AILERON HINGE 618-186 (TRANSPORT RIB) PORT AND STARBOARD, (1 & 2F9821) (Cont'd)						
	33F9821	Angle, tank, upper, No. 5 tank, port ...	1	L72	MR	
	34F9821	Angle, tank, upper, No. 5 tank, starboard	1	L72	MR	
	35F9821	Angle, tank, lower, aft No. 5 tank, port	1	L72	MR	
	36F9821	Angle, tank, lower, aft No. 5 tank, starboard	1	L72	MR	
	37F9821	Angle, tank, upper No. 7 tank, port ...	1	L72	MR	
	38F9821	Angle, tank, upper No. 7 tank, starboard	1	L72	MR	
	39F9821	Angle, tank, lower, forward No. 7 tank, port	1	L72	MR	
	40F9821	Angle, tank, lower, forward No. 7 tank, starboard	1	L72	MR	
	41F9821	Angle, tank, lower, aft No. 7 tank, port	1	L72	MR	MC11/492
	42F9821	Angle, tank, lower, aft No. 7 tank, starboard	1	L72	MR	MC11/493
	51F9821	Angle, attachment, forward, bottom boom, outboard, port	1	L72	MR	
	52F9821	Angle, attachment, forward, bottom boom, outboard, starboard	1	L72	MR	
	61F9821	Angle, attachment, centre No. 5 tank bottom boom, inboard and outboard	8	L72	MR	
	62F9821	Angle, attachment, centre, bottom boom, outboard, port	1	L72	MR	
	63F9821	Angle, attachment, centre, bottom boom, outboard, starboard	1	L72	MR	
	74F9821	Angle, attachment, centre, bottom boom, outboard, port	1	L72	MR	
	75F9821	Angle, attachment, centre, bottom boom, outboard, starboard	1	L72	MR	
	102F9821	Angle, attachment, centre, bottom boom, outboard, port	1	L72	MR	
	103F9821	Angle, attachment, centre, bottom boom, outboard, starboard	1	L72	MR	
	57F9821	Angle, attachment, aft, bottom boom, outboard, port	1	L72	MR	
	58F9821	Angle, attachment, aft, bottom boom, outboard, starboard	1	L72	MR	
	101F9821	Block, lifting	2	S96	MR	

MAINPLANES
INNER MAINPLANES

Ref. No.	Part No.	Description				No. off	Matl. Spec.	Cl. of	Plate and Illust'n No.
		1	2	3	4			St.	
		RIB, COMBINED ELEVATOR AND AILERON HINGE 618-106 (TRANSPORT RIB) PORT AND STARBOARD (1 & 2F9821) (Cont'd)							
		Attachments—Lifting Block, Part No. 101F9821							
28D/9434873	A59/17E					5	—	C	
28D-1213506	A58/18E					3	—	C	
28M 9400017	AGS2001/E1/08					8	—	C	
28W/9419487	SPF6;E					5	—	C	
28W/9418921	SP13;E					3	—	C	
	ISS4665					8	—	C	
	7F9821					1	DTD364B	MR	
	8F9821					1	DTD364B	MR	
	9F9821					1	DTD364B	MR	
	10F9821					1	DTD364B	MR	
	109F9821					1	—	MR	
	110F9821					1	—	MR	
	105F9821					1	L72	MR	
26FP/13043	ISS3259					1	—	C	
		Attachments—Plate, Part No. ISS3259							
						4	—	C	
						4	—	C	
						1	—	C	
28D 1007979	A51246/1B					1	L72	MR	
28W 9419465	SP13;B					1	L72	MR	
26FP 13044	ISS3260					1	—	C	
	15F9821					1	L72	MR	
	16F9821					1	L72	MR	
	17F9821					1	L72	MR	
	18F9821					1	L72	MR	
	19F9821					1	L72	MR	
	20F9821					1	L72	MR	
	21F9821					1	L72	MR	
	22F9821					1	L72	MR	
	23F9821					1	L72	MR	
	24F9821					1	L72	MR	
	25F9821					1	L72	MR	
	26F9821					1	L72	MR	
	27F9821					1	L72	MR	
	28F9821					1	L72	MR	
	29F9821					1	L72	MR	
	56F7584					1	L72	MR	
	57F7584					1	L72	MR	
	104F9821					1	L72	MR	
	58F7584					1	L72	MR	
	59F7584					1	L72	MR	

VULCAN No. 2

MAINPLANES
INNER MAINPLANES

Page MC. 37

Ref. No.	Part No.	Description	No. off	Mati. Spec.	Cl. of	Plate and Illust'n No.
					St.	
		1 2 3 4			M.R.	
		RIB, COMBINED ELEVATOR AND AILERON HINGE 618-186 (TRANSPORT RIB) PORT AND STARBOARD (1 & 2F9821) (Cont'd)				
	7F8686	Strip, joint, aft. No. 7 tank angles ...	1	L72	MR	
	8F8686	Strip, joint, aft. No. 7, tank angles ...	1	L72	MR	
	3F9821	WEB, INBOARD, PORT, GROUP ..	1	—	MR	
	4F9821	WEB, INBOARD, STARBOARD, GROUP	1	—	MR	
	5F9821	WEB, OUTBOARD, PORT, GROUP	1	—	MR	
	6F9821	WEB, OUTBOARD, STARBOARD, GROUP	1	—	MR	
		Attachments of Elevator and Aileron Hinge Rib to front and rear spar, top and bottom, Port and Starboard (1 and 2F9821) Consisting of :—				
28D/1213406	A59/5G	Bolt, $\frac{3}{8}$ " BSF	11	—	C	
28D/1213407	A59/6G	Bolt, $\frac{3}{8}$ " BSF	1	—	C	
	100F9821	Bolt, special	1	—		
	69F9821	Bolt, special	4	—		
	70F9821	Bolt, special	4	—		
	71F9821	Bolt, special	4	—		
	72F9821	Bolt, special	3	—		
28M/5808571	A27/GS	Nut, slotted, $\frac{3}{8}$ " BSF	12	—	C	
28M/4138835	A27/LC	Nut, castellated, $\frac{3}{8}$ " BSF	5	—	C	
28M/9128448	A27/L5	Nut, slotted, $\frac{3}{8}$ " BSF	11	—	C	
28P/9527819	SP90/C7	Pin, split, $\frac{1}{8}$ " dia.	12	—	C	
28P/1202572	SP90/E9	Pin, split, $\frac{1}{8}$ " dia.	16	—	C	
28W/9419483	SP13/G	Washer, $\frac{3}{8}$ "	12	—	C	
28W/9419476	SP15/G	Washer, $\frac{3}{8}$ "	12	—	C	
28W/9419467	SP13/L	Washer, $\frac{3}{8}$ "	8	—	C	
28W/9419488	SP16/L	Washer, $\frac{3}{8}$ "	8	—	C	
	68F9821	Washer, special	16	—		
		RIB, HINGE, CENTRE ELEVATOR, 478-186, PORT AND STARBOARD (1 & 2F9977)				MC11/494
		Spares for :—				
22676	15F7574	Angle, tank, outboard, top port, bottom starboard, No. 5 tank	1	L72	MR/C	MC11/495
	17F7574	Angle, tank, outboard, bottom port, top starboard, No. 5 tank	1	L72	MR	
	5F8676	Angle, tank, outboard, bottom port, top starboard, No. 7 tank	1	L72	MR	
	6F8676	Angle, tank, outboard, top port, bottom starboard, No. 7 tank	1	L72	MR	
	23F7574	Angle, tank, inboard, port, top, No. 3 tank	1	L72	MR	
	25F7574	Angle, tank, inboard, top starboard, No. 3 tank	1	L72	MR	
	107F7574	Angle, tank, lower, inboard, forward No. 3 tank, port	1	—		

MAINPLANES
INNER MAINPLANES

Ref. No.	Part No.	Description	No. off	Matl. Spec.	Cl. of	Plate and Illust'n No.
					St. M.R.	
		1 2 3 4				
		RIB, HINGE, CENTRE ELEVATOR, 472-186, PORT AND STARBOARD (1 & 2F9977) (Cont'd)				
	100F7574	Angle, tank, lower, inboard, forward No. 3 tank, starboard	1	L72	MR	
	109F7574	Angle, tank, lower, inboard, aft No. 3 tank, port	1	L72	MR	
	110F7574	Angle, tank, lower, inboard, aft No. 3 tank, starboard	1	L72	MR	
	27F7574	Angle, tank, upper, inboard No. 4 tank, port	1	L72	MR	
	29F7574	Angle, tank, upper, inboard, No. 4 tank, starboard	1	L72	MR	
	111F7574	Angle, tank, lower, inboard, forward No. 4 tank, port	1	L72	MR	
	112F7574	Angle, tank, lower, inboard, forward No. 4 tank, starboard	1	L72	MR	MC11/496
	113F7574	Angle, tank, lower, inboard, aft No. 4 tank, port	1	L72	MR	
	114F7574	Angle, tank, lower, inboard, aft No. 4 tank, starboard	1	L72	MR	
	13F8676	Angle, tank, upper, inboard, No. 6 tank, port	1	L72	MR	
	14F8676	Angle, tank, upper, inboard, No. 6 tank, starboard	1	L72	MR	
	115F7574	Angle, tank, lower, inboard, forward No. 6 tank, port	1	L72	MR	
	116F7574	Angle, tank, lower, inboard, forward No. 6 tank, starboard	1	L72	MR	
	15F8676	Angle, tank, lower inboard, aft No. 6 tank, port	1	L72	MR	
	16F8676	Angle, tank, lower, inboard, aft No. 6 tank, starboard	1	L72	MR	
	21F9977	BOOM, TOP, PORT, GROUP	1	—	MR	
	23F9977	BOOM, TOP, STARBOARD, GROUP	1	—	MR	
		Spares for —				
	3F9977	Boom, port	1	DTD364B	MR	
	5F9977	Boom, starboard	1	DTD364B	MR	
	16F9977	Boom, reinforcing, inboard port, out- board starboard	1	DTD364B	MR	
	17F9977	Boom, reinforcing, outboard port, inboard starboard	1	DTD364B	MR	
	22F9977	BOOM, BOTTOM, PORT, GROUP	1	—	MR	
	24F9977	BOOM, BOTTOM, STARBOARD, GROUP	1	—	MR	
		Spares for :—				
	4F9977	Boom, port	1	DTD364B	MR	
	6F9977	Boom, starboard	1	DTD364B	MR	
	18F9977	Boom, reinforcing, inboard port, out- board, starboard	1	DTD364B	MR	
	19F9977	Boom, reinforcing, outboard port, inboard starboard	1	DTD364B	MR	

VULCAN No. 3

MAINPLANES
INNER MAINPLANES

Page MC. 39

Ref. No.	Part No.	Description	No. off	Mater. Spec.	Cl. of	Plate and Illust'n No.
					St. M.R.	
		1 2 3 4				
26FP/13043	1SS3259	RIB. HINGE, CENTRE ELEVATOR, 47B.186, PORT AND STARBOARD (1 & 2F9977) (Cont'd)				
		Plate, mod record	1	-	C	
		Attachments—Plate, Part No. 1SS3259				
28D/9137408	AS1248/ 1/2B	Bolt, rd. hd. 4 BA	4	-	C	
28W/9419485	SP13/B	Washer, 4 BA	4	-	C	
26FP/13044	ISS3260	Plate, serial	1	-	C	
	BF7574	Plate, cover	2	L72	MR	
		Attachments—Cover Plate, Part No. 8F7574				
28D/9438920	A25/1C	Bolt, 2 BA	8	-	C	
28W/9419402	SP13/C	Washer, 2 BA	8	-	C	
	53F7574	Stiffener, vertical	1	L72	MR	
	54F7574	Stiffener, vertical	1	L72	MR	
	55F7574	Stiffener, vertical	1	L72	MR	
	56F7574	Stiffener, vertical	1	L72	MR	
	57F7574	Stiffener, vertical	1	L72	MR	
	58F7574	Stiffener, vertical	1	L72	MR	
	59F7574	Stiffener, vertical	1	L72	MR	
	60F7574	Stiffener, vertical	1	L72	MR	
	61F7574	Stiffener, vertical	1	L72	MR	
	62F7574	Stiffener, vertical	1	L72	MR	
	63F7574	Stiffener, vertical	1	L72	MR	
	64F7574	Stiffener, vertical	1	L72	MR	
	65F7574	Stiffener, vertical	1	L72	MR	
	66F7574	Stiffener, vertical	1	L72	MR	
	67F7574	Stiffener, vertical	1	L72	MR	
	68F7574	Stiffener, vertical	1	L72	MR	
	69F7574	Stiffener, vertical	1	L72	MR	
	70F7574	Stiffener, vertical	1	L72	MR	
	71F7574	Stiffener, vertical	1	L72	MR	
	72F7574	Stiffener, vertical	1	L72	MR	
	73F7574	Stiffener, vertical	1	L72	MR	
	74F7574	Stiffener, vertical	1	L72	MR	
	75F7574	Stiffener, vertical	1	L72	MR	
	76F7574	Stiffener, vertical	1	L72	MR	
	77F7574	Stiffener, vertical	1	L72	MR	
	78F7574	Stiffener, vertical	1	L72	MR	
	79F7574	Stiffener, vertical	1	L72	MR	
	45F7574	Strap, joint, inboard web	1	L72	MR	
	46F7574	Strap, joint outboard web	1	L72	MR	
	182F8872					
	or					
	96F7574	Strip, angle joint, outboard, forward No. 5 tank	1	L72	MR	
	97F7574					
	or					
	98F7574	Strip, angle joint, outboard, aft No. 5 tank	1	L72	MR	

MAINPLANES
INNER MAINPLANES

Ref. No.	Part No.	Description	No. off	Matl. Spec	Cl of St.	Plate and Illust'n No.
					M.R.	
		1 2 3 4				
		RIB, HINGE, CENTRE ELEVATOR, 478.186, PORT AND STARBOARD (1 & 2F9977) (Cont'd)				
	104F7574 or 163F8676	Strip, angle joint, outboard, forward No. 7 tank	1	L72	MR	MC11/487
	11F8676	Strip, angle joint, outboard, aft No. 7 tank	1	L72	MR	
	12F8676	Strip, angle joint, outboard, aft No. 7 tank	1	L72	MR	
	99F7574 or 100F7574	Strip, angle joint, inboard, forward No. 3 tank	1	L72	MR	
	59F9977 101F7574 or 102F7574	Strip, angle, joint, inboard, aft No. 3 tank	1	L72	MR	
22678	105F7574 or 108F7574	Strip, angle joint, inboard No. 4 tank	2	L72	C	MC11/496
	17F8676	Strip, angle joint, inboard, forward No. 6 tank	1	L72	MR	
	18F8676	Strip, angle joint, inboard, aft No. 6 tank	1	L72	MR	
	11F9977	WEB, FORWARD, OUTBOARD, PORT, GROUP	1	—	MR	
	12F9977	WEB, FORWARD, OUTBOARD, STARBOARD, GROUP	1	—	MR	
	13F9977	Web, forward, inboard	1	DTD887	MR	
	25F9977	Web, rear, inboard	1	DTD887	MR	
	15F9977	Web, rear, outboard	1	DTD887	MR	
		Attachment of centre Elevator hinge rib to front and rear spar, top and bottom, port and starboard (1 & 2F9977) Consisting of:—				
28D/1215882	A59/3E	Bolt, 1/4" BSF	12	—	C	MC11/499
	8F9071	Bolt, special	2	—	MR	MC11/500
	9F9701	Bolt, special	2	—	MR	MC11/501
	10F9701	Bolt, special	4	—	MR	MC11/502
	11F9701	Bolt, special	6	—	MR	MC11/503
	23F9701	Bolt, special	2	—	MR	MC11/504
	24F9701	Bolt, special	2	—	MR	MC11/505
28M/1011476	A27/EP	Nut, 1/4" BSF	12	—	C	
	14F9701	Nut, special	9	—	MR	MC11/506
	15F9701	Nut, special	9	—	MR	MC11/507
28W/7000382	SP14/E	Washer, 1/4"	12	—	C	
28W/9419406	SP15/E	Washer, 1/4"	12	—	C	
28W/9419482	SP16/P	Washer, 9/16"	18	—	C	
	46F7564	Washer, special	18	—	MR	MC11/508

WALCON No. 3		MAINPLANES		Page MC. 41		
		INNER MAINPLANES				
Ref. No.	Part No.	Description	No. off	Matl. Spec.	Cl. of	Plate and Illust'n No.
					St. M.R.	
		1 2 3 4				
		MAINPLANE, INNER PORTION, PORT AND STARBOARD, GROUP (21, 22, 157 & 158F9701) (Mod. 1105 & 2129) (Cont'd)				
		RIB, TANK, INNER, 352.186, PORT AND STARBOARD (1 & 2F9968) (Pre Mod. 1105)	-	-		MC12/509
		RIB, TANK, INNER, 352.186, PORT AND STARBOARD (13 & 14F9968) (Mod. 1105) S.O.D.	-	-		
		Spares for: -				
	8F7565	Angle, tank, top port, bottom starboard, No. 3 tank	1	L72	MR	MC12/510
	9F7565	Angle, tank, bottom port, top starboard, No. 3 tank	1	L72	MR	MC12/511
	10F7565	Angle, tank, top port, bottom starboard, No. 4 tank	1	L72	MR	MC12/512
	11F7565	Angle, tank, bottom port, top starboard, No. 4 tank	1	L72	MR	MC12/513
	17F7565	Angle, tank, top port, bottom starboard, No. 6 tank	1	L72	MR	MC12/514
	18F7565	Angle, tank, bottom port, top starboard, No. 6 tank	1	L72	MR	MC12/515
	6F7565	Boom, top, port	1	L72	MR	MC12/516
	98F7565	Boom, top, starboard	1	L72	MR	MC12/517
	7F7565	Boom, bottom, port	1	L72	MR	MC12/518
	99F7565	Boom, bottom, starboard	1	L72	MR	MC12/519
	2F8689	Housing, tie rod, top, port	1	L65	MR	
	1F8689	Housing, tie rod, top, starboard	1	L65	MR	
1510383	3F8689	Housing, tie rod, bottom, port	1	L65	MR	
	4F8689	Housing, tie rod, bottom, starboard	1	L65	MR	
		Attachments- Housing, Part Nos. 1, 2, 3 & 4F8689				
28D/9133011	A25/2C	Bolt, 2 BA	2	-	C	
28D/9133012	A25/3C	Bolt, 2 BA	2	-	C	
28M/1012015	AGS2001/C1/66	Nut, stiff, 2 BA	4	-	C	
28W/9419402	SP13/C	Washer, 2 BA	4	-	C	
20872	100F7565	Strip, angle joint, No. 3 tank	2	L72	MR/C	MC12/520
20873	101F7565	Strip, angle joint, No. 3 tank	2	L72	MR/C	MC12/521
20874	102F7565	Strip, angle joint, No. 4 tank	2	L72	MR/C	MC12/522
20875	103F7565	Strip, angle joint, No. 4 tank	2	L72	MR/C	MC12/523
20876	104F7565	Strip, angle joint, No. 6 tank	1	L72	MR/C	MC12/524
20877	105F7565	Strip, angle joint, No. 6 tank	1	L72	MR/C	MC12/525
	19F8667	Strip, angle joint, No. 6 tank	1	L72	MR	MC12/526
	20F8667	Strip, angle joint, No. 6 tank	1	L72	MR	MC12/527

MAINPLANES
INNER MAINPLANES

Ref. No.	Part No.	Description	No. off	Matl. Spec.	Cl. of St.		Place and Hust'n No.
					M.R.		
1 2 3 4							
		MAINPLANE, INNER PORTION, PORT AND STARBOARD, GROUP (21, 22, 157 & 158F9701) (Mod. 1106 & 2129) (Cont'd)					
	-	RIB, TANK, INNER, 366.186, PORT AND STARBOARD (1 & 2F9900) (Pre Mod. 1106)	-	-			MC12/528
	-	RIB, TANK, INNER, 366.186, PORT AND STARBOARD (11 & 12F9900) (Mod. 1106) S.O.D.	-	-			
		Spares for:-					
	8F7566	Angle, tank, top port, bottom starboard, . . . No. 3 tank	1	L72	MR		MC12/529
	9F7566	Angle, tank, bottom port, top starboard, . . . No. 3 tank	1	L72	MR		MC12/530
	10F7566	Angle, tank, top port, bottom starboard, . . . No. 4 tank	1	L72	MR		MC12/531
	11F7566	Angle, tank, bottom port, top starboard, . . . No. 4 tank	1	L72	MR		MC12/532
	17F8666	Angle, tank, top port, bottom starboard, . . . No. 6 tank	1	L72	MR		MC12/533
	18F8666	Angle, tank, bottom port, top starboard, . . . No. 6 tank	1	L72	MR		MC12/534
	6F7566	Boom, top, port	1	L72	MR		MC12/535
	92F7566	Boom, top, starboard	1	L72	MR		MC12/536
	7F7566	Boom, bottom, port	1	L75	MR		MC12/537
	93F7566	Boom, bottom, starboard	1	L72			MC12/538
	2F8666	Housing, tie rod, top, port	1	L85	MR		
	1F8666	Housing, tie rod, top, starboard	1	L85	MR		
	3F8666	Housing, tie rod, bottom, port	1	L85	MR		
	4F8666	Housing, tie rod, bottom, starboard	1	L85	MR		
		Attachments - Housing, Part Nos. 1, 2, 3 & 4F8666					
		Bolt, 2 BA	2	-	C		
		Bolt, 3 BA	2	-	C		
		Nut, stiff, 2 BA	4	-	C		
		Washer, 2 BA	4	-	C		
		Strip, angle joint, No. 3 tank	2	L72	MR		MC12/539
		Strip, angle joint, No. 3 tank	2	L72	MR		MC12/540
		Strip, angle joint, No. 4 tank	2	L72	MR		MC12/541
		Strip, angle joint, No. 4 tank	2	L72	MR		MC12/542
		Strip, angle joint, No. 6 tank	1	L72	MR		MC12/543
		Strip, angle joint, No. 6 tank	1	L72	MR		MC12/544
		Strip, angle joint, No. 6 tank	1	L72	MR		MC12/545
		Strip, angle joint, No. 6 tank	1	L72	MR		MC12/546
1510393							
28D/9133011	A25/2C						
28D/9133012	A25/3C						
28M/1012015	AGS2001/C1/66						
28W/9419402	SP13/C						
	84F7566						
	85F7566						
	86F7566						
	87F7566						
	88F7566						
	89F7566						
	19F8666						
	20F8666						

VULCAN No. 3

MAINPLANES
INNER MAINPLANES

Page MC. 43

Ref. No.	Part No.	Description	No. off	Matl. Spec.	Cl. of	Plate and Illust'n No.
					St. M.R.	
		1 2 3 4				
		MAINPLANE, INNER PORTION, PORT AND STARBOARD, GROUP (21, 22, 157 & 168FB701) (Mod. 1106 & 2129) (Cont'd)				
		RIB, TANK, INNER, 380.186, PORT AND STARBOARD (1 & 2F9970) (Pre Mod. 1106)				MC12/547
		RIB, TANK, INNER, 380.186, PORT AND STARBOARD (21 & 22F9970) (Mod. 1106) S.O.O				
		Spares for:-				
	8F7567	Angle, tank, bottom port, top starboard, ... No. 3 tank	1	L72	MR	MC12/548
	9F7567	Angle, tank, top port, bottom starboard ... No. 3 tank	1	L72	MR	MC12/549
	10F7567	Angle, tank, bottom port, top starboard, ... No. 4 tank	1	L72	MR	MC12/550
	11F7567	Angle, tank, top port, bottom starboard, ... No. 4 tank	1	L72	MR	MC12/551
	17F8689	Angle, tank, top port, bottom starboard, ... No. 6 tank	1	L72	MR	MC12/552
	18F8689	Angle, tank, bottom port, top starboard, ... No. 6 tank	1	L72	MR	MC12/553
	3F9970	Boom, top, port	1	L72	MR	MC12/554
	5F9970	Boom, top, starboard	1	L72	MR	MC12/555
	4F9970	Boom, bottom, port	1	L72	MR	MC12/556
	6F9970	Boom, bottom, starboard	1	L72	MR	MC12/557
	2F8889	Housing, tie rod, top, port	1	L65	MR	
	1F8889	Housing, tie rod, top, starboard	1	L65	MR	
1510393	3F8889	Housing, tie rod, bottom, port	1	L65	MR	
	4F8889	Housing, tie rod, bottom, starboard	1	L65	MR	
		Attachments Housing Part Nos. 1, 2, 3 & 4F8889				
28D/9133011	A25/2C	Bolt, 2 BA	2		C	
28D/9133012	A25/3C	Bolt, 2 BA	2		C	
28M/1012015	AGS2001/C1/66	Nut, stiff, 2 BA	4		C	
28W/9419402	SP13/C	Washer, 2 BA	4		C	
	94F7567	Strip, angle joint, No. 3 tank	2	L72	MR	MC12/558
	95F7567	Strip, angle joint, No. 3 tank	2	L72	MR	MC12/559
	96F7567	Strip, angle joint, No. 4 tank	2	L72	MR	MC12/560
	97F7567	Strip, angle joint, No. 4 tank	2	L72	MR	MC12/561
	98F7567	Strip, angle joint, No. 6 tank	1	L72	MR	MC12/562
	99F7567	Strip, angle joint, No. 6 tank	1	L72	MR	MC12/563
	30F8689	Strip, angle joint, No. 6 tank	1	L72	MR	MC12/564
	40F8689	Strip, angle joint, No. 6 tank	1	L72	MR	MC12/565
		RIB, TANK, INNER, 384.186, PORT STARBOARD (1 & 2F9971) (Pre-Mod. 1106)				MC12/566
		Spares for:-				
	9F7566	Angle, tank, bottom port, top starboard, ... No. 3 tank	1	L72		MC12/567
	9F7566	Angle, tank, top port, bottom starboard, ... No. 3 tank	1	L72		MC12/568

MAINPLANES
INNER MAINPLANES

Ref. No.	Part No.	Description	No. off	Mati. Spec.	Cl. of	Plate and Illust'n No.
					Sc.	
		1 2 3 4				
		RIB, TANK, INNER 304.186, PORT AND STARBOARD (1 & 2F9971) (Pre-Mod. 1108) (Cont'd)				
	10F7568	Angle, tank, bottom port, top starboard, . . . No. 4 tank	1	L72		MC12/569
	11F7568	Angle, tank, top port, bottom starboard, . . . No. 4 tank	1	L72		MC12/570
	17F8670	Angle, tank, top port, bottom starboard, . . . No. 8 tank	1	L72	MR	MC12/571
	18F8670	Angle, tank, bottom port, top starboard, . . . No. 8 tank	1	L72	MR	MC12/572
	3F9971	Boom, top, port	1	L72	MR	MC12/573
	5F9971	Boom, top, starboard	1	L72	MR	MC12/574
	4F9971	Boom, bottom, port	1	L72	MR	MC12/575
	6F9971	Boom, bottom, starboard	1	L72	MR	MC12/576
	2F8689	Housing, tie rod, top, port	1	L66	MR	
	1F8689	Housing, tie rod, top, starboard	1	L66	MR	
	3F8689	Housing, tie rod, bottom, port	1	L66	MR	
	4F8689	Housing, tie rod, bottom, starboard	1	L66	MR	
		Attachments: Housing, Part Nos. 1, 2, 3 & 4F8689				
		Bolt, 2 BA	2	-	C	
		Bolt, 2 BA	2	-	C	
		Nut, stiff, 2 BA	4	-	C	
		Washer, 2 BA	4	-	C	
		Strip, angle, No. 3 tank	2	L72	MR	MC12/577
		Strip, angle joint, No. 3 tank	2	L72	MR	MC12/578
		Strip, angle joint, No. 4 tank	2	L72	MR	MC12/579
		Strip, angle joint, No. 4 tank	2	L72	MR	MC12/580
		Strip, angle joint, No. 6 tank	1	L72	MR	MC12/581
		Strip, angle joint, No. 6 tank	1	L72	MR	MC12/582
		Strip, angle joint, No. 6 tank	1	L72	MR	MC12/583
		Strip, angle joint, No. 6 tank	1	L72	MR	MC12/584
		RIB, TANK, INNER, 304.186, PORT AND STARBOARD (1 & 2F11735) (Mod. 1108) S.O.O.				MC13/585
		Spares for: -				
	14F11735	Angle, tank, forward, No. 3 tank, port	1	L73	MR	MC13/586
	13F11735	Angle, tank, forward, No. 3 tank, starboard	1	L73	MR	MC13/587
	16F11735	Angle, tank, aft, No. 3 tank, port	1	L73	MR	MC13/588
	15F11735	Angle, tank, aft, No. 3 tank, starboard	1	L73	MR	MC13/589
	18F11735	Angle, tank, forward, No. 4 tank, port	1	L73	MR	MC13/590
	17F11735	Angle, tank, forward, No. 4 tank, starboard	1	L73	MR	MC13/591
	19F11735	Angle, tank, aft, No. 4 tank, port	1	L73	MR	MC13/592
	20F11735	Angle, tank, aft, No. 4 tank, starboard	1	L73	MR	MC13/593

VULCAN No. 2

MAINPLANES
INNER MAINPLANES

Page MC. 45

Ref. No.	Part No.	Description	No. off	Mati. Spec.	Cl. of	Plate and Illust'n No.
					Sc.	
		1 2 3 4				
		RIB, TANK, INNER, 304.188, PORT AND STARBOARD (1 & 2F11736) (Mod. 1106) S.O.D. (Cont'd)				
	21F11736	Angle, tank, forward, No. 6 tank, port	1	L73	MR	MC13/594
	22F11736	Angle, tank, forward, No. 6 tank, starboard	1	L73	MR	MC13/595
	23F11736	Angle, tank, aft, No. 6 tank, port	1	L73	MR	MC13/596
	24F11736	Angle, tank, aft, No. 6 tank, starboard	1	L73	MR	MC13/597
	118F11736	Angle, joint, bottom port, top starboard, No. 3 tank	1	L73	MR	MC13/598
	119F11736	Angle, joint, top port, bottom starboard, No. 3 tank	1	L73	MR	MC13/599
	125F11736	Angle, joint, bottom port, top starboard, No. 4 tank	1	L73	MR	MC13/600
	125F11736	Angle, joint, top port, bottom starboard, No. 4 tank	1	L73	MR	MC13/601
	123F11736	Angle, joint, bottom port, top starboard, No. 6 tank	1	L72	MR	MC13/602
	124F11736	Angle, joint, top port, bottom starboard No. 6 tank	1	L73	MR	MC13/603
	3F11736	Boom, top, port	1	L85	MR	
	4F11736	Boom, top, starboard	1	L85	MR	
	5F11736	Boom, bottom, port	1	L85	MR	
	6F11736	Boom, bottom, starboard	1	L85	MR	
	2F8689	Housing, tie rod, top, port	1	L85	MR	
	1F8689	Housing, tie rod, top, starboard	1	L85	MR	
1510383	3F8689	Housing, tie rod, bottom, port	1	L85	MR	
	4F8689	Housing, tie rod, bottom, starboard	1	L85	MR	
		Attachments Housing, Part Nos. 1, 2, 3 & 4F8689				
28D/9133012	A25/3C	Bolt, 2 BA	2	-	C	
28D/1200119	A25/4C	Bolt, 2 BA	2	-	C	
28M/1012015	AGS2001/C1/68	Nut, stiff, 2 BA	4		C	
28W/9418402	SP13/C	Washer, 2 BA	4		C	
	-	RIB, TANK, INNER, 408.188, PORT AND STARBOARD (1 & 2F9972) (Pre Mod. 1106)				MC13/604
		Spare for:				
	105F7569	Angle, tank, bottom port, top starboard, No. 3 tank	1	L72	MR	MC13/605
	106F7569	Angle, tank, top port, bottom starboard, No. 3 tank	1	L72	MR	MC13/606
	107F7569	Angle, tank, bottom port, top starboard No. 4 tank	1	L72	MR	MC13/607
	108F7569	Angle, tank, top port, bottom starboard, No. 4 tank	1	L72	MR	MC13/608
	17F8671	Angle, tank, top port, bottom starboard, No. 6 tank	1	L72	MR	MC13/609
	18F8671	Angle, tank, bottom port, top starboard, No. 6 tank	1	L72	MR	MC13/610

MAINPLANES
INNER MAINPLANES

Ref. No.	Part No.	Description	No. off	Matl. Spec.	Cl. of	Place and Illust'n No.
					St. M.R.	
		1 2 3 4				
		RIB, TANK, INNER, 408.186, PORT AND STARBOARD (1 & 2F9972) (Pre Mod. 1106) (Cont'd)				
	3F9972	Boom, top, port	1	L72	MR	
	6F9972	Boom, top, starboard	1	L72	MR	
	4F9972	Boom, bottom, port	1	L72	MR	
	6F9972	Boom, bottom, starboard	1	L72	MR	
	10F8889	Housing, tie rod, top, port	1	L85	MR	
	9F8889	Housing, tie rod, top, starboard	1	L85	MR	
	11F8889	Housing, tie rod, bottom, port	1	L85	MR	
	12F8889	Housing, tie rod, bottom, starboard	1	L65	MR	
		Attachments - Housing, Part No. 9, 10, 11 & 12F8889				
28D/9133011	A25/2C	Bolt, 2 BA	2	-	C	
28D/9133012	A25/3C	Bolt, 2 BA	2	-	C	
28M/1012015	AGS2001/C1/66	Nut, stiff, 2 BA	4	-	C	
28W/9419402	SP13/C	Washer, 2 BA	4	-	C	
	129F7569	Strip, angle joint, No. 3 tank	2	L72	MR	MC13/611
	130F7569	Strip, angle joint, No. 3 tank	2	L72	MR	MC13/612
	131F7569	Strip, angle joint, No. 4 tank	2	L72	MR	MC13/613
	132F7569	Strip, angle joint, No. 4 tank	2	L72	MR	MC13/614
	133F7569	Strip, angle joint, No. 6 tank	1	L72	MR	MC13/615
	134F7569	Strip, angle joint, No. 6 tank	1	L72	MR	MC13/616
	23F8671	Strip, angle joint, No. 6 tank	1	L72	MR	MC13/617
	24F8671	Strip, angle joint, No. 6 tank	1	L72	MR	MC13/618
		RIB, TANK, INNER, 408.186, PORT AND STARBOARD (1 & 2F11738) (Mod 1106) S.O.O.				MC13/619
		Spare for:-				
	13F11738	Angle, tank, forward, No. 3, tank, port	1	L73	MR	MC13/620
	14F11738	Angle, tank, forward, No. 3 tank, starboard	1	L73	MR	MC13/621
	15F11738	Angle, tank, aft, No. 3 tank, port	1	L73	MR	MC13/622
	16F11738	Angle, tank, aft, No. 3 tank, starboard	1	L73	MR	MC13/623
	17F11738	Angle, tank, forward, No. 4 tank, port	1	L73	MR	MC13/624
	18F11738	Angle, tank, forward, No. 4 tank, starboard	1	L73	MR	MC13/625
	19F11738	Angle, tank, aft, No. 4 tank, port	1	L73	MR	MC13/626
	20F11738	Angle, tank, aft, No. 4 tank, starboard	1	L73	MR	MC13/627
	21F11738	Angle, tank, forward, No. 6 tank, port	1	L73	MR	MC13/628
	22F11738	Angle, tank, forward, No. 6 tank, starboard	1	L73	MR	MC13/629
	23F11738	Angle, tank, aft, No. 6 tank, port	1	L73	MR	MC13/630
	24F11738	Angle, tank, aft, No. 6 tank, starboard	1	L73	MR	MC13/631
	41F11738	Angle, joint, top port, bottom starboard, No. 3 tank	1	L73	MR	MC13/632
	42F11738	Angle, joint, bottom port, top starboard, No. 3 tank	1	L73	MR	MC13/633

VULCAN No. 2

MAINPLANES
INNER MAINPLANES

Page MC. 47

Ref. No.	Part No.	Description	No. off	Matl. Spec.	Cl. of	Plate and Illust'n No.
					St. M.R.	
		1 2 3 4				
RIB. TANK, INNER, 408 186, PORT AND STARBOARD (1 & 2F11738) (Mod. 1106) S.O.O. (Cont'd)						
	43F11736	Angle, joint, top port, bottom starboard, No. 4 tank	1	L73	MR	MC13/834
	44F11736	Angle, joint, bottom port, top starboard, No. 4 tank	1	L73	MR	MC13/835
	45F11736	Angle, joint, top port, bottom starboard, No. 6 tank	1	L73	MR	MC13/836
	46F11736	Angle, joint, bottom port, top starboard, No. 6 tank	1	L73	MR	MC13/837
	3F11736	Boom, top, port	1	L65	MR	
	4F11736	Boom, top, starboard	1	L65	MR	
	5F11736	Boom, bottom, port	1	L65	MR	
	6F11736	Boom, bottom, starboard	1	L65	MR	
	10F8689	Housing, tie rod, top, port	1	L65	MR	
	9F8689	Housing, tie rod, top, starboard	1	L65	MR	
	11F8689	Housing, tie rod, bottom, port	1	L65	MR	
	12F8689	Housing, tie rod, bottom, starboard	1	L65	MR	
	Attachments - Housing, Part Nos. 9, 10, 11 & 12F8689					
28D/9133012	A25/3C	Bolt, 2 BA	2		C	
28D/1200119	A25/4C	Bolt, 2 BA	2		C	
28M/1012015	AGS2001/C1/88	Nut, stiff, 2 BA	4		C	
28W/9419402	SP13/C	Washer, 2 BA	4		C	
RIB. TANK, INNER, 422 186, PORT AND STARBOARD (1 & 2F9873) (Pre-Mod. 1106)						
Spare for:						
	8F7570	Angle, tank, bottom port, top starboard, No. 3 tank	1	L72		MC13/839
	9F7570	Angle, tank, top port, bottom starboard, No. 3 tank	1	L72		MC13/840
	10F7570	Angle, tank, bottom port, top starboard, No. 4 tank	1	L72		MC13/841
	11F7570	Angle, tank, top port, bottom starboard, No. 4 tank	1	L72	MR	MC13/842
	17F8672	Angle, tank, top port, bottom starboard, No. 6 tank	1	L72	MR	MC13/843
	18F8672	Angle, tank, bottom port, top starboard, No. 6 tank	1	L72	MR	MC13/844
	3F9873	Boom, top, port	1	L72	MR	
	5F9873	Boom, top, starboard	1	L72	MR	
	4F9873	Boom, bottom, port	1	L72	MR	
	6F9873	Boom, bottom, starboard	1	L72	MR	
	10F8689	Housing, tie rod, top, port	1	L65	MR	
	9F8689	Housing, tie rod, top, starboard	1	L65	MR	
	11F8689	Housing, tie rod, bottom, port	1	L65	MR	
	12F8689	Housing, tie rod, bottom, starboard	1	L65	MR	

MAINPLANES
INNER MAINPLANES

Ref. No.	Part No.	Description	No. off	Matl. Spec.	Cl. of St.	Plate and Illust'n No.
					M.R.	
		1 2 3 4				
		RIB, TANK, INNER, 422.188, PORT AND STARBOARD (1 & 2F9873) (Pre Mod. 1106) (Cont'd)				
		Attachments—Housing, Part Nos. 9, 10, 11 and 12F8889				
28D/9133011	A25/2C	Bolt, 2 BA	2	—	C	
28D/9133012	A25/3C	Bolt, 2 BA	2	—	C	
28M/1012015	AGS2001/C1/88	Nut, stiff, 2 BA	4	—	C	
28W/8419402	SP13/C	Washer, 2 BA	4	—	C	
	88F7670	Strip, angle joint, No. 3 tank	2	L72	MR	MC13/845
	89F7670	Strip, angle joint, No. 3 tank	2	L72	MR	MC13/848
	90F7670	Strip, angle joint, No. 4 tank	2	L72	MR	MC13/847
	91F7670	Strip, angle joint, No. 4 tank	2	L72	MR	MC13/848
	92F7670	Strip, angle joint, No. 6 tank	1	L72	MR	MC13/849
	93F7670	Strip, angle joint, No. 6 tank	1	L72	MR	MC13/850
	18F8872	Strip, angle joint, No. 8 tank	1	L72	MR	MC13/851
	20F8872	Strip, angle joint, No. 8 tank	1	L72	MR	MC13/852
		RIB, TANK, INNER, 422.188, PORT AND STARBOARD (1 & 2F11737) (Mod 1106) S.O.C.				MC13/853
		Spares for:—				
	13F11737	Angle, tank, forward, No. 3 tank, port	1	L73	MR	MC13/854
	14F11737	Angle, tank, forward, No. 3 tank, starboard	1	L73	MR	MC13/855
	15F11737	Angle, tank, aft, No. 3 tank, port	1	L73	MR	MC13/856
	16F11737	Angle, tank, aft, No. 3 tank, starboard	1	L73	MR	MC13/857
	17F11737	Angle, tank, forward, No. 4 tank, port	1	L73	MR	MC13/858
	18F11737	Angle, tank, forward, No. 4 tank, starboard	1	L73	MR	MC13/859
	19F11737	Angle, tank, aft, No. 4 tank, port	1	L73	MR	MC13/860
	20F11737	Angle, tank, aft, No. 4 tank, starboard	1	L73	MR	MC13/861
	21F11737	Angle, tank, forward, No. 6 tank, port	1	L73	MR	MC13/862
	22F11737	Angle, tank, forward, No. 6 tank, starboard	1	L73	MR	MC13/863
	23F11737	Angle, tank, aft, No. 6 tank, port	1	L73	MR	MC13/864
	24F11737	Angle, tank, aft, No. 6 tank, starboard	1	L73	MR	MC13/865
	41F11737	Angle, joint, top port, bottom starboard, No. 3 tank	1	L73	MR	MC13/866
	42F11737	Angle, joint, bottom port, top starboard, No. 3 tank	1	L73	MR	MC13/867
	43F11737	Angle, joint, top port, bottom starboard, No. 4 tank	1	L73	MR	MC13/868
	44F11737	Angle, joint, bottom port, top starboard, No. 4 tank	1	L73	MR	MC13/869
	45F11737	Angle joint, top port, bottom starboard, No. 6 tank	1	L73	MR	MC13/870
	46F11737	Angle, joint, bottom port, top starboard, No. 6 tank	1	L73	MR	MC13/871

VERSION NO. 2

MAINPLANES
INNER MAINPLANES

Page MC 49

Ref. No.	Part No.	Description	No. off	Matl. Spec.	Cl. of	Plate and Illust'n No.
					St. M.R.	
			1	2	3	4
		RIB, TANK, INNER, 422 188, PORT AND STARBOARD (1 & 2F11737) (Mod 1106) S O O (Cont'd)				
	3F11737	Boom, top, port	1	L85	MR	
	4F11737	Boom, top, starboard	1	L85	MR	
	5F11737	Boom, bottom, port	1	L85	MR	
	6F11737	Boom, bottom, starboard	1	L85	MR	
	10F8889	Housing, tie rod, top, port	1	L85	MR	
	9F8889	Housing, tie rod, top, starboard	1	L85	MR	
	11F8889	Housing, tie rod, bottom, port	1	L85	MR	
	12F8889	Housing, tie rod, bottom, starboard	1	L85	MR	
		Attachments—Housing, Part Nos. 9, 10, 11 & 12F8889				
28D/9133012	A25/3C	Bolt, 2 BA	2	-	C	
28D/1200119	A25/4C	Bolt, 2 BA	2	-	C	
28M/1012015	AGS2001/C1/86	Nut, stiff, 2 BA	4	-	C	
28W/9419492	SP13/C	Washer, 2 BA	4	-	C	
		RIB, TANK, INNER, 438 188, PORT AND STARBOARD (1 & 2F9974) (Pre Mod 1106)				MC14/672
		Spares for:—				
	BF7571	Angle, tank, top port, bottom starboard, No 3 tank	1	L72		MC14/673
	9F7571	Angle, tank, bottom port, top starboard, No 3 tank	1	L72		MC14/674
	10F7571	Angle, tank, top port, bottom starboard, No 4 tank	1	L72		MC14/675
	11F7571	Angle, tank, bottom port, top starboard, No 4 tank	1	L72		MC14/676
	17F8873	Angle, tank, top port, bottom starboard, No 6 tank	1	L72	MR	MC14/677
	18F8873	Angle, tank, bottom port, top starboard, No 6 tank	1	L72	MR	MC14/678
	3F9974	Boom, top, port	1	L72	MR	
	5F9974	Boom, top, starboard	1	L72	MR	
	4F9974	Boom, bottom, port	1	L72	MR	
	6F9974	Boom, bottom, starboard	1	L72	MR	
	10F8889	Housing, tie rod, top, port	1	L85	MR	
	9F8889	Housing, tie rod, top, starboard	1	L85	MR	
	11F8889	Housing, tie rod, bottom, port	1	L85	MR	
	12F8889	Housing, tie rod, bottom, starboard	1	L85	MR	
		Attachments—Housing, Part Nos. 9, 10, 11 & 12F8889				
28D/9133011	A25/2C	Bolt, 2 BA	2	-	C	
28D/9133012	A25/3C	Bolt, 2 BA	2	-	C	
28M/1012015	AGS2001/C1/86	Nut, stiff, 2 BA	4	-	C	
28W/9419402	SP13/C	Washer, 2 BA	4	-	C	
	80F7571	Strip, angle joint, No 3 tank	2	L72	MR	MC14/679
	91F7571	Strip, angle joint, No 3 tank	2	L72	MR	MC14/680
	92F7571	Strip, angle joint, No 4 tank	1	L72	MR	MC14/681

MAINPLANES
INNER MAINPLANES

Ref. No.	Part No.	Description	No off	Mati. Spec.	Cl. of St.	Plate and Illustr'n No
					M.R.	
		1 2 3 4				
		RIB, TANK, INNER, 436.186, PORT AND STARBOARD (1 & 2F9974) (Pre-Mod. 1106) (Cont'd.)				
	93F7571	Strip, angle joint, No. 4 tank	1	L72	MR	MC14/682
	94F7571	Strip, angle joint, No. 4 tank	1	L72	MR	MC14/683
	95F7571	Strip, angle joint, No. 4 tank	1	L72	MR	MC14/684
	98F7571	Strip, angle joint, No. 6 tank	1	L72	MR	MC14/685
	97F7571	Strip, angle joint, No. 6 tank	1	L72	MR	MC14/686
	19FB873	Strip, angle joint, No. 6 tank	1	L72	MR	MC14/687
	20FB873	Strip, angle joint, No. 6 tank	1	L72	MR	MC14/688
		RIB, TANK, INNER, 436.186, PORT AND STARBOARD (1 & 2F11738) (Mod. 1106) S.O.O.				MC14/689
		Spares for:—				
	16F11738	Angle, tank, forward, No. 3 tank, port	1	L73	MR	MC14/690
	18F11738	Angle, tank, forward, No. 3 tank, starboard	1	L73	MR	MC14/691
	13F11738	Angle, tank, aft, No. 3 tank, port	1	L73	MR	MC14/692
	14F11738	Angle, tank, aft, No. 3 tank, starboard	1	L73	MR	MC14/693
	17F11738	Angle, tank, forward, No. 4 tank, port	1	L73	MR	MC14/694
	18F11738	Angle, tank, forward, No. 4 tank, starboard	1	L73	MR	MC14/695
	19F11738	Angle, tank, aft, No. 4 tank, port	1	L73	MR	MC14/696
	20F11738	Angle, tank, aft, No. 4 tank, starboard	1	L73	MR	MC14/697
	21F11738	Angle, tank, forward, No. 6 tank, port	1	L73	MR	MC14/698
	22F11738	Angle, tank, forward, No. 6 tank, starboard	1	L73	MR	MC14/699
	23F11738	Angle, tank, aft, No. 6 tank, port	1	L73	MR	MC14/700
	24F11738	Angle, tank, aft, No. 6 tank, starboard	1	L73	MR	MC14/701
	97F11738	Angle, joint, top port, No. 3 tank	1	L73	MR	MC14/702
	98F11738	Angle, joint, top starboard, No. 3 tank	1	L73	MR	MC14/703
	99F11738	Angle, joint, bottom port, No. 3 tank	1	L73	MR	MC14/704
	98F11738	Angle, joint, bottom starboard, No. 3 tank ...	1	L73	MR	MC14/706
	101F11738	Angle, joint, top port, No. 4 tank	1	L73	MR	MC14/706
	100F11738	Angle, joint, top starboard, No. 4 tank	1	L73	MR	MC14/707
	103F11738	Angle, joint, bottom port, No. 4 tank	1	L73	MR	MC14/708
	102F11738	Angle, joint, bottom starboard, No. 4 tank ...	1	L73	MR	MC14/709
	105F11738	Angle, joint, top port, No. 6 tank	1	L73	MR	MC14/710
	104F11738	Angle, joint, top starboard, No. 6 tank	1	L73	MR	MC14/711
	107F11738	Angle, joint, bottom port, No. 6 tank	1	L73	MR	MC14/712
	106F11738	Angle, joint, bottom starboard, No. 6 tank ...	1	L73	MR	MC14/713

VULCAN No. 2

MAINPLANES
INNER MAINPLANES

Page MC. 51

Ref. No.	Part No.	Description	No. off	Mater. Spec.	Cl of	Plate and Illust'n No.
					St. M.R.	
		1 2 3 4				
		RIB, TANK, INNER, 436 188, PORT AND STARBOARD (1 & 2F11738) (Mod 1106) S.O.O. (Cont'd)				
	3F11738	Boom, top, port	1	L85	MR	
	4F11738	Boom, top, starboard	1	L85	MR	
	5F11738	Boom, bottom, port	1	L85	MR	
	6F11738	Boom, bottom, starboard	1	L85	MR	
	10F8889	Housing, tie rod, top, port	1	L85	MR	
	9F8889	Housing, tie rod, top, starboard	1	L85	MR	
	11F8889	Housing, tie rod, bottom, port	1	L85	MR	
	12F8889	Housing, tie rod, bottom, starboard	1	L85	MR	
		Attachments—Housing, Part Nos. 9, 10, 11 & 12F8889				
28D/9133012	A25/3C	Bolt, 2 BA	1	—	C	
28D/1200118	A25/4C	Bolt, 2 BA	1	—	C	
28D/9133013	A25/5C	Bolt, 2 BA	2	—	C	
28M/1012015	AGS2001/C1/88	Nut, stiff, 2 BA	4	—	C	
28W/9419402	SP13/C	Washer, 2 BA	4	—	C	
		RIB, TANK, INNER, 448 311, PORT AND STARBOARD (1 & 2F9976) (Pre Mod 1106)				MC14/714
		Spares for:—				
	8F7572	Angle, tank, bottom port, top starboard, No 3 tank	1	L72		MC14/715
	9F7572	Angle, tank, top port, bottom starboard, No 3 tank	1	L72		MC14/716
	10F7572	Angle, tank, bottom port, top starboard, No 4 tank	1	L72		MC14/717
	11F7572	Angle, tank, top port, bottom starboard, No 4 tank	1	L72		MC14/718
	17F8674	Angle, tank, top port, bottom starboard, No 6 tank	1	L72	MR	MC14/719
	18F8674	Angle, tank, bottom port, top starboard, No 6 tank	1	L72	MR	MC14/720
	5F9975	Boom, top, port	1	L72	MR	
	3F9975	Boom, top, starboard	1	L72	MR	
	4F9975	Boom, bottom, port	1	L72	MR	
	6F9975	Boom, bottom, starboard	1	L72	MR	
	10F8889	Housing, tie rod, top port	1	L85	MR	
	9F8889	Housing, tie rod, top starboard	1	L85	MR	
	11F8889	Housing, tie rod, bottom port	1	L85	MR	
	12F8889	Housing, tie rod, bottom starboard	1	L85	MR	
		Attachments—Housing, Part Nos. 9, 10, 11 & 12F8889				
28D/9133011	A25/2C	Bolt, 2 BA	2	—	C	
28D/9133012	A25/3C	Bolt, 2 BA	2	—	C	
28M/1012015	AGS2001/C1/88	Nut, stiff, 2 BA	4	—	C	
28W/9419402	SP13/C	Washer, 2 BA	4	—	C	
	80F7572	Strip, angle joint, No 3 tank	2	L72	MR	MC14/721
	90F7572	Strip, angle joint, No 3 tank	2	L72	MR	MC14/722

MAINPLANES
INNER MAINPLANES

Ref No.	Part No.	Description	No off	Matl. Spec	Cl. of St.	Plate and Illust'n No.
					M.R.	
		1 2 3 4				
		RIB. TANK, INNER, 448.311, PORT AND STARBOARD (1 & 2F9975) (Pre-Mod. 1108) (Cont'd.)				
	91F7572	Strip, angle joint, No. 4 tank	2	L72	MR	MC14/723
	92F7572	Strip, angle joint, No. 4 tank	2	L72	MR	MC14/724
	93F7572	Strip, angle joint, No. 6 tank	1	L72	MR	MC14/725
	94F7572	Strip, angle joint, No. 6 tank	1	L72	MR	MC14/726
	19F8674	Strip, angle joint, No. 6 tank	1	L72	MR	MC14/727
	20F8674	Strip, angle joint, No. 6 tank	1	L72	MR	MC14/728
		RIB. TANK, INNER, 448.311, PORT AND STARBOARD (1 & 2F11738) (Mod. 1108) S.O.O.				MC14/729
		Spares for:—				
	13F11739	Angle, tank, forward, No. 3 tank, port	1	L72	MR	MC14/730
	14F11739	Angle, tank, forward, No. 3 tank,	1	L72	MR	MC14/731
		starboard				
	15F11739	Angle, tank, aft, No. 3 tank, port	1	L72	MR	MC14/732
	16F11739	Angle, tank, aft, No. 3 tank, starboard	1	L72	MR	MC14/733
	17F11739	Angle, tank, forward, No. 4 tank, port	1	L72	MR	MC14/734
	18F11739	Angle, tank, forward, No. 4 tank,	1	L72	MR	MC14/735
		starboard				
	19F11739	Angle, tank, aft, No. 4 tank, port	1	L72	MR	MC14/736
	20F11739	Angle, tank, aft, No. 4 tank, starboard	1	L72	MR	MC14/737
	21F11739	Angle, tank, forward, No. 6 tank, port	1	L72	MR	MC14/738
	22F11739	Angle, tank, forward, No. 6 tank,	1	L72	MR	MC14/739
		starboard				
	23F11739	Angle, tank, aft, No. 6 tank, port	1	L72	MR	MC14/740
	24F11739	Angle, tank, aft, No. 6 tank, starboard	1	L72	MR	MC14/741
	107F11739	Angle, joint, top, port, No. 3 tank	1	L72	MR	MC14/742
	108F11739	Angle, joint, top, starboard, No. 3 tank	1	L72	MR	MC14/743
	109F11739	Angle, joint, bottom, port, No. 3 tank	1	L72	MR	MC14/744
	110F11739	Angle, joint, bottom, starboard, No. 3 tank	1	L72	MR	MC14/745
	111F11739	Angle, joint, top, port, No. 4 tank	1	L72	MR	MC14/746
	112F11739	Angle, joint, top, starboard, No. 4 tank	1	L72	MR	MC14/747
	113F11739	Angle, joint, bottom, port, No. 4 tank	1	L72	MR	MC14/748
	114F11739	Angle, joint, bottom, starboard, No. 4 tank	1	L72	MR	MC14/749
	143F11739	Angle, joint, top, port, No. 6 tank	1	L72	MR	MC14/750
	144F11739	Angle, joint, top, starboard, No. 6 tank	1	L72	MR	MC14/751
	117F11739	Angle, joint, bottom, port, No. 6 tank	1	L72	MR	MC14/752

VULCAN ML 2		MAINPLANES		Page MC. 53		
		INNER MAINPLANES				
Ref. No.	Part No.	Description	No off	Matl. Spec	Cl of St.	Plate and Illustr'n No.
					M.R.	
		1 2 3 4				
		RIB, TANK, INNER, 448.311, PORT & STARBOARD (1 & 2F11739) (Mod. 1106) S.O.O. (Cont'd.)				
	11F11739	Angle, joint, bottom starboard, No. 6 tank ...	1	L72	MR	MC14/753
	3F11739	Boom, top, port	1	L65	MR	
	4F11739	Boom, top, starboard	1	L65	MR	
	5F11739	Boom, bottom, port	1	L65	MR	
	6F11739	Boom, bottom, starboard	1	L65	MR	
	10F8689	Housing, tie rod, top, port	1	L65	MR	
	9F8689	Housing, tie rod, top, starboard	1	L65	MR	
	11F8689	Housing, tie rod, bottom, port	1	L65	MR	
	12F8689	Housing, tie rod, bottom, starboard	1	L65	MR	
		Attachments—Housing, Part Nos. 9, 10, 11 & 12F8689)				
28D/1200119	A25/4C	Bolt, 2 BA	2	—	C	
28D/9133013	A25/5C	Bolt, 2 BA	2	—	C	
28M/1012018	AGS2001/C1/86	Nut, stiff, 2 BA	4	—	C	
28W/9419402	SP13/C	Washer, 2 BA	4	—	C	
		RIB, TANK, INNER, 460.438, PORT & STARBOARD (1 & 2F9976) (Pre-Mod. 1106)				MC14/754
		Spare for:—				
4018	6F7573	Angle, tank, top port, bottom starboard, No. 3 tank	1	L72		MC14/755
	9F7573	Angle, tank, bottom port, top starboard, No. 3 tank	1	L72	MR/C	MC14/756
	10F7573	Angle, tank, top port, bottom starboard, No. 4 tank	1	L72		MC14/757
	11F7573	Angle, tank, bottom port, top starboard, No. 4 tank	1	L72		MC14/758
	17F8675	Angle, tank, top port, bottom starboard, No. 5 tank	1	L72	MR	MC14/759
	18F8675	Angle, tank, bottom port, top starboard, No. 6 tank	1	L72	MR	MC14/760
	3F9976	Boom, top, port	1	L72	MR	
	5F9976	Boom, top, starboard	1	L72	MR	
	4F9976	Boom, bottom, port	1	L72	MR	
	6F9976	Boom, bottom, starboard	1	L72	MR	
	10F8689	Housing, tie rod, top, port	1	L65	MR	
	9F8689	Housing, tie rod, top, starboard	1	L65	MR	
	11F8689	Housing, tie rod, bottom, port	1	L65	MR	
	12F8689	Housing, tie rod, bottom, starboard	1	L65	MR	
		Attachments—Housing, Part Nos. 9, 10, 11 & 12F8689				
28D/9133011	A25/2C	Bolt, 2 BA	2	—	C	
28D/9133012	A25/3C	Bolt, 2 BA	2	—	C	
28M/1012015	AGS2001/C1/86	Nut, stiff, 2 BA	4	—	C	
28W/9419402	SP13/C	Washer, 2 BA	4	—	C	

MAINPLANES
INNER MAINPLANES

Ref. No.	Part No.	Description	No. off	Matl. Spec.	Cl. of St.	Plate and Illust'n No.
					M.R.	
		1 2 3 4				
		RIB, TANK, INNER, 480.436, PORT & STARBOARD (1 & 2F9976) (Pre-Mod. 1106) (Cont'd.)				
	127F7573	Strip, angle joint, No. 3 tank	1	L72	MR	MC14/761
	128F7573	Strip, angle joint, No. 3 tank	1	L72	MR	MC14/762
	130F7573	Strip, angle joint, No. 3 tank	1	L72	MR	MC14/763
	137F7573	Strip, angle joint, No. 3 tank	1	L72	MR	MC14/764
	129F7573	Strip, angle joint, No. 4 tank	2	L72	MR	MC14/765
	130F7573	Strip, angle joint, No. 4 tank	2	L72	MR	MC14/766
	131F7573	Strip, angle joint, No. 6 tank	1	L72	MR	MC14/767
	132F7573	Strip, angle joint, No. 6 tank	1	L72	MR	MC14/768
	19F8675	Strip, angle joint, No. 6 tank	1	L72	MR	MC14/769
	20F8675	Strip, angle joint, No. 6 tank	1	L72	MR	MC14/770
		RIB, TANK, INNER, 480.436, PORT & STARBOARD (1 & 2F11740) (Mod. 1106) S.O.O.	—	—		MC14/771
		Spares for:—				
	13F11740	Angle, tank, forward, No. 3 tank, port	1	L73	MR	MC14/772
	14F11740	Angle, tank, forward, No. 3 tank, starboard	1	L73	MR	MC14/773
	15F11740	Angle, tank, aft, No. 3 tank, port	1	L73	MR	MC14/774
	16F11740	Angle, tank, aft, No. 3 tank, starboard	1	L73	MR	MC14/775
	17F11740	Angle, tank, forward, No. 4 tank, port	1	L73	MR	MC14/776
	18F11740	Angle, tank, forward, No. 4 tank, starboard	1	L73	MR	MC14/777
	19F11740	Angle, tank, aft, No. 4 tank, port	1	L73	MR	MC14/778
	20F11740	Angle, tank, aft, No. 4 tank, starboard	1	L73	MR	MC14/779
	21F11740	Angle, tank, forward, No. 6 tank, port	1	L73	MR	MC14/780
	22F11740	Angle, tank, forward, No. 6 tank, starboard	1	L73	MR	MC14/781
	23F11740	Angle, tank, aft, No. 6 tank, port	1	L73	MR	MC14/782
	24F11740	Angle, tank, aft, No. 6 tank, starboard	1	L73	MR/C	MC14/783
22147	24F11740	Angle, joint, top port, No. 3 tank	1	L73	MR	MC14/784
	128F11740	Angle, joint, top starboard, No. 3 tank	1	L73	MR	MC14/785
	129F11740	Angle, joint, bottom port, No. 3 tank	1	L73	MR	MC14/786
	130F11740	Angle, joint, bottom starboard, No. 3 tank	1	L73	MR	MC14/787
	131F11740	Angle, joint, top port, No. 4 tank	1	L73	MR	MC14/788
	132F11740	Angle, joint, top starboard, No. 4 tank	1	L73	MR	MC14/789
	133F11740	Angle, joint, bottom port, No. 4 tank	1	L73	MR	MC14/790
	134F11740	Angle, joint, bottom starboard, No. 4 tank	1	L73	MR	MC14/791
	135F11740	Angle, joint, top port, No. 6 tank	1	L73	MR	MC14/792

VULCAN No. 2

MAINPLANES
INNER MAINPLANES

Page MC. 55

Ref. No.	Part No.	Description	No. off	Matl. Spec.	Cl of St.	Plate and Illust'n No.
					M.R.	
		1 2 3 4				
		RIB, TANK, INNER, 480 438, PORT, AND STARBOARD (1 & 2F11740) (Mod. 1108) S.O.O. (Cont'd)				
	138F11740	Angle, joint, top starboard, No. 6 tank	1	L73	MR	MC14/793
	137F11740	Angle, joint, bottom port, No. 6 tank	1	L73	MR	MC14/794
	138F11740	Angle, joint, bottom starboard, No. 6 tank	1	L73	MR	MC14/795
	3F11740	Boom, top, port	1	L85	MR	
	4F11740	Boom, top, starboard	1	L85	MR	
	5F11740	Boom, bottom, port	1	L85	MR	
	6F11740	Boom, bottom, starboard	1	L85	MR	
	10F8889	Housing, tie rod, top port	1	L85	MR	
	9F8889	Housing, tie rod, top starboard	1	L85	MR	
	11F8889	Housing, tie rod, bottom port	1	L85	MR	
	12F8889	Housing, tie rod, bottom starboard	1	L85	MR	
		Attachments—Housing, Part Nos. 9, 10, 11 & 12F8889				
28D/9133011	A25/2C	Bolt, 2 BA	2	—	C	
28D/9133012	A25/3C	Bolt, 2 BA	2	—	C	
28M/1278180	AGS2001/C/1	Nut, stiff, 2 BA	4	—	C	
28W/9419402	SP13/C	Washer, 2 BA	4	—	C	
		RIB, TANK, OUTER, 492 186, PORT AND STARBOARD (1 & 2F9978)				MC11/796
		Spares for:—				
	6F7575	Angle, tank, bottom port, top starboard, No. 5 tank	1	L72	MR	
	7F7575	Angle, tank, top port, bottom starboard, No. 5 tank	1	L72	MR	
	6F8877	Angle, tank, top port, bottom starboard, No. 7 tank	1	L72	MR	
	6F8877	Angle, tank, bottom, port, top starboard, No. 7 tank	1	L72	MR	
	3F9978	Boom, top, port	1	L72	MR	
	5F9978	Boom, top, starboard	1	L72	MR	
	4F9978	Boom, bottom, port	1	L72	MR	
	6F9978	Boom, bottom, starboard	1	L72	MR	
	17F8889	Housing, tie rod, top port, No. 5 tank	1	L85	MR	
	18F8889	Housing, tie rod, top starboard, No. 5 tank	1	L85	MR	
	20F8889	Housing, tie rod, bottom port, No. 5 tank	1	L85	MR	
	19F8889	Housing, tie rod, bottom starboard No. 5 tank	1	L85	MR	
	14F8889	Housing, tie rod, top port, No. 7 tank	1	L85	MR	
	13F8889	Housing, tie rod, top starboard, No. 7 tank	1	L85	MR	

MAINPLANES
INNER MAINPLANES

Ref. No.	Part No.	Description	No. off	Mater. Spec.	Cl. of St.		Plate and Illust'n No.
					M.R.		
		1 2 3 4					
		RIB, TANK, OUTER, 492.188, PORT AND STARBOARD (1 & 2F9978) (Cont'd)					
	15F8889	Housing, tie rod, bottom port, No. 5 tank . . .	1	L85		MR	
	16F8889	Housing, tie rod, bottom starboard No. 5 tank	1	L85		MR	
		Attachments—Housing, Part Nos. 13, 14, 15, 16, 17, 18, 19 & 20F8889					
26D/9133011	A25/2C	Bolt, 2 BA	2	—		C	
28D/9133012	A25/3C	Bolt, 2 BA	2	—		C	
28M/1278190	AGS2001C/1	Nut, stiff, 2 BA	4	—		C	
28W/9419402	SP13/C	Washer, 2 BA	4	—		C	
	76F7576	Strip, angle joint, No. 5 tank	2	L72		MR	
	77F7576	Strip, angle joint, No. 5 tank	2	L72		MR	
	78F7576	Strip, angle joint, No. 7 tank	1	L72		MR	
	79F7576	Strip, angle joint, No. 7 tank	1	L72		MR	
	61F8677	Strip, angle joint, No. 7 tank	1	L72		MR	
	62F8677	Strip, angle joint, No. 7 tank	1	L72		MR	
		RIB, TANK, OUTER, 606.188, PORT AND STARBOARD (1 & 2F9979)					MC11/797
		Spares for:—					
	8F7576	Angle, tank, top port, bottom starboard, . . . No. 5 tank	1	L72		MR	
	7F7576	Angle, tank, bottom port, top starboard, . . . No. 5 tank	1	L72		MR	
	6F8676	Angle, tank, top port, bottom starboard, . . . No. 7 tank	1	L72		MR	
	8F8676	Angle, tank, bottom port, top starboard, . . . No. 7 tank	1	L72		MR	
	3F9979	Boom, top, port	1	L72		MR	
	6F9979	Boom, top, starboard	1	L72		MR	
	4F9979	Boom, bottom, port	1	L72		MR	
	8F9979	Boom, bottom, starboard	1	L72		MR	
	17F8889	Housing, tie rod, top port, No. 5 tank	1	L85		MR	
	18F8889	Housing, tie rod, top starboard, No. 5 tank	1	L85		MR	
	20F8889	Housing, tie rod, bottom port, No. 5 tank	1	L85		MR	
	19F8889	Housing, tie rod, bottom starboard No. 5 tank	1	L85		MR	
	14F8889	Housing, tie rod, top port, No. 7 tank	1	L85		MR	
	13F8889	Housing, tie rod, top starboard, No. 7 tank	1	L85		MR	
	15F8889	Housing, tie rod, bottom port, No. 7 tank	1	L85		MR	
	16F8889	Housing, tie rod, bottom starboard No. 7 tank	1	L85		MR	

VULCAN No. 1

MAINPLANES
INNER MAINPLANES

Page MC. 57

Ref. No.	Part No.	Description	No. off	Matl. Spec.	Cl. of	Place and Illust'n No.
					St. M.R.	
		1 2 3 4				
		RIB, TANK, OUTER, 506 186, PORT & STARBOARD (1 & 2F9979) (Cont'd)				
		Attachments—Housing, Part Nos. 13, 14, 15, 16, 17, 18, 19 & 20F8889				
28D/9133011	A25/2C	Bolt, 2 BA	2	—	C	
28D/9133012	A25/3C	Bolt, 2 BA	2	—	C	
28M/1278190	AGS2001/C/1	Nut, stiff, 2 BA	4	—	C	
28W/9419402	SP13/C	Washer, 2 BA	4	—	C	
	69F7576	Strip, angle joint, No. 5 tank	2	L72	MR	
	70F7576	Strip, angle joint, No. 5 tank	2	L72	MR	
	71F7576	Strip, angle joint, No. 7 tank	1	L72	MR	
	72F7576	Strip, angle joint, No. 7 tank	1	L72	MR	
	9F8678	Strip, angle joint, No. 7 tank	1	L72	MR	
	10F8678	Strip, angle joint, No. 7 tank	1	L72	MR	
		RIB, TANK, OUTER, 520 186, PORT & STARBOARD (1 & 2F9980)				MC11/798
		Spares for:—				
	6F7577	Angle, tank, top port, bottom starboard, No. 5 tank	1	L72	MR	
	7F7577	Angle, tank, bottom port, top starboard, No. 5 tank	1	L72	MR	
	5F8679	Angle, tank, top port, bottom starboard, No. 7 tank	1	L72	MR	
	8F8679	Angle, tank bottom port, top starboard, No. 7 tank	1	L72	MR	
	3F9980	Boom, top, port	1	L72	MR	
	5F9980	Boom, top, starboard	1	L72	MR	
	4F9980	Boom, bottom, port	1	L72	MR	
	8F9980	Boom, bottom, starboard	1	L72	MR	
	16F9980	Housing, tie rod, top port, No. 5 tank	1	L85	MR	
	17F9980	Housing, tie rod, top starboard, No. 5 tank	1	L85	MR	
	19F9980	Housing, tie rod, bottom port, No. 5 tank	1	L85	MR	
	20F9980	Housing, tie rod, bottom starboard, No. 5 tank	1	L75	MR	
	2F8889	Housing, tie rod, top port, No. 7 tank	1	L85	MR	
	1F8889	Housing, tie rod, top starboard, No. 7 tank	1	L85	MR	
1510393	3F8889	Housing, tie rod, bottom port, No. 7 tank	1	L85	MR	
	4F8889	Housing, tie rod, bottom starboard, No. 7 tank	1	L85	MR	
		Attachments—Housing, Part Nos. 1, 2, 3, 4, 17, 18, 19 & 20F8889				
28D/9133011	A25/2C	Bolt, 2 BA	2	—	C	
28D/9133012	A25/3C	Bolt, 2 BA	2	—	C	
28M/1278190	AGS2001/C/1	Nut, stiff, 2 BA	4	—	C	
28W/9419402	SP13/C	Washer, 2 BA	4	—	C	
	71F7577	Strip, angle joint, No. 5 tank	2	L72	MR	
	72F7577	Strip, angle joint, No. 5 tank	2	L72	MR	

MAINPLANES
INNER MAINPLANES

Ref. No.	Part No.	Description	No. off	Matl. Spec.	Cl. of	Plate and Illust'n No.
					St. M.R.	
		1 2 3 4				
		RIB, TANK, OUTER, 520.188, PORT & STARBOARD (1 & 2F9980) (Cont'd)				
	73F7577	Strip, angle joint, No. 7 tank	1	L72	MR	
	74F7577	Strip, angle joint, No. 7 tank	1	L72	MR	
	33F8679	Strip, angle joint, No. 7 tank	1	L72	MR	
	34F8679	Strip, angle joint, No. 7 tank	1	L72	MR	
		RIB, TANK, OUTER, 534.186, PORT & STARBOARD (1 & 2F9981)				MC11/799
		Spares for:-				
	6F7578	Angle, tank, top port, bottom starboard, No. 5 tank	1	L72	MR	
	7F7578	Angle, tank, bottom port, top starboard, No. 5 tank	1	L72	MR	
	5F8680	Angle, tank, top port, bottom starboard, No. 7 tank	1	L72	MR	
	6F8680	Angle, tank, bottom port, top starboard No. 7 tank	1	L72	MR	
	3F9981	Boom, top, port	1	L72	MR	
	6F9981	Boom, top, starboard	1	L72	MR	
	4F9981	Boom, bottom, port	1	L72	MR	
	6F9981	Boom, bottom, starboard	1	L72	MR	
	5F8689	Housing, tie rod, top port, No. 5 tank	1	L85	MR	
	6F8689	Housing, tie rod, top starboard, No. 5 tank	1	L85	MR	
	8F8689	Housing, tie rod, bottom port, No. 5 tank	1	L85	MR	
	7F8689	Housing, tie rod, bottom starboard, No. 5 tank	1	L85	MR	
	14F8689	Housing, tie rod, top port, No. 7 tank	1	L85	MR	
	13F8689	Housing, tie rod, top starboard, No. 7 tank	1	L85	MR	
	15F8689	Housing, tie rod, bottom port, No. 7 tank	1	L85	MR	
	16F8689	Housing, tie rod, bottom starboard, No. 7 tank	1	L85	MR	
		Attachments Housing, Part Nos. 5, 6, 7, 8, 13, 14, 15 & 16F8689				
26D/9133011	A25/2C	Bolt, 2 BA	2	-	C	
26D/9133012	A25/3C	Bolt, 2 BA	2	-	C	
26M/1278190	AGS2001/C/1	Nut, stiff, 2 BA	4	-	C	
26W/9419402	SP13/C	Washer, 2 BA	4	-	C	
	71F7578	Strip, angle joint, No. 5 tank	2	L72	MR	
	72F7578	Strip, angle joint, No. 5 tank	2	L72	MR	
	73F7578	Strip, angle joint, No. 7 tank	1	L72	MR	
	74F7578	Strip, angle joint, No. 7 tank	1	L72	MR	
	9F8680	Strip, angle joint, No. 7 tank	1	L72	MR	
	10F8680	Strip, angle joint, No. 7 tank	1	L72	MR	

VULCAN PHL 3

MAINPLANES
INNER MAINPLANES

Page MC. 58

Ref. No.	Part No.	Description	No. off	Matl. Spec.	Cl. of St.	Place and Illust'n No.
					M.R.	
		1 2 3 4				
		MAINPLANE, INNER PORTION, PORT AND STARBOARD, GROUP (21, 22, 157 & 158F9701) (Mod. 1106 & 2129) (Cont'd)				MC11/800
		RIB, TANK, OUTER, 548.186, PORT AND STARBOARD (1 & 2F9982)				
		Spare for:				
	GF7579	Angle, tank, bottom port, top starboard, ... No. 5 tank	1	L72	MR	
	7F7579	Angle, tank, top port, bottom starboard, ... No. 5 tank	1	L72	MR	
	5F8681	Angle, tank, top port, bottom starboard, ... No. 7 tank	1	L72	MR	
	6F8681	Angle, tank, bottom port, top starboard, ... No. 7 tank	1	L72	MR	
	3F9982	Boom, top, port	1	L72	MR	
	5F9982	Boom, top, starboard	1	L72	MR	
	4F9982	Boom, bottom, port	1	L72	MR	
	6F9982	Boom, bottom, starboard	1	L72	MR	
	5F8689	Housing, tie rod, top port, No. 5 tank	1	L66	MR	
	6F8689	Housing, tie rod, top starboard, No. 5 tank	1	L66	MR	
	6F8689	Housing, tie rod, bottom port, No. 5 tank	1	L66	MR	
	7F8689	Housing, tie rod, bottom starboard, No. 5 tank	1	L66	MR	
	2F8689	Housing, tie rod, top port, No. 7 tank	1	L66	MR	
	1F8689	Housing, tie rod, top starboard, No. 7 tank	1	L66	MR	
1510393	3F8689	Housing, tie rod, bottom port, No. 7 tank	1	L66	MR	
	4F8689	Housing, tie rod, bottom starboard, No. 7 tank	1	L76	MR	
		Attachments Housing, Part Nos. 1, 2, 3, 4, 5, 6, 7 & 8F8689				
28D/9133011	A25/2C	Bolt, 2 BA	2	-	C	
28D/9133012	A25/3C	Bolt, 2 BA	2	-	C	
28M/1278190	AGS2001/C/1	Nut, stiff, 2 BA	4	-	C	
28W/9419402	SP13/C	Washer, 2 BA	4	-	C	
	70F7579	Strip, angle joint, No. 5 tank	2	L72	MR	
	71F7579	Strip, angle joint, No. 5 tank	2	L72	MR	
	72F7579	Strip, angle joint, No. 7 tank	1	L72	MR	
	73F7579	Strip, angle joint, No. 7 tank	1	L72	MR	
	36F8681	Strip, angle joint, No. 7 tank	1	L72	MR	
	37F8681	Strip, angle joint, No. 7 tank	1	L72	MR	
		RIB, TANK, OUTER, 562.186, PORT AND STARBOARD (21 & 22F9983) (Mod. 894)				MC11/801
		Spare for:				
	8F7580	Angle, tank, bottom port, top starboard, ... No. 5 tank	1	L72	MR	
	7F7580	Angle, tank, top port, bottom starboard, ... No. 5 tank	1	L72	MR	

MAINPLANES
INNER MAINPLANES

Ref. No.	Part No.	Description	No. off	Mater. Spec.	Cl. of	Plate and Illust'n No.
					St.	
		1 2 3 4				
		RIB, TANK, OUTER, 582.186, PORT AND STARBOARD (21 & 22F9983) (Mod. 894) (Cont'd)				
	5F8682	Angle, tank, top port, bottom starboard, . . . No. 7 tank	1	L72	MR	
	6F8682	Angle, tank, bottom port, top starboard, . . . No. 7 tank	1	L72	MR	
	3F9983	Boom, top, port	1	L72	MR	
	5F9983	Boom, top, starboard	1	L72	MR	
	4F9983	Boom, bottom, port	1	L72	MR	
	6F9983	Boom, bottom, starboard	1	L72	MR	
	18F8689	Housing, tie rod, top port, No. 5 tank	1	L65	MR	
	17F8689	Housing, tie rod, top starboard, No. 5 tank	1	L65	MR	
	18F8689	Housing, tie rod, bottom port, No. 5 tank	1	L65	MR	
	20F8689	Housing, tie rod, bottom stb'd. No. 5 tank	1	L65	MR	
	14F8689	Housing, tie rod, top port, No. 7 tank	1	L65	MR	
	13F8689	Housing tie rod, top starboard, No. 7 tank	1	L65	MR	
	15F8689	Housing, tie rod, bottom port, No. 7 tank	1	L65	MR	
	16F8689	Housing, tie rod, bottom, stb'd. No. 7 tank	1	L65	MR	
		Attachments Housing, Part Nos. 13, 14, 15, 16, 17, 18, 19 & 20F8689	6			
28D/9133011	A25/2C	Bolt, 2 BA	2		C	
28D/9133012	A25/3C	Bolt, 2 BA	2		C	
28M/1278190	AGS2001/C/1	Nut, stiff, 2 BA	4		C	
28W/9419402	SP13/C	Washer, 2 BA	4		C	
	87F7580	Strip, angle joint, No. 5 tank	2	L72	MR	
	88F7580	Strip, angle joint, No. 5 tank	2	L72	MR	
	89F7580	Strip, angle joint, No. 7 tank	1	L72	MR	
	70F7580	Strip, angle joint, No. 7 tank	1	L72	MR	
	29F8682	Strip, angle joint, No. 7 tank	1	L72	MR	
	30F8682	Strip, angle joint, No. 7 tank	1	L72	MR	
		RIB, TANK, OUTER, 576.186, PORT AND STARBOARD (41 & 42F9984) (Mod. 894)				MC11/802
		Spares for:				
	6F7581	Angle, tank bottom port, top starboard, . . . No. 5 tank	1	L72	MR	
	7F7581	Angle, tank, top port, bottom starboard, . . . No. 5 tank	1	L72	MR	
	5F8683	Angle, tank, top port, bottom starboard, . . . No. 7 tank	1	L72	MR	
	6F8683	Angle, tank, bottom port, top starboard, . . . No. 7 tank	1	L72	MR	
	38F9984	Boom, top, port	1	L72	MR	
	39F9984	Boom, top, starboard	1	L72	MR	

VULCAN PL. 1

MAINPLANES
INNER MAINPLANES

Page MC. 61

Ref. No.	Part No.	Description				No. off	Matl. Spec.	Cl. of St.	Plate and Illust'n No.
		1	2	3	4			M.R.	
		RIB, TANK, OUTER, 578.186, PORT & STARBOARD (41 & 42F9984) (Mod. 894) (Cont'd)							
	31F9984					1	L72	MR	
	32F9984					1	L72	MR	
	18F8689					1	L65	MR	
	17F8689					1	L65	MR	
	19F8689					1	L65	MR	
	20F8389					1	L65	MR	
	2F8689					1	L65	MR	
	1F8689					1	L65	MR	
1510393	3F8689					1	L66	MR	
	4F8689					1	L65	MR	
		Attachments Housing, Part Nos. 1, 2, 3, 4, 17, 18, 19 & 20F8689							
28D/9133011	A25/2C					2		C	
28D/9133012	A25/3C					2		C	
28M/1278190	AGS2001/C/1					4		C	
28W/9419402	SP13/C					4			
	89F7581					2	L77	MR	
	70F7581					2	L72	MR	
	71F7581					1	L72	MR	
	72F7581					1	L72	MR	
	48F8683					1	L72	MR	
	49F8683					1	L72	MR	
		RIB, TANK, OUTER, 538.311, PORT & STARBOARD (38 & 39F9985) (Mod. 894) Spars for:							MC11/803
	8F7582					1	L72	MR	
	7F7582					1	L72	MR	
	5F8684					1	L72	MR	
	6F8684					1	L72	MR	
	33F9985					1	L73	MR	
	38F9985					1	L72	MR	
	37F9985					1	L72	MR	
	17F9985					1	L73	MR	
	18F9985					1	L73	MR	
	21F9985					1	L73	MR	
	22F9985					1	L73	MR	

MAINPLANES
INNER MAINPLANES

Ref. No.	Part No.	Description	No. off	Matl. Spec.	Cl. of St.		Plate and Illust'n No.
					1	2 3 4	
		RIB, TANK, OUTER, 588.311, PORT & STARBOARD (38 & 39F9885) (Mod. 884) (Cont'd)					
	17F8889	Housing, tie rod, top port, No. 5 tank	1	L85		MR	
	18F8889	Housing, tie rod, top starboard, No. 5 tank	1	L85		MR	
	20F8889	Housing, tie rod, bottom port, No. 5 tank	1	L85		MR	
	19F8889	Housing, tie rod, bottom, starboard, No. 5 tank	1	L85		MR	
	10F8889	Housing, tie rod, top port, No. 7 tank	1	L85		MR	
	9F8889	Housing, tie rod, top starboard, No. 7 tank	1	L85		MR	
	11F8889	Housing, tie rod, bottom port, No. 7 tank	1	L85		MR	
	12F8889	Housing, tie rod, bottom starboard, No. 7 tank	1	L85		MR	
		Attachments Housing, Part Nos. 9, 10, 11, 12, 17, 18, 19 & 20F8889					
28D/9133011	A26/2C	Bolt, 2 BA	2			C	
28D/9133012	A26/3C	Bolt, 2 BA	2			C	
28M/1278190	AGS2001/C/1	Nut, stM, 2 BA	4			C	
28W/9419402	SP13/C	Washer, 2 BA	4			C	
	72F7582	Strip, angle joint, No. 5 tank	2	L72		MR	
	73F7582	Strip, angle joint, No. 5 tank	2	L72		MR	
	74F7582	Strip, angle joint, No. 7 tank	1	L72		MR	
	75F7582	Strip, angle joint, No. 7 tank	1	L72		MR	
	35F8884	Strip, angle joint, No. 7 tank	1	L72		MR	
	36F8884	Strip, angle joint, No. 7 tank	1	L72		MR	
		RIB, TANK, OUTER, 800.436, PORT & STARBOARD (85 & 86F9886) (Mod. 884)					MC11/804
		Spare for:					
	8F7583	Angle, tank, bottom port, top starboard, No. 5 tank	1	L72		MR	
	7F7583	Angle, tank, top port, bottom starboard, No. 5 tank	1	L72		MR	
	5F8885	Angle, tank, top port, bottom starboard, No. 7 tank	1	L72		MR	
	8F8885	Angle, tank, bottom port, top starboard	1	L72		MR	
	67F9886	Angle, boom joint, port	1	L72		MR	
	58F9886	Angle, boom joint, starboard	1	L72		MR	
	63F9886	Boom, top, port	1	L72		MR	
	64F9886	Boom, top, starboard	1	L72		MR	
	14F9886	Boom, bottom, forward, port	1	L73		MR	
	15F9886	Boom, bottom, forward, starboard	1	L73		MR	
	18F9886	Boom, bottom, aft, port	1	L73		MR	
	19F9886	Boom, bottom, aft, starboard	1	L73		MR	
	105F7583	Strip, angle joint, No. 5 tank	2	L72			

MAINPLANES
INNER MAINPLANES

Ref. No.	Part No.	Description	No. off	Matl. Spec.	Cl. of St.	Plate and Illust'n No.	
					M.R.		
		1 2 3 4					
11008		RIB, TANK, OUTER, 600-436, PORT AND STARBOARD (65 & 68F9986) (Mod 894) (Cont'd)					
	108F7583	Strip, angle joint, No. 5 tank	2	L72	MR		
	107F7583	Strip, angle joint, No. 7 tank	1	L72	MR		
	108F7583	Strip, angle joint, No. 7 tank	1	L72	MR		
	67F8685	Strip, angle joint, No. 7 tank	1	L72	MR		
	68F8685	Strip, angle joint, No. 7 tank	1	L72	MR		
		RODS, TIE, FUEL TANKS, Nos. 5, 6 & 7, PORT AND STARBOARD (1 & 2F8690)					MC11/805
		Spares for:					
	4SS3847	Bolt, special, c'ak. h'd.	60		MR	MC11/806	
	5SS3847	Bolt, special, c'ak. h'd.	12		MR		
	30F8690	Ring, locking	27	L.40	MR/C	MC11/807	
	2F8821	ROD, TIE, "A" No. 5 TANK, GROUP	1		MR		
	3F8821	ROD, TIE, "B" No. 5 TANK, GROUP	1		MR		
	4F8821	ROD, TIE, "C" No. 5 TANK, GROUP	1		MR		
	5F8821	ROD, TIE, "D" No. 5 TANK, GROUP	1		MR		
	6F8821	ROD, TIE, "E" No. 5 TANK, GROUP	1		MR		
	7F8821	ROD, TIE, "F" No. 5 TANK, GROUP	1		MR		
	8F8821	ROD, TIE, "G" No. 5 TANK, GROUP	1		MR		
	9F8821	ROD, TIE, "H" No. 5 TANK, GROUP	1		MR		
	10F8821	ROD, TIE, "J" No. 5 TANK, GROUP	1		MR		
	11F8821	ROD, TIE, "A" No. 6 TANK, GROUP	1		MR	MC11/808	
	12F8821	ROD, TIE, "B" No. 6 TANK, GROUP	1		MR		
	13F8821	ROD, TIE, "C" No. 6 TANK, GROUP	1		MR		
	14F8821	ROD, TIE, "D" No. 6 TANK, GROUP	1		MR		
	15F8821	ROD, TIE, "E" No. 6 TANK, GROUP	1		MR		
	16F8821	ROD, TIE, "F" No. 6 TANK, GROUP	1		MR		
	17F8821	ROD, TIE, "G" No. 6 TANK, GROUP	1		MR		
	18F8821	ROD, TIE, "H" No. 6 TANK, GROUP	1		MR		
	19F8821	ROD, TIE, "J" No. 6 TANK, GROUP	1		MR		
	20F8821	ROD, TIE, "A" No. 7 TANK, GROUP	1		MR		
	21F8821	ROD, TIE, "B" No. 7 TANK, GROUP	1		MR		
22F8821	ROD, TIE, "C" No. 7 TANK, GROUP	1		MR			
23F8821	ROD, TIE, "D" No. 7 TANK, GROUP	1		MR			
24F8821	ROD, TIE, "E" No. 7 TANK, GROUP	1		MR			
25F8821	ROD, TIE, "F" No. 7 TANK, GROUP	1		MR			
26F8821	ROD, TIE, "G" No. 7 TANK, GROUP	1		MR			
27F8821	ROD, TIE, "H" No. 7 TANK, GROUP	1		MR			
29F8821	ROD, TIE, "J" No. 7 TANK, GROUP	1		MR			
31F8690	Washer, sealing, .7" o/d x 1/2" i/d x 1/8"	27	Felt	MR	MC11/809 MC15/810		
	SKIN, BOTTOM, BETWEEN FRONT AND REAR SPAR, PORT AND STB'D. (1 & 2F9704) (Pre Mod. 1106)						
	SKIN, BOTTOM, BETWEEN FRONT AND REAR SPAR, PORT AND STB'D. (691 & 692F9704) (Mod. 1106)						
	Spares for:						
155F8487	Bracket, stringer, port	2					
156F8487	Bracket, stringer, starboard	2					
1510391							

MAINPLANES
INNER MAINPLANES

Ref. No.	Part No.	Description	No. off	Matl. Spec.	Cl. of	Plate and Illust'n No.
					St. M.R.	
		1 2 3 4				
		SKIN, BOTTOM, BETWEEN FRONT AND REAR SPARS, PORT AND STBD (1 & 2F9704 or 691 & 892F9704) (Mod. & Pre Mod. 1106) (Cont'd)				
	157F8487	Bracket, stringer, port	1	-		
	158F8487	Bracket, stringer, starboard	1	-		
	159F8487	Bracket, stringer, port	1	-		
	160F8487	Bracket, stringer, starboard	1	-	MR	
	161F8487	Bracket, stringer, port	2	-		
	162F8487	Bracket, stringer, starboard	2	-	MR	
	163F8487	Bracket, stringer, port	5	-	MR	
	164F8487	Bracket, stringer, starboard	7	-		
	165F8487	Bracket, stringer, port	1	-		
	179F8487	Bracket, stringer, port	1	-		
	180F7488	Bracket, stringer, starboard	1	-		
	227F8487	Bracket, stringer, port	1	-	MR	
	228F8487	Bracket, stringer, starboard	1	-	MR	
	137F8632	Bracket, stringer	197	-	MR	
	140F8632	Bracket, stringer, port	36	-	MR	
	146F8632	Bracket, stringer, starboard	36	-	MR	
	150F8632	Bracket, stringer, port	1	-	MR	
	155F8632	Bracket, stringer, starboard	11	-	MR	
	168F8632	Bracket, stringer	27	-	MR	
	169F8632	Bracket, stringer	4	-	MR	
	183F8632	Bracket, stringer, port	3	-		
	184F8632	Bracket, stringer, starboard	4	-	MR	
	333F8632	Bracket, stringer	2	-	MR	
	334F8632	Bracket, stringer	2	-	MR	
	4F9181	Bracket, stringer, starboard	8	-	MR	
	5F9181	Bracket, stringer	24	-	MR	
	6F9181	Bracket, stringer	60	-	MR	
	7F9181	Bracket, stringer, port	61	-	MR	
	8F9181	Bracket, stringer, starboard	61	-	MR	
	3F9192	Bracket, stringer, port	4	-	MR	
	4F9192	Bracket, stringer, starboard	4	-	MR	
	8F9192	Bracket, stringer, starboard	1	-	MR	
	8F9192	Bracket, stringer, starboard	1	-	MR	
	927F9703	Bracket, stringer, port	151	-	MR	
	928F9703	Bracket, stringer, starboard	151	-	MR	
	979F9703	Bracket, stringer, port	6	-	MR	
	980F9703	Bracket, stringer, starboard	6	-	MR	
	311F9704	Bracket, stringer, port	1	-	MR	
	312F9704	Bracket, stringer, starboard	1	-	MR	
	315F9704	Bracket, stringer, port	1	-	MR	
	316F9704	Bracket, stringer, starboard	1	-	MR	
	536F9704	Bracket, stringer	1	-	MR	
	537F9704	Bracket, stringer	1	-	MR	
	575F9704	Bracket, stringer, port	13	-	MR	
	574F9704	Bracket, stringer, starboard	13	-	MR	
	577F9704	Bracket, stringer, port	5	-	MR	
	576F9704	Bracket, stringer, starboard	5	-	MR	

VACAN 2

MAINPLANES
INNER MAINPLANES

Ref. No.	Part No.	Description	No. off	Matl Spec	Cl. of St.		Plate and Illust'n No.
					M.R.		
		1 2 3 4					
		SKIN, BOTTOM, BETWEEN FRONT & REAR SPARS, PORT AND STARBOARD (1 & 2F9704 or 691 & 692F9704) (Mod. & Pre-Mod. 1106) (Cont'd.)					
	588F9704	Bracket, stringer, port	1	—		MR	
	587F9704	Bracket, stringer, starboard	1	—		MR	
	580F9704	Bracket, stringer, port	3	—		MR	
	589F9704	Bracket, stringer, starboard	3	—		MR	
	611F9704	Bracket, stringer, port	3	—		MR	
	612F9704	Bracket, stringer, starboard	3	—		MR	
	613F9704	Bracket, stringer, port	4	—		MR	
	614F9704	Bracket, stringer, starboard	4	—		MR	
	615F9704	Bracket, stringer, port	3	—		MR	
	616F9704	Bracket, stringer, starboard	4	—		MR	
	617F9704	Bracket, stringer, port	3	—		MR	
	618F9704	Bracket, stringer, starboard	3	—		MR	
	619F9704	Bracket, stringer, port	4	—		MR	
	620F9704	Bracket, stringer, starboard	4	—		MR	
	621F9704	Bracket, stringer, port	3	—		MR	
	622F9704	Bracket, stringer, starboard	3	—		MR	
	623F9704	Bracket, stringer, port	2	—		MR	
	624F9704	Bracket, stringer, starboard	2	—		MR	
	656F9704	Bracket, stringer, port	1	—		MR	
	656F9704	Bracket, stringer, starboard	1	—		MR	
	657F9704	Bracket, stringer, port	1	—		MR	
	658F9704	Bracket, stringer, starboard	1	—		MR	
	7F11730	Bracket, stringer, port	23	—		MR	
	8F11730	Bracket, stringer, starboard	23	—		MR	
	23F11730	Bracket, stringer, port	1	—		MR	
	24F11730	Bracket, stringer, starboard	1	—		MR	
	19F11730	Bracket, stringer, port	1	—		MR	
	20F11730	Bracket, stringer, starboard	1	—		MR	
	40F11730	Bracket, stringer, port	1	—		MR	
	41F11730	Bracket, stringer, starboard	1	—		MR	
	42F11730	Bracket, stringer, port	8	—		MR	
	43F11730	Bracket, stringer, starboard	9	—		MR	
	44F11730	Bracket, stringer, port	2	—		MR	
	45F11730	Bracket, stringer, starboard	1	—		MR	
	46F11730	Bracket, stringer, port	1	—		MR	
	47F11730	Bracket, stringer, starboard	1	—		MR	
	48F11730	Bracket, stringer, port	1	—		MR	
	49F11730	Bracket, stringer, starboard	1	—		MR	
	50F11730	Bracket, stringer	7	—		MR	
	884F11857	Bracket, stringer, port	1	—		MR	
	885F11857	Bracket, stringer, starboard	1	—		MR	
	63F7508	Bracket, stringer, port	2	—		MR	
	64F7508	Bracket, stringer, starboard	2	—		MR	

MAINPLANES
INNER MAINPLANES

Ref. No.	Part No.	Description	No. off	Matl. Spec.	Cl. of St.	Place and Illust'n No.
					M.R.	
		1 2 3 4				
		SKIN, BOTTOM, BETWEEN FRONT & REAR SPARS, PORT AND STARBOARD (1 & 2 F9704 or 691 & 692F9704) (Mod. & Pre-Mod. 1106) (Cont'd)				
	1F10093	PANEL, ACCESS, FOR VENT VALVES, ... PORT, GROUP	1	-		MC15/811
	2F10093	PANEL, ACCESS, FOR VENT VALVES, ... STARBOARD, GROUP	1	-		MC15/812
	10F9263	Spares for:- Panel, access	1	L72		MC15/813
28D/1214091	AS1242/2C	Attachments - Access Panel, Part Nos. 10F9263				
	1F10094	Bolt, c'sk. hd., 2 BA	12	-	C	MC15/814
	2F10094	PANEL, ACCESS, TO ELECTRICAL SERVICES, PORT, GROUP	1	-		MC15/815
	10F9263	PANEL, ACCESS, TO ELECTRICAL SERVICES, STARBOARD, GROUP	1	-		MC15/816
	10F9263	Spares for:- Panel, access	1	L72		MC15/816
28D/1214091	AS1242/2C	Attachments - Access Panel, Part Nos. 10F9263				
10278	7F10622	Bolt, c'sk. hd., 2 BA	12	-	C	MC15/817
10279	8F10622	PANEL, ACCESS, TO SUMP, No. 3 TANK, PORT, GROUP (Mod. 1017)	1	-	C	MC15/818
		PANEL, ACCESS, TO SUMP No. 3 TANK, STARBOARD, GROUP (Mod. 1017)	1	-	C	MC15/818
		Spares for:-				
28FP/4062854	DZUS	Fastener	16	-	C	MC15/819
	EF5/45A	Panel, access	1	L72	MR	MC15/820
10280	10F9207	PANEL, ACCESS, TO SUMP, No. 4 TANK, PORT, GROUP (Mod. 1017)	1	-	MR	MC15/820
	4F10623	PANEL, ACCESS, TO SUMP No. 4 TANK, STARBOARD, GROUP (Mod. 1017)	1	-	MR	MC15/821
	5F10623	Spares for:-				
28FP/4062854	DZUS	Fastener	20	-	C	MC15/822
13753	EF5/45A	PANEL, ACCESS, INHIBITOR, PORT, GROUP	1	-	C	MC15/822
12161	9F10623	PANEL, ACCESS, INHIBITOR, STARBOARD, GROUP	1	-		MC15/823
		Spares for:-				
28FP/4062384	DZUS	Fastener	2	-	C	MC15/824
12160	F4/35	PLATE, REINFORCING, GROUP	1	-	C	MC15/824
12162	7F10623	Stiffener	1	-	C	MC15/825
	10F10623					

VULCAN PH. 2

MAINPLANES
INNER MAINPLANES

Page MC. 71

Ref. No.	Part No.	Description 1 2 3 4	No. off	Matl. Spec.	Cl. of	Plate and Hust'n No.
					St. M.R.	
		STRUCTURE, BOTTOM SURFACE, AFT OF REAR U C BULKHEAD, PORT AND STARBOARD (1 & 50F10026) (Cont'd)				
	8F10026	BEAM, CENTRE, AFT, STB'D., GROUP	1	—	MR	MC16/886
	31F10026	BEAM, CENTRE, FORWARD, STAR- BOARD, GROUP	1	—	MR	MC16/887
	13F10026	Bracket, corner, bottom surface structure, aft, port	1	—	MR	MC16/888
	14F10026	Bracket, corner, bottom surface structure, aft, starboard	1	—	MR	MC16/889
		Attachments - Bracket, Part Nos 13 & 14F10026				
	4SS4399	Bolt, $\frac{1}{2}$ " BSF	1	—	MR	
	30F10026	Washer, special	1	—	MR	
	AGS2001/G/1	Nut, stiff, $\frac{1}{2}$ " BSF	1	—	C	
28M/1202770	21F8741	Bracket, attachment, forward front beam, port	1	L72	MR	MC16/890
	22F8741	Bracket, attachment, forward front beam, starboard	1	L72	MR	MC16/891
8777	23F8741	Bracket, attachment, forward front beam, port	1	L72	MR/C	MC16/892
	24F8741	Bracket, attachment, forward front beam, starboard	1	L72	MR	MC16/893
	25F8741	Bracket, attachment, forward front beam, port	1	L72	MR	MC16/894
	26F8741	Bracket, attachment, forward front beam, starboard	1	L72	MR	MC16/895
	27F8741	Bracket, attachment, forward front beam, port	1	L72	MR	MC15/896
	28F8741	Bracket, attachment, forward front beam, starboard	1	L72	MR	MC16/897
	29F8741	Bracket, attachment, forward front beam, port	1	L72	MR	MC16/898
	30F8741	Bracket, attachment, forward front beam, starboard	1	L72	MR	MC16/899
	31F8741	Bracket, attachment, forward front beam, port	1	L72	MR	MC16/900
	32F8741	Bracket, attachment, forward front beam, starboard	1	L72	MR	MC16/901
	41F10026	BRACKET, SUPPORT, AFT, FRONT BEAM, STARBOARD, GROUP	1	—	MR	MC16/902
	24F10026	BRACKET, SUPPORT, FORWARD, CENTRE BEAM, STARBOARD, GROUP	1	—	MR	MC16/903
	89F10026	Channel, support, bottom surface structure, starboard	1	L72	MR	MC16/904
	90F10026	Channel, support, bottom surface structure, starboard	1	L72	MR	MC16/905
	5F8741	Diaphragm, front beam, port	3	L72	MR	MC16/906
	10F9610	Diaphragm, front beam, starboard	3	L72	MR	MC16/907
	9F8741	Diaphragm, centre beam, port	3	L72	MR	MC16/908
	32F10026	Diaphragm, centre beam, starboard	3	L72	MR	MC16/90

MAINPLANES
INNER MAINPLANES

Ref. No.	Part No.	Description	No. off	Mach. Spec.	Cl. of	Plate and Illust'n No.
					St. M.R.	
		1 2 3 4				
1510409	35F12905	STRUCTURE, BOTTOM SURFACE, AFT OF REAR U/C BULKHEAD, PORT & STARBOARD (1 & 50F10028) (Cont'd)	1	-	C	MC16/910
	19F12905	DOOR, ACCESS, TO ACCEPT "DECCA" 72 AERIAL, PORT, GROUP (Mod. 2258) Spares for:- Angle, support	1	-		MC16/910A
28D/9133011	A2B/2C	Attachments-Angle Part No. 19F12905	10	-	C	MC16/910B
28W/9419402	SP13/C	Bolt, hex. hd., 2 BA	10	-	C	
	30F12905	Washer, 2 BA	10	-		
	30F12905	DOOR, ACCESS, GROUP	1	-		
	36F12905	MOUNTING OF "DECCA" 72 AERIAL, GROUP Spares for:-	1	-		MC16/911
26TA/1035	SS4910/D5D	Bolt, for Aerial attachment	22	-	C	MC16/911A
	1F12943	Casting	1	-		MC16/911B
		Attachments-Casting Part No. 1F12943:-				
28D/1212805	AS1248/9C	Bolt, mush. hd., 2 BA	18	-	C	MC16/912
28M/1012015	AGS2001/C1/66	Nut, stiff, 2 BA	18	-	C	
28W/9419475	SP15/C	Washer, 2 BA	18	-	C	
28W/9419478	SP16/G	Washer, 5/16"	18	-	C	
	34F12905	Packing	1	-		
	33F12905	PLATE, ANCHOR, GROUP	1	-		MC16/912A
		Spares for:-				
28N/1046381	SP121/E	Collar	1	-	C	
28P/9629222	SP113/E4-1/2	Pin, shear	1	-	C	
28P/9486478	SP90/C5	Pin, split	1	-	C	
	33F12905	Plate	1	-		MC16/912B
		Attachments-Plate Part No. 33F12905				
28D/1013173	AS1242/10C	Bolt, csk. hd., 2 BA	2	-	C	
28M/1012015	AGS2001/C1/66	Nut, stiff, 2 BA	2	-	C	
28W/9419475	SP15/C	Washer, 2 BA	2	-	C	
	AS2811/5/065	Tube, distance	2	-		
	AS2811/5/072	Tube, distance	18	-		
7180	1F10385	PANEL, ACCESS, AUXILIARY AIRBORNE POWER PLANT, INBOARD STARBOARD, GROUP Spares for:-	1	-	B	MC17/913
7181	11F10385	COVER, HAND HOLE, GROUP	1	-	C	MC17/914
28FP/4088888	TFR5/31K	Fastener, dzus	1	-	C	
28FP/1228780	TFR5/24K	Fastener, dzus	3	-	C	
28FP/1300170	TFR5/21K	Fastener, dzus	15	-	C	
28FP/1228781	TFR5/27K	Fastener, dzus	4	-	C	
28FP/4088828	TFR5/1G	Grommet	23	-	C	

VULCAN No. 3

MAINPLANES
INNER MAINPLANES

Page MC 67

Ref. No.	Part No.	Description	No. off	Matl. Spec.	Cl. of	Plate and Illust'n No.
					St. M.R.	
		1 2 3 4				
		SKIN, BOTTOM, BETWEEN FRONT AND REAR SPARS, PORT AND STARBOARD (1 & 2F9704 or 691 & 802F9704) (Mod & Pre-Mod 1106) (Cont'd)				
	9F9874	PANEL, ACCESS, No 5 TANK, PORT, ... GROUP (Mod. 1456)	1	-		MC15/826
	10F9874	PANEL, ACCESS, No 5 TANK, ... STARBOARD, GROUP (Mod. 1456)	1	-		MC15/827
12641	798F9704	Spares for:- Panel, access, port	1	L73	C	MC15/828
12642	800F9704	Panel, access, starboard	1	L73	C	MC15/829
		Attachments - Access Panel, Part Nos. 799 & 800F9704				
1433762	SS4898/2C	Bolt, mush. hd., 2 BA	18	-		
	9F9875	PANEL, ACCESS, No. 7 TANK, PORT, ... GROUP (Mod. 1456)	1	-		MC15/830
	8F9875	PANEL, ACCESS, No. 7 TANK ... STARBOARD, GROUP (Mod. 1456)	1	-		MC15/831
		Spares for:-				
12643	759F9704	Panel, access, port	1	L73	C	MC15/832
12644	760F9704	Panel, access, starboard	1	L73	C	MC15/833
		Attachments - Access Panel, Part Nos. 759 & 760F9704				
1433762	SS4898/2C	Bolt, mush. hd., 2 BA	20	-	C	
10264	7F10624	PANEL, ACCESS, FOR SUMP, No 6 TANK, PORT, GROUP (Mod. 1017)	1	-		MC15/834
10265	8F10624	PANEL, ACCESS, FOR SUMP, No. 6 TANK, STARBOARD, GROUP (Mod. 1017)	1	-		MC15/835
		Spares for:-				
28FP/4082654	DZUS EF5/45A	Fastener	20	-	C	
	18F9207	Panel, access Z	1	L72	MR	MC15/836
13754	9F10624	Plate, reinforcing	1	-		MA15/837
	10F10624	Stiffener, port	1	-		MC15/838
1433036	11F10624	Stiffener, starboard	1	-		MC15/839
8574	1F11113	PANEL, ACCESS, No. 3 TANK, PORT, ... GROUP	1	-	B	MC15/840
		Spares for:-				
28FP/4082654	DZUS EF5/45A	Fastener	12	-	C	
8575	1F11106	PANEL, ACCESS, No. 3 TANK, ... STARBOARD, GROUP	1	-	B	MC15/841
		Spares for:-				
28FP/4082654	DZUS EF5/45A	Fastener	12	-	C	
8576	1F11106	PANEL, ACCESS, FOR EMERGENCY ... FUEL LEVEL SWITCH, No 4 TANK, PORT, GROUP	1	-	B	MC15/842
		Spares for:-				
28FP/4082654	DZUS EF5/45A	Fastener	14	-	C	

MAINPLANES
INNER MAINPLANES

Ref. No.	Part No.	Description	No. off	Matl. Spec.	Cl of St.	Plate and Illust'n No.
					M.R.	
		1 2 3 4				
		SKIN, BOTTOM, BETWEEN FRONT AND REAR SPARS, PORT AND STARBOARD (1 & 2F9704 or 691 & 692F9704) (Mod. & Pre Mod. 1108) (Cont'd.)				
8577	1F11115	PANEL, ACCESS, FOR EMERGENCY FUEL LEVEL SWITCH, NO. 4 TANK STARBOARD, GROUP Spares for:—	1	—	B	MC15/843
28FP/4062054 12647	DZUS EF5/45A 4F11110	Fastener PANEL, ACCESS, FOR EMERGENCY FUEL LEVEL SWITCH, No. 5 TANK PORT, GROUP Spares for:—	14 1	— —	C B	MC15/844
28FP/4062054 12648	DZUS EF5/45A 3F11118	Fastener PANEL, ACCESS, FOR EMERGENCY FUEL LEVEL SWITCH, No. 5 TANK STARBOARD, GROUP Spares for:—	9 1	— —	C B	MC15/845
28FP/4062054 8580	DZUS EF5/45A 1F11109	Fastener PANEL, ACCESS, FOR EMERGENCY FUEL LEVEL SWITCH, No. 7 TANK PORT, GROUP Spares for:—	9 1	— —	C B	MC15/846
28FP/4062054 8581	DZUS EF5/45A 1F11108	Fastener PANEL, ACCESS, FOR EMERGENCY FUEL LEVEL SWITCH, No. 7 TANK STARBOARD, GROUP Spares for:—	14 1	— —	B	MC15/847
28FP/4062054 8582	DZUS EF5/45A 1F11114	Fastener PANEL, ACCESS, FOR EMERGENCY FUEL, LEVEL SWITCH, No. 8 TANK PORT, GROUP Spares for:—	14 1	— —	C B	MC15/848
28FP/4062054 8583	DZUS EF5/45A 1F11107	Fastener PANEL, ACCESS, FOR EMERGENCY FUEL LEVEL SWITCH, No. 6 TANK STARBOARD, GROUP Spares for:—	14 1	— —	C B	MC15/849
28FP/4062054	DZUS EF5/45A	Fastener	14	—	C	

VULCAN 88 7

MAINPLANES
INNER MAINPLANES

Page MC. 69

Ref. No.	Part No.	Description	No. off	Matl. Spec.	Cl of St	Plate and Illust'n No.
					M.R.	
		1 2 3 4				
		SKIN, BOTTOM, BETWEEN FRONT & REAR SPARS, PORT AND STARBOARD (1 & 2F9704 or 681 & 682F9704) (Mod. & Pre-Mod. 1105) (Cont'd.)				
12640	5F9223	PANEL, ACCESS, TO PIPE CONNECTIONS (K) PORT, GROUP (Mod. 1456)	1	—	B	MC15/850
12639	4F9223	PANEL, ACCESS, TO PIPE CONNECTIONS (K) STARBOARD, GROUP (Mod. 1456)	1	—	B	MC15/851
28FP/4082854	EF5/45A 1F11797	Spares for:— Fastener, dzus PANEL, ACCESS, TO FUEL TANK No. 4, PORT, GROUP (Mod. 1302)	12 1	— —	C MR	MC15/852
	2F11797	PANEL, ACCESS, TO FUEL TANK No. 4, STARBOARD, GROUP (Mod. 1302)	1	—	MR	MC15/853
		Attachment—Access Panel Part Nos. 1 & 2F11797				
12646	SS4698/2C 7F9990	Bolt, mush. hd., 2 BA PANEL, ACCESS, (L) OUTBOARD U/C RIB, BETWEEN STRINGERS 14 & 16, PORT, GROUP (Mod. 1456)	50 1	— —	B	MC15/854
12645	6F9990	PANEL, ACCESS, (L) OUTBOARD U/C RIB, BETWEEN STRINGERS 14 & 16, STARBOARD, GROUP (Mod. 1456)	1	—	B	MC15/855
28FP/4082854 11608	EF5/45A 3F11793	Spares for:— Fastener, dzus PANEL, ACCESS, TO AMPLIFIERS PORT, GROUP (Mod. 1302)	22 1	— —	C B	MC15/856
11609	4F11793	PANEL, ACCESS, TO AMPLIFIERS, STARBOARD, GROUP (Mod. 1302)	1	—	B	MC15/857
		Spares for:—				
	8P3232	Bellows	1	S. Steel	MR	
	5P3232	Housing	1	—		
	7P3232	Washer	2	DTD762	MR	
		Attachments—Access Panel Part Nos. 3 & 4F11793				
1433762	SS4698/2C	Bolt, mush. hd., 2 BA	9	—	C	
	SS4698/3C	Bolt, mush. hd., 2 BA	18	—	MR	
10286	99F1088J	PANEL, ACCESS, (P) HONEYCOMB TO FUEL PIPES, BETWEEN RIBS 576 & 600, PORT, GROUP (Mod. 1017)	1	—	B	MC15/858
10287	100F10883	PANEL, ACCESS, (P) HONEYCOMB TO FUEL PIPES, BETWEEN RIBS 576 & 600, STARBOARD, GROUP (Mod. 1017)	1	—	B	MC15/859
		Spares for:—				
	KING A/C C8352	Fastener, upper body	30	—	MR	MC15/860
13748	104F10883	MEMBER, REINFORCING, PORT, GROUP	1	—	C	MC15/861
13745	103F10883	Packing	1	—	C	MC15/862
13756	54F10882	Panel, access, port	1	—	C	MC15/863
13744	102F10883	PANEL, ACCESS, STARBOARD, GROUP	1	—	C	MC15/864
11370	101F10883	PLATE, REINFORCING, STARBOARD, GROUP	1	—	C	MC15/865

MAINPLANES

INNER MAINPLANES

Ref. No.	Part No	Description	No. off	Mater. Spec.	Cl. of St	Plate and Ilust'n No.
					M.R.	
		1 2 3 4				
		SKIN, BOTTOM, BETWEEN FRONT & REAR SPARS, PORT AND STARBOARD (1 & 2F9704 or 881 & 882F9704) (Mod. & Pre-Mod. 1108) (Cont'd.)				
8080	36F10181	PANEL, ACCESS, HONEYCOMB, TO FUEL PIPES, BETWEEN RIBS 576 & 600, PORT, GROUP	—	—	C	MC15/866
8081	36F10181	PANEL, ACCESS, HONEYCOMB, TO FUEL PIPES, BETWEEN RIBS 576 & 600, STARBOARD, GROUP	—	—	C	MC15/867
	1F10884	Panel, access (M) between ribs 562.186 & 576.186, port	1	L73	MR	MC15/868
	2F10884	Panel, access (M) between ribs 562.186 & 576.186, starboard	1	L73	MR	MC15/869
	1F11803	Panel, access, between ribs 408.186 & 436.186, port	1	L73		MC15/870
	2F11803	Panel, access, between ribs 408.186 & 436.186, starboard	1	L73		MC15/871
		Attachments—Access Panels Part Nos. 1 & 2F11803				
280/1013284	AS1248/2C 241F8632	Bolt, mush. hd., 2 BA	12	—	C	
		Panel, inspection, between ribs 460.436 & 478.186	1	—		MC15/872
		Attachments—Inspection Panel Part No. 241F8632				
1164	11SS4140	Screw	6	—	C	MC15/873
1510536	1F10887	PANEL, KINK CONTROL BETWEEN RIBS 618.186 & 576.186, INBOARD FORWARD PORT, GROUP	1	—	B	
1510537	2F10887	PANEL, KINK CONTROL BETWEEN RIBS 618.186 & 576.186, INBOARD FORWARD STARBOARD, GROUP	1	—	B	
1510538	1F10888	PANEL, KINK CONTROL BETWEEN RIBS 618.186 & 576.186, INBOARD REAR PORT, GROUP	1	—	B	
1510539	2F10888	PANEL, KINK CONTROL BETWEEN RIBS 618.186 & 576.186, INBOARD REAR STARBOARD, GROUP	1	—	B	
20811	1FB635	WING, CAVITY VENT, PORT, GROUP	1	—	C	MC15/874
20812	9FB635	WING, CAVITY VENT, STARBOARD, GROUP	1	—	C	
	7FB635	Consisting of:— HINGE AND SPRING, GROUP	1	—		
	2FB635	LOUVRE, GROUP	1	—		
	5FB635	Plate, cover	1	—		

VULCAN No. 2

MAINPLANES
INNER MAINPLANES

Page MC. 70A

Ref No.	Part No.	Description	No. off	Mati. Spec.	Cl. of St.	Plate and Inst'n No.
					M.R.	
		1 2 3 4.				
20781		STRUCTURE, BOTTOM SURFACE, AFT OF REAR LIC BULKHEAD, PORT AND STARBOARD (1 & 50F10026)				
		Spare for:—				
	08F10026	ANGLE, PANEL SUPPORT, AFT	1	—	MRC	MC16874
		FRONT BEAM, STARBOARD, GROUP				
	10F8741	ANGLE, ATTACHMENT, CENTRE	3	—	MR	MC16875
		BEAM, PORT, GROUP				
	33F10026	ANGLE, ATTACHMENT, CENTRE	3	—	MR	MC16876
		BEAM, STARBOARD, GROUP				
	88F10026	ANGLE, ATTACHMENT, FRONT	3	—	MR	MC16877
		BEAM, PORT, GROUP				
	70F10026	ANGLE, ATTACHMENT, FRONT	3	—	MR	MC16878
		BEAM, STARBOARD, GROUP				
	88F10026	Angle, attachment, bottom surface	1	—	MR	MC16879
		structure, starboard				
88F10026	Angle, attachment, bottom surface	1	—	MR	MC16880	
	structure, starboard					
82F10026	Angle, attachment, bottom surface	1	—	MR	MC16881	
	structure, starboard					
3F18826	BEAM, FRONT, PORT, GROUP	1	—	MR	MC16882	
4F10026	BEAM, FRONT, STARBOARD, GROUP	1	—	MR	MC16883	
7F10026	BEAM, CENTRE, FORWARD, PORT,	1	—	MR	MC16884	
	GROUP					
8F10026	BEAM, CENTRE, AFT, PORT, GROUP	1	—	MR	MC16885	

VULCAN No. 1		MAINPLANES		Page MC. 73		
		INNER MAINPLANES				
Ref. No.	Part No.	Description	No. off	Matl Spec.	Cl of St.	Plate and Hlist'n No.
					M.R.	
8353	30F10369	PANEL, ACCESS, C/W EQUIPMENT, AUXILIARY AIRBORNE POWER PLANT, OUTBOARD, STARBOARD, GROUP	1	—	B	MC17/915
7183	7F9890	Spares for:— Bearing	1	DTD130A	C	MC17/916
7173	10F9890	Bearing	1	DTD130A	C	MC17/917
28FP/16329	5Z2164	CHAIN, PIP-PIN, GROUP	2	—	C	
7167	1Z9266	DUCT, ENGINE AIR, INTAKE, GROUP	1	—	C	MC17/918
	2Z9266	Spares for:— Collar, flexible	1	—	MR	MC17/919
	1Z9639	Duct, T.R.U.	1	—		
	1Z9268	Duct, alternator and oil cooler	1	—		MC17/921
	1Z9289	Duct, air intake	1	—		MC17/922
12936	32F10369	Packing	1	—	C	MC17/923
	90F10366	PANEL, ACCESS, OUTBOARD, GROUP	1	—		MC17/924
28FP/16329	5Z2164	Spares for:— CHAIN, RETAINING, GROUP	1	—	C	MC17/925
28FP/4088817	TFR5/23K	Fastener, dzus	5	—	C	
28FP/4088818	TFR5/25K	Fastener, dzus	7	—	C	
28FP/4088819	TFR5/26K	Fastener, dzus	5	—	C	
28FP/4088820	TFR5/1G	Grommet	17	—	C	
	45F10366	LOUVRE, GROUP	1	—		MC17/926
	16F10366	PANEL, ACCESS, CARTRIDGE START, GROUP	1	—	MR	MC17/927
28FP/4088815	TFR5/19K	Spares for:— Fastener, dzus	2	—	C	
28FP/4088816	TFR5/26K	Fastener, dzus	4	—	C	
28FP/4088820	TFR5/1G	Grommet	6	—	C	
1433135	100F10366	PIPE, STUD, GROUP	1	—	C	MC17/928
	56F10366	Seal	2	DTD552		MC17/929
	113F10366	Seal	2	DTD552	MR	MC17/930
28FP/9488700	A407	Pin, pip	2	—	C	
	31F10369	Ring, retaining	2	—	MR	
	38F10369	ROD, SUPPORT, GROUP	1	—	MR	MC17/932
	40F10369	ROD, SUPPORT, GROUP	1	—	MR	MC17/933
	ROSE BROS. RM.4 RML.4	Spares for:— Bearing, rod-end	1	—		
28M/1007403	A27/ET	Bearing, rod-end	1	—		
28M/4085923	A27/ETL	Nut, thin, 1/4" BSF	1	—	C	
	AS2809/4/040	Nut, thin, 1/4" BSF	1	—	C	
		Tube, distance	2	—		

MAINPLANES
INNER MAINPLANES

Ref. No.	Part No.	Description	No. off	Matl. Spec.	Cl. of St.	Plate and Illust'n No.
					M.R.	
		1 2 3 4				
		Attachments—Rod, Part Nos. 38 & 40F10369 (Cont'd.)				
28D/9133013	A25/5C	Bolt, 2 BA	1	—	C	
28D/7002428	A25/6C	Bolt, 2 BA	1	—	C	
28M/1012015	AGS2001/C1/86	Nut, stiff, 2 BA	2	—	C	
28W/8418402	SP13/C	Washer, 2 BA	2	—	C	
	50F10420	SCOOP, A.A.P.P., GROUP	1	—	MR	MC17/934
		Spares for:—				
	40F10420	HINGE, GROUP	1	—		MC17/935
	34F10369	Seal	1	DTD552	MR	MC17/936
	36F10369	Seal	1	DTD552	MR	MC17/937
	1F11788	PANEL, ACCESS, HONEYCOMB, AFT	1	—		MC16/938
		CENTRE BEAM, PORT, GROUP (Mod. 1300)				
	1F11790	PANEL, ACCESS, HONEYCOMB, AFT	1	—		MC16/939
		CENTRE BEAM, STARBOARD, GROUP (Pre-Mod. 2190)				
1510758	34F11790	PANEL, ACCESS, HONEYCOMB, AFT	1	—	B	
		CENTRE BEAM, STARBOARD, GROUP (Mod. 2372)				
		Spares for:—				
	55F10089	PANEL, ACCESS, PORT, GROUP	1	—		MC16/940
	86F11101	PANEL, ACCESS, STARBOARD,	1	—		MC16/941
		GROUP				
		Spares for:—				
	43F9590	Bolt, special	6	S2	MR	MC16/942
28FP/4088012	TFR5/18K	Fastener, Dzus	4	—	C	
28FP/4088013	TFR5/17K	Fastener, Dzus	10	—	C	
28FP/4088018	TFR5/19K	Fastener, Dzus	23	—	C	
28FP/4088016	TFR5/20K	Fastener, Dzus	34	—	C	
28FP/1278232	TFR5/32K	Fastener, Dzus	1	—	C	
	TFR5/24M	Fastener, Dzus	6	—		
28FP/4088028	TF5/1G	Grommet, Dzus	78	—	C	
	41F11101	Panel, access, oxygen charging valve, starboard	1	—	MR	MC16/943
	13F11101	PLATE, COVER, GROUP	2	—	MR	MC16/944
		Attachments—Cover Plate Part No. 13F11101				
26FP/6946	2SS4353	Bolt, csk. hd., 2 BA	18	—	C	
	61F10089	Seal (Poly-Urethane)	4	—	MR	
	62F10089	Seal (Poly-Urethane)	3	—	MR	
	64F10089	Seal (Poly-Urethane)	1	—	MR	
13653	6F11789	PANEL, BLANKING, GROUP	2	—	C	MC16/945
		Attachments—Blanking Panel, Part No. 6F11789				
28D/1013284	AS1248/2C	Bolt, mush. hd., 2 BA	16	—	C	

MAINPLANES
INNER MAINPLANES

Ref. No.	Part No.	Description	No. off	Mtrl. Spec.	Cl. of	Place and Illust'n No.
					St. M.R.	
		1 2 3 4				
1510757	66F11789	PANEL, ACCESS, HONEYCOMB, AFT ... CENTRE BEAM, PORT, GROUP (Mod. 2372) (Make from 26F11789)	1	-	A	MC16/946
13583	1F11800	PANEL, SKIN, R.B.W. PORT, GROUP	1	-	C	MC16/947
	2F11800	PANEL, SKIN, R.B.W. STARBOARD, GROUP (Pre-Mod. 2190)	1	-	C	MC16/948
1433530	27F11800	PANEL, SKIN, R.B.W. STARBOARD, GROUP (Mod. 2190)	1	-	C	
	43F9500	Spares for:- Bolt, special	3	S2	MR	MC16/949
28FP/4088012	TFR5/16K	Fastener, Dzus	4	-	C	
28FP/4088018	TFR5/20K	Fastener, Dzus	12	-	C	
	TFR5/24M	Fastener, Dzus	8	-	C	
28FP/4088028	TFR5/1G	Grommet, Dzus	22	-	C	
13554	22F11800	Panel, cover (Pre Mod. 2190)	1	-	C	MC16/950
		Attachments—Cover Panel, Part No. 22F11800				
280/1007981	AS1248/1/2C	Bolt, mech. hd., 2 BA	8	-	C	
1433631	28F11800	Panel, cover (Mod. 2190)	1	-	C	
	117F10028	RAMP, EXTRACTOR, PORT, GROUP (Mod. 2372)	1	-		MC16/951
	118F10026	RAMP, EXTRACTOR, STARBOARD, GROUP (Mod. 2372)	1	-	C	MC16/952
		STRUCTURE, TOP, UNDERCARRIAGE BAY (F10081)				
		Spares for:-				
1432888	1F12719	BRACKET, ASSEMBLY (Mod. 2181)	2	-	C	
		Spares for:-				
	3F12719	Bracket	1	-	MR	
1510715	4F12719	Bracket, fork	1	-	C	
	3F9700	MOUNTING, BOTTOM, RIB 618.188, PORT ... AND STARBOARD, GROUP	2	-	MR	MC16/953
	7F9700	MOUNTING, BOTTOM, RIB 618.188, PORT ... AND STARBOARD, GROUP	2	-	MR	MC11/954
		Attachments—Mounting, Part Nos. 3 & 7F9700				
280/1214528	A59/C/1	Bolt, 2 BA	4	-	C	
28M/1012015	AGS2001/C1/85	Nut, stiff, 2 BA	4	-	C	
28W/9419475	SP15/C	Washer, 2 BA	4	-	C	
	335F9705	Washer, special	4	-	MR	

VULCAN No. 2		MAINPLANES		Page MC. 77		
		INNER MAINPLANES				
Ref. No.	Part No.	Description	No. off	Matl. Spec.	Cl. of	Plate and Illust'n No.
					St.	
		1 2 3 4				
COMPLEMENTARY ITEMS						
ATTACHMENT FITTINGS, FRONT SPAR JOINT, INNER TO OUTER WING, PORT & STARBOARD (1F10812)						
Spares for:						
6475	16F9883	Bolt, special, shackle top	2	S89	C	MC18/955
6476	7F10812	Bolt, special, shackle bottom	2	S89	C	MC18/958
28M/4095892	A27/NS	Nut, slotted, 1/2" BSF	4	-	C	
28M/1012015	AGS2001/C1/86	Nut, stiff, 2 BA	33	-	C	
28P/19155	SP90/E12	Pin, cotter, split	4	-	C	
6482	120F9883	Plate, rubbing	8	L72	C	MC18/957
6478	8F9881	Shackle, top and bottom joint	4	S86	C	MC18/958
6483	6F10812	Washer, special under head of shackle bolt	4	S1	C	
6477	6F9881	Washer, special	4	L72	C	
28W/9419402	SP13/C	Washer, 2 BA	33	-	C	
ATTACHMENT FITTINGS, REAR SPAR JOINT, INNER TO OUTER WING, PORT AND STARBOARD (F9883 SHT. 3)						
Consisting of:-						
6475	16F9883	Bolt, special, shackle bottom	4	S89	C	MC18/959
6484	17F9883	Bolt, special, shackle top	4	S89	C	MC18/960
28D/1212340	A60/3G	Bolt, 5/16" BSF	12	-	C	
28D/1212342	A60/6G	Bolt, 5/16" BSF	4	-	C	
28M/4095892	A27/NS	Nut, slotted, 1/2" BSF	8	-	C	
28M/4199618	A58/GT	Nut, thin, 5/16" BSF	16	-	C	
28P/19155	SP90/E12	Pin, cotter, split	8	-	C	
6486	12F9883	Plate, joint	1	-	C	MC5/961
6478	8F9881	Shackle, joint	8	S86	C	MC18/962
6485	15F9883	Washer, special, under head of shackle bolt	8	-	C	
	32F7753	Washer, special	8	-	C	
28W/9419403	SP13/G	Washer, 5/16"	16	-	C	
ATTACHMENT FITTINGS, FLYING CONTROL RODS, INNER TO OUTER WING JOINT, PORT AND STARBOARD (9 & 10F9700)						
Consisting of:-						
28D/1213555	A60/10G	Bolt, 5/16" BSF	1	-	C	
28D/9436820	A25/1C	Bolt, 2 BA	1	-	C	
28M/4199604	A58/GS	Nut, slotted, 5/16" BSF	1	-	C	
28M/9433473	AGS2002/C/1	Nut, stiff, 2 BA	1	-	C	
28P/9527619	SP90/C7	Pin, cotter, split	1	-	C	
28W/9419403	SP13/G	Washer, 5/16"	1	-	C	
28W/9419402	SP13/C	Washer, 2 BA	1	-	C	

MAINPLANES
INNER MAINPLANES

Ref. No.	Part No.	Description	No. off	Mater. Spec.	Cl of	Place and Illustr'n No.
					St.	
		1 2 3 4			M.R.	
COMPLEMENTARY ITEMS (Cont'd)						
ATTACHMENTS, AILERONS, INBOARD AND OUTBOARD, PORT AND STARBOARD (F9702)						
Consisting of:—						
28M/9156370	TECALEMIT SP21	Nipple, lubricating	5	—	C	
28O/9140647	A25/14C	Bolt, 2 BA	2	—	C	
28D/1011021	A25/16C	Bolt, 2 BA	3	—	C	
28M/1013107	A24/CS	Nut, slotted, 2 BA	5	—	C	
28P/8627619	SP90/C7	Pin, cotter, split	5	—	C	
8662	5F9702	Pin, hinge, at rib 823	1	—	C	MC18/963
8664	7F9702	Pin, hinge, at rib 80.25 & 197.5	2	—	C	MC18/964
	51F9702	Pin, hinge, at rib 126.5 (Mod. 577)	1	S98	MR	MC18/965
	45F9702	Pin, hinge, at rib 818.188	1	S99	MR	MC18/966
ATTACHMENTS ELEVATORS, INBOARD AND OUTBOARD, PORT AND STARBOARD (F9701)						
Consisting of:—						
	113F7500	Adaptor, centre hinge pin (Pre Mod. 592)	1	DTD363A		MC18/967
	25F9701	Adaptor, inboard and centre hinge pin	2	S98	MR	MC18/968
(Mod. 592)						
28N/9156370	TECALEMIT SP21	Nipple, lubricating	2	—	C	
28M/1203493	AG5572/K	Nut, thin, slotted, 5/8" BSF	2	—	C	
	85FB836	Nut, special	2	—	MR	
28P/19155	SP90/E12	Pin, cotter, split	2	—	C	
	26F9701	Pin, hinge	1	—	MR	MC18/969
	27F9701	Pin, hinge	1	—	MR	MC18/970
28W/9419470	SP13/O	Washer, 5/8"	4	—	C	
PANEL, ACCESS, FUEL SUMP No. 5 TANK JOINT INNER TO OUTER WING, PORT AND STARBOARD (F9700)						
Spares for:—						
	3F10882	PANEL, ACCESS, PORT, GROUP	1	—		MC15/971
		(Pre Mod. 1017)				
10282	51F10882	PANEL, ACCESS, PORT, GROUP	1	—		MC15/972
		(Mod. 1017)				
	4F10882	PANEL, ACCESS, STARBOARD	1	—		
		(Pre Mod. 1017)				
10283	52F10882	PANEL, ACCESS, STARBOARD,	1	—	C	
		GROUP (Mod. 1017)				
Spares for:—						
28FP/4088972	DZUS TFR5/23M KING AIRCRAFT C8352	Fastener	2	—	C	
		Fastener	38	—	MR	
13768	54F10882	PANEL, ACCESS	1	—		MC15/973
		Attachments—Access Panel Part No. 54F10882				
	15S4353	Bolt, cak. hd.	3	—	MR	MC15/974

MAINPLANES
INNER MAINPLANES

Ref. No.	Part No.	Description				No. off	Matl. Spec.	Cl. of St.	Place and Illust'n No.
		1	2	3	4			M.R.	
COMPLEMENTARY ITEMS (Cont'd)									
SEALING, ELEVATOR, PORT AND STARBOARD (1 & 2F9866)									
Consisting of :-									
	3F9866	SEAL, OUTBOARD, PORT, GROUP				1	—	MR	MC18 975
	4F9866	SEAL, OUTBOARD, STBD., GROUP				1	—	MR	MC18 976
	39F8488	SEAL, INBOARD, PORT, GROUP				1	—	MR	MC18 977
	10F8488	SEAL, INBOARD, STBD., GROUP				1	—	MR	MC18 978
	5F9866	Strip, retaining, outboard, outer elevator, 2' 0" long, port				1	L72	MR	MC18 979
	6F9866	Strip, retaining, outboard, outer elevator, 2' 0" long, starboard				1	L72	MR	MC18 980
	7F9866	Strip, retaining, forward of outer elevator, 8' 0" long, port				1	L72	MR	MC18 981
	8F9866	Strip, retaining, forward of outer elevator, 8' 0" long, starboard				1	L72	MR	MC18 982
	9F9866	Strip, retaining, forward of outer elevator, 7' 6" long, port				1	DTD297 or L44	MR	MC18 983
	10F9866	Strip, retaining, forward of outer elevator, 7' 6" long, starboard				1	DTD297 or L44	MR	MC18 984
	11F9866	Strip, retaining, outboard of outer elevator, 2' 0" long, port				1	DTD297 or L44	MR	MC18 985
	12F9866	Strip, retaining, outboard of outer elevator, 2' 0" long, starboard				1	DTD297 or L44	MR	MC18 986
	15F8488	Strip, retaining, inboard outer elevator, 3' 0" long, port				1	L72		MC18 987
	16F8488	Strip, retaining, inboard, outer elevator, 3' 0" long, starboard				1	L72		MC18 988
	23F8488	Strip, retaining, outboard, inner elevator, 3' 0" long, port				1	L72		MC18 989
	24F8488	Strip, retaining, outboard, inner elevator, 3' 0" long, starboard				1	L72		MC18 990
	25F8488	Strip, retaining, forward inner elevator, 8' 0" long, port				1	L72	MR	MC18 991
	26F8488	Strip, retaining, forward, inner elevator, 8' 0" long, starboard				1	L72		MC18 992
	27F8488	Strip, retaining, inboard, inner elevator, 3' 6" long, port				1	L72		MC18 993
	28F8488	Strip, retaining, inboard, inner elevator, 3' 6" long, starboard				1	L72		MC18 994
	40F8488	Strip, retaining, outboard, inner elevator, 3' 0" long, port				1	DTD297 or L44	MR	MC18 995
	41F8488	Strip, retaining, outboard, inner elevator, 3' 0" long, starboard				1	DTD297 or L44	MR	MC18 996
	41F8488	Strip, retaining, outboard, inner elevator, 3' 0" long, starboard				1	DTD297 or L44	MR	MC18 996
	44F8488	Strip, retaining, forward, inner elevator, 7' 6" long, port				1	DTD297 or L44	MR	MC18 997
	45F8488	Strip, retaining, forward inner elevator, 7' 6" long, starboard				1	DTD297 or L44	MR	MC18 998

MAINPLANES
INNER MAINPLANES

Ref. No.	Part No.	Description	No. off	Matl. Spec.	Cl. of	Plate and Illust'n No.
					St.	
		1 2 3 4			M.R.	
		SEALING, ELEVATOR, PORT AND STARBOARD (1 & 2F9866) (Cont'd)				
	48F8488	Strip, retaining, inboard inner elevator 3' 6" long, port	1	DTD297 or L44	MR	MC18,999
	49F8488	Strip, retaining, inboard, inner elevator, 3' 6" long, starboard	1	DTD297 or L44	MR	MC18/1000
	50F8488	Strip, retaining, inboard, outer elevator, 3' 0" long, port	1	DTD297 or L44	MR	MC18/1001
	51F8488	Strip, retaining, inboard, outer elevator, 3' 0" long, starboard	1	DTD297 or L44	MR	MC18/1002
28D 1215878	AS1246/5C	Bolt, rd. hd., 2 BA	2	—	C	
28D 1215327	AS1246/1E	Bolt, rd. hd., 1/2" 8SF	1	—	C	
28W 9416644	SP47/E	Washer, spring, 1/2"	1	—	C	
		Attachment—Seal, Part Nos. 3 & 4 F9866 and 10 & 39F8488				
28D 9140202	AS1246/1C	Bolt, rd. hd., 2 BA	150	—	C	

INNER MAINPLANES
SUMMARY OF STANDARD ITEMS

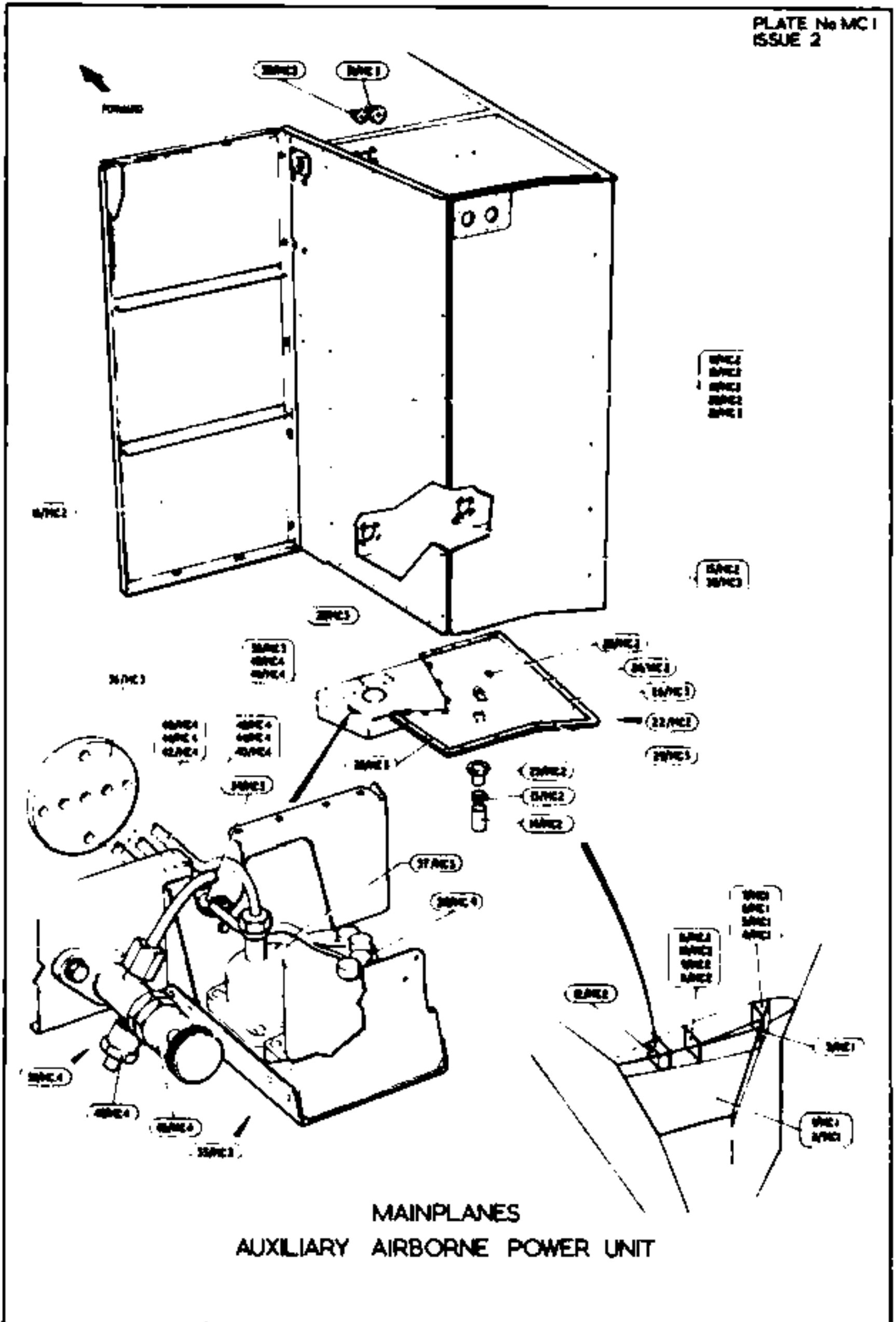
Stores Ref.		No. off	Stores Ref.		No. off	Stores Ref.		No. off
Section	Ref. No.		Section	Ref. No.		Section	Ref. No.	
28D	8337	12	28D	1215327	1	28FP	4069916	48
28D	13116	1	28D	1215682	12	28FP	4069917	5
28D	16289	4	28D	1218385	25	28FP	4069918	7
28D	16290	4	28D	1218444	8	28FP	4069919	9
28D	17238	4	28D	9133011	QR	28FP	4069922	2
28D	19676	4	28D	9133012	258	28FP	4069926	10
28D	20184	35	28D	9133013	19	28FP	4069927	28
28D	20434	8	28D	9133014	3	28FP	4069928	186
28D	700428	2	28D	9137408	4	28FP	1201	1
28D	1007285	13	28D	9140202	150	28FP	4069999	1
28D	1007972	4	28D	9140645	1	28FP	9489709	2
28D	1007973	4	28D	9140647	2	28FP	9144248	22
28D	1007975	18	28D	9142406	QR	28FP	9145888	18
28D	1007979	8	28D	9419645	2	28FP	9145889	18
28D	1007981	26	28D	9434873	5	28FP	9430915	42
28D	1007982	14	28D	9435053	1	28FP	9430916	58
28D	1010658	1	28D	9435059	8	28FP	9430917	20
28D	1011021	3	28D	9435710	2	28FP	9488815	14
28D	1011022	4	28D	9436920	59	28FP	9489248	14
28D	1011238	4				28FP	9494288	10
28D	1011240	16						
28D	1012995	7	28DU	9480226	4			
28D	1013172	91				28M	10281	2
28D	1013284	QR				28M	1278190	657
28D	1200119	QR	28E	9128961	1	28M	10280	QR
28D	1202334	8				28M	10281	QR
28D	1212340	12				28M	10292	1
28D	1212342	4	28F	9714	1	28M	10327	1
28D	1212371	3	28F	10504	2	28M	10328	1
28D	1212594	2	28F	10773	1	28M	13244	18
28D	1212825	8	28F	1011798	1	28M	13258	12
28D	1212941	4	28F	8011897	4	28M	13270	10
28D	1213410	1	28F	9157488	1	28M	13281	16
28D	1213448	4	28F	9439162	2	28M	13289	4
28D	1213447	20	28F	9488111	4	28M	13412	6
28D	1213514	8	28F	9513420	7	28M	13454	2
28D	1213555	1				28M	13454	2
28D	1213580	4				28M	13653	12
28D	1213596	3	28FP	4062373	20	28M	13785	20
28D	1213609	4	28FP	4062415	6	28M	14537	1
28D	1213606	11	28FP	340	20	28M	14622	2
28D	1213807	1	28FP	4062654	218	28M	14877	20
28D	1213759	1	28FP	4069912	8	28M	15393	5
28D	1214091	52	28FP	4069913	10	28M	15498	16
28D	1214526	49	28FP	4069915	25	28M	15814	3
28D	1215078	2	28FP	1229780	3	28M	15991	2
			28FP	1229781	4	28M	16830	6
			28FP	1300170	15			

INNER MAINPLANES
SUMMARY OF STANDARD ITEMS

Stores Ref.		No. off	Stores Ref.		No. off	Stores Ref.		No. off
Section	Ref. No.		Section	Ref. No.		Section	Ref. No.	
28M	1008473	1	28W	7000382	12			
28M	1008838	10	28W	9418644	1			
28M	1007403	2	28W	9418821	15			
28M	1007404	2	28W	9419402	874			
28M	1011470	4	28W	9419403	53			
28M	1011473	16	28W	9419404	28			
28M	1011475	12	28W	9419405	QR			
28M	1011477	8	28W	9419428	8			
28M	1013107	5	28W	9419454	8			
28M	1204493	2	28W	9419465	8			
28M	5808571	14	28W	9419466	32			
28M	9128448	11	28W	9419467	48			
28M	9512070	4	28W	9419468	8			
28M	9512071	8	28W	9419469	18			
			28W	9419470	18			
			28W	9419471	7			
28N	5549	3	28W	9419472	1			
28N	9156370	7	28W	9419474	13			
			28W	9419475	41			
			28W	9419476	QR			
28P	831	1	28W	9419477	26			
28P	1022	1	28W	9419481	2			
28P	12408	6	28W	9419487	7			
28P	19129	12	28W	9419488	4			
28P	19155	10	28W	9419489	13			
28P	19159	8	28W	9419490	8			
28P	20348	38	28W	9419492	18			
28P	1012221	1	28W	9419493	10			
28P	1202464	1						
28P	9429619	3						
28P	9527619	62						
28S	1008327	4						
28S	1012450	4						
28S	9992522	8						
28S	9992525	4						

RESTRICTED

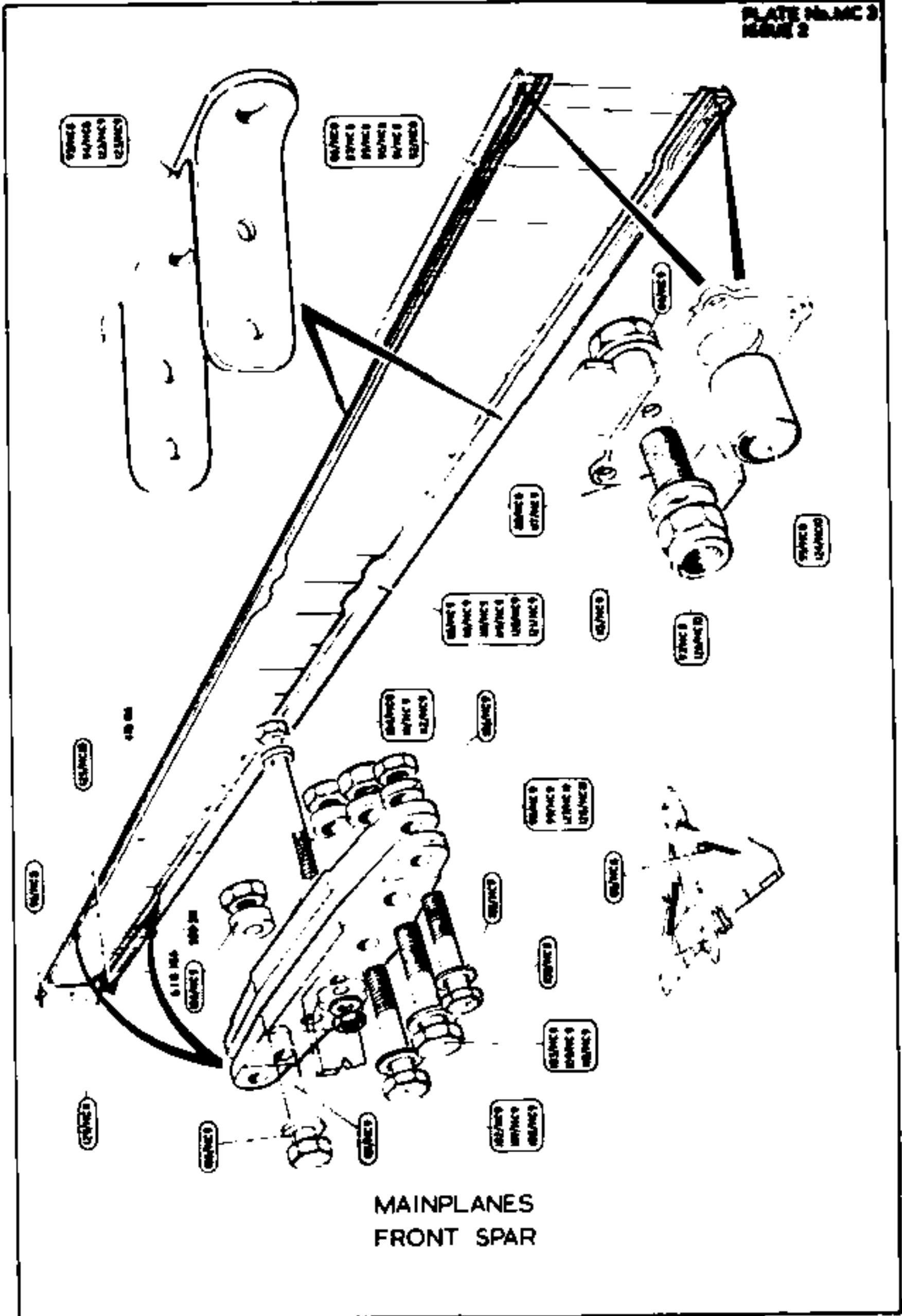
PLATE No MC 1
ISSUE 2



RESTRICTED

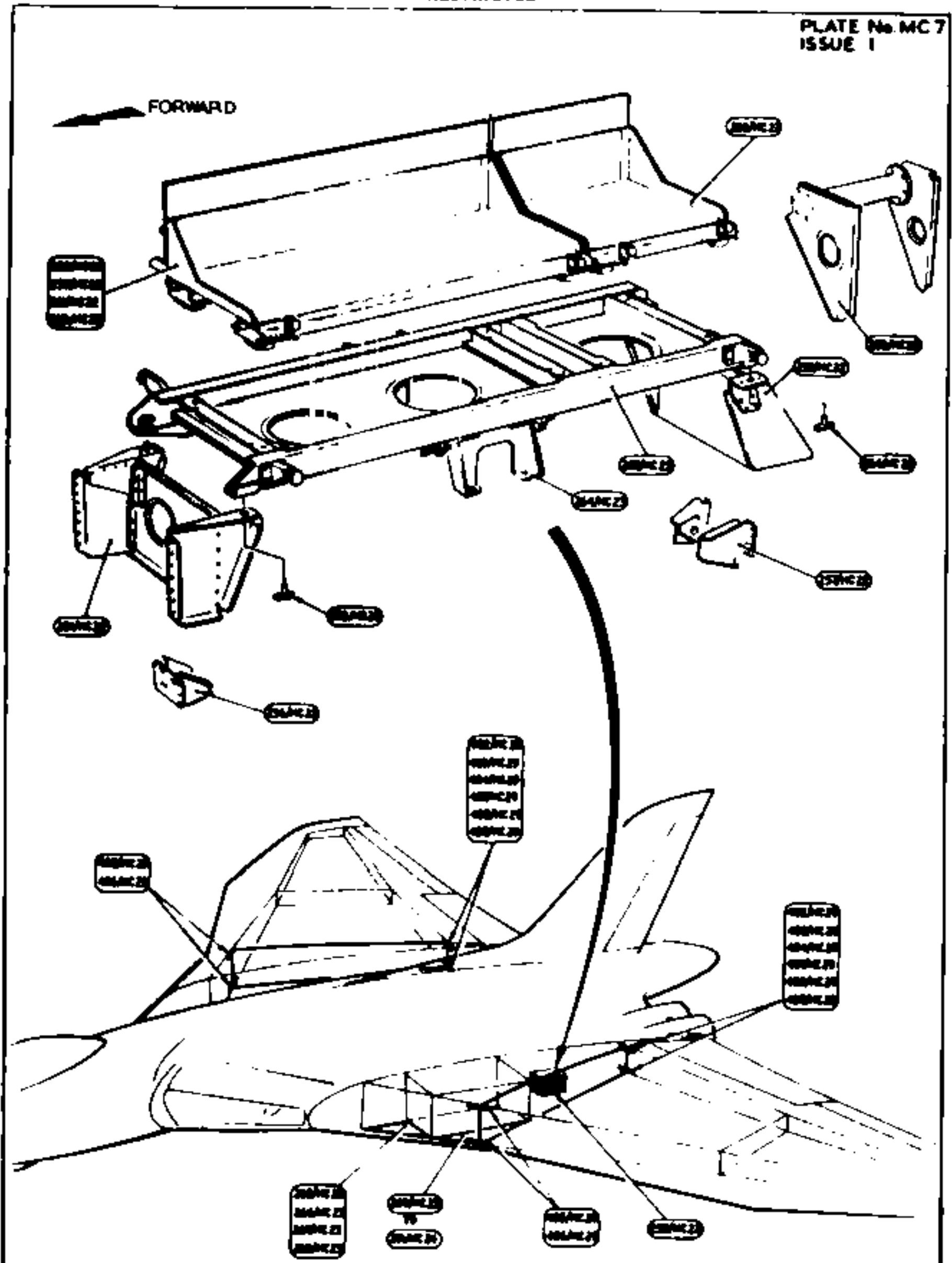
RESTRICTED

PLATE No. MC 3
PAGE 2

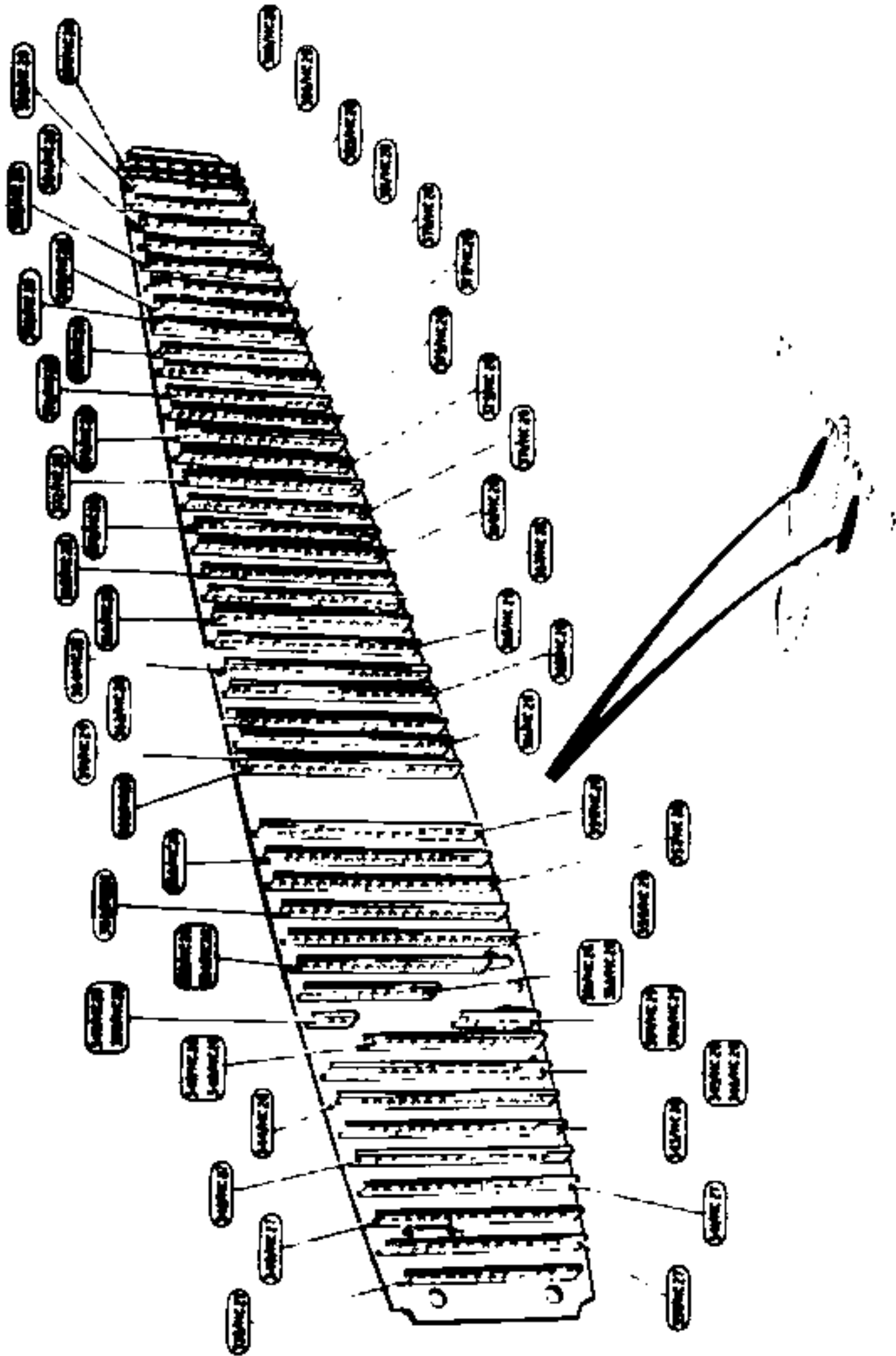


MAINPLANES
FRONT SPAR

RESTRICTED



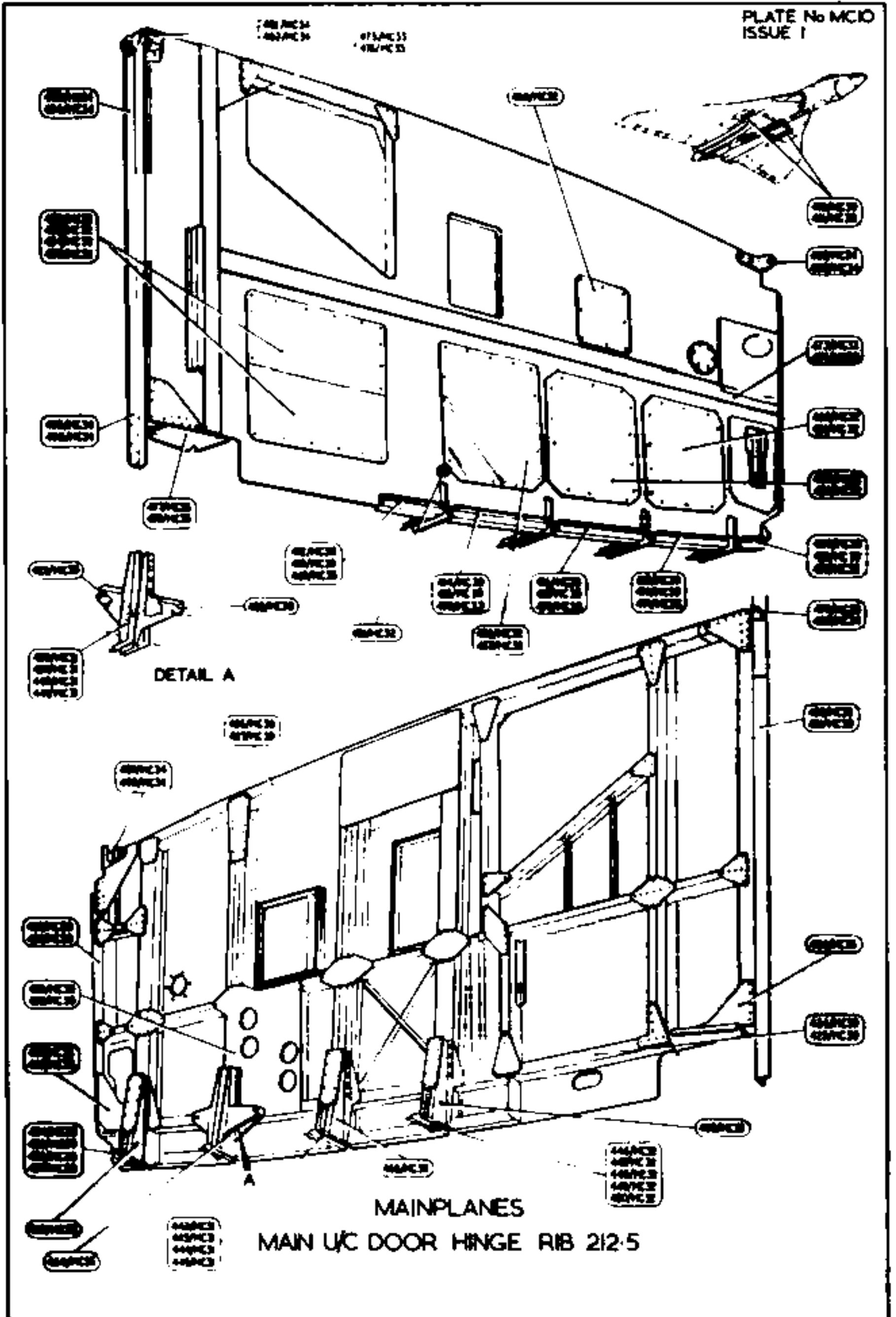
MAINPLANES
GREEN SATIN MOUNTING AND SKIN PANELS



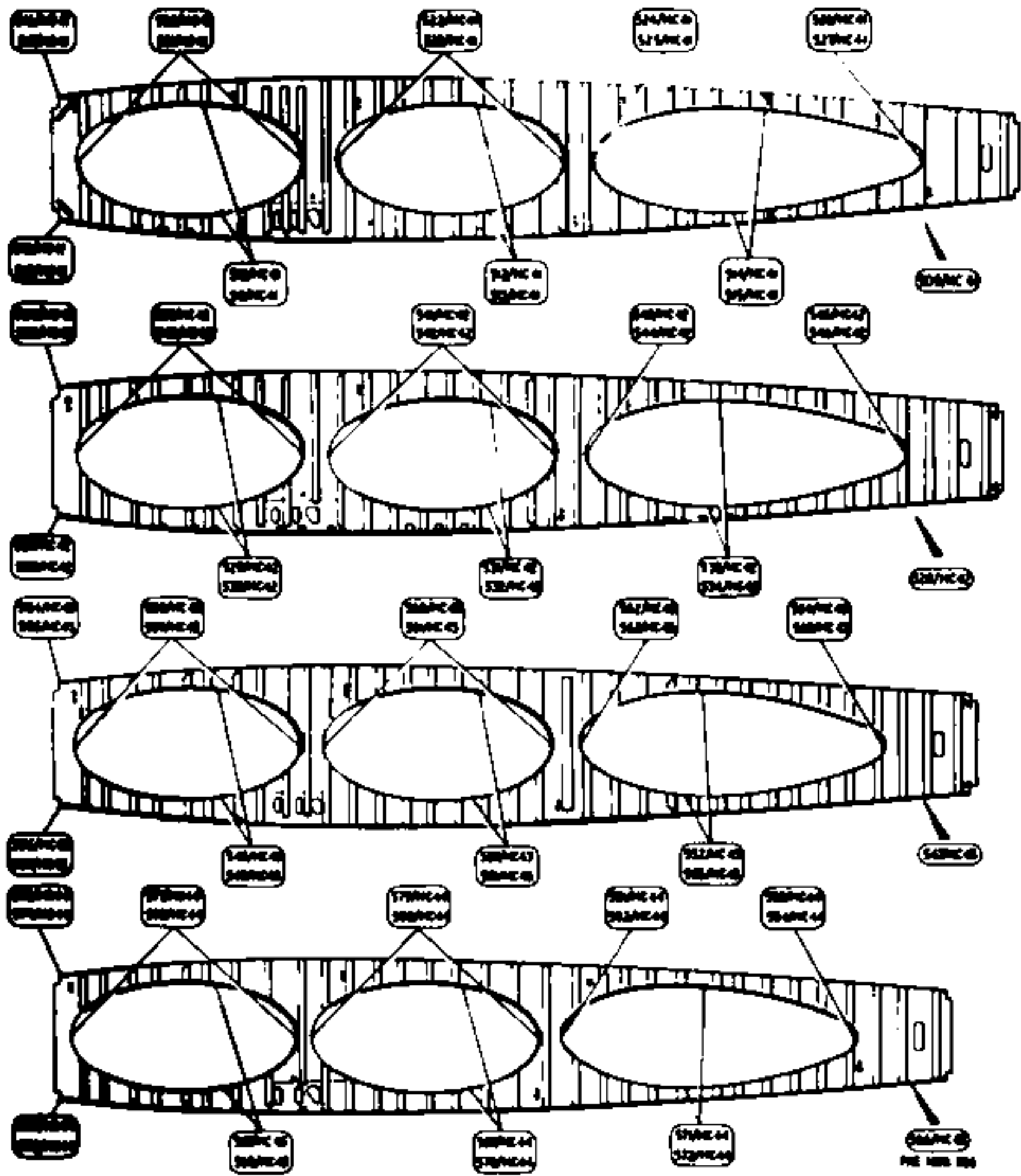
MAINPLANES
U/C RIB-INBOARD WEB - PORT / STBD.

RESTRICTED

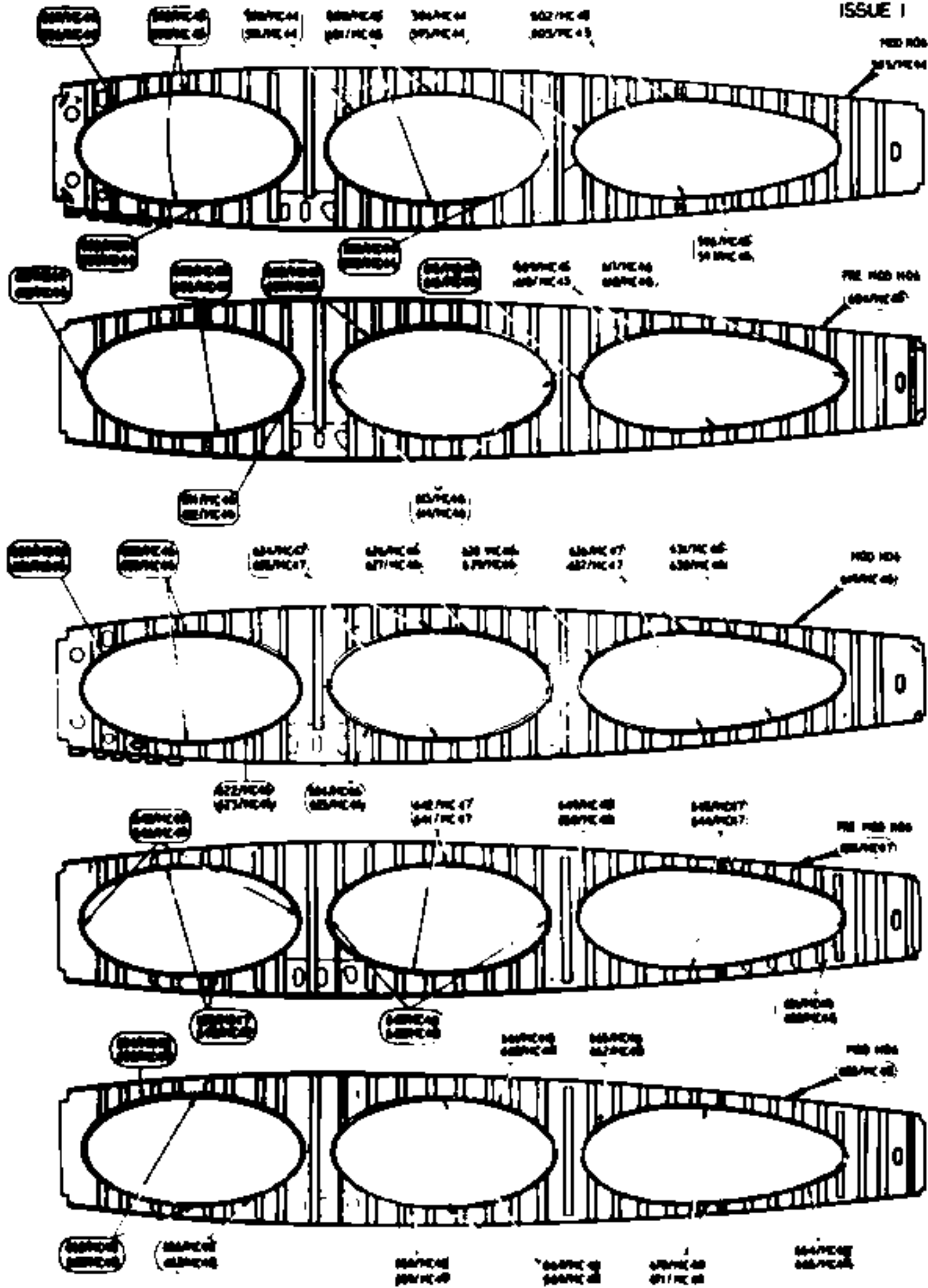
PLATE No MC10
ISSUE 1



RESTRICTED



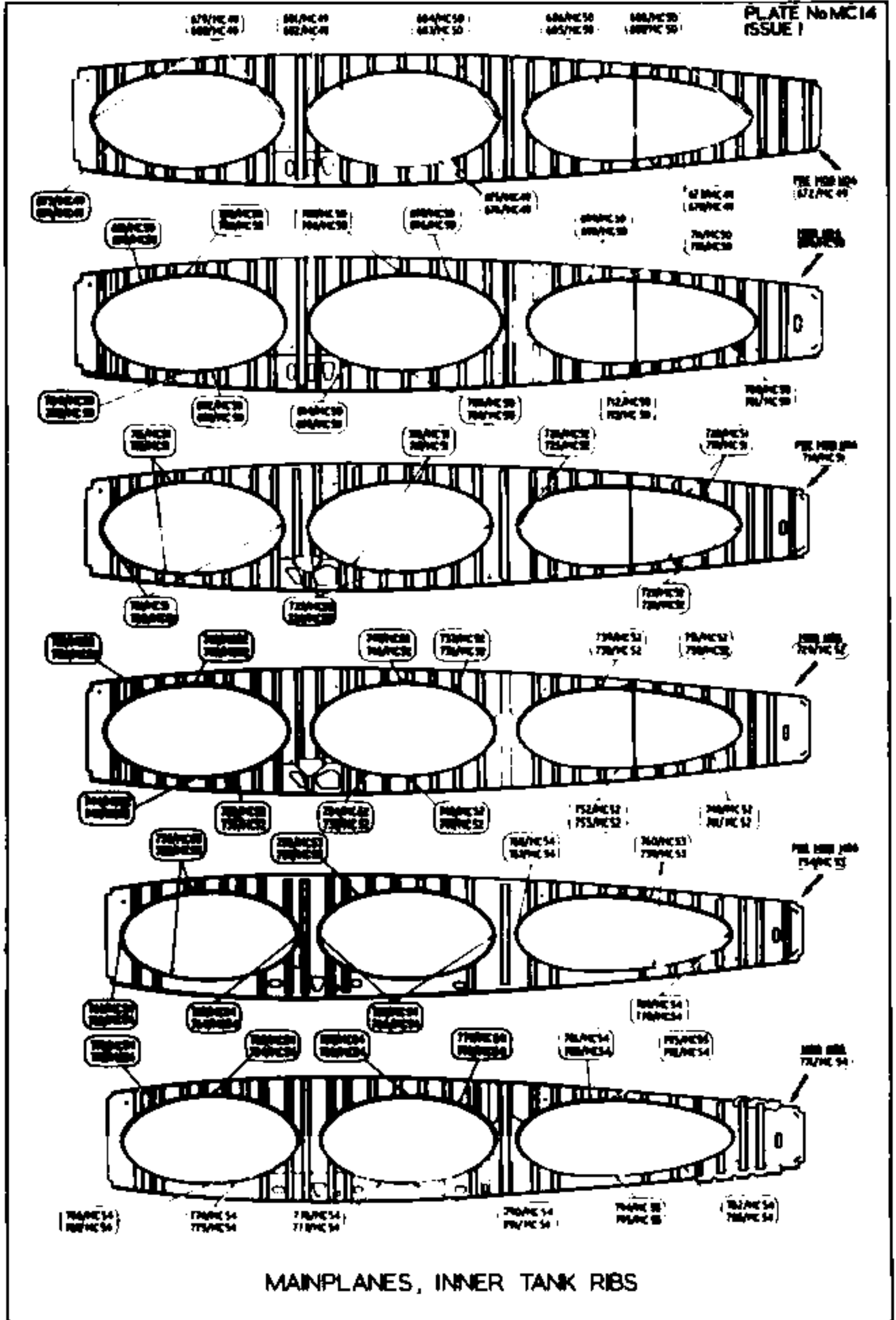
MAINPLANES
INNER TANK RIBS



MAINPLANES
INNER TANK RIBS

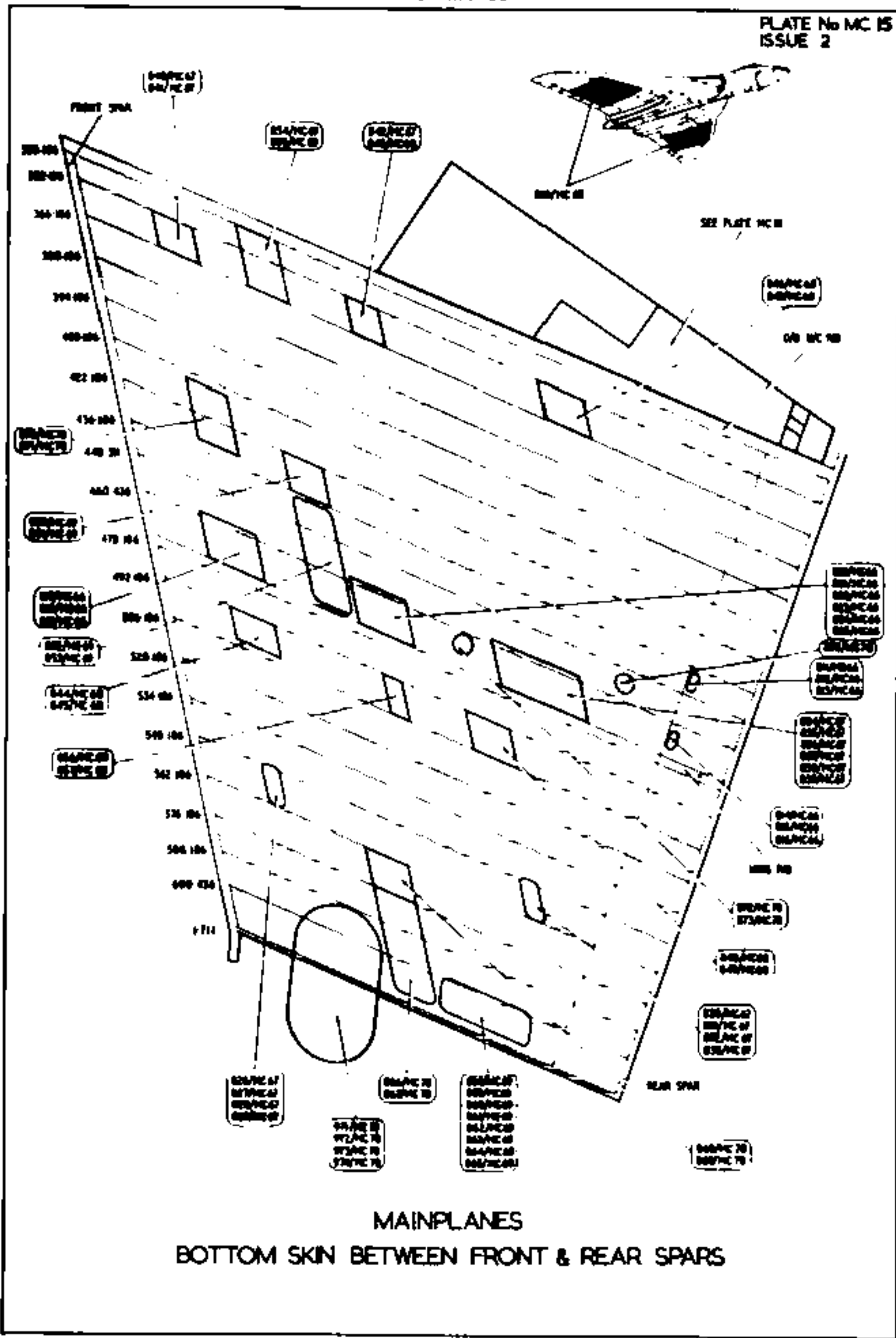
RESTRICTED

PLATE No MC 14
ISSUE 1

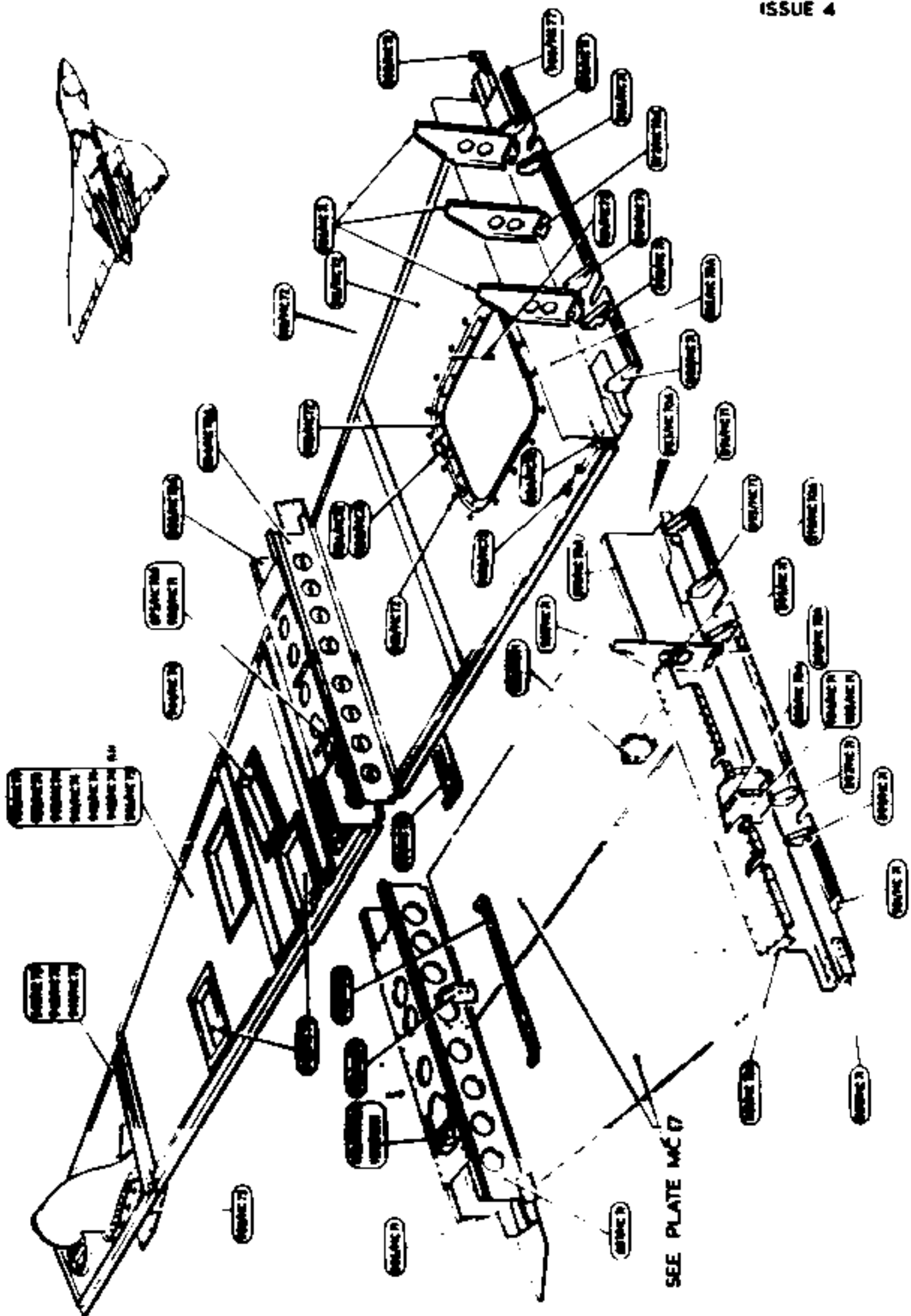


MAINPLANES, INNER TANK RIBS

RESTRICTED



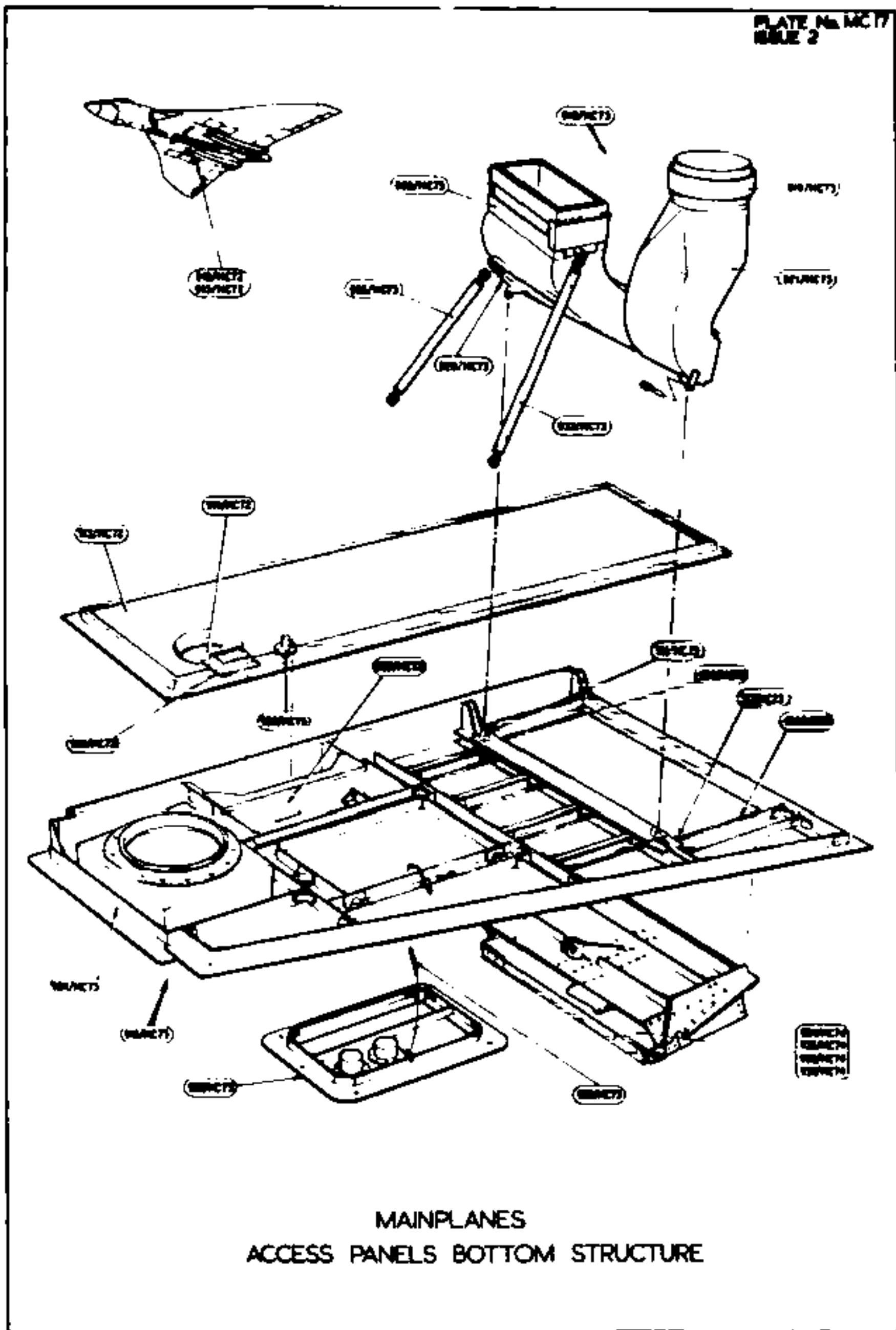
MAINPLANES
BOTTOM SKIN BETWEEN FRONT & REAR SPARS



MAINPLANES
BOTTOM STRUCTURE AFT OF REAR U/C BULKHEAD

RESTRICTED

PLATE No. MC17
FIGURE 2

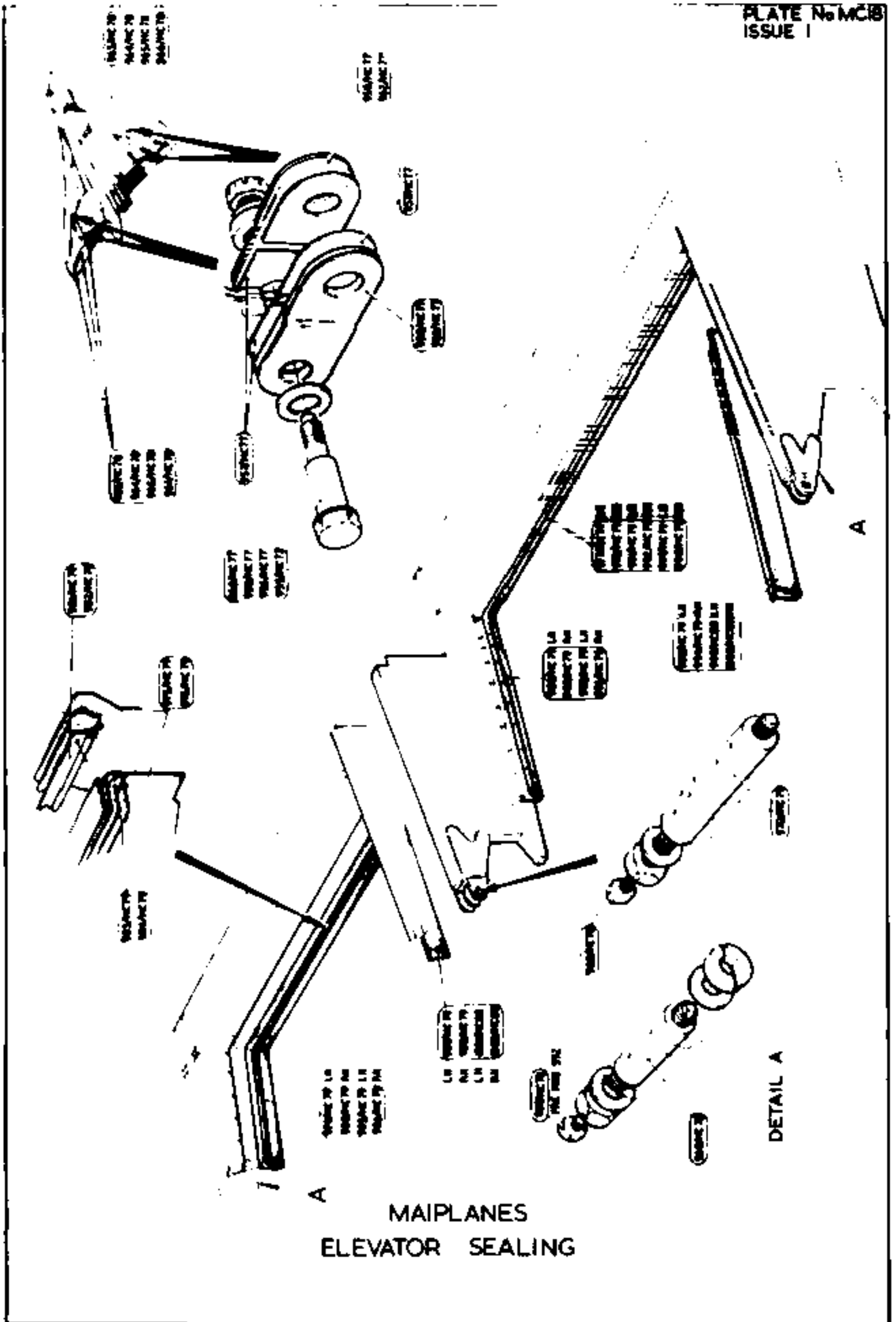


MAINPLANES
ACCESS PANELS BOTTOM STRUCTURE

RESTRICTED

RESTRICTED

PLATE No MC18
ISSUE 1



RESTRICTED

VULCAN No. 3

MAINPLANES
OUTER MAINPLANES

Page MD. 1

Ref. No.	Part No.	Description	No. off	Mater. Spec.	Cl. of St.	Place and Illust'n No.
					M.R.	
		1 2 3 4				
	1F9702/C	MAINPLANE, OUTER PORTION, PORT, GROUP	1	—		MD1/1
	2F9702/C	MAINPLANE, OUTER PORTION, STARBOARD, GROUP	1	—		MD1/2
	1/F9702/PC	MAINPLANE, OUTER PORTION, PORT, GROUP	1	—		MD1/1
	2/F9702/PC	MAINPLANE, OUTER PORTION, STARBOARD, GROUP	1	—		MD1/2
		(Complementary parts, e.g. inter-component attachments, listed at the end of this assembly, will not be supplied with the assembly spare and must be demanded separately when required)				
		Spares for:—				
		CONTROLS, FLYING, PORT AND STARBOARD (1 & 2R4187)				
		(See Controls—Flying)				
	251F9886	EDGE, LEADING, PORT, GROUP	1	—	MR	MD1/3
	252F9886	EDGE, LEADING, STARBOARD, GROUP	1	—	MR	MD1/4
		Spares for:—				
	215F9886	PIPE, SPRAY, FORWARD FRONT SPAR, . . . RIBS 14.81 TO 76.812, PORT AND STARBOARD, GROUP	1	L56	MR	MD1/5
		Attachments—Spray Pipe, Part No. 215F9886				
280/9438820	A26/1C	Bolt, 2 BA	3	—	C	
	105S3889	Clip, pipe	3	—	MR	
28M/1012015	AGS2001/C1/88	Nut, stiff, 2 BA	3	—	C	
28W/9419402	SP13/C	Washer, 2 BA	3	—	C	
	1F9857	SPAR, FRONT, PORT, GROUP	1	—	MR	MD1/6
	2F9857	SPAR, FRONT, STARBOARD, GROUP	1	—	MR	MD1/7
		Spares for:—				
6480	184F9856	Bush, top attachment, inboard	1	S96	C	MD1/8
6481	171F9857	Bush, bottom attachment inboard	1	S96	C	MD1/9
	1F9723	EDGE, TRAILING, PORT, GROUP	1	—	MR	MD1/10
	2F9723	EDGE, TRAILING, STARBOARD, GROUP	1	—	MR	MD1/11
		Spares for:—				
20804	277F9723	Angle, port	1	L72	C	MD3/12
20805	278F9723	Angle, starboard	1	L72	C	MD3/13
	352F9723	Angle, port	1	L72	MR	MD1/14
	353F9723	Angle, starboard	1	L72	MR	MD1/15
	51F9723	ANGLE, PORT, GROUP	1	—		
	52F9723	ANGLE, STARBOARD, GROUP	1	—		
		Attachments—Angle, Part Nos. 51 & 52F723				
280/9709461	AS1242/3C	Bolt, csk. hd., 2 BA	3	—	C	
280/9133012	A26/3C	Bolt, 2 BA	6	—	C	
28M/9403520	A27/CP	Nut, 2 BA	9	—	C	
28W/9419402	SP13/C	Washer, 2 BA	9	—	C	
	11F9723	Bracket, port	1	—	MR	
	12F9723	Bracket, starboard	1	—	MR	

MAINPLANES
OUTER MAINPLANES

Ref. No.	Part No.	Description	No. off	Mtrl. Spec.	Cl. of	Place and Illust'n No.
					St. M.R.	
		1 2 3 4				
EDGE, TRAILING, PORT AND STARBOARD, GROUP (1 & 2F9723) (Cont'd)						
Attachments—Bracket, Part Nos. 11 & 12F9723						
28D/1216886	A59/7E	Bolt, 1/4" BSF	4	-	C	
28D/1216887	A59/8E	Bolt, 1/4" BSF	4	-	C	
28M/1011476	A27/EP	Nut, 1/4" BSF	8	-	C	
28W/9418821	SP13/E	Washer, 1/4"	8	-	C	
	3F9723	Bracket, power unit, port	1	OTD683	MR	
	4F9723	Bracket, power unit, starboard	1	OTD683	MR	
Attachments—Bracket, Part Nos. 3 & 4F9723						
28D/91330011	A26/2C	Bolt, 2 BA	4	-	C	
28D/1008161	A26/4E	Bolt, 1/4" BSF	2	-	C	
28D/1276761	A89/12N	Bolt, 1/2" BSF	2	-	C	
28M/9403620	A27/CP	Nut, 2 BA	4	-	C	
28M/1011476	A27/EP	Nut, 1/4" BSF	2	-	C	
28M/4085948	A27/NC	Nut, castellated, 1/2" BSF	2	-	C	
28P/1202572	SP80/E9	Pin, cotter, split	2	-	C	
28W/9419402	SP13/C	Washer, 2 BA	4	-	C	
28W/9418820	SP10/E	Washer, 1/4"	2	-	C	
28W/9419468	SP13/N	Washer, 1/2"	2	-	C	
6529	199F9723	Panel, access	2	L72	C	MD1/16
6528	271F9723	Panel, access	1	L72	C	MD1/17
6527	200F9723	Panel, access, port	1	L72	C	MD1/18
20806	279F9723	Panel, access, starboard	1	L72	C	MD1/19
Attachments—Access Panels, Part Nos. 199, 200, 271 & 279F9723						
26FP/9948	ZSS4363	Bolt, csk. hd., 2 BA	8	-	-	
20807	364F9723	Panel, inspection door, port	1	-	C	MD1/20
20808	365F9723	Panel, inspection door, starboard	1	-	C	MD1/21
Attachments—Inspection Panel, Part Nos. 364 & 365F9723						
	1SS4363	Bolt, csk. hd., 2 BA	8	-	MR	MD1/22
26FP/13044	1SS3260	Plate, serial	1	-	C	
26FP/13043	1SS3269	Plate, mod record	1	-	C	
Attachments—Plate, Part No. 1SS3269						
28G/9892626	A32/B12	Screw, rd. hd., 4 BA	4	-	C	
28W/9419466	SP13/B	Washer, 4 BA	4	-	C	
	1F9877	RIB, STATION 14.91, PORT, GROUP	1	-	MR	MD1/23
	2F9877	RIB, STATION 14.91, STARBOARD	1	-	MR	MD1/24
Spares for:—						
20887	18F9877	Bracket, attachment	1	L72	MR/C	MD1/25
	9F9877	Panel, access	1	L72	MR	MD1/26
Attachments—Access Panel, Part No. 9F9877						
28D/9140202	AS1246/1C	Bolt, rd. hd., 2 BA	18	-	C	

VULCAN PB 2

MAINPLANES
OUTER MAINPLANES

Page MD. 3

Ref. No.	Part No.	Description	No. off	Matl. Spec.	Cl. of St.		Plate and Illust'n No.
					M.R.		
		EDGE, TRAILING, PORT AND STARBOARD, GROUP (1 & 2F9723) (Cont'd)					
	1F9878 2F9878	RIB, STATION 29-81, PORT, GROUP RIB, STATION 29-81, STARBOARD, GROUP	1	—	MR		MD1/27 MD1/28
	20F9878 1F9879 2F9879	Spares for :— Bracket, attachment RIB, STATION 472, PORT, GROUP RIB, STATION 472, STARBOARD, GROUP	1 1 1	L72 — —	MR MR MR		MD1/29 MD1/30 MD1/31
	21F9879	Spares for :— Bracket, attachment	1	L72	MR		MD1/32
	1F9880 2F9880	RIB, CENTRE HINGE, INBOARD AILERON, PORT, GROUP RIB, CENTRE HINGE, INBOARD AILERON, STARBOARD, GROUP	1 1	— —	MR MR		MD3/33 MD3/34
20859	31F9880 7F9880	Spares for :— Angle Bracket, hinge Attachments Hinge Bracket, Part No. 7F9880	2 1	L72 L65	MR		MD3/35
28D 1213569 28D 1213570 28M/4188883	A60.7J A60.8J A58 JT 30F9880	Bolt, 1/2" BSF Bolt, 1/2" BSF Nut, chn. 1/2" BSF Washer, special	8 8 16 16	— — — —	C C C C		
28VV 9419456 20858 20845 20854 20860 20855 20856 20857 20861	5P10 J 47F9723 48F9723 10F9880 9F9880 25F9880 26F9880 28F9880 27F9880	Washer, 1/2" Bracket, stringer Bracket, stringer Bracket, stringer, port Bracket, stringer, starboard Bracket, stringer Bracket, stringer Bracket, stringer, port Bracket, stringer, starboard	16 2 2 5 5 4 4 1 1	— L72 L72 L72 L72 L72 L72 L72 L72	C C C C C C C C C		MD3/36 MD3/37 MD3/38 MD3/39 MD3/40 MD3/41 MD3/42 MD4/43
	1F9881 2F9881	RIB, STATION 76-81, PORT, GROUP RIB, STATION 76-81, STARBOARD, GROUP	1 1	— —	MR MR		MD1/44 MD1/45
	17F9881	Spares for :— Bracket, attachment	1	L72	MR		MD1/46
	1F9882 2F9882	RIB, STATION 93-375, PORT, GROUP RIB, STATION 93-375, STARBOARD, GROUP	1 1	— —	MR MR		MD1/47 MD1/48
	17F9882	Spares for :— Bracket, attachment	1	—	MR		MD1/49
	1F9883 2F9883	RIB, STATION 109-94, PORT, GROUP RIB, STATION 109-94, STARBOARD, GROUP	1 1	— —	MR MR		MD1/50 MD1/51
	17F9883	Spares for :— Bracket, attachment	1	L72	MR		MD1/52

MAINPLANES
OUTER MAINPLANES

Ref. No.	Part No.	Description	No. off	Matl. Spec.	Cl. of	Plate and Illust'n No.
					St.	
		1 2 3 4			M.R.	
		EDGE, TRAILING, PORT AND STARBOARD, GROUP (1 & 2F9723) (Cont'd)				
	1F9884	RIB, CENTRE HINGE, STATION 126-5, PORT, GROUP	1	—	MR	MD3:53
	2F9884	RIB, CENTRE HINGE, STATION 126-5, STARBOARD, GROUP	1	—	MR	MD3:54
		Spares for :—				
	6F9884	BRACKET, ATTACHMENT, GROUP	1	—	MR	MD3:55
	7F9884	Bracket, hinge	1	L65	MR	
		Attachments—Hinge Bracket, Part No. 7F9884				
28D:1212319	A60 6E	Bolt, 1/4" BSF	4	—	C	
28D:1212320	A60 7E	Bolt, 1/4" BSF	8	—	C	
	A58 ET	Nut, thin, 1/4" BSF	12	—	C	
28W 9419487	SP16 E	Washer, 1/4"	12	—	C	
28W 9418921	SP13 E	Washer, 1/4"	8	—	C	
28W 9418928	SP10 F	Washer, 1/4"	4	—	C	
28858	47F9723	Bracket, stringer	4	L72	C	MD3:56
28845	48F9723	Bracket, stringer	6	L72	C	MD3:57
	43F9723	Bracket, stringer	3	L72	MR	
	44F9723	Bracket, stringer	3	L72	MR	
	45F9723	Bracket, stringer	3	L72	MR	
	46F9723	Bracket, stringer	3	L72	MR	
8864	21F9884	Plate, cover	1	L72	C	MD3:58
		Attachments—Hinge Rib, Part No. 1 & 2F9884				
28D 1213549	A60 7J	Bolt, 1/4" BSF	4	—	C	
28D:1213588	A60 6J	Bolt, 1/4" BSF	4	—	C	
	A59:27J	Bolt, 1/4" BSF	4	—	C	
28M:4198003	A58/JT	Nut, thin, 1/4" BSF	8	—	C	
28M:1011473	A27/JP	Nut, 1/4" BSF	4	—	C	
28W:9419466	SP13 J	Washer, 1/4"	12	—	C	
	34F9702	Washer, special	12	—	C	
	1F9885	RIB, STATION, 140 368, PORT, GROUP	1	—	MR	MD1:59
	2F9885	RIB, STATION 140 368, STARBOARD, GROUP	1	—	MR	MD1:60
		Spares for :—				
	5F9892	Bracket, attachment	1	L72	MR	MD1:61
	1F9886	RIB, STATION 154 237, PORT, GROUP	1	—	MR	MD1:62
	2F9886	RIB, STATION 154 237, STARBOARD, GROUP	1	—	MR	MD1:63
		Spares for :—				
	5F9892	Bracket, attachment	1	L72	MR	MD1:64
	1F9887	RIB, STATION 168 105, PORT, GROUP	1	—	MR	MD1:65
	2F9887	RIB, STATION 168 105, STARBOARD, GROUP	1	—	MR	MD1:66
		Spares for :—				
	5F9892	Bracket, attachment	1	L72	MR	MD1:67

MAINPLANES
OUTER MAINPLANES

Ref. No.	Part No.	Description	No. off	Matl. Spec.	Cl. of	Plate and
					St.	
		1 2 3 4			M.R.	No.
EDGE, TRAILING, PORT AND STBD. GROUP (1 & 2F9723) (Cont'd)						
	1F9888	RIB, STATION 181 974, PORT, GROUP	1	—	MR	MD1 68
	2F9888	RIB, STATION 181 974, STARBOARD, GROUP	1	—	MR	MD1 69
		Spares for :—				
20846	15F9888	Bracket, attachment, port	1	L72	MR	MD1 70
	16F9888	Bracket, attachment, starboard	1	L72	C	MD1 71
	1F9889	RIB, CENTRE HINGE, OUTBOARD AILERON, PORT, GROUP	1	—	MR	MD2 72
	2F9889	RIB, CENTRE HINGE, OUTBOARD AILERON, STARBOARD, GROUP	1	—	MR	MD2 73
		Spares for :—				
20847	15F9889	Bracket	1	L72	C	MD2 74
20848	16F9889	Bracket	1	L72	C	MD2 75
20852	17F9889	Bracket	3	L72	C	MD2 76
20849	18F9889	Bracket	3	L72	C	MD2 77
20850	19F9889	Bracket	1	L72	C	MD2 78
20853	20F9889	Bracket	1	L72	C	MD2 79
	7F9889	Bracket, hinge	1	L65	MR	
		Attachments—Hinge Bracket Part No.				
		7F9889				
28D 1213557	A60 12G	Bolt, $\frac{1}{8}$ " BSF	2	—	C	
28D 1213559	A60 14G	Bolt, $\frac{1}{8}$ " BSF	2	—	C	
28D 1213540	A60 16G	Bolt, $\frac{1}{8}$ " BSF	2	—	C	
28D 1213681	A60 18G	Bolt, $\frac{1}{8}$ " BSF	2	—	C	
28M 4188818	A58 GT	Nut, thin, $\frac{1}{8}$ " BSF	8	—	C	
28W 9419403	SP13 G	Washer, $\frac{1}{8}$ "	8	—	C	
	35F9702	Washer, special, $\frac{1}{8}$ "	8	—	MR	
20851	21F9889	BRACKET, SHROUD, GROUP	2	—	C	MD2 80
		Attachments—Hinge Rib, Part No. 1 & 2F9889				
28D 1213575	A60 13J	Bolt, $\frac{1}{8}$ " BSF	2	—	C	
28D 1213576	A60 18J	Bolt, $\frac{1}{8}$ " BSF	2	—	C	
28D 1213620	A60 15L	Bolt, $\frac{1}{8}$ " BSF	2	—	C	
	A60 17L	Bolt, $\frac{1}{8}$ " BSF	2	—	C	
28M 4188803	A58 JT	Nut, thin, $\frac{1}{8}$ " BSF	4	—	C	
28M 4188838	A58 LT	Nut, thin, $\frac{1}{8}$ " BSF	4	—	C	
28W 9419466	SP13 J	Washer, $\frac{1}{8}$ "	4	—	C	
28W 9419467	SP13 L	Washer, $\frac{1}{8}$ "	4	—	C	
	34F9702	Washer, special, $\frac{1}{8}$ "	4	—	C	
	26F7761	Washer, special, $\frac{1}{8}$ "	4	—	C	
	1F9890	RIB, STATION 211 5 PORT AND STARBOARD, GROUP	1	—	MR	MD1 81
		Spares for :—				
	5F9892	Bracket, attachment	1	L72	MR	MD1 82
	1F9891	RIB, STATION 225 5, PORT AND STARBOARD, GROUP	1	—	MR	MD1 83
		Spares for :—				
	5F9892	Bracket, attachment	1	L72	MR	MD1 84

MAINPLANES
OUTER MAINPLANES

Ref. No.	Part No.	Description	No. off	Matl. Spec.	Cl. of	Plate and Illust'n No.
					St. M.R.	
		1 2 3 4				
EDGE, TRAILING, PORT AND STBD., GROUP (1 & 2F9723) (Cont'd)						
	1F9892	RIB, STATION 239-5, PORT AND STARBOARD, GROUP	1	—	MR	MD1,85
	5F9892	Spares for :— Bracket, attachment	1	L72	MR	MD1,86
	1F9876	RIB, HINGE, OUTBOARD AILERON, PORT AND STARBOARD, GROUP	1	—	MR	MD2,87
	7F9876	Spares for :— Angle	1	L72	MR	MD2,88
	8F9876	Angle	1	L72	MR	MD2,89
	4F9876	Bracket, attachment	1	L72	MR	MD2,90
	5F9876	Bracket, hinge	1	L65	MR	
		Attachments—Hinge Bracket Part No. 5F9876				
28D 1212317	A60 4E	Bolt, 1/2" BSF	4	—	C	
28D 1212319	A60 6E	Bolt, 1/2" BSF	4	—	C	
28M 1011475	A27 EP	Nut, 1/2" BSF	8	—	C	
28W 9418921	SP13 E	Washer, 1/2"	8	—	C	
28W 9419485	SP15 E	Washer, 1/2"	2	—	C	
28W 9419487	SP16 E	Washer, 1/2"	6	—	C	
	11F9876	Plate, reinforcing	1	L72	MR	MD1,91
		Attachments—Ribs, Part Nos. 1 & 2F9877, 1 & 2F9878, 1 & 2F9879, 1 & 2F9881, 1 & 2F9882, 1 & 2F9883, 1 & 2F9885, 1 & 2F9886, 1 & 2F9887, 1 & 2F9888, 1 & 2F9890, 1F9891, and 1F9892				
28D 9133012	A25 3C	Bolt, 2 BA	78	—	C	
28M 1006473	A27 CT	Nut, thin, 2 BA	78	—	C	
28W 9419482	SP13 C	Washer, 2 BA	78	—	C	
	1F9851	SPAR, REAR, PORT, GROUP	1	—	MR	
	2F9851	SPAR, REAR, STARBOARD, GROUP	1	—	MR	
		Spares for :—				
	3F9851	Boom, top, port	1	L65	MR	
	4F9851	Boom, top, starboard	1	L65	MR	
	5F9851	Boom, bottom, port	1	L65	MR	
	6F9851	Boom, bottom, starboard	1	L65	MR	
	21F9851	Bracket, attachment, port	1	—	MR	
	22F9851	Bracket, attachment, starboard	1	—	MR	
	23F9851	Bracket, attachment	7	—	MR	
	25F9851	Bracket, attachment	16	—	MR	
	35F9851	Bracket, attachment	1	—	MR	
	36F9851	Bracket, attachment	1	—	MR	
	37F9851	Bracket, attachment	1	—	MR	
	38F9851	Bracket, attachment	1	—	MR	
	45F9851	Bracket, attachment	1	—	MR	
	46F9851	Bracket, attachment	1	—	MR	
	47F9851	Bracket, attachment	7	—	MR	
	48F9851	Bracket, attachment	7	—	MR	
	49F9851	Bracket, attachment	4	—	MR	
	50F9851	Bracket, attachment	4	—	MR	

VULCAN 44 2

MAINPLANES
OUTER MAINPLANES

Page MD. 7

Ref. No	Part No.	Description	No. off	Matl. Spec.	Cl. of St.	Plate and Illustr'n No.
					M.R.	
		<u>1 2 3 4</u>				
		SPAR, REAR, PORT AND STARBOARD, ...				
		GROUP (1 & 2F9851) (Cont'd)				
	53F9851	Bracket, attachment	1	—	MR	
	54F9851	Bracket, attachment	1	—	MR	
	55F9851	Bracket, attachment	1	—	MR	
	56F9851	Bracket, attachment	1	—	MR	
	61F9851	Bracket, attachment, port	1	—	MR	
	62F9851	Bracket, attachment, starboard	1	—	MR	
	63F9851	Bracket, attachment, port	1	—	MR	
	64F9851	Bracket, attachment, starboard	1	—	MR	
	65F9851	Bracket, attachment, port	1	—	MR	
	66F9851	Bracket, attachment, starboard	1	—	MR	
	67F9851	Bracket, attachment, port	1	—	MR	
	68F9851	Bracket, attachment, starboard	1	—	MR	
	98F9851	Bracket, attachment	1	—	MR	
	99F9851	Bracket, attachment	1	—	MR	
	104F9851	Bracket, attachment	1	—	MR	
	105F9851	Bracket, attachment	1	—	MR	
	106F9851	Bracket, attachment	1	—	MR	
	107F9851	Bracket, attachment	1	—	MR	
	109F9851	Bracket, attachment	1	—	MR	
	110F9851	Bracket, attachment	1	—	MR	
	111F9851	Bracket, attachment	1	—	MR	
	112F9851	Bracket, attachment	1	—	MR	
	24F9893	Bracket, attachment	1	—	MR	
	25F9893	Bracket, attachment	1	—	MR	
	45F10996	Bracket, attachment	1	—	MR	
	46F10996	Bracket, attachment	1	—	MR	
	1F9837	Bracket, attachment	1	—	MR	
		Attachments—Attachment Brackets				
28D/1215880	A59/4C	Bolt, 2 BA	2	—	C	
28D/1212318	A60/5E	Bolt, 1/4" BSF	4	—	C	
28D/1213688	A59/9E	Bolt, 1/4" BSF	8	—	C	
28D/1213810	A59/10G	Bolt, 5/16" BSF	1	—	C	
28D/1213808	A59/9G	Bolt, 5/16" BSF	17	—	C	
28D/1212342	A80/5G	Bolt, 5/16" BSF	2	—	C	
	91F9893	Bolt, special, 7/8" BSF	4	—		
	96F9851	Bolt, special, 3/4" BSF	4	—		
	89F9851	Bolt, special, 3/4" BSF	4	—		
28M/1012016	AGS2001/C1/86	Nut, stiff, 2BA	2	—	C	
28M/1011476	A27/EP	Nut, 1/4" BSF	8	—	C	
	A58/ET	Nut, thin, 1/4" BSF	4	—		
28M/1008939	A27/GP	Nut, 5/16" BSF	18	—	C	
28M/4199838	A58/GT	Nut, thin, 5/16" BSF	2	—	C	
28M/4198884	A27/UC	Nut, castellated, 7/8" BSF	4	—	C	
28M/4198888	A27/SC	Nut, castellated, 3/4" BSF	4	—	C	
	A24/SC	Nut, castellated, 3/4" BSF	4	—		
28P/1221026	SP80/H16	Pin, cotter, split	12	—	C	
28W/9418476	SP15/C	Washer, 2 BA	2	—	C	
28W/9418820	SP10/E	Washer, 1/4"	4	—	C	

MAINPLANES
OUTER MAINPLANES

Ref. No.	Part No.	Description	No. off	Matl. Spec.	Cl. of St	Plate and Illust'n No.
					M.R.	
		1 2 3 4				
		Attachments—Attachment Brackets (Cont'd.)				
28W 9418921	SP13/E	Washer, 1/4"	8	—	C	
28W 9419455	SP10/G	Washer, 5/16"	2	—	C	
28W 9419403	SP13/G	Washer, 5/16"	18	—	C	
28W 9419429	SP13/U	Washer, 7/8"	4	—	C	
3871	19F7758	Washer, special, 7/8"	4	—	C	
28W 9419471	SP13/S	Washer, 3/4"	4	—	C	
28W 9419494	SP16/S	Washer, 3/8"	4	—	C	
3873	28F7753	Washer, special	2	—	C	
	1F9853	WEB, REAR SPAR, PORT, GROUP	1	—	MR	
	2F9853	WEB, REAR SPAR, STARBOARD, GROUP	1	—	MR	
5L 9959801		Filament	1	—	C	
5CX 4330334		Lamp	1	—	A	
		Attachments—Lamp, Part No. 5CX4515				
28D 1007978	AS1242/4C	Bolt, csk. hd., 2 BA	11	—	C	
28M 1012016	AGS2001/C1/88	Nut, stiff, 2 BA	11	—	C	
28W 9419402	SP13/C	Washer, 2 BA	11	—	C	
		SKIN, BOTTOM, OUTER WING, PORT AND STARBOARD (1 & 2F9708)				
		Spares for:—				
11978	9F10225	PANEL, LANDING LIGHT, PORT GROUP (Mod. 1321)	1	—		MD3/92
		Spares for:—				
11981	8F10226	PANEL, GROUP	1	—		MD3/93
	7F10225	Panel, access	1	DT0887	MR	MD3/94
		Attachments—Access Panel, Part No. 7F10225				
	1C.SS4698	Bolt, 2 BA	3	—		
	10F10225	Ring, mounting	1	L72		
		Attachments—Mounting Ring, Part No. 10F10225				
	5SS4199	Bolt, csk. hd.	11	—	MR	MD3/95
28M 1012015	AGS2001/C1/88	Nut, stiff, 2 BA	10	—	C	
28M 9433473	AGS2002/C/1	Nut, stiff, 2 BA	1	—	C	
28W 9419402	SP13/C	Washer, 2 BA	10	—	C	
28W 9419454	SP10/C	Washer, 2 BA	1	—	C	
		Attachments—Landing Light Panel, Part No. 9F10225				
1433782	2C.SS4698	Bolt, rd. hd., 2 BA	23	—		
11977	8F10224	PANEL, LANDING LIGHT, STARBOARD, GROUP (Mod. 1321)	1	—		MD3/96
		Spares for:—				
11979	9F10224	PANEL, GROUP	1	—		MD3/97
11980	7F10224	Panel, access	1	DT0887		MD3/98
		Attachments—Access, Panel, Part No. 7F10224				
	1C SS4698	Bolt, 2 BA	3	—		

VULCAN No. 3

MAINPLANES
OUTER MAINPLANES

Page MD. 9

Ref. No.	Part No.	Description	No. off	Matl. Spec.	Cl. of	Plate and Illust'n No.
					St. M.R.	
		1 2 3 4				
7198	3F10224	PANEL, LANDING LIGHT, STARBOARD, GROUP (BF 10224) (Cont'd) Ring, mounting	1	L72		MD3/98
28M/1012015 28W/9419402	ESS4199 AGS2001.C1/66 SP13/C	Attachments Mounting Ring, Part No. 3F10224 Bolt, csk. hd. 2 BA	11		MR	MD3/100
		Nut, stiff, 2 BA	11		C	
		Washer, 2 BA	11	-	C	
1433762	2C SS4688	Attachments - Landing Light Panel, Part No. BF10224 Bolt, rd. hd., 2 BA	26			

YUACAN No. 2

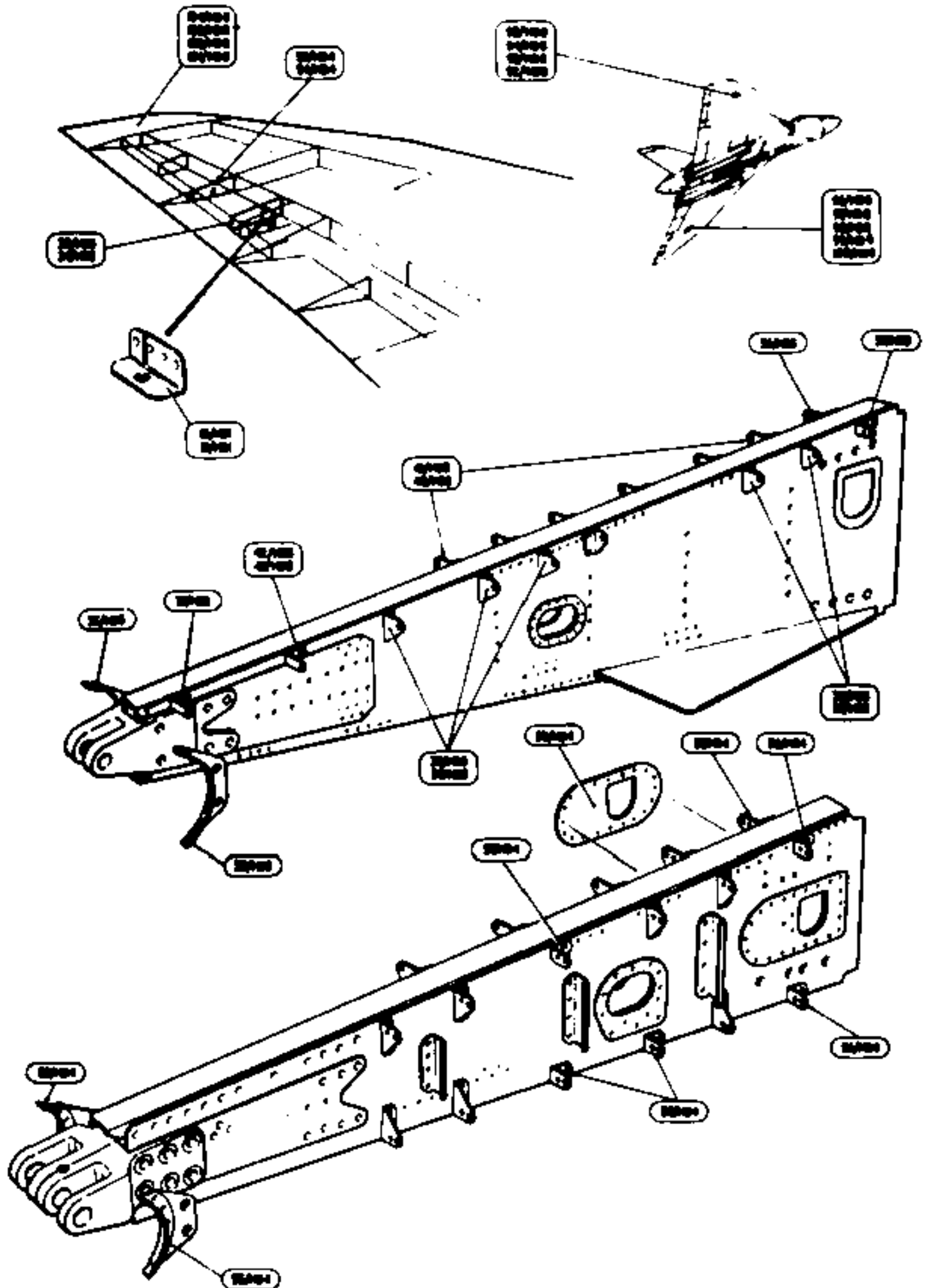
MAINPLANES
OUTER MAINPLANES

Page MD. 11

Ref. No.	Part No.	Description	No. off	Matl. Spec.	Cl. of	Plate and Illust'n No.
					St. M.R.	
1 2 3 4						
COMPLEMENTARY ITEMS						
ATTACHMENT FITTING, WING TIP TO OUTER MAINPLANE (F9910)						
Consisting of:-						
	3SS4353	Bolt, csk hd 2 BA	6	-	MR	MD3/101
	6SS4353	Bolt, csk. hd 2 BA	134	-	MR	MD3/102
	AGS2001/L/1	Nut, stiff, 7/16" BSF	8	-	C	
28M/4095809	166F9857	Stud, top end bottom boom, rear	2	S96	C	MD3/103
6531	166F9857	Stud, top end bottom boom, front	2	S96	C	MD3/104
6530	SP15/L	Washer, 7/16"	8	-	C	
28W/9419478						
ATTACHMENT FITTINGS, INBOARD AILERON POWER UNIT FAIRING TO OUTER MAINPLANE, PORT AND STARBOARD (1 & 2F9908)						
Consisting of:-						
21020	29F9908	Angle, aft of forward fairing, port	1	L72	C	MD4/106
21026	30F9908	Angle, aft of forward fairing, starboard	1	L72	C	MD4/107
21018	49F9908	Angle, fixed centre fairing, port	1	L72	C	MD4/108
21024	48F9908	Angle, fixed centre fairing, starboard	1	L72	C	MD4/109
21019	31F9908	Diaphragm, port and starboard	1	L72	C	MD4/110
	25F9908	Fairing, fixed, forward, port	1	L72	MR	MD4/111
	26F9908	Fairing, fixed, forward, starboard	1	L72	MR	MD4/112
8508	45F9908	FAIRING, DETACHABLE PORTION, CENTRE, PORT, GROUP	1	-	C	MD4/113
8509	44F9908	FAIRING, DETACHABLE PORTION, CENTRE, STARBOARD, GROUP	1	-	C	MD4/114
Spares for:-						
21025	64F9908	Angle, port	1	L72	C	MD4/115
	68F9908	Angle, starboard	1	L72	C	MD4/116
	DZUS					
28FP/738	EF5/40A	Fastener	16	-	C	
	DZUS					
28FP/4082858	EF5/35A	Fastener	12	-	C	
	37F9908	Packing, port	1	L72		
	36F9908	Packing, starboard	1	L72		
21021	61F9908	Piece, extension, port	1	L72	C	MD4/117
21028	60F9908	Piece, extension, starboard	1	L72	C	MD4/118
21022	63F9908	Plate, joint, port	1	L72	C	MD4/119
21029	62F9908	Plate, joint, starboard	1	L72	C	MD4/120
	40SS4141	Rivet, csk. hd.	58	-	MR	MD4/121
8687	40SS4141	Rivet, csk. hd.	18	-	C	MD4/122
	3SS3791	Rivet, pop, csk. hd.	139	-	MR	MD4/123
	4SS3791	Rivet, pop, csk. hd.	2	-	MR	MD4/124
	7SS3791	Rivet, pop, csk. hd.	20	-	MR	MD4/125
28Q/9417225	AGS2050/424	Rivet, pop, dome hd.	10	-	C	
28Q/9129584	AS2030/405	Rivet, csk. hd.	32	-	C	
28Q/9129582	AS2030/404	Rivet, csk. hd.	24	-	C	
	DZUS					
28FP/341	S5/325	Spring	28	-	C	
	56F9908	Strap, butt, port	1	L72	C	MD4/126
21027	54F9908	Strap, butt, starboard	1	L72	C	MD4/127

MAINPLANES
OUTER MAINPLANES

Ref. No.	Part No.	Description	No. off	Matl. Spec.	Cl. of	Plate and Illust'n No.
					St. M.R.	
1 2 3 4						
COMPLEMENTARY ITEMS (Cont'd)						
ATTACHMENT FITTINGS, OUTBOARD AILERON POWER UNIT FAIRING TO OUTER MAINPLANE, PORT AND STARBOARD (1 & 2P9909)						MD4/128
Consisting of:—						
21030 17378	35F9909	Angle, aft forward fairing, port	1	L72		
	36F9909	Angle, aft forward fairing, starboard	1	L72		
21036	53F9909	Angle, fixed, centre fairing, inboard, port	1	L72	C	MD4/129
	54F9909	Angle, fixed, centre fairing, inboard, starboard	1	L72	C	MD4/130
21036	55F9909	Angle, fixed, centre fairing, outboard, port	1	L72		MD4/131
	56F9909	Angle, fixed, centre fairing, outboard, starboard	1	L72	C	MD4/132
6512 6513	38F9909	Diaphragm, port and starboard	1	L72		MD4/133
	27F9909	Fairing, forward, port	1	L72	C	MD4/134
	28F9909	Fairing, forward, starboard	1	L72	C	MD4/135
6514	31F9909	FAIRING, DETACHABLE PORTION, CENTRE, PORT, GROUP	1	—	C	MD4/136
6515	32F9909	FAIRING, DETACHABLE PORTION, CENTRE, STARBOARD, GROUP	1	—	C	MD4/137
28FP/730	DZUS					
	EF5/40A	Fastener	30	—	C	
21031 21034	41F9909	Packing, port	1	L72		
	42F9909	Packing, starboard	1	L72		
	65F9909	Piece, extension, port	1	L72	C	MD4/138
	66F9909	Piece, extension, starboard	1	L72	C	MD4/139
	404SS4141	Rivet, csk. hd.	25	—	NR	MD4/140
	45S3791	Rivet, pop. csk. hd.	120	—	NR	MD4/141
	55S3791	Rivet, pop. csk. hd.	1	—	NR	MD4/142
	85S3791	Rivet, pop. csk. hd.	43	—	NR	MD4/143
28Q/9129594	AS2030, 405	Rivet, csk. hd.	60	—	C	
28Q/9417225	AGS2050/424	Rivet, pop. dome hd.	22	—	C	
28FP 341	DZUS					
	SS 325	Spring	30	—	C	
21032 21035	49F9909	Strap, butt, port	1	L72		
	50F9909	Strap, butt, starboard	1	L72		
	67F9909	Strip, joint, port	1	L72	C	MD4/144
	68F9909	Strip, joint, starboard	1	L72	C	MD4/145



MAINPLANES
INBOARD, CENTRE HINGE RIBS, STN'S 60-25 & 126-5 & SKIN ARRANGEMENT

VULCAN No. 2

MAINPLANE

Page ME. 1

TIP

Ref. No.	Part No.	Description	No. off	Matl. Spec.	Cl. of St.	Place and Illust'n No.
					M.R.	
		1 2 3 4				
716	230F9910/C	TIP, WING, DETACHABLE, PORT, GROUP ... (Pre Mod. 2129)	1	-	A	ME1/1
1433116	230F9910/PC	TIP, WING, DETACHABLE, PORT, GROUP ... (Mod 2129)	1	-	A	
717	231F9910/C	TIP, WING, DETACHABLE, STARBOARD, ... GROUP (Pre Mod 2129)	1	-	A	ME1/2
1433117	231F9910/PC	TIP, WING, DETACHABLE, STARBOARD, ... GROUP (Mod 2129)	1	-	A	
Complementary items, e.g. inter-component attachments are listed at the end of MAIN-PLANE OUTER						
Spares for:-						
	12F9940	BRACKET, MOUNTING, DETECTOR ... UNIT, PORT, GROUP	1	-	MR	
	41F9940	BRACKET, MOUNTING, DETECTOR ... UNIT, STARBOARD, GROUP	1	-	MR	
Attachments—Brackets, Part Nos. 12 & 41F9940						
28FP/13610	6SS3160	Bolt	4	-	C	
	6S4354/CP	Nut	4	-	C	
28W/9419475	SP15/C	Washer, 2 BA	4	-	C	
	1F9935	Bracket, forging, front spar rib 623	1	L85	MR	
Attachments—Bracket, Part No. 1F9935						
28D/1216660	A59/4C	Bolt, 2 BA	2	-	C	
28D/1212317	A60/4E	Bolt, 1/4" BSF	2	-	C	
28D/1212318	A60/5E	Bolt, 1/4" BSF	2	-	C	
28D/1212342	A60/5G	Bolt, 5/16" BSF	2	-	C	
28M/1012015	AGS2001/C1/66	Nut, stiff, 2 BA	2	-	C	
28M/1011475	A27/EP	Nut, 1/4" BSF	4	-	C	
28M/4199618	A58/GT	Nut, thin, 5/16" BSF	2	-	C	
28W/9419404	SP16/C	Washer, 2 BA	2	-	C	
28W/9419487	SP16/E	Washer, 1/4"	4	-	C	
28W/9419920	SP10/E	Washer, 1/4"	4	-	C	
28W/9419488	SP16/G	Washer, 5/16"	2	-	C	
28W/9419455	SP10/G	Washer, 5/16"	2	-	C	
	1F9938	Bracket, forging, rear spar rib 623	1	L85	MR	
Attachments—Bracket, Part No. 1F9938						
28D/1216659	A59/3C	Bolt, 2 BA	2	-	C	
28D/1212317	A60/4E	Bolt, 1/4" BSF	4	-	C	
28D/1212341	A60/4G	Bolt, 5/16" BSF	2	-	C	
28M/1012015	AGS2001/C1/66	Nut, stiff, 2 BA	2	-	C	
28M/1011475	A27/EP	Nut, 1/4" BSF	4	-	C	
28M/4199618	A58/GT	Nut, thin, 5/16" BSF	2	-	C	
28W/9419475	SP15/C	Washer, 2 BA	12	-	C	
28W/9419405	SP15/E	Washer, 1/4"	4	-	C	
28W/9419478	SP15/G	Washer, 5/16"	2	-	C	

MAINPLANE

TIP

Ref. No.	Part No.	Description	No. off	Matl. Spec.	Cl. of	Plate and Illust'n No.
					St.	
		1 2 3 4				
0714	198F9910	ELECTRICAL SERVICES, PORT AND STARBOARD (15 & 16V.0061) (See—Electrical Installation) Panel, access, to detector unit... ..	1	L72	C	ME1/3
285-992523	A45/C20	Attachments—Access Panel, Part No. 198F9910 Screw, csk. hd., 2 BA	11	—	C	ME1/4
	204F9910	RADIO EQUIPMENT, PORT AND STARBOARD (19 & 20T4292 or 203 & 204T4292) (See Radio and Radar Installation) Seal, soft rubber, $\frac{1}{4}$ " x 1.5" x 24"	1	OTD552 GRADE "A"		ME1/5
	40F9911	SKINNING, PORT AND STBD., (51 & 52F9911) Spares for :— Cover	1	L73		ME1/6
1292	SS53847 41F9911	Attachments—Cover, Part No. 40F9911 Bolt, csk. hd.	8	—	C	ME1/7
		Door, access	2	L72		ME1/8
1292	SS53847 56F9911	Attachments—Access Door, Part No. 41F9911 Bolt, csk. hd.	24	—	C	ME1/9
		Panel, access	1	L72	MR	ME1/10
	SS54032	Attachments—Access Panel, Part No. 56F9911 Bolt, csk. hd.	8	—	MR	ME1/11
13469	49F11069	TIP, WING, OUTBOARD PORTION, PORT, GROUP	1	—	A	ME1/12
	50F11069	TIP, WING, OUTBOARD PORTION, STARBOARD, GROUP	1	—		ME1/13
	AS3179/1	Spares for :— Cover, handhole, curved	1	—	MR	ME1/14
0712	1F11067	COVER, LAMP, NAVIGATION, PORT, GROUP	1	—	C	ME1/15
0713	2F11067	COVER, LAMP, NAVIGATION, STARBOARD, GROUP	1	—	C	ME1/16
10550	6SS3847	Attachments—Cover, Part Nos. 1 & 2F11067 Screw, csk. hd.	14	—	C	ME1/17
	7F11069	Diaphragm, port	1	—		ME1/18
	8F11069	Diaphragm, starboard	1	—		ME1/19
	45F11069	Diaphragm, port	1	—	MR	ME1/20
	46F11069	Diaphragm, starboard	1	—		ME1/21
	63F11069	Diaphragm, port	1	—	MR	ME1/22
	64F11069	Diaphragm, starboard	1	—	MR	ME1/23

VULCAN No. 2

MAINPLANE

Page ME. 3

TIP

Ref. No.	Part No.	Description	No. off	Matl. Spec.	Cl. of Sr.		Plate and Illust'n No.
					M.R.		
		1 2 3 4					
		TIP, WING, OUTBOARD PORTION, PORT AND STARBOARD (49 & 50F 11089) (Cont'd)					
		Attachments - Diaphragm, Part Nos. 7, 8, 45, 46, 63 & 64F11089					
	BSS3161	Bolt	23	Monel			
	59F11089	Bolt	1	Monel			
	40F11089	Bolt	2	Monel			
28M/4342850	AGS2001/E/4	Nut, stiff, 1/4" BSF	11	-	C		
28M/4095797	AGS2001/C/4	Nut, stiff, 2 BA	2	-	C		
28W/9419405	SP15/E	Washer, 1/4"	13	-	C		
28W/9419475	SP15/C	Washer, 2 BA	2	-	C		
	628SS8030	Label, port	1	L59			
	629SS8030	Label, starboard	1	L59			
	710SS8030	Label, port	1	L59			
	723SS8030	Label, starboard	1	L59			
	711SS8030	Label, port	1	L59			
	724SS8030	Label, starboard	1	L59	MR		
6536	31F9940	Panel, access, aerial housing, port	1	DTD797	B	ME1/24	
6537	32F9940	Panel, access, aerial housing, starboard	1	DTD797	B	ME1/25	
		Attachments - Access Panel, Part Nos. 31 & 32F9940					
	A45/C16	Screw, csk hd, 2 BA	20	-	C		
	1F11884	PANEL, COVER, SLOT AERIAL, PORT, ... GROUP (Mod. 1585)	1	-	MR	ME1/26	
12434	2F11884	PANEL, COVER, SLOT AERIAL, STAR- BOARD, GROUP (Mod. 1585)	1	-	B	ME1/27	
		Spares for:-					
	15F11884	PANEL, BOTTOM, PORT, GROUP	1	-			
	14F11884	PANEL, BOTTOM, STARBOARD, GROUP	1	-			
		Spares for:-					
17107	5F11085	Panel, aft, port	1	-		ME1/28	
	6F11085	Panel, aft, starboard	1	-		ME1/29	
	16F11884	PANEL, BOTTOM, FORWARD, PORT, GROUP	1	-	MR	ME1/30	
	17F11884	PANEL, BOTTOM, FORWARD, STARBOARD, GROUP	1	-	MR	ME1/31	
		Spares for:-					
12709	12F11884	Block, indicator	1	-	C	ME1/32	
1433005	18F11884	Nut, knurled	1	-	C	ME1/33	
	3F11884	Panel, bottom, forward, port	1	-		ME1/34	
	4F11884	Panel, bottom, forward, starboard	1	-		ME1/35	
12710	13F11884	PLATE, INDICATOR, GROUP		-	C	ME1/36	
		Spares for:-					
	13cF11884	Bush	1	-		ME1/37	
	13aF11884	Stud	1	-		ME1/38	
12711	197SS4700	Spring	1	-	C	ME1/39	
1433004	18F11884	Stud	1	-	C	ME1/40	
	1910	Washer, shakeproof	1	-			
12713	17F11085	Window	1	-	C	ME1/41	

MAINPLANE

TIP

Ref. No.	Part No	Description	No. off	Mati Spec	Cl. of	Plate and Illust'n No.
					St.	
		1 2 3 4				
12713		PANEL, BOTTOM, PORT AND STARBOARD, GROUP (14 & 15F11884) (Cont'd.)				
	18F11085	Panel, removable, port	1	—	MR	ME1/42
	19F11085	Panel, removable, starboard	1	—	MR	ME1/43
	17F11086	Window	1	—	C	ME1/44
	7F11884	PANEL, TOP, PORT, GROUP	1	—		ME1/45
	8F11884	PANEL, TOP, STARBOARD, GROUP	1	—		ME1/46
		Attachments—Cover Panel, Part Nos. 1 & 2F11884				
	55S4032	Bolt	6	MONEL	MR	ME1/47
	55S4032	Bolt	96	MONEL	MR	ME1/48
	27F11089	Seal, rubber, 1/16" x .75" x 4.1"	1	DTD552	MR	ME1/49
	47F11089	Seal, rubber, 1/16" x .7" x 3' 4.44"	1	DTD552		ME1/50
	48F11089	Seal, rubber, 1/16" x .75" x 3' 4.46"	1	OTD552		ME1/51
	13SS4225	Transfer	2	—	MR	
	14SS4225	Transfer	1	—	MR	

VULCAN No. 2

MAINPLANE

Page ME. 6

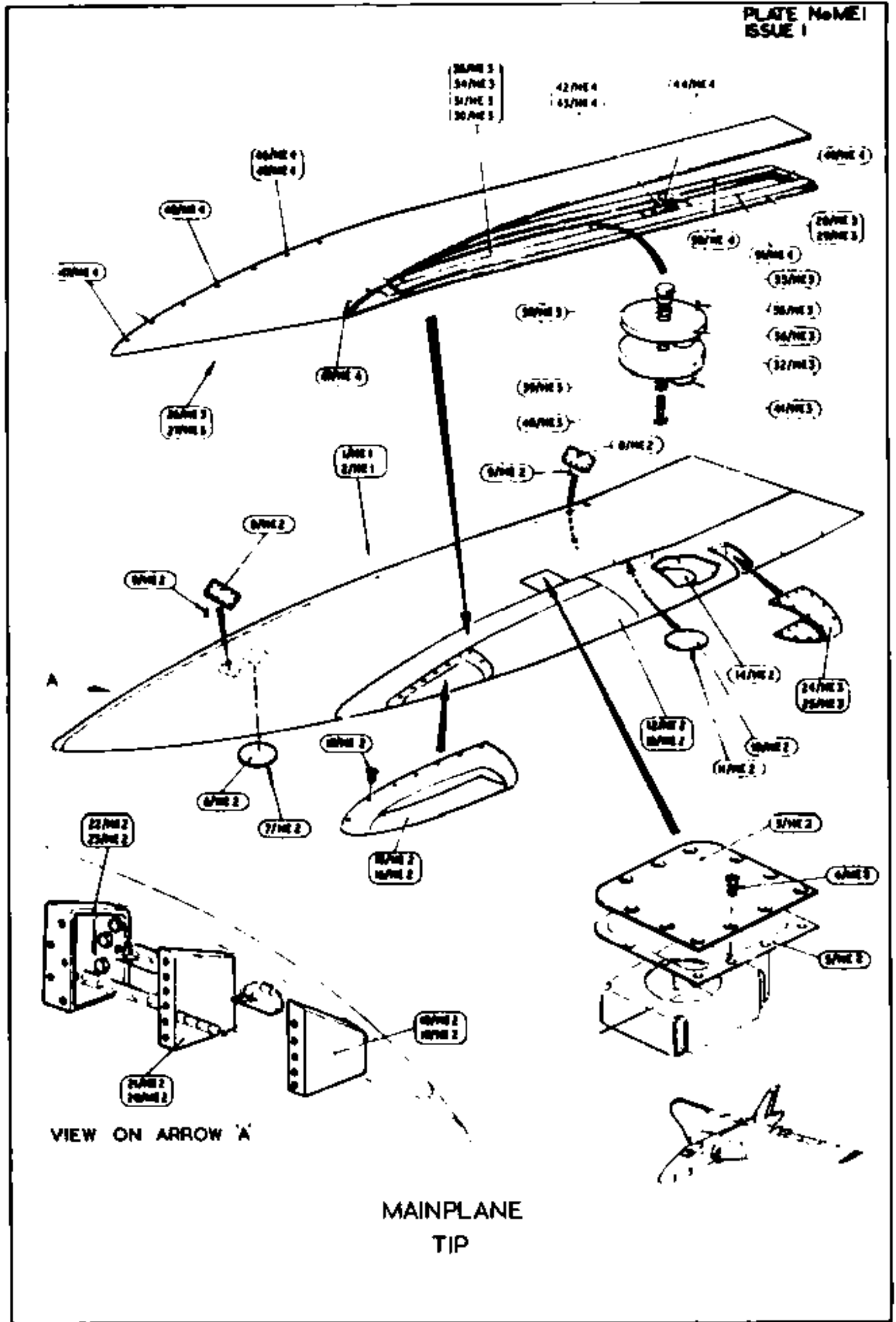
TIP

SUMMARY OF STANDARD ITEMS

Stores Ref.		No. off	Stores Ref.		No. off	Stores Ref.		No. off
Section	Ref. No.		Section	Ref. No.		Section	Ref. No.	
2BD	1212317	12	28M	10275	4	28W	9418920	8
2BD	1212318	4	28M	4342860	22	28W	9419404	4
2BD	1212341	4	28M	1278190	8	28W	9419405	34
2BD	1212342	4	28M	14877	8	28W	9419455	4
2BD	1215059	4	28M	1011475	18	28W	9419475	18
2BD	1215060	4				28W	9419476	4
			28S	9982523	22	28W	9419487	8
						28W	9419488	4

RESTRICTED

PLATE No ME1
ISSUE 1



VIEW ON ARROW 'A'

MAINPLANE
TIP

RESTRICTED

POWER INSTALLATION
ENGINE BULKHEADS

Ref. No.	Part No.	Description	No. off	Matl. Spec.	Cl. of	Plate and Illust'n No.
					Se. M.R.	
			1	2	3	4
		ENGINE BULKHEAD ASSEMBLIES DRAWING REF. (D10631) Consisting of:- BULKHEAD, ENGINE, FRONT, PORT AND STARBOARD (1 & 2E2928) (Mod. 390) Spares for:-				
	3E2928	BULKHEAD, OUTBOARD, PORT, GROUP . . . (Pre-Mod. 980)	1	-	MR	
	136E2928	BULKHEAD, OUTBOARD, PORT, GROUP . . . (Mod. 980)	1	-	MR	NA1/1
		Spares for:-				
21536	87E2928	Angle, door seal	1	L72	C	NA1/2
28F/1013402	AGS1111/B	Body, cone union	1	-	C	
	1SS5824	Cap, end (Mod. 2280)	8	-	MR	
28FP/10114	1SS1585	Lug, locking	2	-	C	
28F/9128928	AGS1115/2	Plate, washer	1	-	C	
	58E2858	Seal, door (Pre-Mod. 488)	1	DTD552		
	106E2858	Seal, door (Make from 1SS4488, Ref. No. . . . 26DC/7738) (Mod. 488) (Pre-Mod. 2280)	1	DTD5509		NA1/3
	134E2858	Seal, door (Make from 1SS5823, Ref. No. . . . 26DC/1610281) (Mod. 2280)	1	-		
	5E2928	BULKHEAD, INBOARD, PORT, GROUP (Pre-Mod. 980)	1	-	MR	
	138E2928	BULKHEAD, INBOARD, PORT, GROUP (Mod. 980)	1	-	MR	NA1/4
		Spares for:-				
21834	BE2928	Angle, door seal	1	L72	C	NA1/5
28F/1013402	AGS1111/B	Body, cone union	1	-	C	
	1SS5824	Cap, end (Mod. 2280)	4	-	MR	
	93E2928	Fitting, strut	1	S84		NA1/6
28FP/10114	1SS1585	Lug, locking	2	-	C	
	170E2928	Plate, blanking	1	-		
28F/9128928	AGS1115/2	Plate, washer	1	-	C	
	91E2858	Seal, door (Pre-Mod. 488)	1	DTD552		
	106E2858	Seal, door (Make from 1SS4488, Ref. No. . . . 26DC/7738) (Mod. 488) (Pre-Mod. 2280)	1	DTD5509		
	133E2858	Seal, door (Make from 1SS5823, Ref. No. . . . 26DC/1610281) (Mod. 2280)	1	-		NA1/7
	110F11018	Stud, blanking	1	-		NA1/8
	4E2928	BULKHEAD, OUTBOARD, STARBOARD GROUP (Pre-Mod. 980)	1	-	MR	
	137E2928	BULKHEAD, OUTBOARD, STARBOARD, GROUP (Mod. 980)	1	-	MR	NA1/9
		Spares for:-				
21837	88E2928	Angle, door seal	1	L72	C	NA1/10
28F/1013402	AGS1111/B	Body, cone union	1	-	C	
	1SS5824	Cap, end (Mod. 2280)	2	-	MR	
28FP/10114	1SS1585	Lug, locking	2	-	C	
28F/9128928	AGS1115/2	Plate, washer	1	-	C	
	58E2858	Seal, door (Pre-Mod. 488)	1	DTD552		
	106E2858	Seal, door (Make from 1SS4488, Ref. No. . . . 26DC/7738) (Mod. 488) (Pre-Mod. 2280)	1	DTD5509		

POWER INSTALLATION
ENGINE BULKHEADS

Ref. No.	Part No.	Description	No. off	Matl. Spec.	Cl. of	Place and Inst'n No.
					St. M.R.	
		1 2 3 4				
	189E2858	BULKHEAD, OUTBOARD, STARBOARD (4 & 137E2928) (Cont'd.) Seal, door (Make from 1SS5823, Ref. No. . . . 26DC/1510281) (Mod. 2280)	1	-		NA1/11
	8E2928	BULKHEAD, INBOARD, STARBOARD,	1	-	MR	
	138E2298	GROUP (Pre-Mod. 980) BULKHEAD, INBOARD, STARBOARD, GROUP (Mod. 980)	1	-	MR	NA1/12
		Spares for:-				
21835	90E2928	Angle, door seal	1	L72	C	NA1/13
28F/1013402	AGS1111/8	Body, cone union	1	-	C	
	1SS5824	Cap. end	4	-	MR	
	94E2928	Fitting, strut	1	504		NA1/14
28FP/10114	1SS1585	Lug, locking	2	-	C	
	170E2928	Plate, blanking	1	-		
28F/9128928	AGS 1115/2	Plate, washer	1	-	C	
	81E2888	Seal, door (Pre-Mod. 488)	1	DTD662		
	105E2858	Seal, door (Make from 1SS4488, Ref. No. . . . 26DC/7738) (Mod. 488) (Pre-Mod. 2280)	1	OTD6609		
	188E2928	Seal, door (Make from 1SS5823, Ref. No. . . . 26DC/1510281) (Mod. 2280)	1	-		NA1/15
	110F11018	Stud, blanking	1	-		NA1/16
		BULKHEAD, ENGINE, REAR, PORT AND STARBOARD (1 & 2E2911)				
		Spares for:-				
21803	67E2911	Angle, shroud	1	AVR50	C	NA1/17
21797	88E2911	Angle, shroud	1	AVR50	C	NA1/18
21790	89E2911	Angle, shroud	1	AVR50	C	NA1/19
21782	70E2911	Angle, shroud	1	AVR50	C	
12595	157E2911	Angle, 16G steel	1	DTD124A	C	NA1/20
21819	53E2911	Angle, 26G titanium	1	AVR50	C	
21825	61E2911	Angle, 26G titanium	1	AVR50	C	
21828	31E2911	Bracket	1	L72	C	
	94E2911	Bracket	1	L72		
	35E2768	Bracket, L.H. (Pre-Mod. 2340)	1	-		
	101E2768	Bracket, L.H. (Mod. 2340)	1	-		
	36E2768	Bracket, R.H. (Pre-Mod. 2340)	1	-		
	102E2768	Bracket, R.H. (Mod. 2340)	1	-		
	3E2911	BULKHEAD, OUTBOARD, PORT, GROUP . .	1	-	MR	NA1/21
		Spares for:-				
11405	151E2911	Angle, lipped	1	AVR49	C	NA1/22
21802	10E2911	Angle, retaining	1	AVR50	C	NA1/23
21798	12E2911	Angle, retaining	1	AVR50	C	NA1/24
21798	14E2911	Angle, shroud	1	AVR49	C	
21824	22E2911	Bracket (Pre-Mod. 2189)	1	L72	C	
	163E2911	Bracket (Mod. 2189)	1	-		
21830	142E2911	Bracket	2	AVR50	C	
	185E2911	Bracket, stringer, port (Mod. 2228)	1	-	MR	
	166E2911	Bracket, stringer, starboard (Mod. 2228) . . .	1	-	MR	

VULCAN No. 2

POWER INSTALLATION
ENGINE BULKHEADS

Page NA.3

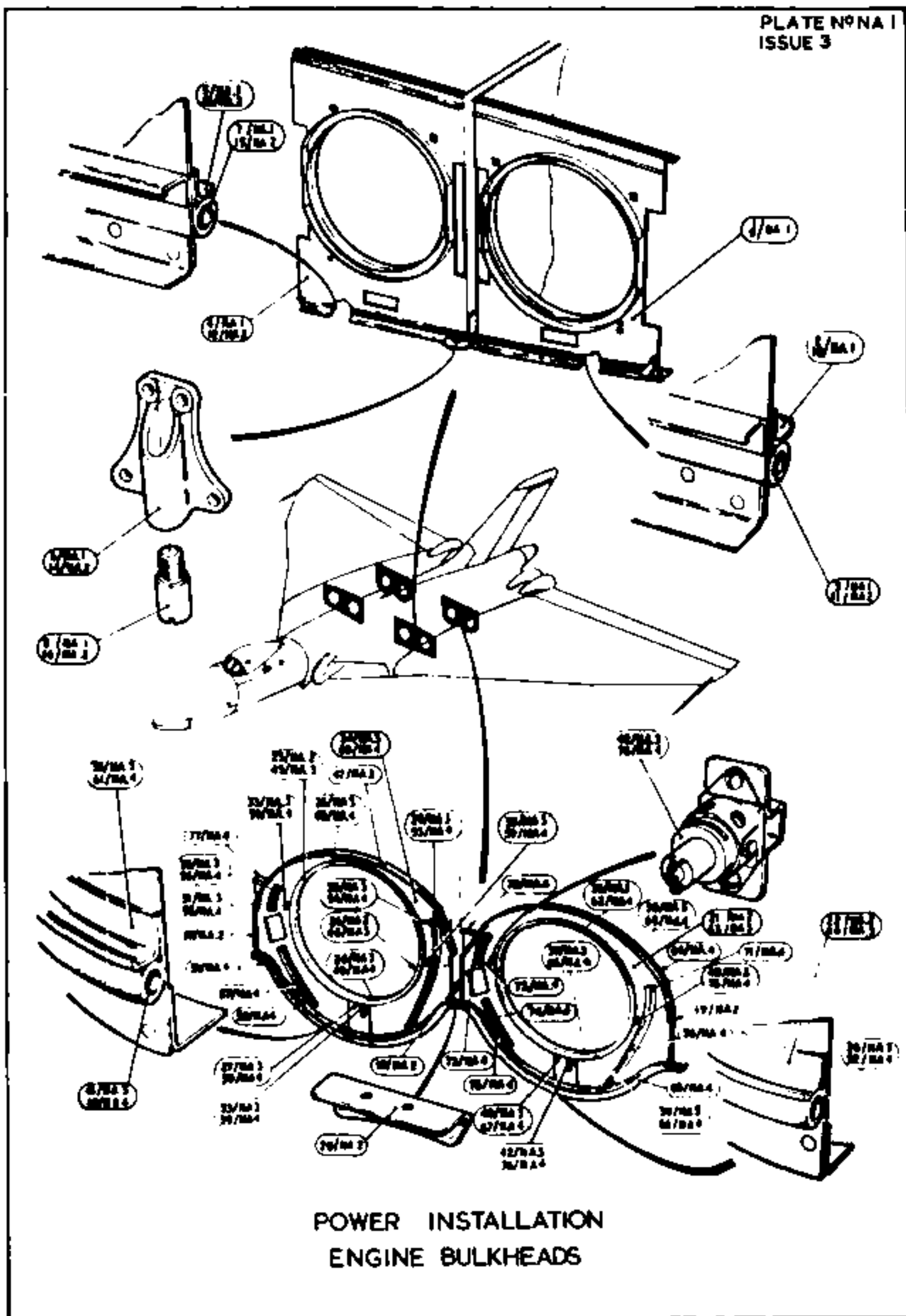
Ref. No.	Part No.	Description	No. off	Matl. Spec.	Cl. of	Place and Illust'n No.
					St.	
		1 2 3 4			M.R.	
BULKHEAD, OUTBOARD, PORT (3E2911) (Cont'd)						
	8SS5784	Bolt, special (Mod. 2228)	1	-	MR	
21801	1SS5824	Cap, end (Mod. 2280)	4	-	MR	
21795	9E2911	Half-ring	1	AVR50	C	NA1/25
	11E2911	Half-ring	1	AVR50	C	NA1/26
21806	83E2911	Packing	1	AVR50		NA1/27
	83E2911	Plate, reinforcing	1	AVR50	C	
	88E2789	Seal, door (Pre-Mod. 488)	1	DTD552		
	101E2789	Seal, door (Make from 1SS4488, Ref. No. 26DC/7738) (Mod. 488) (Pre-Mod. 2280)	1	DTD5509		
	168E2911	Seal, door (Make from 1SS5823, Ref. No. 26DC/1510281) (Mod. 2280)	1			NA1/28
21805	30E2911	Stiffener	1	AVR49	C	NA1/29
21804	32E2911	Stiffener	1	AVR49	C	NA1/30
21793	110E2911	Stiffener	1	AVR49	C	NA1/31
21794	111E2911	Stiffener	1	AVR49	C	NA1/32
21798	116E2911	Stiffener	1	AVR49	C	
21799	117E2911	Stiffener	1	AVR49	C	
5CZ/4337577	-	Thermocouple	3	-	B	NA1/33
	5E2911	BULKHEAD, INBOARD, PORT, GROUP	1	-	MR	NA1/34
Spars for:-						
21832	152E2911	Angle, lipped	1	AVR49	C	NA1/35
21779	42E2911	Angle, retaining	1	AVR50	C	NA1/36
21788	43E2911	Angle, retaining	1	AVR50	C	NA1/37
21777	51E2911	Angle, shroud	1	AVR50	C	
21830	142E2911	Bracket	2	AVR50	C	
	1SS5824	Cap, end (Mod. 2280)	4	-	MR	
21786	40E2911	Half-ring	1	AVR50	C	NA1/38
21787	41E2911	Half-ring	1	AVR50	C	NA1/39
	83E2911	Packing	1	AVR50		NA1/40
21783	143E2911	Plate, reinforcing	1	AVR50	C	
	88E2789	Seal, door (Pre-Mod. 488)	1	DTD552		
	100E2789	Seal, door (Make from 1SS4488, Ref. No. 26DC/7738) (Mod. 488) (Pre-Mod. 2280)	1	DTD5509		
	167E2911	Seal, door (Make from 1SS5823, Ref. No. 26DC/1510281) (Mod. 2280)	1	-		NA1/41
21791	104E2911	Stiffener	1	AVR49	C	
21792	106E2911	Stiffener	1	AVR49	C	
21780	108E2911	Stiffener	1	AVR49	C	
21781	109E2911	Stiffener	1	AVR49	C	
21785	114E2911	Stiffener	1	AVR49	C	
21784	115E2911	Stiffener	1	AVR49	C	
5CZ/4337577	-	Thermocouple	3	-	B	NA1/42
	4E2911	BULKHEAD, OUTBOARD, STARBOARD, ... GROUP	1	-	MR	NA1/43
Spars for:-						
21831	153E2911	Angle, lipped	1	AVR49	C	NA1/44
21802	10E2911	Angle, retaining	1	AVR50	C	NA1/45
21796	12E2911	Angle, retaining	1	AVR50	C	NA1/46
21811	15E2789	Angle, shroud	1	AVR49	C	NA1/47

POWER INSTALLATION
ENGINE BULKHEADS

Ref. No.	Part No.	Description	No. off	Mtrl. Spec.	Cl. of	Place and Illust'n No.
					St. M.R.	
		1 2 3 4				
		BULKHEAD, OUTBOARD, STARBOARD (Cont'd)				
21825	23E2911	Bracket (Pre-Mod. 2189)	1	L72	C	
	164E2911	Bracket, R.H. (Mod. 2189)	1	-		
21830	142E2911	Bracket	2	AVR50	C	
	1SS5824	Cap, end (Mod. 2280)	4	-	MR	
21801	9E2911	Half-ring	1	AVR50	C	NA1/48
21785	11E2911	Half-ring	1	AVR50	C	NA1/49
	83E2911	Packing	1	AVR50		NA1/50
	146E2911	Plate, reinforcing	1	AVR50		NA1/51
	88E2789	Seal, door (Pre-Mod. 488)	1	DTD552		
	101E2789	Seal, door (Make from 1SS4488, Ref. No. ... 28DC/7738) (Mod. 488) (Pre-Mod. 2280)	1	DTD5509		
	168E2911	Seal, door (Make from 1SS5823, Ref. No. ... 28DC/1510281) (Mod. 2280)	1	-		NA1/52
21805	30E2911	Stiffener	1	AVR49	C	NA1/53
21804	32E2911	Stiffener	1	AVR49	C	NA1/54
21793	110E2911	Stiffener	1	AVR49	C	NA1/55
21794	111E2911	Stiffener	1	AVR49	C	NA1/56
21809	118E2911	Stiffener	1	AVR49	C	NA1/57
21810	119E2911	Stiffener	1	AVR49	C	NA1/58
6CZ/4337577	-	Thermocouple	3	-	B	NA1/59
	8E2911	BULKHEAD, INBOARD, STARBOARD, ... GROUP	1	-	MR	NA1/60
		Spares for:-				
21833	154E2911	Angle, lipped	1	AVR49	C	NA1/61
21779	42E2911	Angle, retaining	1	AVR50	C	NA1/62
21788	43E2911	Angle, retaining	1	AVR50	C	NA1/63
21815	52E2911	Angle, shroud	1	AVR49	C	NA1/64
21830	142E2911	Bracket	2	AVR50	C	
	1SS5824	Cap, end	4	-	MR	
21786	40E2911	Half-ring	1	AVR50	C	NA1/65
21787	41E2911	Half-ring	1	AVR50	C	NA1/66
	93E2911	Packing	1	AVR50		NA1/67
21818	88E2911	Plate, reinforcing	1	AVR50	C	NA1/68
	88E2789	Seal, door (Pre-Mod. 488)	1	DTD552		
	100E2789	Seal, door (Make from 1SS4488, Ref. No. ... 28DC/7738) (Mod. 488) (Pre-Mod. 2280)	1	DTD5509		
	167E2911	Seal, door (Make from 1SS5823, Ref. No. ... 28DC/1510281) (Mod. 2280)	1	-		NA1/69
21816	105E2911	Stiffener	1	VAR49	C	NA1/70
21817	107E2911	Stiffener	1	AVR49	C	NA1/70
21780	108E2911	Stiffener	1	AVR49	C	NA1/72
21781	109E2911	Stiffener	1	AVR49	C	NA1/73
21814	112E2911	Stiffener	1	AVR49	C	NA1/75
21813	113E2911	Stiffener	1	AVR49	C	NA1/76
6CZ/4337577	-	Thermocouple	3	-	B	NA1/76
21778	99E2911	Gusset	1	L72	C	
21807	100E2911	Gusset	1	L72	C	NA1/77
21800	101E2911	Gusset	1	L72	C	
21812	102E2911	Gusset	1	L72	C	NA1/78

RESTRICTED

PLATE Nº NA 1
ISSUE 3



POWER INSTALLATION
ENGINE BULKHEADS

RESTRICTED

VULCAN Mk 2		POWER INSTALLATION			Page NB. 1	
ENGINE						
Ref. No.	Part No.	Description	No off	Mater. Spec.	Cl of	Plate and Illus'n No.
					St. M.R.	
1 2 3 4						
		ENGINE INSTALLATION, "OLYMPUS" 201 E.C.U. INBOARD AND OUTBOARD, PORT AND STARBOARD (S. 6, 7, 8.O.3942) (Pre-Mod. 906)				
		ENGINE INSTALLATION, "OLYMPUS" 301 E.C.U. INBOARD AND OUTBOARD, PORT AND STARBOARD (O.3987) (Mod. 906)				
		Spares for:—				
	ENGLISH ELECTRIC AE2038 Mk. 3	ALTERNATOR GROUP (Pre-Mod. 2197)	1	—		NB1/1
	AE2039 Mk. 4	ALTERNATOR GROUP (Mod. 2197)	1	—		
		Spares for:—				
5UA/4357532	AE2023 Mk. 1	Alternator, Type 158B (Pre-Mod. 2197)	1	—	A	NB1:2
5UA/1984849	AE2023 Mk. 3	Alternator, Type 175 (Mod. 2197)	1	—	A	
37F/4675255	ZA16801/1	Blanket, insulation	1	—	C	NB1/9
11753	12.O.3987	Bracket, starboard, inboard	1	L72	C	NB1/10
	13.O.3987	Bracket, starboard, outboard	1	L72	MR	NB1/11
	BRISTOL SIDDELEY B134845	Circlip, hydraulic pump quill shaft (Mod. 2025)	1	—		NB1/12
	ROTOR					
37L 4521229	GA23381	Clamp, manacle	1	—	C	NB1/13
11751	18.O.3987	Cleat	2	L72		
37F/6090872	9.O.3987	Clip, inboard and outboard, starboard	1	—	C	NB1/14
	ZA11615	Combuster (Mod. 1791)	1	—	A	NB1/15
	BRISTOL B228181	Constant speed drive and dressing, alternator	1	—		NB1/8
		COOLING, ENGINE BAY, INBOARD AND OUTBOARD, PORT AND STARBOARD (1, 2, 3 & 4.O.3955)				
		Spares for:—				
	91 O.3955	Bracket, mounting	1	—	MR	
		BRACKET, SUPPORT, INBOARD AND OUTBOARD ENGINE BAY, PORT AND STARBOARD (20, 21, 32 & 33.O.03955)				
		Spares for:—				
	29 O.3955	Bolt, special, for links	1	S1	MR	NB3/17
	28.O.3955	Link, suspension, inboard, port and starboard	2	L72	MR	NB3/18
8743	90.O.3955	Link, suspension, outboard bay, port and starboard	2	L72	C	NB3/19
	7226632	Bush, at duct joint clamp, inboard bay, port and starboard	2	DTD364B	MR	NB3/16
7288	38.O.3955	Clamp, half, top, for 5" dia. duct	1	S3	C	NB3/20
7290	39a.O.3955	Clamp, half, bottom, for 5" dia. duct	1	S3	C	NB3/21
	17Z7648	Clamp, half, forward and rear duct	2	DTD731	MR	NB3/22
	KING A/C C6049/188	Clamp, at "V" flanged union	1	—	MR	NB3/23

POWER INSTALLATION
ENGINE

Ref. No.	Part No.	Description	No. off	Matl. Spec.	Cl. of	Plate and Illust'n No.
					Se. M.R.	
		1 2 3 4				
		COOLING, ENGINE BAY, INBOARD AND OUTBOARD, PORT AND STARBOARD (1, 2, 3 & 4 O.3955) (Cont'd)				
12082	AK3/SS4234	Clip, half, top	5	—	MR	NB3/24
	AK10/SS4234	Clip, half, bottom	5	—	MR	NB3/25
	14SS3883	Clip, pipe	3	—	MR	
	148SS3653	Coupling, pipe	1	S. Steel	C	NB3/26
	83.O.3955	DUCT, FORWARD, 5" O/D, OUTBOARD ... ENGINE BAY, GROUP	1	—		NB3/27
	5.O.3955	DUCT, FORWARD, 5" O/D, INBOARD	1	—	MR	NB3/28
7272	6.O.3955	DUCT, CENTRE, 5" O/D, PORT OUT- BOARD AND STARBOARD INBOARD ENGINE BAY, GROUP	1	—	C	NB3/29
7283	7.O.3955	DUCT, CENTRE, 5" O/D, PORT INBOARD AND STARBOARD OUTBOARD, ENGINE BAY, GROUP	1	—	C	NB3/30
7278	63.O.3955	Fairing, port outboard, starboard inboard	1	—	MR	NB3/31
	64.O.3955	Fairing, port inboard, starboard outboard	1	—	MR	NB3/32
	38.O.3955	Injector, at forward duct	1	—	C	NB3/33
7295	41.O.3955	Link, duct clamp	2	L72	C	NB3/34
7273	8.O.3955	Pipe, outlet, port outboard, starboard inboard	1	—	C	NB3/35
7284	9.O.3955	Pipe, outlet, port inboard, starboard outboard	1	—	C	NB3/36
	15.O.3955	Pipe, flexible	1	—	MR	NB3/37
	100.O.3955	PIPE, FROM INJECTOR TO JOINT WITH ... PIPE (101 O.3955) PORT INBOARD ENGINE BAY, GROUP	1	—	MR	NB3/38
8738	101.O.3955	PIPE, FROM FLEXIBLE PIPE TO JOINT ... WITH PIPE (100.O.3955) PORT, I/B AND O/B, AND STARBOARD INBOARD ENGINE BAY, GROUP	1	—	C	NB3/39
8740	102.O.3955	PIPE, FROM INJECTOR TO JOINT WITH ... PIPE (103.O.3955) STARBOARD OUT- BOARD ENGINE BAY, GROUP	1	—	C	NB3/40
8739	103.O.3955	PIPE, FROM FLEXIBLE PIPE TO JOINT ... WITH PIPE (102 O.3955) STARBOARD OUTBOARD ENGINE BAY, GROUP	1	—	C	NB3/41
28E/1953164	SP91/E	Clip, jubilee	2	—	C	
28E/20104	SP91/F	Clip, jubilee	2	—	C	
28E/6250283	SP91/J	Clip, jubilee	1	—	C	
28E/20019	SP91/K	Clip, jubilee	1	—	C	
28E/4062142	SP91/R	Clip, jubilee	1	—	C	

POWER INSTALLATION
ENGINE

Ref. No.	Part No.	Description 1 2 3 4	No. off	Mach. Spec.	Cl. of	Plate and Illust'n No.
					St. M.R.	
		COOLING, ENGINE BAY, INBOARD AND OUTBOARD, PORT AND STARBOARD (1, 2, 3 & 4.O.3955) (Cont'd)				
	119 O.3955	PIPE, JOINING PIPE (121.O.3955) WITH ... PIPE (101.O.3955) PORT OUTBOARD ENGINE BAY, GROUP (Mod. 1320)	1	-	MR	NB3/42
	120.O.3955	PIPE, JOINING PIPE (122.O.3955) WITH ... PIPE (101.O.3955) STARBOARD INBOARD ENGINE BAY, GROUP (Mod. 1320)	1	-	MR	NB3/43
	121 O 3955	PIPE, FROM INJECTOR TO JOINT ... WITH PIPE (119.O.3955) PORT OUT- BOARD ENGINE BAY, GROUP (Mod. 1320)	1	-	MR	NB3/44
	122.O.3955	PIPE, FROM INJECTOR TO JOINT ... WITH PIPE (120.O.3955) STARBOARD INBOARD ENGINE BAY, GROUP (Mod. 1320)	1	-	MR	NB3/45
	92.O.3955	Plate, half, sealing, L.H.	1	-	MR	NB3/46
	93.O.3955	Plate, half, sealing, R.H.	1	-	MR	NB3/47
	123.O.3955	Seal, at sealing plates	1	Hallite		NB3/48
	14.O.3955	Seal, joint, between centre duct and outlet pipes	1	DTD37BA	MR	NB3/49
	47 O.3955	Seal, joint, between forward duct and hoist box	1	DTD37BA	MR	NB3/50
28F/17675	BESTOBELL AS6402	Seal, at "V" flanged union	1	-	C	NB3/51
7293	BESTOBELL AS6411	Seal, at forward and rear duct joint	1	-	C	NB3/52
7282	51.O.3955	Union, "V" flanged, for flexible pipe	1	S110	C	NB3/53
		COOLING, JET PIPE, INBOARD AND OUTBOARD, PORT AND STARBOARD (1, 2, 3 & 4.O.3955)				
		Spares for:-				
	8.O.3958	BRACKET, MOUNTING, FOR DUCTS, ... GROUP	2	-	MR	NB3/54
28E/8188	AGS805/B	Clip, jubilee	7	-	C	
7245	13.O.3958	Distributor, cold air, upper section	1	-	C	NB3/55
7248	16 O 3958	Distributor, cold air, lower section	1	-	C	NB3/56
	27.O.3958	DUCT, PORT INBOARD BAY, GROUP	1	-	MR	NB3/57
		Spares for:-				
	17 O 3958	Duct, elbow	1	-		NB3/58
7239	19.O.3958	Duct	1	-	C	NB3/59
	6.O.3958	Plate, seal	1	S621	MR	NB3/60
	7 O 3958	Seal (Bestobell)	1	-	MR	NB3/61

POWER INSTALLATION
ENGINE

Ref. No.	Part No.	Description	No. off	Matl. Spec.	Cl. of	Plate and Illustr'n No.
					St. M.R.	
		1 2 3 4				
COOLING, JET PIPE, INBOARD AND OUTBOARD, PORT AND STARBOARD (1, 2, 3 & 4 O.3958) (Cont'd)						
9281	28 O. 3958	DUCT, PORT OUTBOARD BAY, GROUP ...	1	-	B	NB3/62
		Spares for:-				
13456	17 O. 3958	Duct, elbow	1	-		NB3/69
	38 O. 3958	Duct (Mod. 1491)	1	-	C	NB3/63
	8 O. 3958	Plate, seal	1	S521	MR	NB3/60
	7 O. 3958	Seal	1	-	MR	NB3/61
9282	29 O. 3958	DUCT, STARBOARD INBOARD BAY, GROUP	1	-	B	NB3/64
		Spares for:-				
13456	17 O. 3958	Duct, elbow	1	-		NB3/69
	38 O. 3958	Duct (Mod. 1491)	1	-	C	NB3/65
	8 O. 3958	Plate, seal	1	S521	MR	NB3/60
	7 O. 3958	Seal	1	-	MR	NB3/61
7283	30 O. 3958	DUCT, STARBOARD OUTBOARD BAY, GROUP	1	-	B	NB3/66
		Spares for:-				
11620	17 O. 3958	Duct, elbow	1	-		NB3/68
	38 O. 3958	Duct (Mod. 1491)	1	-	C	NB3/67
	8 O. 3958	Plate, seal	1	S521	MR	NB3/60
	7 O. 3958	Seal	1	-	MR	NB3/61
7243	14 O. 3958	INTAKE, PORT INBOARD, GROUP	1	-	B	NB3/68
	15 O. 3958	INTAKE, PORT OUTBOARD, AND STARBOARD INBOARD AND OUTBOARD, GROUP	1	-	MR	NB3/69
7238	11 O. 3958	Piece, joint, port inboard	1	-	C	NB3/70
	12 O. 3958	Piece, joint, port outboard and starboard inboard and outboard	1	-	MR	NB3/71
	10 O. 3958	Pipe, flexible	1	-	MR	NB3/72
	8 O. 3958	PLATE, MOUNTING, GROUP	1	-	MR	NB3/73
1433553	42 O. 3958	PLATE, MOUNTING, PORT OUTER, STARBOARD INNER, GROUP	1	-	C	NB3/74
1433139	43 O. 3958	PLATE, MOUNTING, PORT OUTER, STARBOARD INNER, GROUP	1	-	C	NB3/75
DRAINS, FUEL, AT REAR OF ENGINE (1 O. 3954)						
		Spares for:-				
	32SS3863	Coupling	1	S1	MR	NB1/76
	3 O. 3954	Hose, flexible	1	-	MR	NB1/77
	8884070	Nut, lock, coupling	1	-	MR	NB1/78
	2 O. 3954	Pipe, drain	1	-	MR	NB1/79

VULCAN No. 1

POWER INSTALLATION
ENGINE

Page NB. 4A

Ref. No.	Part No.	Description	No. off	Mater. Spec.	Cl. of	Place and Illust'n No.
					St. M.R.	
		1 2 3 4				
		DRAIN PIPE, OVERBOARD OIL SEPARATOR OUTLET, INBOARD AND OUTBOARD ENGINES, PORT AND STARBOARD, FWD. AND AFT OF FRAME 420" (1-2.0.4164, 3-4.0.4164 AND 71-72.0.4164) (Mod. 934)				
	BP7SS4234	Clip, half, former 36-37	1	-	MR	NB6/192
	BP17SS4234	Clip, half, former 36-37	1	-	MR	NB6/193
		Attachments for BP7SS4234 and BP17SS4234				
28D/1212399	A25/28C	Bolt, 2 BA	-	+	C	NB6/194
	BP7SS4234	Clip, half, at intercostal 18 i/b	1	-	MR	NB6/195
	BP19SS4234	Clip, half, at intercostal 18 i/b	1	-	MR	NB6/196
		Attachments for BP7SS4234 and BP19SS4234				
28D/1011027	A25/27C	Bolt, 2 BA	1	+	C	NB6/197
28M/1012015	AGS2001/C1/68	Nut, stiff, 2 BA	1	+	C	
28W/9419402	SP13/C	Washer, 2 BA	1	-	C	
	BP7SS4234	Clip, half, intercostal 21, 23 & 25	3	-	MR	NB6/198
22161	BP18SS4234	Clip, half, intercostal 21, 23 & 25	3	-	C	NB6/199
		Attachments for BP7SS4234 and BP18SS4234				
28D/1011026	A25/26C	Bolt, 2 BA	1	-	C	NB6/200
28M/1012015	AGS2001/C1/68	Nut, stiff	1	-	C	
28W/9419402	SP13/C	Washer	1	-	C	
	BP7SS4234	Clip, half	1	-	MR	NB6/201
	BP17SS4234	Clip, half	1	-	MR	NB6/202
		Attachments for BP7SS4234 and BP17SS4234				
28D/1011026	A25/26C	Bolt, 2 BA	1	-	C	NB6/203
28M/1012015	AGS2001/C1/68	Nut, stiff, 2 BA	1	-	C	
28W/9419402	SP13/C	Washer, 2 BA	1	-	C	
	BP7SS4234	Clip, hose, intercostal 21 o/b	1	-	MR	NB6/204
	BP19SS4234	Clip, hose, intercostal 21 o/b	1	-	MR	NB6/205
		Attachments for BP7SS4234 and BP19SS4234				
28D/1011027	A25/27C	Bolt, 2 BA	1	+	C	NB6/206
28M/1012015	AGS2001/C1/68	Nut, stiff, 2 BA	1	+	C	
28W/9419402	SP13/C	Washer, 2 BA	1	+	C	
	BP7SS4234	Clip, half, intercostal 23 & 25 o/b	2	-	MR	NB6/207
	BP22SS4234	Clip, half, intercostal 23 & 25 o/b	2	-	MR	NB6/208
		Attachments for BP7SS4234 and BP22SS4234				
28D/1212402	A25/31C	Bolt, 2 BA	1	-	C	NB6/209
28M/1012015	AGS2001/C1/68	Nut, stiff, 2 BA	1	-	C	
28W/9419402	SP13/C	Washer, 2 BA	1	-	C	

POWER INSTALLATION
ENGINE

Ref. No.	Part No.	Description	No. off	Matl. Spec.	Cl. of	Place and Illust'n No.
					Sc.	
		1 2 3 4			M.R.	
		DRAIN PIPE, OVERBOARD OIL SEPARATOR OUTLET, INBOARD AND OUTBOARD ENGINES, PORT AND STARBOARD, FWD. AND AFT OF FRAME 425" (1-2.O.4164, 3-4.O.4164) (Cont'd)				
	BP7SS4234	Clip, half, intercostal 27, 29 & 30 o/b	3	-	MR	NB6/210
	BP22SS4234	Clip, half, intercostal 27, 29 & 30 o/b	3	-	MR	NB6/211
		Attachments for BP7SS4234 and BP22SS4234				
28D/1212402	A25/31C	Bolt, 2 BA	1	-	C	NB6/212
28M/1012015	AGS2001/C1/66	Nut, stiff, 2 BA	1	-	C	
28W/9419402	SP13/C	Washer	1	-	C	
	29.O.4164	Clip, at intercostal 23 o/b	-	-		NB6/213
		Attachments for 29.O.4164				
28D/9438820	A25/1C	Bolt, 2 BA	-	-	C	NB6/214
28M/1012015	AGS2001/C1/66	Nut, stiff	-	-	C	
28W/9419402	SP13/C	Washer, 2 BA	-	-	C	
	BP7SS4234	Clip, half, intercostal 35 o/b	1	-	MR	NB6/215
	BP22SS4234	Clip, half, intercostal 35 o/b	1	-	MR	NB6/216
		Attachments for BP7SS4234 and BP22SS4234				
28D/1212402	A25/31C	Bolt, 2 BA	1	-	C	NB6/217
28M/1012015	AGS2001/C1/66	Nut, stiff	1	-	C	
28W/9419402	SP13/C	Washer, 2 BA	1	-	C	
22164	BP7SS4234	Clip, half	1	-	MR	NB6/218
	BP13SS4234	Clip, half	1	-	C	NB6/219
		Attachments for BP7FF4234 and BP13SS4234				
28D/1011024	A25/21C	Bolt, 2 BA	1	-	C	NB6/220
28W/9419402	SP13/C	Washer	1	-	C	
22161	BP7SS4234	Clip, half, intercostal 33 & 35	2	-	MR	NB6/221
	BP18SS4234	Clip, half, intercostal 33 & 35	2	-	C	NB6/222
		Attachments for BP7SS4234 and BP18SS4234				
28D/1011026	A25/26C	Bolt, 2 BA	1	-	C	NB6/223
28M/1012015	AGS2001/C1/66	Nut, stiff	1	-	C	
28W/9419402	SP13/C	Washer	1	-	C	
28E/4710971	SP91N	Clip, jubilee	18L	-	C	NB6/224
			15S			
28E/2027591	SP91L	Clip, jubilee (Starboard only)	3	-	C	NB6/225
	50SS4490	Clip, bonding	17L	-	MR	NB6/226
			15S			

POWER INSTALLATION
ENGINE

Ref. No.	Part No.	Description	No. off	Matl. Spec.	Cl. of St.	Plate and Illust'n No.	
					M.R.		
		1 2 3 4					
		DRAIN PIPE, OVERBOARD, OIL SEPARATOR OUTLET, INBOARD AND OUTBOARD ENGINES (Cont'd)					
11938	64 O 4164	COVER, DETACHABLE, PORT, OUTER, GROUP	1	—		NB7/227	
	65 O 4164	COVER, DETACHABLE, PORT, INNER, GROUP	1	—		NB7/228	
	4SS4353	Attachments for Covers 64 65 O 4164 Screw, 2 BA	6	—		NB7/229	
	2SS4353		14	—		NB7/230	
		7 O 4164	DUCT, 20G x 3 0" o/d x 63 3/8" long outboard, port	1	L54		NB7/231
		13 O 4164	DUCT, OUTBOARD STARBOARD, GROUP Consisting of:—	1	—		NB7/232
		13a O 4164	Duct, 20G x 3 0" o/d x 58 6" long	1	L54		
		13b O 4164	Duct, half reducing 20G x 9 5" x 5" long	1	L54		
		13c O 4164	Duct, half reducing 20G x 9 5" x 5" long	1	L54		
		90 O 4164	Duct, 20G x 3 0" o/d x 65" long outboard, port (Mod 2218)	1	—		NB7/233
		14 O 4164	DUCT, OUTBOARD, STARBOARD, GROUP Consisting of:—	1	—		NB7/234
	14a O 4164	Duct, 20G x 3 0" o/d x 58" long	1	L54			
	14b O 4164	Duct, half reducing 20G x 9 5" x 5"	1	L50			
	14c O 4164	Duct, half reducing 20G x 9 5" x 5"	1	L50			
13678	85 O 4164	Duct, 20G x 3 0" o/d, outboard, port	1	L54		NB7/235	
13678	84 O 4164	Duct, 20G x 3 0" o/d, outboard, starboard	1	L54		NB7/236	
	12 O 4164	Duct, 20G x 3 0" o/d, outboard, port	1	L54		NB7/237	
	11 O 4164	Duct, 20G x 3 0" o/d, outboard, starboard	1	L54		NB7/238	
	21 O 4164	Duct, 20G x 3 0" o/d x 80 3/8" long, inboard, port and starboard	1	L54		NB7/239	
13680	87 O 4164	Duct, 20G x 3 0" o/d x 68" long, inboard port and starboard	1	L54		NB7/240	
13676	81 O 4164	Duct, 20G x 3 0" o/d x 40" long, inboard, port	1	L54		NB7/241	
13677	82 O 4164	Duct, 20G x 3 0" o/d x 40" long, inboard, starboard	1	L54		NB7/242	
	24 O 4164	Duct, 20G x 3 0" o/d x 34 00", inboard, port and starboard	1	L54		NB7/243	
	46 O 4164	DUCT, PORT, OUTBOARD, STARBOARD, INBOARD, GROUP	1	L54		NB7/244	

POWER INSTALLATION
ENGINE

Ref. No.	Part No.	Description	No. off	Matl. Spec.	Cl. of	Plate and Illust'n No.
					St. M.R.	
		1 2 3 4				
		DRAIN PIPE OVERBOARD, OIL SEPARATOR OUTLET INBOARD AND OUTBOARD ENGINES (Cont'd)				
	47.O.4164	DUCT, PORT INBOARD AND STARBOARD, OUTBOARD, GROUP	1	-		MB7/245
	15.O.4164	Duct, 20G x 3.0" o/d x 34" long outboard port, inboard starboard	1	L54		MB7/246
	16.O.4164	Duct, 20G x 3.0" o/d x 34" long inboard port, outboard starboard	1	L54		MB7/247
17566	78.O.4164	Duct, 20G x 3.0" o/d x 140" long inboard port, outboard starboard	1	L54		MB7/248
17802	20.O.4164	Duct, 20G x 3.0" o/d x 140" long inboard starboard, outboard port	1	L54		MB7/249
22166	48.O.4164	FAIRING FORWARD PORT OUTER GROUP, STNS. 37-40	1	-		MB7/250
22168	49.O.5164	FAIRING FORWARD PORT INNER GROUP, STNS. 37-40	-	-		MB7/251
22167	62.O.4164	FAIRING FORMERS 40-365.5" PORT, GROUP, OUTER	1	-		MB7/252
11937	63.O.4164	FAIRING FORMERS 40-365.5" PORT, INNER, GROUP	1	-		MB7/253
	66.O.4164	FAIRING FORMERS 370-428" PORT, INNER, GROUP	1	-		MB7/254
	67.O.4164	FAIRING FORMERS 370-428" PORT, OUTER, GROUP	1	-		MB7/255
	68.O.4164	FAIRING REAR, FORMER 428-480" PORT, OUTER, GROUP	1	-		MB7/256
	69.O.4164	FAIRING REAR, FORMER 428-480", PORT, INNER, GROUP	1	-		MB7/257
	1.O.4168	HOSE FLEXIBLE, INNER AND OUTBOARD, PORT, GROUP	1	-		MB8/258
	2.O.4168	HOSE FLEXIBLE, INNER AND OUTER STARBOARD, GROUP	1	-		MB8/259
	AGS605/4	Consisting of:-				
11939	3.O.4168	Clip, jubilee	2	-		MB7/260
11941	7.O.4168	Duct, elbow	1	-		MB8/262
11942	8.O.4168	Elbow	1	-		MB8/263
11940	4.O.4168	Elbow	1	-		MB8/264
		Hose, flexible (Silicone Gloss-BAS/37M)	1	-		MB8/261

VULCAN No. 1

POWER INSTALLATION
ENGINE

Page NB. 4E

Ref. No.	Part No.	Description	No. off	Mater. Spec.	CL of	Plate and Illust'n No.
					St.	
					M.R.	
		1 2 3 4				
		DRAIN PIPE OVERBOARD, OIL SEPARATOR OUTLET, INBOARD AND OUTBOARD ENGINES, PORT AND STARBOARD, FORWARD AND AFT OF FRAME 428" (Cont'd)				
		JOINT, HOSE, ASSEMBLY	-	-		N88/265
		Consisting of:-				
28D/9436920	A25/1C	Bolt, 2 BA	2	-	C	N88/266
	50SS4490	Clip, bonding	2	-	MR	N88/267
	AGS805/4	Clip, jubilee	2	-		N88/268
	AS3380C7C	Lead, bonding	1	-		N88/269
28M/1012015	AGS2001/C1/66	Nut, stiff	2	-	C	
	BAS/45/GH/E/48/4/HL	Sleeve, jointing 4" long	1	-		N88/270
	44.O.4164	Tape, bedding BAS23/2/J26/3	1	-		N88/271
	AS3380/C7C	Lead, bonding	QR	-		
	AS3380/C4C	Lead, bonding	QR	-		
	37SS4700	Spring, tension	2	-	MR	N88/272
27QA/4118380	DOWTY	Seal "O"	1	-	C	N88/273
	SP901/11					
	BELLS ASB. & ENG. LTD					
	43.O.4164	Tape, bedding (BAS23/2/J26/3)	QR	-		
	BELLS ASB. & ENG. LTD.					
	44.O.4164	Tape, bedding (BAS23/2/J26/3)	QR	-		
	BELLS ASB. & ENG. LTD.					
	45.O.4164	Tape, bedding (BAS23/2/J26/3)	QR	-		

(Issued with A.L.27)

VULCAN No. 2

Page No. 4F

POWER INSTALLATION
ENGINE

Ref. No.	Part No.	Description	No. off	Matl. Spec.	Cl. of St. M.R.	Plate and Illust'n No.
		1 2 3 4				

VULCAN PR. 2

POWER INSTALLATION
ENGINE

Page NB. 5

Ref. No.	Part No.	Description	No. off	Matl. Spec.	Cl. of	Place and (Illust'n No.
					St. M.R.	
		1 2 3 4:				
12215	9 O 3942	DUCT, EXHAUST, PORT INBOARD, GROUP	1	-	B	NB1/80
	10 O 3942	DUCT, EXHAUST, STARBOARD, INBOARD, PORT OUTBOARD, GROUP	1	-	MR	NB1/81
	11 O 3942	DUCT, EXHAUST, STARBOARD, OUTBOARD, GROUP	1	-	MR	NB1/82
	BRISTOL B173172	Engine, Olympus 301 (See AP4783A, Vol. 3, Pt. 1)	1	-		NB1/83
		FIRE EXTINGUISHER SYSTEM, ENGINE BAYS, PORT AND STARBOARD (29 & 3029580) (See Services—Fire Protection)				
		FIREPROOFING, ENGINE BAYS, PORT AND STARBOARD (1 & 2E2931) (See Equipment Aircraft—Fireproofing and Soundproofing)				
	INTAKE, AIR REMOVABLE PORTION, AFT OF FORWARD ENGINE BULKHEAD (1 O 4096) (Mod. 906) Spares for:—					
8052	2 O 3951	PANEL, HALF, TOP, GROUP (Pre Mod 906)	1	-	A	
11761	2 O 4096	PANEL, HALF, TOP, GROUP (Mod. 906) Spares for:—	1	-	A	NB4/84
1433027	17 O 3573	BRACKET, FOR HOOK, GROUP Consisting of:—	4	-	C	
	14 O 3573 10g O 3527	Bracket Pin	1 1	OTD384B -		
	15 O 4096	MEMBER, EDGE, GROUP Spares for:—	1	-		
	15a O 4096 15b O 4096	Channel Strip, sealing	1 1	L72 Rubber		
	16 O 4096	MEMBER, EDGE, GROUP Spares for:—	1	-		
	16a O 4096 16b O 4096	Channel Strip, sealing	1 1	L72 Rubber		
	8 O 4096	RING, HALF, REAR, GROUP Spares for:—	1	-	MR	
	Bb O 4096	Seal, "P" (Make from SS4382, Ref No. 26DC/8568 x 8' 6" long)	1	Neoprene		
	Bc O 4096	Strip, retaining, 20G x 0.5" x 4' 2-1/2"	1	L72		
	Bd O 4096	Strip, retaining, 20G x 0.5" x 4' 3-1/2"	1	L72		
	10 O 4096	RING, HALF, FORWARD, GROUP Spares for:—	1	-	MR	
	10b O 4096	Seal, "P" (Make from SS4382, Ref No. 26DC/8568 x 8' 6" long)	1	Neoprene		
	10c O 4096	Strip, retaining, 20G x 0.5" x 4' 2-1/2"	1	L72		
	10d O 4096	Strip, retaining, 20G x 0.5" x 4' 3-1/2"	1	L72		

POWER INSTALLATION

ENGINE

Ref. No.	Part No.	Description	No. off	Matl. Spec.	Cl. of	Plate and Illustr'n No.
					St. M.R.	
		1 2 3 4				
		INTAKE, AIR, REMOVABLE PORTION, AFT TO FORWARD ENGINE BULKHEAD (I.O.4096) (Cont'd)				
	35.O.3951	PANEL, HALF BOTTOM, GROUP (Pre-Mod. 906)	1	-	MR	
11762	3.O.4096	PANEL, HALF, BOTTOM, GROUP (Mod. 906)	1	-	A	NB4/85
	26.O.4096	Spares for:- CATCH, GROUP Consisting of:-	4	-		
	13.O.3673	Bracket, saddle	1	DTD364B	MR	
	37.O.3951	Hook	1	S95	MR	
26FP/16909	2.O.3770	Lever (L/M for L65 (308) 2.75" x 1.0" x 5")	1	L65	C	
	10c.O.3527	Link	1	S1	MR	
28M/1007403	A27/ET	Nut, 1/4" BSF	1	-	C	
	10e.O.3527	Pin, 3/16" dia. x 1.185" long (Make from 30A/387)	1	S1		
26FP/16911	10f.O.3527	Pin, 3/16" dia x 0.8" long	1	S1	C	
	22.O.4096	MEMBER, EDGE, GROUP	1	-		
	22a.O.4096	Spares for:- Channel	1	L72		
	22b.O.4096	Seal, 0.5" x 0.25" x 14" long	1	L72		
	23.O.4096	MEMBER, EDGE, GROUP	1	-		
	23a.O.4096	Spares for:- Channel	1	L72		
	23b.O.4096	Seal, 0.5" x 0.25" x 14" long	1	L72		
	9.O.3527	PIN, QUICK RELEASE, GROUP	2	-		NB4/86
	78FP/9713820	Spares for:- Pin, pop	1	-	C	
	7.O.4096	RING, HALF, REAR, GROUP	1	-	MR	
	3d.O.3744	Spares for:- Seal, 1.25" x 1.25" x 0.125"	2	Gaco	MR	
	7b.O.4096	Seal, "P" (Make from SS4382, Ref. No. . 26DC/8568 x 2' 9" long)	1	Neoprene		
	7c.O.4096	Strip, retaining, 20G x 0.5" x 2' 9"	1	L72		
1510681	8.O.4096	RING, HALF, FORWARD, GROUP	1	-	C	
	3d.O.3744	Spares for:- Seal, 1.25" x 1.25"	2	Gaco	C	
6823	9b.O.4096	Seal, "P" (Make from SS4382, Ref. No. . 26DC/8568 x 2' 9" long)	1	Neoprene		
	9c.O.4096	Strip, retaining, 20G x 0.5" x 2' 9"	1	L72		
		INTAKE, AIR, FIXED PORTION, AFT OF BULKHEAD, 63.19", PORT AND STARBOARD (1 & 2F12857) (Mod. 2138) (See Fuselage--Centre Portion, page JB. 64)				
1510295	1.O.4171	Pipe, flexible, inboard and outboard bays, port ..	1	-		NB1/87
	2.O.4171	Elbow	1	-		
	1.O.4172	Pipe, flexible, inboard bay, starboard	1	-		NB1/88
	1.O.4173	Pipe, flexible, outboard bay, starboard	1	-		NB1/89
12218	PALMER MB636	Pipe, flexible	1	-	C	NB1/90

POWER INSTALLATION
ENGINE

Ref No	Part No.	Description	No. off	Matl. Spec.	Cl. of St.	Plate and Illust'n No.
					M.R.	
		1 2 3 4				
		RAILS, GUIDE, JET PIPE, PORT AND STARBOARD (1F10603) (Cont'd.)				
	39F10603	Rail, guide, 1186SS1793 x 32.5" long, inboard bay, port	—	—	MR	NB5/111
	41F10603	Rail, guide, 1186SS1793 x 2' 8.75" long	2	AVR49 or 50	MR	NB5/112
	42F10603	Rail, guide, 1186SS1793 x 5' 1" long	2	AVR49 or 50	MR	NB5/113
	43F10603	Rail, guide, 1186SS1793 x 14" long, outboard bays, port and starboard	1	AVR49 or 50	MR	NB5/114
28U/4678948	49aF10603	Retaining plate	4	S514		NB5/117
	AS2381	Rod, tension	1	—	C	NB5/115
	30F10603	Trunnion (Make from AS2387, Ref. No. 28U/13988)	1	—	MR	
	31F10603	Trunnion (Make from AS2384, Ref. No. 28U/13991)	1	—		
	1.O.3758	RING, HALF, CLAMP, FOR JET PIPE SEAL AT REAR ENGINE BULKHEAD, GROUP	2	—	MR	NB1/116
	4.O.3858	Spares for:— BRACKET, HOOK, GROUP	1	—	MR	
	8.O.3758	Consisting of:— Bracket	1	—		
	10d.O.3527	Hook	1	S1		
	6.O.3758	Lever	1	S1		
28M/1007403	10c.O.3527	Link	1	S1	MR	
	A27/ET	Nut, thin, 1/4" BSF	1	—	C	
	10e.O.3527	Pin	1	S1		
	10f.O.3527	Pin	1	S1		
22633	5.O.3758	BRACKET, GROUP	1	—	MR/C	
	9.O.3527	PIN, QUICK RELEASE, GROUP	1	—		NB1/86
28FP/9713820	A411	Spares for:— Pin, pip	1	—	C	
	3.O.3775	RING, RETAINING, AIR INTAKE, TOP, AND BOTTOM AFT. GROUP (Pre-Mod. 906)	1	—	MR	
11743	1.O.4097	RING, RETAINING, AIR INTAKE, TOP, AFT, GROUP (Mod. 908)	1	—	MR/C	NB4/117
11744	2.O.4097	RING, RETAINING, AIR INTAKE, BOTTOM, AFT, GROUP (Mod. 906)	1	—	MR/C	NB4/118
	3.O.4097	Spares for:— BRACKET, HOOK, GROUP	1	—	MR	NB4/119
	25/O/4098	Spares for:— Hook	1	S96		
28M/1007403	A27/ET	Nut, thin, 1/4" BSF	1	—	C	
	9.O.3527	PIN, QUICK RELEASE, GROUP (For Spares—See above)	1	—		NB4/85
7258	1.O.3952	RING, RETAINING, AIR INTAKE, TOP FORWARD, GROUP (Pre-Mod. 906)	1	—	MR/C	
	1.O.4098	RING, RETAINING, AIR INTAKE, TOP, FORWARD, GROUP (Mod. 906)	1	—	MR	NB4/120

VULCAN No. 1		POWER INSTALLATION				Page NB 9	
		ENGINE					
Ref. No.	Part No.	Description	No off	Matl Spec	Cl of St.	Plate and Illust'n No.	
					M.R.		
		1 2 3 4					
7260	2.O.3952	RING, RETAINING, AIR INTAKE, BOTTOM, FORWARD GROUP (Pre-Mod. 906)	1	—	MR/C		
	2.O.4098	RING, RETAINING, AIR INTAKE, BOTTOM, FORWARD, GROUP (Mod. 908)	4	—	MR	NB4/121	
	3.O.4097	Spares for:— BRACKET, HOOK, GROUP	1	—			
	4.O.4087	Spares for:— Hook	1	S98			
28M/1007403	A27/ET	Nut, thin, 1/4" BSF	1	—	C		
	9.O.3527	PIN, QUICK RELEASE, GROUP	1	—		NB4/86	
		(For Spares — See Page NB 8)					
7268	1.O.3963	SEAL, JET, PIPE AT REAR ENGINE	1	—	C	NB1/122	
		BULKHEAD, GROUP					
		Spares for:—					
1510770	2.O.3963	Strip, sealing, jet pipe ring	5	Rubber	C		
	BRISTOL						
	9328974	Shaft, quill for hydraulic pump (Mod. 2026) ..	1	—		NB1/123	
	14.O.3987	Spring, tension, outboard bay, port	1	—	MR	NB1/124	
	15.O.3987	Spring, tension, outboard bay, starboard ..	1	—	MR	NB1/125	
	16.O.3987	Spring, tension, inboard bay, port	1	—	MR	NB1/126	
	17.O.3987	Spring, tension, inboard bay, starboard ..	1	—	MR	NB1/127	
	ROTAX						
37F/5090871	CT0622/1	Starter (Mod. 2185)	1	—	A	NB2/128	
		SYSTEM, ENGINE, RAPID START					
		(1 & 203864) (Mod. 1320)					
		APPLICABLE TO 201 & 301 ENGINES					
		Spares for:—					
	44553663	Adaptor, special, at rear intermediate	2	—	MR	NB2/129	
		bulkhead connector and flexible					
		pipe joint					
12257	248553663	Adaptor, union, at ON/OFF valve	2	S21	C	NB2/130	
		(Ref. No. 37F/18257)					
12223	80/3684	Block, connector charging	1	DTD130	C	NB2/131	
12880	103721	BLOCK, CONNECTOR, MULTI-WAY,	1	—	C	NB2/132	
		GROUP (Mod. 1848)					
		Consisting of:—					
	2103864	Adaptor, union, reducing	5	—	MR	NB2/133	
12231	4555327	Adaptor, union	1	—	C	NB2/134	
12232	8555327	Adaptor, union	2	—	C	NB2/135	
	703864	Block	1	—			
	M.LAVIATION						
	MLS902/A	Washer, sealing, ridged	7	—	MR	NB2/135A	
	M.LAVIATION						
	MLS908/C	Washer, sealing, ridged	1	—	MR	NB2/136	
	CHESTERFIELD						
80/2008678	B26787	Bottle, air (Mod. 1838)	5	—	A	NB2/137	
	8803864	Bolt banjo, at charging connection	1	S94		NB2/138	
	2003864	Bracket, angle, for multi-way connection ..	2	L65			
		block					
17555	2803864	Bracket, mounting, for charging connection ..	2	L72	C		
		block					
	4003864	Bracket, mounting, for ON/OFF valve	2	S521			
		(Ref. No. 37F19257)					

POWER INSTALLATION

ENGINE

Ref. No.	Part No.	Description	No. off	Matl. Spec.	Cl. of St.	Plate and Illust'n No.
					M.R.	
		1 2 3 4				
		SYSTEM, ENGINE, RAPID START (1 & 203664) (Mod. 1320) (Cont'd.)				
28TA/5677 28E/9712163	5SS2340	Clip, pipe	1	—	MR C C	
	8SS2340	Clip, pipe	1	—		
	10SS5004	Clip, pipe	8	—		
	SP91/C	Clip, jubilee	1	—		
6A/7394	17SS5004	Clip, pipe, starboard outer bay	1	—		
	67Q3664	Clip, pipe, port outer and starboard inner bay	1	—		
	SMITHS					
	EU.14ST.K004	Gauge, pressure (4000 P.S.I.)	1	—	A	NB2/139
	682SS6033	Label, warning (Mod. 1885)	7	L58	MR	NB2/140
	1SS5414	Nipple, for adaptor (44SS3583)	2	—	MR	NB2/141
	M.L. AVIATION					
	M.L.S.937/B	Olive, special, at 3/4" o/d pipe joints	6	—	MR	NB2/142
	M.L.S.399/D	Olive, special, at charging block	2	—		NB2/143
		9Q3664	PIPE, FROM MULTI-WAY CONNECTOR TO ON/OFF VALVE, INBOARD BAY, PORT, GROUP	1	—	MR
	10Q3664	PIPE, FROM ON/OFF VALVE TO UNION, INBOARD BAY, PORT, GROUP	1	—	MR	NB2/145
	11Q3664	PIPE, FROM MULTI-WAY CONNECTOR BLOCK TO UNION, OUTBOARD BAY, PORT, GROUP	1	—	MR	NB2/146
	12Q3664	PIPE, FROM ON/OFF VALVE TO UPPER UNION, OUTBOARD BAY, PORT, GROUP	1	—	MR	NB2/147
	13Q3664	PIPE, FROM ON/OFF VALVE TO INBOARD UNION, OUTBOARD BAY, PORT, GROUP	1	—	MR	NB2/148
12244	17Q3664	PIPE, ON RIB 83 5" INBOARD BAY, PORT, GROUP	1	—	C	NB2/149
12245	19Q3664	PIPE, ON RIB 113 3" OUTBOARD BAY, PORT, GROUP	1	—	C	NB2/150
12248	28Q3664	PIPE, TO CHARGING BLOCK, PORT, GROUP	1	—	C	NB2/151
	50Q3664	PIPE, TO CHARGING BLOCK, STARBOARD, GROUP	1	—	MR	NB2/152
	58Q3664	PIPE, FROM ON/OFF VALVE TO UPPER UNION, INBOARD BAY, STARBOARD, GROUP	1	—	MR	NB2/153

VULCAN No. 2

POWER INSTALLATION
ENGINE

Page NB. 11

Ref. No.	Part No.	Description	No. off	Matl Spec.	Cl. of St	Plate and Illust'n No.
					M.R.	
		1 2 3 4				
		SYSTEM, ENGINE, RAPID START (1 & 203664) (Mod. 1320) (Cont'd.)				
12239	60Q3664	PIPE, FROM MULTI-WAY CONNECTOR BLOCK TO UNION, OUTBOARD, STARBOARD, GROUP	1	—	C	NB2/154
	61Q3664	PIPE, FROM ON/OFF VALVE TO INBOARD UNION, OUTBOARD BAY, STARBOARD, GROUP	1	—	MR	NB2/155
	62Q3664	PIPE, FROM MULTI-WAY CONNECTOR BLOCK TO ON/OFF VALVE, INBOARD BAY, STARBOARD, GROUP	1	—	MR	NB2/156
	63Q3664	PIPE, FROM ON/OFF VALVE TO INBOARD UNION, INBOARD BAY, STARBOARD, GROUP	1	—	MR	NB2/157
12247	64Q3664	PIPE, ON RIB 113.3" INBOARD BAY, STARBOARD, GROUP	1	—	C	NB2/158
12245	65Q3664	PIPE, ON RIB 162.5" INBOARD BAY, STARBOARD, GROUP	1	—	C	NB2/158
12224	POWER AUXILIARIES 566/1/03638/001	Pipe, flexible, at rear intermediate engine bulkhead (Mod. 1844)	1	—	B	NB2/160
	DUNLOP AHO/71787/14	Pipe, flexible, from multi-way block to inner air bottles (Mod. 1844)	2	—	MR	NB2/161
	DUNLOP AHO/71786/24	Pipe, flexible, from multi-way block to outer air bottles (Mod. 1844)	2	—	MR	NB2/162
	DUNLOP AHO/71786/48	Pipe, flexible, from multi-way block to auxiliary air bottle (Mod. 1844)	1	—	MR	NB2/163
	103Q3664	Plate, locking, for charging valve	1	S94		NB2/164
	107Q3664	PLATE, COVER, ABOVE ON/OFF VALVE AT RIB 113.3", PORT AND STARBOARD, GROUP	1	—		
	108Q3664	PLATE, COVER, ABOVE ON/OFF VALVE AT RIB 162.5", OUTBOARD BAY, PORT, GROUP	1	—		
	109Q3664	PLATE, COVER, ABOVE ON/OFF VALVE AT RIB 63.5", INBOARD BAY, STARBOARD, GROUP	1	—		
	32Q3664	PLATE, SEALING, AT COVER PLATES	2	S621		

POWER INSTALLATION
ENGINE

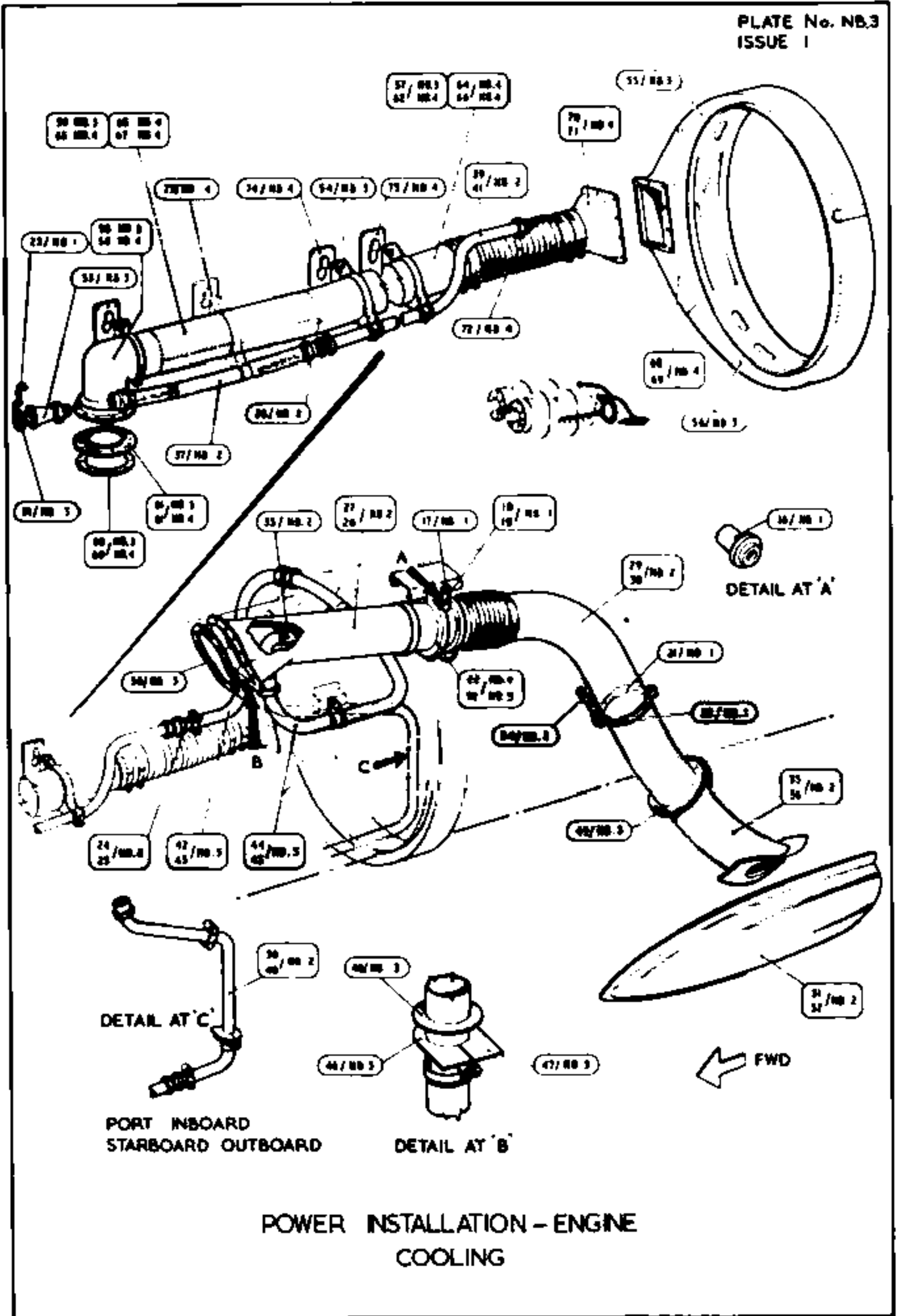
Ref. No.	Part No.	Description	No off	Matl. Spec.	Cl. of St.	Plate and Illustr'n No.
					M.R.	
		1 2 3 4				
		SYSTEM, ENGINE RAPID START (1 & 2Q3864) (Mod. 1320) (Cont'd)				
	43Q3864	POINT, STOWAGE, FOR FLEXIBLE PIPES, GROUP	1	—		NB2/165
	33Q3864	Seal, asbestos, at sealing plate	2	DTD378A	MR	NB2/166
	110Q3864	Shield, heat. for ON/OFF valve	2	—	MR	NB2/167
		STRUCTURE, MOUNTING FOR AIR BOTTLES, PORT AND STARBOARD (1 & 2Z10493)	—	—		
	7Z10493	Spares for:— CONTAINER, AIR BOTTLE, GROUP	6	—		NB2/168
12259	BZ10493	Spares for:— STOP, END, GROUP	1	—	C	NB2/169
	24Z10493	STRAP, SUPPORT, GROUP	10	—	MR	NB2/170
		Spares for:—				
26FP/1999	3SS1944	Cross-head, R.H.	1	—	C	
26FP/2005	4SS1944	Cross-head, L.H.	1	—	C	
26FP/2001	1SS1942	End, strap	2	—	C	
	1SS1945	Screw, adjusting	1	—		NB2/170A
12251	26SS3553	Union, at flexible metal pipe	2	—	C	NB2/171
28Y/15486	AGS2096/B	Valve, charging	1	—	B	NB2/172
2995-99-4468721	M4818	Valve ON/OFF, electrically operated	2	—	A	NB2/173
	HYMATIC					
27VB/6042	RAV205/005	Valve, system relief (Pre-Mod. 1936)	1	—	A	NB2/174
27VB/6241	RAV205/012	Valve, system relief (Mod. 1936)	1	—	A	
	M.L. AVIATION					
12258	MLS904/A	Washer, sealing, ridged at ON/OFF valve unions	2	—	C	NB2/175
	1SS5432	Washer, special, at charging valve	1	—	MR	NB2/176
	2SS5432	Washer, special, at banyo bolt	2	—	MR	NB2/177
	1SS3413	Washer, special, at pressure gauge	1	—	MR	NB2/178
	19.O.3987	TUBE, OUTLET, OUTBOARD BAY, PORT, GROUP (Pre-Mod. 2053)	1	—	MR	NB1/179
17383	23.O.3987	TUBE, OUTLET OUTBOARD BAY, PORT, GROUP (Mod. 2053)	1	—	C	
	26.O.3987	TUBE, OUTLET INBOARD BAYS, PORT AND STARBOARD, GROUP (Pre-Mod. 2053)	2	—	MR	NB1/180

VULCAN No. 1

POWER INSTALLATION
ENGINE

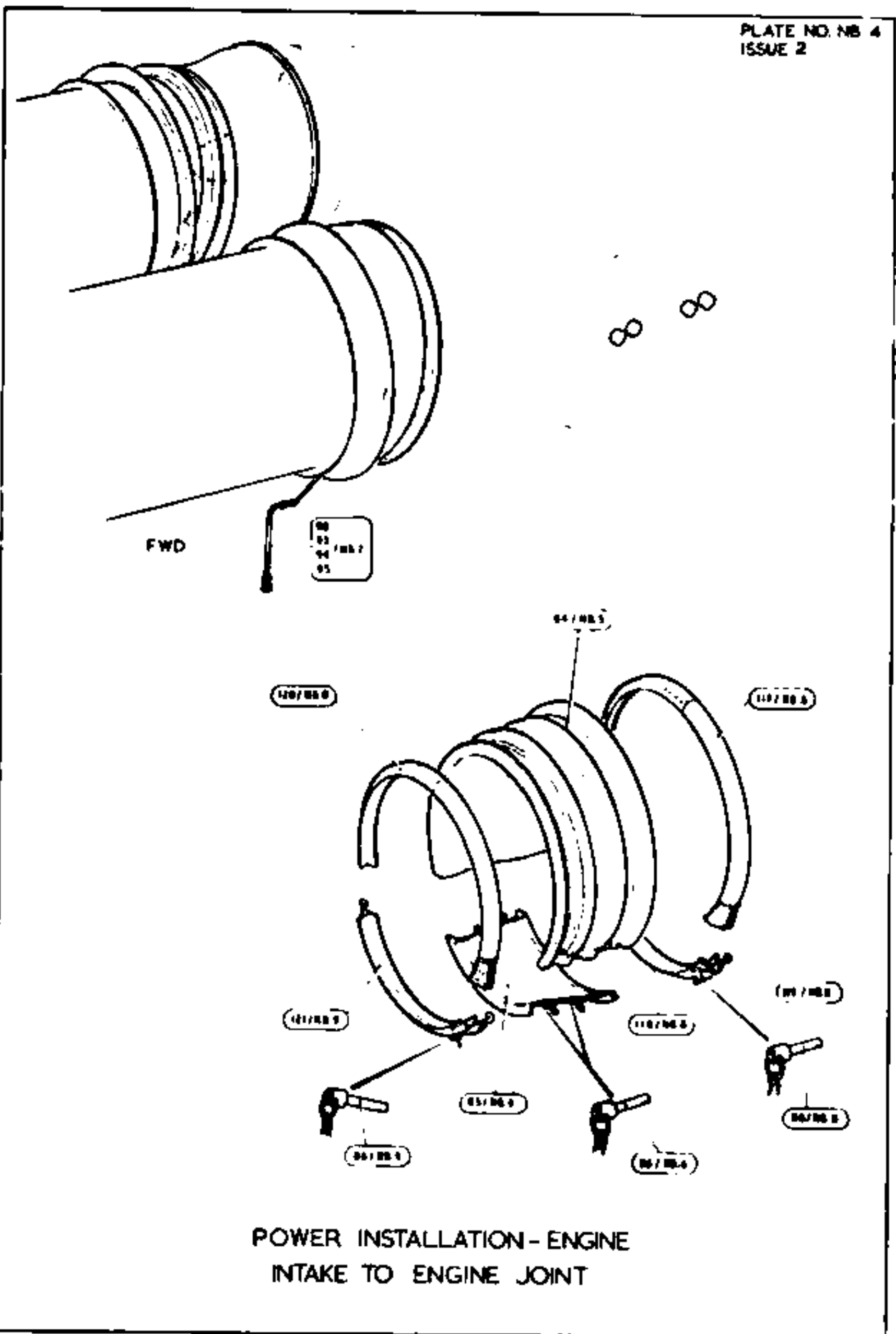
Page NB. 13

Ref. No.	Part No.	Description	No. off	Matl. Spec.	Cl. of	Plate and Illustr'n No.
					St. M.R.	
		1 2 3 4				
17384	24.O 3887	TUBE, OUTLET, INBOARD BAY, PORT, GROUP (Mod 2053)	1	-	C	
17386	26.O 3887	TUBE, OUTLET, INBOARD BAY, STARBOARD, GROUP (Mod 2053)	1	-	C	
	21.O 3887	TUBE, OUTLET, OUTBOARD BAY, STARBOARD, GROUP (Pre Mod 2053)	1	-	C	NB1/181
17382	22.O 3887	TUBE, OUTLET, OUTBOARD BAY, STARBOARD, GROUP (Mod 2053)	1	-	C	
	-	UNIT, ADJUSTING, FORWARD JET PIPE ROLLER (1 O 4147) (Mod 1033)	-	-		
	16O3864	Spares for:- BRACKET, SHIM STOWAGE	1	-		NB1/182
	3 O.4147	GUIDE, GROUP	1	-	MR	NB1/183
	5.O.4147	Packing, 18G x 3" x 3 7/8"	1	S521	MR	NB1/184
12536	6.O 4147	Packing, 14G x 3" x 3 7/8"	1	S521	C	NB1/186
	7.O 4147	Packing, 10G x 3" x 3 7/8"	1	S521	MR	NB1/186
	4.O 4147	Slide portion	1	S521	MR	NB1/187
	ENG ELECT					
37L/4521707	AE8004	Unit, sundstrand	1	-	A	NB1/188
37F/4382748	M8801	Valve, non-return	1	-	A	NB1/189
37F/4382747	M4005	Valve, pressure reducing	1	-	A	NB1/190
37F/4382748	M5621	Valve, control, low pressure (Mod. 179D)	1	-	A	NB1/191



RESTRICTED

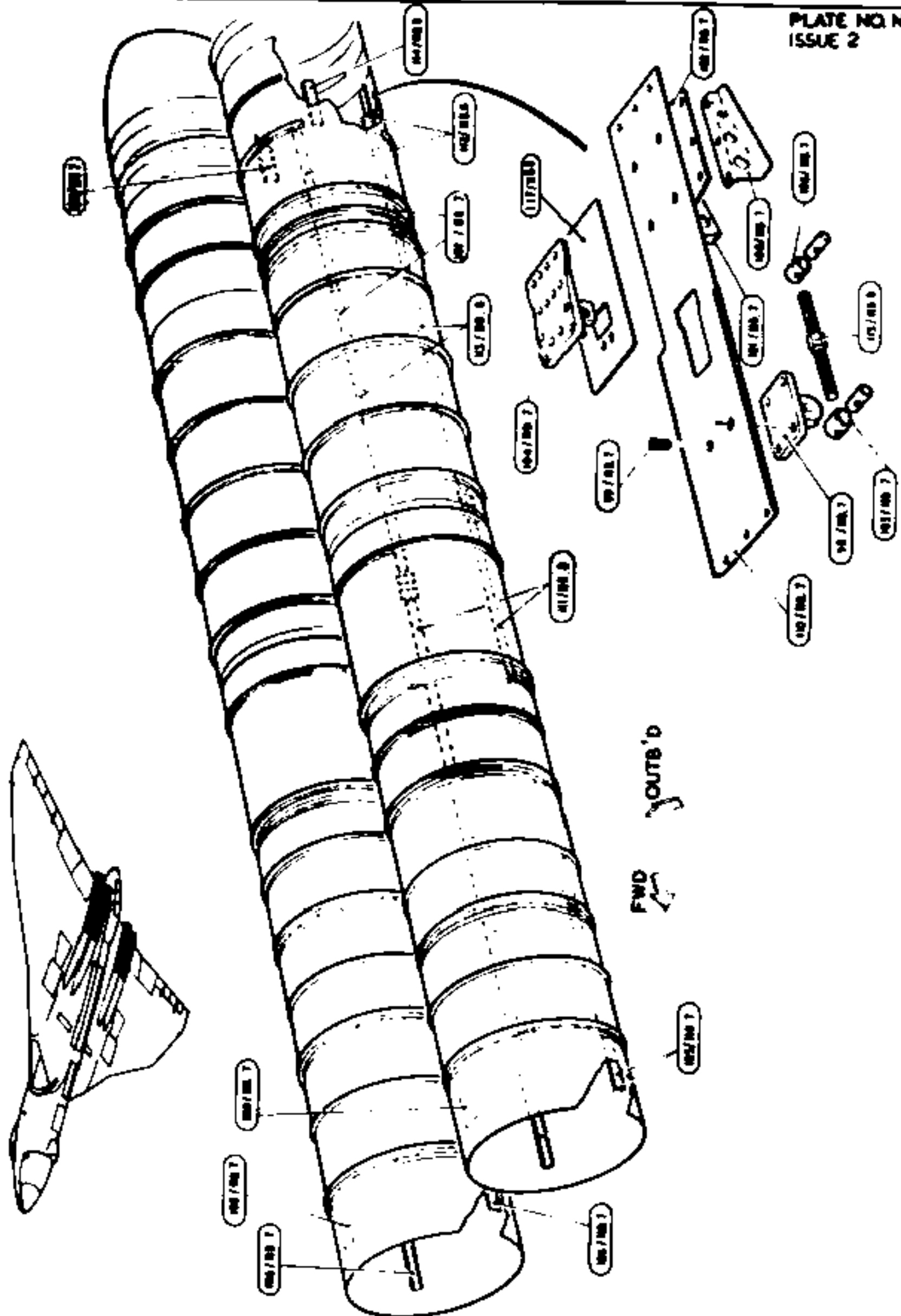
PLATE NO. NB 4
ISSUE 2



RESTRICTED

RESTRICTED

PLATE NO. NB.5
ISSUE 2

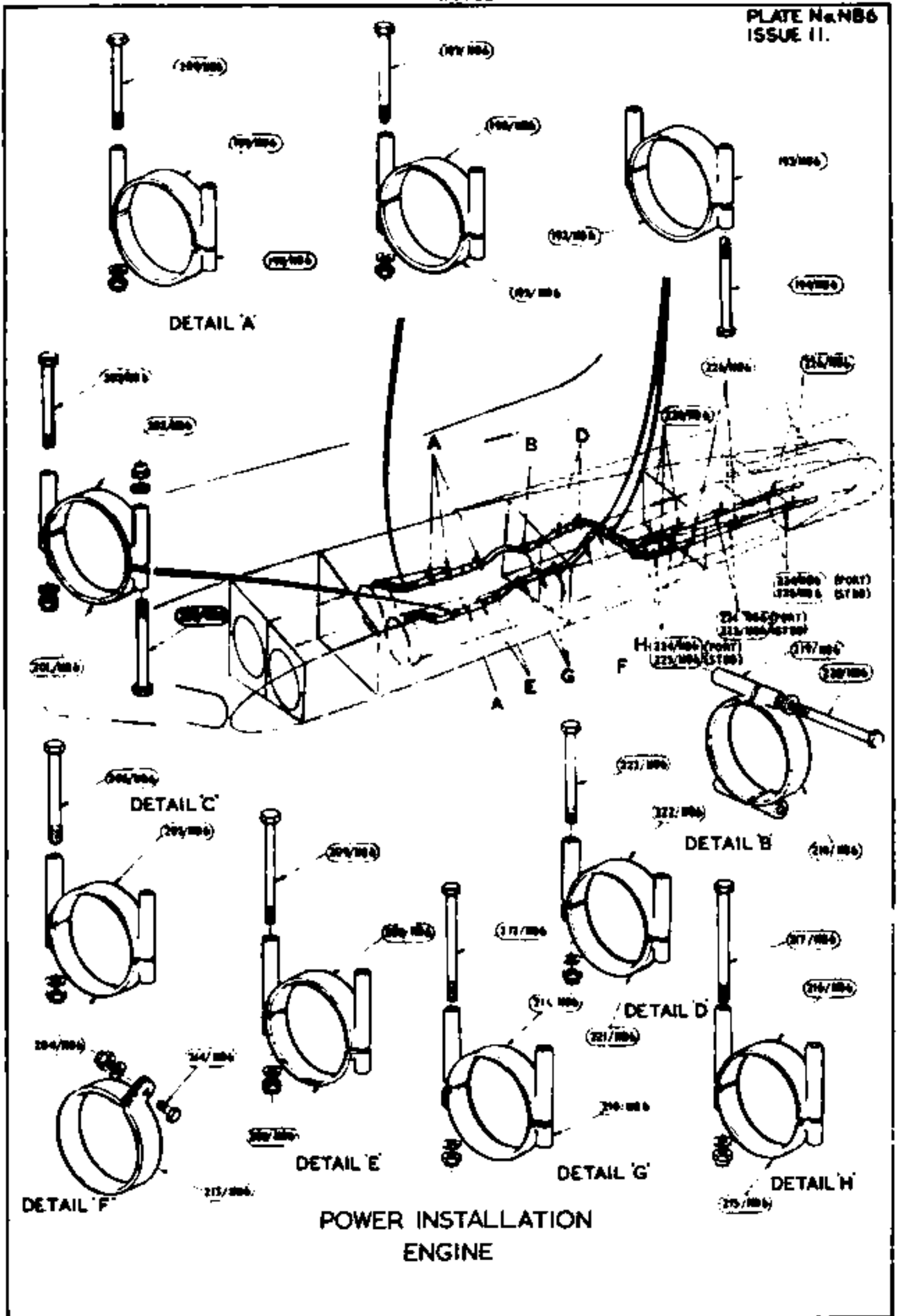


POWER INSTALLATION-ENGINE
JET PIPE GUIDE RAIL

RESTRICTED

RESTRICTED

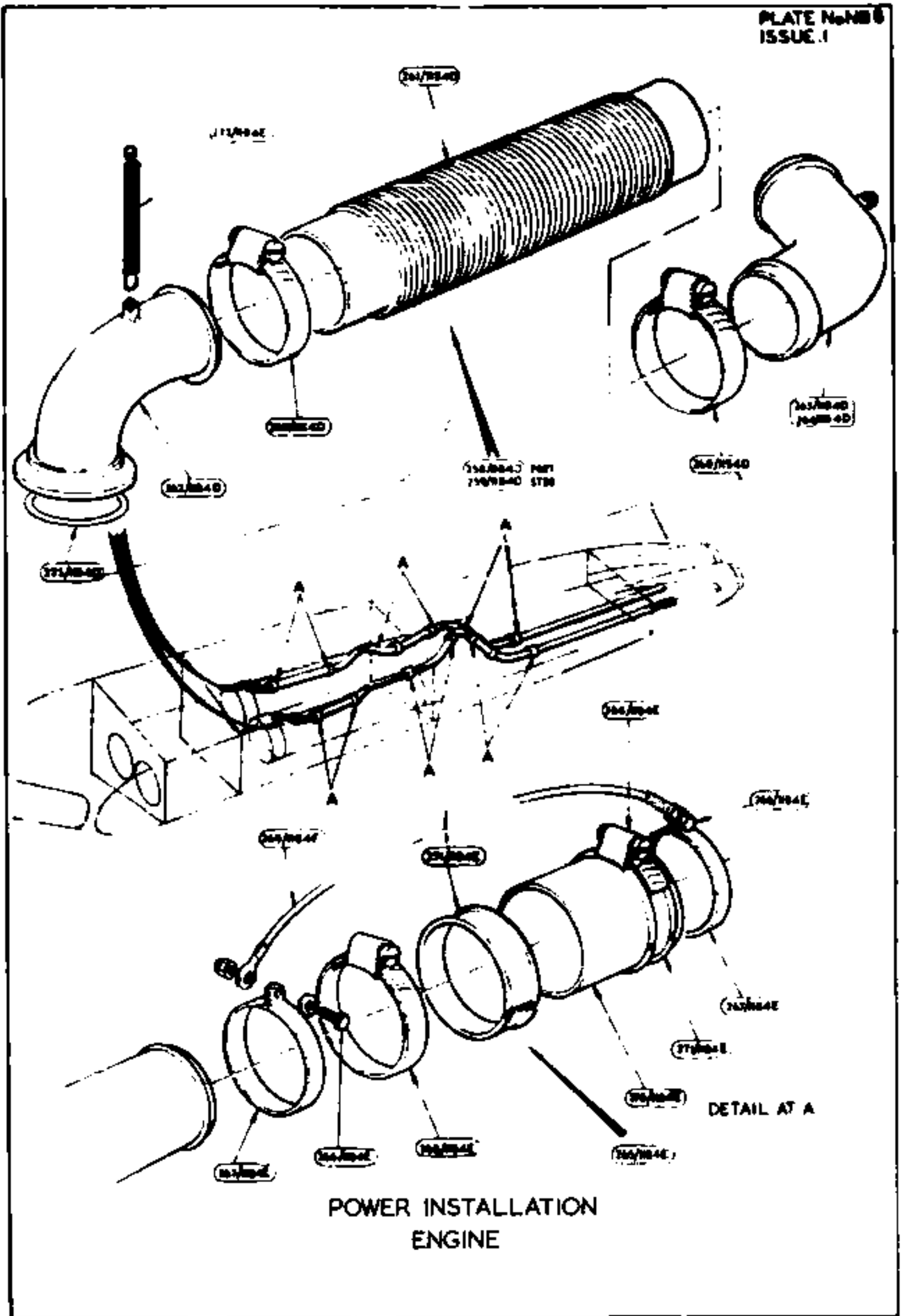
PLATE No. NB6
ISSUE II.



RESTRICTED

RESTRICTED

PLATE No. 8
ISSUE 1



RESTRICTED

VULCAN No. 3

POWER INSTALLATION
ENGINE MOUNTING AND HOISTING

Page NC. 1

Ref. No.	Part No.	Description	No. off	Matl. Spec	Cl. of St.		Plate and Illust'n No.
					MR	C	
		1 2 3 4					
		ENGINE MOUNTING AND ENGINE HOISTING ASSEMBLIES Spares for:— HOISTING, OLYMPUS ENGINE, REAR, INBOARD AND OUTBOARD, PORT AND STARBOARD (1, 2, 3 & 4F10447) Spares for:—					
20918	7F10447	Bracket, attachment	4	—		C	
20919	8F10447	Bracket, attachment	4	—		C	
20914	9F10447	Bracket, attachment	4	—		C	
20915	10F10447	Bracket, attachment	4	—		C	
	33F8781	LINK, LIFTING, INBOARD INNER, GROUP	1	—		MR	NC1/1
	34F8781	LINK, LIFTING, INBOARD OUTER, GROUP	1	—		MR	NC1/2
	35F8781	LINK, LIFTING, OUTBOARD INNER, GROUP	1	—		MR	NC1/3
	38F8781	LINK, LIFTING, OUTBOARD OUTER, GROUP	1	—		MR	NC1/4
		Spares for:—					
1227	6F8781	Block, pivot	1	S21		C	NC1/5
28N/9513425	AGS889/12	Collar, for pins	3	—		C	
	22F8781	Pin, solid	1	S28		MR	NC1/6
	SP42/M17	Pin, attaching block to tube	1	—		C	NC1/8A
28P/1357902	SP42/M20	Pin, attachment block to structure	1	—		C	
28P/9528015	SP90G8	Pin, split	3	—		C	
	12F8781	Spring	1	—		MR	NC1/7
20917	8F10447	Member, channel	2	—		C	
20916	5F10447	TUBE, SHROUD, INBOARD INNER, GROUP	1	—		C	NC1/8
1222	15F8781	TUBE, SHROUD, INBOARD OUTER, GROUP	1	—		C	NC1/9
	16F8781	TUBE, SHROUD, OUTBOARD INNER, GROUP	1	—		MR	NC1/10
	17F8781	TUBE, SHROUD, OUTBOARD OUTER, GROUP	1	—			NC1/11
		HOISTING AND SUSPENSION, OLYMPUS ENGINE, FORWARD INBOARD AND OUTBOARD, PORT AND STARBOARD (1, 2, 3 & 4F11534) (Mod. 905) Spares for:—					
	28F11534	Bar, support, for mini hoist	1	S94			NC1/12

POWER INSTALLATION
ENGINE MOUNTING AND HOISTING

Ref. No.	Part No.	Description	No. off	Matl. Spec.	Cl of St.	Plate and Illust'n No
					M.R.	
		1 2 3 4				
		HOISTING AND SUSPENSION OLYMPUS ENGINE (1, 2, 3 & 4F11534) (Mod. 905) (Com'd.)				
12478	82F11534	BAR, SUSPENSION, OUTBOARD, PORT AND STARBOARD, GROUP	1	—	B	NC1/13
12481	83F11534	BAR, SUSPENSION, INBOARD, PORT AND STARBOARD, GROUP Spares for:—	1	—	B	NC1/14
	ROSE BROS. RSS8 W. & S. RDS4-20	Bearing	1	—		NC1/15
		Ring, retaining	1	—		NC1/18
	84F11534	Bolt, special, suspension bar, top	1	S94	MR	NC1/17
	112F11534	Bolt, special, suspension bar, bottom	1	—	MR	NC1/18
	5F11534	BRACKET, HOISTING, GROUP Consisting of:—	1	—		NC1/19
	A58/35N	Bolt, top	1	—		
12476	5F10570	Bolt, special, bottom	1	S96		
	6F11534	Bracket, hoisting, top	—	DT0683		
7828	13F10570	BRACKET, HOISTING, BOTTOM, C/W GUARD, GROUP Spares for:—	1	—	C	NC1/20
	101F10570	Guard	1	S510		
28M/4086833	AGS2002/J1	Nut	1	—	C	
28M/4086832	A27/NC	Nut	1	—	C	
28P/9429652	SP9/E10	Pin, split	1	—	C	
28Q/9144158	AS2227/407	Rivet	2	—	C	
28Q/1012158	AS2230/407	Rivet	2	—	C	
28W/8418488	SP13/J	Washer	1	—	C	
	42F10570	Washer, special	1	—		
20878	103F10570	Bracket, for pin assy. (113F10570) inboard port, inboard	1	L72	MR/C	
20879	104F10570	Bracket, for pin assy. (113F10570) inboard starboard, inboard	1	L72	MR/C	
20880	105F10570	Bracket, for pin assy. (113F10570) inboard port, outboard	1	L72	MR/C	
20881	106F10570	Bracket, for pin assy. (113F10570) inboard starboard, outboard	1	L72	MR/C	
	107F10570	Bracket, for pin assy. (113F10570) outboard port, inboard	1	L72		
	108F10570	Bracket, for pin assy. (113F10570) outboard starboard, inboard	1	L72		
20885	109F10570	Bracket, for pin assy. (113F10570) outboard port, outboard	1	L72	MR/C	
20886	110F10570	Bracket, for pin assy. (113F10570) outboard starboard, outboard	1	L72	MR/C	

VULCAN No. 1

POWER INSTALLATION
ENGINE MOUNTING AND HOISTING

Page NC. 3

Ref. No.	Part No.	Description	No. off	Matl. Spec.	Cl. of	Place and Illust'n No.
					St. M.R.	
		1 2 3 4				
		HOISTING AND SUSPENSION OLYMPUS ENGINE, 1, 2, 3 & 4 (11534) (Mod 905) (Cont'd)				
	132F10570	Bracket, stop, for pin (116F10570) outboard, port	1	L65	MR	
	133F10570	Bracket, stop, for pin (116F10570) outboard, starboard	1	L65	MR	
	136F10570	Bracket, stop, for pin (116F10570) inboard, port and starboard	1	L65	MR	NC1/21
20884	134F10570	Bracket, retaining, at pin (116F10570) outboard, port and starboard	1	L65	MR/C	NC1/22
	138F10570	Bracket, retaining for pin (116F10570) inboard, port and starboard	1	L65	MR	NC1/23
	88F11534	PIN, QUICK RELEASE, FOR PULLEY, GROUP	1	-	MR	NC1/24
		Spares for:-				
28FP/4082727	A1027	Pin, pin 5/8" dia.	1	-	C	
	113F10570	PIN, QUICK RELEASE, FOR PIN (116F10570) LOCKING, GROUP	1	-	MR	NC1/25
		Spares for:-				
28FP/8485282	A405	Pin, pin 1/4" dia.	1	-	C	
8721	116F10570	PIN, SPECIAL, FOR PULLEY, GROUP	1	-	C	NC1/26
	118F10570	Plate, securing, at brackets (134 & 138F10570)	1	L72		NC1/27
	88F10570	PULLEY, FOR CABLE, GROUP	1	-	MR	NC1/28
		Consisting of:-				
	R & M MMRJN/1	Bearing	1	-		
	10F10570	Pulley	1	S1		
	25F10570	Tube, spacing	1	S1		
	26 O.3793	MOUNTING, ENGINE TRUNNION, RIB 113.3" OUTBOARD, PORT, GROUP	1	-	MR	NC1/29
	26 O.3793	MOUNTING, ENGINE TRUNNION, RIB 113.3" OUTBOARD, STARBOARD, GROUP	1	-		NC1/30
	27 O.3793	MOUNTING, ENGINE TRUNNION, RIB 113.3" INBOARD, PORT, GROUP	1	-	MR	NC1/31
	28 O.3793	MOUNTING, ENGINE TRUNNION, RIB 113.3" INBOARD, STARBOARD, GROUP	1	-	MR	NC1/32
		Spares for:-				
8537	14 O.3793	Bearing, spherical	1	BSS368	C	NC1/33
	25S5229	Bolt, for brackets (8, 10, 11, 12 O.3793) (Make from A59/2E)	2	-		
	35S5229	Bolt, for brackets (8, 10, 11, 12 O.3793) (Make from A59/3E)	5	-		

POWER INSTALLATION
ENGINE MOUNTING AND HOISTING

Ref. No.	Part No.	Description	No. off	Matl. Spec.	Cl. of	Plate and Illust'n No.
					St.	
		1 2 3 4			M.R.	
		MDUNTING, ENGINE TRUNNION, RIB 113.3" I/B AND O/B PORT AND STARBOARD (25, 26, 27 & 28.O.3793) (Cont'd)				
	3ESS4187	Bolt, for housing guide	2	-	MR	
	42.O.3793	Bolt, special, for bearing housing (Mod. 1320)	1	S96	MR	NC1/34
	9.O.3793	Bracket, bottom forward, port outboard, starboard inboard	1	S96	MR	NC1/35
	10.O.3793	Bracket, bottom forward, port inboard, starboard outboard	1	S96	MR	NC1/36
	11.O.3793	Bracket, top forward, port outboard, starboard inboard	1	S96	MR	NC1/37
	12.O.3793	Bracket, top forward, port inboard, starboard outboard	1	S96	MR	NC1/38
8546	16.O.3793	CAP. END, GROUP	1		C	NC1/39
		Attachments End cap (16.O.3793)	1	-	C	
28DU/941445 28W/9410613	A102/3J SP108/J	Bolt, 3/8" UNF	1	-	C	
		Washer, tab	1	-	C	
8540	15.O.3793	Collar, at quick release pin	1	S1	C	NC1/40
	13.O.3793	Guide, housing for bearing	1	S96	MR	NC1/41
8539	7.O.3793	Housing, bearing	1	S96	C	NC1/42
	43.O.3502	Nut, special, for bolt (42.O.3793)	1	S95	MR	NC1/43
	29.O.3793	Panel, skin, fireproof	1	AVR50	MR	
	AVIATION DEVELOPMENT					
8547	A5134/844	Pin quick release	1	-	C	NC1/44
	46.O.3502	Pin, clip for bolt (42.O.3793)	1	-	MR	NC1/45
	38.O.3793	Plate, guide	2	S510	MR	NC1/46
13283	8.O.3793	Stop	1	S1	C	NC1/47
8543	17.O.3793	Washer, at end cap, 1.8" o/d x 0.03" thick	4	S510	C	NC1/48
8544	18.O.3793	Washer, at end cap, 1.8" o/d x 0.06" thick	2	S510	C	NC1/49
8545	19.O.3793	Washer, special, at end cap, 2" o/d x 0.3" thick	1	S1	C	NC1/50
8541	20.O.3793	Washer, special, for bolt (42.O.3793)	1	S1	C	NC1/51
	7.O.3794	MDUNTING, ENGINE TRUNNION, RIB 162.5", PORT, GROUP	1		MR	NC1/52
	6.O.3794	MOUNTING, ENGINE TRUNNION, RIB 162.5", STARBOARD, GROUP	1			NC1/53
		Sparas for:				
8537	14.O.3793	Bearing, spherical	1	BSS389	C	NC1/33
	2SS4863	Bolt, mounting members to top and bottom rib booms	4	S94		
	2SS5229	Bolt, for brackets (9, 10, 11, 12.O.3793) (Make from A50/2E)				
	3SS5229	Bolt, for brackets (9, 10, 11, 12.O.3793) (Make from A50/3E)				

POWER INSTALLATION
ENGINE MOUNTING AND HOISTING

Ref. No.	Part No.	Description	No. off	Matl. Spec.	Cl. of	Place and Illust'n No.
					St. M.R.	
		1 2 3 4				
		MOUNTING ENGINE TRUNNION, RIB 142-5, PORT AND STARBOARD GROUP (4, 7.O.3794) (Cont'd)				
		Spares for:—				
	3ESS4167	Bolt, for housing guide	2	—	MR	
	42.O.3793	Bolt, special for bearing housing (Mod. 1320)	1	S96	MR	NC1/34
	9.O.3793	Bracket, bottom, port	1	S96	MR	NC1/35
	10.O.3793	Bracket, bottom, starboard	1	S96	MR	NC1/36
	11.O.3793	Bracket, top, starboard	1	S96	MR	NC1/37
	12.O.3793	Bracket, top, port	1	S96	MR	NC1/38
8540	15.O.3793	Collar, at quick release pin	1	S1	C	NC1/40
	10.O.3987	Guide, housing, for bearing (Mod. 906)	1	S96	MR	NC1/54
8539	7.O.3793	Housing, bearing	1	S96	C	NC1/42
	43.O.3502	Nut, special for bolt (42.O.3793)	1	S95	MR	NC1/43
	9.O.3794	Panel, skin, fireproof	1	AVR50	MR	
	AVIATION DEVELOPMENT					
8547	A5134-644	Pin, quick release	1	—	C	NC1/44
	45.O.3502	Pin, clip, for bolt (42.O.3973)	1	—	MR	NC1/45
	36.O.3793	Plate, guide	2	S510	MR	NC1/46
	11.O.3987	Shim, at housing guide	6	S510		NC1/55
13283	8.O.3793	Stop	1	S96	C	NC1/47
8541	20.O.3793	Washer, special, for bolt (42.O.3793)	1	S1	C	NC1/51
	13.O.3795	MOUNTING, ENGINE TRUNNION, RIB 43-5, PORT, GROUP	1	—	MR	NC1/56
	14.O.3795	MOUNTING, ENGINE TRUNNION, RIB 43-5, STARBOARD, GROUP	1	—	MR	NC1/57
		Spares for:—				
8537	14.O.3793	Bearing, spherical	1	BSS369	C	NC1/33
	2SS5229	Bolt, for brackets (3, 4, 5, 6.O.3795) (Make from A59/2E)	2	—		
	3SS5229	Bolt, for brackets (3, 4, 5, 6.O.3795)	5	—		
	42.O.3793	Bolt, special, for bearing housing (Mod. 1320)	—	S96	MR	NC1/34
	3ESS4167	Bolt, for housing guide	2	—		
	3.O.3795	Bracket, top forward, port	1	S96	MR	
	4.O.3795	Bracket, top forward, starboard	1	S96	MR	
	5.O.3795	Bracket, bottom, forward, port	1	S96	MR	
	6.O.3795	Bracket, bottom, forward, starboard	1	S96	MR	
	9.O.3795	Bracket, top, rear, port	1	S96	MR	
	10.O.3795	Bracket, top, rear, starboard	1	S96	MR	
	11.O.3795	Bracket, bottom, rear, port	1	S96	MR	
	12.O.3795	Bracket, bottom, rear, starboard	1	S96	MR	

POWER INSTALLATION
ENGINE MOUNTING AND HOISTING

Ref. No.	Part No.	Description	No. off	Matl. Spec.	Cl. of	Plate and ilust'n No.
					St. M.R.	
		1 2 3 4				
MOUNTING, ENGINE TRUNNION, RIB						
43-5' PORT AND STARBOARD, GROUP						
(13, 14.O.3795) (Cont'd)						
8540	15.O.3793	Collar, at quick release pin	1	S1	C	NC1/40
	10.O.3987	Guide, housing (Mod. 906)	1	S96	MR	NC1/54
8539	7.O.3793	Housing, bearing	1	S96	C	NC1/42
	8.O.3795	Member, diffusion, rear	1	SS14	MR	NC1/58
	15.O.3795	Member, stiffening	1	L72	MR	NC1/59
	43.O.3502	Nut, special for bolt (42.O.3793)	1	S95	MR	NC1/43
	19.O.3795	Panel, skin, fireproof	1	AVR50	MR	
	45.O.3502	Pin, clip, for bolt (42.O.3793)	1	—	MR	NC1/45
	AVIATION DEVELOPMENT					
8457	AS134/644	Pin, quick release	1	—	C	NC1/44
	36.O.3793	Plate, guide	2	SS10		NC1/46
	11.O.3987	Shim, at housing guide		SS10		NC1/53
13283	8.O.3793	Stop	1	—	C	NC1/47
8542	16.O.3795	Washer, special for bolt (42.O.3793)	1	—	C	NC1/40

VULCAN P/B. 2

POWER INSTALLATION
ENGINE MOUNTING AND HOISTING
SUMMARY OF STANDARD ITEMS

Page NC. 7

Stores Ref.		No. off	Stores Ref.		No. off	Stores Ref.		No. off
Section	Ref. No.		Section	Ref. No.		Section	Ref. No.	
28E	8188	8	28Q	14488	4			
28E	1007984	2	28Q	1011964	28			
28E	9129092	1	28Q	1012159	2			
28E	9429463	1	28Q	9144158	2			
28F	17675	1	28S	9129439	3			
28F	1013402	4						
28F	9128928	4	28U	13988	1			
28FP	9486292	1	28U	13981	1			
28FP	4062727	1	28U	14132	1			
28FP	9713920	2						
28M	10288	16	28W	1009699	3			
28M	12931	4	28W	9128188	8			
28M	14016	1	28W	9416613	1			
28M	9414138	6	28W	9419402	16			
			28W	9419468	1			
28N	6559	3	28Y	15488	1			
28N	10332	1						
28P	6542	1						
28P	12484	1						
28P	9429652	1						
28P								

VULCAN No. 2						
RADIO AND RADAR INSTALLATION						
CENTRE SECTION FUSELAGE						
Page PA. 1						
Ref. No	Part No.	Description	No. off	Matl Spec.	Cl. of St	Plate and Illust'n No
					M.R	
1 2 3 4						
		RADIO AND RADAR INSTALLATION, CENTRE SECTION (3T4292)				
		Spares for:—				
10B/16705	—	Aerial, marker, type 237	1	—	A	PA2/1
10B/16446	—	Aerial, loop, type 1324A	1	—	A	PA2/2
10B/18265	—	Aerial, I.F.F.	2	—	A	PA2/3
10B/19122	—	Aerial, V.H.F.	1	—	B	PA2/4
10B/0326363	—	Aerial, U.H.F.	2	—	A	PA1/5
	CHELTON ENG. F.402.L5.54	Aerial, towel rail sensing	1	—		PA1/6
10B/19435	—	Aerial, type 4169	1	—	A	PA1/7
10U/16924	—	Amplifier, sense, type 1628	1	—	A	PA1/8
5B41-98- 954-2618	—	Amplifier, computer Radio Altimeter 7B	1	—	A	PA1/9
10AD/9326361	—	Box, Junction, type AN/ARC/52	1	—	B	PA1/10
10112	1T4883	BOX, JUNCTION OPTICAL LINK, GROUP	1	—	B	PA2/11
		Spares for:—				
	2T4883	Box	1	—		
	5T4883	BOARD, IDENTED, GROUP Consisting of:—	1	—		PA2/12
	BULGIN LTD C125	Board, 10 way	1	—		
	8T4883	BOARD, IDENTED, GROUP Consisting of:—	1	—		PA2/13
	BULGIN LTD. C120	Board, 5 way	1	—		PA2/14
10H/0970055	—	Cap, protective	1	—	C	PA2/15
10H/0560160	—	Plug, panel, 12 pin, Mk 4	1	—	C	PA2/16
10H/0560581	—	Plug, panel, 6 pin, Mk. 4	1	—	C	PA2/17
10H/0560682	—	Plug, panel, 8 pin, Mk. 4	1	—	C	PA2/18
10H/0680280	—	Socket, panel, 6 pin, Mk. 4	1	—	C	PA2/19
10H/0680270	—	Socket, panel, 18 pin, Mk. 4	1	—	C	PA2/20
8D/2	—	Calculator, type 1, Mk. 1	1	—	A	PA1/21
10D/20968	—	Calculator, type 5A	1	—	A	PA1/22
		CRATE, NOSEWHEEL BAY (T4455)				PA1/23
		Spares for:—				
10AJ/216	66T3673	Chain, chandelier, 3/8" pitch	3	—		
	—	Mounting, type 1033/2	1	—	C	PA1/24

RADIO AND RADAR INSTALLATION

CENTRE SECTION FUSELAGE

Ref. No.	Part No.	Description	No. off	Matl. Spec.	Cl. of St.		Plate and Illust'n No.
					M.R.		
		CRATE, NOSEWHEEL BAY (T4455) (Cont'd.)					
5821-98							
942-8544	---	Mounting, type 1477	2	---	A		PA1/25
10AJ/251	---	Mounting, type 9274	1	---	A		PA1/27
10AJ/258	---	Mounting, type 7545	1	---	A		PA1/28
	T6432	MOUNTING, JUNCTION BOX, GROUP . . . (Mod. 2007) Spares for:—	1	---			PA1/29
10AD/832836	---	Box, junction, AN/ARC 52	1	---	B		PA1/30
	2T6432	Plate, mounting	1	---			
	T6353	MOUNTING, A.V. FOR AMPLIFIER, . . . TYPE 18089, GROUP Spares for:—					PA1/31
10D/22437	---	Box, Junction, type 18507	1	---	B		PA1/32
17752	89T4852	Channel, mounting	2	---	C		PA1/33
10AJ/157	---	Mounting, AV, type 986	1	---	B		PA1/34
10AJ/158	---	Mounting, AV, type 967	2	---	B		PA1/35
10AJ/160	---	Mounting, AV	1	---	B		PA1/36
	SS5456	Strip, bonding	4	---			
10AJ/698	---	Tray, mounting, type 18097 (Mod. 2057) .	1	---	C		PA1/37
10AR/3025	---	Plate, back	1	---	A		PA1/38
28FP/1243707	A405	Pin, quick release	6	---	C		
	TERRY						
29H/4280	No.158	Ring, split, 1/2" dia	6	---	C		
	37T4456	PLATE, TERMINAL BLOCK, GROUP . . . Spares for:—					PA1/39
5CZ/1053794	---	Block, terminal	1	---	C		PA1/40
5X/8200370	1V5650	Block, terminal	1	---	C		PA1/41
5X/4491775	1V7871	Block, terminal	1	---	C		PA1/42
	1054T3423	Label, TB, No. 1054	1	---			
	1060T3423	Label, TB, No. 1060	1	---			
5X/4491488	15V5850	Socket	5	---	C		
5X/4491778	5V7871	Socket	3	---	C		
	1T4853	SHELF, MOUNTING, H2S, EQUIPMENT, . . . GROUP Spares for:—					PA1/43
	4T3716	Bracket	2	L72			
13415	34T3722	Fairlead	2	---	C		
13414	35T3722	FAIRLEAD	2	---	C		
	1T7775	SHELF, MOUNTING, I.F.F. RECEIVER . . . AERIAL SWITCH AND CODER UNIT, GROUP (Mod. 2155) Spares for:—	1	---			PA1/44
	5T7775	BRACKET, SWITCH, GROUP	1	---			

VULCAN No. 2

RADIO AND RADAR INSTALLATION
CENTRE SECTION FUSELAGE

Page PA. 3

Ref. No.	Part No	Description	No off	Matl Spec.	Cl. of St.		Plate and Illust'n No.
					M.R.		
		<u>1 2 3 4</u>					
		CRATE, NOSEWHEEL BAY (T4458) (Cont'd)					
	1T3731	TRAY, MOUNTING H2S EQUIPMENT GROUP	1	—	—		PA1/45
	9T3731	Spares for:— Angle	4	L40	C		
10AJ/1201982	10T3731	Eyebolt, 1/4" BSF	2	S94			
10AJ/9433717	—	Mounting, AV	2	—	B		PA1/46
	—	Mounting, AV	2	—	B		PA1/47
	16T3731	Plate, attachment	4	—			
5820—99— 107—5637 7092	—	TRAY, MOUNTING I.F.F. RECEIVER, TYPE 16946 (Mod. 2155)	1	—	—		PA1/48
	10T3677	TRAY, MOUNTING, N.B.C. POWER UNIT, GROUP (Mod. 477)	1	—	B		
22743	5T3685	Spares for:— MOUNTING, GROUP	4	—	B		PA1/53
	8T3685	Spares for:— BOLT, GROUP	1	—			
	9T3685	Consisting of:— Bolt	1	S96	C		
2892	AGS2001/E1/66	Nut, 1/4" BSF	1	—	C		
28M/9480017	AGS2001/J1	Nut, 3/8" BSF	1	—	C		
28M/4095808	11T3685	Sleeve, insulating	1	BSS972	C		
2894	10T3686	Washer, insulation	2	BSS972	C		
2893	12T3685	Washer	1	S3	C		
2895	13T3685	Washer	1	S3	C		
2896	—	Mounting, AV	1	—	C		PA1/54
10AJ/149							

RADIO AND RADAR INSTALLATION
CENTRE SECTION FUSELAGE

Ref. No.	Part No.	Description	No off	Mati. Spec.	Cl of St.	Plate and Illust'n No.
					M.R.	
		1 2 3 4				
		CRATE, NOSEWHEEL BAY (T4455) (Cont'd)				
10274	11T3678	TRAY, MOUNTING, N.B.C. CALCULATOR, GROUP			A	PA1/55
22743	5T3685	Spares for:— MOUNTING, GROUP	4	—		
10A/17930	—	(See—Previous breakdown) Washer, check	20	—	C	
		E.C.M. INSTALLATION, AFT, STARBOARD (1 & 11D10990)				PA2/58
		Spares for:—				
10B/18914	—	Aerial	1	—		PA2/57
11734	38F11062	Pin, hinge, 7"	1	—		
10347	1D11924	Plate, counterpoise, aft, for "S" band aerial	1	—	A	PA2/58
13170	100D12235	Plate, counterpoise, aft, for "L" band aerial (Mod 1889)	1	—	A	PA2/58
13189	1D10991	Splitter, aft, for "S" band aerial	1	—		PA2/60
10VB/6250	100D10991	Splitter, aft, for "L" band aerial (Mod. 1889)	1	—	A	PA2/61
5CW/5195356	—	Generator, Waveform, type 68	1	—	A	PA1/62
		Guard, locking	1	—	C	PA1/63
		E.C.M. INSTALLATION, PORT (For breakdown see Equipment Special Operations, Radio and Radar)				
		INSTALLATION OF CABLES CONNECTORS, FAIRINGS, TERMINAL BLOCKS (T4288, T4320 & T5499) Spares for:—				
5935-99- 940-1981	—	Adaptor	1	—	C	
10H/9322405 5X/9402803 5X/6200370	—	Adaptor	7	—	C	
	1V5650	Block, terminal, 5 way	1	—	C	PA2/64
		Block, terminal	2	—	C	PA1/65
	17T3874	BLOCK, TERMINAL INTERCOMM., GROUP	1	—		PA1/66
		Spares for:—				
5CZ/1053794 5CZ/4350489	17aT3874	Angle	1	—		
	—	Block, terminal, 2 way	1	—	C	PA1/67
	—	Block, terminal, 5 way	1	—	C	PA1/68
	20T3874	BLOCK, TERMINAL INTERCOMM., V.H.F. AND U.H.F., GROUP	1	—		PA1/68
		Spares for:—				
5X/6200370 5X/4491487	1V5650	Block, terminal	3	—	C	PA/70
	14V5650	Socket, double tier	1	—	C	

VULCAN No. 1

RADIO AND RADAR INSTALLATION
CENTRE SECTION FUSELAGE

Page PA. 5

Ref. No.	Part No.	Description	No. off	Matl. Spec.	Cl. of	Plate and Illust'n No.
					St.	
		1 2 3 4			M.R.	
		INSTALLATION OF CABLES CONNECTORS FAIRLEADS AND TERMINAL BLOCKS (T4288, T4320 & T5488) (Cont'd)				
5CZ/1053794	—	Block, terminal	2	—	C	PA2/1
	BV9883	Bracket	1	—		
	7T3722	Bracket	1	—		
	26T4288	Bracket, mounting	2	—		
	27T4288	Bracket, mounting	2	—		
	25T4288	BRACKET, MOUNTING TEE JUNCTION, GROUP	1	—		PA1/72
		Consisting of:—				
	25aT4288	Bracket	1	—		
28E/1007418	AS2294/4	Clip, spring	1	—	C	
28E/1000677	AS2294/5	Clip, spring	1	—	C	
	25bT4288	Packing	1	—		
	14V6356	Bracket	1	—		
11059	200T3434	CABLE, (FR200) EARTHING, GROUP ...	5	—	C	
	395T3434	CABLE, (FR395), R.P.B. PLUG 508, TO .. PLUG BREAK 561 U/C BAY, GROUP	1	—	MR	
22777	407T3434	CABLE, (FR407), R.P.B. PLUG 187, TO .. PLUG BREAK 582 U/C BAY, GROUP	1	—	C	
8760	416T3434	CABLE, (FR416), TUNING UNIT 7016, .. TO MATCHING UNIT 7949, GROUP	1	—	C	
12306	459T3434	CABLE, (FR459), TB.1006 TO TB's 581 .. AND 592, GROUP	1	—	C	
	542T3434	CABLE, (FR542), TB.1006 TO EARTH, .. GROUP	1	—		
	572T3434	CABLE, (FR572), R.P.B. PLUG 171, TO .. TB.384, GROUP	1	—		
	656T3434	CABLE, (FR566), GROUP	1	—		
	688T3434	CABLE, (FR688), R.P.B. PLUG 932, TO .. JUNCTION BOX, AN/ARC 52, AND TB.1061, GROUP	1	—		
	848T3434	CABLE, (FR48), GROUP	1	—		

RADIO AND RADAR INSTALLATION
CENTRE SECTION FUSELAGE

Ref. No.	Part No.	Description	No. off	Mater. Spec.	Cl of	Plate and Illust'n No.
					Sc.	
					M.R.	
	7T3434	CABLE, (FR728), AUDIO FILTER T5008 TO EARTH, GROUP	1	—		
	727T3434	CABLE, (FR727), AUDIO FILTER T5008 TO TB.1082, GROUP	1	—		
	761T3434	CABLE, (FR761), TB.1095 TO TB.1096, .. GROUP	1	—		
	762T3434	CABLE, (FR762), TB.1098 TO TB.381, ... GROUP	1	—	MR	
	763T3434	CABLE, (FR763), TB's 1098, 1099 TO ... TB.318, GROUP	1	—	MR	
	773T3434	CABLE, (FR773), TB.1098 TO TB.1055 .. GROUP	1	—		
1433741	774T3434	CABLE, (FR774), TB.1726 TO TB.1055, .. GROUP	1	—	C	
	808T3434	CABLE, (FR808), TB.381 TO TB.1096, ... GROUP	1	—	MR	
1510407	5T7774	CABLE, A.E. TEST SWITCH TO TB.646(E), GROUP (Mod. 2156)	1	—	C	
10H/0790055	—	Cap, protective	2	—	C	
10H/0790057	—	Cap, protective	1	—	C	
	PATON AP1287	Cap, protective	3	—		
	1T3636	CONDUIT FOR RADIO AND RADAR ... CABLES, STARBOARD, GROUP	1	—		PA1/73
	14T3636	Spares for:— CLIP, GROUP	2	—		
	18SS-1852	Consisting of:— Clip	2	—		
	14aT3636	Tube, 5/16" o/d x 1.41" long	4	T35		
	9T3636	Clip	4	—		
	2T3636	Tube, conduit 18" x 32"	1	Fibreglass		
	3T3636	Tube, conduit 18" x 32"	1	Fibreglass		
	10D9207	Washer, special	8	L72		
	1T4878	CONDUIT FOR RADIO AND RADAR ... CABLES, PORT, GROUP	1	—		PA1/74
	3T4878	Spares for:— Clip, conduit	1	L72		
	9T3636	Clip, conduit	1	L72		
	5T4878	Fairlead, half	2	—		
	2T4878	Tube, conduit	1	Fibreglass		
	1T3846	DOOR, ACCESS, GROUP	1	—		
	10D/9207	Washer, special	2	—		

VULCAN No. 2

RADIO AND RADAR INSTALLATION
CENTRE SECTION FUSELAGE

Page PA.7

Ref. No.	Part No.	Description	No. off	Mater. Spec.	Cl. of	Plate and Illust'n No.			
					St. M.R.				
		1 2 3 4							
10915	7T3874 17T4320	INSTALLATION OF CABLES, CONNECTORS, FAIRLEADS AND TERMINAL BLOCKS (T4288, T4320 & T5496) (Cont'd)							
		Conduit	1	-	C	PA1/75			
	Conduit	1	L54	PA1/76					
	1T4857	37SS3863 2T4857 3T4857 4T4857	CONDUIT IN NOSEWHEEL BAY, PORT Spare for:-						
			Clip	7					
			Conduit	1	L54	PA1/77			
			Conduit	1	L54	PA1/78			
			Conduit	1	L54	PA1/79			
			1T4710	AGS1617/13 3SS3512	CONDUITS, INTERCOMM. IN BOMB BAY (1T4710) Spare for:-				PA2/80
					Clip	16	-	C	
Clip	2	-							
3T4710	Conduit, 3/4" o/d x 24G x 2' 3" long	9	L54						
4T4710	Conduit, 3/4" o/d x 24G x 12" long	1	L54						
8T4710	Conduit, 3/4" o/d x 24G x 2' 0" long	1	L54						
8T4710	Conduit, 3/4" o/d x 24G x 12" long	1	L54						
8T4710	Conduit, 3/4" o/d x 24G x 2' 4.5" long	1	L54						
11T4710	Conduit, 3/4" o/d x 24G x 2' 1.5" long	1	L54						
12T4710	Conduit, 3/4" o/d x 24G x 23" long	1	L54						
26FP/13726	3SS3268 8SS2819	CONDUITS, INTERCOMM. IN POWER COMPARTMENT (1T4711) Spare for:-				PA2/81			
		Clip	2	-					
		Clip	1	-					
		2T4711	2aT4711 2bT4711 3T4711	CONDUIT, GROUP	1	-			
				Consisting of:-					
				Conduit, 3/4" o/d x 24G x 12" long	1	L54			
	Conduit, 3/4" o/d x 24G x 20" long	1	L54						
	Conduit, 3/4" o/d x 24G x 2' 3" long	1	L54						
10HB/	16T3406	Connector, R.P.B. Plug 175, to Marker Aerial 237	1	-					

RADIO AND RADAR INSTALLATION
CENTRE SECTION FUSELAGE

Ref. No.	Part No.	Description	No. off	Mast. Spec.	Cl. of	Plate and
					St.	
					M.R.	No.
		INSTALLATION OF CABLES, CONNECTORS, FAIRLEADS AND TERMINAL BLOCKS (T4288, T4320 & T5498) (Cont'd)				
10HB/1841038	1T3408	Connector, Waveform generator to Automatic Calculator type 5	1	-	B	
10HB/1841039	2T3408	Connector, Power Unit 729 to Automatic . . Calculator type 5	1	-	B	
10HB/1841040	5AT3408	Connector, Waveform generator to R.P.B. . . Plug 105	1	-	B	
10HB/1841043	6T3408	Connector, Waveform generator to Power . . Unit 729	1	-	B	
10HB/1840810	7AT3408	Connector, R.P.B. Plug 107R to Power . . . Unit 729	1	-	B	
10HB/1840813	8AT3408	Connector, R.P.B. Plug 108R to Power . . . Unit 729	1	-	B	
10HB/1867480	18AT3408	Connector, R.P.B. Plug 120R to Waveform . generator	1	-	B	
10HB/1867487	20AT3408	Connector, R.P.B. Plug 118R to Waveform . generator	1	-	B	
10HB/1840829	30T3408	Connector, R.P.B. Plug 103R to Waveform . generator	1	-	B	
10HB/1840830	32T3408	Connector, R.P.B. Plug 104R to Waveform . generator	1	-	B	
10HB/184019	1bT3408	Connector, R.P.B. Plug 1R to Power Unit . . Mk. 1	1	-	B	
10HB/1841022	4T3408	Connector, Calculator Mk. 1 to Power Unit . Mk. 1	1	-	B	
10HB/1841024	5bT3408	Connector, R.P.B. Plug 5R to Calculator . . Mk. 1	1	-	B	
	6T3408	Connector	1	-	B	
10HB/1841028	8bT3408	Connector, R.P.B. Plug 8R to Calculator . . . Mk. 1	1	-	B	
10HB/3001	1T4098	Connector, R.P.B. Plug 177 to Loop Aerial . 1324A	1	-	B	
10HB/3002	2T4098	Connector, R.P.B. Plug 130 to Loop Aerial . 1324A	1	-	B	
10HB/3003	3T4098	Connector, Junction Box 1829 to Loop Aerial 1324A	1	-	B	
10HB/3004	4T4098	Connector, Receiver AD7002D to Loop . . . Aerial 1324A	1	-	B	
10HB/3005	5T4098	Connector, Receiver AD7002D, to T.B.'s . . 381 and 384	1	-	B	
10HB/3006	6T4098	Connector, Receiver AD7002D to Junction Box 1829	1	-	B	
10HB/3201	10T4098	Connector, R.P.B. Plug 129 to Receiver . . . AD7002D	1	-	B	
10HB/3011	11T4098	Connector, Receiver AD7002D to Voltage . Regulator 1555A	1	-	B	

VULCAN NO. 1

RADIO AND RADAR INSTALLATION
CENTRE SECTION FUSELAGE

Page PA. 9

Ref. No.	Part No.	Description				No. off	Matl. Spec.	Cl. of	Place and Illust'n No.
		1	2	3	4			St. M.R.	
		INSTALLATION OF CABLES, CONNECTORS FAIRLEADS AND TERMINAL BLOCKS (T4288, T4320 & T5498) (Cont'd)							
10HB/2224027	12T4096	Connector, Receiver AD7092D to transformer 1571				1	—	B	
10HB/3212	21T4096	Connector, T.B. 1006 to transformer 1571				1	—	B	
10HB/3213	22T4096	Connector, T.B. 1006 to Voltage regulator 1555A				1	—	B	
10HB/1957580	7T4276	Connector, R.P.B. Plug 112 to Receiver AD7092D				1	—	B	
10HB/1957506	8T4276	Connector, Aerial T/R 1343 to sense amplifier 1628				1	—	B	
10HB/1957588	9T4276	Connector, junction box 1629 to sense amplifier 1628				1	—		
10HB/1957517	10T4276	Connector, sense amplifier 1628 to sense Aerial				1	—		
10HA/0013482	4T4324	Connector, R.P.B. Plug 489 to matching unit 7949				1	—	B	
10HA/0013483	5T4324	Connector, R.P.B. Plug 490 to tuning unit 7016				1	—	B	
10HB/8889	6T4324	Connector, tuning unit 7016 to matching unit 7949				1	—	B	
10HA/0013490	1T4326	Connector, T/R 7923 to Aerial 7166 starboard wing				1	—	B	
10HA/0013493	2T4326	Connector, R.P.B. Plug 201 to T/R 7923				1	—	B	
10HA/0013490	4T4326	Connector, R.P.B. Plug 183 to T/R 7923				1	—	B	
10HA/0013489	6T4326	Connector, T/R 7923 to Aerial 7166 Port wing				1	—	B	
10HB/98	8T4326	Connector, T/R 7923 to T.B. 1205				1	—	B	
10HB/0013492	9T4326	Connector, T/R 7923 to T.B. 676				1	—	B	
10HB/1957709	5T4507	Connector, R.P.B. Plug 876 to Plug break 885 at frame 442.5				1	—	B	
10HB/1957710	6T4507	Connector, R.P.B. Plug 879 to Plug break 886 at frame 442.5				1	—	B	
10HB/1957711	7T4507	Connector, R.P.B. Plug 880 to Plug break 897 at frame 442.5				1	—	B	
10HB/1957703	3T4508	Connector, R.P.B. Plug 200 to Plug break 914 at frame 442.5				1	—	B	
10HB/1957719	3T4509	Connector, R.P.B. Plug 174 to Plug break 894 at frame 442.5				1	—	B	

RADIO AND RADAR INSTALLATION
CENTRE SECTION FUSELAGE

Ref. No.	Part No.	Description	No. off	Matl. Spec.	Cl. of		Plate and Illust'n No.
					Sc.	M.R.	
		1 2 3 4					
		INSTALLATION OF CABLES, CONNECTORS FAIRLEADS AND TERMINAL BLOCKS (T4288, T4320 & T5498) (Cont'd)					
10HB/1967578	9T4509	Connector, R.P.B. Plug 848 to Plug break ... 1020 at frame 442.5	1	-		B	
10HB/1967478	25T4510	Connector, R.P.B. Plug 883 to Plug break ... 905 at frame 442.5 (Pre-Mod. 2304)	1	-		B	
10HB/1967692	27T4510	Connector, R.P.B. Plug 190 to Plug break ... 904 at frame 442.5 (Pre-Mod. 2304)	1	-		B	
	29T4510	Connector (Pre-Mod. 748)	1	-			
10HB/1967825	41T4510	Connector, R.P.B. Plug 99 to Plug break ... 906 at frame 442.5 (Mod. 748) (Pre-Mod. 2304)	1	-		B	
10HB/1967899	3T4511	Connector, R.P.B. Plug 881 to Plug break ... 915 at frame 442.5 (Pre-Mod. 2017)	1	-		B	
10HB/1967540	4T4511	Connector, R.P.B. Plug 189 to Plug break ... 916 at frame 442.5 (Pre-Mod. 2017)	1	-		B	
10HB/1940878	3T4776	Connector, R.P.B. Plug 942 to Audio filter ...	1	-		B	
10HB/1967699	9T4776	Connector, junction box AN/ARC52 to ... T.B.'s 1054 and 1080	1	-		B	
	13T4776	Connector	1	-			
10HB/1941006	14T4776	Connector, R.P.B. Plug 171 to T.B.'s 381, ... 1082 and junction box AN/ARC/52	1	-		B	
10HB/4129545	15T4776	Connector, Transfer Switch to T/R	1	-		B	
		ARC52/TR4					
10HB/4129548	16T4776	Connector, Transfer Switch to U.H.F.	1	-		B	
		Aerial					
10HB/4129547	17T4776	Connector, R.P.B. Plug 931 to Transfer ...	1	-		B	
		Switch					
10HB/8240376	18T4776	Connector, junction box AN/ARC/52 to ...	1	-		B	
		T/R ARC/52 TR4					
	5T4275	Connector (Pre Mod. 748)	1	-			
10HB/1967584	5T4909	Connector, R.P.B. Plug 1018 to Radar ...	1	-		B	
		Receiver					
10HB/1967518	8T4909	Connector, junction box 16507 to ...	1	-		B	
		Radar Receiver					
10HB/1941007	9T4909	Connector, Aerial 4T5371 to Aerial ...	1	-		B	
		5T5371					
10HB/1967589	11T4909	Connector, T.B. 1088 to Radar Receiver ...	1	-		B	
10HB/1967588	13T4909	Connector, T.B. 1088 to Junction Box ...	1	-		B	
		16507					
10HB/1967587	15T4909	Connector, R.P.B. Plug 170 to T.B. 1089 ...	1	-		B	
10HB/10253	17T4909	Connector, R.P.B. Plug 1017 to Junction ...	1	-		B	
		Box 16507					
10HB/4108341	5T4910	Connector	1	-			
10HB/4108345	9T4910	Connector	1	-			
10HB/8285142	3T8143	Connector, R.P.B. Plug 1034 to Plug 4, ...	1	-			
		P.X. Radio, type 17170 (Mod. 2304)					
10HB/8285143	4T8143	Connector, R.P.B. Plug 191 to Plug 3 ...	1	-			
		Power Supply Unit, type 17203 (Mod. 2304)					
10HB/1967882	3T8451	Connector, R.P.B. Plug 881 to Plug Break ...	1	-			
		915 at FMR 442.5 (Mod. 2017)					
10HB/1967888	2T8451	Connector, R.P.B. Plug 189 to Plug Break ...	1	-			
		916 at FMR 442.5 (Mod. 2017)					

RADIO AND RADAR INSTALLATION
CENTRE SECTION FUSELAGE

Ref. No.	Part No.	Description	No. off	Matl. Spec.	Cl. of	Plate and Illust'n No.
					St. M.R.	
		1 2 3 4				
INSTALLATION OF CABLES, CONNECTORS, FAIRLEADS AND TERMINAL BLOCKS (T4288, T4320 & T6498) (Cont'd)						
10HB/1957530	4T5808	Connector, R.P.B. Plug 173 to Coupling ... Unit 9548	1	-	B	
10HB/1957531	5T5808	Connector, R.P.B. Plug 172 to Coupling ... Unit 9548	1	-	B	
10HB/1957532	6T5808	Connector, R.P.B. Plug 178 to T/R RT638ARN/72	1	-	B	
10HB/1957533	7T5808	Connector, T/R RT638ARN/72 to T.B.952	1	-	B	
10HB/1957534	8T5808	Connector, T/R RT638ARN/72 to Coupling Unit 9548	1	-	B	
10HB/1940894	9T5808	Connector, T/R RT638ARN/72 to T.B.953	1	-	B	
10HB/1957486	10T5808	Connector, T/R RT638ARN/72 to Aerial .. 4189	1	-	B	
10HB/1957535	11T5808	Connector, Power Supply test equipment .. to T.B.953	1	-	B	
10HB/1957501	2T6208	Connector, Transfer Switch to T/R 175 ...	1	-	B	
10HB/1957500	5T6208	Connector, T/R 175 to V.H.F. Aerial	1	-	B	
10HB/1957893	11T6208	Connector, R.P.B. Plug 1199 to Inter-comm. Box AN/ARC52	1	-	B	
10HB/1957894	12T6208	Connector, R.P.B. Plug 1200 to Inter-comm. Box AN/ARC/52	1	-	B	
10HB/1940882	13T6208	Connector, R.P.B. Plug 1198 to Inter-comm. Box AN/ARC/52	1	-	B	
10HB/1940881	14T6208	Connector, T/R 175 to Inter-comm. Box .. AN/ARC/52	1	-	B	
1510384	2T7774	Connector, R.P.B. PL1232 to I.F.F. TX/RX (Mod. 2155)	1	-	C	
1510406	4T7774	Connector, AE switch unit to AE list switch and T.B. 848(A) (Mod. 2155)	1	-	C	
1510408	6T7774	Connector, I.F.F. T/R to AE switch unit ... (Mod. 2155)	1	-	C	
10HB/1178577	7T7774	Connector, I.F.F. Aerial lower to AE switch unit, lower (Mod. 2155)	1	-	B	
10HB/1178576	8T7774	Connector, I.F.F. Aerial upper to AE switch unit, upper (Mod. 2155)	1	-	B	
1510395	3T7774	Connector, Doppler 72, Antenna unit (Mod. 2155)	1	-	B	
5X/9402794	-	Cover, 5-way, for T.B.	1	-	C	PA2/82
	13T3722	Fairlead	2	-		
	7T4288	Fairlead	2	-		
	9T4288	Fairlead	2	-		
	10T4288	Fairlead	2	-		
	22T4288	Fairlead, half	2	-		
	20T4288	Fairlead, half	2	-		
	4T3787	Fairlead	2	-		

RADIO AND RADAR INSTALLATION

CENTRE SECTION FUSELAGE

Ref. No.	Part No	Description	No. off	Matl. Spec.	Cl. of St.	Plate and Illust'n No.
					M.R.	
		1 2 3 4				
		INSTALLATION OF CABLES, CONNECTORS, FAIRLEADS AND TERMINAL BLOCKS (T4288 & T4320) (Cont'd)				
	22V5650	Jumper	1	—	MR	
	16T3113	Lead, bonding	2	—		
	HELLERMANN HC.302	Lug, bonding	1	—		
	19T4320	PLATE, MOUNTING, T.B., GROUP	1	—		PA1/83
	—	Spares for:—				
5CZ/1063794	—	Block, terminal	2	—	C	PA1/84
	20T4320	PLATE, MOUNTING, T.B., GROUP	1	—		PA2/85
	—	Spares for:—				
5X/8200370	1V5650	Block, terminal	2	—	C	PA2/86
5X/4481487	14V5650	Socket, double	1	—	C	
5X4491488	19V5650	Socket, single	8	—	C	
	1T4877	PLUG, PLATE, GROUP (Pre-Mod. 748)	1	—		
	T4913	PLUG, PLATE, GROUP (Mod. 748)	1	—		
	PLESSEY CZ62275/1	Plug, socket (Pre-Mod. 748)	1	—	C	
10H/19810	—	Plug	2	—		PA2/87
5X/9994577	—	Socket	5	—	C	PA2/88
5X/4491488	15V5650	Socket, single	10	—	C	
10H/2206	—	Socket, mic-tel	2	—	B	PA1/89
	12T3874	SOCKET, INTERCOMM., GROUP	1	—		PA1/90
	—	Spares for:—				
	12aT3874	Box	1	—	MR	
	12cT3874	Base, plate	1	L72		
10HA/9326	—	Plug, type 3570	1	—	C	
	1T4726	TROUGH, NOSEWHEEL BAY, GROUP	1	—		PA1/91
	—	Spares for:—				
	2T3716	Bracket	1	L72		
	3T3716	Bracket	1	L72		
	4T3716	Bracket	1	L72		
	5T3716	Bracket	1	L72		
	6T3716	Bracket	1	L72		
	3T4001	Bracket	1	L72		
	1T4002	Trough, cable, forward portion	1	—		
	1T4003	Trough, cable, centre portion	1	—		
	1T4004	Trough, cable, aft portion	1	—		
	1T5008	Unit, audio	1	—		PA1/92
		MOUNTING, A.D.F. EQUIPMENT ABOVE No. 2 FUEL TANK BAY (T4112) Spares for:—				
	MARCONI XB-476	Bracket, stowage	1	—		

RADIO AND RADAR INSTALLATION
CENTRE SECTION FUSELAGE

Ref. No.	Part No.	Description	No. off	Matl. Spec.	Cl. of St.	Place and Illust'n No.
					M.R.	
		1 2 3 4				
		MOUNTING, A.D.F. EQUIPMENT ABOVE No. 2 FUEL TANK BAY (T4112) (Cont'd)				
10AR/1026	-	Backplate	1	-	B	PA2/93
10D/18525	-	Box, junction, type 1829	1	-	A	PA2/94
5UC/4379100	-	Regulator, type 1355A	1	-	A	PA2/95
10D/19598	-	Receiver, type AD7902D	1	-	A	PA2/98
10K/18225	-	Transformer, type 1343	1	-	A	PA2/97
10K/18244	-	Transformer, type 1671	1	-	A	PA2/98
		MOUNTING, RADIO COMPASS AERIAL (T4114)				
		Spares for:-				
	2T4114	Dishpan, aerial base plate	1	-		
	3T4114	Dishpan, radio compass aerial	1	-		
	4T4114	Window, aerial	1	-		PA2/99
		MOUNTING, RADIO ALTIMETER AERIALS AND TRANS-RECEIVER (T5371)				
		Spares for:-				
5885-88-854-2631	-	Connector, aerial RX	1	-	B	
5885-88-854-2632	-	Connector, aerial TX	1	-	B	
10AJ/698	-	Mounting, type 18096	1	-	B	PA2/102
	4T5371	PANEL AND AERIAL, GROUP	1	-		
		Spares for:-				
10D/22920	-	Aerial	1	-	B	PA2/103
	6T5371	Panel	1	-		PA2/104
	5T5371	PANEL, AND AERIAL, GROUP	1	-		
		Spares for:-				
10D/22920	-	Aerial	1	-	B	PA2/105
	7T5371	Panel	1	-		PA2/106
5841-88-854-2617	-	Receiver, transformer (Mod. 2117)	1	-	A	PA2/107
		MOUNTING, PULSE ALTIMETER AERIALS, PORT (1T3417), STARBOARD (2T3417) (Pre-Mod. 380) PORT (1T4336) STARBOARD (2T4336) (Mod. 380)				
		Spares for:-				
	3T3417	Mounting, aerial, port (Pre-Mod. 380)	1	-		PA2/109
	3T4336	Mounting, aerial, port (Mod. 380)	1	-		
	4T3417	Mounting, aerial, starboard (Pre-Mod. 380)	1	-		PA2/110
	4T4336	Mounting, aerial, starboard (Mod. 380)	1	-		
1099	SS4198/5	Screw, c'sk h'd., 2 BA x 5/8" long	25	MS	MR	
	7T3417	Window, 24" x 1/8" thick (Pre-Mod. 380)	1	Fibreglass	C	PA2/111
	7T4336	Window (Mod. 380)	1	-	MR	
2000	8T3417	Window, 24" x 1/8" thick (Pre-Mod. 380)	1	Fibreglass	C	PA2/112
	8T4336	Window (Mod. 380)	1	-	MR	

**RADIO AND RADAR INSTALLATION
CENTRE SECTION FUSELAGE**

Ref. No.	Part No.	Description	No. off	Manl. Spec.	Cl. of St. H.R.	Plate and Illust'n No.
		1 2 3 4				
		RADIO AND RADAR INSTALLATION CENTRE SECTION (3T4292) (Cont'd)				
		MOUNTING OF WINDOW FOR MARKER AERIAL (T4250)				
		Spares for:—				
11888 12981	2T4250 3T4250 4T3421	Cover, glass fibre	1	DTD5518	C	PA2/113
		Plug	1	—	C	PA2/114
		Washer, rubber	1	—		
		MOUNTING OF LOW RANGE RADIO ALTIMETER AERIAL (T4539) (Pre-Mod. 380)				
		Spares for:—				
8873 8874	3T4539 4T4539	Window, aerial	1	—		
		Window, aerial	1	—		
		MOUNTING, TUNING AND MATCHING UNIT, (T4298) (Pre-Mod. 2300) (T8082) (Mod. 2300)				
		Spares for:—				
10AJ/73	AVA LTD. 2308 4T4298	Absorber, vibration	4	—	B	PA2/115
		BAR, CLAMPING, GROUP	1	—		PA2/116
	3T4298	BRIDGE, GROUP	1	—		
8780	416T3434	CABLE, (FR416), TUNING TO MATCHING UNIT, GROUP	1	—	B	
	26T4072 27T4072 2T4298	Clip	1	—		
		Clip	1	—		
		Feeder, aerial, copper tube 22G x 1/2" o/d x 39" long	1	T7		PA2/117
	8T4072	FRAME, TROLLEY, GROUP	1	—		PA2/118
22786 22785	11T4072 12T4072	Member, side, R.H.	1	—	C	
		Member, side, L.H.	1	—	C	
	23T4072 24T4072	Piece, distance	4	L85 L72		
		Plate	1	—		
9674	2T8082 7T4072	Plate, tapping (Mod. 2300)	1	—		
		Ring, clamping	1	L16	C	
	21T4072	Roller	4	BSS827	MR	
	1T4071	Socket, P.T.F.E.	1	—	MR	
	10T4072	Socket, mounting	1	—	MR	
	15T4298	Strip, braiding, 10-1/2" long	2	—	MR	
22784 22783	17T4298	Strip, braiding, 17" long	1	—	C	
22781	18T4298	Strip, braiding, 18-3/4" long	1	—	C	
22782	19T4298	Strip, braiding, 18-3/4" long	1	—	C	
	20T4298	Strip, braiding, 31-1/4" long (Pre-Mod. 2300)	1	—	C	
27780 8328	21T4298 31T4072	Strip, braiding, 31-1/2" long (Pre-Mod. 2300)	1	—	C	
1510511	2T8078	Strip, braiding, 11" long	1	—	C	
1510512	3T8078	Strip, braiding (Mod. 2300)	1	—	C	
1510513	4T8078	Strip, braiding (Mod. 2300)	1	—	C	
1510514	5T8078	Strip, braiding (Mod. 2300)	1	—	C	
1510515	6T8078	Strip, braiding (Mod. 2300)	1	—	C	
	22T4072	Strip, special	4	—		
10AJ/249	—	Tray, mounting, type 9056	1	—	B	PA2/119

VULCAN No. 2

RADIO AND RADAR INSTALLATION
CENTRE SECTION FUSELAGE

Page PA. 15

Ref. No.	Part No.	Description	No. off	Matl. Spec.	Cl. of St.	Plate and Illust'n No.
					M.R.	
		1 2 3 4				
		MOUNTING, TUNING AND MATCHING UNIT (T4298 & T8082) (Cont'd.)				
	1T4167	TROLLEY, H.F. AERIAL TUNING UNIT, GROUP	1	—		
	7T4167	Spares for:— LANYARD, GROUP	1	—		PA2/120
	7aT4167	Consisting of:— Cable, 5 cwt, steel wire, 8-1/4" long	1	—		
28FP/3488228	A407	Pin, quick release	1	—	C	
	AGS136/A	Thimble	2	—		
	2T4167	Trolley	1	L72		PA2/121
10D/4086716	—	Unit, aerial tuning, type 7016	1	—	A	PA2/122
	18T4298	UNIT, MATCHING, GROUP (Pre-Mod. 2300)	1	—		
	3T8082	UNIT, MATCHING, GROUP (Mod. 2300)	1	—		
		Spares for:—				
9476	18aT4298	Adaptor	6	BS249	C	PA2/123
1510510	4T8082	Link, shorting (Mod. 2300)	1	—	C	
108/4707834	—	Unit, matching type 7949	1	—	A	PA2/124
	20T4072	Washer, special	4	S1	C	
	5T3425	Plate, packing, I.F.F. Aerial	1	—		
13553	8T3425	Plate, packing, I.F.F. Aerial	1	—	C	
	1T5411	PLATE, BLANKING, HOMING AERIAL .. REBECCA Mk. 10, GROUP	1	—		
		Spares for:—				
	2T5411	Plate, blanking	1	—		PA2/125
		R.C.M. INSTALLATION, FORWARD (80F11060) (Mod. 2388)				PA2/126
		Spares for:—				
108/4700374	—	Aerial, type 9026	2	—	A	PA2/127
	23F11128	Fairing, removable (Stbd., only) (Mod. 1890)	1	—	MR	PA2/128
22758	2F1230	Lining, echo suppression (Mod. 1890)	1	—	C	
1510752	10F11649	Plate, counterpoise, forward	1	—		PA2/129
	13T4292	Plate, jointing, inboard	1	—		
	100F11061	Splitter, forward	1	—		PA2/130
	12T4292	Strap, butt	1	—		
	7SS4199	Screw, oak. hd. 2 BA	24	—	MR	
10AJ/213	—	Strap, mounting	1	—	B	PA2/131
	AMPHENOL	Switch, co-axial transfer	1	—	B	PA1/132
10F/1073841	CAGB-78					
5821-99-942-8541	—	Transmitter, receiver type ARC-52/TR4	1	—	A	PA1/134

RADIO AND RADAR INSTALLATION
CENTRE SECTION FUSELAGE

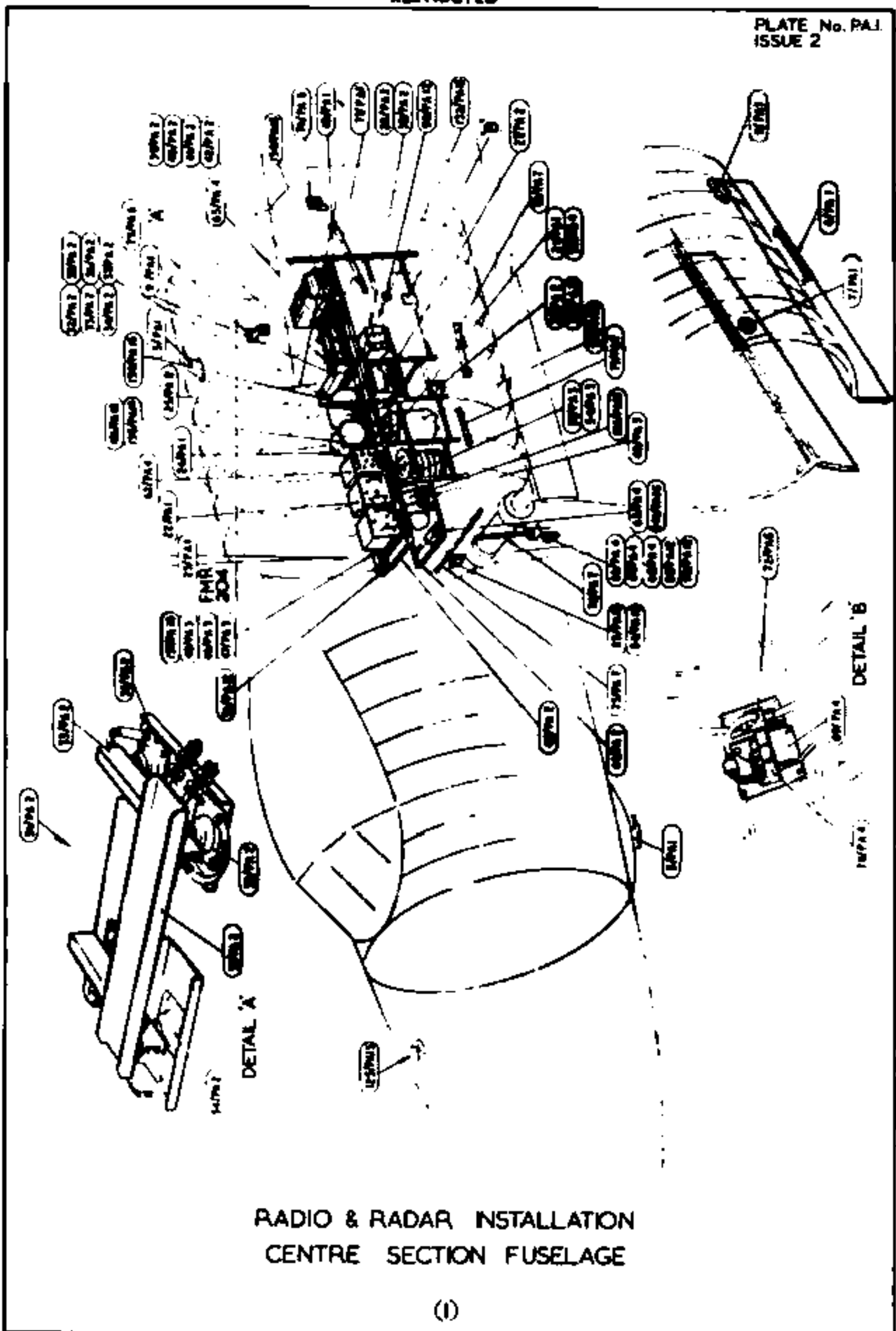
Ref. No.	Part No.	Description	No. off	Matl. Spec.	Cl. of St.	Plate and Blus'n No.
					M.R.	
		<u>1 2 3 4</u>				
		MOUNTING, TUNING AND MATCHING UNIT (T4288, T8082) (Cont'd.)				
10D/4887810 5895-98- 956-3378	—	Transmitter, receiver, type 7923	1	—	A	PA1/135
	—	Transmitter, receiver, type 18928	1	—	A	PA1/138
		(Mod. 2155)				
10D8192118	—	Unit, power, type 729	1	—	A	PA1/137
9D/11 5821-88- 971-1781	—	Unit, power, type Mk. 1	1	—	A	PA1/138
5895-98- 107-1521	—	Unit T/R, type P.T.R. 175	1	—	A	PA1/139
	—	Unit, switch, type 18941 (Mod. 2155)	1	—	A	PA1/141

VULCAN No. 3

RADIO AND RADAR INSTALLATION
SUMMARY OF STANDARD ITEMS

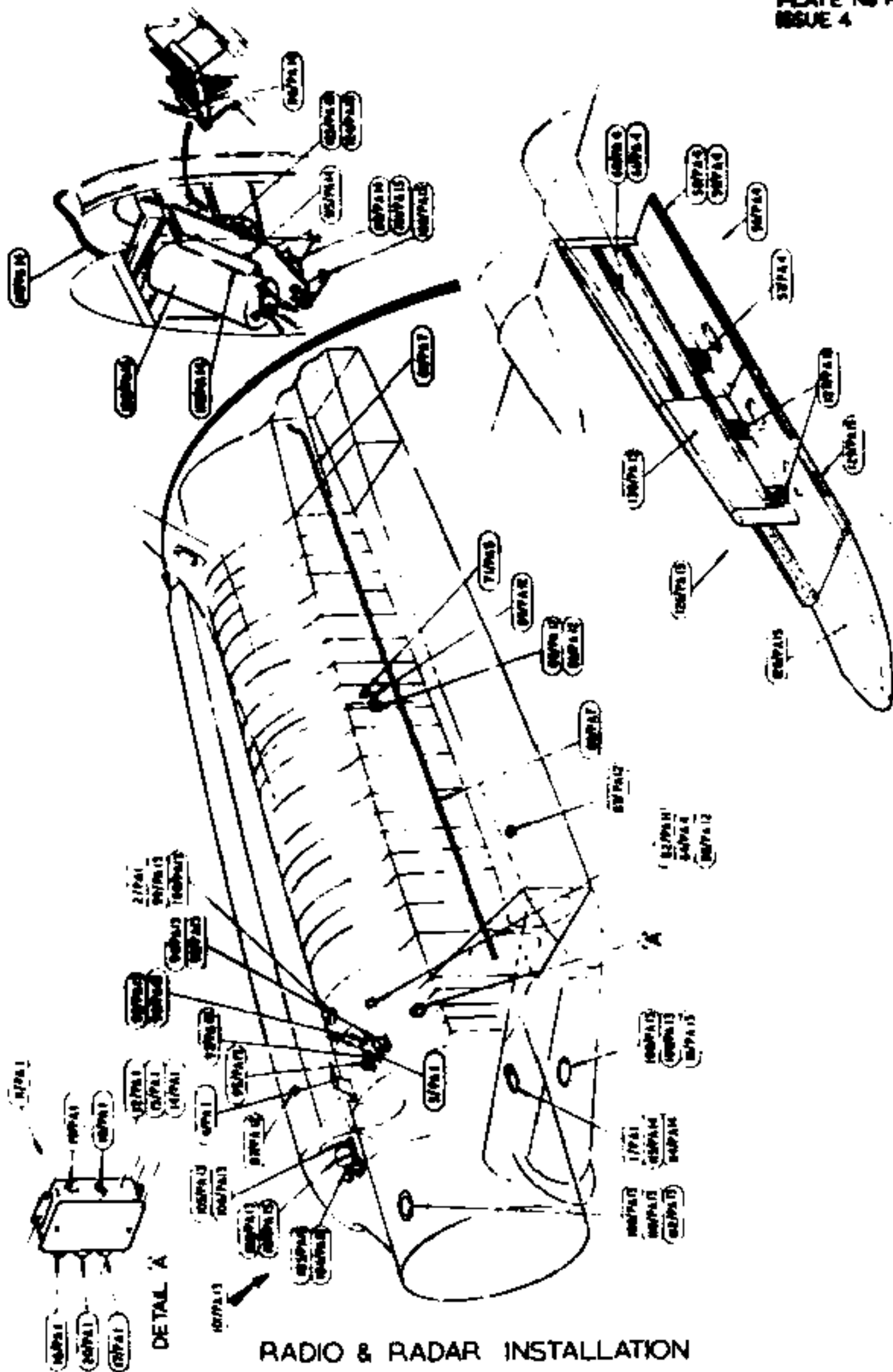
Page PA. 17

Stores Ref.		No. off	Stores Ref.		No. off	Stores Ref.		No. off
Section	Ref. No.		Section	Ref. No.		Section	Ref. No.	
28D	9706373	10	28M	9435558	10	28W	9419446	17
28D	9140635	2	28M	9434253	1	28W	9419401	14
28D	1010658	45	28M	11957	63	28W	9419454	122
28D	1008149	8	28M	9993192	10	28W	9419464	17
28D	9419452	18	28M	9434252	1	28W	9419485	542
28D	9140638	4	28M	12421	12	28W	9419402	406
28D	1010029	12	28M	10288	8	28W	9419921	46
28D	9435711	3	28M	1278189	176	28W	9419473	4
28D	9438820	1294	28M	1278190	356	28W	9419474	14
28D	9133011	104	28M	10275	8	28W	9419475	214
28D	9133012	40				28W	9419405	4
28D	1200119	7				28W	9419486	2
28D	9133013	14	28S	1201448	3	28W	9419404	16
28D	1011019	4	28S	9419435	14	28W	12588	1
28D	9435710	16	28S	1200034	4	28W	1200073	1
28D	9140649	4	28S	1200040	6	28W	1008752	26
28D	1212404	2	28S	1200033	1	28W	9416641	2
28D	1010031	4	28S	9140642	4	28W	9128181	4
28D	1011244	28	28S	9437020	6			
28D	7002413	4	28S	9131095	4			
28D	9706306	2	28S	9992997	1			
28D	7002440	2	28S	9436713	27			
28D	1214091	24	28S	1200047	6			
28D	9709461	23	28S	1007752	2			
28D	1007976	40	28S	1006948	2			
28D	1013172	6	28S	1017747	5			
28D	1214032	38	28S	1009988	2			
28D	9130082	12	28S	9992525	11			
28D	1007979	47	28S	1008327	2			
28D	1214885	16	28S	9992522	12			
28D	1214866	8	28S	9995376	15			
28D	1214867	2	28S	1007817	1			
28D	1214304	2	28S	1007406	1			
28D	9008191	12	28S	1011490	11			
28D	1214878	3	28S	9992523	43			
28D	9140202	26	28S	1011491	4			
28D	9137409	10	28S	1220007	1			
28D	1007982	82	28S	1200058	4			
			28S	1200060	6			
			28S	1200059	2			
28M	10290		28S	1200061	4			
28M	1013107	4	28S	1200062	4			
28M	9403518	2	28S	9992531	4			
28M	1011475	1	28S	9435716	4			
28M	9129628	9	28S	1200068	40			
28M	10292	4	28S	1006569	14			
28M	10278	1	28S	9992519	6			
28M	9433473	25	28S	9464989	2			
28M	7002430	4	28S	1214171	2			



RADIO & RADAR INSTALLATION
CENTRE SECTION FUSELAGE

(1)



RADIO & RADAR INSTALLATION
CENTRE SECTION FUSELAGE

VULCAN PR. 2

RADIO AND RADAR INSTALLATION
CREW'S NACELLE

Page PB. 1

Ref. No.	Part No.	Description				No. off	Mati. Spec.	Cl. of	Plate and illust'n No.
		1	2	3	4			St. M.R.	
68/633 10D/4423787 10D/4042166 9CA/106	-	RADIO AND RADAR INSTALLATION IN CREW'S NACELLE (2T4282) Spares for:—							
	-	Amplifier, G.P.1 (Pre-Mod. 748)				1	-	A	
	-	Box, junction, type 157				1	-	A	PB2/1
	-	Box, junction, type 16A				1	-	A	PB1/2
		Box, junction				1	-	A	PB4/3
		BOX, JUNCTION, MK. 7 RADIO ALTIMETER, A.R.I. 5959 INSTALLATION (T8864) (Mod. 2057)							
	2T8820	Spares for:— BOX, JUNCTION, GROUP				1	-		PB1/4
		Spares for:—							
38DE/4301002 10F/0123577	2Z139596 CM5	Packing				1	-		
		Relay, type SM5 N33				2	-		
		BOX, JUNCTION, A.R.I. 5959 INSTALLATION (T8867) (Mod. 2057)							
		Spares for:—							
	2T8867	Angle, R.H.				1	L72		
	3T8867	Angle, L.H.				1	L72		
	3T8868	BOX, JUNCTION, GROUP				1	-		PB1/5
		Spares for:—							
5CZ/8589 1433144	WARD BROOKE LTD. WB1110/5/10/8 6T8868	Block, terminal				3	-		
	WARD BROOKE LTD. WB1110/40	Cover (Mod. 2188)				1	-	C	
5CZ/9548256		Link, 2 way, plain (Mod. 2188)				1	-		
	1T77B0 PLESSEY 7CZ/106411/2	LOOM, GROUP (Mod. 2188)				1	-		
5CW/4400161	4T8867 5T8867	Relay				1	-	A	
		Bracket, L.H.				1	L72		
		Bracket, R.H.				1	L72		
8D/1373 8D/1140	- -	Calculator, type 2				1	-	A	PB1/6
		Calculator, type 3				1	-	A	PB1/7

RADIO AND RADAR INSTALLATION
CREW'S NACELLE

Ref. No.	Part No.	Description				No. off	Matl. Spec.	Cl. of Sc.	Place and Illust'n No.
		1	2	3	4			M.R.	
		RADIO AND RADAR INSTALLATION IN CREW'S NACELLE (2T4292) (Cont'd)							
	T4495	CRATE, UNDER 1st PILOT'S FLOOR, GROUP				1	-		PB1/B
	133T4495	Spare for:— MEMBER, SUPPORT, GROUP				1	-		
	8T3793	Spare for:— Bolt, special				1	-		
	162T4495	MEMBER, SUPPORT, GROUP				1	-		
	10T3793	Stud, special				2	-		
	169T4495	Spacer (Mod. 2336)				1	-		
		CRATE AND MOUNTING STRUCTURE FOR GYRO AND E.U. COOLING UNIT (T5736)				-	-		
	21T5736	Spare for:— CRATE, GROUP				1	-		
17478	2T5736	Spare for:— Panel, louvre				1	-		
17479	3T5736	Panel, presting				1	-		
	11T5776	MOUNTING, GYRO UNIT				1	-		
17481	8T5776	Spare for:— Bolt, special				2	-		
17480	6T5776	Clamp				2	-		
	1N2373	Cushion, knee				1	-		
17483	10T5776	Wedge				1	-		
17482	13T5776	Stud, bolt				1	-		

**RADIO AND RADAR INSTALLATION
CREW'S NACELLE**

Ref. No.	Part No.	Description	No. off	Matl. Spec.	Cl. of	Place and Illust'n No.
					St. M.R.	
		1 2 3 4				
		RADIO AND RADAR INSTALLATION IN CREW'S NACELLE (2T4292) (Cont'd)				
	T4306	CRATE, UNDER 2nd PILOT'S FLOOR, GROUP	-	-		PB1/9
		Spares for:-				
16123	CEMENTATION LTD. GB896/20/RG	Barry, mount	2	-	C	PB1/10
18124	GB896/35/RG	Barry, mount	2	-	C	PB1/11
22742	36T3695	Chain, Chandelier, 3/8" pitch	2	-		
	10T3696	Frame, mounting	1	-	C	PB1/12
	1T4649	MOUNTING, 1/C J.B.'s FOR 2nd PILOT, . . . GROUP	-	-		
		Spares for:-				
	5T4850	BOX, JUNCTION, GROUP	1	-		PB1/13
		Consisting of:-				
10D/4709927	-	Box, junction mic, type 7682	1	-	A	PB1/14
	5aT4850	Spill	8	-		
	7T4850	BOX, JUNCTION, GROUP	1	-		PB1/15
		Consisting of:-				
10D/4709928	-	Box, junction, Tel. type 7683	1	-	A	PB1/16
	2T4649	Channel	1	L72		
	3T4649	Channel	1	L72		
	AVIATION DEVELOPMENT A405	Pin, pp, quick release	2	-	C	
28FP/1243707	TERRY & SON No. 189	Ring, split, 1/2" dia.	2	-		
	14T4306	STOP, RETAINING, GROUP	2	-		PB1/17
		Consisting of:-				
	14aT4306	Angle	1	-		
	14bT4306	Bolt	1	-		
	14bT4306	Nut, knurled	1	-	MR	
	14dT4306	Nut, anchor	1	-	MR	
	14fT4306	Plate	1	-		
	14cT4306	Stop	1	-	MR	
	BS1748	SWITCH, GROUP	1	-		
		Spares for:-				
5CW/6209280	ROTAX -	Switch	1	-	C	PB1/17A
	1T4900	TRAY, MOUNTING, FOR GROUND SPEED RESOLVER, GROUP	1	-		PB1/18
		Spares for:-				
10681	7Z10470	Coupling, dummy	1	-		
10682	8Z10470	Coupling, dummy	1	-		
	T4817	CRATE FOR GEE RECEIVER AND WAVEFORM GENERATOR, GROUP	1	-		PB4/19

VULCAN Mk. 2

RADIO AND RADAR INSTALLATION

Page PB. 3

CREW'S NACELLE

Ref. No.	Part No	Description	No. off	Matl. Spec.	Cl. of St.		Plate and Insl'n No.
					M.R.		
		1 2 3 4					
		RADIO AND RADAR INSTALLATION CREW'S NACELLE (2T4292) (Cont'd)					
	T4918	CRATE, FOR V.H.F. SETS, GROUP	1	—			PB4/20
	17T3880	Spares for:— Angle	1	—			
	18T3880	Angle	1	—			
	AS2810/5/088	Tube, distance	2	—			
		DETECTOR, AIRSTREAM DIRECTION UNIT, PORT AND STARBOARD (1 & 2D13188) FOR A.R.I.5858 INSTALLATION (Mod. 2057) Spares for:—					
98AR/1848038	DS/8/1807/1	Anchor	1	—		C	
6A/1109631	DA NAV/ FERRANTI AS1/58301	Clamp, stepwasher	8	—		C	
	AS1/58303	Nut, spanner	8	—			
	861/80318	Ring, adaptor	2	—			
	861/80317	Ring, indexing	2	—			
	AS1/80310	Ring, "O"	2	—			
6A/8456	—	Unit, A.D.D.	2	—		A	PB2/21
6B/6349772	—	Indicator, GP. Mk. 4 (Pre-Mod. 748)	1	—			
9CA/101	—	Indicator, GP. Mk. 4 (Mod. 748)	1	—			PB3/22
5828—89—	—						
945—3807	—	Indicator, drift angle ground speed	1	—		A	PB3/23
6A/4244003	SPERRY LTD. 200050—0100	Indicator, C & D (Mod. 2091) (Pre-Mod. 2420)	2	—			PB2/24
9D/757	—	Indicator, wind	1	—		A	PB3/25
		INSTALLATION OF CABLES, CONNECTORS AND EQUIPMENT (T4287) (T5489) Spares for:—					
	21T8351	Adaptor, connector (Mod. 2438)	1	—			
	5H/1	Block, terminal, 2-way	1	—			PB4/26
	5H/2	Block, terminal, 3-way	1	—			PB4/27
5X/9402803	CRABTREE TYPE 50451	Block, terminal, 5-way	1	—		C	PB4. 28
	5H/6	Block, terminal	1	—			PB4/29
6X/6200370	1V5850	Block, terminal	2	—		C	PB3/30
	11T5499	Bracket, support (Mod. 2438)	1	—			
	12T5499	Bracket, V.R. (Mod. 2438)	1	—			
11059	200T3434	CABLE, EARTH, GROUP	5	—		C	
	248T3434	CABLE, (F248), TB.396 TO VOLTAGE REGULATOR, TYPE VR60, GROUP	1	—			
	248T3434	CABLE, (F248), GROUP	1	—			
	250T3434	CABLE, (F250), GROUP	1	—			
	286T3434	CABLE, (F286), TB.398 TO TB.400, GROUP (Pre-Mod. 2300)	1	—			

RADIO AND RADAR INSTALLATION
CREW'S NACELLE

Ref. No.	Part No.	Description	No. off	Matl. Spec.	Cl. of St.	Plate and Illust'n No.
					M.R.	
		1 2 3 4				
		INSTALLATION OF CABLES, CONNECTORS AND EQUIPMENT (T4287) (F5488)				
	297T3434	CABLE (F297), TB.398 TO TB.400 GROUP (Pre-Mod. 2300)	1	—		
	298T3434	CABLE (F298), TB.400 TO EARTH GROUP (Pre-Mod. 2300)	1	—		
	328T3434	CABLE (F328), GROUP	1	—		
	329T3434	CABLE (F329), GROUP	1	—		
	332T3434	CABLE (F332), GROUP	1	—		
	333T3434	CABLE (F333), GROUP	1	—		
	334T3434	CABLE (F334), GROUP	1	—		
	335T3434	CABLE (F335), GROUP	1	—		
	468T3434	CABLE (F468), GROUP (Pre-Mod. 748)	1	—		
	469T3434	CABLE (F469), GROUP (Pre-Mod. 748)	1	—		
11060	473T3434	CABLE, 3P TO TB.1027, GROUP	1	—	C	
11061	474T3434	CABLE, 3P TO 54P, GROUP	1	—	C	
11062	475T3434	CABLE, 3P TO 54P, GROUP	1	—	C	
11063	476T3434	CABLE, 4P TO 54P, GROUP	1	—	C	
11064	477T3434	CABLE, 48P TO 54P, GROUP	1	—	C	
	479T3434	CABLE (F479), 54P TO SWITCH, GROUP	1	—		
5895-99- 6379339	888T3434	CABLE (F888), 54P TO AUDIO FILTER UNIT, GROUP (Mod. 2441)	1	—		
	489T3434	CABLE (F489), 9P TO EARTH, GROUP	1	—		
	490T3434	CABLE (F490), GROUP	1	—		
	508T3434	CABLE (F508), CONTROL UNIT 9582 TO RELAY 831, GROUP	1	—		
	529T3434	CABLE (F529), SWITCH TO EARTH GROUP	1	—		
10175	546T3434	CABLE (F546), GROUP (Pre-Mod. 2017)	1	—	C	
11067	555T3434	CABLE, TB.1570 TO TB's 372, 373, GROUP	1	—	C	
11068	556T3434	CABLE, TB.1570 TO TB.1534, GROUP	1	—	C	

VULCAN No. 2

RADIO AND RADAR INSTALLATION
CREW'S NACELLE

Page PB. 5

Ref. No.	Part No.	Description	No. off	Matl. Spec.	Cl. of	Plate and Illust'n No.
					St. M.R.	
		<u>1.2.3.4</u>				
		INSTALLATION OF CABLES, CONNECTORS AND EQUIPMENT (T4287) (Cont'd)				
11069	557T3434	CABLE, TB.1534 TO TB.1533, GROUP ...	1	-	C	
11073	561T3434	CABLE, TB.1570 TO CALL SWITCH, GROUP	1	-	C	
11074	562T3434	CABLE, TB.1534 TO CALL SWITCH, GROUP	1	-	C	
11076	563T3434	CABLE, TB.1533 TO CALL SWITCH, GROUP	1	-	C	
11076	564T3434	CABLE, EARTH, GROUP	1	-	C	
11077	565T3434	CABLE, EXTERNAL I/C SWITCH TO CONFERENCE SWITCH, GROUP	1	-	C	
11078	566T3434	CABLE, I/C SWITCH TO TB.1038,	1	-	C	
	568T3434	CABLE, CONTROL UNIT 9582 TO	1	-		
		TB.1045, GROUP				
11081	570T3434	CABLE, SWITCH TO EARTH, GROUP ...	1	-	C	
11082	571T3434	CABLE, I/C SWITCH TO TB's 372	1	-	C	
		AND 373, GROUP				
	589T3434	CABLE, TB.386 TO EARTH, GROUP	1	-		
	603T3434	CABLE (F603), GROUP	1	-		
	604T3434	CABLE, 4P TO SIM BOMB SWITCH, GROUP	1	-		
	605T3434	CABLE (F605), GROUP	1	-		
	606T3434	CABLE (F606), GROUP	1	-		
	673T3434	CABLE (F673), TB.1042 TO DIMMER ... SWITCHES, GROUP	1	-		
	674T3434	CABLE (F674), DIMMER SWITCHES, GROUP	1	-		
	675T3434	CABLE (F675), TB.1045 TO DIMMER ... SWITCHES, GROUP	1	-		

RADIO AND RADAR INSTALLATION
CREW'S NACELLE

Ref. No.	Part No.	Description	No. off	Matl. Spec.	Cl. of	Plate and Illust'n No.
					St. M.R.	
		1 2 3 4				
		INSTALLATION OF CABLES, CONNECTORS AND EQUIPMENT (T4287) (Cont'd)				
	678T3434	CABLE (F678), DIMMER SWITCHES . . . GROUP	1	-		
	679T3434	CABLE (F679), GROUP (Pre-Mod. 748) . . .	1	-		
	686T3434	CABLE, TB.386 TO EARTH, GROUP	1	-		
	686T3434	CABLE, SWITCH TO 2nd PILOT'S JUNCTION BOX TEL., GROUP	1	-		
	687T3434	CABLE, SWITCH TO TB.1045, GROUP . . .	1	-		
	686T3434	CABLE, SWITCH MONITOR ALARM TO . JUNCTION BOX TEL. A.E.O's, GROUP	1	-		
	689T3434	CABLE, SWITCH MONITOR ALARM TO . TB 1045, GROUP	1	-		
	700T3434	CABLE, 54P TO TB.1045, GROUP	1	-		
	703T3434	CABLE (F703), GROUP	1	-		
17394	721T3434	CABLE, TB 400 TO 48P, GROUP (Pre-Mod. 2300)	1	-	C	
	726T3434	CABLE, AUDIO FILTER UNIT TO EARTH, GROUP	1	-		
	728T3434	CABLE, 54P TO AUDIO FILTER UNIT, . . GROUP	1	-		
	728T3434	CABLE, 54P TO AUDIO FILTER UNIT, . . GROUP	1	-		
	730T3434	CABLE, AUDIO FILTER UNIT TO TB.1038, GROUP	1	-		
	733T3434	CABLE, CONTROL UNIT 18085 TO 3P . . AND EARTH, GROUP	1	-		
	736T3434	CABLE (F736), GROUP	1	-		
13638	741T3434	CABLE, TB's 373, 374 TO R.P.B. PLUG . . 171, GROUP	1	-	C	
	743T3434	CABLE, 3P TO SWITCH, A.E.O's, GROUP	1	-		
	744T3434	CABLE, TB.386 TO SWITCH, A.E.O's, GROUP	1	-		
17049	811T3434	CABLE, GROUP	1	-	C	

VULCAN No. 2

RADIO AND RADAR INSTALLATION
CREW'S NACELLE

Page PB. 58

Ref. No.	Part No.	Description	No. off	Mazl. Spec.	Cl. of	Plate and Illust'n No.
					St. M.R.	
1 2 3 4:						
		INSTALLATION OF CABLES, CONNECTORS AND EQUIPMENT (T4287) (Cont'd)				
	812T3434	CABLE, GROUP	1	-		
	813T3434	CABLE, PLUG BREAK 271 TO TONE SWITCH AND AERIAL SWITCH, GROUP	1	-		
	814T3434	CABLE, GROUP	1	-		
	838T3434	CABLE, GROUP (Mod. 1900)	1	-		
	840T3434	CABLE, GROUP (Mod. 1900)	1	-		
	841T3434	CABLE, GROUP (Mod. 1900)	1	-		
	847T3434	CABLE (F847), GROUP	1	-		
	849T3434	CABLE, 54P TO PLUG AND RELAY BOX, GROUP	1	-		
	855T3434	CABLE, GROUP	1	-		
	856T3434	CABLE, GROUP	1	-		
	861T3434	CABLE (F861), F.P.B. PLUG 1215 TO JUNCTION BOX T.6058, GROUP	1	-		
	864T3434	CABLE (F864), GROUP	1	-		
	868T3434	CABLE, GROUP (Mod. 2024)	1	-		
	869T3434	CABLE, GROUP (Mod. 2024)	1	-		
	870T3434	CABLE (F870), 6P TO 54P, GROUP	1	-		
	885T3434	CABLE, CIRCUIT FAIL PANEL TO PRESS TO TEST SWITCH, GROUP (Mod. 2139)	1	-		
	886T3434	CABLE, TB.1735 TO RELAY 822, GROUP (Mod. 2177)	1	-		
	14T8853	CABLE, GROUP (Mod. 2375)	1	-		
	11T4287	CLAMP, CABLE, GROUP	2	-		
10HA/14205	13T3408	Connector, junction box 157 to terminal block 398	1	-	B	
10HA/14208	14T3408	Connector, junction box 157 to terminal block, 398	1	-	B	
10HB/1957558	20T3408	Connector, junction box 157 to control unit 705	1	-	B	
10HB/1957497	21T3408	Connector, junction box 157 to control unit 705	1	-	B	

RADIO AND RADAR INSTALLATION
CREWS NACELLE

Ref. No.	Part No.	Description	No. off	Matl. Spec.	Cl of	Page and Illust'n No.
					St.	
		1 2 3 4			M.R.	
		INSTALLATION OF CABLES, CONNECTORS AND EQUIPMENT (T4287) (Cont'd)				
10HA/1957498	22T3408	Connector, junction box 167 to control unit, 705	1	-		B
10HA/1940911	8T3408	Connector	1	-		
10HA/1940915	11T3408	Connector	1	-		
10HA/1940916	12T3408	Connector	1	-		
10HB/1940917	13AT3408	Connector	1	-		
10HA/1940920	14AT3408	Connector	1	-		
10HA/1940921	16T3408	Connector (Pre-Mod. 748)	1	-		
10HA/1940923	17T3408	Connector	1	-		
10HA/1940970	208T3408	Connector	1	-		
10HA/1940927	258T3408	Connector	1	-		
	26T3408	Connector (Pre-Mod. 748)	1	-		
	27T3408	Connector (Pre-Mod. 748)	1	-		
10HB/1940928	29T3408	Connector	1	-		
	31T3408	Connector (Pre-Mod. 748)	1	-		
10HB/1940931	33T3408	Connector	1	-		
10HA/1941018	1AT3409	Connector	1	-		
10HA/1941020	2T3409	Connector	1	-		
10HA/1941021	3T3409	Connector	1	-		
10HA/1941023	5AT3409	Connector	1	-		
10HA/1941025	6AT3409	Connector	1	-		
10HA/1941027	7T3409	Connector	1	-		
10HA/1941028	8T3409	Connector	1	-		
10HA/1941029	10T3409	Connector	1	-		
10HA/1941030	11T3409	Connector	1	-		
10HA/1941031	12T3409	Connector	1	-		
10HA/1941032	13T3409	Connector	1	-		
10HA/1941033	41T3409	Connector	1	-		
10HA/1941034	42T3409	Connector	1	-		
10HB/1941035	48T3409	Connector	1	-		
10HB/1941036	49T3409	Connector	1	-		
10HB/1831	50T3409	Connector (Pre-Mod. 748)	1	-		
10HB/1941037	53T3409	Connector	1	-		
10HB/4115428	55T3409	Connector	1	-		
10HA/0013468	1T4053	Connector, power and radio unit to transmitter T4188 (Pre-Mod. 2300)	1	-		B
10HA/0013477	2T4053	Connector, transmitter T4188 to control unit 4190 (Pre-Mod. 2300)	1	-		B
10HA/0013475	3T4053	Connector, control unit 4190 to selector unit 7003 (Pre-Mod. 2300)	1	-		B
10HA/0013474	4T4053	Connector, control unit 4190 to JB.4191 (Pre Mod. 2300)	1	-		B
10HA/0013473	6T4053	Connector, receiver R4187 to JB.4191 (Pre Mod. 2300)	1	-		B
10HA/0013471	6T4053	Connector, power and radio unit 4192 to receiver R4187 (Pre-Mod. 2300)	1	-		B
10HA/15339	7T4053	Connector, power and radio unit 4192 to control unit 4190 (Pre-Mod. 2300)	1	-		B

VULCAN NR 7

RADIO AND RADAR INSTALLATION

Page PB 7

CREW'S NACELLE

Ref. No.	Part No.	Description	No off	Matl. Spec.	Cl. of St.	Plate and Illust'n No
					M.F.	
		1 2 3 4				
INSTALLATION OF CABLES, CONNECTORS AND EQUIPMENT (T4287) (Cont'd)						
10HA/0013470	8T4053	Connector, terminal block 398 to receiver .. R.4187 (Pre-Mod. 2300)	1	—	B	
10HA/0013480	9T4053	Connector, control unit 4190 to receiver .. R.4187 (Pre-Mod. 2300)	1	—	B	
10HA/0013479	10T4053	Connector, power and radio unit 4192 to .. transmitter T.4188 (Pre-Mod. 2300)	1	—	B	
10HA/0013481	11T4053	Connector, control unit 4190 to R.P.B. break plug 490 (Pre-Mod. 2300)	1	—	B	
10HA/0013476	12T4053	Connector, selector unit 7003 to R.P.B. ... break plug 489 (Pre-Mod. 2300)	1	—	B	
10HA/0013472	15T4053	Connector, power and radio unit 4192 to .. terminal block 400 (Pre-Mod. 2300)	1	—	B	
10HA/0013486	16T4053	Connector, terminal blocks 398, 400 to .. voltage regulator (Pre-Mod. 2300)	1	—	B	
10HA/0013479	17T4053	Connector, transmitter T.4188 to control .. unit 4190 (Pre-Mod. 2300)	1	—	B	
10HB/2224028	15T4096	Connector, terminal blocks 1000, 1001, to .. R.P.B. break plug 177	1	—	B	
10HB/1940832	2T4272	Connector, junction block 164 to terminal .. block 596	1	—	B	
10HB/1940833	3T4272	Connector, junction block 164 to JB 157 ..	1	—	B	
10HB/1940876	8T4272	Connector, marker receiver R.1964 to .. R.P.B. break plug 508	1	—	B	
10HB/1940878	10T4272	Connector, marker receiver R.1984 to .. R.P.B. break plug 175	1	—	B	
10HB/1940877	11T4272	Connector, marker receiver R.1965 to .. R.P.B. break plug 187	1	—	B	
10HB/1940834	12T4272	Connector	1	—		
10HB/7834	4T4275	Connector (Pre-Mod. 748)	1	—		
10HB/8382	8T4275	Connector (Pre-Mod. 748)	1	—		
10HB/4224022	9T4275	Connector (Pre-Mod. 748)	1	—		
10HB/8240371	10T4275	Connector (Pre-Mod. 748)	1	—		
10HB/8240372	11T4275	Connector (Pre-Mod. 748)	1	—		
10HB/2228838	2T4276	Connector, terminal blocks 1000, 1001 to .. bearing and tuning indicator 1630	1	—	B	
10HB/2228837	3T4276	Connector, terminal blocks 1000, 1001 to .. bearing and tuning indicator 1630	1	—	B	
10HB/2228838	4T4276	Connector, loop controller 1342 to R.P.B. .. break plug 130	1	—	B	
10HB/2228838	5T4276	Connector, R.P.B. break plug 129 to .. control unit 1274	1	—	B	
10HB/1967888	6T4276	Connector, R.P.B. break plug 112 to .. shorting plug	1	—	B	

RADIO AND RADAR INSTALLATION
CREW'S NACELLE

Ref. No.	Part No.	Description	No. off	Mater. Spec.	Cl. of	Plate and Illust'n No.
					St. M.R.	
1 2 3 4						
INSTALLATION OF CABLES, CONNECTORS AND EQUIPMENT (T4287) (Cont'd)						
10HB/6687	2T4324	Connector, control unit 7216 to selector unit 7003 (Pre-Mod. 2300)	1	-	B	
10HB/6688	3T4324	Connector, control unit 4189 to JB.4191 (Pre-Mod. 2300)	1	-	B	
10HA/0013482	4T4324	Connector (Pre-Mod. 2300)	1	-	B	
	3T8077	Connector (Mod. 2300)	1	-	B	
10HA/0013488	7T4324	Connector (Pre-Mod. 2300)	1	-	B	
10HB/7785	8T4324	Connector, 54P to power and radio unit 4192 (Pre-Mod. 2300)	1	-	B	
10HA/0013495	3T4326	Connector	1	-		
10HA/0013494	4T4326	Connector	1	-		
10HA/0013498	5T4326	Connector	1	-		
10HB/1957706	2T4507	Connector, R.P.B. break plug 878 to control unit 9422	1	-	B	
10HB/1957707	3T4507	Connector, R.P.B. break plug 879 to control unit 9422	1	-	B	
10HB/1957708	4T4507	Connector, R.P.B. break plug 880 to control unit 9422	1	-	B	
10HB/1957718	32T4507	Connector, terminal block 1042 to control unit 9422	1	-	B	
10HB/1957702	2T4508	Connector, control unit 9455 to R.P.B. break plug 200	1	-	B	
10HB/1957888	2T4509	Connector, control unit 13438 to R.P.B. break plug 174	1	-	B	
10HB/1957700	8T4509	Connector, control unit 13438 to R.P.B. break plug 546	1	-	B	
10HB/1957894	5T4510	Connector, junction box 9775 to control unit 9582 (Pre-Mod. 2024) (Pre-Mod. 2304)	1	-	B	
10HB/	2T8892	Connector (Mod. 2024)	1	-		
10HB/1957895	6T4510	Connector, junction box 9775 to control unit 9582 (Pre-Mod. 2024) (Pre-Mod. 2304)	1	-	B	
10HB/1957899	3T8892	Connector (Mod. 2024)	1	-		
10HB/1957897	10T4510	Connector, F.P.B. break plug 884 to junction box 9775 (Pre-Mod. 2304)	1	-	B	
10HB/1957478	23T4510	Connector, F.P.B. break plug 886 to junction box 9775 (Pre-Mod. 2304)	1	-	B	
10HB/1957477	24T4510	Connector, junction box 9775 to R.P.B. break plug 883 (Pre-Mod. 2304)	1	-	B	
10HB/1957807	26T4510	Connector, junction box 9775 to R.P.B. break plug 180 (Pre-Mod. 2304)	1	-	B	
10HB/7461	28T4510	Connector (Pre-Mod. 748)	1	-		
10HB/1957618	30T4510	Connector, control unit 9582 to terminal block 1042 (Pre-Mod. 2304)	1	-	B	
10HB/1957822	43T4510	Connector, junction box 9775 to R.P.B. break plug 99 (Mod. 2008) (Pre-Mod. 2304)	1	-	B	
10HB/1957818	44T4510	Connector, F.P.B. break plug 885 to junction box 9775 (Mod. 2008) (Pre-Mod. 2304)	1	-	B	
10HB/	51T4510	Connector, junction box 9775 to control unit 9582 (Pre-Mod. 2024) (Pre-Mod. 2304)	1	-		
10HB/1957880	4T8892	Connector (Mod. 2024)	1	-		

VULCAN No. 2

RADIO AND RADAR INSTALLATION
CREW'S NACELLE

Page PB. 9

Ref. No.	Part No.	Description	No. off	Matl. Spec.	Cl. of	Plate and Hust'n No.
					St. M.R.	
		1 2 3 4				
INSTALLATION OF CABLES, CONNECTORS AND EQUIPMENT (T4287) (Cont'd)						
10HB/1957684	2T4590	Connector, 1st pilots control unit to junction box 7683	1	—	B	
10HB/1957531	4T4590	Connector, A.E.O's control unit 7681 to . . . junction box 7683	1	—	B	
10HB/7770	5T4590	Connector (Pre-Mod. 748)	1	—	B	
10HB/1957523	6T4590	Connector, Navigator Bomber control unit . 7683 to junction box 7683	1	—	B	
10HB/1957522	7T4590	Connector, 1st pilots control unit to junction box 7683	1	—	B	
10HB/1957532	8T4590	Connector, 2nd pilots control unit to junction box 7682	1	—	B	
10HB/1957521	9T4590	Connector, A.E.O's control unit 7681 to . . . junction box 7682	1	—	B	
10HB/7775	10T4590	Connector (Pre-Mod. 748)	1	—	B	
10HB/1957520	11T4590	Connector, Navigator Bombers control unit 7683 to junction box 7682	1	—	B	
10HB/1957527	12T4590	Connector, junction box 7682 to junction . box 7682	1	—	B	
10HB/1957528	13T4590	Connector, junction box 7682 to junction . box 7682	1	—	B	
10HB/1957526	14T4590	Connector, junction box 7682 to junction . box 7682	1	—	B	
10HB/1957525	15T4590	Connector, junction box 7682 to junction . box 7682	1	—	B	
10HB/1957529	16T4590	Connector, junction box 7683 to junction . box 7684	1	—	B	
10HB/1957530	17T4590	Connector, junction box 7682 to junction . box 7684	1	—	B	
10HB/1957524	18T4590	Connector, junction box 7683 to junction . box 7683	1	—	B	
10HB/1957539	19T4590	Connector, junction box 7683 to junction . box 7683	1	—	B	
10HB/1957546	20T4590	Connector, junction box 7683 to junction . box 7683	1	—	B	
10HB/1957547	21T4590	Connector, junction box 7683 to junction . box 7683	1	—	B	
10HB/1957545	22T4590	Connector, terminal block 1043 to junction box 7682	1	—	B	
10HB/1957544	23T4590	Connector, terminal block 1044 to junction box 7682	1	—	B	
10HB/1957535	27T4590	Connector, 54P to junction box 7684	1	—	B	
10HB/1957536	28T4590	Connector, 54P to junction box 7684	1	—	B	
10HB/1957543	29T4590	Connector, switch to junction box 7684	1	—	B	
10HB/1957537	30T4590	Connector, 54P to junction box 7684	1	—	B	
10HB/1957538	31T4590	Connector, 54P to junction box 7684 (Pre-Mod. 2304)	1	—	B	
10HB/1957533	32T4590	Connector, terminal block 1038 to junction box 7684	1	—	B	

RADIO AND RADAR INSTALLATION

CREW'S NACELLE

Ref No	Part No.	Description	No. off	Mtrl Spec.	C. of	Plate and Illust'n No.
					St.	
		1 2 3 4			M.R.	
INSTALLATION OF CABLES, CONNECTORS AND EQUIPMENT (T4287) (Cont'd)						
10HB/1967549	34T4590	Connector, 54P to JB.7684 (Pre-Mod. 2304)	1	—	B	
10HB/1967555	35T4590	Connector, TB's 372, 373 to JB.7684	1	—	B	
10HB/1967548	36T4590	Connector, amplifier, A1961 to 54P	1	—	B	
10HB/1967556	37T4590	Connector, amplifier, A1961 to 54P	1	—	B	
10HB/1967560	38T4590	Connector, TB to amplifier A1961	1	—	B	
10HB/1967557	39T4590	Connector, TB to amplifier	1	—	B	
10HB/1967551	40T4590	Connector, navigator's plotter control unit to JB.7683	1	—	B	
10HB/1967552	41T4590	Connector, navigator plotter control unit to JB.7682	1	—	B	
10HB/13710	46T4590	Connector, 54P to JB.7684	1	—		
	54T4590	Connector, TB to JB.7682	1	—		
	56T4590	Connector, TB.1068 to JB.7682	1	—		
	58T4590	Connector, TB.1068 to JB.7682	1	—		
10HB/1940880	2T4776	Connector, control unit C1607/ARC 52 to R.P.B. break 942	1	—	B	
10HB/1967485	8T4778	Connector, No. 1 U.H.F. Aerial to R.P.B. break plug 931	1	—	B	
10HB/7844	2T4798	Connector (Pre-Mod. 748)	1	—		
10HB/1967648	4T4798	Connector	1	—	B	
10HB/1967649	5T4798	Connector	1	—	B	
10HB/1967663	11T4798	Connector	1	—	B	
10HB/1967669	12T4798	Connector	1	—	B	
10HB/1967668	13T4798	Connector	1	—	B	
10HB/1967663	14T4798	Connector	1	—	B	
10HB/1967667	15T4798	Connector	1	—	B	
10HB/1967664	16T4798	Connector	1	—	B	
10HB/1967666	17T4798	Connector	1	—	B	
10HB/1967668	18T4798	Connector	1	—	B	
10HB/1967678	20T4798	Connector	1	—	B	
10HB/1967680	21T4798	Connector	1	—	B	
10HB/1967676	24T4798	Connector	1	—	B	
10HB/1967673	25T4798	Connector	1	—	B	
10HB/1967488	25T4798	Connector	1	—	B	
10HB/1967483	27T4798	Connector	1	—	B	
10HB/1967485	28T4798	Connector	1	—	B	
10HB/1967484	29T4798	Connector	1	—	B	
10HB/1967670	30T4798	Connector	1	—	B	
10HB/1967668	31T4798	Connector	1	—	B	
10HB/1967668	34T4798	Connector	1	—	B	
10HB/1967662	36T4798	Connector	1	—	B	
10HB/1967661	37T4798	Connector	1	—	B	
10HB/1967679	38T4798	Connector	1	—	B	
10HB/1967661	39T4798	Connector	1	—	B	
10HB/1967667	237T4798	Connector (Pre-Mod. 748)	1	—		
10HB/1967681	40T4798	Connector, (Mod. 2439 Part 'A') free fall aircraft	1	—		
10HB/1967681	40T4798	Connector, (Mod. 2439 Part 'B') ex Blue Steel aircraft	1	—		
10HB/1967688	3T4909	Connector, JB.18017 to control unit — 18086	1	—	B	

WUCR 100 3

RADIO AND RADAR INSTALLATION
CREW'S NACELLE

Page PB. 10A

Ref. No.	Part No.	Description	No. off	Matl. Spec.	Cl. of St.	Plate and Illust'n No
					M.R.	
		1 2 3 4				
INSTALLATION OF CABLES, CONNECTORS AND EQUIPMENT (T4287) (Cont'd)						
10HB/1957553	4T4909	Connector, JB.16107 to R.P.B. break plug 1010	1	—	B	
10HB/1957557	12T4909	Connector, JB.16107 to auto-pilot	1	—	B	
10HB/6265115	57T4590	Connector, 54P to JB.7684 (Mod. 2304)	1	—		
10HB/6265118	58T4590	Connector, 54P to JB.7684 (Mod. 2304)	1	—		
10HB/6265134	59T4590	Connector, 54P to JB.7684 (Mod. 2304)	1	—		
10HB/1957559	14T4909	Connector, 3P to R.P.B. plug 170	1	—	B	
	18T4909	Connector, JB.16107 to pilot's panel	1	—		
	21T4909	Connector, JB.2T6820 to R.P.B. plug 1017	1	—		
	22T4909	Connector, JB.16107 to JB.2T6820	1	—		
10HB/4108339	3T4910	Connector	1	—	B	
10HB/4108340	4T4910	Connector	1	—	B	
10HB/4108342	5T4910	Connector	1	—	B	
10HB/4108344	8T4910	Connector	1	—	B	
10HB/4108346	10T4910	Connector	1	—	B	
10HB/4108347	11T4910	Connector	1	—	B	
10HB/4101831	2T5142	Connector	1	—	B	
10HB/4101832	3T5142	Connector	1	—	B	
10HB/4101833	4T5142	Connector	1	—	B	
10HB/4113883	8T5142	Connector	1	—	B	
10HB/4113002	22T5203	Connector	1	—	B	
10HB/4113003	24T5203	Connector	1	—	B	
	8T5246	Connector, recorder time unit to 11P	1	—		
	7T5246	Connector, recorder time unit to switch panel, navigator's station	1	—		
	8T5246	Connector, recorder time unit to JB.75142	1	—		
	6T5510	Connector (Mod. 2024)	1	—		
	7T5510	Connector (Mod. 2024)	1	—		
	5T5576	Connector	1	—		
10HB/1957808	2T5808	Connector	1	—		
10HB/1957829	3T5808	Connector	1	—		
	3T6195	Connector, JB.16107 to radio altimeter Mk. 7B	1	—		
	4T6195	Connector, JB.16107 to radio altimeter Mk. 7B	1	—		
10HB/1940883	3T6206	Connector, control unit C.1607/4 to R.P.B. plug 1198	1	—	B	
10HB/1957882	7T6206	Connector, 54P to R.P.B. break plug 1199	1	—	B	
10HB/17420	5T6254	Connector, from TB.1073	1	—	B	
	18T6286	Connector	1	—		
	19T6286	Connector	1	—		
	18T6351	Connector (Mod. 2034)	1	—		
1510626	20T6351	Connector (Mod. 2348) (Pre-Mod. 2438)	1	—	B	
	2T6391	Connector (Mod. 1900)	1	—	B	
	10T6451	Connector, TB's 1945, 1735, indicator control unit to R.P.B. plug breaks 189 and 881	1	—		

RADIO AND RADAR INSTALLATION
CREW'S NACELLE

Ref No	Part No.	Description	No. off	Mati. Spec.	Cl. of St.		Plate and Illust'n No.
					1 2 3 4	M.R.	
		INSTALLATION OF CABLES, CONNECTORS AND EQUIPMENT (T4287) (Cont'd)					
10HB/17271	6T6653	Connector	1	—		B	
10HB/1115384	7T6653	Connector, control unit T.6654 to JB T. 6658 (Mod. 2123)	1	—		B	
10HB/1115385	8T6653	Connector, JB T.6658 to JB T.6820 (Mod. 2123)	1	—		B	
10HB/1115386	9T6653	Connector, F.P.B. break plug 1216 to JB T.6658 (Mod. 2123)	1	—		B	
10HB/1088429	8T6451	Connector, R.P.B. plug 881 and 189 to indicator control unit (Mod. 2017)	1	—		B	
10HB/1984057	10T6451	Connector, R.P.B. Plug 881 and 189 to indicator control unit (Mod. 2173)	1	—		B	
10HB/1115387	10T6653	Connector, junction box T.6658 to A.D.D. unit, port (Mod. 2123)	1	—		B	
10HB/1115382	12T6653	Connector, A.D.D. monitor to TB. (Mod. 2188)	1	—		B	
	13T6653	Connector, control unit T.6654 to TB.767 (Mod. 2376)	1	—			

VULCAN NR 2

RADIO AND RADAR INSTALLATION
CREW'S NACELLE

Page PB. 11

Ref. No.	Part No	Description	Nn. off	Matl. Spec.	Cl. of St.	Plate and Illust'n No.
					M.R.	
		<u>1 2 3 4</u>				
		INSTALLATION OF CABLES, CONNECTORS AND EQUIPMENT (T4287) (Cont'd)				
1510386	3T7774	Connector, I.F.F. control unit and fail (indicator to R.P.B. plug 1232) (Mod. 2156) (Pre-Mod. 2304)	1	—	C	
	11T7774	Connector, I.F.F. control unit and fail indicator to R.P.B. plug 1232 (Mod. 2304)	1	—		
1510405	9T7774	Connector, TB.1846 to press to test lamp . C1101/C/7 (Mod. 2156) (Pre-Mod. 2304)	1	—	C	
	10T7774	Connector, TB 1846, to press to test lamp (Mod. 2304)	1	—		
10HB/17568	2T7824	Connector (Mod. 2256)	1	—	B	
	2T8077	Connector (Mod. 2300)	1	—		
	4T8077	Connector (Mod. 2300)	1	—		
10HB/6286137	2T8143	Connector, plug break 191 to	1	—	B	
		indicator unit 17171 (Mod. 2304)				
10HB/6286138	9T8143	Connector, TB.1758 to control unit	1	—	B	
		17172 (Mod. 2304)				
10HB/6286138	10T8143	Connector, R.P.B. plug break 1034	1	—	B	
		to control unit 17172 (Mod. 2304)				
5X/9402796	52360	Cover, terminal block	1	—	C	PB4/31
5X/9402796	52361	Cover, terminal block	1	—	C	PB4/32
5X/9402794	52362	Cover, terminal block	1	—	C	PB4/33
	5H/12	Cover, terminal block	1	—		PB4/34
	13T4287	Fairlead, half	2	—		PB4/35
	16T4287	Fairlead, half	2	—		PB4/36
	3T3722	Fairlead, half (Pre-Mod. 748)	2	—		
	16T3722	Fairlead, half	2	—		PB4/37
5L 9859182	—	Filament	1	—	C	PB3/38
	PAGE					
10F.9561824	C600/C8	Indicator	1	—	A	PB3/39
	1T5140	PLATE, STOWAGE, GROUP	1	—		PB3/40
	36T3722	PLATE, SHORTING, GROUP	1	—		
		(Pre-Mod. 2348) (A/c with BLUE STEEL)				
	42T3722	PLATE, SHORTING, GROUP	1	—		PB3/41
		(Mod. 2348) (A/c with BLUE STEEL)				
		Spare for:—				
10H/18830	—	CLAMP, GROUP (Pre-Mod. 2349)	1	—	C	
	36aT3722	Plate (Pre-Mod. 2348)	1	—		
	42aT3722	Plate (Mod. 2349)	1	—		
10H/20297	—	Plug (Pre-Mod. 2348)	1	—	C	
10H/19480	—	Plug (Mod. 2348)	1	—	C	
	8216-1103	Potentiometer (Mod. 2438)	1	—		

RADIO AND RADAR INSTALLATION
CREW'S NACELLE

Ref. No	Part No.	Description	No. off	Matl. Spec.	Cl. of St.	Plate and Illust'n No.
					M.R.	
		<u>1 2 3 4</u>				
		INSTALLATION OF CABLES, CONNECTORS AND EQUIPMENT (T4287) (Cont'd)				
5X/5806536	5H/17	Socket, single	1	—		PB4/42
5X/8402798	5H/18	Socket, double	2	—		PB4/43
	J400A	Socket, jack (Mod. 2438)	1	—		
5X/9994577	AS2605	Socket, single	1	—	C	PB4/44
5X/9402799	AS2606	Socket, double	8	—	C	PB4/45
5X/4491488	15V5860	Socket, single	10	—	C	PB3/46
5CY/4376514	G-5 No. 6	Suppressor (Pre-Mod. 748)	1	—	C	
		TROUGHS, RADAR, BETWEEN FORMERS 316 AND 218, PORT (20T3715)				
		Spares for:—				
	1T4080	Cover, forward	1	—	MR	PB2/47
	1T4061	Cover, centre	1	—	MR	PB2/48
	1T4062	Cover, aft	1	—	MR	PB2/49
	1T3736	Trough, forward	1	—		PB2/50
	4T3736	Trough, aft	1	—		PB2/51
		TROUGH, CABLE, AFT OF NAVIGATOR'S TABLE, STARBOARD (9T4085)				
		Spares for:—				
	1T4082	Cover	1	—		PB4/52
	3T4080	Trough	1	—		PB4/53
		TROUGH, RADAR, ACROSS FRONT PRESSURE DOME (T4073)				
		Spares for:—				
22731	2T3712	Bracket, attachment	2	—		
	2T4073	Bracket, attachment	1	—		
22730	4T3712	Bracket, attachment	2	—	C	
22732	6T3712	Bracket, attachment	2	—		
	3T4073	Bracket, attachment	1	—		
	4T4073	Bracket, attachment	1	—		
	6T4073	Bracket, attachment	1	—		
	1T4076	Cover	1	—		PB1/54
	1T3742	Cover	1	—		PB1/55
	1T4074	TROUGH, GROUP	—	—		PB1/56
		Spares for:—				
	7T3732	Bolt	4	S94		
	9T3739	Clamp	4	L72	MR	
	3T/3732	Guide, for clamp	8	L40		
	6V5962	Nut, knurled	4	S1	MR	
	8T3732	Sleeve, for bolt	4	P.V.C.		
	2T4074	Trough	1	—		PB1/57
	3F/3732	Trough	1	—		PB1/58
		TROUGH, RADAR, BETWEEN FORMERS 302 AND 218, STARBOARD (T4077)				
		Spares for:—				
6961	1T4086	Cover	1	—	C	PB2/59
	1T4087	Cover	1	—		PB2/60
3535	1T3734	Trough	1	—	C	PB2/61

VULCAN HS. 1

RADIO AND RADAR INSTALLATION
CREW'S NACELLE

Page PB. 13

Ref. No.	Part No.	Description	No. off	Matl. Spec.	Cl. of St.	Plate and Illust'n No.
					M.R.	
		1 2 3 4				
		TROUGH, RADAR, ACROSS FRONT PRESSURE DOME (T4073) (Cont'd)				
5CZ/1053794	1T5008	UNIT, AUDIO FILTER, GROUP	2	-		PB2/62
	-	Spares for:-				
	15V9900	Block, terminal, 2-way	1	-	C	
	6T5008	Box	1	-		
10F/20368	-	Coil, assembly	1	-		
	-	Key, Morse, type B1	1	-		PB3/63
		MOUNTING, OF JUNCTION BOX AT NAVIGATOR'S STATION (T8188)				
		Spares for:-				
	1T8187	BOX, JUNCTION, GROUP	1	-		PB4/64
		Spares for:-				
5835-99-	-	Plug, fixed	1	-	C	
068-0151	-					
5835-99-	-	Socket, fixed	1	-	C	
068-0260	-					
5835-99-	-	Socket, fixed	1	-	C	
068-0331	-					
		MOUNTING OF TONE GENERATOR (T8396) (Mod. 1900)				
		Spares for:-				
17475	2T8396	Bracket	1	-	C	
7956	AY12/SS4234	Clip, half	2	-	C	
7955	AY5/SS4234	Clip, half	2	-	C	
	PENNY & GILES					
	R.G.S. 1507/	Generator, tone	1	-		PB1/65
	03043					
5K/1037443	AS3360/C6C	Lead, bonding	1	-	C	
		MOUNTING OF TRANSDUCER AND TERMINAL BLOCK (T8396) (Mod. 1900)				
		Spares for:-				
5CZ/1053794	-	Block, terminal, 2-way	1	-	C	PB1/66
	2T8396	Bracket	1	-		
	3T8396	Bracket	1	-		
	4T8396	Bracket	1	-		
	6T8396	Bracket	1	-		
	PENNY & GILES					
	P.G.S.1502/02401	Transducer	1	-		PB1/67

RADIO AND RADAR INSTALLATION

CREW'S NACELLE

Ref. No.	Part No.	Description	No. off	Mast. Spec.	Cl. of	Place and Illust'n No.
					St.	
		1 2 3 4			M.R.	
		RADIO AND RADAR INSTALLATION IN CREW'S NACELLE (2T4292) (Cont'd)				
		MOUNTING FOR TIMING UNIT AND FLIGHT DATA RECORDER, UNDER PILOT'S FLOOR (7T6287)				
		Spare for:-				
22749	1T6249	Adepter	1	-	C	
	2T6287	CHANNEL, MOUNTING, GROUP	2	-		PB1/68
		Spare for:-				
	3T6236	Bolt, stud	4	-		
10AJ/136	2aT6287	Channel	1	-		
10A/17030	-	Mounting, A.V.	2	-	B	PB1/68
	-	Washer, check	2	-	C	
	5T6287	Member, top hat	2	-		
	3T6287	Member, top hat	2	-		
22747	1T6248	TRAY, MOUNTING, GROUP	1	-	B	PB1/70
		Spare for:-				
22748	4T6248	Quick release, assembly	1	-	C	PB1/71
		Consisting of:-				
	4aT6248	Block	2	-		
	4bT6248	Clamp	2	-		
	4cT6248	Nut, knurled	2	-		
10AJ/137	-	Mounting, A.V.	2	-	B	PB1/72
10AJ/144	-	Mounting, A.V.	2	-	B	PB1/73
	2T6248	Plate, cover, assembly	1	-		PB1/74
		MOUNTING FOR STR. 18/B2 H.F. EQUIPMENT (T4919) (Pre-Mod. 2300)				
		Spare for:-				
10D/18066		Box, junction, type 4191	1	-	A	PB3/75
	S.T.C. LTD. L93997/206	Tray, mounting	1	-		PB3/76
	S.T.C. LTD. L93997/206	Tray, mounting	1	-		PB3/77
		MOUNTING OF TRANSMITTER RECEIVER (T8089) (Mod. 2300)				
		Spare for:-				
10AJ/9451843	-	Mount, resilient	1	-		
		MOUNTING OF N.B.C. JB AND RESISTANCE UNIT (1T372B) (Pre-Mod. 748)				
		MOUNTING OF N.B.C. RESISTANCE UNIT (T4911) (Mod. 748)				
		Spare for:-				
9D/12	-	Unit, resistance, Mk. 1	1	-	A	PB4/78
		MOUNTING OF N.B.C. JUNCTION BOX (T4933)				
		Spare for:-				
9D/1399	-	Box, junction, type 343 Mk. 2	1	-	A	PB4/79
	2T372B	Bracket, support	1	-		
	9T372B	Bracket, support	1	-		

RADIO AND RADAR INSTALLATION
CREW'S NACELLE

Ref. No.	Part No.	Description	No. off	Matl. Spec.	Cl. of	Plate and Illust'n No.
					St.	
		1 2 3 4			M.R.	
		RADIO AND RADAR INSTALLATION IN CREW'S NACELLE (2T4282) (Cont'd)				
10D/21798	—	MOUNTING OF JUNCTION BOX (T5378) Spares for:— Box, junction, type 16107	1	—	B	PB1/80
5X/6200370 10D/4709928 5935—98— 087—0056	1V5650 — — —	MOUNTING OF JUNCTION BOX, TYPE 7684 (T4851) (Mod. 2304) Spares for:— Block, terminal Box, junction, type 7684	1 1	— —	C A	PB4/81 PB4/82
5CW/4400181 5X/4491488 5X/4491487	681V7728 PLESSEY 7CZ/105411/2 15V5650 14V5650	Cap. protective Label Relay (Pre-Mod. 2304) Socket, single Socket, double	2 1 1 1 1	— — — — —	C C A C C	PB4/83 PB4/84
10D/20817 285/9892997 28W/9418484	— A31/C18 SP10/C	MOUNTING OF JUNCTION BOX, TYPE 8206 (T8848) (Mod. 2411 S.O.O.) Spares for:— Box, junction, type 8206 Screw, 2 BA Washer, 2 BA	1 6 6	— — —	B C C	PB4/84A PB4/84B PB4/84C
10D/4418427	T5141 — 1T4802	MOUNTING OF JUNCTION BOX FOR HEADING REF. SYSTEM (T5885) Spares for:— BOX, JUNCTION MOUNTING, GROUP Spares for:— Box, junction, type 1604B Bracket, mounting Mounting	1 1 1 1	— — — —		PB1/85 PB1/86 PB1/87 PB1/88
10D/4418527	—	MOUNTING OF JUNCTION BOX (T4708) Spares for:— Box, junction, type 9775	1	—	A	PB4/89
11357	30T4607 2T4607 T.C.C.	MOUNTING OF RELAY BOX FOR SIM. BOMBING (T4825) Spares for:— BOX, RELAY, GROUP (Mod. 1427) Spares for:— Box, plug and relay	1 1	— —	A	PB2/90 PB2/91
5910—99— 012—4700	— —	Capacitor Plate, mounting Plug	1 1 1	— — —	C C C	PB2/92 PB2/93
10H/0560070	4T4607 ERIE		1	—	C	PB2/94
5905—99— 022—2181	—	Resistor, 27K (Pre Mod 1427)	1	—	C	PB2/95
5905—99— 022—1206	—	Resistor, 560Ω (Mod. 1427)	1	—	C	PB2/96
5905—99— 022—2085	—	Resistor, 4.7KΩ	1	—		PB2/96
5905—99— 011—3483	—	Resistor, 680Ω	1	—	C	PB2/97

**RADIO AND RADAR INSTALLATION
CREW'S NACELLE**

Ref. No.	Part No	Description	No. off	Matl Spec.	Cl. of St.	Plate and Illust'n No.
					M.R.	
		<u>1 2 3 4</u>				
		MOUNTING OF RELAY BOX FOR SIM. BOMBING (T4825) (Cont'd)				
5945-99-011-9239	G.E.C. LTD. —	Relay	1	—	B	PB2/98
5945-99-011-9253	—	Relay	1	—	B	PB2/99
10H/0580250	BT4007 —	Seal, rubber	1	—	MR	PB2/100
10AJ/0487904	A.V.A. LTD. A.V.A. 2306/H	Socket	1	—	C	PB2/101
		Mounting, A.V	1	—	C	PB2/101
		MOUNTING OF CONTROL UNIT (4796) Spares for:—				
10L/263	—	Unit, control, type 705	1	—	A	PB2/102
		MOUNTING OF CONTROL UNIT, 2nd PILOTS STATION (T4822) Spares for:—				
10L/4706907	2T4822	Bracket, mounting	1	—		
10L/15838	3T4822	Bracket, mounting	1	—		
	4S2107	Clip, half, special	1	—		
	—	Unit, control, type 7681 (Pre-Mod. 2304)	1	—	A	PB1/103
	—	Unit, control, type 7681B (Mod. 2304)	1	—	A	
		MOUNTING OF TRANSDUCER, A.R.I. 5959 INSTALLATION (T6185) (Mod. 2057) Spares for:—				
6A. 10432	PENNY & GILES D3457	Transducer, type P.P.4D	1	—	A	PB1/104
		MOUNTING OF HEAD-UP INDICATOR BRACKET, A.R.I. 5959 INSTALLATION (T6863) (Mod. 2057) Spares for:—				
5X 6200370	1V5650	Block, terminal	2	—	C	PB2-105
10AR/0581888	10T6863	Bracket (Pre-Mod. 2420)	1	—	C	
	13T6863	Bracket	1	—		
	14T6863	Bracket	1	—		
	H. K. PORTER LTD. C18091	Clamp (Pre-Mod. 2420)	2	—		
5L/9951273	—	Filament	2	—	C	PB2-106
5CX/1088	—	Lamp, warning	2	—	C	PB2-107
5X. 4491488	15T6863	Plate, reinforcing (Mod. 2091)	1	L72		
	15V5650	Socket, single	8	—	C	PB2-108
		MOUNTING OF A.D.D. MONITOR AND T.B. (T7744) (Mod. 2188) Spares for:—				
26FP-8735	2T7744	PLATE GROUP	1	—		PB1 108A
		Spares for:—				
	1V5650	Block, terminal	1	—	C	PB1 108B
	GJ5M	Diode	1	—		PB1.108C
	FERRANTI 3851/60077	Monitor, A.D.D	1	—		PB1.108D

WACAM 2

RADIO AND RADAR INSTALLATION
CREW'S NACELLE

Page PB. 17

Ref. No.	Part No.	Description	No. off	Matl Spec.	Cl. of St.		Plate and Illust'n No.
					M.R.		
		1 2 3 4					
		RADIO AND RADAR INSTALLATION IN CREW'S NACELLE (T4292) (Cont'd.)					
		MOUNTING OF INTER/COMM. EQUIPMENT NAVIGATOR'S TOP SHELF (T4654)					
		Spares for:—					
5X/8200370	1V5850	Block, terminal	1	—		C	PB4/109
5CZ/1053784	—	Block, terminal, 2-way	1	—		C	PB4/110
10D/4708927	—	Box, junction, type 7682	3	—		A	PB4/111
10D/4708928	—	Box, junction, type 7683	3	—		A	PB4/112
		MOUNTING OF INTER/COMM. EQUIPMENT UNDER PILOT'S FLOOR, PORT (T4588)					
		Spares for:—					
10D/4708927	—	Box, junction, type 7682	2	—		A	PB2/113
10H/0970056	Z970056	Cap, protective	1	—		C	PB2/114
10H/0139177	Z970057	Cap, protective	1	—		C	PB2/115
		MOUNTING OF R/T 1 CONTROL UNIT, AT A.E.O.'s STATION (T6360)					
		Spares for:—					
	2T6342	Bracket, support	1	L72			
	3T6342	Bracket, support	1	L72			
10L/945-5739	—	Unit, control, type C1807/4	1	—		A	PB2/116
	ZB75S6085	Label, R/T 1" (Mod. 2144)	2	—			
		MOUNTING, I.L.S. VOLTAGE REGULATOR, I/C AMPLIFIER AND I/C JB (T4538)					
		Spares for:—					
10U/6282943	—	Amplifier	1	—		A	PB2/117
10AJ/121	—	Mounting	1	—		B	PB2/118
10AJ/154	—	Mounting, A.V.	2	—		B	PB2/119
	T6434	PANEL, 46P, GROUP (Mod. 2007)	1	—			
		Spares for:—					
5X/9402803	50451	Block, terminal	1	—		C	PB2/120
	1T8433	BOX, JUNCTION I/C, GROUP	1	—			
		Spares for:—					
	12T4743	BOX, JUNCTION, LESS LOOM, GROUP	1	—			PB2/121
		Spares for:—					
5X/6200370	1V5850	Block, terminal	10	—		C	PB2/122
	5T4743	Bracket	1	L72			PB2/123
	DUBILIER	Capacitor, 25MFD, type 418	2	—			PB2/124
	Z115663	Cover	1	—		C	PB2/125
22726	3T4743	Grommet	8	Rubber		C	
5K/9517020	SP.93/B12	Grommet	3	Rubber		C	
5K/9518404	SP.93/B10	Grommet	2	Rubber		C	
5K/9483758	SP.93/B8	Grommet	1	Rubber		C	
5K/9525275	SP.93/B14	Grommet	1	—			
	TBA	Unit, audio filter	1	—			
		MOUNTING, NAV. BOMBER'S CONTROL UNIT (2T4852)					
		Spares for:—					
10L/18838	—	Unit, control, type 7681B	1	—		A	

RADIO AND RADAR INSTALLATION
CREW'S NACELLE

Ref. No.	Part No.	Description	No. off	Matl. Spec.	Cl. of	Plate and Illustr'n No.
					SL	
1 2 3 4						
MOUNTING, I.L.S. VOLTAGE REGULATOR I/C. AMPLIFIER AND I/C JB (T4538) (Cont'd)						
5945-99- 011-9239	22V5850	Jumper	2	—	MR	PB2/126
5945-99- 011-9244	—	Relay, 543	1	—	B	PB2/127
5X/4491487	14V5850	Relay, 544	1	—	B	PB2/128
5X/4491488	15V5850	Socket, double	3	—	C	PB2/129
		Socket, single	40	—	C	PB2/130
	1T5940	LOOM, CABLE, GROUP	1	—		
5X/9402794	62362	Cover, terminal block	1	—	C	PB2/131
5X/9402800	AS2868	Link	1	—	C	PB2/132
10AJ/154	—	Mounting, A.V.	1	—	B	PB2/133
	2T4744	Panel (54P)	1	—		PB2/134
5X/9402799	AS2808/2	Socket	5	—	C	PB2/135
5UC/4379142	—	Regulator, voltage	1	—	A	PB2/136
10AJ/18421	—	Washer, check	3	—	C	
MOUNTING, SWITCH, RELAY AND LAMP PANEL ON SP (T6274) (Mod. 2007)						
Spare for:—						
5L/9851273	2T6274	Bracket, switch panel	1	—		PB3/137
5CX/1085815	—	Filament	1	—	C	PB3/138
	—	Lamp (Red)	1	—	C	PB3/139
ROTAX						
5CW/4406767	N135531/1	Plate, fixing, lower	2	—	C	PB3/140
	18584824	Plate, fixing, upper	1	—		PB3/141
PLESSEY						
5CW/4406182	7CZ/103738/2	Relay	1	—	A	PB3/142
ROTAX						
5CW/4406764	N135530	Shroud	1	—	C	PB3/143
5CW/4406768	N138830	Shroud	1	—	C	PB3/144
5CW/1047886	—	Switch, double pole	1	—	C	PB3/145
5CW/1047881	—	Switch, single pole	1	—	B	PB3/146
MOUNTING OF CONTROL UNIT, TYPE						
8204, ON PANEL SP (T8847)						
(Mod. 2411 S.O.G.)						
Spare for:—						
10L/16429	—	Unit, control, type 8204	1	—	B	PB3/146A

VULCAN MIL. 7		RADIO AND RADAR INSTALLATION				Page PB. 18A			
CREW'S NACELLE									
Ref. No	Part No.	Description				No. off	Mtl. Spec.	Cl. of St. M.R.	Plate and Illust'n No.
		1	2	3	4				
		MOUNTING RELAY MODULE UNDER CREW'S FLOOR (TB155) (Mod. 2304)							
	2TB155	Spare for:— BRACKET, MOUNTING, GROUP				1	—		PB5/190
5K/1037441	AS3360/B6C	Lead, bonding				1	—	C	PB5/191
	A54/C	Attachments for part No AS3360/B6C							
28M/1980780	AGS2002/C4	Locknut				1	—		
28S/9982519	A43/C24	Nut, stiff				1	—	C	
28W/1009752	SP25/C	Screw				1	—	C	PB5/192
		Washer				4	—	C	
1510662	1TB155	MODULE RELAY, GROUP				1	—	B	PB5/193
		Attachments for Part No. 1TB155							
28S/9419453	A31/B14	Screw				4	—	C	PB5/194
28W/9419454	SP10/C	Washer				4	—	C	
	2TB155	BRACKET, GROUP				1	—		PB5/195
		Spare for:—							
5K/9483758	SP93/B8	Grommet				2	—	C	PB5/196
	BULGIN C125	Board, terminal				1	—		PB5/197
		Attachments for Part No. C125							
28S/1200058	A33/A14	Screw				2	—	C	PB5/198
28M/9418829	AGS2002/A1	Nut, stiff				2	—	C	
28W/9418448	SP10/A	Washer				2	—	C	
	WARD BROOKE LTD. WB/1110/S/5/W	Block, terminal, No. T.B.1760				1	—	C	PB5/199
	WARD BROOKE LTD. WB/1110/S/10/W	Block, terminal, Nos. T.B.17584, T.B.1759				2	—	C	PB5/200
5CZ/1036016	HELLERMANN 4223	Base, relay				2	—		PB5/201
	WARD BROOKE LTD. WB/1110/24	Cable, spacer				4	—	C	PB5/202
		Cable (Minyvin)				20	—		
	WARD BROOKE LTD. WB/1110/B/4/W	Cover, terminal block				1	—		PB5/203
	WARD BROOKE LTD. WB/1110/B/5/W	Cover, terminal block				1	—		PB5/208
	E.M.L. 69F465G7	Capacitor, 160 uf				2	—		PB5/206
10CU/1180726	FERRANTI ZS172	Diode				7	—	C	PB5/208

RADIO AND RADAR INSTALLATION

CREW'S NACELLE

Ref No.	Part No.	Description	No. off	Mett. Spec.	Cl. of	Plate and Illust'n No.
					St.	
		1 2 3 4				
		MODULE RELAY, GROUP (1TB156) (Cont'd.)				
5CZ/1037737	WARD BROOKE LTD WB/1110/41	Link, 3-way	1	—	C	PB5/207
5CZ/6424	WARD BROOKE LTD. WB/1114/28	Pillar, fixing	6	—	C	PB5/208
5905-99- 014-0613	WELWYN —	Resistor, 10Ω, type W21	1	—	C	
1510663	3TB156	RESISTOR, GROUP (C21—220Ω±5%)	1	—	C	
1510664	4TB155	RESISTOR, GROUP (C21—68Ω±5%)	1	—	C	
1510665	5TB156	RESISTOR, GROUP (C21—91Ω±5%)	1	—	C	
1510666	6TB155 HELLERMANN HDO1—SF2— D06	RESISTOR, GROUP (C21—100Ω±5%)	1	—	C	
	—	Relay, No's. RL832 & RL833	2	—		PB5/209
	—	MOUNTING TRAY INSTALLATION, FOIL INDICATOR UNIT, AR15962 (Ref. Org. T8471 and T8693) (Mod. 2017, Part 'B')	Ref	—		
1433108	1T6594	Spares for:— TRAY, MOUNTING, GROUP	1	—	C	
17489	3T6594	Spares for:— LOCKING, GROUP	2	—	C	
	2ATEC10	Spares for:— Knob	1	—		
	5T6594	Screw	1	—		
	6T6594	Bush, clamping	1	—		
	2ATEC12	Nut, special	1	—		
	2T6594	TRAY, GROUP	1	—		
	4T6594	Spares for:— Plate	1	—		
	7T6594	Spigot	1	—		
	5841/99/954/ 7737	Unit, indicator azimuth range	1	—		

RESTRICTED

VULCAN 88 7

RADIO AND RADAR

Page PB. 16C

CREW'S NACELLE

Ref. No.	Part No.	Description	No. off	Matl. Spec.	Cl. of	Plate and Must'n No.
					St.	
		1 2 3 4			M.R.	
		MOUNTING OF A.D.A.M. DETECTOR UNITS AIR MONITORING SYSTEM (212726) (Mod. 2390 S.O.O.) Spares for:—				
10AJ/9668885	B64CA/10	Barrymount	6	—	C	PB6/1
10AJ/9668306	B64CA/20	Barrymount	6	—	C	PB6/2
28D/9436820	A25/1C	Bolt	18	—	C	PB6/3
28D/9133011	A25/2C	Bolt	6	—	C	PB6/4
28D/9133012	A25/3C	Bolt	18	—	C	PB6/5
28D/9140845	A25/10C	Bolt	6	—	C	PB6/6
28D/9436710	A25/11C	Bolt	2	—	C	PB6/7
28FP/13942	18S3867	Bracket, for cable stowage	2	—	C	
5X/6991	—	Chain, retaining	2	—		
		Crimp end, for cable stowage	2	—	C	
		Attachments for 5X/6991				
		Bolt	1	—	C	
28D/9436820	A25/1C	Nut, stiff	1	—	C	
28M/1012015	AGS2001/C1/66	Washer	1	—	C	
28W/9419402	SP13C					
		ELECTRIC CABLES (See Section FG)	Ref.	—		
28N	AS1881	Hinge	2	—		PB6/8
		Attachment for AS1881				
28D/1013284	AS1248/2C	Bolt	3	—	C	PB6/9
28M/1012015	AGS2001/C1/66	Nut, stiff	3	—	C	
28W/9419454	SP10C	Washer	3	—	C	
28M/1012015	AGS2001/C1/66	Nut, stiff, for Barrymount Bolts	16	—	C	
	22212726	PLATFORM MOUNTING, GROUP	1	—		PB6/10
		Spares for:—				
10AJ/9668306	26Z12726	Angle, mounting	1	—		
	B64CA/20	Barrymount	4	—	C	PB6/11
		Attachment for B64CA/20				
28D/1212904	AS1248/12C	Bolt	3	—	C	PB6/12
28D/1212796	AS1248/13C	Bolt	1	—	C	PB6/13
28M/1012015	AGS2001/C1/66	Nut, stiff	4	—	C	
28W/9419402	SP13C	Washer	4	—	C	
		Attachment for 22212726				
28D/	A25/13C	Bolt	5	—	C	PB6/14
28W/9419402	SP13C	Washer	5	—	C	
		PANEL, 4P FUSE AND RELAY, GROUP	Ref.	—		
		(See Section FG Page 55)				
28FP/9468298	A407	Pin, plp	2	—	C	PB6/15
		STORAGE EQUIPMENT PANEL	Ref.	—		PB6/16
		(See Section FG)				

RESTRICTED

RESTRICTED

WALCAN 88 7

Page PB 18D

**RADIO AND RADAR
CREW'S NACELLE**

Ref No.	Part No.	Description	No. off	Mtrl. Spec.	Cl. of St.	Plate and Illust'n No.
					M.R.	
		1 2 3 4				
	211Z12726	STRUT ADJUSTABLE SUPPORT, GROUP ... Consisting of:—	1	—		PB6/17
28M/1007404	213Z12726	End, fork	1	S93		
	A27/JT	Nut, thin	1	—	C	
28W/9419456	212Z12726	Strut	1	L85		
	SP10/J	Washer	1	—	C	
		Attachment for 211Z12726				
28N/1046361	SP121/E	Collar	2	—	C	
28P/2231775	SP113/E7	Pin, shear	2	—	C	PB6/18
28P/9486478	SP90/C5	Pin, split	2	—	C	
	HR/D/572642/1	Unit, Detector, NIS385	1	—		PB6/19
	HR/D/572642/2	Unit, Detector, NIS385	1	—		PB6/20
	HR/D/572642/3	Unit, Detector, NIS385	1	—		PB6/21
	HR/D/572642/4	Unit, Detector, NIS385	1	—		PB6/22
		Attachment for Unit Detectors				
28W/9418820	S126E,SS4751	Bolt	4	—	C	PB6/23
	SP10/E	Washer	4	—	C	
	HR/1/598046	Unit, Control, NIS385	1	—		PB6/24
	HR/1/598046	Unit, Control, NIS385	1	—		PB6/25
		Attachments for Unit Control				
28D/	AS124847C	Bolt	4	—	C	PB6/26
28W/9419454	SP10/C	Washer	4	—	C	
	HR/1/598047	Unit, Display, NIS385	1	—		PB6/27
		(Service Supply and Fit)				
		Attachment for Unit Display				
28S/9892525	A32/B12	Screw	5	—	C	PB6/28
28C/1208041	AGS2035/B	Washer, shakeproof	5	—	C	
	S58/B6	Washer, tab	2	—		PB6/29
28W/9419454	SP10/C	Washer for Barrymount Bolts	—	QR	C	
28W/9419402	SP13/C	Washer for Barrymount Bolts	—	QR	C	
		MOUNTING OF MONITOR DETECTOR UNIT, POD AND PYLONS IN MAINPLANE (See Page PC. 3)	Ref	—		

RESTRICTED

WILCAN NR 2

RADIO AND RADAR INSTALLATION
CREW'S NACELLE

Page PB. 19

Ref No.	Part No.	Description	No. off	Matl. Spec.	Cl. of	Plate and Illust'n No.
					St. M R	
		1 2 3 4				
		PANEL AIRSPEED ADJUSTMENT AIR5958 INSTALLATION (T6788) (Mod. 2057)				
	1T6787	Spares for — PANEL AIRSPEED ADJUSTMENT GROUP	1	—		PB1/147
5X/6200370	1V5650	Spares for:— Block, terminal	1	—	C	PB1/148
5X/4491485	2T6787	Channel	1	—		
	10V5650	Ferrule	4	—	C	PB1/149
	COLVERN LTD. A100	Lock, spindle	2	—		PB1/150
	COLVERN LTD. CLR1501/ 264/15/S	Potentiometer, 2K Ω	1	—		PB1/151
5906-99- 011-9859	—	Potentiometer, 1K Ω	1	—	B	PB1/152
	AW3101	Resistor, 3300 Ω \pm 5%	1	—		PB1/153
	AW3101	Resistor, 1500 Ω \pm 5%	1	—		PB1/154
		PANEL REDUNDANT CIRCUIT FAIL, AIR 5858 INSTALLATION (T6662) (Mod. 2057)	—	—		PB1/154A
		Spares for:—				
	15V5650	Block, connector	1	—		PB1/155
	884T3434	CABLE, GROUP (Mod. 2138)	1	—		
	COLVERN LTD. A100	Lock, spindle	2	—		PB1/156
	2T8862	Panel	1	L72		PB1/157
	COLVERN LTD. CLR4501/ 264/15/S	Potentiometer	2	—		PB1/158
5CW/9255	DOWTY AS10512C-1	Switch, isolation (Mod. 2188)	1	—	C	PB1/158A
5905-99- 012-1493	N25	Resistor, 1K Ω	2	—	C	PB1/159
6B/6349756	—	Plate, back (Pre-Mod. 748)	1	—	B	
10AR/5188651	—	Plate, back, for indicator 101	1	—	B	PB3/160
10AR/4702284	—	Plate, back, for transmitter 4188 (Pre-Mod. 2300)	1	—	A	PB3/161
10AR/4427380	—	Plate, back, for control unit 4190 (Pre-Mod. 2300)	1	—	A	PB3/162
10AR/4702286	—	Plate, back, for receiver 4187 (Pre-Mod. 2300)	1	—	A	PB3/163
10AR/4702283	—	Plate, back, for power unit 4192 (Pre-Mod. 2300)	1	—	A	PB3/164
10AR/4702287	—	Plate, back, for selector unit 7003 (Pre-Mod. 2300)	1	—	A	PB3/165
5UC/4379173	—	Plate, back (Pre-Mod. 2300)	1	—	C	PB3/166

RADIO AND RADAR INSTALLATION

CREW'S NACELLE

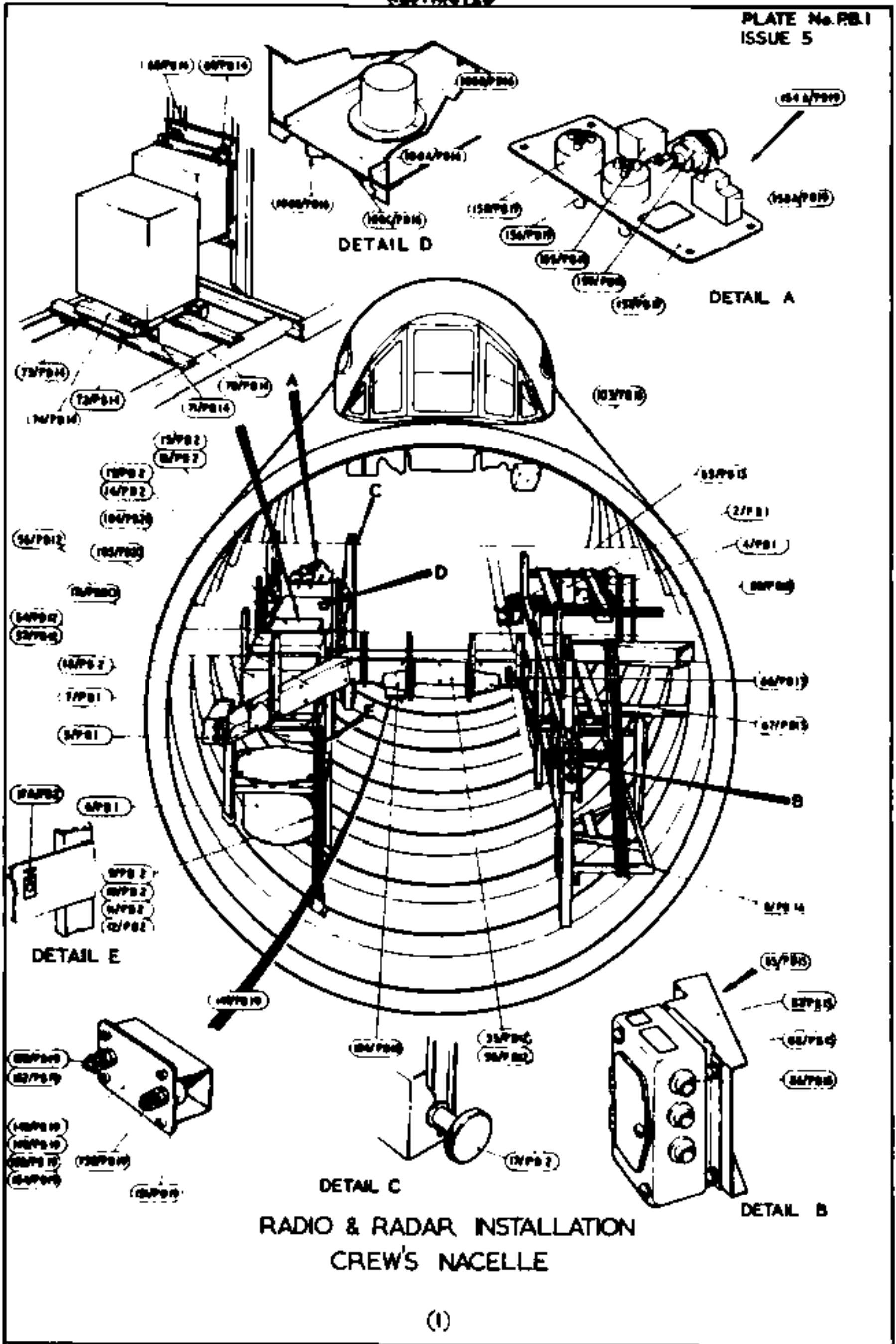
Ref No.	Part No.	Description	No. off	Matl. Spec.	Cl. of	Plate and Must'n No.
					St. N.R.	
		1 2 3 4				
		RADIO AND RADAR INSTALLATION IN CREW'S NACELLE (2T4292) (Cont'd)				
100/6352827	—	Receiver, type R1964 (Mod. 2447)	1	—	A	PB2/167
100/6352825	—	Receiver, type R1965 (Mod. 2447)	1	—	A	PB2/168
100/19604	—	Receiver, H.F., type R4187 (Pre-Mod. 2300) ...	1	—	A	PB3/168
5UC/8423525	—	Regulator, voltage, type (Pre-Mod. 2300)	1	—	A	PB3/170
9CA/4491981	3D6138	Receiver, ground speed (Pre-Mod. 2434)	1	—	A	PB1/171
9CA/1487	75D24004	Receiver, ground speed (Mod. 2434)	1	—	A	
100/4427341	—	Transmitter, H.F., type T4188 (Pre-Mod. 2300) ...	1	—	A	PB3/172
10L/6192088	—	Unit, control, type 626	1	—	A	PB3/173
10L/6193340	—	Unit, control, type 903	1	—	A	PB3/174
10LB/6197834	—	Unit, control, type 595	1	—	A	PB3/175
100B/6192088	—	Unit, indicator, type 301	1	—	A	PB3/176
100/9537439	12A/D22151	Unit, indicator, type 301D (Mod. 2411 S.O.O.)	1	—	B	PD3/176A
10LB/6197833	—	Unit, control, type 585	1	—	A	PB3/177
10L/4427344	—	Unit, control, type 4190 (Pre-Mod. 2300)	1	—	A	PB3/178
100/4096712	—	Unit, selector, type 7003 (Pre-Mod. 2300)	1	—	A	PB3/179
100/4706366	—	Unit, Pulse altitude indicator, type 7921	1	—	A	PB3/180
10L/18856	—	Unit, control, type 7681 B (Mod. 2304)	1	—	A	PB3/181
100/16420	—	Unit, indicator, type 6938	1	—	A	PB3/182
9CA/103	—	Unit, control	1	—	A	PB3/183
9CA/156	—	Unit, recorder timing	1	—	A	PB1/184
9CA/184	—	Unit, recorder, type 173-15-81	1	—	A	PB1/185
100/19067	—	Unit, power and radio, type 4192 (Pre-Mod. 2300)	1	—	A	PB3/186
90/756	—	Unit, wind	1	—	A	PB4/187
10L/16485	—	Unit, control, type 12580	1	—	A	PB3/188
10L/6215709	RRCB13226	Unit, control, type 12580A (Mod. 2411 S.O.O.)	1	—	B	PB3/188A
10L/16483	—	Unit, control, type 12558	1	—	A	PB3/189
10L/946— 5125	—	Unit, control, type 13044 (Mod. 2024)	1	—	A	
10V/6197854	11A/D4200	Unit, generator, waveform, type 688 (Mod. 2411 S.O.O.)	1	—	B	PB4/189A
9CD/1117244	SPERRY 249801-0100	Unit, heading, navigator (Mod. 2257)	1	—	A	
110D/8043307	—	Unit, Transmitter/Receiver, type M15 (Mod. 2300)	1	—	A	
5821—89— 914—8966	—	Unit, Pre-Amplifier, type VA8002 (Mod. 2300)	1	—	A	

VULCAN No. 2

RADIO AND RADAR INSTALLATION
SUMMARY OF STANDARD PARTS

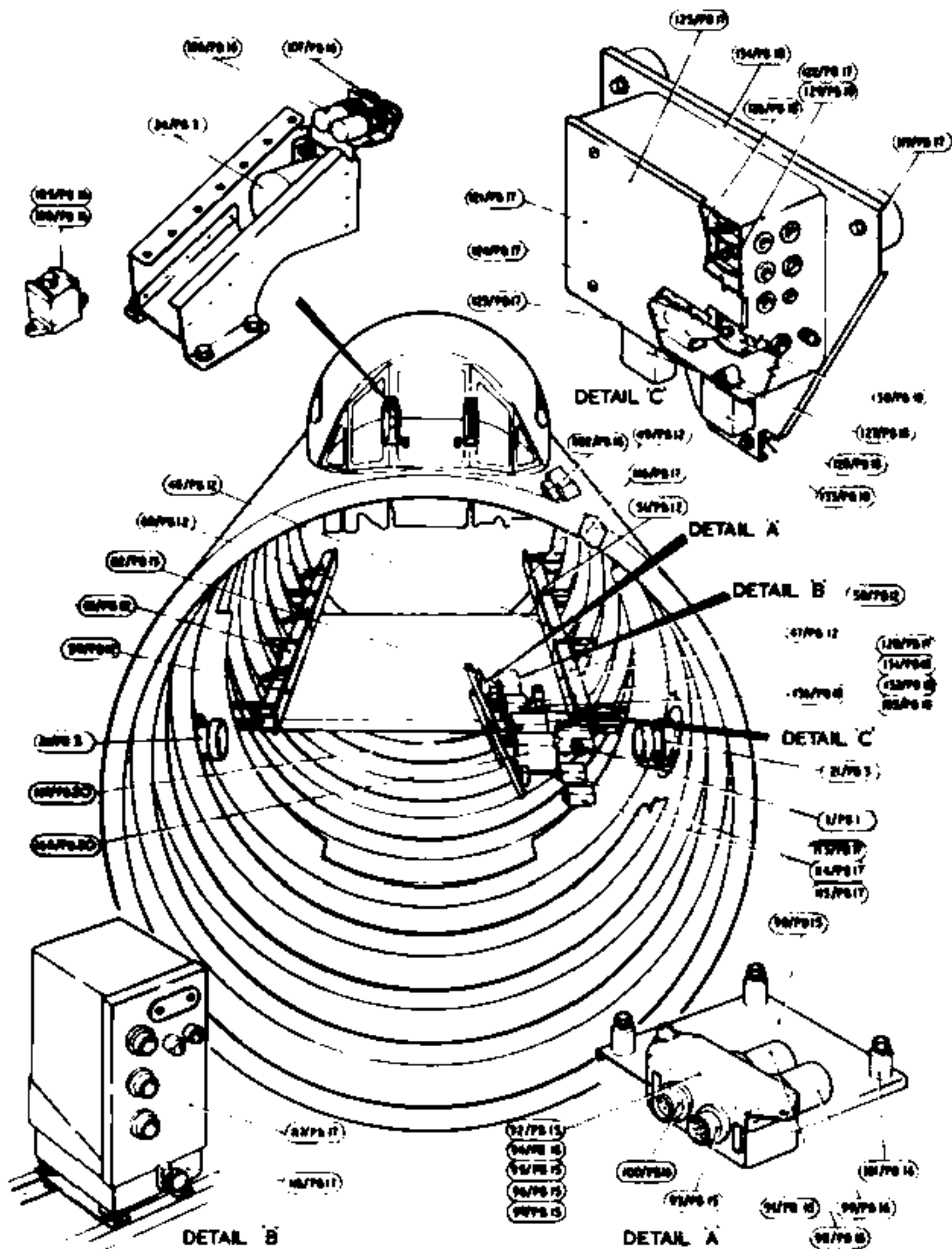
Page PB. 21

Stores Ref.		No. off	Stores Ref.		No. off	Stores Ref.		No. off
Section	Ref. No.		Section	Ref. No.		Section	Ref. No.	
28D	1008147	2	28M	1010014	2	28S	9992533	5
28D	9706373	1	28M	9129528	24	28S	1011491	7
28D	1010658	29	28M	9706320	8	28S	9512511	2
28D	1008149	26	28M	9480973	4	28S	1200061	6
28D	9419452	3	28M	10286	28	28S	1200062	8
28D	1011006	8	28M	10273	2	28S	9130764	16
28D	1010142	2	28M	1278189	145	28S	9446553	2
28D	9435711	2	28M	1278190	280	28S	9992520	1
28D	9436920	116	28M	10275	24	28S	9992519	23
28D	9133011	84	28M	10292	4	28S	1012361	1
28D	9133012	23	28M	10326	2			
28D	1200119	8	28M	1086618	26			
28D	9133013	6	28M	9433473	30			
28D	9140644	3	28M	9434253	2			
28D	9140649	12	28M	11957	20			
28D	9435710	8	28M	9434251	9	28W	9419446	19
28D	9133014	3	28M	9435067	2	28W	9419401	133
28D	1011021	18	28M	12421	1	28W	9419454	134
28D	1214311	2	28M	13774	1	28W	9419464	8
28D	1011025	1				28W	9419465	112
28D	1011242	2				28W	9419402	291
28D	1011244	4				28W	9418921	5
28D	1011246	4				28W	9419466	8
28D	1007285	8				28W	9419473	2
28D	1013172	4	28S	1200049	7	28W	9419474	18
28D	9137408	8	28S	1200044	12	28W	9419475	60
28D	1007979	8	28S	9419437	6	28W	9419405	2
28D	1214865	5	28S	9435712	2	28W	9419486	16
28D	1214867	8	28S	1201448	2	28W	9419404	28
28D	1214868	3	28S	9419435	10	28W	9419487	4
28D	9140202	4	28S	9419453	14	28W	1200073	4
28D	9137409	6	28S	1200034	16	28W	1200071	11
28D	9710453	2	28S	1200036	6	28W	9995407	6
28D	13223	4	28S	1200040	4	28W	9437455	2
28D	9128739	10	28S	1005622	4	28W	1009752	72
28D	8337	9	28S	1011479	2	28W	9128182	10
28D	1218386	4	28S	9997545	11			
28D	1213722	5	28S	9992997	3			
28D	1007981	65	28S	9435713	9			
28D	1007982	31	28S	1200047	2			
28D	1013284	1	28S	9419411	1			
28D	1013301	3	28S	1007753	2			
28D	1212800	5	28S	1017747	20			
			28S	1011486	4			
			28S	9992525	88			
			28S	1008327	11			
			28S	9992522	8			
			28S	1007817	3			
			28S	1008085	4			
28DU	9480269	4	28S	1011490	12			



RADIO & RADAR INSTALLATION
CREW'S NACELLE

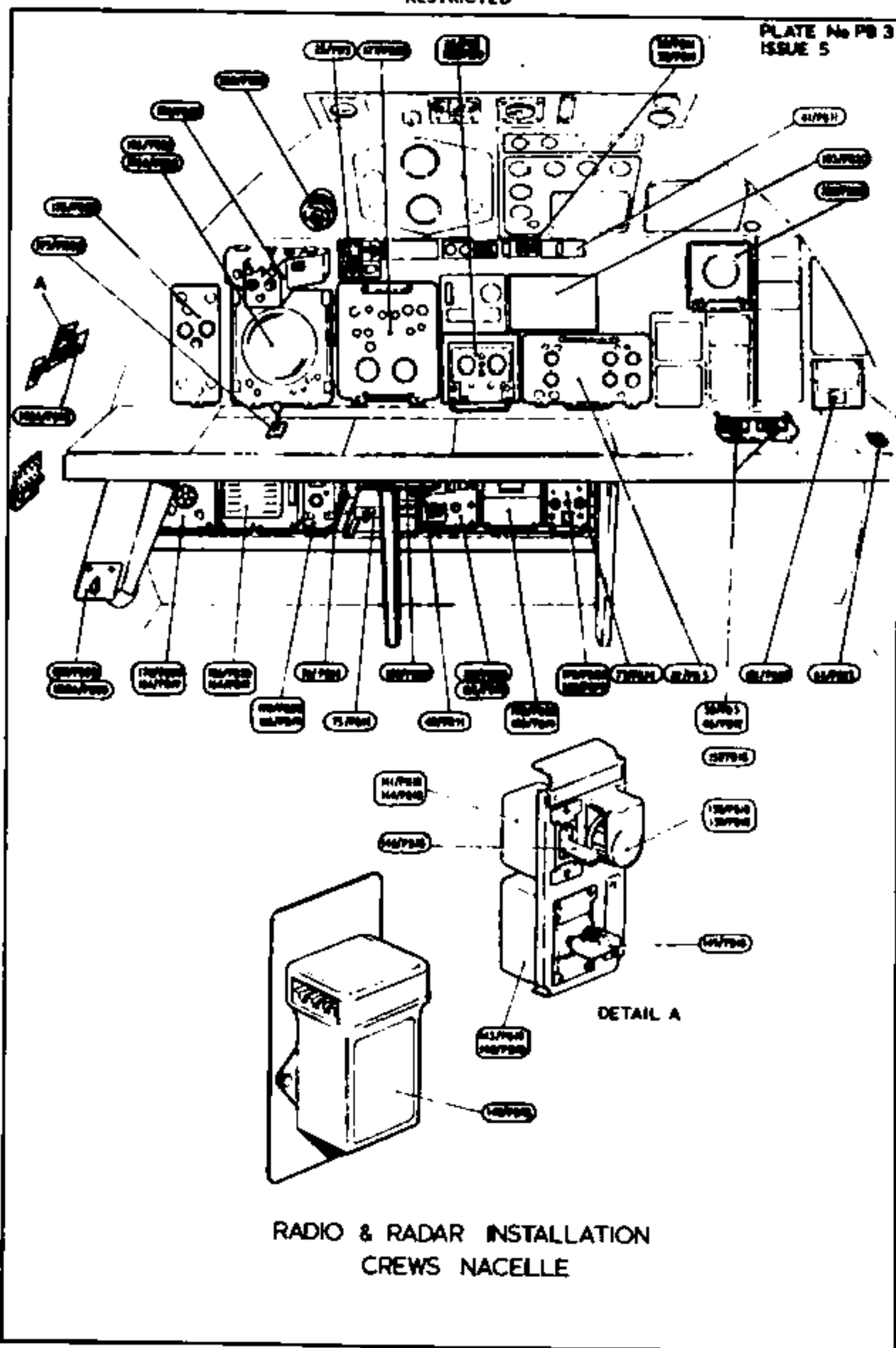
(1)



RADIO & RADAR INSTALLATION
CREW'S NACELLE

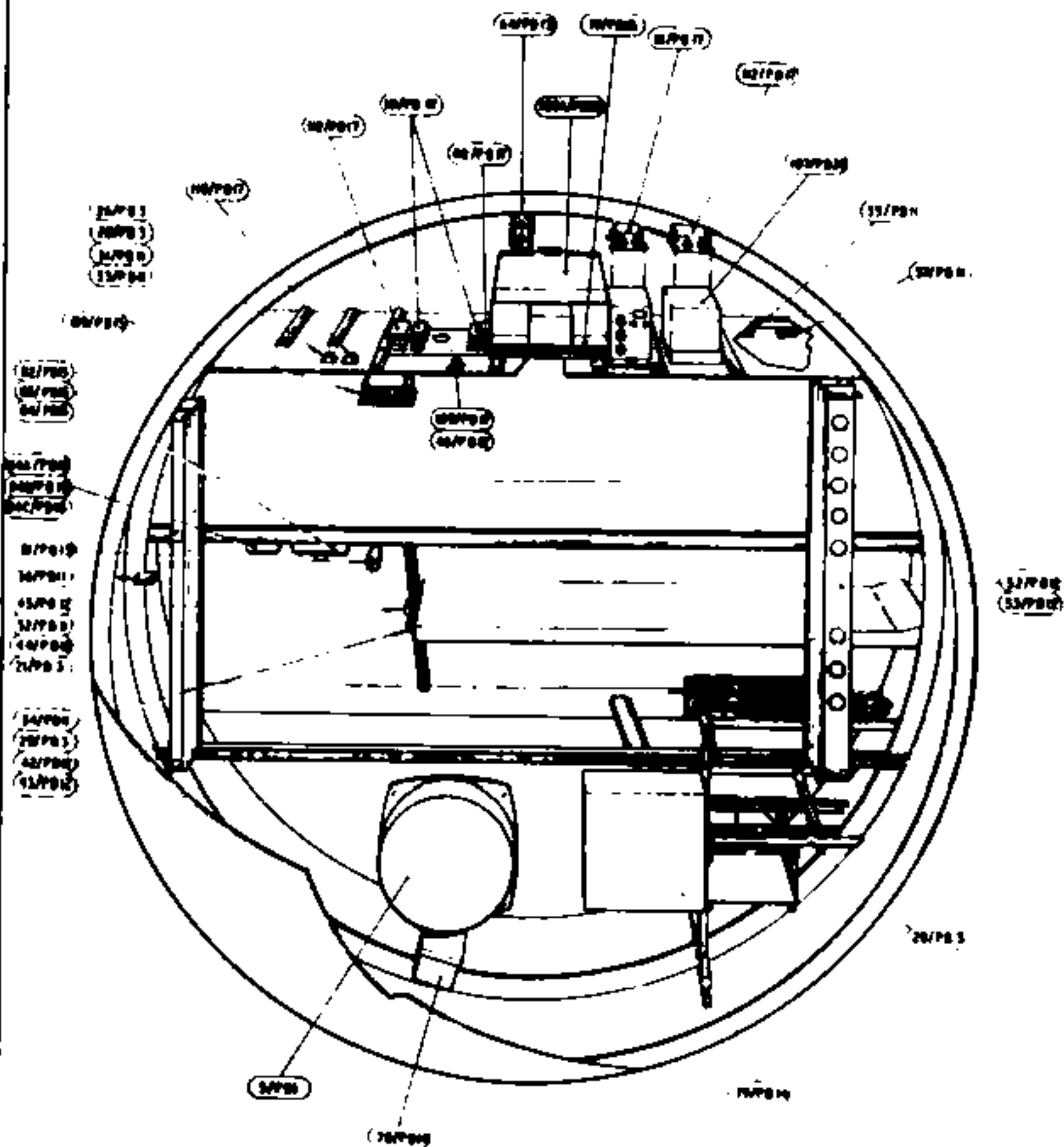
RESTRICTED

PLATE No PB 3
ISSUE 5

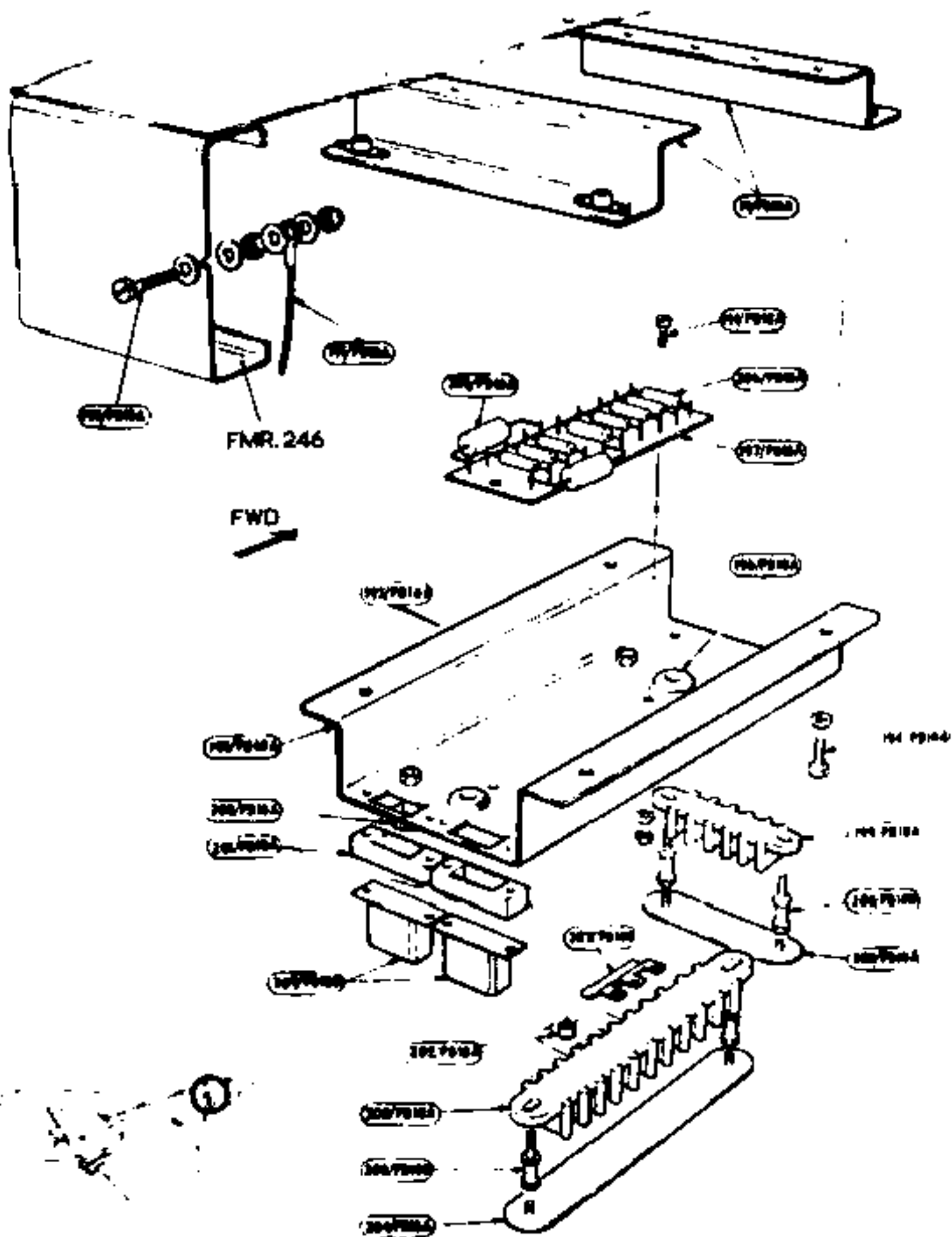


RADIO & RADAR INSTALLATION
CREWS NACELLE

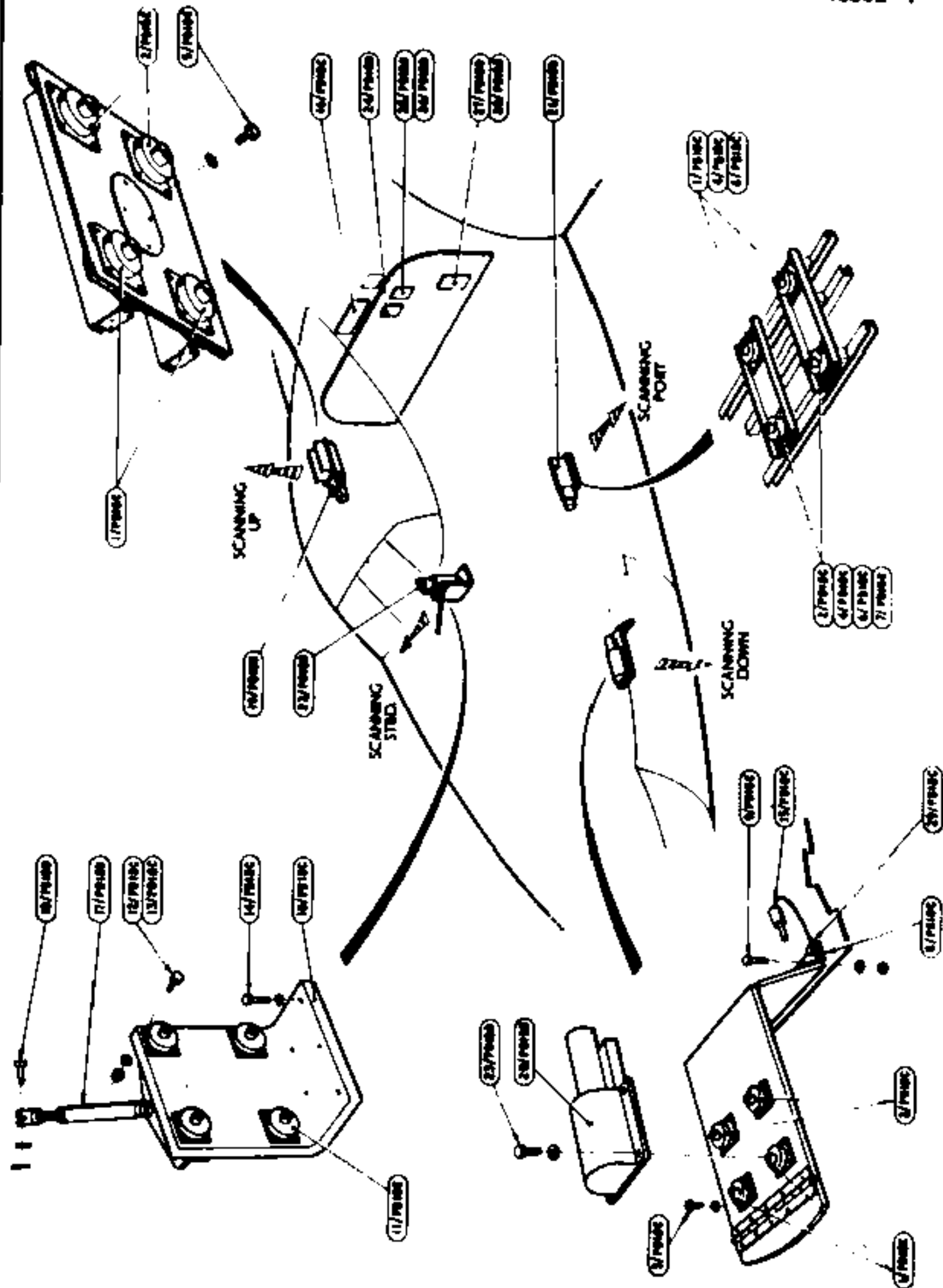
RESTRICTED



RADIO & RADAR INSTALLATION
CREWS NACELLE



RADIO AND RADAR INSTALLATION
CREW'S NACELLE



MOUNTING OF ADAM DETECTOR UNITS
AIR MONITORING SYSTEM

VULCAN PR. 2

RADIO AND RADAR INSTALLATION
MAINPLANE

Page PC. 1

Ref. No.	Part No.	Description				No. off	Matl. Spec.	Cl. of St. M.R.	Plate and Must'n No.
		1	2	3	4				
		RADIO AND RADAR INSTALLATION IN WING (5T4292) PORT AND (8T4292), STARBOARD							
	B307RA17	Spare for:— Aerial, Doppler, type 72 (Mod. 2256)				1	—		PC1/1
100/9713321	S.T.C. LTD. 140/LRU/31C	AERIAL, PORT SIDE ONLY, GROUP				1	—	A	PC1/2
		(Mod. 1886) Consisting of:—							
	S.T.C. LTD. 33L/RA/322D 140/LRE31 Item 29 L148496/D21 L148496/D22 216/LRU27A	Connector, cord				1	—		
		Plate, shorting				1	—		
		Plate, side				1	—		
		Plate, side				1	—		
		Unit, coupling, aerial				1	—		
100/8713318	S.T.C. LTD. 140/LRU/31D	AERIAL, STARBOARD SIDE ONLY, GROUP				1	—	A	PC1/3
		(Mod. 1886) Consisting of:—							
	S.T.C. LTD. 33L/RA322D 140/LRE31 Item 29 L148496/D23 L148496/D24 216/LRU27B	Connector, cord				1	—		
		Plate, shorting				1	—		
		Plate, side				1	—		
		Plate, side				1	—		
		Unit, coupling aerial				1	—		
100/4697308	—	Aerial, Localiser, type 239, Port				1	—		PC1/4
100/4707699	—	Aerial, Glide Path, type 238, Starboard				1	—		PC1/5
26FP/13797	ESS3180	Bolt				2	—	C	PC1/6
26FP/13810	BSS3180	Bolt				8	—	C	PC1/7
	18SS3180	Bolt				2	—		PC1/8
	21T4292	Fairlead, half				2	BS2572		PC1/9
		INSTALLATION OF CABLES, CONNECTORS FAIRLEADS (1T4290, 1T5497)							
		Spare for:—							
	—	Adaptor, Type ABR40 (Mod. 2178)				1	—		
10HZ580042	6V10150	Bracket (Mod. 2256)				1	—	C	
26TA/14778	7V5497	Bracket (Mod. 2256)				1	—		
	380T3434	CABLE, PLUG BREAK 581 U/C BAY TO PLUG BREAK 775 PORT WING, GROUP				1	—		
12675	381T3434	CABLE, PLUG BREAK 775 PORT WING TO LOCALISER AERIAL, GROUP				1	—	C	
	382T3434	CABLE, PLUG BREAK 583 U/C BAY TO PLUG BREAK 778 STB'D WING, GROUP				1	—		

RESTRICTED

VULCAN 47 Page PC 2		RADIO AND RADAR INSTALLATION MAINPLANE							
Ref No	Part No.	Description				No. off	Matl Spec.	Cl. of St.	Plate and Must'n No.
		1	2	3	4			M.R.	
		INSTALLATION OF CABLES CONNECTORS, FAIRLEADS (1T4290) (Cont'd.)							
1433735	383T3434	CABLE PLUG BREAK STARBOARD WING TO GLIDE PATH AERIAL, GROUP				1	—	A	
10HB/7836	6T4276	Connector (Pre-Mod. 748)				1	—		
10HB/7837	7T4276	Connector (Pre-Mod. 748)				1	—		
10HB/1957447	5T4508	Connector, Plug break 889 Transport Rib Filter, rear fuselage				1	—	A	
10HB/1957448	6T4508	Connector, Plug break 890 Wing Tip Starboard to Plug break 889 Transport Rib				1	—	A	
10HB/1957449	9T4508	Connector, Plug break 887 Transport Rib to Filter Unit, Rear fuselage				1	—	A	
10HB/1957438	10T4508	Connector, Plug break 888 Wing Tip, Port to Plug break 887 Transport Rib				1	—	A	
10HB/1957484	40T4510	Connector, Plug break 930 U/C Bay, Port to Plug break 913 at frame 442.5 (Pre-Mod. 2304)				1	—	A	
10HB/6700	16T3412	Connector (Pre-Mod. 748)				1	—	B	
	20T3412	Connector (Pre-Mod. 748)				1	—		
10HB/	40T5510	Connector (Mod. 2178)				1	—		
	13T4290	Fairlead, Half				2	—		PCV10
	20T4290	Fairlead, Half				2	—		PCV11
10H/19810	—	Plug				1	—	C	
	McMICHAEL EDB14342	Socket, adaptor type 11242				2	—		PC1/12
	1Z12495	Plate, blanking (used when Aerial Part No. 8307RA17, is not available) (Mod. 2256)				1	—		PCV13

RESTRICTED

RESTRICTED

VACAN 117

RADIO AND RADAR INSTALLATION
MAINPLANE

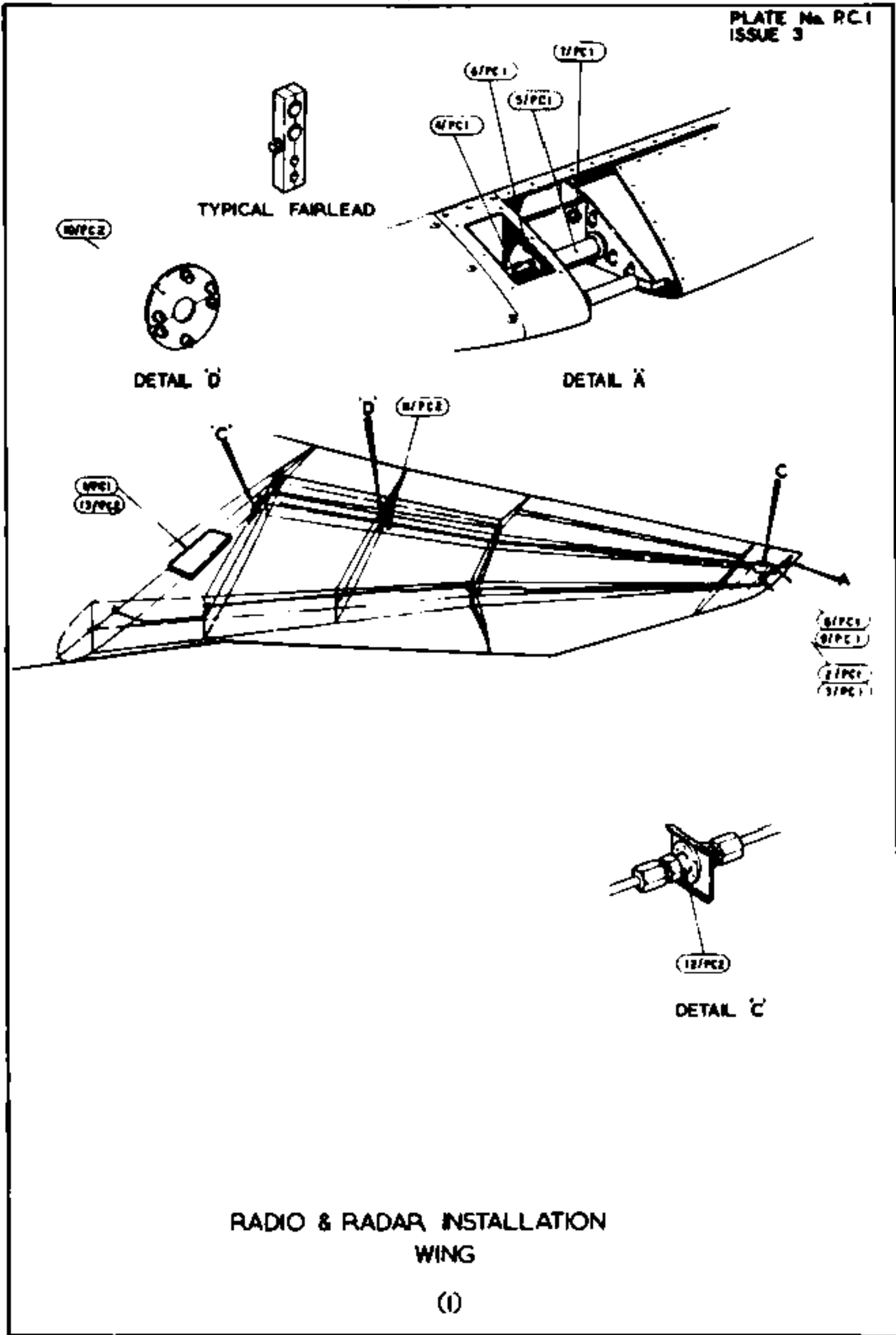
Ref. No.	Part No.	Description	No. off	Mat. Spec.	Cl. of St.	Plate and Illustr'n No.
					M.R.	
		1 2 3 4				
		INSTALLATION OF AIR MONITOR UNIT, POD AND PYLON TO WING (PORT & STBD) (212726) (Mod. 2380 S.O.O.) Spares for:—				
	221Z12726	COVER, EXTERNAL, GROUP (For Pylon pickup Link)	2	—		PC2/1
	224Z12726	Pin, steel	1	—		PC2/2
	225Z12726	Screw, bar	1	—		PC2/3
28M/1011475	A27/EP	Nut	1	—	C	
28M/7002430	AGS2002/E1	Nut, stiff	1	—	C	
28W/9419402	SP13/C	Washer	1	—	C	
	HR/1598048	Detector, Monitor (Port only) (Service Supply and Fit)	1	—		PC2/4
		Attachments for HR/1598048				
28D/1011267	A267G	Bolt, 5/16"	4	—	C	PC2/5
28W/9419455	SP10/G	Washer, 5/16"	4	—	C	
	16SS5333	Inserts	4	—		
	121Z12726	LINK, PICK-UP, GROUP	2	—		PC2/6
	56Z12726	PLATE, BLANKING, GROUP (Port only)	1	—		PC2/7
	1Z12740	PDD, GROUP	1	—		PC2/8
		Spares for:—				
28D/1007982	AS.1248/1C	Bolt	40	—	C	PC2/9
	WB/1114/S/5	Block, terminal	1	—		PC2/10
		Attachments for WB/1114/S/5				
28D/9130082	AS1246/B	Bolt	2	—	C	
28M/1278188	AGS2001/B1	Nut, stiff	2	—	C	
28W/9419485	SP13/B	Washer	2	—	C	
28E/9712183	1V17784	Cable, complete	1	—		
5K/4329348	SP91/C	Clip, jubilee	10	—	C	
	AS1881/A	Clip	7	—	C	
	6Z12741	Conduit	1	—		
	7Z12741	Conduit	1	—		
	11Z12735	Conduit	1	—		
	BRISTOL COMP. LTD. 75-06-3014-2 BAS8529	Hose, rubber, braided 1/2" Id	5	L.M.		
		Lead, bonding	5	—		
	2Z12740	LUG, ATTACHMENT, GROUP	1	—		PC2/11
	5Z12741	Plate, plug	1	—		
	806243H8	Panel, access	1	—		PC2/12
	EFR43A	Attachment for 806243H8 Fastener (Dzus)	4	—		

RESTRICTED

RESTRICTED

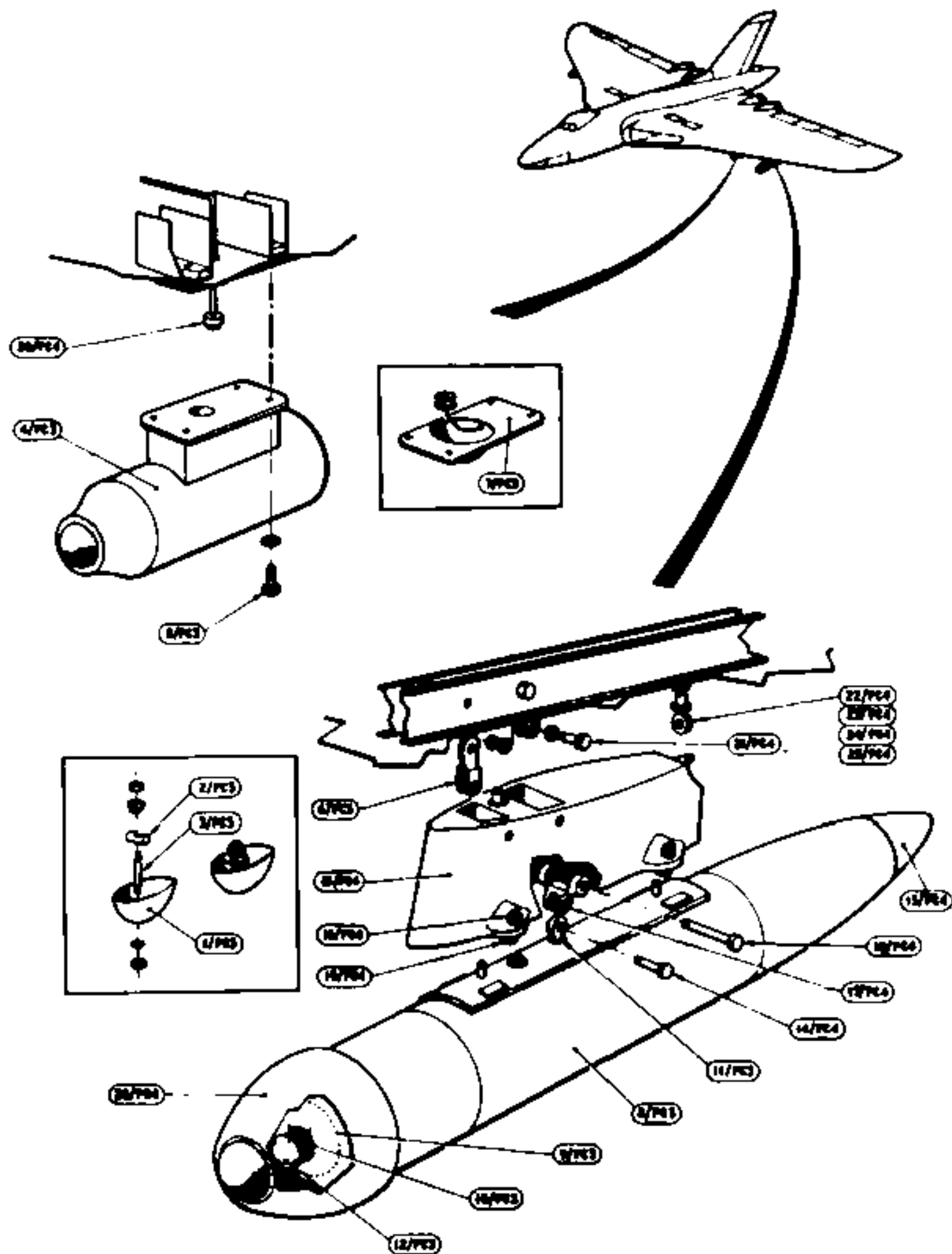
VULCAN 1B J		RADIO AND RADAR INSTALLATION							
Page PC 4		MAINPLANE							
Ref. No.	Part No	Description				No. off	Mati. Spec.	Cl. of St.	Plate and Illust'n No.
		1	2	3	4			M.R.	
28FP/4062482	BRISTOL COMP LTD. 75-08-0336 75-08-0301 56-300 5Z12740	Ring, sealing				1	—	C	PC2/13
		Ring, sealing				1	—	C	
		Spring (Dual)				4	—	C	
		Tailcone				1	—	C	
28P:	SP4Y/P18	Attachments for Pod 1Z12740				1	—	C	PC2/14
28P:	or	Pin, solid				1	—	C	
28N:	SP4Y/P19	Pin, solid				1	—	C	
28P/1279969	AGS899/14	Collar				1	—	C	
	SP90/H11	Pin, split				1	—	C	
	1Z12743	PYLON, GROUP				1	—		PC2/15
	1V17812	Spare for:— CABLE, GROUP				1	—		
26TA/4721	5SS4935	Clip				3	—	C	
26TA/4718	1SS4935	Cradle				3	—	C	
28N/4188817	AS8455/8	Inserts, helicoil wire thread				4	—	C	PC2/16
	86Z12726	Link, suspension				1	—	C	PC2/17
	26Z12726	Attachments for 86Z12726				1	—		PC2/18
28N/4043777	AGS899/18	Pin, special				1	—	C	
28P/1279968	SP90/H13	Collar				1	—	C	
		Pin, split				1	—	C	
11A/1983642	AMD7370-90A	PAD, GRUTCHING, GROUP				4	—	C	PC2/19
28M/9418053	A103/ST	Attachments for AMD7370-90A				1	—	C	
28W/1220788	SP125/S	Nut, 3/4" UNF				1	—	C	
		Washer, 3/4" UNF				1	—	C	
10H/5801774	11BCN-75-4-3C	Plug (SUHNER)				1	—	C	PC2/20
		Attachments for Pylon 1Z12743				2	—		PC2/21
	203Z12726	Bolt, special				1	—		PC2/22
	202Z12726	Eyebolt, Group				1	—		
28M/1011476	A27/JS	Nut, 3/8"				2	—	C	
28W/9156622	SP18/J	Washer, 3/8"				2	—	C	
1433433	7SS4667	Washer				2	—	C	
	196Z12726	Washer, special				1	—		PC2/23
	197Z12726	Washer, special				1	—		PC2/24
	200Z12726	Washer, special				1	—		PC2/25
28P/9627618	SP90/C7	Pin, split				2	—	C	
		Installation of Air Sampler				1	—		PC2/26
		Hendley Page B06234H or H S A Ltd 1Z12762 (Service supply and fit)							

RESTRICTED



RADIO & RADAR INSTALLATION
WING

(1)



INSTALLATION OF AIR MONITOR UNIT, POD &
PYLON TO WING. (MOD 239Q S.O.Q)

VULCAN No. 2

**RADIO AND RADAR INSTALLATION
NOSE PORTION FUSELAGE**

Page PD. 1

Ref. No.	Part No.	Description 1 2 3 4	No. off	Matl. Spec.	Cl. of	Plate and Illust'n No.
					St. M.R.	
10U/16781 5UJ/4367501	CX.154882	RADIO AND RADAR INSTALLATION IN NOSE PORTION FUSELAGE (1T4292)				
		Spares for:— Amplifier, type A3073	1	—	A	PD1/1
		Amplidyne	—	—	A	PD1/2
		INSTALLATION OF WARNING RECEIVERS IN NOSE (1029774) (Pre-Mod. 2304)				
		Spares for:—				
10B/4443833	—	Aerial, type 9774	2	—	A	PD1/3
10B/18903	—	Aerial, type 9772	2	—	A	PD1/4
10D/4419527	—	Box, junction, type 9775	1	—	A	PD1/5
	27D10316	BRACKET, GROUP	1	—		PD1/6
		Consisting of:—				
	28D10316	Bracket	4	L72		
	27bD10316	Cushion	1	P.V.C.		
	27aD10316	Spining	1	L72		
	129761	CRATE, FOR WARNING RECEIVERS, PORT, GROUP (Pre-Mod. 2304)	1	—		PD1/7
	129788	CRATE, FOR WARNING RECEIVERS, STARBOARD, GROUP (Pre-Mod. 2304)	1	—		PD1/8
	429774	Packing	2	L72		
	529774	Packing	2	L72		
10D/4419522	—	Receiver, type R9581	2	—	A	PD1/9
	1129774	Stowage, mounting	1	—		PD1/10
10AJ/4419528	—	Tray, mounting, type 9822	3	—	A	PD1/11
10D/4419525	—	Unit, blanking, type 9777	1	—	A	PD1/12
		INSTALLATION OF CABLES AND CONNECTORS (1T4286)				
		Spares for:—				
5835-99- 097-0065	AP1287	Cap	3	—		
	—	Cap	1	—	C	
	883T3434	CABLE, RADAR POD TO F.P.B. PLUGS 1215 AND 1216, GROUP (Mod. 2123) (Pre-Mod. 2313)	1	—	MR	
1506410	887T3434	CABLE, RADAR POD TO F.P.B. PLUGS 1215 AND 1216, GROUP (Mod. 2123)	1	—	C	
10HA/1941042	5cT3408	Connector, Scanner Unit to F.P.B. 106R	1	—	A	
10HA/1940918	13bT3408	Connector, Modulator type 2 to F.P.B. Plug 113R	1	—	A	
10HA/1957489	19bT3408	Connector, Scanner to F.P.B. Plug 114R	1	—	A	
10HA/1940922	17bT3408	Connector, Scanner to F.P.B. Plug 117R	1	—	A	
10HA/1957489	19bT3408	Connector, Scanner to F.P.B. Plug 119R	1	—	A	

RADIO AND RADAR INSTALLATION
NOSE PORTION-FUSELAGE

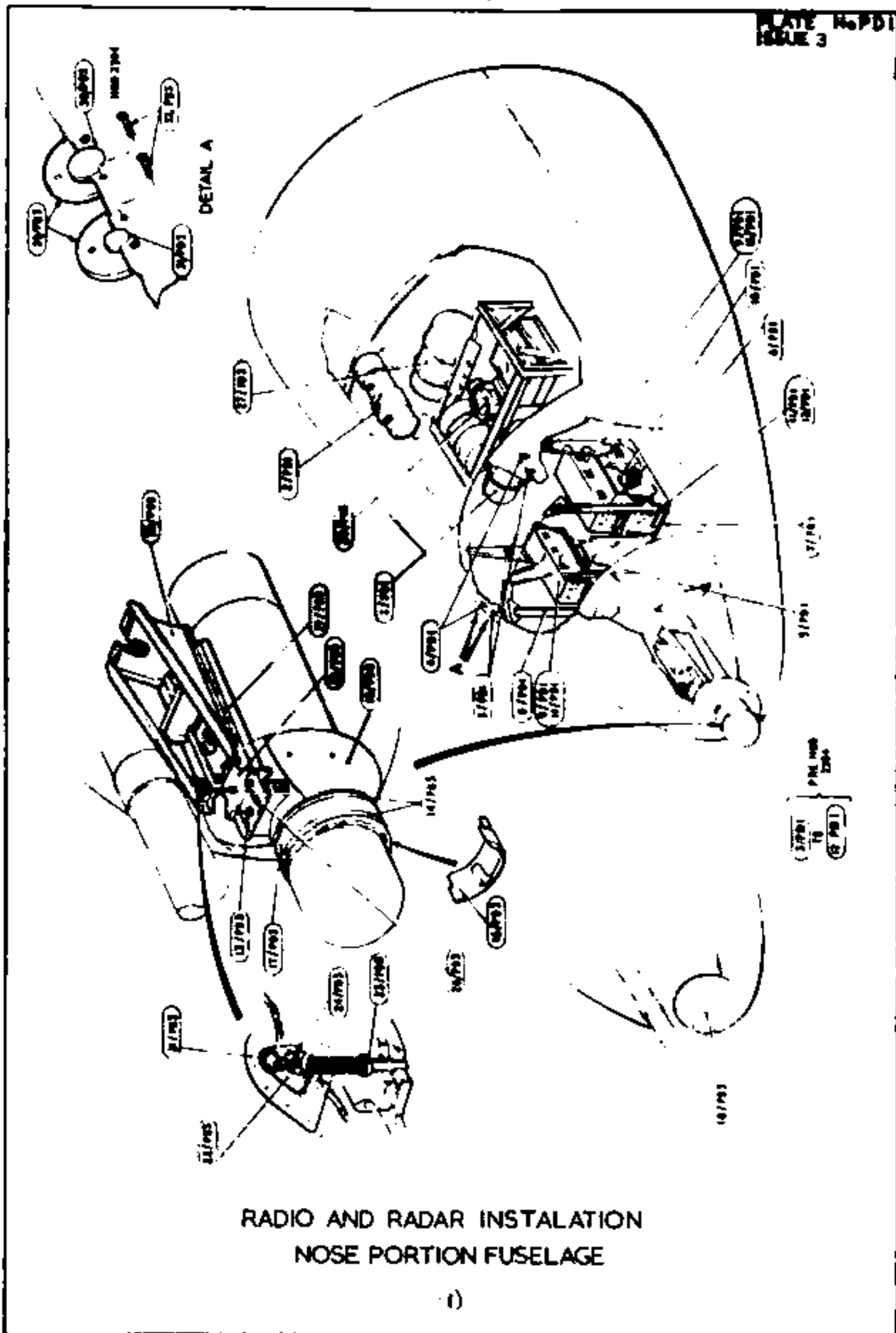
Ref. No.	Part No.	Description				No. off	Mater. Spec.	Cl. of Sc. M.R.	Plate and Illust'n No.
		1	2	3	4				
INSTALLATION OF CABLES AND CONNECTORS (T4286) (Cont'd)									
10HA/1957488	20CT3408	Connector, Modulator to F.P.B. Plug 110R . . .				1	-	A	
10HA/1940824	21T3408	Connector, Scanner to TB785				1	-	A	
10HA/1940825	22T3408	Connector, Scanner to TB783				1	-	A	
10HA/1940826	23T3408	Connector, Scanner to Amplidyne				1	-	A	
10HB/1957487	2T4510	Connector, Receiver type 9561 to Junction Box type 9775 (Pre-Mod. 2304)				1	-	A	
10HB/1957593	4T4510	Connector, Receiver type 9561 to Junction Box 9775 (Pre-Mod. 2304)				1	-	A	
10HB/1957485	7T4510	Connector, Junction Box type 9775 to Receiver type 9561 (Pre-Mod. 2304)				1	-	A	
10HB/1957590	8T4510	Connector, Junction Box type 9775 to Receiver type 9561 (Pre-Mod. 2304)				1	-	A	
10HB/1957599	11T4510	Connector, Junction Box type 9775 to F.P.B. Plug 884 (Pre-Mod. 2304)				1	-	A	
10HB/1957437	16T4510	Connector, Junction Box type 9775 to Blanking Unit type 5777 (Pre-Mod. 2304)				1	-	A	
10HB/1957905	20T4510	Connector, Junction Box 9775 to F.P.B. Plug 885 (Pre-Mod. 2304)				1	-	A	
10HB/1957475	22T4510	Connector, Junction Box type 9775 to F.P.B. Plug 885 (Pre-Mod. 2304)				1	-	A	
10HB/1957479	31T4510	Connector, Blanking Unit type 5777 to Modulator (Pre-Mod. 2304)				1	-	A	
10HB/1957517	45T4510	Connector, Junction Box type 9777 to Receiver type 9561 (Mod. 2008) (Pre-Mod. 2304)				1	-	A	
10HB/1957523	45T4510	Connector, Junction Box type 9777 to Receiver type 9561 (Mod. 2008) (Pre-Mod. 2304)				1	-	A	
10HB/1957511	49T4510	Connector, Junction Box type 9777 to Receiver type 9561 (Mod. 2008) (Pre-Mod. 2304)				1	-	A	
10HB/1957543	7T4798	Connector, Scanner, Unit to F.P.B. Plug 138R (Mod. 715)				1	-		
10HB/11425	2T4910	Connector, F.P.B. Plug 1018 to Aerial loop type 18050				1	-	A	
10HB/12182	14T4910	Connector, Aerial loop type 18050 to Junction Box type 16795 (Mod. 1385)				1	-	A	
10HB/12184	16T4910	Connector, F.P.B. Plug 1019 to Junction Box type 16795 (Mod. 1385)				1	-	A	
10HB/1957489	2T5510	Connector, Tee-piece to Blanking Unit Type 9777 (Mod. 2024)				1	-		
10HB/1957510	3T5510	Connector, Tee-piece to Modulator (Mod. 2024)				1	-		
10HB/1957516	4T5510	Connector, F.P.B. Plug 1002 to Tee-piece (Mod. 2024)				1	-		
10HB/6890	2T4278	Connector, Plug Bush hd. 372 to Modulator (Mod. 2304)				1	-		

VULCAN No. 2

RADIO AND RADAR INSTALLATION
NOSE PORTION-FUSELAGE

Page PD. 3

Ref. No.	Part No.	Description				No. off	Matl. S. rec.	Cl. of St. M.R.	Place and Illust'n No.
		1	2	3	4				
		INSTALLATION OF POD IN NOSE FOR A.R.I. 5850 (1T6186) (Mod. 2057)							
		Spares for:—							
1432978	5T6186	Bolt, special				2	—	C	PD1/13
143377B	AGS605/11	Chp. jubilee, 11" dia.				2	—	C	PD1/14
1432979	8T6186	Fairing, nose				1	—	A	PD1/16
1432976	7T6186	Intake, air				1	—	—	PD1/16
110D/8277718	3023000-4	Pod, radar assy				1	—	A	
1432977	2T6186	Seal				1	—	—	PD1/17
		INSTALLATION A.R.I. 5850 NOSE (T6688) (Mod. 2057)							
		Spares for:—							
1432876	2T6688	Cap, blanking (Mod. 2092)				1	—	—	PD1/18
		INSTALLATION OF POD MOUNTING RAILS (1D13198) (Mod. 2057)							
		Spares for:—							
	1D13198	Angle, rail mounts				2	L85	—	PD1/19
	3D13198	Frame, mounting				1	—	—	PD1/20
	7D13198	Housing				1	—	—	PD1/21
1432982	9D13198	Nut, special				1	S96	C	PD1/22
1432981	8D13198	Pin, vertical				1	—	C	PD1/23
1432983	10D13198	Pin				1	S110	C	PD1/24
	2D13198	Rail, Pod mounting				1	—	—	PD1/25
	6D13198	Rail, Pod carrier				1	—	—	PD1/26
	TERRY LTD. No. 189	Ring, split				1	—	—	
1432984	11D13198	Spring				1	DTD216	C	
1432980	5D13198	Washer, rubber				1	BS2852/C2	—	
10D/6191979	—	Modulator, type 2				1	—	A	PD1/27
10B/18090	—	Unit, Scanning, type 121A				1	—	A	PD1/28
		PATCHING OF AERIAL POSITIONS IN NOSE ON REMOVAL OF BLUE SAGA BETWEEN 1 MAS. 484" and 470" (1Z10004) (Mod. 2304)							
		Spares for:—							
	2Z12804	Plate, patch				4	—	—	PD1/29
	3Z12804	Pod				2	—	—	PD1/30
	4Z12804	Pod				2	—	—	PD1/31
28D/1077973	AS1242/2B	Screw, 4 A, csk. hd.				12	—	C	PD1/32
28M/9403519	A27/8P	Nut				12	—	C	
28N/9418401	SP10/B	Washer				12	—	C	



RADIO AND RADAR INSTALATION
NOSE PORTION FUSELAGE

(1)

VULCAN No. 2

RADIO AND RADAR INSTALLATION
REAR FUSELAGE AND FIN

Page PE. 1

Ref. No.	Part No.	Description	No. off	Matl. Spec.	Cl. of	Plate and Illust'n No.
					St. M.R.	
		1 2 3 4				
		INSTALLATION OF RADIO AND RADAR IN REAR FUSELAGE AND FIN (1B & 16T4292)				
		Spares for:-				
10B/4443927	-	Aerial, type 11319 (Pre-Mod. 2304)	2	-	A	PE1/1
10B/4443928	-	Aerial, type 11320 (Pre-Mod. 2304)	2	-	A	PE1/2
10D/4419527	-	Box, junction, type 9772 ST1/Radio (Pre-Mod. 2304) [Airborne 3838 (Rear)]	1	-	A	PE1/3
10500	107T4292	Bolt, special (Pre-Mod. 2304)	4	-	MR	
	108T4292	Bolt, special (Pre-Mod. 2304)	8	-	C	
	1T8158	Box, junction, for AIR18148 (Mod. 2024) (Mod. 2369 S.O.O.)	1	-		
		INSTALLATION OF GROUND INTERCOMM. (T4373)				
		Spares for:-				
6X/8200370	1V5850	Block, terminal, 5-way No. 1055	1	-	C	PE1/4
11059	200T3434	CABLE (FR200), EARTH, GROUP	1	-		
	877T3434	CABLE (FT877), TB.1055 to TB's 329 AND 405, GROUP	1	-		
26FP/13135	5SS3264	Clip, cable	1	-	C	
26FP/13093	8SS3264	Clip, cable	2	-	C	
8E/9008928	AS4580/2	Clip, cable	25	-	C	
	8T4373	DOOR, ACCESS, GROUP	1	-	MR	RE1/5
		Spares for:-				
28FP/4082385	FJ4/35	Fastener, dzus	2	-	C	
28FP/9483371	GF4/150	Grommet, dzus	2	-	C	
	BCT4373	Hinge (Made from AS1878/50)	1	-		
5K/1985067	SP93/A10	Grommet	6	-	C	
5K/9518404	SP93/B10	Grommet	2	-	C	
	22V5850	Link, cable	1	-	MR	
	1T4388	PANEL, GROUND INTER-COMM, GROUP	1	-		PE1/6
		Spares for:-				
5CZ/1053794	-	Block, terminal Nos. 239, 330	2	-	C	PE1/7
5CZ/1053795	-	Block, terminal No. 405	1	-	C	PE1/8
5CZ/4340381	-	Indicator, magnetic	1	-	C	PE1/9
	18T3113	Lead, bonding	1	-		
	10T3874	LEAD, EXTENSION, GROUP	1	-		PE1/10
		Consisting of:-				
5E/1116723	-	Cable, trimetwinnsmall 2.5" x 4"	1	-		
6K/9620210	-	Cable, end, eye	6	-	C	
10H/10891	-	Plug, type 119	1	-	B	
	HELLERMANN P3	Sleeve, cable	1	-		
	10bT3874	Socket, mic-tel	1	-		
	10cT3874	Wire, copper	Q/R	-		

RADIO AND RADAR INSTALLATION

REAR FUSELAGE AND FIN

Ref. No.	Part No	Description	No. off	Matl. Spec.	Cl. of St.	Plate and Illust'n No.
					M.R.	
		1 2 3 4				
		PANEL, GROUND INTER-COMM. GROUP (Cont'd)				
	2T4388	PANEL, MOUNTING, GROUP	1	—		PE1/11
	2V1575	SATCHEL, EXTENSION LEAD, GROUP	1	—		PE1/12
10H/2205	—	Socket, mic-tel	1	—	B	PE1/13
10HA/9328	—	Socket, connector	1	—	C	PE1/14
		INSTALLATION OF CABLES, CONNec- TORS FAIRLEAD, AND TROUGHS (T4854)				
		Spares for —				
10H/540015	—	Adaptor, plug to plug	2	—	C	PE1/15
5X/8200370	1V5850	Block, terminal	3	—	C	
	41T4854	Block, spacing	1	—		
	12V6355	Bracket, clip mounting, unit panel (Mod 2017)	3	—		
1432756	488T3434	CABLE, (F488), P14 TO No. 1 POWER UNIT TYPE 9421, GROUP	1	—		
	500T3434	CABLE, (FR500), P14 TO No. 2 POWER UNIT TYPE 9421, GROUP	1	—		
	501T3434	CABLE, (FR501), P14 TO No. 3 POWER UNIT TYPE 9421, GROUP	1	—		
	502T3434	CABLE, (FR502), P14 TO No. 2 TRANS- MITTER TYPE 9420, GROUP	1	—		
	503T3434	CABLE, (FR503), P14 TO No. 3 TRANS- MITTER TYPE 9430, GROUP	1	—		
1505051	504T3434	CABLE (FR504), P14 TO No. 1 TRANS- MITTER TYPE 9420, GROUP	1	—		
	505T3434	CABLE (FR505), POWER FILTER TO P14, GROUP	1	—		
13144	506T3434	CABLE, (FR506), POWER FILTER TO P14, GROUP	1	—	B	
	507T3434	CABLE, (FR507), TRANSMITTER TYPE 7810 TO P14, GROUP	1	—		
	510T3434	CABLE, (FR510), TB. 1041 TO EARTH, GROUP	1	—		
11513	530T3434	CABLE, (FR530), TB. 1039, 1040 AND 1041, TO RADAR UNIT (Pre-Mod. 2017)	1	—	B	
	531T3434	CABLE, (FR531), TB's 1039, 1040 and 1041 TO P44, GROUP	1	—		
10HB/820882	554T3434	CABLE, (FR553), TB1039 TO EARTH TERMINAL (Mod. 2071)	1	—	B	
10HB/820883	553T3434	CABLE (FR554), TB. 1039, 1040 AND 1041 TO RADAR UNIT (Mod. 2017)	1	—	B	

VULCAN No. 2

RADIO AND RADAR INSTALLATION
REAR FUSELAGE AND FIN

Page PE. 3

Ref. No.	Part No.	Description				No. off	Mtl. Spec.	Cl. of St. M.R.	Plate and Illust'n No.
		1	2	3	4				
		INSTALLATION OF CABLES, CONNECTORS FAIRLEADS AND TROUGHS (T4854) (Cont'd)							
	545T3434	CABLE, (FR545), TB.1041 TO P44, GROUP				1	-		
	889T3434	CABLE, (FR589), RELAY 324 TO TB.1752, GROUP (Mod. 2024)				1	-		
	AS480B/12	Capping				2	-		PE1/18
10HB/1957455	8T4507	Connector, No. 1 transmitter type 9420 to Plug break 898 at former 487.5				1	-	A	
10HB/1957712	14T4507	Connector, No. 1 power unit type 9421 to No. 1 transmitter type 9420				1	-	A	
10HB/1957458	15T4507	Connector, No. 1 power unit type 9421 to No. 1 transmitter type 9420				1	-	A	
10HB/1957713	18T4507	Connector, No. 2 power unit type 9421 to No. 2 transmitter type 9420				1	-	A	
10HB/1957459	17T4507	Connector, No. 2 power unit type 9421 to No. 2 power unit type 9420				1	-	A	
10HB/1957714	18T4507	Connector, No. 3 power unit type 9421 to No. 3 transmitter type 9420				1	-	A	
10HB/1957457	19T4507	Connector, No. 3 power unit type 9421 to No. 3 transmitter type 9420				1	-	A	
10HB/1957451	23T4507	Connector, Plug break 898 at frame 487.5 to Plug break 909 at FMR428A				1	-	A	
10HB/1957450	24T4507	Connector, Plug break 898 at FMR487.5 to Plug break 908 at FMR428A				1	-	A	
10HB/1957449	25T4507	Connector, Plug break 900 at FMR22.25 to Plug break 907 at FMR42A				1	-	A	
10HB/1957715	29T4507	Connector, Plug break 895 at FMR442.5 to No. 1 transmitter type 9420				1	-	A	
10HB/1957716	30T4507	Connector, Plug break 898 at FMR442.5 to No. 2 transmitter type 9420				1	-	A	
10HB/1957717	31T4507	Connector, Plug break 896 at FMR442.5 to No. 3 transmitter type 9420				1	-	A	
10HB/1957453	33T4507	Connector, Plug break 899 at FMR487.5 to No. 3 transmitter type 9420				1	-	A	
10HB/1957454	34T4507	Connector, Plug break 900 at FMR22.25 to No. 2 transmitter type 9420				1	-	A	
10HB/1957704	4T4508	Connector, Plug break 814 at FMR442.5 to transmitter type 9454				1	-	A	
10HB/1957705	8T4508	Connector, No. 1 transmitter type 9454 to No. 2 transmitter type 9454				1	-	A	
10HB/1957445	11T4508	Connector, Aerial filters to transmitters Nos. 1 and 2 type 9454				2	-	A	
10HB/1957444	12T4508	Connector, Aerial filter to No. 1 transmitter type 9454				1	-	A	
10HB/1957887	6T4509	Connector, Plug break 894 at FMR442.5 to transmitter type 7810				1	-	A	
10HB/1957454	12T4510	Connector, Receiver type 9581 to junction box type 9775 (Pre-Mod. 2304)				1	-	A	
	5T8143	Connector, Radio Type 1770 P1 to fwd. RF head S1 (Mod. 2304)				1	-		
	6T8143	Connector, Radio P2 to ASC-RF head S1 (Mod. 2304)				1	-		
	7T8143	Connector, Power unit type 17203 to TB's 1747 and 1748 in fin (Mod. 2304)				-	-		

RADIO AND RADAR INSTALLATION

REAR FUSELAGE AND FIN

Ref No	Part No.	Description	No. off	Matl. Spec.	Ci. of St.	Plate and Illust'n No
					M.A.	
		1 2 3 4				
INSTALLATION OF CABLES, CONNECTORS						
FAIRLEADS AND TROUGHS (T4854) (Cont'd)						
10HB/1957600	14T4510	Connector, Receiver type 9581 to junction box 9775 (Pre-Mod. 2304)	1	—	B	
10HB/1957474	17T4510	Connector, junction box 9775 to Receiver type 9581 (Pre-Mod. 2304)	1	—	B	
10HB/1957602	19T4510	Connector, junction box type 9775 to Receiver type 9581 (Pre-Mod. 2304)	1	—	B	
10HB/1957619	32T4510	Connector, junction box to Plug break 904 at FMR442.5 (Pre-Mod. 2304)	1	—	B	
10HB/1957480	33T4510	Connector, junction box type 9775 to Plug break 906 at FMR442.5 (Pre-Mod. 2304)	1	—	B	
10HB/1957614	34T4510	Connector, junction box 9775 to Plug break at FMR442.5 (Pre-Mod. 2304)	1	—	B	
10HB/1957481	35T4510	Connector, junction type 9775 to blanking unit (Pre-Mod. 2304)	1	—	B	
10HB/1957620	38T4510	Connector, junction box type 9775 to blanking unit (Pre-Mod. 2304)	1	—	B	
10HB/1957482	38T4510	Connector, blanking unit to radar unit (Pre-Mod. 2304)	1	—	B	
10HB/1957483	39T4510	Connector, blanking unit to Plug break 913 at FMR442.5 (Pre-Mod. 2304)	1	—	B	
10HB/1957612	42T4510	Connector, junction box type 9775 to Receiver type 9581 (Pre-Mod. 2304)	1	—	B	
10HB/1957621	48T4510	Connector, Receiver type 9581 to junction box type 9775 (Pre-Mod. 2304)	1	—	B	
10HB 1957610	50T4510	Connector, junction box type 9775 to blanking unit (Pre-Mod. 2304)	1	—	B	
10HB 1957686	5T4511	Connector, Plug break 916 at FMR442.5 to radar unit (Pre-Mod. 2017)	1	—	B	
10HB 1957682	5T6451	Connector, Plug break 916 at FMR442.5 to radar unit (Mod. 2017)	1	—	B	
10HB/1957688	6T4511	Connector, Plug break 915 at FMR442.5 to radar unit (Pre-Mod. 2017)	1	—	B	
10HB/1957687	4T6451	Connector, Plug break 915 at FMR442.5 to radar unit (Mod. 2017)	1	—	B	
10HB/1957701	6T4714	Connector, Plug, break 1020 at FMR442.5 to transmitter type 7810	1	—		
10HB/1957514	8T5510	Connector, Plug break 198 to interference blanker (Mod. 2024)	1	—		
10HB/1957513	9T5510	Connector, Plug break 10HZ560042 to interference blanker (Mod. 2024)	1	—		
10HB/1957512	10T5510	Connector, Power supply set to control frequency selector (Mod. 2024)	1	—		
10HB/1957575	11T5510	Connector, Plug break 1207 to plug break 1208 (Mod. 2024)	1	—		
10HB/1957574	12T5510	Connector, Power supply set to control frequency selector (Mod. 2024) (Pre-Mod. 2488)	1	—		
10HB/6378337	44T5510	Connector, Power supply set to Control frequency selector (Post Mod. 2488)	1	—		
10HB/1957573	13T5510	Connector, Power supply set to X-brand transmitter (Mod. 2024)	1	—		
10HB/1957505	14T5510	Connector, Power supply set to X-brand transmitter (Mod. 2024)	1	—		
10HB/1957511	15T5510	Connector, Power supply set to X-brand transmitter (Mod. 2024)	1	—		

VULCAN No. 2

RADIO AND RADAR INSTALLATION
REAR FUSELAGE AND FIN

Page PE. 5

Ref. No.	Part No.	Description	No. off	Matl. Spec.	Cl. of St.		Plate and Illust'n No.
					M.R.		
		<u>1 2 3 4</u>					
		INSTALLATION OF CABLES CONNECTORS FAIRLEADS AND TROUGHS (T4884) (Cont'd)					
10HB/1957508	18T5510	Connector, Power Supply set to X-band (Mod. 2024)	1	—			
10HB/6268114	7T4511	Connector, Plug Break Panel to radar unit (Mod. 2304)	1	—			
10HB/1957508	17T5510	Connector, Power supply set to X-band transmitter (Mod. 2024)	1	—		B	
10HB/1957473	18T5510	Connector, Power supply set to power monitor (Mod. 22024)	1	—		B	
	19T5510	Connector, plug break 1208 to test box (Mod. 2024)	1	—			
10HB/1940888	20T5510	Connector, Power supply set to plug break . 1020, TB.1736, TB.1739 and TB.1752 (Mod. 2024)	1	—		B	
10HB/1947572	21T5510	Connector, Test box to serial switch (Mod. 2024)	1	—		B	
10HB/1957584	23T5510	Connector, Test box to TB.1752 and TB.738 (Mod. 2024)	1	—		B	
10HB/1950885	24T5510	Connector, Test plug to X-band receiver (Mod. 2024)	1	—		B	
10HB/1957582	25T5510	Connector, X-band receiver to TB.1737 (Mod. 2024)	1	—		B	
10HB/1957581	26T5510	Connector, Power supply set to X-band receiver (Mod. 2024)	1	—		B	
10HB/1957507	27T5510	Connector, Power supply set to X-band receiver (Mod. 2024)	1	—		B	
10HB/1957579	28T5510	Connector, Power supply set to distribution box (Mod. 2024)	1	—		B	
10HB/1957585	29T5510	Connector, Distribution box to TB.1736 and TB.1737 (Mod. 2024)	1	—		B	
10HB/1957472	30T5510	Connector, X-band receiver to interference blanker (Mod. 2024)	1	—		B	
10HB/1957585	32T5510	Connector, Plug break 894 to TB.1738 and TB.1752 (Mod. 2024)	1	—		B	
10HB/1957583	33T5510	Connector, Control frequency selector to X-band receiver (Mod. 2024)	1	—		B	
10HB/1957471	34T5510	Connector, Tee-piece to radar head (Mod. 2024)	1	—		B	
10HB/1957470	35T5510	Connector, Blanking unit to Tee-piece (Mod. 2024)	1	—		B	
10HB/1957488	38T5510	Connector, Tee-piece to interference blanker (Mod. 2024)	1	—		B	
10HB/1957577	38T5510	Connector, Plug break 174 to plug break 894 (Mod. 2024)	1	—		B	
	41T5510	Connector, Test box to waveguide switch ... (Mod. 2389 S.O.O.)	1	—		C	
10HB/1088348	7T5451	Connector, "J", Socket at FMR141.5 to scanner unit, panel (Mod. 2017)	1	—		B	
26FP/13451	21SS3264	Clip	1	L72		C	
26FP/13924	14SS3264	Clip	1	L72		C	
26FP/13109	10SS3264	Clip	3	L72		C	
26FP/13108	9SS3264	Clip	1	L72		C	
26FP/13093	8SS3264	Clip	1	L72		C	
28E/1012876	AS3181/4C	Clip	2	—		C	
28E/1052088	AS3181/7C	Clip	8	—		C	
7683	12SS4822	Dist, cable	2	—		C	PE1/17

RADIO AND RADAR INSTALLATION

REAR FUSELAGE AND FIN

Ref No.	Part No.	Description	No. off	Mater. Spec.	Cl. of St.		Plate and Must'n No.
					MLR		
		1 2 3 4					
		INSTALLATION OF CABLES, CONNECTORS FAIRLEADS AND TROUGHS (T4854) (Cont'd)					
	35T4854	FAIRLEAD, GROUP	2	—			PE1/18
		Consisting of:—					
	35aT4854	Fairlead, half	1	—			
	35bT4854	Fairlead, half	1	—			
	1T4898	PLUG, BREAK 907, 908 PORT AND 909 STARBOARD, GROUP	1	—			PE1/19
		Spares for:—					
10H/19273	—	Adaptor, bulkhead	3	—		C	
5X/4491487	14V5850	Sockets, double	2	—		C	
5X/4491488	15V5850	Socket, single	2	—		C	
	25T4854	Support. cable	2	—			
		TROUGHS, RADIO AND RADAR INSTALLATION (T4375)					
		Spares for:—					
22802	3T4375	Cover, for port forward trough	1	—		C	PE1/20
22803	4T4375	Cover, for starboard forward trough	1	—		C	PE1/21
22804	29T4375	Cover, for port aft trough	1	—		C	PE1/22
22806	30T4375	Cover, for starboard aft trough	3	—		C	PE1/23
22805	53T4375	Cover, for port aft trough	4	—		C	PE1/24
	1T4381	Trough, cable port forward	1	—			PE1/25
	1T4382	Trough, cable starboard forward	1	—			PE1/26
	1T4384	Trough, cable port aft	1	—			PE1/27
	1T4385	Trough, cable starboard aft	1	—			PE1/28
		INSTALLATION OF AERIALS AND CABLES IN FIN (T4742) (Pre-Mod. 2304)					
		Spares for:—					
10AD/163	—	Adaptor	1	—		A	
10B/18937	—	Aerial, V.H.F. type 10228	1	—		A	PE1/29
		Aerial, Gee (See Section RA tail unit)					PE1/30
	4T3494	Bracket	1	L72			
10HB/1957403	10T4509	Connector, aerial type 10228 to transmitter type 7810	1	—			
10HB/1957888	11T4509	Connector, aerial type 10228 to Plug	1	—			
		break 1035					
		INSTALLATION OF X-BAND AERIAL ON FWD ACCESS DOOR (1012923) (Pre-Mod. 2388) (Mod. 2024)					
		Spares for:—					
5895-99- 948-5121	—	Aerial	1	—		A	
	20D12923	Bracket, waveguide mounting	1	—			
	20D12923	Cover	1	—			
	22D12923	Pipe assembly, 20G x 3/16" o/d	1	L58			
5895-99- 9455356	—	Seal assembly	1	—			
10B/1953821	21D12923	Waveguide assembly	1	—		A	

VULCAN No. 7

**RADIO AND RADAR INSTALLATION
REAR FUSELAGE AND FIN**

Page PE, 6A

Ref. No.	Part No.	Description	No. off	Matl. Spec.	Cl. of	Place and Illust'n No.
					St. M.R.	
		1 2 3 4				
INSTALLATION OF X-BAND AERIAL ON FWD. ACCESS DOOR (1014272) (Mod. 2389 S.O.O.) Spares for:—						
5895-99 9455121	GEN ELECTRIC —	Aerial	2	—	A	
28DU/8133012	A25/3C	Attachment for Aerial Bolt	4	—	C	
28F/8011890 28F/9440881	9014272 AGS952/A AGS1118/A 10014272 11014272 8014272	Clamp, waveguide	1	—		
		Collar	4	—	C	
		Piece, "T"	1	—		
		Pipe	1	L56		
		Pipe	1	L56		
28F/9128936 110F/0888089	AGS904/A —	Platform, waveguide mounting Sleeve	1 4	—	C	
		Switch, change-over	1	—	C	
	7014272 8014272	Waveguide assembly	1 1	—		
		Waveguide assembly	1	—		
28DU/8513893 28M/1221218	A102/3C A125/C	Attachments for Waveguide assembly Bolt, 8 UNC	24 24	—	C C	
		Nut, stiff 8 UNC		—		
INSTALLATION OF RADIO AND RADAR EQUIPMENT IN RUDDER P.F.C. BAY (T8147) (Mod. 2304)						
28DL/8008006 28DU/9480188 28DL/8007876	1SS4980 A102/1C 11T6420 2T8147 3T8147	Bolt, pan. hd.	2	—	C	PE2/64
		Bolt, cheese hd.	2	—	C	PE2/65
		Lead, bonding	4	—	C	
		Piece, locking	1	—		PE2/66
		Piece, packing	1	—		PE2/67
	1T8148	PLATFORM, GROUP	1	—		PE2/68
		Spares for:—				
	2T8148	Platform, honeycomb	1	—		
10AJ/9700790	CEMENTATION MUFLITE LTD. GB770-8G CEMENTATION MUFLITE LTD. GB896-18G	Shock mount	2	—	B	PE2/69
		Shock mount	2	—		PE2/70
		Attachments for Part Nos. GB770-8G and GB896-18G				
280/1200119 28M/1012015 28W/9419402	A25/4C AGS2001/C1/66 SP13/C	Bolt, hex. hd.	4	—	C	PE2/71
		Nut, stiff	4	—	C	
		Washer	8	—	C	
	8T8148	TRAY, RECEIVER, GROUP	1	—		PE2/72
		Spares for:—				
28TC/7190 28P/18061 28P/1940788	SMITHS LTD. JBU-48 S113A/4-1/2 SP80/CS	Pin, hold down, rear	2	—	C	
		Pin, shear	2	—	C	
		Pin, split	2	—	C	
28FP/16807 or 28TA/16392	SMITHS LTD. MTG29	Screw, hold-down, front	2	—	C	

**RADIO AND RADAR INSTALLATION
REAR FUSELAGE AND FIN**

Ref. No.	Part No.	Description	No. off	Mater. Spec.	Cl. of	Plate and Illust'n No.
					St. M.R.	
		1 2 3 4				
INSTALLATION OF RADIO AND RADAR EQUIPMENT IN RUDDER P.F.C. BAY (TB147) (Cont'd)						
	13TB148	TRAY, POWER UNIT, GROUP	—	—		PE2/73
		Spares for:—				
26TD/7190	SMITHS LTD.	Pin, hold-down, rear	2	—	C	
26P/18051	JBU-45	Pin, shear	2	—	C	
26P/1040788	SP113A/4-1/2	Pin, split	2	—	C	
26FP/15507	SMITHS LTD.	Screw, hold-down, front	2	—	C	
or	MTG28					
26TA/18382						
	A.E.I.	Receiver, Radio, type 17170	1	—		PE2/74
	316441/D					
	1Z12697	TRAY, DRIP, GROUP	1	—		PE2/75
		Spares for:—				
28D/1010658	A25/1B	Bolt	4	—		PE2/76
28D/B438920	A25/1C	Bolt	4	—		PE2/77
	4Z12697	Bracket	1	L72		PE2/78
	5Z12697	Bracket	1	L72		PE2/79
1510853	6Z12697	Strip, edging (Make from Edging Gromex type A x 8" x 6" long) (Southern Ocean Supplies)	1	—		PE2/80
	2Z12697	Tray, drip	1	—		PE2/81
	A.E.I.	Unit, power, type 17203	1	—		PE2/82
	316437/A1					
28W/9128188	SP55/E	Washer, spring	2	—	C	
28W/1009699	SP55/C	Washer, spring	2	—	C	
INSTALLATION OF PLUG BREAK BRACKET IN P.F.C. BAY (TB149) (Mod. 2304)						
	5TB151	BRACKET, PLUG BREAK, GROUP	1	—		PE2/83
		Spares for:—				
	PB1238SS8082	Label	1	—		
	PB1239SS8082	Label	1	—		
	PB1240SS8082	Label	1	—		
	PB1241SS8082	Label	1	—		
	PB1242SS8082	Label	1	—		
	PB1243SS8082	Label	1	—		
	5aTB151	Panel	1	—		
MOUNTING, POWER AND AERIAL LEAD FILTERS (1T5792)						
		Spares for:—				
12280	4T5792	Fairlead, half	4	BS2572	C	PE1/31
12281	5T5792	Fairlead, half	4	BS2572	C	PE1/32
10P/16712	—	Filter, aerial, type M40	2	—		PE1/33
10P/16713	—	Filter, power, type M41	2	—		PE1/34
12282	7T5792	Plate, mounting	2	DTD567B	C	PE1/35

VULCAN No. 3

RADIO AND RADAR INSTALLATION
REAR FUSELAGE AND FIN

Page PE. 7

Ref. No.	Part No.	Description	No. off	Mater. Spec.	Cl. of	Plate and Illust'n No.
					St. M.R.	
		1 2 3 4				
	1T4862	MOUNTING TOP FOR R.C.M. UNIT, TYPE 945A, GROUP	2	-	MR	PE1/36
		Spares for:-				
	4T4362	Eyebolt	1	S94		PE1/37
	1T4371	Mounting, top	1	-		PE1/38
10AJ/150	-	Mounting, A.V. type 959	1	-	B	PE1/39
	7T4361	Piece, distance	3	L85		
	3T4362	Piece, distance	1	L65		
	9T4361	Spigot	1	L66		PE1/40
	1T4368	MOUNTING, TOP FOR R.C.M. UNIT TYPE 7810, GROUP	1	-		PE1/41
		Spares for:-				
22809	11T4361	Eyebolt	1	S1		
	1T4369	Mounting, tubular structure	1	-		
10AJ/150	-	Mounting, A.V. type 959	1	-	B	
	9T4361	Spigot	1	L65		
	1T4361	MOUNTING, TOP FOR R.C.M. UNIT TYPE 8421, GROUP	3	-		PE1/42
		Spares for:-				
	10T4361	Eyebolt	1	S1		
	1T4371	Mounting, top	1	-		
10AJ/150	-	Mounting, A.V. type 959	1	-	B	
	7T4361	Piece, distance	3	L65		
	9T4361	Spigot	1	L65		
	1T4362	MOUNTING, TOP, FOR R.C.M. UNIT TYPE 8420, GROUP	3	-		PE1/43
		Spares for:-				
	4T4362	Eyebolt	1	S94		
	1T4371	Mounting, top	1	-		
10AJ/150	-	Mounting, A.V. type 959	1	-	B	
	2T4362	Piece, distance	3	L65		
	3T4362	Piece, distance	1	L65		
	9T4361	Spigot	1	L65		
	3T8159	MOUNTING, TOP, FOR POWER SUPPLY SET, GROUP (Mod. 2024)	1	-		
		MOUNTING, X-BAND RECEIVER (T8180) (Mod. 2024)				
		Spares for:-				
	T8165	CRADLE FOR RECEIVER UNIT, GROUP	1	-		
	A. WELLS & CO.	Mounting, A.V.	2	-		
	8D/HDPM/10	Mounting, A.V.	2	-		
	CD/HDPM/20					
5895 99-945-2053	-	POWER SUPPLY SET (Mod. 2024)	1	-	A	
		PATCHING OF AERIAL POSITIONS IN TAIL BETWEEN FMRS. 120.26 AND 141.5" (1212806) (Mod. 2304)				
		Spares for:-				
	2Z12604	Plate, patch	4	-		PE1/83
	5Z12604	Pad	2	-		PE1/84
	6Z12604	Pad	2	-		PE1/85
280/1007973	AS1242/28	Screw, bolt	16	-		PE1/88

RADIO AND RADAR INSTALLATION
REAR FUSELAGE AND FIN

Ref. No.	Part No.	Description	No. off	Matl. Spec.	Cl. of	Plate and Illuz'n No.
					St. M.R.	
		1 2 3 4				
10AJ/150 9790 100/20626 9764	100T4292	R.C.M. TRANSMITTERS TYPE 9420, GROUP .	3	-		PE1/44
		Spares for:-				
	1T4863	MOUNTING, BASE, GROUP	1	-		PE1/45
		Spares for:-				
	1T4363	Bracket, mounting	3	-		PE1/46
	-	Mounting, A.V. type 959	8	-	B	PE1/47
	1T4859	Plate, mounting	2	-		PE1/48
	1T4364	RING, MOUNTING, GROUP	1	-		PE1/49
	51T4292	Nut, sleeve, 3/4" UNF	3	S82	C	PE1/50
	-	Transmitter, type 9420	1	-	A	PE1/51
106T4292	Washer, special	3	-	C	PE1/52	
9766 10AJ/150	101T4292	R.C.M. POWER UNIT TYPE 9421, GROUP	3	-		PE1/53
		Spares for:-				
	1T4365	MOUNTING, BASE, GROUP	1	-	B	
		Spares for:-				
	1T4366	Bracket, mounting	3	-		
	-	Mounting, A.V., type 959	8	-	B	
	5T4370	Plate, mounting	2	-		
	SP9/C/8	Pin, split	12	-		
	SP9/G/8	Pin, split	8	-		
	1T4364	RING, MOUNTING, GROUP	1	-		
50T4292	Nut, sleeve, 5/8" UNF	3	-	MR		
10K/4093084 9764	Unit, power type 9421	1	-	A		
106T4292	Washer, special	3	-	C		
10AJ/150	102T4292	R.C.M., TRANSMITTERS TYPE 9454, GROUP .	2	-		PE1/54
		Spares for:-				
	1T4863	MOUNTING, BASE, GROUP	1	-		
		Spares for:-				
	1T4363	Bracket, mounting	3	-		
	-	Mounting, A.V. type 959	8	-	B	
	1T4859	Plate, mounting	2	-		
	1T4364	RING, MOUNTING, GROUP	1	-		
	50T4292	Nut, sleeve, 5/8" UNF	3	S82	MR	
	-	Transmitter, type 9454	-	-	A	
100/4428540 9764	Washer, special	3	-	C		
5085-99- 9144-599 10AJ/150	103T4292	R.C.M., TRANSMITTER TYPE 7810, GROUP . .	-	-		PE1/55
		Spares for:-				
	1T4367	MOUNTING, BASE, GROUP	1	-	B	
		Spares for:-				
	1T4363	Bracket, mounting	3	-		
	-	Mounting, A.V. type 959	8	-	B	
	5T4370	Plate, mounting	2	-		
	1T4364	RING, MOUNTING, GROUP	1	-		
	51T4292	Nut, sleeve, 3/4" UNF	3	S82	C	
	-	Transmitter, type 7810	1	-	A	
100/1138724 9764	Washer, special	3	-	C		
100/4419622	Receiver, type 9581 (Pre-Mod. 2304)	2	-	A		

VULCAN No. 2

RADIO AND RADAR INSTALLATION
REAR FUSELAGE AND FIN

Page PE. 9

Ref. No.	Part No.	Description	No. off	Matl. Spec.	Cl. of	Place and illust'n No.
					St. M.R.	
		1 2 3 4				
	1T4390	SPIDER, SCANNER DAMPING STRUCTURE, GROUP	1	-		PE1/56
	5T4390	Spares for:-- SPIDER, GROUP	1	-		PE1/57
22807	4T4390	Spares for:-- SPIGOT, GROUP	1	-	C	PE1/58
	4aT4390	Consisting of:-- Spigot, housing	1	L51		
	4bT4390	Spigot	1	S84		
28P/14904	SP31/L14	Pin, split taper	1	-		
	3T4390	STRUT, SUPPORT, GROUP	1	-		PE1/59
	3aT4390	Consisting of:-- Channel	2	L72		
	3bT4390	Plate, reinforcing	2	L72		
	3cT4390	Plate, reinforcing	2	L72		
26FZ/26403	AS2806-5-090	Tube, distance	1	-	C	
	3T4390	STRUT, SUPPORT, GROUP	2	-		PE1/60
		(For breakdown see above)				
26FZ/26403	AS2806-5-090	Tube, distance	6	-	C	
	-	TRAY MOUNTING INSTALLATION, SCANNER ALIGNMENT UNIT FOR ARI.5952 (Ref. Drg. T64714 and T6489) (Mod. 2017)	Ref.	-	B	
	T6470	Spares for:-- PANEL, MOUNTING ASSY	1	-		
	2T6470	Consisting of:-- Plate, base	1	-		
	3T6470	Angle	1	-		
	4T6470	Angle	1	-		
	5841/99/954/7740	Unit, scanner alignment	1	-		
		Attachments for Unit:--				
	A32/C24	Screw	4	-	C	
28S/1011491 28W/9419454	SP10/C	Washer	4	-	C	
	AS2811/5/02	Tube, distance	4	-		
10AJ/278	-	Tray, mounting, type 8822 (Pre-Mod. 2304)	3	-		PE1/61
10D/21506	-	Unit, blanking, type 1871 (Pre-Mod. 2304)	1	-		PE1/62
10D/20974	-	Unit, radar (Pre Mod. 2017, Part B)	1	-		PE1/63
5841/99/954/7738	-	Unit, radar (Mod. 2017, Part B)	-	-	A	

RADIO AND RADAR INSTALLATION
REAR FUSELAGE AND FIN

Ref. No.	Part No.	Description	No. off	Mati. Spec.	Cl. of	Plate and Illust'n No.
					St. M.R.	
		1 2 3 4				
		WAVEGUIDE INSTALLATION, X-BAND (Q3772) (Mod. 2024)				
		Spares for:—				
	10Q3772	Bracket, clip	1	—		
	11Q3772	Bracket, clip	2	—		
	12Q3772	Bracket, clip	1	—		
	13Q3772	Bracket, clip	1	—		
1432783	8Q3772	Cover, guard	1	—	C	
	14Q3772	GUARD, GROUP	1	—	C	
	18Q3772	GUARD, GROUP	1	—		
	19Q3772	Guard	1	—		
888/88/ 083/0063	—	Ring, sealing	14	—	C	
108/1953824	2Q3772	WAVEGUIDE, ASSEMBLY	1	—	B	
108/1432780	3Q3772	WAVEGUIDE, ASSEMBLY	1	—	B	
108/1953823	4Q3772	WAVEGUIDE, ASSEMBLY	1	—	B	
108/1953822	5Q3772	WAVEGUIDE, ASSEMBLY	1	—	B	

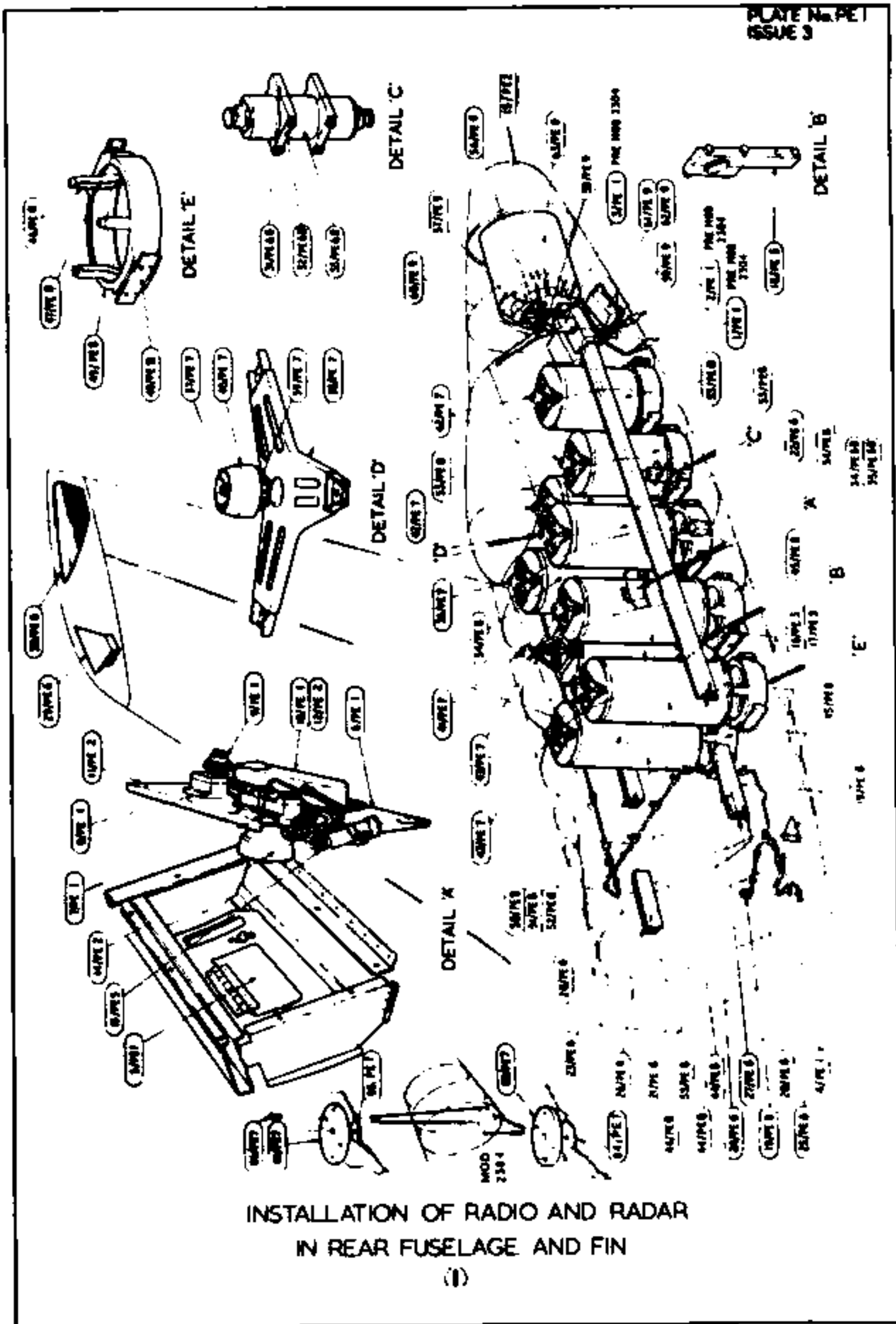
VULCAN PR. 2

RADIO AND RADAR INSTALLATION

Page PE. 11

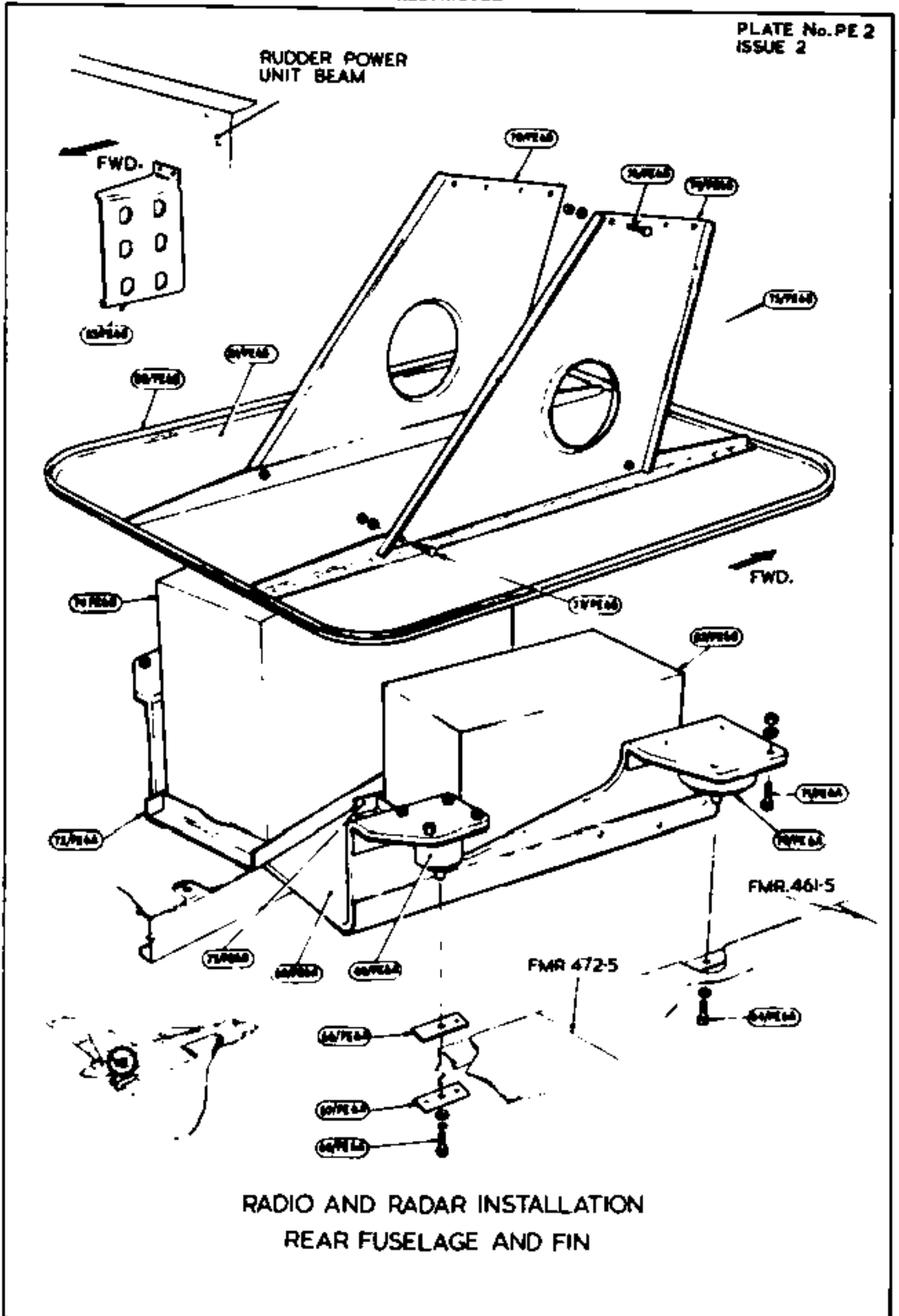
SUMMARY OF STANDARD ITEMS

Stores Ref.		No. off	Stores Ref.		No. off	Stores Ref.		No. off
Section	Ref. No.		Section	Ref. No.		Section	Ref. No.	
28D	1008147	2	28S	9419437	2			
28D	9706373	6	28S	9419453	2			
28D	9140635	7	28S	1200034	8			
28D	1010868	2	28S	9997546	25			
28D	9438920	66	28S	1017747	6			
28D	9133011	129	28S	9995376	14			
28D	9133012	2	28S	9992520	1			
28D	1200119	18	28S	9464989	1			
28D	9133013	6						
28D	7002428	2						
28D	1010030	4	28W	9419454	25			
28D	1011019	12	28W	9419456	2			
28D	9435710	1	28W	9419460	9			
28D	933014	9	28W	9419461	9			
28D	9453970	4	28W	9419464	5			
28D	1212403	6	28W	9419402	102			
28D	1010132	3	28W	9418921	3			
28D	1215081	4	28W	9419466	8			
28D	1007982	10	28W	9419474	3			
			28W	9419475	36			
			28W	9419477	18			
28FP	4062385	2	28W	9419481	16			
28FP	9483371	2	28W	9419482	12			
			28W	9419489	8			
			28W	9419493	6			
28M	1010998	4	28W	9419494	3			
28M	13273	1	28W	1200071	66			
28M	9403520	24	28W	9403514	9			
28M	1011473	3	28W	1010155	2			
28M	5808573	12						
28M	1011476	8						
28M	9129628	1						
28M	9480973	4						
28M	9706320	8						
28M	17406	15						
28M	17407	12						
28M	10286	5						
28M	1278190	107						
28M	10275	1						
28M	10290	3						
28M	10292	16						
28M	1086618	1						
28M	9433473	23						



INSTALLATION OF RADIO AND RADAR
IN REAR FUSELAGE AND FIN

(1)



RADIO AND RADAR INSTALLATION
REAR FUSELAGE AND FIN

VULCAN 400 2

SERVICES
AIR CONDITIONING

Page QA. 1

Ref. No.	Part No.	Description	No. off	Matl. Spec.	Cl of St.	Plate and Must'n No
					M.R.	
		1 2 3 4				
		AIR CONDITIONING INSTALLATION Consisting of:— AIR CONDITIONING, PRESSURISATION IN CABIN (127635) Spares for:—				
	35Z7635	Clip, half, 4" dia., for duct	4	L72		QA1/1
	36Z7635	Clip, half, 4" dia., for duct	7	L72		QA1/2
	38Z7635	Clip, half, 4" dia., for duct	2	L72		QA1/3
	39Z7635	Clip, half, 4" dia., for duct	1	L72		QA1/4
	40Z7635	Clip, half, 4" dia., for duct	1	L72		QA1/5
	41Z7635	Clip, half, 4" dia., for duct	1	L72		QA1/6
	42Z7635	Clip, half, 4" dia., for duct	1	L72	MR	QA1/7
	45Z7635	Clip, half, 3" dia., for duct	2	L72	MR	QA1/8
	46Z7635	Clip, half, 3" dia., for duct	2	L72	MR	QA1/9
	60Z7635	Clip, half, for ducting support, forward, pilot's floor	2	L72	MR	QA2/10
	71Z7635	Clip, for duct extraction	2	L72		QA2/11
	72Z7635	Clip, for feed pipe to bomb aimer's window, ... port	1	L72		QA1/12
	73Z7635	Clip, for feed pipe to bomb aimer's window, ... starboard	1	L72		QA2/13
	72Z6048	Clip, half, 4" dia., for duct	17	L72		QA1/14
	88Z6048	Clip, half, 1-1/2" dia.	7	L72		QA2/15
	100Z6048	Clip, half, 3" dia.	4	L72	MR	QA1/16
28E/9712165	SP91/G	Clip, pipe	6	—		QA1/20
28E/20019	SP91/K	Clip, pipe	7	—		QA1/21
26FP/13112	12/SS3264	Clip, pipe	4	—		QA1/22
26TA/13084	20/SS3264	Clip, pipe	4	—		QA1/23
	28SS3264	Clip, pipe	6	—		QA1/24
	2Z7634	CLIP, DUCT JOINTING, 3" DIA. WITH ATTACHMENTS, GROUP	6	—	MR	QA2/17
	4Z7634	CLIP, DUCT JOINTING, 4" DIA. WITH ATTACHMENTS, GROUP	25	—	MR	QA2/18
	6Z7634	CLIP, DUCT JOINTING, 5" DIA. WITH ATTACHMENTS, GROUP	1	—	MR	QA2/19
	85Z7635	Clip, for duct, 4.06" dia.	26	L72	MR	QA1/25
	86Z7635	Clip, for duct, 3.06" dia.	8	L72		QA1/26
27KD/4631702	NORMALAIR	Connection, ground press	1	—	A	QA2/27
4653	506570	Duct, branch feed, between former 232 and ... 204, 5" and 3" o/d x 22G, port	1	L54 & L59	C	QA1/28
4658	6Z7635	Duct, feed, at former 232, 5" o/d x 22G, port	1	L59	C	QA1/29
4657	8Z7635	Duct, feed, between former 274 and 302, 4" o/d x 27-1/2" long approx., port	1	L72	C	QA1/30
	9Z7635	Duct, feed, between former 302 and 344, port	1	L59	MR	QA1/32
4659	10Z7635	Duct, feed, between former 302 and 344, starboard	1	L59	C	QA1/33
4660	12Z7635	Duct, feed at former 232, 4" o/d x 22G, starboard	1	L59	C	QA1/34
	13Z7635	Duct, extraction, between former 232 and 246, 4" o/d x 20" long approx., port	1	L59	MR	QA2/35

SERVICES
AIR CONDITIONING

Ref. No.	Part No.	Description	No. off	Matl. Spec.	Cl. of	Plate and Illust'n No.
					St.	
		1 2 3 4			M.R.	
AIR CONDITIONING, PRESSURISATION IN CABIN (1Z7635) (Cont'd)						
4862	14Z7635	Duct, extraction branch, between former 232 and 246, 1½" o/d and 4" o/d - 20" long approx., starboard	1	L54 & L59	C	QA2/36
4863	15Z7635	Duct, extraction, joint to joint, through former 260, 4" o/d x 18" long approx., starboard	1	L72	C	QA2/37
4864	16Z7635	Duct, extraction, joint to joint, through former 274 and 288, 4" o/d - 24" long approx.	2	L72	C	QA2/38
4865	17Z7635	Duct, extraction, joint to joint, through former 316 and 330, 4" o/d - 30" long approx.	2	L59	C	QA2/39
	18Z7635	Duct, extraction, joint to joint, through former 316 and 330, 4" o/d - 30" long approx.	2	L72	MR	QA2/40
4867	19Z7635	Duct, extraction, joint to joint, through former 344 and 358, 4" o/d - 24" long approx.	2	L72	C	QA2/41
4868	22Z7635	Duct, extraction, joint, forward former 358 to joint, forward former 372 above pressure control units, 4" o/d and 1½" o/d, starboard	1	L54 & L59	C	QA2/42
4869	23Z7635	Duct, extraction, joint, above pilot's floor to joint branch duct, forward former 372, 4" o/d, port	1	L59	C	QA2/43
4870	24Z7635	Duct, extraction, joint to combined valve unit, 4" o/d - 16" long approx., port	1	L59	C	QA2/44
	26Z7635	Duct, branch feed, centre aft, former 272, 1½" o/d and 4" o/d - 3' 5" long approx.	1	L54 & L59	MR	QA1/45
	78Z7635	DUCT, EXTRACTION, C/W NON-RETURN FLAP, FROM JOINT BELOW PILOT'S FLOOR TO JOINT BETWEEN FORMER 358 AND 372, PORT, GROUP	1	—		QA2/46
	83Z7635	Spares for — Duct, branch extraction ...	1	L54 & L59		QA2/47
	79Z7635	FLAP, NON-RETURN, GROUP	1	—		QA2/48
	78aZ7635	Pin, hinge, ½" dia. - 4½" long ...	1	DTD130A		QA2/49
	82Z7635	DUCT, EXTRACTION, C/W NON-RETURN FLAP, JOINT TO JOINT BELOW PILOT'S FLOOR, STARBOARD, GROUP	1	—		QA2/50
	84Z7635	Spares for — Duct, extraction, 4" o/d - 30" long approx.	1	L59		QA2/51
	80Z7635	FLAP, NON-RETURN, GROUP ...	1	—		QA2/52
	78aZ7635	Pin, hinge, ½" dia. - 4½" long ...	1	DTD130A		QA2/53

VULCAN: 3

SERVICES
AIR CONDITIONING

Page QA. 3

Ref. No.	Part No.	Description	No. off	Mati. Spec.	Cl. of	Plate and Illust'n No.
					Str. M.R.	
			1	2	3	4
		AIR CONDITIONING, PRESSURISATION IN CABIN (1Z7635) (Cont'd)				
10110	90Z7635	Duct, extraction, joint through former 260 4" o/d x 13½' long approx., port	1	L72	C	QA2/54
	97Z7635	Duct, feed, from former 204 to branch duct, 3" o/d - 22G, port	1	L59	MR	QA1/55
	98Z7635	Duct, feed, joint to joint through former 246 and 260 4" o/d - 27½' long approx.	1	L72	MR	QA1/56
	99Z7635	Duct, feed, from former 204 to injector, port	1	L59		QA1/57
	—	DUCTING FROM COMBINED VALVE UNIT TO DECOMPRESSION UNIT, FORWARD FRONT PRESSURE BULK-HEAD (1Z7568)				QA2/58
		Spares for:—				
4880	1Z7189	Cap, end	1	L59	C	
	1Z7165	CAP. END GROUP	1	—		
	1Z7162	SHROUD, GROUP	1	—	MR	
4882	4Z7568	Sleeve	1	L59	C	
4883	3Z7568	Unit, shroud	1	L59	C	
	25K32347	Duct, extraction joint to joint through formers 344 and 356, 1½" o/d and 4" o/d 22G, port and between formers 344 and 358, starboard	1	L54 & L59	MR	QA1/59
	35K32347	Duct, extraction, joint to joint, through formers 344 and 356, 1½" o/d and 4" o/d 22G, starboard and between formers 344 and 358, port	1	L54 & L59	MR	QA1/60
22017	124Z7635	Duct, feed, to bomb aimer's window, 1½" o/d 22G 15" long approx., port	1	L54	C	QA1/61
	127Z7635	Duct, feed, to bomb aimer's window 1½" o/d 22G 15" long approx., port	1	L54	MR	QA1/62
	295K32347	Duct, feed, to bomb aimer's window, 1½" o/d 22G - 35" long approx., starboard	1	L54	MR	QA1/63
	235K32347	Duct, reducing feed, forward pilot's floor, port	1	L54 & L59		QA1/64
	245K32347	Duct, reducing feed, forward pilot's floor, starboard	1	L54 & L59		QA1/65
	265K32347	Duct, feed, top pilot's floor, 1" o/d 22G 12" long approx., starboard	1	L54		QA1/66
	275K32347	Duct, feed, from joint below pilot's floor to joint between formers 358 and 372, 2" o/d - 22G 4' 0" long approx., port	1	L54		QA1/67
22015	285K32347	Duct, feed, from below pilot's floor to joint between formers 358 and 372, 2" o/d - 22G 4' 0" long approx., starboard	1	L54	C	QA1/68
22016	121Z7635	Duct, feed, top pilot's floor to joint between formers 358 and 372, 2" o/d - 22G - 4' 0" long approx., starboard	1	L54	C	QA1/69
4878	93Z7635	Duct, extraction, at former 232, 1½" o/d x 12" long	1	L56	C	

SERVICES
AIR CONDITIONING

Ref. No.	Part No.	Description	No. off	Matl. Spec.	Cl. of	Plate and Illust'n No.
					St. M.R.	
		1 2 3 4				
		AIR CONDITIONING, PRESSURISATION IN CABIN (1Z7635) (Cont'd)				
	122Z7635	Duct, extractor, between stringers 8-11, port	1	—		QA2/70
	123Z7635	Duct, extractor, between stringers 11-14, port	1	—		QA2/71
27V/5272	TEDDINGTON FHG A35 55Z7635	Element, temperature sensing (Ductstat) Gasket, emergency, ram air valve, $\frac{1}{8}$ " x $4\frac{1}{2}$ " x $4\frac{1}{2}$ "	2 1	— DTD378A		QA2/72 QA1/73
4886	59Z6948	Gasket, for mushroom, crew's floor, $\frac{1}{8}$ " x $3\frac{1}{2}$ " x $3\frac{1}{2}$ "	2	DTD762	C	QA1/74
	87Z6948	Gasket, non-return valve	1	DTD378A	MR	QA1/75
		INJECTOR, WITH MESH GUARD, BETWEEN FORMERS 218 AND 240 (1Z9807)				
		Spares for:—				
9755	3Z9007	GUARD, MESH, TOP, GROUP	1	—	C	QA1/77
22021	2Z9007	GUARD, MESH, BOTTOM, GROUP	1	—	C	QA1/78
22019	1Z9006	INJECTOR, GROUP	1	—	C	QA1/79
		LEVER, CONTROL, FOR LOCKING 4-10" NON-RETURN VALVE, ON REAR PRESSURE BULKHEAD (1Z9138)				QA1/80
		Spares for:—				
5718	4Z9138	Arm, operating	1	DTD1718	C	QA1/81
5719	6Z9138	Bolt, special	1	S80	C	QA1/82
5720	3Z9138	BRACKET, LOCATING, GROUP	1	—	C	QA1/83
		Spares for:—				
	217/SS6004	Label, "Flight Position"	1	L59		QA1/84
5721	5Z9138	Pin, special	1	S80	C	QA1/85
5722	2Z9138	Spring, 22G x 80" long	1	Spring Steel	C	QA1/86
		MOUNTING, COMBINED VALVE UNIT, FORWARD FRONT PRESSURE BULKHEAD (14Z6945)				QA2/87
		Spares for:—				
27KD/4831828	NORMALAIR 504375-AA	Adaptor	1	—	C	QA2/88
		BOX, EXTRACTION AIR COLLECTION WITH DECOMPRESSION FLAP (1Z7489)				QA2/89
		Spares for:—				
	31Z7489	ADJUSTER, SPRING, GROUP	1	—		QA2/90
6244	41Z7489	DOOR, ACCESS, GROUP	1	—	C	QA2/91
		Spares for:—				
	8Z7489	Pad, felt, $\frac{1}{2}$ " thick, 7" x 7"	1	RS4		QA2/92
2151	6Z7489	Spring, 13 G	2	Spring Steel	C	QA2/93
	14Z7489	Tube, distance, $\frac{1}{8}$ " o.d. x 17G x 0 58" long	1	T35		QA2/94

VULCAN No. 3

SERVICES
AIR CONDITIONING

Page QA. 5

Ref. No.	Part No.	Description	No. off	Matl. Spec.	Cl. of	Plate and Illust'n No.
					St.	
					M.R.	
		1 2 3 4				
		BOX, EXTRACTION AIR COLLECTION, WITH DECOMPRESSION FLAP (1Z7489) (Cont'd)				
	33Z7489	Pin, adjuster	1	S1		QA2/95
2153	1BZ7489	PLATE, COVER, GROUP	1	-	C	QA2/96
	38Z7489	Tube, distance, 5/16" o/d x 17G x 0.50" long	1	T36		QA2/97
27KD/4631827	NORMALAIR 504378/W	Clamp	1	-	C	QA2/98
27KD/4631828	NORMALAIR 504372/W	Ring, sealing	1	-	C	QA2/99
	3Z8945	Seal, adaptor, "Hallite", 1/32" thick x 8" x 8"	1	DT0378A	MR	QA2/100
	4Z8945	Seal, mounting, "Hallite", 1/32" thick x 10.5" x 10.5"	1	DT0378A	MR	QA2/101
27KD/4631737	NORMALAIR 510880	Unit, combined valve	1	-	A	QA2/102
		MOUNTING, INWARD RELIEF VALVE, ON FORWARD PRESSURE BULKHEAD (1Z7894)				
		Spare for:-				
	2Z7894	MOUNTING, INWARD RELIEF VALVE, GROUP	1	-		QA1/104
		Attachments—Mounting, Part No. 2Z7894				
		Bolt, 2 BA	20	-	C	
		Nut, 2 BA	20	-	C	
		Washer, 2 BA	20	-	C	
28D/9133011	A25/2C	Seal, relief valve, "Hallite", 1/32" thick x 11" dia.	1	DTD378A	MR	QA1/105
28M/1012015	AGS2001/C1/66	Seal, mounting, "Hallite", 1/32" thick x 9.5" dia.	1	DTD378A	MR	QA1/106
28W/9419475	SP15/C 3Z7894	Valve, inward relief, 6.10" dia.	1	-	A	QA1/107
	4Z7894	Attachments—Valve, Part No. 508180				
		Bolt, 2 BA	15	-	C	
		Bolt, 1/4" BSF	1	-	C	
		Nut, 2 BA	15	-	C	
		Nut, 1/4" BSF	1	-	C	
		Washer, 2 BA	15	-	C	
		Washer, 1/4" BSF	1	-	C	
		MOUNTING, CABIN ALTITUDE SWITCH AND TEMPERATURE CONTROL UNIT (1Z9912) (Mod. 680)				QA2/108
		Spare for:-				
5CZ/4335567	TEDDINGTON CONTROL FLM/A/14	Controller, temperature	1	-	A	QA2/109

SERVICES
AIR CONDITIONING

Ref. No.	Part No.	Description	No. off	Mazl. Spec.	CL of	Plate and Illust'n No.
					St. M.R.	
		1 2 3 4				
		MOUNTING, CABIN ALTITUDE SWITCH AND TEMPERATURE CONTROL UNIT (129912) (Cont'd)				
5CZ/5140	TEDDINGTON CONTROL PAD/A/D/4	Switch, altitude, cabin	1	-	A	QA2/110
		MOUNTING, PRESSURE CONTROL UNITS AND AMBIENT PRESSURE SWITCH, STARBOARD (17228508)				QA2/111
	928508	Spare for:- BRACKET, SWITCH, GROUP	1	-		QA2/112
	181/SS8002	Spare for:- Label, "Pressure Warning Horn"	1	L72		QA2/113
	1327384	SWITCH, GROUP	1	-		QA2/114
	290/SS8002	Consisting of:- Label, "On"	1	-		QA2/115
5CW/4407828	-	Switch	1	-	A	QA2/116
28W/1097257	B. & C 1808/1	Washer, locking	2	-	C	QA2/117
27KD/4631731	NORMALAIR 509320	Controller, pressure, motorised, type "F"	1	-	A	QA2/118
27KD/4631732	NORMALAIR 511830	Controller, pressure, unmotorised, type "F"	1	-	A	QA2/119
	1028508	Insulator, bottom, outer	1	Fibreglass		QA2/120
	1128508	Insulator, top, outer	1	Fibreglass		QA2/121
	1228508	Insulator, bottom, inner	1	Fibreglass		QA2/122
	1328508	Insulator, top, inner	1	Fibreglass		QA2/123
	2028508	Insulator, bottom	1	-		QA2/123a
	1928508	Insulator, top	1	-		QA2/123b
5CW/4402920	TEDDINGTON CONTROL PAD/A/D/3	Switch, altitude, ambient	1	-	A	QA2/124
		MOUNTING, RELIEF VALVE, FORWARD PRESSURE BULKHEAD (128100)				QA2/125
		Spare for:-				
27KD/4631885	NORMALAIR 510860	Valve, pressure, relief	1	-	A	QA2/126
		Attachments-Pressure, relief, Part No. 510860				
28D/1214311	A25/17C	Bolt, 2 BA	3	-	C	
28D/1011026	A25/26C	Bolt, 2 BA	3	-	C	
28M/9433473	AGS2002/C1	Nut, 2 BA	6	-	C	
4895	6826948	Mushroom, on crew's floor	2	-	C	QA2/127
		Attachments-Mushroom, Part No. 6826948				
28D/1214035	AS1242/13C	Bolt, 2 BA, csk. hd.	4	-	C	
28M/1012016	AGS2001/C1/66	Nut, 2 BA	4	-	C	
28W/9419475	SP15/C	Washer, 2 BA	4	-	C	

SERVICES
AIR CONDITIONING

Ref. No.	Part No.	Description	No. off	Mater. Spec.	Cl. of	Plate and Illust'n No.
					St. M.R.	
1 2 3 4						
		AIR CONDITIONING, PRESSURISATION IN CABIN (127636) (Cont'd)				
4898	7SK32347 6Z7636	Nozzle, feed duct, bomb aimer's window	2	L54		QA1/128
		Piece, breeches, at former 232, port	1	L54 & L59	C	QA1/129
4898	89Z7636	PIPE, DOUBLE STUB, EXTRACTION BOX, BETWEEN FORMERS 274 AND 288.4" o/d AND 1-1/2" o/d x 22G, STARBOARD, GROUP	2	L54 & L59	C	QA2/130
4899	57c27636	Spares for: - Seal, 1/16" thick x 7" x 8.25" (Hallite)	1	DTD378C	C	
4900	62Z7636	Pipe, extraction, lower, forward former 372, 1-1/2" o/d x 22G x 3' 9" long approx., port	1	L56	C	QA2/131
	100Z7636	Pipe, extraction, lower, forward, former 372, 1-1/2" o/d x 22G x 18" long approx., starboard	1	L56		QA2/132
	101Z7636	Pipe, extraction, between stringers 35 and 40, forward former 372, 1-1/2" o/d x 22G x 28" long approx., starboard	1	L56		QA2/133
	102Z7636	Pipe, extraction, between stringer 40 and pilot's floor 1-1/2" o/d x 22G x 22" long approx., starboard	1	L56		QA2/134
	103Z7636	Pipe, extraction, between pilot's floor and stringer 46, 1-1/2" o/d x 22G x 30" long approx., starboard	1	L54 & L59		QA2/135
	33Z8948	Pipe, feed, to mushroom on crew's floor, 1-1/2" o/d x 20G, port	1	L54 & L59		QA1/136
	34Z8948	Pipe, feed, to mushroom on crew's floor, 1-1/2" o/d x 20G, starboard	1	L54 & L59		QA1/137
	1Z8489	PIPE, STUB, BETWEEN FORMERS 248 AND 260, 1-1/2" o/d x 22G, GROUP	2	L54 & L59		QA1/138
	3Z8489	PIPE, STUB, BETWEEN FORMERS 288 AND 302, 1-1/2" o/d x 22G, GROUP	2	L54 & L59		QA1/139
	1dZ7676	Spares for: - Seal, 1/32" thick x 5-3/4" x 4" (Hallite)	1	DTD378A	C	
	4Z8489	PIPE, STUB, BETWEEN FORMERS 316 AND 330, 1-1/2" o/d x 22G, GROUP	2	L54 & L59		QA1/140
	5Z8489	PIPE, STUB, BETWEEN FORMERS 344 AND 358, 1-1/2" o/d x 22G, GROUP	2	L54 & L59		QA1/141
	4dZ7676	Spares for: - Seal, 1/32" thick x 4-1/2" x 4" (Hallite)	1	DTD378A		
	2Z7677	PIPE, STUB, BETWEEN FORMERS 302 AND 316, 1-1/2" o/d x 22G, GROUP	2	L54 & L59		QA2/142
	3Z7677	PIPE, STUB, BETWEEN FORMERS 330 AND 344, 1-1/2" o/d x 22G, GROUP	2	L54 & L59		QA2/143
8084	107Z7636	Pipe, feed, between formers 316 and 330, 1" o/d x 22G x 13" long, port	1	L54	C	QA1/143a
	108Z7636	Pipe, feed, between formers 316 and 330, 1" o/d x 22G x 13" long, starboard	1	L54		QA1/143b

SERVICES
AIR CONDITIONING

Ref. No	Part No.	Description	No. off	Matl Spec.	Cl. of St.	Plate and Illust'n No.
					M.R.	
		1 2 3 4				
		AIR CONDITIONING, PRESSURISATION IN CABIN (1Z7636) (Cont'd.)				
	4Z7677	PIPE, STUB, BETWEEN FORMERS 318 AND 330, 1-1/2" o/d x 22G, GROUP	1	L54 & L59		QA2/144
	1dZ7677	Seal, 1/32" thick x 4" x 5-3/4" (Hallite)	1	DTD378A		
		PIPING, FROM PRESSURE CONTROLLERS TO COMBINED VALVE UNIT (150Z7741)				
		Spares for:—				
	33Z7741	Arm, fork-end, release valve unit	1	S3 & S21	MR	QA4/145
27K/4811187	TELEFLEX 39960	Box, adjustable lever, R.H.	1	—	C	QA4/146
	36Z7741	Bracket, spring loaded swivel	1	—		QA4/147
27K/4700346	TELEFLEX DS23/2	Cable, 17' 0" long approx.	1	—	C	QA4/148
26FP/2721	2SS3858	Clip, bonded	8	—	C	QA4/149
9007	3SS3859	Clip, bonded	4	—	C	QA6/150
	34Z7741	Clip, conduit	6	L72	MR	QA4/151
	36Z7741	Clip, conduit	1	L72	MR	QA4/152
27K/4811023	TELEFLEX DS58/2	Conduit, "Teleflex", 3' 0" long approx.	2	—	C	QA4/153
27K/4811023	TELEFLEX DS58/2	Conduit, "Teleflex", 4' 0" and 5' 0" long approx.	1	—	C	QA4/154
	B29140	Connector, conduit	3	—		QA4/154a
	BS1984	FAIRLEAD, FOR PIPES, GROUP	1	—		QA6/155
	24Z7741	FAIRLEAD, FOR PIPES, GROUP	3	—		QA6/156
	25Z7741	FAIRLEAD, FOR PIPES, GROUP	1	—	MR	QA6/157
	13Q1827	FAIRLEAD, FOR PIPES, GROUP	4	—		QA6/158
	25Z3224	FAIRLEAD, FOR PIPES, GROUP	3	—	MR	QA6/159
	31Q1311	FAIRLEAD, FOR PIPES, GROUP	1	—	MR	QA4/160
		(Mk. 1 only)				
	TELEFLEX C1858	Fork-end, sliding, release valve unit	1	—		QA4/161
		(Make up from AP4515 to Vol. 3, Part 1)				
	2SS4298	Fork-end, at release valve	1	—		QA4/162
	32Z7741	HANDLE, CONTROL, UNIT, GROUP	1	—		QA4/163
		Consisting of:—				
	16Z7131	Bush, 1/2" dia. x 1/2" long	1	DTD364B		QA4/164
	11Z7131	Cap, screwed	1	DTD364B		QA4/165
27K/747	TELEFLEX A16527/B	Ferrule, knob screw	1	—	C	QA4/166
1505495	12Z7131	Grip, handle	1	DTD364B		QA4/167
	46Z7131	Knob	1	—	C	QA4/168

VULCAN NR. 2

SERVICES
AIR CONDITIONING

Page QA. 9

Ref. No.	Part No.	Description	No off	Matl. Spec.	Cl. of St.	Plate and Illust'n No.
					M.R.	
		1 2 3 4				
		HANDLE, CONTROL UNIT (32Z7741) (Cont'd.)				
	10Z7131	Lever, barrel	1	DTD364B		QA4/168
	SR3-1848	Marker, Betalite	1	—		
	15Z7131	Reg	1	DTD364B		QA4/170
	18Z7131	Pin, 1/8" dia. x 1-1/4" long	1	S3		QA4/171
	13Z7131	Plunger	1	DTD364B		QA4/172
	TELEFLEX					
27K/48011011	A5507/B	Screw, knob, locating	1	—	C	QA4/173
	14Z7131	Spring, 18G	1	Spring Steel	C	QA4/174
	5B/5S3554	Piece, 4-way, 5/16" x 1/4" x 1/8" BSP	1	—	C	QA6/175
	2/SS4098	Pin, solid, for fork-end and arm, release valve unit	3	—	MR	QA6/175
	5Z7741	PIPE, BULKHEAD ADAPTOR TO CV UNIT, 1/4" o/d x 22G x 3' 8" LONG APPROX., GROUP	1	L56	MR	QA6/177
	6Z7741	PIPE, BULKHEAD ADAPTOR TO CV UNIT, 1/4" o/d x 22G x 2' 4" LONG APPROX., GROUP	1	L56	MR	QA6/178
4923	7Z7741	PIPE, BULKHEAD ADAPTOR TO TEE-PIECE, 1/4" o/d x 22G x 2' 8" LONG APPROX., GROUP	1	L56	C	QA6/179
	8Z7741	PIPE, BULKHEAD ADAPTOR TO TEE-PIECE, 1/4" o/d x 22G x 2' 10" LONG APPROX., GROUP	1	L56	MR	QA6/180
4925	8Z7741	PIPE, TEE-PIECE TO AFT RELEASE VALVE UNIT, 5/16" o/d x 22G x 2' 4" LONG APPROX. GROUP	1	L56	C	QA6/181
4926	10Z7741	PIPE, TEE-PIECE TO FORWARD RELEASE VALVE UNIT, 5/16" o/d x 22G x 18" LONG APPROX. GROUP	1	L56	C	QA6/182
	13Z7741	PIPE, PRESSURE CONTROLLER TO AFT WATER TRAP, 1/4" o/d x 22G x 6" LONG APPROX. GROUP	1	L56	MR	QA6/183
4928	15Z7741	PIPE, AFT RELEASE VALVE TO TEE-PIECE, 5/16" o/d x 22G x 2' 4" LONG APPROX., GROUP	1	L56	C	QA6/184
	16Z7741	PIPE, FORWARD RELEASE VALVE TO TEE- PIECE, 5/16" o/d x 22G x 20" LONG APPROX. GROUP	1	L56	MR	QA6/185
	17Z7741	PIPE, BULKHEAD ADAPTOR TO TEE-PIECE, 5/16" o/d x 22G x 2' 7" LONG APPROX., GROUP	1	L56		QA6/186
	103Z7741	PIPE, FROM TEE-PIECE TO UNION THROUGH FAIRLEAD GROUP, 1/4" o/d x 22G, GROUP	1	L56	MR	QA6/186a

SERVICES
AIR CONDITIONING

Ref. No	Part No.	Description	No. off	Mati. Spec.	Cl of St	Plate and Inset'n No
					M.N.	
		1 2 3 4				
		PIPING, FROM PRESSURE CONTROLLERS TO COMBINED VALVE UNIT (15Z7741) (Cont'd.)				
	21Z7741	PIPE, PRESSURE CONTROLLER TO TEE-PIECE, 1/4" o/d x 22G x 6" LONG APPROX., GROUP	1	L56	MR	QA6/187
4932	56Z7741	PIPE, BULKHEAD ADAPTOR TO TEE-PIECE, 5/16" o/d x 22G x 3' 0" LONG APPROX., GROUP	1	L56	C	QA6/188
4938	63Z7741	PIPE, TEE-PIECE TO TEE-PIECE AFT RELAY VALVE, 5/16" o/d x 22G x 8" LONG APPROX., GROUP	1	L56	C	QA6/189
22025	77Z7741	PIPE, FROM TEE-PIECE UNDER PILOT'S FLOOR TO 4-WAY PIECE, 1/4" o/d x 22G x 4' 4" LONG APPROX., GROUP	1	L56	C	QA6/190
22026	78Z7741	PIPE, FROM TEE-PIECE UNDER PILOT'S FLOOR TO UNION, 1/4" o/d x 22G x 3' 0" LONG APPROX., GROUP	1	L56	C	QA6/191
22027	79Z7741	PIPE, FROM TEE-PIECE UNDER PILOT'S FLOOR TO UNION, 1/4" o/d x 22G x 4' 4" LONG APPROX., GROUP	1	L56	C	QA6/192
	80Z7741	PIPE, FROM TEE-PIECE UNDER PILOT'S FLOOR TO WATER TRAP, 1/4" o/d x 22G x 5' 0" LONG APPROX., GROUP	1	L56	MR	QA6/193
17429	81Z7741	PIPE, FROM AMBIENT SWITCH TO 4-WAY, PIECE, 3/16" o/d x 22G x 14" LONG APPROX., GROUP	1	L56	C	QA6/194
11025	82Z7741	PIPE, FROM MOTORISED PRESSURE CONTROLLER TO WATER TRAP, 1/4" o/d x 22G x 12" LONG APPROX., GROUP	1	L56	C	QA6/195
	83Z7741	PIPE, FROM MOTORISED PRESSURE CONTROLLER TO 4-WAY PIECE, 1/4" o/d x 22G x 12" LONG APPROX., GROUP	1	L56	MR	QA6/196
22023	84Z7741	PIPE, FROM UNION TO WATER TRAP, 1/4" o/d x 22G x 2' 8" LONG APPROX., GROUP	1	L56	C	QA6/197
22024	85Z7741	PIPE, FROM UNION TO WATER TRAP, 1/4" o/d x 22G x 2' 8" LONG APPROX., GROUP	1	L56	C	QA6/198

VULCAN No. 3

SERVICES
AIR CONDITIONING

Ref. No.	Part No.	Description	No. off	Mater. Spec.	Cl. of	Plate and Illust'n No.
					St. M.R.	
		1 2 3 4				
PIPING FROM PRESSURE CONTROLLERS (150Z7741) (Cont'd)						
5CW/4742	DOWTY C1381/Y	Switch	1	-	A	QA8/199
27K/4880895	TELEFLEX C24195	Swivel, spring loaded	1	-	B	QA4/200
	34/SS3557	Tee-piece	3	-		QA8/201
	119/SS3557	Tee-piece	2	-		QA8/202
28FP/13758	134/SS3557	Tee-piece	2	-	C	QA8/203
28FP/15243	1/SS3287	Turnbuckle, 2 BA	1	-	C	QA4/204
27QM/4880107	DOWTY C5748Y-Mk. 1	Unit, release valve	2	-	A	QA4/205
2549	26Z7741	WATER-TRAP, GROUP	4	-	C	QA8/206
	-	SYSTEM, DE-MISTING WINDSCREEN	-	-		
		(129622)				
		Spares for:-				
8031	129698	BRACKET, MTG. HEATER, GROUP	1	-	C	QA5/207
5503	36Z7700	Bracket, spray pipe	2	-	C	QA5/208
	30Z7700	Bracket, at cockpit rail	1	-		QA5/209
	13Z9622	Bracket, at cockpit rail	1	-		QA8/210
26TA/13084	20SS3264	Clip, "P", for pipe	2	-	C	QA5/211
28FP/13093	8SS3264	Clip, "P", for pipe	2	-	C	QA5/212
	31Z7700	Clip, duct to cockpit rail	2	-		QA5/213
28E/9712183	SP91/C	Clip, hose	A/R	-	C	QA5/214
28E/4710871	SP91/N	Clip, hose	A/R	-	C	QA5/217
	9Z9622	DUCT, FROM Y-PIECE TO JOINT, L.H., GROUP	1	-	MR	QA5/218
	10Z9622	DUCT, FROM Y-PIECE TO JOINT, R.H., GROUP	1	-	MR	QA5/219
8027	11Z9622	DUCT, FROM CENTRE DUCT, BELOW WINDSCREEN, L.H., GROUP	1	-	C	QA5/220
8028	12Z9622	DUCT, FROM CENTRE DUCT, BELOW WINDSCREEN, R.H., GROUP	1	-	C	QA5/221
	36Z7700	DUCT, CENTRE FEED, BELOW WINDSCREEN, GROUP	1	-	MR	QA5/222
8024	8Z9622	DUCT, Y-PIECE AT BLOWER AND HEATER UNIT, GROUP	1	-	C	QA5/223
	15Z9698	Gasket, blower	1	DTD378A	MR	QA5/224
	5Z9622	Gauze, wire mesh, 22G, No. 8	1	Brass		QA5/225
	A53380/C3	Lead, bonding	2	-		QA5/226
28E/1983184	SP91/E or	Clip, hose	A/R	-	C	QA5/215
28E/20104	SP91/F or	Clip, hose	A/R	-	C	
28E/8712185	SP91/G	Clip, hose	A/R	-	C	
28E/8250283	SP91/J or	Clip, hose	A/R	-	C	QA5/216
28E/20019	SP91/K	Clip, hose	A/R	-	C	

SERVICES
AIR CONDITIONING

Ref. No.	Part No.	Description	No. off	Mater. Spec.	Cl. of	Plate and Illust'n No.
					St. M.R.	
		1 2 3 4				
		SYSTEM DE-MISTING WINDSCREEN (129822) (Cont'd)				
11582	15Z9822	Pipe, spray, side window, port	1	L54 & L59	C	QA5/227
11583	18Z9822	Pipe, spray, side window, starboard	1	L54 & L59	C	QA5/228
5506	50Z7700	Pipe, side, cockpit to inboard duct,	1	L54 & L59	C	QA5/229
		starboard				
5507	51Z7700	Pipe, side, cockpit to inboard duct,	1	L54	C	QA5/230
		starboard				
5509	53Z7700	Pipe, outboard duct to side cockpit, port ..	1	L54	C	QA5/231
		67Z7700				
10884	14Z9822	Pipe, joint to joint, side cockpit	1	L54	MR	QA5/232
		14Z9822				
		Pipe, spray, centre window	-	-	C	QA5/233
9246	64Z7700	PIPE FROM JOINT TO PILOT'S SIDE	1	-	C	QA5/234
		WINDOW, PORT, 3/4" O/D x 22G x 9" LONG, GROUP				
9247	65Z7700	PIPE, FROM JOINT TO PILOT'S SIDE	1	-	C	QA5/235
		WINDOW, STARBOARD, 3/4" O/D x 22G x 9" LONG, GROUP				
	PLANNAIR 3PL/182-264H	UNIT, BLOWER AND HEATER.	1	-		QA5/236
		GROUP				
		Consisting of:-				
5UD/1095886	3PL182-271 Mk. 3	Blower	1	-	B	
5UD/4388637	1000-354H Mod. 1	Heater	1	-	B	
	AS/2811/5/190	Tube, distance	2	-		QA1/237
	AS/2801/5/016	Tube, distance	2	-		QA1/238
	AS/2811/5/050	Tube, distance	1	-		QA1/239
22022	1Z7238	VALVE, BUTTERFLY, 4" DIA.,	2	-	A	QA1/240
		BETWEEN FORMERS 232-246, GROUP				
		Spares for:-				
	5Z6531	Spring	1	-		
	4Z6531	Washer, locking	1	-		
27KD/4631874	NORMALAIR 513800	Valve, non-return, 4.10" dia.	1	-	A	QA1/241
27KD/4631829	NORMALAIR 503400	Valve, air, emergency, ram	1	-	A	QA1/242
27KD/4631888	NORMALAIR 512330 DEV. 1	Valve, non-return, 3" dia.	1	-	A	QA1/243

WACAN 48 7

SERVICES
AIR CONDITIONING

Page QA. 13

Ref No	Part No.	Description	No. off	Mater. Spec.	Cl. of St.	Plate and Illust'n No.
					M. R.	
		1 2 3 4				
		CONTINUOUS PRESSURIZATION INSTALLATION FOR RADIO EQUIPMENT (2T7571) (Mod. 2183)				
	2T7666	Spares for:— PANEL, CONTINUOUS PRESSURIZATION, GROUP	1	—		
	3T7666	Spares for:— Panel	1	—		
	40T7571	PIPE, GROUP	1	L56		
	41T7571	PIPE, GROUP	1	L56		
	42T7571	PIPE, GROUP	1	L56		
	43T7571	PIPE, GROUP	1	L56		
	44T7571	PIPE, GROUP	1	L56		
	45T7571	PIPE, GROUP	1	L56		
28Y/9701165	DAMIC DC22 DUNLOP	Valve, charging	2	—	C	
27VA/1801701	ACM26788	Valve, pressure relief	1	—	A	
27VA/1801702	ACM26780	Valve, pressure relief	1	—	A	
27VA/1802888	ACM25138	Valve, pressure reducing	1	—	A	
27VA/1801700	ACM25184	Valve, pressure reducing	1	—	A	
		[For spares see AP.4515, Vol. 3, Pt. 1, Chap. 55]				
	31T7571	PIPE, GROUP (Pre Mod. 2321)	1	L56		
	34T7571	PIPE, GROUP	1	L56		
	36T7571	PIPE, GROUP	1	L56		
	38T7571	PIPE, GROUP	1	L56		
	39T7571	PIPE, GROUP	1	L56		
	26T7571	PIPE, FLEXIBLE, GROUP	1	—		
	27T7571	PIPE, FLEXIBLE, GROUP	1	—		
	28T7571	PIPE, FLEXIBLE, GROUP	1	—		
	33T7571	PIPE, FLEXIBLE, GROUP	1	—		
	35T7571	PIPE, FLEXIBLE, GROUP	1	—		
	37T7571	PIPE, FLEXIBLE, GROUP	1	—		
	47T7571	PIPE, FLEXIBLE, GROUP	1	—		

SERVICES
AIR CONDITIONING

Ref. No	Part No.	Description	No. off	Matl. Spec.	Cl of St	Plate and Illust'n No.
					M.R.	
		1 2 3 4				
CONTINUOUS PRESSURIZATION INSTALLATION FOR RADIO EQUIPMENT (2T7571) (Cont'd)						
1433870	5T7571 BESTOBELL	Summary of materials for flexible pipes:— Adaptor, special	4	—	C	
1433872	BAS243/C2	Clip	14	—	C	
1433871	6T7571	Ferrule	8	—	C	
1433873	46T7571	Ferrule	2	—	C	
	117SS8085	Label	4	—	C	
1433869	BRIFLEX LTD. NF30	Nylon, tubing	—	—	C	
	AGS2111	Sleeve, outer	9	—		
	AGS804/A	Sleeve, outer	2	—		
	DUNLOP ACM21228	Valve, non return	4	—		
CONTINUOUS PRESSURIZATION INSTALLATION FOR X-BAND EQUIPMENT (3T7571) (Mod. 2183)						
		Spare for:—				
	16T7571	PANEL, GROUP	1	—		
	15T7571	PIPE, GROUP	1	L58		
	17T7571	PIPE, GROUP	1	L68		
	18T7571	PIPE, GROUP	1	L58		
	7T7571	PIPE, FLEXIBLE, GROUP	1	—		
	8T7571	PIPE, FLEXIBLE, GROUP	1	—		
	9T7571	PIPE, FLEXIBLE, GROUP	1	—		
	10T7571	PIPE, FLEXIBLE, GROUP	1	—		
	11T7571	PIPE, FLEXIBLE, GROUP	1	—		
	12T7571	PIPE, FLEXIBLE, GROUP	1	—		
	13T7571	PIPE, FLEXIBLE, GROUP	1	—		
	14T7571	PIPE, FLEXIBLE, GROUP	1	—		
	29T7571	PIPE, FLEXIBLE, GROUP	1	—		
	30T7571	PIPE, FLEXIBLE, GROUP	1	—		
1433870	5T7571 BESTOBELL	Summary of materials for flexible pipes:— Adaptor, special	3	—		
1433872	BAS243/C2	Clip	20	—		

SERVICES
AIR CONDITIONING

Ref. No.	Part No.	Description	No. off	Matl. Spec.	Cl. of	Plate and Illust'n No.
					St. M.R.	
		Summary of materials for flexible pipes (Cont'd)				
1433871	6T7571	Ferrule	14	-	C	
1433873	46T7571	Ferrule	3	-	C	
	117SS8086	Label	3	-		
1433888	BRIFLEX LTD NF30	Nylon tubing	-	-	C	
	AGS2111	Sleeve, outer	14	-		
	AGS804/4	Sleeve, outer	3	-		
	DAMIC DC22	Valve, charging	1	-		
	DUNLOP ACM2122B	Valve, non-return	3	-	C	
27VA/4628238	ACO1584	Valve, pressure maintaining	1	-	C	
27VA/4819829	ACM25138	Valve, pressure reducing	1	-	C	
27VA/1502686						
		DUCTING, COOLING, IN RADOME (65Z7981)				
		Spares for:-				
20240	17Z7981	Bracket, attachment	1	-	C	QA3/244
20241	18Z7981	Bracket, attachment	1	-	C	QA3/245
20242	36Z7981	Bracket	1	-	C	QA3/246
20243	37Z7981	Bracket	1	-	C	QA3/247
	49Z7981	Bracket, channel	1	-	MR	QA3/248
	64Z7981	Bracket, attachment	1	-	MR	QA3/249
20244	72Z7981	BRACKET, GROUP	1	-	B	QA3/250
	73Z7981	BRACKET, GROUP	1	-		QA3/251
	20Z7981	Clip, half, for 3-1/8" o/d duct	3	L72	MR	QA3/252
	21Z7981	Clip, half, for 3-1/8" o/d duct	3	L72	MR	QA3/253
2507	22Z7981	Clip, half, for 2.38" o/d duct	2	L72	C	QA3/254
2508	23Z7981	Clip, half, for 2.38" o/d duct	2	L72	C	QA3/255
	67Z7981	Clip, half, for 2.38" o/d duct	1	-	MR	QA3/256
	18SS3859	Clip, "P", for pipes	1	-	MR	QA3/257
	15S3853	Clip, "P", for pipes	1	-	MR	QA3/258
	13SS2853	Clip, "P", for pipes	2	-		QA3/259
26FP/15120	6SS3853	Clip, "P", for pipes	1	-	C	QA3/260
26TA/13826	6SS3264	Clip, "P", for pipes	2	-	C	QA3/261
	35SS3859	Clip, pipe	2	-	MR	QA3/262
	BG6/SS4234	Clip, half, for 2.38" o/d duct	1	-	MR	QA3/263
13084	AY6/SS4234	Clip, half, for 2.0" o/d duct	2	-	C	QA3/264
20245	173/SS4095	Clip, half, for 1.5" o/d duct	2	-	C	QA3/265
	AS5/SS4234	Clip, half, for 1.5" o/d duct	2	-	MR	QA3/266
2184	3Z7834	CLIP, JOINT, FOR 3-1/2" DIA. DUCT, GROUP	1	-	C	QA3/267
2186	5Z7834	CLIP, JOINT, FOR 4-3/4" DIA. DUCT GROUP	1	-	C	QA3/268

SERVICES
AIR CONDITIONING

Ref. No.	Part No.	Description	No. off	Matl. Spec.	Cl. of	Place and Illust'n No.
					St.	
		1 2 3 4				
		DUCT, COOLING IN RADOME (65Z7981) (Cont'd)				
	627634	CLIP, JOINT, FOR 6" DIA. DUCT, GROUP	1	-	MR	QA3/269
	1127634	CLIP, JOINT, FOR 3-1/8" DIA. DUCT, GROUP	1	-	MR	QA3/270
	1227634	CLIP, JOINT, FOR 2.38" DIA. DUCT, GROUP	1	-	MR	QA3/271
28E/9429463	AGS805/0	Clip, hose, type "J"	2	-	C	QA3/272
28E/9128981	AGS805/1	Clip, hose, type "J"	3	-	C	QA3/273
28E/9129092	AGS805/2	Clip, hose, type "J"	1	-	C	QA3/274
4813	3Z7981	Duct, feed, between bulkhead	1	L59	C	QA3/275
4815	7Z7981	Duct, feed, from cooling duct to receiver (Mod. 1385)	1	L54 & L59	C	QA3/276
11821	77Z7981	Duct, feed (Mod. 1385)	1	-	C	QA3/277
	52Z7981	Duct, feed, between formers 400-414	1	L54 & L59	MR	QA3/278
	96Z7981	Duct, feed, through former 442	1	L54 & L59	MR	QA3/279
5068	57Z7981	Duct, feed, joint, starboard	1	L54 & L59	C	QA3/280
	58Z7981	Duct, feed, forward of former 442	1	L59	MR	QA3/281
	59Z7981	Duct, feed, between formers 414-428	1	L59	MR	QA3/282
	60Z7981	Duct, feed, between formers 400-414	1	L54 & L59	MR	QA3/283
	61Z7981	Duct, feed, between formers 400-414	1	L54 & L59	MR	QA3/284
8521	60Z7981	Duct, feed, between formers 414-428	1	L54 & L59	C	QA3/285
8522	70Z7981	Duct, feed, joint	1	L54	C	QA3/286
8523	71Z7981	Duct, feed, flanged, at transformer	1	L54 & L59	C	QA3/287
	44Z7981	Pipe, cooling, between formers 414-428, port ..	1	L54 & L59	MR	QA3/288
	31Z7981	Sleeve, rubber, 2" o/d	-	DTD552	MR	QA3/289
	33Z7981	Sleeve, rubber, 1-3/8" o/d	-	DTD552	MR	QA3/290
	35Z7981	Sleeve, rubber, 7/8" o/d	-	DTD552	MR	QA3/291
	62Z7981	STRUT, SUPPORT, GROUP	2	-	MR	QA3/292
5874	63Z7981	STRUT, CURVED, FOR DUCT, GROUP	1	-	C	QA3/293
	47Z7981	STRUT, SUPPORT, FOR DUCT, GROUP ...	1	-	MR	QA3/294
	68Z7981	STRUT, SUPPORT, FOR DUCT, GROUP ...	1	-	MR	QA3/295
11135	26Z7981	STRUT, SUPPORT, GROUP	1	-	C	QA3/296
		HEATING INSTALLATION IN BOMB BAY (10427723) (Mod. 748)				
		Spares for:-				
	92Z7723	Bush, 1/2" dia. x .75" long	4	-		QA8/297
	3Z7723	Cap, blanking, for branch duct, bomb arch 21.717A	1	L59	MR	QA7/298

SERVICES
AIR CONDITIONING

Ref. No.	Part No.	Description	No. off	Mater. Spec.	Cl. of	Plate and Illust'n No.
					Sc.	
		1 2 3 4				
HEATING INSTALLATION IN BOMB BAY (104Z7723) (Cont'd)						
5735	KING A/C Co C4370/BA 327648	Clamp, cold air valve	1	-	MR	QA8/299
		Clamp, half, 2.46" i/d (supplied in 2 halves wired together)	5	DTD371	MR	QA8/300
		Clip, duct, 2" dia	21	L72	MR	QA7/301
		Clip, half, 3" dia., used with 46aZ7723 for ducting at bomb arch 27.717A	1	L72	C	QA7/302
		Clip, half, 3" dia., used with 46aZ7723 for ducting at bomb arch 27.717A	1	L72	C	QA7/303
		Clip, half, 4 8" dia., used with 46bZ7723 for ductings at bomb arch 81.707A	1	L72	MR	QA7/304
		Clip, half, 6" dia., used with 46cZ7723 for ductings at bomb arch 201.367A	1	L72	C	QA7/306
		Clip, half, 4 8" dia., used with 46bZ7723 for ducting at bomb arch 81.707A	1	L72		QA7/306
		Clip, half, 6" dia., used with 46cZ7723 for ductings at bomb arch 201.367A	1	L72	C	QA7/307
		Clip, half, 2" dia., used with bracket 46Z7723 at bomb arch 259.092A	1	L72	C	QA7/308
5738	47aZ7723	Clip, half, 2" dia., attachments to brackets, bomb arch, stations 21.717A, 300.904A and 321.836A	4	L72	C	QA7/309
	16SS4234	Clip, half, attachment to bracket at bomb arch 300.904A	1	-		QA7/310
	5SS4234	Clip, half, attachment to bracket at bomb arch 300.904A	1	-		QA7/310a
21745	52gZ7723	Clip, half, 4" dia., used with 53gZ7723 for ductings at bomb arch, stations 44.592A and 64.592A	2	L72	C	QA7/311
21746	53gZ7723	Clip, half, 4" dia., used with 52gZ7723, for ductings at bomb arch stations 44.592A and 64.592A	2	L72	C	QA7/312
	52cZ7723	Clip, half, 4.8" dia., used with 53cZ7723 at bomb arch stations 279.092A	1	L72		QA7/313
	53cZ7723	Clip, half, 4 8" dia., used with 52cZ7723 at bomb arch station 279.092A	1	L72		QA7/314
5740	52dZ7723	Clip, half, 5 8" dia., used with 53dZ7723 at bomb arch stations 259.092A, 108.887A, 95.967A, 225.227 and 243.127A	5	L72	C	QA7/315
5741	53dZ7723	Clip, half, 6 8" dia., used with 52dZ7723 at bomb arch stations 259.092A, 108.887A, 95.967A, 225.227 and 243.127A	5	L72	C	QA7/316
	52eZ7723	Clip, half, 6" dia., used with 53eZ7723 for ducting at bomb arch, stations 123.015A, 171.842A, 151.919A and 182.967A	5	L72	MR	QA7/317

SERVICES
AIR CONDITIONING

Ref. No.	Part No.	Description	No. off	Mater. Spec.	Cl of St.	Plate and Illust'n No.
					M.R.	
		1 2 3 4				
		HEATING INSTALLATION IN BOMB BAY (104Z7723) (Cont'd.)				
	53aZ7723	Clip, half, 6" dia., used with 53aZ7723 for ducting at bomb arch. stations 123.015A, 171.842A, 151.918A and 182.987A	5	—	MR	QA7/318
21748	56Z7723	Clip	1	DTD610A		QA7/319
	2Z7634	Clip, duct, joint, for 3" dia. duct	1	L72	MR	QA7/320
	4Z7634	Clip, duct, joint, for 4" dia. duct	3	L72	MR	QA7/321
2186	5Z7634	Clip, duct, joint, for 4.8" dia. duct	3	L72	C	QA7/322
2188	7Z7634	Clip, duct, joint, for 5.8" dia. duct	4	L72	C	QA7/323
	8Z7634	Clip, duct, joint, for 6.0" dia. duct	3	—	MR	QA7/324
	9Z7634	Clip, duct, joint, for 8" dia. duct	1	L72	MR	QA7/325
26FP/1686	ISS3406	Clip, special, 5/16" dia., for capillary tube	3	—	C	QA8/326
5CW/5237	TEDDINGTON FDF/A/3010	Control, inching	1	—	A	QA8/327
	13Z7723	DIFFUSER, C/W ADAPTOR FROM JOINT AT JUNCTION DUCT TO JOINT AT INJECTOR BARREL, 24" LONG APPROX., GROUP (Pre-Mod. 2127)	1	—	MR	
1433105	138Z7723	DIFFUSER, C/W ADAPTOR FROM JOINT AT JUNCTION DUCT TO JOINT AT INJECTOR BARREL, 24" LONG APPROX., GROUP (Mod. 2127)	1	—	C	QA8/328
13782	121Z7723	DUCT, FEED, C/W DIFFUSER FROM BRANCH DUCT AT BOMB ARCH. 21.717A, 24G x 2" o/d x 12" LONG APPROX., GROUP (Mod. 380)	1	—	C	QA7/329
21751	120Z7723	Duct, branch between bomb arch. stations 21.717A" and 44.529A", 22G, x 18" long, approx.	1	L54 & L59	C	QA7/330
5747	5Z7723	Duct, trunk, from joint at branch duct, between bomb arch. stations P.I.717A and 44.592A", 22G x 18" long approx.	1	L58	C	QA7/331
5748	6Z7723	Duct, trunk, from joint at bomb arch. station 44.592A to joint branch at duct between bomb arch. stations 64.592A and 81.707A", 22G x 4" o/d x 24" long, approx.	1	L58	C	QA7/332
5749	7Z7723	Duct, branch, between bomb arch. stations 64.592A" & 81.707A, 22G x 18" long	1	L54 & L59	C	QA7/333
5763	22Z7723	Duct, feed, from joint branch duct between bomb arch stations 64.592A and 81.707A", 22G x 2" o/d x 24" long	1	L54	C	QA7/334
5764	23Z7723	Duct, feed, from joint at branch duct, between bomb arch stations 64.592A" & 81.707A", 24G x 2" o/d x 5' 0" long approx.	1	L54	C	QA7/335

VULCAN No. 7

SERVICES
AIR CONDITIONING

Page QA. 19

Ref No.	Part No.	Description	No. off	Matl Spec	Cl. of	Plate and Illustr'n No
					St.	
		1 2 3 4				
HEATING INSTALLATION IN BOMB BAY (104Z7723) (Cont'd.)						
5750	8Z7723	Duct, branch, between bomb arch stations 81.707A" & 95.967A"	1	L54 & L59	C	QA7/336
5765	24Z7723	Duct, feed, from joint at branch duct, between bomb arch stations 81.707A" & 95.967A", 24G x 2" o/d x 24" long approx.	1	L54	C	QA7/337
5766	26Z7723	Duct, feed, from joint at branch duct, between bomb arch stations 81.707A" & 95.967A", 24G x 2" o/d x 5' 0" long approx.	1	L54	C	QA7/338
5761	9Z7723	Duct, trunk, between bomb arch stations 95.967A" & 108.687A", 22G x 5/8" o/d x 16" long approx.	1	L59	C	QA7/339
5752	10Z7723	Duct, branch, between bomb arch stations 108.687A" & 123.015A	1	L54 & L59	C	QA7/340
5753	11Z7723	Duct, trunk, between bomb arch stations 123.015A" & 151.919A", 22G x 6" o/d x 3' 0" long approx.	1	L59	C	QA7/341
5764	12Z7723	Duct, junction, between bomb arch stations ... 151.919A" & 171.842A" (Pre-Mod. 748)	1	L54 & L59	C	
14223	107Z7723	Duct, junction, between bomb arch stations ... 151.919A" & 171.842A" (Mod. 748)	1	L54 & L59	C	QA7/342
	28Z7723	Duct, feed, from joint at junction duct, between bomb arch stations 151.919A" & 171.842A", 24G x 2" o/d x 2' 0" long approx.	1	L54	MR	QA7/343
	29Z7723	Duct, feed, from joint at junction duct, between bomb arch stations 151.919A" & 171.842A", 24G x 2" o/d x 2' 0" long approx.	1	L59	MR	QA7/344
	14Z7723	DUCT, TRUNK, C/W DIFFUSER, FROM JOINT AT JUNCTION DUCT TO JOINT, FORWARD BOMB ARCH 201.367A", GROUP	1	—	MR	QA7/345
	15Z7723	DUCT, TRUNK, C/W DIFFUSER, FROM JOINT, FORWARD BOMB ARCH 201.367A" TO JOINT, FORWARD 225.227A", GROUP	1	—	MR	QA7/346
5756	27Z7723	Spares for:— DEFLECTOR, GROUP	1	—	C	
	16Z7723	Duct, trunk, between bomb arch stations 226.227A" & 259.029A", 22G x 5.8" o/d x 3' 0" long approx.	1	L59	MR	QA7/347
5759	17Z7723	Duct, branch, from joint, forward bomb arch 259.029A" to joint, forward bomb arch 279.092A", 22G x 18" long approx.	1	L54 & L59	C	QA7/348

SERVICES
AIR CONDITIONING

Ref. No.	Part No.	Description	No. off	Matl. Spec.	CL of	Plate and Illust'n No.
					Se. M.R.	
		1 2 3 4				
		HEATING INSTALLATION IN BOMB BAY (104Z7723) (Cont'd)				
5780	18Z7723	Duct, trunk, from joint at branch duct forward bomb arch 279.092A" to joint at branch duct aft of bomb arch 279.092A", 22G x 4.8" o/d x 2' 0" long approx.	1	-	C	QA7/349
17438	134Z7723	DUCT FEED BETWEEN BOMB ARCHES 278.062A" AND 321.938A", GROUP (Mod 1464)	1	-	C	QA7/350
	26Z7723	Duct, feed, from joint at branch duct between bomb arch, stations 108.887A" & 123.015A", 22G x 2" o/d x 2' 0" long approx.	1	L54	MR	QA7/351
	27Z7723	Duct, feed, from joint at branch duct between bomb arch, stations 108.887A" & 123.015A, 24G x 2" o/d x 5' 0" long approx.	1	L54	MR	QA7/352
5771	30Z7723	Duct, feed, from joint at branch duct bomb arch 259.092A", 24G x 2" o/d x 4' 6" long approx	1	L54	C	QA7/353
	70Z7723	DUCT, FEED, FROM HOT AIR VALVE TO JOINT FORWARD BOMB ARCH 225.227A", GROUP	1	-	MR	QA8/354
	98Z7723	DUCT, FEED, FROM JOINT FORWARD BOMB ARCH 225.227A" TO JUNCTION DUCT, AFT BOMB ARCH 182.987A", GROUP	1	-	MR	QA8/355
	79Z7723	DUCT, FEED, FROM INJECTOR NOZZLE TO HOT AIR VALVE, GROUP	1	-	MR	QA8/356
		INJECTOR INSTALLATION BETWEEN ARCH STATIONS 182.987A" AND 225.227A" (133Z7723) (Mod 748)				
		Spares for: -				
5777	77Z7723	BARREL, INJECTOR, GROUP	1	-	C	QA8/357
21753	93Z7723	Bolt, attachment, injector body	4	-	C	QA8/358
	18Z7648	Clamp, half, for duct (supplied in 2 halves and wired together)	1 pair	-	MR	QA8/359
	91Z7723	NOZZLE AND INJECTOR GROUP	1	-		QA8/360
		Spares for: -				
5778	1Z7691	Body, injector	1	-	C	
5779	1Z7715	NOZZLE GROUP	1	-	C	

VULCAN 7

SERVICES
AIR CONDITIONING

Page QA. 21

Ref. No.	Part No.	Description	No. off	Matl Spec.	Cl. of St.	Plate and Hllet'n No.
					M.R.	
		<u>1 2 3 4</u>				
		NOZZLE AND INJECTOR GROUP (91Z7723) (Cont'd)				
	14Z7588	Ring, sealing, 1/32" thick x 3.20" dia. . .	1	DTD378A	MR	
2045	AS5413	Ring, sealing, cold air valve	1	—	C	QA8/361
	78Z7723	Ring, sealing, injector barrel, 1/32" thick x 7.8" dia.	1	—	MR	QA8/362
10183	1Z10403	VALVE, COLD AIR, GROUP (Mod. 1138) Spares for:—	1	—	A	QA8/363
	ROTAX LTD.					
	C5520	Actuator Rotary (with splined coupling)	1	—	A	QA8/364
5W/4511921 28F/8011809	AGS1104/B	Adaptor, cone	1	—	C	QA8/365
11845	2Z10403	BODY, COLD AIR VALVE, GROUP Spares for:—		—	B	QA8/366
	GLACIER METAL					
14598	08-DU-08	Bearing, self lubricating	1	—	C	
	08-DU-10	Bearing, self lubricating	1	—	MR	
	3Z10403	Liner	1	—	MR	
	4Z10403	Liner	1	—	MR	
	12Z7564	Bolt, 2 BA, for actuator mounting (Make from A25/1C)	3	—	MR	QA8/367
28F/11018	AGS1159/B	Cap, cone	1	—	C	QA8/368
	9Z10403	Collar	1	MS	MR	QA8/369
	10Z10403	LEVER, FOR VALVE PLATE, GROUP	1	—	MR	QA8/370
	2141SS8005	Label	1	L58		QA8/371
5789	9Z7740	Mounting, actuator	1	—	C	QA8/372
11797	8Z10403	Plate, valve	1	—	C	QA8/373
28P/1208838	SP28/G6	Pin, taper	3	—	C	QA8/374
28P/9527819	SP90/C7	Pin, spur (SP9/C8)	1	—	C	QA8/375
	6Z10403	Shaft	1	—	MR	QA8/376
	11Z10403	Spacer	2	S514		QA8/377
28F/8011819	AGS904/B	Sleeve, outer	1	—	C	QA8/378
28F/9428953	AGS1186/B	Washer, 1/4" BSP	1	—	C	QA8/379
28W/8419875	SP18/C	Washer	2	—	C	
28W/8419884	SP10/C	Washer	1	—	C	
28W/8419888	SP10/J	Washer, retaining	1	—	C	
21755	10Z7564	Washer, eccentric	1	—	C	QA7/380
	5Z7564	Lever, inching	1	S3	MR	QA8/381
	8Z7564	Link, fork	1	—	MR	QA8/382

SERVICES
AIR CONDITIONING

Ref. No.	Part No.	Description	No. off	Matl. Spec.	Cl of	Place and Illust'n No.
					St.	
		1 2 3 4				
		HEATING INSTALLATION IN BOMB BAY (104Z7723) (Cont'd)				
		MOUNTING OF SENSING ELEMENT (1Z7880)				
		Spares for:-				
5793	3Z7880	Bracket, mounting, for sensing elements, at bomb arch stations 44.592A", 108 687A" and 201 387	2	L72	C	QA7/383
5794	4Z7880	Bracket, mounting, for sensing element at bomb arch 278.092A"	1	L72	C	QA7/384
5CZ/5872 5795	TEDDINGTON FHJ/A/2 6Z7880	Element, sensing	4	-	A	QA7/385
		Insulation, fibre glass sheet, .010" thick x 2" x 2", alkali-free, CF/E glass	4	-	C	QA7/386
		MOUNTING OF TEMPERATURE BULBS (2Z7702)				
		Spares for:				
6A/4333885 28D/1011021 28D/1214311 28M/10288	SANGAMO WESTON S110G/4/203 A25/16C A25/17C AGS2001/C1	Bulb, temperature	8	-	B	QA7/387
		Bolt	12	-	C	QA7/388
		Bolt	4	-	C	QA7/389
		Nut, stiff	16	-	C	
5796	4Z7702	MOUNTING, TEMPERATURE BULB, GROUP	8	-	B	QA7/390
	6Z7702	Tube, distance, 5/16" o/d x 17G x 1-1/2" long	15	T36		QA7/391
	8Z7702	Tube, distance, 5/16" o/d x 17G x 1.39" long	1			QA7/392
28W/9419475 28W/9419454	SP15/C SP10/C	Washer	14	-	C	
		Washer	2	-	C	
2046	AS4503 AS5413	Ring, sealing, 2.15" i/d	5	-		QA8/393
		Ring, sealing, 6 10" i/d	1	-	C	QA8/394
5CW/5109	TEDDINGTON FHO/A/97	Switch, overheat	1	-	A	QA8/395
	89Z7723	VALVE, HOT AIR, GROUP (Pre-Mod. 748)	1	-		
	105Z7723	VALVE, HOT AIR, GROUP (Mod. 748)	1	-		QA8/396
		Spares for:-				
	85Z7723	LEVER, TOP, FOR CONNECTING ROD, GROUP	1	-	MR	QA8/397
		Spares for:-				
	10Z7032	Bolt, special, 1/2" dia. x 1" long	1	S1	MR	
	15S4084	Bush, 5/16" dia. x 1/8" long	1	S96	MR	
4968	18Z7688	LEVER, BOTTOM, FOR CONNECTING ROD, GROUP	1	-	B	QA8/398
		Spares for:				
	10Z7032	Bolt, special, 1/2" dia. x 1" long	1	S1	MR	
	15S4084	Bush, 5/16" dia. x 1/8" long	1	S96	MR	

VULCAN No. 2

SERVICES
AIR CONDITIONING

Page QA. 23

Ref. No.	Part No.	Description	No. off	Matl. Spec.	Cl. of	Plate and Hist'n No.
					St. M.R.	
		1 2 3 4				
		VALVE, HOT AIR, GROUP (105Z7723) (Cont'd)				
1422	86F8653	PLUNGER, AT MICRO SWITCH, GROUP .	1	-	B	QA8/399
		Spares for:-				
	86F8653	Guide, plunger	1	-		
28P/942985A	SP28/E4	Pin, taper	1	-	C	
2467	87F8653	Plunger	1	S14	C	
2184	41Z7144	Spring	1	-	C	
2183	40Z7144	Stop	1	S1	C	
	TEDDINGTON FLJ/A/4	Resistor, follow-up	1	-	A	QA8/400
5CZ/4708917						
17080	94Z7588	ROD, CONNECTING, GROUP	1	-	B	QA8/401
		(Mod. 1412)				
		Spares for:-				
	1SS4178	Fork-end, L.H.	1	S11	MR	
	2SS4178	Fork-end, R.H.	1	S11	MR	
28L/13246	A27/CT/L	Nut, 2 BA, L.H.	1	-	C	
28L/13124	A27/C/T	Nut, 2 BA, R.H.	1	-	C	
12274	94aZ7588	Rod, screwed, adjusting	1	S1	C	
5CW/9438275	-	Switch, micro	1	-	A	QA8/402
	TEDDINGTON FMP/A/512B	VALVE, hot air, 2" dia. (Mod. 1412)	1	-		QA8/403
		Consisting of:-				
5W/383	-	Actuator	1	-	A	
27V/8411	-	Valve	1	-	A	
		INSTALLATION OF PRESSURIZATION PANEL AND PIPING (X BAND EOPT.) IQ3774 (Mod. 2024)				
		Spares for:-				
	PLESSEY	Cap, protective	1	-		
	508/1/04888/100	Cap, protective	1	-		
	508/1/04885/100	Cylinder, nitrogen	1	-	A	
6D/9429890	-					
	40Q3771	PANEL, PRESSURIZATION FOR X-BAND ..	1	-		
		(Mod. 2193)				
		Spares for:-				
	3Q3771	Block, connector	1	-		
	20Q3771	Block, connector	1	-		
	22T5510	Connector	1	-		
	27T5510	Connector	1	-		
5895-99- 9455359	-	Coupler, directional R.F. power	1	-	C	
6A/1051033	-	Gauge, pressure	1	-	C	
6A/39521	-	Gauge, pressure	1	-	C	

VULCAN Mk. 2

SERVICES
AIR CONDITIONING

Page QA. 25

Ref. No.	Part No.	Description	No. off	Matl. Spec.	Cl. of	Plate and Illust'n No.
					St. M.R.	
		1 2 3 4				
		INSTALLATION OF PRESSURIZATION PANEL AND PIPING (Q3774) (Cont'd)				
	9Q3774	PANEL, TEST, GROUP	1	-		
	2Q3885	PIPE, GROUP (Mod. 2304, Part "A")	1	DT05016		
	13Q3773	PIPE, GROUP	1	L56		
	14Q3773	PIPE, GROUP	1	L56		
	12Q3774	PIPE, GROUP (Mod. 2184)	1	-		
1432806	DUNLOP 2/M14/401/B/ B/11.0	PIPE, FLEXIBLE, GROUP	1	-		
		PIPING FOR PRESSURE CONTROL IN NOSE (ZZ7741)				
		Spare for:-				
	50Z7741	Bracket (Supplied with metal nose structure ... Dwg. Mod. 9502)	2	L72		QA4/404
	61Z7741	Bracket (Supplied with metal nose structure ... Dwg. Mod. 9502)	1	L72		QA4/405
	53Z7741	Bracket (Supplied with metal nose structure ... Dwg. Mod. 9502)	4	L72		QA4/406
	66Z7741	Bracket (Supplied with metal nose structure ... Dwg. Mod. 9502)	3	L72		QA4/407
9007	3SS3859	Clip, bonded, for pipes	4	-	C	QA4/408
	25Z3224	FAIRLEAD, PIPE, GROUP	12	-	MR	QA4/409
20200	105Z7741	PIPE, FORWARD FORMER 484", 5/16" o/d x 20G, PORT, GROUP	1	L54 & L59	C	QA4/410
	106Z7741	PIPE, FORWARD FORMER 484", 5/16" o/d x 20G, STARBOARD, GROUP	1	L54 & L59	MR	QA4/411
20211	111Z7741	PIPE, FROM UNION TO TEE-PIECE, TOP, ... FORWARD FORMER 484", 5/16" o/d x 22G x 18' LONG APPROX., PORT, GROUP	1	L56		QA4/412
20214	112Z7741	PIPE, FROM UNION TO TEE-PIECE, BOTTOM, FORWARD FORMER 484", 5/16" o/d x 22G x 18' LONG APPROX., PORT, GROUP	1	L56	C	QA4/413
	110Z7741	PIPE, FROM UNION TO TEE-PIECE, BOTTOM, FORWARD FORMER 484", 5/16" o/d x 22G, STARBOARD, GROUP	1	L56	MR	QA4/414
20212	108Z7741	PIPE, FROM UNION TO TEE-PIECE, TOP, ... FORWARD FORMER 484", 5/16" o/d x 22G, STARBOARD, GROUP	1	L56	C	QA4/415

SERVICES
AIR CONDITIONING

Ref. No.	Part No.	Description	No. off	Mati. Spec.	Cl. of	Plate and Ident'n No.
					St. M.R.	
		1 2 3 4				
		PIPING FOR PRESSURE CONTROL IN NOSE (2Z7741) (Cont'd)				
20205	97Z7741	PIPE, FROM UNION, FORWARD OF BULKHEAD, 442" TO CONE TEE FORMER 484" TOP, 5/16" o/d x 22G, GROUP (Mod. 549)	1	-	C	QA4/416
20206	98Z7741	PIPE, FROM UNION, FORWARD OF BULKHEAD 442" TO CONE TEE FORMER 484" BOTTOM, 5/16" o/d x 22G, GROUP (Mod. 549)	1	-	C	QA4/417
20207	99Z7741	PIPE, FROM UNION, FORWARD OF BULKHEAD 442" TO UNION, FORWARD OF FORMER 386", TOP, 5/16" o/d x 22G, GROUP (Mod. 549)	1	-	C	QA4/418
	100Z7741	PIPE, FROM UNION, FORWARD OF BULKHEAD 442" TO UNION, FORWARD OF FORMER 386", BOTTOM, 5/16" o/d x 22G, GROUP (Mod. 549)	1	-		QA4/419
20203	101Z7741	PIPE, FROM UNION, FORWARD OF FORMER 386", FORWARD, 5/16" o/d x 22G, GROUP (Mod. 549)	1	-	C	QA4/420
20204	102Z7741	PIPE, FROM UNION, FORWARD OF FORMER 386", AND ALONG FORMER FORMER 386", AFT, 5/16" o/d x 22G, GROUP	1	-	C	QA4/421
		PRESSURISATION AND ANTI-ICING IN FUSELAGE CENTRE PORTION (1Z9448)				
21888	29Z7620	Angle, attachment	1	-	C	QA11/422
	30Z7620	Angle, attachment	1	-		QA11/423
	31Z7620	Angle, attachment	1	-		QA11/424
	32Z7620	Angle, attachment	1	-		QA11/425
	33Z7620	Angle, attachment	1	-		QA11/426
	34Z7620	Angle, attachment	1	-		QA11/427
	35Z7620	Angle, attachment	1	-		QA11/428
	36Z7620	Angle, attachment	1	-		QA11/429
21889	47Z7620	Angle, attachment	1	-	C	QA11/430
21890	48Z7620	Angle, attachment	1	-	C	QA11/431
21891	49Z7620	Angle, attachment	1	-	C	QA11/432
	50Z7620	Angle, attachment	1	-		QA11/433
21892	51Z7620	Angle, attachment	1	-	C	QA11/434
	52Z7620	Angle, attachment	1	-		QA11/435
21893	53Z7620	Angle, attachment	1	-	C	QA11/436
	54Z7620	Angle, attachment	1	-		QA8/437
21917	24Z9448	Angle, suspension	1	-	C	QA8/438

VULCAN No. 2						
SERVICES AIR CONDITIONING						
Page QA. 27						
Ref. No.	Part No.	Description	No off	Matl. Spec.	Cl. of	Plate and Illust'n No.
					SL	
		1 2 3 4				
PRESSURISATION AND ANTI-ICING IN FUSELAGE CENTRE PORTION (129446) (Cont'd)						
21918	25Z9446	Angle, suspension	1	—	C	QA9/439
21919	46Z9446	Angle, suspension	1	—	C	QA9/440
21920	47Z9446	Angle, suspension	1	—	C	QA9/441
21921	55Z9446	Angle, suspension	1	—	C	QA9/442
21922	56Z9446	Angle, suspension	1	—	C	QA9/443
21923	57Z9446	Angle, suspension	1	—	C	QA9/444
	10Z7467	Angle	3	—	C	QA12/445
	13Z7467	Angle (L.H.)	2	—		QA12/446
	14Z7467	Angle (R.H.)	2	—		QA12/447
	64Z9620	BRACKET, SUSPENSION, GROUP	2	—		QA17/449
21900	26Z9523	Bracket, suspension	2	—	C	QA11/450
	74Z9446	Bracket, suspension	1	—		QA11/451
	75Z9446	Bracket, suspension	1	—		QA11/452
21904	78Z9446	Bracket, suspension	1	—	C	QA11/453
	79Z9446	Bracket, suspension	1	—		QA11/454
21913	39Z9446	Bracket, suspension	1	—	C	QA10/455
21914	40Z9446	Bracket, suspension	1	—	C	QA10/456
21915	41Z9446	Bracket, suspension	1	—	C	QA10/457
21916	42Z9446	Bracket, suspension	1	—	C	QA10/458
21902	65Z9446	Bracket, suspension	1	—	C	QA10/459
21903	66Z9446	Bracket, suspension	1	—	C	QA10/460
21930	63Z9446	Bracket, attachment	1	—	C	QA13/461
21931	64Z9446	Bracket, attachment	1	—	C	QA13/462
	72Z9446	Bracket, support	4	—		QA13/463
21903	76Z9446	Bracket, suspension	1	—	C	QA11/464
	77Z9446	Bracket, suspension	1	—		QA11/465
	73Z9446	Bracket, suspension	1	—		QA11/466
	80Z9446	Bracket, suspension	1	—		QA11/467
21908	3Z9523	Bracket, suspension	1	—	C	QA11/468
21906	5Z9523	Bracket, suspension	1	—	C	QA11/469
21907	10Z9446	Bracket, suspension	1	—	C	QA11/470
21908	10Z9446	Bracket, suspension	1	—	C	QA11/471
	50Z9446	Block, suspension	1	—		QA9/472
	51Z9446	Block, suspension	1	—		QA9/473
	72Z6632	Bush, for clamp at suspension joint, rib 113.3	1	—	MR	QA11/474
	7Z7441	Bush, for clamp, at extension unit nose wheel bay	4	DTD364B	MR	QA17/475
	9Z7467	Bush, for clamp, at suspension brackets	40	DTD464B	MR	QA12/476
21901	27Z9623	Bush, for clamp, at suspension joint, rib 113.3	1	L85	C	QA11/477
	74Z7620	Bush, for clamp, at extension units between stringers 21-22 and 22-23	8	L65	MR	QA13/478
	178Z9446	Cap, blanking	2	—	MR	QA13/478a
21911	18Z9446	Channel, suspension, L.H.	2	—	C	QA10/479
21912	19Z9446	Channel, suspension, R.H.	2	—	C	QA10/480
	2Z9446	Channel, upper, port	1	—		QA12/481
21904	3Z9446	Channel, upper, starboard	1	—	C	QA12/482
21905	4Z9446	Channel, lower, port	1	—	C	QA12/483
21906	5Z9446	Channel, lower, starboard	1	—	C	QA12/484

SERVICES
AIR CONDITIONING

Ref No	Part No.	Description	No. off	Matl. Spec.	Cl. of St.	Plate and Illust'n No.
					M.R.	
		1 2 3 4				
		PRESSURISATION AND ANTI-ICING IN FUSELAGE CENTRE PORTION (129446) (Cont'd)				
21887	6Z9446	Channel, upper	1	—	C	QA12/485
21888	7Z9446	Channel, lower	2	—	C	QA12/486
	1Z8790	Channel, suspension	1	—		QA13/487
	2Z8790	Channel, suspension	1	—		QA13/488
	1Z7633	CHANNEL, SUSPENSION, PORT, GROUP ..	1	—		QA12/489
	2Z7633	CHANNEL, SUSPENSION, STARBOARD, ... GROUP	1	—		QA12/490
	70Z9446	CHANNEL, SUPPORT, PORT, GROUP	1	—		QA13/491
	71Z9446	CHANNEL, SUPPORT, STARBOARD,	1	—		QA13/492
21841	107Z9446	CHANNEL, SUPPORT, AT TRANSVERSE ... RIB, FORWARD, GROUP (Mod. 514)	1	—	C	QA12/493
21842	108Z9446	CHANNEL, SUPPORT, AT TRANSVERSE ... RIB, UPPER, GROUP (Mod. 514)	1	—	C	QA12/494
	KING A/C C5842/38	Clamp, "King" Mk. 1X (Pre-Mod. 876)	4	—	MR	QA13/495
	KING A/C C4205/1-1/2B	Clamp, "King" Mk. 3 (Mod. 1128)	2	—	C	QA13/496
	7Z7648	Clamp, half, for 3" dia. duct (Supplied in ... 2 halves, wired together)	14 Pairs	DTD371	MR	QA9/497
	8Z7648	Clamp, half, for 3" dia. duct (Supplied in ... 2 halves, wired together)	30 Pairs	DTD371	MR	QA9/498
2051	12Z7648	Clamp, half, for 4" dia. duct (Supplied in ... 2 halves, wired together)	11 Pairs	—	C	QA9/499
2054	15Z7648	Clamp, half, for 4-1/2" dia. duct (Supplied in ... 2 halves, wired together)	2 Pairs	—	C	QA12/500
	16Z7648	Clamp, half, for 4-1/2" dia. duct (Supplied in ... 2 halves, wired together)	12 Pairs	—	MR	QA11/501
	11Z7648	Clamp, half, for 4" dia. duct (Supplied in ... 2 halves, wired together)	1 Pair	—	MR	QA9/502
	8Z7634	CLIP, JOINT, DUCT TO INJECTOR, 6"	1	—	MR	QA16/503
	82Z6632	DUCT, FEED, JOINT TO JOINT, FOR- WARD BULKHEAD 75NWB, 3" DIA., PORT, GROUP (Pre-Mod. 360)	1	—		
21881	11Z9446	DUCT, FEED, JOINT TO JOINT, FOR- WARD BULKHEAD, 75NWB, 3" DIA., PORT, GROUP (Mod. 360)	1	—	C	QA17/504
1433818	7Z7620	DUCT, FEED, JOINT TO EXPANSION	1	—	C	QA17/505
	10Z7620	DUCT, FEED, EXPANSION UNIT 3" DIA., STARBOARD, GROUP, (Pre-Mod. 360)	1	—		

VULCAN 40 2

POWER INSTALLATION
ENGINE

Page QA. 29

Ref. No.	Part No.	Description	No. off	Matl. Spec	Cl. of	Plate and Illust'n No
					Sl.	
		1 2 3 4				
		PRESSURISATION AND ANTI-ICING IN FUSELAGE CENTRE PORTION (129448) (Com'd)				
21884	1229448	DUCT, FEED, EXPANSION UNIT, FORWARD BULKHEAD, 75NWB, TO JOINT ON OUTBOARD, 3" DIA., STARBOARD, GROUP (Mod. 380)	1	—	C	QA17/506
21888	1029448	DUCT, FEED, JOINT FORWARD BULKHEAD, 75NWB, EXPANSION UNIT, AFT, TRANSVERSE RIB, 3" DIA., GROUP	1	—	C	QA17/507
161011E	7627620	DUCT, FEED, BETWEEN EXPANSION UNIT, TRANSVERSE RIB AND DIAPHRAGM 27, 3" DIA., GROUP	1	—	C	QA12/508
	927620	DUCT FEED, 3" DIA., GROUP	1			QA12/508A
	7527620	DUCT, FEED, FROM EXPANSION UNIT DIAPHRAGM 27 TO JOINT BRANCH DUCT, FORWARD FRONT SPAR, 3" DIA., PORT AND STARBOARD (Pre-Mod. 380)	2	—		
	829448	DUCT, FEED, FROM EXPANSION UNIT, DIAPHRAGM 27 TO JOINT BRANCH DUCT, FORWARD FRONT SPAR, 3" DIA., PORT, GROUP (Mod. 380)	1	—		
21886	929448	DUCT, FEED, FROM EXPANSION UNIT DIAPHRAGM 27 TO JOINT BRANCH DUCT FORWARD FRONT SPAR, 3" DIA., STARBOARD, GROUP (Mod. 380)	1	—	C	QA17/509
1433740	128378	Duct, diffuser to injector, short 8" o/d, starboard	1	L58	C	QA18/510
	228378	Duct, diffuser to injector, short 8" o/d, starboard	1	L58		QA18/511
	328378	Duct, diffuser to injector, long 8" o/d, port (Pre-Mod. 2323)	1	L58		QA18/512
	1212496	Duct, diffuser to injector, port (Mod. 2323)	1	—		
	428378	Duct, diffuser to injector, long 8" o/d starboard (Pre-Mod. 2323)	1	L58		QA18/513
	2212496	Duct, diffuser to injector, starboard (Mod. 2323)	1	—		
12348	527620	DUCT, FEED, FROM JOINT TO DUCT SUSPENSION, BETWEEN STRINGERS 5 AND 8, INBOARD ENGINE BAY 4.4" DIA., GROUP	2	—	C	QA12/514
21885	2729448	DUCT, FEED, FROM DUCT SUSPENSION BETWEEN STRINGERS 5 AND 8, TO 4-WAY DUCT PORT, 3-WAY DUCT STARBOARD, INBOARD ENGINE BAY, 4" DIA., GROUP	2	—	C	QA11/516

SERVICES
AIR CONDITIONING

Ref. No	Part No	Description	No off	Mett. Spec.	Cl. of St.	Plate and Illustr'n No.
					M.R.	
		1 2 3 4				
		PRESSURISATION AND ANTI-ICING IN FUSELAGE CENTRE PORTION (1Z9446) (Cont'd.)				
21803	1Z9994	DUCT, 4-WAY INBOARD ENGINE BAY, PORT, GROUP	1	—	C	QA11/517
21825	32Z9446	DUCT, 3-WAY BETWEEN SUSPENSION UNITS, FORWARD INBOARD ENGINE STARBOARD, GROUP	1	—	C	QA9/518
	189Z9446	DUCT, FEED, FROM 4-WAY DUCT TO INBOARD ENGINE 3" DIA., PORT, GROUP (Mod. 1098, Part "C")	1	—	MR	QA11/519
21826	30Z9446	DUCT, FEED, FROM EXPANSION UNIT TO 3-WAY DUCT, FORWARD INBOARD ENGINE 4" DIA., STARBOARD, GROUP	1	—	C	QA9/520
21827	33Z9446	DUCT, 3-WAY, JOINT TO JOINT INBOARD AND OUTBOARD RIB 113.3, FORWARD INBOARD ENGINE STARBOARD, GROUP	1	—	C	QA9/521
11782	190Z9446	DUCT, FEED, FROM 3-WAY DUCT TO INBOARD, ENGINE, 3" DIA., STARBOARD, GROUP (Mod. 1098, Part "B")	1	—	C	QA9/522
1433206	28Z9446	DUCT, FEED, FROM BELLOWS AT 4-WAY DUCT, FORWARD INBOARD ENGINE TO JOINT OUTBOARD RIB 113.3, 3" DIA., PORT, GROUP	1	—	C	QA11/523
	31Z9446	DUCT, 3-WAY BETWEEN JOINT AND EXPANSION UNIT, FORWARD OUTBOARD ENGINE, STARBOARD, GROUP	1	—	MR	QA9/524
11783	191Z9446	DUCT, FEED JOINT, AT RIB 113.3 TO OUTBOARD ENGINE, 3" DIA., PORT, GROUP (Mod. 1098, Part "B")	1	—	C	QA11/525
	15Z9523	DUCT, FEED, FROM EXPANSION UNIT AFT, 3-WAY DUCT STARBOARD TO EXPANSION UNIT, STRINGER 18, GROUP	1	—	MR	QA11/526
	38Z9446	DUCT, FEED, FROM EXPANSION UNIT AFT, 4-WAY DUCT, PORT TO EXPANSION UNIT STRINGER 16, GROUP (Pre-Mod. 906)	1	—		
11788	174Z9446	DUCT, FEED, FROM EXPANSION UNIT, AFT 4-WAY DUCT PORT, TO EXPANSION UNIT STRINGER 18, GROUP (Mod. 906)	1	—	C	QA11/527

VULCAN No. 2

SERVICES
AIR CONDITIONING

Page QA 31

Ref. No.	Part No.	Description	No. off	Matl. Spec.	Cl. of	Plate and Illust'n No.
					St. M.R.	
		1 2 3 4				
		PRESSURISATION AND ANTI ICING IN FUSELAGE CENTRE PORTION (129448) (Cont'd)				
21909	1629523	DUCT, FEED, BETWEEN EXPANSION UNITS, STRINGERS 18 AND 21A, INBOARD ENGINE BAY, 4" DIA, STARBOARD, GROUP	1		C	QA11/528
	1629448	DUCT, FEED, BETWEEN EXTENSION UNITS, STRINGERS 18 AND 21A, INBOARD ENGINE BAY, 4" DIA, PORT, GROUP (Pre Mod. 906)				
	17529448	DUCT, FEED, BETWEEN EXPANSION UNITS, STRINGERS 18 AND 21A, INBOARD ENGINE BAY, 4" DIA, PORT, GROUP (Mod 908)	1	-	MR	QA11/529
21910	5929448	DUCT, FEED, FROM EXPANSION UNIT, STRINGER 21A TO JOINT INBOARD RIB 63.5 REAR ENGINE BULKHEAD, 4" DIA, PORT, GROUP	1	-	C	QA13/530
	6029448	DUCT, FEED, FROM EXPANSION UNIT, STRINGER 21A TO JOINT INBOARD RIB 63.5 REAR ENGINE BULKHEAD, 4" DIA, STARBOARD, GROUP	1	-	MR	QA13/531
10503	17729448	DUCT, BY PASS BETWEEN BOMB ARCHES 171.842 AND 182.967, 4" AND 3" DIA, GROUP (Mod 1128)	1	-	C	QA13/532
21935	8929448	DUCT, FEED, BETWEEN BUTTERFLY VALVE AND EXPANSION UNITS, BOMB ARCHES 171.842 AND 182.967, 3" DIA, GROUP	1	-	C	QA13/533
21928	3529448	DUCT, FEED, FROM EXPANSION UNIT, 3 WAY DUCT FORWARD OUTBOARD ENGINE TO EXPANSION UNIT, BETWEEN STRINGERS 14 AND 22, 3" DIA, STARBOARD, GROUP	1		C	QA9/534
11790	18829448	DUCT, FEED, FROM EXPANSION UNIT, TO OUTBOARD ENGINE, 3" DIA, STARBOARD, GROUP (Mod 1092, Part "B")	1	-	C	QA9/535
21964	1210324	DUCT, FEED, BETWEEN EXPANSION UNITS, STRINGERS 22A AND 24A OUTBOARD ENGINE BAY 2" DIA, STARBOARD, GROUP	1	-	C	QA10/536

SERVICES
AIR CONDITIONING

Ref. No.	Part No.	Description 1 2 3 4	No. off	Matl. Spec.	Cl. of	Place and Illust'n No.
					St. M.R.	
		PRESSURISATION AND ANTI-ICING IN FUSELAGE CENTRE PORTION (1Z9448) (Cont'd)				
	37Z9448	DUCT, FEED, FROM EXPANSION STRINGER 24A, OUTBOARD ENGINE BAY, 3" DIA, STARBOARD, GROUP	1	-	MR	QA10/537
21882	78Z7820	DUCT, FEED, BETWEEN SUSPENSION UNITS, PORT, GROUP	1		C	QA12/538
21883	79Z7820	DUCT, FEED, BETWEEN SUSPENSION UNITS, STARBOARD, GROUP	1	-	C	QA12/538
		DUCTING FOR AUXILIARY AIRBORNE POWER PLANT AND GROUND STARTING, PORT (93Z9448)				
	7Z7648	Spares for:- Clamp, half, for 3" dia duct (Supplied in two halves and wired together)	8 Pairs	-	MR	QA10/539
21838	806/SS4236	Clip, half, 1/4" BSF	1	-	C	QA10/540
21838	8025/SS4236	Clip, half, 1/4" BSF	1	-	C	QA10/541
	51SS4490	Clip	1		MR	QA10/542
7673	90Z9448	Connection, 3" bore, engine starting	1	-	C	QA10/543
7570	82Z9448	DUCT, BRANCH FROM JOINT OUTBOARD RIB 182.5 TO N.R.V, 3" DIA, GROUP	1	-	C	QA10/544
7571	89Z9448	DUCT, FEED, FROM N.R.V TO JOINT AT FLEXIBLE HOSE, 3" DIA, GROUP	1	-	C	QA10/545
	85Z9448	DUCT, FEED, FROM JOINT AT DUCT BRANCH, TO AA PP, GROUP	1	-		QA10/546
		Spares for:-				
	81Z9448	DUCT, 3" DIA., GROUP	1	-	MR	QA10/547
7587	83Z9448	DUCT, 3" DIA., GROUP	1		C	QA10/548
7588	94Z9448	Hose, flexible, "Bastoflex" 3" bore, 8" long	1	-	C	QA10/549
	91Z9448	HOSE, FLEXIBLE, GROUP	1		MR	QA10/550
28F/4051825	AS5408	Ring, mating	9	-	C	QA10/551
	VICKERS A5520	Valve, non return (Alternative "Normalair" 518080)	2	-		QA10/552

PLACAN No. 7

SERVICES
AIR CONDITIONING

Page QA 33

Ref. No.	Part No.	Description				No. off	Matl. Spec.	Cl of	Plate and Illust'n No.
		1	2	3	4			St. M.R.	
		PRESSURISATION AND ANTI-ICING IN FUSELAGE CENTRE PORTION (129448) (Cont'd)							
		DUCT, ANTI-ICING, TO INTAKE SEPARATOR, PORT AND STARBOARD (1-229449) (Mod 380)							QA15/553
		Spare for:-							
	727120	Clip, half, bottom				1		MR	QA15/554
	827120	Clip, half, top				3		MR	QA15/555
	927120	Clip, half, bottom				2		MR	QA15/556
2181	1027834	CLIP, DUCT JOINTING, GROUP				3		C	QA15/557
	327120	DUCT, INTAKE, FROM JOINT INBOARD ENGINE, INTAKE TO JOINT, OUTBOARD ENGINE INTAKE, PORT, GROUP (Pre-Mod 380)				1			
21956	329449	DUCT, INTAKE, FROM JOINT INBOARD ENGINE, INTAKE TO JOINT, OUTBOARD ENGINE INTAKE, PORT, GROUP (Mod 380)				1		C	QA15/558
	427120	DUCT, INTAKE, FROM JOINT INBOARD ENGINE, INTAKE TO JOINT, OUTBOARD ENGINE INTAKE (Pre-Mod 380)				1			
21958	429448	DUCT, INTAKE, FROM JOINT INBOARD ENGINE, INTAKE TO JOINT, OUTBOARD ENGINE INTAKE (Mod. 380)				1		C	QA15/559
	527120	DUCT, FRONT SPAR, FROM INJECTOR DUCT TO JOINT, PORT AND STARBOARD, GROUP (Pre Mod. 380)				2			
21957	529449	DUCT, FRONT SPAR, FROM INJECTOR DUCT TO JOINT, PORT, GROUP (Mod 380)				1		C	QA15/560
	629449	DUCT, FRONT SPAR, FROM INJECTOR DUCT TO JOINT, STARBOARD, GROUP (Mod. 380)				1			QA15/561
21930	10329446	DUCT, FEED, BETWEEN FRONT SPAR AND TRANSVERSE RIB, GROUP (Mod 514)				1		C	QA12/562

SERVICES
AIR CONDITIONING

Ref. No.	Part No.	Description	No. off	Matl. Spec.	Cl. of	Plate and Illust'n No.
					St.	
		1 2 3 4			M.R.	
		PRESSURISATION AND ANTI-ICING IN FUSELAGE CENTRE PORTION (1Z9446) (Cont'd)				
21940	104Z9446	DUCT, FEED, AT TRANSVERSE RIB, CENTRE, GROUP (Mod. 614)	1	—	C	QA12/563
21943	160Z9446	DUCT, FEED, AT TRANSVERSE RIB, AFT, GROUP	1	—	C	QA12/564
21944	161Z9446	DUCT, FEED, AT TRANSVERSE RIB, AFT, GROUP	1	—	C	QA12/565
	38Z8632	Gasket, between duct and injector	2	DTD378A	MR	QA16/566
	80F8663	Gasket, between duct and injector	2	DTD378A	MR	QA16/567
		AIR SUPPLY PIPING TO REFRIGERATION UNIT (1Z10237 AND 27588 SHT 91 (Mod 748) (Pre-Mod 1175)				
		Spares for:—				
	10Z10237	Angle	1	L72		QA13/568
	11Z10237	Angle	1	L72		QA13/569
	21Z10237	Angle	1	L72		QA13/570
	22Z10237	Angle	1	L72		QA13/571
	12Z10237	Bracket	2	L72		QA13/572
	13Z10237	Bracket	2	L72		QA13/573
	86Z7588	Bracket	2	—		QA13/574
	86Z7588	Bracket	2	—		QA13/575
	10Z7501	Bush	4	L65	MR	QA13/576
14210	18Z10237	Bush	4	L65	C	QA13/577
	72Z8632	Bush	4	—		QA13/578

SERVICES
AIR CONDITIONING

Ref. No.	Part No.	Description	No. off	Matl. Spec.	Cl. of	Place and Illust'n No.
					St.	
		1 2 3 4				
		AIR SUPPLY PIPING TO REFRIGERATION UNIT (1210237 and 27588 SHT. 9) (Cont'd)				
	19Z10237	Cap, blanking (Pre-Mod. 200 only)	1	—	MR	QA13/579
	5Z7648	Clamp, half, for duct (Supplied in 2 halves, wired together)	8	—	MR	QA13/580
	17Z7648	Clamp, half, for duct (Supplied in 2 halves, wired together)	1 pair	—	MR	QA13/581
14215	27Z7648	Clamp, half, for duct (Supplied in 2 halves, wired together)	2 pair	—	C	QA13/582
	AS3380/87C	Lead, bonding	8	—		QA13/583
14218	20Z10237	Link	2	—	C	QA13/584
14219	87Z7588	Link	2	—	C	QA13/585
	9Z27648	LINK, FOR CLAMP AT STN 171.842, GROUP	2	—		QA13/586
	23Z10237	PIPE, BETWEEN BOMB ARCHES 108.887 AND 95.987", GROUP	1	—	MR	QA13/587
14204	2210237	PIPE, BETWEEN BOMB ARCHES 108.887" AND 151.919", GROUP	1	—	C	QA13/588
14218	84Z7588	PIPE, BETWEEN CLAMPS AT BUTTERFLY VALVE AND EXPANSION UNIT, GROUP	1	—	C	QA13/589
14208	4210237	PIPE, BETWEEN CLAMP AND EXTENSION UNIT AT BOMB ARCH, STN. 95.987", GROUP	1	—	C	QA13/590
14207	5Z10237	PIPE, BETWEEN EXPANSION UNIT AND CLAMP, BOMB ARCH, STN. 95.987", GROUP	1	—	C	QA13/591
14208	6Z10237	PIPE, BETWEEN CLAMPS AT BOMB ARCH, STN. 95.987", GROUP	1	—	C	QA13/592
14209	7Z10237	PIPE, BETWEEN CLAMP AND EXPANSION UNIT AT BOMB ARCH, STN 95.987", GROUP	1	—	C	QA13/593
28F/4051853	AS5404	Ring, sealing	12	—	C	QA13/594
	83Z7588	TEE-PIECE, BETWEEN BOMB ARCHES 171.842" AND 182.987", 4" DIA., GROUP	1	—		QA13/595
	12Z7613	TIE-BAR, FOR EXPANSION UNIT, GROUP	4	—	MR	QA13/596

VULCAN No. 2

SERVICES
AIR CONDITIONING

Page QA. 35

Ref. No.	Part No.	Description	No. off	Mach. Spec.	Cl. of	Plate and Illust'n No.
					St. M.R.	
		1 2 3 4				
		AIR SUPPLY PIPING TO REFRIGERATION UNIT (1210237 AND Z7588 SHT. 9) (Cont'd)				
14221	18Z7613	TIE-BAR, FOR EXPANSION UNIT, GROUP	1	-	C	QA13/597
14222	18Z7613	TIE-BAR, FOR EXPANSION UNIT, GROUP	1	-	C	QA13/598
	AS2811/5/014	Tube, distance	2	-		QA13/599
	10Z7478	UNIT, EXPANSION, GROUP	3	-	MR	QA13/600
	TEDDINGTON CONTROLS Ltd. FMP/A/5004	VALVE, BUTTERFLY, GROUP	1	-		QA13/601
	65Z7620	Washer, special	8	-	MR	QA13/602
		INJECTOR, FIN ANTI-ICING IN BOMB BAY (79Z7588) (Pre-Mod. 2063) (87Z7588) (Mod. 2063)				
		Spares for:-				
	63Z7588	Arm, swivel	2	L72		QA13/603
	72Z7588	Arm, link	4	L72		QA13/604
	5Z7588	BARREL, INJECTOR, GROUP	1	-		QA14/606
	77Z7588	BRACKET, SUSPENSION, GROUP, L.H.	1	-		QA13/607
	78Z7588	BRACKET, SUSPENSION, GROUP, R.H.	1	-		QA13/608
	96Z7723	Bracket	2	-		QA13/609
	16Z7588	Bracket, resistor, "Follow-up"	-	-		QA14/610
	4Z7588	Body, injector	1	L33		QA14/611
21985	50Z7588	Bolt, special, attachment, cold air valve	4	-	C	QA14/612
	SANGAMO WESTON S110G/3/115	Bulb, resistance	1	-		QA14/613
	72Z8832	Bush, at link arm	4	DTD3848	MR	QA13/614
	3Z7648	Clamp, half, for duct (Supplied in 2 halves wired together)	1 pair	DTD371	MR	QA14/615
	4Z7648	Clamp, half, for duct (Supplied in 2 halves wired together)	1 pair	-	MR	QA14/616
	11Z7648	Clamp, half, for duct (Supplied in 2 halves wired together)	8 pair	-	MR	QA13/617
	17Z7648	Clamp, half, for duct (Supplied in 2 halves wired together)	-	-	MR	QA14/618

SERVICES
AIR CONDITIONING

Ref. No.	Part No.	Description				No. off	Matl. Spec.	Cl. of St. M.R.	Place and Illust'n No.
		1	2	3	4				
		INJECTOR FIN, ANTI-ICING IN BOMB BAY (79Z7588 AND 97Z7588) (Cont'd)							
	KING A/C Ltd. C4370-3A	Clamp, quick release, ducting at cold air valve (Pre-Mod. 2063)				1		MR	QA14/619
4056	27Z7588	Clip, special, suspension of hot air valve				1		C	QA14/620
2184	32Z7634	CLIP, DUCT JOINTING, 3-1/2" I/D, GROUP				1		C	QA14/621
	42Z7634	CLIP, DUCT JOINTING, 4" I/D, GROUP				1		MR	QA14/622
21988	54Z7588	CLIP, DUCT, 2" I/D, GROUP				1		C	QA13/623
		Consisting of:							
28D/12612	A25/1C	Bolt, 2 BA				1		C	
	54aZ7588	Clip				1			
28M/1012015	AGS2001/C1/66	Nut, 2 BA				1		C	
28W/9419476	SP15/C	Washer, 2 BA				1		C	
1685	1SS3406	Clip				6		C	QA13/624
13373	33SS3264	Clip				1		C	QA13/625
21967	55Z7588	CLIP, HEATING DUCT, GROUP				1		C	QA13/626
		Consisting of:							
28D/9436920	A25/1C	Bolt, 2 BA				1		C	
	55aZ7588	Clip				1			
28M/1012015	AGS2001/C1/66	Nut, 2 BA				1		C	
28W/9419476	SP15/C	Washer, 2 BA				1		C	
	92Z7588	DUCT, ADAPTOR, COLD AIR VALVE, GROUP (Pre-Mod. 2063)				1		MR	QA14/627
	62Z7588	DUCT, DE-ICING, GROUP				1		MR	QA14/628
9627	67Z7588	DUCT, FEED, FROM BRANCH DUCT TO N.R.V., BETWEEN BOMB ARCHES 171.842" AND 182.947", 4" DIA., GROUP				2		C	QA13/629
13617	93Z7588	DUCT, BRANCH, FROM INJECTOR TO TEE-PIECE, GROUP (Mod. 1196)				1		C	QA14/630
	61Z7588	DUCT, SLINGING, GROUP (Used on 1st 5 Prod. A/C only)				1			QA14/631
	62Z7588	DUCT, SLINGING, GROUP (Used on 6th and Sub. Prod. A/C)				1			QA14/632
	12Z7588	Gasket, cold air valve, 1/32" x 4-1/2" dia.				1		MR	QA14/633
	13Z7588	Gasket, adaptor duct and cold air valve 1/32" x 4-1/2" dia				1		MR	QA14/634
	14Z7588	Gasket, injector body and nozzle, 1/32" x 3-1/4" dia.				1		MR	QA14/635

VULCAN No. 2

SERVICES
AIR CONDITIONING

Page QA. 37

Ref. No.	Part No.	Description	No. off	Matl. Spec.	Cl. of	Plate and Inst'n No.
					St. M.R.	
		1 2 3 4				
		INJECTOR FIN, ANTI-ICING IN BOMB BAY (79Z7588 AND 87Z7588) (Cont'd)				
	15Z7588	Gasket, injector body and barrel, 1/32" x 5-1/4" dia.	1	-	MR	QA14/836
	91Z7588	LEVER, CONNECTING ROD TO HOT AIR VALVE, GROUP (Mod. 940) Spare for:-	1	-	MR	QA14/837
	1SS4084	Bush	1	S96	MR	
10318	90Z7588	LEVER, CONNECTING ROD TO MICRO SWITCH, GROUP (Mod. 940) Spare for:-	1	-	C	QA14/838
	10Z7032	Bolt, special	1	S1	MR	
	1SS4084	Bush	1	S96	MR	
	7Z7588	MEMBER, SUPPORT, GROUP	1	-		QA14/839
	8Z7588	MEMBER, SUPPORT, GROUP	1	-		QA14/840
5779	1Z7715	NOZZLE, INJECTOR, GROUP	1	-	C	QA14/841
	2SS4098	Pin, special, for connecting rod	2	S95	MR	QA14/842
	96Z7588	Plate, blanking (Mod. 2063)	1	-		QA14/843
1422	85F8553	PLUNGER, HOT AIR VALVE, GROUP ... Spare for:-	1	-	C	QA14/844
2467	87F8553	Plunger	1	S14	C	
2164	41Z7144	Spring	1	-	C	
2163	40Z7144	Stop	1	S1	C	
5CZ/4706917	YEDDINGTON FL/A/A	Resistor, "Follow-up"	1	-	A	QA14/845
28F/4051829	BELL ASBESTOS Ltd. AS5408	Ring, sealing, adaptor duct (Pre-Mod. 2063)	1	-	C	QA14/846
28F/4051861	BELL ASBESTOS Ltd. AS5411	Ring, sealing, branch and tee-piece ducting ..	1	-	C	QA14/847
28F/4051839	BELL ASBESTOS Ltd. AS5403	Ring, sealing, hot air valve	2	-	C	QA14/848
28F/4051818	BELL ASBESTOS Ltd. AS5408	Ring, sealing, duct joint	8	-	C	QA13/849

SERVICES
AIR CONDITIONING

Ref. No.	Part No.	Description	No. off	Mati. Spec.	Cl of	Plate and Illust'n No.
					St.	
		1 2 3 4				
		INJECTOR FIN, ANTI-ICING, IN BOMB BAY (79Z7588) AND 97Z7588) (Cont'd)				
17080	94Z7588	ROD, CONNECTING, RESISTOR TO HOT AIR VALVE (Mod. 1412)	1	-	B	QA14/850
		Spares for:-				
	1SS4178	Fork-end, L.H.	1	-	MR	
12274	2SS4178	Fork-end, R.H.	1	-	MR	
	94aZ7588	Rod	1	S1	C	
0973	46Z7588	Rod, screwed suspension bracket, 3/8" dia. x 4-1/4" long	2	S1	C	QA13/851
	8SS3847	Screw, special, stop, for inching levers, 2 BA x 1-1/4" long	1	-	C	QA14/851
	TEDDINGTON CONTROLS FHD/A/63	Switch, overheat (Mod. 940)	1	-		QA14/852
5CW/9438275		Switch, micro. type 1A	1	-	A	QA14/853
		VALVE, COLD AIR (127564)	-	-		
		Spares for:-				
5W/4511921	ROTAX LTD. C5620	Actuator, rotary, with coupling	1	-	A	QA14/854
	TEDDINGTON CONTROLS FDF/A/3113	Control, inching (Mod. 940)	1	-		QA14/855
	5Z7564	Lever, inching	1	S3	MR	QA14/856
	6Z7564	Link, fork	1	S1	MR	QA14/857
	14Z7564	LOCKING ACTUATOR MOUNTING, GROUP	1	-	MR	QA14/858
		Consisting of:-				
	12Z7564	Bolt, 2 BA	1	-	MR	
	9Z7564	Plate, locking	1	DTD364B		
21755	10Z7564	Washer, eccentric	1	DTD364B	C	
28W/9419454	SP10/C	Washer, thin, 2 BA	1	-	C	
	10SS4088	Pin, close tolerance, for inching lever and fork link	2	S90	MR	QA14/859
	1Z7563	VALVE, BUTTERFLY, GROUP	1	-	B	QA14/860
		Spares for:-				
	4Z7563	Lever	1	-		
	TEDDINGTON CONTROLS FMPA/5129	Valve, hot air, 2" dia. (Mod. 1412)	1	-		QA14/861
		Consisting of:-				
5W/383		Actuator	1	-	A	
27V/4605054		Valve	1	-	A	
27KD/4831888	NORMALAIR 511760	Valve, non-return	2	-	A	QA13/862
	36Z7588	Washer, for bolts at swivel arm	4	L72		QA13/863

VULCAN No. 2

SERVICES
AIR CONDITIONING

Page QA. 39

Ref. No.	Part No.	Description	No. off	Mater. Spec.	Cl. of	Plate and Illust'n No.
					St. M.R.	
		1 2 3 4				
		PRESSURISATION AND ANTI-ICING IN FUSELAGE CENTRE PORTION (129446) (Cont'd)				
	-	INJECTOR WING, PORT AND STARBOARD 1-228035 (Pre-Mod. 360)	-	-		
	-	INJECTOR, WING, PORT AND STARBOARD (1-229478) (Mod. 360)	-	-		
	1Z8838	Spare for BARREL, INJECTOR, GROUP		-		QA15/664
	10Z8838	Spare for: Sleeve	1	Rubber		QA15/665
21946	B29478 SANGAMO WESTON	Bracket, pick up (Mod. 1412)		-	C	QA15/666
8A/3928	S110G/3/115 13Z7648	Bulb, resistance	1	-	B	QA15/667
		Clamp, half, duct (Supplied in 2 halves, wired together)	1		MR	QA15/668
	KING A/C Co. C4370/7B	Clamp, toggle, diffuser to injector	1		MR	QA15/669
	KING A/C Co. C4370/8B	Clamp, toggle, diffuser to duct	1	-	MR	QA15/670
	8Z8835	DIFFUSER, BETWEEN INJECTOR MOUNTING AND DUCT, GROUP	1	-		QA15/671
21952	1Z8898	DUCT, WING, ANTI-ICING, INBOARD, PORT, GROUP	1		C	QA15/672
21954	2Z8898	DUCT, WING, ANTI-ICING, INBOARD, STARBOARD, GROUP	1	-	MR	QA15/673
21953	11Z8898	DUCT, WING, ANTI-ICING, OUTBOARD, PORT, GROUP	1		MR	QA15/674
21955	12Z8898	DUCT, WING, ANTI-ICING, OUTBOARD, STARBOARD, GROUP	1		MR	QA15/675
	1Z8139	DUCT, FEED, FROM HOT AIR VALVE, TO FRONT SPAR, PORT, GROUP	1			QA12/676
	8Z8139	DUCT, FEED, FROM HOT AIR VALVE, TO FRONT SPAR, STARBOARD, GROUP	-	-		QA12/677
	7Z7648	Spare for:- Clamp, half (Supplied in 2 halves, wired together)	1 pair		MR	QA12/678
	3Z8139	DUCT, PORT, GROUP	1	-	MR	QA12/679
1505449	12Z8139	DUCT, STARBOARD, GROUP	1	-	MR	QA12/679
8170	23Z8139	DUCT, REDUCER, PORT, GROUP	1	-	C	QA12/680

SERVICES
AIR CONDITIONING

Ref. No	Part No.	Description	No. off	Matl. Spec	Cl. of	Plate and Inst'n No.
					St.	
1 2 3 4						
		DUCT, FEED. FROM HOT AIR VALVE TO FRONT SPAR, STARBOARD, GROUP (828139) (Cont'd.)				
1433196	2428139	DUCT, REDUCER, STARBOARD, GROUP	1	—	C	QA12/881
28F/4061829	A55408	Ring, sealing	1	—	C	QA12/882
6158	JAS. WALKER 54866/5	Ring, sealing (Alternative)	1	—	C	
SCW/4405417	TEDDINGTON CONTROLS FHO/A/631	Flamestat (Mod. 1704)	1	—	A	QA15/883
21947	17Z8935	FUNNEL, OUTBOARD DUCT TO SEPARATOR GROUP (Pre-Mod. 2386)	1	—		QA15/884
	10Z9478	FUNNEL, OUTBOARD DUCT TO SEPARATOR, GROUP (Mod. 2386)	1	—		
	10Z8835	Gasket, joint, between injector barrel end ... body, 1/16" thick x 8.3/4" dia.	AR	DTD378A	MR	QA15/885
	7Z8835	Gasket, joint, between injector barrel end ... body (to be used with 10Z8935 if required)	AR	DTD378A		QA15/886
2180	13Z8935	Gasket, joint, between outboard duct and ... funnel, 1/16" thick x 18-1/4" x 13-3/4"	1	OTD378A	C	QA15/887
	20Z8835	Gasket, joint, between injector body and hot air valve, 1/16" x 5" dia.	1	DTD378A	MR	QA15/888
	100Z8835	Gasket, joint, between inboard and outboard ducts, 1/16" thick x 9-1/2" dia.	2	DTD378A	MR	QA15/889
		MOUNTING, INJECTOR, OUTBOARD (127588) (Pre-Mod. 360) (129489) (Mod. 360)				
	8Z8937	Crosshead	1	S1	MR	QA15/890
26FP/15308	4SS1945	Screw, adjusting	1	—	C	QA15/891
4983	7Z8937	STRAP, GROUP	1	—	C	QA15/892
		Consisting of:—				
21950	8Z8937	Crosshead	1	S1	C	
26FP/2005	4SS1944	Crosshead	1	—	C	
26FP/2001	1SS1942	Strap-end	2	—	C	
	11Z8937	Strap, 16" long	1	—	C	
		MOUNTING, MICRO-SWITCH AND FOLLOW-UP RESISTOR, PORT AND STARBOARD (1-227382) (Pre-Mod. 360) (1-229482) (Mod. 360)				
		Spares for:—				
4984	9Z7147	LEVER, GROUP	1	—	C	QA15/893
		Spares for:—				
2524	1SS4084	Bush, special	1	S96	C	
	1SS4088	Pin, attachment, control rod	2	—	MR	QA15/894

VULCAN No. 3

SERVICES
AIR CONDITIONING

Page QA. 41

Ref. No.	Part No.	Description	No. off	Matl. Spec.	Cl. of Sc. M.R.	Plate and Hust'n No.
		<u>1214</u>				
		MOUNTING, MICRO SWITCH AND FOLLOW-UP RESISTOR, PORT AND STARBOARD (1-2Z7392 AND 1-2Z9482) (Cont'd)				
5CZ/4708917	TEDDINGTON CONTROLS FLJ/A/4	Resistor, "Follow-up"	1	-	A	QA15/695
	3Z7032	ROD CONTROL, GROUP (Pre-Mod. 360)	1	-		
	7Z9482	ROD CONTROL, GROUP (Mod. 360) ..	1	-		QA15/696
		Spares for:-				
8054	1SS4178	Fork-end, L.H. (Pre-Mod. 360)	1	-	MR	
	8Z9482	Fork-end, L.H. (Mod. 360)	1	-	C	
8055	2SS4178	Fork-end, R.H. (Pre-Mod. 360)	1	-	MR	
28M/4085891	9Z9482	Fork-end, R.H. (Mod. 360)	1	-	C	
28M/1006473	A27/CTL	Locknut, L.H.	1	-	C	
2170	A27/CT	Locknut, R.H.	1	-	C	
	4Z7032	Rod (Pre-Mod. 360)	1	S1	C	
	10Z9482	Rod (Mod. 360)	1	-	MR	
	10Z7032	Screw, special	1	S1	MR	QA15/697
5CW/4038	-	Switch, micro	1	-	A	QA15/698
1433031	1Z11886	NOZZLE, AT HOT AIR VALVE, GROUP . (Mod. 2151) (Pre-Mod. 2323)	1	-	A	QA15/699
	2Z7714	NOZZLE, AT HOT AIR VALVE, GROUP . (Mod. 2323)	1	-	MR	
13895	BESTOBELL 28Z8935	Ring, sealing, joint between injector and diffuser	1	-	C	QA15/700
13896	BESTOBELL 29Z8935	Ring, sealing, joint between diffuser and duct	1	-	C	QA15/701
	AS6409	Ring, sealing	2	-	MR	QA15/702
	TEDDINGTON CONTROLS FMP/A/5128	Valve, hot air (Mod. 1412)	1	-		QA15/703
5W/4511930	FJC-A-19	Consisting of:-				
	27V8410	Actuator	1	-	A	
		Valve	1	-		
4968	8Z7440	LINK, SUSPENSION FOR TIE-BAR,	8	-	C	QA12/704
	3Z77820	LINK, TIE-BAR ATTACHMENT, GROUP .. (Pre-Mod. 905)	8	-	MR	
12515	180Z9448	LINK, TIE-BAR ATTACHMENT, GROUP .. (Mod. 905)	8	-	C	QA11/705
4972	45Z7620	LINK, TIE-BAR ATTACHMENT, L.H.,	9	-	C	QA11/707
		GROUP				

SERVICES
AIR CONDITIONING

Ref. No.	Part No.	Description	No. off	Matl. Spec.	Cl. of	Plate and Illustr'n No.
					St.	
		1 2 3 4			M.R.	
		PRESSURISATION AND ANTI-ICING IN FUSELAGE CENTRE PORTION (129446) (Cont'd)				
4973	4627620	LINK, TIE BAR ATTACHMENT R.H., GROUP	9	-	C	QA11/708
		Consisting of:-				
28D/9133012	A25/3C	Bolt, 2 BA	2	-	C	
	45aZ7620	Link, upper	1	L72		
	45bZ7620	Link, lower	2	L72		
28M/5808573	A27/CS	Nut, slotted, 2 BA	2	-	C	
28P/9527619	SP90/C7	Pin, split	2	-	C	
	AS2808/5/014	Tube, distance	2	-		
28W/9419475	SP15/C	Washer, 2 BA	2	-	C	
	2029446	LINK, TIE-BAR ATTACHMENT L.H., GROUP	2	-	MR	QA10/709
	2129446	LINK, TIE-BAR ATTACHMENT R.H., GROUP	2	-	MR	QA10/710
		Consisting of:-				
28D/9133012	A25/3C	Bolt, 2 BA	2	-	C	
	20aZ9446	Link, upper	1	-		
	20bZ9446	Link, lower	2	-		
28M/5808573	A27/CS	Nut, slotted, 2 BA	2	-	C	
28P/9527619	SP90/C7	Pin, split	2	-	C	
	AS2808/5/014	Tube, distance	2	-		
28W/9419475	SP15/C	Washer, 2 BA	2	-	C	
	2229446	LINK, TIE-BAR ATTACHMENT L.H., GROUP	1	-	MR	QA9/711
	2329446	LINK, TIE-BAR ATTACHMENT R.H., GROUP	1	-	MR	
		Consisting of:-				
28D/9133012	A25/3C	Bolt, 2 BA	2	-	C	
	22aZ9446	Link, upper	1	L72		
	22bZ9446	Link, lower	2	L72		
28M/5808573	A27/CS	Nut, slotted, 2 BA	2	-	C	
28P/9527619	SP90/C7	Pin, split	2	-	C	
	AS2808/5/014	Tube, distance	2	-	C	
28W/9419475	SP15/C	Washer, 2 BA	2	-	C	
	829523	LINK, TIE-BAR ATTACHMENT L.H., GROUP	1	-		QA11/712
	929523	LINK, TIE-BAR ATTACHMENT R.H., GROUP	1	-	MR	QA11/714
		Consisting of:-				
28D/9133012	A25/3C	Bolt, 2 BA	2	-	C	
	8C9523	Link, upper	1	-		
	59bZ7620	Link, lower	2	-		
28M/5808573	A27/CS	Nut, slotted, 2 BA	2	-	C	
28P/9527619	SP90/C	Pin, split	2	-	C	
	AS2808/5/014	Tube, distance	2	-		
28W/9419475	SP15/C	Washer, 2 BA	2	-	C	

VULCAN PR. 1

SERVICES
AIR CONDITIONING

Page QA. 43

Ref. No.	Part No.	Description	No. off	Matl. Spec.	Cl. of	Plate and Illust'n No.
					St. M.R.	
		1 2 3 4				
		PRESSURISATION AND ANTI-ICING IN FUSELAGE CENTRE PORTION (129446) (Cont'd)				
	4629446	LINK, TIE-BAR ATTACHMENT, GROUP ...	4	-	MR	QA9/715
	6229446	LINK, TIE-BAR ATTACHMENT, GROUP ...	4	-	MR	QA9/716
4973	4627620	LINK, TIE-BAR ATTACHMENT, GROUP ... (Pre-Mod. 906)	4	-		
11770	17629446	LINK, TIE-BAR ATTACHMENT, GROUP ... (Mod. 906)	4	-	C	QA11/717
21929	6829446	Link, attachment	1	-	C	QA10/718
21936	6729446	Link, attachment	2	-	C	QA13/719
21934	10029446	Link, attachment	2	-	C	QA13/720
21887	4287B7	Plate, blanking (Mod. 996)	1	-	C	QA14/721
	-	SHIELDS, HEATER DUCT TO PROTECT ... PIPES (129580) PORT (Mod. 514) AND (229460) STARBOARD Spare for:-				
	3129450	SHIELD, HEAT DUCT BETWEEN ... DIAPHRAGM 93.75" AND TRANSVERSE RIB, PORT, GROUP				QA12/722
	229590	Shield, heater duct between diaphragm ... 49.5" and 27" port	1	L72		QA12/723
	2527139	SHIELD, HEATER DUCT, AFT OF ... DIAPHRAGM 27", PORT, GROUP	1	-		QA12/724
	2727139	SHIELD, HEATER DUCT, CENTRE, ... PORT, GROUP	1			QA12/725
	1127139	SHIELD, HEATER DUCT, CENTRE, ... OUTBOARD, PORT, GROUP	1	-		QA12/726
	1327139	SHIELD, HEATER DUCT, AFT, ... PORT, GROUP	1			QA12/727
	3229450	SHIELD, HEATER DUCT, BETWEEN ... DIAPHRAGM 93.75" AND TRANSVERSE RIB, STARBOARD, GROUP				QA12/728
	1829450	Shield, heater duct, between diaphragm ... 27" and 42.5" starboard	1	L72		QA12/729
	2029450	Shield, heater duct, between transverse ... rib and diaphragm 49.5" starboard	1	-		QA12/730

SERVICES
AIR CONDITIONING

Ref. No.	Part No.	Description	No. off	Mtrl. Spec.	Cl. of	Plate and Illust'n No.
					St. M.R.	
		1 2 3 4				
		PRESSURISATION AND ANTI-ICING IN FUSELAGE CENTRE PORTION (1Z9448) (Cont'd)				
	26Z7139	SHIELD, HEATER DUCT AFT OF DIAPHRAGM 27" STARBOARD, GROUP	1	-	C	QA12/731
6991	28Z7139	SHIELD, HEATER DUCT CENTRE STARBOARD, GROUP	1	-	C	QA12/732
	12Z7139	SHIELD, HEATER DUCT, CENTRE OUTBOARD, STARBOARD, GROUP	1	-		QA12/733
	14Z7139	SHIELD, HEATER DUCT, AFT STARBOARD, GROUP	1	-		QA12/734
28F/4168558	ASE402	Ring, sealing (Mod. 1128)	2	-		QA13/735
28F/4051829	ASE406	Ring, sealing, for clamp joints	51	Asbestos	C	QA9/736
28F/4051818	ASE408	Ring, sealing, for clamp joints	3	Asbestos	C	QA9/737
28F/4051860	ASE410	Ring, sealing, for clamp joints	6	Asbestos	C	QA9/738
	185F10006	Ring, sealing, 1/16" thick x 5.4" dia.	2	DTD378A	MR	QA9/739
	21Z9523	Ring, sealing, 1/16" thick x 5.4" dia.	1	DTD378A	MR	QA11/740
	166F10006	Ring, sealing, 1/16" thick x 5.5" dia.	1	DTD378A		QA9/741
	20Z9523	Ring, stiffening, for sealing ring	-	L72		QA11/742
	3Z7630	TIE-BAR, FOR EXPANSION UNITS BETWEEN DIAPHRAGM 27 AND TRANSVERSE RIB, GROUP	8	-	MR	QA12/743
	4Z7803	TIE-BAR, FOR EXPANSION UNIT, GROUP .	2	-	MR	QA17/744
	5Z7613	TIE-BAR, FOR EXPANSION UNIT, GROUP .	12	-	MR	QA11/745
	6Z7813	TIE-BAR, FOR EXPANSION UNIT, GROUP .	12	-	MR	QA11/746
	13Z7803	TIE-BAR, FOR EXPANSION UNIT, GROUP .	8	-	MR	QA10/747
	61Z9446	TIE-BAR, FOR EXPANSION UNIT, GROUP .	2	-	MR	QA9/748
7575	62Z9446	TIE-BAR, FOR EXPANSION UNIT, GROUP .	2	-	C	QA9/749
	169Z9446	TIE-BAR, FOR EXPANSION UNIT, GROUP . (Mod. 908)	8	-		QA9/750
21902	110Z9446	TIE-BAR, STARBOARD, GROUP	2	-	C	QA9/751
	4Z7478	UNIT, EXPANSION, 2.8" BORE, GROUP ... Sparcs for:-	1	-	MR	QA9/752
5587	POWER FLEX Cat. No. 127	Bellows B corr., 4 ply	1	-	C	
26FP/13607	ISS3338	Clip, pipe	1	L4	C	

SERVICES
AIR CONDITIONING

Ref. No.	Part No.	Description	No. off	Matl. Spec.	Cl. of St.	Plate and Illust'n No
					M.R.	
		1 2 3 4;				
		PRESSURISATION AND ANTI-ICING IN FUSELAGE CENTRE PORTION (1Z9448) (Cont'd)				
	6Z7478	UNIT, EXPANSION, 3.9" BORE, GROUP	5	—	MR	QA9/753
		Spares for:—				
5588 26FP/13607	POWER FLEX Cat. No. 129 1SS3338	Bellows, 8 corr., 4 ply	1	—	C	
		Clp, pipe	1	L4	C	
2058	7Z7478	UNIT, EXPANSION, 4.4" BORE, GROUP	—	—		QA11/756
		Spares for:—				
	POWER FLEX Cat. No. 130 1SS3338	Bellows, 15 corr., 4 ply	1	—	MR	
26FP/13607		Clp, pipe	1	L4	C	
	11Z7478	UNIT, EXPANSION, 2.9" BORE, GROUP	9	—	MR	QA9/757
		Spares for:—				
5585 26FP/13607	POWER FLEX Cat. No. 127 1SS3338	Bellows, 15 corr., 4 ply	1	—	C	
		Clp, pipe	1	L4	C	
21982	13Z7478	UNIT, EXPANSION, 3.9" BORE, GROUP	1	—	C	QA11/758
		Spares for:—				
5588 26FP/13607	POWER FLX Cat. No. 129 1SS3338	Bellows, 15 corr., 4 ply	1	—	C	
		Clp, pipe	1	L4	C	
	18Z7478	UNIT, EXPANSION, 2.9" BORE, GROUP	1	—	MR	QA17/759
		Spares for:—				
5585 26FP/13607	POWER FLEX Cat. No. 127 1SS3383	Bellows, 20 corr., 4 ply	1	—	C	
		Clp, pipe	1	L4	C	
	16Z9446	UNIT, EXPANSION, GROUP (Mod. 906)	4	—	MR	QA9/760
		UNIT, AIR CONDITIONING NOSE WHEEL BAY (21Z7303) Spares for:— AUTO FLOW CONTROL SYSTEM, NOSE WHEEL BAY (20Z7303) Spares for:—				
5W:4511947	TEDDINGTON FJC/A/73	Actuator (Pre-Mod. 2410)	1	—	A	
6148	KING A/C Co. C3981/28	Clamp, joint at breaches piece	2	—	C	QA17/761
6148	C3981/2-1/28	Clamp, joint at branch duct	2	—	C	QA17/762
1510188	KING A/C Co. C4205/3B	Clamp, for duct joint (Pre-Mod. 2410) ..	5	—	C	QA17/763
6152	13Z7303	DUCT, BRANCH, GROUP	1	—	C	QA17/765
6151	14Z7303	DUCT, GROUP (Pre-Mod. 2410)	1	—	C	QA17/

SERVICES
AIR CONDITIONING

Ref. No.	Part No.	Description	No. off	Mat. Spec.	Cl. of	Plate and Hust'n No.
					St.	
		1 2 3 4				
		AUTO FLOW CONTROL SYSTEM, NOSE WHEEL BAY (20Z7303) (Cont'd)				
6155	15Z7303	DUCT, BRANCH EXTENSION, GROUP ..	1	—	C	QA17/767
6163	11Z7303	DUCT, BREECHES PIECE, GROUP	1	—	C	QA17/768
6154	12Z7303	DUCT, TEE-PIECE, GROUP	1	—	C	QA17/769
28F/4169558	BELL ASBESTOS AS5402	Ring, sealing	1	—	C	QA17/770
28F/4051839	BELL ASBESTOS AS5403	Ring, sealing	2	—	C	QA17/771
28F/4051853	BELL ASBESTOS AS5404	Ring, sealing	2	—	C	QA17/772
28F/4051829	BELL ASBESTOS AS5406	Ring, sealing	7	—	C	QA17/773
27KD/4631879	NORMALAIR 517788	Valve, non-return, insert type	3	—	A	QA17/774
	TEDDINGTON FMP/A/5028	Valve, butterfly, 3" dia.	1	—		QA17/775
28KD/4631808	NORMALAIR 5121800CV.1	Valve, control, auto-flow	2	—	A	QA17/776
	1Z7475	BELLOWS, BETWEEN PRESSURE BULKHEAD AND BRANCH DUCT, GROUP (Pre-Mod. 596)	1	—		QA18/776a
	10Z7303	Boh, special (Made from A25/4C) attachment under heel ductstat	6	—		QA18/777
5000	7Z7303	BRACKET ATTACHMENT, OUTBOARD, FOR AIR CONDITIONING UNIT, GROUP	2	—	C	QA19/778
5001	8Z7303	BRACKET ATTACHMENT, INBOARD, FOR AIR CONDITIONING UNIT, GROUP	2	—	C	QA19/779
	13Z7846	Clamp, half, for bellows (Pre-Mod 596) (Supplied in 2 halves, wired together)	1 pair	—	MR	
	KING A/C CO. C4378/88	Clamp	1	—	MR	QA18/780
	KING A/C CO. C3881/4-1-2E	Clamp, for branch duct to N.R.V., and air conditioning unit	3	—	MR	QA18/781
8213	1Z9703	DUCT, BRANCH, NON RETURN VALVE TO AIR CONDITIONING UNIT, GROUP (Mod. 596)	1	—	A	QA18/783

VULCAN NR 3		SERVICES			Page QA.47	
AIR CONDITIONING						
Ref No	Part No.	Description	No. off	Matl. Spec.	Cl. of St.	Plate and Illust'n No
					M.R.	
		1 2 3 a				
		UNIT, AIR CONDITIONING, NOSE WHEEL BAY (21Z7303) (cont'd)				
5CZ/4706388	TEDDINGTON 3401004000	Ductstat, underheat	1	—	A	QA18/784
28FP/1048015	A406	Pin, pip, quick release	2	—	C	QA19/785
28F/4051859	BELLS ASBESTOS AS5408	Ring, sealing, at branch duct breaches pieces	4	Asbestos	C	QA18/786
5003	15Z7312	Screw, knurled, at attachment brackets, for air conditioning unit	1	S1	C	QA19/787
28F/4061818	AS5408	Seal	1	—	C	QA17/788
12564	30Z7330	UNIT, AIR CONDITIONING, CABIN, GROUP (Pre-Mod 1968)	1	—	A	QA18/789
13834	34Z7330	UNIT, AIR CONDITIONING, CABIN, GROUP (Mod. 1968)	1	—	A	
		Spares for:—				
28F/1014970	43Z7304	Adaptor, drain	1	—		QA18/790
28F/8011809	AGS1104/A	Adaptor	1	—	C	QA19/791
	AGS1104/B	Adaptor	1	—	C	QA19/792
	9Z7848	Clamp, 4.5" dia. flange (Supplied in 2 halves, wired together)	3	DTD371	MR	QA19/793
	11Z7848	Clamp, 5" dia. flange (Supplied in 2 halves, wired together)	1	DTD371	MR	QA19/794
	13Z7848	Clamp, 5.2" dia. flange (Supplied in 2 halves, wired together)	7	DTD371	MR	QA17/795
10288	KING A/C CO. C4370/3-3/4"	Clamp (Alternative clamp)	1	—	C	QA19/796
	31Z7304	Clip, half	2	—	MR	QA18/797
	34SS2868	Clip	1	—		QA19/798
	21SS1768	Clip	7	—		QA19/799
28E/10154	AGS805/00	Clip, jubilee	4	—		QA19/800
27UA/4611963	D150/4A	Cooler, primary	1	—	A	QA19/801
5009	5Z7304	DUCT, GROUP	1	—	C	QA19/802
	44Z7304	DUCT, GROUP	1	—	MR	QA19/803
	46Z7304	DUCT, GROUP	1	—	MR	QA19/804
5012	47Z7304	DUCT, GROUP	1	—	C	QA19/805
6161	1Z9064	DUCT, JUNCTION, GROUP	1	—		QA17/806
		DUCT, EXHAUST, FROM PRIMARY COOLER (1Z7357) (Pre-Mod. 177)				QA19/807
		Spares for:—				
	9Z7848	Clamp, for duct (Supplied in 2 halves, wired together)	1	DTD371	MR	QA19/808
8983	20Z7357	DUCT, ADAPTOR, GROUP	1	—	C	QA19/809

SERVICES
AIR CONDITIONING

Ref. No.	Part No.	Description	No off	Mati. Spec.	Cl. of St.	Plate and Illust'n No.
					M.R.	
		1 2 3 4				
		DUCT EXHAUST, FROM PRIMARY COOLER (19Z7357) (Cont'd)				
8884	21Z7367	DUCT, INJECTION, GROUP	1	—	C	QA19/810
8885	22Z7367	DUCT, GROUP	1	—	C	QA19/811
5018	1Z7493	DUCT, RELIEF VALVE, EXHAUST, GROUP	1	—	C	QA19/812
	4Z7483	Spares for:— Seal, "Hallite", 1/16" thick	1	—	MR	
1510094	17Z7367	DUCT, OUTER, GROUP	1	—	C	QA18/813
	12Z7367	Gasket, "Hallite", 1/16" thick x 6.3" ..	1	DTD378A	MR	QA19/814
	10Z7367	Gasket, strip, "Hallite", 1/16" thick x 7" x 13.13" long	2	DTD378A	MR	QA17/815
	11Z7367	Gasket, strip, "Hallite", 1/16" thick x .7" x 9.9" long	2	DTD378A	MR	QA19/816
	DUNLOP DAS/383/56/4	Hose, coupling	1	Rubber		QA19/817
28F/4051856	BESTOBELL AS5407	Seal	1	—	C	QA17/818
		ELECTRICS CABLE HARNESS	Ref.			
		(See Electrical Installation) (Ref Drg. 1Z7589)				
27UA/4611802	GODFREY & PARTNER 2Z7883	Extractor, water (WE60/Mk 3)	1	—	A	QA19/819
5CZ/6087	TEDDINGTON FHO/A/87	Flamestat	1	—	A	QA18/820
8882	21Z7330	FILTER, GROUP	1	—	C	QA19/821
	34Z7304	Gasket, "Hallite", 1/16" thick	1	DTD378A	MR	QA17/822
12869	35Z7334	INTAKE, AIR COOLER, GROUP	1	—	C	QA18/823
		(Pre-Mod. 177 & 1857)				
12870	36L7334	INTAKE, AIR DUCT, GROUP	1	—	C	
		(Mod. 1857)				
	40Z7304	Lamp, "Cabin Air Conditioning"	1	L59		QA19/824
	41Z7304	Label, "Vulcan Air Conditioning"	1	L59		QA19/825
		LEVER, 4-WAY, AIR MIXING VALVE (1Z7911)				
		Spares for:—				
	17Z7911	Bracket, switch	1	—	MR	QA18/826
	5Z7911	LEVER, VALVE, GROUP	1	—	MR	QA18/827
		Spares for:—				
	15S4084	Bush, special	2	S96	MR	

VULCAN No. 2

SERVICES
AIR CONDITIONING

Page QA. 49

Ref. No.	Part No.	Description				No. off	Mtrl. Spec.	Cl. of	Plate and Illust'n No.
		1	2	3	4			Sc.	
		LEVER, 4-WAY AIR MIXING VALVE (1Z7911) (Cont'd)							
B250	16Z7911					1	-	C	QA18/828
	15S4054								
	5CZ/4335683					2	-	MR	
	FLJ/A/5					1	-	A	QA18/829
	6Z7911					1	-	MR	QA18/830
	7Z7911					1	-	MR	QA18/831
	13Z7355					1	-	MR	QA18/832
	15S4178					1	-	MR	
	25S4178					1	-	MR	
	2Z7911					1	-		QA18/833
	15S4084					1	S98	MR	
6A/7002023	-					1	-	A	
	21Z7304					1	DTD323	MR	QA19/834
	26Z7304					1	DTD323	MR	QA19/835
	27Z7330					1	-	MR	QA19/836
12006	28Z7330					1	-	C	QA19/837
12178	29Z7330					1	-	C	QA19/838
	32Z7304					1	DTD323	MR	QA19/839
	33Z7330					1	DTD323		QA19/840
	33Z7304					1	DTD323	MR	QA19/841
	26Z7330					1	-	MR	QA19/842
	7Z7330					1	L54 & L59	MR	QA19/843
11997	12Z7330					1	DTD323	C	QA19/844

SERVICES
AIR CONDITIONING

Ref. No.	Part No.	Description	No. off	Matl. Spec.	Cl. of	Plate and Illust'n No.
					St. M.R.	
		1 2 3 4				
		UNIT, AIR CONDITIONING, CABIN (30-3427330) (Cont'd)				
10263	13Z7330	PIPE, 22G x 1" o/d x 2.5' LONG APPROX., GROUP	1	T55	C	QA19/845
10262	14Z7330	PIPE, 20G x 1" o/d x 21.0' LONG APPROX., GROUP	1	T55	C	QA18/846
	31Z7330	Pipe, 22G x 3/8" o/d x 2'-6" long	-	L52	MR	QA19/847
	6Z7330	Pipe, PR. 1/2" o/d x 3/8" i/d x 7'-0" long	1	Rubber	MR	QA19/847
28F/1013599	AGS1142/A	Nipple, adaptor	2	-	C	QA19/848
28F/801885	AGS1142/B	Nipple, adaptor (Mod. 1989)	3	-	C	QA19/849
28F/9488111	AGS1142/H	Nipple, adaptor	3	-	C	QA19/850
28F/4051855	BESTOBELL AS5407	Ring, sealing, 4.5" flange	3	Asbestos	C	QA19/851
28F/4051818	BESTOBELL AS5408	Ring, sealing, 5.0" dia., flange	1	Asbestos	C	QA19/852
28F/4051859	BESTOBELL AS5409	Ring, sealing, 5.20" dia., flange	1	Asbestos	C	QA17/853
	32Z7330	Rubber, joint, 3/8" i/d x 2.0" long	1	Rubber	MR	QA19/854
	DE					
	HAVILLAND 100A201711	Restrictor, thick (Mod. 1989)	1	-		QA19/855
	16Z7330	Restrictor, special	1	-	MR	QA18/856
	PLESSEY 7CZ103739	Relay	2	-		QA19/857
	1Z7312	STRUCTURE, AIR CONDITIONING UNIT, GROUP	1	-		QA19/858
		Spare for:				
	18Z7329	Bracket, attachment	2	-		QA19/859
	26Z7312	Bracket, receiver	1	-		QA19/860
	27Z7312	Bracket, receiver	1	-	MR	QA18/861
	1Z7408	EXPANSION, PICK-UP	4	-	MR	QA19/862
		Spare for: -				
	6Z7408	Spring, 16G springwire	2	-	MR	
		MOUNTING, COLD AIR UNIT (1Z7315)	-	-		QA19/863
		Spare for: -				
4999	16H2227	Bolt, special, 2 BA	6	S94, 95, 96	C	
	28Z7312	PIN, QUICK RELEASE, GROUP	2	-	MR	QA18/864
		Spare for: -				
	28aZ7312	Chain, 3" long, approx.	1	-		
28FP/8713820	A411	Pin, pip	1	-	C	
	28bZ7312	Ring, shear, 1/2" dia.	2	-		
	19Z7330	Seal, joint, "Hallite", 1/16" thick x 11.31" x 13.13"	-	-	MR	QA18/865

VULCAN PR. 3

SERVICES
AIR CONDITIONING

Page QA. 51

Ref. No.	Part No.	Description	No. off	Matl. Spec.	Cl. of	Plate and Illust'n No.
					St. M.R.	
		1.2.3.4.				
		UNIT, AIR CONDITIONING, CABIN (30-34Z7330) (Cont'd)				
5CW/13424	TEDDINGTON FLY/A/10	Switch, pressure ratio (Mod. 2331)	1	-	A	QA19/866
	1Z7763	TRAY, DRIP FOR COLD AIR UNIT . . .	-	-		QA19/867
	7Z7763	Spares for:- Seal, 1/8" thick x 5-1/4" x 5-1/4"	1	Rubber	MR	QA19/868
2566	2Z7763	TRAY, DRIP, GROUP	1	-	C	QA19/869
28F/9440881	AGS1118/A	Tee-piece	1	-	C	QA19/870
28F/8011811	AGS1118/B	Tee-piece (Pre-Mod. 1969)	1	-	C	
21861	3SS3385	Tee-piece (Mod. 1969)	1	-	C	QA19/871
5CZ/4335568	TEDDINGTON FLW/A/6 GODFREY & PARTNER	Unit, underheat control	1	-	A	QA18/872
27UA/4611966	-	Unit, cold air (Type BT15 MK. 1A)	1	-	A	QA19/873
		VALVE, HOT AIR GATE (17Z7330) Spares for:-				
	TEDDINGTON FKH/A/5040	Valve, hot air gate	1	-		QA18/874
		Consisting of:-				
5W/4511916	-	Actuator	1	-	A	
27V/4604687	-	Valve	1	-	A	
		VALVE, HOT AIR GATE, "FOLLOW- UP" (10Z7416) Spares for:-				
	1SS4178	Fork-end	1	-	MR	QA18/875
	2SS4178	Fork-end	1	-	MR	QA18/876
	9Z7416	LEVER, GROUP	1	-	MR	QA18/877
		Spares for:-				
	1SS4084	Bush	1	S96	MR	
5CZ/4335568	TEDDINGTON FLJ/A/B	Resistor, follow-up (less lever arm only) supplied with 6-4 BA screws etc. (Teddington Drg. FLJ/inst. 169)	1	-	B	QA18/878
5027	7Z7416	Rod	1	S1	C	QA18/879
27KD/4631849	NORMALAIR 506170	Valve, pressure relief, type 55	1	-	A	QA17/880
	TEDDINGTON FKH/A/5050	Valve, temperature control	1	-		QA19/881
		Consisting of:-				
5W/4511938	-	Actuator	1	-	A	
27V/4604688	-	Valve	1	-	A	

SERVICES
AIR CONDITIONING

Ref. No.	Part No.	Description	No. off	Matl. Spec.	Cl. of St.		Place and Illust'n No.
						M.R.	
		1.2.3.4					
		PRESSURIZATION AND ANTI-ICING IN FUSELAGE CENTRE PORTION (129448) (Cont'd)					
	TEDDINGTON FMP/A/5022	Valve, butterfly, 3' dia., at by-pass duct, between bomb arches 171.842" and 182.967"	1	—			QA13/882
27UQ/2	ROTAX M5614	Valve, pressure regulating engine main air supply (Mod. 150B)	4	—	A		QA8/883
		PRESSURIZATION INSTALLATION AIRBORNE EQUIPMENT TAIL WARNING REAR PORTION (Q2110)					
28D/1010888	A25/1B	Bolt	12	—	C		QA20/884
28F/9423227	AGS1136/B	Bolt, banjo	1	—	C		QA20/885
28F/9438633	AGS1128/B	Body, banjo	1	—	C		QA20/886
28F/8011887	AGS1113/B	Body, union	1	—	C		QA20/887
28D/9133011	A25/2C	Bolt	4	—	C		QA20/888
28D/9438820	A25/1C	Bolt	1	—	C		QA20/889
28D/9140644	A25/9C	Bolt	2	—	C		QA20/890
	A31/B22	Screw	4	—			QA20/891
28FP/1727	2SS3869	CLIP, PIPE, GROUP	9	—	C		QA20/892
8D/1826	—	Cylinder, nitrogen (Mod. 2193)	2	—			QA20/893
8D/9429881	—	Piece, 3-way, Mk. 6	2	—	C		QA20/894
	2Q2110	CRADLE, MOUNTING, GROUP	1	—			QA20/896
		Spare for:—					
10439	18Q2110	Piece, distance	8	—	C		QA20/896
22421	3Q2110	STRUCTURE, GROUP	—	—	C		
10438	14Q2110	STRAP, FOR CYLINDER, GROUP	8	—	C		
		Consisting of:—					
	AS2424/5-1/4"	Strap, tank	1	—			QA20/897
	15Q2110	Strap, packing	1	—			QA20/898
		ATTACHMENTS FOR 14Q2110					
28D/9419397	A25/12C	Bolt	8	—	C		QA20/899
28M/1012015	AGS2001/C1/88	Nut, stiff	8	—	C		QA20/900
28W/9419475	SP15/C	Washer	8	—	C		QA20/901
	63Q2110	GAUGE, PRESSURE, PORT, GROUP	1	—			QA20/902
		(Mod. 2193)					
		Spare for:—					
6A/2237916	—	Gauge, pressure, Mk. 14LL	1	—	C		
6A/1037413	—	Label, air fluorescent	1	—	C		
12633	58Q2110	HOSE, FLEXIBLE, GROUP	1	—	C		QA20/903
	DUNLOP						
27VA/5448036	G4/N14/401/5/8/24	Hose, flexible, for air charging valve	1	—	C		QA20/904
28F/1013888	AGS1142/B	Nipple, adaptor, for piping	13	—	C		QA20/905
28F/8011886	AGS1142/A	Nipple, adaptor, for pipes	2	—	C		QA20/906

VULCOR 98. 2							
SERVICES						Page QA. 53	
AIR CONDITIONING							
Ref. No.	Part No.	Description	No off	Matl Spec.	Cl of St		Plate and illust n No
					M	R	
1 2 3 4							
		PRESSURISATION INSTALLATION (Q2110) (Cont'd.)					
1433758	56Q2110	PANEL, PRESSURISATION, GROUP (Mod. 2193)	—	—			QA20/907
		Spares for:—					
28D/9458820	A25/1C	Bolt	8	—		C	QA20/908
28F/1013888	AGS1132/B	Nipple, adaptor, for piping	5	—		C	QA20/909
28M/9148787	AGS2002/C1	Nut, stiff	4	—		C	QA20/910
10448	27Q2110	PIPE, FROM AIR CHARGING VALVE TO PRESSURE REDUCING VALVE, AFT, 22G x 1/4" o/d x 10.0", GROUP	1	—		C	QA20/911
10448	33Q2110	PIPE, FROM AIR CHARGING VALVE TO PRESSURE REDUCING VALVE, FORWARD, 22G x 1/4" o/d x 5.0", GROUP	1	DT0323		C	QA20/912
	53Q2110	PIPE, FROM LINE VALVE TO PRESSURE REDUCING VALVE, 22G x 1/4" o/d x 9.5", GROUP	1	—		MR	QA20/913
	80Q2110	PIPE, GROUP (Mod. 2193)	1	—			QA20/914
	81Q2110	PIPE, GROUP (Mod. 2193)	1	—			
	82Q2110	PIPE, GROUP (Mod. 2193)	1	—			
	22Q2110	Panel, support	1	—			QA20/915
27VA/4019529	DUNLOP ACO1584	Valve, pressure maintaining	1	—		A	
	25Q2110	VALVE, PRESSURE REDUCING, GROUP	1	—			QA20/916
		Consisting of:—					
28D/1007972	A25/1/2C	Bolt	4	—		C	QA20/917
	28Q2110	Plate, base	1	—			QA20/918
	DUNLOP ACM20154	Valve, pressure, reducing 200—23 p.s.i.	1	—			QA20/919
28W/9418643	SP47/C	Washer, spring	4	—		C	QA20/920
	54Q2110	VALVE, LINE, GROUP	1	—			QA20/921
		Consisting of:—					
28D/1011019	A25/8C	Bolt	2	—		C	QA20/922
	54aQ2110	Packing	1	—			QA20/923
8D/2118	—	Valve, line	1	—		B	QA20/924
28W/9419475	SP15/C	Washer	2	—		C	QA20/925
	DUNLOP ACM16388	Valve, pressure reducing, 3,500—200 p.s.i.	1	—			QA20/926

SERVICES
AIR CONDITIONING

Ref. No.	Part No.	Description	No. off	Matl Spec.	Cl. of	Plate and Illust'n No.
					St. M.R.	
		1 2 3 4				
		PANEL, PRESSURIZATION (58Q2110) (Cont'd)				
28Y/9701185	DAMIC CON- TROLS LTD. DC22	Valve, air charging	2	-	C	QA20/927
28F/9428453	AGS1188/B	Washer, jointing	2	-	C	QA20/928
28W/9419454	SP10/C	Washer	4	-	C	QA20/929
28W/9419475	SP15/C	Washer	8	-	C	QA20/930
		Attachments for Panel Part No. Q2110				
28D/9353	AS1248/1-1/2C	Bolt	6	-	C	QA20/931
28M/1012015	AGS2001/C1/85	Nut	6	-	C	QA20/932
28W/9419402	SP13/C	Washer	8	-	C	QA20/933
10441	39Q2110	PIPE, PRESSURE AT BOTTOM CHARGING VALVE, 22D x 3/16" O/D x 11.0", GROUP	1	-	C	QA20/934
	43Q2110	PIPE, PRESSURE FROM RELIEF VALVE, .. TO BOTTOM CHARGING VALVE, STAR- BOARD, 22G x 1/4" O/D x 3'-8.0", GROUP	1	-	MR	QA20/935
	45Q2110	PIPE, PRESSURE, FROM RELIEF VALVE .. TO AIR CYLINDER, STARBOARD SIDE, 22G x 1/4" O/D x 2'-0", GROUP	1	-	MR	QA20/936
	47Q2110	PIPE, PRESSURE, BETWEEN AIR .. CYLINDERS, 22G x 1/4" O/D x 8.7", GROUP	1	-	MR	QA20/937
	55Q2110	PIPE, PRESSURE, FROM AIR CYLINDER, .. PORT SIDE, TO PRESSURISATION PANEL, 22G x 1/4" O/D x 12.0", GROUP	1	-	MR	QA20/938
	56Q2110	PIPE, TO FLEXIBLE HOSE JOINT, 22G x .. 1/4" O/D x 5'-0", GROUP	1	-	MR	QA20/937
	36Q2110	POINT, CHARGING, GROUP	1	-		QA20/939
		Spares for:-				
28F/12503	AGS1213/B	Bolt, banjo	1	-	C	QA20/940
28F/9128943	AGS1114/B	Sleeve, screwed	1	-	C	QA20/941
10440	37Q2110	Union, banjo	1	-	C	QA20/942
	DAMIC CONTROLS LTD.					
28Y/2203358	DC24	Valve, air charging (Mod. 2193)	1	-	C	QA20/943
28F/8014021	AGS1138/B	Washer, jointing	3	-	C	QA20/944
28U/5686	SP8/2	Rod, tension	4	-	C	QA20/945
28U/13889	AS2427	Trunnion, R.H.	4	-	C	QA20/946
28U/13897	AS2428	Trunnion, L.H.	4	-	C	QA20/947
	AS4561/1	Tab, locking	4	-	C	QA20/948

SERVICES
AIR CONDITIONING

Ref. No.	Part No.	Description	No. off	Matl. Spec.	Cl. of	Plate and Illust'n No.
					St. M.R.	
		1. 2. 3. 4.				
		PRESSURIZATION INSTALLATION (Q2110) (Cont'd)				
10447	24Q2110	UNION, TEE, GROUP	2	-	C	QA20/949
	41Q2110	VALVE, RELIEF, GROUP	1	-		QA20/950
		Spare for: -				
28D/1011019	A25/8C	Bolt	2	-	C	QA20/951
	42Q2110	Block, support	1	-		QA20/952
28M/1012015	AGS2001/C1/66	Nut, stiff	2	-	C	QA20/953
	DUNLOP					
	ACM23258	Valve, relief	1	-		QA20/954
28N/9419475	SP15/C	Washer	2	-	C	QA20/955
12097	21Q1872	VALVE, CHARGING, GROUP	1	-	C	QA20/956
		Spare for: -				
	SCHRADER 8911	Valve, charging, type 8911	1	-		
28F/8014021	AGS1138/B	Washer, jointing	2	-	C	QA20/958
28F/8128943	AGS1114/B	Sleeve, screwed	1	-	C	
		PRESSURISATION PIPE RUN IN REAR PORTION, FOR AIRBORNE EQUIPMENT COOLANT TANK (1Q2117)				
		Spare for: -				
28F/9129085	AGS1102/A	Body, cone union	1	-	C	QA20/959
28F/1013401	AGS1107/A	Body, cone union	1	-	C	QA20/960
28FP/2453	1SS4525	Clip, pipe	11	-	C	QA20/961
28FP/2721	2SS4525	Clip, pipe	2	-	C	QA20/962
	12V8358	MOUNTING BRACKET, CLIP, GROUP	1	-		QA20/963
10470	6Q2117	PIPE, FROM TANK, BETWEEN FORMERS 428"-487" x 22G x 3/16" o/d x 5'-8" LONG, GROUP	1	-	C	QA20/964
	3Q2117	PIPE, FROM TANK, BETWEEN FORMERS 472.5" 71.25" x 22G x 3/16" o/d x 8'-8" LONG, GROUP	1	-	MR	QA20/965
10489	4Q2117	PIPE, FROM TANK, BETWEEN FORMERS 48.75"-71.25" x 22G x 1/4" o/d x 3' 0" LONG, GROUP	1	-	C	QA20/966
		VARIABLE COLD AIR INTAKE TO WING ANTI-ICING INJECTOR, PORT (1F110388 Pre-Mod. 514, Mod. 380) (1F11035, Mod. 514) STARBOARD (2F10588, Mod. 360)				
		Spare for: -				
5W/4511920	ROTAX LTD. A/0220	Actuator	1	-	A	QA16/967
	4F11035	Angle, port	1	-		QA16a/968
	5F10588	Angle, port (Pre-Mod. 514)	1	-		QA16a/969

SERVICES
AIR CONDITIONING

Ref. No.	Part No.	Description	No. off	Matl. Spec.	Cl. of	Place and Illust'n No.
					St.	
		1 2 3 4			M.R.	
		VARIABLE COLD AIR INTAKE TO WING ANTI-ICING INJECTOR, 1F10588 AND 1F11035 PORT, 2F10588 STARBOARD (Cont'd)				
21577	8F10588	Angle, port	1	—		QA16a/970
	11F10588	Angle, port	1	—	C	QA16a/971
21563	13F10588	Angle, port (Pre-Mod. 514)	1	—	C	
21497	56F10588	Angle, port (Mod. 514)	1	—	C	QA16a/972
21567	15F10588	Angle, port (Pre-Mod. 514)	1	—	C	
21496	58F10588	Angle, port (Mod. 514)	1	—	C	QA16a/973
	17F10588	Angle, port (Pre-Mod. 514)	1	—		QA16a/974
21559	19F10588	Angle, port (Pre-Mod. 514)	1	—	C	QA16a/975
	20F11035	Angle, cover, port (Mod. 514)	1	—		QA16a/976
	35F8553	Angle, port	1	—		QA16a/977
	50F10588	Angle, port	1	—		QA16a/978
	52F10588	Angle, port	1	—		QA16a/979
	54F10588	Angle, port	1	—		QA16a/980
21585	38F/10588	Angle, port and starboard (Pre-Mod. 514)	1	—	C	QA16a/981
21586	39F/10588	Angle, port and starboard (Pre-Mod. 514)	1	—	C	QA16a/982
	5F/11035	Angle, port (Mod. 514)	1	—		QA16a/982
	98F8553	Angle, port	1	—		QA16a/980
21580	20F10588	Angle, starboard	1	—	C	QA16a/983
21545	22F11035	Angle, starboard	1	—	C	QA16/984
	36F8553	Angle, starboard	1	—		QA16a/985
	44F10588	Angle, starboard	1	—		QA16a/986
21575	51F10588	Angle, starboard	1	—	C	QA16a/987
21578	53F10588	Angle, starboard	1	—	C	QA16a/988
21573	55F10588	Angle, starboard	1	—	C	QA16a/989
21564	57F10588	Angle, starboard	1	—	C	QA16a/990
21568	59F10588	Angle, starboard	1	—	C	QA16a/991
21562	60F10588	Angle, starboard	1	—	C	QA16a/992
	82F8553	ARM, LINK, CAM LEVER TO RAMP, GROUP	1	—	MR	QA16/993
21557	1F10423	BRACKET, MOUNTING ACTUATOR, PORT, GROUP (Pre-Mod. 514)	1	—	C	QA16/994
	8F11035	BRACKET, MOUNTING ACTUATOR, PORT, GROUP (Mod. 514)	1	—		QA16/995
21558	2F10423	BRACKET, MOUNTING ACTUATOR, STARBOARD, GROUP	1	—	C	QA16/996
		Spare for:—				
	7F8558	Boss	1	L85		
	9F8558	Boss	1	L85		
	15F8553	Bracket, 79.5", port	1	—		QA16a/997
	16F8553	Bracket, 79.5", starboard	2	—		QA16a/998
	17F8553	Bracket, hinge, channel, port	1	—		QA16a/999
	18F8553	Bracket, hinge, channel, starboard	1	—		QA16a/1000

VULCAN No. 2

SERVICES
AIR CONDITIONING

Page QA. 57

Ref. No.	Part No.	Description	No. off	Matl. Spec.	Cl. of	Plate and Illust'n No.
					St. M.R.	
		1 2 3 4				
		VARIABLE COLD AIR INTAKE TO WING ANTI-ICING INJECTOR, 1F10588, F11035 PORT AND 2F10588 STARBOARD (Cont'd)				
	19F8553	Bracket, centre, hinge rib, port	1	—		QA16a/1001
	20F8553	Bracket, centre, hinge rib, starboard	1	—		QA16a/1002
21555	31F10588	Bracket, intercostal, forward, port	1	—	C	QA16a/1003
21556	32F10588	Bracket, intercostal, forward, starboard	1	—	C	QA16a/1004
21553	33F10588	Bracket, intercostal, aft, port	1	—		QA16a/1005
21554	34F10588	Bracket, intercostal, aft, starboard	1	—		QA16a/1006
	37F10588	Bracket, port	1	L72		QA15/1007
	38F10588	Bracket, starboard	1	L72		QA15/1008
	46F10588	Bracket, starboard	1	—		QA16a/1009
	68F8553	Bracket, at diaphragm 27, port	1	—		QA16/1010
	70F8553	Bracket, at diaphragm 27, starboard	1	—		QA16/1011
	81F8553	Bracket, hinge channel, port	—	—		QA16a/1012
	103F8553	Bracket, starboard	1	—		QA15/1013
	104F8553	Bracket, port	—	—		QA15/1014
	105F8553	Bracket, port	1	L72		QA15/1015
	108F8553	Bracket, starboard	—	—		QA15/1016
	81F8553	Bush, distance, for shackle	1	—	MR	QA16/1017
1420	81F8553	CAM, LEVER OPERATING LINK ARM, FOR RAMP, GROUP	1	—	C	QA16/1018
26FP/2453	1SS3850	Clip, pipe, starboard	1	—	C	QA16a/1019
28E/20019	SP91/K	Clip, pipe	1	—	C	QA15/1020
	21SS2898	Clip, pipe	3	—	C	QA15/1021
	102F8553	Conduit, for capillary tube, forward, 22G x 1-3/4" o/d x 3' 6"	—	L56		QA15/1022
	107F8553	Conduit, for capillary tube, aft, 22G x 1-3/4" o/d x 18"	1	L56		QA15/1023
	23F10588	COVER AND RAMP, PORT, GROUP	1	—		QA16/1024
	24F10588	COVER AND RAMP, STARBOARD, GROUP	1	—		QA16/1025
7618	1F10599	Spare for:— COVER, PORT, GROUP	1	—	C	QA16a/1026
7618	2F10599	COVER, STARBOARD, GROUP	1	—	C	QA16a/1027
	928/10357	Angle	2	—		QA16a/1028
	152F8553	Angle	1	—		QA16a/1029
21571	18F11035	Angle, cover	1	—	C	QA16a/1030
21572	19F11035	Angle, cover	1	—	C	QA16a/1031
	17F11035	Angle	1	—		QA16a/1032
21580	3F8553	Bracket, hinged	2	—		QA16a/1033
	21F8553	Bracket, 95.87", port	1	—		QA16a/1034
	22F8553	Bracket, 95.87", starboard	1	—		QA16a/1035
	39F8554	Bracket, roller, port	2	—		QA16/1036
1510289	40F8554	Bracket, roller, starboard	2	—		QA16/1037
21551	28F10588	Channel, hinged, port	1	—	C	QA16a/1038
21552	28F10588	Channel, hinged, starboard	1	—	C	QA16a/1039

SERVICES
AIR CONDITIONING

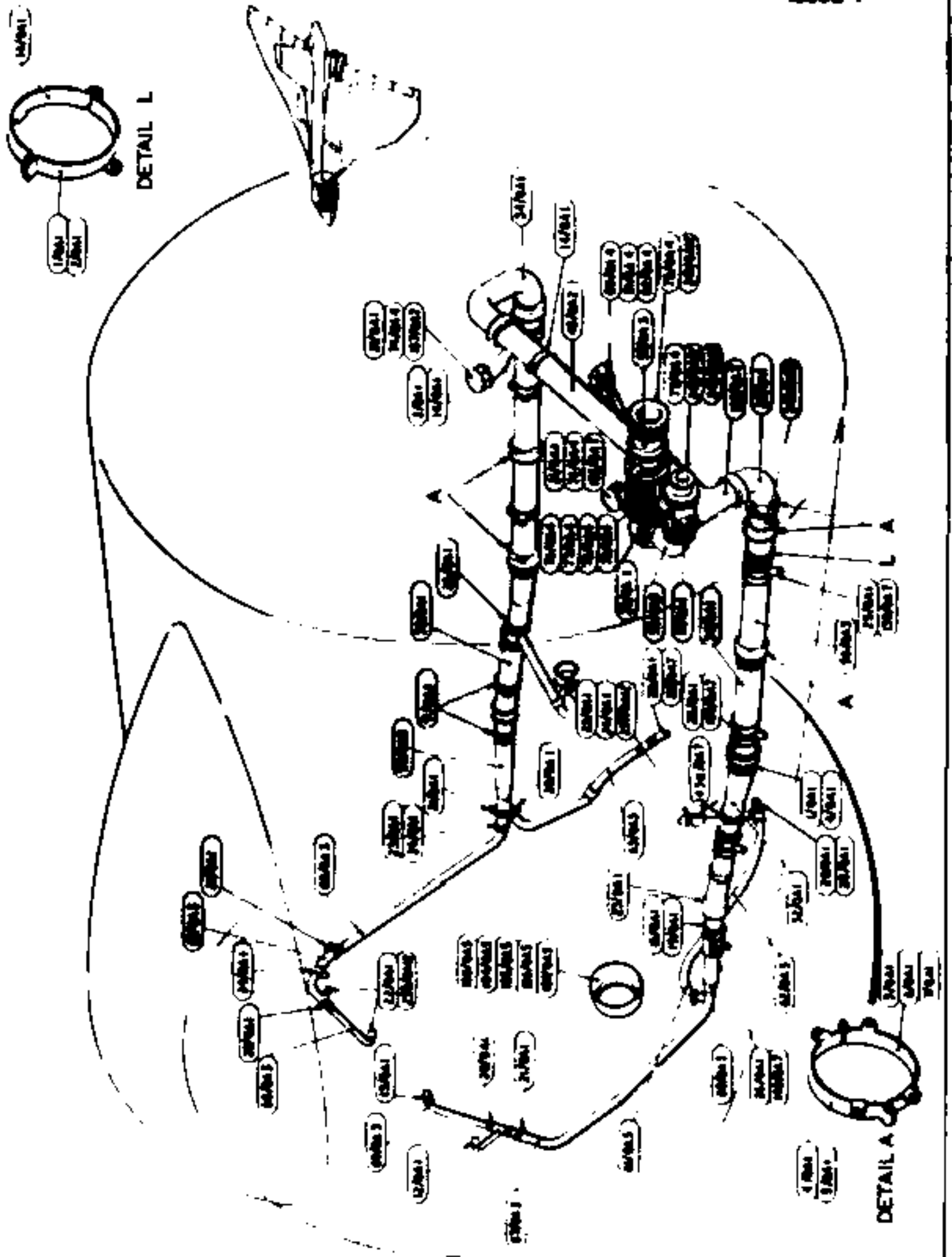
Ref. No.	Part No.	Description	No. off	Matl. Spec.	Cl. of	Place and Illustr'n No.
					St. M.R.	
		1 2 3 4				
		COVER AND RAMP, PORT AND STARBOARD (23-24F10588) (Cont'd)				
7516	1F10600	RAMP, HINGED, PORT, GROUP	1	-	C	QA16/1040
7617	2F10600	RAMP, HINGED, STB'D., GROUP	1	-	C	QA16/1041
1418	43F8554	Spas for:- ARM, HINGE, GROUP	2	-	C	QA16/1042
	BSS1131/030504	Consisting of:- Bush, "Oikra"	1	-		
	43aF8554	Hinge	1	-		
	29F10600	ANGLE, ATTACHMENT ACTUATOR, . GROUP, PORT	1	-		QA16/1043
	30F10600	ANGLE, ATTACHMENT ACTUATOR, . GROUP, STARBOARD	1	-		QA16/1044
	31F10600	ANGLE ATTACHMENT, ACTUATOR, . GROUP, PORT	1	-	-	QA16/1045
	32F10600	ANGLE, ATTACHMENT, ACTUATOR, . GROUP, STARBOARD	1	-	-	QA16/1046
	33F10600	ANGLE ATTACHMENT, GROUP, PORT	1	-	-	QA16/1047
	34F10600	ANGLE, ATTACHMENT, GROUP, STARBOARD	1	-	-	QA16/1048
5030	21F8554	Seal (Imatex tubular, KO.118) 3/8" dia. . x flange .625"	1	-	C	QA16/1049
26FP/13003	4SS3158	Screw	7	-	C	QA16/1050
	4.O.3520	ROLLER, FOR RAMP, GROUP	1	-	MR	QA16/1051
		Consisting of:-				
	4a.O.3520	Bush, .37" dia. x 3" long	2	-		
	4g.O.3520	Roller, (GACO), rubber, .56" dia. x 178 .	2	-		
	23F8553	Stiffener, top hat, port	1	-	-	QA16a/1052
	24F8553	Stiffener, top hat, starboard	1	-	-	QA16a/1053
21539	26F8553	Stiffener, for roller, port and starboard	1	-	-	QA16a/1054
21541	26F8553	Stiffener, for roller, port and starboard	1	-	-	QA16a/1055
5CZ/4337585	TEDDINGTON FDF/A/3113	Control, inching (Mod. 940)	1	-	A	QA16/1056
21542	1F10598	DIFFUSER, PORT, GROUP (Pre-Mod. 2323) .	1	-	MR	QA16/1057
1610622	1F12955	DIFFUSER, PORT, GROUP (Mod. 2323)	1	-		
21543	2F10598	DIFFUSER, STARBOARD, GROUP	1	-	MR	QA16/1058
		(Pre-Mod. 2323)				
1610623	2F12955	DIFFUSER, STARBOARD, GROUP	1	-		
		(Mod. 2323)				
	36F11035	Door	1	L72	C	QA16a/1059

VULCAN No. 3

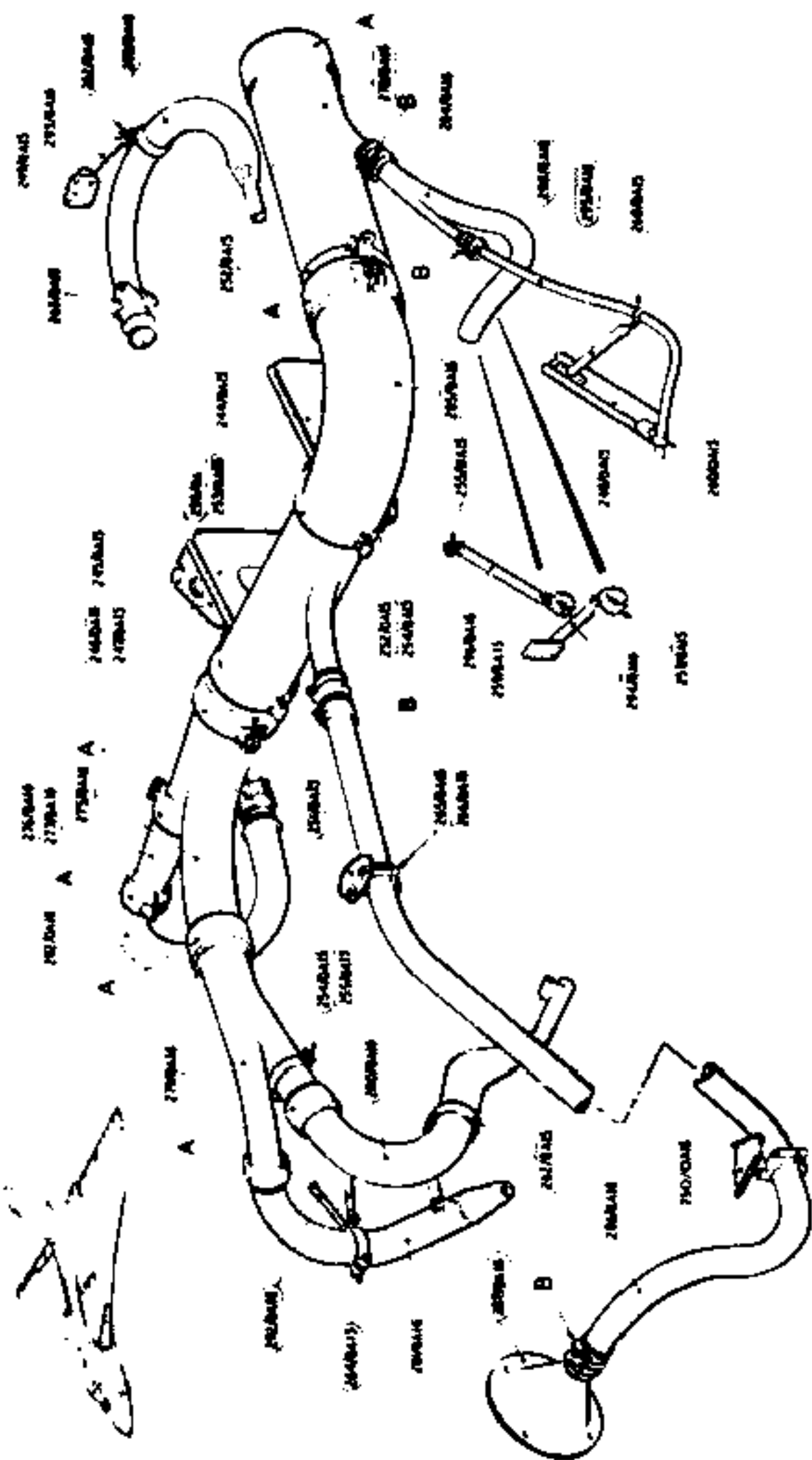
SERVICES
AIR CONDITIONING

Page QA 59

Ref. No.	Part No.	Description	No. off	Mater. Spec.	CL of	Plate and Illust'n No.
					Se. M.R.	
		1 2 3 4				
VARIABLE COLD AIR INTAKE TO WING ANTI-ICING INJECTOR, 1F10588, F11035 PORT AND 2F10588 STARBOARD (Cont'd)						
	79F8553	Gasket, for diffuser, 1/16" x 5" x 11"	1	DTD378A	MR	QA18/1060
	80F8553	Gasket, for diffuser, 1/16" x 7-1/2" x 7-1/2"	1	DTD378A	MR	QA18/1061
	2F11035	Intercostal	1	-	-	QA18a/1062
21569	26F10588	Intercostal, port	1	-	C	QA18a/1063
21570	43F10588	Intercostal, starboard	1	-	C	QA18a/1064
	59F8553	Link, shackle	1	DTD384B	MR	QA18/1065
	1SS4098	Pin, close tolerance	1	-	MR	QA18/1066
	106F8553	Plate, mounting, inching control	1	-	-	QA18/1067
	109F8553	Plate, mounting, inching control	1	-	-	QA18/1067
21548	21F10588	Stringer, tapered, port	1	-	C	QA18/1068
21547	22F10588	Stringer, tapered, starboard	1	-	C	QA18/1070
21548	40F10588	Stiffener, hinge, port	1	-	C	QA18a/1071
21549	41F10588	Stiffener, hinge, starboard	1	-	C	QA18a/1072
	60F8553	Tube, bearing, distance	1	BSS249	MR	QA18/1073
	82F8553	Washer, special	1	L1	MR	QA18/1074



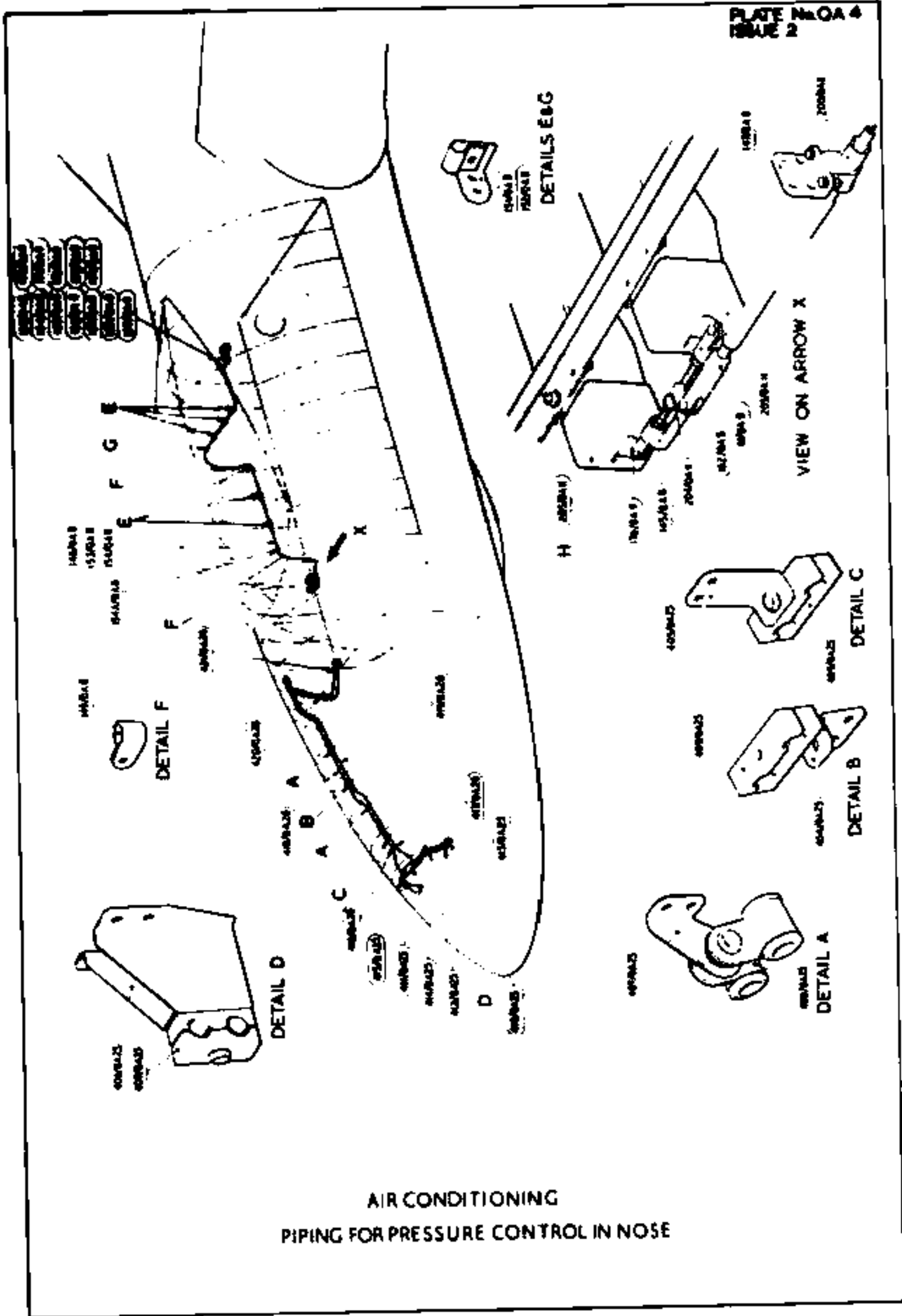
AIR CONDITIONING SYSTEM
CREWS NACELLE



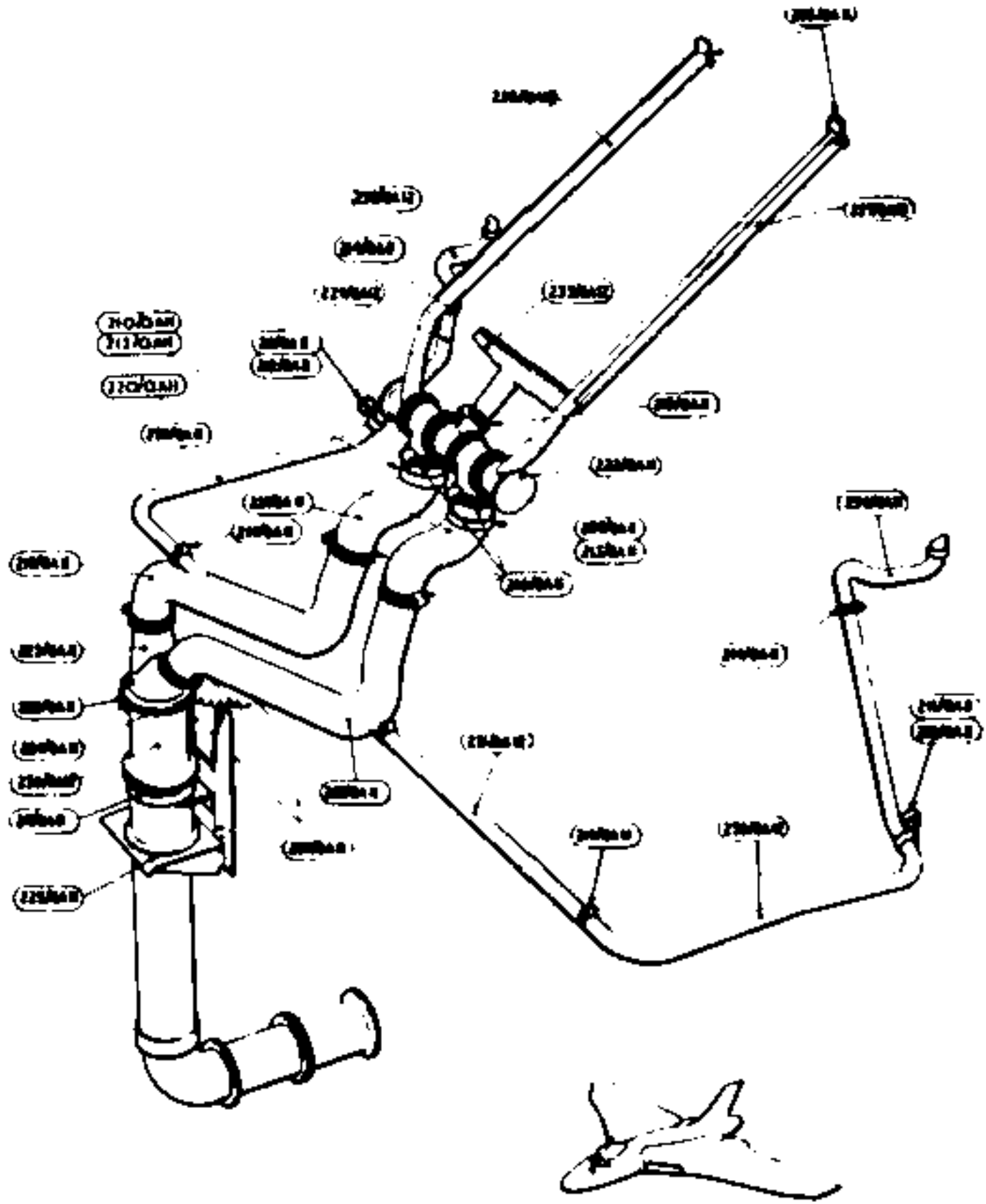
A		B	
2700000	2.50	2700000	0.75
2800000	3.125	2710000	1.125
2900000	3.50	2720000	1.25
3000000	4.75	2730000	1.50
3100000	5.00	2740000	1.75
		2750000	2.00
		2760000	2.25
		2770000	2.50
		2780000	2.75
		2790000	3.00
		2800000	3.25
		2810000	3.50
		2820000	3.75
		2830000	4.00
		2840000	4.25
		2850000	4.50
		2860000	4.75
		2870000	5.00
		2880000	5.25
		2890000	5.50
		2900000	5.75
		2910000	6.00
		2920000	6.25
		2930000	6.50
		2940000	6.75
		2950000	7.00
		2960000	7.25
		2970000	7.50
		2980000	7.75
		2990000	8.00
		3000000	8.25
		3010000	8.50
		3020000	8.75
		3030000	9.00
		3040000	9.25
		3050000	9.50
		3060000	9.75
		3070000	10.00
		3080000	10.25
		3090000	10.50
		3100000	10.75
		3110000	11.00
		3120000	11.25
		3130000	11.50
		3140000	11.75
		3150000	12.00
		3160000	12.25
		3170000	12.50
		3180000	12.75
		3190000	13.00
		3200000	13.25
		3210000	13.50
		3220000	13.75
		3230000	14.00
		3240000	14.25
		3250000	14.50
		3260000	14.75
		3270000	15.00
		3280000	15.25
		3290000	15.50
		3300000	15.75
		3310000	16.00
		3320000	16.25
		3330000	16.50
		3340000	16.75
		3350000	17.00
		3360000	17.25
		3370000	17.50
		3380000	17.75
		3390000	18.00
		3400000	18.25
		3410000	18.50
		3420000	18.75
		3430000	19.00
		3440000	19.25
		3450000	19.50
		3460000	19.75
		3470000	20.00
		3480000	20.25
		3490000	20.50
		3500000	20.75
		3510000	21.00
		3520000	21.25
		3530000	21.50
		3540000	21.75
		3550000	22.00
		3560000	22.25
		3570000	22.50
		3580000	22.75
		3590000	23.00
		3600000	23.25
		3610000	23.50
		3620000	23.75
		3630000	24.00
		3640000	24.25
		3650000	24.50
		3660000	24.75
		3670000	25.00
		3680000	25.25
		3690000	25.50
		3700000	25.75
		3710000	26.00
		3720000	26.25
		3730000	26.50
		3740000	26.75
		3750000	27.00
		3760000	27.25
		3770000	27.50
		3780000	27.75
		3790000	28.00
		3800000	28.25
		3810000	28.50
		3820000	28.75
		3830000	29.00
		3840000	29.25
		3850000	29.50
		3860000	29.75
		3870000	30.00
		3880000	30.25
		3890000	30.50
		3900000	30.75
		3910000	31.00
		3920000	31.25
		3930000	31.50
		3940000	31.75
		3950000	32.00
		3960000	32.25
		3970000	32.50
		3980000	32.75
		3990000	33.00
		4000000	33.25
		4010000	33.50
		4020000	33.75
		4030000	34.00
		4040000	34.25
		4050000	34.50
		4060000	34.75
		4070000	35.00
		4080000	35.25
		4090000	35.50
		4100000	35.75
		4110000	36.00
		4120000	36.25
		4130000	36.50
		4140000	36.75
		4150000	37.00
		4160000	37.25
		4170000	37.50
		4180000	37.75
		4190000	38.00
		4200000	38.25
		4210000	38.50
		4220000	38.75
		4230000	39.00
		4240000	39.25
		4250000	39.50
		4260000	39.75
		4270000	40.00
		4280000	40.25
		4290000	40.50
		4300000	40.75
		4310000	41.00
		4320000	41.25
		4330000	41.50
		4340000	41.75
		4350000	42.00
		4360000	42.25
		4370000	42.50
		4380000	42.75
		4390000	43.00
		4400000	43.25
		4410000	43.50
		4420000	43.75
		4430000	44.00
		4440000	44.25
		4450000	44.50
		4460000	44.75
		4470000	45.00
		4480000	45.25
		4490000	45.50
		4500000	45.75
		4510000	46.00
		4520000	46.25
		4530000	46.50
		4540000	46.75
		4550000	47.00
		4560000	47.25
		4570000	47.50
		4580000	47.75
		4590000	48.00
		4600000	48.25
		4610000	48.50
		4620000	48.75
		4630000	49.00
		4640000	49.25
		4650000	49.50
		4660000	49.75
		4670000	50.00
		4680000	50.25
		4690000	50.50
		4700000	50.75
		4710000	51.00
		4720000	51.25
		4730000	51.50
		4740000	51.75
		4750000	52.00
		4760000	52.25
		4770000	52.50
		4780000	52.75
		4790000	53.00
		4800000	53.25
		4810000	53.50
		4820000	53.75
		4830000	54.00
		4840000	54.25
		4850000	54.50
		4860000	54.75
		4870000	55.00
		4880000	55.25
		4890000	55.50
		4900000	55.75
		4910000	56.00
		4920000	56.25
		4930000	56.50
		4940000	56.75
		4950000	57.00
		4960000	57.25
		4970000	57.50
		4980000	57.75
		4990000	58.00
		5000000	58.25



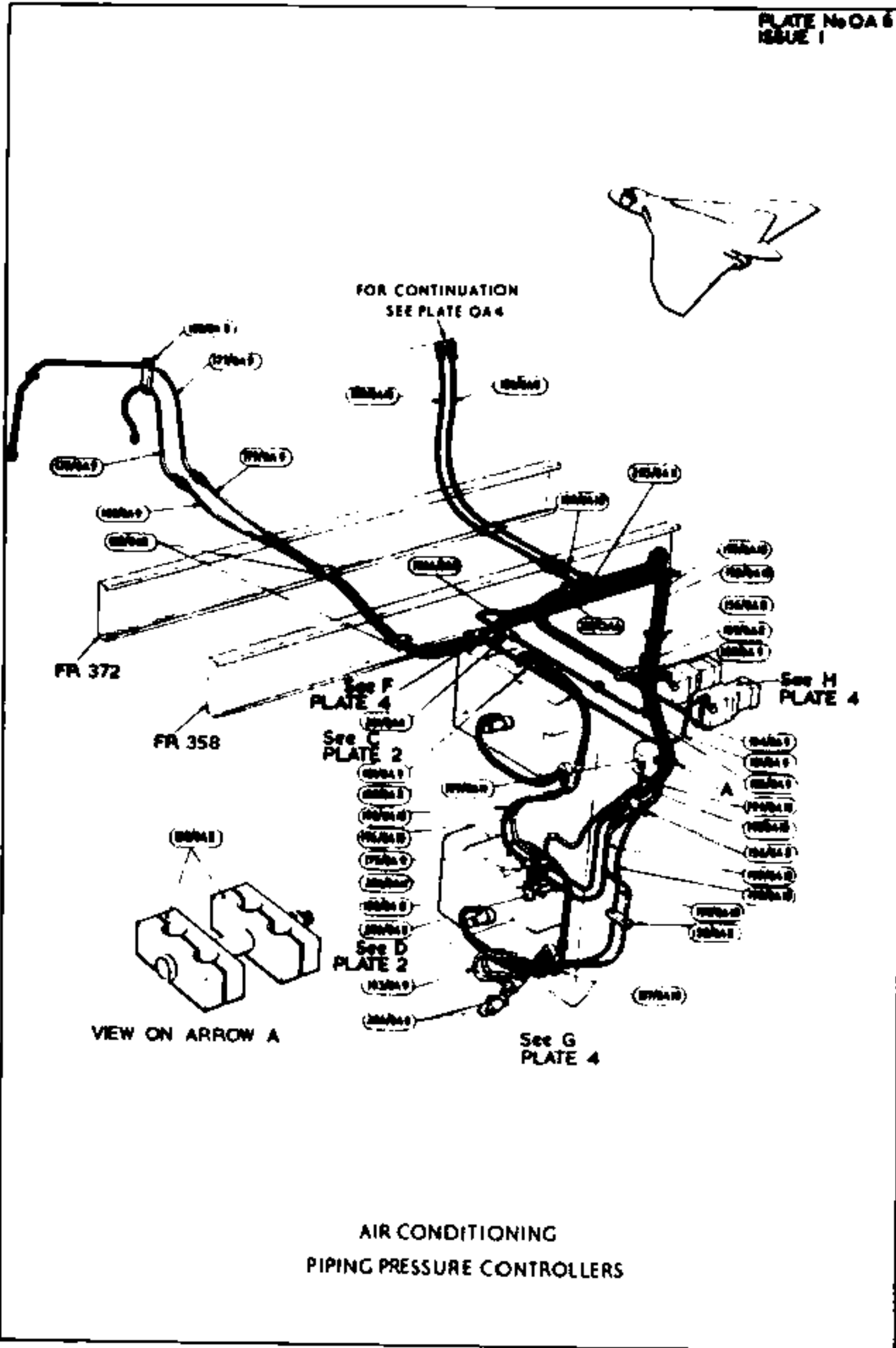
AIR CONDITIONING
COOLING-DUCTING RADOME

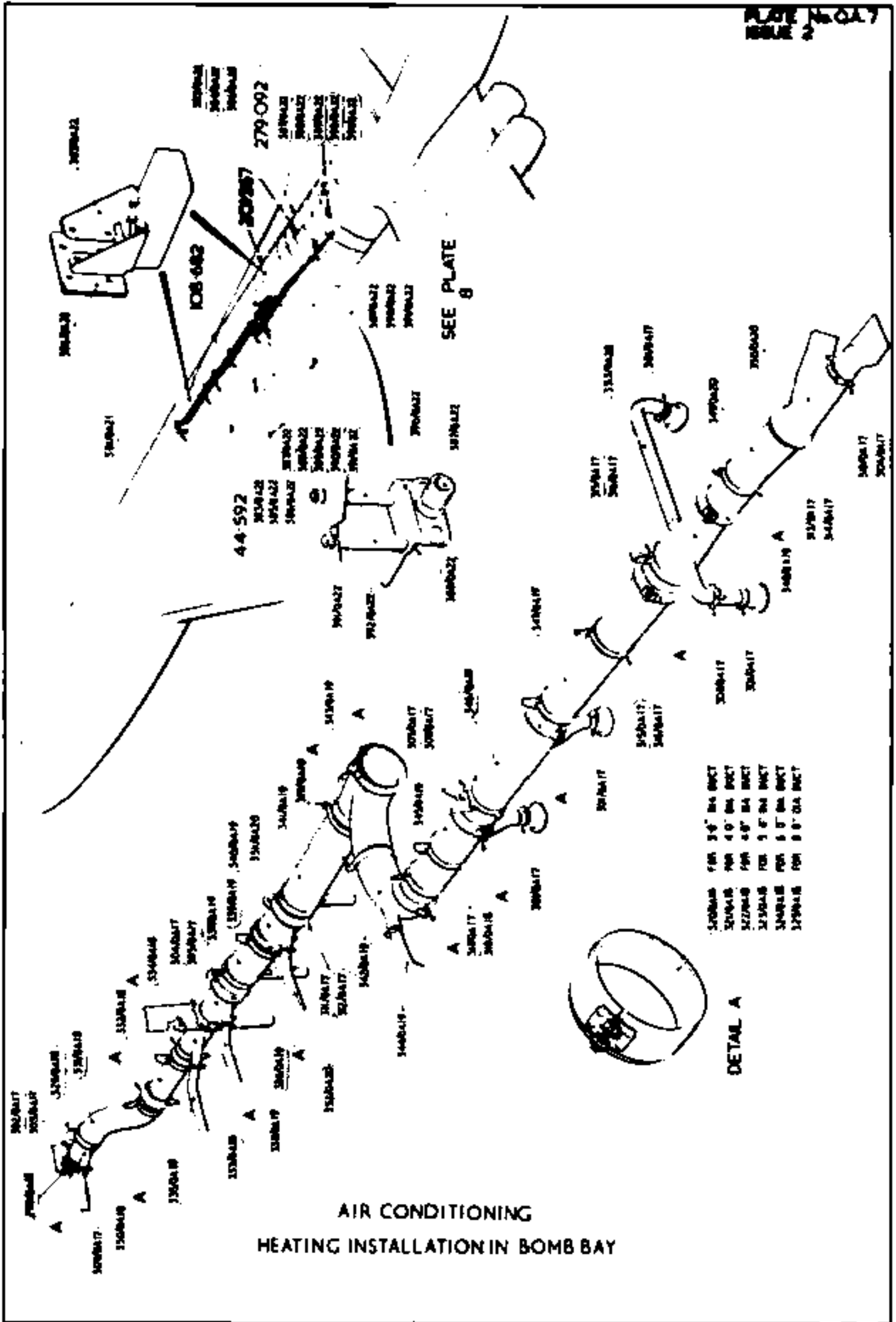


AIR CONDITIONING
PIPING FOR PRESSURE CONTROL IN NOSE

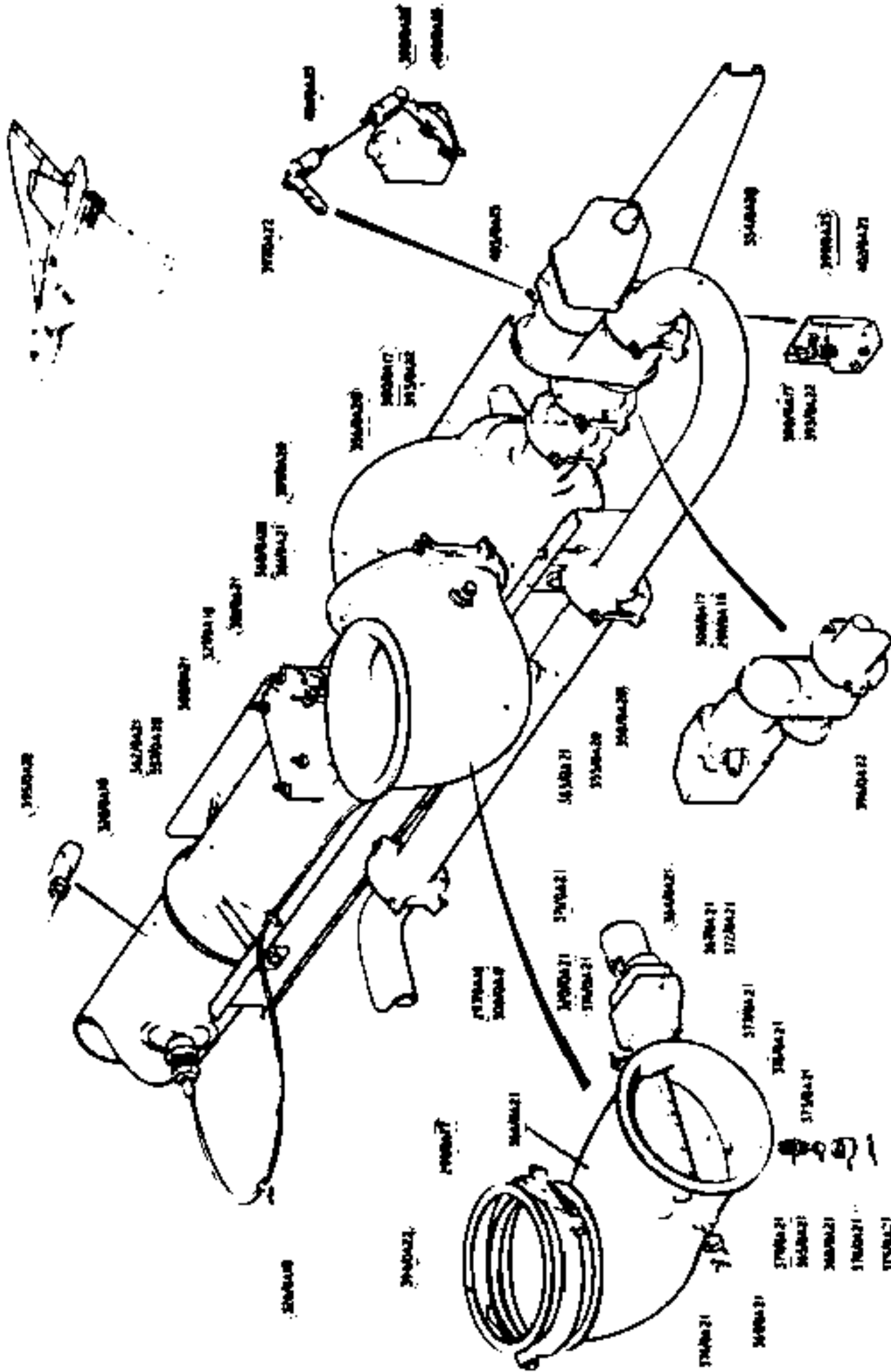


AIR CONDITIONING
WINDSCREEN DE-MISTING SYSTEM





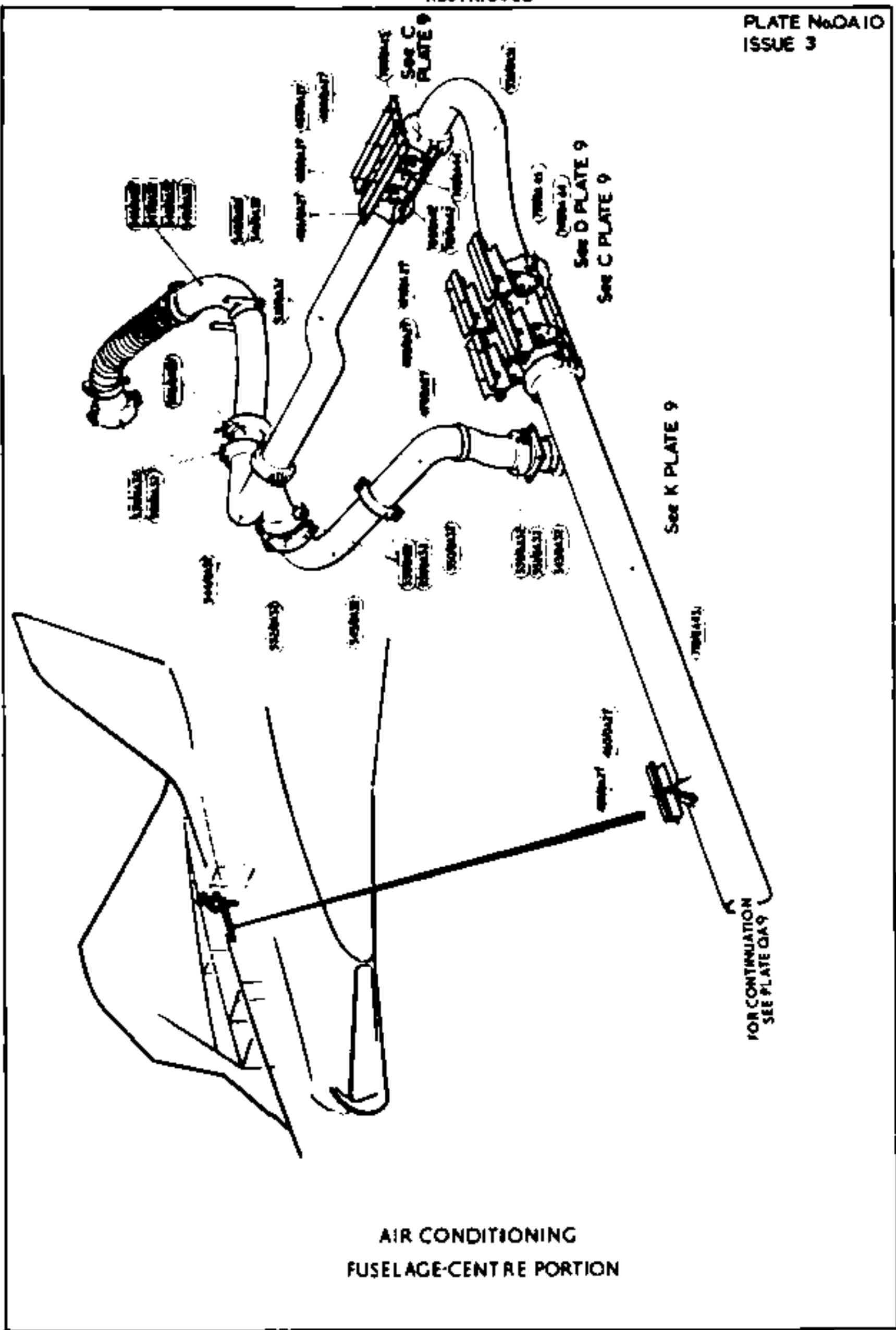
3400A18	FOR 3 1/2" DIA DUCT
3400A17	FOR 4 0" DIA DUCT
3400A16	FOR 4 0" DIA DUCT
3400A15	FOR 3 1/2" DIA DUCT
3400A14	FOR 5 0" DIA DUCT
3400A13	FOR 8 0" DIA DUCT



AIR CONDITIONING
HEATING INSTALLATION IN BOMB BAY

RESTRICTED

PLATE NoQA10
ISSUE 3

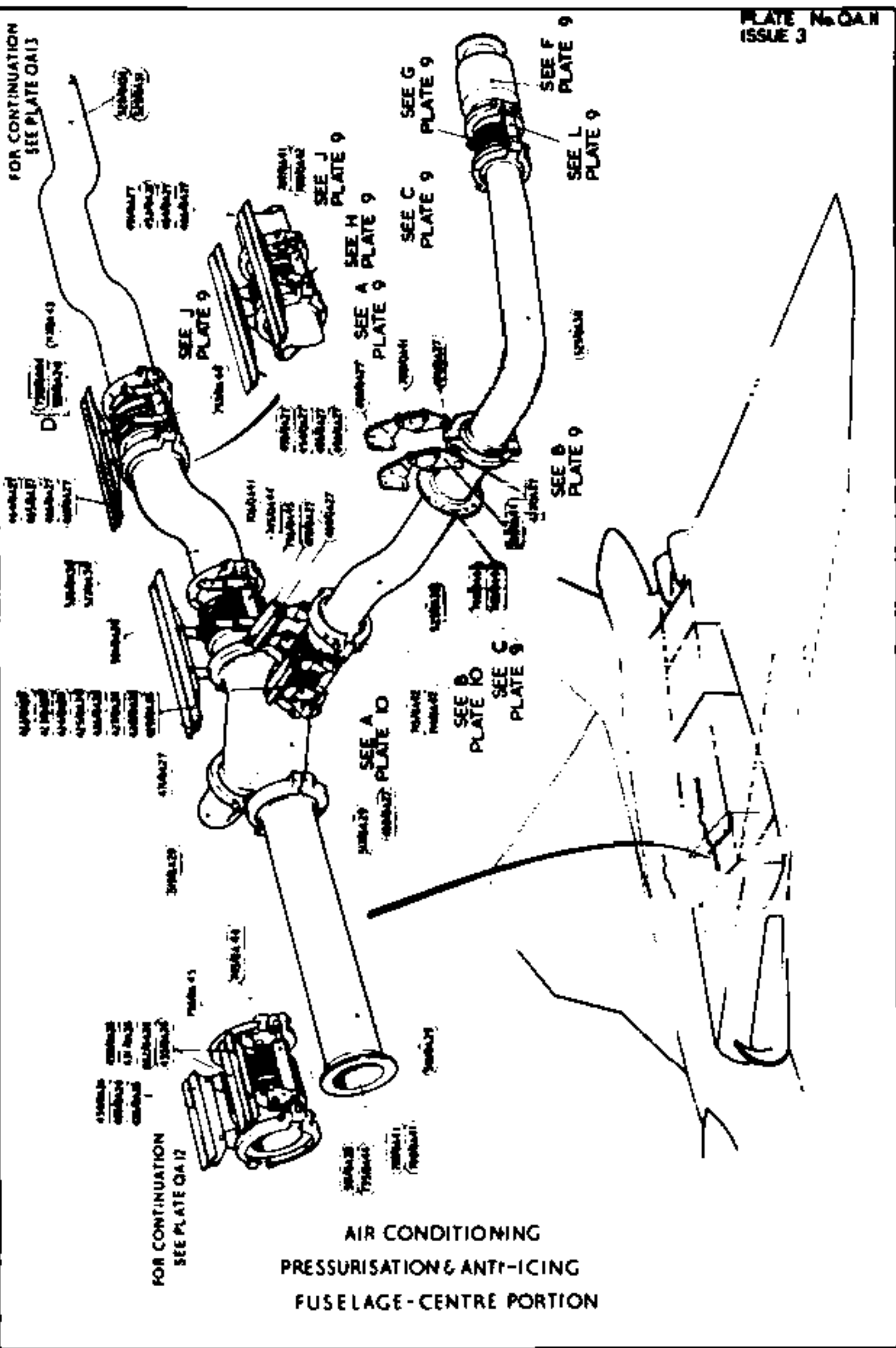


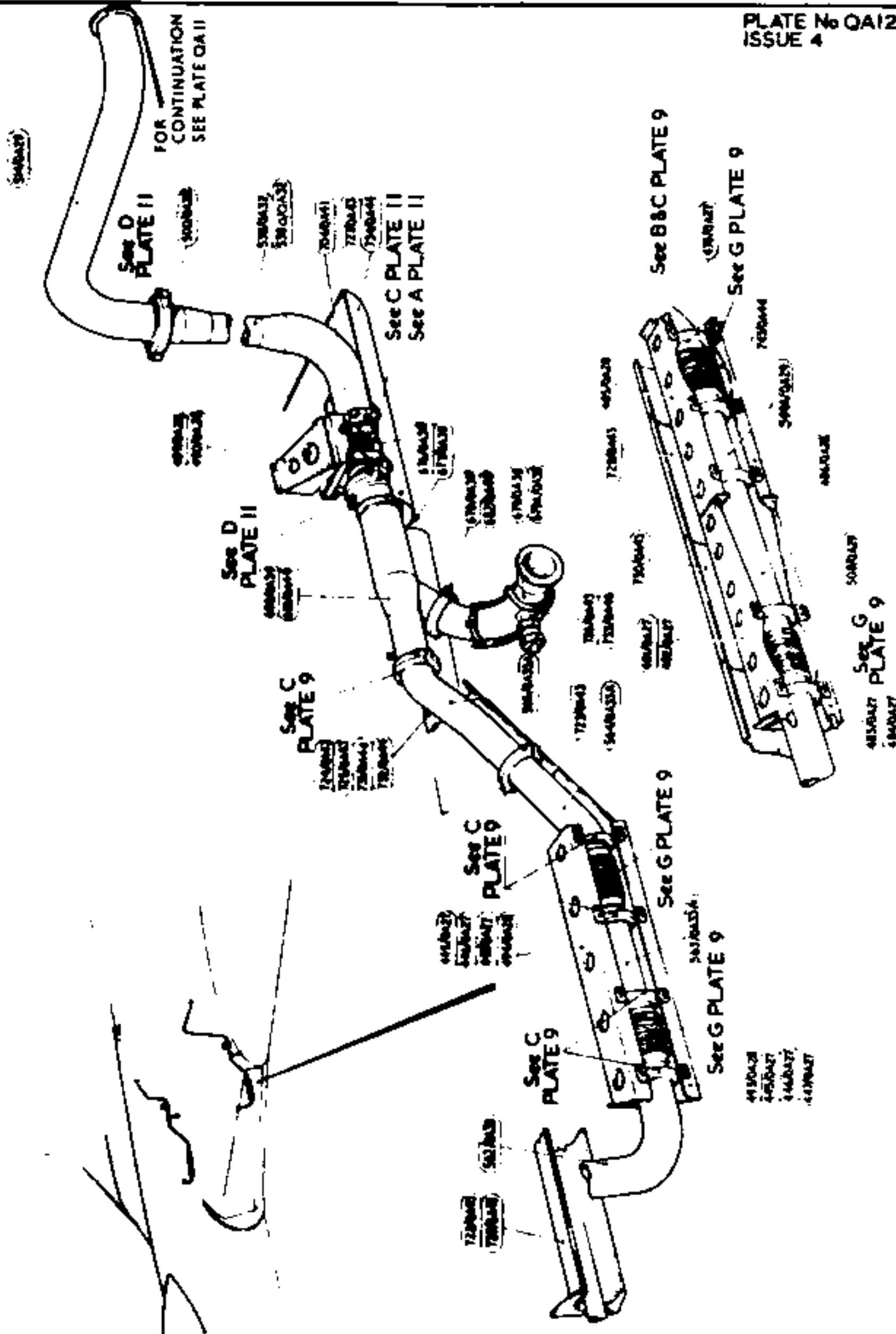
AIR CONDITIONING
FUSELAGE-CENTRE PORTION

RESTRICTED

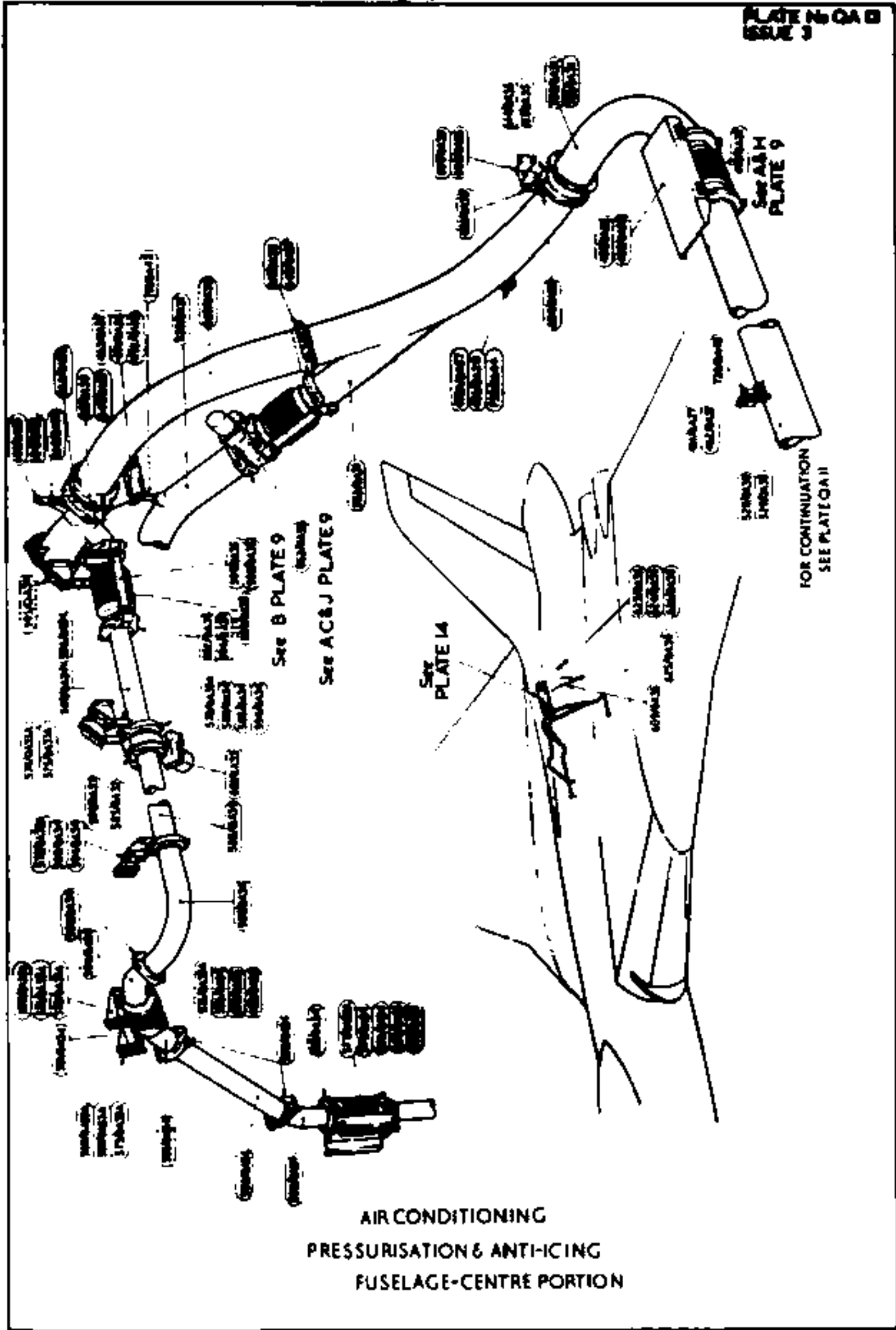
RESTRICTED

PLATE No QAN
ISSUE 3

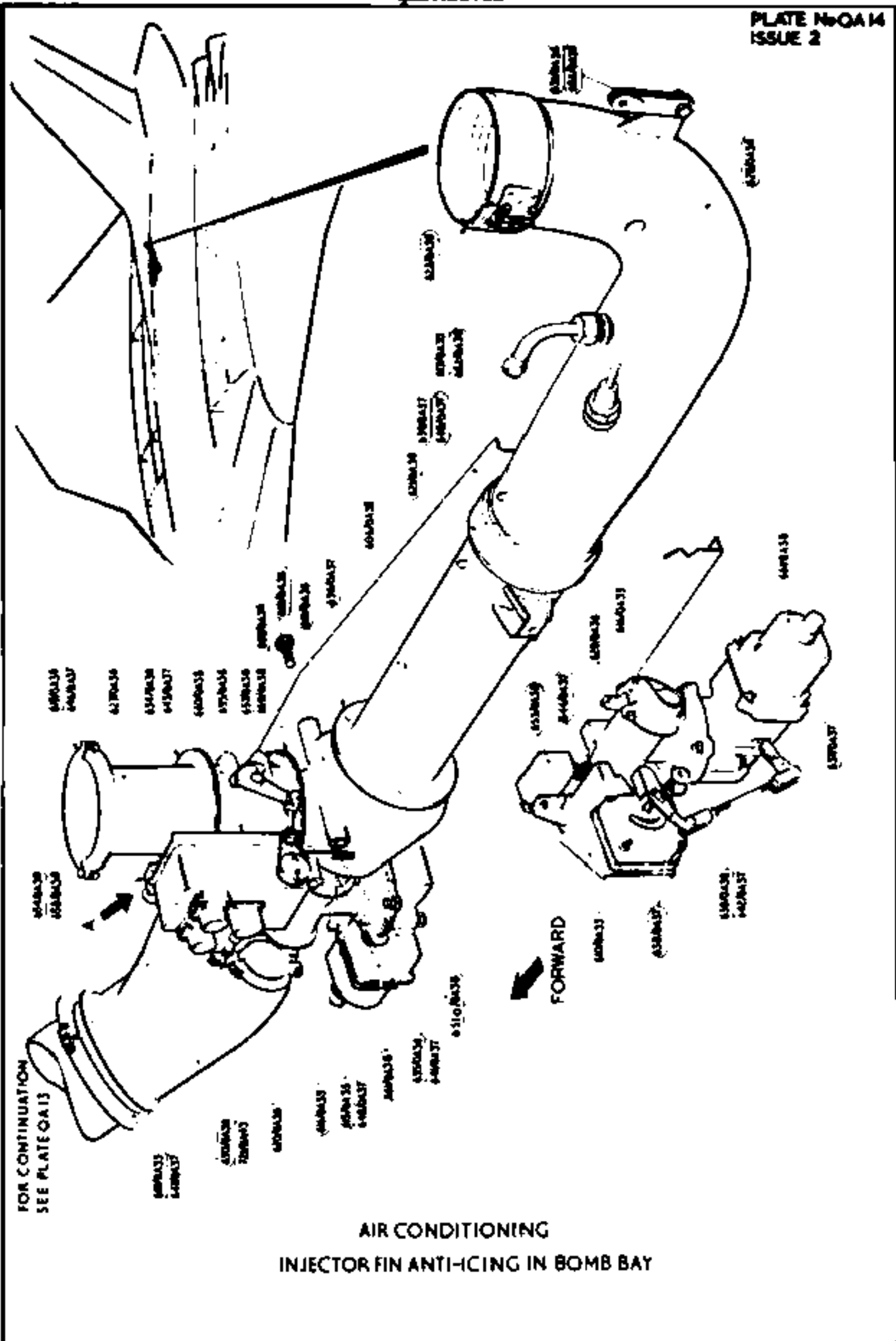




AIR CONDITIONING
PRESSURISATION & ANTI-ICING FUSELAGE-
CENTRE PORTION

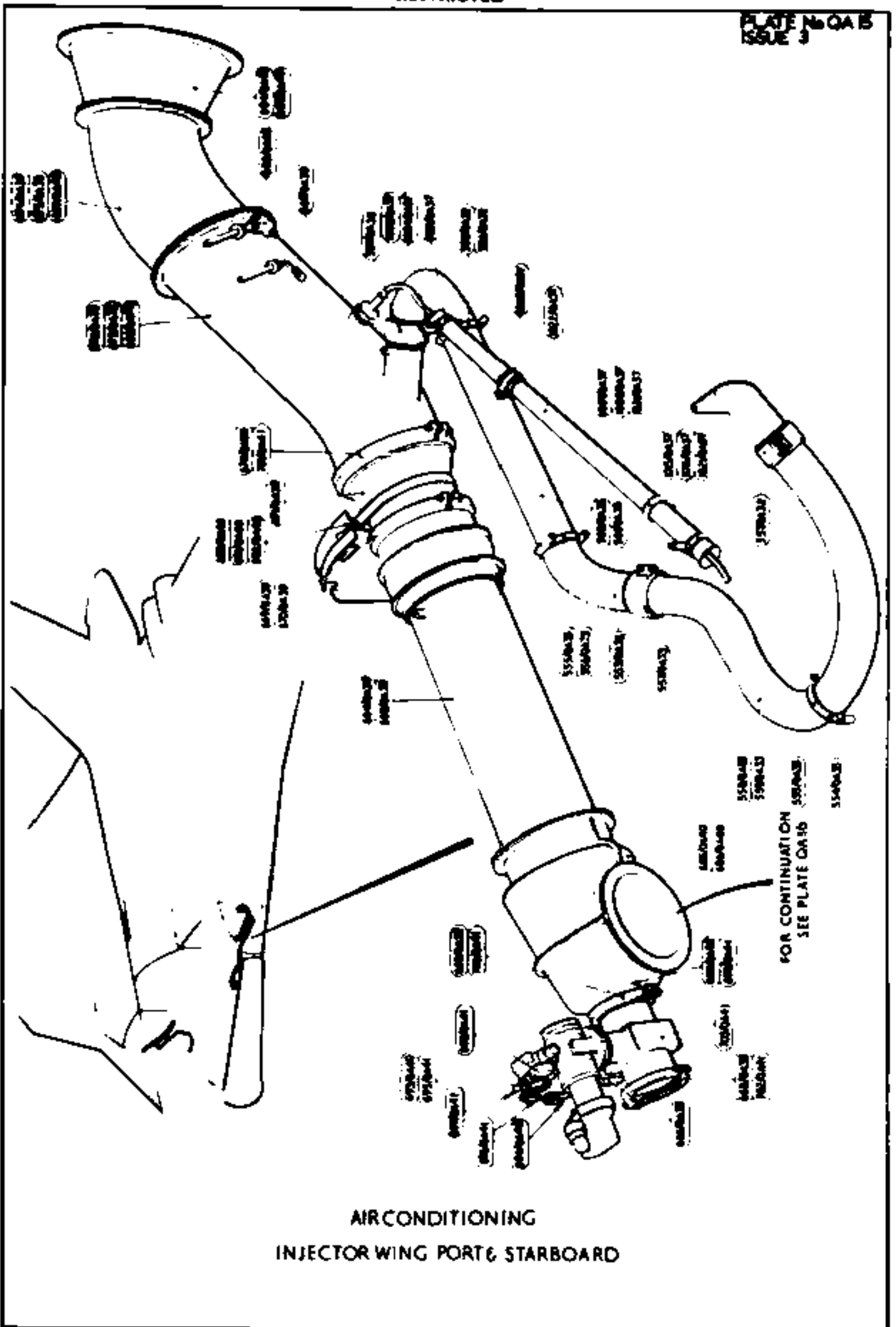


AIR CONDITIONING
PRESSURISATION & ANTI-ICING
FUSELAGE-CENTRE PORTION



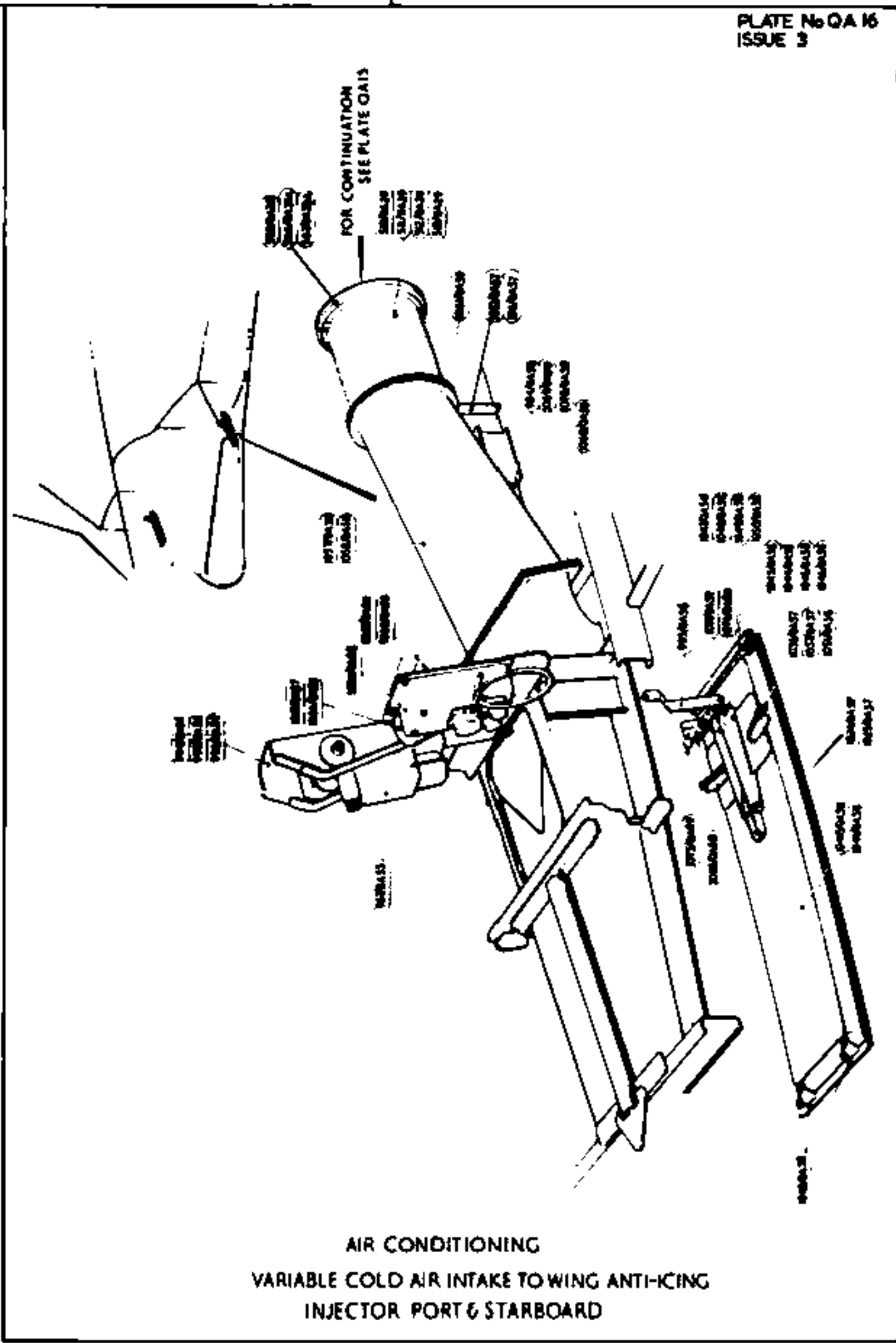
RESTRICTED

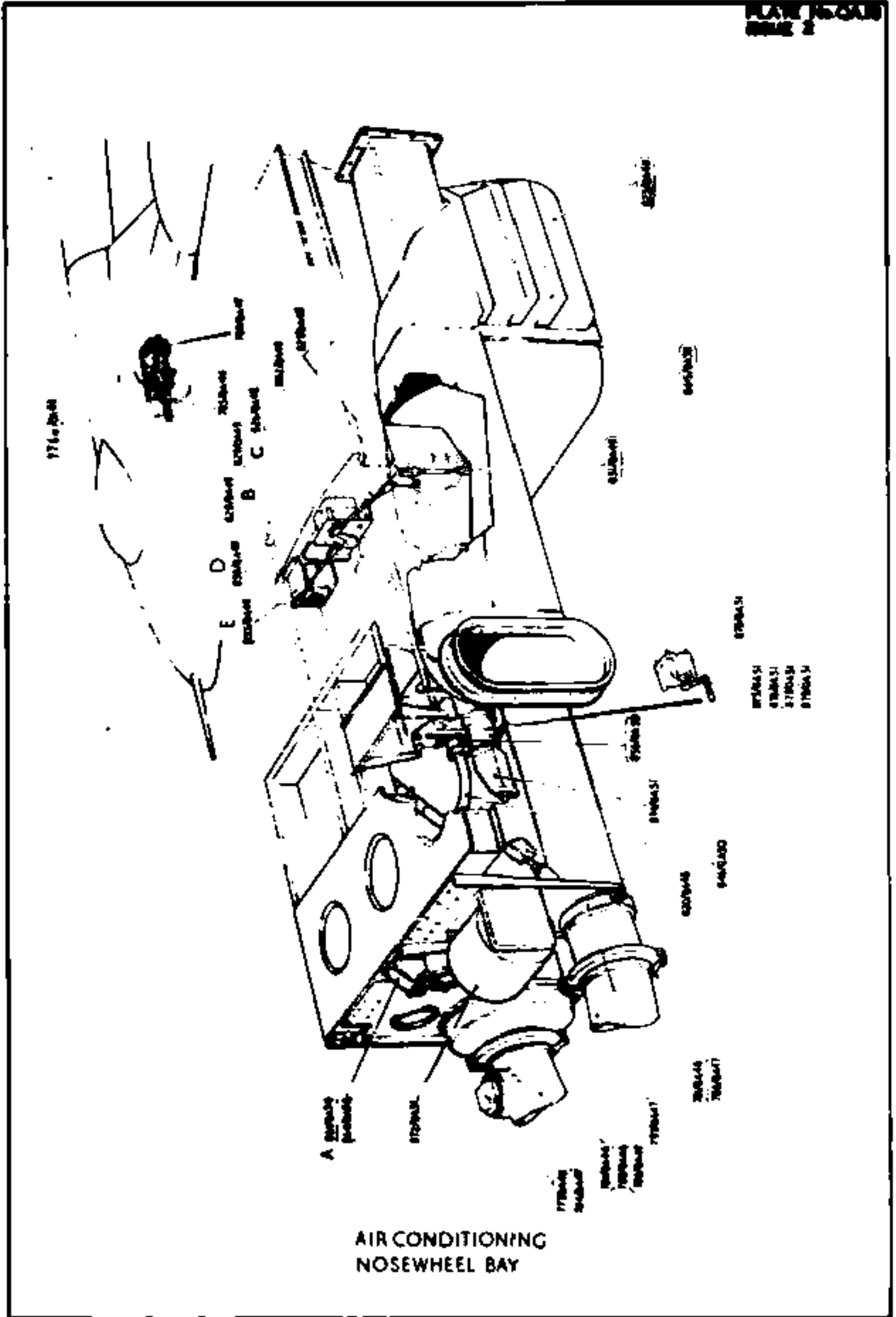
PLATE No QAB
ISSUE 3



AIRCONDITIONING
INJECTOR WING PORT & STARBOARD

RESTRICTED





VULCAN MK 2

SERVICES
AIR SPEED INDICATOR

Page QB. 1

Ref. No.	Part No.	Description	No. off	Matl. Spec.	Cl of St	Plate and Hlght'n No
					M.R.	
		1 2 3 4				
		AIR SPEED INDICATOR SYSTEM (S2167, S2168, Q2211 & Q2212)				
		Spares for:—				
	24SS3555	Adaptor, stowage, at N.B.S. calculator	1	—		QB1/1
		Attachments for Adaptor (24SS3555)				
28D/1010658	A25/1B	Bolt, 2 BA	3	—	C	
28W/9419474	SP15/B	Washer, 2 BA	3	—	C	
28M/1278189	AGS2001/B/1	Nut, stiff, 2 BA	3	—	C	
12438	25SS3555	Adaptor, stowage, at M.F.S. unit	1	—	C	QB1/2
		Attachments for Adaptor (25SS3555)				
28D/1010658	A25/1B	Bolt	3	—	C	
28W/9419474	SP15/B	Washer	3	—	C	
28M/1278189	AGS2001/B/1	Nut	3	—	C	
9007	35S3858	Clip, pipe	44	—	C	
	22SS3858	Clip, pipe	4	—		
	24SS3858	Clip, pipe	2	—		
28FP/2721	25SS3858	Clip, pipe	1	—	C	
20019	174SS2557	Connector, special (Pre-Mod. 858)	2	—	C	QB2/3
20019	174SS3557	Connector, special (Mod. 858)	1	—	C	
	15SS3589	Elbow, special, at M.F.S. unit	1	—	MR	QB1/4
20020	18SS3589	Elbow	2	DTD130	C	QB2/5
20021	17SS3589	Elbow	2	DTD130	C	QB2/8
11704	12SS3568	Elbow, special	2	—	C	
	25Z3224	FAIRLEAD GROUP	85	—	MR	QB2/7
		Consisting of:—				
		Bonding	AR	L4		
28D/1010030	A25/7C	Bolt, 2 BA	1	—	C	
	25aZ3224	Fairlead, half	2	BSS668		
28M/1012015	AGS2001/C1/88	Nut, stiff, 2 BA	1	—	C	
28W/9419475	SP15/C	Washer, 2 BA	1	—	C	
	15D9882	FAIRLEAD GROUP	1	—		
		Consisting of:—				
		Bonding	AR	L4		
28D/1010030	A25/7C	Bolt, 2 BA	2	—	C	
	15aD9882	Fairlead, half	2	BSS668		
28M/1012015	AGS2001/C1/88	Nut, stiff	2	—	C	
28W/9419475	SP15/C	Washer	2	—	C	
	34Q1953	FAIRLEAD GROUP	2	—	MR	QB1/9
		Consisting of:—				
		Bonding	AR	L4		
28D/1011019	A25/8C	Bolt, 2 BA	1	—	C	
	34aQ1953	Fairlead, half	2	BSS668		
28M/1012015	AGS2001/C1/88	Nut, stiff, 2 BA	1	—	C	
28W/9419475	SP15/C	Washer, 2 BA	1	—	C	

SERVICES
AIR SPEED INDICATOR

Ref. No.	Part No.	Description	No. off	Matl. Spec	Cl of St.	Plate and Illust'n No.
					M.R.	
		1 2 3 4				
AIR SPEED INDICATOR SYSTEM (S2167, S2165, Q2211 & Q2212) (Cont'd.)						
20023	23S2167	FAIRLEAD, GROUP (Mod. 1073)	1	—	C	QB1/10
		Consisting of:—				
28D/9133014	34bQ1953	Bonding	AR	L16		
	A25/13C	Bolt, 2 BA	1	—	C	
28M/1012015	34aQ1953	Fairlead, half	2	BS2672		
	AGS2001/C1/66	Nut, stiff, 2 BA	1	—	C	
28W/9419475	AS2011/5/06	Tube, distance	1	—		
	SP15/C	Washer, 2 BA	1	—	C	
20024	24S2167	FAIRLEAD, GROUP (Mod. 1073)	1	—	C	QB3/11
		Consisting of:—				
28D/1010030	24bS2167	Bonding	AR	L16		
	A25/7C	Bolt, 2 BA	1	—	C	
28M/1012015	24aS2167	Fairlead, half	2	BS2672		
28W/9419475	AGS2001/C1/66	Nut, stiff, 2 BA	1	—	C	
	SP15/C	Washer, 2 BA	1	—	C	
	60S1927	FAIRLEAD, GROUP	5	—		QB6/12
		Consisting of:—				
28D/9133014	60bS1927	Bonding	AR	L4		
	A25/13C	Bolt, 2 BA	2	—	C	
28M/1012015	60aS1927	Fairlead, half	2	BSS668		
28W/9419402	AGS2001/C1/66	Nut, stiff, 2 BA	2	—	C	
	SPT3/C	Washer, 2 BA	2	—	C	
	22S2167	FAIRLEAD, GROUP (Mod. 1078)	1	—		QB6/13
		Consisting of:—				
28D/1010030	22bS2167	Bonding	AR	L4		
	A25/7C	Bolt, 2 BA	1	—	C	
28M/1012015	22aS2167	Fairlead, half	2	BSS668		
28W/9419402	AGS2001/C1/66	Nut, stiff, 2 BA	1	—	C	
	SP13/C	Washer	1	—	C	
22034	34Q1885	FAIRLEAD, GROUP	16	—	C	QB4/14
		Consisting of:—				
28D/1010030	25cQ1885	Bonding	AR	L16		
	A25/7C	Bolt, 2 BA	1	—	C	
28M/1012015	25aQ1885	Fairlead, half	2	BSS668		
28W/9419475	AGS2001/C1/66	Nut, stiff, 2 BA	1	—	C	
	SP15/C	Washer, 2 BA	1	—	C	
	25Q1885	FAIRLEAD, GROUP	7	—		QB4/15
		Consisting of:—				
28D/7002428	25cQ1885	Bonding	AR	L16		
	A25/8C	Bolt, 2 BA	2	—	C	
28M/1012015	25aQ1885	Fairlead, half	2	BSS668		
28W/9419475	AGS2001/C1/66	Nut, stiff, 2 BA	2	—	C	
	SP15/C	Washer, 2 BA	2	—	C	
	10Q2212	FAIRLEAD, GROUP	3	—		QB3/16
		Consisting of:—				
28D/9140645	10cQ2212	Bonding	AR	—		
	A25/10C	Bolt, 2 BA	2	—	C	
28M/1012015	10aQ2212	Fairlead, half	2	—		
28W/9419475	AGS2001/C1/66	Nut, stiff, 2 BA	2	—	C	
	SP15/C	Washer, 2 BA	2	—	C	

SERVICES
AIR SPEED INDICATOR

Ref. No.	Part No.	Description	No. off	Mater. Spec.	Cl. of	Plate and Illustr'n No.
					Scr.	
		1 2 3 4			M.R.	
AIR SPEED INDICATOR SYSTEM (S2187, S2188, Q2211 AND Q2212) (Cont'd)						
	14Q2212	FAIRLEAD, GROUP	1	-		QB6/17
		Consisting of:-				
	14bQ2212	Bonding	AR	L4		
28D/1010030	A25/7C	Bolt, 2 BA	1	-	C	
	14aQ2212	Fairlead, half	2	BSS668		
28M/1012015	AGS2001/C1/66	Nut, stiff, 2 BA	1	-	C	
28W/9419475	SP15/C	Washer, 2 BA	1	-	C	
MOUNTING, V.G. RECORDER AT BOMB ARCH 123.015" (S2301) (Mod. 893)						
Spares for:-						
9007	35S3859	Clip	2	-	C	QB6/18
		Attachments for Clip (35S3859)				
28D/9133011	A25/2C	Bolt, 2 BA	1	-	C	
28M/1012015	AGS2001/C1/66	Nut, stiff, 2 BA	1	-	C	
28W/9419475	SP15/C	Washer, 2 BA	1	-	C	
27F/6251646	VICKERS D1885 13aQ1627	Cock, special, 4-way	1	-	A	QB6/19
		Fairlead, half	4	BSS668		QB6/20
		Attachments for Fairlead (13aQ1627)				
28D/9419387	A25/12C	Bolt, 2 BA	2	-	C	
28M/1012015	AGS2001/C1/66	Nut, stiff, 2 BA	2	-	C	
28W/9419475	SP15/C	Washer, 2 BA	2	-	C	
22151	AS2800/5/050 7S2301 4S2301	Piece, distance	2	-		QB6/21
		Piece, distance	3	-	C	QB6/22
		Pipe, stub, 5/16" o/d x 1.75" long	2	L58		QB6/23
11151	201S2186 8S2301 108S2186	PIPE, STUB, GROUP	2	-	C	QB6/23a
		Pipe, flexible, 7" long (Pre-Mod. 858)	2	-		
		Pipe, flexible, 7" long (Mod. 858)	2	-		QB6/24
	238S1980	PIPE, 1/4" O/D x 22G x 30", 4-WAY COCK TO REDUCING UNION, STATIC LINE, GROUP	1	L58		QB6/25
	237S1980	PIPE, 5/16" O/D x 22G x 36" REDUCING UNION TO TEE PIECE, STATIC LINE, GROUP	1	L58		QB6/26
	240S1980	PIPE, 1/4" O/D x 22G x 30", 4-WAY COCK TO REDUCING UNION, PRESSURE LINE, GROUP	1	L58		QB6/27
	123S2186	PIPE, 5/16" O/D x 22G x 36" REDUCING UNION TO TEE-PIECE, PRESSURE LINE, GROUP	1	L58	C	QB6/28
22150	5S2301	PLATE, MOUNTING, 4-WAY COCK, GROUP	1	-	C	QB6/29
		Attachments for Plate (5S2301)				
	A59/25C	Bolt	1	-	C	
	A59/28C	Bolt	2	-	C	
28M/1012015	AGS2001/C1/66	Washer	3	-	C	
	SP15/C	Nut	3	-	C	

SERVICES
AIR SPEED INDICATOR

Ref. No.	Part No.	Description	No off	Mati. Spec.	Cl. of St.	Plate and Illust'n No.
					M.A.	
		1 2 3 4				
8811	1T4/3/18 1Z9183 24D1864	MOUNTING, V.G. RECORDER AT BOMB ARCH 123.015 (S2301) (Mod. 883) (Cont'd)				
		Recorder, V.G.	1	—	C	QB6/30
		Stud, special, 1.4" long	2	DTD310		
		Tube, distance, special	3	T35		QB6/31
		MOUNTING, AIR SPEED SWITCH AND A.S.I. PIPES (S2370)				
	5S2370	Spare for:— FAIRLEAD, GROUP (Mod. 1841)	1	—		QB5/32
		Consisting of:—				
28D/9435710	6dS2370	Bonding	1	L18 or L4		
	A25/11C	Bolt, 2 BA	1	—	C	
	5aS2370	Fairlead, part	1	BS2572		
	5bS2370	Fairlead, part	1	BS2572		
	5cS2370	Fairlead, part	1	BS2572		
28M/1012015 28W/9419475	AGS2001/C1/68 SP15/C	Nut, stiff, 2 BA	1	—	C	
		Washer, 2 BA	1	—	C	
10AJ/130	6V8841	MOUNTING, SWITCH, GROUP	1	—		QB5/33
	—	Mounting, A.V.	4	—	B	QB5/34
	8852165	PIPE, PRESSURE, GROUP	1	L56		QB5/35
13704 13705 6A/8165 10A/18429	202S2165	PIPE, STATIC, GROUP (Mod. 1841)	1	L56		QB5/36
	5SS4996	PIPE, flexible, static (Mod. 1841)	1	—	C	QB5/37
	5SS5001	Pipe, flexible, pitot (Mod. 1841)	1	—	C	QB5/38
	—	Switch, air speed (Mod. 1841)	1	—	A	QB5/39
	—	Washer, check	4	—	C	
		MOUNTING, STATIC VENTS, PORT AND STARBOARD (1 & 2S2372)				
		Spare for:—				
17433 1433801	3S2372	VENT, STATIC, PORT, GROUP	1	—	C	QB1/40
	4S2372	VENT, STATIC, STARBOARD, GROUP	1	—		QB1/41
		MOUNTING, PITOT HEADS, PORT AND STARBOARD (21 & 22Z9723) (Mod. 2442)				
		Spare for:—				
7793	1V9396	BLOCK, TERMINAL, FORWARD, GROUP	1	—	C	QB5/42
		Spare for:—				
	3V9396	Cover	2	—		
	1V9397	BLOCK, TERMINAL, AFT, GROUP	1	—	MR	QB5/43
		Spare for:—				
	3V9397	Cover	—	—		
	17Z9722	Bolt, hex. hd., attachment of terminal blocks (Made from A25/1C)	8	—		QB5/44
	7Z9722	Coupling, pipe, flanged	1	DTD130		QB5/45
	5Z9722	Gasket, forward terminal block	1	DTD789		QB5/46
	6Z9722	Gasket, aft terminal block	1	DTD789		QB5/47
	8Z9722	Gasket, pipe coupling	1	DTD789		QB5/48

VULCAN No. 2		SERVICES					Page QB 5
AIR SPEED INDICATOR							
Ref. No.	Part No.	Description	No. off	Matl. Spec.	Cl. of St.	Plate and Hust'n No	
					M.R.		
1 2 3 4							
		MOUNTING, PITOT HEADS, PORT AND STARBOARD (21 & 22Z79723) (Mod. 2442) (Cont'd)					
	13Z9723	MAST, PITOT, PORT, GROUP (Pre-Mod. 2330) Spares for:—	1	—			
1433987	3Z9723	PLATE, mounting	1	L72	C		
1433176	4Z9723	Plate, mounting	1	L72	C		
	26Z9723	MAST, PITOT, PORT, GROUP (Mod. 2442)	1	—		QB5/49	
	26Z9723	MAST, PITOT, STARBOARD, GROUP (Mod. 2442) Spares for:—	1	—		QB5/50	
6A/13890	851BA Mod. 2	HEAD, PRESSURE, GROUP (Mod. 2442)	1	—	B	QB5/51	
	3Z8432	MOUNTING, PITOT HEAD, PORT, GROUP	1	—	MR	QB5/52	
	4Z8432	MOUNTING, PITOT HEAD, STARBOARD, GROUP	1	—	MR	QB5/53	
7792	13Z9722	PIPE, FLEXIBLE, GROUP	1	—	C	QB5/54	
	1S2316	PANEL, MONITOR, BETWEEN FORMERS 260" AND 232" STARBOARD, GROUP (Pre-Mod. 698) Spares for:—	1	—			
	12S2316	Bracket, connector	1	—			
	13S2316	Bracket, connector	1	—			
	11S3569	Connector, special	6	—			
	NEWMARK	Panel, monitor, less pipes	1	—			
	NID860	Pipe, 5/16" o/d x 22G. aft bottom connection to tee-piece	1	L56			
	2S2316	Pipe, 5/16" o/d x 22G between tee-pieces in line to aft bottom connection	1	L56			
	3S2316	Pipe, 5/16" o/d x 22 SWG between tee-piece	6	L56			
	4S2316	Pipe, 5/16" o/d x 22G centre aft connection to tee-piece	—	—			
	5S2316	Pipe, 5/16" o/d x 22G elbow to bottom forward connection	1	L56			
	6S2316	Pipe, 5/16" o/d x 22G tee-piece to top forward connection	1	L56			
	7S2316	Pipe, 5/16" o/d x 22G bottom elbow to tee-piece in line to top forward connection	1	L56			
	8S2316	Pipe, 5/16" o/d x 22G tee-piece to top aft connection	1	L56			
	9S2316	Pipe, 5/16" o/d x 22G between tee-pieces in line to top aft connection	1	L56			
	10S2316	Pipe, 5/16" o/d x 22G between tee-pieces in line to top connection	1	L56			
	11S2316	Pipe, 5/16" o/d x 22G between tee-pieces in line to top connection	1	L56			

SERVICES
AIR SPEED INDICATOR

Ref. No.	Part No.	Description	No. off	Matl. Spec.	Cl. of St.	Plate and Illust'n No.
					M.R.	
		<u>1 2 3 4</u>				
		AIR SPEED INDICATOR SYSTEM (S2107), S2108, Q2211 AND Q2212) (Cont'd)				
	NEWMARK NID1357	PANEL, MONITOR, BETWEEN FORMERS ... 200" AND 232", STARBOARD, GROUP (Mod. 698)	1	—		QB5/55
		PANEL, SUPPLY AND STOWAGE FOR A.S.I. PIPES TO T4 BOMB SIGHT COMPUTOR (Q2213)				
8511	2Q2213	Spares for:— PANEL, SUPPLY AND STOWAGE GROUP	1	—	C	QB5/56
8512	4Q2075	Spares for:— PIPE, FLEXIBLE, WITH 5/16" ADAPTOR, GROUP	2	—	C	QB5/57
8513	6Q2075	PIPE, FLEXIBLE, WITH 3/8" ADAPTOR, GROUP	1	—	C	QB5/58

SERVICES
AIR SPEED INDICATOR

Ref. No.	Part No.	Description	No. off	Matl. Spec.	Cl. of St.		Plate and Illust'n No.
					1	2 3 4	
		AIR SPEED INDICATOR SYSTEM (S2167, S2166, Q2211 & Q2212) (Cont'd)					
	138S2166	PIPE, STATIC, 5/16" o/d x 22G x 20", No. 2 STATIC VENT TO TEE-PIECE, STAR- BOARD, GROUP	1	L56			QB1/61
	137S2166	PIPE, STATIC, 5/16" o/d x 22G x 46", TEE- PIECE TO UNION AT No. 2 STATIC VENT, PORT, GROUP	1	L56			QB1/62
	136S2166	PIPE, STATIC, 5/16" o/d x 22G x 18" TEE- PIECE TO No. 1 STATIC VENT, PORT, GROUP	1	L56			QB1/63
	140S2166	PIPE, STATIC, 5/16" o/d x 22G x 50", TEE- PIECE TO No. 1 STATIC VENT, PORT, GROUP	1	L56			QB1/64
	142S2166	PIPE, STATIC, 5/16" o/d x 22G, FORWARD OF FORMER 442 TO COUPLING AFT OF FORMER 386, STARBOARD, GROUP	1	L56			QB1/65
	141S2166	PIPE, STATIC, 5/16" o/d x 22G, FORWARD OF FORMER 442 TO COUPLING AFT OF FORMER 386, PORT, GROUP	1	L56			QB1/66
	11S2166	PIPE, STATIC, 5/16" o/d x 22G x 46", TEE- PIECE AFT OF FORMER 372" TO COUPLING AFT OF FORMER 386", PORT, GROUP	1	L56			QB1/67
	6S2166	PIPE, STATIC, 5/16" o/d x 22G x 11", TEE- PIECE AFT OF FORMER 372" TO TEE- PIECE AFT OF FORMER 368, PORT, GROUP	1	-			QB1/68
	60S1980	PIPE, DRAIN, 5/16" o/d x 22G x 7", PORT, GROUP (Pre-Mod 1073)	1	L56			
	182S2166	PIPE, DRAIN, 3/8" o/d x 22G x 5", PORT, ... GROUP (Mod. 1073)	1	L56			QB1/69
	136S2166	PIPE, STATIC, 5/16" o/d x 22G x 90", COUPLING AFT OF FORMER 344" TO TEE PIECE AFT OF FORMER 470", PORT, GROUP	1	L56			QB1/70
	58S2166	PIPE, STATIC, 5/16" o/d x 22G x 20", TEE- PIECE TO UNION FWD OF FORMER 368", PORT, GROUP	1	L56			QB1/71
1432989	209S2166	PIPE, STATIC, 3/8" o/d x 22G, TRANS- DUCER UNIT (T F R) TO CROSSPIECE, STARBOARD, GROUP (Mod. 2067)	1	L56		C	QB1/72
1432990	210S2166	PIPE, PRESSURE, 5/16" o/d x 22G, TRANS- DUCER UNIT (T F R) TO UNION, STAR- BOARD, GROUP (Mod. 2067)	1	L56		C	QB1/73
1432988	206S2166	PIPE, PRESSURE, 5/16" o/d x 22G, UNION TO TEE-PIECE, STARBOARD, GROUP (Mod 2067)	1	L56		C	QB1/74

VULCAN 116 7

SERVICES
AIR SPEED INDICATOR

Page QB. 7

Ref. No.	Part No.	Description 1 2 3 4	No. off	Matl. Spec.	Cl. of	Place and Illust'n No.
					St. M.R.	
		AIR SPEED INDICATOR SYSTEM (S2167, Q2168, Q2211 & Q2212) (Cont'd)				
	207S2165	PIPE, PRESSURE, $\frac{1}{2}$ " o.d. 22G, UNION TO TEE-PIECE AT PRESSURE BULKHEAD, STBD., GROUP (Mod. 1900)	1	L56		QB1/75
	203S2165	PIPE, STATIC, $\frac{1}{2}$ " o.d. 22G, TRANSDUCER UNIT TO TEE-PIECE, STBD., GROUP (Mod. 1900)	1	L56		QB1/76
	204S2165	PIPE, STATIC, $\frac{1}{2}$ " o.d. 22G, TEE-PIECE, TO BULKHEAD ADAPTOR, STARBOARD, GROUP (Mod. 1900)	1	L56		QB1/77
	206S2165	PIPE, PRESSURE, $\frac{1}{2}$ " 22G, TRANSDUCER UNIT TO UNION, STBD., GROUP (Mod. 1900)	1	L56		QB1/78
	205S2165	PIPE, STATIC, $\frac{1}{2}$ " o.d. 22G, TEE-PIECE TO CROSS-PIECE AT PRESSURE BULKHEAD, STBD., GROUP (Mod. 1900)	1	L56		QB1/79
	135S2165	PIPE, STATIC, $\frac{1}{2}$ " o.d. 22G 88", TEE-PIECE AFT OF FORMER 470" TO ADAPTOR FORWARD OF FORMER 372" STBD., GROUP	1	L56		QB1/80
	60S1980	PIPE, DRAIN, $\frac{1}{2}$ " o.d. 22G 7", FORWARD PRESSURE BULKHEAD, STBD, GROUP	1	L56		QB1/81
	52S2165	PIPE, STATIC, $\frac{1}{2}$ " o.d. 22G 11", TEE-PIECE AT FORMER 372" TO TEE-PIECE AFT OF FORMER 358", STBD, GROUP	1	L56		QB1/82
	53S2165	PIPE, STATIC, $\frac{1}{2}$ " o.d. 22G 24", TEE-PIECE TO UNION AFT OF FORMER 358", STBD, GROUP	1	L56		QB1/83
	54S2165	PIPE, STATIC, $\frac{1}{2}$ " o.d. 22G 24", TEE-PIECE AFT OF FORMER 358" TO TEE-PIECE AFT OF FORMER 344", STBD, GROUP	1	L56		QB1/84
	56S2165	PIPE, PRESSURE, $\frac{1}{2}$ " o.d. 22G 26", TEE-PIECE TO UNION, AFT OF FORMER 358", STB, GROUP	1	L56		QB1/85
	55S2165	PIPE, PRESSURE, $\frac{1}{2}$ " o.d. 22G 19", UNION TO TEE-PIECE AFT OF FORMER 358", STBD, GROUP	1	L56		QB1/86
	115S2165	PIPE, PRESSURE, $\frac{1}{2}$ " o.d. 22G, TEE-PIECE TO TEE-PIECE, AFT OF FORMER 358", STBD, GROUP	1	L56		QB1/87
	46S1980	Pipe, flexible, $\frac{1}{2}$ " i.d. aft of former 358", stbd. (Pre Mod. 658)	1	—		

SERVICES
AIR SPEED INDICATOR

Ref. No.	Part No.	Description				No. off	Matl. Spec.	Cl. of	Plate and Illust'n No.
		1	2	3	4			Sec. M.R.	
11546	108S2165	AIR SPEED INDICATOR SYSTEM (S2167, S2165, Q2211 & Q2212) (Cont'd) Pipe, Flexible, $\frac{1}{2}$ " i. d. aft of former 358", stbd. (Mod. 658)				1	—		QB1/88
	101S2165	PIPE, STUB, $\frac{1}{2}$ " o d 22G 8", AFT OF FORMER 358", STBD, GROUP				1	L56	C	QB1/89
	37S2165	PIPE, PRESSURE, $\frac{1}{2}$ " o d 22G 16", TEE-PIECE AFT OF FORMER 358" TO TEE-PIECE AFT OF FORMER 344", STBD, GROUP				1	L56		QB1/90
	117S1980	PIPE, STATIC, $\frac{1}{2}$ " o d 22G 32", TEE-PIECE AFT OF FORMER 344" TO ADAPTOR AT FORMER 316", STBD, GROUP				1	L56		QB2/91
	159S1980	PIPE, PRESSURE, $\frac{1}{2}$ " o d 22G 34", TEE-PIECE AFT OF FORMER 344" TO ADAPTOR AT FORMER 316", STBD, GROUP				1	L56		QB2/92
	252889	PIPE, PRESSURE, $\frac{1}{2}$ " o d 22G, ADAPTOR AT FORMER 316" TO TEE-PIECE AFT OF FORMER 288", STBD, GROUP (Mod. 1696)				1	L56		QB2/93
	352889	PIPE, STATIC, $\frac{1}{2}$ " o d 22G, ADAPTOR AT FORMER 316" TO TEE-PIECE AFT OF FORMER 288", STBD, GROUP (Mod. 1696)				1	L56		QB2/94
	452889	PIPE, PRESSURE, $\frac{1}{2}$ " o d 22G, TEE-PIECE AFT OF FORMER 288" TO TEE-PIECE FWD. OF FORMER 260", STBD, GROUP (Mod. 1696)				1	L56		QB2/95
	552889	PIPE, STATIC, $\frac{1}{2}$ " o d 22G, TEE-PIECE AFT OF FORMER 288" TO TEE-PIECE FWD. OF FORMER 260", STBD., GROUP (Mod. 1696)				1	L56		QB2/96
	652889	PIPE, PRESSURE, $\frac{1}{2}$ " o d 22G, TEE-PIECE FWD. OF FORMER 260" TO UNION FWD. OF FORMER 232", STBD., GROUP (Mod. 1696)				1	L56		QB2/97
	752889	PIPE, STATIC, $\frac{1}{2}$ " o d 22G, TEE-PIECE FWD. OF FORMER 260" TO UNION FWD. OF FORMER 232", STBD., GROUP (Mod. 1696)				1	L56		QB2/98
	120S1980	PIPE, STATIC, $\frac{1}{2}$ " o d 22G 31", UNION FWD. OF FORMER 232" TO CROSS-PIECE AFT OF FORMER 218", STBD., GROUP				1	L56		QB2/99
	121S1980	PIPE, PRESSURE, $\frac{1}{2}$ " o d 22G 28", UNION FWD. OF FORMER 232" TO CROSS-PIECE AFT OF FORMER 218", STBD., GROUP				1	L56		QB2/100

VULCAN 178 3

SERVICES
AIR SPEED INDICATOR

Page QB. 9

Ref. No.	Part No.	Description 1 2 3 4	No. off	Matl. Spec.	Cl. of	Plate and Illust'n No.
					St. M.R.	
		AIR SPEED INDICATOR SYSTEM (S2167, S2165, Q2211 & Q2212) (Cont'd)				
	6S1980	PIPE, STATIC, $\frac{1}{2}$ " o/d . 22G . 9", CROSS-PIECE TO ADAPTOR AT FORMER 204", STBD., GROUP	1	L56		QB2/101
	10SS1980	PIPE, PRESSURE, $\frac{1}{2}$ " o/d . 22G . 9", CROSS-PIECE TO ADAPTOR AT FORMER 204", STBD., GROUP	1	L56		QB2/102
	13S1980	PIPE, STSTIC, $\frac{1}{2}$ " o/d . 22G . 121", ADAPTOR AT FORMER 204" TO ADAPTOR BETWEEN FORMERS 115 5" AND 101", STBD., GROUP	1	L56		QB3/103
	7S1980	PIPE, PRESSURE, $\frac{1}{2}$ " o/d . 22G . 119" ADAPTOR AT FORMER 204" TO ADAPTOR BETWEEN FORMERS 115 5" AND 101", STBD., GROUP	1	L56		QB3/104
	57S2165	PIPE, PRESSURE, $\frac{1}{2}$ " o/d . 22G . 15", TEE-PIECE FWD. OF FORMER 358" TO TEE-PIECE FWD. OF FORMER 344", PORT, GROUP	1	L56		QB1/105
	116S2165	PIPE, PRESSURE, $\frac{1}{2}$ " o/d . 22G, TEE-PIECE TO TEE-PIECE AT FWD. PRESSURE BULKHEAD, PORT, GROUP (Pre Mod. 1073)	1	L56		
	180S2165	PIPE, PRESSURE, $\frac{1}{2}$ " o/d . 22G, TEE-PIECE TO TEE-PIECE, FRONT PRESSURE BULKHEAD, PORT, GROUP (Mod. 1073)	1	L56		QB1/106
	181S2165	PIPE, PRESSURE, $\frac{1}{2}$ " o/d . 22G, TEE-PIECE TO TEE-PIECE, FRONT PRESSURE BULKHEAD, PORT, GROUP (Mod. 1073)	1	L56		QB1/107
	46S1980	Pipe, flexible, $\frac{1}{2}$ " i.d. forward of former 358", port (Pre Mod. 658)	1	—		
	102S2165	Pipe, flexible, $\frac{1}{2}$ " i.d . 14", forward of former 358", port (Mod. 658)	1	—		QB1/108
11546	101S2165	PIPE, STUB, $\frac{1}{2}$ " o/d . 22G . 8", FWD. OF FORMER 358", PORT	1	L56	C	QB1/109
	12S2165	PIPE, PRESSURE, $\frac{1}{2}$ " o/d . 22G . 50", TEE-PIECE, FWD. OF FORMER 358" TO ADAPTOR AT FORMER 316", PORT, GROUP	1	L56		QB1/110
	13S2165	PIPE, STATIC, $\frac{1}{2}$ " o/d . 22G . 52", TEE-PIECE FWD. OF FORMER 358" TO ADAPTOR AT FORMER 316", PORT, GROUP	1	L56		QB1/111
	22S1980	PIPE, PRESSURE, $\frac{1}{2}$ " o/d . 22G . 2-6" ADAPTOR AT FORMER 316" TO TEE- PIECE AFT OF FORMER 302", PORT, GROUP	1	L56		QB2/112

SERVICES
AIR SPEED INDICATOR

Ref. No.	Part No.	Description	No. off	Mati. Spec.	Cl. of	Place and Illust'n No.	
					St. M.R.		
		1 2 3 4					
9324		AIR SPEED INDICATOR SYSTEM (S2187, S2188, Q2211 & Q2212) (Cont'd)					
	18S1980	PIPE, STATIC, 5/16" O/D x 22G x 13", ADAPTOR AT FORMER 318" TO TEE-PIECE AFT OF FORMER 302", PORT, GROUP	1	L56		QB2/113	
	60S1980	PIPE, DRAIN, 5/16" O/D x 22G x 7", PORT, GROUP	2	L56		QB2/114	
	162S1980	PIPE, STATIC, 5/16" O/D x 22G, TEE-PIECE AFT OF FORMER 318" TO TEE-PIECE AFT OF FORMER 232", PORT, GROUP	1	L56		QB2/115	
	153S1980	PIPE, PRESSURE, 5/16" O/D x 22G x 83", TEE-PIECE AFT OF FORMER 318" TO TEE-PIECE AFT OF FORMER 232", PORT, GROUP	1	L56		QB2/116	
	19S2186	PIPE, STATIC, 5/16" O/D x 22G x 5", TEE-PIECE AFT OF FORMER 232" TO TEE-PIECE FWD OF FORMER 218", PORT, GROUP	1	L56		QB2/117	
	26S2186	PIPE, PRESSURE, 5/16" O/D x 22G x 6", TEE-PIECE TO TEE-PIECE BETWEEN FORMER 232" AND 218", PORT, GROUP	1	L56		QB2/118	
	22S2186	PIPE, PRESSURE, 5/16" O/D x 22G x 23", TEE-PIECE AFT OF FORMER 232" TO ADAPTOR AT REAR PRESSURE BULK-HEAD, PORT, GROUP	1	L56		QB2/119	
	21S2186	PIPE, STATIC, 5/16" O/D x 22G x 52", TEE-PIECE AFT OF FORMER 232" TO ADAPTOR AT REAR PRESSURE BULK-HEAD, PORT, GROUP	1	L56		QB2/120	
	115S1980	PIPE, STATIC, 5/16" O/D x 22G x 139", ADAPTOR AT REAR PRESSURE BULK-HEAD TO UNION FWD. OF FORMER 101", PORT, GROUP	1	L56	MR	QB3/121	
	118S1980	PIPE, PRESSURE, 5/16" O/D x 22G x 137", ADAPTOR AT REAR PRESSURE BULK-HEAD TO UNION FWD. OF FORMER 101", PORT, GROUP	1	L56		QB3/122	
	60S1980	PIPE, DRAIN, 5/16" O/D x 22G x 7", AFT OF FORMER 288", STARBOARD, GROUP	2	L56		QB2/123	
	1510445	DUNLOP 4/N/1014/DAS/ 8080/16	Pipe, flexible, at starboard monitor panel	1	-	C	
		DUNLOP 4/N/1014/DAS/ 8383	Pipe, flexible, at starboard monitor panel	2	-		QB2/124
DUNLOP 4/N/1014/DAS/ 8080		Pipe, flexible, at starboard monitor panel	1	-			
60S1980		PIPE, DRAIN, 5/16" O/D x 22G x 7", AFT OF FORMER 218", STARBOARD GROUP	2	L56		QB2/125	

VULCAN No. 2

SERVICES
AIR SPEED INDICATOR

Page QB. 11

Ref. No.	Part No.	Description	No. off	Matl. Spec.	Cl. of	Plate and Illust'n No.
					Sc.	
		1 2 3 4			M.R.	
		AIR SPEED INDICATOR SYSTEM (S2167, S2165, Q2211 & Q2212) (Cont'd)				
	46S1980	Pipe, flexible, at former 218, starboard (Pre-Mod. 858)	2	-		
	107S2165	Pipe, flexible, 1/4" i/d x 24" long, at former 218", starboard (Mod. 858)	2	-		QB2/126
	128S1980	PIPE, STATIC, 5/16" o/d x 22G x 52", TEE-PIECE AFT OF FORMER 218" TO FLEXIBLE PIPE AT NAVIGATOR'S PANEL, GROUP	1	L58	MR	QB2/127
	127S1980	PIPE, PRESSURE, 5/16" o/d x 22G x 54", TEE-PIECE AFT OF FORMER 218" TO FLEXIBLE PIPE AT NAVIGATOR'S PANEL, GROUP	1	L58	MR	QB2/128
	126S1980	PIPE, STATIC, 5/16" o/d x 22G x 60", TEE-PIECE TO CROSS-PIECE AFT OF FORMER 218", STARBOARD, GROUP	1	L58		QB2/129
	125S1980	PIPE, PRESSURE, 5/16" o/d x 22G x 61", TEE-PIECE TO CROSS-PIECE AFT OF FORMER 218", STARBOARD, GROUP	1	L58		QB2/130
	87S2165	PIPE, STATIC, 5/16" o/d x 22G x 75", UNION TO TEE-PIECE AFT OF FORMER 218", PORT, GROUP	1	L56		QB2/131
	86S2165	PIPE, PRESSURE, 5/16" o/d x 22G x 75", UNION TO TEE-PIECE AFT OF FORMER 218", PORT, GROUP	1	L56		QB2/132
	168S2165	PIPE, PRESSURE, 5/16" o/d x 22G x 34", TEE-PIECE AFT OF FORMER 232" TO MACH UNIT, PORT, GROUP (Mod. 1050)	1	L56		QB2/133
	15S2165	PIPE, STATIC, 5/16" o/d x 22G x 64", TEE-PIECE TO UNION AT FORMER 246", PORT, GROUP	1	L65		QB2/134
	28S2165	PIPE, STATIC, 5/16" o/d x 22G x 43", TEE-PIECE, AFT OF FORMER 232" TO MACH UNIT, PORT, GROUP	1	L56		QB2/135
	27S2165	PIPE, PRESSURE, 5/16" o/d x 22G x 58", TEE-PIECE TO UNION AFT OF FORMER 246", PORT, GROUP	1	L56		QB2/136
	83S2165	PIPE, PRESSURE, 5/16" o/d x 22G x 50", UNION AFT OF FORMER 246" TO MONITOR PANEL, GROUP	1	L56		QB2/137
	106S2165	PIPE, STATIC, 5/16" o/d x 22G x 50", UNION AT FORMER 246" TO MONITOR PANEL, GROUP (Mod 1050)	1	L56		QB2/138
	60S1980	PIPE, DRAIN, 5/16" o/d x 22G x 7", AT MONITOR PANEL, GROUP	1	L56		QB2/139

SERVICES
AIR SPEED INDICATOR

Ref. No.	Part No.	Description	No. off	Matl. Spec.	Cl. of	Plate and Illust'n No.
					St. M.R.	
		1 2 3 4				
		AIR SPEED INDICATOR SYSTEM (S2187, S2188, Q2211 & Q2212) (Com'd)				
10793	153S2185	PIPE, DRAIN, 3/8" o/d x 20G, AT MONITOR PANEL, GROUP	1	L58	C	QB2/140
	4752185	PIPE, PRESSURE, 5/16" o/d x 22G x 30", . . UNION TO MACH UNIT, GROUP	1	L58		QB2/141
	188S2185	PIPE, STUB, 3/8" o/d x 22G, AT MONITOR PANEL, GROUP (Mod. 1050)	2	L58		QB2/142
10793	153S2185	PIPE, DRAIN, 3/8" o/d x 20G, AT MONITOR PANEL, GROUP (Mod. 1050)	2	L58	C	QB2/143
	80S1980	PIPE, DRAIN, 5/16" o/d x 22G x 7", AT FORMER 218", GROUP	2	L58		QB2/144
	852889	PIPE, PRESSURE, 5/16" o/d x 22G MONITOR TO TEE-PIECE FWD. OF FORMER 280" STARBOARD, GROUP (Mod. 1896)	1	L58		QB2/145
	952889	PIPE, STATIC, 5/16" o/d x 22G, MONITOR . . TO TEE-PIECE FWD. OF FORMER 280", STARBOARD, GROUP (Mod. 1896)	1	L58		QB2/146
	158S1980	PIPE, STUB, 5/16" x 22G, MONITOR PANEL, GROUP	2	L58		QB2/147
	188S2185	PIPE, STUB, 3/8" o/d x 22G, MONITOR PANEL, GROUP (Mod. 1051)	2	L58		QB2/148
10907	4SS4998	Pipe, flexible, at monitor panel (Mod. 1051) . .	2	-	C	QB2/149
	4SS5001	Pipe, flexible, at monitor panel (Mod. 1051) . .	2	-	MR	QB2/150
	152S1980	PIPE, static, 5/16" o/d x 22G x 88", TEE-PIECE AFT OF FORMER 316" TO TEE-PIECE AT FORMER 248", PORT, GROUP	1	L58		QB2/151
9324	153S1980	PIPE, PRESSURE, 5/16" o/d x 22G x 83", . . TEE-PIECE AFT OF FORMER 316" TO TEE-PIECE AT FORMER 248", PORT, GROUP	1	L58	C	
	18S2185	PIPE STATIC, 5/16" o/d x 22G x 5", TEE-PIECE AFT OF FORMER 232" TO TEE-PIECE AT FORMER 248", PORT, GROUP	1	L58		QB2/152
	28S2185	PIPE, PRESSURE, 5/16" o/d x 22G x 6", . . . TEE-PIECE AFT OF FORMER 232" TO TEE-PIECE AT FORMER 248", PORT, GROUP	1	L58		QB2/153
	22S2185	PIPE, PRESSURE, 5/16" o/d x 22G x 23", . . TEE-PIECE AFT OF FORMER 232" TO ADAPTOR AT REAR PRESSURE BULKHEAD, PORT, GROUP	1	L58		QB2/154

VULCAN No. 3

SERVICES
AIR SPEED INDICATOR

Page QB 13

Ref. No.	Part No.	Description	No. off	Matl. Spec.	Cl. of	Plate and Illust'n No.
					St. M.R.	
		1 2 3 4				
		AIR SPEED INDICATOR SYSTEM (S2107, S2106, Q2211 & Q2212) (Cont'd)				
	21S2105	PIPE, STATIC, 5/16" o/d x 22G x 52", COUPLING, REAR PRESSURE BULKHEAD, TO TEE PIECE AFT OF FORMER 232, PORT, GROUP	1	L50		QB2/155
	107S2105	PIPE, STATIC, 5/16" o/d x 22G x 32", UNIT TO UNION AFT OF FORMER 218, GROUP	1	L05		QB2/155
	53S2105	PIPE, STATIC, 5/16" o/d x 22G x 24", TEE-PIECE TO UNION AFT OF FORMER 358, STBD, GROUP	1	L50		QB1/157
	50S2105	PIPE, PRESSURE, 5/16" o/d x 22G x 26" . . TEE PIECE TO UNION AFT OF FORMER 358, STBD, GROUP	1	L05		QB1/158
	220S1080	PIPE, STATIC, 5/16" o/d x 22G x - UNION AFT OF FORMER 358 TO 2nd PILOT'S PANEL, GROUP	1	L50		QB1/159
	210S1080	PIPE, PRESSURE, 5/16" o/d x 22G x 23", . . UNION AFT OF FORMER 358 TO 2nd PILOT'S PANEL, GROUP	1	L50		QB1/160
	91S2105	Pipe, flexible, 1/4" i/d, at 2nd pilot's panel . . (Pre Mod 658)	1	DTD251		
	104S2105	Pipe, flexible, 1/4" i/d, at 2nd pilot's panel . . (Mod 658)	1	-		QB1/161
	94S2105	Pipe, flexible, 1/4" i/d, at 2nd pilot's panel . . (Pre Mod 658)	1	DTD251		
	108S2105	Pipe, flexible, 1/4" i/d, at 2nd pilot's panel . . (Mod 658)	1	-		QB1/162
	92S2105	Pipe, flexible, 1/4" i/d, at 1st pilot's panel . . . (Pre Mod 658)	1	DTD251		
	102S2105	Pipe, flexible, 1/4" i/d, at 1st pilot's panel . . . (Mod 658)	1	-		QB1/163
	93S2105	Pipe, flexible, 1/4" i/d at 1st pilot's panel . . . (Pre-Mod 658)	1	DTD251		
	105S2105	Pipe, flexible, 1/4" i/d, at 1st pilot's panel . . (Mod 658)	1	-		QB1/164
	171S2105	PIPE, STATIC, 5/16" o/d x 22G, AT 1st PILOT'S PANEL, GROUP	1	L50		QB1/165
	172S2105	PIPE, PRESSURE, 5/16" o/d x 22G, AT 1st . . PILOT'S PANEL, GROUP	1	L50		QB1/166
	58S2105	PIPE, STATIC, 5/16" o/d x 22G x 20", TEE PIECE TO UNION AFT OF FORMER 358, PORT, GROUP	1	L50		QB1/167
	57S2105	PIPE, PRESSURE, 5/16" o/d x 22G x 22", . . TEE-PIECE TO UNION AFT OF FORMER 358, PORT, GROUP	1	L50		QB1/168

SERVICES
AIR SPEED INDICATOR

Ref. No.	Part No.	Description	No. off	Matl. Spec.	Cl. of	Plate and Illust'n No.
					St. M.R.	
		1 2 3 4				
		AIR SPEED INDICATOR SYSTEM (S2187, S2188, Q2211 & Q2212) (Cont'd)				
	198S2185	PIPE, STATIC, 3/8" o/d x 22G x 7'5", AT 1st PILOT'S PANEL GROUP (Pre Mod 2263)	1	L58		OB1/169
	197S2185	PIPE, PRESSURE, 3/8" o/d x 22G x 7'5", AT 1st PILOT'S PANEL, GROUP (Pre Mod 2263)	1	L58		OB1/170
	189S2185	PIPE, STATIC, 5/16" o/d x 22G, AT 1st PILOT'S PANEL, GROUP (Mod 980)	1	L58		OB1/171
	170S2185	PIPE, PRESSURE, 5/16" o/d x 22G, AT 1st PILOT'S PANEL, GROUP (Mod 980)	1	L58		OB1/172
	178S2185	PIPE, STATIC, 3/8" o/d x 22G, CROSS-PIECE AFT OF FORMER 368" TO FLEXIBLE PIPE AT AUTO PILOT PRESSURE UNIT, GROUP	1	L65		OB1/173
	198S2185	PIPE, PRESSURE, 5/16" o/d x 22G, TEE-PIECE FWD OF FORMER 368" TO FLEXIBLE PIPE AT AUTO PILOT PRESSURE UNIT, GROUP	1	L65		OB1/174
	74S2185	PIPE, PRESSURE, 5/16" o/d x 22G x 46", AFT OF FORMER 316" TO UNION AFT OF FORMER 330", GROUP	1	L58		OB1/175
	98S2185	PIPE, STATIC, 5/16" o/d x 22G x 43", AFT OF FORMER 316" TO UNION AFT OF FORMER 330", GROUP	1	L58		OB1/176
	113S2185	PIPE, STATIC, 5/16" o/d x 22G, UNION AFT OF FORMER 330" TO TEE-PIECE, GROUP	1	L58		OB1/177
	112S2185	PIPE, STATIC, 5/16" o/d x 22G, TEE-PIECE TO TEE PIECE AFT OF FORMER 330", GROUP	1	L58		OB1/178
	89S2185	PIPE, STATIC, 5/16" o/d x 22G x 43", TEE PIECE TO FLEXIBLE PIPE AT H & S CALCULATOR, STARBOARD, GROUP	1	L58	MR	OB1/179
	97S2185	PIPE, PRESSURE, 5/16" o/d x 22G x 70", UNION AFT OF FORMER 330" TO UNION FORWARD OF FORMER 330", GROUP	1	L58		OB1/180
	99S2185	PIPE, PRESSURE, 5/16" o/d x 22G x 41", UNION FORWARD OF FORMER 330" TO TEE PIECE AFT OF FORMER 344" STARBOARD, GROUP	1	L58		OB1/181
	108S1980	PIPE, STATIC, 5/16" o/d x 22G x 44", TEE-PIECE AFT OF FORMER 330" TO TEE PIECE AFT OF FORMER 344" STARBOARD, GROUP	1	L58		OB1/182

VULCAN No 2

SERVICES
AIR SPEED INDICATOR

Ref. No.	Part No.	Description	No off	Mati. Spec.	Cl. of St	Plate and Illust'n No
					M.R.	
		1234				
		AIR SPEED INDICATOR SYSTEM (S2187, S2185, Q2211 & Q2212) (Cont'd)				
	71 S2185	PIPE, STATIC, 5/16" o/d x 22G x 10", TEE-PIECE TO FLEXIBLE PIPE AT COMPUTER, PORT, GROUP	1	L56		OB1/183
	73S2185	PIPE, PRESSURE, 5/16" o/d x 22G x 7", TEE-PIECE TO FLEXIBLE PIPE AT COMPUTER, PORT, GROUP	1	L56		OB1/184
	80S1980	PIPE, DRAIN, 5/16" o/d x 22G x 7", AT COMPUTER, PORT, GROUP	2	DTD323		OB1/185
	200S2185	PIPE, STATIC, 5/16" o/d x 22G, TEE-PIECE AT M.F.S. UNIT TO TEE-PIECE, PORT, GROUP	1	L56	MR	OB1/186
	102S2185	Pipe, flexible, 14" long, at auto pilot pressure unit (Pre-Mod. 658)	1	—		
	46S1980	Pipe, flexible, 14" long, auto to pilot pressure unit (Pre-Mod. 658)	1	DTD251		OB1/187
	4SS4998	Pipe, flexible, at auto pilot pressure unit ... (Mod. 658)	1	—	MR	OB1/188
	4SS5001	Pipe, flexible, at auto pilot pressure unit ... (Mod. 658)	1	—		
11548	101S2185	PIPES, STUB, 5/16" o/d x 22G x 8", AT M.F.S. UNIT, PORT, GROUP	1	L56	C	OB1/189
	105S2187	Pipe, flexible, 1/4" i/d x 11.25" long at ... M.F.S. unit	1	—		OB1/190
	70S2185	Pipe, flexible, 1/4" i/d x 12" long at calculator (Pre-Mod. 658)	1	DTD251		
	103S2185	Pipe, flexible, 1/4" i/d x 12" long at calculator (Mod. 658)	1	—		OB1/191
12738	179S2185	PIPE, STUB, 5/16" o/d x 22G, AT AUTO PILOT PRESSURE UNIT, GROUP	1	L56	C	OB1/192
	198S2185	PIPE, STUB, 5/16" o/d x 22G, AT AUTO PILOT PRESSURE UNIT, GROUP	1	L56		OB1/193
11548	101S285	PIPE, STUB, 5/16" o/d x 22G x 8", AT AUTO PILOT PRESSURE UNIT, GROUP	1	L56	C	OB1/194
11811	174S2185	PIPE, STUB, 3/8" o/d x 22G AT AUTO PILOT PRESSURE UNIT, GROUP (Mod. 1160)	1	L56	C	OB1/195
	173S2185	PIPE, DRAIN, 3/8" o/d x 22G AT AUTO PILOT PRESSURE UNIT, GROUP (Pre-Mod. 1073)	1	L54		
	183S2185	PIPE, DRAIN 3/8" o/d x 22G, AT AUTO PILOT PRESSURE UNIT, GROUP (Mod. 1073)	1	L54		OB1/196
	184S2185	PIPE, DRAIN, 5/16" o/d x 22G, AT AUTO PILOT PRESSURE UNIT, GROUP	1	L54		OB1/197
	63S1827	PIPE, PRESSURE, 5/16" o/d x 22G x 84", ADAPTOR TO TEE-PIECE, AIR INTAKE, PORT, GROUP	1	L56		OB3/198

SERVICES
AIR SPEED INDICATOR

Ref. No.	Part No.	Description	No off	Mati. Spec.	Cl. of St.		Plate and Illust'n No.
					M.R.		
		1 2 3 4					
		AIR SPEED INDICATOR SYSTEM (S2187, S2185, Q2211 & Q2212) (Cont'd)					
	84S1927	PIPE, STATIC, 5/16" o/d x 22G x 84", ADAPTOR TO TEE-PIECE, AIR INTAKE, PORT, GROUP	1	L56			QB3/199
	60S1980	PIPE, DRAIN, 5/16" o/d x 22G x 4", AT TEE-PIECE, AIR INTAKE, PORT, GROUP	2	DTD323			QB3/200
	19S1927	PIPE, STATIC, 5/16" o/d x 22G x 120", TEE-PIECE TO UNION, FWD. OF FRONT SPAR, AIR INTAKE, PORT, GROUP (Pre-Mod. 514)	1	L56			
1433272	80S2165	PIPE, STATIC, 5/16" o/d x 22G x 126", TEE-PIECE TO UNION FWD. OF FRONT SPAR, AIR INTAKE, PORT, GROUP (Mod. 514)	1	L56	C		QB3/201
	18S1927	PIPE, PRESSURE, 5/16" o/d x 22G x 120", TEE-PIECE TO UNION FWD. OF FRONT SPAR, AIR INTAKE, PORT, GROUP (Pre-Mod. 514)	1	L56			
	79S2165	PIPE, PRESSURE, 5/16" o/d x 22G x 126", TEE-PIECE TO UNION FWD OF FRONT SPAR, AIR INTAKE, PORT, GROUP (Mod. 514)	1	L56	MR		QB3/202
	121S2165	PIPE, STATIC, 5/16" o/d x 22G, UNION FWD. OF FRONT SPAR TO TEE-PIECE, AIR INTAKE, PORT, GROUP	1	L56			QB3/203
	122S2165	PIPE, PRESSURE, 5/16" o/d x 22G, UNION FWD OF FRONT SPAR TO TEE-PIECE, AIR INTAKE, PORT, GROUP	1	L56			QB3/204
	161S2165	PIPE, STATIC, 3/8" o/d x 22G x 8", TRUE AIR SPEED UNIT TO TEE-PIECE, AIR INTAKE, STBD., GROUP (Mod. 863)	1	L56	MR		QB3/205
	149S2165	PIPE, PRESSURE, 5/16" o/d x 22G x 5", TRUE AIRSPEED UNIT TO TEE-PIECE, AIR INTAKE, STBD., GROUP (Mod. 863)	1	L56	MR		QB3/206
10792	162S2165	PIPE, STATIC, 3/8" o/d x 22G x 23", TEE PIECE TO TEE-PIECE, AIR INTAKE, STBD., GROUP (Mod. 863)	1	L56	C		QB3/207
	147S2165	PIPE, PRESSURE, 5/16" o/d x 22G x 22", TEE-PIECE TO TEE-PIECE, AIR INTAKE, STBD., GROUP (Mod. 863)	1	L56	MR		QB3/208
10793	153S2165	PIPE, DRAIN, 5/16" o/d x 22G x 6", AT TEE-PIECE, AIR INTAKE, STBD., GROUP (Mod. 863)	1	L56	C		QB3/209
	62S1980	PIPE, STATIC, 5/16" o/d x 22G x 60", TEE PIECE TO UNION, AIR INTAKE, STBD., GROUP	1	L56			QB3/210
	68S1980	PIPE, PRESSURE, 5/16" o/d x 22G x 60", TEE-PIECE TO UNION, AIR INTAKE, STBD., GROUP	1	L56			QB3/211
	61S1980	PIPE, STATIC, 5/16" o/d x 22G x 46", TEE-PIECE TO ADAPTOR, AIR INTAKE, STBD., GROUP	1	L56			QB3/212

SERVICES
AIR SPEED INDICATOR

Ref. No.	Part No.	Description	No. off	Matl. Spec.	Cl. of	Plate and Illust'n No.
					Sc. M.R.	
		1 2 3 4				
		AIR SPEED INDICATOR SYSTEM (S2187, S2186, Q2211 & Q2212) (Cont'd)				
	85S1980	PIPE, PRESSURE, 5/16" o/d x 22G x 48", ... TEE-PIECE TO ADAPTOR, AIR INTAKE, STARBOARD, GROUP	1	L58		QB3/213
	72S1980	PIPE, STATIC, 5/16" o/d x 22G x 132", ... UNION TO UNION, AIR INTAKE, STARBOARD, GROUP	1	L58		QB3/214
	71S1980	PIPE, PRESSURE, 5/16" o/d x 22G x 132", ... UNION TO UNION, AIR INTAKE, STARBOARD, GROUP	1	L68		QB3/215
	71S1327	PIPE, STATIC, 5/16" o/d x 22G, UNION TO TEE-PIECE, AIR INTAKE, STARBOARD, GROUP	1	L58		QB3/216
	137S1980	PIPE, PRESSURE, 5/16" o/d x 22G, UNION TO TEE-PIECE, AIR INTAKE, STARBOARD, GROUP	1	L58		QB3/217
	181S2165	PIPE, STATIC, 5/16" o/d x 22G, PRESSURE SWITCHES TO TEE-PIECES AT RIB 83.5", STARBOARD, GROUP (Mod. 1078)	2	L58	MR	QB6/218
	168S2165	PIPE, PRESSURE, 5/16" o/d x 22G, LOWER PRESSURE SWITCH TO TEE-PIECE AT RIB 83.5, STARBOARD, GROUP (Mod. 1078)	1	L58	MR	QB6/219
	163S2165	PIPE, PRESSURE, 5/16" o/d x 22G, ... TEE-PIECE TO TEE-PIECE STARBOARD, GROUP	1	L58		QB6/220
	158S2165	PIPE, PRESSURE, 5/16" o/d x 22G, ... TEE-PIECE TO TEE-PIECE AT RIB 83.5", STARBOARD, GROUP (Mod. 1078)	1	L58	MR	QB6/221
	180S2165	PIPE, PRESSURE, 5/16" o/d x 22G, ... TEE-PIECE TO UPPER PRESSURE SWITCH AT RIB 83.5", STARBOARD, GROUP (Mod. 1078)	1	L58	MR	QB6/222
20026	157S2165	PIPE, PRESSURE, 5/16" o/d x 22G, ... TEE-PIECE TO SHUTTLE VALVE, AT RIB 83.5, STARBOARD, GROUP (Mod. 1078)	1	L58	C	QB6/223
	158S2165	PIPE, STATIC, 5/16" o/d x 22G, TEE-PIECE TO TEE-PIECE AT RIB 83.5", STARBOARD, GROUP (Mod. 1078)	1	L58	MR	QB6/224
	182S2165	PIPE, STATIC, 5/16" o/d x 22G, TEE-PIECE AT RIB 83.5" TO TEE-PIECE, STARBOARD, GROUP (Mod. 1078)	1	L58	MR	QB6/225
	64S1927	PIPE, DRAIN, 5/16" o/d x 22G x 4", AT ... RIB 83.5", STARBOARD, GROUP	1	DTD:23		QB6/226
	65S1927	PIPE, DRAIN, 5/16" o/d x 22G x 4", AT ... RIB 83.5", STARBOARD, GROUP	1	L58		QB6/227
6414	197S1980	PIPE, DRAIN, 5/16" o/d x 22G, FWD. OF ... BOMB ARCH 21.717", PORT, GROUP	2	DTD323A	C	QB4/228

SERVICES
AIR SPEED INDICATOR

Ref. No.	Part No.	Description	No. off	Mtl. Spec.	Cl. of	Plate and Illust'n No.
					St. M.R.	
		1 2 3 4				
		AIR SPEED INDICATOR SYSTEM (S2157, S2165, Q2211 & Q2212) (Cont'd)				
	187S1980	PIPE, PRESSURE, 5/16" o/d x 22G TEE- PIECE AFT OF FRONT SPAR TO UNION FWD OF BOMB ARCH 44.592", PORT, GROUP	1	L56	MR	QB4/229
	188S1980	PIPE, STATIC, 5/16" o/d x 22G, TEE- PIECE AFT OF FRONT SPAR TO UNION AFT OF BOMB ARCH 44.592", PORT, GROUP	1	L56	MR	QB4/230
	189S1980	PIPE, PRESSURE, 5/16" o/d x 22G, UNION FWD OF BOMB ARCH 44.592" TO UNION FWD OF BOMB ARCH 123.015", PORT, GROUP	1	L56	MR	QB4/231
	190S1980	PIPE, STATIC, 5/16" o/d x 22G, UNION AFT OF BOMB ARCH 44.592" TO UNION FWD OF BOMB ARCH 123.015", PORT, GROUP	1	L56	MR	QB4/232
	191S1980	PIPE, PRESSURE, 5/16" o/d x 22G, UNION FWD OF BOMB ARCH 123.015" TO TEE-PIECE AFT OF BOMB ARCH 201.367, PORT, GROUP	1	L56	MR	QB4/233
	192S1980	PIPE, STATIC, 5/16" o/d x 22G, UNION FWD OF BOMB ARCH 123.015" TO TEE-PIECE AFT OF BOMB ARCH 201.367, PORT, GROUP	1	L56	MR	QB4/234
	104S1980	PIPE, DRAIN, 5/16" o/d x 22G x 6", AT TEE-PIECE AFT OF BOMB ARCH 201.367", PORT, GROUP	2	DTD323A	MR	QB4/235
	80S1980	PIPE, DRAIN, 5/16" o/d x 22G, AT TEE- PIECES FWD OF BOMB ARCH 225.227" AND BOMB ARCH 300", PORT, GROUP	4	DTD323A		QB4/236
	131S2165	PIPE, STATIC, 5/16" o/d x 22G, TEE- PIECE FWD OF BOMB ARCH 225.227" TO TEE-PIECE FWD OF BOMB ARCH 300", PORT, GROUP	1	L56		QB4/237
	132S2165	PIPE, PRESSURE, 5/16" o/d x 22G, TEE- PIECE FWD OF BOMB ARCH 225.227" TO TEE-PIECE FWD OF BOMB ARCH 300", PORT, GROUP	1	L56		QB4/238
	130S2165	PIPE, STATIC, 5/16" o/d x 22G, TEE- PIECE TO ARTIFICIAL FEEL UNIT FWD. OF BOMB ARCH 300", PORT, GROUP	1	L56		QB4/239
	129S2165	PIPE, PRESSURE, 5/16" o/d x 22G, TEE- PIECE TO ARTIFICIAL FEEL UNIT FWD. OF BOMB ARCH 300" PORT, GROUP	1	L56	MR	QB4/240
	46S1980	Pipe, flexible, 1/4" i/d, at artificial fuel units (Pre Mod. 658)	6	-		
	106S2165	Pipe, flexible, .3" i/d, at artificial fuel units (Mod. 658)	6	-		QB4/241

VULCAN No. 3

SERVICES
AIR SPEED INDICATOR

Page QB 19

Ref. No.	Part No.	Description	No. off	Matl. Spec.	Cl. of	Plate and Illust'n No.
					St. M.R.	
		1 2 3 4				
		AIR SPEED INDICATOR SYSTEM (S2167, S2165, Q2211 & Q2212) (Cont'd)				
	32S1980	PIPE, STATIC, 5/16" o/d x 22G, ARTIFICIAL FEEL UNIT TO TEE-PIECE, AFT OF BOMB ARCH 201.367", PORT, GROUP	1	L56		QB4/242
	33S1980	PIPE, PRESSURE, 5/16" o/d x 22G, ARTIFICIAL FEEL UNIT TO TEE-PIECE, AFT OF BOMB ARCH 201.367", PORT, GROUP	1	L56		QB4/243
	194S1980	PIPE, STATIC, 5/16" o/d x 22G, TEE-PIECE TO TEE-PIECE, AFT OF BOMB ARCH 201.367", PORT, GROUP	1	L56	MR	QB4/244
	193S1980	PIPE, PRESSURE, 5/16" o/d x 22G, TEE-PIECE TO TEE-PIECE, AFT OF BOMB ARCH 201.367", PORT, GROUP	1	L56	MR	QB4/245
	56S1980	PIPE, STATIC, 5/16" o/d x 22G, TEE-PIECE TO TEE-PIECE, AFT OF BOMB ARCH 201.367", PORT, GROUP	1	L56	MR	QB4/248
	54S1980	PIPE, STATIC, 5/16" o/d x 22G, TEE-PIECE TO TEE-PIECE, AFT OF BOMB ARCH 201.367", PORT, GROUP	1	L56		QB4/247
	53S1980	PIPE, PRESSURE, 5/16" o/d x 22G, TEE-PIECE TO TEE-PIECE, AFT OF BOMB ARCH 201.367", PORT, GROUP	1	L56		QB4/248
	55S1980	PIPE, PRESSURE, 5/16" o/d x 22G, TEE-PIECE TO TEE-PIECE, AFT OF BOMB ARCH 201.367", PORT, GROUP	1	L56	MR	QB4/249
	125S2165	PIPE, STATIC, 5/16" o/d x 22G, UNION TO TEE-PIECE, AFT OF BOMB ARCH 201.367", STARBOARD, GROUP	1	L56		QB4/250
	126S2165	PIPE, PRESSURE, 5/16" o/d x 22G, UNION TO TEE-PIECE AFT OF BOMB ARCH 201.367", STARBOARD, GROUP	1	L56		QB4/251
	127S2165	PIPE, STATIC, 5/16" o/d x 22G, UNION TO JUNCTION BLOCK, STARBOARD, GROUP	1	L56		QB4/252

SERVICES
AIR SPEED INDICATOR

Ref. No.	Part No.	Description 1 2 3 4	No. off	Matl. Spec.	Cl. of	Plate and Must'n No.
					St. M.R.	
		AIR SPEED INDICATOR SYSTEM (S2167, S2165, Q2211 & Q2212) (Cont'd)				
	223S1980	PIPE, PRESSURE, 5/16" o/d x 22G, UNION TO JUNCTION BLOCK, STARBOARD, GROUP	1	L56	MR	OB4/253
	110S2165	PIPE, PRESSURE, 5/16" o/d x 22G, TEE- PIECE, AFT OF BOMB ARCH 201.307" TO TEE PIECE, AFT OF BOMB ARCH 250.092", STARBOARD, GROUP	1	L56		OB4/254
	124S2165	PIPE, STATIC, 5/16" o/d x 22G, TEE- PIECE, AFT OF BOMB ARCH 201.307" TO TEE PIECE, AFT OF BOMB ARCH 250.092", STARBOARD, GROUP (Pre-Mod 748)	1	L56		
	145S2165	PIPE, STATIC, 5/16" o/d x 22G, TEE- PIECE, AFT OF BOMB ARCH 201.307" TO TEE PIECE, AFT OF BOMB ARCH 250.092", STARBOARD, GROUP (Mod 748)	1	L56		OB4/255
	104S1980	PIPE, DRAIN, 5/16" o/d x 22G x 6', AT TEE PIECE, AFT OF BOMB ARCH 250.092", STARBOARD, GROUP	1	DTD323A	MR	OB4/256
	117S2165	PIPE, PRESSURE, 5/16" o/d x 22G, TEE PIECE, AFT OF BOMB ARCH 250.092" TO ARTIFICIAL FEEL UNIT, STARBOARD, GROUP (Pre Mod 748)	1	L56		
	143S2165	PIPE, PRESSURE, 5/16" o/d x 22G, TEE- PIECE, AFT OF BOMB ARCH 250.092" TO ARTIFICIAL FEEL UNIT, STARBOARD, GROUP (Mod. 748)	1	L56		OB4/257
	118S2165	PIPE, STATIC, 5/16" o/d x 22G, TEE- PIECE, AFT OF BOMB ARCH 250.092" TO ARTIFICIAL FEEL UNIT, STARBOARD, GROUP (Pre-Mod 748)	1	L56		
	144S2165	PIPE, STATIC, 5/16" o/d x 22G, TEE- PIECE, AFT OF BOMB ARCH 250.092" TO ARTIFICIAL FEEL UNIT, STARBOARD, GROUP (Mod 748)	1	L56		OB4/258

VULCAN # 3

SERVICES
AIR SPEED INDICATOR

Page 08. 21

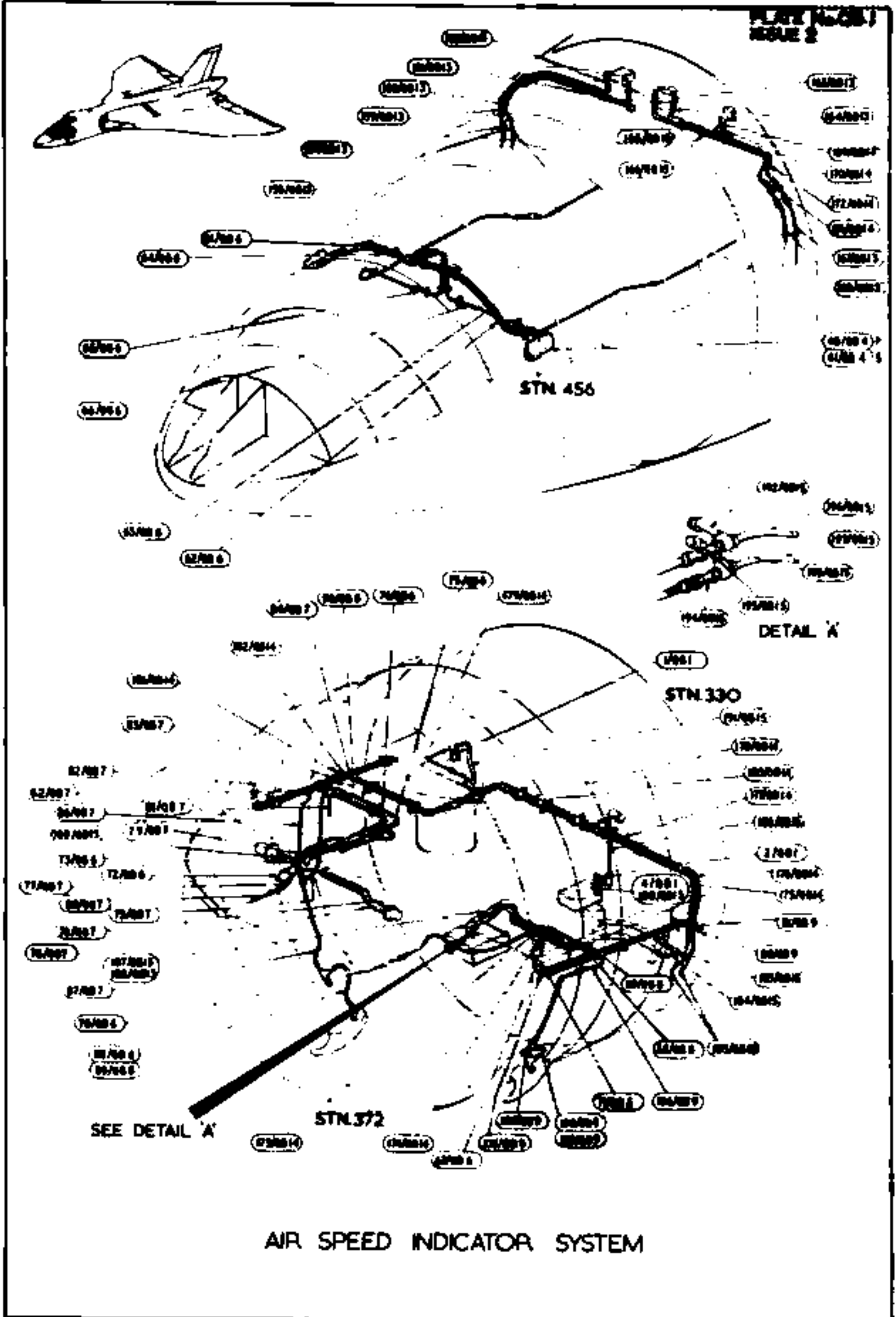
Ref. No.	Part No.	Description	No. off	Matl. Spec.	Cl. of	Plate and Illust'n No.
					St. M.R.	
		1 2 3 4				
		AIR SPEED INDICATOR SYSTEM (S2167, S2166, Q2211 & Q2212) (Cont'd)				
	128S2166	PIPE, STATIC, 5/16" o/d x 22G, TEE- PIECE AFT OF BOMB ARCH 201.307" TO UNION AFT OF BOMB ARCH 151.919", STARBOARD, GROUP	1	L56		QB4/259
	120S2166	PIPE, PRESSURE, 5/16" o/d x 22G, TEE- . . . PIECE, AFT OF BOMB ARCH 201.307" TO UNION AFT OF BOMB ARCH 151.919", STARBOARD, GROUP	1	L56		QB4/260
	238S1980	PIPE, STATIC, 5/16" o/d x 22G, UNION . . . AFT OF BOMB ARCH 151.919" TO TEE-PIECE AFT OF BOMB ARCH 95.267", STARBOARD, GROUP	1	L56	MR	QB4/261
	242S1980	PIPE, PRESSURE, 5/16" o/d x 22G, UNION . . AFT OF BOMB ARCH 151.919" TO TEE-PIECE AFT OF BOMB ARCH 95.967", STARBOARD, GROUP	1	L56	MR	QB4/262
	238S1980	PIPE, STATIC, 5/16" o/d x 22G, TEE- PIECE, AFT OF BOMB ARCH 95.967" TO TEE-PIECE AFT OF BOMB ARCH 44.592", STARBOARD, GROUP	1	L56		QB4/263
	243S1980	PIPE, PRESSURE, 5/16" o/d x 22G, TEE- . . . PIECE, AFT OF BOMB ARCH 95.967" TO TEE-PIECE AFT OF BOMB ARCH 44.592", STARBOARD, GROUP	1	L56		QB4/264
	45S2166	PIPE, STATIC, 5/16" o/d x 22G, TEE- PIECE, AFT OF BOMB ARCH 44.592" TO UNION AFT OF BOMB ARCH 21.717", STARBOARD, GROUP	1	L56		QB4/265
	87S1980	PIPE, PRESSURE, 5/16" o/d x 22G, TEE- . . . PIECE, AFT OF BOMB ARCH 44.592" TO UNION AFT OF BOMB ARCH 21.717", STARBOARD, GROUP	1	L56	MR	QB4/266

SERVICES
AIR SPEED INDICATOR

Ref. No.	Part No.	Description	No. off	Mach. Spec.	Cl. of	Place and Illust'n No.
					St. M.R.	
		1 2 3 4				
		AIR SPEED INDICATOR SYSTEM (S2167, S2165, Q2211 & Q2212) (Cont'd)				
	156S2165	PIPE, STATIC, 5/16" o/d x 22G, UNION AFT OF BOMB ARCH 21.717 TO TEE- PIECE AT PRESSURE SWITCH, STARBOARD, GROUP	1	L56		QB4/267
	154S2165	PIPE, PRESSURE, 5/16" o/d x 22G, UNION AFT OF BOMB ARCH 21.717" TO TEE-PIECE AT PRESSURE SWITCH, STARBOARD, GROUP	1	L56		QB4/268
5CW/4405029	THERMAL CONTROLS TP6099	Switch, pressure, at bomb arch 21.717", starboard	1	-	A	QB6/269
	NEWMARK ND 1361	Unit, mach, aft of former 262", port	1	-		QB2/270
27VA/4625853	DUNLOP ADM18914	Valve, shuttle, ground test at bomb arch 21.717", starboard	1	-	A	QB6/271

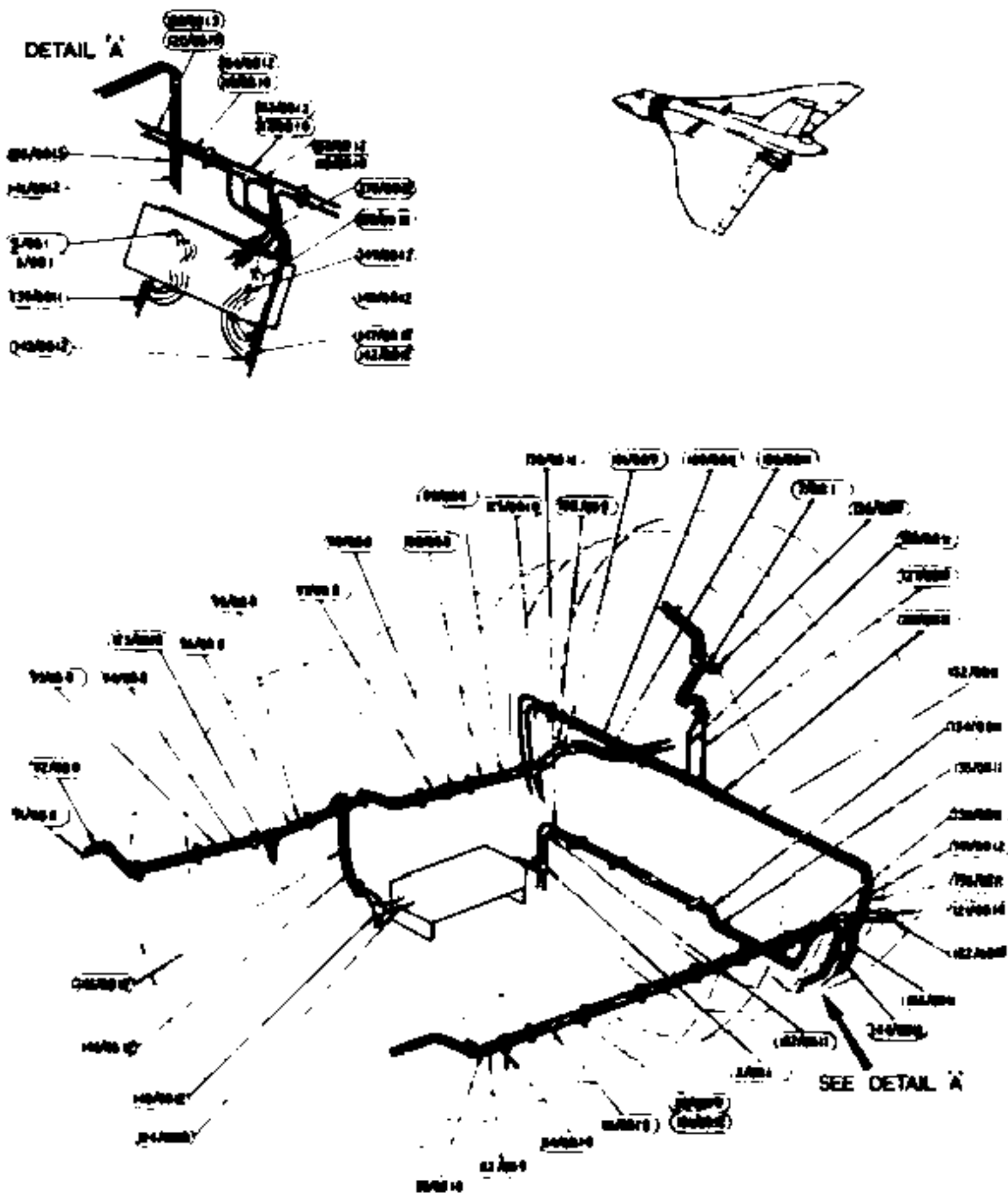
RESTRICTED

PLATE No. 1051
ISSUE 2



AIR SPEED INDICATOR SYSTEM

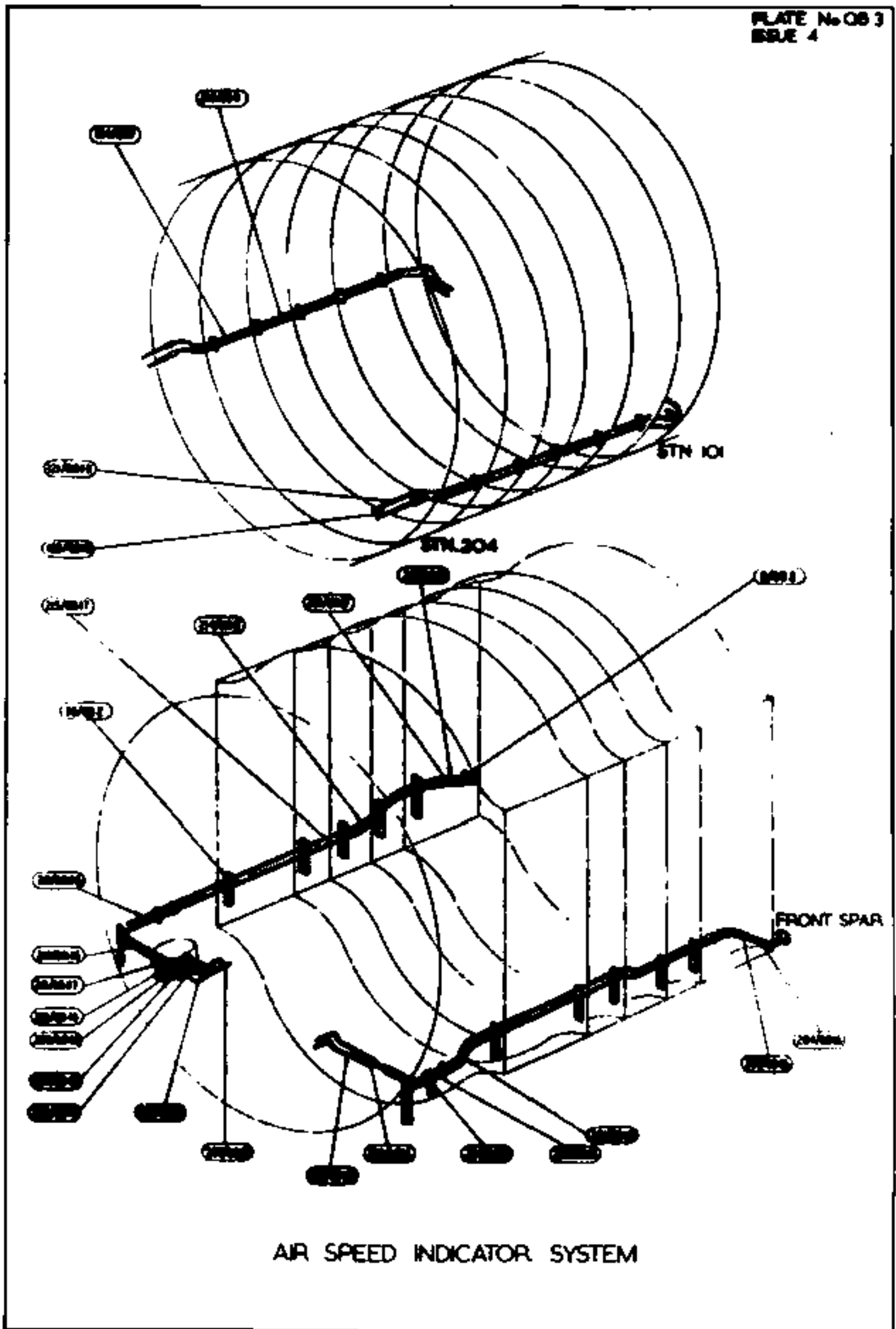
RESTRICTED



AIR SPEED INDICATOR SYSTEM

RESTRICTED

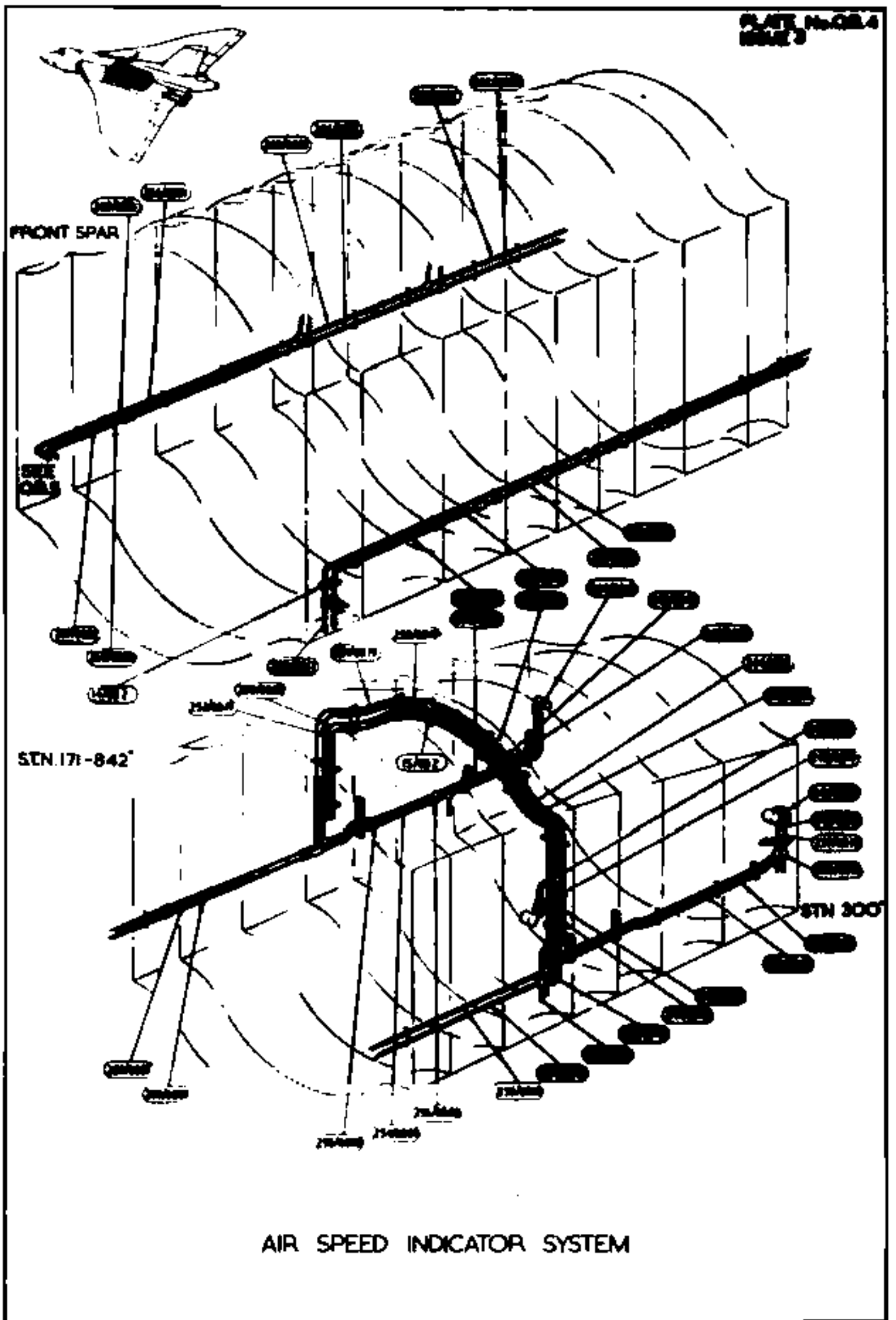
PLATE No 083
ISSUE 4



RESTRICTED

RESTRICTED

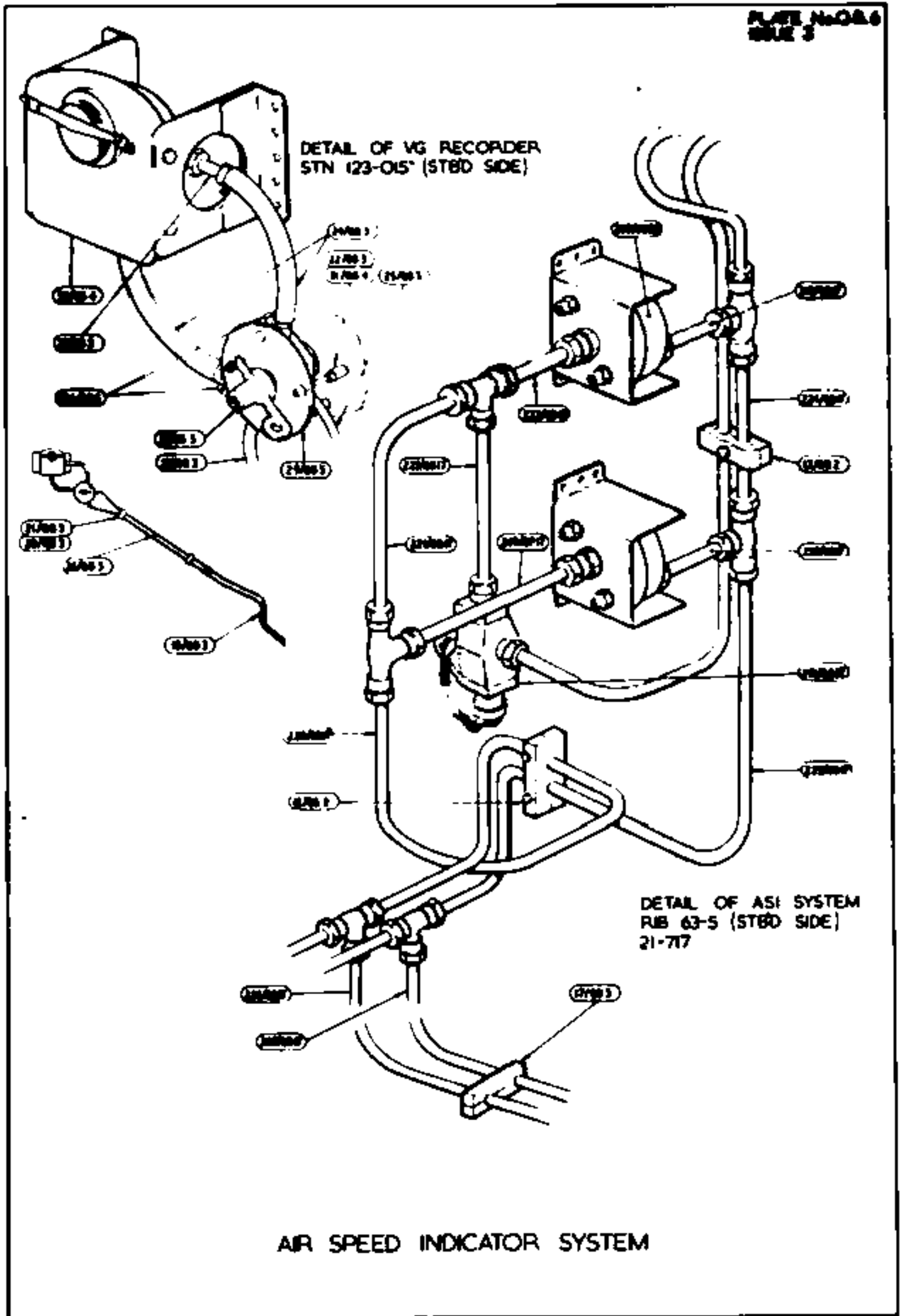
PLATE No. 02.4
ISSUE 3



RESTRICTED

RESTRICTED

PLATE No. 08.6
ISSUE 3



RESTRICTED

VULCAN No. 2

SERVICES

Page OC. 1

COOLING SYSTEM, POWER UNITS AND RADAR EQUIPMENT

Ref. No.	Part No.	Description	No. off	Matl. Spec.	Cl. of	Plate and Illust'n No.
					Sc.	
		1 2 3 4				
COOLING SYSTEM, POWER UNITS AND RADAR EQUIPMENT						
Spare for:—						
COOLING SYSTEM FOR INBOARD AILERON A.C. POWER UNIT, PORT AND STARBOARD (1 & 229787)						
Spare for:—						
28E/9129562 8625	3AGS605 6Z9788	Clip, hose	4	—	C	OC3/1
	DUNLOP	Cover, inlet, at power unit	1	L54 & L59	C	OC3/2
8632	DAS383/32/3	Hose, coupling, 2" i/d x 3" long	2	—	C	OC3/3
28FP/13270 8626 8627	5SS1979 7Z9787 8Z9787	Lead, bonding	1	—	C	OC3/4
		Pipe, 2" o/d from air intake, port	1	L54	C	OC3/5
		Pipe, 2" o/d from air intake, starboard	1	L54	C	OC3/6
COOLING SYSTEM FOR OUTBOARD AILERON A.C. POWER UNIT MOTOR, PORT AND STARBOARD (1 & 229788)						
Spare for:—						
28E/9129562 8625	3AGS605 6Z9788	Clip, hose	4	—	C	OC3/7
	DUNLOP	Cover, inlet, at power unit	1	L54 & L59	C	OC3/8
8632	DAS383/32/3	Hose, coupling, 2" i/d x 3" long	2	—	C	OC3/9
8624	5Z9788	Pipe, 2" o/d between flush intake and inlet cover, port	1	L54	C	OC3/10
8623	7Z9788	Pipe, 2" o/d between flush intake and inlet cover, starboard	1	L54	C	OC3/11
COOLING PIPING FOR SCANNER (129320)						
Spare for:—						
	6Z9320	BRACKET, STEADY, GROUP	1	—		OC1/12
28E/7102120	SP91/L KING A/C CA370/E 1-3/4" -2"	Clip, hose	8	—		OC1/13
	4Z7848	Clamp, for pipe	8	—		OC1/14
	12Z9320	Clamp, half	2	—	MR	OC1/15
	DUNLOP	Coupling, flanged	4	DTD410	MR	
10422 9347	DAS383/32/2 3 13Z9320	Hose, coupling	3	Rubber		OC1/18
		Gasket	4	DTD762	C	OC1/18
10424	4Z9320	MANIFOLD INLET, GROUP	1	—	C	OC1/19
13460	2Z9320	PIECE, "Y", GROUP	1	—	C	OC1/20
10425	7Z9320	Piece, connecting	1	—	C	OC1/21
10426	3Z9320	PIPE, INLET, LOWER, GROUP	1	—	C	OC1/22
10427	6Z9320	PIPE, OUTLET, LOWER, GROUP	1	—	C	OC1/23
	6Z9320 DUNLOP	PIPE, OUTLET, UPPER, GROUP	1	—	MR	OC1/24
	DAS383/32/2.2	Hose, coupling	1	—		OC1/17

SERVICES

COOLING SYSTEM, POWER UNITS AND RADAR EQUIPMENT

Ref. No.	Part No.	Description	No. off	Mati. Spec.	Cl. of	Plate and Illust'n No.
					Sc.	
		1 2 3 4				
28F/4051839	AS6403 TEDDINGTON FMP/A/5091	COOLING PIPING FOR SCANNER (129320) (Cont'd)				
		Ring, sealing	6	-	C	QC1/25
		Valve, hot air	1	-		QC1/26
		COOLING SYSTEM RUDDER POWER UNITS (129330)				
		Spares for:-				
28E/2236061 28E/7102120 28E/4710871	115S4214 SP91/A SP91/L SP91/N	Clip, at making up piece	2	-		QC3/27
		Clip, hose	4	-	C	QC3/28
		Clip, hose	9	-	C	QC3/29
		Clip, hose	2	-	C	QC3/30
9007	35S3859	CLIP FOR DRAIN PIPE, GROUP	2	-	C	QC3/31
8632	229330 1427450 827450 1627450 DUNLOP DAS393/32/3 DUNLOP DAS393/32/2-1/4 DUNLOP 13223 DAS393/48/4	Duct, from N.A.C.A. intake to couplings	1	-		QC3/32
		Duct, from mounting to hose	1	-		QC3/33
		Hose, special (Dunlop Silicone) with bellows	2	Rubber	MR	QC3/34
		Hose, 5/16" i/d x 2" long at drain pipe	2	BTR1851		QC3/35
		Hose, coupling	1	Rubber	C	QC3/36
		Hose, coupling	2	Rubber	MR	QC3/37
13223		Hose, coupling	2	Rubber	C	QC3/38
	129329	INTAKE, N.A.C.A. FLUSH, BETWEEN FORMERS 481.5 & 487.5, GROUP	1	-		QC3/38
	527450	MOUNTING, FOR DUCT, GROUP	1	-		QC3/40
	729330	Piece, drain, 5/16" o/d x 22G x 1.65" long	1	-		QC3/41
10538	229786 329786 429786 829330	Piece, elbow at rudder support beam	1	-	MR	QC3/42
		Piece, elbow at rudder support beam	1	-	MR	QC3/43
		Piece, making up	2	-	C	QC3/44
		Pipe, drain, 5/16" o/d x 22G x 3'.0" long	1	L56		QC3/45
		COOLING SYSTEM R.C.M (102111)				
		Spares for:-				
10467 10617	109Q2111 110Q2111 111Q2111	Adaptor	1	-	MR	QC1/46
		Adaptor	1	-	C	
		Adaptor	1	-	C	QC1/48
28F/8011553 28F/8439105	AGS1102/B AGS1105/H	Adaptor	1	-	C	QC2/49
		Adaptor, union, 1" BSP	2	-	C	QC2/50

SERVICES

COOLING SYSTEM, POWER UNITS AND RADAR EQUIPMENT

Ref. No.	Part No.	Description	No. off	Matl. Spec.	Cl. of	Plate and Illust'n No.
					SL	
		1 2 3 4				
COOLING SYSTEM R.C.M. (1Q2111) (Cont'd)						
10465 8421	87Q2111 20Q2111	Block, adaptor	2	S1	C	QC1/51
		Block, clamping, from centre pipe support bracket, at longeron and mounting frame (Pre-Mod. 2448)	8	L51	C	QC1/52
8116184 8422	183Q2111 21Q2111	Block, clamping (Mod. 2448)	8	—	C	
		Block, clamping, for pipe starboard support bracket and centre support bracket on mounting frame (Pre-Mod. 2448)	10	—		QC1/53
8116185	184Q2111	Block, clamping (Mod. 2448)	10	—	C	
	4Q2111	BRACKET, MOUNTING, GROUP	1	—		QC2/54
	106Q2111	BRACKET, MOUNTING GROUP	1	—		QC2/55
	22Q2111	Clamp, for blocks (Pre-Mod. 2448)	18	L51	MR	QC1/56
8116186 26FP/2721 9193	186Q2111 22SS3868	Clamp (Mod. 2448)	18	—	C	
26FP/13421	4SS3868	Clip, for pipes	10	—	C	QC2/57
	14SS3868	Clip, for pipes	3	—	C	QC2/58
	2SS3868	Clip, for pipes	9	—	C	QC1/59
13780	81Q2111	Conduit, with lugs for pipe support bracket at frame 22.25", 1.25" o/d x 22G	10	—		QC1/60
28F/1014970	AGS1104/A	Coupling, pipe	1	—	C	QC2/61
11438	118Q2111	ELBOW, BETWEEN COUPLINGS AT STRINGER 60G, GROUP (Mod. 1451)	1	—	C	QC2/62
		Spare for:—				
6A/1037388	—	Bulb, thermostat	1	—		QC2/63
6A/3888	—	Bush	1	—	C	QC2/64
6A/3888	—	Nut, locking	1	—	C	QC2/65
28F/4061713	AGS1117/H	Elbow, between pipes, at station 95.75"	1	—	C	QC2/66
28F/4061772	AGS1117/F	Elbow, union	1	—	C	QC1/67
	112Q2111	HOSE AND UNION, GROUP	3	—		QC1/68
		(Pre-Mod. 1361)				
11430	123Q2111	HOSE AND UNION, GROUP	3	—	C	
		(Mod. 1361) (Pre-Mod. 2448)				
		Consisting of:—				
10451	114Q2111	HOSE, "FLYLEX", GROUP	1	—	C	
		Spare for:—				
	T. BOORN FX/078	Ferrule	2	—		

SERVICES

COOLING SYSTEM, POWER UNITS AND RADAR EQUIPMENT

Ref. No	Part No.	Description	No. off	Matl. Spec.	Clas	Plate and Illust'n No
					Sl.	
		1 2 3 4			M.R.	
		HOSE, AND UNION, GROUP (123Q2111) (Mod. 1361) (Pre-Mod. 24448) (Cont'd.)				
278A/4110878	LOCKHEED AVX2849	Union, coupling, half outer (4-pin) (Pre-Mod. 1361)	1	—	C	
278A/4110878	LOCKHEED AVX3522	Union, coupling, half outer (4-pin) (Mod. 1361)	1	—	C	
	169Q2111	HOSE AND HALF COUPLING, GROUP (Mod. 2448)	2	—		
	160Q2111	Consisting of:— HOSE, "FLYLITE", GROUP	1	—	MR	
	177Q2111	HOSE AND HALF COUPLING, GROUP (Mod. 2448)	1	—		
22911	186Q2111	Consisting of:— HOSE, "FLYLITE", GROUP	1	—	C	
	113Q2111	HOSE, AND UNION, GROUP (Pre-Mod. 1361)	3	—		
11431	128Q2111	HOSE, AND UNION, GROUP (Mod. 1361) (Pre-Mod. 2448)	3	—	C	QC1/69
10451	114Q2111	Consisting of:— HOSE, "FLYLEX", GROUP Spares for:—	1	—	C	
	T. BOORN FX/075	Ferrule	2	—		
278A/4110878	LOCKHEED AVX2892	Union, coupling, half inlet (3-pin) (Pre-Mod. 1361)	1	—	C	
	174Q2111	HOSE, AND HALF COUPLING, GROUP (Mod. 2448)	2	—		
	180Q2111	Consisting of:— HOSE, "FLYLITE", GROUP	1	—	MR	
	178Q2111	HOSE, AND HALF COUPLING, GROUP (Mod. 2448)	1	—		
22911	166Q2111	Consisting of:— HOSE, "FLYLITE", GROUP	1	—	C	
	74Q2111	HOSE, AND UNION OUTLET, GROUP (Pre-Mod 1361)	3	—		
13288	122Q2111	HOSE, AND UNION OUTLET, GROUP (Mod. 1361) (Pre-Mod. 2448)	3	—	C	QC1/70
8403	35Q2111	Consisting of:— HOSE, "FLYLEX", GROUP	1	—	C	

VULCAN 40 2

SERVICES

Page QC. 4A

COOLING SYSTEM, POWER UNITS AND RADAR EQUIPMENT

Ref. No.	Part No.	Description	No. off	Matl. Spec.	Cl. of	Plate and Illust'n No.
					St.	
		1 2 3 4				
		HOSE AND UNION OUTLET GROUP (122Q2111) (Mod. 1361) (Pre-Mod. 2448) (Cont'd.) Spares for:—				
	T BOORN FX/075 LOCKHEED AVX2849	Ferrule	2	—		
278A/4110978	AVX2849	Union, coupling, half, outlet (4-pin) (Pre-Mod. 1361)	1	—	C	
278A/4110978	LOCKHEED AVX3522	Union, coupling, half, outlet (4-pin) (Mod. 1361)	1	—	C	
	168Q2111	HOSE, AND HALF COUPLING	3	—		
	168Q2111	Consisting of:— HOSE, "FLYLITE", GROUP	1	—	MR	
	48Q2111	HOSE, AND UNION, INLET	3	—	MR	
11432	127Q2111	HOSE, AND UNION, INLET	3	—	C	QC1/71
	35Q2111	Consisting of:— HOSE, "FLYLEX", GROUP	1	—	MR	
	T BOORN FX/075 LOCKHEED AVX2892	Spares for:— Ferrule	2	—		
278A/4110978	AVX2892	Union, coupling, half, inlet (3-pin) (Pre-Mod. 1361)	1	—	C	
278A/4110978	AVX3520	Union, coupling, half, inlet (3-pin) (Mod. 1361)	1	—	C	
	173Q2111	HOSE, AND HALF COUPLING	3	—		
	156Q2111	Consisting of:— HOSE, "FLYLITE", GROUP	1	—	MR	
	40Q2111	HOSE, AND UNION, OUTLET	2	—		
13287	121Q2111	HOSE, AND UNION, OUTLET	2	—	C	QC1/72
	35Q2111	Consisting of:— HOSE, "FLYLEX", GROUP	1	—	C	
8404	T BOORN FX/075	Spares for:— Ferrule	2	—		

SERVICES

COOLING SYSTEM, POWER UNITS AND RADAR EQUIPMENT

Ref No.	Part No.	Description	No. off	Matl. Spec.	Cl. of St.	Plate and Illust'n No.
					M.R.	
		1 2 3 4				
		HOSE, AND UNION OUTLET, GROUP (121Q2111) (Mod. 1361) (Pre-Mod. 2448) (Cont'd)				
27BA. 4110878	LOCKHEED AVX2849	Union, coupling, half, outer (4-pin) (Pre-Mod. 1361)	1	—	C	
27BA/4110878	LOCKHEED AVX3522	Union, coupling, half, outer (4-pin) (Mod. 1361)	1	—	C	
	167Q2111	HOSE, AND HALF, COUPLING GROUP, (Mod. 2448)	2	—		
	157Q2111	Consisting of:— HOSE, "FLYLITE", GROUP Spares for:—	1	—	MR	
	39Q2111	HOSE, AND UNION INLET, GROUP (Pre-Mod. 1361)	2	—		
13286	120Q2111	HOSE, AND UNION, INLET, GROUP (Mod. 1361) (Pre-Mod. 2448)	2	—	C	QC1/73
8404	36Q2111	Consisting of:— HOSE, "FLYLEX", GROUP Spares for:—	1	—	C	
	T BOORN FX/076	Ferrule	2	—		
27BA/4110878	LOCKHEED AVX2892	Union, coupling, half, inlet (3-pin) (Pre-Mod. 1361)	1	—	C	
27BA/4110878	LOCKHEED AVX3520	Union, coupling, half, inlet (3-pin) (Mod. 1361)	1	—	C	
	176Q2111	HOSE, AND HALF, COUPLING GROUP, (Mod. 2448)	2	—		
	157Q2111	Consisting of:— HOSE, "FLYLITE", GROUP Spares for:—	1	—	MR	
	117Q2111	HOSE, AND UNION, OUTLET, GROUP (Pre-Mod. 1361)	1	—	C	
12794	124Q2111	HOSE, AND UNION, OUTLET, GROUP (Mod. 1361) (Pre-Mod. 2448)	1	—	C	QC1/74
	35Q2111	Consisting of:— HOSE, "FLYLEX", GROUP Spares for:—	1	—	MR	
	T BOORN FX/076	Ferrule	2	—		
27BA/4110878	LOCKHEED AVX2849	Union, coupling, half, outer (4-pin) (Pre-Mod. 1361)	1	—	C	
27BA/4110878	LOCKHEED AVX3522	Union, coupling, half, outer (4-pin) (Mod. 1361)	1	—	C	

VULCAN No. 2

SERVICES

Page QC. 5

COOLING SYSTEM, POWER UNITS AND RADAR EQUIPMENT

Ref No.	Part No	Description	No off	Matl. Spec.	Cl of St.	Plate and Illust'n No.
					M.R	
		1 2 3 4				
		COOLING SYSTEM R.C.M. (1Q2111) (Cont'd)				
	170Q2111	HOSE AND HALF, COUPLING GROUP (Mod. 2448) Consisting of:—	1	—		
6116183	162Q2111	HOSE, "FLYLITE", GROUP	1	—	C	
	116Q2111	HOSE, AND ELBOW UNION, GROUP (Pre-Mod. 1361)	1	—		QC1/75
	128Q2111	HOSE, AND ELBOW UNION, GROUP (Mod. 1361) (Pre-Mod. 2448) Consisting of:—	1	—	MR	
	115aQ2111	HOSE AND ELBOW, GROUP	1	—		
	AGS1235/F	Spares for:— Elbow	1	—		
	35aQ2111	Flylex hose	1	—		
	T. BOORN FX/075	Ferrule	2	—		
	AGS1231/F	Union, nut	1	—		
27BA/4110879	AVX2692	Union, coupling, half, inlet (3 pin) (Pre-Mod. 1361)	1	—	C	
27BA/4110979	LOCKHEED AVX3520	Union, coupling, half, inlet (3 pin) (Mod. 1361)	1	—	C	
	175Q2111	HOSE, AND ELBOW HALF COUPLING GROUP (Mod. 2448) Consisting of:—	1	—		
6116182	181Q2111	HOSE, "FLYLITE" ELBOW, GROUP	1	—	C	
	84Q2111	HOSE, AND ELBOW UNION, GROUP (Pre-Mod. 1361)	1	—		
13233	125Q2111	HOSE, AND ELBOW UNION, GROUP (Mod. 1361) (Pre-Mod. 2448) Consisting of:—	1	—	C	QC2/76
9884	82Q2111	HOSE, "FLYLEX" GROUP	1	—	C	
	T BOORN FX/100	Spares for:— Ferrule	2	—		
27BA/9128814	AVA62H LOCKHEED	Nut, union (Magenta) (Pre-Mod. 1361)	1	—	C	
	AVA1400H LOCKHEED	Nut, union (Magenta) (Mod. 1361)	1	—		
27BA/12387	AVX2985 LOCKHEED	Union, coupling, half (Pre-Mod. 1361)	1	—	C	
27BA/12387	AVX3843	Union, coupling, half (Mod. 1361)	1	—	C	
	171Q2111	HOSE, AND HALF COUPLING GROUP (Mod. 2448) Consisting of:—	1	—		
6116179	158Q2111	HOSE, "FLYLITE", GROUP	1	—	C	

SERVICES

COOLING SYSTEM, POWER UNITS AND RADAR EQUIPMENT

Ref. No.	Part No.	Description	No. off	Mat. Spec.	C.I. of	Plate and Illust'n No.
					St.	
		1 2 3 4			M.R.	
		COOLING SYSTEM R.C.M. (1Q2111)				
		(Cont'd.)				
12796	95Q2111	HOSE, AND ELBOW UNION, GROUP	1	—	C	OC2177
		(Pre-Mod. 1361)				
	126Q2111	HOSE, AND ELBOW UNION, GROUP ...	1	—	C	
		(Mod. 1361)				
	83Q2111	Consisting of:— HOSE, "FLYLEX", GROUP	1	—	MR	
		Spares for:—				
	T BOORN FX/100	Ferrule	2	—		
27BA/9128814	LOCKHEED AVA82H	Nut, union (Black) (Pre-Mod. 1361)	1	—	C	
	LOCKHEED AVA1399	Nut, union, (Black) (Mod. 1361)	1	—		
27BA/4110998	LOCKHEED AVX2956	Union, coupling, half, (Pre-Mod. 1361) ..	1	—	C	
27BA/4110972	LOCKHEED AVX3841	Union, coupling, half, (Mod. 1361)	1	—	C	
	172Q2111	HOSE, AND HALF COUPLING	1	—		
		GROUP (Mod. 2448)				
		Consisting of:—				
8136180	158Q2111	HOSE, "FLEXITE", GROUP	1	—		
1432800	18Q3767	HOSE, AND HALF COUPLING, GROUP ...	1	—	C	
		(Mod. 2024) (Pre-Mod. 2457)				
		Spares for:—				
	3SS4485	Clip,	1	—		
	155Q2111	Clip, (make from AGS802/2)	1	—		
27BA/4110878	LOCKHEED AVX3522	Coupling	1	—	C	
	18aQ3767	HOSE, "FLYLEX", GROUP	1	—		
		Spares for:—				
	AGS1232/F	Tail, piece	2	—		
	AGS1231/F	Nut, union	2	—		
	3SS4485	Clip	1	—		
	T BOORN FX/075	Ferrule	2	—		
	28Q3767	HOSE, AND HALF COUPLING	1	—		
		GROUP (Mod. 2467)				
		Consisting of:—				
22808	28aQ3767	HOSE, "FLYLITE", GROUP	1	—		
1432801	19Q3767	HOSE, AND HALF COUPLING	1	—	C	
		GROUP, (Mod. 2024) (Pre-Mod. 24257)				
		Spares for:—				
	3SS4485	Clip,	1	—		
	155Q2111	Clip, (make from AGS802/2)	1	—		
27BA/4110878	LOCKHEED AVX3520	Coupling	1	—	C	

VULCAN No. 2

SERVICES

Page QC. 7

COOLING SYSTEM, POWER UNITS AND RADAR EQUIPMENT

Ref. No.	Part No.	Description	No. off	Matl. Spec	Cl of St.	Plate and Illust'n No
					M.R.	
		1 2 3 4				
		HOSE AND HALF COUPLING, GROUP (19Q3767) (Cont'd.)				
	19aQ3767	HOSE, "FLYLEX", GROUP	1	—		
	3SS4485	Spares for:—				
	T BOORN	Clip	1	—		
	FX/075	Ferrule	2	—		
	AGS1231/F	Nut, union	2	—		
	AGS1232/F	Tail piece	2	—		
	29Q3767	HOSE, AND HALF, COUPLING, GROUP ..	1	—		
		(Mod. 2457)				
		Consisting of:—				
22909	28aQ3767	HOSE, "FLYLITE", GROUP	1	—	C	
9981	107Q2111	HOSE, CONDENSER TO FREON PACK, ..	1	—	C	QC1/78
		GROUP				
	108Q2111	HOSE, FREON PACK TO CONDENSER, ...	1	—	MR	QC1/78
		GROUP				
1432798	4Q3767	MANIFOLD BLOCK, GROUP (Mod. 2024) ..	1	—	C	
1432799	5Q3767	MANIFOLD BLOCK, GROUP (Mod. 2024) ..	1	—	C	
		MOUNTING, WATER GLYCOL PUMP				
		(1Q2113)				
		Spares for:—				
8426	9Q2113	Strip, packing, for pump	4	L72	C	QC2/80
	SPE16281	VALVE, NON-RETURN, AND GLYCOL	2	—		QC2/81
		WATER PUMP, GROUP				
		Consisting of:—				
5UE/4407247	SPE14703	Pump, glycol and water (Line type) ..	1	—	A	
	SPE1705	Valve, non-return type 83A, WG	1	—		
		Mk. 3 (Order together complete with seal)				
		MOUNTING, GLYCOL RESERVOIR UNIT (1Q2112)				
		Spares for:—				
8425	11Q2112	Bolt, special, for attachment of strap at stringer 80	2	S98	C	QC2/82
	17Q2112	PIPE, VENT, 20G x 1/4" o/d x 10.0"	—	L58	MR	QC2/83
		LONG, GROUP				
	18Q2112	Plate, cover	1	L72		QC2/84
	DOWTY	Reservoir unit, glycol (Pre-Mod. 1475) ..	1	—		
	1/00467/001					
	DOWTY	Reservoir unit, glycol (Mod. 1475)	1	—		QC2/85
	1/00467/002					
8424	7Q2112	STRAP, TENSION, GROUP	2	—	C	QC2/86
	18Q2112	Window (Perspex)	1	DTDB46 Class 3		QC2/87

SERVICES

COOLING SYSTEM, POWER UNITS AND RADAR EQUIPMENT

Ref No.	Part No	Description	No. off	Matl. Spec	Cl of St.	Plate and Illust'n No
					M.R.	
		1 2 3 4				
		COOLING SYSTEM R.C.M. (1Q2111) (Cont'd.)				
10818	1SS4882	Nipple	1	—	C	QC1/88
10816	1SS4883	Nipple	1	—	C	QC1/89
		PACK, COOLING, FOR SPECIAL AIRBORNE EQUIPMENT INSTALLATION (1Q2114) Spares for:—				
28N-2005100	PH190/5	Bolt, jo	4	—	C	QC1/90
1510329	38Q2114	Bracket, longeron	1	DTC410	C	QC1/91
	5Q2114	Bracket, channel	1	L72		QC1/92
	40Q2114	Bracket, guide	1	L72		QC1/93
	38Q2114	Channel	1	L72	MR	QC1/94
	GODFREY & PARTNERS 158102	PACKING, COOLING, TYPE V.C.I.P. Mk. 1	1	—	A	QC1/95
27UA/	G & P 1Q2116	Consisting of:— Components, cooling pack	1	—		
4812143		Panel, back (supplied to Godfrey & Partners by A. V. Roe)	—	—		
	9Q2114	PIN, "PIP" C/W TAB, GROUP	1	—		QC1/96
	10Q2114	PIN, "PIP" C/W TAB, GROUP	1	—		QC1/97
	34Q2114	Plate, side	1	L72	MR	QC1/98
	35Q2114	Plate, side	1	L72		QC1/99
	37Q2114	ROD, SUPPORT, GROUP	1	—		QC1/100
	32Q2114	SUPPORT, PULLEY, GROUP	1	—		QC1/101
		Spares for:—				
	13Q2114	CHANNEL, SUPPORT, GROUP	1	—		QC1/102
	14Q2114	CHANNEL, SUPPORT, GROUP	1	—		QC1/103
	30Q2114	GUIDE, PULLEY, GROUP	1	—		QC1/104
		Spares for:—				
	29Q2114	Bracket, guide	1	—		
	28Q2114	Plate, base	1	—	MR	
28R-1052624	38Q2114	Guide, cable	1	—		QC1/106
	AS103	Pulley	2	—	C	QC1/108
	8Q2111	PIPE, TEE-UNION, TO CHARGING VALVE, GROUP	1	—	MR	QC2/107
		Consisting of:—				
	8Q2111	Adaptor, special	1	S1		
	7Q2111	Collar, adaptor	1	S1		
28F/8011892	AGS852/C	Collar	1	—	C	
28F/8140970	AGS804/C	Sleeve, outer	1	—	C	
28F/8011822	AGS804/F	Sleeve, outer	1	—	C	
	6eQ2111	Tube, 3/8" o/d x 20G x 15" long	1	L56		

VULCAN No. 2

SERVICES

Page QC 9

COOLING SYSTEM, POWER UNITS AND RADAR EQUIPMENT

Ref. No.	Part No.	Description	No. off	Matl Spec.	Cl of St.	Plate and Illust'n No
					M.R.	
		1 2 3 a				
		COOLING SYSTEM R.C.M. (10Q2111) (Cont'd.)				
8408	10Q2111	PIPE, TEE-PIECE, GROUP	1	—	C	QC2/108
8410	5Q2111	PIPE, CHARGING VALVE TO RESERVOIR, GROUP	1	—	C	QC2/109
8411	13Q2111	PIPE, TEE-UNION TO RESERVOIR, GROUP	1	—	C	QC2/110
	14Q2111	PIPE, TEE-UNION, TO 4-WAY UNION, GROUP	1	—	MR	QC1/111
	15Q2111	PIPE, STARBOARD BRACKET TO ELBOW (SUPPLY FROM FREON-PACK), GROUP	1	—	MR	QC1/112
8414	41Q2111	PIPE, SUPPLY, STB'D BRACKET TO CENTRE BRACKET, 1" o/d x 20G x 13" LONG APPROX., GROUP	1	—	C	QC1/113
8415	42Q2111	PIPE, 4-WAY UNION, TO ELBOW, 3/4" ... o/d x 20G x 22" LONG APPROX., GROUP	1	—	C	QC1/114
8416	43Q2111	PIPE, 4-WAY UNION, TO TEE-PIECE AT FORMERS, 71.25-95.75, 1" o/d x 20G x 15" LONG APPROX., GROUP	2	—	C	QC1/115
	44Q2111	PIPE, BETWEEN TEE-PIECES AT FORMERS 21.25-48.75-71.25, 1" o/d x 20G x 15" LONG, GROUP (Pre-Mod. 2024)	4	—	MR	QC1/116
	49Q2111	PIPE, TEE-UNION CONNECTORS, 1" ... o/d x 22G x 3-1/2" LONG, GROUP	6	—	MR	QC1/117
13062	148Q2111	PIPE, TEE-UNION CONNECTORS 3/4" ... o/d x 22G x 17.0" LONG, GROUP (Mod. 1857)	1	—	C	QC1/118
13064	149Q2111	PIPE, TEE-UNION CONNECTORS, 3/4" ... o/d x 22G x 17.0" LONG, GROUP (Mod. 1857)	1	—	C	QC1/119
	103Q2111	PIPE, 3-WAY, AT UNION ELBOW, GROUP (Pre-Mod. 2024)	1	L54	MR	QC2/120
1432797	2Q3767	PIPE GROUP (Mod. 2024)	1	L54	C	
10468	104Q2111	PIPE, PRESSURE SWITCH MTG., 3/16" ... o/d x 20G x 15" LONG, GROUP (Pre-Mod. 2024)	—	L54	C	QC2/121

SERVICES

COOLING SYSTEM, POWER UNITS AND RADAR EQUIPMENT

Ref. No.	Part No.	Description	No. off	Matl. Spec.	Cl. of St.		Plate and Illustr'n No.
					M.R.		
		1 2 3 4					
		COOLING SYSTEM R.C.M. (1Q2111) (Cont'd.)					
	3Q3767	PIPE GROUP (Mod. 2024)	1	L56			
13065	150Q2111	PIPE, AT FRAME 487.5", 1/4" o/d x 22G, GROUP (Mod. 1657)	1	L56	C		QC1/122
13066	151Q2111	PIPE, AT FRAME 487.5", 1/4" o/d x 22G, GROUP (Mod. 1657)	1	L56	C		QC1/123
10484	102Q2111	PIPE, VENT, 1/4" o/d x 20G x 34" LONG, GROUP	1	L56	C		QC2/124
1432793	12Q3767	PIPE GROUP (Mod. 2024)	1	L54	C		
1432792	13Q3767	PIPE GROUP (Mod. 2024)	1	L56	C		
1432790	14Q3767	PIPE GROUP (Mod. 2024)	1	L56	C		
1432789	15Q3767	PIPE GROUP (Mod. 2024)	1	L56	C		
1432791	16Q3767	PIPE GROUP (Mod. 2024)	1	L56	C		
1432788	17Q3767	PIPE GROUP (Mod. 2024)	1	L56	C		
1433458	23Q3767	PIPE GROUP (Mod. 2024)	1	L56	C		
1433459	24Q3767	PIPE GROUP (Mod. 2024)	1	L56	C		
	25Q3767	PIPE GROUP (Mod. 2024)	1	L56			
	26Q3767	PIPE GROUP (Mod. 2024)	1	L56			
		PUMP, WATER-GLYCOL, GROUP					
		(Q3814) (Mod. 2024)					
		Spares for:—					
	4Q3814	Bracket	1	—			
	3Q3814	PUMP UNIT GROUP	1	—			
		Spares for:—					
		Pump, water	1	—			
1432802	SP14703	Elbow, 1" B.S.P.	2	—	C		
	28SS3668	Washer	2	—			
	3aQ3814						
	GODFREY & PARTNER	Seal	1	—			QC1/125
	G76 B6						
	GODFREY & PARTNER	Seal	1	—			QC1/126
	G76 B9						
	TEDDINGTON CONTROLS						
5CW:4405355	FOM/A/13	Switch, pressure	1	—	A		QC2/127

SERVICES

COOLING SYSTEM, POWER UNITS AND RADAR EQUIPMENT

Ref. No.	Part No.	Description	No. off	Matl Spec	Cl. of	Plate and Rust'n No
					St.	
		1 2 3 4				
COOLING SYSTEM R.C.M. (1Q2111) (Cont'd.)						
10460	99Q2111	Restrictor (Pre-Mod. 2024)	3	DTD410	C	OC1/128
1432794	20Q3767	Restrictor (Mod. 2024)	3	—	C	
10461	99Q2111	Restrictor (Pre-Mod. 2024)	2	DTD410	C	OC1/129
1432796	21Q3767	Restrictor (Mod. 2024)	3	—	C	
10462	100Q2111	Restrictor (Pre-Mod. 2024)	1	DTD410	C	OC1/130
1432798	22Q3767	Restrictor (Mod. 2024)	2	—	C	
10463	101Q2111	Restrictor	3	DTD410	C	OC1/131
10454	201SS3557	Tee-piece, 3/4" x 3/4" x 1/4" BSP	1	DTD423	C	OC1/132
10455	203SS3557	Tee-piece	1	—	C	OC1/133
	204SS3557	Tee-piece	7	—	MR	OC1/134
10457	205SS3557	Tee-piece	1	—	C	OC1/135
10468	75SS3554	Tee-piece, special	1	—	C	OC2/136
	AGS1121/5	Tee-piece	1	—		OC1/137
28F/4051857	AGS1121/2	Tee-piece	1	—	C	OC1/138
27QM/ 4173756	DOWTY 07335.YA14	Valve, charging unit	1	—		OC2/139
COOLING SYSTEM, POWER UNITS, INSTALLATION OF FREON CONDENSER BETWEEN FORMERS 141.5 & 95.75, STARBOARD SIDE IN COOLING IN- TAKE (Z9823) Spares for:—						
27UA/ 4612366	MARSTON EXCELSIOR D11772A	Condenser, freon	1	—	A	OC1/140
ATTACHMENTS FOR CONDENSER PART No. D11772A:—						
	AGS899/2	Collar	3	Steel	C	
28M/1045880	AP4287	Pin, steel	3	Steel	C	
28P/5389	SP9.C6	Pin, split	3	Steel	C	
28P/12431						
DUCT, COOLING, FOR TRANSFORMER RECTIFIER UNIT IN POWER COMPART- MENT, STARBOARD (Z9838) Spares for:—						
8567	8Z9638	Baffle, blower unit	1	L59	C	OC4/141
8568	KING A/C LTD. C4582/3.2'	Clip, coronation	1	—	C	OC4/142
28E/4710971	SP91/N	Clip, jubilee	1	—	C	OC4/143
8566	5Z9638	Clip, half, for duct	2	L52	C	OC4/144
17066	2Z9638	Duct, outboard	1	L54	C	OC4/145
8563	7Z9638	Duct, inboard	1	L54	C	
8564	DUNLOP LTD. DAS383/48/3	Pipe, coupling	1	—	C	OC4, 146

SERVICES

COOLING SYSTEM, POWER UNITS AND RADAR EQUIPMENT

Ref. No.	Part No.	Description	No. off	Matl. Spec.	Cl. of St.	Plate and Illustr'n No.
					M.R.	
		1 2 3 4				
		DUCTING, COOLING AIR, FOR EQUIPMENT IN NOSE WHEEL BAY, STARBOARD SIDE (129247)				
		Spares for:—				
5801	42Z7342	Bracket, for strap at former 180.5"	1	L72	C	QC4/147
5802	43Z7342	Bracket, for strap at former 180.5"	1	L72	C	QC4/148
	28S3863	Clip, "P", for ducting at strut attachment	2	—	MR	QC4/149
	2Z7634	CLIP, JOINTING, FOR 3" o/d DUCT,	2	—	MR	QC4/150
21649	20Z7634	CLIP, JOINT, FOR 3.75" o/d DUCT,	3	—	C	QC4/151
5K/9144249	NX1A 1047/V7909	Clip, cable Cable (F1047) TR 4 to Fan Group RG (See EC. Electrical N.W.B.)	1	—	C	QC4/152
5806	24Z7342	Clip, half, for transfer duct	1	L72	C	QC4/153
5804	45Z7342	Clip, half, for 1-1/4" dia. duct	1	L72	C	QC4/154
	80Z7342	Clip, half, for 2" dia. duct	2	L72	MR	QC4/154
	80Z3257	Clip, joint, for ducting	1	—	—	QC4/155
26FP/13265	4SS3512	Clip, special, for 1" dia. stub pipe	1	—	C	QC4/156
	54Z3257	Clip, joint, for 3" dia. duct	3	—	MR	QC4/157
8567	8Z9246	Clip, half, for duct	2	S3 & T35	C	QC4/158
8559	14Z9247	Duct, between former 130.0" end blower unit	1	—	C	QC4/159
8562	17Z9247	Duct, cooling, for T.R.U. between formers 115.5 and 101	1	—	C	QC4/160
5809	5Z7342	Duct, from joint at breeches	1	—	C	QC4/161
21647	8Z7342	DUCT, BRANCH, FISH TAILED, BETWEEN FORMERS 130-145.5, GROUP	1	—	C	QC4/162
5812	21Z7342	Duct, from joint at elbow duct	1	—	C	QC4/163
	68Z7342	Duct, transfer	1	L58	—	QC4/164
	63Z7342	Duct, from muff power unit to fish tailed duct	1	—	MR	QC4/165
5813	66Z7342	Duct, complete with stub pipes	1	—	C	QC4/166
8560	19Z9247	Duct, joint, blower, aft, between formers 130.0 and 115.5	1	—	C	QC4/167
8561	20Z9247	Duct, cooling, between formers 115.5 and 101 0	1	—	C	QC4/168
8568	24Z9247	Duct, from breeches piece to joint duct at blower unit	1	—	C	QC4/169
5874	58Z7342	Ducting, from joint to transfer duct	1	—	C	QC4/170
5877	58Z7342	Ducting, from joint at former 189.5	1	—	C	QC4/171
	17Z7700	Gasket, blower, "Hellite", 1/32" x 5-1/4" dia.	1	DTD378A	MR	QC4/172
26DN/6714	DUNLOP DAS/393/20/2	Hose, coupling, at power unit and calculator muff	3	Rubber	C	QC4/173

VULCAN ML 3

SERVICES

Page QC. 13

COOLING SYSTEM, POWER UNITS AND RADAR EQUIPMENT

Ref. No	Part No.	Description	No. off	Matl. Spec	Cl. of	Plate and Illust'n No.
					St.	
		1 2 3 4				
		DUCTING, COOLING AIR FOR EQUIPMENT IN NOSE-WHEEL BAY, STARBOARD SIDE (129247) (Cont'd)				
5678	52Z7342	MUFF, CALCULATOR, GROUP	1	—	B	QC4/174
	52eZ7342	Spares for:— Plate, front, detachable	1	L59		
5819	53Z7342	MUFF, POWER UNIT, GROUP	1	—	B	QC4/175
5814	39Z7342	Piece, breeches, from joint at tee-section	1	—	C	QC4/176
	44Z7342	Saddle, for bracket	1	L72		QC4/177
5815	37Z7342	SECTION, TEE, CURVED, GROUP	1	—	C	QC4/178
5673	67Z7342	Strut, support, for ducting	1	L54	C	QC4/179
21648	34Z342	Tube, distance, for clips, 3/8" dia. x 1-5/8" long	2	L54	C	
	10D9207	Washer, at clip attachments	8	—		
		DUCTING, INLET AND EXHAUST, FOR T.R.U. AND FREQUENCY CHANGERS IN NOSE-WHEEL BAY, PORT (129736)				
		Spares for:—				
	11Z7634	Clip, duct, jointing	4	—	MR	QC4/181
	48Z3257	Clip, duct, jointing	5	—	MR	QC4/182
8557	8Z9248	Clip, half, blower attachment	2	—	C	QC4/183
8551	5Z9244	Duct, flanged, at blower unit	2	—	C	QC4/184
	1Z9245	DUCT, INLET, BETWEEN FORMERS 189.5—204, GROUP	1	—		QC4/185
8556	3Z9736	Duct, "Y", between frequency and T.R.U.	1	—	C	QC4/186
8554	2Z9736	DUCT, EXHAUST, FROM FREQUENCY CHANGERS, GROUP	1	—	C	QC4/187
8555	4Z9736	Duct, exhaust, outlet	1	—	C	QC4/188
8552	8Z9736	Duct, flanged, aft blower	1	—	C	QC4/189
8549	7Z9736	Duct, from inlet duct	1	—	C	QC4/190
8550	8Z9736	Duct, to forward blower duct	1	—	C	QC4/191
8553	9Z9736	Duct, to T.R.U. at former 130	1	—	C	QC4/192
	17Z7700	Gasket, "Hallite", 1/32" x 5-1/4" dia.	4	DTD378A	MR	QC4/193
	5Z9736	MOUNTING, FOR BLOWER UNIT, GROUP	1	—		QC4/194

SERVICES

COOLING SYSTEM POWER UNITS AND RADAR EQUIPMENT

Ref. No.	Part No.	Description	No. off	Matl. Spec.	Cl. of	Place and Must'n No.
					St. M.R.	
		1 2 3 4				
		MOUNTING COOLING UNIT G.P.I. Mk. B NAVIGATOR'S STATION (Z10470) (Mod. 1220, Part "A") Spares for:—				
	10Z10470	BRACKET, MOUNTING, GROUP	1	—		QC5/1
		(Mod. 1174) Spares for:—				
10681	7Z10470	COUPLING, DUMMY, GROUP	1	—		QC5/2
10682	BZ10470	COUPLING, DUMMY, GROUP	1	—		QC5/3
		Attachments—Part Nos. 7Z10470 and BZ10470				
28D/9438820	A25/1C	Bolt	8	—	C	QC5/4
28M/9430473	AGS2002/C1	Nut, stiff	8	—		
28W/9418402	SP13/C	Washer	8	—	C	
	10V6883	CLIP, BRACKET, GROUP	1	—		
28FP/13028	23SS3264	Clip	2	—		QC5/5
		Attachments—Part No. 23SS3264				
28D/9133011	A25/2C	Bolt	1	—	C	QC5/6
28W/9419402	SP13/C	Washer	1	—	C	
12884	2Z10470	PLATFORM, SUPPORT, GROUP	1	—		QC5/7
9CA/173	—	Unit, cooling, G.P.I. Mk. B, Type "A" (Mod. 1220, Part "B") (S.O.O.)	1	—		QC5/8

VULCAN PR. 3

SERVICES

Page OC. 14A

COOLING SYSTEM POWER UNITS AND RADAR EQUIPMENT

Ref. No.	Part No.	Description				No. off	Mtrl. Spec.	Cl. of	Plate and Illust'n No.
		1	2	3	4			Se. M.R.	
		MOUNTING COOLING UNIT G.S.R. UNDER SECOND PILOT'S FLOOR (Z10471) (Mod. 1221, Part "A")							
		Spare for:—							
13068	11210471	Clip, pipe				1	—		OC5/9
	13210471	Clip, half				2	—	MR	OC5/10
		Attachments—Part No. 13210471							
28D/1012886	A25/22C	Bolt				1	—	C	OC5/11
28M/1012015	AGS2001/C1/68	Nut, stiff				1	—	C	
28W/9419402	SP13/C	Washer				1	—	C	
7955	AY5SS4234	Clip, half				2	—	C	
		Attachments—Part No. AY5SS4234							
28D/9435710	A25/11C	Bolt				1	—	C	
28M/1012015	AGS2001/C1/68	Nut, stiff				1	—	C	
28W/9419402	SP13/C	Washer				1	—	C	
13068	12210471	Channel				1	L72	C	OC5/12
	2210471	Plate, front				1	L72		
	10210471	PLATE, SUPPORT, GROUP				1	—		
12717	9210471	Stud				4	—	C	
	1T4900	TRAY, MOUNTING, FOR GROUND							OC5/13
		SPEED RESOLVER, GROUP							
		Spare for:—							
10681	7210470	COUPLING, DUMMY, GROUP				1	—		OC5/14
10682	8210470	COUPLING, DUMMY, GROUP				1	—		OC5/15
		Attachments—Part Nos. 7210470 and 8210470							
28D/9438920	A25/1C	Bolt				4	—	C	OC5/16
28M/1012015	AGS2002/C1/68	Nut, stiff				8	—	C	
	3SS4353	Screw, csk. hd.				4	—	MR	OC5/17
28W/9419402	SP13/C	Washer				8	—	C	
9CA/305	—	Unit, coating, G.S.R. (Mod. 1221, Part "B") (S.O.O.)				1	—		OC5/18

VULCAN PR. 2

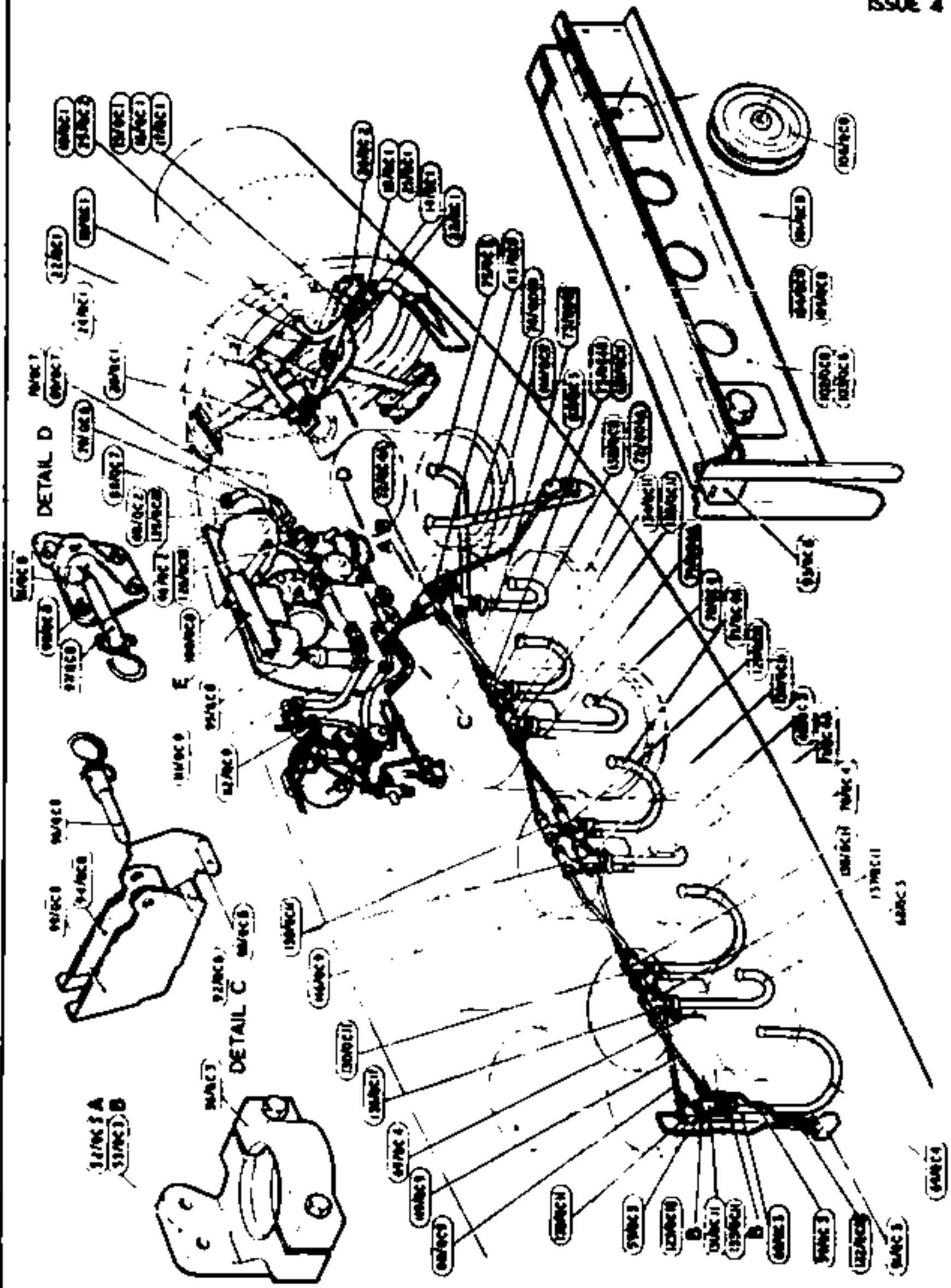
SERVICES

Page OC. 15

COOLING SYSTEM, POWER UNITS AND RADAR EQUIPMENT

SUMMARY OF STANDARD ITEMS

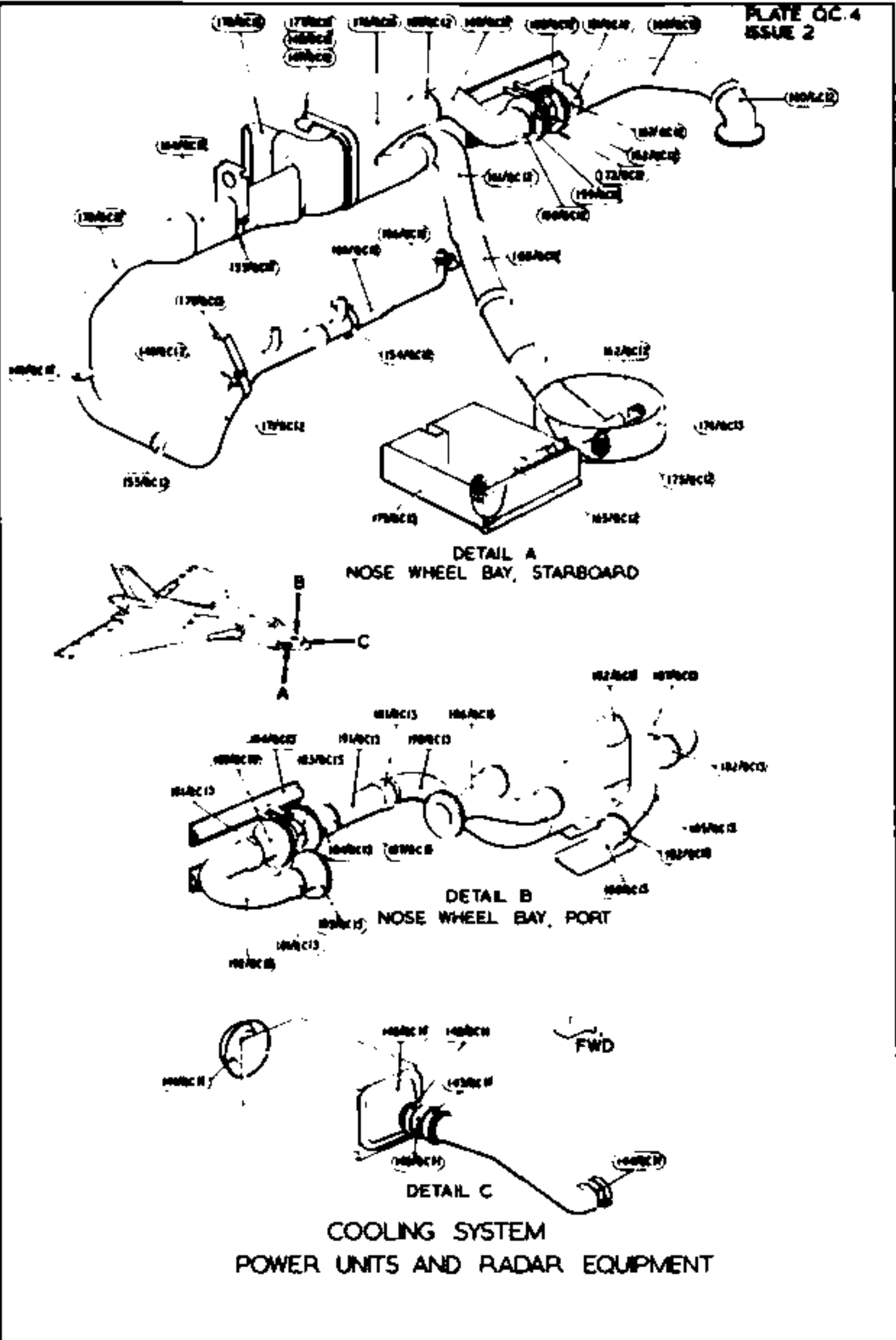
Stores Ref.		No. off	Stores Ref.		No. off	Stores Ref.		No. off
Section	Ref. No.		Section	Ref. No.		Section	Ref. No.	
28E	19826	3	28N	5549	3			
28E	2238081	4	28N	2006100	4			
28E	2027591	25						
28F	5804	1	28P	5399	3			
28F	6807	1	28P	12431	3			
28F	7245	1						
28F	4061713	1	28R	13514	2			
28F	4061772	1						
28F	1014970	1						
28F	8011883	1						
28F	9439105	2						
28F	18338	1						
28F	4051839	6						



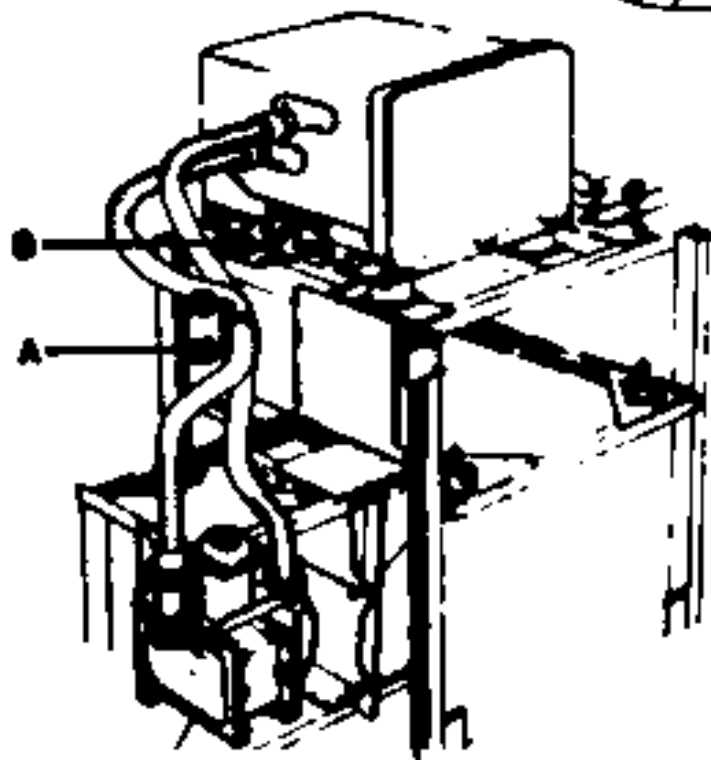
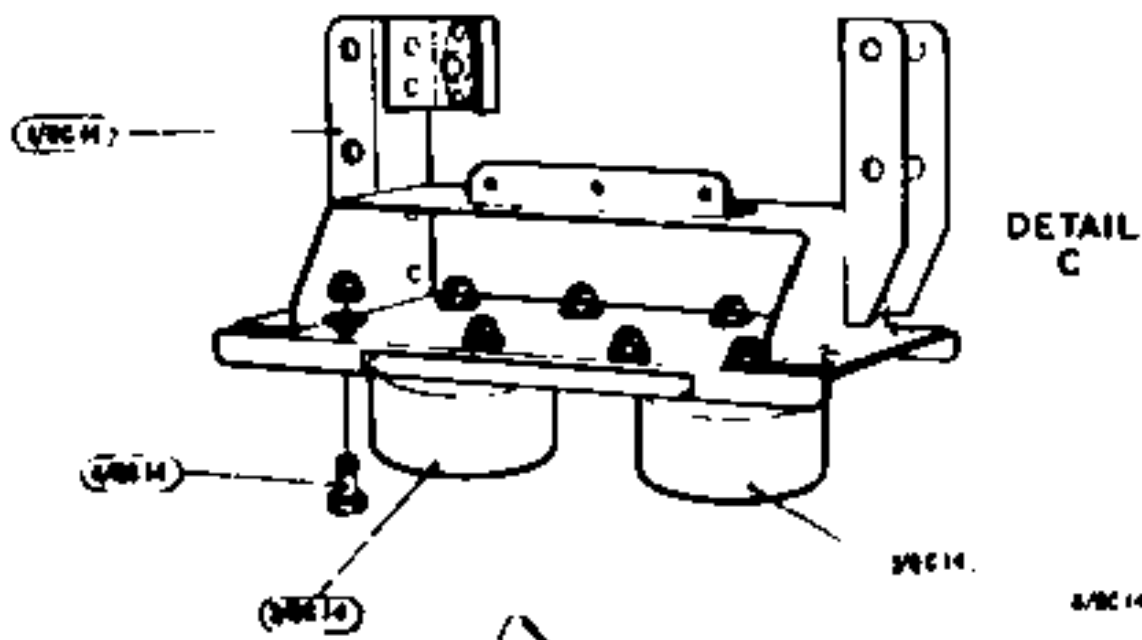
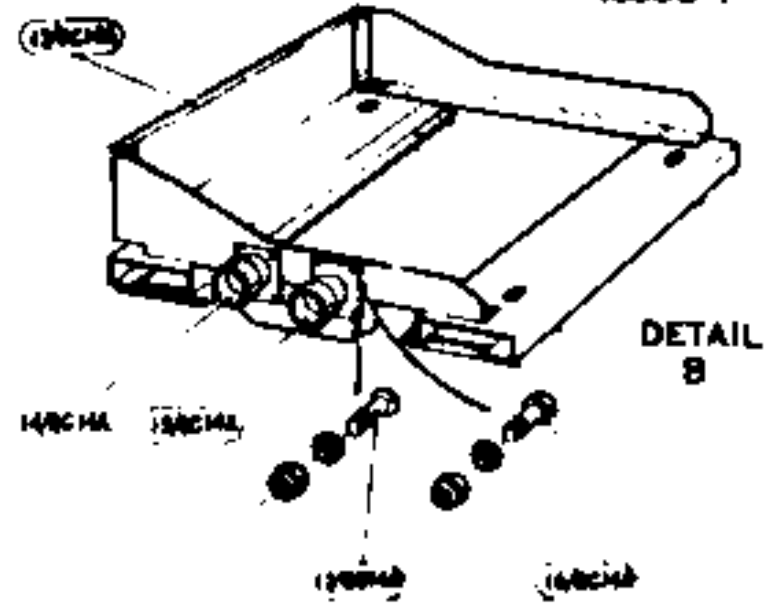
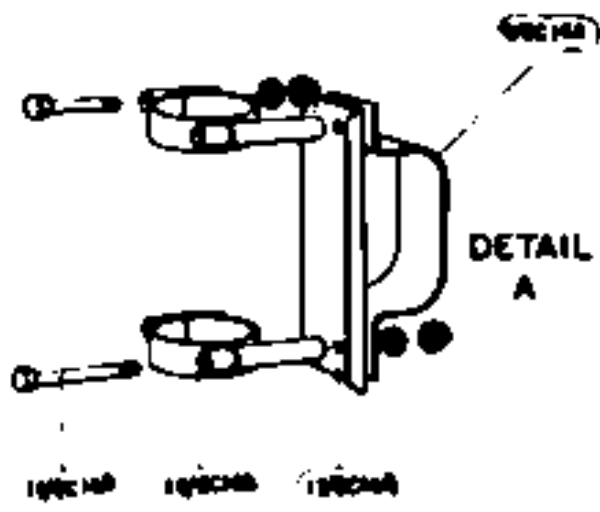
COOLING SYSTEM
POWER UNITS AND RADAR EQUIPMENT

RESTRICTED

PLATE OC. 4
ISSUE 2



RESTRICTED



COOLING SYSTEM POWER UNITS & RADAR EQUIPMENT

VULCAN 88 2

SERVICES
EMERGENCY AIR SYSTEM

Page 00. 1

Ref. No	Part No.	Description	No. off	Matl Spec.	Cl. of St.		Plate and Illustr'n No.
					M.R.		
		<u>1 2 3 4</u>					
		EMERGENCY AIR SYSTEM (Q1875, Q1876, Q2079, Q2080, Q1879) Spares for:—					
3300	54SS3568	Adaptor	2	—		C	QD2/1
6D/9429887	—	Bottle, air and tee 6D/422	2	—		A	QD1/2
6A/2593	—	Gauge, pressure, nose wheel bay	2	—		A	QD1/3
	3Q1876	Panel, less pipes, valves and bottles	1	—			QD1/4
	DUNLOP G2/W14/ DAS7007/39	Pipe, flexible, nosewheel u/c doors	1	—			QD1/5
27VA/8118804	DUNLOP G2/W14/ DAS7007/45	Pipe, flexible, nosewheel u/c doors	1	—		C	QD1/6
	26Q1869	PIPE, 3/16" O/D x 22G x 96" LONG APPROX., MAIN U/C JACK TO AFT TEE-PIECE, STARBOARD, GROUP (Pre-Mod. 2236)	1	DTD323A			
	105Q1869	PIPE, 3/16" O/D x 22G, MAIN U/C JACK TO AFT TEE-PIECE, STARBOARD, GROUP (Mod. 2236)	1	DTD5016	MR		QD2/7
1505164	85Q1869	PIPE, 3/16" O/D x 22G, AFT TEE-PIECE TO ADAPTOR IN MAIN U/C BAY, STARBOARD, GROUP (Pre-Mod. 2236)	1	DTD323A		C	
	104Q1869	PIPE, 3/16" O/D x 22G, AFT TEE-PIECE TO ADAPTOR IN MAIN U/C BAY, STARBOARD, GROUP (Mod. 2236)	1	DTD5016	MR		QD2/8
	78Q1869	PIPE, 3/16" O/D x 22G x 89" LONG APPROX., AFT TEE-PIECE TO UNION IN MAIN U/C BAY, STARBOARD, GROUP (Pre-Mod. 2236)	1	DTD323A			
1505224	103Q1869	PIPE, 3/16" O/D x 22G, AFT TEE-PIECE TO UNION IN MAIN U/C BAY, STAR- BOARD, GROUP (Mod. 2236)	1	DTD5016		C	QD2/9
	77Q1869	PIPE, 3/16" O/D x 22G x 83" LONG APPROX., UNION TO TEE-PIECE IN LINE TO JETTISON VALVE, MAIN U/C BAY, STARBOARD, GROUP (Pre-Mod. 2236)	1	DTD323A	MR		
	100Q1869	PIPE, 3/16" O/D x 22G, UNION TO TEE- PIECE IN LINE TO JETTISON VALVE, MAIN U/C BAY, STARBOARD, GROUP (Mod. 2236)	1	DTD5016	MR		QD2/10

SERVICES
EMERGENCY AIR SYSTEM

Ref. No.	Part No.	Description	No. off	Matl. Spec.	Cl. of	Plate and Huet'n No.
					St.	
		1 2 3 4			M.R.	
		EMERGENCY AIR SYSTEM (Q1875, Q1878, Q2078, Q2080, Q1879) (Cont'd)				
	20Q1869	PIPE, 3/16" O/D x 22G x 24" LONG APPROX., TEE-PIECE TO TEE-PIECE MAIN U/C BAY, STARBOARD, GROUP (Pre-Mod. 2238)	1	DTD323A		
	101Q1869	PIPE, 3/16" O/D x 22G, TEE-PIECE TO TEE-PIECE, MAIN U/C BAY, STARBOARD, GROUP (Mod. 2238)	1	DTD6016	MR	QD2/11
	27Q1869	PIPE, 3/16" O/D x 22G x 120" LONG APPROX., TEE-PIECE TO AFT DOOR JACK, MAIN U/C BAY, STARBOARD, GROUP (Pre-Mod. 2238)	1	DTD323A		
	102Q1869	PIPE, 3/16" O/D x 22G, TEE-PIECE TO AFT DOOR JACK, MAIN U/C BAY, STARBOARD, GROUP (Mod. 2238)	1	DTD6016	MR	QD2/12
	19Q1869	PIPE, 3/16" O/D x 22G x 96" LONG APPROX., TEE-PIECE TO FORWARD DOOR JACK, MAIN U/C BAY, STARBOARD, GROUP (Pre-Mod. 2238)	1	DTD323A	MR	
	98Q1869	PIPE, 3/16" O/D x 22G, TEE-PIECE TO FORWARD DOOR JACK, MAIN U/C BAY, STARBOARD, GROUP (Mod. 2238)	1	DTD6016	MR	QD2/13
	22Q1869	PIPE, 3/16" x 22G x 24" LONG APPROX., TEE-PIECE TO JETTISON VALVE, MAIN U/C BAY, STARBOARD, GROUP (Pre-Mod. 2238)	1	DTD323A		
1505220	99Q1869	PIPE, 3/16" x 22G, TEE-PIECE TO JETTISON VALVE, MAIN U/C BAY, STARBOARD, GROUP (Mod. 2238)	1	DTD6016	C	QD2/14
	23Q1869	PIPE, 3/16" x 22G x 84" LONG APPROX., JETTISON VALVE TO UNION, MAIN U/C BAY, STARBOARD, GROUP (Pre-Mod. 2238)	1	DTD323A		

VULCAN PR. 2

SERVICES
EMERGENCY AIR SYSTEM

Page QD. 18

Ref. No.	Part No.	Description	No. off	Matl. Spec.	Cl. of St. M.R.	Plate and Illust'n No.
		<u>1 2 3 4</u>				
		EMERGENCY AIR SYSTEM (Q1875, Q1876, Q2079, Q2080, Q1879) (Cont'd)				
	97Q1889	PIPE, 3/16" x 22G, JETTISON VALVE TO UNION, MAIN U/C BAY, STARBOARD, GROUP (Mod. 2236)	1	DT06018	MR	QD2/15
3430	33Q1889	PIPE, 3/16" O/D x 22G x 108" LONG APPROX., UNION IN MAIN U/C BAY TO UNION ON FRONT SPAR, JET BAY, STARBOARD, GROUP	1	DT0323A		QD2/18

SERVICES
EMERGENCY AIR SYSTEM

Ref. No.	Part No.	Description	No. off	Matl. Spec.	Cl. of	Place and Illustr'n No.
					St. M.R.	
		1 2 3 4 EMERGENCY AIR SYSTEM (Q1815, Q1876, Q2079, Q2080) (Cont'd)				
	80Q1889	PIPE, 3/16" o/d x 22G x 34" LONG APPROX., BETWEEN UNIONS ON FRONT SPAR IN JET BAY, STARBOARD, GROUP	1	DTD323A	MR	QD2/17
	82Q1889	PIPE, 3/16" o/d x 22G x 21" LONG APPROX., UNION IN JET BAY TO UNION IN BOMB BAY, STARBOARD, GROUP	1	DTD323A		QD2/18
	83Q1889	PIPE, 3/16" o/d x 22G x 72" LONG APPROX., UNION TO UNION ON FRONT SPAR, STARBOARD, GROUP	1	DTD323A	MR	QD2/19
	35Q1889	PIPE, 3/16" o/d x 22G x 72" LONG APPROX., UNION TO ADAPTOR AT FRONT SPAR, STARBOARD, GROUP	1	DTD323A	MR	QD2/20
	36Q1889	PIPE, 3/16" o/d x 22G x 72" LONG APPROX., ADAPTOR AT BULKHEAD 76" TO UNION IN AIR INTAKE, STAR- BOARD, GROUP	1	DTD323A	MR	QD2/21
	37Q1889	PIPE, 3/16" o/d x 22G x 84" LONG APPROX., UNION IN AIR INTAKE TO ADAPTOR AT NOSE WHEEL BAY, STARBOARD, GROUP	1	DTD323A		QD2/22
3190	38Q1889	PIPE, 3/16" o/d x 22G x 42" LONG APPROX., ADAPTOR TO TEE-PIECE IN NOSE WHEEL BAY, STARBOARD, GROUP	1	DTD323A	C	QD1/23
	66Q1889	PIPE, 3/16" o/d x 22G x 72" LONG APPROX., TEE-PIECE TO OUTER RELEASE VALVE, NOSEWHEEL BAY, STARBOARD, GROUP	1	DTD323A		QD1/24
	67Q1889	PIPE, 3/16" o/d x 22G x 48" LONG APPROX., OUTER RELEASE VALVE TO UNION IN LINE TO AIR BOTTLE NOSE WHEEL BAY, STARBOARD, GROUP	1	DTD323A	MR	QD1/25
	42Q1889	PIPE, 3/16" o/d x 22G x 30" LONG APPROX., UNION TO INNER AIR BOTTLE, NOSE WHEEL BAY, STARBOARD, GROUP	1	DTD323A	MR	QD1/26
11843	58Q1889	PIPE, 3/16" o/d x 22G x 12" LONG APPROX., INNER AIR BOTTLE TO PRESSURE RELIEF VALVE NOSE WHEEL BAY, STARBOARD, GROUP	1	DTD323A	C	QD1/27
	59Q1889	PIPE, 3/16" o/d x 22G x 18" LONG APPROX., P.R. VALVE TO TEE-PIECE NOSEWHEEL BAY, STARBOARD, GROUP	1	DTD323A	MR	QD1/28

VULCAN NO. 2

SERVICES
EMERGENCY AIR SYSTEM

Page QD. 3

Ref. No.	Part No.	Description	No. off	Matl. Spec.	Cl. of	Place and Illust'n No.
					St. M.R.	
		1 2 3 4				
		EMERGENCY AIR SYSTEM (Q1875, Q1876, Q2070, Q2080) (Cont'd)				
	61Q1800	PIPE, 3/16" o/d x 22G x 8" LONG APPROX., TEE-PIECE TO GAUGE ON EMERGENCY AIR PANEL, GROUP	1	OTD323A	MR	QD1/29
1505142	60Q1800	PIPE, 3/16" o/d x 22G x 12" LONG APPROX., TEE-PIECE TO CHARGING VALVE ON EMERGENCY AIR PANEL, GROUP	1	OTD323A		QD1/30
3154	74Q1800	PIPE, 3/16" o/d x 22G x 42" LONG APPROX., NOSEWHEEL U/C JACK PIPE SWIVEL BLOCK TO UNION, GROUP	1	DTD323A	C	QD1/31
	73Q1800	PIPE, 3/16" o/d x 22G x 84" LONG APPROX., UNION TO TEE-PIECE IN NOSEWHEEL BAY, STARBOARD, GROUP	1	DTD32 1A	MR	QD1/32
3206	70Q1800	PIPE, 3/16" o/d x 22G x 36" LONG APPROX., TEE-PIECE IN LINE TO CONNECTOR BLOCKS, NOSEWHEEL BAY, GROUP	1	DTD323A	C	QD1/33
	71Q1800	PIPE, 3/16" o/d x 22G x 30" LONG APPROX., TEE-PIECE TO STARBOARD CONNECTOR BLOCK, NOSEWHEEL BAY, GROUP	1	DTD323A	MR	QD1/34
	72Q1800	PIPE, 3/16" o/d x 22G x 30" LONG APPROX., TEE-PIECE TO PORT CONNec- TOR BLOCK, NOSEWHEEL BAY, GROUP	1	DTD32 1A		QD1/35
	48Q1800	PIPE, 3/16" o/d x 22G x 72" LONG APPROX., TEE-PIECE TO UNION AT FORMER 115.5", NOSEWHEEL BAY, GROUP	1	DTD323A	MR	OG1/36
3208	53Q1800	PIPE, 3/16" o/d x 22G x 96" LONG APPROX., UNION AT FORMERS 115.5", NOSEWHEEL BAY, GROUP	1	DTD323A	C	QD1/37
	66Q1800	PIPE, 3/16" o/d x 22G x 72" LONG APPROX., JETTISON VALVE TO UNION IN LINE TO RELEASE VALVES NOSEWHEEL BAY, GROUP	1	DTD323A	MR	QD1/38
	47Q1800	PIPE, 3/16" o/d x 22G x 102" LONG APPROX., UNION TO JETTISON VALVE NOSEWHEEL BAY, PORT, GROUP	1	DTD323A	MR	QD1/39
	69Q1800	PIPE, 3/16" o/d x 22G x 132" LONG APPROX., UNION TO INNER RELEASE VALVE, NOSEWHEEL BAY, STARBOARD, GROUP	1	OTD32 1A	MR	QD1/40

SERVICES
EMERGENCY AIR SYSTEM

Ref. No.	Part No.	Description	No. off	Matl. Spec.	Cl. of	Plate and Must'n No.
					St.	
		1.2.3.4			MR.	
		EMERGENCY AIR SYSTEM (Q1875, Q1875, Q2079, Q2080) (Cont'd)				
	88Q1889	PIPE, 3/16" o/d x 22G x 48" LONG APPROX., RELEASE VALVE TO UNION IN LINE TO AIR BOTTLE NOSEWHEEL BAY, STARBOARD, GROUP	1	DTD323A	MR	QD1/41
3193	43Q1889	PIPE, 3/16" o/d x 22G x 18" LONG APPROX., UNION TO AIR BOTTLE, NOSEWHEEL BAY, STARBOARD, GROUP	1	DTD323A	C	QD1/42
	54Q1889	PIPE, 3/16" o/d x 22G x 12" LONG APPROX., AIR BOTTLE TO AFT UNION NOSEWHEEL BAY, STARBOARD, GROUP	1	DTD323A		QD1/43
	55Q1889	PIPE, 3/16" o/d x 22G x 18" LONG APPROX., AFT UNION TO TEE-PIECE NOSEWHEEL BAY, STARBOARD, GROUP	1	DTD323A	MR	QD1/44
11943	58Q1889	PIPE, 3/16" o/d x 22G x 8" LONG APPROX., TEE-PIECE TO PORT PRESSURE GAUGE, NOSEWHEEL BAY, GROUP	1	DTD323A	C	QD1/45
	58Q1889	PIPE, 3/16" o/d x 22G x 12" LONG APPROX., TEE-PIECE TO PORT CHARGING VALVE NOSEWHEEL BAY, GROUP	1	DTD323A		QD1/46
	40Q1889	PIPE, 3/16" o/d x 22G x 126" LONG APPROX., TEE-PIECE, STARBOARD TO ADAPTOR, PORT, IN NOSEWHEEL BAY, GROUP	1	DTD323A	MR	QD1/47
	87Q1889	PIPE, 3/16" o/d x 22G x 84" LONG APPROX., ADAPTOR AT NOSEWHEEL BAY TO UNION IN AIR INTAKE, PORT, GROUP	1	DTD323A	MR	QD2/48
1433385	83Q1889	PIPE, 3/16" o/d x 22G x 72" LONG APPROX., UNION TO AFT ADAPTOR IN AIR INTAKE, PORT, GROUP (Mod. 514)	1	DTD323A	C	QD2/49
	30Q1889	PIPE, 3/16" o/d x 22G x 72" LONG APPROX., AFT ADAPTOR IN AIR INTAKE TO UNION IN JET BAY, PORT, GROUP	1	DTD323A	MR	QD2/50
	62Q1889	PIPE, 3/16" o/d x 22G x 72" LONG APPROX., UNION TO UNION IN JET BAY, PORT, GROUP	1	DTD323A	MR	QD2/51
	81Q1889	PIPE, 3/16" o/d x 22G x 19" LONG APPROX., UNION ON JET BAY TO UNION ON FRONT SPAR, PORT, GROUP	1	DTD323A	MR	QD2/52
	78Q1889	PIPE, 3/16" o/d x 22G x 15" LONG APPROX., UNION TO UNION ON FRONT SPAR, PORT, GROUP	1	-	MR	QD2/53

VULCAN No. 1

SERVICES
EMERGENCY AIR SYSTEM

Page QD. 5

Ref. No.	Part No.	Description	No. off	Mater. Spec.	Cl. of Sc.	Plate and Illust'n No.
					M.R.	
		1 2 3 4				
		EMERGENCY AIR SYSTEM (Q1875, Q1878, Q2079, Q2080, Q1879) (Cont'd)				
	28Q1889	PIPE, 3/16" O/D x 22G x 108" LONG APPROX. UNION ON FRONT SPAR TO UNION IN MAIN U/C BAY, PORT, GROUP	1	DTD323A	MR	QD2/54
	14Q1889	PIPE, 3/16" O/D x 22G x 72" LONG APPROX. UNION TO JETTISON VALVE, MAIN U/C BAY, PORT, GROUP (Pre-Mod. 2236)	1	DTD323A	MR	
	88Q1889	PIPE, 3/16" O/D x 22G x 72" LONG APPROX. UNION TO JETTISON VALVE, MAIN U/C BAY, PORT, GROUP (Mod. 2236)	1	DTD5016	MR	QD2/55
	13Q1889	PIPE, 3/16" O/D x 22G x 2-1/2" LONG APPROX. JETTISON VALVE TO TEE-PIECE, MAIN U/C BAY, PORT, GROUP (Pre-Mod. 2236)	1	DTD323A		
1506211	90Q1889	PIPE, 3/16" O/D x 22G x 2-1/2" LONG APPROX. JETTISON VALVE TO TEE-PIECE, MAIN U/C BAY, PORT, GROUP (Mod. 2236)	1	DTD5016		QD2/56
	12Q1889	PIPE, 3/16" O/D x 22G x 18" LONG APPROX. TEE-PIECE TO TEE- PIECE, MAIN U/C BAY, PORT, GROUP (Pre-Mod. 2236)	1	DTD323A		
1506217	98Q1889	PIPE, 3/16" O/D x 22G x 18" LONG APPROX. TEE-PIECE TO TEE- PIECE, MAIN U/C BAY, PORT, GROUP (Mod. 2236)	1	DTD5016		QD2/57
	10Q1889	PIPE, 3/16" O/D x 22G x 80" LONG APPROX. TEE-PIECE TO FORWARD DOOR JACK, MAIN U/C BAY, PORT, GROUP (Pre-Mod. 2236)	1	DTD323A		
	89Q1889	PIPE, 3/16" O/D x 22G x 80" LONG APPROX. TEE-PIECE TO FORWARD DOOR JACK, MAIN U/C BAY, PORT, GROUP (Mod. 2236)	1	DTD5016	MR	QD2/58
3248	11Q1889	PIPE, 3/16" O/D x 22G x 42" LONG APPROX. TEE-PIECE TO AFT DOOR JACK, MAIN U/C BAY, PORT, GROUP (Pre-Mod. 2236)	1	DTD323A	C	

SERVICES
EMERGENCY AIR SYSTEM

Ref. No.	Part No.	Description	No. off	Matl. Spec.	Cl. of	Place and Illust'n No.
					St. M.R.	
		1 2 3 4				
		EMERGENCY AIR SYSTEM (Q1875, Q1878, Q2079, Q2080, Q1879) (Cont'd)				
	91Q1889	PIPE, 3/16" O/D x 22G x 42" LONG APPROX., TEE-PIECE TO AFT DOOR JACK, MAIN U/C BAY, PORT, GROUP (Mod. 2238)	1	DTD5016	MR	QD2/80
	76Q1889	PIPE, 3/16" O/D x 22G x 71" LONG APPROX., TEE-PIECE TO AFT UNION, MAIN U/C BAY, PORT, GROUP (Pre-Mod. 2238)	1	DTD323A		
	92Q1889	PIPE, 3/16" O/D x 22G x 71" LONG APPROX., TEE-PIECE TO AFT UNION, MAIN U/C BAY, PORT, GROUP (Mod. 2238)	1	DTD5016	MR	QD2/80
	75Q1889	PIPE, 3/16" O/D x 22G x 80" LONG APPROX., AFT UNION TO AFT TEE-PIECE, MAIN U/C BAY, PORT, GROUP (Pre-Mod. 2238)	1	DTD323A	MR	
	93Q1889	PIPE, 3/16" x 22G x 80" LONG APPROX., AFT UNION TO AFT TEE-PIECE, MAIN U/C BAY, PORT, GROUP (Mod. 2238)	1	DTD5016	MR	QD2/81
	18Q1889	PIPE, 3/16" x 22G x 86" LONG APPROX., AFT TEE-PIECE TO MAIN U/C JACK, PORT, GROUP (Pre-Mod. 2238)	1	DTD323A	MR	
	86Q1889	PIPE, 3/16" x 22G x 86" LONG APPROX., AFT TEE-PIECE TO MAIN U/C JACK, PORT, GROUP (Mod. 2238)	1	DTD5016	MR	QD2/82
	88Q1889	PIPE, 3/16" x 22G, AFT TEE-PIECE TO ADAPTOR, MAIN U/C BAY, PORT, GROUP (Pre-Mod. 2238)	1	DTD323A	MR	
1505215	94Q1889	PIPE, 3/16" x 22G, AFT TEE-PIECE TO ADAPTOR, MAIN U/C BAY, PORT, GROUP (Mod. 2238)	1	DTD5016		QD2/83
	13SS3666	Sleeve, flanged	2	-	MR	QD1/84

VULCAN No. 2

SERVICES
EMERGENCY AIR SYSTEM

Ref. No.	Part No.	Description	No. off	Matl. Spec.	CL of	Place and Illustr'n No.
					Sc.	
		1 2 3 4			M.R.	
		EMERGENCY AIR SYSTEM (Q1875, Q1876, Q2078, Q2080, Q1879) (Cont'd)				
	7Q1847	STRAP, FOR AIR BOTTLE, GROUP	4	-	MR	QD1/65
	ASS.MK.2	Valve, charging	2	-		QD1/68
27QM/4154228	DOWTY C7037Y	Valve, release, in nose wheel bay	2	-	A	QD2/67
	DUNLOP ACM23256	Valve, pressure relief (Mod. 1804)	2	-	A	QD1/68
28F/9428453	AGS.1186B	Washer, sealing	2	-	C	

SERVICES
EMERGENCY AIR SYSTEM

Ref. No.	Part No.	Description	No. off	Mater. Spec.	Cl. of	Plate and Illust'n No.
					St.	
		1 2 3 4			M.R.	
		CONTROL EMERGENCY AIR (1Z7600)				
		Spares for:—				
2615	1Z7668	BOX, RETURN SPRING, GROUP	1	—	C	QD3/69
		Consisting of:—				
2617	6Z7668	Eye-end	1	S96	C	
	2Z7668	Housing	1	L72		
28M/1006473	A27/CT	Nut, thin, 2 BA	1	—	C	
	3Z7668	Plunger	1	S1		
	6Z7668	Sleeve	1	DTD484		
	4Z7668	Spring	1	—		
	20Z7611	Bracket, cover, at former 35B''	1	DTD721		QD3/70
21711	26Z7600	Collar, cover, return spring	2	—	C	QD3/71
21710	25Z7600	Eyelet, return spring	2	—	C	QD3/72
	7Z7600	FAIRLEAD, FOR TIE-ROD, GROUP	5	—		QD3/73
21706	14Z7600	Fairlead	3	BSS668	C	QD3/74
2618	1SS4091	Fork-end, R.H.	2	—	C	QD3/75
	2SS4178	Fork-end, L.H.	3	—	MR	QD3/76
		GUARD, EMERGENCY AIR CONTROL ROD (1Z9476) (Mod. 382)				
		Spares for:—				
	2Z9476	GUARD, HALF, AFT, GROUP	1	—		QD3/77
	3Z9476	GUARD, HALF, FORWARD, GROUP	1	—		QD3/78
	3Z7600	Lever, bell crank	1	DTD298	MR	QD3/79
		LEVER, SINGLE ARM (Z7667)				
		Spares for:—				
21706	6Z7667	LEVER, GROUP	1	—	B	QD3/80
		Consisting of:—				
4714	1SS4084	Bush	2	—	MR	
	CT51	Bush, 1/2" long	1	Oilite	C	
	6Z7667	Lever	1	DTD364		
	9Z7666	Spigot	1	DTD364		QD3/81
		LEVER, DOUBLE ARM (Z7666)				
		Spares for:—				
280/9140844	A26/6C	Bolt, hex. hd., 2 BA	1	—	C	QD3/82
21703	8Z7666	LEVER, GROUP	—	—	B	QD3/83
		Consisting of:—				
4714	1SS4084	Bush	1	—	MR	
	CT51	Bush, 1/2" long	1	Oilite	C	
	8aZ7666	Lever	—	DTD364		
28M/5808673	A27/CS	Nut, slotted, 2 BA	1	—	C	
28W/9419402	SF13/C	Washer, 2 BA	1	—	C	
21704	10Z7668	Washer, 3/4" dia. x 16G	1	—	C	
	8Z7666	Spigot	1	DTD364		QD3/84

VULCAN No. 2

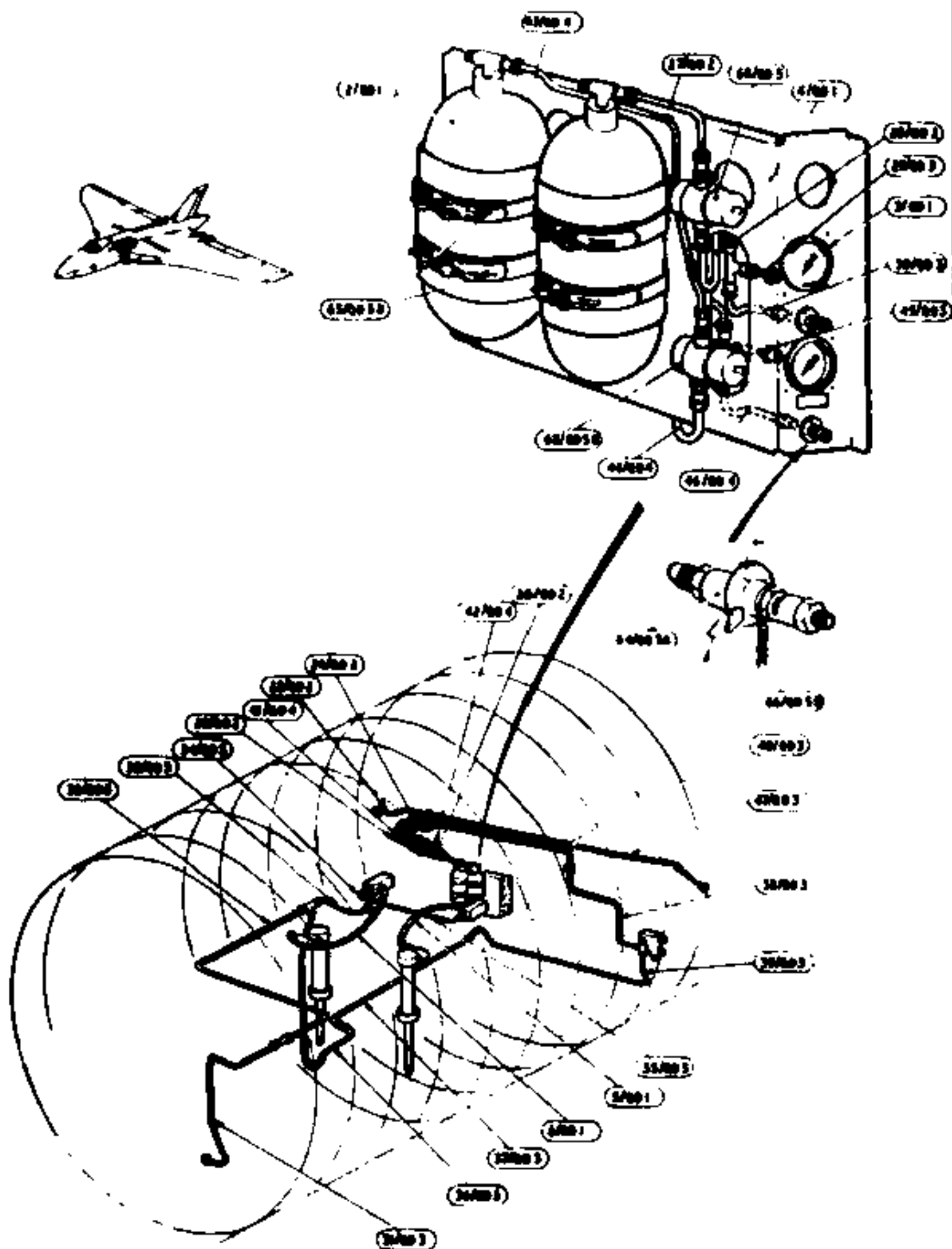
SERVICES
EMERGENCY AIR SYSTEM

Page QD. 7

Ref. No.	Part No.	Description	No. off	Matl. Spec.	Cl. of	Plate and Must'n No.
					St.	
		1 2 3 4				
		CONTROL, EMERGENCY AIR (1Z7600) (Cont'd)				
21705	6Z7667	LEVER, SINGLE ARM (19Z7600) (Replaces Z7667 when reverse sense aileron control is fitted) Spares for:— LEVER, GROUP	1	—	B	
4714	1SS4084 CT51 6aZ7667	Consisting of:— Bush	2	—	MR	
		Bush, 1/2" long	1	Oilite	C	
		Lever	1	DTD364		
	9Z7666	Spigot	1	DTD364		
		LEVER, DOUBLE ARM (20Z7600)				
		(Replaces Z7666 when reverse sense aileron control is fitted) Spares for:— LEVER, GROUP	1	—	B	
21703	8Z7666	Consisting of:— Bush	1	—	MR	
4714	1SS4084 CT51 8aZ7667	Bush, 1/2" long	1	Oilite	C	
		Lever	1	DTD364		
	9Z7668	Spigot	1	—		
13849	23Z7600 GACO MISO10 15D8481 15K13543	Pin, for return springs	2	S1	C	QD3/85
		Seal, at rear pressure bulkhead	1	—		QD3/86
		Sleeve, for seal	1	—	MR	QD3/87
		Spring, coil, 18 SWG	2	Spring Steel	MR	QD3/88
21701	10Z7600	ROD, CONTROL, GROUP	1	—	B	QD3/89
	13Z7600	ROD, CONTROL, GROUP	1	—		QD3/90
28M/1007404	A27/JT	Spares for:— Nut, locking, eye-end, 3/8" BSF	1	—	C	QD3/91
	25.0.3508	ROD-END, ADJUSTABLE, GROUP	1	—	MR	QD3/92
28R/4665592	R & M LTD. CM 3/16" B	Spares for:— Bearing, eye-end	1	—	A	
2512	4Z7600	Rod, tie, 3/16" dia., 26" long	1	DTD364	C	QD3/93
2513	17Z7600	Rod, tie, 3/16" dia., 123.5" long	1	DTD364	C	QD3/94
2514	18Z7600 DOWTY	Rod, tie, 3/16" dia., 104.8" long	1	DTD364	C	QD3/95
27QM/4164228 21709	C7307Y 24Z7600	Valve, emergency	1	—	A	QD3/96
		Washer, for return springs	4	S84	C	QD3/97

RESTRICTED

PLATE No. QD.1
ISSUE 2

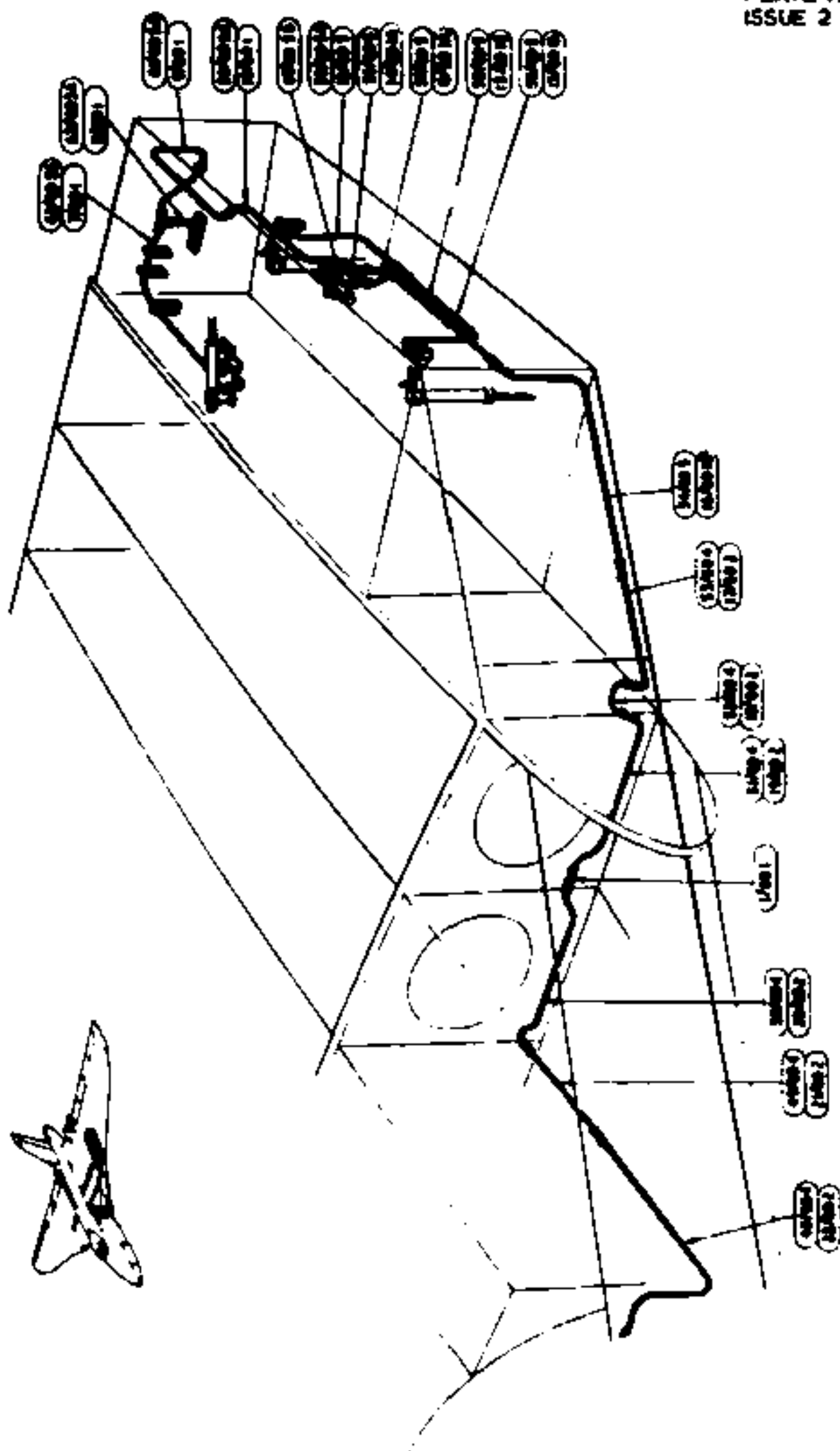


EMERGENCY AIR SYSTEM
NOSE WHEEL U/C BAY

RESTRICTED

RESTRICTED

PLATE No. O.D.2
ISSUE 2



EMERGENCY AIR SYSTEM
MAIN WHEEL BAY PORT AND STBD.

RESTRICTED

SERVICES
FIRE PROTECTION SYSTEM
EXPLOSION SUPPRESSION INSTALLATION

Ref. No.	Part No.	Description 1 2 3 4	No. off	Matl. Spec.	Cl. of St.	Place and Illust'n No.
					M.R.	
		EXPLOSION SUPPRESSION IN- STALLATION (Z915) (Pre-Mod. 1744) Spares for :—				
		EXPLOSION SUPPRESSION IN- STALLATION, No. 1 TANK, PORT AND STARBOARD, CENTRE PORTION (1 & 22871) (Pre-Mod. 1744) Spares for :—				
	1828791	BRACKET, IDENTIFICATION, GRP. Spares for :—	1	—		
	24554005	Label	1	L59		
	129555	COLUMN, SUPPRESSOR, FORWARD, PORT, GROUP (Pre-Mod. 1744)	1	—		
	229555	COLUMN, SUPPRESSOR, FORWARD, STARBOARD, GROUP (Pre-Mod. 1744) Spares for :—	1	—		
	329555	Bolt, column	27	—		
27N/199	GRAVINER E587	Block, terminal	1	—	C	
	SMITH WAYMOUTH LIG/27	Cable, co-axial	1	—		
6A/5723	SMITH WAYMOUTH LIG/33	Cable, co-axial (alternative to LIG/27)	1	—	B	
27N/184	GRAVINER E228	Conductor, for dummy suppressor ...	3	—	C	
12G/1430	—	Detonator, electric, 116 Mk. 1 ...	6	—	C	
27N/203	GRAVINER E273	Dome, adjustable	1	—	C	
27N/186	E336	Piece, packing	5	—	C	
27N/185	E270	Plate, pivot	2	—	C	
27N/182	E186	Plate, deflector	1	—	C	
27N/180	E155	Plate, shorting	1	—	C	
	E203	Spider, flexible	2	—	C	
27N/181	E165	Suppressor, dummy	3	—	A	
27N/1027545	E121	Suppressor	6	—	A	
	129556	COLUMN, SUPPRESSOR, REAR, PORT, GROUP (Pre-Mod. 1744)	1	—		
	229556	COLUMN, SUPPRESSOR, REAR, STARBOARD, GROUP (Pre-Mod. 1744) Spares for :—	1	—		
27N/199	GRAVINER E587	Block, terminal	1	—	C	
	329555	Bolt, column	18	—		
	SMITH WAYMOUTH LIG/60	Cable, co-axial	1	—		
27N/184	GRAVINER E228	Conductor, for dummy Suppressor ..	3	—	C	

SERVICES
FIRE PROTECTION SYSTEM
EXPLOSION SUPPRESSION INSTALLATION

Ref No.	Part No.	Description	No. off	Matl. Spec.	Cl. of St.	Plate and Illust'n No.
					M.R.	
		<u>1 2 3 4</u>				
		COLUMN, SUPPRESSOR, REAR, PORT AND STARBOARD (1 & 229558) (Pre-Mod. 1744)				
12G/1430	—	Detonator, electric 115 Mk. 1	4	—		
27N/203	GRAVINER E273	Dome, adjustable	1	—	C	
27N/186	GRAVINER E336	Piece, packing	3	—	C	
27N/186	GRAVINER E270	Plate, pivot	2	—	C	
27K/182	GRAVINER E186	Plate, deflector	1	—	C	
27N/180	GRAVINER E155	Plate, shorting	1	—	C	
27N/197	GRAVINER E413	Spacer	1	—	C	
	GRAVINER E203	Spider, flexible	2			
27N/181	GRAVINER E186	Suppressor, dummy	3	—	A	
27N/1027645	GRAVINER E121	Suppressor	4	—	A	
	129558	DETECTOR AND PLATE, GROUP (Pre-Mod. 1744) Spares for:—	1	—		
6A/5372	SMITH WAYMOUTH ZE20082	Connector, L.F. 16	1	—	B	
27N/206	GRAVINER E188	Detector	1	—	A	
	2128791	ELBOW, GROUP	1	—		
27N/1027837	GRAVINER E181	Gasket	2	—	C	
	2028791	HOLDER, TEST LAMP, GROUP Spares for:—	1	—		
27N/167	GRAVINER E181	Holder	1	—	B	
	20a28791	Rod, screwed 1/4" dia. x 1" long	1	BSS249		
	GRAVINER EE751	Holder, test lamp (alternative to 2028791)	1	—		
27N/178	GRAVINER E178	Lead, earth	1	—	C	
27N/4526494	GRAVINER E332	Ring, stud	1	—	C	
27N/4526493	GRAVINER E521	Washer, tab	1	—	C	
	FIREPROOF TANKS LTD. FT/3545S/47	Washer, sealing, detector	1	—		

SERVICES
FIRE PROTECTION SYSTEM
EXPLOSION SUPPRESSION INSTALLATION

Ref. No.	Part No.	Description 1 2 3 4	No. off	Matl. Spec.	Cl. of	Plate and Illust'n No.
					St. M.R.	
		EXPLOSION SUPPRESSION INSTALLATION NO. 2 TANK, PORT AND STARBOARD, IN CENTRE PORTION (1-2Z9719) (Pre-Mod. 1744)				
	18Z8791	Spares for :— BRACKET, IDENTIFICATION, GRP.	1	—		
	24556005	Spares for :— Label	1	LS9		
	1Z9557	COLUMN, SUPPRESSOR, FORWARD, PORT, GROUP	1	—		
	2Z9557	COLUMN, SUPPRESSOR, FORWARD, STARBOARD, GROUP	1	—		
	3Z9555	Spares for :— Bolt, column	45	—		
27N 199	GRAVINER E587	Block, terminal	1	—	C	
6A/5724	SMITH WAYMOUTH LJG/36	Cable, co-axial	1	—	B	
27N 184	GRAVINER E228	Conductor, for dummy suppressor	7	—	C	
12G 1430	—	Detonator, (Elec 116 Mk. 1)	9	—	C	
27N 186	GRAVINER E336	Packing	2	—	C	
27N 185	GRAVINER E270	Plate, pivot	2	—	C	
27N 182	GRAVINER E186	Plate, deflector	1	—	C	
27N 180	GRAVINER E155	Plate, shorting	1	—	C	
	GRAVINER E203	Spider, flexible	2	—		
27N 1027648	GRAVINER E121	Suppressor	1	—	A	
27N 181	GRAVINER 165	Suppressor, dummy	7	—	A	
	1Z9718	COLUMN, SUPPRESSOR, REAR PORT, GROUP (Pre-Mod. 1744)	1	—		
	2Z9718	COLUMN, SUPPRESSOR, REAR STARBOARD, GROUP (Pre-Mod. 1744)	1	—		
	3Z9555	Spares for :— Bolt, column	42	—		
27N 199	GRAVINER E587	Block, terminal	1	—	C	
6A/5387	SMITH WAYMOUTH LJG/54	Cable, co-axial	1	—	B	
27N 184	GRAVINER E228	Conductor, dummy suppressor	6	—	C	
12G 1430	—	Detonator, electric 116 Mk. 1	9	—	C	

SERVICES
FIRE PROTECTION SYSTEM
EXPLOSION SUPPRESSION INSTALLATION

Ref. No.	Part No.	Description				No. off	Matl. Spec.	Cl. of St.	Plate and Illust'n No.
		1	2	3	4			M.R.	
		COLUMN, SUPPRESSOR, REAR, PORT AND STARBOARD (1 & 2Z9718) (Cont'd)							
27N/185	GRAVINER E270	Plate, pivot	2	—	C	
27N/182	GRAVINER E186	Plate, deflector	1	—	C	
27N/180	GRAVINER E155	Plate, shorting	1	—	C	
	GRAVINER E203	Spider, flexible	2	—		
27N/182748	GRAVINER E121	Suppressor	3	—	A	
27N/181	GRAVINER E165	Suppressor, dummy	2	—	A	

VULCAN No. 2

SERVICES

Page QE. 5

**FIRE PROTECTION SYSTEM
EXPLOSION SUPPRESSION INSTALLATION**

Ref. No.	Part No.	Description 1 2 3 4	No. off	Matl. Spec.	Cl. of	Plate and Illust'n No.
					Sc. M.R.	
		EXPLOSION SUPPRESSION INSTAL- LATION NO. 2 TANK, PORT AND STARBOARD, IN CENTRE PORTION (1-229719) (Pre-Mod. 1744)				
	1Z9657	DETECTOR AND PLATE, PORT, GRP.	1	—		
	2Z9657	DETECTOR AND PLATE, STBD., GRP.	1	—		
		Spares for :—				
	3Z9657	Bracket	1	L72		
27N:205	GRAVINER E188	Detector	1	—	A	
27N:176	GRAVINER E302	Fuse	1	—	C	
27N:1027837	GRAVINER E161	Gasket	2	—	C	
	GRAVINER E164	Packing, fuselage	1	—		
27N 4528494	GRAVINER E332	Ring, stud	1	—	C	
	1Z9658	LAMP TEST & CONNECTOR, PORT, GROUP (Pre-Mod. 1744)	1	—		
	2Z9658	LAMP TEST & CONNECTOR, STAR- BOARD, GROUP (Pre-Mod. 1744)	1	—		
		Spares for :—				
6A 5372	SMITH WAYMOUTH ZE20062	Connector, LF16	1	—	B	
	21Z8791	ELBOW, RIGHT ANGLE, UNI- RADIO, GROUP	1	—		
	20Z8791	HOLDER, TEST LAMP, GROUP .. Spares for :—	1	—		
27N 167	GRAVINER E181	Holder	1	—	B	
	20Z8791	Rod, screwed, $\frac{1}{4}$ " dia. x 1" long	1	BSS248		
	GRAVINER EE751	Holder, test lamp (alternative to 20Z8791)	1	—		
	GRAVINER E742	Lead, earth	1	—		
27N 4528493	GRAVINER E521	Washer, tab	1	—	C	
	3Z9719	Seal, rubber, nitrile moulding	1	DTD5504		
	4Z9719	Seal, rubber, nitrile moulding	1	DTD5504		

SERVICES
FIRE PROTECTION SYSTEM
EXPLOSION SUPPRESSION INSTALLATION

Ref. No.	Part No.	Description 1 2 3 4	No. off	Mater. Spec.	Cl. of	Plate and Illust'n No.
					St. M.R.	
		EXPLOSION SUPPRESSION INSTALLATION TANK NO. 3 PORT & STBD., IN MAINPLANE (1 & 228793) (Pre-Mod. 1744)				
	18Z8791	Spares for :— BRACKET, IDENTIFICATION, GRP.	1	—		
	24556005	Spares for :— Label	1	L59		
	1Z9561	COLUMN, SUPPRESSOR, "A" OUTBOARD, PORT, GROUP	1	—		
	2Z9561	COLUMN, SUPPRESSOR, "A" OUTBOARD, STARBOARD, GROUP	1	—		
	3Z9555	Spares for :— Bolt, column	12	—		
27N/199	GRAVINER E587	Block, terminal	1	—	C	
6A/5387	SMITH WAYMOUTH LIG/54	Cable, co-axial	1	—	B	
27N/184	GRAVINER E228	Conductor, dummy suppressor	2	—	C	
12G/1430	—	Detonator, electric 116, Mk. 1	3	—	C	
27N/186	GRAVINER E336	Packing	2	—	C	
27N/185	GRAVINER E270	Plate, pivot	2	—	C	
27N/182	GRAVINER E186	Plate, deflector	1	—	C	
27N/180	GRAVINER E155	Plate, shorting	1	—	C	
27N/4828513	GRAVINER E410	Spacer	1	—	C	
	GRAVINER E203	Spider, flexible	2	—		
27N/1027546	GRAVINER E121	Suppressor	3	—	A	
27N/181	GRAVINER E165	Suppressor, dummy	2	—	A	
	1Z9560	COLUMN, SUPPRESSOR "B", CENTRE PORT, GROUP (Pre-Mod. 1744)	1	—		
	2Z9560	COLUMN, SUPPRESSOR "B", CENTRE STARBOARD, GROUP (Pre-Mod. 1744)	1	—		
	3Z9555	Spares for :— Bolt, column	15	—		
27N/199	GRAVINER E587	Block, terminal	1	—	C	
	SMITH WAYMOUTH LIG/72	Cable, co-axial	1	—	C	
27N/184	GRAVINER E228	Conductor, dummy suppressor	2	—	C	
12G/1430	—	Detonator, electric 116, Mk. 1	4	—	C	
27N/186	GRAVINER E336	Packing	2	—	C	
27N/185	GRAVINER E270	Plate, pivot	2	—	C	

SERVICES
FIRE PROTECTION SYSTEM
EXPLOSION SUPPRESSION INSTALLATION

Ref. No.	Part No.	Description	No. off	Matl. Spec.	Cl. of	Place and Illustr'n No.
					St. M.R.	
		1 2 3 4				
		COLUMN, SUPPRESSOR "B", CENTRE, PORT AND STARBOARD (1 & 2Z9560) (Pre-Mod. 1744) (Cont'd)				
27N/182	GRAVINER E186	Plate, deflector	1	—	C	
27N/180	GRAVINER E155	Plate, shorting	1	—	C	
	GRAVINER E407	Spacer	1	—		
	GRAVINER E203	Spider, flexible	2	—		
27N. 1027545	GRAVINER E121	Suppressor	4	—	A	
	GRAVINER E165	Suppressor, dummy	2	—	A	
	1Z9559	COLUMN, SUPPRESSOR "C", IN- BOARD, PORT, GROUP (Pre-Mod. 1744)	1	—		
	2Z9559	COLUMN, SUPPRESSOR "C", IN- BOARD, STARBOARD, GROUP (Pre- Mod. 1744)	1	—		
		Spares for :—				
	3Z9555	Bolt, column	15	—		
27N/199	GRAVINER E587	Block, terminal	1	—	C	
	SMITH WAYMOUTH LIG/72	Cable, co-axial	1	—		
27N. 184 12G/1430	GRAVINER E72B	Conductor, dummy suppressor	2	—	C	
		Detonator, electric 116, Mk. 1	4	—		
27N. 186	GRAVINER E336	Packing	1	—	C	
27N/185	GRAVINER E270	Plate, pivot	2	—	C	
27N/182	GRAVINER E186	Plate, deflector	1	—	C	
27N/180	GRAVINER E155	Plate, shorting	1	—	C	
	GRAVINER E412	Spacer	1	—		
	GRAVINER E203	Spider, flexible	2	—		
27N: 1027545	GRAVINER E121	Suppressor	4	—	A	
27N/181	GRAVINER E165	Suppressor, dummy	2	—	A	
	1Z9743	DETECTOR, AND TEST LAMP, PORT, GROUP (Pre-Mod. 1744)	1	—		
	1Z9744	DETECTOR, AND TEST LAMP, STAR- BOARD, GROUP (Pre-Mod. 1744)	1	—		
		Spares for :—				
6A: 5372	SMITH WAYMOUTH ZE20062	Connector, LF16	1	—	B	
27N/205	GRAVINER E188	Detector	1	—	A	

SERVICES
FIRE PROTECTION SYSTEM
EXPLOSION SUPPRESSION INSTALLATION

Ref. No.	Part No.	Description 1 2 3 4	No. off	Matl. Spec.	Cl. of St.	Plate and Illust'n No.
					M.R.	
		DETECTOR, AND TEST LAMP, PORT AND STARBOARD (129743 & 129744) (Pre-Mod. 1744) (Cont'd)				
27N/1027837	21Z8791 GRAVINER E161	ELBOW, GROUP	1	—		
		Gasket	2	—	C	
27N/167	20Z8791 GRAVINER E181	HOLDER, TEST LAMP, GROUP Spares for :—	1	—		
		Holder	1	—	B	
	20Z8791 GRAVINER E751	Rod, screwed, 1/2" dia. x 1" long	1	BSS249		
27N/178	GRAVINER E178	Holder, test lamp (alternative to 20Z8791)	1	—		
27N/4826484	GRAVINER E332	Lead, earth	1	—	C	
27N/4826483	GRAVINER E521	Ring, stud	1	—	C	
	FIREPROOF TANKS LTD. FT/B/8575	Washer, tab	1	—	C	
		Washer, sealing, .06" thick	1	—		
		EXPLOSION SUPPRESSION IN- STALLATION, TANK No. 4, PORT AND STARBOARD, IN MAINPLANE (1 & 2Z8793) (Pre-Mod. 1744)				
	18Z8791	Spares for :— BRACKET, IDENTIFICATION, GRP.	1	—		
	24S56005	Spares for :— Label	1	LS9		
	1Z9562	COLUMN, SUPPRESSOR "A", OUT- BOARD, PORT, GROUP (Pre-Mod. 1744)	1	—		
	2Z9562	COLUMN, SUPPRESSOR "A", OUT- BOARD, STARBOARD, GROUP (Pre- Mod. 1744)	1	—		
27N/199	3Z9555 GRAVINER E587	Spares for :— Bolt, column	12	—		
4A/5387	SMITH WAYMOUTH LIG/54	Block, terminal	1	—	C	
27N/184 12G/1430	GRAVINER E228	Cable, co-axial	1	—	B	
27N/186	GRAVINER E336	Conductor, dummy suppressor	2	—	C	
27N/185	GRAVINER E270	Detonator, electric 116, Mk. 1	3	—	C	
27N/182	GRAVINER E186	Packing	2	—	C	
27N/180	GRAVINER E155	Plate, pivot	2	—	C	
		Plate, deflector	1	—	C	
		Plate, shorting	1	—	C	

SERVICES

**FIRE PROTECTION SYSTEM
EXPLOSION SUPPRESSION INSTALLATION**

Ref. No.	Part No.	Description	No. off	Matl. Spec.	Cl. of	Place and (Illust'n No.
					St. M.R.	
		1 2 3 4				
		COLUMN, SUPPRESSOR "A", OUT-BOARD, PORT AND STARBOARD (1 & 2Z9562) (Pre-Mod. 1744) (Cont'd)				
27N/196	GRAVINER E411	Spacer	2	—	C	
	GRAVINER E203	Spider, flexible	2	—		
27N 1027546	GRAVINER E121	Suppressor	3	—	A	
27N 181	GRAVINER E165	Suppressor, dummy	2	—	A	
	1Z9563	COLUMN, SUPPRESSOR "B", CENTRE, PORT, GROUP (Pre-Mod. 1744)	1	—		
	2Z9563	COLUMN, SUPPRESSOR "B", CENTRE, STARBOARD, GROUP (Pre-Mod. 1744)	1	—		
		Spares for :—				
	3Z9555	Bolt, column	15	—		
27N 199	GRAVINER E587	Block, terminal	1	—	C	
	SMITH WAYMOUTH LIG/72	Cable, co-axial	1	—		
27N 184	GRAVINER E288	Conductor, dummy suppressor	2	—	C	
12G 1430	—	Detonator, electric 116, Mk. 1	4	—		
27N 186	GRAVINER E336	Packing	2	—	C	
27N 185	GRAVINER E270	Plate, pivot	2	—	C	
27N 182	GRAVINER E186	Plate, deflector	1	—	C	
27N 180	GRAVINER E155	Plate, shorting	1	—	C	
27N 4528613	GRAVINER E410	Spacer	1	—	C	
	GRAVINER E203	Spider, flexible	2	—		
27N 1027545	GRAVINER E121	Suppressor	4	—	A	
27N 181	GRAVINER E165	Suppressor, dummy	2	—	A	
	1Z9564	COLUMN, SUPPRESSOR "C", IN-BOARD, PORT, GROUP (Pre-Mod. 1744)	1	—		
	2Z9564	COLUMN, SUPPRESSOR "C", IN-BOARD, STARBOARD, GROUP (Pre-Mod. 1744)	1	—		
		Spares for :—				
	3Z9555	Bolt, column	15	—		
27N 199	GRAVINER E587	Block, terminal	1	—	C	
	SMITH WAYMOUTH LIG/36	Cable, co-axial	1	—	B	
6A/57M	GRAVINER E728	Conductor, dummy suppressor	2	—	C	
27N 184						

SERVICES
FIRE PROTECTION SYSTEM
EXPLOSION SUPPRESSION INSTALLATION

Ref. No.	Part No.	Description	No. off	Matl. Spec.	Cl. of St.	Plate and Illust'n No.
					M.R.	
		↑ 2 3 4				
		COLUMN, SUPPRESSOR "C", IN-BOARD, PORT AND STARBOARD (1 & 2Z9544) (Pre-Mod. 1744) (Cont'd)				
126/1400	—	Detonator, electric, 116 Mk. 1	4	—		
27N/186	GRAVINER E336	Packing	2	—	C	
27N/188	GRAVINER E270	Plate, pivot	2	—	C	
27N/182	GRAVINER E186	Plate, deflector	1	—	C	
27N/180	GRAVINER E155	Plate, shorting	1	—	C	
27N/4628613	GRAVINER E410	Spacer	1	—		
	GRAVINER E203	Spider, flexible	2	—		
27N/1027845	GRAVINER E121	Suppressor	4	—	A	
27N/181	GRAVINER E165	Suppressor, dummy	2	—	A	
	129745	DETECTOR, AND TEST LAMP, PORT, GROUP (Pre-Mod. 1744)	1	—		
	129746	DETECTOR, AND TEST LAMP, STARBOARD, GROUP (Pre-Mod. 1744)	1	—		
	SMITH WAYMOUTH ZE20062	Spares for :—				
6A/5372	GRAVINER E188	Connector, LF 16	1	—	B	
27N/205	21Z8791	Detector	1	—	A	
	GRAVINER E161	ELBOW, GROUP	1	—		
27N/1027837	20Z8791	Gasket	2	—	C	
	GRAVINER E181	HOLDER, TEST LAMP, GROUP	1	—		
27N/167	20Z8791	Spares for :—				
	GRAVINER EE751	Holder	1	—	B	
	GRAVINER E178	Rod, screwed, ½" dia. × 1" long	1	BSS249		
27N/178	GRAVINER E332	Holder, test lamp (alternative to 20Z8791)	1	—		
27N/4626494	GRAVINER E521	Lead, earth	1	—	C	
27N/4626493	FIREPROOF TANKS LTD. FT/B/8575	Ring, stud	1	—	C	
		Washer, tab	1	—	C	
		Gasket	1	—		

SERVICES

**FIRE PROTECTION SYSTEM
EXPLOSION SUPPRESSION INSTALLATION**

Ref. No.	Part No.	Description 1 2 3 4	No. off	Matl. Spec.	Cl. of	Plate and Illust'n No.
					St. M.R.	
		EXPLOSION SUPPRESSION IN- STALLATION, TANK No. 5, PORT AND STARBOARD, IN MAINPLANE (S & 62875) (Pre-Mod. 1744)				
		Spares for :—				
	11554353	Bolt, 120° csk.	2	—		
	18Z8791	BRACKET, IDENTIFICATION, GRP.	1	—		
		Spares for :—				
	24556005	Label	1	L59		
	1Z9565	COLUMN, SUPPRESSOR "A", AFT OUTBOARD, PORT, GROUP (Pre- Mod. 1744)	1	—		
	2Z9565	COLUMN, SUPPRESSOR "A", AFT, OUTBOARD, STARBOARD, GROUP (Pre-Mod. 1744)	1	—		
		Spares for :—				
	3Z9555	Bolt, column	6	—		
27N:199	GRAVINER E587	Block, terminal	1	—	C	
	SMITH WAYMOUTH LIG/72	Cable, co-axial	1	—		
27N:184 12G/1430	GRAVINER E228	Conductor, dummy suppressor ...	1	—	C	
	—	Detonator, electric, 116 Mk. 1 ...	2	—	C	
27N:186	GRAVINER E336	Packing	2	—	C	
27N:185	E270	Plate, pivot ...	2	—	C	
27N:182	E186	Plate, deflector ...	1	—	C	
27N:180	E155	Plate, shorting ...	1	—	C	
	E203	Spider, flexible ...	2	—	C	
27N:1027545	E121	Suppressor ...	2	—	A	
27N:181	E165	Suppressor, dummy ...	1	—	A	
	1Z9566	COLUMN, SUPPRESSOR, "B" FOR- WARD OUTBOARD, PORT, GROUP	1	—		
	2Z9566	COLUMN, SUPPRESSOR, "B" FOR- WARD OUTBOARD, STBD., GROUP (Pre-Mod. 1744)	1	—		
		Spares for :—				
	3Z9555	Bolt, column	6	—		
27N:199	GRAVINER E587	Block, terminal	1	—	C	
	SMITH WAYMOUTH LIG/54	Cable, co-axial	1	—	B	
27N:184 12G/1430	GRAVINER E228	Conductor, dummy suppressor ...	1	—	C	
	—	Detonator, electric 116 Mk. 1 ...	2	—	C	
27N:186	GRAVINER E336	Packing	2	—	C	
27N:185	GRAVINER E270	Plate, pivot ...	1	—	C	

SERVICES
FIRE PROTECTION SYSTEM
EXPLOSION SUPPRESSION INSTALLATION

Ref. No.	Part No.	Description 1 2 3 4	No. off	Matl. Spec.	Cl. of	Plate and Illust'n No.
					St. M.R.	
		COLUMN, SUPPRESSOR "B" FORWARD, OUTBOARD, PORT & STARBOARD (1 & 2Z9546) (Pre-Mod. 1744) (Cont'd.)				
27N/182	GRAVINER E186	Plate, deflector	1	—	C	
27N/180	GRAVINER E155	Plate, shorting	1	—	C	
	GRAVINER E203	Spider, flexible	2	—		
	GRAVINER E407	Spacer	2	—		
27N:1027545	GRAVINER E121	Suppressor	2	—	A	
27N:181	GRAVINER E165	Suppressor, dummy	1	—	A	
	1Z9567	COLUMN, SUPPRESSOR, "C" AFT, INBOARD, PORT GROUP (Pre-Mod. 1744)	1	—		
	2Z9567	COLUMN, SUPPRESSOR, "C" AFT, INBOARD, STARBOARD, GROUP (Pre-Mod. 1744)	1	—		
		Spare for :—				
	3Z9555	Bolt, column	9	—		
27N/199	GRAVINER E587	Block, terminal	1	—	C	
4A:5724	SMITH WAYMOUTH LIG/36	Cable, co-axial	1	—	B	
27N/184	GRAVINER E228	Conductor, dummy suppressor	2	—	C	
12G/1430	—	Detonator, electric 116 Mk. 1	2	—	C	
27N/186	GRAVINER E336	Packin	1	—	C	
27N/185	GRAVINER E270	Plate, pivot	2	—	C	
27N/182	GRAVINER E186	Plate, deflector	1	—	C	
27N/180	GRAVINER E155	Plate, shorting	1	—	C	
	GRAVINER E203	Spider, flexible	2	—		
27N/191	GRAVINER E405	Spacer	1	—	C	
27N:1027545	GRAVINER E121	Suppressor	2	—	A	
27N:181	GRAVINER E165	Suppressor, dummy	2	—	A	

SERVICES

FIRE PROTECTION SYSTEM
EXPLOSION SUPPRESSION INSTALLATION

Ref. No.	Part No.	Description	No. off	Mach. Spec.	Cl. of	Plate and Illustr'n No.
					St.	
		1 2 3 4			M.R.	
		EXPLOSION SUPPRESSION INSTALLATION TANK NO. 5 PORT & STARBOARD IN MAINPLANE (5 & 6Z8795) (Pre-Mod. 1744) (Cont'd)				
	1Z9568	COLUMN, SUPPRESSOR "D" FORWARD, INBOARD, PORT, GROUP	1	—		
	2Z9568	COLUMN, SUPPRESSOR "D" FORWARD, INBOARD, STBD., GROUP (Pre-Mod. 1744)	1	—		
		Spares for :—				
27N/199	3Z9555 GRAVINER E587	Bolt, column	9	—		
	SMITH WAYMOUTH LIG/72	Block, terminal	4	—	C	
27N/184 12G/1430	GRAVINER E228	Cable, co-axial	1	—		
27N/186	—	Conductor, dummy suppressor	2	—	C	
27N/185	GRAVINER E336	Detonator, electric 116 Mk. 1	2	—	C	
27N/185	GRAVINER E270	Packing	2	—	C	
27N/182	GRAVINER E186	Plate, pivot	2	—	C	
27N/180	GRAVINER E155	Plate, deflector	1	—	C	
27N/196	GRAVINER E411	Plate, shorting	1	—	C	
	GRAVINER E203	Spacer	1	—	C	
27N 1027545	GRAVINER E121	Spider, flexible	2	—		
27N 181	GRAVINER E165	Suppressor	2	—	A	
		Suppressor, dummy	2	—	A	
	1Z9659	DETECTOR & PLATE, PORT, GROUP	1	—		
	1Z9660	DETECTOR & PLATE, STBD., GROUP (Pre-Mod. 1744)	1	—		
		Spares for :—				
27N/205	SMITH WAYMOUTH ZE20062 GRAVINER E188	Connector, LF 16	1	—		
	21Z8791	Detector	2	—	A	
27N 1027837	GRAVINER E161	ELBOW, GROUP	1	—		
27N 178	GRAVINER E178	Gasket	4	—	C	
T729	20Z8791	Lead, earth	1	—		
27N/167	GRAVINER E181 20Z8791	HOLDER, TEST LAMP, GROUP	1	—	B	
		Spares for :—				
		Holder	1	—	B	
		Rod, screwed, $\frac{1}{2}$ " dia. - 1" long	1	BS5249		

SERVICES
FIRE PROTECTION SYSTEM
EXPLOSION SUPPRESSION INSTALLATION

Ref. No.	Part No.	Description 1 2 3 4	No. off	Mater. Spec.	Cl. of St.	Place and Illust'n No.
					M.R.	
		DETECTOR & PLATE, PORT & STARBOARD (1Z9659 & 1Z9668) (Pre-Mod. 1744) (Cont'd)				
	GRAVINER E6751	Holder, test lamp (alternative to 20Z8791)	1	—		
27N/4528494	GRAVINER E332	Ring, stud	2	—	C	
27N/4528493	GRAVINER E521	Washer, tab	2	—	C	
	1Z9655	FUSEHOLDER, GROUP	1	—		
27N/4828601	GRAVINER E304	Fuse	1	—	C	
	2Z28791	Packing, laminated	1	BS2572/F3		
	FIREPROOF TANKS LTD. FT/35455/53	Washer, sealing	1	—		
		EXPLOSION SUPPRESSION INSTALLATION TANK, NO. 6, PORT & STARBOARD IN MAINPLANE (1 & 2Z28796) (Pre-Mod. 1744)				
	18Z8791	Spares for :— BRACKET, IDENTIFICATION, GROUP	1	—		
	24SS6005	Spares for :— Label	1	LS9		
	1Z9569	COLUMN, SUPPRESSOR "A" AFT. OUTBOARD, PORT, GROUP (Pre-Mod. 1744)	1	—		
	2Z9569	COLUMN, SUPPRESSOR "A" AFT. OUTBOARD, STARBOARD, GROUP	1	—		
	3Z9555	Spares for :— Bolt, column	9	—		
27N/199	GRAVINER E587	Block, terminal	1	—	C	
	SMITH WAYMOUTH LIG/72	Cable, co-axial	1	—		
27N/184	GRAVINER E228	Conductor, dummy suppressor	2	—	C	
12G/1430	—	Detonator, electric 116 Mk. 1	2	—		
27N/186	GRAVINER E336	Packing	2	—	C	
27N/185	GRAVINER E270	Plate, pivot	2	—	C	
27N/182	GRAVINER E186	Plate, deflector	1	—	C	
27N/180	GRAVINER E155	Plate, shoring	1	—	C	
27N/191	GRAVINER E405	Spacer	1	—	C	
	GRAVINER E203	Spider, flexible	2	—		
27N/1027545	GRAVINER E121	Suppressor	2	—	A	
27N/181	GRAVINER E165	Suppressor, dummy	2	—	A	

SERVICES
FIRE PROTECTION SYSTEM
EXPLOSION SUPPRESSION INSTALLATION

Ref. No.	Part No.	Description 1 2 3 4	No. off	Matl. Spec.	Cl. of St.	Place and Illust'n No.
					M.R.	
		EXPLOSION SUPPRESSION INSTALLATION TANK NO. 4, PORT & STARBOARD IN MAINPLANE (1 & 2Z8796) (Pre-Mod. 1744) (Cont'd)				
	1Z9570	COLUMN, SUPPRESSOR "B" FORWARD OUTBOARD, PORT, GROUP (Pre-Mod. 1744)	1	—		
	2Z9570	COLUMN, SUPPRESSOR "B" FORWARD OUTBOARD, STBD., GROUP (Pre-Mod. 1744)	1	—		
	1Z9571	COLUMN, SUPPRESSOR "C" AFT INBOARD, PORT, GROUP (Pre-Mod. 1744)	1	—		
	2Z9571	COLUMN, SUPPRESSOR "C" AFT INBOARD, STARBOARD, GROUP (Pre-Mod. 1744)	1	—		
	1Z9572	COLUMN, SUPPRESSOR "D" FORWARD INBOARD, PORT, GROUP (Pre-Mod. 1744)	1	—		
	2Z9572	COLUMN, SUPPRESSOR "D" FORWARD, INBOARD, STBD., GROUP (Pre-Mod. 1744)	1	—		
		Spares for:—				
	3Z9555	Bolt, column (Suppressor "D")	15	—		
	GRAVINER E587	(Suppressor "B" & "C")	12	—		
27N 199		Block, terminal	1	—		C
6A 5385	LJG 42	Cable, co-axial (Suppressor "B")	1	—		B
6A 5724	LJG 36	Cable, co-axial (Suppressor "C")	1	—		B
	LJG 72	Cable, co-axial (Suppressor "D")	1	—		
	GRAVINER E228	Conductor, dummy suppressor	2	—		C
27N 184		Detonator, electric 116 Mk. 1	3	—		C
12G 1430						
	GRAVINER E336	Packing	1	—		C
27N 186						
	GRAVINER E270	Plate, pivot	2	—		C
27N 185						
	GRAVINER E186	Plate, deflector	1	—		C
27N 182						
	GRAVINER E155	Plate, shorting	1	—		C
27N 180						
	GRAVINER E203	Spider, flexible	2	—		
	GRAVINER E121	Suppressor	3	—		A
27N 1027545						
	GRAVINER E165	Suppressor, dummy	3	—		A
27N 181						
	1Z9743	DETECTOR & TEST LAMP PORT, GRP.	1	—		
	1Z9744	DETECTOR & TEST LAMP STARBOARD, GROUP (Pre-Mod. 1744)	1	—		
		Spares for:—				
	SMITH WAYMOUTH ZE20062	Connector, LF 16	1	—		B
6A 5372						
	GRAVINER E188	Detector	1	—		A
27N 205						
	21Z8791	ELBOW, GROUP	1	—		

SERVICES
FIRE PROTECTION SYSTEM
EXPLOSION SUPPRESSION INSTALLATION

Ref. No.	Part No.	Description	No. off	Mati. Spec.	Cl. of St.	Plate and Illust'n No.
					M.R.	
		1 2 3 4				
27N/1027837	GRAVINER E161	DETECTOR & TEST LAMP, PORT & STARBOARD (1Z9743 & 1Z9744) (Pre-Mod. 1744) (Cont'd)				
	20Z8791	Gasket	2	—	C	
27N/167	GRAVINER E181	HOLDER, TEST LAMP, GROUP ...	1	—		
	20Z8791	Spares for :—				
27N/178	GRAVINER EE751	Holder	1	—	B	
	GRAVINER E178	Rod, screwed	1	BS5249		
27N. 4628494	GRAVINER E332	Holder, test lamp (alternative to 20Z8791)	1	—		
	GRAVINER E521	Lead, earth	1	—	C	
27N 4628493	FIREPROOF TANKS LTD. FT/B/8575	Ring, stud	1	—	C	
		Washer, tab	1	—	C	
		Washer, sealing .06" thick	2	—		
		EXPLOSION SUPPRESSION INSTALLATION TANK NO. 7 PORT & STARBOARD IN MAINPLANE (5 & 6Z8797) (Pre-Mod. 1744)				
		Spares for :—				
	11554353	Bolt, 120° csk	2	—		
	18Z8791	BRACKET, IDENTIFICATION, GRP.	1	—		
	24556005	Spares for :—				
	1Z9573	Label	1	L59		
	229573	COLUMN, SUPPRESSOR "A" AFT OUTBOARD, PORT, GROUP (Pre-Mod. 1744)	1	—		
		COLUMN, SUPPRESSOR "A" AFT, OUTBOARD, STARBOARD, GROUP (Pre-Mod. 1744)	1	—		
		Spares for :—				
27N/199	3Z9555 GRAVINER E587	Bolt, column	6	—		
6A/5387	SMITH WAYMOUTH LIG 54	Block, terminal	1	—	C	
27N/184	GRAVINER E228	Cable, co-axial	1	—	B	
12G/1438	—	Conductor, dummy suppressor	1	—	C	
27N/186	GRAVINER E336	Detonator, electric 116 Mk. 1	2	—	C	
27N/188	GRAVINER E270	Packing	2	—	C	
27N/182	GRAVINER E186	Plate, pivot	2	—	C	
27N/180	GRAVINER E155	Plate, deflector	1	—	C	
		Plate, shorting	1	—	C	

SERVICES
FIRE PROTECTION SYSTEM
EXPLOSION SUPPRESSION INSTALLATION

Ref. No.	Part No.	Description	No. off	Mater. Spec.	Cl. of	Plate and Illust'n No.
					St. M.R.	
		1 2 3 4				
		COLUMN, SUPPRESSOR "A", AFT OUTBOARD, PORT & STARBOARD (1 & 2Z9573) (Pre-Mod. 1744) (Cont'd)				
	GRAVINER E203	Spider, flexible	2	—		
27N:1027545	GRAVINER E121	Suppressor	2	—	A	
27N:181	GRAVINER E165	Suppressor, dummy	1	—	A	
	1Z9574	COLUMN, SUPPRESSOR "B" FORWARD OUTBOARD, PORT, GROUP	1	—		
	2Z9574	COLUMN, OUTBOARD SUPPRESSOR "B" FORWARD, STBD., GROUP (Pre-Mod. 1744)	1	—		
		Spares for:—				
	3Z9555	Bolt, column	6	—		
27N:188	GRAVINER E587	Block, terminal	1	—	C	
27N:1027627	GRAVINER E510	Block, terminal	1	—	C	
6A:5724	SMITH WAYMOUTH LIG/36	Cable, co-axial	1	—	B	
27N:184	GRAVINER E228	Conductor, dummy suppressor	1	—	C	
12G:1430	—	Detonator, electric 116, Mk. 1	2	—	C	
27N:186	GRAVINER E336	Packing	1	—	C	
27N:185	GRAVINER E270	Plate, pivot	2	—	C	
27N:182	GRAVINER E186	Plate, deflector	2	—	C	
	GRAVINER E407	Spacer	1	—		
	GRAVINER E203	Spider, flexible	2	—		
27N:1027545	GRAVINER E121	Suppressor	2	—	A	
27N:181	GRAVINER E165	Suppressor, dummy	1	—	A	
	1Z9575	COLUMN, SUPPRESSOR "C" AFT, INBOARD, PORT, GROUP (Pre Mod. 1744)	1	—		
	2Z9575	COLUMN, SUPPRESSOR "C" AFT, INBOARD, STARBOARD, GROUP (Pre-Mod. 1744)	1	—		
		Spares for:—				
	3Z9555	Bolt, column	6	—		
27N:188	GRAVINER E587	Block, terminal	1	—	C	
27N:1027627	GRAVINER E510	Block, terminal	1	—	C	
6A:5724	SMITH WAYMOUTH LIG/36	Cable, co-axial	1	—	B	

SERVICES
FIRE PROTECTION SYSTEM
EXPLOSION SUPPRESSION INSTALLATION

Ref. No.	Part No.	Description 1 2 3 4	No. off	Matl. Spec.	Cl. of	Place and Illust'n No.
					St. M.R.	
		COLUMN, SUPPRESSOR "C" AFT, INBOARD, PORT & STARBOARD (1 & 2Z9575) (Pre-Mod. 1744) (Cont'd)				
27N/184 12G/1430	GRAVINER E228	Conductor, dummy suppressor	1	—	C	
	—	Detonator, electric 116, Mk. 1	2	—	C	
27N/186	GRAVINER E336	Packing	1	—	C	
27N/185	GRAVINER E270	Plate, pivot	2	—	C	
27N/182	GRAVINER E186	Plate, deflector	2	—	C	
27N/4626613	GRAVINER E410	Spacer	1	—	C	
	GRAVINER E203	Spider, flexible	2	—		
27N/1027548	GRAVINER E121	Suppressor	2	—	A	
27N/181	GRAVINER E165	Suppressor, dummy	1	—	A	
	1Z9576	COLUMN, SUPPRESSOR "D" FOR- WARD, INBOARD, PORT, GROUP	1	—		
	2Z9576	COLUMN, SUPPRESSOR "D" FOR- WARD, INBOARD, STBD., GROUP (Pre-Mod. 1744)	1	—		
		Spares for:—				
	3Z9555	Bolt, column	9	—		
27N/199	GRAVINER E587	Block, terminal	1	—	C	
	SMITH WAYMOUTH LIG/72	Cable, co-axial	1	—		
27N/285 12G/1430	GRAVINER E228	Conductor, dummy suppressor	2	—	C	
	—	Detonator, electric 116, Mk. 1	2	—	C	
27N/186	GRAVINER E336	Packing	1	—	C	
27N/185	GRAVINER E270	Plate, pivot	2	—	C	
27N/182	GRAVINER E186	Plate, deflector	1	—	C	
27N/180	GRAVINER E155	Plate, shorting	1	—	C	
27N/189	GRAVINER E403	Spacer	1	—	C	
27N/	GRAVINER E203	Spider, flexible	2	—		
27N/1027548	GRAVINER E121	Suppressor	2	—	A	
27N/181	GRAVINER E165	Suppressor, dummy	2	—	A	

VULCAN PB 7

SERVICES

Page QE. 19

**FIRE PROTECTION SYSTEM
EXPLOSION SUPPRESSION INSTALLATION**

Ref. No.	Part No.	Description 1 2 3 4	No. off	Matl. Spec.	Cl. of	Place and Illust'n No.
					St. M.R.	
		EXPLOSION SUPPRESSION INSTALLATION TANK NO. 7, PORT & STARBOARD IN MAINPLANE (5 & 6Z8797) (Pre-Mod. 1744) (Cont'd)				
	1Z9577	COLUMN, SUPPRESSOR "E" CENTRE PORT, GROUP (Pre-Mod. 1744)	1	—		
	2Z9577	COLUMN, SUPPRESSOR "E" CENTRE STARBOARD, GROUP (Pre-Mod. 1744)	1	—		
		Spares for :—				
	3Z9555	Bolt, column	9	—		
27N/199	GRAVINER E587	Block, terminal	1	—	C	
6A/5724	SMITH WAYMOUTH LIG/36	Cable, co-axial	1	—	B	
27N/184	GRAVINER E228	Conductor, dummy suppressor	2	—	C	
12G/1430	—	Detonator, electric 116, Mk. 1	2	—	C	
27N/186	GRAVINER E336	Packing	2	—	C	
27N/185	GRAVINER E270	Plate, pivot	2	—	C	
27N/182	GRAVINER E186	Plate, deflector	1	—	C	
27N/180	GRAVINER E155	Plate, shorting	1	—	C	
27N/180	GRAVINER E402	Spacer	1	—	C	
	GRAVINER E203	Spider, flexible	2	—		
27N 1027545	GRAVINER E121	Suppressor	2	—	A	
27N 181	GRAVINER E165	Suppressor, dummy	2	—	A	
	1Z9739	DETECTOR AND TEST LAMP, PORT, GROUP (Pre-Mod. 1744)	1	—		
	1Z9738	DETECTOR AND TEST LAMP, STARBOARD, GROUP (Pre-Mod. 1744)	1	—		
		Spares for :—				
6A/5371	SMITH WAYMOUTH ZE20062	Connector, LF16	1	—	B	
27N/205	GRAVINER E188	Detector	2	—	A	
	21Z8791	ELBOW, GROUP	1	—		
27N. 1027837	GRAVINER E161	Gasket	4	—	C	
	20Z8791	HOLDER, TEST LAMP, GROUP	2	—		
		Spares for :—				
27N:167	GRAVINER E181	Holder	1	—	B	
	20aZ8791	Rod, screwed	1	BSS249		

SERVICES
FIRE PROTECTION SYSTEM
EXPLOSION SUPPRESSION INSTALLATION

Ref. No.	Part No.	Description	No. off	Matl. Spec.	Cl. of	Plate and Illust'n No.
					St.	
		1 2 3 4			M.R.	
		DETECTOR AND TEST LAMP, PORT AND STARBOARD (1Z9739 & 1Z9738) (Pre-Mod. 1744) (Cont'd)				
	GRAVINER EE751	Holder, test lamp (alternative to 20Z3791)	2	—		
27N/178	GRAVINER E178	Lead, earth	1	—	C	
27N 4526494	GRAVINER E332	Ring, stud	2	—	C	
27N 4526493	GRAVINER E521	Washer, tab	2	—	C	
	1Z9655	FUSE HOLDER, GROUP	1	—		
27N 4526516	GRAVINER E303	Fuse	1	—	C	
	22Z8791	Packing, laminated	1	BS2572/FB		
	FIREPROOF TANKS LTD. FT/35455/53)	Washer, sealing	1	—		

VULCAN No. 2

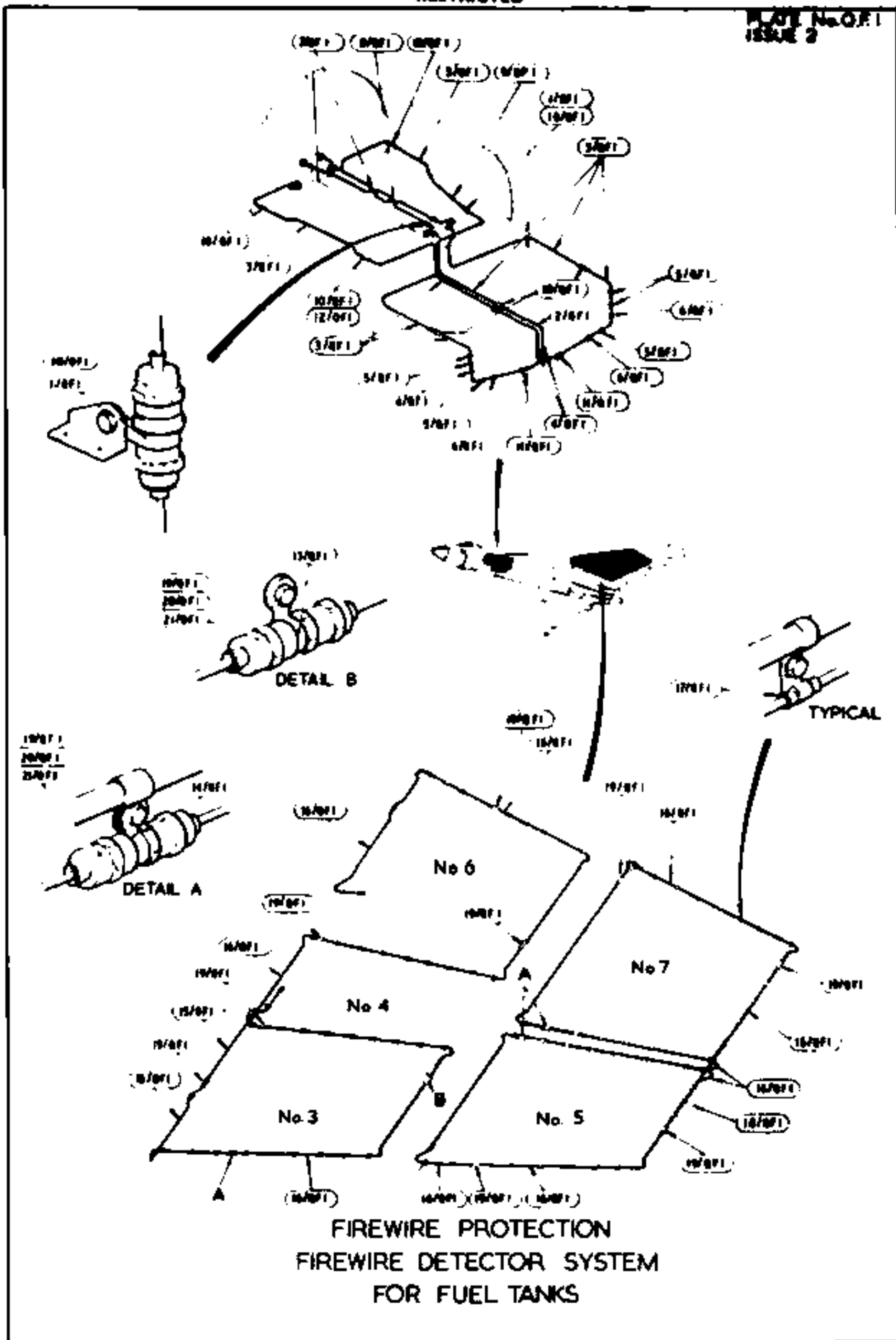
SERVICES

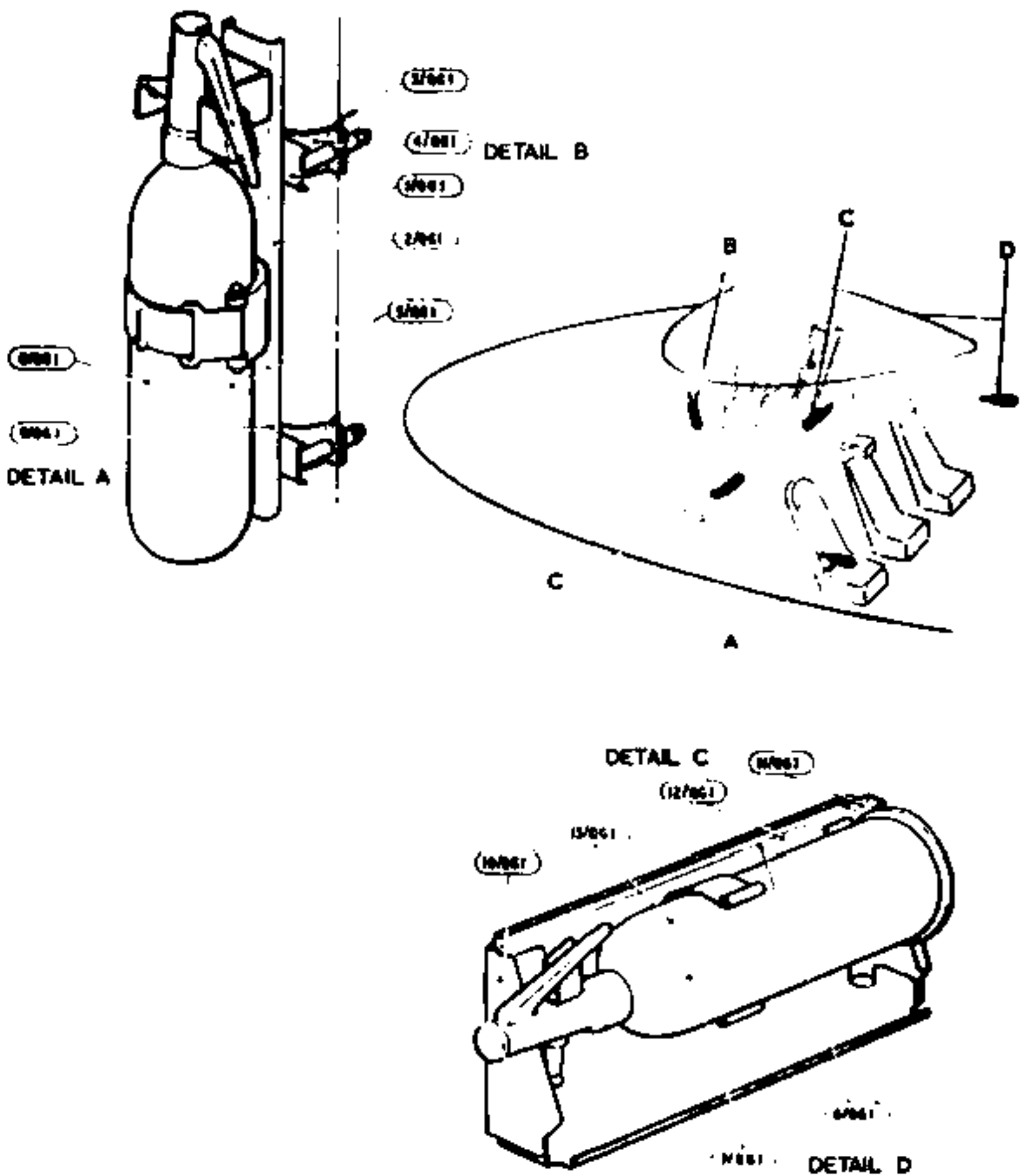
Page Of. 1

FIREWIRE PROTECTION

FIREWIRE DETECTOR SYSTEM

Ref. No.	Part No.	Description	No. off	Mati. Spec.	Cl. of St	Plate and Illustr'n No.
					M.R.	
		1 2 3 4				
		FIREWIRE DETECTOR SYSTEM FOR NO. 1 AND NO. 2 TANKS (Z9236)				
		Spares for:—				
5CZ/6354	3Z9236	Clip, special	5	L72		QF1/1
5CZ/7001127	D949	Clip, element, fixing	92	—	C	QF1/2
5CZ/7001128	—	Element, sensing, 5' 0" long	2	—	A	QF1/3
	—	Element, sensing, 10' 0" long (Mod. 1842)	4	—	A	QF1/4
	GRAVINER D2370/30	Element, sensing, 2' 6" long	2	—		QF1/5
	G. CHRISTIE 1029236	Gauze, copper, bonding (Pieces 3/4" x 1" x 80 mesh x 39 SWG)	92	—		QF1/6
26FP/15124	2SS3530	Grommet	4	—	C	QF1/7
	SP/40/F/18	Grommet	1	—		QF1/8
5K/1058169	SP/40/A/18	Grommet	1	—	C	QF1/9
5K/4346706	SP/40/A8	Grommet	1	—	C	QF1/10
5CZ/5838	—	Unit, coupling, hex. type	12	—	B	QF1/11
5CZ/1084613	—	Unit, coupling, flanged	2	—	B	QF1/12
5CZ/7001751	—	Washer, folding, copper	24	—	C	QF1/13
		FIREWIRE DETECTOR SYSTEM FOR Nos. 3, 4, 5, 6 AND 7 TANKS, PORT AND STARBOARD (Z9235)				
		Spares for:—				
	5Z9236	Clip, special	8	L72	MR	QF1/13
	6Z9235	Clip, special	7	L72	MR	QF1/14
5CZ/6354	D949	Clip, element fixing	105	—	C	
22157	1129235	Clip, element fixing (Make from Graviner clip item 5CZ/5282)	56	—	C	
5CZ/7001127	—	Element, sensing, 5' 0" long	1	—	A	QF1/15
5CZ/7001128	—	Element, sensing, 10' 0" long	14	—	A	QF1/16
5CZ/6858	—	Fitting, termination	4	—	B	
	G CHRISTIE 1029235	Gauze, copper, bonding (Pieces 3/4" x 1/2" x 80 mesh x 39 SWG)	152	—		QF1/17
5CZ/1034035	—	Tag	4	—	C	QF1/18
5CZ/5838	—	Unit, coupling, hex. type	13	—	B	QF1/19
5CZ/7001751	—	Washer, folding, copper	30	—	C	QF1/20
5CZ/1040248	GRAVINER D2003	Washer, torque	30	—	C	QF1/21
		FIREWIRE DETECTOR SYSTEM IN BOMB BAY (Z9884)				
		Spares for:—				
	6Z9236	Clip, special	7	L72	MR	QF2/22
	5SS4067	Clip, special (Pre-Mod. 2174)	96	—		
5CZ/4340050	GRAVINER D3004	Clip, quick-release (Mod. 2174)	100	—	C	QF2/23
	5SS2367	Clip, pipe	88	—		QF2/24
5CZ/1001127	—	Element, sensing, 5' 0" long	2	—	A	QF2/25
5CZ/7001128	—	Element, sensing, 10' 0" long	6	—	A	QF2/26
	GRAVINER D2706 or D3891	Sleeve	100	—		QF2/27
5CZ/4335585	—	Unit, coupling, hex. type	7	—	B	QF2/28
5CZ/7001751	—	Washer, folding, copper	14	—	C	QF2/29
5CZ/1040248	GRAVINER D2003	Washer, torque	14	—	C	QF2/30





FIRE PROTECTION
HAND EXTINGUISHERS

SERVICES

FIRE PROTECTION (METHYL BROMIDE)

Ref. No.	Part No.	Description 1 2 3 4	No. off	Matl. Spec.	Cl. of St.	Plate and Illust'n No.
					M.R.	
Z7N.100	—	FIRE PROTECTION (METHYL BROMIDE) Spares for :— AUXILIARY AIRBOURNE POWER PLANT Spares for :— Bottle, Methyl Bromide (Alternative Z7N/100)	1	—	A	
Z7N/99 13619	— BSS1768 9SS2819	FIRE EXTINGUISHER SYSTEM, ENGINES, PORT AND STARBOARD (29-38Z9580) Spares for :— Bottle, fire extinguisher Mk. 13 Clip, pipe Clip, pipe	2 A/R A/R	— — —	A — C	QH1/1 QH1/2 QH1/3
	1Z6930	MOUNTING, FIRE EXTINGUISHER IN BOMB BAY, PORT AND STARBOARD (1Z7421) (Pre-Mod. 526) (2Z7421) (Mod. 526) Spares for :— DISH, MOUNTING, GROUP	2	—	MR	QH1/4
	5Z6930	Spares for :— Screw, 2 BA, for strap	2	—	MR	QH1/5
	5Z6930	STRAP, SECURING, GROUP	2	—	MR	QH1/6
1848	9Z7422	PIPE, MAIN FEED $\frac{1}{2}$ " o/d . 22G . 28", FROM EXTINGUISHER IN BOMB BAY, PORT, GROUP (Pre-Mod. 526)	1	L56	C	QH1/47
	10Z7422	PIPE, MAIN FEED, $\frac{1}{2}$ " o/d 22G . 28", FROM EXTINGUISHER IN BOMB BAY, STARBOARD, GROUP (Pre-Mod. 526)	1	L56	MR	QH1/48
	12Z7422	PIPE, REAR MAIN FEED, $\frac{1}{2}$ " o/d . 20G . 32" FROM EXTINGUISHER IN BOMB BAY, STARBOARD, GROUP	1	L56	MR	QH1/49
	4Z9580	PIPE, FEED, $\frac{1}{2}$ " o/d . 20G . 16", BETWEEN TEE-PIECES IN LINE, FROM FORWARD, BOTTLE INBOARD BAY, PORT, GROUP	1	L56	MR	QH1/7
BS85	5Z9580	PIPE, FEED, $\frac{1}{2}$ " o/d . 20G . 18", BETWEEN TEE-PIECES, OUTBOARD INBOARD BAY, PORT, GROUP	1	L56	C	QH1/8
BS86	8Z9580	PIPE, FEED, $\frac{1}{2}$ " o/d . 20G . 12", OUTBOARD TEE-PIECE TO UNION INBOARD BAY, GROUP	1	L56	C	QH1/9
BS87	9Z9580	PIPE, FEED, $\frac{1}{2}$ " o/d . 20G . 12", INBOARD, TEE-PIECE TO UNION, INBOARD BAY, GROUP	1	L56	C	QH1/10

SERVICES

FIRE PROTECTION (METHYL BROMIDE)

Ref. No.	Part No.	Description	No. off	Matl. Spec.	Cl. of St.	Plate and Illust'n No.
					M.R.	
		1 2 3 4				
		FIRE, EXTINGUISHER SYSTEM, ENGINES PORT AND STARBOARD (29-30Z9580) (Cont'd)				
22000	50Z9580	PIPE, FEED, $\frac{1}{2}$ " o.d. x 20G x 12', OUTBOARD, TEE-PIECE TO UNION, INBOARD BAY, PORT, GROUP	1	L56	C	QH1/11
22049	55Z9580	PIPE, FEED, $\frac{1}{2}$ " o.d. x 20G x 12', INBOARD, TEE-PIECE TO UNION, INBOARD BAY, PORT, GROUP	1	L56	C	QH1/12
9019	58Z9580	PIPE, SPRAY, $\frac{1}{2}$ " o.d. x 22G x 108.0", UNION TO UNION, INBOARD AND OUTBOARD BAY, PORT, GROUP	2	T55	C	QH1/13
8589	11Z9580	PIPE, SPRAY, $\frac{1}{2}$ " o.d. 22G x 54', TEE-PIECE TO UNION, INBOARD, FORWARD, INBOARD BAY, PORT, GRP.	1	T55	C	QH1/14
8591	13Z9580	PIPE, SPRAY, $\frac{1}{2}$ " o.d. x 22G x 54', BETWEEN UNIONS, OUTBOARD FORWARD, OUTBOARD AND INBOARD BAY, STARBOARD, GROUP	2	T55	C	QH1/15
8592	14Z9580	PIPE, SPRAY, $\frac{1}{2}$ " o.d. 22G x 24', TEE-PIECE TO UNION, OUTBOARD BAY, STARBOARD, GROUP	1	T55	C	QH1/16
12261	83Z9580	PIPE, SPRAY, $\frac{1}{2}$ " o.d. x 22G x 59', TEE-PIECE TO UNION, INBOARD BAY, STARBOARD, GROUP (Mod. 1320)	1	T55	C	QH1/17
22051	60Z9580	PIPE, SPRAY, $\frac{1}{2}$ " o.d. x 22G x 24', TEE-PIECE TO UNION, INBOARD BAY, PORT, GROUP	-	T55	C	QH1/18
8593	15Z9580	PIPE, SPRAY, $\frac{1}{2}$ " o.d. x 22G x 42', FROM TEE-PIECE, INBOARD AND OUTBOARD BAYS, STARBOARD, GROUP	1	T55	C	QH1/19
8594	17Z9580	PIPE, FEED, $\frac{1}{2}$ " o.d. x 20G x 42', FROM BOTTLE CONNECTION, PIPE TO OUTBOARD PIPES, INBOARD BAY	1	L56	C	QH1/20
8597	22Z9580	PIPE, SPRAY, $\frac{1}{2}$ " o.d. x 22G x 108", CENTRE OUTBOARD COUPLING, LOWER TO REAR OUTBOARD AND INBOARD, STARBOARD, GROUP	2	T55	C	QH1/21
8601	34Z9580	PIPE, MAIN FEED, $\frac{1}{2}$ " o.d. x 20G x 48', BETWEEN RIBS 43.5' AND 113.5', INBOARD BAY, PORT, GROUP	1	L56	C	QH1/22

VULCAN No. 1

SERVICES

Page QH. 3

FIRE PROTECTION (METHYL BROMIDE)

Ref. No.	Part No.	Description 1 2 3 4	No. off	Matl. Spec.	Cl. of	Plate and Illust'n No.
					St.	
		FIRE EXTINGUISHER SYSTEM, ENGINES, PORT AND STARBOARD (29-30Z9580) (Cont'd)				
8802	35Z9580	PIPE, MAIN FEED, $\frac{1}{2}$ " o/d . 20G . 48", BETWEEN RIBS 63.5" AND 113.5", INBOARD BAY, STARBOARD, GRP.	1	L56	C	QH1/23
8803	31Z9580	PIPE, FEED, $\frac{1}{2}$ " o/d . 20G . 60", BE- TWEEN TEE-PIECES, CENTRE TOP, INBOARD BAY, PORT, GROUP	1	L56	C	QH1/24
	80Z9580	PIPE, FEED, $\frac{1}{2}$ " o/d . 20G . 40", BE- TWEEN RIBS 113.5" AND 142.5", IN- BOARD BAY, PORT GROUP (Mod. 934)	1	L56	MR	QH1/25
8805	36Z9580	PIPE, FEED, $\frac{1}{2}$ " o/d . 22G . 74", TOP CENTRE TEE-PIECE TO BOTTOM INBOARD FORWARD TEE-PIECE, INBOARD BAY, PORT, GROUP	1	T58	C	QH1/26
8806	37Z9580	PIPE, FEED, $\frac{1}{2}$ " o/d . 22G . 58", TOP CENTRE TEE-PIECE TO BOTTOM INBOARD AFT TEE-PIECE, INBOARD BAY, PORT, GROUP	1	T58	C	QH1/27
22054	78Z9580	PIPE, SPRAY, $\frac{1}{2}$ " o/d . 22G, FROM TEE-PIECE TO UNION, INBOARD BAY, PORT, GROUP	1	T55	C	QH1/28
8808	39Z9580	PIPE, SPRAY, $\frac{1}{2}$ " o/d . 22G . 14", FROM TEE-PIECE TO UNION, FORWARD INBOARD AND OUTBOARD, PORT, GROUP	2	T58	C	QH1/29
22056	81Z9580	PIPE, FEED, $\frac{1}{2}$ " o/d x 22G x 67", CENTRE OUTBOARD TEE-PIECE TO INBOARD FORWARD TEE-PIECE, OUTBOARD BAY, PORT, GROUP (Mod. 934)	1	T58	C	QH1/30
	82Z9580	PIPE, FEED, $\frac{1}{2}$ " o/d . 22G . 50", CENTRE, OUTBOARD TEE-PIECE TO INBOARD AFT TEE-PIECE, OUT- BOARD BAY, PORT, GROUP (Mod. 934)	1	T58	MR	QH1/31
8811	42Z9580	PIPE, SPRAY, $\frac{1}{2}$ " v 22G . 15", FOR- WARD FROM AFT INBOARD TEE- PIECE, OUTBOARD BAY, STAR- BOARD, GROUP	1	T58	C	QH1/32
8812	43Z9580	PIPE, SPRAY, $\frac{1}{2}$ " o/d x 22G . 14", AFT FROM INBOARD FORWARD TEE- PIECE, INBOARD AND OUTBOARD BAYS, STARBOARD, GROUP	2	T58	C	QH1/33

SERVICES

FIRE PROTECTION (METHYL BROMIDE)

Ref. No.	Part No.	Description 1 2 3 4	No. off	Matl. Spec.	Cl. of St.		Plate and Illust'n No.
						M.R.	
		FIRE EXTINGUISHER SYSTEM, ENGINES, PORT AND STARBOARD (29-30Z9580) (Cont'd)					
8613	44Z9580	PIPE, FEED, $\frac{1}{2}$ " o.d. 22G . 6', BETWEEN CENTRE OUTBOARD TEE-PIECES IN INBOARD AND OUTBOARD BAYS, STARBOARD, GROUP	2	T58		C	QH1/34
8614	45Z9580	PIPE, FEED, $\frac{1}{2}$ " o.d. 22G . 40', AFT INBOARD TO CENTRE OUTBOARD TEE-PIECES, OUTBOARD BAY, STAR- BOARD, GROUP	1	T58		C	QH1/35
8615	46Z9580	PIPE, FEED, $\frac{1}{2}$ " o.d. 22G . 45', FOR- WARD INBOARD TEE-PIECE TO CENTRE OUTBOARD TEE-PIECE, STARBOARD, GROUP	1	T58		C	QH1/36
8616	47Z9580	PIPE, FEED, $\frac{1}{2}$ " o.d. 22G . 41', TOP, CENTRE INBOARD TEE-PIECE TO BOTTOM AFT INBOARD TEE-PIECE, INBOARD BAY, STARBOARD, GRP.	1	T58		C	QH1/37
8617	48Z9580	PIPE, FEED, $\frac{1}{2}$ " o.d. 22G . 42', TOP CENTRE INBOARD TEE-PIECE TO BOTTOM FORWARD INBOARD TEE- PIECE, INBOARD BAY, STARBOARD, GROUP	1	T58		C	QH1/38
8620	51Z9580	PIPE, SPRAY, $\frac{1}{2}$ " o.d. 22G . 18', FOR- WARD FROM AFT INBOARD TEE- PIECE, OUTBOARD BAY, PORT, GRP.	1	T58		C	QH1/39
	56Z9580	PIPE, SPRAY, $\frac{1}{2}$ " o.d. 22G . 24', FROM TEE-PIECE TO UNION, AFT OUT- BOARD BAY, PORT, GROUP	1	T55			QH1/40
	57Z9580	PIPE, SPRAY, $\frac{1}{2}$ " o.d. 22G . 42', FROM TEE-PIECE TO UNION, FORWARD OUTBOARD BAY, PORT, GROUP	1	T35		MR	QH1/41
22059	59Z9580	PIPE, SPRAY, $\frac{1}{2}$ " o.d. 22G . 54', FROM TEE-PIECE TO UNION, FORWARD OUTBOARD BAY, PORT, GROUP	1	T55		C	QH1/42
	62Z9580	PIPE, SPRAY, $\frac{1}{2}$ " o.d. 22G . 42', FROM TEE-PIECE TO UNION, INBOARD BAY, PORT, GROUP	1	—		MR	QH1/43
	65Z9580	PIPE, FEED, $\frac{1}{2}$ " o.d. 20G . 40', FROM TEE-PIECE TO UNION, CENTRE IN- BOARD BAY, STARBOARD, GROUP	1	L56		MR	QH1/44
	66Z9580	PIPE, FEED, $\frac{1}{2}$ " o.d. 20G . 16', FROM TEE-PIECE TO UNION, CENTRE, FORWARD OUTBOARD BAY, STAR- BOARD, GROUP	1	L56		MR	QH1/45

VULCAN No. 3

SERVICES

Page QH 5

FIRE PROTECTION (METHYL BROMIDE)

Ref. No.	Part No.	Description				No. off	Matl. Spec.	Cl. of St. M.R.	Plate and Illust'n No.
		1	2	3	4				
		FIRE EXTINGUISHER SYSTEM, ENGINES, PORT AND STARBOARD (29-30Z9500) (Cont'd)							
	67Z9500	PIPE, FEED, $\frac{1}{2}$ " o/d - 20G - 12", FRONT, TEE-PIECE TO UNION, CENTRE AFT, OUTBOARD BAY, STARBOARD, GROUP				1	L56	MR	QH1/46
	70Z9500	PIPE, MAIN FORWARD FEED, $\frac{3}{4}$ " o/d - 20G - 28", INBOARD BAY, PORT, GROUP				1	L56		QH1/47
	71Z9500	PIPE, MAIN FORWARD FEED, $\frac{1}{2}$ " o/d - 20G - 28", INBOARD BAY, STARBOARD, GROUP				1	L56		QH1/48
	73Z9500	PIPE, MAIN REAR FEED, $\frac{1}{2}$ " o/d - 20G - 32", INBOARD BAY, PORT, GROUP				1	—		QH1/49
	72aZ9500	Seal, half				4	—	MR	QH1/50
	72cZ9500	Seal, half				4	—	MR	QH1/51
	127SS3557	Tee-piece, for pipes				4	S4	MR	QH1/52
	200SS3557	Tee-piece, for pipes				4	—		QH1/53
12K/1316	—	Unit, cartridge				2	—	B	QH1/54
	—	FIRE EXTINGUISHERS, MAIN PLANE LEADING EDGE, PORT AND STARBOARD (F9645) (See Mainplanes, Leading Edge)				Ref.	—		
		FIRE EXTINGUISHER SYSTEM IN No. 1 AND No. 2 FUEL TANK BAYS (127624) Spares for —							
27N/99 12K/1316	—	Bottle, fire extinguisher				4	—	A	QH2/55
	—	Cartridge, fire extinguisher (Mod. 1346)				4	—	B	QH2/56
	DUNLOP DH/125A/23	Pipe, feed, flexible, 23" long				2	—		QH2/57
	5Z7624	PIPE, CENTRE SPRAY, $\frac{1}{2}$ " o/d - 20G - 10", No. 1 TANK BAY, GROUP				1	L54		QH2/58
	7Z7624	PIPE, CENTRE SPRAY, $\frac{1}{2}$ " o/d - 20G - 6", No. 2 TANK BAY, GROUP				1	L54		QH2/59
	8Z7624	PIPE, OUTBOARD SPRAY, $\frac{1}{2}$ " o/d - 20G - 7", No. 2 TANK, GROUP				1	L54		QH2/60
	13Z7624	PIPE, FEED, $\frac{1}{2}$ " o/d - 20G - 15", No. 2 TANK, GROUP				1	L54		QH2/61

SERVICES

FIRE PROTECTION (METHYL BROMIDE)

Ref. No.	Part No.	Description 1 2 3 4	No. off	Matl. Spec.	Cl. of St.	Plate and Illust'n No.
					H.R.	
		FIRE EXTINGUISHER SYSTEM IN No. 1 AND No. 2 TANK BAYS (Z7624) (Cont'd)				
	16Z7624	PIPE, FEED, 1/2" o/d . 20G . 60", STARBOARD, GROUP	1	L56		QH2/62
	27Z7624	PIPE, FEED, 1/2" o/d . 20G . 100", STARBOARD, GROUP	1	L56		QH2/63
	19Z7624	PIPE, SPRAY, 1/2" o/d x 20G x 60", OUTBOARD AFT, No. 1 TANK, PORT, GRP.	1	L54		QH2/64
	21Z7624	PIPE, SPRAY, 1/2" o/d . 20G x 60", OUTBOARD AFT, No. 1 TANK, STARBOARD, GROUP	1	L54		QH2/65
	25Z7624	PIPE, SPRAY, 1/2" o/d . 20G . 66", OUTBOARD FORWARD, No. 1 TANK, PORT, GROUP	1	L54		QH2/66
	26Z7624	PIPE, SPRAY, 1/2" o/d . 20G . 66", OUTBOARD FORWARD, No. 1 TANK, STARBOARD, GROUP	1	L54		QH2/67
	18SS3557	Tee-piece	1	—	C	QH2/68
28Y/15486	A58/Mk. 2	Valve, charging	1	—	B	QH2/69
28F/9428453	AGS1186/B	Washer, sealing	1	—	C	
		FIRE EXTINGUISHER SYSTEM IN WING TANK BAYS, PORT AND STBD (1-229144)				
		Spares for :—				
		BOTTLES, METHYL BROMIDE, ON TRANSPORT RIB, PORT AND STBD (1-229099)				
		Spares for :—				
27N/102	—	Bottle, methyl bromide	6	—	A	QH4/70
	50Z7857	Bracket	6	—		QH4/71
26FP/13942	15S3867	Bracket	1	—	C	QH4/72
26FP/1723	26SS3859	Clip	2	—	C	QH4/73
	22SS3859	Clip	4	—		QH4/74
28FP/3306	12SS3859	Clip	2	—	C	QH4/75
9193	4SS3859	Clip	1	—	C	QH4/76
26FP/10702	AW5554234	Clip, half	1	—	C	QH4/77
	1Z6930	DISH, MOUNTING, GROUP	6	—	MR	QH4/78
		Spares for :—				
	2Z6930	Dish, mounting	1	—		QH4/79
	4Z6930	Screw, 2 BA	2	—	MR	QH4/80
	5Z6930	STRAP, SECURING, GROUP	1	—	MR	QH4/81

VULCAN No. 3

SERVICES

Page QH 7

FIRE PROTECTION (METHYL BROMIDE)

Ref. No.	Part No.	Description	No. off	Matl. Spec.	Cl. of	Plate and Illust'n No.
					St. M.R.	
		1 2 3 4				
		BOTTLES, METHYL BROMIDE ON TRANSPORT RIB, PORT AND STBD. (1-2Z9099) (Cont'd)				
28F/4051780	AGS1170/C	Nipple	3	--	C	QH4/82
	AGS1170/G	Nipple	2	--	--	QH4/83
28F/4051884	AGS1170/K	Nipple	1	--	C	QH4/84
	67SS3568	Olive, steamed	3	--	MR	QH4/85
28F/8011897	AGS1142/F	Olive	12	--	C	QH4/88
	20Z9099	PIPE, FEED TO OUTBOARD TANK,				
		PORT, GROUP (Mod. 894)				
1433240	21Z9099	PIPE, FEED TO OUTBOARD TANK,	1	--	C	QH4/89
		STARBOARD, GROUP (Mod. 894)				
12802	22Z9099	PIPE, FEED TO INBOARD TANK, PORT, ..	1	--	C	QH4/89
		GROUP (Mod. 894)				
12774	26Z9099	PIPE, FEED, TO INBOARD TANK,	1	--	C	QH4/90
		STARBOARD, GROUP (Mod. 894)				
22218	6Z9144	PIPE, TEE-PIECE, PORT AND	1	--	C	QH4/91
		STARBOARD, GROUP (Mod. 894)				
22217	7Z9144	PIPE, FEED, BETWEEN TEE-PIECE	1	--	C	QH4/92
		AND BRANCH PIPE, PORT AND STARBOARD, GROUP (Mod. 894)				
22219	9Z9144	PIPE, FEED, BETWEEN JUNCTION	1	--	C	QH4/93
		TEE PIECE AND MAIN OUTBOARD FEED PIPE, PORT, GROUP (Mod. 894)				
	10Z9144	PIPE, FEED, BETWEEN JUNCTION	1	--	MR	QH4/94
		TEE-PIECE AND MAIN OUTBOARD FEED PIPE, STARBOARD, GROUP (Mod. 894)				
22215	17Z9144	PIPE, BRANCH, 3/8" o/d x 20G, PORT, ..	1	--	C	QH4/95
		GROUP (Mod. 894)				
22216	18Z9144	PIPE, BRANCH, 3/8" o/d x 20G,	1	--	C	QH4/96
		STARBOARD, GROUP				
	16Z9144	PIPE, BRANCH, 3/8" o/d x 20G, PORT, ..	1	--	--	QH4/97
		GROUP				
	16Z9144	PIPE, BRANCH, 3/8" o/d x 20G,	1	--	--	QH4/98
		STARBOARD, GROUP				
22221	29Z9099	PIPE, BRANCH, 3/8" o/d x 20G, PORT, ..	1	--	C	QH4/99
		GROUP				
22222	30Z9099	PIPE, BRANCH, 3/8" o/d x 20G,	--	--	C	QH4/100
		STARBOARD, GROUP				

SERVICES

FIRE PROTECTION (METHYL BROMIDE)

Ref. No.	Part No.	Description				No. off	Man. Spec.	Cl. of St. M.R.	Plate and Illust'n No.
		1	2	3	4				
		BOTTLES METHYL BROMIDE ON TRANSPORT RIB, PORT AND STAR- BOARD (1-229099) (Cont'd.)							
12K/1317	-					6	-	B	QH2/101
12K/1318	-					6	-	B	QH2/102
26FP/13042	1SS3867					90	-	C	QH3/103
26FP/13157	4SS3869					90	-	C	QH3/104
	18SS3869					21	-	MR	QH3/105
26FP/1723	26SS3869					3	-	C	QH3/106
26FP/10702	AW18SS4234					1	-		QH3/107
	AW6SS4234					5	-	C	QH3/108
	AW13SS4234					4	-		
4491	3Z8263					1	L58	C	QH3/110
4492	4Z8263					1	L58	C	QH3/111
4493	5Z8263					1	L58	C	QH3/112
4494	6Z8263					1	L58	C	QH3/113
	11Z9144					1	L58		QH3/114
	12Z9144					1	L58		QH3/115
	13Z9144					1	L58		QH3/116
	14Z9144					1	L58		QH3/117
	14Z8263						L54 or L59	MR	QH3/118

VULCAN FN 2

SERVICES

Page QH. 9

FIRE PROTECTION (METHYL BROMIDE)

Ref. No.	Part No.	Description	No. off	Matl. Spec.	Cl. of	Plate and Illustr'n No.
					St. M.R.	
		1 2 3 4				
		FIRE EXTINGUISHER SYSTEM IN WING TANK BAYS, PORT AND STARBOARD (1-2Z9144)				
4503	15Z8253	PIPE, JUNCTION, ALONG INBOARD SIDE OF RIB 478-186", AFT, PORT, GROUP	1	L54 & L59	C	QH3/119
	16Z8253	PIPE, JUNCTION, ALONG INBOARD SIDE OF RIB 478-186", AFT, STARBOARD, GROUP	1	L54 & L59	MR	QH3/120
4505	17Z8253	PIPE, JUNCTION, FROM INBOARD SIDE OF RIB 478-186", CENTRE, PORT, GROUP	1	L45 & L59	C	QH3/121
4506	18Z8253	PIPE, JUNCTION, FROM INBOARD SIDE OF RIB 478-186" CENTRE, STARBOARD, GROUP	-	L54 & L59	C	QH3/122
4507	19Z8253	PIPE, FEED, ALONG RIB 478-186", AFT, GROUP	1	L56	C	QH3/123
4508	20Z5253	PIPE, FEED, BETWEEN JUNCTION PIPES ON INBOARD SIDE OF RIB 78-186", GROUP	1	L56	C	QH3/124
	21Z8253	PIPE, JUNCTION, FROM INBOARD SIDE OF RIB 478-186", FORWARD, PORT, GROUP	1	L54	MR	QH3/125
4510	22Z8253	PIPE, JUNCTION, FROM INBOARD SIDE OF RIB 478-186", FORWARD, STARBOARD, GROUP	1	L54	C	QH3/126
4511	23Z8253	PIPE, FEED, JUNCTION PIPE TO CONNECTION PIPE ON RIB 478-186", GROUP	1	L56	C	QH3/127
4512	24Z8253	PIPE, FEED, TO SPRAY CONNECTION ALONG INBOARD SIDE OF RIB 478-186", FORWARD, GROUP	1	L54 & L59	C	QH3/128
	25Z8253	PIPE, FEED AND SPRAY, FROM JUNCTION PIPE ON RIB 478-186", FORWARD, PORT, GROUP	1	L54 & L59	MR	QH3/129
22214	26Z8253	PIPE, FEED AND SPRAY, FROM JUNCTION PIPE ON RIB 478-186", FORWARD, STARBOARD, GROUP	1	L54 & L59	C	QH3/130
	27Z8253	PIPE, FEED AND SPRAY, FROM JUNCTION PIPE ON RIB 478-186", CENTRE, GROUP	1	L54 & L59	MR	QH3/131

SERVICES

FIRE PROTECTION (METHYL BROMIDE)

Ref. No.	Part No.	Description 1 2 3 4	No. off	Matl. Spec.	Cl. of St.	Place and Illust'n No.
					M.R.	
		FIRE EXTINGUISHER SYSTEM IN WING TANK BAYS, PORT AND STARBOARD (1-2Z9144) (Cont'd)				
4515	29Z8253	PIPE, SPRAY, $\frac{1}{2}$ " o.d. 20G x 109", No. 7 TANK, BOTTOM, PORT, GROUP	1	L56	C	QH3/132
	30Z8253	PIPE, SPRAY, $\frac{1}{2}$ " o.d. 20G . 109", No. 7 TANK, BOTTOM, STBD., GROUP	1	L56	MR	QH3/133
4517	31Z8253	PIPE, SPRAY, $\frac{1}{2}$ " o.d. 20G . 120", No. 7 TANK, TOP, GROUP	1	L56	C	QH3/134
	32Z8253	PIPE, SPRAY, $\frac{1}{2}$ " o.d. 20G . 120", No. 6 TANK, TOP, GROUP	1	L56	MR	QH3/135
	33Z8253	PIPE, SPRAY, $\frac{1}{2}$ " o.d. 20G . 120", No. 5 TANK, BOTTOM, PORT, GROUP	1	L56	MR	QH3/136
	34Z8253	PIPE, SPRAY, $\frac{1}{2}$ " o.d. 20G . 120", No. 5 TANK, BOTTOM, STBD., GROUP	1	L56	MR	QH3/137
	35Z8253	PIPE, SPRAY, $\frac{1}{2}$ " o.d. 20G . 122", No. 5 TANK, TOP, PORT, GROUP	-	L56	MR	QH3/138
	36Z8253	PIPE, SPRAY, $\frac{1}{2}$ " o.d. 20G . 130", No. 5 TANK, TOP, STBD., GROUP	1	L56	MR	QH3/139
	37Z8253	PIPE, SPRAY, $\frac{1}{2}$ " o.d. 20G . 108", No. 6 TANK, BOTTOM, PORT, GROUP	1	L56	MR	QH3/140
4524	38Z8253	PIPE, SPRAY, $\frac{1}{2}$ " o.d. 20G . 108" No. 6 TANK, BOTTOM, STBD., GROUP	1	L56	C	QH3/141
	39Z8253	PIPE, SPRAY, $\frac{1}{2}$ " o.d. 20G . 118", No. 4 TANK, BOTTOM, PORT, GROUP (Pre-Mod. 1106)	1	L56	C	
	21Z9144	PIPE, SPRAY, $\frac{1}{2}$ " o.d. 20G . 100", No. 4 TANK, BOTTOM, PORT, GROUP (Mod. 1106)	1	-		QH3/142
	19Z9166	PIPE, SPRAY, $\frac{1}{2}$ " o.d. 20G . 22", No. 4 TANK, BOTTOM, PORT, GROUP (Mod. 1106)	1	-		QH3/143
	40Z8253	PIPE, SPRAY, $\frac{1}{2}$ " o.d. 20G . 118", No. 4 TANK, BOTTOM, STBD., GROUP (Pre Mod. 1106)	1	L56	MR	
	22Z9144	PIPE, SPRAY, $\frac{1}{2}$ " o.d. 20G . 100", No. 4 TANK, BOTTOM, STBD., GROUP (Mod. 1106)	1	-		QH3/144

VULCAN No. 3

SERVICES

Page QH. 11

FIRE PROTECTION (METHYL BROMIDE)

Ref. No.	Part No.	Description	No. off	Matl. Spec.	Cl. of	Plate and Illust'n No.	
					St.		
		1 2 3 4			M.R.		
FIRE EXTINGUISHER SYSTEM IN WING TANK BAYS, PORT AND STARBOARD (1-229144) (Cont'd)							
	20Z9144	PIPE, SPRAY, 1/2" o.d. 20G - 22", No. 4 TANK, BOTTOM, STARBOARD, GROUP (Mod. 1106)	1	—	MR	QH3/145	
4527	41Z8253	PIPE, SPRAY, 1/2" o.d. - 20G - 126", No. 3 TANK, BOTTOM, PORT, GROUP	1	L56	C	QH3/146	
	42Z8253	PIPE, SPRAY, 1/2" o.d. - 20G - 126", No. 3 TANK, BOTTOM, STBD., GROUP	1	L56	MR	QH3/147	
	43Z8253	PIPE, SPRAY, 1/2" o.d. x 20G - 132", TANK, TOP, PORT, GROUP	1	L56	MR	QH3/148	
	44Z8253	PIPE, SPRAY, 1/2" o.d. - 20G - 132", TANK, TOP, STARBOARD, GROUP	1	L56	MR	QH3/149	
	45Z8253	PIPE, SPRAY, 1/2" o.d. - 20G - 126", No. 4 TANK, TOP, GROUP	1	L56	MR	QH3/150	
FIRE EXTINGUISHER SYSTEM, BOMB BAY, PORT AND STARBOARD (129790) (Mod. 526) (Mod. 527)							
Spares for:—							
27N. 99	—	Bottle, fire extinguisher (Alternative 27N153)	4	—		QH6 151	
28D 9133014	A25/13C	Bolt	25	—	C	QH5/152	
28D 9436920	A25/1C	Bolt	A R	—	C	QH6 153	
28D 9133011	A25/2C	Bolt	6	—	C	QH6 154	
28D 9133012	A25/3C	Bolt	8	—	C	QH5/155	
28D 1200119	A25/4C	Bolt	2	—	C	QH5/156	
28D 7082428	A25/6C	Bolt	2	—	C	QH6/157	
28D 1010030	A25/7C	Bolt	1	—	C	QH5/158	
28D 9453970	A25/15C	Bolt	1	—	C	QH5/159	
28D 1011024	A25/21C	Bolt	2	—	C	QH5/160	
26FP-13421	14SS3859	Clip	14	—	C	QH5 161	
	18SS3859	Clip	2	—	MR	QH6 162	
26FP-1432567	AK5SS4234	Clip, half	1	—	C	QH5/163	
	AK15SS4234	Clip, half	1	—		QH5 164	
	10SS4386	Coupling		—	MR	QH6 165	
21864	52Z9790	Dish, mounting, rear	2	—	C	QH6 166	
21865	53Z9790	Dish, mounting, forward	2	—	C	QH6 167	
21866	56Z9790	MOUNTING, RAIL, ASSY., FWD., GROUP	2	—	C	QH6 168	
21867	57Z9790	MOUNTING, RAIL ASSY., REAR, GROUP	2	—	C	QH6 169	
Spares for:—							
	6Z9790	Rail, mounting, forward	2	—		QH6 170	
	7Z9790	Rail, mounting, rear	2	—		QH6 171	
24DL 6010613	54Z9790	SPRING, STRAP, GROUP	4	—	C	QH6 172	

SERVICES

FIRE PROTECTION (METHYL BROMIDE)

Ref. No.	Part No.	Description	No. off	Matl. Spec.	Cl. of St.	Place and Illust'n No.	
					M.R.		
		1 2 3 4					
28M/1012015 21870	AGS2001/C1/88	FIRE EXTINGUISHER SYSTEM BOMB BAY, PORT AND STARBOARD (1Z9790) (Mod. 526, Mod 527) (Cont'd)	A/R	-	C		
	10SS4387	Nut, stiff	1	-	MR	QH6/173	
	11SS4386	Olive, sleeved	1	-	C	QH6/174	
	11SS4387	Olive, sleeved	1	-		QH6/176	
	83SS3568	Olive, sleeved	1	-		QH6/177	
	64Z9790	Piece, distance	1	-		QH5/178	
	66Z9790	Piece, distance	1	-		QH5/179	
	68Z9790	Piece, distance	4	-		QH5/180	
	21853	11Z9790	PIPE, BETWEEN FRONT SPAR AND BOMB ARCH 44.592", 22G x 1" o/d x 4' 0" LONG, PORT, GROUP	1	-	C	QH5/181
	21854	12Z9790	PIPE, BETWEEN FRONT SPAR AND BOMB ARCH 44.592", 22G x 1" o/d x 4' 0" LONG, STBD., GROUP	1	-	C	QH5/182
	21855	13Z9790	PIPE, BETWEEN BOMB ARCHES 44.592" AND 108.687", 22G x 1.0" o/d x 5' 0" LONG, PORT, GROUP	1	-	C	QH5/183
	21856	14Z9790	PIPE, BETWEEN BOMB ARCHES 44.592" AND 108.687", 22G x 1.0" o/d x 5' 0" LONG, STBD., GROUP	1	-	C	QH5/184
	21870	27Z9790	PIPE, FROM EXTINGUISHER BOTTLE TO GALLERY PIPE, 22G x 3/4" o/d x 15" LONG, PORT, GROUP	1	-	MR	QH6/186
49Z9790		PIPE, FROM EXTINGUISHER BOTTLE TO GALLERY PIPE, 22G x 3/4" o/d x 15" LONG, STBD., GROUP	2	-	MR	QH6/188	
21871	76Z9790	PIPE, FROM EXTINGUISHER BOTTLE TO GALLERY PIPE, 22G x 3/4" o/d x 15" LONG, PORT, GROUP	1	-	C	QH6/187	
21871	77Z9790	PIPE, FROM EXTINGUISHER BOTTLE TO GALLERY PIPE, 22G x 3/4" o/d x 15" LONG, STBD., GROUP	1	-	C	QH6/189	
	48Z9790	PIPE, FROM EXTINGUISHER BOTTLE TO GALLERY PIPE, 22G x 3/4" o/d x 15" LONG, PORT, GROUP	2	-	MR	QH6/189	
	26Z9790	PIPE, FROM EXTINGUISHER BOTTLE TO GALLERY PIPE, 22G x 3/4" o/d x 15" LONG, STBD., GROUP	1	-	MR	QH6/190	

VULCAN No. 3

SERVICES

Page QH. 13

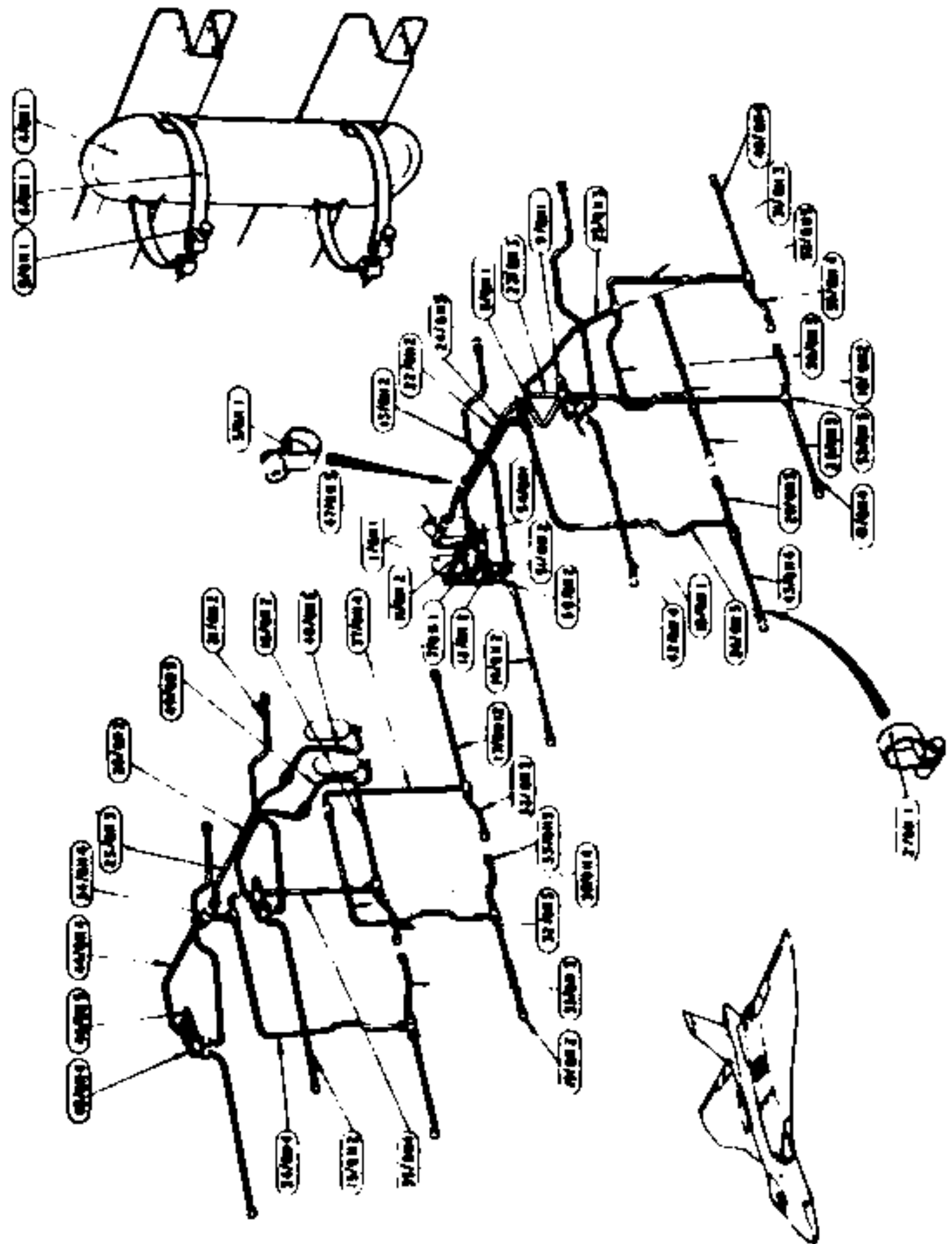
FIRE PROTECTION (METHYL BROMIDE)

Ref. No.	Part No.	Description 1 2 3 4	No. off	Mater. Spec.	Cl. of	Plate and Illust'n No.
					St. M.R.	
		FIRE EXTINGUISHER SYSTEM BOMB RAY, PORT AND STBD. (1Z9790) (Mod. 524) (Mod. 527) (Cont'd)				
21862	73Z9790	PIPE, SPRAY, BETWEEN BOMB ARCHES 108-687" AND 151-919", 22G 1-0" od - 4' 0" LONG, PORT, GROUP	1	—	C	QH5:191
21857	16Z9790	PIPE, SPRAY, BETWEEN BOMB ARCHES 108-687" AND 151-919", 22G x 1-0" od - 4' 0" LONG, STARBOARD, GROUP	1	—	C	QH5:192
21863	74Z9790	PIPE, SPRAY, BETWEEN BOMB ARCHES 151-919" AND 225-227", 22G 1-0" od - 6' 25" LONG, PORT, GROUP	1	—	C	QH5:193
21858	18Z9790	PIPE, SPRAY, BETWEEN BOMB ARCHES 151-919" AND 225-227" 22G 1-0" od - 6' 25" LONG, STBD., GROUP	1	—	C	QH5:194
21859	19Z9790	PIPE, SPRAY, BETWEEN BOMB ARCHES 225-227" AND 259-092", 22G 1-0" od - 3' 6" LONG, PORT, GROUP	1	—	C	QH5:195
21860	20Z9790	PIPE, SPRAY, BETWEEN BOMB ARCHES 225-227" AND 259-092", 22G 1-0" od - 3' 6" LONG, STBD., GROUP	1	—	C	QH5:196
	69Z9790	PIPE, SPRAY, BETWEEN BOMB ARCHES 259-092" AND 343-387", 22G 1-0" od - 6' 6" LONG, PORT, GROUP (Pre-Mod. 2013)	1	—	MR	QH5:197
21861	51Z9790	PIPE, SPRAY, BETWEEN BOMB ARCHES 259-092" AND 343-387", 22G 1-0" od - 6' 6" LONG, STBD., GROUP (Pre-Mod. 2013)	1	—	C	QH5:198
21868	23Z9790	PIPE, GALLERY, AT TEE-PIECE JUNC- TION, 22G 1½" od - 3' 0" LONG, PORT AND STARBOARD, GROUP	1	—	C	QH6:199
21869	24Z9790	PIPE, JOINT, TEE-PIECE TO GALLERY PIPE, 22G 1½" od - 2' 0" LONG, PORT AND STARBOARD, GROUP	1	TS8	C	QH6:200
28W 9419402	19SS3557 AS2811/5:118 SP13'C	Tee-piece Tube, distance Washer	1 24 A/R	— — —	C	QH6:201

VRCAN No. 2

SERVICES
 FIRE PROTECTION (METHYL BROMIDE)
 SUMMARY OF STANDARD ITEMS

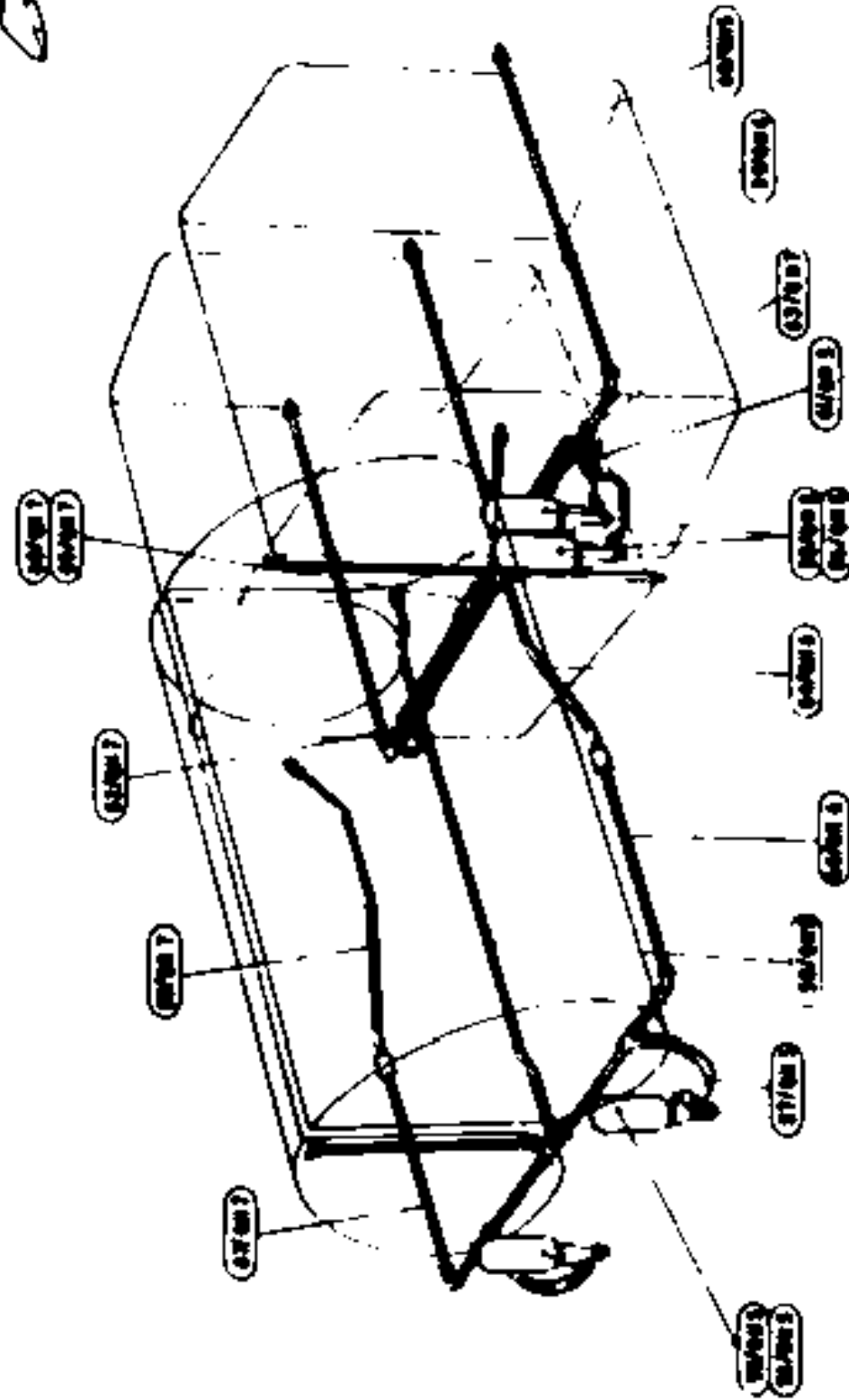
Stores Ref.		No. off	Stores Ref.		No. off	Stores Ref.		No. off
Section	Ref. No.		Section	Ref. No.		Section	Ref. No.	
28D	1010030	1						
28D	1011024	2						
28D	1200119	2						
28D	7002428	2						
28D	8133011	6						
28D	8133012	8						
28D	8133014	25						
28D	8438820	51						
28D	8453870	1						
28M	1278190	109						
28Y	15488	1						
28W	8418402	111						



FIRE EXTINGUISHER SYSTEM
ENGINES PORT AND STARBOARD

RESTRICTED

PLATE No. CH. 2
ISSUE 1

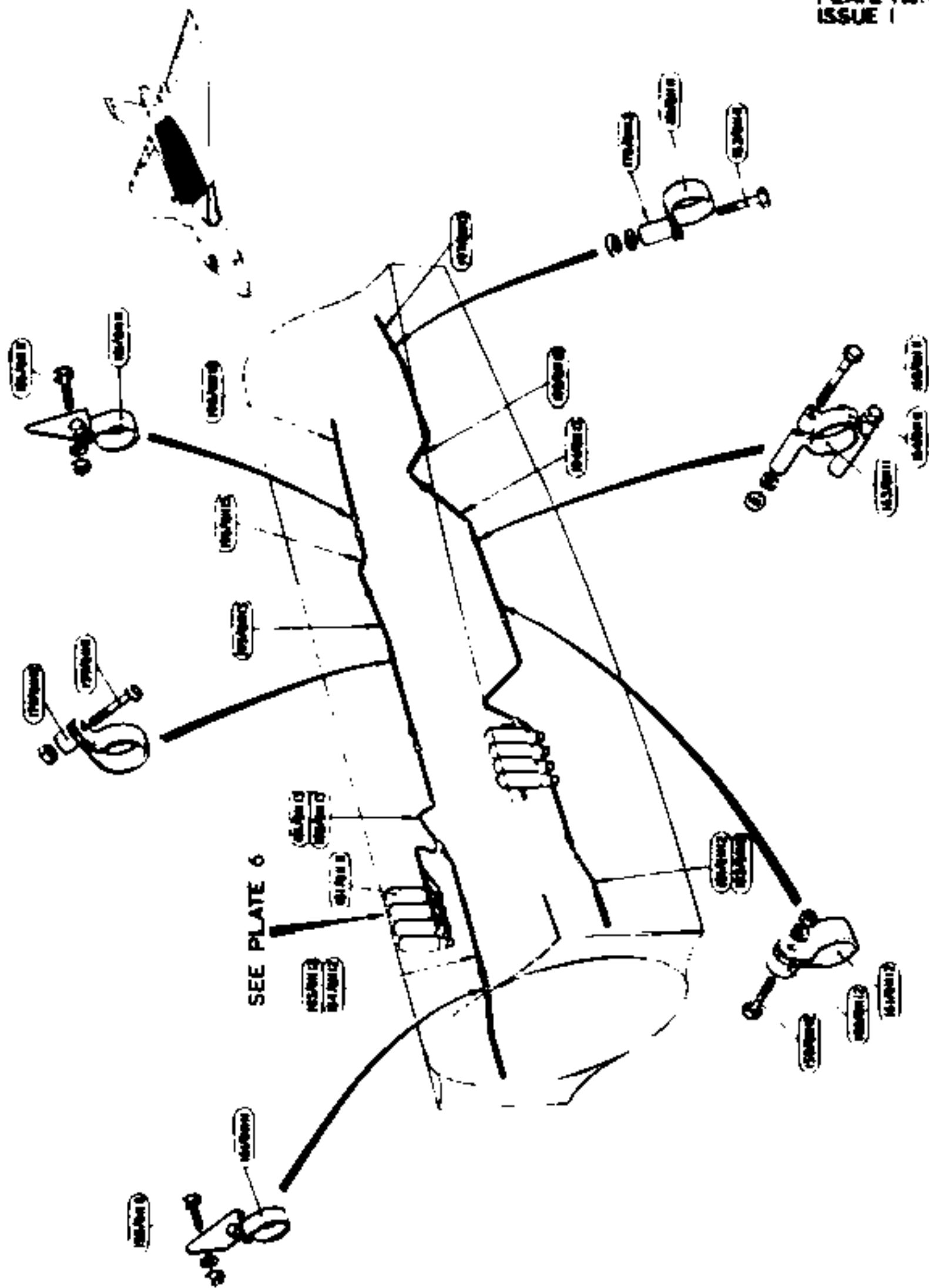


FIRE EXTINGUISHER SYSTEM
No. 1 AND 2. FUEL TANK BAYS

RESTRICTED

RESTRICTED

PLATE No. QHS
ISSUE 1



FIRE EXTINGUISHER SYSTEM
BOMB BAY PORT AND STBD

RESTRICTED

VULCAN NR. 2		SERVICES			Page QJ. 1	
FUEL SYSTEM						
AFT OF FRONT SPAR						
Ref. No.	Part No.	Description	No. off	Matl Spec.	Cl. of St.	Plate and Illust'n No.
					M.R.	
		FUEL SYSTEM AFT OF FRONT SPAR, PORT & STARBOARD (100—101P3164) Spares for:—				
	AVERY HARDOLL LTD. FC109	Cap	1	—	B	QJ1/1
	34P3164	Clip, half, top, for 3-1/2" dia. pipe	1	—	—	—
	9/SS1862	Clip, half, top, for 1-1/2" dia. pipe	4	—	MR	QJ3/3
1634	15/SS1862	Clip, half, top, for 2" dia. pipe	10	—	C	QJ3/4
1620	160/SS4095	Clip, half, bottom, for 1-1/2" dia. pipe	1	—	C	QJ3/5
	170/SS4095	Clip, half, bottom, for 1-1/2" dia. pipe	1	—	MR	QJ3/6
1622	172/SS4095	Clip, half, bottom, for 2" dia. pipe	1	—	C	—
1626	251/SS4095	Clip, half, bottom, for 2" dia. pipe	4	—	C	QJ3/8
	252/SS4095	Clip, half, bottom, for 2" dia. pipe	3	—	—	QJ3/9
	253/SS4095	Clip, half, bottom, for 2" dia. pipe	4	—	MR	QJ3/10
	BA5/SS4234	Clip, half, top, for 2" dia. pipe	1	—	MR	QJ3/11
26FP/10703	BA8/SS4234	Clip, half, top, for 2" dia. pipe	2	—	C	QJ3/12
	BA15/SS4234	Clip, half, bottom, for 2" dia. pipe	1	—	—	QJ3/13
	BA22/SS4234	Clip, half, bottom, for 2" dia. pipe	2	—	MR	QJ3/14
	B08/SS4234	Clip, half, top (Pre-Mod. 996)	1	—	MR	QJ3/15
1433990	BG19/SS4234	Clip, half, bottom (Pre-Mod. 996)	1	—	C	QJ3/16
	1/SS4471	Clip, half, top, for 3-1/2" dia. pipe	2	—	MR	QJ3/17
	1/SS4477	Clip, half, bottom, for 3-1/2" dia. pipe	1	—	—	QJ3/18
	2/SS4477	Clip, half, bottom, for 3-1/2" dia. pipe	1	—	MR	QJ3/19
	7/SS4477	Clip, half, bottom, for 3-1/2" dia. pipe	1	—	MR	QJ3/20
	26/SS4480	Clip, bonding, for 1-3/16" dia. pipe	9	—	MR	QJ3/21
	34/SS4480	Clip, bonding, for 2" dia. pipe	29	—	MR	QJ3/22
	51/SS4480	Clip, bonding, for 3-1/2" dia. pipe	8	—	MR	QJ3/23
26FP/13091	2/SS3264	Clip, bonding	2	—	C	QJ3/24
	34/SS1973	Clip, bonding	2	—	MR	QJ3/25
	VICKERS ARMSTRONG A5388/K	Cock, type R1-1/2" B.S.P. (hand)	1	—	A	QJ3/26
27F/2213	VICKERS ARMSTRONG	Cock, type R.2" (electrical)	4P 3S	—	—	QJ3/27
		Consisting of:—				
	A5282M	Cock	1	—	A	—
27F/4526889 5W/4511948	—	Actuator	1	—	A	—
	FLIGHT RE-FUELLING FRS110/K	Coupling, pipe, 1-1/2" dia.	8	—	B	QJ3/28
27FR/ 1056588	FLIGHT RE-FUELLING FRS110/M	Coupling, pipe 2" dia.	20	—	B	QJ3/29
27FR/ 1056583	FLIGHT RE-FUELLING FRS326/T	Coupling, pipe, 3-1/2" dia.	4	—	—	QJ3/30
	AVERY HARDOLL LTD. FC428 Mk. 11	Coupling, douser aft. FC248	1	—	—	QJ1/31
	KING A/C LTD. C5471	Coupling, flexible, fireproof, 1-1/2" dia. Mk. 1 only	4	—	MR	—

SERVICES
FUEL SYSTEM
AFT OF FRONT SPAR

Ref No.	Part No.	Description	No. off	Matl Spec	Cl. of St.	Plate and Illust'n No.
					M.R.	
		<u>1 2 3 4</u>				
	KING A/C LTD. C5623/M KING A/C LTD. C8032	Coupling, flexible, fireproof, 2" dia.	2	—	MR	QJ3/33
		Coupling, flexible, fireproof, 2" dia.	2	—	MR	QJ3/34
	8P2853	HANDLE, OPERATING SERVICE COCK, GROUP	1	—	MR	QJ1/36
	84P2890	Lever, special operating, fuel cock	1	L650/L40	MR	QJ1/38
	105P3164	PANEL, ACCESS, FUEL SERVICE COCK, GROUP ATTACHMENTS—PANEL. PART No 105P3164	1	—	MR	QJ1/37
28FP/ 4062411	A6/35	Fastener, dzus	8	—	C	
28FP/ 9436928	S5/225	Spring, dzus	8	—	C	
9406	106P2890 4/SS2884	Pin, lever, fuel cock	1	L57	C	QJ1/38
		Pin, attachment, rod to handle	1	—		QJ1/39
	4P3164	PIPE, REFUELLING, FROM JOINT	1	—		QJ1/40
		FORWARD FRONT SPAR TO JOINT BELOW No. 2, AIR INTAKE CENTRE, GROUP (Pre-Mod. 526)				
20037	3P3584	PIPE, REFUELLING, FROM JOINT	1	—	C	QJ1/41
		FORWARD FRONT SPAR TO JOINT BELOW No. 2 AIR INTAKE CENTRE, GROUP (Mod. 526)				
	19P3164	Pipe, refuelling, from joint forward from ... spar, to joint below No. 2 air intake, centre, starboard	1	L54/L58	MR	QJ2/42
	6P3164	Pipe, branch, refuelling joint below No 2 air intake, to joint below No. 1 air intake, port	1	L54/L58		QJ1/43
8830	6P3164	Pipe, branch, refuelling joint below No. 2 air intake, to joint below No. 1 air intake, starboard	1	L54/L58	C	QJ2/44
8831	7P3164	Pipe, refuelling, joint below No. 1 air intake, to joint outboard, Fig. 182.5, port	1	L54/L58	C	QJ1/45
	8P3164	Pipe, refuelling, joint below No. 4 air intake to joint outboard, Fig. 182.5, starboard	1	L54/L58		QJ2/46
	9P3164	PIPE, DE-FUELLING FROM VICKERS ... HAND COCK TO NON RETURN VALVE, 1-1/2" o/d x 20G, PORT, GROUP	1	L54	MR	QJ1/47
	10P3164	PIPE, DE-FUELLING FROM VICKERS ... HAND COCK TO NON RETURN VALVE, 1-1/2" o/d x 20G, STBD., GROUP	1	L54	MR	QJ2/48
	13P3164	PIPE, BY-PASS FROM SAUNDERS NON RETURN VALVE RIB 83.5 TO UNION FORWARD, 1/4" o/d x 22G PORT, GROUP	1	L54	MR	QJ1/49

VULCAN No. 2

**SERVICES
FUEL SYSTEM
AFT FRONT SPAR**

Page QJ. 3

Ref. No.	Part No.	Description 1 2 3 4	No. off	Matl. Spec.	Cl. of	Plate and Blust'n No.
					St. M.R.	
5667	14P3164	PIPE, BY-PASS, FROM SAUNDERS NON-RETURN VALVE, RIB 635 TO UNION, AFT, $\frac{1}{2}$ " o d . 20G, PORT, GRP.	1	T55	C	QJ1 50
5668	15P3164	PIPE, BY-PASS, FROM SAUNDERS NON-RETURN VALVE, RIB 1133 TO UNION, FORWARD, $\frac{1}{2}$ " o d . 22G, GRP.	1	T55	C	QJ1 51
	16P3164	PIPE, BY-PASS, FROM SAUNDERS NON-RETURN VALVE, RIB 1133 TO UNION, FORWARD, $\frac{1}{2}$ " o d . 22G, GRP.	1	L54	MR	QJ1 52
	17P3164	PIPE, BY-PASS, FROM SAUNDERS NON-RETURN VALVE, RIB 635 TO UNION, AFT, $\frac{1}{2}$ " o d . 22G, STBD., GROUP	1	T55	MR	QJ2 53
	18P3164	PIPE, BY-PASS, FROM SAUNDERS NON-RETURN VALVE, RIB 635 TO UNION, FORWARD, $\frac{1}{2}$ " o d . 22G, STARBOARD, GROUP	1	L54	MR	QJ2 54
	32P3164	Pipe, fuel, from Vickers Cock, centre. front spar to joint port (Pre-Mod. 996)	1	—	MR	QJ1 55
	33P3164	Pipe, fuel, from Vickers Cock, centre. front spar to joint starboard (Pre-Mod. 996)	1	—	MR	QJ1 56
7936	43P3164	PIPE, FUEL, JOINT AFT OF ENGINE BULKHEAD, 63-19 TO FLEXIBLE FIRE-PROOF COUPLING ALONG-SIDE RIB 635 No. 2 ENGINE, 2" o d . 22G, PORT, GROUP	1	T55	C	QJ1 57
7934	44P3164	PIPE, FUEL, BETWEEN FLEXIBLE FIRE-PROOF COUPLINGS, No. 2 ENGINE, 2" o d . 22G, PORT, GROUP	1	T55	C	QJ1 58
7937	45P3164	PIPE, FUEL, FROM JOINT AFT OF ENGINE BULKHEAD, 63-19 TO FLEXIBLE FIRE-PROOF COUPLING ALONG-SIDE RIB 1133 No. 1 ENGINE, 2" o d . 22G, PORT, GROUP	1	T55	C	QJ1 59
7935	46P3164	PIPE, FUEL, BETWEEN FLEXIBLE FIRE-PROOF COUPLINGS, No. 1 ENGINE, 2" o d . 22G, PORT, GROUP	1	T55	C	QJ1 60
	47P3164	Pipe, fuel, from Vickers Cock, rib 1133 to joint aft of engine Duckhood, 63-19 No. 4 engine, starboard	1	—	MR	QJ2 61
	48P3164	Pipe, fuel, from Vickers Cock, rib 63-5 to joint aft of engine Duckhood, 63-19 No. 3 engine, starboard	1	—	MR	QJ2 62

**SERVICES
FUEL SYSTEM
AFT OF FRONT SPAR**

Ref. No.	Part No.	Description 1 2 3 4	No. off	Matl. Spec.	Cl. of	Plate and Illustr'n No.
					St. M.R.	
7938	49P3164	PIPE, FUEL, BETWEEN FLEXIBLE FIRE-PROOF COUPLINGS, NO. 4 ENGINE, 2" o d x 22G, STARBOARD, GROUP	1	TSS	C	QJ2/63
	62P3164	PIPE, FUEL, FROM JOINT AFT OF ENGINE BULKHEAD, 63-19 TO FLEXIBLE FIREPROOF COUPLING ON RIB 113-3, No. 3 ENGINE, 2" o d x 22G, STARBOARD, GROUP (Pre-Mod. 1814)	1	TSS	MR	QJ2/64
	121P3164	PIPE, FUEL, FROM JOINT AFT OF ENGINE BULKHEAD 63-19 TO FLEXIBLE FIREPROOF COUPLING ON RIB 113-3, No. 3 ENGINE, 2" o d x 22G, STARBOARD, GROUP (Mod. 1814)	1	TSS	MR	QJ2/65
	63P3164	PIPE, FUEL, FROM JOINT AFT OF ENGINE BULKHEAD, 63-19 TO FLEXIBLE FIREPROOF COUPLING ON RIB 162-5, No. 4 ENGINE, 2" o d x 22G, STARBOARD, GROUP (Pre-Mod. 1814)	1	TSS	MR	QJ2/66
	122P3164	PIPE, FUEL, FROM JOINT AFT OF ENGINE BULKHEAD, 63-19 TO FLEXIBLE FIREPROOF COUPLING ON RIB 162-5, No. 4 ENGINE, 2" o d x 22G, STARBOARD, GROUP (Mod. 1814)	1	TSS	MR	QJ2/67
1585	7P3026	PIPE, TEE, FROM JOINT BELOW No. 2, AIR INTAKE TO JOINT OUTBOARD, RIB 113-3, 1 1/4" o d AND 2" o d, PORT, GROUP	1	L54	C	QJ1/68
1593	13P3026	Pipe, fuel, from joint between ribs 113-3 and 162-5 to joint outboard of rib 162-5, 2" o d 20G, port	1	L56	C	QJ1/69
1594	14P3026	Pipe, fuel, from joint between ribs 113-3 and 162-5 to joint outboard of rib 162-5, 2" o d x 22G, starboard	1	L56	C	QJ2/70
	15P3026	Pipe, fuel, from joint inboard rib 162-5, to joint outboard of rib 162-5, 2" o d 20G, port	1	L56	MR	QJ1/71
1587	16P3026	Pipe, fuel, from joint inboard of rib 162-5 to joint outboard of rib 162-5, 2" o d x 20G, starboard	1	L56	C	QJ2/72
	19P3026	Pipe, fuel, from joint outboard of rib 63-5 to joint outboard of rib 113-3, 1 1/4" o d x 20G, port	1	L56	MR	QJ1/73
1599	20P3026	Pipe, fuel, from joint outboard rib 63-5 to outboard of rib 113-3, 1 1/4" o d 20G, starboard	1	L56	C	QJ2/74

VULCAN 2

SERVICES
FUEL SYSTEM
AFT OF FRONT SPAR

Page QJ. 5

Ref. No	Part No	Description	No. off	Matl. Spec.	Cl. of St.	Plate and Illust'n No
					M.R.	
		1 2 3 4				
	23P3026	PIPE, TEE, CROSS-FEED, BETWEEN RIBS 63.5 AND 113.3", PORT, GROUP	1	L54	MR	QJ1.75
	24P3026	PIPE, TEE, CROSS-FEED, BETWEEN RIBS 63.5 AND 113.3, STBD., GROUP	1	L54	MR	QJ2.76
	33P3026	PIPE, TEE, DE-FUELLING, CONNECTING CROSS-FEED PIPE, TO HAND-OPERATED VICKERS COCK, BETWEEN RIBS 63.5 AND 113.3, 1-1/2" o/d, PORT, GROUP	1	L54	MR	QJ1.77
	34P3026	PIPE, TEE, DE-FUELLING, CONNECTING CROSS-FEED PIPE, TO HAND-OPERATED VICKERS COCK, BETWEEN RIBS 63.5 AND 113.3, 1-1/2" o/d, STARBOARD, GROUP	1	L54	MR	QJ2.78
2750	96P3026	Pipe, vent, from tee-piece to atmosphere, inboard of rib 113.3, 1-1/2" o/d x 20G, starboard	1	L56	C	QJ2.79
13163	103P3164	Pipe	1	—	C	
	56P3164	Pipe, coupling to coupling, port (Pre-Mod. 526)	1	L56		
20035	11P3584	Pipe, coupling to coupling, port (Mod. 526)	1	L54	C	QJ1/80
1510350	57P3164	Pipe, coupling to coupling, starboard (Pre-Mod. 526)	1	L56	C	
20036	12P3584	Pipe, coupling to coupling starboard (Mod. 526)	—	L54	C	QJ2/81
	87P3026	Pipe, vent, from tee-piece to atmosphere inboard, rib 113.3, 1-1/2" o/d x 20G, port	1	L56	MR	QJ1/82
	121P3026	Pipe, fuel, between ribs 113.3 and 162.5, 2" o/d x 20G, starboard	1	L56		QJ2/83
	122P3026	Pipe, fuel, between ribs 113.3 and 162.5, 2" o/d x 20G, port	1	L56		QJ1/84
20033	123P3026	Pipe, tee, from Vickers Cock, alongside rib 63.5, 2" o/d x 189, starboard	1	L54	C	QJ2/85
	25P3026	Pipe, fuel, from Vickers Cock, alongside rib 63.5, to joint aft of engine bulkhead 63.19, No. 2 engine, port (Pre-Mod. 185)	1	—		
5842	127P3026	Pipe, fuel, from Vickers Cock, alongside rib 63.5 to joint aft of engine bulkhead 63.19, No. 2 engine, port (Mod. 185)	1	—	C	
	124P3026	Pipe, tee, from Vickers Cock, alongside rib 63.5 2" o/d x 18G, port (Pre-Mod. 185)	1	—		QJ1/86
	128P3026	Pipe, tee, from Vickers Cock, alongside rib 63.5 2" o/d x 18G, port (Mod. 185)	1	L56	MR	QJ1/87
20034	56P3164	PIPE, FUEL, COUPLING TO COUPLING, GROUP	1	—	C	QJ1/88

SERVICES
FUEL SYSTEM
AFT OF FRONT SPAR

Ref. No.	Part No	Description	No. off	Matl. Spec	Cl. of St.	Plate and Illust'n No
					M.A.	
		1 2 3 4				
	129P3026	Pipe, fuel, from Vickers Cock, alongside rib 113.3, to joint aft, engine bulkhead 83.19, No. 1 engine, port	1	—		QJ1/88
	11P3026	Pipe, branch, from Vickers Cock, alongside rib 113.3, to joint, centre, No. 4 engine intake, starboard (Pre-Mod. 185)	1	—		
	131P3026	Pipe, branch, from Vickers Cock, alongside rib 113.3, to joint, centre, No. 4 engine intake, starboard (Mod. 185)	1	—	MR	QJ1/89
1592	12P3026	Pipe, branch, from Vickers Cock, alongside rib 113.3, to joint, centre, No. 4 engine intake, starboard (Pre-Mod. 185)	1	—	C	
	132P3026	Pipe, branch, from Vickers Cock, alongside rib 113.3, to joint, centre, No. 4 engine intake, starboard (Mod. 185)	1	—	MR	QJ2/90
	6P3026	Pipe, branch, from Vickers Cock, alongside rib 83.6 to joint, centre, No. 2 engine intake, starboard (Pre-Mod. 185)	1	—		
5663	134P3026	Pipe, branch, from Vickers Cock, alongside rib 83.5, to joint, centre, No. 2 engine intake, starboard (Mod. 185)	1	—	C	QJ2/92
1583	5P2890	Pipe, branch, from Vickers Cock, alongside rib 83.5, to joint, centre, No. 2 engine intake, port	1	L54	C	QJ1/92
7947	35P3164	Ring, stiffening, cut-out, for fuel pipes	4	L72	C	QJ1/93
	36P3164	Ring, half, asbestos, for fuel pipe output on engine, bulkhead 83.19	4	—	MR	QJ1/94
	62P3026	ROD, CONNECTING, FOR HAND-OPERATED SERVICE COCK, PORT, GROUP	1	—		QJ1/95
	126P3026	ROD, CONNECTING, FOR HAND-OPERATED SERVICE COCK, STARBOARD, GROUP	1	—		QJ1/96
1568	1SS3852	Screw, grub, for Service Cock, lever	1	—	C	QJ1/97
27FR/ 4384519	FLIGHT REFUELLING FRS185/M 7Z3092	Shield, heat, for flexible fireproof couplings	2	—	C	QJ3/98
		Spring, plunger, port	2	—	MR	QJ3/98

VULCAN No. 2

**SERVICES
FUEL SYSTEM
AFT OF FRONT SPAR**

Page QJ. 7

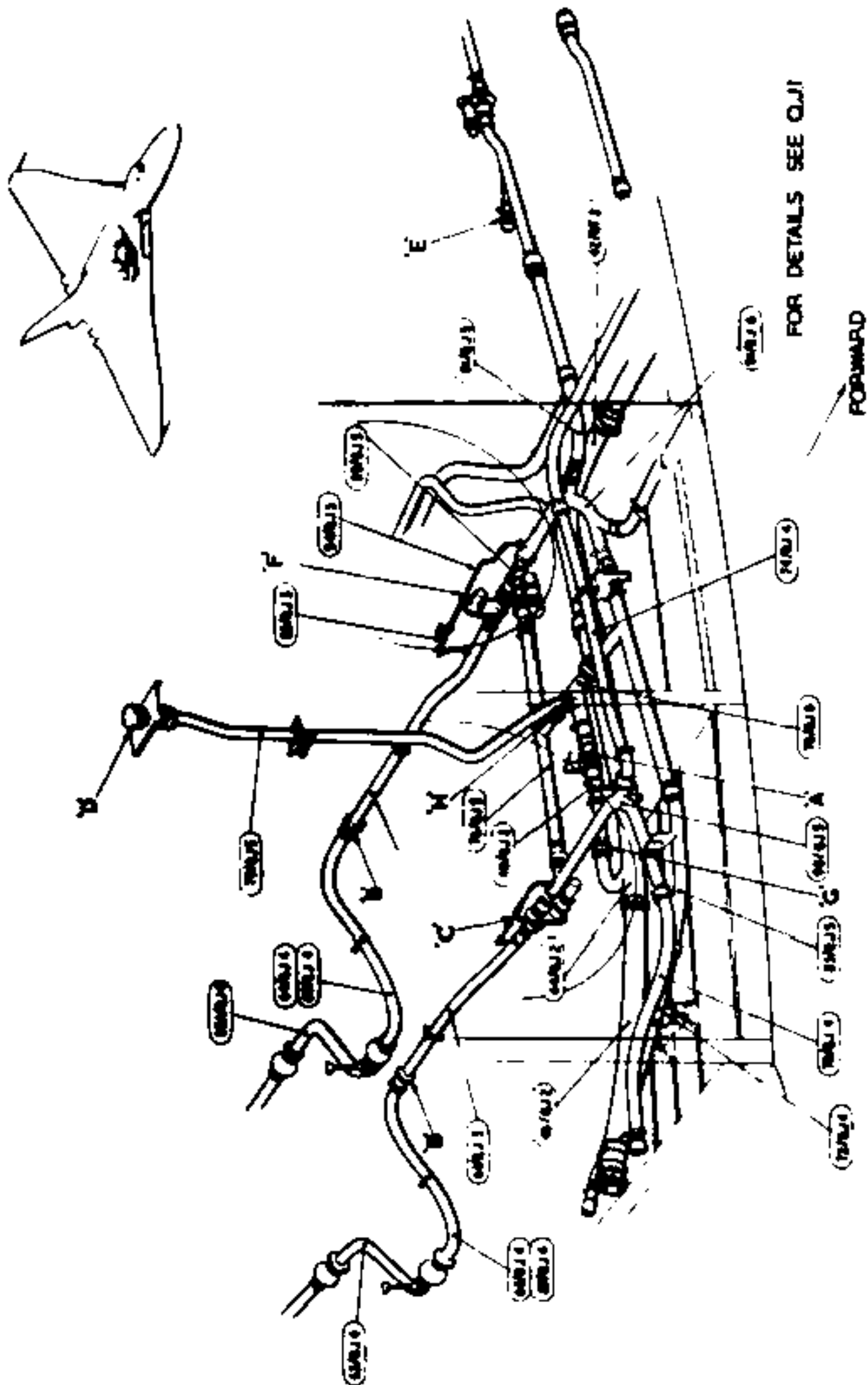
Ref. No.	Part No.	Description 1 2 3 4	No. off	Matl. Spec.	Cl. of St.	Plate and Inst'n No.
					M.R.	
11782	114P3164	Stay, tube (Mod. 906)	2	—	C	QJ3/100
27F 2189	ARMSTRONG A5179/K	Valve, non-return, 1½" B.S.P. (Alternative A52-87)	3	—	A	QJ1/101
	SAUNDERS 712AA02	Valve, non-return	1	—		QJ1/102
27PB/4824838	SAUNDERS N1002	Valve, non-return, ½" dia.	2	—	A	QJ1/103
	FLIGHT REFUELLING	Valve, non-return (Pre-Mod. 996)	4	—		QJ1/104
5052	B9811000/K 102P3026	Washer, spherical, ⅜" dia., port	4	S1	C	

WJCAN PL. 2

SERVICES
FUEL SYSTEM
SUMMARY OF STANDARD PARTS

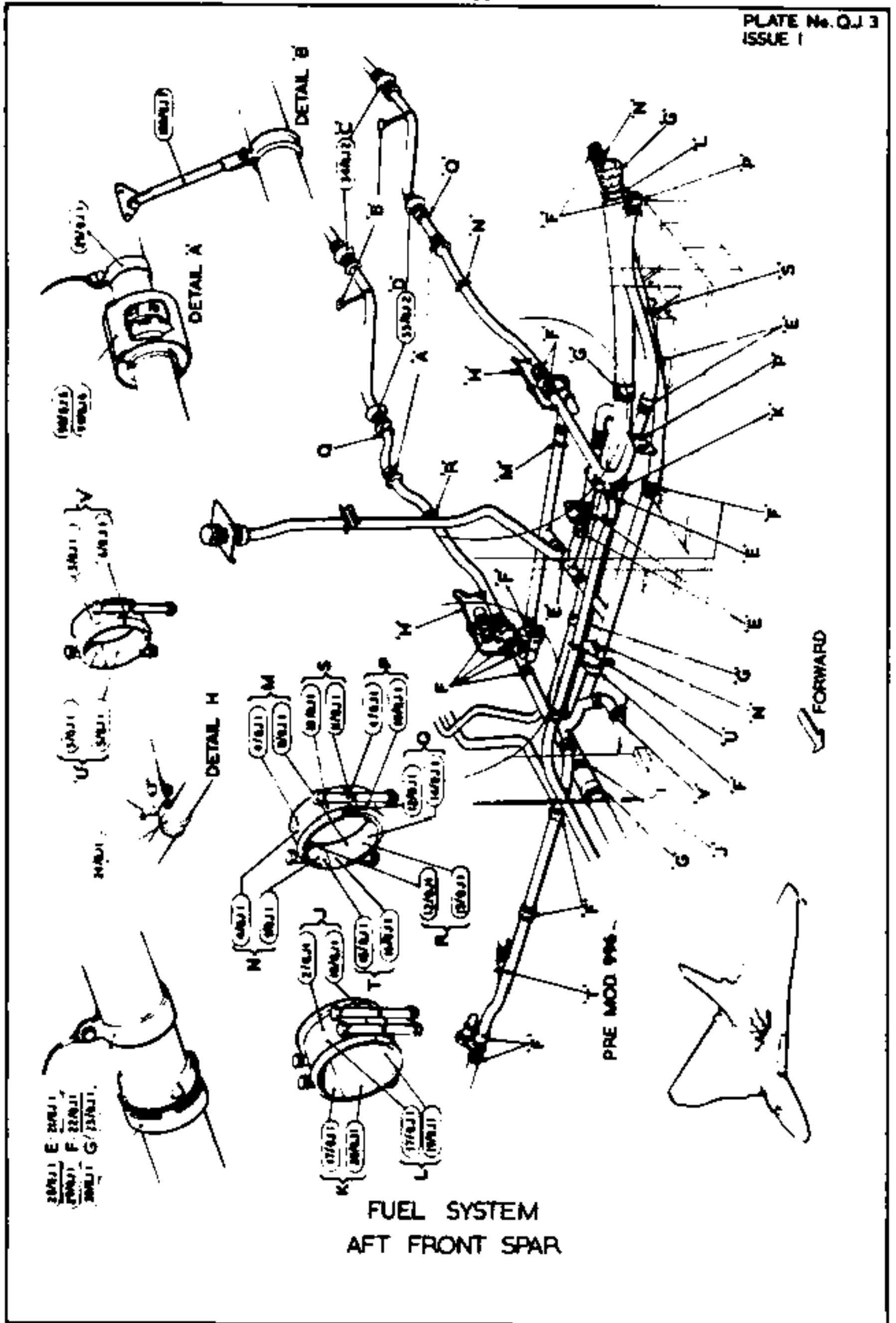
Page C.I. 9

Stores Ref.		No. off	Stores Ref.		No. off	Stores Ref.		No. off
Section	Ref. No.		Section	Ref. No.		Section	Ref. No.	
28FP	4062411	8						
28FP	9438928	8						



FOR DETAILS SEE QJ1
FORWARD

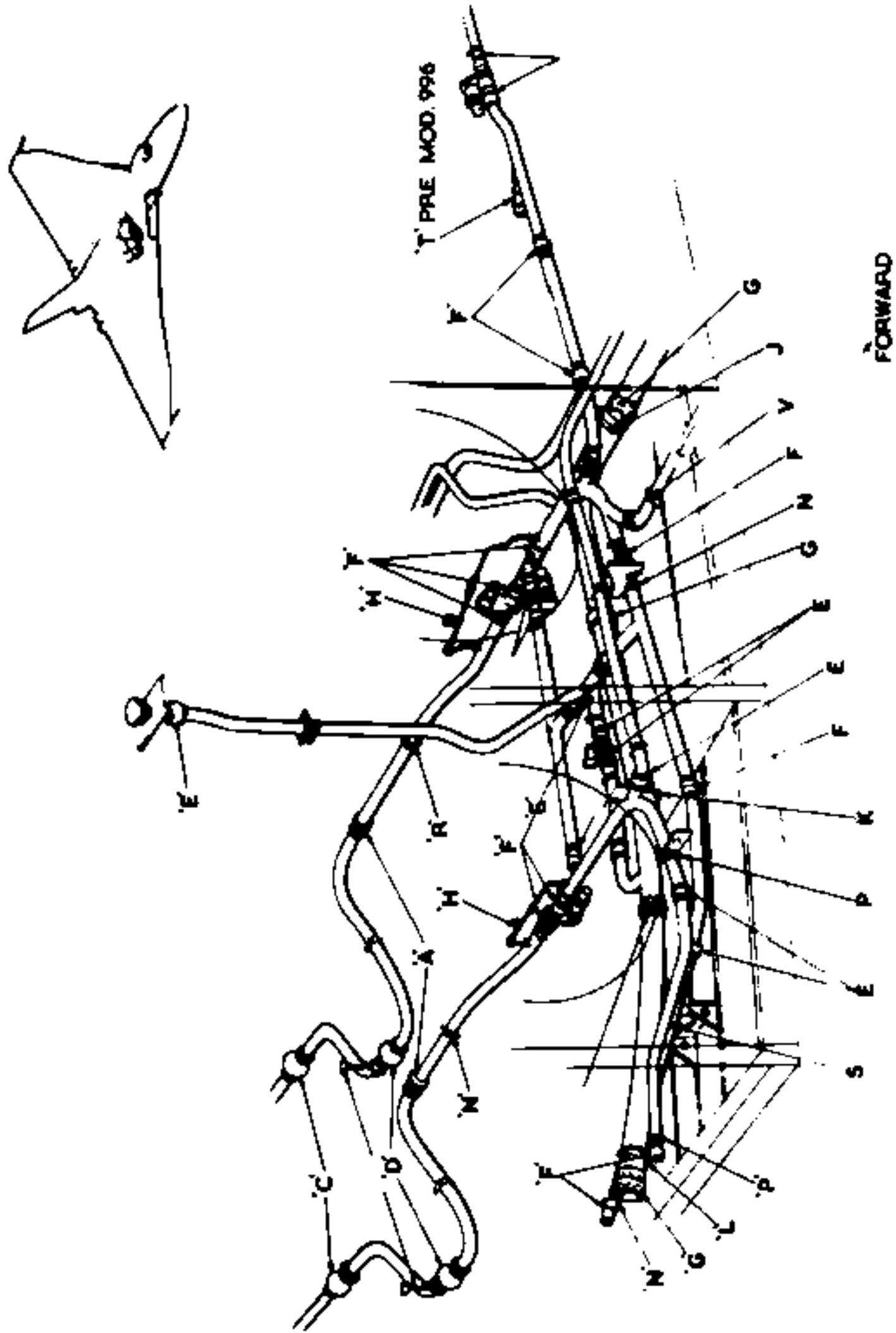
FUEL SYSTEM
AFT FRONT SPAR



FUEL SYSTEM
AFT FRONT SPAR

RESTRICTED

PLATE No. OJ 4
ISSUE 1



FUEL SYSTEM
AFT FRONT SPAR

RESTRICTED

VULCAN PR. 2

SERVICES
FUEL SYSTEM
BOMB BAY TANKS AND No. 1 & 2 TANKS FUSELAGE

Page QK. 1

Ref. No.	Part No.	Description				No. off	Matl. Spec.	Cl. of	Plate and Illust'n No.
		1	2	3	4			St. M.R.	
		FUEL SYSTEM, BOMB BAY TANKS, PORT AND STARBOARD (9 & 10P3584) Spares for:—							
	FLIGHT REFUELLING FRS300/K	Blank, pipe				13	—		QK1/1
20083	81P3584	BRACKET, VALVE, MOUNTING, PORT, . . . GROUP (Mod. 1504)				1	—	C	QK1/2
20084	82P3584	BRACKET, VALVE, MOUNTING, STARBOARD, GROUP (Mod 1504)				1	—	C	QK1/3
20085	83P3584	BRACKET, FUEL PIPE, PORT, GROUP . . . (Mod. 1504)				1	—	C	QK1/4
	84P3584	BRACKET, FUEL PIPE, STARBOARD, . . . GROUP (Mod 1504)				1	—		QK1/5
6X/6200370	1V5850	Block, connector (Mod. 1504)				1	—	C	QK1/6
	51SS4478	Clip, half, for 1 1/2" o/d pipes-tubes 1 3/4" C				5	—	MR	QK1/7
	52SS4478	Clip, half, for 1 1/2" o/d pipes-tubes 0 5/8" C				19	—	MR	QK1/8
20075	48SS4478	Clip, half, for 2" o/d pipes-tubes 1.3" C				8	—	C	QK1/9
10250	49SS4478	Clip, half, for 2" o/d pipes tubes 0.6" C				22	—	C	QK1/10
20076	53SS4478	Clip, half, for 2" o/d pipes-tubes 1 5/8" C				2	—	C	QK1/11
20077	58SS4478	Clip, half, for 2" o/d pipes (Pre-Mod. 2281)				3	—	C	QK1/12
1505423	59SS4478	Clip (Mod 2281)				2	—	C	
20080	57SS4478	Clip, half, for 2" o/d pipes-tubes 1 2" C				4	—	C	QK1/13
	60SS4478	Clip, half, for 1-1/2" o/d pipes-tubes 9" C				2	—	MR	QK1/14
	62SS4478	Clip, half, for 1-1/2" o/d pipes (Pre-Mod 2281)				6	—	MR	QK1/15
1505424	61SS4478	Clip (Mod. 2281)				2	—	C	
	65SS4478	Clip, half, for 2" o/d pipes tubes 1 5/8" C				2	—	MR	QK1/16
	68SS4478	Clip, half, for 2" o/d pipes-tubes 0.6" C				1p	—		QK1/17
	63SS4478	Clip, half, for 1-1/2" o/d pipe				2	—	MR	QK1/18
	66SS4478	Clip, half, for 2" o/d pipe				2s	—	MR	QK1/19
	67SS4478	Clip, half, for 1-1/2" o/d pipes				3p	—	C	QK1/20
	34SS4480	Clip, bonding				3	—	MR	QK1/21
	BRISTOL FB15546	Connection, union				1	—		QK1/22
27FR-1057698	FLIGHT REFUELLING FRS110/K/1	Connector, pipe				2	—		QK1/23
27FR-1058683	FLIGHT REFUELLING FRS/110/M/1	Connector, pipe				10	—		QK1/24
27FR-1041067	FLIGHT REFUELLING FRS152/M	Sleeve, outer				2	—		QK1/25
	BRISTOL FB63876	Nut, connection				1	—		QK1/26
	52P3584	Nut, connection, special, at pressure switch				1	S93		QK1/27
	4P3584	Pipe, aft of front spar to FR connector on rib 63 5", port				1	L54	MR	QK1/28
	88P3584	Pipe, refuelling, between formers 21.717 and 95 867", top, port (Mod 1504)				1	L54	MR	QK1/29
20078	64SS4478	Clip, pipe				1	—		QK1/20a

SERVICES
FUEL SYSTEM
BOMB BAY TANKS AND No. 1 & 2 TANKS FUSELAGE

Ref. No.	Part No.	Description	No. off	Matl. Spec.	Cl. of	Place and Illust'n No.
					St. M.R.	
		1 2 3 4				
		FUEL SYSTEM, BOMB BAY TANKS, PORT AND STARBOARD (9 & 10P3584) (Cont'd)				
	88P3584	Pipe, fuel, from front spar to N.R. valve, starboard (Mod. 1504)	1	L54	MR	QK1/30
	95P3584	Pipe, fuel, from front spar to N.R. valve, port (Mod. 1504)	1	L54	MR	QK1/31
	96P3584	Pipe, fuel, from N.R.V. to F.R. connection between formers 123.015" - 151.919", port (Mod. 1504)	1	L54	MR	QK1/32
	97P3584	Pipe, fuel, from N.R.V. to F.R. connector between formers 123.015" - 151.919", starboard (Mod. 1504)	1	L54	MR	QK1/33
	85P3584	Pipe, fuel, between N.R. valves, rear of front spar (Mod. 1504)	1	L54	MR	QK1/34
	8P3584	Pipe, fuel, between formers 96.987" and 225.227", top, port (Pre-Mod. 748)	1	-	MR	
	77P3584	Pipe, fuel, between formers 95.987" and 225.227", top, port (Mod. 748)	1	L54	MR	QK1/35
	15P3584	Pipe, fuel, between formers 123.015" and 225.277" connector to connector, port (Pre-Mod. 748)	1	-		
	98P3584	Pipe, fuel, between formers 123.015" and 225.227", connector to connector, port (Mod. 1504)	1	L54	MR	QK1/36
	18P3584	Pipe, fuel, between formers 123.015" and 225.227" connector to connector, starboard (Pre-Mod. 748)	1	-		
	99P3584	Pipe, fuel, between formers 123.015" and 225.227" connector to connector, starboard (Mod. 1504)	1	L54	MR	QK1/37
	7P3584	Pipe, fuel, between formers 201.367" and 279.092" top, port (Blue Steel A/C only) (Mod. 2013)	1	L54	MR	QK1/38
1432632	102P3584	Pipe, fuel, between formers 201.367" and 279.092" top, port (Free Fall A/C only) (Mod. 2013)	1	L54	C	QK1/39
	67P3584	Pipe, fuel, between formers 201.367" and 279.092" (Starboard only)	1	L54	MR	QK1/40
	17P3584	Pipe, fuel, between formers 201.367" and 279.092" (Port only)	1	L54	MR	QK1/41
5X/4491488	15V6650 SMITHS AIRCRAFT 1001/3PG/10 FLIGHT REFUELLING	Socket, single	6	-	C	QK1/42
		Switch, differential pressure	1	-		QK1/43
27F R/3583	9907100/5 SAUNDERS	Valve, non-return	1	-	B	QK1/44
27F S/5543	115-AM 50A1-B	Valve, S.P. Aero, Mk. 4, 2" dia.	1	-	B	QK1/45
28F/9428463	AGS.1188/B	Washer, special	3	-	C	

VULCAN No. 2

SERVICES

Page OK. 3

FUEL SYSTEM

BOMB BAY TANKS AND NO 1 & 2 TANKS, FUSELAGE

Ref. No.	Part No.	Description	No. off	Matl Spec	Cl. of	Plate and Illust'n No.
					St. M.R.	
		1 2 3 4				
		VENTING, BOMB BAY TANKS, FIXED FITTINGS (1P3585) Spares for:—				
	FLIGHT REFUELLING					
	FRS300/P	Blank, pipe	3	—		OK2/46
28F/9441095	AGS1236/A	Cap, cone (Mod. 2302)	1	—	C	OK2/47
20090	44SS4478	Clip, half, for 3" o/d pipes	1	—	C	OK2/48
20091	45SS4478	Clip, half, for 3" o/d pipes	1	—	C	OK2/49
1505387	46SS4478	Clip, half, for 2-1/2" o/d pipes	4	—	C	OK2/50
	47SS4478	Clip, half, for 2-1/2" o/d pipes	4	—	MR	OK2/51
	42SS4490	Clip, half, for 2-1/2" o/d pipes	1	—	MR	OK2/52
	50SS4490	Clip, half, for 1-1/2" o/d pipes	1	—	MR	OK2/53
1433119	54SS4478	Clip, half, for 2-1/2" o/d pipes	1	—	C	OK2/54
	65SS4478	Clip, half, for 2-1/2" o/d pipes	2	—	MR	OK2/55
28E/7102120	SP91/L	Clip	8	—	C	OK2/56
28E/4710971	SP91/N	Clip	2	—	C	OK2/57
28E/9712163	SP91/C	Clip	4	—	C	OK2/58
28E/9712165	SP91/G	Clip (Mod. 2302)	2	—	C	OK2/59
	68SS4478	Clip, half (Mod. 2302)	2	—		OK2/60
	70SS4478	Clip, half (Mod. 2302)	2	—		OK2/61
26TA/15032	10SS4480	Clip, bonding, 1/2" dia.	4	BSS265	C	OK2/62
	38SS1973	Clip, bonding, 2-1/4" dia.	2	—		OK2/63
	13P3585	Hose, rubber, 3" i/d x 4" long	1	DTD625A		OK2/64
	14P3585	Hose, rubber, 2-1/2" i/d x 4" long	3	DTD625A		OK2/65
	15P3585	Hose, rubber, 1 1/2" i/d x 3-3/4" long	4	DTD625A		OK2/66
	28P3585	Hose, rubber, 2-3/4" i/d x 2-3/4" long	1	DTD625A		OK2/67
	29P3585	Hose, rubber, 1/2" i/d x 2" long	2	DTD625A		OK2/68
	108Z7119	Hose, 1-1/2" i/d x 2-3/8" long (Mod. 2302)	1	Fylyte No. 4	MR	OK2/69
6116214	1212878	Hose (Mod. 2458)	1	F76	C	
28P/9710567	SP90/C4	Pin, split (Mod. 2302)	1	—	C	OK2/70
	3P3585	Pipe, branch at Bomb Arch 44.582"	1	—	MR	OK2/71
20088	4P3585	Pipe, between Bomb Arches 44.582 and 64.582"	1	—	C	OK2/72
	5P3585	Pipe, between Bomb Arches 64.582" and 123.015" (Pre-Mod. 748)	1	—		
14190	38P3585	Pipe, between Bomb Arches 84.582" and 123.015" (Mod. 748)	1	—	C	OK2/73
	6P3585	Pipe, between Bomb Arches 128.687" and 171.842" (Pre-Mod. 748)	1	—		
	38P3585	Pipe	1	—		
	5Z11001	Pipe, between Bomb Arches 128.687 and 171.842" make from 38P3585 (Mod. 748)	1	—		OK2/74
	36P3585	Pipe, aft of Bomb Arch 151.919" (Pre-Mod. 748)	1	—		

SERVICES

FUEL SYSTEM

BOMB BAY TANKS AND NO. 1 & 2 TANKS, FUSELAGE

Ref. No.	Part No.	Description	No. off	Matl. Spec.	Cl. of St.	Plate and Illust'n No.
					M.R.	
		1 2 3 4				
VENTING, BOMB BAY TANKS FIXED FITTINGS (1P3585) (Cont'd.)						
	37P3585	Pipe, aft of Bomb Arch 151.919" (Mod. 748)	1	—	MR	OK2/75
1510440	42P3585	Pipe, tube, between branch pipes 2-1/4" o/d x 20G x 6-5/8" long (Mod. 2302)	2	L56	C	OK2/76
11481	23P3585	Pipe, branch, 1/2" o/d x 20G x 4-1/8" long, port (Mod. 526)	1	—	C	OK2/77
10858	24P3585	Pipe, branch, 1/2" o/d x 20G x 4-1/8" long, starboard (Mod. 526)	1	—	C	OK2/78
20095	27P3585	Pipe, outlet, 1/2" o/d x 20G x 7-1/2" long	1	—	C	OK2/79
	43P3585	Plug, blanking, 7/8" dia. x 3/4" long (Mod. 2302)	1	L85	C	OK2/80
28F/9128036	AGS906/A	Sleeve, outer (Mod. 2302)	1	—	C	OK2/81
20093	21P3585	VENT. OUTLET, PORT. GROUP (Mod. 526)	1	—	C	OK2/82
20094	22P3585	VENT. OUTLET, STARBOARD, GROUP (Mod. 526)	1	—	C	OK2/83

VULCAN No. 2

SERVICES
FUEL SYSTEM

Page QK. 5

BOMB BAY TANKS AND No. 1 & 2 TANKS FUSELAGE

Ref. No.	Part No.	Description				No. off	Mater. Spec.	Cl. of	Plate and Inst'n No.
		1	2	3	4			St. M.R.	
		FUEL SYSTEM, No. 1 & 2 TANK IN FUSELAGE PORT AND STARBOARD (1 & 2P3481) (Mod. 380, Mod. 514) Spares for:—							
6A/4333689	SMITH WAYMOUTH JM/3	Box, tank terminal				2	—	A	QK6/82
1578	26P2828	CAP, ANTI-SPLASH AT VENT ELBOW						C	QK3/83
		No. 2 TANK, GROUP							
26TA/8667	22/SS4490	Clip, bonding, 1-1/4" dia.				2	BSS265	C	QK5/84
	28/SS4490	Clip, bonding, 1-1/2" dia.				11	BSS265	MR	QK5/85
	30/SS4490	Clip, bonding, 1-3/4" dia.				4	BSS265	MR	QK5/86
	34/SS4490	Clip, bonding, 2" dia.				6	BSS265	MR	QK5/87
	50/SS4490	Clip, bonding, 3" dia.				4	BSS265	MR	
	51/SS4490	Clip, bonding, 3-1/2" dia.				4	BSS265	MR	QK5/88
	53/SS4490	Clip, bonding, 4" dia.				6	BSS265	MR	QK5/89
	AS5/SS4234	Clip, half, for 1-1/2" o/d pipe				4		MR	QK5/91
	AS9/SS4234	Clip, half, for 1-1/2" o/d pipe				1	—	MR	QK5/92
	AS10/SS4234	Clip, half, for 1-1/2" o/d pipe				2	—	MR	QK5/93
7952	AS12/SS4234	Clip, half, for 1-1/2" o/d pipe				2	—	MR	
	AS14/SS4234	Clip, half, for 1-1/2" dia. pipe				1	—	C	QK5/95
	BC5/SS4234	Clip, half, for 2" o/d flexible pipe				2	—	MR	QK5/96
7961	BC12/SS4234	Clip, half, for 2" o/d flexible pipe				1	—	MR	QK5/97
7962	BC14/SS4234	Clip, half, for 2" o/d flexible pipe				1	—	C	QK5/98
	AW12/SS4234	Clip, half, for 1-3/4" o/d pipe				2	—	C	QK5/99
	1/SS4471	Clip, half, for 4" o/d pipe				1	—	MR	QK5/100
6889	2/SS4471	Clip, half, for 4" o/d pipe				1	—	C	QK5/101
	1/SS4472	Clip, half, for 4" o/d pipe				2	—	MR	QK5/102
	2/SS4472	Clip, half, for 4" o/d pipe				2	—		QK5/103
	6/SS4477	Clip, half, for 3-1/2" o/d pipe				1	—		QK5/104
	24/SS4478	Clip, half				2	—	MR	QK5/106
	26/SS4477	Clip, half				1	—		QK5/105
	1/SS4478	Clip, half, for 3-1/2" o/d pipe				2	—		QK5/107
	4/SS4478	Clip, half, long				1	—		QK5/108
6938	41/SS4478	Clip, half, short				1	—	C	QK5/109
17584	18P3034	CLIP, HALF SUSPENSION, PORT, GROUP				1	—	C	QK5/110
		GROUP							
	18P3034	CLIP, HALF SUSPENSION, STARBOARD,				1	—		QK5/111
		GROUP							
1535	47P/2828	Clip, half, for N.R.V. at rib 63.5				2	—	C	QK5/112
28E/7102120	SP91/L	Clip				6	—		QK5/113

SERVICES

FUEL SYSTEM

BOMB BAY TANKS AND No. 1 & 2 TANKS FUSELAGE

Ref. No.	Part No.	Description	No. off	Matl. Spec.	Cl of	Photo and Illust'n No.
					St. M.R.	
		1 2 3 4				
		FUEL SYSTEM No. 1 & 2 TANKS IN FUSELAGE, PORT AND STARBOARD (1 & 2P3481) (Mod. 380) (Mod. 514) (Cont'd)				
	2P2853	COCK TANK SERVICE No. 1 TANK, PORT (1P3498) (Pre-Mod. 380) (1P3035) (Mod. 380) (Mod. 514)	-	-		QK4/114
		COCK TANK SERVICE No. 1 TANK, STARBOARD (1P3036) (Pre-Mod. 908)	-	-		
		COCK TANK SERVICE No. 1 TANK, STARBOARD (1P3710) (Mod. 908)	-	-		QK4/115
		Spares for:- BRACKET, C/W CLIPS FOR COCK HANDLE, GROUP				QK4/116
27F/2213	VICKERS ARMSTRONG A5388/K	Cock, "R" type, 1 1/2" (hand)	1	-	A	QK4/117
	218F9222	COVER, HAND HOLE, GROUP	1	-	MR	QK4/118
	218aF9222	Spares for:- Cover (Made from AS3170)				
	558F7879	Lanyard, 2 oz. balloon cord, 2' 6" long	1	4F/32		
	AS3177	Lug, for lanyard				
		COVER, HAND HOLE, GROUP (Mod. 1982)				
		Spares for:- Cover, hand hole (Mod. 1982)	1	L72	MR	
	BP3498	Lanyard, 2 oz. balloon cord, 2' 6" long	1	4F/32		
	558F7879	Lug, for lanyard	1	L72		
	AS3177	Attachments-for Cover BP3498				
28D/100798Z	AS1248/1C	Bolt, mun. hd., 2 BA	B	-		
	5P3498	HANDLE, GROUP (Pre-Mod. 380)	1	-		
	6P2853	HANDLE, GROUP			MR	QK4/119
	6cP2853	Spares for:- Bolt, special	1	S84, 95, 98		
	4P2853	Lever (Pre-Mod. 908)	1	DTD3848		QK4/120
	4P3588	Lever (Mod. 908)	1	L85		QK4/121
	10P3035	Pin	1	-		
8872	4P3498	ROD, CONNECTING, PORT, GROUP (Pre-Mod. 380)	1	-	C	
	7P2853	ROD, CONNECTING, PORT AND STARBOARD, GROUP (Mod. 380) (Pre-Mod. 908)			MR	QK4/122
	2P3710	ROD, CONNECTING, GROUP, STARBOARD (Mod. 908)	1	-		QK4/123

VULCAN No. 2

SERVICES
FUEL SYSTEM
BOMB BAY TANKS AND No. 1 & 2 TANKS FUSELAGE

Page QK. 6a

Ref. No.	Part No.	Description	No. off	Matl. Spec.	Cl of	Plate and Illust'n No.
					St.	
		1 2 3 4			M.R.	
		COCK TANK SERVICE No. 1 TANK, PORT (1P3498) (Pre-Mod. 360) (1P3035) (Mod. 360) (Mod. 514) COCK TANK SERVICE No. 1 TANK, STARBOARD (1P3038) (Pre-Mod. 908) COCK TANK SERVICE No. 1 TANK, STARBOARD (1P3710) (Mod. 908) (Cont'd)				
1588	1/SS3852 SMITHS	Screw, grub, 2 BA x 5/16" long	1	-	C	QK4/124
6A/4333574	WAYMOUTH PL/T/76/T SMITHS	Connector, internal, No. 1, tank	1	-	B	QK4/126
6A/4333678	WAYMOUTH PE/T/76/T SMITHS	Connector, No. 1, tank	1	-	C	QK4/126
6A/4067	WAYMOUTH PL/T/8G/T/39/Z SMITHS	Connector, internal, No. 2, tank	1	-	C	QK6/127
6A/4075	WAYMOUTH PE/T/8G/T/39/Z SMITHS	Connector, internal, No. 2, tank	1	-	C	QK6/128
6A/4333679	INSTRUMENTS PE/T/8/T SMITHS	Connector, internal, No. 2, tank	4	-	C	QK6/129
6A/4333680	INSTRUMENTS PL/T/8/T	Connector, internal, No. 1 and 2, tank	4	-	C	QK6/130

SERVICES
FUEL SYSTEM
BOMB BAY TANKS AND No 1 & 2 TANKS FUSELAGE

Ref. No.	Part No.	Description				No. off	Matl. Spec.	Cl. of St. M.R.	Plate and Illust'n No.
		1	2	3	4				

VULCAN No 7

SERVICES

Page QK. 7

FUEL SYSTEM

BOMB BAY TANKS AND No. 1 & 2 TANKS IN FUSELAGE

Ref. No	Part No.	Description	No. off	Matl. Spec	Cl. of	Plate and Illustr'n No.
					Sl. M.R.	
		1 2 3 4				
		FUEL SYSTEM, No. 1 & 2 TANK IN FUSELAGE. PORT AND STARBOARD (1-2P3481) (Mod. 380, Mod. 514) (Cont'd.)				
1572	41P2826	CONNECTOR, VENT PIPE, No. 1 TANK, PORT, GROUP	1	—	C	QK5/131
1573	42P2826	CONNECTOR, VENT PIPE, No. 1 TANK, STARBOARD, GROUP	1	—	C	QK5/132
27F/4526883	FLIGHT REFUELLING FRS110L/Ser. 1	Coupling, pipe, 1-3/4" dia.	2	—	B	QK5/133
27FR/1057688	FLIGHT REFUELLING FRS110K/Ser. 1	Coupling, pipe, 1-1/2" dia.	7	—	B	QK5/134
	FLIGHT REFUELLING FRS326T/Ser. 1	Coupling, pipe, 3-1/2" dia.	2	—		QK5/135
	FLIGHT REFUELLING FRS325V/Ser. 1	Coupling, pipe, 4" dia.	3	—		QK5/135a
1577	25P2826	ELBOW, VENT OUTLET, No. 2 FUEL TANK, GROUP	1	—	C	QK5/136
	48P2826	Hose, Flykte, No. 4, 2" i/d x 4" long (Pre-Mod 2458)	3	—	MR	QK5/137
8118211	1P4026	Hose (Mod. 2458)	3	F67	C	
1546	3P3034	Pipe, from flexible pipe, fuel pump to joint, 1-1/2" o/d x 20G, port	1	L56	C	QK3/138
1547	4P3034	Pipe, from flexible pipe, fuel pump joint, 1-1/2" o/d x 20G, starboard	1	L56	C	QK4/139
1551	5P3034	PIPE, FUEL, BETWEEN SERVICE COCK & NON-RETURN VALVE, 1-1/2" o/d x 20G, PORT, GROUP	1	L56	C	QK3/140
	6P3034	PIPE, FUEL, BETWEEN SERVICE COCK & NON-RETURN VALVE, 1-1/2" o/d x 20G, STARBOARD, GROUP	1	L56	MR	QK4/141
	11P3034	PIPE, FUEL, FROM NON-RETURN VALVE TO JOINT AT FRONT SPAR, 1-1/2" o/d x 20G, GROUP	1	L56	MR	QK3/142
1560	13P3034	PIPE, FUEL, FROM NON-RETURN VALVE No. 2 TANK TO JOINT AT FRONT SPAR, 1-1/2" o/d x 20G, PORT, GROUP	1	L56	C	QK3/143
	14P3034	PIPE, FUEL, FROM NON-RETURN VALVE No. 2 TANK TO JOINT AT FRONT SPAR, 1-1/2" o/d x 20G, STBD., GROUP	1	L56	MR	QK4/144

SERVICES
FUEL SYSTEM

BOMB BAY TANKS AND No. 1 & 2 TANKS FUSELAGE

Ref. No.	Part No.	Description	No. off	Matl. Spec.	Cl. of St.	Plate and Illust'n No.
					M.R.	
		1 2 3 4				
		FUEL SYSTEM No. 1 & 2 TANKS IN FUSELAGE. PORT AND STARBOARD (1 & 2P3481) (Mod. 360, Mod. 514) (Cont'd.)				
1571	15P3034	Pipe, Vent, No. 1 tank between former 130" & bulkhead station 72.2" o/d x 22G	1	L56	C	OK3/145
10141	27P3034	Pipe, Vent, No. 1 tank between former 130" and fuel Vent outlet	1	L56	C	OK3/146
6819	41P3163	Pipe, branch refuelling, transfer joint to No. 1, fuel tank (Pre-Mod. 360)	1	L54	C	
9184	56P3163	Pipe, branch refuelling, transfer joint to No. 1, fuel tank (Mod. 360)	1	L54	C	OK3/147
6814	6P3163	Pipe, refuelling, from joint forward fuel service cock, to joint forward diaphragm 27, 3-1/2" o/d x 2G, starboard	1	L54/L58	C	OK4/148
	22P3163	Pipe, branch refuelling, transport joint aft diaphragm, 115.5" to joint forward transverse rib starboard (Pre-Mod. 360)	1	—		
22081	18P3481	Pipe, branch refuelling, transport joint aft diaphragm, 115.5" to joint forward transverse rib starboard (Mod. 360)	1	—	C	OK4/150
	42P3163	Pipe, fuel, from fuel service cock to joint forward diaphragm, 83.75" port	1	—	MR	OK3/151
7890	43P3163	Pipe, fuel, from fuel service cock to joint forward diaphragm, 49.5" port	1	—	C	OK3/152
7220	35P3163	PIPE, BRANCH REFUELLING FROM JOINT FORWARD DIAPHRAGM 27 TO JOINT FORWARD FRONT SPAR PORT, GROUP (Pre-Mod. 360)	1	—	C	
7228	3P3481	PIPE, BRANCH REFUELLING FROM JOINT FORWARD DIAPHRAGM 27 TO JOINT FORWARD FRONT SPAR PORT, GROUP (Mod. 360)	1	—	C	OK3/153
7221	36P3163	PIPE, BRANCH REFUELLING FROM JOINT FORWARD DIAPHRAGM 27 TO JOINT FORWARD FRONT SPAR STARBOARD, GROUP (Pre-Mod. 360)	1	—	C	
7227	4P3481	PIPE, BRANCH REFUELLING FROM JOINT FORWARD DIAPHRAGM 27 TO JOINT FORWARD FRONT SPAR STARBOARD, GROUP (Mod. 360)	1	—	C	OK4/154

VULCAN No. 1

SERVICES
FUEL SYSTEM

Page OK. 8A

BOMB BAY TANKS AND No. 1 & 2 TANKS FUSELAGE

Ref. No.	Part No.	Description	No. off	Matl. Spec.	Cl. of	Plate and Illust'n No.
					St. M.R.	
		1 2 3 4				
		FUEL SYSTEM No 1 & 2 TANKS IN FUSELAGE, PORT AND STARBOARD (1 & 2P3481) (Mod 380, Mod 514) (Cont'd)				
	14P3183	PIPE, BRANCH REFUELLING FROM JOINT FORWARD DIAPHRAGM 115.5" TO 4" N.R.V., PORT & STARBOARD, GROUP (Pre Mod. 380)	1	-	MR	
7224	5P3481	PIPE, BRANCH REFUELLING FROM JOINT FORWARD DIAPHRAGM 115.5" TO 4" N.R.V., PORT (Mod 380)	1	-	C	OK3/156
7225	6P3481	PIPE, BRANCH REFUELLING FROM JOINT FORWARD DIAPHRAGM 115.5" TO 4" N.R.V., STARBOARD, GROUP (Mod. 380)	1	-	C	OK4/158
7222	37P3183	Pipe, refuelling from No. 2 fuel tank to branch pipe, 1 3/4" o/d x 18G, port (Pre-Mod 380)	1	-	C	
7230	7P3481	Pipe refuelling, from No. 2 fuel tank to branch pipe 1-3/4" o/d x 18G, port (Mod 380)	1	-	C	OK3/157
7223	38P3183	Pipe, refuelling, from No. 2 fuel tank to branch pipe 1-3/4" o/d x 18G, starboard (Pre Mod 380)	1	-	C	
7231	8P3481	Pipe, refuelling from No. 2 fuel tank to branch pipe 1 3/4" o/d x 18G, starboard (Mod 380)	1	-	C	OK4/158

VULCAN No. 1

SERVICES
FUEL SYSTEM

Page OK. 9

BOMB BAY TANKS AND No. 1 & 2 TANKS FUSELAGE

Ref. No.	Part No.	Description	No. off	Matl. Spec.	Cl. of	Plate and Illust'n No.
					St. M.R.	
		1 2 3 4				
		FUEL SYSTEM, No. 1 AND 2 TANKS IN FUSELAGE, PORT AND STARBOARD, 1 & 2P3481 (Mod. 380, Mod. 514) (Cont'd)				
	113P2898	PIPE, FLEXIBLE, FROM FUEL PUMP No. 2 . TANK SUMP TO JOINT, PORT, GROUP (Mod. 873)	1	-	MR	OK3/159
8888	15P3481	PIPE, BETWEEN DIAPHRAGM 27" AND ... TRANSVERSE RIB, PORT, GROUP	1	-	C	OK3/160
8889	16P3481	PIPE, BETWEEN DIAPHRAGM 49 5" AND ... 93 75", PORT, GROUP	1	-	C	OK3/161
	129867	PIPE, DRAIN, FOR No. 1 FUEL TANK ... FUEL PUMP BLEED, 1/4" o/d x 22G x 3-1/4" LONG, GROUP	1	-		OK3/162
	1P3482	PIPE, DRAIN, FOR No. 2 FUEL TANK, ... PORT, GROUP	1	-		OK4/163
	2P3482	PIPE, DRAIN, FOR No. 2 FUEL TANK, ... STARBOARD, GROUP	1	-		OK4/164
	112P2898	PIPE, FLEXIBLE, FROM FUEL PUMP No. 2 . TANK SUMP TO JOINT, 1-3/4" o/d, STARBOARD, GROUP (Mod. 873)	1	-	MR	OK4/165
	22P2898	PIPE, FLEXIBLE, FROM JOINT TO No. 1 ... FUEL SERVICE COCK, 1 1/2" o/d, STARBOARD, GROUP	1	-	MR	OK4/166
	23P2898	PIPE, FLEXIBLE, FROM JOINT TO No. 1 ... FUEL SERVICE COCK, 1-1/2" o/d, PORT, GROUP	1	-	MR	OK3/167
7428	29P2898	PIPE, FLEXIBLE, FROM REFUELLING ... BRANCH PIPE TO No. 1 TANK, 1-1/2" o/d, PORT, GROUP (Pre-Mod. 380)	1	-	C	OK3/168
7429	30P2898	PIPE, FLEXIBLE, FROM REFUELLING ... BRANCH PIPE TO No. 1 TANK, 1-1/2" o/d, STARBOARD, GROUP (Pre-Mod. 380)	1	-	C	OK4/169
	32P2898	PIPE, FLEXIBLE, FROM FUEL PUMP No. 2 . TANK SUMP TO JOINT, 1-1/2" o/d, PORT, GROUP	1	-	MR	OK3/170
22060	33P2898	PIPE, FLEXIBLE, FROM REFUELLING ... VALVE TO No. 2 TANK SUMP, 1-1/2" o/d, STARBOARD, GROUP	1	-	C	OK4/171

SERVICES
FUEL SYSTEM
BOMB BAY TANKS AND No. 1 & 2 TANKS FUSELAGE

Ref. No.	Part No.	Description	No. off	Mater. Spec.	Class	Plate and Inst'n No.
					Sc.	
		1 2 3 4			M.R.	
		FUEL SYSTEM, No. 1 AND 2 TANKS IN FUSELAGE, PORT AND STARBOARD (1 & 2P3481) (Mod. 380, Mod. 514) (Cont'd)				
	101P2888	PIPE, FLEXIBLE, FROM REFUELLING BRANCH PIPE TO No. 1 TANK, 1-1/2" o/d, PORT & STARBOARD, GROUP (Mod. 380)	1	-	MR	OK3/172
	6P3089	Pipe, stub, flanged, aft bulkhead, port	1	-	MR	OK5/173
	7P3089	Pipe, stub, flanged, aft of bulkhead, starboard	1	-	MR	OK5/174
		PIPES, IN NOSEWHEEL BAY, FROM No. 1 TANK SUMP, PORT AND STARBOARD (1P2883)				
		Spares for:-				
	12/SS1882	Clip, half, short, 2" dia.	1	-	MR	OK5/175
	16/SS1882	Clip, half, short, 2-1/4" dia.	1	-	C	OK5/176
	240/SS4085	Clip, half, medium, 2" dia.	1	-	MR	OK5/177
	280/SS4085	Clip, half, medium, 2-1/4" dia.	1	-	-	OK5/178
	A822/SS4234	Clip, half, for 1-1/2" o/d pipes	1	-	C	OK5/179
	A85/SS4234	Clip, half, for 1-1/2" o/d pipe	1	-	MR	OK5/180
1835						
27FR/1066585	FLIGHT REFUELLING FRS110/J	Coupling, pipe, 1-1/4" dia.	1	-	B	OK5/181
27FR/1067888	FLIGHT REFUELLING FRS.110/K	Coupling, Pipe, 1-1/2" dia.	2	-	B	OK5/182
	12P2888	Pipe, flexible, from transport pump to joint No. 1 tank, main fuel	1	-	MR	OK3/183
	15P2888	Pipe, flexible, from transport pump to joint, No. 1 tank	1	-	MR	OK3/184
	21P2888	Pipe, flexible, from refuelling valve to joint, No. 1 tank sump	1	-	MR	OK3/185
	4F11936	Plate, blanking, No. 2 fuel tank	1	-	-	OK6/192
	6F11936	Plate, blanking, No. 2 fuel tank	1	-	-	OK6/193
	5F11936	Plate, blanking	1	-	-	OK6/194
	31P2826	Ring, sealing, tank terminal box	2	-	MR	OK6/186
	32P2826	Ring, retaining, tank terminal box	2	L72	MR	OK6/187
	33P2826	Ring, sealing, vent pipe connection and anti splash fitting	2	OTD763	MR	OK5/188
	36P2826	Ring, retaining	1	L72	-	OK5/189
	3Z97 19	Rubber, seal, No. 2 fuel tank	1	-	MR	OK6/190
	4Z97 19	Rubber, seal, No. 2 fuel tank	1	-	MR	OK6/191

VULCAN No. 1		SERVICES		Page OK. 11		
FUEL SYSTEM						
BOMB BAY TANKS AND No. 1 & 2 TANKS FUSELAGE						
Ref. No.	Part No.	Description	No. off	Matl. Spec.	Cl. of St.	Plate and Illust'n No.
					M.R.	
1 2 3 4						
		FUEL SYSTEM, No. 1 AND 2 TANKS IN FUSELAGE, PORT AND STARBOARD (1 & 2P3481) (Mod. 380, Mod. 514) (Cont'd.)				
		SUMP No. 1 TANK, PORT AND STARBOARD (1P3472) (Mod. 1572)		—		OK3/196
		Spares for:—				
28F/4051698	AGS1105/K	Adaptor, 1-1/2" o/d	1	—	C	OK3/196
28F/9129089	AGS1103/B	Adaptor, 1/4" o/d	1	—	C	OK3/197
11842	10P3472	BAFFLE, FOR REFUELLING VALVES, PORT AND STARBOARD, GROUP	1	—	C	OK3/198
7209	2P3472	Elbow, outlet	1	L33	C	OK3/199
	1P2837	INHIBITOR, FUEL TANK, GROUP	1	—		OK3/200
		Spares for:—				
		Circlip, Seeger, internal type	1	—		OK3/201
27F/4528688	AUTOMATIVE ENG. Co. LTD. 5/16" BORE VICKERS ARMSTRONG A5289 Mk. B	Cock, drain, 1/4" BSP	1	—	A	OK3/202
	4P2837	Cover	1	L72	MR	OK3/203
	2P2837	Housing	1	DTD254A		OK3/204
	3P2837	Spider	1	L18	MR	OK3/205
	5P2837	Bag, chromate salts	1	—	MR	
	28P2839	PLATE, SUMP, GROUP	1	—	MR	OK3/206
		Spares for:—				
28T/4688791	AGS995/B	Stud, 2 BA	4	—	C	
	3P2839	Stud, 2 BA, 1.01" long	46	S94, 95, 96	MR	
	4P2839	Stud, 2 BA, 1.13" long	16	S94, 95, 96	MR	
5UE/4407261	PULSOMETER PAC/500 Mk. 3	Pump, transfer (Mod. 789)	1	—	A	OK3/207
5UE/4412045	PULSOMETER PAC/1200 Mk. 4	Pump, fuel, loss elbow (Mod. 1572)	1	—	A	OK3/208
	5P2845	Seal, for transport pump	1	DTD762	MR	OK3/209
	8P2844	Seal, for elbow	1	DTD762	MR	OK3/210
	16P2844	Seal, for refuelling Valve	1	DTD762	MR	OK3/211
27FR/33324	FLIGHT REFUELLING C1140111 VICKERS ARMSTRONG A5686—J	Valve, refuelling, Mk 40	1	—	A	OK3/212
	1/554087	Valve, non-return (alternative A5713) (Mk. 5-1/4) (27F/2941)	1	—		OK3/213
		Washer, joint, between pipe coupling and elbow	1	—	MR	OK3/214
		SUMP, No. 2 TANK, PORT & STARBOARD (1 & 2P3473)	—	—		OK3/215
		Spares for:—				
	34P2839	BAFFLE, REFUELLING VALVE, GROUP	1	—		OK3/216

SERVICES
FUEL SYSTEM
BOMB BAY TANKS AND No. 1 & 2 TANKS FUSELAGE

Ref. No.	Part No.	Description				No. off	Matl. Spec.	Cl. of St. M.R.	Plate and Illust'n No.
		1	2	3	4				
		SUMP, No. 2 TANK, PORT AND STBD. (1 & 2P3473) (Cont'd)							
27F/4526679	VICKERS ARMSTRONG A5293/K	Cock, fuel, 1-1/2" BSP				1	-	A	OK3/217
	13P2840	CONNECTOR, 1-1/2" BSP, SPECIAL				1	-	MR	OK3/218
	24P2839	Coupling, pipe, pump gland drain				1	DTD130 or 410	MR	OK3/219
	2P3480	Elbow, outlet				1	L33	MR	OK3/220
	7P2840	Handle for Vickers Cock				1	DTD364B	MR	OK3/221
	1P2937	INHIBITOR, FUEL TANK, GROUP				1	-		OK3/222
		Spare for:-							
27F/4526689	AUTOMATIVE ENG. Co. LTD. 5/16" BORE VICKERS ARMSTRONG A5289 Mk. B	Circlip, Seeger, internal type				1	-		OK3/223
	4P2937	Cock, drain, 1/4" BSP				1	-	A	OK3/224
	2P2937	Cover				1	L72	MR	OK3/225
	3P2937	Housing				1	DTD264A		OK3/226
	5P2937	Spider				1	L16	MR	OK3/227
		Bag, chromate salts				1	-	MR	
	8P2840	Pin, for handle				1	L37		OK3/228
	5P3474	Piece, distance				1	-	MR	OK3/229
	18P2840	PLATE, SUMP, PORT, GROUP				1	-	MR	OK3/230
	19P2840	PLATE, SUMP, STBD., GROUP				1	-	MR	OK3/231
		Spare for:-							
28T/4689791	3P2839	Stud, 2 BA, 1.01" long				46	S84, 95, 96	MR	
	AGS995/8	Stud, 2 BA				4	-	C	
5UE/4412045	PULSOMETER PAC1200 MK. 4	Pump, fuel, less elbow				1	-	A	OK3/232
		(Mod. 1572)							
	8P2844	Seal, for elbow				1	DTD782	MR	OK3/233
1588	18P2844	Seal, for refuelling Valve				1	DTD782	MR	OK3/234
	1/SS3852	Screw, grub, for handle				1	S1	C	OK3/235
27FR/3486	FLIGHT REFUELLING C1140112	Valve, refuelling, Mk. 40				1	-	A	OK3/236
	1/SS4087	Washer, joint, between pipe coupling and elbow				1	-	MR	OK3/237
5CW/4405247	FLIGHT REFUELLING C3504100/54	Switch, fuel float, No. 1 tank (Pre Mod. 1043)				1	-		
5CW/4405249	FLIGHT REFUELLING C3510100/6	Switch, fuel float, No. 1 tank (Mod. 1043) . . .				1	-	A	OK6/238
5CW/4405505	FLIGHT REFUELLING C3504100/103	Switch, fuel float, No. 2 tank, port				-	-		
		(Pre Mod. 1043)							
	C3510100/5	Switch, fuel float, No. 2 tank, port				-	-	A	OK6/239
		(Mod. 1043)							

VULCAN MK 2

SERVICES

Page QK 13

FUEL SYSTEM

BOMB BAY TANKS AND No. 1 & 2 TANKS FUSELAGE

Ref. No.	Part No.	Description	No. off	Matl. Spec.	Cl of St.	Plate and Illust'n No
					M.R.	
		1 2 3 4				
		FUEL SYSTEM, No. 1 & 2 TANKS, IN FUSELAGE, PORT AND STBD. (1 & 2P3481) (Mod. 360) (Mod. 574) (Cont'd.)				
	FLIGHT REFUELLING C3504100/102	Switch, fuel float, No. 2 tank, starboard (Pre-Mod. 1043)	1	—	A	
BCW/4405248	C3510100/4	Switch, fuel float, No. 2 tank, starboard (Mod. 1043)	1	—	A	QK6/240
106	1P3247	TANK, FUEL, No. 1, PORT, GROUP	1	—	A	QK6/241
107	2P3247	TANK, FUEL, No. 1, STBD., GROUP	1	—	A	QK6/242
545	1P3229	TANK, FUEL, No. 2, PORT, GROUP	1	—	A	QK6/243
	2P3229	TANK, FUEL, No. 2, STBD., GROUP (See tanks fuel)	1	—		QK6/244
6A/4333556	SMITHS INSTRUMENTS TC166	Unit, tank, No. 1 (Pre-Mod. 2479)	1	—	C	QK6/245
6A/12963	SMITHS INSTRUMENTS TC275	Unit, tank, No. 1 (Mod. 2479)	1	—	C	
6A/4333557	SMITHS INSTRUMENTS TC167	Unit, tank, No. 1 (Pre-Mod. 2479)	1	—	C	QK6/246
6A/12964	SMITHS INSTRUMENTS TC276	Unit, tank, No. 1 (Mod. 2479)	1	—	C	
6A/4333558	SMITHS INSTRUMENTS TC.168	Unit, tank, No. 1 (Pre-Mod 2479)	1	—	C	QK6/247
6A/12965	SMITHS INSTRUMENTS TC277	Unit, tank, No. 1 (Mod. 2479)	1	—	C	
6A/4333559	SMITHS INSTRUMENTS TC169	Unit, tank, No. 1 (Pre-Mod. 2479)	1	—	C	QK6/248
6A/12966	SMITHS INSTRUMENTS TC278	Unit, tank, No. 1 (Mod. 2479)	1	—	C	
6A/4338219	SMITHS INSTRUMENTS TC228	Unit, tank, No. 2 (Pre-Mod. 2479)	1	—	C	QK249
6A/12967	SMITHS INSTRUMENTS TC279	Unit, tank, No. 2 (Mod. 2479)	1	—	C	
6A/4338220	SMITHS INSTRUMENTS TC229	Unit, tank, No. 2 (Pre-Mod. 2479)	1	—	C	QK6/250
6A/12968	SMITHS INSTRUMENTS TC280	Unit, tank, No. 2 (Mod. 2479)	1	—	C	

SERVICES
FUEL SYSTEM

BOMB BAY TANKS AND No. 1 & TANKS FUSELAGE

Ref No.	Part No.	Description	No. off	Matl. Spec.	Cl. of St.		Plate and Illust'n No
					M.R.		
		1 2 3 4					
		FUEL SYSTEM, No. 1 & 2 TANKS IN FUSELAGE, PORT AND STARBOARD (1 & 2P3481) (Mod. 380) (Mod. 514) (Cont'd.)					
6A/4333675	SMITHS INSTRUMENTS TC141	Unit, tank, No. 2 (Pre-Mod. 2479)	1	—		C	QK6/251
6A/12982	SMITHS INSTRUMENTS TC274	Unit, tank, No. 2 (Mod. 2479)	1	—		C	
	FLIGHT REFUELLING B9807570	Valve, non-return, 4" bore (Mod. 2160)	1	—			QK3/252
27F/2188	VICKERS ARMSTRONG A5179/K	Valve, non-return, 1-1/2" BSP	1	—		C	QK5/253
5844	VICKERS ARMSTRONG A5287/Mk. K	Valve, non-return, 1-1/2" BSP	1	—			QK5/254
5845	32P3034	Valve, non-return, No. 1 Stbd.	1	—		C	
	34P3034	Valve, non-return, No. 2 Stbd.	1	—		C	
1588	43P2826	VENT, OUTLET, No. 1 FUEL TANK, PORT, GROUP	1	—		C	QK5/255
1570	44P2826	VENT, OUTLET, No. 1 FUEL TANK, STARBOARD, GROUP	1	—		C	QK5/256
	27P2826	Washer, Sealing, stub pipe	1	OTD782		MR	QK5/257

VULCAN No. 3

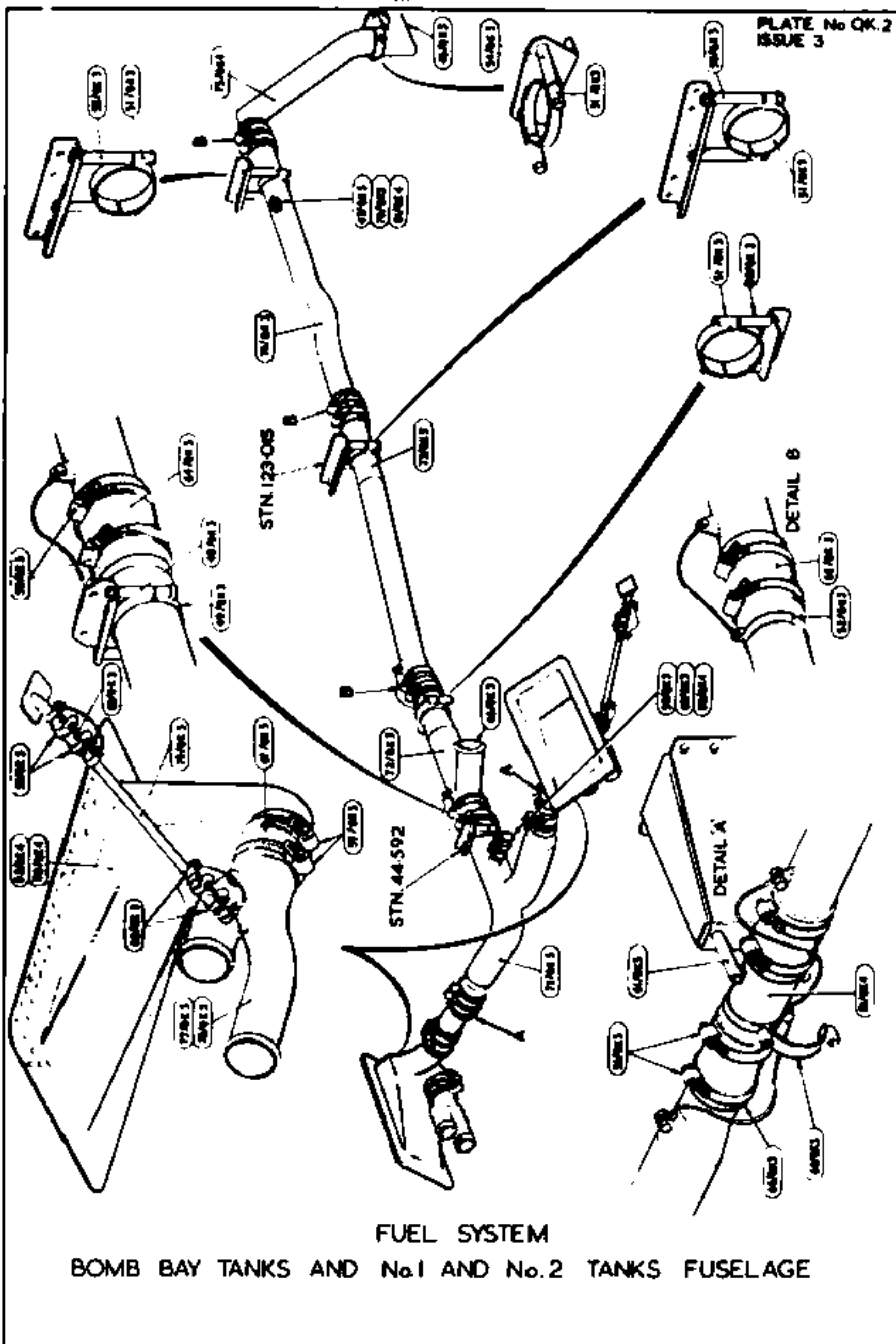
SERVICES
FUEL SYSTEM
SUMMARY OF STANDARD ITEMS

Page OK. 15

Stores Ref.		No. off	Stores Ref.		No. off	Stores Ref.		No. off
Section	Ref. No.		Section	Ref. No.		Section	Ref. No.	
28E	2027501	8						
28E	19826	2						
28E	20012	4						
28F	4061698	1						
28F	9129088	1						
28F	9428453	3						
28F	9439766	1						
28T	15433	8						

RESTRICTED

PLATE No QK.2
ISSUE 3

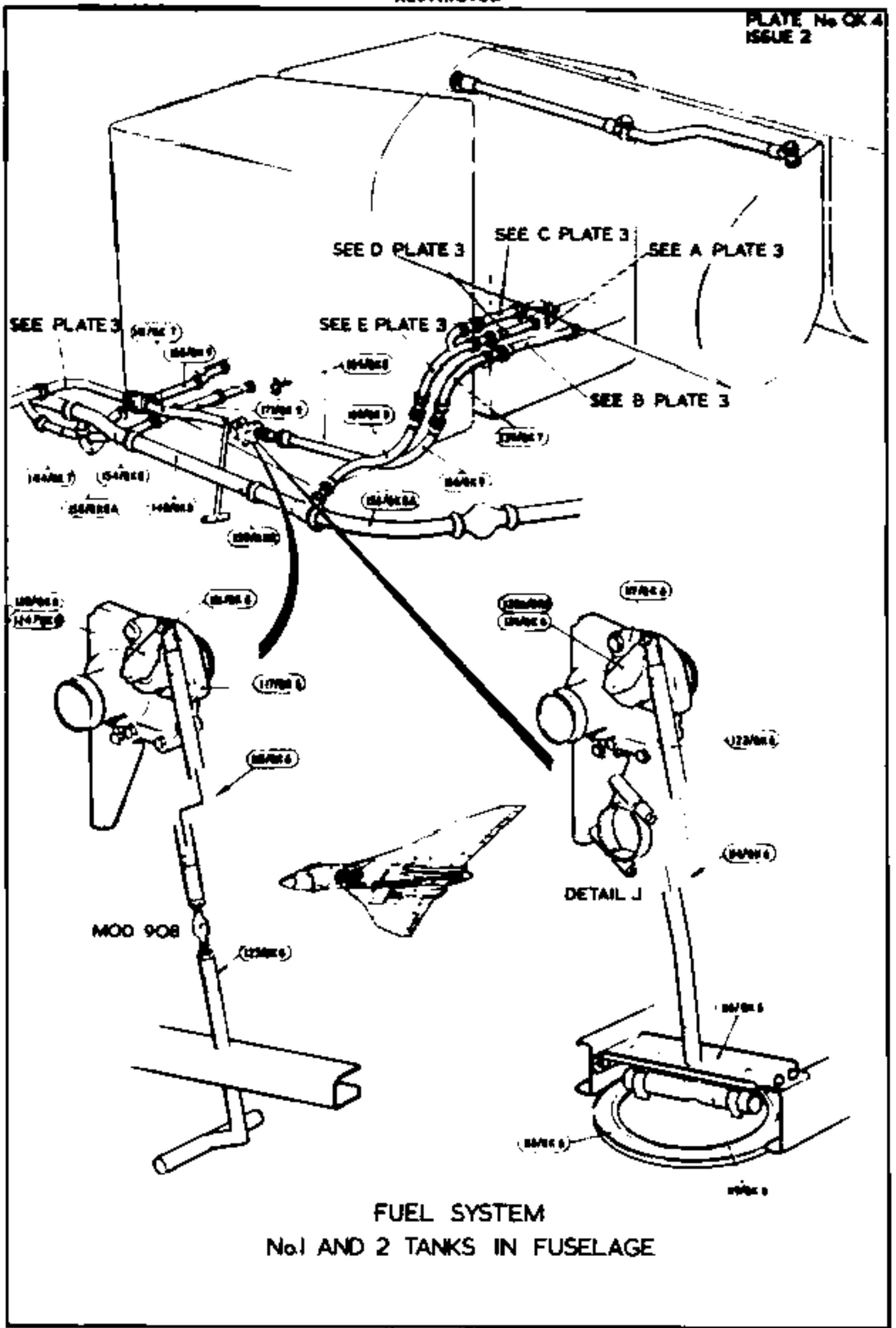


FUEL SYSTEM
BOMB BAY TANKS AND No.1 AND No.2 TANKS FUSELAGE

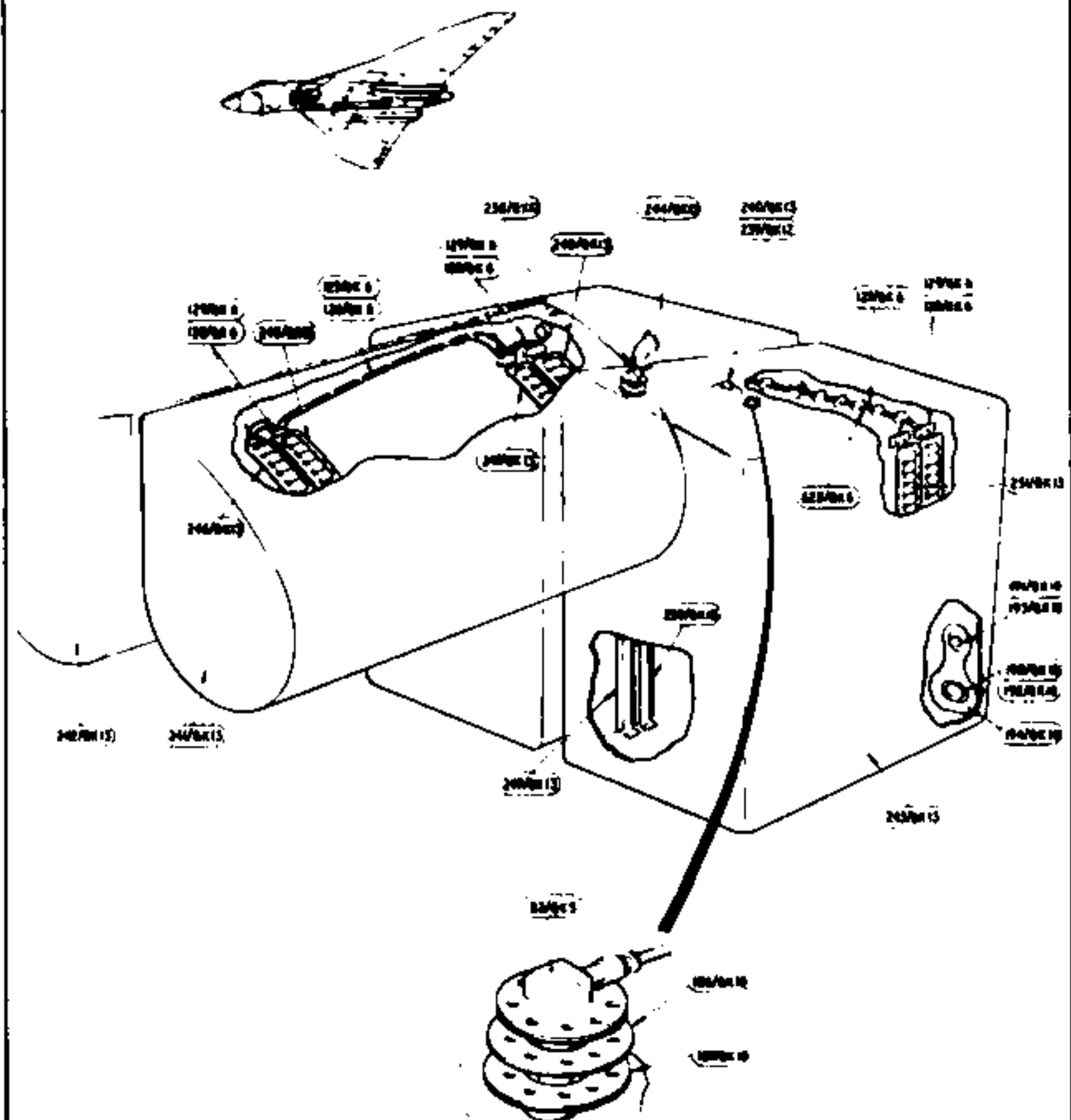
RESTRICTED

RESTRICTED

PLATE No. OK 4
ISSUE 2



RESTRICTED



FUEL SYSTEM
No.1 AND 2 TANKS IN FUSELAGE

VULCAN No. 2

SERVICES
FUEL SYSTEM FUSELAGE
CENTRE SECTION

Page QL. 1

Ref. No.	Part No.	Description	No. off	Matl. Spec.	Cl of	Plate and Illust'n No.
					St.	
		1 2 3 4				
		RECUPERATOR & HYDRAULIC AIR SUPPLY LINES TO FUEL TANKS, CENTRE SECTION, PORT AND STARBOARD (25/26P3291) (See Drwg. P3291, Shta. 3 and 4)				
2008	93SS3553	Adaptor, rib 1/2" x 1/2" BSP	1	S110	C	QL1/1
	138SS3553	Adaptor, pipe, rib 83.5 and 113.3, 3/4" x 3/4" BSP	1	-	MR	QL1/2
	109P2889	Adaptor, transport rib (Pre-Mod. 905)	1	-		
12612	142P3291	Adaptor, transport rib, 1/2" x 1/2" BSP (Make from 109P2889) (Mod. 905)	2		C	QL1/3
	110P2889	Adaptor, distance piece	2		MR	QL1/4
12513	143P3291	Banjo, body, special (Mod. 905)	2	-	C	QL1/5
12514	144P3291	Banjo, bott, special (Mod. 905)	2	-	C	QL1/6
	23SS1768	Clip, "P", 1/2" dia.	6	-		QL1/7
	9SS1768	Clip, "P", 3/4" dia.	3	-	MR	QL1/8
	150P3291	Clip	2	-	MR	QL1/9
	152P3291	Clip	2	-		QL1/10
	182SS3553	Coupling, for pipe, 3/4" x 1/2", starboard	1	S1	MR	QL1/11
	10Q2081	FAIRLEAD, PORT, GROUP	3	-	MR	QL1/12
2013	82P2886	Nut, special, for rib adaptor	1	S1	C	QL1/13
	190SS3557	Piece, tee, special, port	1	S1	MR	QL1/14
	191SS3557	Piece, tee, 3/4" x 1/2" x 3/8" BSP, starboard	1	S1	MR	QL1/15
	28P3291	PIPE, 3/4" o/d x 22G x 4' 6" LONG, APPROX., PORT, GROUP	1	DTD253A	MR	QL1/16
	30P3291	PIPE, 3/4" o/d x 22G x 2' 10" LONG, APPROX., PORT, GROUP (Pre-Mod. 1174)	1	-	MR	QL1/17
	156P3291	PIPE, 3/4" o/d x 22G x 2' 10" LONG, APPROX., PORT, GROUP (Mod. 1174)	1	-	MR	QL1/18
	147P3291	PIPE, 3/4" o/d x 22G x 32" LONG, APPROX., PORT, GROUP (Mod. 1320)	1	DTD743	MR	QL1/19
	32P3291	PIPE, 3/4" o/d x 22G x 2' 4" LONG, APPROX., STARBOARD, GROUP	1	-	MR	QL1/20
	33P3291	PIPE, 3/4" o/d x 22G x 2' 10" LONG, APPROX., STARBOARD, GROUP	1	DTD253A	MR	QL1/21
	34P3291	PIPE, 1/2" o/d x 22G x 3' 7" LONG, APPROX., STARBOARD, GROUP (Pre-Mod. 905)	1	-		

SERVICES
FUEL SYSTEM FUSELAGE
CENTRE SECTION

Ref. No.	Part No.	Description	No. off	Mater. Spec.	Cl of	Plate and Illustr'n No.
					Sc.	
		1 2 3 4				
		RECUPERATOR & HYDRAULIC AIR SUPPLY PIPES TO FUEL TANKS, CENTRE SECTION, PORT AND STARBOARD (26/26P3291) (Cont'd)				
	145P3291	PIPE, 1/2" o/d x 22G x 3' 7" LONG, APPROX., STARBOARD, GROUP (Mod. 906)	1	DTD253A	MR	QL1/22
	39P3291	PIPE, 1/2" o/d x 22G x 2' 1" LONG, APPROX., STARBOARD, GROUP (Pre-Mod. 526)	1	-		QL1/23
	87P3291	PIPE, 1/2" o/d x 22G x 2' 1" LONG, APPROX., STARBOARD, GROUP (Mod. 526)	1		MR	QL1/24
	43P3291	PIPE, 1/2" o/d x 22G x 6' 2" LONG, APPROX., STARBOARD, GROUP (Pre-Mod. 906)	1	-		
	146P3291	PIPE, 1/2" o/d x 22G x 6' 2" LONG, APPROX., STARBOARD, GROUP (Mod. 906)	1	-	MR	QL1/25
	40P3291	PIPE, 1/2" o/d x 22G x 5' 3" LONG, APPROX., PORT, GROUP (Pre-Mod. 526)	1	-		
	86P3291	PIPE, 1/2" o/d x 22G x 5' 3" LONG, APPROX., PORT, GROUP (Mod. 526)	1	-		QL1/26
	41P3291	PIPE, 1/2" o/d x 22G x 5' 5" LONG, APPROX., PORT, GROUP	1	-	MR	QL1/27
	42P3291	PIPE, 1/2" o/d x 22G x 6' 4" LONG, APPROX., PORT, GROUP	1	-	MR	QL1/28
28P/8428453	AGS1186/8	Seal, 1/4" bonded	4	-	C	QL1/29

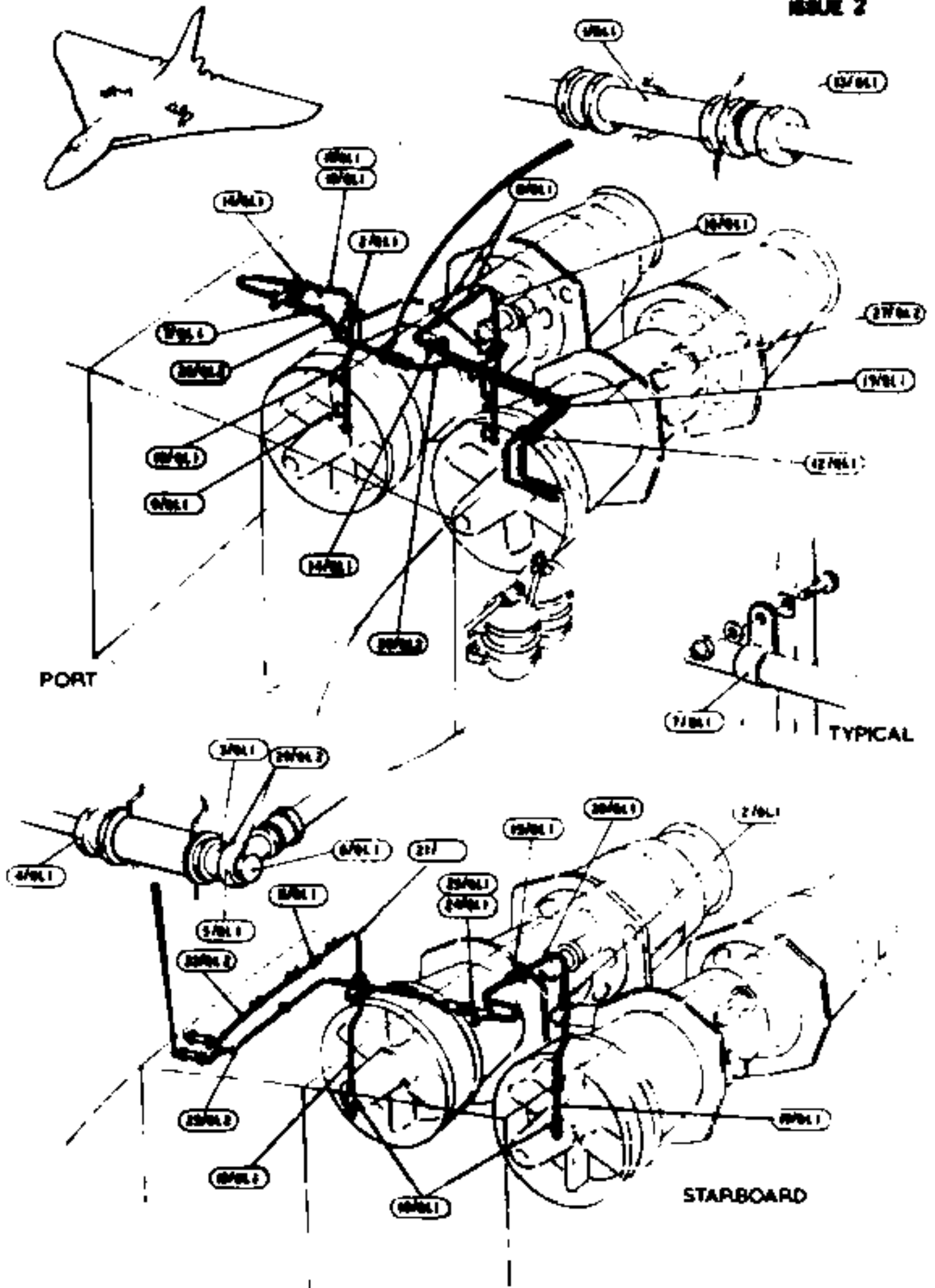
VULCAN Mk 2

SERVICES
FUEL SYSTEM
SUMMARY OF STANDARD ITEMS

Stores Ref.		No. off	Stores Ref.		No. off	Stores Ref.		No. off
Section	Ref. No.		Section	Ref. No.		Section	Ref. No.	
28F	9428453	4						

RESTRICTED

PLATE No. QLI
ISSUE 2



FUEL SYSTEM FUSELAGE
CENTRE SECTION

RESTRICTED

VULCAN No. 3

SERVICES
FUEL SYSTEM
IN MAIN PLANE

Page QM. 1

Ref. No.	Part No.	Description	No. off	Mater. Spec.	Cl. of	Plate and Illust'n No.
					St. M.R.	
		1 2 3 4				
<p>FUEL SYSTEM IN MAIN PLANE, PORT AND STARBOARD (1 & 2P3277)</p> <p>Spares for:—</p>						
9854	5P2844	Adaptor (Std. only)	1	—	C	QM1/1
20288	7P3040	BRACKET, MOUNTING, GROUP, PORT . . .	1	—	C	QM1/2
20288	8P3040	BRACKET, MOUNTING, GROUP, STARBOARD	1	—	C	QM1/3
20264	18P3277	BRACKET, MOUNTING, GROUP, PORT . . .	1	—	C	QM1/4
	20P3277	BRACKET, MOUNTING, GROUP, STARBOARD	1	—		QM1/5
	20P2850	Clip, pipe, 1-1/2" dia.	11	L72		QM1/6
20271	81P2850	Clip, pipe, 1-1/2" dia.	12	L72	C	QM1/7
7953	38P3277	Clip, "P", for 1-1/2" dia. pipe	3	L72	C	QM1/8
7954	44P3277	Clip, "P", for 2-1/4" dia. pipe	3	L72	C	QM1/9
7955	29P3277	Clip, half, special, for 2" dia. pipe	1	—	C	QM1/10
	AS5/SS4234	Clip, half, for 1-1/4" dia. pipe	8	—	MR	QM1/11
	AS8/SS4234	Clip, half, for 1-1/2" dia. pipe	3	—	MR	QM1/12
	AS12/SS4234	Clip, half, for 1-1/4" dia. pipe	2	—	MR	QM1/13
7953	AS18/SS4234	Clip, half, for 1-1/4" dia. pipe	2	—	C	QM1/14
	BA5/SS4234	Clip, half, for 2" dia. pipe	2	—	MR	QM1/15
	BA2/SS4234	Clip, half, for 2" dia. pipe	1	—	—	QM1/16
	BE5/SS4234	Clip, half, for 2-1/4" dia. pipe	2	—	MR	QM1/17
7958	BE13/SS4234	Clip, half, for 2-1/4" dia. pipe	2	—	C	QM1/18
	BE12/SS4234	Clip, half, for 2-1/4" dia. pipe	1	—	—	QM1/18
	BC5/SS4234	Clip, half, for 2-1/4" dia. flexible pipe	3	—	C	QM1/20
	BC12/SS4234	Clip, half, for 2-1/4" dia. flexible pipe	3	—	C	QM1/21
7955	AY5/SS4234	Clip, half, for 2" dia. flexible pipe	2	—	C	
7958	AY12/SS4234	Clip, half, for 2" dia. flexible pipe	2	—	C	
	48P3277	CLIP, HALF, GROUP	1	—	MR	QM1/22
	26SS4490	Clip, bonding	24	—	MR	QM1/23
	38SS4490	Clip, bonding	8	—	—	QM1/24
	30SS4490	Clip, bonding	2	—	MR	QM1/25
<p>COCKS AND PIPES, FOR TANK SERVICE ALONG U/C RIB, O/BD, PORT AND STARBOARD (17 & 18P3166)</p> <p>Spares for:—</p>						
1518	4P2852	Adaptor, between cock and N/R valve	5	DTD384B	C	QM2/26
	AS5/SS4234	Clip, half, for 1-1/2" dia. pipe	3	—	MR	QM2/27
7950	AS11/SS4234	Clip, half, for 1-1/2" dia. pipe	3	—	C	QM2/28
	1/SS4471	Clip, half, for 3-1/2" dia. pipe	2	—	MR	QM2/29
	2/SS4477	Clip, half, for 3-1/2" dia. pipe	2	—	MR	QM2/30
6937	10/SS4478	Clip, half, for 3-1/2" dia. pipe	1	—	C	QM2/31
6938	41/SS4478	Clip, half, for 3-1/2" dia. pipe	1	—	C	QM2/32
	42/SS4478	Clip, half, for 2-1/4" dia. pipe	1	—	—	QM2/33
	43/SS4478	Clip, half, for 2-1/4" dia. pipe	1	—	—	QM2/34
	26/SS4490	Clip, bonding	14	—	MR	QM3/35
	34/SS4490	Clip, bonding	8	—	MR	QM2/36
	38/SS4490	Clip, bonding	2	—	—	QM2/37
	31/SS4490	Clip, bonding	5	—	—	
	51/SS4490	Clip, bonding	5	—	MR	QM2/39
	42/SS4490	Clip, bonding	4	—	MR	QM2/40

SERVICES
FUEL SYSTEM
IN MAIN PLANE

Ref. No.	Part No.	Description	No. off	Matl. Spec.	Cl. of	Plate and Inst'n No.
					St. M.R.	
		1 2 3 4				
		COCKS AND PIPES, FOR TANK SERVICE ALONG U/C RIB, OUTBOARD, PORT STARBOARD (17 & 18P3186) (Cont'd)				
	1P2847	COCK, FUEL SERVICE, Nos. 4, 5 & 7 FUEL TANKS, PORT, GROUP Consisting of:—	3	—		QM2/41
27F/4528679	VICKERS ARMSTRONG A5293/K	Cock, 1-1/2" B.S.P., type K, without handle	1	—	A	QM3/42
	4P2847	LEVER, COCK, GROUP	1	—	MR	QM3/32
26FP/13883	7P2847 1SS3852	Pin, 3/32" dia. x .80" long Screw, grub, 2 BA, locking lever to fuel cock	1 1	DTD364B —	C	QM3/44 QM3/45
	2P2847	COCK, FUEL SERVICE, Nos. 4, 5 & 7 FUEL TANKS, STARBOARD, GROUP Consisting of:—	3	—		QM2/48
27F/4528679	VICKERS ARMSTRONG A5293/K	Cock, 1-1/2" BSP, type K, without handle	1	—	A	QM3/42
	8P2847	LEVER, COCK, GROUP	1	—	MR	QM3/47
26FP/13883	7P2847 1SS3852	Pin, 3/32" dia. x .80" long Screw, grub, 2 BA, locking lever to fuel . . cock	1 1	DTD364B —	C	QM3/44 QM3/45
	3P2847	COCK, FUEL SERVICE, Nos. 3 & 6, FUEL TANK, GROUP Consisting of:—	2	—		QM2/48
27F/4528679	VICKERS ARMSTRONG A5293/K	Cock, 1-1/2" BSP, type K, without handle	1	—	A	QM3/42
13774	8P2847	LEVER, COCK, GROUP	1	—	MR	QM3/49
	7P2847 1SS3852	Pin, 3/32" dia. x .80" long Screw, grub, 2 BA, locking lever to fuel . . cock	1 1	DTD364B —		QM3/44 QM3/45
27FR/1057888	FLIGHT REFUELLING FRS110/K/1	Coupling, pipe, 1-1/4" dia.	4	—	B	QM2/50
27FR/1058583	FLIGHT REFUELLING FRS110/M/1	Coupling, pipe, 2" dia	3	—	B	QM2/51
	FLIGHT REFUELLING FRS110/N	Coupling, pipe, 2-1/4" dia.	1	—		QM2/52
	FLIGHT REFUELLING FRS110/P	Coupling, pipe, 2-1/2" dia.	2	—		QM2/53

SERVICES
FUEL SYSTEM
IN MAIN PLANE

Ref. No.	Part No.	Description				No. off	Matl. Spec.	Cl. of	Plate and Illust'n No.
		1	2	3	4			St. M.R.	
		COCKS AND PIPES, FOR TANK SERVICE ALONG U/C RIB, OUTBOARD, PORT AND STARBOARD (17 & 18P3188) (Cont'd)							
7987	FLIGHT REFUELLING FRS326/T 15P3188 18P3188			Coupling, pipe, 3-1/2" dia.	1	-		QM2/54	
				Duct, refuelling, to No. 8 fuel tank, port ...	1	L54 or L59	C	QM2/55	
				Duct, refuelling, to No. 8 fuel tank, ... starboard	1	L54 or L59	MR	QM2/58	
	11P3188			FAIRLEAD, PORT, GROUP	1	-		QM2/57	
				Consisting of:-					
	11aP3188			Fairlead, half	1	-			
	11bP3188			Fairlead, half	1	-			
	12P3188			FAIRLEAD, STARBOARD, GROUP	1	-		QM2/58	
				Consisting of:-					
	12aP3188			Fairlead, half	1	-			
	12bP3188			Fairlead, half	1	-			
	10P2852			PIPE, BRANCH, 2-WAY, PORT AND ... STARBOARD, GROUP	1	-	MR	QM2/59	
	82P2852			PIPE, BRANCH, 3-WAY, STARBOARD, ... GROUP	1	-	MR	QM2/60	
22210	25P3188			PIPE, BRANCH, 3-WAY, PORT, GROUP ..	1	-	C	QM2/61	
	4P3188			PIPE, refuelling, from joint aft of forward ... U/C bulkhead to wing transport joint, 3-1/2" o/d x 18G, port	1	L56 & L59	MR	QM2/62	
8848	5P3188			Pipe, refuelling, from joint aft of forward ... U/C bulkhead to refuelling branch pipe, 3-1/2" o/d x 18G, port	1	L54 or L59	C	QM2/63	
8850	7P3188			Pipe, branch, to refuelling unit, port	1	L54 or L59	C	QM2/64	
8851	8P3188			Pipe, branch, to refuelling unit, starboard ..	1	L54 or L56	C	QM2/65	
	88P3281			PIPE, FUEL, FROM NON-RETURN	1	L34 or L54	MR	QM2/66	
				VALVE TO 3-WAY BRANCH PIPE, 2" o/d x 20G x 6' 8" LONG APPROX., STARBOARD, GROUP					
1505100	88P3281			Pipe, fuel, from non-return valve, 2" o/d x ... 20G x 4' 10" long approx., starboard	1	L56	C	QM2/67	
	27P2852			Pipe, fuel, from non-return valve, 2" o/d x ... 20G x 4' 10" long approx., port	1	L56	MR	QM2/68	

SERVICES
FUEL SYSTEM
IN MAIN PLANE

Ref. No.	Part No.	Description	No. off	Mater. Spec.	Cl. of	Plate and Hess'n No.
					St. M.R.	
		1 2 3 4				
		COCKS AND PIPES, FOR TANK SERVICE ALONG U/C RIB, OUTBOARD, PORT AND STARBOARD (17.18P3166) (Cont'd)				
	88P2852	PIPE, FUEL, FROM NON-RETURN VALVE, TO 3-WAY BRANCH PIPE, 2" o/d x 20G x 8' 8" LONG APPROX., PORT, GROUP	1	L56	MR	QM2/69
1508	49P2852	PIPE, FUEL, TO No. 4 TANK, FROM NON-RETURN VALVE AT COCK, TO JOINT AT WING RIB 252.186, 1-1/2" o/d x 20G x 5' 6" LONG APPROX., PORT, GROUP	1	L56	C	QM2/70
1509	50P2852	PIPE, FUEL, TO No. 4 TANK FROM NON-RETURN VALVE AT COCK, TO JOINT AT WING RIB 252.186, 1-1/2" o/d x 20G x 5' 6" LONG APPROX., STARBOARD, GROUP	1	L56	C	QM2/71
1510	51P2852	PIPE, FUEL, TO No. 7 TANK FROM NON-RETURN VALVE AT COCK, TO JOINT AT WING RIB 252.186, 1-1/2" o/d x 20G x 5' 3" LONG APPROX., PORT, GROUP	1	L56	C	QM2/72
1511	52P2852	PIPE, FUEL, TO No. 7 TANK FROM NON-RETURN VALVE AT COCK, TO JOINT AT WING RIB 252.186, 1-1/2" o/d x 20G x 5' 3" LONG APPROX., STARBOARD, GROUP	1	L56	C	QM2/73
	53P2852	PIPE, FUEL, TO No. 3 TANK FROM NON-RETURN VALVE AT COCK, TO JOINT AT WING RIB 252.186, 1-1/2" o/d x 20G x 4' 0" LONG APPROX., PORT, GROUP	1	L56	MR	QM2/74
1515	54P2852	PIPE, FUEL, TO No. 3 TANK FROM NON-RETURN VALVE AT COCK, TO JOINT AT WING RIB 252.186, 1-1/2" o/d x 20G x 4' 0" LONG APPROX., STARBOARD, GROUP	1	L56	C	QM2/75
	55P2852	PIPE, FUEL, TO No. 5 TANK FROM NON-RETURN VALVE AT COCK, TO JOINT AT WING RIB 252.186, 1-1/2" o/d x 20G x 5' 8" LONG APPROX., PORT, GROUP	1	L56	MR	QM2/76
1513	56P2852	PIPE, FUEL, TO No. 5 TANK FROM NON-RETURN VALVE AT COCK, TO JOINT AT WING RIB 252.186, 1-1/2" o/d x 20G x 5' 8" LONG APPROX., STARBOARD, GROUP	1	L56	C	QM2/77

**SERVICES
FUEL SYSTEM
IN MAIN PLANE**

Ref. No.	Part No.	Description	No. off	Mater. Spec.	Cl. of	Place and Must'n No.
					St.	
		1 2 3 4			M.R.	
		COCKS AND PIPES FOR TANK SERVICE ALONG U/C RIB, OUTBOARD PORT AND STARBOARD (17 & 18P3166) (Cont'd)				
	14P2852	PIPE, FUEL, TO No. 6 TANK, FROM NON-RETURN VALVE AT COCK, TO JOINT AT WING RIB 352 186, 1½" o.d. x 20G. 4' 6" LONG APPROX., STARBOARD, GROUP	-	L56	MR	QM2/78
	15P2852	PIPE, FUEL TO No. 4 TANK FROM NON-RETURN VALVE AT COCK TO JOINT AT WING RIB 352 186, 1½" o.d. x 20G. 4' 6" LONG APPROX., PORT, GROUP	-	L56	MR	QM2/79
22208	64P2852	Pipe, fuel, to No. 4 tank from joint to joint between outboard U/C rib and wing rib 352-186, 1½" o.d. x 20G, port	1	L56	C	QM2/80
	65P2852	Pipe, fuel to No. 4, tank from joint to joint between outboard u/c rib and wing rib 352-186, 1½" o.d. x 20G, starboard	1	L56		QM2/81
	66P2852	Pipe, fuel, to No. 7 tank from joint to joint between outboard u/c rib and wing rib 352-186, 1½" o.d. x 20G, port	1	L56		QM2/82
	67P2852	Pipe, fuel to No. 7 tank, from joint to joint between outboard u/c rib and wing rib 352-186, 1½" o.d. x 20G, starboard	1	L56		QM2/83
7131	19P3166	Pipe, re-fuelling, from joint aft of forward u/c bulkhead, to re-fuelling branch pipe, starboard	1	-	C	QM2/84
	68P2852	Pipe, fuel, to No. 3 tank, from joint to joint between outboard u/c rib and wing rib 352 186, 1½" o.d. x 20G, port	1	L56		QM2/85
	69P2852	Pipe, fuel, to No. 3 tank from joint to joint between outboard u/c rib and wing rib 352-186, 1½" o.d. x 20G, starboard	1	L56		QM2/86
	70P2852	Pipe, fuel, to No. 5 tank, from joint to joint between outboard u/c rib and wing rib 352-186, 1½" o.d. x 20G, port	1	L56		QM2/87
	71P2852	Pipe, fuel to No. 5 tank from joint to joint between outboard u/c rib and wing rib 352-186, 1½" o.d. x 20G, starboard	1	L56		QM2/88

**SERVICES
FUEL SYSTEM
IN MAIN PLANE**

Ref. No.	Part No.	Description				No. off	Mater. Spec.	Cl. of St.	Plate and Illust'n No.
		1	2	3	4			M.R.	
		COCKS & PIPES FOR TANK SERVICE ALONG U C RIB, OUTBOARD, PORT & STARBOARD (18-17P3166) (Cont'd)							
		PIPES, FUEL, IN UNDERCARRIAGE BAY, FOR AUXILIARY AIRBORNE POWER PLANT STARBOARD (3P3292)							
		Spares for :—							
7126	9P3292	PIPE, FUEL, $\frac{1}{2}$ " o.d. 20G	8' 4"		1	L56	C	QM3/89	
		LONG APPROX., GROUP							
7127	10P3292	PIPE, FUEL, $\frac{1}{2}$ " o.d. 20G	7' 0"		1	L56	C	QM3/90	
		LONG APPROX., GROUP							
7128	11P3292	PIPE, FUEL, $\frac{1}{2}$ " o.d. 20G	9' 5"		1	L56	C	QM3/91	
		LONG APPROX., GROUP							
7129	12P3292	PIPE, FUEL, $\frac{1}{2}$ " o.d. 20G	15' 8"		1	L56	C	QM3/92	
		LONG APPROX., GROUP							
	13P3292	PIPE, FUEL, $\frac{1}{2}$ " o.d. 20G	4' 0"		1	L56	MR	QM3/93	
		LONG APPROX., GROUP							
	FLIGHT REFUELLING B9811000/C	Valve, non-return			2	—	A	QM3/94	
		RODS, MANUAL OPERATED, FOR TANKS Nos. 3, 4, 5, 6 & 7, PORT & STARBOARD (1, 2, 3 & 4P3051)							
		Spares for :—							
	6P2853	HANDLE, TANK, GROUP			1	—	MR	QM3/95	
	11P3051	ROD, OPERATING, FOR TANKS Nos 3 AND 6, GROUP			1	—	MR	QM3/96	
	12P3051	ROD, OPERATING, FOR TANKS Nos. 3 AND 6, GROUP			1	—	MR	QM3/97	
	19P3051	ROD, OPERATING, FOR TANKS Nos. 4, 5 AND 7, GROUP			1	—	MR	QM3/98	
	20P3051	ROD, OPERATING, FOR TANKS Nos. 4, 5 AND 7, GROUP			1	—	MR	QM3/99	
	21P3051	ROD, OPERATING, FOR TANKS Nos. 4, 5 AND 7, GROUP			1	—	MR	QM3/100	
9423	22P3051	Stop, operating rod, tanks Nos. 3 & 6			1	BSS668	MR	QM3/101	
	23P3051	Stop, operating rod, tanks Nos. 3 & 6			1	BSS668	C	QM3/102	
	24P3051	Stop, operating rod, tanks Nos. 4, 5 & 7			1	BSS668	MR	QM3/103	
	25P3051	Stop, operating rod, tanks Nos. 4, 5 & 7			1	BSS668	MR	QM3/104	
	26P3051	Stop, operating rod, tanks Nos. 4, 5 & 7			1	BSS668	MR	QM3/105	

VULCAN No. 2

**SERVICES
FUEL SYSTEM
IN MAIN PLANE**

Page QM. 7

Ref. No.	Part No.	Description	No. off	Matl. Spec.	Cl. of		Plate and Illust'n No.
					Se.	M.R.	
		1 2 3 4					
		COCKS AND PIPES FOR TANK SERVICE ALONG U C RIB, OUTBOARD, PORT & STARBOARD (17-18P3166) (Cont'd)					
27F/2189	VICKERS ARMSTRONG AS179/K	Valve, non-return, 1½" BSP (Alternative A5287)	4	—	A		QM2/106
	75P2852	Valve, non-return, 1½", No. 3 tank (Mod. 362)	1	—			QM2/107
	76P2852	Valve, non-return, 1½" No. 3 tank alternative to be used when existing stocks of 75P2852 are exhausted)	1	—			
	15S4081	Washer, joint adapter to non-return valve	5	—	NR		QM2/108
27FR/1087008	FLIGHT REFUELLING FRS110/K	Coupling, pipe, 1½" dia.	12	—	B		QM1/109
27FR/1088008	FLIGHT REFUELLING FRS110/M	Coupling, pipe, 2" dia.	3	—	B		QM1/110
	FLIGHT REFUELLING FRS110/N	Coupling, pipe, 2½" dia.	2	—			QM1/111
8730	57P3277	Pipe, refuelling, joint, inboard of outboard u/c rib to joint between ribs 422-186 and 436-186, 2½" o/d x 20G x 7' 3" long approx.	1	L56	C		QM1/112
	58P3277	Pipe, refuelling, from 4-way piece between fuel sump 3 & 4 to 3-way piece, between Nos. 562-186 and 57-6186, 2" o/d x 20G x 8' 0" long approx.	1	L56			QM1/113
9182	59P3277	PIPE, REFUELLING FROM 4-WAY PIECE TO No. 4 TANK SUMP, 2" o/d x 20G x 14" LONG APPROX., PORT, GROUP	1	L54 or L59	C		QM1/114
9183	60P3277	PIPE, REFUELLING, FROM 4-WAY PIECE, TO No. 4 TANK SUMP 2" o/d x 20G x 14" LONG APPROX., STARBOARD, GROUP	1	L54 or L59	C		QM1/115
8727	55P3277	PIPE, 3-WAY JOINT, FOR REFUELLING PIPES, INBOARD, ELEVATOR AND AILERON HINGE RIB, 1½" o/d x 20G, PORT, GROUP	1	—	C		QM1/116

SERVICES
FUEL SYSTEM
IN MAIN PLANE

Ref. No.	Part No.	Description	No. off	Matl. Spec.	Cl. of	Place and Illustr'n No.
					St. M.R.	
		1 2 3 4				
8728	58P3277	PIPE, 3 WAY JOINT, FOR REFUELLING ... PIPES, INBOARD ELEVATOR AND AILERON HINGE RIB, 1 1/2" o/d x 20G, STARBOARD, GROUP	1	-	C	QM1/117
8748	51P3277	PIPE, 4 WAY JOINT, FOR REFUELLING ... PIPES, INBOARD CENTRE ELEVATOR HINGE RIB, PORT, GROUP	1	-	C	QM1/118
8745	52P3277	PIPE, 4 WAY JOINT, FOR REFUELLING ... PIPES, INBOARD CENTRE ELEVATOR HINGE RIB, STARBOARD, GROUP	1	-	C	QM1/119
8744	53P3277	PIPE, 3-WAY, REDUCING JOINT, FOR ... REFUELLING PIPES BETWEEN RIBS 582 186 & 576 186, GROUP	1	-	C	QM1/120
20280	3P2850	Pipe, main fuel, No. 3 tank, top run from u/c rib to joint between ribs 422.186 and 436 186, 1 1/2" o/d x 20G x 7' 3" long approx	1	L56	C	QM1/121
20281	4P2850	Pipe, main fuel, No. 4 tank, top run from u/c rib to joint between ribs 422 186 and 436 186, 1-1/2" o/d x 20G x 7' 3" long approx	1	L56	C	QM1/122
	5P2850	Pipe, main fuel, No. 5 tank, bottom run from u/c rib to joint between ribs 422.186 and 436 186, 1 1/2" o/d x 20G x 7' 3" long approx.	1	L56		QM1/123
20282	6P2850	Pipe, main fuel, No. 6 tank, bottom run from u/c rib to joint between ribs 422.186 and 436.186, 1 1/2" o/d x 20G x 7' 3" long approx.	1	L56	C	QM1/124
	7P2850	Pipe, main fuel, No. 1 tank, bottom run from u/c rib to joint between ribs 422 186 and 436 186, 1-1/2" o/d x 20G x 7' 3" long approx	1	L56		QM1/125
	10P2850	Pipe, main fuel, No. 7 tank, from joint between ribs 422 186 and 436 186 to joint between ribs 582 186 and 576 186, 1-1/2" o/d x 20G x 12' 3" long approx	1	L56		QM1/126
	11P2850	Pipe, main fuel, No. 7 tank, from joint between ribs 422.186 and 436.186 to joint between ribs 582 186 and 576 186, 1-1/2" o/d x 20G x 12' 3" long approx.	1	-	MR	QM1/127
8689	8P3280	PIPE, FLEXIBLE, MAIN FUEL, FROM JOINT BETWEEN RIBS 582.186 AND 576 186, TO JOINT BETWEEN RIBS 800.436 AND ELEVATOR HINGE RIB, 1-1/2" BORE, GROUP (Pre-Mod. 2310)	1	Flytex	C	
1505444	1P4006	PIPE, FLEXIBLE, MAIN FUEL, FROM JOINT BETWEEN RIBS 582 186 AND 576 186, TO JOINT BETWEEN RIBS 800 436 AND ELEVATOR HINGE RIB, 1-1/2" BORE x 3' 6.87" LONG (Mod. 2310) (Ref. DUNLOP PART No. AHO.73150)	1	-	C	QM1/127A

VULCAN No. 3

SERVICES
FUEL SYSTEM
IN MAIN PLANE

Page QM. 9

Ref. No.	Part No.	Description	No. off	Matl. Spec.	Cl. of	Place and Illust'n No.
					St. M.R.	
		1 2 3 4				
	31P2850	PIPE, REFUELLING CONNECTION, FROM 3-WAY JOINT TO No. 7 TANK SUMP, 1-1/2" o/d x 20G x 10" LONG APPROX., PORT, GROUP	1	L56	MR	QM1/128
	18P3040	PIPE, REFUELLING CONNECTION, FROM 3-WAY JOINT TO No. 7 TANK SUMP, 1-1/2" o/d x 20G x 10" LONG APPROX., STARBOARD, GROUP	1	L56	MR	QM1/129
	10P3620	PIPE, FLEXIBLE, REFUELLING, TO 4-WAY JOINT BETWEEN RIBS 480.438 AND CENTRE ELEVATOR HINGE RIB, 2-1/2" BORE x 2'11" LONG, GROUP	1	Flylite	MR	QM1/130
	6P3620	PIPE, FLEXIBLE, REFUELLING, FROM 4-WAY JOINT TO No. 3 TANK SUMP, 2" BORE x 2' 1-3/4" LONG, PORT, GROUP	1	Flylite	MR	QM1/131
	11P3630	PIPE, FLEXIBLE, TRANSFER, FROM 3-WAY JOINT BETWEEN RIBS 582.186 AND 576.186 TO No. 7 TANK SUMP, 1-1/2" BORE x 4' 2-1/2" LONG, PORT, GROUP	1	Flylite		QM1/132
	12P3620	PIPE, FLEXIBLE, TRANSFER, FROM 3-WAY JOINT BETWEEN RIBS 582.186 AND 576.186, TO No. 7 TANK SUMP	1	Flylite	MR	QM1/133
17518	13P3620	PIPE, FLEXIBLE, REFUELLING, FROM 3-WAY JOINT AT ELEVATOR AND AILERON HINGE RIB TO No. 5 TANK SUMP, 1-1/2" BORE x 2' 9-1/2" LONG, GROUP	1	Flylite	C	QM1/134
1510287	14P3620	PIPE, FLEXIBLE, MAIN FUEL, FROM JOINT BETWEEN RIBS 562.186 AND 576.186 TO No. 5 TANK SUMP, 1-1/2" BORE x 3' 5.56" LONG, GROUP	1	Flylite		QM1/135
	4P2898	PIPE, FLEXIBLE, REFUELLING BETWEEN No. 4 AND 6 TANK SUMP, 1-1/2" BORE x 4' 10-1/2" LONG, GROUP	1	-	MR	QM1/136
1537	7P2898	PIPE, FLEXIBLE, MAIN FUEL, FROM JOINT, BETWEEN RIBS 422.186 AND 436.186 TO No. 6 TANK SUMP, 1-1/2" BORE x 8' 7-1/2" LONG, GROUP	1	-	C	QM1/137
	50P3277	Pipe, refuelling, joint, inboard of outboard u/c rib to joint between ribs 422.186 and 436.186, 2-1/4" o/d x 20G x 7' 0" long approx. (1st A/c only)	1	-		QM1/138

**SERVICES
FUEL SYSTEM
IN MAIN PLANE**

Ref. No.	Part No.	Description	No. off	Mater. Spec.	Cl. of	Plate and Illustr'n No.
					St. M.R.	
		1 2 3 4				
	11P2898	PIPE, FLEXIBLE, REFUELLING, FROM ... 3-WAY JOINT BETWEEN RIBS 582.188 AND 576.188 TO 3-WAY JOINT AT ELEVATOR AND AILERON HINGE RIB, 1-1/2" BORE x 3' 0" LONG, GROUP	1	-	MR	QM1/139
	28P2898	PIPE, FLEXIBLE, MAIN FUEL, FROM JOINT BETWEEN RIBS 582.188 AND 576.188 TO No. 7 TANK SUMP, 1-1/2" BORE x 5' 6-1/2" LONG, GROUP	1	-	MR	QM1/140
8647	102P2898	PIPE, FLEXIBLE, MAIN FUEL, FROM JOINT BETWEEN RIBS 422.188 AND 438.188 TO No. 4 TANK SUMP, PORT, GROUP	1	-	C	QM1/141
7751	27P2898	PIPE, FLEXIBLE, MAIN FUEL, FROM JOINT BETWEEN RIBS 422.188 AND 438.188 TO No. 4 TANK SUMP, STARBOARD, GROUP	1	-	C	QM1/142
8645	103P2898	PIPE, FLEXIBLE, MAIN FUEL, FROM JOINT BETWEEN RIBS 422.188 AND 438.188 TO No. 3 TANK SUMP, PORT, GROUP	1	-	C	QM1/143
8648	104P2898	PIPE, FLEXIBLE, MAIN FUEL, FROM JOINT BETWEEN RIBS 422.188 AND 438.188 TO No. 3 TANK SUMP, STARBOARD, GROUP	1	-	C	QM1/144
		RECUPERATOR AND FUEL PIPES IN INNER MAINPLANE, FORWARD OF FORWARD UNDERCARRIAGE BULK- HEAD, PORT AND STARBOARD (1 & 2P3291)				
		Spares for:-				
	102SS3553	Adaptor, for pipes	2	DT0423	C	QM4/145
	1SS3438	Adaptor, for pipe on fwd. u/c bulkhead	2	L40	MR	QM4/146
	104P2898	Adaptor, at non-return valve	2	OT03848	MR	QM5/147
	8Z7364	CHAIN, RETAINING, BLANKING CAP, GROUP (Length 4")	2	-	MR	QM4/148
	26/7SS4095	Clip, half, for 2" dia. pipe	2	-	MR	QM4/149
	15/SS1862	Clip, half, for 2" dia. pipe	2	-	C	QM4/150
	1/SS4471	Clip, half, for 3-1/2" dia. pipe	1	-	MR	QM4/151
	2/SS4471	Clip, half, for 3-1/2" dia. pipe	1	-	MR	
	17/SS2868	Clip, pipe, 2" dia.	2	-		QM5/152
	27SS1768	Clip, for pipe	1	-		
	23/SS1768	Clip, for pipe	1	-		
26FP/13062	1SS3264	Clip, pipe	2	-	C	
26FP/13092	4SS3264	Clip, for pipe	2	-	C	
26FP/13924	14SS3264	Clip, for pipe	3	-	C	

SERVICES FUEL SYSTEM IN MAIN PLANE							Page QM. 11
Ref. No.	Part No.	Description	No. off	Matl. Spec	Cl. of St.	Plate and Illust'n No.	
					M.R.		
		1 2 3 4					
		RECUPERATOR AND FUEL PIPES IN INNER MAIN PLANE, FORWARD OF FORWARD UNDERCARRIAGE BULKHEAD, PORT AND STARBOARD (1 & 2P3291) (Cont'd.)					
	3SS3405	Clip, for pipe	1	—	MR	QM5/153	
	7SS4471	Clip, for pipe	1	—		QM4/154	
	25SS4096	Clip, half	—	—			
	6SS3818	Clip, for pipe	2	—			
26FP/2453	1SS3859	Clip, for pipe	7	—	C	QM4/155	
	4SS3859	Clip, for pipe	1	—		QM4/156	
26FP/13421	14SS3859	Clip, for pipe	2	—	C		
	1SS3863	Clip, for pipe	28	—	MR	QM5/157	
	2SS3863	Clip, for pipe	2	—		QM4/158	
	FLIGHT REFUELLING						
27FR/1060803	FRS100/M	Coupling, pipe, 2" dia.	4	—	B	QM4/159	
	57P3291	Coupling, pipe	2	—	MR	QM5/160	
	HYMATIC						
	LF7/4	Filter	2	—	A	QM5/161	
	138SS6002	Label, Fuel "Recuperator Water Drains"	1	L58		QM4/162	
		MOUNTING, RECUPERATOR, PORT AND STARBOARD (1 & 2P2888)					
		Spares for:—					
	5P2888	STRAP, GROUP	4	—	MR	QM4/163	
6935	3P3166	Pipe, fuel, 3-1/2" o/d x 18G port	1	—	C	QM4/164	
	4P3166	Pipe, fuel, 3-1/2" o/d x 18G, starboard	1	—		QM4/165	
	91P3291	PIPE, BRANCH, FROM BOTTOM JOINT OUTBOARD RIB, 162.5 TO NON-RETURN VALVE, 2" o/d x 18G PORT, GROUP	1	L54	MR	QM4/166	
	90P3291	PIPE, BRANCH, FROM BOTTOM JOINT OUTBOARD RIB 162.5 TO NON-RETURN VALVE, 2" o/d x 18G, STARBOARD, GROUP	1	L54	MR	QM4/167	
	5P329	Pipe, fuel, from aft fuel recuperator to branch pipe, 2" o/d x 20G x 2' 11" long approx., port	1	L56	MR	QM4/168	
	92P3291	Pipe, fuel, from aft fuel recuperator to branch pipe, 2" o/d x 20G x 2' 11" long approx., starboard	1	L56	MR	QM4/169	
	8P3291	Pipe, fuel, from forward fuel recuperator to branch pipe, 2" o/d x 20G x 3' 0" long approx., starboard	1	L56	MR	QM4/170	
	93P3291	Pipe, fuel, from forward fuel recuperator to branch pipe, 2" o/d x 20G x 3' 0" long approx., port	1	L56	MR	QM4/171	

SERVICES
FUEL SYSTEM
IN MAIN PLANE

Ref. No.	Part No.	Description	No. off	Matl Spec	Cl. of St.	Plate and Illustr'n No.
					M.R.	
		1 2 3 4				
		RECUPERATOR AND FUEL PIPES IN INNER MAIN PLANE. FORWARD OF FORWARD UNDERCARRIAGE BULKHEAD, PORT AND STARBOARD (1 & 2P3291) (Cont'd.)				
	14P3291	PIPE, FROM FORWARD FUEL RECUPERATOR TO TEE-PIECE TOP, 1/4" o/d x 22G x 20" LONG APPROX., PORT, GROUP	1	L56	MR	QM4/172
20106	15P3291	PIPE, FROM FORWARD FUEL RECUPERATOR TO TEE-PIECE, TOP, 1/4" o/d x 22G x 20" LONG APPROX., STARBOARD, GROUP	1	L56	C	QM4/173
11449	16P3291	PIPE, FROM AFT FUEL RECUPERATOR TO TEE-PIECE, TOP, 1/4" o/d x 22G x 8" LONG APPROX., GROUP	1	L56	C	QM4/174
	20P3291	PIPE, DRAIN, FROM FORWARD FUEL RECUPERATOR TO TEE-PIECE, 3/16" o/d x 22G x 2' 3" LONG APPROX., STARBOARD, GROUP	1	L56	MR	QM4/175
20098	95P3291	PIPE, BRANCH, CENTRE, FROM JOINT OUTBOARD RIB 182.5 TO NON-RETURN VALVE, 2" o/d x 18G, PORT, GROUP	1	L54	C	QM4/176
11872	94P3291	PIPE, BRANCH, CENTRE, FROM JOINT OUTBOARD RIB 182.5 TO NON-RETURN VALVE, 2" o/d x 18G, STARBOARD, GROUP	1	L54	C	QM4/177
	24P3291	PIPE, FROM AFT FUEL RECUPERATOR TO TEE-PIECE, 3/16" o/d x 22G x 1' 8" LONG APPROX., STARBOARD, GROUP	1	L56	MR	QM4/178
	63P2889	PIPE, FROM TEE-PIECE TO JOINT OUTBOARD OF U/C HINGE RIB, 3/16" o/d x 22G x 6' 0" LONG, APPROX., PORT GROUP	1	L56	MR	QM4/179
	64P2889	PIPE, FROM TEE-PIECE TO JOINT OUTBOARD OF U/C HINGE RIB, 3/16" o/d x 22G x 7' 0" LONG APPROX., STARBOARD, GROUP (make from Pipe 30B/9811058 1 off, Collar 28F/8011880, 2 off Sleeve outer 28F/9128936, 2 off)	1	L56		QM4/180
	73P2889	PIPE, FROM JOINT OUTBOARD U/C HINGE RIB TO JOINT OUTBOARD RIB 182.5, 3/16" o/d x 22G x 3' 0" LONG APPROX., PORT, GROUP	1	L56		QM5/181

**SERVICES
FUEL SYSTEM
IN MAIN PLANE**

Ref. No.	Part No.	Description	No. off	Matl. Spec.	Cl. of	Plate and Hlist'n No.
					St.	
		1 2 3 4			M.R.	
		RECUPERATOR AND FUEL PIPES IN INNER MAIN PLANE, FORWARD OF FORWARD UNDERCARRIAGE BULKHEAD, PORT AND STARBOARD (1 & 2P3291) (Cont'd)				
	74P2889	PIPE, FROM JOINT OUTBOARD U C HINGE RIB TO JOINT OUTBOARD RIB 162-5, $\frac{1}{2}$ " o/d - 22G - 4'0" LONG APPROX., STARBOARD, GROUP	1	L56		QM5/182
	75P2889	PIPE, FROM JOINT TO JOINT, ALONG OUTBOARD U C RIB 162-5 $\frac{1}{2}$ " o/d - 22G - 4'5" LONG APPROX., PORT, GROUP	1	L56		QM5/183
	76P2889	PIPE, FROM JOINT TO JOINT, ALONG OUTBOARD U C RIB 162-5, $\frac{1}{2}$ " o/d - 22G - 4'4" LONG APPROX., STARBOARD, GROUP	1	L56		QM5/184
	77P2889	PIPE, FROM JOINT OUTBOARD U C RIB 162-5 TO JOINT INBOARD OF OUTBOARD U C RIB 162-5, $\frac{1}{2}$ " o/d x 22G - 3'5" LONG APPROX., PORT, GROUP	1	L56		QM5/185
	78P2889	PIPE, FROM JOINT OUTBOARD U.C RIB 162-5 TO JOINT INBOARD OF OUTBOARD U C 162-5, $\frac{1}{2}$ " o/d - 22G - 3'1" LONG APPROX., STBD., GROUP	1	L56		QM5/186
	79P2889	PIPE, FROM JOINT AT STRINGER 13 TO NON-RETURN VALVE AT No. 4 FUEL TANK SUMP, $\frac{1}{2}$ " o/d - 22G - 6'5" LONG APPROX., STBD., GROUP	1	L56	MR	QM5/187
	80P2889	PIPE, FROM JOINT AT STRINGER 13 TO NON-RETURN VALVE AT No. 4 FUEL TANK SUMP, $\frac{1}{2}$ " o/d - 22G - 6'5" LONG APPROX., STBD., GROUP	1	L56	MR	QM5/188
	81P2889	PIPE, FROM JOINT TO JOINT ALONG STRINGER 13, $\frac{1}{2}$ " o/d - 22G - 7'3" LONG APPROX., PORT, GROUP	1	L56		QM5/189
	106P2889	PIPE, FROM JOINT TO JOINT ALONG STRINGER 13, $\frac{1}{2}$ " o/d - 22G - 7'18" LONG APPROX., STBD., GROUP	1	L56		QM5/190
20109	137P3291	PIPE, RECUPERATOR DRAIN, $\frac{1}{2}$ " o/d - 20G - 12", PORT, BOTTOM, GRP. (Mod. 1200)	1	L56	C	QM4/191

**SERVICES
FUEL SYSTEM
IN MAIN PLANE**

Ref. No.	Part No.	Description				No. off	Matl. Spec.	Cl. of St. M.R.	Plate and Illust'n No.
		1	2	3	4				
		RECUPERATOR AND FUEL PIPES IN INNER MAIN PLANE, FORWARD OF FORWARD UNDERCARRIAGE BULKHEAD, PORT AND STARBOARD (1 & 2P3291) (Cont'd)							
	140P3291	PIPE, RECUPERATOR DRAIN, $\frac{1}{2}$ " o.d. 20G - 24", PORT, TOP, GROUP (Mod. 1200)				1	—	MR	QM4/192
20110	138P3291	PIPE, RECUPERATOR DRAIN, $\frac{1}{2}$ " o.d. 20G - 12", STBD., BOTTOM, GRP. (Mod. 1200)				1	—	C	QM4/193
20112	139P3291	PIPE, RECUPERATOR DRAIN, $\frac{1}{2}$ " o.d. 20G - 24", STBD., TOP, GROUP (Mod. 1200)				1	—	C	QM4/194
	60P3291	Pipe, outlet through btm skin				1	—		QM4/195
	123P3291	PIPE, VENT TO OUTLET PIPE, BOTTOM SKIN, $\frac{1}{2}$ " o.d. 22G 12", PORT, GROUP (Mod. 1018)				—	—	MR	QM5/196
	124P3291	PIPE, VENT TO OUTLET PIPE, BOTTOM SKIN, $\frac{1}{2}$ " o.d. 22G 12", STARBOARD, GROUP (Mod. 1018)				1	—	MR	QM5/197
	136P3291	PIPE, TO FORWARD RECUPERATOR, $\frac{1}{2}$ " o.d. 22G - 40", PORT, GRP.				1	—	MR	QM4/198
	135P3291	PIPE, TO AFT RECUPERATOR, $\frac{1}{2}$ " o.d. 22G 36", PORT, GROUP				1	—	MR	QM4/199
	120P3291	PIPE, TO FORWARD RECUPERATOR, $\frac{1}{2}$ " o.d. 22G - 40", STBD., GROUP (Mod. 1018)				1	—	MR	QM4/200
	122P3291	PIPE, TO AFT RECUPERATOR, $\frac{1}{2}$ " o.d. 22G - 36", STBD., GROUP (Mod. 1018)				1	—	MR	QM4/201
11303	127P3291	PIPE, FROM AIR-NO FUEL VALVE TO RELIEF VALVE, AFT RECUPERATOR, PORT, GROUP (Mod. 1018)				1	—	C	QM5/203
11304	128P3291	PIPE, FROM AIR-NO FUEL VALVE TO RELIEF VALVE, AFT RECUPERATOR, STARBOARD, GROUP (Mod. 1018)				1	—	C	QM5/204
10973	115P3291	PIPE, FROM AIR-NO FUEL VALVE TO RELIEF VALVE, FWD RECUPERATOR, PORT, GROUP (Mod. 1018)				1	—	C	QM5/205

SERVICES
FUEL SYSTEM
IN MAIN PLANE

Ref. No.	Part No.	Description	No. off	Mater. Spec.	Cl. of	Plate and Illust'n No.
					St. M.R.	
		<u>1 2 3 4</u>				
		RECUPERATOR AND FUEL PIPES IN INNER MAIN PLANE, FORWARD OF FORWARD UNDERCARRIAGE BULKHEAD, PORT AND STARBOARD (1 & 2P3291) (Cont'd)				
	116P3291	PIPE, FROM AIR-NO FUEL VALVE TO . . . RELIEF VALVE, FORWARD RECUPERATOR, STARBOARD, GROUP (Mod. 1018)	1	-	MR	QM5/206
	113P3291	PIPE, FROM RELIEF VALVE TO BULKHEAD ADAPTOR, AFT RECUPERATOR, GROUP (Mod. 1108)	1	-	MR	QM5/107
	114P3291	PIPE, FROM RELIEF VALVE TO BULKHEAD ADAPTOR, AFT RECUPERATOR, STARBOARD, GROUP (Mod. 1018)	1	-	MR	QM5/208
	111P3291	PIPE, FROM RELIEF VALVE TO BULKHEAD ADAPTOR, FORWARD RECUPERATOR, PORT, GROUP (Mod. 1018)	1	-	MR	QM5/209
	112P3291	PIPE, FROM RELIEF VALVE TO BULKHEAD ADAPTOR, FORWARD RECUPERATOR, STARBOARD, GROUP (Mod. 1018)	1	-	MR	QM5/210
	109P3291	PIPE, FROM BULKHEAD ADAPTOR TO . . . FILTER, AFT RECUPERATOR, PORT, GROUP (Mod. 1018)	1	-	MR	QM5/211
	110P3291	PIPE, FROM BULKHEAD ADAPTOR TO . . . FILTER, AFT RECUPERATOR, STARBOARD, GROUP (Mod. 1018)	1	-	MR	QM5/212
	107P3291	PIPE, FROM BULKHEAD ADAPTOR TO . . . FILTER, FORWARD RECUPERATOR, PORT, GROUP (Mod. 1018)	1	-	MR	QM5/213
	108P3291	PIPE, FROM BULKHEAD ADAPTOR TO . . . FILTER, FORWARD RECUPERATOR, STARBOARD, GROUP (Mod. 1018)	1	-	MR	QM5/214
	105P3291	PIPE, TO SAUNDERS N.R. VALVE, AFT RECUPERATOR, PORT, GROUP (Mod. 1018)	1	-	MR	QM5/215
	106P3291	PIPE, TO SAUNDERS N.R. VALVE, AFT RECUPERATOR, STARBOARD, GROUP (Mod. 1018)	1	-	MR	QM5/216
	103P3291	PIPE, TO SAUNDERS N.R. VALVE, FORWARD RECUPERATOR, PORT, GROUP (Mod. 1018)	1	-	MR	QM5/217
10961	104P3291	PIPE, TO SAUNDERS N.R. VALVE, FORWARD RECUPERATOR, STARBOARD, GROUP (Mod. 1018)	1	-	C	QM5/218

SERVICES
FUEL SYSTEM
IN MAIN PLANE

Ref. No.	Part No.	Description	No. off	Mater. Spec.	Cl of	Plate and Illust'n No.
					Sc.	
		1 2 3 4				
		RECUPERATOR AND FUEL PIPES IN INNER MAIN PLANE, FORWARD OF FORWARD UNDERCARRIAGE BULKHEAD, PORT AND STARBOARD (1 & 2P3291) (Cont'd)				
	78P3291	PIPE, FROM TEE-PIECE TO DRAIN OUTLET, FORWARD, 3/16" o/d x 22G, STARBOARD, GROUP	1	-	MR	QM4/219
	75P3291	PIPE, FROM TEE-PIECE TO DRAIN OUTLET, FORWARD, 3/16" o/d x 22G, PORT, GROUP	1	-	MR	QM4/220
	76P3291	PIPE, FROM TEE-PIECE TO BOTTLES, . . . 3/16" o/d x 22G, PORT, GROUP	1	-	MR	QM4/221
27F/4526767	SELF PRIMING ENGINEERING PRC.808 Mk. 1 AGS1186C 48SS3557 128SS3557 HYMATIC	Recuperator Seal Tee-piece (alternative 74SS3557) Tee-piece, special, 1/2" x 3/8" x 1/2" BSP	2 1 1 2	- - - S110	MR MR	QM4/222 QM5/225b QM4/223
ZTVB/4427298	P60/28 Mk. 2 VICKERS	Valve, relief	2	-		QM5/225
27F/2251	A5179/M VICKERS A5287/M	Valve, non-return, 2" BSP Valve, non-return (alternative to be used) . . . when stocks of A5179/M are exhausted)	2 2	- -		QM4/226 QM4/227
27FS/5384	SAUNDERS 704/AA02B	Valve, non-return	2	-	A	QM5/228
12082	1P3689	VALVE, AIR-NO FUEL, GROUP (Mod. 101B)	2	-	A	QM5/229
		TANK, WING, No. 3, PORT AND STARBOARD (1 & 2P2827) Spares for:-				
6A/4333669	SMITH WAYMOUTH JM3	Box, tank terminal	1	-	A	QM6/230
6A/4333683	SMITH WAYMOUTH PE/T/82/T	Connector, internal	1	-	B	QM6/231
6A/4066	SMITH WAYMOUTH PL/T/88/T	Connector, internal	1	-	B	QM6/232
6A/4333676	SMITH WAYMOUTH PE/T/20/Z	Connector, internal	1	-	B	QM6/233
6A/4333676	SMITH WAYMOUTH PL/T/18/Z	Connector, internal	1	-	B	QM6/234
	20P2827	Hose, drain outlet, 5/16" i/d x 4" long, port	1	DTD625A		QM6/235
	21P2827	Hose, drain outlet, 5/16" o/d x 17G, starboard	1	L54		QM6/236

VULCAN No. 2

SERVICES
FUEL SYSTEM
IN MAIN PLANE

Page QM. 17

Ref. No.	Part No.	Description	No. off	Matl Spec.	Cl. of St.	Plate and Illust'n No.
					M.R.	
		1 2 3 4				
		TANK, WING No. 3, PORT AND STARBOARD (1 & 2P2827) (Cont'd.)				
		RESERVOIR AND FUEL, PUMP, PORT AND STARBOARD (1 & 2P3372)				
		Spare for:—				
28E/16521	AGS1000/0	Clip, "S", type	8	—	C	QM6/237
	75P3127	Clip, pipe, 5/8" dia.	15	L72	MR	QM6/238
	86P3127	Clip, 2" dia.	1	—		QM6/239
	FIREPROOF TANKS LTD. FT1826	Clip, attachment of pipe to tank	16	—	MR	QM6/240
	66P3127	Hose, 5/8" i/d x 2" long	3	DTD625A		QM6/241
	88P3127	Packing, for attachment pipes to tank, 1/16" x 3-3/4" x 1-1/4"	—	—		QM6/242
2616	50P3127	Pipe, fuel, from reservoir to joint, 5/8" x 22G x 4' 4" long approx., port	1	L56	C	QM6/243
	51P3127	Pipe, fuel, from reservoir to joint, 5/8" o/d x 22G x 4' 4" long approx., starboard	1	L56	MR	QM6/244
	60P3127	Pipe, fuel, between joints, 5/8" o/d x 22G x 3' 6" long	1	L56	MR	QM6/245
7969	29P3272	Pipe, from joint to fuel pump, 5/8" o/d x 22G, port	1	L56	C	QM6/246
7970	30P3272	Pipe, from joint to fuel pump, 5/8" o/d x 22G, starboard	1	L56	C	QM6/247
		PUMP, FUEL, AND FUEL LEVEL SWITCH, PORT AND STARBOARD (13 & 14P3272)				
		Spare for:—				
	B351V1800	Cable, port	1	—		QM6/248
	B358V8101	Cable, starboard	1	—		QM6/249
	40P3272	Gasket	1	—	MR	QM6/250
	12P3272	Hose, 3/8" i/d x 2" long	1	DTD125A		QM6/251
12201	3P3600	MOUNTING, PUMP AND SWITCH, SUPPORT, PORT, GROUP	—	M12	C	QM6/252
	2P3600	MOUNTING, PUMP, AND SWITCH, SUPPORT, STARBOARD, GROUP	—	—	MR	QM6/253
5UE/8850	PULSOMETER PAC100 Mk 3 FLIGHT REFUELLING	Pump, fuel (Mod. 785)	1	—	A	QM6/254
6CW/4405246	C3510100/1	Switch, float (Mod. 1043)	1	—	A	QM6/255
9005	11P3125	RESERVOIR, FUEL TANK, THREE TIER, PORT, GROUP	1	—	B	QM6/256
9006	12P3125	RESERVOIR, FUEL TANK, THREE TIER, STARBOARD, GROUP	1	—	B	QM6/257
		Spare for:—				
28FP/	FIREPROOF TANKS LTD. FT4808	Gasket	2	—	MR	QM6/258
9429631	DZUS LTD. S4/225	Spring	3	—	C	QM6/259

SERVICES
FUEL SYSTEM
IN MAIN PLANE

Ref. No.	Part No.	Description				No. off	Mati. Spec.	Cl. of St. M.R.	Plate and Illust'n No.
		1	2	3	4				
		RESERVOIR, FUEL TANK, THREE TIER, PORT AND STARBOARD (11 & 12P3125) (Cont'd)							
22206	1P3146	TIER, RESERVOIR, TOP, PORT, ... GROUP				1	-	C	QM6/260
	2P3146	TIER, RESERVOIR, TOP, ... STARBOARD, GROUP				1	-		QM6/261
22204	10P3125	TIER, RESERVOIR, CENTRE, ... PORT, GROUP				1	-	C	QM6/262
	18P3125	TIER, RESERVOIR, CENTRE, ... STARBOARD, GROUP				1	-	MR	QM6/263
8774	21P3125	TIER, RESERVOIR, BOTTOM, ... PORT, GROUP				1	-	C	QM6/264
8775	22P3125	TIER, RESERVOIR, BOTTOM, ... STARBOARD, GROUP				1	-	C	QM6/265
	1P3119	Spare for:- VALVE, FLAP, GROUP				1	-	MR	QM6/266
		Attachments:- Reservoir Tiers, Part Nos. 1 & 2P3146, 18, 19, 21 & 22P3125							
28D/9133011 28W/9419402	A26/2C SP13/C	Bolt, 2 BA				68	-	C	
		Washer, 2 BA				68	-	C	
	FIREPROOF TANKS LTD. FT3826/3/38/12	Ring bolt, "D"				1	-	MR	QM6/267
27FR/3473	B3804371	Steady, for fuel level switch, port				1	-		QM6/268
27FR/3474	B3804372	Steady, for fuel level switch, stbd.				1	-		QM6/269
		SUMP, No. 3 TANK, PORT AND STARBOARD (1 & 2P3474)							
		Spare for:-							
10188 7211	17P2641	Adaptor, for inhibitor and drain cock				1	L58	C	QM6/270
	3P3474	Elbow, outlet, 1-1/2" BSP, port				1	-	C	
	3P3472	Elbow, outlet, 1-1/2" BSP, stbd.				1	L33	MR	
	1P2937	INHIBITOR, FUEL TANK, GROUP				1	-		QM6/271
		Spare for:-							
	AUTOMATIVE ENG. Co. 15/16" Bore VICKERS ARMSTRONG	Clip, Saeger (internal type)				1	-		QM6/272
27F/4526888	AE288 Mk. A 4P2837	Cock, drain, 1/4" BSP				1	-	A	QM6/273
	2P2837	Cover				1	L72	MR	QM6/274
	3P2837	Housing				1	DTD250A		QM6/275
	BP2837	Spider				1	L18	MR	QM6/276
		Bag, chromate salts				1	-	MR	

VULCAN NR 2		SERVICES FUEL SYSTEM IN MAIN PLANE			Page QM. 19		
Ref. No.	Part No.	Description	No. off	Matl. Spec	Cl. of	Plate and Illust'n No.	
					St. M.R.		
		1 2 3 4					
SUMP, No. 3 TANK, PORT AND STARBOARD (1 & 2P3474) (Cont'd.)							
	13P2841	PLATE, SUMP, PORT, GROUP	1	—	MR	QM6/277	
	14P2841	PLATE, SUMP, STARBOARD, GROUP	1	—	MR	QM6/278	
		Spares for:—					
13438	3P2839	Stud, 2 BA	34	S94, 95, 96	MR		
	20P2841	Stud, 2 BA	12	S94, 95, 96	C		
5UJ/4412045	PULSOMETER P1-C1200 Mk.4	Pump, fuel (Mod. 1572)	1	—	A	QM6/279	
	FLIGHT REFUELLING C1140103 Mk.40	Valve, refuelling, port (Alternative C1140003) (27FR4311)	1	—		QM6/280	
	FLIGHT REFUELLING C1140104 Mk.40	Valve, refuelling, starboard (Alternative C1140004) (27R/4312)	1	—		QM6/281	
	8P2844	Washer, sealing, outlet, elbow	2	DTD762	MR	QM6/282	
	18P2841	Washer, sealing, drain, cock	1	DTD762	MR	QM6/283	
	18P2844	Washer, sealing, refuelling valve	2	DTD762	MR	QM6/284	
	11P2831	STOP, VENT VALVE, GROUP	1	—	MR	QM6/299	
110	1P3249	TANK, FUEL, No. 3, PORT, GROUP	1	—	A	QM6/285	
111	2P3249	TANK, FUEL, No. 3, STARBOARD	1	—	A	QM6/286	
		(See:—Tanks, Fuel)					
6A/4333560	SMITH & SONS TM2 Mod. 01	Unit, tank	1	—	A	QM6/287	
6A/4333561	SMITH SONS TM3 Mod. 01	Unit, tank	1	—	A	QM6/288	
	15P3012	VALVE, FLOAT, GROUP (Mod. 1356)	1	—	MR	QM6/289	
		Spares for:—					
	2P3012	Body, valve	1	L59	MR	QM6/290	
	6P3012	Float, cork	1	—	MR	QM6/291	
	7P3012	Housing, spring	1	L59	MR	QM6/292	
	9P3012	Housing, valve	1	L59	MR	QM6/293	
1433911	12P3012	Packing, 1/32" thick x 2-3/16" dia.	1	—		QM6/294	
	14P3012	Plate, retaining	1	L59	MR	QM6/295	
	3P3012	Sleeve, float	1	L59	MR	QM6/296	
	6P3012	Spring, valve, inward	1	—	MR	QM6/297	
	13P3012	Spring, valve, outward	1	—	MR	QM6/298	
TANK, WING, No. 4, PORT AND STARBOARD (1 & 2P2828)							
		Spares for:—					
6A/4333668	SMITH WAYMOUTH JM3	Box, tank terminal	1	—	A	QM7/300	
6A/4333582	SMITH WAYMOUTH PE/T/84/T	Connector, internal	1	—	B	QM7/301	
6A/4333575	SMITH WAYMOUTH PE/T/80/T	Connector, internal	1	—	B	QM7/302	

SERVICES
FUEL SYSTEM
IN MAIN PLANE

Ref No.	Part No.	Description	No. off	Matl Spec.	Cl. of St.	Plate and Illust'n No.
					M.R.	
		1 2 3 4				
		TANK, WING No. 4, PORT AND STARBOARD (1 & 2P2828) (Cont'd.)				
6A/4333578	SMITH WAYMOUTH PE/T/20/Z	Connector, internal	1	—	B	QM7/303
6A/4333676	SMITH WAYMOUTH PL/T/18/Z	Connector, internal	1	—	B	QM7/304
	20P2827	Hose, drain, outlet, 3/16" i/d x 4" long	1	DT0825A		QM7/305
		RESERVOIR AND PUMP, PORT AND STARBOARD (3 & 4P3272)				
		Spare for:—				
17692	75P3127	Clip, pipe, 5/8" dia.	15	L72	MR	QM7/306
	86P3127	Clip, pipe, 2" dia.	1	L72	C	QM7/307
	FIREPROOF TANKS LTD. FT1826	Clip, attachment of pipe to tank	16	—	MR	QM7/308
11531	68P3127	Hose, 5/8" i/d x 2" long	3	DT0823A		QM7/308
	88P3127	Packing, attachment pipes to tank, 1/16" x 3-3/4" x 1-1/4"	8	GACO	C	QM7/310
	52P3127	Pipe, fuel, from reservoir to joint, 5/8" o/d x 22G x 3' 5" long approx., port	1	L56	MR	QM7/311
	53P3127	Pipe, fuel, from reservoir to joint, 5/8" o/d x 22G x 3' 5" long approx., starboard	1	L56	MR	QM7/312
7960	81P3127	Pipe, fuel, between joints, 3/8" o/d x 22G x 4' 6" long approx.	1	L56	C	QM7/313
7971	31P3272	Pipe, fuel, from joint to fuel pump, 5/8" o/d x 22G x 4' 6" long approx., port	1	L56	C	QM7/314
7972	32P3272	Pipe, fuel, from joint to fuel pump, 5/8" o/d x 22G x 4' 6" long approx., starboard	1	L56	C	QM7/315
		PUMP, FUEL AND FUEL LEVER SWITCH, PORT AND STARBOARD (15 & 16P3272)				
		Spare for:—				
	8354V8100	Cable, port	1	—		QM7/316
	8362V8101	Cable, starboard	1	—		QM7/317
	40P3272	Gasket	1	—	MR	QM7/318
	12P3272	Hose, 3/8" i/d x 2" long	1	DT0825A		QM7/319
	5P3600	MOUNTING, PUMP AND SWITCH	1	—		QM7/320
12202	4P3600	SUPPORT, PORT, GROUP	1	—	C	QM7/321
	PULSOMETER ENG. Co. PAC100 Mk.3	Pump, fuel (Mod. 785)	1	—	A	QM7/322
5UE/8850	FLIGHT REFUELLING C3510100/1	Switch, float (Mod. 1043)	1	—		QM7/323

VULCAN No. 3

SERVICES
FUEL SYSTEM
IN MAIN PLANE

Page QM. 21

Ref. No.	Part No.	Description	No off	Matl. Spec.	Cl of St.	Plate and Inst'n No.
					M.R.	
		<u>1 2 3 4</u>				
		RESERVOIR AND PUMP, PORT AND STARBOARD (3 & 4P3272) (Cont'd.)				
9005	11P3125	RESERVOIR, FUEL TANK, THREE TIER, PORT, GROUP	—	—	B	QM7/324
9006	12P3125	RESERVOIR, FUEL TANK, THREE TIER, STARBOARD, GROUP	—	—	B	QM7/325
	FIREPROOF TANKS LTD. FT4608 DZUS LTD. S4/225	Spares for:—				
28FP/9429531		Gasket	2	—	MR	QM7/326
		Spring	3	—	C	QM7/327
22205	1P3146 2P3146	TIER, RESERVOIR, TOP, PORT, GROUP	1	—	C	QM7/328
		TIER, RESERVOIR, TOP, STARBOARD, GROUP	1	—		QM7/329
22204	19P3125	TIER, RESERVOIR, CENTRE, PORT, GROUP	—	—	C	
	18P3125	TIER, RESERVOIR, CENTRE, STARBOARD, GROUP	1	—	MR	QM7/331
8774	21P3125	TIER, RESERVOIR, BOTTOM, PORT, GROUP	1	—	B	QM7/332
8775	22P3125	TIER, RESERVOIR, BOTTOM, STARBOARD, GROUP	1	—	B	QM7/333
	1P3119	Spares for:— VALVE, FLAP, GROUP	3	—	MR	QM7/334
		Attachments—Reservoir Tiers Part Nos. 1 & 2P3146, 18, 19, 21 & 22P3125				
28D/8133011 28W/9418402	A25/2C SP13/C FIREPROOF TANKS FT3026/S/30/12	Bolt, 2 BA	58	—	C	
		Washer, 2 BA	58	—	C	
		Ring, bolt, "D"	1	—	MR	QM7/335
27FR/3473	B3504371 FLIGHT REFUELLING	Steady, for fuel level switch, port	1	—	C	QM7/336
27FR/3474	B3504372 FLIGHT REFUELLING	Steady, for fuel level switch, starboard	1	—	C	QM7/337
		SUMP, No. 4 TANK, PORT AND STARBOARD (1 & 2P3475)				
	103/SS3553 4P3480 3P3480	Spares for:— Adaptor, for inhibitor drain	1	—	MR	QM7/338
		Elbow, outlet, 1-1/2" BSP, port	—	—	MR	QM7/338
		Elbow, outer, 1-1/2" BSP, starboard	—	—	MR	QM7/340

SERVICES
FUEL SYSTEM
IN MAIN PLANE

Ref. No.	Part No.	Description	No off	Matl. Spec	Cl. of	Plate and Illust'n No.
					Sl. M.R.	
		1 2 3 4				
		SUMP, No. 4 TANK, PORT AND STARBOARD (1 & 2P3475) (Cont'd.)				
	1P2937	INHIBITOR, FUEL TANK, GROUP	—	—		QM7/341
		Spares for:—				
	AUTOMATIVE ENG. CO. 5/16" BORE VICKERS ARMSTRONG A5289 Mk.A	Clip, Seeger (internal type)	1	—		QM7/342
27F/4526689	4P2937	Cock, drain, 1/4" BSP	1	—	A	QM7/343
	2P2937	Cover	1	L72	MR	QM7/344
	3P2937	Housing	1	DTD259A		QM7/345
	5P2937	Spider	1	L16	MR	QM7/346
		Bag, chromate salts	1	—	MR	
	3P2842	PLATE, SUMP, PORT, GROUP	1	—	MR	QM7/347
	4P2842	PLATE, SUMP, STBD., GROUP	1	—	MR	QM7/348
		Spares for:—				
13438	3P2839	Stud, 2 BA	34	S94, 95, 96	MR	
	20P2841	Stud, 2 BA	12	S94, 95, 96	C	
	PULSOMETER ENG. Co. PAC1200 Mk.4	Pump, fuel (Mod. 1572)	1	—	A	QM7/349
5E/4412045	FLIGHT REFUELLING C1140105 Mk.10	Valve, refuelling	1	—	A	QM7/350
		(Alternative C1140005)				
	SAUNDERS VALVE 6270B	Valve, non-return	1	—	A	QM7/351
27FS/4624837	8P2844	Washer, seating, outlet valve	2	DTD762	MR	QM7/352
	16P2844	Washer, seating, refuelling valve	2	OTD762	MR	QM7/353
	1/SS4087	Washer, jointing	1	L17	MR	QM7/354
	11P2831	STOP. VENT VALVE, GROUP	1	—	MR	QM7/354A
112	1P3250	TANK, FUEL, No. 4, PORT, GROUP	1	—	A	QM7/355
113	2P3250	TANK, FUEL, No. 4, STBD., GROUP	1	—		QM7/356
		(See — Tanks, fuel)				
6A/4333562	SMITH & SONS TM4 Mod. 01	Unit, tank	1	—	A	QM7/357
6A/4333563	SMITH & SONS TM5 Mod. 01	Unit, tank	1	—	A	QM7/358
	15P3012	VALVE, FLOAT, GROUP (Mod. 1356)	1	—	MR	QM7/359
		Spares for —				
	2P3012	Body, valve	1	L59	MR	QM7/360
	4P3012	Float, cork	1	—	MR	QM7/361
	7P3012	Housing, spring	1	L59	MR	QM7/362
	9P3012	Housing, valve	1	L59	MR	QM7/363
	14P3012	Plate, retaining	1	L59	MR	QM7/364
	3P3012	Sleeve, float	1	L59	MR	QM7/365
	8P3012	Spring, valve, inward	1	—	MR	QM7/366
	13P3012	Spring, valve, outboard	1	—	MR	QM7/367
1433911	12P3012	Packing, 1/32" thick x 2-3/16" dia.	1	—	C	QM7/367A

SERVICES
FUEL SYSTEM
IN MAIN PLANE

Ref. No.	Part No.	Description				No. off	Matl. Spec.	Cl. of St. M.R.	Plate and Illust'n No.
		1	2	3	4				
		TANK, WING, No 5, PORT AND STARBOARD (1 & 2P2830)							
6A/4333689	SMITH WAYMOUTH JM3	Box, tank, terminal				1	—	A	OM8/368
6A/4333683	SMITH WAYMOUTH PE/T/82/T	Connector, internal				1	—	B	OM8/369
6A/4086	SMITH WAYMOUTH PL/T/88/T	Connector, internal				1	—	B	OM8/370
6A/4078	SMITH WAYMOUTH PE/T/24/Z	Connector, internal				1	—	B	OM8/371
	SMITH WAYMOUTH PL/T/22/Z	Connector, internal				1	—	B	OM8/372
	20P2827	Hose, drain, outlet, 3/16" i/d x 4" long				1	DTD625A		OM8/373
		RESERVOIR AND FUEL PUMP PORT AND STBD (5 & 6P3272)							
		Spares for:—							
17892	76P3127	Clip, pipe, 5/8" dia.				16	L72	MR	OM8/374
	86P3127	Clip, pipe, 2" dia.				1	L72	C	OM8/375
	FIREPROOF TANKS LTD. FT1826	Clip, attachment of pipes to tank				16	—	MR	OM8/376
11531	86P3127	Hose, 5/8" i/d x 2" long				3	DTD625A		OM8/377
	86P3127	Packing, for attachment of pipes to tanks, 1/16" x 3-3/4" x 1-1/4"				8	GACO	C	OM8/378
	64P3127	PIPE, fuel, from reservoir to joint, 5/8" o/d x 22G x 3' 6" long approx., port				1	L56	MR	OM8/379
	66P3127	Pipe, fuel, from reservoir to joint, 5/8" o/d x 22G x 3' 6" long approx., starboard				—	L56	MR	OM8/380
7881	62P3127	Pipe, fuel, from joint to joint, 5/8" o/d x 22G x 4' 5" long approx				1	L56	C	OM8/381
7873	33P3272	Pipe, fuel, from joint to fuel pump, 5" o/d x 22G x 5' 0" long approx., port				1	L56	C	OM8/382
7874	34P3272	Pipe, fuel, from joint to fuel pump, 5/8" o/d x 22G x 5' 0" long approx., starboard				1	L56	C	OM8/383
		PUMP, FUEL AND FUEL LEVER SWITCH, PORT & STARBOARD (17 & 18P3272)							
		Spares for:—							
	8362V8100	Cable				1	—		OM8/384
	8368V8101	Cable				1	—		OM8/385
	40P3272	Gasket				1	—	MR	OM8/386
	7P3800	MOUNTING, PUMP AND SWITCH SUPPORT, PORT, GROUP				1	—	MR	OM8/387
	8P3800	MOUNTING, PUMP AND SWITCH SUPPORT, STARBOARD, GROUP				1	—	MR	OM8/388

SERVICES
FUEL SYSTEM
IN MAIN PLANE

Ref. No.	Part No.	Description	No. off	Matl. Spec.	Cl. of	Plate and Illust'n No.
					Sr.	
		1 2 3 4				
		PUMP, FUEL AND FUEL LEVEL SWITCH, PORT AND STARBOARD (17718P3272) (Cont'd)				
5UE/5850	PULSOMETER ENG. Co. PAC100 Mk. 3	Pump, fuel (Mod. 785)	1	-	A	OMB/389
5CW/4405246	FLIGHT REFUELLING C3510100/1	Switch, float	1	-	A	OMB/390
	28P3125	RESERVOIR, FUEL TANK, TWO TIER, PORT, GROUP	1	-		OMB/391
	20P3125	RESERVOIR, FUEL TANK, TWO TIER, STARBOARD, GROUP	1	-		OMB/392
		Spares for:-				
	FIREPROOF TANKS FT4602 DZUS	Gasket	1	-	MR	OMB/393
28FP/9429631	S4/225	Spring	3	-	C	OMB/394
	10P3125	SUPPORT, PIPE, GROUP	1	-		OMB/395
		Spares for:-				
28FP/4070037	DZUS AW4/20	Fastener	3	-	C	
22205	1P3148	TIER, RESERVOIR, TOP, PORT, ... GROUP	1	-	C	OMB/396
	2P3148	TIER, RESERVOIR, TOP, STBD., ... GROUP	-	-		OMB/397
22206	30P3125	TIER, RESERVOIR, BOTTOM, ... PORT, GROUP	1	-	B	OMB/398
22207	32P3125	TIER, RESERVOIR, BOTTOM, ... STARBOARD, GROUP	1	-	B	OMB/399
		Spares for:-				
	1P3119	VALVE, FLAP, GROUP	1	-	MR	OMB/400
		Attachments - Reservoir Tiers Part Nos. 1 & 2P3148, 30 & 32P3125				
28D/9438920	A25/2C	Bolt, 2 BA	20	-	C	
28W/9419402	SP13/C	Washer, 2 BA	29	-	C	
	FIREPROOF TANKS FT3626/S/30/12	Ring bolt, "D"	1	-	MR	OMB/401
27FR/ 4892826	FLIGHT REFUELLING B3604377	Steady, fuel level switch, port	1	-	C	OMB/402
27FR/3474	FLIGHT REFUELLING B3604372	Steady, fuel level switch, starboard	1	-	C	OMB/403
		SUMP, No. 5 TANK, PORT AND STARBOARD (1 & 2P2P3476)				
		Spares for:-				
10158	17P2841	Adaptor, for inhibitor and drain cock ...	1	L85	C	OMB/404
	3P3476	Elbow, outlet pipe, 1-1/2" BSP, port ...	1	-	MR	OMB/405
	2P3472	Elbow, outlet pipe, 1-1/2" BSP, stbd. ...	1	L33	MR	OMB/406

VULCAN No. 2		SERVICES FUEL SYSTEM IN MAIN PLANE			Page QM. 25	
Ref. No.	Part No.	Description	No off	Matl. Spec.	Cl. of St.	Plate and Illust'n No.
					M.R.	
		1 2 3 4				
		SUMP, No. 5 TANK, PORT AND STARBOARD (1 & 2P3476) (Cont'd.)				
	1P2937	INHIBITOR, FUEL TANK, GROUP	1	—		QM8/407
		Spares for:—				
	AUTOMATIVE ENG. CO. 5/16" BORE VICKERS ARMSTRONG A5269 Mk.A 4P2937 2P2937 3P2937 5P2937	Clip, Seeger (internal type)	1	—	C	QM8/408
27F/4526889		Cock, drain, 1/4" BSP	1	—	A	QM8/409
		Cover	1	L72	MR	QM8/410
		Housing	1	DTD259A		QM8/411
		Spider	1	L16	MR	QM8/412
		Bag, chromate salts	1	—	MR	
	6P3476	Packing, for refuelling valve	1	L56	MR	QM8/413
	5P3476	PLATE, SUMP, PORT, GROUP	1	—	MR	QM8/414
	4P3476	PLATE, SUMP, STBD., GROUP	1	—	MR	QM8/415
		Spares for:—				
	3P2839	Stud, 2 BA	34	S94, 95, 96	MR	
	7P3476	Stud, 2 BA	12	S94, 95, 96	MR	
5UE/4412045	PULSOMETER ENG. CO. PAC1200 Mk.4 FLIGHT REFUELLING C1140103	Pump, fuel (Mod. 1572)	1	—	A	QM8/416
	FLIGHT REFUELLING C1140104	Valve, refuelling, port	1	—	A	QM8/417
		(Alternative C1140003) (2FR/4311)				
		Valve, refuelling, starboard	1	—	A	QM8/418
		(Alternative C1140004) (2FR/4312)				
	1/SS4087	Washer, jointing	1	L17	MR	QM8/419
	16P2844	Washer, sealing, refuelling valve	2	DTD762	MR	QM8/420
	16P2841	Washer, sealing, drain cock	1	DTD762	MR	QM8/421
	8P2844	Washer, sealing, outlet elbow	2	DTD762	MR	QM8/422
114	11P2831	STOP, VENT VALVE, GROUP	1	—	MR	QM8/422A
	1P3251	TANK, FUEL, No. 5, PORT, GROUP	1	—	A	QM8/423
	2P3251	TANK, FUEL, No. 5, STBD., GROUP	1	—		QM8/424
		(See:— Tanks, fuel)				
6A/4333564	SMITH & SONS TM6, Mod.01	Unit, tank	1	—	A	QM8/425
6A/4333565	SMITH & SONS TM7, Mod.01	Unit, tank	1	—	A	QM8/426
	15P3012	VALVE, FLOAT, GROUP (Mod. 1356)	1	—	MR	QM8/427
		Spares for:—				
	2P3012	Body, valve	1	L59	MR	QM8/428
	4P3012	Float, cork	1	—	MR	QM8/429
	7P3012	Housing, spring	1	L59	MR	QM8/430
	9P3012	Housing, valve	1	L59	MR	QM8/431
	14P3012	Plate, retaining	1	L59	MR	QM8/432
	3P3012	Sleeve, float	1	L59	MR	QM8/433
	6P3012	Spring, valve, inward	1	—	MR	QM8/434
	13P3012	Spring, valve, outboard	1	—	MR	QM8/435
1433911	12P3012	Packing, 1/32" thick x 2-3/16" dia.	1	—	C	QM8/435A

**SERVICES
FUEL SYSTEM
IN MAIN PLANE**

Ref. No.	Part No.	Description	No. off	Mast. Spec.	Cl. of	Place and Illust'n No.
					Sc.	
		1 2 3 4				
		TANK, WING, No. 6, PORT AND STARBOARD (1 & 2P2830) Spares for:—				
6A/4333869	SMITH WAYMOUTH JN3	Box, tank, terminal	1	—	A	QM9/436
6A/4333878	SMITH WAYMOUTH PLT/88/T	Connector, internal	1	—	C	QM9/437
6A/4070	SMITH WAYMOUTH PE/T/70/T	Connector, internal	1	—	C	QM9/438
6A/4333876	SMITH WAYMOUTH PLT/18/Z	Connector, internal	1	—	C	QM9/439
6A/4333878	SMITH WAYMOUTH PE/T/20/Z	Connector, internal	1	—	C	QM9/440
	20P2827	Hose, drain outlet, 3/16" i/d x 4" long	1	DTD625A		QM9/441
		RESERVOIR AND FUEL PUMP, PORT AND STBD. (7 & 8P3272) Spares for:—				
17692	75P3127	Clip, pipe, 5/8" dia.	15	L72	MR	QM9/442
	86P3127	Clip, pipe, 2" dia.	1	L72	C	QM9/443
	FIREPROOF TANKS LTD. FT1826	Clip, attachment of pipes to tanks	18	—	MR	QM9/444
	86P3127	Hose, 5/8" i/d x 2' long	3	DTD625A		QM9/445
11531	86P3127	Packing, for attachment of pipes to tank, 1/16" x 3-3/4" x 1-1/4"	—	—	C	QM9/446
2622	58P3127	Pipe, fuel, from reservoir to joint, 5/8" o/d x 22G x 3' 10" long approx., port	1	L58	C	QM9/447
	57P3127	Pipe, fuel, from reservoir to joint, 5/8" o/d x 22G x 3' 10" long approx., stbd.	1	L58	MR	QM9/448
7962	63P3127	Pipe, fuel between joints, 5/8" o/d x 22G x 2' 3" long approx.	1	L58	C	QM9/449
7975	35P3272	Pipe, fuel, from joint to fuel pump, 5/8" o/d x 22G x 4' 11" long approx., port	1	L58	C	QM9/450
7976	36P3272	Pipe, fuel, from joint to fuel pump, 5/8" o/d x 22G x 4' 11" long approx., starboard	1	L58	C	QM9/451
		PUMP, FUEL, AND FUEL LEVER SWITCH, PORT AND STBD. (18 & 20P3272) Spares for:—				
	8365V8100	Cable	1	—		QM9/452
	8363V8101	Cable	1	—		QM9/453
	40P3272	Gasket	1	—	MR	QM9/454
	17P3272	Hose, 3/8" i/d x 2' long	1	DTD625A		QM9/455

VULCAN NO. 7		SERVICES FUEL SYSTEM MAIN PLANE			Page QM. 27	
Ref No.	Part No.	Description	No. off	Mati. Spec.	Cl. of St.	Plate and Illust'n No.
					M.R.	
		PUMP, FUEL, AND FUEL LEVER SWITCH, PORT AND STARBOARD (18 & 20P3272) (Cont'd.)				
	9P3600	MOUNTING, PUMP AND SWITCH	1	—	MR	QM9/456
	8P3600	SUPPORT, PORT, GROUP				
		MOUNTING, PUMP AND SWITCH	1	—	MR	QM9/457
		SUPPORT, STBD., GROUP				
	PULSOMETER ENG. Co. PAC100 Mk.3 FLIGHT REFUELLING C3510100/1	Pump, fuel (Mod. 788)	1	—		QM9/458
7418		Switch, float (Mod. 1043)	1	—		QM9/459
	13P3125	RESERVOIR, FUEL TANK, THREE TIER, PORT, GROUP	1	—		QM9/460
	14P3125	RESERVOIR, FUEL TANK, THREE TIER, STBD., GROUP	1	—		QM9/461
		Spares for —				
	FIREPROOF TANKS LTD. FT.4609 DZUS LTD. S4/225	Gasket	2	—	MR	QM9/462
28FP/9429531		Spring	3	—	C	QM9/463
22205	1P3146	TIER, RESERVOIR TOP, PORT	1	—	C	QM9/464
		GROUP				
	2P3146	TIER, RESERVOIR TOP, STARBOARD GROUP	1	—		QM9/465
22204	19P3125	TIER, RESERVOIR CENTRE PORT,	1	—	C	QM9/466
		GROUP				
	18P3125	TIER, RESERVOIR CENTRE STARBOARD, GROUP	1	—	MR	QM9/467
11266	25P3125	TIER, RESERVOIR BOTTOM, PORT, GROUP	1	—	B	QM9/468
	27P3125	TIER, RESERVOIR BOTTOM, STARBOARD, GROUP	1	—	MR	QM9/469
		Spares for:—				
	1P3119	VALVE FLAP, GROUP	—	—	MR	QM9/470
		Attachments—Reservoir Tiers Part Nos. 1 & 2P3146, 18, 19, 25 & 27P3125				
28D/9133011 28W/9419402	A25/2C SP13/C FIREPROOF TANKS LTD. FT/3626/S/38/ 12	Bolt, 2 BA	58	—	C	
		Washer, 2 BA	58	—	C	
		Ring, bolt "D"	1	—	MR	QM9/471
27FR/3473	B3504371 FLIGHT REFUELLING	Steady, for fuel level switch, port	—	—		QM9/472
27FR/3474	B3504372 FLIGHT REFUELLING	Steady, for fuel level switch, starboard	1	—		QM9/473

SERVICES
FUEL SYSTEM
IN MAIN PLANE

Ref. No.	Part No.	Description	No. off	Metl. Spec	Cl. of St.	Plate and Illust'n No.
					M.R.	
		<u>1 2 3 4</u>				
		TANK, WING, No. 5, PORT AND STARBOARD (1 & 2P2830) (Cont'd.)				
		SUMP, No. 6 TANK, PORT AND STARBOARD (& 2P3477)				
		Spares for:—				
9854	5P2844	Adaptor, for inhibitor drain	1	DTD368A	C	QM9/474
	3P3480	Elbow, outlet, 1-1/2" BSP, port	1	L33	MR	QM9/475
	4P3480	Elbow, outlet, 1-2/2" BSP, starboard	1	L33	MR	QM9/476
	1P2937	INHIBITOR, FUEL TANK, GROUP	1	—	MR	QM9/477
		Spares for:—				
		Clip, Seagar (internal type)	1	—	C	QM9/478
27F/4528889	AUTOMOTIVE ENG. CO. 15/16" BORE VICKERS ARMSTRONG A5269 Mk.A	Cock, drain 1/4" BSP	1	—	A	QM9/479
	4P2837	Cover	1	L72	MR	QM9/480
	2P2837	Housing	1	DT0259A	MR	QM9/481
	3P2937	Spider	1	L56	MR	QM9/482
	5P2937	Bag, chromate salts	1	—	MR	
1433411	1P3597	PLATE, SUMP, PORT, GROUP	1	—	MR	QM9/483
	2P3597	PLATE, SUMP, STBD., GROUP	1	—	A	QM9/484
		Spares for:—				
	3P2839	Stud, 2 BA	34	S94, 95, 96	MR	
	21P2841	Stud, 2 BA	12	S94, 95, 96	MR	
5UE/4412045	PULSOMETER ENG. CO. PAC1200 Mk.4	Pump, fuel (Mod. 1572)	1	—	A	QM9/485
	FLIGHT REFUELLING C1140107	Valve, refuelling, port	1	—	A	QM9/486
	FLIGHT REFUELLING C1140106	Valve, refuelling, starboard	1	—	A	QM9/487
	8P2844	Washer, sealing, outlet elbow	2	DTD364H or L40	MR	QM9/488
	18P2844	Washer, sealing, refuelling valve	2	DTD762	MR	QM9/489
	1/SS4067	Washer, jointing	1	L17	MR	QM9/490
116	11P2831	STOP, VENT VALVE, GROUP	1	—	MR	QM9/490A
117	1P3252	TANK, FUEL, No. 6, PORT, GROUP	1	—	A	QM9/491
	2P3254	TANK, FUEL, No. 6, STBD., GROUP	1	—	A	QM9/492
		(See:— Tanks fuel)				
6A/4333566	SMITH & SONS TM8, Mk.01	Unit, tank	1	—	A	QM9/493
6A/4333567	SMITH & SONS TM9 Mod.01	Unit, tank	1	—	A	QM9/494
	15P3012	VALVE FLOAT, GROUP (Mod. 1366)	1	—	MR	QM9/495
		Spares for:—				
	2P3012	Body, valve	1	L59	MR	QM9/496
	4P3012	Float, cock	1	—	MR	QM9/497
	7P3012	Housing, spring	1	L59	MR	QM9/498
	9P3012	Housing, valve	1	L59	MR	QM9/499

VULCAN No. 2

**SERVICES
FUEL SYSTEM
IN MAIN PLANE**

Page OM. 20

Ref. No.	Part No.	Description				No. off	Mater. Spec.	Cl. of St. M.R.	Plate and Illus'n No.
		1	2	3	4				
1433011	14P3012 3P3012 0P3012 13P3012 12P3012	VALVE, FLOAT, GROUP (15P3012) (Cont'd)							
						1	L50	MR	QM9/500
						1	L50	MR	QM9/501
						1	-	MR	QM9/502
						1	-	MR	QM9/503
						1	-	C	QM19/503A
		TANK, WING, No. 7, PORT & STBD. (1 & 2P2831) Spares for:-							
6A/4333880	SMITH WAYMOUTH JN3	Box, tank terminal				1	-	A	QM10/504
6A/4333885	SMITH WAYMOUTH PL/T/30/T	Connector, internal				1	-	C	QM10/506
6A/4333872	SMITH WAYMOUTH PL/T/34/T	Connector, internal				1	-	B	QM10/507
6A/4333863	SMITH WAYMOUTH PL/T/54/T	Connector, internal				1	-	B	QM10/508
6A/4333881	SMITH WAYMOUTH PE/T/34/T	Connector, internal				1	-	B	QM10/509
6A/4333879	SMITH WAYMOUTH PE/T/38/T	Connector, internal				1	-	B	QM10/510
6A/4333880	SMITH WAYMOUTH PE/T/58/T	Connector, internal				1	-	B	QM10/511
6A/4333876	SMITH WAYMOUTH PL/T/18/Z	Connector, internal				1	-	B	QM10/512
6A/4333878	SMITH WAYMOUTH PE/T/20/Z	Connector, internal				1	-	B	QM10/513
	20P2827	Hose, drain outlet, 3/16" i/d x 4" long				1	DTD625A		QM10/514
		RESERVOIR AND PUMP, PORT & STARBOARD (9 & 10P3272) Spares for:-							
17602	75P3127	Clip, pipe, 5/8" dia.				15	L72	MR	QM10/515
	86P3127	Clip, pipe, 2" dia.				1	L72	C	QM10/516
	FIREPROOF TANKS LTD. FT1826				Clip, attachment of pipes to tank	16	-	MR	QM10/517
	68P3127	Hose, 5/8" i/d x 2" long				3	DTD625A		QM10/518
	69P3127	Packing, attachment of pipes to tank				8	-		QM10/519
2026	58P3127	Pipe, fuel, from reservoir to joint, 5/8" .. o/d x 22G x 3' 4" long approx., port				1	L56	MR	QM10/520
	58P3127	Pipe, fuel, from reservoir to joint, 5/8" .. o/d x 22G x 3' 4" long approx., stbd.				1	L56	C	QM10/521

SERVICES
FUEL SYSTEM
IN MAIN PLANE

Ref. No.	Part No.	Description	No. off	Matl. Spec.	Cl. of St.	Plate and Illust'n No.
					M.R.	
		1 2 3 4				
		RESERVOIR AND PUMP, PORT & STARBOARD (9 & 10P3272) (Cont'd.)				
7983	64P3127	Pipe, fuel, between joints, 5/8" o/d x 22G x 3' 10" long approx.	1	L56	C	QM10/522
	37P3272	Pipe, fuel, from joint to fuel pump, 5/8" o/d x 22G x 4' 4" long approx., port	—	—	MR	QM10/523
7978	38P3272	Pipe, fuel, from joint to fuel pump, 5/8" o/d x 22G x 4' 4" long approx., stbd.	1	L56	C	QM10/524
		PUMP, FUEL, AND FUEL LEVEL SWITCH, PORT AND STARBOARD (21 & 22P3272)				
		Spare for:—				
	B353V8100	Cable, port	1	—		QM10/525
	B380V8101	Cable, starboard	1	—		QM10/526
	40P3272	Gasket	1	—	MR	QM10/527
	12P3272	Hose, 3/8" i/d x 2' long	1	DTD525		QM10/528
	11P3600	MOUNTING, PUMP AND SWITCH SUPPORT, PORT, GROUP	1	—	MR	QM10/529
	10P3600	MOUNTING, PUMP AND SWITCH SUPPORT, STBD, GROUP	1	—	MR	QM10/530
5UJ/8850	PULSOMETER ENG. Co. PAC100 Mk. 3 FLIGHT REFUELLING C3510100/1	Pump, fuel (Mod. 785)	1	—	A	QM10/531
6CW/4405246		Switch, float (Mod. 1043)	1	—	A	QM10/532
17899	1P3126	RESERVOIR, FUEL TANK, TWO TIER, PORT, GROUP	1	—	B	QM10/533
	2P3126	RESERVOIR, FUEL TANK, TWO TIER, STARBOARD, GROUP	1	—		QM10/534
28FP/9429531	FIREPROOF TANKS LTD. FT4611 DZUS LTD. S4/225	Gasket	1	—	MR	QM10/535
22201	22P3126	Spring	3	—	C	QM10/536
	21P3126	TIER, RESERVOIR TOP, PORT, GROUP	1	—	C	QM10/537
		TIER, RESERVOIR TOP, STBD., GROUP	1	—		QM10/538
12985	29P3126	TIER, RESERVOIR BOTTOM, PORT, GROUP	1	—	B	QM10/539
12984	28P3126	TIER, RESERVOIR BOTTOM, STARBOARD, GROUP	1	—	B	QM10/540
	1P3119	Spare for:— VALVE, FLAP, GROUP	—	—	MR	QM10/541
28D/9133011	A25/2C	ATTACHMENTS—RESERVOIR TIERS (Part Nos. 21, 22, 28 & 29P3126)				
28W/9419402	SP13/C	Bolt, 2 BA	37	—	C	
		Washer, 2 BA	31	—	C	

VULCAN Mk 2		SERVICES FUEL SYSTEM IN MAIN PLANE			Page QM. 31	
Ref No.	Part No.	Description	No. off	Matl. Spec.	Cl of St.	Plate and Illustr'n No.
					M.R.	
		1 2 3 4				
		RESERVOIR AND PUMP, PORT AND STARBOARD (9 & 10P3272) (Cont'd.)				
	FIREPROOF TANKS LTD. FT3026/S/38/12 FLIGHT REFUELLING	Ring, bolt, "D"	1	—	MR	QM10/542
27FR/4082826	B3504377 FLIGHT REFUELLING	Steady, for fuel level switch, port	1	—	B	QM10/543
27FR/4082827	B3504378	Steady, for fuel level switch, starboard	1	—	B	QM10/544
		SUMP, No. 7 TANK, PORT (1P3478) SUMP, No. 7 TANK, STBD. (P13479)				
		Spare for:—				
28F/4051853 8849 7218	AGS1105/K 2P3478 5P3480 2P3480	Adaptor, 1-1/2" o/d	—	—	C	QM10/545
		Adaptor, extension piece, port	—	OTD130	C	QM10/546
		Elbow, outlet, 1-1/2" BSP, port	—	L33	C	QM10/547
		Elbow, outlet, 1-1/2" BSP, stbd.	—	L33	MR	QM10/548
	1P2937	INHIBITOR, FUEL TANK, GROUP	1	—		QM10/549
		Spare for:—				
	AUTOMOTIVE ENG. Co. 15/16" BORE VICKERS ARMSTRONG	Clip, Seeger (internal type)	1	—		QM10/550
27F/4526689	A5289 Mk.A 4P2937 2P2937 3P2937 5P2937	Cock, drain, 1/4" BSP	1	—	A	QM10/551
		Cover	1	L72	MR	QM10/552
		Housing	1	DTD258A		QM10/553
		Spider	1	L16	MR	QM10/554
		Bag, chromate salts	1	—	MR	
	11P2845 14P2845	PLATE, SUMP, PORT, GROUP	1	—	MR	QM10/555
		PLATE, SUMP, STBD., GROUP	1	—		QM10/556
		Spare for:—				
	3P2839 4P2839	Stud, 2 BA	45	—	MR	
		Stud, 2 BA	14	—	MR	
5UE/4412045	PULSOMETER ENG Co. PAC1200 Mk.4 PULSOMETER ENG. Co.	Pump, fuel (Mod. 1572)	1	—	A	QM10/557
5UE/4407281	PAC500 Mk.3 VICKERS ARMSTRONG	Pump, transfer (Mod. 789)	1	—	A	QM10/558
27F/2941	A5713 FLIGHT REFUELLING C1140108 Mk.40 FLIGHT REFUELLING C1140109 Mk.40	Valve, non-return (Port only)	1	—	B	QM10/559
		Valve, refuelling, port	1	—		QM10/560
		Valve, refuelling, starboard	1	—		QM10/561

SERVICES
FUEL SYSTEM
IN MAIN PLANE

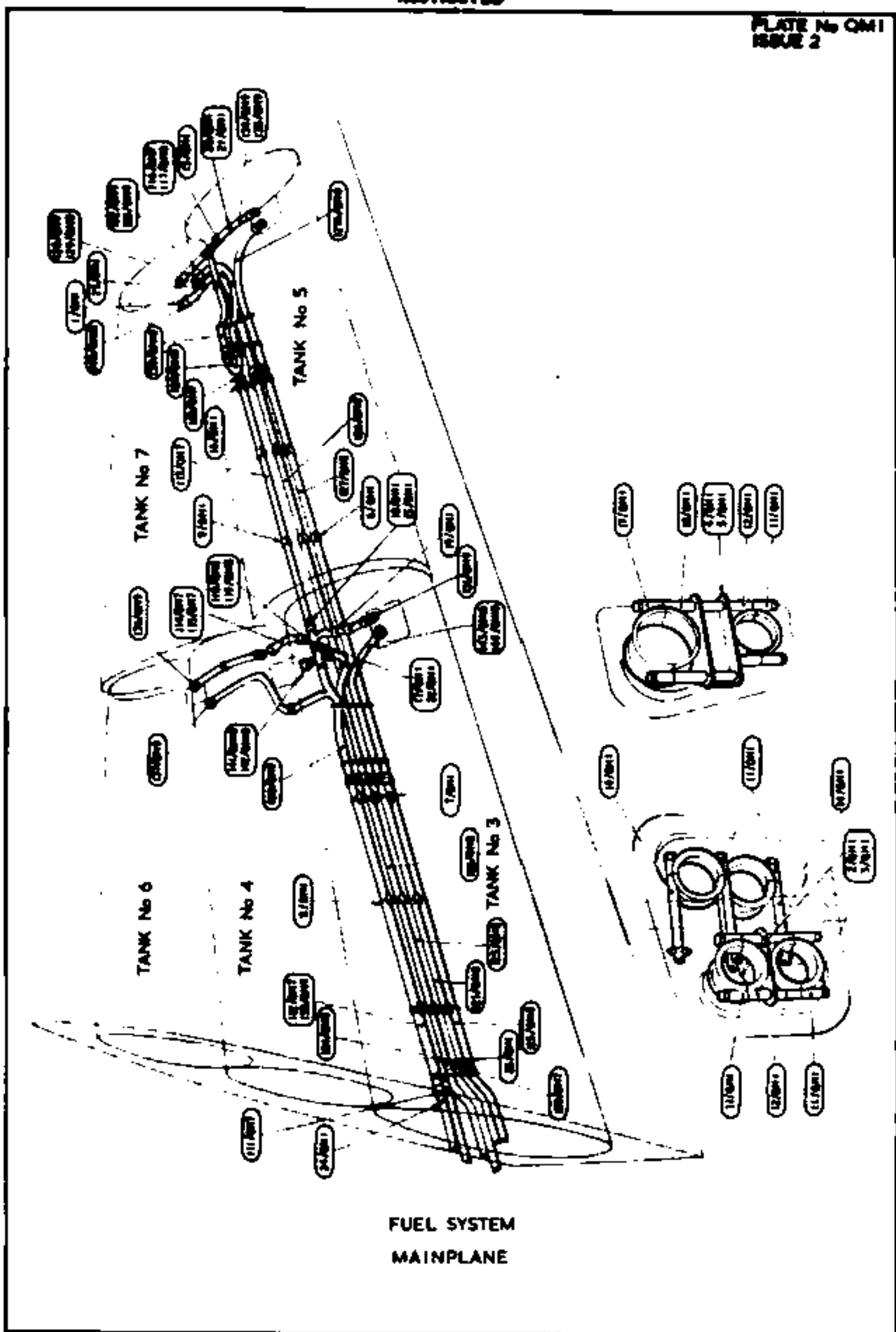
Ref. No	Part No.	Description	No. off	Matl Spec.	Cl. of St.	Plate and Hust'n No.
					M.R.	
		1 2 3 4				
		SUMP, No. 7 TANK, PORT AND STBD. (1P3478 & 1P3479) (Cont'd.)				
	5P2845	Washer, sealing, transfer pump	1	DTD782	MR	QM10/562
	8P2844	Washer, sealing, outlet elbow	2	DTD782	MR	QM10/563
	16P2844	Washer, sealing, refuelling valve	1	DTD782	MR	QM10/564
	1/SS4087	Washer, jointing	1	L17	MR	QM10/565
	11P2831	STOP, VENT VALVE, GROUP	1	—	MR	QM10/565A
118	1P3253	TANK, FUEL, No. 7, PORT, GROUP	1	—	A	QM10/566
119	2P3253	TANK, FUEL, No. 7, STBD., GROUP	1	—	A	QM10/567
		(See—Tanks fuel)				
6A/4333568	SMITH & SONS TM10 Mk.01	Unit, tank	1	—	A	QM10/568
6A/4333589	SMITH & SONS TM11 Mod.01	Unit, tank	1	—	A	QM10/569
6A/4333570	SMITH & SONS TM12 Mod.01	Unit, tank	1	—	A	QM10/570
6A/4333571	SMITH & SONS TM13 Mod.01	Unit, tank	1	—	A	QM10/571
	15P3012	VALVE, FLOAT, GROUP (Mod. 1366)	1	—	MR	QM10/572
		Spares for:—				
	2P3012	Body, valve	1	L68	MR	QM10/573
	4P3012	Float, cork	1	—	MR	QM10/574
	7P3012	Housing, spring	1	L59	MR	QM10/575
	8P3012	Housing, valve	1	L59	MR	QM10/576
	14P3012	Plate, retaining	1	L59	MR	QM10/577
	3P3012	Sleeve, float	1	L59	MR	QM10/578
	8P3012	Spring, valve, inward	1	—	MR	QM10/579
	13P3012	Spring, valve, outboard	1	—	MR	QM10/580
1433911	12P3012	Packing, 1/32" thick x 2-3/16" dia.	1	—	C	QM10/580A
	VICKERS ARMSTRONG A5886/J	Valve, non-return (starboard)	1	—		QM10/581
	VICKERS ARMSTRONG A5713 Mk.5-1/4"	Valve, non-return (Alternative to be used when stocks of A5886/J are exhausted)	1	—		QM10/582

VULCAN No. 2

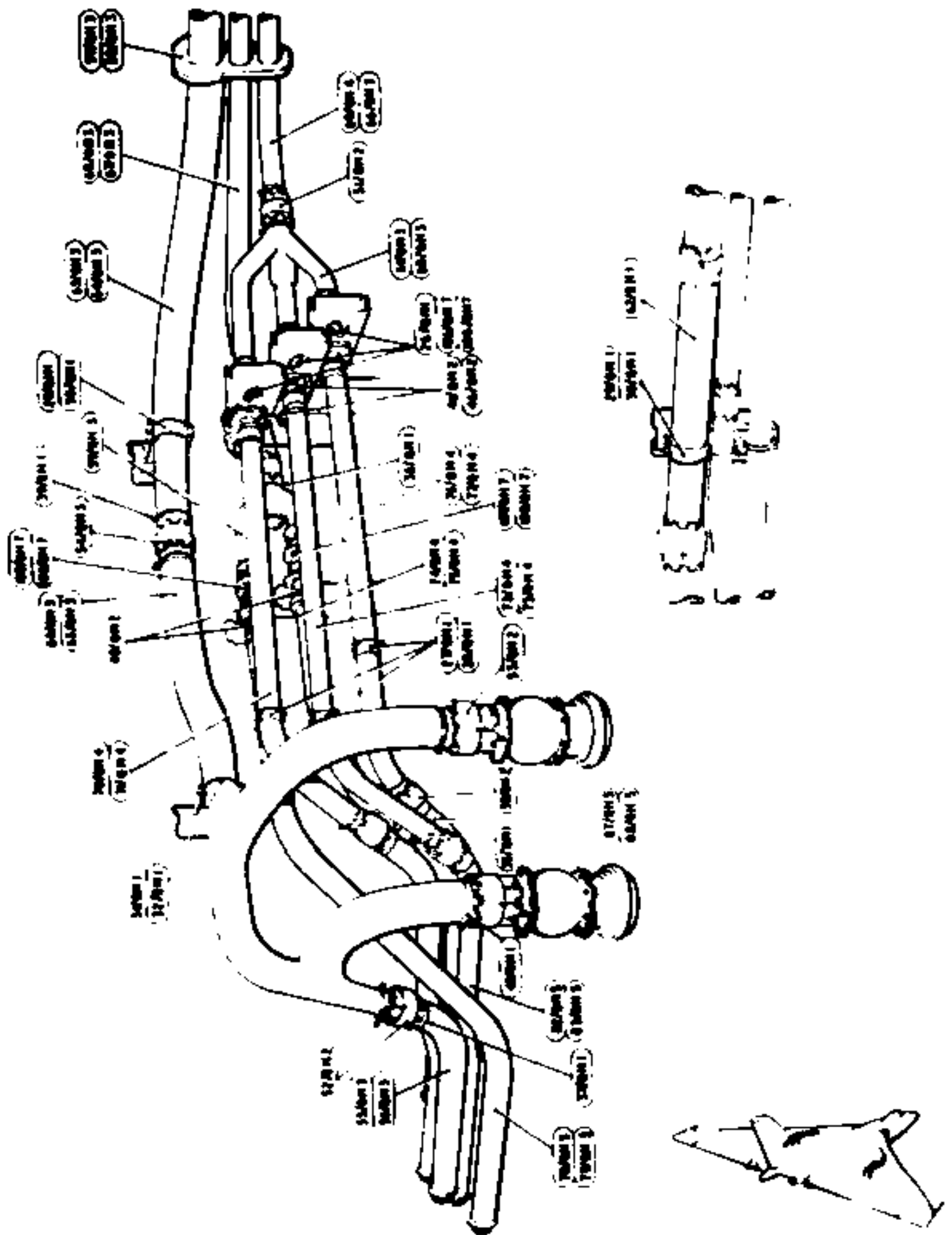
SERVICES
 FUEL SYSTEM
 SUMMARY OF STANDARD ITEMS

Page OM. 33

Stores Ref.		No. off	Stores Ref.		No. off	Stores Ref.		No. off
Section	Ref. No.		Section	Ref. No.		Section	Ref. No.	
28D	9133011	240						
28F	12183	1						
28FP	9428531	3						
28FP	4070037	3						
28FP	9428531	9						
28W	9418402	240						



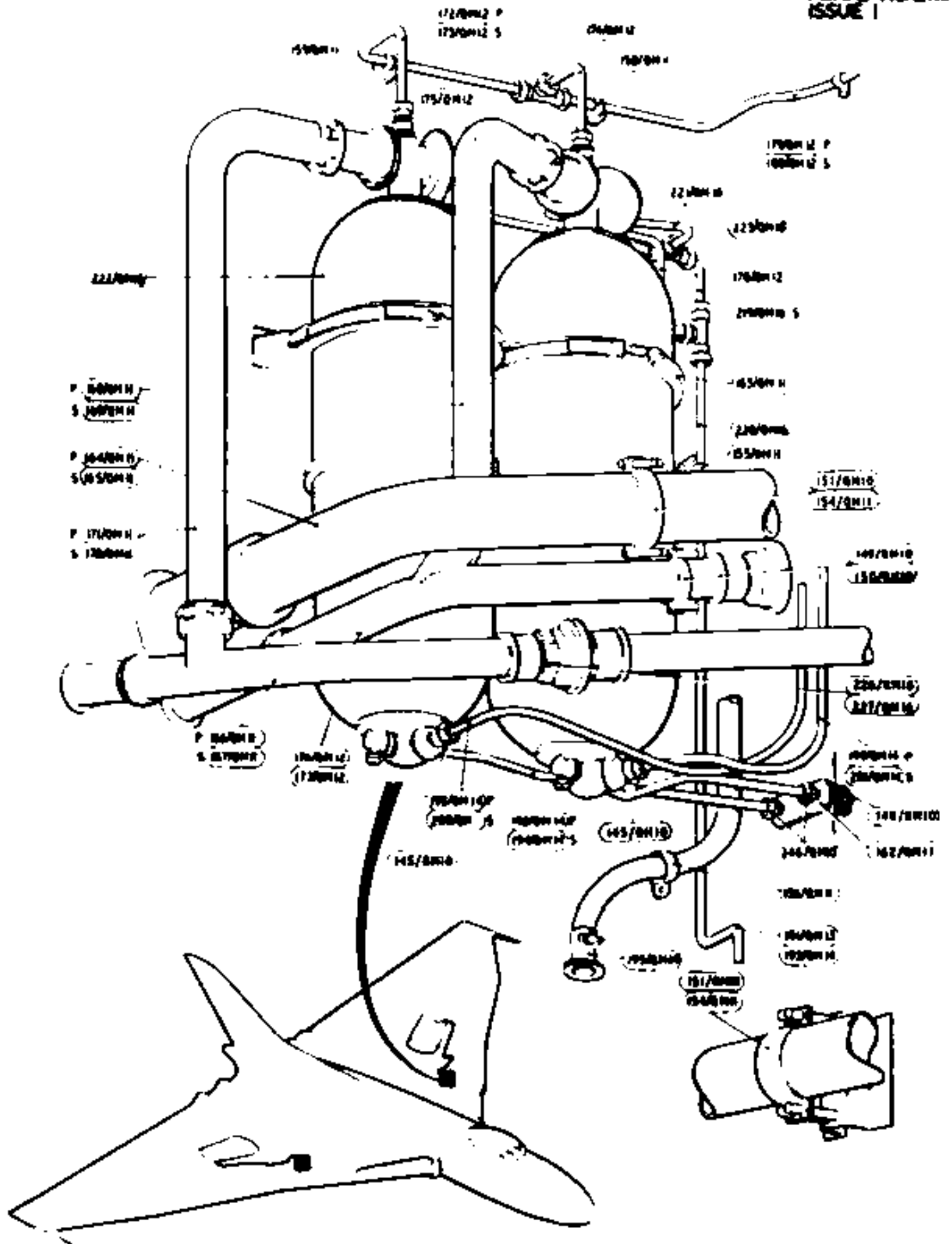
FUEL SYSTEM
MAINPLANE



FUEL SYSTEM
 COCKS & PIPES FOR TANK SERVICE, U/C RIB OUTBOARD PORT & STBD.

RESTRICTED

PLATE No. QM.4
ISSUE 1

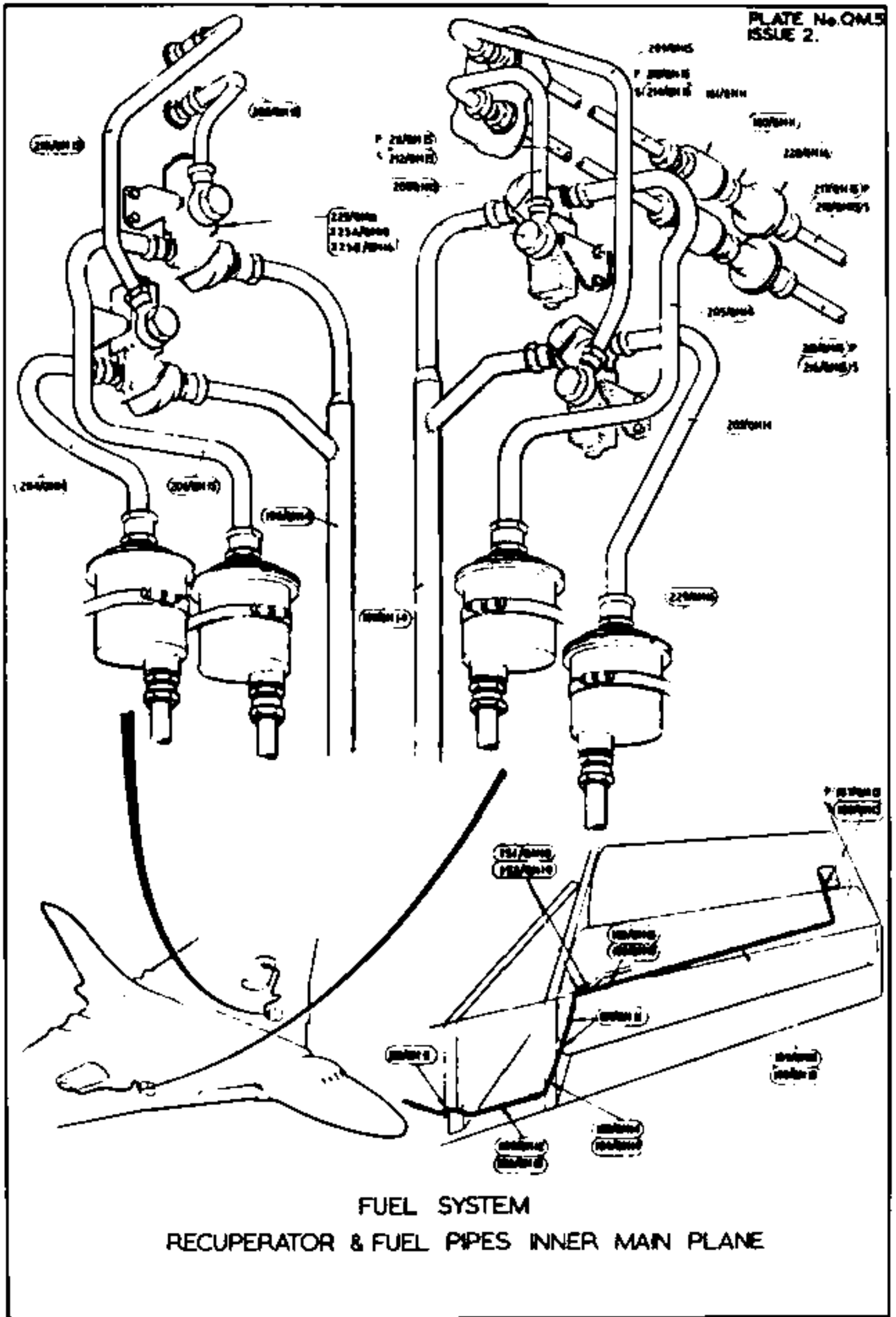


FUEL SYSTEM
RECUPERATOR & FUEL PIPES INNER MAIN PLANE

RESTRICTED

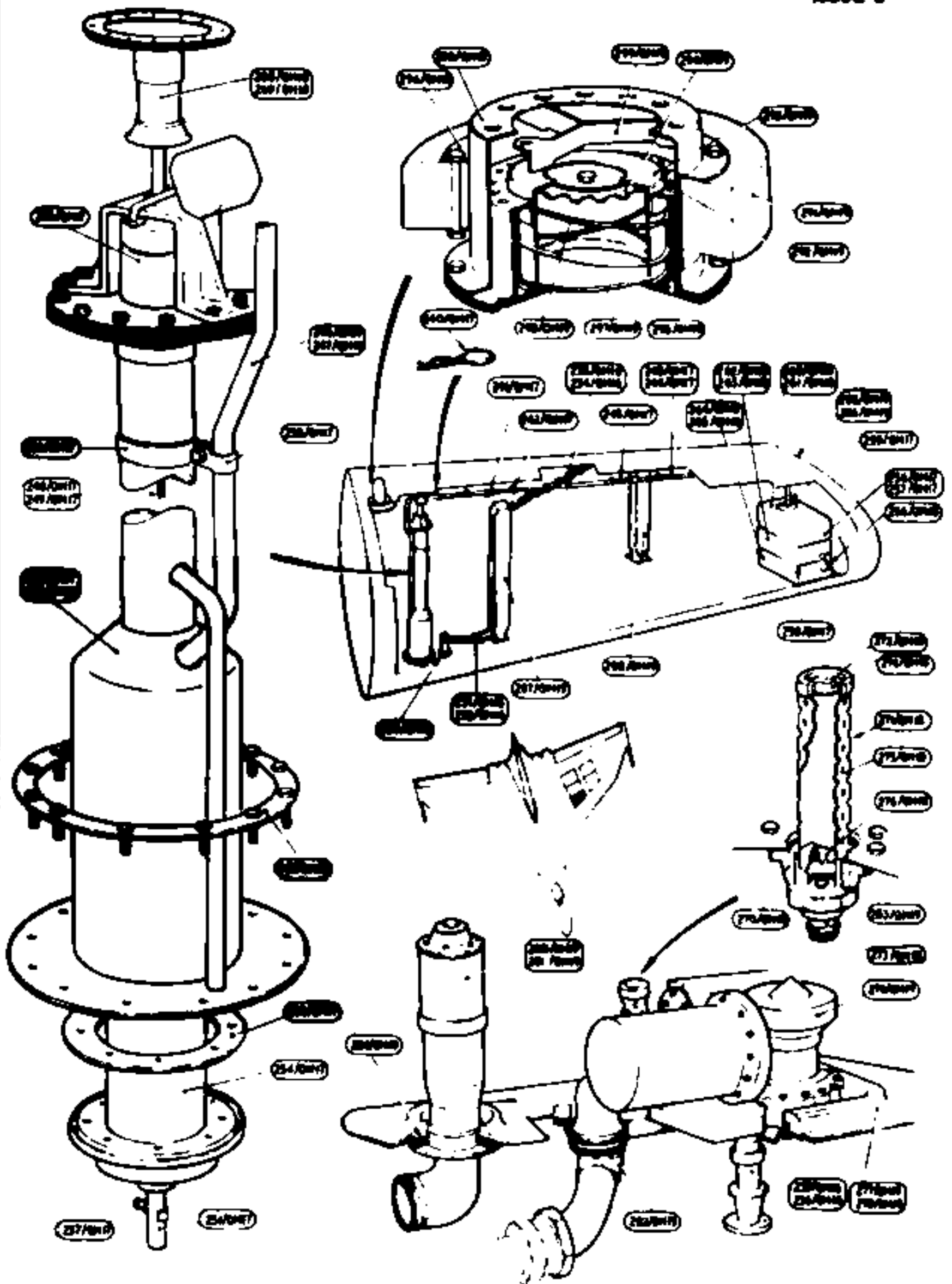
RESTRICTED

PLATE No. QM5
ISSUE 2.

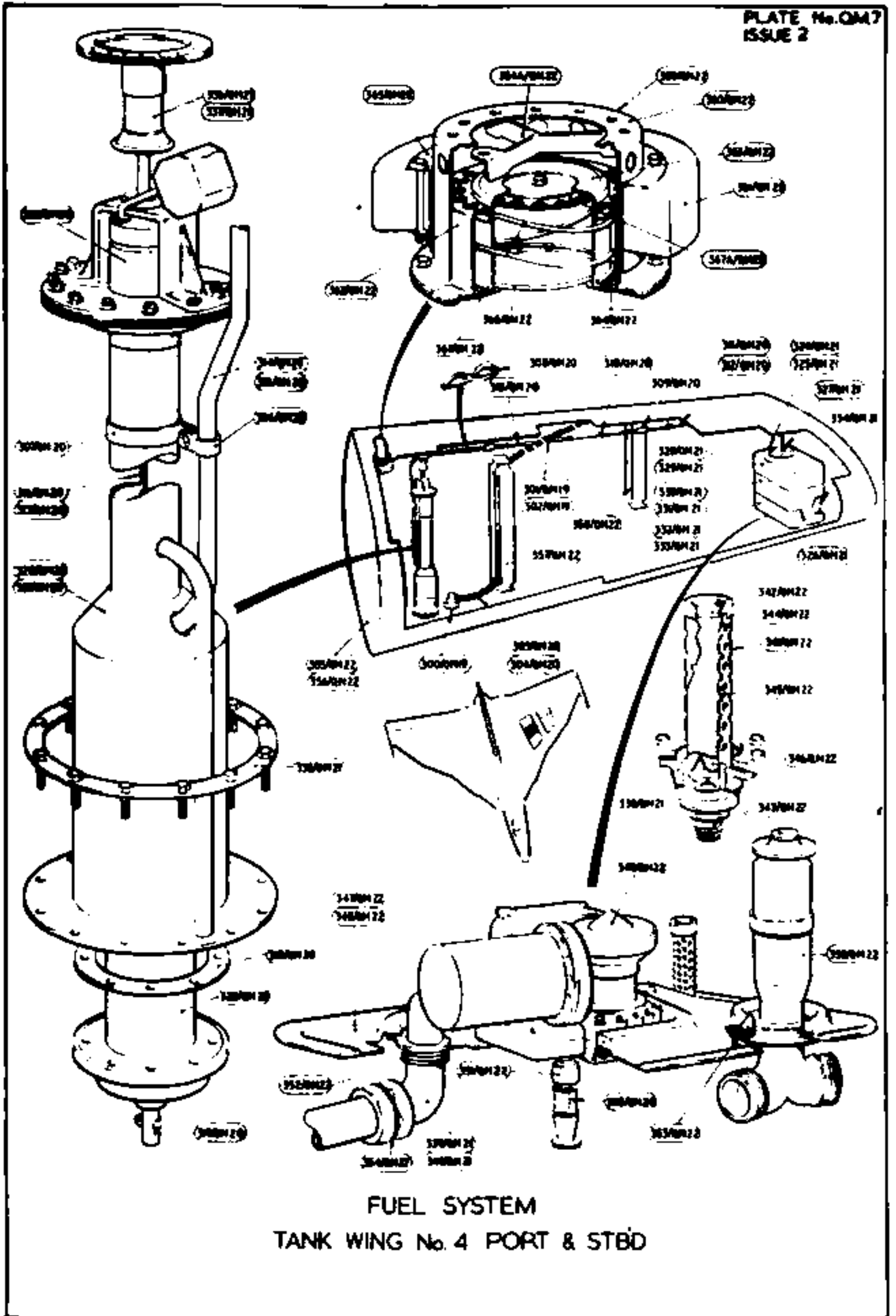


FUEL SYSTEM
RECUPERATOR & FUEL PIPES INNER MAIN PLANE

RESTRICTED



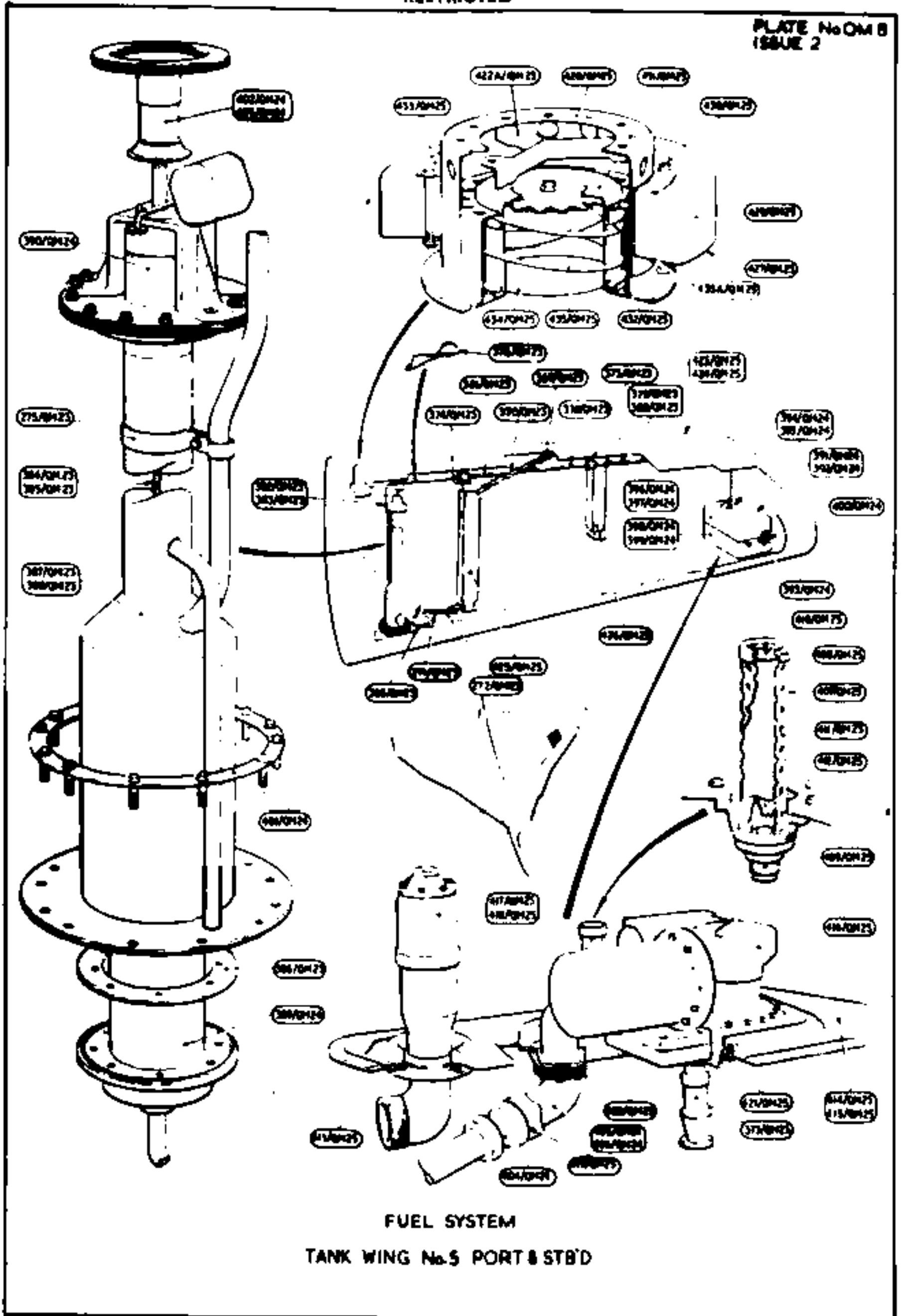
FUEL SYSTEM
TANK WING No 3 PORT & STB'D



FUEL SYSTEM
TANK WING No. 4 PORT & STBD

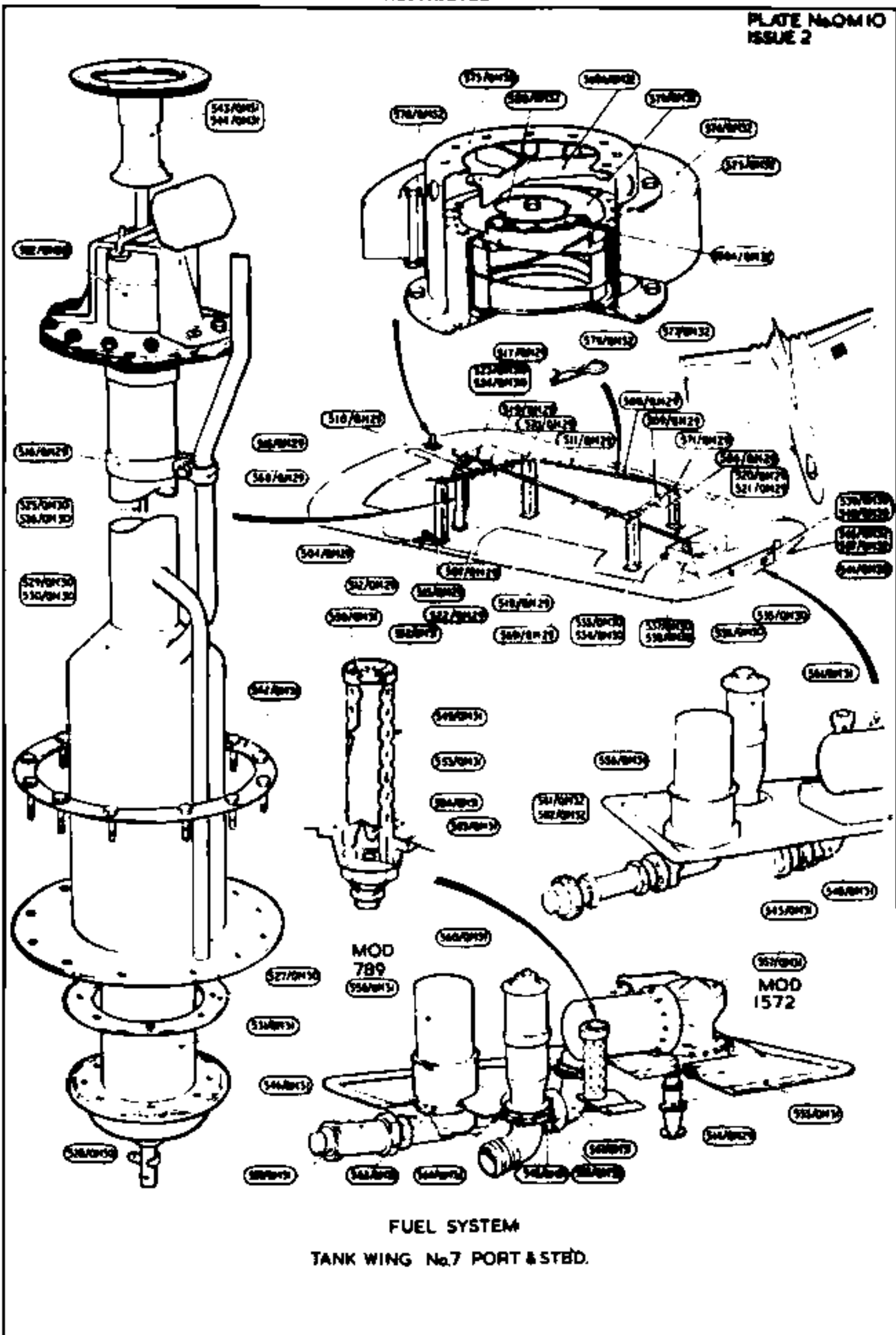
RESTRICTED

PLATE No OM 8
ISSUE 2



FUEL SYSTEM
TANK WING No. 5 PORT B STD

RESTRICTED



VULCAN No. 1

SERVICES
FUEL SYSTEM
FLIGHT REFUELLING

Page QN. 1

Ref. No.	Part No.	Description	No. off	Matl. Spec.	Cl. of St. M.R.	Plate and Illust'n No.
		1, 2, 3, 4				
		FLIGHT REFUELLING SYSTEM IN NOSE PORTION, PORT AND STARBOARD (1 & 2P3180)				
		Spare for:—				
	64P3180	Bolt, special 2BA, pipe clip to mounting, former 428-442 (Mod. 823)	4	—	MR	QN1/1
	KING AIRCRAFT C7814	Clamp, 3-3/4" 4" dia. branch pipe at former 470 (Pre-Mod. 1422) (Production Aircraft only)	1	—	MR	
	11Z7848	Clamp, half (Mod. 1422) (Required when F/R probe is fitted)	2	—	MR	QN1/2
28E/1883164	SP91/E	CLIP, hose	1	—	C	QN1/3
28E/20104	or SP91/F	CLIP, hose	1	—	C	
28E/4082142 9193	SP91/R	CLIP, hose	2	—	C	QN1/4
	4SS3859	Clip, pipe	A/R	—	C	QN1/5
	25SS4477	Clip, half, 4-1/8" dia.	2	—	C	QN1/6
6869	25SS4471	Clip, half	3	—	C	QN1/7
28FP/13421	14SS3859	Clip, drain pipe former 372	—	—	C	QN1/8
	52SS4490	Clip, bonding	7P	—	MR	QN1/10
20133	62P3180	CLIP, HALF, GROUP	1	—	C	QN1/11
	63P3180	CLIP, HALF, GROUP	1	—		QN1/12
	FLIGHT REFUELLING FRS325/V	Coupling, for pipe, 4" dia.	5P	—		QN1/13
9818	54P3180	Pipe, fuel aft former 414 to aft former 442, starboard, 4" o/d x 18G (Mod. 823)	1	—	C	QN1/14
	4P3180	Pipe, fuel aft former 386 to aft former 414 starboard 4" o/d x 18G	1	—	MR	QN1/15
	5P3180	Pipe, fuel alongside former 386, starboard, 4" o/d x 18G	1	—	MR	QN1/16
	6P3180	Pipe, fuel former 386 to forward pressure dome starboard, 4" o/d x 18G	1	—	MR	QN1/17
	53P3180	Pipe, fuel aft former 400 to aft former 422, port 4" o/d x 18G (Mod. 823)	1	—	MR	QN1/18
6876	8P3180	Pipe, fuel aft former 386 to aft former 400, port 4" o/d x 18G	1	—	C	QN1/19
6877	9P3180	Pipe, fuel aft former 386 to former pressure dome port, 4" o/d x 18G	1	—	C	QN1/20
	66P3180	Pipe, drain alongside former 372, port	1	—	MR	QN1/21
	67P3180	Pipe, drain alongside former 372, starboard	1	—	MR	QN1/22

SERVICES
FUEL SYSTEM
FLIGHT REFUELLING

Ref. No.	Part No.	Description	No. off	Matl. Spec.	Cl. of	Photo and Illust'n No.
					St. M.R.	
		1 2 3 4				
20138	30P3180	PIPE, 3/8" o/d x 22G x 10' 0" long STARBOARD, GROUP	1	-	C	QN1/23
	31P3180	PIPE, 3/8" o/d x 22G x 4' 0" long, STARBOARD, GROUP	1	-		QN1/24
	DUNLOP Ltd. 2/W2/121/B/8/11	Pipe, flexible, pressure transmitter	1	-	C	QN1/25
9483	80P3180	PIPE, EXPANSION AND BRANCH, FROM AFT, FORMER 442, TO AFT BULKHEAD 470, GROUP (Mod. 824) Spare for:-	1	-	C	QN1/26
	BAXENDALES 21nP3180	Chain, 4-1/2" long (No. C15)	1	-		
28E/9485958	TERRY No. 189	Ring, split, 3/8" o/d	1	-	C	
28E/9488274	TERRY No. 189	Ring, split, 5/8" o/d	1	-	C	
20134	21kP3180	Sleeve, outer	1	L85	C	
10772	48P3180	PLATE, BULKHEAD, FUEL BRANCH PIPE, BULKHEAD 470, GROUP Spare for:-	1	-	C	QN1/27
6880	37P3180	Bracket, attachment for turnbuckle	1	-	C	QN1/27a
	41P3180	CORD, THREE PIECE RETAINING, FORMER 470, GROUP Spare for:-	-	-		QN1/28
	TERRY 42P3180	Ring, split 1/2" o/d (Cat. No. 189)	2	-		
	ROSS COURTNEY WE480	Terminal	2	-		
	ROSS COURTNEY WE512	Terminal	2	-		
	38P3180	Eye-bolt LH	2	L85		QN1/28a
	36P3180	Eye-bolt RH	2	L85		QN1/28b
28FP/7002000	A403	Pin, pip	2	-	C	QN1/28c
	36P3180	Plate, blanking	1	L85		QN1/28d
6884	40P3180	Turnbuckle	2	L85	C	QN1/28e
	47P3180	Tube, 3/8" o/d x 20G x 2.5" long	1	T35		QN1/28f
	29P3180	RING, STIFFENING, SHROUD JOINT, FORWARD FRONT PRESSURE BULKHEAD, PORT, GROUP	1	-	MR	QN1/29
	30P3180	RING, STIFFENING, SHROUD JOINT, FORWARD FRONT PRESSURE BULKHEAD, STARBOARD, GROUP	1	-	C	QN1/30
	58P3180 J. WALKER 64720	Ring, sealing	1	-	MR	QN1/31
		Seal, PB 30	1	-	MR	QN1/32

VULCAN No. 3

SERVICES
FUEL SYSTEM
FLIGHT REFUELLING

Page QN. 3

Ref. No.	Part No.	Description				No. off	Matl. Spec.	Cl. of	Plate and Illust'n No.
		1	2	3	4			St. M.R.	
	21P3180	Shroud, outer top, joint forward front				1	L59		QN1/33
		pressure bulkhead, port							
	22P3180	Shroud, outer top, joint forward front				1	L59		QN1/34
		pressure bulkhead, starboard							
	23P3180	Shroud, outer bottom, joint forward front . . .				1	L59		QN1/35
		pressure bulkhead, port							
	24P3180	Shroud, outer bottom, joint forward front . . .				1	L59		QN1/36
		pressure bulkhead, starboard							
	25P3180	Shroud, inner outboard, joint forward				1	DTD171B		QN1/37
		front pressure bulkhead, port							
	26P3180	Shroud, inner outboard joint forward				1	DTD171B		QN1/38
		front pressure bulkhead, starboard							
8882	27P3180	Shroud, inner inboard, joint forward, front . . .				1	DTD171B	C	QN1/39
		pressure bulkhead, port							
	28P3180	Shroud, inner inboard, joint forward, front . . .				1	DTD171B		QN1/40
		pressure bulkhead, starboard							
	31P3180	Shroud, rubber joint forward front pressure . .				1	DT0560	MR	QN1/41
		bulkhead, port							
	32P3180	Shroud, rubber joint forward front pressure . .				1	DT0560	MR	QN1/42
		bulkhead, starboard							
1034979	SANGAMO WESTON S122/1/40 FLIGHT REFUELLING	Transmitter, pressure				1	-	A	QN1/43
27FR/144801	89807570	Valve, non-return				1	-		QN1/44

SERVICES
FUEL SYSTEM
FLIGHT REFUELLING

Ref. No.	Part No.	Description	No. off	Mati. Spec.	Cl. of	Plate and Illust'n No.
					St.	
		1 2 3 4			M.R.	
		FLIGHT REFUELLING PIPE RUN IN NOSEWHEEL BAY, PORT AND STARBOARD (1 & 2P3483) (Mod. 380)				
	11P3483	Spares for:- BRACKET, MOUNTING, GROUP	1	-		QN4/46
	6P3162	Angle, mounting, port	1	-		QN4/46
	6P3162	Angle, mounting, starboard	1	-		QN4/47
27FR/3323 6869	FLIGHT REFUELLING FRS326/V Ser. 1	Coupling, pipe, 4" dia.	1	-	C	QN4/48
	2/SS4471	Clip, half, for 4" dia. pipe	2	-	C	QN4/49
	24/SS4477	Clip, half, for 4" dia. pipe	1	-		QN4/50
20137	21J/SS4473	Clip, half, for 4" dia.	2	-	C	QN4/51
	52/SS4490	Clip, bonding, 4" dia.	1	-	MR	QN4/52
6003	3P3162	PIPE, REFUELLING, 4" o/d x 18G, PORT, GROUP (Pre Mod. 380)	-	-		
7987	3P3483	PIPE, REFUELLING, 4" o/d x 18G, PORT, GROUP (Mod. 380)	1	L54	C	QN4/53
	4P3483	PIPE, REFUELLING, 4" o/d x 18G, STARBOARD, GROUP (Mod. 380)	1	L54	MR	QN4/54
6004	4P3162	PIPE, REFUELLING, 4" o/d x 18G, STARBOARD, GROUP (Pre Mod. 380)	-	-		
	10P3162	Ring, clamping, for sealing sheath	1	L72		QN4/55
	13P3162	Sheath, sealing for refuelling pipe at fuselage cut-out (Pre-Mod. 1880)	1	-	MR	
	18P3162	Sheath, sealing for refuelling pipe at fuselage cut-out (Mod 1880)	1	-	MR	QN4/56
28D/9133012	A25/3C	Attachments - Sealing Sheath (Part No. 13 & 18P3162) Bolt, 2 BA	12	-	C	

VULCAN No. 2

SERVICES

Page QN 5

FUEL SYSTEM

FLIGHT REFUELLING

Ref. No.	Part No.	Description	No. off	Matl. Spec.	Cl. of	Plate and Illust'n No.
					St. M.R.	
1 2 3 4						
FLIGHT REFUELLING IN CREW'S NACELLE, PORT AND STARBOARD (72 & 2P3181)						
Spare for:-						
	17P3181	Bearing, top, former 232, port	1	BSS668		QN3/67
	18P3181	Bearing, top, former 232, starboard	1	BSS668		QN3/68
	19P3181	Bearing, bottom former 232, port	1	BSS668		QN3/69
	20P3181	Bearing, bottom former 232, starboard	1	BSS668		QN3/60
		Attachments—Bearings Part Nos. 17, 18, 19 & 20P3181				
28D/9133012	A25/3C	Bolt, 2 BA	17	—	C	
28M/1012015	AGS2001/C1/66	Nut, 2 BA	17	—	C	
28W/9419454	SP10/C	Washer, 2 BA	17	—	C	
	12P3181	Bearing, top former 260, starboard	—	—		QN3/61
	13P3181	Bearing, top former 260, port	—	—		QN3/62
	64P3181	Bearing, bottom former 260	—	—		QN3/63
		Attachments—Bearings Part Nos. 12, 13 & 64P3181				
28D/9133012	A25/3C	Bolt, 2 BA	4	—	C	
28D/1200119	A25/4C	Bolt, 2 BA	4	—	C	
28M/1012015	AGS2001/C1/66	Nut, 2 BA	8	—	C	
28W/9419454	SP/10C	Washer, 2 BA	8	—	C	
	14P3181	Bearing, top former 288, starboard	1	BSS668		QN3/64
	15P3181	Bearing, top former 288, port	1	BSS668		QN3/65
	16P3181	Bearing, bottom former 288	1	BSS668		QN3/66
		Attachments—Bearings Part Nos. 14, 15 & 16P3181				
28D/9133012	A25/3C	Bolt, 2 BA	7	—	C	
28D/1200119	A25/4C	Bolt, 2 BA	6	—	C	
28M/1012015	AGS2001/C1/66	Nut, 2 BA	13	—	C	
28W/9419454	SP10/C	Washer, 2 BA	7	—	C	
28W/9419402	SP13/C	Washer, 2 BA	6	—	C	
	41P3181	Bearing, top former 316	1	BSS668		QN3/67
	40P3181	Bearing, bottom, former 316	1	BSS668		QN3/68
		Attachments—Bearings part Nos. 40 & 41P3181				
28D/1200119	A25/4C	Bolt, 2 BA	4	—	C	
28D/7002426	A25/6C	Bolt, 2 BA	4	—	C	
28M. 1012015	AGS2001/C1/66	Nut, 2 BA	8	—	C	
28W/9419402	SP/13C	Washer, 2 BA	8	—	C	
	66P3181	Bearing, top former 330, port	1	BSS668		QN3/69
	22P3181	Bearing, top former 330, starboard	1	BSS668		QN3/70
	25P3181	Bearing, bottom former 330	1	BSS668		QN3/71
		Attachments—Bearings Part Nos. 27, 22 & 25P3181				
28D/9133012	A25/3C	Bolt, 2 BA	12	—	C	
28M/1012015	AGS2001/C1/66	Nut, 2 BA	12	—	C	
28W/9419454	SP/10C	Washer, 2 BA	12	—	C	
28D/1200119	A25/4C	Bolt, 2 BA	2	—	C	

SERVICES
FUEL SYSTEM
FLIGHT REFUELLING

Ref. No.	Part No	Description	No. off	Matl Spec	Cl. of	Plate and Illust'n No.
					Sl. M.R.	
		1 2 3 4				
	78P3161	Bearing, top, former 358, port	1	BSS668		QN3/72
	28P3161	Bearing, top, former 358, starboard	1	BSS668		QN3/73
	30P3161	Bearing, bottom, former 358, port	1	BSS668		QN3/74
	65P3161	Bearing, bottom, former 358, starboard	1	BSS668		QN3/75
		Attachments:—Bearings Part Nos. 28, 78, 30 & 65P3161				
28D/9133012	A25/3C	Bolt, 2 BA	11	—	C	
28M/1012016	AGS2001/C1/88	Nut, 2 BA	11	—	C	
28W/9419464	SP/10C	Washer, 2 BA	11	—	C	
	21P3161	Clip, pipe	4	—		QN3/76
	42P3161	Clip, pipe	2	—		QN3/77
	52SS1973	Clip, bonding	6	—	C	QN3/78
	43P3161	Gasket, sealing, front pressure bulkhead	2	DTD762	MA	QN2/79
	44P3161	Gasket, sealing, rear pressure bulkhead	2	DTD762		QN3/80
		GUARD, REFUELLING PIPE BETWEEN FORMERS 232 AND 288, PORT (8Z8578)				
		Spares for:—				
20173	3Z8578	BRACKET, TOP, AFT FACE FORMER	1	—	C	QN2/81
		316, GROUP				
		Consisting of:—				
	3aZ8578	Angle	—	L72		
28FP/9430816	S4/200	Spring, "Dzus"	1	—	C	
	4Z8578	BRACKET, CENTRE, AFT FACE FORMER	1	—		QN2/82
		316, GROUP				
		Consisting of:—				
	4aZ8578	Angle	1	—		
28FP/9430816	S4/200	Spring, "Dzus"	1	—	C	
	5Z8578	BRACKET, BOTTOM, AFT FACE FORMER	1	—		QN2/83
		316, GROUP				
		Consisting of:—				
	5aZ8578	Angle	1	—		
28FP/9430816	S4/200	Spring, "Dzus"	1	—	C	
	13Z8578	GUARD, PIPE FORWARD, GROUP	1	—		QN2/84
		Spares for:—				
28FP/9488816	A4/30	Fastener, "Dzus"	9	—	C	
28FP/9430816	GA4/250	Grommet, "Dzus"	9	—	C	
	7aX8578	Guard	1	L72		
	12Z8578	GUARD, PIPE, AFT, GROUP	1	—		QN2/85
		Spares for:—				
28FP/9488816	A4/30	Fastener, "Dzus"	6	—	C	
28FP/9703273	A3/20	Fastener, "Dzus"	1	—	C	
	10GZ8578	Fairlead	1	BSS2986/38		
28FP/9430816	GA4/250	Grommet, "Dzus"	6	—	C	
	11aZ8578	Guard	1	L72		
28FP/9430816	S4/200	Spring, "Dzus"	2	—	C	
	2cZ8578	Seep, joint	1	—		

VULCAN No. 2

SERVICES
FUEL SYSTEM
FLIGHT REFUELLING

Page QN. 7

Ref. No.	Part No.	Description	No. off	Matl. Spec.	Cl. of	Place and Illust'n No.
					St. M.R.	
		1 2 3 4				
		FLIGHT REFUELLING, IN CREW'S NACELLE, PORT AND STARBOARD (72 & 2P3161) (Cont'd)				
7038	2Z8679	GUARD, FOR FLIGHT REFUELLING PIPE BETWEEN FORMERS 232-288 STARBOARD (1Z8679) (Pre-Mod 1896) Spares for:- GUARD, PIPE, GROUP	1	-	C	QN2/86
28FP/840818	A4/30	Spares for - Fastener, "Dzus"	11	-	C	
28FP/8430818	GA4/250	Grommet, "Dzus"	11	-	C	
	2aZ8679	Guard	1	L72		
		GUARD FOR FLIGHT REFUELLING PIPE BETWEEN FORMERS 246-288 STARBOARD (1Z11293) (Mod 1896) Spares for:- GUARD, PIPE, GROUP	1	-		QN2/87
28FP/8703273	A4/35	Spares for - Fastener, "Dzus"	3	-	C	
28FP/8430818	GA4/250	Grommet, "Dzus"	3	-	C	
	2aZ11293	Guard	1	L72		
		GUARD, PIPE, GROUP	1	-		QN2/88
28FP/8703273	A4/35	Spares for:- Fastener, "Dzus"	3	-	C	
28FP/8430818	GA4/250	Grommet	3	-	C	
	3aZ11293	Guard	1	L72		
28FP/8430818	GA4/250	Grommet, "Dzus"	3	-	C	
	202/D8708	PLATE, GROUP	2	-		QN2/81
28FP/8403818	S4/200	Spring "Dzus"	1	-	C	
	1P3204	PIPE, MAIN, REFUELLING FROM FRONT PRESSURE BULKHEAD TO REAR PRESSURE BULKHEAD, PORT, GROUP				QN2/93
	2P3204	PIPE, MAIN, REFUELLING FROM FRONT PRESSURE BULKHEAD TO REAR PRESSURE BULKHEAD STARBOARD, GROUP				QN2/94

SERVICES
FUEL SYSTEM
FLIGHT REFUELLING

Ref. No.	Part No.	Description	No. off	Matl. Spec.	Cl. of	Plate and Illust'n No.
					St. M.R.	
		1 2 3 4				
		FLIGHT REFUELLING IN CREW'S NACELLE, PORT AND STARBOARD (72 & 2P3161) (Cont'd)				
		PIPE, MAIN, ATTACHMENT TO STABILIZING STRUCTURE AT FORWARD PRESSURE BULKHEAD, PORT AND STARBOARD (P3161 SHTS 7 & 8)				
		Consisting of:—				
	3P3161	Angle, attachment, bottom inner, starboard	1	L72	MR	QN2/95
	4P3161	Angle, attachment, bottom outer, starboard	1	L72	MR	QN2/96
	5P3161	Angle, attachment, top outer, starboard	1	L72	MR	QN2/97
	6P3161	Angle, attachment, top inner, starboard	1	L72	MR	QN2/98
	51P3161	Angle, attachment, bottom, port	1	L72		QN2/99
	52P3161	Angle, attachment, top, port	1	L72		QN2/100
	47P3161	Bracket, angle aft former 358, stringer 18, port	1	—		QN2/101
	48P3161	Bracket, attachment, forward former 358, stringer 18, port	1	L72		QN2/102
		Attachments:—Brackets Part Nos. 47 & 48P3161				
28D/9133013	A25/5C	Bolt, 2 BA	3	—	C	
28M/1278190	AGS2001/C1	Nut, 2 BA	3	—	C	
28W/9419402	SP/13C	Washer, 2 BA	3	—	C	
	56P3161	Bracket, angle aft former 358, stringer 16-17, port	1	L72		QN2/103
	57P3161	Bracket, attachment, forward former 358, stringer 16-17, port	—	—		QN2/104
		Attachments Brackets:—Part Nos. 56 & 57P3161				
28D/9133013	A25/5C	Bolt, 2 BA	2	—	C	
28M/1278190	AGS2001/C1	Nut, 2 BA	2	—	C	
28W/9419454	SP/10C	Washer, 2 BA	2	—	C	
	45P3161	Buttress, top former 344-358, port	1	L72	MR	QN2/105
	46P3161	BUTTRESS, BOTTOM, FORMER 344-358, PORT, GROUP	1	—	MR	QN2/106
	67P3161	Plate, stiffening, port 2 75" x 1 1"	2	L72	LM	QN2/107
	68P3161	Plate, stiffening, port, 2 25" x .85"	1	L72	LM	QN2/108
	73P3161	Plate, "D", 1 4" x 1 25", starboard	1	L72	LM	QN2/109
	74P3161	Plate, "D", 1 4" x 1 25", starboard	1	L72	LM	QN2/110
	75P3161	Plate, "D", 1 4" x 1 25", starboard	1	L72	LM	QN2/111
	76P3161	Plate, "D", 1 4" x 1 25", starboard	1	L72	LM	QN2/112

SERVICES
FUEL SYSTEM
FLIGHT REFUELLING FIXED FITTINGS

Ref. No.	Part No.	Description	No. off	Matl. Spec.	Cl. of	Plate and Illust'n No.
					St. M.R.	
		1 2 3 4				
6147		PIPE, PRESSURISATION FOR TANK IN BOMB BAY, STARBOARD (1P3293)				
		Spare for:				
		Bearing at stiffener	1	H10849		ON5/118
		Bolt, special	2	51		ON5/119
		BRACKET, ATTACHMENT, GROUP	1			ON5/120
		BRACKET, MOUNTING, GROUP	1			ON5/121
		Clamp	2			ON5/122
		Clip, bonding	1	BS265	C	ON5/123
		COVER, PIPE, AT BOMB ARCHES 123.015- 182 967, GROUP	2			ON5/124
		FAIRLEAD, HALF BOTTOM BOMB ARCH 123.015, GROUP	1	-		ON5/125
		FAIRLEAD, HALF TOP BOMB ARCH 123.015, GROUP	1	-		ON5/126
		Fairlead, half top bomb arch 151 919	1	H10849		ON5/127
		Fairlead, half bottom bomb arch 151 991	1	H10849		ON5/128
		Fairlead, half top bomb arch 171 842	1	H10849		ON5/129
		Fairlead, half bottom bomb arch 171 842	1	H10849		ON5/130
		FAIRLEAD, HALF TOP BOMB ARCH 182 967, GROUP	1	-		ON5/131
		FAIRLEAD, HALF BOTTOM BOMB ARCH 182 967, GROUP	1	-		ON5/132
		JOINT, LAGGING BOMB ARCH 123 015, GROUP	1	-		ON5/133
		JOINT, LAGGING BETWEEN BOMB ARCHES 151 918 AND 171 842, GROUP	1	-		ON5/134
		Spare for:				
29G/4858456	CARR'S FASTENER No 52	Button	6		C	
29G/4216	CARR'S FASTENER No 82B	Eyelet	6		C	
29G/4858558	CARR'S FASTENER C63	Socket	6	-	C	
29G/4858453	CARR'S FASTENER No 82	Stud	6		C	

VULCAN PR. 2

SERVICES
FUEL SYSTEM
FLIGHT REFUELLING FIXED FITTINGS

Page ON 11

Ref. No.	Part No.	Description	No. off	Matl. Spec.	Cl. of St.		Place and Illust'n No.
					M.R.		
		1 2 3 4					
		PIPE PRESSURISATION FOR TANK IN BOMB BAY, STARBOARD (1P3293) (Cont'd)					
	11P3293	Link, pipe attachment to bomb arch	1	S610			ONS/135
	22P3293	PIPE, FEED, FROM JOINT BETWEEN BOMB ARCHES 151.919 AND 171.842 TO BOMB ARCH 182.867, GROUP	1	-			ONS/136
	3P3293	PIPE, FEED, FROM JOINT BOMB ARCH . . . 123.015 TO JOINT BETWEEN BOMB ARCHES 151.919 AND 171.842, GROUP	1	-			ONS/137
12755	4P3293	PIPE, FEED, BETWEEN BOMB ARCHES . . . 108.867 AND 123.015, GROUP	1	-	C		ONS/138
	1028787	Plats, blanking, feed pipe	2	S110			ONS/139
8157	JAS. WALKER 54988/2	Seal, for pipes	2	-	C		ONS/140

RESTRICTED

VULCAN PR. 2

SERVICES

Page ON 13

FUEL SYSTEM - FLIGHT REFUELLING

SUMMARY OF STANDARD ITEMS

Stores Ref.		No. off	Stores Ref.		No. off	Stores Ref.		No. off
Section	Ref. No.		Section	Ref. No.		Section	Ref. No.	
28D	9133012	64	28W	9418920	4			
28D	9133013	5	28W	9419454	57			
28D	1011030	4	28W	9418402	8			
28D	1200119	12						
28E	20104	1						
28E	20347	1						
28E	4062142	2						
28FP	7002000	2						
28FP	9430915	29						
28FP	9430918	6						
28FP	9488815	26						
28FP	9703273	6						
28M	1278190	66						
28M	10290	4						

VULCAN PR. 2

SERVICES
HYDRAULIC

Page QP. 1

Ref. No.	Part No.	Description	No. off	Matl. Spec.	Cl. of	Plate and Illustr'n No.
					St. M.R.	
		1 2 3 4				
		HYDRAULIC INSTALLATION Spare for:— BOMB DOOR SYSTEM IN BOMB BAY (Q2210, Q2211) (Mod. 748) (Mod. 906)				
	BQ2211	Bracket, mounting, fairlead, at bomb arch	1	L72		QP1/1
28FP/2453	1SS3859	Clip, pipe, 3/16"	20	—	C	
28FP/2721	2SS3859	Clip, pipe	7	—	C	
	10Q1886	FAIRLEAD, PORT, GROUP	9	—	MR	QP1/2
		Consisting of:—				
28O/9140644	A25/9C	Bolt, hex. hd., 2 BA	1	—	C	
	10cQ1886	Bonding, 30G x 1/2" wide	1	L16		
	10aQ1886	Fairlead, half, 7/16" x 1/2" x 1-1/2"	1	BSS668		
	10bQ1886	Fairlead, half, 9/16" x 1/2" x 1-1/2"	1	BSS668		
28M/1012015	AGS2001/C1/66	Nut, stiff, 2 BA	1	—	C	
28W/9419475	SP15/C	Washer, 2 BA	1	—	C	
	13Q1886	FAIRLEAD, AT BOMB ARCHES 226" & 243", STARBOARD, GROUP	2	—	MR	QP1/3
		Consisting of:—				
28O/9140644	A25/9C	Bolt, hex. hd., 2 BA	2	—	C	
	13cQ1886	Bonding, 30G x 1/2" wide	1	L16		
	13aQ1886	Fairlead, half, 1/2" x 1/2" x 4-1/2"	2	BSS668		
28M/1012015	AGS2001/C1/66	Nut, stiff, 2 BA	2	—	C	
28W/9419475	SP15/C	Washer, 2 BA	2	—	C	
	14Q1886	FAIRLEAD, AT BOMB ARCHES 259" & 279" PORT, GROUP	3	—	MR	QP1/4
		Consisting of:—				
28O/9140644	A25/9C	Bolt, hex. hd., 2 BA	1	—	C	
	14cQ1886	Bonding, 30G x 1/2" wide	1	L16		
	14aQ1886	Fairlead, half, 1/2" x 5/8" x 2"	1	BSS668		
	14bQ1886	Fairlead, half, 1/2" x 1/2" x 2"	1	BSS668		
28M/1012015	AGS2001/C1/66	Nut, stiff, 2 BA	1	—	C	
28W/9419475	SP15/C	Washer, 2 BA	1	—	C	
	15Q1886	FAIRLEAD, AT BOMB ARCHES 258" & 278" PORT, GROUP	2	—	MR	QP1/5
		Consisting of:—				
28O/9140644	A25/9C	Bolt, hex. hd., 2 BA	1	—	C	
	15cQ1886	Bonding, 30G x 1/2" wide	1	L16		
	15aQ1886	Fairlead, half, 1/2" x 5/8" x 2"	1	BSS668		
	15bQ1886	Fairlead, half, 1/2" x 1/2" x 2"	1	BSS668		
28M/1012015	AGS2001/C1/66	Nut, stiff, 2 BA	1	—	C	
28W/9419475	SP15/C	Washer, 2 BA	1	—	C	
	36Q1886	FAIRLEAD, PORT, GROUP	—	—	MR	QP1/6
		Consisting of:—				
	A25/10C	Bolt, hex. hd., 2 BA	1	—	C	
	10cQ1886	Bonding, 30G x 1/2" wide	1	—		
	10aQ1886	Fairlead, half, 7/16" x 1/2" x 1.5"	1	—		
	10bQ1886	Fairlead, half, 7/16" x 1/2" x 1.5"	1	—		
28M/1012015	AGS2001/C1/66	Nut, stiff, 2 BA	1	—	C	
28W/9419475	SP15/C	Washer, 2 BA	1	—	C	

SERVICES
HYDRAULIC

Ref. No.	Part No.	Description	No. off	Mtrl. Spec.	Cl. of	Plate and Illustr'n No.
					St. M.R.	
		1 2 3 4				
BOMB DOOR SYSTEM IN BOMB BAY (Q2210, Q2211) (Cont'd)						
	18Q1885	FAIRLEAD, AT BOMB ARCHES 243" 300" & 32" PORT, GROUP	3	-	MR	QP1/7
		Consisting of:-				
28D/9140644	A25/9C	Bolt, hex. hd., 2 BA	1	-	C	
28D/9140845	A25/10C	Bolt, hex. hd., 2 BA	1	-	C	
	18cQ1885	Bonding	1	L4		
	18aQ1885	Fairlead, half, 1/2" x 1/2" x 3-1/4"	2	BSS888		
28M/1012015	AGS2001/C1/66	Nut, stiff, 2 BA	2	-	C	
28W/9419475	SP15/C	Washer, 2 BA	2	-	C	
	18Q1885	FAIRLEAD, STARBOARD, GROUP	10	-	MR	QP1/8
		Consisting of:-				
28D/1010030	A25/7C	Bolt, hex. hd., 2 BA	1	-	C	
	18cQ1885	Bonding, 30G x 1/2" wide	1	L4		
	18aQ1885	Fairlead, half, 1/2" x 1/2" x 1-1/4"	1	BSS888		
	18bQ1885	Fairlead, half, 1/2" x 1/2" x 1-1/4"	1	BSS888		
28M/1012015	AGS2001/C1/66	Nut, stiff, 2 BA	1	-	C	
28W/9419475	SP15/C	Washer, 2 BA	1	-	C	
	19Q1885	FAIRLEAD, BETWEEN BOMB ARCHES 300" & 321", STARBOARD, GROUP	1	-	C	QP1/9
		Consisting of:-				
28D/1010030	A25/7C	Bolt, hex. hd., 2 BA	1	-	C	
	18cQ1885	Bonding, 30G x 1/2" wide	1	L4		
	18aQ1885	Fairlead, half, 1/2" x 1/2" x 3-1/2"	2	BSS888		
28M/1012015	AGS2001/C1/66	Nut, stiff, 2 BA	1	-	C	
28W/9419475	SP15/C	Washer, 2 BA	1	-	C	
	21Q1885	FAIRLEAD, AT BOMB ARCHES 161" & 171" PORT, GROUP	3	-	MR	QP1/10
		Consisting of:-				
28D/1010030	A25/7C	Bolt, hex. hd., 2 BA	1	-	C	
	21cQ1885	Bonding, 30G x 1/2" wide	1	L4		
	21aQ1885	Fairlead, half	2	BSS888		
28M/1012015	AGS2001/C1/66	Nut, stiff, 2 BA	1	-	C	
28W/9419475	SP15/C	Washer, 2 BA	1	-	C	
	22Q1885	FAIRLEAD, AT HINGE STATION 130" STARBOARD, GROUP	1	-	MR	QP1/11
		Consisting of:-				
28D/9435710	A25/11C	Bolt, hex. hd., 2 BA	1	-	C	
	22dQ1885	Bonding, 30G x 1/2" wide	1	L18		
	22aQ1885	Fairlead, part, 3/8" x 1/2" x 1-1/4"	1	BSS888		
	22bQ1885	Fairlead, part, 1/2" x 5/8" x 1-1/4"	1	BSS888		
	22cQ1885	Fairlead, part, 3/8" x 1/2" x 1-1/4"	1	BSS888		
28M/1012015	AGS2001/C1/66	Nut, stiff, 2 BA	1	-	C	
28W/9419475	SP15/C	Washer, 2 BA	1	-	C	

VULCAN No. 2

SERVICES
HYDRAULIC

Page OP. 3

Ref. No.	Part No.	Description	No. off	Matl. Spec.	Cl. of	Plate and Illust'n No.
					St. M.R.	
		1 2 3 4				
BOMB DOOR SYSTEM IN BOMB BAY (Q2210 & Q2211) (Cont'd)						
	23Q1885	FAIRLEAD, PORT, GROUP	6	-		OP1/12
		Consisting of:-				
28D/9140644	A25/9C	Bolt hex. hd., 2 BA	1	-	C	
	23cQ1885	Bonding, 30G x 1/2" wide	1	L16		
	23eQ1885	Fairlead, half, 1/2" x 5/8" x 3"	2	BSS668		
28M/1012015	AGS2001/C1/68	Nut, stiff, 2 BA	1	-	C	
28W/9419475	SP15/C	Washer, 2 BA	1	-	C	
	24Q1885	FAIRLEAD, STARBOARD, GROUP	6	-		OP1/13
		Consisting of:-				
28D/9435710	A25/11C	Bolt hex. hd., 2 BA	1	-	C	
	24cQ1885	Bonding, 30G x 1/2" wide	1	L16		
	24eQ1885	Fairlead, part, 3/8" x 1/2" x 1-1/2"	1	BSS668		
	24bQ1885	Fairlead, part, 1/2" x 1/2" x 1-1/2"	1	BSS668		
	24cQ1885	Fairlead, part, 3/8" x 1/2" x 1-1/2"	1	BSS668		
28M/1012015	AGS2001/C1/68	Nut, stiff, 2 BA	1	-	C	
28W/9519475	SP15/C	Washer, 2 BA	1	-	C	
	25Q1885	FAIRLEAD, STARBOARD, GROUP	7	-	MR	OP1/14
		Consisting of:-				
28D/7002438	A25/6C	Bolt hex. hd., 2 BA	1	-	C	
	25cQ1885	Bonding, 30G x 1/2" wide	1	L16		
	25eQ1885	Fairlead, half, 3/8" x 1/2" x 1-1/2"	2	BSS668		
28M/1012015	AGS2001/C1/68	Nut, stiff, 2 BA	1	-	C	
28W/9419475	SP15/C	Washer, 2 BA	1	-	C	
	26Q1885	FAIRLEAD, AT BOMB ARCH 201" STARBOARD, GROUP	1	-	MR	OP1/15
		Consisting of:-				
28D/7002428	A25/8C	Bolt hex. hd., 2 BA	2	-	C	
	26cQ1885	Bonding, 30G x 1/2" wide	1	L16		
	26eQ1885	Fairlead, half, 3/8" x 1/2" x 2-1/8"	2	BSS668		
28M/1012015	AGS2001/C1/68	Nut, stiff, 2 BA	2	-	C	
28W/9419475	SP15/C	Washer, 2 BA	2	-	C	
	27Q1885	FAIRLEAD, AT BOMB ARCHES 259' & 243" STARBOARD, GROUP	2	-	MR	OP1/16
		Consisting of:-				
28D/9435710	A25/11C	Bolt hex. hd., 2 BA	2	-	C	
	27cQ1885	Bonding, 30G x 1/2" wide	1	L16		
	27eQ1885	Fairlead, part, 3/8" x 1/2" x 1-1/2"	1	BSS668		
	27bQ1885	Fairlead, part, 1/2" x 5/8" x 1-1/2"	1	BSS668		
	27cQ1885	Fairlead, part, 3/8" x 1/2" x 1-1/2"	1	BSS668		
28M/1012015	AGS2001/C1/68	Nut, stiff, 2 BA	2	-	C	
28W/9419475	SP15/C	Washer, 2 BA	2	-	C	

SERVICES
HYDRAULIC

Ref. No.	Part No.	Description	No. off	Mater. Spec.	Cl. of	Plate and Illust'n No.
					St. M.R.	
		1 2 3 4				
		BOMB DOOR SYSTEM IN BOMB BAY (Q2210, Q2211) (Cont'd)				
	30Q1885	FAIRLEAD, AT BOMB ARCH 321", STARBOARD, GROUP	1	-		OP1/17
		Consisting of:-				
28D/9419387	A25/12C	Bolt, hex. hd., 2 BA	1	-	C	
	30bQ1885	Bonding, 30G x 1/2" wide	1	L16		
	30cQ1885	Fairlead, part, 1/2" x 1/2" x 1-1/4"	1	BSS888		
	18aQ1885	Fairlead, part, 1/2" x 1/2" x 1-1/4"	2	BSS888		
28M/1012015	AGS2001/C1/86	Nut, stiff, 2 BA	1	-	C	
28W/9419475	SP15/C	Washer, 2 BA	1	-	C	
	39Q1885	FAIRLEAD, AT BOMB ARCH 300", PORT, GROUP	1	-	MR	OP1/18
		Consisting of:-				
28D/9140644	A25/9C	Bolt, hex. hd., 2 BA	2	-	C	
28D/1010142	A25/9B	Bolt, hex. hd., 4 BA	1	-	C	
	39cQ1885	Bonding, 30G x 1/2" wide	1	L16		
	39aQ1885	Fairlead, half, 1/2" x 5/8" x 4-1/4"	1	B52672		
	39bQ1885	Fairlead, half, 1/2" x 1/2" x 4-1/2"	1	B52672		
28W/9419402	SP13/C	Washer, 2 BA	2	-	C	
28W/9419466	SP13/B	Washer, 2 BA	1	-	C	
	3Q2211	FAIRLEAD, AT BOMB ARCH 300", STARBOARD, GROUP	1	-	MR	OP1/19
		Consisting of:-				
28D/1010030	A25/7C	Bolt, hex. hd., 2 BA	2	-	C	
	3cQ2211	Bonding, 30G x 1/2" wide	1	L4		
	3aQ2211	Fairlead, half, .35" x 1/2" x 3.4"	1	BSS888		
	3bQ2211	Fairlead, half, .35" x 1/2" x 3.4"	1	BSS888		
28M/1012015	AGS2001/C1/86	Nut, stiff, 2 BA	2	-	C	
28W/9419475	SP15/C	Washer, 2 BA	2	-	C	
	7Q2211	FAIRLEAD, AT BOMB ARCH 278", STARBOARD, GROUP	1	-	MR	OP1/20
		Consisting of:-				
28D/1010030	A25/7C	Bolt, hex. hd., 2 BA	1	-	C	
	7cQ2211	Bonding, 30G x 1/2" wide	1	L4		
	7aQ2211	Fairlead, half, .35" x 1/2" x 4"	1	BSS888		
	7bQ2211	Fairlead, half, .35" x 1/2" x 4"	1	BSS888		
28M/1012015	AGS2001/C1/86	Nut, stiff, 2 BA	1	-	C	
28W/9419475	SP15/C	Washer, 2 BA	1	-	C	

VULCAN No. 2

SERVICES
HYDRAULIC

Page OP. 5

Ref. No.	Part No.	Description	No. off	Matl. Spec.	Cl. of	Plate and Illust'n No.
					St. M.R.	
		1 2 3 4				
		BOMB DOOR SYSTEM IN BOMB BAY, (Q2210, Q2211) (Cont'd)				
14237	88Q2210	PIPE, 1/2" o/d x 18G x 13.5" LONG UNION TO TEE-PIECE, GROUP, FORWARD BOMB ARCH 151.919" (Mod. 748) (Pre-Mod. 2318)	1	DTD743	C	
	158Q2210	PIPE, 1/2" o/d x 18G x 13.5" LONG UNION TO TEE-PIECE, GROUP, FORWARD BOMB ARCH 151.919" (Mod. 2318)	1	DTD743		OP1A/21
14238	87Q2210	PIPE, 1/2" o/d x 18G x 15.5" LONG UNION TO TEE-PIECE, GROUP, FORWARD BOMB ARCH 151.919" (Mod. 748) (Pre-Mod. 2318)	1	DTD743	C	
	158Q2210	PIPE, 1/2" o/d x 18G x 15.5" LONG UNION TO TEE-PIECE, GROUP, FORWARD BOMB ARCH 151.919" (Mod. 2318)	1	DTD743		OP1A/22
	88Q2210	PIPE, 1/2" o/d x 18G x 24" LONG TEE-PIECE TO UNION, GROUP, FORWARD & AFT BOMB ARCH 123.015" (Mod. 748) (Pre-Mod. 2318)	1	DTD743	MR	
	161Q2210	PIPE, 1/2" o/d x 18G x 24" LONG TEE-PIECE TO UNION, GROUP, FORWARD & AFT BOMB ARCH 123.015" (Mod. 2318)	1	-		OP1A/23
	88Q2210	PIPE, 1/2" o/d x 18G x 3' 8" LONG TEE-PIECE TO UNION, GROUP (Mod. 748) (Pre-Mod. 2318)	1	DTD743	MR	
	180Q2210	PIPE, 1/2" o/d x 18G x 3' 8" LONG TEE-PIECE TO UNION, GROUP, FORWARD BOMB ARCH 123.015" (Mod. 2318)	1	-		OP1A/24
	103Q1868	PIPE, 1/2" o/d x 18G x 24" LONG BETWEEN UNIONS FORWARD & AFT BOMB ARCH 95", PORT, GROUP	1	DTD503		OP1A/25
	15Q1868	PIPE, 1/2" o/d x 18G x 50" LONG UNION .. AFT OF BOMB ARCH 21" TO UNION AFT OF BOMB ARCH 81", PORT, GROUP	1	DTD503	MR	OP1A/26

SERVICES
HYDRAULIC

Ref. No.	Part No.	Description	No. off	Matl. Spec.	Cl. of	Place and Illust'n No.
					St. M.R.	
		1 2 3 4				
		BOMB DOOR SYSTEM IN BOMB BAY (Q2210, Q2211) (Cont'd)				
	23Q1868	PIPE, 1/2" o/d x 18G x 47" LONG UNION AFT BOMB ARCH 21" TO UNION AFT BOMB ARCH 81", PORT, GROUP	1	DTD503		OP1A/27
6470	14Q1868	PIPE, 1/2" o/d x 18G x 25" LONG BETWEEN UNIONS FORWARD & AFT OF BOMB BAY ARCH 21", PORT, GROUP	1	DTD503	C	OP1A/28
	22Q1868	PIPE, 1/2" o/d x 18G x 25" LONG UNION TO UNION FORWARD & AFT BOMB ARCH 21", PORT, GROUP	1	DTD503	MR	OP1A/29
	76Q2210	PIPE, 1/2" o/d x 18G UNION TO UNION AFT FRONT SPAR, PORT, GROUP (Pre-Mod. 748)	1	DTD503		
	49Q2210	PIPE, 1/2" o/d x 18G UNION TO UNION AFT FRONT SPAR, PORT, GROUP (Mod. 748)	1	DTD503	MR	OP1A/30
	74Q2210	PIPE, 1/2" o/d x 18G UNION TO UNION AFT FRONT SPAR, PORT, GROUP (Pre-Mod. 748)	1	DTD503		
	50Q2210	PIPE, 1/2" o/d x 18G UNION TO UNION AFT FRONT SPAR, PORT, GROUP (Mod. 748)	1	DTD503	MR	OP1A/31
	57Q2210	PIPE, 1/2" o/d x 18G UNION TO TEE-PIECE AFT, FRONT SPAR, PORT, GROUP (Mod. 748)	1	DTD503	MR	OP1A/32
14227	58Q2210	PIPE, 1/2" o/d x 18G UNION TO TEE-PIECE AFT, FRONT SPAR, PORT, GROUP	1	DTD503	C	OP1A/33

VULCAN No. 2

SERVICES
HYDRAULIC

Page OP. 7

Ref. No.	Part No.	Description	No. off	Matl. Spec.	CL of	Place and Illust'n No.
					St. M.R.	
		1 2 3 4				
		PIPING TO BOMB DOOR JACKS, FRONT SPAR (Q2237) (Mod. 2318)				
3470	3Q1887	BRACKET, PORT, GROUP	1	-	MR	QP1A/34
	4Q1887	BRACKET, STBD, GROUP	1	-	MR	QP1A/35
	7Q1887	FAIRLEAD, 4-PIPE, GROUP	2	-	C	QP1A/36
	8Q1887	FAIRLEAD, 2-PIPE, GROUP	1	-		QP1A/37
	11Q1887	FAIRLEAD, 2-PIPE, GROUP	2	-	MR	QP1A/38
	18Q2210	PIPE, 3/8" o/d x 20G, JACK TO TEE- PIECE, GROUP (Pre-Mod. 748)	1	-		
	86Q2210	PIPE, 3/8" o/d x 20G, JACK TO TEE- PIECE, PORT, GROUP (Mod. 748)	1	-	MR	QP1A/40
	19Q2210	PIPE, 3/8" o/d x 20G, JACK TO TEE- PIECE, STARBOARD, GROUP (Pre Mod. 748)	1	-		
	67Q2210	PIPE, 3/8" o/d x 20G, JACK TO TEE- PIECE, STARBOARD, GROUP (Mod. 748)	1	-	MR	QP1A/41
	20Q2210	PIPE, 3/8" o/d x 20G, JACK TO TEE- PIECE, PORT, GROUP (Pre-Mod. 748)	1	-		
	68Q2210	PIPE, 3/8" o/d x 20G, JACK TO TEE- PIECE, PORT, GROUP (Mod. 748)	1	-	MR	QP1A/42
	21Q2210	PIPE, 3/8" o/d x 20G, JACK TO TEE- PIECE, STARBOARD, GROUP (Pre-Mod. 748)	1	-		
	69Q2210	PIPE, 3/8" o/d x 20G, JACK TO TEE- PIECE, STARBOARD, GROUP (Mod. 748)	1	-	MR	QP1A/43
	12ZSS3657	Tee-piece	2	-	MR	QP1A/39

SERVICES
HYDRAULIC

Ref. No.	Part No.	Description	No. off	Matl. Spec.	CL of	Plate and Illust'n No.
					Sc. M.R.	
		1 2 3 4				
		BOMB DOOR SYSTEM IN BOMB BAY, (Q2210, Q2211) (Cont'd)				
	85Q2210	PIPE, 1/2" o/d x 18G x 36.5" LONG TEE-PIECE TO UNION FORWARD AND AFT BOMB ARCH 151.919", PORT, GROUP (Mod. 748) (Pre-Mod. 2318)	2	DTD743	MR	
	167Q2210	PIPE, 1/2" o/d x 18G x 33.5" LONG TEE-PIECE TO UNION FORWARD AND AFT BOMB ARCH 151.919", PORT, GROUP (Mod. 2318)	2	-		OP1A/44
	134Q1868	PIPE, 1/2" o/d x 18G x 96" LONG UNION AFT BOMB ARCH 171" TO UNION AFT BOMB ARCH 258", PORT, GROUP	1	DTD503	MR	OP1A/45
	27Q1868	PIPE, 1/2" o/d x 18G x 96" LONG TEE-PIECE FORWARD BOMB ARCH 182.967" TO UNION AFT OF BOMB ARCH 259.092", PORT, GROUP	1	-	MR	OP1A/46
	148Q1868	PIPE, 1/2" o/d x 18G UNION AFT BOMB ARCH 259.092" TO UNION AFT BOMB 321", PORT, GROUP (Blue Steel A/C only)	1	-	MR	
1432616	137Q2210	PIPE, 1/2" o/d x 18G UNION AFT BOMB ARCH 259.092" TO UNION AFT BOMB ARCH 321", PORT, GROUP (Free Fall A/C)	1	-	C	OP1A/47
1510462	149Q1868	PIPE, 1/2" o/d x 18G UNION AFT BOMB ARCH 259.092" TO UNION AFT BOMB ARCH 321", PORT, GROUP (Blue Steel A/C only)	1	-	C	
1432615	136Q2210	PIPE, 1/2" o/d x 18G UNION AFT BOMB ARCH 259.092" TO UNION AFT BOMB ARCH 321", PORT, GROUP (Free Fall A/C) (MOD. 2013)	1	-	C	OP1A/48
	143Q1868	PIPE, 1/2" o/d x 18G UNION TO TEE- PIECE REAR SPAR, PORT, GROUP (Pre-Mod. 748)	1	-	MR	
	84Q02210	PIPE, 1/2" o/d x 18G UNION TO TEE- PIECE REAR SPAR, PORT, GROUP (Mod. 748)	1	-	MR	OP1A/49

VULCAN No. 3

SERVICES
HYDRAULIC

Page QP. 9

Ref. No.	Part No.	Description	No. off	Matl. Spec.	Cl. of	Plate and Illust'n No.
					St. M.R.	
		1 2 3 4				
		BOMB DOOR SYSTEM IN BOMB BAY, Q2210, Q2211 (Cont'd)				
	142Q1888	PIPE, 1/2" o/d x 18G, TEE-PIECE REAR SPAR TO CONNECTOR AFT BOMB ARCH 321" PORT, GROUP (Pre-Mod. 748)	1	-	MR	
	66Q2210	PIPE, 1/2" o/d x 18G TEE-PIECE REAR SPAR TO CONNECTOR AFT BOMB ARCH 321" PORT, GROUP (Mod. 748)	1	-	MR	QP1A/50
	62Q2210	PIPE, 1/2" o/d x 18G, TEE-PIECE TO UNION REAR SPAR PORT, GROUP (Mod. 748)	1	-	MR	QP1A/51
	63Q2210	PIPE, 1/2" o/d x 18G TEE-PIECE TO UNION REAR SPAR PORT, GROUP (Mod. 748)	1	-	MR	QP1A/52
		PIPING TO BOMB DOOR JACKS REAR SPAR (Q1888)	-	-		
		Spares for: -				
2879	2Q1888	BRACKET MOUNTING STARBOARD, GROUP	1	-	C	QP2/53
2880	3Q1888	BRACKET MOUNTING PORT, GROUP	1	-	C	QP2/54
	9Q1888	Bracket, fairlead, starboard (Mod. 2080)	1	-		
	10Q1888	Bracket, fairlead, port (Mod. 2080)	1	-		
	4Q1888	FAIRLEAD, 4 PIPE, GROUP	2	-	MR	QP2/55
	11Q1887	FAIRLEAD, 2 PIPE, GROUP	1	-	MR	QP2/57
	38Q1888	PIPE, 3/8" o/d x 20G x 13.5" LONG JACK TO TEE-PIECE, PORT, GROUP	1	DTD503	MR	QP2/58
3474	39Q1888	PIPE, 3/8" o/d x 20G x 26" LONG JACK TO TEE-PIECE, STARBOARD, GROUP	1	DTD503	C	QP2/59
	40Q1888	PIPE, 3/8" o/d x 20G x 17" LONG JACK TO TEE-PIECE, PORT, GROUP	1	DTD503	MR	QP2/60
3476	41Q1888	PIPE, 3/8" o/d x 20G x 21.1/2" LONG JACK TO TEE-PIECE, STARBOARD, GROUP	1	DTD503	C	QP2/61
2874	122SS3557	Tee-piece	2	-	C	QP2/56

SERVICES
HYDRAULIC

Ref No.	Part No	Description	No. off	Matl. Spec.	Cl. of	Plate and Illustr'n No.
					St. M.R.	
		1 2 3 4				
BOMB DOOR SYSTEM IN BOMB BAY, Q2210, Q2211 (Cont'd)						
27QM/1480304	DOWTY 1.02179.022	Jack, bomb door, port, rear and starboard forward (Pre-Mod. 2318)	2	—	A	
27QM/1480305	DOWTY 1.02179.023	Jack, bomb door, port, rear and starboard, forward (Mod. 2318)	2	—	A	QP1A/62
27QM/1480301	DOWTY 1.02178.022	Jack, bomb door, starboard, rear and port, forward (Pre-Mod. 2318)	2	—	A	
27QM/1480305	DOWTY 1.02178.023	Jack, bomb door, starboard, rear and port, forward (Mod. 2318)	2	—	A	QP1A/63

VULCAN No. 2

SERVICES
HYDRAULIC

Page OP. 10A

Ref. No.	Part No.	Description	No. off	Matl. Spec.	Cl. of	Plate and Illust'n No.
					St. M.R.	
		1 2 3 4				
		BOMB DOOR SYSTEM IN BOMB BAY, Q2210, Q2211 (Cont'd)				
17843	46Q1868	PIPE, 1/4" o/d x 22G, CROSS-PIECE TO ... UNION, GROUP (Pre-Mod. 748)	1	DTD323A	C	
	51Q2210	PIPE, 1/4" o/d x 22G, CROSS-PIECE TO ... UNION, GROUP (Pre-Mod. 1237)	1	DTD323A		QP2A/1
	47Q1868	PIPE, 1/4" o/d x 22G, CROSS-PIECE TO ... UNION, GROUP (Pre-Mod. 1237)	1	DTD323A		QP2A/2
	48Q1868	PIPE, 1/4" o/d x 22G, UNION TO ... UNION, GROUP (Pre-Mod. 1237)	1	DTD323A		QP2A/3
	50Q1868	PIPE, 1/4" o/d x 22G, UNION TO ... UNION, GROUP (Pre-Mod. 748)		DTD323A		QP2A/4
	52Q2210	PIPE, 1/4" o/d x 22G, UNION TO ... UNION, GROUP (Mod. 748)	1	DTD323A		
	51Q1868	PIPE, 1/4" o/d x 22G, UNION TO ... UNION, GROUP (Pre-Mod. 1237)	1	DTD323A		QP2A/5
	78Q1868	PIPE, 1/4" o/d x 22G, CROSS-PIECE TO ... UNION, GROUP (Pre-Mod. 1237)	1	DTD323A		QP2A/6
11115	98Q1868	PIPE, 1/4" o/d x 22G, CROSS-PIECE TO ... UNION, GROUP (Pre-Mod. 748)	1	DTD323A	C	
	48Q2210	PIPE, 1/4" o/d x 22G, CROSS-PIECE TO ... UNION, GROUP (Mod. 1237)	1	DTD323A		QP2A/7
	99Q1868	PIPE, 1/4" o/d x 22G, UNION TO ... UNION, GROUP (Pre-Mod. 748)	1	DTD323A		
	47Q2210	PIPE, 1/4" o/d x 22G, UNION TO ... UNION, GROUP (Mod. 127)	1	DTD323A		QP2A/8
11112	108Q1868	PIPE, 1/4" o/d x 22G, LOCKING STRUT ... FORWARD TO UNION, STARBOARD, GROUP (Pre-Mod. 1237)	1	DTD323A	C	QP2A/9
	109Q1868	PIPE, 1/4" o/d x 22G, LOCKING STRUT ... FORWARD TO UNION, STARBOARD, GROUP (Pre-Mod. 1237)	1	DTD323A		QP2A/10
	114Q1868	PIPE, 1/4" o/d x 22G, LOCKING STRUT ... REAR TO UNION, PORT, GROUP (Pre-Mod. 1237)	1	DTD323A		QP2A/11
	115Q1868	PIPE, 1/4" o/d x 22G, LOCKING STRUT ... REAR TO UNION, PORT, GROUP (Pre-Mod. 1237)	-	-		QP2A/12

SERVICES
HYDRAULIC

Ref. No.	Part No.	Description	No. off	Matl. Spec.	Cl. of	Place and Illust'n No.
					St. M.R.	
		1 2 3 4				
		BOMB DOOR SYSTEM IN BOMB BAY (Q2210, Q2211) (Cont'd)				
	116Q1888	PIPE, 1/4" o/d x 22G UNION TO UNION, GROUP (Pre-Mod. 1237)	1	DTD323A		QP2A/13
	124Q1888	PIPE, 1/4" o/d x 22G UNION TO UNION, GROUP (Pre-Mod. 1237)	1	DTD323A		QP2A/14
	125Q1888	PIPE, 1/4" o/d x 22G UNION TO UNION, GROUP (Pre-Mod. 1237)	1	DTD323A		QP2A/15
	132Q1888	PIPE, 1/4" o/d x 22G, LOCKING STRUT, ... FORWARD TO UNION, PORT, GROUP (Pre-Mod. 1237)	1	DTD323A		QP2A/16
	133Q1888	PIPE, 1/4" o/d x 22G, LOCKING STRUT, ... FORWARD TO UNION, PORT, GROUP (Pre-Mod. 1237)	1	DTD323A		QP2A/17
	138Q1888	PIPE, 1/4" o/d x 22G, CROSS-PIECE TO ... UNION, GROUP (Pre-Mod. 1237)	1	DTD323A		QP2A/18
	139Q1888	PIPE, 1/4" o/d x 22G, UNION TO UNION, ... GROUP (Pre-Mod. 1237)	1	DTD323A		QP2A/19
	140Q1888	PIPE, 1/4" o/d x 22G, UNION TO UNION, ... GROUP (Pre-Mod. 1237)	1	DTD323A		QP2A/20
	141Q1888	PIPE, 1/4" o/d x 22G, UNION TO UNION, ... GROUP (Pre-Mod. 1237)	1	DTD323A		QP2A/21
	148Q1888	PIPE, 1/4" o/d x 22G, UNION TO UNION, ... GROUP (Pre-Mod. 1237)	1	DTD323A		QP2A/22
	42Q2210	PIPE, 1/4" o/d x 22G, UNION TO UNION, ... GROUP (Pre-Mod. 1237)	1	DTD323A		QP2A/23
	41Q2210	PIPE, 1/4" o/d x 22G, CROSS-PIECE TO ... UNION, GROUP (Pre-Mod. 1237)	1	DTD323A		QP2A/24
	34Q2210	PIPE, 1/4" o/d x 22G, LOCKING STRUT, ... REAR, TO UNION, STARBOARD, GROUP (Pre-Mod. 1237)	1	DTD323A		QP2A/25
	36Q2210	PIPE, 1/4" o/d x 22G, LOCKING STRUT, ... REAR, TO UNION, STARBOARD, GROUP (Pre-Mod. 1237)	1	DTD323A		QP2A/26
	44Q2210	PIPE, 1/4" o/d x 22G, CROSS-PIECE TO ... UNION, GROUP (Pre-Mod. 1237)	1	DTD323A		QP2A/27

VULCAN No. 2

SERVICES
HYDRAULIC

Page OP. 10c

Ref. No.	Part No.	Description				No. off	Matl. Spec.	Cl. of St. M.R.	Plate and Illust'n No.
		1	2	3	4				
		BOMB DOOR SYSTEM IN BOMB BAY (Q2210, Q2211) (Cont'd)							
	132Q1868	PIPE, 1/4" o/d x 22G, LOCKING STRUT, ... FORWARD TO UNION, PORT, GROUP (Pre-Mod. 1237)				1	DTD323A		QP2A/16
	133Q1868	PIPE, 1/4" o/d x 22G, LOCKING STRUT, ... FORWARD TO UNION, PORT, GROUP (Pre-Mod. 1237)				1	DTD323A		QP2A/17
	138Q1868	PIPE, 1/4" o/d x 22G, CROSS-PIECE TO ... UNION, GROUP (Pre-Mod. 1237)				1	DTD323A		QP2A/18
	139Q1868	PIPE, 1/4" o/d x 22G, UNION TO UNION, ... GROUP (Pre-Mod. 1237)				1	DTD323A		QP2A/19
	140Q1868	PIPE, 1/4" o/d x 22G, UNION TO UNION, ... GROUP (Pre-Mod. 1237)				1	DTD323A		QP2A/20
	141Q1868	PIPE, 1/4" o/d x 22G, UNION TO UNION, ... GROUP (Pre-Mod. 1237)				1	DTD323A		QP2A/21
	146Q1868	PIPE, 1/4" o/d x 22G, UNION TO UNION, ... GROUP (Pre-Mod. 1237)				1	DTD323A		QP2A/22
	42Q2210	PIPE, 1/4" o/d x 22G, UNION TO UNION, ... GROUP (Pre-Mod. 1237)				1	DTD323A		QP2A/23
	41Q2210	PIPE, 1/4" o/d x 22G, CROSS-PIECE TO ... UNION, GROUP (Pre-Mod. 1237)				1	DTD323A		QP2A/24
	34Q2210	PIPE, 1/4" o/d x 22G, LOCKING STRUT, ... REAR, TO UNION, STARBOARD, GROUP (Pre-Mod. 1237)				1	DTD323A		QP2A/25
	35Q2210	PIPE, 1/4" o/d x 22G, LOCKING STRUT, ... REAR, TO UNION, STARBOARD, GROUP (Pre-Mod. 1237)				1	DTD323A		QP2A/26
	44Q2210	PIPE, 1/4" o/d x 22G, CROSS-PIECE TO ... UNION, GROUP (Pre-Mod. 1237)				1	DTD323A		QP2A/27

SERVICES

HYDRAULIC

Ref. No.	Part No.	Description				No. off	Matl. Spec.	Cl. of St. M.R.	Place and Illust'n No.
		1	2	3	4				
		PIPING TO BOMB DOOR JACKS, FRONT SPAR (Q2237) (Mod. 748)							
		Spares for:—							
2872	3Q1887	BRACKET, PORT, GROUP				1	—	C	
2873	4Q1887	BRACKET, PORT, GROUP				1	—	C	
3470	7Q1887	FAIRLEAD, 4 PIPE, GROUP				2	—	C	QP1/101
3471	8Q1887	FAIRLEAD, 2 PIPE, GROUP				1	—	C	QP1/102
3472	11Q1887	FAIRLEAD, 2 PIPE, GROUP				2	—	C	QP1/103
3437	13Q1879	FAIRLEAD, 2 PIPE, GROUP				1	—	C	QP1/104
		Spares for:—							
14178	13aQ1879	Fairlead, half				2	—	C	
14243	68Q2210	PIPE, 3/8" o/d x 20G, JACK TO TEE- PIECE, PORT, GROUP				1	DTD503	C	QP1/105
14244	67Q2210	PIPE, 3/8" o/d x 20G, JACK TO TEE- PIECE, STARBOARD, GROUP				1	DTD503	C	QP1/106
14245	68Q2210	PIPE, 3/8" o/d x 20G, JACK TO TEE- PIECE, PORT, GROUP				1	DTD503	C	QP1/107
9271	21Q2210	PIPE, 3/8" o/d x 20G, JACK TO TEE- PIECE, STARBOARD, GROUP (Pre-Mod. 748)				1	DTD503	C	
14246	69Q2210	PIPE, 3/8" o/d x 20G, JACK TO TEE- PIECE, STARBOARD, GROUP (Mod. 748)				1	DTD503	C	QP1/108
9272	22Q2210	PIPE, 1/4" o/d x 22G, JACK TO TEE- PIECE, PORT, GROUP (Pre-Mod. 748)				1	DTD323A	C	
17660	70Q2210	PIPE, 1/4" o/d x 22G, JACK TO TEE- PIECE, PORT, GROUP (Mod. 748)				1	DTD323A	C	QP1/109
9273	23Q2210	PIPE, 1/4" o/d x 22G, JACK TO TEE- PIECE, PORT, GROUP (Pre-Mod. 748)				1	DTD323A	C	
17661	71Q2210	PIPE, 1/4" o/d x 22G, JACK TO TEE- PIECE, PORT, GROUP (Mod. 748)				1	DTD323A	C	QP1/110

**SERVICES
HYDRAULIC**

Ref. No.	Part No.	Description	No. off	Matl. Spec.	Cl. of St. M.R.	Place and Illust'n No.
		<u>1.234</u>				

VULCAN 178 2

SERVICES
HYDRAULICS

Page QP. 13

Ref. No.	Part No.	Description	No. off	Matl. Spec.	Cl. of	Plate and Illust'n No.
					St. M.R.	
		1 2 3 4				
		PIPING, FROM FRONT SPAR TO REAR CRUTCH FRAME (Q2284, Q3673) (Mod. 748).				
		Spares for :—				
27BA/2467721	AVERY AVA64/D	Cap, blanking, 1/2" BSP	1	—	B	QPS/126
27BA/4110829	AVERY AVA64/E	Cap, blanking	1	—		QPS/127
27BA/0152580	AVERY AVAS8/D	Coupling, flanged, half, 1/2" BSP	1	—	B	QPS/128
	or AVA1150/D	Coupling, flanged, half, 1/2" BSP	1	—	B	
27BA/4110840	AVERY AVAS5/E	Coupling, flanged, half 1/2" BSP	1	—	B	QPS/129
	or AVA1152/E	Coupling, flanged, half, 1/2" BSP	1	—		
	5554633	Elbow	1	—		QPS/130
	6Q2286	FAIRLEAD, 2 PIPE, GROUP	7	—	MR	QPS/131
14184	10Q2286	FAIRLEAD, 2 PIPE, GROUP	2	—	C	QPS/132
	88Q2262	PIPE, 1/2" o.d. 20G 6'-8" LONG, UNION TO UNION, GROUP	1	L56	MR	QPS/133
22562	89Q2262	PIPE, 1/2" o.d. 18G 6'-8" LONG, UNION TO UNION, GROUP	1	DTD743	C	QPS/134
22563	90Q2262	PIPE, 1/2" o.d. 20G 3'-6" LONG, UNION TO ELBOW, GROUP	1	L56	C	QPS/135
	91Q2262	PIPE, 1/2" o.d. 18G 3'-8" LONG, UNION TO COUPLING, GROUP	1	DTD743	MR	QPS/136
	196Q2262	PIPE, 1/2" o.d. 18G, TEE-PIECE TO UNION, GROUP (Mod. 1306)	1	DTD743	MR	QPS/137
14769	197Q2262	PIPE, 1/2" o.d. 18G, TEE-PIECE TO UNION, GROUP (Mod. 1306)	1	DTD743	C	QPS/138
	198Q2262	PIPE, 1/2" o.d. 20G, TEE-PIECE TO UNION, GROUP (Mod. 1306)	1	L56	MR	QPS/139
14771	199Q2262	PIPE, 1/2" o.d. 20G, TEE-PIECE TO UNION, GROUP (Mod. 1306)	1	L56	C	QPS/140

SERVICES
HYDRAULICS

Ref. No.	Part No.	Description	No. off	Matl. Spec.	Cl. of	Plate and Illust'n No.
					St. M.R.	
		1 2 3 4				
		PIPING AND FIXED FITTINGS AT HYDRAULIC UNIT (Q2287) (Mod. 748) Spares for :—				
27BA/6110223	AVERY AVA64/E	Cap, blanking, 1/2" BSP	1	—	B	QP5/141
27BA/8467721	AVERY AVA64/D	Cap, blanking, 1/2" BSP	1	—	B	QP5/142
27BA/8162008	AVERY AVA58/D	Coupling, half, flanged, 1/2" BSP	1	—	B	QP5/143
	or AVA1150/D	Coupling, half, flanged, 1/2" BSP	1	—	B	
	AVERY AVA1152/E	Coupling, half, flanged, 1/2" BSP	1	—	B	QP5/144
26PP/1432338	4554633	Elbow	1	—	C	QP5/145
	5554633	Elbow	1	—	C	QP5/146
14198	4Q2287	FAIRLEAD, AT FORMER D8735, GROUP	1	—	C	QP5/147
		Consisting of :—				
28D 9435710	A25-11C	Bolt, hex. hd., 2 BA	2	—	C	
	4bQ2287	Banding, 30G - 1/2" wide	1	L16		
	4cQ2287	Fairlead, half	2	BS2572		
28M 1012015	AGS2001/C1/86	Nut, stiff, 2 BA	2	—	C	
28W 9418402	SP13/C	Washer, 2 BA	2	—	C	
22559	83Q2262	PIPE, 1/2" o/d 28G, ELBOW TO UNION, GROUP	1	DTD743	C	QP5/148
	84Q2262	PIPE, 1/2" o/d 30G, ELBOW TO UNION, GROUP	1	L56		QP5/149
14199	67D9374	STRUT, SUPPORT, GROUP	1	—	C	QP5/150
14200	68D9374	STRUT, SUPPORT, GROUP	1	—	C	QP5/151
		PIPING SERVICES, BETWEEN BOMB ARCHES 123-15" AND 131 919" (Q2249) Spares for :—				
		MANUAL OPERATION, FOR EMERGENCY BOMB DOOR CONTROL VALVE (Q2219) Spares for :—				
	AS1424/28	Cable, 5 cwt., 28" long	1	—	MR	QP4/152
	2Q2219	COVER, PULLEY BOX, GROUP	1	—		QP4/153
13196	15Q 1892	EYE-END, GROUP	1	—		QP4/154
2704	13Q1892	FORK-END, GROUP	1	S21 & S3	C	QP4/155
2703	12Q1892	Lever, operating	1	DTD683	C	QP4/156
28M 1038180	AS1151	Pulley, shrouded	1	—	B	QP4/157
	6Q1892	Spring	1	DTD239	MR	QP4/158
	4Q2219	Tube, guard, 1/2" o/d x 22G x 19 1/2" long	1	DTD 758		QP4/159

VULCAN No. 2

SERVICES
HYDRAULIC

Page OP. 15

Ref. No.	Part No.	Description	No. off	Matl. Spec.	Cl. of	Plate and Illust'n No.
					St. M.R.	
		<u>1 2 3 4</u>				
		PIPING SERVICES BETWEEN BOMB ARCHES, 123.015" AND 151.919" (Q2240) (Cont'd)				
		MOUNTING, HYDRAULIC EMERGENCY POWER PACK, VALVES AND PIPES ON RIB 63.5, STARBOARD (Q2078) (Q3885) (Mod. 2261, PARTS A & B)				
		Spares for:—				
	SS5767/C	Banjo, cone ended (Mod. 2261)	1	—	MR	QP3/193
26TA/544885	SS5767/D	Banjo, cone ended (Mod. 2261)	1	—		QP3/193
28F/9423229	AGS1136/C	Bolt, banjo (Mod. 2261)	1	—		QP3/195
28F/9423231	AGS1136/D	Bolt, banjo (Mod. 2261)	1	—		QP3/196
28F/1038842	AGS1107/M	Cone, union reducing (Mod. 2261)	1	—	C	QP3/197
	1Q3883	FILTER HYDRAULIC, GROUP	1	—		QP3/198
	or	(Mod. 2261) (Part A & B)				
27M/1500263	LOCKHEED AIR48510	FILTER, HYDRAULIC, GROUP	1	—		QP3/198
		(Mod. 2261) (Part A & B)				
		Spares for:—				
27M/1500264	AIR119182	Element	1	—	C	
27M/1500266	AIR119184	Ring, back	1	—	C	
27M/1500266	AIR119186	Seal	1	—	C	
		Attachments for — Filter Part No. AIR48510				
28D/1212308	A26/24E	Bolt, hex. hd., 1/4" BSF	2	—	C	QP3/199
	3Q3885	Spacer (Make from 308/9811406) ..	2	—		QP3/200
28W/9418921	SP13/E	Washer, 1/4"	2	—	C	
	164Q1858	PIPE, 3/8" o/d x 20G x 24" LONG	1	L58	MR	QP3/164
		OVERFLOW, FROM POWER PACK, GROUP				
	29Q1868	PIPE, 3/8" o/d x 20G x 18" LONG	1	L58	MR	QP3/165
		CROSS-PIECE TO POWER PACK, GROUP				
	64Q1868	PIPE, 1/4" o/d x 22G x 22" LONG	1	OTD323A	MR	QP3/166
		FORWARD SELECTOR VALVE TO CROSS-PIECE, GROUP				

SERVICES
HYDRAULIC

Ref. No.	Part No.	Description	No. off	Mach. Spec.	Cl. of	Plate and Illust'n No.
					Sc. M.R.	
		<u>1 2 3 4</u>				
		MOUNTING HYDRAULIC EMERGENCY POWER PACK, VALVES AND PIPES ON RIB 83.5, STARBOARD (Q2078) (Q3885) (Mod. 2261) (Cont'd)				
	67Q1868	PIPE, 3/16" o/d x 22G x 26" LONG CROSS-PIECE TO FORWARD SELECTOR VALVE, GROUP	1	DTD323A	MR	OP3/167
3488	89Q1868	PIPE, 3/8" o/d x 20G x 13" LONG CROSS-PIECE TO AFT SELECTOR VALVE, GROUP	1	L56	C	OP3/168
	104Q1868	PIPE, 3/8" o/d x 20G x 11" LONG CROSS-PIECE TO PRESSURE SWITCH, GROUP	1	L56	MR	OP3/172
3490	107Q1868	PIPE, 3/8" o/d x 20G x 11" LONG PRESSURE SWITCH TO CROSS- PIECE, GROUP	1	DTD503	C	OP3/173
	126Q1868	PIPE, 3/8" o/d x 20G x 84" LONG CROSS-PIECE TO AFT SELECTOR VALVE, GROUP	1	DTD503	MR	OP3/174
3488	128Q1868	PIPE, 3/8" o/d x 20G x 11" LONG CROSS-PIECE TO CROSS-PIECE BELOW POWER PACK, GROUP	1	L56	C	OP3/175
	129Q1868	PIPE, 3/8" o/d x 20G x 11" LONG CROSS-PIECE TO CROSS-PIECE, BELOW POWER PACK, GROUP	1	DTD503	MR	OP3/176
1510415	138Q2210	PIPE, 3/8" o/d x 18" LONG POWER PACK TO FILTER, GROUP (Mod. 2261)	1	DTD5016	C	OP3/177

VULCAN PHL 2

SERVICES
HYDRAULIC

Page OP. 17

Ref. No.	Part No.	Description	No. off	Mazl. Spec.	Cl. of	Plate and Illust'n No.
					St. M.R.	
		1 2 3 4				
		MOUNTING HYDRAULIC EMERGENCY POWER PACK, VALVES AND PIPES ON RIB 83.5, STARBOARD (2078) (Q3806) (Mod. 2261) (Cont'd)				
1510416	139Q2210	PIPE, 1/2" o/d x 20G x " LONG FILTER TO REDUCING UNION, GROUP (Mod. 2261)	1	DTD5018	C	OP3/201
1510417	140Q2210	PIPE, 3/8" o/d x 20G x 6' 0" LONG REDUCING UNION TO CROSS-PIECE, GROUP (Mod. 2261)	1	DT05018	C	OP3/202
28F/7103505	AGS1186/C	Seal, washer	1	-	C	OP3/203
28F/9428465	AGS1186/D	Seal, washer	1	-	C	OP3/204
5CW/4400071	DOWTY C1829Y Mk. B	Switch, pressure	1	-	A	OP3/178
27Q/1772	DOWTY E8908Y	Unit, emergency power pack (Pre-Mod. 1057)	1	-	A	
27QM/70433	DOWTY 1.00547.001	Unit, emergency power pack (Mod. 1057)	1	-	A	
27QM/1480383	DOWTY 1.00547.002	Unit, emergency power pack (Mod. 2320)	1	-	A	OP3/179
	DOWTY 07489Y803	Valve, selector, aft (Mod. 1756)	1	-		OP3/180
	DOWTY 1.00418.002	Valve, selector, forward	1	-		OP3/181
		PIPING SERVICES, BY-PASS VALVE IN POWER PACK SYSTEM (Q2266)				
		Spares for:-				
	44SS3564	Cross-piece	1	-		OP3/180
	3Q2266	Fairlead, half	2	-	MR	OP3/182
	30Q2210	PIPE, 3/16" o/d x 22G TEE-PIECE TO TEE-PIECE, GROUP	1	DTD323A	MR	OP3/183
	31Q2210	PIPE, 3/16" o/d x 22G TEE-PIECE TO BY-PASS VALVE, GROUP	1	DT0323A	MR	OP3/184
8228	33Q2210	PIPE, 3/16" o/d x 22G, TEE-PIECE TO BY-PASS VALVE, GROUP	1	DT0323A	C	OP3/185
	81Q2210	PIPE, 1/4" o/d x 22G x 18" LONG TEE-PIECE TO TEE-PIECE, GROUP (Mod. 1383)	1	DT0323	MR	OP3/186

**SERVICES
HYDRAULIC**

Ref. No.	Part No.	Description	No. off	Matl. Spec.	Cl. of	Plate and Illust'n No.
					St.	
		1 2 3 4			PLA	
		PIPING SERVICES, BY-PASS VALVE IN POWER PACK SYSTEM (Q2755) (Cont'd)				
11418	92Q2210	PIPE, 1/4" o/d x 22G x 10" LONG TEE-PIECE TO VALVE, GROUP	1	DTD323	C	QP3/187
11419	93Q2210	PIPE, 3/16" o/d x 22G x 14" LONG TEE-PIECE TO PRESSURE SWITCH, GROUP	1	DTD323	C	QP3/188
5CW/4405418	THE RMOL CONTROL TP636 143SS3557	Switch, pressure Tee-piece	1 1	- -	A MR	QP3/189 QP3/191
27QAM/4173883	DOWTY 1.00138.003	Valve, selector	1	-	A	QP3/192
		PIPING SERVICES AND RESERVOIR MOUNTING (Q1881) (See--Services--Hydraulic--Feed and Return)				
		PIPING, SERVICES AND FILTER MOUNTING (Q1881) (See--Services--Hydraulic--Feed and Return)				
		PIPING SERVICES TO FORWARD AND AFT BOMB DOOR SEALS (Q2072) (See--Services--Pneumatic)				

SERVICES
HYDRAULIC

Ref. No.	Part No	Description	No. off	Matl. Spec.	Cl. of	Plate and Illust'n No.
					SL	
		1 2 3 4				
		BRAKE SYSTEM (Q2103)				
	41R3754	BLOCK, JUNCTION, GROUP (See:— Controls—Flying—Crew's Nacelle)	1	—		
	42R3574	BLOCK, JUNCTION, GROUP (See:— Controls—Flying—Crew's Nacelle)	1	—		
6A. 4337916	SANGAMO WESTON S214/1/11	Gauge, triple pressure (See:—Equipment Aircraft—Instrument Panels)	1	—	A	
27VA/ 4825914	DUNLOP AC13812	Motor, foot (See:—Controls—Flying— Crew's Nacelle)	4	—	A	
		PIPING TO BRAKE FOOT MOTORS (Q1903) Spares for:—				
	1SS3859	Clip	1	—		
	9Q1903	FAIRLEAD, AT FORWARD EDGE OF PILOT'S FLOOR, GROUP	1	—		QP6/193
		Consisting of:—				
28D/9453970	A25/15C	Bolt, hex. hd., 2 BA	1	—	C	
	9bQ1903	Bonding	1	L16		
	9aQ1903	Fairlead, half	2	BSS668		
28M/1012016	AGS2001/C1/66 AS2808/5/062	Nut, stiff, 2 BA	1	—	C	
		Tube, distance, 5/16" o/d x 17G x 5/8" long	1	T36		
28W/9419402	SP13/C	Washer, 2 BA	1	—	C	
	10Q1903	FAIRLEAD, AT FORWARD EDGE OF PILOT'S FLOOR, GROUP	1	—		QP6/194
		Consisting of:—				
28D/9453970	A25/15C	Bolt, hex. hd., 2 BA	1	—	C	
	10bQ1903	Bonding	1	L16		
	10aQ1903	Fairlead, half	2	BSS668		
28M/1012015	AGS2001/C1/66 AS2808/5/062	Nut, stiff, 2 BA	1	—	C	
		Tube, distance 5/16" o/d x 17G x 5/8" long	1	T35		
28W/9419402	SP13/C	Washer, 2 BA	1	—	C	
	14Q1903	FAIRLEAD, AT FORWARD EDGE OF PILOT'S FLOOR, GROUP	1	—		QP6/195
		Consisting of:—				
28D/9140648	A25/19C	Bolt, hex. hd., 2 BA	1	—	C	
	24cQ1247	Bonding, 30G x 1/2" x 6-1/2" long	1	L16		
	24aQ1247	Fairlead, half	2	BSS668		
28M/1012015	AGS2001/C1/66 AS2808/5/100	Nut, stiff, 2 BA	1	—	C	
		Tube, distance, 5/16" o/d x 17G x 1"	1	T35		
28W/9419402	SP13/C	Washer, 2 BA	1	—	C	

VULCAN No. 2

SERVICES
HYDRAULIC

Page QP. 19

Ref. No.	Part No.	Description	No. off	Maxi. Spec.	Cl. of	Place and Illust'n No.
					St. M.R.	
		1 2 3 4				
		PIPING AT BRAKE FOOT MOTORS (Q1903) (Cont'd)				
	1SS3630	Grommet, at pipe 5Q1903, 2nd Pilot, left foot	1	—		QP6/196
17578	DUNLOP 2/1212A/700/ 8/8/20"	Hose, flexible, for foot motor	4	—	C	QP6/197
1510442	DUNLOP 2/1212A/700/ 8/8/24"	Hose, flexible, for foot motor	4	—	C	QP6/198
	136Q1870	PIPE, 3/16" o/d x 22G x 36" LONG, TO .. FOOT MOTOR, 2nd PILOT, RIGHT FOOT, GROUP	1	L56		QP6/199
	137Q1870	PIPE, 3/16" o/d x 22G x 48" LONG, TO .. FOOT MOTOR, 2nd PILOT, LEFT FOOT, GROUP	1	L56		QP6/200
	5Q1903	Pipe, special, to foot motor	4	5019		QP6/201
20004	15Q1903	PIPE, 3/16" o/d x 22G x 60" LONG TO ... FOOT, MOTOR, 1st PILOT, RIGHT FOOT, GROUP	1	L56	C	QP6/202
	16Q1903	PIPE, 3/16" o/d x 22G x 72" LONG, TO .. FOOT MOTOR, 1st PILOT, LEFT FOOT, GROUP	1	L56	MR	QP6/203
	AS2808/5/106	Tube, distance, 5/16" o/d x 17G" x 1.06" .. long, use with clip 1SS3859	1	T35		
		PIPING SERVICES, CREW'S NACELLE BETWEEN FORMERS 202 AND 372, STARBOARD (Q1928)				
		Spare for:—				
	24Q1247	FAIRLEAD, ON PIPE RUN, GROUP	15	—		QP6/204
		Consisting of:—				
	24cQ1247	Bonding, 30G x 1/2" x 8-1/2" long	1	L18		
	24aQ1247	Fairlead, half	2	BSS668		
	31Q1311	FAIRLEAD, ON PIPE RUN, GROUP	3	—		QP6/205
		Consisting of:—				
28D/7002428	A25/8C	Bolt, hex. hd., 2 BA	1	—	C	
		Bonding, 30G x 1/2" x 8-1/2" long	1	L18		
	31aQ1247	Fairlead, half	2	BSS668		
28M/1012015	AGS2001/C1/66	Nut, stiff, 2 BA	1	—	C	
28W/9149402	SP13/C	Washer, 2 BA	1	—	C	

SERVICES
HYDRAULIC

Ref. No.	Part No.	Description	No. off	Matl. Spec.	Cl. of	Place and Illust'n No.
					St. M.R.	
		1 2 3 4				
		PIPING SERVICES, CREW'S NACELLE BETWEEN FORMERS 202 AND 372, STARBOARD (Q1928) (Cont'd)				
	29Q1870	PIPE, 3/16" o/d x 22G x 47" LONG, UNION TO REAR PRESSURE BULKHEAD, GROUP	1	L58		OP6/206
	30Q1870	PIPE, 3/16" o/d x 22G x 47" LONG, UNION TO ADAPTOR, GROUP	1	L58		OP6/207
	35Q1870	PIPE, 3/16" o/d x 22G x 83" LONG, UNION TO UNION, GROUP	1	L58		OP6/208
	38Q1870	PIPE, 3/16" o/d x 22G x 49" LONG, UNION TO ADAPTOR, GROUP	1	L58		OP6/209
	45Q1870	PIPE, 3/16" o/d x 22G x 49" LONG, UNION TO UNION, GROUP	1	L58		OP6/210
	48Q1870	PIPE, 3/16" o/d x 22G x 83" LONG, UNION TO UNION, GROUP	1	L58		OP6/211
	53Q1870	PIPE, 3/16" o/d x 22G x 83" LONG, UNION TO UNION, GROUP	1	L58		OP6/212
	54Q1870	PIPE, 3/16" o/d x 22G x 47" LONG, UNION TO ADAPTOR, GROUP	1	L58		OP6/213
11307	128Q1870	PIPE, 3/16" o/d x 22G x 80" LONG, UNION TO UNION, GROUP	1	L58	C	OP6/214
	129Q1870	PIPE, 3/16" o/d x 22G x 80" LONG, UNION TO UNION, GROUP	1	L58		OP6/215
	130Q1870	PIPE, 3/16" o/d x 22G x 80" LONG, UNION TO UNION, GROUP	1	L58		OP6/216
	131Q1870	PIPE, 3/16" o/d x 22G x 80" LONG, UNION TO UNION, GROUP	1	L58		OP6/217
	132Q1870	PIPE, 3/16" o/d x 22G x 80" LONG, UNION TO UNION, GROUP	1	L58	MR	OP6/218
	133Q1870	PIPE, 3/16" o/d x 22G x 83" LONG, UNION TO UNION, GROUP	1	L58		OP6/219
	134Q1870	PIPE, 3/16" o/d x 22G x 83" LONG, UNION TO UNION, GROUP	1	L58	MR	OP6/220
	135Q1870	PIPE, 3/16" o/d x 22G x 83" LONG, UNION TO UNION, GROUP	1	L58		OP6/221

VULCAN NR. 2		SERVICES		Page QP. 21		
		HYDRAULIC				
Ref. No.	Part No.	Description	No. off	Mett. Spec.	Cl. of St.	Plate and Illust'n No.
					M.R.	
		BRAKE SYSTEM (Q2103) (Cont'd.)				
		PIPING, SERVICES IN NOSEWHEEL U/C BAY (Q1875)	—	—		
26FP/13372	12Q877	Spare for:— Fairlead, half, 2-1/4" x 1/4" x 1/2", on rear pressure bulkhead	4	BSS688	C	QP8/222
	8aQ1482	Fairlead, half, 3 pipe, 1.8" x .375" x .375"	8	BSS688		QP8/223
	80Q1883	FAIRLEAD, 4 PIPE, GROUP	14	—		QP8/224
		Consisting of:—				
	80bQ1883	Bonding, 30G x 1/2" x 5-1/2" long	1	L4		
	80aQ1883	Fairlead, half, 1.87" x .5" x .31"	2	BSS688		
	30Q1875	FAIRLEAD, 6 PIPE, GROUP	1	—		QP8/225
		Consisting of:—				
28D/1010030	A25/7C	Bolt, hex. hd., 2 BA	2	—	C	
	31bQ1875	Bonding, 30G x 1/2" x 7" long	1	L4		
	31aQ1875	Fairlead, half, 2-13/16" x 1/2" x 5/8"	2	BSS688		
28M/1012018	AGS2001/C1/88	Nut, stiff, 2 BA	2	—	C	
28W/9418402	BP13/C	Washer, 2 BA	2	—	C	
		PANEL, HYDRAULIC, IN NOSE WHEEL BAY (10Q1884)	—	—		
		Spare for:—				
27VA/4525910	DUNLOP AC14048	Accumulator, hydraulic	2	—	A	QP8/226
2523	120Q1886	BLOCK, MAIN FEED, GROUP	1	—	C	QP8/227
		Consisting of:—				
	120aQ1886	Block	1	OTD683		
28F/1014970	AGS1104/A	Union, 3/16" BSP	1	—	C	
28F/8011809	AGS1104/B	Union, 1/4" BSP	2	—	C	
28F/8011808	AGS1104/D	Union, 1/2" BSP	2	—	C	
27QM/4173540	DOWTY D5223Y	Valve, non-return	2	—	A	QP8/228
28F/9428452	AGS1186/A	Washer, jointing	1	—	C	
28F/9428453	AGS1186/B	Washer, jointing	4	—	C	
28F/9428455	AGS1186/D	Washer, jointing	2	—	C	
2524	121Q1886	BLOCK, MAIN RETURN, GROUP	1	—	C	QP8/229
		Consisting of:—				
	80SS3563	Adaptor	1	—		QP8/230
	121aQ1886	Block	1	DTD683		
28F/1014970	AGS1104/A	Union, 3/16" BSP	2	—	C	
28F/8011809	AGS1104/B	Union, 1/4" BSP	5	—	C	
28F/9140971	AGS1104/C	Union, 3/8" BSP	1	—	C	
28F/8011808	AGS1104/D	Union, 1/2" BSP	2	—	C	
28F/9428452	AGS1186/A	Washer, jointing	2	—	C	
28F/9428453	AGS1186/B	Washer, jointing	6	—	C	
28F/7103505	AGS1186/C	Washer, jointing	1	—	C	
28F/9428455	AGS1186/D	Washer, jointing	2	—	C	

SERVICES
HYDRAULIC

Ref. No.	Part No.	Description	No. off	Mati. Spec.	Cl. of St	Plate and Illust'n No
					M.R.	
		1 2 3 4				
		PANEL, HYDRAULIC IN NOSE WHEEL BAY (101Q1864) (Cont'd.)				
2522	115Q1870	BLOCK, BRAKES, BLEED, GROUP	1	—	C	QP8/231
3301	24SS3559	Consisting of:— Adaptor, bleed screw	4	—	C	QP8/232
	115aQ1870	Block	1	DTD364B		
28F/9128962	AGS1174/A	Screw, bleed	4	—	C	
28F/1014970	AGS1104/A	Union, 3/16" BSP	8	—	C	
28F9428452	AGS1186/A	Washer, jointing	12	—	C	
9183	4SS3859	Clip	1	—	C	
27VA/ 4825915	DUNLOP ACO21982	Connection, swivel	2	—	A	QP8/233
	2SS3062	Coupling, stand pipe	2	—	MR	QP8/234
	8Q1803	FAIRLEAD, GROUP	1	—		QP8/235
		Consisting of:—				
28D/1011019	A25/8C	Bolt, hex. hd., 2 BA	1	—	C	
	8bQ1803	Bonding, 30G x 1/2" x 8-1/2"	1	L4		
	8aQ1803	Fairlead, half	2	BSS668		
28AA/1012015	AGS2001/C1/80	Nut, stiff, 2 BA	1	—	C	
28W/9148475	SP15/C	Washer, 2 BA	1	—	C	
	23Q1864	FAIRLEAD, GROUP	1	—	MR	QP8/236
		Consisting of:—				
	23aQ1864	Fairlead, half	1	L33		
	23bQ1864	Fairlead, half	1	L33		
	1Q1899	GUARD, PIPE, GROUP	1	—		QP8/237
6A/4333488	DUNLOP AH029130	Gauge, pressure, 3,000 p.s.i.	2	—	A	QP8/238
		MOUNTING, BRAKE ACCUMULATOR, ... PRESSURE TRANSMITTER (Q2073)	—	—		
		Spares for:—				
28FP/2463	15S3859	Clip	2	—	C	
7339	2Q2073	CLAMP, GROUP	1	—	C	QP8/239
	22SS3554	Cross-piece	2	—		QP8/240
28FZ/40149	EA3-73-313	ELBOW ASSY	2	—	C	QP8/240A
	177Q1870	PIPE, 3/16" o/d x 22G x 17" LONG.	1	DTD323A	MR	QP8/241
		PRESSURE TRANSMITTER TO PRESSURE RELAY, GROUP				
	178Q1870	PIPE, 3/16" o/d x 22G x 19" LONG.	1	DTD323A	MR	QP8/242
		PRESSURE RELAY TO CROSS- PIECE, GROUP				

VULCAN No. 2

SERVICES
HYDRAULIC

Page QP 23

Ref. No.	Part No.	Description	No. off	Matl. Spec.	Cl. of St. M.R.	Plate and Illust'n No.
		1.2.1.4				
		MOUNTING, BRAKE ACCUMULATOR PRESSURE TRANSMITTER (Q2073) (Cont'd)				
7337	179Q1870	PIPE, 3/16" o/d x 22G x 5" LONG, ... PRESSURE TRANSMITTER TO PRESSURE RELAY, GROUP	1	DTD323A	C	QP8/243
7338	180Q1870	PIPE, 3/16" o/d x 22G x 14" LONG, ... PRESSURE RELAY TO CROSS-PIECE, GROUP	1	DTD323A	C	QP8/244
6A/4285	SANGAMO WESTON FD890	Plate, mounting, transmitter	2	-	C	QP8/245
27VA/4825951	DUNLOP ACM18798	Relay, pressure	2	-	A	QP8/246
6A/3936	SANGAMO WESTON S122/4/44	Transmitter, pressure	2	-	A	QP8/247
2518	3Q1884	PANEL, HYDRAULIC, LESS PIPES, ... AND VALVES, GROUP	1	-	C	QP8/248
2519	18Q1884	Spares for:- Strap, accumulator	8	-	C	QP8/249
11409	7Q1884	PANEL, ACCUMULATOR CHARGING, GROUP	1	-	A	QP8/250
		Spares for:-				
	HIGH PRESSURE COMPONENTS A58 MK.2	Connection, charge	2	-		QP8/251
6A/2237918	-	Gauge, pressure, 4,000 lb p.s.i.	2	-	B	QP8/252
	13SS3565	Nipple, running charge valve	2	-	MR	QP8/253
	11Q1870	PIPE, 3/16" o/d x 22G x 9" LONG, ... CHARGE VALVE TO PRESSURE GAUGE, TOP, GROUP	1	DTD323A		QP8/254
9738	13Q1870	PIPE, 3/16" o/d x 22G x 9" LONG, ... CHARGE VALVE TO PRESSURE VALVE, BOTTOM, GROUP	1	DTD323A	C	QP8/255
2521	38SS3567	Union, banjo	2	-	C	QP8/256
26FP/10114	1SS1585	Washer, tab	2	-	C	QP8/257
	2Q1870	PIPE, 1/4" o/d x 22G x 18" LONG, ... REDUCTION VALVE TO CONTROL VALVE, GROUP	1	DTD323A	MR	QP8/258
1433213	3Q1870	PIPE, 1/4" o/d x 22G x 24" LONG, ... PRESSURE REDUCTION VALVE TO CONTROL VALVE, GROUP	1	DTD323A	C	QP8/259

SERVICES
HYDRAULIC

Ref. No.	Part No.	Description	No. off	Matl. Spec.	Cl. of	Place and Illust'n No.
					St. M.R.	
		<u>1 2 3 4</u>				
		PANEL, HYDRAULIC, IN NOSE WHEEL BAY (Q1884) (Cont'd)				
1433110	4Q1870	PIPE, 1/4" o/d x 22G x 8" LONG, FEED BLOCK TO REDUCTION VALVE, GROUP	1	DTD323A	C	QP8/260
1433111	5Q1870	PIPE, 3/16" o/d x 22G x 22" LONG, PRESSURE RELIEF VALVE TO TEE-PIECE, GROUP	1	DTD323A	C	QP8/261
1433112	7Q1870	PIPE, 1/4" o/d x 22G x 24" LONG, TEE-PIECE TO RELEASE VALVE, GROUP	1	DTD323A	C	QP8/262
1433113	8Q1870	PIPE, 3/16" o/d x 22G x 7" LONG, TEE-PIECE TO RELEASE VALVE, GROUP	1	DTD323A	C	QP8/263
	10Q1870	PIPE, 1/4" o/d x 22G x 32" LONG, ACCUMULATOR TO CHARGING VALVE, GROUP	1	DTD323A	MR	QP8/264
	12Q1870	PIPE, 1/4" o/d x 22G x 32" LONG, ACCUMULATOR TO CHARGING VALVE, GROUP	1	DTD323A	MR	QP8/265
11137	14Q1870	PIPE, 3/16" o/d x 22G x 8" LONG, PRESSURE RELIEF VALVE TO TEE-PIECE, GROUP	1	L58	C	QP8/266
	15Q1870	PIPE, 3/16" o/d x 22G x 8" LONG, TEE-PIECE TO RELEASE VALVE, GROUP	1	L58		QP8/267
	16Q1870	PIPE, 3/16" o/d x 22G x 24" LONG, RETURN BLOCK TO TEE-PIECE, GROUP	1	L58		QP8/268
	116Q1870	PIPE, 3/16" o/d x 22G x 8" LONG, BLEED BLOCK No. 1, PORT TO PRESSURE GAUGE, GROUP	1	DTD323A		QP8/269
	117Q1870	PIPE, 3/16" o/d x 22G x 12" LONG, BLEED BLOCK, No. 1, PORT TO PRESSURE RELAY, GROUP	1	DTD323A		QP8/270
	118Q1870	PIPE, 3/16" o/d x 22G x 9" LONG, BLEED BLOCK No. 1, STARBOARD TO PRESSURE GAUGE, GROUP	1	DTD323A		QP8/271
11877	119Q1870	PIPE, 3/16" o/d x 22G x 10" LONG, BLEED BLOCK, No. 1, STARBOARD TO PRESSURE RELAY, GROUP	1	DTD323A	C	QP8/272
	120Q1870	PIPE, 3/16" o/d x 22G x 12" LONG, BLEED BLOCK No. 2, STARBOARD TO PRESSURE GAUGE, GROUP	1	DTD323A		QP8/273

VULCAN No. 2

SERVICES
HYDRAULIC

Page OP. 26

Ref. No.	Part No.	Description	No. off	Matl. Spec.	Cl. of	Plate and Illust'n No.
					St. M.R.	
		<u>1 2 3 4</u> PANEL, HYDRAULIC, IN NOSE WHEEL BAY (Q1864) (Cont'd)				
	121Q1870	PIPE, 3/16" o/d x 22G x 12" LONG, ... BLEED BLOCK No. 2, STARBOARD TO PRESSURE GAUGE, GROUP	1	DTD323A		QP8/274
	122Q1870	PIPE, 3/16" o/d x 22G x 10" LONG, ... BLEED BLOCK No. 2, PORT, TO PRESSURE GAUGE, GROUP	1	DTD323A		QP8/275
	123Q1870	PIPE, 3/16" o/d x 22G x 8" LONG, ... BLEED BLOCK No. 2, PORT, TO PRESSURE RELAY, GROUP	1	DTD323A		QP8/276
	150Q1870	PIPE, 1/4" o/d x 22G x 18" LONG, ... BANJO TO CROSS-PIECE, GROUP	1	DTD323A		QP8/277
	160Q1870	PIPE, 1/4" o/d x 22G x 18" LONG, ... CROSS-PIECE TO BANJO, GROUP	1	DTD323A	MR	QP8/278
	161Q1870	PIPE, 1/4" o/d x 22G x 15" LONG, ... CROSS-PIECE TO PRESSURE REDUCTION VALVE, GROUP	1	DTD323A		QP8/279
7334	162Q1870	PIPE, 1/4" o/d x 22G x 15" LONG, ... CROSS-PIECE TO PRESSURE REDUCTION VALVE, GROUP	1	DTD323A	C	QP8/280
	152Q1870	PIPE, 1/4" o/d x 22G x 32" LONG, ... TEE-PIECE TO ACCUMULATOR, GROUP	1	DTD323A	MR	QP8/281
	153Q1870	PIPE, 1/4" o/d x 22G x 30" LONG, ... TEE-PIECE TO ACCUMULATOR, GROUP	1	DTD323A	MR	QP8/282
6432	42Q1866	PIPE, 1/4" o/d x 22G x 20" LONG, ... FROM REDUCING VALVE TO FEED BLOCK, GROUP (Pre-Mod. 2198)	1	DTD323A	C	
	250Q2101	PIPE, 1/4" o/d x 22G x 20" LONG, ... FROM REDUCING VALVE TO FEED BLOCK, GROUP (Mod. 2198) (See: -Piping Services, Hydraulic Panel in Nosewheel Bay)	1	DTD5018	MR	
	46Q1866	PIPE, 1/4" o/d x 22G x 15" LONG, ... FROM FEED BLOCK TO CONTROL VALVE, GROUP (See: -Piping Services, Hydraulic Panel in Nosewheel Bay)	1	DTD323A		

SERVICES
HYDRAULIC

Ref. No.	Part No.	Description	No. off	Matl. Spec.	Cl. of	Plate and Illust'n No.
					St.	
		1 2 3 4			M.R.	
1433122	48Q1886	PANEL, HYDRAULIC, IN NOSE WHEEL BAY (O1884) (Cont'd) PIPE, 1/4" o/d x 22G x 12" LONG, FROM STEERING STOP VALVE PRESSURE REDUCING VALVE, GROUP (See: -Piping Services, Hydraulic Panel in Nosewheel Bay)	1	DTD323A	C	
	85Q1886	PIPE, 3/16" o/d x 22G x 8" LONG, FROM PRESSURE REDUCING VALVE TO RETURN BLOCK, GROUP (See: -Piping Services, Hydraulic Panel in Nosewheel Bay)	1	L56	MR	
	86Q1886	PIPE, 3/16" o/d x 22G x 28" LONG, FROM JETTISON VALVE TO RETURN BLOCK, GROUP (See: -Piping Services, Hydraulic Panel in Nosewheel Bay)	1	L56		
	89Q1886	PIPE, 1/4" o/d x 22G x 18" LONG, FROM RETURN BLOCK TO PRESSURE REDUCING VALVE, GROUP (See: -Piping Services, Hydraulic Panel in Nosewheel Bay)	1	L56		
17473	89Q1886	PIPE, 1/4" o/d x 22G x 10" LONG, FROM RETURN BLOCK TO PRESSURE REDUCING VALVE, GROUP (See: -Piping Services, Hydraulic Panel in Nosewheel Bay)	1	L56	C	
	91Q1886	PIPE, 1/4" o/d x 22G x 16" LONG, FROM CONTROL VALVE TO RETURN BLOCK, GROUP (See: -Piping Services, Hydraulic Panel in Nosewheel Bay)	1	L56	MR	
	92Q1886	PIPE, 1/4" o/d x 22G x 16" LONG, FROM STEERING STOP VALVE TO RETURN BLOCK, GROUP (See: -Piping Services, Hydraulic Panel in Nosewheel Bay)	1	L56	MR	
	93Q1886	PIPE, 3/8" o/d x 20G x 8" LONG, FROM RETURN BLOCK TO NON- RETURN VALVE, GROUP (See: -Piping Services, Hydraulic Panel in Nosewheel Bay)	1	L56		

VULCAN No. 2

SERVICES
HYDRAULIC

Page OP. 27

Ref. No.	Part No.	Description	No. off	Matl. Spec.	Cl. of	Plate and Hist'n No.
					St. M.R.	
		1 2 3 4				
		PANEL, HYDRAULIC, IN NOSE WHEEL BAY (Q1854) (Cont'd)				
	203Q1866	PIPE, 1/2" o/d x 18G x 16" LONG, FROM FEED BLOCK TO CONTROL VALVE, GROUP (See: - Piping Services, Hydraulic Panel in Nosewheel Bay)	1	DTD503	MR	
11120	204Q1866	PIPE, 1/2" o/d x 18G x 14" LONG, FROM RETURN BLOCK TO CONTROL VALVE, GROUP (See: - Piping Services, Hydraulic Panel in Nosewheel Bay)	1	DTD503	C	
1433121	20Q1867	PIPE, 1/4" o/d x 22G x 48" LONG, FROM CONTROL VALVE TO PRESSURE REDUCING VALVE, GROUP	1	DTD503	C	QP8/283
1433165	123Q1867	PIPE, 3/8" o/d x 20G x 36" LONG, FROM PRESSURE REDUCING VALVE TO TEE-PIECE, GROUP	1	DTD503	C	QP8/284
	138Q1866	PIPE, 3/8" o/d x 20G x 18" LONG, FROM NON-RETURN VALVE TO BRAKES CONTROL VALVE, GROUP (See: - Piping Services, Hydraulic Panel in Nosewheel Bay)	1	L56		
27VA/4625651	DUNLOP ACM18798	Relay, pressure (Mod. 238)	4	-	A	QP8/285
27QM/1446885	DOWTY 1.00982.006	Valve, control, nose wheel u/c jack	1	-	A	QP8/286
27QM/1446886	DOWTY 1.00982.006	(Mod. 2180) Valve, control, nose wheel door	1	-	A	QP8/287
27QM/4173658	DOWTY 1.00137.002	(Mod. 2180) Valve, steering stop	1	-	A	QP8/288
27QM/4117648	DOWTY D4930Y	Valve, pressure release	2	-	A	QP8/289
27QM/1480080	DOWTY C4719Y.B.O.7	Valve, pressure reducing (Mod. 2273) ...	1	-	A	QP8/290
27QM/4173708	DOWTY C6770Y MK.B	Valve, jettison	1	-	A	QP8/291
27G/2781	DUNLOP AC14512	Valve, brake control, 2,500 p.s.i.	1	-	A	QP8/292
27VA/4625738	DUNLOP AC12220	Valve, pressure reducing	2	-	A	QP8/293
4820-98- 4117455	DOWTY D6230Y	Valve, non-return	1	-	A	

SERVICES
HYDRAULIC

Ref. No.	Part No.	Description	No. off	Matl. Spec.	Cl. of	Plate and Illust'n No.
					St. M.R.	
		1 2 3 4				
		PIPING, SERVICES IN NOSE WHEEL BAY (Q1875) (Cont'd)				
	27Q1870	PIPE, 3/16" o/d x 22G x 80" LONG, UNION TO UNION, FORWARD PRESSURE BULKHEAD, GROUP	1	L58	MR	OP6/294
	28Q1870	PIPE, 3/16" o/d x 22G x 42" LONG, UNION TO UNION, FORWARD PRESSURE BULKHEAD, GROUP	1	L58	MR	OP6/295
	37Q1870	PIPE, 3/16" o/d x 22G x 48" LONG, UNION TO UNION, FORWARD PRESSURE BULKHEAD, GROUP	1	L58	MR	OP6/296
	38Q1870	PIPE, 3/16" o/d x 22G x 80" LONG, UNION TO UNION, FORWARD PRESSURE BULKHEAD, GROUP	1	L58	MR	OP6/297
	43Q1870	PIPE, 3/16" o/d x 22G x 80" LONG, UNION TO UNION, FORWARD PRESSURE BULKHEAD, GROUP	1	L58	MR	OP6/298
	44Q1870	PIPE, 3/16" o/d x 22G x 42" LONG, UNION TO UNION, FORWARD PRESSURE BULKHEAD, GROUP	1	L58	MR	OP6/299
	56Q1870	PIPE, 3/16" o/d x 22G x 42" LONG, UNION TO UNION, FORWARD PRESSURE BULKHEAD, GROUP	1	L58	MR	OP6/300
	58Q1870	PIPE, 3/16" o/d x 22G x 80" LONG, UNION TO UNION, FORWARD PRESSURE BULKHEAD, GROUP	1	L58	MR	OP6/301
3157	59Q1870	PIPE, 1/4" o/d x 22G x 18" LONG, TEE PIECE TO CONTROL VALVE, GROUP	1	DTD323A	C	OP6/302
	80Q1870	PIPE, 1/4" o/d x 22G x 72" LONG, TEE-PIECE TO UNION, GROUP	1	DTD323A	MR	OP6/303
	77Q1870	PIPE, 1/4" o/d x 22G x 72" LONG, TEE-PIECE TO UNION, GROUP	1	DTD323A	MR	OP6/304
3158	78Q1870	PIPE, 1/4" o/d x 22G x 12" LONG, TEE-PIECE TO CONTROL VALVE, GROUP	1	DTD323A	C	OP6/306
3159	78Q1870	PIPE, 1/4" o/d x 22G x 18" LONG, TEE-PIECE TO CONTROL VALVE, GROUP	1	DTD323A	C	OP6/308

VULCAN No. 1

SERVICES
HYDRAULIC

Page 09. 29

Ref. No.	Part No.	Description	No. off	Mtrl. Spec.	Cl of	Place and Illustr'n No.
					Sc. M.R.	
		1 2 3 4				
		PIPING SERVICES, IN NOSE WHEEL BAY (Q1875) (Cont'd)				
1433278	80Q1870	PIPE, 1/4" o/d x 22G x 8" LONG, FROM ADAPTOR AT FORMER 86.5 IN N/W BAY, GROUP	1	DTD323A	C	OP6/307
1433279	87Q1870	PIPE, 1/4" o/d x 22G x 8" LONG, FROM ADAPTOR TO FORMER 86.5", GROUP	1	DTD323A	C	OP6/308
3170	98Q1870	PIPE, 1/4" o/d x 22G x 6" LONG, TEE-PIECE TO CONTROL VALVE, GROUP	1	DTD323A	C	OP6/309
3174	124Q1870	PIPE, 3/16" o/d x 22G x 18" LONG, TEE-PIECE TO PRESSURE RELAY, GROUP	1	DTD323A	C	OP6/310
	126Q1870	PIPE, 3/16" o/d x 22G x 18" LONG, TEE-PIECE TO PRESSURE RELAY, GROUP	1	DTD323A	MR	OP6/311
3172	128Q1870	PIPE, 3/16" o/d x 22G x 12" LONG, TEE-PIECE TO PRESSURE RELAY, GROUP	1	DTD323A	C	OP6/312
3171	127Q1870	PIPE, 3/16" o/d x 22G x 9" LONG, TEE-PIECE TO PRESSURE RELAY, GROUP	1	DTD323A	C	OP6/313
	144Q1870	PIPE, 3/16" o/d x 22G x 36" LONG, BRAKE CONTROL VALVE TO UNION, GROUP	1	L56	MR	OP6/314
	147Q1870	PIPE, 3/16" o/d x 22G x 36" LONG, BRAKE CONTROL VALVE TO UNION, GROUP	1	L56	MR	OP6/315
	148Q1870	PIPE, 3/16" o/d x 22G x 27" LONG, BRAKE CONTROL VALVE TO UNION, GROUP	1	L56	MR	OP6/316
	151Q1870	PIPE, 3/16" o/d x 22G x 36" LONG, BRAKE CONTROL VALVE TO UNION, GROUP	1	L56	MR	OP6/317
	33Q2103	PIPE, 3/16" o/d x 22G, UNION TO UNION, GROUP	1	L56		OP6/318
	34Q2103	PIPE, 3/16" o/d x 22G, UNION TO UNION, GROUP	1	L56		OP6/319

SERVICES
HYDRAULIC

Ref. No.	Part No.	Description	No. off	Mater. Spec	Cl of St.	Plate and Illust'n No.
					M.R.	
		1 2 3 4				
		PIPING SERVICES, IN NOSE WHEEL BAY (Q1876) (Cont'd.)				
	35Q2103	PIPE, 3/16" o/d x 22G, UNION TO UNION, GROUP	1	L56		QP6/320
	36Q2103	PIPE, 3/16" o/d x 22G, UNION TO UNION, GROUP	1	L56		QP6/321
	37Q2103	PIPE, 3/16" o/d x 22G, UNION TO UNION, GROUP	1	L56		QP6/322
	38Q2103	PIPE, 3/16" o/d x 22G, UNION TO UNION, GROUP	1	L56		QP6/323
	39Q2103	PIPE, 3/16" o/d x 22G, UNION TO UNION, GROUP	1	L56		QP6/324
	40Q2103	PIPE, 3/16" o/d x 22G, UNION TO UNION, GROUP	1	L56		QP6/325
		PIPING SERVICES, POWER PACK TO BRAKE ACCUMULATOR BULKHEAD 7% TO BOMB ARCH 151.99 (Q2071)				
		Spares for:—				
	6SS3859	Clip	8	—		
	164Q1870	PIPE, 1/2" o/d x 18G x 68" LONG, UNION TO UNION, GROUP	1	DTD603	MR	QP7/326
	167Q1870	PIPE, 1/2" o/d x 18G x 56" LONG, UNION TO BULKHEAD ADAPTOR, GROUP	1	DTD503	MR	QP7/327
	170Q1870	PIPE, 1/2" o/d x 18G x 56" LONG, ADAPTOR TO TEE-PIECE, GROUP	1	DTD503	MR	QP8/328
	171Q1870	PIPE, 1/4" o/d x 22G x 5" LONG, TEE-PIECE TO NON-RETURN VALVE, GROUP	1	DTD323A		QP8/329
	172Q1870	PIPE, 1/4" o/d x 22G x 7" LONG, TEE-PIECE TO NON-RETURN VALVE, GROUP	1	DTD323A		QP8/330
1433114	173Q1870	PIPE, 1/4" o/d x 22G x 5" LONG, NON-RETURN VALVE TO CROSS-PIECE	1	DTD323A	C	QP8/331

VULCAN No. 2		SERVICES		Page QP. 31		
		HYDRAULIC				
Ref. No.	Part No.	Description	No. off	Matl. Spec.	Cl. of St.	Plate and Illust'n No.
					M.R.	
		1 2 3 4				
		PIPING SERVICES, POWER PACK TO BRAKE ACCUMULATORS (Q207 1) (Cont'd.)				
1433115	174Q1870	PIPE, 1/4" o/d x 22G x 8" LONG, NON-RETURN VALVE TO CROSS-PIECE, GROUP	1	OTD323A	C	QP8/332
	8Q2103	PIPE, 1/4" o/d x 22G x 8" LONG, SELECTOR VALVE TO UNION, GROUP	1	DTD503		QP7/333
	26Q2103	PIPE, 1/2" o/d x 18G, UNION TO UNION, GROUP	1	DTD503		QP6/334
	27Q2103	PIPE, 1/2" o/d x 18G, ADAPTOR TO UNION, GROUP	1	DTD503		QP6/335
	32Q2103	PIPE, 1/2" o/d x 18G, UNION TO ADAPTOR, GROUP	1	DTD503		QP6/336
	51Q2103	PIPE, 1/2" o/d x 18G, UNION TO UNION, GROUP	1	OTD503		QP7/337
	52Q2103	PIPE, 1/2" o/d x 18G, UNION TO ADAPTOR, GROUP	1	DTD503		QP7/338
26TA/8745	158SS3557 DOWTY	Tee-piece	1	—	C	QP8/339
27Q/4154820	D5220Y	Valve, non-return	2	—	A	QP8/340
		PIPING SERVICES, IN AIR INTAKES, PORT AND STARBOARD (Q2212) Spares for:—				
	15Q2212	Bracket (Mod. 2203)	1	L72		
	16Q2212	Bracket (Mod. 2203)	2	L72		
22039	18Q1885	FAIRLEAD, PORT AND STARBOARD, GROUP	2	—	C	QP6/341
		Consisting of:—				
28D/1010030	A25/7C	Bolt, hex. head, 2 BA	1	—	C	
	18cQ1885	Bonding, 30G x 1/2"	1	L4		
	18aQ1885	Fairlead, half, 1/2" x 1/2" x 1-1/4"	1	BSS668		
	18bQ1885	Fairlead, half, 1/2" x 1/2" x 1-1/4"	1	BSS668		
28M/1012015	AGS2001/C1/66	Nut, stiff, 2 BA	1	—	C	
28W/8419475	SP15/C	Washer, 2 BA	1	—	C	
	10Q2212	FAIRLEAD, STARBOARD, GROUP	5	—		QP6/342
		Consisting of:—				
28D/9140645	A25/10C	Bolt, hex. head, 2 BA	2	—	C	
	10cQ2212	Bonding, 30G x 3/8" wide	1	L4		
	10aQ2212	Fairlead, half, 1/2" x 3/8" x 4-1/8"	2	BSS668		
28M/1012015	AGS2001/C1/66	Nut, stiff, 2 BA	2	—	C	
28W/8419475	SP15/C	Washer, 2 BA	2	—	C	

SERVICES
HYDRAULIC

Ref. No.	Part No.	Description	No. off	Matl. Spec.	Cl. of St.		Plate and Illust'n No.
						M.R.	
		1234					
		PIPING SERVICES, IN AIR INTAKES, PORT AND STARBOARD (Q2212) (Cont'd.)					
	13Q2212	FAIRLEAD, PORT, GROUP	2	—			QP6/343
		Consisting of:—					
28D/9133014	A25/13C	Bolt, hex. head, 2 BA	2	—		C	
	13bQ2212	Bonding, 30G x 3/8" wide	1	L4			
28M/1012015	13aQ2212	Fairlead, half, .375" x .65" x 4.83"	2	BSS668			
28W/9419475	AGS2001/C1/66	Nut, stiff, 2 BA	2	—		C	
	SP15/C	Washer, 2 BA	2	—		C	
	13Q1627	FAIRLEAD, PORT, GROUP	1	—			QP6/344
		Consisting of:—					
28D/1010030	A25/7C	Bolt, hex. head, 2 BA	1	—		C	
	13bQ1627	Bonding, 30G x 1/2"	1	L4			
28M/1012015	13aQ1627	Fairlead, half, 1-1/4" x 1/2" x 3/16"	2	BSS668			
28W/9419475	AGS2001/C1/66	Nut, stiff, 2 BA	1	—		C	
	SP15/C	Washer, 2 BA	1	—		C	
	4Q1884	FAIRLEAD, PORT, GROUP	3	—			QP6/345
		Consisting of:—					
28D/1011022	A25/18C	Bolt, hex. head, 2 BA	2	—		C	
	4cQ1884	Bonding, 3/8" x 30G	1	L4			
	4aQ1884	Fairlead, half, 4.5/8" x 1" x 3/8"	1	BSS668			
28M/1012015	4bQ1884	Fairlead, half, 4.5/8" x 1" x 3/8"	1	BSS668			
28W/9419475	AGS2001/C1/66	Nut, stiff, 2 BA	2	—		C	
	SP15/C	Washer, 2 BA	2	—		C	
	17Q2212	Packer (Mod. 2203)	2	—			
	61Q1870	PIPE, 1/4" o/d x 22G x 120" LONG, UNION TO UNION, STARBOARD, GROUP	1	DTD323A			QP6/346
	62Q1870	PIPE, 1/4" o/d x 22G x 84" LONG, UNION TO BULKHEAD UNION, STARBOARD, GROUP	1	DTD323A			QP6/347
	75Q1870	PIPE, 1/4" o/d x 22G x 84" LONG, UNION TO BULKHEAD UNION, STANDARD, GROUP	1	DTD323A	MR		QP6/348
	78Q1870	PIPE, 1/4" o/d x 22G x 120" LONG, UNION TO UNION, STARBOARD, GROUP	1	DTD323A			QP6/349
1433378	28Q2103	PIPE, 1/4" o/d x 22G x 126" LONG, UNION TO UNION, PORT, GROUP	1	DTD323A		C	QP6/350

VULCAN PHL 3

SERVICES
HYDRAULIC

Page QP. 33

Ref. No.	Part No.	Description	No. off	Matl. Spec.	Cl. of Sc. M.R.	Place and Illust'n No.
		1.2.1.4				
		PIPING SERVICES, IN AIR INTAKES, PORT AND STARBOARD (Q2212) (Cont'd)				
	29Q2103	PIPE, 1/4" o/d x 22G x 90" LONG, UNION TO BULKHEAD UNION, PORT, GROUP	1	DTD323A		QP8/351
1433504	30Q2103	PIPE, 1/4" o/d x 22G x 90" LONG, UNION TO BULKHEAD UNION, PORT, GROUP	1	DTD323A	C	QP8/352
1433379	31Q2103	PIPE, 1/4" o/d x 22G x 126" LONG, UNION TO UNION, PORT, GROUP	1	DTD323A	C	QP8/353
		PIPING SERVICES, MAIN U/C WHEEL BAY, PORT AND STARBOARD (Q2079 AND Q2080) Sparcs for:-				
	5Q1885	FAIRLEAD, ON REAR U/C BULK-HEAD, GROUP Consisting of:-	2	-	MR	QP7/354
28D/9140645	A25/10C	Bolt, hex. hd., 2 BA	2	-	C	
28D/1010142	A25/98	Bolt, hex. hd., 4 BA	2	-	C	
	5bQ1885	Bonding, 30G x 1/2" x 12"	1	L16		
	5aQ1885	Fairlead, half, 1/2" x 1/2" x 5-3/4"	1	BSS668		
	5cQ1885	Fairlead, half, 1/2" x 1/2" x 5-3/4"	1	BSS668		
28M/1012015	AGS2001/C1/68	Nut, stiff, 2 BA	2	-	C	
28M/1278189	AGS2001/B1	Nut, stiff, 2 BA	2	-	C	
28W/9419402	SP13/C	Washer, 2 BA	2	-	C	
28W/9419485	SP13/B	Washer, 2 BA	2	-	C	
	7Q1885	FAIRLEAD, ON RIB 162.5, PORT, GROUP Consisting of:-	1	-	MR	QP7/355
28D/9436710	A25/11C	Bolt, hex. hd., 2 BA	2	-	C	
28D/9133013	A25/5C	Bolt, hex. hd., 2 BA	2	-	C	
28D/9140639	A25/118	Bolt, hex. hd., 4 BA	1	-	C	
	7cQ1885	Bonding, 30G x 1/2" x 12"	1	L16		
28FP/13942	SS3867	Bracket, angle	2	-	C	
	7aQ1885	Fairlead, half, 6.6" x .6" x .5"	1	BSS668		
	7bQ1885	Fairlead, half, 6.6" x .6" x .5"	1	BSS668		
28M/1012015	AGS2001/C1/68	Nut, stiff, 2 BA	4	-	C	
28M/1278189	AGS2001/B1	Nut, stiff, 4 BA	1	-	C	
28W/9419402	SP13/C	Washer, 2 BA	4	-	C	
28W/9419485	SP13/B	Washer, 4 BA	1	-	C	

SERVICES
HYDRAULIC

Ref. No.	Part No.	Description	No. off	Matl. Spec.	Cl. of	Place and Illust'n No.
					St.	
		1 2 3 4			M.R.	
		PIPING SERVICES, MAIN U/C WHEEL BAY, PORT AND STARBOARD (Q2079, Q2080) (Cont'd)				
	6Q1865	FAIRLEAD, ON RIB 182.5, GROUP	2	-	MR	QP7/356
		Consisting of:-				
28D/9435711	A25/108	Bolt, hex. hd., 4 BA	1	-	C	
	6bQ1865	Bonding, 30G x 1/2" x 12"	1	L18		
	6aQ1865	Fairlead, half, 6.05" x 1/2" x 1/2"	2	BSS668		
28M/1278189	AGS2001/B1	Nut, stiff, 4 BA	1	-	C	
28W/9419465	SP13/B	Washer, 4 BA	1	-	C	
	6Q1865	FAIRLEAD, ON RIB 182.5, GROUP	2	-	MR	QP7/357
		Consisting of:-				
28D/9133013	A25/5C	Bolt, hex. hd., 2 BA	2	-	C	
28D/9435710	A25/11C	Bolt, hex. hd., 2 BA	2	-	C	
28D/9140639	A25/11B	Bolt, hex. hd., 4 BA	2	-	C	
	6aQ1865	Bonding, 30G x 1/2" x 7"	1	L18		
26FP/13942	SS3867	Bracket, angle	2	-	C	
	6aQ1865	Fairlead, half, 5-1/2" x 1/2" x 1/2"	1	BSS668		
	6bQ1865	Fairlead, half, 5-1/2" x 1/2" x 1/2"	1	BSS668		
28M/1012015	AGS2001/C1/66	Nut, stiff, 2 BA	4	-	C	
28M/1278189	AGS2001/B1	Nut, stiff, 4 BA	2	-	C	
28W/9419402	SP13/C	Washer, 2 BA	4	-	C	
28W/9419465	SP13/B	Washer, 4 BA	2	-	C	
	10Q1865	FAIRLEAD, ON U/C REAR BULK-HEAD, GROUP	2	-		QP7/358
		Consisting of:-				
28D/9133013	A25/5C	Bolt, hex. hd., 2 BA	1	-	C	
28D/9435710	A25/11C	Bolt, hex. hd., 2 BA	2	-	C	
	10aQ1865	Bonding, 30G x 1/2" x 6"	1	L18		
26FP/13942	SS3867	Bracket, angle	1	-	C	
	10aQ1865	Fairlead, half	1	BSS668		
	10bQ1865	Fairlead, half	1	BSS668		
28M/1012015	AGS2001/C1/66	Nut, stiff, 2 BA	3	-	C	
28W/9419402	SP13/C	Washer, 2 BA	3	-	C	
	11Q1878	FAIRLEAD, ON RIB 182.5, STARBOARD, GROUP	-	-	MR	QP7/359
		Consisting of:-				
28D/9133013	A25/5C	Bolt, hex. hd., 2 BA	2	-	C	
28D/9435710	A25/11C	Bolt, hex. hd., 2 BA	2	-	C	
28D/9140639	A25/11B	Bolt, hex. hd., 4 BA	1	-	C	
	11aQ1878	Bonding, 30G x 1/2" x 17"	1	L18		
26FP/13942	SS3867	Bracket, angle	2	-	C	
	11aQ1878	Fairlead, half, 5.85" x 5" x .5"	1	BSS668		
	11bQ1878	Fairlead, half, 5.85" x 6" x .5"	1	BSS668		
28M/1012015	AGS2001/C1/66	Nut, stiff, 2 BA	2	-	C	
28M/1278189	AGS2001/B1	Nut, stiff, 4 BA	1	-	C	
28W/9419402	SP13/C	Washer, 2 BA	4	-	C	
28W/9419465	SP13/B	Washer, 4 BA	1	-	C	

VULCAN No. 2		SERVICES		Page OP. 35		
		HYDRAULIC				
Ref. No.	Part No.	Description	No. off	Mater. Spec.	Cl. of	Plate and Illust'n No.
					St. M.R.	
		1 2 3 4				
PIPING SERVICES MAIN U/C WHEEL BAY, PORT AND STARBOARD (Q2079, Q2080) (Cont'd)						
	12Q1865	FAIRLEAD, ON RIB 162.5, GROUP	2	-	MR	OP7/360
		Consisting of:-				
28D/9133013	A25/6C	Bolt, hex. hd., 2 BA	4	-	C	
28D/9436170	A25/11C	Bolt, hex. hd., 2 BA	4	-	C	
28D/9140539	A25/11B	Bolt, hex. hd., 4 BA	2	-	C	
	12cQ1865	Bonding, 30G x 1/2" x 12"	1	L18		
28FP/13942	SS3867	Bracket, angle	1		C	
	12aQ1865	Fairlead, half, 6.65" x .5" x .5"	1	BSS668		
	12bQ1865	Fairlead, half, 6.65" x .6" x .5"	1	BSS668		
28M/1012015	AGS2001/C1/86	Nut, stiff, 2 BA	8		C	
28M/1278189	AGS2001/B1	Nut, stiff, 4 BA	2		C	
28W/9419402	SP13/C	Washer, 2 BA	8		C	
28W/9419488	SP16/B	Washer, 4 BA	2		C	
	10Q1878	FAIRLEAD, ON RIB 162.5, GROUP	2		MR	OP7/361
		Consisting of:				
28D/9133013	A25/6C	Bolt, hex. hd., 2 BA	1		C	
28D/9436170	A25/11C	Bolt, hex. hd., 2 BA	2		C	
	10cQ1878	Bonding, 30G x 1/2" x 6"	1			
28FP/13942	SS3867	Bracket, angle	1		C	
	10aQ1878	Fairlead, half, 2.4" x 1/2" x 1/2"	1	BSS668		
	10bQ1878	Fairlead, half, 2.4" x 1/2" x 1/2"	1	BSS668		
28M/1012015	AGS.2001/C1/86	Nut, stiff, 2 BA	3		C	
28W/9419402	SP13/C	Washer, 2 BA	3		C	
6710	2Q2103	PIPE, 1/4" O/D x 22G. x 46" LONG, ADAPTOR TO UNION, STARBOARD GROUP (Pre-Mod. 2236)	1	DTD323A	C	
1505333	80Q2103	PIPE, 1/4" O/D x 22G, ADAPTOR TO UNION, STARBOARD, GROUP (Mod. 2236)	1	DTD5016		OP7/362
6711	3Q2103	PIPE, 1/4" O/D x 22G x 48" LONG ADAPTOR TO UNION, STARBOARD, GROUP (Pre-Mod. 2236)	1	DTD323A	C	
1505332	79Q2103	PIPE, 1/4" O/D x 22G, ADAPTOR TO UNION, STARBOARD GROUP (Mod. 2236)	1	DTD5016		OP7/363
6712	4Q2103	PIPE, 1/4" O/D x 22G x 41" LONG, ADAPTOR TO UNION, PORT, GROUP (Pre-Mod. 2236)	1	DTD323A	C	
1505328	73Q2103	PIPE, 1/4" O/D x 22G, ADAPTOR TO UNION, PORT, GROUP (Mod. 2236)	1	DTD5016		OP7/364

SERVICES
HYDRAULIC

Ref. No.	Part No.	Description	No. off	Mach. Spec.	Cl. of	Plate and Illust'n No.
					St. M.R.	
		1 2 3 4				
		PIPING SERVICES, MAIN U/C WHEEL BAY, PORT AND STARBOARD (Q2079, Q2080) (Cont'd)				
6713	5Q2103	PIPE, 1/4" o/d x 22G x 34" LONG UNION TO ADAPTOR, PORT, GROUP (Pre-Mod. 2236)	1	DTD323A	C	
	72Q2103	PIPE, 1/4" o/d x 22G, ADAPTOR TO UNION, PORT, GROUP (Mod. 2236)	1	DTD5016	MR	OP7/366
6714	6Q2103	PIPE, 3/16" o/d x 22G x 46" LONG ADAPTOR TO UNION, PORT, GROUP (Pre-Mod. 2236)	1	DTD323A	C	
	71Q2103	PIPE, 3/16" o/d x 22G, ADAPTOR TO UNION, PORT, GROUP (Pre-Mod. 2236)	1	DTD5016	MR	OP7/366
6715	7Q2103	PIPE, 3/16" o/d x 22G x 86" LONG UNION TO TEE-PIECE, STARBOARD, GROUP (Pre-Mod. 2236)	1	DTD323A	C	
	81Q2103	PIPE, 3/16" o/d x 22G, UNION TO TEE PIECE, STARBOARD, GROUP (Mod. 2236)	1	DTD5016	MR	OP7/367
	41Q2103	PIPE, 3/16" o/d x 22G, UNION TO SWIVEL, STARBOARD, GROUP (Pre-Mod. 2236)	1	DTD323A	MR	
	84Q2103	PIPE, 3/16" o/d x 22G, UNION TO SWIVEL, STARBOARD, GROUP (Mod. 2236)	1	DTD5016	MR	OP7/368
	42Q2103	PIPE, 1/4" o/d x 22G, UNION TO SWIVEL, STARBOARD, GROUP (Pre-Mod. 2236)	1	DTD323A	MR	
	85Q2103	PIPE, 1/4" o/d x 22G, UNION TO SWIVEL, STARBOARD, GROUP (Mod. 2236)	1	DTD5016	MR	OP7/369
	43Q2103	PIPE, 1/4" o/d x 22G, UNION TO SWIVEL, STARBOARD, GROUP (Pre-Mod. 2236)	1	DTD323A	MR	
	86Q2103	PIPE, 1/4" o/d x 22G, UNION TO SWIVEL, STARBOARD, GROUP (Mod. 2236)	1	DTD5016	MR	OP7/370

WBCAN No. 2

SERVICES
HYDRAULIC

Page OP. 36B

Ref. No.	Part No.	Description	No. off	Matl. Spec.	Cl. of	Place and Illust'n No.
					St. M.R.	
		1 2 3 4				
		PIPING SERVICES, MAIN U/C WHEEL BAY, PORT AND STARBOARD (Q2078, Q2080) (Cont'd)				
	44Q2103	PIPE, 1/4" o/d x 22G, UNION TO SWIVEL, PORT, GROUP (Pre-Mod. 2236)	1	DTD323A	MR	
	78Q2103	PIPE, 1/4" o/d x 22G, UNION TO SWIVEL, PORT, GROUP (Mod. 2236)	1	DTD5016	MR	OP7/371
	45Q2103	PIPE, 1/4" o/d x 22G, UNION TO SWIVEL, PORT, GROUP (Pre-Mod. 2236)	1	DTD323A	MR	
1505330	77Q2103	PIPE, 1/4" o/d x 22G, UNION TO SWIVEL, PORT, GROUP (Mod. 2236)	1	DTD5016		OP7/372
	48Q2103	PIPE, 3/16" o/d x 22G x 88" LONG UNION TO SWIVEL, PORT, GROUP (Pre-Mod. 2236)	1	DTD323A	MR	
	76Q2103	PIPE, 3/16" o/d x 22G, UNION TO SWIVEL, PORT, GROUP (Mod. 2236)	1	DTD5016	MR	OP7/373
	87Q1870	PIPE, 1/4" o/d x 22G x 81" LONG, UNION TO UNION, STARBOARD, GROUP (Pre Mod. 2236)	1	DTD323A	MR	
	83Q2103	PIPE, 1/4" o/d x 22G, UNION TO UNION, STARBOARD, GROUP (Pre-Mod. 2236)	1	DTD5016	MR	OP7/374
	70Q1870	PIPE, 1/4" o/d x 22G x 81" LONG, UNION TO UNION, STARBOARD, GROUP (Pre-Mod. 2236)	1	DTD323A	MR	
	82Q2103	PIPE, 1/4" o/d x 22G, UNION TO UNION, STARBOARD, GROUP (Mod. 2236)	1	DTD5016	MR	OP7/375
	87Q1870	PIPE, 1/4" o/d x 22G x 80" LONG, UNION TO UNION, PORT, GROUP (Pre-Mod. 2236)	1	DTD323A	MR	
	74Q2103	PIPE, 1/4" o/d x 22G, UNION TO UNION, PORT, GROUP (Mod. 2236)	1	DTD5016	MR	OP7/376

SERVICES
HYDRAULIC

Ref. No.	Part No.	Description	No. off	Matl. Spec.	Cl of	Plate and illust'n No.
					St.	
		1 2 3 4			MR	
		PIPING SERVICES MAIN U/C WHEEL BAY, PORT AND STARBOARD (Q2078, Q2080) (Cont'd)				
	90Q1870	PIPE, 1/4" o/d x 22G x 80" LONG, UNION TO UNION, PORT, GROUP (Pre-Mod. 2238)	1	DTD323A	MR	
	75Q2103	PIPE, 1/4" o/d x 22G, UNION TO UNION, PORT, GROUP (Mod. 2238)	1	DT06016	MR	OP7/377

VULCAN NO. 1

SERVICES
HYDRAULIC

Page OP. 37

Ref. No.	Part No.	Description	No. off	Matl. Spec	Cl. of	Plate and Must'n No.
					Sl.	
		1 2 3 4				
		BRAKE SYSTEM (Q2103) (Cont'd)				
		PIPING SERVICES IN ENGINE BAYS, PORT (Q2081) AND STARBOARD (Q2082) Spares for:—				
	57SS3588	Adaptor	6	—	MR	QP7/378
	11cQ2082	Bonding, 30G x 1/2" wide	3	L16		
	34Q2081	FAIRLEAD, ON RIB 182.5" PORT,	4	—	MR	QP7/379
		GROUP				
		Consisting of:—				
	34bQ2081	Bonding, 30G x .5" x 4.5"	1	L16		
	34aQ2081	Fairlead, half	2	BS2772		
3437	13Q1879	FAIRLEAD, BETWEEN ENGINE	7	—	C	QP7/380
		BULKHEAD AND FRONT SPAR, PORT AND STARBOARD, GROUP				
		Consisting of:—				
28D/1011019	A25/9C	Bolt, hex. head, 2 BA	3	—	C	
	13cQ1879	Bonding, 30G x .5" wide	1	L16		
14179	13aQ1879	Fairlead, half, 1-5/8" x 1/2" x 1/2"	2	BS2772	C	
28M/1012015	AGS2001/C1/88	Nut, stiff, 2 BA	3	—	C	
28W/9419475	SP15/C	Washer, 2 BA	3	—	C	
	10Q1879	FAIRLEAD, ON FRONT SPAR, PORT	6	—		QP7/381
		AND STARBOARD, GROUP				
		Consisting of:—				
28D/9140644	A25/9C	Bolt, hex. head, 2 BA	3	—	C	
	18cQ1879	Bonding, 30G x 1/2" wide	1	L16		
14180	18aQ1879	Fairlead, half, 2" x 1/2" x 1/2"	2	BS2772	C	
28M/1012015	AGS2001/C1/88	Nut, stiff, 2 BA	3	—	C	
28W/9419475	SP15/C	Washer, 2 BA	3	—	C	
	11aQ2082	Fairlead, half, 1.3" x 5" x .25"	6	BS2772	MR	QP7/382
	53Q1870	PIPE, 1/4" o/d x 22G x 84" LONG,	1	DTD323A	MR	QP7/383
		UNION TO UNION, STARBOARD, GROUP				
	64Q1870	PIPE, 1/4" o/d x 22G x 53" LONG,	1	DTD323A	MR	QP7/384
		BULKHEAD UNION TO UNION, STARBOARD, GROUP				
	73Q1870	PIPE, 1/4" o/d x 22G x 55" LONG,	1	DTD323A	MR	QP7/385
		BULKHEAD UNION TO UNION STARBOARD, GROUP				
	74Q1870	PIPE, 1/4" o/d x 22G x 84" LONG,	1	DTD323A	MR	QP7/386
		UNION TO ADAPTOR, STARBOARD, GROUP				

SERVICES
HYDRAULIC

Ref. No.	Part No.	Description	No. off	Mtrl. Spec.	Cl. of	Plate and Illust'n No.
					St. M.R.	
		1 2 3 4				
		PIPING SERVICES, MAIN U/C WHEEL BAY, PORT AND STARBOARD (Q2079, Q2080) (Q3888) (Mod. 2261, PART A, SERIES 200 ENGINES) (Q3871) (Mod. 2261, PART B, SERIES 300 ENGINES) (Cont'd)				
	83Q1870	PIPE, 1/4" o/d x 22G x 58" LONG UNION TO ADAPTOR, PORT, GROUP	1	DTD323A	MR	QP7/387
	84Q1870	PIPE, 1/4" o/d x 22G x 61" LONG BULKHEAD UNION TO UNION, PORT, GROUP	1	DTD323A	MR	QP7/388
	93Q1870	PIPE, 1/4" o/d x 22G x 50" LONG BULKHEAD UNION TO UNION, PORT, GROUP	1	DTD323A	MR	QP7/388
	94Q1870	PIPE, 1/4" o/d x 22G x 64" LONG UNION TO ADAPTOR, PORT, GROUP	1	DTD323A	MR	QP7/390
	103Q1870	PIPE, 1/4" o/d x 22G x 51" LONG ADAPTOR TO UNION, PORT, GROUP	1	DTD323A	MR	QP7/391
3412	104Q1870	PIPE, 1/4" o/d x 22G x 51" LONG ADAPTOR TO UNION, PORT, GROUP	1	DTD323A	C	QP7/392
	105Q1870	PIPE, 1/4" o/d x 22G x 51" LONG ADAPTOR TO UNION, STARBOARD, GROUP	1	DTD323A	MR	QP7/393
	106Q1870	PIPE, 1/4" o/d x 22G x 52" LONG ADAPTOR TO UNION, STARBOARD, GROUP	1	DTD323A	MR	QP7/394
1510436	87Q2103	PIPE, 1/4" o/d x 22G x 66" LONG ADAPTOR TO UNION, PORT, GROUP (Mod. 2261, PART B)	1	DTD8019	C	QP7/395
1510430	91Q2103	PIPE, 1/4" o/d x 22G x 66" LONG ADAPTOR TO UNION, PORT, GROUP (Mod. 2261, PART A)	1	DTD8019	C	

VULCAN No. 2

SERVICES
HYDRAULIC

Page OP. 38A

Ref. No.	Part No.	Description	No. off	Matl. Spec.	Cl of	Place and Inst'n No.
					St. M.R.	
		1 2 3 4				
		PIPING SERVICES, MAIN U/C WHEEL BAY, PORT AND STARBOARD (Q2079, Q2080) (Q3868) (Mod. 2261, PART A, SERIES 200 ENGINES) (Q3871) (Mod. 2261, PART B, SERIES 300 ENGINES) (Corr'd)				
1510431	92Q2103	PIPE, 1/4" o/d x 22G x 66" LONG ADAPTOR TO UNION, PORT, GROUP (Mod. 2261, PART B)	1	DTD5019	C	OP7/386
1510438	88Q2103	PIPE, 1/4" o/d x 22G x 88" LONG ADAPTOR TO UNION, PORT, GROUP (Mod. 2261, PART B)	1	DTD5019	C	
6748	20Q2103	PIPE, 1/4" o/d x 22G x 60" LONG ADAPTOR TO UNION, STARBOARD, GROUP (Pre-Mod. 905)	1	DTD323A	C	
	49Q2103	PIPE, 1/4" o/d x 22G x 80" LONG ADAPTOR TO UNION, STARBOARD, GROUP (Mod. 905)	1	DTD323A	MR	OP7/387
6752	24Q2103	PIPE, 1/4" o/d x 22G x 80" LONG ADAPTOR TO UNION, STARBOARD, GROUP (Pre-Mod. 905)	1	DTD323A	C	
	50Q2103	PIPE, 1/4" o/d x 22G x 80" LONG ADAPTOR TO UNION, STARBOARD, GROUP (Mod. 905)	1	DTD323A	MR	

VULCAN No. 2		SERVICES		Page QP. 39		
		HYDRAULIC				
Ref. No	Part No.	Description	No. off	Matl. Spec.	Cl. of St.	Plate and Illustr'n No.
					M.R.	
		1 2 3 4				
		MAIN FEED AND RETURN SYSTEM (Q2101)				
		PIPING SERVICES IN BOMB BAY, BETWEEN BOMB ARCH 123.015" AND 15.919" (Q2249) (Mod. 2318)	—	—		
		Spares for:—				
28D/9140647	A25/14C	Bolt, hex. hd., 2 BA	3	—	C	QP4/64
28F/9423231	AGS1135/D	Bolt, banjo	2	—	C	QP4/65
28TA/5448858	S85787/D	Banjo	2	—	C	
9193	4SS3858	Clip	1	—	C	
5K/1037281	12A4525	Clip	4	—	C	
	10SS3858	Clip	1	—	MR	
	8SS3858	Clip	2	—		
3290	58SS3564	Cross-piece, 3/8" x 3/8" x 3/8" x 1/4"	1	—	C	QP10/388
	2Q1901	FAIRLEAD ON BOMB ARCHES, GROUP	5	—	MR	QP4/68 QP10/400
		Consisting of:—				
28D/1011019	A25/8C	Bolt, hex. hd., 2 BA	1	—	C	
	2Q1901	Binding, 30G x 1/2" x 1/2"	1	L4		
	2aQ1901	Fairlead, half .37 x 6" 1.7"	2	BSS688		
28M/1012015	AGS2001/C1/68	Nut, stiff, 2 BA	1	—	C	
28W/9419475	SP15/C	Washer, 2 BA	1	—	C	
	8Q2249	FAIRLEAD ON BOMB ARCH 123", GROUP (Mod. 2318)	1	—		QP4/67
28D/1011023	A25/20C	Bolt, hex. hd., 2 BA	1	—	C	
	8aQ2249	Binding, 30G x .5" x 15"	1	L17		
	8aQ2249	Fairlead, half	1	B52572		
	8bQ2249	Fairlead, half	1	B52572		
28M/1012015	AGS2001/C1/68	Nut, stiff	1	—	C	
28W/9419475	SP15/C	Washer	1	—	C	
	9Q1901	FAIRLEAD ON BOMB ARCH 123", GROUP	1	—		QP4/68 QP10/402
		Consisting of:—				
28D/1011021	A25/10C	Bolt, hex. hd., 2 BA	2	—	C	
	9aQ1901	Fairlead, half, 1/2" x 3/4" x 4-1/4"	2	BSS688		
28M/1012015	AGS2001/C1/68	Nut, stiff	2	—	C	
28W/9419475	SP15/C	Washer	2	—	C	
	5Q2249	FAIRLEAD ON BOMB ARCH 123", GROUP	1	—	MR	QP4/69 QP10/403
		Consisting of:—				
28D/9435710	A25/11C	Bolt, hex. hd., 2 BA	2	—	C	
	5bQ2249	Binding, 30G x 1/2" x 6"	1	L16		
	5aQ2249	Fairlead, half	2	B52572		
28M/1012015	AGS2001/C1/68	Nut, stiff	2	—	C	
28W/9419475	SP15/C	Washer	2	—	C	

SERVICES
HYDRAULIC

Ref. No	Part No.	Description	No. off	Matl. Spec.	Cl. of St.	Plate and Illust'n No
					M.R.	
		1 2 3 4				
PIPE SERVICES IN BOMB BAY BETWEEN BOMB ARCHES, 123.015" AND 151.019" (Q2249) (Cont'd.)						
	90Q2249	FAIRLEAD ON BOMB ARCH 123", GROUP (Mod. 2318, Part B)	1	—		QP4/70 QP10/404
		Consisting of:—				
28D/9419397	A25/F2C	Bolt, hex. hd., 2 BA	1	—	C	
28D/9140649	A25/23C	Bolt	1	—	C	
	9aQ2249	Bonding, 30G x .50" x 11"	1	L17		
	9bQ2249	Fairlead, half, .5" x 8" x 3.4"	1	—		
	9cQ2249	Fairlead, .5" x 8" x 3.4"	1	—		
28M/1012015	AGS2001/C1/68	Nut, stiff	2	—	C	
28W/9419475	SP15/C	Washer	2	—	C	
	12Q2249	FAIRLEAD ON BOMB ARCH 123", GROUP (Mod. 2318)	—	—		QP4/71
		Consisting of:—				
28D/1011021	A25/T6C	Bolt	1	—	C	
	12aQ2249	Bonding, 30G x .5" x 7.0"	1	L17		
	12aQ2249	Fairlead, half, .5" x 4" x 1.6"	1	BS2572		
	12bQ2249	Fairlead, half, .5" x 1.6"	1	BS2572		
28M/1012015	AGS2001/C1/68	Nut, stiff	1	—	C	
28W/9419475	SP15/C	Washer	1	—	C	
	33Q2081	FAIRLEAD, GROUP	3	—	MR	QP4/72
		Consisting of:—				
28D/7002428	A25/BC	Bolt	—	—	C	
	33aQ2081	Fairlead, half	1	BSS668		
	33bQ2081	Fairlead, half	1	BSS668		

VULCAN No. 2

SERVICES
HYDRAULIC

Page OP 308

Ref. No.	Part No.	Description	No. off	Mach. Spec.	Cl. of St. M.R.	Place and Illust'n No.
		1, 2, 3, 4				

SERVICES
HYDRAULIC

Ref No.	Part No	Description	No. off	Matl. Spec.	Cl. of	Plate and Illustr'n No
					St.	
		1 2 3 4				
		PIPING SERVICES IN BOMB BAY (Q2249) (Cont'd.)				
		MOUNTING OF HYDRAULIC RESERVOIR ... (1Q1861) (Pre-Mod. 2321) (10Q1861) (Mod. 2321)				
		Spares for:—				
1433643	186Q1868	Adaptor, special	1	—	C	QP9A/405
28F1038348	AGS1236/C	Cap, cone (Mod. 2321)	1	—	C	QP9A/405A
1510521	S69A/D/10/D	Cord, retaining (Mod. 2321)	1	Terylene	C	QP9A/405B
	7Q1905	Cover (Mod. 2321)	1	—	MR	QP9A/405C
		Attachments for:—Cover Pt. No. 7Q1905				
28D/1007982	AS1248/C	Bolt, mush. hd., 2 BA	3	—	C	QP9A/405D
28W/9419402	SP13/C	Washer, 2 BA	3	—	C	
	2Q1861	Channel, reservoir mounting	2	—		QP9A/406
28FP/2453	1SS3859	Clip	1	—	C	
28FP/2721	2SS3859	Clip	6	—	C	
	4SS2859	Clip	3	—		
	AGS11254	Cross-piece	1	—	C	QP9A/406A
1510519	102SS3554	Crosspiece (Mod. 2321)	1	—	C	
10640	3Q1861	FAIRLEAD, GROUP	1	—	C	QP9A/407
		Consisting of:—				
28D/9419397	A25/12C	Bolt, hex. hd., 2 BA	1	—	C	
	3cQ1861	Banding, 30G x 1/2" x 9"	1	L16		
	3aQ1861	Fairlead, half	1	BSS668		
	36Q1861	Fairlead, half	1	BSS668		
28M/1012015	AGS2001/C1/68	Nut, stiff, 2 BA	1	—	C	
28W/9419475	SP13/C	Washer, 2 BA	1	—	C	
1510520	9Q1861	Gauze, 961, 75" dia. (Mod. 2321)	1	—	C	
	8Q1905	Lever, univalve (Mod. 2321)	1	—		QP9A/410
		Attachments for:—Lever Pt. No. 8Q1905				
28D/1010029	A25/68	Bolt, hex. hd., 4 BA	1	—	C	QP9A/410A
28M/1278188	AGS2001/B1	Nut, stiff, 4 BA	1	—	C	
28W/9419485	SP13/B	Washer, 4 BA	1	—	C	
		Piece, cross (see Page QP38)	Ref.	—		QP9A/410B
	103Q1866	PIPE, 3/8" o/d x 20G x 60" LONG, FROM N.R.V. RESERVOIR TO CROSS-PIECE, GROUP	1	L65	MR	QP9A/408
	106Q1866	PIPE, 1/4" o/d x 22G x 12" LONG, CROSS- PIECE TO ADAPTOR, GROUP	1	L65	MR	QP9A/409
	183Q1866	PIPE, 1/4" o/d x 22G x 12" LONG, N.R.V. RESTRICTOR AT RESERVOIR, GROUP (Mod. 2321)	1	L56	MR	QP9A/412
	184Q1866	PIPE, 1/4" o/d x 22G x 4" LONG, N.R.V. . TO RESERVOIR, GROUP	1	L56		QP9A/413
	117Q1866	PIPE, 3/8" o/d x 20G x 3.5" LONG, FROM N.R. VALVE TO P.R. VALVE (Pre-Mod. 2321)	1	—		QP9A/413A
	137Q1866	PIPE, 3/8" o/d x 20G x 3.5" LONG, N.R. VALVE TO CROSS PIECE (pre-Mod. 2321)	1	—		QP9A/473B

VULCAN No. 2		SERVICES		Page QP. 40A		
		HYDRAULIC				
Ref. No.	Part No.	Description	No. off	Matl. Spec.	Cl. of St.	Plate and Illust'n No
					M.R.	
		1 2 3 4				
		MOUNTING OF HYDRAULIC RESEVOIR				
		(1Q1881) (Pre-Mod. 2321) (10Q1881)				
		(Mod. 2321) (Cont'd.)				
	191Q1888	PIPE, 3/8" o/d x 20G x 7" long. P.R.	1	—	MR	QP9A/413C
		VALVE TO CROSS PIECE				
		(Pre-Mod. 2321)				
	2Q1859	PIPE, 1/4" o/d x 22G x 30" LONG,	1	L56		QP9A/415
		CROSSPIECE TO P.R. VALVE, GROUP				
		(Mod. 2321)				
	3Q1859	PIPE, 3/16" o/d x 22G x 18" LONG,	1	L56		QP9A/416
		TEEPIECE TO P.R. VALVE, GROUP				
		(Mod. 2321)				
28P/1221260	SP90/E6	Pin, split	1	—	C	
	8Q1861	PLATE, UNIVALVE MOUNTING, GROUP	1	—	—	QP9A/411
		(Mod. 2321)				
28F/9140970	AGS904/C	Sleeve, outer	1	—	C	QP9A/414
	DUNLOP					
	AC1071	Univalve (For spares details see	1	—	A	QP9A/422
		AP.4615C, Vol. 3, Pt. 1, Chap.55)				
		(Mod. 2321)				
		Attachments for:—Univalve Pt. No.				
		Dunlop AC1071				
	11Q1581	Bolt, special (Make from A25/1/2C)	3	—	—	QP9A/422A
28W/9419484	SP10/C	Washer, 2 BA	3	—	C	
	DOWTY					
	1.03312.002	Unit, reservoir (Mod. 2325)	1	—	A	QP9A/417
27QM/	DOWTY					
1490322	A6788Y	Valve, non-return	1	—	A	QP9A/418
27QM/	DOWTY					
4173867	D5224Y	Valve, non-return (1 off Pre-Mod. 2321)	2	—	A	QP9A/419
27QM/	DOWTY					
4173542	D448Y.Mk.C	Valve, non-return	1	—	A	QP9A/420
27QM/	DUNLOP					
4173527	ACM17458	Valve, pressure reducing (Mod. 2321)	1	—	A	QP9A/421
27VA/		(For Spares Details see				
4625828		AP 4515C, Vol 3, Chap. 55)				
		(Mod. 2321)				
		MOUNTING VALVES AND PIPING,				
		HYDRAULIC RESEVOIR AND E.P.P. NITRO-				
		GEN PRESSURISATION SYSTEM				
		(Q3884) (Mod. 2321)				
		Spares for:—				
26FP/2249	4SS3863	Clip, pipe	28	—	C	
	8SS3863	Clip, pipe	1	—		
	1SS4486	Clip, identification (Fitted to pipe	1	—		QP9A/782
		Pt. No. 9Q3884)				
	5Q3884	Cold, terylene	1	—		
26FP/8538	28SS3657	Coupling, tee	1	—	C	QP9A/783
	6Q3884	PIPE, P.M. VALVE TO TEE-PIECE, 1/4"	1	L56		QP9A/784
		o/d x 22G x 2' 0" LONG, GROUP				
	7Q3884	PIPE, TEE-PIECE TO TEE-PIECE, 1/4"	1	L56		QP9A/785
		o/d x 22G x 3' 0" LONG, GROUP				

SERVICES
HYDRAULIC

Ref. No.	Part No.	Description	No. off	Matl. Spec	Cl. of St.	Plate and Illust'n No.
					M.R.	
		1234				
		Mounting, Valves and Piping Hydraulic Reservoir and E.P.P. Nitrogen Pressurisation System (Q3884) (Mod. 2321) (Cont'd.)				
	8Q3884	PIPE, TEE-PIECE TO P.R. VALVE, 3/8" o/d x 20G x 3' 0" LONG, GROUP	1	—		QP9A/786
	10Q3884	PIPE, UNIVALVE TO CROSS-PIECE, 1/4" o/d x 22G x 2' 00" LONG, GROUP	1	—		QP9A/787
	12Q3884	PIPE, P.R. VALVE TO TEST POINT, 3/8" o/d x 20G, GROUP	1	—		QP9A/788
	9Q3884	PIPE, FLEXIBLE, TEST POINT TO UNIVALVE, 3/8" o/d x 100' 0" LONG, GROUP	1	—		QP9A/789
	11Q3884	Spares for:— Adaptor, special	2	—		QP9A/790
	BELLS	Clip	2	—		QP9A/791
	BAS243/C1	Coupling, nut	1	—		QP9A/792
	AGS2111	Coupling, nut	1	—	C	QP9A/793
28F/9140970	AGS904/C	Pipe (Made from Grifflex nylon tubing, 3/8" o/d)	1	NF45		
	9aQ3884					
		TEST POINT IN NITROGEN PRESSUR- ISATION SYSTEM (1Q3889)				
		Spares for:—				
	2Q3889	Angle, attachment	1	L72		QP9A/794
	24aQ2110	Union, tee	1	—		QP9A/795
		Attachments for:—Union Pl. No. 24aQ2110				
28D8133011	A25/2C	Bolt, hex. hd., 2 BA	2	—	C	QP9A/796
28M/1012015	AGS2001/C1/90	Nut, stiff, 2 BA	2	—	C	
28W/9419475	SP15/C	Washer, 2 BA	2	—	C	
28F/8011809	AGS1140/B	Union, body	1	—	C	QP9A/797
	56SS3653	Union, special straight	1	—		QP9A/798
		(Make form AGS1107/E)				
28F/8014021	AGS1138/B	Washer, joint	3	—	C	QP9A/799
28W/9435073	AS4561/2	Washer, tab	1	—	C	QP9A/800
	DAMIC					
	DC22	Valve, charging	1	—		QP9A/801
28TA/16590	AS2808/5/175	Tube, distance	1	—		
	AS2808/5/050	Tube, distance	7	—	C	
	DUNLOP					
27VA/ 1503303	ACM27518	Valve, pressure reducing	1	—	B	QP9A/802
		(For Spares Details see AP.4515C, Vol.3, Pl. 1, Chap. 55)				

VULCAN No. 2

SERVICES
HYDRAULIC

Page QP. 41

Ref. No.	Part No.	Description	No. off	Matl. Spec.	Cl. of	Plate and Illust'n No.
					St. M.A.	
		1 2 3 4				
		MOUNTING OF HYDRAULIC FILTER UNIT, BOMB ARCH 123.015, PORT & STARBOARD (Q1881) (See AP4515C, Vol. 3, Pt. 1, Sect. 2, Chap. 55) Spares for:--	-	-		
270M/4154382	DOWTY C5885Y	Unit, filter	1	-	A	QP10/423
	70Q1886	PIPE, FEED, 1/2" o/d x 18G x 4'.0" LONG, BULKHEAD UNION TO TEE-PIECE, GROUP	1	DTD503		QP9/424
	80Q1886	PIPE, FEED, 1/2" o/d x 18G x 4'.0" LONG, TEE-PIECE TO TEE-PIECE, GROUP	1	DTD503		QP9/425
	35Q1886	PIPE, FEED, 3/8" o/d x 20G x 21" LONG, CONTROL VALVE TO TEE-PIECE, GROUP	1	DTD503		QP9/426
	54Q1886	PIPE, RETURN, 1/2" o/d x 20G x 4'.0" ... LONG, BULKHEAD UNION TO TEE-PIECE, GROUP	1	L58		QP9/427
	68Q1886	PIPE, RETURN, 1/2" o/d x 20G x 5'.0" ... LONG, TEE-PIECE TO TEE-PIECE, GROUP	1	L58		QP9/428
	78Q1886	PIPE, RETURN, 3/8" o/d x 10G x 21" ... LONG, TEE-PIECE TO SELECTOR VALVE, GROUP	1	L58		QP9/429
	80Q1886	PIPE, RETURN, 1.0" o/d x 20G x 18" ... LONG, TEE-PIECE TO N.R. VALVE, GROUP	1	L58	MR	QP9/430
	101Q1886	PIPE, SUCTION, 3/4" o/d x 20G x 2'.9" ... LONG, TEE-PIECE TO TEE-PIECE, GROUP	1	L85	MR	QP9/431
	102Q1886	PIPE, SUCTION, 3/4" o/d x 20G x 5'.0" ... LONG, TEE-PIECE TO UNION, GROUP	1	L85	MR	QP9/432
	106Q1886	PIPE, SUCTION, 1.0" o/d x 20G x 12" ... LONG, TEE-PIECE TO RESERVOIR, GROUP	1	L58	MR	QP9/433

SERVICES
HYDRAULIC

Ref. No.	Part No.	Description	No. off	Matl. Spec.	Cl. of	Place and Illust'n No.
					St. M.R.	
		<u>1 2 3 4</u>				
		PIPING SERVICES IN BOMB BAY, BETWEEN ARCHES 123.015' AND 151.019' (Q2249) (Cont'd)				
	112Q1886	PIPE, SUCTION, 3/4" o/d x 20G x 16" ... LONG, TEE-PIECE TO UNION, GROUP	1	L56	MR	QP9/434
	132Q1886	PIPE, AIR CHARGING, 3/8" o/d x 20G x . 7'-6" LONG, CROSS-PIECE TO NON- RETURN VALVE, GROUP	1	L56	MR	QP9/435
	149Q1886	PIPE, AIR CHARGING, 1/4" o/d x 22G x . 7'-6" LONG, CROSS-PIECE TO UNION, GROUP	1	L56	MR	QP9/436
	158Q1886	PIPE, SUCTION, 3/4" o/d x 20G x 5'-10" LONG, UNION TO FILTER, GROUP	1	L56	MR	QP9/437
	66Q2101	PIPE, SUCTION, 3/4" o/d x 20G x 2'-0" ... LONG, BULKHEAD UNION TO FILTER, PORT, GROUP	1	L56		QP9/438
	66Q2101	PIPE, SUCTION, 3/4" o/d x 20G x 2'-6" ... LONG, TEE-PIECE TO FILTER, PORT, GROUP	1	L56	MR	QP9/439
	127Q2101	PIPE, RETURN, 1/2" o/d x 20G x 5'-0" ... LONG, TEE-PIECE TO UNION, GROUP	1	L56	MR	QP9/440
	146Q2101	PIPE, DELIVERY, 1/2" o/d x 18G, UNION TO UNION, GROUP (Mod. 728)	1	OTD503		QP9/441

VULCAN No. 2

SERVICES
HYDRAULIC

Page QP. 42A

Ref. No.	Part No.	Description	No. off	Matl. Spec.	Cl. of	Plate and Illust'n No.
					St. M.R.	
		<u>1 2 3 4</u>				
		PIPING SERVICES IN BOMB BAY, BETWEEN ARCHES 123.015" AND 151.919" (Q2249) (Cont'd)				
	170Q2101	PIPE, DELIVERY, 1/2" o/d x 18G, TEE- PIECE TO UNION, GROUP (Mod. 748)	1	DTD603	MR	QP9/444
6784	58Q1888	PIPE, RETURN, 1/2" o/d x 20G x 3'-0" ... LONG, TEE-PIECE TO TEE-PIECE, GROUP (Pre-Mod. 748)	1	L56	C	
	171Q2101	PIPE, RETURN, 1/2" o/d x 20G x 3'-0" ... LONG, TEE-PIECE TO TEE-PIECE, GROUP (Mod. 748)	1	L56	MR	QP9/445
	123Q1888	PIPE, RETURN, 1/2" o/d x 20G x 6'-11" ... LONG, UNION TO BULKHEAD UNION, GROUP (Pre-Mod. 748)	1	L56		
	172Q2101	PIPE, RETURN, 1/2" o/d x 20G x 6'-11" ... LONG, UNION TO BULKHEAD UNION, GROUP (Mod. 748)	1	L56	MR	QP9/446
	125Q1888	PIPE, AIR CHARGING, 3/8" o/d x 20G x . 8'-4" LONG, CROSS-PIECE TO BULKHEAD UNION (Pre-Mod. 748)	1	L56	MR	
	173Q2101	PIPE, AIR CHARGING, 3/4" o/d x 20G x . 8'-4" LONG, CROSS-PIECE TO BULKHEAD UNION (Mod. 748)	1	L56	MR	QP9/447
	148Q1888	PIPE, AIR CHARGING, 3/8" o/d x 20G ... N.R. VALVE TO BULKHEAD UNION, GROUP (Pre-Mod. 748)	1	L56		
	174Q2101	PIPE, AIR CHARGING, 3/8" o/d x 20G ... N.R. VALVE TO BULKHEAD UNION, GROUP (Mod. 748)	1	L56		QP9/448
13711	150Q1888	PIPE, AIR CHARGING, 1/4" o/d x 22G x . 2'-6" LONG, UNION TO POWER PACK, GROUP (Pre-Mod. 748)	1	L56	C	
	175Q2101	PIPE, AIR CHARGING, 1/4" o/d x 22G x . 2'-6" LONG, UNION TO POWER PACK, GROUP (Mod. 748)	1	L56		QP9/449

SERVICES
HYDRAULIC

Ref. No.	Part No.	Description	No. off	Mati. Spec.	Cl. of	Plate and Must'n No.
					St.	
		1 2 3 4			MLR	
		PIPING SERVICES IN BOMB BAY, BETWEEN ARCHES 123.015" AND 161.919" (Q2249) (Cont'd)				
	188Q1888	PIPE, POWER PACK CHARGING, 3/8" o/d ... x 20G x 8'-0" LONG, UNION TO POWER PACK, GROUP (Pre-Mod. 748)	1	L58	MR	
	178Q2101	PIPE, POWER PACK CHARGING, ... 3/8" o/d x 20G x 8'-0" LONG UNION TO POWER PACK, GROUP (Mod. 748)	1	L58		QP9/450
11540	205Q1888	PIPE, DELIVERY, 1/2" o/d x 18G x ... 8'-8" LONG UNION TO BULKHEAD UNION, GROUP (Pre-Mod. 748)	1	DTD503	C	
1806348	177A2101	PIPE, DELIVERY, 1/2" o/d x 18G x ... 8'-8" LONG UNION TO BULKHEAD UNION, GROUP (Mod. 748)	1	DTD503	C	QP9/451
	142Q2101	PIPE, POWER PACK CHARGING, 3/8" ... o/d x 20G, RESERVOIR TO UNION, GROUP (Pre-Mod. 748)	1	L58	MR	
	182Q2101	PIPE, POWER PACK CHARGING, 3/8" ... o/d x 20G, RESERVOIR TO UNION, GROUP (Mod. 748)	1	L58	MR	QP9/452
	180Q2101	PIPE, SECTION, 3/4" o/d x 20G x ... 8'-0" LONG FILTER TO UNION, GROUP (Mod. 905)	1	L58	MR	QP9/453
3830	197Q1888	PIPE, SUCTION, 3/4" o/d x 20G x ... 3'-0" LONG UNION TO BANJO CONNECTION, GROUP (Pre-Mod. 905)	1	L58	C	
12509	185Q2101	PIPE, SUCTION, 3/4" o/d x 20G x ... 3'-0" LONG UNION TO BANJO CONNECTION, GROUP (Mod. 905)	1	L58	C	QP9/454
	141Q2210	PIPE, 3/8" o/d x 20G, SELECTOR VALVE TO CONNECTOR, GROUP (Mod. 2318, Part B)	1	DTD5016		QP4/73
	142Q2210	PIPE, 3/8" o/d x 20G, SELECTOR VALVE TO CONNECTOR, GROUP (Mod. 2318, Part B)	1	DTD5016		QP4/74
	143Q2210	PIPE, 3/8" o/d x 20G, UNION TO UNION (Mod. 2318, Part B)	1	DTD5016		QP4/75

VULCAN No. 2

SERVICES
HYDRAULIC

Page QP. 42C

Ref. No.	Part No.	Description	No. off	Mast. Spec.	Cl. of	Plate and Illust'n No.
					St. M.R.	
		<u>1 2 3 4</u>				
		PIPING SERVICES IN BOMB BAY, BETWEEN ARCHES 123.015" AND 151.919" (Q2249) (Cont'd)				
	144Q2210	PIPE, 3/8" o/d x 20G, UNION TO UNION, STARBOARD, GROUP (Mod. 2318, Part B)	1	DTD5018		QP4/76
	164Q2210	PIPE, 3/8" o/d x 20G, UNION TO UNION, PORT, GROUP (Mod. 2318, Part A)	1	DTD5018		QP4/77
	145Q2210	PIPE, 3/8" o/d x 20G, UNION TO UNION, PORT, GROUP (Mod. 2318, Part B)	1	DTD5018		QP4/78
	165Q2210	PIPE, 3/8" o/d x 20G, UNION TO UNION, PORT, GROUP (Mod. 2318, Part A)	1	DTD5018		QP4/79
	148Q2210	PIPE, 3/8" o/d x 20G, UNION TO UNION, PORT, GROUP (Mod. 2318, Part B)	1	DTD5018		QP4/80
	147Q2210	PIPE, 3/8" o/d x 20G, UNION TO SHUTTLE VALVE, GROUP (Mod. 2318)	1	DTD5018		QP4/81
	148Q2210	PIPE, 3/8" o/d x 20G, UNION TO SHUTTLE VALVE, GROUP (Mod. 2318)	1	DTD5018		QP4/82
	149Q2210	PIPE, 1/2" o/d x 18G, SHUTTLE VALVE . TO TEE-PIECE, GROUP (Mod. 2318)	1	DTD5018		QP4/83
	150Q2210	PIPE, 1/2" o/d x 18G, SHUTTLE VALVE . TO TEE-PIECE, GROUP (Mod. 2318)	1	DTD5018		QP4/84
	151Q2210	PIPE, 1/2" o/d x 18G, SHUTTLE VALVE . TO TEE-PIECE, GROUP	1	DTD5018		QP4/85
	152Q2210	PIPE, 1/2" o/d x 18G, SHUTTLE VALVE . TO TEE-PIECE, GROUP (Mod. 2318)	1	DTD5018		QP4/86
	153Q2210	PIPE, 3/8" o/d x 20G, SELECTOR VALVE TO TEE-PIECE, GROUP (Mod. 2318)	1	DTD5018		QP4/87
	154Q2210	PIPE, 3/8" o/d x 20G, SELECTOR VALVE TO TEE-PIECE, GROUP (Mod. 2318)	1	DTD5018		QP4/88

SERVICES
HYDRAULIC

Ref. No.	Part No.	Description	No. off	Mtrl. Spec.	Cl. of	Place and Inst'n No.
					St. M.R.	
		1, 2, 3, 4				
		PIPING SERVICES IN BOMB BAY, BETWEEN ARCHES 123.015" AND 151.919" (Q2248) (Cont'd)				
	155Q2210	PIPE, 3/8" o/d x 20G, SELECTOR VALVE TO TEE-PIECE, GROUP (Mod. 2318)	1	DTD5018		OP4/88
	156Q2210	PIPE, 3/8" o/d x 20G, SELECTOR VALVE TO TEE-PIECE, GROUP (Mod. 2318)	1	DTD5018		OP4/89
	329Q2101	PIPE, 3/8" o/d x 20G, SELECTOR VALVE TO TEE-PIECE, GROUP (Mod. 2318)	1	DTD5018		OP4/91
	330Q2101	PIPE, 3/8" o/d x 20G, SELECTOR VALVE TO TEE-PIECE, GROUP (Mod. 2318)	1	DTD5018		OP4/92
	35Q1866	PIPE, 3/8" o/d x 20G, CONTROL VALVE TO TEE-PIECE, GROUP	1	DTD503		OP4/93
	79Q1866	PIPE, 3/8" o/d x 20G, TEE-PIECE	1	L58		OP4/94
28F/B428456	AGS1186/D	Seal	1	-	C	OP4/95
27QM/4173549	DOWTY D7313.Y	Valve, non-return	1	-	A	OP4/96
27QM/4173528	DOWTY 1.00112.004	Valve, selector	1	-	A	OP4/97
	DOWTY 1.00125.015	Valve, selector	1	-		OP4/98
27QM/1490825	DOWTY 1.03770.001	Valve, shuttle (Mod. 2318)	1	-	A	OP4/99

VULCAN No. 1

SERVICES
HYDRAULIC

Page QP. 43

Ref. No.	Part No.	Description	No. off	Matl. Spec.	Cl. of	Plate and Illust'n No.
					St. M.R.	
		1 2 3 4				
		PIPING SERVICES IN ENGINE BAYS, PORT AND STARBOARD (Q2081, Q2082) (Mod. 905) (Q3866, Q3867, Q3868) (Mod. 2261 Part A Series 200 Engines) (Q3869, Q3870, Q3871) (Mod. 2261 Part B Series 300 Engines) Spares for:—				
27Q/71341	DOWTY 1.00488.004	Accumulator, hydraulic (Mod. 2278)	3	—	A	QP12/458
	27Q2081	Adaptor, 3/8" BSP	1	DTD1306	MR	QP10/459
	28Q2081	Adaptor, 3/8" BSP	1	DTD1306	MR	QP10/460
	29Q2081	Adaptor, 3/4" BSP	1	DTD1306	MR	QP10/461
	58S3558	Adaptor, 1/2" BSP	8	—	MR	QP10/462
	58S3558	Adaptor, 3/4" BSP	1	—	MR	QP10/463
3297	58S3558	Adaptor, 3/8" BSP	2	—	C	QP10/464
	11SS3555	Adaptor, 3/8" BSP	1	—	MR	QP10/465
	12SS3555	Adaptor, 3/8" BSP	1	—	MR	QP10/466
	78SS3555	Adaptor, 1/2" BSP	2	—	MR	QP10/467
20311	35S4054	Adaptor, 3/8" BSP	1	DTD423	C	QP10/468
1510328	45S4054	Adaptor, 1/2" BSP	2	DTD423	C	QP10/469
20325	61SS3567	Banjo, special, 1/2" BSP	1	DTD130	C	QP10/470
20333	67SS3567	Banjo, special, 1/2" BSP	1	—	C	QP10/471
	88S787/C	Banjo, cone ended (Mod. 2261 Part A)	3	—	MR	QP10/797
		(Mod. 2261 Part A)	3	—	C	
28TA/8448888	88S787/D	Banjo, cone ended (Mod. 2261 Part A)	3	—	C	QP10/798
		(Mod. 2261 Part B)	3	—	C	
	37Q2081	Block, clamp, half at flexible pipes	6	BS2772	MR	QP12/472
28F/8433229	AGS1135/C	Bolt, banjo (Mod. 2261, Part A)	3	—	C	QP10/799
		(Mod. 2261 Part B)	3	—	C	
28F/8423231	AGS1135/D	Bolt, banjo (Mod. 2261, Part A)	3	—	C	QP10/800
		(Mod. 2261 Part B)	3	—	C	
	67SS3559	Bolt, banjo (Pre-Mod. 905)	1	—		
	68SS3558	Bolt, banjo (Mod. 905)	1	—	MR	
20319	24Q2081	Bracket, coupling mounting, port	1	L72	C	QP10/473
20331	20Q2082	Bracket, coupling mounting, starboard	1	—	C	QP10/474
20330	21Q2082	CHANNEL, SPACING, GROUP	3	—	C	QP12/475
20329	19SS2340	C&P, flexible pipes to pumps	3	—	C	QP12/476
28F/1038842	AGS1107/M	Cone, union reducing (Mod. 2261 Part A)	3	—	C	
		(Mod. 2261 Part B)	3	—	C	
	AVERY AVA50/B	COUPLING, 1/4" GROUP	2	—		QP10/477
	AVERY AVA50/F	COUPLING, 3/4" GROUP	1	—		QP10/478
	AVERY AVA51/B	COUPLING, 1/4" GROUP	1	—		QP10/479
	AVERY AVA51/F	COUPLING, 3/4" GROUP	1	—		QP10/480
	AVERY AVA.52/C	COUPLING, 3/8" GROUP	1	—		QP10/481

SERVICES
HYDRAULIC

Ref. No.	Part No.	Description	No. off	Matl. Spec.	Cl. of	Place and Illust'n No.
					St. M.R.	
		1 2 3 4				
		PIPING SERVICES IN ENGINE BAYS, PORT AND STARBOARD (Q2081, Q2082) (Mod. 906) (Q3866, Q3867, Q3868) (Mod. 2261 Part A Series 200 Engines) (Q3869, Q3870, Q3871) (Mod. 2261 Part B Series 300 Engines) (Cont'd)				
	AVERY AVA53/C	COUPLING, 3/8", GROUP	1	-		QP10/482
	25Q2081	FAIRLEAD, BETWEEN RIB 113.3 AND RIB 162.5, GROUP Consisting of:-	3	-	MR	QP10/483
	25bQ2081	Bonding, 4.5" x .5" x 30G	1	L56		
	25aQ2081	Fairlead, half	2	BS2772		
	33Q2081	FAIRLEAD, BETWEEN RIB 113.3 AND RIB 162.5, GROUP Consisting of:-	5	-	MR	QP10/484
	33bQ2081	Bonding, 5" x 5" x 30G	1	-		
	33aQ2081	Fairlead, half	2	BS2772		
	11Q1879	FAIRLEAD, ON RIB 63.5, GROUP Consisting of:-	4	-	MR	QP10/485
28D/9140645	A25/10C	Bolt, hex. hd., 2 BA	1	-	C	
	11bQ1879	Bonding, 4.9" x .5" x 30G	1	L16		
	11aQ1879	Fairlead, half, 2-1/8" x 5/8" x 1/2"	2	BS2772		
28M/1012015	AGS2001/C1/66	Nut, stiff, 2 BA	1	-	C	
28W/9419475	SP15/C	Washer, 2 BA	1	-	C	
	28Q1879	FAIRLEAD, BETWEEN FORWARD ENGINE BULKHEAD AND FRONT SPAR, GROUP Consisting of:-	1	-		QP10/486
28D/9133014	A25/13C	Bolt, hex. hd.	1	-	C	
	11bQ1879	Bonding, .5" wide x 30G	1	-		
	11aQ1879	Fairlead, half, 3" x 5" x .5"	2	BS2772		
28M/1012015	AGS2001/C1/66	Nut, stiff, 2 BA	1	-	C	
28W/9419475	28aQ1879	Piece, distance, 5/16" o/d x 17G x 5/16"	1	-		
	SP15/C	Washer	1	-	C	
	18Q2081	FAIRLEAD, GROUP (Mod. 2261 Part A) ..	4	-	MR	
	18dQ2081	Consisting of:-				
28D/9140644	A15/9C	Angle (Make from 183SS1793)	2	-		
28D/9133013	A25/5C	Bolt, hex. hd., 2 BA	2	-	C	
	18cQ2081	Bolt, hex. hd., 2 BA	4	-	C	
	18aQ2081	Bonding	2	L16		
	18bQ2081	Fairlead, half	2	8SS668		
	18bQ2081	Fairlead, half	2	8SS668		
28M/1012015	AGS2001/C1/66	Nut, stiff, 2 BA	4	-	C	
28M/9433473	AGS2002/C/1	Nut, stiff, 2 BA	2	-	C	
28W/9419475	SP15/C	Washer, 2 BA	6	-	C	

VULCAN Pk. 2

SERVICES
HYDRAULIC

Page GP. 45

Ref. No.	Part No.	Description	No. off	Matl. Spec.	Cl. of	Plate and Illust'n No.
					St.	
1 2 2 4						
		PIPING SERVICES IN ENGINE BAYS, PORT AND STARBOARD (Q2081, Q2082) (Mod. 905) (Q3866, Q3867, Q3868) (Mod. 2261 Part A Series 200 Engines) (Q3869, Q3870, Q3871) (Mod. 2261 Part B Series 300 Engines) (cont'd.)				
	27Q1879	FAIRLEAD, AFT OF FRONT SPAR, GROUP	1			QP10/487
		Consisting of:-				
28D/9140649	A25/23C	Bolt, hex. hd., 2 BA	1	-	C	
	11bQ1879	Bonding, .5" wide x 30G	1	L16		
	11aQ1879	Fairlead, half, 2" x 1/2" x 1/2"	2	BS2772		
28M/1012016	AGS2001/C1/66	Nut, stiff, 2 BA	1	-	C	
	27aQ1879	Piece, distance, 5/16" o/d x 17G x 1.25"	1	-		
28W/9419475	SP15/C	Washer, 2 BA	1	-	C	
	2Q2082	FAIRLEAD AT RIB 182.5, GROUP	1		MR	QP10/488
		Consisting of:-				
28FP/13942	SS3867	Angle	2	-	C	
28D/8436710	A25/11C	Bolt, hex. hd., 2 BA	1	-	C	
28D/8133013	A25/5C	Bolt, hex. hd., 2 BA	1	-	C	
	2cQ2082	Bonding, .5" wide x 30G	1	L16		
	2aQ2082	Fairlead, half, 2.52" x .8" x .5"	1	BS2772		
	2bQ2082	Fairlead, half, 1.98" x .5" x .5"	1	BS2772		
28M/1012015	AGS2001/C1/66	Nut, stiff, 2 BA	2	-	C	
28W/9419475	SP15/C	Washer, 2 BA	2	-	C	
	2Q1901	FAIRLEAD ON RIB 83.5, GROUP	6		MR	QP10/489
		Consisting of:-				
28D/1011019	A25/8C	Bolt, hex. hd., 2 BA	1	-	C	
	2bQ1901	Bonding, .5" wide x 30G	1	L16		
	2aQ1901	Fairlead, half, 1.7" x .5" x .37"	2	BS2772		
28M/1012015	AGS2001/C1/66	Nut, stiff, 2 BA	1	-	C	
28W/9419475	SP15/C	Washer, 2 BA	1	-	C	
	20aQ2081	Fairlead, half, 3 pipe	4	BS2772		
	22aQ2081	Fairlead, half, 2 pipe	4	BS2772		
	21aQ2081	Fairlead, half, 4 pipe	12	BS2772		
	12aQ2082	Fairlead, half, 2 pipe	8	BS2772	MR	
	33Q2081	FAIRLEAD, GROUP (Mod. 2261 Part B)	2		MR	
		Consisting of:-				
28D/1011019	A25/8C	Bolt, hex. hd., 2 BA	2	-	C	
	33bQ2081	Bonding	2	L16		
	33aQ2081	Fairlead, half	2	BSS868		
28W/9419475	SP15/C	Washer, 2 BA	2	-	C	

SERVICES
HYDRAULIC

Ref. No.	Part No.	Description	No. off	Mtrl. Spec.	Cl. of	Plate and Illustr'n No.
					St. M.R.	
		1 2 3 4				
		PIPING SERVICES IN ENGINE BAYS, PORT AND STARBOARD (Q2081, Q2082) (Mod. 905) (Q3866, Q3867, Q3868) (Mod. 2281 Part A Series 200 Engines) (Q3869, Q3870, Q3870, Q3871) (Mod. 2281 Part B Series 300 Engines) (Cont'd)				
	1Q3863 or LOCKHEED AIR.48510	FILTER HYDRAULIC, GROUP (Mod. 2281) (Part A & B)	1	-		OP10/801
27M/1500263	AIR.48510	FILTER, HYDRAULIC, GROUP (Mod. 2281 Part A) (Mod. 2281 Part B) Spare for:—	3 3			OP10/801
27M/1500264	AIR119182	Element	1	-	C	
27M/1500266	AIR119184	Ring, back	1	-	C	
27M/1500266	AIR119186	Seal	1	-	C	
		Attachments for:—Filter Part No. 1Q3863				
28D.1212308	A28/24E	Bolt, hex. hd., 1/4" BSF	2	-	C	OP10/802
	3Q3885	Spacer (Make from 3089611405)	2	-		OP10/803
28W 9418921	SP13/E	Washer, 1/4"	2	-	C	
		HYDRAULIC PUMP CONNECTIONS IN . . . ENGINE BAYS 1, 2 AND 3 (Q2222) Spare for:—	-	-		
	BRISTOL B170114	PUMP, HYDRAULIC, GROUP Spare for:—	1	-		OP12/490
37J/8082423	DOWTY 1.00500.030	Pump, hydraulic (Mod. 2287) (Pre-Mod. 2384)	1	-	A	OP12/491
37J/8082159	DOWTY 1.00500.044	Pump, hydraulic (Mod. 2384)	1	-	A	
		MOUNTING OF ACCUMULATOR IN . . . ENGINE BAYS, 1, 2 AND 3 (Q3683) (Pre-Mod. 2278) Spare for:—	-	-		
	131SS3667	Banjo, body	1	L83	MR	OP12/492
	6Q3683	Block, connection	1	L83	MR	OP12/493
20321	2Q3683	BRACKET, MOUNTING, GROUP	1	-	C	OP12/494
20322	3Q3683	Clamp, half	1	L83	C	OP12/495
20324	5Q3683	Clamp, half	1	L83	C	OP12/495
20323	4Q3676	CLIP, HALF, GROUP	1	-		OP12/497
1433428	58J/SS4234	Clip, half	1	-	C	
8A/4320	-	Gauge, pressure	1	-		OP12/498
13256	221SS3657	Tee-piece	1	S84	C	OP12/498
	H.P. COMPONENTS					
28Y/15488	A58	Valve, air charge	1	-	C	OP12/500

SERVICES
HYDRAULIC

Ref. No.	Part No.	Description				No. off	Matl. Spec.	Cl. of	Place and Illust'n No.
		1	2	3	4			St. M.R.	
		PIPING SERVICES IN ENGINE BAYS, PORT AND STARBOARD (Q2081, Q2082) (cont'd.)							
		PIPES, ASSOCIATED WITH ACCUMULATOR IN ENGINE BAYS 1, 2 AND 3 (Q3885) (Pre-Mod. 2278)							
	3SS4833	Spares for:- Elbow, union, 90°				2	-	MR	QP12/501
13786	211Q2101	PIPE, AIR, 3/16" o/d x 22G x 8" LONG, VALVE TO PRESS. GAUGE, GROUP				1	DTD603	C	QP12/502
	DUNLOP G2/W14/622/ 47/47/14.5"	Pipe, flexible, accumulator to charge				1	-	MR	QP12/503
27VA/4625421	DUNLOP 8/W2/502/47/ 47/18"	Pipe, flexible accumulator to pumps				1	-	C	QP12/504
	DUNLOP 8/W2/502/39/ 47/41.5"	Pipe, flexible, feed				1	-	MR	
	DUNLOP 8/W2/502/39/ 47/54.0"	Pipe, flexible feed				3	-	MR	AP12/505
	DUNLOP 4/W2/501/48/ 56/56.0"	Pipe, flexible, return				3	-	MR	QP12/506
	DUNLOP 12/W2/501/ 38/50/57.0"	Pipe, flexible, suction				3	-	MR	QP12/507
	25Q1886	PIPE, AIR PRESSURE, 3/16" o/d x 22G x 36" LONG, TEE-PIECE TO UNION, PORT, GROUP				1	DTD323	MR	QP9/508
	188Q1886	PIPE, FEED, 1/2" o/d x 18G x 21" LONG, TEE-PIECE TO BULKHEAD UNION, PORT, GROUP				1	DTD503	MR	QP9/509
	199Q1886	PIPE, FEED, 1/2" o/d x 18G x 48" LONG, BULKHEAD UNION TO TEE-PIECE, PORT, GROUP				1	DTD503	MR	QP9/510
	200Q1888	PIPE, RETURN, 1/2" o/d x 20G x 70"				1	L56	MR	QP9/511
6723	15Q2101	PIPE, RES. AIR CHARGING, 5/8" o/d x 20G x 24" LONG, ADAPTOR TO N.R.V. TEE-PIECE, PORT, GROUP				1	L56	C	QP9/512

SERVICES
HYDRAULIC

Ref. No.	Part No.	Description	No. off	Matl. Spec.	Cl. of	Place and Inst'n No.
					St. M.R.	
		1 2 3 4				
		PIPING SERVICES IN ENGINE BAYS, PORT AND STARBOARD (Q2081, Q2082) (Cont'd)				
	39Q2101	PIPE, RETURN, 1/2" o/d x 20G x 36" LONG, UNION TO UNION, PORT, GROUP	1	L56	MR	OP9/513
6726	42Q2101	PIPE, SUCTION, 3/4" o/d x 20G x 18" . . . LONG, TEE PIECE TO UNION, PORT, GROUP (Pre-Mod. 905)	1	L56	C	
	149Q2101	PIPE, SUCTION, 3/4" o/d x 20G x 18" . . . LONG, TEE PIECE TO UNION, PORT GROUP (Mod. 905)	1	L56	MR	OP9/514
6716	33Q2101	PIPE SUCTION, 3/4" o/d x 20G x 60" LONG, ADAPTOR TO ADAPTOR, PORT, GROUP (Pre-Mod 905)	1	L56	C	
	150Q2101	PIPE, SUCTION, 3/4" o/d x 20G x 60" . . . LONG, ADAPTOR TO ADAPTOR, PORT, GROUP (Mod 905)	1	L56	MR	OP9/515
6720	31Q2101	PIPE, RETURN, 1/2" o/d x 20G x 48" LONG, ADAPTOR TO TEE PIECE, PORT, GROUP (Pre-Mod 905)	1	L56	C	
	154Q2101	PIPE, RETURN, 1/2" o/d x 20G x 48" . . . LONG, ADAPTOR TO TEE PIECE, PORT, GROUP (Mod 905)	1	L56	MR	OP9/516
	30Q2101	PIPE, RETURN, 1/2" o/d x 20G x 18" . . . LONG, TEE PIECE TO ADAPTOR, PORT, GROUP (Pre-Mod. 905)	1	L56		
	156Q2101	PIPE, RETURN, 1/2" o/d x 20G x 18" . . . LONG, TEE PIECE TO ADAPTOR, PORT, GROUP (Mod. 905)	1	L56	MR	OP9/517
6716	21Q2101	PIPE, RES. AIR PRESSURE, 3/8" o/d x . . 20G x 48" LONG, ADAPTOR TO TEE PIECE, PORT, GROUP (Pre-Mod 905)	1	L56	C	
	157Q2101	PIPE, RES. AIR PRESSURE, 3/8" o/d x . . 20G x 48" LONG, ADAPTOR TO TEE PIECE, PORT, GROUP (Mod. 905)	1	L56	MR	OP9/518

VULCAN No. 7

SERVICES
HYDRAULIC

Page QP. 48A

Ref. No.	Part No.	Description	No. off	Matl. Spec	Cl. of St.	Plate and Hlist'n No.
					M.R.	
		1 2 3 4				
		PIPING SERVICES IN ENGINE BAYS, PORT AND STARBOARD (Q2081, Q2082) (Cont'd.)				
	18Q2101	PIPE, RES. AIR PRESSURE 3/8" o/d x 20G x 18" LONG, TEE-PIECE TO ADAPTOR, PORT, GROUP (Pre-Mod. 905)	1	L56	MR	
	158Q2101	PIPE, RES. AIR PRESSURE, 3/8" o/d x 20G x 18" LONG, TEE-PIECE TO ADAPTOR, PORT, GROUP (Pre-Mod. 905)	1	L56	MR	QP9/519
	144Q2101	PIPE, RETURN, 1/2" o/d x 20G x 78" LONG, ADAPTOR TO UNION, PORT, GROUP (Pre-Mod. 905)		L56	MR	
	161Q2101	PIPE, RETURN, 1/2" o/d x 20G x 78" LONG, ADAPTOR TO UNION, PORT, GROUP (Mod. 905)	1	L56	MR	QP9/520
8754	111Q2101	PIPE, RETURN, 3/8" o/d x 20G x 78" LONG, TEE-PIECE TO ADAPTOR, PORT, GROUP (Pre-Mod. 905)	1	L56	C	
	182Q2101	PIPE, RETURN, 3/8" o/d x 20G x 78" LONG, TEE-PIECE TO ADAPTOR, PORT, GROUP (Mod. 905)	1	L56	MR	QP9/521
8728	26Q2101	PIPE, RETURN, 1/2" o/d x 20G x 18" LONG, TEE-PIECE TO ADAPTOR, PORT GROUP (Pre-Mod. 905)	1	L56	C	
	18Q2101	PIPE, RETURN, 1/2" o/d x 20G x 18" LONG, TEE-PIECE TO ADAPTOR, PORT, GROUP (Mod. 905)	1	L56	MR	QP9/522
8725	29Q2101	PIECE, RETURN, 1/2" o/d x 20G x 78" LONG, ADAPTOR TO TEE-PIECE, PORT, GROUP (Pre-Mod. 905)	1	L56	C	
	167Q2101	PIPE, RETURN, 1/2" o/d x 20G x 78" LONG, ADAPTOR TO TEE-PIECE, PORT, GROUP (Mod. 905)	1	L56	MR	QP9/523
	114Q2101	PIPE, SUCTION, 3/4" o/d x 20G x 48" LONG, ADAPTOR TO UNION, PORT, GROUP (Pre-Mod. 905)	1	L56	MR	

SERVICES
HYDRAULIC

Ref. No.	Part No.	Description	No. off	Matl. Spec.	Cl. of	Plate and Illustr'n No.
					St.	
					M.R.	
		<u>1 2 3 4</u>				
		PIPING SERVICES IN ENGINE BAYS, PORT AND STARBOARD (Q2081, Q2082) (Cont'd)				
	188Q2101	PIPE, SUCTION, 3/4" o/d x 20G x 48" ... LONG, ADAPTOR TO UNION, PORT, GROUP (Mod. 905)	1	L56	MR	QP9/524
	113Q2101	PIPE, SUCTION, 3/4" o/d x 20G x 24" ... LONG, UNION TO ADAPTOR, PORT, GROUP (Pre-Mod. 905)	1	L56	MR	
	189Q2101	PIPE, SUCTION, 3/4" o/d x 20G x 24" ... LONG, UNION TO ADAPTOR, PORT, GROUP (Mod. 905)	1	L56	MR	QP9/525
6741	60Q2101	PIPE, RETURN, 1/2" o/d x 20G x 60" ... LONG, ADAPTOR TO TEE-PIECE, STARBOARD, GROUP (Pre-Mod. 905)	1	L56	C	
	187Q2101	PIPE, RETURN, 1/2" o/d x 20G x 80" ... LONG, ADAPTOR TO TEE-PIECE, STARBOARD, GROUP (Mod. 905)	1	L56	MR	QP9/526
6717	67Q2101	PIPE, SUCTION, 3/4" o/d x 20G x 48" ... LONG, ADAPTOR TO UNION, PORT, GROUP (Pre-Mod. 905)	1	L56	C	
	191Q2101	PIPE, SUCTION, 3/4" o/d x 20G x 48" ... LONG, ADAPTOR TO UNION, PORT, GROUP (Mod. 905)	1	L56	MR	QP9/527
6750	72Q2101	PIPE, POWER PACK OVERFLOW ... 3/8" o/d x 20G x 60" LONG, ADAPTOR TO ADAPTOR, STARBOARD, GROUP (Pre-Mod. 905)	1	L56	C	
	196Q2101	PIPE, POWER PACK OVERFLOW ... 3/8" o/d x 20G x 80" LONG, ADAPTOR TO ADAPTOR, STARBOARD, GROUP (Mod. 905)	1	L56	MR	QP9/528
	184Q1886	PIPE, POWER PACK OVERFLOW ... 3/8" x 20G x 24" LONG, GROUP	1	L56	MR	
11935	193Q2101	PIPE, FIXED, 1/2" o/d x 18G x 90" ... LONG, ADAPTOR TO ADAPTOR, STARBOARD, GROUP (Pre-Mod. 905)	1	DTD603	C	
	209Q2101	PIPE, FIXED, 1/2" o/d x 18G x 90" ... LONG, ADAPTOR TO ADAPTOR, STARBOARD, GROUP (Mod. 905)	1	DTD603	MR	QP9/529

YULCAN No. 2

SERVICES
HYDRAULIC

Page QP. 49

Ref. No.	Part No.	Description	No. off	Matl. Spec.	Cl. of	Plate and Illust'n No.
					St. M.R.	
		1 2 3 4				
		PIPING SERVICES IN ENGINE BAYS, PORT AND STARBOARD (Q2081, Q2802) (Mod. 905) (Q3866, Q3867, Q3868) (Mod. 2281, PART A, SERIES 200 ENGINES) (Q8369, Q8370, Q8371) (Mod. 2281, PART B, SERIES 300 ENGINES) (Cont'd)				
	184Q2101	PIPE, RETURN, 1/2" o/d x 18G x 90" LONG, ADAPTOR TO ADAPTOR, STARBOARD, GROUP (Pre-Mod. 905)	1	L56	MR	
	210Q2101	PIPE, RETURN, 1/2" o/d x 18G x 90" LONG, ADAPTOR TO ADAPTOR, STARBOARD, GROUP (Mod. 905)	1	L56	MR	QP9/530
11934	192Q2101	PIPE, FEED 1/2" o/d x 18G x 63" LONG, ADAPTOR TO N.R. VALVE TEE PIECE, STARBOARD, GROUP (Pre-Mod. 905)	1	DTD503	C	
	212Q2101	PIPE, FEED, 1/2" o/d x 18G x 63" LONG, ADAPTOR TO N.R. VALVE TEE PIECE, STARBOARD, GROUP (Mod. 905)	1	DTD503	MR	QP9/531
1510418	302Q2101	PIPE, FEED, 3/8" o/d x 20G x 90" LONG, ADAPTOR TO FILTER, STARBOARD, GROUP (Mod. 2281 PART A)	1	DTD5016	C	QP9/782
1510419	303Q2101	PIPE, FEED, 1/2" o/d x 18G x 18" LONG, FILTER TO REDUCING UNION, STARBOARD, GROUP (Mod. 2281 PART A)	1	DTD5016	C	QP9/783
1510420	304Q2101	PIPE, FEED, 3/8" o/d x 20G x 72" LONG, REDUCING UNION TO UNION, STARBOARD, GROUP (Mod. 2281, PART A)	1	DTD5016	C	QP9/784
	305Q2101	PIPE, FEED, 3/8" o/d x 20G x 84" LONG, ADAPTOR TO REDUCING UNION, STARBOARD, GROUP (Mod. 2281, PART B)	1	DTD5016	MR	QP9/532
1510439	316Q2101	PIPE, FEED, 1/2" o/d x 18G x 18" LONG, REDUCING UNION TO FILTER, STARBOARD, GROUP (Mod. 2281, PART B)	1	DTD5016	C	QP9/785

SERVICES
HYDRAULIC

Ref. No.	Part No.	Description	No. off	Matl. Spec.	Cl. of	Plate and Illust'n No.
					St. M.R.	
		1 2 3 4				
		PIPING SERVICES IN ENGINE BAYS, PORT AND STARBOARD (Q2081, Q2802) (Mod 905) (Q3866, Q3867, Q3868) (Mod 2261, PART A, SERIES 200 ENGINES) (Q8369, Q8370, Q8371) (Mod 2261, PART B, SERIES 300 ENGINES) (Cont'd)				
1510438	306Q2101	PIPE, FEED, 3/8" o/d x 20G x 72" LONG, FILTER TO UNION STARBOARD, GROUP (Mod 2261, PART B)	1	DTD5018	C	OP9/788
6744	48Q2101	PIPE, FEED, 1/2" o/d x 18G x 18" LONG, N.R. VALVE TEE PIECE TO ADAPTOR, STARBOARD, GROUP (Pre Mod 905)	1	DTD503	C	
	214Q2101	PIPE FEED, 1/2" o/d x 18G x 18" LONG, N.R. VALVE TEE PIECE TO ADAPTOR, STARBOARD, GROUP (Mod 905)	1	DTD503	MR	OP9/533
	25Q2101	PIPE, FEED, 1/2" o/d x 18G x 42" LONG, ADAPTOR TO N.R. VALVE TEE PIECE PORT, GROUP (Pre-Mod 905)	1	DTD503	MR	
	215Q2101	PIPE, FEED, 1/2" o/d x 18G x 42" LONG, ADAPTOR TO N.R. VALVE TEE PIECE, PORT, GROUP (Mod 905)	1	DTD503	MR	OP9/534
	143Q2101	PIPE, FEED, 1/2" o/d x 18G x 72" LONG, ADAPTOR TO UNION, PORT, GROUP (Pre-Mod 905)	1	DTD503	MR	
	218Q2101	PIPE, FEED, 1/2" o/d x 18G x 72" LONG, ADAPTOR TO UNION, PORT, GROUP (Mod. 905)	1	DTD503	MR	OP9/535
6722	24Q2101	PIPE, FEED, 1/2" o/d x 18G x 18" LONG, N.R. VALVE TEE PIECE TO ADAPTOR, PORT, GROUP (Pre-Mod 905)	1	DTD503	C	
	217Q2101	PIPE, FEED, 1/2" o/d x 18G x 18" LONG, N.R. VALVE TEE PIECE TO ADAPTOR, PORT, GROUP	1	DTD503	MR	OP9/536

VULCAN PHL 2

SERVICES
HYDRAULIC

Page QP. 498

Ref. No.	Part No.	Description	No. off	Matl. Spec.	Cl. of	Place and Illust'n No.
					St. M.R.	
		1 2 3 4				
		PIPING SERVICES IN ENGINE BAYS, PORT AND STARBOARD (Q2081, Q2802) (Mod. 905) (Q3886, Q3887, Q3888) (Mod. 2261, PART A, SERIES 200 ENGINES) (Q8366, Q8370, Q8371) (Mod. 2261, PART B, SERIES 300 ENGINES) (Cont'd)				
1510421	299Q2101	PIPE, FEED, 3/8" o/d x 20G x 80" LONG, ADAPTOR TO FILTER, PORT, GROUP (Mod. 2261, PART A)	1	DTD5016	C	QP9/787
1510422	300Q2101	PIPE, FEED, 1/2" o/d x 18G x 18" LONG, FILTER TO REDUCING UNION PORT, GROUP (Mod. 2261 PART A)	1	DTD5016	C	QP9/788
1510423	301Q2101	PIPE, FEED, 3/8" o/d x 20G x 102" LONG, REDUCING UNION TO TEE-PIECE, PORT, GROUP (Mod. 2261, PART B)	1	DTD5016	C	QP9/789
	218Q2101	PIPE, FEED, 3/8" o/d x 20G x 54" LONG, TEE-PIECE TO UNION, PORT, GROUP (Mod. 905)	1	DTD503	MR	QP9/537
1510427	307Q2101	PIPE, FEED, 3/8" o/d x 20G x 30" LONG, ADAPTOR TO FILTER, PORT, GROUP (Mod. 2261, PART A)	1	DTD5016	C	QP9/790
1510428	308Q2101	PIPE, FEED, 1/2" o/d x 18G x 18" LONG, FILTER TO REDUCING UNION, PORT, GROUP (Mod. 2261, PART A)	1	DTD5016	C	QP9/791
1510429	309Q2101	PIPE, FEED, 3/8" o/d x 20G x 7' 0" LONG, REDUCING UNION TO N.R. VALVE, PORT, GROUP (Mod. 2261, PART A)	1	DTD5016	C	QP9/792
6724	23Q2101	PIPE, FEED, 1/2" o/d x 18G x 78" LONG, ADAPTOR TO N.R. VALVE TEE-PIECE, PORT, GROUP (Pre-Mod. 905)	1	DTD503	C	
	218Q2101	PIPE, FEED, 1/2" o/d x 18G x 78" LONG, ADAPTOR TO N.R. VALVE TEE-PIECE, PORT, GROUP (Mod. 905)	1	DTD503	MR	QP9/538

SERVICES
HYDRAULIC

Ref. No.	Part No.	Description	No. off	Matl. Spec.	Cl. of	Plate and Illust'n No.
					St. M.R.	
		1 2 3 4				
		PIPING SERVICES IN ENGINE BAYS, PORT AND STARBOARD (Q2081, Q2802) (Mod. 905) (Q3888, Q2887, Q3888) (Mod. 2281, PART A, SERIES 200 ENGINES) (Q8368, Q8370, Q8371) (Mod. 2281, PART B, SERIES 300 ENGINES) (Cont'd)				
1510432	313Q2101	PIPE, FEED, 3/8" o/d x 20G x 30" LONG, ADAPTOR TO FILTER, PORT, GROUP (Mod. 2281, PART B)	1	DTD5018	C	QP9/539
	314Q2101	PIPE, FEED, 1/2" o/d x 18G x 18" LONG, FILTER TO REDUCING UNION, PORT, GROUP (Mod. 2281, PART B)	1	DTD5018	MR	QP9/793
12488	220Q2101	PIPE, FEED, 3/8" o/d x 22G, TEE-PIECE TO ADAPTOR, PORT, GROUP (Mod. 905) (Pre-Mod. 2281, PART B)	1	-	C	
	315Q2101	PIPE, FEED, 3/8" o/d x 20G x 30" LONG, REDUCING UNION TO TEE-PIECE, PORT, GROUP (Mod. 2281, PART B)	1	DTD5018	MR	QP9/794
	22Q2101	PIPE, FEED, 1/2" o/d x 18G x 18" LONG, TEE-PIECE TO ADAPTOR, PORT, GROUP (Pre-Mod. 905)	1	DTD503	MR	
	221Q2101	PIPE, FEED, 1/2" o/d x 18G x 18" LONG, TEE-PIECE TO ADAPTOR, PORT, GROUP (Mod. 905)	1	DTD503	MR	QP9/540
	223Q2101	PIPE, RETURN, 1/4" o/d x 22G x 60" LONG, TEE-PIECE TO UNION, STARBOARD, GROUP (Mod. 905)	1	L58	MR	QP9/541
	224Q2101	PIPE, FEED, 3/8" o/d x 29G x 60" LONG, N.R. VALVE TEE-PIECE TO UNION, STARBOARD, GROUP (Mod. 905)	1	DTD503	MR	QP9/542
6738	70Q2101	PIPE, RETURN, 1/4" o/d x 22G x 60" LONG, TEE-PIECE TO UNION, PORT, GROUP (Pre-Mod. 905)	1	L58	C	
	225Q2101	PIPE, RETURN, 1/4" o/d x 22G x 60" LONG, TEE-PIECE TO UNION, PORT, GROUP (Mod. 905)	1	L58	MR	QP9/543
6735	17Q2101	PIPE, RESERVOIR AIR CHARGE 1/4" o/d x 22G x 60" LONG, TEE-PIECE TO UNION, PORT, GROUP (Pre-Mod. 905)	1	L58	C	

VULCAN No. 2

SERVICES
HYDRAULIC

Page OF. 50A

Ref. No.	Part No.	Description	No. off	Matl. Spec.	Cl. of St.	Plate and Illust'n No.
					M.R.	
		1 2 3 4				
		PIPING SERVICES IN ENGINE BAYS, PORT AND STARBOARD (Q2081, Q2802) (Mod. 905) (Q3886, Q3887, Q3888) (Mod. 2281, PART A, SERIES 200 ENGINES) (Q8389, Q8370, Q8371) (Mod. 2281, PART B, SERIES 300 ENGINES) (Cont'd)				
	228Q2101	PIPE, RESERVOIR AIR CHARGE, 1/4" o/d x 22G x 80" LONG, TEE-PIECE TO UNION PORT, GROUP (Mod. 905)	1	L58	MR	QP9/544
	62Q2101	PIPE, AIR, 3/8" o/d x 20G x 72" LONG, TEE-PIECE TO ADAPTOR, STARBOARD, GROUP (Pre-Mod. 905)	1	L58		
	227Q2101	PIPE, AIR, 3/8" o/d x 20G x 72" LONG, TEE-PIECE TO ADAPTOR, STARBOARD, GROUP (Mod. 905)	1	L58	MR	QP9/545
8740	49Q2101	PIPE, RETURN, 1/2" o/d x 20G TEE-PIECE TO ADAPTOR, STARBOARD, GROUP (Pre-Mod. 905)	1	L58	C	
12502	230Q2101	PIPE, RETURN, 1/2" o/d x 20G x 18" LONG, TEE-PIECE TO ADAPTOR, STARBOARD, GROUP (Mod. 905)	1	L58	C	QP9/546
	36Q2101	PIPE, FEED, 1/2" o/d x 18G x 42" LONG, UNION TO BULKHEAD UNION, PORT, GROUP (Pre-Mod. 905)	1	DTD503	MR	
	231Q2101	PIPE, FEED, 1/2" o/d x 18G x 42" LONG, UNION TO BULKHEAD, UNION, PORT, GROUP (Mod. 905)	1	OTD503	MR	QP9/547
8743	44Q2101	PIPE, RETURN, 1/4" o/d x 22G x 48" LONG, UNION TO AVERY COUPLING, STARBOARD, GROUP (Pre-Mod. 905)	1	L58	C	
	232Q2101	PIPE, RETURN, 1/4" o/d x 22G x 48" LONG, UNION TO AVERY COUPLING, STARBOARD, GROUP (Mod. 905)	1	L58	MR	QP9/548

SERVICES
HYDRAULIC

Ref. No.	Part No.	Description	No. off	Matl. Spec.	Cl. of	Place and Illust'n No.
					St. M.R.	
		1 2 3 4				
		PIPING SERVICES IN ENGINE BAYS, PORT AND STARBOARD (Q2081, Q2082) (Mod. 905) (Q3866, Q3867, Q3868) (Mod. 2281, Part A, Series 200 Engines) (Q3869, Q3870, Q3871) (Mod. 2281, Part B, Series 200 Engines) (cont'd.)				
8739	43Q2101	PIPE, SUCTION, 3/4" o/d x 20G, ADAPTOR TO AVERY COUPLING, STARBOARD, GROUP (Pre-Mod. 905)	1	L58	C	
	233Q2101	PIPE, SUCTION, 3/4" o/d x 20G x 86" LONG, TEE-PIECE TO AVERY COUPLING, PORT, GROUP (Mod. 905)	1	DTD503	MR	QP9/549
1510424	312Q2101	PIPE, FEED, 3/8" o/d x 20G x 24" LONG, ADAPTOR TO FILTER, PORT, GROUP (Mod. 2281, Part B)	1	DTD5016	C	QP9/550
1510425	310Q2101	PIPE, FEED, 1/2" o/d x 18G x 18" LONG, FILTER TO REDUCING UNION, PORT, GROUP (Mod. 2281, Part B)	1	DTD5016	C	QP9/555
	311Q2101	PIPE, FEED, 3/8" o/d x 20G x 72" LONG, REDUCING UNION TO TEE-PIECE, PORT, GROUP (Mod. 2281, Part B)	1	DTD5016	MR	QP9/798
	235Q2101	PIPE, RETURN, 1/4" o/d x 22G x 72" LONG, TEE-PIECE TO AVERY COUPLING, PORT, GROUP (Mod. 905)	1	L58	MR	QP9/551
	236Q2101	PIPE, RESERVOIR AIR CHARGE, 1/4" o/d x 22G x 72" LONG, TEE-PIECE TO CHARGING VALVE, PORT, GROUP (Mod. 905)	1	L58	MR	QP9/552
	18Q2101	PIPE, AIR, 3/8" o/d x 20G x 24" LONG, ADAPTOR TO N.R. VALVE, PORT, GROUP (Pre-Mod. 905)	1	L58		
	237Q2101	PIPE, AIR, 3/8" o/d x 20G x 24" LONG, ADAPTOR TO N.R. VALVE, PORT, GROUP (Mod. 905)	1	L58	MR	QP9/553

VULCAN Mk. 2		SERVICES HYDRAULIC				Page QP. 50C	
Ref. No.	Part No	Description	No. off	Matl Spec.	Cl. of St.	Plate and Illust'n No.	
					M.R.		
		1 2 3 4					
		PIPING SERVICES IN ENGINE BAYS, PORT AND STARBOARD (Q2081, Q2082) (Mod. 905) (Q3066, Q3067, Q3068) (Mod. 2261, Part A, Series 200 Engines) (Q3069, Q3071) (Mod. 2261, Part B, Series 300 Engines) (Cont'd.)					
8761	73Q2101	PIPE, POWER PACK OVERFLOW, 3/8" o/d x 20G, ADAPTOR TO ADAPTOR, STARBOARD, GROUP (Pre-Mod. 1892) (Series 201, 203 Engines)	1	L56	C		
	239Q2101	PIPE, POWER PACK OVERFLOW, 3/8" o/d x 20G, ADAPTOR TO ADAPTOR, STARBOARD, GROUP (Mod. 1892) (Series 202 Engines)	1	L56			
	187Q2101	PIPE, POWER PACK OVERFLOW, 3/8" o/d x 20G, ADAPTOR TO ADAPTOR, STARBOARD, GROUP (Pre-Mod. 1892) (Series 202 Engines)	1	L56	MR		
	240Q2101	PIPE, POWER PACK OVERFLOW, 3/8" o/d x 20G, ADAPTOR TO ADAPTOR, STARBOARD, GROUP (Mod. 1892) (Series 202 Engines)	1	L56		QP9/554	
28F/7103606	AGS.1186/C	Seal, washer (Mod. 2261, Part A) (Mod. 2261, Part B)	3 3	— —	C C	QP10/804	
28F/9429455	AGS 1186/D	Seal, washer (Mod. 2261, Part A) (Mod. 2261, Part B)	3 3	— —	C C	QP10/805	
2881	108SS3557 111SS3557	Tee-piece Tee-piece	1 2	— —	MR C	QP10/555 QP10/556	
Z7OM/ 4173549	DOWTY D7313Y	Valve, non-return	3	—	A	QP10/557	
4820-88- 4153922	DOWTY 1.00071.001	Valve, non-return	3	—	B	QP10/558	
28Y/8701185	H.P. COMPONENTS A58 Mk.2	Valve, charging	1	—	C	QP10/558	

SERVICES
HYDRAULIC

Ref. No.	Part No.	Description	No. off	Mast. Spec.	Cl. of	Place and Illust'n No.
					St. M.R.	

VULCAN 68 7

SERVICES
HYDRAULIC

Page OP. 51

Ref. No.	Part No.	Description	No. off	Matl. Spec.	Cl. of	Plate and Illust'n No.
					St.	
		1 2 3 4				
	4Q1884	PIPING, SERVICES IN AIR INTAKE, PORT (Q2212) Spare for:— FAIRLEAD ON DIAPHRAGMS 27.0" AND 49.5" AND TRANSVERSE RIB, GROUP	3	—		OP10/580
28D/1011022	A25/18C 4cQ1884 4aQ1884 4bQ1884	Consisting of:— Bolt, hex. hd., 2 BA Bonding, 3/8" wide x 30G Fairlead, half, 4-5/8" x 1" x 3/8" Fairlead, half, 4-5/8" x 1" x 3/8" Nut, stiff, 2 BA Washer, 2 BA	2 1 1 1 2 2	— L59 BSS688 BSS688 — —	C C C	
28M/1012015 28W/9419475	AGS2001/C1/68 SP15/C 11Q1885	FAIRLEAD, ON BULKHEAD 75", GROUP	1	—		OP10/561
28D/9140644	A25/9C 11cQ1885 11aQ1885 11bQ1885	Consisting of:— Bolt, hex. hd., 2 BA Bonding, 1/2" wide x 30G Fairlead, half, 2" x 1/2" x 1/2" Fairlead, half, 2" x 1/2" x 1/2" Nut, stiff, 2 BA Washer, 2 BA	1 1 1 1 1 1	— L59 BSS688 BSS688 — —	C C C	
28M/1012015 28W/9419475	AGS2001/C1/68 SP15/C 13Q2212	FAIRLEAD, BETWEEN DIAPHRAGMS, 49.5" AND 83.75", GROUP	2	—		OP10/562
28D/9133014	A25/13C 13bQ2212 13aQ2212	Consisting of:— Bolt, hex. hd., 2 BA Bonding, 3/8" wide x 30G Fairlead, half, .375" x .85" x 4.83" Nut, stiff, 2 BA Washer, 2 BA	2 1 2 2 2	— L59 BSS688 — —	C C C	
28M/1012015 28W/9419475	AGS.2001/C1/68 SP15/C 194Q1886	PIPE, FEED, 1/2" o/d x 18G x 30" LONG, UNION AT FRONT SPAR TO UNION, GROUP	1	DTD503		OP9/563
1433482	195Q1886	PIPE, RETURN, 1/2" o/d x 20G x 36" LONG, UNION AT FRONT SPAR TO UNION, GROUP	1	L56	C	OP9/564
1433284	87Q2101	PIPE, FEED, 1/2" o/d x 18G x 90" LONG, UNION TO UNION, GROUP (Mod. 514)	1	DTD503	C	OP9/565
	88Q2101	PIPE, FEED, 1/2" o/d x 18G x 126" LONG, UNION TO BULKHEAD UNION, GROUP	1	DTD503	MR	OP9/566
1433283	89Q2101	PIPE, RETURN, 1/2" o/d x 20G x 90" LONG, UNION TO UNION, GROUP (Mod 514)	1	L56	C	OP9/567
1433380	90Q2101	PIPE, RETURN, 1/2" o/d x 20G x 126" LONG, UNION TO BULKHEAD UNION, GROUP	1	L56	C	OP9/568

VULCAN No. 2						
Page QP. 52		SERVICES HYDRAULIC				
Ref. No.	Part No	Description	No. off	Matl Spec.	Cl. of St.	Plate and Illust'n No.
					M.R.	
		1 2 3 4				
		PIPING, INSTALLATION AND PRESSURE TRANSMITTER (Q1885) Spares for:—				
6A/1082408	SANGAMO WESTON FD890	Mounting, transmitter	1	—	A	QP10/568
	193Q1885	PIPE, PRESSURE, 3/16" o/d x 22G UNION TO PRESSURE RELAY, GROUP	1	DTD323A	MR	QP9/570
	192Q1885	PIPE, PRESSURE, 3/16" o/d x 22G, PRESSURE RELAY TO TRANSMITTER, GROUP	1	DTD323A	MR	QP9/571
27VA/4625851	DUNLOP ACM 18798	Relay, pressure	1	—	A	QP10/572
6A/4333488	SANGAMO WESTON S122/4/44	Transmitter, pressure	1	—	A	QP10/573
		PIPING, SERVICES IN MAIN U/C WHEEL BAY, PORT AND STARBOARD (Q2079, Q2080) Spares for:—				
14778	68SS3568	Adaptor	1	—	C	QP10/574
	17Q2079	BRACKET, PORT, GROUP	1	—	MR	QP10/575
1510179	25Q2079	BRACKET PRESSURE REDUCING VALVE, RIB 162.5, PORT GROUP	1	—	C	
1510180	26Q2079	BRACKET PRESSURE REDUCING VALVE, RIB 162.5, STBD. GROUP	1	—	C	
1510181	27Q2079	BRACKET PRESSURE REDUCING VALVE, RIB 162.5, GROUP	1	—	C	
27BA/9467721	AVERY AVA64/D	Cap, blanking, 1/2" BSP, port	1	—	C	QP10/576
27BA/9467726	AVERY AVA64/C	Cap, blanking, 3/8" BSP, port	1	—	C	QP10/577
27BA/9467722	AVERY AVA64/F	Cap, blanking, 3/4" BSP, port	1	—	C	QP10/578
	AS4525/2	Clip	1	—		
	AS4525/4	Clip	2	—	C	
	AS4525/6	Clip	1	—		
	AS4525/10	Clip	3	—		
27BA/4110942	AVERY AVA508/D	Coupling, half, flanged, 1/2" BSP, port ...	1	—	C	QP10/579

VOLCAN No. 2

SERVICES
HYDRAULIC

Page DP 53

Ref. No.	Part No.	Description	No. off	Mat. Spec.	Cl. of	Plate and Illust'n No.
					St. M.R.	
		1 2 3 4				
PIPING SERVICES, IN MAIN U/C WHEEL BAY, PORT AND STARBOARD (Q2079, Q2080) (Cont'd)						
27BA/4110837	AVERY AVA55/C	Coupling, half, flanged, 3/8" BSP, port	1		B	QP10/580
27BA/4110837	or AVA1150/C	Coupling, half, flanged, port	1		B	
27BA/9488506	AVERY AVA55/F	Coupling, half, flanged, 3/4" BSP, port	1		B	QP10/581
27BA/9488506	or AVA1152/F	Coupling, half, flanged, port	1		B	
	38SS3654	Cross-piece	4		MR	QP10/582
	2Q1801	FAIRLEAD ON RIB 162.5", PORT	2		MR	QP10/583
		AND BETWEEN RIBS 162.5" AND 212.5", STARBOARD, GROUP				
		Consisting of:-				
28D/7002428	A25/6C	Bolt, hex. hd., 2 BA	1		C	
	2bQ1801	Bonding, 30G	1	L4		
	2aQ1801	Fairlead, half, 1-3/16" x 1/2" x 1/4"	2	BSS668		
28M/1012015	AGS2001/C1/66	Nut, stiff, 2 BA	1		C	
28W/9419402	SP13/C	Washer, 2 BA	1		C	
	7Q1865	FAIRLEAD, ON RIB 162.5", PORT,	1		MR	QP10/584
		GROUP				
		Consisting of:-				
28D/9133013	A25/6C	Bolt, hex. head, 2 BA	2		C	
28D/9436710	A25/11C	Bolt, hex. head, 2 BA	2		C	
28D/9140639	A25/11B	Bolt, hex. head, 4 BA	1		C	
	7cQ1865	Bonding, 30G x 1/2" x 12"	1	L16		
26FP/13942	SS3687	Bracket, angle	2		C	
	7aQ1865	Fairlead, half, 6.8" x .6" x .5"	1	BSS668		
	7bQ1865	Fairlead, half, 6.8" x 5" x .5"	1	BSS668		
28M/1012015	AGS2001/C1/66	Nut, stiff, 2 BA	4		C	
28M/1278189	AGS2001/B1	Nut, stiff, 4 BA	1		C	
28W/9419402	SP13/C	Washer, 2 BA	4		C	
28W/9419465	SP13/B	Washer, 4 BA	1		C	
	8Q1865	FAIRLEAD, ON RIB 162.5", GROUP	2		MR	QP10/585
		Consisting of:-				
28D/9133013	A25/6C	Bolt, hex. head, 2 BA	2		C	
28D/9436710	A25/11C	Bolt, hex. head, 2 BA	2		C	
28D/9140639	A25/11B	Bolt, hex. head, 4 BA	2		C	
	8cQ1865	Bonding, 30G x 1/2" x 7"	1	L16		
26FP/13942	SS3687	Bracket, angle	2		C	
	8aQ1865	Fairlead, half	1	BSS668		
	8bQ1865	Fairlead, half	1	BSS668		
28M/1012015	AGS2001/C1/66	Nut, stiff, 2 BA	4		C	
28M/1278189	AGS2001/B1	Nut, stiff, 4 BA	2		C	
28W/9419402	SP13/C	Washer, 2 BA	4		C	
28W/9419465	SP13/B	Washer, 4 BA	2		C	

SERVICES
HYDRAULIC

Ref. No.	Part No.	Description	No. off	Matl. Spec.	Cl. of	Plate and Illust'n No.
					St. M.R.	
		1 2 3 4				
		PIPING SERVICES, IN MAIN U/C WHEEL BAY, PORT AND STARBOARD (Q2079, Q2080) (Cont'd)				
	9Q1885	FAIRLEAD, BETWEEN RIBS 162.5" AND 215.5", GROUP	4		MR	QP10/586
		Consisting of:				
28D/9140845	A25/10C	Bolt, hex. hd., 2 BA	2		C	
	9bQ1885	Bonding, 30G x 1/2" x 8"	1	L16		
	9eQ1885	Fairlead, half	2	BSS868		
28M/1012015	AGS2001/C1/86	Nut, stiff, 2 BA	2		C	
28W/9419402	SP13/C	Washer, 2 BA	2		C	
	4aSS3742	Hose, rubber	1			QP10/587
	32Q1885	PIPE, FEED, 1/2" o/d x 18G, TEE-PIECE TO CONTROL VALVE, PORT, GROUP (Pre Mod. 2236)	1	DTD503	MR	
1506231	281Q2101	PIPE, FEED, 1/2" o/d x 18G, TEE-PIECE TO CONTROL VALVE, PORT, GROUP (Mod. 2236)	1	DTD5016		QP9/588
	96Q1885	PIPE, SUCTION, 3/4" o/d x 20G, TEE-PIECE TO FILTER, PORT, GROUP (Pre Mod. 2236)	1	L56	MR	
	271Q2101	PIPE, SUCTION, 3/4" o/d x 20G, TEE-PIECE TO FILTER, PORT, GROUP (Mod. 2236)	1	DTD5016	MR	QP9/589
6684	5Q2101	PIPE, RETURN, 1/2" o/d x 20G, TEE-PIECE TO U/C DOOR VALVE, PORT, GROUP (Pre Mod. 2236)	1	L56	C	
	257Q2101	PIPE, RETURN, 1/2" o/d x 20G, TEE-PIECE TO U/C DOOR VALVE, PORT, GROUP (Mod. 2236)	1	DTD5016	MR	QP9/590
6687	8Q2101	PIPE, RETURN, 1/2" o/d x 20G, CROSS-PIECE TO TEE-PIECE, PORT, GROUP (Pre Mod. 2236)	1	L56	C	
	264Q2101	PIPE, RETURN, 1/2" x 20G, CROSS-PIECE TO TEE-PIECE, PORT, GROUP (Mod. 2236)	1	DTD5016	MR	QP9/591
6688	9Q2101	PIPE, RETURN, 1/2" o/d x 20G, NON-RETURN VALVE TO CROSS-PIECE, PORT, GROUP (Pre Mod. 2236)	1	L56	C	

VULCAN No. 3

SERVICES
HYDRAULIC

Page OP. 54A

Ref. No.	Part No.	Description	No. off	Matl. Spec.	Cl. of	Plate and Illust'n No.
					St. M.R.	
		1 2 3 4				
		PIPING SERVICES IN MAIN U/C WHEEL BAY, PORT AND STARBOARD (Q2079, Q2080) (Cont'd)				
	274Q2101	PIPE, RETURN, 1/2" o/d x 20G, NON-RETURN VALVE TO CROSS-PIECE (Mod. 2236)	1	DTD5016	MR	QP9/582
6680	10Q2101	PIPE, FEED, 1/2" o/d x 18G, ADAPTOR TO CROSS-PIECE, PORT, GROUP (Pre Mod 2236)	1	OTD503	C	
	275Q2101	PIPE, FEED, 1/2" o/d x 18G, ADAPTOR TO CROSS-PIECE, PORT, GROUP (Mod 2236)	1	DTD5016	MR	QP9/583
6680	11Q2101	PIPE, RETURN, 1/2" o/d x 20G, CROSS-PIECE, TO CONTROL VALVE, PORT, GROUP (Pre-Mod. 2236)	1	L56	C	
	262Q2101	PIPE, RETURN, 1/2" o/d x 20G, CROSS-PIECE, TO CONTROL VALVE, PORT, GROUP (Mod. 2236)	1	OTD5016	MR	QP9/584
6691	12Q2101	PIPE, FEED, 1/2" o/d x 18G, CROSS-PIECE TO TEE-PIECE, PORT, GROUP (Pre Mod 2236)	1	DTD503	C	
	273Q2101	PIPE, FEED, 1/2" o/d x 18G, CROSS-PIECE TO TEE-PIECE, PORT, GROUP (Mod 2236)	1	DTD5016	MR	QP9/585
	62Q2101	PIPE, RETURN, 1/2" o/d x 20G, TEE-PIECE TO CONTROL VALVE, STARBOARD, GROUP (Pre-Mod 2236)	1	L56	MR	
	286Q2101	PIPE, RETURN, 1/2" o/d x 20G, TEE-PIECE TO CONTROL VALVE, STARBOARD, GROUP (Mod 2236)	1	OTD5016	MR	QP9/586
	80Q2101	PIPE, FEED, 1/2" o/d x 18G, CROSS-PIECE TO U/C DOOR VALVE, PORT, GROUP (Pre-Mod 2236)	1	DTD503		
	265Q2101	PIPE, FEED, 1/2" o/d x 18G, CROSS-PIECE TO U/C DOOR VALVE, PORT, GROUP (Mod 2236)	1	L 05016	MR	QP9/587
8194	102Q2101	PIPE, FEED, 1/2" o/d x 18G, CROSS-PIECE TO ADAPTOR, STARBOARD, GROUP (Pre-Mod. 2236)	1	DTD503	C	

SERVICES
HYDRAULIC

Ref. No.	Part No.	Description	No. off	Matl Spec.	Cl. of	Plate and Illust'n No.
					St. M.R.	
		1 2 3 4				
		PIPING SERVICES IN MAIN U/C WHEEL BAY, PORT AND STARBOARD (Q2079, Q2080) (Cont'd)				
	293Q2101	PIPE, FEED, 1/2" o/d x 18G, CROSS- PIECE TO ADAPTOR, STARBOARD, GROUP (Mod. 2238)	1	DTD5018	MR	QP9/588
	108Q2101	PIPE, RETURN, 1/2" o/d x 20G, ADAPTOR TO NON-RETURN VALVE, PORT, GROUP (Pre-Mod. 2238)	1	L58		
	276Q2101	PIPE, RETURN, 1/2" o/d x 20G, ADAPTOR TO NON-RETURN VALVE, PORT, GROUP (Mod. 2238)	1	DTD5018	MR	QP9/599
13118	120Q2101	PIPE, FEED, 1/2" o/d x 20G, CROSS- PIECE TO CONTROL VALVE, STARBOARD, GROUP (Pre-Mod. 2238)	1	DTD503	C	
	287Q2101	PIPE, FEED, 1/2" o/d x 20G, CROSS- PIECE TO CONTROL VALVE, STARBOARD, GROUP (Mod. 2238)	1	DTD5018	MR	QP9/600
8748	121Q2101	PIPE, RETURN, 1/2" o/d x 20G, NON-RETURN VALVE TO ADAPTOR, STARBOARD, GROUP (Pre-Mod. 2238)	1	L58	C	
1505253	280Q2101	PIPE, RETURN, 1/2" o/d x 20G, NON-RETURN VALVE TO ADAPTOR, STARBOARD, GROUP (Mod. 2238)	1	DTD5018		QP9/601
8750	122Q2101	PIPE, RETURN, 1/2" o/d x 20G, CROSS-PIECE TO NON-RETURN VALVE, STARBOARD, GROUP (Pre-Mod. 2238)	1	L58	C	
1505252	279Q2101	PIPE, RETURN, 1/2" o/d x 20G, CROSS-PIECE TO NON-RETURN VALVE, STARBOARD, GROUP (Mod. 2238)	1	DTD5018		QP9/602
8751	123Q2101	PIPE, RETURN, 1/2" o/d x 20G, TEE- PIECE TO CROSS-PIECE, STARBOARD, GROUP (Pre-Mod. 2238)	1	L58	C	
	290Q2101	PIPE, RETURN, 1/2" o/d x 20G, TEE- PIECE TO CROSS-PIECE, STARBOARD, GROUP (Mod. 2238)	1	DTD5018	MR	QP9/603
8752	124Q2101	PIPE, RETURN, 1/2" o/d x 20G, CROSS-PIECE TO U/C VALVE, STARBOARD, GROUP (Pre-Mod. 2238)	1	L58	C	

VULCAN PL. 2

SERVICES
HYDRAULIC

Page OP. 55

Ref. No.	Part No.	Description	No. off	Matl. Spec.	Cl. of	Plate and Illust'n No.
					St. M.R.	
		1 2 3 4				
		PIPING SERVICES IN MAIN U/C WHEEL BAY, PORT AND STARBOARD (Q2079, Q2080) (Cont'd)				
	292Q2101	PIPE, RETURN, 1/2" o/d x 20G, CROSS-PIECE TO U/C VALVE, STARBOARD, GROUP (Mod. 2236)	1	DTD5016	MR	QP9/604
	128Q2101	PIPE, DRAIN, 3/8" o/d x 20G, FROM CHARGING VALVE TO OUTLET, STARBOARD, GROUP (Pre-Mod. 2236)	1	L56	MR	
	277Q2101	PIPE, DRAIN, 3/8" o/d x 20G, FROM CHARGING VALVE TO OUTLET, STARBOARD, GROUP (Mod. 2236)	1	DTD5016	MR	QP9/605
	131Q2101	PIPE, SUCTION, 3/4" o/d x 20G, AVERY COUPLING TO TEE-PIECE, PORT, GROUP (Pre-Mod. 2236)	1	L56		
	270Q2101	PIPE, SUCTION, 3/4" o/d x 20G, AVERY COUPLING TO TEE-PIECE, PORT, GROUP (Mod. 2236)	1	DTD5016	MR	QP9/606
	133Q2101	PIPE, RETURN, 3/8" o/d x 20G, AVERY COUPLING TO UNION, PORT, GROUP (Pre Mod. 2236)	1	L56		
	268Q2101	PIPE, RETURN, 3/8" o/d x 20G, AVERY COUPLING TO UNION, PORT, GROUP (Mod. 2236)	1	DTD5016	MR	QP9/607
	138Q2101	PIPE, FEED, 1/2" o/d x 18G, AVERY COUPLING TO TEE-PIECE, PORT, GROUP (Pre-Mod. 2236)	1	OTD503		
	272Q2101	PIPE, FEED, 1/2" o/d x 18G, AVERY COUPLING TO TEE-PIECE, PORT, GROUP (Mod. 2236)	1	DTD5016	MR	QP9/608
	141Q2101	PIPE, FEED, 1/2" o/d x 18G, CROSS-PIECE TO U/C VALVE, STARBOARD, GROUP (Pre-Mod. 2236)	1	OTD503	MR	
	291Q2101	PIPE, FEED, 1/2" o/d x 18G, CROSS-PIECE TO U/C VALVE, STARBOARD, GROUP (Mod. 2236)	1	D.05016	MR	QP9/609

SERVICES
HYDRAULIC

Ref. No.	Part No.	Description	No. off	Matl. Spec.	Cl. of	Plate and Illust'n No.
					St. M.R.	
		1 2 3 4				
		PIPING SERVICES IN MAIN U/C WHEEL BAY, PORT AND STARBOARD (Q2079, Q2080) (Cont'd)				
	135Q2101	PIPE, SUCTION, 3/4" o/d x 20G, FILTER TO ADAPTOR, PORT, GROUP (Pre-Mod. 905)	1	L56	MR	
	296Q2101	PIPE, SUCTION, 3/4" o/d x 20G, FILTER TO ADAPTOR, PORT, GROUP (Mod. 2736)	1	DTD5016	MR	
	178Q2101	PIPE, SUCTION, 3/4" o/d x 20G, FILTER TO ADAPTOR, PORT, GROUP (Mod. 905)	1	L56	MR	
	267Q2101	PIPE, SUCTION, 3/4" o/d x 20G, FILTER TO ADAPTOR, PORT, GROUP (Mod. 2236)	1	DTD5016	MR	QP9/610
	134Q2101	PIPE, SUCTION, 3/4" o/d x 20G, TEE-PIECE TO ADAPTOR, PORT, GROUP (Pre-Mod. 905)	1	L56		
	297Q2101	PIPE, SUCTION, 3/4" o/d x 20G, TEE-PIECE TO ADAPTOR, PORT, GROUP (Mod. 2236)	1	DTD5016	MR	
	179Q2101	PIPE, SUCTION, 3/4" o/d x 20G, TEE-PIECE TO ADAPTOR, PORT, GROUP (Mod. 905)	1	L56	MR	
	268Q2101	PIPE, SUCTION, 3/4" o/d x 20G, TEE-PIECE TO ADAPTOR, PORT, GROUP (Mod. 2236)	1	DTD5016	MR	QP9/611
	132Q2101	PIPE, RETURN, 3/8" o/d x 20G, UNION TO ADAPTOR, PORT, GROUP (Pre-Mod. 905)	1	L56		
1505239	298Q2101	PIPE, RETURN, 3/8" o/d x 20G, UNION TO ADAPTOR, PORT, GROUP (Mod. 2236)	1	DT05016		
	180Q2101	PIPE, RETURN, 3/8" o/d x 20G, UNION TO ADAPTOR, PORT, GROUP (Mod. 905)	1	L56	MR	
	269Q2101	PIPE, RETURN, 3/8" o/d x 20G, UNION TO ADAPTOR, PORT, GROUP (Mod. 2236)	1	DTD5016	MR	QP9/612

VULCAN No. 7		SERVICES HYDRAULIC			Page OP. 56A		
Ref No.	Part No.	Description	No. off	Matl. Spec	Cl. of St.	Plate and Illust'n No.	
					M.R.		
		1 2 3 4					
		PIPING SERVICES IN MAIN U/C WHEEL BAY, PORT AND STARBOARD (Q2079, Q2080) (Cont'd.)					
	238Q2101	PIPE, OVERFLOW, 3/8" o/d x 20G, ADAPTOR TO CHARGING VALVE, STARBOARD, GROUP (Pre-Mod. 2236)	1	L56			
1506254	281Q2101	PIPE, OVERFLOW, 3/8" o/d x 20G, ADAPTOR TO CHARGING VALVE, STARBOARD, GROUP (Mod. 2236)	1	OTD5016		QP9/613	
1432936	241Q2101	PIPE, 3/16" o/d x 22G, CROSS-PIECE TO TEE-PIECE, PORT, GROUP (Pre-Mod. 2236)	1	OTD5019	C		
	283Q2101	PIPE, 3/16" o/d x 22G, CROSS-PIECE TO TEE-PIECE, PORT, GROUP (Mod. 2236)	1	OTD5016	MR	QP9/614	
1432937	242Q2101	PIPE, 3/16" o/d x 22G, TEE-PIECE TO JETTISON VALVE, PORT, GROUP (Pre-Mod. 2236)	1	L56	C		
	258Q2101	PIPE, 3/16" o/d 22G, TEE-PIECE TO JETTISON VALVE, PORT, GROUP (Mod. 2236)	1	DTD5016	MR	QP9/615	
1432940	243Q2101	PIPE, RETURN, 3/16" o/d x 22G, TEE-PIECE TO JETTISON VALVE, STARBOARD, GROUP (Pre-Mod. 2236)	1	DTD5019	C		
	288Q2101	PIPE, RETURN, 5/16" o/d x 22G, TEE-PIECE TO JETTISON VALVE, STARBOARD, GROUP (Mod. 2236)	1	OTD5016	MR	QP9/616	
1432938	244Q2101	PIPE, FEED, 3/16" o/d x 22G, TEE-PIECE TO CROSS-PIECE, STARBOARD, GROUP (Pre-Mod. 2236)	1	OTD5019	C		
1506268	285Q2101	PIPE, FEED, 3/16" o/d x 22G, TEE-PIECE TO CROSS-PIECE, STARBOARD, GROUP (Mod. 2236)	1	DTD5016	C	QP9/617	
	252Q2101	PIPE, 3/16" o/d x 22G, TEE-PIECE TO REDUCING VALVE, PORT, GROUP (Pre-Mod. 2236)	1	DTD323A	MR		
	280Q2101	PIPE, 3/16" o/d x 22G, TEE-PIECE TO REDUCING VALVE, PORT, GROUP (Mod. 2236)	1	DTD5016	MR	QP9/618	

SERVICES
HYDRAULIC

Ref. No.	Part No.	Description	No. off	Mati. Spec.	Cl. of St.	Plate and Must'n No.
					M.R.	
		<u>1 2 3 4</u>				
		PIPING SERVICES IN MAIN U/C WHEEL BAY, PORT AND STARBOARD (Q2079, Q2080) (Cont'd.)				
1433745	254Q2101	PIPE, 3/16" o/d x 22G, CROSS-PIECE TO REDUCING VALVE, PORT, GROUP (Pre-Mod. 2236)	1	DTD323A	C	
	259Q2101	PIPE, 3/16" o/d x 22G, CROSS-PIECE TO REDUCING VALVE, PORT, GROUP (Mod. 2236)	1	DTD5016	MR	QP9/619
1433747	253Q2101	PIPE, 3/16" o/d x 22G, TEE-PIECE TO REDUCING VALVE, STARBOARD, GROUP (Pre-Mod. 2236)	1	DTD323A	C	
	284Q2101	PIPE, 3/16" o/d x 22G, TEE-PIECE TO REDUCING VALVE, STARBOARD (Mod. 2236)	1	DTD5016	MR	QP9/620
1433748	266Q2101	PIPE, 3/16" x 22G, CROSS-PIECE TO REDUCING VALVE, STARBOARD, GROUP (Pre-Mod. 2236)	1	DTD323A	C	
	283Q2101	PIPE, 3/16" x 22G, CROSS-PIECE TO REDUCING VALVE, STARBOARD, GROUP (Mod. 2236)	1	DTD5016	MR	QP9/621
	108SS3557	Tee-piece	2	—	MR	QP10/622
27QM/ 4154382	DOWTY C5655Y	Unit, filter	1	—	A	QP10/623
27QM/ 4173768	O7515	Unit, filter	1	—	A	QP10/624
4820-99- 4140000	DOWTY D5240Y	Valve, non-return	2	—	A	QP10/625
27QM/ 4173720	C7335	Valve, charging	1	—	A	QP10/626

WELCOM 28. 8							
SERVICES							
HYDRAULIC							
Page QP. 57							
Ref. No.	Part No.	Description	No. off	Mat. Spec.	Cl of St.		Plate and Illust'n No.
					M	R	
		1 2 3 4					
		PIPING SERVICES IN NOSEWHEEL U/C BAY (Q1878)					
	24Q1866	Spares for:— PIPE, FEED, 1/2" o/d x 18G, BULKHEAD UNION TO FEED BLOCK, GROUP	1	DTD503	MR		QP9/627
	77Q1866	PIPE, RETURN, 1/2" o/d x 20G x 27" LONG, BULKHEAD UNION TO RETURN BLOCK, GROUP	1	L56	MR		QP9/628
		PIPING SERVICES, HYDRAULIC PANEL IN NOSEWHEEL BAY (Q1864)					
		Spares for:—					
8432	42Q1866	PIPE, 1/4" o/d x 22G x 20" LONG FEED BLOCK TO PRESSURE REDUCING VALVE, GROUP (Pre-Mod 2198)	1	DTD323A	C		QP11/629
	258Q2101	PIPE, 1/4" o/d x 22G x 20" LONG FEED BLOCK TO PRESSURE REDUCING VALVE, GROUP (Mod. 2198)	1	DTD5016	MR		
	48Q1866	PIPE, 1/4" o/d x 22G x 15" LONG FEED BLOCK TO U/C CONTROL VALVE, GROUP	1	DTD323A			QP11/630
1433122	48Q1866	PIPE, 1/4" o/d x 22G x 12" LONG STEERING STOP VALVE TO PRESSURE REDUCING VALVE, GROUP	1	DTD323A	C		QP11/631
	85Q1866	PIPE, 3/16" o/d x 22G x 8" LONG RETURN BLOCK TO PRESSURE REDUCING VALVE, GROUP	1	L56	MR		QP11/632

SERVICES
HYDRAULIC

Ref. No.	Part No	Description	No. off	Matl. Spec	Cl. of St.	Plate and Illust'n No.
					M.R.	
		1 2 3 4				
		PIPING SERVICES HYDRAULIC PANEL, IN NOSEWHEEL BAY (Q1864) (Cont'd.)				
	86Q1866	PIPE, 3/16" o/d x 22G x 28" LONG, JETTISON VALVE TO RETURN BLOCK, GROUP	1	L56		QP11/633
	88Q1866	PIPE, 3/16" o/d x 22G x 18" LONG, REDUCING VALVE TO RETURN BLOCK, GROUP	1	L56		QP11/634
17473	89Q1866	PIPE, 1/4" o/d x 22G x 10" LONG, REDUCING VALVE TO RETURN BLOCK, GROUP	1	L56	C	QP11/635
	91Q1866	PIPE, 1/4" o/d x 22G x 16" LONG, U/C CONTROL VALVE TO RETURN BLOCK, GROUP	1	L56	MR	QP11/636
	92Q1866	PIPE, 1/4" o/d x 22G x 18" LONG, STEERING STOP VALVE TO RETURN BLOCK, GROUP	1	L56	MR	QP11/637
	93Q1866	PIPE, 3/8" o/d x 20G x 48" LONG, RETURN BLOCK TO NON-RETURN VALVE, GROUP	1	L56		QP11/638
	139Q1866	PIPE, 3/8" o/d x 20G x 18" LONG, NON-RETURN VALVE TO BRAKE CONTROL VALVE, GROUP	1	L56		QP11/639
	203Q1866	PIPE, 1/2" o/d x 18G x 12" LONG, DOOR SELECTOR VALVE TO FEED BLOCK, GROUP	1	DTD503	MR	QP11/640
11120	204Q1866	PIPE, 1/2" o/d x 22G x 20" LONG, NOSE WHEEL DOOR CONTROL TO RETURN BLOCK, GROUP	1	L56	C	QP11/641
4820-99-417455	DOWTY D5230Y	Valve, non-return	1	—	B	QP11/642
		PIPING, SERVICES, FOR A.A.P.P. SCOOP ... (Q2247) (See.—Equipment—Aircraft—A.A.P.P. Installation)	—	—		
		PIPING, SERVICES—HYDRAULIC PANEL IN NOSEWHEEL BAY (Q1864) (See.—Services—Hydraulic—Brake System)				

VULCAN No. 2

SERVICES
HYDRAULICS

Page QP. 59

Ref. No.	Part No.	Description	No off	Matl. Spec.	Cl. of St.	Plate and Illust'n No.
					M.R.	
		1 2 3 4				
		HYDRAULICS, MAIN UNDERCARRIAGE AND NOSE WHEEL UNDERCARRIAGE (Q2102)				
		Spares for:—				
		PIPING, MAIN UNDERCARRIAGE	—	—		
		BAY, PORT (Q2079)				
		PIPING, MAIN UNDERCARRIAGE BAY,	—	—		
		STARBOARD (Q2080)				
		Spares for:—				
	10Q2079	BRACKET, CLIP, AT STRUTS, GROUP	2	—	MR	QP13/843
		Spares for:—				
	10aQ2079	Clip, half	1	—		
	10bQ2079	Clip, half	1	—		
26FP/13457	4SS3859	Clip, pipe	6	—	C	
3280	3Q1865	FAIRLEAD, ON RIB 212.5", GROUP	1	—	C	QP13/844
		Consisting of:—				
	A25/10C	Bolt, hex. head, 2 BA	2	—	C	
	3bQ1865	Bonding, 1/2" x 9" x 30G	1	L16		
	3aQ1865	Fairlead, half, 1/2" x 1/2" x 5" long	1	BSS668		
	3cQ1865	Fairlead, half, 1/2" x 1/2" x 5" long	1	BSS668		
28M/1012015	AGS2001/C1/68	Nut, stiff, 2 BA	2	—	C	
28W/9418402	SP13/C	Washer, 2 BA	2	—	C	
3279	4Q1865	FAIRLEAD, ON RIB 212.5", GROUP	3	—	C	QP13/845
		Consisting of:—				
	A25/10C	Bolt, hex. head, 2 BA	2	—	C	
	4bQ1865	Bonding, 1/2" x 8" x 30G	1	L16		
	4aQ1865	Fairlead, half	1	BSS668		
	4cQ1865	Fairlead, half	1	BSS668		
28M/1012015	AGS2001/C1/68	Nut, stiff, 2 BA	2	—	C	
28W/9418402	SP13/C	Washer, 2 BA	2	—	C	
	5Q1865	FAIRLEAD, ON REAR U/C BULKHEAD,	1	—	MR	QP13/846
		GROUP				
		Consisting of:—				
	A25/10C	Bolt, hex. head, 2 BA	2	—	C	
28D/9150645	A25/9B	Bolt, hex. head, 4 BA	2	—	C	
28D/1010142	5bQ1865	Bonding, 1/2" x 12" x 30G	1	L16		
	5aQ1865	Fairlead, half, 1/2" x 1/2" x 5-3/4"	1	BSS668		
	5cQ1865	Fairlead, half, 1/2" x 1/2" x 5-3/4"	1	BSS668		
28M/1012015	AGS2001/C1/68	Nut, stiff, 2 BA	2	—	C	
28M/1278189	AGS2001/B1	Nut, stiff, 4 BA	2	—	C	
28W/9418402	SP13/C	Washer, 2 BA	2	—	C	
28W/9418405	SP13/B	Washer, 4 BA	2	—	C	

SERVICES
HYDRAULIC

Ref. No.	Part No.	Description	No. off	Matl. Spec.	Cl. of St.	Plate and Hlist'n No.
					M.R.	
		1234				
		PIPING, MAIN UNDERCARRIAGE, BAY, PORT AND STARBOARD (Q2079, Q2080) (Cont'd.)				
	6Q1865	FAIRLEAD, ON RIB 162.5, GROUP	1	—	MR	QP13/647
		Consisting of:—				
28D/9435711	A25/10B	Bolt, hex. head, 4 BA	1	—	C	
	6bQ1865	Bonding, 1/2" x 12" x 30G	1	L18		
	6aQ1865	Fairlead, half, 6.05" x 1/2" x 1/2"	2	BSS668		
28M/1278189	AGS2001/B1	Nut, stiff, 4 BA	1	—	C	
28M/9419485	SP13/B	Washer, 4 BA	1	—	C	
	7Q1865	FAIRLEAD, ON RIB 162.5, GROUP	1	—	MR	QP13/648
		Consisting of:—				
28D/9133013	A25/5C	Bolt, hex. head, 2 BA	2	—	C	
28D/9435710	A25/11C	Bolt, hex. head, 2 BA	1	—	C	
28D/9140639	A25/1B	Bolt, hex. head, 4 BA	1	—	C	
	7cQ1865	Bonding, 1/2" x 12" x 30G	1	L18		
28FP/13942	SS3867	Bracket, angle	2	—	C	
	7aQ1865	Fairlead, half, 6.8" x .8" x .5"	1	BSS668		
	7bQ1865	Fairlead, half, 6.8" x .5" x .5"	1	BSS668		
28M/1012015	AGS2001/C1/68	Nut, stiff, 2 BA	4	—	C	
28M/1278189	AGS2001/B1	Nut, stiff, 4 BA	1	—	C	
28W/9419402	SP13/C	Washer, 2 BA	4	—	C	
28W/9419485	SP13/B	Washer, 4 BA	1	—	C	
	8Q1865	FAIRLEAD, ON RIB 162.5, GROUP	1	—	MR	QP13/649
		Consisting of:—				
28D/9133013	A25/5C	Bolt, hex. head, 2 BA	2	—	C	
28D/9435710	A25/11C	Bolt, hex. head, 2 BA	2	—	C	
28D/9140639	A25/11B	Bolt, hex. head, 4 BA	2	—	C	
	8cQ1865	Bonding, 1/2" x 7" x 30G	1	L18		
28FP/13942	SS3867	Bracket, angle	2	—		
	8aQ1865	Fairlead, half, 1/2" x 1/2" x 5-1/2"	1	BSS668		
	8bQ1865	Fairlead, half, 1/2" x 1/2" x 5-1/2"	1	BSS668		
28M/1012015	AGS2001/C1/68	Nut, stiff, 2 BA	4	—	C	
28M/1278189	AGS2001/B1	Nut, stiff, 4 BA	2	—	C	
28W/9419402	SP13/C	Washer, 2 BA	4	—	C	
28W/9419485	SP13/B	Washer, 4 BA	2	—	C	
	9Q1865	FAIRLEAD, ON RIB 162.5 AND RIB 215.5,	2	—	MR	QP13/650
		STARBOARD, GROUP				
		Consisting of:—				
28D/9140645	A25/10C	Bolt, hex. head, 2 BA	2	—	C	
	9bQ1865	Bonding, 1/2" x 9" x 30G	1	L18		
	9aQ1865	Fairlead, half, 1/2" x 1/2" x 3-3/4"	2	BSS668		
28M/1012015	AGS2001/C1/68	Nut, stiff, 2 BA	2	—	C	
28W/9419402	SP13/C	Washer, 2 BA	2	—	C	

FORM NO. 1		SERVICES		Page QP. 81		
		HYDRAULIC				
Ref. No.	Part No.	Description	No. off	Matl. Spec.	Cl. of St.	Plate and Must'n No.
					M.R.	
		1 2 3 4				
		PIPE, MAIN UNDERCARRIAGE BAY, PORT AND STARBOARD (Q2079, Q2080) (Cont'd.)				
	10Q1886	FAIRLEAD, ON REAR U/C BULKHEAD, GROUP	1	—		QP13/851
		Consisting of:—				
28D/9133013	A25/5C	Bolt, hex. head, 2 BA	1	—	C	
28D/9435710	A25/11C	Bolt, hex. head, 2 BA	2	—	C	
	10cQ1885	Bending, 1/2" x 6" x 30G	1	L16		
26FP/13842	SS3867	Bracket, angle	1	—	C	
	10aQ1885	Fairlead, half	1	BSS868		
	10bQ1885	Fairlead, half	1	BSS868		
28M/1012015	AGS2001/C1/80	Nut, stiff, 2 BA	3	—	C	
28W/9418402	SP13/C	Washer, 2 BA	3	—	C	
	11Q1878	FAIRLEAD, ON RIB 162.5, STARBOARD, GROUP	1	—		QP13/852
		Consisting of:—				
28D/9133013	A25/5C	Bolt, hex. head, 2 BA	2	—	C	
28D/9435710	A25/11C	Bolt, hex. head, 2 BA	2	—	C	
28D/9140838	A25/11B	Bolt, hex. head, 4 BA	1	—	C	
	11cQ1878	Bending, 1/2" x 1/2" x 30G	1	L16		
26FP/13842	SS3867	Bracket, angle	2	—	C	
	11aQ1878	Fairlead, half, 5.85" x .8" x .5"	1	BSS868		
	11bQ1878	Fairlead, half, 5.85" x .8" x .5"	1	BSS868		
28M/1012015	AGS2001/C1/80	Nut, stiff, 2 BA	4	—	C	
28M/1278189	AGS2001/B1	Nut, stiff, 4 BA	1	—	C	
28W/9418402	SP13/C	Washer, 2 BA	4	—	C	
28W/9418402	SP16/B	Washer, 4 BA	1	—	C	
	11Q2080	FAIRLEAD, ON RIB 162.5", STARBOARD, GROUP	1	—	MR	QP13/853
		Consisting of:—				
28D/9133013	A25/5C	Bolt, hex. head, 2 BA	2	—	C	
28D/9435710	A25/11C	Bolt, hex. head, 2 BA	2	—	C	
28D/9140838	A25/11B	Bolt, hex. head, 4 BA	1	—	C	
	11cQ2080	Bending, 1/1/2" x 17" x 30G	1	L16		
26FP/13848	SS3867	Bracket, angle	2	—	C	
	11aQ2080	Fairlead, half, 1/2" x 1/2" x 5-1/2"	1	BSS868		
	11bQ2080	Fairlead, half, 1/2" x .8" x 5-1/2"	1	BSS868		
28M/1012015	AGS2001/C1/80	Nut, stiff, 2 BA	2	—	C	
28M/1278189	AGS2001/B1	Nut, stiff, 4 BA	1	—	C	
28W/9418402	SP13/C	Washer, 2 BA	4	—	C	
28W/9418402	SP13/B	Washer, 4 BA	1	—	C	

SERVICES
HYDRAULIC

Ref. No.	Part No.	Description	No. off	Matl. Spec	Cl. of St.	Plate and Must'n No
					M.R.	
		1 2 3 4				
		PIPING, MAIN UNDERCARRIAGE BAY, PORT AND STARBOARD (Q2079, Q2080) (Cont'd 1)				
	12Q1885	FAIRLEAD, ON RIB 162.5", GROUP	2	—	MR	QP13/654
		Consisting of:—				
28D/9133013	A25/5C	Bolt, hex. head, 2 BA	2	—	C	
28D/9435716	A25/11C	Bolt, hex. head, 2 BA	2	—	C	
28D/9140639	A25/11B	Bolt, hex. head, 4 BA	1	—	C	
	12cQ1885	Bonding, 1/2" x 12" x 30G	1	L16		
26FP/13942	SS3887	Bracket, angle	1	—	C	
	12aQ1885	Fairlead, half, 8.85" x .5" x .5"	1	BSS668		
	12bQ1885	Fairlead, half, 8.85" x .6" x .5"	1	BSS668		
28M/1012016	AGS2001/C1/88	Nut, stiff, 2 BA	4	—	C	
28M/1278189	AGS2001/B1	Nut, stiff, 4 BA	1	—	C	
28W/9419402	SP13/C	Washer, 2 BA	4	—	C	
28W/9419488	SP16/B	Washer, 4 BA	1	—	C	
	16Q1885	FAIRLEAD, AT BRACKET, ON STRUTS, GROUP	2	—	MR	QP13/655
		Consisting of:—				
28D/9140645	A25/10C	Bolt, hex. head, 2 BA	2	—	C	
	18bQ1885	Bonding, .5" x 7" x 30G	1	L16		
	16aQ1885	Fairlead, half, 3.25" x .5" x .5"	2	BSS668		
28M/1012016	AGS2001/C1/88	Nut, stiff, 2 BA	2	—	C	
28W/9419402	SP13/C	Washer, 2 BA	2	—	C	
27QM/ 4174005	DOWTY 1.01297.003	Jack, main undercarriage door, forward, port (Mod. 1796) (Pre-Mod. 2491) (See Mainplanes—Inner Mainplanes)	1	—	A	QP13/656
27QM/1481730	DOWTY 1.01297.006	Jack, main undercarriage door,	1		A	
		forward, port (Mod. 2491)				
27QM/4174001	DOWTY 1.01297.004	Jack, main undercarriage door, forward, starboard (Mod. 1796) (Pre-Mod. 2491) (See Mainplanes— Inner Mainplanes)	1	—	A	QP13/657
27QM/1481738	DOWTY 1.01297.008	Jack, main undercarriage door, forward, starboard (Mod. 2491)	1		A	
27QM/70885	DOWTY 1.01298.003	Jack, main undercarriage door, aft, port	1	—	A	QP13/658
		(Mod. 1796) (Pre-Mod. 2491) (See Mainplanes—Inner mainplanes)				
27QM/1481731	DOWTY 1.01298.005	Jack, main undercarriage door, rear	1		A	
		port (Mod. 2491)				
27QM/4174002	DOWTY 1.01298.004	Jack, main undercarriage door, aft,	1	—	A	QP13/659
		starboard (Mod. 1796) (Pre-Mod. 2491) (See Mainplanes— Inner Mainplanes)				
27QM/1481734	DOWTY 1.01298.006	Jack, main undercarriage door, rear	1		A	
		starboard (Mod. 2491)				
27QM/4703250	DOWTY 1.03024.010	Jack, main retraction, port (Mod. 2109)	1	—	A	QP13/660
27QM/4888554	DOWTY 1.03025.010	Jack, main retraction, starboard	1	—	A	QP13/661
		(Mod. 2109) (See Alighting Gear— Main U/c)				

VULCAN No. 2

SERVICES
HYDRAULIC

Page OP. 63

Ref. No.	Part No.	Description	No. off	Matl. Spec.	Cl. of	Plate and Illust'n No.
					St. M.R.	
		1 2 3 4				
		PIPING, MAIN UNDERCARRIAGE BAY, PORT AND STARBOARD (Q2079, Q2080) (Cont'd)				
3306	7Q1867	PIPE, 1/2" o/d x 18G x 36" LONG SELECTOR VALVE TO TEE-PIECE, STARBOARD, GROUP (Pre-Mod. 2238)	1	DTD503	C	
	82Q2102	PIPE, 1/2" o/d x 18G x 36" LONG SELECTOR VALVE TO TEE-PIECE, STARBOARD, GROUP (Mod. 2238)	1	DTD5016	MR	OP13/662
3307	8Q1867	PIPE, 1/2" o/d x 18G x 18" LONG SELECTOR VALVE TO TEE-PIECE, STARBOARD, GROUP (Pre-Mod. 2238)	1	DTD503	C	
	81Q2102	PIPE, 1/2" o/d x 18G x 18" LONG SELECTOR VALVE TO TEE-PIECE, STARBOARD, GROUP (Mod. 2238)	1	DTD5016	MR	OP13/663
3214	11Q1867	PIPE, 1/2" o/d x 18G x 42" LONG SELECTOR VALVE TO TEE-PIECE, PORT, GROUP (Pre-Mod. 2238)	1	DTD503	C	
	57Q2102	PIPE, 1/2" o/d x 18G x 42" LONG SELECTOR VALVE TO TEE-PIECE, PORT, GROUP (Mod. 2238)	1	DTD5016	MR	OP13/664
	12Q1867	PIPE, 1/2" o/d x 18G x 18" LONG SELECTOR VALVE TO TEE-PIECE, PORT, GROUP (Pre-Mod. 2238)	1	DTD503	MR	
1505293	55Q2102	PIPE, 1/2" o/d x 18G x 18" LONG SELECTOR VALVE TO TEE-PIECE, PORT, GROUP (Mod. 2238)	1	DTD5016		OP13/665
	15Q1867	PIPE, 1/2" o/d x 18G x 6" LONG SELECTOR VALVE TO TEE-PIECE, PORT, GROUP (Pre-Mod. 2238)	1	DTD503		
	38Q2102	PIPE, 1/2" o/d x 18G x 6" LONG SELECTOR VALVE TO TEE-PIECE, PORT, GROUP (Mod. 2238)	1	DTD5016	MR	OP13/665

SERVICES
HYDRAULIC

Ref. No.	Part No.	Description	No. off	Matl. Spec.	Cl. of	Plate and Illust'n No.
					St. M.R.	
		1 2 3 4				
		PIPING, MAIN UNDERCARRIAGE BAY, PORT AND STARBOARD (Q2079, Q2080) (Cont'd)				
	16Q1887	PIPE, 1/2" o/d x 18G x 12" LONG SELECTOR VALVE TO TEE-PIECE, PORT, GROUP (Pre-Mod. 2238)	1	DTD503		
	38Q2102	PIPE, 1/2" o/d x 18G x 12" LONG SELECTOR VALVE TO TEE-PIECE, PORT, GROUP (Mod. 2238)	1	DTD5016	MR	OP13/667
	17Q1887	PIPE, 1/2" o/d x 18G x 36" LONG SELECTOR VALVE TO TEE-PIECE, STARBOARD, GROUP (Pre-Mod. 2238)	1	DTD503		
	66Q2102	PIPE, 1/2" o/d x 18G x 36" LONG SELECTOR VALVE TO TEE-PIECE, STARBOARD, GROUP (Mod. 2238)	1	DTD5016	MR	OP13/668
	18Q1887	PIPE, 1/2" o/d x 18G x 24" LONG SELECTOR VALVE TO TEE-PIECE, STARBOARD, GROUP (Pre-Mod. 2238)	1	DTD503		
	65Q2102	PIPE, 1/2" o/d x 18G x 24" LONG SELECTOR VALVE TO TEE-PIECE, STARBOARD, GROUP (Mod. 2238)	1	DTD5016	MR	OP13/669
	21Q1887	PIPE, 1/2" o/d x 18G x 12" LONG TEE-PIECE TO RESTRICTOR, PORT, GROUP (Pre-Mod. 2238)	1	DTD503		
	36Q2102	PIPE, 1/2" o/d x 18G x 12" LONG TEE-PIECE TO RESTRICTOR, PORT, GROUP (Mod. 2238)	1	DTD5016	MR	OP13/670
	22Q1887	PIPE, 3/8" o/d x 20G x 12" LONG JETTISON VALVE TO TEE-PIECE, PORT, GROUP (Pre-Mod. 2238)	1	DTD503		
	40Q2102	PIPE, 3/8" o/d x 20G x 12" LONG JETTISON VALVE TO TEE-PIECE, PORT, GROUP (Mod. 2238)	1	DTD5016	MR	OP13/671

VULCAN No. 1

SERVICES
HYDRAULIC

Page OP 638

Ref. No.	Part No.	Description	No. off	Matl. Spec.	Cl. of	Plate and Illust'n No.
					St. M.R.	
		1 2 3 4				
		PIPING MAIN UNDERCARRIAGE BAY, PORT AND STARBOARD (Q2079, Q2080) (Cont'd)				
3232	23Q1867	PIPE, 3/8" o/d x 20G x 80" LONG, TEE-PIECE TO MAIN U/C DOOR JACK, AFT, PORT, GROUP (Pre-Mod 2236)	1	DTD503	C	
	43Q2102	PIPE, 3/8" o/d x 20G x 80" LONG, TEE-PIECE TO MAIN U/C DOOR JACK, AFT, PORT, GROUP (Mod 2236)	1	DTD5016	MR	OP13/672
	24Q1867	PIPE, 3/8" o/d x 20G x 54" LONG, TEE-PIECE TO MAIN U/C DOOR JACK, AFT, PORT, GROUP (Pre-Mod 2236)	1	DTD503		
	44Q2102	PIPE, 3/8" o/d x 20G x 54" LONG, TEE-PIECE TO MAIN U/C DOOR JACK, AFT, PORT, GROUP (Mod 2236)	1	DTD5016	MR	OP13/673
3227	27Q1867	PIPE, 3/8" o/d x 20G x 80" LONG, TEE-PIECE TO MAIN U/C DOOR JACK, FORWARD, PORT, GROUP (Pre-Mod 2236)	1	DTD503	C	
1505272	34Q2102	PIPE, 3/8" o/d x 20G x 80" LONG, TEE-PIECE TO MAIN U/C DOOR JACK, FORWARD, PORT, GROUP (Mod 2236)	1	DTD5016		OP13/674
	28Q1867	PIPE, 3/8" o/d x 20G x 48" LONG, TEE-PIECE TO MAIN U/C DOOR JACK, FORWARD, PORT, GROUP (Pre-Mod 2236)	1	DTD503	MR	
	35Q2102	PIPE 3/8" o/d x 20G x 48" LONG, TEE-PIECE TO MAIN U/C DOOR JACK, FORWARD, PORT, GROUP (Mod. 2236)	1	DTD5016	MR	OP13/675
	32Q1867	PIPE, 1/2" o/d x 20G x 12" LONG TEE-PIECE TO RESTRICTOR, STARBOARD, GROUP (Pre-Mod 2236)	1	DTD503		
	61Q2102	PIPE, 1/2" o/d x 20G x 12" LONG, TEE-PIECE TO RESTRICTOR, STARBOARD, GROUP (Mod. 2236)	1	DTD5016	MR	OP13/676

SERVICES
HYDRAULIC

Ref. No.	Part No.	Description	No. off	Matl. Spec.	Cl. of	Plate and Illustr'n No.
					St. M.R.	
		1 2 3 4				
		PIPING MAIN UNDERCARRIAGE BAY, PORT AND STARBOARD (Q2079, Q2080) (Cont'd)				
	33Q1887	PIPE, 3/8" o/d x 20G x 12" LONG, JETTISON VALVE TO TEE-PIECE, STARBOARD, GROUP (Pre-Mod 2238)	1	DTD503		
1506308	67Q2102	PIPE, 3/8" o/d x 20G x 12" LONG, JETTISON VALVE TO TEE-PIECE, STARBOARD, GROUP (Mod. 2238)	1	DTD5016		OP13/877
	34Q1887	PIPE, 3/8" o/d x 20G x 48" LONG, TEE-PIECE, MAIN U/C DOOR JACK, AFT, STARBOARD, GROUP (Pre-Mod. 2238)	1	DTD503		
	89Q2102	PIPE, 3/8" o/d x 20G x 48" LONG, TEE-PIECE TO MAIN U/C DOOR JACK, AFT, STARBOARD, GROUP (Mod. 2238)	1	DTD5016	MR	OP13/878
	35Q1887	PIPE, 3/8" o/d x 20G x 48" LONG, TEE-PIECE TO MAIN U/C DOOR JACK, AFT, STARBOARD, GROUP (Pre-Mod 2238)	1	DTD503		
	70Q2102	PIPE, 3/8" o/d x 20G x 48" LONG, TEE-PIECE TO MAIN U/C DOOR JACK, AFT, STARBOARD, GROUP (Mod 2238)	1	DTD5016	MR	OP13/879
	37Q1887	PIPE, 3/8" o/d x 20G x 48" LONG, TEE-PIECE TO MAIN U/C DOOR JACK, FORWARD, STARBOARD, GROUP (Pre-Mod 2238)	1	DTD503	MR	
1506301	30Q2102	PIPE, 3/8" o/d x 20G x 48" LONG, TEE-PIECE TO MAIN U/C DOOR JACK, FORWARD, STARBOARD, GROUP (Mod. 2238)	1	DTD5016		OP13/880
	40Q1887	PIPE, 3/8" o/d x 20G x 48" LONG, TEE-PIECE TO MAIN U/C DOOR JACK, FORWARD, STARBOARD, GROUP (Pre-Mod. 2238)	1	DTD503		
	63Q2102	PIPE, 3/8" o/d x 20G x 48" LONG, TEE-PIECE TO MAIN U/C DOOR JACK, FORWARD, STARBOARD, GROUP (Mod 2238)	1	DTD5016	MR	OP13/881

VULCAN No. 1

SERVICES
HYDRAULIC

Page QP. 64A

Ref. No.	Part No.	Description	No. off	Matl. Spec.	Cl. of	Plate and Illust'n No.
					St. M.R.	
		1 2 3 4				
		PIPING, MAIN UNDERCARRIAGE BAY, PORT AND STARBOARD (Q2079, Q2080) (Cont'd)				
	70Q1887	PIPE, 1/2" o/d x 18G x 3" LONG, TEE-PIECE TO UNION, PORT, GROUP (Pre-Mod 2236)	1	DTD503		
	37Q2102	PIPE, 1/2" o/d x 18G x 3" LONG, TEE-PIECE TO UNION, PORT, GROUP (Mod 2236)	1	DTD5018	MR	QP13/682
	71Q1887	PIPE, 3/8" o/d x 20G x 80" LONG, FROM JETTISON VALVE, PORT, GROUP (Pre-Mod 2236)	1	L56		
1505280	42Q2102	PIPE, 3/8" o/d x 20G x 80" LONG, FROM JETTISON VALVE, PORT, GROUP (Mod. 2236)	1	DTD5018		QP13/683
	75Q1887	PIPE, 1/2" o/d x 18G x 12" LONG, SELECTOR VALVE CONNECTION TO UNION, PORT, GROUP (Pre-Mod 2236)	1	DTD503	MR	
	60Q2102	PIPE, 1/2" o/d x 18G x 12" LONG, SELECTOR VALVE CONNECTION TO UNION, PORT, GROUP (Mod. 2236)	1	DTD5018	MR	QP13/684
	76Q1887	PIPE, 1/2" o/d x 18G x 12" LONG, TEE-PIECE TO UNION, STARBOARD, GROUP (Pre Mod 2236)	1	DTD503		
	64Q2102	PIPE, 1/2" o/d x 18G x 12" LONG, TEE-PIECE TO UNION, STARBOARD, GROUP (Mod. 2236)	1	DTD5018	MR	QP13/685
	79Q1887	PIPE, 3/8" o/d x 20G x 80" LONG, FROM JETTISON VALVE, STARBOARD, GROUP (Pre-Mod. 2236)	1	L56		
1505307	88Q2102	PIPE, 3/8" o/d x 20G x 80" LONG, FROM JETTISON VALVE, STARBOARD, GROUP (Mod. 2236)	1	DTD5018		QP13/686
3217	82Q1887	PIPE, 3/8" o/d x 20G x 36" LONG, TEE-PIECE TO UNION, PORT, GROUP (Pre Mod 2236)	1	DTD503	C	
	48Q2102	PIPE, 3/8" o/d x 20G x 36" LONG, TEE-PIECE TO UNION, PORT, GROUP (Mod. 2236)	1	DTD5018	MR	QP13/687

SERVICES
HYDRAULIC

Ref. No.	Part No.	Description	No. off	Matl. Spec.	Cl. of	Plate and Illust'n No.
					St.	
		1 2 3 4			MR.	
		PIPING, MAIN UNDERCARRIAGE BAY, PORT AND STARBOARD (Q2079, Q2080) (Cont'd)				
3302	85Q1867	PIPE, 1/2" o/d x 18G x 36" LONG, TEE-PIECE TO UNION, STARBOARD, GROUP (Pre-Mod. 2236)	1	DTD503	C	
	74Q2102	PIPE, 1/2" o/d x 18G x 36" LONG, TEE-PIECE TO UNION, PORT, GROUP (Mod. 2236)	1	DTD5016	MR	QP13/688
	92Q1867	PIPE, 3/8" o/d x 20G x 13" LONG, REDUCING UNION TO U/C RETRACTING JACK, STARBOARD, GROUP (Pre-Mod. 2236)	1	DTD503	MR	
	84Q2102	PIPE, 3/8" o/d x 20G x 13" LONG, REDUCING UNION TO U/C RETRACTING JACK, STARBOARD, GROUP (Mod. 2236)	1	DTD5016	MR	QP13/689
3220	95Q1867	PIPE, 3/8" o/d x 20G x 11" LONG, REDUCING UNION TO U/C RETRACTING JACK, PORT, GROUP (Pre-Mod. 2236)	1	DTD503	C	
	52Q2102	PIPE, 3/8" o/d x 20G x 11" LONG, REDUCING UNION TO U/C RETRACTING JACK, PORT, GROUP (Mod. 2236)	1	DTD5016	MR	QP13/690
	104Q1867	PIPE, 1/2" o/d x 18G x 27" LONG, TEE-PIECE TO RESTRICTOR, PORT, GROUP (Pre-Mod. 2236)	1	DTD503		
	47Q2102	PIPE, 1/2" o/d x 18G x 27" LONG, TEE-PIECE TO RESTRICTOR, PORT, GROUP (Mod. 2236)	1	DTD5016	MR	QP13/691
	105Q1867	PIPE, 1/2" o/d x 18G x 22" LONG, SNUBBER VALVE TO RESTRICTOR, PORT, GROUP (Pre-Mod. 2236)	1	DTD503		
	48Q2102	PIPE, 1/2" o/d x 18G x 22" LONG, SNUBBER VALVE TO RESTRICTOR, PORT, GROUP (Mod. 2236)	1	DTD5016	MR	QP13/692
3221	108Q1867	PIPE, 3/16" o/d x 22G x 109" LONG, TEE-PIECE TO SNUBBER VALVE, PORT, GROUP (Pre-Mod. 2236)	1	DTD323A	C	

VULCAN No. 3

SERVICES
HYDRAULIC

Page QP. 65

Ref. No.	Part No.	Description				No. off	Mater. Spec.	Cl. of	Plate and Illust'n No.
		1	2	3	4			St. M.R.	
		PIPING, MAIN UNDERCARRIAGE BAY, PORT AND STARBOARD (Q2078, Q2080) (Cont'd)							
	64Q2102	PIPE, 3/16" o/d x 22G x 108" LONG, TEE-PIECE TO SNUBBER VALVE, PORT, GROUP (Mod. 2236)				1	DTD5016	MR	QP13/893
	107Q1867	PIPE, 1/2" o/d x 18G x 77" LONG, REDUCING UNION TO COUPLING, PORT, GROUP (Pre-Mod. 2236)				1	DTD503		
	61Q2102	PIPE, 1/2" o/d x 18G x 77" LONG, REDUCING UNION TO COUPLING, PORT, GROUP (Mod. 2236)				1	DTD5016	MR	QP13/894
	109Q1867	PIPE, 1/2" o/d x 18G x 77" LONG, TEE PIECE TO RESTRICTOR, STARBOARD, GROUP (Pre-Mod. 2236)				1	DTD503		
	75Q2102	PIPE, 1/2" o/d x 18G x 77" LONG, TEE-PIECE TO RESTRICTOR, STARBOARD, GROUP (Mod. 2236)				1	DTD5016	MR	QP13/895
3327	110Q1867	PIPE, 1/2" o/d x 18G x 22" LONG, SNUBBER VALVE TO RESTRICTOR, STARBOARD, GROUP (Pre-Mod. 2236)				1	DTD503	C	
	76Q2102	PIPE, 1/2" o/d x 18G x 22" LONG, SNUBBER VALVE TO RESTRICTOR, STARBOARD, GROUP (Mod. 2236)				1	DTD5016	MR	QP13/896
	111Q1867	PIPE, 1/2" o/d x 18G x 75" LONG, REDUCING UNION TO COUPLING, STARBOARD, GROUP (Pre-Mod. 2236)				1	DTD503		
	B3Q2102	PIPE, 1/2" o/d x 18G x 75" LONG, REDUCING UNION TO COUPLING, STARBOARD, GROUP (Mod. 2236)				1	DTD5016	MR	QP13/897
	112Q1867	PIPE, 3/16" o/d x 22G x 108" LONG, TEE-PIECE TO SNUBBER VALVE, STARBOARD, GROUP (Pre-Mod. 2236)				1	DTD323A		

SERVICES
HYDRAULIC

Ref. No.	Part No.	Description	No. off	Matl. Spec.	Cl. of	Plate and Hust'n No.
					Sc. M.R.	
		1 2 3 4				
		PIPING MAIN UNDERCARRIAGE BAY, PORT AND STARBOARD (Q2079, Q2080) (Cont'd)				
	80Q2102	PIPE, 3/16" o/d x 22G x 109" LONG, TEE-PIECE TO SNUBBER VALVE, STARBOARD, GROUP (Mod. 2236)	1	DTD5016	MR	QP13/698
	126Q1867	PIPE, 1/2" o/d x 18G x 24" LONG, SNUBBER VALVE TO UNION, PORT, GROUP (Pre-Mod. 2236)	1	DTD503		
	49Q2102	PIPE, 1/2" o/d x 18G x 24" LONG, SNUBBER VALVE TO UNION, PORT, GROUP (Mod. 2236)	1	DTD5016	MR	QP13/698
	127Q1867	PIPE, 1/2" o/d x 18G x 24" LONG, SNUBBER VALVE TO UNION, STARBOARD, GROUP (Pre-Mod. 2236)	1	DTD503		
	77Q2102	PIPE, 1/2" o/d x 18G x 24" LONG, SNUBBER VALVE TO UNION, STARBOARD, GROUP (Mod. 2236)	1	DTD5016	MR	QP13/700
6704	10Q2102	PIPE, 3/16" o/d x 22G x 89" LONG, UNION TO UNION, PORT, GROUP (Pre-Mod. 2236)	1	DTD323A	C	
	32Q2102	PIPE, 3/16" o/d x 22G x 89" LONG, UNION TO UNION, PORT, GROUP (Mod. 2236)	1	DTD5016	MR	QP13/701
6705	11Q2102	PIPE, 3/16" o/d x 22G x 74" LONG, UNION TO UNION, STARBOARD, GROUP (Pre-Mod. 2236)	1	DTD323A	C	
	59Q2102	PIPE, 3/16" o/d x 22G x 74" LONG, UNION TO UNION, STARBOARD, GROUP (Mod. 2236)	1	DTD5016	MR	QP13/702
6706	12Q2102	PIPE, 3/8" o/d x 20G x 37" LONG, ADAPTOR TO TEE-PIECE, STARBOARD GROUP (Pre-Mod. 2236)	1	DTD503	C	
	80Q2102	PIPE, 3/8" o/d x 20G x 37" LONG, ADAPTOR TO TEE-PIECE, STARBOARD, GROUP (Mod. 2236)	1	DTD5016	MR	QP13/703

VOLCAN No. 2

SERVICES
HYDRAULIC

Page QP. 86A

Ref. No.	Part No.	Description	No. off	Mater. Spec.	CL of	Place and Illust'n No.
					Se. M.R.	
		1 2 3 4				
		PIPING, MAIN UNDERCARRIAGE BAY, PORT AND STARBOARD (Q2078, Q2080) (Cont'd)				
6707	13Q2102	PIPE, 3/8" o/d x 20G x 45" LONG, JETTISON VALVE TO ADAPTOR, STARBOARD, GROUP (Pre-Mod. 2236)	1	DTD503	C	
1505310	71Q2102	PIPE, 3/8" o/d x 20G x 45" LONG, JETTISON VALVE TO ADAPTOR, STARBOARD, GROUP (Mod. 2236)	1	DTD5016		QP13/704
6708	14Q2102	PIPE, 3/8" o/d x 20G x 24" LONG, UNION TO TEE-PIECE, PORT, GROUP (Pre-Mod. 905)	1	DTD503	C	
	86Q2102	PIPE, 3/8" o/d x 20G x 24" LONG, UNION TO TEE-PIECE, PORT (Mod. 2236)	1	DTD5016	MR	
	25Q2102	PIPE, 3/8" o/d x 20G x 24" LONG, UNION TO TEE-PIECE, PORT (Pre-Mod. 2236)	1	DTD503		
	58Q2102	PIPE, 3/8" o/d x 20G x 24" LONG, UNION TO TEE-PIECE, PORT (Mod. 2236)	1	DTD5016	MR	QP13/705
6709	16Q2102	PIPE, 3/8" o/d x 20G x 58" LONG, JETTISON VALVE TO UNION, PORT, GROUP (Pre-Mod. 2236)	1	DTD503	C	
	41Q2102	PIPE, 3/8" o/d x 20G x 58" LONG, JETTISON VALVE TO UNION, PORT, GROUP (Mod. 2236)	1	DTD5016	MR	QP13/706
	17Q2102	PIPE, 1/2" o/d x 18G, TEE-PIECE TO ADAPTOR, STARBOARD, GROUP (Pre-Mod. 2236)	1	DTD503		
	78Q2102	PIPE, 1/2" o/d x 18G, TEE-PIECE TO ADAPTOR, STARBOARD, GROUP (Mod. 2236)	1	DTD5016	MR	QP13/707
	18Q2102	PIPE, 3/8" o/d x 20G, TEE-PIECE TO RETRACTION JACK, STARBOARD, GROUP (Pre-Mod. 2236)	1	DTD503		
	79Q2102	PIPE, 3/8" o/d x 20G, TEE-PIECE TO RETRACTION JACK, STARBOARD, GROUP (Mod. 2236)	1	DTD5016	MR	QP13/708

SERVICES
HYDRAULIC

Ref. No	Part No.	Description	No. off	Matl Spec.	Cl. of St.	Plate and Must'n No.
					M.R.	
		<u>1234</u>				
		PIPING MAIN UNDERCARRIAGE BAY, PORT AND STARBOARD, (Q2079, Q2080) (Cont'd)				
	19Q2102	PIPE, 3/8" o/d x 20G x 24" LONG. TEE-PIECE TO SWIVEL COUPLING, STARBOARD, GROUP (Pre-Mod 2236)	1	DTD5016		
	73Q2102	PIPE, 3/8" o/d x 20G x 24" LONG. TEE-PIECE TO SWIVEL COUPLING, STARBOARD, GROUP (Mod 2236)	1	DTD5016	MR	OP13/709
20182	20Q2102	PIPE, 3/16" o/d x 22G x 72" LONG. SWIVEL COUPLING TO UNION, STARBOARD, GROUP (Pre-Mod 2236)	1	DTD323	C	
	72Q2102	PIPE, 3/16" o/d x 22G x 72" LONG. SWIVEL COUPLING TO UNION, STARBOARD, GROUP (Mod 2236)	1	DTD5016	MR	OP13/710
	21Q2102	PIPE, 3/8" o/d x 20G x 38" LONG. SWIVEL COUPLING TO TEE-PIECE, PORT, GROUP (Pre-Mod. 2236)	1	DTD503	MR	
	46Q2102	PIPE, 3/8" o/d x 20G x 38" LONG. SWIVEL COUPLING TO TEE-PIECE, PORT, GROUP (Mod. 2236)	1	DTD5016	MR	OP13/711
	22Q2102	PIPE, 3/16" o/d x 22G x 8" LONG. SWIVEL COUPLING TO UNION, PORT, GROUP (Pre-Mod 2236)	1	DTD323A	MR	
	33Q2102	PIPE, 3/16" o/d x 22G x 85" LONG. SWIVEL COUPLING TO UNION, PORT, GROUP (Mod 2236)	1	DTD5016	MR	OP13/712
	23Q2102	PIPE, 3/8" o/d x 22G x 15" LONG. RETRACTING JACK TO TEE-PIECE, PORT, GROUP (Pre-Mod. 2236)	1	DTD503		
1505291	53Q2102	PIPE, 3/8" o/d x 22G x 15" LONG. RETRACTING JACK TO TEE-PIECE, PORT, GROUP (Mod. 2236)	1	DTD5016		OP13/713

VULCAN No. 1

SERVICES
HYDRAULIC

Page QP. 57

Ref. No.	Part No.	Description	No. off	Matl. Spec.	Cl. of	Plate and Illust'n No.
					St. M.R.	
		1.2.1.4				
		PIPING MAIN UNDERCARRIAGE BAY, PORT AND STARBOARD, (Q2079, Q2080) (Cont'd)				
1433748	28Q2102	PIPE, 3/16" o/d x 22G, UNION TO PRESSURE REDUCING VALVE, PORT, GROUP (Pre-Mod. 2236)	1	DT0323A	C	
1505289	31Q2102	PIPE, 3/16" o/d x 22G, UNION TO PRESSURE REDUCING VALVE, PORT, GROUP (Mod. 2236)	1	DT06016		QP13/714
1433749	29Q2102	PIPE, 3/16" o/d x 22G, UNION TO PRESSURE REDUCING VALVE, STARBOARD, GROUP (Pre-Mod. 2236)	1	DT0323A		
	58Q2102	PIPE, 3/16" o/d x 22G, UNION TO PRESSURE REDUCING VALVE, STARBOARD, GROUP (Mod. 2236)	1	DT06016	MR	QP13/715
	122SS3657	Tee-Piece, 3/8" x 1/2" x 1/2" BSP	2	-	MR	QP13/716
	123SS3657	Tee piece, 3/8" x 1/2" x 3/8" BSP	3	-	MR	QP13/717
	126SS3657	Tee-piece, 1/2" x 3/8" x 1/2" BSP	1	-	MR	QP13/718
27QM/144884	DOWTY 1.00982.005	Valve, selector, main w/c jacks and doors (Mod. 2180)	1	-	A	QP13/719
27Q/1446653	DOWTY 1.02299.003	Valve, pressure reducing (Mod. 2172)	1	-	A	
27QM/144881	DOWTY 1.02817.001	Valve, pressure reducing (Mod. 2171)	1	-	A	QP13/720
27QM/1396	DOWTY C6770Y.MK.A	Valve, jettison, main w/c	1	-	A	QP13/721
27QM/1383	DOWTY C6771Y.MK.A	Valve, snubber	1	-	A	QP13/722
27QM/1382	DOWTY 06408YB	Valve, restrictor, w/c doors and retracting jack	2	-	A	QP13/723

SERVICES
HYDRAULIC

Ref. No.	Part No.	Description	No. off	Matl. Spec.	Cl. of	Place and Illust'n No.
					St. M.R.	
		1.2.3.4				
		HYDRAULICS, MAIN U/C AND NOSE WHEEL U/C (Q2102) (Cont'd)				
		Spares for:—				
		PIPING, NOSE WHEEL U/C BAY (Q1876)				
		Spares for:—				
	28Q1875	ADAPTOR, VENT PIPE, GROUP	1	—		OP14/724
28D/1011019	A25/BC	Bolt, hex. hd., 2 BA for use with half	1	—	C	
	8bQ1482	fastlead, 8bQ1482				
		Bonding, 30G x 3/8" x 5-1/2" for use with	1	L4		
		half fastlead, 8bQ1482				
3211	90Q1887	BLOCK, CONNECTOR, FLEX, PIPES	1	—	C	OP14/726
		FOR NOSE WHEEL DOORS, PORT, GROUP				
3212	91Q1887	BLOCK, CONNECTOR, FLEX, PIPES	1	—	C	OP14/726
		FOR NOSEWHEEL DOORS, STARBOARD, GROUP				
		Consisting of:—				
28F/1014970	AGS1104/A	Adaptor, 3/16"	1	—	C	
28F/9140971	AGS1104/C	Adaptor, 3/16"	2	—	C	
28F/9439108	AGS1105/A	Adaptor, 3/16"	1	—	C	
28F/9439104	AGS1105/C	Adaptor, 3/8"	1	—	C	
4434	122SS3563	Adaptor, reducing, port	1	—	C	OP14/727
	1SS3563	Adaptor, reducing, starboard	1	—	MR	OP14/728
	90aQ1887	Block, port	1	DTD683		
	91aQ1887	Block, starboard	1	DTD683		
	AGS948/A	Plug, port	1	—	C	
28F/9428452	AGS1188/A	Washer, joint	3	—	C	
28F/9428455	AGS1188/C	Washer, joint	4	—	C	
	908Q1887	Wire, locking, port	QR	DTD181		
	918Q1887	Wire, locking, starboard	QR	DTD181		
	2SS4634	Elbow, 45°, 1/4" BSP	2	—	MR	
9888	3SS4634	Elbow, 45°, 3/8" BSP	2	—	C	
	107Q1632	FAIRLEAD, ON FORMER 189.5 AND	2	—		OP14/729
		REAR PRESSURE BULKHEAD, GROUP				
		Consisting of:—				
28D/9133014	A25/13C	Bolt, hex. hd., 2 BA	2	—	C	
	107cQ1632	Bonding, 30G x 1/2" x 8"	1	L84		
	107aQ1632	Fairlead, half, 1/2" x 3/4" x 2-1/2"	1	BSS888		
	107bQ1632	Fairlead, half, 1/2" x 1/2" x 2-1/2"	1	BSS888		
28M/1012015	AGS2001-C1/88	Nut, stiff, 2 BA	2	—	C	
28W/9419454	SP10/C	Washer, 2 BA	2	—	C	
	4Q1875	FAIRLEAD, ON FORMERS 115.5" TO	6	—	C	OP14/730
		175". GROUP				
		Consisting of:—				
28D/9435710	A25/11C	Bolt, hex. hd., 2 BA	2	—	C	
	4bQ1875	Bonding, 30G x 1/2" x 7"	1	L84		
	4aQ1875	Fairlead, half, 1/2" x 1/2" x 3.9"	2	BSS888		
28M/1012015	AGS2001-C1/86	Nut, stiff, 2 BA	2	—	C	
28W/9419475	SP15/C	Washer, 2 BA	2	—	C	

VULCAN No. 2

SERVICES
HYDRAULIC

Page OP. 69

Ref No.	Part No.	Description	No. off	Matl. Spec.	Cl of St.	Plate and Illust'n No
					M.R.	
		1 2 3 4				
PIPING, NOSE WHEEL UNDERCARRIAGE BAY (Q1875) (Cont'd)						
	6Q1875	FAIRLEAD, ON FORMER 101", GROUP	1	—	C	QP14/731
28D/9435710	A25/11C	Consisting of:— Bolt, hex. head, 2 BA	2	—	C	
	6bQ1875	Bonding, 30G x 1/2" x 10"	1	L4	C	
	6aQ1875	Fairlead, half, 1/2" x 1/2" x 5.65"	2	BSS668	C	
28M/1012015 28W/9419475	AGS2001/C1/66 SP15/1	Nut, stiff, 2 BA Washer, 2 BA	2 2	— —	C C	
	6Q1875	FAIRLEAD, ON REAR PRESSURE BULKHEAD, GROUP	2	—	MR	QP14/732
28D/7002428	A25/8C	Consisting of:— Bolt, hex. head, 2 BA	2	—	C	
	6bQ1875	Bonding, 30G x 1/2" x 6"	1	L4	C	
	6aQ1875	Fairlead, half, 1/2" x 1/4" x 2"	2	BSS668	C	
28M/1012015 28W/9419475	AGS2001/C1/66 SP15/C	Nut, stiff, 2 BA Washer, 2 BA	2 2	— —	C C	
	25Q1875	FAIRLEAD, 5 PIPE, GROUP	1	—	C	QP14/733
28D/9133013	A25/5C	Consisting of:— Bolt, hex. head, 2 BA	2	—	C	
	25bQ1875	Bonding, 30G x 1/2" x 5"	1	L4	C	
	25aQ1875	Fairlead, half, 1/2" x 1/4" x 2.9"	2	BSS668	C	
28M/1012015 28W/9419475	AGS2001/C1/66 SP15/C	Nut, hex. head, 2 BA Washer, 2 BA	2 2	— —	C C	
3158	31Q1875	FAIRLEAD, ON REAR PRESSURE BULKHEAD, GROUP	2	—	C	QP14/734
28D/1010030	A25/7C	Consisting of:— Bolt, hex. head, 2 BA	1	—	C	
	31bQ1875	Bonding, 4" x 1/2" x 30G	1	L4	C	
	31aQ1875	Fairlead, half, 1" x 1/2" x 5/8"	2	BSS668	C	
28M/1012015	AGS2001/C1/66	Washer, 2 BA	1	—	C	
	42Q1875	FAIRLEAD, ON FLEXIBLE PIPES, GROUP	1	—	MR	QP14/735
28D/1011021	A25/18C	Consisting of:— Bolt, hex. head, 2 BA	1	—	C	
	42aQ1875	Fairlead, half, .88" x .5" x 6"	1	BSS668	C	
	42bQ1875	Fairlead, half, .88" x .5" x 6"	1	BSS668	C	
28M/1012015 28W/9419475	AGS2001/C1/66 SP15/C	Nut, stiff, 2 BA Washer, 2 BA	1 1	— —	C C	
	8aQ1492	Fairlead, half, 1.9" x 3/8" x 3/8", on pipes to feed and return blocks	2	BSS668		QP14/736

SERVICES

HYDRAULIC

Ref No	Part No	Description	No. off	Matl. Spec	Cl. of St.	Plate and Hust'n No.
					M.R.	
		1 2 3 4				
PIPING, NOSE WHEEL UNDERCARRIAGE BAY (Q1875) (Cont'd.)						
27VA/8115801	8/W14/ DAS7013/38	Hose, flexible, door jack, port and stbd.	2	—	B	QP14/737
27VA/8115802	4/W14/ DAS7013/42	Hose, flexible, door jack, starboard	1	—	B	QP14/738
27VA/8115803	4/W14/ DAS7013/35	Hose, flexible, door jack, port	1	—	B	QP14/739
27VA/8115803	G2/W14/DAS 7007/38	Hose, flexible, door jack, port	1	—	B	QP14/738a
27VA/8115804	G2/W14/DAS 7007/45	Hose, flexible, door jack, starboard	1	—	B	
27QM/ 4704852	1.01299.014	Jack, nose wheel retraction	1	—	A	QP14/740
27QM/70921	1.01300.002	Jack, nose u/c door (Pre-Mod. 2381)	2	—	A	QP14/741
27QM/ 1491066 3179	1.01300.003	Jack, nose u/c door (Mod. 2381)	2	—	A	
	30Q1867	PIPE, 1/2" o/d x 18G x 9' LONG, NON- RETURN VALVE TO U/C DOOR SELECTOR VALVE, GROUP	1	DTD503	C	QP14/742
	50Q1867	PIPE, 1/2" o/d x 18G x 36" LONG, TEE- PIECE TO ADAPTOR, GROUP	1	DTD503		QP14/743
	60Q1867	PIPE, 1/2" o/d x 18G x 48" LONG, TEE- PIECE TO ADAPTOR, GROUP	1	DTD503		QP14/744
1433121	20Q1867	PIPE, 1/4" o/d x 22G x 30' LONG, U/C SELECTOR VALVE TO JETTISON VALVE, GROUP (See —Services—Hydraulic— Brakes)	1	DTD323A	C	
	38Q1867	PIPE, 3/8" o/d x 20G x 12" LONG, TEE- PIECE TO PORT CONNECTOR BLOCK, GROUP	1	DTD503		QP14/745
	39Q1867	PIPE, 3/8" o/d x 20G x 12" LONG, TEE- PIECE TO PORT CONNECTOR BLOCK, GROUP	1	DTD503		QP14/746
1433917	41Q1867	PIPE, 1/4" o/d x 22G x 48" LONG, ADAPTOR TO CONNECTOR BLOCK, GROUP	1	DTD323A	C	QP14/747
	42Q1867	PIPE, 1/4" o/d x 22G x 48" LONG, ADAPTOR TO CONNECTION BLOCK, GROUP	1	DTD323A		QP14/748

VULGAR No. 1						
SERVICES						
HYDRAULIC						
Page QP. 71						
Ref. No.	Part No.	Description	No. off	Matl. Spec.	Cl. of St.	Plate and Illust'n No.
					M.R.	
		<u>1 2 3 4</u>				
		PIPING, NOSE WHEEL UNDERCARRIAGE BAY (Q1E75) (Cont'd.)				
3181	43Q1867	PIPE, 1/4" o/d x 22G x 36" LONG, U/C SELECTOR VALVE TO ADAPTOR, GROUP	1	DTD323A	C	QP14/749
	46Q1867	PIPE, 1/4" o/d x 22G x 36" LONG, ADAPTOR TO ADAPTOR, GROUP	1	DTD323A		QP14/750
	47Q1867	PIPE, 1/4" o/d x 22G x 36" LONG, BULKHEAD ADAPTOR TO ADAPTOR, GROUP	1	DTD323A		QP14/751
	48Q1867	PIPE, 1/4" o/d x 22G x 24" LONG, FEED BLOCK TO ADAPTOR, GROUP	1	DTD323A		QP14/752
	53Q1867	PIPE, 1/4" o/d x 22G x 90" LONG, ADAPTOR TO ADAPTOR, GROUP	1	DTD323A		QP14/753
	60Q1867	PIPE, 1/4" o/d x 22G x 36" LONG, ADAPTOR TO ADAPTOR, GROUP	1	DTD323A		QP14/754
	61Q1867	PIPE, 1/4" o/d x 22G x 36" LONG, ADAPTOR TO STEERING STOP VALVE, GROUP	1	DTD323A	MR	QP14/755
	62Q1867	PIPE, 1/4" o/d x 22G x 36" LONG, ADAPTOR TO ADAPTOR, GROUP	1	DTD323A		QP14/756
	86Q1867	PIPE, 1/4" o/d x 22G x 36" LONG, ADAPTOR TO ADAPTOR, GROUP	1	L56		QP14/757
	87Q1867	PIPE, 1/4" o/d x 22G x 36" LONG, ADAPTOR TO BULKHEAD ADAPTOR, GROUP	1	L56		QP14/758
3183	88Q1867	PIPE, 1/4" o/d x 22G x 36" LONG, BULKHEAD ADAPTOR TO RETURN BLOCK, GROUP	1	L56	C	QP14/759
	89Q1867	PIPE, 1/4" o/d x 22G x 36" LONG, ADAPTOR TO BULKHEAD ADAPTOR, GROUP	1	DTD323A		QP14/760
	96Q1867	PIPE, 1/4" o/d x 22G x 43" LONG, BULKHEAD ADAPTOR TO ADAPTOR, GROUP	1	DTD323A	MR	QP14/761
3147	115Q1867	PIPE, 1/4" o/d x 22G x 24" LONG, TEE-PIECE TO BULKHEAD ADAPTOR, GROUP	1	DTD323A	C	QP14/762
	117Q1867	PIPE, 1/4" o/d x 22G x 36" LONG, TEE-PIECE TO ADAPTOR, GROUP	1	DTD323A	MR	QP14/763
3186	119Q1867	PIPE, 1/4" o/d x 22G x 48" LONG, U/C SELECTOR VALVE TO ADAPTOR, GROUP	1	DTD323A	C	QP14/764

SERVICES
HYDRAULIC

Ref. No.	Part No.	Description	No off	Matl. Spec.	Cl. of	Plate and Illust'n No.
					St. M.R.	
		1 2 3 4				
		PIPING, NOSE WHEEL UNDERCARRIAGE BAY (Q1875) (Cont'd.)				
3187	121Q1867	PIPE, 3/8" o/d x 20G x 24" LONG, VENT, FROM JETTISON VALVE, GROUP	1	L56	C	QP14/766
1433185	123Q1867	PIPE, 3/8" o/d x 20G x 36" LONG, TEE-PIECE TO JETTISON VALVE, GROUP (See — Services—Hydraulic—Brakes)	1	DTD503	C	
	125Q1867	PIPE, 1/2" o/d x 18G x 24" LONG, ADAPTOR TO TEE-PIECE, GROUP	1	DTD503	MR	QP14/766
	128Q1867	PIPE, 1/4" o/d x 22G x 48" LONG, SELECTOR VALVE TO ADAPTOR, GROUP	1	L56	MR	QP14/767
	129Q1867	PIPE, 1/4" o/d x 22G x 36" LONG, SELECTOR VALVE TO TEE-PIECE, GROUP	1	DTD323A	MR	QP14/768
	131Q1867	PIPE, 1/4" o/d x 22G x 36" LONG, ADAPTOR TO SELECTOR VALVE, GROUP	1	DTD323A	MR	QP14/768
3186	133Q1867	PIPE, 1/2" o/d x 18G x 12" LONG, TEE-PIECE TO U/C DOOR SELECTOR VALVE, GROUP	1	DTD503	C	QP14/770
1433006	134Q1867	PIPE, 3/8" o/d x 20G x 36" LONG, STARBOARD CONNECTOR BLOCK TO TEE-PIECE, GROUP	1	DTD503	C	QP14/771
	136Q1867	PIPE, 3/8" o/d x 20G x 36" LONG, STARBOARD CONNECTOR BLOCK TO TEE-PIECE, GROUP	1	DTD503		QP14/772
	138Q1867	PIPE, 1/2" o/d x 18G x 24" LONG, ADAPTOR TO NON-RETURN VALVE, GROUP	1	DTD503		QP14/773
	16Q2102	PIECE, 1/4" o/d x 22G x 36" LONG, ADAPTOR TO CONTROL VALVE, GROUP	1	DTD323A		QP14/774
	122SS3657	Tee-piece, 3/8" x 1/2" x 3/8" BSP	2	—	MR	QP14/775

VULCAN No. 3		SERVICES HYDRAULIC				Page QP. 73			
Ref. No.	Part No.	Description				No. off	Matl. Spec.	Cl. of St.	Plate and Illust'n No.
		1	2	3	4			M.R.	
		PIPING, NOSE WHEEL UNDER-CARRIAGE BAY (Q1875) (Cont'd)							
77Q	DOWTY C6770Y MK. B	Valve, jettison	1	—	A	QP14/776
27Q	DOWTY D6406Y	Valve, restrictor	1	—	A	QP14/777
27Q	DOWTY 1.00982.005	Valve, selector N/W door	1	—	A	QP14/778
27Q	DOWTY 1.00982.006	Valve, selector N/W jack	1	—	A	QP14/779
27Q	DOWTY 1.00112.007	Valve, control	1	—	A	QP14/780
27Q	DOWTY 1.00137.002	Valve, steering stop	1	—	A	QP14/781

VULCAN No. 1

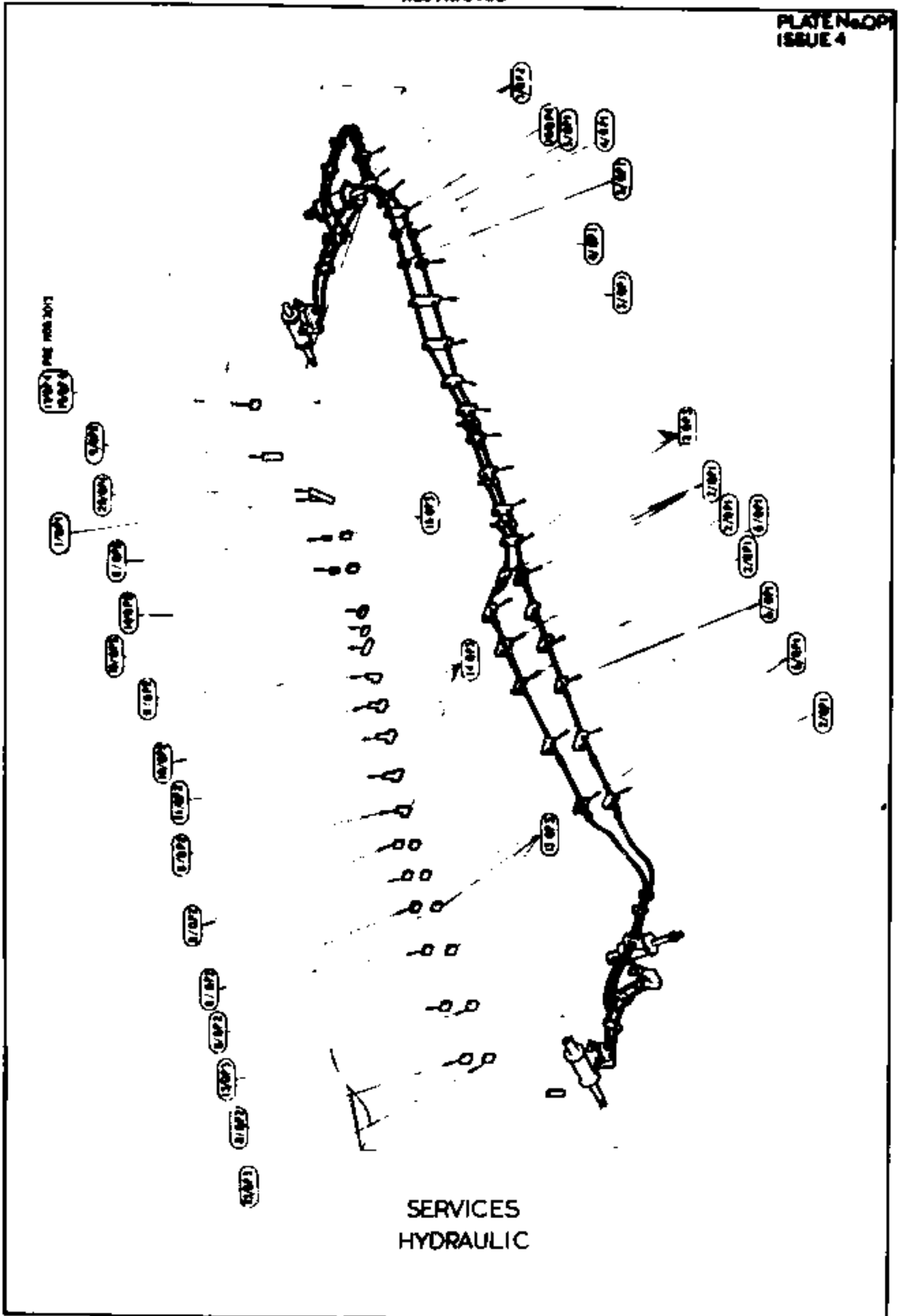
**SERVICES
HYDRAULIC
SUMMARY OF STANDARD ITEMS**

Page QP. 75

Stores Ref.		No. off	Stores Ref.		No. off	Stores Ref.		No. off
Section	Ref. No.		Section	Ref. No.		Section	Ref. No.	
28D	1010030	25	28M	10287	35			
28D	1010142	7	28M	10288	334			
28D	1011019	25						
28D	1011021	5						
28D	1011022	12						
28D	1214311	2						
28D	7002428	10						
28D	9133013	52	28R	13498	1			
28D	9133014	13						
28D	9140639	26						
28D	9140644	47						
28D	9140645	57						
28D	9140648	1						
28D	9140649	1	28W	9419402	150			
28D	9149397	2	28W	9419454	4			
28D	9435710	82	28W	9419465	28			
28D	9435711	4	28W	9419475	184			
28D	9453970	2	28W	9419486	16			
28F	1014970	12						
28F	8011808	4						
28F	8011809	7						
28F	9128952	4						
28F	9140971	3						
28F	9428452	12						
28F	9428453	10						
28F	9428455	16						
28F	9429532	13						
28F	9439104	1						
28F	9439106	1						

RESTRICTED

PLATE No. OP
ISSUE 4

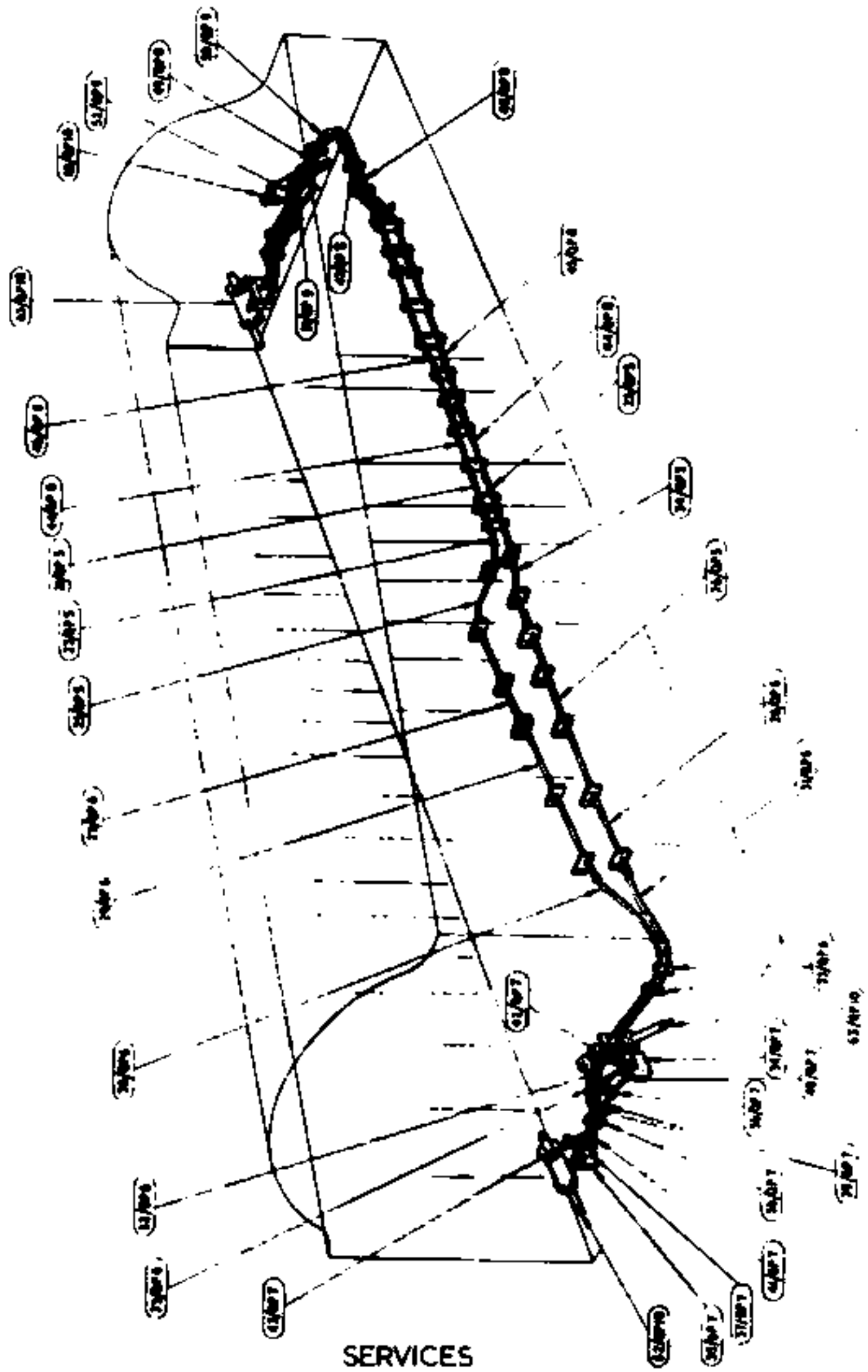


SERVICES
HYDRAULIC

RESTRICTED

RESTRICTED

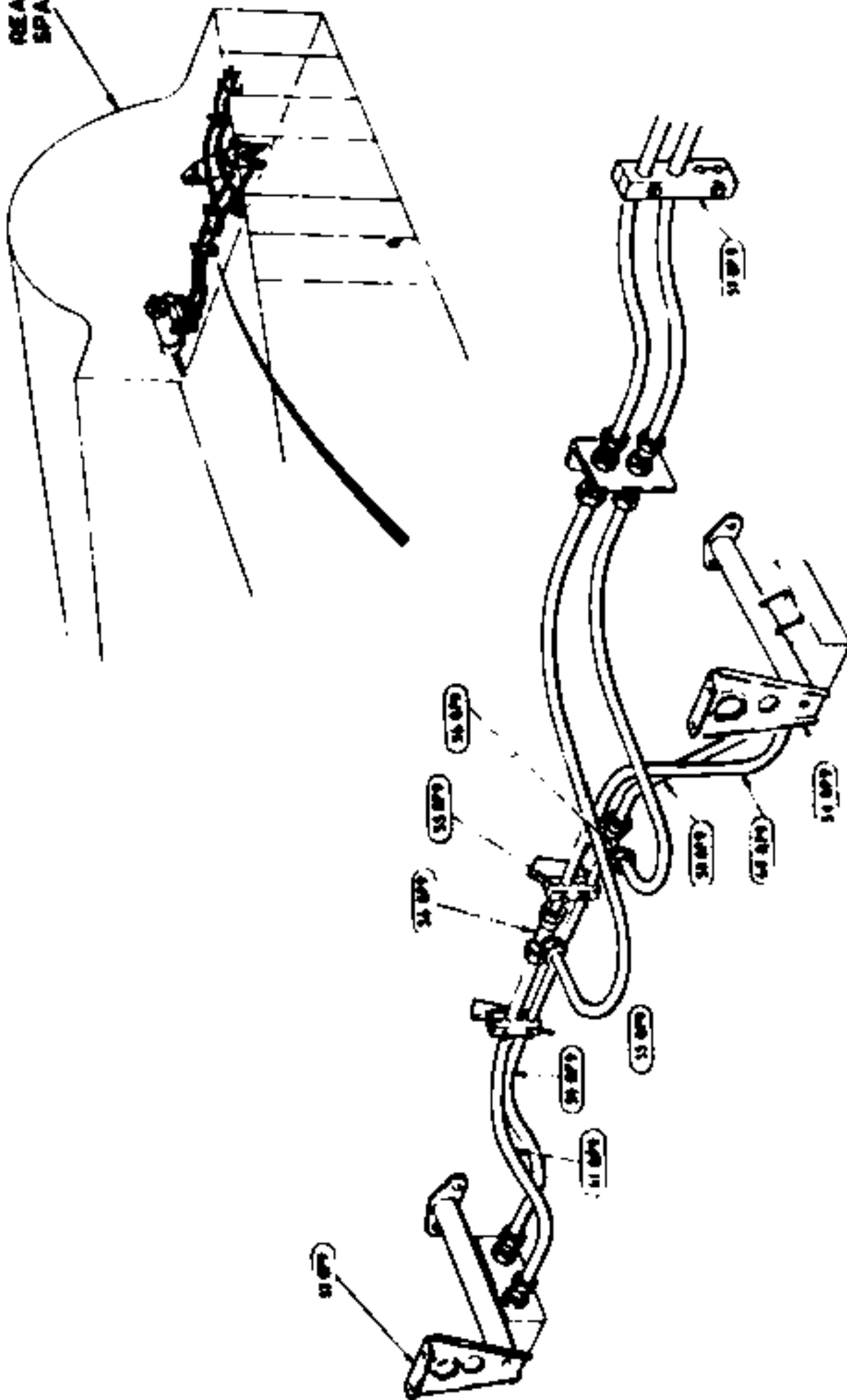
PLATE No. QP 1 A
ISSUE 4



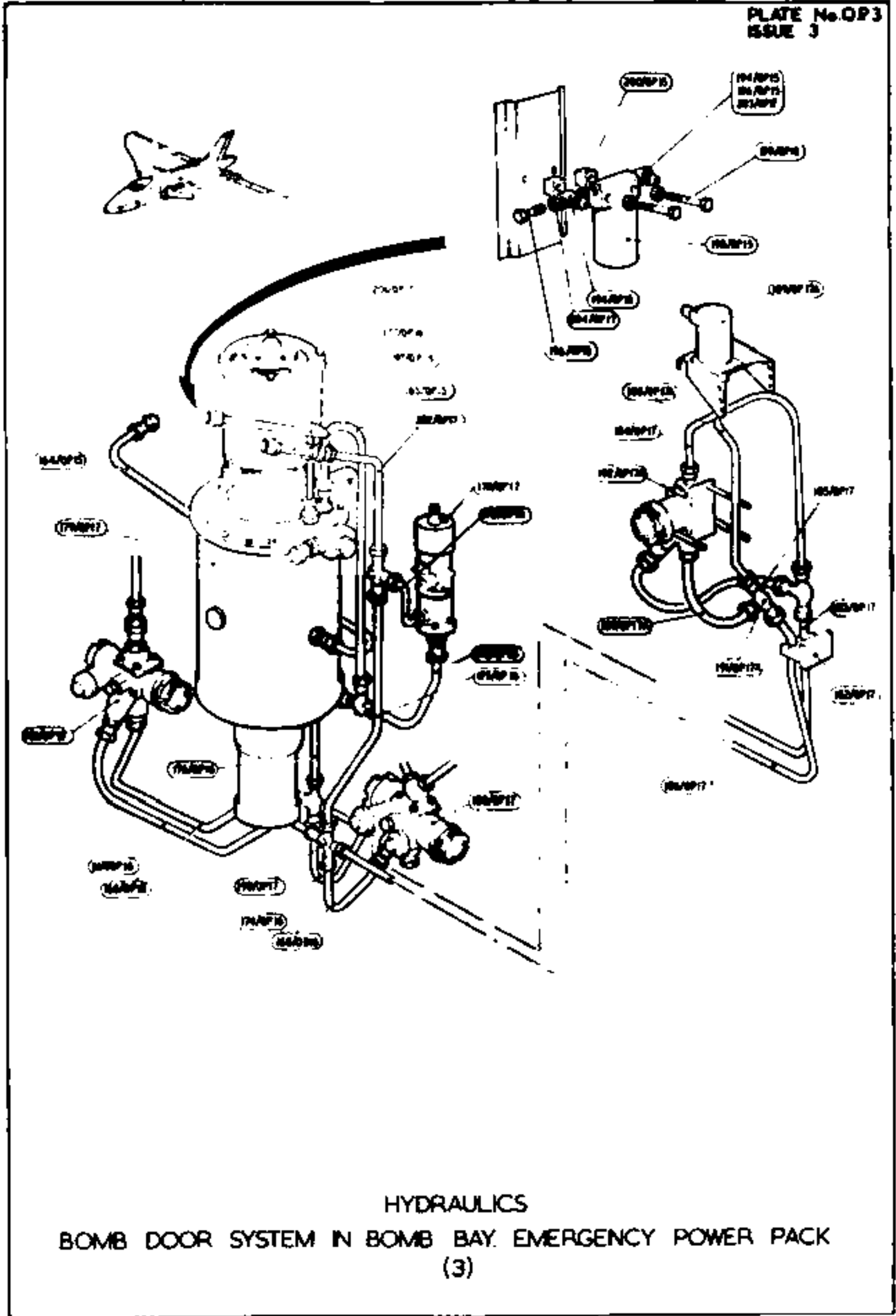
SERVICES
HYDRAULIC

RESTRICTED

REAR
SPAR



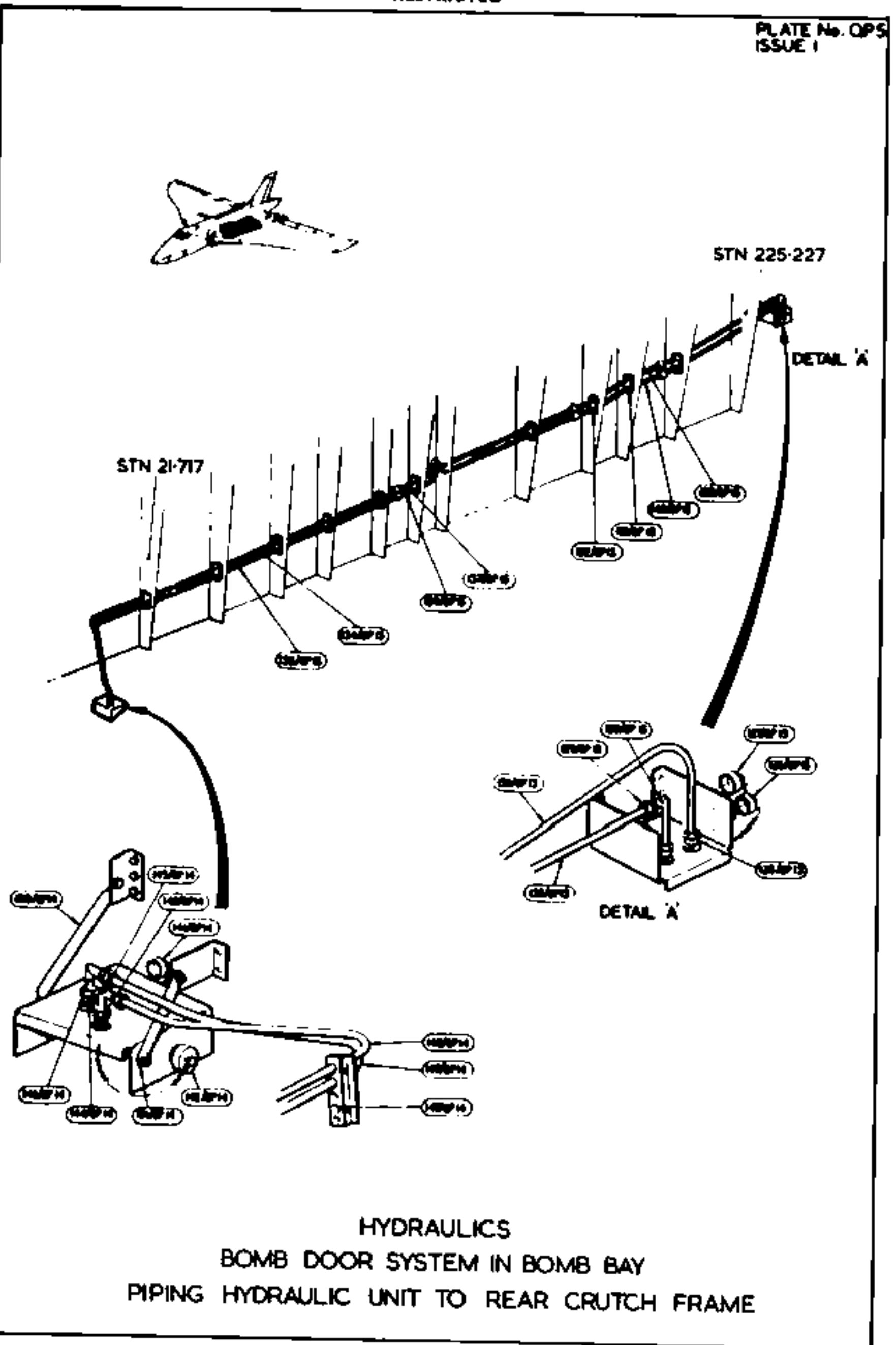
SERVICES
HYDRAULIC



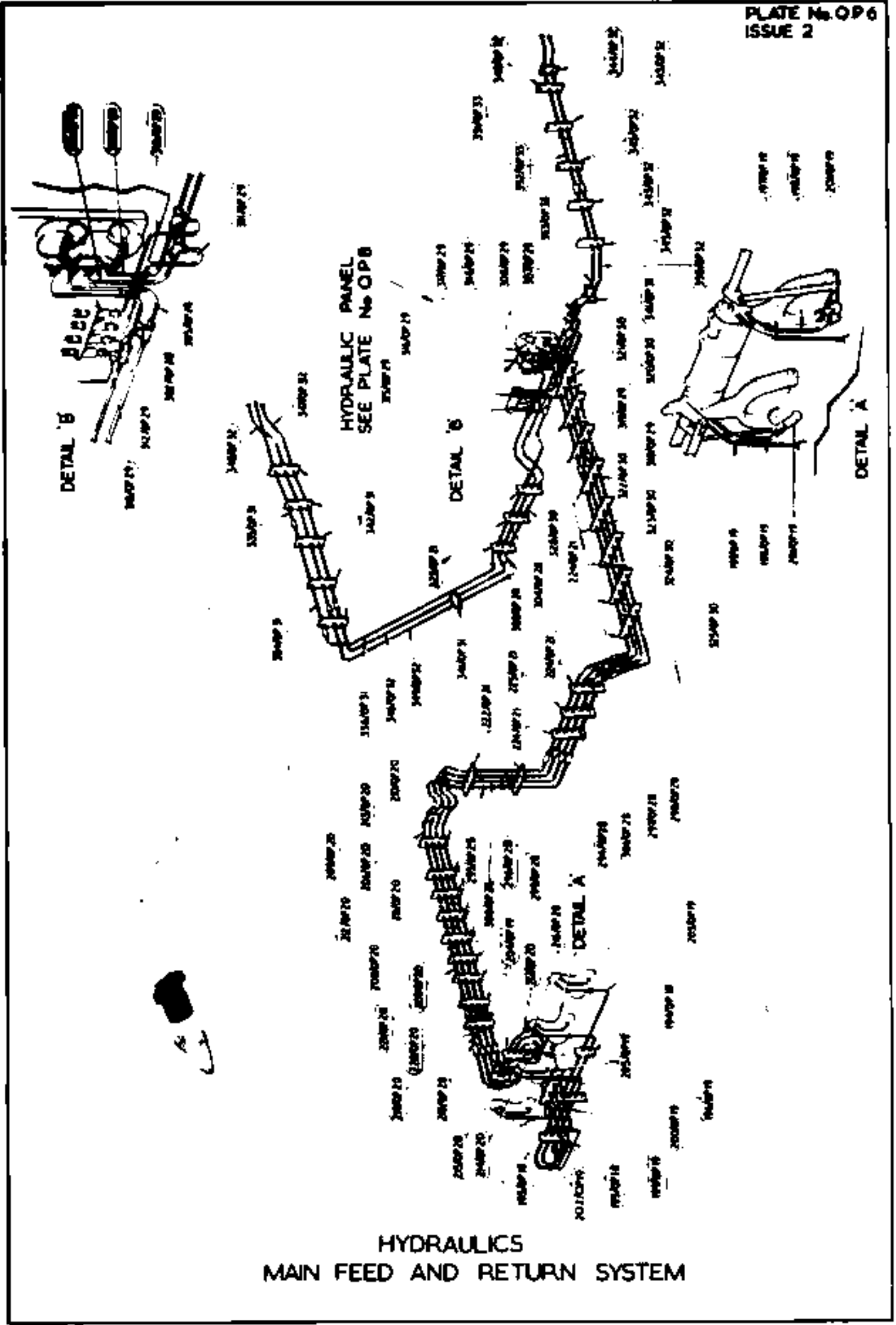
HYDRAULICS

BOMB DOOR SYSTEM IN BOMB BAY. EMERGENCY POWER PACK

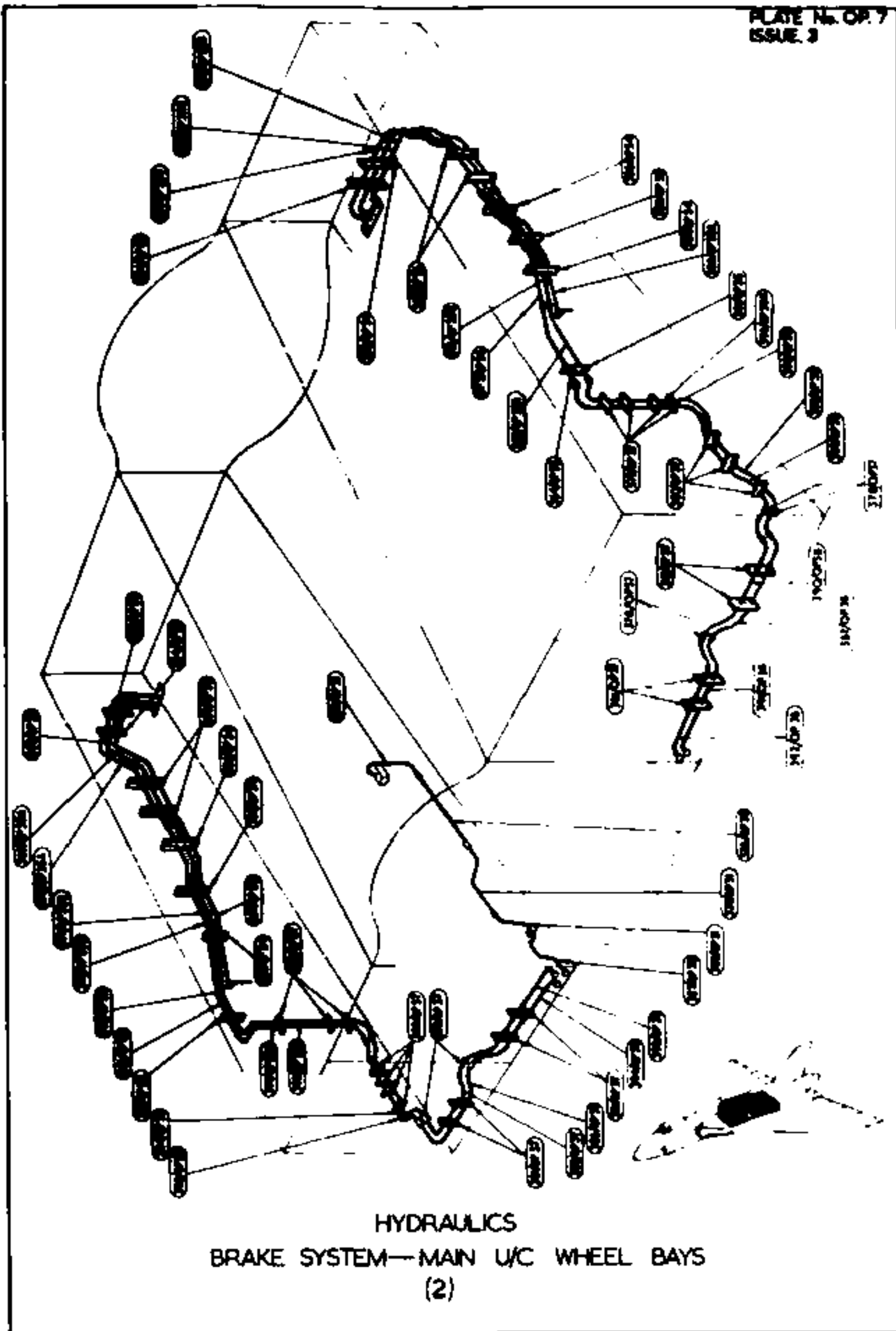
(3)



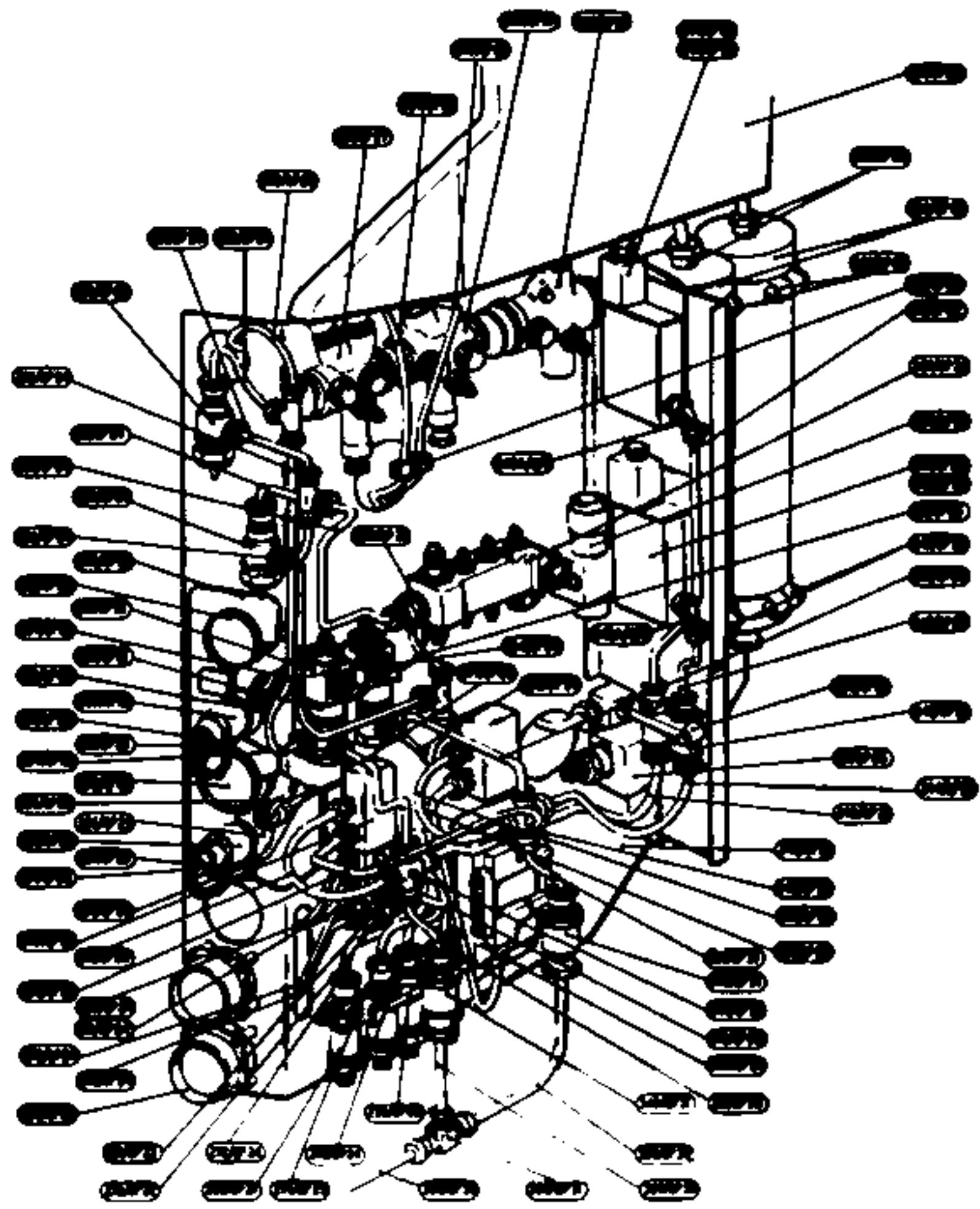
HYDRAULICS
BOMB DOOR SYSTEM IN BOMB BAY
PIPING HYDRAULIC UNIT TO REAR CRUTCH FRAME



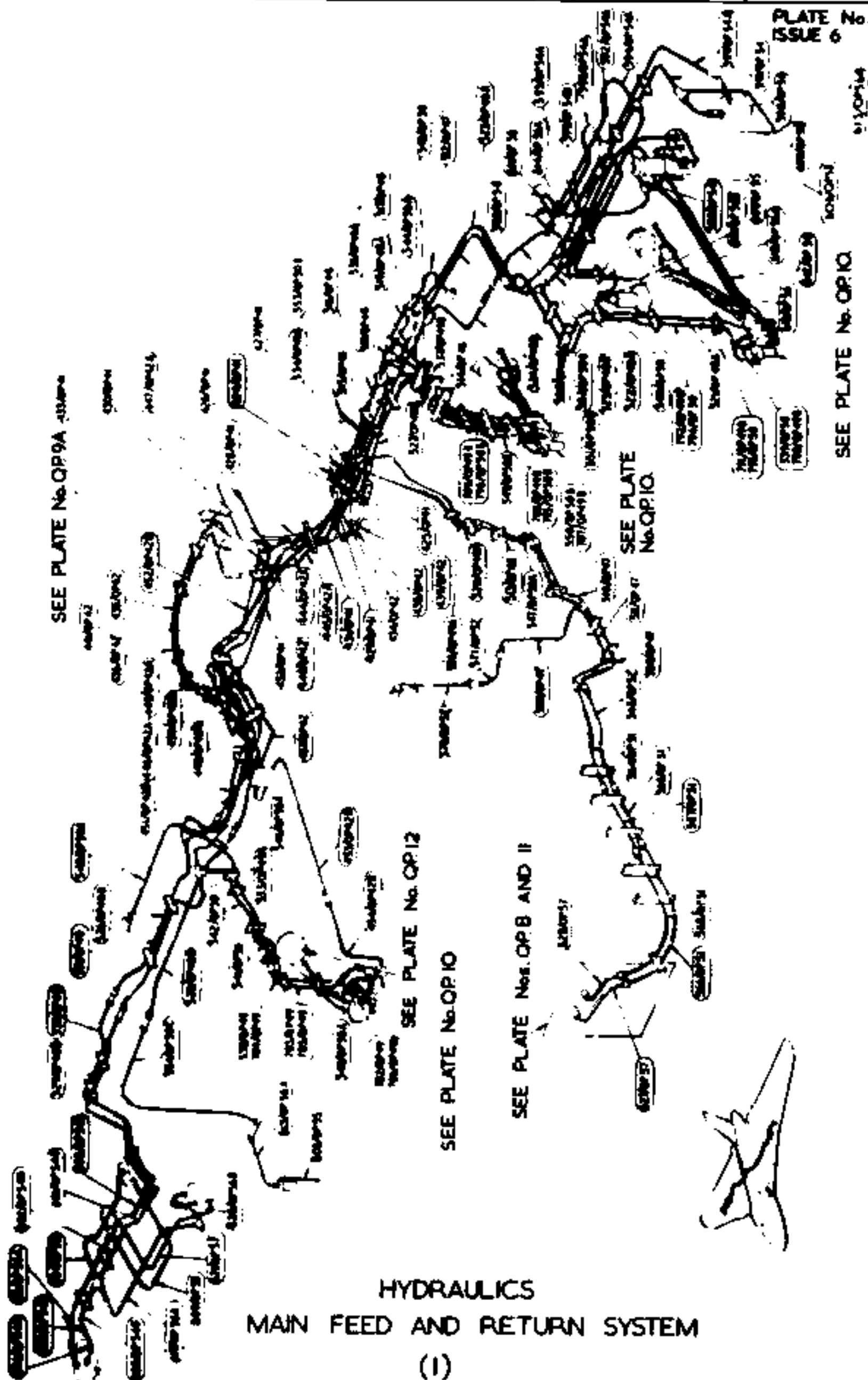
HYDRAULICS
MAIN FEED AND RETURN SYSTEM



HYDRAULICS
BRAKE SYSTEM—MAIN U/C WHEEL BAYS
(2)



HYDRAULICS
BRAKE SYSTEM—HYDRAULIC PANEL
(3)



HYDRAULICS
 MAIN FEED AND RETURN SYSTEM

(1)

SEE PLATE No. OP 10

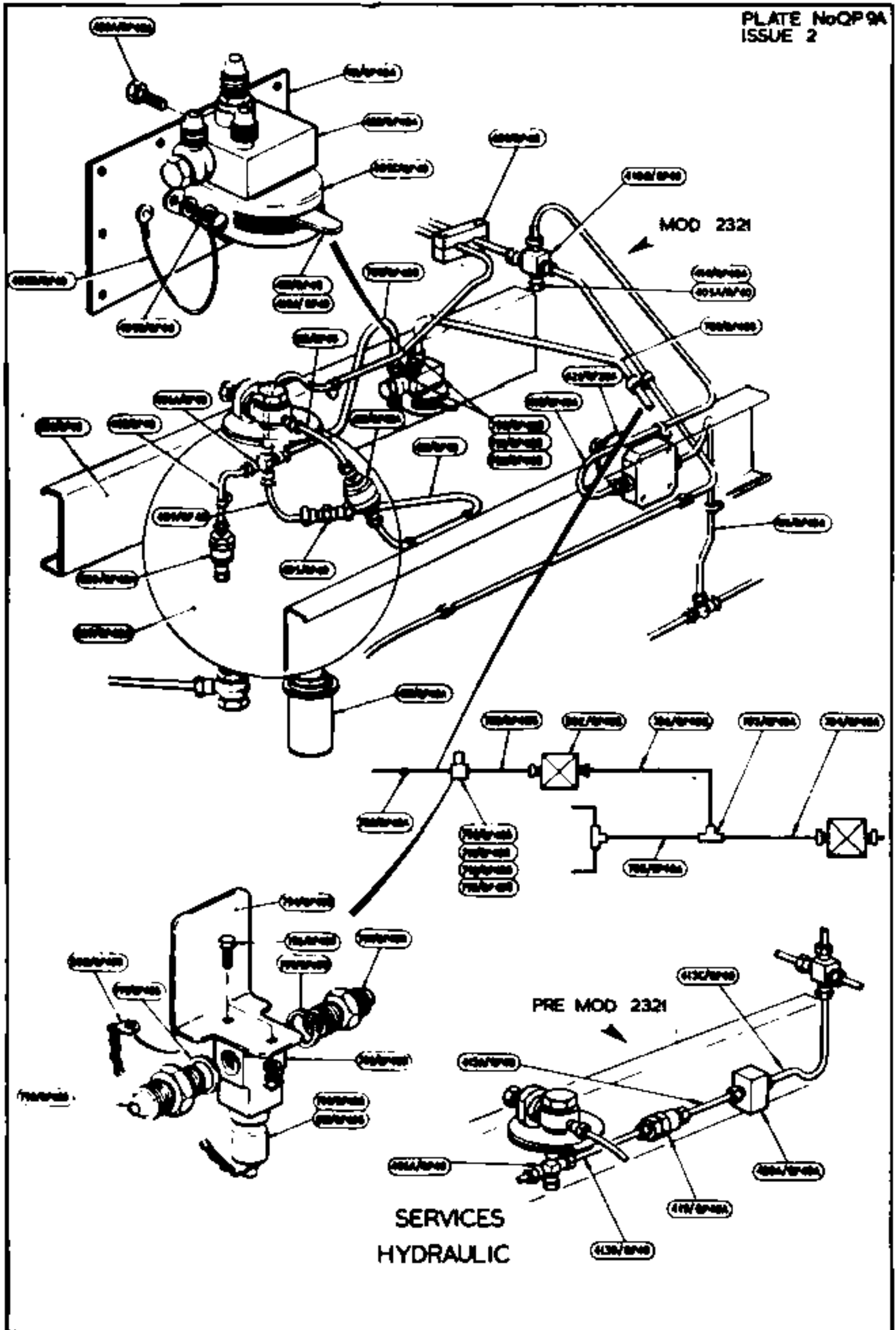
SEE PLATE No. OP 10

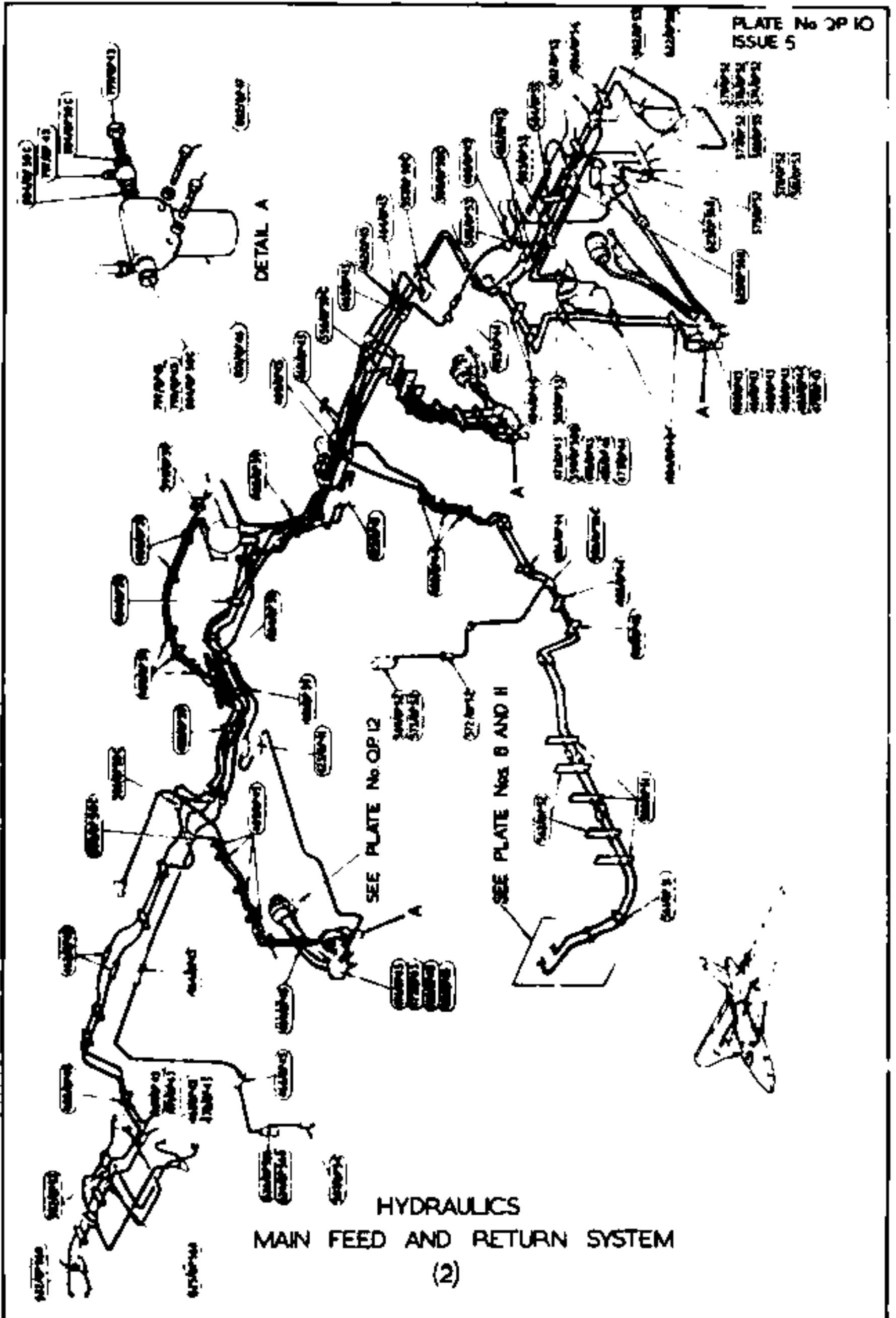
SEE PLATE No. OP 12

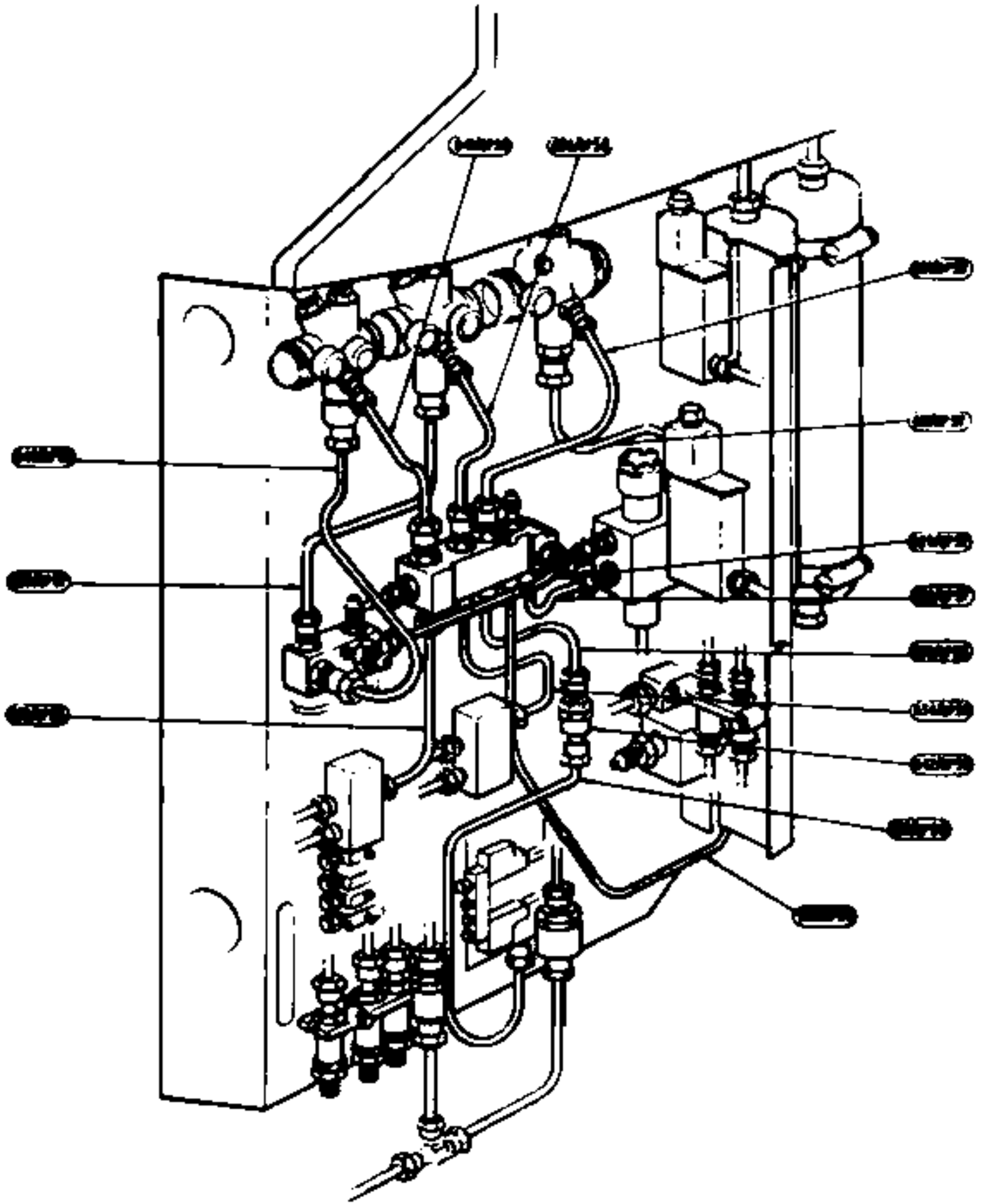
SEE PLATE No. OP 10

SEE PLATE Nos. OP B AND II

SEE PLATE No. OP 9A

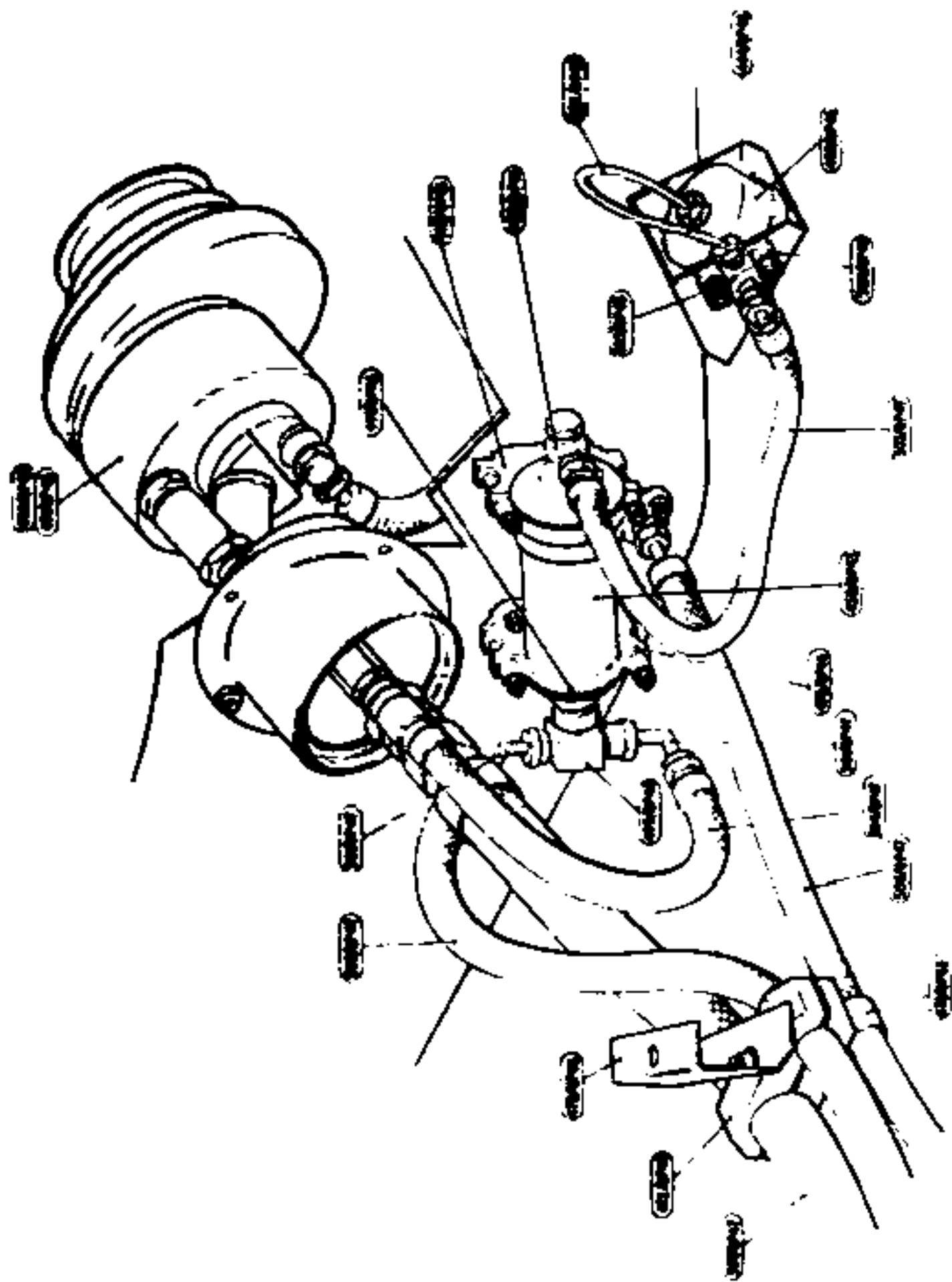




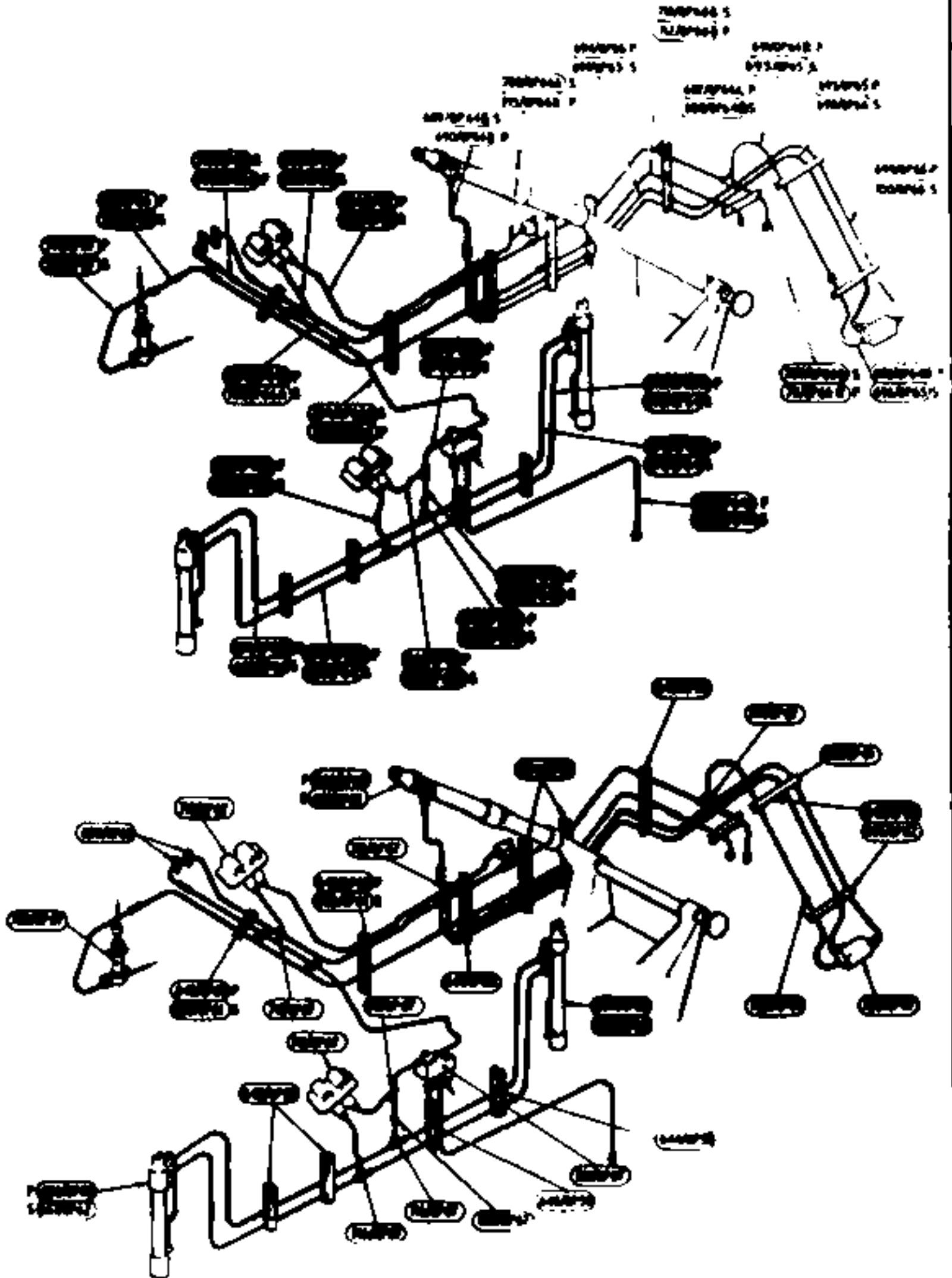


HYDRAULICS
MAIN FEED AND RETURN SYSTEM

(3)



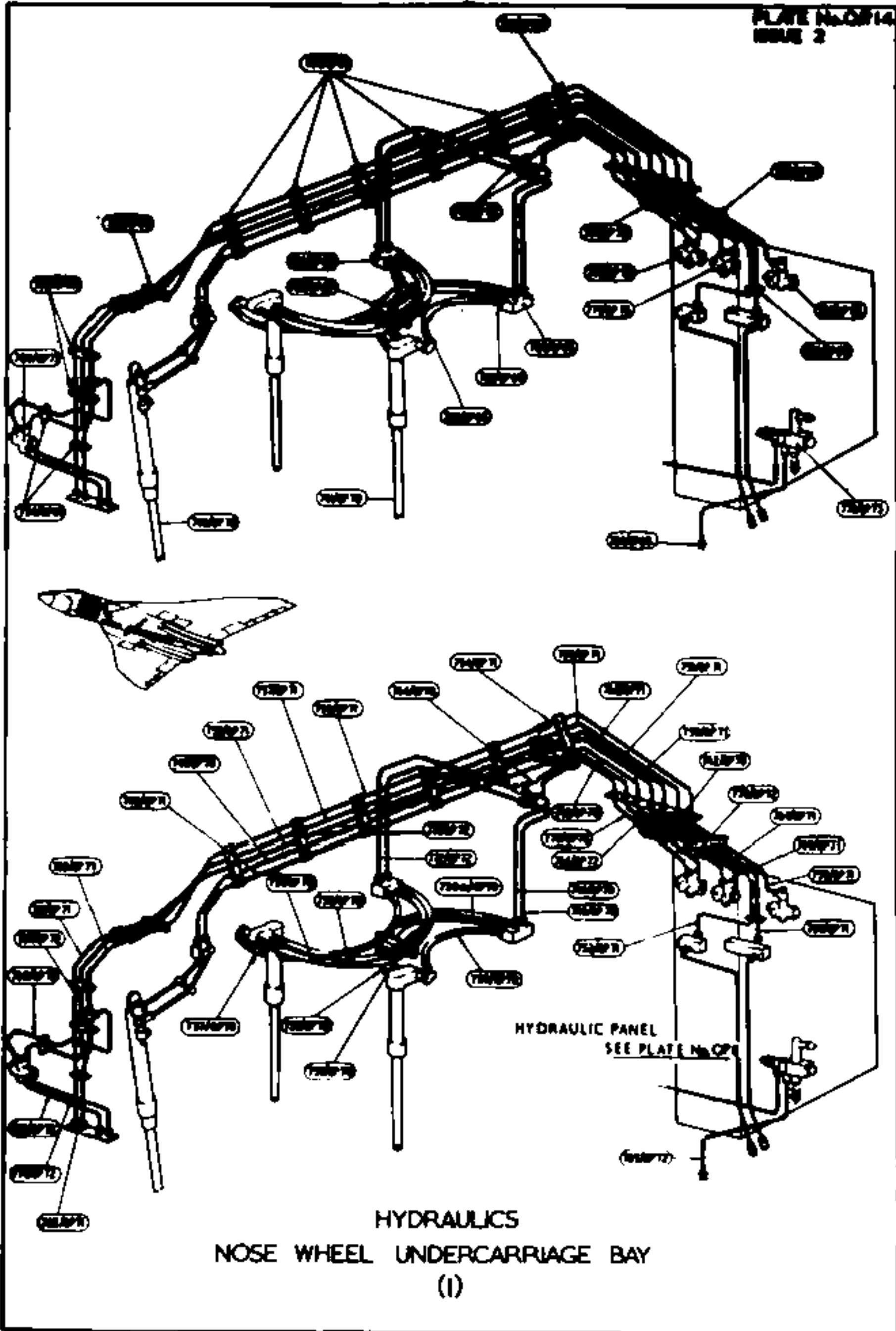
HYDRAULIC
MAIN FEED AND RETURN SYSTEM
(4)



HYDRAULICS
MAIN WHEEL, UNDERCARRIAGE BAY

RESTRICTED

PLATE No. 0714
ISSUE 2



RESTRICTED

VULCAN No. 7

SERVICES

PRESSURISATION SYSTEM TANK

Ref. No.	Part No	Description	No. off	Matl Spec.	Cl. of St.	Plate and Illust'n No
					M.R.	
		1 2 3 4				
		PRESSURISATION SYSTEM, TANK Consisting of:— PRESSURISATION SYSTEM TANK, CENTRE PORTION, PORT AND STARBOARD (1 and 2Z9794) Spare for:— Adaptor, tee piece, 1/2" x 1/2" x 1/2" BSP	2	—		QR4-1
	112SS3557					
		PANEL, CONTROL, TANK PRESSURISATION, PORT AND STARBOARD (80 and 8128994) Spare for:— Adaptor, 1/4" BSP x 1/8" BSP x 1-1/2" long	4	—		QR2/2
	103SS3553					
	110SS3553	Adaptor, special	1	—		QR2/3
	1SS4380	Chain, retaining	1	—		QR2/4
27V/ 4604699 9505	TEDDINGTON FOO/A/5 65Z7884	Drier, air	2	—		QR2/5
		Hose, "Flyite", No. 4, 1-1/2" bore x 2-3/8" long (Pre-Mod. 2458)	2	—	C	QR2/6
6116216	3Z12876	Hose (Mod 2458)	2	F67	C	
		PANEL AND BRACKETS, PORT AND STARBOARD (1 and 2Z9005) Spare for:— Block, mounting	2	BSS688		QR1/8
	48Z7730	Clip, cable, 0.22" dia.	2	PVC	MR	QR1/9
	36SS4206	Clip, cable, 0.3" dia.	2	PVC	MR	QR1/10
26FP/2453	1SS3859	Clip, for 3/16" o/d, pipes	10	—	C	QR1/11
26FP/2721	2SS3868	Clip, for 1/4" o/d, pipes	2	—	C	QR1/12
	6SS3868	Clip, for 1/2" o/d, pipe	1	—		QR1/13
7955	AY5/SS4234	Clip, 2" dia. tube, 0.5" long	2	—	C	QR1/14
26FP/10702	AW6/SS4234	Clip, 1-7/8" dia. tube, 0.5" long	2	—	C	QR1/15
	8A6/SS4234	Clip, 2-1/8" dia. tube, 0.5" long	2	—	MR	QR1/16
	8A12/SS4234	Clip, 2-1/8" dia. tube, 1.2" long	2	—		QR1/17
	48Z7730	FAIRLEAD, GROUP	1	—		QR1/18
	54Z7730	Label	1	L59		QR1/19
	171SS8002	Label, port	1	L59		QR1/20
	176SS8002	Label, port	1	L59		QR1/21
	178SS8002	Label, port	1	L59		QR1/22
	179SS8002	Label, port	1	L59		QR1/23
	177SS8002	Label, starboard	1	L59		QR1/24
	178SS8002	Label, starboard	1	L59		QR1/25
	367SS8004	Label, starboard	1	L59		QR1/26
	368SS8004	Label, starboard	1	L59		QR1/27
26FP/13043	1SS3268	Plate, Mod.	1	DTD213	C	QR1/28
26FP/13644	1SS3260	Plate, Serial	1	DTD213	C	QR1/29
	51SS3554	Piece, 4-way, 1/8" x 1/8" x 1/8" x 1/4" BSP	2	—		QR2/30
26FP/1840	64SS3687	Piece, tee, 1/8" x 1/8" x 1/4" BSP	4	—	C	QR2/31
26FP/1714	78SS3557	Piece, tee, 1/2" x 1/2" x 1/4" BSP	2	—	C	QR2/32
	4Z7884	PIPE, 3/16" o/d x 22G x 2-3/4" LONG. GROUP	1	L58	MR	QR2/33

SERVICES

PRESSURISATION SYSTEM TANK

Ref. No.	Part No.	Description	No. off	Matl. Spec.	Cl. of St.	Plate and Illust'n No.
					M.R.	
		1 2 3 4				
		PANEL, CONTROL, TANK PRESSURISATION, PORT AND STARBOARD (80 and 81Z8994) (Cont'd.)				
	5Z7684	PIPE, COMPRESSED AIR, BULKHEAD ADAPTOR TO TEE-PIECE, 3/16" o/d x 22G x 3-1/4" LONG, APPROX., GROUP	1	DTD323	MR	QR2/34
	18Z7684	PIPE, SERVO, AIR, No. 1 ADAPTOR TO TEE-PIECE, 3/16" o/d x 22G x 23" LONG, APPROX., PORT, GROUP	1	L56	MR	QR2/34a
	18Z7684	PIPE, SERVO, AIR, No. 2 ADAPTOR TO TEE-PIECE, 3/16" o/d x 22G x 8-1/2" LONG, APPROX., PORT, GROUP	1	L56	MR	QR2/35
	20Z7684	PIPE, STATIC, TEE-PIECE TO TEE-PIECE, 3/16" o/d x 22G x 15-1/2" LONG, APPROX., GROUP	1	L56	MR	QR2/36
	21Z7684	PIPE, SERVO, AIR, No. 2 TEE-PIECE TO ADAPTOR, 3/16" o/d x 22G x 25" LONG, APPROX., GROUP	1	L56	MR	QR2/37
	22Z7684	PIPE, SERVO, AIR, No. 1 TEE-PIECE TO ADAPTOR, 3/16" o/d x 22G x 9" LONG, APPROX., GROUP	1	L56	MR	QR2/38
	76Z8994	PIPE, No. 2, BRANCH PIPE TO ADAPTOR, 3/16" o/d x 22G, PORT, GROUP	1	L56	MR	QR2/39
	72Z8994	PIPE, No. 4, BRANCH PIPE TO ADAPTOR, 3/16" o/d x 22G, STARBOARD, GROUP	1	L56	MR	QR3/40
	55Z7684	PIPE, No. 2 AND 4, TEE-PIECES TO REDUCING UNION 1/2" o/d x 22G x 7" LONG, APPROX., GROUP	2	DTD323	MR	QR3/41
	87Z7684	PIPE, No. 4, TEE-PIECE TO ADAPTOR, 3/16" o/d x 22G x 12" LONG, APPROX., GROUP	1	L56	MR	QR3/42
5142	88Z7684	PIPE, No. 4, TEE-PIECE TO ADAPTOR, 3/16" o/d x 22G x 20" LONG, APPROX., GROUP	1	L56	C	QR3/43
	89Z7684	PIPE, No. 3, TEE-PIECE TO ADAPTOR, 3/16" o/d x 22G x 4" LONG, APPROX., STARBOARD, GROUP	1	L56	MR	QR3/44
5145	74Z7684	PIPE, No. 3, TEE-PIECE TO ADAPTOR, 3/16" o/d x 22G x 2' 4" LONG, APPROX., GROUP	1	L56	C	QR3/45

VULCAN No. 2

SERVICES

Page QR. 3

PRESSURIZATION SYSTEM TANK

Ref. No.	Part No.	Description	No. off	Matl. Spec.	Cl. of St. M.R.	Plate and Illust'n No.
		1.2.1.4				
		PANEL, CONTROL, TANK PRESSURIZATION, PORT AND STARBOARD (80 and 8128994) (Contd.)				
	8127004	PIPE, 4-WAY PIECE TO FILTER RESTRICTOR, 3/16" o/d x 22G x 8" LONG, APPROX., PORT, GROUP	2	L56		QR2/48
8829	828994	PIPE, COMPRESSED AIR, BULKHEAD ADAPTOR TO TEE-PIECE, 1/2" o/d x 22G x 20-1/2" LONG, APPROX., GROUP	1	DTD323	C	QR2/47
11919	428994	PIPE, 4-WAY PIECE TO FILTER RESTRICTOR, 3/16" o/d x 22G x 8" LONG, APPROX., STARBOARD, GROUP	2	L56	C	QR3/48
	528994	PIPE, 4-WAY PIECE TO AIR GAS VALVE, 1/4" o/d x 22G x 7" LONG, APPROX., PORT, GROUP	2	L56	MR	QR2/49
	628994	PIPE, 4-WAY PIECE TO N R. GAS VALVE, 1/4" o/d x 22G x 7" LONG, APPROX., STARBOARD, GROUP	2	L56	MR	QR3/50
	728994	PIPE, FUEL TRAP TO Nos. 1 AND 2 AIR DRIERS, 1/4" o/d x 22G x 12-1/2" LONG, APPROX., GROUP	1	L56	MR	QR2/51
	828994	PIPE, TEE-PIECE TO FUEL TRAP, 1/4" o/d x 22G x 15" LONG, APPROX., STARBOARD, GROUP	2	L56	MR	QR3/52
	928994	PIPE, FUEL TRAP TO TEE-PIECE, 1/4" o/d x 22G x 8" LONG, APPROX., PORT, GROUP	-	L56	MR	QR2/53
	1028994	PIPE, FUEL TRAP TO Nos. 3 AND 4 AIR DRIERS, 1/4" o/d x 22G, STARBOARD, GROUP	-	L56	MR	QR3/54
	1128994	PIPE, SERVO, AIR, P.R.V. TO FILTER RESTRICTOR, 1/4" o/d x 22G x 8" LONG, APPROX., PORT, GROUP	2	L56	MR	QR2/55
	1228994	PIPE, SERVO, AIR, P.R.V. TO FILTER RESTRICTOR, 1/4" o/d x 22G x 14" LONG, APPROX., STARBOARD, GROUP	2	L56	MR	QR3/56
	1328994	PIPE, COMPRESSED AIR, No. 2, AIR DRIER TO FILTER RESTRICTOR, 1/4" o/d x 22G x 14" LONG, APPROX., PORT, GROUP	1	L56	MR	QR2/57
11853	1428994	PIPE, COMPRESSED AIR, No. 3 AIR DRIER TO FILTER RESTRICTOR, 1/4" o/d x 22G x 6-1/2" LONG, APPROX., STARBOARD, GROUP	1	L56	C	QR3/58

SERVICES

PRESSURIZATION SYSTEM TANK

Ref. No.	Part No.	Description	No. off	Matl. Spec.	Cl. of	Plate and Illust'n No.
					St. M.R.	
		<u>1 2 3 4</u>				
		PANEL, CONTROL, TANK, PRESSURIZATION, PORT AND STARBOARD (80 and B1Z8994) (Contd.)				
	15Z8994	PIPE, COMPRESSOR, AIR, No. 1 AIR DRIER TO FILTER RESTRICTOR, 1/4" o/d x 22G x 14" LONG, APPROX., PORT, GROUP	1	L56	MR	QR2/59
13479	16Z8994	PIPE, COMPRESSOR, AIR, No. 4 AIR DRIER TO FILTER RESTRICTOR, 1/4" o/d x 22G x 7" LONG, APPROX., STARBOARD, GROUP	1	L56	C	QR3/60
	33Z8994	PIPE, STATIC, TEE-PIECE TO CONNECTION, 3/16" o/d x 22G x 8" LONG, APPROX., PORT, GROUP	2	L56	MR	QR3/61
	34Z8994	PIPE, STATIC, TEE-PIECE TO CONNECTION, 3/16" o/d x 22G x 8" LONG, APPROX., STARBOARD, GROUP	2	L56	MR	QR3/62
9078	35Z8994	PIPE, 4-way PIECE TO CONNECTION, . . . 3/16" o/d x 22G x 18" LONG, APPROX., PORT, GROUP	2	L56	C	QR3/63
	36Z8994	PIPE, 4-WAY PIECE TO CONNECTION . . . 3/16" o/d x 18" LONG, APPROX., STARBOARD, GROUP	2	L56	MR	QR3/64
	37Z8994	PIPE, AIR GAS VALVE TO MASTER CONTROL VALVE, 3/16" o/d x 22G x 12" LONG, APPROX., PORT, GROUP	2	L56	MR	QR2/65
	41Z8994	PIPE, No. 2, TEE-PIECE TO NON- RETURN VALVE, 3/16" o/d x 22G x 11" LONG, APPROX., PORT, GROUP	1	L56	MR	QR2/65a
11922	38Z8994	PIPE, AIR, GAS VALVE TO MASTER CONTROL VALVE, 3/16" o/d x 22G x 12" LONG, APPROX., STARBOARD, GROUP	2	L56	C	QR3/66
10897	40Z8994	PIPE, 4-WAY PIECE TO Nos. 3 AND 4, . . . NON-RETURN VALVES, 3/16" o/d x 22G x 15" LONG, APPROX., STARBOARD, GROUP	2	L56	C	QR3/67
	42Z8994	PIPE, No. 4, TEE-PIECE TO NON- RETURN VALVE, 3/16" o/d x 22G x 13" LONG, APPROX., STARBOARD, GROUP	1	L56	MR	QR3/68
	44Z8994	PIPE, SERVO, AIR, TEE-PIECE TO NON-RETURN VALVE, 3/16" o/d x 22G x 26" LONG, APPROX., STARBOARD, GROUP	1	L56	MR	QR3/69

SERVICES
PRESSURIZATION SYSTEM TANK

Ref. No.	Part No.	Description 1 2 3 4	No. off	Matl. Spec.	Cl. of	Place and Illust'n No.
					St. M.R.	
		PANEL, CONTROL, TANK, PRESSURIZATION, PORT AND STARBOARD (80 and 81Z8994) (Contd.)				
	47Z8994	PIPE, STATIC, TEE-PIECE TO ADAPTOR, 3/16" o/d x 22G x 5" LONG, APPROX, GROUP	1	-		QR2/70
	48Z8994	PIPE, STATIC, ADAPTOR TO TEE-PIECE, 3/16" o/d x 22G x 11" LONG, APPROX, GROUP	1	L58	MR	QR2/71
	54Z8994	PIPE, TO MASTER CONTROL VALVE, 1/4" o/d x 22G, GROUP	1	L54	MR	QR2/72
	55Z8994	PIPE, TO MASTER CONTROL VALVE, 1/4" o/d x 22G, GROUP	1	L54	MR	QR2/73
	56Z8994	PIPE, MASTER CONTROL VALVE TO TEE PIECE, 1/4" o/d x 22G x 2' 8" LONG, PORT, GROUP	1	L58	MR	QR2/74
	57Z8994	PIPE, TEE PIECE TO MASTER CONTROL VALVE, 1/4" o/d x 22G x 2' 8" LONG, PORT, GROUP	1	L58	MR	QR2/75
8803	58Z8994	PIPE, No 2, AIR RELEASE VALVE TO FUEL TRAP, 19" LONG, APPROX, PORT, GROUP	1	L54	C	QR2/76
8467	59Z8994	PIPE, No 1, AIR RELEASE VALVE TO FUEL TRAP 19" LONG, APPROX, PORT, GROUP	1	L54	C	QR2/77
11988	60Z8994	PIPE, SERVO AIR, TEE PIECE TO CONNECTION, 1/4" o/d x 22G x 18" LONG, APPROX, PORT, GROUP	1	L58	C	QR2/78
	81Z8994	PIPE, TEE PIECE TO AIR RELEASE VALVE, 1/4" o/d x 22G x 18" LONG, APPROX, PORT, GROUP	1	L58		QR2/79
	62Z8994	PIPE, No 4, AIR RELEASE VALVE TO MASTER CONTROL VALVE, 15" LONG, APPROX, STARBOARD, GROUP	1	L54	MR	QR3/80
	63Z8994	PIPE, No 3, AIR RELEASE VALVE TO MASTER CONTROL VALVE, 15" LONG, APPROX, STARBOARD, GROUP	1	L54	MR	QR3/81
	64Z8994	PIPE, TEE-PIECE TO AIR RELEASE VALVE, 1/4" o/d x 22G x 8" LONG, APPROX, STARBOARD, GROUP	1	L58	MR	QR3/82

SERVICES
PRESSURIZATION SYSTEM TANK

Ref. No.	Part No.	Description 1 2 3 4	No. off	Matl. Spec.	Cl. of	Place and Illust'n No.
					St. M.R.	
0181		PANEL, CONTROL, TANK, PRESSURIZATION, PORT AND STARBOARD (80 and 8128994) (Contd.)				
	85Z8994	PIPE, TEE PIECE TO MASTER CONTROL VALVE, 3/16" o/d x 22G x 8" LONG, APPROX. STARBOARD, GROUP	1	L58	MR	QR3/83
	86Z8994	PIPE, No 4, AIR DRIER TO AIR RELEASE VALVE, 20" LONG, APPROX. STARBOARD, GROUP	1	L54	C	QR3/84
	43Z8994	PIPE, SERVO, AIR, TEE PIECE TO NON RETURN VALVE, 3/16" o/d x 22G x 26" LONG, APPROX. PORT, GROUP	1	L58	MR	QR2/84
	67Z8994	PIPE No 3, AIR DRIER TO AIR RELEASE VALVE, 20" LONG, APPROX. STARBOARD, GROUP	1	L54	MR	QR3/85
	88Z8994	PIPE, TEE PIECE TO No 4 AIR RELEASE VALVE, 1/4" o/d x 22G x 15" LONG, APPROX. STARBOARD, GROUP	1	L58	MR	QR3/86
	89Z8994	PIPE, TEE PIECE TO No 3 AIR RELEASE VALVE, 1/4" o/d x 22G x 15" LONG, APPROX. STARBOARD, GROUP	1	L58		QR3/81
	70Z8994	PIPE, 4 WAY PIECE TO No 1 AND 2 NON RETURN VALVES, 3/16" o/d x 22G x 8" LONG, APPROX. PORT, GROUP	2	L58	MR	QR2/88
	73Z8994	PIPE, TO CONNECTOR AT BRANCH PIPE, 3/16" o/d x 22G, STARBOARD, GROUP	1	L58	MR	QR3/89
	74Z8994	PIPE, TO CONNECTOR AT BRANCH PIPE, 3/16" o/d x 22G, STARBOARD GROUP	1	L58	MR	QR3/90
	75Z8994	PIPE TO CONNECTION AT BRANCH PIPE, 3/16" o/d x 22G, STARBOARD GROUP	1	L58	MR	QR3/91
	77Z8994	PIPE TO CONNECTION AT BRANCH PIPE, 3/16" o/d x 22G, PORT, GROUP	1	L58	MR	QR2/93
	78Z8994	PIPE, TO CONNECTION AT BRANCH PIPE, 3/16" o/d x 22G, PORT, GROUP	1	L58	MR	QR2/94
79Z8994	PIPE, TO CONNECTION AT BRANCH PIPE, 3/16" o/d x 22G, GROUP	1		MR	QR2/95	

VULCAN NO. 2		SERVICES			Page QR. 7	
PRESSURISATION SYSTEM TANK						
Ref No.	Part No	Description	No. off	Matl. Spec	Cl of St.	Plate and Illustr'n No.
					M.R.	
		1 2 3 4				
		PANEL, CONTROL, TANK, PRESSURISATION, PORT AND STARBOARD (80 and 8128994) (Cont'd.)				
	97Z7684	PIPE, TEE-PIECE TO No. 3 AND 4 PRESSURE REDUCING VALVES, 3/16" o/d x 22G x 6" LONG, APPROX., GROUP	1	L56	MR	QR2/96
	98Z7684	PIPE, TEE-PIECE TO MASTER CONTROL VALVE, 3/16" o/d x 22G x 6" LONG, APPROX., GROUP	1	L56	MR	QR2/97
27V/4604693	TEDDINGTON FLC/A/7	Restrictor, filter	2	—	A	QR2/98
6830	1Z9010	TRAP, FUEL, PORT, GROUP (Mod. 303)	2	—	B	QR2/99
6834	6Z9010	TRAP, FUEL, STARBOARD, GROUP (Mod. 303)	2	—	B	QR3/100
		Consisting of:—				
6831	KING A/C C3391/3-1/2E 4Z9010	Clamp, Mk. 1	1	—	C	QR3/101
		Container	1	DTD171 & S110		QR3/102
6832	3Z9010 4Z9214 5Z9010 60SS3663	Mounting, flanged	1	L65		QR3/103
		Seal (J. Walker's Pt. No. 59732)	1	—	C	QR3/104
		Tube, inlet	1	—		QR3/105
28F/9428453	AGS186/B	Union, reducing	2	—		QR3/106
		Washer, sealing	2	—	C	QR3/107
6833	1Z9214	TRAP, FUEL, GROUP (Mod 303)	2	—	B	QR2/108
		Consisting of:—				
28F/8011809	AGS1104/B	Adaptor, cone	2	—	C	QR2/109
6831	KING A/C C3391/3-1/2E 3Z9214	Clamp, Mk. 1	1	—	C	QR2/110
		Container	1	S521 or S110		QR2/111
6832	2Z9214 4Z9214 5Z9010	Mounting, flanged	—	—		QR2/112
		Seal (J. Walker's Pt. No. 59732)	1	—	C	QR2/113
		Tube, inlet	1	—		QR2/114
28F/9428453	AGS1186/B	Washer, sealing	2	—	C	QR2/115
9163	66Z7684	Union, reducing, 1-1/4" BSP—1/2" BSP	2	DTD384B	C	QR3/116
27V/4804890	TEDDINGTON FLA/A/4	Valve, air gas	2	—	A	QR3/117
27V/4604692	TEDDINGTON FLE/A/6	Valve, motor control	2	—	A	QR3/118
27V/4806074	TEDDINGTON FLD/A/14	Valve, pressure reducing (Mod. 1917)	2	—	A	QR3/119
27V/4604660	TEDDINGTON ES/A/390 SAUNDERS 702/AA/118	Valve, servo, air release	2	—	A	QR2/120
		Valve, non-return	2	—		QR2/121

SERVICES

PRESSURISATION SYSTEM TANK

Ref. No.	Part No.	Description	No. off	Matl. Spec.	Cl of St.	Plate and Illust'n No.
					M.R.	
		1 2 3 4				
		PRESSURISATION SYSTEM, TANK CENTRE PORTION, PORT AND STARBOARD (1 and 2Z9194) (Cont'd.)				
	—	PANEL, GROUND TEST, PORT AND STARBOARD (1 and 2Z7885)	—	—		QR5/122
	3Z7885	Spares for:— Breaker, mounting, port	1	—	MR	QR1/123
	4Z7885	Breaker, mounting, starboard	1	—		QR1/124
	7Z7885	COVER, PORT, GROUP	1	—	MR	QR1/125
	8Z7885	COVER, STARBOARD, GROUP	1	—	MR	QR1/126
	140SS6002	Spares for:— Label	1	—		
	8Z7364	Chain, retaining blanking cap. group (Length 4")	5	—	MR	QR1/127
	9Z7885	HINGE (Made from AS1878 x 1-1/2" long)	1	—		QR1/128
	309SS6004	Label, port	1	—		QR1/129
	308SS6004	Label, starboard	1	—		QR1/130
80/797	—	Nut, blanking	1	—	C	QR1/131
60/796	—	Valve	1	—	B	QR1/132
	—	PIPING OVER ENGINE AIR INTAKES, AND No 1 AND 2 TANK VENT VALVES, PORT AND STARBOARD (201 and 20227516)				
	15S3859	Spares for:— Clip, for 3/16" o/d pipes	4	—	C	QR6/133
26FP/2453	30SS3859	Clip, for 2" o/d pipes	2	—	MR	QR6/134
1433396	18SS1973	Clip, bonding	12	—	C	QR6/135
	118Z7119	FAIRLEAD, GROUP	1	—		QR6/136
5239	149Z7118	FAIRLEAD, GROUP	1	—	C	QR6/137
	263Z7516	FAIRLEAD, GROUP	2	—		QR6/138
	108Z7119	Hose, "Fyrite", No. 4, 7/8" bore x 2-1/2" long (Pre-Mod. 2458)	6	—	MR	QR6/139
6116214	1Z12876	Hose (Mod. 2458)	6	—	C	
	4SS1979	Lead, bonding	4	—		QR6/140
	133Z7119	PIPE, SERVO, AIR, No. 2 TANK, FROM JOINT AT TRANSPORT RIB 162.5 TO JOINT AT BOMB RIB 63.5, 3/16" o/d x 9' 10" LONG, PORT, GROUP	1	L56		QR6/141
	134Z7119	PIPE, SERVO, AIR, No. 1 TANK, FROM JOINT AT TRANSPORT RIB 162.5, TO JOINT AT BOMB RIB 63.5, 3/16" o/d x 9' 10" LONG, STARBOARD, GROUP	1	L56		QR6/142
	135Z7119	PIPE, SERVO, AIR, No. 1 TANK, FROM JOINT AT TRANSPORT RIB 162.5 TO JOINT AT BOMB RIB 63.5, 3/16" o/d x 9' 10" LONG, PORT, GROUP	1	L56		QR6/143

VULCAN No. 2

SERVICES

Page QR. 9

PRESSURIZATION SYSTEM TANK

Ref. No.	Part No.	Description	No. off	Matl. Spec.	Cl. of	Place and Illust'n No.
					St. M.R.	
		1 2 3 4				
		PIPING OVER ENGINE AIR INTAKES & No 1 & 2 TANK VENT VALVES, PORT & STBD (201 & 2027516) (Cont'd)				
	136Z7119	PIPE, SERVO AIR No 1 TANK FROM JOINT AT TRANSPORT RIB 162 5 TO JOINT AT BOMB RIB 63 5, 3/16" o/d x 9' 10" LONG STBD. GROUP	1	L56		QR6/144
	137Z7119	PIPE, STATIC FROM JOINT AT TRANSPORT RIB 162 5 TO JOINT AT BOMB RIB 62 5, 3/16" o/d x 9' 10" LONG, PORT, GROUP	1	L56	MR	QR6/145
	138Z7119	PIPE STATIC FROM JOINT AT TRANSPORT RIB 162 5, TO JOINT AT BOMB RIB 63 5, 3/16" o/d x 9' 10" LONG, STBD. GROUP	1	L56	MR	QR6/146
5245	139Z7119	PIPE STATIC, FROM JOINT AT BOMB RIB 63 5 TO 4 WAY ADAPTOR 3/16" o/d x 5' 2" LONG, PORT, GROUP	1	L56	C	QR6/147
5246	140Z7119	PIPE, STATIC FROM JOINT AT BOMB RIB 63 5 TO 4 WAY ADAPTOR, 3/16" o/d x 5' 2" LONG APPROX STBD. GROUP	1	L56	C	QR6/148
	141Z7119	PIPE, SERVO AIR FROM JOINT AT BOMB RIB 63.5, TO No 1 TANK VENT VALVE, 3/16" o/d x 4' 4" LONG APPROX. PORT, GROUP	1	L56		QR6/149
	142Z7119	PIPE, SERVO AIR, FROM JOINT AT BOMB RIB 63 5 TO No 1 TANK VENT VALVE, 3/16" o/d x 4' 4" LONG APPROX. STBD. GROUP	1	L56		QR6/150
	216Z7516	PIPE, SERVO AIR FROM JOINT AT BOMB RIB 63 5 TO No 2 TANK VENT VALVE, 3/16" o/d x 5' 8" LONG APPROX. PORT GROUP	1	L56		QR6/151
	216Z7516	PIPE, SERVO AIR FROM JOINT AT BOMB RIB 63 5 TO No 2 TANK VENT VALVE 3/16" o/d x 5' 8" LONG APPROX. STARBOARD, GROUP	1	L56		QR6/152
12350	131Z7119	Pipe, vent, from joint at centre engine rib 113 3 to joint at bomb rib 63 5, 7/8" o/d x 22G x 5' 2" long approx., port	1	L56	MR	QR6/153
	132Z7119	Pipe, vent, from joint at centre casing rib 113 3 to joint at bomb rib 63 5, 7/8" o/d x 5' 2" long approx. starboard	1	L56	MR	QR6/154

SERVICES
PRESSURIZATION SYSTEM TANK

Ref. No.	Part No.	Description	No. off	Matl. Spec.	Cl. of	Plate and Illust'n No.
					St. M.R.	
		1 2 3 4				
		PIPING, OVER ENGINE AIR INTAKES AND No 1 & 2 TANK VENT VALVES PORT & STBD (201 & 20227518) (Cont d)				
	126Z7119	Pipe, vent, from joint between front spar and transport rib 182.5, to joint at centre engine rib 113.3, 7/8" o/d x 4.8" long approx, port	1	L56	MR	QR6/155
	128Z7119	Pipe, vent, from joint between front spar and transport rib 182.5, to joint at centre rib 113.3, 7/8" o/d x 4.8" long approx, starboard	1	L56	MR	QR6/156
	127Z7119	Pipe, vent, from joint at transport rib 182.5 to joint at centre engine rib 113.3, 7/8" o/d x 4.8" long approx, port	1	L56	MR	QR6/157
	128Z7119	Pipe, vent, from joint at transport rib 182.5 to joint at centre engine rib 113.3, 7/8" o/d x 4.8" long approx, starboard	1	L56	MR	QR6/158
	129Z7119	Pipe, vent from joint at centre engine rib 113.3 to joint at bomb rib 83.5, 7/8" o/d x 5.2" long approx, port	1	L56	MR	QR6/159
	130Z7119	Pipe, vent from joint at centre engine rib 113.3 to joint at bomb rib 83.5, 7/8" o/d x 5.2" long approx, starboard	1	L56	MR	QR6/160
	145Z7119	Pipe, vent from joint at bomb rib 83.5 to joint at vent valve No 2 tank, 7/8" o/d x 3.11" long approx, port (Pre Mod 1151)	1	L56	MR	QR6/161
	146Z7119	Pipe, vent from joint at bomb rib 83.5 to joint at vent valve No 2 tank, 7/8" o/d x 3.11" long approx, starboard (Pre Mod 1151)	-	-	-	QR6/162
	147Z7119	Pipe, vent from joint at bomb rib 83.5 to joint at vent valve No 1 tank, 7/8" o/d x 4.6" long approx, port (Pre Mod 1151)	-	-	-	QR6/163
10785	231Z7119	Pipe, vent, joint at bomb rib 83.5 to vent valve No 2 tank, 7/8" o/d x 4.7" long, port (Mod 1151)	1	L56	MR/CQR6/164	
10786	232Z7119	Pipe, vent, joint at bomb rib 83.5 to vent valve No 2 tank, 7/8" o/d x 4.7" o/d x 4.7" long, starboard (Mod 1151)	1	L56	MR/CQR6/165	

WACAM No. 2

SERVICES
PRESSURIZATION SYSTEM TANK

Page QR 11

Ref. No.	Part No.	Description	No. off	Mater. Spec.	Cl. of	Plate and Illust'n No.
					St. M.R.	
		1 2 3 4				
		PIPING, OVER ENGINE INTAKES AND No 1 & 2 TANK VENT VALVES, PORT & STARBOARD (201 & 20227518) (Cont'd)				
	148Z7119	Pipe, vent from joint at bomb rib 83.5 to joint at vent valve No 1 tank, 7/8" o/d x 4' 8" long approx, starboard (Pre Mod 1151)	1	L56	MR	QR6/166
10787	233Z7119	Pipe, vent, joint at bomb rib 83.5 to vent valve No 1 tank 7/8" o/d x 54" long, port (Mod 1151)	1	L56	MR/COR6/167	
10788	234Z7119	Pipe, vent, joint at bomb rib 83.5 to vent valve No 1 tank 7/8" o/d x 54" long, starboard (Mod 1151)	1	L56	MR/COR6/168	
11089	235Z7119	PIPE TEE PIECE TO TEE PIECE AT FRONT SPAR, 3/16" o/d x 22G x 23" LONG APPROX, PORT GROUP (Mod 1430)	1	L56	C	QR6/169
11091	236Z7119	PIPE, TEE PIECE TO TEE PIECE AT FRONT SPAR, 3/16" o/d x 22G x 23" LONG APPROX, STARBOARD GROUP (Mod 1430)	1	L56	C	QR6/170
11090	237Z7119	PIPE TEE PIECE TO ADAPTOR AT FRONT SPAR, 3/16" o/d x 22G x 12" LONG APPROX, PORT, GROUP (Mod 1430)	1	L56	C	QR6/171
11092	238Z7119	PIPE, TEE PIECE TO ADAPTOR AT FRONT SPAR, 3/16" o/d x 22G x 12" LONG APPROX, STARBOARD, GROUP (Mod 1430)	1	L56	C	QR6/172
22169	239Z7119	PIPE TEE PIECE TO TEE PIECE AT FRONT SPAR, 3/16" o/d x 22G x 9" LONG APPROX, PORT, GROUP (Mod 1430)	1	L56	C	QR6/173
22170	240Z7119	PIPE, TEE PIECE TO TEE PIECE AT FRONT SPAR, 3/16" o/d x 22G x 9" LONG APPROX, STARBOARD GROUP (Mod 1430)	1	L56	C	QR6/174
	241Z7119	PIPE, TEE PIECE TO INNER VALVE, FORMER 21, 3/16" o/d x 22G x 10" LONG APPROX, PORT, GROUP (Mod 1430)	1	L56	MR	QR6/175
	242Z7119	PIPE, TEE PIECE TO INNER VALVE FORMER 21, 3/16" o/d x 22G x 10" LONG APPROX, STARBOARD, GROUP (Mod 1430)	1	L56	MR	QR6/176

SERVICES
PRESSURIZATION SYSTEM TANK

Ref. No.	Part No.	Description 1 2 3 4	No. off	Matl. Spec.	Cl. of St.	Plate and Illust'n No.
					M.R.	
		PIPING, OVER ENGINE INTAKES AND No 1 & 2 TANK VENT VALVES PORT & STARBOARD (201 & 202Z7516) (Cont'd)				
	243Z7119	PIPE TEE PIECE TO OUTER VALVE FORMER 21, 3/16" o/d x 22G x 13" LONG APPROX PORT GROUP (Mod 1430)	1	L56		QR6/177
	244Z7119	PIPE, TEE PIECE TO OUTER VALVE FORMER 21, 3/16" o/d x 22G x 13" LONG APPROX, STBD GROUP (Mod 1430)	1	L56		QR6/178
	51Z9794	PIPE, TEE PIECE TO CONNECTION FORWARD U/C BULKHEAD, 1/2" o/d x 22G x 4" 0" LONG PORT GROUP (Pre Mod 1018)	1	DTD323		QR6/179
	52Z9794	PIPE TEE PIECE TO CONNECTION FORWARD U/C BULKHEAD 1/2" o/d x 22G x 4" 0" LONG STBD. GROUP (Pre Mod 1018)	1	DTD323		QR6/180
	53Z9794	PIPE TEE PIECE TO CONNECTION FORWARD U/C BULKHEAD 1/2" o/d x 22G x 4" 0" LONG, PORT, GROUP (Pre Mod 1018)	1	DTD323		QR6/181
	54Z9794	PIPE, TEE PIECE TO CONNECTION FORWARD U/C BULKHEAD, 1/2" o/d x 22G x 4" 0" LONG STBD GROUP (Pre Mod 1018)	1	DTD323		QR6/182
	55Z9794	PIPE TEE PIECE TO NON RETURN VALVE, 1.2" o/d x 22G x 5" 8" LONG, PORT, GROUP	1	DTD323	MR	QR6/183
	56Z9794	PIPE TEE PIECE TO NON RETURN VALVE 1/2" o/d x 22G x 5" 8" LONG, STBD GROUP	1	DTD323	MR	QR6/184
	117Z7703	PIPE, NON RETURN VALVE TO TEE PIECE, 1/2" o/d x 22G x LONG, PORT GROUP	1	DTD323	MR	QR6/185
	118Z7703	PIPE NON RETURN VALVE TO TEE PIECE, 1/2" o/d x 22G x LONG, STARBOARD, GROUP	1	DTD323	MR	QR6/186
	115Z7703	PIPE NON RETURN VALVE TO TEE PIECE 1/2" o/d x 22G x LONG, PORT, GROUP	1	DTD323	MR	QR6/187
	55Z9794	PIPE, NON RETURN VALVE TO TEE PIECE 1.2" o/d x 22G x LONG, STARBOARD, GROUP	1	DTD323	MR	QR6/188

VULCAN No. 7

SERVICES

Page QR. 13

PRESSURISATION SYSTEM TANK

Ref. No.	Part No.	Description	No. off	Matl. Spec.	Cl. of St.	Plate and Illustr'n No.
					M.R.	
		1 2 3 4				
		PRESSURISATION SYSTEM TANK CENTRE PORTION, PORT & STBD. (1 & 229794) (Cont'd.)				
	57Z9794	PIPE, TEE-PIECE TO NON-RETURN VALVE, 1/2" o/d x 22G x 5' 8" LONG, PORT, GROUP	1	DTD5019	MR	QR4/189
	89Z9794	PIPE, TEE-PIECE TO NON-RETURN VALVE, 1/2" o/d x 22G x 5' 8" LONG, STARBOARD, GROUP	1	DTD5019	MR	QR4/190
	65Z7703	PIPE, TEE-PIECE TO BULKHEAD ADAPTOR, 1/2" o/d x 22G x 2' 0" LONG, PORT, GROUP	1	DTD5019	MR	QR4/191
	66Z7703	PIPE, TEE-PIECE TO BULKHEAD ADAPTOR, 1/2" o/d x 22G x 2' 0" LONG, STARBOARD, GROUP	1	DTD5019	MR	QR4/192
	67Z7703	PIPE, TEE-PIECE TO BULKHEAD ADAPTOR, 1/2" o/d x 22G x 2' 3" LONG, PORT, GROUP	1	DTD5019	MR	QR4/193
	68Z7703	PIPE, TEE-PIECE TO BULKHEAD ADAPTOR, 1/2" o/d x 22G x 2' 3" LONG, STARBOARD, GROUP	1	DTD5019	MR	QR4/194
	61Z7703	PIPE, TEE-PIECE TO ADAPTOR AT TEST PANEL, 3/8" o/d x 22G x 12" LONG, PORT, GROUP	1	DTD5019	MR	QR4/195
	62Z7703	PIPE, TEE-PIECE TO ADAPTOR AT TEST PANEL, 3/8" o/d x 22G x 12" LONG, STARBOARD, GROUP	1	DTD5019	MR	QR4/196
	63Z7703	PIPE, TEE-PIECE TO ADAPTOR AT TEST PANEL, 3/8" o/d x 22G x 10" LONG, PORT, GROUP	1	DTD5019	MR	QR4/197
	64Z7703	PIPE, TEE-PIECE TO ADAPTOR AT TEST PANEL, 3/8" o/d x 22G x 10" LONG, STARBOARD, GROUP	1	DTD5019	MR	QR4/198
27FS/6321	SAUNDERS 704/AA08/B	Valve, non-return	2	—	C	QR4/199
27V/5704	TEDDINGTON FLB/A/12	Valve, vent	4	—	C	
		PRESSURIZATION SYSTEM TANK OUTER WING PORT & STARBOARD (3 & 429794)				
		Spares for:—				
26FP/3306	18SS3850	Clip, for pipes	7	—	MR	QR4/200
	12SS3850	Clip, for pipes	8	—	C	QR4/201
	18SS1973	Clip, bonding	30	—		QR4/202
13776	FLIGHT REFUELLING FRS122/J	Coupling, bulkhead (Mod. 1300)	2	—		QR4/203
	22SS1973	Clip, bonding	22	—	C	QR4/202

SERVICES

PRESSURISATION SYSTEM TANK

Ref. No.	Part No.	Description	No. off	Matl. Spec.	Cl of St.	Plate and Illust'n No.
					M.R.	
		1 2 3 4				
		PRESSURISATION SYSTEM TANK OUTER WING, PORT & STBD. (3 & 429794) (Cont'd.)				
	FLIGHT REFUELLING FRS110/J	Coupling, bulkhead	4P	—		QR4/204
	28Q1311	FAIRLEAD, FOR PIPES, GROUP	65	—		QR4/205
	37Z9794	Fairlead, for pipes, starboard	2	—		QR4/206
	83Z9794	FAIRLEAD, FOR PIPES, GROUP	4	BS2577		QR4/206
	85Z9794	FAIRLEAD, FOR PIPES, STBD., GROUP	6	—		QR4/207
	106Z7516	Fairlead, for pipes	7	—		QR4/208
	116Z7119	FAIRLEAD, FOR PIPES, GROUP	2	—	MR	QR4/209
	54Z7703	FAIRLEAD, FOR PIPES, GROUP	1	—		QR4/210
	40879	Fairlead, for pipes	3	—	MR	QR4/211
	160Z9794	Fairlead, half, starboard	12	—		QR4/212
	161Z9794	Fairlead, half, starboard	1	—		QR4/213
	152Z9794	Fairlead, half	1	—		QR4/214
	153Z9794	Fairlead, half	1	—		QR4/215
	188Z9794	Fairlead, half	1	—		QR4/216
	170Z9794	Fairlead, half	1	—		QR4/217
5175	53Z7703	Hose, "Flylite", No. 4, 7/8" dia. bore 2-1/2" long (Pre-Mod. 2458)	1	—		QR4/218
		Hose (Mod. 2458)	15	—	C	QR4/219
6116214	1212876	Hose (Mod. 2458)	15	F67	C	
	230Z7516	Hose, "Flylite", No. 4, 1-1/4" dia. bore 3" long (Pre-Mod. 2458)	4	—	MR	QR4/220
6116215	2212876	Hose (Mod. 2458)	4	F67	C	
	FLIGHT REFUELLING FRS242/J	Heat. shield (Mod. 1300) (2 off Stbd.)	6	—		QR4/221
	FLIGHT REFUELLING FRS186/J	Heat. shield (Mod. 1300) (6 off Stbd.)	10	—		QR4/222
	105Z9794	Pipe, port, 7/8" o/d x 22G x 3' 3" long	1	L56		QR4/224
	106Z9794	Pipe, stbd., 7/8" o/d x 22G x 3' 3" long	1	L56	MR	QR4/224
	109Z9794	Pipe, port, 7/8" o/d x 22G x 3' 0" long	1	L56		QR4/225
	110Z9794	Pipe, stbd., 7/8" o/d x 22G x 3' 0" long	1	L56		QR4/226
	107Z9794	Pipe, port, 7/8" o/d x 22G x 2' 3" long	1	L56		QR4/227
	108Z9794	Pipe, stbd., 7/8" o/d x 22G x 2' 3" long	1	L56		QR4/228
	111Z9794	Pipe, port, 7/8" o/d x 22G x 2' 8" long	1	L56		QR4/229
	112Z9794	Pipe, stbd., 7/8" o/d x 22G x 2' 8" long	1	L56		QR4/230
1433786	11Z9794	Pipe, port and stbd., 7/8" o/d x 22G x 5' 9" long	1	L56	C	QR4/231
17806	12Z9794	Pipe, port and stbd., 7/8" o/d x 22G x 5' 9" long	1	L56	C	QR4/232
	13Z9794	Pipe, port, 7/8" o/d x 22G x 4' 3" long	1	L56	MR	QR4/233
	14Z9794	Pipe, stbd., 7/8" x 22G x 4' 3" long	1	L56	MR	QR4/234
	15Z9794	Pipe, port, 7/8" x 22G x 4' 3" long	1	L56	MR	QR4/235
12749	16Z9794	Pipe, stbd., 7/8" x 22G x 4' 3" long	1	L56	C	QR4/236
1433023	17Z9794	Pipe, port and stbd., 7/8" x 22G x 3' 0" long	1	L56	C	QR4/237
	18Z9794	Pipe, port and stbd., 7/8" x 22G x 3' 0" long	1	L56	MR	QR4/238

VULCAN No. 2

SERVICES

Page QR. 15

PRESSURIZATION SYSTEM TANK

Ref. No.	Part No.	Description 1 2 3 4	No. off	Matl. Spec.	Cl. of	Plate and Illust'n No.
					St. M.R.	
		PRESSURIZATION SYSTEM TANK OUTER WING PORT & STBD. (3 & 429794) (Cont'd)				
	23Z9794	Pipe, port, 7/8" o/d x 22G x 2' 0" long	1	L56	MR	QR4/239
	24Z9794	Pipe, starboard, 7/8" x 22G x 2' 0" long	1	L56	MR	QR4/240
	21Z9794	Pipe, port, 7/8" o/d x 22G x 2' 0" long	1	L56	MR	QR4/241
	22Z9794	Pipe, starboard, 7/8" o/d x 22G x 2' 0" long	1	L56	MR	QR4/242
	47Z9794	PIPE, 3/16" o/d x 22G x 5' 8" LONG, PORT, GROUP	1	L56		QR5/243
	48Z9794	PIPE, 3/16" o/d x 22G x 5' 8" LONG, STARBOARD, GROUP	1	L56		QR5/244
	59Z9794	PIPE, 3/16" o/d x 22G x 5' 8" LONG, PORT, GROUP	1	L56		QR5/245
	60Z9794	PIPE, 3/16" o/d x 22G x 5' 8" LONG, STARBOARD, GROUP	1	L56		QR5/246
	61Z9794	PIPE, 3/16" o/d x 22G x 5' 8" LONG, PORT, GROUP	1	L56		QR5/247
	62Z9794	PIPE, 3/16" o/d x 22G x 5' 8" LONG, STARBOARD, GROUP	1	L56		QR5/248
	63Z9794	PIPE, 3/16" o/d x 22G x 5' 8" LONG, PORT, GROUP	1	L56		QR5/249
	64Z9794	PIPE, 3/16" o/d x 22G x 5' 8" LONG, STARBOARD, GROUP	1	L56		QR5/250
	65Z9794	PIPE, 3/16" o/d x 22G x 5' 8" LONG, PORT, GROUP	1	L56		QR5/251
	66Z9794	PIPE, 3/16" o/d x 22G x 5' 8" LONG, STARBOARD, GROUP	1	L56		QR5/252
	67Z9794	PIPE, 3/16" o/d x 22G x 5' 8" LONG, PORT, GROUP	1	L56	MR	QR5/253
	68Z9794	PIPE, 3/16" o/d x 22G x 5' 8" LONG, STARBOARD, GROUP	1	L56		QR5/254
	69Z9794	PIPE, 3/16" o/d x 22G x 4' 3" LONG, PORT, GROUP	1	L56		QR5/255
	70Z9794	PIPE, 3/16" o/d x 22G x 4' 3" LONG, STARBOARD, GROUP	1	L56		QR5/256
	71Z9794	PIPE, 3/16" o/d x 22G x 4' 3" LONG, PORT, GROUP	1	L56		QR5/257
	72Z9194	PIPE, 3/16" o/d x 22G x 4' 3" LONG, STARBOARD, GROUP	1	L56		QR5/258

SERVICES

PRESSURIZATION SYSTEM TANK

Ref. No.	Part No.	Description	No. off	Matl. Spec.	Cl. of St.	Plate and Illust'n No.
					M.R.	
		1 2 3 4				
		PRESSURIZATION SYSTEM TANK OUTER WING. PORT & STBD (3 & 429794) (Cont'd)				
	73Z9794	PIPE, 3/16" o/d x 22G x 4' 3" LONG, PORT, GROUP	1	L58		QR5/259
	74Z9794	PIPE, 3/16" o/d x 22G x 4' 3" LONG, STABBOARD, GROUP	1	L58		QR5/260
	55Z7703	PIPE, FROM ADAPTOR AT TEST PANEL TO ADAPTOR AT CONTROL PANEL, 1/4" o/d x 22G x 3' 3" LONG, PORT, GROUP	—	L58	MR	QR5/261
	56Z7703	PIPE, FROM ADAPTOR AT TEST PANEL TO ADAPTOR AT CONTROL PANEL, 1/4" o/d x 22G x 3' 3" LONG, STBD., GROUP	1	L58	MR	QR5/262
	57Z7703	PIPE, FROM ADAPTOR AT TEST PANEL TO ADAPTOR AT CONTROL PANEL, 3/16" o/d x 22G x 3' 5" LONG, PORT, GROUP	1	L58	MR	QR5/263
	58Z7703	PIPE, FROM ADAPTOR AT TEST PANEL TO ADAPTOR AT CONTROL PANEL, 3/16" o/d x 22G x 3' 5" LONG, STBD., GROUP	1	L58	MR	QR5/264
	59Z7703	PIPE, FROM EXHAUST VALVE AT TEST PANEL TO ADAPTOR AT CONTROL PANEL, 3/16" o/d x 22G x 3' 5" LONG, PORT, GROUP	1	L58	MR	QR5/265
	60Z7703	PIPE FROM EXHAUST VALVE AT TEST PANEL TO ADAPTOR AT CONTROL PANEL, 3/16" o/d x 22G x 3' 5" LONG, STARBOARD, GROUP	1	L58	MR	QR5/266
	133Z7703	PIPE, FROM ADAPTOR REAR U/C BULK-HEAD TO ADAPTOR AT CONTROL PANEL, 1/2" o/d x 22G x 12.5" LONG, PORT, GROUP	1	OTD323	MR	QR5/267
	60Z9794	PIPE, FROM ADAPTOR REAR U/C BULK-HEAD TO ADAPTOR AT CONTROL PANEL, 1/2" o/d x 22G x 12.5" LONG, STARBOARD, GROUP	1	OTD323	MR	QR5/268
	81Z9794	PIPE, 3/16" o/d x 22G x 7' 5" LONG, PORT, GROUP (Mod. 1200)	1	L58		QR5/269
	82Z9794	PIPE, 3/16" o/d x 22G x 7' 5" LONG, STARBOARD, GROUP (Mod. 1200)	1	L58		QR5/270

SERVICES
PRESSURIZATION SYSTEM TANK

Ref. No.	Part No.	Description	No. off	Mater. Spec.	Cl. of	Plate and Illust'n No.
					St. M.R.	
		1 2 3 4				
		PRESSURIZATION SYSTEM, TANK OUTER WING, PORT AND STARBOARD (3 and 429794) (Cont'd)				
	93Z9794	PIPE, 3/16" o/d x 22G x 7' 8" LONG, PORT, GROUP (Mod. 1200)	1	L56		QR5/271
	94Z9794	PIPE, 3/16" o/d x 22G x 7' 8" LONG, STARBOARD, GROUP (Mod. 1200)	1	L56		QR5/272
	95Z9794	PIPE, 3/16" o/d x 22G x 7' 8" LONG, PORT, GROUP (Mod. 1200)	1	L56		QR5/273
	96Z9794	PIPE, 3/16" o/d x 22G x 7' 8" LONG, STARBOARD, GROUP (Mod. 1200)	1	L56		QR5/274
	19Z9794	Pipe, port, 7/8" o/d x 22G x 2' 8" long	1	L56		QR5/275
	20Z9794	Pipe, starboard, 7/8" x 22G x 2' 8" long	1	L56		QR5/276
13668	129Z9794	Pipe, port, 1-1/4" o/d x 22G x 4' 0" long	1	L56	C	QR5/277
13669	130Z9794	Pipe, port, 1-1/4" o/d x 22G x 4' 0" long	1	L56	C	QR5/278
	164Z9794	Pipe, port, 1-1/4" o/d x 22G x 18.0" long (Mod. 1300)	1	T26 or T45 or T54		QR5/279
	131Z9794	Pipe, port, 1-1/4" o/d x 22G x 18.0" long (Mod. 1300)	1	T26 or T45 or T54		QR5/280
	132Z9794	Pipe, port, 1-1/4" o/d x 22G x 6' 8" long (Mod. 1300)	1	T26 or T45 or T54		QR5/281
	133Z9794	Pipe, port, 1-1/4" o/d x 22G x 5' 8" long (Mod. 1300)	1	T26 or T45 or T54		QR5/282
	114Z9794	PIPE, SERVO, 3/16" o/d x 22G x 5' 0" LONG, PORT, GROUP (Mod. 1414)	1	L56	MR	QR5/283
	127Z9794	PIPE, SERVO, 3/16" o/d x 22G x 5' 0" LONG, PORT, GROUP (Mod. 1414)	1	L56	MR	QR5/284
1510389	31Z9794	Pipe, starboard, 1-1/4" o/d x 22G x 4' 3" long	1	L56		QR5/286
	32Z9794	Pipe, starboard, 1-1/4" o/d x 22G x 2' 6" long	1	L56	C	QR5/286
	135Z9794	Pipe, starboard, 1-1/4" o/d x 22G x 3' 6" long (Mod. 1300)	1	T26 or T45 or T54		QR5/287
	136Z9794	Pipe, starboard, 1-1/4" o/d x 22G x 3' 6" long (Mod. 1300)	1	T26 or T45 or T45		QR5/288
	137Z9794	Pipe, starboard, 1-1/4" o/d x 22G x 4' 6" long (Mod. 1300)	1	T26 or T45 or T54		QR5/289
	138Z9794	Pipe, starboard, 1-1/4" o/d x 22G x 4' 6" long (Mod. 1300)	1	T26 or T45 or T54		QR5/290
	117Z9794	PIPE, SERVO, 3/16" o/d x 22G x 8' 0" LONG, STARBOARD, GROUP (Mod. 1414)	1	L56	MR	QR5/291
	119Z9794	PIPE, SERVO, 3/16" o/d x 22G x 8' 0" LONG, STARBOARD, GROUP (Mod. 1414)	1	L56	MR	QR5/292

SERVICES

PRESSURIZATION SYSTEM TANK

Ref. No.	Part No.	Description	No. off	Matl. Spec.	Cl. of	Plate and Illust'n No.
					St. M.R.	
		1 2 3 4				
		PRESSURIZATION SYSTEM, TANK OUTER WING, PORT AND STARBOARD (3 and 429794) (Cont'd)				
13873	120Z9794	PIPE, SERVO, 3/16" o/d x 22G x 7' 8" LONG, PORT, GROUP (Mod. 1414)	1	L58	C	QR5/293
	121Z9794	PIPE, SERVO, 3/16" o/d x 22G x 7' 8" LONG, STARBOARD, GROUP (Mod. 1414)	1	L58	MR	QR5/294
	122Z9794	PIPE, SERVO, 3/16" o/d x 22G x 7' 8" LONG, PORT, GROUP (Mod. 1414)	1	L58	MR	QR5/295
	123Z9794	PIPE, SERVO, 3/16" o/d x 22G x 7' 8" LONG, STARBOARD, GROUP (Mod. 1414)	1	L58	MR	QR5/296
	139Z9794	Pipe, port, 1-1/4" o/d x 22G x 21.0" long (Mod. 1300)	1	T26 or T46 or T54		QR5/297
	140Z9794	Pipe, starboard, 1-1/4" o/d x 22G x 21.0" long (Mod. 1300)	1	T26 or T46 or T54		QR5/298
	141Z9794	Pipe, port, 1-1/4" o/d x 22G x 18" long (Mod. 1300)	1	T26 or T46 or T54		QR5/299
	142Z9794	Pipe, starboard, 1-1/4" o/d x 22G x 18" long (Mod. 1300)	1	T26 or T46 or T54		QR5/300
	143Z9794	PIPE, 1-1/4" o/d x 22G x 5" LONG APPROX., PORT AND STARBOARD (Mod. 1300)	1	T26 or T54 or T54		QR5/301
	144Z9794	PIPE, 1-1/4" o/d x 22G x 5" LONG, APPROX., PORT AND STARBOARD, GROUP (Mod. 1300)	1	T26 or T46 or T54		QR5/302
	148Z9794	Plate, mounting (Mod. 1300) (Starboard only)	1	L72		QR5/303
	149Z9794	PLATE, MOUNTING, GROUP (Mod. 1300) (Starboard only)	1	L72		QR5/304
	134Z9794	TEE-PIECE FOR PIPES, PORT, GROUP (Mod. 1414)	1	-	MR	QR5/305
10889	40Z9794	TEE-PIECE, FOR PIPES, PORT, GROUP	1	-	C	QR5/306
11861	29Z9794	TEE-PIECE FOR PIPES, STARBOARD, GROUP	1	-	C	QR5/307
	30Z9794	TEE-PIECE FOR PIPES, STARBOARD, GROUP	1	-	MR	QR5/308
	87SS-3653 TEDDINGTON FLB/A/12	Spare for:- Adaptor, 1/8" x 1/8" BSP x 1.5" long	2	-	MR	
		Valve, vent	4	-		

VULCAN No. 7		SERVICES		Page OS. 1		
		OXYGEN				
Ref. No.	Part No.	Description	No. of	Matl. Spec.	Cl of St.	Plate and Illustr'n No.
					M.R.	
		1 2 3 4				
		OXYGEN SYSTEM (Z9197) (Z9198)				
		Spare for:—				
6D/1647	—	Adaptor, regulator, inlet, straight	3	—		OS2/1
6D/1648	—	Adaptor, inlet	3	—		OS2/2
17435	1SS4633	Adaptor, elbow	3	—	MR	OS2/3
	145Z9198	Adaptor, at crew's floor	1	—	C	OS1/4
	146Z9198	Adaptor, at crew's floor	2	—		OS1/5
5K/2231787	AS4525/16	Clip	16	—	C	
5K/1037287	AS4525/3	Clip	3	—	C	
5K/4345963	AS4525/5	Clip	3	—	C	
28E/1012874	AS3181/16B	Clip	34	—	C	
26FP/14898	8SS3859	Clip	2	—	C	
	10SS3859	Clip	1	—	MR	
26FP/13421	14SS3859	Clip	16	—	C	
6D/4239	MX2488-886A	Connector, stowage, wander leads (Mod 2393)	5	—	C	
9859	JC1669/113D	Connector	1	—	C	OS1/6
26FP/2722	SS855-A	Coupling, flanged	3	—	C	OS2/7
28F/4051548	AGS1102/BB	Coupling	2	—	C	OS2/8
	2Q1801	FAIRLEAD, 2 PIPE, GROUP	12	—		OS3/9
	26Z3224	FAIRLEAD, GROUP	2	—		OS3/10
6D/574	—	Filter, oxygen	1	—	B	OS3/11
6D/2237	—	Gauge, pressure, Mk. 4	2	—		OS1/12
8032	1Z9477	GUARD, OXYGEN BOTTLE, CONNECTION, GROUP	4	—	C	OS3/13
6116175	1Z12787	HOSE, OXYGEN, WANDER LEAD, GROUP AT CREW SEAT, PORT (Mod 2393)	1	—	B	
6116174	2Z12787	HOSE, OXYGEN, WANDER LEAD, GROUP AT CREW SEAT, CENTRE (Mod 2393)	1	—	B	
6116173	3Z12787	HOSE, OXYGEN, WANDER LEAD, GROUP AT CREW SEAT, STBD (Mod. 2393)	1	—	B	
6116176	4Z12787	HOSE, OXYGEN, WANDER LEAD, GROUP AT 6th & 7th CREW POSITION (Mod. 2393)	2	—	B	
32C/4669356	DUNLOP DAS5231/G/35	Hose, flexible	1	—	C	OS1/14
32C/4669356	DUNLOP DAS5231/G/12	Hose, flexible	1	—	C	OS1/15
32C/4669356	DUNLOP DAS5231/G/16	Hose, flexible	1	—	C	OS1/16
	DUNLOP DAS5231/G/114	Hose, flexible	1	—		OS1/17a
32C/4669356	DUNLOP DAS5231/G/5	Hose, flexible	1	—	C	OS1/17b
32C/4669356	DUNLOP DAS5231/G/25	Hose, flexible	1	—	C	OS1/17
	21Z9197	Hose, rubber	8	—	MR	OS1/18
	10aSS3742	Hose, rubber	13	—		OS1/19
		INDICATOR, WARNING, OXYGEN, FOR ADDITIONAL CREW MEMBER, GROUP (1Z9951)	—	—		OS2/20
		Consisting of:—				
	2Z9951	Bracket, top	1	—		OS2/21

SERVICES

OXYGEN

Ref. No	Part No.	Description	No off	Matl. Spec	Cl of	Plate and Illustr'n No.
					Sl.	
		1 2 3 4			M.R.	
		OXYGEN SYSTEM (Z9197) (Z9198) (Cont'd.)				
5CZ/4340430	3Z9981	Bracket, bottom	1	—		QS2/22
	—	Indicator, magnetic (Oxygen)	1	—		QS2/23
	606/SS8002	Label, oxygen	1	L59		QS2/27
	5Z9951	Pin, hinge	1	—		QS2/24
	4Z9951	Plate, mounting	1	—		QS2/25
26D1007981	AS1248/1/2C	Bolt, 2 BA	1	—	C	QS2/26
6D/641	—	Label, N.R.V.	5	—	C	QS2/28
6D/642	—	Label, filter	2	—	C	QS3/29
	1BZ7293	Label, direction of flow	A/R	—		QS1/30
8765	4Z7508	MOUNTING, PRESSURE REDUCING VALVES, GROUP	—	—	C	QS2/31
		Consisting of:—				
28D/1012995	A25/22C	Bolt, 2 BA	2	—	C	
	46Z7608	Bending, 5/8" x 8" long x 30G	1	L4		
	46Z7608	Mounting, half	2	BSS868		
28M/1812016	AGS3001/C1/80	Nut, stiff, 2 BA	2	—	C	
28W/9419402	SP13/C	Washer, 2 BA	4	—	C	
		MOUNTING, OXYGEN BOTTLES AND H.P. STOP VALVE AT #18 42BA (Z9438)				
		Spares for:—				
6D/9429900	—	Bottle, oxygen	2	—	A	QS3/32
6D/641	—	Label, N.R.V.	2	—	C	QS3/28
6D/1882	—	Plate, adaptor	1	—	C	QS3/33
	75SS3568	Union, blanking	2	—		QS3/34
26FP/13570	106Z2165	UNION, BLANKING, GROUP	1	—	C	QS3/35
		(Pre-Mod. 2437)				
		Consisting of:—				
6D/425	5cZ2164	Chain, 8" long	1	—		
	5aZ2164	Lug	1	L70		
	—	Nut, blanking (alternative 6D/1467)	1	—	C	
	5bZ2164	Ring, split, 3/8" o/d	1	—		
	46cZ2537	Wire, 18G, brass	—	—		
6D/2313	—	Valve, H.P. stop (Pre-Mod. 2437)	1	—	A	QS3/36
6D/2244774	—	Valve, H.P. stop (Mod. 2437)	1	—	A	
		MOUNTING, OXYGEN BOTTLES IN POWER COMPARTMENT (Z9197) (Z9206)				
		Spares for:—				
6D/2313	—	Bottles, oxygen	2	—	A	QS3/37
12734	10Z9206	CARRIER, OXYGEN BOTTLE, GROUP	2	—	C	QS3/38
		Spares for:—				
	15S1945	Screw, adjusting	2	S2		QS3/39
	8Z9206	STRAP, R.H., GROUP	2	—	MR	QS3/40
	9Z9206	STRAP, L.H., GROUP	2	—	MR	QS3/41
		Spares for:—				
26FP/1989	3SS1944	Crosshead, R.H.	1	S1	C	QS3/42
26FP/2005	4SS1944	Crosshead, L.H.	1	S1	C	QS3/43
		MOUNTING, OXYGEN BOTTLES IN BOMB BAY, BOMB ARCH, 182.967" (1-ZZ10103)				
		Spares for:—				
6D/9429900	—	Bottle, oxygen (identical to 6D/1390/J)	1	—	A	QS3/44

VULCAN No. 2

SERVICES
OXYGEN

Page OS. 3

Ref. No.	Part No.	Description	No. off	Mater. Spec.	Cl. of St. M.R.	Place and Illust'n No.
		1.2.2.4				
		MOUNTING, OXYGEN BOTTLES IN BOMB BAY, BOMB ARCH 182.967" (Contd.)				
21637	7Z10103	STRAP, GROUP, PORT AND STARBOARD	2	-	C	OS3/45
26FP/1999	3SS1944	Spares for:- Crosshead, R.H.	2	-	C	
26FP/2005	4SS1944	Crosshead, L.H.	2	-	C	
	1SS1945	Screw, adjusting	2	-		
		MOUNTING, OXYGEN BOTTLES IN BOMB BAY ON BOMB ARCHES, 64.592" A AND 95.967" A, PORT AND STARBOARD (1-228745)				
		Spares for:-				
6D/8429900	-	Bottle, oxygen (C/W 5-way piece 6D/17644 clamping union 6D/1497)	2	-	A	OS3/32
	3Z3653	Clamp, oxygen bottle	2	-		OS3/46
	5ZSS4490	Clip, bonding	2	-	MR	OS3/47
6D/1417	-	Label, N.R.V.	2	-	C	OS3/28
5K/7001266	AS3360/C3C	Lead, bonding	2	-	C	OS3/48
28M/7000211	AGS120	Nut, wing, 1/4" BSF	2	-	C	OS3/49
	5Z7018	Rod, tie	2	-		OS3/50
26FP/7914	15Z3653	Washer, spherical, control rod	2	-	C	OS3/51
		MOUNTING, OXYGEN BOTTLES IN BOMB BAY BOMB ARCHES, 44.592" A AND 64.592" A, PORT AND STARBOARD (1-229793)				
		Spares for:-				
6D/9429900	-	Bottle, oxygen	1	-	A	OS3/32
	3Z3653	Clamp, oxygen bottle	1	-		OS3/46
	11Z3653	Bracket, tierod, attachment	1	-		OS3/52
	5ZSS4490	Bonding, clip	1	-	MR	OS3/47
	AS3360/B5B	Lead, bonding	1	-	C	OS3/53
5K/7001266	AS3360/C3C	Lead, bonding	1	-	C	OS3/48
28M/7000211	AGS120	Nut, wing	1	-	C	OS3/49
	5Z7018	Rod, tie	2	-		OS3/50
26FP/7914	15Z3653	Washer, spherical, for tie-rod	1	-	C	OS3/51
		MOUNTING, OXYGEN REGULATOR, AND PERSONAL EQUIPMENT PANEL AT SEXTANT READING POSITION (1-229932)				
		Spares for:-				
9859	M.L AVIATION JC1669/1130	Adaptor	1	-	C	OS1/54
6D/1647	-	Adaptor, inlet	1	-	C	OS1/55
21416	44Z11270	Adaptor	1	-	C	OS1/56
26E/1983164	SP.91/E	Clip	5	-	C	OS1/57
32C/4689358	DAS5231/9/3	Hose, flexible	2	-	C	OS1/58
21415	43Z11270	Plug	1	-	C	OS1/59
	1Z9934	PANEL, GROUP, PORT	1	-		OS1/60
	2Z9934	PANEL, GROUP, STARBOARD	1	-		OS1/61
	5Z9932	PANEL END, GROUP, PORT	1	-		OS1/62
	6Z9932	PANEL END, GROUP, STARBOARD	1	-		OS1/63

SERVICES

OXYGEN

Ref. No.	Part No.	Description	No. off	Matl. Spec.	Cl. of	Plate and Illustr'n No.
					Sc. M.R.	
		1 2 3 4				
		MOUNTING, OXYGEN REGULATOR AND PERSONAL EQUIPMENT PANEL, SEXTANT READING POSITION (1-229932) (Contd.)				
	429932	PIPE, 5/16" o/d x 20G x 8" LONG, GROUP	1	-		OS1/64
21413	929932	PIPE, 1" o/d x 20G x 12" LONG, PORT, GROUP		-	C	OS1/65
21414	1029932	PIPE, 1" o/d x 20G x 12" LONG, STARBOARD, GROUP	1	-	C	OS1/66
21410	1129932	PIPE, 1" o/d x 20G x 12" LONG, PORT, GROUP	1	-	C	OS1/67
21411	1229932	PIPE, 1" o/d x 20G x 12" LONG, STARBOARD, GROUP	1	-	C	OS1/68
21412	1329932	PIPE, 5/16" o/d x 20G x 15" LONG, PORT, GROUP	1	-	C	OS1/69
21605	1429932	PIPE, 5/16" o/d x 20G x 15" LONG, STARBOARD, GROUP	1	-	C	OS1/70
5CW/4405758	ROTAX LTD. N136931	Plate, fixing	1	-	C	OS1/71
6D/2383	17SS4824	Plate, fixing	1	-		OS1/72
6D/2671	-	Regulator, oxygen, Mk. 21B (Mod. 687)	1	-	A	OS1/73
		Regulator, oxygen, Mk. 17F (S.O.O. 34 A/C) (Mod. 1961)	1	-	A	
5CW/4405758	ROTAX LTD. N136930	Shroud	1	-	C	OS1/74
5CW/1047692	-	Switch	1	-	C	OS1/75
27KD/4631315	NORMALAIR LTD. 513390	Valve		-	A	OS1/76
-	-	PANEL, BOMB AIMER'S, 1/C OXYGEN AND SWITCHING 6P (29473) (See Instrument Panels)	Ref.			
		PIPING TO OXYGEN REGULATOR AT SEXTANT READING POSITION (129956) (Mod. 687)				
		Spares for:				
5K/1037287	AGS1145/BB	Adaptor	1	-		OS1/77
5K/4345983	AS4525/3	Clip, pipe, 3/16"	7	-	C	
5K/2231767	AS4525/5	Clip, pipe, 5/16"	7	-	C	
	AS4525/16	Clip, pipe, 3/16"	1	-	C	
	629422	FAIRLEAD, 3 PIPE, GROUP	3	-		OS1/78
6D/641	-	Label, N.R.V.	2	-	C	OS1/28
	1827293	Label, direction of flow	-	-		OS1/30
10713	16629198	PIPE, 3/16" o/d x 22G, TEE-PIECE, AFT FRAME 274" TO TEE-PIECE AT FRAME 318", PORT, GROUP		-	C	OS1/79

VULCAN No. 2

SERVICES

Page OS. 5

OXYGEN

Ref. No	Part No.	Description	No. off	Matl. Spec.	Cl. of St.	Plate and Illust'n No.
					M.R.	
		<u>1 2 3 4</u>				
		PIPING TO OXYGEN REGULATOR AT SEXTANT READING POSITION (128966) (Mod. 687) (Cont'd.)				
9389	21429198	PIPE, 3/16" o/d x 22G, TEE-PIECE, AFT FRAME 274" TO TEE-PIECE AT FRAME 316", STARBOARD, GROUP	1	—	C	OS1/80
10667	16529198	PIECE, 3/16" o/d x 22G, TEE-PIECE TO TEE-PIECE, FRAME 316", GROUP	1	—	C	OS1/81
6838	21527276	PIPE, 3/16" o/d x 22G, TEE-PIECE TO REDUCING VALVE AT FRAME 316", STARBOARD, GROUP	1	—	C	OS1/82
	16829198	PIPE, 3/16" o/d x 22G, TEE-PIECE TO REDUCING VALVE AT FRAME 316", PORT, GROUP	1	—	MR	OS1/83
21631	5211316	PIPE, 3/16" o/d x 22G, TEE-PIECE, FWD. FRAME 274" TO UNION, AFT OF FRAME 316", STARBOARD, GROUP	1	—	C	OS1/84
10716	17629198	PIPE, 5/16" o/d x 22G, REDUCING VALVE TO ADAPTOR, AT FRAME 316", PORT, GROUP	1	—	C	OS1/85
21630	16829198	PIPE, 5/16" o/d x 22G, REDUCING VALVE TO UNION, FWD. FRAME 316", STARBOARD, GROUP	1	—	C	OS1/86
	22429198	PIPE, 5/16" o/d x 22G UNION, FWD. FRAME 316" TO UNION, FWD. FRAME 302", STARBOARD, GROUP	1	—	MR	OS1/89
	16729198	PIPE, 5/16" o/d x 22G, ADAPTOR AT FRAME 316" TO UNION, FWD. OF FRAME 274", PORT, GROUP	1	—	MR	OS1/88
	22029198	PIPE, 5/16" o/d x 22G, UNION, FWD. FRAME 274" TO REGULATOR, PORT, GROUP	1	—	MR	OS1/89
	22229198	PIPE, 5/16" o/d x 22G, UNION, FWD. FRAME 274" TO REGULATOR, STARBOARD, GROUP	1	—	MR	OS1/90
	21929198	PIPE, 5/16" o/d x 22G, UNION, FWD. FRAME 274" TO UNION, FWD. OF FRAME 274", PORT, GROUP	1	—	MR	OS1/91
21632	2211316	PIPE, 5/16" o/d x 22G, UNION, FWD. FRAME 274" TO UNION AT FRAME 274", STARBOARD, GROUP	1	—	C	OS1/92

SERVICES

OXYGEN

Ref. No.	Part No.	Description	No. off	Mater. Spec.	Cl. of St	Plate and Illust'n No.
					M.R.	
		<u>1 2 3 4</u>				
		PIPING TO OXYGEN REGULATOR AT SEXTANT READING POSITION (129866) (Mod. 687) (Cont'd.)				
21833	7211316	PIPE, 5/16" o/d x 22G, UNION AT FRAME 274" TO UNION, FORWARD OF FRAME 274", STARBOARD, GROUP	1	—	C	QS1/93
21834	4211316	PIPE, 5/16" o/d x 22G, UNION FORWARD OF FRAME 274" TO UNION, AFT FRAME 316", STARBOARD, GROUP	1	—	C	QS1/94
8D/603	—	Tee-piece	4	—	C	QS1/95
28F/4051548	AGS1102/BB	Union	7	—	C	QS1/96
8D/575	—	Union	1	—	C	QS1/97
8D/2344	—	Valve, pressure reducing (Pre-Mod. 2437)	2	—	B	QS1/98
8D/2244775	—	Valve, pressure reducing (Mod. 2437)	2	—	B	QS1/98
8D/427	—	Valve, non-return	2	—	B	QS1/98
12066	7129198	PIPE, OUTER, 3/16" o/d x 22G, BOTTLE ON RIB 428" TO BOTTLE, AFT OF FORMER 413", PORT, GROUP	1	T51	C	QS3/98a
12073	8729198	PIPE, OUTER, 3/16" o/d x 22G, BOTTLE ON RIB 428" TO BOTTLE, AFT OF FORMER 413" STARBOARD, GROUP	1	T51	C	QS3/98e
12084	7229198	PIPE, INNER, 3/16" o/d x 22G, BOTTLE ON RIB 428" TO BOTTLE, AFT OF FORMER 413", PORT, GROUP	1	T51	C	QS3/100
	8829198	PIPE, INNER, 3/16" o/d x 22G, BOTTLE ON RIB 428" TO BOTTLE, AFT OF FORMER 413", STARBOARD, GROUP	1	T51	MR	QS3/101
	8829198	PIPE, 3/16" o/d x 22G, TEE-PIECE TO BOTTLE ON RIB 428", STARBOARD, GROUP	1	T51		QS3/102
	7029198	PIPE, 3/16" o/d x 22G, TEE-PIECE TO BOTTLE ON RIB 428", PORT, GROUP	1	T51	MR	QS3/103
1505429	7329198	PIPE, 3/16" o/d x 22G, H.P. VALVE TO TEE-PIECE, FORWARD OF RIB 428", GROUP	1	T51		QS3/104
	11529198	PIPE, 3/16" o/d x 22G, UNION TO BOTTLE CONNECTOR, RIB 428", PORT, GROUP	1	T51		QS3/105
	13029198	PIPE, 3/16" o/d x 22G, UNION TO BOTTLE CONNECTOR ON RIB 428", STARBOARD, GROUP	1	T51		QS3/106

WRCAN No. 2		SERVICES				Page OS 7			
		OXYGEN							
Ref. No.	Part No.	Description				No. off	Metl. Spec.	Cl. of Sr. M.R.	Plate and Husc'n No.
		1	2	3	4				
		OXYGEN SYSTEM (Z9197) (Z9198) (Cont'd)							
	116Z9198	PIPE, 3/16" o/d x 22G, UNION FORWARD FORMER 300", TO BOTTLE CONNECTOR AT RIB 428", PORT, GROUP				1	T51		OS3/107
	131Z9198	PIPE, 3/16" o/d x 22G, UNION FORWARD FORMER 300", TO BOTTLE CONNECTOR AT RIB 428", STARBOARD, GROUP				1	T51		OS3/108
11476	336Z9198	PIPE, 3/16" o/d x 22G, UNION FORWARD OF FRAME 330" TO UNION FORWARD OF REAR SPAR, PORT, GROUP				1	-	C	OS3/109
11477	336Z9198	PIPE, 3/16" o/d x 22G, UNION FORWARD OF FRAME 330" TO UNION FORWARD OF REAR SPAR, STARBOARD, GROUP				1	-	C	OS3/110
11476	337Z9198	PIPE, 3/16" o/d x 22G, UNION FORWARD OF FRAME 330" TO UNION FORWARD OF REAR SPAR, PORT, GROUP				1	-	C	OS3/111
	338Z9198	PIPE, 3/16" o/d x 22G, UNION FORWARD OF FRAME 330" TO UNION FORWARD OF REAR SPAR, STARBOARD, GROUP				1	-	MR	OS3/112
	134Z9198	PIPE, 3/16" o/d x 22G, UNION TO UNION, FORWARD REAR SPAR, PORT, GROUP				1	-	MR	OS3/113
	16Z9198	PIPE, 3/16" o/d x 22G, UNION TO UNION, FORWARD OF REAR SPAR, STARBOARD, GROUP				1	-	MR	OS3/114
	111Z9198	PIPE, 3/16" o/d x 22G, UNION TO UNION, FORWARD REAR SPAR, PORT, GROUP				1	-		OS3/115
	126Z9198	PIPE, 3/16" o/d x 22G, UNION TO UNION, FORWARD OF REAR SPAR, STARBOARD, GROUP				1	-	MR	OS3/116
11424	327Z9198	PIPE, 3/16" o/d x 22G, UNION AFT OF FRAME 321.936" A TO TEE-PIECE FORWARD OF FRAME 225.227" A, GROUP (Free Fall A/C, Pre-Mod. 8013) (Blue Steel A/C only, Mod. 2013)				-	-	C	OS3/117
1432819	385Z9198	PIPE, 3/16" o/d x 22G, UNION AFT OF FRAME 321.936" A TO TEE-PIECE FORWARD OF FRAME 225.227" A, PORT, GROUP (Free Fall A/C, Mod. 2013)				-	-	C	OS3/118

SERVICES

OXYGEN

Ref. No.	Part No.	Description	No. off	Matl. Spec.	Cl. of	Plate and Illust'n No.
					St. M.R.	
		1 2 3 4				
		OXYGEN SYSTEM (Z9197) (Z9198) (Cont'd)				
1432621	367Z9198	PIPE, 3/16" o/d x 22G, UNION AFT FRAME 321.936" A TO TEE-PIECE FORWARD OF FRAME 226.227" A, STBD., GROUP (Free Fall A/C, Mod. 2013)	1	-	C	OS3/119
	110Z9198	PIPE, 3/16" o/d x 22G UNION AFT FRAME 321.936" A TO TEE-PIECE FORWARD OF FRAME 226.227" A PORT, GROUP (Free Fall A/C, Pre-Mod 2013) Blue Steel, (Mod. 2013)	1	-		OS3/120
143261B	364Z9198	PIPE, 3/16" o/d x 22G, UNION AFT FRAME 321.936" A TO TEE-PIECE FORWARD OF FRAME 226.227" A, PORT, GROUP (Free Fall A/C, Mod. 2013)	1	-	C	OS3/121
	126Z9198	PIPE, 3/16" o/d x 22G, UNION AFT OF FRAME 321.936" A TO TEE-PIECE FORWARD OF FRAME 226.227" A, STARBOARD, GROUP (Free Fall A/C, Pre Mod. 2013) (Blue Steel A/C, Mod. 2013)	1	-		OS3/122
1432620	366Z9198	PIPE, 3/16" o/d x 22G, UNION AFT FRAME 321.936" A TO TEE-PIECE FORWARD OF FRAME 226.227" A, STARBOARD, GROUP (Free Fall A/C, Mod. 2013)	1	-	C	OS3/123
11423	326Z9198	PIPE, 3/16" o/d x 22G, TEE-PIECE FORWARD OF FRAME 226.227" A TO CONNECTOR AT OXYGEN BOTTLE, PORT, GROUP	1	-	C	OS3/124
11426	329Z9198	PIPE, 3/16" o/d x 22G, TEE-PIECE FORWARD OF FRAME 226.227" A TO CONNECTOR AT OXYGEN BOTTLE, STARBOARD, GROUP	1	-	C	OS3/125
11425	328Z9198	PIPE, 3/16" o/d x 22G, TEE-PIECE FORWARD OF FRAME 226.227" A TO CONNECTOR AT OXYGEN BOTTLE, BTM., PORT, GROUP	1	-	C	OS3/126
	330Z9198	PIPE, 3/16" o/d x 22G, TEE-PIECE FORWARD OF FRAME 226.227" A TO CONNECTOR AT OXYGEN BOTTLE BTM., STARBOARD, GROUP	1	-	MR	OS3/127
	222Z9198	PIPE, 3/16" o/d x 22G, TEE PIECE AFT 201.367" A TO UNION AFT 123.015" A, PORT AND STARBOARD, GROUP	1	-		OS3/128
	100Z9198	PIPE, 3/16" o/d x 22G, TEE PIECE AFT 201.367" A TO UNION AFT FRAME 123.015", PORT, GROUP	1	-		OS3/129

VULCAN No. 3

SERVICES
OXYGEN

Page OS. 9

Ref. No.	Part No.	Description 1 2 3 4	No. off	Matl. Spec.	Cl. off	Plate and Illust'n No.
					St. M.R.	
		OXYGEN SYSTEM (Z9197) (Z9198) (Cont'd)				
	124Z9198	PIPE, 3/16" o/d x 22G, TEE-PIECE AFT FORMER 201.367" A TO UNION AFT FORMER 123.015" A, STARBOARD, GROUP	1	-		OS3/130
	108Z9198	PIPE, 3/16" o/d x 22G, UNION AFT FORMER 123.015" TO TEE-PIECE AT NON RETURN VALVE, PORT, GROUP	1	-		OS3/131
	123Z9198	PIPE, 3/16" o/d x 22G, UNION AFT FRAME 123.015" A TO TEE PIECE AT NON RETURN VALVE STBD., GROUP	1	-		OS3/132
	107Z9198	PIPE, 3/16" o/d x 22G, UNION AFT FRAME 123.015" A TO CONNECTOR AT OXYGEN BOTTLE, PORT, GROUP	1	-		OS3/133
	112Z9198	PIPE, 3/16" o/d x 22G, TEE PIECE AT NON RETURN VALVE TO CONNECTOR OXYGEN BOTTLE, PORT, GROUP	1	-		OS3/134
	127Z9198	PIPE, 3/16" o/d x 22G, TEE PIECE AT NON RETURN VALVE TO CONNECTOR OXYGEN BOTTLE, STARBOARD, GROUP	1	-		OS3/135
17214	122Z9198	PIPE, 3/16" o/d x 22G, UNION AFT FRAME 123.015A TO CONNECTOR AT OXYGEN BOTTLE, STARBOARD, GROUP	1	-	C	OS3/136
	106Z9198	PIPE, 3/16" o/d x 22G, OXYGEN BOTTLE TO OXYGEN BOTTLE, FORE AND AFT FORMER 81.707" A, PORT, GROUP	1	-		OS3/137
	121Z9198	PIPE, 3/16" o/d x 22G, OXYGEN BOTTLE TO OXYGEN BOTTLE, FORE AND AFT FORMER 81.707" A, STARBOARD, GROUP	1	-		OS3/138
	108Z9198	PIPE, 3/16" o/d x 22G, BETWEEN BOTTLES FORE AND AFT OF FRAME 81.707" A, PORT, GROUP	1	-		OS3/139
	120Z9198	PIPE, 3/16" o/d x 22G, BETWEEN BOTTLES, FORE AND AFT OF FRAME 81.707" A, STARBOARD, GROUP	1	-		OS3/140
	103Z9198	PIPE, 3/16" o/d x 22G, BETWEEN BOTTLE AND BLANKING UNION FORE AND AFT OF FRAME 64.592" A, PORT, OUTER, GROUP	1	-		OS3/141
	119Z9198	PIPE, 3/16" o/d x 22G, BETWEEN BOTTLE AND BLANKING UNION FORE AND AFT OF FRAME 64.592" A, STARBOARD, OUTER, GROUP	1	-		OS3/142

SERVICES

OXYGEN

Ref. No.	Part No.	Description 1 2 3 4	No. off	Matl. Spec.	Cl. of	Plate and Illust'n No.
					St. M.R.	
		OXYGEN SYSTEM (Z9197) (Z9198) (Cont'd)				
12726	104Z9198	PIPE, 3/16" o/d x 22G, BETWEEN BOTTLES, FORE AND AFT OF 64 592"A, PORT, INNER, GROUP	1	-	C	OS3/143
1506073	118Z9198	PIPE, 3/16" o/d x 22G, BETWEEN BOTTLES, FORE AND AFT OF FRAME 64 592"A, STARBOARD, INNER, GROUP	1	-	C	OS3/144
	102Z9198	PIPE, 3/16" o/d x 22G, TEE PIECE AFT FRAME 95 967"A, TO FLANGED COUPLING FORWARD FRAME 44 592"A, PORT, GROUP	1	T51		OS3/145
	117Z9198	PIPE, 3/16" o/d x 22G, TEE-PIECE AFT FRAME 95 967"A, TO FLANGED COUPLING FORWARD FRAME 44.592"A, STARBOARD, GROUP	1	-		OS3/146
2788	26Z7276	PIPE, 3/16" o/d x 22G, FROM FLANGED COUPLING FORWARD OF FORMER 44" TO FLANGED, COUPLING, AIR INTAKE, PORT	1	-	C	OS3/147
2773	9Z7276	PIPE, 3/16" o/d x 22G, FROM FLANGED COUPLING FORWARD FORMER 44", TO FLANGED COUPLING AIR INTAKE, STARBOARD	1	-		OS3/148
2792	34Z7276	PIPE, 3/16" o/d x 22G, FLANGED COUPLING TO UNION IN AIR INTAKE, PORT, GROUP	1	-		OS1/149
	28Z7276	PIPE, 3/16" o/d x 22G, FLANGED COUPLING TO UNION IN AIR INTAKE STARBOARD, GROUP	1	-		OS1/150
2794	38Z7276	PIPE, 3/16" o/d x 22G, UNION TO FLANGED COUPLING IN AIR INTAKE, PORT, GROUP	1	-		OS1/151
2790	30Z7276	PIPE, 3/16" o/d x 22G, UNION TO FLANGED COUPLING IN AIR INTAKE, STARBOARD, GROUP	1	-		OS1/152
2801	76Z7276	PIPE, 3/16" o/d x 22G, TO FLANGED COUPLING AT REAR PRESSURE BULK HEAD, PORT, GROUP	1	-		OS1/153
	77Z7276	PIPE, 3/16" o/d x 22G, TO FLANGED COUPLING AT REAR PRESSURE BULK-HEAD, STARBOARD, GROUP	1	-	MR	OS1/154

VULCAN NO. 9

SERVICES
OXYGEN

Page OS. 11

Ref. No.	Part No.	Description	No. off	Matl. Spec.	Cl. of	Plate and Illust'n No.
					St.	
		1 2 3 4				
		OXYGEN SYSTEM (Z9197, Z9198) (Cont'd)				
	150Z7276	PIPE, 3/16" o/d x 22G, FLANGED COUPLING AT REAR PRESSURE BULKHEAD TO H.P. VALVE, PORT, GROUP	1	T51	MR	OS1/155
4588	188Z7276	PIPE, 3/16" o/d x 22G, FLANGED COUPLING AT REAR PRESSURE BULKHEAD TO H.P. VALVE, STARBOARD, GROUP	1	T51	C	OS1/156
	123Z7276	PIPE, 3/16" o/d x 22G, H.P. VALVE TO TEE-PIECE AFT FORMER 232", PORT, GROUP	1	T51		OS1/157
4587	187Z7276	PIPE, 3/16" o/d x 22G, H.P. VALVE TO TEE-PIECE AFT FORMER 232", STARBOARD, GROUP	1	T51	C	OS1/158
	88Z7276	PIPE, 3/16" o/d x 22G, BETWEEN TEE PIECES AFT FORMER 232", PORT, GROUP	1	T51	MR	OS1/159
10661	157Z9198	PIPE, 3/16" o/d x 22G, TEE-PIECE TO TEE PIECE AFT FORMER 232", GROUP	1	T51	C	OS1/160
	168Z9198	PIPE, 3/16" o/d x 22G, TEE-PIECE TO TEE PIECE AFT FORMER 232" PORT, GROUP	1	T51		OS1/161
10662	159Z9198	PIPE, 3/16" o/d x 22G, TEE-PIECE TO TEE PIECE AFT FORMER 232", PORT, GROUP	1	T51	C	OS1/162
8396	183Z7276	PIPE, 3/16" o/d x 22G, TEE-PIECE TO TEE PIECE AFT FORMER 232", PORT, GROUP	1	T51	C	OS1/163
	124Z7276	PIPE, 3/16" o/d x 22G x 98" LONG, TEE PIECE TO PRESSURE REDUCING VALVE, FORMER 232"	1	-	MR	OS1/164
	164Z9198	PIPE, 5/16" o/d x 22G, P.R. VALVE TO REGULATOR, GROUP (Pre-Mod. 748)	1	L56		
	320Z9198	PIPE, 5/16" o/d x 22G, P.R. VALVE TO UNION, PORT, GROUP (Mod. 748)	1	L58		OS1/186
14184	321Z9198	PIPE, 5/16" o/d x 22G, UNION TO ADAPTOR REGULATOR, SIGNALLER, PORT, GROUP (Mod. 748)	1	L58	C	OS1/186
	215Z9198	PIPE, 3/16" x 22G, TEE-PIECE TO FLEXIBLE HOSE (Pre-Mod. 748)	1	T51		

SERVICES
OXYGEN

Ref. No.	Part No.	Description	No. off	Matl. Spec.	Cl. of	Place and Illust'n No.
					St. M.R.	
		1 2 1 4				
		OXYGEN SYSTEM (Z9197, Z9198) (Cont'd)				
	322Z9198	PIPE, 3/16" o/d x 22G, TEE PIECE TO UNION FORWARD FORMER 232", PORT. GROUP (Mod. 748)	1	T51		OS1/166
	323Z9198	PIPE, 3/16" o/d x 22G, UNION TO GAUGE FORWARD FRAME 232", PORT. GROUP	1	T51	MR	OS1/168
12010	217Z9198	PIPE, 3/16" x 22G UNION TO FLEXIBLE HOSE, GROUP (Pre Mod. 748)	1	T51		
	325Z9198	PIPE, 3/16" o/d x 22G, UNION TO GAUGE FORWARD, FRAME 232", GROUP (Mod. 748)	1	T51	MR	OS1/167
	358Z9198	PIPE, 3/16" o/d x 22G, UNION TO UNION, FORWARD FRAME 232", STARBOARD. GROUP (Mod. 748)	1	T51		OS1/169
11302	355Z9198	PIPE, 3/16" o/d x 22G, TEE PIECE TO P R VALVE FORWARD FRAME 232", PORT. GROUP	1	T51	C	OS1/170
10565	183Z9198	PIPE, 5/16" o/d x 22G, P R VALVE TO ADAPTOR REGULATOR, GROUP (Pre Mod. 748)	1	-	C	
	319Z9198	PIPE, 5/16" o/d x 22G, UNION TO REGULATOR, 1ST NAVIGATOR'S POSITION, STARBOARD. GROUP (Mod 748)	1	L56	MR	OS1/169
	359Z9198	PIPE, 5/16" o/d x 22G, TEE PIECE TO P.R. VALVE, FORWARD FRAME 232", STARBOARD. GROUP (Mod. 748)	1	L56		OS1/171
	354Z9198	PIPE, 3/16" o/d x 22G, TEE PIECE TO P R VALVE FORWARD FRAME 232", STARBOARD, GROUP (Mod. 748)	1	T51		OS1/172
	357Z9198	PIPE, 3/16" o/d x 22G, TEE PIECE TO UNION FORWARD FRAME 232", STARBOARD, GROUP	1	T51	-	OS1/173
	9211316	PIPE, 3/16" o/d x 22G, TEE PIECE TO UNION FORWARD FRAME 232", STARBOARD, GROUP	1	-	MR	OS1/174
	137Z9198	PIPE, 1" x 22G, BETWEEN HOSE CONNECTIONS (Pre-Matl. 748)	1	L56		

VULCAN 88.2

SERVICES
OXYGEN

Ref. No.	Part No.	Description	No. off	Mett. Spec.	Cl. of St.	Plate and Illust'n No.
					M.R.	
		1 2 3 4				
		OXYGEN SYSTEM (Z9197, Z9198) (Cont'd.)				
	306Z9198	Pipe, 1" o/d x 22G between hose connections frames 245" and 260", starboard (Mod. 748)	1	L56		OS1/175
	133Z9198	Pipe, 1" o/d x 20G, between hose connections (Pre-Mod. 748)	1	L56		
	310Z9198	Pipe, 1" o/d x 22G, between hose connections at frames 248" and 260", starboard (Mod. 748)	1	L56		OS1/176
	138Z9198	Pipe, 1" o/d x 22G, between hose connections (Pre-Mod. 748)	1	L56	MR	
	307Z9198	Pipe, 1" o/d K22G, between hose connections at frames 260" and 274", starboard (Mod. 748)	1	L56		OS1/177
	135Z9198	Pipe, 1" o/d x 22G, between hose connections (Pre-Mod. 748)	1	L56		
	311Z9198	Pipe, 1" o/d x 22G, between hose connections at frames 260" and 274", starboard (Mod. 748)	1	L56		OS1/178
	136Z9198	Pipe, 1" o/d x 22G, between hose connection and connection at crew's floor (Pre-Mod. 748)	1	L56		
17314	10Z11270	Pipe, 1" o/d x 22G, between hose connections and connection at crew's floor (Mod. 748)	1	—	C	OS1/179
	138Z9198	Pipe, 1" o/d x 22G, between hose connections (Pre-Mod. 748)	1	L56		
	308Z9198	Pipe, 1" o/d x 22G, between hose connections (Mod. 748)	1	L56		OS1/180
	140Z9198	Pipe, 1" o/d x 22G, between hose connections (Pre-Mod. 748)	1	L56		
	309Z9198	Pipe, 1" o/d x 22G between hose connections and connections at crew's floor (Mod. 748)	1	L56	MR	OS1/181
	142Z9198	Pipe, 1" o/d x 22G, between hose connections (Pre-Mod. 748)	1	—	MR	
	313Z9198	pipe, 1" o/d x 22G, between hose connections at frame 232", port (Mod. 748)	1	L56		OS1/182
	143Z9198	Pipe, 1" o/d x 22G, between hose connections (Pre-Mod. 748)	1	—		
	314Z9198	Pipe, 1" o/d x 22G, hose to hose connections aft frame 232", port	1	L56		OS1/183
	144Z9198	Pipe, 1" o/d x 22G, hose connector to	1	—		
17313	8Z11270	adaptor (Pre-Mod. 748)	1	—		
		Pipe, 1" o/d x 22G, hose connector to	1	—	C	OS1/184
		hose connector crew's floor, port (Mod. 748)				
11316	141Z9198	Pipe, 1" o/d x 22G, regulator to hose	1	—	C	
		connection (Pre-Mod. 748)				

SERVICES

OXYGEN

Ref. No.	Part No.	Description	No. off	Matl. Spec.	Cl. of	Plate and Illust'n No.
					St. M.R.	
		1 2 3 4				
		OXYGEN SYSTEM (Z9197, Z9198) (Cont'd)				
	147Z9198	Pipe, 1" o/d x 22G, hose connection to regulator (Pre-Mod. 748)	1	-		
	132Z9198	Pipe, 1" o/d x 22G, between hose connections (Pre-Mod. 748)	1	-		
10584	182Z9198	PIPE, 5/16" o/d x 22G, P.R. VALVE TO REGULATOR, GROUP (Pre-Mod. 748)	1	-	C	
	318Z9198	PIPE, 5/16" o/d x 22G, P.R. VALVE TO UNION, STARBOARD, GROUP (Mod. 748)	1	L58		OS1/185
	317Z9198	PIPE, 5/16" o/d x 22G, UNION TO REGULATOR, STARBOARD, GROUP (Mod. 748)	1	L58	MR	OS1/187
17315	3211316	PIPE, 3/16" o/d x 22G, UNION TO TEE-PIECES FORWARD OF FORMER 232", STARBOARD, GROUP	1	T51	C	OS1/190
3124	128Z7276	PIPE, 3/16" o/d x 22G, TEE-PIECE AFT OF FORMER 288" TO ADAPTOR 316", PORT, GROUP	1	T51	C	OS1/191
3125	129Z7276	PIPE, 3/16" o/d x 22G, ADAPTOR AT FORMER 316" TO TEE-PIECE AFT OF FORMER, PORT, GROUP	1	T51	C	OS2/192
3138	140Z7276	PIPE, 3/16" o/d x 22G, TEE-PIECE AFT OF FORMER 288" TO TEE-PIECE AFT OF FORMER 358", STARBOARD, GROUP	1	T51	C	OS2/193
	75Z9198	PIPE, 1" o/d x 22G, UNION TO UNION FORWARD FRAME 316", PORT, GROUP	1	-		OS2/194
6400	186Z7276	PIPE, 3/16" o/d x 22G, TEE-PIECE TO TEE-PIECE FORWARD OF FORMER 316", STARBOARD, GROUP	1	T51	C	OS2/195
	186Z7276	PIPE, 3/16" o/d x 22G, TEE-PIECE TO TEE-PIECE, FORWARD OF FORMER 316", PORT, GROUP	1	.		OS2/196
21425	54Z9198	PIPE, 3/16" o/d x 22G, TEE-PIECE AFT FORMER 358" TO PRESSURE REDUCING VALVE, PORT, GROUP	1	T51	C	OS2/197
	104Z7276	PIPE, 5/16" o/d x 22G, P.R. VALVE TO UNION, STARBOARD, GROUP	1	L58		OS2/198

VULCAN No. 2

SERVICES

Page QS. 15

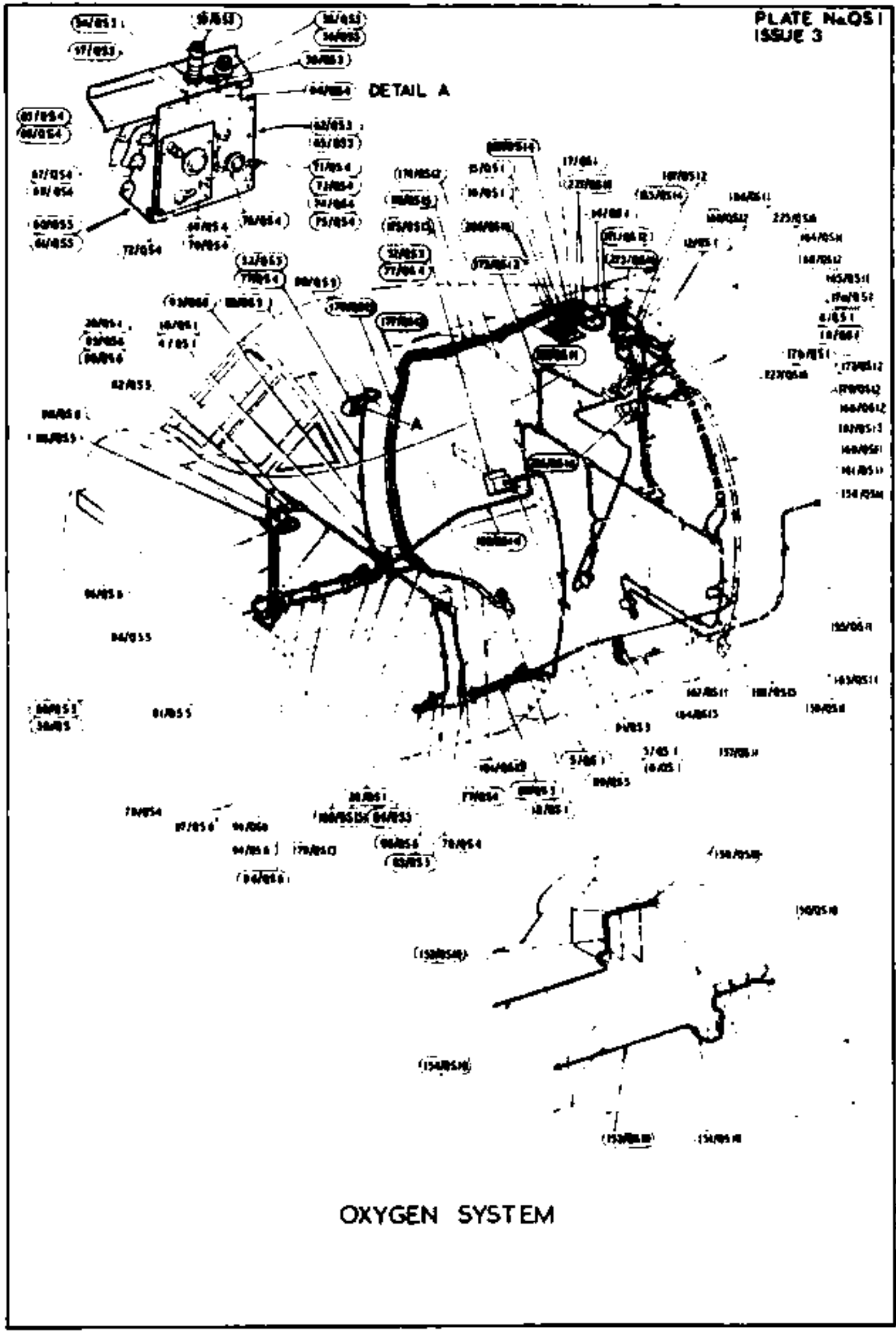
OXYGEN

Ref. No.	Part No.	Description	No. off	Matl Spec	Cl. of	Plate and Illust'n No.
					St.	
		1 2 3 4				
		OXYGEN SYSTEM (Z9197, Z9198) (Cont'd.)				
	53Z9198	PIPE, 5/16" o/d x 22G, UNION TO REGULATOR, BOMB AIMER'S POSITION, GROUP	1	L56	MR	QS2/199
	332Z9198	PIPE, 5/16" o/d x 22G, UNION TO REGULATOR, 1ST PILOT'S POSITION	1	—	MR	QS2/200
	86Z9198	PIPE, 3/16" o/d x 22G, TEE-PIECE TO TEE-PIECE FORWARD REGULATOR 1ST PILOT'S POSITION, PORT, GROUP	1	T51		QS2/201
3127	131Z7276	PIPE, 3/16" o/d x 22G, TEE-PIECE TO UNION FORWARD OF FORMER 358", PORT, GROUP	1	T51	C	QS2/202
3132	136Z7276	PIPE, 3/16" o/d x 22G, TEE-PIECE TO UNION, FORWARD OF REGULATOR 2ND PILOT'S POSITION, STARBOARD, GROUP	1	T51	C	QS2/203
	55Z9198	PIPE, 5/16" o/d x 22G, P.R. VALVE TO UNION, PORT, GROUP	1	L56		QS2/204
3134	138Z7276	PIPE, 3/16" o/d x 22G, P.R. VALVE TO UNION, STARBOARD, GROUP	1		C	QS2/205
	333Z9198	PIPE, 5/16" o/d x 22G, UNION TO UNION IN LINE WITH 1ST PILOT'S REGULATOR POSITION, GROUP	1			QS2/207
	331Z9198	PIPE, 1" o/d x 22G, UNION TO REGULATOR, 1ST PILOT'S POSITION, GROUP	1			QS2/208
	334Z9198	PIPE, 5/16" o/d x 22G, UNION TO REGULATOR, 2ND PILOT'S POSITION, GROUP	1	—	MR	QS2/209
	336Z9198	PIPE, 5/16" o/d x 22G, UNION TO UNION IN LINE WITH 2ND PILOT'S REGULATOR POSITION, GROUP	1	—	MR	QS2/210
	352Z9198	PIPE, 5/16" o/d x 22G, UNION TO 2ND PILOT'S REGULATOR POSITION, GROUP	1		MR	QS2/211
	170Z9198	PIPE, 5/16" o/d x 22G, UNION TO UNION IN LINE WITH BOMB AIMER'S REGULATOR POSITION, GROUP	1	L56		QS2/212
21422	171Z9198	PIPE, 3/16" o/d x 22G, P.R. VALVE TO TEE-PIECE IN LINE WITH BOMB AIMER'S REGULATOR POSITION, GROUP	1	T51	C	QS2/213

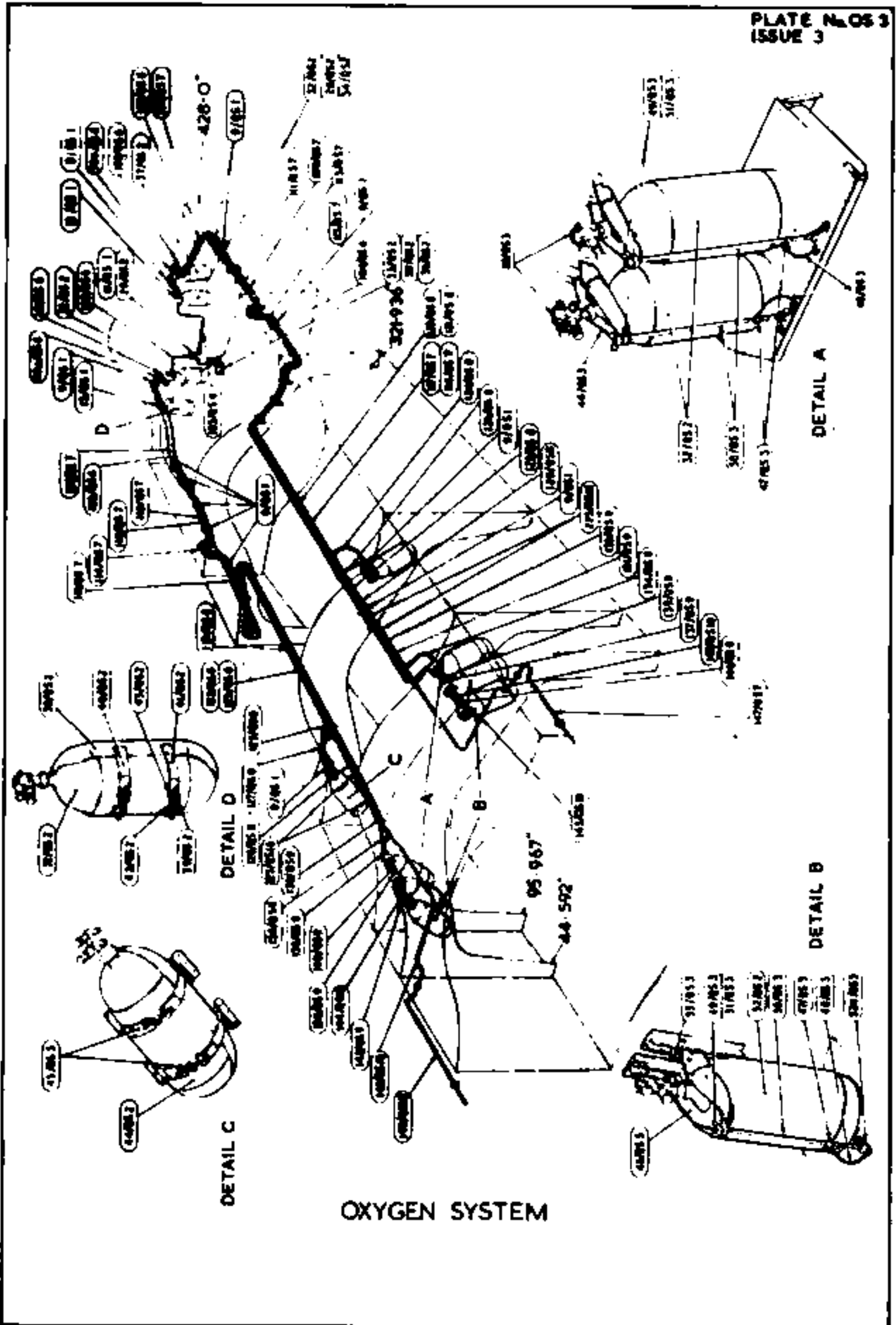
SERVICES

OXYGEN

Ref. No.	Part No.	Description	No. off	Matl. Spec	Cl of St.	Plate and Illust'n No.
					M.R.	
		<u>1 2 3 4</u>				
		OXYGEN SYSTEM (Z9197, Z9198) (Cont'd.)				
21423	172Z9198	PIPE, 3/16" o/d x 22G, TEE-PIECE TO TEE-PIECE, FORWARD OF FORMER 316" GROUP	1	T51	C	QS2/214
21424	173Z9198	PIPE, 3/16" o/d x 22G, TEE-PIECE TO TEE-PIECE, FORWARD OF FORMER 316" GROUP	1	T51	C	QS2/215
	175Z9198	PIPE, 3/16" o/d x 22G, UNION TO P.R. VALVE IN LINE WITH BOMB AJMER'S REGULATOR POSITION, GROUP	1	L56		QS2/216
1505446	87Z9198	PIPE, 3/16" o/d x 22G, UNION TO TEE-PIECE, FORWARD OF FORMER 316" GROUP	1	T51	C	QS2/217
	269Z9198	PIPE, 1" o/d, UNION TO UNION IN LINE WITH 2ND PILOT'S REGULATOR POSITION, GROUP	1	—		QS2/218
	270Z9198	PIPE, 1" o/d x 22G, TO UNION IN LINE WITH 2ND PILOT'S REGULATOR POSITION, GROUP	1	—		QS2/219
	66Z9198	PIPE, 1" o/d x 22G, TO UNION IN LINE WITH 1ST PILOT'S REGULATOR POSITION, GROUP	1	—		QS2/220
6D/2383	OP. 5290	Regulator, oxygen Mk. 21B (Mod. 687)	6	—		QS2/221
6D/2671	OP. 6450	Regulator, oxygen Mk. 17F (S.O.O. 23 A/C) (Mod. 1961)	6	—		
6D/603	Z9084	Tee-piece	20	—	C	QS2/222
1505100	75SS3568	Union, blanking	4	—	C	
6D/575	Z9083	Union	21	—	C	QS1/226
6D/2454	OP. 5110	Valve, relief	2	—	A	QS1/226
6D/427	Z7882	Valve, non-return	10	—	C	QS1/227
6D/2344	C185	Valve, reducing	3	—	A	QS1/223



OXYGEN SYSTEM



OXYGEN SYSTEM

REF. NO.		SERVICES		Page QT. 1		
		PNEUMATIC				
Ref. No.	Part No.	Description	No. off	Mtrl. Spec.	Cl. of St.	Plate and Illust'n No
					M.R.	
		1 2 3 4				
		PNEUMATIC INSTALLATION Consisting of:— PNEUMATIC SERVICES IN CREW'S CELLS (Q2214, Q1874, Q10033) Spares for:—				
4436	786S3653	Adaptor, at former 236"	4	—	MR	QT3/105
13188	836S3654	Cross-piece, between formers 274" and 288"	1	—	C	QT3/106
26FP/2453	86S1882	Clip, half	1	—	C	QT3/107
26FP/2721	18S3868	Clip	6	—	C	QT3/108
20178	25S3858	Clip	7	—	C	QT3/109
	107SS4085	Clip, half	1	—	C	QT3/110
	13Q1627	FAIRLEAD, FOR PIPES, GROUP	26	—		QT3/111
		Consisting of:—				
28D/1011019	A25/8C	Bolt, 2 BA	1	—	C	
	118Q1992	Bonding, 30G x 3/8" x 4" long	OR	L4		
	11aQ1492	Fairlead, half, 3/8" x 3/8" x 1.40"	2	BSS668		
28M/1012015	AGS2001/C1/68	Nut, stiff	1	—	C	
28W/9419402	SP13/C	Washer, 2 BA	1	—	C	
20182	11Q1874	FAIRLEAD, FOR PIPES, GROUP	1	—	C	QT3/112
		Consisting of:—				
28D/9140648	A25/19C	Bolt	1	—	C	
	2bQ1801	Bonding, 30G x 1/2" x 4" long	1	L4		
	2aQ1801	Fairlead, half, 1/4" x 1/2" x 1-1/8"	2	BSS668		
28M/1012015	AGS2001/C1/68	Nut, stiff	1	—	C	
28W/9419402	SP13/C	Washer, 2 BA	1	—	C	
	2Q1801	FAIRLEAD, FOR PIPES, GROUP	—	—	MR	QT3/113
		Consisting of:—				
28D/9133013	A25/5C	Bolt	1	—	C	
	2bQ1801	Bonding, 30G x 1/2" x 4" long	1	L4		
	2aQ1801	Fairlead, half, 1/4" x 1/4" x 1-1/8"	2	BSS668		
28M/1012015	AGS2001/C1/68	Nut, stiff	1	—	C	
28W/9419402	SP13/C	Washer, 2 BA	1	—	C	
20183	13Q1874	FAIRLEAD, FOR PIPES, GROUP	1	—	C	QT3/114
		Consisting of:—				
28D/9140647	A25/4C	Bolt	1	—	C	
	13bQ1627	Bonding, 30G x 1/2" x 4"	1	—		
	13aQ1627	Fairlead, half, 1.25" x 31" x 5"	2	BSS668		
28M/1012015	AGS2001/C1/68	Nut, stiff	1	—	C	
28W/9419475	SP15/C	Washer, 2 BA	1	—	C	
	15Q1874	FAIRLEAD, FOR PIPES, GROUP	1	—		QT3/115
		Consisting of:—				
	25aZ7741	Clamp, 1.25" x 31" x 5"	1	BSS668		
	25bZ7741	Clamp, 1.25" x 7" x 5"	1	BSS668		
	25cZ7741	Clamp, 1.25" x 31" x 5"	1	BSS668		
	25dZ7741	Bonding	OR	L16		
	25eZ7741	Bonding	OR	L18		
	A25/15C	Bolt	1	—		
26FP/2453	15S3868	Clip	1	—	C	
28M/9433473	AGS2002/C/1	Nut, thin	1	—	C	
28W/9419454	SP10/C	Washer, thin	1	—	C	

VULCAN No. 2						
Page QT. 2		SERVICES PNEUMATIC				
Ref No	Part No.	Description	No. off	Matl. Spec.	Cl. of St.	Plate and Illust'n No.
					M.R.	
		1 2 3 4				
PNEUMATIC SERVICES IN CREW'S NACELLE (Q2214, Q1874, Q10033) (Cont'd.)						
	8Q1492	FAIRLEAD, FOR PIPES, GROUP	1	—	MR	QT3/116
		Consisting of:—				
28Q/1011019	A25/8C	Bolt	1	—	C	
	8aQ1492	Fairlead, half	2	—		
28M/1012015	AGS2001/C1/66	Nut	1	—	C	
28W/9419402	SP13/C	Washer	1	—	C	
	11Q1492	FAIRLEAD, FOR PIPES, GROUP	2	—	MR	QT3/116a
		Consisting of:—				
	A1/8C	Bolt	2	—		
28M/1012015	11aQ1492	Fairlead, half	4	BS668		
	AGS2001/C1/66	Nut, stiff	2	—	C	
27VA/ 4625960	AGS100/C DUNLOP AC13324	Washer	2	—		
		Jack, pneumatic, canopy release	—	—	A	
		(See Fuselage, Crew Nacelle)				
		MOUNTING, AIR BOTTLES, BETWEEN FORMERS 260" AND 232", PORT (Q1847)	—	—		QT3/117
		Spare for:—				
6D/9429687	—	Bottle, air	2	—	A	QT3/118
	7Q1847	STRAP, AIR BOTTLE, GROUP	4	—	MR	QT3/119
		Spare for:—				
26FP/2005	4SS1944	Crosshead, L.H.	1	—	C	
26FP/1998	3SS1944	Crosshead, R.H.	1	—	C	
15306	4SS1945	Screw, adjusting	1	—	C	
		MOUNTING, STOP VALVE, FOR CANOPY INFLATION (Q1905)	—	—		QT3/120
		Spare for:—				
	7Q1905	BOX, SAFETY SHUT OFF VALVE, GROUP	1	—	MR	QT3/121
	6Q1905	Chain, brass, 10' long	1	—		QT3/122
	8Q1905	Lever, shut-off valve	1	—		QT3/123
27VA/ 4625774	DUNLOP AC1071 DUNLOP G6/W2/ 101/8/8/17	Valve, shut-off	1	—	A	QT3/124
		Pipe, flexible, for door jack	2	—		QT3/125
27VA/ 1503391	DUNLOP G6/W2/ 101/8/8/12	Pipe, flexible, for door jack	2	—	C	QT3/126
27VA/ 4626246	DUNLOP G2/W3/ 101/8/8/10	Pipe, flexible, adaptor, at frame 218 (Mod. 624) (Pre-Mod. 2412)	1	—	C	QT3/127
27VA/ 6115879	DUNLOP G2/W2/101 /8/10/12.3	Pipe, flexible (Mod. 2412)	1	—	C	

VULCAN No. 1		SERVICES PNEUMATIC				Page QT 3			
Ref. No.	Part No.	Description				No. off	Matl. Spec.	Cl. of St. M.R.	Plate and Illust'n No.
		1	2	3	4				
		PNEUMATIC SERVICES IN CREW'S NACELLE (Q2214, Q1874, Q10033) (Contd.)							
	19Q2214	PIPE, 3/16" o/d x 22G x 50" LONG, APPROX, UNION AFT OF FORMER 344" TO ELBOW AND ADAPTOR IN LINE TO ANTI ICING, STARBOARD, GROUP				1	L56		QT3/128
	20Q2214	PIPE, 3/16" o/d x 22G x 40" LONG, APPROX, UNION AFT OF FORMER 344" TO UNION AFT OF FORMER 330", STARBOARD, GROUP				1	L56		QT3/129
7376	21Q2214	PIPE, 1/4" o/d x 22G x 86" LONG, APPROX, UNION AFT OF FORMER 330" TO PRESSURE MAINTAINING VALVE AFT OF FORMER 232", STARBOARD, GROUP				1	L56	C	QT3/130
	201944	PIPE, 1/4" o/d x 22G x 12" LONG, APPROX, PRESSURE MAINTAINING VALVE TO TEE-PIECE AFT OF FORMER 218", GROUP				1	L56		QT3/131
	4Q1944	PIPE, 1/4" o/d x 22G x 60" LONG, APPROX, TEE-PIECE TO SHUT OFF VALVE, GROUP				1	L56	MR	QT3/132
	38Q1871	PIPE, 1/4" o/d x 22G x 30" LONG, APPROX, SHUT OFF VALVE TO CHARGING VALVE, GROUP				1	L56		QT3/133
11102	24Q1944	PIPE, 1/4" o/d x 22G x 17" LONG, APPROX, CHARGING VALVE TO PRESSURE REDUCING VALVE, GROUP				1	L56	C	QT3/134
9774	12Q1871	PIPE, 1/4" o/d x 22G x 86" LONG, APPROX, PRESSURE REDUCING VALVE TO AIR BOTTLE (CLOSE), GROUP				1	L56	C	QT3/135
	5Q1944	PIPE, 1/4" o/d x 22G x 72" LONG, APPROX, TEE-PIECE TO TEE-PIECE, FORWARD AND AFT OF FORMER 218", GROUP				1	L56	MR	QT3/136
	7Q1944	PIPE, 1/4" o/d x 22G x 12" LONG, APPROX, TEE-PIECE TO SEQUENCE VALVE, STARBOARD, GROUP				1	L56	MR	QT3/137
10851	6Q1944	PIPE, 1/4" o/d x 22G x 24" LONG, APPROX, TEE-PIECE FORWARD OF FORMER 218" TO PRESSURE REDUCING VALVE, GROUP				1	L56	C	QT3/138
	10Q1944	PIPE, 1/4" o/d x 22G x 12" LONG, APPROX, PRESSURE REDUCING VALVE TO TEE PIECE FORWARD OF FORMER 218", GROUP				1	L56		QT3/139

SERVICES
PNEUMATIC

Ref. No.	Part No.	Description 1 2 3 4	No. off	Matl. Spec.	Cl of	Plate and Illustr'n No.
					St. M.R.	
		PNEUMATIC SERVICES IN CREW'S NACELLE (Q2214, Q1874, Q10033) (Corrad.)				
	11/Q1944	PIPE, 1/4" o/d x 22G x 24" LONG, APPROX., TEE-PIECE FORWARD OF FORMER 218" TO PORT SEQUENCE VALVE, GROUP	1	L58	MR	QT3/140
7742	9/Q1944	PIPE, 1/4" o/d x 22G x 36" LONG APPROX., BETWEEN AFT SEQUENCE VALVES, GROUP	1	L58	C	QT3/141
10835	8/Q1944	PIPE, 1/4" o/d x 22G x 108" LONG, APPROX., STARBOARD SEQUENCE VALVE TO TEE-PIECE AFT OF FORMER 260", GROUP	1	L58	C	QT3/142
9827	21/Q1871	PIPE, 1/4" o/d x 22G x 12" LONG, APPROX., TEE-PIECE AFT OF FORMER 260" TO STARBOARD DOOR JACK, GROUP	1	L58	C	QT3/143
9828	15/Q1871	PIPE, 1/4" o/d x 22G x 12" LONG, APPROX., TEE-PIECE AFT OF FORMER 260" TO PORT DOOR JACK, GROUP	1	L58	C	QT3/144
	10/Q1871	PIPE, 1/4" o/d x 22G x 36" LONG, APPROX., BOTTLE (OPEN) TO PRESSURE REDUCING VALVE AFT OF FORMER 260", GROUP	1	L58	MR	QT3/145
	76/Q1944	PIPE, 1/4" o/d x 22G x 52" LONG, APPROX., PRESSURE REDUCING VALVE TO CHARGING VALVE AFT OF FORMER 288", GROUP (Mod. 824)	1	L58		QT3/146
20178	7/Q1871	PIPE, 1/4" o/d x 22G x 24" LONG, APPROX., CHARGING VALVE TO ENTRANCE DOOR SEQUENCE VALVE, GROUP	1	L58	C	QT3/147
	42/Q2214	PIPE, 1/4" o/d x 22G x 60" LONG, APPROX., CROSS PIECE AFT OF FORMER 288" TO UNION AFT OF FORMER 316", GROUP (Mod. 1168)	1	L58	MR	QT3/148
	64/Q1944	PIPE, 1/4" o/d x 22G x 28" LONG, APPROX., BETWEEN UNIONS FORWARD AND AFT OF FORMER 316", PORT, GROUP	1	L58	MR	QT3/149
	11/Q2214	PIPE, 1/4" o/d x 22G x 53" LONG, APPROX., BETWEEN UNIONS FORWARD AND AFT OF FORMER 316", STARBOARD, GROUP	1	L58		QT3/150
	75/D10368	PIPE, 3/16" o/d x 22G x 46" LONG, APPROX., UNIVALVE TO CANOPY JACK, GROUP	1	L58		QT3/151
	32/Q1944	PIPE, 1/4" o/d x 22G x 83" LONG, APPROX., UNION AFT OF FORMER 316" TO VALVE, STARBOARD, GROUP	1	L58	C	QT3/152

VULCAN 98. 2

SERVICES
PNEUMATIC

Page QT. 5

Ref. No.	Part No.	Description	No. off	Matl. Spec.	Cl. of	Place and Inst'n No.
					St. M.R.	
		1 2 3 4				
		PNEUMATIC SERVICES IN CREW'S NACELLE (Q2214, Q1874, Q10033) (Cont'd)				
9343	11Q1871	PIPE, 1/4" o/d x 22G, BOTTLE (OPEN) TO ADAPTOR IN LINE TO CANOPY SEAL, GROUP (Pre-Mod 748)	1	L56	C	
18118	43Q2214	PIPE, 1/4" o/d x 22G, BOTTLE (OPEN); TO ADAPTOR IN LINE TO CANOPY SEAL, GROUP (Mod. 1222)	1	L56	C	QT3/153
	20Q1944	PIPE, 3/16" o/d x 22G, BY-PASS VALVE TO UNION AFT OF FORMER 218", GROUP (Pre-Mod. 748)	1	L56		
18118	46Q2214	PIPE, 3/16" o/d x 22G, BY-PASS VALVE TO UNION AFT OF FORMER 218", GROUP (Mod. 1222)	1	L56	C	QT3/154
	21Q1944	PIPE, 3/16" x 22G, BETWEEN UNIONS AFT OF FORMER 218" IN LINE TO BY-PASS VALVE, GROUP (Pre-Mod. 748)	1	L56		
18117	48Q2214	PIPE, 3/16" o/d x 22G, BETWEEN UNIONS . . AFT OF FORMER 218" IN LINE TO BY-PASS VALVE, GROUP (Mod. 1222)	1	L56	C	QT3/155
	18Q1944	PIPE, 3/16" o/d x 22G, UNION AFT OF FORMER 218" TO TEE-PIECE AFT OF FORMER 246", GROUP	1	L56	MR	QT3/156
7737	28Q1871	PIPE, 1/4" o/d x 22G, TEE-PIECE AFT OF FORMER 246" TO RESTRICTOR, GROUP	1	L56	C	QT3/157
	24Q1871	PIPE, 1/4" o/d x 22G, RESTRICTOR TO TEE-PIECE FORWARD OF FORMER 246", GROUP	1	L56	-	QT3/158
	17Q1944	PIPE, 3/16" o/d x 22G, TEE-PIECE FWD. OF FORMER 246" TO UNION AFT OF FORMER 218", GROUP	1	L56	MR	QT3/159
	22Q1944	PIPE, 3/16" o/d x 22G, UNION TO UNION AFT OF FORMER 218", GROUP (Pre-Mod 748)	1	L56		
18118	47Q2214	PIPE, 3/16" o/d x 22G, UNION TO UNION, AFT OF FORMER 218", GROUP (Mod. 1222)	1	L56	C	QT3/160
		:				
		:				

SERVICES
PNEUMATIC

Ref. No.	Part No.	Description	No. off	Matl. Spec.	Cl. of St.	Plate and Illustr'n No.
					M.R.	
		1 2 3 4				
		PNEUMATIC SERVICES IN CREW'S NACELLE (Q2214, Q1874, Q10033) (Cont'd.)				
	19Q1944	PIPE, 3/16" o/d x 22G, UNION TO BY-PASS VALVE, GROUP (Pre-Mod. 748)	1	L56		
18120	44Q2214	PIPE, 3/16" o/d x 22G, UNION TO BY-PASS VALVE, GROUP (Mod. 1222)	1	L56	C	QT3/161
	42Q1871	PIPE, 1/4" o/d x 22G, TEE-PIECE AFT OF FORMER 248" TO TEE-PIECE IN LINE TO DOOR JACKS, GROUP	1	L56		QT3/162
	22Q1871	PIPE, 1/4" o/d x 22G, TEE-PIECE FORMER OF FORMER 248" TO STARBOARD DOOR JACK, GROUP	1	L56	MR	QT3/163
	14Q1871	PIPE, 1/4" o/d x 22G, TEE-PIECE AFT OF FORMER 260" TO PORT DOOR JACK, GROUP	1	L56		QT3/164
17519	6Q1871	PIPE, 1/4" o/d x 22G, TEE-PIECE FORWARD OF FORMER 248" TO ENTRANCE DOOR SEQUENCE VALVE, GROUP	1	L56	C	QT3/165
	DUNLOP GDC/100A/10	Pipe, flexible pneumatic ram to adaptor, at former 218	1	—		
	77Q1944	PIPE, 1/4" o/d x 22G, TEE-PIECE TO PRESSURE REDUCING VALVE, GROUP	1	L56	MR	
	79Q1944	PIPE, 3/16" o/d x 22G, UNIMATIC VALVE TO TEE-PIECE, GROUP	1	L56		
	80Q1944	PIPE, 3/16" o/d x 22G, ADAPTOR AT FORMER 218 TO UNIMATIC VALVE, GROUP	1	L56	MR	

VULCAN No. 2

SERVICES
PNEUMATIC

Page QT. 6A

Ref. No.	Part No.	Description	No. off	Matl. Spec.	Cl. of	Plate and Illust'n No.
					Sc.	
					M.R.	
		PNEUMATIC SERVICES IN CREW'S NACELLE (Q2214, Q1874, Q10033) (Cont'd)				
		PIPING SERVICES TO T4 BOMB SIGHT (Q2215, Q1874)				
		Spares for:-				
20184	15/SS4234/BJ	Cap, half, 2-1/16" dia. x 1.5" long	1	-	C	QT4/166
20185	4/SS4234/BJ	Cap, half, 2-1/16" dia. x 4" long	1	-	C	QT4/167
7950	AS11/SS4234	Cap, half, 1-5/8" dia. x 1.1" long	1	-	C	QT4/168
20186	4/SS4234/AS	Cap, half, 1-5/8" dia. x 4" long	1	-	C	QT4/169
26FP/2721	2SS3859	Clip	12	-	C	QT4/170
5K/1037288	AS4625/4	Clip	4	-	C	QT4/171
	28SS3863	Clip	2	-	MR	QT4/172
9193	4SS3859	Clip	3	-	C	QT4/173
3437	13Q1878	FAIRLEAD, ON AFT TIE-ROD, GROUP	1	-	C	QT4/174
20187	7Q2075	FAIRLEAD, ON FORMERS 218"-232" AND REAR PRESSURE BULKHEAD, GROUP	3	-	C	QT4/175
20188	3Q2215	FAIRLEAD, AT FORMER 316", GROUP	1	-	C	QT4/176
	13Q2215	FAIRLEAD, AT FORMER 288", GROUP	1	-	MR	QT4/177
26FP/2724	13Q1627	FAIRLEAD, FORMERS 288"-218",	2	-	C	QT4/178
	11Q1492	FAIRLEAD, FORWARD OF FORMER 218", GROUP	1	-	MR	QT4/179
6A/2685	-	Gauge, pressure, Mk. 14.B	1	-	C	QT4/180
6A/1037413	-	Label	1	-	C	QT4/181
		MOUNTING FOR AIR BOTTLE (1210083)				
		Spares for:-				
6D/9429687	-	Bottle, air (Complete with tee, 6D/9429681)	1	-	A	
28D/1011022	A25/18C	Bolt	4	-	C	
28D/9140648	A25/19C	Bolt	8	-	C	
	AY7/SS4234	Clip, half, outer	6	-	C	
28TA/10110	AY10/SS4234	Clip, half, inner	6	-	C	
28M/1012015	AGS2001/C1/66	Nut	12	-	C	
28W/9419402	SP13/C	Washer	12	-	C	
2529	6Z9011	PANEL, GROUP	1	-	C	
	7Q1847	STRAP, GROUP	2	-	C	
		Spares for:-				
26FP/1999	3SS1944	Cross-head, R.H.	2	-	C	
26FP/2005	4SS1944	Cross-head, L.H.	2	-	C	
26FP/16306	4SS1945	Screw, adjusting	2	-	C	
28Q/1930	AS455/404	Rivet	2	-	C	

SERVICES
PNEUMATIC

Ref. No.	Part No.	Description	No. off	Mach. Spec.	Cl. of Sc. M.R.	Place and Illust'n No.
		1.234				

VULCAN No. 2

SERVICES
PNEUMATIC

Page QT. 7

Ref. No.	Part No.	Description	No. off	Matl. Spec.	Cl. of	Place and Illust'n No.
					Sc.	
		<u>1 2 3 4</u>			M.R.	
		PIPING SERVICES TO T4 BOMB SIGHT (Q2215, Q1874) (Cont'd)				
		PANEL PNEUMATIC CHARGING (Q2216)	-	-		QT6/182
	40SS3567	Spares for:-				
		Berjo, double cone	1	-		QT6/183
8A/2801	-	Gauge, air pressure	3	-	A	QT6/184
8A/8771	-	Label, "Air"	3	-	C	QT6/185
3180	2Q1886	PANEL LESS PIPES AND GAUGE, GROUP	1	-	C	QT6/186
	36Q1871	PIPE, 3/16" o/d x 22G, L.H. CHARGING VALVE TO TOP L.H. GAUGE, GROUP	1	DTD333A	MR	QT6/187
	50Q1944	PIPE, 3/16" o/d x 22G, ADAPTOR ... TO TOP R.H. GAUGE, GROUP	1	DTD323A		QT6/188
9033	51Q1944	PIPE, 5/16" o/d x 22G, ADAPTOR ... TO BOTTOM GAUGE, GROUP	1	DTD323A	C	QT6/189
3161	33Q1871	PIPE, 1/4" o/d x 22G, ADAPTOR ... TO L.H. BLOW OFF VALVE, GROUP	1	DTD323A	C	QT6/190
3162	34Q1871	PIPE, 1/4" o/d x 22G, ADAPTOR	1	DTD323A	C	QT6/191
	34Q1944	PIPE, 1/4" o/d x 22G, CHARGING	1	DTD323A	MR	QT6/192
	35Q1944	PIPE, 1/4" o/d x 22G, BLOW-OFF VALVE TO CHARGING VALVE R.H., GROUP	1	DTD323A	MR	QT6/193
27VA/482575-1	DUNLOP	Valve, blow-off	2	-	A	QT6/194
28Y/15486	ACM16886	Valve, charging	2	-	B	QT6/195
	38Q1944	PIPE, 1/4" o/d x 22G, TEE-PIECE AFT ... OF FORMER 232" TO AIR BOTTLE, GROUP	1	DTD323A		QT4/196
11435	54Q1944	PIPE, 1/4" o/d x 22G, TEE-PIECE AFT ... OF FORMER 232" N.R. VALVE, GROUP	1	DTD323A	C	QT4/197
	37Q1944	PIPE, 1/4" o/d x 22G, N.R. VALVE TO ... TEE-PIECE AFT OF FORMER 218", GROUP	1	DTD323A		QT4/198
	38Q1944	PIPE, 1/4" o/d x 22G, TEE-PIECE AFT ... OF FORMER 218" TO ADAPTOR AT FORMER 204", GROUP (Pre-Mod. 748)	1	DTD32A		

SERVICES
PNEUMATIC

Ref. No.	Part No.	Description	No. off	Matl. Spec.	Cl. of	Plate and Illust'n No.
					St. M.R.	
		1 2 3 4				
		PIPING SERVICES TO T4 BOMB SIGHT (Q2215, Q1874) (Cont'd)				
	48Q2214	PIPE, 1/4" o/d x 22G x 40" LONG, APPROX., TEE-PIECE AFT OF FORMER 218" TO ADAPTOR AT FORMER 204", GROUP (Mod. 1222)	1	DTD323A		QT4/199
	52Q1944	PIPE, 3/16" o/d x 22G x 80" LONG, APPROX., TEE-PIECE AFT OF FORMER 232" TO ADAPTOR AT FORMER 204", GROUP (Pre-Mod. 748)	1	DTD323		
	49Q2214	PIPE, 3/16" o/d x 22G x 80" LONG, APPROX., TEE-PIECE AFT OF FORMER 232" TO ADAPTOR AT FORMER 204", GROUP (Mod. 1222)	1	DTD323A		QT4/200
	38Q1944	PIPE, 1/4" o/d x 22G x 7" LONG, APPROX., TEE-PIECE TO N.R. VALVE AFT OF FORMER 218", GROUP	1	DTD323A		QT4/201
	56Q1944	PIPE, 1/4" o/d x 22G x 5" LONG, APPROX., N.R. VALVE TO TEE-PIECE AFT OF FORMER 218", GROUP	1	DTD323A		QT4/202
	53Q1944	PIPE, 3/16" o/d x 22G x 44" LONG, APPROX., TEE-PIECE AFT OF FORMER 218" TO ADAPTOR AT FORMER 204", GROUP (Pre-Mod. 748)	1	DTD323		
	50Q2214	PIPE, 3/16" o/d x 22G x 44" LONG, APPROX., TEE-PIECE AFT OF FORMER 218" TO ADAPTOR AT FORMER 204", GROUP (Mod. 1222)	1	DTD323A		QT4/203
	40Q1944	PIPE, 1/4" o/d x 22G x 38" LONG, APPROX., TEE-PIECE AFT OF FORMER 232" TO UNION AFT OF FORMER 268", GROUP	1	DTD323A		QT4/204
20192	40Q2214	PIPE, 1/4" o/d x 22G x 38" LONG, APPROX., UNION FORWARD OF FORMER 274" TO UNION AFT OF FORMER 316", GROUP (Mod. 1158)	1	DTD323A	C	QT4/205

VULCAN Mk. 3		SERVICES PNEUMATIC			Page QT. 9	
Ref. No.	Part No.	Description	No. off	Matl. Spec.	Cl. of Sr. M.R.	Place and Illust'n No.
		1.2.1.4				
		PIPING SERVICES TO T4 BOMB SIGHT (Q2215, Q1874) (Cont'd)				
20200	38Q2214	PIPE, 1/4" o/d x 22G x 58" LONG, APPROX., AIR BOTTLE TO UNION AFT OF FORMER 330", GROUP	1	DTD323A	C	QT4/207
20139	17Q2214	PIPE, 3/16" o/d x 22G UNION TO SHUT-OFF VALVE AT PRESSURE GAUGE, GROUP	1	DTD323A	C	QT4/208
20190	18Q2214	PIPE, 1/4" o/d x 22G x 45" LONG, APPROX., UNION AFT OF FORMER 330" TO H.P. SHUT-OFF VALVE, GROUP	1	DTD323A	C	QT4/209
20195	22Q2214	PIPE, 1/4" o/d x 22G, UNION AFT FORMER 330" TO UNION AFT FORMER 316", GROUP	1	DTD323A	C	QT4/210
20189	12Q2214	PIPE, 1/4" o/d x 22G x 22" LONG, APPROX., SHUT-OFF VALVE TO REDUCING VALVE, GROUP	1	DTD323A	C	QT4/211
20190	13Q2214	PIPE, 1/4" o/d x 22G x 22" LONG APPROX., REDUCING VALVE TO RELIEF VALVE, GROUP	1	DTD323A	C	QT4/212
20191	14Q2214	PIPE, 1/4" o/d x 22G x 44" LONG, APPROX., RELIEF VALVE TO TEE-PIECE CHARGING VALVE, GROUP	1	DTD323A	C	QT4/213
	47Q1944	PIPE, 1/4" o/d x 22G x 8" LONG APPROX., TEE-PIECE CHARGING VALVE TO REDUCING UNION FORWARD OF FORMER 316", GROUP	1	L58		QT4/214
20198	79Q2214	PIPE, 3/8" o/d x 22G UNION, FORWARD, OF FORMER 316" TO TEE-PIECE (Mod. 1508)	1	L58	C	QT4/215
	68Q1944	PIPE, 3/8" o/d x 22G x 21" LONG, APPROX., TEE-PIECE AFT OF FORMER 316" TO COMPUTER, GROUP	1	L58	MR	QT4/216
20194	25Q2214	PIPE, 3/16" o/d x 22G, TEE-PIECE TO UNION AFT FORMER 316", GROUP	1	-	C	QT4/223
26FP/1837	66SS3667	Tee-piece, for test point aft of former 330"	1	-	C	QT4/217
28Y/15486	A58 Mk. 3	Valve, charging and test point (Alternative DC22)	1	-	C	QT4/218

SERVICES
PNEUMATIC

Ref. No.	Part No.	Description	No. off	Matl. Spec.	Cl of	Place and Illust'n No.
					St.	
					M.R.	
		PIPING SERVICES TO T4 BOMB SIGHT (Q2215, Q1874) (Cont'd)				
	L. ADAMS LTD. B.N.A.3 DOWTY 1.00202.006 HYMATIC RY31/5 HYMATIC PSB2/4 Mk. 2	Valve, H.P. shut off	1	-		QT4/219
		Valve, non-return	2	-		QT4/220
27VB/4497484		Valve, relief, 66 to 70 p.s.i.	1	-	A	QT4/221
27VB/4497218		Valve, reducing, 20 to 60 p.s.i.	1	-	A	QT4/222
		PIPING SERVICES TO WINDSCREEN AND BOMB AIMER'S WINDOW (Q2246) (See Services, Windscreen De-icing)	Ref.			
		PIPING, PNEUMATIC TO T4 BOMB SIGHT COMPUTER (Q2213) (See Services, A.S.I.)	Ref.			
27VA/4625829	DUNLOP ACO3297	Valve, sequence, entrance door	1	-	A	QT3/224
27VA/4619877	DUNLOP ACO1297	Valve, sequence, door jacks	2	-	A	QT3/225
27VA/4619829	DUNLOP ACO1584	Valve, pressure monitoring	1	-	A	QT3/226
28Y/15482	A58 Mk. 2	Valve, charging	2	-	C	QY3/227
27VA/2876	DUNLOP ACO1223	Valve, restrictor, aft of former 260"	1	-	A	QT3/228
27VA/4625824	DUNLOP ACM17432	Valve, pressure reducing, 2000-200 p.s.i.	1	-	A	QT3/229
27VA/4625823	DUNLOP ACM16390	Valve, pressure reducing, 2000-400 p.s.i.	1	-	A	QT3/230
27VA/4625825	DUNLOP ACM17452	Valve, pressure reducing, 400-25 p.s.i.	1	-	A	QT3/230a
		VALVE, BY-PASS FOR EMERGENCY DOOR (14Q1895)				
		Spares for:-				
	11Q1895	Bucket, mounting	1	L72		QT6/232
	DUNLOP AC62794	Cock, on-off (Mod. 1988)	1	-		QT6/233
28N/1045880	AGS899/2	Collar, connection rod	4	-	C	QT6/234
	4Q1895	Fork-end, for control rod	1	DTD364	MR	QT6/235
	5Q1895	Fork-end, for control rod	1	DTD364	MR	QT6/236
	2Q1895	LEVER, GROUP	1	-	MR	QT6/237
2671	12Q1895	Link, plate, for control rod	2	L72		QT6/238
	3Q1895	Rod, control	1	DTD364	B	QT6/239
2674	9Q1895	SEAL AND BEARING, GROUP	1	-	C	QT6/240
	7Q1895	Turnbuckle	1	S96	MR	QT6/241

VULCAN NR 2

SERVICES
PNEUMATIC

Page QT.11

Ref. No	Part No.	Description	No off	Matl. Spec.	Cl. of	Plate and Illustr'n No.	
					St. M.R.		
		1 2 3 4					
26FP/2721	2/S53859	AIR INFLATION SYSTEM FOR ENTRANCE DOOR AND CANOPY SEALS (25Q1872) Spare for:— Clip, for 1/4" o/d, pipe	3	—	C	QT6/242	
	8Q1872	PIPE, 1/4" o/d x 22G x 80" LONG, APPROX., COUPLING TO CHARGING VALVE, GROUP	1	L56		QT6/243	
	19Q1872	PIPE, 1/4" o/d x 22G x 80" LONG, APPROX., TO DOOR SEAL CONNECTION, GROUP	1	L56	MR	QT6/244	
	20Q1872	PIPE, 1/4" o/d x 22G x 57" LONG, APPROX., TEE-PIECE TO SEQUENCE VALVE, GROUP	1	L56	MR	QT6/245	
	27Q1872	PIPE, 1/4" o/d x 20G, REDUCING UNION TO SEQUENCE VALVE, GROUP	1	L56	MR	QT6/246	
	20215	28Q1872	PIPE, 1/4" o/d x 20G, CANOPY SEQUENCE VALVE TO CHARGING VALVE, GROUP (Mod. 887)	1	L56	C	QT6/247
	20217	28Q1872	PIPE, 5/16" o/d x 20G, REDUCING UNION TO ADAPTOR AT COCKPIT RAIL, GROUP (Mod. 887)	1	L56	C	QT6/248
	20218	41Q2214	PIPE, 1/4" o/d x 22G, TEE-PIECE FORWARD OF FORMER 274" TO UNION AFT OF FORMER 3/16", GROUP (Mod. 1168)	1	L56	C	QT6/249
	5727	61Q1944	PIPE, 1/4" o/d x 22G, COUPLING TO UNION FORWARD AND AFT OF FORMER 3/16", GROUP	1	L56	C	QT6/250
		10Q2214	PIPE, 1/4" o/d x 22G x 47" LONG, APPROX., NON-RETURN VALVE TO UNION, GROUP	1	L56		QT6/251
26FP/1837 27VA/ 4825734	138/SS3557	Tee-piece, for "Schrader" valve	1	—	MR	QT6/252	
	65/553557	Tee-piece, for charging valve	1	—	C	QT6/253	
12097	ACM15414	Valve, non-return	2	—	A	QT6/254	
	21Q1872	VALVE, CHARGING, GROUP	1	—	C	QT6/255	
	21aQ1872	Consisting of:— Chain	1	—			
	21cQ1872	Chain	1	—			
	218Q1872	Link	2	—			
	SCHRADER 8911	Valve (Schrader)	1	—			

SERVICES
PNEUMATIC

Ref. No.	Part No.	Description	No. off	Matl. Spec.	Cl. of St.	Plate and Illust'n No.
					M.R.	
		PNEUMATIC PIPING SERVICES TO AFT BOMB DOOR SEALS (Q2246, Q2074)				
		Spares for:—				
26FP/13942	72SS3653	Adaptor, stowage	2	—		QT5/256
	1SS3867	Bracket, clip attachment	2	—	C	QT5/257
	50Z7587	BRACKET, MOUNTING, GROUP	1	—		QT5/258
9183	4SS3869	Clip, pipe	2	—	C	QT5/259
8780	AG10/SS4234	Clip, half, for charging valve	1	—	C	QT5/260
8781	AG3/SS4234	Clip, half, for charging valve	1	—	C	QT5/261
	AE10/SS4234	Clip, half, for exhaust valve	2	—		QT5/262
	AE3/SS4234	Clip, half, for exhaust valve	2	—		QT5/263
	AS4626/3	Clip, pipe	1	—		QT5/264
26FP/2453	1SS3868	Clip, pipe	4	—	C	QT5/265
	AGS806/00	Clip, pipe	2	—		QT5/266
2878	81/SS3654	Cross-piece, 4-way	1	—	C	QT5/267
	AGS1118/A	Cone, tee-piece	1	—		QT5/268
	1SK29151	Insert, pipe, between A/C piping and aft seal (Used only on seal with 1.85' long connection)				
	18Q2074	PIPE, 3/8" o/d x 20G, FROM RAPID RELEASE VALVE TO OUTLET, PORT, GROUP	1	L56		QT5/269
	14Q2074	PIPE, 3/8" o/d x 20G, FROM RAPID EXHAUST VALVE TO OUTLET, STARBOARD, GROUP	1	L58		QT5/270
	15Q2074	PIPE, 3/16" o/d x 22G, CROSS-PIECE TO RAPID EXHAUST VALVE, PORT, GROUP	1	DTD323A		QT5/271
	39Q1969	PIPE, 3/16" o/d x 22G x 9" LONG, APPROX., CROSS-PIECE TO UNIMATIC VALVE, GROUP	1	DTD232A		QT5/272
	13Q2074	PIPE, 3/16" o/d x 22G, CROSS-PIECE TO RAPID EXHAUST VALVE, STARBOARD, GROUP	1	DTD323A		QT5/273
	18Q2074	PIPE, 3/16" o/d x 22G CONE TEE-PIECE TO UNION, GROUP	1	L56		QT5/274
	17Q2074	PIPE, 3/16" o/d x 22G x 10.0" LONG, APPROX., UNIMATIC VALVE TO CONE TEE-PIECE, GROUP	1	L56		QT5/275
		SEAL, BOMB DOOR, AT REAR SPAR (1D9929) (Pre-Mod. 551) (6D9929) (Mod. 551)	—	—		QT5/276
		Spares for:—				
	129674	Seal, inflatable (Mod. 551)	1	—	MR	QT5/277
	3D9829	Seal, inflatable (Pre-Mod. 551)	—	—		
2688	4D9829	Strip, half, retaining, port	1	S3	C	QT5/278
	5D9929	Strip, half, retaining, starboard	1	S3	MR	QT5/279
28Y/9701165	A58 Mk. 2 DUNLOP	Valve, charging	1	—	B	QT5/280
27VA/4625827	ACM17898	Valve, rapid exhaust	2	—	A	QT5/281
27VA/4625828	AC11308	Valve, unimatic	1	—	A	QT5/282

VULCAN No. 1

SERVICES
PNEUMATIC

Page QT. 13

Ref. No.	Part No.	Description	No. off	Matl. Spec.	CL of Sc.	Plate and Illust'n No.
					M.R.	
		PNEUMATIC PIPING SERVICE TO FORWARD BOMB DOOR SEALS (Q2074, Q2072)				
	20/SS3655	Spares for: - Adaptor, 3/16" BSP	1	-		QT5/283
	10Q2074	BLOCK, JUNCTION, GROUP	1	-		QT5/284
	1/SS4380	Chain, for adaptor	1	-		QT5/285
	AC12/SS4234	Clip, half for exhaust valves	3	-		QT5/286
	AC4/SS4234	Clip, half, for exhaust valves	3	-	MR	QT5/287
	3/AS4525	Clip, pipe	5	-		QT5/288
	6/AS4525	Clip, pipe	2	-		QT5/289
	8/AS4525	Clip, pipe	1	-		QT5/290
	872SS8004	Label	1	-		QT5/290a
	4Q2074	PIPE, 3/8" o/d x 20G x 10" LONG, APPROX., CROSS-PIECE TO JOINT, PORT, AND OUTER EXHAUST VALVE TO JOINT, STARBOARD, GROUP	2	L56		QT5/291
	5Q2074	PIPE, 3/16" o/d x 22G x 10" LONG, APPROX., CROSS PIECE TO JUNCTION BLOCK, GROUP	1	L56		QT5/292
	6Q2074	PIPE, 3/16" o/d x 22G x 4" LONG, APPROX., UNIMATIC VALVE TO JUNCTION BLOCK, GROUP	1	L56		QT5/293
	7Q2074	PIPE, 3/8" o/d x 20G x 8" LONG, APPROX., STARBOARD INNER EXHAUST VALVE TO JOINT, GROUP	1	L56		QT5/294
	8Q2074	PIPE, 3/16" o/d x 22G x 6" LONG, APPROX., JUNCTION BLOCK TO STARBOARD INNER EXHAUST VALVE, GROUP	1	L56		QT5/295
	9Q2074	PIPE, 3/16" o/d x 22G x 9" LONG, APPROX., JUNCTION BLOCK TO STARBOARD OUTER EXHAUST VALVE, GROUP	1	L56		QT5/296
	12Q2074	PIPE, INLET, 3/16" o/d x 22G x 30" LONG, APPROX., ADAPTOR TO UNIMATIC VALVE, GROUP (Pre-Mod. 748)	1	L56		
	19Q2074	PIPE, INLET, 3/16" o/d x 22G x 30" LONG, APPROX., ADAPTOR TO UNIMATIC VALVE, GROUP (Mod. 748)	1	L56		QT5/297
ZTVA/4826828	DUNLOP AC11308	Valve, unimatic	1	-	A	QT5/298
ZTVA/4826827	DUNLOP ACM17808 1210308	Valve, rapid exhaust	3	-	A	QT5/299
		Seal, inflatable, forward bomb door (See Fuselage C/S)	Ref.	-	MR	

SERVICES
PNEUMATIC

Ref. No.	Part No.	Description	No off	Matl Spec.	Cl. of St.	Plate and Illust'n No.
					M.R.	
		1 2 3 4 PNEUMATIC PIPING SERVICE FROM RESERVOIR TO FORWARD AND AFT BOMB DOOR SEALS AND R.C.M. (Q2074, Q2256) Spares for:—				
	2Q1958	PIPE, 1/4" o/d x 22G x 33" LONG, APPROX. CROSS-PIECE AT RESERVOIR TO PRESSURE REDUCING VALVE, GROUP	1	L56		QT5/300
	3Q1958	PIPE, 3/16" o/d x 22G x 19" LONG, APPROX. P.R. VALVE TO TEE-PIECE, GROUP	1	L56		QT5/301
	25Q1959	PIPE, 3/16" o/d x 22G x 83" LONG, APPROX. TEE-PIECE AFT TO UNION, GROUP	1	L56	MR	QT5/302
	4Q1958	PIPE, 3/16" o/d x 22G x 107" LONG, APPROX. BETWEEN UNIONS IN LINE TO AFT SEALS, GROUP	1	L56		QT5/303
	32Q1959	PIPE, 3/16" o/d x 22G x 53" LONG, APPROX. BETWEEN UNION FORWARD AND AFT OF BOMB ARCH 321", GROUP (Blue Steel A/C) (Free Fall A/C) (Pre-Mod. 2013)	1	L56		QT5/304
1432617	21Q2074	PIPE, 3/16" o/d x 22G x 53" LONG, APPROX. BETWEEN UNIONS FORWARD AND AFT OF BOMB ARCH 321", GROUP (Free Fall A/C) (Mod. 2013)	1	L56	C	QT5/305
	24Q1959	PIPE, 3/16" o/d x 22G x 98" LONG, APPROX. TEE-PIECE TO UNION, GROUP	1	L56	MR	QT5/306
	11Q1959	PIPE, 3/16" o/d x 22G x 83" LONG, APPROX. BETWEEN UNIONS, FORWARD AND AFT OF BOMB ARCH 44.582, GROUP	1	L56		QT5/307
	23Q1959	PIPE, 3/16" o/d x 22G, BETWEEN ADAPTOR AND UNION, AFT OF FRONT SPAR, GROUP (Pre-Mod. 748)	1	L56	LM	
	20Q2074	PIPE, 3/16" o/d x 22G, BETWEEN ADAPTOR AND UNION AFT OF FRONT SPAR, GROUP (Mod. 748)	1	L56		QT5/308
	8Q2256	PIPE, 3/16" o/d x 22G x 80" LONG, APPROX. BETWEEN TEE-PIECE AND UNION AT REAR SPAR, GROUP	1	L56		QT5/309
	4Q2256	PIPE, 3/16" o/d x 22G x 78" LONG, APPROX. BETWEEN UNION AT REAR SPAR AND UNION AT FORMER 428", GROUP	1	L56		QT5/310
27VA/4628026	DUNLOP ACM17456	Valve, pressure reducing	1	—	A	QT5/311

**SERVICES
PNEUMATIC**

Page QT. 15

Ref. No.	Part No.	Description	No. off	Matl. Spec.	Cl. of	Plate and Illust'n No.
					St.	
		1 2 3 4			M.R.	
		N.B.S. NO. 1A AND H.2.S. SCANNER PNEUMATIC SERVICES IN NOSE WHEEL BAY (1Q2258) Spares for :-				
28F/9504828	AGS1147/A	Adaptor	5	—	C	QT1/1
	16Q2258	Bracket, mounting	1	—		QT1/2
26FP/2453	1SS3859	Clip	1	—	C	QT1/3
	AS4525/3	Clip	1	—		QT1/4
	AS4525/4	Clip	1	—		QT1/5
	1SS4633	Elbow	2	—	MR	QT1/6
	43Q2258	Fairlead, half	4	—		QT1/7
	44Q2258	Fairlead, half	2	—		QT1/8
	22Q2258	MANIFOLD, GROUP	1	—		QT1/9
11506	21Q2254	PIPE, N.B.S. $\frac{1}{2}$ " o/d - 22G, GROUP...	1	L56	C	QT1/10
12327	22Q2254	PIPE, N.B.S. $\frac{1}{2}$ " o/d x 22G, GROUP ...	1	L56	C	QT1/11
13412	23Q2254	PIPE, N.B.S. $\frac{1}{2}$ " o/d - 22G, GROUP ...	1	L56	C	QT1/12
2231	24Q2254	PIPE, N.B.S. $\frac{1}{2}$ " o/d - 22G, GROUP ...	1	L56	C	QT1/13
	25Q2254	PIPE, N.B.S. $\frac{1}{2}$ " o/d - 22G, GROUP ...	1	L56		QT1/14
	26Q2254	PIPE, N.B.S. $\frac{1}{2}$ " o/d x 22G, GROUP ...	1	L56		QT1/15
	27Q2254	PIPE, N.B.S. $\frac{1}{2}$ " o/d - 22G, GROUP ...	1	L56		QT1/16
	28Q2254	PIPE, N.B.S. $\frac{1}{2}$ " o/d x 22G, GROUP ...	1	L56		QT1/17
	38Q2254	PIPE, N.B.S. $\frac{1}{2}$ " o/d - 22G, GROUP ...	1	L56		QT1/18
27VA/6328888	DUNLOP G2/N14/401/ 8/9/14	Pipe, flex	3	—	C	QT1/182
27VA/6349	DUNLOP G2/N14/401/ 8/9/17	Pipe, flex	2	—	C	QT1/19
		PNEUMATIC SERVICES, N.B.S. & H.2.S. SCANNER IN NOSE (3Q2258) Spares for :-				
6D/1485	—	Bottle, air, 750 litre	1	—	A	QT2/20
6D/9429885	—	Bottle, air	1	—	A	QT2/21
	5Q2031	BRACKET, BOTTLE, FWD., H.2.S. SCANNER, GROUP	1	—		QT2/22
	6Q2031	BRACKET, BOTTLE, REAR, H.2.S. SCANNER, GROUP	1	—		QT2/23
	8Q2031	Bracket, fixing	2	—		QT2/24
	33Q2031	BRACKET, BOTTLE, FWD., N.B.S., GROUP	1	—		QT2/25

**SERVICES
PNEUMATIC**

Ref. No.	Part No.	Description 1 2 3 4	No. off	Matl. Spec.	Cl. of	Plate and Illust'n No.
					St. M.R.	
		PNEUMATIC SERVICES, N.B.S. & H2S, SCANNER IN HOSE (302250) (Cont'd)				
	34Q2031	BRACKET, BOTTLE REAR, N.B.S. GROUP	1	—		QT2/26
26FP/2453 26FP/2731	15S3859	Clip	12	—	C	QT1/27
	25S3859	Clip	11	—	C	QT2/28
	9Q2031	DISH, AIR BOTTLE, H2S, SCANNER, GROUP	1	—		QT2/29
6D/641	18Z7293	Label, direction of flow	A/R	—		QT2/31
	—	Label, N.R.V.	2	—	C	QT2/32
	1Q2265	PANEL, CHARGING AND TEST POINT, N.B.S. & H2S, SCANNER, GROUP	1	—		QT2/33
27VA/4000000 SA. 2688 SA. 2772	AGM18302	Spares for :— Filter, air	1	—	B	QT2/34
	—	Gauge, pressure, Mk. 14H	3	—	B	QT2/35
	—	Label, luminous	2	—	C	QT2/36
	11Q2258	PANEL, ACCESS, GROUP	1	—		QT2/37
20221	2Q2254	PIPE, AIR CHARGING, $\frac{1}{2}$ " o/d - 22G, GROUP	1	DTD323	C	QT2/38
	3Q2254	PIPE, AIR, CHARGING, $\frac{1}{2}$ " o/d - 22G, GROUP	1	DTD323		QT2/39
20222	4Q2254	PIPE, AIR, CHARGING, $\frac{1}{2}$ " o/d - 22G, GROUP	1	DTD323	C	QT2/40
20223	5Q2254	PIPE, N.B.S., $\frac{1}{2}$ " o/d - 22G, GROUP	1	DTD323	C	QT2/41
20224	6Q2254	PIPE, N.B.S., $\frac{1}{2}$ " o/d - 22G, GROUP	1	DTD323	C	QT2/42
20225	7Q2254	PIPE, N.B.S., $\frac{1}{2}$ " o/d - 22G, GROUP	1	DTD323	C	QT2/43
20226	8Q2254	PIPE, N.B.S., $\frac{1}{2}$ " o/d - 22G, GROUP	1	L56	C	QT2/44
20227	9Q2254	PIPE, N.B.S., $\frac{1}{2}$ " o/d - 22G, GROUP	1	L56	C	QT2/45
20228	10Q2254	PIPE, N.B.S., $\frac{1}{2}$ " o/d - 22G, GROUP	1	L56	C	QT2/46
20228	11Q2254	PIPE, H2S SCANNER, $\frac{1}{2}$ " o/d - 22G, GROUP	1	DTD323	C	QT2/47
20229	12Q2254	PIPE, H2S SCANNER, $\frac{1}{2}$ " o/d - 22G, GROUP	—	DTD323	C	QT2/48
	13Q1879	FAIRLEAD, GROUP	1	—		QT2/30

VULCAN No. 7

SERVICES
PNEUMATIC

Page QT. 17

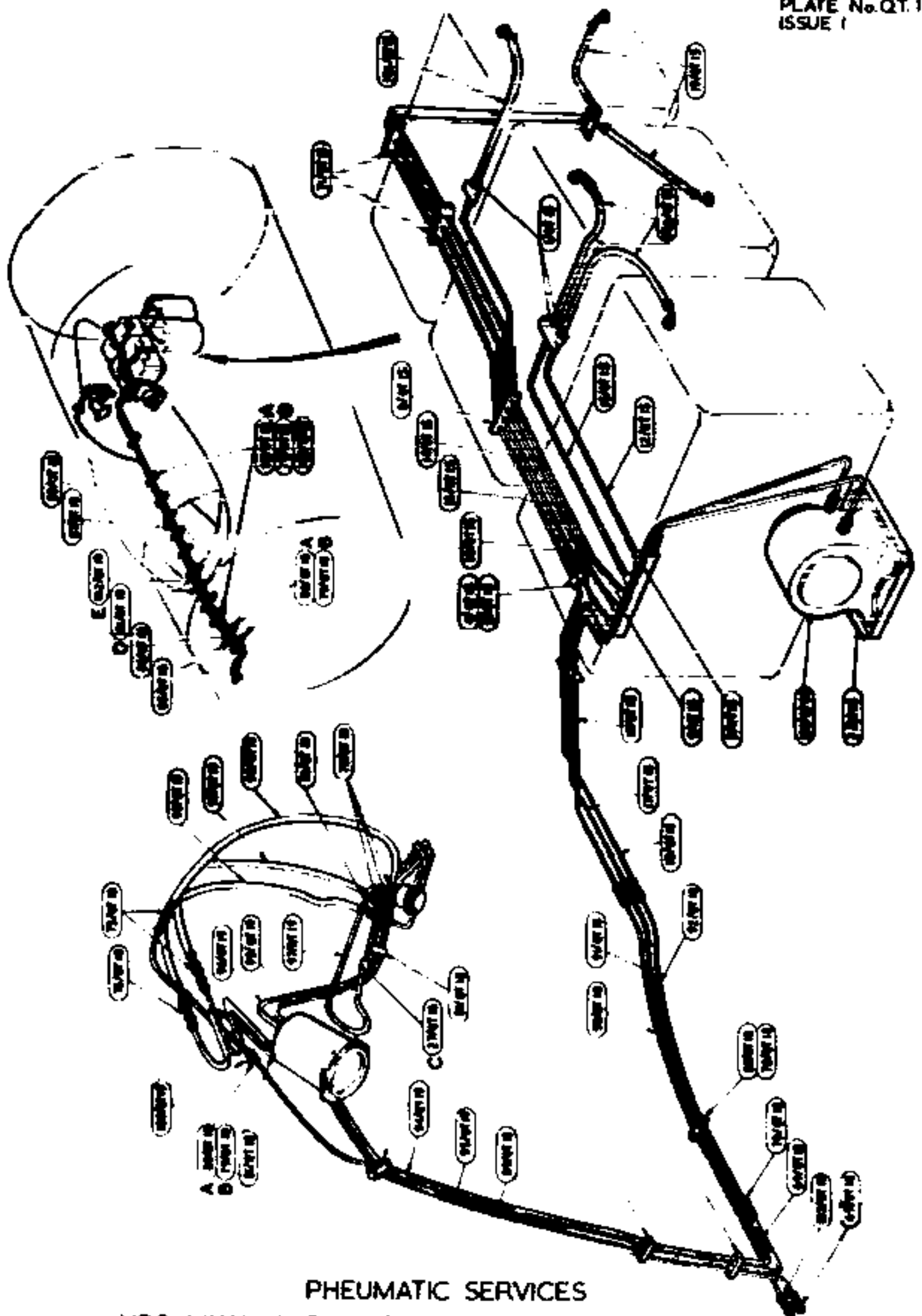
Ref. No.	Part No.	Description	No. off	Matl. Spec.	Cl. of St.	Plate and Illust'n No.
					M.R.	
		1 2 3 4				
		PNEUMATIC SERVICES N.B.S. & H ₂ S, SCANNER IN NOSE (302258) (Cont'd.)				
20230	13Q2254	PIPE, H ₂ S SCANNER, 3/8" o/d x 22G, GROUP	1	DTD323	C	QT2/49
20231	14Q2254	PIPE, H ₂ S SCANNER, 1/4" o/d x 22G, GROUP	1	DTD323	C	QT2/50
20232	15Q2254	PIPE, H ₂ S SCANNER, 1/4" o/d x 22G, GROUP	1	L56	C	QT2/51
20233	16Q2254	PIPE, H ₂ S SCANNER, 1/4" o/d x 22G, GROUP	1	L56	C	QT2/52
	17Q2254	PIPE, H ₂ S SCANNER, 1/4" o/d x 22G, GROUP	1	L56	C	QT2/53
	13Q2035	PIPE, H ₂ S SCANNER, 3/8" o/d x 22G, GROUP	1	L56	LM	QT2/54
4806	14Q2035	PIPE, H ₂ S SCANNER, 1/4" o/d x 22G, GROUP	1	L56	C	QT2/55
	27Q2035	PIPE, H ₂ S SCANNER, 1/4" o/d x 22G, GROUP	1	L56		QT2/56
	30Q2035	PIPE, H ₂ S SCANNER, 3/16" o/d x 22G, GROUP	1	L56	MR	QT2/57
6843	31Q2035	PIPE, H ₂ S SCANNER, 3/16" o/d x 22G, GROUP	1	L56	C	QT2/58
6844	32Q2031	PIPE, H ₂ S SCANNER, 3/16" o/d x 22G, GROUP	1	L56	C	QT2/58
6845	33Q2035	PIPE, H ₂ S SCANNER, 3/8" o/d x 22G, GROUP	1	L56	C	QT2/60
20234	41Q2035	PIPE, H ₂ S SCANNER, 3/16" o/d x 22G, GROUP	1	L56	C	QT2/61
8W/20	—	Regulator, air pressure x 4447	1	—	A	QT2/62
1510484	42Q2258	STRAP, AIR BOTTLE N.B.S., GROUP	2	—	C	QT2/63
	7Q2258	STRAP AIR BOTTLE, H ₂ S SCANNER	2	—		QT2/64
		Spare for:—				
26FP/2005	4SS1944	Crosshead, L.H.	1	—	C	
26FP/1989	3SS1944	Crosshead, R.H.	1	—	C	
15306	4SS1945	Screw, adjusting	1	—	C	
12409	12Q2031	Strip, for air bottle strap	1	DTD762	C	QT2/65

SERVICES
PNEUMATIC

Ref. No.	Part No.	Description				No. off	Matl. Spec.	Cl. of St. M.R.	Plate and Illust'n No.
		1	2	3	4				
PNEUMATIC SERVICES N.B.S. & H2S, SCANNER IN NOSE (3Q2258) (Cont'd)									
28F 9440881	AGS1118/A	Tee-piece	1	—	C	QT2/66
28F 8011811	AGS1118/R	Tee-piece	1	—	C	QT2/67
	48553557	Tee-piece	2	—	MR	QT2/68
28F 9129085	AGS1102/A	Union	2	—	C	QT1/69
28F 8011883	AGS1102/B	Union	1	—	C	QT1/70
	DUNLOP								
Z7VA/4828887	AC11312	Valve, selector	1	—		QT2/71
	DUNLOP								
Z7VA/4828888	ACM17500	Valve, pressure reducing	1	—		QT2/72
	DUNLOP								
Z7VA/4828888	ACM15318	Valve, pressure relief, 2000 lbs. P.S.I.	1	—		QT2/73
80/427	—	Valve, non return	1	—		QT2/74
PNEUMATIC SERVICES N.B.S. & H2S, SCANNER IN CREW'S COMPARTMENT (2Q2258)									
Spares for :—									
28F 9804828	AGS1147/A	Adaptor	4	—	C	QT1/75
28F 9130882	AGS1147/B	Adaptor	2	—	C	QT1/76
	37Q2258	Bonding	1	—		QT1/77
	18Q2258	Bonding	2	—		QT1/78
26FP 2453	15S3859	Clip	12	—	C	QT1/79
26FP 2721	25S3859	Clip	10	—	C	QT1/80
	11Q1492	FAIRLEAD, GROUP	3	—	MR	QT1/81 QT1/82
	37Q2258	Fairlead, half	2	—		QT1/83
	18Q2258	Fairlead, half	4	—		QT1/84
28F.1013599	AGS1142/A	Nipple	1	—	C	
22223	18Q2254	PIPE, N.B.S., 1/2" o.d. x 22G, GROUP				1	L56	C	QT1/85
4809	9Q2035	PIPE, H2S SCANNER, 1/2" o.d. x 22G, GROUP				1	L56	C	QT1/86
22224	19Q2254	PIPE, N.B.S., 1/2" o.d. x 22G, GROUP				1	L56	C	QT1/87
8988	37Q2035	PIPE, H2S SCANNER, 1/2" o.d. x 22G, GROUP				1	L56	C	QT1/88
8987	36Q2035	PIPE, H2S SCANNER, 1/2" o.d. x 22G, GROUP				1	L56	C	QT1/89
22227	20Q2254	PIPE, N.B.S., 1/2" o.d. x 22G, GROUP				1	L56	C	QT1/90
22228	29Q2254	PIPE, N.B.S., 1/2" o.d. x 22G, GROUP				1	L56	C	QT1/91
22229	39Q2254	PIPE, N.B.S., 1/2" o.d. x 22G, GROUP				1	L56	C	QT1/92
22226	37Q2254	PIPE, N.B.S., 1/2" o.d. x 22G, GROUP				1	L56	C	QT1/93

RESTRICTED

PLATE No. QT. 1
ISSUE 1

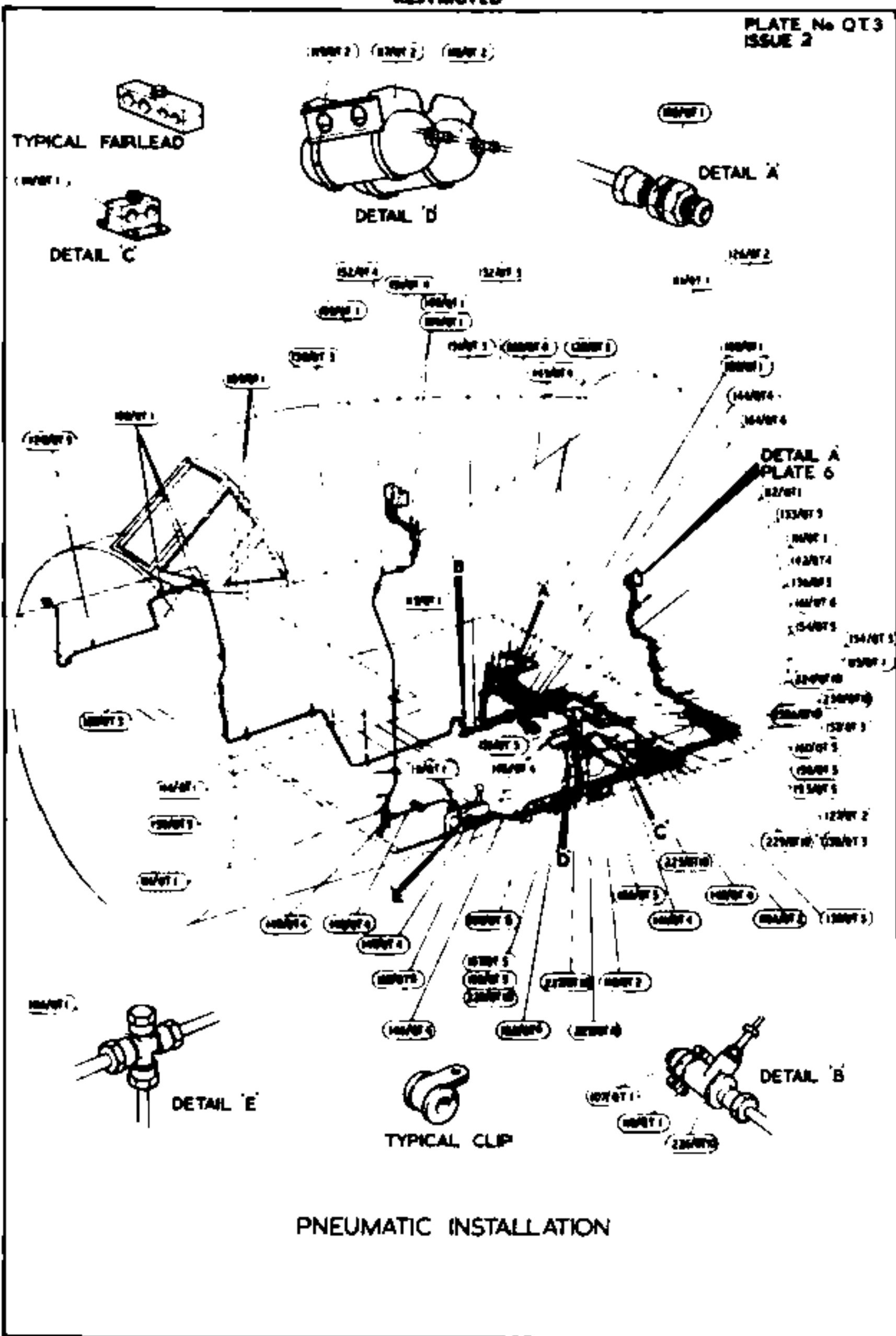


PNEUMATIC SERVICES
NBS. MK1A AND H2S SCANNER CREWS COMPARTMENT

RESTRICTED

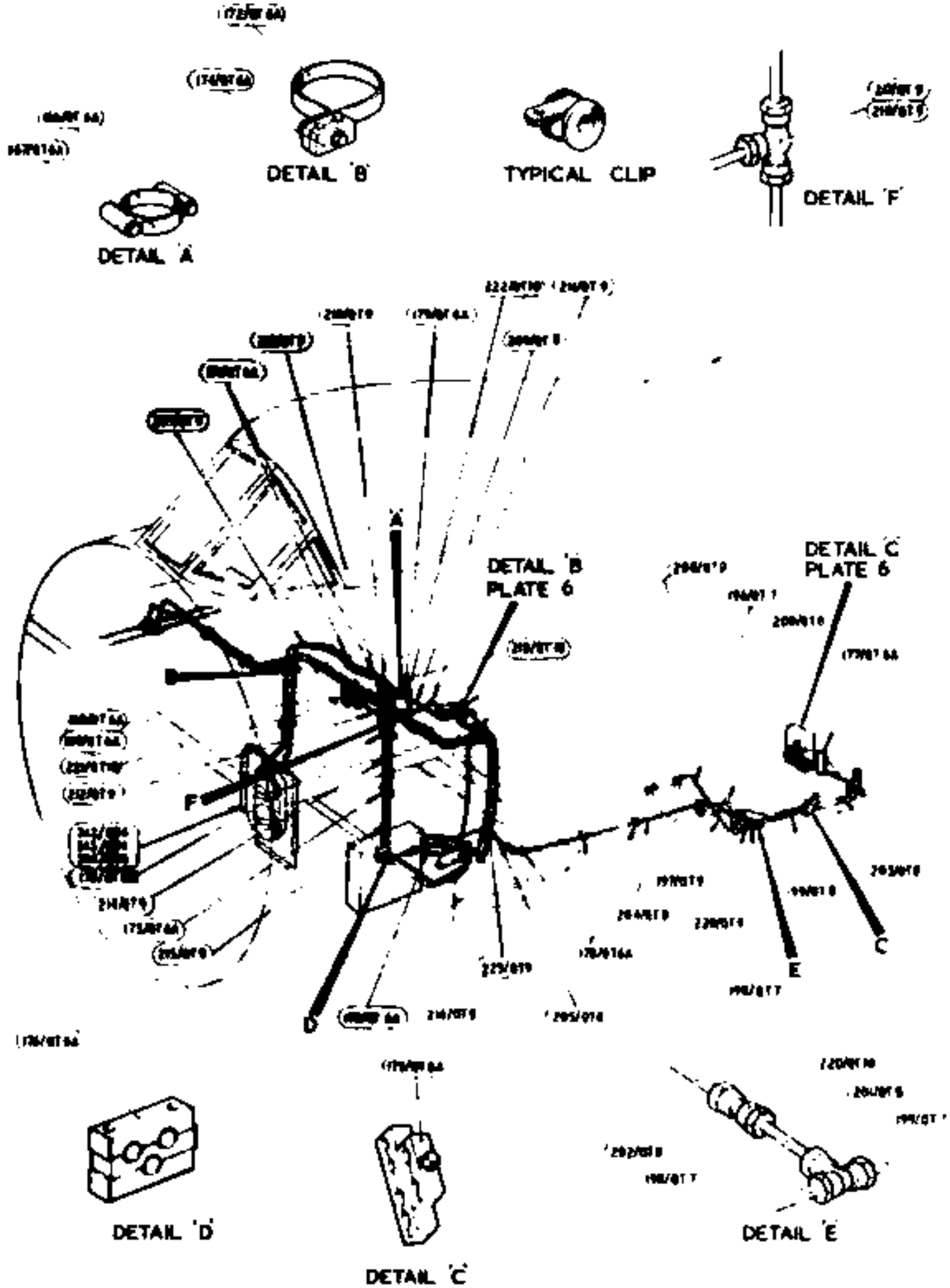
RESTRICTED

PLATE No QT3
ISSUE 2

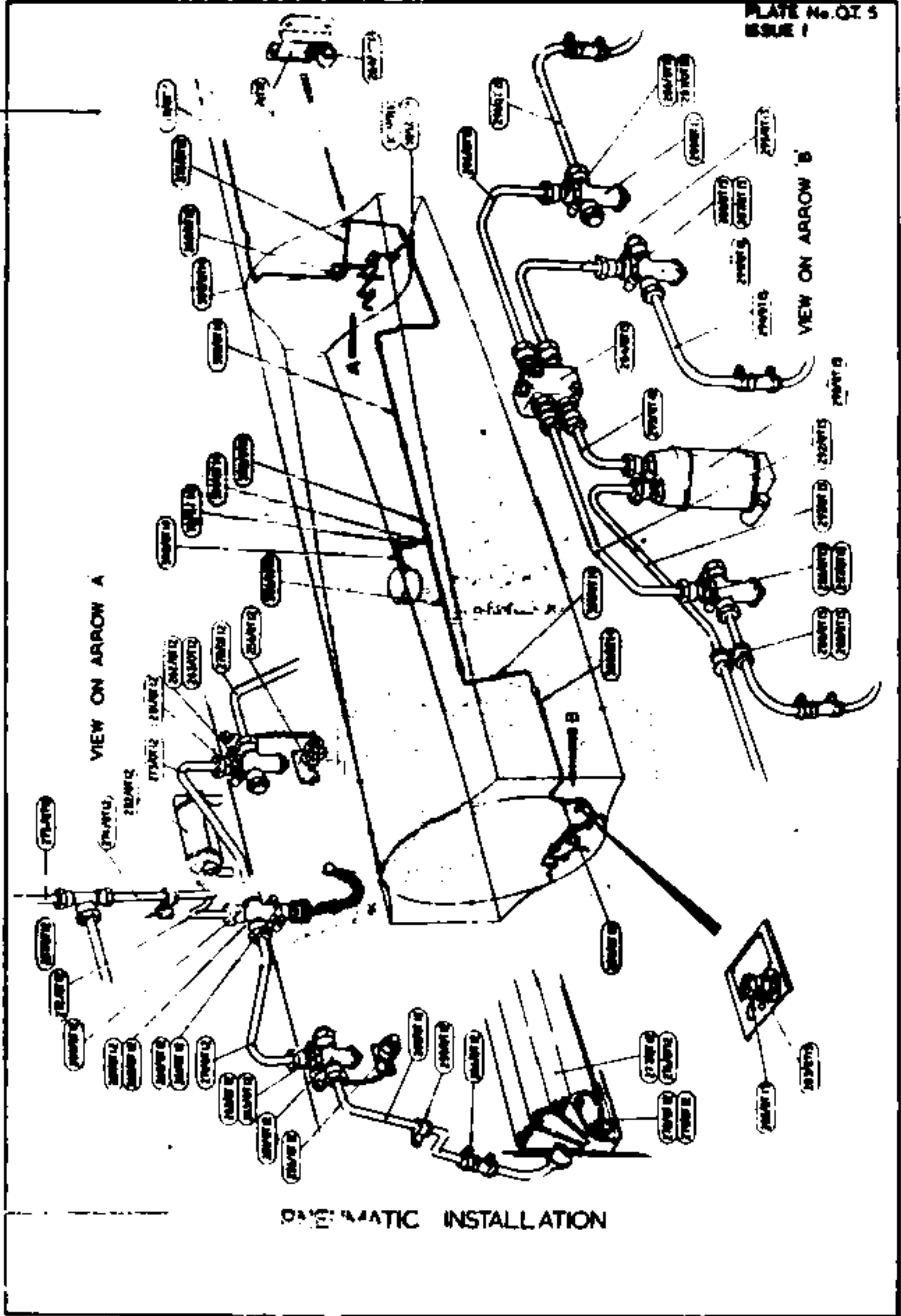


PNEUMATIC INSTALLATION

RESTRICTED



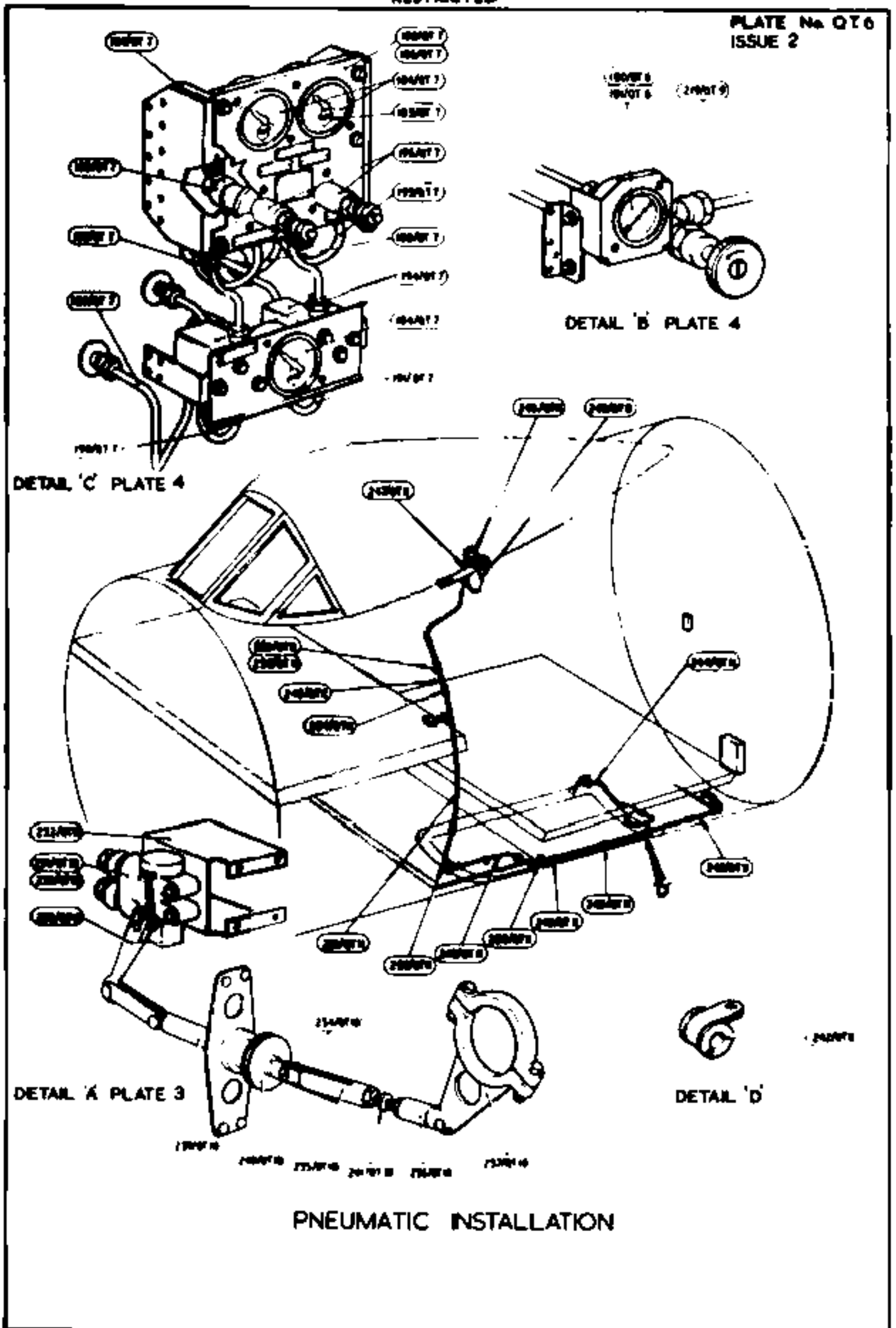
PNEUMATIC INSTALLATION



PNEUMATIC INSTALLATION

RESTRICTED

PLATE No QT 6
ISSUE 2



RESTRICTED

VULCAN No. 2

SERVICES

Page QU. 1

RAM AIR TURBINE INSTALLATION

Ref. No.	Part No.	Description	No. off	Matl. Spec.	Cl. of	Plate and Illust'n No.
					St. M.R.	
		1, 2, 3, 4				
		TURBINE, AIR RAM, FORWARD OF FRONT SPAR AIR INTAKE, PORT (Mod. 513, Pre-Mod. 514) (F10875)				
7500	39F10921	Spares for:— ARM, REAR ASSY., GROUP	1	—	B	QU1/1
	21F10921	Spares for:— HOUSING, BEARING, FORWARD,	1	—		QU1/2
	24F10921	HOUSING, BEARING, REAR, GROUP ...	1	—		QU1/3
	HOFFMANN CJ.1	Consisting of:—				
	21aF10921	Bearing	1	—		
	24aF10921	Housing, forward	1	DTD130A		
	W. & S. No. 5	Housing, rear	1	DTD130A		
		Washer	1	—		
7515	43F10921	Bolt, for attaching handle to rod	1	S96	C	QU1/4
20342	85F10921	Bolt, at I/B and O/B brackets	8	—	C	QU1/5
		(made from A25/1G)				
20343	95F10921	Bolt, release unit (made from A25/2G)	4	—	C	QU1/6
7504	90F10921	BRACKET, TOP TURBINE, GROUP	1	—	C	QU1/7
7505	91F10921	BRACKET, BOTTOM TURBINE, I/B,	1	—	C	QU1/8
		GROUP				
20340	97F10921	BRACKET, BOTTOM TURBINE, O/B,	1	—	C	QU1/9
		GROUP				
20338	40F10921	Bracket	1	DTD130A	C	QU1/10
		CHANNEL, & RELEASE UNIT (5F10875)				
		Spares for:—				
7507	73F10921	Case, spring outer, from lever on release	1	DTD130A	C	QU1/11
		unit				
7508	74F10921	Case, spring inner	1	DTD130A	C	QU1/12
7509	9SS4700	Spring, for arm	1	Spring Steel	C	QU1/13
	88F10921	Stop	1	—		QU1/14
	89F10921	Stop	1	—		QU1/15
	1F10948	UNIT, RELEASE, GROUP	1	—		QU1/16
		Consisting of:—				
	2D10021	Block	1	DTD683		QU1/17
	3D10021	Block	1	DTD683		QU1/18
	8D9487	Bolt, at spring	2	S1	MR	QU1/19
28N/404377B	AGS809/15	Collar	1	—	C	QU1/20
	13D9524	HOOK, GROUP	1	—	MR	QU1/21
	2F10943	Lever	1	L85		QU1/22
28P/1207739	SP/28.H 12	Pin	1	—	C	QU1/23
	12D9524	Pin	1	—		QU1/24
28P/1279967	SP90/H9	Pin, split	1	—	C	QU1/25
	15D9524	Spring	2	DTD187		QU1/26
	3F10948	Spindle	1	S99		QU1/27
	9D9524	Washer, special	1	S1	MR	QU1/28
27QM/4174207	DOWTY LTD. C1.11896.Y.A01	Damper	1	—	A	QU1/29

SERVICES

RAM AIR TURBINE INSTALLATION

Ref. No.	Part No.	Description	No. off	Matl. Spec.	Cl. of St. M.R.	Plate and Illust'n No.
		1 2 3 4				
		TURBINE AIR RAM FORWARD OF FRONT SPAR, AIR INTAKE, PORT (Mod. 513, Pre-Mod. 514) (F10878) (Cont'd)				
7492	1F10880	DOOR, MOUNTING, TURBINE, GROUP ... (Pre-Mod. 1336)	1	-		QU2/30
	55F10880	DOOR, MOUNTING, TURBINE, GROUP ... (Mod. 1336)	1	-		
		Spares for:-				
7498	35F10880	Bracket, hinge, aft	1	DTD130A	C	QU2/31
7495	36F10880	Bracket, hinge, inboard	1	DTD130A	C	QU2/32
7496	37F10880	Bracket, hinge, outboard	1	DTD130A	C	QU2/33
	38F10880	BRACKET, MOUNTING, FWD., GROUP	1	-	MR	QU2/34
	39F10880	BRACKET, MOUNTING, O/B., GROUP	1	-	MR	QU2/35
	40F10880	BRACKET, MOUNTING, I/B., GROUP	1	-	MR	QU2/36
		Spares for:-				
	HOFFMANN C13	Rearing	1	-		
17944	10SS5880	Washer	1	-		
20355	34F10880	Plate, cover	1	L72	C	QU2/37
	54F10880	Seal (Pre-Mod. 1366)	1	Natural Rubber		QU2/38
	57F11005	Seal, "P", forward inboard	1	DTD5509/C	L/M	QU2/39
	58F11005	Seal, "P", forward outboard	1	DTD5509/C	L/M	QU2/40
	59F11005	Seal, "P", inboard	1	DTD5509/C	L/M	QU2/41
	60F11005	Seal, "P", outboard	1	DTD5509/C	L/M	QU2/42
	61F11005	Seal, "P", aft inboard	1	DTD5509/C	L/M	QU2/43
	62F11005	Seal, "P", aft outboard	1	DTD5509/C	L/M	QU2/44
		(Indices 39-44 made from 26DC/7498)				
	40F11005	Strip, retaining, forward inboard	1	L72		QU2/45
	41F11005	Strip, retaining, forward outboard	1	L72		QU2/46
	42F11005	Strip, retaining, inboard	1	L72		QU2/47
	43F11005	Strip, retaining, outboard	1	L72		QU2/48
	44F11005	Strip, retaining, aft inboard	1	L72		QU2/49
	45F11005	Strip, retaining, aft outboard	1	L72		QU2/50
	49F10880	Shim	2	Brass	MR	QU2/51
	51F10880	Shim	2	Brass	MR	QU2/52
		HANDLE, RESETTING (F10947)				
		Spares for:-				
7513	4F10947	FLAP, GROUP	1	-	C	QU1/53
7512	7F10947	Handle, operating	1	DTD130A	C	QU1/54
7515	3F10947	Pin	1	S96	C	QU1/55
8888	20SS4700	Spring, flap	1	-	C	QU1/56
		LEVERS, ON TRANSVERSE RIB (F10946)				
		Spares for:-				
	3F10946	BRACKET, FOR LEVER, GROUP	1	-		QU1/57
	4F10946	BRACKET, FOR LEVER, GROUP	1	-		QU1/58
		Spares for:-				
	3bF10946	Box	1	L65		QU1/59

SERVICES
RAM AIR TURBINE INSTALLATION

Ref. No.	Part No.	Description				No. off	Matl. Spec.	Cl. of	Plate and Illust'n No.
		1	2	3	4			St.	
		LEVERS ON TRANSVERSE RIB (F10006) (Cont'd)							
	10F10946	LEVER, GROUP (Mod. 732)				1	—		QU1/60
	R. & M. CK ₁ C	Consisting of:—							
	2aF10946	Bearing	2	—	C	
	10aF10946	Boss	1	S1		
	2CF10946	Lever	2	S510		
		Spacer	1	L65		
	7F10875	ROD, CONNECTING TO RELEASE UNIT, GROUP (Mod. 732)				1	—		QU1/61
		Spares for:—							
	6F10875	END, ROD, GROUP				1	—		QU1/62
		Consisting of:—							
	HOFFMAN CTO	Bearing	1			
	6aF10875	Housing	1	DTD130A		
26FP 18875	8SS5880	Washer	1	—	C	
	28.0.3507	END, ROD, GROUP				1	—		QU1/63
		Consisting of:—							
	R. & M. CM $\frac{1}{2}$ B	Bearing	1	—	B	
28R 4865582	28a.0.3507	Rod	1	—		
	58F10921	ROD, CONNECTING TO HANDLE LEVER, GROUP				1	—		QU1/64
		Spares for:—							
	R. & M. CM $\frac{1}{2}$ BL	Bearing	1	—	B	QU1/65
28R 4865593		END, ROD, GROUP				1	—	B	QU1/66
17539	60F10921	Consisting of:—							
	R. & M. CM $\frac{1}{2}$ B	Bearing	1	—	B	
28R 4865592	60aF10921	End, screwed	1	MS.BM		
	58GF10921	Socket	1	S1 or S93		QU1/67
	SPB/YB	Turnbuckle	1	—		QU1/68
7501	1F10886	SHAFT, TORQUE ASSY., GROUP				1	—	B	QU2/69
		Spares for:—							
	2F10886	ARM, GROUP				2	—		QU2/70
	8F10886	END, PLUG, GROUP				2	—		QU2/71
		Consisting of:—							
	HOFFMAN CJ1	Bearing	1	—		
	8aF10886	Housing	2	L65		
26FP. 18875	6SS5880	Washer	2	—	C	

SERVICES

RAM AIR TURBINE INSTALLATION

Ref. No.	Part No.	Description	No. off	Mati. Spec.	Cl. of	Plate and Illust'n No.
					St.	
		1 2 3 4			M.R.	
		SHAFT, TORQUE ASSEMBLY, GROUP (F10886) (Cont'd)				
8183	9F10886	HOUSING BEARING CENTRE, GRP.	1	—	B	QU2/72
8184	10F10886	HOUSING BEARING I/B, GROUP	1	—	B	QU2/73
8871	11F10886	HOUSING BEARING O/B, GROUP	1	—	B	QU2/74
		Consisting of:—				
2A/9500426	R. & M. CA2TT	Bearing	1	—	C	
	9aF10886	Housing, centre	1	DTD130A		
	10aF10886	Housing, I/B	1	DTD130A		
28TA. 22170	11aF10886	Housing, O/B	1	DTD130A		
	22SS5880	Washer	—	—	C	
	3F10886	Lever	2	S96		QU2/75
		SHROUD ASSEMBLY, F10987				
		Spares for:—				
7519	15F10987	SHROUD, GROUP	1	—	C	QU1/76
SUA. 4357538	PLESSEY LTD. TRA170/26	Turbine, ram air	1	—	A	QU1/77
		TURBINE, AIR RAM FORWARD OF FRONT SPAR, AIR INTAKE, PORT (Mod. 514) (F11002)				
		Spares for:—				
7500	39F10921	ARM, REAR ASSEMBLY, GROUP	1	—	B	QU3/78
	21F10921	Spares for:—				
	24F10921	HOUSING BEARING FWD., GROUP	1	—		QU3/79
		HOUSING BEARING REAR, GRP.	1	—		QU3/80
		Consisting of:—				
2A:	HOFFMAN CH	Bearing	1	—		
	21aF10921	Housing, forward	1	DTD130A		
28FP. 16875	24aF10921	Housing, rear	1	DTD130A		
	8SS5880	Washer	1	—		
		BEAM, SUPPORT TOP (15F11002) (Mod. 1131)				
		Spares for:—				
7887	73F10921	Case, spring, outer	1	—	C	QU3/81
7888	74F10921	Case, spring, inner	1	—	C	QU3/82
7889	9SS4700	Spring	1	—	C	QU3/83
28134	12F11002	Stop	1	—	C	QU3/84
10036	1F11746	UNIT RELEASE, GROUP (Mod. 1131)	1	—	A	QU3/84a
		Consisting of:—				
	2F10999	Block	1	—		QU3/85
	3F10999	Block	1	—		QU3/86
288U/8843778	8D9487	Bolt, at spring	2	S1	MR	QU3/87
	AGS899/15	Collar	1	—	C	QU3/88
	2F11746	Hook	1	—	MR	QU3/89
	3F11746	Hook	1	—	MR	QU3/90
	7F10999	Lever	1	—		QU3/91
28P/1287739	SP/24.H.12	Pin	1	—	C	

SERVICES

RAM AIR TURBINE INSTALLATION

Ref. No.	Part No.	Description	No. off	Matl. Spec.	CL of	Plate and Illust'n No.
					St. M.R.	
		1 2 3 4				
		UNIT, RELEASE, GROUP (1F11748) (Cont'd)				
28P/1279967	5F10999	Pin	1	-		QU3/92
28P/1207738	SP80/H9	Pin, split	1	-	C	QU3/93
	SP/28/H 12	Pin, tapes	1	-	C	QU3/94
	1509524	Spring	2	DTD1B7		QU3/95
8893	3F10948	Spindle	1	S99		QU3/96
	6F10999	Washer, special	1	-	C	QU3/96a
7518	43F10921	Bolt, for attaching handle to rod	1	S98	C	QU3/97
20342	95F10921	Bolt, at I/B and O/B bracket (made from A25/1G)	8	-	C	QU3/98
20343	98F10921	Bolt, at release unit (made from A25/28)	4	-	C	QU3/99
8878	8F11002	BRACKET, TOP TURBINE, GROUP	1	-	C	QU3/100
7506	91F10921	BRACKET, BOTTOM I/B TURBINE, GROUP	1	-	C	QU3/101
20340	97F10921	BRACKET, BOTTOM O/B TURBINE, GROUP	1	-	C	QU3/102
27QM/4174207	DOWTY C1.11886/YA01	Damper	1	-	A	QU3/103
8878	1F11005	DOOR, MOUNTING TURBINE, GROUP (Pre-Mod 1336)	1	-		
11279	72F11005	DOOR, MOUNTING TURBINE, GROUP (Mod 1336)	1	-		QU4/104
		Spares for:-				
7488	35F10880	Bracket, hinge, aft	1	DTD130A	C	QU4/105
7485	35F10880	Bracket, hinge, inboard	1	DTD130N	C	QU4/106
8879	35F11005	Bracket, hinge, outboard	1	DTD130	C	QU4/107
8880	35F11005	BRACKET, MOUNTING, FORWARD, GROUP	1	-	C	QU4/108
8881	35F11005	BRACKET, MOUNTING, O/B, GROUP	1	-	C	QU4/109
8882	37F11005	BRACKET, MOUNTING, I/B, GROUP	1	-	C	QU4/110
		Spares for:-				
17944	HOFFMANN C13 10SS5880	Bearing	1	-		
		Washer	1	-		
20365	34F10880	Plate, cover	1	L72	C	QU4/111
	83F10880	Seal	1	Natural Rubber	MR	QU4/112
	57F11005	Seal, "P", forward inboard	1	DTD5509/C	L/M	QU4/113
	58F11005	Seal, "P", forward outboard	1	DTD5509/C	L/M	QU4/114
	59F11005	Seal, "P", inboard	1	DTD5509/C	L/M	QU4/115
	60F11005	Seal, "P", outboard	1	DTD5509/C	L/M	QU4/116
	61F11005	Seal, "P", inboard aft	1	DTD5509/C	L/M	QU4/117
	62F11005	Seal, "P", outboard aft	1	DTD5509/C	L/M	QU4/118
		(Indices 113-118 make from Ref. 26DC/7499)				
20361	66F11005	Strip, retaining	1	L72	C	QU4/119
20362	67F11005	Strip, retaining	1	L72	C	QU4/120
20363	68F11005	Strip, retaining	1	L72	C	QU4/121
20364	69F11005	Strip, retaining	1	L72	C	QU4/122
20365	70F11005	Strip, retaining	1	L72	C	QU4/123
20366	71F11005	Strip, retaining	1	L72	C	QU4/124

SERVICES

RAM AIR TURBINE INSTALLATION

Ref. No.	Part No	Description	No. off	Matl. Spec.	Cl. of St.	Plate and Illust'n No.
					M.R.	
		1 2 3 4				
TURBINE AIR RAM FORWARD OF FRONT SPAR AIR INTAKE, PORT (Mod. 514) (F11002) (Cont'd.)						
HANDLE, RESETTING (F11008)						
Spares for:—						
20364	4F11008	Bracket	2	—	C	QU3/125
20363	6F11008	Bracket	2	—	C	QU3/126
7513	4F10947	FLAP, GROUP	1	—	C	QU3/127
7512	7F10947	Handle, operating	1	DTD130A	C	QU3/128
7515	3F10947	Pin	1	S96	C	QU3/129
8868	20SS4700	Spring, flap	1	—	C	QU3/130
LEVERS ON TRANSVERSE RIB (F11007)						
Spares for:—						
9638	7F11007	LEVER, GROUP (Mod. 732)	—	—	B	QU3/131
Consisting of:—						
2A/9500411	R. & M. CK. 1/4.C	Bearing	1	—	C	
	2aF11007	Base	1	S21		
	78F11007	Lever	2	S510		
20360	6F11007	PLATE, FOR LEVER, GROUP	1	—	C	QU3/132
20351	6F11007	PLATE, FOR LEVER, GROUP	1	—	C	QU3/133
Spares for:—						
	3F11007	Base	1	DTD130A		
MOUNTING OF MICRO SWITCHES ADJACENT TO R.A.T. (Z9973)						
Spares for:—						
12620	8Z9911	Adjuster, end	1	S93	C	QU4/134
12621	10Z9911	Adjuster, base	1	S94	C	QU4/135
12623	12Z9911	Bearing	2	BS369	C	QU4/136
12624	13Z9911	Bearing	2	S93	C	QU4/137
	2Z9973	Cover	1	L72		QU4/138
	17Z9911	Fairlead	2	BSS2572		QU4/139
	6Z9911	PLATE, END, GROUP	1	—		QU4/L
12618	8Z9911	Plate, hinge	1	DTD130	C	QU4/141
	C1831Y Mk.1	Switch, micro	2	—		QU4/142
12622	11Z9911	Tube	1	T35	C	QU4/143
17447	13F11002	ROD, CONNECTING, TO RELEASE UNIT, GROUP (Mod. 732)	1	—	B	QU3/144
Spares for:—						
	6F10875	END, ROD, GROUP	1	—		QU3/145
Consisting of:—						
	CJO	Bearing	1	—		
	6aF10875	Housing	1	DTD130A		
	W. & S. 1106	Washer	1	—		

TAIL UNIT

FIN

Ref. No.	Part No.	Description	No. off	Matl. Spec.	Cl. of	Place and Illust'n No.
					St. M.R.	
		1 2 3 4				
1433132 1505089	400H2230	FIN ASSEMBLY, GROUP (Mod. 589)	1	-		RA2/1
	400H2230/C	FIN ASSEMBLY, GROUP (Pre-Mod. 2129)	1	-		
	400H2230/PC	FIN ASSEMBLY, GROUP (Mod. 2129)	1	-	A	
	1H3030/PC	FIN ASSEMBLY, GROUP (Mod. 2243)	1	-	A	
		(Complementary parts, e.g., intercomponent attachments listed at the end of this assembly will not be supplied with the assembly spare, and must be demanded when required) Spare for:- ACCESS, HOLE AND MOUNTING FOR PLUG BREAK 1036 IN FIN (H2829) (Mod. 1155) Spare for:- Plate, cover	1	L72		RA2/2
	8H2771 7H2771	Ring, mounting	1	L72	MR	
		CHAMBER, BALANCE (50H2555) (Pre-Mod. 2243) CHAMBER, BALANCE (100H2555) (Mod. 2243) CHAMBER, BALANCE (150H2555) (Mod. 2304) Spare for:- Bolt, 2 BA	30	-	C	
280/9438820	A25/1C	Channel	11	L72		
	92H2232	Channel	4	L72		
	93H2232	Clip, for conduit	15	DTD610A		EA1/3
	54H2232	Clip, for conduit	1	DTD610A		RA1/4
	55H2232	Conduit, 1" o/d x 24G x 17" long	1	DTD484		RA1/5
	32H2232	Conduit, 1" o/d x 24G x 16" long	2	DTD484		RA1/6
	33H2232					
	61H2559	DOOR, ACCESS, BALANCE CHAMBER, . BOTTOM, PORT, GROUP (Mod. 589)	1	-	MR	
	61H2559/P	DOOR, ACCESS, BALANCE CHAMBER, . BOTTOM, PORT, GROUP (Pre-Mod. 2129)	1	-		
1433383	61H2559/EP	DOOR, ACCESS, BALANCE CHAMBER, . BOTTOM, PORT, GROUP (Mod. 2129)	1	-	B	RA1/7
2860	1H2369	HINGE, BOTTOM, GROUP	1	-	C	RA1/8
	Consisting of:-					
	2H2369	Hinge, half	1	DTD610A		
	3H2369	Hinge, half	1	DTD610A		
	4H2369	Pin, hinge, 3/16" dia. x 47-1/2" long ..	1	DTD627		RA1/9
2860	1H2370	HINGE, TOP, GROUP	1	-	C	RA1/10
	Consisting of:-					
	2H2370	Hinge, half	1	DTD610A		
	3H2370	Hinge, half	1	DTD610A		
	4H2370	Pin, hinge, 3/16" x 47-1/2" long	1	DTD327		RA1/11

TAIL UNIT

FIN

Ref. No.	Part No.	Description	No. off	Matl. Spec.	Cl. of	Place and Illust'n No.
					St. M.R.	
		1 2 3 4				
		CHAMBER, BALANCE (50H2555) (Cont'd)				
	1H2561	DOOR, ACCESS, BALANCE CHAMBER, CENTRE PORT, GROUP (Mod. 500)			MR	
	1H2561/P	DOOR, ACCESS, BALANCE CHAMBER, CENTRE PORT, GROUP (Pre-Mod. 2129)	1	-		
1433361	1H2561/EP	DOOR, ACCESS, BALANCE CHAMBER, CENTRE PORT, GROUP (Mod. 2129)	1	-	B	RA1/12
2680	1H2370	HINGE, TOP, GROUP Spare for:- Consisting of:-	1	-	C	RA1/10
	2H2370	Hinge, half	1	DTD610A		
	3H2370	Hinge, half	1	DTD610A		
	4H2370	Pin, hinge, 3/16" dia. x 47-1/2" long	1	OTD327		RA1/11
2682	1H2371	HINGE, BOTTOM, GROUP Consisting of:-	1	-	C	RA1/13
	2H2371	Hinge, half	1	DTD610A		
	3H2371	Hinge, half	1	DTD610A		
	4H2371	Pin, hinge, 3/16" dia. x 37" long	1	OTD327		RA1/14
	1H2563	DOOR, ACCESS, BALANCE CHAMBER, TOP, PORT, GROUP (Mod. 500)	1	-	MR	
	1H2563/P	DOOR, ACCESS, BALANCE CHAMBER, TOP, PORT, GROUP (Pre-Mod. 2129)	1	-		
1433362	1H2563/EP	DOOR, ACCESS, BALANCE CHAMBER, TOP, PORT, GROUP (Mod. 2129)	1	-	B	RA1/15
2684	1H2372	HINGE, GROUP Spare for:- Consisting of:-	1	-	C	RA1/16
	2H2372	Hinge, half	1	DTD610A		
	3H2372	Hinge, half	1	DTD610A		
	4H2372	Pin, hinge, 3/16" dia. x 22-1/2" long	1	OTD327		RA1/17
280/1214091	AS1242/2C	ATTACHMENTS-DOORS PART NOS. 61H2559, 1H2561 & 1H2563 Bolt, 2 BA, csk. head	68	-	C	RA1/18
13254	23H2580	FAIRING, BOTTOM, BALANCE CHAMBER, STARBOARD, GROUP (Mod. 500)	1	-	A	

VULCAN No. 2		TAIL UNIT				Page RA. 3			
		FIN							
Ref. No.	Part No.	Description				No. off	Mater. Spec.	Class. St. M.R.	Plate and Illust'n No.
		1	2	3	4				
		BALANCE, FIN, CHAMBER (50H2555) (Cont'd)							
	23H2550/P	FAIRING, BOTTOM, BALANCE CHAMBER, STARBOARD, GROUP (Pre-Mod 2129)				1	-		
1433364	23H2550/EP	FAIRING, BOTTOM, BALANCE CHAMBER, STARBOARD, GROUP (Mod. 2129)				1	-	A	
11040	1H2552	FAIRING, CENTRE, BALANCE CHAMBER, STARBOARD, GROUP (Mod 589)				1	-	MR/B	
	1H2552/P	FAIRING, CENTRE, BALANCE CHAMBER, STARBOARD, GROUP (Pre-Mod 2129)				1	-		
1433365	1H2552/EP	FAIRING, CENTRE, BALANCE CHAMBER, STARBOARD, GROUP (Mod. 2129)				1	-	MR/B	
	1H2554	FAIRING, TOP, BALANCE CHAMBER, STARBOARD, GROUP (Mod 589)				1	-	MR	
	1H2554/P	FAIRING, TOP, BALANCE CHAMBER, STARBOARD, GROUP (Pre-Mod. 2129)				1	-		
1433366	1H2554/EP	FAIRING, TOP, BALANCE CHAMBER, STARBOARD, GROUP (Mod. 2129)				1	-	MR/B	
22889	1H2208	OUTLET, CABLE, GROUP				1	-	MR/B	
	35H2555	Strip, sealing, 3/16" thick x 1/2" wide x 3' 11" long				1	Sponge rubber		RA1/22
	36H2555	Strip, sealing, 3/16" thick x 1/2" wide x 3' 11" long				1	Sponge rubber		RA1/23
	37H2555	Strip, sealing, 3/16" thick x 1/2" wide x 3' 0" long				1	Sponge rubber		RA1/24
	38H2555	Strip, sealing, 3/16" thick x 1/2" wide				1	Sponge rubber		RA1/25
	39H2555	Strip, sealing, 3/16" thick x 1/2" wide				1	Sponge rubber		RA1/26
	40H2555	Strip, packing, 1/2" wide, top				1	L72		
	41H2555	Strip, packing, 1/2" wide, bottom				1	L72		
	42H2555	Strip, packing, 1/2" wide, top				1	L72		
	43H2555	Strip, packing, 1/2" wide, bottom				1	L59		
	85H2232	Screw, special, 1-1/8" long				4	598	MR	RH1/27
	56H2232	Spacer, balance chamber				1	BSS868		RH1/28
	57H2232	Spacer, balance chamber				3	BSS888		RA1/29

TAIL UNIT

FIN

Ref. No.	Part No.	Description	No. off	Matl. Spec	Cl. of St.	Plate and Illust'n No.
					M.R.	
		FIN. ASSEMBLY (400H2230) (Cont'd.)				
		EDGE, LEADING, FIN (1H2231)				
		Spares for:—				
		ELEMENT, ANTI-ICING LEADING				
		EDGE, FIN (1H2585)				
		Spares for:—				
280/1007285	AS1242/1B	Bolt, 4 BA, csk. head	8	—	C	RA2/30
27V/5274	TEDDINGTON	Element, temperature, skin sensing	2	—	A	RA2/31
28M/1107848	FKA/A/3	Nut, anchor, 4 BA	8	—	C	RA2/32
	AGS20019/B1	Plate, packing	4	DTD810A		RA2/32
	7H2585	Strip, reinforcing	2	DTD810A		RA2/33
	8H2585					
		TUBE, CONDUIT AND ELECTRICAL				
		CABLES TO ANTI-ICING ELEMENTS				
		(1V8795)				
		Spares for:—				
		BRACKET, GROUP	3	—		RA2/34
5X/6751	3V8795	Bung	1	—	C	RA2/35
	HELLERMANN	Bush	1	—		RA2/36
	HV3205					
	21S4284					
	7893V7909	CABLE (112F245) GROUP	1	—		RA2/37
5K/1201351	AGS1617/8	Clip, conduit	4	—	C	RA2/38
	PLESSEY	Nut, coupling	1	—		RA2/39
	Z61535	Shroud, plug	1	—		RA2/40
	PLESSEY					
	Z1498					
	4V8795	Tube, conduit, 22G x 1/2" o/d x 4' 0"	1	—	L56	RA2/41
		FIN, POST, FRONT, BOTTOM JOINT				
		(40H2234)				
		Spares for:—				
	41H2234	FITTING, JOINT, GROUP	1	—		RA3/42
	42H2234	FITTING, JOINT, GROUP	1	—		RA4/43
		Spares for:—				
	4H2360	Bush, 1-7/16" dia. x 1-3/4" long	1	S98		
		Attachments—Fittings, Part Nos. 41 and				
		42, H2234				
	34H2234	Bolt, special, 1" BSF	2	S98		RA3/44
	35H2234	Bolt, special, 7/8" BSF	2	S98		RA3/45
	36H2234	Bolt, special, 7/8" BSF	2	S98		RA3/46
	37H2234	Bolt, special, 3/4" BSF	4	S98		RA3/47
	38H2234	Bolt, special, 3/4" BSF	2	S98		RA3/48
	39H2234	Bolt, special, 9/16" BSF	2	S98		RA3/49
28M/8163388	A27/WS	Nut, slotted, 1.0" BSF	2	—	C	
28M/4095919	A27/US	Nut, slotted, 7/8" BSF	4	—	C	
28M/4095931	A27/SS	Nut, slotted, 3/4" BSF	6	—	C	
28M/4095918	A27/PS	Nut, slotted, 9/16" BSF	2	—	C	

TAIL UNIT

FIN

Ref. No.	Part No.	Description	No. off	Mach. Spec.	Cl. of	Plate and Must'n No.
					Sc.	
		1 2 3 4			M.R.	
FITTING, JOINT (41 & 42H2234) (Cont'd)						
28P/18241	SP90/G18	Pin, split, 1/32" dia.	10	-	C	
28P/19156	SP90/E12	Pin, split, 3/32" dia.	2	-	C	
28P/19204	SP90/H20	Pin, split, 5/32" dia.	2	-	C	
	43H2234	Plate, rubbing	4	L72		RA3/50
	44H2234	Plate, rubbing	4	L72		RA3/51
	46H2234	Washer, special, 1-1/16" dia. x 4G	2	L72		RA3/52
	24F7753	Washer, special, 1.85" dia. x 0.20" thick	2	DTD364A		RA3/53
	34F7760	Washer, special, 1.38" dia. x 0.20" thick	6	L1		RA3/54
	119F9844	Washer, special, 1.50" dia. x 0.20" thick	4	L65		RA3/55
FIN, POST, REAR BOTTOM JOINT (38H2235)						
Spare for:-						
	33H2235	FITTING, JOINT, GROUP	1	-		RA3/56
	34H2235	FITTING, JOINT, GROUP	1	-		RA3/57
Spare for:-						
	4H2362	Bush, 1-3/16" dia. x 1" long	1	S98		
Attachments - Fittings part nos. 33 & 34H2235						
8298	232H2230	Bolt, special, 3/4" BSF	2	S99	C	RA3/58
	27H2235	Bolt, special, 3/4" BSF	2	S99		RA3/59
	28H2235	Bolt, special, 1/2" BSF	4	S99		RA3/60
	29H2235	Bolt, special, 1/2" BSF	2	S99		RA3/61
	30H2235	Bolt, special, 1/2" BSF	12	S89		RA3/62
28M/4085882	A27/NS	Nut, slotted, 1/2" BSF	12	-	C	
28M/4085831	A27/35	Nut, slotted, 3/4" BSF	2	-	C	
28P/9626632	SP90/E10	Pin, split, 3/32" dia.	10	-	C	
28P/19241	SP90/G18	Pin, split, 1/8" dia.	4	-	C	
	36H2235	Plate, rubbing	4	-		RA3/63
	34F7760	Washer, special, 1.40" dia. x 0.20" thick	2	L1		RA3/64
	172F9844	Washer, special, 1.0" dia. x 5G	10	L72		RA3/65
28W/9419494	SP18/S	Washer, 3/4"	1	-	C	
MOUNTING, V.H.F. AERIAL (1H3047) (Mod. 2304)						
Spare for:-						
	4H2280	Bracket	1	DTD610A	MR	RA2/66
	5H2280	Bracket	1	DTD610A	MR	RA2/67
	2H2280	BRACKET, GROUP	2	-		RA2/68
	3H3047	Bracket	1	DTD610A	C	RA2/69
	4H3047	CHANNEL, GROUP	1	-	C	RA2/70
	2H3047	Plate, mounting	1	DTD610A		RA2/72

TAIL UNIT

FIN

Ref. No.	Part No.	Description	No. off	Mtrl. Spec.	Cl. of	Plate and Illust'n No.
					St. M.R.	
		1 2 3 4				
		FIN, ASSEMBLY (400H2230) (Cont'd)				
20H/4883988	AGS934/ES	POINT, SLINGING AT RIB 10 (1H2378)				
	10H2378	Spares for:—				
		Ferrule	8	-	C	
		Plug, screwed	2	L1	MR	RA2/74
20R/7135383	AGS935/B	Rod, tie	4	-	C	
		RADIO AND RADAR (T4202) (See—Radio and Radar Installation)				
		RIB, HINGE, No. 3, AFT (1H2276) (Pre-Mod. 2243)				
		RIB, HINGE, No. 3, AFT (1H3027) (Mod. 2243) (Pre-Mod. 2304)				
		RIB, HINGE, No. 3, AFT (5H3027) (Mod. 2304)				
		Spares for:—				
	1H2380	BRACKET, HINGE, GROUP	1	-	MR	RA1/75
		Spares for:—				
	5SS4241	Bush, 1" dia. x .50" long	2	S96	MR	RA1/76
	4H2380	Bush, 15/16" dia. x .50" long	2	S96		RA1/77
		RIB, HINGE, No. 11, AFT (1H2577) (Pre-Mod. 2243)				
		RIB, HINGE, No. 11, AFT (1H3028) (Mod. 2243) (Pre-Mod. 2304)				
		RIB, HINGE, No. 11, AFT (5H3028) (Mod. 2304)				
		Spares for:—				
	1H2267	BRACKET, HINGE, GROUP	1	-	MR	RA1/78
		Spares for:—				
	5SS4241	Bush, 1" dia. x .50" long	2	S96	MR	RA1/76
	4H2380	Bush, 15/16" dia. x .50" long	2	S96		RA1/77
	8H2577	CHANNEL, GROUP	1	-	MR	
	9H2577	Channel, 20G x 12" long, make from	1	OTD610A	MR	
		100SS1793				
	12H2577	Channel, 20G x 8.5" long, make from	1	DTD610A	MR	
		100SS1793				
	13H2577	Channel, 20G x 8.5" long, make from	1	DTD610A	MR	
		100SS1793				
	14H2577	CHANNEL, GROUP	1	-	MR	
	4H2577	Plate, top, reinforcing	1	OTD610A	MR	
	5H2577	Plate, bottom, reinforcing	1	OTD610A	MR	
		RIB, HINGE, No. 18, AFT (1H2584) (Pre-Mod. 2243)				
		RIB, HINGE, No. 18, AFT (1H3026) (Mod. 2243) (Pre-Mod. 2304)				
		RIB, HINGE, No. 18, AFT (5H3026) (Mod. 2304)				
		Spares for:—				
	1H2267	BRACKET, HINGE, GROUP	1	-	MR	RA1/78
		Spares for:—				
	5SS4241	Bush, 1" dia. x .50" long	2	S96	MR	RA1/76
	4H2380	Bush, 15/16" dia. x .50" long	2	S96		RA1/77

VULCAN No. 2

TAIL UNIT

Page RA. 7

FIN

Ref. No.	Part No.	Description				No. off	Matl. Spec.	Cl. of	Plate and Illust'n No.
		1	2	3	4			St. M.R.	
		RIB, HINGE, No. 18, AFT (1H3025) (Cont'd)							
	8H2584	CHANNEL, GROUP				1	-	MR	
	9H2584	Channel, 20G x 8.5" long, make from				1	-	MR	
	12H2584	100SS1783							
	4H2584	Channel, 20G x 4-1/2" x 8-1/2"				1	DTD810A	MR	
	5H2584	Plate, bottom, reinforcing				1	DTD810A	MR	
		Plate, top, reinforcing				1	DTD810A	MR	
1506374	63H2230	Skin, lower, forward, port				1	DTD626	MR	RA2/79
1506375	64H2230	Skin, lower, forward, starboard				1	DTD626	MR	RA2/80
	65H2230	Skin, upper, forward, port				1	DTD626	C	RA2/81
	66H2230	Skin, upper, forward, starboard				1	DTD626	C	RA2/82
	67H2230	Skin, lower, aft, port				1	DTD626	MR	RA2/83
1506376	68H2230	Skin, lower, aft, starboard				1	DTD626	MR	RA2/84
1433774	69H2230	Skin, upper, aft, port				1	DTD626	C	RA2/85
	70H2230	Skin, upper, aft, starboard				1	DTD626	C	RA2/86
	10H2586	TIP, FIN, GROUP (Pre Mod. 2304)				1	-		RA2/87
		Spars for:-							
	3H2586	Aerial, Gee, copper metal foil, 1/64" or				1	-		RA2/88
		28 SWG							
	5H2586	Lead, earth, "Uniflexpre", 8 cable,				2	-		RA2/89
		10' long							
		PLATES, FIN TIP (1H2373)							
		Consisting of:-							
28M/4095868	AGS2007/C1	Nut, anchor, 2 BA				8	-	C	
11028	2H2373	Plate, nose				1	L4 or L50	MR	RA2/90
11028	3H2373	Plate, outer side, port				1	DTD610	C	RA2/91
	4H2373	Plate, outer side, starboard				1	DTD610	C	RA2/92
	5H2373	Plate, inner side, port				1	DTD610	MR	RA2/93
	6H2373	Plate, inner side, starboard				1	DTD610	MR	RA2/94
	7H2373	Plate, tail end				1	DTD610	MR	RA2/95
28Q/6664	AS2227/304	Pivot, 3/32" dia.				18	-	C	
	G.K.N. LTD.								
	4100/No. 4 x								
	3/16"								
	ROSS								
	COURTNEY								
	WE491								
		Terminal				2	-		RA2/96
28D/1214091	AS1242/2C	Attachments-Fin Tip (10H2586)							
		Bolt, 2 BA, csk. hd.				64	-	C	RA2/97

TAIL UNIT

FIN

Ref. No.	Part No	Description	No. off	Matl. Spec	Cl. of St.	Plate and Illust'n No
					M.R.	
		1 2 3 4				
1510654	1H3045	TIP, FIN, GROUP (Mod. 2304)	1	—	A	RA2A/132
		Spares for:—				
28D/9708401	AS1242/3C	Bolt, csk. head	8	—		RA2A/133
28D/1007976	AS1242/4C	Bolt, csk. head	106	—		RA2A/134
28D/1007978	AS1242/7C	Bolt, csk. head	5	—		RA2A/135
28D/1214031	AS1242/8C	Bolt, csk. head	4	—		RA2A/136
28D/1214032	AS1242/9C	Bolt, csk. head	47	—		RA2A/137
		INSTALLATION OF FWD. AERIAL	—	—		RA2A/138
		(TS140) (Mod. 2304)				
		Spares for:—				
	5TB140	Angle	1	L85		RA2A/139
	6TB140	Angle	1	L85		RA2A/140
28D/9140649	A25/23C	Bolt, hex. head	4	—		RA2A/141
28D/1011238	A25/3E	Bolt, hex. head	8	—		RA2A/142
28D/1007978	AS1242/4C	Bolt, csk. head	4	—		RA2A/143
28D/9708461	AS1242/3C	Bolt, csk. head	14	—		RA2A/144
	9TB140	FAIRING, GROUP	1	—		RA2A/145
		Spares for:—				
	2TB142	Frame, window	1	—		RA2A/146
28M/4085888	AGS2007/C1	Nut, anchor	18	—		
28M/9436580	AGS2007/E1	Nut, anchor	4	—		
28M/9436648	AGS2018/E1	Nut, anchor	4	—		
	A.E.I.					
	316421/A1	Hood, R7, type 17214	1	—		RA2A/147
	8TB140	Pad, r.a.m. (Make from 78JA/6279018	2	—		RA2A/148
		ECCOSORB AH73) (Emerson & Cumming)				
	3TB140	PANEL, R.A.M., GROUP	1	—		RA2A/149
	4TB140	PANEL, R.A.M., GROUP	1	—		RA2A/150
1510655	1TB365	WINDOW, RADAR, GROUP	1	—	B	RA2A/151
		INSTALLATION OF AFT AERIAL	—	—		RA2A/152
		(TB145) (Mod. 2304)				
		Spares for:—				
	5TB140	Angle	1	L85		RA2A/153
	6TB140	Hinge	1	L85		RA2A/154
28D/9140649	A25/23C	Bolt, hex. head	4	—		RA2A/155
28D/1013172	AS1242/5C	Bolt, csk. head	8	—		RA2A/156
28D/1011238	A25/3E	Bolt, hex. head	8	—		RA2A/157
28D/9709481	AS1242/3C	Bolt, csk. head	14	—		RA2A/158
28D/1007976	AS1242/4	Bolt, csk. head	4	—		RA2A/159
1510656	E/SS134	Bolt	2	—		RA2A/160
1510657	G/SS134	Bolt	1	—		RA2A/161
1510658	H/SS134	Bolt	1	—		RA2A/162
1510659	I/SS134	Bolt	1	—		RA2A/163

VULCAN 40 2

TAIL UNIT

Page RA. 78

FIN

Ref. No.	Part No.	Description	No. off	Matl. Spec	Cl. of St.	Plate and Illust'n No.
					M.R.	
		1 2 3 4				
		INSTALLATION OF AFT AERIAL (T8145) (Cont'd.)				
1510660	1SS5845	Ferrule	5	—	C	RA2A/164
	3T8145	FAIRING, GROUP	1	—		RA2A/165
	1T8142	Spares for:—				
	AGS2007/C1	Frame, window	1	—		RA2A/166
28M/4085888	AGS2007/E1	Nut, anchor	18	—		
28M/8435580	AGS2018/E1	Nut, anchor	4	—		
28M/8435840	AGS2018/E1	Nut, anchor	4	—		
	A.E.I.					
	316421/A1	Head, R7, type 17214	1	—		RA2A/167
	8T8140	Pad, r.a.m. (Make from ECCOSORB AH73) (Emerson & Cumming)	1	—		RA2A/168
	3T8140	PANEL, R.A.M., GROUP	1	—		RA2A/169
	4T8140	PANEL, R.A.M., GROUP	1	—		RA2A/170
1510655	1T8365	WINDOW, RADAR, GROUP	1	—	B	RA2A/171
28M/4085888	AGS2007/C1	Nut, anchor	8	—		
28M/1012016	AGS2001/C1/86	Nut, anchor	56	—		
	2H2373	Plate, nose	1	—		RA2A/172
	6H3045	Plate, outer side, port	1	—		RA2A/173
	7H3045	Plate, outer side, starboard	1	—		RA2A/174
	8H3045	Plate, inner side, port	1	—		RA2A/175
	9H3045	Plate, inner side, starboard	1	—		RA2A/176
	7H2373	Plate, tail end	1	—		RA2A/177
	SP58/E	Washer	56	—		
		Attachments for Fin Tip (1H3045)				
28D/1214091	AS1242/2C	Bolt, 2 BA csk. head	60	—	C	RA2A/178

TAIL UNIT

FIN

Ref. No.	Part No.	Description	No off	Matl Spec	Cl. of	Plate and Illust'n No.
					St.	
		1 2 3 4				
COMPLEMENTARY ITEMS ATTACHMENT FITTINGS FOR ATTACHING FIN TO CENTRE SECTION, FUSELAGE (H2230)						
Spares for:—						
ATTACHMENTS AT FRONT FIN POST TO REAR SPAR (40H2446)						
Spares for:—						
2070	18H2446	Bolt, special, at shackle	4	S99	C	RA3/98
28D/1202771	A25/4G	Bolt, 5/16" BSF	12	—	C	RA3/99
2072	21H2446	Nut, special, at shackle	4	S96	C	RA3/100
28M/5808571	A27/GS	Nut, slotted, 5/16" BSF	12	—	C	
28P/1040788	SP90/C8	Pin, split, 1/16" dia. x 1" long	12	—	C	
28P/20112	SP90/K20	Pin, split, 3/16" dia. x 2-1/2" long	4	—	C	
	36H2446	Plate, rubbing	2	L72	MR	RA3/101
	33H2446	Shackle	4	S98		RA3/102
	38H2446	Washer, special, under bolt head	4	DTD130		RA3/103
2075	20H2446	Washer, special, under nut	4	S1 or S93	C	RA3/104
28W/9419403	SP13/G	Washer, 5/16" BSF	12	—	C	
ATTACHMENTS AT REAR FIN POST TO FORMER 428 (40H2446)						
Spares for:—						
2071	15H2446	Bolt, special, at shackle	4	S99	C	RA3/105
28D/1213788	A30/10J	Bolt, 3/8" BSF	8	—	C	RA3/106
28D/1213431	A30/4J	Bolt, 3/8" BSF	11	—	C	RA3/107
28D/1006842	A25/13G	Bolt, 5/16" BSF	2	—	C	RA3/108
	26F7753	Nut, special, at shackle	4	—	MR	RA3/109
28M/1011478	A27/JS	Nut, slotted, 3/8" BSF	19	—	C	
28M/1202770	AGS2001/G1	Nut, stiff, 5/16"	2	—	C	
28P/1221025	SP90/H16	Pin, split, 5/32" dia. x 2" long	4	—	C	
28P/1040788	SP90/C8	Pin, split, 1/16" dia. x 1" long	19	—	C	
	37H2446	Plate, rubbing	2	L72	MR	RA3/110
	34H2446	Shackle, forward	2	S99		RA3/111
	35H2446	Shackle, rear	2	S99		RA3/112
	13H2446	Shim	As	L72		RA3/113
	14H2446	Shim	As	L72		RA3/114
	31H2446	Shim, 2.7" x 2.7" x 18G	2	L73		RA3/115
	23F8775	Washer, special, under bolt head	4	DTD130		RA3/116
2076	25H2446	Washer, special, under nut	4	S1	C	RA3/117
28W/9419403	SP13/J	Washer, 3/8" BSF	19	—	C	
28W/9419478	SP15/G	Washer, 5/16" BSF	2	—	C	

TAIL UNIT
FIN

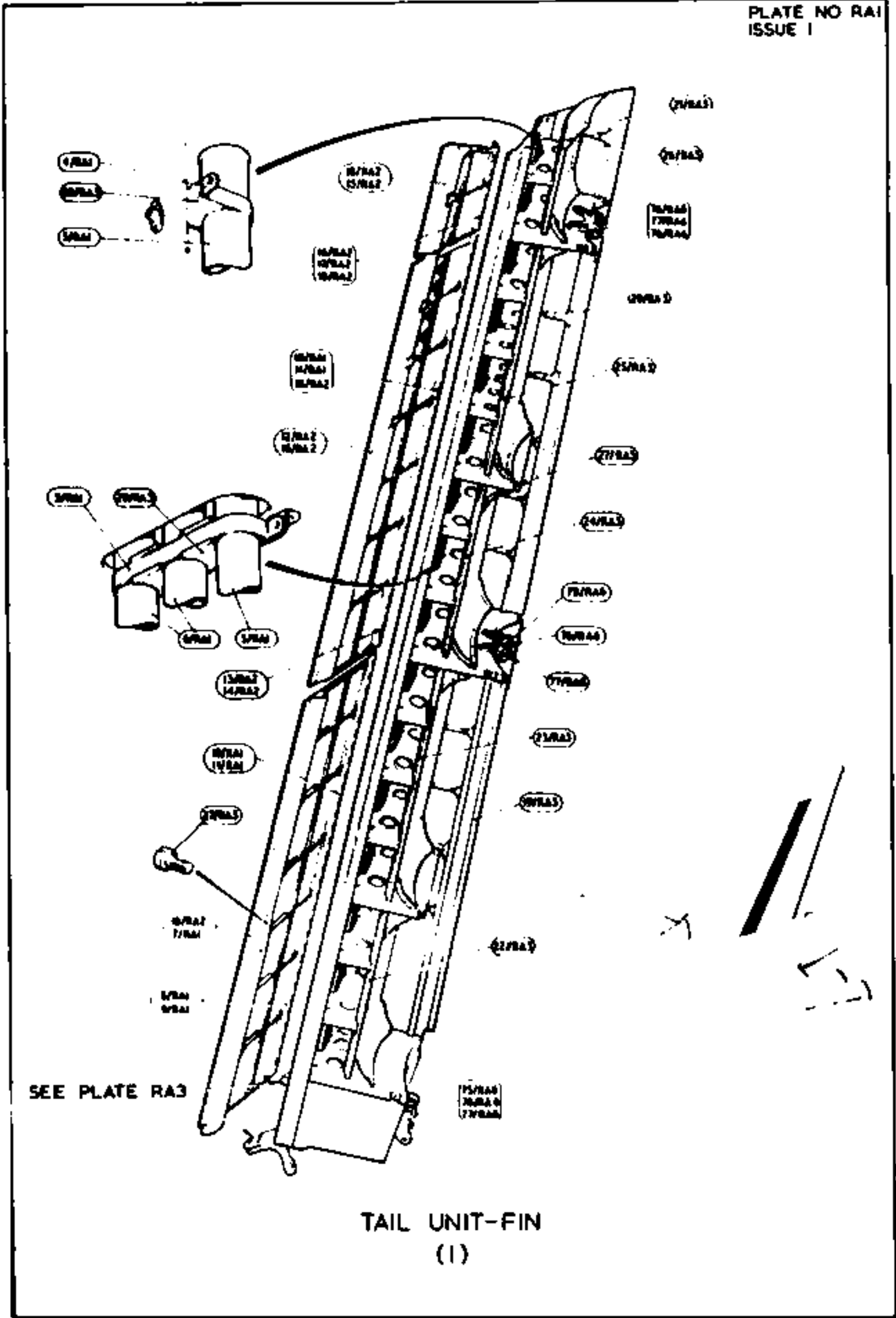
Ref. No.	Part No.	Description	No. off	Matl. Spec.	Cl. of	Plate and Illust'n No.
					St.	
		1 2 3 4			M.R.	
COMPLIMENTARY ITEMS (Cont'd)						
ATTACHMENTS, FIN FILLET BETWEEN REAR SPAR AND FORMER 428 (H2446)						
Spares for —						
28D 9438820 17878 ZBM 17878 ZBM/4000000 ZBM-1/9992192	7H2446	Angle, port ...	1	L72		RA2-118
	8H2446	Angle, starboard ...	1	L72		RA2-119
	A25/C	Bolt, 2 BA ...	26	—	C	RA2-120
	3H2446	Fillet, 20G x 8" x 6' 8" long, port ...	1	L72	MR	RA2-121
	4H2446	Fillet, 20G x 8" x 6' 8" long, starboard ...	1	L72	C	RA2-122
	AGS2015/C11	Nut, strip, 2 BA, 1" pitch ...	2	—	C	
	AGS2007/C1	Nut, anchor, 2 BA ...	122	—	C	
	AGS2009/C1	Nut, anchor, 2 BA ...	12	—	C	
	5H2446	Plate, 16G x 3" x 6' 8" long, port ...	1	DTD610A		RA2-123
	6H2446	Plate, 16G x 3" x 6' 8" long, starboard ...	1	DTD610A		RA2-124
	26H2446	Plate, strap, 18G x 6" x 2' 5", port ...	1	DTD610A		RA2-125
	27H2446	Plate, strap, 18G x 6" x 2' 5", stbd. ...	1	DTD610A		RA2-126
	28H2446	Plate, strap, 18G x 6" x 2' 5", Port ...	1	DTD610A		RA2-127
	29H2446	Plate, strap, 18G x 6" x 2' 5", stbd. ...	1	DTD610A		RA2-128
	4SS4353	Screw, 120° csk. head ...	98	—	MR	RA2-129
	12SS4353	Screw, 120° csk. head ...	2	—	MR	RA2-130
	30H2446	Strip, saddle, 12G x 2.25" x .265" ...	2	L72		RA2-131

VULCAN No. 2

TAIL UNIT-FIN
SUMMARY OF STANDARD ITEMS

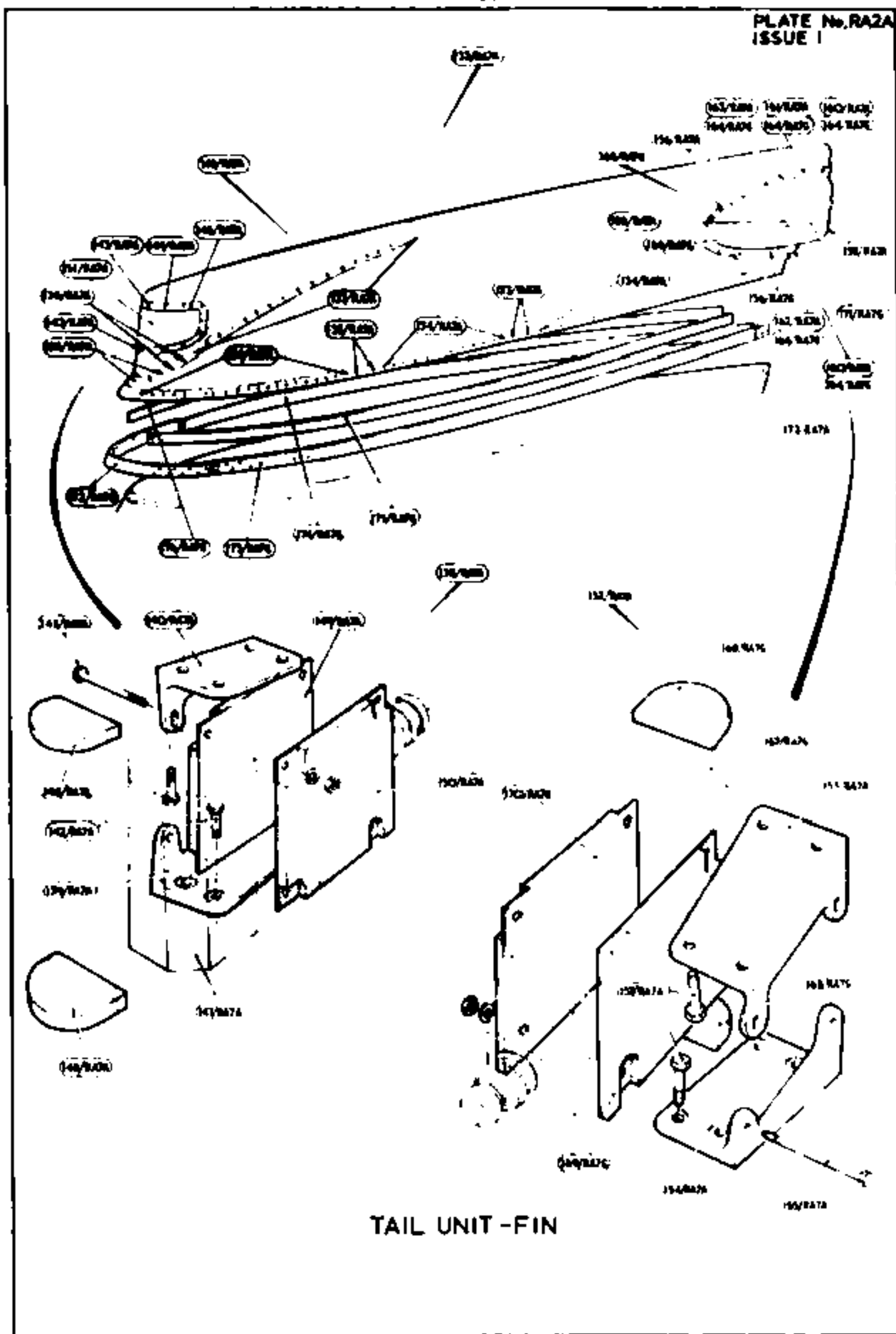
Page RA. 11

Stores Ref.		No. off	Stores Ref.		No. off	Stores Ref.		No. off
Section	Ref. No.		Section	Ref. No.		Section	Ref. No.	
28D	8307	64				28R	6124	4
28D	10410	11						
28D	1006942	2						
28D	1007285	8						
28D	1202771	12						
28D	1213768	8						
28D	1214091	68	28P	19155	2			
28D	9436920	56	28P	19204	2			
			28P	19228	12			
			28P	19229	19			
			28P	19235	10			
			28P	19241	14			
			28P	20112	4			
			28P	1221025	4			
						28W	9419403	12
						28W	9419466	19
28H	6458	8				28W	9419476	2
						28W	9419494	1
			28Q	6664	16			
28M	10291	2						
28M	11957	122						
28M	13259	12						
28M	13415	2						
28M	13416	4						
28M	13590	8						
28M	13774	8						
28M	17576	2						
28M	1011476	19						
28M	5808571	12						
28M	9153386	2						
28M	9993192	12						



RESTRICTED

PLATE No. RA2A
ISSUE I



TAIL UNIT-FIN

RESTRICTED

TAIL UNIT
RUDDER

Ref. No.	Part No.	Description	No. off	Matl. Spec.	Cl. of	Plate and Illust'n No.
					St.	
		1 2 3 4				
1432857	1H2760	RUDDER, ASSEMBLY, GROUP	1	—	A	RB1/1
	30H2760	(Pre-Mod. 871)	1	—		
	30H2760/C	RUDDER, ASSEMBLY, GROUP	1	—		
	30H3760/P	(Mod. 871 & Pre-Mod. 2060)	1	—		
	30H3760/PC	RUDDER, ASSEMBLY, GROUP	1	—		
	1H2952	(Mod. 1877)	1	—		
	1H2952/PC	RUDDER, ASSEMBLY, GROUP	1	—		
		(Pre-Mod. 2060, Mod. 2129)				
		(Mod. 2060) (Pre-Mod. 2129)				
		(Mod. 2129)				
		(Complimentary parts, e.g. inter component attachments listed at the end of this assembly will not be supplied with the assembly spare, and must be demanded when required)				
		Spares for :—				
28D 1213610	72H2229	Bolt, special, for hinge attachment	2	S96	MR	RB2/2
	A59/10G	Bolt, for hinge fitting, $\frac{1}{8}$ " BSF	4	—	C	RB2/3
2881	1H2426	BRACKET, HOUSING, CENTRE HINGE, GROUP	1	—	C	RB2/4
		Consisting of :—				
2A 9501379	SKEFCO	Bearing	1	—	C	RB2/5
2083	22205	Bush	2	S1	C	RB2/6
	16F7994	Cap, dust	1	S3	MR	RB2/7
	2H2429	Collar	1	S96	MR	RB2/8
	4H2356	Housing	1	S96	MR	
28N 9156370	2H2426	Nipple, grease (Pre-Mod. 1093)	1	—	C	
	SP21	Nipple, grease (Mod. 1093)	1	—		
	TECALEMIT					
	NA5700-1					
2082	1H2427	BRACKET, HOUSING, TOP, HINGE, GROUP	1	—	C	RB2/9
		Consisting of :—				
2A 9501379	SKEFCO	Bearing	1	—	C	RB2/5
2083	22205	Bush	2	S1	C	RB2/6
	16F7994	Cap, dust	1	S3	MR	RB2/7
	2H2429	Collar	1	S96	MR	RB2/8
	4H2356	Housing	1	S96	MR	
28N 9156370	2H2427	Nipple, grease (Pre-Mod. 1093)	1	—	C	
	SP21	Nipple, grease (Mod. 1093)	1	—		
	TECALEMIT					
	NA5700/1					
28W 9419405	SP15/E	Washer	1	—	C	
		Attachments—Brackets Parts Nos. 1H2626 and 1H2427				
28D 9133811	A25/2C	Bolt, 2 BA	28	—	C	RB2/10

TAIL UNIT
RUDDER

Ref. No.	Part No.	Description	No. off	Matl. Spec.	Cl. of	Plate and Illust'n No
					St.	
		1 2 3 4			M.R.	
		RUDDER, ASSEMBLY (30H2760 AND 1H2982) (Cont'd)				
		EDGE, LEADING, AND BALANCE (100H2580) (Pre-Mod. 891) (200H2580) (Mod. 891) (H2945) (Mod. 2060)				
		Spares for:—				
	10H2553	DOOR, ACCESS, MIDDLE HINGE, GROUP	2	—		
	10H2553/P	DOOR, ACCESS, MIDDLE HINGE, GROUP (Pre-Mod. 2129)	2	—		
1433368	10H2553/EP	DOOR, ACCESS, MIDDLE HINGE, GROUP (Mod. 2129)	2	—	C	RB2/11
26FP 13689	35S3237	Attachments—Part No. 10H2553 Screw, 120° csk. hd., 4 BA ...	6	—	C	RB2/12
	8H2553	DOOR, ACCESS, TOP HINGE, GROUP	2	—	MR	
	8H2553/P	DOOR, ACCESS, TOP HINGE, GROUP (Pre-Mod. 2129)	2	—		
1433367	8H2553/EP	DOOR, ACCESS, TOP HINGE ...	2	—	C	RB1/13
26FP:13689	35S3237	Attachments—Part No. 8H2553 Screw, 102° csk. hd., 4 BA ...	4	—	C	RB2/12
		LEVER, OPERATING, AND RUDDER TORQUE SHAFT (1H2753)				
		Spares for:—				
	1H42354	Bolt, special, for lever ...	16	S99	MR	RB1/14
2088	1H2355	BEARING, BOTTOM, GROUP...	1	—	A	RB1/15
		Spares for:—				
	SKEFCO 22206	Bearing ...	1	—		RB1/16
	3H2355	Bush ...	2	S96	MR	RB1/17
	5S54241	Bush ...	4	S96	MR	RB1/18
	1H2429	Cap, dust ...	1	S3	MR	RB1/19
	4H2355	Collar ...	1	S11 or S94	MR	RB1/20
	2H2355	Housing ...	1	S96	MR	
28N: 9158370	SP21	Nipple, grease ...	1	—	C	
	ASS/C3	Screw, grub. 2 BA ...	1	—		
	3H2753	Bracket, torque shaft, at rib No. 4 ...	1	—		
	4H2753	Bracket, torque shaft, at rib No. 3 ...	1	—		
	1H2491	LEVER, OPERATING, L.H., GRP.	1	—		RB1/21
	2H2491	LEVER, OPERATING, R.H., GRP.	1	—		RB1/22
		Spares for:—				
	SKEFCO 22205	Bearing ...	1	—	MR	RB1/5
2083	16F7994	Bush ...	2	S1	C	RB1/6
	2H2429	Cap, dust ...	1	S3	MR	RB1/7
	4H2356	Collar ...	1	S2	MR	RB1/8
28N: 9158370	SP21	Nipple, grease ...	1	—	C	

VULCAN No. 2

TAIL UNIT
RUDDER

Page RB 3

Ref. No.	Part No.	Description				No. off	Mater. Spec.	Cl. of	Plate and Illust'n No.
		1	2	3	4			St. M.R.	
		LEVER, OPERATING AND RUDDER TORQUE SHAFT (1H2753) (Cont'd)							
	8H2354				Plug, red fibre	1	BS1218		
	2H2753				Shaft, torque	1	S11 or S04		RB1/23
	9H2354				Washer	1	S3 or S1		RB1/24
28FP/13044	1SS3280				Plate, serial	1	-	C	
28FP/13043	1SS3250				Plate, modification record	1	-	C	
		SEALING, RUDDER BALANCE (20H2763) (Mod 1406)							
		Spares for:-							
28D/10132B4	AS1248/2C				Bolt, mushroom head, 2 BA	140	-	C	
	16H2763				SEAL, GROUP	1	-	MR	RB1/25
	18H2763				SEAL, GROUP	1	-	MR	RB2/28
	17H2763				SEAL, GROUP	1	-	MR	RB1/27
	18H2763				SEAL, GROUP	1	-	MR	RB1/28
	19H2763				SEAL, GROUP	1	-	MR	RB1/29
5329	48H2588				Strip, fixing, former No. 4-7A	1	L34	MR	RB1/30
	29H2588				Strip, fixing, former No. 8A-17A	1	L34	C	RB2/31
	30H2588				Strip, fixing, former No. 18A-25A	1	L34	MR	RB1/32
5331	31H2588				Strip, fixing, former No. 26A-34A	1	L34	C	RB1/33
5332	32H2588				Strip, fixing, former No. 35A-41	1	L34	C	RB1/34
5333	33H2588				Strip, fixing, rib No. 4	1	L34	C	RB1/35
5334	34H2588				Strip, fixing, rib No. 7	2	L34	C	RB1/36
	35H2588				Strip, fixing, rib No. 11	2	L34	MR	RB2/37
5336	36H2588				Strip, fixing, rib No. 14	2	L34	C	RB1/38
5337	37H2588				Strip, fixing, rib Nos. 18 and 20	3	L34	C	RB1/39
	44H2588				Strip, furring, rib No. 4	1	L34		RB1/40
	82H2588				Skin, support, balance weight nose former No. 1-7A, Port	1	L72	MR	RB1/41
	83H2588				Skin, support, balance weight nose former No. 1-7A, starboard	1	L72	MR	RB1/42
	61H2588				Skin, support, balance weight nose former No. B-17A, port	1	L72	MR	RB2/43
	62H2588				Skin, support, balance weight nose former No. B-17A, starboard	1	L72	MR	RB2/44
	63H2588				Skin, support, balance weight nose former No. 18A-25A, port	1	L72	MR	RB1/45
	64H2588				Skin, support, balance weight nose former No. 18H-25A, starboard	1	L72	MR	RB1/46
	65H2588				Skin, support, balance weight nose former No. 26A-34A, port	1	L72	MR	RB1/47
	66H2588				Skin, support, balance weight nose former No. 26A-34A, stbd	1	L72	MR	RB1/48
	67H2588				Skin, support, balance weight nose former No. 35A-41, port	1	L72	MR	RB1/49

TAIL UNIT
RUDDER

Ref. No.	Part No.	Description	No. off	Matl. Spec.	Cl. of	Plate and Illust'n No.
					St. M.R.	
		1 2 3 4				
EDGE, LEADING AND BALANCE (H2588, H2945) (Cont'd)						
	68H2588	Skin, support, balance weight nose former No 35A-41, starboard	1	L72	MR	RB1/60
	84H2588	Weight, balance, port, 2' 1" x 2-3/8" x 1"	1	LEAD	MR	RB1/61
	85H2588	Weight, balance, stbd., 2' 1" x 2-3/8" x 1"	1	LEAD	MR	RB1/62
	51H2588	Weight, balance, port, 3' 7" x 2-3/8" x 1"	1	LEAD	MR	RB2/53
	52H2588	Weight, balance, stbd., 3' 7" x 2-3/8" x 1"	1	LEAD	MR	RB2/54
	53H2588	Weight, balance, port, 2' 8-1/2" x 2-1/8" x 1"	1	LEAD	MR	RB1/65
	54H2588	Weight, balance, stbd., 2' 8-1/2" x 2-1/8" x 1"	1	LEAD	MR	RB1/66
	55H2588	Weight, balance, port, 3' 7" x 2-1/8" x 1"	1	LEAD	MR	RB1/67
	56H2588	Weight, balance, stbd., 3' 7" x 2-1/8" x 1"	1	LEAD	MR	RB1/68
	57H2588	Weight, balance, port, 2-1/2" x 1 7/8" x 1"	1	LEAD	MR	RB1/69
	58H2588	Weight, balance, stbd., 2 1/2" x 1 7/8" x 1"	1	LEAD	MR	RB1/60
Attachments—Lead Balance Weights						
28D/9140845	A25/10C	Bolt, 2 BA	32	—	C	RB2/61
28D/7002428	A25/6C	Bolt, 2 BA	46	—	C	RB1/62
28D/1011022	A25/18C	Bolt, 2 BA	62	—	C	RB2/63
28M/1012015	AGS2001/C1/66	Nut, stiff, 2 BA	77	—	C	
28M/9433473	AGS2002/C1	Nut, stiff, 2 BA	63	—	C	
28W/9419402	SP13/C	Washer, 2 BA	287	—	C	
	13H2945	Weight, balance, 1.50" x 1.50" x 6.50"	1	S93		RB1/66
	14H2945	Weight, balance, 1.50" x 1.50" x 5.0"	1	S93		RB1/64
	15H2945	Weight, balance, 1.50" x 1.50" x 4.5"	1	S93		RB1/66
	16H2945	Weight, balance, 1.50" x 1.50" x 7.50"	3	S93		RB1/67
	27H2945	Weight, balance, 1.50" x 1.50" x 8.50"	2	S93		RB1/68
Attachments—Steel Balance Weights						
28D/9488619	AS1242/17C	Bolt, csk. hd., 2 BA	44	—	C	RB1/69
28M/1012015	AGS2001/C1/66	Nut, stiff, 2 BA	44	—	C	
28W/9419402	SP13/C	Washer, 2 BA	44	—	C	
	1H2740	FAIRING, UNDER RUDDER, GROUP (Pre-Mod 2C50)	1	—		
	1H2903	FAIRING, UNDER RUDDER, GROUP (Mod. 2080)	1	—	MR	
2086	1H2428	FITTING, HINGE, TOP AND CENTRE RUDDER TO FIN, GROUP	2	—	C	RB2/70
Consisting of:—						
	5SS4241	Bush, lipped	2	S96	MR	RB2/71
	4H2428	Bush, plain	2	S96	MR	RB2/72
	2H2428	Fork	1	—		RB2/73
10120	2Z7132	MOUNTING, RUDDER CONTROL, SURFACE TRANSMITTER (Z7132) Spares for:— BRACKET, MOUNTING, GROUP	1	—	C	RB2/74

**TAIL UNIT
RUDDER**

Ref. No.	Part No.	Description	No. off	Matl. Spec.	Cl. of	Plate and Illust'n No.
					St. M.R.	
		1 2 3 4				
		MOUNTING, RUDDER CONTROL, SURFACE TRANSMITTER (Z7132) (Cont'd)				
	3Z7132	BRACKET, LEVER, GROUP ...	1	—	MR	RB2/75
9813	4Z7132	CLIP, RETAINING, GROUP ...	1	—	C	RB2/76
	5Z7132	Lever ...	1	—	MR	RB2/77
	6Z7132	ROD, CONTROL LEVER, GROUP	1	—	MR	RB2/78
		Consisting of:—				
2516	1554091	Fork-end fitting ...	2	S96	C	RB2/29
28M.1006473	A27/CT	Nut, lock, 2 BA ...	2	—	C	
	7Z7132	Rod, screwed ...	1	S1	MR	RB2/80
6A 4182	SANGAMO WESTON S132	Transmitter ...	1	—	A	RB2/81
28M 4085887	A24/QT	Nut, slotted, for hinge fittings ...	2	—	C	
28M 4085895	A24/GS	Nut, slotted, for hinge attachments ...	4	—	C	
28P 19155	SP90/E12	Pin, split, 1/8" dia., for hinge fittings ...	2	—	C	
28P 1040788	SP90/CB	Pin, split, 1/8" dia., for hinge attachments ...	4	—	C	
	1H2395	PLUG, SLINGING POINT, CENTRE, GROUP	2	—	MR	RB1/82
		COMPLEMENTARY ITEMS				
		ATTACHMENT FITTINGS, RUDDER TO PIN (H2230), SHEET 6 Consisting of —				
6163	231H2230	Bolt, special, 1/2" BSF, bottom hinge	2	S99	C	RB1/83
	83H2230	Bolt, special, 1/2" BSF, top and centre hinge	2	S99	MR	RB2/84
	112R3577	BOLT, GREASER, OUTPUT ROD TO RUDDER LEVER, GROUP	2	—	MR	RB1/85
28M 4095898	A24/QS	Nut, slotted, 1/2" BSF ...	4	—	C	
28M 4095892	A27.NS	Nut, slotted, 1/2" BSF ...	2	—	C	
28P 19155	SP90/E12	Pin, split, 1/8" dia. ...	3	—	C	
28P 9525532	SP90/E10	Pin, split, 1/8" dia. ...	2	—	C	
28W 9418453	SP16/Q	Washer, for 1/2" bolt ...	4	—	C	
	30F7761	Washer, for 1/2" bolt, under head ...	2	—		RB1/86
	27F7761	Washer, for 1/2" bolt, under nut ...	2	—		RB1/87

VULCAN No. 2

TAIL UNIT—RUDDER
SUMMARY OF STANDARD ITEMS

Page RB. 7

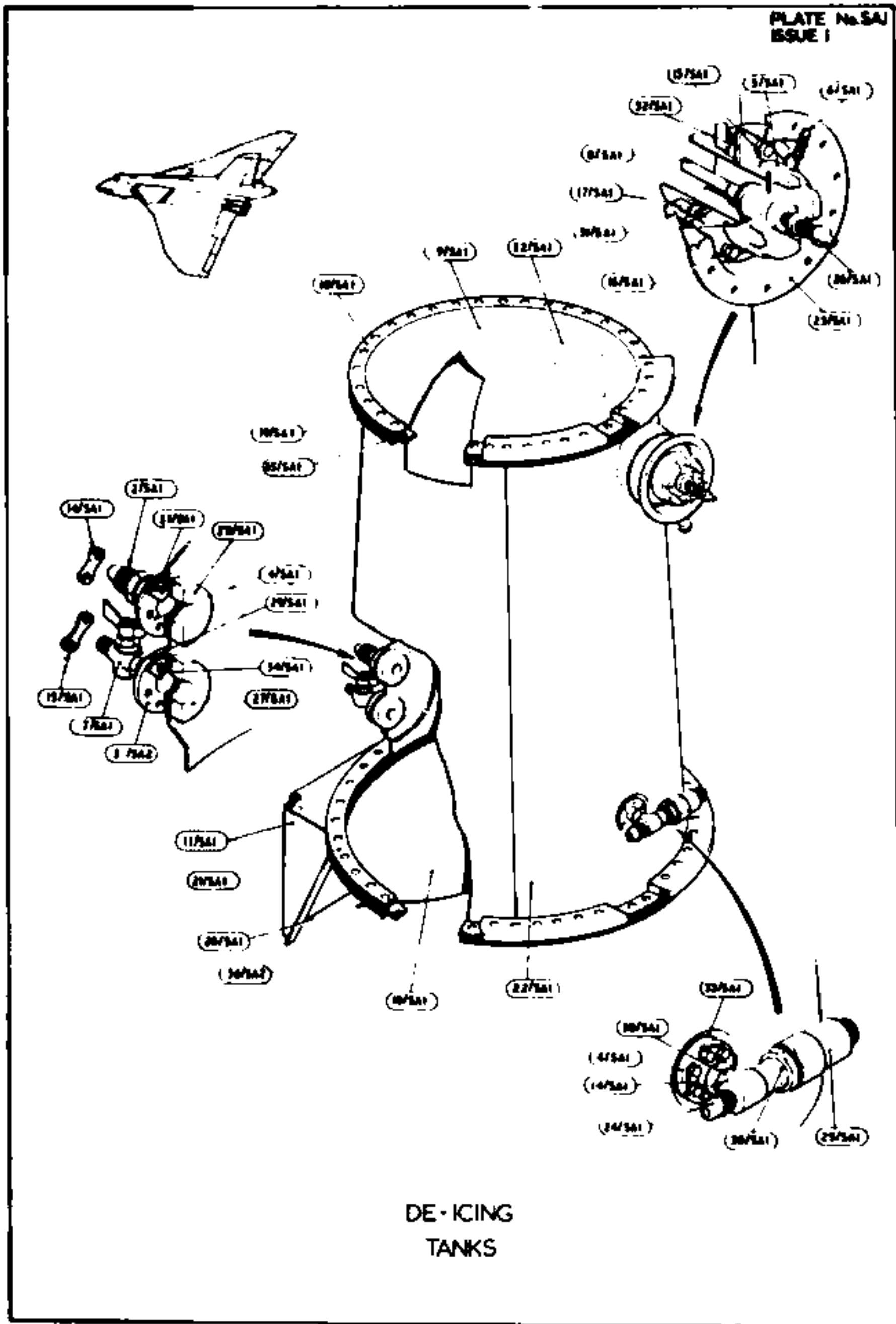
Stores Ref.		No. off	Stores Ref.		No. off	Stores Ref.		No. off
Section	Ref. No.		Section	Ref. No.		Section	Ref. No.	
28D	1013284	140	28N	9156730	3	28W	9419402	331
28D	1213610	4				28W	9419405	1
28D	7002428	45				28W	9419493	4
28D	9133011	28						
28D	9140645	32						
28D	9488619	44						
			28P	19155	5			
			28P	19228	4			
			28P	19235	2			
28M	13245	2						
28M	13259	2						
28M	13267	4						
28M	13270	4						
28M	1006473	2						
28M	1278190	77						
28M	9433473	63						

TANKS
DE-ICING

Ref. No.	Part No.	Description	No. off	Mach. Spec.	Cl. of	Plate and Illustr'n No.
					St. M.R.	
		1 2 3 4				
8726	1Q2244	TANK, DE-ICING, WINDSCREEN AND BOMB-AIMER'S WINDOW, GROUP	1	-	A	SA1/1
		Spares for:-				
28F/8011809	AGS1104/B	Adaptor, 1/4" BSF	1	-	C	SA1/2
28N/13624	AGS980/A	Adaptor, flanged, 1/8" BSF	1	-	C	SA1/3
28N/4186634	AGS980/B	Adaptor, flanged, 1/4" BSF	2	-	C	SA1/4
	13Q1925	CAP, FILLER, GROUP	1	-	MR	SA1/5
	9Q1925	CHAIN, CHANDELIER, GROUP	1	-	MR	SA1/6
7401	10Q749	Cock, drain (Make from 8P1801)	2	-		SA1/7
	18Q2244	Dip, stick	1	DTD3848	C	SA1/8
	3Q2244	End, tank	1	L72		SA1/9
	8Q2244	End, tank	1	L72		SA1/10
	6Q2244	FILTER & VALVE, MOUNTING, GROUP	1	-	MR	SA1/11
	38SS4225	Label, transfer	1	-		SA1/12
	10Z2256	Neck, filler	1	DTD3848		SA1/13
1510632	8SS3839	Plate, locking, 1/4" BSP, flanged	6	S84	C	SA1/14
	9SS3839	Plate, locking, 1/8" BSP, flanged	3	S84		SA1/15
28TA/8715	3SS3718	Plate, locking	3	S84	C	SA1/16
	21Q1925	Ring, retaining	1	DTD3848		SA1/17
	4Q2244	Ring, stiffening	1	L72		SA1/18
	7Q2244	Ring, stiffening	2	L72		SA1/19
	9Q2244	Ring, stiffening	2	L72		SA1/20
	11Q2244	Ring, stiffening	2	L72		SA1/21
	2Q2244	SHELL, TANK, GROUP	1	-		SA1/22
	10Q1925	SUMP AND SAFETY TUBE, GROUP	1	-	MR	SA1/23
	198SS3657	Tee-piece	1	-		SA1/24
27QM/4173808	DOWTY D7911Y	Unit, valve, relief	1	-	A	SA1/25
2491	SCHRADER 845	Valve, release	1	-	C	SA1/26
	26Q1925	Washer, stiffening, 1/8" BSP, flanged	2	-	MR	SA1/27
11931	24Q1925	Washer, stiffening, 1/8" BSP, flanged	3	DTD3848	C	SA1/28
28F/9428462	AGS1186/A	Washer, sealing, 1/8" BSP	1	-	C	SA1/29
28F/9428453	AGS1186/B	Washer, sealing	3	-	C	SA1/30
2493	23Q1925	Washer, sealing, filler neck	1	-	MR	SA1/31
	FIREPROOF TANKS LTD. FT-D-10865/43	Washer, joint	2	-	MR	SA1/32
	FIREPROOF TANKS LTD. FTD-D-10865/41	Washer, joint	2	-	MR	SA1/33
	FIREPROOF TANKS LTD. FT-D-10865/42	Washer, joint	1	-	MR	SA1/34

TANKS
DE-ICING

Ref. No.	Part No.	Description	No. off	Matl. Spec.	Cl. of	Plate and Illust'n No.
					Sc.	
		1 2 3 4			M.R.	
		TANK, DE-ICING, WINDSCREEN AND BOMB AIMER'S WINDOW, GROUP (102244) (Cont'd)				
	502244	Washer, sealing (Pre-Mod. 1166)	1	L17		
	FIREPROOF TANKS LTD					
	FTH10665/383	Washer, sealing (Mod. 1166)	1	-	MR	SA1/36
	102244	Washer, sealing (Pre-Mod. 1166)	-	-		
	FIREPROOF TANKS LTD.					
	FTH10665/390	Washer, sealing (Mod. 1166)	1	L17	MR	SA1/36



VULCAN Mk 2		TANKS				Page SB. 1	
		FUEL, A.A.P.P.					
Ref. No.	Part No.	Description	No off	Matl. Spec.	Cl. of St.	Plate and Must'n No.	
					M.R.		
		1 2 3 4					
7100	28F9809	TANK, FUEL, A.A.P.P. GROUP	1	—	A	SB1/1	
13680	27F9809	Spares for.— CANISTER, PUMP, GROUP	1	—	B	SB1/2	
	27bF9809	Spares for:— CANISTER, BODY, GROUP	1	—			
	27eF9809	Ring, split, retaining	2	—			
	P3119	VALVE, FLAP, GROUP	1	—	MR	SB1/28	
27F/4526609	32F9809	Bracket, drain cock	1	—		SB1/29	
	A5289	Cock, drain	1	—	C	SB1/3	
	28F9809	Elbow, vent	1	L54 & L59	MR	SB1/4	
	31F9809	Flange, stud, drain cock	1	—			
	33F9809	Gasket, drain cock bracket	1	DTD762	MR	SB1/5	
5UE/8389	SPE17197	2-1/4" x 1-5/8" x 1/16" thick Gasket, between pump and I.F. valve	1	—	C	SB1/27	
	29F9809	PLATE, COVER, GROUP BTM	1	—	MR	SB1/6	
	30F9809	PLATE, COVER, GROUP, TOP	1	—		SB1/7	
5UE/ 4407215	PULSOMETER PDC20 Mk. 2	Pump, fuel less inverted flight valve	1	—	A	SB1/8	
	20F9809	Ring, packing, transfer valve	1	—		SB1/14	
22212	21F9809	Ring, half, stud top	2	—	C	SB1/15	
22213	22F9809	Ring, stud, bottom	1	—	C	SB1/16	
	12F9809	Stud, special, 2 BA x 0.93" long	44	S1	MR	SB1/9	
	13F9809	Stud, special 2 BA x 1.00" long	14	S1	MR	SB1/10	
	14F9809	Stud, special 2 BA x 1.20" long	14	S1	MR	SB1/11	
	15F9809	Stud, special, 1/4" BSF x 1.00" long	2	S1	MR	SB1/12	
	19F9809	Stud, special, 2 BA x 1.30" long	8	S1	MR	SB1/13	
5CW/8855	FLIGHT RE-FUELLING C3504100/44	Switch, float, dropping level	1	—	A	SB1/17	
5CW/5828	FLIGHT RE-FUELLING C3504100/21	Switch, float, rising, level	1	—	A	SB1/18	
5UE/ 4874808	PULSOMETER PUL019042	Valve, inverted flight	1	—	A	SB1/26	
27FR/ 4879991	FLIGHT RE-FUELLING B3609030	Valve, transfer, Mk. 9 (Pre-Mod. 2140)	1	—			
	FLIGHT RE-FUELLING B3608230	Valve, transfer, Mk. 9 (Mod. 2140)	1	—		SB1/19	
	8F9809	Washer, jointing, I.F. valve, 8.75" o/d	1	DTD762	MR	SB1/20	
	10F9809	Washer, jointing, vent elbow 2.10" o/d	1	DTD762	MR	SB1/21	
		x 0.75" i/d x 1/16" thick					

TANKS
FUEL A.A.P.P.

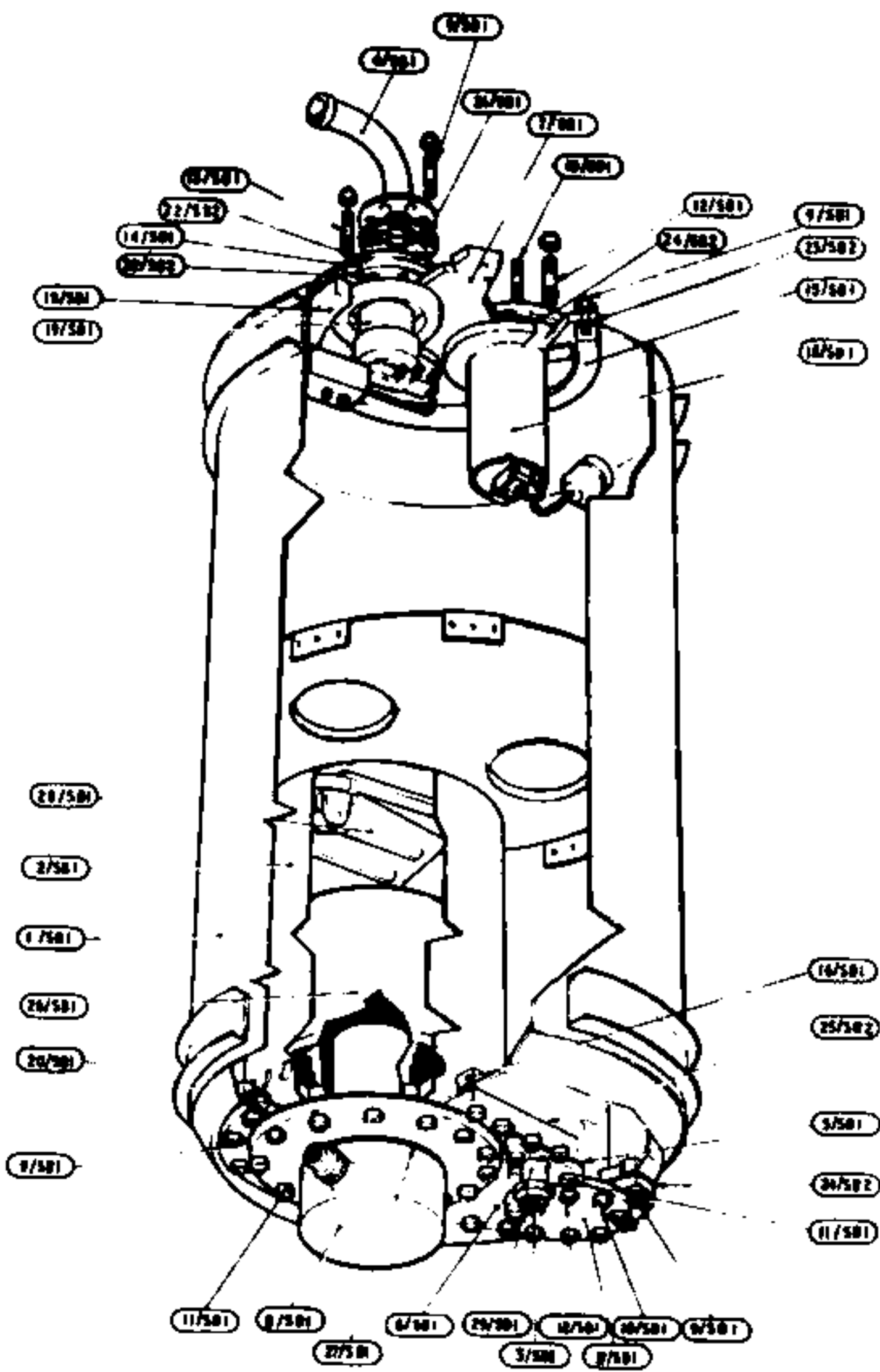
Ref. No.	Part No.	Description	No. off	Matl Spec.	Cl. of	Plate and Illust'n No.
					St.	
		1 2 3 4				
		TANK, FUEL A.A.P.P. GROUP (28F9809) (Cont'd.)				
	11F9809	Washer, jointing transfer valve 3.10" o/d x 2.00" i/d x 1/16" thick	2	DTD762	MR	SB1/22
	16F9809	Washer, jointing, top cover plate 7.80" o/d x 6.80" i/d x 1/16" thick	1	DTD762	MR	SB1/23
	17F9809	Washer, jointing, dropping and rising float switches 3.40" o/d x 2.00" i/d x 1/16" thick	2	DTD762	MR	SB1/24
	18F9809	Washer, jointing, bottom cover plate 11.60" o/d x 8.00" i/d x 1/16" thick	1	DTD762	MR	SB1/25

VULCAN No. 2

TANKS
FUEL, A.A.P.P.

Page SB. 1

Ref. No	Part No.	Description	No off	Matl. Spec.	Cl. of St.	Plate and Illustr'n No.
					M.R.	
		1 2 3 4				
7100	28F9809	TANK, FUEL, A.A.P.P. GROUP	1	—	A	SB1/1
13600	27F9809	Spares for:— CANISTER, PUMP, GROUP	1	—	B	SB1/2
	27bF9809	Spares for:— CANISTER, BODY, GROUP	1	—		
	27eF9809	Ring, split, retaining	2	—		
	P3119	VALVE, FLAP, GROUP	1	—	MR	SB1/28
	32F9809	Bracket, drain cock	1	—		SB1/29
27F/4526869	A5269	Cock, drain	1	—	C	SB1/3
	26F9809	Elbow, vent	1	L54 & L58	MR	SB1/4
	31F9809	Flange, stud, drain cock	1	—		
	33F9809	Gasket, drain cock bracket 2-1/4" x 1-5/8" x 1/16" thick	1	DTD762	MR	SB1/5
5UE/8389	SPE17197	Gasket, between pump and I.F. valve	1	—	C	SB1/27
	29F9809	PLATE, COVER, GROUP BTM	1	—	MR	SB1/6
	30F9809	PLATE, COVER, GROUP, TOP	1	—		SB1/7
5UE/ 4407215	PULSOMETER POC20 Mk. 2	Pump, fuel less inverted flight valve	1	—	A	SB1/8
	20F9809	Ring, packing, transfer valve	1	—		SB1/14
22212	21F9809	Ring, half, stud top	2	—	C	SB1/15
22213	22F9809	Ring, stud, bottom	1	—	C	SB1/16
	12F9809	Stud, special, 2 BA x 0.93" long	44	S1	MR	SB1/9
	13F9809	Stud, special 2 BA x 1.00" long	14	S1	MR	SB1/10
	14F9809	Stud, special 2 BA x 1.20" long	14	S1	MR	SB1/11
	15F9809	Stud, special, 1/4" BSF x 1.00" long	2	S1	MR	SB1/12
	19F9809	Stud, special, 2 BA x 1.30" long	8	S1	MR	SB1/13
	FLIGHT RE-FUELLING					
5CW/6655	C3504100/44	Switch, float, dropping level	1	—	A	SB1/17
	FLIGHT RE-FUELLING					
5CW/5928	C3504100/21	Switch, float, rising, level	1	—	A	SB1/18
5UE/ 4874508	PULSOMETER PUL019042	Valve, inverted flight	1	—	A	SB1/26
	FLIGHT RE-FUELLING					
27FR/ 4879991	B3608030	Valve, transfer, Mk. 9 (Pre-Mod. 2140)	1	—		
	FLIGHT RE-FUELLING					
	B3608230	Valve, transfer, Mk. 9 (Mod. 2140)	1	—		SB1/19
	8F9809	Washer, jointing, I.F. valve, 6.75" o/d x 5.50" i/d x 1/16" thick	1	DTD762	MR	SB1/20
	10P9809	Washer, jointing, vent elbow 2.10" o/d x 0.75" i/d x 1/16" thick	1	DTD762	MR	SB1/21



TANKS
AAPP FUEL

VULCAN BR. 2

TANKS

Page SC. 1

FUEL

Ref. No.	Part No.	Description	No. off	Matl. Spec.	Cl. of	Plate and Htust'n No.
					St.	
		1 2 3 4				
		TANKS, FUEL ASSEMBLIES Spares for:—				
106	1P3247	TANK, FUEL, No. 1, PORT, GROUP	1	—	A	
107	2P3247	TANK, FUEL, No. 1, STARBOARD, GROUP	1	—	A	
		Spares for:—				
6A/4333669	SMITH'S WEYMOUTH JM3	Box, tank terminal	1	—	C	
	FIREPROOF TANKS					
17778	FT/B/7860	Cleat, wiring	24	—	C	
	FT1826	Clip, spring, steel	16	—	MR	
	SMITH'S WEYMOUTH					
6A/4333674	PLT78T	Connector, internal live	1	—	C	
6A/4333680	PLT8T	Connector, internal live	2	—	C	
6A/4333678	PET78T	Connector, internal earth	1	—	C	
6A/4333678	PET8T	Connector, internal earth	2	—	C	
	FIREPROOF TANKS					
17784	FT/D/8752A	Pad, composite	4	—	C	
17783	FT/B/8672A	Pad, rubber	4	—	C	
17615	FT/B/7207A	Patch, rubbing	191	—	C	
	FT/3626S/10/1	RING, CASE BOLT, GROUP	1	—	MR	
		Consisting of:—				
	FT3655S/12	Bolt, 2 BA	8	S96		
	G.K.N.					
	CE1	Cage, bolt	8	S1		
28Q/9702918	FT3655S/10	Ring	1	L72		
	AS160/304	Rivet, csk.	16	L36	C	
	FT1915	Washer, crush	8	T9		
	FT/C/8832	RING, CAGE BOLT, GROUP	1	—	MR	
		Consisting of:—				
28D/1008145	FT3655S/12	Bolt, 2 BA	13	S96		
	A25/6E	Bolt, hex. head, 1/4" BSF	1	S96	C	
	G.K.N.					
	CE1	Cage, bolt	13	S1		
	G.K.N.					
	EE1	Cage, bolt	1	S1		
28Q/9700658	FT/C/8832/1	Ring	1	L72		
	AS160/305	Rivet, csk, head, 3/32" dia. x 5/16" long	23	L36	C	
	FT1915	Washer, crush	13	T9		
	FT/B/8576	Washer, crush	1	T9		
	FT/B/8451	Ring, clamp, centre bored	2	L72	MR	
	FT3626S/10	Ring, clamp, centre bored	1	L72	MR	
5418	FT3626S/13	Ring, clamp, centre bored	1	L72	MR	
	FT/B/8030	Ring, clamp, centre bored	1	L72	C	

TANKS

FUEL

Ref. No	Part No.	Description	No. off	Matl Spec.	Cl. of St.		Plate and Illust'n No.
					M.R.		
		1 2 3 4					
		TANKS, FUEL, No. 1, PORT AND STARBOARD (1 & 2P3247) (Con'd.)					
	FT/D/7901/A 89/9	RING, MOULDED, "A" TYPE, GROUP	1	—			
	FT3665/9	Consisting of:—					
	FT/B/7908/9	Boit, 2 BA	15	S98			
	FT/D/7901A/89	Boit, 1/4" BSF	1	S98			
	FT/D/7902/89	Moulding	1	—			
		Ring, bolt	1	L72			
1432881	FT/B/8955/36	Ring, special, type "D"	2	—			
17779	FT/D/8955/30	Ring, moulded, type "D"	1	—		C	
1432882	FT/D/8955/31	Ring, moulded, type "D"	1	—		C	
1432883	FT/D/8955/82	Ring, moulded, type "D"	1	—		C	
	H.S.C. 150	Solution, cement	Q/R	OTD800			
1432887	FT/C/8939A	STUD, COLLECTED, GROUP	101	—		C	
	FT/C/8945A	Consisting of:—					
		ATTACHMENT, MOULDED, GROUP	1	—			
17489	FT/B/8941	Collect, for stud	3	DTD130A		C	
17470	FT/B/8942	Disc, compression	1	—		C	
11975	FT/C/8944	Flange, screwed	1	DTD130A		C	
17471	FT/B/8943	Nut	1	DTD130A		C	
12159	FT/B/8773	Stud, moulded	12	—		C	
	SMITH'S						
	WAYMOUTH						
6A/4333558	TC188	Unit, fuel gauge (Pre-Mod. 2479)	1	—		A	
6A/12963	TC275	Unit, fuel gauge (Mod. 2479)	1	—		A	
6A/4333558	TC167	Unit, fuel gauge (Pre-Mod. 2479)	1	—		A	
6A/12964	TC278	Unit, fuel gauge (Mod. 2479)	1	—		A	
6A/4333558	TC188	Unit, fuel gauge (Pre-Mod. 2479)	1	—		A	
6A/12965	TC277	Unit, fuel gauge (Mod. 2479)	1	—		A	
6A/4333559	TC188	Unit, fuel gauge (Pre-Mod. 2479)	1	—		A	
6A/12966	TC278	Unit, fuel gauge (Mod. 2479)	1	—		A	
	FIREPROOF						
	TANKS						
5423	FT4807	Washer, sump sealing	1	DTD762		C	
9828	FT3545S/47	Washer, detector, sealing	1	DTD762			

TANKS
FUEL

Ref. No.	Part No.	Description	No. off	Mazl. Spec.	Cl. of	Plate and Illustr'n No.
					St. M.R.	
		1 2 3 4				
545	1P3220	TANK, FUEL, No. 2, PORT, GROUP	1	-	A	
548	2P3220	TANK, FUEL, No 2, STARBOARD, GROUP ..	1	-	A	
		Spares for:-				
6A/4333669	SMITH'S WEYMOUTH JM3	Box, terminal	1	-	B	
17778	FIREPROOF TANKS FT/B/7880	Chest, wiring	41	-	C	
	FT/B/8816	Chest, special	1	-		
	FT1828	Clip, spring, steel	16	-	MR	
6A/4333680	SMITH'S WEYMOUTH PL/T/88/T/39/T	Connector, internal, live	1	-		
6A/4333679	PE/T/88/T/39/D	Connector, internal, earth	1	-		
	PL/T/8/T	Connector, internal, live	2	-	B	
	PE/T/8/T	Connector, internal, earth	2	-	B	
17784	FIREPROOF TANKS FT/D/8752A	Pad, composite	4	-		
17783	FT/B/8572A	Pad, rubber	4	-		
17815	FT/B/7207A	Patch, rubbing	213	-		
	FT/3826S/10	Ring, clamp, centre bored	1	L72	MR	
	FT/3826S/13	Ring, clamp, centre bored	1	L72	MR	
	FT/B/7349	Ring, clamp, centre bored	1	L72	MR	
	FT/3826S/10/1	RING, CAGE BOLT, GROUP	1	-	MR	
		Consisting of:-				
	FT/3555S/12	Bolt, 2 BA	8	S96		
	G.K.N.					
	CE1	Cage, bolt	8	S1		
28Q/9702918	FT/3826S/10	Ring	1	L72	C	
	AS180/304	Rivet, csk.	16	L36		
	FT1915	Washer, crush	8	T9		
	FT/C/7350	RING, CAGE BOLT, GROUP	1	-		
		Consisting of:-				
28D/1011242	FT3555S/12	Bolt, 2 BA	15	S96		
	A25/7E	Bolt, hex. hd., 1/4" BSF	1	S96	C	
	G.K.N.					
	CE1	Cage, bolt	15	S1		
	G.K.N.					
	EE1	Cage, bolt	1	S1		
28Q/9700658	FT/C/7350/1	Ring	1	L72	C	
	AS180/305	Rivet, csk.	32	L36		
	FT1915	Washer, crush	16	T9		
	FT/B/8578	Washer, crush	1	T9		

TANKS

FUEL

Ref. No.	Part No.	Description	No. off	Matl Spec.	Cl. of St.		Plate and Illust'n No.
					M.R.		
		1 2 3 4					
		TANK, FUEL, No. 2, PORT AND STARBOARD (1 & 2P3248) (Cont'd.)					
	FT/D/7901/34/B	RING, MOULDED, "A" TYPE, GROUP	1	—			
		Consisting of:—					
	FT3555/9	Bolt, 2 BA	7	S96			
	FT/B/7908/9	Bolt, 1/4" BSF	1	S96			
	FT/D/7901/34	Moulding	1	—			
	FT/D/7902/34	Ring	1	L72			
	FT/C/8856A	RING, SPECIAL, "A" TYPE, GROUP	1	—	C		
		Consisting of:—					
	FT3555/9	Bolt, 2 BA	13	S96			
	FT/B/7060/9	Ring, 1/4" BSF	1	S96			
	FT/B/8570	Ring, bolt	1	L72			
11976	FT/C/8856A/1	Ring, moulded	1	—	C		
17779	FT/D/8855/30	Ring, moulded, "D" type	1	—	C		
1432864	FT/D/8855/67	Ring, moulded, "D" type	1	—	C		
1432862	FT/D/8855/31	Ring, moulded, "D" type	1	—	C		
	H.S.C. 150	Solution, cement	Q/R	DTD800			
1432867	FT/C/8839/A	STUD, COLLETED, GROUP	213	—	C		
		(For breakdown see No. 1 Fuel Tank, page SC.2)					
12158	FT/B/6773	Stud, moulded	12	—	C		
	SMITH'S						
	WEYMOUTH						
8A/4233	TC140	Unit, gauge	2	—	A		
	TC141	Unit, gauge	1	—	A		
	FIREPROOF						
	TANKS						
	FT4808	Washer, sump sealing	1	DTD762	MR		
	FT2754/S/39	Washer, sealing	1	DTD762	MR		
	FT/B/8574	Washer, sealing	1	DTD762	MR		

TANKS							Page SC. 5
FUEL							
Ref. No.	Part No	Description	No. off	Matl. Spec	Cl. of St.	Plate and Heat'n No.	
					M.R.		
		1234					
110	1P3249	TANK, FUEL, No. 3, PORT, GROUP	1	—	A		
111	2P3249	TANK, FUEL, No. 3, STARBOARD, GROUP	1	—	A		
		Spares for:—					
6A/4333669	SMITH'S WEYMOUTH JMS FIREPROOF TANKS	Box, terminal	1	—	C		
9335	FT/B/6881A	Button, moulded	16	—			
1432868	FT/B/6881B	Button, moulded	16	—			
17778	FT/B/7860	Cleat, wiring	36	—			
	FT1826	Clip	56	—	MR		
6A/4333576	PL/T/88/T	Connector, internal, live	1	—	C		
6A/4333676	PL/T/18/Z	Connector, internal, live	1	—	C		
8A/4333583	PE/T/92/T	Connector, internal, earth	1	—	C		
6A/4333578	PE/T/20/Z	Connector, internal, earth	1	—	C		
	FIREPROOF TANKS						
17784	FT/D/8752A	Pad, composite	6	—	C		
17783	FT/B/8572A	Pad, rubber	6	—	C		
17615	FT/B/7207A	Patch, rubbing	206	—	C		
	FT3626S/10/1	RING, CAGE BOLT, GROUP	1	—	MR		
		(For breakdown see No. 1 fuel tank, Page SC. 1)					
11402	FT3626S/39/12	RING, CAGE BOLT, GROUP	1	—	C		
		Consisting of:—					
	FT3555S/12	Bolt, 2 BA	18	S96			
	G.K.N. CE1	Cage, bolt	18	S1			
	FT3626S/39	Ring	1	L72			
28Q/9700656	AS180/305	River, csk.	36	L36	C		
	FT1915	Washer, crush	18	T9			
	FT/C/8404A	RING, OVAL, "A" TYPE, GROUP	1	—			
		Consisting of:—					
	FT3555S/9	Bolt, 2 BA	17	S96			
	FT/B/7909/9	Bolt, 1/4" BSF	1	S96			
	FT/B/8422	Ring, bolt	1	L72			
	FT/C/8404A/1	Ring, moulded	1	—			
	FT3625S/22	Ring, clamp, c/bored	2	L72	MR		
	FT3625S/21	Ring, clamp, c/bored	1	L72	MR		
	FT3625S/10	Ring, clamp, c/bored	1	L72	MR		
	FT3625S/39	Ring, clamp, c/bored	1	L72	MR		

TANKS

FUEL

Ref No	Part No.	Description	No. off	Matl Spec	Cl. of St.	Plate and Hues'n No.
					M.R.	
		<u>1 2 3 4</u>				
		TANK, FUEL, No. 3, PORT & STARBOARD (1 & 2P3249) (Cont'd.)				
17781	FT/D/8955/47	Ring, moulded, "D" type	2	—	C	
17782	FT/D/8955/45	Ring, moulded, "D" type	1	—	C	
17779	FT/D/8955/30	Ring, moulded, "D" type	1	—	C	
17780	FT/D/8865/83	Ring, moulded, "D" type	1	—	C	
	H.S.C. 150	Solution, cement	Q/R	DTD900		
1432667	FT/C/8839A	STUD, COLLETED, GROUP	208	—	C	
		(For breakdown see No. 1 fuel tank, Page SC. 2)				
1432700	FT/B/7288A	Stud, special, cambered	16	—	C	
	SMITH'S					
	WEYMOUTH					
6A/4333580	TM2	Unit, tank gauge	1	—	A	
6A/4333581	TM3	Unit, tank gauge	1	—	A	
	FIREPROOF					
	TANKS					
	FT2754S/39	Washer, sealing	1	OTD762	MR	
	FT4809	Washer, sump sealing	3	OTD762	MR	
	FT/B/8575	Washer, sealing	1	OTD762	MR	

NAVCAN No. 2

TANKS
FUEL

Page SC. 7

Ref. No.	Part No.	Description	No. off	Matl. Spec.	Cl. of	Plate and Illust'n No.
					St.	
		1 2 3 4				
112	1P3250	TANK, FUEL, No. 4, PORT, GROUP	1	—	A	
113	2P3250	TANK, FUEL, No. 4, STARBOARD, GROUP	1	—	A	
		Spares for:—				
6A/4333685	SMITH'S WEYMOUTH JM3	Box, tank terminal	1	—	B	
	FIREPROOF TANKS					
	FT/B/6881A	Button, moulded	18	—		
1432868	FT/B/6881B	Button, moulded	18	—	C	
1777B	FT/B/7860	Cleat, wiring	33	—	C	
	FT1828	Clip, spring, steel	58	—	MR	
	SMITH'S WEYMOUTH					
6A/4333575	PLT80T	Connector, internal, live	1	—	B	
6A/4333676	PLT18Z	Connector, internal, live	1	—	B	
6A/4333583	PET84T	Connector, internal, earth	1	—	B	
6A/4333678	PET20Z	Connector, internal, earth	1	—	B	
	FIREPROOF TANKS					
17784	FT/D/8752A	Pad, composite	6	—	C	
17783	FT/B/8572A	Pad, rubber	6	—	C	
17815	FT/B/7207A	Patch, rubbing	214	—	C	
	FT/3826S/10/1	RING, CAGE BOLT, GROUP	1	—	MR	
		(For breakdown see No. 1 fuel tank, Page SC.1)				
	FT/3826S/38/12	RING, CAGE BOLT, GROUP	1	—	MR	
		(For breakdown see No. 3 fuel tank, Page SC.5)				
	FT3825S/22	Ring, clamp, c/bored	2	L72	MR	
	FT3825S/21	Ring, clamp, c/bored	1	L72	MR	
	FT3825S/10	Ring, clamp, c/bored	1	L72	MR	
	FT3815S/38	Ring, clamp, c/bored	1	L72	MR	
17781	FT/D/8955/47	Ring, moulded, "D" type	2	—	C	
17782	FT/D/8955/45	Ring, moulded, "D" type	1	—	C	
17779	FT/D/8955/30	Ring, moulded, "D" type	1	—	C	
17780	FT/D/8955/93	Ring, moulded, "D" type	1	—	C	
	FT/C/8404A	RING, OVAL, TYPE "A", GROUP	1	—		
		(For breakdown see No. 3 fuel tank, Page SC.5)				
	H.S.C.150	Solution, cement	Q/R	DTD900		

TANKS

FUEL

Ref. No.	Part No.	Description	No. off	Matl Spec.	Cl. of St.	Plate and Illust'n No
					M.J.L.	
		1 2 3 4				
		TANK, FUEL No. 4, PORT & STARBOARD (1 & 2P3250) (Cont'd.)				
1432867	FT/C/8838A	STUD, COLLETED, GROUP (For breakdown see No. 1 fuel tank, Page SC.2)	214	—	C	
1432700	FT/B/7268A	Stud, special, cambered	16	—	C	
6A/4333562	SMITH'S	Unit, tank gauge	1	—	A	
6A/4333563	WEYMOUTH	Unit, tank gauge	1	—	A	
	TM4	Washer, sealing	1	DTD762	MR	
	TM5	Washer, sump sealing	1	DTD762	MR	
	FIREPROOF	Washer, sealing	1	DTD762	MR	
	TANKS					
	FT2754S/39					
	FT4809					
	FT/B/8575					

VULCAN No. 2

TANKS
FUEL

Page SC. 9

Ref No.	Part No.	Description	No. off	Mati. Spec	Cl. of St	Plate and Illust'n No.
					M.R.	
		1 2 3 4				
114	1P3251	TANK, FUEL, No. 5, PORT, GROUP	1	—	A	
	2P3251	TANK, FUEL, No. 5, STARBOARD, GROUP	1	—		
		Spares for:—				
6A/4333672	SMITH'S WEYMOUTH JM3	Box, tank terminal	1	—	B	
	FIREPROOF TANKS					
1432666	FT/B/6881A	Button, moulded	18	—	C	
17778	FT/B/6881B	Button, moulded	16	—	C	
	FT/B/7860	Chest, wiring	47	—	C	
	FT1826	Clp, spring steel	66	—	MR	
	SMITH'S WEYMOUTH					
6A/4333576	PL/T/88/T	Connector, internal, live	1	—	B	
6A/4236	PL/T/22/Z	Connector, internal, live	1	—	B	
6A/4333583	PE/T/92/T	Connector, internal, earth	1	—	B	
6A/4076	PE/T/24/Z	Connector, internal, earth	1	—	B	
	FIREPROOF TANKS					
17784	FT/D/8752A	Pad, composite	6	—	C	
17783	FT/B/8662A	Pad, rubber	8	—	C	
17615	FT/B/7207A	Patch, rubbing	204	—	C	
	FT3626S/10/1	RING, CAGE BOLT, GROUP	1	—	MR	
		(For breakdown see No. 1 fuel tank)				
	FT3626S/39/12	RING, CAGE BOLT, GROUP	1	—	MR	
		(For breakdown see No. 3 fuel tank)				
	FR3625S/22	Ring, clamp, c/bored	2	L72	MR	
	FT3625S/25	Ring, clamp, c/bored	1	L72		
	FT3625S/10	Ring, clamp, c/bored	1	L72	MR	
	FT3625S/39	Ring, clamp, c/bored	1	L72	MR	
17781	FT/D/6865/47	Ring, moulded, "D" type	2	—	C	
17782	FT/D/6865/45	Ring, moulded, "D" type	1	—	C	
17779	FT/D/6865/30	Ring, moulded, "D" type	1	—	C	
17780	FT/D/6865/93	Ring, moulded, "D" type	1	—	C	
	FT/D/7801/A/115/9	RING, MOULDED, TYPE "A", GROUP	1	—		
		Consisting of:—				
	FT3665S/9	Bolt, 2 BA	23	S96		
	FT/B/7809/9	Bolt, 1/4" BSF	1	S96		
	FT/D/7801A/115	Mould	1	—		
	FT/D/7801/115	Ring	1	L70		
	H.S.C.150	Solution, cement	Q/R	DTD900		

TANKS

FUEL

Ref No	Part No.	Description	No off	Matl. Spec.	Cl. of St.	Plate and Illust'n No.
					M.R.	
		<u>1 2 3 4</u>				
		TANK, FUEL, No. 5, PORT & STARBOARD (1 & 2P3251) (Cont'd.)				
1432867	FT/C/6938A	STUD, COLLETED, GROUP (For breakdown see No. 1 fuel tank)	204	—	C	
1432700	FT/B/7268A	Stud, special, cambered	16	—	C	
6A/4333584	SMITH'S	Unit, tank gauge	1	—	A	
6A/4333585	WEYMOUTH	Unit, tank gauge	1	—	A	
	TM6 S.P.1	Washer, sealing	1	—	MR	
	TM7 S.P.1	Washer, sump sealing	3	—	MR	
	FT/2754S/39	Washer, sealing	1	—	MR	
	FR4609					
	FT3545S/53					

VULCAN No. 2

TANKS

Page SC. 11

FUEL

Ref. No.	Part No.	Description	No. off	Mater. Spec.	Cl. of	Plate and Illust'n No.
					St. M.R.	
		1 2 3 4				
116	1P3252	TANK, FUEL, No. 6, PORT, GROUP	1	-	A	
117	2P3252	TANK, FUEL, No. 6, STARBOARD, GROUP .. Spares for:-	1	-	A	
6A/4333688	SMITH'S WEYMOUTH JM3 FIREPROOF TANKS	Box, tank, terminal	1	-	B	
1432868	FT/B/6881/A	Button, moulded	14	-	C	
17778	FT/B/6881/B	Button, moulded	16	-	C	
	FT/B/7860	Cable, wiring	38	-	C	
	FT1826	Cl.p, spring, steel	62	-	MR	
6A/4333573	SMITH'S WEYMOUTH PLT88T	Connector, internal, live	1	-	B	
6A/4333676	PLT18Z	Connector, internal, live	1	-	B	
6A/4333580	PET70T	Connector, internal, earth	1	-	B	
6A/4333578	PET20Z	Connector, internal, earth	1	-	B	
17784	FIREPROOF TANKS FT/D/8752A	Pad, composite	8	-	C	
17783	FT/B/8672A	Pad, rubber	8	-	C	
17615	FT/B/7207A	Patch, rubbing	272	-	C	
	FT3626S/10/1	RING, CAGE BOLT, GROUP	1	-	MR	
		(For breakdown see No. 1 fuel tank)				
	FT3626S/39/12	RING, CAGE BOLT, GROUP	1	-	MR	
		(For breakdown see No. 1 fuel tank)				
	FT3625S/22	Ring, clamp, c/bored	1	L72	MR	
	FT3625S/21	Ring, clamp, c/bored	1	L72	MR	
	DT3625S/10	Ring, clamp, c/bored	1	L72	MR	
	FT3625S/19	Ring, clamp, c/bored	1	L72	MR	
17781	FT/D/8955/47	Ring, moulded, "D" type	2	-	C	
17782	FT/D/8955/45	Ring, moulded, "D" type	1	-	C	
17779	FT/D/8955/30	Ring, moulded, "D" type	1	-	C	
17780	FT/D/8955/93	Ring, moulded, "D" type	1	-	C	
	FT/C/8404A	RING, OVAL, "A" TYPE, GROUP	1	-		
		(For breakdown see No. 3 fuel tank)				
	HSC150	Solution, cement	Q/R	DTD900		
1432867	FT/C/8938A	STUD, COLLETED, GROUP	272	-	C	
		(For breakdown see No. 1 fuel tank)				

TANKS

FUEL

Ref. No.	Part No.	Description				No. off	Mec. Spec.	Cl. of Sc. M.R.	Plate and Illust'n No.
		1	2	3	4				
		TANK, FUEL, No. 6, PORT & STARBOARD (1 & 2#3252) (Cont'd)							
1432700	FT/B/7288A					16	-	C	
	SMITH'S								
	WEYMOUTH								
6A/4333565	TMB					1	-	A	
6A/4333567	TMB					1	-	A	
	FIREPROOF								
	TANKS								
	FT2754S/39					1	DTD762	MR	
	FT4809					2	DTD762	MR	
	FT/B/8575					1	DTD762	MR	

VULCAN 2

TANKS

Page SC. 13

FUEL

Ref. No.	Part No.	Description	No. off	Matl. Spec.	Cl. of	Plate and Illust'n No.
					Sl. M.R.	
		1 2 3 4				
118	1P3253	TANK, FUEL, No. 7, PORT, GROUP	1	—	A	
118	2P3253	TANK, FUEL, No. 7, STARBOARD, GROUP	1	—	A	
		Spares for:—				
6A/4333669	SMITH'S WEYMOUTH JM3 FIREPROOF TANKS	Box, tank, terminal	1	—	B	
9335	FT/B/6881A	Button, moulded	18	—	C	
1432868	FT/B/6881B	Button, moulded	32	—	C	
17778	FT/B/7880	Chest, wiring	45	—	C	
	FT1826	Clip, spring steel	90	—		
	SMITH'S WEYMOUTH					
6A/4333676	PLT18Z	Connector, internal, live	1	—	B	
6A/4333385	PLT30T	Connector, internal, live	1	—	B	
6A/4333572	PLT34T	Connector, internal, live	1	—	B	
6A/4333453	PLT54T	Connector, internal, live	1	—	B	
6A/4333678	PET20Z	Connector, internal, earth	1	—	B	
6A/4333681	PET34T	Connector, internal, earth	1	—	B	
6A/4333579	PET38T	Connector, internal, earth	1	—	B	
6A/4333580	PET58T	Connector, internal, earth	1	—	B	
	FIREPROOF TANKS					
17784	FT/D/8752A	Pad, composite	10	—	C	
17783	FT/B/8572A	Pad, rubber	10	—	C	
17615	FT/B/7207A	Pad, rubbering	249P 251S	—	C	
	FT3626S/10/1	RING, CASE BOLT, GROUP	1	—	MR	
		(For breakdown see No. 1 fuel tank)				
	FT3626S/39/12	RING, CAGE BOLT, GROUP	1	—	MR	
		(For breakdown see No. 1 fuel tank)				
	FT3625S/22	Ring, clamp, c/bored	2	L72	MR	
	FT3625S/21	Ring, clamp, c/bored	1	L72	MR	
	FT3625S/10	Ring, clamp, c/bored	1	L72	MR	
	FT3625S/39	Ring, clamp, c/bored	1	L72	MR	
	FT/D/7901A/ 115/8	RING, MOULDED, TYPE "A", GROUP	1	—		
		(For breakdown see No. 5 fuel tank)				
17781	FT/D/8955/47	Ring, moulded, type "D"	2	—	C	
17782	FT/D/8955/45	Ring, moulded, type "D"	1	—	C	
17779	FT/D/8955/30	Ring, moulded, type "D"	1	—	C	
17780	FT/D/8955/93	Ring, moulded, type "D"	1	—	C	
1432867	FT/C/8839A	STUD, COLLETED, GROUP	249P 251S	—	C	
		(For breakdown see No. 1 fuel tank)				

TANKS
FUEL

Ref No	Part No.	Description	No. off	Matl. Spec.	Cl. of St.	Plate and Illust'n No.
					M.R.	
		<u>1 2 3 4</u>				
		TANK, FUEL, No. 7. PORT & STARBOARD (1 & 2P3253) (Cont'd.)				
1432700	FT/8/7268A SMITH'S WEYMOUTH	Stud. special, cambered	32	—	C	
6A/5333568	TM10	Unit, tank gauge	1	—	A	
6A/5333569	TM11	Unit, tank gauge	1	—	A	
6A/5333570	TM12	Unit, tank gauge	1	—	A	
6A/5333571	TM13	Unit, tank gauge	1	—	A	
	FT2754/S/38	Washer, sealing	1	DTD762	MR	
	FT4611	Washer, sump sealing	1	DTD762	MR	
	FT3545S/53	Washer, sealing	1	DT0762	MR	
		TANKS, LONG RANGE FUEL IN BOMB BAY (1P3381, 1P3377 and 1P3820) (See—Equipment Special Operational—Long Range Fuel Tanks)				

TANKS
SUMMARY OF STANDARD ITEMS

Stores Ref.			Stores Ref.			Stores Ref.		
Section	Ref. No.	No. off	Section	Ref. No.	No. off	Section	Ref. No.	No. off
SCW	5928	1						
SCW	6655	1	6A	Part No. PET/38/T	1			
			6A	Part No. PE/T/69/T/39/0	1			
6A	3309	1	6A	Part No. PLT/30/T	1			
6A	3799	1	6A	Part No. PL/T/69/T/39/T	1			
6A	4046	1						
6A	4047	1						
6A	4048	1						
6A	4049	1						
6A	4050	1	27F	2214	1			
6A	4051	1						
6A	4052	1						
6A	4053	1						
6A	4054	1	27Q	1384	1			
6A	4055	1						
6A	4056	1						
6A	4057	1						
6A	4058	1	28D	12543	1			
6A	4059	1						
6A	4060	1	28D	12633	1			
6A	4061	1						
6A	4062	1						
6A	4063	1						
6A	4064	1	28F	2444	1			
6A	4065	1						
6A	4066	2	28F	12047	1			
6A	4068	4	28F	12048	3			
6A	4070	1						
6A	4071	1						
6A	4073	1						
6A	4074	2	28N	13423	2			
6A	4076	1						
			28N	13624	1			
6A	4209	6						
6A	4233	2						
6A	4234	2	28Q	6865	112			
6A	4235	4						
6A	4236	1	28Q	10011	235			
6A	4237	1						
6A	4238	4						
6A	4239	4						
6A	4240	1						

CABLES (ELECTRICAL)

Part No.	Code	Size	Cables	Ref.	End Fittings	End Fittings
332V7909	F332	Unipren 6 x 10' 0"		5E/3038	P2-8 off, P3-2 off, 10V5650-4 off	P2-8 off, P3-1 off, 10V5650-4 off
356V7909	F356	Unipren 6 x 18' 8"		5E/3038	P5-2 off, P2-18 off, MV3113-1 off, 10V5650-9 off	P5-1 off, P2-18 off, MV3113-1 off, 10V5650-9 off
1895V7909	F1895	Unipren 6 x 32' 0"		5E/3038	10H/Z560221-1 off, 10H/Z970060-1 off, 10H/Z970067-1 off, 10H/Z970296-1 off, 10H/Z970110-1 off, 10H/Z970098-1 off, A.P.-25 off, P2-25 off, P9-2 off, 10H/Z970090-1 off	P2-25 off
1896V7909	F1896	Unipren 6 x 32' 0"		5E/3038	10H/Z560222-1 off, 10H/Z970060-1 off, 10H/Z970067-1 off, 10H/Z970296-1 off, 10H/Z970110-1 off, 10H/Z970098-1 off, A.P.-25 off, P2-25 off, P9-2 off, 10H/Z970090-1 off	P2-25 off

Part No.	Code	Cables Size	Ref.	End Fittings	End Fittings

CABLES (ELECTRICAL)

() () ()

CABLE SCHEDULE (WIRE ROPE)

VULCAN No. 1

Part No.	End fittings						Cable Length	Spec.	Remarks
	Part No.	Ref. No.	Part No.	Ref. No.	Part No.	Ref. No.			
33Z7578	{ SP38/A SP36/BS A27/BT	28U/15288 28L/13140	SP38/A SP36/BSL A27/BTL	28U/15288 28L/13141	SP8/Y1	28U/4051	24' (5 cwt.)	W11	C/W Tension rod.
8Z7365	SP38/C	28U/15290	—	—	—	—	10'	W11	One end plain.
11Z7365	SP8/Y13	28U/4063	—	—	—	—	31'	W11	One end plain.
86D9502	SP8/Y14	28U/4064	—	—	—	—	25' (5 cwt.)	6W2/4	One end plain.
179D9502	SP8/Y14	28U/4604	—	—	—	—	36' (5 cwt.)	6W2/4	One end plain.
205D9502	SP8/Y14	28U/4064	—	—	—	—	18' (5 cwt.)	6W2/4	One end plain.

PIPING SCHEDULE

Part No.	TUBING		Ref. No.	END FITTINGS						Remarks
	Size	Spec.		Part No.	Ref. No.	Part No.	Ref. No.	Part No.	Ref. No.	
18S1927	$\frac{1}{2}$ " o/d x 22G x 10' 0" long	L56	30B/1195	BB/AGS904	28F/5723	BB/AGS952	28F/8297	—	—	Each end
19S1927	$\frac{1}{2}$ " o/d x 22G x 10' 0" long	L56	30B/1195	BB/AGS904	28F/5723	BB/AGS952	28F/8297	—	—	Each end
54S1927	$\frac{1}{2}$ " o/d x 22G x 4' 0" long	L56	30B/1195	BB/AGS904	28F/5723	BB/AGS952	28F/8297	—	—	Each end
551900	$\frac{1}{2}$ " o/d x 22G x 12' 0" long	L56	30B/1195	BB/AGS904	28F/5723	BB/AGS952	28F/8297	—	—	Each end
6S1900	$\frac{1}{2}$ " o/d x 22G x 3' 6" long	L56	30B/1195	BB/AGS904	28F/5723	BB/AGS952	28F/8297	—	—	Each end
11S1900	$\frac{1}{2}$ " o/d x 22G x 12' 0" long	L56	30B/1195	BB/AGS904	28F/5723	BB/AGS952	28F/8297	—	—	Each end

YUKCAN No. 1

PIPING SCHEDULE

YUCAMH PBL 1

Part No.	TUBING		END FITTINGS				Remarks
	Size	Spec.	Part No.	Ref. No.	Part No.	Ref. No.	

(((((

INDEX OF PART NUMBERS

Page W. 1

(See also Supplementary pages, if any)

Part No.	Page No.	Part No.	Page No.	Part No.	Page No.	Part No.	Page No.
A42/1	KB. 8	AS1881	PB. 18C	AS2811/5/072	MC. 72	AS4525/16	GQ.12, QS.1,
A4/50	FF.1, FF.2	AS1900/G	JA. 58	AS2811/5/075	DA. 5		QS. 4
A5/30	FB. 7	AS1903/C10	MB. 2	AS2811/5/100	GQ. 18	AS4525/18	GQ. 12
A25	FD.2, HD.1	AS1909/C	JC. 2	AS2811/5/125	GQ. 18	AS4525/24	HM. 4
	HD. 3	AS2183	KE. 2	AS2811/5/138	GQ. 18	AS4561/1	GB. 3
AS8	OD.5, OH.8,	AS2284/4	PA. 5	AS2811/5/284	FG. 47A	AS4570/53	MB.1, MB.5
	QP. 46,	AS2284/5	PA. 5	AS2811/5/015	EM. 3	AS4580/1	HM. 3
	QT.12, QV.3	AS2381	NB. 8	AS2811/5/025	EM. 5	AS4580/2	PE. 1
11A3071	JF. 4	AS2383	HC. 1	AS2811/5/089	MB.3, MB.6	AS4580/4	FB. 11
15A3071	JF. 4	AS2424/9-1/2	GA. 1	AS2811/5/072	MB. 2	AS4601/27	JA. 59
3A3086	JB. 125	AS2427	GA. 1	AS2811/7/030	EM. 4	AS4671	FB. 1, FB. 11
4A3086	JB 125, JH. 4	AS2428	GA. 1	AS2811/8/057	EK. 1	AS4689	GG. 14
5A3086	JB. 128	AS2428/38	KG.2, KG.4	AS2811/8/088	EG. 10	AS4799	FC.4, FG.48C,
6A3086	JB. 126	AS2428/38	KG. 4	AS2811/8/081	EJ. 3		FH.1, FH.4,
8A3086	JF. 4	AS2438/49	KC. 2	AS2811/8/113	EK. 2		FH.7, FH.19,
9A3086	JF. 4	AS2603	FJ. 7	AS2811/8/188	EJ.1, EJ.2		JB. 119
10A3086	JF. 4	AS2605	PB. 12	AS2811/8/175	EJ.3, EJ.4	AS4808	JB. 120
11A3086	JF. 4	AS2605	PB. 12	AS2838	GB. 3	AS4810	JB. 120
18A3086	JH. 42	AS2608	PB. 13	AS2816	JB.41, JB.43,	AS4821	JB. 120
5A3214	JB. 64	AS2635	FK. 1		JB.46, JB.48,	AS4822	FG. 46C
7A3214	JB. 65	AS2738	FG.56, FG.63		JB.68, JG.5	AS4825	FH.1, FH.4
AGS904/A	PE.6A	AS2739	FG.56, FG.62,	AS2817	JB.41, JB.43,		FH. 7
AGS904/B8	FG. 47A		FG. 63		JB.46, JB.48	AS4825/24	HM. 3
AGS962/A	PE. 6A	AS2785	FD.2, FG.64,	AS2930/58	JG. 4	AS5418/3	HP. 1
AGS962/B	FG. 47		FG.66, FG.61,	AS3170	JB 37, JB.38,	AS5418/B	HP. 1
AGS962/B8	FG. 47		FG. 63		JB. 98	AS5418/7	HP. 1
AGS1118/A	PE. 6A	AS2788	FG.54, FG.56,	AS3117	QK. 8	AS5899	GG.9, GG.10
AGS1126/4	QP. 40		FG. 61	AS3178/1	JB.23, JH.37	AS6712	GG.9, GG.10
AGS2111	FG. 47A	AS2787	FG. 58	AS3180/158	GQ. 12	AS6671/11	JB. 120
AGS3086	GG.9,GG.10	AS2788	FG.54, FG.56,	AS3180/15C	GQ. 12	AS6671/13	FH. 7
AGS3086	FG. 47A		FG.62, FG.64	AS3181/4C	PE. 5	AS6671/16	FH. 7
AGS3086	FG. 47A,	AS2789	FG.58, FG.62,	AS3181/7C	PE. 6	AS6671/18	JB. 120
	GG. 10,		FG. 64	AS3181/188	QS. 1	AS6671/18	FC.4, FH.10,
	GG. 12	AS2770	FG.54, FG.56	AS3380/B3B	EE. 3		FM. 24
AS2 6	FN.17, HD.3	AS2771	FG.51, FG.56,	AS3380/B6B	QS. 3	AS6671/21	FC.4, JB.120
AS5	FD.2, FN.17,		FG. 62	AS3380/C3C	QA.11, QS.3	AS6671/22	FM. 24
	HD. 3	AS2773	FG. 63	AS3380	EF. 3	AS6671/27	FH.1, FH.7
AS10	FN.17, HD.1	AS2774	FG.54, FG.63	AS3380	EF.5, EF.6,	AS6671/31	FH.1, JB.120
AS15	FN. 17	AS2775	FG.54, FG.56,		EF. 8	AS6671/35	FC.4
AS20	HD. 1		FG. 63	AS3380/C4C	EF.7, EF.8	AS6671/39	JB. 120
AS103	JA.10, JA.28,	AS2786	FA. 1	AS3380/C4G	EG. 5	AS6671/40	FG. 48C
	JA.32, JB.4,	AS2791	FA. 30B	AS3380/C5C	EG. 7	AS6671/42	JB. 120
	JB.23, JH.23,	AS2808/5/012	QA. 42	AS3380/C6C	PB. 13	AS6671/43	JB. 120
	QC. 8	AS2808/5/050	QP. 40B	AS3380/C6G	EG.6, EG.12	AS6671/44	JB. 120
AS1151	GE.2, QP.14	AS2808/5/175	QP. 40B	AS3380/E6G	EG. 4	AS6671/45	FM. 24
AS1152	GE. 2	AS2808/8/125	HL.7, HL.15	AS3380/C7C	NB. 4E	AS6671/47	FG. 48C
AS/424/SS/28	QP. 14	AS2808/8/250	HM. 1	AS4525/1	GQ.8, QA.55	AS6671/48	FM. 24
AS1878	JC. 2	AS2808/19/		AS4525/2	GQ.8, QA.55	AS6672/11	JB. 120
AS1878/25	JA. 19	116	EJ. 10	AS4525/3	MC. 4,	AS6672/18	JB. 120
AS1878/40	JA. 19	AS2808/4/212	FG. 48		QS.1, QS.4	AS6672/21	JB. 120
AS1878/80	JA. 19	AS2808/4/040	GQ. 15		QT.12, QT.13	AS6672/25	FP. 78
AS1878/85	JA. 19	AS2808/4/212	FG. 47		QT. 15	AS6672/31	JB. 120
AS1878/115	JB. 74	AS2809/5/280	FB. 8	AS4525/4	QT.6A, QT.15	AS6672/39	JB. 120
AS1878/4.0	KE. 5	AS2811/5/032	EM. 4	AS4525/5	QS.1, QS.4	AS6672/43	JB. 121
AS1880/17	MC. 1	AS2811/5/065	MC. 72	AS4525/6	QT. 13	AS6672/44	JB. 121
				AS4525/8	QT. 13	AS6672/45	FP. 78

INDEX OF PART NUMBERS

(See also Supplementary pages, if any)

Part No	Page No.	Part No	Page No.	Part No.	Page No.	Part No.	Page No
AS8674	HM. 3	AT38813	HM. 1	CX170465	FA. 30B,	142D861B	JB. 103
AS8674/8	FH. 1	AT38858	KH. 19		FJ. 5,	143D861B	JB. 103
AS8674/10	FH. 4	AT38806	KH. 5		FJ. 12,	144D861B	JB. 102
AS8671/11	FH.4, FH.10	AT38807	KH. 5		FP. 7B	158D861B	JB. 101
AS8674/12	FH.4	AT38808	KH. 5	2CH2483	JB. 55	174D861B	JB. 102
AS8674/13	FH.7, HM.3	AT38845	JB. 34	DS/B/		219D861B	JB. 101
AS8674/16	FH.1, FH.7	AT40022	KH. 4	1507/1	PB. 3	220D861B	JB. 102
AS8674/18	HM. 3	AT57133	KH. 4	112D1944	JA. 37	221D861B	JB. 102
AS8674/19	FH.1, FH.7	AT62034	KH. 5	114D1944	JA. 37	222D861B	JB. 102
AS8674/20	HM. 3	AT62035	KH. 5	11aD4200	PB. 20	257D861B	JB. 103
AS8674/22	FH. 4	AT62037	KH. 5	32D6119	FM. 12	269D861B	JB. 102
AS8674/25	FH. 10	AT62038	KH. 6	14D6770	JA. 27	269bD861B	JB. 102
AS8674/26	FH. 7	AT62039	KH. 6	3D8136	PB. 20		JH. 15
AS8674/27	FH. 1	AT62040	KH. 6	D6311	GO. 14	269dD861B	JB. 102
AS8674/29	FJ.5, FJ.12	AT62058	KH. 19	D8704	FA. 33		JH. 15
	HM. 3	AT62414	JB. 31	2D8377	JA. 37	278D861B	JB. 102
AS8674/30	HM. 3	AT62415	JB. 31	2dD8377	JA. 37	279D861B	JB. 102
AS8674/31	FH. 4	AT62497	JB. 35	2fD8377	JA. 37	280D861B	JB. 103
AS8674/44	FH.10	AT62498	JB. 35	2gD8377	JA. 37	25D8623	JA. 21
AT30211	EC. 5	AT82802	JB. 35	2hD8377	JA. 37	26D8623	JA. 21
AT30420	KH. 1	AT82603	JB. 35	2jD8377	JA. 37	137D8623	JA. 35
AT30422	KH. 2	AT82589	FB. 7	2mD8377	JA. 37	138D8623	JA. 38
AT30423	KH. 1	AT82615	FB. 7	2pD8377	JA. 37	139D8623	JA. 36
AT38832	FB.13, GG.3, GG. 15	AT82985	KH. 4	2qD8377	JA. 37	140D8623	JA. 36
		AT83003	KH. 4	25D8377	JA. 37	141D8623	JA. 36
AT37050	KH. 6	AT83103	JB. 34	26D8377	JA. 37	142D8623	JA. 36
AT37051	KH. 6	AT83014	JB. 34	27D8377	JA. 37	143D8623	JA. 28
AT37052	KH. 6	AT83159	HM. 1	33D8377	JA. 37	144D8623	JA. 36
AT37053	KH. 6	AT83197	KJ. 1	34D8377	JA. 37	145D8623	JA. 37
AT37065	KH. 6	AT83519	HM. 1	15D8481	EC.8, JA.3, OD. 7	146D8623	JA. 37
AT37086	KH. 6	AT81559	KH. 4			147D8623	JA. 41
AT37071	KH. 6	2AT81559	KH. 5	1D8538	JA. 43	19D8625	JA. 41
AT37118	KH. 6	AT81855	JB. 44	10D8589	JA. 43	44D8625	JA. 58
AT37119	KH. 6	AT81856	JB. 34	108580	JA. 44		JA. 62A
AT37120	KH. 6	AT81857	JB. 34	4D8590	JA. 44	80D8626	JA. 26
AT37121	KH. 6	AT81858	JB. 34	5D8590	JA. 44	176D8626	JA. 26
AT37122	KH. 6	AT82012	KH. 1	6D8591	JA. 44	177D8626	JA. 26
AT37123	KH. 6	AT82204	KJ. 1	1D8592	JA. 44	184D8626	GF. 18
AT37133	KH. 4	2ATEC10	PB. 18G	3D8592	JA. 44	185D8626	GF. 18
AT37134	KH. 4	2ATEC12	PB. 18G	4D8592	JA. 44	186D8626	GF. 18
AT37150	KH. 4	AW5-30	FB. 12	1D8593	JA. 44	187D8626	GF. 18
AT37151	KH. 4	AW3101	PB. 19	3D8593	JA. 44	188D8626	GF. 18
AT37183	KH. 6	AY/7/SS/ 4234	QT. 6A	4D8593	JA. 44	189D8626	GF. 18
AT37263	KH. 4	AY/10/SS/ 5234	QT. 6A	1D8594	JA. 44	190D8626	GF. 18
AT37335	KH. 6	851BA		3D8594	JA. 44	191D8626	GF. 18
AT37351	KH. 4	Mod. 2	QB. 5	4D8594	JA. 44	192D8626	GF. 18
AT37491	HM. 1	B/AS6893	FG. 47	187D8610	JB. 118	193D8626	GF. 18
AT37940	KH. 6	88/AS6893	FG. 47	135D8618	JB. 102	194D8626	GF. 18
AT38325	JB. 35	CA2-1	EG. 20	137D8618	JB. 102	195D8626	GF. 18
AT38332	JB. 35		EG. 21	138D8618	JB. 102	196D8626	GF. 18
AT38514	KH. 5		KH. 4	139D8618	JB. 102	197D8626	GF. 18
AT38516	KH. 4	C/AG5/1135	EG. 21	140D8618	JB. 102	198D8626	GF. 18
AT38559	KH. 6	C/AT62414	KH. 4	141D8618	JB. 102	199D8626	GF. 18
AT38598	KH. 4	CX118850	JB. 31				
			VG. 47				

INDEX OF PART NUMBERS

(See also Supplementary pages, if any)

Part No	Page No.	Part No	Page No	Part No.	Page No	Part No	Page No.
200D8626	GF. 18	1008654	JB. 31	78D8700	JA. 40	69D8754	JA. 35
201D8626	GF. 18	1108654	JB. 31	79D8700	JA. 40	70D8754	JA. 35
215cD8626	JA. 25	12D8654	JB. 31	80D8700	JA. 40	203D8754	JA. 36
215dD8626	JA. 25	13D8654	JB. 31	81D8700	JA. 40	204D8754	JA. 36
223D8626	JA. 27	14D8654	JB. 31	82D8700	JA. 40	205D8754	JA. 35
224D8626	JA. 26	15D8654	JB. 31	83D8700	JA. 40	208D8754	JA. 38
261D8626	JA. 26	2D8655	JA. 21	84D8700	GF. 24	251D8754	JA. 35
263aD8626	JA. 28	3D8655	JA. 21	86D8700	GF. 24	252D8754	JA. 35
263bD8626	JA. 28	4D8655	JA. 21	87D8700	GF. 24	290D8754	JA. 35
285D8626	JA. 26	9D8655	JA. 21	88D8700	GF. 24	291D8754	JA. 35
286D8626	JA. 26	18D8656	JB. 31	89D8700	GF. 24	314D8754	GF. 23
302D8626	JA. 25	3D8656	JA. 40	90D8700	GF. 24	315D8754	GF. 23
302aD8626	JA. 25	3D8700	JA. 38	91D8700	GF. 24	318D8754	JA. 36
302bD8626	JA. 25	4D8700	JA. 38	92D8700	GF. 24	375D8754	JA. 36
309D8626	JA. 28	5D8700	JA. 40	93D8700	GF. 24	381D8754	JA. 36
309aD8626	JA. 28	6D8700	JA. 39	98D8700	HA. 39	33D8755	JB. 101
310D8626	JA. 28	9D8700	JA. 39	99D8700	JA. 40	34D8755	JB. 101
318D8626	JA. 28	10D8700	JA. 39	54D8707	JA. 43	35D8755	JB. 101
332D8626	JA. 28	11D8700	JA. 39	75D8708	JA. 42	36D8755	JB. 101
334D8626	JA. 28	12D8700	JA. 39	76D8708	JA. 42	38D8755	JB. 101
335D8626	JA. 28	16D8700	JA. 38	77D8708	JA. 42	43D8755	JB. 101
337D8626	JA. 26	17D8700	JA. 38	80D8708	JA. 42	44D8755	JB. 101
341D8626	JA. 26	18D8700	JA. 38	81D8708	JA. 42	77D8760	JH. 31
342D8626	JA. 26	23D8700	JA. 38	82D8708	JA. 42	78D8760	JH. 31
367D8626	JA. 25	24D8700	JA. 38	83D8708	JA. 42	109D8760	JH. 31
370D8626	JA. 26	26D8700	JA. 38	84D8708	JA. 42	110D8760	JH. 31
371D8626	JA. 26	28D8700	JA. 40	85D8708	JA. 42	113D8760	JH. 31
372D8626	JA. 26	33D8700	JA. 38	86D8708	JA. 42	114D8760	JH. 31
373D8626	JA. 25	38D8700	JA. 40	87D8708	JA. 42	185D8760	JH. 31
376D8626	JA. 25	37D8700	JA. 38	142D8708	JA. 42	186D8760	JH. 32
380D8626	JA. 28	38D8700	JA. 38	144D8708	JA. 43	15D8761	JH. 32
47D8628	JA. 25	39D8700	JA. 40	145D8708	JA. 43	16D8761	JH. 32
48D8628	JA. 25	39aD8700	JA. 40	146D8708	JA. 43	17D8761	JH. 32
69D8628	JA. 25	39bD8700	JA. 40	151D8708	JA. 42	22D8761	JH. 32
	JA. 38	40D8700	JA. 40	159D8708	JA. 42	108772	JH. 32
49cD8651	JB. 105	40aD8700	JA. 40	164D8708	JA. 42	208772	JH. 32
49dD8651	JB. 105	47D8700	JA. 39	165D8708	JA. 42	408772	JH. 32
2D8653	JA. 21	48D8700	JA. 39	194D8708	JA. 43	10D8772	JH. 32
3D8653	JA. 21	49D8700	JA. 39	1D8729	JD. 4	15D8772	JH. 32
4D8653	JA. 21	50D8700	JA. 39	3D8729	JD. 4	16D8772	JH. 32
5D8653	JB. 31	51D8700	JA. 39	4D8729	JD. 4	108775	JH. 32
6D8653	JB. 31	52D8700	JA. 39	108731	JA. 51	2D8775	JH. 32
7D8653	JB. 31	55D8700	JA. 38	2D8731	JA. 51	1D8784	JA. 50
9D8653	JB. 31	56D8700	JA. 38	9D8731	JA. 51	3D8784	JA. 51A
79D8653	JB. 28	65D8700	JA. 40	10D8731	JA. 51	5D8784	JA. 51A
2D8654	JA. 21	68D8700	JA. 40	11D8731	JA. 51	6D8784	JA. 51
3D8654	JA. 21	68D8700	JA. 40	12D8731	JA. 51	7D8784	JA. 51
4D8654	JA. 21	71D8700	JA. 40	13D8731	JA. 51A	8D8784	JA. 51
5D8654	JA. 21	72D8700	JA. 40	14D8731	JA. 51A	9D8784	JA. 51A
6D8654	JA. 21	73D8700	JA. 40	1D8732	JA. 46	10D8784	JA. 51A
7D8654	JA. 21	74D8700	JA. 40	2D8732	JA. 46	5D8793	JB. 56
8D8654	JA. 21	78D8700	JA. 40	81D8734	JB. 84	66D8793	JB. 56
9D8654	JB. 31						

INDEX OF PART NUMBERS

(See also Supplementary pages, if any)

Part No.	Page No.	Part No.	Page No.	Part No.	Page No.	Part No.	Page No.
68D8793	JB. 56	64cD8820	FG. 52A,	1D8865	JC. 3	7D8889	JD. 1
100D8793	JB. 56		JB. 53,	1D8866	JC. 3	8D8889	JD. 1
208794	JB. 56		JB. 100A	21D8866	JC. 3	9D8889	JD. 1
20D8794	JB. 56	70D8820	JB. 53	1D8867	JC. 3	10D8889	JD. 1
208795	JB. 56	71D8820	JB. 52	21D8867	JC. 3	11D8889	JD. 1
16D8795	JB. 56	72D8820	JB. 52	1D8868	JC. 3	12D8889	JD. 1
308803	JA. 39	77D8820	JB. 54	2D8868	JC. 3	13D8889	JD. 1
11D8816	JB. 59	78D8820	JB. 52	59D8868	JC. 3	14D8889	JD. 1
12D8816	JB. 60	84D8820	JB. 52	63D8868	JC. 3	15D8889	JD. 1
13D8816	JB. 60	88D8820	JB. 54	64D8868	JC.2, JC.3	16D8889	JD. 1
14D8816	JB. 60	95D8820	JB. 52	65D8868	JC.2, JC.3	17D8889	JD. 4
17D8816	JB. 61	98D8820	JB. 54	2D8869	JD. 2	18D8889	JD. 4
18D8816	JB. 60	100D8820	JB. 52	3D8869	JD. 2	20D8889	JD. 4
19D8816	JB. 62	102D8820	JB. 54	4D8869	JD. 2	21D8889	JD. 4
20D8816	JB. 62	104D8820	JB. 53	5D8869	JD. 2	29D8889	JD. 1
23D8816	JB. 60	105D8820	JB. 53	38D8869	JD. 2	30D8889	JD. 1
24D8816	JB. 60	120D8820	JB. 53	91D8871	JD. 2	31D8889	JD. 1
25D8816	JB. 60	121D8820	JB. 53	92D8871	JD. 2	32D8889	JD. 1
27D8816	JB. 60	123D8820	JB. 52	127D8871	JD. 2	33D8889	JD. 1
29D8816	JB. 61	133D8820	JB. 53	128D8871	JD.2, JD.3	D8900	JB. 36
30D8816	JB. 61	134D8820	JB. 53	129D8871	JD. 2	1D8900	JD. 1
31D8816	JB. 62	142D8820	JB. 52	154D8871	JD. 2	2D8900	JD. 1
32D8816	JB. 62	1D8822	JB. 73	1D8872	JD. 2	83D8900	JD. 1
45D8816	JB. 58, JB. 60,	2D8822	JB. 73	1D8873	JD. 2	83bD8900	JD. 1
	JB. 61, JB. 62	3D8822	JB. 73	1D8874	JD. 2	89aD8900	JB. 36
46D8816	JB. 58, JB. 60,	4D8822	JB. 73	1D8875	JD. 2	157D8900	JD. 4
	JB. 61, JB. 62	2D8830	JB. 51	1D8876	JD. 2	1D8901	JC. 1
1D8818	JA. 39	182D8836	JB. 58	1D8877	JD. 2	2D8901	JC. 1
22D8818	JA. 39	5D8837	JB. 61	1D8878	JD. 2	238D8901	JD. 4
23D8818	JA. 39	6D8837	JB. 61	1D8879	JD. 2	259D8901	JC. 1
24D8818	JA. 39	17D8837	JB. 61	1D8880	JD. 2	260D8901	JC. 1
63D8818	JA. 39	2D8839	JB. 73	1D8881	JD. 2	315D8901	JC. 2
84D8818	JA. 39	6D8839	JB. 72	1D8882	JD. 2	315aD8901	JC. 2
88D8818	JA. 39	7D8839	JB. 73	1D8883	JD. 2	315bD8901	JC. 2
80D8818	JA. 39	16D8839	JB. 72	1D8884	JD. 2	315cD8901	JC. 2
93D8818	JA. 39	7D8844	JB. 32	1D8885	JD. 2	315D8901	JC. 2
92aD8818	JA. 39	9D8844	JB. 32	1D8886	JD. 2	315aD8901	JC. 2
92bD8818	JA. 39	39D8844	JB. 32	1D8887	JD. 2	315fD8901	JC. 2
92cD8818	JA. 39	20D8851	JC. 2	1D8888	JD. 3	315gD8901	JC. 2
92dD8818	JA. 39	59D8851	JD.2, JD.3	2D8888	JD. 3	316D8901	JC. 1
92eD8818	JA. 39	84D8851	JC.2, JC.3	21D8888	JD.2, JD.3	317D8901	JC. 1
1D8819	JB. 31	1D8854	JC. 2	58D8888	JC.2, JD.2,	318D8901	JC. 1
2D8819	JB. 31	1D8855	JC. 2		JD. 3	320D8901	JC. 4
3D8819	JB.31, JB.58	1D8856	JC. 3	59D8888	JD.2, JD.3,	321D8901	JC. 4
4D8819	JB.31, JB.58	1D8857	JC. 3	60D8888	JC.2, JD.2	322D8901	JC. 4
51D8820	JB. 52	1D8858	JC. 3		JD. 3	323D8901	JC. 4
53D8820	JB. 52	1D8859	JC. 3	61D8888	JD. 3	329D8901	JC. 1
52D8820	JB. 52	1D8860	JC. 3	2D8889	JD. 1	330D8901	JC. 1
83D8820	JB. 52	1D8861	JC. 3	3D8889	JD. 1	333D8901	JC. 2
84bD8820	FG. 52A,	1D8862	JC. 3	4D8889	JD. 1	1D8910	JD. 3
	JB. 53,	1D8863	JC. 3	5D8889	JD. 1	3D8910	JD. 3
	JB. 100A	1D8864	JC. 3	8D8889	JD. 1	4D8910	JC. 4

YURCAN PR. 3

INDEX OF PART NUMBERS

Page W. 5

(See also Supplementary pages, if any)

Part No.	Page No.	Part No.	Page No.	Part No.	Page No.	Part No.	Page No.
508910	JC. 4	2809010	JH. 37	1809046	JB. 71	709078	JH. 36
608910	JC. 4	2909010	JH. 37	1909046	JB. 70	809078	JH. 36
808910	JD. 3	3009010	JH.36, JH.37	2009046	JB. 70	3109078	JH. 36
908910	JC. 3	3109010	JH. 37	2109046	JB. 70	3209078	JH. 36
1008910	JD. 3	3209010	JH. 37	2209046	JB. 70	3909088	EG. 13
1108910	JD. 3	209022	JA. 49	2309046	JB. 72	709088	JH. 34
1508910	JC. 3	309022	JA. 50	2409046	JB. 71	809088	JH. 33
1608910	JC. 3	609022	JA. 49	2509046	JB. 71		JH. 34
1708910	JC. 4	709022	JA. 49	2709046	JB.70, JB.73	909088	JH. 33
1808910	JC. 4	909022	JA. 49	2809046	JB.70, JB.73		JH. 34
1908910	JC. 4	9a09022	JA. 48	2909046	JB.71, JB.73	1009088	JH. 33
2008910	JC. 4	9b09022	JA. 48	3009046	JB.71, JB.73		JH. 34
2108910	JC. 4	1909022	JA. 47	209068	JB. 56	1909088	JH. 33
2608910	JD. 3	2009022	JA. 47	5009066	JB. 56		JH. 34
2708910	JC. 4	2709022	JA. 47	51a09066	JB. 56	2009088	JH. 33
2808910	JC. 4	2809022	JA. 48	109068	JA. 36		JH. 34
4108910	JD. 3	3609022	JA. 47	209068	JA. 36	2209088	JH. 33
4208910	JD. 3	4709022	JA. 49	309068	JA. 36		JH. 34
4308910	JD. 3	5309022	JA. 47	409068	JA. 36	2309088	JH. 33
4408910	JD. 3	5709022	JA. 50	509068	JA. 36		JH. 34
4808910	JD. 3	6109022	JA. 49	709068	JA. 36	2409088	JH. 33
4708910	JD. 3	61a09022	JA. 50	809068	JA. 36		JH. 34
4808910	JD. 3	6609022	JA. 50	909068	JA. 36	2509088	JH. 34
4908910	JD. 3	7509022	JA.40, JA.50	1009068	JA. 36	2609088	JH. 34
5008910	JD. 3	309026	JA. 50	1109068	JA. 36	2709088	JH. 34
5208910	JD. 3	509026	JA. 50	1209068	JA. 36	2809088	JH. 34
5308910	JD. 3	5a09026	JA. 49	1409068	JA. 36	2909068	JH. 33
5408910	JD. 3	609026	JA. 50	1109078	JH. 36		JH. 34
5508910	JD. 3	6a09026	JA. 50	1409078	JH. 36	3009088	JH. 33
5608910	JD. 3	1609028	JB. 86	1509078	JH. 36		JH. 34
5708910	JC. 4	3309028	JB. 86	2309078	JH. 35	3109088	JH. 33
5808910	JC. 4	3609028	JB. 86	709077	JH. 36		JH. 34
5908910	JC. 4	3709028	JB. 86	909077	JH. 36	109088	JH. 33
6008910	JD. 3	3809028	JB. 86		JH. 36	209088	JH. 33
6108910	JC. 4	109043	JA. 58	1009077	JH. 35	309088	JH. 33
6208910	JC. 4	209043	JA. 58	1109077	JH. 35	409088	JH. 33
7008910	JD. 3	3209043	JA. 28	1209077	JH. 35	509088	JH. 33
7108910	JC. 3	3309043	JA. 58	1309077	JH. 35	609088	JH. 33
7208910	JC. 3	33a09043	JA. 58	1409077	JH. 35	1309088	JH. 34
7308910	JD. 3	33b09043	JA. 58	2209077	JH. 35	1409088	JH. 34
7408910	JD. 3	34a09043	JA. 59	2309077	JH. 36	1509088	JH. 34
7508910	JD. 3	34b09043	JA. 59	2409077	JH. 35	1609088	JH. 34
7608910	JD. 3	3509043	JA. 59		JH. 36	109093	JB. 58
7708910	JD. 3	4009043	JA. 59	3509077	JH. 36	209093	JB. 59
7808910	JD. 3	4109043	JA. 59	3609077	JH. 36	309093	JB. 59
108980	JB. 110	4209043	JA. 59		JH. 36	409093	JB. 59
708981	JA. 62	5209043	JA. 58	3709077	JH. 35	509093	JB. 59
309010	JH. 36	5309043	JA. 59	3809077	JH. 35	709093	JB. 59
609010	JH. 37	109046	JB. 70	4509077	JH. 36	1009093	JB. 59
809010	JH.36, JH.37	209046	JB. 70		JH. 36	1109093	JB. 59
1009010	JH. 37	409046	JB.71, JB.72	4609077	JH. 36	1209093	JB. 59
1209010	JH. 37	709046	JB.70, JB.72		JH. 36	1309093	JB. 59
		1709046	JB. 71				

INDEX OF PART NUMBERS

(See also Supplementary pages, if any)

Part No.	Page No.	Part No.	Page No.	Part No.	Page No.	Part No.	Page No.
1D9094	JB 62	1D9262	JH 32	55D9383	JA 37	16D9429	JG 5
2D9094	JB 62	2D9262	JH 32	1D9390	JA 45	17D9429	JG 5
10D9094	JB 63	5D9262	JH 32	2D9390	JA 45	18D9429	JG 6
11D9094	JB 63	6D9262	JH 32	3D9390	JA 45	19D9429	JG 6
12D9094	JB 63	7D9262	JH 32	4D9390	JA 45	20D9429	JG 6
13D9094	JB 58, JB 59, JB 60, JB 61, JB 63	40D9278	JA 1	5D9390	JA 45	21D9429	JG 6
14D9094	JB 63	40D9278	JA 1	6D9390	JA 45	22D9429	JG 6
27D9094	JB 63	5D9303	JA 21	7D9390	JA 45	39D9429	JG 5
24D9094	JB 77	6D9303	JA 22	8D9390	JA 57	40D9429	JG 5
1D9104	JB 105	7D9303	JA 22	81D9393	JB 57	41D9429	JG 5
2D9104	JB 105	8D9303	JA 22	2D9397	JB 56	42D9429	JG 6
20D9121	JH 29	9D9303	JA 22	2D9398	JB 56	43D9429	JG 6
21D9121	JH 29	10D9303	JA 22	18D9398	JB 56	44D9429	JG 6
8D9122	JH 4	1D9304	JA 22	2D9400	JB 32	45D9429	JG 6
9D9122	JH 4	2D9304	JA 22	17D9400	JB 32	46D9429	JG 6
9aD9122	JH 4	5D9304	JA 22	68D9400	JB 32	47D9429	JG 6
9bD9122	JH 4	6D9304	JA 22	89D9400	JB 32	48D9429	JG 6
22D9122	JH 4	7D9304	KB.1, JA.21	70D9400	JB 32	49D9429	JG 6
24D9122	JH 4	1D9307	JB 107	100D9400	JB 31	50D9429	JG 6
9D9129	JA 22	2D9307	JB 107	16D9416	JB 65	51D9429	JG 6
10D9129	JA 22	2cD9307	JB 107	1D9422	JA 44	52D9429	JG 6
49D9138	JB 58	4D9307	JB 107	2D9422	JA 44	56D9429	JG 3
50D9138	JB 58	5D9343	JB 53	3D9422	JA 44	26D9449	JB 82
85D9138	JB 58	8D9343	JB 53	1D9423	JA 44	27D9449	JB 82
20D9138	JB 58	53D9344	JB 33	2D9423	JA 44	33D9449	JB 82
1D9149	JB 83	173D9344	JB 34	3D9423	JA 44	39D9449	JB 82
2D9149	JB 83	1D9372	JB 58	1D9424	JA 44	58D9449	JB 82
5D9149	JB 83	18D9374	JB 72	2D9424	JA 44	75D9449	JB 82
6D9149	JB 83	19D9374	JB 72	3D9424	JA 44	78D9449	JB 82
7D9193	JB 117	20D9374	JB 72	1D9425	JA 44	83D9449	JB 82
8D9193	JB 117	51D9374	JB 72	2D9425	JA 44	84D9449	JB 82
3D9196	JA 22	57D9374	JB 72	1D9426	JA 44	91D9449	JB 82
4D9196	JA 22	60D9374	JB 73	2D9426	JA 44	92D9449	JB 82
5D9196	JA 22	61D9374	JB 72	3D9426	JA 44	102D9449	JB 82
1D9201	JB 73	65D9374	JB 72	5D9427	JB 32	107D9449	JB 82
2D9201	JB 73	67D9374	QD 14	6D9427	JB 32	121D9449	JB 82
10D9207	JB 107	68D9374	QD 14	16D9427	JB 32	146D9449	JB 82
17D9207	JB 103	80D9374	JB 72	38D9427	JB 32	160D9449	JB 82
26D9211	JH 25	81D9374	JB 72	78D9428	JA 58	146D9450	JB 84
8D9217	JB 103	1D9382	JB 73	182D9428	JA 58	147D9450	JB 84
9D9258	JH 33	7D9383	JA 37	188D9428	JA 52	180D9450	JB 83
10D9258	JH 33	8D9383	JA 37	191D9428	JA 58	196D9450	JB 83
15D9258	JH 33	15D9383	JA 38	192D9428	JA 58	2D9451	JB 117
16D9258	JH 33	16D9383	JA 38	2D9429	JG 3	15D9451	JB 117
11D9259	JH 33	17D9383	JA 38	3D9429	JG 3	16D9451	JB 117
12D9259	JH 33	23D9383	JA 37	5D9429	JH 5	7eD9452	JB 101
		24D9383	JA 37	6D9429	JG 5	110D9452	JB 101
		36D9383	JA 37	7D9429	JG 5	120D9452	JB 101
		37D9383	JA 37	8D9429	JG 5	130D9452	JB 101
		40D9383	JA 37	13D9429	JG 5	140D9452	JB 101
		50D9383	JA 38	14D9429	JG 5	24D9452	JB 100B
		54D9383	JA 37	15D9429	JH 5	27D9452	JB 100B

INDEX OF PART NUMBERS

Page W. 7

(See also Supplementary pages, if any)

Part No.	Page No.	Part No.	Page No.	Part No.	Page No.	Part No.	Page No.
33D9452	JB. 100B	2D9456	JB. 51	29D9481	JA. 56	11D9490	JB. 35
36D9452	JB. 100B	2D9457	JH. 13	31D9481	JA. 58	16D9490	JB. 35
39D9452	JB. 100B	2D9458	JH. 13	32D9481	JA. 58	17D9490	JB. 35
48D9452	JB. 100B	55D9460	JA. 25	33D9481	JA. 58	18D9490	JB. 35
50D9452	JB. 101	78D9460	JA. 21	36D9481	JA. 58	33D9490	JB. 35
51D9452	JB. 100B	80D9460	JA. 21	38D9481	JA. 57	3D9495	JB. 60
52D9452	JB. 100B	94D9460	EC. 9	39D9481	JA. 57	4D9495	JB. 60
54D9452	JB. 100B	96D9460	JA. 23	1D9482	JA. 55	1D9496	JB. 60
56D9452	JB. 100B	97D9460	JA. 25	2D9482	JA. 55	2D9496	JB. 60
58D9452	JB. 100B	111D9460	JA. 21	3D9482	JA. 55	3D9496	JB. 60
57D9452	JB. 100B	112D9460	EC. 10	4D9482	JA. 55	4D9496	JB. 60
59D9452	JB. 100B	31D9462	JA. 55	5D9482	JA. 55	13D9496	JB. 60, JB. 62
60D9452	JB. 100B	32D9462	JA. 55	6D9482	JA. 55	13D9497	JB. 60, JB. 61
78D9452	JB. 101	38D9462	JA. 52	8D9482	JA. 55	3D9498	JB. 61
78aD9452	JB. 101	40D9462	JA. 52	13D9485	JA. 55	4D9498	JB. 61
79D9452	JB. 101	41D9462	JA. 55	3D9486	JA. 53	7D9498	JB. 61
79aD9452	JB. 101	42D9462	JA. 55	4D9486	JA. 53	11D9498	JB. 61
85D9452	JB. 101	43D9462	JA. 55	7D9486	JA. 53	12D9498	JB. 61
35D9453	JB. 101	1D9463	JA. 53	8D9486	JA. 53	7D9499	JB. 58, JB. 61,
37D9453	JB. 101	1D9464	JA. 53	9D9486	JA. 53		JB. 62
1D9455	JB. 55	1D9465	JA. 53	10D9486	JA. 53	8D9499	JB. 58, JB. 61,
2D9455	JB. 59	1D9466	JA. 53	11D9486	JA. 53		JB. 62
3D9455	JB. 59	1D9467	JA. 53	12D9486	JA. 53, JA. 57	10D9499	JB. 62
6D9455	JB. 59	1D9468	JA. 53	19D9486	JA. 53, JA. 57	11D9499	JB. 62
8D9455	JB. 59	1D9469	JA. 53	20D9486	JA. 53, JA. 57	12D9499	JB. 62
23D9455	JB. 101	1D9471	JA. 52	8D9487	JA. 34, QU. 1,	13D9499	JB. 62
24D9455	JB. 101	1D9472	JA. 52		QU. 4	14D9499	JB. 62
25D9455	JB. 101	1D9473	JA. 52	4D9488	JA. 32	26D9499	JB. 81
26D9455	JB. 52	1D9474	JA. 52	7aD9488	JA. 33	27D9499	JB. 81
27D9455	JB. 52	3D9481	JA. 58	7bD9488	JA. 33	33D9499	JB. 81
28D9455	JB. 52	4D9481	JA. 56	25D9488	JA. 31	39D9499	JB. 81
29D9455	JB. 52	5D9481	JA. 56	7D9489	JB. 89	58D9499	JB. 81
36D9455	JB. 52	6D9481	JA. 57	8D9489	JB. 89	75D9499	JB. 81
36aD9455	JB. 52	7D9481	JA. 57	9D9489	JB. 89	78D9499	JB. 81
36cD9455	JB. 53	9D9481	JA. 57	10D9489	JB. 89	83D9499	JB. 81
36dD9455	JB. 53	10D9481	JA. 57	11D9489	JB. 89	91D9499	JB. 81
42D9455	JB. 51	11D9481	JA. 57	17D9489	JB. 89	92D9499	JB. 81
44D9455	JB. 53	13D9481	JA. 58	18D9489	JB. 89	94D9499	JB. 81
61bD9455	JB. 53	14D9481	JA. 57	20D9489	JB. 89	102D9499	JB. 81
63D9455	JB. 54	15D9481	JA. 57	23bD9489	JB. 89	107D9499	JB. 83
66D9455	JB. 101	16D9481	JA. 57	24D9489	JB. 89	115D9499	JB. 83
67D9455	JB. 53	17D9481	JA. 57	26D9489	JB. 89	121D9499	JB. 81
68D9455	JB. 53	18D9481	JA. 57	27D9489	JB. 89	136D9499	JB. 83
68D9455	JB. 53	20D9481	JA. 58	29D9489	JB. 89	148D9499	JB. 81
70D9455	JB. 53, NC. 2	21D9481	JA. 58	31D9489	JB. 89	160D9499	JB. 81
84D9455	JB. 51	22D9481	JA. 58	32D9489	JB. 89	1D9500	JB. 62
85D9455	JB. 51	23D9481	JA. 58	33D9489	JB. 89	2D9500	JB. 62
86D9455	JB. 53	24D9481	JA. 58	52D9489	JB. 89	3D9500	JB. 62
92D9455	JB. 53	25D9481	JA. 57	6D9490	JB. 34, JB. 35	4D9500	JB. 62
101D9455	JB. 52	26D9481	JA. 58	7D9490	JB. 34	13D9500	JB. 60, JB. 61,
110D9455	JB. 54	27D9481	JA. 58	9D9490	JB. 35		JB. 62
117D9455	JB. 54	28D9481	JA. 56	10D9490	JB. 35	14D9500	JB. 59, JB. 63

INDEX OF PART NUMBERS

(See also Supplementary pages, if any)

Part No.	Page No.	Part No.	Page No.	Part No.	Page No.	Part No.	Page No.
15D9500	JB 59, JB.60, JB 61, JB.62, JB 63	320D9502	JG 7	10D9548	JA. 56	65D9558	JA. 43
		321D9502	JG. 9	11D9548	JA. 56	73D9558	JA. 43
		327D9502	JG. 6	12D9548	JA. 56	109558	JA. 43
38D9501	JG 5	328D9502	JG. 6	13D9548	JA. 56	209559	JA. 43
39D9501	JG. 5	329D9502	JG. 6	14D9548	JA. 56	1D9573	JA. 57
40D9501	JG 5	330D9502	JG. 6	17D9548	JA. 56	5D9573	JA. 54
41D9501	JG 4	331D9502	JG. 6	18D9548	JA. 56	6D9573	JA. 54
42D9501	JG 4	340D9502	JG. 6	19D9548	JA. 48	7D9573	JA. 57
46D9501	JG 4	1D9523	JG. 5	20D9548	JA. 55	8D9573	JA. 57
48D9501	JG 4	2D9523	JG. 5	21D9548	JA. 55	9D9573	JA. 57
54D9501	JG. 5	09524	JA. 34	22D9548	JA. 55	10D9573	JA. 57
55D9501	JG. 5	209524	QU. 1	23D9548	JA. 55	11D9573	JA. 57
56D9501	JG. 5	909524	JA.34, QU.1	24D9548	JA. 55	12D9573	JA. 57
57D9501	JG 5	1009524	JA. 34	25D9548	JA. 56	13D9573	JA. 57
58D9501	JG 5	12D9524	JA.34, QU.1	26D9548	JA. 56	14D9573	JA. 57
60D9501	JG 5	13D9524	JA.34, QU.1	28D9548	JA. 56	29D9573	JA. 57
62D9501	JG 5	14D9524	QU. 1	31D9548	JA. 56	30D9573	JA. 57
43D9502	JG 6	15D9524	QU 1, QU.6	32D9548	JA. 56	33D9573	JA. 54
43aD9502	JG 6	33D9528	JA. 26	33D9548	JA. 56	34D9573	JA. 54
44D9502	JG. 6	34D9528	JA. 26	34D9548	JA. 56	35D9573	JA. 54
75D9502	JG. 8	34aD9528	JA. 26	36D9548	JA. 56	36D9573	JA. 54
76D9502	JG. 7	34bD9528	JA. 26	37D9548	JA. 56	39D9573	JA. 54
86D9502	JG 7	34cD9528	JA. 26	38D9548	JA. 56	40D9573	JA. 54
87D9502	JG 8	34dD9528	JA. 26	39D9548	JA. 56	41D9573	JA. 54
87dD9502	JG 8	81D9528	JA. 26	40D9548	JA. 56	42D9573	JA. 54
87fD9502	JG 8	82D9528	JA. 26	41D9548	JA. 56	43D9573	JA. 54
100D9502	JG. 7	1D9544	JA. 51A	42D9548	JA. 56	44D9573	JA. 54
104D9502	JG 7	12D9544	JA. 51A	1D9550	JA. 38	45D9573	JA. 54
127D9502	JG. 8	13D9544	JA. 52	5D9550	JA. 38	46D9573	JA. 54
128D9502	JG. 8	15D9544	JA. 52	6D9550	JA. 38	51D9573	JA. 54
169D9502	JG. 7	16D9544	JA. 52	7D9550	JA. 40	52D9573	JA. 54
179D9502	JG. 7	17D9544	JA. 52	8D9550	JA. 40	4D9577	JA. 64
187D9502	JG. 10	18D9544	JA. 52	11D9550	JA. 38	34D9577	JA. 64
201D9502	JG. 8	19D9544	JA. 52	12D9550	JA. 38	2D9579	JG. 2
205D9502	JG. 8	20D9544	JA. 52	13D9550	JA. 38	3D9579	JG. 2
218D9502	JG. 7	21D9544	JA. 52	14D9550	JA. 38	4D9579	JG. 2
217D9502	JG. 7	22D9544	JA. 52	15D9550	JA. 40	6D9579	JG. 3
218D9502	JG. 7	77D9545	JH. 17	16D9550	JA. 40	7D9579	JG. 3
231D9502	JG. 10	127D9545	JH. 17	17D9550	JA. 38	8D9579	JG. 3
236C9502	JG. 6	D9546	JA. 53	18D9550	JA. 38	10D9579	JG. 1
237D9502	JG. 9	3D9546	JA. 53	19D9550	JA. 38	10D9580	JA. 1
245D9502	JG. 9	4D9546	JA. 53	20D9550	JA. 40	11D9581	JB. 1
247D9502	JG. 11	5D9546	JA. 53	21D9550	JA. 40	140D9685	JA. 43
250D9502	JG. 9	6D9546	JA. 53	22D9550	GF. 24	152D9685	JA. 43
251D9502	JG. 9	1D9547	JA. 51A	23D9550	GF. 24	163D9685	JA. 43
251bD9502	JG 9	3D9548	JA. 56	24D9550	GF. 24	183D9685	JA. 43
261D9502	JG. 9	4D9548	JA. 56	25D9550	GF. 24	2D9772	JH. 4
262D9502	JG. 8	5D9548	JA. 56	1D9551	JA. 40	14D9772	JH. 4
263D9502	JG 8	6D9548	JA. 56	1D9553	JA. 57	1D9779	JH. 30
280D9502	JG. 6	7D9548	JA. 56	25D9558	JA. 43	2D9803	JA. 31
311D9502	JG. 7	8D9548	JA. 56	26D9558	JA. 43	3D9803	JA. 28
314D9502	JG. 7	9D9548	JA. 56	28D9558	JA. 43		

VULCAN No. 2

INDEX OF PART NUMBERS

Page W. 9

(See also Supplementary pages, if any)

Part No.	Page No.	Part No.	Page No.	Part No.	Page No.	Part No.	Page No.
509803	JA. 34	1D9881	JB. 72, JB. 73	9D10022	JA. 35	5D10036	JA. 51
6D9803	JA. 34	2D9881	JB. 71	1D10024	JG. 8	6D10036	JA. 51
7D9803	JA. 34	3D9881	JB. 71	2D10024	JG. 8	7D10036	JA. 51
8D9803	JA. 34	15D9882	QB. 1	24D10031	JA. 31	1D10037	JA. 42
9D9803	JA. 34	15aD9882	QB. 1	1D10033	JA. 45	2D10037	JA. 42
10D9803	JA. 34	1D9883	JB. 71	2D10033	JA. 49	3D10037	JA. 42
11D9803	JA. 34	2D9883	JB. 71	3D10033	JA. 50	4D10037	JA. 42
12D9803	JA. 31	1D9905	JA. 55	4D10033	JA. 49	4aD10037	JA. 42
13D9803	JA. 34	2D9905	JA. 55	5D10033	JA. 49	5D10037	JA. 42
14D9803	JA. 34	3D9905	JA. 55	6D10033	JA. 45	6D10037	JA. 42
16D9803	JA. 28	4D9905	JA. 55	7D10033	JA. 47	1D10038	JA. 48
17D9803	JA. 28	5D9905	JA. 55	8D10033	JA. 50	4D10038	JA. 48
19D9803	JA. 33	6D9905	JA. 55	9D10033	JA. 48	6D10043	JA. 50
20D9803	JA. 33	7D9905	JA. 55	9aD10033	JA. 48	1D10045	JG. 7
20aD9803	JA. 33	8D9918	JG. 7	9bD10033	JA. 48	D10093	JA. 41
21D9803	JA. 28	9D9918	JG. 8	11D10033	JA. 49	1D10093	JA. 41
23D9803	JA. 28	17D9918	JG. 8	17D10033	JA. 49	3D10093	JA. 41
24D9803	JA. 32	18D9918	JG. 8	20D10033	JA. 47	1D10094	JA. 27, GD. 2
25D9803	JA. 34	3D9929	QT. 12	31D10033	JA. 48	2D10094	JA. 27, GD. 2
26D9803	JA. 35	4D9929	QT. 12	37D10033	JA. 48	25D10094	GD. 2
27D9803	JA. 35	5D9929	QT. 12	44D10033	JA. 48	28D10094	GD. 2
28D9803	JA. 35	8D9932	JG. 4	45D10033	JA. 46	27D10094	GD. 2
29D9803	JA. 35	15D9932	JG. 3	46D10033	JA. 46	28D10094	GD. 2
30D9803	JA. 29	16D9932	JG. 4	48D10033	JA. 47	29D10094	GD. 2
37D9803	JA. 34	20D9932	JG. 4	52D10033	JA. 47	30D10094	GD. 2
38D9803	JA. 34	21D9932	JG. 4	53D10033	JA. 48	31D10094	GD. 2
39D9803	JA. 34	22D9932	JG. 4	53D10033	JA. 47	32D10094	GD. 2
40D9803	JA. 34	7D9936	JA. 35	54D10033	JA. 47	33D10094	GD. 2
41D9803	JA. 29	8D9936	JA. 35	56D10033	JA. 47	34D10094	GD. 2
43D9803	JA. 34	9D9936	JA. 35	57D10033	JA. 49	35D10094	GD. 2
44D9803	JA. 34	10D9936	JA. 35	58D10033	JA. 50	36D10094	GD. 2
47D9803	JA. 34	1D10010	JB. 117	59D10033	JA. 50	43D10094	GD. 2
49D9803	JA. 31	8D10010	JB. 117	70D10033	JA. 49	44D10094	GD. 2
50D9803	JA. 28	9D10010	JB. 117	71D10033	JA. 50	49D10094	GD. 2
51D9803	JA. 32	10D10010	JB. 117	72D10033	JA. 49	50D10094	GD. 2
53D9803	JA. 28	11D10010	JB. 117	75D10033	JA. 47	51D10094	GD. 3
56D9803	JA. 28	12D10010	JB. 117	86D10033	JA. 47	52D10094	GD. 3
57D9803	JA. 31	13D10010	JB. 117	85D10033	JA. 47	53D10094	GD. 3
58D9803	JA. 31	14D10010	JB. 117	95bD10033	JA. 47	54D10094	GD. 3
22D9829	JB. 116	15D10010	JB. 117	97D10033	JA. 47	58D10094	GD. 2
23D9829	JB. 116	1D10021	JA. 34	98D10033	JA. 47	59D10094	GD. 2
1D9860	JA. 58	2D10021	JA. 34, QU. 1	99D10033	JA. 49	63D10094	GD. 2
1D9863	JG. 8	3D10021	JA. 34, QU. 1	1D10035	JA. 50	64D10094	GD. 2
2D9863	JG. 8	4D10021	JA. 34	2D10035	JA. 50	59D10097	GD. 2
22D9863	JG. 8	5D10021	JA. 34	3D10035	JA. 51	1D10100	JG. 7
23D9863	JG. 10	6D10021	JA. 34	4D10035	JA. 51	2D10100	JG. 7
37D9863	JG. 8	1D10022	JA. 35	5D10035	JA. 51	5D10100	JG. 7
48D9863	JG. 9	2D10022	JA. 35	6D10035	JA. 51	1D10105	JA. 56
1D9880	JG. 71, JB. 73	3D10022	JA. 35	6aD10035	JA. 51	11D10105	JA. 56
2D9880	JB. 71	6D10022	JA. 35	7D10035	JA. 51	13D10105	JA. 56
3D9880	JB. 71	7D10022	JA. 35	8D10035	JA. 50	13cD10105	JA. 56
4D9880	JB. 71	8D10022	JA. 34	9D10035	JA. 50	14D10105	JA. 56
				10D10035	JA. 51		

INDEX OF PART NUMBERS

(See also Supplementary pages, if any)

Part No.	Page No.	Part No.	Page No.	Part No.	Page No.	Part No.	Page No.
15D10106	JA. 58	10D10368	JA. 34	124D10368	JA. 36	6D10458	JA. 62A
50D10106	JA. 58	12D10368	JA. 31	125D10368	JA. 28	6aD10458	JA. 62A
1D10146	JG. 3	14D10368	JA. 32	133D10368	JA. 31	6bD10458	JA. 62A
7D10146	JG. 3	15D10368	JA. 33	141D10368	JA. 32	7D10458	JA. 62
10D10146	JG. 3	16D10368	JA. 33	17D10401	JA. 8	8D10458	JA. 62
1D10227	JC. 3	16aD10368	JA. 33	1010408	JA. 52	9D10458	JA. 62
51D10228	JC. 3	16fD10368	JA. 33	2D10408	JA. 52	10D10458	JA. 62
52D10228	JC. 3	16gD10368	JA. 33	8D10408	JA. 52	11D10458	JA. 62
30D10229	JC. 2	17D10368	JA. 33	9D10408	JA. 52	12D10458	JA. 62
31D10229	JC. 2	21D10368	JA. 33	10D10408	JA. 52	13D10458	JA. 62
33D10229	JC. 2	30D10368	JA. 36	11D10408	JA. 52	14D10458	JA. 62
34D10229	JC. 2	32D10368	JA. 33	12D10408	JA. 52	15D10458	JA. 62
1D10234	JC. 1	43D10368	JA. 32	13D10408	JA. 52	16D10458	JA. 62
2D10234	JC. 1	48D10368	JA. 33	1D10442	JA. 45	17D10458	JA. 62
23D10234	JC. 2	50D10368	JA. 31	2D10442	JA. 45	17aD10458	JA. 62
24D10234	JC. 2	50aD10368	JA. 31	3D10442	JA. 45	17bD10458	JA. 62
26D10234	JC. 1	50bD10368	JA. 31	5D10442	JA. 45	18D10458	JA. 62
27D10234	JC. 1	51D10368	JA. 31	10D10442	JA. 45	18aD10458	JA. 62
78D10234	JC. 1	51aD10368	JA. 31	2D10458	JA. 59	19D10458	JA. 62A
36D10234	JC. 1	53D10368	JA. 28	3D10458	JA. 59	20D10458	JA. 62A
37D10234	JC. 2	54D10368	JA. 28	4D10458	JA. 59	21D10458	JA. 62
38D10234	JC. 1	56D10368	JA. 32	5D10458	JA. 59	21aD10458	JA. 62
43D10234	JC. 2	56aD10368	JA. 32	6D10458	JA. 59	21bD10458	JA. 62
44D10234	JC. 2	57D10368	JA. 32	33D10458	JA. 60	21cD10458	JA. 62
49D10234	JC. 1	57aD10368	JA. 32	36D10458	JA. 59	22D10458	JA. 62
1D10294	JA. 58	60D10368	JA. 34	36D10458	JA. 59	22aD10458	JA. 62
2D10294	JA. 58	61D10368	JA. 31	37D10458	JA. 60	23D10458	JA. 62
3D10294	JA. 58	62D10368	JA. 30	38D10458	JA. 60	24D10458	JA. 62
3aD10294	JA. 58	62aD10368	JA. 30	43D10458	JA. 59	25D10458	JA. 62
3bD10294	JA. 58	63D10368	JA. 31	51D10458	JA. 60	26D10458	JA. 62
3cD10294	JA. 58	64D10368	JA. 31	51bD10458	JA. 60	27D10458	JA. 62
3eD10294	JA. 58	65D10368	JA. 31	52D10458	JA. 60	28D10458	JA. 62
4D10294	JA. 58	67D10368	JA. 31	53D10458	JA. 60	29D10458	JA. 62A
5D10294	JA. 58	70D10368	JA. 32	54D10458	JA. 60	30D10458	JA. 62A
6D10294	JA. 58	75D10368	QT. 4	73D10458	JA. 59	31D10458	JA. 62A
6bD10294	JA. 58	85D10368	JA. 28	73aD10458	JA. 59	32D10458	JA. 62A
7D10294	JA. 58	87D10368	JA. 36	75D10458	JA. 60	33D10458	JA. 62A
D10316	JG. 1	88D10368	JA. 32	76D10458	JA. 60	44D10458	JA. 62
25D10316	JG. 1	89D10368	JA. 31	76cD10458	JA. 60	1D10480	JB. 95
26D10316	JG. 1	90D10368	JA. 31	77D10458	JA. 59	2D10480	JB. 95
27D10316	PD. 1	100D10368	JA. 28	78D10458	JA. 59	21D10484	JB. 64
27aD10316	PD. 1	103D10368	JA. 29	79D10458	JA. 59	22D10484	JB. 64
27bD10316	PD. 1	104D10368	JA. 29	80D10458	JA. 59	24D10484	JB. 64
28D10316	PD. 1	110D10368	JA. 29	87D10458	JA. 60	124D10486	JB. 103
D10368	JA. 26	110cD10368	JA. 29	92D10458	JA. 60	125D10486	JB. 103
7D10368	JA. 36	111D10368	JA. 30	93D10458	JA. 60	126D10486	JB. 103
3D10368	JA. 28	111cD10368	JA. 30	1D10458	JA. 62	170D10486	JB. 101
3aD10368	JA. 28	113D10368	JA. 29, JA.30	2D10458	JA. 62	D10492	JA. 41
3bD10368	JA. 28	114D10368	JA. 30	3D10458	JA. 62A	3D10492	JA. 41
7bD10368	JA. 31	115D10368	JA. 34	5D10458	HA. 62A	4D10492	JA. 41
8D10368	JA. 31	122D10368	JA. 31	5aD10458	JA. 62A	5D10492	JA. 41
9D10368	JA. 31	123D10368	JA. 22	5bD10458	JA. 62A	6D10492	JA. 41

INDEX OF PART NUMBERS

(See also Supplementary pages, if any)

Part No.	Page No.	Part No.	Page No.	Part No.	Page No.	Part No.	Page No.
7D10482	JA. 41	53D10618	JB. 57	1D10678	JB. 107	22D10714	JH. 3
8D10482	JA. 41		JB. 58	25D10685	JA. 31	23D10714	JH. 3
26D10517	JB. 106	54D10618	JB. 57	27D10685	JA. 32	24D10714	GB. 3
22D10517	JB. 107		JB. 58	7D10686	JA. 26	25D10714	GD. 3
23D10517	JB. 106	1D10619	JB. 57	3D10687	JA. 36	28D10714	JH. 3
25D10517	JB. 106	1D10620	JB. 57	4D10687	JA. 36	30D10714	JH. 3
	JB. 107	1D10621	JB. 57	5D10687	JA. 36	33D10714	JH. 3
1D10620	JB. 103	7D10621	JB. 57	6D10687	JA. 36	34D10714	GB. 1
2D10620	JB. 103	8D10621	JB. 57	1D10688	JA. 52	40D10714	JH. 3
58D10620	JB. 104	21D10621	JB. 57	3D10688	JA. 54	77D10714	JH. 3
80D10620	JB. 104	22D10621	JB. 57	4D10688	JA. 55	90D10714	GB. 1
82D10620	JB. 104	25D10621	JB. 57	5D10688	JA. 55	91D10714	JH. 3
75D10620	JB. 104	26D10621	JB. 57	8D10688	JA. 54	92D10714	JH. 3
76D10620	JB. 104	89D10621	JB. 57	9D10688	JA. 52	1D10718	JH. 24
119D10620	JB. 106	90D10621	JB. 57	11D10688	JA. 54	1D10718	JH. 24
120D10620	JB. 106	1D10623	JB. 57	1D10702	JH. 3	2D10718	JH. 24
125D10620	JB. 106	1D10624	JB. 57	1D10703	JH. 3	3D10718	JH. 24
127D10620	JB. 103	20D10624	JB. 57	165D10703	JH. 23A	4D10718	JH. 24
128D10620	JB. 103	21D10624	JB. 57	313D10703	JH. 4	5D10718	JH. 24
129D10620	JB. 104	52D10624	JB. 57	314D10703	JH. 4	6D10718	JH. 24
130D10620	JB. 104	53D10624	JB. 57	1D10704	JH. 31	7D10718	JH. 24
221D10620	JB. 104	D10631	JB. 5	2D10704	JH. 31	8D10718	JH. 24
222D10620	JB. 104	3D10631	JB. 6, NA.1	3D10704	JH. 35	9D10718	JH. 24
1D10629	JB. 106	5D10631	JB. 33	4D10704	JH. 35	11D10718	JH. 24
7D10639	JB. 106	8D10631	JB. 33	1D10710	JH. 24	12D10718	JH. 24
8D10639	JB. 106	28D10631	JB. 34	1D10711	JH. 35	13D10718	JH. 24
1D10641	JB. 106	340D10631	JB. 59	2D10711	JH. 35	14D10718	JH. 24
2D10641	JB. 106	341D10631	JB. 59	5D10711	JH. 35	15D10718	JH. 24
1D10643	JB. 88	342D10631	JB. 59	6D10711	JH. 35	1D10719	JH. 25
2D10643	JB. 88	343D10631	JB. 59	15D10711	JH. 35	1D10720	JH. 14
1D10697	JA. 59	1D10640	JB. 83	17D10711	JH. 35	2D10720	JH. 14
1D10613	JB. 106	42D10640	JB. 82	27D10711	JH. 35	3D10720	JH. 14
5D10613	JB. 106	231D10640	JB. 83A	28D10711	JH. 35	1D10722	JH. 33
6D10613	JB. 106	232D10640	JB. 83A	29D10711	JH. 35	2D10722	JH. 33
7D10613	JB. 106	233D10640	JB. 83A	30D10711	JH. 35	1D10723	JH. 34
8D10613	JB. 106	234D10640	JB. 83A	35D10711	JH. 35	2D10723	JH. 34
9D10613	JB. 106	235D10640	JB. 83A	36D10711	JH. 35	3D10723	JH. 34
10D10613	JB. 106	236D10640	JB. 83A	37D10711	JH. 35	4D10723	JH. 34
11D10613	JB. 106	237D10640	JB. 84	1D10712	JH. 36	5D10723	JH. 34
12D10613	JB. 106	238D10640	JB. 84	2D10712	JH. 36	6D10723	JH. 34
13D10613	JB. 106	239D10640	JB. 84	1D10713	JH. 36	1D10726	JH. 13
14D10613	JB. 106	240D10640	JB. 84	2D10713	JH. 36	2D10726	JH. 13
15D10613	JB. 106	1D10683	JB. 60	1D10714	JH. 3	5D10726	JH. 13
16D10613	JB. 107	2D10683	JB. 60	3D10714	JH. 3	6D10726	JH. 13
17D10613	JB. 107	1D10671	JB. 5	3jD10714	JH. 3	9D10726	JH. 13
18D10613	JB. 107	3D10671	JG. 5	3kD10714	JH. 3	10D10726	JH. 13
69D10613	JB. 106	2D10673	JG. 9	3mD10714	JH. 3	1D10727	JH. 13
70D10613	JB. 107	2gD10673	JG. 9	4D10714	JH. 3	2D10727	JH. 13
2D10618	JB. 57	3D10673	JG. 9	4jD10714	JH. 3	3D10727	JH. 13
	JB. 58	3jD10673	JG. 9	4kD10714	JH. 3	4D10727	JH. 13
3D10618	JB. 57	1D10677	JB. 106	4mD10714	JH. 3	1D10728	JH. 13
	JB. 58	2D10677	JB. 106	17D10714	GB. 1	3D10728	JH. 13

INDEX OF PART NUMBERS

(See also Supplementary pages, if any)

Part No.	Page No.	Part No.	Page No.	Part No.	Page No.	Part No.	Page No.
40D10728	JH. 13	195bD10734	JH. 27	25D10748	JH. 3	38D10750	JH. 30
21D10728	JH. 13	1D10735	JH. 13	28D10748	JH. 3	39D10750	JH. 30
21aD10728	JH. 13	2D10736	JH. 13	101D10748	GB. 1	41D10750	JH. 30
21bD10728	JH. 13	29D10736	JH. 13	1D10749	JH. 28	42D10750	JH. 30
22D10728	JH. 14	30D10736	JH. 13	2D10749	JH. 8, JH. 28	47D10750	JH. 30
22aD10728	JH. 14	51D10736	JH. 13	17D10749	JH. 29	51D10750	JH. 29
22bD10728	JH. 14	1D10738	JH. 14	18D10749	JH. 29	52D10750	JH. 29
1D10729	JH. 17	5D10738	JH. 14	19D10749	JH. 29	59D10750	JH. 30
33D10729	JH. 17	6D10738	JH. 14	20D10749	JH. 29	60D10750	JH. 30
34D10729	JH. 17	9D10738	JH. 14	21D10749	JH. 29	90D10750	JH. 30
37D10729	JH. 18	10D10738	JH. 14	22D10749	JH. 29	91D10750	JH. 30
38D10729	JH. 18	1D10737	JH. 14	25D10749	JH. 29	92D10750	JH. 30
47D10729	JH. 17	7D10737	JH. 14	28D10749	JH. 29	94D10750	JH. 29
48D10729	JH. 17	8D10737	JH. 14	27D10749	JH. 29	1D10752	JH. 8
56D10729	JH. 17	20D10737	JH. 14	28D10749	JH. 29	5D10752	JH. 8
72D10729	JH. 17	1D10738	JH. 14	71D10749	JH. 28	6D10752	JH. 8
75D10729	JH. 17	5D10738	JH. 15	72D10749	JH. 28	7D10752	JH. 7
77D10729	JH. 17	6D10738	JH. 15	73D10749	JH. 28	8D10752	JH. 7
79D10729	JH. 17	1D10739	JH. 15	74D10749	JH. 28	11D10752	JH. 7
30D10731	JH. 32	5D10739	JH. 15	75D10749	JH. 28	12D10752	JH. 7
4D10731	JH. 32	8D10739	JH. 15	76D10749	JH. 28	17D10752	JH. 8
5D10731	JH. 32	12D10739	JH. 15	77D10749	JH. 8	21D10752	JH. 7
8D10731	JH. 32	1D10740	JH. 15	78D10749	JH. 8	23D10752	JH. 8
7D10731	JH. 32	9D10740	JH. 15	79D10749	JH. 8	47D10752	JH. 7
8D10731	JH. 32	10D10740	JH. 15	82D10749	JH. 28	48D10752	JH. 7
11D10731	JH. 32	61D10740	JH. 15	83D10749	JH. 28	49D10752	JH. 7
12D10731	JH. 32	71D10740	JH. 15	84D10749	JH. 28	50D10752	JH. 7
13D10731	JH. 32	87D10740	JH. 15	85D10749	JH. 28	51D10752	JH. 7
1D10734	JH. 27	92D10740	JH. 15	88D10749	JH. 28	52D10752	JH. 7
2aD10734	JH. 27	93D10740	JH. 15	87D10749	JH. 29	59D10752	JH. 8
4D10734	JH. 27	1D10742	JH. 14	88D10749	JH. 28	60D10752	JH. 8
17D10734	JH. 27	7D10742	JH. 14	89D10749	JH. 29	61D10752	JH. 8
56D10734	JH. 27B	9D10742	JH. 14	102D10749	JH. 29	62D10752	JH. 8
87D10734	JH. 27A	10D10742	JH. 14	103D10749	JH. 29	63D10752	JH. 8
119D10734	JH. 27	19D10742	JH. 14	111D10749	JH. 29	65D10752	JH. 8
120D10734	JH. 27	20D10742	JH. 14	124D10749	JH. 29	68D10752	JH. 8
151D10734	JH. 28	1D10743	JH. 14	127D10749	JH. 29	75D10752	JH. 8
152D10734	JH. 27B	7D10743	JH. 14	132D10749	JH. 8	76D10752	JH. 8
180D10734	JH. 27	10D10743	JH. 14	134D10749	JH. 8	88D10752	JH. 8
181D10734	JH. 27	13D10743	JH. 14	135D10749	JH. 8	93D10752	JH. 7
182D10734	JH. 27	1D10744	JH. 14	1D10750	JH. 29	94D10752	JH. 7
183D10734	JH. 27	10D10744	JH. 14	3D10750	JH. 29	99D10752	JH. 8, JH. 10
184D10734	JH. 27A	11D10744	JH. 14	4D10750	JH. 29	100D10752	JH. 8
186D10734	JH. 27B	1D10745	JH. 3	5D10750	JH. 29	113D10752	JH. 8
187D10734	JH. 27A	11D10745	JH. 3	6D10750	JH. 30	115D10752	JH. 2
191D10734	JH. 27	1D10747	JH. 3	7D10750	JH. 30	116D10752	JH. 8
191aD10734	JH. 27	1D10748	JH. 3	8D10750	JH. 30	121D10752	JH. 6
191bD10734	JH. 7	18D10748	JH. 3	18D10750	JH. 30	122D10752	JH. 6
192D10734	JH. 7	18bD10748	JH. 3	25D10750	JH. 29	127D10752	JH. 6
194D10734	JH. 27	21D10748	JH. 3	26D10750	JH. 29	128D10752	JH. 6
195D10734	JH. 27	22D10748	JH. 3	27D10750	JH. 30	129D10752	JH. 8
195aD10734	JH. 27	24D10748	JH. 3	32D10750	JH. 30	130D10752	JH. 8

INDEX OF PART NUMBERS

(See also Supplementary pages, if any)

Part No.	Page No.	Part No.	Page No.	Part No.	Page No.	Part No.	Page No.
164D10752	JH. 8	45D10761	JH. 5	21D10774	JH. 10	5D10782	GB. 3
165D10752	JH. 8	53D10761	JH. 5	25D10774	JH. 10	6D10782	GB. 3
167D10752	JH. 7	55D10761	JH. 5	1D10776	JH. 8	7D10782	GB. 1
172D10752	JH. 8	66D10761	JH. 5	7D10776	JH. 9	8D10782	GB. 1
173D10752	JH. 8	1D10762	JH. 18	8D10776	JH. 9	9D10782	GB. 1
176D10752	JH. 8	1D10764	JH. 30	11D10775	JH. 9	10D10782	GB. 3
177D10752	JH. 8	1D10765	JH. 30	12D10775	JH. 8	13D10782	GB. 1
1D10754	JH. 18	13D10766	JH. 30	14D10775	JH. 9	14D10782	GB. 1
117D10754	JH. 18	1D10768	JH. 29	36D10775	JH. 9	16D10782	GB. 1
118D10754	JH. 18	7D10766	JH. 29	38D10775	JH. 9	17D10782	GB. 3
119D10754	JH. 18	1D10768	JH. 13	39D10775	JH. 9	17aD10782	GB. 3
120D10754	JH. 18	1D10768	JH. 25	50D10775	JH. 9	1D10783	GB. 2
121D10754	JH. 18	3D10768	JH. 25	53D10775	JH. 8	2aD10783	GB. 2
122D10754	JH. 18	1D10770	NH1, JH.25	54D10775	JH. 9	10D10783	GB. 2
1D10756	JH. 29	2D10770	JH.25, HN.1	58D10775	JH. 9	1D10784	GB. 1
2D10756	JH. 29	12D10770	JH. 25	58bD10775	JH. 9	2D10784	GB. 2
39D10756	JH. 29	12aD10770	HN. 1	58D10775	JH. 9	4D10784	GB. 2
40D10756	JH. 29	12bD10770	HN. 1	58cD10775	JH. 9	5D10784	GB. 3
1D10757	JH. 4	1D10771	JH. 13	80D10775	JH. 9	8D10784	GB. 1
1D10758	GB. 1	1D10772	JH. 23A	80aD10775	JH. 9		GB. 2
1D10759	JH. 4	33D10772	JH. 23A	88D10775	JH. 9	10D10784	GB. 3
7D10759	JH. 4A	34D10772	JH. 23A	67D10775	JH. 9	11D10784	GB. 2
108D10759	JH. 4A	41D10772	JH. 23A	88D10775	JH. 9	11aD10784	GB. 2
19D10759	JH. 6	42D10772	JH. 23A	71D10775	JH. 9	11bD10784	GB. 2
24D10759	JH. 6	43D10772	JH. 23A	80D10775	JH. 9	11dD10784	GB. 2
25D10759	JH. 6	1D10773	JH. 9	82D10775	JH. 9	11eD10784	GB. 2
28D10759	JH. 5	2D10773	JH. 10	83D10775/P	JH. 9	16D10784	GB. 2
29D10759	JH. 4A	6D10773	JH. 10	1D10776	JH. 12	17D10784	GB. 2
39D10759	JH. 5	7D10773	JH. 10	2D10776/C	JH. 13	18D10784	GB. 2
40D10759	JH. 4A	8D10773	JH. 10	2D10776/W	JH. 13	19D10784	GB. 2
41D10759	JH. 4A	10D10773	JH. 11	5D10776	JH. 12	50D10784	GB. 2
42D10759	JH. 5	13D10773	JH. 11	6D10776	JH. 12	51D10784	GB. 2
43D10759	JH. 6	14D10773	JH. 10	8D10776	JH. 12	52D10784	GB. 3
45D10759	JH. 6	15D10773	JH. 10	45D10776	JH. 12	53D10784	GB. 2
54D10759	JH. 5	16D10773	JH. 10	51D10776	JH. 13	54D10784	GB. 2
58D10759	JH. 6	17D10773	JH. 11	54D10776	JH. 12	55D10784	GB. 2
60D10759	JH. 4	18D10773	JH. 11	54bD10776	JH. 12	57D10784	GB. 3
1D10760	JH. 4A	19D10773	JH. 10	56D10776/C	JH. 12	58D10784	GB. 3
13D10760	JH. 4A	22D10773	JH. 10	58D10776/W	JH. 12	59D10784	GB. 2
19D10760	JH. 6	23D10773	JH. 9	1D10777	JH. 7		GB. 3
40D10760	JH. 4A	24D10773	JH. 9	2D10777	JH. 7	80D10784	GB. 3
41D10760	JH. 4A	25D10773	JH. 11	3D10777	JH. 7	61D10784	GB. 3
42D10760	JH. 5	26D10773	JH. 11	3D10777	JH. 7	68D10784	GB. 2
50D10760	JH. 6	30D10773	JH. 11	6D10777	JH. 7	69D10784	GB. 2
1D10761	JH. 4A	31D10773	JH. 10	7D10777	JH. 7	68aD10784	GB. 2
10bD10761	JH. 4A	32D10773	JH. 10	13D10777	JH. 7	80bD10784	GB. 1
13D10761	JH. 5	34D10773	JH. 11	14D10777	JH. 8	70cD10784	GB. 1
20D10761	JH. 6	2D10774	JH. 10	15D10777	JH. 7	70c10784	GB. 1
21D10761	JH. 6	6D10774	JH. 10	17D10777	JH. 7	73D10784	GB. 1
34D10761	JH. 6	7D10774	JH. 10	19D10777	JH. 8	73D10784	GB. 1
40D10761	JH. 4A	8D10774	JH. 10	1D10778	JH. 10	80D10784	GB. 1
41D10761	JH. 5	11D10774	JH. 10	4D10782	GB. 2	61D10784	GB. 3
		18D10774	JH. 10				

INDEX OF PART NUMBERS

(See also Supplementary pages, if any)

Part No	Page No	Part No	Page No	Part No	Page No	Part No	Page No
94D10784	GB. 3	36D10836	JG. 4	20D10879	JH. 33	41D11118	JH. 36
95D10784	GB. 1	38D10836	JG. 3	22D10879	JH. 33	1D11120	JB. 75
96D10784	GB. 3	39D10836	JG. 4	25D10879	JH. 33	10D11120	JB. 75
87D10784	GB. 3	40D10836	JB. 4	26D10879	JH. 33	11D11120	JB. 75
88D10784	GB. 1	41D10836	JB. 4	1D10980	JH. 32	2D11123	JB. 52
88bD10784	GB. 1	42D10836	JB. 4	2D10980	JH. 32	1D11124	JG. 4
100D10784	GB. 2	23D10838	JA.43, JA.63	8D10981	JB. 118	1D11130	JG. 7
101D10784	GB. 1	24D10838	JA. 43	10D10981	JB. 118	2D11130	JG. 7
1D10785	JH. 23A	28D10838	JA. 47	12D10981	JB. 118	21D11130	JG. 8
	JH. 24	48D10838	JA. 43	13D10981	JB. 118	1D11140	JB. 73
2D10785	JH. 24	49D10838	JA. 43	15D10981	JB. 118	1D11141	JH. 15
1D10786	GB. 1	1D10905	JB. 72	16D10981	JB. 118	21D11141	JH. 16
2D10786	GB. 1	34D10905	JB. 72	19D10981	JB. 118	22D11141	JH. 18
2aD10786	GB. 1	37D10905	JB. 72	1D10982	JH. 25	23D11141	JH. 18
2bD10786	GB. 1	126D10905	JB. 72	4D10982	JH. 25	24D11141	JH. 16
5D10786	GB. 1	127D10905	JB. 72	5D10982	JH. 25	25D11141	JH. 16
7D10786	GB. 1	128D10905	JB. 72	6D10982	JH. 25	41D11141	JH. 16
5D10787	HJ. 17	1D10906	JH. 31	11D10982	JH. 25	42D11141	JH. 16
1D10788	JH. 17	2D10906	JH. 31	17D10982	JH. 25	43D11141	JH. 16
2D10788	JH. 17	49D10906	JH. 31	18D10982	JH. 25	44D11141	JH. 16
3D10788	JH. 17	50D10906	JH. 31	19D10982	JH. 25	45D11141	JH. 16
5D10788	JH. 17	1D10907	JH. 31	1D10984	JC. 2	58D11141	JH. 16
9D10788	JH. 17	2D10907	JH. 32	1D10985	JH. 33		JH. 17
1D10789	JH. 27B	21D10907	JH. 31	2D10986	JH. 33	58D11141	JH. 16
15D10789	JH. 27B	22D10907	JH. 32	10D10986	JH. 33	61D11141	JH. 16
16D10789	JH. 27B	8D10910	JB. 32	11D10986	JH. 33	63D11141	JH. 16
19D10789	JH. 27B	9D10910	JB. 32	12D10986	JH. 33	64D11141	JH. 16
20D10789	JH. 27B	1D10913	JB. 72	13D10986	JH. 33	66D11141	JH. 16
12D10905	JC. 4	2D10913	JB. 72	14D10986	JH. 33	67D11141	JH. 16
13D10905	JC. 4	2bD10913	JB. 72	1D10987	JH. 33	68D11141	JH. 15
5D10810	JA. 34	3D10913	JB. 72	2D10987	JH. 33	78D11141	JH. 16
1D10836	JG. 3	10D10913	JB. 72	1D10988	JH. 116	78bD11141	JH. 16
4D10836	JG. 3	11D10913	JB. 72	10D10988	JB. 116	79D11141	JH. 17
5D10836	JG. 4	14bD10945	HH. 25	11D10988	JB. 116	80D11141	JH. 16
8D10836	JG. 4	1D10956	JB. 64	1D10990	PA. 4		JH. 17
12D10836	JG. 4	2D10956	JB. 65	6D10990	HN. 2	80bD11141	JH. 17
13D10836	JG. 4	1D10958	JH. 58	7D10990	HN. 2	3D11145	JB. 118
14D10836	JG. 4	1D10969	JB. 58	11D10990	PA. 4	4D11145	JB. 118
15D10836	JG. 3	1D10971	JA. 44	1D10991	PA. 4	5D11145	JB. 116
21D10836	JG. 3	3D10971	JA. 44	110D10991	PA. 4	1D11149	JH. 34
22D10836	JG. 4	1D10974	JA. 51	14D10992	HN. 2	2D11149	JH. 34
24D10836	JG. 4	2D10974	JA. 51	16D10992	HN. 2	3D11149	JH. 34
25D10836	JG. 1	3D10974	JA. 51	17D10993	HN. 2	4D11149	JH. 34
26D10836	JG. 1	4D10974	JA. 51	19D10993	HN. 2	5D11149	JH. 34
27D10836	JG. 3	1D10979	JH. 33		HN. 4	14D11149	JH. 34
28D10836	JG. 3	2D10979	JH. 32	1D10995	HN. 35	15D11149	JH. 34
29D10836	JG. 3	7D10979	JH. 39	9D10996	JB. 85	16D11149	JH. 34
30D10836	JG. 3	8D10979	JH. 33	5D10999	JH. 39	17D11149	JH. 34
31D10836	JG. 3	15D10979	JH. 33	6D10999	JH. 39	21D11149	JH. 34
32D10836	JG. 3	16D10979	JH. 33	7D10999	JH. 39	1D11161	JH. 37
33D10836	JG. 3	18D10979	JH. 33	1D11106	JH. 1	2D11162	JH. 37
34D10836	JG. 3	19D10979	JH. 33	1D11107	JC. 1	4D11162	JH. 39
35D10836	JG. 4						

WALCOB 08 2

INDEX OF PART NUMBERS

Page W. 15

(See also Supplementary pages, if any)

Part No.	Page No.	Part No.	Page No.	Part No.	Page No.	Part No.	Page No.
4aD11162	JH. 39	25D11164	JG. 8	6bD11520	JH. 26	9D12170	JA. 50
4bD11162	JH. 39	25aD11164	JG. 9	1D11524	HH. 33	10D12170	JA. 50
9D11162	JH. 38	26D11164	JG. 8	5D11588	HN. 1	11D12170	JA. 50
10D11162	JH. 38	1D11171	JA. 46	1D11582	JB. 103	100D12235	PA. 4
11D11162	JH. 38	1D11326	JB. 116	8D11582	JB. 103	1D12806	JA. 51
12D11162	JH. 38	2D11326	JB. 116	9D11582	JB. 103	2D12806	JA. 51
13D11162	JH. 38	3D11326	JB. 116	1D11584	JA. 60	D12613	JH. 27
14D11162	JH. 38	4D11326	JB. 116	1D11585	JA. 61	2D12613	JH. 27A
17D11162	JH. 38	11D11326	JB. 116	2D11585	JA. 61	3D12613	JH. 27
	JH. 39	1D11336	JA. 52	1D11924	PA. 4	3bD12613	JH. 27
18D11162	JH. 38	1D11404	JB. 65	2D11939	JH. 8	4D12613	JH. 27A
24D11162	JH. 37	9D11404	JB. 64	3D11939	JH. 8	5D12713	JH. 27A
29D11162	JH. 38		JB. 65	8D11939	JH. 8	6D12613	JH. 27A
30D11162	JH. 38	10D11404	JB. 65	8aD11939	JH. 8	6aD12613	JH. 27A
32D11162	JH. 38	11D11404	JB. 65	8bD11939	JH. 7	6D12613	JH. 27A
33D11162	JH. 38	12D11404	JB. 64	17D11939	JH. 8	12D12613	JH. 27A
34D11162	JH. 38		JB. 65	1D11940	JB. 72	13D12613	JH. 27A
35D11162	JH. 38	13D11404	JB. 66	1D11975	JB. 72	19D12624	JA. 21
36D11162	JH. 38	1D11423	JH. 10	1D12015	GB. 1	20D12624	JA. 21
37D11162	JH. 38	4D11423	JH. 10	3D12015	GB. 1	21D12624	JA. 21
38D11162	JH. 38	1D11426	JB. 65	10D12015	GB. 1	22D12624	JA. 21
40D11162	JH. 38	1D11451	JH. 11	1D12027	JH. 30	23D12624	JA. 21
41D11162	JH. 38	5D11451	JH. 11	1D12057	HN. 1	1D12823	PE. 6
42D11162	JH. 38	6D11451	JH. 11	3D12057	HN. 2	2D12823	PE. 6
43D11162	JH. 38	7D11451	JH. 11	4D12057	HN. 1	15D12823	JH. 6
44D11162	JH. 38	1D11459	JH. 31	1D12058	HN. 2	16D12823	JH. 5
45D11162	JH. 39	2D11459	JH. 31	8D12058	HN. 3	18bD12923	JH. 5
46D11162	JH. 39	1D11460	JH. 31	1D12059	HN. 3	16fD12923	JH. 5
47D11162	JH. 39	2D11460	JH. 31	1D12060	HN. 2	16hD12923	JH. 5
48D11162	JH. 39	1D11470	HM. 21	2D12060	HN. 2	20D12923	PE. 6
49D11162	JH. 39	1D11520	JH. 25	3D12060	HN. 2	21D12923	PE. 6
50D11162	JH. 39	2D11520	JH. 25	8D12060	HN. 2	22D12923	PE. 6
51D11162	JH. 39	2aD11520	JH. 25	D12060	HN. 21	31D12923	JH. 5
52D11162	JH. 39	2bD11520	JH. 25	2D12146	JN. 31	35D12923	JH. 4A
53D11162	JH. 39	3D11520	JH. 26	3D12146	JB. 31	2D12924	JH. 15
54D11162	JH. 39	3aD11520	JH. 26	2D12147	JB. 31	12D12924	JH. 15
97JD11162	JH. 39	3bD11520	JH. 26	2D12148	JB. 31	13D12924	JH. 15
97mD11162	JH. 39	4D11520	JH. 26	1D12158	JA. 8	D12982	GK. 7
101D11162	JH. 37	4aD11520	JH. 26	2D12158	JA. 8	2D12982	GK. 7
102D11162	JH. 37	4bD11520	JH. 26	11D12158	JA. 8	3D12982	GK. 7
103D11162	JH. 37	5D11520	JH. 26	23aD12158	FN. 25	3aD12982	GK. 7
104D11162	JH. 37	5aD11520	JH. 26		JB. 74	4D12982	GK. 7
1D11164	FK. 3	5bD11520	JH. 26	23fD12158	FN. 25	5D12982	GK. 7
	JG. 8	6D11520	JH. 26		JB. 74	6D12982	GK. 7
2D11164	FK. 3	6aD11520	JH. 26	23gD12158	FN. 25	6aD12982	GK. 7
	JG. 8	6bD11520	JH. 26		JB. 74	D13150	JH. 24
4D11164	JG. 9	7D11520	JH. 26	1D12170	JA. 50	D13149	JH. 26
7D11164	JG. 9	7aD11520	JH. 26	2D12170	JA. 50	3D13151	JH. 3
8D11164	JG. 9	7bD11520	JH. 26	3D12170	JA. 50	4D13151	GB. 3
9D11164	JG. 8	8D11520	JH. 26	4D12170	JA. 50	1D13198	PD. 3
13D11164	JG. 8	8aD11520	JH. 26	5D12170	JA. 50	2D13198	PD. 3
14D11164	JG. 8			6D12170	JA. 50	3D13198	PD. 3

INDEX OF PART NUMBERS

(See also Supplementary pages, if any)

Part No	Page No.	Part No.	Page No.	Part No.	Page No.	Part No.	Page No.
4D13198	PD. 3	3D14393	JA. 49	51E2911	NA. 3	5E2928	NA. 1
5D13198	PD. 3	2D14525	JH. 23A	52E2911	NA. 4	6E2928	NA. 2
6D13198	PD.3 KF.3A	2aD14525	JH. 23A	53E2911	NA. 3	87E2928	NA. 1
6aD13198	KF. 3A	3D14525	JH. 23A	58E2911	NA. 4	88E2928	NA. 1
6bD13198	KF. 3A	3aD14525	JH. 23A	61E2911	NA. 2	88E2928	NA. 1
7D13198	PD. 3	12aD22181	PB. 20	63E2911	NA. 3	90E2928	NA. 2
8D13198	PD. 3	75D24004	PB. 20	87E2911	NA. 2	93E2028	NA. 1
9D13198	PD. 3	14hE1181	JB. 38	88E2911	NA. 2	94E2928	NA. 2
10D13198	PD. 3	35E2788	NA. 2	88E2911	NA. 2	137E2928	NA. 1
11D13198	PD. 3	36E2788	NA. 2	70E2911	NA. 2	138E2928	NA. 1
1D13199	PD. 3	101E2768	NA. 2	83E2911	NA. 3	139E2928	NA. 2
3D13199	PD. 3	102E2768	NA. 2		NA. 4	168E2928	NA. 2
1D13201	JG. 5	15E2788	NA. 3	94E2911	NA. 2	170E2928	NA. 1
2D32101	JG. 5	88E2789	NA.3, NA.4	89E2911	NA. 4		NA. 2
1D13250	JA. 81	89E2789	NA.3, NA.4	100E2911	NA. 4	1E2931	GF.1, NB.5
2D13520	JA. 81	100E2789	NA.3, NA.4	101E2911	NA. 4	2E2931	GF.1, NB.5
2D13272	GK. 7	101E2789	NA.3, NA.4	102E2911	NA. 4	1E2932	GF. 10
3D13272	GK. 7	143E2797	GF.5, GF.6,	104E2911	NA. 3	2E2932	GF. 10
9D13272	GK. 7		GF.7, GF.8,	105E2911	NA. 4	2E2933	GF. 9
10D13272	GK. 7		GF.9, GF.10	108E2911	NA. 3	3E2933	GF.6, GF.9
1D13429	JA. 80	81E2849	GF.6, GF.19	107E2911	NA. 4	4E2933	GF.7, GF.10
1D13620	KE. 2	82E2849	GF.5	108E2911	NA. 3	5E2933	GF. 5
2D13620	KE. 2	83E2858	NA. 1		NA. 4	6E2933	GF. 11
3D13620	KE. 2	81E2858	NA.1, NA.2	109E2911	NA. 3	8E2933	GF. 9
4D13620	KE. 2	105E2858	NA.1, NA.2		NA. 4	9E2933	GF.6, GF.9
1D13668	JA. 81	108E2858	NA. 1	110E2911	NA. 3	10E2933	GF.5, GF.7
1D13668	JA. 81	133E2858	NA. 1		NA. 4		GF. 10
2D13669	JA. 81	134E2858	NA. 1	111E2911	NA. 3	1E2935	GF. 1
1D13671	JA. 30	169E2858	NA. 1		NA. 4	2E2935	GF. 1
2D13671	JA. 29	1E2911	NA. 2	112E2911	NA. 4	7E2935	GF. 1
1D13718	JA. 58	2E2911	NA. 2	113E2911	NA. 4	9E2935	GF. 1
1D13802	B. 2	3E2911	NA. 2	114E2911	NA. 3	10E2935	GF. 1
	JC. 1	4E2911	NA. 3	115E2911	NA. 3	11E2935	GF. 1
2D13802	B. 2	5E2911	NA. 3	116E2911	NA. 3	12E2935	GF. 1
	JC. 1	8E2911	NA. 4	117E2911	NA. 2	13E2935	GF. 1
3D13802	JC. 1	9E2911	NA. 3	118E2911	NA. 4	14E2935	GF. 1
D13805	JB. 84		NA. 4	119E2911	NA. 4	47E2935	GF.1, GF.2
3D13805	JB. 84	10E2911	NA. 2	142E2911	NA. 2	60E2935	GF. 1
1D13812	JH. 30		NA. 3		NA. 4	64E2935	GF. 1
1D13953	JA. 49	11E2911	NA. 3	143E2911	NA. 3	66E2935	GF. 1
2D13953	JA. 49		NA. 4	145E2911	NA. 4	68E2935	GF. 1
2aD13953	JA. 49	12E2911	NA. 2	151E2911	NA. 2	67E2935	GF. 1
1D13975	JH. 4		NA. 3	152E2911	NA. 3	74E2935	GF. 1
2D13975	JH. 4	14E2911	NA. 2	153E2911	NA. 3	83E2935	GF. 1
1D14272	JH. 4A	22E2911	NA. 2	154E2911	NA. 4	84E2935	GF. 1
2D14272	JH. 5	23E2911	NA. 4	157E2911	NE. 2	1E2936	GF. 2
6D14272	PE. 6A	30E2911	NA. 3	164E2911	NA. 4	2E2936	GF. 2
7D14272	PE. 6A		NA. 4	165E2911	NA. 2	12E2936	GF. 2
8D14272	PE. 6A	31E2911	NA. 2	166E2911	NA. 2	13E2936	GF. 3
9D14272	PE. 6A	32E2911	NA. 3	167E2911	NA. 2	14E2936	GF. 3
10D14272	PE. 6A		NA. 4	168E2911	NA.3, NA.4	15E2936	GF. 3
11D14272	PE. 6A	40E2911	NA. 4	1E2928	NA. 1	16E2936	GF. 3
13D14272	JH. 5	41E2911	NA. 4	2E2928	NA. 1	45E2936	GF. 1, GF.2
1D14273	JH. 4A	42E2911	NA. 4	3E2928	NA. 1	46E2936	GF. 3
2D14393	JA. 49	43E2911	NA. 4	4E2928	NA. 1	55E2936	GF. 3

INDEX OF PART NUMBERS

(See also Supplementary pages, if any)

Part No.	Page No.	Part No.	Page No.	Part No.	Page No.	Part No.	Page No.
60E2938	GF. 3	9E2938	GF. 6	105E2938	GF. 4	97F7564	CA. 1, MC. 25
61E2938	GF. 4	9aE2938	GF. 6	111E2938	GF. 4	98F7564	CA. 2
68E2938	GF. 3	10E2938	GF. 7	113E2938	GF. 4	6F7565	MC. 41
70E2938	GF. 3	10aE2938	GF. 7	115E2938	GF. 4	7F7565	MC. 41
75E2938	GF. 3	11E2938	GF. 4	117E2938	GF. 5	8F7565	MC. 41
77E2938	GF. 3	11aE2938	GF. 4	118E2938	GF. 6, GF. 10	9F7565	MC. 41
78E2938	GF. 3	11cE2938	GF. 4, GF. 6, GF. 8, GF. 9	119E2938	GF. 9	10F7565	MC. 41
80E2938	GF. 3	11hE2938	GF. 4	120E2938	GF. 5, GF. 7, GF. 8, GF. 9	11F7565	MC. 41
81E2938	GF. 3	11jE2938	GF. 4, GF. 6, GF. 8, GF. 9	121E2938	GF. 5, GF. 6, GF. 8, GF. 9	17F7565	MC. 41
82E2938	GF. 3	12E2938	GF. 10	143E2938	GF. 4	18F7565	MC. 41
83E2938	GF. 3	12aE2938	GF. 10	2E2939	GF. 11	98F7565	MC. 41
84E2938	GF. 4	12hE2938	GF. 10	3E2939	GF. 11	100F7565	MC. 41
89E2938	GF. 4	13E2938	GF. 5, GF. 8	4E2939	GF. 11	101F7565	MC. 41
97E2938	GF. 4	13aE2938	GF. 5, GF. 6	5E2939	GF. 11	102F7565	MC. 41
1E2937	GF. 2	13cE2938	GF. 5, GF. 7, GF. 8, GF. 10	15E2939	GF. 11	103F7565	MC. 41
2E2937	GF. 2	13hE2938	GF. 5, GF. 8	29E2939	GF. 11	104F7565	MC. 41
28E2937	GF. 2	14E2938	GF. 6, GF. 9	30E2939	GF. 11	106F7565	MC. 41
29E2937	GF. 2	14aE2938	GF. 6, GF. 10	31E2939	GF. 11	6F7566	MC. 42
29E2937	GF. 2	14hE2938	GF. 6, GF. 10	32E2939	GF. 11	7F7566	MC. 42
30E2937	GF. 2	16E2938	GF. 7	33E2939	GF. 11	8F7566	MC. 42
31E2937	GF. 2	15aE2938	GF. 7	51E2938	GF. 11	9F7566	MC. 42
32E2937	GF. 2	15hE2938	GF. 7	9E2550	GF. 8	10F7566	MC. 42
47E2937	GF. 2	16E2938	GF. 7	1E3551	GF. 2	11F7566	MC. 42
48E2937	GF. 2	16aE2938	GF. 8	2E3551	GF. 2	92F7566	MC. 42
50E2937	GF. 2	16hE2938	GF. 8	6E3551	GF. 10	93F7566	MC. 42
55E2937	GF. 2	45E2938	GF. 6, GF. 7, GF. 8, GF. 10	7E3551	GF. 4	94F7566	MC. 42
60E2937	GF. 2	56E2938	GF. 4, GF. 7, GF. 8	8E3551	GF. 10	95F7566	MC. 42
73E2937	GF. 2	62E2938	GF. 8	9E3551	GF. 7	96F7566	MC. 42
78E2937	GF. 2	65E2938	GF. 7	10F1488	FJ. 19, FQ. 11	97F7566	MC. 42
83E2937	GF. 2	66E2938	GF. 7	9F3564	JB. 127	98F7566	MC. 42
88E2937	GF. 2	67E2938	GF. 8	25F7500	MC. 9	99F7566	MC. 42
95E2937	GF. 2	68E2938	GF. 7		MC. 10	8F7567	MC. 43
115E2937	GF. 2	68E2938	GF. 8		MC. 12	9F7567	MC. 43
118E2937	GF. 2	67E2938	GF. 8		MC. 12	10F7567	MC. 43
1E2938	GF. 4	68E2938	GF. 4	100F7500	JB. 87	11F7567	MC. 43
2E2938	GF. 6	68E2938	GF. 10	113F7500	MC. 78	84F7567	MC. 43
3E2938	GF. 7	68E2938	GF. 5, GF. 6, GF. 7, GF. 8, GF. 9, GF. 10	128F7500	MC. 12	95F7567	MC. 43
4E2938	GF. 9		GF. 7, GF. 8, GF. 9, GF. 10	129F7500	MC. 12	98F7567	MC. 43
5E2938	GF. 4	73E2938	GF. 7	158F7500	MC. 1	97F7567	MC. 43
5aE2938	GF. 4	74E2938	GF. 7	188F7500	MC. 12	98F7567	MC. 43
5cE2938	GF. 4, GF. 6, GF. 7, GF. 9	75E2938	GF. 5, GF. 8	27F7502	MC. 9	99F7567	MC. 43
6E2938	GF. 10	76E2938	GF. 8, GF. 9		MC. 10	6F7568	MC. 43
6aE2938	GF. 10	78E2938	GF. 7, GF. 9, GF. 10	102F7502	MC. 8	9F7568	MC. 43
7E2938	GF. 5, GF. 7	77E2938	GF. 4, GF. 5	103F7502	MC. 9A	10F7568	MC. 44
7aE2938	GF. 5, GF. 7	78E2938	GF. 7, GF. 8		MC. 8	11F7568	MC. 44
7cE2938	GF. 5, GF. 7, GF. 10	80E2938	GF. 5, GF. 7, GF. 8, GF. 10	19F7504	MC. 9A	88F7568	MC. 44
8E2938	GF. 8, GF. 9			63F7508	MC. 11	89F7568	MC. 44
8aE2938	GF. 8, GF. 9			64F7508	MC. 85	90F7568	MC. 44
				37F7584	CA. 1	91F7568	MC. 44
				46F7584	MC. 18	92F7568	MC. 44
					MC. 40	93F7568	MC. 44

INDEX OF PART NUMBERS

(See also Supplementary pages, if any)

Part No.	Page No.	Part No.	Page No.	Part No.	Page No.	Part No.	Page No.
106F7589	MC. 45	132F7573	MC. 54	111F7574	MC. 38	74F7582	MC. 82
108F7589	MC. 45	136F7573	MC. 54	112F7574	MC. 38	75F7582	MC. 82
107F7589	MC. 45	137F7573	MC. 54	113F7574	MC. 38	8F7583	MC. 82
108F7589	MC. 45	8F7574	MC. 49	114F7574	MC. 38	7F7583	MC. 82
129F7589	MC. 46	15F7574	MC. 37	115F7574	MC. 38	106F7583	MC. 82
130F7589	MC. 46	17F7574	MC. 37	116F7574	MC. 38	106F7583	MC. 83
131F7589	MC. 46	23F7574	MC. 37	8F7575	MC. 55	107F7583	MC. 83
132F7589	MC. 46	25F7574	MC. 37	7F7575	MC. 55	108F7583	MC. 83
133F7589	MC. 46	27F7574	MC. 38	78F7575	MC. 56	17F7584	MC. 9
134F7589	MC. 46	29F7574	MC. 38	77F7575	MC. 56		MC. 10
8F7570	MC. 47	45F7574	MC. 39	78F7575	MC. 56		MC. 18
9F7570	MC. 47	46F7574	MC. 39	79F7575	MC. 56		MC. 29
10F7570	MC. 47	53F7574	MC. 39	8F7576	MC. 56	56F7584	MC. 36
11F7570	MC. 47	54F7574	MC. 39	7F7576	MC. 56	57F7584	MC. 36
88F7570	MC. 48	56F7574	MC. 39	89F7576	MC. 57	58F7584	MC. 36
89F7570	MC. 48	58F7574	MC. 39	70F7576	MC. 57	59F7584	MC. 36
90F7570	MC. 48	57F7574	MC. 39	71F7576	MC. 57	1F7624	OH. 5
91F7570	MC. 48	58F7574	MC. 39	72F7576	MC. 57	39F7677	MC. 12
92F7570	MC. 48	59F7574	MC. 39	8F7577	MC. 57	40F7677	MC. 12
93F7570	MC. 48	80F7574	MC. 39	7F7577	MC. 57	77F7677	MC. 12
8F7571	MC. 49	81F7574	MC. 39	71F7577	MC. 57	78F7677	MC. 12
9F7571	MC. 49	82F7574	MC. 39	72F7577	MC. 57	97F7677	MC. 13
10F7571	MC. 49	83F7574	MC. 39	73F7577	MC. 58	98F7677	MC. 13
11F7571	MC. 49	84F7574	MC. 39	74F7577	MC. 58	1F7686	MC. 13
90F7571	MC. 49	85F7574	MC. 39	8F7578	MC. 58	2F7686	MC. 13
91F7571	MC. 49	86F7574	MC. 39	7F7578	MC. 58	55F7688	MC. 14
92F7571	MC. 49	87F7574	MC. 39	71F7578	MC. 58	21F7698	MC. 18
93F7571	MC. 49	88F7574	MC. 39	72F7578	MC. 58		MC. 29
94F7571	MC. 49	89F7574	MC. 39	73F7578	MC. 58	44F7752	JB. 85
95F7571	MC. 50	70F7574	MC. 39	74F7578	MC. 58	45F7752	JB. 86
96F7571	MC. 50	71F7574	MC. 39	8F7579	MC. 59	7F7753	JB. 87
97F7571	MC. 50	72F7574	MC. 39	7F7579	MC. 59	8F7753	JB. 87
8F7572	MC. 51	73F7574	MC. 39	70F7579	MC. 59	24F7753	JB. 70, JB. 71,
9F7572	MC. 51	74F7574	MC. 39	71F7579	MC. 59		JB. 73, JB. 88,
10F7572	MC. 51	75F7574	MC. 39	72F7579	MC. 59		MC. 16, RA 5
11F7572	MC. 51	76F7574	MC. 39	73F7579	MC. 59	25F7753	JB. 70, JB. 71,
89F7572	MC. 51	77F7574	MC. 39	8F7580	MC. 59		JB. 73, JB. 88
90F7572	MC. 51	78F7574	MC. 39	7F7580	MC. 59	26F7753	JB. 88, JB. 85,
91F7572	MC. 52	79F7574	MC. 39	87F7580	MC. 60		JB. 87, RA 5
92F7572	MC. 52	97F7574	MC. 39	88F7580	MC. 60	26F7753	JB. 70, JB. 88,
93F7572	MC. 52	98F7574	MC. 39	89F7580	MC. 60		MB. 8, MC. 15,
94F7572	MC. 52	99F7574	MC. 40	70F7580	MC. 60		MD. 16
8F7573	MC. 53	100F7574	MC. 40	8F7581	MC. 60	29F7753	JB. 70, JB. 87,
9F7573	MC. 53	101F7574	MC. 40	7F7581	MC. 60		JB. 88
10F7573	MC. 53	102F7574	MC. 40	89F7581	MC. 61	30F7753	JB. 85, JB. 87
11F7573	MC. 53	104F7574	MC. 40	70F7581	MC. 61	32F7753	JB. 88, MC. 77
12F7573	MC. 54	105F7574	MC. 40	71F7581	MC. 61	34F7753	JB. 87
127F7573	MC. 54	108F7574	MC. 40	72F7581	MC. 61	35F7753	JB. 88
128F7573	MC. 54	107F7574	MC. 37	8F7582	MC. 61	37F7753	JB. 87
129F7573	MC. 54	108F7574	MC. 38	7F7582	MC. 61	38F7753	JB. 87
130F7573	MC. 54	109F7574	MC. 38	72F7582	MC. 62	40F7753	JB. 88
131F7573	MC. 54	110F7574	MC. 38	73F7582	MC. 62	53F7753	JB. 88

INDEX OF PART NUMBERS

(See also Supplementary pages, if any)

Part No.	Page No.	Part No.	Page No.	Part No.	Page No.	Part No.	Page No.
54F7753	JB. 88	26F7780	JB. 88	30F7761	EH 5, JB. 88.	18F7890	JB. 128
55F7753	JB. 88	27F7780	JB. 88		RB. 5	19F7890	JB. 128
56F7753	JB. 88	29F7780	JB. 87	31F7761	JB. 67	91F7898	JB. 75
54F7753	JB. 88	31F7780	JB. 87	32F7761	JB. 66, JB. 67	92F7898	JB. 75
54F7753	JB. 68, JB. 88	34F7780	JB. 68	35F7761	JB. 66	96F7898	JB. 75
86F7753	JB. 88		RA. 5	36F7761	JB. 68	105F7898	JB. 75
145F7753	JB. 88	41F7780	JB. 85	37F7761	JB. 66, JB. 68	106F7898	JB. 75
146F7753	JB. 88	42F7780	JB. 85	38F7761	JB. 66, JB. 68	115F7898	JB. 75
147F7753	JB. 88	43F7780	JB. 85	39F7761	JB. 66, JB. 68	116F7898	JB. 75
148F7753	JB. 88	44F7780	JB. 85	40F7761	JB. 68	12F7899	JB. 109
170F7753	JB. 88	45F7780	JB. 85	43F7761	JB. 67	13F7899	JB. 110
171F7753	JB. 88	46F7780	JB. 85	47F7761	JB. 68	113F7899	JB. 107
311F7753	JB. 87	48F7780	JB. 87	55F7761	JB. 68	114F7899	JB. 107
321F7753	JB. 87	50F7780	JB. 87	56F7761	JB. 68	132F7899	JB. 107
322F7753	JB. 87	51F7780	JB. 87	57F7761	JB. 68	133F7899	JB. 107
323F7753	JB. 87	54F7780	JB. 87	59F7761	JB. 68	74F7976	MB. 2
343F7753	JB. 100A	55F7780	JB. 87	60F7761	JB. 68	75F7978	MB. 2
344F7753	JB. 100A	58F7780	JB. 87	61F7761	JB. 66	1F7978	MB. 2
347F7753	JB. 87	65F7780	JB. 87	62F7761	JB. 68	2F7978	MB. 2
348F7753	JB. 87	67F7780	JB. 85	63F7761	JB. 66	24F7978	MB. 2
349F7753	JB. 87	68F7780	JB. 85	64F7761	JB. 66, JB. 68	16F7994	RB. 1, RB. 2
350F7753	JB. 87	69F7780	JB. 85	65F7761	JB. 68	1F7996	MB. 2
351F7753	JB. 87	70F7780	JB. 87	72F7761	JB. 67	2F7996	MB. 2
352F7753	JB. 87, RA. 2	71F7780	JB. 87	1F7762	MC. 13	40F7996	MB. 2, MB. 6
353F7753	JB. 87	72F7780	JB. 87	2F7762	MC. 13	41F7996	MB. 2, MB. 6
9F7756	JB. 69	1F7761	JB. 86	17F7763	MC. 13	55F7996	MB. 2, MB. 6
18F7756	JB. 70	2F7761	JB. 86	18F7763	MC. 13	22F8013	MB. 2
19F7756	JB. 70	3F7761	JB. 87	25F7763	MC. 13	7F8042	MB. 7
	MC. 16	4F7761	JB. 87	26F7763	MC. 13	1F8049	MB. 1
	MC. 17	5F7761	JB. 86	80F7766	JF. 1	2F8049	MB. 1
	MD 8	6F7761	JB. 66	93F7804	MC. 5	12F8049	MB. 1
20F7756	JB. 70	7F7761	JB. 86	41cF7839	JB. 36	18F8049	MB. 1
21F7756	JB. 70	8F7761	JB. 66	41dF7839	JB. 36	25F8051	JB. 77
26F7756	JB. 70	11F7761	JB. 68	41eF7839	JB. 36	27F8051	JB. 77
3F7757	JB. 127	12F7761	JB. 68	41fF7839	JB. 36	28F8051	JB. 77
4F7757	JB. 127	15F7761	JB. 68	41gF7839	JB. 36	33F8051	JB. 77
6F7757	JB. 127	16F7761	JB. 68	42cF7839	JB. 36	39F8051	JB. 77
7F7757	JB. 127	17F7761	JB. 68	42dF7839	JB. 36	40F8051	JB. 77
14F7757	JB. 127	18F7761	JB. 68	42eF7839	JB. 36	11F8052	JB. 82
15F7757	JB. 127	19F7761	JB. 67	42fF7839	JB. 36	12F8052	JB. 82
3F7759	JB. 78	20F7761	JB. 66, JB. 67	42gF7839	JB. 36	13F8052	JB. 82
4F7759	JB. 78	21F7761	JB. 66, JB. 67	109F7843	JB. 36, JB. 39.	14F8052	JB. 82
29F7759	JB. 78	24F7761	JB. 66, JB. 67		JB. 44	76F8052	JB. 82
30F7759	JB. 78	25F7761	JB. 67	85F7851	MB. 1	90F8052	JB. 82
1F7760	JB. 65	26F7761	JB. 68	86F7851	MB. 1	91F8052	JB. 82
2F7760	JB. 65		MC. 18	89F7851	MB. 1	95F8052	JB. 82
15F7760	JB. 65		MD. 5	89F7851/PC	MB. 1	95F8052	JB. 82
16F7760	JB. 65	27F7761	EG. 5, JB. 66,	90F7851	MB. 1	6F8053	JB. 35
17F7760	JB. 65		JB. 68, RB. 5	90F7851/C	MB. 1	9F8053	JB. 35, JB. 37,
18F7760	JB. 65	28F7761	JB. 66, JB. 67	90F7851/F	MB. 1		JB. 38, JB. 40,
20F7760	JB. 67	29F7761	JB. 66, JB. 67,	90F7851/PC	MB. 1		JB. 43, JB. 45,
23F7760	JB. 67		JH. 4, JC. 14	558F7879	OK. 6		JB. 48
						10F8053	JB. 35

INDEX OF PART NUMBERS

(See also Supplementary pages, if any)

Part No.	Page No.	Part No.	Page No.	Part No.	Page No.	Part No.	Page No.
11F8053	JB 35, JB 37, JB 38, JB 40, JB 43, JB 45, JB. 48	38F8089	JB 111	7F8166	JB. 110	22F8218	JB. 25
12F8053	JB. 35	9F8090	JB. 108	8F8166	JB. 110	23F8218	JB.26, JB 28
3F8053	JB 76	10F8090	JB 108	9F8166	JB. 110	21F8219	JB 24
4F8053	JB 76	17F8090	JB. 108	10F8166	JB. 110	3F8223	JB. 27
5F8053	JB 76	29F8090	JB. 108	11F8166	JB 110	25F8223	JB. 27
6F8053	JB 76	58F8090	JB. 108	12F8166	JB. 110	28F8223	JB. 27
34F8053	JB 76	59F8090	JB. 108	1F8173	JB. 89	1F8251	MB 3
36F8053	JB. 76	60F8090	JB. 108	2F8173	JB. 89	2F8251	MB 3
47F8053	JB. 76	61F8090	JB. 108	3F8173	JB. 89	3F8251	MB. 7
86F8073	MC 31	1F8091	JB 108	4F8173	JB. 89	4F8251	MB. 7
114F8073	MC. 30	2F8091	JB. 108	5F8173	JB. 89	5F8251	MB 7
	MC 31	3F8091	JB 108	6F8173	JB. 89	6F8251	MB. 3
	MC. 32	4F8091	JB 108	7F8173	JB. 89	1F8252	MB. 3
		10F8091	JB 108	8F8173	JB. 89	2F8252	MB 3
		13F8091	JB 108	9F8173	JB. 89	3F8252	MB. 7
		14F8091	JB 108	10F8173	JB. 89	4F8252	MB. 7
51F8078	JB 109	1F8092	JB 108	11F8173	JB. 89	5F8252	MB. 7
52F8078	JB. 109	2F8092	JB 108	15F8166	JB. 111	6F8252	MB. 3
63F8078	JB 109	3F8092	JB 108	1F8198	JB 111	1F8256	MB. 1
	JB 110	4F8092	JB 108	2F8198	JB 111	2F8256	MB. 1
94F8078	JB 109	11F8092	JB. 108	3F8198	JB 111	1F8258	MB. 2
92F8078	JB. 110	13F8092	JB 108	4F8198	JB. 111	2F8258	MB. 2
93F8078	JB 110	14F8092	JB 108	5F8213	JB. 22	5F8258	MB. 2
73F8080	JB. 110	1F8093	JB. 108	6F8213	JB. 22	1F8260	MB. 1
74F8080	JB. 110	2F8093	JB. 108	8F8213	JB. 22	2F8260	MB. 1
96F8080	JB 110	3F8093	JB 108	9F8213	JB. 27	25F8263	MB 2
98F8080	JB 110	4F8093	JB 108	10F8213	JB. 24, JB.26,	26F8263	MB 2
35F8082	JB 109	5F8093	JB 108		JB 29	13F8310	MC. 2
36F8082	JB 109	6F8093	JB 108	12F8213	JB. 23, JB.26,	14F8310	MC. 2
37F8082	JB 109	8F8093	JB 108		JB. 28	3F8329	JE 3
38F8082	JB. 109	15F8093	JB 108	13F8213	JB. 23, JB 26,	4F8329	JE. 3, JE. 4
19F8083	JB 109	17F8093	JB. 108		JB 29	6F8329	JE. 3
20F8083	JB 109	198F8101	JB. 97	14F8213	JB 23, JB.26,	7F8329	JE. 3
27F8084	JB. 109	200F8101	JB 97		JB. 28	9F8329	JE 3, JE 4
28F8084	JB 109	11bF8120	JE. 2	15F8213	JB. 23, JB 28,	11F8329	JE 3, JE.4
15F8085	JB 109	11dF8120	JE. 2		JB 28	12F8329	JE.3, JE.4
	JB 110	11jF8120	JE 2	18F8213	JB 22	13F8329	JE.4, JE 5,
25F8086	JB 110	17hF8120	JE. 3	40F8213	EC.2, JB 22		JE 6
26F8086	JB 110	17iF8120	JE. 3	41F8213	JB. 27	14F8329	JE 4, JE.5
15F8087	JB. 111	17kF8120	JE 3	42F8213	JB. 22	15F8329	JE 4, JE 5
16F8087	JB 111	17uF8120	JE 3	43F8213	JB 24, JB 26,	30F8329	JE 4
29F8087	JB 111	17wF8120	JE. 3		JB. 28	31F8329	JE. 5
30F8087	JB. 111	17yF8120	JE. 3	44F8213	JB. 24, JB.26,	32F8329	JE.4, JE 5
17F8088	JB. 111	115F8120	JE 2		JB 28	43F8329	JE 4, JE.5
18F8088	JB 111	212F8120	JE. 2	45F8213	JB. 22	44F8329	JE 3, JE. 6
29F8088	JB. 111	213F8120	JE 2	46F8213	JB 22	3F8330	JE. 6
30F8088	JB 111	230F8120	JE 2	47F8213	JB 27	4F8330	JE. 5
17F8089	JB 111	231F8120	JE 2	7F8214	JB 24, JB 26	13F8330	JE 4, JE.5
18F8089	JB 111	3F8164	JB 109	8F8214	JB 24	4F8331	JE.3, JE 5
25F8089	JB 111	4F8164	JB 109	3F8218	JB 24	4F8332	JE.4, JE 5
26F8089	JB 111	5F8166	JB 109	20F8218	JB. 25	4F8333	JE 6
37F8089	JB 111	6F8168	JB. 109	21F8218	JB 24	7F8333	JE 6

INDEX OF PART NUMBERS

(See also Supplementary pages, if any)

Part No.	Page No.	Part No.	Page No.	Part No.	Page No.	Part No.	Page No.
9F8333	JE. 6	18F8487	MC. 29	101F8487	MC. 8	252F8487	MC. 28
11F8333	JE. 6	19F8487	MC. 29	102F8487	MC. 8	257F8487	MC. 28
3F8367	JB. 109	21F8487	MC. 24	103F8487	MC. 9A	281F8487	MC. 26
4F8357	JB. 109	22F8487	MC. 24	104F8487	MC. 9A	267F8487	MC. 27
5F8357	JB. 109	23F8487	MC. 24	105F8487	MC. 26	268F8487	MC. 27
6F8357	JB. 109	24F8487	MC. 24	137F8487	MC. 25	269F8487	MC. 27
7F8357	JB. 110	25F8487	MC. 24	138F8487	MC. 25	273F8487	MC. 29
8F8357	JB. 110	26F8487	MC. 24	139F8487	MC. 25	274F8487	MC. 29
11F8367	JB. 110	27F8487	MC. 25	156F8487	MC. 63	275F8487	MC. 29
12F8367	JB. 110	28F8487	MC. 25	158F8487	MC. 63	277F8487	MC. 27
1F8358	JB. 111	34F8487	MC. 24	157F8487	MC. 64	10F8488	MC. 79
2F8358	JB. 111	36F8487	MC. 25	158F8487	MC. 64	15F8488	MC. 79
5F8358	JB. 111	39F8487	MC. 27	159F8487	MC. 64	16F8488	MC. 79
6F8358	JB. 111	40F8487	MC. 27	160F8487	MC. 64	23F8488	MC. 79
4F8386	JB. 23	41F8487	MC. 27	161F8487	MC. 64	24F8488	MC. 79
8F8419	MC. 12	42F8487	MC. 27	162F8487	MC. 64	25F8488	MC. 79
FB431	JB. 100	43F8487	MC. 27	163F8487	MC. 64	26F8488	MC. 79
5F8431	JB. 100	44F8487	MC. 28	164F8487	MC. 64	27F8488	MC. 79
6F8431	JB. 100	45F8487	MC. 28	165F8487	MC. 64	28F8488	MC. 79
3F8436	JB. 78	46F8487	MC. 28	171F8487	MC. 29	29F8488	MC. 79
4F8436	JB. 78	50F8487	MC. 28	172F8487	MC. 29	39F8388	MC. 79
128F8435	JB. 78	51F8487	MC. 28	179F8487	MC. 64	40F8488	MC. 79
129F8435	JB. 78	52F8487	MC. 28	180F8487	MC. 64	41F8488	MC. 79
130F8435	JB. 78	53F8487	MC. 28	187F8487	MC. 25	44F8488	MC. 79
131F8435	JB. 78	54F8487	MC. 28	202F8487	MC. 28	45F8488	MC. 79
132F8435	JB. 81	56F8487	MC. 28	203F8487	MC. 28	48F8488	MC. 80
139F8435	JB. 78	56F8487	MC. 28	204F8487	MC. 28	49F8488	MC. 80
141F8435	JB. 78	58F8487	MC. 28	205F8487	MC. 28	50F8488	MC. 80
221F8435	JB. 81	59F8487	MC. 28	211F8487	MC. 25	51F8488	MC. 80
224F8435	JB. 81	60F8487	MC. 28	212F8487	MC. 25	13F8494	JB. 69
226F8435	JB. 78	61F8487	MC. 28	213F8487	MC. 25	14F8494	JB. 69
253F8435	JB. 80	62F8487	MC. 28	214F8487	MC. 25	16F8494	JB. 69
254F8435	JB. 80	63F8487	MC. 28	215F8487	MC. 25	18F8494	JB. 85
328F8435	JB. 80	64F8487	MC. 28	216F8487	MC. 25	18 _a F8494	JB. 85
337F8435	JB. 80	65F8487	MC. 28	217F8487	MC. 25	31F8496	JB. 77
338F8435	JB. 80	68F8487	MC. 28	218F8487	MC. 25	32F8496	JB. 77
400F8435	JB. 81	67F8487	MC. 28	221F8487	MC. 25	33F8496	JB. 77
401F8435	JB. 78	68F8487	MC. 28	222F8487	MC. 25	34F8496	JB. 77
402F8435	JB. 78	69F8487	MC. 28	227F8487	MC. 64	35F8496	JB. 77
441F8435	JB. 78	70F8487	MC. 28	228F8487	MC. 64	66F8496	JB. 77
413F8435	JB. 80	71F8487	MC. 28	230F8487	MC. 27	155F8496	JB. 77
414F8435	JB. 80	72F8487	MC. 28	231F8487	MC. 27	156F8496	JB. 77
3F8443	JB. 89	73F8487	MC. 28	234F8487	MC. 27	157F8496	JB. 77
4F8443	JB. 89	74F8487	MC. 28	235F8487	MC. 27	208F8496	JB. 77
10F8443	JB. 89	75F8487	MC. 28	242F8487	MC. 28	301F8496	JB. 76
13F8443	JB. 89	76F8487	MC. 28	244F8487	MC. 28	325F8496	JB. 76
14F8443	JB. 89	77F8487	MC. 28	245F8487	MC. 28	9F8502	JB. 80
19F8443	JB. 89	78F8487	MC. 28	246F8487	MC. 27	10F8502	JB. 80
20F8443	JB. 89	79F8487	MC. 28	247F8487	MC. 28	11F8504	JB. 78
7F8470	MC. 33	80F8487	MC. 28	249F8487	MC. 28	14F8504	JB. 80, JB. 85
8F8470	MC. 33	81F8487	MC. 28	250F8487	MC. 28	71F8505	JB. 87
17F8487	MC. 29	82F8487	MC. 28	251F8487	MC. 28	72F8505	JB. 87

INDEX OF PART NUMBERS

(See also Supplementary pages, if any)

Part No.	Page No.	Part No.	Page No.	Part No.	Page No.	Part No.	Page No.
73F8505	JB.87	82F8553	JB.100	1F8571	JB.96	6F8540	MC.30
204F8505	JB.86		QA.59	2F8571	JB.96	7F8540	MC.30
215F8505	JB.86	89F8553	QA.57	20F8571	JB.96	8F8540	MC.30
272F8505	JB.84	70F8553	QA.57	1F8573	JB.97	9F8540	MC.30
273F8505	JB.84	79F8553	JB.99	2F8573	JB.97	10F8540	MC.30
274F8505	JB.84		QA.59	24F8573	JB.97	57F8540	MC.33
275F8505	JB.84	80F8553	JB.99	12F8584	MC.9	58F8540	MC.33
276F8505	JB.84		QA.33		MC.10	60F8540	MC.33
277F8505	JB.84		QA.59	13F8584	MC.8	77F8540	MC.33
278F8505	JB.86	81F8553	JB.99		MC.9A	78F8540	MC.33
	MC.8		QA.57	55F8515	JB.75	79F8540	MC.33
279F8505	JB.86	82F8553	JB.97	113F8515	JB.75	80F8540	MC.33
	MC.9A		QA.56	141F8524	MC.8	113F8540	MC.30
280F8505	JB.86	85F8553	QA.23	142F8524	MC.8	114F8540	MC.30
281F8505	JB.86		QA.37	143F8524	MC.8		MC.31
78523	EE.2	86F8553	QA.23	144F8524	MC.8	118F8540	MC.30
10F8529	JB.7, JB.8, JB.9, JB.10, JB.11, JB.12, JB.13, JB.14	87F8553	QA.23	153F8524	MC.8	121F8540	MC.33
		91F8553	QA.37	297F8524	MC.8	122F8540	MC.30
6F8532	JB.7, JB.9,	98F8553	QA.57	298F8524	MC.8	1318540	MC.30
7F8532	EE.2, JB.7, JB.9, JB.10	101F8553	QA.58	3F8528	JB.70	132F8540	MC.30
		102F8553	JB.97	4F8528	JB.70		MC.31
2F8534	JB.7, JB.9, JB.10, JB.11, JB.12, JB.14	103F8553	JB.98	137F8532	MC.64	133F8540	MC.31
		104F8553	QA.57	145F8532	MC.64		MC.32
7F8534	JB.7, JB.9, JB.11, JB.12, JB.14	105F8553	QA.57	146F8532	MC.64	138F8540	MC.31
		106F8553	QA.57	155F8532	MC.64	141F8540	MC.33
8F8534	JB.7, JB.9	107F8553	QA.57	158F8532	MC.64	142F8540	MC.33
3F8553	QA.57		JB.98	168F8532	MC.64	143F8540	MC.33
15F8553	QA.56	108F8553	QA.58	169F8532	MC.64	145F8540	MC.31
16F8553	QA.56	109F8553	QA.59	183F8532	MC.64	148F8540	MC.31
17F8553	QA.58	152F8553	QA.59	184F8532	MC.64	154F8540	MC.32
18F8553	QA.58	1F8554	QA.58	241F8532	MC.70	157F8540	MC.32
19F8553	QA.57	2F8554	QA.57	333F8532	MC.64	158F8540	MC.32
20F8553	QA.57	21F8554	JB.99	334F8532	MC.64	165F8540	MC.33
21F8553	QA.57		JB.99	9F8535	JB.55A	170F8540	MC.30
22F8553	QA.57	38F8554	QA.58	34F8535	MC.12	173F8540	MC.30
23F8553	QA.58	40F8554	QA.57	85F8535	MC.79	191F8540	MC.32
24F8553	QA.58	43F8554	QA.57	F8538	JB.100	192F8540	MC.32
25F8553	QA.58	43aF8554	JB.99	4F8538	JB.100	193F8540	MC.32
26F8553	QA.58		QA.58	3F8539	MC.34	213F8540	MC.33
35F8553	QA.58	1F8555	JB.99	4F8539	MC.34	214F8540	MC.33
36F8553	QA.58	2F8555	QA.58	5F8539	MC.34	221F8540	MC.31
59F8553	JB.97, JB.100	1F8556	JB.99	6F8539	MC.34	223F8540	MC.31
	QA.59	2F8556	JB.99	7F8539	MC.33	235F8540	MC.30
80F8553	JB.98, JB.97, QA.59	1F8558	JB.99	8F8539	MC.33	236F8540	MC.31
	QA.59	2F8558	JB.98	9F8539	MC.34	237F8540	MC.31
81F8553	JB.98	1F8558	JB.98	10F8539	MC.34	238F8540	MC.31
	QA.57	2F8558	JB.98	12F8539	MC.34	239F8540	MC.32
		7F8558	JB.98	14F8539	MC.34	240F8540	MC.32
		8F8558	QA.56	17F8539	MC.34	241F8540	MC.31
		9F8558	JB.98	18F8539	MC.34	242F8540	MC.31
			JB.98	19F8539	MC.34	248F8540	MC.32
			JB.97	20F8539	MC.34	249F8540	MC.32
			QA.56	5F8540	MC.30		

INDEX OF PART NUMBERS

(See also Supplementary pages, if any)

Part No.	Page No.	Part No.	Page No.	Part No.	Page No.	Part No.	Page No.
250F8640	MC 32	189F8658	JB 49	17F8673	MC 49	6F8684	MC 61
251F8640	MC 32	190F8658	JB 49	18F8673	MC 49	35F8684	MC 62
252F8640	MC 30	191F8658	JB 49	19F8673	MC 50	38F8684	MC 62
253F8640	MC 30	192F8658	JB 49	20F8673	MC 50	3F8685	MC 62
254F8640	MC 30	213F8658	JB 48A	17F8674	MC 51	8F8685	MC 62
255F8640	MC 30	214F8658	JB 48A	18F8674	MC 51	57F8685	MC 63
256F8640	MC 30	215F8658	JB 48A	19F8674	MC 52	58F8685	MC 63
257F8640	MC 30	218F8658	JB 48A	20F8674	MC 52	7F8688	MC 37
258F8640	MC 30	217F8658	JB 48A	17F8675	MC 53	8F8688	MC 37
259F8640	MC 30	3F8663	JC 20	18F8675	MC 53	1F8689	MC 41
260F8640	MC 30	4F8663	MC 20	19F8675	MC 54		MC 42
261F8640	MC 30	23F8663	MC 21	20F8675	MC 54		MC 43
271F8640	MC 32	24F8663	MC 21	5F8676	MC 37		MC 44
49F8651	JB 51	31cF8663	MC 20	6F8676	MC 37		MC 57
49aF8651	JB 51	31eF8663	MC 20	11F8676	MC 40		MC 60
49bF8651	JB 51	32eF8663	MC 20	12F8676	MC 40		MC 61
49cF8651	JB 51	39F8663	MC 20	13F8676	MC 38	2F8689	MC 41
49dF8651	JB 51	40F8663	MC 21	14F8676	MC 38		MC 42
49eF8651	JB 51	67F8663	MC 21	15F8676	MC 38		MC 43
80F8652	JB 48	68F8663	MC 21	16F8676	MC 38		MC 44
5F8653	JB 37	83F8663	MC 19	17F8676	MC 40		MC 45
6F8653	JB 37	84F8663	MC 19	18F8676	MC 40		MC 57
7F8653	JB 37	85F8663	MC 21	183F8676	MC 40		MC 59
8F8653	JB 37	86F8663	MC 17	5F8677	MC 55		MC 61
86F8653	JB 37A, JB 41, JB 44, JB 46, JB 49	86F8663	MC 19	6F8677	MC 55	3F8689	MC 41
		87F8663	MC 19	51F8677	MC 56		MC 42
79F8653	JB 36, JB 37A, JB 38, JB 42, JB 46, JB 47	98F8663	MC 19	52F8677	MC 56		MC 43
		101F8663	MC 21	5F8678	MC 56		MC 44
95F8653	JB 37A	19F8667	MC 41	6F8678	MC 56		MC 45
96F8653	JB 37A	20F8667	MC 41	9F8678	MC 57		MC 57
97F8653	JB 37A	17F8668	MC 42	10F8678	MC 57		MC 59
101F8653	JB 37A	18F8668	MC 42	5F8679	MC 57		MC 61
102F8653	JB 37	19F8668	MC 42	6F8679	MC 57	4F8689	MC 41
108F8654	JB 37, JB 38	20F8668	MC 42	33F8679	MC 58		MC 42
141F8654	JB 46	17F8669	MC 43	34F8679	MC 58		MC 43
185F8654	JB 46	18F8669	MC 43	5F8680	MC 58		MC 44
119F8655	JB 46	39F8669	MC 43	6F8680	MC 58		MC 45
190F8655	JB 46	40F8669	MC 43	8F8680	MC 58		MC 45
191F8655	JB 46	17F8670	MC 44	9F8680	MC 58		MC 57
192F8655	JB 46	18F8670	MC 44	10F8680	MC 58		MC 59
193F8655	JB 46	17F8671	MC 45	5F8681	MC 59		MC 61
218F8655	JB 46	18F8671	MC 45	6F8681	MC 59	5F8689	MC 58
219F8655	JB 46	25F8670	MC 44	36F8681	MC 59		MC 59
220F8655	JB 46	26F8670	MC 44	37F8681	MC 59	6F8689	MC 58
85F8656	JB 37, JB 38	17F8671	MC 45	5F8682	MC 60	7F8689	MC 58
75F8657	JB 44	18F8671	MC 45	6F8682	MC 60		MC 59
197F8657	JB 43	23F8671	MC 46	8F8682	MC 60	8F8689	MC 58
198F8657	JB 44	24F8671	MC 46	29F8682	MC 60		MC 59
80F8658	JB 48	17F8672	MC 47	40F8682	MC 60		MC 59
		18F8672	MC 47	5F8683	MC 60	9F8689	MC 46
		19F8672	MC 48	6F8683	MC 60		MC 47
		20F8672	MC 48	48F8683	MC 61		MC 49
		182F8672	MC 39	49F8683	MC 61		MC 51
				5F8684	MC 61		

INDEX OF PART NUMBERS

(See also Supplementary pages, if any)

Part No.	Page No.	Part No.	Page No.	Part No.	Page No.	Part No.	Page No.
40F8775	MC. 9	8F8795	JB. 18	3F8803	JB. 26	10F8831	JB. 15
41F8775	MC. 10	11F8795	JB. 18	4F8803	JB. 26	13F8831	JB. 15
42F8775	MC. 10	14F8795	JB. 18, JB. 20	5F8803	JB. 26	16F8831	JB. 15
43F8775	MC. 10	15F8795	JB. 18	6F8803	JB. 26	21F8831	JB. 15
44F8775	MC. 10	16F8795	JB. 18	1F8806	JB. 26	10F8839	MC. 23
46F8775	JB. 70	18F8795	JB. 20	2F8806	JB. 26	11F8839	MC. 24
47F8775	JB. 70	102F8795	JB. 18	3F8806	JB. 26	12F8839	MC. 24
48F8775	JB. 69	103F8795	JB. 18	4F8806	JB. 26	25F8839	MC. 24
49F8775	JB. 68	104F8795	JB. 20	7F8806	JB. 26	26F8839	MC. 24
8F8781	NC. 1	106F8795	JB. 20	8F8806	JB. 26	27F8839	MC. 24
12F8781	NC. 1	4F8797	JB. 19, JB. 21	1F8807	JB. 28	28F8839	MC. 24
15F8781	NC. 1	5F8797	JB. 19	2F8807	JB. 28	29F8839	MC. 24
16F8781	NC. 1	7F8797	JB. 19	3F8807	JB. 28	30F8839	MC. 24
17F8781	NC. 1	8F8797	JB. 18	4F8807	JB. 28	31F8839	MC. 24
22F8781	NC. 1	9F8797	JB. 18	5F8807	JB. 28	32F8839	MC. 24
33F8781	NC. 1	10F8797	JB. 19, JB. 21	6F8807	JB. 28	33F8839	MC. 24
34F8781	NC. 1	11F8797	JB. 20	27F8807	JB. 28	34F8839	MC. 24
36F8781	NC. 1	12F8797	JB. 21	2F8821	MC. 63	44F8839	MC. 24
38F8781	NC. 1	13F8797	JB. 19, JB. 21	3F8821	MC. 63	48F8839	MC. 24
6F8787	JF. 1	15F8797	JB. 20	4F8821	MC. 63	52F8839	MC. 23
6F8787	JF. 1	16F8797	JB. 21	5F8821	MC. 63	53F8839	MC. 23
7F8787	JF. 1	17F8797	JB. 21	6F8821	MC. 63	3F8842	MC. 21
8F8787	JF. 1	21F8797	JB. 19, JB. 21	7F8821	MC. 63	31F8842	MC. 21
1F8789	JB. 23, JB. 25, JB. 28	23F8797	JB. 19	8F8821	MC. 63	3mF8842	MC. 21
2F8788	JB. 23	24F8797	JB. 21	9F8821	MC. 63	3pF8842	MC. 21
3F8788	JB. 23	25F8797	JB. 18, JB. 20	10F8821	MC. 63	4F8842	MC. 21
1F8790	JB. 23, JB. 25, JB. 28	3F8798	CA. 3, JB. 23	11F8821	MC. 63	4pF8842	MC. 21
26F8790	JB. 23	8F8798	CA. 4	12F8821	MC. 63	6F8854	JB. 47
1F8791	JB. 23, JB. 26, JB. 28	10F8798	CA. 4	13F8821	MC. 63	6aF8854	JB. 47
2F8791	JB. 23	11F8798	CA. 4	14F8821	MC. 63	6bF8854	JB. 47
4F8793	JB. 15, JB. 18	13F8798	CA. 4, JB. 24	15F8821	MC. 63	6dF8854	JB. 47
4pF8793	JB. 15	14F8798	CA. 4, JB. 24	16F8821	MC. 63	6fF8854	JB. 47
6F8795	JB. 19	5F8799	JB. 24	17F8821	MC. 63	6gF8854	JB. 47
7F8795	JB. 19	6F8799	JB. 24	18F8821	MC. 63	8F8854	JB. 47
11F8795	JB. 19	24F8799	JB. 24	19F8821	MC. 63	4F9181	MC. 64
15F8795	JB. 21	25F8799	JB. 24	20F8821	MC. 63	5F9181	MC. 64
16F8795	JB. 17, JB. 19	39F8799	JB. 24	21F8821	MC. 63	6F9181	MC. 64
17F8795	JB. 18	40F8799	JB. 24	22F8821	MC. 63	7F9181	MC. 64
18F8795	JB. 17, JB. 19	41F8799	JB. 24	23F8821	MC. 63	8F9181	MC. 64
19F8795	JB. 17, JB. 19	42F8799	JB. 24	24F8821	MC. 63	3F9192	MC. 64
26F8795	JB. 19	1F8802	JB. 24	25F8821	MC. 63	4F9192	MC. 64
30F8795	JB. 19	2F8802	JB. 24	26F8821	MC. 63	6F9192	MC. 64
31F8795	JB. 19	3F8802	JB. 24	27F8821	MC. 63	8F9192	MC. 64
32F8795	JB. 17	4F8802	JB. 24	28F8821	MC. 63	1F9196	MC. 30
33F8795	JB. 17, JB. 18, JB. 19	5F8802	JB. 24	29F8821	MC. 23	2F9196	MC. 30
5F8798	JB. 18	6F8802	JB. 24	1F8822	JB. 6	13F9197	MC. 30
7F8798	JB. 16, JB. 18, JB. 19	9F8802	JB. 24	2F8822	JB. 6	14F9197	MC. 30
		10F8802	JB. 24	8F8822	JB. 6	1F9201	JB. 17
		11F8802	JB. 24	9F8822	JB. 6	7F9201	JB. 17
		12F8802	JB. 24	6F8831	JB. 15	8F9201	JB. 17
		1F8803	JB. 26	8F8831	JB. 15	9F9201	JB. 17
		2F8803	JB. 26	9F8831	JB. 15	10F9201	JB. 17

INDEX OF PART NUMBERS

(See also Supplementary pages, if any)

Part No.	Page No.	Part No.	Page No.	Part No.	Page No.	Part No.	Page No.
11F9201	JB 17	2F9408	JB. 5	42F9421	JB. 7	3F9488	JB. 26
14F9201	JB. 17	3F9409	JB. 5	1F9422	JB. 13	4F9488	JB. 26
16F9201	JB 17	4F9409	JB 5	2F9422	JB. 13	5F9488	JB. 26
16F9201	JB 17	1F9410	JB. 7, JB. 8,	3F9422	JB. 14	6F9488	JB. 26
17F9201	JB 17		JB. 10, JB. 11,	4F9422	JB. 14	1F9489	JB. 26
2F9206	JB 27		JB. 13, JB. 14	17F9422	JB. 14	2F9489	JB. 26
3F9206	JB 38	2F9410	JB. 7, JB. 8,	1F9423	JB. 7	17F9489	JB. 26
8F9206	JB. 45		JB. 10, JB. 11,	16F9423	JB. 7	18F9489	JB. 26
9F9206	JB 48		JB. 13, JB. 14	17F9423	JB. 7	19F9489	JB. 26
10F9206	JB 37, JB. 38,	1F9412	JB. 22, JB. 25,	20F9423	JB. 7	20F9489	JB. 26
	JB 40, JB. 43,		JB. 27	21F9423	JB. 7	1F9490	JB. 27
	JB. 45, JB. 48	3F9412	JB. 22, JB. 25,	22F9423	JB. 7	2F9490	JB. 27
15F9206	JB 45		JB. 27	32F9423	JB. 7	1F9491	JB. 27
18F9206	JB 48	1F9413	JB. 22, JB. 25,	1F9424	JB. 9	2F9491	JB. 27
18F9207	JB. 104		JB. 27	2F9424	JB. 9	2F9502	JB. 103
	MC 66	2F9413	JB. 22, JB. 27	1F9425	JB. 10	3F9524	JB. 114
	MC. 67	1F9418	JB. 8, JB. 9,	2F9425	JB. 10	3aF9524	JB. 114
218F9222	JB. 98, QK. 8		JB. 11, JB. 12,	1F9426	JB. 12	3bF9524	JB. 114
218aF9222	JB. 49, QK. 8		JB. 13, JB. 14	2F9426	JB. 12	4F9524	JB. 114
236F9222	JB. 96	3F9418	JB. 8, JB. 9	1F9427	JB. 13	4aF9524	JB. 114
237F9222	JB. 96	10F9420	JB. 39, JB. 41,	2F9427	JB. 13	4bF9524	JB. 114
4F9223	MC 69		JB. 42, JB. 44	1F9428	JB. 14	4cF9524	JB. 114
5F9223	MC 69	11F9420	JB. 41, JB. 44	2F9428	JB. 14	12F9524	JB. 114
2F9252	JB 32, JB. 85,	1F9421	JB. 7	1F9443	JB. 8	21F9524	JB. 114
	JB. 106	3F9421	JB. 8	2F9443	JB. 10	21aF9524	JB. 114
14F9254	JB. 46	4F9421	JB. 8	3F9443	JB. 13	21bF9524	JB. 114
10F9263	MC. 68	5F9421	JB. 10	4F9443	JB. 15	22F9524	JB. 114
4F9312	JB. 17	6F9421	JB. 10	5F9443	JB. 11	22aF9524	JB. 114
5F9312	JB. 17	7F9421	JB. 11	6F9443	JB. 13	22bF9524	JB. 114
8F9312	JB. 17	8F9421	JB. 11	12F9449	JB. 93	14F9524	JB. 48
9F9312	JB. 16	11F9421	JB. 7, JB. 9,	91F9449	JB. 98	22cF9524	JB. 114
12F9312	JB. 16		JB. 12, JB. 13,	92F9449	JB. 98	23F9524	JB. 114
20F9312	JB. 17		JB. 14	4F9451	JB. 29	23aF9524	JB. 114
22F9312	JB. 16	12F9421	JB. 7, JB. 9,	5F9451	JB. 29	23bF9524	JB. 114
23F9312	JB. 16		JB. 10, JB. 12,	6F9451	JB. 29	24F9524	JB. 114
24F9312	JB. 16		JB. 13, JB. 14	7F9451	JB. 29	24aF9524	JB. 114
1F9329	JB. 16	13F9421	JB. 8	11F9451	JB. 29	24bF9524	JB. 114
12F9367	JB. 39, JB. 42	15F9421	JB. 11, JB. 13	4F9452	JB. 29	24cF9524	JB. 114
14F9367	JB. 39, JB. 42	16F9421	JB. 12	5F9452	JB. 29, JB. 30	25F9524	JB. 115
1F9392	JB. 20	18F9421	JB. 7, JB. 9,	6F9452	JB. 29, JB. 30	25aF9524	JB. 115
2F9392	JB. 20		JB. 10, JB. 12,	11F9452	JB. 29	25bF9524	JB. 115
3F9392	JB. 20		JB. 13	17F9452	JB. 29	26F9524	JB. 115
5F9392	JB. 20	20F9421	JB. 7, JB. 9,	2F9453	JB. 29	26aF9524	JB. 115
6F9392	JB. 20		JB. 10, JB. 12,	3F9453	JB. 29	26bF9524	JB. 115
7F9392	JB. 20		JB. 13, JB. 14	11F9453	JB. 29	27F9524	JB. 115
8F9392	JB. 20	21F9421	JB. 8, JB. 9,	14F9453	JB. 29	27aF9524	JB. 115
9F9392	JB. 20		JB. 11, JB. 12	1F9486	JB. 22	27bF9524	JB. 115
10F9392	JB. 20	22F9421	JB. 9	2F9486	JB. 22	27cF9524	JB. 115
11F9392	JB. 20	32F9421	JB. 8, JB. 9,	1F9487	JB. 22	28F9524	JB. 115
13F9392	JB. 19, JB. 20		JB. 11, JB. 12	2F9487	JB. 22	28aF9524	JB. 115
14F9392	JB. 20	33F9421	JB. 7, JB. 9,	8F9487	QU. 4	28bF9524	JB. 115
1F9409	JB. 5		JB. 10, JB. 11,	1F9488	JB. 25	29F9524	JB. 115
			JB. 13	2F9488	JB. 25		

INDEX OF PART NUMBERS

(See also Supplementary pages, if any)

Part No.	Page No.	Part No.	Page No.	Part No.	Page No.	Part No.	Page No.
29aF9524	JB. 115	4F9579	JB. 18	1F9583	JB. 24	24F9701	MC. 40
29bF9524	JB. 115	5F9579	JB. 18	2F9583	JB. 24	25F9701	MC. 40
29cF9524	JB. 115	6F9579	JB. 18	3F9583	JB. 24	26F9701	MC. 40
49F9524	JB. 107	7F9579	JB. 18	4F9593	JB. 25	27F9701	MC. 40
62F9524	JB. 107	1F9580	JB. 18	1F9594	JB. 27	157F9701	MC. 1
64F9524	JB. 107	2F9580	JB. 18	2F9584	JB. 27	157F9701/PC	MC. 1
103F9524	JB. 110	3F9580	JF. 18	122F9608	MC. 8	158F9701	MC. 1
104F9524	JB. 110	4F9580	JF. 18	128F9608	MC. 9A	158F9701/C	MC. 1
111F9524	JB. 110	5F9580	JB. 18	10F9610	MC. 71	158F9701/PC	MC. 1
112F9524	JB. 110	6F9580	JB. 18	13F9620	JB. 110	1F9702/C	MD. 1
185F9524	JB. 112	20F9580	JB. 20	14F9620	JB. 110	2F9702/C	MD. 1
186F9524	JB. 112	22F9580	JB. 20	15F9620	JB. 110	5F9702	MC. 78
187F9524	JB. 113	23F9580	JB. 20	16F9620	JB. 110	7F9702	MC. 78
188F9524	JB. 113	24F9580	JB. 20	29F9620	JB. 110	34F9702	MD. 4
189F9524	JB. 113	28F9580	JB. 20	30F9620	JB. 110		MD. 5
190F9524	JB. 113	26F9580	JB. 21	39F9620	JB. 110	35F9702	MD. 5
191F9524	JB. 113	27F9580	JB. 20	40F9620	JB. 110	45F9702	MC. 78
192F9524	JB. 113	29F9580	JB. 21	34F9665	MC. 6	51F9702	MC. 78
193F9524	JB. 113	1F9581	JB. 6	34F9665/EP	MC. 6	27F9703	CA. 2
194F9524	JB. 113	2F9581	JB. 6	34F9665/P	MC. 6	827F9703	MC. 64
195F9524	JB. 113	3F9581	JB. 6	35F9665	MC. 6	938F9703	MC. 64
196F9524	JB. 113	4F9581	JB. 6A	35F9665/P	MC. 6	979F9703	MC. 64
197F9524	JB. 113	5F9581	JB. 6A	299F9665	MC. 5	980F9703	MC. 64
198F9524	JB. 113	30F9582	JB. 7	1727F9665	MC. 5	1F9704	MC. 63
199F9524	JB. 113	31F9582	JB. 6A	1801F9665	MC. 5	2F9704	MC. 63
200F9524	JB. 113	50F9582	JB. 7	1802F9665	MC. 5	311F9704	MC. 64
201F9524	JB. 113	51F9582	JB. 7	1811F9665	MC. 5	312F9704	MC. 64
202F9524	JB. 113	41F9583	JB. 93	1812F9665	MC. 5	315F9704	MC. 64
3F9574	JB. 30	45F9583	JB. 95	2031F9665	MC. 5	316F9704	MC. 64
6F9574	JB. 5	48F9583	JB. 95	2032F9665	MC. 5	536F9704	MC. 64
8F9574	JB. 5	47F9583	JB. 95	2033F9665	MC. 5	537F9704	MC. 64
9F9574	JB. 5	48F9583	JB. 95	2034F9665/PC	MC. 5	574F9704	MC. 64
14F9574	JB. 30	49F9583	JB. 96	2051F9665	MC. 5	575F9704	MC. 64
15F9574	JB. 30	78F9583	JB. 93	2052F9665	MC. 5	576F9704	MC. 64
17F9574	JB. 30	79F9583	JB. 93	215F9666	MD. 1	577F9704	MC. 64
1F9575	JB. 16	92F9583	JB. 95	251F9666	MD. 1	587F9704	MC. 65
2F9575	JB. 19	96F9583	JB. 93	252F9666	MD. 1	588F9704	MC. 65
3F9575	JB. 16	99F9583	JB. 93	7F9690	MC. 73	589F9704	MC. 65
4F9575	JB. 17	100F9583	JB. 93	10F9680	MC. 73	590F9704	MC. 65
5F9575	JB. 17	10F9587	CA. 2	15F9681	GA. 1	611F9704	MC. 65
6F9575	JB. 17	2F9588	JB. 30	18F9681	GA. 1	612F9704	MC. 65
7F9575	JB. 19	11F9588	JB. 30	3F9700	MC. 75	613F9704	MC. 65
8F9575	JB. 17, JB. 19	43F9580	MC. 74	7F9700	MC. 75	614F9704	MC. 65
9F9575	JB. 19		MC. 75	8F9701	MC. 40	615F9704	MC. 65
11F9575	JB. 17	1F9592	JB. 22	9F9701	MC. 40	616F9704	MC. 65
1F9577	JB. 15	2F9592	JB. 22	10F9701	MC. 40	617F9704	MC. 65
4F9577	JB. 15	3F9582	JB. 22, JB. 25	11F9701	MC. 40	618F9704	MC. 65
1F9578	JB. 16		JB. 27	14F9701	MC. 40	619F9704	MC. 65
3F9578	JB. 16	4F9592	JB. 22, JB. 26	15F9701	MC. 40	620F9704	MC. 65
3a9578	JB. 16		JB. 27	21F9701	MC. 1	621F9704	MC. 65
1F9579	JB. 18	5F9592	JB. 23, JB. 26	22F9701	MC. 1	622F9704	MC. 65
3F9579	JB. 18		JB. 28	23F9701	MC. 40	623F9704	MC. 65

INDEX OF PART NUMBERS

(See also Supplementary pages, if any)

Part No.	Page No.	Part No.	Page No.	Part No.	Page No.	Part No.	Page No.
624F9704	MC. 86	111F9724	MB. 5	2F9780	MB. 6	31F9821	MC. 34
759F9704	MC. 87	112F9724	MB. 5	7F9780	MB. 6	32F9821	MC. 34
760F9704	MC. 87	1F9725	MA. 1	8F9780	MB. 6	33F9821	MC. 35
799F9704	MC. 87	2F9725	MA. 1	3F9808	FJ. 13	34F9821	MC. 35
800F9704	MC. 87	5F9725	MA. 2	9F9808	FJ. 17	35F9821	MC. 35
886F9704	MC. 85	6F9725	MA. 2	10F9808	SB. 1	36F9821	MC. 35
896F9704	MC. 85	32F9725	MA. 2	11F9808	SB. 2	37F9821	MC. 35
857F9704	MC. 85	41F9725	MA. 1	6F9808	SB. 1	38F9821	MC. 35
858F9704	MC. 85	45F9725	MA. 1, MA. 3,	12F9809	SB. 1	39F9821	MC. 35
336F9706	JB. 81, MC. 76		MA. 5	13F9809	SB. 1	40F9821	MC. 35
336F9708	JB. 58	47F9725	MA. 1	14F9809	SB. 1	41F9821	MC. 35
26F9722	MC. 12	53F0725	MA. 2	15F9809	SB. 1	42F9821	MC. 35
27F9722	MC. 12	54F9725	MA. 2	16F9809	SB. 2	51F9821	MC. 35
29F9722	MC. 13	55F9725	MA. 2	17F9809	SB. 2	52F9821	MC. 35
30F9722	MC. 13	56F9725	MA. 2	18F9809	SB. 2	57F9821	MC. 35
31F9722	MC. 13	62F9725	MA. 2	19F9809	SB. 1	58F9821	MC. 35
32F9722	MC. 13	63F9725	MA. 2	20F9809	SB. 1	61F9821	MC. 35
1F9723	MD. 1	64F9725	MA. 1	21F9809	SB. 1	62F9821	MC. 35
2F9723	MD. 1	93F9725	MA. 2	22F9809	SB. 1	63F9821	MC. 35
3F9723	MD. 2	115F9725	MA. 2, MA. 5	26F9809	SB. 1	68F9821	MC. 37
4F9723	MD. 2	116F9725	MA. 2, MA. 5	27F9809	SB. 1	69F9821	MC. 37
11F9723	MD. 1	130F9725	MA. 2	27bF9809	SB. 1	70F9821	MC. 37
12F9723	MD. 1	131F9725	MA. 2	27cF9809	SB. 1	71F9821	MC. 37
43F9723	MD. 4	132F9725	MA. 2	28F9809	GA. 2, SB. 1	72F9821	MC. 37
44F9723	MD. 4	133F9725	MA. 2	29F9809	SB. 1	74F9821	MC. 35
45F9723	MD. 4	134F9725	MA. 2	30F9809	SB. 1	75F9821	MC. 35
46F9723	MD. 4	135F9725	MA. 3	31F9809	SB. 1	100F9821	MC. 37
48F9723	MD. 4	136F9725	MA. 3	32F9809	SB. 1	101F9821	MC. 35
47F9723	MD. 4	1F9726	MA. 5	33F9809	SB. 1	102F9821	MC. 35
48F9723	MD. 3	1F9726/C	MA. 5	1F9821	MC. 37	103F9821	MC. 35
	MD. 4	1F9726/PC	MA. 5	2F9821	MC. 37	104F9821	MC. 36
51F9723	MD. 1	2F9726	MA. 5	3F9821	MC. 37	105F9821	MC. 36
52F9723	MD. 1	2F9726/C	MA. 5	4F9821	MC. 37	108F9821	MC. 36
199F9723	MD. 2	2F9726/PC	MA. 6	5F9821	MC. 37	110F9821	MC. 36
200F9723	MD. 2	4F9726	MA. 5	6F9821	MC. 37	2F9844	JB. 84
271F9723	MD. 2	5F9726	MA. 5	7F9821	MC. 36	5F9844	JB. 85
276F9723	MD. 1	20F9726	MA. 6	8F9821	MC. 36	6F9844	JB. 85
277F9723	MD. 1	43F9726	MA. 6	9F9821	MC. 36	7F9844	JB. 85
279F9723	MD. 2	44F9726	MA. 6	10F9821	MC. 36	8F9844	JB. 85
352F9723	MD. 1	45F9726	MA. 6	15F9821	MC. 36	27F9844	JB. 86
353F9723	MD. 1	46F0726	MA. 6	16F9821	MC. 36	28F9844	JB. 86
354F9723	MD. 2	47F9726	MA. 6	17F9821	MC. 36	87F9844	JB. 85
355F9723	MD. 2	48F9726	MA. 5	18F9821	MC. 36	88F9844	JB. 85
1F9724	MB. 5	49F9726	MA. 5	19F9821	MC. 36	89F9844	JB. 85
2F9724	MB. 5	60F9726	MA. 5	20F9821	MC. 36	90F9844	JB. 85
92F9724	MB. 6	63F9726	MA. 6	21F9821	MC. 36	101F9844	JB. 84
93F9724	MB. 6	64F9726	MA. 6	22F9821	MC. 36	103F9844	JB. 87
94F9724	MB. 6	65F9726	MA. 6	23F9821	MC. 36	104F9844	JB. 85
95F9724	MB. 6	66F9726	MA. 6	24F9821	MC. 36	111F9844	JB. 84
99F9724	MB. 5	67F9726	MA. 6	25F9821	MC. 36	112F9844	JB. 84
100F9724	MB. 5	68F9726	MA. 6	26F9821	MC. 36	113F9844	JB. 84
103F9724	MB. 5	69F9726	MA. 6	27F9821	MC. 36	114F9844	JB. 84
104F9724	MB. 5	10F9741	MC. 70A	28F9821	MC. 36	115F9844	JB. 84
107F9724	MB. 5	1F9780	MB. 6	29F9821	MC. 36		

INDEX OF PART NUMBERS

(See also Supplementary pages, if any)

Part No.	Page No.	Part No.	Page No.	Part No.	Page No.	Part No.	Page No.
118F9844	JB. 84	98F9851	MD. 7	1F9862	MC. 14	9F9874	MC. 67
117F9844	JB. 84	99F9851	MD. 7	2F9862	MC. 14	10F9874	MC. 67
118F9844	JB. 84	104F9851	MD. 7	11F9862	MC. 14	8F9875	MC. 67
119F9844	RA. 5	105F9851	MD. 7	12F9862	MC. 14	9F9875	MC. 67
120F9844	JB. 37	106F9851	MD. 7	13F9862	MC. 14	1F9876	MD. 6
121F9844	JB. 87	107F9851	MD. 7	14F9862	MC. 18	4F9876	MD. 6
134F9844	JB. 86	109F9851	MD. 7	15F9862	MC. 18	5F9876	MD. 6
135F9844	JB. 86	110F9851	MD. 7	16F9862	MC. 18	7F9876	MD. 6
166F9844	JB. 86	111F9851	MD. 7	21F9862	MC. 14	8F9876	MD. 6
167F9844	JB. 86	112F9851	MD. 7	22F9862	MC. 14	11F9876	MD. 6
168F9844	JB. 84	1F9853	MD. 8	30F9862	MC. 14	1F9877	MD. 2
170F9844	JB. 87	2F9853	MD. 8	47F9862	MC. 14	2F9877	MD. 2
171F9844	JB. 87	1F9856	MC. 8	48F9862	MC. 14	9F9877	MD. 2
172F9844	JB. 87, RA.4	2F9856	MC. 8	49F9862	MC. 14	18F9877	MD. 2
220F9844	JB. 86	9F9856	MC. 8	50F9862	MC. 14	1F9878	MD. 3
241F9844	JB. 86	10F9856	MC. 8	51F9862	MC. 14	2F9878	MD. 3
242F9844	JB. 86	11F9856	MC. 8A	1F9866	MC. 13	20F9878	MD. 3
285F9844	JB. 87	12F9856	MC. 8A	2F9866	MC. 13	1F9879	MD. 3
1F9851	MD. 6	33F9856	MC. 11	1F9866	MC. 79	2F9879	MD. 3
2F9851	MD. 6	34F9856	MC. 11	2F9866	MC. 79	21F9879	MD. 3
3F9851	MD. 6	57F9856	MC. 11	3F9866	MC. 79	1F9880	MD. 3
4F9851	MD. 6	58F9856	MC. 11	4F9866	MC. 79	2F9880	MD. 3
5F9851	MD. 6	184F9856	MC. 8, MD. 1	5F9866	MC. 79	7F9880	MD. 3
6F9851	MD. 6	200F9856	MC. 8	6F9866	MC. 79	9F9880	MD. 3
21F9851	MD. 6	201F9856	MC. 8	7F9866	MC. 79	10F9880	MD. 3
22F9851	MD. 6	202F9856	MC. 8A	8F9866	MC. 79	25F9880	MD. 3
23F9851	MD. 6	203F9856	MC. 8A	9F9866	MC. 79	26F9880	MD. 3
25F9851	MD. 6	208F9856	MC. 9	10F9866	MC. 79	27F9880	MD. 3
35F9851	MD. 6	209F9856	MC. 9	11F9866	MC. 79	28F9880	MD. 3
36F9851	MD. 6	210F9856	MC. 10	12F9866	MC. 79	30F9880	MD. 3
37F9851	MD. 6	211F9856	MC. 10	1F9867	MB. 5	31F9880	MD. 3
38F9851	MD. 6	214F9856	MC. 10	2F9867	MB. 5	1F9881	MD. 3
45F9851	MD. 6	215F9856	MC. 9	1F9869	MC. 13	2F9881	MD. 3
46F9851	MD. 6		MC. 10	2F9869	MC. 13	17F9881	MD. 3
47F9851	MD. 6	216F9856	MC. 9	1F9870	MC. 11	1F9882	MD. 3
48F9851	MD. 6		MC. 10	2F9870	MC. 12	2F9882	MD. 3
49F9851	MD. 6	218F9856	MC. 9	3F9870	MC. 12	17F9882	MD. 3
50F9851	MD. 6		MC. 10	4F9870	MC. 12	1F9883	MD. 3
53F9851	MD. 6	238F9856	MC. 11	6F9870	MC. 12	2F9883	MD. 3
54F9851	MD. 6	239F9856	MC. 11	8F9870	MC. 12	17F9883	MD. 3
55F9851	MD. 7	245F9856	MC. 8	7F9870	MC. 12	1F9884	MD. 4
56F9851	MD. 7	246F9856	MC. 8	1F9871	MC. 12	2F9884	MD. 4
61F9851	MD. 7	247F9856	MC. 8A	2F9871	MC. 12	6F9884	MD. 4
62F9851	MD. 7	248F9856	MC. 8A	3F9871	MC. 12	7F9884	MD. 4
63F9851	MD. 7	251F9856	MC. 11	4F9871	MC. 12	21F9884	MD. 4
64F9851	MD. 7	252F9856	MC. 11	5F9871	MC. 12	1F9885	MD. 4
65F9851	MD. 7	1F9857	MD. 1	6F9871	MC. 12	2F9885	MD. 4
66F9851	MD. 7	2F9857	MD. 1	7F9871	MC. 12	1F9886	MD. 4
67F9851	MD. 7	165F9857	MD. 11	1F9872	MB. 1	2F9886	MD. 4
680F9851	MD. 7	166F9857	MD. 11	2F9872	MC. 5	1F9887	MD. 4
69F9851	MD. 7	171F9857	MC. 9A	5F9872	MB. 1	2F9887	MD. 4
68F9851	MD. 7		MD. 1	7F9872	MC. 5	1F9888	MD. 5
		6F9861	MC. 77				
		8F9861	MC. 77				

INDEX OF PART NUMBERS

(See also Supplementary pages, if any)

Part No.	Page No.	Part No.	Page No.	Part No.	Page No.	Part No.	Page No.
2F9888	MD. 6	97F9893	MC. 17	4F9909	MA. 5	1F9962	MC. 25
15F9888	MD. 6	98F9883	MC. 17	7F9909	MA. 5	2F9952	MC. 25
18F9888	MD. 6	109F9883	MC. 15	8F9909	MA. 5	1F9956	JB. 98
1F9889	MD. 6	110F9883	MC. 15	27F9909	MD. 12	2F9956	JB. 98
2F9889	MD. 6	111F9883	MC. 17	28F9909	MD. 12	11F9962	JB. 28
7F9889	MD. 6	112F9883	MC. 17	31F9909	MD. 12	11cF9962	JB. 28
15F9889	MD. 6	113F9883	MC. 15	32F9909	MD. 12	12F9962	JB. 28
16F9889	MD. 6	114F9883	MC. 16	35F9909	MD. 12	2F9965	JB. 100
17F9889	MD. 6	120F9883	MC. 77	36F9909	MD. 12	9F9965	JB. 99
18F9889	MD. 6	125F9883	MC. 17	38F9909	MD. 12	5F9967	MC. 26
19F9889	MD. 6	126F9883	MC. 17	41F9909	MD. 12	6F9967	MC. 26
20F9889	MD. 6	127F9883	MC. 17	42F9909	MD. 12	7F9967	MC. 27
21F9889	MD. 6	128F9883	MC. 17	49F9909	MD. 12	8F9967	MC. 27
1F9890	MD. 5	129F9883	MC. 17	50F9909	MD. 12	9F9967	MC. 27
1F9891	MD. 5	130F9883	MC. 17	53F9909	MD. 12	10F9967	MC. 27
1F9892	MD. 5	131F9883	MC. 17	54F9909	MD. 12	11F9967	MC. 27
5F9892	MD. 4	132F9883	MC. 18	55F9909	MD. 12	12F9967	MC. 27
	MD. 6	137F9883	MC. 17	56F9909	MD. 12	18F9967	MC. 25
	MD. 6	138F9883	MC. 17	55F9909	MD. 12	19F9967	MC. 25
3F9893	MC. 15	141F9883	MC. 15	68F9909	MD. 12	20F9967	MC. 25
4F9893	MC. 15	142F9883	MC. 15	67F9909	MD. 12	21F9967	MC. 26
5F9893	MC. 15	143F9883	MC. 15	68F9909	MD. 12	22F9967	MC. 26
6F9893	MC. 15	144F9883	MC. 15	198F9910	ME. 2	23F9967	MC. 26
15F9893	MC. 77	347F9893	MC. 17	230F9910/C	ME. 1	24F9967	MC. 26
16F9893	MC. 77	1F9894	JB. 23, JB. 26	230F9910/PC	ME. 1	25F9967	MC. 25
17F9893	MC. 77	2F9894	JB. 23	231F9910/C	ME. 1	27F9967	MC. 26
19F9893	MC. 16	3F9908	MA. 2	231F9910/PC	ME. 1	28F9967	MC. 26
20F9893	MC. 17	4F9908	MA. 2	40F9911	ME. 2	29F9967	MC. 26
27F9893	MC. 16	7F9908	MA. 2	41F9911	ME. 2	30F9967	MC. 26
28F9893	MC. 16	8F9908	MA. 2	58F9911	ME. 2	31F9967	MC. 25
29F9893	MC. 16	25F9908	MD. 11	1F9935	ME. 1	32F9967	MC. 25
30F9893	MC. 16	26F9908	MD. 11	1F9937	MD. 7	37F9967	MC. 26
31F9893	MC. 16	29F9908	MD. 11	1F9938	ME. 1	102F9967	MC. 26
32F9893	MC. 16	30F9908	MD. 11	12F9940	ME. 1	103F9967	MC. 26
33F9893	MC. 16	31F9908	MD. 11	31F9940	ME. 3	104F9967	MC. 26
34F9893	MC. 16	36F9908	MD. 11	32F9940	ME. 3	163F9967	MC. 26
35F9893	MC. 16	37F9908	MD. 11	41F9940	ME. 1	164F9967	MC. 26
36F9893	MC. 16	44F9908	MD. 11	3F9941	MC. 16	165F9967	MC. 27
37F9893	MC. 16	45F9908	MD. 11	4F9941	MC. 16	166F9967	MC. 27
38F9893	MC. 16	48F9908	MD. 11	5F9941	MC. 16	167F9967	MC. 27
39F9893	MC. 16	49F9908	MD. 11	6F9941	MC. 16	171F9967	MC. 27
40F9893	MC. 16	54F9908	MD. 11	1F9948	JB. 67	172F9967	MC. 27
41F9893	MC. 16	55F9908	MD. 11	2F9948	JB. 67	186F9967	MC. 27
42F9893	MC. 16	60F9908	MD. 11	3F9948	JB. 67	193F9967	MC. 26
69F9893	MC. 17	61F9908	MD. 11	4F9948	JB. 67	1F9968	MC. 41
90F9893	MC. 17	62F9908	MD. 11	5F9948	JB. 67	2F9968	MC. 41
92F9893	MC. 16	63F9908	MD. 11	6F9948	JB. 67	13F9968	MC. 41
93F9893	MC. 16	64F9908	MD. 11	7F9948	JB. 67	14F9968	MC. 41
95F9893	MC. 17	68F9908	MD. 11	8F9948	JB. 67	1F9970	MC. 43
96F9893	MC. 17	3F9909	MA. 5	9F9948	JB. 67	2F9970	MC. 43
				10F9948	JB. 67	3F9970	MC. 43
				11F9948	JB. 67	4F9970	MC. 43

VULCAN MIL. 2

INDEX OF PART NUMBERS

Page W 31

(See also Supplementary pages, if any)

Part No.	Page No.	Part No.	Page No.	Part No.	Page No.	Part No.	Page No.
5F9970	MC 43	17F9977	MC. 38	2F9985	MC. 81	2F 10005	JB. 76
6F9970	MC 43	18F9977	MC 38	17F9985	MC. 81	13F 10005	JB 77
21F9970	MC 43	19F9977	MC. 30	18F9985	MC 81	14F 10005	JB 77
22F9970	MC 43	21F9977	MC. 38	21F9985	MC 81	15F 10005	JB 76
1F9971	MC 45	22F9977	MC 38	22F9985	MC 81	16F 10005	JB. 76
2F9971	MC 43	23F9977	MC. 38	33F9985	MC 81	142F 10005	JB. 77
3F9971	MC 44	24F9977	MC. 38	36F9985	MC. 81	143F 10005	JB. 77
4F9971	MC 44	25F9977	MC. 40	37F9985	MC. 81	150F 10005	JB. 77
5F9971	MC 44	59F9977	MC. 40	1F9986	MC 82	185F 10005	QA. 44
6F9971	MC 44	1F9978	MC 55	2F9986	MC. 82	166F 10005	QA. 44
1F9972	MC 48	2F9978	MC. 55	14F9986	MC 82	170F 10005	JB. 77
2F9972	MC 48	3F9978	MC. 55	15F9986	MC 82	189F 10005	JB. 77
3F9972	MC 46	4F9978	MC. 55	18F9986	MC. 82	190F 10005	JB 77
4F9972	MC 48	5F9978	MC 55	19F9986	MC. 82	191F 10005	JB 76
5F9972	MC 48	6F9978	MC 55	57F9986	MC. 82	194F 10005	JB 76
6F9972	MC 48	1F9979	MC 58	58F9986	MC 82	196F 10005	JB. 76
1F9973	MC 47	2F9979	MC 58	63F9986	MC 82	197F 10005	JB. 76
2F9973	MC 47	3F9979	MC 58	64F9986	MC 82	235F 10005	JB 76
3F9973	MC 47	4F9979	MC. 58	1F9987	MC 25	236F 10005	JB. 76
4F9973	MC 47	5F9979	MC. 58	2F9987	MC. 25	237F 10005	JB. 76
5F9973	MC 47	6F9979	MC 58	3F9987	MC 25	238F 10005	JB. 76
6F9973	MC. 47	1F9980	MC. 57	4F9987	MC 25	239F 10005	JB. 76
1F9974	MC 48	2F9980	MC 57	8F9987	CA. 1	256F 10005	JB. 81
2F9974	MC 49	3F9980	MC. 57	13F9987	CA 1	1F 10006	JB 78
3F9974	MC 49	4F9980	MC. 57	15F9987	CA. 1	2F 10006	JB 78
4F9974	MC 49	5F9980	MC. 57		MC 25	76F 10006	JB. 80
5F9974	MC 49	6F9980	MC 57	25F9987	CA. 1	77F 10006	JB 80
6F9974	MC 49	1F9981	MC 58	27F9987	CA. 1	118F 10006	JB 80
1F9975	MC 51	2F9981	MC 58	30F9987	CA. 1	119F 10006	JB 80
2F9975	MC 51	3F9981	MC 58	31F9987	CA 2	120F 10006	JB 80
3F9975	MC 51	4F9981	MC 58	32F9987	CA 3	121F 10006	JB. 80
4F9975	MC 51	5F9981	MC. 58		MC. 26	233F 10006	JB 78
5F9975	MC 51	6F9981	MC. 58	35F9987	CA 1	234F 10006	JB. 78
6F9975	MC 51	1F9982	MC. 59		MC 25	235F 10006	JB. 78
1F9976	MC 53	2F9982	MC. 59	36F9987	CA. 2	236F 10006	JB. 78
2F9976	MC 53	3F9982	MC 59	37F9987	CA 2	237F 10006	JB. 78
3F9976	MC 53	4F9982	MC. 59	6F9990	MC. 89	238F 10006	JB 79
4F9976	MC 53	5F9982	MC. 59	7F9990	MC 89	239F 10006	JB. 79
5F9976	MC 53	6F9982	MC. 59	1F 10004	JB. 75	240F 10006	JB. 79
6F9976	MC 53	1F9983	MC. 59	2F 10004	JB 75	241F 10006	JB. 79
1F9977	MC 38	2F9983	MC. 59	5F 10004	JB. 75	242F 10006	JB 79
2F9977	MC 38	3F9983	MC. 60	6F 10004	JB 75	243F 10006	JB 79
3F9977	MC 38	4F9983	MC 60	555F 10004	JB 75	244F 10006	JB. 79
4F9977	MC 38	5F9983	MC. 60	556F 10004	JB. 75	245F 10006	JB 79
5F9977	MC 38	6F9983	MC 60	557F 10004	JB 75	246F 10006	JB 79
6F9977	MC 38	1F9984	MC. 60	558F 10004	JB. 75	247F 10006	JB 79
11F9977	MC 40	2F9984	MC. 60	559F 10004	JB. 75	248F 10006	JB. 79
12F9977	MC 40	31F9984	MC. 61	567F 10004	JB. 75	249F 10006	JB 79
13F9977	MC 40	32F9984	MC 61	568F 10004	JB. 75	250F 10006	JB 79
14F9977	MC 40	38F9984	MC 60	569F 10004	JB. 75	263F 10006	JB. 80
15F9977	MC 40	39F9984	MC 60	570F 10004	JB. 75	264F 10006	JB. 80
16F9977	MC 38	1F9985	MC. 61	1F 10005	JB. 78	265F 10006	JB. 80

RESTRICTED

VULCAN No. 7

Page W 32

INDEX OF PART NUMBERS

(See also Supplementary pages, if any)

Part No.	Page No.	Part No.	Page No.	Part No.	Page No.	Part No.	Page No.
286F10006	JB. 80	118F10026	MC. 75	44F10167	JE. 6	28F10183	JB. 87
287F10006	JB. 78	1F10068	JB. 111	45F10167	JE. 6	27F10183	JB. 87
288F10006	JB. 78	2F10068	JB. 111	46F10167	JE. 6	28F10183	JB. 88
319F10006	JB. 81	1F10069	JB. 111	47F10167	JE. 6	29F10183	JB. 88
352F10006	JB. 79	2F10069	JB. 111	48F10167	JE. 6	30F10183	JB. 88
353F10006	JB. 79	1F10070	JB. 111	113F10167	JE. 1	31F10183	JB. 88
354F10006	JB. 79	2F10070	JB. 111	114F10167	JE. 1	32F10183	JB. 88
355F10006	JB. 79	1F10071	JB. 111	118F10167	JE. 6	33F10183	JB. 88
356F10006	JB. 79	2F10071	JB. 111	150F10167	JE. 2	34F10183	JB. 88
358F10006	JB. 78	1F10072	JB. 111	15F10168	MC. 30	35F10183	JB. 88
380F10006	JB. 81	2F10072	JB. 112	16F10168	MC. 30	36F10183	JB. 88
381F10006	JB. 81	1F10073	JB. 112	22F10168	MC. 33	37F10183	JB. 88
382F10006	JB. 81	2F10073	JB. 112	23F10168	MC. 33	74F10183	JB. 87
383F10006	JB. 81	2F10073	JB. 112	43F10168	MC. 32	141F10191	MC. 1
384F10006	JB. 81	15F10073	JB. 111	44F10168	MC. 32	142F10191	MC. 1
1F10018	JB. 89	16F10073	JB. 112	45F10168	MC. 32	145F10191	MC. 1
2F10018	JB. 89	17F10073	JB. 111	46F10168	MC. 32	146F10191	MC. 1
38F10018	JB. 89		JB. 112	47F10168	MC. 32	1F10192	MC. 2
40F10018	JB. 89	18F10073	JB. 112	48F10168	MC. 32	2F10192	MC. 2
41F10018	JB. 89	1F10074	JB. 112	62F10168	MC. 30	4F10216	JB. 92
42F10018	JB. 89	2F10074	JB. 112	63F10168	MC. 30	10F10216	JB. 92
59F10018	JB. 89	1F10075	JB. 112	1F10173	JB. 90	11F10216	JB. 92
60F10018	JB. 89	2F10075	JB. 112	2F10173	JB. 90	12F10216	JB. 92
61F10018	JB. 90	79F10075	JB. 112	1F10176	JE. 3	13F10216	JB. 92
62F10018	JB. 90	80F10075	JB. 112	2F10176	JE. 3	29F10216	JB. 91
1F10026	JB. 76	1F10076	JB. 112	3F10176	JE. 3	30F10216	JB. 91
2F10026	JB. 75	2F10076	JB. 112	3bF10176	JE. 3	31F10216	JB. 91
1F10026	MC. 70	1F10077	JB. 112	5F10176	JE.4, JE.5	32F10216	JB. 91
3F10026	MC. 70A	2F10077	JB. 112	13F10176	JE. 4	47F10216	JB. 90, JB. 92
4F10026	MC. 70A	1F10078	JB. 112	14F10176	JE.3, JE.4	48F10216	JB. 91, JB. 92
7F10026	MC. 70A	2F10078	JB. 112	15F10176	JE.4, JE.5	49F10216	JB. 92
8F10026	MC. 71	1F10079	JB. 112	17F10176	JE. 4	50F10216	JB. 90, JB. 91
9F10026	MC. 70A	2F10079	JB. 112	18F10176	JE. 4	51F10216	JB. 92
13F10026	MC. 71	15F10079	JB. 88	19F10176	JE. 4	52F10216	JB. 92
14F10026	MC. 71	16F10079	JB. 86	20F10176	JE. 4	55F10216	JB. 92
30F10026	MC. 71	17F10079	JB. 86	1F10177	JE. 4	56F10216	JB. 92
31F10026	MC. 71	18F10079	JB. 86	2F10177	JE. 4	67F10216	JB. 91
32F10026	MC. 71	1F10087	MC. 72	3F10177	JE. 4	68F10216	JB. 91
33F10026	MC. 70A	55F10089	MC. 74	3bF10177	JE. 4	71F10216	JB. 91
35F10026	MC. 70A	61F10089	MC. 74	9F10177	JE. 5	72F10216	JB. 91
41F10026	MC. 71	62F10089	MC. 74	10F10177	JE.4, JE.5	83F10216	JB. 92
42F10026	MC. 71	64F10089	MC. 74	21F10177	JE. 5	84F10216	JB. 92
50F10026	MC. 70	1F10093	MC. 88	22F10177	JE. 5	85F10216	JB. 90
52F10026	MC. 70A	2F10093	MC. 88	23F10177	JE. 5	86F10216	JB. 91
58F10026	MC. 70A	1F10094	MC. 88	24F10177	JE. 5	3F10224	MD. 9
58F10026	MC. 70A	2F10094	MC. 88	1F10178	JE.4, JE.5	7F10224	MD. 8
69F10026	MC. 70A	35F10161	MC. 70	2F10178	JE.4, JE.5	BF1022	MD. 8
70F10026	MC. 70A	36F10161	MC. 70	1F10179	JE. 5	9F10224	MD. 8
89F10026	MC. 71	11F10167	JE. 2	2F10179	JE. 4	7F10225	MD. 8
90F10026	MC. 71	12F10167	JE. 2	1F10182	MC. 5	8F10225	MD. 8
117F10026	MC. 75	17F10167	JE. 2	2F10182	MC. 5	9F10225	MD. 8
		18F1016	JE. 2	25F10183	JB. 87	10F10225	MD. 8

RESTRICTED

INDEX OF PART NUMBERS

(See also Supplementary pages, if any)

Part No.	Page No.	Part No.	Page No.	Part No.	Page No.	Part No.	Page No.
26F10588	QA. 59	63F10589	JB. 94	10F10602	JH. 35	34F10671	JB. 51
28F10588	QA. 57	70F10589	JB. 95	1F10603	NB. 7	37F10671	JB. 51
29F10588	QA. 57	71F10589	JB. 94	7F10603	NB. 7	38F10671	JB. 51
31F10588	QA. 57	72F10589	JB. 94	8F10603	NB. 7	41F10671	JB. 51
32F10588	QA. 57	73F10589	JB. 94	13F10603	NB. 7	42F10671	JB. 51
33F10588	QA. 57	77F10589	JB. 93	17F10603	NB. 7	75K10671	JB. 36
34F10588	QA. 57	78F10589	JB. 93	28F10603	NB. 7	76F10671	JB. 38
36F10588	QA. 57	117F10589	JB. 94	29F10603	NB. 7	77F10671	JB. 49
37F10588	QA. 57	118F10589	JB. 94	30F10603	NB. 8	78F10671	JB. 49
38F10588	QA. 56	121F10589	JB. 94	31F10603	NB. 8	79F10671	JB. 51
39F10588	QA. 56	122F10589	JB. 96	32F10603	NB. 7	80F10671	JB. 51
40F10588	QA. 59	131aF10589	JB. 96	33F10603	NB. 7	81F10671	JB. 51
41F10588	QA. 59	131bF10589	JB. 95	36F10603	NB. 7	82F10671	JB. 51
43F10588	QA. 59	132aF10589	JB. 95	37F10603	NB. 7	83F10671	JB. 51
44F10588	QA. 56	132bF10589	JB. 95	38F10603	NB. 7	84F10671	JB. 51
45F10588	QA. 57	133F10589	JB. 93	39F10603	NB. 8	85F10671	JB. 51
50F10588	QA. 56	134F10589	JB. 93	41F10603	NB. 8	86F10671	JB. 51
51F10588	QA. 56	140F10589	JB. 93	42F10603	NB. 8	87F10671	JB. 51
52F10588	QA. 56	319F10589	JB. 94	43F10603	NB. 8	88F10671	JB. 51
53F10588	QA. 56	320F10589	JB. 96	44aF10603	NB. 7	94F10671	JB. 50
54F10588	QA. 56	321F10589	JB. 94	45F10603	NB. 7	95F10671	JB. 50
55F10588	QA. 56	322F10589	JB. 94	48F10603	NB. 7	96F10671	JB. 49
56F10588	QA. 56	323F10589	JB. 94	47F10603	NB. 7	97F10671	JB. 49
57F10588	QA. 56	324F10589	JB. 94	48F10603	NB. 7	98F10671	JB. 49
58F10588	QA. 56	1F10598	JB. 99	49F10603	NB. 7	99F10671	JB. 49
59F10588	QA. 56		QA. 58	7F10622	MC. 66	100F10671	JB. 49
80F10588	QA. 56	2F10598	JB. 99	8F10622	MC. 66	101F10671	JB. 49
9F10589	JB. 93		QA. 58	4F10623	MC. 66	102F10671	JB. 50
10F10589	JB. 93	1F10599	JB. 99	5F10623	MC. 66	103F10671	JB. 50
13F10589	JB. 93		QA. 57	7F10623	MC. 66	104F10671	JB. 50
14F10589	JB. 93	2F10599	JB. 99	8F10623	MC. 66	105F10671	JB. 50
20F10589	JB. 95		QA. 57	9F10623	MC. 66	106F10671	JB. 50
23F10589	JB. 95	1F10600	JB. 99	10F10623	MC. 66	107F10671	JB. 50
24F10589	JB. 95		QA. 58	7F10624	MC. 67	114F10671	JB. 50
25F10589	JB. 95	2F10600	JB. 99	8F10624	MC. 67	115F10671	JB. 50
29F10589	JB. 93		QA. 58	9F10624	MC. 67	116F10671	JB. 50
29mF10589	JB. 93	29F10600	QA. 58	10F10624	MC. 67	117F10671	JB. 50
29yF10589	JB. 93	30F10600	QA. 58	11F10624	MC. 67	118F10671	JB. 50
29zF10589	JB. 83	31F10600	QA. 58	1F10671	JB. 36	1F10672	JB. 37A
36F10589	JB. 95	32F10600	QA. 58	2F10671	JB. 36	2F10672	JB. 37A
38F10589	JB. 94	33F10600	QA. 58	13F10671	JB. 50	13F10672	JB. 37A
39F10589	JB. 94	34F10600	QA. 58	14F10671	JB. 50	14F10672	JB. 37A
40F10589	JB. 95	1F10601	JB. 82	17F10671	JB. 50	20F10672	JB. 37
43F10589	JB. 95	2F10601	JB. 82	18F10671	JB. 50	21F10672	JB. 37A
46F10589	JB. 94	21F10601	JB. 82	21F10671	JB. 50	22F10672	JB. 37A
47F10589	JB. 94	22F10601	JB. 82	22F10671	JB. 50	32F10672	JB. 37
53F10589	JB. 94	1F10602	JH. 35	23F10671	JB. 50	33F10672	JB. 37
54F10589	JB. 94	2F10602	JH. 36	24F10671	JB. 50	39F10672	JB. 37
55F10589	JB. 94	3F10602	JH. 36	27F10671	JB. 51	83F10672	JB. 36
58F10589	JB. 94	4F10602	JH. 38	28F10671	JB. 51	84F10672	JB. 36
57F10589	JB. 94	5F10602	JH. 38	31F10671	JB. 51	85F10672	JB. 36
58F10689	JB. 94	8F10602	JH. 38	32F10671	JB. 51	88F10672	JB. 36
58F10589	JB. 94	9F10602	JH. 35	33F10671	JB. 51		

VULCAN PB. 7

INDEX OF PART NUMBERS

Page W 35

(See also Supplementary pages, if any)

Part No.	Page No.	Part No.	Page No.	Part No.	Page No.	Part No.	Page No.
87F10672	JB. 36	123F10674	JB 39	311F10675	JB 43	2F10681	MA. 1
88F10672	JB 36	124F10674	JB 39	312F10675	JB 43	1F10682	MA 1
89F10672	JB 37	157F10674	JB 41	314F10675	JB 42	2F10682	MA 1
90F10672	JB 37	158F10674	JB 41	315F10675	JB 42	1F10683	MA 5
91F10672	JB 37	159F10674	JB 41	316F10675	JB 44	2F10683	MA. 5
92F10672	JB 37	160F10674	JB 41	318F10675	JB 48	1F10750	JB 46, JB 49
127F10672	JB 37A	161F10674	JB 41	317F10675	JB 44	2F10750	JB. 46
128F10672	JB. 37A	162F10674	JB 41	318F10675	JB 45	6F10750	JB. 46
129F10672	JB. 37A	178F10674	JB 39	51F10676	JB 45	1F10802	JF 1
134F10672	JB 37	179F10674	JB 39	52F10676	JB 45	2F10802	JF 1
135F10672	JB 37	220F10674	JB 41	53F10676	JB 45	3F10802	JF 1
136F10672	JB 37	221F10674	JB 41	54F10676	JB 45	4F10802	JF 1
1F10673	JB 36	222F10674	JB 41	55F10676	JB 45	8F10802	JB 3
2F10673	JB 36	223F10674	JB 41	56F10676	JB 45	9F10802	JF 3
14F10673	JB 38	26F10675	JB 44	111F10676	JB 40, JB.43, JB 46, JB 48	17F10802	JF. 2
15F10673	JB 38	27F10675	JB 44	113F10676	JB 46	18F10802	JF 2
16F10673	JB 38	43F10675	JB 42	114F10676	JB 46	1F10811	JB 125
44F10673	JB 38	44F10675	JB 42	115F10676	JB 46	2F10811	JB 125
45F10673	JB 38	45F10675	JB 40	116F10676	JB 44	5F10811	JB 127
51F10673	JB 38	46F10675	JB 40	117F10676	JB 44	6F10811	JB 127
52F10673	JB 38	61F10675	JB 40, JB 43	118F10676	JB 46	1F10812	MC. 77
54F10673	JB 38	65F10675	JB 43	121F10676	JB 46	5F10812	MC. 77
92F10673	JB 37A	127F10675	JB 39, JB 42	122F10676	JB 46	7F10812	MC 77
94F10673	JB 37A	128F10675	JB 42	123F10676	JB 46	F10875	QU. 1
123F10673	JB 37A, JB 42, JB.47	146F10675	JB 44	34F10677	JB 46, JB.48	5F10875	QU. 1
124F10673	JB 37A, JB 42, JB.47	158F10675	JB 40, JB 42	36F10677	JB 45, JB 48	6F10875	QU 3
129F10673	JB 39	159F10675	JB 40, JB 43	36F10677	JB 45, JB 48	7aF10875	QU. 6
134F10673	JB 38	165F10675	JB 43	37F10677	JB 46, JB 48	7F10875	QU 3
135F10673	JB 38	166F10675	JB 43	38F10677	JB 45, JB.47	1F10876	JB. 96
136F10673	JB 37	167F10675	JB 40	39F10677	JB 45, JB.47	2F10876	JA 96
137F10673	JB 38	168F10675	JB 40	40F10677	JB 47	11F10877	QA 53
138F10673	JB 38	169F10675	JB 42	89F10677	JB 47	1F10880	QU 2
139F10673	JB 38	170F10675	JB 42	70F10677	JB 47	34F10880	QU. 2
13F10674	JB 41	171F10675	JB 40	71F10677	JB 47	35F10880	QU 5
14F10674	JB 41	172F10675	JB 40	72F10677	JB 49	36F10880	QU 2
21F10674	JB 39	176F10675	JB 40, JB 42	119F10677	JB 49	37F10880	QU 2
22F10674	JB 39	250F10675	JB 42	120F10677	JB 49	38F10880	QU 2
26F10674	JB 41	251F10675	JB 42	121F10677	JB 45, JB 48	39F10880	QU 2
27F10674	JB 41	279F10675	JB 42	122F10677	JB 47	40F10880	QU 2
44F10674	JB 41	280F10675	JB 42	123F10677	JB 47	49F10880	QU 2
45F10674	JB 41	289F10675	JB 44	124F10677	JB 47	51F10880	QU 5
64F10674	JB 39	290F10675	JB 44	125F10677	JB 48A	53F10880	QU. 5
65F10674	JB.41, JB.43, JB 46, JB.48A	291F10675	JB 44	126F10677	JB 48A	54F10880	QU 2
107F10674	JB 40	292F10675	JB 44	128F10677	JB 48A	55F10880	QU 2
108F10674	JB 40	293F10675	JB 44	127F10677	JB 48A	3F10882	MC 78
119F10674	JB 30	294F10675	JB 44	128F10677	JB 48A	4F10882	MC 78
120F10674	JB 39	306F10675	JB 40, JB 43	129F10677	JB 48A	51F10882	MC. 78
121F10674	JB 39	308F10675	JB 43	141F10677	JB 48		
122F10674	JB. 39	307F10675	JB 40, JB 43	185F10677	JB 49		
		308F10675	JB 43	1F10688	JB 76		
		309F10675	JB 43	2F10688	JB 76		
		310F10675	JB 43	1F10690	MA 1		
				2F10690	MA 1		
				1F10691	MA 1		

INDEX OF PART NUMBERS

(See also Supplementary pages, if any)

Part No.	Page No.	Part No.	Page No.	Part No.	Page No.	Part No.	Page No.
52F10882	MC. 78	13F10901	JB.41, JB.44	96F10921	QU. 1	1F10999	QU. 4
54F10882	MC. 89	14F10901	JB.41, JB.44		QU. 5	2F10999	QU. 4
	MC. 78	1F10910	JB.40, JB.48	97F10921	QU. 1	3F10999	QU. 4
99F10883	MC. 69	2F10910	JB. 43		QU. 5	4F10999	QU. 4
100F10883	MC. 69	3F10910	JB. 40	1F10922	JB. 41	5F10999	QU. 5
101F10883	MC. 69	4F10910	JB. 43	2F10922	JB. 41	6F10999	QU. 5
102F10883	MC. 69	5F10910	JB. 43	3F10922	JB. 44	7F10999	QU. 4
103F10883	MC. 69	7F10910	JB. 40	4F10922	JB. 44	F11002	QU. 4
104F10883	MC. 69	8F10910	JB. 43	7F10922	JB.41, JB.44	2F11002	QU. 4
1F10884	MC. 70	9F10910	JB.39, JB.42,	9F10922	JB. 41	8F11002	QU. 5
2F10884	MC. 70		JB. 44	15F10922	JB. 41	9F11002	QU. 5
1F10885	QU. 3	10F10910	JB.40, JB.43	19F10922	JB. 41	10F11002	QU. 7
	QU. 7	1F10918	MB. 8	27F10922	JB. 44	12F11002	QU. 4
2F10886	QU. 3	2F10918	MB. 8	29F10922	JB. 44	13F11002	QU. 8
	QU. 7	1F10919	MB. 8	39F10922	JB. 44	15F11002	QU. 4
3F10886	QU. 4	2F10919	MB. 8	46F10922	JB. 44	1F11005	QU. 5
	QU. 7	21F10921	QU. 1	47F10922	JB. 44	35F11005	QU. 5
8F10886	QU. 3		QU. 4	1F10934	MB. 3	36F11005	QU. 5
	QU. 7	21aF10921	QU. 1	2F10934	MB. 3	37F11005	QU. 5
8aF10886	QU. 3		QU. 4	2F10943	QU. 1	38F11005	QU. 5
	QU. 7	24F10921	QU. 1	F10949	QU. 2	40F11005	QU. 2
9F10886	QU. 4		QU. 4	2F10948	QU. 2	41F11005	QU. 2
	QU. 7	24aF10921	QU. 1	2aF10948	QU. 2	42F1105	QU. 2
9aF10886	QU. 4		QU. 4	2bF10949	QU. 2	43F11005	QU. 2
	QU. 7	39F10921	QU. 1	2cF10948	QU. 2	44F11005	QU. 2
10F10886	QU. 4		QU. 4	3F10948	QU. 2	45F11005	QU. 2
	QU. 7	40F10921	QU. 1	3bF10948	QU. 2	57F11005	QU. 2
10aF10886	QU. 4	43F10921	QU. 1	4F10948	QU. 2		QU. 5
	QU. 7	58F10921	QU. 3	10F10948	QU. 3	58F11005	QU. 2
11F10886	QU. 4		QU. 5	10aF10948	QU. 3		QU. 5
	QU. 7	58gF10921	QU. 3	F10947	QU. 2	59F11005	QU. 5
11aF10886	QU. 4		QU. 7		QU. 6		QU. 5
	QU. 7	59F10921	QU. 2	3F10947	QU. 2	60F11005	QU. 2
1F10887	MC. 70	60F10921	QU. 3		QU. 5		QU. 5
2F10887	MC. 70		QU. 7	4F10947	QU. 2	61FF11005	QU. 2
1F10888	MC. 70	60aF10921	QU. 3		QU. 5		QU. 5
2F10888	MC. 70		QU. 7		QU. 6	62F11005	QU. 2
1F10889	JB.38, JB.42	6110921	QU. 2	7F10947	QU. 2		QU. 5
2F10899	JB. 39		QU. 5		QU. 6	66F11005	QU. 5
4F10899	JB. 42	61aF10921	QU. 2	1F10948	QU. 1	67F11005	QU. 5
1F10900	JB. 42		QU. 5	2F10948	QU. 1	68F11005	QU. 5
2F10900	JB. 42	73F10921	QU. 1	3F10948	QU. 1	69F11005	QU. 5
3F10900	JB. 39		QU. 4		QU. 5	70F11005	QU. 5
4F10900	JB. 39	74F10921	QU. 1	1F10954	JB.39, JB.42,	71F11005	QU. 5
1F10901	JB. 41		QU. 4		JB.40, JB.48	72F11005	QU. 5
2F10901	JB. 41	88F10921	QU. 1	2F10954	JB. 39	F11006	QU. 7
3F10901	JB. 44	89F10921	QU. 1	3F10954	JB. 39	3F11008	QU. 7
4F10901	JB. 44	90F10921	QU. 1	6F10954	JB. 39	4F11008	QU. 8
9F10901	JB. 41	91F10921	QU. 1	F10987	QU. 4	7F11008	QU. 7
10F10901	JB. 41		QU. 5	15F10987	QU. 4	11F11008	QU. 7
11F10901	JB. 44	95F10921	QU. 1	45F10996	MD. 7	F11007	QU. 6
12F10901	JB. 44		QU. 5	46F10996	MD. 7	1F11007	QU. 5

INDEX OF PART NUMBERS

(See also Supplementary pages, if any)

Part No.	Page No.	Part No.	Page No.	Part No.	Page No.	Part No.	Page No.
2aF11007	QU. 8	26cF11082	HN. 2	42F11120	JB. 115	3F11529	JB. 63A
3F11007	QU. 8		HN. 5	43F11120	JB. 115	8F11529	JB. 63B
5F11007	QU. 8	31FF11082	HN. 2	44F11120	JB. 115	9F11529	JB. 63B
6F11007	QU. 8		HN. 4	45F11120	JB. 115	10F11529	JB. 63A
7F11007	QU. 8	33F11082	HN. 3	46F11120	JB. 115	16F11529	JB. 63A
7bF11007	QU. 8		HN. 5	47F11120	JB. 115	18F11529	JB. 63A
F11008	QU. 8	6F11083	HN. 4	48F11120	JB. 115	21F11529	JB. 63A
4F11008	QU. 8	11F11063	HN. 4	49F11120	JB. 115	22F11529	JB. 63A
6F11008	QU. 8	1F11067	ME. 2	23F11120	PA. 15	23F11529	JB. 63A
17F110018	JB. 109	2F11067	ME. 2	4F11142	HN. 5	24F11529	JB. 63A
18F11016	JB. 109	7F11069	ME. 2	6F11142	HN. 3	26F11529	JB. 63A
27F11016	JB. 108	8F11069	ME. 2	1F11143	JB. 28	27F11529	JB. 63A
28F11016	JB. 108	27F11069	ME. 4	2F11143	JB. 28	28F11529	JB. 63A
63F11016	JB. 108	40F11069	ME. 3	1F11154	JB. 100	29F11529	JB. 63A
64F11016	JB. 108	45F11069	ME. 2	2F11154	JB. 100	1F11534	NC. 3
65F11016	JB. 109	46F11069	ME. 2	1F11156	JB. 100A	2F11534	NC. 3
66F11016	JB. 109	47F11069	ME. 4	2F11156	JB. 100A	3F11534	NC. 3
69F11016	JB. 109	48F11069	ME. 4	1F11157	JB. 116	4F11534	NC. 3
70F11016	JB. 109	49F11069	ME. 2	30F11157	JB. 116	5F11534	NC. 2
109F11016	JB. 109	50F11069	ME. 2	48F11157	JB. 116	6F11534	NC. 2
110F11016	JB. 109	59F11069	ME. 3	1F11164	JB. 94	28F11534	NC. 1
	NA. 1, NA. 2	63F11069	ME. 2	2F11164	JB. 95	82F11534	NC. 2
115F11016	JB. 108	64F11069	ME. 2	13F111261	MC. 23	83F11534	NC. 2
116F11016	JB. 108	6F11075	JB. 100	14F111261	MC. 23	84F11534	NC. 2
11F11022	JB. 116	7F11075	JB. 98	15F11261	MC. 23	88F11534	NC. 3
1F11035	JB. 97	8F11075	JB. 98	16F11261	MC. 23	112F11534	NC. 2
	QA. 55	5F11085	ME. 3	35F11310	JB. 85	1F11538	JB. 38
2F11035	QA. 59	6F11085	ME. 3	1F11338	JB. 70	2F11538	JB. 38
5F11035	QA. 55	17F11085	ME. 3, ME. 4	2F11338	JB. 70	3F11538	JB. 37
8F11035	JB. 98	18F11085	ME. 4	1F11387	JB. 37, JB. 38	4F11538	JB. 37
	QA. 55	19F11085	ME. 4	2F11387	JB. 36	5F11538	JB. 37, JB. 38
17F11035	QA. 57	13F11101	MC. 74	5F11487	HN. 4	6F11538	JB. 37, JB. 38
18F11035	QA. 57	41F11101	MC. 74	7F11487	HN. 3	10F11649	PA. 15
19F11035	QA. 57	85F11101	MC. 74	8F11487	HN. 3	1F11654	JB. 100
20F11035	QA. 56	1F11105	MC. 67	10F11487	HN. 3	16F11654	JB. 100A
22F11035	QA. 56	1F11106	MC. 67	11F11487	HN. 3	505F11657	MC. 24
35F11035	QA. 58	1F11107	MC. 68	12F11487	HN. 3	505aF11657	MC. 24
10F11080	HN. 4	1F11108	MC. 68	13F11487	HN. 3	506F11657	MC. 24
11F11080	HN. 4	1F11109	MC. 68	14F11487	HN. 3	506aF11657	MC. 24
24F11080	HN. 4	4F11110	MC. 68	15F11487	HN. 3	894F11657	MC. 65
26F11080	HN. 4	1F11113	MC. 67	11cF11489	HN. 6	895F11657	MC. 65
36F11080	HN. 4	1F11114	MC. 67	13cF11489	HN. 2	1F11725	CA. 3
80F11080	PA. 15	1F11115	MC. 67	6F11491/P	HN. 4	7F11730	MC. 65
100F11081	PA. 15	3F11118	MC. 68	1F11521	JB. 90	8F11730	MC. 65
28F11082	HN. 2	1F11120	JB. 114	1F11521/W	JB. 90	19F11730	MC. 65
	HN. 5	2F11120	JB. 114	2F11521/P	JB. 90	10F11730	MC. 65
26aF11082	HN. 2	3F11120	JB. 114	2F11521/W	JB. 90	23F11730	MC. 65
	HN. 5	4F11120	JB. 114	1F11522/P	JB. 90	24F11730	MC. 65
26bF11082	HN. 2	39F11120	JB. 114	1F11522/W	JB. 90	40F11730	MC. 65
	HN. 5	39bF11120	JB. 114	2F11522/P	JB. 90	41F11730	MC. 65
		39cF11120	JB. 114	2F11522/W	JB. 90	42F11730	MC. 65
		39dF11120	JB. 114	1F11529	JB. 63A, NB 6	43F11730	MC. 65
		39eF11120	JB. 114	2F11529	JB. 63A, NB 6		

INDEX OF PART NUMBERS

(See also Supplementary pages, if any)

Part No.	Page No.	Part No.	Page No.	Part No.	Page No.	Part No.	Page No.
44F11730	MC. 55	4F11737	MC. 49	13F11739	MC. 52	1F11746	OU 4
45F11730	MC. 55	6F11737	MC. 49	14F11739	MC. 52	3F11746	OU 4
46F11730	MC. 55	6F11737	MC. 49	15F11739	MC. 52	4F11746	OK 10
47F11730	MC. 55	13F11737	MC. 48	16F11739	MC. 52	5F11746	OK 10
48F11730	MC. 55	14F11737	MC. 48	17F11739	MC. 52	7F11754	MC. 6
49F11730	MC. 55	15F11737	MC. 48	18F11739	MC. 52	8F11754	MC. 6
50F11730	MC. 55	16F11737	MC. 48	19F11739	MC. 52	38F11754	MC. 7
3F11735	MC. 45	17F11737	MC. 48	20F11739	MC. 52	39F11754	MC. 6
4F11735	MC. 45	18F11737	MC. 48	21F11739	MC. 52	40F11754	MC. 6
5F11735	MC. 45	19F11737	MC. 48	22F11739	MC. 52	41F11754	MC. 6
6F11735	MC. 45	20F11737	MC. 48	23F11739	MC. 52	42F11754	MC. 7
13F11735	MC. 44	21F11737	MC. 48	24F11739	MC. 52	50F11754	MC. 7
14F11735	MC. 44	22F11737	MC. 48	25F11739	MC. 52	60F11754	MC. 7
15F11735	MC. 44	23F11737	MC. 48	107F11739	MC. 52	63F11754	MC. 7
16F11735	MC. 44	24F11737	MC. 48	108F11739	MC. 52	67F11754	MC. 7
17F11735	MC. 44	41F11737	MC. 48	109F11739	MC. 52	68F11754	MC. 7
18F11735	MC. 44	42F11737	MC. 48	110F11739	MC. 52	1F11789	MC. 74
19F11735	MC. 44	43F11737	MC. 48	111F11739	MC. 52	6F11789	MC. 74
20F11735	MC. 44	44F11737	MC. 48	112F11739	MC. 52	65F11789	MC. 75
21F11735	MC. 45	45F11737	MC. 48	113F11739	MC. 52	1F11790	MC. 74
22F11735	MC. 45	46F11737	MC. 48	117F11739	MC. 52	34F11790	MC. 74
23F11735	MC. 45	48F11737	MC. 48	118F11739	MC. 53	3F11793	MC. 69
24F11735	MC. 45	3F11738	MC. 51	143F11739	MC. 52	4F11793	MC. 69
118F11735	MC. 45	4F11738	MC. 51	144F11739	MC. 52	1F11797	MC. 69
119F11735	MC. 45	5F11738	MC. 51	3F11740	MC. 55	2F11797	MC. 69
123F11735	MC. 45	6F11738	MC. 51	4F11740	MC. 55	1F11800	MC. 75
124F11735	MC. 45	13F11738	MC. 51	5F11740	MC. 55	2F11800	MC. 75
124F11735	MC. 45	14F11738	MC. 50	6F11740	MC. 55	22F11800	MC. 75
126F11735	MC. 45	15F11738	MC. 50	8F11740	MC. 55	27F11800	MC. 75
128F11735	MC. 45	16F11738	MC. 50	13F11740	MC. 55	28F11800	MC. 75
3F11736	MC. 47	17F11738	MC. 50	14F11740	MC. 54	1F11803	MC. 70
4F11736	MC. 47	18F11738	MC. 50	15F11740	MC. 54	2F11803	MC. 70
5F11736	MC. 47	19F11738	MC. 50	16F11740	MC. 54	1F11807	JB 37A
6F11736	MC. 47	20F11738	MC. 50	17F11740	MC. 54	2F11807	JB 37
13F11736	MC. 48	21F11738	MC. 50	18F11740	MC. 54	1F11808	JB 36
14F11736	MC. 48	22F11738	MC. 50	19F11740	MC. 54	2F11808	JB 36
15F11736	MC. 48	23F11738	MC. 50	20F11740	MC. 54	1F11884	ME. 2
16F11736	MC. 48	24F11738	MC. 50	21F11740	MC. 54	2F11884	ME. 3
17F11736	MC. 48	96F11738	MC. 50	22F11740	MC. 54	3F11884	ME. 3
18F11736	MC. 48	98F11738	MC. 50	23F11740	MC. 54	4F11884	ME. 3
19F11736	MC. 48	99F11738	MC. 50	24F11740	MC. 54	7F11884	ME. 4
20F11736	MC. 46	100F11738	MC. 50	127F11740	MC. 54	8F11884	ME. 4
21F11736	MC. 46	101F11738	MC. 50	128F11740	MC. 54	12F11884	ME. 4
22F11736	MC. 46	102F11738	MC. 50	129F11740	MC. 54	13F11884	ME. 3
23F11736	MC. 46	103F11738	MC. 50	130F11740	MC. 54	13aF11884	ME. 3
24F11736	MC. 46	104F11738	MC. 50	131F11740	MC. 54	13cF11884	ME. 3
41F11736	MC. 46	105F11738	MC. 50	132F11740	MC. 54	14F11884	ME. 3
42F11736	MC. 46	106F11738	MC. 50	133F11740	MC. 54	15F11884	ME. 3
43F11736	MC. 47	108F11738	MC. 50	134F11740	MC. 54	16F11884	ME. 3
43F11736	MC. 47	107F11738	MC. 50	135F11740	MC. 54	17F11884	ME. 3
44F11736	MC. 47	3F11739	MC. 53	136F11740	MC. 54	18F11884	ME. 3
45F11736	MC. 47	4F11739	MC. 53	137F11740	MC. 55	19F11884	ME. 3
46F11736	MC. 47	5F11739	MC. 53	138F11740	MC. 55		
3F11737	MC. 49	6F11739	MC. 53				

INDEX OF PART NUMBERS

(See also Supplementary Pages, if any)

Part No.	Page No.	Part No.	Page No.	Part No.	Page No.	Part No.	Page No.
3F11887	MB.100	15F12857	JB.63A	36F12905	MC.72	55H2232	RA.1
12F11887	MB.100	3F12867	MC.7	3F12908	MC.8	56H2232	RA.3
6F11836	OK.10	4F12867	MC.7	4F12908	MC.8	57H2232	RA.3
1F11978	JB.48	5F12867	MC.7	5F12908	MC.8	58H2232	RA.3
2F11978	JB.48	6F12867	MC.7	6F12908	MC.8	92H2232	RA.1
3F11978	JB.45	7F12867	MC.7	F12943	MC.72	93H2232	RA.1
4F11978	JB.45	8F12867	MC.7	F12947	JB.6A	34H2234	RA.4
5F11978	JB.48	1F12880	JB.124	1F12955	JB.98, QA.58	35H2234	RA.4
6F11978	JB.45, JB.48	2F12880	JB.124	2F12955	JB.99, QA.58	36H2234	RA.4
7F11978	JB.45	3F12880	JB.125	1F13026	JB.6	37H2234	RA.4
8F11978	JB.48	4F12880	JB.125	2F13026	JB.6	38H2234	RA.4
9F11978	JB.48	5F12880	JB.125	1F13378	JB.83	39H2234	RA.4
12F11978	JB.48	6F12880	JB.125	2F13378	JB.83	41H2234	RA.4
13F11978	JB.45, JB.48	7F12880	JB.125	3F13378	JB.83	42H2234	RA.4
14F11978	JB.45	8F12880	JB.125	4F13378	JB.83	43H2234	RA.5
15F11978	JB.48	9F12880	JB.125	5F13378	JB.83	45H2234	RA.5
16F11978	JB.45, JB.48	13F12880	JB.125	6F13378	JB.83	46H2234	RA.4
17F11978	JB.45	14F12880	JB.124	7F13378	JB.83	27H2236	RA.5
18F11978	JB.48	15F12880	JB.124	8F13378	JB.83	28H2236	RA.5
19F11978	JB.45, JB.48	17F12880	JB.124	9F13378	JB.83	29H2236	RA.5
20F11978	JB.45	18F12880	JB.124	10F13378	JB.83A	30H2236	RA.5
1F12243	JE.1	20F12880	JB.124	11F13378	JB.83A	33H2236	RA.5
2F12243	JE.1	21F12880	JB.125	12F13378	JB.83A	34H2236	RA.5
1F12244	JE.1	22F12880	JB.125	13F13378	JB.83A	35H2236	RA.5
2F12244	JE.1	26F12880	JB.124	14F13378	JB.83A	38H2236	RA.5
1F12245	JE.2	27F12880	JB.124	15F13378	JB.83A	1H2257	RA.6
2F12245	JE.2	3F12881	JB.126	16F13378	JB.83A	2H2260	RA.5
1F12246	JE.1	4F12881	JB.126	17F13378	JB.83A	4H2260	RA.5
2F12246	JE.1	5F12881	JB.126	7F13485	MC.9	5H2260	RA.5
1F12320	HN.4	6F12881	JB.126	8F13485	MC.9	1H2275	RA.3
2F12320	PA.15	7F12881	JB.126	9F13485	MC.9	1H2298	RA.3
7F12388	JB.85	8F12881	JB.128	10F13485	MC.9	8H2354	RB.3
1F12719	MC.75	9F12881	JB.128	11F13485	MC.10	9H2354	RB.3
2F12719	MC.75	10F12881	JB.125	12F13485	MC.10	14H2354	RB.2
4F12719	MC.75	14F12881	JB.124	FB109004	KH.18	1H2355	RB.2
3F12817	MC.7		JB.125	47G7578	GE.3	2H2355	RB.2
4F12817	MC.7	17F12881	JB.125	16H2227	QA.50	3H2355	RB.2
5F12817	MC.7		JB.126	63H2230	RA.7	4H2355	MB.2, MB.6,
6F12817	MC.7	F12882	JB.126	64H2230	RA.7		RB.2
1F12857	JB.63A	3F12882	JB.126	65H2230	RA.7	4H2356	RB.1
	NB.6	7F12882	JB.126	66H2230	RA.7	4H2362	RA.5
2F12857	JB.63A	11F12882	JB.126	67H2230	RA.7	1H2368	RA.1
	NB.6	15F12882	JB.126	68H2230	RA.7	2H2368	RA.1
3F12857	JB.63A	2F12885	JB.88	68H2230	RA.7	3H2368	RA.1
4F12857	JB.63A	3F12885	JB.88	70H2230	RA.7	4H2368	RA.1
5F12857	JB.63A	3F12887	JB.40	72H2230	RB.1	1H2370	RA.1, RA.2
6F12857	JB.63A		JB.41	83H2230	RA.5	2H2370	RA.1, RA.2
7F12857	JB.63A	1F12905	MC.72	231H2230	RA.5	3H2370	RA.1, RA.2
8F12857	JB.63A	19F12905	MC.72	232H2230	RA.5	4H2370	RA.1, RA.2
9F12857	JB.63A	30F12905	MC.72	440H2230/C	RA.1	1H2371	RA.2
10F12857	JB.63A	33F12905	MC.72	440H2230	RA.1	2H2371	RA.1, RA.2
11F12857	JB.63A	33aF12905	MC.72	1H2231	RA.4	3H2371	RA.1, RA.2
12F12857	JB.63A	34F12905	MC.72	32H2231	RA.1	4H2371	RA.1, RA.2
14F12857	JB.63A	35F12905	MC.72	54H2232	RA.1	1H2372	RA.2

INDEX OF PART NUMBERS

(See also Supplementary pages, if any)

Part No.	Page No.	Part No.	Page No.	Part No.	Page No.	Part No.	Page No.
2H2372	RA.2	25H2483	JB.55	1H2582	RA.3	63H2588	RB.3
3H2372	RA.2	5H2483	JB.55	1H2582/EP	RA.3	64H2588	RB.3
4H2372	RA.1	6H2483	JB.55	1H2582/P	RA.3	65H2588	RB.3
1H2373	RA.7	7H2483	JB.55	1H2583	RA.2	66H2588	RB.3
2H2373	RA.7, RA.7B	8H2483	JB.55	1H2583/EP	RA.2	67H2588	RB.3
3H2373	RA.7	9H2483	JB.55A	1H2583/P	RA.2	68H2588	RB.4
4H2373	RA.7	10H2483	JB.55A	1H2584	RA.3	62H2588	RB.3
5H2373	RA.7	22H2483	JB.55	1H2584/EP	RA.3	83H2588	RB.3
6H2373	RA.7	26H2483	JB.55A	1H2584/P	RA.3	84H2588	RB.4
7H2373	RA.7, RA.7B	36H2483	JB.55A	1H2585	RA.2	85H2588	RB.4
10H2378	MB.6, MB.7,	37H2483	JB.55A	6H2585	RA.4	100H2588	RB.2
	RA.6	39H2483	JB.55	7H2585	RA.4	200H2588	RB.2
1H2380	RA.6	55H2483	JB.54	29H2588	RB.3	1H2618	JB.53
4H2380	RA.6	57H2483	JB.55A	30H2588	RB.3	13H2618	JB.55
1H2385	RB.5	61H2483	JB.54	31H2588	RB.3	21H2618	JB.55
1H2426	RB.1	69H2483	JB.55	32H2588	RB.3	53H2618	JB.55
2H2426	RB.1	70H2483	JB.55A	34H2588	RB.3	57H2618	JB.54
1H2427	RB.1	71H2483	JB.55A	35H2588	RB.3	66H2618	JB.55A
2H2427	RB.1	72H2483	JB.55	36H2588	RB.3	67H2618	JB.55A
1H2428	RB.4	73H2483	JB.55	37H2588	RB.3	68H2618	JB.55A
2H2428	RB.4	1H2484	JB.55	44H2588	RB.3	69H2618	JB.55A
6H2428	RB.4	1H2485	JB.54	46H2588	RB.3	70H2618	JB.55A
1H2429	MB.2, MB.6,	1H2486	JB.54	50H2588	RB.2	71H2618	JB.55A
	RB.2	1H2491	RB.2	20H2528	JB.54	72H2618	JB.55
2H2429	RB.1, RB.2	2H2491	RB.2	21H2589	JB.55	74H2618	JB.55
3H2446	RA.9	1H2492	JB.55	22H2589	JB.54	75H2618	JB.55
4H2446	RA.9	1H2497	JB.54	23H2589	JB.55	76H2618	JB.55
5H2446	RA.9	8H2553/CP	RB.2	1H2577	RA.3	81H2618	JB.55
6H2446	RA.9	10H2553/CP	RB.2	4H2577	RA.6	81aH2618	JB.55
7H2446	RA.9	10H2553/EP	RB.2	5H2577	RA.6	82H2618	JB.55
8H2446	RA.9	32H2555	RA.1	8H2577	RA.6	83H2618	JB.55A
13H2446	RA.8	33H2555	RA.1	9H2577	RA.6	84H2618	JB.55A
14H2446	RA.8	35H2555	RA.3	12H2577	RA.6	85H2618	JB.55A
15H2446	RA.8	36H2555	RA.3	13H2577	RA.6	103H2618	JB.55
18H2446	RA.6	37H2555	RA.3	14H2577	RA.6	1H2621	JB.54
20H2446	RA.8	38H2555	RA.3	1H2584	RA.6	1H2622	JB.55
21H2446	RA.8	39H2555	RA.3	3H2584	RA.7	4H2622	JB.55
25H2446	RA.8	40H2555	RA.3	4H2584	RA.7	1H2740	RB.4
26H2446	RA.9	41H2555	RA.3	5H2584	RA.7	1H2753	RB.1
27H2446	RA.9	42H2555	RA.3	8H2584	RA.7	2H2753	RB.3
28H2446	RA.9	43H2555	RA.3	9H2584	RA.7	3H2753	RB.2
29H2446	RA.8	50H2555	RA.1	12H2584	RA.7	4H2753	RB.2
30H2446	RA.9	100H2555	RA.1	5H2586	RA.7	1H2760	RB.1
31H2446	RA.8	150H2555	RA.1	10H2588	RA.7	30H2760	RB.1
33H2446	RA.8	33H2559	RA.1	51H2588	RB.4	30H2760/C	RB.1
34H2446	RA.8	61H2559	RA.1	52H2588	RB.4	30H2760/P	RB.1
35H2446	RA.8	61H2559/EP	RA.1	53H2588	RB.4	15H2763	RB.3
36H2446	RA.8	61H2559/P	RA.1	54H2588	RB.4	16H2763	RB.3
37H2446	RA.8	23H2560	RA.2	55H2588	RB.4	17H2763	RB.3
38H2446	RA.8	23H2560/EP	RA.3	56H2588	RB.4	18H2763	RB.3
40H2446	RA.8	23H2560/P	RA.3	57H2588	RB.4	19H2763	RB.3
39H2446	JB.55	1H2581	RA.2	58H2588	RB.4	20H2763	RB.3
2H2483	JB.55	1H2581/EP	RA.2	61H2588	RB.3	1H2765	JB.54
2aH2483	JB.55	1H2581/P	RA.2	62H2588	RB.3	7H2771	RA.1

INDEX OF PART NUMBERS

(See also Supplementary pages, if any)

Part No.	Page No.	Part No.	Page No.	Part No.	Page No.	Part No.	Page No.
8H2771	RA.1	18K2718	CA.2	20N1426	HJ.1	13bN3287	GK.6
1H2897	JB.54	19K2718	CA.2	47N1426	HJ.1	13cN3287	GK.6
1H2898	JB.54	21K2718	CA.3	48N1426	HJ.1	18N3287	GK.6
1H2903	RB.4	22K2718	CA.6	49N1426	HJ.1	19N3287	GK.5
1H2945	RB.2	24K2718	CA.2	50N1426	HJ.1	21N3287	GK.5
13H2945	RB.4	1K2719	CA.6	5N1427	HJ.1	22N3287	GK.6
14H2945	RB.4	10K2725	CB.1	5bN1427	HJ.1	23N3287	GK.5
15H2945	RB.4	11aK2725	CB.1	5N1427	HJ.1	24N3287	GK.6
18H2945	RB.4	11bK2725	CB.1	17N1427	HJ.1	25N3287	GK.5
22H2945	RB.4	11cK2725	CB.1	1N1428	HJ.2	26N3287	GK.5
1H2952	RB.1	11dK2725	CB.1	2N1428	HJ.2	28N3287	GK.6
1H2952/PC	RB.1	11eK2725	CB.1	4N1428	HJ.1	28N3287	GK.6
1H3025	RA.6	11fK2725	CB.1	11NB1428	HJ.2	29N3287	GK.6
5H3025	RA.6	11gK2725	CB.1	17N1428	HJ.2	30N3287	GK.5
1H3025	RA.6	11hK2725	CB.1	1N1430	HJ.1	1N3288	GK.3
5H3026	RA.6	11jK2725	CB.1	1N1431	HJ.1	4N3288	GK.3
1H3027	RA.6	11kK2725	CB.1	1N1433	GK.1		GK.4
5H3027	RA.6	12K2725	CB.1	2N1433	GK.1	4bN3288	GK.3
1H3030/PC	RA.1	13K2725	CB.1	10N1433	GK.1		GK.4
1H3045	RA.7A	3K2751	CA.1	11N1433	GK.1	5N3288	GK.3
6H3045	RA.7B	4K2751	CA.2	18N1433	GK.1		GK.4
7H3045	RA.7B	5K2751	CA.6	19N1433	GK.3	6N3288	GK.5
8H3045	RA.7B	7K2751	CA.1	21N1433	GK.2	8N3288	GK.4
9H3045	RA.7B	8K2751	CA.1	22N1433	GK.2	16N3288	GK.4
1H3047	RA.5	11K2751	CA.2	27N1433	GK.1	18N3288	GK.6
2H3047	RA.5	12K2751	CA.2	35N1433	GK.2	23N3288	GK.4
3H3047	RA.5	15K2751	CA.1	36N1433	GK.2	8N3289	GK.7
4H3047	RA.5	16K2751	CA.1	37N1433	GK.1	7N3289	GK.7
30H3280/PC	RB.1	17K2751	CA.1	3N1434	GK.2	8N3289	GK.7
33H3288	RB.3	18K2751	CA.2	4N1434	GK.2	9N3289	GK.7
HC/302	FH.1	19K2751	CA.3	4aN1434	GK.2	11N3289	GK.6
	FH.4	M4005	NB.13	9N1434	GK.2	12N3289	GK.6
	FH.7	M5621	NB.13	9aN1434	GK.2	13N3289	GK.7
	FH.10	M8601	NB.13	10N1434	GK.2	2N3291	GK.3
HC/304	FH.1	MX2468		11N1434	GK.2	3N3291	GK.3
	FH.4	580A	OS.1	12N1434	GK.2	5N3291	GK.3
	FH.7	17N794	JB.29, JB.30	10gN1435	GK.2		GK.4
	FH.10	3N1261		1N2371	GK.2	6N3291	GK.3
L400A	PB.12	4N1261		2N2371	GK.2		GK.4
18K2702	MC.29	11N1261		3N2371	GK.2	3N3128	GK.1
24K2702	CA.3	15N1261		4N2371	GK.2	N136931	FG.54A
28K2702	CA.3	3N1268		1N2373	PB.1A		FG.57
8K2706	JA.22	4N1268		2N3139	GK.4	88.O.3472	EM.2
8K2706	JA.22	5N1268		3N3139	GK.4	43.O.3502	NC.4
8K2718	CA.1	6N1268		3N3287	GK.6		NC.5
8K2718	CA.1	7K1268		4N3287	GK.6		NC.6
	MC.26	8N1268		5N3287	GK.6	46.O.3502	NC.4
8K2718	CA.2	43N1308		6N3287	GK.6		NC.5
8K2718	CA.1	1N1425		7N3287	GK.6		NC.6
18K2718	CA.1	3N1425		10N3287	GK.6	11.O.3506	ED.2
11K2718	CA.1	4N1425		11N3287	GK.6	18.O.3506	EC.10
12K2718	CA.2	1N1426		12N3287	GK.5	18.O.3506	EC.10
13K2718	CA.2	3N1426		13N3287	GK.6	20.O.3506	ED.4
17K2718	CA.2	4N1426		13aN3287	GK.6	21.O.3506	ED.3

INDEX OF PART NUMBERS

(See also Supplementary pages, if any)

Part No	Page No.	Part No	Page No.	Part No	Page No.	Part No	Page No.
22.O.3506	ED.3, EE.4	4a.O.3520	JA.2, JB.30A,	15.O.3552	EC.4	18.O.3752	EC.4
25.O.3506	ED.4, EC.9,	4b.O.3520	JB.99, QA.58	25.O.3552	EC.1	19.O.3752	EC.4
	EC.10, ED.3,		JA.2, JB.30A,	30.O.3552	EC.1	22.O.3752	EC.4
	ED.4, EE.4,	4g.O.3520	JB.99	31.O.3552	EC.2	23.O.3752	EC.2
	EE.5, EE.6,	2.O.3527	GA.58	34.O.3552	EC.3	25.O.3752	EC.4
	EN.2, JA.3,	9.O.3527	NB.7	36.O.3552	EC.3	26.O.3752	EC.4
	JB.30B,		MB.6, NB.8,	37.O.3552	EC.1	27.O.3752	EC.3
	QD.2, QD.7		NB.9	38.O.3552	EC.1	28.O.3752	EC.3
25a.O.3506	JA.3, JB.30B	10c.O.3527	NB.6, NB.8	39.O.3552	EC.1	36.O.3752	EC.3
27b.O.3506	EC.7, EC.8	10d.O.3527	NB.6, NB.8	40.O.3552	EC.1	43.O.3752	EC.2
36a.O.3506	ED.1	10f.O.3527	NB.6, NB.8	41.O.3552	EC.2	45.O.3752	EC.3
44.O.3506	ED.4, EC.10,	10g.O.3527	NB.5	42.O.3552	EC.2	48.O.3752	EC.3
	ED.3, ED.4,	18a.O.3530		43.O.3552	EC.1, EC.2	51.O.3752	EC.3
	EE.4, EE.5,	22.O.3530		46.O.3552	EC.2	52.O.3752	EC.2
	EN.2, JA.3,	9c.O.3554	EC.3	46.O.3552	EC.2	55.O.3752	EC.2
	JB.30B, QD.2	53.O.3551	EC.5	56.O.3552	EC.1, EC.2	67.O.3752	EC.3
44a.O.3506	JB.30B	13.O.3573	NB.6	68.O.3552	EC.2	68.O.3752	EC.3
45.O.3506	JB.30B	14.O.3573	NB.5	123.O.3552	EC.3	69.O.3752	EC.3
58.O.3506	ED.3	17.O.3573	NB.5	132.O.3552	EC.4	70.O.3752	EC.3
60.O.3506	ED.4	5.O.3551	ED.1	137.O.3552	EC.4	71.O.3752	EC.3
61.O.3506	ED.2	6.O.3551	ED.1	167.O.3552	EC.4	2.O.3770	MB.6
61a.O.3506	ED.2	8.O.3551	ED.3	174.O.3552	EC.4	3.O.3775	NB.8
62.O.3506	ED.2	12.O.3551	EC.9	0.3733	GN.1	7.O.3793	NC.4, NC.5,
63.O.3506	ED.2	13.O.3551	EC.9	3.O.3733	GN.2		NC.6
64.O.3506	ED.2	20.O.3551	ED.2	4.O.3733	GN.2	8.O.3793	NC.4, NC.5,
64a.O.3506	ED.2	26.O.3551	ED.2	7.O.3733	GN.2		NC.6
65.O.3506	ED.2	27.O.3551	ED.2	8.O.3733	GN.2	9.O.3793	NC.4, NC.5
66.O.3506	ED.2	3.O.3552	EE.2	8b.O.3733	HF.1	10.O.3793	NC.4, NC.5
67.O.3506	ED.2	4.O.3552	EE.2	9.O.3733	GN.2	11.O.3793	NC.4, NC.5
68.O.3506	ED.2	5.O.3552	EE.2	10.O.3733	GN.2	12.O.3793	NC.4, NC.5
71.O.3506	EC.10, ED.4,	6.O.3552	EE.2	11.O.3733	GN.2, JB.78	13.O.3793	NC.4
	EE.7	7.O.3552	EE.2	12.O.3733	JB.109	14.O.3793	NC.3, NC.4
72.O.3506	EC.10, ED.4,	8.O.3552	EE.2	13.O.3733	GN.2		NC.5
	EE.7	2.O.3559	FC.8	16.O.3733	GN.1	15.O.3793	NC.4, NC.5,
28.O.3507	QU.3, QU.7	3.O.3559	EC.8	3d.O.3744	NB.6		NC.6
28a.O.3507	QU.3, QU.6	4.O.3559	EC.8	1.O.3756	NB.8	16.O.3793	NC.4
5.O.3515	EC.11	11.O.3559	EC.9	4.O.3756	NB.8	17.O.3793	NC.4
6.O.3515	EC.11	12.O.3559	EC.9	5.O.3756	NB.8	18.O.3793	NC.4
9.O.3515	EC.11	13.O.3559	EC.9	6.O.3756	NB.6	19.O.3793	NC.4
10.O.3515	EC.11	14.O.3559	EC.9	8.O.3756	NB.8	20.O.3793	NC.4, NC.5
13.O.3515	EC.11	17.O.3559	EC.8	3.O.3782	EC.3	24.O.3793	NC.3
14.O.3515	EC.11	18.O.3559	EC.8	3c.O.3782	EC.3	25.O.3793	NC.3
3.O.3516	EE.4	23.O.3559	EC.8	3a.O.3782	EC.3	26.O.3793	NC.3
27.O.3516	EC.9	1.O.3561	EC.11	4.O.3782	EC.3	27.O.3793	NC.3
21.O.3518	EE.4	2.O.3561	EC.11	5.O.3782	EC.3	28.O.3793	NC.3
23.O.3518	EE.1	3.O.3561	EC.11	6.O.3782	EC.3	29.O.3793	NC.4
24.O.3518	EE.1	4.O.3561	EC.11	7.O.3782	EC.4	36.O.3793	NC.4, NC.5,
33.O.3518	EE.4, EE.5,	5.O.3561	EC.11	8.O.3782	EC.4		NC.6
	EE.6, EE.7	6.O.3561	EC.11	9.O.3782	EC.4	42.O.3793	NC.4, NC.5
1.O.3520	EC.6, EC.7,	7.O.3561	EC.11	10.O.3782	EC.2	1.O.3794	JB.80
	JA.2, JB.30A	8.O.3561	EC.11	10a.O.3782	EC.2	2.O.3794	JB.80
3.O.3520	JA.2, JB.30A	9.O.3561	EC.11	10b.O.3782	EC.2	6.O.3794	NC.4
40.O.3520	EC.8, EC.7,	10.O.3561	EC.11	12.O.3782	EC.2	7.O.3794	NC.4
	JA.2, JB.30A,	10.O.3562	EC.4	13.O.3782	EC.3	9.O.3794	NC.5
	JB.99, QA.58	11f.O.3562	EC.3	17.O.3782	EC.4	1.O.3795	JB.75

INDEX OF PART NUMBERS

(See also Supplementary pages, if any)

Part No.	Page No.	Part No.	Page No.	Part No.	Page No.	Part No.	Page No.
2.O.3795	JB. 75	76 O.3948	EC. 10	171 O.3948	EE 5	100 O.3955	NB. 2
3.O.3795	NC 5	77 O.3948	EC.6, EC.7,	172 O.3948	EE 6	101 O.3955	NB. 2
4.O.3795	NC 5		ED.1, EE.1	173 O.3948	EE. 8	102 O.3955	NB. 2
5 O.3795	NC 5	77a O.3948	EC.6, EC.7,	174 O.3948	EE. 10	103 O.3955	NB. 2
6 O.3795	NC. 5		ED.1, EE.1	175 O.3948	EE.9, EE.10	119 O.3955	NB. 3
8.O.3795	NC. 5	78.O.3948	EC. 7	177 O.3948	EE. 8	120 O.3955	NB. 3
9 O.3795	NC. 5	78a.O.3948	EC. 7	183 O.3948	EC. 10	121 O.3955	NB. 3
10.O.3795	NC. 5	78a.O.3948	EC.7, EC.8	184 O.3948	EE. 7	122 O.3955	NB. 3
11.O.3795	NC. 5	82 O.3948	EC. 7	186 O.3948	EE. 7	123 O.3955	NB. 3
12.O.3795	NC. 5	83 O.3948	EC. 5	191 O.3948	EE. 7	1.O.3956	NB. 3
13.O.3795	NC. 5	84 O.3948	EC. 7	192 O.3948	EE.3, EE.8	2 O.3956	NB. 3
14 O.3795	NC. 5	85.O.3948	EC. 8	193 O.3948	EE. 8	3 O.3956	NB. 3
15.O.3795	NC. 5	86 O.3948	ED. 1	3.O.3949	EE. 2	4.O.3956	NB. 3
16.O.3795	NC. 5	87 O.3948	EC. 9	4 O.3949	EE. 2	6 O.3956	NB.3, NB.4
19.O.3795	NC. 5	88 O.3948	EC. 10	5 O.3949	EE. 2	7 O.3956	NB.3, NB.4
5 O.3942	JB. 2	89 O.3948	EC. 6	108 O.3949	EE.5, EE.8	8 O.3956	NB. 3
6 O.3942	JB. 2	90 O.3948	EC. 7	95 O.3951	NB. 6	9 O.3956	NB. 4
7 O.3942	JB. 2	93 O.3948	EC. 7	1 O.3953	NB. 9	10 O.3956	NB. 4
8 O.3942	JB. 2	94 O.3948	EC. 6	2a.O.3953	NB. 9	11 O.3956	NB. 4
9 O.3942	NB 5	95 O.3948	EC. 8	1.O.3954	NB. 4	12 O.3956	NB. 4
10 O.3942	NB 5	95a O.3948	EC. 8	2.O.3954	NB. 4	13 O.3956	NB. 3
11 O.3942	NB. 5	100 O.3948	JA. 7	3 O.3954	NB. 4	14 O.3956	NB. 4
18 O.3942	NB. 7	101 O.3948	EE. 1	1 O.3955	NB. 1	15 O.3956	NB. 4
82 O.3943	EC. 7	102 O.3948	EE. 1	2 O.3955	NB. 1	16 O.3956	NB. 3
3 O.3944	EE 2	103 O.3948	EE. 1	3 O.3955	NB. 1	17 O.3956	NB.3, NB.4
5 O.3948	EE. 4	105 O.3948	EE. 10	4 O.3955	NB. 1	19 O.3956	NB. 3
6 O.3948	EE. 4	106 O.3948	EE.5, EE.8	5 O.3955	NB. 2	27 O.3956	NB. 3
13 O.3948	EE. 9	106a.O.3948	EE.4, EE.8	6 O.3955	NB. 2	28 O.3956	NB. 4
14 O.3948	EE.4, EE.5	107 O.3948	EE. 3	7 O.3955	NB. 2	29 O.3956	NB. 4
	EE.6, EE.7	119 O.3948	EE. 3	8 O.3955	NB. 2	30 O.3956	NB. 4
18 O.3948	EE. 5	120 O.3948	EE 3	9 O.3955	NB. 2	36 O.3956	NB. 4
19 O.3948	EE 9	123 O.3948	EE 6	14 O.3955	NB. 2	38 O.3956	NB. 4
20 O.3948	EE.3, EE.8	124 O.3948	EE. 6	15 O.3955	NB. 2	39 O.3956	NB. 4
	EE 9	125 O.3948	EE. 5	20 O.3955	NB. 1	42 O.3956	NB. 4
23 O.3948	EE.3, EE.8,	126 O.3948	EE. 5	21 O.3955	NB. 1	43 O.3956	NB. 4
	EE.9, EE.10	127 O.3948	EE 7	28 O.3955	NB. 1	1.O.3964	EC. 9
24 O.3948	EE.3, EE.8,	128 O.3948	EE. 3	29 O.3955	NB. 1	2 O.3964	EC. 1
	EE.9, EE.10	129 O.3948	EE. 8	32 O.3955	NB. 1	3 O.3964	EC. 1
26 O.3948	EE.3, EE.8,	130 O.3948	EE. 9	33 O.3955	NB. 1	4 O.3964	EC. 1
	EE. 9	133 O.3948	EE. 9	38 O.3955	NB.1, NB.2	5 O.3964	EC. 1
26 O.3948	EE.8, EE.9,	134 O.3948	EE. 10	39a.O.3955	NB. 1	6 O.3964	EC. 1
	EE.10, EE.11	139 O.3948	EE. 8	41 O.3955	NB. 2	1.O.3966	ED. 3
36 O.3948	EE.8, EE.9,	141 O.3948	EE. 8	47 O.3955	NB. 3	3 O.3965	ED. 3
	EE 10	143 O.3948	EE. 3	48 O.3955	NB. 3	O.3967	NB. 1
42 O.3948	EE 1	144 O.3948	EE. 3	49 O.3955	NB. 2	9 O.3967	NB. 1
47 O.3948	EE. 8	148 O.3948	EE. 10	51 O.3955	NB. 3	10 O.3967	NC.5, NC.8
61 O.3948	EE.3, EE.8,	150 O.3948	EE. 8	53 O.3955	NB. 2	11 O.3967	NC.5, NC.8
	EE. 9	153 O.3948	EE. 10	54 O.3955	NB. 2	12 O.3967	NB. 1
63 O.3948	EE. 5	182 O.3948	EE 7	83 O.3955	NB. 2	13 O.3967	NB. 1
64 O.3948	EE. 6	183 O.3948	EE.8, EE.9,	90 O.3955	NB. 1	14 O.3967	NB. 9
70 O.3948	EE. 2		EE.10, EE.11	91 O.3955	NB. 1	15 O.3967	NB. 9
71 O.3948	EE. 2	184 O.3948	EE. 7	92 O.3955	NB. 3	16 O.3967	NB. 9
76 O.3948	EC. 10	185 O.3948	EE. 7	93 O.3955	NB. 3	17 O.3967	NB. 9

INDEX OF PART NUMBERS

(See also Supplementary pages, if any)

Part No.	Page No.	Part No.	Page No.	Part No.	Page No.	Part No.	Page No.
18 O 3987	NB 1	8.O 4150	EE. 10	12.O.4185	NB. 7	1P2839	QM. 23
19 O 3987	NB. 12	7 O 4150	EE 10	13.O.4185	NB. 7	2P2839	QM. 23
20 O 3987	NB 12	8 O 4150	EE. 10	8.O.4188	JB 53B	3P2839	QK. 11
21 O 3987	NB 13	9 O 4150	EE. 8	1.O.4297	ED. 1		QK. 12
22.O 3987	NB 13	7.O.4164	NB. 4C	2.O.4297	ED. 1		QK. 19
23 O 3987	NB 12	11.O.4164	NB. 4C	28 O 4310	EC. 10		QM. 22
24 O 3987	NB. 13	12.O.4164	NB. 4C	29.O.4310	EC. 10		QM. 25
25 O 3987	NB 13	13.O.4164	NB. 4C	30.O.4310	EC 10		QM. 28
1 O 4096	NB 5	13a.O 4164	NB 4C	51.O.4310	EC. 10		QM. 31
2 O 4096	NB 5	13b O 4164	NB. 4C	100 O.4310	EC. 9	4P2839	QK. 11
3 O 4096	NB. 6	13c.O.4164	NB. 4C	101.O.4310	EC. 9		QM. 31
7 O 4096	NB. 6	14 O 4164	NB. 4C	1.O.4312	EE. 8	24P2839	QK. 12
7b O 4096	NB 6	14a.O 4164	NB. 4C	2.O.4312	EE. 10	28P2839	QK. 11
7c O 4096	NB. 6	14b.O.4164	NB 4C	3 O.4312	EE. 9	34P2839	QK. 11
8 O 4096	NB. 6	14c O.4164	NB. 4C	4.O.4312	EE 10	2P2840	QK. 13
8b O 4096	NB 6	15.O.4164	NB. 4D	1P2547	QM. 2	7P2840	QK. 12
8c O 4096	NB 5	15 O.4164	NB. 4D	8P2787	MC. 2	8P2840	QK. 12
8d O 4096	NB. 5	20 O 4164	NB. 4D	26P2826	QK. 7	13P2840	QK. 12
9 O 4096	NB 6	21.O.4164	NB. 4C	26P2826	QK. 6	18P2840	QK. 12
9b O 4096	NB 6	24.O.4164	NB. 4C	27P2826	QK. 14	19P2840	QK. 12
9c O 4096	NB 6	43.O.4164	NB. 4E	31P2826	QK. 10	13P2841	QM. 19
10 O 4096	NB 5	44.O.4164	NB. 4E	32P2826	QK. 10	14P2841	QM. 19
10b O 4096	NB. 5	45.O.4164	NB. 4E	33P2826	QK. 10	16P2841	QM. 19
10c O 4096	NB. 6	45 O 4164	NB. 4C	36P2826	QK. 10		QM. 25
10d O 4096	NB 6	47.O.4164	NB. 4D	41P2826	QK. 7	17P2841	QM. 18
15 O 4096	NB 6	48 O 4164	NB. 4D	42P2826	QK. 7		QM. 24
15a O 4096	NB. 5	49.O 4164	NB. 4D	43P2826	QK. 14	20P2841	QM. 19
15b O 4096	NB. 5	62.O.4164	NB. 4D	44P2826	QK. 14		QM. 22
15 O 4096	NB 5	64.O.4164	NB. 4C	46P2826	QK. 7	21P2841	QM. 28
16a.O 4096	NB. 6	65 O 4164	NB. 4C	47P2826	QK. 5	3P2842	QM. 22
16b O 4096	NB 5	65.O.4164	NB. 4D	1P2827	QM. 16	4P2842	QM. 22
22.O 4096	NB. 6	67.O.4164	NB. 4D	2P2827	QM. 16	5P2844	QM. 1, QM. 28
22a O 4096	NB. 6	88.O 4164	NB. 4D	20P2827	QM. 16	8P2844	HL. 7
22b O 4096	NB. 6	69.O.4164	NB. 4D		QM. 20		HL. 14
23 O 4096	NB. 6	78.O.4164	NB. 4D		QM. 23		QK. 11
23a O 4096	NB. 6	81 O 4164	NB. 4C		QM. 26		QK. 12
23b O 4096	NB 6	82.O.4164	NB. 4C		QM. 29		QM. 19
28 O 4096	NB. 6	84.O.4164	NB. 4C	21P2827	QM. 18		QM. 22
1 O 4097	NB. 8	85 O 4164	NB. 4C	22P2827	QM. 14		QM. 25
2 O 4097	NB 8	87.O.4164	NB. 4C	1P2828	QM. 17		QM. 28
3.O.4097	NB 8, NB 9	90.O 4164	NB. 4C	2P2828	QM. 17		QM. 32
4 O 4097	NB. 8, NB. 9	1 O 4188	NB. 4D	1P2830	QM. 23	13P2844	QM. 28
1 O 4098	NB. 8	2.O.4188	NB. 4D	2P2830	QM. 23	14P2844	QM. 26
2.O 4098	NB. 9	3.O.4188	NB. 4D	1P2831	QM. 27	18P2844	QK. 11
1 O 4115	EC. 3	4.O.4188	NB. 4D	2P2831	QM. 27		QK. 12
2 O 4115	EC. 3	7.O.4188	NB. 4D	11P2831	HL. 7		QM. 19
1 O 4147	NB 12	8.O.4188	NB. 4D		HL. 14		QM. 22
3 O 4147	NB 13	1.O 4171	NB. 6		HM. 6		QM. 25
4 O 4147	NB. 13	1 O 4172	NB 6		QM. 19		QM. 28
5 O 4147	NB 13	1.O.4173	NB. 6		QM. 22		QM. 32
6 O 4147	NB. 13	10.O.4185	NB. 7		QM. 25	5P2845	QK. 11
7 O 4147	NB. 13	11.O.4185	NB. 7		QM. 28		QM. 32

RESTRICTED

VULCAN 88 2

INDEX OF PART NUMBERS

Pages W. 45

(See also Supplementary pages, if any)

Part No	Page No.	Part No	Page No.	Part No.	Page No.	Part No.	Page No.
11P2845	QM. 31	62P2836	OK. 11	2P29376	OK. 11	6P3012	HL.8, HL.16,
14P2845	QM. 31		QL. 1		OK. 12		HM. 7
1P2847	QM. 1	5P2888	QM. 11		QM. 18		QM. 19
2P2847	QM. 1	192P2888	QM. 11		QM. 22		QM. 22
3P2847	QM. 2	63P2889	QM. 12		QM. 25		QM. 25
4P2847	QM. 2	84P2889	QM. 12		QM. 28		QM. 29
6P2847	QM. 2	73P2889	QM. 12		QM. 31		QM. 32
7P2847	QM. 2	74P2889	QM. 13	3P2937	OK. 11	7P3012	HL.8, HL.16,
8P2847	QM. 2	75P2889	QM. 13		OK. 12		HM. 7
3P2850	QM. 8	76P2889	QM. 13		QM. 18		QM. 19
4P2850	QM. 8	77P2889	QM. 13		QM. 22		QM. 32
5P2850	QM. 8	78P2889	QM. 13		QM. 25		QM. 25
6P2850	QM. 8	79P2889	QM. 13		QM. 28		QM. 28
7P2850	QM. 8	80P2889	QM. 13		QM. 31		QM. 32
10P2850	QM. 8	81P2889	QM. 13	4P2937	OK. 12	9P3012	HL.8, HL.16,
11P2850	QM. 8	104P2889	QM. 10		QM. 18		HM. 7
20P2850	QM. 1	106P2889	QM. 13		QM. 22		QM. 19
31P2850	QM. 9	107P2889	QM. 10		QM. 25		QM. 22
81P2850	QM. 1	109P2889	OK.11, QL.11		QM. 28		QM. 25
4P2852	QM. 1	110P2889	OK. 11		QM. 31		QM. 28
10P2852	QM. 3		QL. 1	5P2937	OK. 11		QM. 32
14P2852	QM. 5	5P2890	QJ. 6		OK. 12	12P3012	HL.8, HL.16,
15P2852	QM. 5	84P2890	QJ. 2		QM. 18		QM. 19
26P2852	QM. 3	106P2890	QJ. 2		QM. 22	12P3012	HM. 7
27P2852	QM. 3	108P2890	QJ. 2		QM. 25		QM. 22
49P2852	QM. 4	4P2898	QM. 8		QM. 28		QM. 25
50P2852	QM. 4	7P2898	QM. 9		QM. 31		QM. 29
51P2852	QM. 4	11P2898	QM. 10	15P3002	GA. 1		QM. 32
52P2852	QM. 4	12P2898	OK. 10	1P3012	QM. 19	13P3012	HL.8, HL.16,
53P2852	QM. 4	15P2898	OK. 10		QM. 22		HM. 7
54P2852	QM. 4	21P2898	OK. 10		QM. 25		QM. 19
55P2852	QM. 4	22P2898	OK. 9		QM. 28		QM. 22
56P2852	QM. 4	23P2898	OK. 9		QM. 32		QM. 25
62P2852	QM. 3	26P2898	QM. 10	2P3012	HL.8 HL.16,		QM. 29
64P2852	QM. 5	27P2898	QM. 10		HM. 7		QM. 32
65P2852	QM. 5	29P2898	OK. 9		QM. 19	14P3012	HL. 8
66P2852	QM. 5	30P2898	OK. 9		QM. 22		HL. 16
67P2852	QM. 5	32P2898	OK. 9		QM. 25		HM. 7
68P2852	QM. 5	33P2898	OK. 9		QM. 28		QM. 19
69P2852	QM. 5	101P2898	OK. 10		QM. 32		QM. 22
70P2852	QM. 5	102P2898	QM. 10	3P3012	HL.8, HL.16,		QM. 25
71P2852	QM. 5	103P2898	QM. 10		HM. 7		QM. 29
75P2852	QM. 7	104P2898	QM. 10		QM. 19		QM. 32
76P2852	QM. 7	112P2898	OK. 9		QM. 22	15P3012	HL.8, HL.16,
2P2853	OK. 6	113P2898	OK. 9		QM. 25		HM. 7
4P2853	OK. 6	130P2898	HL. 10		QM. 28		QM. 19
6P2853	QJ.2, OK.6,	131P2898	HL. 1		QM. 32		QM. 22
	QM. 6	1P2937	OK. 11	4P3012	HL.8, HL.16,		QM. 25
5cP2853	OK. 6		OK. 12		HM. 7		QM. 28
7P2853	OK. 6		QM. 18		QM. 19		QM. 32
1P2883	OK. 10		QM. 22		QM. 22	1P3025	OK. 6
3P2883	OK. 10		QM. 25		QM. 25	6P3026	QJ. 6
			QM. 28		QM. 28		
			QM. 31		QM. 32		

RESTRICTED

INDEX OF PART NUMBERS

(See also Supplementary pages, if any)

Part No.	Page No.	Part No.	Page No.	Part No.	Page No.	Part No.	Page No.
7P3026	QJ. 4	4P3051	QM. 6	54P3127	QM. 23	32P3160	HC. 2
11P3026	QJ. 7	11P3051	QM. 6	55P3127	QM. 23	34P3160	HC. 2
12P3026	QJ. 6	12P3051	QM. 6	56P3127	QM. 26	35P3160	HC. 1
13P3026	QJ. 4	19P3051	QM. 6	57P3127	QM. 26	36P3160	HC. 1
14P3026	QJ. 4	20P3051	QM. 6	58P3127	QM. 29	37P3160	HC. 1
15P3026	QJ. 4	21P3051	QM. 6	59P3127	QM. 29	38P3160	HC. 4
16P3026	QJ. 4	22P3051	QM. 6	60P3127	QM. 17	39P3160	HC. 2
19P3026	QJ. 4	23P3051	QM. 6	61P3127	QM. 20	40P3160	HC. 3
20P3026	QJ. 4	24P3051	QM. 6	62P3127	QM. 23	42P3160	HC. 2
23P3026	QJ. 5	25P3051	QM. 6	63P3127	QM. 26	2P3161	QN. 5
24P3026	QJ. 5	26P3051	QM. 6	64P3127	QM. 30	3P3161	QN. 8
25P3026	QJ. 5	6P3089	OK. 10	66P3127	QM. 17	4P3161	QN. 8
33P3026	QJ. 5	7P3089	OK. 10		QM. 20	5P3161	QN. 8
34P3026	QJ. 5	1P3119	QM. 18		QM. 23	6P3161	QN. 8
62P3026	QJ. 6		QM. 21		QM. 26	12P3161	QN. 5
73P3026	QJ. 5		QM. 24		QM. 29	13P3161	QN. 5
96P3026	QJ. 5		QM. 27	69P3127	QM. 17	14P3161	QN. 5
97P3026	QJ. 6		QM. 30		QM. 20	15P3161	QN. 5
102P3026	QJ. 7		SB. 1		QM. 23	16P3161	QN. 5
121P3026	QJ. 5	10P3125	QM. 24		QM. 26	17P3161	QN. 5
122P3026	QJ. 5	11P3125	QM. 17	75P3127	QM. 23	18P3161	QN. 5
123P3026	QJ. 5		QM. 21		QM. 25	19P3161	QN. 5
124P3026	QJ. 5	12P3125	QM. 17		QM. 26	20P3161	QN. 5
126P3026	QJ. 8		QM. 21		QM. 27	21P3161	QN. 8
127P3026	QJ. 5	13P3125	QM. 27		QM. 29	22P3161	QN. 5
128P3026	QJ. 5	14P3125	QM. 27	86P3127	QM. 17	25P3161	QN. 5
129P3026	QJ. 6	16P3125	QM. 18		QM. 20	26P3161	QN. 6
131P3026	QJ. 6		QM. 21		QM. 23	30P3161	QN. 6
132P3026	QJ. 6		QM. 27		QM. 26	38P3161	
134P3026	QJ. 6	19P3125	QM. 18		QM. 29	40P3161	QN. 5
3P3034	OK. 7		QM. 21	1P3146	QM. 18	41P3161	QN. 5
4P3034	OK. 7		QM. 27		QM. 21	42P3161	QN. 6
5P3034	OK. 7	21P3125	QM. 18		QM. 24	43P3161	QN. 6
6P3034	OK. 7		QM. 21		QM. 27	44P3161	QN. 6
11P3034	OK. 7	22P3125	QM. 18	2P3146	QM. 18	45P3161	QN. 8
13P3034	OK. 7		QM. 21		QM. 21	46P3161	QN. 8
14P3034	OK. 7	25P3125	QM. 27		QM. 24	47P3161	QN. 8
15P3034	OK. 8	27P3125	QM. 27		QM. 27	49P3161	QN. 8
18P3034	OK. 5	28P3125	QM. 24	2P3160	HC. 2, JA. 13	51P3161	QN. 8
19P3034	OK. 5	26P3125	QM. 24	3P3160	HC. 2	52P3161	QN. 8
27P3034	OK. 8	30P3125	QM. 24	7P3160	HC. 2	53P3161	QN. 9
31P3034	OK. 13	32P3125	QM. 24	10P3160	HC. 3	54P3161	QN. 9
33P3034	OK. 13	1P3126	QM. 30	11P3160	HC. 1	56P3161	QN. 8
1P3035	OK. 6	2P3126	QM. 30	12P3160	HC. 2	57P3161	QN. 8
10P3035	OK. 6	21P3126	QM. 30	19P3160	HC. 2	64P3161	QN. 5
1P3036	OK. 6	22P3126	QM. 30	21P3160	QN. 1	65P3161	QN. 6
7P3040	QM. 1	28P3126	QM. 30	21xP3160	QN. 2	66P3161	QN. 5
8P3040	QM. 1	29P3126	QM. 30	24P3160	HC. 3	67P3161	QN. 8
18P3040	QM. 9	50P3127	QM. 17	25P3160	HC. 2	68P3161	QN. 8
1P3051	QM. 6	51P3127	QM. 17	27P3160	HC. 3	69P3161	QN. 9
2P3051	QM. 6	52P3127	QM. 20	30P3160	QN. 2	70P3161	QN. 9
3P3051	QM. 6	53P3127	QM. 20	31P3160	QN. 2	71P3161	QN. 9

INDEX OF PART NUMBERS

(See also Supplementary pages, if any)

Part No.	Page No.	Part No.	Page No.	Part No.	Page No.	Part No.	Page No.
72P3161	QN. 5	56P3164	QJ. 6	29P3180	QN. 2	1P3252	QM. 28
73P3161	QN. 8	57P3164	QJ. 5	30P3180	QN. 2		SC. 11
74P3161	QN. 8	58P3164	QJ. 5	31P3180	QN. 3	2P3252	QM. 28
75P3161	QN. 8	62P3164	QJ. 4	32P3180	QN. 3		SC. 11
76P3161	QN. 8	63P3164	QJ. 4	36P3180	QN. 2	1P3253	QM. 32
78P3161	QN. 6	100P3164	QJ. 1	37P3180	QN. 2		SC. 13
3P3162	QN. 4	101P3164	QJ. 7	38P3180	QN. 2	2P3253	QM. 32
4P3162	QN. 4	103P3164	QJ. 5	39P3180	QN. 2		SC. 13
5P3162	QN. 4	105P3164	QJ. 2	40P3180	QN. 2	1P3272	QM. 17
6P3162	QN. 4	111P3164	QV. 1	41P3180	QN. 2	2P3272	QM. 17
10P3162	QN. 4	114P3164	QJ. 7	42P3180	QN. 2	12P3272	QM. 17
13P3162	QN. 4	121P3164	QJ. 4	46P3180	QN. 2		QM. 20
18P3162	QN. 4	122P3164	QJ. 4	53P3180	QN. 1		QM. 26
6P3163	QK. 8	3P3165	QM. 11	54P3180	QN. 1		QM. 30
14P3163	QK. 8A	4P3165	QM. 11	58P3180	QN. 2	13P3272	QM. 17
22P3163	QK. 8	4P3166	QM. 3	60P3180	QN. 2	14P3272	QM. 17
35P3163	QK. 8	5P3166	QM. 3	62P3180	QN. 1	29P3272	QM. 17
36P3163	QK. 8	7P3166	QM. 3	63P3180	QN. 1	30P3272	QM. 17
37P3163	QK. 8A	8P3166	QM. 3	64P3180	QN. 1	31P3272	QM. 20
38P3163	QK. 8A	11P3166	QM. 3	66P3180	QN. 1	32P3272	QM. 20
41P3163	QK. 8	11aP3166	QM. 3	67P3180	QN. 1	33P3272	QM. 23
42P3163	QK. 8	11gP3166	QM. 3	7P3183	HC. 3	34P3272	QM. 23
43P3163	QK. 8	12P3166	QM. 3	1P3204	QN. 7	35P3272	QM. 26
56P3163	QK. 8	12aP3166	QM. 3	2P3204	QN. 7	36P3272	QM. 26
1P3164	JB. 2	12gP3166	QM. 4	1P3229	QK. 13	37P3272	QM. 30
2P3164	JB. 2	15P3166	QM. 3		SC. 3	38P3272	QM. 30
4P3164	QJ. 2	16P3166	QM. 3	28P3229	QK. 13	40P3272	QM. 17
5P3164	QJ. 2	17P3166	QM. 1		SC. 3		QM. 20
6P3164	QJ. 2	18P3166	QM. 1	21P3230	QN. 10		QM. 23
7P3164	QJ. 2	19P3166	QM. 5	23P3230	QN. 10		QM. 26
8P3164	QJ. 2	20P3166	QM. 3	30P3230	QN. 10		QM. 30
9P3164	QJ. 2	25P3166	QM. 3	39P3230	QN. 10	1P3277	QM. 1
10P3164	QJ. 2	26P3166	QM. 3	40P3230	QN. 10	2P3277	QM. 1
13P3164	QJ. 2	1P3179	HC. 2	42P3230	QN. 10	19P3277	QM. 1
14P3164	QJ. 3	2P3179	HC. 2	5P3232	MC. 69	20P3277	QM. 1
15P3164	QJ. 3	9P3179	HC. 2	7P3232	MC. 69	29P3277	QM. 1
16P3164	QJ. 3	10P3179	HC. 2	8P3232	MC. 69	36P3277	QM. 1
17P3164	QJ. 3	1P3180	QN. 1	1P3247	QK. 13, SC. 1	44P3277	QM. 1
18P3164	QJ. 3	2P3180	QN. 1	2P3247	QK. 13, SC. 1	49P3277	QM. 1
19P3164	QJ. 2	4P3180	QN. 1	1P3249	QM. 19	50P3277	QM. 9
32P3164	QJ. 3	5P3180	QN. 1		SC. 5	51P3277	QM. 8
33P3164	QJ. 3	6P3180	QN. 1	29P3249	QM. 19	52P3277	QM. 8
34P3164	QJ. 1	8P3180	QN. 1		SC. 5	53P3277	QM. 8
35P3164	QJ. 6	9P3180	QN. 1	1P3250	QM. 22	55P3277	QM. 7
36P3164	QJ. 6	21P3180	QN. 3		SC. 7	56P3277	QM. 8
43P3164	QJ. 3	22P3180	QN. 3	2P3250	QM. 22	57P3277	QN. 7
44P3164	QJ. 3	23P3180	QN. 3		SC. 7	58P3277	QM. 7
45P3164	QJ. 3	24P3180	QN. 3	1P3251	QM. 25	59P3277	QM. 7
46P3164	QJ. 3	25P3180	QN. 3		SC. 9	60P3277	QM. 7
47P3164	QJ. 3	26P3180	QN. 3	2P3251	QM. 25	27P3290	HL. 1
48P3164	QJ. 3	27P3180	QN. 3		SC. 9	6P3290	QM. 8
49P3164	QJ. 4	28P3180	QN. 3			1P3291	QM. 10
						2P3291	QM. 10

INDEX OF PART NUMBERS

(See also Supplementary pages, if any)

Part No.	Page No.	Part No.	Page No.	Part No.	Page No.	Part No.	Page No.
3P3291	QM. 9	123P3291	QM. 14	19P3293	QN. 10	60P3378	HL. 12
8P3291	QM. 11	124P3291	QM. 14	20P3293	QN. 10	1P3377	HL. 14, SC. 14
14P3291	QM. 12	127P3291	QM. 14	21P3293	QN. 10	37P3378	HL. 15
15P3291	QM. 12	128P3291	QM. 14	22P3293	QN. 11	38P3378	HL. 15
18P3291	QM. 12	135P3291	QM. 14	24P3293	QN. 10	43P3378	HL. 15
20P3291	QM. 12	138P3291	QM. 14	3P3375	HL. 9	44P3378	HL. 15
24P3291	QM. 12	137P3291	QM. 14	4P3375	HL. 10	45P3378	HL. 15
25P3291	QL. 1	138P3291	QM. 14	5P3375	HL. 10	45bP3378	HL. 15
26P3291	QL. 1	139P3291	QM. 14	6P3375	HL. 11	46P3378	HL. 15
27P3291	QM. 3	140P3291	QM. 14	7P3375	HL. 11	47P3378	HL. 15
28P3291	QL. 1	142P3291	QL. 1	8P3375	HL. 11	47bP3378	HL. 15
30P3291	QL. 1	143P3291	QL. 1	9P3375	HL. 11	48P3378	HL. 15
31P3291	QL. 1	144P3291	QL. 1	10P3375	HL. 11	6P3380	HL. 7, HL. 15
32P3291	QL. 1	145P3291	QL. 1	11P3375	HL. 10	11P3384	HL. 15
33P3291	QL. 1	146P3291	QL. 1		HL. 11	12P3384	HL. 15
34P3291	QL. 1	147P3291	QL. 1	12P3375	HL. 11	1P3388	HL. 14
38P3291	QL. 2	150P3291	QL. 1	17P3375	HL. 10	3P3390	HL. 2
40P3291	QL. 2	152P3291	QL. 1	17aP3375	HL. 10	4P3390	HL. 4
41P3291	QL. 2	155P3291	QL. 1	18P3375	HL. 10	5P3390	HL. 2
42P3291	QL. 2	3P3292	GA. 4A	18aP3375	HL. 10	6P3390	HL. 2
43P3291	QL. 2		QM. 8	21P3375	HL. 10	8P3390	HL. 2
57P3291	QM. 11	4P3292	GA. 1	22P3375	HL. 10	9P3390	HL. 1
60P3291	QM. 14		QM. 8	25P3375	HL. 10	10P3390	HL. 3
75P3291	QM. 16	5P3292	GA. 1		HM. 7	11P3390	HL. 3
78P3291	QM. 16	6P3292	GA. 1	26P3375	HL. 9, HM. 7	12P3390	HL. 3
78P3291	QM. 16	7P3292	GA. 1	27P3375	HL. 9, HM. 7	13P3390	HL. 4
80P3291	QL. 2	8P3292	GA. 1	28P3375	HL. 10	14P3390	HL. 1
87P3291	QL. 1	10P3292	QM. 8	29P3375	HL. 10	15P3390	HL. 4
88P3291	QM. 3	11P3292	QM. 8	30P3375	HL. 10	17P3390	HL. 1
88P3291	QM. 4	12P3292	QM. 8	1P3378	HL. 12	19P3390	HL. 1
90P3291	QM. 11	13P3292	QM. 8	8P3378	HL. 13	20P3390	HL. 2
91P3291	QM. 11	16P3292	GA. 1	12P3378	HL. 1, HL. 9,	22P3390	HL. 1
92P3291	QM. 11	20P3292	GA. 1		HL. 14, HM. 7	23P3390	HL. 1
93P3291	QM. 11	21P3292	GA. 2	13P3378	HL. 7, HL. 13	103P3390	HL. 1
94P3291	QM. 12	23P3292	GA. 1, GA. 2	14P3378	HL. 7, HL. 13	1P3391	HL. 5, SC. 14
95P3291	QM. 12	25P3292	GA. 2	19P3378	HL. 6, HL. 13	25P3391	HL. 7
98P3291	QM. 3	26P3292	GA. 2	20P3378	HL. 7, HL. 14	26P3391	HL. 8
103P3291	QM. 15	31P3292	GA. 2	20cP3378	HL. 7, HL. 14	27P3391	HL. 7
104P3291	QM. 15	32P3292	GA. 2	25P3378	HL. 14	29P3391	HL. 7
105P3291	QM. 15	33P3292	GA. 1	26P3378	HL. 16	30P3391	HL. 7
106P3291	QM. 15	34P3292	GA. 2	29P3378	HL. 7, HL. 13	31P3391	HL. 7
107P3291	QM. 15	35P3292	GA. 1	40P3378	HL. 14	32P3391	HL. 7
108P3291	QM. 15	36P3292	GA. 2	45P3378	HL. 13	33P3391	HL. 7
108P3291	QM. 15	1P3293	JB. 4, QN. 10	46P3378	HL. 14	40P3391	HL. 5
110P3291	QM. 15	3P3293	QN. 11	47P3378	HL. 14	41P3391	HL. 5
111P3291	QM. 15	4P3293	QN. 11	50P3378	HL. 5, HL. 12	1P3392	HL. 7
112P3291	QM. 15	11P3293	QN. 11	53P3378	HL. 14	94P3393	HL. 8
113P3291	QM. 15	12P3293	QN. 10	54P3378	HL. 14	4P3395	HL. 7
114P3291	QM. 15	14P3293	QN. 10	55P3378	HL. 14	3P3396	HL. 8
115P3291	QM. 15	1153293	QN. 10	56P3378	HL. 14	4P3396	HL. 8
116P3291	QM. 15	16P3293	QN. 10	62P3378	HL. 12	5P3398	HL. 8
120P3291	QM. 15	17P3293	QN. 10	63P3378	HL. 16	6P3398	HL. 8
122P3291	QM. 15	18P3293	QN. 10	64P3378	HL. 12	6bP3398	HL. 8

INDEX OF PART NUMBERS

(See also Supplementary pages, if any)

Part No.	Page No.	Part No.	Page No.	Part No.	Page No.	Part No.	Page No.
7P3398	HL 8	5aP3498	OK 8	18P3588	HL 10	12P3620	OM 9
34P3398	HL 8	8P3498	OK 8	32P3588	HL 10	13P3620	OM 9
37P3398	HL 8	9P3498	JB 96, OK 8	1P3588	OK 3	14P3620	OM 9
38P3398	HL 8	3P3584	QJ 2	5P3588	HL 18	2P3698	HC 3
65P3398	HL 8	4P3584	OK 1	8P3588	HL 18	3P3698	HC 3
74P3398	HL 8	8P3584	OK 2	7P3590	HL 18	4P3698	HC 3
1P3472	OK 11	7P3584	OK 2	8P3590	HL 18	7P3698	HC 3
2P3472	OK 11	9P3584	OK 1	9P3590	HL 18	8P3698	HC 3
	OM 24	10P3584	OK 1	10P3590	HL 18	9P3698	HC 3
3P3472	OM 16	11P3584	QJ 5	11P3590	HL 18	11P3698	HC 3
10P3472	OK 11	12P3584	QJ 5	12P3590	HL 18	12P3698	HC 3
1P3473	OK 11	15P3584	OK 2	13P3590	HL 19	13P3698	HC 3
2P3473	OK 11	18P3584	OK 2	14P3590	HL 18	20P3698	HC 3
1P3474	OM 18	17P3584	OK 2	15P3590	HL 18	21P3698	HC 3
5P3474	HL 7, HL 14, HM 4	52P3584	OK 1	18P3590	HL 18	1P3699	OM 18
	OK 12	67P3584	OK 2	17P3590	HL 18	1P3710	OK 8
3P3478	OM 24	77P3584	OK 2	19P3590	HL 19	2P3710	OK 8
4P3478	OM 25	81P3584	OK 1	23P3590	HL 19	1P3733	HL 16
5P3478	OM 25	82P3584	OK 1	25P3590	HL 19	5P3818	HM 7
6P3478	OM 25	83P3584	OK 1	26P3590	HL 19	8P3818	HM 1
7P3478	OM 25	84P3584	OK 1	27P3590	HL 19	10P3818	HM 1
2P3478	OM 31	85P3584	OK 2	28P3590	HL 18	11P3818	HM 3
2P3480	OK 12	86P3584	OK 1	29P3590	HL 19	15P3818	HM 7
	OM 31	89P3584	OK 2	30P3590	HL 19	2P3819	HM 5
3P3480	OM 21	95P3584	OK 2	31P3590	HL 19	7P3819	HM 5
	OM 28	96P3584	OK 2	32P3590	HL 17	8P3819	HM 4
4P3480	OM 21	97P3584	OK 2	32aP3590	HL 17	11P3819	HM 4
	OM 28	98P3584	OK 2	1P3591	HL 17	13P3819	HM 5
5P3480	OM 31	99P3584	OK 2	5P3594	HL 9	14P3819	HM 4
1P3481	JB 2, OK 5	102P3584	OK 2	5bP3594	HL 9	16P3819	HM 3, HM 5
2P3481	JB 2 OK 5	1P3585	OK 2	1P3595	HL 5	17P3819	HM 3, HM 5
3P3481	OK 8	3P3585	OK 3	2P3595	HL 5	38P3819	HM 4
4P3481	OK 8	4P3585	OK 3	3P3595	HL 5	40P3819	HM 5
5P3481	OK 8	5P3585	OK 3	4P3595	HL 5	41P3819	HM 5
6P3481	OK 8	6P3585	OK 3	5P3595	HL 5	42P3819	HM 4
7P3481	OK 8	13P3585	OK 3	5cP3595	HL 5	43P3819	HM 4
8P3481	OK 8	14P3585	OK 3	1P3597	OM 28	50P3819	HM 5
9P3481	OK 8	15P3585	OK 3	2P3597	OM 28	51P3819	HM 4
15P3481	OK 9	18P3585	OK 4	4P3598	OK 5	53P3819	HM 4
16P3481	OK 9	21P3585	OK 4	2P3600	OM 17	65P3819	HM 3
18P3481	OK 8	22P3585	OK 4	3P3600	OM 17	18P3820	HM 5
1P3482	OK 9	23P3585	OK 4	4P3600	OM 20	19P3820	HM 5
2P3482	OK 9	24P3585	OK 4	5P3600	OM 20	20bP3820	HM 5
1P3483	ON 4	27P3585	OK 4	6P3600	OM 23	44P3820	HM 5
2P3483	ON 4	28P3585	OK 2	7P3600	OM 23	74P3820	HM 5
3P3483	ON 4	29P3585	JG 8	8P3600	OM 27	74bP3820	HM 5
4P3483	ON 4		OK 2	9P3600	OM 27	108P3820	HM 5
11P3483	ON 4	35P3585	OK 3	10P3600	OM 30	107P3820	HM 5
1P3498	OK 8	37P3585	OK 4	11P3600	OM 30	141P3820	HM 5
4P3498	OK 8	38P3585	OK 3	5P3620	OM 9	148P3820	HM 5
5P3498	OK 8	39P3585	OK 3	10P3620	OM 9	149P3820	HM 5
		42P3585	OK 4	11P3620	OM 9	35P3821	HM 4
		43P3585	OK 4				

INDEX OF PART NUMBERS

(See also Supplementary pages, if any)

Part No.	Page No.	Part No.	Page No.	Part No.	Page No.	Part No.	Page No.
1P3922	HM 8	13Q1827	JA 31	5cQ1865	OP 33	12cQ1866	OP 35
2P3922	HM 8		QA 31		OP 59		OP 62
1P3923	HM 1		OP 12	6Q1865	OP 34	16Q1865	OP 62
9P3923	HM 1		OT 6A		OP 60	16aQ1865	OP 62
1P3928	HM 1	13aQ1827	OB 3, OP 12,	6aQ1865	OP 34	16bQ1865	OP 62
2P3932	HM 1		OP 32, OT 1		OP 60	51Q1865	OP 10B
2bP3932	HM 1	13bQ1827	OP 32	6bQ1865	OP 34	120Q1865	OP 10
	HM 2	13gQ1827	OT 1		OP 60	7Q1866	OP 41
3P3932	HM 2	107Q1832	OP 68	7Q1865	OP 33	8Q1866	OP 41
4P3932	HM 2	107aQ1832	OP 68		OP 53	24Q1866	OP 57
4bP3932	HM 2	107bQ1832	OP 68		OP 60	25Q1866	OP 48
5P3932	HM 2	107cQ1832	OP 68	7aQ1865	OP 33	32Q1866	OP 54
6P3932	HM 1	80Q1838	OP 21		OP 53	35Q1866	OP 42D
7P3932	HM 1	80aQ1838	OP 21		OP 60	42Q1866	OP 25
1P3943	HM 8	80bQ1838	OP 21	7bQ1865	OP 33		OP 57
3P3943	HM 8	2Q1801	OP 53		OP 53	46Q1866	OP 25
3cP3943	HM 8		OT 1		OP 60		OP 57
4P3943	HM 8	2aQ1801	OP 53, OT 1	7cQ1865	OP 33	48Q1866	OP 26
5P3966	HM 8	2bQ1801	OP 53, OT 1		OP 53		OP 57
2P3967	HM 3	13aQ1801	OT 1		OP 60	54Q1866	OP 41
3P3967	HM 3	Q1847	OT 2	8Q1865	OP 34	56Q1866	OP 42A
11P3967	HM 5	7Q1847	DQ 5B		OP 53	55Q1866	OP 41
12P3967	HM 5		OT 2		OP 60	77Q1866	OP 57
13P3967	HM 5		OT 6A	8aQ1865	OP 34	79Q1866	OP 42D
14P3967	HM 5	2Q1861	OP 40		OP 53	80Q1866	OP 41
1P3972	HM 2	3aQ1861	OP 40		OP 60	85Q1866	OP 26
2P3972	HM 1	3bQ1861	OP 40	8bQ1865	OP 34		OP 57
1P3973	HM 2	3cQ1861	OP 40		OP 53	86Q1866	OP 26
2P3973	HM 2	8Q1861	OP 40A		OP 60		OP 57
1P3974	HM 1	9Q1861	OP 40	8cQ1865	OP 34	88Q1866	OP 26
2P3974	HM 1	10Q1861	OP 40		OP 53		OP 58
1P4006	QM 8	11Q1861	OP 40A		OP 60	89Q1866	OP 26
1P4026	OK 7	3Q1864	OP 23	9Q1865	OP 54		OP 58
10Q749	SA 1	7Q1864	OP 23		OP 60	91Q1866	OP 26
4Q879	OR 14	16Q1864	OP 23	9aQ1865	OP 54		OP 58
24Q1247	OP 19	23Q1864	OP 22		OP 60	92Q1866	OP 26
24aQ1247	OP 18	23aQ1864	OP 22	9bQ1865	OP 54		OP 58
24cQ1247	OP 19	23bQ1864	OP 22		OP 60	93Q1866	OP 26
31aQ1247	OR 19	24Q1864	OB 4	10Q1865	OP 34		OP 58
29Q1311	OR 14	125Q1864	OP 24		OP 61	96Q1866	OP 54
31Q1311	QA 8	3Q1865	OP 59	10aQ1865	OP 34	101Q1866	OP 41
	OP 19	3aQ1865	OP 59		OP 61	102Q1866	OP 41
8Q1492	OT 2	3bQ1865	OP 59	10bQ1865	OP 34	103Q1866	OP 40
8aQ1492	OP 21	3cQ1865	OP 59		OP 61	106Q1866	OP 41
	OP 69	4Q1865	OP 59	10cQ1865	OP 34	108Q1866	OP 40
8bQ1492	OP 68, OT 1	4aQ1865	OP 3, OP 59		OP 61	112Q1866	OP 42
11Q1492	OT 6A, OT 18	4bQ1865	OP 3, OP 59	12Q1865	OP 35	117Q1866	OP 40
11aQ1492	OT 1, OT 2	4cQ1865	OP 3, OP 59		OP 62	120Q1866	OP 21
11gQ1492	OT 1	5Q1865	OP 33	12aQ1865	OP 35	120aQ1866	OP 21
6Q1603	OP 22		OP 39		OP 62	121Q1866	OP 21
6aQ1603	OP 22	5aQ1865	OP 33	12bQ1865	OP 35	121aQ1866	OP 21
6bQ1603	OP 22		OP 59		OP 62	123Q1866	OP 42A
13Q1626	OP 32	5bQ1865	OP 33				
			OP 59				

RESTRICTED

VULCAN 88 1

INDEX OF PART NUMBERS

(see also Supplementary pages, if any)

Part No	Page No	Part No.	Page No.	Part No.	Page No.	Part No.	Page No
126Q1866	QP. 42A	39Q1867	QP. 70	134Q1867	QP. 72	11Q1869	QD. 5
132Q1866	QP. 41	40Q1867	QP. 64	135Q1867	QP. 72	12Q1869	QD. 5
137Q1866	QP. 40	41Q1867	QP. 70	136Q1867	QP. 72	13Q1869	QD. 5
139Q1866	QP. 27	42Q1867	QP. 70	14Q1868	QP. 6	14Q1869	QD. 6
	QP. 58	43Q1867	QP. 71	15Q1868	QP. 5	18Q1869	QD. 5A
148Q1866	QP. 42A	46Q1867	QP. 71	22Q1868	QP. 6	19Q1869	QD. 1A
149Q1866	QP. 42	47Q1867	QP. 71	23Q1868	QP. 8	20Q1869	QD. 1A
150Q1866	QP. 42A	48Q1867	QP. 71	27Q1868	QP. 8	22Q1869	QD. 1A
158Q1866	QP. 42	53Q1867	QP. 71	28Q1868	QP. 8	23Q1869	QD. 1A
164Q1866	QP. 48B	60Q1867	QP. 71	29Q1868	QP. 15	26Q1869	QD. 1
166Q1866	QP. 42B	61Q1867	QP. 71	34Q1868	QP. 6	27Q1869	QD. 1A
183Q1866	QP. 40	62Q1867	QP. 71	38Q1868	QP. 9	28Q1869	QD. 5
184Q1866	QP. 40	70Q1867	QP. 64	39Q1868	QP. 9	30Q1869	QD. 4
191Q1866	QP. 40	71Q1867	QP. 64	40Q1868	QP. 9	33Q1869	QD. 1B
192Q1866	QP. 52	75Q1867	QP. 64	41Q1868	QP. 9	35Q1869	QD. 2
193Q1866	QP. 52	76Q1867	QP. 64A	46Q1868	QP. 10A	36Q1869	QD. 2
194Q1866	QP. 51	79Q1867	QP. 64A	47Q1868	QP. 14A	37Q1869	QD. 2
195Q1866	QP. 51	82Q1867	QP. 64A	48Q1868	QP. 10A	38Q1869	QD. 2
196Q1866	QP. 40	85Q1867	QP. 64A	50Q1868	QP. 10A	40Q1869	QD. 4
197Q1866	QP. 42B	86Q1867	QP. 71	51Q1868	QP. 10A	42Q1869	QD. 2
198Q1866	QP. 47	87Q1867	QP. 71	64Q1868	QP. 15	43Q1869	QD. 4
199Q1866	QP. 47	88Q1867	QP. 71	67Q1868	QP. 15	47Q1869	QD. 3
200Q1866	QP. 13	89Q1867	QP. 71	69Q1868	QP. 15	48Q1869	QD. 3
203Q1866	QP. 27	90Q1867	QP. 68	78Q1868	QP. 10A	53Q1869	QD. 3
	QP. 58	90aQ1867	QP. 68	98Q1868	QP. 10A	54Q1869	QD. 4
204Q1866	QP. 27	90bQ1867	QP. 68	99Q1868	QP. 10A	55Q1869	QD. 4
	QP. 58	91Q1867	QP. 68	103Q1868	QP. 5	56Q1869	QD. 4
205Q1866	QP. 42B	91aQ1867	QP. 68	104Q1868	QP. 18	58Q1868	QD. 2
3Q1867	QP. 70	91bQ1867	QP. 68	108Q1868	QP. 10A		QD. 4
5Q1867	QP. 70	92Q1867	QP. 64B	109Q1868	QP. 10A	59Q1869	QD. 2
6Q1867	QP. 70	95Q1867	QP. 64B	114Q1868	QP. 10A	60Q1869	QD. 3
7Q1867	QP. 63	96Q1867	QP. 71	115Q1868	QP. 10A	61Q1869	QD. 3
8Q1867	QP. 63	104Q1867	QP. 64B	116Q1868	QP. 10B	62Q1869	QD. 4
11Q1867	QP. 63	105Q1867	QP. 64B	124Q1868	QP. 10B	63Q1869	QD. 2
12Q1867	QP. 63	106Q1867	QP. 64B	125Q1868	QP. 10B	65Q1869	QD. 3
15Q1867	QP. 63	107Q1867	QP. 65	126Q1868	QP. 16	66Q1869	QD. 2
16Q1867	QP. 63A	109Q1867	QP. 65	128Q1868	QP. 16	67Q1869	QD. 2
17Q1867	QP. 63A	110Q1867	QP. 65	129Q1868	QP. 16	68Q1869	QD. 4
18Q1867	QP. 63A	111Q1867	QP. 65	132Q1868	QP. 10B	69Q1869	QD. 3
20Q1867	QP. 70	112Q1867	QP. 65	133Q1868	QP. 10B	70Q1869	QD. 3
21Q1867	QP. 63A	115Q1867	QP. 71	134Q1868	QP. 8	71Q1869	QD. 3
22Q1867	QP. 63A	117Q1867	QP. 71	138Q1868	QP. 10B	72Q1869	QD. 3
23Q1867	QP. 63A	119Q1867	QP. 71	139Q1868	QP. 10B	73Q1869	QD. 3
24Q1867	QP. 63B	121Q1867	QP. 72	140Q1868	QP. 10B	74Q1869	QD. 3
27Q1867	QP. 63B	123Q1867	QP. 72	141Q1868	QP. 10B	75Q1869	QD. 5A
28Q1867	QP. 63B	125Q1867	QP. 72	142Q1868	QP. 9	76Q1869	QD. 5A
32Q1867	QP. 63B	126Q1867	QP. 66	143Q1868	QP. 8	77Q1869	QD. 1
33Q1867	QP. 64	127Q1867	QP. 66	146Q1868	QP. 10B	78Q1869	QD. 1
34Q1867	QP. 64	129Q1867	QP. 72	148Q1868	QP. 8	79Q1869	QD. 4
35Q1867	QP. 64	129Q1867	QP. 72	149Q1868	QP. 8	80Q1869	QD. 2
37Q1867	QP. 64	131Q1867	QP. 72	164Q1868	QP. 15	81Q1869	QD. 4
38Q1867	QP. 70	133Q1867	QP. 72	10Q1868	QD. 5	82Q1869	QD. 2

RESTRICTED

INDEX OF PART NUMBERS

(See also Supplementary pages, if any)

Part No.	Page No.	Part No.	Page No.	Part No.	Page No.	Part No.	Page No.
83Q1869	QD 4	60Q1870	QP. 28	147Q1870	QP. 29	13Q1874	QT. 1
85Q1869	QD 1	61Q1870	QP. 32	148Q1870	QP. 29	15Q1874	QT. 1
86Q1869	QD 5A	62Q1870	QP. 32	151Q1870	QP. 29	3aQ1875	QP. 21
87Q1869	QD 4	63Q1870	QP. 37	152Q1870	QP. 25	4Q1875	QP. 68
88Q1869	QD 5	64Q1870	QP. 37	153Q1870	QP. 25	4aQ1875	QP. 68
89Q1869	QD 5	67Q1870	QP. 35B	159Q1870	QP. 25	4bQ1875	QP. 68
90Q1869	QD 5	70Q1870	QP. 35B	160Q1870	QP. 25	5Q1875	QP. 2
91Q1869	QD 5A	73Q1870	QP. 37	161Q1870	QP. 25	5aQ1875	QP. 2
92Q1869	QD 5A	74Q1870	QP. 37	162Q1870	QP. 25	5bQ1875	QP. 2
93Q1869	QD 5A	75Q1870	QP. 32	164Q1870	QP. 30	6Q1875	QP. 68
94Q1869	QD 5A	76Q1870	QP. 32	167Q1870	QP. 30	5aQ1875	QP. 68
95Q1869	QD 5A	77Q1870	QP. 28	170Q1870	QP. 30	6bQ1875	QP. 68
96Q1869	QD 5	78Q1870	QP. 28	171Q1870	QP. 30	8Q1875	QP. 68
97Q1869	QD 1B	79Q1870	QP. 28	172Q1870	QP. 30	25Q1872	JA. 20
98Q1869	QD 1A	80Q1870	QP. 29	173Q1870	QP. 30		QT. 11
99Q1869	QD 1A	83Q1870	QP. 38	174Q1870	QP. 31	8aQ1875	QP. 68
100Q1869	QD 1	84Q1870	QP. 38	177Q1870	QP. 22	8bQ1875	QP. 68
101Q1869	QD 1A	87Q1870	QP. 35B	178Q1870	QP. 22	25Q1875	QP. 68
102Q1869	QD 1A	88Q1870	QP. 36	179Q1870	QP. 23	25aQ1875	QP. 68
103Q1869	QD 1	89Q1870	QP. 36	180Q1870	QP. 23	25bQ1875	QP. 68
104Q1869	QD 1	93Q1870	QP. 38	6Q1871	QT. 6	26Q1875	QP. 68
105Q1869	QD 1	94Q1870	QP. 28	7Q1871	QT. 4	30Q1875	QP. 21
2Q1870	QP. 23	97Q1870	QP. 29	10Q1871	QT. 4	31Q1875	QP. 68
3Q1870	QP. 23	98Q1870	QP. 29	11Q1871	QT. 5	31aQ1875	QP. 68
4Q1870	QP. 24	103Q1870	QP. 38	12Q1871	QT. 3	31bQ1875	QP. 21
5Q1870	QP. 24	104Q1870	QP. 38	14Q1871	QT. 6		QP. 68
7Q1870	QP. 24	105Q1870	QP. 38	15Q1871	QT. 4	42Q1875	QP. 68
8Q1870	QP. 24	106Q1870	QP. 38	21Q1871	QT. 4	42aQ1875	QP. 68
10Q1870	QP. 24	115Q1870	QP. 22	22Q1871	QT. 6	42bQ1875	QP. 68
11Q1870	QP. 23	115aQ1870	QP. 22	24Q1871	QT. 5	3Q1876	QD 1
12Q1870	QP. 24	116Q1870	QP. 24	26Q1871	QT. 5	20Q1876	QP. 27
13Q1870	QP. 23	117Q1870	QP. 24	33Q1871	QT. 7	123Q1876	QP. 27
14Q1870	QP. 24	118Q1870	QP. 24	34Q1871	QT. 7	12Q1877	QP. 21
15Q1870	QP. 24	119Q1870	QP. 24	35Q1871	QT. 7	1Q1878	JA. 20
16Q1870	QP. 24	120Q1870	QP. 24	38Q1871	QT. 3	10Q1878	QP. 35
27Q1870	QP. 28	121Q1870	QP. 25	42Q1871	QT. 6	10aQ1878	QP. 35
28Q1870	QP. 28	122Q1870	QP. 25	6Q1872	QT. 11	10bQ1878	QP. 35
29Q1870	QP. 20	123Q1870	QP. 25	19Q1872	QT. 11	10cQ1878	QP. 35
30Q1870	QP. 20	124Q1870	QP. 38	20Q1872	QT. 11	11Q1878	QP. 34
35Q1870	QP. 20	125Q1870	QP. 29	21Q1872	QA. 53		QP. 61
36Q1870	QP. 20	126Q1870	QP. 29		QT. 11	11aQ1878	QP. 34
37Q1870	QP. 28	127Q1870	QP. 29	21aQ1872	QT. 11		QP. 61
38Q1870	QP. 28	128Q1870	QP. 20	21bQ1872	QT. 11	11bQ1878	QP. 34
43Q1870	QP. 28	129Q1870	QP. 20	21cQ1872	QT. 11		QP. 61
44Q1870	QP. 28	130Q1870	QP. 20	22Q1872	QT. 5	11cQ1878	QP. 34
45Q1870	QP. 20	132Q1870	QP. 20	24Q1872	QT. 5		QP. 61
46Q1870	QP. 20	133Q1870	QP. 20	26Q1872	QT. 11	11Q1879	QP. 44
53Q1870	QP. 20	134Q1870	QP. 20	27Q1872	QT. 11	11aQ1879	QP. 44
54Q1870	QP. 20	136Q1870	QP. 20	28Q1872	QT. 11	11bQ1879	QP. 42
55Q1870	QP. 28	138Q1870	QP. 19	41Q1872	QT. 11	13Q1879	QP. 100
56Q1870	QP. 28	137Q1870	QP. 19	Q1874	QT. 1, QT. 8A		QP. 37
59Q1870	QP. 28	144Q1870	QP. 29	11Q1874	QT. 1		QT. 6A
							QT. 16

INDEX OF PART NUMBERS

(See also Supplementary pages, if any)

Part No.	Page No.	Part No.	Page No.	Part No.	Page No.	Part No.	Page No.
13aQ1879	QP 37	22bQ1885	QP 2	10Q1893	QW 1	9Q1925	JB. 10, SA. 1
13cQ1879	QP 37	22cQ1885	QP 2	11Q1893	QW. 1	10Q1925	SA 1
18Q1879	QP 37	22dQ1885	QP 2	12Q1893	QW 1	13Q1925	SA 1
18aQ1879	QP 37	23Q1885	QP 3	201895	QT 10	21Q1925	SA 1
18bQ1879	QP 37	23aQ1885	QP 3	3Q1895	QT 10	23Q1925	SA 1
27Q1879	QP 45	23cQ1885	QP 3	4Q1895	QT 10	24Q1925	SA 1
28Q1879	QP 45	24Q1885	QP 3	5Q1895	QT 10	25Q1925	SA 1
Q1881	QP 17A	24aQ1885	QP 3	7Q1895	QT 10	38Q1925	SA 1
	QP 41	24Q1885	QP 3	9Q1895	QT 10	37Q1925	SA. 1
4Q1884	QP 32	24cQ1885	QP 3	11Q1895	QT 10	39Q1925	SA 1
	QP 51	24dQ1885	QP 3	12Q1895	QT 10	1Q1928	JA. 3
4aQ1884	QP 32	25Q1885	QB 2, QP 3	1Q1896	JA 47	2A1944	QT 3
	QP 51	25aQ1885	QB 2	2Q1896	JA 48	4Q1944	QT 3
4bQ1884	QP 32		QP 3	3Q1896	JA 48	5Q1944	QT 3
	QP 51	25cQ1885	QB 2, QP 3	4Q1896	JA. 48	8Q1944	QT 3
4cQ1884	QP 32	26Q1885	QP 3	5Q1896	JA. 48	8Q1944	QT 3
	QP 51	26aQ1885	QP 3	8Q1896	JA. 48	8Q1944	QT 4
10Q1885	QP 1	26cQ1885	QP 3	7Q1896	JA 48	9Q1944	QT 4
10aQ1885	QP 1	26Q1885	QP 3	1Q1899	OP 22	10Q1944	QT 3
10bQ1885	QP 1	27Q1885	QP 3	2Q1901	OP 39	11Q1944	QT 4
10cQ1885	QP 1	27aQ1885	QP 3		OP 45	16Q1944	QT 4
11Q1885	QP 51	27bQ1885	QP 3	2aQ1901	OP 39	17Q1944	QT 6
11aQ1885	QP 51	27cQ1885	QP 3		OP 45	18Q1944	QT 5
11bQ1885	QP 51	27dQ1885	QP 3	2bQ1901	OP 39	19Q1944	QT 6
11cQ1885	QP 51	30Q1885	QP 4		OP 45	20Q1944	QT 5
13Q1885	QP 1	30aQ1885	QP 4	5aQ1901	OP 39	22Q1944	QT 4
13aQ1885	QP 1	30bQ1885	QP 4	5bQ1901	OP 39	24Q1944	QT 3
13cQ1885	QP 1	34Q1885	QP 2	8Q1901	OP 21	32Q1944	QT 4
14Q1885	QP 1	38Q1885	QP 1	9Q1901	OP 39	34Q1944	QT 7
14aQ1885	QP 1	39Q1885	QP 4	9aQ1901	OP 39	35Q1944	QT 7
14bQ1885	QP 1	39aQ1885	QP 4	5Q1903	QP 19	36Q1944	QT 7
14cQ1885	QP 1	39cQ1885	QP 4	9Q1903	QP 18	37Q1944	QT 7
15Q1885	QP 1	39dQ1885	QP 4	9aQ1903	QP 18	38Q1944	QT 7
15aQ1885	QP 1	2Q1885	QT 7	9bQ1903	QP 18	39Q1944	QT 8
15bQ1885	QP 1	3Q1887	QP 7	10Q1903	QP 18	40Q1944	QT 8
15cQ1885	QP 1	4Q1887	QP 7	10aQ1903	QP 18	47Q1944	QT 9
16Q1885	QP 2	7Q1887	QP 7	10bQ1903	QP 18	50Q1944	QT 7
16aQ1885	QP 2	8Q1887	QP 7	14Q1903	QP 18	51Q1944	QT 7
16cQ1885	QP 2	11Q1887	QP 7, QP 8, QP 9, QP 10	15Q1903	QP 19	52Q1944	QT 8
18Q1885	QP 2, QP 38	2Q1888	QP 9	16Q1903	QP 19	53Q1944	QT 8
18aQ1885	QP 2, QP 4, QP 31	3Q1888	QP 9	19Q1903	EF 4	54Q1944	QT 7
	QP 31	4Q1888	QP 9	20Q1903	EF 4	55Q1944	QT 8
18bQ1885	QP 2, QP 31	9Q1888	QP 9	Q1905	QT 2	61Q1944	QT 11
18cQ1885	QP 2, QP 31	10Q1888	QP 9	8Q1905	QT 2	64Q1944	QT 4
19Q1885	QP 2	15Q1888	QP 12	7Q1905	QP 48, QT 2	66Q1944	QV 1
19aQ1885	QP 2	17Q1888	QP 12	8Q1905	QT 2	68Q1944	QT 9
19cQ1885	QP 2	8Q1892	QP 14	13Q1906	QV 1	76Q1944	QT 4
21Q1885	QP 2	11Q1892	QT 2	15Q1906	QV 2	34Q1953	QB 1
21aQ1885	QP 2	12Q1892	QP 14	16Q1906	QV 2	34aQ1953	QB 1
21cQ1885	QP 2	13Q1892	QP 14	37Q1906	QV 1		QB 2
22Q1885	QP 2	15Q1892	QP 14	44Q1906	QV 1	34bQ1953	QB 2
22aQ1885	QP 2	9Q1893	QW 1	45Q1906	QV 1	34hQ1953	QB 1

INDEX OF PART NUMBERS

(See also Supplementary pages, if any)

Part No.	Page No.	Part No.	Page No.	Part No.	Page No.	Part No.	Page No.
201958	QP. 40A	26Q2058	QW. 1	24Q2081	QP. 43	44Q2101	QP. 50A
	QT. 14	27Q2058	QW. 2	25Q2081	QP. 44	48Q2101	QP. 49A
301959	QP. 40A	28Q2058	QW. 2	25aQ2081	QP. 44	49Q2101	QP. 50A
	QT. 14	29Q2058	QW. 2	25bQ2081	QP. 44	50Q2101	QP. 48B
401959	QT. 14	30Q2058	QV. 1	27Q2081	QP. 43	52Q2101	QP. 50A
11Q1959	QT. 14	Q2072	QP. 17A	29Q2081	QP. 43	62Q2101	QP. 54A
23Q1959	QT. 14		QT. 13	29Q2081	QP. 43	68Q2101	QP. 42
24Q1959	QT. 14	2Q2073	QP. 22	33Q2081	QP. 38A	67Q2101	QP. 48B
25Q1959	QT. 14	4Q2074	QT. 13		QP. 45	70Q2101	QP. 50
32Q1959	QT. 14	6Q2074	QT. 13	33aQ2081	QP. 44	72Q2101	QP. 48B
38Q1959	QT. 12	8Q2074	QT. 13	33bQ2081	QP. 43	73Q2101	QP. 50C
1Q1988	QV. 2	7Q2074	QT. 13	34Q2081	QP. 37	80Q2101	QP. 54A
4Q1988	QV. 2	8Q2074	QT. 13	34aQ2081	QP. 37	86Q2101	QP. 42
5Q2031	QT. 15	9Q2074	QT. 13	34bQ2081	QP. 37	87Q2101	QP. 51
6Q2031	QT. 15	10Q2074	QT. 13	37Q2081	QP. 43	88Q2101	QP. 51
8Q2031	QT. 15	12Q2074	QT. 13	Q2082	JB. 5	89Q2101	QP. 51
9Q2031	QT. 16	13Q2074	QT. 12	2Q2082	QP. 46	90Q2101	QP. 51
12Q2031	QT. 17	14Q2074	QT. 12	2aQ2082	QP. 46	92Q2101	GA. 3
32Q2031	QT. 17	15Q2074	QT. 12	2bQ2082	QP. 46	94Q2101	GA. 3
33Q2031	QT. 16	16Q2074	QT. 12	2cQ2082	QP. 46	95Q2101	GA. 3
34Q2031	QT. 16	17Q2074	QT. 12	11aQ2082	QP. 37	96Q2101	GA. 3
9Q2035	QT. 18	18Q2074	QT. 12	11cQ2082	QP. 37	97Q2101	GA. 3
13Q2035	QT. 17	19Q2074	QT. 13	12aQ2082	QP. 46	98Q2101	GA. 3
14Q2035	QT. 17	20Q2074	QT. 14	20Q2082	QP. 43	99Q2101	GA. 3
27Q2035	QT. 17	21Q2074	QT. 14	21Q2082	QP. 43	100Q2101	GA. 3
30Q2035	QT. 17	4Q2075	QB. 8A	5Q2101	QP. 54	101Q2101	GA. 3
31Q2035	QT. 17	5Q2075	QB. 5A	8Q2101	QP. 54	102Q2101	QP. 54A
32Q2035	QT. 17	7Q2075	QT. 8	9Q2101	QP. 54	106Q2101	QP. 54A
33Q2035	QT. 17	Q2078	QP. 15	10Q2101	QP. 64A	111Q2101	QP. 48A
35Q2035	QT. 19	Q2079	JB. 5	11Q2101	QP. 54A	113Q2101	QP. 48B
36Q2035	QT. 18	10Q2079	QP. 59	12Q2101	QP. 54A	114Q2101	QP. 48A
37Q2035	QT. 18	10aQ2079	QP. 59	15Q2101	QP. 47	120Q2101	QP. 54B
38Q2035	QT. 19	10bQ2079	QB. 59	18Q2101	QP. 48A	121Q2101	QP. 54B
41Q2035	QT. 17	17Q2079	QP. 52	17Q2101	QP. 50	122Q2101	QP. 54B
Q2058	QW. 1	25Q2079	QP. 52	18Q2101	QP. 50B	123Q2101	QP. 54B
2Q2058	QW. 1	26Q2079	QP. 52	21Q2101	QP. 48	124Q2101	QP. 56
3Q2058	QW. 1	27Q2079	QP. 52	22Q2101	QP. 50	127Q2101	QP. 42
10Q2058	QW. 2	Q2080	JB. 5, QP. 59	23Q2101	QP. 49B	128Q2101	QP. 55
11Q2058	QW. 1	11Q2080	QP. 61	24Q2101	QP. 49B	131Q2101	QP. 55
12Q2058	QW. 1	11aQ2080	QP. 61	25Q2101	QP. 49A	132Q2101	QP. 56
13Q2058	QW. 1	11bQ2080	QP. 61		QP. 56	133Q2101	QP. 56
14Q2058	QW. 1	11cQ2080	QP. 61	26Q2101	QP. 48A	134Q2101	QP. 56
15Q2058	QW. 2	Q2081	JB. 5	28Q2101	QP. 67	135Q2101	QP. 56
18Q2058	QW. 2	10Q2081	QK. 11, QL. 1	29Q2101	QP. 67	136Q2101	QP. 56
17Q2058	QW. 1	18Q2081	QP. 44		QP. 48A	137Q2101	GA. 4
18Q2058	QW. 1	17aQ2081	QP. 44	30Q2101	QP. 48	138Q2101	GA. 4
19Q2058	QW. 1	18bQ2081	QP. 44	31Q2101	QP. 48	139Q2101	GA. 4
20Q2058	QW. 2	18cQ2081	QP. 44	33Q2101	QP. 48	140Q2101	GA. 4
21Q2058	QW. 2	18dQ2081	QP. 44	36Q2101	QP. 50A	141Q2101	QP. 56
23Q2058	QW. 1	20Q2081	QP. 45	38aQ2101	QP. 47	142Q2101	QP. 42B
24Q2058	QW. 1	21aQ2081	QP. 45	42Q2101	QP. 48	142Q2101	QP. 49A
25Q2058	QW. 2	22aQ2081	QP. 45	43Q2101	QP. 50B	144Q2101	QP. 48A

VULCAN No. 7

INDEX OF PART NUMBERS

Page W. 55

(See also Supplementary pages, if any)

Part No	Page No	Part No	Page No.	Part No	Page No.	Part No	Page No.
146Q2101	QP. 42	235Q2101	QP. 50B	298Q2101	QP. 56	48Q2102	QP. 64B
149Q2101	QP. 48	236Q2101	QP. 50B	299Q2101	QP. 49B	49Q2102	QP. 66
150Q2101	QP. 48	237Q2101	QP. 50B	300Q2101	QP. 49B	50Q2102	QP. 64A
154Q2101	QP. 48	238Q2101	QP. 56A	301Q2101	QP. 49B	51Q2102	QP. 65
155Q2101	QP. 48	239Q2101	QP. 50C	302Q2101	QP. 49	52Q2102	QP. 64B
157Q2101	QP. 48	240Q2101	QP. 50C	303Q2101	QP. 49	54Q2102	QP. 65
158Q2101	QP. 48A	241Q2101	QP. 56A	304Q2101	QP. 49	55Q2102	QP. 63
161Q2101	QP. 48A	242Q2101	QP. 56A	305Q2101	QP. 49	56Q2102	QP. 66A
162Q2101	QP. 48A	243Q2101	QP. 56A	306Q2101	QP. 49A	57Q2102	QP. 63
166Q2101	QP. 48A	244Q2101	QP. 56A	307Q2101	QP. 49B	58Q2102	QP. 67
167Q2101	QP. 48A	247Q2101	QP. 56	308Q2101	QP. 49B	59Q2102	QP. 68
168Q2101	QP. 48B	252Q2101	QP. 56A	309Q2101	QP. 49B	60Q2102	QP. 66
169Q2101	QP. 48A	253Q2101	QP. 56B	310Q2101	QP. 50B	61Q2102	QP. 63B
170Q2101	QP. 42A	254Q2101	QP. 56B	311Q2101	QP. 50B	63Q2102	QP. 64
171Q2101	QP. 42A	255Q2101	QP. 56B	312Q2101	QP. 50B	64Q2102	QP. 64A
172Q2101	QP. 42A	256Q2101	QP. 25	313Q2101	QP. 50	65Q2102	QP. 63A
173Q2101	QP. 42A	257Q2101	QP. 54	314Q2101	QP. 50	67Q2102	QP. 64
174Q2101	QP. 42A	258Q2101	QP. 56A	315Q2101	QP. 50	68Q2102	QP. 64A
175Q2101	QP. 42A	259Q2101	QP. 56B	316Q2101	QP. 49	69Q2102	QP. 64
176Q2101	QP. 42B	260Q2101	QP. 56A	329Q2101	QP. 42D	70Q2102	QP. 64
177Q2101	QP. 42B	261Q2101	QP. 54	330Q2101	QP. 42D	71Q2102	QP. 68A
178Q2101	QP. 56	262Q2101	QP. 54A	10Q2102	QP. 66	72Q2102	QP. 66B
179Q2101	QP. 56	263Q2101	QP. 56A	11Q2102	QP. 66	73Q2101	QP. 66B
180Q2101	QP. 56	264Q2101	QP. 54	12Q2102	QP. 66	74Q2102	QP. 64B
182Q2101	QP. 42B	265Q2101	QP. 54A	13Q2102	QP. 66A	75Q2102	QP. 65
187Q2101	QP. 48B	266Q2101	QP. 55	14Q2102	QP. 66A	76Q2102	QP. 65
190Q2101	QP. 42B	267Q2101	QP. 55	15Q2102	QP. 66A	77Q2102	QP. 66
191Q2101	QP. 48B	268Q2101	QP. 55	16Q2102	QP. 72	78Q2102	QP. 66A
192Q2101	QP. 49	269Q2101	QP. 56	17Q2102	QP. 66A	79Q2102	QP. 66A
193Q2101	QP. 48B	270Q2101	QP. 56	18Q2102	QP. 66A	80Q2102	QP. 66
194Q2101	QP. 49	271Q2101	QP. 54	19Q2102	QP. 66A	81Q2102	QP. 63
195Q2101	QP. 42B	272Q2101	QP. 56	20Q2102	QP. 66B	82Q2102	QP. 63
196Q2101	QP. 48B	273Q2101	QP. 54A	21Q2102	QP. 66B	83Q2102	QP. 65
208Q2101	QP. 48B	274Q2101	QP. 54A	22Q2102	QP. 66B	84Q2102	QP. 64B
210Q2101	QP. 49	275Q2101	QP. 54A	23Q2102	QP. 66B	85Q2102	QP. 66A
211Q2101	QP. 47	276Q2101	QP. 54B	25Q2102	QP. 66A	2Q2103	QP. 35
212Q2101	QP. 49	277Q2101	QP. 56	27Q2102	QP. 67	3Q2103	QP. 35
213Q2101	QP. 49	278Q2101	GA. 4	30Q2102	QP. 64	4Q2103	QP. 35
214Q2101	QP. 49	279Q2101	QP. 54B	31Q2102	QP. 67	5Q2103	QP. 35A
215Q2101	QP. 49A	281Q2101	QP. 56A	32Q2102	QP. 66	6Q2103	QP. 35A
216Q2101	QP. 49A	282Q2101	GA. 4	33Q2102	QP. 66B	7Q2103	QP. 35A
217Q2101	QP. 49A	283Q2101	QP. 56B	34Q2102	QP. 63B	8Q2103	QP. 35
218Q2101	QP. 49B	284Q2101	QP. 56B	35Q2102	QP. 63B	20Q2103	QP. 38A
219Q2101	QP. 49B	285Q2101	QP. 56A	36Q2102	QP. 63A	24Q2103	QP. 38A
220Q2101	QP. 50	287Q2101	QP. 54B	37Q2102	QP. 64A	26Q2103	QP. 31
221Q2101	QP. 50	288Q2101	QP. 56A	38Q2102	QP. 63	27Q2103	QP. 31
223Q2101	QP. 50	289Q2101	GA. 4	39Q2102	QP. 63A	28Q2103	QP. 32
224Q2101	QP. 50	290Q2101	QP. 54B	40Q2102	QP. 63A	29Q2103	QP. 33
225Q2101	QP. 50	291Q2101	QP. 55	41Q2102	QP. 66A	30Q2103	QP. 33
226Q2101	QP. 50A	292Q2101	QP. 55	42Q2102	QP. 64A	31Q2103	QP. 33
227Q2101	QP. 50B	293Q2101	QP. 54B	43Q2102	QP. 63B	32Q2103	QP. 31
230Q2101	QP. 50A	294Q2101	GA. 3	44Q2102	QP. 63B	33Q2103	QP. 29
231Q2101	QP. 50A	295Q2101	GA. 4	45Q2102	QP. 66B	34Q2103	QP. 29
232Q2101	QP. 50A	296Q2101	QP. 56	46Q2102	QP. 64A	35Q2103	QP. 30
233Q2101	QP. 50B	297Q2101	QP. 56	47Q2102	QP. 64B	36Q2103	QP. 30

INDEX OF PART NUMBERS

(See also Supplementary pages, if any)

Part No.	Page No.	Part No.	Page No.	Part No.	Page No.	Part No.	Page No.
37Q2103	QP. 30	43Q2110	QA. 54	100Q2111	QC. 11	174Q2111	QC. 4
38Q2103	QP. 30	45Q2110	QA. 54	101Q2111	QC. 11	175Q2111	QC. 5
39Q2103	QP. 30		QP. 70	102Q2111	QC. 10	178Q2111	QC. 4B
40Q2103	QP. 30	47Q2110	QA. 54	103Q2111	QC. 9	177Q2111	QC. 4
41Q2103	QP. 35A	53Q2110	QA. 53	104Q2111	QC. 9	178Q2111	QC. 4
42Q2103	QP. 35A	54Q2110	QA. 53	105Q2111	QC. 3	1Q2112	QC. 7
43Q2103	QP. 35A	54aQ2110	QA. 53	107Q2111	QC. 7	7Q2112	QC. 7
44Q2103	QP. 35B	55Q2110	QA. 54	108Q2111	QC. 7	11Q2112	QC. 7
45Q2103	QP. 35B	56Q2110	QA. 54	109Q2111	QC. 2	15Q2112	QC. 7
46Q2103	QP. 35B	58Q2110	QA. 52	110Q2111	QC. 2	16Q2112	QC. 7
48Q2103	QP. 38A	59Q2110	QA. 53	111Q2111	QC. 2	17Q2112	QC. 7
49Q2103	QP. 38	60Q2110	QA. 53	112Q2111	QC. 3	1Q2113	QC. 7
50Q2103	QP. 38A	61Q2110	QA. 53	113Q2111	QC. 4	9Q2113	QC. 7
51Q2103	QP. 31	62Q2110	QA. 53	114Q2111	QC. 3	1Q2114	QC. 8
52Q2103	QP. 31	63Q2110	QA. 52		QC. 4	5Q2114	QC. 8
71Q2103	QP. 35A	1Q2111	QC. 2	116Q2111	QC. 5	9Q2114	QC. 8
72Q2103	QP. 35A	4Q2111	QC. 3	116aQ2111	QC. 5	10Q2114	QC. 8
73Q2103	QP. 35	5Q2111	QC. 9	117Q2111	QC. 4B	13Q2114	QC. 8
74Q2103	QP. 35B	6Q2111	QC. 8	118Q2111	QC. 3	14Q2114	QC. 8
75Q2103	QP. 36	6aQ2111	QC. 8	120Q2111	QC. 4B	28Q2114	QC. 8
76Q2103	QP. 36B	7Q2111	QC. 8	121Q2111	QC. 4A	29Q2114	QC. 8
77Q2103	QP. 35B	8Q2111	QC. 8	122Q2111	QC. 4	30Q2114	QC. 8
78Q2103	QP. 35B	10Q2111	QC. 9	123Q2111	QC. 3	32Q2114	QC. 8
79Q2103	QP. 35	13Q2111	QC. 9	124Q2111	QC. 4B	34Q2114	QC. 8
80Q2103	QP. 35	14Q2111	QC. 9	125Q2111	QC. 5	35Q2114	QC. 8
81Q2103	QP. 35A	15Q2111	QC. 9	126Q2111	QC. 6	36Q2114	QC. 8
82Q2103	QP. 35B	20Q2111	QC. 3	127Q2111	QC. 4A	37Q2114	QC. 8
83Q2103	QP. 35B	21Q2111	QC. 3	128Q2111	QC. 4	38Q2114	QC. 8
84Q2103	QP. 35A	22Q2111	QC. 3	129Q2111	QC. 5	39Q2114	QC. 8
85Q2103	QP. 35A	35Q2111	QC. 4	148Q2111	QC. 9	40Q2114	QC. 8
86Q2103	QP. 35A		QC. 4A	149Q2111	QC. 9	1Q2115	QC. 8
87Q2103	QP. 38		QC. 4B	150Q2111	QC. 10	1Q2117	QA. 55
88Q2103	QP. 38A	35aQ2111	QC. 5	151Q2111	QC. 10	3Q2117	QA. 55
91Q2103	QP. 38	36Q2111	QC. 4A	155Q2111	QC. 8	4Q2117	QA. 55
92Q2103	QP. 38A		QC. 4B	156Q2111	QC. 4A	6Q2117	QA. 55
Q2110	QA. 52	39Q2111	QC. 4B	157Q2111	QC. 4B	18Q2210	QP. 7
2Q2110	QA. 52	40Q2111	QC. 4A	158Q2111	QC. 5	19Q2210	QP. 7
3Q2110	QA. 52	41Q2111	QC. 9	159Q2111	QC. 6	20Q2210	QP. 7
14Q2110	QA. 52	42Q2111	QC. 9	160Q2111	QC. 4	21Q2210	QP. 7
15Q2110	QA. 52	43Q2111	QC. 9	161Q2111	QC. 5	30Q2210	QP. 17
16Q2110	QA. 52	44Q2111	QC. 9	162Q2111	QC. 5	31Q2210	QP. 17
22Q2110	QA. 53	46Q2111	QC. 4A	163Q2111	QC. 3	33Q2210	QP. 17
24Q2110	QA. 56	49Q2111	QC. 9	164Q2111	QC. 3	34Q2210	QP. 10B
24aQ2110	QP. 40B	61Q2111	QC. 3	165Q2111	QC. 2	35Q2210	QP. 10B
25Q2110	QA. 53	74Q2111	QC. 4	166Q2111	QC. 4	41Q2210	QP. 10B
26Q2110	QA. 53	82Q2111	QC. 5	167Q2111	QC. 4B	42Q2210	QP. 10B
27Q2110	QA. 53	83Q2111	QC. 6	168Q2111	QC. 4A		QP. 54
33Q2110	QA. 53	84Q2111	QC. 6	169Q2111	QC. 4	44Q2210	QP. 10B
38Q2110	QA. 54	87Q2111	QC. 3	170Q2111	QC. 5	47Q2210	QP. 10A
37Q2110	QA. 54	95Q2111	QC. 6	171Q2111	QC. 5	48Q2210	QP. 10A
39Q2110	QA. 54	98Q2111	QC. 11	172Q2111	QC. 6	49Q2210	QP. 6
41Q2110	QA. 55	99Q2111	QC. 11	173Q2111	QC. 4A	50Q2210	QP. 6
42Q2110	QA. 55						

WZCNR 08 2

INDEX OF PART NUMBERS

(See also Supplementary pages, if any)

Part No.	Page No.	Part No.	Page No.	Part No.	Page No.	Part No.	Page No.
52Q2210	QP. 10A	7bQ2211	QP. 4	25Q2243	QV. 2	11Q2254	QT. 16
57Q2210	QP. 6	7cQ2211	QP. 4	26Q2243	QV. 2	12Q2254	QT. 16
58Q2210	QP. 6	8Q2211	QP. 1	27Q2243	QV. 2	13Q2254	QT. 17
62Q2210	QP. 9	10Q2211	QB.2, QB.31	28Q2243	QV. 2	14Q2254	QT. 17
63Q2210	QP. 9	10aQ2211	QB.2, QB.31	29Q2243	QV. 2	15Q2254	QT. 17
64Q2210	QP. 6	10cQ2211	QB.2, QB.31	30Q2243	QV. 2	16Q2254	QT. 17
65Q2210	QP. 9	13Q2212	QP. 32	31Q2243	QV. 2	17Q2254	QT. 17
66Q2210	QP. 7		QP. 51	32Q2243	QV. 1	18Q2254	QT. 18
67Q2210	QP. 7	13aQ2212	QP. 32	36Q2243	QV. 2	19Q2254	QT. 18
68Q2210	QP. 7		QP. 51	1Q2244	QV. 2	20Q2254	QT. 18
69Q2210	QP. 7	13bQ2212	QP. 32		SA. 1	21Q2254	QT. 15
74Q2210	QP. 6		QP. 51	2Q2244	SA. 1	22Q2254	QT. 15
75Q2210	QP. 6	14Q2212	QB. 3	3Q2244	SA. 1	23Q2254	QT. 15
85Q2210	QP. 8	14aQ2212	QB. 3	4Q2244	SA. 1	24Q2254	QT. 15
86Q2210	QP. 5	14bQ2212	QB. 3	5Q2244	SA. 1	25Q2254	QT. 15
87Q2210	QP. 5	15Q2212	QP. 31	6Q2244	SA. 1	26Q2254	QT. 15
88Q2210	QP. 5	16Q2212	QP. 31	7Q2244	SA. 1	27Q2254	QT. 15
89Q2210	QP. 5	17Q2212	QP. 32	8Q2244	SA. 1	28Q2254	QT. 15
91Q2210	QP. 17	Q2213	QB. 5A	9Q2244	SA. 1	29Q2254	QT. 15
92Q2210	QP. 17A	2Q2213	QB. 5A	10Q2244	SA. 1		QT. 18
93Q2210	QP. 17A	10Q2214	QT. 11	11Q2244	SA. 1	30Q2254	QT. 15
136Q2210	QP. 8	11Q2214	QT. 4	18Q2244	SA. 1		QT. 19
137Q2210	QP. 8	12Q2214	QT. 8	21Q2244	SA. 1	35Q2254	QT. 19
138Q2210	QP. 16	13Q2214	QT. 9	Q2245	QT. 10	36Q2254	QT. 19
139Q2210	QP. 17	14Q2214	QT. 9	2Q2245	CV. 2	37Q2254	QT. 18
140Q2210	QP. 17	17Q2214	QT. 9	8Q2245	CV. 2	38Q2254	QT. 15
141Q2210	QP. 42B	18Q2214	QT. 9	15Q2245	CV. 1	39Q2254	QT. 18
142Q2210	QP. 42B	19Q2214	QT. 3	19Q2245	CV. 1	Q2255	QP. 17
143Q2210	QP. 42B	20Q2214	QT. 3	21Q2245	CV. 1	39Q2255	QP. 17
144Q2210	QP. 42B	21Q2214	QT. 3	Q2247	CA. 3	4Q2256	QT. 14
145Q2210	QP. 42C	22Q2214	QT. 9	1Q2247	CA. 3	6Q2256	QT. 14
146Q2210	QP. 42C	25Q2214	QT. 9	5Q2249	QP. 39	1Q2258	QT. 15
147Q2210	QP. 42C	26Q2214	JA. 32	5aQ2249	QP. 39	2Q2258	QT. 18
148Q2210	QP. 42C	38Q2214	QT. 9	5bQ2249	QP. 39	3Q2258	QT. 15
149Q2210	QP. 42C	40Q2214	QT. 8	6aQ2249	QP. 39	7Q2258	QT. 17
150Q2210	QP. 42C	42Q2214	QT. 4	6bQ2249	QP. 39	11Q2258	QT. 16
151Q2210	QP. 42C	43Q2214	QT. 6	6cQ2249	QP. 39	16Q2258	QT. 15
152Q2210	QP. 42C	44Q2214	QT. 5	8Q2249	QP. 39	18aQ2258	QT. 18
153Q2210	QP. 42C	45Q2214	QT. 5	9Q2249	QP. 39	18bQ2258	QT. 18
154Q2210	QP. 42C	46Q2214	QT. 5	12Q2249	QP. 39	22Q2258	QT. 15
155Q2210	QP. 42D	47Q2214	QT. 5	1Q2251	CA. 3	37aQ2258	QT. 18
156Q2210	QP. 42D	48Q2214	QT. 8	2Q2251	CA. 3	37bQ2258	QT. 18
157Q2210	QP. 8	49Q2214	QT. 8	2dQ2251	CA. 3	42Q2258	QT. 17
158Q2210	QP. 5	50Q2214	QT. 8	3Q2251	CA. 3	43aQ2258	QT. 15
159Q2210	QP. 5	79Q2214	QT. 9	4Q2251	CA. 3	44aQ2258	QT. 15
180Q2210	QP. 5	Q2215	QT. 6A	5Q2251	CA. 3	83Q2262	QP. 14
181Q2210	QP. 5	3Q2215	QT. 6A	6Q2251	CA. 3	84Q2262	QP. 14
184Q2210	QP. 42C	13Q2215	QT. 6A	2Q2254	QT. 18	88Q2262	QP. 13
165C2210	QP. 42C	Q2216	QT. 7	3Q2254	QT. 18	89Q2262	QP. 13
Q2211	JB. 4	2Q2219	QP. 14	4Q2254	QT. 18	90Q2262	QP. 13
3Q2211	QP. 4	4Q2219	QP. 14	5Q2254	QT. 18	91Q2262	QP. 13
3aQ2211	QP. 4	9Q2243	QV. 1	6Q2254	QT. 18	196Q2262	QP. 13
3bQ2211	QP. 4	14Q2243	QV. 1	7Q2254	QT. 18	197Q2262	QP. 13
3cQ2211	QP. 4	16Q2243	QV. 1	8Q2254	QT. 18	198Q2262	QP. 13
7Q2211	QP. 4	17Q2243	QV. 1	9Q2254	QT. 18	199Q2262	QP. 13
7aQ2211	QP. 4	24Q2243	QV. 1	10Q2254	QT. 18	1Q2265	QT. 18

INDEX OF PART NUMBERS

(See also Supplementary pages, if any)

Part No.	Page No.	Part No.	Page No.	Part No.	Page No.	Part No.	Page No.
9Q2286	QP. 13	5Q3767	QC. 7	15Q3773	QA. 24	17R3484	EH. 1
10Q2286	QP. 13	12Q3767	QC. 10	Q3774	QA. 23	8R3485	EJ. 10
4Q2287	QP. 14	13Q3767	QC. 10	9Q3774	QA. 25	10R3485	EJ. 10
3Q2321	QP. 14	14Q3767	QC. 10	12Q3774	QA. 25	16R3485	EJ. 10
2Q2321	QP. 6A	15Q3767	QC. 10	Q3814	QC. 10	23R3488	EJ. 7
	QP. 6B	16Q3767	QC. 10	3Q3814	QC. 10	11R3502	EG. 22
4Q2322	QP. 6A	17Q3767	QC. 10	3aQ3814	QC. 10	19R3502	EG. 22
5Q2322	QP. 6B	18Q3767	QC. 6	4Q3814	QC. 10	17R3503	EH. 3
8Q2322	QP. 6, QP. 6B	18aQ3767	QC. 6	3Q3865	QP. 15, QP. 46	34R3503	EH. 5
1Q3864	NB. 9	18Q3767	QC. 6	Q3884	QP. 40A	3R3504	EH. 3
2Q3864	NB. 9	19aQ3767	QC. 7	5Q3884	QP. 40A	1R3566	EF. 6
7Q3864	NB. 9	20Q3767	QC. 11	6Q3884	QP. 40A	5R3512	EJ. 9, EJ. 10
8Q3864	NB. 9	21Q3767	QC. 11	7Q3884	QP. 40A	10R3512	EJ. 8
9Q3864	NB. 10	22Q3767	QC. 11	8Q3884	QP. 40B	10R3540	EH. 5
10Q3864	NB. 10	23Q3767	QC. 10	9Q3884	QP. 40B	12R3540	EH. 6
11Q3864	NB. 10	24Q3767	QC. 10	9aQ3884	QP. 40B	5R3541	EJ. 8
12Q3864	NB. 10	25Q3767	QC. 10	10Q3884	QP. 40B	17R3543	EN. 1
13Q3864	NB. 10	26Q3767	QC. 10	11Q3884	QP. 40B	18R3543	EN. 1
16Q3864	NB. 13	28Q3767	QC. 6	12Q3884	QP. 40B	19R3543	EN. 1
17Q3864	NB. 10	28aQ3767	QC. 6	2Q3885	QA. 25	21R3543	EN. 2
19Q3864	NB. 10		QC. 7	2Q3889	QP. 40B	21bR3543	EN. 2
20Q3864	NB. 9	29Q3767	QC. 7	1Q3889	QP. 40B	22R3543	EN. 2
21Q3864	NB. 9	3Q3771	QA. 23	1R2855	EG. 1	22bR3543	EN. 2
26Q3864	NB. 9	7Q3771	QA. 24	3R3101	EG. 18	23R3543	EN. 1
28Q3864	NB. 10	16Q3771	QA. 24	4R3158	EK. 1	24R3543	EN. 1
32Q3364	NB. 11	20Q3771	QA. 23	1R3268	EG. 1	25R3543	EN. 2
33Q3864	NB. 12	23Q3771	QA. 24	2R3268	EG. 1	26R3543	EN. 2
40Q3864	NB. 9	24aQ3771	QA. 24	87R3298	EF. 10	25R3546	EG. 22
43Q3864	NB. 12	26Q3771	QA. 24		EG. 5	2R3555	EG. 9
50Q3864	NB. 10	40Q3771	QA. 23	87aR3296	EG. 5	6R3555	EG. 9
58Q3864	NB. 10	Q3772	PE. 9	87bR3298	EG. 5	7R3555	EG. 9
60Q3864	NB. 11	2Q3772	PE. 10	97R3298	EG. 20	8R3555	EG. 9
61Q3864	NB. 11	3Q3772	PE. 10	34R3303	EH. 4	6R3563	EF. 2
62Q3864	NB. 11	4Q3772	PE. 10	15R3323	EF. 7	7R3563	EF. 2
63Q3864	NB. 11	5Q3772	PE. 10	1R3401	EG. 1	12R3563	EF. 2
64Q3864	NB. 11	6Q3772	PE. 10	2R3401	EG. 1	13R3563	EF. 2
65Q3864	NB. 11	10Q3772	PE. 10	3R3401	EG. 1	13bR3563	EF. 2
67Q3864	NB. 10	11Q3772	PE. 10	R3419	EG. 1	13dR3563	EF. 1
68Q3864	NB. 9	12Q3772	PE. 10	2R3419	EG. 2	14R3563	EF. 2
103Q3664	NB. 11	13Q3772	PE. 10	2R3425	EG. 2	15R3563	EF. 2
107Q3644	NB. 11	14Q3772	PE. 10	1R3460	EF. 1, EG. 1, EG. 2, EG. 3,	16R3563	EF. 2
108Q3864	NB. 11	18Q3772	PE. 10		JE. 2	17R3563	EF. 7
109Q3864	NB. 11	19Q3772	PE. 10		EG. 10	18R3563	EF. 7
110Q3864	NB. 12	2Q3773	QA. 24	3R3486	EG. 10	19R3563	EF. 7
4Q3675	QP. 46	4Q3773	QA. 24	5R3486	EG. 10	23R3563	EF. 2
2Q3883	QP. 46	5Q3773	QA. 24	6R3484	EJ. 7	25R3563	EF. 2
3Q3883	QP. 46	6Q3773	QA. 24			26R3563	EF. 2
5Q3883	QP. 46	9Q3773	QA. 24			27R3563	EF. 2
6Q3883	QP. 46	10Q3773	QA. 24			31R3563	EF. 2
1Q3721	NB. 9	11Q3773	QA. 24			32R3563	EF. 2
2Q3767	QC. 9	12Q3773	QA. 24			33R3563	EF. 2
3Q3767	QC. 10	13Q3773	QA. 25			1R3566	EF. 5
4Q3767	QC. 7	14Q3773	QA. 25			3R3566	EF. 5

INDEX OF PART NUMBERS

Page W 50

(See also Supplementary pages, if any)

Part No.	Page No.	Part No.	Page No.	Part No.	Page No.	Part No.	Page No.
5R3566	EF 5	50R3574	EF 3	100R3577	EG 26	130R3577	EF 9
6R3566	EF 5	51R3574	EF 3	(contd.)	EG 27	131R3577	EF 10
7R3566	EF 5	55R3574	EF 3		EG 29	132R3577	EG 24
11R3566	EF 5	58R3574	EF 5		EG 30	133R3577	EG 24
12R3566	EF 5	57R3574	EF 6		EG 32	134R3577	EG 25
1R3568	EF 8	58R3574	EF 6		EG 33	136R3577	EG 25
4R3568	EF 7	60R3574	EF 6		EJ 6, EJ 7	137R3577	EG 25
5R3568	EF 7, EF 8	61R3574	EF 7	101R3577	EG 20	138R3577	EG 25
33R3568	EG 14	62R3574	EF 7		EG 25	141R3577	EG 27
1R3570	EF 8	3R3575	EF 12		EG 28	142R3577	EG 28
4R3570	EF 8	5R3575	EF 12		EG 29	143R3577	EG 28
5R3570	EF 8	9R3575	EF 12		EG 30	144R3577	EG 27
6R3570	EF 8	10R3575	EF 13		EG 31	145R3577	EG 28
7R3570	EF 8	11R3575	EF 13		EH 3, EH 4	147R3577	EG 28
1R3571	EF 8	12R3575	EF 13	102R3577	EF 9, EF 10,	148R3577	EG 29
3R3574	EF 5, EF 7	14R3575	EF 12		EG 24	149R3577	EG 27
4R3574	EF 6	12R3577	EF 8	103bR3577	EF 10	158R3577	EG 24
5R3574	EF 5	38R3577	EG 25		EF 12	158R3577	EG 24
6R3574	EF 5		EG 28		EF 27	177R3577	EF 10
7R3574	EF 6	77R3577	EF 9, EF 11,		EG 28	179R3577	EH 1
7bR3574	EF 6		EF 12	107R3577	EF 10	179aR3577	EH 1
8cR3574	EF 6		EJ 6		EG 27	2R3583	EG 2
10R3574	EF 5		EJ 7		EG 28	2R3584	EG 2
11R3574	EF 3		EK 5	111R3577	JE 6	3R3584	EG 2, CJ 2
13R3574	EF 6	78R3577	EF 9, EF 11,	112R3577	EH 1, RB 6	2R3585	EG 2
14R3574	EF 5		EF 12	112aR3577	EH 1	6R3592	EG 24
18R3574	EF 3, EF 5		EG 25	119R3577	EH 5	6bR3592	EG 24
17R3574	EF 5		EG 26	121R3577	EF 12	14R3592	EN 2
19R3574	EF 7		EG 27		EG 24	30R3592	EN 2
20R3574	EF 4, EF 5		EG 29		EG 25	11R3594	EG 13
21R3574	EF 6		EG 30		EG 26		EG 17
25R3574	EF 7		EG 31		EG 27	12R3594	EG 17
26R3574	EF 7		EG 33		EG 28	14R3594	EG 17
27R3574	EF 4		EJ 6	122R3577	EG 26	7R3596	EG 23
28R3574	EF 7	79R3577	EF 9, EF 10,		EG 28	8R3598	EG 23
31R3574	EF 6		EF 11		EG 29	10R3600	EG 21
32R3574	EF 4		EF 12		EG 30	12R3598	EG 23
33R3574	EF 6		EG 19		EH 4	32R3598	EG 22
35R3574	EF 7		EG 20	123R3577	EF 9, EF 10,	45R3598	EG 22
38R3574	EF 5		EG 23		EF 11	60R3598	EG 22
39R3574	EF 7		EG 25	124R3577	EF 10	4R3600	EG 23
41R3574	EF 4, OP 18		EG 26		EF 12	5R3600	EG 23
41bR3574	EF 4, OP 23		EG 27		EG 27	1R3601	EG 22
42R3574	EF 4, OP 18		EG 29		EG 28	1R3602	EF 3
42bR3574	EF 4, OP 23	86R3577	EF 2	125R3577	EF 10	2R3602	EF 3
45R3574	EF 4	87R3577	EF 2, EG 4		EF 11	8R3602	EF 3
45aR3574	EF 4	90R3577	EF 1		EG 27	7R3602	EF 3
45dR3574	EF 4	91R3577	EF 1		EG 28	8R3602	EF 3
48R3574	EF 6	95R3577	EF 9, EF 10	126R3577	EF 9, EF 10,	9R3602	EF 3
48aR3574	EF 6	100R3577	EF 11		EG 24	10R3602	EF 3
48bR3574	EF 8		EF 12	128R3577	EF 9	11R3602	EF 3
48dR3574	EF 6		EG 26	129R3577	EF 9	14R3602	EF 3

INDEX OF PART NUMBERS

(See also Supplementary pages, if any)

Part No.	Page No.	Part No.	Page No.	Part No.	Page No.	Part No.	Page No.
15R3602	EF. 3	1R3649	EF. 6	6R3978	EG. 1	18R4145	EJ. 10, EK. 3
1R3603	EF. 3	2R3649	EF. 6	7R3978	EG. 1	17R4145	EK. 4
3R3603	EF. 3	3R3649	EF. 6	8R3978	EG. 1	18R4145	EK. 2
6R3603	EF. 3	1R3650	EF. 6	5R3996	EH. 5	19R4145	EK. 3
2R3605	EF. 8	2R3650	EF. 6	6R3996	EH. 5	20R4145	EK. 3
3R3605	EF. 8, EF. 11,	3R3650	EF. 6	8R3996	EH. 5	21R4145	EK. 3
	EF. 12	1R3650	EF. 6	9R3996	EH. 5	7R4152	MB. 1, MB. 5
4R3605	EF. 8, EF. 11,	2R3650	EF. 6	8R3997	EJ. 8, EK. 3	8R4152	MB. 1, MB. 5
	EF. 12	3R3650	EF. 6	11R4085	EF. 7	9R4152	EJ. 7
7R3605	EF. 8, EF. 11,	13R3657	EG. 22	4R4087	EF. 7	1R4153	EJ. 9
	EF. 12	13bR3657	EG. 22	5R4087	EF. 7	2R4153	EJ. 9
8R3605	EF. 8	22R3658	FB. 14	2R4089	EF. 1	3R4153	EJ. 10
5R3611	EH. 5	25R3658	FB. 14	3R4089	EF. 1	4R4153	EJ. 10
2R3614	EH. 3	27R3658	EG. 22	4R4089	EF. 2	6R4153	EJ. 9
3R3614	EH. 3	30R3658	EG. 22	5R4089	EF. 2	8R4153	EJ. 10
3R3619	EG. 3	33R3658	EG. 22	6R4089	EF. 1	10R4153	EJ. 9
37R3626	EG. 18	35R3658	EG. 22	8R4089	EF. 1	1R4154	EJ. 8
50R3626	EG. 21	42R3658	EG. 22	1R4092	EF. 7	2R4154	EJ. 6
1R3628	EF. 1	2R3661	EG. 22	6R4095	EG. 23	3R4154	EJ. 9
2R3628	EF. 1	3R3661	EG. 22	6R4096	EG. 23	4R4154	EJ. 9
3R3628	EF. 1	36R3661	EG. 22	7R4096	EG. 23	7R4154	EJ. 9
4R3628	EF. 1	16aR3662	EF. 2	10R4096	EG. 23	8R4154	EJ. 9
6R3631	EG. 18	17aR3662	EF. 2	7R4097	EG. 22	3R4155	EG. 15
5R3632	EG. 18	8R3666	EG. 18	8R4097	EG. 22	4R4155	EG. 15
2R3634	EN. 2		EG. 19	21R4097	EG. 22	5R4155	EG. 15
3R3634	EN. 2	9R3666	EB. 2, EG. 5,	28R4097	EG. 22	7R4155	EG. 16
11R3634	EN. 2		EG. 8	31R4097	EG. 14	8R4155	EG. 15
15R3634	EN. 3		EG. 11	33R4097	EG. 23	10R4155	EG. 15
15aR3634	EN. 3		EG. 16	34R4097	EG. 21	11R4155	EG. 15
16R3634	EN. 2		EG. 17	1R4101	EG. 18	12R4155	EG. 15
17R3634	EN. 2		EG. 19	2R4101	EG. 18	13R4155	EG. 14
18R3634	EN. 1		EG. 32	3R4101	EG. 18	14R4155	EG. 15
20R3634	EN. 3		EH. 3	4R4101	EG. 19	15R4155	EG. 14
21R3634	EN. 3		MC. 29	1R4102	EG. 18	16R4155	EG. 15
22R3634	EN. 3	1R3853	EG. 22	2R4102	EG. 18	17R4155	EG. 15
23R3634	EN. 3	1R3856	EG. 22	3R4102	EG. 18	20R4155	EG. 14
24R3634	EN. 2	7R3877	EG. 1	1R4105	EH. 3	21R4155	EG. 15
25R3634	EN. 2	1R3952	EF. 13	5R4105	EH. 3	3R4156	EG. 16
26R3634	EN. 2	2R3952	EF. 13	6R4105	EH. 3	12R4158	EG. 17
28R3634	EN. 1	3R3952	EF. 13	7R4105	EH. 3	28R4158	EG. 16
31R3634	EN. 1	4R3952	EF. 13	1R4112	EH. 29	34R4158	EG. 16
32R3634	EN. 1	5R3952	EF. 13	3R4112	EH. 28	35R4158	EG. 16
32cR3634	EN. 1	6R3952	EF. 13		EG. 29	38R4158	EG. 16
33R3634	EN. 2	4R3977	EG. 1	1R4113	EG. 31	37R4158	EG. 16
34R3634	EN. 2	5R3977	EG. 1	1R4116	EF. 11	37aR4158	EG. 16
38R3634	EN. 2	7R3977	EG. 1	3R4144	EK. 3	41R4158	EG. 16
39R3634	EN. 2	8R3977	EG. 1	6R4144	EK. 3	42R4158	EG. 17
42R3634	EN. 1	9R3977	EG. 1	3R4145	EK. 2	46R4158	EG. 17
42aR3634	EN. 1	2R3978	EG. 2	4R4145	EK. 3	49R4158	EG. 17
43R3634	EN. 1	2R3978	EG. 2	7R4145	EJ. 8	50R4158	EG. 17
2R3646	EF. 5	4R3978	EG. 1	8R4145	EK. 4	51R4158	EG. 14
3R3646	EF. 5	5R3978	EG. 1	9R4145	EK. 5	2R4157	EJ. 3, EJ. 4

INDEX OF PART NUMBERS

(See also Supplementary pages, if any)

Part No.	Page No.	Part No.	Page No.	Part No.	Page No.	Part No.	Page No.
3R4157	EJ 3	7R4184	EG 12	BR4188	EG 30	4R4352	EF 13
8R4157	EJ 3	9R4184	EG 12	BR4188	EG 30	5R4352	EF 12
2R4158	EJ 4		EK 5	11R4188	EG 8	8R4352	EF 13
3R4158	EJ 4	10R4184	EG 12	26R4188	EG 14	8R4352	EF 12
6R4158	EJ 3, EJ 4	16R4184	EG 11	7R4189	EJ 2	1R4356	EF 7
3R4159	EK 1	3R4185	EJ 1, EJ 2	7R4192	EG 11	1R4358	EF 7
4R4159	EK 1	4R4185	EG 10	8R4193	EJ 4	1R4357	EF 5
5R4159	EK 1		EG 13, EJ 1	7R4193	EJ 4	3R4357	EF 5
3R4160	EJ 3	3R4186	EJ 5	8R4913	EJ 4	2R4358	EG 17
4R4160	EJ 3	4R4186	EG 30	8R4194	EG 10	4R4358	EG 18
6R4160	EJ 3		EG 31	8R4195	EG 14	5R4358	EG 18
4R4164	EK 2		EG 32	7R4195	EG 14	1R4359	EF 12
5R4164	EG 10		EJ 6, EJ 7	11R4195	EG 13	2R4359	EF 12
	EG 11	5R4185	EJ 5	12R4195	EG 13	3R4359	EF 12
	EJ 1, EJ 2,	8R4188	EJ 8	25R4195	EG 13	5R4359	EF 12
	EJ 3, EJ 4,	8R4188	EJ 7	29R4195	EG 14	1R4360	EG 20
	EK 1, EK 2	10R4186	EJ 7	1R4206	EF 1	3R4360	EG 20
7R4164	EK 2	11R4186	EG 33	4R4206	EF 2	3R4371	EG 21
8R4164	EK 1		EJ 5, EK 5	5R4206	EF 2	5R4374	EG 5
10R4164	EK 2	12R4186	EG 31	6R4206	EF 12	8R4374	EG 3, EH 1
1R4166	EJ 8		EG 33	4R4207	EH 1	19R4374	EG 6
2R4166	EJ 8		EJ 5, EJ 6,	7R4207	EH 2	20R4374	EG 3
3R4166	EJ 8		EK 5	3R4346	EG 20	24R4374	EG 6
6R4166	EJ 8, EK 3	13R4186	EJ 8	4R4346	EG 21	2R4375	EG 4
7R4166	EJ 8, EK 3	14R4186	EG 5, EG 31,	5R4346	EG 20	3R4375	EG 4
8R4166	EJ 8 EK 3		EG 32	7R4346	EG 30	4R4375	EH 1 EH 2
13R3166	EJ 8		EG 33	4R4346	EG 5	3R4378	EG 5
15R4166	EJ 8		EH 4		EG 19	4R4378	EG 5
16R4166	EJ 8		EJ 5, EJ 6,		EG 20	3R4379	EG 8
18R4166	EJ 8		EJ 7, EK 5		EG 32	1R4381	EH 1
21R4166	EJ 8	16R4188	EG 30		EH 4	2R4381	EH 1
22R4166	EJ 8		EG 32	5R4348	EG 5	3R4381	EH 1
23R4166	EJ 8		EG 33		EG 8	4R4381	EH 1, EH 2
1R4167	EK 3		EJ 6, EJ 7		EG 17	5R4381	EH 1, EH 2
2R4167	EK 3	1R4187	MD 1		EG 19	3R4392	EH 4
6R4167	EK 3	2R4187	MD 1		EH 4	2R4393	EG 8
8R4167	EK 3	3R4187	EK 4	6R4348	EG 19		EH 4
11R4167	EK 3	4R4187	EK 4	7R4348	EG 19		EH 4
12R4167	EK 3	5R4187	EK 4	9R4348	EG 6	4R4393	EH 4
13R4167	EK 3	6R4187	EK 4		EG 16	1R4408	EF 13
14R4167	EK 3	8R4187	EK 4		EG 16	2R4408	EF 13
15R4167	EK 3	11R4187	EK 5		EG 19	1R4409	EH 2
1R4169	EG 18	12R4187	EK 4	12R4348	EH 4	2R4409	EH 2
2R4169	EG 18	14R4187	EK 5	10R4349	EG 18	3R4409	EH 2
3R4169	EG 16	15R4187	EK 5	18R4349	EG 17	1R4410	EF 1, EG 1,
3R4177	EG 30	17R4187	EK 5	7R4350	EG 21		EG 2, EG 3,
1R4178	EG 29	18R4187	EK 5	9R4380	EG 18		EJ 6
7R4179	EG 7	19R4187	EK 5		EG 12	1R4417	EJ 1
12R4179	EG 4	2R4188	EG 31		EG 17	2R4417	EJ 1
	EG 7	3R4188	EG 33	29R4350	EG 21	3R4417	EJ 5
	EG 11	4R4188	EG 33	30R4350	EG 21	3bR4417	EJ 5
2R4184	EG 12	5R4188	EG 31	7R4351	EG 21	4R4417	EJ 6
4R4184	EG 12	6R4188	EG 32	3R4352	EF 13	23R4419	EJ 4
5R4184	EG 12						

INDEX OF PART NUMBERS

(See also Supplementary pages, if any)

Part No.	Page No.	Part No.	Page No.	Part No.	Page No.	Part No.	Page No.
24R4419	EJ 4	3R4444	EG 4	2R4676	EG 23	S144 4.38	FP 11
8R4420	EG 11, EJ 2	3R4446	EG 4	3R4676	EG 23	S362	JA 50
19R4420	EJ 2	3bR4446	EG 4	2R4731	EG 21	8S1748	PB 1
15R4421	EG 10	6R4446	EG 5	2R4734	EG 20	18S 1927	QB 16
	EJ 1, EJ 2,	7R4446	EG 5	4R4734	EG 20	19S1927	QB 17
	EJ 4	7bR4446	EG 5	5R4734	EG 21	54S1927	QB 17
16R4421	EJ 1, EJ 2,	8R4446	EG 4	6R4734	EG 21	55S1927	QB 17
	EJ 4	10R4446	EG 4	7R4734	EG 21	60S1927	JB 85, QB 2
17R4421	EJ 1	16R4446	EG 3	9R4734	EG 21	60aS1927	QB 2
18R4421	EJ 1	17R4446	EG 3	11R4734	EG 20	670bS1927	QB 2
1R4422	EF 1	17bR4446	EG 3	1R4960	EH 3	63S1927	QB 5
2R4422	EF 1	18R4446	EG 4	2R4960	EH 3	64S1927	QB 16
1R4425	EF 5	18bR4446	EG 4	3R4960	EH 3	68S1927	QB 15
12R4426	EG 8	19R4446	EG 6	1R4961	EJ 2	71S1927	QB 15
2R4447	EG 7	1R4447	EG 7	2R4961	EJ 1, EJ 2	14S1970	GG 26
3R4447	EG 7	14R4448	EG 13	3R4961	EJ 2	18S1970	GG 26
13R4426	EG 9	1R4450	EG 7	1R4962	EJ 1	19S1970	GG 25
14R4426	EG 9	2R4450	EG 7	2R4962	EJ 1	32S1970	GG 25
18R4426	EG 8	4bR4450	EG 7	3R4962	EJ 1	6S1980	GB 9
19R4426	EG 9	6R4450	EG 7	1R4963	EG 11	7S1980	QB 9
20R4426	EG 8	8R4450	EG 7	3R4963	EG 11	13S1980	QB 9
21R4426	EG 8	9R4450	EG 7	7R4963	EG 11	16S1980	QB 10
22R4426	EG 8	10R4450	EG 7	9R4963	EG 11	22S1980	QB 10
23R4426	EG 8	11R4450	EG 7		EJ 4	32S1980	QB 19
24R4426	EG 8	6R4451	EG 19	10R4963	EJ 4	33S1980	QB 19
25R4426	EG 9	10R4451	EG 19	12R4963	EG 14	46S1980	QB 9
2R4427	EG 10	11R4451	EG 19	1R4964	EJ 9		QB 11
3R4427	EG 10	12R4451	EG 20	2R4964	EJ 9		QB 15
1R4428	EF 9	1R4452	EG 4	3R4964	EJ 9		QB 18
2R4428	EF 9	2R4452	EG 4	4R4964	EJ 9	53S1980	QB 19
1R4430	EF 11	3R4452	EG 4	5R4964	EJ 9	54S1980	QB 19
1R4431	EF 9	1R4453	EG 4	1R4966	EG 14	55S1980	QB 19
1R4432	EF 11	2R4453	EG 4	2R4966	EG 14	56S1980	QB 19
2R4432	EF 1	3R4453	EG 4	3R4966	EG 14	60S1980	QB 6, QB 7,
3R4432	EF 11	4R4458	EG 32	1R4967	EG 14		QB 11
4R4432	EF 11	1R4460	EG 19	2R4967	EG 14		QB 12
1R4433	EF 10	2R4460	EG 19	3R4967	EG 14		QB 15
1R4434	EF 8	3R4460	EG 19	4R4967	EG 14		QB 18
1R4435	EG 27	4R4460	EG 19	1R4968	EJ 4	61S1980	QB 18
2R4435	EG 26	5R4460	EG 20	2R4968	EJ 4	62S1980	QB 16
	EG 27	5aR4460	EG 20	4R4968	EJ 4	65S1980	QB 17
	EG 29	6R4460	EG 19	12R4968	EJ 4	66S1980	QB 16
	EJ 7	8R4460	EG 19	1R4969	EF 12	71S1980	QB 17
1R4436	EG 26	9R4460	EG 20	2R4969	EF 12	72S1980	QB 17
1R4437	EG 29	2R4461	EG 23	3R4969	EF 13	87S1980	QB 21
1R4438	EJ 8	1R4653	EG 12	4R4969	EF 13	104S1980	QB 20
2R4438	EJ 8	1R4676	EG 22	5R4969	EF 13	105S1980	QB 9
1R4439	EH 5	2R4675	EG 22	1R5015	FG 52	108S1980	QB 14
2R4439	EH 5	3R4675	EG 22	3R5015	FG 52	115S1980	QB 10
15R4439	EH 5	4R4675	EG 23	4R5015	FG 52	116S1980	QB 10
16R4439	EH 5	5R4675	EG 23	5R5015	FG 52	117S1980	QB 8
2R4444	EG 4	1R4676	EG 23	RRCB13225	PB 20	120S1980	QB 8
				25004	FA 36	121S1980	QB 8
					FA 36A	125S1980	QB 11
					FN 18		

INDEX OF PART NUMBERS

(See also Supplementary pages, if any)

Part No.	Page No.	Part No.	Page No.	Part No.	Page No.	Part No.	Page No.
126S1980	QB 11	2S2048	JA. 7	28S2185	QB 10	113S2185	QB. 14
127S1980	QB. 11	3S2048	JA. 7		QB. 12	115S2185	QB 7
128S1980	QB 11	4S2048	JA. 7	27S2185	QB. 11	116S2185	QB 9
137S1980	QB 17	6S2048	JA. 7	27S2185	QB. 10	117S2185	QB. 20
139S1980	GG. 9	7S2048	JA. 7	23S2185	QB 8	118S2185	QB 20
140S1980	GG 9	30S2049	JA. 8	45S2185	QB. 20	120S2185	QB. 21
	GG. 11	30S2049	JA. 8	47S2185	QB. 12	121S2185	QB. 16
152S1980	QB 10	31S2049	JA. 8	52S2185	QB. 7	122S2185	QB 18
	QB. 12	56S2049	JA. 8	53S2185	QB 7	123S2185	QB. 3
153S1980	QB. 10	7S2079	GG. 6		QB. 13	126S2185	QB. 19
	QB 12	2S2099	GG. 5	54S2185	QB. 7	128S2185	QB 19
158S1980	QB. 12	3S2099	GG. 5	55S2185	QB. 7, QB. 21	127S2185	QB. 19
160S1980	QB. 4	4S2099	GG. 5	56S2185	QB. 7	128S2185	QB. 21
187S1980	QB. 17	5S2099	GG. 5		QB. 13	129S2185	QB. 18
186S1980	QB. 17	8S2099	GG 13	57S2185	QB 8	130S2185	QB. 18
189S1980	QB 17	7S2099	GG. 5		QB 13	131S2185	QB 18
190S1980	QB 18	11S2099	GG 5	58S2185	QB. 8	132S2185	QB. 18
191S1980	QB 18	12S2099	GG. 13		QB 13	136S2185	QB. 17
192S1980	QB. 18		JA. 11	63S2185	QB. 10	138S2185	QB. 6
193S1980	QB 17	10S2104	GG. 12	66S2185	QB. 11	137S2185	QB. 6
194S1980	QB. 19		GG. 19	67S2185	QB 10	138S2185	QB. 6
197S1980	QB. 17	11S2104	GG. 9		QB. 11	139S2185	QB 6
219S1980	QB. 13		GG 9	69S2185	QB. 14	140S2185	QB 16
220S1980	QB. 11	3S2106	GG. 12	70S2185	QB. 15	141S2185	QB 6
223S1980	QB. 20	4S2106	GG. 12	71S2185	QB. 15	142S2185	QB 6
236S1980	QB 3	6S2106	GG. 13	73S2185	QB. 15	143S2185	QB 20
237S1980	QB. 3	6S2106	GG. 13	74S2185	QB. 14	144S2185	QB. 20
238S1980	QB. 21	7S2106	GG. 12	79S2185	QB. 16	146S2185	QB 20
239S1980	QB 21	4S2107	PB. 16	80S2185	QB. 16	147S2185	QB 18
240S1980	QB 3	18S2113	GG 10	88S2185	QB. 4	149S2185	QB. 18
242S1980	QB. 20	23S2113	GG. 10	91S2185	QB. 13	151S2185	QB. 18
243S1980	QB. 21	24S2113	GG. 8	92S2185	QB 13	152S2185	QB 18
17bS1983	JA 6	16S2114	GG. 10	93S2185	QB. 13	153S2185	QB. 12
8S1984	QA. 8	4S2118	GG. 6	94S2185	QB. 13		QB. 18
1S2026	EC. 4	3S2144	EB. 1	96S2185	QG. 11	164S2185	QB. 22
S2038	EB. 2	1S2148	EB. 2	98S2185	QB. 14	156S2185	QB 22
2S2038	EB. 2	2S2150	GG. 15	97S2185	QB. 14	158S2185	QB 17
16S2038	EB. 1	8S2150	GG. 15	99S2185	QB. 14	157S2185	QB. 17
3S2042	EC. 2	8S2150	GG. 15	101S2185	QB. 8, QB. 9,	158S2185	QB. 17
9S2042	FE 2, FE 4,	9S2150	GG. 15		QB. 15	159S2185	QB. 17
	GG. 13	6S2166	QB. 6	102S2185	QB. 9	160S2185	QB. 17
	GG 14	11S2166	QB. 6		QB. 13	161S2185	QB. 17
	GG. 20	12S2166	QB. 9		QB. 15	162S2185	QB. 17
2S2046	JA 7	13S2166	QB. 9	103S2185	QB. 15	163S2185	QB. 17
3S2046	JA. 7	15S2166	QB. 11	104S2185	QB 13	165S2185	QB. 10
6S2048	JA. 7	16S2166	QB. 11	105S2185	QB. 16	166S2185	QB. 12
8S2047	JA. 6	19S2166	QB. 10	106S2185	QB 13	167S2185	QB. 13
7S2047	JA. 6		QB. 12		QB 18	168S2185	QB 11
10S2047	JA. 6	20S2166	QB. 4	107S2185	QB 11	169S2185	QB. 14
11S2047	JA. 6	21S2166	QB. 9	108S2185	QB 8	170S2185	QB 14
17S2047	JA. 6		QB. 13	109S2185	QB. 3	171S2185	QB 13
1S2048	JA. 7	22S2166	QB. 9	110S2185	QB 20	172S2185	QB. 13
			QB. 12	112S2185	QB. 14	173S2185	QB. 15

INDEX OF PART NUMBERS

(See also Supplementary pages, if any)

Part No.	Page No.	Part No.	Page No.	Part No.	Page No.	Part No.	Page No.
174S2165	QB 15	34S2305	GG 8	3S2368	JA. 7	25S2415	GG. 19
178S2165	QB 14	35S2305	GG. 8	1S2369	FG. 6	26S2415	GG. 10
179S2165	QB 13	36S2305	GG. 9	2S2369	FG. 6		GG. 19
180S2165	QB. 9	37S2305	GG. 9	4S2369	FG. 6	29S2415	GG. 18
181S2165	QB. 9	38S2305	GG. 10	5S2369	FG. 6	30S2415	GG. 17
182S2165	QB. 8	7S2306	GG. 11	5cS2369	FG. 6	31S2415	GG. 17
183S2165	QB. 15	11S2306	GG. 11	6S2369	FG. 6	1S2401	JA. 6
184S2165	QB. 15	12S2306	GG. 12	6aS2369	FG. 6	2S2401	GG. 13
185S2165	QB. 14	14S2306	GG. 12	6dS2369	FG. 6	1S2507	GG. 12
197S2165	QB. 14	19S2306	GG. 12	6eS2369	FG. 6, FG.7	2S2507	GG. 13
198S2165	QB. 15	25S2306	GG. 11	5S2370	QB. 4	3S2507	GG. 13
199S2165	QB. 14	26S2306	GG. 10	5aS2370	QB. 4	3S2507	GG. 12
200S2165	QB. 15	27S2306	GG. 11	5bS2370	QB. 4	4S2507	GG. 12
201S2165	QB. 3	28S2306	GG. 11	5cS2370	QB. 4	14S2507	GG. 13
203S2165	QB. 7	3S2309	GG. 18	5dS2370	QB. 4	7S2533	GG. 22B
204S2165	QB. 7	4S2309	GG. 19	1S2371	JA. 6	33S2649	GG. 17
205S2165	QB. 7	6S2309	GG. 18	1S2372	QB. 4	1S2655	GG. 23
206S2165	QB. 7	1S2313	GG. 23	2S2372	QB. 4	4S2655	GG. 23
207S2165	QB. 7	2S2313	GG. 25	3S2372	QB. 4	6S2655	GG. 23
208S2165	QB. 6	6S2313	GG. 24	4S2372	QB. 4	4S2657	GG. 6
209S2165	QB. 6	1S2314	GG.1, JA.64	1S2373	JA. 6	1S2684	GG. 32
210S2165	QB. 6	2S2314	GG. 1	2S2373	JA. 6	2S2684	GG. 32
S2167	JA. 1	1S2316	QB. 5	3S2374	GG. 13	3S2684	GG. 32
2S2167	JB. 1	2S2316	QB. 5	4S2374	GG. 13	4S2741	GG. 6
22S2167	QB. 2	3S2316	QB. 5	5S2374	GG. 13	5S2750	GG. 23
22aS2167	QB. 2	4S2316	QB. 5	6S2374	GG. 13	4S2835	GG. 9
22bS2167	QB. 2	5S2316	QB. 5	1S2394	JA. 17	6S2835	GG. 8
23S2167	QB. 2	6S2316	QB. 5	1S2395	GG. 14	33S2835	GG. 9
24S2167	QB. 2	7S2316	EB. 5	2S2395	GG. 14	4S2836	GG. 12
24aS2167	QB. 2	8S2316	EB. 5	3S2395	GG. 14	5S2836	GG. 10
24bS2167	QB. 2	9S2316	QB. 5	1S2396	EB. 1	6S2836	GG. 11
106S2167	QB. 15	10S2316	QB. 5	1S2397	EB. 1	7S2836	GG. 11
13S2294	GG. 7	11S2316	QB. 5	S2398	EB. 1	8S2836	GG. 12
14S2294	GG. 8	12S2316	QB. 5	15S2398	EB. 1	S2878	JA. 63
4S2301	QB. 3	13S2316	QB.3, QB.5	1S2405	GG. 14	2S2878	JA. 64
5S2301	QB. 3	4S2317	JA. 63		JA. 6	7S2878	JA. 64
6S2301	QB. 3	S2337	JA. 19	2S2405	GG. 14	9S2878	JA. 63
7S2301	QB. 3	1S2358	GG. 17	3S2405	GG. 14	16S2878	JA. 63
2S2304	GG. 5	2S2358	GG. 17	1S2411	GG. 23	18S2878	JA. 63
6S2304	GG. 5	3S2358	GG. 17	2S2411	GG. 25	19S2878	JA. 63
6aS2304	GG. 5	1S2360	GG. 16	3S2411	GG. 25	2S2880	QB. 8
6bS2304	GG. 5	14S2360	GG. 16	1S2412	GG. 20	3S2880	QB. 8
7S2304	GG. 5	24S2360	GG. 19	5cS2412	GG. 21	4S2880	QB. 8
8S2304	GG. 5	25S2360	GG. 19	6S2412	GG. 21	5S2880	QB. 8
16S2304	GG. 5	34S2360	GG. 17	7S2412	GG. 20	6S2880	QB. 8
8S2305	GG. 10	41S2360	GG. 17	8S2412	GG. 21	7S2880	QB. 8
13S2305	GG. 10	43S2360	GG. 17	1S2413	GG. 20	8S2880	QB. 11
16S2305	GG. 8	45S2360	GG. 16	1S2414	GG. 20	9S2880	QB. 11
21S2305	GG. 10	S2363	GG. 20	11S2415	GG. 18	S3212	GG. 8
22S2305	GG. 10	1S2365	GG. 25	15S2415	GG. 18	1S3300	GG. 22A
23S2305	GG. 10	1S2366	FG. 6	20S2415	GG. 18	1S3301	GG. 22A
33S2305	GG. 8	2S2366	GF. 6	24S2415	GG. 19	1S3321	GG. 22B
		1S2368	JA. 6				

INDEX OF PART NUMBERS

(See also Supplementary pages, if any)

Part No	Page No.	Part No	Page No.	Part No	Page No.	Part No.	Page No
25SS3264	FG. 46C	15SS3338	QA. 45	75SS3554	QC. 11	204SS3557	QC. 11
	QJ. 1	35SS3385	QA. 51	102SS3554	QP. 40	205SS3557	QC. 11
35SS3264	FG. 46C,	35SS3405	QM. 11	115SS3555	QP. 43, JB. 78	221SS3557	QC. 48
	FP. 7B	15SS3405	QA. 18	125SS3555	QP. 43	245SS3559	QP. 22
45SS3264	EM. 2, FG. 47,		QA. 36	135SS3555	QD. 5A	67SS3559	QP. 44
	FP. 7B, HM. 3,	15SS3431	NB. 12		QP. 23	69SS3559	QP. 44
	JB. 32	15SS3436	QM. 10	185SS3555	JA. 21	325SS3563	NB. 4
	QM. 10	15SS3612	MC. 2	245SS3555	QB. 1	445SS3563	NB. 9
55SS3264	FP. 7B, PE. 1	35SS3612	PA. 7	255SS3555	QB. 1	315SS3564	JA. 23
65SS3264	QA. 15	45SS3612	QC. 12	285SS3555	QT. 13	325SS3564	JA. 23
75SS3264	FP. 7B	135SS3529	FA. 31	325SS3555	QP. 11	385SS3567	QP. 23
85SS3264	FG. 46C,		FG. 51	335SS3555	GQ. 7	405SS3567	QT. 7
	JH. 27, PE. 1,		FM. 27	785SS3555	QP. 43	515SS3567	QP. 43
	PE. 4, QA. 11	145SS3529	GD. 2, JB. 32	185SS3557	QH. 8	675SS3567	QP. 43
95SS3264	FG. 46C	235SS3529	JB. 33	195SS3557	QP. 13	1315SS3567	QP. 46
	PE. 5	155SS3530	QP. 19	285SS3557	QP. 40	545SS3568	QD. 1
105SS3264	JB. 32, PE. 5	255SS3530	QF. 1	345SS3557	QA. 11	555SS3568	QP. 11
125SS3264	FG. 46C	75SS3530	JB. 102	485SS3557	QM. 16		QP. 43
	GA. 1	155SS3553	QP. 68	645SS3557	QR. 1, QV. 1	565SS3568	QP. 11
135SS3264	FG. 46C	205SS3553	QP. 21	665SS3557	QT. 9, QT. 11,		QP. 43
145SS3264	FM. 20, PE. 4,	585SS2553	QP. 40B		QV. 3	575SS3568	QP. 32
	QM. 10	605SS3553	QR. 7	785SS3557	QR. 1		QP. 37
155SS3264	FG. 46C		HL. 19	835SS3557	QV. 3	595SS3568	QP. 11
	GQ. 8	725SS3553	QT. 12	1085SS2557	QP. 50C		QP. 43
	JB. 119	785SS3553	QT. 1		QP. 56B	675SS3568	QH. 7
165SS3264	JB. 33	875SS3553	QR. 18	1115SS3557	QP. 50C	685SS3568	QP. 52
205SS3264	FG. 46C	905SS3553	QK. 11	1125SS3557	QR. 1	755SS3568	QS. 2, QS. 16
	QA. 1, QA. 11		QL. 1	1155SS3557	JB. 32	835SS3568	QH. 12
215SS3264	PE. 5	1025SS3553	QM. 10	1195SS3557	QA. 11	855SS3568	JB. 21, JB. 31
235SS3264	FG. 46C	1035SS3553	QM. 21	1215SS3557	QP. 46	125SS3568	QB. 1
245SS3264	FG. 46C		QR. 1	1225SS3557	QP. 7, QP. 9,	155SS3568	QB. 1
	HL. 13	1045SS3553	EF. 4, QP. 23		QP. 67	165SS3568	QB. 1
255SS3264	FG. 46C	1105SS3553	QR. 1		QP. 72	175SS3568	QB. 1
275SS3264	FG. 46C	1225SS3553	QP. 68	1235SS3557	QP. 67	385SS3568	QC. 10
285SS3264	GQ. 8, JB. 33,	1395SS3553	QK. 11	1255SS3557	QP. 22	455SS3569	QN. 1
	QA. 1		QL. 1	1265SS3557	QP. 67	255SS3602	QP. 22
305SS3264	QM. 1	1465SS3552	NB. 2	1275SS3557	QH. 5	855SS3624	GG. 20
315SS3264	FG. 46C	1625SS3553	QK. 11	1285SS3557	QM. 6	185SS3703	GB. 2
325SS3264	GQ. 12		QL. 1	1345SS3557	QA. 11	1955SS3703	JB. 17, JB. 29
335SS3264	QA. 34	1755SS3553	HL. 17	1395SS3557	QR. 11	2055SS3703	JB. 17, JB. 19,
345SS3264	QW. 1	2465SS3553	NB. 9	1435SS3557	QP. 17A		JB. 21
385SS3264	JB. 119	2565SS3553	NB. 12	1505SS3557	GA. 4, HC. 1	2355SS3703	JB. 17, JB. 19
395SS3264	FG. 46C	2655SS3553	NB. 12	1515SS3557	JG. 10	2555SS3703	KH. 2
495SS3264	FG. 46C	2255SS3554	QP. 22	1585SS3557	QP. 31	2855SS3703	KH. 2
505SS3264	FG. 46C	3855SS3554	QP. 53	1745SS3557	QB. 1	2855SS3703	KH. 2
515SS3264	FG. 46C	4455SS3554	QP. 17	1885SS3557	QH. 5	355SS3718	SA. 1
525SS3264	FG. 46C	5155SS3554	QR. 1	1905SS3557	QL. 1	4055SS3742	QP. 54
535SS3264	FG. 46C	5855SS3554	QP. 11	1915SS3557	QL. 1	9A55SS3742	GQ. 3
35SS3268	PA. 7	6755SS3554	JB. 31	1925SS3557	QV. 1	1055SS3742	QS. 1
15SS3297	QA. 11	5855SS3554	DA. 9	1985SS3557	SA. 1	455SS3780	MB. 4
155SS318	QW. 2	5955SS3554	QP. 39	2015SS3557	QC. 11	355SS3791	MD. 11
115SS3329	QV. 1	6155SS3554	QT. 12	2035SS3557	QC. 11	455SS3791	MD. 11
145SS3329	QV. 1	6355SS3554	QT. 1				MD. 12

INDEX OF PART NUMBERS

(See also Supplementary pages, if any)

Part No.	Page No.	Part No.	Page No.	Part No.	Page No.	Part No.	Page No.
3SS4140	JB 97	2SS4204	FN. 17	3SS4219	JA. 51A	AY12SS4234	PB.13, OM.1
12SS4140	MC. 14		GG. 14	A3GSS4222	EF. 8	BA5SS4234	HM.5, QJ.1,
13SS4140	MC. 14		JA. 18	4SS4225	MC. 20		OM.1, OR.1
17SS4140	MC. 14	3SS4204	JB. 32	5SS4225	MC. 20	BA6SS4234	QJ. 1
25SS4140	JB.29, JB.30	5SS4204	GG. 18	6SS4225	MC. 20	BA11SS4234	HM. 5
404SS4141	MD. 11		GG. 24	13SS4225	ME. 4	BA12SS4234	HM. 5
	MD. 12	11SS4204	DA. 2	14SS4225	ME. 4		OM.1, QR.1
405SS4141	MD. 11		FG. 54	38SS4225	SA. 1	BA15SS4234	QJ. 1
41SS4141	JB 29, JB 30		FG. 55	4SS4227	MC. 11	BA22SS4234	QJ. 1
1SS4143	MC 18	12SS4204	JB. 32	6SS4232	JA. 61	BC5SS4234	OK.5, OM.1
1SS4147	HC. 3	15SS4204	GG. 18	9SS4232	JA. 61	BC12SS4234	OK.5, OM.1
3eSS4167	NC. 4,		GG. 24	5SS4234	QA. 17	BC14SS4234	OK. 5
	NC. 5	21SS4204	FG. 58	16SS4234	QA. 17	BE5SS4234	OM. 1
6eSS4167	JA. 21		GG. 34	AC4SS4234	QT. 13	BE12SS4234	OM. 1
8jSS4167	CA. 1	22SS4204	EC. 2	AC12SS4234	QT. 13	BE13SS4234	OM. 1
2SS4173	FQ. 1		FB. 13	AE3SS4234	OT. 12	BG5SS4234	HM. 4
1SS4178	QA. 23	23SS4204	FB. 13	AE10SS4234	OT. 12	BG8SS4234	QA.15, QJ.1
	QA. 38		FG.8, JA.8	AG3SS4234	OT. 12	BG19SS4234	HM.4, QJ.1
	QA. 41	24SS4204	FG. 8	AG10SS4234	OT. 12	BJ4SS4234	OT. 5
	QA. 49	25SS4204	GG. 24	AK3SS4234	NB. 2		NB. 4A
2SS4178	QA. 23	31SS4204	EC. 5, FP. 1	AK4SS4234	FQ. 12		NB. 4G
	QA. 38	41SS4204	FB. 11	AK5SS4234	QH. 11	BP7SS4234	NB. 4G
	QA. 41	42SS4204	FQ. 12	AK10SS4234	NB. 2	BP13SS4234	NB. 4G
	QA. 49	52SS4204	FK.1, FN.17	AK15SS4234	QH. 11	BP17SS4234	NB. 4A
	QA. 50	54SS4204	FK. 1	AK19SS4234	GQ. 12	BP18SS4234	NB. 4A
	OD. 5	61SS4204	FB. 11	AQ5SS4234	HM.4, JH.1		NB. 4A
3SS4181	EF. 10		GG. 35	AQ6SS4234	JH. 1	BP19SS4234	NB. 4A
1SS4185	JB. 18	62SS4204	FB. 11	AQ10SS4234	HM. 4	BP22SS4234	NB. 4A
3SS4185	JB 11, JB 18,	64SS4204	JA. 17	AQ12SS4234	HM. 4		NB. 4G
	JB. 19	71SS4204	FB. 11	AS5SS4234	QA. 15	CE7SS4234	FH. 5
4SS4185	JB. 15, JB. 18,	1aSS4205	FN. 18		OK. 5	CE21SS4234	FH. 5
	JB 20	3bSS4205	OR. 1		OK. 10	4SS4234/AS	QT. 8A
5SS4185	JB. 15, JB. 18,	5bSS4205	OR. 1		OM. 1	4SS4234/BJ	OT. 8A
	JB. 19	8bSS4205	GG. 14	AS9SS4234	OK.5, OM.1	AY5SS4234	
6SS4185	JB. 17, JB. 19	10cSS4205	GG. 14	AS10SS4234	OK. 5	5EJSS4234	OP. 48
8SS4185	JB. 16	11cSS4205	GG. 6	AS11SS4234	OM.1, QT.8A	11SS4234/AS	QT. 6
11SS4185	MB. 6	12cSS4205	GG. 6	AS12SS4234	OK. 5, OM.1	15SS4234/BJ	QT. 6A
5SS4186	FN. 21	17cSS4205	GG.6, JB.33	AS14SS4234	OK. 5	41SS4234/AS	QT. 6
1SS4188	JB.17, JB.18	3SS4210	EF. 11	AS18SS4234	OM. 1	B06SS4235	GA. 30
	JB.19, JB.21	10bSS4211	FK. 2	AS22SS4234	OK. 10	B025SS4236	QA. 30
5SS4188	JA. 7	14cSS4211	GG. 14	AW5SS4234	QH.7, QR.1	AV5SS4238	PB. 16
2SS4188	JB. 19	18cSS4211	GG. 14	AW12SS4234	OK. 5	BJ4SS4237	HC. 1
1SS4191	JB 97	405SS4212	JG. 3	AW18SS4234	QH. 8	BJ6SS4237	HC. 1
	QA. 52	508SS4212	JG. 2	AY3SS4234	GQ. 2	5SS4241	RA.3, RA.6,
4SS4199	JB.96, JH.17	408SS4212	JG. 3	AY4SS4234	CG. 1		RB.2, RB.4
5SS4199	MD.8, MD.9	1SS4213	GG. 24	AY5SS4234	GA.2, GQ.1,	21SS4248	RA. 4
7SS4199	PA. 15		GG. 28		PB.13, OG.1,	111SS4248	JB.91, JB.92,
SS4199/5	PA. 13	2SS4213	GG. 24		OM.1, QR.1		JB. 95
1SS4202	FG. 54	4SS4214	OC. 2	AY6SS4234	QA. 15	1SS4277	JA. 57
14SS4202	FK. 1	11SS4214	OC. 2	AY7SS4234	DA. 4	1SS4280	JB. 17
1SS4204	FG. 58	1SS4219	JA. 51A	AY10SS4234	DA.4, GQ.2	2SS4280	JB. 17
		2SS4219	JA. 51A	AY11SS4234	GQ. 2	3SS4280	JB.16, JB.18

INDEX OF PART NUMBERS

(See also Supplementary pages, if any)

Part No.	Page No.	Part No.	Page No.	Part No.	Page No.	Part No.	Page No.
10SS4294	FB 8	16SS4365	MC 18	58SS4478	OK 1	7SS4491	GG 22
2SS4299	QA 8	1SS4371	HC 2	59SS4478	OK 1	9SS4491	GG 19
9SS4299	GE 1	40SS4374	FG 47	60SS4478	HL 12, OK 1	12SS4491	JH 11
10SS4299	GE 1, GG 14	45SS4374	FG 47	61SS4478	OK 1	15SS4492	GG 33
SS4311	JB 2B	10SS4386	OH 11	62SS4478	HL 5, OK 1	2SS4492	FF 3
10SS4327	JH 5	11SS4386	OH 12	63SS4478	OK 1	3SS4492	GG 32
24SS4327	JA 2	8SS4388	GQ 12	64SS4478	OK 1	4SS4492	FF 3
BE 15SS4335	JH 10	10SS4387	OH 12	65SS4478	HL 1, OK 3	5SS4492	FF 3
1SS4337	JB 3, JB 4	11SS4387	OH 12	66SS4478	OK 1	10SS4492	GG 19
2SS4337	JB 104	4SS4399	MC 71	67SS4478	OK 1	13SS4492	JH 11
	JD 2, JD 3,	1SS4417	QJ 1, OK 5,	68SS4478	HL 9	1SS4613	JH 9
	JH 34		OM 1	69SS4478	OK 3	11SS4619	JB 121
	JH 38		OM 10	70SS4478	OK 3	18SS4619	JB 121
	JH 37	2SS4471	OK 5	1SS4481	GG 25	21SS4619	JB 121
4SS4337	JB 3, JE 2		OM 10	1SS4485	OP 40A	31SS4619	JB 121
8SS4349	GG 28		ON 3, ON 4	2SS4485	GQ 8	39SS4619	JB 121
15SS4349	JA 46	7SS4471	OM 11	3SS4485	OC 6	42SS4619	FQ 7
1SS4353	JB 55	1SS4472	OK 5	4SS4485	GQ 3		JB 121
	MD 2	2SS4472	OK 5	1SS4488	JB 44, NA 1,	43SS4619	JB 121
2SS4353	JH 23	21J/SS4473	ON 4		NA 3	44SS4619	JB 121
	MC 14	1SS4477	QJ 1, OK 5	2SS4490	OS 3	11SS4620	JB 122
	MD 2	2SS4477	QJ 1, OM 1	10SS4490	OK 3	18SS4620	JB 122
	HB 4C	6SS4477	OK 5	22SS4490	OK 5	21SS4620	JB 122
3SS4353	MD 11	7SS4477	QJ 1	28SS4490	HL 1	25SS4620	FP 12
4SS4353	JB 103	24SS4477	ON 4		HL 5, HL 12,	27SS4620	FP 12
	MC 31, RA 9,	25SS4477	ON 1		HM 3, HM 4,	30SS4620	JB 122
	NB 4C	26SS4477	OK 5		QJ 1, OK 5,	31SS4620	JB 122
6SS4353	MD 11	1SS4478	OK 5		OM 1	39SS4620	JB 122
	NB 7	2SS4478	OK 5	30SS4490	GQ 8, GQ 5	43SS4620	JB 122
6SS4353	JB 103	4SS4478	OK 5	31SS4490	OM 1	44SS4620	JB 122
8SS4353	JB 103	5aSS4478	HL 5	34SS4490	HM 4, QJ 1,	47SS4620	FP 12
10SS4353	HG 1, JA 45,	10SS4478	OM 1		OK 1, OK 5,	48SS4620	FP 12
	JB 103	24SS4478	OK 5		OM 1	10SS4621	FQ 7
11SS4353	JB 103	41SS4478	OK 5, OM 1	38SS4490	OM 1	12SS4621	FQ 7
	QE 11	42SS4478	OM 1	42SS4490	HL 1, HL 9,	14SS4621	FQ 7
	QE 16	43SS4478	OM 1		HM 7, OK 3,	17SS4621	FQ 7
12SS4353	HG 1, RA 9	44SS4478	OK 3		OM 1	18SS4621	FQ 7
13SS4353	JB 103	45SS4478	OK 3	50SS4490	NB 4B	24SS4621	FQ 7
18SS4353	JB 103	46SS4478	HL 9		NB 4C	31SS4621	FQ 7
20SS4353	JB 103		OK 3		OK 3, OK 5	32SS4621	FQ 7
22SS4353	JB 103	47SS4478	HL 1, HL 9,	51SS4490	QA 32	8SS4622	FH 1
23SS4353	JB 103		OK 3		QJ 1, OK 5	10SS4622	FH 4, HL 13
24SS4353	JB 103	48SS4478	OK 1	52SS4490	OK 5, OM 1,	11SS4622	FH 11
27SS4353	JB 103	49SS4478	OK 1		ON 1, ON 4	13SS4622	FH 7, FH 10
28SS4353	JB 103	51SS4478	OK 1	1SS4491	GG 25	16SS4622	FH 1, FH 71
4SS4358	JC 2, JD 2,	52SS4478	HL 12		GG 27	18SS4622	HM 3
	JD 3		OK 1		GG 32	19SS4622	FH 1, FH 4,
5SS4358	EG 23	53SS4478	OK 1		GG 33		FH 7
12SS4366	MC 18	54SS4478	HL 9, OK 3	2SS4491	FF 3	20SS4622	HM 3
13SS4366	MC 18	55SS4478	OK 1	3SS4491	FF 3	22SS4622	FH 4, HL 13
14SS4366	MC 18	56SS4478	OK 1	4SS4491	FF 3	25SS4622	FH 10
15SS4366	MC 18	57SS4478	OK 1	6SS4491	GG 27	26SS4622	FH 7

INDEX OF PART NUMBERS

(See also Supplementary pages, if any)

Part No.	Page No.	Part No.	Page No.	Part No.	Page No.	Part No.	Page No.
27SS4622	FH 1, FH.11	17SS4624	GG.28, QS.4	2SS4650	JE 2	263SS4700	EG 23
29SS4622	FH 4, FJ.6, FJ.13, FJ.15, HM. 3	2SS4625	FE.4, GG.13, GG. 22	1SS4657	HL. 17	265SS4700	EG 17
30SS4622	HL 8, HM.3		GG. 25	2SS4657	HM. 3	1SS4701	JA 9
31SS4622	FH. 1		GG. 27	3SS4657	QC. 12	1SS4702	GO. 2
44SS4622	FH. 11		GG. 28	5SS4657	OF. 1	2SS4775	JB 43, JB 46, JB. 47
70SS4622	HL. 13	5SS4625	GG. 29	6SS4657	HM 3	3SS4775	JB 43, JB.46, JB. 47
11SS4623	FH.1, FH.4, FH. 16	8SS4625	GG. 22	2SS4663	NC. 4	1SS4832	JB 124
	JB. 122	9SS4625	FF.3, GG.19	12SS4663	JH. 10	404SS4837	EH 3
12SS4623	FH.1, FH.4	10SS4625	FF.2, GG.29	13SS4663	JH. 10		EJ.1, EJ 2
18SS4623	JB. 122	11SS4625	GG. 29	3SS4665	EG 15	405SS4837	EJ 9
19SS4623	FC.4, FH.1, FH.4, FH.7, FH 11	12SS4625	GG. 27	6SS4666	MC. 38	407SS4837	EJ 9
	FM 25	13SS4625	FF. 3	2SS4667	JB 127	2SS4878	JB 124
21SS4623	FC. 4	14SS4625	FF. 2	3SS4667	HL. 11	2SS4879	JH. 15
	JB. 122	1SS4631	JA. 22		HL.2, HL.3, HL.4, HL.11, JB. 65	1SS4882	QC. 8
22SS4623	FM 25	2SS4631	JA. 22	5SS4667	HL 15, JB.85	1SS4883	QC. 8
27SS4623	FH. 1	3SS4631	JA. 22	7SS4667	JB.87, PC.4	SS4910/05D	MC. 72
31SS4623	JB. 122	4SS4631	JA. 22	1cSS4698	MD. 8	3SS4924	JB. 96
35SS4623	FC. 4	5SS4631	JA. 22	2cSS4698	MD.8, MD.9	1SS4935	PC 4
36SS4623	JB. 122	6SS4631	JA. 22	3aSS4698	MC. 7	2SS4935	HG 3
37SS4623	FH. 1	7SS4631	JA. 22	5cSS4698	MC. 7	6SS4936	HG 1, PC.4
40SS4623	FG. 47	8SS4631	JA. 22	5eSS4698	MC. 7	6SS4936	FG 46C
43SS4623	JB 122	1SS4633	QS 1, QT 15	5gSS4698	MC. 7	1SS4947	HM 1
44SS4623	JB 122	3SS4633	QP.47, QV.1	6eSS4698	MC. 7	3SS4991	JB 125
45SS4623	FM. 25	4SS4633	QP. 14	6gSS4698	MC. 7	4SS4996	OB 12
47SS4623	FG. 47	5SS4633	QP. 22	7eSS4698	MC. 7	5SS4996	OB 15
48SS4623	FM. 25		QP. 13	7gSS4698	MC. 7	4SS5001	OB 4
1SS4624	GG. 8	2SS4634	QP.14	8eSS4698	MC. 7	5SS5001	OB 15
2SS4624	FE 4, FF.2, FG. 54A	3SS4634	QR 88	8gSS4698	MC.6, MC.7	5SS5001	OB 4
	FG. 57	4SS4645	QP. 88	9gSS4698	MC. 7	1SS5002	JB 118
	GG. 12	5SS4645	QP. 88	10eSS4698	MC 7	10SS5004	NB 10
	GG. 13	6SS4645	QF 2, EH.1	10gSS4698	MC. 7	17SS5004	BN 10
	GG. 19	7SS4645	EF.2, EG.3	9SS4700	MC. 7	2SS5020	HL. 11
	GG. 23	8SS4645	EB.1, EF.2, EG.3, EK.1	16SS4700	QU.1, QU.4	3SS5020	HL. 10
	GG. 25	9SS4645	EG.3, EG.33, EH. 1	20SS4700	JB. 30C	6SS5020	HL. 11
	GG. 27	10SS4645	EJ. 1, EK.1	31SS4700	QU.2, QU.6	4SS5025	HL. 10
	GG. 28	11SS4645	EJ. 1	32SS4700	GB 2	5SS5025	HL 2, HL 3, HL 4, HL 10
	GG. 29	14SS4645	EG.3, EJ.1, EK.1, HL.9	36SS4700	GB. 3	6SS5025	EG. 21
	GG. 33	5SS4648	EG. 3	48SS4700	GB. 3	8SS5025	HL. 11
6SS4624	GG. 22	8SS4648	EG. 3	139SS4700	EB. 1	9SS5025	HL.2, HL.3, HL.4, HL.10
8SS4624	FF.3, GG.19, GG. 29	11SS4647	EG 3	147SS470	JA. 47	2SS5027	MC. 14
11SS4624	FF. 3	15SS4647	EK. 1	163SS4700	FN. 25	1SS5208	JB 83
12SS4624	FF. 2	5SS4647	EF. 2	178SS4700	JB. 24	26SS5206	JH. 27
13SS4624	FF.2, GG.12	8SS4647	EJ.3, EJ.4	193SS4700	JH. 22	2SS5229	NC. 3
14SS4624	FF. 3	11SS4647	EJ.1, EK.1, HL. 1	197SS4700	JH. 23	3SS5229	NC.4, NC.5
15SS4624	PB. 8	15SS4647	HL. 9	238SS4700	JB. 102	3SS5288	NC.3
16SS4624	FG. 57	3SS4649	EK 1, HL.9	239SS4700	JH. 15	3SS5302	NC.4, NC.5
		1SS4650	JB. 11B	240SS4700	JA. 34		HL 8
			CA. 3		ME. 3		GG. 14
					GK. 6		JA 10
					GK. 6		
					GK. 4		

INDEX OF PART NUMBERS

(See also Supplementary pages, if any)

Part No.	Page No.	Part No.	Page No.	Part No.	Page No.	Part No.	Page No.
5SS5302	JA. 10	2SS5880	EF. 11,	5SS5880	JB. 14	70SS8002	GG. 15
12SS5302	FK.1, GG.14, HD.1, HD.12	Cont'd.	EF. 12	Cont'd.	JB. 15	108SS8002	GG. 7
15SS5302	FG. 49		EF. 13,	8SS5880	QU. 3.	107SS8002	GG. 7
22SS5302	HD. 1		EG. 3,	7SS5880	QU. 4	109SS8002	FG. 11
23SS5302	FG. 6		EG. 5,	8SS5880	JB. 71	136SS8002	FG. 11
24SS5302	FG. 6		EG. 6,	10SS5880	JB. 71	139SS8002	DM. 11
31SS5302	FG. 56		EG. 7,		EC. 8,	140SS8002	QR. 8
32SS5302	HD. 1		EG. 8,		EG. 4,	150SS8002	DA. 1
33SS5302	GG. 27		EG. 10,		EG. 9,	171SS8002	QR. 1
41SS5302	FG.56, GG.3		EG. 11,		EG. 10,	175SS8002	QR. 1
51SS5302	FP. 1		EG. 12,		EG. 15,	176SS8002	QR. 1
62SS5302	FN. 21		EG. 13,		EH. 1,	177SS8002	QR. 1
1SS5306	MC. 33		EG. 14,		EH. 2,	178SS8002	QR. 1
4SS5327	NB. 9		EG. 15,		EN. 2,	179SS8002	QR. 1
8SS5327	NB. 9		EG. 16,		JB. 52,	181SS8002	QA. 6
16SS5333	PC. 3		EG. 18,		QU. 2,	232SS8002	GG. 15
1SS5414	NB. 10		EG. 19,	11SS5880	QU. 5	263SS8002	GG. 24
1SS5432	NB. 12		EG. 20,		EF. 6,	265SS8002	GG. 15
2SS5432	NB. 12		EG. 21,	12SS5880	EH. 3	268SS8002	GG. 15
SS5456	PA. 2		EG. 23,		EC. 11,	267SS8002	GG. 18
4SS5681	HP. 2		EG. 24,		EJ. 9,	268SS8002	GG. 16
4SS5682	HP. 2		EG. 25,	13SS5880	EJ. 10	270SS8002	GG. 28
SS5729	FP. 11		EG. 26,		EF. 7,	299SS8002	QA.6, FG.57
8SS5764	NA. 3		EG. 27,	14SS5880	EF. 8	417SS8002	FG. 14
SS5767/C	QP. 43		EG. 28,		EC. 1	453SS8002	FE. 2
SS5767/D	QP. 43		EG. 29,	15SS5880	EN. 1	454SS8002	FE.2, GG.6
1SS5816	FP. 7B		EG. 30,	16SS5880	EC. 11	568SS8002	GG. 32
1SS5823	JB.37, JB.38, JB.41, JB.43, JB.44, JB.45, JB.49, NA.1 NA.2		EG. 31,	131SS8000	QU. 14	606SS8002	OS. 2
1SS5824	JB.36, JB.39, JB.42, JB.46, JB.47, NA.1, NA.2, NA.3, NA. 4		EG. 32,	342SS8000	FG. 11	708SS8002	HF. 1
1SS5825	JB.37, JB.38		EG. 33	617SS8000	HM. 4	712SS8002	FK. 1
1SS5826	JB. 36		EH. 1,	752SS8000	HM. 4	720SS8002	JG. 5
1SS5845	RA. 7B		EH. 2,		GG. 26	738SS8002	GG. 25
1SS5880	EF. 3		EH. 3,	768SS8000	JA. 17	756SS8002	GG. 26
	EG. 5		EH. 4,	68SS8001	MC. 22	758SS8002	FF. 1
	EG. 6		EJ. 1,	148SS8001	JA. 47	798SS8002	FF. 1
	EH. 4		EJ. 2,	192SS8001	GE. 23	812SS8002	GG. 7
	EJ. 8		EJ. 3,	193SS8001	JB. 83	824SS8002	FF. 1
	EK. 3	4SS5880	EJ. 4,	359SS8001	JB. 83	843SS8002	JA. 17
	EK. 4		EJ. 5,	418SS8001	FF. 1	852SS8002	FM. 1
	EK. 5		EJ. 6,	488SS8001	JA. 47	853SS8002	FM. 1
2SS5880	ED. 2		EJ. 7,	731SS8001	FG. 51	854SS8002	FM. 1
	EF. 3		EJ. 8,	859SS8001	JG. 10	875SS8002	FM. 1
	EF. 5	5SS5880	EJ. 9,	877SS8001	GG. 7	876SS8002	FM. 1
	EF. 6		EK. 1,	878SS8001	GG. 15	913SS8002	GG. 7
	EF. 8		EK. 2,	887SS8001	GG. 15	989SS8002	GH. 2
	EF. 9,		EK. 4,	890SS8001	FE. 2	995SS8002	GG. 11
	EF. 10,		EK. 5	891SS8001	FE. 3	14SS8003	FN. 25
			JB. 8,	892SS8001	FE. 3	15SS8003	FN. 25
			JB. 9,	920SS8001	GG. 30	74SS8003	FO. 8
			JB. 11,	947SS8001	FN. 24	75SS8003	FO. 8
			JB. 13,	19SS8002	FN. 25	76SS8003	FO. 8
			JB. 14,	26SS8002	FE. 2	77SS8003	FO. 8
			CA. 3	29SS8002	FE. 2	83SS8003	FO. 8
			JB. 8,	30SS8002	FE. 2	84SS8003	FO. 8
			JB. 10,	89SS8002	GG. 15	85SS8003	FO. 8
			JB. 11,			86SS8003	FO. 8
			JB. 12,				

INDEX OF PART NUMBERS

(See also Supplementary pages, if any)

Part No	Page No.	Part No	Page No	Part No	Page No	Part No.	Page No.
213SS8003	FQ. 8	225SS8004	FN. 18	1SS8005	GG. 29	597SS8005	GG. 24
214SS8003	FQ. 8	226SS8004	FN. 18	2SS8005	GG. 29	583SS8005	GG. 15
220SS8003	FQ. 8	295SS8004	FB. 10	3558006	GG. 29		GG. 24
221SS8003	FQ. 8		FN. 2	4558005	GG. 29	585SS8005	GG. 24
222SS8003	FQ. 8	308SS8004	QR. 8	205SS8005	GG. 11	827SS8005	GG. 18
223SS8003	FQ. 8	309SS8004	QR. 8	245SS8005	QE. 1, QE. 3, QE. 6, QE. 8,	826SS8005	GG. 18
224SS8003	FQ. 8	310SS8004	EC. 5		QE. 11	827SS8005	GG. 18
337SS8003	FM. 28	352SS8004	GN. 2		QE. 14	830SS8005	GG. 24
352SS8003	FK. 2	357SS8004	QR. 1		QE. 16	848SS8005	GG. 7
353SS8003	FK. 2	359SS8004	QR. 1		GG. 32	849SS8005	GG. 7
354SS8003	FK. 2	364SS8004	CQ. 2	50SS8005	GG. 32	850SS8005	FN. 18
356SS8003	FK. 2		JA. 12	51SS8005	GG. 32	886SS8005	JB. 30
481SS8003	GG. 2	469SS8004	JG. 10	62SS8005	GG. 32	688SS8005	JB. 30
462SS8003	GG. 2	470SS8004	JG. 10	53SS8005	GG. 32	670SS8005	JB. 30
463SS8003	GG. 2	473SS8004	FN. 18	54SS8005	GG. 32	681SS8005	GG. 26
464SS8003	GG. 2	474SS8004	FN. 18	56SS8005	GG. 32	682SS8005	GG. 11
501SS8003	GG. 2	504SS8004	GG. 15	88SS8005	DA. 5	692SS8005	GG. 23
502SS8003	GG. 2	578SS8004	FG. 7	70SS8005	DA. 5	693SS8005	GG. 28
503SS8003	GG. 2	586SS8004	DA. 2	75SS8005	GG. 23		GG. 30
504SS8003	GG. 2	618SS8004	FB. 15	78SS8005	DA. 4	699SS8005	GG. 24
506SS8003	GG. 2	619SS8004	FB. 15	79SS8005	DA. 5	700SS8005	GG. 24
508SS8003	GG. 2	620SS8004	FB. 15	86SS8005	EC. 5	701SS8005	GG. 24
648SS8003	GG. 36	631SS8004	JA. 31	87SS8005	EC. 5	703SS8005	GG. 24
650SS8003	GG. 36	632SS8004	JA. 31	88SS8005	EC. 5	717SS8005	GG. 24
661SS8003	GG. 36	661SS8004	GG. 11	91SS8005	FM. 1	735SS8005	DA. 5
662SS8003	GG. 36	686SS8004	HD. 2	93SS8005	JA. 12	758SS8005	FM. 1
663SS8003	GG. 36	700SS8004	DB. 1	95SS8005	GG. 30	820SS8005	JG. 10
664SS8003	GG. 36	706SS8004	HD. 2	96SS8005	GG. 30	856SS8005	GG. 31
665SS8003	GG. 36	802SS8004	GG. 30	97SS8005	GG. 30	867SS8005	GG. 31
700SS8003	GG. 36	803SS8004	GG. 30	120SS8005	DA. 5	858SS8005	GG. 31
701SS8003	GG. 36	804SS8004	GG. 26	126SS8005	GG. 23	859SS8005	GG. 31
780SS8003	MC. 23	805SS8004	GG. 25	144SS8005	GG. 7	860SS8005	GG. 31
781SS8003	MC. 23	806SS8004	GG. 18	186SS8005	FN. 18	861SS8005	GG. 31
782SS8003	MC. 23		GG. 24	187SS8005	FN. 18	862SS8005	GG. 31
800SS8003	HD. 2	807SS8004	GG. 24	214SS8005	QA. 19	863SS8005	GG. 31
801SS8003	HD. 2	808SS8004	GG. 24	218SS8005	FG. 7	864SS8005	GG. 31
833SS8003	GG. 18	809SS8004	GG. 16	289SS8005	CQ. 7	865SS8005	GG. 31
834SS8003	GG. 18	846SS8004	GG. 17	272SS8005	GG. 35	866SS8005	GG. 31
882SS8003	FM. 26	847SS8004	GG. 17	273SS8005	GG. 35	867SS8005	GG. 31
883SS8003	FM. 26	848SS8004	GG. 17	284SS8005	GG. 11	868SS8005	GG. 29
1202SS8003	HD. 2	849SS8004	GG. 17		GG. 13	870SS8005	GG. 29
19SS8004	FN. 25	865SS8004	GG. 31	297SS8005	FN. 25	871SS8005	GG. 31
29SS8004	FN. 21	873SS8004	FE. 1	300SS8005	FN. 25	872SS8005	GG. 31
102SS8004	DA. 5	883SS8004	FF. 1	307SS8005	FF. 1	883SS8005	FF. 1
106SS8004	JA. 54	961SS8004	FK. 2	311SS8005	GK. 1	2141SS8005	QA. 15
107SS8004	JA. 54	963SS8004	GG. 7	312SS8005	GK. 1	7SS8006	GG. 22
108SS8004	JA. 54	964SS8004	GG. 7	355SS8005	GG. 18	8SS8006	GG. 22
112SS8004	FG. 5	965SS8004	GG. 7	380SS8005	GG. 22	10SS8006	GG. 9
113SS8004	FG. 6	966SS8004	GG. 7	383SS8005	GG. 22	225SS8006	FF. 1
136SS8004	JA. 26, JA. 30	967SS8004	GG. 7	384SS8005	GG. 22		GG. 32
137SS8004	JA. 26, JA. 30	968SS8004	GG. 7	385SS8005	GG. 22	231SS8006	EC. 2
139SS8004	DA. 6	970SS8004	GG. 7	386SS8055	GG. 22	232SS8006	EC. 2
140SS8004	DA. 5	971SS8004	GG. 7	391SS8005	GG. 7	241SS8006	GG. 18
217SS8004	QA. 4	972SS8004	QT. 13	577SS8005	GG. 11	253SS8006	GG. 32

INDEX OF PART NUMBERS

(See also Supplementary pages, if any)

Part No	Page No.	Part No.	Page No	Part No	Page No.	Part No.	Page No
323SS6006	GG. 32	68SS6039	HD. 2	36SS6096	HP. 1	2T3409	PB. 6
332SS6006	JA. 60	786SS6039	GG.9, GG.11	37SS6096	HP. 1	3T3409	PB. 6
333SS6006	JA. 60	167SS6039	GG.9, GG.11	PB1238SS		5T3409	PA. 8
334SS6006	JA. 60	168SS6039	GG.9, GG.11	6082	PE. 6B	5aT3409	PB. 6
335SS6006	JA. 60	169SS6039	GG. 11	PB/1239SS		5bT3409	PA. 8
336SS6006	JA. 60	295SS6039	GG. 11	6082	PE. 6B	6aT3409	PB. 6
337SS6006	JA. 60	341SS6039	GG. 26	PB/1240SS		6bT3409	PA. 8
396SS6006	GG. 33	362SS6039	HD. 2	6082	PE. 6B	7T3409	PB. 6
431SS6006	GG. 16	363SS6039	HD. 2	PB/1241SS		8T3409	PB. 6
432SS6006	GG. 16	354SS6039	HD. 2	6082	PE. 6B	10T3409	PB. 6
436SS6006	GG. 24	454SS6039	GG. 14	PB/1242SS		11T3409	PB. 6
437SS6006	GG. 24	1219SS6039	FG. 52	6082	PE. 6B	12T3409	PB. 6
438SS6006	GG. 24	117SS6065	QA. 21	PB/1243SS		13T3409	PB. 6
439SS6006	GG. 24	121SS6065	GG. 17	6082	PE. 6B	41T3409	PB. 6
469SS6006	GG. 33	122SS6065	GG. 17	TDE82/19/6	KB.8, FG.63	42T3409	PB. 6
548SS6006	GG. 7	123SS6065	GG. 17	16T3113	PA.12, PE.1	48T3409	PB. 6
567SS6006	MC. 2	124SS6065	GG. 17	7T3403	PA. 7	49T3409	PB. 6
665SS6006	GG. 16	126SS6065	GG. 17	16T3403	PA. 7	50T3409	PB. 6
45SS6030	FN. 23	126SS6065	GG. 17	13T3406	PB. 5B	52T3409	PB. 6
270SS6030	GG. 16	233SS6065	GG. 23	14T3406	PB. 5B	53T3409	PB. 6
283SS6030	FE. 2	234SS6065	GG. 23	20T3406	PB. 5B	1T3417	PA. 13
300SS6030	JB. 30	285SS6065	FE. 4	21T3406	PB. 6	2T3417	PA. 13
314SS6030	GG. 31	286SS6065	FE. 2	22T3406	PB. 6	3T3417	PA. 13
315SS6030	GG. 31	287SS6065	PB. 17	1T3408	PA. 8	4T3417	PA. 13
316SS6030	GG. 33	319SS6065	GG. 22B	2T3408	PA. 8	8T3417	PA. 13
317SS6030	GG. 33	414SS6065	GQ. 15	5aT3408	PA. 8	4T3421	PA. 13
347SS6030	FE. 1	415SS6065	GQ. 15	5cT3408	PD. 1	1043T3423	GK. 1
348SS6030	FE. 1	416SS6065	GQ. 13	6T3408	PA. 8	1044T3423	GK. 1
350SS6030	FE. 1	417SS6065	GQ. 13	7aT3408	PA. 8	1054T3423	PA. 2
351SS6030	FE. 1	540SS6065	GG. 28	8T3408	PB. 6	1080T3423	PA. 2
352SS6030	FE. 1	541SS6065	FB.8, FB.10,	9aT3408	PA. 6	5T3425	PA. 15
353SS6030	FE. 1		FB. 12	11T3408	PB. 6	8T3425	PA. 15
401SS6030	GG. 16		GG. 28	12T3408	PB. 6	200T3434	PA. 5
436SS6030	FE. 1	542SS6065	FG. 56	13bT3408	PD. 1		PB.3, PE.1
437SS6030	FE. 1		FG. 63	14aT3408	PB. 6	248T3434	PB. 3
456SS6030	FN. 23	553SS6065	FB.1, FB.8,	14bT3408	PD. 1	249T3434	PB. 3
638SS6030	FF. 1		FB. 10	16T3408	PB. 6	250T3434	PB. 3
639SS6030	FF. 1		FB. 12	17bT3408	PD. 1	275T3434	PA. 5
657SS6030	FF. 1		FG. 48	18aT3408	PA. 8	296T3434	PB. 1
710SS6030	ME. 3		GG. 28	19bT3408	PD. 6	297T3434	PB. 4
711SS6030	ME. 3		GG. 30	20aT3408	PA. 8	298T3434	PB. 4
722SS6030	GG. 28	564SS6065	FB. 1	20bT3408	PB. 6	328T3434	PB. 4
723SS6030	ME. 3	571SS6065	FG. 54A	20cT3408	PD. 2	329T3434	PB. 4
725SS6030	ME. 3	572SS6065	FG. 54A	21T3408	PD. 2	332T3434	PB. 4
616SS6033	GG. 11	616SS6065	JH. 7	22T3408	PD. 2	333T3434	PB. 4
628SS6033	ME. 3	645SS6065	FG. 56	23T3408	PD. 2	335T3434	PB. 4
629SS6033	ME. 3	663SS6065	FA. 30B	26bT3408	PB. 6	380T3434	PC. 1
682SS6033	NB. 10	664SS6065	FA. 30B	26T3408	PB. 7	381T3434	PC. 1
806SS6033	HD. 2	665SS6065	FA. 33	27T3408	PB. 7	382T3434	PC. 1
807SS6033	HD. 2	666SS6065	FA. 33	29T3408	PB. 6	383T3434	PC. 2
808SS6033	HD. 2	667SS6065	FG. 54	30T3408	PA. 8	395T3434	PC. 5
907SS6033	GG. 24	668SS6065	FA.33A	31T3408	PB. 7	407T3434	PC. 6
56SS6039	GG. 22B	669SS6065	FA.33A	32T3408	PA. 8	416T3434	PA.5, PA.14
66SS6039	FG. 53	670SS6065	FA.30B	33T3408	PB. 6	468T3434	PB. 3
67SS6039	FG. 53	31SS6096	HP. 1	1aT3409	PB. 6	488T3434	PB. 4
68SS6039	FG.53, HD.2	32SS6096	HP. 1	1bT3409	PA. 8	473T3434	PA.5, PB.4

INDEX OF PART NUMBERS

(See also Supplementary pages, if any)

Part No.	Page No.	Part No.	Page No.	Part No.	Page No.	Part No.	Page No.
474T3434	PB. 4	689T3434	PB. 5A	5T3685	PA.3, PA.4	17T3874	PA. 4
475T3434	PB. 4	700T3434	PB. 5A	8T3685	PA. 3	17aT3874	PA. 4
476T3434	PB. 4	703T3434	PB. 5A	9T3685	PA. 3	20T3874	PA. 4
477T3434	PB. 4	721T3434	PB. 5A	10T3685	PA. 3	1T3946	PA. 6
478T3434	PB. 4	726T3434	PB. 5A	11T3685	PA. 3	3T4001	PA. 12
480T3434	PB. 4	727T3434	PA. 6	12T3685	PA. 3	1T4002	PA. 12
480T3434	PB. 4	728T3434	PB. 5A	13T3685	PA. 3	1T4003	PA. 12
499T3434	PE. 2	729T3434	PB. 5A	16T3685	PB. 3	1T4004	PA. 12
500T3434	PE. 2	730T3434	PB. 5A	18T3685	PB. 3	1T4053	PB. 6
501T3434	PE. 2	733T3434	PB. 5A	3T3684	FQ. 12	2T4053	PB. 6
502T3434	PE. 2	735T3434	PB. 5A	35T3685	PB. 1B	3T4053	PB. 6
503T3434	PE. 2	741T3434	PB. 5A	10T3688	PB. 1B	4T4053	PB. 6
504T3434	PE. 2	743T3434	PB. 5A	2T3712	PB. 12	5T4053	PB. 6
505T3434	PE. 2	744T3434	PB. 5A	4T3712	PB. 12	6T4053	PB. 6
506T3434	PE. 4	761T3434	PA. 6	5T3712	PB. 12	7T4053	PB. 6
507T3434	PE. 2	762T3434	PA. 6	20T3715	PB. 12	8T4053	PB. 7
508T3434	PB. 4	763T3434	PA. 6	2T3716	PA. 12	9T4053	PB. 7
510T3434	PE. 2	773T3434	PA. 6	3T3716	PA. 12	10T4053	PB. 7
520T3434	PB. 4	774T3434	PA. 6	4T3716	PA.2, PA.12	11T4053	PB. 7
530T3434	PE. 2	809T3434	PA. 6	5T3716	PA. 12	12T4053	PB. 7
531T3434	PE. 2	811T3434	PB. 5A	6T3716	PA. 12	15T4053	PB. 7
542T3434	PA. 5	812T3434	PB. 5B	3T3722	PB. 11	16T4053	PB. 7
545T3434	PA. 3	813T3434	PB. 5B	7T3722	PA. 5	17T4053	PB. 7
548T3434	PB. 4	814T3434	PB. 5B	16T3722	PB. 11	1T4060	PB. 12
555T3434	PB. 4	839T3434	PB. 5B	17T3722	JB. 76	1T4062	PB. 12
556T3434	PB. 4	840T3434	PB. 5B	23T3722	MC. 22	1T4071	PA. 14
557T3434	PB. 5	841T3434	PB. 5B	34T3722	PA. 2	7T4072	PA. 14
561T3434	PB. 5	847T3434	PB. 5B	36T3722	PB. 11	8T4072	PA. 14
562T3434	PB. 5	848T3434	PA. 5	38aT3722	PB. 11	10T4072	PA. 14
563T3434	PB. 5	849T3434	PB. 5B	42T3722	PB. 11	11T4072	PA. 14
564T3434	PB. 5	853T3434	PE. 2	42aT3722	PB. 11	12T4072	PA. 14
565T3434	PB. 5	854T3434	PE. 2	1T3726	PB. 14	20T4072	PA. 15
566T3434	PB. 5	855T3434	PB. 5B	4T3730	FK. 3	21T4072	PA. 14
568T3434	PB. 5	856T3434	PB. 5B	1T3731	PA. 3	22T4072	PA. 14
570T3434	PB. 5	858T3434	PE. 3	9T3731	PA. 3	23T4072	PA. 14
571T3434	PB. 5	861T3434	PB. 5B	10T3731	PA. 3	24T4072	PA. 14
572T3434	PA. 5	864T3434	PB. 5B	16T3731	PA. 3	26T4072	PA. 14
589T3434	PB. 5	868T3434	PB. 5B	3T3782	PB. 12	27T4072	PA. 14
603T3434	PB. 5	869T3434	PB. 5B	7T3732	PB. 12	31T4072	PA. 14
604T3434	PB. 5	870T3434	PB. 5B	8T3732	PB. 12	T4073	PB. 12
606T3434	PB. 5	883T3434	PD. 1	1T3734	PB. 12	2T4073	PB. 12
606T3434	PB. 5	884T3434	PB. 19	1T3735	PB. 12	3T4073	PB. 12
625T3434	PA. 5	885T3434	PB. 5B	4T3735	PB. 12	4T4073	PB. 12
627T3434	PB. 5	886T3434	PB. 5B	9T3739	PB. 12	6T4073	PB. 12
666T3434	PA. 5	887T3434	PD. 1	1T3742	PB. 12	1T4074	PB. 12
673T3434	PB. 5	888T3434	PB. 4	5T3787	PA. 11	2T4074	PB. 12
674T3434	PB. 5	4T3484	PE. 6	6T3793	PB. 1A	1T4076	PB. 12
675T3434	PB. 5	9T3635	PA. 6	10T3793	PB. 1A	T4077	PB. 12
677T3434	PE. 1	1T3636	PA. 6	7T3874	PA. 7	3T4080	PB. 12
678T3434	PB. 5A	2T3636	PA. 6	10T3874	PE. 1	1T4082	PB. 12
679T3434	PB. 5A	3T3636	PA. 6	10aT3874	PE. 1	9T4085	PB. 12
686T3434	PB. 5A	14T3636	PA. 6	10bT3874	PE. 1	1T4086	PB. 12
688T3434	PA. 5	14aT3636	PA. 6	10cT3874	PE. 1	1T4087	PB. 12
688T3434	PB. 5A	65T3673	PA. 1	12T3874	PA. 12	1T4088	PA. 8
689T3434	PB. 5A	10T3677	PA. 3	12aT3874	PA. 12	2T4096	PA. 8
696T3434	PB. 5A	11T3678	PA. 4	12cT3874	PA. 12	3T4096	PA. 8
		2T3679	PA. 3				

INDEX OF PART NUMBERS

(See also Supplementary pages, if any)

Part No	Page No	Part No.	Page No.	Part No.	Page No.	Part No	Page No
4T4098	PA. 9	28T4288	PA. 5	1T4326	PA. 9	5T4390	PE. 9
5T4098	PA. 8	27F4288	PA. 5	2T4326	PA. 9	T4455	HN.1, PA.1
8T4098	PA. 8	28T4288	JB. 32	4T4326	PA. 9	3T4445	HN. 5
10T4098	PA. 8	1T4290	PC. 1	6T4326	PA. 9	4T4445	HN. 1
2T4098	PA. 9	13T4290	PC. 2	8T4326	PA. 9	18T4445	HN. 1
15T4098	PB. 7	20T4290	PC. 2	9T4326	PA. 9	18aT4445	HN. 1
21T4098	PA. 9	1T4292	JG. 2	1T4336	PA. 13	18bT4445	HN. 1
22T4098	PA. 9	3T4292	JB. 5	2T4336	PA. 13	18cT4445	HN. 1
T4114	PA. 13	11T4292	RA. 3	3T4336	PA. 13	17dT4445	HN. 1
2T4114	PA. 13	12T4292	PA. 15	4T4336	PA. 13	37T4455	PA. 2
3T4114	PA. 13	13T4292	HN.5, PA.15	7T4336	PA. 13	T4448	HN. 1
4T4114	PA. 13	14T4292	HN. 5	8T4336	PA. 13	3T4448	HN. 1
14T4122	JB. 32	15T4292	JH.2, PE.1	1T4361	PE. 7	T4495	PB. 1A
1T4167	PA. 16	16T4292	PE. 1	7T4361	PE. 7	133T4495	PB. 1A
2T4167	PA. 15	21T4292	PC. 1	8T4361	PE. 7	162T4495	PB. 1A
7T4167	PA. 16	50T4292	PE. 8	10T4361	HA.2, PE.7	169T4495	PB. 1A
7aT4167	PA. 15	51T4292	PE.6, PE.8	11T4361	PE. 7	2T4507	PB. 8
T4250	PA. 14	100T4292	PE. 8	1T4362	PE. 7	3T4507	PB. 8
2T4250	PA. 14	101T4292	PE. 8	2T4362	PE. 7	4T4507	PB. 8
3T4250	PA. 14	102T4292	PE. 8	3T4362	PE. 7	5T4507	PA. 9
2T4272	PA. 7	103T4292	PE. 8	4T4362	HA.1, HA.2.	6T4507	PA. 9
3T4272	PB. 7	105T4292	PE. 1		PE. 7	7T4507	PA. 9
8T4272	PB. 7	107T4292	PE. 1	4T4362	HA.1, HA.4	8T4507	PE. 3
10T4272	PB. 7	108T4292	PE. 1	1T4363	PE. 8	14T4507	PE. 3
11T4272	PB. 7	200T4292	JH. 2	1T4364	PE. 8	15T4507	PE. 3
12T4272	PB. 7	T4298	PA. 14	1T4366	PE. 8	16T4507	PE. 3
4T4275	PB. 7	3T4298	PA. 14	1T4368	PE. 8	17T4507	PE. 3
5T4275	PA. 10	4T4298	PA. 14	1T4367	PE. 8	18T4507	PE. 3
6T4275	PC. 2	15T4298	PA. 14	1T4368	PE. 7	19T4507	PE. 3
7T4275	PC. 2	16T4298	PA. 15	1T4369	PE. 7	23T4507	PE. 3
8T4275	PB. 7	16aT4298	PA. 15	5T4370	PE. 8	24T4507	PE. 3
9T4275	PB. 7	17T4298	PA. 14	1T4371	PE. 7	25T4507	PE. 3
10T4275	PB. 7	18T4298	PA. 14	T4373	PE. 1	29T4507	PE. 3
11T4275	PB. 7	19T4298	PA. 14	6T4373	PE. 1	30T4507	PE. 3
2T4278	PB. 7	20T4298	PA. 14	8cT4373	PE. 1	31T4507	PE. 3
3T4278	PB. 7	21T4298	PA. 14	T4375	PE. 6	32T4507	PB. 8
4T4278	PB. 7	T4306	PB. 18	3T4375	PE. 6	33T4507	PE. 3
5T4278	PB. 7	14aT4306	PB. 18	4T4375	PE. 6	34T4507	PE. 3
6T4278	PB. 7	14bT4306	JB. 58	29T4375	PE. 6	2T4508	PB. 8
7T4278	PA. 9		PB. 18	30T4375	PE. 6	3T4508	PA. 9
8T4278	PA. 9		PB. 18	53T4375	PE. 6	4T4508	PE. 3
9T4278	PA. 9	14cT4306	JB. 58	11T4379	JA. 56	5T4508	PC. 2
10T4278	PA. 9	14dT4306	PB. 18	1T4381	PE. 6	6T4508	PC. 2
2T4278	PD. 2	14eT4306	PB. 18	1T4382	PE. 6	8T4508	PE. 3
11T4287	PB. 5B	14fT4306	PB. 18	1T4384	PE. 6	9T4508	PC. 2
13T4287	PB. 11	T4320	PA. 4	1T4385	PE. 6	10T4508	PC. 2
16T4287	PB. 11	17T4320	PA. 7	1T4388	PE. 1	11T4508	PE. 3
T4288	PA. 4	19T4320	PA. 12	2T4388	PE. 2	12T4508	PE. 3
7T4288	PA. 11	20T4320	PA. 12	1T4390	PE. 9	2T4509	PB. 6
9T4288	PA. 11	2T4324	PB. 8	3T4390	PE. 9	3T4509	PA. 9
10T4288	PA. 11	3T4324	PB. 8	3aT4390	PE. 9	6T4509	PE. 3
22T4288	PA. 11	4T4324	PA. 9	3bT4390	PE. 9	8T4509	PB. 8
25T4288	PA. 5	5T4324	PA. 9	3cT4390	PE. 9	9T4509	PA. 10
25aT4288	PA. 5	6T4324	PA. 9	4T4390	PE. 9	10T4509	PE. 6
25bT4288	PA. 5	7T4324	PB. 8	4aT4390	PE. 9	11T4509	PE. 6
		8T4324	PB. 8	4bT4390	PE. 9	2T4510	PD. 2

INDEX OF PART NUMBERS

(See also Supplementary pages, if any)

Part No.	Page No.	Part No.	Page No.	Part No.	Page No.	Part No.	Page No.
4T4510	PD. 2	10T4590	PB. 9	36bT4854	PE. 6	20T4798	PB. 10
5T4510	PB. 8	11T4590	PB. 9	41T4854	PE. 2	21T4798	PB. 10
6T4510	PB. 8	12T4590	PB. 9	T4708	PB. 15	24T4798	PB. 10
7T4510	PD. 2	13T4590	PB. 9	1T4710	PA. 7	25T4798	PB. 10
8T4510	PD. 2	14T4590	PB. 9	3T4710	PA. 7	26T4798	PB. 10
10T4510	PB. 8	15T4590	PB. 9	4T4710	PA. 7	27T4798	PB. 10
11T4510	PD. 2	16T4590	PB. 9	6T4710	PA. 7	28T4798	PB. 10
12T4510	PE. 3	17T4590	PB. 9	8T4710	PA. 7	29T4798	PB. 10
14T4510	PE. 4	18T4590	PB. 9	9T4710	PA. 7	30T4798	PB. 10
16T4510	PD. 2	19T4590	PB. 9	11T4710	PA. 7	31T4798	PB. 10
17T4510	PE. 4	20T4590	PB. 9	12T4710	PA. 7	36T4798	PB. 10
18T4510	PE. 4	21T4590	PB. 9	T4711	PA. 7	37T4798	PB. 10
20T4510	PD. 2	22T4590	PB. 9	2T4711	PA. 7	38T4798	PB. 10
22T4510	PB. 2	23T4590	PB. 9	2aT4711	PA. 7	39T4798	PB. 10
23T4510	PB. 8	27T4590	PB. 9	2bT4711	PA. 7	40T4798	PB. 10
24T4510	PB. 8	28T4590	PB. 9	3T4711	PA. 7	23T4798	PB. 10
25T4510	PA. 10	29T4590	PB. 9	1T4712	JA. 14	T4817	PB. 18
26T4510	PB. 8	30T4590	PB. 9	9T4712	PA. 14	T4818	PB. 3
27T4510	PA. 10	31T4590	PB. 9	12T4712	JA. 14	T4822	PB. 16
28T4510	PB. 8	32T4590	PB. 9	6T4714	PE. 4	2T4822	PB. 16
29T4510	PA. 10	34T4590	PB. 10	1T4726	PA. 12	3T4822	PB. 16
30T4510	PB. 8	35T4590	PB. 10	T4742	PE. 6	T4825	PB. 15
31T4510	PD. 2	36T4590	PB. 10	3T4743	PB. 17	1T4827	PA. 7
32T4510	PE. 4	37T4590	PB. 10	5T4743	PB. 17	2T4827	PA. 7
33T4510	PE. 4	38T4590	PB. 10	12T4743	PB. 17	3T4827	PA. 7
34T4510	PE. 4	39T4590	PB. 10	2T4744	PB. 10	4T4827	PA. 7
35T4510	PE. 4	40T4590	PB. 10		PB. 18	1T4859	PE. 8
36T4510	PE. 4	41T4590	PB. 10	1T4758	FG. 59	1T4862	PE. 7
38T4510	PE. 4	46T4590	PB. 10	2T4758	FG. 59	1T4863	PE. 6
39T4510	PE. 4	54T4590	PB. 10	3T4758	FG. 59	1T4864	GG. 18
40T4510	PC. 2	55T4590	PB. 10	5T4758	FG. 59	2T4864	GG. 18
41T4510	PA. 10	56T4590	PB. 10	2T4776	PB. 10	3T4864	GG. 18
43T4510	PB. 8	57T4590	PB. 10A	3T4776	PA. 10	5T4864	GG. 18
44T4510	PB. 8	58T4590	PB. 10A	6T4476	PB. 10	6T4864	GG. 18
45T4510	PB. 2	59T4590	PB. 10A	9T4776	PA. 10	1T4877	PA. 12
46T4510	PB. 2	2T4807	PB. 15	13T4776	PA. 10	1T4878	PA. 6
47T4510	PE. 4	4T4807	PB. 15	14T4776	PA. 10	2T4878	PA. 6
48T4510	PE. 4	5T4807	PB. 16	15T4776	PA. 10	3T4878	PA. 6
49T4510	PD. 2	10T4807	PB. 15	16T4776	PA. 10	5T4878	PA. 6
50T4510	PE. 4	12T4807	PE. 4	17T4776	PA. 10	2T4882	PB. 10
51T4510	PB. 8	2T4833	PB. 10	18T4776	PA. 10	7T4882	PB. 10
3T4511	PA. 10	6T4842	HN. 5	5T4780	JA. 53	8T4882	PB. 10
5T4511	PE. 4	2T4849	PB. 18	6T4780	JA. 57	1T4883	PA. 1
7T4511	PE. 6	3T4849	PB. 18	T4798	PB. 16	2T4883	PA. 1
T4538	PB. 17	T4850	PB. 17	2T4798	PB. 10	5T4883	PA. 1
T4539	PA. 14	5T4850	PB. 18	4T4798	PB. 10	6T4883	PA. 1
3T4539	PA. 14	5aT4850	PB. 18	5T4798	PB. 10	1T4896	PE. 6
4T4539	PA. 14	7T4850	PB. 18	7T4798	PD. 2	1T4900	PB. 18
T4588	PB. 17	T4851	PB. 15	11T4798	PB. 10		QC. 14A
2T4590	PB. 9	7T4851	PB. 15	12T4798	PB. 10	1T4902	PB. 15
4T4590	PB. 9	89T4852	PA. 2	13T4798	PB. 10	3T4909	PB. 10
5T4590	PB. 9	1T4853	PA. 2	14T4798	PB. 10	4T4909	PB. 10A
6T4590	PB. 9	T4854	PE. 2	15T4798	PB. 10	5T4909	PA. 10
7T4590	PB. 9	25T4854	PE. 6	16T4798	PB. 10	6T4909	PA. 10
8T4590	PB. 9	36T4854	PE. 6	17T4798	PB. 10	9T4909	PA. 10
9T4590	PB. 9	35aT4854	PE. 6	18T4798	PB. 10	11T4909	PA. 10

INDEX OF PART NUMBERS

(See also Supplementary pages, if any)

Part No.	Page No.	Part No.	Page No.	Part No.	Page No.	Part No.	Page No.
12T4909	PB. 10A	4cT5248	PB. 14	41T5510	PE. 5	4T6196	PB. 10A
13T4909	PA. 10	4hT5248	PB. 14	44T5510	PE. 4	2T6206	PA. 11
14T4909	PB. 10A	1T5249	PB. 14	5T5576	PB. 10A	3T6206	PB. 10A
15T4909	PA. 10	1T5366	JG. 2	4T5586	JB. 74	5T6206	PA. 11
17T4909	PA. 10	1T5366	JG. 2	5T5588	JB. 74	7T6206	PB. 10A
18T4909	PB. 10A	4T5366	JG. 2	18T5588	JB. 74	11T6206	PA. 11
21T4909	PB. 10A	T5371	PB. 13	21T5588	JB. 74	12T6206	PA. 11
22T4909	PB. 10A	4T5371	PA. 13	1T5639	JB. 74	13T6206	PA. 11
2T4910	PD. 2	5T5371	PA. 13	3T5730	HN. 1	14T6206	PA. 11
3T4910	PB. 10A	6T5371	PA. 13	4T5730	HN. 1	T6247	PB. 18
4T4910	PB. 10A	7T5371	PA. 13	6T5730	HN. 1	2T6274	PB. 18
5T4910	PB. 10	T5378	PA. 15	7T5730	HN. 1	5T6254	PB. 10A
6T4910	PB. 10A	1T5411	PA. 15	T5736	PB. 1A	18T6286	PB. 10A
8T4910	PB. 10A	2T5411	PA. 15	2T5736	PB. 1A	19T6286	PB. 10A
9T4910	PB. 10	T5498	PA. 5, PA. 8	3T5736	PB. 1A	2T6287	PB. 14
10T4910	PB. 10A	T5499	PB. 3	21T5736	PB. 1A	2aT6287	PB. 14
11T4910	PB. 10A	11T5499	PB. 3	5T5776	PB. 1A	3T6287	PB. 14
14T4910	PD. 2	12T5499	PB. 3	6T5776	PB. 1A	5T6287	PB. 14
16T4910	PD. 2	2T5510	PD. 2	10T5776	PB. 1A	7T6287	PB. 14
T4911	PB. 14	3T5510	PD. 2	11T5776	PB. 1A	2T6342	PB. 17
T4913	PA. 12	4T5510	PD. 2	13T5776	PB. 1A	3T6342	PB. 17
T4919	PB. 14	6T5510	PB. 10A	1T5792	PE. 6B	T6350	PB. 17
T4933	PB. 14	7T5510	PB. 10A	4T5792	PE. 6B	16T6351	PB. 10A
2T5003	JG. 1	8T5510	PE. 4	5T5792	PE. 6B	20T6351	PB. 10A
2iT5003	JG. 1	9T5510	PE. 4	7T5792	PE. 6B	21T6351	PB. 3
2kT5003	JG. 1	10T5510	PE. 4	2T5808	PB. 10A	1T6353	PA. 2
2mT5003	JG. 1	11T5510	PE. 4	3T5808	PB. 10A	2T6381	PB. 10A
3T5003	JG. 1	12T5510	PE. 4	4T5808	PA. 11	T6395	PB. 13
7T5003	JG. 1	13T5510	PE. 4	5T5808	PA. 11	2T6385	PB. 13
1T5008	PA. 12	14T5510	PE. 4	6T5808	PA. 11	3T6385	PB. 13
	PB. 13	15T5510	PE. 4	7T5808	PA. 11	4T6395	PB. 13
6T5008	PB. 13	16T5510	PE. 5	8T5808	PA. 11	6T6396	PB. 13
1T5140	PB. 11	17T5510	PE. 5	9T5808	PA. 11	T6396	PB. 13
T5141	PB. 15	18T5510	PE. 5	10T5808	PA. 11	2T6396	PB. 13
2T5142	PB. 10A	19T5510	PE. 5	11T5808	PA. 11	11T6420	PE. 6A
3T5142	PB. 10A	20T5510	PE. 5	2T5859	JA. 10	T6432	PA. 2
4T5142	PB. 10A	21T5510	PE. 5	3T5859	JA. 11	2T6432	PA. 1
8T5142	PB. 10A	23T5510	PE. 5	4T5859	JA. 11	1T6433	PB. 17
11T5151	KB. 52	24T5510	PE. 5	5T5859	JA. 10	T6434	PB. 17
12T5151	JB. 52	25T5510	PE. 5	T5802	FM. 34	2T6451	PA. 10
22T5203	PB. 10A	26T5510	PE. 5	1T5940	PB. 18	3T6451	PA. 10
24T5203	PB. 10A	27T5510	PE. 5	1T6158	PE. 1	4T6451	PE. 4
3T5235	PB. 14	28T5510	PE. 5	3T6159	PE. 7	5T6451	PE. 4
6T5235	PB. 11	29T5510	PE. 5	T6180	PE. 7	7T6451	PE. 5
7T5235	PB. 11	30T5510	PE. 5	T6185	PE. 7	8T6451	PB. 10B
8T5235	PB. 11	32T5510	PE. 5	T6185	PB. 18	10T6451	PB. 10A
6T5248	PB. 10A	33T5510	PE. 5	1T6186	PD. 2, PD. 3	T6595	JH. 23
7T5248	PB. 10A	34T5510	PE. 5	2T6186	PD. 3	10T6451	PB. 10B
8T5248	PB. 10A	35T5510	PE. 5	5T6186	PD. 3	T6489	PE. 9
1T5248	PB. 14	36T5510	PE. 5	7T6186	PD. 3	T6470	PE. 9
2T5248	PB. 14	37T5510	QA. 23	6T6186	PD. 3	2T6470	PE. 9
4T5248	PB. 14	38T5510	PE. 5	1T6187	PB. 13	3T6470	PE. 9
4aT5248	PB. 14	40T5510	PC. 2	T6188	PB. 13	4T6470	PE. 9
				3T6195	PB. 10A		

INDEX OF PART NUMBERS

(See also Supplementary pages, if any)

Part No.	Page No.	Part No.	Page No.	Part No.	Page No.	Part No.	Page No.
T6471	PE. 9	T6788	PB. 19	9A7774	PB. 11	3T8147	PE. 6A
2T6471	PB. 18G	2T6820	PB. 1	10T7774	PB. 11	1T8148	PE. 6A
T8593	JH. 24	2T7571	QA. 13	11T7774	PB. 11	2T8148	PE. 6A
1T6594	PB. 18B	3T7571	QA. 14	1T7775	PA. 2	8T8148	PE. 6A
2T6594	PB. 18B	5T7571	QA. 14	5T7775	PA.2, PA.8	13T8148	PE. 6B
3T6594	PB. 18B	6T7571	QA. 14	1T7780	PB. 1	T8149	JH.2, PE.6B
4T6594	PB. 18B	7T7571	QA. 15	1T7783	GG. 22	5T8151	PE. 6B
5T6594	PB. 18B	8T7571	QA. 14	2T7783	GG. 22	5aT8151	PE. 6B
6T6594	PB. 18B	9T7571	QA. 14	3T7783	GG. 22	1T8155	PB. 18A
7T6594	PB. 18B	10T7571	QA. 14	1T7784	GG. 20	2T8155	PB. 18A
2T6595	JH. 23	11T7571	QA. 14	1T7785	GG. 20	3T8155	PB. 18B
5T6595	JH. 23	12T7571	QA. 14	1T7788	GG. 21	4T8155	PB. 18B
14T6595	JH. 23	13T7571	QA. 14	2T7824	PB. 11	5T8155	PB. 18B
15T6595	JH. 23	14T7571	QA. 14	1T8074	GG. 20	6T8155	PB. 18B
T6620	JH. 23	15T7571	QA. 14	T8075	GG. 20	T8158	PB. 18A
4T6620	JH. 23	16T7571	QA. 14	1T8076	GG. 21	2T8156	PB. 18A
5T6620	JH. 23	17T7571	QA. 14	2T8077	PB. 11	1T8385	RA. 7A
6T6620	JH. 23	18T7571	QA. 14	3T8077	PB. 8		RA. 7B
7T6620	JH. 23	19T7571	QA. 14	4T8077	PB. 11	2T8404	GG. 22
8T6620	JH. 23	20T7571	QA. 13	2T8078	PA. 14	1T8408	GG. 22
11T6620	JH. 23	21T7571	QA. 13	3T8078	PB. 14	T8848	PB. 15
14T6620	JH. 23	22T7571	QA. 13	4T8078	PA. 14	T8847	PB. 18
6T6653	PB. 10B	23T7571	QA. 14	5T8078	PA. 14	T425884	KH. 19
7T6653	PB. 10B	24T7571	QA. 14	6T8078	PA. 14	T425885	KH. 19
8T6653	PB. 10B	25T7571	QA. 13	T8080	PB. 14	T425886	KH. 19
9T6653	PB. 10B	26T7571	QA. 13	T8082	PA. 14	T425887	KH. 19
10T6653	PB. 10B	27T7571	QA. 13	4T8082	PA. 15	T425888	KH. 19
12T6653	PB. 10B	28T7571	QA. 13	T8140	RA. 7A	T425889	KH. 19
13T6653	PB. 10B	29T7571	QA. 13	3T8140	RA.7A	T425870	KH. 19
14T6653	PB. 5B	30T7571	QA. 13		RA. 7B	T425871	KH. 19
1T6654	FE. 5	31T7571	QA. 13	4T8140	RA. 7A	T425872	KH. 19
6T6654	FE. 5	32T7571	QA. 13		RA. 7B	T425873	KH. 19
T6657	PB. 1	33T7571	QA. 13	5T8140	RA. 7A	T425874	KH. 19
2T6657	PB. 1	34T7571	QA. 13		RA. 7B	T425875	KH. 19
3T6657	PB. 1	35T7571	QA. 13	6T8140	RA. 7A	T425876	KH. 19
4T6657	PB. 1	36T7571	QA. 13	8T8140	RA. 7A	T511246	KH. 19
5T6657	PB. 1	37T7571	QA. 13		RA. 7B	T511248	KH. 19
T6682	PB. 19	38T7571	QA. 14	9T8140	RA. 7A	TP4601	FJ. 20
2T6682	PB. 19	39T7571	QA. 14	1T8142	RA. 7B	TP77020	FM. 34
T6683	PB. 16	40T7571	QA. 15	2T8142	RA. 7A	U544	KG. 3
10T6663	PB. 16	41T7571	QA. 13	2T8143	PB. 11	1U544	KG. 4
13T6663	PB. 16	42T7571	QA. 13	3T8143	PA. 10	3U544	KG. 4
14T6663	PB. 16	3T7886	QA. 13	4T8143	PA. 10	4U544	KG. 4
15T6663	PB. 16	T7744	PB. 16	9T8143	PB. 11	5U544	KG.3, KC.4
T6664	PB. 1	2T7744	PB. 16	10T8143	PB. 11	6U544	KG.3, KC.4
1T6688	PB. 18	2T7774	PA. 14	T8145	RA. 7A	7U544	KG. 4
2T6692	PB. 8	3T7774	PA. 11	3T8145	RA. 7B	8U544	KG. 4
3T6692	PB. 8	4T7774	PB. 11	2T8148	GG. 22	9U544	KG. 4
4T6692	PB. 8	6T7774	PA. 11	3T8148	GG. 22	10U544	KG. 4
1T6787	PB. 19	7T7774	PA. 11	T8147	JH. 2	11U544	KG. 4
2T6787	PB. 19	8T7774	PA. 11	2T8147	PE. 6A	12U544	KG. 4
					PE. 8A	13U544	KG. 4
						16U672	KG. 4

INDEX OF PART NUMBERS

(See also Supplementary pages, if any)

Part No.	Page No.	Part No.	Page No.	Part No.	Page No.	Part No.	Page No.
18U572	KG 4	8U1068	KH 13	12U1150	KG 1	18U1170	KH 1
17U941	KG 1	7U1068	KH 13	13U1150	KG 1	20U1170	KH 1
8U993	KK 2	8U1068	KH 13	15U1150	KG 1	21U1170	KH 1
1U1005	KH 15	9U1068	KH 13	18U1150	KG 1	22U1170	KH 2
	KH 16	10U1068	KH 13	18U1150	KG 1	24U1170	KH 2
	KH 17	11U1068	KH 13	21U1150	KG 1	37U1170	KH 1
8U1008	KG 5	12U1068	KH 13	22U1150	KG 1	38U1170	KH 1
4U1008	KG 5		KH 14	23U1150	KG 1	39U1170	KH 1
12U1008	KG 5	1U1068	KH 13	24U1150	KG 2	40U1170	KH 2
13U1008	KG 5	4U1068	KH 13	28U1150	KG 1	41U1170	KH 1
1U1011	KF 8, KT 4	6U1068	KH 13	27U1150	KG 1	42U1170	KH 1
6U1011	KF 8	10U1068	KH 13	28U1150	KG 1	45U1170	KH 1
27U1012	KG 2	2U1072	KH 13	31U1150	KG 1	48U1170	KH 1
32U1012	KG 3	10U1075	KC 1	32U1150	KG 1	50U1170	KH 1
35U1012	KG 2	10aU1075	KC 1	36U1150	KG 1	51U1170	KH 1
43U1012	KG 3	10bU1075	KC 1	37U1150	KG 1	52U1170	KH 2
51U1012	KG 3	11U1075	KC 1	38U1150	KG 1	55U1170	KH 1
54U1012	KG 4	23U1086	KG 3	39U1150	KG 1	1U1178	KA 1
2U1013	KG 4	24U1088	KG 4	40U1150	KG 1	1U1181	KH 15
1U1014	KE 1	29U1088	KG 2	41U1150	KG 1	2U1181	KH 15
7U1014	KF 3A	30U1088	KG 2	42U1150	KG 1	3U1181	KH 15
1U1017	KD 1, KH 1	2U1088	KG 4	43U1150	KG 2	4U1181	KH 15
3U1052	KF 9	6U1088	KG 4	48U1150	KG 2	5U1181	KH 15
1U1053	KF 9	1U1088	KA 2	3U1151	KG 2	6U1181	KH 15
4U1053	KF 9	5U1088	KA 2	4U1151	KG 2	7U1181	KH 15
5U1053	KF 9	11U1088	KA 2	8U1151	KG 2	1U1182	KH 18
1U1083	KF 8	2U1103	KH 15	13U1151	KG 2	2U1182	KH 16
2U1083	KH 8	7U1103	KH 15	25U1153	KH 2	3U1182	KH 16
3U1083	KH 8	1U1123	KA 1	26U1153	KH 2	4U1182	KH 16
4U1083	KH 8	1U1131	KC 3	27U1153	KH 2	5U1182	KH 16
5U1083	KH 8	43U1131	KC 4	31U1153	KH 2	7U1182	KH 16
6U1083	KH 8	2U1138	KH 9	34U1153	KH 2	8U1182	KH 16
7U1083	KH 8	3U1138	KH 9	22U1157	KH 3	1U1185	KF 2
8U1083	KH 8	4U1138	KH 9	32U1157	KH 3	2U1185	KF 2
10U1083	KH 8	10U1138	KH 9	33U1157	KH 3	6U1185	KF 2
11U1083	KH 8	4U1140	KG 4	37U1157	KH 3	7U1185	KF 2
12U1083	KH 8	3U1141	KD 1	38U1157	KH 3	1U1189	KB 4
6U1085	KH 9	1U1145	KC 1	38U1157	KH 3	1U1220	KH 1
7U1085	KH 9	1U1148	KC 1	41U1157	KH 3	1U1221	KE 1
8U1085	KH 9	2U1148	KC 1	43U1157	KH 3	1U1224	KC 2
9U1085	KH 9	3U1148	KC 1	44U1157	KH 3	3U1224	KC 2
14U1085	KH 9	6U1148	KC 1	48U1157	KH 3	4U1224	KC 2
8U1088	KH 11	1U1147	KC 1	1U1189	KA 1, KD 1	7U1224	KC 2
9U1088	KH 10	1U1148	KC 1	1U1170	KH 1	3gU1230	KG 2
	KH 11	2U1148	KC 1	2U1170	KH 1	3kU1230	KG 2
14U1088	KH 10	3U1148	KC 1	5U1170	KH 1	5U1230	KG 2
	KH 11	6U1148	KC 1	8U1170	KH 1	6U1230	KG 2
1U1088	KH 13	4U1150	KG 1	9U1170	KH 1	10U1230	KG 2
2U1088	KH 13	6U1150	KG 1	10U1170	KH 1	2U1232	KG 5
3U1088	KH 13	7U1150	KG 1	13U1170	KH 2	4U1232	KG 5
4U1088	KH 13	8U1150	KG 1	14U1170	KH 1	5U1232	KG 5
5U1088	KH 13	9U1150	KG 1	15U1170	KH 1	8U1233	KG 5

INDEX OF PART NUMBERS

(See also Supplementary pages, if any)

Part No.	Page No.	Part No.	Page No.	Part No.	Page No.	Part No.	Page No.
1U1236	KH. 17	1U1268	KH. 15	2U1342	KG. 3	9U1348	KH. 9
2U1236	KH. 17	2U1268	KH. 15	25U1342	KG. 4	11U1348	KH. 9
3U1236	KH. 17	4U1268	KH. 15	26U1342	KG. 4	12U1348	KH. 9
5U1236	KH. 17	1U1271	KH. 17	30U1342	KG. 3	1U1350	KH. 11
6U1236	KH. 17	2U1271	KH. 17	31U1342	KG. 3	2U1350	KH. 11
1U1238	KC. 3	3U1271	KH. 17	33U1342	KG. 4	3U1350	KH. 11
3U1238	KC. 3	4U1271	KH. 17	34U1342	KG. 3	4U1350	KH. 11
4U1238	KC. 3	5U1271	KH. 17	36U1342	KG. 3	5U1350	KH. 11
5U1238	KC. 3	6U1271	KH. 17	37U1342	KG. 3	8U1350	KH. 11
7U1238	KC. 3	1U1280	KF. 4	38U1342	KG. 3	9U1350	KH. 11
3U1239	KC. 2	1U1285	KF. 2	42U1342	KG. 4	1U1351	KH. 13
7U1239	KC. 2	1U1288	KG. 3	46U1342	KG. 4	6U1351	KH. 14
1U1241	KH. 16	2U1288	KG. 3	48U1342	KG. 3	7U1351	KH. 13
2U1241	KH. 16	3U1288	KG. 3	52U1342	KG. 4	8U1351	KH. 14
3U1241	KH. 16	4U1288	KG. 3	66U1342	KG. 3	12U1351	KH. 13
4U1241	KH. 16	5U1288	KG. 2, KG. 3	1U1343	KG. 5	13U1351	KH. 13
5U1241	KH. 16	6U1288	KG. 3	2U1343	KG. 5	1U1352	KH. 14
6U1241	KH. 16	7U1288	KG. 3	3U1343	KG. 5	2U1352	KH. 14
8U1241	KH. 16	8U1288	KG. 3	4U1343	KG. 5	3U1352	KH. 13
9U1241	KH. 16	9U1288	KG. 3	6U1343	KG. 5		KH. 14
1U1242	KC. 3	11U1288	KG. 3	1U1344	KG. 5		KH. 15
5U1242	KC. 3	12U1288	KG. 3	4U1344	KG. 5	6U1352	KH. 14
6U1242	KC. 3	13U1288	KG. 3	5U1344	KG. 5	7U1352	KH. 14
7U1242	KC. 3	14U1288	KG. 3	6U1344	KG. 5	8U1352	KH. 14
8U1242	KC. 3	15U1288	KG. 3	7U1344	KG. 5	12U1352	KH. 14
9U1242	KC. 3	16U1288	KG. 3	9U1344	KG. 5	13U1352	KH. 14
9aU1242	KC. 3	17U1288	KG. 3	10U1344	KG. 5	1U1353	KH. 14
9bU1242	KC. 3	19U1288	KG. 3	12U1344	KG. 5	2U1353	KH. 14
9cU1242	KC. 3	1U1290	KH. 2, KH. 10,	13U1344	KG. 5	5U1353	KH. 14
10U1242	KC. 3		KH. 11	14U1344	KG. 5	6U1353	KH. 14
7U1252	KG. 2		KH. 12	15U1344	KG. 5	7U1353	KH. 14
8U1252	KG. 2		KH. 14	1U1345	KD. 1	11U1353	KH. 14
9U1252	KG. 2		KH. 15	3U1345	KD. 1	12U1353	KH. 14
14U1252	KG. 2		KH. 17	4U1345	KD. 1	1U1354	KH. 14
1U1253	KG. 2		KH. 18	5U1345	KD. 1	2U1354	KH. 14
2U1253	KG. 2	1U1305	KH. 3	6U1345	KD. 1	6U1354	KH. 15
3U1253	KG. 2	1U1319	KH. 16	1U1346	KD. 1	7U1354	KH. 15
4U1253	KG. 2	2U1319	KH. 16	3U1346	KD. 1	8U1354	KH. 15
5U1253	KG. 2	3U1319	KH. 16	4U1346	KD. 1	11U1354	KH. 15
1U1256	KH. 16	4U1319	KH. 17	5U1346	KD. 1	12U1354	KH. 15
2U1256	KH. 16	5U1319	KH. 17	6U1346	KD. 1	1U1355	KH. 3
3U1256	KH. 16	6U1319	KH. 17	7U1346	KD. 1	5U1355	KC. 3
4U1256	KH. 16	7U1319	KH. 17	8U1346	KD. 1	1U1357	KC. 1
5U1256	KH. 16	8U1319	KH. 17	1U1347	KH. 1	1U1358	KF. 2
6U1256	KH. 16	1U1321	KC. 2	1U1348	KH. 9	1U1359	KF. 2
4U1258	KH. 1	12U1321	KC. 2	2U1348	KH. 9	1U1360	KF. 2
1U1262	KC. 3	8U1323	KG. 5	3U1348	KH. 9	1U1361	KF. 4
3U1262	KC. 3	1U1329	KC. 2	4U1348	KH. 9	1U1362	KF. 9
10H1262	KC. 3	2U1335	KH. 4	5U1348	KH. 9	3U1362	KF. 9
1U1267	KH. 15	1U1339	KF. 8	6U1348	KH. 9	5U1362	KF. 9
2U1267	KH. 15	11U1341	KA. 1	7U1348	KH. 9	6U1362	KF. 9
3U1267	KH. 15	1U1342	KG. 1	8U1348	KH. 9	1U1364	KF. 9

INDEX OF PART NUMBERS

(See also Supplementary pages, if any)

Part No.	Page No.	Part No.	Page No.	Part No.	Page No.	Part No.	Page No.
3U1364	KF. 9	7U1501	KH 10	1U1574	KH. 17	33U1580	KH. 3
7U1364	KF 9	8U1501	KH. 10	2U1574	KH. 17	34U1580	KH. 3
1U1379	KF 1	9U1501	KH 10	3U1574	KH. 17	35U1580	KH. 3
1U1380	KF 1	10U1501	KH 10	4U1574	KH. 17	36U1580	KH. 4
2U1380	KF 1	13U1501	KH 10	5U1574	KH. 17	38U1580	KH. 3
1U1383	KF 8	14U1501	KH 10	6U1574	KH. 17	39U1580	KH. 3
9U1384	KH. 2	15U1501	KH 10	7U1574	KH. 17	1U1584	KF. 8
4U1385	KH. 3	1U1502	KH 10	8U1574	KH. 17	1U1585	KH. 8
5U1385	KH 3	2U1502	KH 10	1U1575	KH. 18	2U1585	KH. 8
6U1385	KH 3	3U1502	KH. 10	2U1575	KH 18	3U1585	KH. 8
7U1385	KH 3	4U1502	KH 10	3U1575	KH 18	4U1585	KH. 8
7bU1385	KH 3		KH 12	4U1575	KH 18	1U1588	KH. 8
8U1385	KH 3	5U1502	KH 10	5U1575	KH. 18		KH. 18
20U1388	KH 3	6U1502	KH 10	6U1575	KH. 18	1U1588	KF 4
1U1390	KF 8	7U1502	KH 10	7U1575	KH 18	2U1588	KF. 4
2U1390	KF 8	10U1502	KH 10	8U1575	KH. 18	3U1588	KF 4
20U1390	KF 8	11U1502	KH 11	9U1575	KH 18	6U1588	KF 4
1U1491	KB 4	1U1503	KH 1	1U1579	KH. 2	1U1589	KF 1
1U1483	KF 2	5U1503	KH. 1	2U1579	KH 2	1U1608	KC 4
1U1496	KG 1	6U1503	KH 1	3U1579	KH 2	13U1608	KC 4
2U1496	KG 2	1U1522	KF 8	4U1579	KH. 2	1U1609	KC 1
3U1496	KG 1	1U1523	KC 3	7U1579	KH. 2	1U1613	KH. 7
4U1496	KG 1	1U1530	KH 11	9U1579	KH 2	1U1618	KG. 2
5U1496	KG 1	2U1530	KH 11	10U1579	KH 2	2U1618	KG. 2
10U1496	KG 1	3U1530	KH. 12	11U1579	KH 2	5U1618	KG 2
14U1496	KG 1	4U1530	KH 11	12U1579	KH. 2	6U1618	KG 2
19U1496	KG 1	5U1530	KH 11	13U1579	KH. 2	1U1620	KH 18
20U1496	KG 2	6U1530	KH. 12	14U1579	KH 2	2U1620	KH. 18
29U1496	KG 1	7U1530	KH 12	15U1579	KH 2	3U1620	KH. 18
30U1496	KG 1	10U1530	KH. 12	26U1579	KH. 2	4U1620	KH 18
33U1496	KG 1	11U1530	KH. 12	27U1579	KH. 2	5U1620	KH. 18
34U1496	KG 1	1U1531	KH 12	30U1579	KH. 2	1U1621	KH. 8
35U1496	KG 1	2U1531	KH 12	31U1579	KH 2	1U1622	KC. 3
42U1496	KG 1	3U1531	KH. 12	32U1579	KH 2	1U1623	KC 2
44U1496	KG 1	4U1531	KH 12	33U1579	KH. 2	1U1624	KF. 2
47U1496	KG 1	5U1531	KH 12	34U1579	KH. 2	1U1625	KH. 7
48U1496	KG. 2	6U1531	KH. 12	1U1580	KH. 2	1U1626	KH 7
49U1496	KG 2	7U1531	KH 12	2U1580	KH. 3	1U1629	KF 2
50U1496	KG. 1	8U1531	KH. 12	3U1580	KH 3	1U1631	KF 1
52U1496	KG 1	11U1531	KH 12	4U1580	KH 4	1U1632	KF 8
53U1496	KG 1	13U1531	KH. 12	5U1580	KH 4	2U1632	KF 8
54U1496	KG 1	14U1531	KH 12	6U1580	KH. 4	3U1632	KF. 8
55U1496	KG 1	15U1531	KH 12	7U1580	KH. 4	4U1632	KF. 8
1U1499	KG 2	1U1535	KC 4	8U1580	KH 4	5U1632	KF 8
2U1499	KG 2	21U1535	KC 4	10U1580	KH 4	7U1632	KF 8
10U1499	KG 2	32U1535	KC 4	13U1580	KH. 3	8U1632	KF 8
11U1499	KG 2	32aU1535	KC 4	16U1580	KH 3	1U1634	KG. 4
12U1499	KG. 2	32bU1535	KC 4	17U1580	KH 3	2U1634	KG. 4
1U1501	KH 10	1U1538	KC. 2	19U1580	KH 3	3U1634	FG 4
2U1501	KH 10	1U1544	KF 8	20U1580	KH 3	4U1634	KG 4
3U1501	KH 10	1U1548	KF 7	28U1580	KH 3	5U1634	KG 4
4U1501	KH. 10	1U1571	KF 7	30U1580	KH 3	6U1634	KG 4

INDEX OF PART NUMBERS

(See also Supplementary pages, if any)

Part No.	Page No.	Part No.	Page No.	Part No.	Page No.	Part No.	Page No.
7U1634	KG. 4	6U2036	KK. 1	1U2236	KE. 2	1V5850	FM 1
1U1637	KH. 18	1U2038	KH. 7	2U2236	KE. 3	(Cont'd)	FM. 28
2U1637	KH. 18	1U2042	KC. 1	3U2236	KE. 3		FM 30
3U1637	KH. 18	1U2068	KA. 2, KB. 8	4U2236	KE. 3		FM 32
4U1637	KH. 18	1U2077	KK. 2	5U2236	KE. 3		FN 17
6U1637	KH. 18	1U2082	KK. 2	1U2251	KE. 4		FN 18
7U1637	KH. 18	2U2082	KK. 2	3U2257	KE. 4		FN 20
1U1650	KB. 8	3U2082	KK. 2	4aU2257	KE. 4		FN 21
1U1763	KE. 1	1U2083	KK. 2	4U2257	KE. 4		FN 22
6U1789	KC. 3	2U2083	KK. 2	5U2257	KE. 4		FP 1, FP 9,
4U1856	KC. 4	3U2083	KK. 2	6U2257	KE. 4		FP 10
1U1887	KA. 1	1U2089	KF. 5	6aU22567	KE. 4		FP 11, FO 1,
1U1894	KF. 7	3U2089	KF. 3A	6bU2257	KE. 4		FO 8, FO 11,
1U1978	KF. 3	1U2153	KA. 1	6cU2257	KE. 4		GG 1, GG 3,
3U1978	KF. 3	1U2178	KF. 3	6dU2257	KE. 4		GG 5
4U1978	KF. 3	1U2179	KF. 3	6eU2257	KE. 4		GG 10
5U1978	KF. 3	2U2179	KF. 3	7U2257	KE. 4		GG 18
6U1978	KF. 3	4U2179	KF. 3	1U2258	KE. 5		GG 18
7U1978	KF. 3	1U2180	KF. 3A	2U2258	KE. 5		GG 23
8U1978	KF. 3	2U2180	KF. 3A	3U2258	KE. 5		GG 27
1V1979	KF. 3A	2U2180	KF. 3A	4U2258	KE. 5		GG 33
2V1979	KF. 3A	1U2181	KF. 3	5U2258	KE. 5		GG 34
3V1979	KF. 3A	8U2181	KF. 3	UA6002	PB. 20		GG 35
4U1979	KF. 3A	9U2181	KF. 3	12V1139	FA. 1		GO 2, HD. 1,
6U1979	KF. 3A	1U2186	KC. 2	2V1575	PE. 2		HL 6, HL 12,
7U1979	KF. 3A	2U2186	KC. 2	1V1873	FM. 29		HM 2, JA 10,
1U1980	KF. 3	3U2186	KC. 2	1V1988	KF. 3		JA 18, PA 2,
7V1980	KF. 3	4U2186	KC. 2	21V4850	FA. 1, FG. 51		PA 4, PA 12,
8V1980	KF. 3	13U2186	KC. 2	21aV4850	FA. 31		PB 15
1U1989	KK. 1	14U2186	KC. 2		FG. 51		PB 16
2U1989	KK. 1	17U2186	KC. 2	7V5497	PC. 1		PB 17
3U1989	KK. 1	18U2186	KC. 2	1V5850	DA. 1, EG. 16,		PB 19
4U1989	KK. 1	2U2220	KF. 3A		FA. 1, FA. 32,		PE 1, PE 2,
9U1989	KK. 1	1U2223	KF. 3A		FA. 33, FB. 1,		OK 1
8U1991	KK. 2	4U2223	KF. 3A		FB. 7, FB. 8,	10V5850	FG 86
1U1993	KK. 2	1U2224	KF. 3A		FB. 9, FB. 10,		FJ 12
7U1993	KK. 2	4U2224	KF. 3A		FB. 11,		FJ 18
9U1993	KK. 2	5U2224	KF. 3A		FB. 13, FC. 4,		FM. 28
141998	KF. 3	1U2230	KF. 3A		FC. 5, FD. 1,		FN 17
1U2028	KK. 1	1U2232	KH. 13		FD. 2, FE. 1,		FO 7, GG 10,
2U2028	KK. 1	2U2232	KH. 13		FG. 1, FG. 7,		JA 10
3U2028	KK. 1	3U2232	KH. 13		FG. 49		JA 18
4U2028	KK. 1	4U2232	KH. 13		FG. 53		PB 19
5U2028	KK. 1	5U2232	KH. 13		FG. 55	14V5850	FA. 32
6U2028	KK. 1	6U2232	KH. 13		FG. 58		FA 33
1U2029	KF. 7	1U2233	KE. 2		FG. 59		FA 33B
13U2029	KF. 8	1U2236	KE. 2		FG. 61		FB 1, FB 7,
1U2036	KK. 1	2U2236	KE. 2		FG. 62		FB 9, FB 12,
2U2036	KK. 1	4U2236	KE. 2		FG. 63		FB 13, FC. 4,
3U2036	KK. 1	5U2236	KE. 2		FG. 64		FC. 5, FD. 3,
4U2036	KK. 1	6U2236	KE. 2		FH. 1, FG. 4,		FE 1
5U2036	KK. 1	8U2236	KE. 2		FH. 7, FH. 10,		FG 54B
					FJ. 1, FJ. 14,		FG. 58
					FJ. 15		FG 62
					FJ. 18, FK. 1,		

INDEX OF PART NUMBERS

(See also Supplementary pages, if any)

Part No.	Page No.	Part No.	Page No.	Part No.	Page No.	Part No.	Page No.
5V6343	FQ. B	608V6374	GG. 1	66V6585	FG. 53	7V6621	FM. 28
6V6343	FQ. B	609V6374	GG. 1	36V6586	FG. 52	8V6621	FM. 28
15V6350	FB. B	610V6374	GG. 1	4cV6586	FG. 58		JB. 100A
16V6350	FB. B	611V6374	GG. 1	4dV6586	FG. 58	9V6621	FM. 28
13V6352	FN. 20	612V6374	GG. 1	5V6586	FG. 57	13V6621	FM. 28
30V6352	FK. 1	613V6374	GG. 1	8V6586	FG. 58	14V6621	FM. 28
47V6352	FK. 1	614V6374	GG. 1	11V6586	FG. 57	15V6621	FM. 28
49V6352	FA. 1	638V6374	DA. 1	12V6586	FG. 57	16V6621	FM. 28
58V6352	FG. 65	637V6374	DA. 1	13V6586	FG. 58	4V6622	FM. 15
10V6353	FM. 24	638V6374	DA. 1	15V6586	FG. 58	8V6622	FB. 14
14V6353	FM. 28	736V6374	GG. 7	16V6586	FG. 58	9V6622	FB. 14
15V6353	FM. 24	738V6374	GG. 7	18V6586	FG. 57	16V6622	FB. 13
16V6353	FM. 24	783V6374	GG. 34	20V6586	FG. 58		FB. 14
26V6353	FM. 24	784V6374	GG. 34	27V6586	FG. 58	17V6622	FB. 14
27V6353	FM. 24	785V6374	FK. 2	35V6586	FG. 58	18V6622	FB. 14
29V6353	FM. 26	791V6374	FB. 7	36V6586	FG. 58	2V6625	FG. 52A
32V6353	FM. 24	792V6374	FB. 7	38V6586	FG. 57	2aV6625	FG. 52A
37V6353	FM. 26	793V6374	FB. 7	34V6589	FE. 2	3V6625	FG. 52A
39V6353	FM. 26	794V6374	FB. 7	4V6670	FE. 3	3aV6625	FG. 52A
3V6354	FA. 31	795V6374	FB. 7	2V6578	FQ. 12	4V6625	FG. 52A
7V6354	FA. 31	796V6374	FB. 7		JB. 34	7V6625	FG. 52A
10V6354	FA. 1, FB. 1, FP. 1	797V6374	FB. 7	4V6578	JB. 34	8V6625	FG. 52A
16V6354	FA. 30B	798V6374	FB. 7	48V6580	JB. 34	1V6632	FQ. 12
17V6354	JB. 119	799V6374	FB. 7	1V6581	FG. 51	3V6638	FQ. 1
18V6354	FB. 1	800V6374	FB. 7	2V6581	GG. 26	9V6638	FQ. 1
26aV6354	FA. 1	810V6374	GG. 28	3V6582	GG. 26	1V6639	FQ. 34
29V6354	FA. 1	992V6374	FK. 2		GG. 28	4V6640	FA. 33B
110V6354	FG. 58	108V6375	FG. 63	5V6582	GG. 26		FG. 52A
38V6355	FG. 66	109V6375	FG. 63	10bV6582	GG. 26		FM. 27
12V6356	PE. 2, QA. 55	110V6375	FG. 63	10bV6582	GG. 26		FM. 28
14V6356	PA. 6	111V6375	FG. 63	11V6582	GG. 26		FQ. 13
33V6357	FH. 17	115V6376	FG. 61	12V6582	GG. 26		FQ. 33
34V6357	FH. 13	135V6375	FG. 61	7V6584	FG. 58		JB. 100A
37V6357	FH. 13	136V6375	FG. 61	1V6586	JB. 33	4V6641	GB. 3
38V6357	FH. 13	137V6375	FG. 61	2V6586	JB. 33	3V6647	FM. 34
5V6358	FB. 1	167V6375	FG. 61	3V6586	JB. 33	1V6655	FG. 6
9V6359	FC. 4	168V6376	FG. 61	9V6586	JB. 3	1V6663	FG. 59
10V6359	FC. 4	172V6376	GG. 16	18V6590	JB. 120	2V6663	FG. 59
4V6360	FC. 8	7V6517	GG. 28	19V6590	JB. 120	1V6680	FC. 4
5V6360	JB. 32	V6585	FG. 63	20V6590	JB. 120	2V6680	FC. 4
1V6366	JB. 32	4V6565	FG. 57	21V6590	JB. 119	3V6680	FC. 4
3V6366	JB. 33	5V6565	FG. 53	2V6604	FQ. 14	1V6687	FQ. 13
4V6366	JB. 33	16V6585	FG. 57	4V6604	FQ. 14	2V6687	FQ. 13
11V6366	JB. 32	21V6585	JH. 9	9V6604	FQ. 14	3V6687	FQ. 13
18V6366	JB. 33	26V6585	FG. 53	40V6604	FQ. 14	5V6687	FQ. 13
35V6366	JB. 33	27V6585	FG. 58	3V6615	FD. 3	6V6687	FQ. 13
36V6366	JB. 33	35V6585	FG. 53	1V6618	FM. 27	7V6687	FQ. 13
43V6366	JB. 33	49V6585	FG. 57	2V6618	FM. 27	8V6687	FQ. 13
805V6374	GG. 1	50V6585	FG. 48	4V6618	FM. 27	10V6687	FQ. 13
806V6374	GG. 1	51V6585	FG. 53	8V6618	FM. 27	11V6687	FQ. 13
807V6374	GG. 1	52V6585	FG. 53	5V6621	FM. 28	12V6687	FQ. 13
		53V6585	FG. 53	6V6621	FM. 28	13V6687	FQ. 13

INDEX OF PART NUMBERS

(See also Supplementary pages, if any)

Part No.	Page No.	Part No.	Page No.	Part No.	Page No.	Part No.	Page No.
14V6687	FQ. 13	9V6814	FG. 58	15V7357	FB. 11	1V7681	DA. 1
1V6681	FC. 1, FJ. 15,	10V6814	FG. 58		FN. 20	4V7688	FF. 3
	FN. 1	1V6826	FG. 62		FN. 21	1V7619	FG. 6
4V6756	FJ. 20	5V6838	FG. 62		FN. 24	2V7619	FG. 5
	FM. 17	4V6848	FB. 15		FP. 9	3V7619	FG. 5
5V6756	FJ. 20	2V6850	FB. 8	16V7357	FN. 20	4V7619	FG. 5
	FM. 27	3V6850	JB. 120		FN. 21	1V7648	FG. 5
12V6757	FG. 62	4V6850	FB. 1		FN. 24	1V7649	FG. 5
1V6768	EC. 5	18V6860	FB. 1		FP. 9	2V7649	FG. 5
8V6768	EC. 5	17V6860	FA. 34	17V7357	FN. 24	2aV7649	FG. 5
9V6768	EC. 5		FB. 1	48V7357	FN. 22	2V7649	FG. 5
10V6768	EC. 5	18V6860	FB. 8	38V7357	FN. 21, FP. 9	3V7649	FG. 5
11V6768	EC. 5	1V6866	FA. 34	1V7363	FM. 29	5V7666	JA. 27
16V6768	EC. 5	1V6887	FM. 27	2V7371	FM. 28	7V7666	JA. 27
17V6768	EC. 5	1V6896	FQ. 7	4V7371	FM. 28	13V7666	JA. 27
1V6772	FG. 59	2V6898	FQ. 7	5V7371	FM. 28	15V7666	JA. 27
3aV6772	FG. 60	1V6901	FM. 27	2V7387	FM. 27	17V7666	JA. 27
3bV6772	FG. 60	2V6901	FM. 27	1V7429	FN. 24	23V7666	JA. 27
3cV6772	FG. 60	11V6912	FG. 15	2V7429	FN. 24	25V7666	JA. 27
3dV6772	FG. 60	12V6912	FG. 15	3V7429	FN. 24	26dV7666	JA. 27
3fV6772	FG. 60	1V6973	GG. 34	6V7429	FN. 24	28V7666	JA. 27
3gV6772	FG. 60	1V6974	GG. 34	8V7429	FN. 24	29V7666	JA. 27
3hV6772	FG. 60	2V6974	GG. 34	1V7433	FQ. 12	1V7686	FN. 21
4V6772	FG. 60	3V6974	GG. 34	2V7433	FQ. 12	6V7686	FN. 21
5V6772	FG. 60	4V6974	GG. 34	9V7435	FH. 1	8V7686	FN. 21
28V6778	JB. 118	2V6982	GG. 34	5V7445	FQ. 12	11V7686	FN. 21
30V6778	JB. 121	1V6984	GG. 16	6V7445	FQ. 12	12V7686	FN. 21
8V6780	FG. 62	2V6984	GG. 16	14V7445	FQ. 12	14V7686	FN. 21
1V6791	FQ. 10	5V6984	GG. 16	15V7445	FQ. 12	15V7686	FN. 21
2V6791	FQ. 10	1V7020	EC. 5	16V7445	FQ. 12	1V7686	FC. 5
5V6791	FQ. 10	2V7020	EC. 5	4V7446	FQ. 12	2V7686	FC. 5
8V6791	FQ. 10	3V7020	EC. 5	5V7446	FQ. 12	3V7686	GG. 1
7V6791	FQ. 10	6V7020	EC. 5	7V7446	FQ. 12	9V7686	FC. 5
8V6791	FQ. 8	2V7035	JA. 11		GG. 3	10V7686	FC. 5
10V6791	FQ. 8	1V7357	FN. 22	8V7446	FQ. 12	1V7687	FC. 6
10V6792	FQ. 11	2V7357	FN. 22	6V7450	FB. 9	6V7687	FC. 6
11V6792	FQ. 11	3V7357	FN. 22	7V7452	FH. 1, FH. 4,	7V7687	GG. 2
12V6792	FQ. 11	4V7357	FN. 22		FH. 7	8V7687	FB. 10
1V6793	FQ. 10	5V7357	FN. 22		FH. 10	2V7704	FN. 24
2V6793	FQ. 10	6V7357	FN. 22	7aV7452	FH. 1, FH. 4,	9V7704	FN. 25
10V6793	FQ. 10	7V7357	FN. 22		FH. 7, FH. 10	4V7713	FB. 12
1V6795	RA. 4	8V7357	FN. 22	7bV7452	FH. 1, FH. 4,	5V7713	FB. 12
3V6795	RA. 4	9V7357	FN. 22		FH. 7, FH. 10	7V7713	FB. 12
4V6795	RA. 4	10V7357	FN. 22	9V7453	FH. 1	10V7713	FB. 11
6V6795	RA. 2	11V7357	FN. 22	10V7453	FH. 4	11V7713	FB. 11
1V6798	FA. 31	12V7357	FN. 22	11V7453	FH. 7	12V7713	FB. 12
	FM. 21	14V7357	FB. 11	8V7546	FG. 66	12aV7713	FB. 12
	FN. 17, FP. 8,		FM. 31	19V7546	FG. 66	13V7713	FB. 12
	FQ. 7		FM. 33	5V7561	DA. 1	1V7715	FB. 11
2V6798	FA. 31		FN. 20	6V7561	DA. 1	2V7715	FB. 11
	FN. 17		FN. 21	7V7561	DA. 1	3V7715	FB. 11
	FP. 8, FQ. 7		FN. 24	3V7562	JB. 100A	5V7715	FB. 11
			FP. 9	3V7585	GG. 3		

INDEX OF PART NUMBERS

(See also Supplementary pages, if any)

Part No.	Page No.	Part No.	Page No.	Part No.	Page No.	Part No.	Page No.
6V7716	FB. 11	213V7728	GG. 33	1848V7728	JA. 17	1V7870	FQ.8, GG.3,
11V7715	FB. 11	214V7728	GG. 33	2160V7728	FM. 30	(Cont'd)	GG. 21
12V7715	FB. 11	296V7728	FG. 63	2165V7728	FA. 33		GG. 23
13V7715	FB. 11	297V7728	FG. 63	2169V7728	FA. 31		HD. 1
1V7716	FB. 12	307V7728	HL. 13	1V7801	FN. 19	2V7870	GG. 21
2V7716	FB. 12	331V7728	HL. 61	1V7802	FN. 19	3V7870	GG.3, GG.21
1V7717	FN. 17	406V7728	FG. 61	1V7803	FN. 19	4V7870	GG.3, GG.21
2V7717	FN. 17	407V7728	FG. 61	1V7804	FN. 19	6V7870	GG.3, GG.20
3V7717	FN. 17	408V7728	FG. 61	5V7847	FG. 6	1V7871	FB. 10
4V7717	FN. 17	409V7728	FG. 61	6V7847	FG. 6		FB. 11
1V7719	FN. 21	410V7728	FG. 61	1V7862	FN. 19		FG. 53
2V7719	FN. 21	411V7728	FG. 61	2V7862	FN. 18		FG. 55
3V7719	FN. 21	539V7728	GG. 4	3V7862	FN. 19		FG. 61
5V7719	FG. 7	640V7728	GG. 4	4V7862	FN. 19		FJ.8, FJ.13,
10V7719	FN. 22	641V7728	GG. 4	5V7862	FN. 19		FJ.1, FJ.19,
11V7719	FN. 22	642V7728	GG. 4	6V7862	FN. 19		FM.30, FP.1
12V7719	FN. 21	643V7728	GG. 4	7V7862	FN. 19		PA. 2
19V7719	FN. 22	664V7728	GG. 4	9V7862	FN. 19	3V7871	FJ.8, FJ.13
20V7719	FN. 22	844V7728	GG. 1	10V7862	FN. 19	4V7871	FG. 65
21V7719	FN. 22	845V7728	GG. 1	11V7862	FN. 19	5V7871	FG. 62
22V7719	FN. 22	846V7728	GG. 1	13V7862	FH.1, FH.4, FH.7, FH.10		FG. 65
1V7720	FG. 61	894V7728	FB. 11		FH. 1		FJ.8, FJ.7,
2V7720	FG. 61	895V7728	FB. 11	1V7863	FH. 5		FJ. 13
5V7720	FG. 61	896V7728	FB. 11	2V7863	FH. 10		FJ. 14
6V7720	FG. 61	897V7728	FB. 11	4V7863	FH.1, FH.4, FH.7, FH.10		FM. 30
7V7720	FG. 61	898V7728	FB. 11	5V7863	FH.1, FH.4, FH.7, FH.10		FM. 32
8V7720	FG. 61	899V7728	FB. 11	6V7863	FH.1, FH.4, FH.7, FH.10	48V7909	FP. 12
12V7720	FG. 61	900V7728	FB. 11		FN. 23	49V7909	FM. 2
13V7720	FG. 61	901V7728	FB. 11	1V7864	JA. 27	51V7909	FG. 7
1V7723	FG. 62	1158V7728	GG. 18	1V7865	JA. 27	62V7909	FJ. 15
8V7723	FA.1, JB.57	1159V7728	FG. 55	1V7866	JA. 27	54V7909	FG. 7
10V7723	FG. 62		GG. 18	7V7866	JA. 27	58V7909	FG. 7
6V7726	FG. 6	1160V7728	FG. 55	1V7867	JA. 27	64V7909	FG. 8
7V7726	FG. 6		GG. 18	5V7867	JA. 27	67V7909	FM. 2
10V7726	FG. 6	1163V7728	GG. 18	6V7867	JA. 27	87V7909	FM. 2
11V7726	FG. 6	1164V7728	GG. 18	9V7867	JA. 27	102V7909	FM. 2
12V7726	FG. 6	1165V7728	GG. 9	1V7870	FA.1, FA.32, FB.8, FB.11,	105V7909	FM. 2
13V7726	FG. 6	1166V7728	GG. 7		FG. 49	108V7909	FM. 2
14V7726	FG. 6	1167V7728	GG. 11		FG. 53	111V7909	FM. 2
15V7726	FG. 6	1336V7728	GG. 38		FG. 55	113V7909	FM. 2
16V7726	FG. 6	1526V7728	GG. 35		FG. 62	115V7909	FA. 10
17V7726	FG. 5	1527V7728	GG. 35		FG. 63	116V7909	FM. 2
18V7726	FG. 5	1538V7728	HM. 3		FG. 64	121V7909	FM. 2
49V7728	FK. 2	1552V7728	GG. 21		FJ. 19	122V7909	FM. 2
100V7728	FG. 50	1553V7728	GG. 21		FM. 29	197V7909	FG. 7
101V7728	FG. 50	1570V7728	GG. 7		FM. 30	213V7909	FG. 1
102V7728	FG. 50	1589V7728	FG. 61		FM. 31	214V7909	FG. 1
208V7728	GG. 33	1590V7728	FG. 61		FM. 32	215V7909	FG. 7
209V7728	GG. 33	1619V7728	GG. 24		FN. 18	217V7909	FG. 1
210V7728	GG. 33	1620V7728	GG. 24		FN. 22, FP.1,	220V7909	FG. 1
211V7728	GG. 23	1847V7728	FP. 11			222V7909	FG. 1
212V7728	GG. 33	1848V7728	FP. 11				

VULCAN No. 2

INDEX OF PART NUMBERS

Page W. 87

(See also Supplementary pages, if any)

Part No.	Page No.	Part No.	Page No.	Part No.	Page No.	Part No.	Page No.
228V7909	FG. 1	354V7909	FA. 1	458V7909	FG. 1	605V7909	FN. 2
229V7909	FG. 1	355V7909	FG. 9	459V7909	FG. 1	606V7909	FN. 2
230V7909	FG. 1	370V7909	FB. 3	479V7909	FH. 3	607V7909	FN. 2
232V7909	FG. 8	371V7909	FB. 3	480V7909	FM. 2	609V7909	FN. 2
233V7909	FG. 8	374V7909	FM. 18	481V7909	FH. 8	611V7909	FN. 2
234V7909	FG. 8	376V7909	FB. 3	482V7909	FH. 5	613V7909	FN. 2
235V7909	FG. 8	378V7909	FB. 3	503V7909	FH. 9	614V7909	FN. 2
236V7909	FG. 8	379V7909	FB. 3	504V7909	FH. 8	616V7909	FN. 2
239V7909	FM. 2	382V7909	FB. 3	506V7909	FG. 9	617V7909	FN. 2
241V7909	FA. 1	384V7909	FB. 2	507V7909	FG. 11	618V7909	FN. 2
243V7909	FM. 2	385V7909	FB. 3	509V7909	FG. 11	619V7909	FN. 2
247V7909	FG. 8	388V7909	FB. 3	510V7909	FG. 10	620V7909	FN. 2
248V7909	FG. 8	389V7909	FB. 2	512V7909	FA. 2	621V7909	FN. 2
249V7909	FG. 8	390V7909	FB. 2	516V7909	FB. 2	629V7909	FM. 3
250V7909	FG. 8	391V7909	FB. 3	517V7909	FB. 2	640V7909	FG. 10
251V7909	FG. 8	392V7909	FB. 2	521V7909	FA. 10	641V7909	FG. 10
252V7909	FG. 8	393V7909	FB. 3	522V7909	FA. 10	642V7909	FG. 10
255V7909	FG. 8	394V7909	FB. 3	533V7909	FM. 3	643V7909	FG. 10
257V7909	FG. 8	395V7909	FB. 3	534V7909	FM. 3	644V7909	FG. 10
258V7909	FG. 8	396V7909	FB. 2	537V7909	FA. 2	645V7909	FG. 10
259V7909	FG. 8	397V7909	FB. 2	542V7909	FA. 2	646V7909	FG. 10
260V7909	FG. 8, GK. 12	398V7909	FB. 2	543V7909	FA. 2	647V7909	FG. 88
261V7909	FG. 8	399V7909	FB. 2	544V7909	FA. 2	648V7909	FG. 88
264V7909	FG. 38	404V7909	FB. 2	545V7909	FA. 2	649V7909	FG. 88
265V7909	FG. 8	405V7909	FB. 3	546V7909	FA. 2	650V7909	FG. 88
267V7909	FG. 8	406V7909	FB. 2	547V7909	FA. 2	651V7909	FG. 87
270V7909	FG. 8	410V7909	FM. 2	548V7909	FA. 3	654V7909	FG. 10
271V7909	FG. 8	411V7909	FB. 3	550V7909	FA. 3	656V7909	FN. 2
274V7909	FG. 8	412V7909	FB. 3, FG. 55	559V7909	FN. 1	657V7909	FN. 2
275V7909	FG. 8	413V7909	FB. 4	565V7909	FM. 3	658V7909	FN. 2
276V7909	FG. 9	416V7909	FG. 9	566V7909	FM. 3	659V7909	FN. 2
277V7909	FG. 9	426V7909	FA. 5	567V7909	FM. 3	666V7909	FG. 10
282V7909	FG. 9	427V7909	FA. 1	568V7909	FN. 3	668V7909	FG. 10
286V7909	FG. 9	428V7909	FA. 1	570V7909	FM. 3	674V7909	FG. 10
288V7909	FG. 9	430V7909	FA. 1	576V7909	FN. 1	675V7909	FG. 10
289V7909	FG. 9	431V7909	FA. 1	578V7909	FN. 1	683V7909	FA. 3
308V7909	FG. 9	432V7909	FA. 1	579V7909	FN. 1	685V7909	FA. 10
315V7909	FG. 9	433V7909	FA. 2	580V7909	FN. 1	686V7909	FM. 3
332V7909	FB. 9	434V7909	FA. 2	581V7909	FN. 1	687V7909	FM. 3
333V7909	FG. 9	436V7909	FA. 2	582V7909	FN. 1	688V7909	FM. 3
334V7909	FG. 9	438V7909	FA. 2	584V7909	FN. 1	689V7909	FG. 10
338V7909	FG. 9	441V7909	FH. 2	586V7909	FN. 1	690V7909	FG. 10
343V7909	FG. 9	442V7909	FH. 5	588V7909	FN. 1	684V7909	FC. 1
344V7909	FG. 9	443V7909	FH. 9	589V7909	FN. 1	695V7909	FC. 1
346V7909	FG. 9	445V7909	FH. 12	590V7909	FM. 3	696V7909	FC. 1
347V7909	FG. 9	445V7909	FM. 2	592V7909	FN. 1	697V7909	FC. 1
348V7909	FG. 2	446V7909	FM. 2	593V7909	FN. 1	698V7909	FC. 1
349V7909	FB. 2	447V7909	FM. 3	594V7909	FN. 1	699V7909	FC. 1
350V7909	FG. 9	448V7909	FM. 3	595V7909	FN. 1	699V7909	FC. 1
351V7909	FM. 2	449V7909	FM. 3	600V7909	FN. 2	701V7909	FC. 1
352V7909	FA. 10	450V7909	FG. 9	602V7909	FA. 3	702V7909	FC. 1
		454V7909	FA. 2	604V7909	FN. 2	705V7909	FC. 1

INDEX OF PART NUMBERS

(See also Supplementary pages, if any)

Part No.	Page No.	Part No.	Page No.	Part No.	Page No.	Part No.	Page No.
707V7909	FC. 1	846V7909	FG. 11	1000V7909	FG 12	1103V7909	FA 32
708V7909	FC. 1	847V7909	FG. 11	1001V7909	FG 12	1104V7909	FA 32
709V7909	FC 1	848V7909	FG 12	1004V7909	FG 12	1105V7909	FA 31
710V7909	FC 1	850V7909	FG 12	1005V7909	FG 12	1106V7909	FA 31
711V7909	FC 1	859V7909	FA 3	1006V7909	FG 12	1107V7909	FA 31
712V7909	FC 2	861V7909	FH 5	1007V7909	FG 12	1109V7909	FA 31
713V7909	FC 2	862V7909	FH 5	1008V7909	FG. 12	1110V7909	FA 31
715V7909	FC 2	864V7909	FH 8	1009V7909	FG 12	1111V7909	FA 31
716V7909	FM 3	865V7909	FH. 8	1010V7909	FG 13	1112V7909	FA 31
719V7909	FN 2	868V7909	FM 4	1011V7909	FG 13	1114V7909	FM 5
721V7909	FG 10	874V7909	FM 4	1012V7909	FG. 13	1115V7909	FA. 10
724V7909	FG 10	875V7909	FM 4	1013V7909	FG 13	1117V7909	FM 6
725V7909	FG 10	876V7909	FM 4	1014V7909	FG 13	1118V7909	FN 2
729V7909	FM 3	877V7909	FM 4	1016V7909	FG 13	1120V7909	FN 2
730V7909	FM 3	878V7909	FM 4	1017V7909	FQ 1	1124V7909	FG 13
731V7909	FM 3	879V7909	FM 4	1019V7909	FQ 1	1125V7909	FA 10
732V7909	FM 3	880V7909	FM 4	1021V7909	FQ. 1	1127V7909	FG. 13
739V7909	FA 10	881V7909	FM 4	1022V7909	FQ. 1	1128V7909	FG. 13
740V7909	FD 1	884V7909	FG. 1	1023V7909	FG 13	1129V7909	FG 13
762V7909	FM 4	889V7909	FG 1	1027V7909	FB 2	1131V7909	FM 5
764V7909	FC 2	890V7909	FG 1	1028V7909	FB 3	1132V7909	FM. 5
765V7909	FC 2	891V7909	FG 1	1030V7909	FB. 2	1133V7909	FM 5
766V7909	FC 2	892V7909	FG 1	1031V7909	FB 4	1134V7909	FM. 5
767V7909	FA 3	894V7909	FG 12	1033V7909	FB 4	1135V7909	FM. 5
768V7909	FC 2	896V7909	FG 1	1034V7909	FB 4	1137V7909	FN. 5
770V7909	FC 2	898V7909	FG 1	1035V7909	FB. 4	1138V7909	FM 5
771V7909	FC 2	897V7909	FG 1	1036V7909	FB 4	1139V7909	FM. 6
772V7909	FN 2	898V7909	FG. 12	1042V7909	FM 4	1140V7909	FM. 6
773V7909	FN 2	899V7909	FG 12	1044V7909	FM. 5	1141V7909	FM. 6
777V7909	FG 11	900V7909	FA 10	1047V7909	FM. 5	1149V7909	FG 13
794V7909	FM 4	901V7909	FM 4	1055V7909	FN 3	1150V7909	FG. 13
801V7909	FM 4	912V7909	FG 12	1086V7909	FM 5	1151V7909	FG. 13
806V7909	FN 2	918V7909	FQ 1	1070V7909	FN 2	1152V7909	FG. 14
813V7909	FN 2	925V7909	FA 12	1076V7909	FM. 6	1153V7909	FG 14
826V7909	FK. 1	926V7909	FG 12	1077V7909	FG. 13	1156V7909	FG. 14
827V7909	FK 1	927V7909	FM. 4	1078V7909	FM 5	1157V7909	FG. 14
828V7909	FG 11	928V7909	FM 4	1079V7909	FG 13	1158V7909	FG 14
829V7909	FG 11	930V7909	FG. 12	1080V7909	FC 2	1162V7909	FG 14
830V7909	FG 11	939V7909	FM 4	1081V7909	FC 2	1174V7909	FA. 10
831V7909	FG 11	941V7909	FA 3, FM 4	1083V7909	FB 2	1175V7909	FA 10
832V7909	FG 11	942V7909	FA. 10	1086V7909	FC 2	1176V7909	FA. 10
833V7909	FG 11	976V7909	FM 4	1087V7909	FC 2	1177V7909	FA 10
834V7909	FG 11	980V7909	FA 6	1089V7909	FG 13	1178V7909	FA 10
835V7909	FG 11	981V7909	FA 6	1090V7909	FM 5	1179V7909	FA 10
836V7909	FG 11	982V7909	FA. 6	1092V7909	FG 13, FM 5	1180V7909	FA 10
838V7909	FG 11	983V7909	FA 6	1093V7909	FG. 13	1181V7909	FA. 11
839V7909	FG 11	985V7909	FH. 5	1095V7909	FM 5	1182V7909	FA. 11
840V7909	FG 11	986V7909	FH 9	1098V7909	FM 5	1183V7909	FA. 11
841V7909	FG 11	994V7909	FP 2	1099V7909	FA 31	1184V7909	FA 11
842V7909	FG 11	996V7909	FP. 2	1100V7909	FA 32	1185V7909	FA 11
843V7909	FG 11	997V7909	FP. 2	1101V7909	FA 31	1188V7909	FA 3
844V7909	FG 11	999V7909	FG 12	1102V7909	FA 31	1188V7909	FK 1

VULCAN No. 3

INDEX OF PART NUMBERS

Page W 88

(See also Supplementary pages, if any)

Part No.	Page No.	Part No.	Page No.	Part No.	Page No.	Part No.	Page No.
1188V7909	FB 2	1311V7909	FN 4	1427V7909	FN 4	1541V7909	FA 5
1190V7909	FB 2	1313V7909	FN 4	1431V7909	FN 4	1542V7909	FA 5
1191V7909	FK 1	1316V7909	FM 6	1433V7909	FH 5	1543V7909	FA 5
1192V7909	FK 1	1317V7909	FM 6	1434V7909	FH 3	1544V7909	FA 12
1193V7909	FG 14	1318V7909	FM 6	1435V7909	FH 2	1546V7909	FK 1
1196V7909	FM 6	1319V7909	FA 4	1436V7909	FH 2	1547V7909	FK 1
1197V7909	FG 14	1320V7909	FA 4	1438V7909	FH 2	1548V7909	FK 1
1199V7909	FM 6	1321V7909	FM 6	1439V7909	FH 5	1549V7909	FK 1
1201V7909	FA 3	1322V7909	FM 6	1440V7909	FH 5	1552V7909	FK 1
1202V7909	FA 3	1323V7909	FA 4	1441V7909	FA 9	1554V7909	FG 14
1203V7909	FA 3	1324V7909	FA 11	1442V7909	FA 5	1555V7909	FG 14
1204V7909	FA 3	1325V7909	FM 6	1443V7909	FG 14	1556V7909	FG 14
1205V7909	FA 3	1327V7909	FQ 1	1445V7909	FA 11	1558V7909	FG 14
1206V7909	FA 3	1328V7909	FM 6	1448V7909	FN 4	1559V7909	FG 14
1208V7909	FD 1	1330V7909	FM 6	1450V7909	FA 11	1562V7909	FA 31
1214V7909	FN 3	1331V7909	FN 4	1452V7909	FA 10	1563V7909	FA 31
1230V7909	FN 3	1332V7909	FQ 1	1458V7909	FN 4	1574V7909	FN 2
1234V7909	FN 3	1336V7909	FA 11	1459V7909	FN 4	1575V7909	FG 14
1235V7909	FG 14	1337V7909	FN 4	1464V7909	FH 5	1582V7909	FA 12
1245V7909	FK 1	1345V7909	FN 4	1465V7909	FH 6	1588V7909	FM 7
1254V7909	FA 3	1362V7909	FH 12	1466V7909	FH 5	1580V7909	FG 15
1255V7909	FA 4	1353V7909	FH 12	1467V7909	FH 6	1591V7909	FG 15
1256V7909	FA 4	1354V7909	FH 12	1468V7909	FA 5	1592V7909	FK 1
1257V7909	FA 4	1355V7909	FH 12	1467V7909	FA 5	1593V7909	FK 2
1258V7909	FA 4	1357V7909	FH 12	1488V7909	FA 5	1594V7909	FM 7
1259V7909	FA 4	1358V7909	FH 8	1489V7909	FA 5	1595V7909	FM 7
1260V7909	FA 4	1359V7909	FH 8	1495V7909	FA 5	1609V7909	FG 15
1264V7909	FA 10	1360V7909	FA 10	1496V7909	FA 5	1611V7909	FG 15
1266V7909	FN 3	1361V7909	FA 10	1497V7909	FA 5	1612V7909	FG 15
1267V7909	FN 3	1362V7909	FN 4	1498V7909	FA 11	1613V7909	FG 15
1272V7909	FN 3	1364V7909	FG 14	1499V7909	FA 11	1615V7909	FJ 15
1273V7909	FN 3	1365V7909	FA 11	1500V7909	FA 5	1623V7909	FM 7
1274V7909	FN 3	1375V7909	FN 4	1501V7909	FA 5	1624V7909	FM 7
1275V7909	FN 3	1383V7909	FH 9	1503V7909	FA 5, FM 6	1629V7909	FA 5
1276V7909	FN 3	1384V7909	FH 9	1504V7909	FA 5, FM 6	1630V7909	FA 5
1277V7909	FN 3	1385V7909	FH 9	1507V7909	FA 5, FM 6	1631V7909	FA 5
1278V7909	FN 3	1387V7909	FH 8	1508V7909	FA 5, FM 6	1632V7909	FM 7
1279V7909	FN 3	1389V7909	FA 9	1510V7909	FD 1	1633V7909	FA 12
1280V7909	FN 3	1390V7909	FN 4	1511V7909	FJ 15	1634V7909	FM 7
1281V7909	FN 3	1392V7909	FG 2	1515V7909	FA 11	1635V7909	FG 15
1282V7909	FN 3	1393V7909	FG 2	1516V7909	FA 11	1636V7909	FG 15
1283V7909	FN 3	1400V7909	FA 4	1517V7909	FA 11	1637V7909	FA 12
1284V7909	FN 3	1403V7909	FA 4	1518V7909	FA 11	1638V7909	FA 12
1285V7909	FN 3	1404V7909	FA 4	1519V7909	FA 12	1640V7909	FA 12
1286V7909	FN 3	1406V7909	FA 11	1520V7909	FA 12	1641V7909	FA 5
1289V7909	FM 6	1407V7909	FA 4	1521V7909	FA 12	1642V7909	FA 5
1302V7909	FA 11	1408V7909	FA 4	1522V7909	FA 12	1643V7909	FA 5
1304V7909	FM 6	1410V7909	FA 4	1523V7909	FA 12	1645V7909	FA 5
1305V7909	FA 4	1411V7909	FA 4	1524V7909	FA 12	1646V7909	FA 5
1306V7909	FN 4	1412V7909	FA 5	1527V7909	FB 2	1648V7909	FA 5
1308V7909	FN 4	1416V7909	FA 11	1528V7909	FB 2	1649V7909	FA 12
1310V7909	FM 6	1421V7909	FA 5	1534V7909	FA 5	1650V7909	FA 12

INDEX OF PART NUMBERS

(See also Supplementary pages, if any)

Part No.	Page No.	Part No.	Page No.	Part No.	Page No.	Part No.	Page No.
1651V7909	FA 12	1780V7909	FG 16	1919V7909	FM 7	2018V7909	FH 6
1652V7909	FA 12	1781V7909	FG 16	1920V7909	FM 7	2038V7909	FG 19
1656V7909	FA 12	1786V7909	FG 16	1921V7909	FM 7	2039V7909	FG 19
1657V7909	FA 12	1787V7909	FG 16	1922V7909	FM 7	2040V7909	FG 19
1665V7909	JB 100A	1788V7909	FG 16	1923V7909	FM 8	2041V7909	FG 19
1667V7909	FQ 1	1789V7909	FG 16	1924V7909	FM 8	2042V7909	FG 19
1668V7909	FQ 1	1790V7909	FN 6	1925V7909	FM 8	2043V7909	FG 19
1671V7909	FA 13	1800V7909	FN 5	1926V7909	FM 8	2044V7909	FG 19
1672V7909	FG 15	1802V7909	FN 5	1927V7909	FM 8	2045V7909	FG 19
1673V7909	FG 15	1805V7909	FN 5	1928V7909	FM 8	2046V7909	FG 19
1676V7909	FA 5	1809V7909	FG 16	1930V7909	FM 8	2047V7909	FG 19
1677V7909	FA 5	1810V7909	FG 17	1931V7909	FM 8	2049V7909	FG 2
1682V7909	FM 7	1811V7909	FG 17	1932V7909	FM 8	2050V7909	FG 2
1688V7909	FM 7	1815V7909	FG 17	1933V7909	FM 8	2051V7909	FG 2
1688V7909	FQ 1	1816V7909	FG 17	1934V7909	FG 18	2052V7909	FG 2
1700V7909	FQ 1	1817V7909	FG 17	1935V7909	FG 18	2053V7909	FG 2
1701V7909	JB 100A	1819V7909	FG 17	1936V7909	FG 18	2054V7909	FG 2
1702V7909	FN 4	1820V7909	FG 17	1937V7909	FG 18	2055V7909	FG 2
1703V7909	FN 4	1822V7909	FG 17	1938V7909	FG 18	2061V7909	FG 2
1704V7909	FN 4	1843V7909	FG 17	1939V7909	FG 18	2063V7909	FA 7
1705V7909	FN 4	1851V7909	FG 17	1940V7909	FG 18	2066V7909	FA 7
1706V7909	FP 2	1855V7909	FG 17	1948V7909	FA 8	2073V7909	FA 13
1707V7909	FP 2	1858V7909	FG 17	1961V7909	FG 18	2075V7909	FA 6
1708V7909	FN 5	1857V7909	FG 17	1962V7909	FG 18	2076V7909	FA 6
1711V7909	FN 5	1859V7909	FG 17	1963V7909	FG 18	2077V7909	FA 6
1712V7909	FM 7	1863V7909	FG 17	1964V7909	FG 18	2078V7909	FM 8
1713V7909	FM 7	1864V7909	FG 17	1965V7909	FG 19	2084V7909	FN 5
1714V7909	FG 15	1869V7909	FG 17	1967V7909	FA 7	2086V7909	FN 5
1715V7909	FG 15	1870V7909	FG 17	1968V7909	FA 7	2096V7909	FG 19
1716V7909	FN 5	1880V7909	FG 18	1989V7909	FA 7	2104V7909	FA 6
1717V7909	FN 5	1881V7909	FG 28	1970V7909	FA 6	2109V7909	FM 15
1718V7909	FN 5	1882V7909	FG 18	1971V7909	FA 6	2111V7909	FA 14
1719V7909	FN 5	1883V7909	FG 18	1972V7909	FA 6	2112V7909	FA 14
1723V7909	FG 15	1888V7909	FG 18	1975V7909	FA 7	2117V7909	FA 14
1724V7909	FG 15	1889V7909	FG 18	1976V7909	FA 7	2118V7909	FA 14
1726V7909	FG 15	1893V7909	FG 18	1985V7909	FA 6	2121V7909	FJ 15
1728V7909	FG 15	1894V7909	FG 18	1986V7909	FA 7	2122V7909	FG 25
1730V7909	FG 15	1895V7909	FA 14	1988V7909	FA 7	2123V7909	FA 7
1731V7909	FG 16	1896V7909	FA 14	1989V7909	FG 19	2124V7909	FA 6
1733V7909	FG 16	1897V7909	FA 14	1999V7909	FG 19	2125V7909	FA 6
1752V7909	FM 7	1898V7909	FA 14	2001V7909	FG 19	2126V7909	FA 6
1753V7909	FM 7	1899V7909	FA 7	2002V7909	FG 19	2127V7909	FA 6
1752V7909	FG 16	1900V7909	FA 14	2004V7909	FM 8	2128V7909	FM 5
1763V7909	FG 16	1909V7909	FA 15	2008V7909	FA 13	2129V7909	FA 14
1764V7909	FG 16	1910V7909	FA 15	2009V7909	FH 2	2132V7909	FA 14
1765V7909	FG 16	1911V7909	FA 15	2010V7909	FH 2	2133V7909	FM 16
1773V7909	FG 16	1912V7909	FA 15	2011V7909	FH 5	2134V7909	FN 5
1774V7909	FG 16	1913V7909	FA 15	2012V7909	FH 5	2141V7909	FJ 15
1775V7909	FM 7	1914V7909	FA 15	2013V7909	FH 8	2142V7909	FJ 17
1776V7909	FG 16	1915V7909	FA 15	2014V7909	FH 8	2143V7909	FJ 15
1778V7909	FG 16	1918V7909	FA 15	2015V7909	FH 11	2144V7909	FJ 15
1779V7909	FG 16	1918V7909	FM 7	2016V7909	FH 11	2145V7909	FM 8

VULCAN No. 2

INDEX OF PART NUMBERS

Page W 91

(See also Supplementary pages, if any)

Part No.	Page No.	Part No.	Page No.	Part No.	Page No.	Part No.	Page No.
2146V7909	FM 8	2285V7909	FA 5	2410V7909	FM 9	2482V7909	FA 9
2147V7909	FM 8	2286V7909	FA 5	2411V7909	FM 9	2484V7909	FA 14
2150V7909	FM 8	2287V7909	AP 2	2412V7909	FA 17	2485V7909	FM 9
2151V7909	FM 9	2288V7909	FP 2	2413V7909	FA 17	2486V7909	FM 9
2163V7909	FG 19	2289V7909	FG 21	2414V7909	FA 17	2487V7909	FA 8
2165V7909	FG 19	2290V7909	FG 21	2415V7909	FA 18	2489V7909	FM 9
2171V7909	FG 20	2291V7909	FG 21	2416V7909	FA 18	2490V7909	FA 7
2174V7909	FG 2	2292V7909	FA 18	2417V7909	FA 18	2492V7909	FG 22
2175V7909	FG 2	2294V7909	FM 9	2418V7909	FA 18	2493V7909	FG 22
2178V7909	FG 2	2296V7909	FG 21	2419V7909	FA 18	2498V7909	FG 22
2177V7909	FG 2	2297V7909	FG 21	2420V7909	FA 18		GG 28
2183V7909	FG 20	2299V7909	FG 21	2426V7909	FG 22	2499V7909	FG 22
2184V7909	FG 20	2303V7909	FM 9	2427V7909	FG 22	2500V7909	FG 22
2185V7909	FM 9	2304V7909	FG 21	2430V7909	FP 2	2501V7909	FG 22
2186V7909	FM 9	2305V7909	FG 21	2431V7909	FP 2	2502V7909	FN 6
2187V7909	FM 9	2306V7909	FG 21	2437V7909	FG 22	2504V7909	FA 14
2188V7909	FM 9	2307V7909	FG 21	2438V7909	FG 22	2507V7909	FG 23
2189V7909	FA 7	2308V7909	FG 21	2440V7909	FA 18	2508V7909	FG 23
2190V7909	FA 7	2309V7909	FG 21	2441V7909	FN 5	2509V7909	FG 23
2191V7909	FA 7	2310V7909	FG 21	2443V7909	FN 5	2510V7909	FA 14
2198V7909	FG 20	2311V7909	FG 21	2445V7909	FN 6	2511V7909	FA 21
2199V7909	FG 20	2312V7909	FG 21	2446V7909	FN 6	2512V7909	FA 21
2201V7909	FG 20	2313V7909	FG 21	2448V7909	FN 6	2513V7909	FA 9
2202V7909	FG 20	2314V7909	FG 21	2449V7909	FA 14	2514V7909	FA 9
2203V7909	FG 20	2315V7909	FG 22	2450V7909	FA 14	2515V7909	FA 9
2204V7909	FG 20	2318V7909	FG 22	2451V7909	FN 6	2516V7909	FA 9
2205V7909	FG 20	2319V7909	FG 22	2452V7909	FN 6	2517V7909	FA 9
2208V7909	FG 20	2333V7909	HL 12	2453V7909	FA 14	2518V7909	FA 9
2208V7909	FG 20	2334V7909	HL 12	2454V7909	FN 6	2521V7909	FN 6
2209V7909	FG 20	2337V7909	HL 12	2455V7909	FN 6	2522V7909	FN 6
2210V7909	FG 20	2345V7909	FM 9	2456V7909	FA 14	2523V7909	FA 9
2214V7909	FG 20	2348V7909	FN 5	2458V7909	FM 9	2524V7909	FA 10
2215V7909	FG 20	2352V7909	FA 17	2460V7909	FM 9	2534V7909	FG 23
2217V7909	FG 20	2354V7909	FN 5	2461V7909	FG 22	2535V7909	FG 23
2222V7909	FG 20	2358V7909	FN 5	2462V7909	FG 2	2536V7909	FG 23
2223V7909	FG 20	2364V7909	FA 14	2463V7909	FG 2	2537V7909	FC 2
2226V7909	FG 20	2365V7909	FG 22	2464V7909	FG 2	2560V7909	FJ 15
2232V7909	FB 4	2364V7909	FG 22	2465V7909	FG 2	2561V7909	FJ 15
2235V7909	FG 21, JA 18	2377V7909	FM 9	2466V7909	FG 2	2562V7909	FA 8, FJ 15
2236V7909	FG 21	2381V7909	FA 17	2467V7909	FG 2	2563V7909	FN 6
2239V7909	FG 21	2382V7909	FA 17	2468V7909	FG 3	2564V7909	FG 23
2241V7909	FM 9	2383V7909	FN 5	2469V7909	FG 3	2565V7909	FG 23
2248V7909	FC 2	2394V7909	FG 12	2480V7909	FG 3	2568V7909	FB 4
2249V7909	FC 2	2396V7909	FG 22	2471V7909	FG 3	2589V7909	FM 10
2270V7909	FP 10	2397V7909	FG 22	2472V7909	FG 3	2570V7909	FN 6
2271V7909	FP 10	2401V7909	FP 2	2473V7909	FG 3	2571V7909	FA 14
2274V7909	FP 10	2402V7909	FP 2	2474V7909	FG 3	2572V7909	FA 14
2275V7909	FP 10	2403V7909	FP 2	2475V7909	FG 3	2573V7909	FA 14
2278V7909	FP 10	2404V7909	FP 2	2476V7909	FG 3	2574V7909	FA 14
2279V7909	FP 10	2407V7909	FM 9	2478V7909	FA 7	2575V7909	FA 14
2282V7909	FP 10	2408V7909	FM 9	2478V7909	FA 7	2576V7909	FA 14
2283V7909	FP 10	2409V7909	FM 9	2481V7909	FA 7	2577V7909	FG 23

INDEX OF PART NUMBERS

(See also Supplementary pages, if any)

Part No.	Page No.	Part No.	Page No.	Part No.	Page No.	Part No.	Page No.
2578V7909	FG. 23	2695V7909	FG. 24	2797V7909	FG. 25	2896V7909	FC. 3
2579V7909	FM. 10	2696V7909	FG. 24	2802V7909	FM. 10	2897V7909	FC. 3
2580V7909	FA. 15	2697V7909	FA. 18	2803V7909	FM. 10	2898V7909	FC. 3
2582V7909	FP. 2	2700V7909	FK. 2	2804V7909	FM. 10	2899V7909	FC. 3
2597V7909	FG. 23	2701V7909	HL. 12	2805V7909	FM. 11	2900V7909	FC. 3
2605V7909	FG. 23	2702V7909	HL. 12	2806V7909	FM. 11	2907V7909	FM. 11
2609V7909	FG. 23	2703V7909	FK. 2	2808V7909	FP. 2, HH. 13	2913V7909	FG. 25
2617V7909	FG. 23	2704V7909	FG. 24	2812V7909	FB. 5	2924V7909	FG. 25
2619V7909	FG. 23	2712V7909	FG. 24	2813V7909	FM. 11	2925V7909	FG. 25
2620V7909	FG. 23	2713V7909	HL. 6	2814V7909	FM. 11	2932V7909	FG. 25
2621V7909	FG. 23	2714V7909	HL. 6	2815V7909	FM. 11	2933V7909	FG. 25
2622V7909	FG. 23	2715V7909	FG. 24	2816V7909	FM. 11	2936V7909	FB. 5
2623V7909	FG. 23	2716V7909	FG. 24	2821V7909	FG. 25	2944V7909	FG. 25
2624V7909	FG. 23	2717V7909	HL. 6	2823V7909	FG. 25	2952V7909	FG. 25
2625V7909	FG. 24	2718V7909	HL. 6	2824V7909	FA. 18	2960V7909	FM. 11
2627V7909	FM. 10	2719V7909	HL. 6	2825V7909	FG. 25	2962V7909	FM. 11
2628V7909	FM. 10	2723V7909	FA. 12	2834V7909	FB. 4	2963V7909	FB. 4
2629V7909	FM. 10	2724V7909	FA. 12	2835V7909	FB. 4	2964V7909	FB. 4
2630V7909	FB. 4	2726V7909	FA. 12	2836V7909	FB. 4	2965V7909	FB. 4
2631V7909	FB. 4	2727V7909	FM. 10	2837V7909	FB. 4	2966V7909	FB. 4
2632V7909	FB. 5	2728V7909	FM. 10	2840V7909	FG. 3	2969V7909	FJ. 16
2641V7909	FA. 10	2729V7909	FM. 10	2841V7909	FC. 3	2972V7909	FM. 11
2642V7909	FA. 10	2730V7909	FM. 10	2842V7909	FC. 3	2973V7909	FM. 11
2643V7909	FA. 19	2737V7909	FM. 10	2843V7909	FG. 25	2974V7909	FM. 11
2644V7909	FA. 19	2738V7909	FM. 10	2844V7909	FG. 25	2975V7909	FG. 25
2645V7909	FM. 10	2751V7909	FA. 16	2845V7909	FG. 25	2976V7909	FG. 25
2647V7909	FA. 8	2753V7909	FA. 15	2846V7909	FC. 3	2978V7909	FD. 1
2648V7909	FA. 8	2754V7909	FA. 15	2851V7909	FG. 25	2979V7909	FD. 1
2649V7909	FA. 8	2755V7909	FA. 15	2852V7909	FA. 24	2980V7909	FQ. 2
2651V7909	FA. 8	2756V7909	FA. 14	2853V7909	FA. 24	2981V7909	FM. 11
2652V7909	FA. 8	2757V7909	FG. 24	2857V7909	FA. 24	2983V7909	FJ. 16
2653V7909	FA. 16	2758V7909	FG. 24	2861V7909	FA. 24	2988V7909	FM. 11
2654V7909	FA. 3	2760V7909	FG. 24	2864V7909	FM. 11	2990V7909	FM. 11
2657V7909	FP. 2	2762V7909	FN. 10	2865V7909	FA. 16	2991V7909	FA. 16
2658V7909	FN. 6	2766V7909	FN. 10	2868V7909	FA. 16	2992V7909	FM. 12
2659V7909	FN. 6	2778V7909	FQ. 1	2869V7909	FP. 2	2996V7909	FM. 12
2667V7909	FN. 6	2779V7909	FA. 18	2875V7909	FG. 3	2998V7909	FM. 12
2668V7909	FN. 6	2780V7909	FQ. 1	2877V7909	FG. 3	2999V7909	FM. 12
2669V7909	FN. 6	2781V7909	FM. 1	2878V7909	FG. 3	3001V7909	FG. 26
2670V7909	FB. 5	2782V7909	FM. 10	2879V7909	FG. 3	3002V7909	FM. 12
2675V7909	FA. 18	2783V7909	FM. 10	2880V7909	FG. 3	3003V7909	FQ. 2
2676V7909	FA. 19	2785V7909	FG. 24	2881V7909	FG. 3	3004V7909	FM. 12
2677V7909	FB. 5	2787V7909	FG. 24	2882V7909	FG. 3	3005V7909	FM. 12
2678V7909	FM. 10	2788V7909	FG. 24	2883V7909	FG. 3	3007V7909	FA. 10
2681V7909	FJ. 16	2789V7909	FG. 24	2896V7909	FG. 25	3008V7909	FM. 12
2682V7909	FJ. 16	2790V7909	FG. 24	2897V7909	FG. 25	3009V7909	FM. 12
2683V7909	FJ. 16	2791V7909	FG. 24	2898V7909	FG. 25	3011V7909	FG. 27
2685V7909	FJ. 16	2792V7909	FG. 24	2899V7909	FG. 25	3012V7909	FM. 12
2689V7909	FG. 24	2793V7909	FG. 24	2890V7909	FA. 19	3013V7909	FM. 12
2690V7909	FG. 24	2794V7909	FG. 24	2891V7909	FN. 6	3014V7909	FM. 12
2693V7909	FG. 24	2795V7909	FG. 24	2892V7909	FN. 6	3023V7909	FG. 26
2694V7909	FG. 24	2796V7909	FG. 25	2893V7909	FN. 6	3026V7909	FA. 16

INDEX OF PART NUMBERS

(See also Supplementary pages, if any)

Part No.	Page No.	Part No.	Page No.	Part No.	Page No.	Part No.	Page No.
3030V7909	FA. 16	3152V7909	FG. 27	3226V7909	FC. 3	3497V7909	FG. 28
3033V7909	FA. 16	3153V7909	FG. 27	3227V7909	FM. 14	3498V7909	FG. 28
3034V7909	FA. 16	3157V7909	FM. 13	3228V7909	FG. 27	3499V7909	FG. 28
3036V7909	FB. 5	3158V7909	FM. 13	3229V7909	FG. 27	3500V7909	FG. 28
3038V7909	FC. 3	3159V7909	FM. 13	3258V7909	FG. 27	3501V7909	FG. 28
3039V7909	FB. 6	3160V7909	FM. 13	3259V7909	FG. 27	3502V7909	FG. 28
3073V7909	FN. 8	3161V7909	FM. 13	3260V7909	FG. 27	3503V7909	FG. 29
3095V7909	FG. 26	3162V7909	FM. 13	3261V7909	FG. 27	3504V7909	FH. 2
3096V7909	FG. 26	3163V7909	FM. 13	3262V7909	FG. 28	3505V7909	FH. 2
3097V7909	FG. 26	3164V7909	FM. 13	3263V7909	FG. 28	3506V7909	FH. 5
3104V7909	FA. 17	3165V7909	FB. 6	3264V7909	FG. 28	3507V7909	FH. 5
3105V7909	FA. 17	3166V7909	FB. 6	3265V7909	FA. 23	3508V7909	FH. 8
3106V7909	FA. 17	3167V7909	FB. 6	3266V7909	FG. 28	3509V7909	FH. 8
3107V7909	FA. 17	3168V7909	FB. 6	3268V7909	FG. 28	3510V7909	FH. 11
3109V7909	FG. 26	3170V7909	FB. 6	3269V7909	FG. 28	3511V7909	FH. 11
3110V7909	FG. 26	3171V7909	FA. 22	3270V7909	FA. 23	3512V7909	FG. 29
3111V7909	FG. 26	3172V7909	FG. 27	3271V7909	FG. 28	3514V7909	FM. 14
3113V7909	FB. 6	3173V7909	FG. 27	3281V7909	FG. 28	3516V7909	FA. 25
3114V7909	FG. 26	3174V7909	FG. 27	3284V7909	FG. 28	3517V7909	FA. 25
3115V7909	FM. 12	3175V7909	FG. 27	3286V7909	FG. 28	3518V7909	FA. 25
3116V7909	FK. 2	3176V7909	FG. 27	3287V7909	FG. 28	3532V7909	FM. 14
3117V7909	FG. 26	3177V7909	FG. 27	3310V7909	FG. 28	3533V7909	FA. 21
3118V7909	FM. 12	3178V7909	FG. 27	3311V7909	FG. 28	3534V7909	FA. 21
3121V7909	FG. 26	3184V7909	FM. 13	3351V7909	FP. 2	3535V7909	FA. 21
3122V7909	FG. 26	3185V7909	FM. 13	3352V7909	FP. 2	3536V7909	FG. 4
3124V7909	FG. 26	3186V7909	FM. 13	3353V7909	FP. 2	3735V7909	FG. 4
3125V7909	FG. 26	3187V7909	FA. 19	3355V7909	FP. 2	3538V7909	FG. 4
3126V7909	FG. 26	3188V7909	FM. 13	3357V7909	FG. 28	3539V7909	FM. 14
3127V7909	FA. 22	3189V7909	FG. 27	3358V7909	FG. 28	3540V7909	FG. 28
3128V7909	FA. 22	3190V7909	FG. 12	3359V7909	FG. 28	3541V7909	FM. 14
3129V7909	FA. 22	3191V7909	FG. 12	3360V7909	FM. 14	3543V7909	FM. 14
3130V7909	FA. 22	3192V7909	FM. 13	3382V7909	FG. 28	3546V7909	FM. 14
3131V7909	FA. 22	3193V7909	FM. 13	3383V7909	FA. 23	3547V7909	FM. 14
3132V7909	FA. 22	3194V7909	FA. 20	3384V7909	FA. 23	3548V7909	FG. 29
3133V7909	FA. 22	3195V7909	FA. 20	3387V7909	FA. 23	3549V7909	FG. 29
3134V7909	FA. 22	3198V7909	FG. 27	3388V7909	FA. 24	3550V7909	FG. 29
3135V7909	FA. 22	3199V7909	FM. 13	3389V7909	FA. 24	3551V7909	FG. 29
3136V7909	FA. 22	3200V7909	FM. 13	3370V7909	FA. 24	3552V7909	FG. 29
3137V7909	FA. 22	3201V7909	FA. 20	3371V7909	FB. 6	3553V7909	FG. 29
3138V7909	FA. 26	3202V7909	FA. 20	3377V7909	FP. 2	3556V7909	FA. 25
3139V7909	FG. 26	3203V7909	FA. 20	3378V7909	FP. 3	3557V7909	FA. 25
3140V7909	FG. 26	3204V7909	FA. 20	3383V7909	FP. 3	3558V7909	FA. 25
3141V7909	FM. 12	3206V7909	FM. 13	3384V7909	FP. 3	3559V7909	FA. 25
3142V7909	FA. 22	3207V7909	FJ. 16	3385V7909	FP. 3	3580V7909	FA. 25
3143V7909	FA. 23	3208V7909	FJ. 16	3424V7909	FP. 3	3581V7909	FA. 25
3145V7909	FM. 12	3214V7909	FG. 27	3426V7909	FP. 3	3582V7909	FA. 25
3146V7909	FK. 2	3215V7909	FA. 21	3427V7909	FP. 3	3583V7909	FA. 25
3147V7909	FJ. 16	3216V7909	FA. 21	3428V7909	FN. 6	3584V7909	FA. 25
3148V7909	FH. 3	3220V7909	FG. 27	3429V7909	FN. 7	3585V7909	FA. 26
3149V7909	FH. 6	3221V7909	FM. 13	3430V7909	FN. 7	3586V7909	FA. 26
3150V7909	FH. 10	3222V7909	FM. 14	3431V7909	FN. 7	3587A7909	FA. 26
3151V7909	FH. 12	3223V7909	FM. 14	3435V7909	FP. 3	3570V7909	FA. 26

INDEX OF PART NUMBERS

(See also Supplementary pages, if any)

Part No.	Page No.	Part No.	Page No.	Part No.	Page No.	Part No.	Page No.
3671V7909	FA. 26	3726V7909	FH. 2	3838V7909	FA. 8	3983V7909	FM. 22
3672V7909	FA. 26	3727V7909	FH. 5	3839V7909	FA. 29	4016V7909	FM. 22
3673V7909	FA. 26	3728V7909	FH. 8	3840V7909	FA. 29	4017V7909	FM. 22
3674V7909	FA. 26	3729V7909	FH. 11	3841V7909	FA. 29	4018V7909	FG. 31
3675V7909	FA. 26	3731V7909	FH. 2	3842V7909	FG. 30	4019V7909	FG. 31
3678V7909	FN. 10	3732V7909	FH. 5	3844V7909	FG. 30	4020V7909	FG. 31
3678V7909	FP. 3	3733V7909	FH. 8	3848V7909	FG. 30	4021V7909	FG. 31
3679V7909	FP. 3	3734V7909	FH. 11	3847V7909	FG. 30	4023V7909	FJ. 18
3680V7909	FP. 3	3735V7909	FN. 10	3861V7909	FA. 8	4026V7909	FJ. 18
3684V7909	FP. 3	3736V7909	FN. 10	3861V7909	FN. 10	4040V7909	FJ. 22
3687V7909	FP. 3	3737V7909	FN. 10	3862V7909	FN. 10	4044V7909	FG. 47B
3692V7909	FP. 3	3738V7909	FN. 10	3863V7909	FN. 10	4045V7909	FG. 47B
3693V7909	FP. 3	3739V7909	FN. 10	3864V7909	FN. 11	4048V7909	FG. 31
3696V7909	FG. 29	3740V7909	FN. 10	3865V7909	HL. 17	4049V7909	FG. 47B
3697V7909	FG. 29	3741V7909	FN. 10	3874V7909	FN. 11	4050V7909	FG. 47B
3804V7909	FG. 29	3742V7909	FN. 10	3875V7909	FN. 11	4051V7909	FG. 47B
3805V7909	FG. 29	3743V7909	FN. 10	3876V7909	FN. 11	4052V7909	FG. 47B
3806V7909	FA. 24	3744V7909	FN. 10	3877V7909	FN. 11	4053V7909	FG. 47B
3807V7909	FA. 26	3745V7909	FN. 10	3878V7909	FN. 11	4054V7909	FG. 49
3808V7909	FA. 26	3746V7909	FN. 10	3879V7909	FN. 11	4055V7909	FG. 49
3809V7909	FA. 26	3753V7909	FG. 29	3880V7909	FN. 11	4056V7909	FG. 49
3810V7909	FA. 26	3754V7909	FG. 29	3881V7909	FN. 11	4059V7909	FG. 31
3811V7909	FA. 27	3755V7909	FG. 29	3882V7909	FN. 11	4080V7909	FG. 31
3812V7909	FA. 27	3756V7909	FG. 29	3886V7909	FN. 11	4081V7909	FG. 31
3813V7909	FA. 27	3760V7909	FN. 10	3888V7909	FG. 30	4082V7909	FG. 31
3814V7909	FA. 27	3765V7909	FN. 10	3889V7909	FG. 30	4083V7909	FG. 31
3815V7909	FA. 27	3766V7909	FN. 10	3900V7909	FA. 9	4084V7909	FG. 31
3816V7909	FA. 27	3767V7909	FN. 10	3901V7909	FG. 30	4085V7909	FG. 31
3817V7909	FA. 27	3769V7909	FG. 29	3902V7909	FG. 30	4086V7909	FG. 31
3818V7909	FA. 27	3770V7909	FA. 23	3903V7909	FG. 30	4087V7909	FG. 31
3820V7909	FA. 27	3784V7909	FG. 29	3904V7909	FG. 30	4077V7909	FG. 32
3821V7909	FA. 27	3796V7909	FG. 29	3905V7909	FG. 30	4078V7909	FG. 52
3824V7909	FA. 27	3798V7909	FA. 29	3906V7909	FG. 30	4087V7909	FN. 7
3825V7909	FA. 27	3800V7909	HG. 1	3915V7909	HM. 2	4101V7909	FG. 32
3826V7909	FA. 27	3801V7909	HG. 1	3916V7909	FM. 2	4102V7909	FG. 32
3827V7909	FA. 27	3802V7909	FG. 80	3917V7909	HM. 2	4103V7909	FG. 32
3828V7909	FA. 27	3804V7909	FG. 30	3918V7909	HM. 2	4106V7909	FG. 32
3830V7909	FA. 27	3805V7909	FG. 30	3919V7909	HM. 2	4107V7909	FG. 32
3831V7909	FA. 27	3807V7909	FB. 6	3921V7909	FG. 30	4108V7909	FM. 14
3832V7909	FA. 28	3821V7909	FG. 30	3922V7909	FG. 30	4108V7909	FM. 14
3833V7909	FA. 28	3822V7909	FG. 30	3932V7909	FG. 30	4110V7909	FM. 14
3834V7909	FA. 28	3823V7909	FG. 30	3933V7909	FG. 30	4111V7909	FM. 14
3835V7909	FA. 28	3824V7909	FG. 30	3934V7909	FM. 22	4112V7909	FM. 14
3836V7909	FA. 28	3825V7909	FG. 30	3947V7909	FN. 11	4113V7909	FM. 14
3837V7909	FA. 28	3826V7909	FG. 30	3948V7909	FA. 27	4114V7909	FM. 14
3838V7909	FA. 28	3827V7909	FG. 30	3949V7909	FG. 31	4118V7909	FA. 10
3841V7909	FA. 29	3828V7909	FA. 8	3952V7909	FG. 31	4127V7909	FG. 32
3842V7909	FA. 29	3829V7909	FA. 8	3969V7909	FG. 31	4128V7909	FM. 14
3843V7909	FA. 22	3832V7909	FA. 8	3971V7909	FG. 31	4129V7909	FG. 32
3868V7909	FP. 3	3833V7909	FA. 8	3979V7909	FM. 22	4130V7909	FG. 32
3719V7909	FJ. 16	3834V7909	FA. 8	3981V7909	FM. 22	4131V7909	FG. 32
3724V7909	FG. 29	3835V7909	FA. 8	3982V7909	FM. 22		

INDEX OF PART NUMBERS

(See also Supplementary pages, if any)

Part No.	Page No.	Part No.	Page No.	Part No.	Page No.	Part No.	Page No.
4132V7909	FG. 32	4204V7909	FG. 32B	7180V7909	FH. 15	7332V7909	FG. 33
4133V7909	FG. 32	4205V7909	FG. 46B	7184V7909	FN. 7	7333V7909	FH. 8
4134V7909	FG. 32	4206V7909	FG. 46B	7185V7909	FM. 15	7334V7909	FH. 6
4135V7909	FG. 32	4207V7909	FG. 46B	7186V7909	FM. 15	7336V7909	FG. 33
4136V7909	FG. 32A	4208V7909	FG. 46B	7187V7909	FM. 15	7338V7909	FG. 31
4137V7909	FG. 32A	4209V7909	FG. 46B	7188V7909	FM. 15	7339V7909	FM. 16
4138V7909	FG. 32A	4210V7909	FG. 46B	7189V7909	FM. 15	7340V7909	FM. 16
4130V7909	FG. 32A	4211V7909	FG. 46B	7190V7909	FM. 15	7341V7909	FM. 16
4140V7909	FG. 32A	4212V7909	FG. 46B	7191V7909	FA. 7	7350V7909	FG. 33
4141V7909	FG. 32A	4213V7909	FG. 46B	7194V7909	FN. 7	7351V7909	FM. 16
4142V7909	FM. 14A	4216V7909	FG. 32B	7217V7909	FA. 3	7354V7909	FJ. 16
4148V7909	FG. 32A	4217V7909	FN. 11	7220V7909	FA. 6	7359V7909	FG. 33
4149V7909	FG. 32A	4218V7909	FN. 11	7221V7909	FA. 6	7362V7909	FN. 7
4150V7909	FG. 32A	4219V7909	HP. 1	7223V7909	FG. 32B	7363V7909	FN. 8
4157V7909	FM. 14A	4220V7909	HP. 1	7224V7909	FG. 32B	7364V7909	FN. 8
4158V7909	FM. 14A	4221V7909	HP. 1	7225V7909	FG. 32B	7365V7909	FN. 8
4159V7909	FM. 14A	4222V7909	FG. 32B	7228V7909	FG. 32B	7367V7909	FG. 33
4160V7909	FM. 14A	4225V7909	FG. 32B	7231V7909	FG. 36	7369V7909	FA. 5
4161V7909	FG. 32A	4237V7909	FN. 11	7232V7909	FA. 10	7370V7909	FA. 6
4162V7909	FG. 32A	4241V7909	FA. 30A	7234V7909	FA. 3	7372V7909	FA. 11
4163V7909	FG. 32A	7006V7909	FM. 15	7239V7909	FK. 2	7375V7909	FA. 5
4164V7909	FG. 32A	7007V7909	FM. 15	7240V7909	FM. 15	7376V7909	FA. 1
4165V7909	FM. 14A	7027V7909	FM. 15	7241V7909	FG. 32B	7379V7909	FJ. 16
4166V7909	FM. 14A	7032V7909	FM. 15	7252V7909	FM. 16	7401V7909	FA. 5
4167V7909	FB. 5	7033V7909	FM. 15	7253V7909	FM. 16	7408V7909	FG. 33
4168V7909	FG. 32A	7038V7909	FG. 4	7256V7909	FM. 16	7426V7909	FB. 5
4169V7909	FG. 32B	7038V7909	FG. 4	7256V7909	FM. 16	7427V7909	FB. 5
4170V7909	FP. 6	7044V7909	FN. 7	7258V7909	FA. 11	7428V7909	FD. 1
4171V7909	FP. 6	7052V7909	FN. 7	7259V7909	FA. 3	7430V7909	FN. 8
4172V7909	FP. 6	7054V7909	FG. 4	7262V7909	FG. 32B	7432V7909	FP. 3
4173V7909	FP. 6	7056V7909	FG. 4	7263V7909	FG. 32B	7433V7909	FP. 3
4174V7909	FG. 32B	7057V7909	FG. 4	7272V7909	FA. 2	7434V7909	FA. 17
4175V7909	FM. 14A	7058V7909	FG. 4	7273V7909	FA. 2	7435V7909	FA. 17
4176V7909	FP. 7A	7066V7909	FG. 4	7278V7909	FH. 2	7436V7909	FP. 4
4177V7909	FP. 7A	7070V7909	FG. 4	7279V7909	FA. 4	7437V7909	FP. 4
4178V7909	FP. 7A	7071V7909	FG. 4	7282V7909	FM. 16	7438V7909	FN. 8
4180V7909	FG. 32B	7072V7909	FA. 2	7286V7909	FM. 16	7439V7909	FN. 8
4181V7909	FG. 32B	7074V7909	FA. 4	7287V7909	FM. 16	7441V7909	FM. 17
4184V7909	FP. 7A	7079V7909	FG. 46	7300V7909	FM. 16	7442V7909	FP. 4
4185V7909	FG. 32B	7082V7909	FM. 15	7301V7909	FG. 33	7447V7909	FP. 4
4186V7909	FG. 32B	7083V7909	FA. 8	7302V7909	FA. 16	7448V7909	FP. 4
4188V7909	FG. 32B	7084V7909	FA. 8			7449V7909	FP. 4
4189V7909	FA. 30A	7085V7909	FA. 8	7304V7909	FA. 3	7450V7909	FP. 4
4190V7909	FA. 30A	7086V7909	FA. 8	7305V7909	FA. 2	7451V7909	FP. 4
4191V7909	FA. 30A	7087V7909	FG. 32B	7307V7909	FN. 7	7452V7909	FP. 4
4192V7909	FA. 30A	7088V7909	FA. 8	7308V7909	FN. 7	7453V7909	FA. 17
4193V7909	FA. 30A	7108V7909	FM. 15	7309V7909	FN. 7	7454V7909	FP. 4
4194V7909	FA. 30A	7109V7909	FM. 15	7310V7909	FN. 7	7456V7909	FP. 4
4195V7909	FA. 30A	7110V7909	FM. 15	7317V7909	FH. 12	7457V7909	FP. 4
4196V7909	FA. 30A	7120V7909	FM. 15	7318V7909	FH. 11	7458V7909	FA. 17
4197V7909	FA. 30A	7121V7909	FM. 15	7321V7909	FM. 16	7459V7909	FP. 4
4198V7909	FA. 30A	7123V7909	FM. 15	7324V7909	FA. 2	7460V7909	FP. 4
4198V7909	FA. 30A	7126V7909	FA. 11	7326V7909	FM. 16	7462V7909	FP. 5
4202V7909	FG. 32B	7130V7909	FA. 9	7330V7909	FM. 16	7463V7909	FP. 5
		7131V7909	FA. 9			7464V7909	FA. 17
		7142V7909	FA. 6				
		7166V7909	FG. 32B				
		7167V7909	FG. 32B				
		7170V7909	FM. 15				

INDEX OF PART NUMBERS

(See also Supplementary pages, if any)

Part No.	Page No.	Part No.	Page No.	Part No.	Page No.	Part No.	Page No.
7485V7909	FP. 4	7577V7909	FN. 8	7754V7909	FG. 34	7887V7909	FJ. 16
7467V7909	FP. 5	7578V7909	FN. 8	7758V7909	FG. 34	7889V7909	FG. 36
7468V7909	FP. 5	7579V7909	FN. 8	7782V7909	FM. 17	7890V7909	FM. 17
7469V7909	FA. 17	7581V7909	FN. 8	7783V7909	FM. 18	7892V7909	FG. 36
7470V7909	FP. 5	7582V7909	FN. 8	7784V7909	FG. 34	7895V7909	FJ. 16
7471V7909	FP. 5	7584V7909	FM. 16	7787V7909	FG. 36	7897V7909	FJ. 17
7474V7909	FP. 5	7585V7909	FM. 16	7777V7909	FA. 14	7900V7909	FK. 2
7475V7909	FP. 5	7586V7909	FM. 17	7781V7909	FA. 16	7901V7909	FG. 36
7476V7909	FP. 5	7587V7909	FM. 17	7783V7909	FG. 36	7904V7909	FG. 36
7478V7909	FP. 5	7589V7909	FM. 17	7785V7909	FG. 37	7905V7909	FM. 18
7479V7909	FP. 5	7590V7909	FM. 17	7792V7909	FG. 4	7911V7909	FM. 18
7480V7909	FP. 5	7599V7909	FB. 5	7802V7909	FG. 36	7914V7909	FG. 36
7482V7909	FP. 5	7602V7909	FN. 9	7803V7909	FG. 36	7918V7909	FG. 36
7483V7909	FP. 5	7613V7909	FM. 17	7805V7909	FM. 17	7918V7909	FA. 24
7484V7909	FP. 5	7616V7909	FM. 17	7806V7909	FA. 16	7925V7909	FG. 36
7485V7909	FP. 5	7618V7909	FM. 17	7807V7909	FA. 16	7926V7909	FG. 36
7489V7909	FH. 8	7631V7909	FG. 34	7808V7909	FH. 5	7927V7909	FG. 36
7498V7909	FG. 4	7632V7909	FG. 34	7809V7909	FH. 8	7928V7909	FG. 36
7497V7909	FN. 8	7633V7909	FG. 34	7810V7909	FG. 36	7929V7909	FG. 36
7498V7909	FN. 8	7635V7909	FG. 34	7813V7909	FG. 5	7932V7909	FA. 8
7499V7909	FN. 8	7637V7909	FN. 9	7814V7909	FG. 5	7933V7909	FA. 15
7500V7909	FN. 8	7638V7909	FN. 10	7815V7909	FG. 5	7934V7909	FA. 15
7501V7909	FN. 8	7640V7909	FN. 9	7816V7909	FG. 5	7935V7909	FA. 8
7504V7909	FN. 8	7654V7909	FN. 9	7826V7909	FQ. 2	7936V7909	FA. 9
7505V7909	FN. 8	7658V7909	FN. 9	7827V7909	FM. 17	7937V7909	FA. 9
7506V7909	FN. 8	7659V7909	FN. 10	7830V7909	FG. 36	7938V7909	FA. 9
7507V7909	FN. 8	7680V7909	FA. 9	7832V7909	FG. 36	7942V7909	FA. 16
7511V7909	FG. 37	7661V7909	FA. 9	7834V7909	FM. 17	7943V7909	FA. 16
7514V7909	FG. 33	7662V7909	FG. 37	7835V7909	FG. 36	7944V7909	FA. 16
7516V7909	FK. 2	7665V7909	FG. 34	7836V7909	FG. 36	7945V7909	FA. 16
7518V7909	FG. 33	7668V7909	FG. 34	7837V7909	FG. 36	7946V7909	FA. 16
7520V7909	FG. 33	7671V7909	FN. 9	7840V7909	FG. 5	7947V7909	FA. 9
7521V7909	FG. 33	7672V7909	FN. 9	7841V7909	FG. 5	7948V7909	FM. 18
7522V7909	FG. 33	7673V7909	FN. 9	7843V7909	FG. 36	7950V7909	FP. 6
7524V7909	FG. 33	7674V7909	FN. 9	7844V7909	FM. 17	7951V7909	FM. 18
7521V7909	FB. 5	7675V7909	FN. 9	7845V7909	FG. 36	7952V7909	PM. 18
7528V7909	FB. 5	7683V7909	FG. 4	7846V7909	FP. 6	7954V7909	FG. 36
7529V7909	FN. 8	7685V7909	FQ. 2	7847V7909	FP. 6	7957V7909	FG. 36
7531V7909	FA. 9	7687V7909	FG. 34	7848V7909	FP. 6	7961V7909	FG. 36
7532V7909	FJ. 16	7693V7909	RA. 4	7849V7909	FP. 6	7982V7909	FG. 36
7537V7909	FG. 33	7696V7909	FP. 6	7854V7909	FQ. 2	7963V7909	FG. 36
7538V7909	FG. 33	7698V7909	FP. 6	7868V7909	FG. 36	7989V7909	FM. 18
7639V7909	FG. 33	7700V7909	FG. 34	7867V7909	FG. 36	7947V7909	FM. 18
7541V7909	FB. 5	7701V7909	FG. 34	7864V7909	FN. 9	7975V7909	FM. 18
7548V7909	FG. 33	7702V7909	FG. 34	7885V7909	FM. 17	7977V7909	FN. 12
7552V7909	FG. 33	7703V7909	FG. 34	7886V7909	FC. 3	7978V7909	FG. 36
7556V7909	FG. 45	7704V7909	FG. 34	7887V7909	FM. 17	7980V7909	FM. 18
7560V7909	FG. 5	7705V7909	FG. 34	7889V7909	FC. 2	7990V7909	FP. 6
7561V7909	FB. 5	7742V7909	FG. 34	7870V7909	FA. 22	7991V7909	FP. 5
7565V7909	FN. 8	7743V7909	FG. 34	7879V7909	FJ. 18	7992V7909	FG. 45
7569V7909	FG. 33	7744V7909	FG. 4	7883V7909	FB. 5	8007V7909	FP. 6
7576V7909	FG. 34	7753V7909	FG. 34	7886V7909	FM. 17	8024V7909	FG. 36

VULCAN No. 1

INDEX OF PART NUMBERS

Page W. 97

(See also Supplementary pages, if any)

Part No.	Page No.	Part No.	Page No.	Part No.	Page No.	Part No.	Page No.
8025V7909	FM 18	8151V7909	FA 18	8281V7909	FG 37	8401V7909	FN 12
8026V7909	FM 18	8152V7909	FA 18	8284V7909	FM 18	8402V7909	FN 12
8027V7909	FM 18	8153V7909	FA 18	8290V7909	FA 21	8403V7909	FN 12
8028V7909	FN 9	8154V7909	FA 18	8291V7909	FA 22	8404V7909	FN 13
8034V7909	FA 28	8155V7909	FA 18	8297V7909	FM 18	8405V7909	FN 13
8035V7909	FN 11	8156V7909	FA 18	8298V7909	FP 7A	8406V7909	FN 13
8038V7909	FB 5	8157V7909	FA 18	8299V7909	FP 7A	8407V7909	FN 13
8041V7909	FA 15	8158V7909	FA 18	8300V7909	FM 18	8408V7909	FN 13
8042V7909	FA 15	8159V7909	FP 7	8316V7909	FG 38	8409V7909	FN 13
8043V7909	FA 15	8161V7909	FA 20	8329V7909	FB 5	8410V7909	FN 13
8052V7909	FG 38	8163V7909	FA 20	8331V7909	FM 18	8411V7909	FN 13
8056V7909	FP 6	8164V7909	FA 20	8332V7909	FG 38	8412V7909	FN 13
8057V7909	FP 6	8167V7909	FA 20	8333V7909	FQ 2	8413V7909	FN 13
8058V7909	FP 6	8177V7909	FA 20	8334V7909	FA 18	8414V7909	FN 13
8059V7909	FP 6	8178V7909	FP 7	8335V7909	FM 19	8415V7909	FN 13
8061V7909	FP 7	8179V7909	FP 7	8336V7909	FQ 2	8416V7909	FA 20
8063V7909	FP 7	8180V7909	FP 7	8337V7909	FA 19	8418V7909	FN 13
8064V7909	FP 7	8181V7909	FP 7	8338V7909	FG 38	8419V7909	FN 13
8065V7909	FA 28	8183V7909	FN 9	8339V7909	FM 19	8420V7909	FN 14
8071V7909	FM 18	8184V7909	FA 20	8340V7909	FQ 2	8422V7909	FN 14
8078V7909	FG 38		FN 10	8341V7909	FQ 2	8423V7909	FN 14
8079V7909	FG 38	8186V7909	FG 37	8342V7909	FM 19	8424V7909	FN 14
8088V7909	FN 9	8188V7909	FG 37	8344V7909	FM 19	8425V7909	FN 14
8091V7909	FA 18	8190V7909	FG 37	8345V7909	FM 19	8426V7909	FN 14
8092V7909	FA 17	8200V7909	FA 20	8346V7909	FA 19	8427V7909	FN 14
8096V7909	FA 19	8203V7909	FG 37	8347V7909	FM 18	8429V7909	FN 14
8097V7909	FG 38	8211V7909	FP 7	8350V7909	FG 38	8430V7909	FP 7A
8098V7909	FA 18	8212V7909	FA 19	8389V7909	FM 19	8433V7909	FM 19
8099V7909	FA 19	8214V7909	FA 19	8371V7909	FA 21	8434V7909	FG 38
8100V7909	FA 19	8216V7909	FP 7	8372V7909	FA 21	8436V7909	FM 19
8112V7909	FN 9	8219V7909	FP 7A	8373V7909	FA 21	8436V7909	FJ 17
8113V7909	FN 9	8221V7909	FA 18	8374V7909	FA 21	8437V7909	FJ 17
8116V7909	FA 20	8222V7909	FC 3	8375V7909	FA 21	8438V7909	FA 21
8120V7909	FG 37	8223V7909	FC 3	8377V7909	FG 38	8439V7909	FA 21
8121V7909	FJ 17	8226V7909	FA 20	8378V7909	FA 21	8440V7909	FH 2
8122V7909	FG 37	8231V7909	FG 37	8379V7909	FJ 17	8442V7909	FH 2
8123V7909	FG 37	8234V7909	FN 9	8380V7909	FN 11	8433V7909	FH 2
8124V7909	FG 37	8235V7909	FG 37	8381V7909	FN 11	8445V7909	FH 5
8132V7909	FA 19	8236V7909	FM 18	8382V7909	FA 20	8446V7909	FH 5
8133V7909	FA 19	8237V7909	FJ 17	8383V7909	FA 20	8447V7909	FH 5
8135V7909	FA 19	8238V7909	FG 37	8385V7909	FN 11	8448V7909	FH 3
8136V7909	FA 19	8239V7909	FG 37	8388V7909	FN 11	8449V7909	FH 5
8137V7909	FA 19	8240V7909	FN 13	8391V7909	FG 38	8451V7909	FH 2
8138V7909	FA 19	8243V7909	FP 7A	8392V7909	FN 12	8452V7909	FH 2
8139V7909	FA 20	8244V7909	FP 7A	8393V7909	FN 12	8453V7909	FH 2
8140V7909	FN 9	8248V7909	FP 7A	8394V7909	FN 12	8454V7909	FH 3
8143V7909	FC 3	8249V7909	FN 12	8395V7909	FN 1	8455V7909	FH 3
8145V7909	FP 7	8250V7909	FP 7A	8396V7909	FN 12	8456V7909	FH 5
8146V7909	FP 7	8266V7909	FA 19	8397V7909	FN 12	8457V7909	FH 6
8148V7909	FP 7	8289V7909	FG 37	8398V7909	FN 12	8458V7909	FH 6
8149V7909	FP 7	8271V7909	FA 20	8399V7909	FN 12	8459V7909	FH 6
8150V7909	FP 6	8277V7909	FG 37	8400V7909	FN 12	8460V7909	FH 6

INDEX OF PART NUMBERS

(See also Supplementary pages, if any)

Part No.	Page No.	Part No.	Page No.	Part No.	Page No.	Part No.	Page No.
8482V7909	FH 8	8572V7909	FA 20	8712V7909	FB 6	8855V7909	FG 41
8483V7909	FH 8	8573V7909	FB 7	8713V7909	FG 39	8858V7909	FM 21
8484V7909	FH 9	8574V7909	FM 19	8714V7909	FM 20	8859V7909	FM 21
8485V7909	FH 9	8576V7909	FM 19	8715V7909	FM 20	8861V7909	FJ 17
8486V7909	FH 9	8582V7909	FM 20	8720V7909	FM 20	8862V7909	FJ 17
8487V7909	FH 9	8586V7909	FM 20	8721V7909	FM 21	8865V7909	FG 41
8488V7909	FH 9	8587V7909	FG 39	8722V7909	FM 20	8870V7909	FC 3
8489V7909	FH 9	8584V7909	FG 39	8723V7909	FM 20	8871V7909	FC 3
8470V7909	FH 9	8585V7909	FG 39	8724V7909	FM 20	8873V7909	FM 21
8475V7909	FP 3	8805V7909	FG 39	8725V7909	FM 20	8874V7909	FA 24
8478V7909	FG 38	8608V7909	FG 39	8732V7909	FC 3	8876V7909	FG 41
8479V7909	FG 38	8609V7909	FG 39	8733V7909	FC 3	8877V7909	FG 41
8480V7909	FG 38	8610V7909	FM 20	8735V7909	FG 40	8878V7909	FM 21
8482V7909	FM 19	8612V7909	FG 39	8738V7909	FA 23	8879V7909	FM 21
8485V7909	FP 7	8614V7909	FA 24	8742V7909	FC 3	8880V7909	FG 41
8488V7909	FH 9	8618V7909	FG 39	8743V7909	FC 3	8890V7909	FG 41
8488V7909	FH 11	8617V7909	FM 20	8748V7909	FG 40	8893V7909	FC 4
8489V7909	FH 11	8618V7909	FA 24	8749V7909	FG 40	8894V7909	FC 4
8490V7909	FH 12	8621V7909	FA 23	8750V7909	FG 40	8895V7909	FC 4
8491V7909	FH 12	8622V7909	FA 23	8754V7909	FG 40	8897V7909	FN 14
8492V7909	FH 12	8623V7909	FA 24	8765V7909	FG 40	8898V7909	FM 21
8493V7909	FH 12	8628V7909	FG 39	8768V7909	FG 41	8899V7909	FM 23
8494V7909	FA 26	8629V7909	FM 20	8769V7909	FM 22	8903V7909	FM 21
	FH 12	8631V7909	FM 20	8782V7909	FG 41	8905V7909	FM 21
8495V7909	FH 12	8634V7909	FG 39	8788V7909	FH 3	8907V7909	FM 21
8496V7909	FH 12	8638V7909	FG 39	8789V7909	FH 6	8909V7909	FM 22
8500V7909	FM 19	8640V7909	FG 39	8771V7909	FH 12	8910V7909	FN 15
8501V7909	FM 19	8641V7909	FG 39	8778V7909	FA 21	8911V7909	FP 7A
8503V7909	FG 38	8670V7909	FB 8	8780V7909	FA 21	8912V7909	FJ 17
8504V7909	FG 38	8671V7909	FM 20	8781V7909	FA 24	8913V7909	FN 15
8524V7909	FG 38	8674V7909	FH 13	8785V7909	FG 41	8918V7909	FM 22
8528V7909	FP 7A	8680V7909	FA 23	8795V7909	FG 41	8920V7909	FM 22
8533V7909	FA 23	8682V7909	FG 39	8799V7909	FN 14	8921V7909	FG 41
8537V7909	FA 23	8683V7909	FG 39	8800V7909	FN 14	8926V7909	FA 28
8538V7909	FA 23	8685V7909	FG 39	8801V7909	FN 14	8928V7909	FG 41
8539V7909	FA 23	8686V7909	FG 38	8802V7909	FM 21	8943V7909	FA 28
8540V7909	FA 23	8687V7909	FG 40	8803V7909	FN 14	8944V7909	FA 29
8541V7909	FA 23	8888V7909	FG 40	8804V7909	FM 21	8945V7909	FA 28
8542V7909	FG 37	8581V7909	FG 40	8805V7909	FM 21	8946V7909	FA 29
8543V7909	FB 5	8583V7909	FG 40	8808V7909	FN 14	8947V7909	FA 29
8544V7909	FA 23	8584V7909	FM 20	8840V7909	FM 21	8948V7909	FA 29
8548V7909	FH 5	8686V7909	FM 20	8841V7909	FG 41	8951V7909	FA 29
8550V7909	FH 9	8697V7909	FM 20	8842V7909	FG 41	8952V7909	FA 28
8552V7909	FG 38	8701V7909	FH 17	8844V7909	FA 24	8953V7909	FA 29
8553V7909	FM 19	8702V7909	FH 2	8845V7909	FA 24	8954V7909	FA 28
8554V7909	FH 3	8703V7909	FH 5	8846V7909	FA 24	8955V7909	FA 29
8555V7909	FG 38	8704V7909	FH 11	8847V7909	FN 14	8956V7909	FA 29
8558V7909	FG 38	8706V7909	FG 40	8849V7909	FM 21	8957V7909	FA 28
8559V7909	FM 19	8707V7909	FG 40	8850V7909	FM 21	8958V7909	FA 29
8560V7909	FA 22	8709V7909	FG 40	8851V7909	FC 3	8959V7909	FA 29
8565V7909	FM 19	8710V7909	FG 40	8852V7909	FN 14	8960V7909	FA 29
8566V7909	FA 20	8711V7909	FA 22	8853V7909	FA 22	8861V7909	FA 28

VULCAN No. 1

INDEX OF PART NUMBERS

Page W. 99

(See also Supplementary pages, if any)

Part No.	Page No.	Part No.	Page No.	Part No.	Page No.	Part No.	Page No.
8962V7909	FA. 29	9128V7908	FA. 29	9504V7909	FM. 22	9596V7908	FG. 44
8963V7909	FA. 28	9151V7908	FD. 1	9505V7909	FA. 25	9597V7909	FM. 23
8964V7909	FA. 28	9191V7909	FJ. 17	9506V7909	FA. 25	9599V7908	FM. 23
8965V7909	FA. 28	9193V7909	FG. 42	9507V7909	FA. 25	9600V7909	FG. 44
8966V7909	FA. 28	9195V7909	FG. 42	9508V7909	FA. 29	9601V7909	FA. 30
8967V7909	FG. 41	9196V7909	FG. 42	9515V7909	FJ. 16	9602V7909	FA. 30
8968V7909	FA. 28	9197V7909	FG. 42	9516V7909	FG. 43	9603V7909	FA. 30
8969V7909	FG. 41	9223V7908	FH. 6	9522V7909	FH. 3	9604V7909	FA. 30
8970V7908	FM. 22	9246V7909	FN. 15	9523V7909	FH. 6	9605V7909	FG. 44
8975V7909	FA. 24	9247V7909	FN. 15	9525V7909	FH. 13	9606V7909	FA. 30
8976V7909	FA. 25	9248V7909	FN. 15	9526V7909	FA. 26	9607V7909	FG. 44
8977V7909	FA. 25	9249V7909	FN. 15	9528V7909	FG. 43	9608V7909	FM. 23
8978V7909	FA. 25	9250V7909	FN. 15	9530V7909	FM. 23	9609V7909	FA. 30
8979V7909	FM. 22	9251V7909	FN. 15	9533V7909	FG. 43	9610V7909	FH. 3
8980V7909	FG. 40	9302V7909	FA. 21	9534V7909	FG. 43	9611V7909	FA. 30
8984V7909	FJ. 17	9312V7909	FA. 21	9535V7909	FM. 23	9612V7909	FH. 6
8986V7909	FJ. 15	9320V7909	FG. 42	9536V7909	FG. 43	9613V7909	FA. 30
9004V7908	FM. 22	9321V7909	FG. 42	9537V7909	FD. 1	9615V7909	FA. 30
9005V7909	FM. 22	9322V7909	FG. 42	9538V7909	FJ. 18	9617V7909	FA. 30
9016V7908	FH. 12	9324V7909	FM. 25	9539V7909	FJ. 18	9618V7909	FG. 44
9027V7908	FQ. 2	9363V7909	FG. 42	9540V7909	FD. 1	9619V7909	FG. 44
9034V7909	FQ. 2	9365V7909	FP. 7A	9541V7909	FD. 1	9628V7909	FG. 44
9035V7909	FG. 7	9367V7909	FP. 7A	9542V7909	FJ. 18	9630V7909	FA. 30
9038V7909	FM. 22	9370V7909	FG. 42	9543V7909	FJ. 18	9631V7909	FA. 30
9049V7909	FH. 8	9372V7909	FG. 42	9544V7909	FD. 1	9633V7909	FG. 45
9054V7909	FM. 21	9373V7909	FK. 2	9545V7909	FD. 1	9634V7909	FG. 45
9055V7909	FH. 2	9374V7909	FG. 42	9546V7909	FG. 43	9635V7909	FG. 45
9056V7909	FH. 3	9378V7909	FP. 7A	9547V7909	FG. 43	9636V7909	FG. 45
9057V7909	FH. 3	9393V7909	FG. 42	9548V7909	FM. 23	9640V7909	FG. 45
9058V7909	FH. 3	9394V7909	FG. 42	9551V7909	FM. 23	9641V7909	FG. 45
9059V7909	FH. 6	9399V7909	FG. 42	9552V7909	FM. 23	9642V7909	FG. 45
9060V7909	FH. 6	9400V7909	FG. 42	9553V7909	FD. 1	9643V7909	FG. 45
9061V7909	FH. 6	9460V7909	FN. 15	9554V7909	FJ. 18	9647V7909	FM. 23
9062V7909	FH. 6	9465V7909	FA. 30	9555V7909	FG. 43	9648V7909	FM. 23
9063V7909	FH. 9	9468V7909	FN. 15	9558V7909	FG. 44	9649V7909	FM. 23
9064V7909	FH. 9	9470V7909	FM. 22	9571V7909	FG. 44	9650V7909	FM. 23
9065V7909	FH. 9	9471V7909	FM. 22	9573V7909	FG. 44	9651V7909	FM. 23
9066V7909	FH. 9	9472V7909	FG. 43	9575V7909	FG. 44	9652V7909	FM. 23
9067V7909	FH. 12	9480V7909	FG. 43	9577V7909	FG. 44	9653V7909	FM. 23
9068V7909	FH. 12	9481V7909	FG. 43	9578V7909	FG. 44	9654V7909	FM. 23
9069V7909	FH. 12	9483V7909	FG. 43	9579V7909	FG. 44	9655V7909	FM. 23
9070V7909	FH. 12	9484V7909	FA. 30	9580V7909	FM. 23	9681V7909	FA. 9
9071V7909	FH. 13		FG. 41	9581V7909	FG. 37	9683V7909	FM. 23
9072V7909	FH. 3	9485V7909	FG. 43	9582V7909	FM. 23	9684V7909	FG. 45
9073V7909	FH. 3	9486V7909	FG. 43	9583V7909	FA. 30	9685V7909	FG. 45
9074V7909	FH. 6	9487V7909	FA. 30	9584V7909	FA. 30	9686V7909	FG. 45
9075V7909	FH. 9	9494V7909	FM. 22	9585V7909	FA. 30	9687V7909	FG. 45
9076V7909	FH. 13	9498V7909	FN. 15	9586V7909	FA. 30	9690V7909	FM. 23
9077V7909	FH. 10	9499V7909	FN. 15	9591V7909	FA. 30	9696V7909	FM. 15
9078V7909	FH. 6	9500V7909	FN. 15	9592V7909	FA. 30	9696V7909	FM. 15
9079V7909	FN. 15	9501V7909	FN. 15	9593V7909	FG. 44	9697V7909	FM. 15
9081V7909	FN. 15	9503V7909	FM. 22	9594V7909	FM. 23	9698V7909	FM. 15
9083V7909	FN. 15						

INDEX OF PART NUMBERS

(See also Supplementary pages, if any)

Part No.	Page No.	Part No.	Page No.	Part No.	Page No.	Part No.	Page No.
9699V7909	FM. 15	9819V7909	FG. 46	9826V7909	FG. 46A	8V7912	FG. 56
9700V7909	FG. 45	9822V7909	FG. 46	9828V7909	FG. 46A	9V7912	FG. 54
9702V7909	FM. 23	9823V7909	FG. 46	9830V7909	FG. 46A	11V7912	FG. 55
9710V7909	FG. 45	9848V7909	FG. 46	9833V7909	FG. 46A	12V7912	FG. 54
9711V7909	FG. 45	9849V7909	FG. 35	9834V7909	FG. 33		FG. 56
9712V7909	FG. 45	9852V7909	FM. 5	9835V7909	FM. 18	13V7912	FG. 54A
9713V7909	FG. 45	9853V7909	FM. 5	9836V7909	FP. 7A	16V7912	FG. 56
9714V7909	FH. 3	9854V7909	FG. 46	9837V7909	FG. 24	1V8001	FN. 22
9715V7909	FA. 30	9855V7909	FG. 46	9838V7909	FA. 30A	1V8003	FN. 22
9717V7909	FH. 3	9856V7909	FG. 46	9839V7909	FA. 30A	1V8010	JA. 17
9718V7909	FH. 3	9857V7909	FG. 46	9840V7909	FA. 30A	2V8010	JA. 17
9719V7909	FH. 3	9858V7909	FG. 46	9841V7909	FA. 30A	3V8010	JA. 17
9720V7909	FH. 3	9859V7909	FG. 46	9842V7909	FA. 30A	4V8010	JA. 17
9721V7909	FH. 3	9860V7909	FG. 46	9843V7909	FA. 30A	1V8021	FG. 63
9722V7909	FH. 6	9861V7909	FM. 17	9844V7909	FA. 30A	2V8021	FG. 63
9723V7909	FH. 6	9864V7909	FG. 46A	9845V7909	FA. 30A	3V8021	FG. 63
9724V7909	FH. 6	9865V7909	FM. 22	9846V7909	FA. 30B	4V8021	FG. 63
9725V7909	FH. 6	9866V7909	FG. 46	9847V7909	FG. 46A	1V8022	FG. 63
9726V7909	FH. 6	9872V7909	FG. 46A	9848V7909	FG. 46A	7V8022	FG. 63
9727V7909	FH. 6	9873V7909	FG. 46A	9850V7909	FG. 46A	5V8023	FG. 7
9728V7909	FH. 9	9874V7909	FG. 46A	9851V7909	FA. 30B	6V8023	FG. 7
9729V7909	FH. 9	9880V7909	FP. 4	9853V7909	FG. 46B	7V8023	FG. 65
9731V7909	FH. 9	9881V7909	FP. 4	9854V7909	FG. 46B	V8024	FM. 30
9732V7909	FH. 9	9882V7909	FP. 4	9856V7909	FN. 15	4V8024	FM. 32
9733V7909	FH. 9	9883V7909	FP. 4	9862V7909	FP. 10	5V8024	FM. 31
9734V7909	FH. 13	9884V7909	FM. 23	9863V7909	FP. 10	7V8024	FM. 32
9735V7909	FH. 12	9885V7909	FG. 37	9871V7909	FM. 22	10bV8024	FM. 32
9736V7909	FH. 13	9886V7909	FG. 37	9872V7909	FM. 21	11V8024	FM. 31
9737V7909	FH. 12	9887V7909	FM. 18	9873V7909	FC. 4	15V8024	FM. 31
9738V7909	FH. 12	9888V7909	FA. 10	9874V7909	FC. 4	17V8024	FM. 31
9739V7909	FH. 12	9889V7909	FA. 20	9875V7909	FC. 4	18V8024	FM. 31
9740V7909	FG. 46	9891V7909	FG. 46A	9876V7909	FA. 1	21V8024	FM. 31
9741V7909	FG. 45	9892V7909	FG. 46A		FA. 30A	22V8024	FM. 31
9745V7909	FM. 23	9895V7909	FG. 46A	2V7911	FG. 53	25V8024	FM. 32
9748V7909	FM. 23	9896V7909	FM. 24	3V7911	FG. 54	26V8024	FM. 32
9747V7909	FG. 46	9897V7909	FM. 24	4V7911	FG. 54	27V8024	FM. 31
9748V7909	FM. 23	9898V7909	FM. 24	5V7911	FG. 54	28V8024	FM. 31
9750V7909	FM. 23	9899V7909	FM. 24		FG. 56	1V8025	FM. 31
9751V7909	FM. 23	9900V7909	FG. 46A	6V7911	FG. 54	14V8026	FM. 32
9752V7909	FC. 4	9912V7909	FP. 7	7V7911	FG. 54	15V8026	FM. 32
9753V7909	FM. 24	9913V7909	FP. 7	8V7911	FG. 54	1V8031	JB. 118
9754V7909	FA. 23	9914V7909	FP. 7	9V7911	FG. 54	2V8031	JB. 118
9755V7909	FA. 2	9915V7909	FP. 7		FG. 56	16V8031	JB. 122
9758V7909	FA. 2	9916V7909	FP. 4	12V7911	FG. 54	17V8031	JB. 119
9757V7909	FA. 1		FP. 10	21V7911	FG. 53	18V8031	JB. 119
9774V7909	FG. 46	9917V7909	FP. 4	30V7911	FG. 53	19V8031	JB. 119
9775V7909	FG. 46	9918V7909	FP. 5	32V7911	FG. 54A	20V8031	JB. 119
9779V7909	FG. 46	9919V7909	FP. 10		FG. 56	21V8031	JB. 119
9780V7909	FC. 4	9920V7909	FG. 47B	33V7911	FG. 53	22V8031	JB. 119
9781V7909	FG. 46	9921V7909	FG. 46A	34V7911	FG. 54	23V8031	JB. 119
9783V7909	FG. 46	9922V7909	FG. 46A	1V7912	FG. 56	24V8031	JB. 119
9788V7909	FG. 46	9923V7909	FG. 46A	3V7912	FG. 56	25V8031	JB. 119
9792V7909	FM. 24	9924V7909	FM. 24	4V7912	FG. 56	26V8031	JB. 120
9817V7909	FG. 46	9925V7909	FM. 24	5V7912	FG. 56	27V8031	JB. 121
9818V7909	FG. 46	9927V7909	FG. 46A	7V7912	FG. 54	28V8031	JB. 122
					FG. 55		

INDEX OF PART NUMBERS

Page W. 101

(See also Supplementary pages, if any)

Part No.	Page No.	Part No.	Page No.	Part No.	Page No.	Part No.	Page No.
32V8031	JB. 121	145V8031	JB. 119	4V8035	GG. 27	12V8100	FJ. 1
33V8031	JB. 121	146V8031	JB. 119	7V8035	GG. 27	16V8100	FJ. 6
34V8031	JB. 121	151V8031	JB. 121	1V8037	JA. 43	23V8100	FJ. 1
35V8031	JB. 121	152V8031	JB. 121	18V8037	JA. 43	32V8100	FQ. 2
36V8031	JB. 121	153V8031	JB. 119	19V8037	JA. 43	34V8100	FQ. 2
37V8031	JB. 121	154V8031	JB. 119	1V8038	FG. 62	43V8100	FJ. 1
38V8031	JB. 121	155V8031	JB. 119	2V8038	FG. 62	79V8100	FJ. 1
39V8031	JB. 121	156V8031	JB. 120	3V8038	FG. 63	87V8100	FQ. 3
40V8031	JB. 121	159V8031	JB. 121	1V8039	FG. 63	109V8100	FJ. 1
41V8031	JB. 120	164V8031	JB. 119	1V8040	GG. 33	111V8100	FJ. 1
42V8031	JB. 120	165V8031	JB. 120	3V8040	GG. 33	112V8100	FJ. 2
43V8031	JB. 120	166V8031	JB. 119	4V8040	GG. 33	118V8100	FJ. 1
44V8031	JB. 120	167V8031	JB. 121	1V8061	FJ. 1	123V8100	FJ. 2
45V8031	JB. 120	168V8031	JB. 119	2V8061	FJ. 7	124V8100	FJ. 2
46V8031	JB. 120	169V8031	JB. 119	3V8061	FJ. 6	134V8100	FJ. 2
47V8031	JB. 120	171V8031	JB. 121		MD. 9	137V8100	FJ. 2
48V8031	JB. 120	172V8031	JB. 120	4V8061	FJ. 6	139V8100	FJ. 2
49V8031	JB. 120	173V8031	JB. 120		MD. 9	140V8100	FJ. 6
50V8031	JB. 120	174V8031	JB. 120	15V8061	FJ. 7	141V8100	FJ. 6
51V8031	JB. 119	175V8031	JB. 120	16V8061	FJ. 14	144V8100	FQ. 3
52V8031	JB. 119	176V8031	JB. 120	17V8061	FJ. 1	145V8100	FQ. 3
53V8031	JB. 119	178V8031	JB. 119	18V8061	FJ. 1	146V8100	FQ. 3
54V8031	JB. 119	179V8031	JB. 119	19V8061	FJ. 6	150V8100	FQ. 3
55V8031	JB. 119	180V8031	JB. 121	20V8061	FJ. 6	151V8100	FQ. 3
56V8031	JB. 119	185V8031	JB. 119	21V8061	FJ. 6	157V8100	FQ. 3
60V8031	JB. 121	186V8031	JB. 119		FJ. 13	158V8100	FQ. 3
67V8031	JB. 120	188V8031	JB. 121		FP. 1	159V8100	FJ. 2
69V8031	JB. 121	189V8031	JB. 119	22V8061	FJ. 6	181V8100	FJ. 2
105V8031	JB. 119	190V8031	JB. 119		FJ. 13	182V8100	FJ. 2
106V8031	JB. 119	191V8031	JB. 119		FP. 1	183V8100	FQ. 3
107V8031	JB. 119	192V8031	JB. 121	23V8061	FJ. 6	184V8100	FJ. 2
108V8031	JB. 119	193V8031	JB. 121		FJ. 13, FP. 1	185V8100	FQ. 3
111V8031	JB. 119	194V8031	JB. 120	50V8061	FJ. 1	186V8100	FQ. 3
112V8031	JB. 119	200V8031	JB. 119	51V8061	FA. 30B	175V8100	FJ. 2
117V8031	JB. 119	201V8031	JB. 119		FJ. 5	177V8100	FJ. 2
118V8031	JB. 119	202V8031	JB. 119		FJ. 12	179V8100	FJ. 2
119V8031	JB. 119	203V8031	JB. 119		FP. 7B	194V8100	FJ. 2
120V8031	JB. 119	204V8031	JB. 119	51aV8061	FA. 30B	196V8100	FJ. 2, FQ. 3
121V8031	JB. 119	206V8031	JB. 120		FJ. 6	198V8100	FJ. 2
122V8031	JB. 119	208V8031	JB. 120		FJ. 13	197V8100	FJ. 2, FQ. 3
124V8031	JB. 119	207V8031	JB. 120		FP. 7B	198V8100	FJ. 2
125V8031	JB. 119	1V8032	FN. 22	51bV8061	FA. 30B	207V8100	FD. 1
126V8031	JB. 119	2V8032	FN. 22		FJ. 6	208V8100	FJ. 3
127V8031	JB. 121	3V8032	FN. 22		FJ. 12	219V8100	FJ. 3
128V8031	JB. 119	4V8032	FN. 22		FP. 7B	221V8100	FJ. 3
129V8031	JB. 119	6V8032	FN. 22	51cV8061	FA. 30B	224V8100	FJ. 3
130V8031	JB. 119	7V8032	FN. 22		FJ. 6	225V8100	FJ. 3
131V8031	JB. 119	8V8032	FN. 22		FJ. 13	228V8100	FJ. 3
132V8031	JB. 119	9V8032	FN. 22		FP. 7B	230V8100	FJ. 3
133V8031	JB. 119	10V8032	FN. 22	51dV8061	FA. 30B	233V8100	FJ. 3
134V8031	JB. 119	11V8032	FN. 22		FJ. 6	235V8100	FJ. 6
135V8031	JB. 119	18V8032	FN. 24		FJ. 13	237V8100	FJ. 6
136V8031	JB. 119	18bV8032	FB. 12		FP. 7B	239V8100	FJ. 6
141V8031	JB. 121		FN. 24	1V8090	FB. 10	240V8100	FJ. 6
142V8031	JB. 121	1V8035	FG. 50	4V8100	FJ. 6	242V8100	FD. 1
143V8031	JB. 119		GG. 27	6V8100	FJ. 1	243V8100	FD. 1
144V8031	JB. 119	2V8035	GG. 27	7V8100	FJ. 1	247V8100	FJ. 3
						250V8100	FJ. 3

INDEX OF PART NUMBERS

(See also Supplementary pages, if any)

Part No.	Page No.	Part No.	Page No.	Part No.	Page No.	Part No.	Page No.
256V8100	FQ. 4	8082V8100	FJ. 5	180V8101	FJ. 9	7561V8101	FQ. 6
261V8100	FJ. 3	8107V8100	FJ. 7	162V8101	FQ. 5	7626V8101	FJ. 11
262V8100	FJ. 3	8351V8100	QM. 17	180V8101	FJ. 9	7628V8101	FJ. 18
266V8100	FQ. 4	8352V8100	QM. 23	183V8101	FJ. 9	7652V8101	FJ. 11
274V8100	FD. 1	8353V8100	QM. 30	185V8101	FJ. 9	7687V8101	FJ. 11
277V8100	FJ. 3	8354V8100	QM. 20	190V8101	FJ. 9	7724V8101	FJ. 11
280V8100	FJ. 3	8355V8100	QM. 26	191V8101	FJ. 9, FQ. 5	7725V8101	FJ. 11
283V8100	FD. 1	8356V8100	FQ. 4	192V8101	FJ. 9	7726V8101	FJ. 11
287V8100	FQ. 4	8357V8100	FJ. 5	193V8101	FJ. 9, FQ. 5	7727V8101	FJ. 11
290V8100	FJ. 7	8563V8100	FQ. 4	194V8101	FJ. 9	7728V8101	FJ. 11
291V8100	FQ. 4	8567V8100	FJ. 5	204V8101	FJ. 10	7729V8101	FJ. 11
292V8100	FD. 1	8291V8100	FJ. 5	207V8101	FJ. 10	7730V8101	FJ. 11
293V8100	FD. 1	9638V8100	FJ. 7	210V8101	FJ. 10	7731V8101	FJ. 11
297V8100	FJ. 3	9656V8100	FQ. 3	212V8101	FJ. 10	7732V8101	FJ. 11
298V8100	FJ. 3	9657V8100	FQ. 2	215V8101	FJ. 10	7733V8101	FJ. 11
336V8100	FJ. 2	9659V8100	FQ. 3	218V8101	FJ. 10	7734V8101	FJ. 11
337V8100	FD. 1	9660V8100	FQ. 2	225V8101	FJ. 10	7735V8101	FJ. 12
338V8100	FD. 1	9661V8100	FQ. 2	234V8101	FJ. 13	7736V8101	FJ. 12
339V8100	FQ. 4	9662V8100	FQ. 2	235V8101	FJ. 13	7737V8101	FJ. 12
340V8100	FJ. 2	9663V8100	FQ. 2	237V8101	FJ. 13	7738V8101	FJ. 12
708V8100	FQ. 4	9664V8100	FQ. 3	239V8101	FJ. 13	7746V8101	FJ. 18
7100V8100	FJ. 4	4V8101	FJ. 13	240V8101	FJ. 10	7776V8101	FJ. 14
7106V8100	FJ. 4	6V8101	FJ. 8	251V8101	FJ. 17	7778V8101	FJ. 12
7152V8100	FJ. 4	7V8101	FJ. 8	252V8101	FJ. 17	7781V8101	FJ. 12
7153V8100	FJ. 7	9V8101	FJ. 8	253V8101	FJ. 10	7880V8101	FJ. 18
7289V8100	FJ. 4	13V8101	FJ. 13	254V8101	FJ. 10	7885V8101	FJ. 18
7313V8100	FJ. 4	19V8101	FJ. 8	256V8101	FQ. 5	7948V8101	FJ. 12
7562V8100	FJ. 4	32V8101	FQ. 4	285V8101	FJ. 10	8101V8101	FQ. 6
7625V8100	FJ. 4	34V8101	FQ. 4	288V8101	FJ. 10	8126V8101	FJ. 14
7707V8100	FJ. 4	40V8101	FQ. 4	270V8101	FQ. 5	8358V8101	QM. 17
7708V8100	FJ. 4	78V8101	FJ. 5	275V8101	FQ. 5	8359V8101	QM. 23
7709V8100	FJ. 4	88V8101	FJ. 8	278V8101	FJ. 14	8360V8101	QM. 30
7710V8100	FJ. 4	98V8101	FJ. 8	279V8101	FJ. 10	8361V8101	FJ. 12
7711V8100	FJ. 4	100V8101	FJ. 8	280V8101	FJ. 10	8362V8101	QM. 20
7712V8100	FJ. 4	105V8101	FJ. 8	281V8101	FQ. 5	8363V8101	QM. 26
7713V8100	FJ. 4	106V8101	FJ. 8	282V8101	FJ. 17	8364V8101	FQ. 6
7714V8100	FJ. 4	107V8101	FJ. 8	283V8101	FJ. 18	8366V8101	FJ. 21
7715V8100	FJ. 4	119V8101	FJ. 9	336V8101	FJ. 17	8569V8101	FJ. 12
7716V8100	FJ. 4	128V8101	FJ. 9	337V8101	FJ. 9	8639V8101	FJ. 14
7717V8100	FJ. 4	131V8101	FJ. 9	338V8101	FJ. 9	9665V8101	FQ. 6
7719V8100	FJ. 5	135V8101	FJ. 9	340V8101	FQ. 5	9668V8101	FQ. 5
7720V8100	FJ. 5	136V8101	FJ. 13	7082V8101	FQ. 5	9669V8101	FQ. 4
7721V8100	FJ. 5	137V8101	FJ. 13	7102V8101	FJ. 10	9870V8101	FQ. 6
7723V8100	FJ. 5	139V8101	FQ. 5	7103V8101	FJ. 10	9672V8101	FQ. 4
7775V8100	FJ. 5	140V8101	FQ. 5	7105V8101	FQ. 6	9674V8101	FQ. 5
7789V8100	FJ. 6	141V8101	FQ. 5	7111V8101	FJ. 18	9675V8101	FQ. 6
7790V8100	FJ. 7	145V8101	FQ. 5	7156V8101	FJ. 10	1V8133	FH. 1
7842V8100	FJ. 5	151V8101	FQ. 5	7157V8101	FJ. 14		FH. 4
7860V8100	FD. 1	154V8101	FJ. 9	7246V8101	FJ. 11		FH. 7
7861V8100	FD. 1	155V8101	FQ. 5	7287V8101	FJ. 11	2V8168	FM. 25
7881V8100	FD. 1	156V8101	FQ. 5	7345V8101	FQ. 6	1V8178	FD. 8
7939V8100	FJ. 5	157V8101	FJ. 9	7580V8101	FJ. 11	2V8178	FQ. 8

INDEX OF PART NUMBERS

(See also Supplementary pages, if any)

Part No.	Page No.	Part No.	Page No.	Part No.	Page No.	Part No.	Page No.
1V8179	FQ. 8	24V8400	EG. 23	30V8494	FB. 8	34V8628	FP. 12
2V8179	FQ. 8	25V8400	FB. 15	5V8495	FC. 4	35V8628	FP. 12
2V8180	FB. 10	26V8400	FB. 14	11V8495	FC. 4	36V8628	FP. 12
	FJ. 19	V8419	FG. 52	13V8495	FC. 4	37V8628	FP. 11
6V8180	FB. 10	2V8436	FM. 30	14V8495	FC. 4	38V8628	FP. 12
1V8181	FB. 11	4V8436	FM. 30	3V8522	FF. 1	39V8628	FP. 12
1V8182	FJ. 19	5V8436	FM. 29	3V8538	FG. 49	40V8628	FP. 12
1V8183	FJ. 19		FM. 30	1V8539	FG. 50	41V8628	FP. 12
3V8186	FM. 25	6V8436	FM. 29	1V8508	FM. 26	42V8628	FP. 12
8V8187	FM. 25	7V8436	FM. 30	2V8508	FM. 26	43V8628	FP. 12
31V8199	FG. 54A	8V8436	FM. 30	4V8511	FJ. 18	44V8628	FP. 12
39V8199	FG. 54A	1V8437	FM. 30	5V8511	FJ. 15	45V8628	FP. 12
1V8200	FG. 56	5bV8443	FP. 11	7V8511	FJ. 18	1V8629	FP. 8
19V8200	FG. 56	11V8443	FP. 10	8V8511	FJ. 18	2V8629	FP. 9
1V8215	JG. 1	26V8455	FG. 54	9V8511	FJ. 18	3V8629	FP. 9
V8217	FB. 1		FG. 56	9V8512	FM. 24	1V8631	FP. 9
V8222	FA. 1	1V8469	FG. 56	10V8512	FM. 24	2V8631	FP. 9
4V8222	FA. 30B	5V8490	FK. 1	1V8513	FJ. 15	1V8636	JH. 26
14V8222	FA. 1, FM. 26	8V8490	FK. 3	3V8524	FP. 11	2V8636	JH. 26
21V8222	FA. 36	10V8490	FK. 2	4V8524	FP. 11	2dV8636	JH. 26
23V8222	FA. 30	11V8490	FK. 1	5V8524	FP. 11	3V8636	JH. 26
24V8222	FA. 30	14V8490	FK. 3	6V8524	FP. 11	7V8636	JH. 26
26V8222	FA. 35	5V8491	FD. 1	21V8524	FP. 8	5V8639	FP. 7B
28V8222	FA. 35	6V8491	FD. 1	22V8524	FP. 11	3V8646	HL. 13
30V8222	FA. 30B	7V8491	FD. 1	25V8524	FP. 11	4V8646	HL. 13
33V8222	FA. 32	8V8491	FD. 1	26V8524	FP. 11	8V8646	HL. 13
34V8222	FM. 26	9V8493	FP. 11	28V8524	FP. 1	12V8646	HL. 13
34aV8222	FM. 26	10V8493	FP. 12	29V8524	FP. 1	14V8646	HL. 13
10V8223	FQ. 7	10aV8493	FP. 12	1V8625	FP. 9	16V8646	HL. 13
25V8223	FQ. 6	11V8493	FP. 1	1V8627	FP. 7B	18V8646	HL. 13
30V8223	FQ. 6	12V8493	FM. 31	2V8627	FP. 7B	19V8646	HL. 13
33V8223	FQ. 6	13V8493	FP. 1	7V8627	FP. 7B	21V8646	HL. 13
34V8223	FQ. 6	14V8493	FP. 1	1V8628	FP. 8	22V8646	HL. 13
35V8223	FQ. 6	15V8493	FP. 1	9V8628	FP. 12	3V8647	HL. 6
7V8282	FA. 35	16V8493	FP. 1	10V8628	FP. 12	4V8647	HL. 6
8V8282	FA. 35	20V8493	FP. 8	11V8628	FP. 12	7V8647	HL. 6
1V8283	FB. 10	21V8493	FM. 31	12V8628	FP. 12	8V8647	HL. 6
11V8372	FA. 33B		FP. 1	15V8628	FP. 12	9V8647	HL. 6
12V8372	FA. 33B	22V8493	FP. 7B	16V8628	FP. 12	1V8785	JB. 32
13V8372	FA. 33B	23V8493	FP. 7B	17V8628	FP. 12	2V8785	JB. 32
14V8372	FA. 33B	24V8493	FP. 1	18V8628	FP. 12	4V8785	JB. 33
15V8372	FA. 33B	25V8493	FP. 1	19V8628	FP. 12	10V8765	JB. 33
16V8372	FA. 33B	26V8493	FP. 1	20V8628	FP. 12	11V8765	JB. 33
18V8372	FA. 33B	10V8494	FP. 8	21V8628	FP. 12	14V8765	JB. 33
7V8373	FA. 33B	11V8494	FB. 8	22V8628	FP. 12	15V8765	JB. 33
8V8373	FA. 33B	12V8494	FB. 8	23V8628	FP. 12	21V8765	JB. 33
9V8373	FA. 33B	13V8494	FB. 1	24V8628	FP. 12	22V8765	JB. 33
2V8400	EG. 15	15V8494	FA. 34	25V8728	FP. 12	23V8765	JB. 33
10V8400	FB. 14	17V8494	FB. 1	26V8628	FP. 12	1V8783	FB. 13
21V8400	EG. 17	24V8494	FB. 1	31V8628	FP. 12	2V8783	FB. 13
22V8400	EG. 23	26V8494	FB. 1	32V8628	FP. 12	4V8783	FB. 13
23V8400	EG. 23	28V8494	FB. 1	33V8628	FP. 12		

INDEX OF PART NUMBERS

(See also Supplementary pages, if any)

Part No	Page No.	Part No	Page No	Part No.	Page No.	Part No.	Page No
1V8786	FG. 50	7296V9114	FA. 13	2V9198	FB. 1	1V9397	QB. 4
2V8786	FG. 50	7297V9114	FA. 13	4V9198	FB. 1	3V9397	QB. 4
3V8786	FG. 50	7298V9114	FA. 13	1V9199	FG. 58	1V9421	FM. 32
4V8786	FG. 50	7302V9114	FA. 16	2V9199	FG. 58	2V9421	FM. 32
5V8786	FG. 50	7315V9114	FA. 13	3V9199	FG. 58	5V9421	FM. 33
5V8796	FE. 3	7316V9114	FA. 13	V9206	FG. 53	6V9421	FM. 33
6V8795	FE. 3	7327V9114	FA. 13	2V9206	FG. 53	7V9421	FM. 32
11V8795	FE. 3	7406V9114	FA. 17	1V9230	FM. 25	8V9421	FM. 33
13V8795	FE. 3	7407V9114	FA. 17	4V9230	FM. 25	9V9421	FM. 32
5V8796	FE. 3	V9120	FG. 47	5V9230	FM. 25	10V9421	FM. 32
6V8841	QB. 4	V9121	FG. 58	8V9230	FM. 25	11V9421	FM. 32
2V8965	GG. 30	1V9122	JA. 9	1V9231	FM. 25	12V9421	FM. 32
2bV8965	GG. 30	2V9122	JA. 9	1V9232	FM. 25	13V9421	FM. 32
3V8965	GG. 30	3V9122	JA. 9	8V9232	FM. 25	14V9421	FM. 32
4V8965	GG. 30	4V9122	JA. 9	9V9232	FM. 25	15V9421	FM. 32
4V8980	GG. 32	6V9122	JA. 9	10V9232	FM. 25	16V9421	FM. 33
5V8980	GG. 31	7V9122	JA. 9	1V9265	FN. 18	17V9421	FM. 32
8V8983	FH. 4, FH. 7	1V9127	FE. 2	1V9266	FN. 18	18V9421	FM. 33
12V8993	FH. 7	7V9131	FB. 1	1V9274	FN. 18	19V9421	FM. 32
1V9030	FE. 3	1V9135	FM. 30	1V9276	FN. 18	20V9421	FM. 32
6V9036	FB. 7	2V9135	FM. 29	3V9287	FP. 78	21V9421	FM. 32
2V9037	FB. 14	3V9135	FM. 25	V9288	FG. 50	22V9421	FM. 33
4V9037	FB. 13	1V9138	FG. 50	2V9288	FG. 50	23V9421	FM. 33
1V9038	FB. 13	4V9138	FG. 50	1V9301	FE. 2	24V9421	FM. 32
1V9040	FB. 14	1V9139	FB. 9	3V9301	FE. 2	25V9421	FM. 33
1V9043	FF. 1	3V9139	FB. 9	1V9303	FA. 36	26V9421	FM. 32
1V9044	FF. 3	1V9145	JA. 5	18V9303	FA. 36	29V9421	FM. 32
5V9051	FF. 2	12V9145	FE. 4	19V9303	FA. 36A	32V9421	FM. 32
1V9074	FG. 63	13V9145	FW. 4	30V9303	FA. 36	1V9422	FM. 33
2V9074	FG. 63	15V9145	FE. 4	33V9303	FA. 36	2V9422	FM. 33
3V9074	FG. 63	1V9157	FB. 9	34V9303	FA. 36A	1V9437	FN. 17
5V9074	FG. 64	2V9158	FB. 9	1V9304	FG. 66	2V9437	FN. 17
6V9074	FG. 64	3V9158	FB. 9	2V9304	FG. 67	1V9443	JB. 34
7V9074	FG. 64	5V9158	FB. 9	3V9304	FG. 67	4V9443	JB. 34
8V9074	FG. 64	1V9164	FG. 49	4V9304	FG. 67	14V9443	JB. 34
10V9074	FG. 64	2V9164	FG. 49	6V9304	FG. 67	54V9443	JB. 34
1V9104	FG. 58	3V9164	FG. 49	1V9326	FG. 49	57V9443	JB. 34
1895V9114	FA. 13	4V9164	FG. 49	4V9328	FG. 50	1V9447	FM. 29
1896V9114	FA. 13	5V9164	FG. 49	1V9336	FG. 50	1V9455	FN. 20
1897V9114	FA. 13	1V9165	FG. 49	V9339	FG. 52	2V9455	FN. 20
1898V9114	FA. 13	V9166	FG. 49	1V9360	FM. 1	3V9455	FN. 20
1900V9114	FA. 13	5V9166	FG. 49	2V9360	FM. 1	1V9463	FG. 60
2017V9114	FH. 3	1V9180	FN. 18	1V9361	FG. 60	10V9463	FG. 61
2018V9114	FH. 6	1V9181	FN. 18	1V9365	HD. 1	1V9470	FN. 18
2019V9114	FH. 10	1V9194	FH. 1		GG. 30	2V9470	FN. 18
	FH. 15	2V9194	FH. 4	V9372	FG. 51	V9472	FM. 1
2020V9114	FH. 13	3V9194	FH. 7	1V9375	FG. 59	2V9472	FJ. 6
7177V9114	FH. 3	4V9194	FH. 10	2V9375	FG. 59		FJ. 13
7178V9114	FH. 6	5V9194	FH. 13	4V9375	FG. 59		FJ. 19
7179V9114	FH. 13	7V9194	FH. 2	3V9386	EC. 5		FM. 26
7180V9114	FH. 10		FH. 6	19V9387	JB. 74	5V9472	FQ. 7
7294V9114	FA. 13		FH. 8	1V9396	QB. 4	6V9472	FM. 25
7295V9114	FA. 13		FH. 11	3V9396	QB. 4		FP. 9

VULCAN NO. 2

INDEX OF PART NUMBERS

Page W. 106

(See also Supplementary pages, if any)

Part No.	Page No.	Part No.	Page No.	Part No.	Page No.	Part No.	Page No.
7V9472	FK. 2	5V9592	FG. 7	56V9851	JB. 122	1V9916	GG. 7
	FK 25	15V9592	JA. 13	57V9851	JB. 123	1V9932	FN. 19
	FM 18	18V9592	JA. 13	58V9851	JB. 123	1V9933	FN. 19
	FP. 9	55V9592	FG. 65	59V9851	JB. 123	1V9934	FN. 19
	GQ. 13	74V9592	FG. 67	60V9851	JB. 123	1V9935	FN. 19
	GQ. 14	75V9592	FG. 67	61V9851	JB. 123	1V9936	FH. 1
9V9472	FM 24	1V9597	GG. 36	62V9851	JB. 123		FH. 4
10V9472	FM. 24	4V9638	GG. 18	63V9851	JB. 123		FH. 7
12V9472	FM. 1	1V9651	JB. 122	1V9724	FA. 32		FH. 10
13V9472	FM. 1	2V9651	JB. 122	2V9724	FA. 32	6V9940	JB. 84
14V9472	FM. 1	3V9651	JB. 122	4V9724	FA. 32	7V9940	JB. 85
15V9472	FM. 1	4V9651	JB. 122	1V9726	FQ. 11	1V10013	FP. 10
100V9472	FM. 34	5V9651	JB. 122	2V9726	FQ. 11	2V10013	FP. 10
8V9475	FG. 7	6V9651	JB. 122	1V9729	FM. 33	3V10013	FP. 10
1V9479	FP. 9	7V9651	JB. 122	2V9770	FA. 32	1V10025	GG. 7
1V9482	JB. 33	8V9651	JB. 122	4V9770	FA. 32	1V10026	FC. 6, FG. 82
2V9482	JB. 33	9V9651	JB. 122	5V9770	FA. 32	1V10027	GG. 9
3V9482	JB. 33	10V9651	JB. 122	7V9770	FA. 32	1V10081	FP. 9
4V9482	JB. 33	11V9651	JB. 122	1V9772	FQ. 13	4V10081	FP. 9
5V9482	JB. 33	12V9651	JB. 122	2V9772	FQ. 13	1V10106	GG. 36
5V9488	FN. 28	13V9651	JB. 122	23V9772	FQ. 13	2V10106	GG. 36
9V9488	FN. 16	14V9651	JB. 122	30V9772	FQ. 13	3V10106	GG. 36
10V9488	FN. 16	15V9651	JB. 122	31V9772	FQ. 13	6V10150	PC. 1
12V9488	FN. 16	19V9651	JB. 122	32V9772	FQ. 14	1V10225	FC. 6
13V9488	FN. 16	20V9651	JB. 122	33V9772	FQ. 14	1V10226	FC. 6
15V9488	FN. 1	21V9651	JB. 122	34V9772	FQ. 13	1V10227	FC. 6
16V9488	FN. 28	22V9651	JB. 122	35V9772	FQ. 13	1V10229	GG. 31
17V9488	FN. 28	23V9651	JB. 122	36V9772	FQ. 14	2V10229	GG. 31
18V9488	FN. 16	24V9651	JB. 122	37V9772	FQ. 14	26V10229	GG. 31
18dV9488	FN. 16	25V9651	JB. 122	1V9778	GG. 4	3V10229	GG. 31
1V9534	GG. 13	26V9651	JB. 122	1V9781	GG. 3	4V10229	GG. 31
3V9534	GG. 13	27V9651	JB. 122	1V9782	GG. 4	5V10229	GG. 31
4V9534	GG. 13	28V9651	JB. 122	11V9814	JA. 10	1V10230	GG. 38
1V9543	FM. 26	29V9651	JB. 122	1V9851	FG. 47	2V10230	GG. 29
2V9543	FM. 27	30V9651	JB. 122	4V9851	FJ. 18	3V10230	GG. 29
1V9546	DF. 2	31V9651	JB. 122	5V9851	FN. 17	4V10230	GG. 29
1V9554	GG. 35	36V9651	JB. 123	6V9851	FP. 8	5V10230	GG. 29
1V9561	GG. 35	37V9651	JB. 123	1V9869	FB. 15	6V10230	GG. 29
2V9561	GG. 35	38V9651	JB. 123	2V9869	FB. 15	4V10252	GG. 16
1V9562	FN. 1	39V9651	JB. 123	1V9879	FG. 56	3V10253	GG. 16
	GG. 35	40V9651	JB. 123	1V9883	PA. 5	1V10307	FG. 58
2V9562	GG. 35	41V9651	JB. 123	1V9890	FQ. 10	1V10498	FA. 32
3V9562	GG. 35	42V9651	JB. 123	2V9890	FQ. 10	1V10520	FQ. 12
1V9573	FP. 1	43V9651	JB. 123	5V9890	FQ. 10	1V10621	FQ. 12
2V9573	FP. 1	44V9651	JB. 123	6V9890	FQ. 10	1V10552	FG. 58
3V9573	FP. 1	45V9651	JB. 123	8V9890	FQ. 10	1V10560	FN. 18
8V9573	FP. 1	46V9651	JB. 123	9V9890	FQ. 10	1V10566	FG. 58
V9575	JA. 5	47V9651	JB. 123	1V9897	FG. 54	1V10623	FN. 24
1V9576	FB. 1	49V9651	JB. 123	1V9898	FQ. 8	1V10624	FN. 24
2V9591	JA. 10	51V9651	JB. 123	1V9899	FQ. 8	1V10625	FN. 24
10V9591	JA. 10	53V9651	JB. 123	15V9900	PB. 13	1V10626	FN. 24
V9592	FG. 1	54V9651	JB. 122	30V9900	FN. 18	1V10642	FN. 18
				31V9900	FN. 18		

INDEX OF PART NUMBERS

(See also Supplementary pages, if any)

Part No.	Page No.	Part No.	Page No.	Part No.	Page No.	Part No.	Page No.
1V10643	FN. 16	2V11178	FG. 66	1V11608	FQ. 10	1V12451	GG. 22B
2V10643	FN. 16	V11179	FG. 1	1V11611	FA. 32	1V12586	FB. 12
3V10643	FN. 18	13V11179	FN. 20	1V11612	FA. 32	1V12586	FB. 12
4V10643	FN. 16	17V11179	FG. 7	2V11647	FQ. 7	1V12870	FM. 31
5V10643	FN. 16	2V11215	FG. 66	3V11647	FQ. 7	1V12971	FM. 34
6V10643	FN. 16	V11249	FG. 80	5V11647	FQ. 7	2V12971	FM. 34
1V10657	FN. 16	2V11249	FG. 60	V11707	FN. 20	1V13051	FE. 3
11V10710	JA. 61	20V11270	FG. 7		FN. 21	1V13100	FB. 16
12V10710	JA. 61	V11301	FM. 1	1V11729	FN. 23	1V13101	FB. 16
7V10711	JA. 61	62V11313	FP. 9	1V11730	FN. 23	1V13120	HK. 1
8V10711	JA. 61	68V11313	FP. 9	1V11731	FN. 23	1V13167	FE. 4
4V10712	JA. 60	1V11319	FA. 1	1V11767	FN. 31	1V13186	GG. 9
4V10713	JA. 60	11V11319	FA. 1	6V11772	FO. 2	1V13187	GG. 9
1V10723	FH. 10	12V11319	FA. 1	1V11782	FN. 20	6V13200	HD. 1
2V10723	FH. 16	1V11366	FJ. 19	3V11782	FN. 20	10V13200	HD. 1
4V10758	FG. 64	1V11368	GG. 31	5V11782	FN. 21	11V13200	HD. 2
6V10758	FG. 66	1V11373	FM. 30	6V11782	FN. 21	V13368	FN. 20
10V10758	FG. 64	1V11374	FM. 30	1V11787	FF. 22	2V13368	FN. 20
11V10758	FG. 64	1V11379	GG. 29	1V11789	FF. 1	4V13368	FN. 20
12V10758	FG. 64	1V11410	FN. 24	1V11794	FG. 58	V13371	FG. 65
13V10758	FG. 64		JB. 74	1V11795	FJ. 20	2V13381	FM. 33
14V10758	FG. 64	3V11410	FN. 25	1V11796	GG. 31	1V13400	FB. 15
15V10758	FG. 66		JB. 74	1V11797	GG. 29	V13415	FB. 13
1V10787	FH. 1	17V11410	FN. 25	1V11807	FG. 57	2V13484	JA. 18
2V10787	FH. 4		JB. 74	4V11814	FN. 23	1V13525	HM. 10
3V10787	FH. 7		JB. 75	1V11825	FP. 8	2V13538	HM. 3
4V10787	FH. 10	17aV11410	FN. 25	3V11825	FP. 8	3V13538	HM. 3
5V10787	FH. 13		JB. 74	4V11825	FP. 8	4V13538	HM. 3
6V10787	FH. 13	17vV11410	FN. 25	1V11847	FN. 16	5V13538	HM. 3
29V10787	FH. 4		JB. 74	6V11847	FN. 16	6V13538	HM. 3
34V10787	FN. 2	17cV11410	FN. 25	7V11847	FN. 16	7V13538	HM. 3
	FH. 6		JB. 74	2V11879	GG. 28	8V13538	HM. 2
	FH. 8	17dV11410	FN. 25	1V11882	FN. 21	9V13538	HM. 3
	FH. 11		JB. 74	1V11887	GG. 30	11V13538	HM. 3
1V10810	FF. 1	17aV11410	FN. 25	1V11896	FF. 1	V13579	JA. 17
7V10911	FE. 2		JB. 74	2V11896	FF. 1	2V13579	JA. 17
1V10950	FF. 3	19aV11410	FN. 25	3V11896	FF. 1	2aV13579	JA. 17
7V11031	HK. 1	19bV11410	FN. 25	V11897	FN. 20	1V13637	FE. 4
2V11032	HK. 1	20V11410	FN. 25	1V11898	FF. 1	2V13650	FB. 9
4V11032	HK. 1		JB. 74	1V11903	FG. 64	1V13787	FG. 63
5V11032	HK. 1	1V11416	FM. 29	1V11936	FN. 16	1V13894	EC. 1
6V11032	HK. 1	1V11419	FE. 1	1V11938	FN. 16	2V13894	EC. 1
1V11112	FE. 2	1V11468	GG. 32	1V11939	FN. 16	1V13897	FB. 10
1V11113	FE. 2	1V11481	FE. 1, FE. 2	1V11942	FN. 16	1V14015	HD. 1
1V11124	FB. 1	2V11481	FE. 1	1V11945	FN. 16	1V14098	FA. 32
16V11124	FB. 1	5V11481	FE. 1	9V11948	FG. 49	1V14150	FG. 51
1V11133	FE. 2	7V11481	FE. 1	V12023	FN. 20	1V14151	FG. 51
1V11134	FE. 2	13V11481	FE. 1	2V12023	FN. 20	1V14182	FG. 63
2V11134	FE. 2	1V11486	FN. 24	1V12059	FG. 62	1V14183	FG. 56
1V11147	GG. 21	1V11594	FM. 33	1V12050	JA. 6	2V14310	EC. 1
1V11167	FG. 64	1V11596	JA. 18	1V12089	FG. 63	1V14861	FB. 7
1V11168	FG. 64	1V11607	FQ. 10	1V12224	JA. 10		

INDEX OF PART NUMBERS

(See also Supplementary pages, if any)

Part No.	Page No.	Part No.	Page No.	Part No.	Page No.	Part No.	Page No.
2V14869	FB. 7	3V17314	FA. 30A	5cZ2164	QS. 2	4Z8945	QA. 5
1V14870	FB. 7		FA. 33	106Z2165	QS. 2	5Z8945	JB. 78
1V14899	FG. 65	1V17323	FA. 33	10Z2256	HC.4, SA.1	33Z8948	QA. 7
1V15173	FG. 64	2V17323	FA. 33	46cZ2537	QS. 2	34Z8948	QA. 7
1V15366	FG. 64	1V17324	FA. 33A	8Z2258	GE. 2	59Z8948	QA. 4
1V15393	FG. 66	2V17324	FA. 33A	2Z2793	GM. 1	68Z8948	QA. 6
V15396	FG. 47B	1V17421	FG. 63	15Z3090	JA. 1	7Z28948	QA. 1
2V15396	FG. 47B	1V17422	FG. 64	7Z3092	CJ. 6	8Z28948	QA. 4
8V15396	FG. 47B	1V17454	FA. 33A	25Z3224	QA.8, QA.23,	89Z8948	QA. 1
7V15396	FG. 47B	2V17454	FA. 33A		QB.1, QS.1	100Z8948	QA. 1
9V15396	FG. 48	1V17484	GG. 9	25aZ3224	QB. 1	1Z8998	QA. 39
10V15396	FG. 48	1V17485	GG. 9	48Z3257	QC. 12	2Z8998	QA. 39
1V15407	FD. 2	1V17784	PC. 3	54Z3257	QC. 11	11Z8998	QA. 39
1V15475	GG. 27	1V17788	FG. 56	60Z3257	QC. 11	1Z28998	QA. 39
1V15487	FF. 1	1V11789	FG. 49	18Z3413	GD. 4	1Z7012	JB. 54
1V15488	FG. 58	2V17789	FG. 49	3Z3553	QS. 3	1Z7013	JB. 54
1V15489	FM. 33	1V17812	PC. 4	11Z3553	QS. 3	1Z7014	JB. 54
1V15490	FM. 33	1V18246	FG. 62	15Z3553	QS. 3	15Z7014	JB. 54
1V15641	FM. 33	2V18358	HP. 1	1Z4179	EG.4, EG.7	5Z7016	QS. 3
1V15642	FM. 33	2aV18358	HP. 1	3aZ8461	GK. 2	3Z7032	QA. 41
1V15640	FG. 56	3V18358	HP. 1	1Z6482	JA. 40	4Z7032	QA. 41
1V15649	FM. 33	3aV18358	HP. 1	4Z6531	QA. 12	10Z7032	QA. 22
2V15889	JA. 23	1V18516	FG. 63	5Z6531	QA. 12		QA. 37
V16020	GQ. 15	1V18517	FG. 63	7Z6632	NB. 1		QA. 41
V16021	GQ. 15	V18555-68	FP. 9	38Z6632	QA. 33	2Z7053	DB. 1
V16022	GQ. 15	1V18806	FM. 33	7Z26632	QA. 27	2Z7058	DB. 1, JA.20
2aV16022	GQ. 15	1V18807	FM. 33		QA. 33A	2Z7058	JA. 20
1V16111	FJ. 19	1V19035	FA. 1	82A6632	QA. 35	1Z7069	MC. 5
2V16111	FJ. 19	1V19288	FP. 11	1Z8930	QA. 28	2Z7069	MC. 5
3V16111	FA. 33A	2V989	DA. 1		JB.56, MC.6,	5Z7069	MC. 5
4V16111	FM. 28	3V989	DA. 1		QH.1, QH.6	6Z7069	MC. 5
5V16111	FM. 28	3W1027	DA. 1	2Z8930	QH. 6	7Z7069	MC. 6
6V16111	FD.2, FJ.16,	4W1027	QA. 1	3Z8930	MC. 6	8Z7069	MC. 6
	FQ. 7	10W1027	DA. 4	4Z8930	JB.56, MC.6,	20Z7071	GF. 24
7V16111	FJ. 19	11W1027	DA. 4		QH.1, QH.6	2Z7072	GF. 24
8V16111	FA. 33A	18W1027	DA. 5	5Z8930	JB. 56, MC.6,	3Z7072	GF. 24
11V16111	FD.2, FJ.15	20W1027	DA. 1		QH.1, QH.7	5Z7072	GF. 24
	FQ. 7	25bW1027	DA. 6	1Z6835	QA. 39	8Z7072	GF. 24
12V16111	FJ. 19	2W1128	DA. 5	2Z6935	QA. 39	7Z7072	GF. 24
V16112	FJ. 19	8W1128	DA. 5	7Z6935	QA. 40	8Z7072	GF. 24
2V16112	FJ. 19	12W1128	DA. 5	8Z6935	QA. 39	13Z7072	GF. 24
3V16112	FQ. 7	13W1128	DA. 6	10Z6935	QA. 40	6Z7087	JB. 56
3V16114	FQ. 7	16W1128	DA. 2	13Z6935	QA. 40	16Z7087	JB. 56
1V16309	FJ. 19	17W1128	DA. 2	17Z6935	QA. 40	1Z7102	KA. 1
	FD. 11	18W1128	DA. 2	20Z6935	QA. 40	108Z7119	OK.3, QR.8
1V16358	FP. 11	19W1128	DA. 6	28Z6935	QA. 41	118Z7119	QR.8, QR.14
1V16389	FN. 18	19aW1128	QA. 6	29Z6935	QA. 41	126Z7119	QR. 10
V16482	FJ. 19	21W1128	DA. 6	100Z6935	QA. 40	126Z7119	QR. 10
1V16582	FG. 65	22W1128	DA. 7	1Z6936	QA. 39	127Z7119	QR. 10
1V16831	FP. 11	W1483	KF. 2	10Z6936	QA. 39	128Z7119	QR. 10
2V16831	FP. 11	2Z742	DB.1, HA.20	6Z6937	QA. 40	128Z7119	QR. 10
3V16831	FP. 11	27aZ1206	HC. 4	7Z6937	QA. 40	129Z7119	QR. 10
1V17088	FG. 58	27bZ1206	HC. 4	8Z6937	QA. 40	130Z7119	QR. 10
1V17089	FG. 58	5Z2164	MC. 73	11Z6937	QA. 40	131Z7119	QR. 10
1V17314	FA. 30A	5aZ2164	QS. 2	1Z8945	QA. 4	132Z7119	QR. 9
2V17314	FA. 30A	5bZ2164	QS. 2	3Z6945	QA. 5	133Z7119	QR. 8
						134Z7119	QR. 8

INDEX OF PART NUMBERS

(See also Supplementary pages, if any)

Part No.	Page No.	Part No.	Page No.	Part No.	Page No.	Part No.	Page No.
135Z7119	QR. 8	25Z7139	QA. 43	14Z7303	QA. 45	38Z7342	QC. 13
136Z7119	QR. 8	26Z7139	QA. 44	15Z7303	QA. 46	42Z7342	QC. 12
137Z7119	QR. 9	27Z7139	QA. 43	20Z7303	QA. 45	43Z7342	QC. 12
138Z7119	QR. 9	28Z7139	QA. 44	21Z7303	QA. 45	44Z7342	QC. 13
138Z7119	QR. 9	40Z7144	QA. 23	30Z7303	QA. 47	45Z7342	QC. 12
140Z7119	QR. 9		QA. 37	34Z7303	QA. 47	52Z7342	QC. 13
141Z7119	QR. 9	41Z7144	QA. 23	5Z7304	QA. 47	52aZ7342	QC. 13
142Z7119	QR. 8		QA. 37	26Z7304	QA. 49	53Z7342	QC. 13
145Z7119	QR. 10	9Z7147	QA. 40	27Z7304	QA. 49	58Z7342	QC. 12
146Z7119	QR. 10	1Z7182	QA. 3	31Z7304	QA. 47	58Z7342	QC. 12
147Z7119	QR. 10	1Z7185	QA. 3	32Z7304	QA. 49	60Z7342	QC. 12
148Z7119	QR. 11	4Z7184	JB. 35	33Z7304	QA. 48	63Z7342	QC. 12
149Z7119	QR. 8	5Z7184	JB. 35	34Z7304	QA. 48	66Z7342	QC. 12
231Z7119	QR. 10	8Z7184	JB. 35	40Z7304	QA. 48	67Z7342	QC. 13
232Z7119	QR. 10	9Z7184	JB. 35	41Z7304	QA. 48	68Z7342	QC. 12
233Z7119	QR. 11	10Z7184	JB. 35	43Z7304	QA. 47	1Z7344	KE. 1
234Z7119	QR. 11	11Z7184	JB. 35	44Z7304	QA. 47	9Z7344	KE. 1
235Z7119	QR. 11	1Z7189	QA. 3	45Z7304	QA. 47	10Z7344	KE. 1
236Z7119	QR. 11	1Z7225	KE. 1	47Z7304	QA. 47	11Z7344	KE. 1
237Z7119	QR. 11	1Z7238	QA. 12	1Z7306	KB. 2	1Z7348	JB. 117
238Z7119	QR. 11	9Z7276	QS. 10	1Z7312	QA. 50	2Z7348	JB. 118
239Z7119	QR. 11	18Z7276	QS. 8	26Z7312	QA. 50	2aZ7348	JB. 118
240Z7119	QR. 11	26Z7276	QS. 10	27Z7312	QA. 50	2mZ7348	JB. 118
241Z7119	QR. 11	28Z7276	QS. 10	28Z7312	QA. 50	2tZ7348	JB. 118
242Z7119	QR. 11	30Z7276	QS. 10	28aZ7312	QA. 50	3Z7348	JB. 118
243Z7119	QR. 12	34Z7276	QS. 10	28bZ7312	QA. 50	19Z7349	JB. 117
244Z7119	QR. 12	36Z7276	QS. 10	1Z7315	QA. 50	21Z7349	JB. 118
3Z7120	QA. 33	68Z7276	QS. 11	1Z7323	KB. 4	24Z7349	JB. 117
4Z7120	QA. 33	76Z7276	QS. 10	18Z7329	QA. 50	32Z7349	JB. 117
5Z7120	QA. 33	77Z7276	QS. 10	6Z7330	QA. 50	33Z7349	JB. 117
7Z7120	QA. 33	164Z7276	QS. 14	7Z7330	QA. 49	34Z7349	JB. 117
8Z7120	QA. 33	123Z7276	QS. 11	1Z7330	QA. 49	35Z7349	JB. 117
9Z7120	QA. 33	124Z7276	QS. 11	13Z7330	QA. 50	36Z7349	JB. 117
10Z7131	QA. 9	128Z7276	QS. 13	14Z7330	QA. 50	37Z7349	JB. 117
11Z7131	QA. 8	129Z7276	QS. 14	16Z7330	QA. 50	40Z7349	JB. 118
12Z7131	QA. 8	131Z7276	QS. 15	17Z7330	QA. 51	41Z7349	JB. 118
13Z7131	QA. 9	136Z7276	QS. 15	18Z7330	QA. 50	42Z7349	JB. 118
14Z7131	QA. 9	138Z7276	QS. 18	21Z7330	QA. 48	43Z7349	JB. 118
15Z7131	QA. 9	140Z7276	QS. 14	26Z7330	QA. 49	44Z7349	JB. 118
16Z7131	QA. 8	150Z7276	QS. 11	27Z7330	QA. 49	45Z7349	JB. 118
19Z7131	QA. 9	167Z7276	QS. 11	28Z7330	QA. 49	45Z7349	JB. 118
46Z7131	QA. 8	168Z7276	QS. 11	29Z7330	QA. 49	13Z7355	QA. 49
1Z7132	JH.1, RB.4	183Z7276	QS. 11	31Z7330	QA. 50	1Z7357	QA. 47
2Z7132	JH.1, RB.4	186Z7276	QS. 14	32Z7330	QA. 50	10Z7357	QA. 48
3Z7132	JH.1, RB.5	188Z7276	QS. 14	33Z7330	QA. 49	11Z7357	QA. 48
4Z7132	JH.1, RB.5	215Z7276	QS. 6	35Z7334	QA. 48	12Z7357	QA. 48
5Z7132	JH.1, RB.5	18Z7293	QS.2, QS.4	36Z7334	QA. 48	17Z7357	QA. 48
6Z7132	JH.1, RB.5	7Z7303	QA. 48	5Z7342	QC. 12	20Z7357	QA. 47
7Z7132	JH.1, RB.5	8Z7303	QA. 48	6Z7342	QC. 12	21Z7357	QA. 48
11Z7139	QA. 43	10Z7303	QA. 48	24Z7342	QC. 12	22Z7357	JG. 10
12Z7139	QA. 44	11Z7303	QA. 45	32Z7342	QC. 12		QA. 48
13Z7139	QA. 43	12Z7303	QA. 48	34Z7342	QC. 13		
14Z7139	QA. 44	13Z7303	QA. 45	37Z7342	QC. 13	8Z7364	QM. 10

INDEX OF PART NUMBERS

(See also Supplementary pages, if any)

Part No.	Page No.	Part No.	Page No.	Part No.	Page No.	Part No.	Page No.
8Z7364	HL 17	7Z7441	QA 27	5Z7481	GF 16	4aZ7506	OS 2
(contd)	QR 8	25dZ7441	QT 1	6Z7481	GF 16	48Z7506	OS 2
8bZ7364	HL 17	25eZ7441	QT 1	7Z7481	GF 16	20Z7511	QD 6
8cZ7364	HL 17	1Z7447	JA 20	8Z7481	GF 16	2Z7515	GK 3
5Z7365	JA 8	5Z7450	OC 2	9Z7481	GF 16	106Z7516	QR 14
8Z7365	JA 8	8Z7450	OC 2	10Z7481	GF 16	201Z7516	QR 6
9Z7365	JA 8	14Z7450	OC 2	11Z7481	GF 16	202Z7516	QR 6
10Z7365	JA 8	16Z7450	OC 2	12Z7481	GF 16	216Z7516	QR 9
11Z7365	JA 8	9Z7457	QA 27	13Z7481	GF 16	216Z7516	QR 9
18Z7365	JA 10	10Z7457	QA 27	14Z7481	GF 16	230Z7516	QR 14
19Z7365	JA 9	13Z7457	QA 27	15Z7481	GF 16	263Z7516	QR 8
19aZ7365	JA 9	14Z7457	QA 27	16Z7481	GF 16	2Z7518	JA 1
20Z7365	JA 9	1Z7470	CA 4	17Z7481	GF 16	1Z7519	JA 9
20aZ7365	JA 9	2Z7470	CA 4	18Z7481	GF 16	12Z7519	JA 9
22Z7365	JA 14	3Z7470	CA 4	19Z7481	GF 16	13Z7519	JA 9
23Z7365	JA 8	4Z7470	CA 4	20Z7481	GF 16	14Z7519	JA 9
33Z7366	JA 43	9Z7470	CA 4	21Z7481	GF 16	16Z7519	JA 9
123Z7367	JA 12	9bZ7470	CA 4	22Z7481	GF 16	1Z7520	JA 9
124Z7367	JA 12	9cZ7470	CA 4	23Z7481	GF 16	1Z7521	JA 9
172Z7367	JA 12	10Z7470	CA 4	24Z7481	GF 16	2Z7523	JA 12
173Z7367	JA 14	11Z7470	CA 4	25Z7481	GF 16	3Z7523	JA 12
1Z7371	JA 9	12Z7470	CA 4	26Z7481	GF 16	7Z7523	JA 12
6Z7371	JA 9	13Z7470	CA 4	27Z7481	GF 16	7Z7523	JA 12
13Z7384	FA 57, QA 8	14Z7470	CA 4	28Z7481	GF 16	7Z524	JA 14
1Z7382	QA 40	18Z7470	CA 4	29Z7481	GF 16	2Z7524	JA 14
2Z7382	QA 40	17Z7470	CA 4	30Z7481	GF 16	3Z7524	JA 15
1Z7408	QA 50	18Z7470	CA 4	31Z7481	GF 17	4Z7524	JA 15
8Z7408	QA 50	19Z7470	CA 4	32Z7481	GF 17	1Z7528	OG 1
8Z7416	QA 50	20Z7470	CA 4	33Z7481	GF 17	3Z7528	OG 1
9Z7416	QA 50	1Z7475	QA 46	34Z7481	GF 17	4Z7528	OG 1
10Z7416	QA 51	4Z7478	QA 44	35Z7481	GF 17	1Z7544	FM 14
5Z7417	JG 11	8Z7478	QA 45	36Z7481	GF 17	2Z7555	JA 27
1Z7421	OH 1	7Z7478	QA 44	38Z7481	GF 17	1Z7558	JG 9
2Z7421	OH 1	10Z7478	QA 36	40Z7481	GF 17	36Z7558	JG 11
9Z7422	OH 1	11Z7478	QA 46	41Z7481	GF 17	4Z7558	JG 11
10Z7422	OH 1	13Z7478	QA 45	42Z7481	GF 16	44Z7558	JG 10
12Z7422	OH 1	18Z7478	QA 45	46Z7481	GF 17	1Z7563	QA 38
1Z7424	JG 11	2Z7479	MC 19	1Z7489	QA 4	4Z7563	QA 38
13Z7424	JG 11	3Z7479	MC 19	6Z7489	QA 4	1Z7564	QA 38
14Z7424	JG 11	4Z7479	MC 19	8Z7489	QA 4	5Z7564	QA 21
1Z7425	JG 11	4bZ7479	MC 19	14Z7489	QA 4	6Z7564	QA 38
3Z7425	JG 11	5Z7479	MC 20	18Z7489	QA 5	8Z7564	QA 38
4Z7425	JG 11	5bZ7479	MC 20	31Z7489	QA 4	10Z7564	QA 38
5Z7425	JG 11	5cZ7479	MC 20	33Z7489	QA 5	12Z7564	QA 21
6Z7425	JG 11	5dZ7479	MC 20	38Z7489	QA 5		QA 38
1Z7426	JG 11	5eZ7479	MC 20	41Z7489	QA 4		QA 21
2Z7426	JG 11	6Z7479	MC 19	44Z7489	QA 4		QA 38
3Z7426	JG 11	6cZ7479	MC 19	1Z7493	QA 48	14Z7564	QA 38
4Z7426	JG 11	7Z7479	MC 20	4Z7493	QA 48	1Z7567	KB 1
5Z7426	JG 11	8Z7479	MC 19	10Z7501	QA 33A	1Z7568	QA 3
6Z7426	JG 11	10Z7479	MC 19	14Z7504	JH 26	3Z7568	QA 3
8Z7440	QA 41	4Z7481	GF 16	4Z7506	OS 2	4Z7568	QA 3

INDEX OF PART NUMBERS

(See also Supplementary pages, if any)

Part No.	Page No.	Part No.	Page No.	Part No.	Page No.	Part No.	Page No.
127569	QA 40	12Z7588	QA 38	4Z7603	QA 44	2Z7634	QA 1
127578	KA 1	13Z7588	QA 38	13Z7603	QA 44		QA 18
127578	GE 1, JA.8	14Z7588	QA 21	5Z7613	QA 44		QC 12
4Z7578	GE 2		QA 38	6Z7613	QA 44	3Z7634	QA 15
5Z7578	GE 2	15Z7588	QA 37	12Z7613	QA 34	4Z7634	JB 54
10Z7578	GE 2	16Z7588	QA 35	18Z7613	QA 35		QA 1
11Z7578	GE 2	21Z7588	QA 36	19Z7613	QA 35		QA 18
20Z7578	GE 2	35Z7588	QA 38	5Z7620	QA 29		QA 36
21Z7578	GE 2	46Z7588	QA 38	6Z7620	QA 29	5Z7634	QA 15
22Z7578	GE 1	50Z7588	QA 36	9Z7620	QA 29		QA 18
23Z7578	GE 1	54Z7588	QA 38	10Z7620	QA 28	5Z7634	QA 1
24Z7578	GE 2	54aZ7588	QA 38	22Z7620	QA 1		QA 16
27Z7578	GE 2	55Z7588	QA 38	29Z7620	QA 26	7Z7634	QA 18
29Z7578	GE 1	55aZ7588	QA 36	30Z7620	QA 26	8Z7634	QA 18
30Z7578	GE 2	61Z7588	QA 36	31Z7620	QA 26		QA 28
32Z7578	GE 2	62Z7588	QA 36	32Z7620	QA 26	9Z7634	QA 18
33Z7578	GE 1	63Z7588	QA 36	33Z7620	QA 26	10Z7634	QA 33
33aZ7578	GE 1	67Z7588	QA 38	34Z7620	QA 26	11Z7634	QA 18
35Z7578	GE 2	72Z7588	QA 36	35Z7620	QA 26		QC 13
35Z7578	GE 1	77Z7588	QA 36	36Z7620	QA 26	12Z7634	QA 16
37Z7578	GE 2	78Z7588	QA 36	45Z7620	QA 41	20Z7634	QC 12
38Z7578	GE 2	79Z7588	QA 36	45aZ7620	QA 41	32Z7634	QA 36
39Z7578	GE 3	83Z7588	QA 34	45bZ7620	QA 41	Z7636	QA 1
40Z7578	GE 2	84Z7588	QA 34	46Z7620	QA 41	3Z7636	QA 1
44Z7578	GE 3	85Z7588	QA 33A	47Z7620	QA 26	5Z7636	QA 7
45Z7578	GE 2	86Z7588	QA 33A	48Z7620	QA 26	6Z7636	QA 1
47Z7578	GE 3	87Z7588	QA 34	49Z7620	QA 26	8Z7636	QA 1
48Z7578	GE 2	90Z7588	QA 37	50Z7620	QA 26	9Z7636	QA 1
49Z7578	GE 1	91Z7588	QA 37	51Z7620	QA 26	10Z7636	QA 1
57Z7578	GE 2	93Z7588	QA 36	52Z7620	QA 26	12Z7636	QA 1
58Z7578	GE 2	94Z7588	QA 23	53Z7620	QA 26	13Z7636	QA 1
59Z7578	GE 1		QA 38	54Z7620	QA 26	14Z7636	QA 2
60Z7578	GE 2	94aZ7588	QA 23	59Z7620	QA 42	15Z7636	QA 2
61Z7578	GE 2		QA 38	65Z7620	QA 35	16Z7636	QA 2
62Z7578	GE 2	96Z7588	QA 37	74Z7620	QA 27	17Z7636	QA 2
1275848	GE 1	97Z7588	QA 36	75Z7620	QA 29	18Z7636	QA 2
19Z7584	GE 1	1Z7589	QA 48	76Z7620	QA 29	19Z7636	QA 2
20Z7584	GE 1	1Z7600	JA 1	77Z7620	QA 28	22Z7636	QA 2
22Z7584	GE 1	3Z7600	JA 2, QD.8	78Z7620	QA 32	23Z7636	QA 2
23Z7584	GE 1	4Z7600	QD 7	79Z7620	QA 32	24Z7636	QA 2
1Z7585	GE 1	7Z7600	QD 6	Z7624	QH 5	26Z7636	QA 2
3Z7585	GE 1	10Z7600	QD 7	5Z7624	QH 5	35Z7636	QA 1
6Z7585	GE 1	13Z7600	QD 7	7Z7624	QH 5	36Z7636	QA 1
7Z7585	GE 1	14Z7600	QD 6	8Z7624	QH 5	38Z7636	QA 1
60Z7587	QH.6, QT.12	17Z7600	QD 7	13Z7624	QH 5	39Z7636	QA 1
Z7588	QA 33A	18Z7600	QD 7	16Z7624	QH 6	40Z7636	QA 1
4Z7588	QA 35	19Z7600	QD 7	19Z7624	QH 6	41Z7636	QA 1
5Z7588	QA 36	20Z7600	QD 7	21Z7624	QH 6	42Z7636	QA 1
6Z7588	QA 38	23Z7600	QD 7	25Z7624	QH 6	45Z7636	QA 1
7Z7588	QA 37	24Z7600	QD 7	26Z7624	QH 6	46Z7636	QA 1
8Z7588	QA 37	25Z7600	QD 6	27Z7624	QH 6	55Z7636	QA 4
9Z7588	QA 36	28Z7600	QD 6	3Z7630	QA 44	57cZ7636	QA 7
				1Z7633	QA 28		
				2Z7633	QA 28		

INDEX OF PART NUMBERS

(See also Supplementary pages, if any)

Part No.	Page No.	Part No.	Page No.	Part No.	Page No.	Part No.	Page No.
60Z7635	QA. 1	17Z7648	NB 1	1Z7685	QR. 6	7Z7704	JA. 3
62Z7635	QA. 7		QA. 34	2Z7685	QR. 6	8Z7704	JB. 30B
63Z7635	QP. 4		QA. 35	3Z7685	QR. 8	17Z7704	JB. 30C
71Z7635	QA. 1	19Z7648	QA. 20	4Z7685	QR. 8	17aZ7704	JB. 30C
72Z7635	QA. 1	27Z7648	HA. 38	7Z7685	QR. 8	18Z7704	JB. 30A
73Z7635	QA. 1		HA. 39	8Z7685	QR. 8	25Z7704	JA. 2
78Z7635	QA. 2		QA. 34	9Z7685	QR. 8	25aZ7704	JA. 2
78aZ7635	QA. 2	92Z7648	QA. 34	3Z7688	QA. 17	30Z7704	JA. 2
79Z7635	QA. 2	1Z7686	OD. 6	1Z7691	QA. 20	32Z7704	JB. 30A
80Z7635	QA. 2	8Z7686	OD. 6, OD. 7	17Z7700	QC. 12	33Z7704	JB. 30A
82Z7635	QA. 2	8aZ7686	OD. 6, OD. 7		QC. 13	34Z7704	JB. 30C
83Z7635	QA. 2	9Z7686	OD. 6, OD. 7	30Z7700	QA. 1	35Z7704	JB. 30A
84Z7635	QA. 2	10Z7686	OD. 6	31Z7700	QA. 11	1Z7714	QA. 37
85Z7635	QA. 1	1Z7687	OD. 6	33Z7700	QA. 11	2Z7714	QA. 41
86Z7635	QA. 1	6Z7687	OD. 1	34Z7700	QA. 11	1Z7715	QA. 20
89Z7635	QA. 7	8aZ7687	OD. 6, OD. 7	35Z7700	QA. 11		QA. 37
90Z7635	QA. 3	1Z7688	OD. 6	36Z7700	QA. 11	4Z7720	GG. 27
93Z7635	QA. 3	2Z7688	OD. 6	51Z7700	QA. 12	5Z7720	GG. 27
97Z7635	QA. 3	3Z7688	OD. 6	53Z7700	QA. 12	10Z7720	FG. 47
98Z7635	QA. 3	4Z7688	OD. 6	64Z7700	QA. 12		GG. 30
99Z7635	QA. 3	5Z7688	OD. 6	65Z7700	QA. 12	Z7723	JB. 2, QA. 15
100Z7635	QA. 7	6Z7688	OD. 6	67Z7700	QA. 12	3Z7723	QA. 16
101Z7635	QA. 7	4Z7674	EC. 6	2Z7702	QA. 22	4Z7723	QA. 18
102Z7635	QA. 7	8Z7674	EC. 6	4Z7702	QA. 22	5Z7723	QA. 18
103Z7635	QA. 7	7Z7674	EC. 6	6Z7702	QA. 22	6Z7723	QA. 18
107Z7635	QA. 7	9Z7674	EC. 6	9Z7702	QA. 22	7Z7723	QA. 18
108Z7635	QA. 7	1Z7675	EC. 2	53Z7703	QR. 14	8Z7723	QA. 19
121Z7635	QA. 3	1dZ7676	QA. 7	54Z7703	QR. 14	9Z7723	QA. 19
122Z7635	QA. 4	4dZ7676	QA. 7	56Z7703	QR. 16	10Z7723	QA. 19
123Z7635	QA. 4	1dZ7677	QA. 8	56Z7703	QR. 16	11Z7723	QA. 19
124Z7635	QA. 3	2Z7677	QA. 7	57Z7703	QR. 16	12Z7723	QA. 19
125Z7635	QA. 3	3Z7677	QA. 7	58Z7703	QR. 16	13Z7723	QA. 18
137Z7635	QA. 3	4Z7677	QA. 8	59Z7703	QR. 16	14Z7723	QA. 19
5Z7647	MB. 3, MB. 7	1Z7682	KB. 1	60Z7703	QR. 16	15Z7723	QA. 19
3Z7648	QA. 35	4Z7684	QR. 1	61Z7703	QR. 13	16Z7723	QA. 19
4Z7648	QC. 1	5Z7684	QR. 2	62Z7703	QR. 13	17Z7723	QA. 19
5Z7648	QA. 34	18Z7684	QR. 2	63Z7703	QR. 13	18Z7723	QA. 20
7Z7648	QA. 28	19Z7684	QR. 2	64Z7703	QR. 13	22Z7723	QA. 18
	QA. 32	20Z7684	QR. 2	65Z7703	QR. 13	23Z7723	QA. 18
	QA. 39	21Z7684	QR. 2	66Z7703	QR. 13	24Z7723	QA. 19
8Z7648	QA. 28	22Z7684	QR. 2	67Z7703	QR. 13	25Z7723	QA. 19
9Z7648	QA. 47	55Z7684	QR. 2	68Z7703	QR. 13	26Z7723	QA. 20
11Z7648	QA. 26	66Z7684	QR. 7	116Z7703	QR. 12	27Z7723	QA. 20
	QA. 35		HL. 20	117Z7703	QR. 12	28Z7723	QA. 19
	QA. 47, DN. 1	67Z7684	QR. 2	118Z7703	QR. 12	29Z7723	QA. 19
12Z7648	QA. 28	68Z7684	QR. 2	133Z7703	QR. 16	30Z7723	QA. 20
13Z7648	QA. 39	69Z7684	QR. 2	2Z7704	JA. 3, JB. 30A	34Z7723	QA. 17
	QA. 46	74Z7684	QR. 2	3Z7704	JA. 3	37Z7723	QA. 19
	QA. 47	81Z7684	QR. 3	4Z7704	JA. 3	45aZ7723	QA. 17
15Z7648	QA. 28	83Z7684	HL. 19	5Z7704	JB. 30B	45bZ7723	QA. 17
	QA. 29	97Z7684	QR. 7	6Z7704	JA. 3	45cZ7723	QA. 17
16Z7648	QA. 28	99Z7684	QR. 7			46aZ7723	QA. 17
						46bZ7723	QA. 17

INDEX OF PART NUMBERS

(See also Supplementary pages, if any)

Part No.	Page No.	Part No.	Page No.	Part No.	Page No.	Part No.	Page No.
46cZ7723	QA 17	25Z7741	QA.8, QV.1	8Z7757	EC. 2	7Z7901	GC. 1
46dZ7723	QA. 17	25aZ7741	QT. 1	9Z7757	EC. 2	Z7906	GH. 1
47aZ7723	QA. 17	25bZ7741	QT. 1	1Z7758	JB. 30A	3Z7906	GH. 1
52cZ7723	QA. 17	25cZ7741	QT. 1	6Z7758	JB. 30A	4Z7906	GH. 1
52dZ7723	QA. 17	25dZ7741	QT. 1	7Z7758	JB. 30A	1Z7907	GH. 1
52eZ7723	QA. 17	25eZ7741	QT. 1	8Z7758	JB. 30A	1Z7908	GH. 1
52gZ7723	QA. 17	26Z7741	QA. 11	9Z7758	JB. 30A	3Z7908	GH. 1
53cZ7723	QA. 17	32Z7741	QA. 8	1Z7759	JB. 30B	4Z7908	GH. 1
53dZ7723	QA. 17	33Z7741	QA. 8	3Z7759	JB. 30B	6Z7908	GH. 1
53eZ7723	QA. 18	34Z7741	QA. 8	4Z7759	JB. 30B	1Z7909	GH. 1
53gZ7723	QA. 17	35Z7741	QA. 8	5Z7759	FN. 25	5Z7909	GH. 1
56Z7723	QA. 18	40Z7741	QA. 23		JB. 30C	6Z7909	GH. 1
70Z7723	QA. 20	41Z7741	JG. 6		JB. 74	7Z7909	GH. 1
77Z7723	QA. 20	49Z7741	JG. 6	1Z7760	JB. 30A	8Z7909	GH. 1
78Z7723	QA. 21	50Z7741	JG.6, QA.25	4Z7760	JB. 30A	8Z7910	DA. 4
79Z7723	QA. 20	51Z7741	JG.6, QA.25	5Z7760	JB. 30A	9Z7910	DA. 4
85Z7723	QA. 22	53Z7741	JG.6, QA.25	6Z7760	JB. 30A	11Z7910	DA. 4
89Z7723	QA. 22	56Z7741	QA.10	7Z7760	JB. 30A	12Z7910	DA. 4
91Z7723	QA. 20	63Z7741	QA.10	8Z7760	JB. 30A	13Z7910	DA. 4
92Z7723	QA. 18	68Z7741	JG.6, QA.25	1Z7762	GD. 4	1Z7910	DA. 4
93Z7723	QA. 20	70Z7741	JG.7, QA.24		JA. 27	1Z7911	QA. 48
96Z7723	QA. 36	71Z7741	JG.7, QA.24	2Z7762	GD. 4	2Z7911	QA. 49
98Z7723	QA. 20	74Z7741	QA. 23	3Z7762	GD. 4	5Z7911	QA. 48
105Z7723	QA. 22	76Z7741	QA. 23	4aZ7762	GD. 4	6Z7911	QA. 49
107Z7723	QA. 19	77Z7741	QA. 10	4bZ7762	GD. 4	7Z7911	QA. 49
120Z7723	QA. 19	78Z7741	QA. 10	5Z7762	GD. 4	16Z7911	QA. 49
121Z7723	QA. 18	79Z7741	QA. 10	7Z7762	GD. 4	17Z7911	QA. 48
134Z7723	QA. 20	80Z7741	QA. 10	8Z7762	GD. 4	1Z7913	JA. 15
139Z7723	QA. 18	81Z7741	QA. 10	9Z7762	GD. 4	2Z7913	JA. 16
Z7724	JA. 10	82Z7741	QA. 10	10Z7762	GD. 4	1Z7914	JA. 16
48Z7730	QR. 1	83Z7741	QA. 10	14Z7762	GD. 4	5Z7914	JA. 16, JA.21
49Z7730	QR. 1	84Z7741	QA. 10	15Z7762	GD. 4	1Z7915	GH. 1
54Z7730	QR. 1	85Z7741	QA. 10	16Z7762	GD. 4	2Z7915	GH. 1
1Z7733	KC. 1	88Z7741	QA. 23	17Z7762	GD. 4	9Z7915	GH. 1
7Z7737	JA. 2	89Z7741	QA. 23	1Z7763	QA. 49	10Z7915	GH. 1
10Z7737	JA. 2	91Z7741	QA. 23	2Z7763	QA. 49	Z7917	GH. 1
9Z7740	QA. 21	92Z7741	QA. 24	7Z7763	QA. 49	1Z7918	GH. 1
2Z7741	QA. 25	97Z7741	QA. 26	3Z7879	JA. 20	3Z7918	GH. 1
5Z7741	QA. 9	98Z7741	QA. 26	1Z7880	QA. 22	8Z7918	GH. 1
6Z7741	QA. 9	99Z7741	QA. 28	3Z7880	QA. 22	9Z7918	GH. 1
7Z7741	QA. 9	100Z7741	QA. 28	4Z7880	QA. 22	10Z7918	GH. 1
8Z7741	QA. 9	101Z7741	QA. 28	6Z7880	QA. 22	16Z7918	GH. 1
9Z7741	QA. 9	102Z7741	QA. 28	2Z7894	QA. 5	17Z7918	GH. 1
10Z7741	QA. 9	103Z7741	QA. 9	3Z7894	QA. 5	1Z7919	GH. 1
13Z7741	QA. 9	105Z7741	QA. 25	4Z7894	QA. 5	2Z7919	GH. 1
15Z7741	QA. 9	106Z7741	QA. 25	Z7896	JA. 27	3Z7919	GH. 1
16Z7741	QA. 9	108Z7741	QA. 25	2Z7896	JA. 27	1Z7946	KB. 5
17Z7741	QA. 9	110Z7741	QA. 25	10Z7897	GD. 2	1Z7946	KB. 5
21Z7741	QA. 10	111Z7741	QA. 25	17Z7897	GD. 2	1Z7947	KB. 5
23Z7741	JG. 6	112Z7741	QA. 25	3Z7901	GC. 1	1Z7948	KB. 5
	QA. 24	1Z7757	EC. 2	4Z7901	GC. 1	1Z7949	KB. 5
24Z7741	QA. 8	2Z7757	EC. 2	6Z7901	GC. 1	1Z7952	KB. 5

INDEX OF PART NUMBERS

(See also Supplementary pages, if any)

Part No.	Page No.	Part No.	Page No.	Part No.	Page No.	Part No.	Page No.
127953	KB 5	53Z7989	GP. 5	207Z7989	GP 8	24Z8253	QH 9
127954	KB 5	56Z7989	GP. 5	208Z7989	GP 3	25Z8253	QH 9
127973	GM 1	63Z7989	GP. 6	209Z7989	GP 3	26Z8253	QH 9
32Z981	QA 16	74Z7989	GP. 3	211Z7989	GP 3	27Z8253	QH 9
72Z981	QA 16	75Z7989	GP. 3	212Z7989	GP 3	29Z8253	QH 10
17Z7981	QA 15	76Z7989	GP.1, GP.3	214Z7989	GP 4	30Z8253	QH 10
18Z7981	QA 15	77Z7989	GP. 1	227Z7989	GP 3	31Z8253	QH 10
20Z7981	QA 15	80Z7989	GP. 3	231Z7989	GP 3	32Z8253	QH 10
21Z7981	QA 15	82Z7989	GP. 3	128100	QA 6	33Z8253	QH 10
22Z7981	QA 15	83Z7989	GP. 3	128139	QA 39	34Z8253	QH 10
23Z7981	QA 15	84Z7989	GP. 3	328139	QA 39	35Z8253	QH 10
26Z7981	QA 16	87Z7989	GP. 4	828139	QA 39	36Z8253	QH 10
31Z7981	QA 16	88Z7989	GP. 4	1228139	QA 39	37Z8253	QH 10
33Z7981	QA 16	90Z7989	GP. 4	2328139	QA 39	38Z8253	QH 10
35Z7981	QA 16	91Z7989	GP. 4	2428139	QA 40	39Z8253	QH 10
36Z7981	QA 15	92Z7989	GP. 4	128219	KA 1	40Z8253	QH 10
37Z7981	QA 15	95Z7989	GP. 5	728228	HG 2	41Z8253	QH 11
44Z7981	QA 16	97Z7989	GP. 5	7eZ8228	HG 2	42Z8253	QH 11
47Z7981	QA 16	118Z7989	GP. 7	828228	HG 2	43Z8253	QH 11
49Z7981	QA 15	119Z7989	GP. 7	928228	HG 2	44Z8253	QH 11
52Z7981	QA 16	120Z7989	GP. 7	1528228	HG 4	45Z8253	QH 11
55Z7981	QA 15	125Z7989	GP. 8	1628228	HG 4	228277	HG 11
56Z7981	QA 16	135Z7989	GP. 8	1728228	HG 4	728277	HG 3
57Z7981	QA 16	137Z7989	GP. 8	38Z8228	HG 2	828277	HG 3
58Z7981	QA 16	151Z7989	GP. 3	38aZ8228	HG 2	4428277	HG 1
59Z7981	QA 16	153Z7989	GP. 3	39Z8228	HG 2	4528277	HG 1
60Z7981	QA 16	155Z7989	GP. 7	39aZ8228	HG 2	328279	HG 1
61Z7981	QA 16	162Z7989	GP. 5	41Z8228	HG 2		HG 3
62Z7981	QA 16	163Z7989	GP. 5	41aZ8228	HG 2	128298	KB 2
63Z7981	QA 16	165Z7989	GP. 5	41bZ8228	HG 2	128325	HF 1
64Z7981	QA 15	166Z7989	GP. 5	49Z8228	HG 2	1228325	HF 1
67Z7981	QA 15	167Z7989	GP. 6	49aZ8228	HG 2	1328325	HF 1
68Z7981	QA 16	168Z7989	GP. 6	67Z8228	HG 2	1428325	HF 1
69Z7981	QA 16	170Z7989	GP. 6	98Z8228	HG 2	1528325	HF 1
70Z7981	QA 16	174Z7989	GP. 6	128252	KA 1	2128325	HF 1
71Z7981	QA 16	175Z7989	GP. 6	128253	MC 9	2228325	HF 1
72Z7981	QA 15	176Z7989	GP. 5	228253	MC 9	128378	QA 29
73Z7981	QA 15	179Z7989	GP. 5	328253	QH 8	228378	QA 29
77Z7981	QA 16	181Z7989	GP. 6	428253	QH 8	328378	QA 29
28Z7989	QP 8	183Z7989	GP. 4	528253	QH 8	428378	QA 29
29Z7989	GP. 2	184Z7989	GP. 4	628253	QH 8	128401	JG 1
34Z7989	GP. 3	185Z7989	GP. 4	1228253	QH 8	1228401	JG 1
37Z7989	GP 3	186Z7989	GP. 4	1428253	QH 8	1328401	JG 1
40Z7989	GP 3	187Z7989	GP. 4	1528253	QH 9	1528401	JG 1
43Z7989	GP. 4	188Z7989	GP. 3	1628253	QH 9	1828401	JG 1
44Z7989	GP. 4	190Z7989	GP. 6	1728253	QH 9	1928401	JG 1
45Z7989	GP 4	191Z7989	GP. 4	1828253	QH 9	128424	FG 51
46Z7989	GP 4	192Z7989	GP. 3	1928253	QH 9	128425	FG 51
47Z7989	GP 4	193Z7989	GP. 7	2028253	QH 9	328432	QB 5
48Z7989	GP 4	197Z7989	GP. 2	2128253	QH 9	428432	QB 5
49Z7989	GP 4	206Z7989	GP. 3	2228253	QH 9	128478	HC 1
51Z7989	GP 5			2328253	QH 9	728478	HC 1

INDEX OF PART NUMBERS

(See also Supplementary pages, if any)

Part No.	Page No.	Part No.	Page No.	Part No.	Page No.	Part No.	Page No.
8Z8476	HC. 1	14Z8495	JG. 2	7Z8600	DA. 2	6Z8707	GJ. 1
1Z8477	HC. 1	15Z8495	JG. 2	8Z8600	DA. 2	7Z8707	GJ. 1
3Z8477	HC. 1	16Z8495	JG. 2	10Z8600	DA. 3	8Z8707	GJ. 1
4Z8477	HC. 1	17Z8495	JG. 2	16Z8600	DA. 2	9Z8707	GJ. 1
11Z8477	HC. 1	18Z8495	JG. 2	16aZ8600	DA. 2	9aZ8707	GJ. 1
13Z8477	HC. 1	19Z8495	JG. 2	17Z8600	DA. 2	11Z8707	GJ. 1
14Z8477	HC. 1	20Z8495	JG. 2	17aZ8600	DA. 2	12Z8707	GJ. 1
15Z8477	HC. 1	7Z8600	JA. 1	18Z8600	DA. 2	16Z8707	GJ. 1
16Z8477	HC. 1	9Z8608	QA. 6	1Z8602	GJ. 2	17Z8707	GJ. 1
1Z8478	JA. 27	10Z8608	QA. 6	4Z8602	GJ. 2	20Z8707	GJ. 1
2Z8478	JA. 27	11Z8608	QA. 6	4aZ8602	GJ. 2	3Z8737	GJ. 3
Z8480	GN. 1	12Z8608	QA. 6	4bZ8602	GJ. 2	1Z8742	JA. 13
4Z8480	GN. 2	13Z8608	QA. 6	4cZ8602	GJ. 2	6Z8742	JA. 13
5Z8480	GN. 1	19Z8608	QA. 6	5Z8602	GJ. 2	10Z8742	JA. 13
8Z8480	GN. 2	20Z8608	QA. 6	6Z8602	GJ. 3	1Z8743	JA. 13
7Z8480	GN. 2	1Z8630	KB. 7	7Z8602	GJ. 3	19Z8743	JA. 13
10Z8480	GN. 2	1Z8632	KF. 1	9Z8602	GJ. 2	20Z8743	JA. 13
17Z8480	GN. 2	6Z8632	KF. 1	10Z8602	GJ. 2	21Z8743	JA. 13
18Z8480	GN. 2	5Z8632	KF. 1	11Z8602	GJ. 3	22Z8743	JA. 13
26Z8480	GN. 2	1Z8635	KB. 5	11aZ8602	GJ. 3	25Z8743	JA. 13
28Z8480	GN. 2	2Z8635	KB. 5	13Z8602	GJ. 3	28Z8743	JA. 13
29Z8480	GN. 2	4Z8635	KB.5, KB.6	14Z8602	GJ. 3	1Z8746	GC. 1
30Z8480	GN. 2	5Z8635	KB.5, KB.6	15Z8602	GJ. 3	2Z8746	GC. 1
31Z8480	GN. 1	6Z8635	KB. 5	17Z8602	GJ. 3	3Z8746	GC. 1
31aZ8480	GN. 1	2cZ8678	QN. 6	18Z8602	GJ. 2	4Z8746	GC. 1
31bZ8480	GN. 1	3Z8678	QN. 6	18aZ8602	GJ. 2	1Z8763	KF. 2
33Z8480	GN. 2	3aZ8678	QN. 6	18bZ8602	GJ. 2	1Z8766	JA. 13
Z8483	DB. 1	4Z8678	QN. 6	18cZ8602	GJ. 2	21Z8766	JA. 13
2Z8483	DB. 1	4aZ8678	QN. 6	18dZ8602	GJ. 2	3Z8781	JA. 4
3Z8483	DB. 1	5Z8678	QN. 6	18aZ8602	GJ. 2	4Z8787	QA. 43
4Z8483	DB. 1	5aZ8678	QN. 6	24Z8602	GJ. 2	1Z8790	QA. 28
1Z8484	JG. 9	7aZ8678	QN. 6	25Z8602	GJ. 2	2Z8790	QA. 28
7Z8484	JG. 10	8Z8678	QN. 6	Z8604	JA. 15	1Z8791	OE. 1
8Z8484	JG. 10	10aZ8678	QN. 6	2Z8604	JA. 15	2Z8791	QA. 1
10Z8484	JG. 10	11aZ8678	QN. 6	1Z8613	JA. 16	18Z8791	OE.1, OE.3, OE.6, OE.8, OE.11
11Z8484	JG. 10	12Z8678	QN. 6	13Z8653	JA. 20		OE. 14
12Z8484	JG. 10	13Z8678	QN. 6	15Z8653	JA. 20		OE. 16
14Z8484	JG. 10	1Z8679	QN. 7	17Z8653	JA. 20		OE. 2, OE.5, OE. 8
15Z8484	JG. 10	2Z8679	QN. 7	1Z8657	KB. 5		OE. 10
16Z8484	JG. 10	2aZ8679	QN. 7	2Z8657	KB. 5	20Z8791	OE. 13
17Z8484	JG. 10	1Z8692	QG. 1	3Z8657	KB. 6		OE. 18
18Z8484	JC. 10	1Z8694	KA. 1	1Z8658	KB. 6		OE. 19
1Z8489	QA. 7	1Z8695	KA. 2	2Z8658	KB. 6		OE. 2, OE.5, OE. 8
3Z8489	QA. 7	1Z8696	KA. 2	3Z8658	KB. 6		OE. 10
4Z8489	QA. 7	1Z8697	KB. 1	1Z8659	KB. 6		OE. 13
5Z8489	QA. 7	1Z8699	JA. 14	2Z8659	KB. 6		OE. 18
2Z8495	JG. 2	9Z8699	JA. 14	3Z8659	KB. 6		OE. 2, OE.5, OE. 8
3Z8495	JG. 2	2Z8600	DA. 2	1Z8663	GJ. 3		OE. 10
4Z8495	JG. 2	3Z8600	DA. 2	8Z8664	GJ. 2		OE. 13
5Z8495	JG. 2	4Z8600	DA. 2	24Z8664	GJ. 1		OE. 18
12Z8495	JG. 2	5Z8600	DA. 3	3Z8707	GJ. 1		OE. 19
13Z8495	JG. 2	6Z8600	DA. 2	4Z8707	GJ. 1		

INDEX OF PART NUMBERS

(See also Supplementary pages, if any)

Part No.	Page No.	Part No.	Page No.	Part No.	Page No.	Part No.	Page No.
2128791	OE 2, OE 5,	BZ8994	QR 3	129007	QA 4	2629099	QH 7
	OE 8	9Z8994	QR 3	2Z9007	QA 4	2929099	QH 7
	OE 13	10Z8994	QR 3	3Z9007	QA 4	30Z9099	QH 7
	OE 15	11Z8994	QR 3	129010	QR 7	129102	KF 6
	OE 19	12Z8994	QR 3		HL 19	229102	KF 6
2228791	OE 14	13Z8994	QR 3	3Z9010	HL 19	11Z9102	KF 7
	OE 20	14Z8994	QR 3	4Z9010	QR 7	12Z9102	KF 7
1Z8794	OE 8	15Z8994	QR 4		HL 19	14Z9102	KF 6
2Z8794	OE 8	16Z8994	QR 4	5Z9010	QR 7	16Z9102	KF 6
6Z8796	OE 11	33Z8994	QR 4		HL 19	18Z9102	KF 6
6Z8796	OE 11	34Z8994	QR 4	6Z9010	QR 7	17Z9102	KF 6
1Z8798	OE 14	35Z8994	QR 4	6Z9011	DA 8A	18Z9102	KF 6
2Z8798	OE 14	36Z8994	QR 4	3Z9012	DA 7	19Z9102	KF 6
6Z8797	OE 16	37Z8994	QR 4	4Z9012	DA 7	20Z9102	KF 5
6Z8797	OE 16	38Z8994	QR 4	5Z9012	KF 6	25Z9102	KF 6
1Z8801	JA 5	40Z8994	QR 4	6Z9012	DA 6	26Z9102	KF 5
3Z8801	JA 5	41Z8994	QR 4	7Z9012	DA 6		KF 6
4Z8801	JA 5	42Z8994	QR 4	8Z9012	DA 7	27Z9102	KF 5
1Z8814	KF 2	43Z8994	QR 6	9Z9012	DA 7		KF 6
1Z8816	KF 2	44Z8994	QR 4	10Z9012	DA 7	28Z9102	KF 5
1Z8818	KA 2	47Z8994	QR 5	11Z9012	DA 7		KF 6
1Z8841	GC 1	48Z8994	QR 6	12Z9012	DA 7	29Z9102	KF 5
2Z8941	GC 1	54Z8994	QR 5	13Z9012	DA 7		KF 6
3Z8943	JA 4	55Z8994	QR 5	14Z9012	DA 7	30Z9102	KF 5
4Z8943	JA 4	56Z8994	QR 5	15Z9012	DA 7		KF 6
5Z8943	JA 4	57Z8994	QR 5	16Z9012	DA 7	31Z9102	KF 5
7Z8943	JA 4	58Z8994	QR 5	17Z9012	DA 7		KF 6
8Z8943	JA 4	59Z8994	QR 5	18Z9012	DA 7	32Z9102	KF 6
9Z8943	JA 4	60Z8994	QR 5	19Z9012	DA 6	33Z9102	KF 6
10Z8943	JA 4	61Z8994	QR 5	20Z9012	DA 7	34Z9102	KF 6
11Z8943	JA 4	62Z8994	QR 5	21Z9012	DA 7	35Z9102	KF 6
12Z8943	JA 4	63Z8994	QR 5	22Z9012	DA 6	36Z9102	KF 6
12Z8943	JA 4	64Z8994	QR 5	23Z9012	DA 6	37Z9102	KF 6
14Z8943	JA 4	65Z8994	QR 6	24Z9012	DA 7	38Z9102	KF 6
9Z8946	JA 3	66Z8994	QR 6	26Z9012	DA 7	39Z9102	KF 6
13Z8946	JA 3	67Z8994	QR 6	27Z9012	DA 6	40Z9102	KF 6
21Z8946	JA 5	68Z8994	QR 6	28Z9012	DA 6	41Z9102	KF 6
22Z8946	JA 5	69Z8994	QR 6	29Z9012	QA 6	42Z9102	KF 6
73Z8946	JA 5	70Z8994	QR 6	1Z9064	QA 47	43Z9102	KF 6
24Z8946	JA 5	72Z8994	QR 2	1Z9098	JA 17	44Z9102	KF 6
30Z8946	JA 5	73Z8994	QR 6	2Z9098	JA 17	45Z9102	KF 7
6Z8992	GN 1	74Z8994	QR 6	3Z9098	JA 17	46Z9102	KF 7
15Z8992	GN 1	75Z8994	QR 6	4Z9098	JA 17	50Z9102	KF 7
16Z8992	GN 1	76Z8994	QR 2	5Z9098	JA 17	51Z9102	KF 7
17Z8992	GN 1	77Z8994	QR 6	6Z9098	JA 17	52Z9102	KF 7
22Z8992	GN 1	78Z8994	QR 6	7Z9098	JA 17	58Z9102	KF 6
1Z8993	OV 1	79Z8994	QR 6	8Z9098	JA 17	60Z9102	KF 7
3Z8994	QR 3	80Z8994	QR 1	Z9099	QH 6	61Z9102	KF 7
4Z8994	QR 3	81Z8994	QR 1	2Z9099	QH 6	62Z9102	KF 6
5Z8994	QR 3	1Z9005	QR 1	20Z9099	QH 7	64Z9102	KF 6
6Z8994	QR 3	2Z9005	QR 1	21Z9099	QH 7	65Z9102	KF 6
7Z8994	QR 3	1Z9006	QA 4	22Z9099	QH 7	66Z9102	KF 6

INDEX OF PART NUMBERS

(See also Supplementary pages, if any)

Part No.	Page No.	Part No.	Page No.	Part No.	Page No.	Part No.	Page No.
7229102	KF. 7	2029114	KF. 5	1129147	HF. 1	11529198	OS. 8
7729102	KF. 7	129119	KF. 5	1229147	HF. 1	11629198	OS. 7
7829102	KF. 7	129123	JA. 30	1329147	HF. 1	11729198	OS. 10
7929102	KF. 7	229123	JA. 30	1429147	HF. 1	11829198	OS. 10
8029102	KF. 7	829123	JA. 30	2429148	GO. 9	11929198	OS. 9
8129102	KF. 7	929123	JA. 30	2529148	GO. 9	12029198	OS. 9
8229102	KF. 7	229138	QA. 4	3429148	GO. 8	12129198	OS. 9
8329102	KF. 7	329138	QA. 4	3829148	GO. 7	12229198	OS. 9
8429102	KF. 7	429138	QA. 4	3929148	GO. 7	12329198	OS. 9
8529102	KF. 7	529138	QA. 4	4029148	GO. 7	12429198	OS. 9
8629102	KF. 7	629138	QA. 4	4129148	GO. 7	12529198	OS. 8
8729102	KF. 7	129139	KB. 7	4229148	GO. 7	12629198	OS. 7
8829102	KF. 7	129140	KB. 1	4629148	GO. 9	12729198	OS. 9
8929102	KF. 7	129144	MC.9, QH.6	8029148	GO. 9	13029198	OS. 6
9029102	KF. 7	229144	MC.9, QH.6	10229148	GO. 10	13129198	OS. 7
9129102	KF. 8	529144	QH. 7	12029148	GO. 7	13229198	OS. 14
229103	KF. 8	729144	QH. 7	129183	OB. 4	13329198	OS. 13
329103	KF. 8	929144	QH. 7	7129188	GP. 1	13429198	OS. 7
429103	KF. 8	1029144	QH. 7	7229188	GP. 1	13529198	OS. 13
529103	KF. 8	1129144	QH. 8	229191	JH. 26	13629198	OS. 13
629103	KF. 8	1229144	QH. 8	29197	OS. 1, OS. 2	13729198	OS. 12
729103	KF. 8	1329144	QH. 8	229197	JB. 4	13829198	OS. 13
829103	KF. 8	1429144	QH. 8	2129197	GO. 3, OS. 1	13929198	OS. 13
929103	KF. 8	1529144	QH. 7	29198	OS. 1	14029198	OS. 13
1029103	KF. 8	1629144	QH. 7	1629198	OS. 7	14129198	OS. 13
2129103	KF. 8	1729144	QH. 7	2229198	OS. 8	14229198	OS. 13
2229103	KF. 8	1829144	QH. 7	5329198	OS. 15	14329198	OS. 13
129113	KF. 4	1829144	QH. 7	5429198	OS. 14	14429198	OS. 13
229113	KF. 4	2029144	QH. 11	5529198	OS. 15	14529198	OS. 1
1229113	KF. 4	2129144	QH. 10	5629198	OS. 15	14629198	OS. 1
1429113	KF. 4	2229144	QH. 10	6629198	OS. 16	14729198	OS. 14
1629113	KF. 5	329145	ON. 1	6729198	OS. 6	15729198	OS. 11
1829113	KF. 5	3a29145	GN. 1	6829198	OS. 6	15929198	OS. 11
1929113	KF. 5	3b29145	FN. 1	6929198	OS. 6	16229198	OS. 14
2029113	KF. 5	3c29145	GN. 1	7029198	OS. 6	16329198	OS. 12
2629113	KF. 4	429145	GN. 1	7129198	OS. 6	16429198	OS. 11
2729113	KF. 4	529145	GN. 1	7229198	OS. 6	16529198	OS. 5
2829113	KF. 4	729145	GN. 1	7329198	OS. 6	16629198	OS. 4
2929113	KF. 4	829145	GN. 1	7529198	OS. 14	16729198	OS. 6
3129113	KF. 4	929145	GN. 1	8629198	OS. 16	16829198	OS. 5
3229113	KF. 5	9a29145	GN. 1	8729198	OS. 16	16929198	OS. 5
3329113	KF. 5	1129146	GN. 1	10229198	OS. 10	17029198	OS. 16
4029113	KF. 5	1429146	GN. 1	10329198	OS. 9	17129198	OS. 16
4229113	KF. 5	1529146	GN. 1	10429198	OS. 10	17229198	OS. 16
4529113	KF. 5	1629146	GN. 1	10529198	OS. 9	17329198	OS. 16
4629113	KF. 5	16a29146	GN. 1	10629198	OS. 9	17529198	OS. 16
4729113	KF. 5	129147	HF. 1	10729198	OS. 9	17629198	OS. 5
4829113	KF. 5	329147	HF. 1	10829198	OS. 9	21429198	OS. 5
129114	KF. 5	729147	HF. 1	10929198	OS. 8	21529198	OS. 11
229114	KF. 5	829147	HF. 1	11029198	OS. 8	21729198	OS. 12
1829114	KF. 5	929147	HF. 1	11129198	OS. 7	21929198	OS. 5
1929114	KF. 5	1029147	HF. 1	11229198	OS. 9		

INDEX OF PART NUMBERS

(See also Supplementary pages, if any)

Part No.	Page No.	Part No.	Page No.	Part No.	Page No.	Part No.	Page No.
220Z9198	OS 5	429214	QR 7	30Z9303	GQ 10	34Z9308	KB 3
222Z9198	OS 5		HL 19	32Z9303	GQ 10	35Z9308	KB 3
224Z9198	OS 5	129231	GJ 3	34Z9303	GQ 9	36Z9308	KB 3
269Z9198	OS 18	429231	GJ 3	37Z9303	GQ 9	37Z9308	KB 3
270Z9198	OS 18	529231	GJ 3	43Z9303	GQ 9	38Z9308	KB 3
306Z9198	OS 13	829231	GJ 3	44Z9303	GQ 10	39Z9308	KB 3
307Z9198	OS 13	15Z9231	GJ 3	71Z9303	GQ 8	40Z9308	KB 3
308Z9198	OS 13	16Z9231	GJ 3	72Z9303	GQ 8	41Z9308	KB 2
309Z9198	OS 12	129235	QF 1	73Z9303	GQ 10	42Z9308	KB 2
310Z9198	OS 13	229235	QF 1	74Z9303	GQ 10	43Z9308	KB 3
311Z9198	OS 13	629235	QF 1	98Z9303	GQ 8	129316	JH 18
312Z9198	OS 13	629235	QF 1	111Z9303	GQ 9	329316	JH 19
314Z9198	OS 13	10Z9235	QF 1	114Z9303	GQ 8	429316	JH 19
316Z9198	OS 14	11Z9235	QF 1	115Z9303	GQ 8	529316	JH 20
317Z9198	OS 13	129236	QF 1	116Z9303	GQ 8	629316	JH 20
318Z9198	OS 12	329236	QF 1	229304	KB 5	729316	JH 20
320Z9198	OS 13	10Z9236	QF 1	329304	KB 5	829316	JH 20
321Z9198	OS 11 OS 13	529244	OC 13	429304	KB 6	929316	JH 18
322Z9198	OS 12	129245	OC 13	529304	KB 6	1029316	JH 18
323Z9198	OS 12	829248	OC 12	129306	KB 2	1129316	JH 18
325Z9198	OS 12		OC 13	229306	KB 2	1229316	JH 19
326Z9198	OS 8	129247	OC 12	329306	KB 2	1329316	JH 20
327Z9198	OS 7	14Z9247	OC 12	429306	KB 2	1429316	JH 20
328Z9198	OS 8	17Z9247	OC 12	529306	KB 2	1529316	JH 20
329Z9198	OS 8	19Z9247	OC 12	629306	KB 2	1629316	JH 20
330Z9198	OS 8	20Z9247	OC 12	729306	KB 2	1729316	JH 19
331Z9198	OS 15	24Z9247	OC 12	829306	KB 2	1829316	JH 19
332Z9198	OS 15	129251	KB 2	929306	KB 2	1929316	JH 19
333Z9198	OS 15	129260	KF 1	1029306	KB 2	2029316	JH 19
334Z9198	OS 15	429260	KF 1	1129306	KB 2	2129316	JH 21
336Z9198	OS 15	529260	KF 1	1229306	KB 2	2229316	JH 21
338Z9198	OS 7	829260	KF 1	1329306	KB 2	2329316	JH 21
337Z9198	OS 7	929260	KF 1	1429306	KB 2	2429316	JH 21
339Z9198	OS 7	10Z9260	KF 1	1529306	KB 2	2529316	JH 19
339Z9198	OS 7	11Z9260	KF 1	1629306	KB 2	2629316	JH 19
362Z9198	OS 15	12Z9260	KF 1	1729306	KB 2	2729316	JH 19
364Z9198	OS 12	13Z9260	KF 1	1829306	KB 2	2829316	JH 19
365Z9198	OS 12	129266	MC 73	1929306	KB 2	2929316	JH 22
366Z9198	OS 12	229266	MC 73	2029306	KB 3	3029316	JH 22
367Z9198	OS 12	129268	MC 73	2129306	KB 3	3129316	JH 22
369Z9198	OS 12	129269	MC 73	2229306	KB 3	3229316	JH 22
364Z9198	OS 8	829303	GQ 9	2329306	KB 3	3329316	JH 22
365Z9198	OS 7	16Z9303	GQ 9	2429306	KB 3	3429316	JH 22
366Z9198	OS 8	16Z9303	GQ 8	2529306	KB 3	39Z9316	JH 20
367Z9198	OS 8	16Z9303	GQ 8	2629306	KB 3		JH 21
Z9206	OS 2	17Z9303	GQ 8	2729306	KB 3	40Z9316	JH 22
829206	JB 58 OS 2	21Z9303	GQ 8	2829306	KB 3		JH 23
929206	JB 59 OS 2	23Z9303	GQ 9	2929306	KB 3	41Z9316	JH 23
10Z9206	OS 2	24Z9303	GQ 9	30Z9306	KB 3	42Z9316	JH 23
129214	QR 7	25Z9303	GQ 8	31Z9306	KB 3	44Z9316	JH 22
229214	QR 7	26Z9303	GQ 9	32Z9306	KB 3	49Z9316	JH 20
329214	QR 7	28Z9303	GQ 10	33Z9306	KB 3		JH 21
							JH 22

INDEX OF PART NUMBERS

(See also Supplementary pages, if any)

Part No.	Page No.	Part No.	Page No.	Part No.	Page No.	Part No.	Page No.
49a29316	JH. 20	629322	GB. 4	129448	JB.5, QA.26	6529446	QA. 27
5029316	JH. 20	29323	JH. 11	229446	QA. 27	6629446	QA. 27
	JH. 21	729323	JH. 11	329446	QA. 27	6729446	QA. 43
50a29316	JH. 10	829323	JH. 11	429446	QA. 27	6829446	QA. 43
5229316	JH.7, JH.20,	1029323	JH. 11	529446	QA. 27	6929446	QA. 31
	JH. 21	129324	JH. 11	629446	QA. 28	7029446	QA. 28
5329316	JH.3, JH.7,	1329325	JH. 11	729446	QA. 28	7129446	QA. 28
	JH. 20	129327	JH. 12	829446	QA. 29	7229446	QA. 27
	JH. 21	329327	JH. 12	929446	QA. 29	7329446	QA. 27
5429316	JH.7, JH.20,	529327	JH. 12	1029446	QA. 28	7429446	QA. 27
	JH. 21	829327	JH. 12	1129446	QA. 28	7529446	QA. 27
	JH. 22	1229327	JH. 12	1229446	QA. 28	7629446	QA. 27
5529316	JH. 22	1329327	JH. 12	1529446	QA. 31	7729446	QA. 27
5629316	JH. 22	1429327	JH. 12	1829446	QA. 27	7829446	QA. 27
5829316	JH. 22	129329	QC. 2	1929446	QA. 27	7929446	QA. 27
5929316	JH. 22	129330	JH.4, QC.2	2029446	QA. 42	8029446	QA. 27
6029316	JH. 20	229330	QC. 2	20a29446	QA. 42	8129446	QA. 32
	JH. 22	729330	QC. 2	20b29446	QA. 42	8229446	QA. 32
6129316	JH. 19	829330	QC. 2	2129446	QA. 42	8329446	QA. 32
6329316	JH. 19	2529388	GP. 1	2229446	QA. 42	8529446	QA. 32
6429316	JH. 20	29422	OS. 1	22a29446	QA. 42	8929446	QA. 32
6529316	JH. 20	229422	DA.3, OS.2	22b29446	QA. 42	9029446	QA. 32
6629316	JH. 20	2a29422	DA. 3	2329446	QA. 42	9129446	QA. 32
6729316	JH. 21	329422	DA. 4	2429446	QA. 26	9329446	QA. 32
6829316	JH. 21	3a29422	DA. 4	2529446	QA. 27	9429446	QA. 32
6929316	JH. 22	429422	DA. 4	2729446	QA. 29	10029446	QA. 44
7029316	JH. 22	4a29422	DA. 4	2829446	QA. 30	10129446	QA. 27
7129316	JH. 22	529422	DA. 3	3029446	QA. 30	10229446	QA. 27
7229316	JH. 18	5a29422	DA. 3	3129446	QA. 30	10329446	QA. 33
7329316	JH. 20	629422	OS. 4	3229446	QA. 30	10429446	QA. 33A
	JH. 21	129424	KA. 1	3329446	QA. 30	10729446	QA. 28
7629316	JH. 22	229424	KA. 1	3529446	QA. 31	10829446	QA. 28
7729316	JH. 22	129426	KB. 7	3729446	QA. 32	11029446	QA. 44
129319	JH. 27A	129429	JB. 86	3929446	QA. 27	18029446	QA. 33A
129320	QC. 1	429429	JB. 86	4029446	QA. 27	18129446	QA. 33A
229320	QC. 1	529429	JB. 86	4129446	QA. 27	18629446	QA. 45
329320	QC. 1	829429	JB. 86	4229446	QA. 27	18929446	QA. 44
429320	QC. 1	1029429	JB. 86	4529446	QA. 43	17429446	QA. 30
629320	QC. 1	29438	JB.4, OS.1	4629446	QA. 27	17529446	QA. 30
629320	QC. 1	29441	JA. 20	4729446	QA. 27	17629446	QA. 43
729320	QC. 1	229442	GK. 1	5029446	QA. 27	17729446	QA. 31
829320	QC. 1	529442	KG. 1	5129446	QA. 27	17829446	QA. 27
1229320	QC. 1	629442	DA.3, GK.1	5229446	QA. 43	18029446	QA. 41
1329320	QC. 1	6a29442	DA. 3	5529446	QA. 27	18829446	QA. 31
129321	GB. 4	729442	DA. 3	5629446	QA. 27	18929446	QA. 30
429321	GB. 4	7a29442	DA. 3	5729446	QA. 27	19029446	QA. 30
529321	GB. 4	829442	DA. 4	5829446	QA. 31	19129446	QA. 30
629321	GB. 4	929442	DA. 3	6029446	QA. 31	329449	QA. 33
829321	GB. 4	9a29442	DA. 3	6129446	QA. 44	429449	QA. 33
929321	GB. 4	1129442	DA. 3	6229446	QA. 44	529449	QA. 33
229322	GB. 4	11a29442	DA. 3	6329446	QA. 27	629449	QA. 33
529322	GB. 4	1229442	DA. 4	6429446	QA. 27	229450	QA. 43

INDEX OF PART NUMBERS

(See also Supplementary pages, if any)

Part No.	Page No.	Part No.	Page No.	Part No.	Page No.	Part No.	Page No.
18Z9450	QA. 43	30Z9488	GP. 1	1Z9527	JB. 81	1Z9569	QE. 14
20Z9450	QA. 43	31Z9488	GP. 1	2Z9527	JB. 81	2Z9569	QE. 14
31Z9450	QA. 43	32Z9488	GP. 1	5Z9527	JB. 81	1Z9570	QE. 15
32Z9450	QA. 43	33Z9488	GP. 2	6Z9527	JB. 81	2Z9570	QE. 15
Z9473	GG. 25	34Z9488	GP. 1	1Z9528	JF. 2	1Z9571	QE. 15
	QS. 2	48Z9488	GP. 1	2Z9528	JF. 2	2Z9571	QE. 15
1Z9473	GG. 25	49Z9488	GP. 1	3Z9528	JF. 2	1Z9572	QE. 15
2Z9473	GG. 26	57Z9488	GP. 1	4Z9528	JF. 2	2Z9572	QE. 15
2aZ9473	GG. 29	58Z9488	GP. 1	1Z9529	JF. 2	1Z9573	QE. 16
1Z9475	QD. 6	68Z9488	GP.1, JA.7	2Z9529	JF. 2	2Z9573	QE. 16
2Z9475	QD. 6	70Z9488	GP. 1	5Z9529	JF. 2	1Z9574	QE. 17
3Z9475	QD. 6	71Z9488	GP. 1	6Z9529	JF. 2	2Z9574	QE. 17
5Z9475	JA. 5	72Z9488	GP. 1	14Z9529	JF. 2	1Z9575	QE. 17
6Z9476	JA. 5	73Z9488	GP. 2	15Z9529	JF. 2	2Z9575	QE. 17
7Z9476	JA. 4	74Z9488	GP. 1	1Z9556	QE. 1	1Z9576	QE. 18
10Z9476	JA. 4	80Z9488	GP. 1	2Z9556	QE. 1	2Z9576	QE. 18
14Z9476	JA. 5	19Z9488	GP. 2	3Z9556	QE.1, QE.3, QE.6, QE.7, QE.8, QE.9,	1Z9577	QE. 19
1Z9477	QS. 1	1Z9489	QA. 40			2Z9577	QE. 19
1Z9478	QA. 38	1Z9486	KB. 6			4Z9580	QH. 1
2Z9478	QA. 38	2Z9486	KB. 6			5Z9580	QH. 1
8Z9478	QA. 38	3Z9486	KB. 6			8Z9580	QH. 1
10Z9478	QA. 40	4Z9486	KB. 6			9Z9580	QH. 1
30Z9481	GP. 1	1Z9497	KB. 6			11Z9580	QH. 2
1Z9482	QA. 40	2Z9497	KB. 6			13Z9580	QH. 2
2Z9482	QA. 40	3Z9497	KB. 6			14Z9580	QH. 2
7Z9482	QA. 41	4Z9497	KB. 6			15Z9580	QH. 2
8Z9482	QA. 41	1Z9498	JA. 2			17Z9580	QH. 2
9Z9482	QA. 41	1Z9500	KA. 1			2Z9580	QH. 2
10Z9482	QA. 41	2Z9500	KA. 1			29Z9580	NB.5, QH.1
1Z9484	KB. 7	1Z9506	KF. 1	1Z9556	QE. 1	30Z9580	HB.5, QH.1
2Z9488	GP. 1	1Z9507	KF. 1	2Z9556	QE. 1	31Z9580	QH. 3
6Z9488	GP. 1	1Z9508	KF. 1	1Z9557	QE. 3	32Z9580	QH. 3
10Z9488	GP. 1	1Z9509	KF. 1	2Z9557	QE. 3	34Z9580	QH. 2
11Z9488	GP. 1	1Z9510	KF. 1	1Z9558	QE. 7	35Z9580	QH. 3
12aZ9488	GP. 1	1Z9511	KF. 1	2Z9559	QE. 7	36Z9580	QH. 3
12bZ9488	GP. 1	1Z9521	KB. 2	1Z9560	QE. 6	37Z9580	QH. 3
12cZ9488	GP. 1	3Z9523	QA. 27	2Z9560	QE. 6	38Z9580	QH. 3
14Z9488	GP. 2	5Z9523	QA. 27	1Z9561	QE. 6	39Z9580	QH. 3
15Z9488	GP. 2	8Z9523	QA. 42	2Z9561	QE. 6	42Z9580	QH. 3
16Z9488	GP. 2	8cZ9523	QA. 42	1Z9562	QE. 8	43Z9580	QH. 3
17Z9488	GP. 2	9Z9523	QA. 42	2Z9562	QE. 8	44Z9580	QH. 4
18aZ9488	GP. 2	15Z9523	QA. 30	1Z9563	QE. 9	45Z9580	QH. 4
18bZ9488	GP. 2	16Z9523	QA. 30	2Z9563	QE. 9	46Z9580	QH. 4
19Z9488	GP. 2	20Z9523	QA. 44	1Z9564	QE. 9	47Z9580	QH. 4
20Z9488	GP. 2	21Z9523	QA. 44	2Z9564	QE. 9	48Z9580	QH. 4
21Z9488	GP. 2	26Z9523	QA. 27	1Z9565	QE. 11	51Z9580	QH. 4
22Z9488	GP. 2	27Z9523	QA. 27	2Z9565	QE. 11	54Z9580	QH. 2
23Z9488	GP. 2	1Z9526	JB. 81	1Z9566	QE. 11	55Z9580	QH. 2
25Z9488	GP. 2	2Z9526	JB. 81	2Z9566	QE. 11	56Z9580	QH. 4
26Z9488	GP. 2	3Z9526	JB. 81	1Z9567	QE. 12	57Z9580	QH. 4
27Z9488	GP. 2	4Z9526	JB. 81	2Z9567	QE. 12		
29Z9488	GP.1, GP. 2	5Z9526	JB. 81	1Z9568	QE. 13		
		6Z9526	JB. 81	2Z9568	QE. 13		

INDEX OF PART NUMBERS

(See also Supplementary pages, if any)

Part No.	Page No.	Part No.	Page No.	Part No.	Page No.	Part No.	Page No.
58Z9580	QH. 2	100Z9596	GQ. 2	15Z9642	EM. 3	1Z9680	QE. 13
59Z9580	QH. 4	101Z9596	GQ. 2	16Z9642	EM. 3	1Z9681	DA. 2
60Z9580	QH. 2	102Z9596	GQ. 2	23Z9642	EM. 6	2Z9681	DA. 2
62Z9580	QH. 4	106Z9596	GQ. 4	24Z9642	EM. 1	1Z9682	KB. 4
65Z9580	QH. 4	108Z9596	GQ. 4	25Z9642	EM. 2	1Z9674	QT. 12
66Z9580	QH. 4	121Z9596	GQ. 5	28Z9642	EM. 3	14Z9682	JA. 12
67Z9580	QH. 5	122Z9596	GQ. 5	30Z9642	EM. 2	39Z9682	JA. 12
70Z9580	QH. 5	123Z9596	GQ. 5	31Z9642	EM. 1	41Z9682	JA. 12
71Z9580	QH. 5	125Z9596	GQ. 5	31aZ9642	EM. 1	50Z9682	JA. 12
72aZ9580	QH. 5	135Z9596	GQ. 7	33Z9642	EM. 1	51Z9682	JA. 14
72bZ9580	QH. 5	155Z9596	GQ. 1	34Z9642	EM. 1	1Z9686	JA. 12
72cZ9580	QH. 5		GQ. 2	42Z9642	EM. 1	1Z9688	JA. 8, QC. 1
73Z9580	QH. 5		GQ. 3	43Z9642	EM. 1	2Z9688	OG. 1
78Z9580	QH. 3		GQ. 4	44Z9642	EM. 1	1Z9691	JA. 9
80Z9580	QH. 3	171Z9596	GQ. 4	47Z9642	EM. 1	28Z9681	JA. 9
81Z9580	QH. 3	3Z9596	EK. 2	47aZ9642	EM. 1	1Z9692	KB. 2
82Z9580	QH. 3	6Z9596	EK. 2	54bZ9642	EC. 7	2Z9694	JA. 18
83Z9580	QH. 2	6Z9596	EK. 2, EM. 3	55bZ9642	EC. 7	1Z9698	QA. 11
95Z9580	QH. 3	7Z9596	EK. 2, EM. 3	56bZ9642	EC. 6	3Z9697	EM. 3
1Z9681	KA. 1	Z9615	QE. 1	58bZ9642	EC. 6	8Z9697	EM. 3
1Z9680	QA. 43	4Z9615		58cZ9642	EC. 6	9Z9697	EM. 3
2Z9680	QA. 43	11Z9619	EM. 4	73Z9642	EM. 1	12Z9697	EM. 3
5Z9683	EK. 2	31Z9619	EM. 5	74Z9642	EM. 1	13Z9697	EM. 3
2Z9685	JA. 8	32Z9619	EM. 5	75Z9642	EM. 1	15Z9697	EM. 4
6Z9685	JA. 8	35Z9619	EM. 5	78Z9642	EM. 2	16Z9697	EM. 3
7Z9686	JA. 8	36Z9619	EM. 5	90Z9642	EM. 2	17Z9697	EM. 3
24Z9585	JA. 9	64Z9620	QA. 27	92Z9642	EM. 2	1Z9698	JA. 20
5Z9586	GQ. 2, GQ. 4	5Z9622	QA. 11	95Z9642	EM. 2	Z9699	JA. 7
7Z9586	GQ. 1, GQ. 2	7Z9622	QA. 12	96Z9642	EM. 1	1Z9701	JA. 16
15Z9586	GQ. 1	8Z9622	QA. 11	98Z9642	EM. 2	2Z9701	JB. 3
	GQ. 2	8Z9622	QA. 11	99aZ9642	EM. 2	10Z9701	JA. 16
	GQ. 3	10Z9622	QA. 11	99bZ9642	EM. 2	11Z9701	JA. 16
	GQ. 4	11Z9622	QA. 11	100Z9642	EM. 2	12Z9701	JA. 16
	QA. 11	12Z9622	QA. 11	101Z9642	EM. 2	13Z9701	JA. 16
20Z9586	GQ. 2	13Z9622	QA. 11	102Z9642	EM. 2	14Z9701	JA. 16
31Z9586	GQ. 3	14Z9622	QA. 12	103Z9642	EM. 3	15Z9701	JA. 16
42Z9586	GQ. 1	15Z9622	QA. 11	104Z9642	EM. 2	20Z9701	JA. 16
47Z9586	GQ. 5	16Z9622	QA. 12	105Z9642	EM. 3	21Z9701	JA. 16
51Z9588	GQ. 1	1Z9624	KA. 2	1Z9648	FM. 25	23Z9701	JB. 4
63Z9586	GQ. 1, GQ. 4	1Z9625	KB. 1	2Z9646	FM. 25	24Z9701	JB. 4
72Z9586	GQ. 2	1Z9626	KA. 1	3Z9646	FM. 25	28Z9701	JB. 4
73Z9586	GQ. 3	1Z9628	KA. 2	1Z9655	FJ. 19	29Z9701	JB. 3
83Z9586	GQ. 4	Z9638	QC. 11		QE. 14	30Z9701	JB. 3
90Z9586	GQ. 5	2Z9638	QC. 11		QE. 20	38Z9701	JA. 16
91Z9586	GQ. 5	5Z9638	QC. 11	1Z9656	QE. 2	40Z9701	JB. 3
92Z9586	GQ. 5	6Z9638	QC. 11	1Z9657	QE. 5	52Z9701	JB. 3
93Z9586	GQ. 4	7Z9638	QC. 11	2Z9657	QE. 5	56Z9701	JB. 3
94Z9586	GQ. 4	1Z9638	MC. 73	3Z9657	QE. 5	56Z9701	JB. 3
95Z9586	GQ. 4	1Z9642	EM. 1	1Z9658	QE. 5	57Z9701	JB. 3
97Z9586	GQ. 4	13Z9642	EM. 3	2Z9658	QE. 5	57aZ9701	JB. 3
99Z9586	GQ. 2	14Z9642	EM. 3	1Z9659	QE. 13	57bZ9701	JB. 3

VULCAN No. 2

INDEX OF PART NUMBERS

Page W. 121

(See also Supplementary pages, if any)

Part No.	Page No.	Part No.	Page No.	Part No.	Page No.	Part No.	Page No.
5829701	JB. 4	3629707	GF. 21	13229707	GF. 23	5029721	GF. 12
5929701	JB. 3	4229707	GF. 20	13329707	GF. 23	5129721	GF. 12
6029701	JB. 3	4429707	GF. 20	629710	GD. 1	5229721	GF. 12
6129701	JB. 4	4529707	GF. 20	429711	GD. 2	5329721	GF. 12
629701	JB. 3	4629707	GF. 20	529711	GD. 2	5429721	GF. 12
6329701	JB. 4	4829707	GF. 20	729711	GD. 2	5529721	GF. 12
6629701	JB. 3	5329707	GF. 20	829711	GD. 2	5829721	GF. 12
6829701	JB. 3	5729707	GF. 20	1329711	GD. 1	5929721	GF. 12
6729701	JB. 3	5829707	GF. 20	1929711	GD. 2	6029721	GF. 12
6829701	JB. 3	6229707	GF. 20	2029711	GD. 2	6129721	GF. 14
6929701	JB. 3	6829707	GF. 20	2629711	GD. 1	6229721	GF. 14
7029701	JB. 3	6929707	GF. 21	3229711	GD. 2	6429721	GF. 14
7129701	JB. 3	7029707	GF. 20	3329711	GD. 2	6729721	GF. 13
7229701	JB. 4	7129707	GF. 20	129718	QE. 3	6829721	GF. 13
7329701	JB. 4	8129707	GF. 20	229718	QE. 3	7029721	GF. 14
7429701	JB. 4	8229707	GF. 20	129719	QE. 3	7129721	GF. 14
7529701	JB. 4	8429707	GF. 21	229719	QE. 3	7229721	GF. 14
7729701	JB. 3	8529707	GF. 21	329719	QE. 5, QE. 10	7329721	GF. 14
7829701	JB. 4	8729707	GF. 21	429719	QE. 5, QE. 10	7929721	GF. 14
8029701	JB. 3	8829707	GF. 21	129721	GF. 11, JA. 45	8029721	GF. 12
8329701	JA. 16	8929707	GF. 21	229721	GF. 13	8329721	GF. 14
8729701	JA. 16	9029707	GF. 21	329721	GF. 13	8429721	GF. 15
8829701	JA. 16	9329707	GF. 21	429721	GF. 13	8529721	GF. 15
8929701	JA. 16	9429707	GF. 21	529721	GF. 13	8629721	GF. 15
9129701	JA. 16	9629707	GF. 21	629721	GF. 13	8829721	GF. 15
9229701	JA. 16	9729707	GF. 21	729721	GF. 13	9129721	GF. 12
1229703	DA. 45	9829707	GF. 21	829721	GF. 13	9229721	GF. 12
29704	JA. 7	10229707	GF. 22	929721	GF. 13	9429721	GF. 15
529704	JA. 7	10729707	GF. 22	1229721	GF. 13	9529721	GF. 15
29705	JA. 20	10829707	GF. 22	1429721	GF. 13	9629721	GF. 12
529707	GF. 18	10929707	GF. 22	1529721	GF. 13	9729721	GF. 12
729707	GF. 19	11029707	GF. 22	1629721	GF. 1	9929721	GF. 12
829707	GF. 19	11129707	GF. 22	1729721	GF. 11	10029721	GF. 12
929707	GF. 19	11229707	GF. 22	1829721	GF. 11	10129721	GF. 15
1029707	GF. 19	11429707	GF. 22	1929721	GF. 11	10229721	GF. 15
1129707	GF. 19	11529707	GF. 22	2029721	GF. 11	10329721	GF. 12
1229707	GF. 19	11629707	GF. 22	2129721	GF. 11	10429721	GF. 13
1329707	GF. 19	11729707	GF. 22	2329721	GF. 11	10529721	GF. 13
1529707	GF. 19	11829707	GF. 22	2429721	GF. 11	10629721	GF. 15
1629707	GF. 19	11929707	GF. 22	2529721	GF. 14	10829721	GF. 12
1729707	GF. 19	12029707	GF. 23	2629721	GF. 14	10929721	GF. 13
1929707	GF. 19	12129707	GF. 33	2929721	GF. 11	11029721	GF. 13
2429707	GF. 19	12229707	GF. 23	3029721	GF. 11	11129721	GF. 13
2829707	GF. 19	12329707	GF. 23	3829721	GF. 14	11229721	GF. 13
2829707	GF. 22	12429707	GF. 23	3929721	GF. 14	11329721	GF. 13
2929707	GF. 19	12629707	GF. 23	4229721	GF. 11	11429721	GF. 12
3029707	GF. 21	12629707	GF. 23	4329721	GF. 12	11529721	GF. 15
3229707	GF. 21	12729707	GF. 23	4429721	GF. 12	11629721	GF. 15
3329707	GF. 19	12829707	GF. 23	4629721	GF. 12	11729721	GF. 13
3629707	GF. 19	12929707	GF. 23	4729721	GF. 12	11829721	GF. 15
3629707	GF. 19	13029707	GF. 23	4829721	GF. 12	11929721	GF. 15
3729707	GF. 20	13129707	GF. 23	4929721	GF. 12	12029721	GF. 13
						12129721	GF. 13

INDEX OF PART NUMBERS

(See also Supplementary pages, if any)

Part No.	Page No.	Part No.	Page No.	Part No.	Page No.	Part No.	Page No.
122Z9721	GF. 13	28Z9726	GP. 7	7Z9736	QC. 13	9Z9783	GO. 10
123Z9721	GF. 13	29Z9726	GP. 4	8Z9736	QC. 13	2Z9786	QC. 2
124Z9721	GF. 14	30Z9726	GP. 4	9Z9736	QC. 13	3Z9786	QC. 2
125Z9721	GF. 14	34Z9726	GP. 7	1Z9738	QE. 19	4Z9786	QC. 2
126Z9721	GF. 14	35Z9726	GP. 4	1Z9739	QE. 19	1Z9787	QC. 1
127Z9721	GF. 14	38Z9726	GP. 7	1Z9743	QE. 7, QE. 15	2Z9787	QC. 1
128Z9721	GF. 13	39Z9726	GP. 5	1Z9744	QE. 7, QE. 15	7Z9787	QC. 1
129Z9721	GF. 15	40Z9726	GP. 5	1Z9745	QE. 10	8Z9787	QC. 1
130Z9721	GF. 15	43Z9726	GP. 5	1Z9746	QE. 10	1Z9788	QC. 1
131Z9721	GF. 13	44Z9726	GP. 7	1Z9761	PD. 1	5Z9788	QC. 1
132Z9721	GF. 16	49Z9726	GP. 6	1Z9770	GD. 3	6Z9788	QC. 1
133Z9721	GF. 16	50Z9726	GP. 5	7Z9770	GD. 3	7Z9788	QC. 1
1Z9722	QB. 4	51Z9726	GP. 7	8Z9770	GD. 3	1Z9789	PD. 1
2Z9722	QB. 1	58Z9726	GP. 6	11Z9770	GD. 3	6Z9790	QH. 11
5Z9722	QB. 4	59Z9726	GP. 5	12Z9770	GD. 3	7Z9790	QH. 11
6Z9722	QB. 4	60Z9726	GP. 7	13Z9770	GD. 3	11Z9790	QH. 12
7Z9722	QB. 4	61Z9726	GP. 7	4Z9774	PD. 1	12Z9790	QH. 12
8Z9722	QB. 4	62Z9726	GP. 6	5Z9774	PD. 1	13Z9790	QH. 12
13Z9722	QB. 5	63Z9726	GP. 6	10Z9774	PD. 1	14Z9790	QH. 12
3Z9723	QB. 5	68Z9726	GP. 6	11Z9774	PD. 1	16Z9790	QH. 13
4Z9723	QB. 5	67Z9726	GP. 8	1Z9775	GD. 1	18Z9790	QH. 13
5Z9723	QB. 5	88Z9726	GP. 7	2Z9777	GD. 1	19Z9790	QH. 13
6Z9723	QB. 5	69Z9726	GP. 8	3Z9775	GD. 1	20Z9790	QH. 13
13Z9723	QB. 5	72Z9726	GP. 8	4Z9775	GD. 1	23Z9790	QH. 13
15Z9723	QB. 5	73Z9726	GP. 6	5Z9775	GD. 1	24Z9790	QH. 13
21Z9723	QB. 4	74Z9726	GP. 6	6Z9775	GD. 1	26Z9790	QH. 12
22Z9723	QB. 4	76Z9726	GP. 6	7Z9775	GD. 1	27Z9790	QH. 12
28Z9723	QB. 4	77Z9726	GP. 5	8Z9775	GD. 1	48Z9790	QH. 12
1Z9724	GF. 18	78Z9726	GP. 5	9Z9775	GD. 1	49Z9790	QH. 12
6Z9724	GF. 18	80Z9726	GP. 6	10Z9775	GD. 1	51Z9790	QH. 13
7Z9724	GF. 18	81Z9726	GP. 5	2Z9782	GD. 3	52Z9790	QH. 11
10Z9724	GF. 18	82Z9726	GP. 5	22Z9782	GD. 3	53Z9790	QH. 11
11Z9724	GF. 18	83Z9726	GP. 5	24Z9782	GD. 3	54Z9790	QH. 11
12Z9724	GF. 18	84Z9726	GP. 6	25Z9782	GD. 3	56Z9790	QH. 11
13Z9724	GF. 18	86Z9726	GP. 5	29Z9782	JA. 59	57Z9790	QH. 11
14Z9724	GF. 19	1Z9729	KF. 2	31Z9782	GD. 3	64Z9790	QH. 12
1Z9726	GP. 3	1Z9730	KF. 2	34Z9782	GD. 3	65Z9790	QH. 12
2Z9726	GP. 3	1Z9731	JB. 58	36Z9782	GD. 4	68Z9790	QH. 12
4Z9726	GP. 6	2Z9731	JB. 58	39Z9782	GD. 4	69Z9790	QH. 13
5Z9726	GP. 6	11Z9731	JB. 58	49Z9782	GD. 4	73Z9790	QH. 13
6Z9726	GP. 4	1Z9732	QG. 1		JA. 63	74Z9790	QH. 13
7Z9726	GP. 8	Z9735	JA. 20	6Z9782	GD. 3	76Z9790	QH. 12
8Z9726	GP. 6	2Z9735	GK. 3	5Z9782	GD. 3	77Z9790	QH. 12
10Z9726	GP. 6	3Z9735	GK. 3	57Z9782	GD. 3	7Z97921	QC. 1
17Z9726	GP. 3	4Z9735	GK. 3	58Z9782	GD. 3	25Z9792	GD. 3
18Z9726	GP. 7	6Z9735	GK. 3	59Z9782	GD. 3	38Z9792	GD. 3
19Z9726	GP. 7	1Z9736	QC. 13	61Z9782	GD. 3	1Z9794	OR. 1
20Z9726	GP. 6	2Z9736	QC. 13	62Z9782	GD. 3	2Z9794	OR. 1
22Z9726	GP. 6	3Z9736	QC. 13	63Z9782	GD. 3	3Z9794	OR. 10
24Z9726	GP. 3	4Z9736	QC. 13	4Z9783	GO. 11	4Z9794	OR. 10
26Z9726	GP. 5	5Z9736	QC. 13	5Z9783	GO. 11	11Z9794	OR. 14
27Z9726	GP. 7	6Z9736	QC. 13	6Z9783	GO. 10	12Z9794	OR. 14

VULCAN No. 2

INDEX OF PART NUMBERS

Page W. 123

(See also Supplementary pages, if any)

Part No.	Page No.	Part No.	Page No.	Part No.	Page No.	Part No.	Page No.
13Z9794	QR 14	105Z9794	QR 14	35Z9815	HB 1	13Z9911	QU 6
14Z9794	QR 14	106Z9794	QR 14	36Z9815	HB 1	17Z9911	QU 6
15Z9794	QR 14	107Z9794	QR 14	Z9823	QC 11	129926	GO 1
16Z9794	QR 14	108Z9794	QR 14	1Z9827	HB 1	8Z9926	GO 1
17Z9794	QR 14	109Z9794	QR 14	14Z9827	HB 1, HB 2	9Z9926	GO 1
18Z9794	QR 14	110Z9794	QR 14	16Z9827	HB 1	12Z9926	GO 3
19Z9794	QR 17	111Z9794	QR 14	20Z9827	HB 2, HB 3	14Z9926	GO 4
20Z9794	QR 17	112Z9794	QR 14	20aZ9827	HB 2, HB 3	17Z9926	GO 6
21Z9794	QR 15	114Z9794	QR 17	20cZ9827	HB 2, HB 3	18Z9926	GO 6
22Z9794	QR 15	117Z9794	QR 17	42Z9827	HB 1	20Z9926	GO 6
23Z9794	QR 15	119Z9794	QR 17	43Z9827	HB 1	23Z9926	GO 6
24Z9794	QR 15	120Z9794	QR 18	1Z9843	KB 1	25Z9926	GO 1
29Z9794	QR 18	121Z9794	QR 18	1Z9845	GJ 1	30Z9926	GO 7
30Z9794	QR 18	122Z9794	QR 18	3Z9846	GJ 1	35Z9926	GO 6
31Z9794	QR 17	123Z9794	QR 18	4Z9845	GJ 1	36Z9926	GO 6
32Z9794	QR 17	127Z9794	QR 17	1Z9846	GD 3	38Z9926	GO 6
37Z9794	QR 14	129Z9794	QR 17	5Z9861	JH 1	40Z9926	GO 6
40Z9794	QR 18	130Z9794	QR 17	2Z9862	JB 4	41Z9926	GO 6
47Z9794	QR 15	131Z9794	QR 17	3Z9862	JB 4	42Z9926	GO 5
48Z9794	QR 15	132Z9794	QR 17	4Z9862	JB 4	43Z9926	GO 5
50Z9794	QR 18	133Z9794	QR 17	5Z9862	JB 4	51Z9926	GO 6
51Z9794	QR 12	134Z9794	QR 18	6Z9862	KB 4	52Z9926	GO 6
52Z9794	QR 12	135Z9794	QR 17	7Z9862	KB 4	54Z9926	GO 6
53Z9794	QR 12	137Z9794	QR 17	8Z9862	KB 4	4Z9932	OS 4
54Z9794	QR 12	138Z9794	QR 17	9Z9862	KB 4	5Z9932	OS 3
55Z9794	QR 12	139Z9794	QR 18	10Z9862	KB 4	6Z9932	OS 3
56Z9794	QR 12	140Z9794	QR 18	4Z9863	JA 20	9Z9932	OS 4
57Z9794	QR 13	141Z9794	QR 18	5Z9863	JA 20	10Z9932	OS 4
59Z9794	QR 15	142Z9794	QR 18	Z9865	KB 7	11Z9932	OS 4
60Z9794	QR 15	143Z9794	QR 18	1Z9867	OK 9	12Z9932	OS 4
61Z9794	QR 15	144Z9794	QR 18	2Z9867	OK 7	13Z9932	OS 4
62Z9794	QR 15	148Z9794	QR 18	3Z9867	OK 9	14Z9932	OS 4
63Z9794	QR 15	149Z9794	QR 18	12Z9871	HG 2	1Z9934	OS 4
64Z9794	QR 15	150Z9794	QR 14	22Z9871	HG 3	2Z9934	OS 3
65Z9794	QR 15	151Z9794	QR 14	23Z9871	HG 3	1Z9936	GD 1
66Z9794	QR 15	152Z9794	QR 14	3Z9872	HG 3	2Z9936	GD 1
67Z9794	QR 15	153Z9794	QR 14	33Z9872	HG 3	3Z9936	GD 2
68Z9794	QR 15	164Z9794	QR 17	1Z9890	GO 2	5Z9936	GD 1
69Z9794	QR 15	169Z9794	QR 14	9Z9890	GO 3	8Z9936	GD 1
70Z9794	QR 15	170Z9794	QR 14	11Z9890	GO 3	10Z9936	GD 1
71Z9794	QR 15	1Z9807	KF 2	15Z9890	GO 3	11Z9936	GD 1
72Z9794	QR 15	1Z9808	KF 2	26Z9890	GO 3	12Z9936	GD 1
73Z9794	QR 18	1Z9810	KF 1	26Z9890	GO 3	13Z9936	GD 1
74Z9794	QR 16	4Z9814	HB 1, HB 2,	30Z9890	GO 3	14Z9936	GD 2
83Z9794	QR 14		HB 3	1Z9893	KB 1	1Z9947	KF 2
85Z9794	QR 14	8Z9814	HB 1, HB 2,	Z9895	JA 14	1Z9949	KF 1
88Z9794	QR 12		HB 3	1Z9901	GG 27	9Z9936	GD 1
89Z9794	QR 13	7Z9814	HB 1, HB 2,	2Z9901	GG 28	24Z9936	GD 1
91Z9794	QR 16		HB 3	5Z9911	QU 6	25Z9936	GD 1
92Z9794	QR 16	8Z9814	HB 1	8Z9911	QU 6	26Z9936	GD 1
93Z9794	QR 17	1Z9815	HB 1	9Z9911	QU 6	27Z9936	GD 1
94Z9794	QR 17	21Z9815	HB 1	10Z9911	QU 6	28Z9936	GD 1
95Z9794	QR 17	33Z9815	HB 1	11Z9911	QU 6	29Z9936	GD 2
96Z9794	QR 17	34Z9815	HB 1	12Z9911	QU 6		

INDEX OF PART NUMBERS

(See also Supplementary pages, if any)

Part No.	Page No.	Part No.	Page No.	Part No.	Page No.	Part No.	Page No.
129951	OS. 1	929983	GF. 17	1210237	QA. 33A	7210470	PB. 18,
229951	OS. 1	1029983	GF. 17	2210237	QA. 34		OC. 14,
329951	OS. 2	Z9984	QF. 1	4210237	QA. 34		QC. 14A
429951	OS. 2	129985	JA. 15	5210237	QA. 34	8210470	PB. 18,
529951	OS. 2	229985	JA. 15	6210237	QA. 34		OC. 14,
129970	JA. 4	329985	JA. 15	7210237	QA. 34		QC. 14A
3a29970	JA. 4	429985	JA. 15	10210237	QA. 33A	Z10471	JA. 18
629970	JA. 4	529985	JA. 15	11219327	QA. 33A		OC. 14A
729970	JA. 4	629985	JA. 15	12210237	QA. 33A	2210471	OC. 14A
829970	JA. 4	729985	JA. 15	13210237	QA. 33A	9210471	QC. 14A
929970	JA. 4	129986	JA. 15	18210237	QA. 33A	10210471	QC. 14A
1029970	JA. 4	529986	JA. 15	19210237	QA. 34	11210471	QC. 14A
1229970	JA. 4	Z9987	JA. 15	20210237	QA. 34	12210471	QC. 14A
1429970	JA. 4	129994	QA. 30	21210237	QA. 33A	13210471	QC. 14A
Z9973	OU. 6	Z9995	JA. 18	22210237	QA. 33A	1210477	KB. 6
229973	OU. 6	529995	JA. 18	23210237	QA. 34	1210487	JA. 21
Z9980	HA. 1	129997	KB. 8	2219252	JA. 55	2210487	JA. 21
229980	HA. 2	9210031	HB. 2	1210297	KE. 1	3210487	JA. 21
329980	HA. 2	15210031	HG. 1	1210306	QT. 13	6210487	JA. 21
429980	HA. 2	18210031	HG. 1		JB. 107	6210487	JA. 21
529980	HA. 1	1210046	HA. 3	7210306	OS. 3	1210493	NB. 12
729980	HA. 3	2210046	HB. 2	1210324	QA. 31	2210493	NB. 12
1029980	HA. 3	27210046	HB. 3	1210328	JA. 12	7210493	NB. 12
1129980	HA. 3	28200146	HB. 3	6210328	JA. 13	8210493	NB. 12
1229980	HA. 3	30210046	HB. 2	6210328	JA. 12	24210493	NB. 12
1329980	HA. 1, HA. 2,	32210046	HB. 2	9210328	JA. 12	1210500	J.A.B, JA. 11
	HA. 4	32hZ10046	HB. 1	11210328	JA. 12	1210516	MC. 29
1329980	HA. 3	33210046	HB. 2	1210329	JA. 12	4210516	MC. 29
1529980	HA. 1, HA. 2	Z10057	JA. 11	7210329	JA. 12	1210525	JH. 11
15a29980	HA. 1	1210063	KA. 1	8210329	JA. 12	2210525	JH. 12
15b29980	HA. 1	1210064	KA. 2	1210330	JA. 13	3210525	JH. 12
1629980	HA. 1, HA. 2	Z10083	QT. 7	6210330	JA. 13	4210525	JH. 12
2329980	HA. 3	12210083	QT. 6A	11210330	JA. 13	5210525	JH. 12
2429980	HA. 3	1210109	HA. 1	1210362	JH. 1	6210525	JH. 12
2529980	HA. 3	2210109	HA. 1	2210362	JH. 1	7210525	JH. 12
2629980	HA. 2	3210109	HA. 1	7210362	JH. 1	1210558	KA. 1
2729980	HA. 1	4bZ10109	HA. 1	8210362	JH. 1	1210582	KB. 8
2929980	HA. 2	5210109	HA. 1	9210362	JH. 1	1210585	JA. 51
3029980	HA. 4	6210109	HA. 1	10210362	JH. 1	4210585	JA. 51A
30a29980	HA. 4	7210109	HA. 1	11210362	JH. 1	5210585	JA. 51A
30b29980	HA. 4	Z10230	JA. 20	1210423	QA. 21	7210585	JA. 51A
129981	KB. 7	2210231	MC. 4	2210403	QA. 21	8210585	JA. 51
129982	KB. 8	3210231	MC. 4	3210403	QA. 21	11210585	JA. 51A
329982	KB. 8	4210231	MC. 4	4210403	QA. 21	63210817	HG. 1, HG. 3
129983	GF. 18	5210231	NC. 4	6210403	QA. 21	65210817	HG. 1, HG. 3
229983	GF. 17	6210231	MC. 4	8210403	QA. 21	67210817	HG. 1, HG. 3
329983	GF. 17	7210231	MC. 4	9210403	QA. 21	1210653	MC. 22
429983	GF. 17	8210231	MC. 4	10210403	QA. 21	71210702	GO. 2
529983	GF. 17	9210231	MC. 4	11210403	QA. 21	2210739	GP. 1
629983	GF. 17	10210231	MC. 4	1210403	KB. 2	3210739	GP. 2
729983	GF. 17	11210231	MC. 4	Z10470	JA. 16	4210739	GP. 2
829983	GF. 17	12210231	MC. 4	2210470	QC. 14	1210740	KA. 2
		1210235	KB. 1			3210800	JB. 78
						4210800	JB. 81

WALCOP 100 2

INDEX OF PART NUMBERS

Page W. 125

(See also Supplementary pages, if any)

Part No.	Page No.	Part No.	Page No.	Part No.	Page No.	Part No.	Page No.
6Z10800	JB. 81	2Z11672	FG. 52	10Z12377	GQ. 13	6Z12897	PE. 6B
7Z10800	JB. 81	3Z11672	FG. 52	11Z12377	GQ. 13	1212728	PB. 18C
Z10884	JA. 10	5Z11672	FG. 52	12Z12377	GQ. 13	22Z12726	PB. 18C
5Z11001	OK. 3	5aZ11672	FG. 52	13Z12377	GQ. 13	25Z12726	PB. 18C
6Z11001	OK. 4	2Z11676	FG. 52	17Z12377	GQ. 16	26Z12726	PC. 4
1Z11053	HG. 3	Z11893	KB. 1	18Z12377	GQ. 16	56Z12726	PC. 3
2Z11053	HG. 3	1Z11896	QA. 41	19Z12377	GQ. 12	85Z12726	PC. 4
3Z11053	HG. 3	1Z11925	GQ. 3	20Z12377	GQ. 12	121Z12726	PC. 3
4Z11053	HG. 3	21Z11999	JA. 11	21Z12377	GQ. 15	196Z12726	PC. 4
5Z11053	HG. 4	23Z11999	JA. 11	25Z12377	GQ. 12	197Z12726	PC. 4
6Z11053	HG. 3	Z12045	FG. 47	27Z12377	GQ. 12	200Z12726	PC. 4
7Z11053	HG. 3	2Z12045	FG. 47	28Z12377	GQ. 14	202Z12726	PC. 4
8Z11053	HG. 3	3Z12045	FG. 47	Z12378	GQ. 13	203Z12726	PC. 4
8Z11063	HG. 3	2Z12214	GF. 17	2Z12378	GQ. 13	211Z12726	PB. 18C
10Z11053	HG. 4	3Z12214	GF. 17	17Z12378	GQ. 16	212Z12726	PB. 18C
11Z11053	HG. 4	4Z12214	GF. 17	18Z12378	GQ. 16	213Z12726	PB. 18C
12Z11053	HG. 4	5Z12214	GF. 17	Z12379	GQ. 13	221Z12726	PC. 3
2Z11286	JA. 1	6Z12214	GF. 17	2Z12379	GQ. 14	224Z12726	PC. 3
1Z11267	JA. 18	7Z12214	GF. 17	3Z12379	GQ. 14	225Z12726	PC. 3
5Z11267	JA. 18	8Z12214	GF. 17	4Z12379	GQ. 14	11Z12735	PC. 3
2Z11270	GQ. 4	8Z12214	GF. 17	5Z12379	GQ. 14	1Z12740	PC. 3
3Z11270	GQ. 5	10Z12214	GF. 17	6Z12379	GQ. 14	2Z12740	PC. 3
6Z11270	GQ. 4	11Z12214	GF. 17	7Z12379	GQ. 14	5Z12740	PC. 4
9Z11270	OS. 13	12Z12214	GF. 17	1Z12380	GQ. 13	5Z12741	PC. 3
10Z11270	OS. 13	13Z12214	GF. 17	3Z12380	GQ. 13	6Z12741	PC. 3
29Z11270	GQ. 6	14Z12214	GF. 17	4Z12380	GQ. 13	7Z12741	PC. 3
34Z11270	GQ. 3	15Z12214	GF. 17	5Z12380	GQ. 13	1Z12743	PC. 4
35Z11270	GQ. 3	16Z12214	GF. 17	2Z12428	GQ. 15	1Z12767	HP. 2
41Z11270	FG. 65	17Z12214	GF. 17	3Z12428	GQ. 15	5Z12767	HP. 2
42Z11270	FG. 65	2Z12215	JA. 55	33Z12428	GQ. 15	10Z12757	HP. 2
43Z11270	OS. 3	1Z12216	DA. 6	34Z12428	GQ. 15	1Z12787	OS. 1
44Z11270	OS. 3	5Z12216	DA. 7	1Z12495	PC. 2	2Z12787	OS. 1
47Z11270	GQ. 1	6Z12216	DA. 7	1Z12496	QA. 29	3Z12787	OS. 1
48Z11270	GQ. 6	7Z12216	DA. 7	2Z12496	QA. 29	4Z12787	OS. 1
49Z11270	GQ. 6	8Z12216	QA. 7	1Z12502	FM. 27	1Z12813	JA. 40
4Z11273	GQ. 3	9Z12216	QA. 7	3Z12502	FM. 27	1Z12876	OK. 3
5Z11273	GQ. 2	10Z12216	DA. 6	1Z12514	GQ. 14		OR. 8
26Z11277	GQ. 15	11Z12216	DA. 7	2Z12514	GQ. 14		OR. 14
1Z11293	QN. 7	12Z12216	DA. 7	1Z12517	GQ. 14	2Z12876	OR. 14
2Z11293	QN. 7	13Z12216	DA. 7	1Z12543	JA. 20	3Z12876	OR. 1
3Z11293	QN. 7	14Z12216	DA. 7	1Z12604	PD. 3	Z49120	HA. 3
3aZ11293	QN. 7	15Z12216	DA. 6		PE. 7	2Z139596	PB. 1
10Z11295	GQ. 3	16Z12216	DA. 7	2Z12604	PD. 3	Z580790	DA. 6
1Z11315	JA. 14	17Z12216	DA. 7		PE. 3	ZA2401/1	FG. 54
2Z11316	OS. 5	18Z12216	DA. 6	3Z12604	PD. 3	ZA11615	NB. 1
3Z11316	OS. 13	19Z12216	DA. 6	4Z12604	PD. 3	ZA116801	NB. 1
4Z11316	OS. 6	20Z12216	DA. 7	5Z12604	PE. 7	6R4Y385A	KE. 3
5Z11316	OS. 5	21Z12216	DA. 6	6Z12604	PE. 7	6R4Y533A	KE. 2, KE. 4
7Z11316	OS. 12	Z12377	GQ. 12	2Z12649	JH. 11	6R4Y539	KE. 2, KE. 4
9Z11316	OS. 6	3Z12377	GQ. 13	1Z12381	GG. 22	6R4Y545A	KE. 2, KE. 4
Z11323	JA. 1	4Z12377	GQ. 13	4Z12681	GG. 22	6R4Y547A	KE. 2, KE. 4
2Z11323	JA. 1	5Z12377	GQ. 13	6Z12682	GG. 22	6R4Y549A	KE. 2, KE. 4
3Z11323	JA. 1	6Z12377	GQ. 13	1Z12687	PE. 68	6R4Y553ND	KE. 2, KE. 4
2Z11399	HG. 3	7Z12377	GQ. 13	2Z12697	PE. 68	6R4Y555ND	KE. 2, KE. 4
Z11476	GG. 22A	8Z12377	GQ. 13	4Z12697	PE. 68	6R4Y559	KE. 2, KE. 4
1Z11672	FG. 52	8Z12377	GQ. 13	5Z12697	PE. 68		

INDEX OF PART NUMBERS

(See also Supplementary pages, if any)

Part No.	Page No.	Part No.	Page No.	Part No.	Page No.	Part No.	Page No.
6R4Y571	KE. 3						
6R4Y585	KE. 3						
6R4Y596ND	KE. 3						
6R4Y597	KE. 3						
6R4Y599	KE. 3						
6R4Y601	KE. 3						
6R4Y815	KE. 2						
6R4Y817	KE. 3						
52888	JA. 3						
7/5627/1RH	JA. 50						
8216—1103	PB. 11						
9307RA17	PC. 1						
9/3563	QB. 5A						
9/3573	QB. 5A						
100/19833	PA. 15						
1400—1/4"	CD. 14						
7100-14-881	GD. 1						

VULCAN No. 2

INDEX OF PART NUMBERS

Pages W. 127

(See also Supplementary pages, if any)

Part No.	Page No.	Part No.	Page No.	Part No.	Page No.	Part No.	Page No.
88VB100	FQ. 3	199VB100	FQ. 3	284VB100	FD. 2	7790VB100	FJ. 6
89VB100	FQ. 3	200VB100	FQ. 3	287VB100	FQ. 4	7842VB100	FJ. 5
99VB100	FJ. 20	202VB100	FD. 1	290VB100	FJ. 7	7860VB100	FD. 2
109VB100	FJ. 1	203VB100	FQ. 3	291VB100	FQ. 4	7861VB100	FD. 2
110VB100	FJ. 1	204VB100	FD. 1	292VB100	FD. 22	7881VB100	FD. 1
111VB100	FJ. 1	207VB100	FD. 1	293VB100	FD. 2	7939VB100	FJ. 5
112VB100	FJ. 2	208VB100	FQ. 3	297VB100	FJ. 3	8032VB100	FD. 2
119VB100	FD. 1	209VB100	FJ. 3	298VB100	FJ. 3	8082VB100	FJ. 5
122VB100	FJ. 2	210VB100	FD. 1	310VB100	FJ. 20	8107VB100	FJ. 7
123VB100	FJ. 2	213VB100	FD. 1	312VB100	FJ. 20	8356VB100	FQ. 4
124VB100	FJ. 2	216VB100	FD. 1	313VB100	FJ. 20	8357VB100	FJ. 5
134VB100	FJ. 2	219VB100	FJ. 3	321VB100	FJ. 20	8563VB100	FQ. 4
137VB100	FJ. 2	221VB100	FJ. 3	322VB100	FJ. 20	8567VB100	FJ. 5
139VB100	FJ. 2	224VB100	FJ. 3	323VB100	FJ. 20	8568VB100	FJ. 7
140VB100	FJ. 6	225VB100	FJ. 3	7089VB100	FQ. 4	8568VB100	FJ. 20
141VB100	FJ. 6	228VB100	FJ. 3	7100VB100	FJ. 4	9291VB100	FJ. 5
144VB100	FQ. 3	230VB100	FJ. 3	7106VB100	FQ. 4	4VB101	FJ. 13
145VB100	FQ. 3	233VB100	FJ. 3	7152VB100	FJ. 4	6VB101	FJ. 8
146VB100	FQ. 3	235VB100	FJ. 6	7153VB100	FJ. 6	7VB101	FJ. 8
149VB100	FJ. 2	237VB100	FJ. 6	7269VB100	FJ. 4	9VB101	FJ. 8
150VB100	FQ. 3	239VB100	FJ. 6	7313VB100	FL. 4	13VB101	FJ. 13
151VB100	FQ. 3	240VB100	FJ. 6	7562VB100	FJ. 4	19VB101	FJ. 8
157VB100	FQ. 3	242VB100	FD. 1	7625VB100	FJ. 4	32VB101	FQ. 4
158VB100	FQ. 3	243VB100	FD. 1	7707VB100	FJ. 4	34VB101	FQ. 4
159VB100	FJ. 2	247VB100	FJ. 3	7708VB100	FJ. 4	36VB101	FQ. 4
161VB100	FJ. 2	250VB100	FJ. 3	7709VB100	FJ. 4	37VB101	FQ. 4
162VB100	FJ. 2	256VB100	FQ. 4	7710VB100	FJ. 4	39VB101	FQ. 4
163VB100	FQ. 3	261VB100	FJ. 3	7711VB100	FJ. 4	40VB101	FQ. 4
164VB100	FJ. 2	262VB100	FJ. 3	7712VB100	FJ. 4	60VB101	FQ. 5
165VB100	FQ. 3	266VB100	FQ. 4	7713VB100	FJ. 4	76VB101	FJ. 8
166VB100	FQ. 3	267VB100	FD. 1	7714VB100	FJ. 4	86VB101	FJ. 8
175VB100	FJ. 2	268VB100	FD. 1	7715VB100	FJ. 4	98VB101	FJ. 8
177VB100	FJ. 2	269VB100	FD. 1	7716VB100	FJ. 4	100VB101	FJ. 8
179VB100	FJ. 2	270VB100	FD. 1	7717VB100	FJ. 4	105VB101	FJ. 8
192VB100	FD. 1	274VB100	FD. 1	7719VB100	FJ. 5	105VB101	FJ. 8
194VB100	FJ. 2	277VB100	FJ. 3	7720VB100	FJ. 5	107VB101	FJ. 8
195VB100	FJ. 2, FQ. 3	280VB100	FJ. 3	7721VB100	FJ. 5	116VB101	FJ. 17
196VB100	FJ. 2	281VB100	FQ. 4	7723VB100	FJ. 5	119VB101	FJ. 9
197VB100	FJ. 2, FQ. 3	282VB100	FQ. 4	7775VB100	FJ. 5	128VB101	FJ. 9
198VB100	FJ. 2	283VB100	FD. 2	7789VB100	FJ. 5	131VB101	FJ. 9

INDEX OF PART NUMBERS

(See also Supplementary pages, if any)

Part No.	Page No.	Part No.	Page No.	Part No.	Page No.	Part No.	Page No.
135V8101	FJ. 9	240V8101	FJ. 10	7727V8101	FJ. 11	3V8186	FM. 26
136V8101	FJ. 13	251V8101	FJ. 17	7728V8101	FJ. 11	8V8187	FM. 26
137V8101	FJ. 13	252V8101	FJ. 17	7729V8101	FJ. 11	1V8193	FN. 24
139V8101	FQ. 5	253V8101	FJ. 10	7730V8101	FJ. 11	5V8193	FN. 24
140V8101	FQ. 5	254V8101	FJ. 10	7731V8101	FJ. 11	1V8194	FN. 24
141V8101	FQ. 5	255V8101	FQ. 5	7732V8101	FJ. 11	31V8199	FG. 49
142V8101	FJ. 17	265V8101	FJ. 10	7733V8101	FJ. 11	39V8199	FG. 49
145V8101	FQ. 5	268V8101	FJ. 10	7734V8101	FJ. 11	1V8200	FG. 51
151V8101	FQ. 5	269V8101	FQ. 5	7735V8101	FJ. 12	19V8200	FG. 51
152V8101	FJ. 9	270V8101	FQ. 5	7736V8101	FJ. 12	1V8215	JG. 1
153V8101	FJ. 9	275V8101	FQ. 5	7737V8101	FJ. 12	V8217	FB. 1
154V8101	FJ. 9	278V8101	FJ. 14	7739V8101	FJ. 12	V8222	FA. 1
155V8101	FQ. 5	279V8101	FJ. 10	7746V8101	FJ. 18	4V8222	FA. 30
156V8101	FQ. 5	280V8101	FJ. 10	7776V8101	FJ. 13	21V8222	FA. 34
157V8101	FJ. 9	281V8101	FQ. 6	7788V8101	FJ. 12	23V8222	FA. 30
160V8101	FJ. 9	282V8101	FJ. 17	7791V8101	FJ. 12	24V8222	FA. 30
162V8101	FQ. 5	283V8101	FJ. 18	7880V8101	FJ. 18	26V8222	FA. 34
180V8101	FJ. 9	7092V8101	FQ. 6	7885V8101	FJ. 18	28V8222	FA. 34
183V8101	FJ. 9	7102V8101	FJ. 10	7946V8101	FJ. 12	30V8222	FA. 30
185V8101	FJ. 9	7103V8101	FJ. 10	8108V8101	FQ. 6	33V8222	FA. 32
190V8101	FJ. 9	7105V8101	FQ. 6	8126V8101	FJ. 14	10V8223	FQ. 7
191V8101	FJ. 9, FQ. 5	7111V8101	FJ. 18	8361V8101	FJ. 12	18V8223	FQ. 6
192V8101	FJ. 9	7155V8101	FJ. 10	8364V8101	FQ. 6	19V8223	FQ. 6
193V8101	FJ. 9, FQ. 5	7157V8101	FJ. 13	8366V8101	FJ. 21	20V8223	FQ. 6
194V8101	FJ. 9	7246V8101	FJ. 11	8561V8101	FQ. 6	21V8223	FQ. 6
195V8101	FQ. 5	7267V8101	FJ. 11	8562V8101	FQ. 6	23V8223	FQ. 1
199V8101	FQ. 5	7342V8101	FQ. 6	8569V8101	FJ. 12	25V8223	FQ. 6
203V8101	FQ. 5	7343V8101	FQ. 6	8570V8101	FJ. 13	26V8223	FQ. 1
204V8101	FJ. 10	7344V8101	FQ. 6	1V8133	FH. 1, FH. 10,	27V8223	FQ. 1
207V8101	FJ. 10	7345V8101	FQ. 6		FH. 16	28V8223	FQ. 16
210V8101	FJ. 10	7560V8101	FJ. 11	2V8168	FM. 26	30V8223	FQ. 6
212V8101	FJ. 10	7561V8101	FQ. 6	1V8177	FB. 9	31V8223	FQ. 16
215V8101	FJ. 10	7626V8101	FJ. 11	1V8178	FQ. 8	7V8282	FA. 35
218V8101	FJ. 10	7627V8101	FQ. 6	2V8178	FQ. 8	8V8282	FA. 35
225V8101	FJ. 10	7628V8101	FJ. 18	1V8179	FQ. 8	1V8283	FB. 14
226V8101	FQ. 5	7652V8101	FJ. 11	2V8179	FQ. 8	11V8372	FA. 33
234V8101	FJ. 13	7697V8101	FJ. 11	2V8180	FB. 13, FJ. 19	12V8372	FA. 33
235V8101	FJ. 13	7724V8101	FJ. 11	1V8181	FB. 14	13V8372	FA. 33
237V8101	FJ. 13	7725V8101	FJ. 11	1V8182	FJ. 19	14V8372	FA. 33
239V8101	FJ. 13	7726V8101	FJ. 11	1V8183	FJ. 19	15V8372	FA. 33

VULCAN No. 2

INDEX OF PART NUMBERS

Page W. 129

(See also Supplementary pages, if any)

Part No.	Page No.	Part No.	Page No.	Part No.	Page No.	Part No.	Page No.
16V8372	FA. 33	16V8493	FP. 1	1V8625	FP. 9	V8636	JH. 23
18V8372	FA. 33	20V8493	FP. 8	1V8627	FP. 8	2V8636	JH. 23
7V8373	FA. 33	21V8493	FM. 31.	2V8627	FP. 8	2dV8636	JH. 23
8V8373	FA. 33		FP. 1	7V8627	FP. 8	3V8636	JH. 23
9V8373	FA. 33	22V8493	FP. 8	1V8628	FP. 9	7V8636	JH. 23
1V8400	FB. 17	23V8493	FP. 8	9V8628	FP. 11	5V8639	FP. 8
2V8400	EG. 15,	24V8493	FP. 1	10V8628	FP. 11	3V8646	HL. 12
	FB. 17	25V8493	FP. 1	11V8628	FP. 11	4V8646	HL. 12
3V8400	FB. 17	26V8493	FP. 1	12V8628	FP. 11	8V8646	HL. 12
21V8400	EG. 17	1V8494	FB. 1	15V8628	FP. 11	12V8646	HL. 13
22V8400	EG. 23	10V8494	FB. 8	16V8628	FP. 11	14V8646	HL. 13
23V8400	EG. 23	11V8494	FB. 8	17V8628	FP. 11	16V8646	HL. 13
24V8400	EG. 23	12V8484	FB. 8	18V8628	FP. 11	18V8646	HL. 13
1V8407	FB. 10	15V8494	FA. 34	19V8628	FP. 11	19V8646	HL. 13
1V8436	FM. 30	30V8494	FB. 7	20V8628	FP. 11	21V8646	HL. 13
2V8436	FM. 31	1V8495	FC. 1	21V8628	FP. 11	22V8646	HL. 13
4V8436	FM. 31	2V8495	FC. 1	22V8628	FP. 11	3V8647	HL. 6
5V8436	FM. 30,	4V8495	FC. 1	23V8628	FP. 11	4V8647	HL. 6
	FM. 31	7V8495	FC. 1	24V8628	FP. 11	7V8647	HL. 6
6V8436	FM. 30	14V8495	FC. 4	25V8628	FP. 11	8V8647	HL. 6
7V8436	FM. 31	17V8495	FC. 1	26V8628	FP. 11	9V8647	HL. 6
8V8436	FM. 30,	18V8495	FC. 1	33V8628	FP. 11	1V8765	JB. 32
	FM. 31	3V8522	FF. 1	34V8628	FP. 11	2V8765	JB. 32
1V8437	FM. 30	3V8538	FG. 45	35V8628	FP. 11	4V8765	JB. 33
5bV8443	FP. 10	1V8539	FG. 45	36V8628	FP. 11	10V8765	JB. 33
11V8443	FP. 10	2V8544	FB. 15	37V8628	FP. 11	11V8765	JB. 33
1V8469	FG. 56	1V8599	FK. 3	38V8628	FP. 11	14V8765	JB. 33
5V8490	FK. 1	1V8604	FB. 11	39V8628	FP. 11	15V8765	JB. 33
6V8490	FK. 3	1V8605	FB. 12	40V8628	FP. 11	21V8765	JB. 33
10V8490	FK. 2	2V8605	FB. 12	41V8628	FP. 11	22V8765	JB. 33
11V8490	FK. 1	1V8608	FM. 28	42V8628	FP. 12	23V8765	JB. 33
14V8490	FK. 3	2V8608	FM. 28	43V8628	FP. 12	2V8783	FB. 16
9V8493	FP. 11	5V8611	FJ. 15	44V8628	FP. 12	4V8783	FB. 16
10V8493	FP. 11	9V8612	FM. 25	45V8628	FP. 12		FH. 16
10aV8493	FP. 11	10V8612	FM. 25	46V8628	FP. 11	1V8786	FG. 46
11V8493	FP. 1	1V8613	FJ. 15	1V8629	FP. 9	2V8786	FG. 46
12V8493	FM. 31	3V8624	FP. 10	2V8629	FP. 9	3V8786	FG. 46
13V8493	FP. 1	4V8624	FP. 10	3V8629	FP. 9	4V8786	FG. 46
14V8493	FP. 1	21V8624	FP. 8	1V8631	FP. 9	5V8786	FG. 46
15V8493	FP. 1	22V8624	FP. 11	2V8631	FP. 9	1V8788	EF. 3

INDEX OF PART NUMBERS

(See also Supplementary pages, if any)

Part No.	Page No.	Part No.	Page No.	Part No.	Page No.	Part No.	Page No.
2V8788	EF. 4	8V9074	FG. 57	7aV9122		1V9232	FM. 26
5V8788	EF. 3	10V9074	FG. 57	1V9126	FE. 3	8V9232	FM. 26
7V8788	EF. 4	1V9104	FG. 52	7V9131	FB. 1	9V9232	FM. 26
1V8795	EF. 3	1895V9114	FA. 13	1V9135	FM. 30	10V9232	FM. 26
5V8795	EF. 3	1896V9114	FA. 13	2V9135	FM. 30	1V9265	FN. 18
6V8795	FE. 3	1897V9114	FA. 13	3V9135	FM. 30	1V9266	FN. 18
11V8795	FE. 3	1898V9114	FA. 13	1V9138	FG. 46	1V9274	FN. 18
13V8795	FE. 3	1900V9114	FA. 13	1V9139	FB. 11	1V9274	FN. 18
5V8963	HE. 1	2017V9114	FH. 3.	3V9139	FB. 11	3V9287	FP. 8
6V8963	HE. 1		FH. 5	1V9145	FE. 1, JA. 5	2V9288	FG. 47
7V8963	HE. 1	2018V9114	FH. 8.	1V9157	FB. 12	1V9303	FA. 35
8V8963	HE. 1		FH. 10	2V9158	FB. 12	18V9303	FA. 35.
9V8963	HE. 1	2019V9114	FH. 13.	3V9158	FB. 12		HH. 52
1V8964	HD. 1		FH. 15	5V9158	FB. 12	19V9303	FA. 35
3V8964	HD. 1	2020V9114	FH. 20	1V9164	FG. 45	25V9303	HH. 16
4V8964	HD. 1	7177V8114	FH. 3.	2V9164	FG. 45	2V9304	FG. 59
5V8964	HD. 1		FH. 5	3V9164	FG. 45	3V9304	FG. 59
1V8965	GG. 28	7178V9114	FH. 8.	4V9164	FG. 45	4V9304	FG. 59
2V8965	GG. 28		FH. 10	5V9164	FG. 45	6V9304	FG. 59
2bV8965	GG. 28	7179V9114	FH. 18.	1V9165	FG. 45	1V9326	FG. 45
3V8965	GG. 28		FH. 20	1V9180	FN. 18	4V9326	FG. 45
4V8965	GG. 28	7180V9114	FH. 13	1V9181	FN. 18	1V9336	FG. 45
4V8990	GG. 30	7294V9114	FA. 13	1V9194	FH. 1	1V9347	
5V8990	GG. 29	7295V9114	FA. 13	2V9194	FH. 5	1V9360	FM. 1
1V9030	EF. 3	7296V9114	FA. 13	3V9194	FH. 10	2V9360	FM. 1
1V9036	FB. 8	7297V9114	FA. 13	4V9194	FH. 16	1V9363	FE. 3
6V9036	FB. 8	7298V9114	FA. 13	7V9194	FH. 1, FH. 6.	1V9365	HD. 2
1V9037	FB. 16	7302V9114	FA. 16		FH. 11.	3V9386	EC. 5
2V9037	FB. 16	7315V9114	FA. 13		FH. 16	19V9387	JB. 73
3V9037	FB. 16	7316V9114	FA. 13	1V9198	FB. 1	1V9396	QB. 2, QB. 3
1V9040	FB. 16	7327V9114	FA. 13	2V9198	FB. 1	3V9396	QB. 2, QB. 3
1V9043	FF. 1	7406V9114	FA. 17	4V9198	FB. 1	1V9397	QB. 2, QB. 3
1V9044	FF. 2	7407V9114	FA. 17	2V9199	FG. 53	3V9397	QB. 2, QB. 3
5V9051	FF. 2	1V9122	JA. 15	3V9199	FG. 54	4V9411	HK. 1
1V9071	FG. 57	2V9122	JA. 15	2V9206	FG. 47	1V9421	FM. 32
1V9074	FG. 57	3V9122	JA. 15	1V9230	FM. 26	2V9421	FM. 32
3V9074	FG. 57	4V9122	JA. 15	4V9230	FM. 26	5V9421	FM. 33
5V9074	FG. 57	6V9122	JA. 15	5V9230	FM. 26	6V9421	FM. 33
6V9074	FG. 57	6aV9122		8V9230	FM. 26	8V9421	FM. 33
7V9074	FG. 57	7V9122	JA. 15	1V9231	FM. 26	9V9421	FM. 32

VULCAN No. 2

INDEX OF PART NUMBERS

Page W. 131

(See also Supplementary pages, if any)

Part No.	Page No.	Part No.	Page No.	Part No.	Page No.	Part No.	Page No.
10V9421	FM. 32	2aV9472	FD. 3.	2V9562	GG. 33	22V9772	FQ. 13
11V9421	FM. 32		FM. 27.	3V9562	GG. 33	23V9772	FQ. 13
14V9421	FM. 32		FQ. 7	1V9573	FP. 1	24V9772	FQ. 14
15V9421	FM. 32	2fV9473	FM. 27	2V9573	FP. 1	25V9772	FQ. 14
16V9421	FM. 33	5V9472	FP. 9, FQ. 7	3V9573	FP. 1	1V9778	GG. 4
25V9421	FM. 33	6V9472	FM. 26, FP. 9	8V9573	FP. 1	1V9781	GG. 3
26V9421	FM. 32	7V9472	FK. 2, FM. 26,	V9575	JA. 5	1V9782	GG. 4
28V9421	FM. 33		FN. 16, FP. 9	1V9576	FB. 1	1V9783	HH. 22
1V9422	FM. 33	9V9472	FM. 25	1V9581	FB. 15	2V9783	HH. 22
2V9422	FM. 33	10V9472	FM. 25	2V9581	FB. 15	3V9783	HH. 23
1V9437	FN. 17	1V9473	FB. 13	1V9589	FE. 3	4V9783	HH. 22
2V9437	FN. 17	8V9476	FG. 7	2V9591	JA. 16	8V9783	HH. 23
1V9443	JB. 33	1V9479	FP. 9	10V9591	JA. 16	8aV9783	HH. 23
4V9443	JB. 34	1V9482	JB. 33	V9592	JA. 8	8bV9783	HH. 23
14V9443	JB. 33	2V9482	JB. 33	3V9592	FG. 58	8cV9783	HH. 32
54V9443	JB. 34	3V9482	JB. 33	5V9592	FG. 7	1V9796	FB. 13
57V9443	JB. 33	4V9482	JB. 33	15V9592	JA. 19	5V9802	HH. 23
1V9447	FM. 30	5V9482	JB. 33	16V9592	JA. 19	6V9802	HH. 24
1V9455	FN. 20	5V9488	FN. 25	55V9592	FG. 58	8V9802	HH. 23
2V9455	FN. 20	9V8488	FN. 14	1V9597	GG. 35	11V9814	JA. 16
3V9455	FN. 20	10V9488	FN. 16	4V9636	GG. 16	1V9851	FG. 45
10V9463	FG. 54	12V9488	FN. 16	3V9676	HH. 52	4V9851	FJ. 18
1V9470	FN. 18	13V9488	FN. 14	6V9677	HH. 52	5V9851	FN. 17
2V9470	FN. 18	15V9488	FN. 1	1V9724	FA. 32	6V9851	FP. 8
3V9470	FN. 18	16V9488	FN. 25	2V9724	FA. 32	1V9869	FB. 17
2V9472	FD. 3, FJ. 6, FJ. 13, FJ. 19, FM. 27	17V9488	FN. 25	4V9724	FA. 32	1V9890	FQ. 10
		18V9488	FN. 16	1V9726	FQ. 11,	2V9890	FQ. 10
		18dV9488	FN. 16		GG. 3	5V9890	FQ. 10
2aV9472	FD. 3, FM. 27, FQ. 7	1V9534	GG. 12	2V9726	FQ. 11,	6V9890	FQ. 10
		3V9534	GG. 12		GG. 3	8V9890	FQ. 10
2bV9472	FD. 3, FM. 27, FQ. 7	4V9534	GG. 12	1V9770	FA. 32	9V9890	FQ. 10
		1V9543	FM. 27	2V9770	FA. 32	1V9892	HH. 21
		2V9543	FM. 27	3V9770	FA. 32	1V9893	HH. 21
2cV9472	FD. 3, FM. 27, FQ. 7	1V9546	DF. 2, FJ. 18	5V9770	FA. 32	1V9898	FQ. 8
		2V9547	FQ. 8	1V9772	FQ. 13	1V9899	FQ. 8
		1V9554	GG. 33	2V9772	FQ. 13	1V9932	FB. 9, FN. 19
		1V9557	HD. 1	5V9772	FQ. 13	1V9933	FB. 10,
2dV9472	FD. 3, FM. 27, FQ. 7	1V9561	GG. 33	6V9772	FQ. 13		FN. 19
		2V9561	GG. 33	9V9772	FQ. 14	1V9934	FB. 10,
		1V9562	FM. 1, GG. 33	10V9772	FQ. 14		FN. 19

INDEX OF PART NUMBERS

(See also Supplementary pages, if any)

Part No.	Page No.	Part No.	Page No.	Part No.	Page No.	Part No.	Page No.
1V9935	FB. 10, FN. 19	2V10090	HH. 17	3V10291	HH. 41	7V10711	JA. 61
1V9936	FH. 1, FH. 5, FH. 10, FH. 16	1V10091	HH. 16	5V10291	HH. 41	8V10711	JA. 61
6V9940	JB. 64	2V10091	HH. 16	1V10297	HH. 17	4V10712	JA. 60
7V9940	JB. 64	2V10101	HH. 21	2V10297	HH. 17	4V10713	JA. 60
1V9947	HH. 15	1V10102	HH. 14	1V10307	FG. 53	1V10719	HH. 52
6V9947	HH. 15	6V10102	HH. 15	1V10362		2V10719	HH. 52
1V9949	HH. 14	7V10102	HH. 14	1V10446	HH. 24	1V10723	FH. 16
1V9950	HH. 14	8V10102	HH. 16	3V10446	HH. 24	2V10723	FH. 16
1V9951	HH. 21	9V10102	HH. 16	1V10468	HH. 22	4V10758	FG. 57
1V9952	HH. 21	10V10102	HH. 15	20V10493	HH. 52	6V10758	FG. 58
1V9953	HH. 21	11V10102	HH. 15	1V10498	FA. 32	10V10758	FG. 58
2V9954	HH. 21	12V10102	HH. 15	1V10520	FG. 12	11V10758	FG. 58
3V9954	HH. 21	2V10103	HH. 22	1V10521	FG. 12	12V10758	FG. 58
4V9954	HH. 21	1V10106	FP. 10	1V10552	FG. 53	13V10758	FG. 58
5V9954	HH. 21	2V10106	GG. 35	1V10560	FN. 18	1V10783	HH. 52
6V9954	HH. 21	3V10106	GG. 35	1V10566	FG. 53	1V10785	HH. 52
1V9957	HH. 18	2V10204	HH. 22	1V10642	FN. 16	1V10787	FH. 1
3V9957	HH. 18	1V10225	FC. 5	1V10643	FN. 16	2V10787	FH. 5, FH. 8
4V9957	HH. 18	1V10227	FC. 5	2V10643	FN. 16	3V10787	FH. 10
1V10013	FP. 10	1V10229	GG. 29	3V10643	FN. 16	4V10787	FH. 16
2V10013	FP. 10	2V10229	GG. 29	4V10643	FN. 16	5V10787	FH. 20
3V10013	FP. 10	2bV10229	GG. 29	5V10643	FN. 16	6V10787	FH. 20
1V10027	FC. 5	3V10229	GG. 29	6V10643	FN. 16	1V10810	FF. 1
1V10081	FP. 9	4V10229	GG. 29	1V10657	FB. 11, FN. 16	1V10831	FP. 9
4V10081	FP. 9	5V10229	GG. 29	1V10663	FE. 3	7V10911	EF. 2, HH. 24
2V10085	HH. 14	1V10230	GG. 27	2V10663	FE. 4	7aV10911	HH. 24
3V10085	HH. 16	2V10230	GG. 27	10V10663	FE. 3	7bV10911	HH. 24
4V10085	HH. 16	3V10230	GG. 27	1V10696	FP. 9	1V10950	FF. 2
5V10085	HH. 16	4V10230	GG. 27	2V10706	HH. 21	1V11031	HK. 1
6V10085	HH. 16	5V10230	GG. 27	3V10706	HH. 21	1V11032	HK. 1
7V10085	HH. 15	4V10252	GG. 15	4V10706	HH. 21	2V11032	HK. 1
1V10086	HH. 15	3V10253	GG. 15	5V10706	HH. 21	4V11032	HK. 1
2V10086	HH. 15	1V10285	HH. 15	6V10706	HH. 21	1V11056	HK. 1
3V10086	HH. 15	1V10286	HH. 17	10V10706	HH. 21	1V11098	HH. 15
2V10087	HH. 17	3V10287	HH. 17	11V10706	HH. 21	1V11112	FE. 2
1V10089	HH. 16	4V10287	HH. 16	1V10709	HH. 52	1V11113	FE. 2
1V10090	HH. 17	1V10289	HH. 52	2V10709	HH. 52	1V11124	FB. 1
		1V10291	HH. 41	11V10710	JA. 61	6V11124	FB. 7
		2V10291	HH. 41	12V10710	JA. 61	7V11124	FB. 7
						1V11133	FE. 2

VULCAN No. 2

INDEX OF PART NUMBERS

Page W. 133

(See also Supplementary pages, if any)

Part No.	Page No.	Part No.	Page No.	Part No.	Page No.	Part No.	Page No.
5V11133	HH. 24	3V11292	FJ. 20	1V11416	FM. 30	1V11825	FP. 8
1V11134	EF. 2	1V11293	FN. 26	1V11419	FE. 1	3V11825	FP. 8
2V11134	EF. 2	2V11293	FN. 26	1V11468	GG. 30	4V11825	FP. 8
1V11147	GG. 18	2aV11293	FN. 26	1V11481	FE. 1	1V11831	FN. 20
1V11167	FG. 57	4V11293	FN. 26	2V11481	FE. 1	2V11831	FN. 20
2V11215	FG. 59	4aV11293	FN. 26	3V11481	FE. 1	10V11831	FN. 20
2V11240	FN. 26	5V11293	FN. 26	5V11481	FE. 1	11V11831	FN. 20
12V11240	FN. 26	5aV11293	FN. 26	1V11488	GG. 25	1V11847	FN. 16
13V11240	FN. 26	5bV11293	FN. 26	1V11506	JA. 12	6V11847	FN. 16
14V11240	FN. 26	32V11311	HH. 52	1V11510	HH. 23	7V11847	FN. 16
15V11240	FN. 26	68V11313	FP. 9	1V11514	FN. 26	1V11861	FB. 17
16V11240	FN. 25	1V11319	FA. 1	1V11590	FM. 33	1V11869	HH. 16
17V11240	FN. 25	11V11319	FA. 1	1V11594	FM. 33	2V11879	GG. 26
18V11240	FN. 27	12V11319	FA. 1	1V11598	FB. 15	1V11884	FB. 16
19V11240	FN. 27	1V11351	FH. 5	1V11599	FB. 15	1V11887	GG. 28
19aV11240	FN. 27	2V11351	FH. 5	1V11607	FQ. 10	1V11896	FF. 1
21V11240	FN. 29	5V11351	FH. 5	1V11608	FQ. 10	2V11896	FF. 1
22V11240	FN. 28	6V11351	FH. 5	1V11611	FA. 32	3V11896	FF. 1
23V11240	FN. 28	10V11351	FH. 5	1V11612	FA. 32	1V11898	FF. 1
23aV11240	FN. 28	11V11351	FH. 5	1V11647	FQ. 7	1V11903	FG. 57
24V11240	FN. 28	12V11351	FH. 5	2V11647	FQ. 7	1V11936	FN. 16
25V11240	FN. 28	13V11351	FH. 5	3V11647	FQ. 7	1V11938	FN. 16
25aV11240	FN. 28	1V11365	FJ. 19	5V11647	FQ. 7	1V11939	FN. 16
26V11240	FN. 25	1V11368	GG. 29	1V11649	FM. 32	1V11942	FN. 16
26aV11240	FN. 25	1V11373	FM. 30	1V11728	FN. 23	1V11945	FN. 16
27V11240	FN. 26	1V11374	FM. 31	1V11729	FN. 23	1V12056	GG. 30
27aV11240	FN. 26	1V11379	GG. 27	1V11730	FN. 23	1V12059	FG. 55
27bV11240	FN. 26	1V11410	FN. 24	1V11731	FN. 23	1V12060	JA. 6
33V11240	FN. 27	3V11410	FN. 24, JB. 73	1V11734	FN. 23	1V12089	FG. 57
33aV11240	FN. 27	17V11410	FN. 24,	1V11767	FM. 31	1V12105	HH. 15
33bV11240	FN. 27		JB. 73, JB. 74	1V11789	FF. 1	1V12120	FN. 20
33cV11240	FN. 27	17aV11410	FN. 24, JB. 73	1V11790	FM. 27	1V12224	JA. 16
34V11240	FN. 27	17bV11410	FN. 24, JB. 73	2V11790	FM. 27	1V12269	HH. 21
34aV11240	FN. 27	17cV11410	FN. 24, JB. 73	1V11794	FG. 50	2V12269	HH. 22
35V11240	FN. 25	17dV11410	FN. 24, JB. 73	1V11795	FJ. 19	3V12269	HH. 22
39V11240	FN. 26	17eV11410	FN. 24, JB. 73	1V11796	GG. 29	4V12269	HH. 22
2V11249	FG. 54	19V11410	FN. 24	1V11797	GG. 27	1V12441	HH. 10
20V11270	FG. 7	19aV11410	FN. 24	1V11807	FG. 57	1V12442	HH. 12A
4V11283	FG. 7	19bV11410	FN. 24	4V11814	FN. 22	1V12483	HH. 12A
1V11292	FJ. 20	20V11410	JB. 73	5V11814	FN. 1	1V12779	FG. 57

VULCAN No. 1

Page W. 134

INDEX OF PART NUMBERS

(See also Supplementary pages, if any)

Part No.	Page No.	Part No.	Page No.	Part No.	Page No.	Part No.	Page No.
1V12846	HH. 41			2W989	DA. 1	10Z478	HH. 42
1V13128	FG. 57			3W989	DA. 1	5Z742	DB. 1, JA. 20
1V13481	FG. 49			3W1027	DA. 1	Z982	KB. 8
1V13482	FG. 49			4W1027	DA. 1	1Z1074	KA. 2
2V13536	HM. 3			10W1027	DA. 4	27aZ1205	HC. 4
3V13536	HM. 3			11W1027	DA. 4	27bZ1205	HC. 4
4V13536	HM. 3			18W1027	DA. 5	5Z2164	MC. 72,
5V13536	HM. 3			20W1027	DA. 1		MC. 73
6V13536	HM. 3			25bW1027	DA. 6	5aZ2164	QS. 1
7V13536	HM. 3			2W1128	DA. 5	5bZ2164	QS. 1
8V13536	HM. 3			8W1128	DA. 5	5cZ12164	QS. 1
9V13536	HM. 3			12W1128	DA. 5	106Z2165	QS. 1
11V13536	HM. 3			13W1128	DA. 6	10Z2256	HC. 4, SA. 1
V13579	JA. 11			16W1128	DA. 2	46cZ2537	QS. 1
2V13579	JA. 11			17W1128	DA. 2	6Z2556	GE. 2
2aV13579	JA. 11			18W1128	DA. 2	15Z3090	JA. 1
1V13611	HH. 22			19W1128	DA. 6	7Z3092	QI. 6
1V13894	EC. 1			19aW1128	DA. 6	25Z3224	QA. 8,
2V13894	EC. 1			21W1128	DA. 7		QA. 23,
4V13894	EC. 1			22W1128	DA. 7		QB. 1,
1V13952	HH. 19			W1493	KF. 2		QQ. 1,
2V13952	HH. 20						QT. 5
3V13952	HH. 19					25aZ3224	QQ. 1
4V13952	HH. 19					48Z3257	QC. 10
5V13952	HH. 19					54Z3257	QC. 9
1V13953	HH. 19					60Z3257	QC. 9
1V13954	HH. 19					19Z3413	GD. 4
1V13955	HH. 20					1Z4179	EG. 4, EG. 7
2V13955	HH. 20					1Z6492	JA. 40
3V13955	HH. 20					4Z6531	QA. 12
4V13955	HH. 20					5Z6531	QA. 12
1V13956	HH. 20					3bZ6632	QA. 32
1V13957	HH. 20					7Z6632	NB. 1
2V13957	HH. 20					7Z6632	QA. 27,
3V13957	HH. 20						QA. 32,
4V13957	HH. 20						QA. 39
1V13965	HH. 19					1Z6930	JB. 56, MC. 5,
1V13966	HH. 19						QH. 1, QH. 7
1V14098	FA. 32					2Z6930	QH. 7
1V14150	FG. 51					3Z6930	MC. 5
1V14151	FG. 51						

VULCAN No. 1

INDEX OF PART NUMBERS

Page W. 135

(See also Supplementary pages, if any)

Part No.	Page No.	Part No.	Page No.	Part No.	Page No.	Part No.	Page No.
4Z6930	JB. 56, MC. 5	10Z7032	QA. 20,	138Z7119	QR. 7	28Z7139	QA. 40
	QH. 1, QH. 7		QA. 33,	139Z7119	QR. 7	37Z7144	QA. 37
5Z6930	JB. 56, QH. 1,		QA. 37	140Z7119	QR. 7	39Z7144	QA. 37
	QH. 7, MC. 5	2Z7053	DB. 1	141Z7119	QR. 7	40Z7144	QA. 19,
8Z6935	QA. 35	2Z7058	DB. 1, JA. 20	142Z7119	QR. 7		QA. 20,
10Z6935	QA. 36	2fZ7058	JA. 20	143Z7119	QR. 8		QA. 33,
13Z6935	QA. 36	1Z7069	MC. 5	144Z7119	QR. 8		QA. 34,
17Z6935	QA. 36	2Z7069	MC. 5	145Z7119	QR. 7		QA. 37,
20Z6935	QA. 36	5Z7069	MC. 5	146Z7119	QR. 7		QA. 52,
30Z6935	QA. 37	6Z7069	MC. 5	147Z7119	QR. 7		QA. 53
31Z6935	QA. 37	7Z7069	MC. 5	148Z7119	QR. 7	41Z7144	QA. 19,
100Z6935	QA. 36	8Z7069	MC. 5	149Z7119	QR. 7		QA. 20,
1Z6936	QA. 35	2Z7071		4Z7120	QA. 31		QA. 33,
10Z6936	QA. 35	20Z7071	GF. 23	3Z7120	QA. 31		QA. 34,
6Z6937	QA. 36	2Z7072	GF. 23	5Z7120	QA. 31		QA. 37,
7Z6937	QA. 36	3Z7072	GF. 23	7Z7120	QA. 31		QA. 52,
8Z6937	QA. 36	5Z7072	GF. 23	8Z7120	QA. 31		QA. 53
11Z6937	QA. 36	6Z7072	GF. 23	9Z7120	QA. 31	9Z7147	QA. 36
1Z6945	QA. 4	7Z7072	GF. 23	10Z7131	QA. 9	1Z7162	QA. 3
3Z6945	QA. 5	8Z7072	GF. 23	11Z7131	QA. 8	1Z7165	QA. 3
4Z6945	QA. 5	13Z7072	GF. 23	12Z7131	QA. 8	4Z7184	JB. 35
5Z6945	JB. 77	6Z7087	JB. 56	13Z7131	QA. 9	5Z7184	JB. 35
33Z6948	QA. 7	16Z7087	JB. 56	14Z7131	QA. 9	8Z7184	JB. 35
34Z6948	QA. 7	1Z7102	KA. 1	15Z7131	QA. 9	9Z7184	JB. 35
59Z6948	QA. 4	109Z7119	QR. 7	16Z7131	QA. 8	10Z7184	JB. 35
68Z6948	QA. 6	116Z7119	QR. 7,	19Z7131	QA. 9	11Z7184	JB. 35
7Z6948	QA. 1		QR. 10	1Z7132	JH. 1, RB. 4	1Z7189	QA. 3
87Z6948	QA. 4	125Z7119	QR. 7	2Z7132	JH. 1, RB. 4	1Z7225	KE. 1
89Z6948	QA. 1	126Z7119	QR. 7	3Z7132	JH. 1, RB. 4	1Z7238	QA. 12
100Z6948	QA. 1	127Z7119	QR. 7	4Z7132	JH. 1, RB. 4	1Z7245	KE. 1
1Z6998	QA. 35	128Z7119	QR. 7	5Z7132	JH. 1, RB. 4	7Z7276	QS. 4
2Z6998	QA. 35	129Z7119	QR. 7	6Z7132	JH. 1, RB. 4	9Z7276	QS. 4
11Z6998	QA. 35	130Z7119	QR. 7	7Z7132	JH. 1, RB. 4	17Z7276	QS. 6
12Z6998	QA. 35	131Z7119	QR. 8	11Z7139	QA. 40	18Z7276	QS. 8
1Z7012	JB. 54	132Z7119	QR. 8	12Z7139	QA. 40	26Z7276	QS. 4
1Z7013	JB. 54	133Z7119	QR. 7	13Z7139	QA. 40	28Z7276	QS. 5
1Z7014	JB. 54	134Z7119	QR. 7	14Z7139	QA. 40	30Z7276	QS. 5
3Z7032	QA. 37	135Z7119	QR. 7	25Z7139	QA. 40	34Z7276	QS. 5
4Z7032	QA. 37	136Z7119	QR. 7	26Z7139	QA. 40	36Z7276	QS. 5
		137Z7119	QR. 7	27Z7139	QA. 40	51Z7276	QS. 5

INDEX OF PART NUMBERS

(See also Supplementary pages, if any)

Part No.	Page No.	Part No.	Page No.	Part No.	Page No.	Part No.	Page No.
52Z7276	QS. 6	10Z7303	QA. 43	29Z7330	QA. 45	35Z7349	JB. 115
68Z7276	QS. 5	11Z7303	QA. 42	30Z7330	QA. 43	36Z7349	JB. 114
76Z7276	QS. 5	12Z7303	QA. 42	34Z7334	QA. 45	37Z7349	JB. 114
77Z7276	QS. 5	13Z7303	QA. 42	5Z7342	QC. 9	40Z7349	JB. 115
100Z7276	QS. 8	14Z7303	QA. 42	6Z7342	QC. 9	41Z7349	JB. 115
104Z7276	QS. 8	15Z7303	QA. 42	8Z7342	QC. 9	42Z7349	JB. 115
110Z7276	QS. 7	20Z7303	QA. 42	24Z7342	QC. 9	43Z7349	JB. 115
118Z7276	QS. 6	21Z7303	QA. 42	32Z7342	QC. 9	44Z7349	JB. 115
121Z7276	QS. 7	5Z7304	QA. 44	34Z7342	QC. 10	45Z7349	JB. 115
123Z7276	QS. 5	25Z7304	QA. 45	37Z7342	QC. 10	46Z7349	JB. 115
124Z7276	QS. 5	26Z7304	QA. 45	39Z7342	QC. 10	13Z7355	QA. 45
125Z7276	QS. 6	32Z7304	QA. 46	42Z7342	QC. 9	10Z7357	QA. 44
128Z7276	QS. 6	33Z7304	QA. 46	43Z7342	QC. 9	11Z7357	QA. 44
129Z7276	QS. 6	34Z7304	QA. 44	44Z7342	QC. 10	12Z7357	QA. 44
131Z7276	QS. 6	40Z7304	QA. 45	45Z7342	QC. 9	19Z7357	QA. 44
134Z7276	QS. 8	41Z7304	QA. 45	52Z7342	QC. 10	20Z7357	QA. 44
135Z7276	QS. 8	43Z7304	QA. 43	52eZ7342	QC. 10	21Z7357	QA. 44
136Z7276	QS. 7	44Z7304	QA. 44	53Z7342	QC. 10	22Z7357	QA. 44
138Z7276	QS. 8	45Z7304	QA. 44	58Z7342	QC. 9	8Z7364	QM. 9, QR. 6
140Z7276	QS. 7	47Z7304	QA. 44	59Z7342	QC. 10	9Z7365	JA. 14
141Z7276	QS. 7	1Z7306	KB. 2	60Z7342	QC. 9	10Z7365	JA. 14
150Z7276	QS. 5	1Z7312	QA. 46	63Z7342	QC. 9	11Z7365	JA. 14
167Z7276	QS. 5	15Z7312	QA. 43	64Z7342	QC. 9	18Z7365	JA. 16
168Z7276	QS. 5	28Z7312	QA. 46	67Z7342	QC. 10	19Z7365	JA. 15
180Z7276	QS. 8	28aZ7312	QA. 46	1Z7344	KE. 1	19aZ7365	JA. 15
183Z7276	QS. 5	28bZ7312	QA. 46	9Z7344	KE. 1	20Z7365	JA. 15
184Z7276	QS. 7	1Z7315	QA. 46	10Z7344	KE. 1	20aZ7365	JA. 15
186Z7276	QS. 6	1Z7323	KB. 4	11Z7344	KE. 1	22Z7365	JA. 20
188Z7276	QS. 8	2Z7330	QA. 45	1Z7349	JB. 114	23Z7365	JA. 14
210Z7276	QS. 7	6Z7330	QA. 46	2Z7349	JB. 115	33Z7366	JA. 43
213Z7276	QS. 2	7Z7330	QA. 46	2eZ7349	JB. 115	105Z7367	
214Z7276	QS. 2	12Z7330	QA. 46	2mZ7349	JB. 115	123Z7367	JA. 18
215Z7276	QS. 2	13Z7330	QA. 46	2cZ7349	JB. 115	124Z7367	JA. 18
216Z7276	QS. 2	14Z7330	QA. 46	3Z7349	JB. 115	141Z7367	
217Z7276	QS. 2	17Z7330	QA. 47	19Z7349	JB. 115	172Z7367	JA. 18
218Z7276	QS. 2	19Z7330	QA. 46	21Z7349	JB. 115	173Z7367	JA. 20
219Z7276	QS. 2	21Z7330	QA. 44	24Z7349	JB. 115	1Z7371	JA. 15
3Z7303	QA. 43	26Z7330	QA. 46	32Z7349	JB. 115	5Z7371	JA. 15
7Z7303	QA. 43	27Z7330	QA. 45	33Z7349	JB. 115	6Z7371	JA. 15
8Z7303	QA. 43	28Z7330	QA. 45	34Z7349	JB. 114	13Z7384	QA. 6

VULCAN PB. 1

INDEX OF PART NUMBERS

Page W. 137

(See also Supplementary pages, if any)

Part No.	Page No.	Part No.	Page No.	Part No.	Page No.	Part No.	Page No.
1Z7392	QA. 36	9cZ7470	CA. 4	7Z7481	GF. 16	31Z7489	QA. 4
2Z7392	QA. 36	10Z7470	CA. 4	8Z7481	GF. 16	33Z7489	QA. 5
1Z7408	QA. 46	11Z7470	CA. 4	9Z7481	GF. 16	38Z7489	QA. 5
6Z7408	QA. 46	12Z7470	CA. 4	10Z7481	GF. 16	44Z7489	QA. 4
7Z7416	QA. 47	13Z7470	CA. 4	11Z7481	GF. 16	1Z7493	QA. 44
9Z7416	QA. 47	14Z7470	CA. 4	12Z7481	GF. 16	4Z7493	QA. 44
10Z7416	QA. 47	16Z7470	CA. 4	13Z7481	GF. 16	3Z7504	FN. 24
5Z7417	JG. 10	17Z7470	CA. 4	14Z7481	GF. 16	3eZ7504	FN. 24
1Z7421	QH. 1	18Z7470	CA. 4	15Z7481	GF. 16	14Z7504	JH. 23
2Z7421	QH. 1	19Z7470	CA. 4	16Z7481	GF. 16	4Z7506	QS. 1, QS. 2
9Z7422	QH. 1	20Z7470	CA. 4	17Z7481	GF. 16	2Z7506	QA. 26
10Z7422	QH. 1	1Z7475	QA. 43	18Z7481	GF. 16	20Z7511	QD. 1
12Z7422	QH. 1	4Z7478	QA. 41	19Z7481	GF. 16	2Z7515	
1Z7424	JG. 9	5Z7478	HH. 45	20Z7481	GF. 16	106Z7516	QR. 10
13Z7424	JG. 9	6Z7478	QA. 40	21Z7481	GF. 16	201Z7516	QR. 6
14Z7424	JG. 9		QA. 41	22Z7481	GF. 16	202Z7516	QR. 6
1Z7425	JG. 9	7Z7478	QA. 41	23Z7481	GF. 16	215Z7516	QR. 8
3Z7425	JG. 9	9Z7478	HH. 45	24Z7481	GF. 16	216Z7516	QR. 8
4Z7425	JG. 9	10Z7478	HH. 45	25Z7481	GF. 16	230Z7516	QR. 10
5Z7425	JG. 9	11Z7478	QA. 41	26Z7481	GF. 16	237Z7516	QR. 13
6Z7425	JG. 9	13Z7478	QA. 42	27Z7481	GF. 16	238Z7516	QR. 13
1Z7426	JG. 9	16Z7478	HH. 60	28Z7481	GF. 16	2Z7518	JA. 1
2Z7426	JG. 9	18Z7478	QA. 42	29Z7481	GF. 16	1Z7519	JA. 15
3Z7426	JG. 9	2Z7479	MC. 19	30Z7481	GF. 16	12Z7519	JA. 15
4Z7426	JG. 9	3Z7479	MC. 19	31Z7481	GF. 16	13Z7519	JA. 15
5Z7426	JG. 9	4Z7479	MC. 19	32Z7481	GF. 16	14Z7519	JA. 15
6Z7426	JG. 9	4bZ7479	MC. 19	33Z7481	GF. 16	16Z7519	JA. 15
7Z7441	QA. 27	5Z7479	MC. 20	34Z7481	GF. 16	1Z7520	JA. 15
1Z7447	JA. 20	5bZ7479	MC. 20	35Z7481	GF. 16	1Z7521	JA. 15
5Z7450	QC. 2	5cZ7479	MC. 20	36Z7481	GF. 16	1Z7523	
8Z7450	QC. 2	5dZ7479	MC. 20	39Z7481	GF. 16	2Z7523	JA. 18
14Z7450	QC. 2	5eZ7479	MC. 20	40Z7481	GF. 16	3Z7523	JA. 18
16Z7450	JH. 6, QC. 2	6Z7479	MC. 19	41Z7481	GF. 16	7Z7523	JA. 18
9Z7467	QA. 27	6cZ7479	MC. 19	45Z7481	GF. 17	Z7524	JA. 8
1Z7470	CA. 4	7Z7479	MC. 20	46Z7481	GF. 17	2Z7524	JA. 8
2Z7470	CA. 4	8Z7479	MC. 19	1Z7489	QA. 4	3Z7524	JA. 9
3Z7470	CA. 4	10Z7479	MC. 19	6Z7489	QA. 4	4Z7524	JA. 9
4Z7470	CA. 4	4Z7481	GF. 16	8Z7489	QA. 4	1Z7528	JA. 8, QC. 1
9Z7470	CA. 4	5Z7481	GF. 16	14Z7489	QA. 4	3Z7528	QG. 1
9bZ7470	CA. 4	6Z7481	GF. 16	19Z7489	QA. 5	4Z7528	QG. 1

INDEX OF PART NUMBERS

(See also Supplementary pages, if any)

Part No.	Page No.	Part No.	Page No.	Part No.	Page No.	Part No.	Page No.
1Z7544	FM, 14	47bZ7578	GE. 2	70Z7588	QA. 33	45bZ7620	QA. 38
2Z7555	JA. 27	48Z7578	GE. 2	71Z7588	QA. 33	46Z7620	QA. 38
1Z7558	JG. 9	57Z7578	GE. 2	72Z7588	QA. 32	59bZ7620	QA. 39
36Z7558	JG. 9	58Z7578	GE. 1	79Z7588	QA. 32	74Z7620	QA. 27
44Z7558	JG. 9	59Z7578	GE. 1	Z7589	QA. 44	76Z7620	QA. 28
1Z7563	QA. 35	1Z7584	GE. 1	1Z7599	QA. 36	77Z7620	QA. 27
4Z7563	QA. 35	19Z7584	GE. 1	1Z7600	JA. 1	Z7624	QH. 5
5Z7564	QA. 20,	20Z7584	GE. 1	32Z7600	JA. 2, QD. 1	5Z7624	QH. 6
	QA. 34	22Z7584	GE. 1	4Z7600	QD. 2	7Z7624	QH. 6
6Z7564	QA. 34	23Z7584	GE. 1	7Z7600	QD. 1	8Z7624	QH. 6
9Z7564	QA. 34	1Z7585	GE. 1	10Z7600	QD. 2	13Z7624	QH. 6
10Z7564	QA. 34	3Z7585	GE. 1	13Z7600	QD. 2	16Z7624	QH. 6
12Z7564	QA. 19,	6Z7585	GE. 1	14Z7600	QD. 1	19Z7624	QH. 6
	QA. 34	7Z7585	GE. 1	17Z7600	QD. 2	21Z7624	QH. 6
14Z7564	QA. 34	4Z7588	QA. 32	18Z7600	QD. 2	25Z7624	QH. 6
1Z7567	KG. 1	5Z7588	QA. 32	19Z7600	QD. 2	26Z7624	QH. 6
1Z7568	QA. 3	6Z7588	QA. 33	20Z7600	QD. 2	27Z7624	QH. 6
3Z7568	QA. 3	9Z7588	QA. 33	23Z7600	QD. 2	3Z7630	QA. 41
4Z7568	QA. 3	12Z7588	QA. 33	24Z7600	QD. 2	2Z7634	QA. 1,
1Z7576	KA. 1	13Z7588	QA. 33	25Z7600	QD. 1		QA. 16,
1Z7578	GE. 1, JA. 8	14Z7588	QA. 19,	26Z7600	QD. 1		QC. 9
5Z7578	GE. 1		QA. 33	4Z7603	QA. 41	3Z7634	QA. 13,
20Z7578	GE. 2	15Z7588	QA. 33	13Z7603	QA. 41		QA. 32
21Z7578	GE. 2	18Z7588	QA. 20,	5Z7613	QA. 41	4Z7634	JB. 54,
22Z7578	GE. 1		QA. 33	6Z7613	QA. 39,		QA. 1,
23Z7578	GE. 1	23Z7588	QA. 33		QA. 41		QA. 16,
29Z7578	GE. 1	27Z7588	QA. 32	12Z7613	HH. 45		QA. 32
30Z7578	GE. 2	36Z7588	QA. 35	5Z7620	QA. 28	5Z7634	QA. 13,
31Z7578	GE. 2	46Z7588	QA. 34	6Z7620	QA. 28		QA. 16
32Z7578	GE. 1	50Z7588	QA. 32	7Z7620	QA. 28	6Z7634	QA. 1,
33Z7578	GE. 1	51Z7588	QA. 21,	21Z7620	QA. 41		QA. 13
33aZ7578	GE. 1		QA. 34	22Z7620	QA. 1	7Z7634	QA. 16
36Z7578	GE. 1	51aZ7588	QA. 21,	24Z7620	QA. 38	8Z7634	QA. 16,
38Z7578	GE. 2		QA. 34	24aZ7620	QA. 38		QA. 27
39Z7578	GE. 2	54Z7588	QA. 32	24bZ7620	QA. 38	9Z7634	QA. 16
40Z7578	GE. 1	54aZ7588	QA. 32	25aZ7620	QA. 38	10Z7634	QA. 31
44Z7578	GE. 2	55Z7588	QA. 33	25Zb7620	QA. 38	11Z7634	QA. 13,
45Z7578	GE. 1	55aZ7588	QA. 33	37Z7620	QA. 38		QC. 10
46Z7578	GE. 1	63Z7588	QA. 32	45Z7620	QA. 38	12Z7634	QA. 13
47Z7578	GE. 2	67Z7588	QA. 33	45aZ7620	QA. 38	20Z7634	QC. 9

VULCAN No. 7

INDEX OF PART NUMBERS

Page W. 139

(See also Supplementary pages, if any)

Part No.	Page No.	Part No.	Page No.	Part No.	Page No.	Part No.	Page No.
Z7635	JA. 13, QA. 1	83Z7635	QA. 2	13Z7648	QA. 35,	54Z7684	QR. 2
3Z7635	QA. 1	84Z7635	QA. 2		QA. 43	55Z7684	QR. 2
5Z7635	QA. 7	85Z7635	QA. 1	15Z7648	QA. 27	66Z7684	QR. 6
6Z7635	QA. 1	86Z7635	QA. 1	16Z7648	QA. 27	67Z7684	QR. 2
8Z7635	QA. 1	89Z7635	QA. 7	17Z7648	NB. 1,	68Z7684	QR. 2
9Z7635	QA. 1	90Z7635	QA. 3		QA. 32	69Z7684	QR. 2
10Z7635	QA. 1	97Z7635	QA. 3	19Z7648	QA. 19	74Z7684	QR. 2
12Z7635	QA. 1	98Z7635	QA. 3	27Z7648	HA. 38,	81Z7684	QR. 2
13Z7635	QA. 1	99Z7635	QA. 3		HA. 39	1Z7685	QR. 6
14Z7635	QA. 2	100Z7635	QA. 7	8Z7666	QC. 1, QD. 1	2Z7685	QR. 6
15Z7635	QA. 2	101Z7635	QA. 7	8aZ7666	QD. 1, QD. 2	3Z7685	QR. 6
16Z7635	QA. 2	102Z7635	QA. 7	10Z7666	QD. 1	4Z7685	QR. 6
17Z7635	QA. 2	103Z7635	QA. 7	6Z7667	QD. 1, QD. 2	7Z7685	QR. 6
18Z7635	QA. 2	121Z7635	QA. 3	6aZ7667	QD. 1, QD. 2	8Z7685	QR. 6
19Z7635	QA. 2	122Z7635	QA. 4	1Z7668	QD. 1	9Z7685	QR. 6
22Z7635	QA. 2	123Z7635	QA. 4	2Z7668	QD. 1	1Z7687	MC. 23
23Z7635	QA. 2	124Z7635	QA. 3	3Z7668	QD. 1	9Z7687	MC. 3
25Z7635	QA. 2	125Z7635	QA. 3	4Z7668	QD. 1	1Z7688	MC. 22
26Z7635	QA. 2	5Z7647	MB. 3, MB. 7	5Z7668	QD. 1	5Z7689	MC. 22
35Z7635	QA. 1	3Z7648	HH. 39,	6Z7668	QD. 1	1Z7691	QA. 19
36Z7635	QA. 1		QA. 15,	4Z7674	EC. 6	8Z7694	JA. 5
38Z7635	QA. 1		QA. 32	6Z7674	EC. 6	17Z7700	QC. 10
39Z7635	QA. 1	4Z7648	HH. 58,	7Z7674	EC. 6	31Z7700	QA. 11
40Z7635	QA. 1		QA. 2	9Z7674	EC. 6	33Z7700	QA. 11
41Z7635	QA. 1	7Z7648	HH. 58,	1Z7675	EC. 2	34Z7700	QA. 11
42Z7635	QA. 1		QA. 27,	16Z7676	QA. 7	36Z7700	QA. 11
45Z7635	QA. 1		QA. 30,	4dZ7676	QA. 7	50Z7700	QA. 11
46Z7635	QA. 1		QA. 35	1dZ7677	QA. 8	51Z7700	QA. 11
55Z7635	QA. 4	8Z7648	QA. 27	2Z7677	QA. 7	53Z7700	QA. 12
57cZ7635	QA. 7	9Z7648	HH. 45,	3Z7677	QA. 7	54Z7700	QA. 12
60Z7635	QA. 1		HH. 58,	4Z7677	QA. 8	64Z7700	QA. 12
62Z7635	QA. 7		QA. 43,	1Z7682	KB. 1	65Z7700	QA. 12
63Z7635	GP. 4		QA. 44	4Z7684	QR. 1	1Z7702	QA. 20
71Z7635	QA. 1	11Z7648	HH. 39,	5Z7684	QR. 2	4Z7702	QA. 20
72Z7635	QA. 1		QA. 27,	18Z7684	QR. 2	6Z7702	QA. 20
73Z7635	QA. 1		QA. 32,	19Z7684	QR. 2	8Z7702	QA. 20
78Z7635	QA. 2		QA. 39,	20Z7684	QR. 2	41Z7703	QA. 10
78aZ7635	QA. 2		QA. 43	21Z7684	QR. 2	42Z7703	QR. 10
80Z7635	QA. 2	12Z7648	QA. 27,	22Z7684	QR. 2	43Z7703	QR. 10
82Z7635	QA. 2		QA. 39	53Z7684	QR. 2	44Z7703	QR. 11

VULCAN No. 2

Page W. 140

INDEX OF PART NUMBERS

(See also Supplementary pages, if any)

Part No.	Page No.	Part No.	Page No.	Part No.	Page No.	Part No.	Page No.
53Z7703	QR. 10	3Z7723	QA. 15	46cZ7723	QA. 15	5Z7741	QA. 9
54Z7703	QR. 10	4Z7723	QA. 16	46dZ7723	QA. 15	6Z7741	QA. 9
55Z7703	QR. 11	5Z7723	QA. 16	47aZ7723	QA. 15	7Z7741	QA. 9
56Z7703	QR. 11	6Z7723	QA. 16	47bZ7723	QA. 15	8Z7741	QA. 9
57Z7703	QR. 11	7Z7723	QA. 16	52bZ7723	QA. 15	9Z7741	QA. 9
58Z7703	QR. 11	8Z7723	QA. 17	52cZ7723	QA. 15	10Z7741	QA. 9
59Z7703	QR. 11	9Z7723	QA. 17	52dZ7723	QA. 15	13Z7741	QA. 9
60Z7703	QR. 11	10Z7723	QA. 17	52eZ7723	QA. 16	15Z7741	QA. 9
61Z7703	QR. 9	11Z7723	QA. 17	53bZ7723	QA. 15	16Z7741	QA. 9
62Z7703	QR. 9	12Z7723	QA. 17	53cZ7723	QA. 15	17Z7741	QA. 9
63Z7703	QR. 9	13Z7723	QA. 16	53dZ7723	QA. 15	21Z7741	QA. 10
64Z7703	QR. 9	14Z7723	QA. 17	53eZ7723	QA. 16	23Z7741	JG. 6.
65Z7703	QR. 9	15Z7723	QA. 17	70Z7723	QA. 18		QA. 24
66Z7703	QR. 9	16Z7723	QA. 17	77Z7723	QA. 19	24Z7741	QA. 8
67Z7703	QR. 9	17Z7723	QA. 17	78Z7723	HH. 59.	25Z7741	QA. 8, QT. 5.
68Z7703	QR. 9	18Z7723	QA. 18		QA. 19		QV. 1
89Z7703	QR. 9	19Z7723	QA. 18	79Z7723	QA. 18	26Z7741	QA. 11
90Z7703	QR. 9	20Z7723	QA. 16	85Z7723	QA. 20	32Z7741	QA. 8
91Z7703	QR. 9	21Z7723	QA. 16	89Z7723	QA. 20	33Z7741	QA. 8
92Z7703	QR. 10	22Z7723	QA. 16	91Z7723	QA. 19	34Z7741	QA. 8
104Z7703	QR. 10	23Z7723	QA. 17	93Z7723	QA. 19	35Z7741	QA. 8
115Z7703	QR. 10	24Z7723	QA. 17	98Z7723	QA. 18	40Z7741	QA. 23
117Z7703	QR. 10	25Z7723	QA. 17	99Z7723	QA. 19	41Z7741	JG. 6, QA. 23
118Z7703	QR. 10	26Z7723	QA. 18	Z7724	JA. 16	49Z7741	JG. 6
133Z7703	QR. 11	27Z7723	QA. 18	48Z7730	QR. 1	50Z7741	JG. 6, QA. 24
3Z7704	JA. 3	28Z7723	QA. 17	49Z7730	QR. 1	51Z7741	JG. 6, QA. 24
4Z7704	JA. 3	29Z7723	QA. 17	54Z7730	QR. 1	53Z7741	JG. 6, QA. 24
6Z7704	JA. 3	30Z7723	QA. 18	1Z7733	KC. 1	56Z7741	QA. 10
7Z7704	JA. 3	31Z7723	QA. 18	7Z7737	JA. 2	63Z7741	QA. 10
25Z7704	JA. 2	32Z7723	QA. 18	10Z7737	JA. 2	66Z7741	JG. 6, QA. 24
25aZ7704	JA. 2	33Z7723	QA. 18	1Z7740	QA. 19	70Z7741	JG. 7, QA. 23.
30Z7704	JA. 2	34Z7723	QA. 15	2Z7740	QA. 19		QA. 24
1Z7714	QA. 37	37Z7723	QA. 16,	3Z7740		71Z7741	JG. 7
1Z7715	QA. 19,		QA. 17,	8Z7740	QA. 19,		QA. 23,
	QA. 33		QA. 18	8Z7740	QA. 19,		QA. 24
4Z7720	GG. 25	45aZ7723	QA. 15		QA. 37	74Z7741	QA. 23
5Z7720	GG. 25	45bZ7723	QA. 15	9Z7740	QA. 19	76Z7741	QA. 23
10Z7720	GG. 26,	45cZ7723	QA. 15	10Z7740	QA. 19	77Z7741	QA. 10
	GG. 28	46aZ7723	QA. 15	11Z7740	QA. 19	78Z7741	QA. 10
Z7723	JB. 2, QA. 15	46bZ7723	QA. 15	2Z7741	JG. 1, QA. 23	79Z7741	QA. 10

VULCAN Pk. 1

INDEX OF PART NUMBERS

Page W. 141

(See also Supplementary pages, if any)

Part No.	Page No.	Part No.	Page No.	Part No.	Page No.	Part No.	Page No.
80Z7741	QA. 10	14Z7762	GD. 4	11Z7910	DA. 4, GK. 1	17Z7981	JG. 6
81Z7741	QA. 10	15Z7762	GD. 4	12Z7910	DA. 4, GK. 1	18Z7981	JG. 6
82Z7741	QA. 10	16Z7762	GD. 4	13Z7910	DA. 4, GK. 1	20Z7981	QA. 13
83Z7741	QA. 10	17Z7762	GD. 4	17Z7910	DA. 4, GK. 1	21Z7981	QA. 13
84Z7741	QA. 10	1Z7763	QA. 47	1Z7911	QA. 45	22Z7981	QA. 13
85Z7741	QA. 10	2Z7763	QA. 47	2Z7911	QA. 45	23Z7981	QA. 13
88Z7741	QA. 23	5Z7763	QA. 47	5Z7911	QA. 45	26Z7981	QA. 14
89Z7741	QA. 23	3Z7879	JA. 20	6Z7911	QA. 45	27Z7981	JG. 7
91Z7741	QA. 23	1Z7880	QA. 20	7Z7911	QA. 45	31Z7981	QA. 14
92Z7741	QA. 24	3Z7880	QA. 20	16Z7911	QA. 45	33Z7981	QA. 14
97Z7741	QA. 24	4Z7880	QA. 20	1Z7913	JA. 9	35Z7981	QA. 14
98Z7741	QA. 24	6Z7880	QA. 20	2Z7913	JA. 9	36Z7981	JG. 6
99Z7741	QA. 24	Z7894	QA. 5	1Z7914	JA. 9	37Z7981	JG. 6
100Z7741	QA. 24	2Z7894	QA. 5	5Z7914	JA. 9, JA. 21	42Z7981	JG. 7
101Z7741	QA. 24	3Z7894	QA. 5	1Z7915	GH. 1	44Z7981	QA. 14
102Z7741	QA. 24	4Z7894	QA. 5	2Z7915	GH. 1	47Z7981	QA. 14
103Z7741	QA. 12	Z7896	JA. 27	9Z7915	GH. 1	52Z7981	QA. 13
5Z7743	MC. 22	2Z7896	JA. 27	10Z7915	GH. 1	55Z7981	JG. 1
14Z7743	MC. 22	10Z7897	GD. 2	Z7917	GH. 1, JA. 11	56Z7981	QA. 13
26Z7743	MC. 23	17Z7897	GD. 2	1Z7918	GH. 1	57Z7981	QA. 13
41Z7743	MC. 22	2Z7897		3Z7918	GH. 1	58Z7981	QA. 13
45Z7743	MC. 22	3Z7901	GC. 1	6Z7918	GH. 1	59Z7981	QA. 13
49Z7743	MC. 22	4Z7901	GC. 1	9Z7918	GH. 1	60Z7981	QA. 13
1Z7757	EC. 2	6Z7901	GC. 1	10Z7918	GH. 1	61Z7981	QA. 13
2Z7757	EC. 2	7Z7901	GC. 1	16Z7918	GH. 1	62Z7981	QA. 14
8Z7757	EC. 2	Z7906	GH. 1	17Z7918	GH. 1	63Z7981	QA. 14
9Z7757	EC. 2	3Z7906	GH. 1	1Z7919	GH. 1	64Z7981	JG. 6
5Z7759	FN. 24, JB. 73	4Z7906	GH. 1	2Z7919	GH. 1	65Z7981	QA. 14
		1Z7907	GH. 1	3Z7919	GH. 1	66Z7981	QA. 14
1Z7762	GD. 4, JA. 27	1Z7908	GH. 1	1Z7945	KB. 5	67Z7981	QA. 13
		3Z7908	GH. 1	1Z7946	KB. 5	68Z7981	QA. 14
2Z7762	GD. 4	4Z7908	GH. 1	1Z7947	KB. 5	69Z7981	QA. 13
3Z7762	GD. 4	5Z7908	GH. 1	1Z7948	KB. 5	70Z7981	QA. 14
4aZ7762	GD. 4	1Z7909	GH. 1	1Z7949	KB. 5	71Z7981	QA. 14
4bZ7762	GD. 4	5Z7909	GH. 1	1Z7952	KB. 5	72Z7981	JG. 6
5Z7762	GD. 4	6Z7909	GH. 1	1Z7953	KB. 5	73Z7981	JG. 6
7Z7762	GD. 4	7Z7909	GH. 1	1Z7954	KB. 5	74Z7981	QA. 14
8Z7762	GD. 4	9Z7909	GH. 1	1Z7973	GM. 1, JA. 12	28Z7989	GP. 8
9Z7762	GD. 4	8Z7910	DA. 4, GK. 1	3Z7981	QA. 13	29Z7989	GP. 2
10Z7762	GD. 4	9Z7910	DA. 4, GK. 1	7Z7981	QA. 13	34Z7989	GP. 3

INDEX OF PART NUMBERS

(See also Supplementary pages, if any)

Part No.	Page No.	Part No.	Page No.	Part No.	Page No.	Part No.	Page No.
37Z7989	GP. 3	137Z7989	GP. 8	214Z7989	GP. 4	14Z8253	QH. 8
40Z7989	GP. 3	142Z7989		227Z7989	GP. 8	15Z8253	QH. 8
43Z7989	GP. 4	151Z7989	GP. 3	231Z7989	GP. 3	16Z8253	QH. 8
44Z7989	GP. 4	152Z7989	GP. 3	1Z8100	QA. 6	17Z8253	QH. 8
45Z7989	GP. 4	155Z7989	GP. 7	1Z8139	QA. 35	18Z8253	QH. 8
46Z7989	GP. 4	162Z7989	GP. 5	2Z8139	QA. 35	19Z8253	QH. 9
47Z7989	GP. 4	163Z7989	GP. 5	3Z8139	QA. 36	20Z8253	QH. 9
48Z7989	GP. 4	165Z7989	GP. 5	12Z8139	QA. 36	21Z8253	QH. 9
49Z7989	GP. 4	166Z7989	GP. 5	23Z8139	QA. 36	22Z8253	QH. 9
51Z7989	GP. 5	167Z7989	GP. 6	24Z8139	QA. 36	23Z8253	QH. 9
52Z7989		168Z7989	GP. 6	1Z8219	KA. 1	24Z8253	QH. 9
53Z7989	GP. 5	170Z7989	GP. 6	7Z8226	HG. 1	25Z8253	QH. 9
54Z7989	GP. 5	173Z7989		7eZ8226	HG. 1	26Z8253	QH. 9
63Z7989	GP. 6	174Z7989	GP. 6	8Z8226	HG. 1	27Z8253	QH. 9
72Z7989		175Z7989	GP. 6	9Z8226	HG. 1	29Z8253	QH. 9
74Z7989	GP. 3	176Z7989	GP. 5	38Z8226	HG. 1	30Z8253	QH. 9
75Z7989	GP. 3	177Z7989		38aZ8226	HG. 1	31Z8253	QH. 9
76Z7989	GP. 3	179Z7989	GP. 5	38bZ8226	HG. 1	32Z8253	QH. 10
80Z7989	GP. 3	180Z7989		39Z8226	HG. 1	33Z8253	QH. 10
82Z7989	GP. 3	181Z7989	GP. 6	39aZ8226	HG. 1	34Z8253	QH. 10
83Z7989	GP. 3	182Z7989		41Z8226	HG. 1	35Z8253	QH. 10
84Z7989	GP. 3	183Z7989	GP. 4	41aZ8226	HG. 1	36Z8253	QH. 10
87Z7989	GP. 4	184Z7989	GP. 4	41bZ8226	HG. 1	37Z8253	QH. 10
88Z7989	GP. 4	185Z7989	GP. 4	49Z8226	HG. 1	38Z8253	QH. 10
90Z7989	GP. 4	186Z7989	GP. 4	49aZ8226	HG. 1	39Z8253	QH. 10
91Z7989	GP. 4	187Z7989	GP. 4	62Z8226	HG. 1	40Z8253	QH. 10
92Z7989	GP. 4	188Z7989	GP. 3	67Z8226	HG. 1	41Z8253	QH. 10
95Z7989	GP. 5	190Z7989	GP. 6	1Z8252	KA. 1	42Z8253	QH. 10
96Z7989		191Z7989	GP. 4	1Z8253	MC. 9	43Z8253	QH. 10
97Z7989	GP. 5	192Z7989	GP. 3	2Z8253	MC. 9	44Z8253	QH. 10
100Z7989		193Z7989	GP. 7	3Z8253	QH. 7	45Z8253	QH. 10
109Z7989		195Z7989	GP. 1	4Z8253	QH. 7	47Z8253	QH. 9
111Z7989		196Z7989	GP. 1	5Z8253	QH. 7	48Z8253	QH. 8
116Z7989		197Z7989	GP. 2	6Z8253	QH. 8	3Z8277	HG. 1
118Z7989	GP. 7	206Z7989	GP. 3	7Z8253	QH. 8	5Z8277	HG. 1
119Z7989	GP. 7	207Z7989	GP. 8	8Z8253	QH. 8	6Z8277	HG. 1
120Z7989	GP. 7	208Z7989	GP. 3	9Z8253	QH. 8	13Z8277	HG. 1
125Z7989	GP. 8	209Z7989	GP. 3	10Z8253	QH. 8	14Z8277	HG. 1
135Z7989	GP. 8	211Z7989	GP. 3	11Z8253	QH. 8	3Z8279	HG. 1
136Z7989		212Z7989	GP. 3	12Z8253	QH. 8	1Z8298	KB. 2

VULCAN No. 2

INDEX OF PART NUMBERS

Pages W. 143

(See also Supplementary pages, if any)

Part No.	Page No.	Part No.	Page No.	Part No.	Page No.	Part No.	Page No.
1Z8325	HF. 1	26Z8480	GN. 2	2Z8498		6Z8600	DA. 2
12Z8325	HF. 1	28Z8480	GN. 2	3Z8498		7Z8600	DA. 2
13Z8325	HF. 1	29Z8480	GN. 2	Z8499		8Z8600	DA. 2
14Z8325	HF. 1	30Z8480	GN. 2	1Z8500		10Z8600	DA. 3
15Z8325	HF. 1	31Z8480	GN. 1	2Z8500		16Z8600	DA. 2
21Z8325	HF. 1	31aZ8480	GN. 1	3Z8500		16aZ8600	DA. 2
22Z8325	HF. 1	31bZ8480	GN. 1	4Z8500		17Z8600	DA. 2
1Z8378	QA. 28	33Z8480	GN. 2	5Z8500		17aZ8600	DA. 2
2Z8378	QA. 28	Z8483	JA. 12	7Z8500	JA. 1	18Z8600	DA. 2
3Z8378	QA. 28	2Z8483	DB. 1	9Z8508	QA. 6	1Z8602	GJ. 2
4Z8378	QA. 28	3Z8483	DB. 1	10Z8508	QA. 6	4Z8602	GJ. 2
1Z8401	JG. 1	4Z8483	DB. 1	11Z8508	QA. 6	4aZ8602	GJ. 2
12Z8401	JG. 1	1Z8484	JG. 8	12Z8508	QA. 6	4bZ8602	GJ. 2
13Z8401	JG. 1	7Z8484	JG. 8	13Z8508	QA. 6	4cZ8602	GJ. 2
15Z8401	JG. 1	8Z8484	JG. 8	17Z8508	QA. 6	5Z8602	GJ. 2
18Z8401	JG. 1	10Z8484	JG. 8	1Z8530	KB. 7	6Z8602	GJ. 3
19Z8401	JG. 1	11Z8484	JG. 8	1Z8532	KF. 1	7Z8602	GJ. 3
1Z8424	FG. 48	12Z8484	JG. 8	6Z8532	KF. 1	10Z8602	GJ. 2
1Z8425	FG. 48	14Z8484	JG. 8	8Z8532	KF. 1	11Z8602	GJ. 3
1Z8476	HC. 1	15Z8484	JG. 8	1Z8535	KB. 5	11aZ8602	GJ. 3
7Z8476	HC. 1	16Z8484	JG. 8	2Z8535	KB. 5	13Z8602	GJ. 3
8Z8476	HC. 1	17Z8484	JG. 8	4Z8535	KB. 5, KB. 6	14Z8602	GJ. 3
1Z8477	HC. 1	18Z8484	JG. 8	5Z8535	KB. 5, KB. 6	15Z8602	GJ. 3
3Z8477	HC. 1	1Z8489	QA. 7	6Z8535	KB. 5	17Z8602	GJ. 3
4Z8477	HC. 1	3Z8489	QA. 7	2Z8578	QN. 4	18Z8602	GJ. 2
11Z8477	HC. 1	4Z8489	QA. 7	7Z8578	QN. 4	18aZ8602	GJ. 2
13Z8477	HC. 1	5Z8489	QA. 7	8Z8578	QN. 4	18bZ8602	GJ. 2
14Z8477	HC. 1	2Z8495	JG. 2	1Z8579	QN. 4	18cZ8602	GJ. 2
15Z8477	HC. 1	3Z8495	JG. 2	2Z8579	QN. 4	18dZ8602	GJ. 2
16Z8477	HC. 1	4Z8495	JG. 2	Z8592	JA. 8, QG. 1	18eZ8602	GJ. 2
1Z8478	JA. 27	5Z8495	JG. 2	1Z8594	KA. 1	Z8604	JA. 9
2Z8478	JA. 27	12Z8495	JG. 2	1Z8595	KA. 1	2Z8604	JA. 9
Z8480	GN. 1	13Z8495	JG. 2	1Z8596	KA. 1	1Z8613	JA. 9
4Z8480	GN. 2	14Z8495	JG. 2	1Z8597	KB. 1	3Z8653	
5Z8480	GN. 1	15Z8495	JG. 2	1Z8599	JA. 20	4Z8653	
6Z8480	GN. 2	16Z8495	JG. 2	9Z8599	JA. 20	13Z8653	JA. 14
7Z8480	GN. 2	17Z8495	JG. 2	2Z8600	DA. 2	15Z8653	JA. 14
10Z8480	GN. 2	18Z8495	JG. 2	3Z8600	DA. 2	17Z8653	JA. 14
17Z8480	GN. 2	19Z8495	JG. 2	4Z8600	DA. 2	19Z8653	
18Z8480	GN. 2	1Z8498		5Z8600	DA. 3	21Z8653	

INDEX OF PART NUMBERS

(See also Supplementary pages, if any)

Part No.	Page No.	Part No.	Page No.	Part No.	Page No.	Part No.	Page No.
23Z8653		2Z8746	GC. 1	1Z8794	QE. 8	4Z8994	QR. 2
24Z8653		3Z8746	GC. 1	2Z8794	QE. 8	5Z8994	QR. 2
25Z8653		4Z8746	GC. 1	5Z8795	QE. 11	6Z8994	QR. 3
1Z8657	KB. 5	1Z8763	KF. 2	6Z8795	QE. 11	7Z8994	QR. 3
2Z8657	KB. 5	1Z8766	JA. 19	1Z8796	QE. 14	8Z8994	QR. 3
3Z8657	KB. 5	21Z8766	JA. 19	2Z8796	QE. 14	9Z8994	QR. 3
1Z8658	KB. 6	5Z8781		5Z8797	QE. 16	10Z8994	QR. 3
2Z8658	KB. 6	37Z8781	JA. 4	6Z8797	QE. 16	11Z8994	QR. 3
3Z8658	KB. 6	3Z8787	QA. 39	1Z8801	JA. 5	12Z8994	QR. 3
1Z8659	KB. 6	4Z8787	QA. 39	3Z8801	JA. 5	13Z8994	QR. 3
2Z8659	KB. 6	6Z8787	QA. 39	4Z8801	JA. 5	14Z8994	QR. 3
3Z8659	KB. 6	9Z8787	QA. 39	1Z8814	KF. 2	15Z8994	QR. 3
1Z8683	GJ. 3, JA. 13	10Z8787	QN. 6	1Z8816	KF. 2	16Z8994	QR. 3
Z8684	JA. 13	11Z8787	QA. 39	1Z8818	KA. 2	33Z8994	QR. 3
6Z8684	GJ. 2	12Z8787	QA. 39	1Z8941	GC. 1	34Z8994	QR. 3
24Z8684	GJ. 1	1Z8791	QE. 1	2Z8941	GC. 1	35Z8994	QR. 3
3Z8707	GJ. 1	2Z8791	QE. 1	3Z8943	JA. 4	36Z8994	QR. 3
4Z8707	GJ. 1	18Z8791	QE. 1, QE. 3,	4Z8943	JA. 4	37Z8994	QR. 3
6Z8707	GJ. 1		QE. 6, QE. 8,	5Z8943	JA. 4	38Z8994	QR. 4
7Z8707	GJ. 1		QE. 11,	7Z8943	JA. 4	40Z8994	QR. 4
8Z8707	GJ. 1		QE. 14,	8Z8943	JA. 4	42Z8994	QR. 4
9Z8707	GJ. 1		QE. 16	9Z8943	JA. 4	44Z8994	QR. 4
9 _a Z8707	GJ. 1	20Z8791	QE. 2, QE. 5,	10Z8943	JA. 4	47Z8994	QR. 4
11Z8707	GJ. 1		QE. 8,	11Z8943	JA. 4	48Z8994	QR. 4
12Z8707	GJ. 1		QE. 10,	12Z8943	JA. 4	54Z8994	QR. 4
16Z8707	GJ. 1		QE. 13,	13Z8943	JA. 4	55Z8994	QR. 4
17Z8707	GJ. 1		QE. 16,	14Z8943	JA. 4	56Z8994	QR. 4
20Z8707	GJ. 1		QE. 19	9Z8946	JA. 3	57Z8994	QR. 4
3Z8737	GJ. 3	20 _a Z8791	QE. 2, QE. 5,	13Z8946	JA. 3	58Z8994	QR. 4
1Z8742	JA. 19		QE. 8,	21Z8946	JA. 5	59Z8994	QR. 4
6Z8742	JA. 19		QE. 10,	22Z8946	JA. 5	60Z8994	QR. 4
10Z8742	JA. 19		QE. 13,	23Z8946	JA. 5	61Z8994	QR. 4
1Z8743	JA. 19		QE. 16,	24Z8946	JA. 5	62Z8994	QR. 4
19Z8743	JA. 19		QE. 19	6Z8992	GN. 1	63Z8994	QR. 4
20Z8743	JA. 19	21Z8791	QE. 2, QE. 5,	15Z8992	GN. 1	64Z8994	QR. 4
21Z8743	JA. 19		QE. 8,	16Z8992	GN. 1	65Z8994	QR. 4
22Z8743	JA. 19		QE. 13,	17Z8992	GN. 1	66Z8994	QR. 4
25Z8743	JA. 19		QE. 15,	22Z8992	GN. 1	67Z8994	QR. 5
26Z8743	JA. 19		QE. 19	1Z8993	QV. 1	68Z8994	QR. 5
1Z8746	GC. 1	22Z8791	QE. 14,	3Z8994	QR. 2	69Z8994	QR. 5
			QE. 20				

VULCAN PA 2

INDEX OF PART NUMBERS

Page W. 145

(See also Supplementary pages, if any)

Part No.	Page No.	Part No.	Page No.	Part No.	Page No.	Part No.	Page No.
70Z8994	QR. 5	20Z9012	DA. 7	26Z9102	KF. 5	80Z9102	KF. 7
72Z8994	QR. 5	21Z9012	DA. 7		KF. 6	81Z9102	KF. 6
73Z8994	QR. 5	22Z9012	DA. 7	27Z9102	KF. 5,	82Z9102	KF. 6
74Z8994	QR. 5	23Z9012	DA. 7		KF. 6	83Z9102	KF. 6
75Z8994	QR. 5	24Z9012	DA. 7	28Z9102	KF. 5,	84Z9102	KF. 6
76Z8994	QR. 5	25Z9012	DA. 6		KF. 6	85Z9102	KF. 6
77Z8994	QR. 5	26Z9012	DA. 7	29Z9102	KF. 5,	86Z9102	KF. 6
78Z8994	QR. 5	27Z9012	DA. 6		KF. 6	87Z9102	KF. 6
79Z8994	QR. 5	28Z9012	DA. 6	30Z9102	KF. 5,	88Z9102	KF. 6
80Z8994	QR. 1	29Z9012	DA. 6		KF. 6	89Z9102	KF. 6
81Z8994	QR. 1	1Z9064	QA. 44	31Z9102	KF. 5,	90Z9102	KF. 7
97Z8994	QR. 5	1Z9098	JA. 11		KF. 6	2Z9103	KF. 5
99Z8994	QR. 5	2Z9098	JA. 11	32Z9102	KF. 6	3Z9103	KF. 5
1Z9005	QR. 1	3Z9098	JA. 11	33Z9102	KF. 6	4Z9103	KF. 5
2Z9005	QR. 1	4Z9098	JA. 11	34Z9102	KF. 6	5Z9103	KF. 5
1Z9006	QA. 4	5Z9098	JA. 11	35Z9102	KF. 6	6Z9103	KF. 5
1Z9007	QA. 4	6Z9098	JA. 11	36Z9102	KF. 6	7Z9103	KF. 5
2Z9007	QA. 4	7Z9098	JA. 11	37Z9102	KF. 6	8Z9103	KF. 5
3Z9007	QA. 4	8Z9098	JA. 11	38Z9102	KF. 6	9Z9103	KF. 5
1Z9010	QR. 5	Z9099	QH. 6	39Z9102	KF. 6	10Z9103	KF. 5
4Z9010	QR. 6	3Z9099	QH. 7	40Z9102	KF. 6	21Z9103	KF. 5
6Z9010	QR. 5	5Z9099	QH. 7	41Z9102	KF. 6	22Z9103	KF. 5
6Z9011	DA. 4	6Z9099	QH. 7	42Z9102	KF. 6	1Z9113	KF. 4
3Z9012	DA. 7	7Z9099	QH. 7	43Z9102	KF. 6	2Z9113	KF. 4
4Z9012	DA. 7	8Z9099	QH. 7	44Z9102	KF. 6	14Z9113	KF. 4
5Z9012	DA. 6	11Z9099	QH. 7	45Z9102	KF. 7	16Z9113	KF. 4
6Z9012	DA. 6	12Z9099	QH. 7	46Z9102	KF. 7	18Z9113	KF. 4
7Z9012	DA. 6	13Z9099	QH. 6	50Z9102	KF. 7	19Z9113	KF. 4
8Z9012	DA. 6	1Z9102	KF. 5	51Z9102	KF. 7	20Z9113	KF. 4
9Z9012	DA. 6	2Z9102	KF. 5	52Z9102	KF. 7	26Z9113	KF. 4
10Z9012	DA. 6	11Z9102	KF. 7	59Z9102	KF. 6	27Z9113	KF. 4
11Z9012	DA. 6	12Z9102	KF. 7	60Z9102	KF. 7	28Z9113	KF. 4
12Z9012	DA. 6	14Z9102	KF. 6	62Z9102	KF. 6	29Z9113	KF. 4
13Z9012	DA. 6	15Z9102	KF. 6	64Z9102	KF. 6	31Z9113	KF. 4
14Z9012	DA. 6	16Z9102	KF. 6	65Z9102	KF. 6	32Z9113	KF. 4
15Z9012	DA. 6	17Z9102	KF. 6	66Z9102	KF. 5	33Z9113	KF. 4
16Z9012	DA. 6	18Z9102	KF. 6	72Z9102	KF. 7	40Z9113	KF. 4
17Z9012	DA. 6	19Z9102	KF. 6	77Z9102	KF. 6	42Z9113	KF. 4
18Z9012	DA. 6	20Z9102	KF. 5	78Z9102	KF. 7	45Z9113	KF. 4
19Z9012	DA. 6	25Z9102	KF. 6	79Z9102	KF. 6	46Z9113	KF. 4

INDEX OF PART NUMBERS

(See also Supplementary pages, if any)

Part No.	Page No.	Part No.	Page No.	Part No.	Page No.	Part No.	Page No.
47Z9113	KF. 4	3Z9147	HF. 1	34Z9198	QS. 3	1Z9231	GJ. 3
48Z9113	KF. 4	7Z9147	HF. 1	35Z9198	QS. 3	4Z9231	GJ. 3
1Z9114	KF. 5	8Z9147	HF. 1	37Z9198	QS. 4	5Z9231	GJ. 3
2Z9114	KF. 5	9Z9147	HF. 1	38Z9198	QS. 3	9Z9231	GJ. 3
18Z9114	KF. 5	10Z9147	HF. 1	39Z9198	QS. 3	15Z9231	GJ. 3
19Z9114	KF. 5	11Z9147	HF. 1	40Z9198	QS. 3	16Z9231	GJ. 3
20Z9114	KF. 5	12Z9147	HF. 1	41Z9198	QS. 4	1Z5235	MC. 9
1Z9119	KF. 5	13Z9147	HF. 1	47Z9198	QS. 7	2Z9235	MC. 9
1Z9123	JA. 30	14Z9147	HF. 1	49Z9198	QS. 6	5Z9235	QF. 1
2Z9123	JA. 30	34Z9148	GQ. 9	50Z9198	QS. 7	6Z9235	QF. 1
8Z9123	JA. 30	38Z9148	GQ. 7	51Z9198	QS. 5	3Z9236	QF. 1
9Z9123	JA. 30	39Z9148	GQ. 7	53Z9198	QS. 8	5Z9244	QC. 10
10Z9123		40Z9148	GQ. 7	54Z9198	QS. 6	1Z9245	QC. 10
11Z9123		41Z9148	GQ. 7	55Z9198	QS. 6	8Z9246	QC. 9.
1Z9138	QA. 4	42Z9148	GQ. 7	59Z9198	QS. 7		QC. 10
2Z9138	QA. 4	46Z9148	GQ. 10	60Z9198	QS. 7	Z9247	QC. 9
3Z9138	QA. 4	80Z9148	GQ. 10	61Z9198	QS. 7	14Z9247	QC. 9
4Z9138	QA. 4	10Z9148	GQ. 11	62Z9198	QS. 7	17Z9247	QC. 9
5Z9138	QA. 4	120Z9148	GQ. 7	67Z9198	QS. 3	19Z9247	QC. 9
6Z9138	QA. 4	1Z9183	QB. 1	68Z9198	QS. 3	20Z9247	QC. 9
1Z9139	KB. 7	71Z9188	GP. 1	69Z9198	QS. 4	24Z9247	QC. 9
1Z9140	KB. 1	72Z9188	GP. 1	70Z9198	QS. 4	1Z9251	KB. 2
1Z9144	MC. 9, QH. 6	2Z9191	JH. 22	71Z9198	QS. 2	1Z9260	KF. 1
2Z9144	MC. 9	Z9197	JA. 13, QS. 1	72Z9198	QS. 3	4Z9260	KF. 1
3Z9146	GN. 1	2Z9197	JB. 4	73Z9198	QS. 4	5Z9260	KF. 1
3aZ9146	GN. 1	21Z9197	GQ. 3	74Z9198	QS. 7	8Z9260	KF. 1
3bZ9146	GN. 1	Z9198	QS. 1	76Z9198	QS. 8	9Z9260	KF. 1
3cZ9146	GN. 1	4Z9198	QS. 4	77Z9198	QS. 8	0Z9260 1	KF. 1
4Z9146	GN. 1	16Z9198	QS. 4	78Z9198	QS. 8	11Z9260	KF. 1
5Z9146	GN. 1	20Z9198	QS. 4	81Z9198	QS. 6	12Z9260	KF. 1
7Z9146	GN. 1	22Z9198	QS. 4	82Z9198	QS. 6	13Z9260	KF. 1
8Z9146	GN. 1	25Z9198	QS. 4	83Z9198	QS. 6	1Z9266	MC. 73
9Z9146	GN. 1	26Z9198	QS. 4	86Z9198	QS. 8	2Z9266	MC. 73
9aZ9146	GN. 1	27Z9198	QS. 3	Z9205	QS. 1	1Z9268	MC. 73
11Z9146	GN. 1	28Z9198	QS. 3	8Z9206	JB. 58, QS. 1	1Z9269	MC. 73
14Z9146	GN. 1	29Z9198	QS. 3	9Z9206	JB. 58, QS. 1	2Z9303	
15Z9146	GN. 1	30Z9198	QS. 3	10Z9206	QS. 1	8Z9303	QG. 10
16Z9146	GN. 1	31Z9198	QS. 3	1Z9214	QR. 6	15Z9303	GQ. 10
16aZ9146	GN. 1	32Z9198	QS. 3	3Z9214	QR. 6	16Z9303	GQ. 9
1Z9147	HF. 1	33Z9198	QS. 3	4Z9214	QR. 6	16dZ9303	GQ. 9

VULCAN No. 2

INDEX OF PART NUMBERS

Page W. 147

(See also Supplementary pages, if any)

Part No.	Page No.	Part No.	Page No.	Part No.	Page No.	Part No.	Page No.
17Z9303	GQ. 9	18Z9306	KB. 2	13Z9316	JH. 18	52Z9316	JH. 17.
21Z9303	GQ. 9	19Z9306	KB. 2	14Z9316	JH. 18		JH. 18.
23Z9303	GQ. 10	20Z9306	KB. 3	15Z9316	JH. 18		JH. 19
24Z9303	GQ. 10	21Z9306	KB. 3	16Z9316	JH. 18	53Z9316	JH. 3
25Z9303	GQ. 9	22Z9306	KB. 3	17Z9316	JH. 18		JH. 17.
26Z9303	GQ. 10	23Z9306	KB. 3	17aZ9316			JH. 18.
28Z9303	GQ. 11	24Z9306	KB. 3	18Z9316	JH. 16		JH. 19
30Z9303	GQ. 11	25Z9306	KB. 3	19Z9316	JH. 16	54Z9316	JH. 17.
32Z9303	GQ. 11	26Z9306	KB. 3	20Z9316	JH. 16		JH. 18.
34Z9303	GQ. 10	27Z9306	KB. 3	21Z9316	JH. 18		JH. 19
37Z9303	GQ. 10	28Z9306	KB. 3	22Z9316	JH. 18	55Z9316	JH. 19
42Z9303		29Z9306	KB. 3	23Z9316	JH. 18	56Z9316	JH. 19
43Z9303	GQ. 10	30Z9306	KB. 3	24Z9316	JH. 18	58Z9316	JH. 19
44Z9303	GQ. 11	31Z9306	KB. 3	25Z9316	JH. 16	59Z9316	JH. 19
71Z9303	GQ. 9	32Z9306	KB. 3	26Z9316	JH. 16	60Z9316	JH. 17.
72Z9303	GQ. 9	33Z9306	KB. 3	27Z9316	JH. 16		JH. 20
73Z9303	GQ. 11	34Z9306	KB. 3	28Z9316	JH. 17	61Z9316	JH. 17
74Z9303	GQ. 11	35Z9306	KB. 3	29Z9316	JH. 19	63Z9316	JH. 17
98Z9303	GQ. 9	36Z9306	KB. 3	30Z9316	JH. 19	64Z9316	JH. 17
118Z9303	GQ. 9	37Z9306	KB. 3	31Z9316	JH. 19	65Z9316	JH. 18
2Z9304	KB. 5	38Z9306	KB. 3	32Z9316	JH. 19	66Z9316	JH. 18
3Z9304	KB. 5	39Z9306	KB. 3	33Z9316	LH. 19	67Z9316	JH. 18
4Z9304	KB. 6	40Z9306	KB. 3	34Z9316	LH. 19	68Z9316	JH. 18
5Z9304	KB. 6	41Z9306	KB. 2	35Z9316		69Z9316	JH. 20
1Z9306	KB. 2	42Z9306	KB. 2	36Z9316		70Z9316	JH. 20
2Z9306	KB. 2	43Z9306	KB. 3	39Z9316	JH. 17.	71Z9316	JH. 19
3Z9306	KB. 2	1Z9316	JH. 16		JH. 18.	72Z9316	JH. 16
4Z9306	KB. 2	3Z9316	JH. 17		JH. 19	73Z9316	JH. 17.
5Z9306	KB. 2	4Z9316	JH. 17	40Z9316	JH. 20		JH. 18
6Z9306	KB. 2	5Z9316	JH. 17	41Z9316	LH. 20	76Z9316	JH. 19
7Z9306	KB. 2	6Z9316	JH. 17	42Z9316	JH. 20	77Z9316	JH. 20
8Z9306	KB. 2	7Z9316	JH. 17	44Z9316	JH. 19	1Z9319	JH. 24
9Z9306	KB. 2	8Z9316	JH. 17	49Z9316	JH. 17,	Z9320	QC. 2
10Z9306	KB. 2	9Z9316	JH. 16		JH. 18,	2Z9320	QC. 2
11Z9306	KB. 2	9aZ9316			JH. 19,	3Z9320	QC. 2
12Z9306	KB. 2	10Z9316	JH. 16		JH. 20	4Z9320	QC. 2
13Z9306	KB. 2	10aZ9316		49aZ9316	JH. 17	5Z9320	QC. 2
14Z9306	KB. 2	11Z9316	JH. 16	50Z9316	JH. 17.	6Z9320	QC. 2
15Z9306	KB. 2	11aZ9316			JH. 18.	7Z9320	QC. 2
16Z9306	KB. 2	12Z9316	JH. 16		JH. 19	8Z9320	QC. 2
17Z9306	KB. 2	12aZ9316		50aZ9316	JH. 17	12Z9320	QC. 2

INDEX OF PART NUMBERS

(See also Supplementary pages, if any)

Part No.	Page No.	Part No.	Page No.	Part No.	Page No.	Part No.	Page No.
1Z9321	GB. 4	2Z9424	KA. 1	32Z9446	QA. 29	1Z9473	GG. 25
4Z9321	GB. 4	1Z9426	KB. 7	33Z9446	QA. 29	2Z9473	GG. 26
5Z9321	GB. 4	1Z9429	JB. 85	34Z9446	QA. 29	2aZ9473	GG. 29
6Z9321	GB. 4	4Z9429	JB. 85	35Z9446	QA. 30	2Z9475	QD. 1
8Z9321	GB. 4	5Z9429	JB. 85	36Z9446	QA. 30	3Z9475	QD. 1
9Z9321	GB. 4	8Z9429	JB. 85	37Z9446	QA. 30	1Z9476	
1Z9322	GB. 4	10Z9429	JB. 85	38Z9446	QA. 29	5Z9476	JA. 5
2Z9322	GB. 4	Z9438	JB., QS. 1	45Z9446	QA. 39	6Z9476	JA. 5
5Z9322	GB. 4	Z9441	JA. 20	52Z9446	QA. 39	7Z9476	JA. 4
6Z9322	GB. 4	2Z9442	GK. 1	53Z9446	QA. 29	10Z9476	JA. 4
Z9323	JH. 10	5Z9442	GK. 1	59Z9446	QA. 29	14Z9476	JA. 5
7Z9323	JH. 10	6Z9442	DA. 3, GK. 1	60Z9446	QA. 29	1Z9477	QS. 1
8Z9323	JH. 10	6aZ9442	DA. 3	61Z9446	QA. 41	30Z9481	GP. 1
10Z9323	JH. 10	7Z9442	DA. 3	62Z9446	QA. 41	1Z9482	QA. 36
1Z9324	JH. 10	7aZ9442	DA. 3	69Z9446	QA. 29	2Z9482	QA. 36
1Z9325	JH. 10	8Z9442	DA. 4	81Z9446	QA. 30	7Z9482	QA. 37
1Z9327	JH. 10	9Z9442	DA. 3	82Z9446	QA. 30	8Z9482	QA. 37
3Z9327	JH. 10	9aZ9442	DA. 3	83Z9446	QA. 30	9Z9482	QA. 37
5Z9327	JH. 10	11Z9442	DA. 3	85Z9446	QA. 30	10Z9482	QA. 37
8Z9327	JH. 10	11aZ9442	DA. 3	87Z9446	QA. 30	1Z9484	KB. 7
12Z9327	JH. 10	12Z9442	DA. 4	89Z9446	QA. 30	2Z9488	GP. 1
13Z9327	JH. 10	1Z9446	JB. 5, QA. 27	90Z9446	QA. 30	4Z9488	GP. 1
14Z9327	JH. 10	9Z9446	QA. 28	91Z9446	QA. 30	6Z9488	GP. 1
Z9329	QC. 2	10Z9446	QA. 27	94Z9446	QA. 30	7Z9488	
Z9330	JH. 4, QC. 2	11Z9446	QA. 27	103Z9446	QA. 31	10Z9488	GP. 1
2Z9330	QC. 2	12Z9446	QA. 27	104Z9446	QA. 31	11Z9488	GP. 1
7Z9330	QC. 2	20Z9446	QA. 38	107Z9446	QA. 31	12aZ9488	GP. 1
8Z9330	QC. 3	20aZ9446	QA. 38	108Z9446	QA. 32	12bZ9488	GP. 1
25Z9388	GP. 1	20bZ9446	QA. 38	109Z9446	QA. 32	12cZ9488	GP. 1
Z9422	QS. 1	21Z9446	QA. 38	110Z9446	QA. 39	13Z9488	
2Z9422	DA. 3, QS. 2	22Z9446	QA. 38	3Z9449	QA. 31	14Z9488	GP. 2
2aZ9422	DA. 3	22aZ9446	QA. 38	4Z9449	QA. 31	15Z9488	GP. 2
3Z9422	DA. 4	22bZ9446	QA. 38	5Z9449	QA. 31	16Z9488	GP. 2
3aZ9422	DA. 4	23Z9446	QA. 38	6Z9449	QA. 31	17Z9488	GP. 2
4Z9422	DA. 4	26Z9446	QA. 28	1Z9450	QA. 40	18aZ9488	GP. 2
4aZ9422	DA. 4	27Z9446	QA. 28	4Z9450	QA. 40	18bZ9488	GP. 2
5Z9422	DA. 3	28Z9446	QA. 29	18Z9450	QA. 40	19Z9488	GP. 2
5aZ9422	DA. 3	29Z9446	QA. 29	20Z9450	QA. 40	20Z9488	GP. 2
6Z9422	QS. 2	30Z9446	QA. 28	Z9473	QS. 2	21Z9488	GP. 2
1Z9424	KA. 1	31Z9446	QA. 29		GG. 25	22Z9488	GP. 2

VULCAN No. 2

INDEX OF PART NUMBERS

Page W. 149

(See also Supplementary pages, if any)

Part No.	Page No.	Part No.	Page No.	Part No.	Page No.	Part No.	Page No.
23Z9488	GP. 2	1Z9510	KF. 1	3Z9555	QE. 15.	1Z9574	QE. 17
25Z9488	GP. 2	1Z9511	KF. 1		QE. 16.	2Z9574	QE. 17
26Z9488	GP. 2	1Z9521	KB. 2		QE. 17.	1Z9575	QE. 17
27Z9488	GP. 2	8Z9523	QA. 39		QE. 18.	2Z9575	QE. 17
28Z9488		8cZ9523	QA. 39		QE. 19	1Z9576	QE. 18
29Z9488	GP. 1, GP. 2	9Z9523	QA. 39	1Z9556	QE. 1	2Z9576	QE. 18
30Z9488	GP. 1	10Z9523	QA. 28	2Z9556	QE. 1	1Z9577	QE. 19
31Z9488	GP. 1	15Z9523	QA. 29	1Z9557	QE. 3	2Z9577	QE. 19
32Z9488	GP. 1	16Z9523	QA. 29	2Z9557	QE. 3	4Z9580	QH. 1
33Z9488	GP. 2	1Z9526	JB. 80	1Z9559	QE. 7	5Z9580	QH. 1
34Z9488	GP. 1	2Z9526	JB. 80	2Z9559	QE. 7	8Z9580	QH. 1
48Z9488	GP. 1	3Z9526	JB. 80	1Z9560	QE. 6	9Z9580	QH. 1
49Z9488	GP. 1	4Z9526	JB. 80	2Z9560	QE. 6	11Z9580	QH. 2
57Z9488	GP. 1	5Z9526	JB. 80	1Z9561	QE. 6	13Z9580	QH. 2
58Z9488	GP. 1	6Z9526	JB. 80	2Z9561	QE. 6	14Z9580	QH. 2
65Z9488		1Z9527	JB. 80	1Z9562	QE. 8	15Z9580	QH. 2
68Z9488	GP. 1, JA. 7	2Z9527	JB. 80	2Z9562	QE. 8	17Z9580	QH. 2
70Z9488	GP. 1	5Z9527	JB. 80	1Z9563	QE. 9	22Z9580	QH. 2
71Z9488	GP. 1	6Z9527	JB. 80	2Z9563	QE. 9	29Z9580	NB. 5, QH. 1
72Z9488	GP. 1	1Z9528	JF. 2	1Z9564	QE. 9	30Z9580	NB. 5, QH. 1
73Z9488	GP. 2	2Z9528	JF. 2	2Z9564	QE. 9	31Z9580	QH. 3
74Z9488	GP. 1	3Z9528	JF. 2	1Z9565	QE. 11	32Z9580	QH. 3
197Z9488	GP. 2	4Z9528	JF. 2	2Z9565	QE. 11	34Z9580	QH. 2
1Z9489	QA. 36	1Z9529	JF. 2	1Z9566	QE. 11	35Z9580	QH. 3
1Z9496	KB. 6	2Z9529	JF. 2	2Z9566	QE. 11	36Z9580	QH. 3
2Z9496	KB. 6	5Z9529	JF. 2	1Z9567	QE. 12	37Z9580	QH. 3
3Z9496	KB. 6	6Z9529	JF. 2	2Z9567	QE. 12	38Z9580	QH. 3
4Z9496	KB. 6	14Z9529	JF. 2	1Z9568	QE. 13	39Z9580	QH. 3
1Z9497	KB. 6	15Z9529	JF. 2	2Z9568	QE. 13	40Z9580	QH. 3
2Z9497	KB. 6	1Z9555	QE. 1	1Z9569	QE. 14	41Z9580	QH. 3
3Z9497	KB. 6	2Z9555	QE. 1	2Z9569	QE. 14	42Z9580	QH. 3
4Z9497	KB. 6	3Z9555	QE. 1, QE. 3.	1Z9570	QE. 15	43Z9580	QH. 3
1Z9498	JA. 2		QE. 6, QE. 7.	2Z9570	QE. 15	44Z9580	QH. 4
1Z9500	KA. 1		QE. 8, QE. 9.	1Z9571	QE. 15	45Z9580	QH. 4
2Z9500	KA. 1		QE. 10,	2Z9571	QE. 15	46Z9580	QH. 4
1Z9506	KF. 1		QE. 11.	1Z9572	QE. 15	47Z9580	QH. 4
1Z9507	KF. 1		QE. 12.	2Z9572	QE. 15	48Z9580	QH. 4
1Z9508	KF. 1		QE. 13.	1Z9573	QE. 16	51Z9580	QH. 4
1Z9509	KF. 1		QE. 14.	2Z9573	QE. 16	54Z9580	QH. 2

INDEX OF PART NUMBERS

(See also Supplementary pages, if any)

Part No.	Page No.	Part No.	Page No.	Part No.	Page No.	Part No.	Page No.
55Z9580	QH. 2	73Z9596	GQ. 3	10Z9622	QA. 11	25Z9642	EM. 2
56Z9580	QH. 4	83Z9596	GQ. 4	11Z9622	QA. 11	28Z9642	EM. 3
57Z9580	QH. 4	90Z9596	GQ. 5	12Z9622	QA. 11	30Z9642	EM. 2
58Z9580	QH. 2	91Z9596	GQ. 5	1Z9624	KA. 2	31Z9642	EM. 1
59Z9580	QH. 4	92Z9596	GQ. 5	1Z9625	KB. 1	31aZ9642	EM. 1
60Z9580	QH. 2	93Z9596	GQ. 4	1Z9626	KA. 1	33Z9642	EM. 1
61Z9580	QH. 2	94Z9596	GQ. 4	1Z9628	KA. 2	34Z9642	EM. 1
62Z9580	QH. 4	95Z9596	GQ. 4	1Z9634	EM. 6	42Z9642	EM. 1
65Z9580	QH. 4	97Z9596	GQ. 4	3Z9634	EM. 6	43Z9642	EM. 1
66Z9580	QH. 4	99Z9596	GQ. 2	18Z9634	EM. 6	44Z9642	EM. 1
67Z9580	QH. 5	100Z9596	GQ. 2	20Z9634	EM. 6	47Z9642	EM. 1
70Z9580	QH. 5	101Z9596	GQ. 2	22Z9634	EM. 6	47aZ9642	EM. 1
71Z9580	QH. 5	102Z9596	GQ. 2	24Z9634	EM. 6	54bZ9642	EC. 7
72aZ9580	QH. 5	106Z9596	GQ. 4	25Z9634	EM. 6	55bZ9642	EC. 7
72bZ9580	QH. 5	108Z9596	GQ. 4	26Z9634	EM. 6	56bZ9642	EC. 6
73Z9580	QH. 5	118Z9596	GQ. 2	28Z9634	EM. 6	58aZ9642	EM. 3
95Z9580	QH. 3	121Z9596	GQ. 5	29Z9634	EM. 6	58bZ9642	EC. 6
1Z9581	KA. 1	122Z9596	GQ. 5	32Z9634	EM. 6	58cZ9642	EC. 6
Z9590	QA. 40	123Z9596	GQ. 5	33Z9634	EM. 6	73Z9642	EM. 1
2Z9590	QA. 40	125Z9596	GQ. 5	34Z9634	EM. 6	74Z9642	EM. 1
3Z9590	QA. 40	135Z9596	GQ. 7	35Z9634	EM. 6	75Z9642	EM. 1
5Z9593	EK. 2	155Z9596	GQ. 1,	36Z9634	EM. 6	78Z9642	EM. 2
2Z9595	JA. 14		GQ. 2,	39Z9634	EM. 6	90Z9642	EM. 2
6Z9595	JA. 14		GQ. 3,	41Z9634	EM. 6	92Z9642	EM. 2
7Z9595	JA. 14		GQ. 4	1Z9638	QC. 8	95Z9642	EM. 2
24Z9595	JA. 15	171Z9596	GQ. 4	2Z9638	QC. 9	96Z9642	EM. 1
5Z9596	GQ. 2, GQ. 3	3Z9598	EK. 2	5Z9638	QC. 9	99Z9642	EM. 2
7Z9596	GQ. 1, GQ. 2	5Z9598	EK. 2	6Z9638	QC. 8	99aZ9642	EM. 2
15Z9596	GQ. 1,	6Z9598	EK. 2, EM. 3	7Z9638	QC. 9	99bZ9642	EM. 2
	GQ. 2,	7Z9598	EK. 2, EM. 3	Z9639	MC. 73	100Z9642	EM. 2
	GQ. 3,	Z9615	QE. 1	Z9642	EM. 1, JA. 13	101Z9642	EM. 2
	GQ. 4,	4Z9615		13Z9642	EM. 3	102Z9642	EM. 2
	QA. 11	11Z9619	EM. 4	14Z9642	EM. 3	103Z9642	EM. 3
20Z9596	GQ. 2	31Z9619	EM. 5	15Z9642	EM. 3	104Z9642	EM. 2
31Z9596	GQ. 3	32Z9619	EM. 5	16Z9642	EM. 3	105Z9642	EM. 3
4Z9596	GQ. 1	35Z9619	EM. 3	17Z9642	EM. 6	1Z9646	FM. 12
47Z9596	GQ. 5	36Z9619	EM. 5	17aZ9642	EM. 6	2Z9646	FM. 12
51Z9596	GQ. 1	7Z9622	QA. 12	18Z9642	EM. 6	3Z9646	FM. 12
63Z9596	GQ. 1, GQ. 3	8Z9622	QA. 11	23Z9642	EM. 1	1Z9655	FD. 2, FI. 19,
72Z9596	GQ. 2	9Z9622	QA. 11	24Z9642	EM. 1		QE. 14,
							QE. 20

VULCAN PR. 1

INDEX OF PART NUMBERS

Page W. 151

(See also Supplementary pages. if any)

Part No.	Page No.	Part No.	Page No.	Part No.	Page No.	Part No.	Page No.
1Z9656	QE. 2	12Z9697	EM. 3	69Z9701	JB. 3	36Z9707	GF. 19
1Z9657	QE. 5	13Z9697	EM. 3	70Z9701	JB. 3	37Z9707	GF. 19
2Z9657	QE. 5	15Z9697	EM. 4	71Z9701	JB. 3	38Z9707	GF. 20
3Z9657	QE. 5	16Z9697	EM. 3	72Z9701	JB. 4	42Z9707	GF. 19
1Z9658	QE. 5	17Z9697	EM. 3	73Z9701	JB. 4	44Z9707	GF. 19
2Z9658	QE. 5	1Z9698	JA. 20	74Z9701	JB. 4	45Z9707	GF. 19
1Z9659	QE. 13	Z9699	JA. 7	75Z9701	JB. 4	46Z9707	GF. 19
1Z9660	QE. 13	1Z9701	JA. 10	77Z9701	JB. 3	48Z9707	GF. 19
1Z9661	DA. 2	2Z9701	JB. 3	78Z9701	JB. 4	53Z9707	GF. 19
2Z9661	DA. 2	10Z9701	JA. 10	80Z9701	JB. 3	57Z9707	GF. 19
1Z9662	KB. 4	11Z9701	JA. 10	83Z9701	JA. 10	58Z9707	GF. 19
1Z9674	QT. 12	12Z9701	JA. 10	87Z9701	JA. 10	62Z9707	GF. 20
Z9682		13Z9701	JA. 10	88Z9701	JA. 10	68Z9707	GF. 20
5Z9682		14Z9701	JA. 10	89Z9701	JA. 10	69Z9707	GF. 20
6Z9682		15Z9701	JA. 10	91Z9701	JA. 10	70Z9707	GF. 20
14Z9682	JA. 18	20Z9701	JA. 10	92Z9701	JA. 10	71Z9707	GF. 20
39Z9682	JA. 18	21Z9701	JA. 10	Z9704	JA. 7	81Z9707	GF. 20
41Z9682	JA. 18	23Z9701	JB. 4	5Z9704	JA. 7	82Z9707	GF. 20
50Z9682	JA. 18	24Z9701	JB. 4	Z9705	JA. 20	84Z9707	GF. 20
51Z9682	JA. 20	28Z9701	JB. 4	1Z9707	GF. 18	85Z9707	GF. 20
66Z9682		29Z9701	JB. 3	5Z9707	GF. 18	87Z9707	GF. 20
1Z9683		30Z9701	JB. 3	7Z9707	GF. 18	88Z9707	GF. 20
6Z9683		38Z9701	JA. 10	8Z9707	GF. 18	89Z9707	GF. 20
11Z9683		40Z9701	JB. 3	9Z9707	GF. 18	90Z9707	GF. 21
1Z9684		52Z9701	JB. 3	10Z9707	GF. 18	93Z9707	GF. 21
7Z9684		55Z9701	JB. 3	11Z9707	GF. 18	94Z9707	GF. 21
8Z9684		56Z9701	JB. 3	12Z9707	GF. 18	95Z9707	GF. 21
1Z9685		57Z9701	JB. 3	13Z9707	GF. 18	97Z9707	GF. 21
8Z9685		57aZ9701	JB. 3	15Z9707	GF. 18	98Z9707	GF. 21
9Z9685		57bZ9701	JB. 3	16Z9707	GF. 18	102Z9707	GF. 21
11Z9685		58Z9701	JB. 4	17Z9707	GF. 18	107Z9707	GF. 21
1Z9686	JA. 18	59Z9701	JB. 3	19Z9707	GF. 19	108Z9707	GF. 21
1Z9688	JA. B, QG. 1	60Z9701	JB. 3	24Z9707	GF. 19	109Z9707	GF. 21
28Z9691	JA. 14	61Z9701	JB. 4	26Z9707	GF. 19	110Z9707	GF. 21
1Z9692	KB. 2	62Z9701	JB. 3	28Z9707	GF. 21	111Z9707	GF. 22
1Z9694	JA. 12	63Z9701	JB. 4	29Z9707	GF. 19	112Z9707	GF. 22
1Z9696	QA. 11	65Z9701	JB. 3	30Z9707	GF. 20	114Z9707	GF. 22
3Z9697	EM. 3	66Z9701	JB. 3	32Z9707	GF. 21	115Z9707	GF. 22
8Z9697	EM. 3	67Z9701	JB. 3	33Z9707	GF. 19	116Z9707	GF. 22
9Z9697	EM. 3	68Z9701	JB. 3	35Z9707	GF. 19	117Z9707	GF. 22

VULCAN No. 1

Page W. 152

INDEX OF PART NUMBERS

(See also Supplementary pages, if any)

Part No.	Page No.	Part No.	Page No.	Part No.	Page No.	Part No.	Page No.
118Z9707	GF. 22	9Z9721	GF. 13	71Z9721	GF. 14	125Z9721	GF. 14
119Z9707	GF. 22	12Z9721	GF. 13	72Z9721	GF. 14	126Z9721	GF. 14
120Z9707	GF. 22	14Z9721	GF. 13	73Z9721	GF. 14	127Z9721	GF. 14
121Z9707	GF. 22	15Z9721	GF. 13	79Z9721	GF. 14	128Z9721	GF. 13
122Z9707	GF. 22	16Z9721	GF. 13	80Z9721	GF. 12	129Z9721	GF. 15
123Z9707	GF. 22	17Z9721	GF. 11	83Z9721	GF. 14	130Z9721	GF. 15
124Z9707	GF. 22	18Z9721	GF. 11	84Z9721	GF. 15	131Z9721	GF. 13
125Z9707	GF. 22	19Z9721	GF. 11	85Z9721	GF. 15	132Z9721	GF. 16
126Z9707	GF. 22	20Z9721	GF. 11	86Z9721	GF. 15	133Z9721	GF. 16
127Z9707	GF. 23	21Z9721	GF. 11	91Z9721	GF. 12	2Z9722	QB. 1
128Z9707	GF. 23	23Z9721	GF. 11	92Z9721	GF. 12	3Z9722	QB. 2
129Z9707	QE. 23	24Z9721	GF. 11	94Z9721	GF. 15	4Z9722	QB. 2
130Z9707	GF. 23	25Z9721	GF. 14	95Z9721	GF. 15	5Z9722	QB. 2, QB. 3
131Z9707	GF. 23	26Z9721	GF. 14	96Z9721	GF. 12	6Z9722	QB. 2, QB. 3
132Z9707	GF. 23	29Z9721	GF. 11	97Z9721	GF. 12	7Z9722	QB. 2, QB. 3
133Z9707	GF. 23	30Z9721	GF. 11	99Z9721	GF. 12	8Z9722	QB. 2, QB. 3
6Z9710	GD. 1	38Z9721	GF. 14	100Z9721	GF. 12	9Z9722	QB. 2, QB. 3
4Z9711	GD. 2	39Z9721	GF. 14	101Z9721	GF. 15	13Z9722	QB. 2, QB. 3
5Z9711	GD. 2	42Z9721	GF. 11	102Z9721	GF. 15	17Z9722	QB. 2, QB. 3
7Z9711	GD. 2	43Z9721	GF. 12	103Z9721	GF. 12	3Z9723	QB. 3
8Z9711	GD. 2	44Z9721	GF. 12	104Z9721	GF. 13	4Z9723	QB. 3
19Z9711	GD. 2	46Z9721	GF. 12	105Z9721	GF. 13	5Z9723	QB. 3
20Z9711	GD. 2	47Z9721	GF. 12	106Z9721	GF. 15	6Z9723	QB. 3
26Z9711	GD. 1	48Z9721	GF. 12	108Z9721	GF. 12	7Z9723	QB. 3
32Z9711	GD. 2	49Z9721	GF. 12	109Z9721	GF. 13	8Z9723	QB. 3
33Z9711	GD. 2	50Z9721	GF. 12	110Z9721	GF. 13	1Z9724	GF. 17
1Z9718	QE. 3	51Z9721	GF. 12	111Z9721	GF. 13	6Z9724	GF. 17
2Z9718	QE. 3	52Z9721	GF. 12	112Z9721	GF. 13	7Z9724	GF. 17
1Z9719	QE. 3	53Z9721	GF. 12	113Z9721	GF. 12	10Z9724	GF. 18
2Z9719	QE. 3	54Z9721	GF. 12	114Z9721	GF. 12	11Z9724	GF. 18
3Z9719	QE. 5	55Z9721	GF. 12	115Z9721	GF. 15	12Z9724	GF. 18
4Z9719	QE. 5	58Z9721	GF. 12	116Z9721	GF. 15	13Z9724	GF. 18
1Z9721	GF. 11, JA. 45	59Z9721	GF. 12	117Z9721	GF. 13	14Z9724	GF. 18
2Z9721	GF. 13	60Z9721	GF. 12	118Z9721	GF. 15	2Z9726	GP. 3
3Z9721	GF. 13	61Z9721	GF. 14	119Z9721	GF. 15	4Z9726	GP. 6
4Z9721	GF. 13	62Z9721	GF. 14	120Z9721	GF. 13	5Z9726	GP. 6
5Z9721	GF. 13	64Z9721	GF. 14	121Z9721	GF. 13	6Z9726	GP. 4
6Z9721	GF. 13	67Z9721	GF. 13	122Z9721	GF. 13	7Z9726	GP. 8
7Z9721		68Z9721	GF. 13	123Z9721	GF. 13	8Z9726	GP. 6
8Z9721	GF. 13	70Z9721	GF. 14	124Z9721	GF. 14	10Z9726	GP. 6

VULCAN No. 3

INDEX OF PART NUMBERS

Page W. 153

(See also Supplementray pages, if any)

Part No.	Page No.	Part No.	Page No.	Part No.	Page No.	Part No.	Page No.
17Z9726	GP. 3	82Z9726	GP. 5	9Z9775	GD. 1	3Z9794	QR. 10
18Z9726	GP. 7	83Z9726	GP. 5	10Z9775	GD. 1	4Z9794	QR. 10
19Z9726	GP. 7	84Z9726	GP. 6	Z9782	GD. 3, JA. 14	7Z9794	QR. 11
20Z9726	GP. 6	85Z9726	GP. 5	22Z9782	GD. 3	8Z9794	QR. 11
22Z9726	GP. 6	1Z9729	KF. 2	24Z9782	GD. 3	9Z9794	QR. 11
24Z9726	GP. 3	1Z9730	KF. 2	25Z9782	GD. 3	10Z9794	QR. 11
26Z9726	GP. 5	1Z9731	JB. 58	29Z9782	JA. 59	11Z9794	QR. 11
27Z9726	GP. 7	2Z9731	JB. 58	31Z9782	GD. 3	12Z9794	QR. 11
28Z9726	GP. 7	11Z9731	JB. 58	32Z9782	JA. 62	13Z9794	QR. 11
29Z9726	GP. 4	1Z9732	QG. 1	34Z9782	GD. 3	14Z9794	QR. 11
30Z9726	GP. 4	Z9735	JA. 20	36Z9782	GD. 3	15Z9794	QR. 11
34Z9726	GP. 7	Z9736	QC. 10	39Z9782	GD. 3	16Z9794	QR. 11
35Z9726	GP. 4	2Z9736	QC. 10	51Z9782	JA. 62	17Z9794	QR. 11
38Z9726	GP. 7	3Z9736	QC. 10	52Z9782	GD. 3	18Z9794	QR. 11
39Z9726	GP. 5	4Z9736	QC. 10	53Z9782	GD. 3	19Z9794	QR. 11
40Z9726	GP. 5	5Z9736	QC. 10	4Z9783	GQ. 12	20Z9794	QR. 11
43Z9726	GP. 5	6Z9736	QC. 10	5Z9783	GQ. 12	21Z9794	QR. 11
44Z9726	GP. 7	7Z9736	QC. 10	6Z9783	GQ. 11	22Z9794	QR. 11
49Z9726	GP. 5	8Z9736	QC. 10	8Z9783	GQ. 11	23Z9794	QR. 11
50Z9726	GP. 5	9Z9736	QC. 10	9Z9783	GQ. 11	24Z9794	QR. 11
51Z9726	GP. 7	1Z9738	QE. 19	2Z9786	QC. 3	25Z9794	QR. 11
56Z9726		1Z9739	QE. 19	3Z9786	QC. 3	26Z9794	QR. 11
57Z9726		1Z9743	QE. 7, QE. 15	4Z9786	QC. 3	27Z9794	QR. 11
58Z9726	GP. 6	1Z9744	QE. 7, QE. 15	1Z9787	QC. 1	28Z9794	QR. 11
59Z9726	GP. 5	1Z9745	QE. 10	2Z9787	QC. 1	29Z9794	QR. 13
60Z9726	GP. 7	1Z9746	QE. 10	7Z9787	QC. 1	30Z9794	QR. 13
61Z9726	GP. 7	1Z9770	GD. 3, JA. 14	8Z9787	QC. 1	31Z9794	QR. 11
62Z9726	GP. 6	7Z9770	GD. 3	5Z9788	QC. 1	32Z9794	QR. 11
66Z9726	GP. 8	8Z9770	GD. 3	6Z9788	QC. 1	33Z9794	QR. 11
67Z9726	GP. 8	11Z9770	GD. 3	7Z9788	QC. 1	34Z9794	QR. 11
68Z9726	GP. 7	12Z9770	GD. 3	1Z9791	QC. 1	35Z9794	QR. 12
69Z9726	GP. 8	13Z9770	GD. 3	2Z9791	QC. 1	36Z9794	QR. 12
72Z9726	GP. 6	1Z9775	GD. 1, JA. 8	3Z9791	QC. 1	37Z9794	QR. 10
73Z9726	GP. 6	2Z9775	GD. 1, JA. 8	4Z9791	QC. 1	38Z9794	QR. 10
74Z9726	GP. 6	3Z9775	GD. 1	5Z9791	QC. 1	39Z9794	QR. 13
76Z9726	GP. 6	4Z9775	GD. 1	6Z9791	QC. 1	40Z9794	QR. 13
77Z9726	GP. 5	5Z9775	GD. 1	7Z9791	QC. 1	41Z9794	QR. 12
78Z9726	GP. 5	6Z9775	GD. 1	25Z9792	GD. 3	42Z9794	QR. 12
80Z9726	GP. 6	7Z9775	GD. 1	1Z9794	QR. 1	43Z9794	QR. 12
81Z9726	GP. 5	8Z9775	GD. 1	2Z9794	QR. 1	44Z9794	QR. 12

VULCAN No. 1

Page W. 154

INDEX OF PART NUMBERS

(See also Supplementary pages, if any)

Part No.	Page No.	Part No.	Page No.	Part No.	Page No.	Part No.	Page No.
45Z9794	QR. 12	6Z9814	HB. 1, HB. 2	1Z9883	GK. 5, JA. 11	6Z9936	GD. 1
46Z9794	QR. 12	7Z9814	HB. 1, HB. 2	1Z9890	GQ. 2	8Z9936	GD. 1
47Z9794	QR. 12	8Z9814	HB. 1	9Z9890	GQ. 3	1Z9938	HH. 43
48Z9794	QR. 12	1Z9815	HB. 1	11Z9890	GQ. 3	1Z9947	KF. 2
50Z9794	QR. 12	21Z9815	HB. 1	15Z9890	GQ. 3	1Z9949	KF. 1
51Z9794	QR. 8	34Z9815	HB. 1	25Z9890	GQ. 3	11Z9953	HH. 43
52Z9794	QR. 8	35Z9815	HB. 1	26Z9890	GQ. 3	1Z9954	HH. 38
53Z9794	QR. 8	36Z9815	HB. 1	27Z9890		2Z9954	HH. 38
54Z9794	QR. 8	1Z9823	JH. 2, QC. B	1Z9893	KB. 1	8Z9954	HH. 60
55Z9794	QR. 8	1Z9827	HB. 1	Z9895	JA. 8	9Z9954	HH. 38
56Z9794	QR. 8	12Z9827	HB. 1	1Z9899		11Z9954	HH. 40
57Z9794	QR. 8	13Z9827	HB. 1	11Z9899	GQ. 2		HH. 44
59Z9794	QR. 12	14Z9827	HB. 1, HB. 2	1Z9901	GG. 25		HH. 60
60Z9794	QR. 12	15Z9827	HB. 1	2Z9901	GG. 26	14Z9954	HH. 40
61Z9794	QR. 12	16Z9827	HB. 1	Z9926	GQ. 1, JA. 64	18Z9954	HH. 43
62Z9794	QR. 12	20Z9827	HB. 1, HB. 2	3Z9926	GQ. 1		HH. 59
63Z9794	QR. 12	25Z9827	HB. 1	8Z9926	GQ. 1	19Z9954	HH. 40
64Z9794	QR. 12	42Z9827	HB. 1	9Z9926	GQ. 1	20Z9954	HH. 41
65Z9794	QR. 13	43Z9827	HB. 1	12Z9926	GQ. 3	21Z9954	HH. 40
66Z9794	QR. 13	1Z9845	GJ. 1	14Z9926	GQ. 4	22Z9954	HH. 41
67Z9794	QR. 13	3Z9845	GJ. 1	16Z9926	GQ. 5	26Z9954	HH. 44
68Z9794	QR. 13	4Z9845	GJ. 1	17Z9926	GQ. 6	40Z9954	HH. 38
69Z9794	QR. 13	1Z9846	GD. 3	18Z9926	GQ. 6	41Z9954	HH. 38
70Z9794	QR. 13	5Z9861	JH. 1	20Z9926	GQ. 6	42Z9954	HH. 39
71Z9794	QR. 13	2Z9862	KB. 4	21Z9926	GQ. 6	43Z9954	HH. 39
72Z9794	QR. 13	3Z9862	KB. 4	23Z9926	GQ. 6	44Z9954	HH. 39
73Z9794	QR. 13	4Z9862	KB. 4	25Z9926	GQ. 1	46Z9954	HH. 38
74Z9794	QR. 13	5Z9862	KB. 4	30Z9926	GQ. 7	47Z9954	HH. 38
75Z9794	QR. 8	6Z9862	KB. 4	35Z9926	GQ. 6	49Z9954	HH. 38
76Z9794	QR. 9	7Z9862	KB. 4	36Z9926	GQ. 6	50Z9954	HH. 43
77Z9794	QR. 9	8Z9862	KB. 4	38Z9926	GQ. 6	51Z9954	HH. 40
78Z9794	QR. 9	9Z9862	KB. 4	39Z9926	GQ. 6	54Z9954	HH. 44
83Z9794	QR. 10	10Z9862	KB. 4	40Z9926	GQ. 6	55Z9954	HH. 39
85Z9794	QR. 10	Z9865	KB. 7	41Z9926	GQ. 6	56Z9954	HH. 39
88Z9794	QR. 9	2Z9867	QK. 7	42Z9926	GQ. 5	60Z9954	HH. 43
89Z9794	QR. 9	3Z9867	QK. 9	43Z9926	GQ. 5	61Z9954	HH. 40
1Z9807	KF. 2	10Z9871	HG. 2	1Z9936	GD. 1, JA. 8	62Z9954	HH. 38
1Z9809	KF. 2	11Z9871	HG. 2	2Z9936	GD. 1	63Z9954	HH. 38
1Z9810	KF. 1	3Z9872	HG. 2	3Z9936	GD. 1	64Z9954	HH. 44
4Z9814	HB. 1, HB. 2	28Z9872	HG. 2	5Z9936	GD. 1	65Z9954	HH. 38

VULCAN MK 2

INDEX OF PART NUMBERS

Page W. 155

(See also Supplementary pages, if any)

Part No.	Page No.	Part No.	Page No.	Part No.	Page No.	Part No.	Page No.
66Z9954	HH. 40	3Z9978	HH. 42	13Z9980	HA. 1, HA. 2,	Z9995	JA. 12
67Z9954	HH. 40	4Z9978	HH. 42		HA. 4	5Z9995	JA. 12
69Z9954	HH. 40	5Z9978	HH. 42	14Z9980	HA. 3	1Z10005	HH. 1
70Z9954	HH. 40	6Z9978	HH. 42	15Z9980	HA. 2, HA. 4	3Z10005	HH. 2
71Z9954	HH. 40	7Z9978	HH. 42	15aZ9980	HA. 2	4Z10005	HH. 10
72Z9954	HH. 40	8Z9978	HH. 42	15bZ9980	HA. 2	5Z10005	HH. 9
75Z9954	HH. 39	9Z9978	HH. 42	16Z9980	HA. 1, HA. 4	6Z10005	HH. 2
75bZ9954	HH. 39	18Z9978	HH. 39	19Z9880	HA. 1, HA. 2	7Z10005	HH. 9
75cZ9954	HH. 40	34Z9978	HH. 42	20Z9980	HA. 1, HA. 2	9Z10005	HH. 2
76Z9954	HH. 38	36Z9978	HH. 42	23Z9980	HA. 3	10Z10005	HH. 2
79Z9954	HH. 44	38Z9978	HH. 42	25Z9980	HA. 3	1Z10046	HB. 1
ZZ9955	HH. 45	41Z9978	HH. 42	27Z9980	HA. 1	2Z10046	HB. 2
5Z9955	HH. 45	51Z9978	HH. 43	28Z9980	HA. 1	27Z10046	HB. 2
6Z9955	HH. 45	52Z9978	HH. 43	29Z9980	HA. 4	28Z10046	HB. 2
7Z9955	HH. 45	53Z9978	HH. 41	30Z9980	HA. 4	30Z10046	HB. 1
8Z9955	HH. 45	54Z9978	HH. 42	30aZ9980	HA. 4	32hZ10046	HB. 1
21Z9955	HH. 38	55Z9978	HH. 43	30bZ9980	HA. 4	33Z10046	HB. 2
24Z9955	HH. 38	56Z9978	HH. 43	1Z9981	KB. 7	7Z10050	HH. 59
26Z9955	HH. 45	57Z9978	HH. 43	1Z9982	KB. 8	8Z10050	HH. 58
28Z9955	HH. 45	61Z9978	HH. 43	3Z9982	KB. 8	10Z10050	HH. 58
29Z9955	HH. 38	62Z9978	HH. 43	1Z9983	GF. 16	12Z10050	HH. 59
30Z9955	HH. 45	66Z9978	HH. 43	2Z9983	GF. 17	13Z10050	HH. 58
31Z9955	HH. 38	67Z9978	HH. 43	3Z9983	GF. 17	14Z10050	HH. 57
32Z9955	HH. 45	68Z9978	HH. 41	4Z9983	GF. 17	15Z10050	HH. 58
33Z9955	HH. 45	68aZ9978	HH. 41	5Z9983	GF. 17	16Z10050	HH. 52
34Z9955	HH. 45	68bZ9978	HH. 41	6Z9983	GF. 17	17Z10050	HH. 60
35Z9955	HH. 38	69Z9978	HH. 42	7Z9983	GF. 17	18Z10050	HH. 60
36Z9955	HH. 45	69aZ9978	HH. 42	8Z9983	GF. 17	19Z10050	HH. 58
1Z9970	JA. 4	69bZ9978	HH. 42	9Z9983	GF. 17	20Z10050	HH. 58
3Z9970		71Z9978	HH. 43	10Z9983	GF. 17	28Z10050	HH. 58
3aZ9970	JA. 4	Z9980	HA. 1	1Z9985	JA. 9	29Z10050	HH. 58
6Z9970	JA. 4	2Z9980	HA. 2	2Z9985	JA. 9	30Z10050	HH. 59
7Z9970	JA. 4	3Z9980	HA. 2	3Z9985	JA. 9	31Z10050	HH. 58
8Z9970	JA. 4	4Z9980	HA. 2	4Z9985	JA. 9	37Z10050	HH. 59
9Z9970	JA. 4	5Z9980	HA. 1	5Z9985	JA. 9	4Z210050	HH. 60
10Z9970	JA. 4	6Z9980	HA. 2, HA. 3	6Z9985	JA. 9	50Z10050	HH. 58
12Z9970	JA. 4	7Z9980	HA. 3	7Z9985	JA. 9	54Z10050	HH. 59
14Z9970	JA. 4	10Z9980	HA. 3	1Z9986	JA. 9	55Z10050	HH. 59
1Z9978	HH. 42	11Z9980	HA. 3	5Z9986	JA. 9	56Z10050	HH. 59
2Z9978	HH. 42	12Z9980	HA. 3	Z9987	JA. 9	57Z10050	HH. 58

INDEX OF PART NUMBERS

(See also Supplementary pages, if any)

Part No.	Page No.	Part No.	Page No.	Part No.	Page No.	Part No.	Page No.
59Z10050	HH. 59	1Z10362	JH. 1	3Z10547	HH. 12B	2Z11162	HH. 44
61Z10050	HH. 59	2Z10362	JH. 1	3gZ10547	HH. 12B	3Z11162	HH. 44
62Z10050	HH. 59	7Z10362	JH. 1	4Z10547	HH. 12B	4Z11162	HH. 44
67Z10050	HH. 58	8Z10362	JH. 1	5Z10547	HH. 12B	6Z11162	HH. 44
Z10057	JA. 17	9Z10362	JH. 1	6Z10547	HH. 12B	8Z11162	HH. 44
1Z10109	HA. 1	10Z10362	JH. 1	7Z10547	HH. 12B	9Z11162	HH. 44
2Z10109	HA. 1	11Z10362	JH. 1	8Z10547	HH. 12B	10Z11162	HH. 44
3Z10109	HA. 1	1Z10462	HH. 39	1Z10558	KA. 1	2Z11266	JA. 1
4bZ10109	HA. 1	3Z10462	HH. 39	7Z10559	HH. 59	1Z11267	JA. 12
5Z10109	HA. 1	6Z10462	HH. 39	1Z10585	JA. 51	5Z11267	JA. 12
6Z10109	HA. 1	7Z10462	HH. 39	4Z10585	JA. 51	41Z11270	FG. 58
7Z10109	HA. 1	8Z10462	HH. 39	5Z10585	JA. 51	42Z11270	FG. 58
Z10230	JA. 14	9Z10462	HH. 39	7Z10585	JA. 51	1Z11315	JA. 8
2Z10231	MC. 4	11Z10462	HH. 39	8Z10585	JA. 51	Z11323	JA. 1
3Z10231	MC. 4	12Z10462	HH. 39	11Z10585	JA. 51	2Z11323	JA. 1
4Z10231	MC. 4	13Z10462	HH. 39	1Z10653	MC. 22	3Z11323	JA. 1
5Z10231	MC. 4	15Z10462	HH. 39	1Z10698	HH. 9	Z11493	KBI 1
1Z10297	KE. 1	Z10470	JA. 10	2Z10698	HH. 9	Z11880	HH. 9
1Z10306	JB. 104	1Z10487	JA. 21	3Z10698	HH. 9	Z49120	HA. 3
6Z10317	HH. 60	2Z10487	JA. 21	4Z10698	HH. 9	Z560790	DA. 6
8Z10317	HH. 60	3Z10487	JA. 21	6Z10698	HH. 9		
9Z10317	HH. 60	5Z10487	JA. 21	7Z10698	HH. 9		
15Z10317	HH. 60	6Z10487	JA. 21	9Z10698	HH. 9		
16Z10317	HH. 60	1Z10493	NB. 12	1Z10699	HH. 9		
19Z10317	HH. 60	2Z10493	NB. 12	2Z10699	HH. 9		
20Z10317	HH. 60	7Z10493	NB. 12	5Z10699	HH. 9		
21Z10317	HH. 60	8Z10493	NB. 12	1Z10701	HH. 9		
22Z10317	HH. 60	24Z10493	NB. 12	1Z10702	HH. 9		
23Z10317	HH. 60	1Z10516	MC. 29	1Z10703	HH. 9		
1Z10328	JA. 18	4Z10516	MC. 29	2Z10739	GP. 1		
6Z10328	JA. 18	1Z10525	JH. 10	3Z10739	GP. 2		
8Z10328	JA. 18	2Z10525	JH. 10	4Z10739	GP. 2		
9Z10328	JA. 18	3Z10525	JH. 10	Z10864	JA. 16		
11Z10328	JA. 18	4Z10525	JH. 10	1Z10869	HH. 41		
1Z10329	JA. 18	5Z10525	JH. 10	4Z10869	HH. 40		
7Z10329	JA. 18	6Z10525	JH. 10	5Z10869	HH. 44		
8Z10329	JA. 18	7Z10525	JH. 10	8Z10869	HH. 44		
1Z10330	JA. 19	1Z10547	HH. 12B	10Z10869	HH. 38		
6Z10330	JA. 19	2Z10547	HH. 12B	11Z10869	HH. 45		
11Z10330	JA. 19	3Z10547	HH. 12B	1Z11162	HH. 44		

VULCAN PR. 2

INDEX OF PART NUMBERS

Page W. 157

(See also Supplementary pages, if any)

Part No.	Page No.	Part No.	Page No.	Part No.	Page No.	Part No.	Page No.
281V8100	FQ. 4			7842V8100	FJ. 5	141V8101	FQ. 5
282V8100	FQ. 4			7860V8100	FD. 2	142V8101	FJ. 17
283V8100	FD. 2			7861V8100	FD. 2	145V8101	FQ. 5
284V8100	FD. 2			7881V8100	FD. 1	151V8101	FQ. 5
287V8100	FQ. 4			7939V8100	FJ. 5		
290V8100	FJ. 7			8032V8100	FD. 2		
291V8100	FQ. 4			8082V8100	FJ. 5		
292V8100	FD. 22			8107V8100	FJ. 7		
293V8100	FD. 2			8356V8100	FQ. 4		
297V8100	FJ. 3			8357V8100	FJ. 5		
298V8100	FJ. 3			8563V8100	FQ. 4		
310V8100	FJ. 20			8567V8100	FJ. 5		
312V8100	FJ. 20			8568V8100	FJ. 7		
313V8100	FJ. 20			8569V8100	FJ. 20		
321V8100	FJ. 20			9291V8100	FJ. 5		
322V8100	FJ. 20			4V8101	FJ. 13		
323V8100	FJ. 20			6V8101	FJ. 8		
7089V8100	FQ. 4			7V8101	FJ. 8		
7100V8100	FJ. 4			9V8101	FJ. 8		
7106V8100	FQ. 4			13V8101	FJ. 13		
7152V8100	FJ. 4			19V8101	FJ. 8		
7153V8100	FJ. 6			32V8101	FQ. 4		
7269V8100	FJ. 4			34V8101	FQ. 4		
7313V8100	FL. 4			36V8101	FQ. 4		
7562V8100	FJ. 4			37V8101	FQ. 4		
7625V8100	FJ. 4			39V8101	FQ. 4		
7707V8100	FJ. 4			40V8101	FQ. 4		
7708V8100	FJ. 4			60V8101	FQ. 5		
7709V8100	FJ. 4			76V8101	FJ. 8		
7710V8100	FJ. 4			86V8101	FJ. 8		
7711V8100	FJ. 4			98V8101	FJ. 8		
7712V8100	FJ. 4			100V8101	FJ. 8		
7713V8100	FJ. 4			105V8101	FJ. 8		
7714V8100	FJ. 4			106V8101	FJ. 8		
7715V8100	FJ. 4			107V8101	FJ. 8		
7716V8100	FJ. 4			116V8101	FJ. 17		
7717V8100	FJ. 4			119V8101	FJ. 9		
7719V8100	FJ. 5			128V8101	FJ. 9		
7720V8100	FJ. 5			131V8101	FJ. 9		
7721V8100	FJ. 5			135V8101	FJ. 9		
7723V8100	FJ. 5			136V8101	FJ. 13		
7775V8100	FJ. 5			137V8101	FJ. 13		
7789V8100	FJ. 5			139V8101	FQ. 5		
7790V8100	FJ. 6			140V8101	FQ. 5		

VULCAN No. 2

Page W. 158

INDEX OF PART NUMBERS

(See also Supplementary pages, if any)

Part No.	Page No.	Part No.	Page No.	Part No.	Page No.	Part No.	Page No.
152V8101	FJ. 9			280V8101	FJ. 10	7885V8101	FJ. 18
153V8101	FJ. 9			281V8101	FQ. 6	7946V8101	FJ. 12
154V8101	FJ. 9			282V8101	FJ. 17	8108V8101	FQ. 6
155V8101	FQ. 5			283V8101	FJ. 18	8126V8101	FJ. 14
156V8101	FQ. 5			7092V8101	FQ. 6	8361V8101	FJ. 12
157V8101	FJ. 9			7102V8101	FJ. 10	8364V8101	FQ. 6
160V8101	FJ. 9			7103V8101	FJ. 10	8366V8101	FJ. 21
162V8101	FQ. 5			7105V8101	FQ. 6	8561V8101	FQ. 6
180V8101	FJ. 9			7111V8101	FJ. 18	8562V8101	FQ. 6
183V8101	FJ. 9			7155V8101	FJ. 10	8569V8101	FJ. 12
185V8101	FJ. 9			7157V8101	FJ. 13	8570V8101	FJ. 13
190V8101	FJ. 9			7246V8101	FJ. 11	1V8133	FH. 1, FH. 10
191V8101	FJ. 9, FQ. 5			7267V8101	FJ. 11		FH. 16
192V8101	FJ. 9			7342V8101	FQ. 6	2V8168	FM. 26
193V8101	FJ. 9, FQ. 5			7343V8101	FQ. 6	1V8177	FB. 9
194V8101	FJ. 9			7344V8101	FQ. 6	1V8178	FQ. 8
195V8101	FQ. 5			7345V8101	FQ. 6	2V8178	FQ. 8
199V8101	FQ. 5			7560V8101	FJ. 11	1V8179	FQ. 8
203V8101	FQ. 5			7561V8101	FQ. 6	2V8179	FQ. 8
204V8101	FJ. 10			7626V8101	FJ. 11	2V8180	FB. 13, FJ. 19
207V8101	FJ. 10			7627V8101	FQ. 6	1V8181	FB. 14
210V8101	FJ. 10			7628V8101	FJ. 18	1V8182	FJ. 19
212V8101	FJ. 10			7652V8101	FJ. 11	1V8183	FJ. 19
215V8101	FJ. 10			7697V8101	FJ. 11	3V8186	FM. 26
218V8101	FJ. 10			7724V8101	FJ. 11	8V8187	FM. 26
225V8101	FJ. 10			7725V8101	FJ. 11	1V8193	FN. 24
226V8101	FQ. 5			7726V8101	FJ. 11	5V8193	FN. 24
234V8101	FJ. 13			7727V8101	FJ. 11	1V8194	FN. 24
235V8101	FJ. 13			7728V8101	FJ. 11	31V8199	FG. 49
237V8101	FJ. 13			7729V8101	FJ. 11	39V8199	FG. 49
239V8101	FJ. 13			7730V8101	FJ. 11		
240V8101	FJ. 10			7731V8101	FJ. 11		
251V8101	FJ. 17			7732V8101	FJ. 11		
252V8101	FJ. 17			7733V8101	FJ. 11		
253V8101	FJ. 10			7734V8101	FJ. 11		
254V8101	FJ. 10			7735V8101	FJ. 12		
255V8101	FQ. 5			7736V8101	FJ. 12		
265V8101	FJ. 10			7737V8101	FJ. 12		
268V8101	FJ. 01			7739V8101	FJ. 12		
269V8101	FQ. 5			7746V8101	FJ. 18		
270V8101	FQ. 5			7776V8101	FJ. 13		
275V8101	FQ. 5			7788V8101	FJ. 12		
278V8101	FJ. 14			7791V8101	FJ. 12		
279V8101	FJ. 10			7880V8101	FJ. 18		

VULCAN PH. 2

INDEX OF PART NUMBERS

Page W. 159

(See also Supplementary pages, if any)

Part No.	Page No.	Part No.	Page No.	Part No.	Page No.	Part No.	Page No.
1V8200	FG. 51			3V8400	FB. 17	1V8494	FB. 1
19V8200	FG. 51			21V8400	EG. 17	10V8494	FB. 8
1V8215	JG. 1			22V8400	EG. 23	11V8494	FB. 8
V8217	FB. 1			23V8400	EG. 23	12V8494	FB. 8
V8222	FA. 1			24V8400	EG. 23	15V8494	FA. 34
4V8222	FA. 30			1V8407	FB. 10	30V8494	FB. 7
21V8222	FA. 34			1V8436	FM. 30	1V8495	FC. 1
23V8222	FA. 30			2V8436	FM. 31	2V8495	FC. 1
24V8222	FA. 30			4V8436	FM. 31	6V8495	FC. 1
26V8222	FA. 34			5V8436	FM. 30,	7V8495	FC. 1
28V8222	FA. 34				FM. 31	14V8495	FC. 4
30V8222	FA. 30			6V8436	FM. 30	17V8495	FC. 1
33V8222	FA. 32			7V8436	FM. 31	18V8495	FC. 1
10V8223	FQ. 7			8V8436	FM. 30,	3V8522	FF. 1
18V8223	FQ. 6				FM. 31	3V8538	FG. 45
19V8223	FQ. 6			1V8437	FM. 30	1V8539	FG. 45
20V8223	FQ. 6			5bV8443	FP. 10	2V8544	FB. 15
21V8223	FQ. 6			11V8443	FP. 10	1V8599	FK. 3
23V8223	FQ. 1			1V8469	FG. 56	1V8604	FB. 11
25V8223	FQ. 6			5V8490	FK. 1	1V8605	FB. 12
26V8223	FQ. 1			6V8490	FK. 3	2V8605	FB. 12
27V8223	FQ. 1			10V8490	FK. 2	1V8608	FM. 28
28V8223	FQ. 16			11V8490	FK. 1	2V8608	FM. 28
30V8223	FQ. 6			14V8490	FK. 3	5V8611	FJ. 15
31V8223	FQ. 16			9V8493	FP. 11	9V8612	FM. 25
7V8282	FA. 35			10V8493	FP. 11	10V8612	FM. 25
8V8282	FA. 35			10aV8493	FP. 11	1V8613	FJ. 15
1V8283	FB. 14			11V8493	FP. 1	3V8624	FP. 10
11V8372	FA. 33			12V8493	FM. 31	4V8624	FP. 10
12V8372	FA. 33			13V8493	FP. 1	21V8624	FP. 8
13V8372	FA. 33			14V8493	FP. 1	22V8624	FP. 11
14V8372	FA. 33			15V8493	FP. 1	1V8625	FP. 9
15V8372	FA. 33			16V8493	FP. 1	1V8627	FP. 8
16V8372	FA. 33			20V8493	FP. 8	2V8627	FP. 8
18V8372	FA. 33			21V8493	FM. 31,	7V8627	FP. 8
7V8373	FA. 33				FP. 1	1V8628	FP. 9
8V8373	FA. 33			22V8493	FP. 8	9V8628	FP. 11
9V8373	FA. 33			23V8493	FP. 8	10V8628	FP. 11
1V8400	FB. 17			24V8493	FP. 1	11V8628	FP. 11
2V8400	EG. 15, FB. 17			25V8493	FP. 1	12V8628	FP. 11
				26V8493	FP. 1		

VULCAN No. 2

Page W. 160

INDEX OF PART NUMBERS

(See also Supplementary pages, if any)

Part No.	Page No.	Part No.	Page No.	Part No.	Page No.	Part No.	Page No.
15V8628	FP. 11	18V8646	HL. 13	23V8765	JB. 33	5V9051	FF. 2
16V8628	FP. 11	19V8646	HL. 13	2V8783	FB. 16	1V9071	FG. 57
17V8628	FP. 11	21V8646	HL. 13	4V8783	FB. 16	1V9074	FG. 57
18V8628	FP. 11	22V8646	HL. 13		FH. 16	3V9074	FG. 57
19V8628	FP. 11	3V8647	HL. 6	1V8786	FG. 46	5V9074	FG. 57
20V8628	FP. 11	4V8647	HL. 6	2V8786	FG. 46	6V9074	FG. 57
21V8628	FP. 11	7V8647	HL. 6	3V8786	FG. 46	7V9074	FG. 57
22V8628	FP. 11	8V8647	HL. 6	4V8786	FG. 46	8V9074	FG. 57
23V8628	FP. 11	9V8647	HL. 6	5V8786	FG. 46	10V9074	FG. 57
24V8628	FP. 11	1V8765	JB. 33	1V8788	EF. 3	1V9104	FG. 52
25V8628	FP. 11	2V8765	JB. 33	2V8788	EF. 4	1895V9114	FA. 13
26V8628	FP. 11	4V8765	JB. 33	5V8788	EF. 3	1896V9114	FA. 13
33V8628	FP. 11	10V8765	JB. 33	7V8788	EF. 4	1897V9114	FA. 13
34V8628	FP. 11	11V8765	JB. 33	1V8795	EF. 3	1898V9114	FA. 13
35V8628	FP. 11	14V8765	JB. 33	5V8795	EF. 3	1900V9114	FA. 13
36V8628	FP. 11	15V8765	JB. 33	6V8795	FE. 3	2017V9114	FH. 3.
37V8628	FP. 11	21V8765	JB. 33	11V8795	FE. 3		FH. 5
38V8628	FP. 11	22V8765	JB. 33	13V8795	FE. 3	2018V9114	FH. 8.
39V8628	FP. 11			5V8963	HE. 1		FH. 10
40V8628	FP. 11			6V8963	HE. 1	2019V9114	FH. 13.
41V8628	FP. 11			7V8963	HE. 1		FH. 15
42V8628	FP. 12			8V8963	HE. 1	2020V9114	FH. 20
43V8628	FP. 12			9V8963	HE. 1	7177V9114	FH. 3.
44V8628	FP. 12			1V8964	HD. 1		FH. 5
45V8628	FP. 12			3V8964	HD. 1	7178V9114	FH. 8.
46V8628	FP. 11			4V8964	HD. 1		FH. 10
1V8629	FP. 9			5V8964	HD. 1	7179V9114	FH. 18.
2V8629	FP. 9			1V8965	GG. 28		FH. 20
3V8629	FP. 9			2V8965	GG. 28	7180V9114	FH. 13
1V8631	FP. 9			2bV8965	GG. 28	7294V9114	FA. 13
2V8631	FP. 9			3V8965	GG. 28	7295V9114	FA. 13
V8636	JH. 23			4V8965	GG. 28	7296V9114	FA. 13
2V8636	JH. 23			4V8990	GG. 30	7297V9114	FA. 13
2dV8636	JH. 23			5V8990	GG. 29	7298V9114	FA. 13
3V8636	JH. 23			1V9030	EF. 3	7302V9114	FA. 16
7V8636	JH. 23			1V9036	FB. 8	7315V9114	FA. 13
5V8639	FP. 8			6V9036	FB. 8	7316V9114	FA. 13
3V8646	HL. 12			1V9037	FB. 16	7327V9114	FA. 13
4V8646	HL. 12			2V9037	FB. 16	7406V9114	FA. 17
8V8646	HL. 12			3V9037	FB. 16	7407V9114	FA. 17
12V8646	HL. 13			1V9040	FB. 16		
14V8646	HL. 13			1V9043	FF. 1		
16V8646	HL. 13			1V9044	FF. 2		

VULCAN No. 2

INDEX OF PART NUMBERS

Page W. 161

(See also Supplementary pages, if any)

Part No.	Page No.	Part No.	Page No.	Part No.	Page No.	Part No.	Page No.
1V9122	JA. 15			1V9230	FM. 26	6V9421	FM. 33
2V9122	JA. 15			4V9230	FM. 26	8V9421	FM. 33
3V9122	JA. 15			5V9230	FM. 26	9V9421	FM. 32
4V9122	JA. 15			8V9230	FM. 26	10V9421	FM. 32
6V9122	JA. 15			1V9231	FM. 26	11V9421	FM. 32
6aV9122				1V9232	FM. 26	14V9421	FM. 32
7V9122	JA. 15			8V9232	FM. 26	15V9421	FM. 32
7aV9122				9V9232	FM. 26	16V9421	FM. 33
1V9126	FE. 3			10V9232	FM. 26	25V9421	FM. 33
7V9131	FB. 1			1V9265	FN. 18	26V9421	FM. 32
1V9135	FM. 30			1V9266	FN. 18	28V9421	FM. 33
2V9135	FM. 30			1V9274	FN. 18	1V9422	FM. 33
3V9135	FM. 30			1V9276	FN. 18	2V9422	FM. 33
1V9138	FG. 46			3V9287	FP. 8		
1V9139	FB. 11			2V9288	FG. 47		
3V9139	FB. 11			1V9303	FA. 35		
1V9145	FE. 1, JA. 5			18V9303	FA. 35, HH. 48		
1V9157	FB. 12			19V9303	FA. 35		
2V9158	FB. 12			25V9303	HH.17		
3V9158	FB. 12			2V9304	FG. 59		
5V9158	FB. 12			3V9304	FG. 59		
1V9164	FG. 45			4V9304	FG. 59		
2V164	FG. 45			6V9304	FG. 59		
3V9164	FG. 45			1V9326	FG. 45		
4V9164	FG. 45			4V9326	FG. 45		
5V9164	FG. 45			1V9336	FG. 45		
1V9165	FG. 45			1V9347			
1V9180	FN. 18			1V9360	FM. 1		
1V9181	FN. 18			2V9360	FM. 1		
1V9194	FH. 1			1V9363	FE. 3		
2V9194	FH. 5			1V9365	HD. 2		
3V9149	FH. 10			3V9386	EC. 5		
4V9194	FH. 16			19V9387	JB. 73		
7V9194	FH. 1, FH. 6, FH. 11, FH. 16			1V9396	QB. 2, QB. 3		
1V9198	FB. 1			3V9396	QB. 2, QB. 3		
2V9198	FB. 1			1V9397	QB. 2, QB. 3		
4V9198	FB. 1			3V9397	QB. 2, QB. 3		
2V9199	FG. 53			4V9411	HK. 1		
3V9199	FG. 54			1V9421	FM. 32		
2V9206	FG. 47			2V9421	FM. 32		
				5V9421	FM. 33		

INDEX OF PART NUMBERS

(See also Supplementary pages, if any)

Part No.	Page No.	Part No.	Page No.	Part No.	Page No.	Part No.	Page No.
1V9437	FN. 17	1V9473	FB. 13	13V9488	FN. 16	3V9676	HH. 48
2V9437	FN. 17	8V9476	FG. 7	15V9488	FN. 1	6V9677	HH. 48
1V9443	JB. 33	1V9479	FP. 9	16V9488	FN. 25	1V9724	FA. 32
4V9443	JB. 34	1V9482	JB. 33	17V9488	FN. 25	2V9724	FA. 32
14V9443	JB. 33	2V9482	JB. 33	18V9488	FN. 16	4V9724	FA. 32
54V9443	JB. 34	3V9482	JB. 33	18dV9488	FN. 16	1V9726	FQ. 11.
57V9443	JB. 33	4V9482	JB. 33	1V9534	GG. 12		GG. 3
1V9447	FM. 30	5V9482	JB. 33	3V9534	GG. 12	2V9726	FQ. 11.
1V9455	FN. 20	5V9488	FN. 25	4V9534	GG. 12		GG. 3
2V9455	FN. 20	9V9488	FN. 16	1V9543	FM. 27	1V9770	FA. 32
3V9455	FN. 20	10V9488	FN. 16	2V9543	FM. 27	2V9770	FA. 32
10V9463	FG. 54	12V9488	FN. 16	1V9546	DF. 2, FJ. 18	3V9770	FA. 32
1V9470	FN. 18			2V9547	FQ. 8	5V9770	FA. 32
2V9470	FN. 18			1V9554	GG. 33	1V9772	FQ. 13
3V9470	FN. 18			1V9557	HD. 1	2V9772	FQ. 13
2V9472	FD.3, FJ. 6, FJ. 13, FJ. 19, FM. 27			1V9561	GG. 33	5V9772	FQ. 13
				2V9561	GG. 33	6V9772	FQ. 13
2bV9472	FD. 3, FM. 27, FQ. 7			1V9562	FM. 1, GG. 33	9V9772	FQ. 14
				2V9562	GG. 33	10V9772	FQ. 14
2bV9472	FD. 3, FM. 27, FQ. 7			3V9562	GG. 33	22V9772	FQ. 13
				1V9573	FP. 1	23V9772	FQ. 13
2cV9472	FD. 3, FM. 27, FQ. 7			2V9573	FP. 1	24V9772	FQ. 14
				3V9573	FP. 1	25V9772	FQ. 14
2dV9472	FD. 3, FM. 27, FQ. 7			8V9573	FP. 1	1V9778	GG. 4
				V9575	JA. 5		
2eV9472	FD. 3, FM. 27, FQ. 7			1V9576	FB. 1		
				1V9581	FB. 15		
2fV9472	FM. 27			2V9581	FB. 15		
5V9472	FP. 9, FQ. 7			1V9589	FE. 3		
6V9472	FM. 26, FP. 9			2V9591	JA. 16		
7V9472	FK. 2, FM. 26, FN. 16, FP. 9			10V9591	JA. 16		
9V9472	FM. 25			V9592	JA. 8		
10V9472	FM. 25			3V9592	FG. 58		
				5V9592	FG. 7		
				15V9592	JA. 19		
				16V9592	JA. 19		
				55V9592	FG. 58		
				1V9597	GG. 35		
				4V9636	GG. 16		

VULCAN No. 3

INDEX OF PART NUMBERS

Page W. 162A

(See also Supplementary pages, if any)

Part No.	Page No.	Part No.	Page No.	Part No.	Page No.	Part No.	Page No.
1V9781	GG. 3	6V9940	JB. 64	1V9949	HH. 15	2V10103	HH. 21
1V9782	GG. 4	7V9940	JB. 64	1V9950	HH. 15	1V10106	FP. 10
1V9783	HH. 22	1V9947	HH. 16	1V9951	HH. 20	2V10106	GG. 35
2V9783	HH. 22	6V9947	HH. 16	1V9952	HH. 21	3V10106	GG. 35
3V9783	HH. 23			1V9953	HH. 21	2V10204	HH. 22
4V9783	HH. 22			2V9954	HH. 21	1V10225	FC. 5
8V9783	HH. 23			3V9954	HH. 21	1V10227	FC. 5
8aV9783	HH. 23			4V9954	HH. 21		
8bV9783	HH. 23			5V9954	HH. 21		
8cV9783	HH. 23			6V9954	HH. 21		
1V9796	FB. 13			1V9957	HH. 19		
5V9802	HH. 23			3V9957	HH. 19		
6V9802	HH. 24			4V9957	HH. 19		
8V9802	HH. 23			1V10013	FP. 10		
11V9814	JA. 16			2V10013	FP. 10		
2V9829	HH. 22			3V10013	FP. 10		
1V9851	FG. 45			1V10027	FC. 5		
4V9851	FJ. 18			1V10081	FP. 9		
5V9851	FN. 17			4V10081	FP. 9		
6V9851	FP. 8			2V10085	HH. 15		
1V9869	FB. 17			3V10085	HH. 17		
1V9890	FQ. 10			4V10085	HH. 17		
2V9890	FQ. 10			5V10085	HH. 17		
5V9890	FQ. 10			6V10085	HH. 17		
6V9890	FQ. 10			7V10085	HH. 16		
8V9890	FQ. 10			1V10086	HH. 16		
9V9890	FQ. 10			2V10086	HH. 16		
1V9892	HH. 20			3V10086	HH. 16		
1V9893	HH. 20			2V10087	HH. 18		
1V9898	FQ. 8			1V10089	HH. 17		
1V9899	FQ. 8			1V10090	HH. 18		
1V9930	HH. 22			2V10090	HH. 18		
2V9930	HH. 22			1V10091	HH. 17		
1V9932	FB. 9, FN. 19			2V10091	HH. 17		
1V9933	FB. 10,			1V10102	HH. 15		
	FN. 19			6V10102	HH. 16		
1V9934	FB. 10,			7V10102	HH. 15		
	FN. 19			8V10102	HH. 17		
1V9935	FB. 10,			9V10102	HH. 17,		
	FN. 19				HH. 18		
1V9936	FH. 1, FH. 5,			10V10102	HH. 16		
	FH. 10,			11V10102	HH. 16		
	FH. 16			12V10102	HH. 16		

INDEX OF PART NUMBERS

(See also Supplementary pages, if any)

Part No.	Page No.	Part No.	Page No.	Part No.	Page No.	Part No.	Page No.
1V10229	GG. 29			1V10643	FE. 3	1V10950	FF. 2
2V10229	GG. 29			2V10643	FE. 4	1V11031	HK. 1
2bV10229	GG. 29			10V10663	FE. 3	1V11032	HK. 1
3V10229	GG. 29			1V10696	FP. 9	2V11032	HK. 1
4V10229	GG. 29			1V10703	HH. 21	4V11032	HK. 1
5V10229	GG. 29			2V10703	HH. 21	1V11056	HK. 1
1V10230	GG. 27			1V10704	HH. 21	1V11098	HH. 16
	GG. 45			1V10706	HH. 21	1V11112	FE. 2
2V10230	GG. 27			2V10706	HH. 21	1V11113	FE. 2
3V10230	GG. 27			3V10706	HH. 21	1V11124	FB. 1
4V10230	GG. 27			4V10706	HH. 21	6V11124	FB. 7
5V10230	GG. 27			5V10706	HH. 21	7V11124	FB. 7
4V10252	GG. 15			6V10706	HH. 21	1V11133	FE. 2
3V10253	GG. 15			1V10709	HH. 48	5V11133	HH. 24
1V10285	HH. 16			2V10709	HH. 48		
1V10286	HH. 18			11V10710	JA. 61		
1V10287	HH. 17			12V10710	JA. 61		
3V10287	HH. 18			7V10711	JA. 61		
1V10289	HH. 48			8V10711	JA. 61		
1V10291	HH. 38			4V10712	JA. 60		
2V10291	HH. 38			4V10713	JA. 60		
3V10291	HH. 38			1V10719	HH. 48		
5V10291	HH. 38			2V10719	HH. 48		
1V10297	HH. 18			1V10723	FH. 16		
2V10297	HH. 18			2V10723	FH. 16		
1V10307	FG. 53			4V10758	FG. 57		
1V10362				6V10758	FG. 58		
1V10446	HH. 24			10V10758	FG. 58		
3V10446	HH. 24			11V10758	FG. 58		
20V10493	HH. 48			12V10758	FG. 58		
1V10498	FA. 32			13V10758	FG. 58		
1V10520	FQ. 12			1V10783	HH. 48		
1V10521	FQ. 12			1V10785	HH. 48		
1V10552	FG. 53			1V10787	FH. 1		
1V10560	FN. 18			2V10787	FH. 5, FH. 8		
1V10566	FG. 53			3V10787	FH. 10		
1V10642	FN. 16			4V10787	FH. 16		
1V10643	FN. 16			5V10787	FH. 20		
2V10643	FN. 16			6V10787	FH. 20		
3V10643	FN. 16			1V10810	FF. 1		
4V10643	FN. 16			1V10831	FP. 9		
5V10643	FN. 16			7V10911	EF. 2, HH. 24		
6V10643	FN. 16			7aV10911	HH. 24		
1V10657	FB. 18, FN. 16			7bV10911	HH. 24		

VULCAN PB 2

INDEX OF PART NUMBERS

Page W. 162C

(See also Supplementary pages, if any)

Part No.	Page No.	Part No.	Page No.	Part No.	Page No.	Part No.	Page No.
1V11134	EF. 2			2V11249	FG. 54		
2V11134	EF. 2			20V11270	FG. 7		
1V11147	GG. 18			4V11283	FQ. 7		
1V11167	FG. 57			1V11292	FJ. 20		
2V11215	FG. 59			3V11292	FJ. 20		
2V11240	FN. 26			1V11293	FN. 26		
12V11240	FN. 26			2V11293	FN. 26		
13V11240	FN. 26			2aV11293	FN. 26		
14V11240	FN. 26			4V11293	FN. 26		
15V11240	FN. 26			4aV11293	FN. 26		
16V11240	FN. 25			5V11293	FN. 26		
17V11240	FN. 25			5aV11293	FN. 26		
18V11240	FN. 27			5bV11293	FN. 26		
19V11240	FN. 27			32V11311	HH. 48		
19aV11240	FN. 27			68V11313	FP. 9		
21V11240	FN. 29			1V11319	FA. 1		
22V11240	FN. 28			11V11319	FA. 1		
23V11240	FN. 28			12V11319	FA. 1		
23aV11240	FN. 28			1V11351	FH. 5		
24V11240	FN. 28			2V11351	FH. 5		
25V11240	FN. 28			5V11351	FH. 5		
25aV11240	FN. 28			6V11351	FH. 5		
26V11240	FN. 25			10V11351	FH. 5		
26aV11240	FN. 25			11V11351	FH. 5		
27V11240	FN. 26			12V11351	FH. 5		
27aV11240	FN. 26			13V11351	FH. 5		
27bV11240	FN. 26			1V11365	FJ. 19		
33V11240	FN. 27			1V11368	GG. 29		
33aV11240	FN. 27						
33bV11240	FN. 27						
33cV11240	FN. 27						
34V11240	FN. 27						
34aV11240	FN. 27						
35V11240	FN. 25						
39V11240	FN. 26						

YUCAN PR. 3

Page W. 162D

INDEX OF PART NUMBERS

(See also Supplementary pages, if any)

Part No.	Page No.	Part No.	Page No.	Part No.	Page No.	Part No.	Page No.
1V11373	FM. 30			1V11649	FM. 32		
1V11374	FM. 31			1V11667	HH. 19		
1V11379	GG. 27			1V11722	HH. 22		
1V11410	FN. 24			1V11728	FN. 23		
3V11410	FN. 24, JB. 73			1V11729	FN. 23		
17V11410	FN. 24, JB. 73, JB. 74			1V11730	FN. 23		
17aV11410	FN. 24, JB. 73			1V11731	FN. 23		
17bV11410	FN. 24, JB. 73			1V11734	FN. 23		
17cV11410	FN. 24, JB. 73			1V11767	FM. 31		
17dV11410	FN. 24, 74, 73			1V11789	FF. 1		
17eV11410	FN. 24, JB. 73			1V11790	FM. 27		
19V11410	FN. 24			2V11790	FM. 27		
19aV11410	FN. 24			1V11794	FG. 50		
19bV11410	FN. 24			1V11795	FJ. 19		
20V11410	JB. 73			1V11796	GG. 29		
1V11416	FM. 30			1V11797	GG. 27		
1V11419	FE. 1			1V11807	FG. 57		
1V11468	GG. 30			4V11814	FN. 22		
1V11481	FE. 1			5V11814	FN. 1		
2V11481	FE. 1			1V11825	FP. 8		
3V11481	FE. 1			3V11825	FP. 8		
5V11481	FE. 1			4V11825	FP. 8		
1V11488	GG. 25			1V11831	FN. 20		
1V11506	JA. 12			2V11831	FN. 20		
1V11510	HH. 24			10V11831	FN. 20		
1V11514	FN. 26			11V11831	FN. 20		
1V11590	FM. 33			1V11847	FN. 16		
1V11594	FM. 33			6V11847	FN. 16		
1V11598	FB. 15			7V11847	FN. 16		
1V11599	FB. 15			1V11861	FB. 17		
1V11607	FQ. 10			1V11869	HH. 17		
1V11608	FQ. 10			2V11879	GG. 26		
1V11611	FA. 32			1V11884	FB. 16		
1V11612	FA. 32			1V11887	GG. 28		
1V11647	FQ. 7			1V11896	FF. 1		
2V11647	FQ. 7			2V11896	FF. 1		
3V11647	FQ. 7			3V11896	FF. 1		
5V11647	FQ. 7			1V11898	FF. 1		
				1V11903	FG. 57		
				1V11936	FN. 16		

VULCAN PH. 2

INDEX OF PART NUMBERS

Page W. 163

(See also Supplementary pages, if any)

Part No.	Page No.	Part No.	Page No.	Part No.	Page No.	Part No.	Page No.
1V11938	FN. 16			2W989	DA. 1		
1V11939	FN. 16			3W989	DA. 1		
1V11942	FN. 16			3W1027	DA. 1		
1V11945	FN. 16			4W1027	DA. 1		
1V12056	GG. 30			10W1027	DA. 4		
1V12059	FG. 55			11W1027	DA. 4		
1V12060	JA. 6			18W1027	DA. 5		
1V12089	FG. 57			20W1027	DA. 1		
1V12105	HH. 16			25bW1027	DA. 6		
1V12120	FN. 20			2W1128	DA. 5		
1V12224	JA. 16			8W1128	DA. 5		
1V12266	HH. 38			12W1128	DA. 5		
1V12269	HH. 21			13W1128	DA. 6		
2V12269	HH. 21			16W1128	DA. 2		
3V12269	HH. 21			17W1128	DA. 2		
1V12441	HH. 10			18W1128	DA. 2		
1V12442	HH. 12			19W1128	DA. 6		
1V12483	HH. 12			19aW1128	DA. 6		
1V12779	FG. 57			21W1128	DA. 7		
1V13128	FG. 57			22W1128	DA. 7		
1V13481	FG. 49						
1V13482	FG. 49						
2V13536	HM. 3						
3V13536	HM. 3						
4V13536	HM. 3						
5V13536	HM. 3						
6V13536	HM. 3						
7V13536	HM. 3						
8V13536	HM. 3						
9V13536	HM. 3						
11V13536	HM. 3						
V13579	JA. 11						
2V13579	JA. 11						
2aV13579	JA. 11						
1V13894	EC. 1						
2V13894	EC. 1						
4V13894	EC. 1						
1V13965	HM. 20						
1V13966	HM. 20						
1V14098	FA. 32						
1V14150	FG. 51						
1V14151	FG. 51						

INDEX OF PART NUMBERS

(See also Supplementary pages, if any)

Part No.	Page No.	Part No.	Page No.	Part No.	Page No.	Part No.	Page No.
10Z478	HH. 42	30Z6935	QA. 37	7Z6937	QA. 36		
5Z742	DB. 1, JA. 20	31Z6935	QA. 37	8Z6937	QA. 36		
27aZ1205	HC. 4	100Z6935	QA. 36	11Z6937	QA. 36		
27bZ1205	HC. 4	1Z6936	QA. 35	1Z6945	QA. 4		
5Z2164	MC. 26	10Z6936	QA. 35	3Z6945	QA. 5		
5aZ2164	QS. 1	6Z6937	QA. 36	4Z6945	QA. 5		
5bZ2164	QS. 1			5Z6945	JB. 77		
5cZ2164	QS. 1			33Z6948	QA. 7		
106Z2165	QS. 1			34Z6948	QA. 7		
10Z2256	HC. 4, SA. 1			59Z6948	QA. 4		
46cZ2537	QS. 1			68Z6948	QA. 6		
6Z2556	GE. 2			7Z6948	QA. 1		
15Z3090	JA. 1			87Z6948	QA. 4		
7Z3092	QJ. 6			89Z6948	QA. 1		
25Z3224	QA. 8, QA. 23, QB. 1, QQ. 1, QT. 5			100Z6948	QA. 1		
25aZ3224	QQ. 1			1Z6998	QA. 35		
48Z3257	QC. 10			2Z6998	QA. 35		
54Z3257	QC. 9			11Z6998	QA. 35		
60Z3257	QC. 9			12Z6998	QA. 35		
19Z3413	GD. 4			1Z7012	JB. 54		
1Z6492	JA. 40			1Z7013	JB. 54		
4Z6531	QA. 12			1Z7014	JB. 54		
5Z6531	QA. 12			3Z7032	QA. 37		
3bZ6632	QA. 32			4Z7032	QA. 37		
7Z6632	NB. 1			10Z7032	QA. 20, QA. 33, QA. 37		
7Z6632	QA. 27, QA. 32, QA. 39			2Z7053	DB. 1		
1Z6930	JB. 56, QH. 1, QH. 7			2Z7058	DB. 1, JA. 20		
4Z6930	JB. 56, QH. 1, QH. 7			2fZ7058	JA. 20		
5Z6930	JB. 56, QH. 1, QH. 7			1Z7069	MC. 5		
8Z6935	QA. 35			2Z7069	MC. 5		
10Z6935	QA. 36			6Z7069	MC. 5		
13Z6935	QA. 36			7Z7069	MC. 5		
17Z6935	QA. 36			8Z7069	MC. 5		
20Z6935	QA. 36			2Z7071			
				20Z7071	GF. 23		
				2Z7072	GF. 23		
				3Z7072	GF. 23		
				5Z7072	GF. 23		
				6Z7072	GF. 23		

INDEX OF PART NUMBERS

Page W. 165

(See also Supplementary pages, if any)

Part No.	Page No.	Part No.	Page No.	Part No.	Page No.	Part No.	Page No.
7Z7072	GF. 23			14Z7131	QA. 9		
8Z7072	GF. 23			15Z7131	QA. 9		
13Z7072	GF. 23			16Z7131	QA. 8		
6Z7087	JB. 56			19Z7131	QA. 9		
16Z7087	JB. 56			1Z7132	JH. 1, RB. 4		
1Z7102	KA. 1			2Z7132	JH. 1, RB. 4		
108Z7119	QR. 7			3Z7132	JH. 1, RB. 4		
116Z7119	QR. 7, QR. 10			4Z7132	JH. 1, RB. 4		
125Z7119	QR. 7			5Z7132	JH. 1, RB. 4		
126Z7119	QR. 7			6Z7132	JH. 1, RB. 4		
127Z7119	QR. 7			7Z7132	JH. 1, RB. 4		
128Z7119	QR. 7			11Z7139	QA. 40		
129Z7119	QR. 7			12Z7139	QA. 40		
130Z7119	QR. 7			13Z7139	QA. 40		
131Z7119	QR. 8			14Z7139	QA. 40		
132Z7119	QR. 8			25Z7139	QA. 40		
133Z7119	QR. 7			26Z7139	QA. 40		
134Z7119	QR. 7			27Z7139	QA. 40		
135Z7119	QR. 7			28Z7139	QA. 40		
136Z7119	QR. 7			37Z7144	QA. 37		
137Z7119	QR. 7			39Z7144	QA. 37		
138Z7119	QR. 7			40Z7144	QA. 19, QA. 20, QA. 33, QA. 34, QA. 37, QA. 52		
139Z7119	QR. 7						
140Z7119	QR. 7						
141Z7119	QR. 7			41Z7144	QA. 19, QA. 20, QA. 33, QA. 34, QA. 37, QA. 52		
142Z7119	QR. 7						
143Z7119	QR. 8						
144Z7119	QR. 8						
145Z7119	QR. 7			9Z7147	QA. 36		
146Z7119	QR. 7			1Z7162	QA. 3		
147Z7119	QR. 7			1Z7165	QA. 3		
148Z7119	QR. 7			4Z7184	JB. 35		
149Z7119	QR. 7			5Z7184	JB. 35		
3Z7120	QA. 31			8Z7184	JB. 35		
4Z7120	QA. 31			9Z7184	JB. 35		
5Z7120	QA. 31			10Z7184	JB. 35		
7Z7120	QA. 31			11Z7184	JB. 35		
8Z7120	QA. 31			1Z7189	QA. 3		
9Z7120	QA. 31			1Z7225	KE. 1		
10Z7131	QA. 9						
11Z7131	QA. 8						
12Z7131	QA. 8						
13Z7131	QA. 9						

INDEX OF PART NUMBERS

(See also Supplementary pages, if any)

Part No	Page No.	Part No.	Page No.	Part No	Page No.	Part No.	Page No.
1Z7238	QA. 12			217Z7276	QS. 2		
1Z7245	KE. 1			218Z7276	QS. 2		
7Z7276	QS. 4			219Z7276	QS. 2		
17Z7276	QS. 6			3Z7303	QA. 43		
26Z7276	QS. 4			7Z7303	QA. 43		
28Z7276	QS. 5			8Z7303	QA. 43		
30Z7276	QS. 5			10Z7303	QA. 43		
34Z7276	QS. 5			11Z7303	QA. 42		
36Z7276	QS. 5			12Z7303	QA. 42		
51Z7276	QS. 5			13Z7303	QA. 42		
52Z7276	QS. 6			14Z7303	QA. 42		
68Z7276	QS. 5			15Z7303	QA. 42		
76Z7276	QS. 5			20Z7303	QA. 42		
77Z7276	QS. 5			21Z7303	QA. 42		
100Z7276	QS. 8			5Z7304	QA. 44		
104Z7276	QS. 8			25Z7304	QA. 45		
110Z7276	QS. 7			26Z7304	QA. 45		
118Z7276	QS. 6			32Z7304	QA. 46		
121Z7276	QS. 7			33Z7304	QA. 46		
123Z7276	QS. 5			34Z7304	QA. 44		
124Z7276	QS. 5			40Z7304	QA. 45		
125Z7276	QS. 6			41Z7304	QA. 45		
128Z7276	QS. 6			43Z7304	QA. 43		
129Z7276	QS. 6			44Z7304	QA. 44		
131Z7276	QS. 6			45Z7304	QA. 44		
134Z7276	QS. 8			47Z7304	QA. 44		
135Z7276	QS. 8			1Z7306	KB. 2		
136Z7276	QS. 7			1Z7312	QA. 46		
138Z7276	QS. 8			15Z7312	QA. 43		
140Z7276	QS. 7			28Z7312	QA. 46		
141Z7276	QS. 7			28aZ7312	QA. 46		
150Z7276	QS. 5			28bZ7312	QA. 46		
167Z7276	QS. 5			1Z7315	QA. 46		
168Z7276	QS. 5			1Z7323	KB. 4		
180Z7276	QS. 8			2Z7330	QA. 45		
183Z7276	QS. 5			6Z7330	QA. 46		
184Z7276	QS. 7			7Z7330	QA. 46		
186Z7276	QS. 6			12Z7330	QA. 46		
188Z7276	QS. 8			13Z7330	QA. 46		
201Z7276	QS. 7			14Z7330	QA. 46		
213Z7276	QS. 2			17Z7330	QA. 47		
214Z7276	QS. 2			19Z7330	QA. 46		
215Z7276	QS. 2			21Z7330	QA. 44		
216Z7276	QS. 2			26Z7330	QA. 46		

INDEX OF PART NUMBERS

Page W. 167

(See also Supplementary pages, if any)

Part No.	Page No.	Part No.	Page No.	Part No.	Page No.	Part No.	Page No.
27Z7330	QA. 45	37Z7349	JB. 114	11Z7357	QA. 44		
28Z7330	QA. 45	40Z7349	JB. 115	12Z7357	QA. 44		
29Z7330	QA. 45	41Z7349	JB. 115	19Z7357	QA. 44		
30Z7330	QA. 43	42Z7349	JB. 115	20Z7357	QA. 44		
34Z7334	QA. 45	43Z7349	JB. 115	21Z7357	QA. 44		
5Z7342	QC. 9	44Z7349	JB. 115	22Z7357	QA. 44		
6Z7342	QC. 9	45Z7349	JB. 115	8Z7364	QM. 9, QR. 6		
8Z7342	QC. 9	46Z7349	JB. 115	9Z7365	JA. 14		
24Z7342	QC. 9	13Z7355	QA. 45	10Z7365	JA. 14		
32Z7342	QC. 9	10Z7357	QA. 44	11Z7365	JA. 14		
34Z7342	QC. 10			18Z7365	JA. 16		
37Z7342	QC. 10			19Z7365	JA. 15		
39Z7342	QC. 10			19aZ7365	JA. 15		
42Z7342	QC. 9			20Z7365	JA. 15		
43Z7342	QC. 9			20aZ7365	JA. 15		
44Z7342	QC. 10			22Z7365	JA. 20		
45Z7342	QC. 9			23Z7365	JA. 14		
52Z7342	QC. 10			33Z7366	JA. 43		
52eZ7342	QC. 10			105Z7367			
53Z7342	QC. 10			123Z7367	JA. 18		
58Z7342	QC. 9			124Z7367	JA. 18		
59Z7342	QC. 10			141Z7367			
60Z7342	QC. 9			172Z7367	JA. 18		
63Z7342	QC. 9			173Z7367	JA. 20		
66Z7342	QC. 9			1Z7371	JA. 15		
67Z7342	QC. 10			5Z7371	JA. 15		
1Z7344	KE. 1			6Z7371	JA. 15		
9Z7344	KE. 1			13Z7384	QA. 6		
10Z7344	KE. 1			1Z7392	QA. 36		
11Z7344	KE. 1			2Z7392	QA. 36		
1Z7349	JB. 114			1Z7408	QA. 46		
2Z7349	JB. 115			6Z7408	QA. 46		
2eZ7349	JB. 115			7Z7416	QA. 47		
2mZ7349	JB. 115			9Z7416	QA. 47		
2tZ7349	JB. 115			10Z7416	QA. 47		
3Z7349	JB. 115			5Z7417	JG. 10		
19Z7349	JB. 115			1Z7421	QH. 1		
21Z7349	JB. 115			2Z7421	QH. 1		
24Z7349	JB. 115			9Z7422	QH. 1		
32Z7349	JB. 115			10Z7422	QH. 1		
33Z7349	JB. 115						
34Z7349	JB. 114						
35Z7349	JB. 115						
36Z7349	JB. 114						

INDEX OF PART NUMBERS

(See also Supplementary pages, if any)

Part No.	Page No.	Part No.	Page No.	Part No.	Page No.	Part No.	Page No.
12Z7422	QH. 1			9Z7478	HH. 42	32Z7481	GF. 16
1Z7424	JG. 9			10Z7478	HH. 42	33Z7481	GF. 16
13Z7424	JG. 9			11Z7478	QA. 41	34Z7481	GF. 16
14Z7424	JG. 9			13Z7478	QA. 42	35Z7581	GF. 16
1Z7425	JG. 9			16Z7478	HH. 54	36Z7481	GF. 16
3Z7425	JG. 9			18Z7478	QA. 42	39Z7481	GF. 16
4Z7425	JG. 9			4Z7479	MC. 8	40Z7481	GF. 16
5Z7425	JG. 9			4bZ7479	MC. 8	41Z7481	GF. 16
6Z7425	JG. 9			5Z7479	MC. 8	45Z7481	GF. 17
1Z7426	JG. 9			5bZ7479	MC. 8	46Z7481	GF. 17
2Z7426	JG. 9			5cZ7479	MC. 8	1Z7489	QA. 4
3Z7426	JG. 9			5dZ7479	MC. 8	6Z7489	QA. 4
4Z7426	JG. 9			5eZ7479	MC. 8	8Z7489	QA. 4
5Z7426	JG. 9			6Z7479	MC. 8	14Z7489	QA. 4
6Z7426	JG. 9			8Z7479	MC. 8	19Z7489	QA. 5
7Z7441	QA. 27			10Z7479	MC. 9	31Z7489	QA. 4
1Z7447	JA. 20			4Z7481	GF. 16	33Z7489	QA. 5
5Z7450	QC. 2			5Z7481	GF. 16	38Z7489	QA. 5
8Z7450	QC. 2			6Z7481	GF. 16	44Z7489	QA. 4
14Z7450	QC. 2			7Z7481	GF. 16	1Z7493	QA. 44
16Z7450	JH. 6, QC. 2			8Z7481	GF. 16	4Z7493	QA. 44
9Z7467	QA. 27			9Z7481	GF. 16	3Z7504	FN. 24
1Z7470	CA. 4			10Z7481	GF. 16	3eZ7504	FN. 24
2Z7470	CA. 4			11Z7481	GF. 16	14Z7504	JH. 23
3Z7470	CA. 4			12Z7481	GF. 16	4Z7506	QS. 1, QS. 2
4Z7470	CA. 4			13Z7481	GF. 16	22Z7506	QA. 26
9Z7470	CA. 4			14Z7481	GF. 16	20Z7511	QD. 1
9bZ7470	CA. 4			15Z7481	GF. 16	2Z7515	
9cZ7470	CA. 4			16Z7481	GF. 16	106Z7516	QR. 10
10Z7470	CA. 4			17Z7481	GF. 16	201Z7516	QR. 6
11Z7470	CA. 4			18Z7481	GF. 16	202Z7516	QR. 6
12Z7470	CA. 4			19Z7481	GF. 16	215Z7516	QR. 8
13Z7470	CA. 4			20Z7481	GF. 16	216Z7516	QR. 8
14Z7470	CA. 4			21Z7481	GF. 16	230Z7516	QR. 10
16Z7470	CA. 4			22Z7481	GF. 16		
17Z7470	CA. 4			23Z7481	GF. 16		
18Z7470	CA. 4			24Z7481	GF. 16		
19Z7470	CA. 4			25Z7481	GF. 16		
20Z7470	CA. 4			26Z7481	GF. 16		
1Z7475	QA. 43			27Z7481	GF. 16		
4Z7478	QA. 41			28Z7481	GF. 16		
5Z7478	HH. 42			29Z7481	GF. 16		
6Z7478	QA. 41			30Z7481	GF. 16		
7Z7478	QA. 41			31Z7481	GF. 16		

VULCAN No. 2

INDEX OF PART NUMBERS

Page W. 169

(See also Supplementary pages, if any)

Part No.	Page No.	Part No.	Page No.	Part No.	Page No.	Part No.	Page No.
237Z7516	QR. 13	5Z7578	GE. 1	33aZ7578	GE. 1		
238Z7516	QR. 13	20Z7578	GE. 2	36Z7578	GE. 1		
2Z7518	JA. 1	21Z7578	GE. 2	38Z7578	GE. 2		
1Z7519	JA. 15	22Z7578	GE. 1	39Z7578	GE. 2		
12Z7519	JA. 15	23Z7578	GE. 1	40Z7578	GE. 1		
13Z7519	JA. 15	29Z7578	GE. 1	44Z7578	GE. 2		
14Z7519	JA. 15	30Z7578	GE. 2	45Z7578	GE. 1		
16Z7519	JA. 15	31Z7578	GE. 2	46Z7578	GE. 1		
1Z7520	JA. 15	32Z7578	GE. 1	47Z7578	GE. 2		
1Z7521	JA. 15	33Z7578	GE. 1	47bZ7578	GE. 2		
1Z7523				48Z7578	GE. 2		
2Z7523	JA. 18			57Z7578	GE. 2		
3Z7523	JA. 18			58Z7578	GE. 1		
7Z7523	JA. 18			59Z7578	GE. 1		
Z7524	JA. 8			1Z7584	GE. 1		
2Z7524	JA. 8			19Z7584	GE. 1		
3Z7524	JA. 9			20Z7584	GE. 1		
4Z7524	JA. 9			22Z7584	GE. 1		
1Z7528	JA. 8, QC. 1			23Z7584	GE. 1		
3Z7528	QG. 1			1Z7585	GE. 1		
4Z7528	QG. 1			3Z7585	GE. 1		
1Z7544	FM. 14			6Z7585	GE. 1		
2Z7555	JA. 27			7Z7585	GE. 1		
1Z7558	JG. 9			4Z7588	QA. 32		
36Z7558	JG. 9			5Z7588	QA. 32		
44Z7558	JG. 9			6Z7588	QA. 33		
1Z7563	QA. 35			9Z7588	QA. 33		
4Z7563	QA. 35			12Z7588	QA. 33		
5Z7564	QA. 20,			13Z7588	QA. 33		
	QA. 34			14Z7588	QA. 19,		
6Z7564	QA. 34				QA. 33		
9Z7564	QA. 34			15Z7588	QA. 33		
10Z7564	QA. 34			18Z7588	QA. 20,		
12Z7564	QA. 19,				QA. 33		
	QA. 34			23Z7588	QA. 33		
14Z7564	QA. 34			27Z7588	QA. 32		
1Z7568	QA. 3			36Z7588	QA. 35		
3Z7568	QA. 3			46Z7588	QA. 34		
4Z7568	QA. 3						
1Z7576	KA. 1						
1Z7578	GE. 1, JA. 8						

VULCAN No. 1

Page W. 170

INDEX OF PART NUMBERS

(See also Supplementary pages, if any)

Part No.	Page No.	Part No.	Page No.	Part No.	Page No.	Part No.	Page No.
50Z7588	QA. 32			24bZ7620	QA. 38		
51Z7588	QA. 21,			25aZ7620	QA. 38		
	QA. 34			25bZ7620	QA. 38		
51aZ7588	QA. 21,			37Z7620	QA. 38		
	QA. 34			45Z7620	QA. 38		
54Z7588	QA. 32			45aZ7620	QA. 38		
54aZ7588	QA. 32			45bZ7620	QA. 38		
55Z7588	QA. 33			46Z7620	QA. 38		
55aZ7588	QA. 33			59bZ7620	QA. 39		
63Z7588	QA. 32			74Z7620	QA. 27		
67Z7588	QA. 33			76Z7620	QA. 28		
70Z7588	QA. 33			77Z7620	QA. 27		
71Z7588	QA. 33			27624	QH. 5		
72Z7588	QA. 32			5Z7624	QH. 6		
79Z7588	QA. 32			7Z7624	QH. 6		
Z7589	QA. 44			8Z7624	QH. 6		
1Z7599	QA. 36			13Z7624	QH. 6		
1Z7600	JA. 1			16Z7624	QH. 6		
3Z7600	JA. 2, QD. 1			19Z7624	QH. 6		
4Z7600	QD. 2			21Z7624	QH. 6		
7Z7600	QD. 1			25Z7624	QH. 6		
10Z7600	QD. 2			26Z7624	QH. 6		
13Z7600	QD. 2			27Z7624	QH. 6		
14Z7600	QD. 1			3Z7630	QA. 41		
17Z7600	QD. 2			2Z7634	QA. 1,		
18Z7600	QD. 2				QA. 16,		
19Z7600	QD. 2				QC. 9		
20Z7600	QD. 2			3Z7634	QA. 13,		
23Z7600	QD. 2				QA. 32		
24Z7600	QD. 2			4Z7634	JB. 54,		
25Z7600	QD. 1				QA. 1,		
26Z7600	QD. 1				QA. 16,		
4Z7603	QA. 41			5Z7634	QA. 32		
13Z7603	QA. 41				QA. 13,		
5Z7613	QA. 41				QA. 16		
6Z7613	QA. 39			6Z7634	QA. 1,		
	QA. 41				QA. 13		
12Z7613	HH. 42			7Z7634	QA. 16		
5Z7620	QA. 28			8Z7634	QA. 16,		
6Z7620	QA. 28				QA. 27		
7Z7620	QA. 28			9Z7634	QA. 16		
21Z7620	QA. 41			10Z7634	QA. 31		
22Z7620	QA. 41			11Z7634	QA. 13,		
24Z7620	QA. 38				QC. 10		
24aZ7620	QA. 38						

VULCAN No. 2

INDEX OF PART NUMBERS

Page W. 171

(See also Supplementary pages, if any)

Part No.	Page No.	Part No.	Page No.	Part No.	Page No.	Part No.	Page No.
12Z7634	QA. 13			84Z7635	QA. 2	19Z7648	QA. 19
20Z7634	QC. 9			85Z7635	QA. 1	27Z7648	HA. 35.
Z7635	JA. 13, QA. 1			86Z7635	QA. 1		HH. 35,
3Z7635	QA. 1			89Z7635	QA. 7		HH. 36
5Z7635	QA. 7			90Z7635	QA. 3	8Z7666	QD. 1, QD. 2
6Z7635	QA. 1			97Z7635	QA. 3	8aZ7666	QD. 1, QD. 2
8Z7635	QA. 1			98Z7635	QA. 3	10Z7666	QD. 1
9Z7635	QA. 1			99Z7635	QA. 3		
10Z7635	QA. 1			100Z7635	QA. 7		
12Z7635	QA. 1			101Z7635	QA. 7		
13Z7635	QA. 1			102Z7635	QA. 7		
14Z7635	QA. 2			103Z7635	QA. 7		
15Z7635	QA. 2			121Z7635	QA. 3		
16Z7635	QA. 2			122Z7635	QA. 4		
17Z7635	QA. 2			123Z7635	QA. 4		
18Z7635	QA. 2			124Z7635	QA. 3		
19Z7635	QA. 2			125Z7635	QA. 3		
22Z7635	QA. 2			5Z7647	MB. 2, MB. 4		
23Z7635	QA. 2			3Z7648	HH. 36,		
25Z7635	QA. 2				QA. 15,		
26Z7635	QA. 2				QA. 32		
35Z7635	QA. 1			4Z7648	HH. 53,		
36Z7635	QA. 1				QA. 32		
38Z7635	QA. 1			7Z7648	HH. 53,		
39Z7635	QA. 1				QA. 27,		
40Z7635	QA. 1				QA. 30,		
41Z7635	QA. 1				QA. 35		
42Z7635	QA. 1			8Z7648	QA. 27		
45Z7635	QA. 1			9Z7648	HH. 53,		
46Z7635	QA. 1				QA. 43,		
55Z7635	QA. 4				QA. 44		
57cZ7635	QA. 7			11Z7648	HH. 36,		
60Z7635	QA. 1				QA. 27,		
62Z7635	QA. 7				QA. 32,		
63Z7635	GP. 4				QA. 39,		
71Z7635	QA. 1				QA. 43		
72Z7635	QA. 1			12Z7648	QA. 27,		
73Z7635	QA. 1				QA. 39		
78Z7635	QA. 2			13Z7648	QA. 35,		
78aZ7635	QA. 2				QA. 43		
80Z7635	QA. 2			15Z7648	QA. 27		
82Z7635	QA. 2			16Z7648	QA. 27		
83Z7635	QA. 2			17Z7648	NB.1, QA. 32		

INDEX OF PART NUMBERS

(See also Supplementary pages, if any)

Part No.	Page No.	Part No.	Page No.	Part No.	Page No.	Part No.	Page No.
6Z7667	QD. 1, QD. 2			1Z7688	MC. 10		
6aZ7667	QD. 1, QD. 2			1Z7689	MC. 10		
1Z7668	QD. 1			1Z7691	QA. 19		
2Z7668	QD. 1			8Z7694	JA. 5		
3Z7668	QD. 1			17Z7700	QC. 10		
4Z7668	QD. 1			31Z7700	QA. 11		
5Z7668	QD. 1			33Z7700	QA. 11		
6Z7668	QD. 1			34Z7700	QA. 11		
4Z7674	EC. 6			36Z7700	QA. 11		
6Z7674	EC. 6			50Z7700	QA. 11		
7Z7674	EC. 6			51Z7700	QA. 11		
9Z7674	EC. 6			53Z7700	QA. 12		
1Z7675	EC. 2			54Z7700	QA. 12		
1dZ7676	QA. 7			64Z7700	QA. 12		
4dZ7676	QA. 7			65Z7700	QA. 12		
1dZ7677	QA. 8			1Z7702	QA. 20		
2Z7677	QA. 7			4Z7702	QA. 20		
3Z7677	QA. 7			6Z7702	QA. 20		
4Z7677	QA. 8			8Z7702	QA. 20		
1Z7682	KB. 1			41Z7703	QAR. 10		
4Z7684	QR. 1			42Z7703	QR. 10		
5Z7684	QR. 2			43Z7703	QR. 10		
18Z7684	QR. 2			44Z7703	QR. 11		
19Z7684	QR. 2			53Z7703	QR. 10		
20Z7684	QR. 2			54Z7703	QR. 10		
21Z7684	QR. 2			55Z7703	QR. 11		
22Z7684	QR. 2			56Z7703	QR. 11		
53Z7684	QR. 2			57Z7703	QR. 11		
54Z7684	QR. 2			58Z7703	QR. 11		
55Z7684	QR. 2			59Z7703	QR. 11		
66Z7684	QR. 6			60Z7703	QR. 11		
67Z7684	QR. 2			61Z7703	QR. 9		
68Z7684	QR. 2			62Z7703	QR. 9		
69Z7684	QR. 2			63Z7703	QR. 9		
74Z7684	QR. 2			64Z7703	QR. 9		
81Z7684	QR. 2			65Z7703	QR. 9		
1Z7685	QR. 6			66Z7703	QR. 9		
2Z7685	QR. 6			67Z7703	QR. 9		
3Z7685	QR. 6			68Z7703	QR. 9		
4Z7685	QR. 6			89Z7703	QR. 9		
7Z7685	QR. 6			90Z7703	QR. 9		
8Z7685	QR. 6			91Z7703	QR. 9		
9Z7685	QR. 6			92Z7703	QR. 10		
				104Z7703	QR. 10		

INDEX OF PART NUMBERS

Page W. 173

(See also Supplementary pages, if any)

Part No.	Page No.	Part No.	Page No.	Part No.	Page No.	Part No.	Page No.
11SZ7703	QR. 10			28Z7723	QA. 17	10Z7737	JA. 2
117Z7703	QR. 10			29Z7723	QA. 17	1Z7740	QA. 19
118Z7703	QR. 10			30Z7723	QA. 18	2Z7740	QA. 19
133Z7703	QR. 11			31Z7723	QA. 18	3Z7740	
3Z7704	JA. 3			32Z7723	QA. 18		
4Z7704	JA. 3			33Z7723	QA. 18		
6Z7704	JA. 3			34Z7723	QA. 15		
7Z7704	JA. 3			37Z7723	QA. 16,		
2SZ7704	JA. 2				QA. 17,		
25aZ7704	JA. 2				QA. 18		
30Z7704	JA. 2			45aZ7723	QA. 15		
1Z7714	QA. 37			45bZ7723	QA. 15		
1Z7715	QA. 19,			45cZ7723	QA. 15		
	QA. 33			46aZ7723	QA. 15		
4Z7720	GG. 25			46bZ7723	QA. 15		
5Z7720	GG. 25			46cZ7723	QA. 15		
10Z7720	GG. 26,			46dZ7723	QA. 15		
	GG. 28			47aZ7723	QA. 15		
Z7723	JB. 2, QA. 15			47bZ7723	QA. 15		
3Z7723	QA. 15			52bZ7723	QA. 15		
4Z7723	QA. 16			52cZ7723	QA. 15		
5Z7723	QA. 16			52dZ7723	QA. 15		
6Z7723	QA. 16			52eZ7723	QA. 16		
7Z7723	QA. 16			53bZ7723	QA. 15		
8Z7723	QA. 17			53cZ7723	QA. 15		
9Z7723	QA. 17			53dZ7723	QA. 15		
10Z7723	QA. 17			53eZ7723	QA. 16		
11Z7723	QA. 17			70Z7723	QA. 18		
12Z7723	QA. 17			77Z7723	QA. 19		
13Z7723	QA. 16			78Z7723	HH. 54,		
14Z7723	QA. 17				QA. 19		
15Z7723	QA. 17			79Z7723	QA. 18		
16Z7723	QA. 17			85Z7723	QA. 20		
17Z7723	QA. 17			89Z7723	QA. 20		
18Z7723	QA. 18			91Z7723	QA. 19		
19Z7723	QA. 18			93Z7723	QA. 19		
20Z7723	QA. 16			98Z7723	QA. 18		
21Z7723	QA. 16			99Z7723	QA. 19		
22Z7723	QA. 16			Z7724	JA. 16		
23Z7723	QA. 17			48Z7730	QR. 1		
24Z7723	QA. 17			49Z7730	QR. 1		
25Z7723	QA. 17			54Z7730	QR. 1		
26Z7723	QA. 18			1Z7733	KC. 1		
27Z7723	QA. 18			7Z7737	JA. 2		

INDEX OF PART NUMBERS

(See also Supplementary pages, if any)

Part No	Page No	Part No	Page No	Part No	Page No	Part No	Page No
8Z7740	QA. 19, QA. 37			79Z7741	QA. 10	2Z7763	QA. 47
9Z7740	QA. 19			80Z7741	QA. 10		
10Z7740	QA. 19			81Z7741	QA. 10		
11Z7740	QA. 19			82Z7741	QA. 10		
2Z7741	JG. 1, QA. 23			83Z7741	QA. 10		
5Z7741	QA. 9			84Z7741	QA. 10		
6Z7741	QA. 9			85Z7741	QA. 10		
7Z7741	QA. 9			88Z7741	QA. 23		
8Z7741	QA. 9			89Z7741	QA. 23		
9Z7741	QA. 9			91Z7741	QA. 23		
10Z7741	QA. 9			92Z7741	QA. 24		
13Z7741	QA. 9			97Z7741	QA. 24		
15Z7741	QA. 9			98Z7741	QA. 24		
16Z7741	QA. 9			99Z7741	QA. 24		
17Z7741	QA. 9			100Z7741	QA. 24		
21Z7741	QA. 10			101Z7741	QA. 24		
23Z7741	JG. 6, QA. 24			102Z7741	QA. 24		
24Z7741	QA. 8			103Z7741	QA. 12		
25Z7741	QA. 8, QT. 5, QV. 1			1Z7743	MC. 10		
26Z7741	QA. 11			5Z7743	MC. 10		
32Z7741	QA. 8			14Z7743	MC. 10		
33Z7741	QA. 8			20Z7743	MC. 10		
34Z7741	QA. 8			21Z7743	MC. 10		
35Z7741	QA. 8			23Z7743	MC. 10		
40Z7741	QA. 23			1Z7757	EC. 2		
41Z7741	JG. 6, QA. 23			2Z7757	EC. 2		
49Z7741	JG. 6			8Z7757	EC. 2		
50Z7741	JG. 6, QA. 24			9Z7757	EC. 2		
51Z7741	JG. 6, QA. 24			5Z7759	FN. 24, JB. 73		
53Z7741	JG. 6, QA. 24			1Z7762	GD. 4, JA. 27		
56Z7741	QA. 10			2Z7762	GD. 4		
63Z7741	QA. 10			3Z7762	GD. 4		
66Z7741	JG. 6, QA. 24			4Z7762	GD. 4		
70Z7741	JG. 7, QA. 23, QA. 24			4bZ7762	GD. 4		
71Z7741	JG. 7, QA. 23, QA. 24			5Z7762	GD. 4		
74Z7741	QA. 23			7Z7762	GD. 4		
76Z7741	QA. 23			8Z7762	GD. 4		
77Z7741	QA. 10			9Z7762	GD. 4		
78Z7741	QA. 10			10Z7762	GD. 4		
				14Z7762	GD. 4		
				15Z7762	GD. 4		
				16Z7762	GD. 4		
				17Z7762	GD. 4		
				1Z7763	QA. 47		

VULCAN No. 3

INDEX OF PART NUMBERS

Page W. 175

(See also Supplementary pages, if any)

Part No.	Page No.	Part No.	Page No.	Part No.	Page No.	Part No.	Page No.
5Z7763	QA. 47	6Z7911	QA. 45	1Z7915	GH. 1		
3Z7879	JA. 20	7Z7911	QA. 45	2Z7915	GH. 1		
1Z7880	QA. 20	16Z7911	QA. 45	9Z7915	GH. 1		
3Z7880	QA. 20	1Z7913	JA. 9	10Z7915	GH. 1		
4Z7880	QA. 20	2Z7913	JA. 9	Z7917	GH. 1, JA. 11		
6Z7880	QA. 20	1Z7914	JA. 9	1Z7918	GH. 1		
Z7894	QA. 5	5Z7914	JA. 9, JA. 21	3Z7918	GH. 1		
2Z7894	QA. 5			6Z7918	GH. 1		
3Z7894	QA. 5			9Z7918	GH. 1		
4Z7894	QA. 5			10Z7918	GH. 1		
Z7896	JA. 27			16Z7918	GH. 1		
2Z7896	JA. 27			17Z7918	GH. 1		
10Z7897	GD. 2			1Z7919	GH. 1		
17Z7897	GD. 2			2Z7919	GH. 1		
27Z7897				3Z7919	GH. 1		
3Z7901	GC. 1			1Z7945	KB. 5		
4Z7901	GC. 1			1Z7946	KB. 5		
6Z7901	GC. 1			1Z7947	KB. 5		
7Z7901	GC. 1			1Z7948	KB. 5		
Z7906	GH. 1			1Z7949	KB. 5		
3Z7906	GH. 1			1Z7952	KB. 5		
4Z7906	GH. 1			1Z7953	KB. 5		
1Z7907	GH. 1			1Z7954	KB. 5		
1Z7908	GH. 1			1Z7973	GM. 1, JA. 12		
3Z7908	GH. 1			3Z7981	QA. 13		
4Z7908	GH. 1			7Z7981	QA. 13		
5Z7908	GH. 1			17Z7981	JG. 6		
1Z7909	GH. 1			18Z7981	JG. 6		
5Z7909	GH. 1			20Z7981	QA. 13		
6Z7909	GH. 1			21Z7981	QA. 13		
7Z7909	GH. 1			22Z7981	QA. 13		
9Z7909	GH. 1			23Z7981	QA. 13		
8Z7910	DA. 4, GK. 1			26Z7981	QA. 14		
9Z7910	DA. 4, GK. 1			27Z7981	JG. 7		
11Z7910	DA. 4, GK. 1			31Z7981	QA. 14		
12Z7910	DA. 4, GK. 1			33Z7981	QA. 14		
13Z7910	DA. 4, GK. 1			35Z7981	QA. 14		
17Z7910	DA. 4, GK. 1			36Z7981	JG. 6		
1Z7911	QA. 45						
2Z7911	QA. 45						
5Z7911	QA. 45						

INDEX OF PART NUMBERS

(See also Supplementary pages, if any)

Part No.	Page No.	Part No.	Page No.	Part No.	Page No.	Part No.	Page No.
37Z7981	JG. 6			72Z7989		176Z7989	GP. 5
42Z7981	JG. 7			74Z7989	GP. 3	177Z7989	
44Z7981	QA. 14			75Z7989	GP. 3	179Z7989	GP. 5
47Z7981	QA. 14			76Z7989	GP. 3	180Z7989	
52Z7981	QA. 13			80Z7989	GP. 3	181Z7989	GP. 6
55Z7981	JG. 1			82Z7989	GP. 3	182Z7989	
56Z7981	QA. 13			83Z7989	GP. 3	183Z7989	GP. 4
57Z7981	QA. 13			84Z7989	GP. 3		
58Z7981	QA. 13			87Z7989	GP. 4		
59Z7981	QA. 13			88Z7989	GP. 4		
60Z7981	QA. 13			90Z7989	GP. 4		
61Z7981	QA. 13			91Z7989	GP. 4		
62Z7981	QA. 14			92Z7989	GP. 4		
63Z7981	QA. 14			95Z7989	GP. 5		
64Z7981	JG. 6			96Z7989			
65Z7981	QA. 14			97Z7989	GP. 5		
66Z7981	QA. 14			100Z7989			
67Z7981	QA. 13			109Z7989			
68Z7981	QA. 14			111Z7989			
69Z7981	QA. 13			116Z7989			
70Z7981	QA. 14			118Z7989	GP. 7		
71Z7981	QA. 14			119Z7989	GP. 7		
72Z7981	JG. 6			120Z7989	GP. 7		
73Z7981	JG. 6			125Z7989	GP. 8		
74Z7981	QA. 14			135Z7989	GP. 8		
28Z7989	GP. 8			136Z7989			
29Z7989	GP. 2			137Z7989	GP. 8		
34Z7989	GP. 3			142Z7989			
37Z7989	GP. 3			151Z7989	GP. 3		
40Z7989	GP. 3			152Z7989	GP. 3		
43Z7989	GP. 4			155Z7989	GP. 7		
44Z7989	GP. 4			162Z7989	GP. 5		
45Z7989	GP. 4			163Z7989	GP. 5		
46Z7989	GP. 4			165Z7989	GP. 5		
47Z7989	GP. 4			166Z7989	GP. 5		
48Z7989	GP. 4			167Z7989	GP. 6		
49Z7989	GP. 4			168Z7989	GP. 6		
51Z7989	GP. 5			170Z7989	GP. 6		
52Z7989				173Z7989			
53Z7989	GP. 5			174Z7989	GP. 6		
56Z7989	GP. 5			175Z7989	GP. 6		
63Z7989	GP. 6						

VULCAN No. 1

INDEX OF PART NUMBERS

Page W. 177

(See also Supplementary pages, if any)

Part No.	Page No.	Part No.	Page No.	Part No.	Page No.	Part No.	Page No.
184Z7989	GP. 4			228253	MC. 9	13Z8277	HG. 1
185Z7989	GP. 4			328253	QH. 7	14Z8277	HG. 1
186Z7989	GP. 4			428253	QH. 7	3Z8279	HG. 1
187Z7989	GP. 4			528253	QH. 7	1Z8298	KB. 2
188Z7989	GP. 3			628253	QH. 8	1Z8325	HF. 1
190Z7989	GP. 6			728253	QH. 8	12Z8325	HF. 1
191Z7989	GP. 4			828253	QH. 8	13Z8325	HF. 1
192Z7989	GP. 3			928253	QH. 8	14Z8325	HF. 1
193Z7989	GP. 7			10Z8253	QH. 8	15Z8325	HF. 1
195Z7989	GP. 1			11Z8253	QH. 8	21Z8325	HF. 1
196Z7989	GP. 1			12Z8253	QH. 8	22Z8325	HF. 1
197Z7989	GP. 2			14Z8253	QH. 8	1Z8378	QA. 28
206Z7989	GP. 3			15Z8253	QH. 8	2Z8378	QA. 28
207Z7989	GP. 8			16Z8253	QH. 8		
208Z7989	GP. 3			17Z8253	QH. 8		
209Z7989	GP. 3			18Z8253	QH. 8		
211Z7989	GP. 3			19Z8253	QH. 9		
212Z7989	GP. 3			20Z8253	QH. 9		
214Z7989	GP. 4			21Z8253	QH. 9		
217Z7989	GP. 8			22Z8253	QH. 9		
231Z7989	GP. 3			23Z8253	QH. 9		
1Z8100	QA. 6			24Z8253	QH. 9		
1Z8139	QA. 35			25Z8253	QH. 9		
2Z8139	QA. 35			26Z8253	QH. 9		
3Z8139	QA. 36			27Z8253	QH. 9		
12Z8139	QA. 36			29Z8253	QH. 9		
23Z8139	QA. 36			30Z8253	QH. 9		
24Z8139	QA. 36			31Z8253	QH. 9		
1Z8219	KA. 1			32Z253	QH. 10		
7Z8226	HG. 1			33Z8253	QH. 10		
7eZ8226	HG. 1			34Z8253	QH. 10		
8Z8226	HG. 1			35Z8253	QH. 10		
9Z8226	HG. 1			36Z8253	QH. 10		
38Z8226	HG. 1			37Z8253	QH. 10		
38aZ8226	HG. 1			38Z8253	QH. 10		
38bZ8226	HG. 1			39Z8253	QH. 10		
39Z8226	HG. 1			40Z8253	QH. 10		
39aZ8226	HG. 1			41Z8253	QH. 10		
41Z8226	HG. 1			42Z8253	QH. 10		
41aZ8226	HG. 1			43Z8253	QH. 10		
41bZ8226	HG. 1			44Z8253	QH. 10		
49Z8226	HG. 1			45Z8253	QH. 10		
49aZ8226	HG. 1			47Z8253	QH. 9		
62Z8226	HG. 1			48Z8253	QH. 8		
67Z8226	HG. 1			3Z8277	HG. 1		
1Z8252	KA. 1			5Z8277	HG. 1		
1Z8253	MC. 9			6Z8277	HG. 1		

INDEX OF PART NUMBERS

(See also Supplementary pages, if any)

Part No.	Page No.	Part No.	Page No.	Part No.	Page No.	Part No.	Page No.
3Z8378	QA. 28	4Z8483	DB. 1	4Z8489	QA. 7	1Z8579	QN. 4
4Z8378	QA. 28	1Z8484	JG. 8	5Z8489	QA. 7	2Z8579	QN. 4
1Z8401	JG. 1	7Z8484	JG. 8	2Z8495	JG. 2	Z8592	JA. 8, QG. 1
12Z8401	JG. 1	8Z8484	JG. 8	3Z8495	JG. 2	1Z8594	KA. 1
13Z8401	JG. 1	10Z8484	JG. 8	4Z8495	JG. 2	1Z8595	KA. 1
15Z8401	JG. 1	11Z8484	JG. 8	5Z8495	JG. 2	1Z8596	KA. 1
18Z8401	JG. 1	12Z8484	JG. 8	12Z8495	JG. 2	1Z8597	KB. 1
19Z8401	JG. 1	14Z8484	JG. 8	13Z8495	JG. 2	1Z8599	JA. 20
1Z8424	FG. 48	15Z8484	JG. 8	14Z8495	JG. 2	9Z8599	JA. 20
1Z8425	FG. 48	16Z8484	JG. 8	15Z8495	JG. 2	2Z8600	DA. 2
1Z8476	HC. 1	17Z8484	JG. 8	16Z8495	JG. 2	3Z8600	DA. 2
7Z8476	HC. 1	18Z8484	JG. 8	17Z8495	JG. 2	4Z8600	DA. 2
8Z8476	HC. 1	1Z8489	QA. 7	18Z8495	JG. 2	5Z8600	DA. 3
1Z8477	HC. 1	3Z8489	QA. 7	19Z8495	JG. 2	6Z8600	DA. 2
3Z8477	HC. 1			1Z8498		7Z8600	DA. 2
4Z8477	HC. 1			2Z8498		8Z8600	DA. 2
11Z8477	HC. 1			3Z8498		10Z8600	DA. 3
13Z8477	HC. 1			Z8499		16Z8600	DA. 2
14Z8477	HC. 1			1Z8500		16aZ8600	DA. 2
15Z8477	HC. 1			2Z8500		17Z8600	DA. 2
16Z8477	HC. 1			3Z8500		17aZ8600	DA. 2
1Z8478	JA. 27			4Z8500		18Z8600	DA. 2
2Z8478	JA. 27			5Z8500		1Z8602	GJ. 2
Z8480	GN. 1			7Z8500	JA. 1	4Z8602	GJ. 2
4Z8480	GN. 2			9Z8508	QA. 6	4aZ8602	GJ. 2
5Z8480	GN. 1			10Z8508	QA. 6	4bZ8602	GJ. 2
6Z8480	GN. 2			11Z8508	QA. 6	4cZ8602	GJ. 2
7Z8480	GN. 2			12Z8508	QA. 6	5Z8602	GJ. 2
10Z8480	GN. 2			13Z8508	QA. 6	6Z8602	GJ. 3
17Z8480	GN. 2			17Z8508	QA. 6	7Z8602	GJ. 3
18Z8480	GN. 2			1Z8530	KB. 7	10Z8602	GJ. 2
26Z8480	GN. 2			1Z8532	KF. 1	11Z8602	GJ. 3
28Z8480	GN. 2			6Z8532	KF. 1	11aZ8602	GJ. 3
29Z8480	GN. 2			8Z8532	KF. 1	13Z8602	GJ. 3
30Z8480	GN. 2			1Z8535	KB. 5	14Z8602	GJ. 3
31Z8480	GN. 1			2Z8535	BK. 5	15Z8602	GJ. 3
31aZ8480	GN. 1			4Z8535	KB. 5, KB. 6	17Z8602	GJ. 3
31bZ8480	GN. 1			5Z8535	KB. 5, KB. 6	18Z8602	GJ. 2
33Z8480	GN. 2			6Z8535	KB. 5	18aZ8602	GJ. 2
Z8483	JA. 12			2Z8578	QN. 4	18bZ8602	GJ. 2
2Z8483	DB. 1			7Z8578	QN. 4		
3Z8483	DB. 1			8Z8578	QN. 4		

VULCAN MK. 2

INDEX OF PART NUMBERS

Page W. 179

(See also Supplementary pages, if any)

Part No.	Page No.	Part No.	Page No.	Part No.	Page No.	Part No.	Page No.
18cZ8602	GJ. 2			1Z8743	JA. 19	21Z8791	QE. 2, QE. 5.
18dZ8602	GJ. 2			19Z8743	JA. 19		QE. 8.
18eZ8602	GJ. 2			20Z8743	JA. 19		QE. 13,
Z8604	JA. 9			21Z8743	JA. 19		QE. 15,
2Z8604	JA. 9			22Z8743	JA. 19		QE. 19
1Z8613	JA. 9			25Z8743	JA. 19	22Z8791	QE. 14.
3Z8653				26Z8743	JA. 19		
4Z8653				1Z8746	G.C. 1		
13Z8653	JA. 14			2Z8746	GC. 1		
15Z8653	JA. 14			3Z8746	GC. 1		
17Z8653	JA. 14			4Z8746	GC. 1		
19Z8653				1Z8763	KF. 2		
21Z8653				1Z8766	JA. 19		
23Z8653				21Z8766	JA. 19		
24Z8653				5Z8781			
25Z8653				37Z8781	JA. 4		
1Z8657	KB. 5			3Z8787	QA. 39		
2Z8657	KB. 5			4Z8787	QA. 39		
3Z8657	KB. 5			6Z8787	QA. 39		
1Z8658	KB. 6			9Z8787	QA. 39		
2Z8658	KB. 6			10Z8787	QN. 6		
3Z8658	KB. 6			11Z8787	QA. 39		
1Z8659	KB. 6			12Z8787	QA. 39		
2Z8659	KB. 6			1Z8791	QE. 1		
3Z8659	KB. 6			2Z8791	QE. 1		
1Z8683	GJ. 3, JA. 13			18Z8791	QE. 1, QE. 3,		
Z8684	JA. 13				QE. 4, QE. 8,		
6Z8684	GJ. 2				QE. 11,		
24Z8684	GJ. 1				QE. 14,		
3Z8707	GJ. 1				QE. 16		
4Z8707	GJ. 1			20Z8791	QE. 2, QE. 5,		
6Z8707	GJ. 1				QE. 8,		
7Z8707	GJ. 1				QE. 10,		
8Z8707	GJ. 1				QE. 13,		
9Z8707	GJ. 1				QE. 16,		
9aZ8707	GJ. 1				QE. 19		
11Z8707	GJ. 1			20aZ8791	QE. 2, QE. 5,		
12Z8707	GJ. 1				QE. 8,		
16Z8707	GJ. 1				QE. 10,		
17Z8707	GJ. 1				QE. 13,		
20Z8707	GJ. 1				QE. 16,		
3Z8737	GJ. 3				QE. 19		
1Z8742	JA. 19						
6Z8742	JA. 19						
10Z8742	JA. 19						

INDEX OF PART NUMBERS

(See also Supplementary pages, if any)

Part No.	Page No.	Part No.	Page No.	Part No.	Page No.	Part No.	Page No.
22Z8791	QE. 20	7Z8994	QR. 3	10Z8994	QR. 3	79Z8994	QR. 5
1Z8794	QE. 8	8Z8994	QR. 3	11Z8994	QR. 3	80Z8994	QR. 1
2Z8794	QE. 8	9Z8994	QR. 3	12Z8994	QR. 3	81Z8994	QR. 1
5Z8795	QE. 11			13Z8994	QR. 3	97Z8994	QR. 5
6Z8795	QE. 11			14Z8994	QR. 3	99Z8994	QR. 5
1Z8796	QE. 14			15Z8994	QR. 3	1Z9005	QR. 1
2Z8796	QE. 14			16Z8994	QR. 3	2Z9005	QR. 1
5Z8797	QE. 16			33Z8994	QR. 3		
6Z8797	QE. 16			34Z8994	QR. 3		
1Z8801	JA. 5			35Z8994	QR. 3		
3Z8801	JA. 5			36Z8994	QR. 3		
4Z8801	JA. 5			37Z8994	QR. 3		
1Z8814	KF. 2			38Z8994	QR. 4		
1Z8816	KF. 2			40Z8994	QR. 4		
1Z8818	KA. 1			42Z8994	QR. 4		
1Z8941	GC. 1			44Z8994	QR. 4		
2Z8941	GC. 1			47Z8994	QR. 4		
3Z8943	JA. 4			48Z8994	QR. 4		
4Z8943	JA. 4			54Z8994	QR. 4		
5Z8943	JA. 4			55Z8994	QR. 4		
7Z8943	JA. 4			56Z8994	QR. 4		
8Z8943	JA. 4			57Z8994	QR. 4		
9Z8943	JA. 4			58Z8994	QR. 4		
10Z8943	JA. 4			59Z8994	QR. 4		
11Z8943	JA. 4			60Z8994	QR. 4		
12Z8943	JA. 4			61Z8994	QR. 4		
13Z8943	JA. 4			62Z8994	QR. 4		
14Z8943	JA. 4			63Z8994	QR. 4		
9Z8946	JA. 3			64Z8994	QR. 4		
13Z8946	JA. 3			65Z8994	QR. 4		
21Z8946	JA. 5			66Z8994	QR. 4		
22Z8946	JA. 5			67Z8994	QR. 5		
23Z8946	JA. 5			68Z8994	QR. 5		
24Z8946	JA. 5			69Z8994	QR. 5		
6Z8992	GN. 1			70Z8994	QR. 5		
15Z8992	GN. 1			72Z8994	QR. 5		
16Z8992	GN. 1			73Z8994	QR. 5		
17Z8992	GN. 1			74Z8994	QR. 5		
22Z8992	GN. 1			75Z8994	QR. 5		
1Z8993	QV. 1			76Z8994	QR. 5		
3Z8994	QR. 2			77Z8994	QR. 5		
4Z8994	QR. 2			78Z8994	QR. 5		
5Z8994	QR. 2						
6Z8994	QR. 3						

VULCAN No. 1

INDEX OF PART NUMBERS

Page W. 181

(See also Supplementary pages, if any)

Part No.	Page No.	Part No.	Page No.	Part No.	Page No.	Part No.	Page No.
1Z9006	QA. 4	Z9099	QH. 6	11Z9123		102Z9148	GQ. 11
1Z9007	QA. 4	3Z9099	QH. 7	1Z9138	QA. 4	120Z9148	GQ. 7
2Z9007	QA. 4	5Z9099	QH. 7	2Z9138	QA. 4	1Z9183	QB. 1
3Z9007	QA. 4	6Z9099	QH. 7	3Z9138	QA. 4	71Z9188	GP. 1
1Z9010	QR. 5	7Z9099	QH. 7	4Z9138	QA. 4	72Z9188	GP. 1
4Z9010	QR. 6	8Z9099	QH. 7	5Z9138	QA. 4	2Z9191	JH. 22
6Z9010	QR. 5	11Z9099	QH. 7	6Z9138	QA. 4	Z9197	JA. 13, QS. 1
6Z9011	DA. 4	12Z9099	QH. 7	1Z9139	KB. 7	2Z9197	JB. 4
3Z9012	DA. 7	13Z9099	QH. 6	1Z9140	KB. 1	21Z9197	GQ. 3
4Z9012	DA. 7	1Z9102	KF. 3	1Z9144	MC. 9, QH. 6	Z9198	QS. 1
5Z9012	DA. 6	66Z9102	KF. 3	2Z9144	MC. 9	4Z9198	QS. 4
6Z9012	DA. 6	2Z9103	KF. 3	3Z9146	GN. 1	16Z9198	QS. 4
7Z9012	DA. 6	3Z9103	KF. 3	3aZ9146	GN. 1		
8Z9012	DA. 6	4Z9103	KF. 3	3bZ9146	GN. 1		
9Z9012	DA. 6	5Z9103	KF. 3	3cZ9146	GN. 1		
10Z9012	DA. 6	6Z9103	KF. 3	4Z9146	GN. 1		
11Z9012	DA. 6	7Z9103	KF. 3	5Z9146	GN. 1		
12Z9012	DA. 6	8Z9103	KF. 3	7Z9146	GN. 1		
13Z9012	DA. 6	9Z9103	KF. 3	8Z9146	GN. 1		
14Z9012	DA. 6	10Z9103	KF. 3	9Z9146	GN. 1		
15Z9012	DA. 6	21Z9103	KF. 3	9aZ9146	GN. 1		
16Z9012	DA. 6	1Z9113	KF. 3	11Z9146	GN. 1		
17Z9012	DA. 6	1Z9114	KF. 3	14Z9146	GN. 1		
18Z9012	DA. 6	1Z9123	JA. 30	15Z9146	GN. 1		
19Z9012	DA. 6	2Z9123	JA. 30	16Z9146	GN. 1		
20Z9012	DA. 7	8Z9123	JA. 30	16aZ9146	GN. 1		
21Z9012	DA. 7	9Z9123	JA. 30	1Z9147	HF. 1		
22Z9012	DA. 7	10Z9123		3Z9147	HF. 1		
23Z9012	DA. 7			7Z9147	HF. 1		
24Z9012	DA. 7			8Z9147	HF. 1		
25Z9012	DA. 6			9Z9147	HF. 1		
26Z9012	DA. 7			10Z9147	HF. 1		
27Z9012	DA. 6			11Z9147	HF. 1		
28Z9012	DA. 6			12Z9147	HF. 1		
29Z9012	DA. 6			13Z9147	HF. 1		
1Z9064	QA. 44			14Z9147	HF. 1		
1Z9098	JA. 11			34Z9148	GQ. 9		
2Z9098	JA. 11			38Z9148	GQ. 7		
3Z9098	JA. 11			39Z9148	GQ. 7		
4Z9098	JA. 11			40Z9148	GQ. 7		
5Z9098	JA. 11			41Z9148	CQ. 7		
6Z9098	JA. 11			42Z9148	GQ. 7		
7Z9098	JA. 11			46Z9148	GQ. 10		
8Z9098	JA. 11			80Z9148	GQ. 10		

VULCAN No. 2

Page W. 182

INDEX OF PART NUMBERS

(See also Supplementary pages, if any)

Part No.	Page No.	Part No.	Page No.	Part No.	Page No.	Part No.	Page No.
20Z9198	QS. 4			Z9205	QS. 1		
22Z9198	QS. 4			8Z9206	JB. 58, QS. 1		
25Z9198	QS. 4			9Z9206	JB. 58, QS. 1		
26Z9198	QS. 4			10Z9206	QS. 1		
27Z9198	QS. 3			1Z9214	QR. 6		
28Z9198	QS. 3			3Z9214	QR. 6		
29Z9198	QS. 3			1Z9231	GJ. 3		
30Z9198	QS. 3			4Z9231	GJ. 3		
31Z9198	QS. 3			5Z9231	GJ. 3		
32Z9198	QS. 3			9Z9231	GJ. 3		
33Z9198	QS. 3			15Z9231	GJ. 3		
34Z9198	QS. 3			16Z9231	GJ. 3		
35Z9198	QS. 3			1Z9235	MC. 9		
37Z9198	QS. 4			2Z9235	MC. 9		
38Z9198	QS. 3			5Z9235	QF. 1		
39Z9198	QS. 3			6Z9235	QF. 1		
40Z9198	QS. 3			3Z9236	QF. 1		
41Z9198	QS. 4			5Z9244	QC. 10		
47Z9198	QS. 7			1Z9245	QC. 10		
49Z9198	QS. 6			8Z9246	QC. 9.		
50Z9198	QS. 7				QC. 10		
51Z9198	QS. 5			Z9247	QC. 9		
53Z9198	QS. 8			14Z9247	QC. 9		
54Z9198	QS. 6			17Z9247	QC. 9		
55Z9198	QS. 6			19Z9247	QC. 9		
59Z9198	QS. 7			20Z9247	QC. 9		
60Z9198	QS. 7			24Z9247	QC. 9		
61Z9198	QS. 7			1Z9251	KB. 2		
62Z9198	QS. 7			1Z9260	KF. 1		
67Z9198	QS. 3			4Z9260	KF. 1		
68Z9198	QS. 3			5Z9260	KF. 1		
69Z9198	QS. 4			8Z9260	KF. 1		
70Z9198	QS. 4			9Z9260	KF. 1		
71Z9198	QS. 2			10Z9260	KF. 1		
72Z9198	QS. 3			11Z9260	KF. 1		
73Z9198	QS. 4			12Z9260	KF. 1		
74Z9198	QS. 7			13Z9260	KF. 1		
76Z9198	QS. 8			1Z9266	MC. 26		
77Z9198	QS. 8			2Z9266	MC. 26		
78Z9198	QS. 8			1Z9268	MC. 26		
81Z9198	QS. 6			1Z9269	MC. 26		
82Z9198	QS. 6			2Z9303			
83Z9198	QS. 6			8Z9303	QG. 10		
86Z9198	QS. 8			15Z9303	QG. 10		

VULCAN No. 2

INDEX OF PART NUMBERS

Page W. 183

(See also Supplementary pages, if any)

Part No.	Page No.	Part No.	Page No.	Part No.	Page No.	Part No.	Page No.
16Z9303	GQ. 9	19Z9306	KB. 2	22Z9306	KB. 3		
16dZ9303	GQ. 9	20Z9306	KB. 3	23Z9306	KB. 3		
17Z9303	GQ. 9	21Z9306	KB. 3	24Z9306	KB. 3		
21Z9303	GQ. 9			25Z9306	KB. 3		
23Z9303	GQ. 10			26Z9306	KB. 3		
24Z9303	GQ. 10			27Z9306	KB. 3		
25Z9303	GQ. 9			28Z9306	KB. 3		
26Z9303	GQ. 10			29Z9306	KB. 3		
28Z9303	GQ. 11			30Z9306	KB. 3		
30Z9303	GQ. 11			31Z9306	KB. 3		
32Z9303	GQ. 11			32Z9306	KB. 3		
34Z9303	GQ. 10			33Z9306	KB. 3		
37Z9303	GQ. 10			34Z9306	KB. 3		
42Z9303				35Z9306	KB. 3		
43Z9303	GQ. 10			36Z9306	KB. 3		
44Z9303	GQ. 11			37Z9306	KB. 3		
71Z9303	GQ. 9			38Z9306	KB. 3		
72Z9303	GQ. 9			39Z0306	KB. 3		
73Z9303	GQ. 11			40Z9306	KB. 3		
74Z9303	GQ. 11			41Z9306	KB. 3		
98Z9303	GQ. 9			42Z9306	KB. 2		
118Z9303	GQ. 9			43Z9306	KB. 3		
2Z9304	KB. 5			1Z9316	JH. 16		
3Z9304	KB. 5			3Z9316	JH. 17		
4Z9304	KB. 6			4Z9316	JH. 17		
5Z9304	KB. 6			5Z9316	JH. 17		
1Z9306	KB. 2			6Z9316	JH. 17		
2Z9306	KB. 2			7Z9316	JH. 17		
3Z9306	KB. 2			8Z9316	JH. 17		
4Z9306	KB. 2			9Z9316	JH. 16		
5Z9306	KB. 2			9aZ9316			
6Z9306	KB. 2			10Z9316	JH. 16		
7Z9306	KB. 2			10aZ9316			
8Z9306	KB. 2			11Z9316	JH. 16		
9Z9306	KB. 2			11aZ9316			
10Z9306	KB. 2			12Z9316	JH. 16		
11Z9306	KB. 2			12aZ9316			
12Z9306	KB. 2			13Z9316	JH. 18		
13Z9306	KB. 2			14Z9316	JH. 18		
14Z9306	KB. 2			15Z9316	JH. 18		
15Z9306	KB. 2			16Z9316	JH. 18		
16Z9306	KB. 2			17Z9316	JH. 18		
17Z9306	KB. 2			17aZ9316			
18Z9306	KB. 2			18Z9316	JH. 16		

INDEX OF PART NUMBERS

(See also Supplementary pages, if any)

Part No.	Page No.	Part No.	Page No.	Part No.	Page No.	Part No.	Page No.
19Z9316	JH. 16			55Z9316	JH. 19	10Z9323	JH. 10
20Z9316	JH. 16			56Z9316	JH. 19	1Z9324	JH. 10
21Z9316	JH. 18			58Z9316	JH. 19	1Z9325	JH. 10
22Z9316	JH. 18			59Z9316	JH. 19	1Z9327	JH. 10
23Z9316	JH. 18			60Z9316	JH. 17, JH. 20	3Z9327	JH. 10
24Z9316	JH. 18					5Z9327	JH. 10
25Z9316	JH. 16			61Z9316	JH. 17	8Z9327	JH. 10
26Z9316	JH. 16			63Z9316	JH. 17	12Z9327	JH. 10
27Z9316	JH. 16			64Z9316	JH. 17	13Z9327	JH. 10
28Z9316	JH. 16			65Z9316	JH. 18	14Z9327	JH. 10
29Z9316	JH. 19			66Z9316	JH. 18	Z9329	QC. 2
30Z9316	JH. 19			67Z9316	JH. 18	Z9330	JH. 4, QC. 2
31Z9316	JH. 19			68Z9316	JH. 18	2Z9330	QC. 2
32Z9316	JH. 19			69Z9316	JH. 20	7Z9330	QC. 2
33Z9316	LH. 19			70Z9316	JH. 20	8Z9330	QC. 3
34Z9316	LH. 19			71Z9316	JH. 19	25Z9388	GP. 1
35Z9316				72Z9316	JH. 16		
36Z9316				73Z9316	JH. 17, JH. 18		
39Z9316	JH. 17, JH. 18, JH. 19			76Z9316	JH. 19		
40Z9316	JH. 20			77Z9316	JH. 20		
41Z9316	LH. 20			1Z9319	JH. 24		
42Z9316	JH. 20			Z9320	QC. 2		
44Z9316	JH. 19			2Z9320	QC. 2		
49Z9316	JH. 17, JH. 18, JH. 19, JH. 20			3Z9320	QC. 2		
49aZ9316	JH. 17,			4Z9320	QC. 2		
50Z9316	JH. 17, JH. 18, JH. 19			5Z9320	QC. 2		
50aZ9316	JH. 17			6Z9320	QC. 2		
52Z9316	JH. 17, JH. 18, JH. 19			7Z9320	QC. 2		
53Z9316	JH. 3, JH. 17, JH. 18, JH. 19			8Z9320	QC. 2		
54Z9316	JH. 17, JH. 18, JH. 19			12Z9320	QC. 2		
				1Z9321	GB. 4		
				4Z9321	GB. 4		
				5Z9321	GB. 4		
				6Z9321	GB. 4		
				8Z9321	GB. 4		
				9Z9321	GB. 4		
				1Z9322	GB. 4		
				2Z9322	GB. 4		
				5Z9322	GB. 4		
				6Z9322	GB. 4		
				Z9323	JH. 10		
				7Z9323	JH. 10		
				8Z9323	JH. 10		

VULCAN No. 2

INDEX OF PART NUMBERS

Page W. 185

(See also Supplementary pages, if any)

Part No.	Page No.	Part No.	Page No.	Part No.	Page No.	Part No.	Page No.
Z9422	QS. 1	22Z9446	QA. 38	60Z9446	QA. 29	30Z9481	GP. 1
2Z9422	DA. 3, QS. 2	22aZ9446	QA. 38	61Z9446	QA. 41	1Z9482	QA. 36
2aZ9422	DA. 3	22bZ9446	QA. 38	62Z9446	QA. 41	2Z9482	QA. 36
3Z9422	DA. 4	23Z9446	QA. 38	69Z9446	QA. 29	7Z9482	QA. 37
3aZ9422	DA. 4	26Z9446	QA. 28	81Z9446	QA. 30	8Z9482	QA. 37
4Z9422	DA. 4	27Z9446	QA. 28	82Z9446	QA. 30	9Z9482	QA. 37
4aZ9422	DA. 4	28Z9446	QA. 29	83Z9446	QA. 30	10Z9482	QA. 37
5Z9422	DA. 3	29Z9446	QA. 29	85Z9446	QA. 30	1Z9484	KB. 7
5aZ9422	DA. 3	30Z9446	QA. 28	87Z9446	QA. 30	2Z9488	GP. 1
6Z9422	QS. 2	31Z9446	QA. 29	89Z9446	QA. 30	4Z9488	GP. 1
1Z9424	KA. 1	32Z9446	QA. 29	90Z9446	QA. 30		
2Z9424	KA. 1	33Z9446	QA. 29	91Z9446	QA. 30		
1Z9426	KB. 7	34Z9446	QA. 29	94Z9446	QA. 30		
1Z9429	JB. 85	35Z9446	QA. 30	103Z9446	QA. 31		
4Z9429	JB. 85	36Z9446	QA. 30	104Z9446	QA. 31		
5Z9429	JB. 85	37Z9446	QA. 30	107Z9446	QA. 31		
8Z9429	JB. 85	38Z9446	QA. 29	108Z9446	QA. 32		
10Z9429	JB. 85	45Z9446	QA. 39	109Z9446	QA. 32		
Z9438	JB. 4, QS. 1	52Z9446	QA. 39	110Z9446	QA. 39		
Z9441	JA. 20	53Z9446	QA. 29	3Z9449	QA. 31		
2Z9442	GK. 1	59Z9446	QA. 29	4Z9449	QA. 31		
5Z9442	GK. 1			5Z9449	QA. 31		
6Z9442	DA. 3, GK. 1			6Z9449	QA. 31		
6aZ9442	DA. 3			1Z9450	QA. 40		
7Z9442	DA. 3			4Z9450	QA. 40		
7aZ9442	DA. 3			8Z9450	QA. 40		
8Z9442	DA. 4			20Z9450	QA. 40		
9Z9442	DA. 3			Z9473	QS. 2,		
9aZ9442	DA. 3				GG. 25		
11Z9442	DA. 3			1Z9473	GG. 25		
11aZ9442	DA. 3			1Z9473	GG. 26		
12Z9442	DA. 4			2aZ9473	GG. 29		
1Z9446	JB. 5, QA. 27			2Z9475	QD. 1		
9Z9446	QA. 28			3Z9475	QD. 1		
10Z9446	QA. 27			1Z9476			
11Z9446	QA. 27			5Z9476	JA. 5		
12Z9446	QA. 27			6Z9476	JA. 5		
20Z9446	QA. 38			7Z9476	JA. 4		
20aZ9446	QA. 38			10Z9476	JA. 4		
20bZ9446	QA. 38			14Z9476	JA. 5		
21Z9446	QA. 38			1Z9477	QS. 1		

INDEX OF PART NUMBERS

(See also Supplementary pages, if any)

Part No.	Page No.	Part No.	Page No.	Part No.	Page No.	Part No.	Page No.
6Z9488	GP. 1	70Z9488	GP. 1	197Z9488	GP. 2	6Z9527	JB. 80
7Z9488		71Z9488	GP. 1	1Z9489	QA. 36	1Z9528	JF. 2
10Z9488	GP. 1	72Z9488	GP. 1	1Z9496	KB. 6	2Z9528	JF. 2
11Z9488	GP. 1	73Z9488	GP. 2	2Z9496	KB. 6	3Z9528	JF. 2
12aZ9488	GP. 1	74Z9488	GP. 1	3Z9496	KB. 6	4Z9528	JF. 2
12bZ9488	GP. 1			4Z9496	KB. 6	1Z9529	JF. 2
12cZ9488	GP. 1			1Z9497	KB. 6	2Z9529	JF. 2
13Z9488				2Z9497	KB. 6	5Z9529	JF. 2
14Z9488	GP. 2			3Z9497	KB. 6	6Z9529	JF. 2
15Z9488	GP. 2			4Z9497	KB. 6	14Z9529	JF. 2
16Z9488	GP. 2			1Z9498	JA. 2	15Z9529	JF. 2
17Z9488	GP. 2			1Z9500	KA. 1	1Z9555	QE. 1
18aZ9488	GP. 2			2Z9500	KA. 1	2Z9555	QE. 1
18bZ9488	GP. 2			1Z9506	KF. 1	3Z9555	QE. 1, QE. 3,
19Z9488	GP. 2			1Z9507	KF. 1		QE. 6, QE. 7,
20Z9488	GP. 2			1Z9508	KF. 1		QE. 8, QE. 9,
21Z9488	GP. 2			1Z9509	KF. 1		QE. 10,
22Z9488	GP. 2			1Z9510	KF. 1		QE. 12,
23Z9488	GP. 2			1Z9511	KF. 1		QE. 13,
25Z9488	GP. 2			1Z9521	KB. 2		QE. 14
26Z9488	GP. 2			8Z9523	QA. 39		
27Z9488	GP. 2			8cZ9523	QA. 39		
28Z9488				9Z9523	QA. 39		
29Z9488	GP. 1, GP. 2			10Z9523	QA. 28		
30Z9488	GP. 1			15Z9523	QA. 29		
31Z9488	GP. 1			16Z9523	QA. 29		
32Z9488	GP. 1			1Z9526	JB. 80		
33Z9488	GP. 2			2Z9526	JB. 80		
34Z9488	GP. 1			3Z9526	JB. 80		
48Z9488	GP. 1			4Z9526	JB. 80		
49Z9488	GP. 1			5Z9526	JB. 80		
57Z9488	GP. 1			6Z9526	JB. 80		
58Z9488	GP. 1			1Z9527	JB. 80		
65Z9488				2Z9527	JB. 80		
68Z9488	GP. 1, JA. 7			5Z9527	JB. 80		

VULCAN PM 2

INDEX OF PART NUMBERS

Page W. 187

(See also Supplementary pages, if any)

Part No.	Page No.	Part No.	Page No.	Part No.	Page No.	Part No.	Page No.
3Z9555	QE. 15, QE. 16, QE. 17, QE. 18, QE. 19			2Z9576	QE. 18		
1Z9556	QE. 1			1Z9577	QE. 19		
2Z9556	QE. 1			2Z9577	QE. 19		
1Z9557	QE. 3			4Z9580	QH. 1		
2Z9557	QE. 3			5Z9580	QH. 1		
1Z9559	QE. 7			8Z9580	QH. 1		
2Z9559	QE. 7			9Z9580	QH. 1		
1Z9560	QE. 6			11Z9580	QH. 2		
2Z9560	QE. 6			13Z9580	QH. 2		
1Z9561	QE. 6			14Z9580	QH. 2		
2Z9561	QE. 6			15Z9580	QH. 2		
1Z9562	QE. 8			17Z9580	QH. 2		
2Z9562	QE. 8			22Z9580	QH. 2		
1Z9563	QE. 9			29Z9580	NB. 5, QH. 1		
2Z9563	QE. 9			30Z9580	NB. 5, QH. 1		
1Z9564	QE. 9			31Z9580	QH. 3		
2Z9564	QE. 9			32Z9580	QH. 3		
1Z9565	QE. 11			34Z9580	QH. 2		
2Z9565	QE. 11			36Z9580	QH. 3		
1Z9566	QE. 11			37Z9580	QH. 3		
2Z9566	QE. 11			38Z9580	QH. 3		
1Z9567	QE. 12			39Z9580	QH. 3		
2Z9567	QE. 12			40Z9580	QH. 3		
1Z9568	QE. 13			41Z9580	QH. 3		
2Z9568	QE. 13			42Z9580	QH. 3		
1Z9569	QE. 14			43Z9580	QH. 3		
2Z9569	QE. 14			44Z9580	QH. 4		
1Z9570	QE. 15			45Z9580	QH. 4		
2Z9570	QE. 15			46Z9580	QH. 4		
1Z9571	QE. 15			47Z9580	QH. 4		
2Z9571	QE. 15			48Z9580	QH. 4		
1Z9572	QE. 15			51Z9580	QH. 4		
2Z9572	QE. 15			54Z9580	QH. 2		
1Z9573	QE. 16			55Z9580	QH. 2		
2Z9573	QE. 16			56Z9580	QH. 4		
1Z9574	QE. 17			57Z9580	QH. 4		
2Z9574	QE. 17			58Z9580	QH. 2		
1Z9575	QE. 17			59Z9580	QH. 4		
2Z9575	QE. 17			60Z9580	QH. 2		
1Z9576	QE. 18			61Z9580	QH. 2		
				62Z9580	QH. 4		
				65Z9580	QH. 4		
				66Z9580	QH. 4		
				67Z9580	QH. 5		

INDEX OF PART NUMBERS

(See also Supplementary pages, if any)

Part No.	Page No.	Part No.	Page No.	Part No.	Page No.	Part No.	Page No.
70Z9580	QH. 5	102Z9596	GQ. 2	122Z9596	GQ. 5	33Z9634	EM. 6
71Z9580	QH. 5	106Z9596	GQ. 4	123Z9596	GQ. 5	34Z9634	EM. 6
72aZ9580	QH. 5	108Z9596	GQ. 4	125Z9596	GQ. 5		
72bZ9580	QH. 5	118Z9596	GQ. 2	135Z9596	GQ. 7		
73Z9580	QH. 5	121Z9596	GQ. 5	155Z9596	GQ. 1.		
95Z9580	QH. 3				GQ. 2.		
1Z9581	KA. 1				GQ. 3.		
Z9590	QA. 40				GQ. 4		
2Z9590	QA. 40			171Z9596	GQ. 4		
3Z9590	QA. 40			3Z9598	EK. 2		
5Z9593	EK. 2			5Z9598	EK. 2		
2Z9595	JA. 14			6Z9598	EK. 2, EM. 3		
6Z9595	JA. 14			7Z9598	EK. 2, EM. 3		
7Z9595	JA. 14			Z9615	QE. 1		
24Z9595	JA. 15			4Z9615			
5Z9596	GQ. 2, GQ. 3			11Z9619	EM. 4		
7Z9596	GQ. 1, GQ. 2			31Z9619	EM. 5		
15Z9596	GQ.1.			32Z9619	EM. 5		
	GQ. 2.			35Z9619	EM. 3		
	GQ. 3.			36Z9619	EM. 5		
	GQ. 4.			7Z9622	QA. 12		
	QA. 11			8Z9622	QA. 11		
20Z9596	GQ. 2			9Z9622	QA. 11		
31Z9596	GQ. 3			10Z9622	QA. 11		
42Z9596	GQ. 1			11Z9622	QA. 11		
47Z9596	GQ. 5			12Z9622	QA. 11		
51Z9596	GQ. 1			1Z9624	KA. 1		
63Z9596	GQ. 1, GQ. 3			1Z9625	KB. 1		
72Z9596	GQ. 2			1Z9626	KA. 1		
73Z9596	GQ. 3			1Z9628	KA. 1		
83Z9596	GQ. 4			1Z9634	EM. 6		
90Z9596	GQ. 5			3Z9634	EM. 6		
91Z9596	GQ. 5			18Z9634	EM. 6		
92Z9596	GQ. 5			20Z9634	EM. 6		
93Z9596	GQ. 4			22Z9634	EM. 6		
94Z9596	GQ. 4			24Z9634	EM. 6		
95Z9596	GQ. 4			25Z9634	EM. 6		
97Z9596	GQ. 4			26Z9634	EM. 6		
99Z9596	GQ. 2			28Z9634	EM. 6		
100Z9596	GQ. 2			29Z9634	EM. 6		
101Z9596	GQ. 2			32Z9634	EM. 6		

VULCAN FIG. 2

INDEX OF PART NUMBERS

Page W. 189

(See also Supplementary pages, if any)

Part No.	Page No.	Part No.	Page No.	Part No.	Page No.	Part No.	Page No.
35Z9634	EM. 6			58bZ9642	EC. 6	1Z9674	QT. 12
36Z9634	EM. 6			58cZ9642	EC. 6	Z9682	
39Z9634	EM. 6			73Z9642	EM. 1	5Z9682	
41Z9634	EM. 6			74Z9642	EM. 1	6Z9682	
1Z9638	QC. 8			75Z9642	EM. 1	14Z9682	JA. 18
2Z9638	QC. 9			78Z9642	EM. 2	39Z9682	JA. 18
5Z9638	QC. 9			90Z9642	EM. 2	41Z9682	JA. 18
6Z9638	QC. 8			92Z9642	EM. 2	50Z9682	JA. 18
7Z9638	QC. 9			95Z9642	EM. 2	51Z9682	JA. 20
Z9639	MC. 26			96Z9642	EM. 1	66Z9682	
Z9642	EM. 1, JA. 13			99Z9642	EM. 2	1Z9683	
13Z9642	EM. 3			99aZ9642	EM. 2	6Z9683	
14Z9642	EM. 3			99bZ9642	EM. 2	11Z9683	
15Z9642	EM. 3			100Z9642	EM. 2	1Z9684	
16Z9642	EM. 3			101Z9642	EM. 2	7Z9684	
17Z9642	EM. 6			102Z9642	EM. 2	8Z9684	
17aZ9642	EM. 6			103Z9642	EM. 3	1Z9685	
18Z9642	EM. 6			104Z9642	EM. 2	8Z9685	
23Z9642	EM. 1			105Z9642	EM. 3	9Z9685	
24Z9642	EM. 1			1Z9646	FM. 12	11Z9685	
25Z9642	EM. 2			2Z9646	FM. 12		
28Z9642	EM. 3			3Z9646	FM. 12		
30Z9642	EM. 2			1Z9655	FD. 2, FJ. 19,		
31Z9642	EM. 1				QE. 14,		
31aZ9642	EM. 1				QE. 20		
33Z9642	EM. 1			1Z9656	QE. 2		
34Z9642	EM. 1			1Z9657	QE. 5		
42Z9642	EM. 1			2Z9657	QE. 5		
43Z9642	EM. 1			3Z9657	QE. 5		
44Z9642	EM. 1			1Z9658	QE. 5		
47Z9642	EM. 1			2Z9658	QE. 5		
47aZ9642	EM. 1			1Z9659	QE. 13		
54bZ9642	EC. 7			1Z9660	QE. 13		
55bZ9642	EC. 7			1Z9661	DA. 2		
56bZ9642	EC. 6			2Z9661	DA. 2		
58aZ9642	EM. 3			1Z9662	KB. 4		

INDEX OF PART NUMBERS

(See also Supplementary pages, if any)

Part No.	Page No.	Part No.	Page No.	Part No.	Page No.	Part No.	Page No.
1Z9686	JA. 18	68Z9701	JB. 3	48Z9707	GF. 19	133Z9707	GF. 23
1Z9688	JA. 8, QG. 1	69Z9701	JB. 3	53Z9707	GF. 19	6Z9710	GD. 1
28Z9691	JA. 14	70Z9701	JB. 3	57Z9707	GF. 19	4Z9711	GD. 2
1Z9692	KB. 2	71Z9701	JB. 3	58Z9707	GF. 19	5Z9711	GD. 2
1Z9694	JA. 12	72Z9701	JB. 4	62Z9707	GF. 20	7Z9711	GD. 2
1Z9696	QA. 11	73Z9701	JB. 4	68Z9707	GF. 20	8Z9711	GD. 2
3Z9697	EM. 3	74Z9701	JB. 4	69Z9707	GF. 20	19Z9711	GD. 2
8Z9697	EM. 3	75Z9701	JB. 4	70Z9707	GF. 20	20Z9711	GD. 2
9Z9697	EM. 3	77Z9701	JB. 3	71Z9707	GF. 20	26Z9711	GD. 1
12Z9697	EM. 3	78Z9701	JB. 4	81Z9707	GF. 20	32Z9711	GD. 2
13Z9697	EM. 3	80Z9701	JB. 3	82Z9707	GF. 20	33Z9711	GD. 2
15Z9697	EM. 4	83Z9701	JA. 10	84Z9707	GF. 20		
16Z9697	EM. 3	87Z9701	JA. 10	85Z9707	GF. 20		
17Z9697	EM. 3	88Z9701	JA. 10	87Z9707	GF. 20		
1Z9698	JA. 20	89Z9701	JA. 10	88Z9707	GF. 20		
Z9699	JA. 7	91Z9701	JA. 10	89Z9707	GF. 20		
1Z9701	JA. 10	92Z9701	JA. 10	90Z9707	GF. 21		
2Z9701	JB. 3	Z9704	JA. 7	93Z9707	GF. 21		
10Z9701	JA. 10	5Z9704	JA. 7	94Z9707	GF. 21		
11Z9701	JA. 10	Z9705	JA. 20	95Z9707	GF. 21		
12Z9701	JA. 10	1Z9707	GF. 18	97Z9707	GF. 21		
13Z9701	JA. 10	5Z9707	GF. 18	98Z9707	GF. 21		
14Z9701	JA. 10	7Z9707	GF. 18	102Z9707	GF. 21		
15Z9701	JA. 10	8Z9707	GF. 18	107Z9707	GF. 21		
20Z9701	JA. 10	9Z9707	GF. 18	108Z9707	GF. 21		
21Z9701	JA. 10	10Z9707	GF. 18	109Z9707	GF. 21		
23Z9701	JB. 4	11Z9707	GF. 18	110Z9707	GF. 21		
24Z9701	JB. 4	12Z9707	GF. 18	111Z9707	GF. 22		
28Z9701	JB. 4	13Z9707	GF. 18	112Z9707	GF. 22		
29Z9701	JB. 3	15Z9707	GF. 18	114Z9707	GF. 22		
30Z9701	JB. 3	16Z9707	GF. 18	115Z9707	GF. 22		
38Z9701	JA. 10	17Z9707	GF. 18	116Z9707	GF. 22		
40Z9701	JB. 3	19Z9707	GF. 19	117Z9707	GF. 22		
52Z9701	JB. 3	24Z9707	GF. 19	118Z9707	GF. 22		
55Z9701	JB. 3	26Z9707	GF. 19	119Z9707	GF. 22		
56Z9701	JB. 3	28Z9707	GF. 21	120Z9707	GF. 22		
57Z9701	JB. 3	29Z9707	GF. 19	121Z9707	GF. 22		
57aZ9701	JB. 3	30Z9707	GF. 20	122Z9707	GF. 22		
57bZ9701	JB. 3	32Z9707	GF. 21	123Z9707	GF. 22		
58Z9701	JB. 4	33Z9707	GF. 19	124Z9707	GF. 22		
59Z9701	JB. 3	35Z9707	GF. 19	125Z9707	GF. 22		
60Z9701	JB. 3	36Z9707	GF. 19	126Z9707	GF. 22		
61Z9701	JB. 4	37Z9707	GF. 19	127Z9707	GF. 23		
62Z9701	JB. 3	38Z9707	GF. 20	128Z9707	GF. 23		
63Z9701	JB. 4	42Z9707	GF. 19	129Z9707	GF. 23		
65Z9701	JB. 3	44Z9707	GF. 19	130Z9707	GF. 23		
66Z9701	JB. 3	45Z9707	GF. 19	131Z9707	GF. 23		
67Z9701	JB. 3	46Z9707	GF. 19	132Z9707	GF. 23		

INDEX OF PART NUMBERS

Page W. 191

(See also Supplementary pages, if any)

Part No.	Page No.	Part No.	Page No.	Part No.	Page No.	Part No.	Page No.
1Z9718	QE. 3			55Z9721	GF. 12	119Z9721	GP. 15
2Z9718	QE. 3			58Z9721	GF. 12	120Z9721	GF. 13
1Z9719	QE. 3			59Z9721	GF. 12	121Z9721	GF. 13
2Z9719	QE. 3			60Z9721	GF. 12	122Z9721	GF. 13
3Z9719	QE. 5			61Z9721	GF. 14	123Z9721	GF. 13
4Z9719	QE. 5			62Z9721	GF. 14	124Z9721	GF. 14
1Z9721	GF. 11, JA. 45			64Z9721	GF. 14	125Z9721	GF. 14
2Z9721	GF. 13			67Z9721	GF. 13	126Z9721	GF. 14
3Z9721	GF. 13			68Z9721	GF. 13	127Z9721	GF. 14
4Z9721	GF. 13			70Z9721	GF. 14	128Z9721	GF. 13
5Z9721	GF. 13			71Z9721	GF. 14	129Z9721	GF. 15
6Z9721	GF. 13			72Z9721	GF. 14	130Z9721	GF. 15
7Z9721				73Z9721	GF. 14	131Z9721	GF. 13
8Z9721	GF. 13			79Z9721	GF. 14	132Z9721	GF. 16
9Z9721	GF. 13			80Z9721	GF. 12	133Z9721	GF. 16
12Z9721	GF. 13			83Z9721	GF. 14		
14Z9721	GF. 13			84Z9721	GF. 15		
15Z9721	GF. 13			85Z9721	GF. 15		
16Z9721	GF. 13			86Z9721	GF. 15		
17Z9721	GF. 11			91Z9721	GF. 12		
18Z9721	GF. 11			92Z9721	GF. 12		
19Z9721	GF. 11			94Z9721	GF. 15		
20Z9721	GF. 11			95Z9721	GF. 15		
21Z9721	GF. 11			96Z9721	GF. 12		
23Z9721	GF. 11			97Z9721	GF. 12		
24Z9721	GF. 11			99Z9721	GF. 12		
25Z9721	GF. 14			100Z9721	GF. 12		
26Z9721	GF. 14			101Z9721	GF. 15		
29Z9721	GF. 11			102Z9721	GF. 15		
30Z9721	GF. 11			103Z9721	GF. 12		
38Z9721	GF. 14			104Z9721	GF. 13		
39Z9721	GF. 14			105Z9721	GF. 13		
42Z9721	GF. 11			106Z9721	GF. 15		
43Z9721	GF. 12			108Z9721	GF. 12		
44Z9721	GF. 12			109Z9721	GF. 13		
46Z9721	GF. 12			110Z9721	GF. 13		
47Z9721	GF. 12			111Z9721	GF. 13		
48Z9721	GF. 12			112Z9721	GF. 13		
49Z9721	GF. 12			113Z9721	GF. 12		
50Z9721	GF. 12			114Z9721	GF. 12		
51Z9721	GF. 12			115Z9721	GF. 15		
52Z9721	GF. 12			116Z9721	GF. 15		
53Z9721	GF. 12			117Z9721	GF. 13		
54Z9721	GF. 12			118Z9721	GF. 15		

INDEX OF PART NUMBERS

(See also Supplementary pages, if any)

Part No.	Page No.	Part No.	Page No.	Part No.	Page No.	Part No.	Page No.
4Z9722	QB. 2			40Z9726	GP. 5	9Z9736	QC. 10
5Z9722	QB. 2, QB. 3			43Z9726	GP. 5	1Z9738	QE. 19
6Z9722	QB. 2, QB. 3			44Z9726	GP. 7	1Z9739	QE. 19
7Z9722	QB. 2, QB. 3			49Z9726	GP. 5	1Z9743	QE. 7, QE. 15
8Z9722	QB. 2, QB. 3			50Z9726	GP. 5	1Z9744	QE. 7, QE. 15
9Z9722	QB. 2, QB. 3			51Z9726	GP. 7	1Z9745	QE. 10
13Z9722	QB. 2, QB. 3			56Z9726		1Z9746	QE. 10
17Z9722	QB. 2, QB. 3			57Z9726		1Z9770	GD. 3, JA. 14
3Z9723	QB. 3			58Z9726	GP. 6	7Z9770	GD. 3
4Z9723	QB. 3			59Z9726	GP. 5	8Z9770	GD. 3
5Z9723	QB. 3			60Z9726	GP. 7	11Z9770	GD. 3
6Z9723	QB. 3			61Z9726	GP. 7	12Z9770	GD. 3
7Z9723	QB. 3			62Z9726	GP. 6	13Z9770	GD. 3
8Z9723	QB. 3			66Z9726	GP. 8	1Z9775	GD. 1, JA. 8
1Z9724	GF. 17			67Z9726	GP. 8	2Z9775	GD. 1, JA. 8
6Z9724	GF. 17			68Z9726	GP. 7	3Z9775	GD. 1
7Z9724	GF. 17			69Z9726	GP. 8	4Z9775	GD. 1
10Z9724	GF. 18			7Z9726	GP. 6	5Z9775	GD. 1
11Z9724	GF. 18			73Z9726	GP. 6	6Z9775	GD. 1
12Z9724	GF. 18			74Z9726	GP. 6	7Z9775	GD. 1
13Z9724	GF. 18			76Z9726	GP. 6	8Z9775	GD. 1
14Z9724	GF. 18			77Z9726	GP. 5	9Z9775	GD. 1
2Z9726	GP. 3			78Z9726	GP. 5	10Z9775	GD. 1
4Z9726	GP. 6			80Z9726	GP. 6	Z9782	GD. 3, JA. 14
5Z9726	GP. 6			81Z9726	GP. 5		
6Z9726	GP. 4			82Z9726	GP. 5		
7Z9726	GP. 8			83Z9726	GP. 5		
8Z9726	GP. 6			84Z9726	GP. 6		
10Z9726	GP. 6			85Z9726	GP. 5		
17Z9726	GP. 3			1Z9729	KF. 2		
18Z9726	GP. 7			1Z9730	KF. 2		
19Z9726	GP. 7			1Z9731	JB. 58		
20Z9726	GP. 6			2Z9731	JB. 58		
22Z9726	GP. 6			11Z9731	JB. 58		
24Z9726	GP. 3			1Z9732	QG. 1		
26Z9726	GP. 5			Z9735	JA. 20		
27Z9726	GP. 7			Z9736	QC. 10		
28Z9726	GP. 7			2Z9736	QC. 10		
29Z9726	GP. 4			3Z9736	QC. 10		
30Z9726	GP. 4			4Z9736	QC. 10		
34Z9726	GP. 7			5Z9736	QC. 10		
35Z9726	GP. 4			6Z9736	QC. 10		
38Z9726	GP. 7			7Z9736	QC. 10		
39Z9726	GP. 5			8Z9736	QC. 10		

VULCAN No. 2

INDEX OF PART NUMBERS

Page W. 193

(See also Supplementary pages, if any)

Part No.	Page No.	Part No.	Page No.	Part No.	Page No.	Part No.	Page No.
22Z9782	GD. 3	10Z9794	QR. 11	17Z9794	QR. 11	61Z9794	QR. 12
24Z9782	GD. 3	11Z9794	QR. 11	18Z9794	QR. 11	62Z9794	QR. 12
25Z9782	GD. 3	12Z9794	QR. 11	19Z9794	QR. 11	63Z9794	QR. 12
29Z9782	JA. 59	13Z9794	QR. 11	20Z9794	QR. 11	64Z9794	QR. 12
31Z9782	GD. 3	14Z9794	QR. 11	21Z9794	QR. 11	65Z9794	QR. 13
32Z9782	JA. 62	15Z9794	QR. 11	22Z9794	QR. 11	66Z9794	QR. 13
34Z9782	GD. 3	16Z9794	QR. 11	23Z9794	QR. 11		
36Z9782	GD. 3			24Z9794	QR. 11		
39Z9782	GD. 3			25Z9794	QR. 11		
51Z9782	JA. 62			26Z9794	QR. 11		
52Z9782	GD. 3			27Z9794	QR. 11		
53Z9782	GD. 3			28Z9794	QR. 11		
4Z9783	GQ. 12			29Z9794	QR. 13		
5Z9783	GQ. 12			30Z9794	QR. 13		
6Z9783	GQ. 11			31Z9794	QR. 11		
8Z9783	GQ. 11			32Z9794	QR. 11		
9Z9783	GQ. 11			33Z9794	QR. 11		
2Z9786	QC. 3			34Z9794	QR. 11		
3Z9786	QC. 3			35Z9794	QR. 12		
4Z9786	QC. 3			36Z9794	QR. 12		
1Z9787	QC. 1			37Z9794	QR. 10		
2Z9787	QC. 1			38Z9794	QR. 10		
7Z9787	QC. 1			39Z9794	QR. 13		
8Z9787	QC. 1			40Z9794	QR. 13		
5Z9788	QC. 1			41Z9794	QR. 12		
6Z9788	QC. 1			42Z9794	QR. 12		
7Z9788	QC. 1			43Z9794	QR. 12		
1Z9791	QC. 1			44Z9794	QR. 12		
2Z9791	QC. 1			45Z9794	QR. 12		
3Z9791	QC. 1			46Z9794	QR. 12		
4Z9791	QC. 1			47Z9794	QR. 12		
5Z9791	QC. 1			48Z9794	QR. 12		
6Z9791	QC. 1			50Z9794	QR. 12		
7Z9791	QC. 1			51Z9794	QR. 8		
25Z9792	GD. 3			52Z9794	QR. 8		
1Z9794	QR. 1			53Z9794	QR. 8		
2Z9794	QR. 1			54Z9794	QR. 8		
3Z9794	QR. 10			55Z9794	QR. 8		
4Z9794	QR. 10			56Z9794	QR. 8		
7Z9794	QR. 11			57Z9794	QR. 8		
8Z9794	QR. 11			59Z9794	QR. 12		
9Z9794	QR. 11			60Z9794	QR. 12		

INDEX OF PART NUMBERS

(See also Supplementary pages, if any)

Part No.	Page No.	Part No.	Page No.	Part No.	Page No.	Part No.	Page No.
67Z9794	QR. 13			2Z9862	KB. 4	35Z9926	GQ. 6
68Z9794	QR. 13			3Z9862	KB. 4	36Z9926	GQ. 6
69Z9794	QR. 13			4Z9862	KB. 4	38Z9926	GQ. 6
70Z9794	QR. 13			5Z9862	KB. 4	39Z9926	GQ. 6
71Z9794	QR. 13			6Z9862	KB. 4	40Z9926	GQ. 6
72Z9794	QR. 13			7Z9862	KB. 4	41Z9926	GQ. 6
73Z9794	QR. 13			8Z9862	KB. 4	42Z9926	GQ. 5
74Z9794	QR. 13			9Z9862	KB. 4	43Z9926	GQ. 5
75Z9794	QR. 8			10Z9862	KB. 4	1Z9936	GD. 1, JA. 8
76Z9794	QR. 9			Z9865	KB. 7	2Z9936	GD. 1
77Z9794	QR. 9			2Z9867	QK. 7	3Z9936	GD. 1
78Z9794	QR. 9			3Z9867	QK. 9	5Z9936	GD. 1
83Z9794	QR. 10			10Z9871	HG. 2	6Z9936	GD. 1
85Z9794	QR. 10			11Z9871	HG. 2	8Z9936	G.D 1
88Z9794	QR. 9			3Z9872	HG. 2		
89Z9794	QR. 9			28Z9872	HG. 2		
1Z9807	KF. 2			1Z9883	GKS, JA. 11		
1Z9809	KF. 2			1Z9890	GQ. 2		
1Z9810	KF. 1			9Z9890	GQ. 3		
4Z9814	HB. 1, HB. 2			11Z9890	GQ. 3		
6Z9814	HB. 1, HB. 2			15Z9890	GQ. 3		
7Z9814	HB. 1, HB. 2			25Z9890	GQ. 3		
8Z9814	HB. 1			26Z9890	GQ. 3		
1Z9815	HB. 1			27Z9890			
21Z9815	HB. 1			1Z9893	KB. 1		
34Z9815	HB. 1			Z9895	JA. 8		
35Z9815	HB. 1			1Z9899			
36Z9815	HB. 1			11Z9899	GQ. 2		
1Z9823	JH. 2, QC. 8			1Z9901	GG. 25		
1Z9827	HB. 1			2Z9901	GG. 26		
12Z9827	HB. 1			Z9926	GQ. 1, JA. 64		
13Z9827	HB. 1			3Z9926	GQ. 1		
14Z9827	HB. 1, HB. 2			8Z9926	GQ. 1		
15Z9827	HB. 1			9Z9926	GQ. 1		
16Z9827	HB. 1			12Z9926	GQ. 3		
20Z9827	HB. 1, HB. 2			14Z9926	GQ. 4		
25Z9827	HB. 1			16Z9926	GQ. 5		
42Z9827	HB. 1			17Z9926	GQ. 6		
43Z9827	HB. 1			18Z9926	GQ. 6		
1Z9845	GJ. 1			20Z9926	GQ. 6		
3Z9845	GJ. 1			21Z9926	GQ. 6		
4Z9845	GJ. 1			23Z9926	GQ. 6		
1Z9846	GD. 3			25Z9926	GQ. 1		
5Z9861	JH. 1			30Z9926	GQ. 7		

VULCAN PL. 1

INDEX OF PART NUMBERS

Page W. 195

(See also Supplementary pages, if any)

Part No.	Page No.	Part No.	Page No.	Part No.	Page No.	Part No.	Page No.
1Z9938	HH. 40	7Z9955	HH. 41	22Z9955	HH. 38	67Z9978	HH. 40
1Z9947	KF. 2	8Z9955	HH. 42	26Z9955	HH. 42	Z9980	HA. 1
1Z9949	KF. 1	21Z9955	HH. 35	28Z9955	HH. 42	2Z9980	HA. 2
11Z9953	HH. 40			29Z9955	HH. 35	3Z9980	HA. 2
1Z9954	HH. 36			30Z9955	HH. 42	4Z9980	HA. 2
2Z9954	HH. 36			31Z9955	HH. 35	5Z9980	HA. 1
8Z9954	HH. 54			32Z9955	HH. 42	6Z9980	HA. 2, HA. 3
9Z9954	HH. 36			33Z9955	HH. 41	7Z9980	HA. 3
11Z9954	HH. 36,			34Z9955	HH. 35	10Z9980	HA. 3
	HH. 40,			35Z9955	HH. 35	11Z9980	HA. 3
	HH. 54			36Z9955	HH. 42	12Z9980	HA. 3
14Z9954	HH. 37			65Z9956	HH. 36	13Z9980	HA. 1, HA. 2,
18Z9954	HH. 40,			1Z9970	JA. 4		HA. 4
	HH. 54			3Z9970		14Z9980	HA. 3
19Z9954	HH. 37			3aZ9970	JA. 4	15Z9980	HA. 2, HA. 4
20Z9954	HH. 38			6Z9970	JA. 4	15aZ9980	HA. 2
21Z9954	HH. 37			7Z9970	JA. 4	15bZ9980	HA. 2
26Z9954	HH. 41			8Z9970	JA. 4	16Z9980	HA.1, HA. 4
40Z9954	HH. 36			9Z9970	JA. 4	19Z9880	HA.1, HA. 2
41Z9954	HH. 36			10Z9970	JA. 4	20Z9980	HA. 1, HA. 2
42Z9954	HH. 36			12Z9970	JA. 4	23Z9980	HA. 3
43Z9954	HH. 36			14Z9970	JA. 4	25Z9980	HA. 3
44Z9954	HH. 36			50Z9973	HH. 39	27Z9980	HA. 1
46Z9954	HH. 36			1Z9978	HH. 39	28Z9980	HA. 1
47Z9954	HH. 36			2Z9978	HH. 39	29Z9980	HA. 4
49Z9954	HH. 36			3Z9978	HH. 39	30Z9980	HA. 4
50Z9954	HH. 40			4Z9978	HH. 39	30aZ9980	HA. 4
51Z9954	HH. 37			5Z9978	HH. 39	30bZ9980	HA. 4
54Z9954	HH. 40			6Z9978	HH. 39		
55Z9954	HH. 37			7Z9978	HH. 39		
56Z9954	HH. 37			8Z9978	HH. 39		
60Z9954	HH. 40			9Z9978	HH. 39		
61Z9954	HH. 38			18Z9978	HH. 36		
62Z9954	HH. 36			34Z9978	HH. 39		
63Z9954	HH. 36			36Z9978	HH. 39		
64Z9954	HH. 40			38Z9978	HH. 39		
65Z9945	HH. 36			41Z9978	HH. 39		
66Z9954	HH. 37			50Z9978	HH. 39		
67Z9954	HH. 37			51Z9978	HH. 39		
75Z9954	HH. 37			52Z9978	HH. 39		
75bZ9954	HH. 37			53Z9978	HH. 39		
75cZ9954	HH. 37			54Z9978	HH. 39		
76Z9954	HH. 36			55Z9978	HH. 39		
79Z9954	HH. 40			56Z9978	HH. 40		
2Z9955	HH. 42			57Z9978	HH. 40		
5Z9955	HH. 42			61Z9978	HH. 40		
6Z9955	HH. 41			62Z9978	HH. 40		
				66Z9978	HH. 40		

INDEX OF PART NUMBERS

(See also Supplementary pages, if any)

Part No.	Page No.	Part No.	Page No.	Part No.	Page No.	Part No.	Page No.
1Z9981	KB. 7	17Z10050	HH. 54	11Z10362	JH. 1	11Z10585	JA. 51
1Z9982	KB. 8	18Z10050	HH. 54	1Z10462	HH. 36	1Z10698	HH. 9
1Z9983	GF. 16	19Z10050	HH. 53	3Z10462	HH. 36	2Z10698	HH. 9
2Z9983	GF. 17	20Z10050	HH. 53	6Z10462	HH. 36	3Z10698	HH. 9
3Z9983	GF. 17	28Z10050	HH. 53	7Z10462	HH. 36	4Z10698	HH. 9
4Z9983	GF. 17	29Z10050	HH. 53	8Z10462	HH. 36	6Z10698	HH. 9
5Z9983	GF. 17	30Z10050	HH. 54	9Z10462	HH. 36	7Z10698	HH. 9
6Z9983	GF. 17	31Z10050	HH. 53	11Z10462	HH. 36	8Z10698	HH. 9
7Z9983	GF. 17	37Z10050	HH. 53	12Z10462	HH. 36	1Z10699	HH. 9
8Z9983	GF. 17	38Z10050	HH. 53	13Z10462	HH. 36	2Z10699	HH. 9
9Z9983	GF. 17	42Z10050	HH. 54	15Z10462	HH. 36	1Z10701	HH. 9
10Z9983	GF. 17	50Z10050	HH. 53	Z10470	JA. 10	1Z10702	HH. 9
1Z9985	JA. 9	54Z10050	HH. 54	1Z10487	JA. 21	1Z10703	HH. 9
2Z9985	JA. 9	55Z10050	HH. 54	2Z10487	JA. 21	2Z10739	GP. 1
3Z9985	JA. 9	56Z10050	HH. 53	3Z10487	JA. 21	3Z10739	GP. 2
4Z9985	JA. 9	57Z10050	HH. 53	5Z10487	JA. 21	4Z10739	GP. 2
5Z9985	JA. 9	59Z10050	HH. 53	6Z10487	JA. 21	Z10864	JA. 16
6Z9985	JA. 9	67Z10050	HH. 53	1Z10493	NB. 12	1Z10869	HH. 41
7Z9985	JA. 9	Z10057	JA. 17	2Z10493	NB. 12	2Z10869	HH. 41
1Z9986	JA. 9	1Z10109	HA. 1	7Z10493	NB. 12	3Z10869	HH. 41
5Z9986	JA. 9	2Z10109	HA. 1	8Z10493	NB. 12	4Z10869	HH. 37
Z9987	JA. 9	3Z10109	HA. 1	24Z10493	NB. 12	5Z10869	HH. 41
Z9995	JA. 12	4bZ10109	HA. 1	1Z10525	JH. 10	8Z10869	HH. 41
5Z9995	JA. 12	5Z10109	HA. 1	2Z10525	JH. 10	10Z10869	HH. 36
1Z10005	HH. 1	6Z10109	HA. 1	3Z10525	JH. 10	11Z10869	HH. 41
3Z10005	HH. 2	7Z10109	HA. 1	4Z10525	JH. 10	12Z10869	HH. 41
4Z10005	HH. 10	Z10230	JA. 14	5Z10525	JH. 10	1Z11162	HH. 41
5Z10005	HH. 9	1Z10306	JB. 104	6Z10525	JH. 10		
7Z10005	HH. 9	1Z10328	JA. 18	7Z10525	JH. 10		
8Z10005	HH. 53	6Z10328	JA. 19	1Z10547	HH. 13	2Z11266	JA. 1
9Z10005	HH. 2	8Z10328	JA. 18	2Z10547	HH. 13	1Z11267	JA. 12
10Z10005	HH. 2	9Z10328	JA. 18	3Z10547	HH. 13	5Z11267	JA. 12
1Z10046	HB. 1	11Z10328	JA. 18	3fZ10547	HH. 13	41Z11270	FG. 58
2Z10046	HB. 2	1Z10329	JA. 18	3gZ10547	HH. 13	42Z11270	FG. 58
28Z10046	HB. 2	7Z10329	JA. 18	4Z10547	HH. 13		
30Z10046	HB. 1	8Z10329	JA. 18	5Z10547	HH. 13		
32hZ10046	HB. 1	1Z10330	JA. 19	6Z10547	HH. 13	1Z11315	JA. 8
33Z10046	HB. 2	6Z10330	JA. 19	7Z10547	HH. 13	Z11323	JA. 1
8Z10050	HH. 53	11Z10330	JA. 19	8Z10547	HH. 13	2Z11323	JA. 1
10Z10050	HH. 53	1Z10362	JH. 1	7Z10559	HH. 54	3Z11323	JA. 1
12Z10050	HH. 53	2Z10362	JH. 1	1Z10585	JA. 51	Z560790	DA. 6
13Z10050	HH. 52	7Z10362	JH. 1	4Z10585	JA. 51		
14Z10050	HH. 52	8Z10362	JH. 1	5Z10585	JA. 51		
15Z10050	HH. 53	9Z10362	JH. 1	7Z10585	JA. 51		
16Z10050	HH. 52	10Z10362	JH. 1	8Z10585	JA. 51		